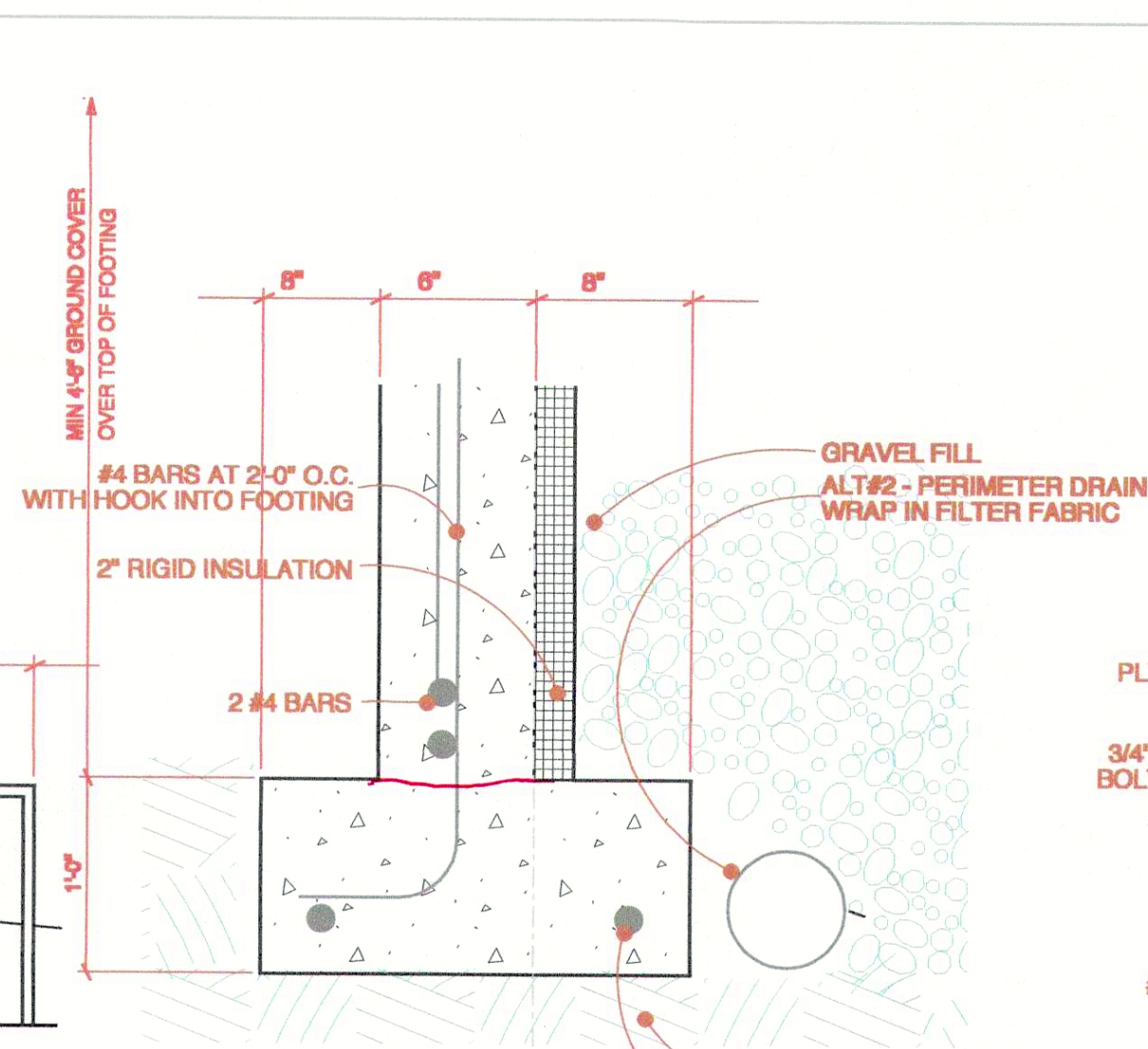
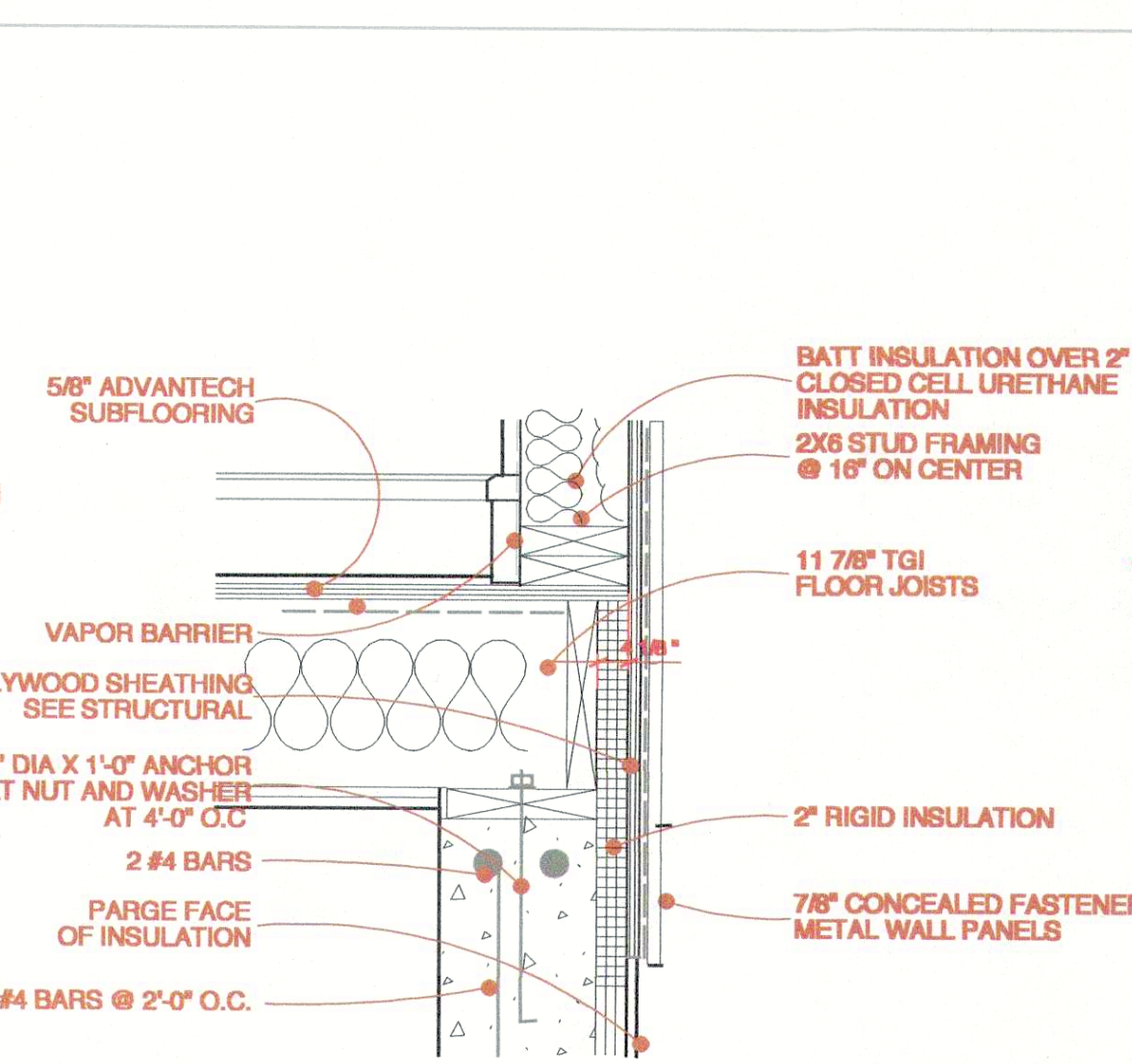


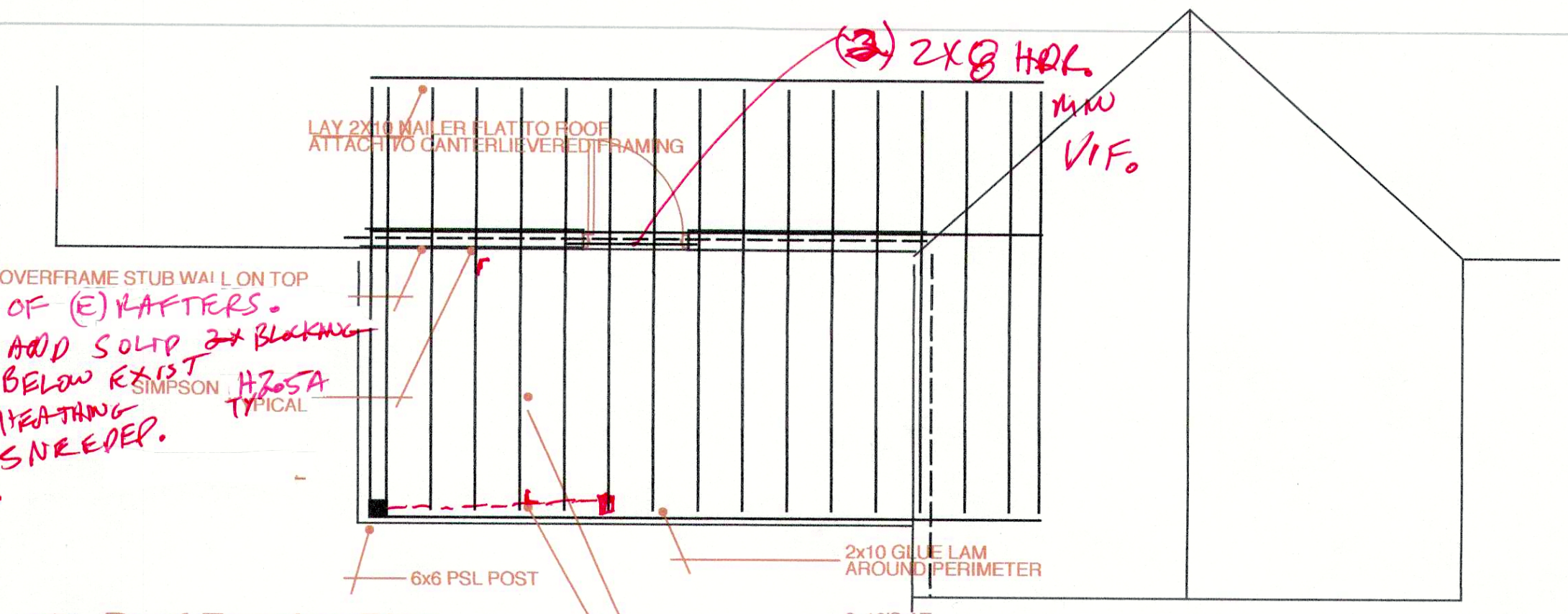
40 Section at Stair



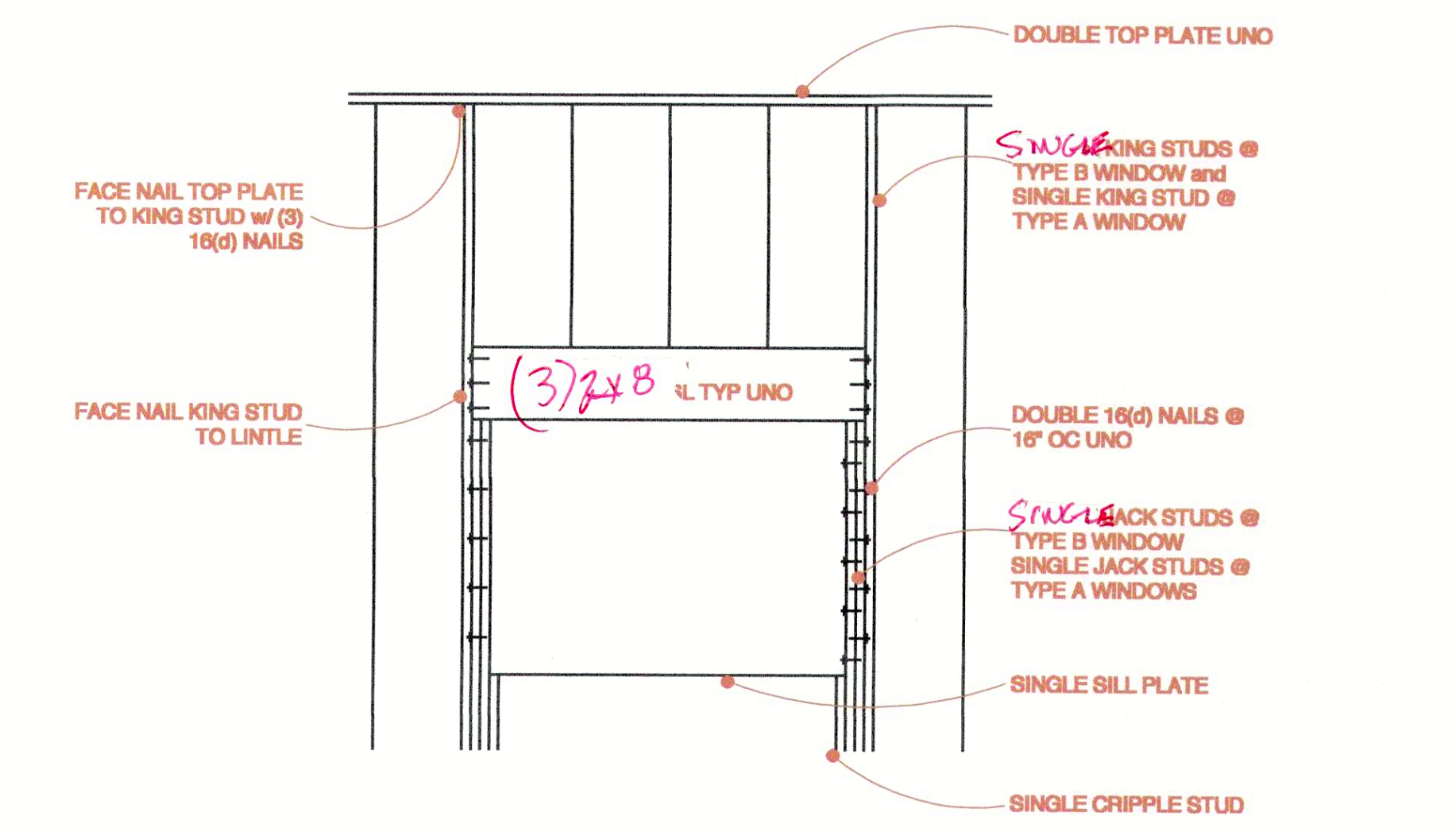
23 Section Detail



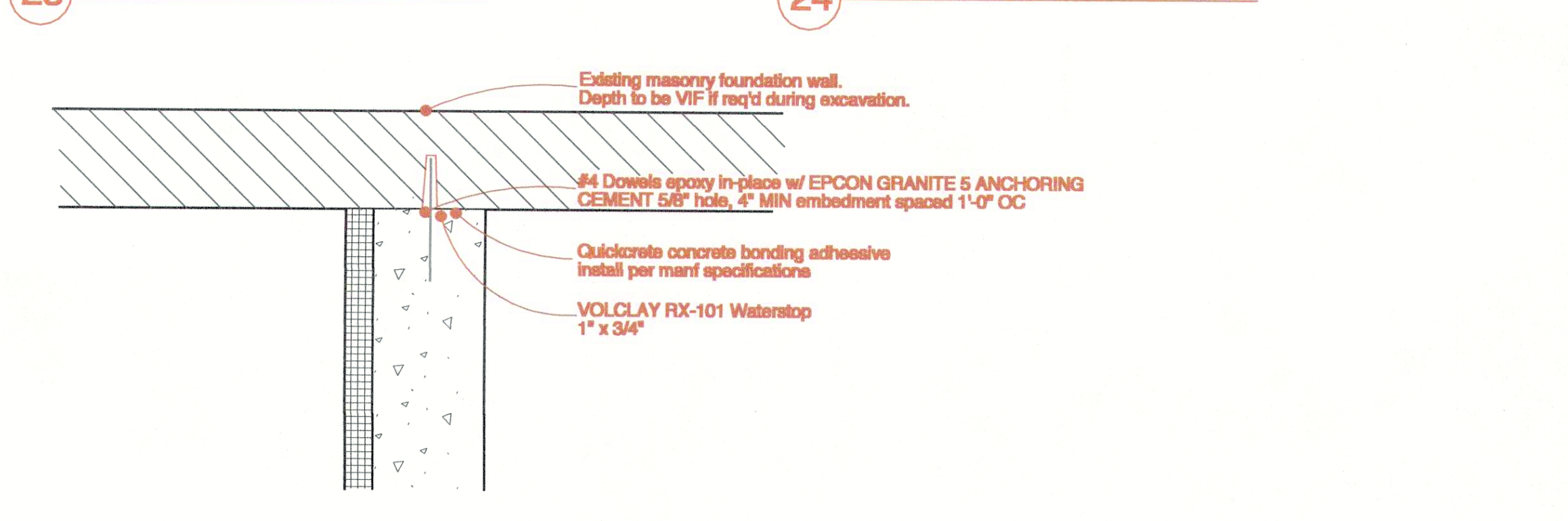
24 Section Detail



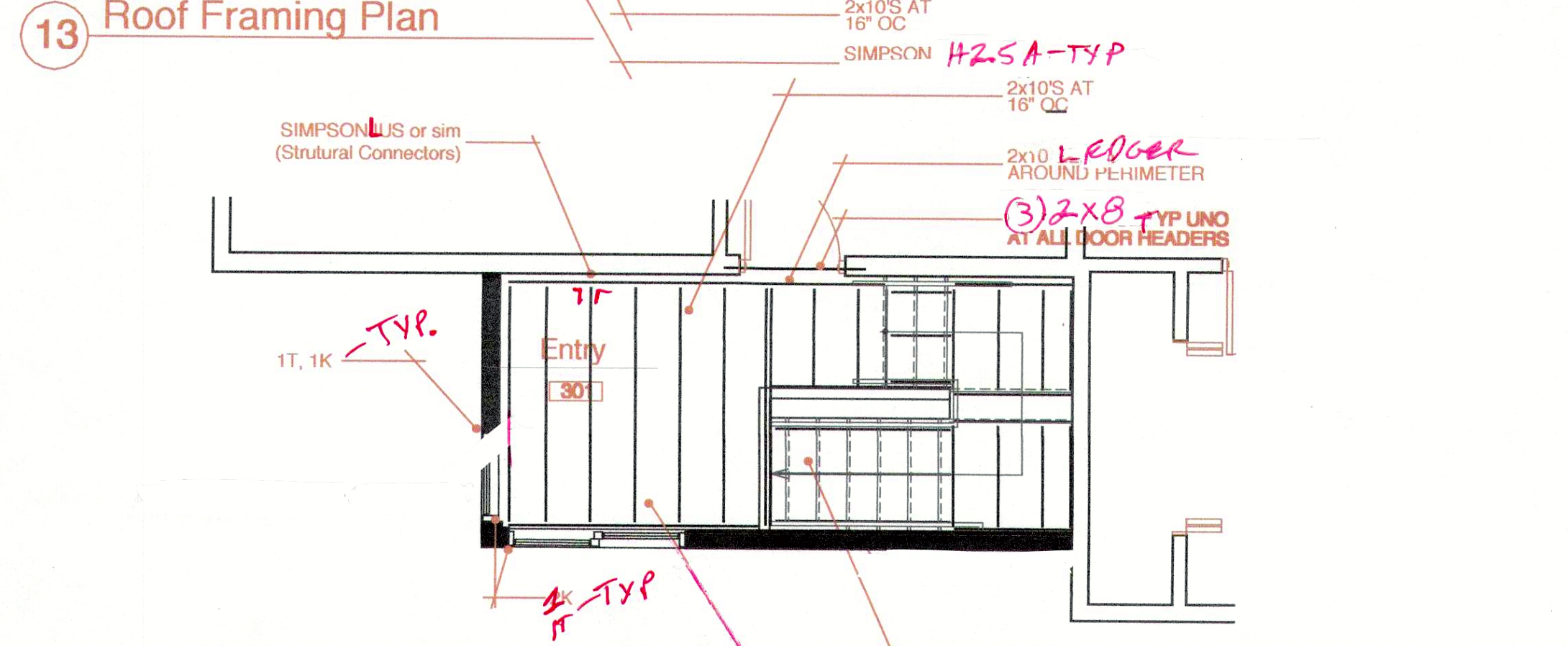
13 Roof Framing Plan



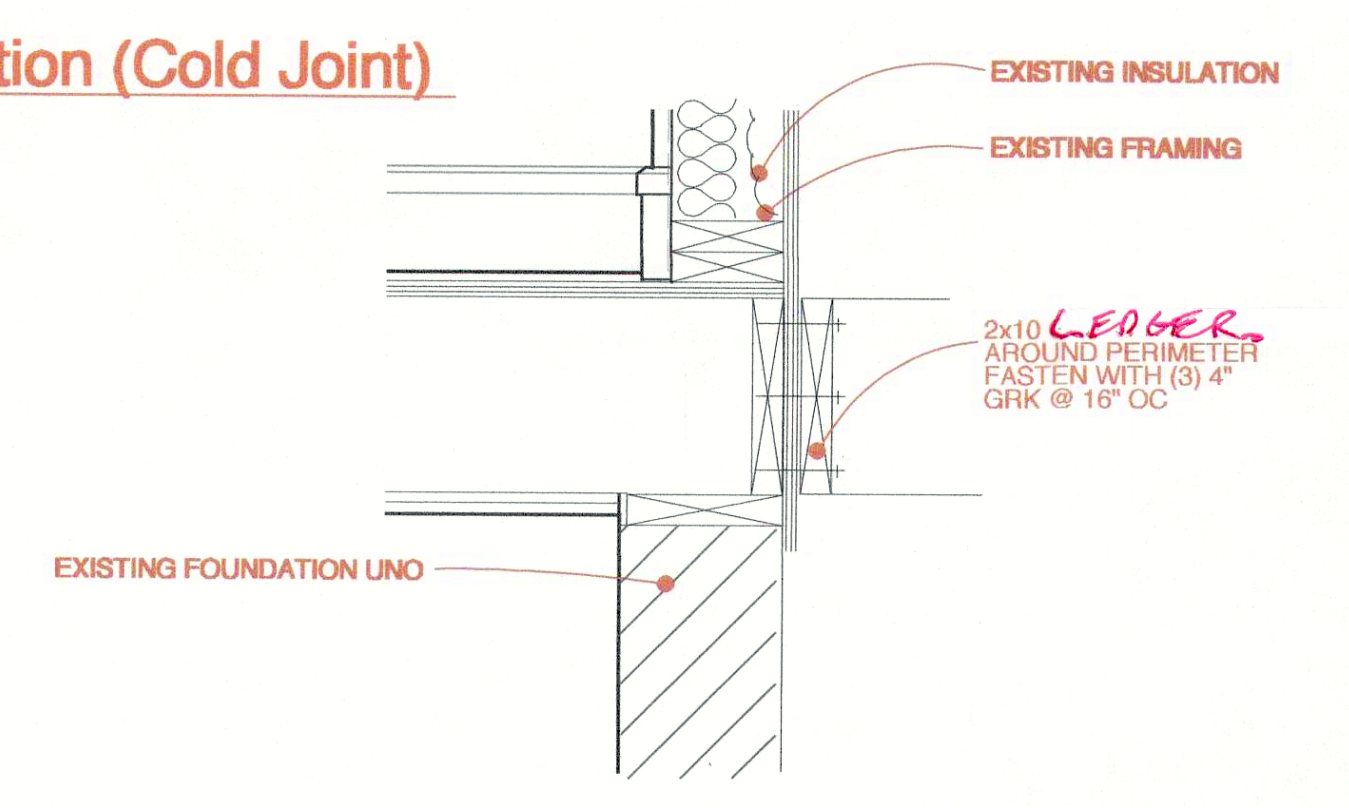
39 Typical Lintel Detail



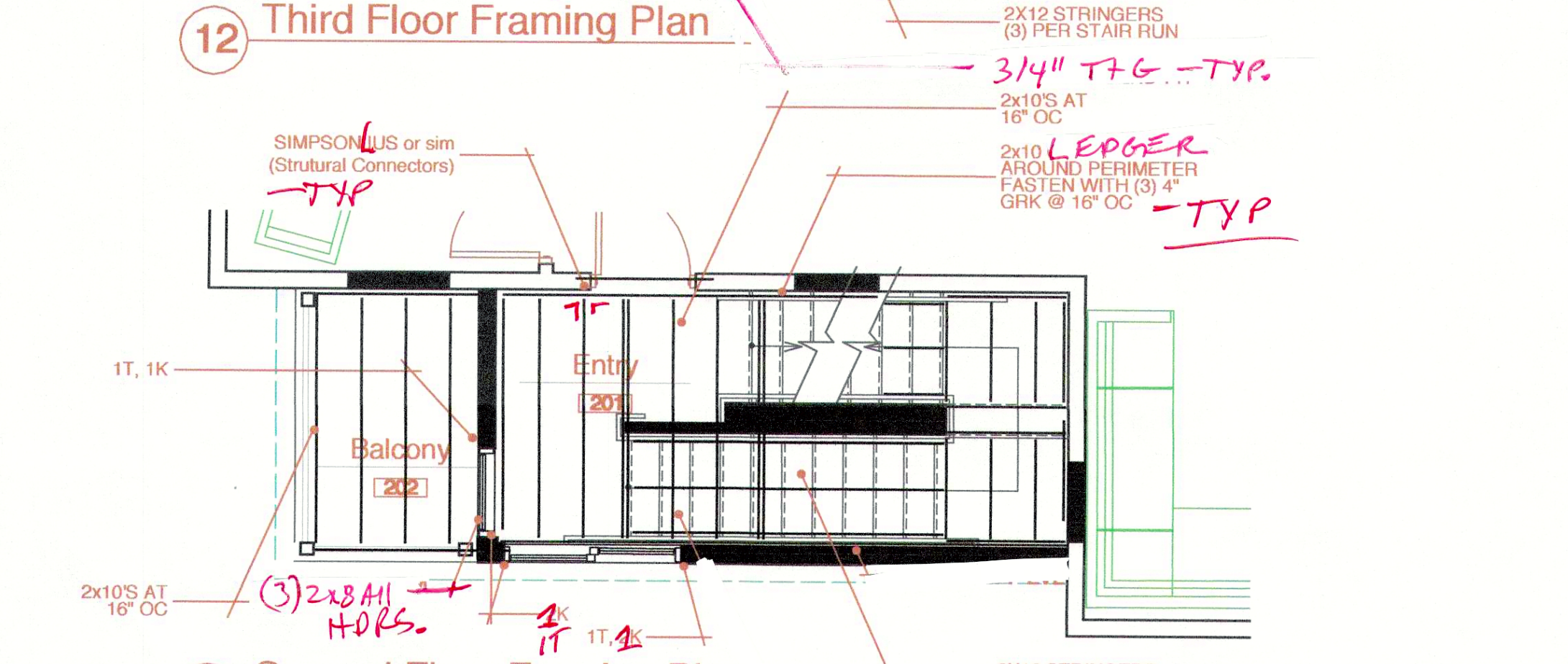
22 Plan Detail at Existing Foundation (Cold Joint)



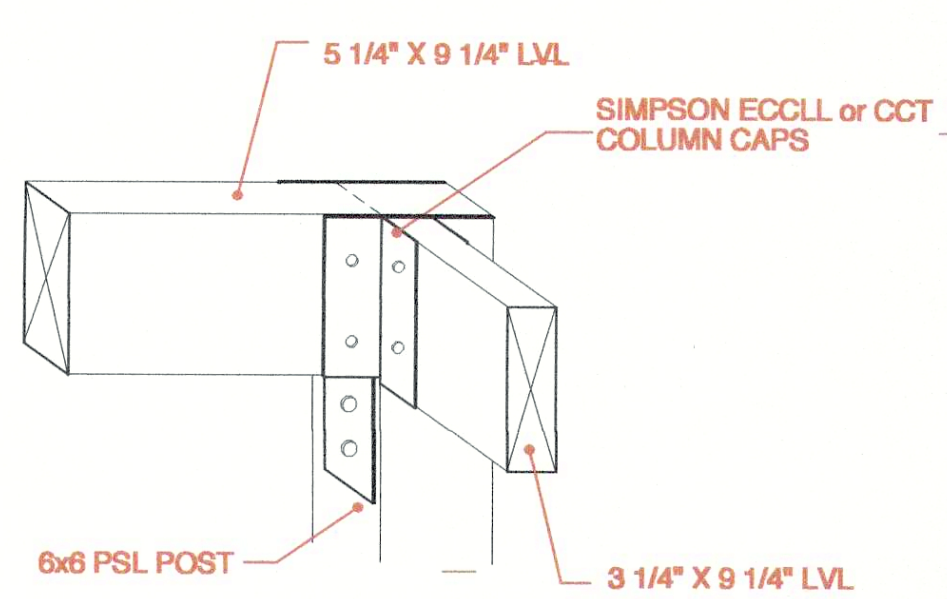
12 Third Floor Framing Plan



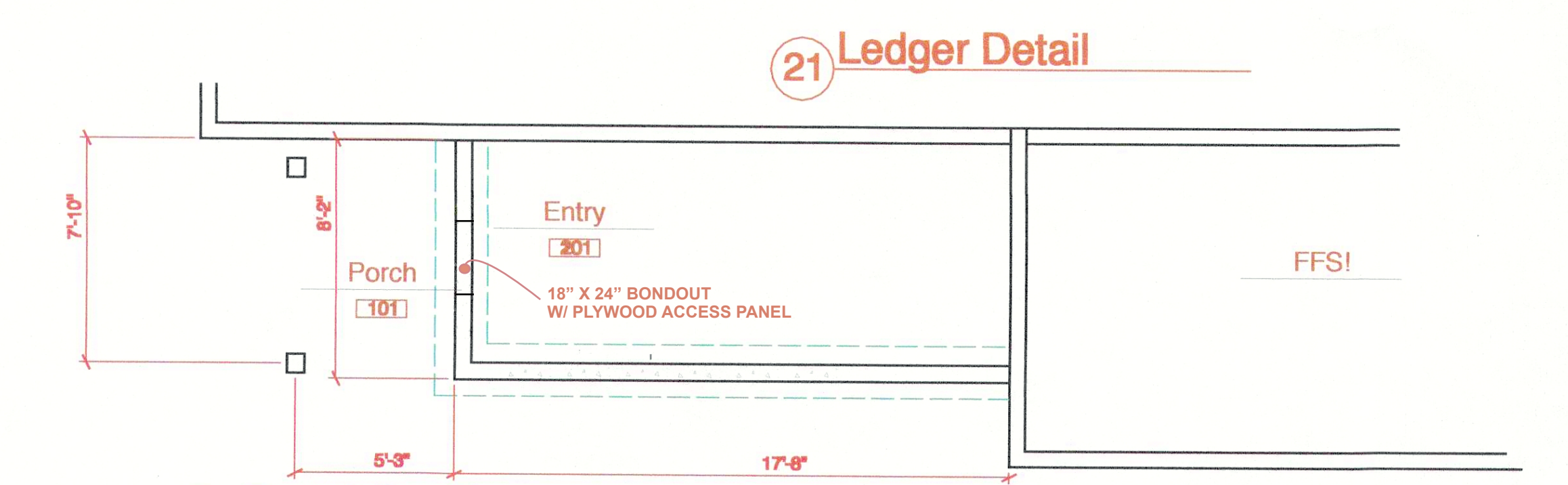
21 Ledger Detail



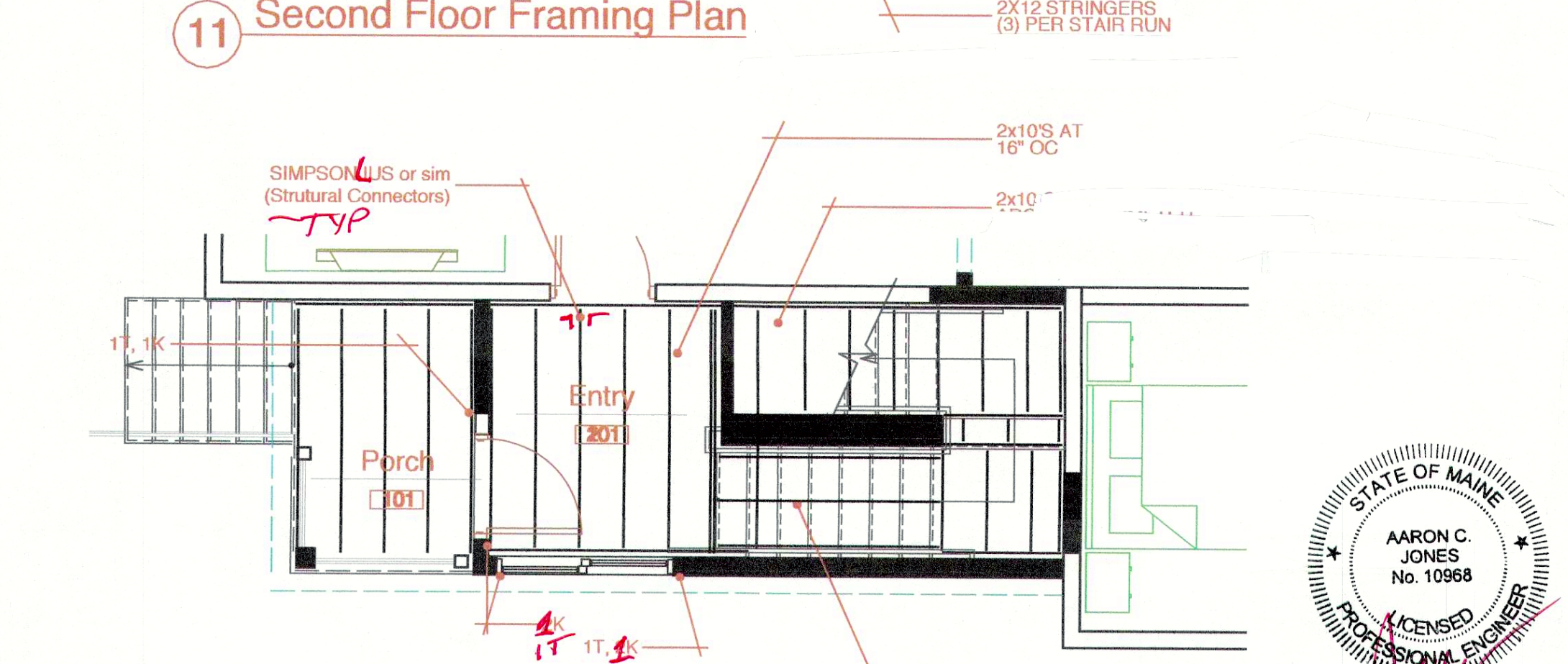
11 Second Floor Framing Plan



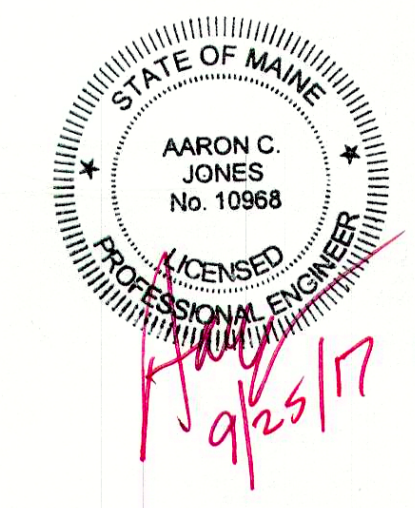
38 Typical Framing Detail



20 Foundation Plan



10 Ground Floor Framing Plan



Revisions	date
Existing Conditions Draft	02/02/2017
Revisions per code review	07/24/17
Revisions per code review	08/02/17