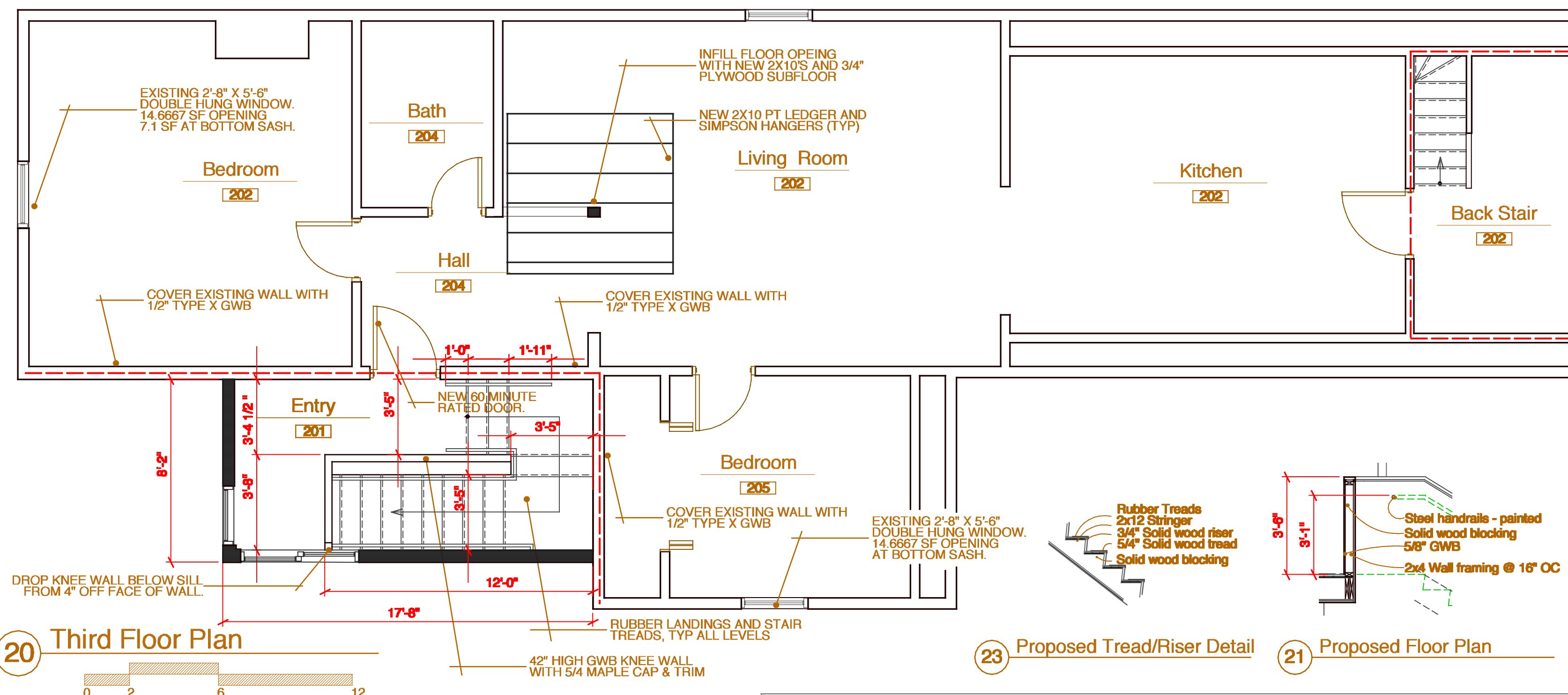


21 Partial Roof Plan

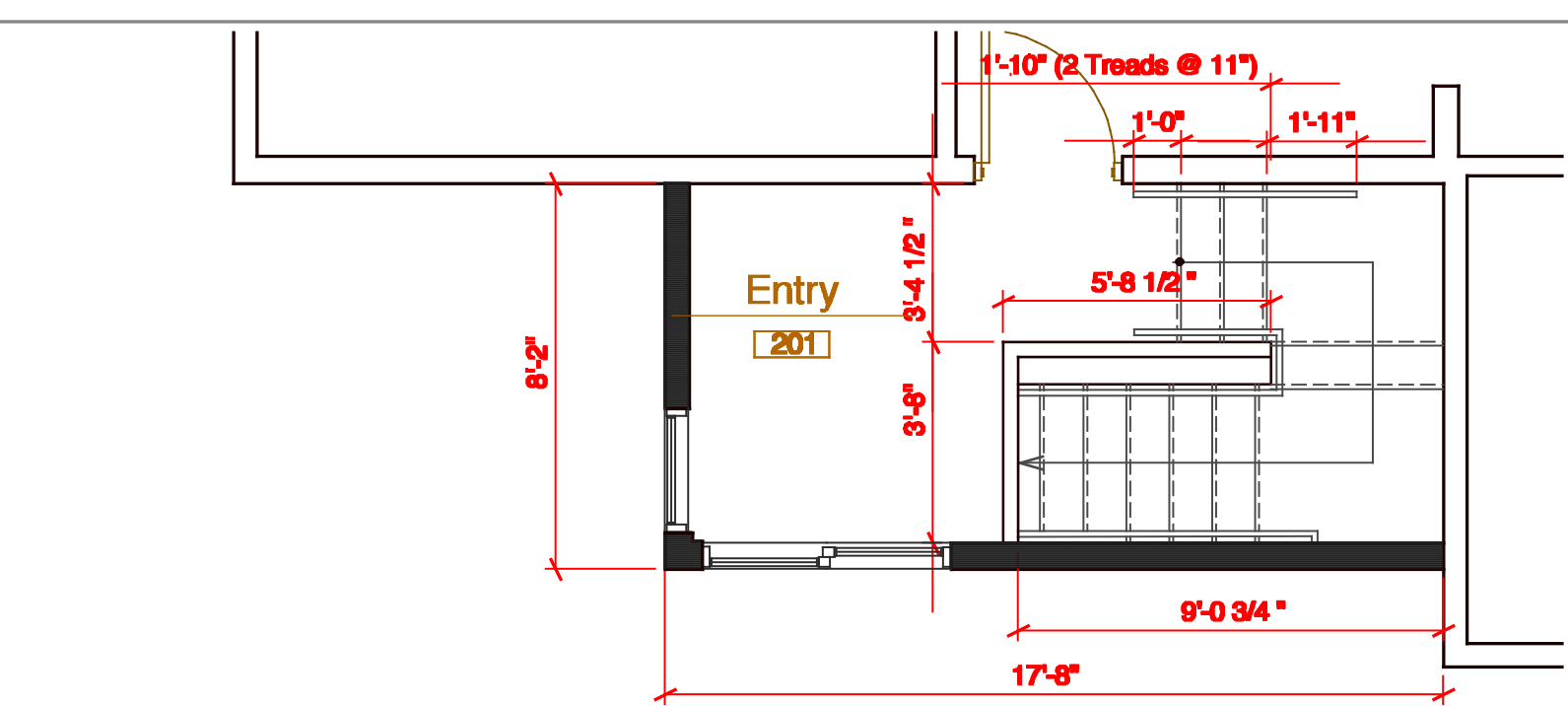


20 Third Floor Plan

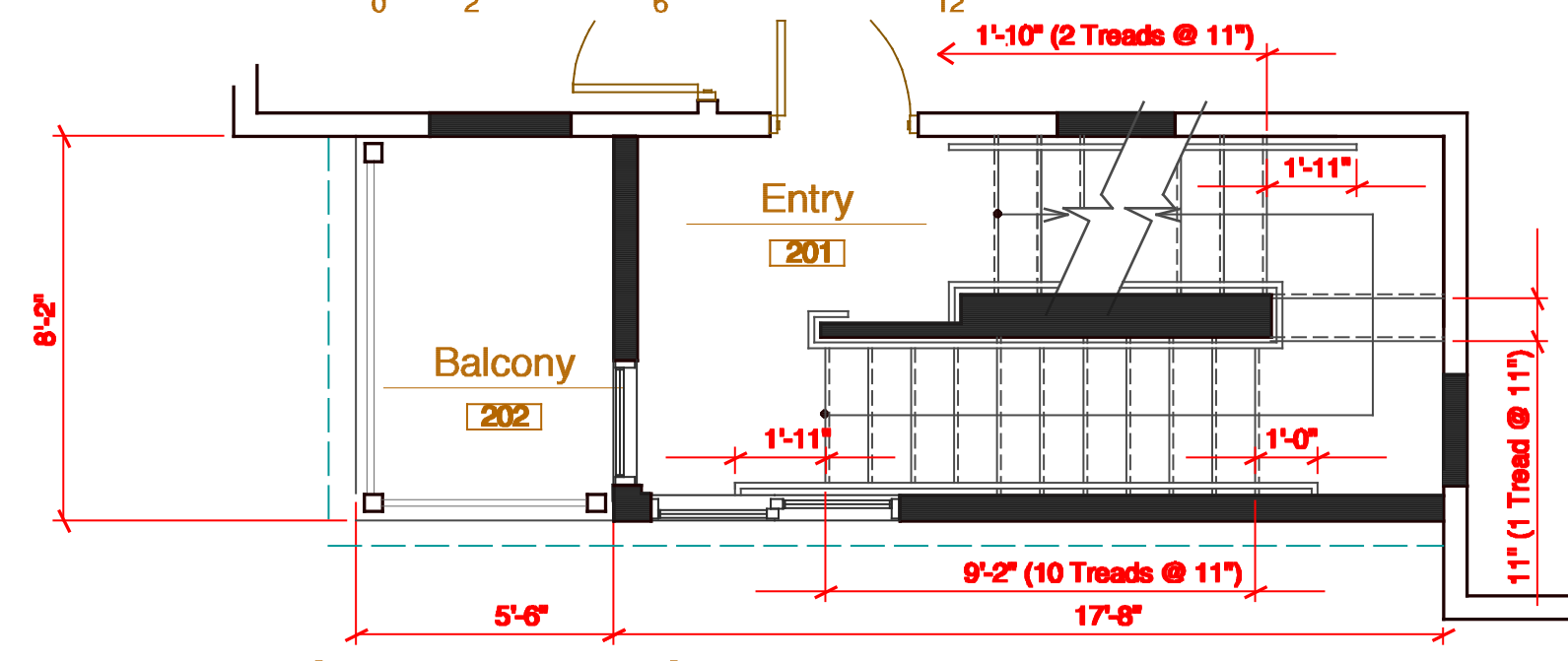
23 Proposed Tread/Riser Detail

21 Proposed Floor Plan

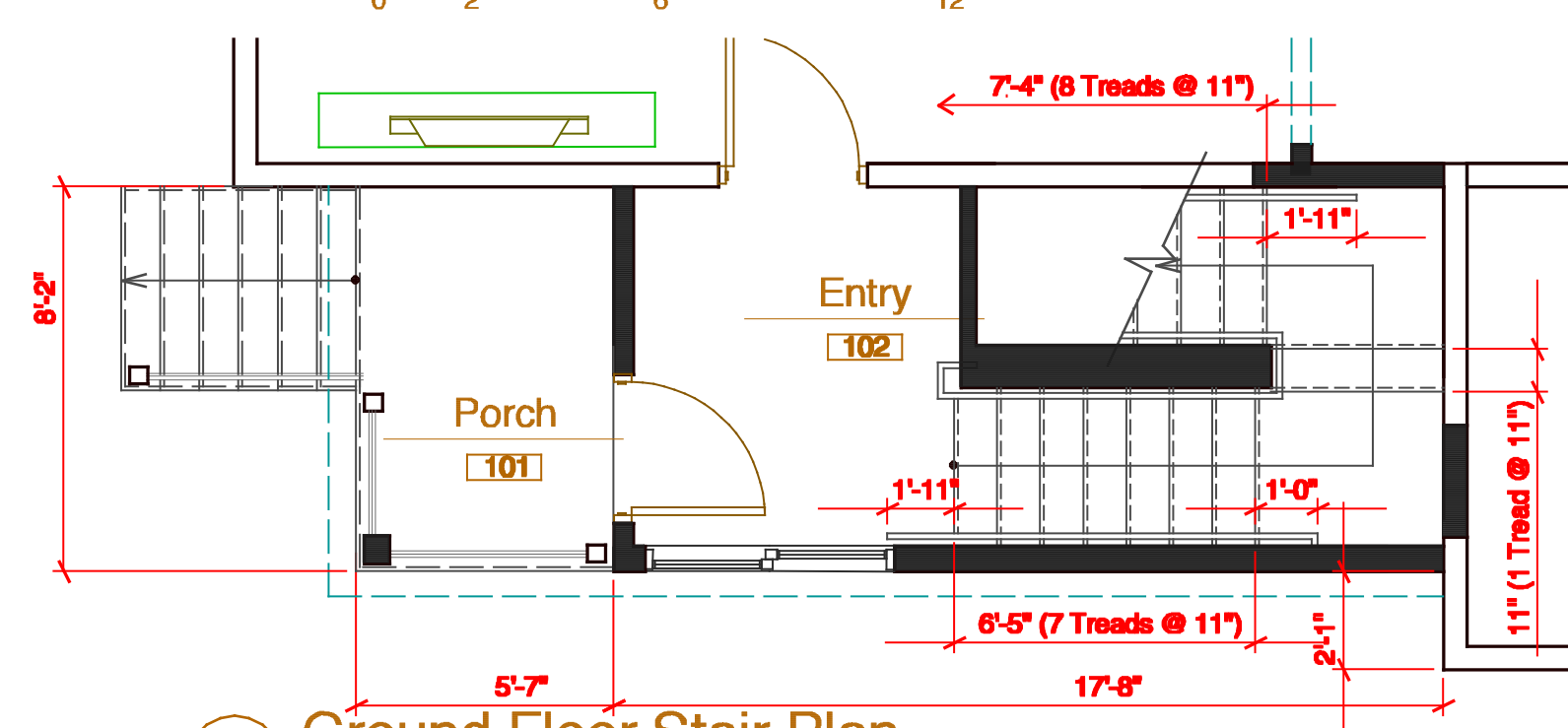
20 Proposed Rail Detail



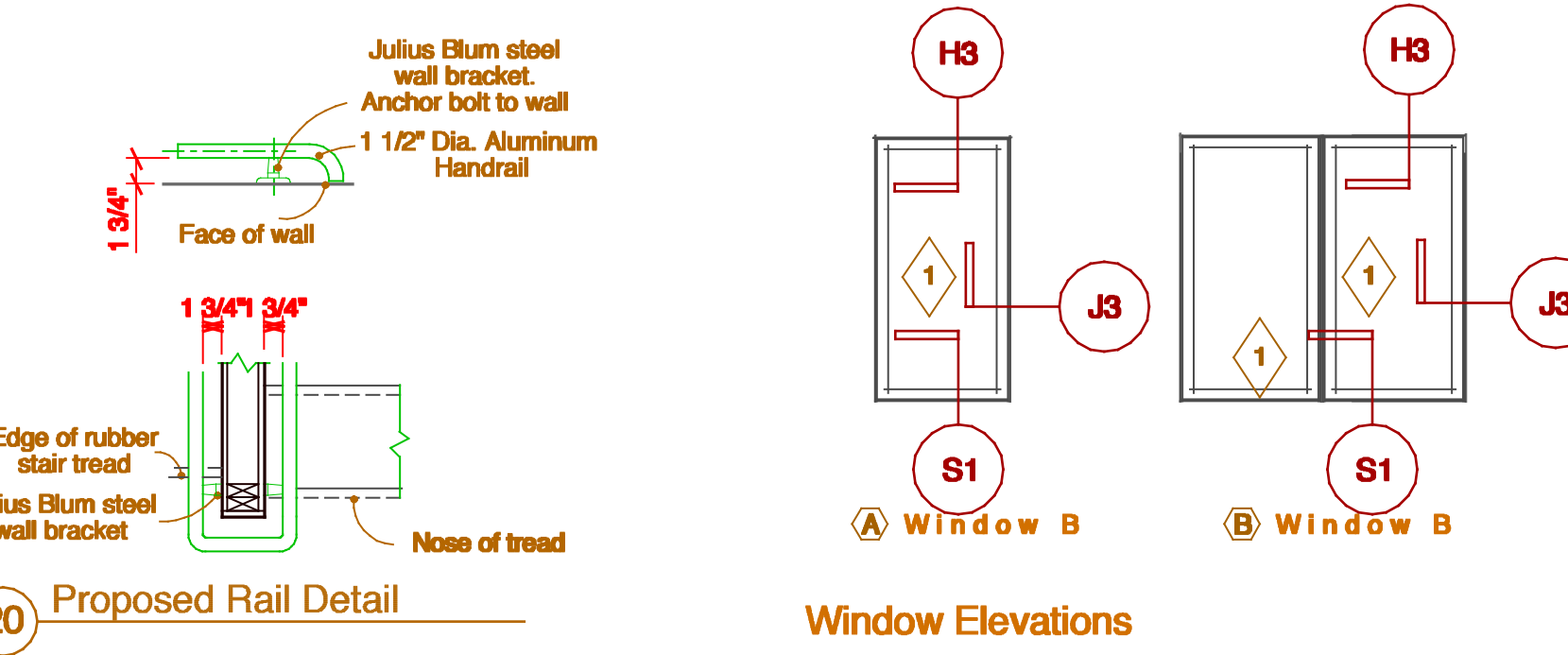
12 Third Floor Stair Plan



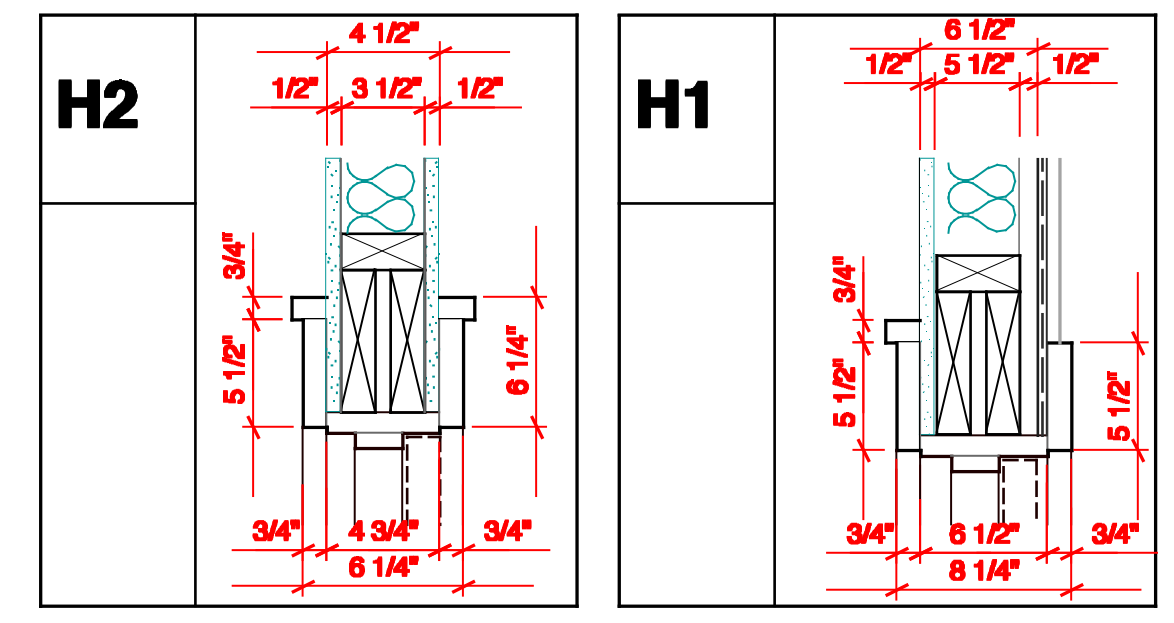
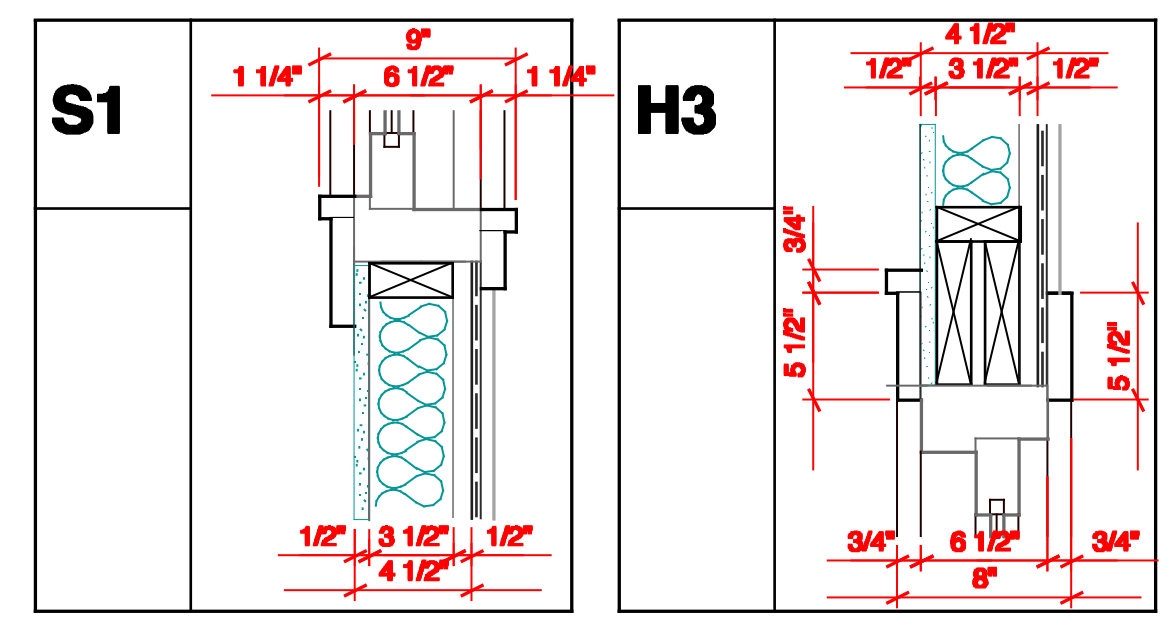
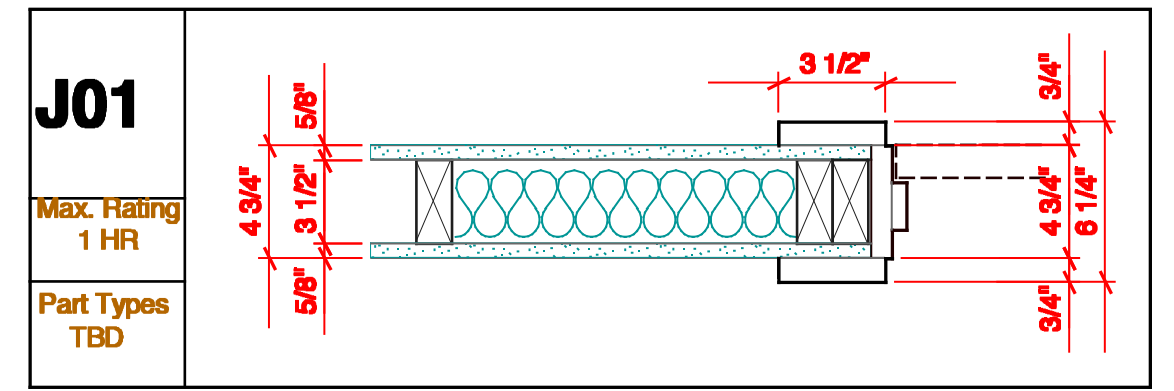
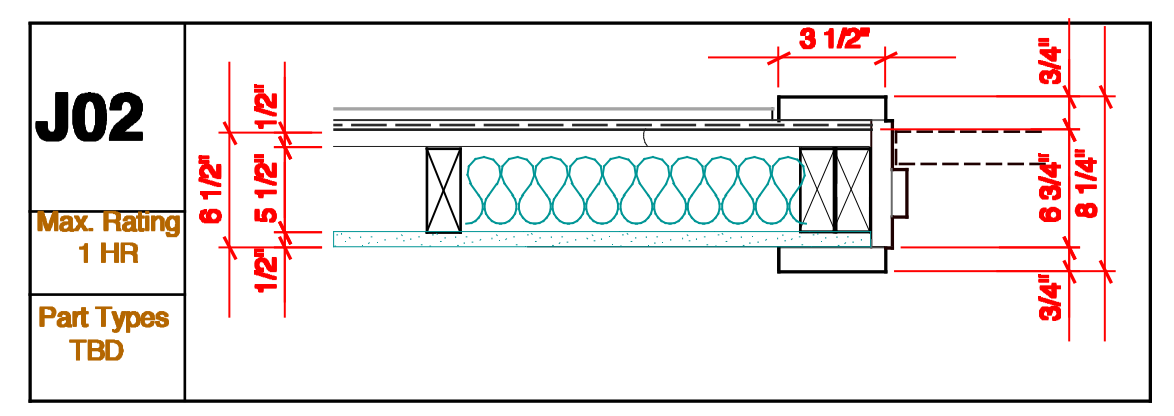
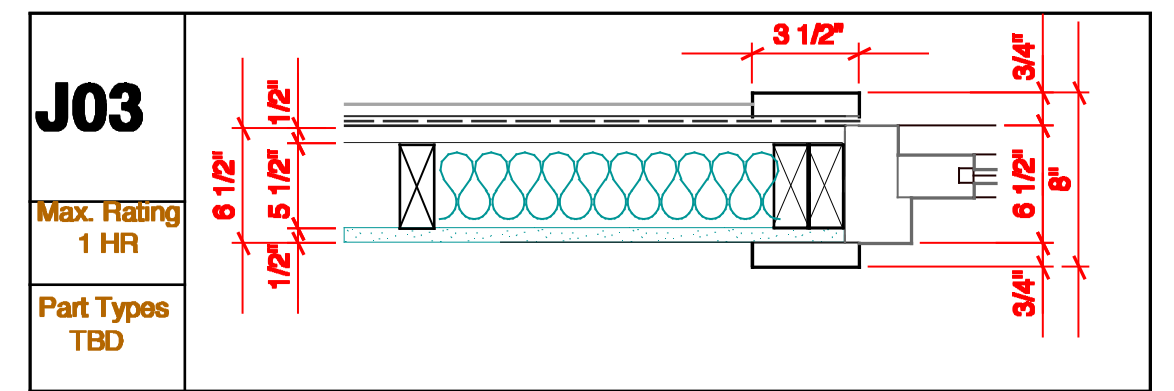
11 Second Floor Stair Plan



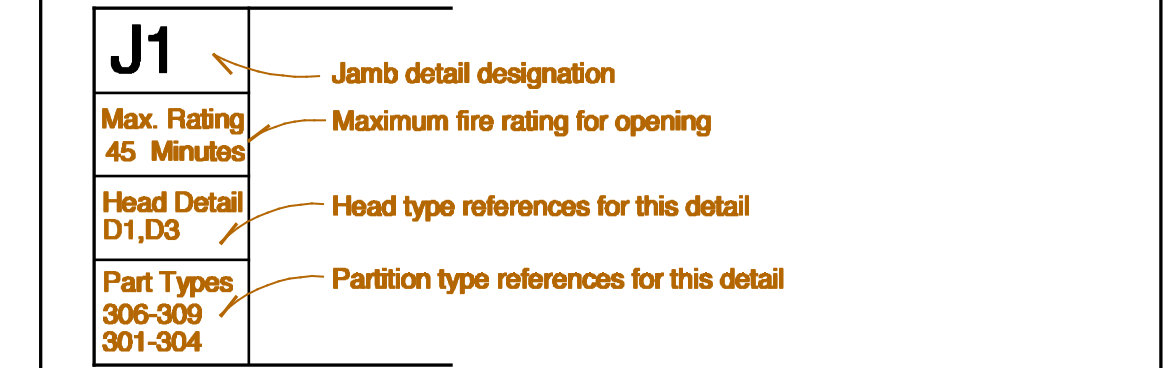
10 Ground Floor Stair Plan



Window Elevations



- All doors in sound insulated partitions shall be sound gasketed, unless noted otherwise.
- All frames in sound insulated partitions shall be sealed with acoustic sealant between the wall sheathing and the frame backband, unless noted otherwise.
- Refer to jamb designation on Door Schedule for details, materials, and dimensions, typ.
- Refer to Door Schedule for additional information.



- GLAZING LEGEND**
- Glazing Type One - Single Pane, Single Pane Storm Panel
 - Glazing Type Two - Single Tempered Pane, Plexiglass Panel
 - Glazing Type Three - Laminated Glass, Tempered Glass Storm Panel
 - Glazing Type Four - Tempered Glass

Frame / Door Notes

Window Schedule

Window #	Window Type	Manu. #	Quant.	Jamb Width	Rough Opening	Remarks
A	Alum clad wood fixed fire rated glass	TBD	2	4 1/2" (VIF)	5'-6" x 2'-8" VIF	Window Elev. A, glaze w/ Insulated Low-E glass, pine interior finish, cladding color by Owner, PV trim, sat. nickel hrdwr.
B	Alum clad wood double sliding casement - factory mullied unit	TBD	3	4 1/2" (VIF)	5'-6" x 5'-4" VIF	Window Elev. B, glaze w/ Insulated Low-E glass, screens, pine interior finish, cladding color by Owner, PV trim, sat. nickel hrdwr.