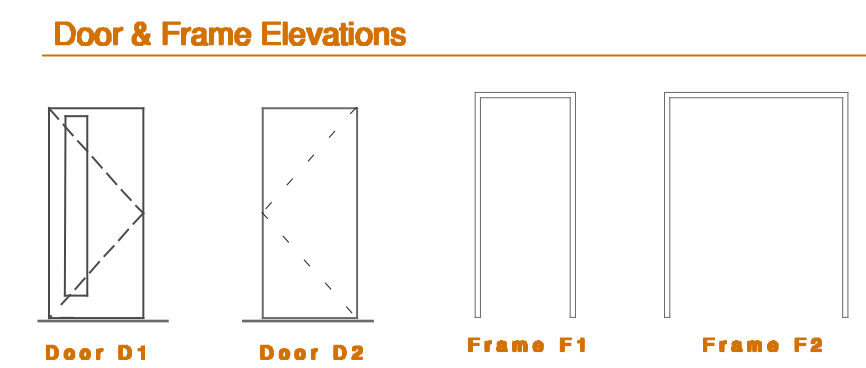
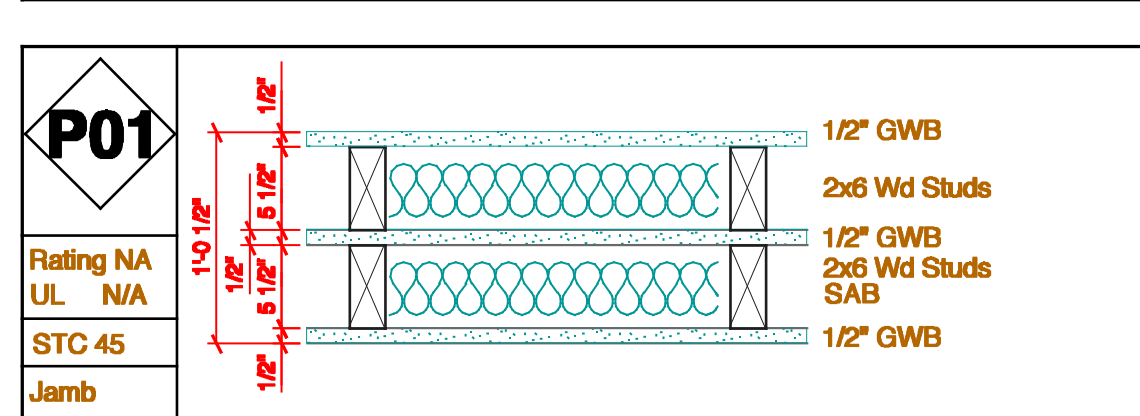
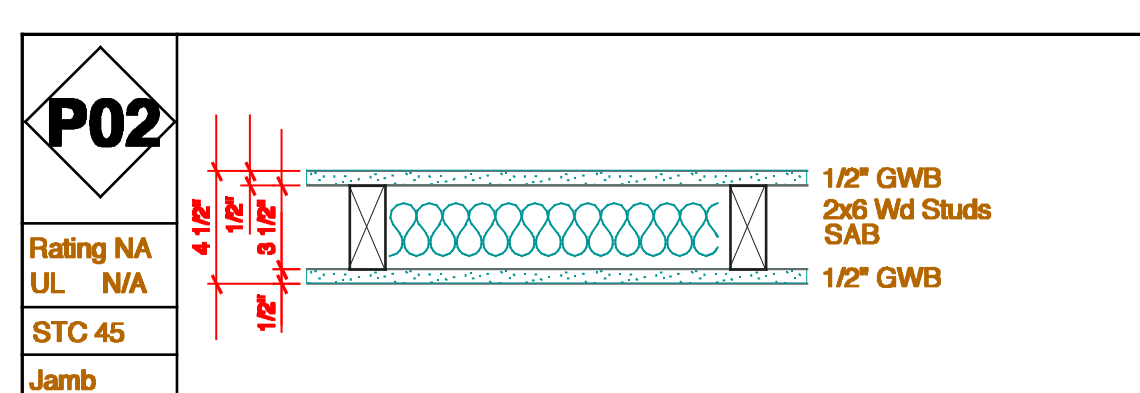
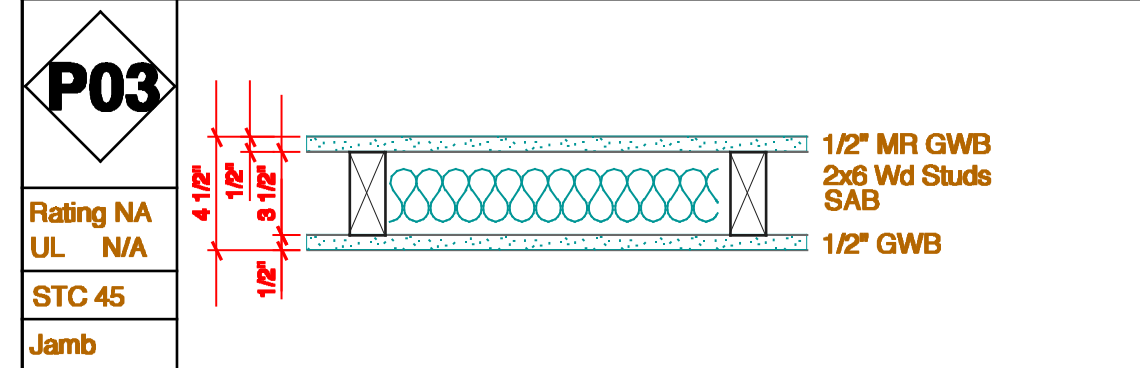
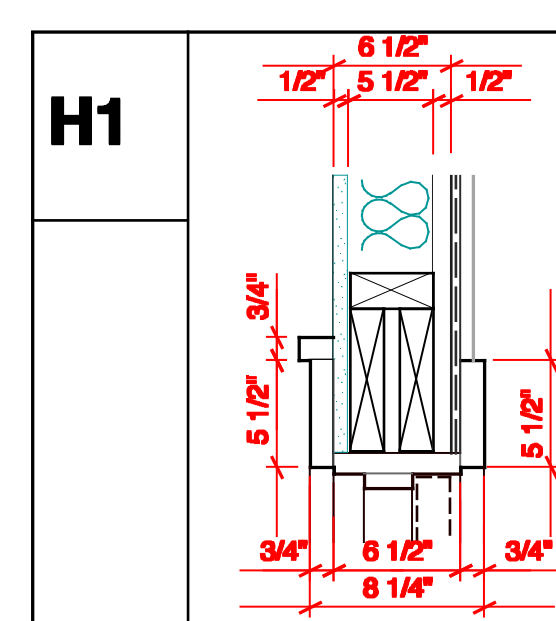
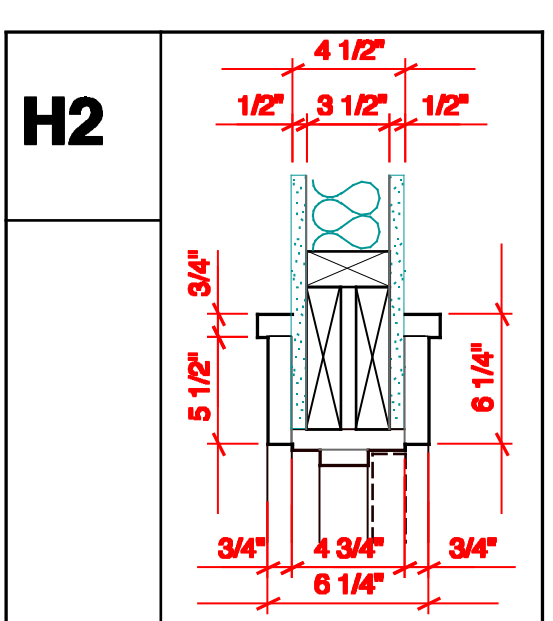
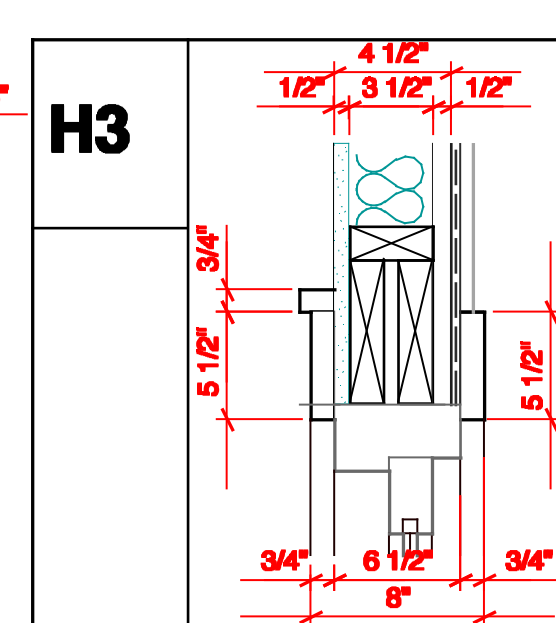
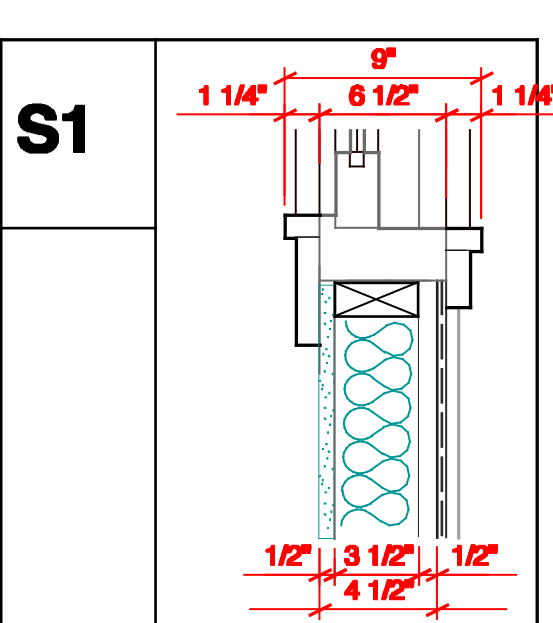
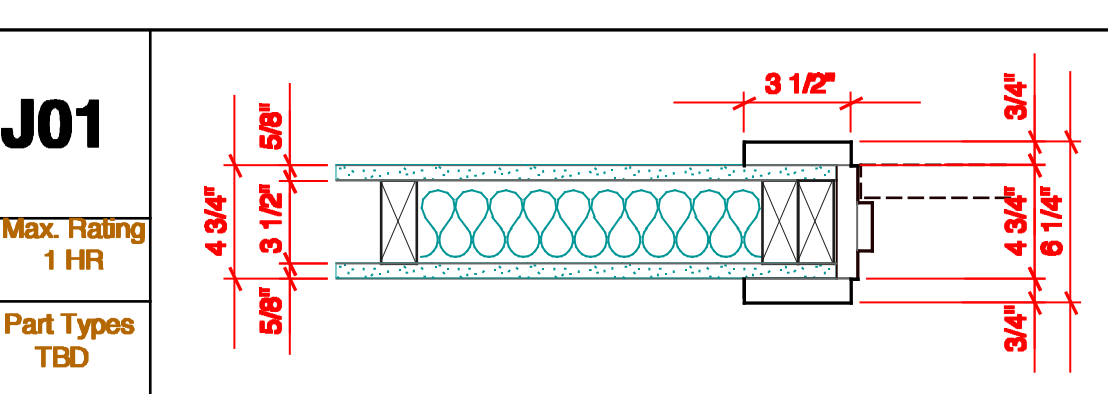
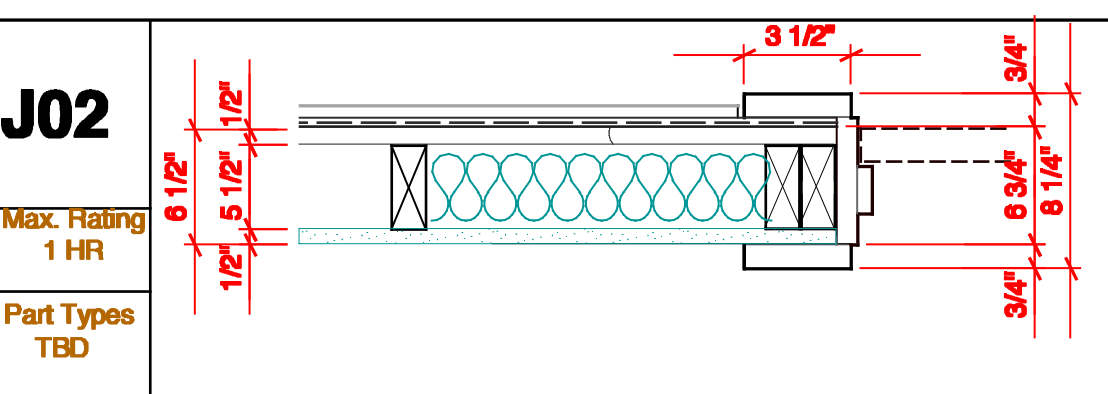
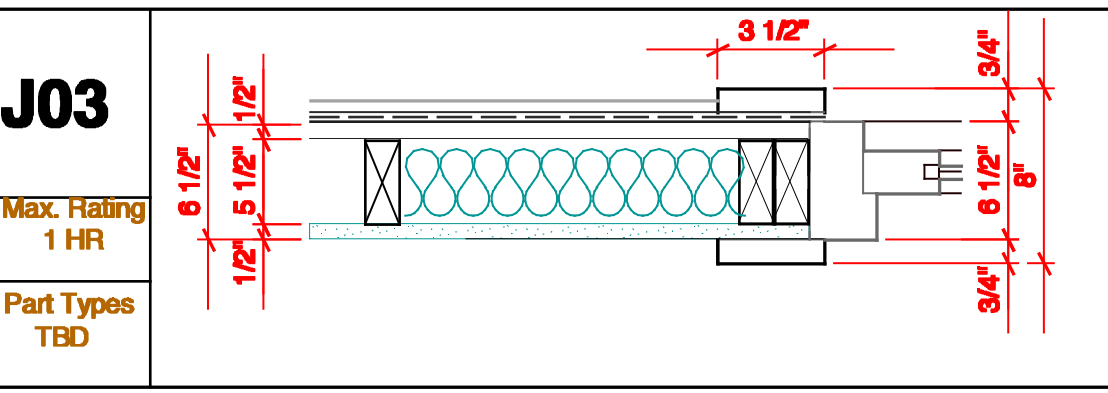


DOOR NO.	LOCATION (opens into)	LABEL	FRAME				DOOR				REMARKS				
			MATERIAL	TYPE	JAMB OPENING		DETAIL	TYPE	MATERIAL	THRESHOLD		UNDERCUT	HARDWARE	SECURITY	
					WIDTH	HEIGHT									DEPTH
101	Porch - Entry	60 Min	HM	F1	3'-4"	6'-10"	6 1/2"	H3	J01	D1	FG	ALUM	none	A	New outswing door with float glazing, alum. clad, tempered low-e glass, delayed egress locks.
102	Hall - Entry	60 Min	HM	F1	3'-4"	6'-10"	7"	H1	J02	D2	WD	ALUM	none	B	Solid core wood veneer (or equiv) door with tempered lites.
103	Hall - Bath	none	WD	F1	2'-9"	6'-9"	4 1/2"	H2	J01	D2	WD	none	1/2"	C	
104	Closet - Bath	none	WD	F2	5'-9"	6'-9"	4 1/2"	H2	J01	D2	WD	none	1/2"	C	
105	Hall - Bedroom	none	WD	F1	2'-9"	6'-9"	4 1/2"	H2	J01	D2	WD	none	1/2"	C	
106	Closet - Bedroom	none	WD	F1	2'-9"	6'-9"	4 1/2"	H2	J01	D2	WD	none	1/2"	C	
107	Hall - Bedroom	none	WD	F1	2'-9"	6'-9"	4 1/2"	H2	J01	D2	WD	none	1/2"	C	
108	Closet - Bedroom	none	WD	F1	2'-9"	6'-9"	4 1/2"	H2	J01	D2	WD	none	1/2"	C	
109	Hall - Bath	none	WD	F1	2'-9"	6'-9"	4 1/2"	H2	J01	D2	WD	none	1/2"	C	
110	Hall - Bedroom	none	WD	F1	2'-9"	6'-9"	4 1/2"	H2	J01	D2	WD	none	1/2"	C	
201	Hall - Entry	60 Min	HM	F1	3'-4"	6'-10"	7"	H1	J02	D2	WD	ALUM	none	B	Solid core wood veneer (or equiv) door with tempered lites.
301	Hall - Entry	60 Min	HM	F1	3'-4"	6'-10"	7"	H1	J02	D2	WD	ALUM	none	B	Solid core wood veneer (or equiv) door with tempered lites.



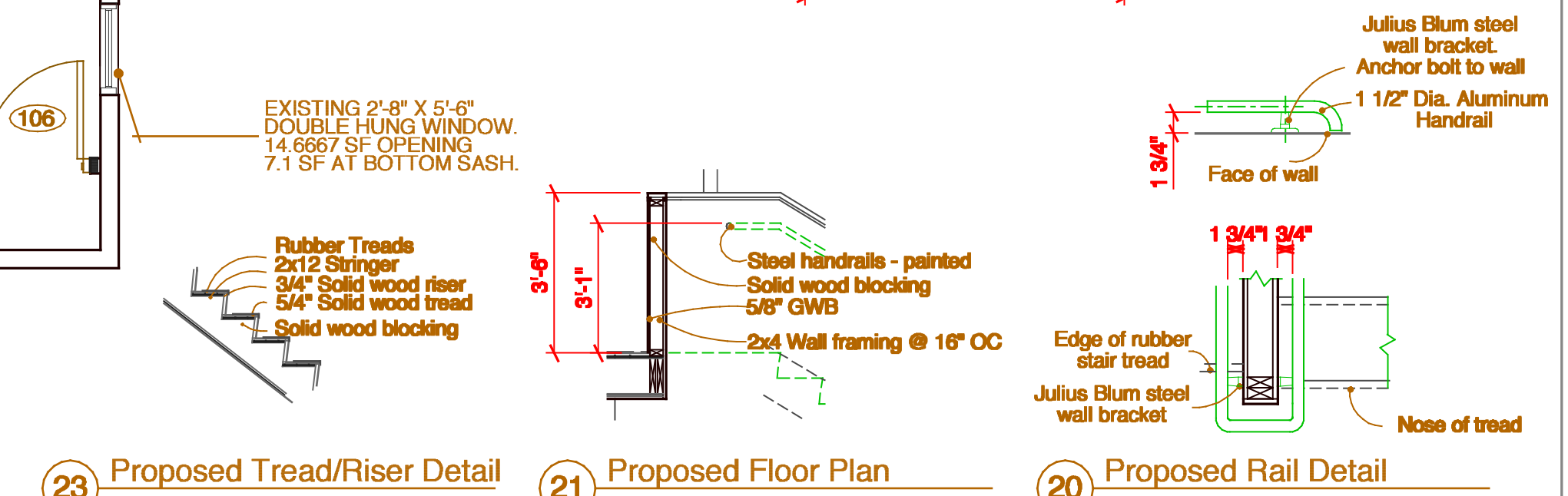
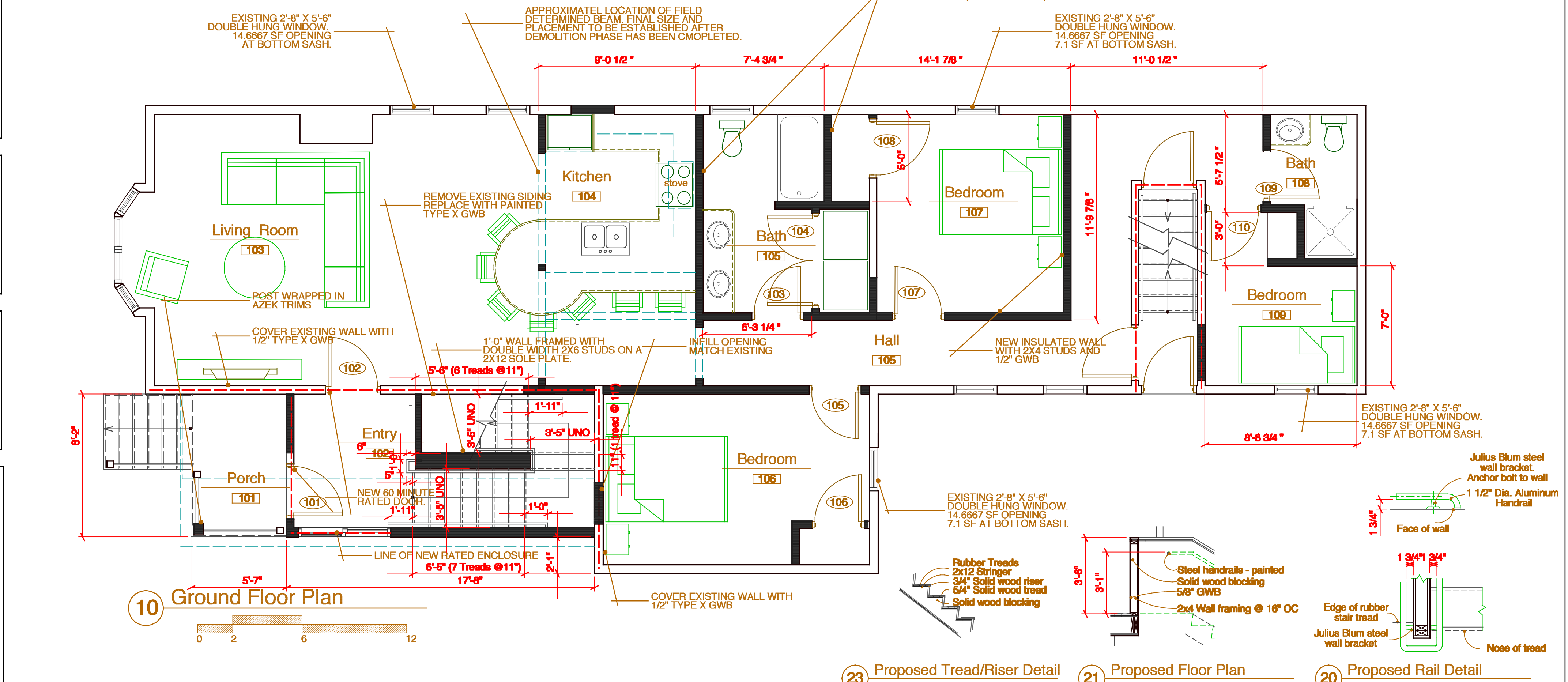
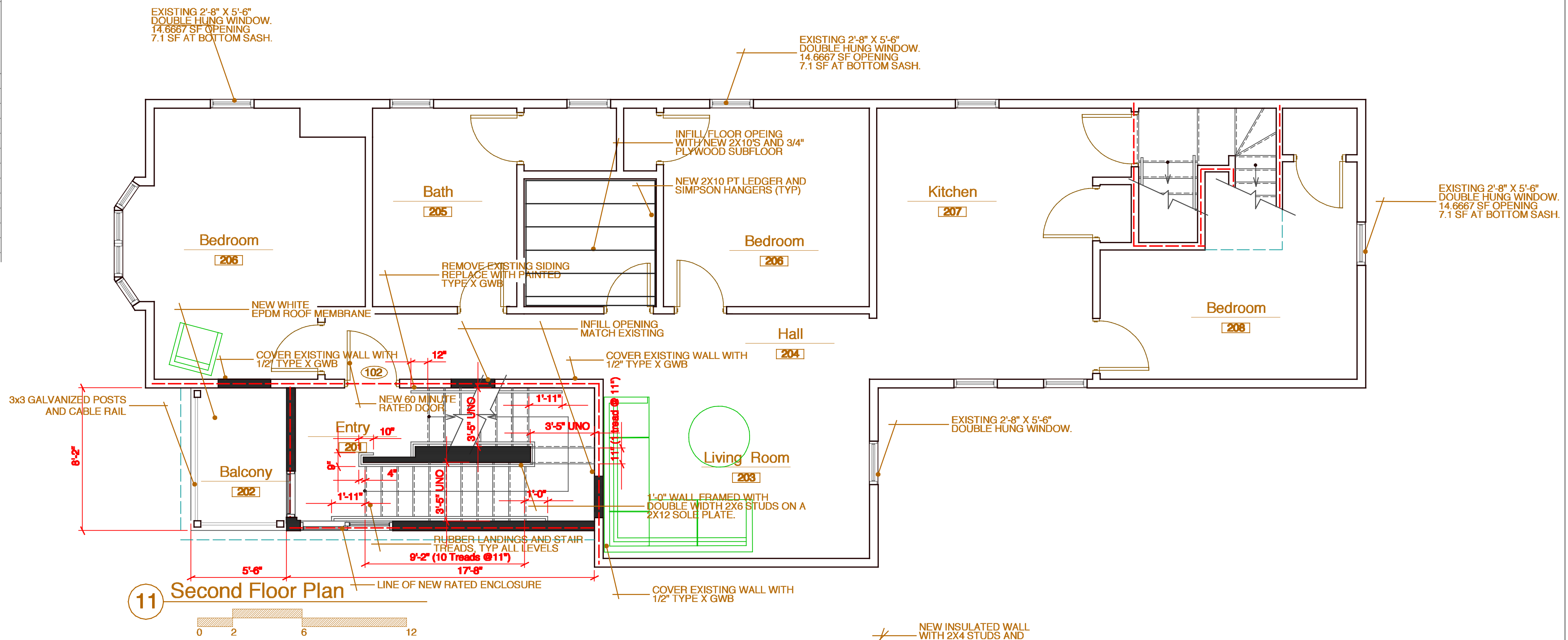
HARDWARE SCHEDULE		
Hardware A	Hardware B	Hardware C
Mortise Lock	Mortise Lock	Bored Privacy Lock
Hinges	Hinges	Hinges
Strike	Strike	Strike
Silencers	Silencers	Silencers
Door Stop	Door Stop	Door Stop
Closer	Closer	Closer
Weatherstripping	Weatherstripping	Weatherstripping
Smoke Seals	Smoke Seals	Smoke Seals



Frame / Door Notes

- All doors in sound insulated partitions shall be sound gasketed, unless noted otherwise.
- All frames in sound insulated partitions shall be sealed with acoustic sealant between the wall sheathing and the frame backend, unless noted otherwise.
- Refer to jamb designation on Door Schedule for details, materials, and dimensions, typ.
- Refer to Door Schedule for additional information.

J1 - Jamb detail designation
 Max. Rating 45 Minutes - Maximum fire rating for opening
 Head Detail D1, D3 - Head type references for this detail
 Part Types 306-309 301-304 - Partition type references for this detail



Revisions	date
Revisions per code review	07/24/17
Revisions per code review	08/02/17
Revisions per code review	08/31/17

project name
Spinato Renovation

project location
33-37 North Street
Portland Maine

date
May 8, 2017

scale
1/4" = 1'-0"

project #
2016-011

drawing title
Floor Plans & Door Sched

drawing number
A101