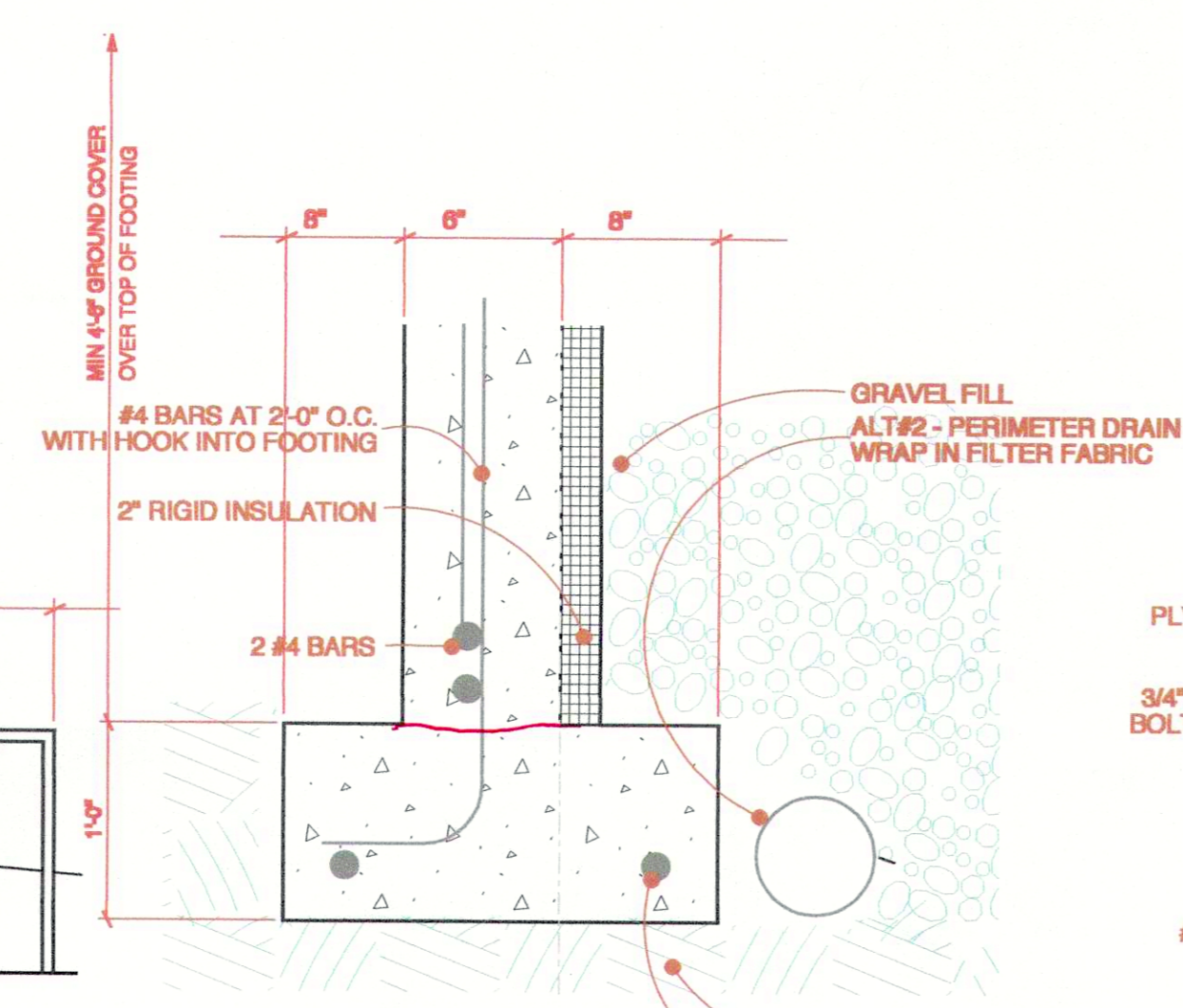
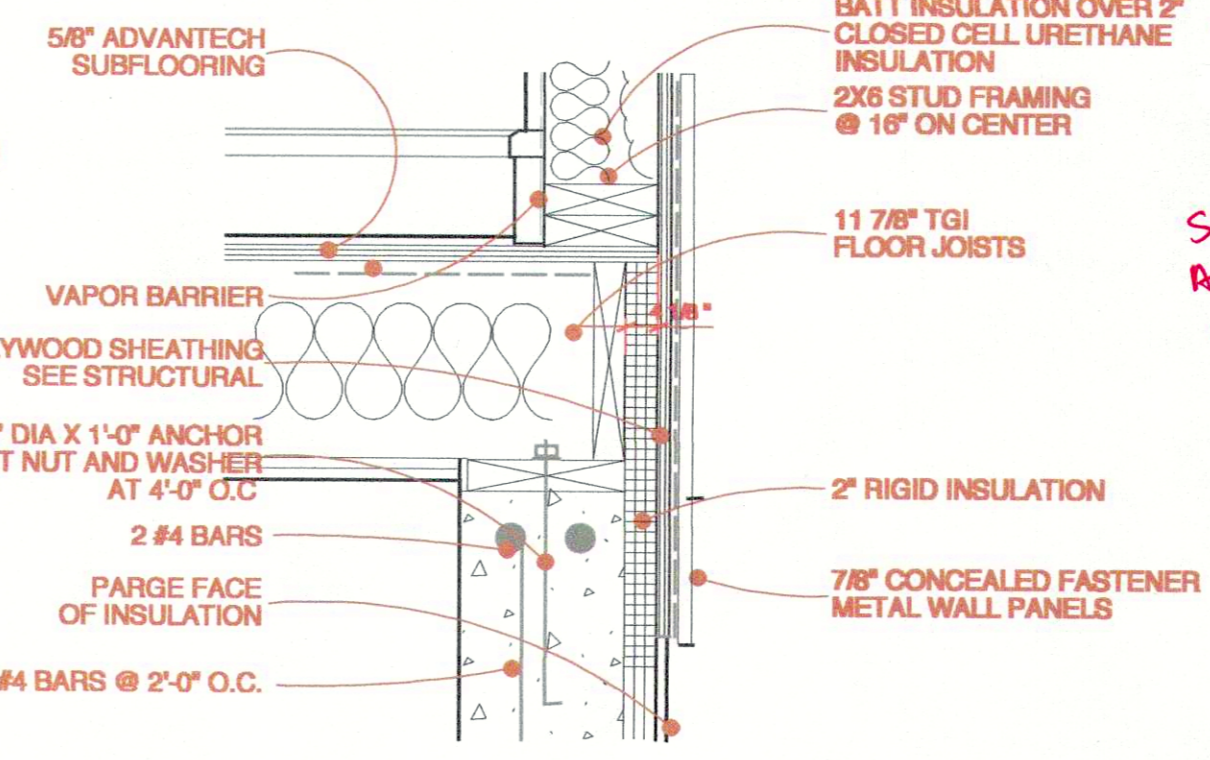


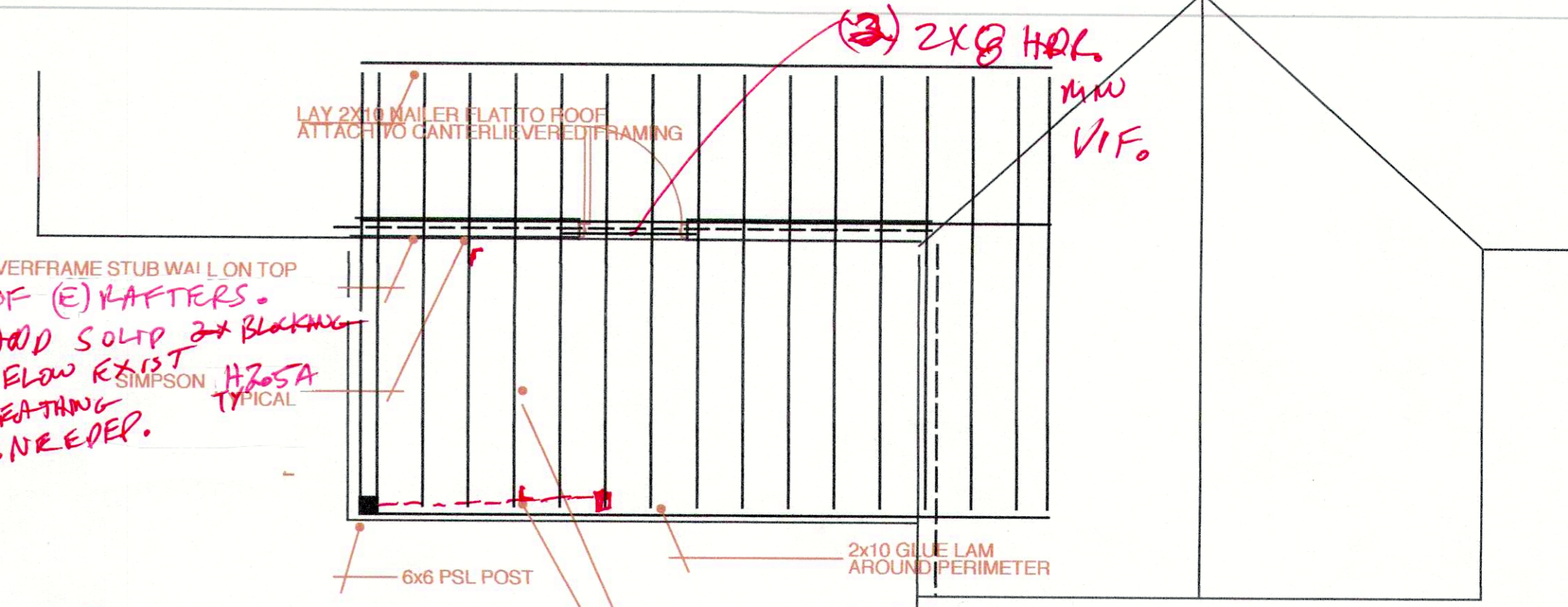
40 Section at Stair



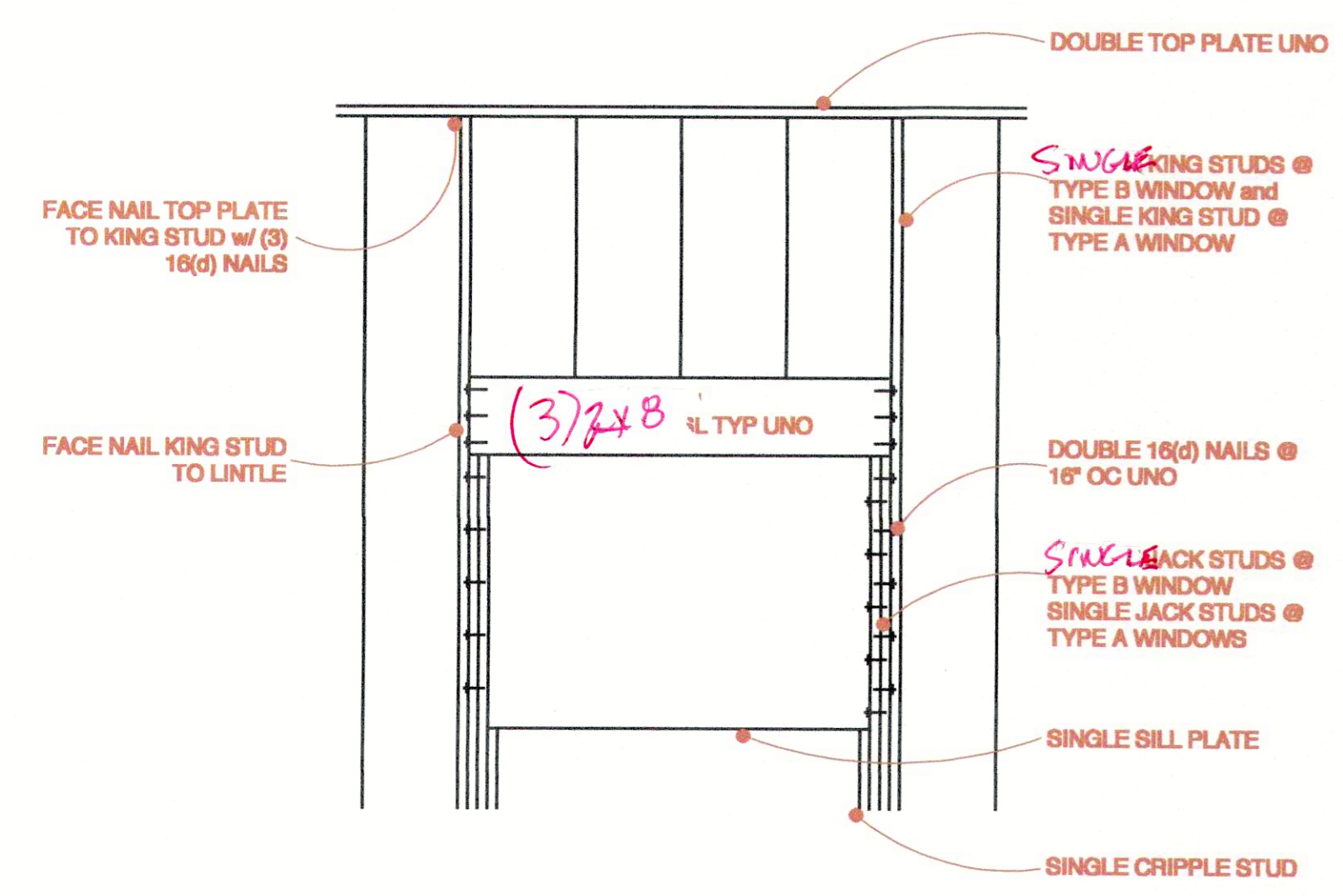
23 Section Detail



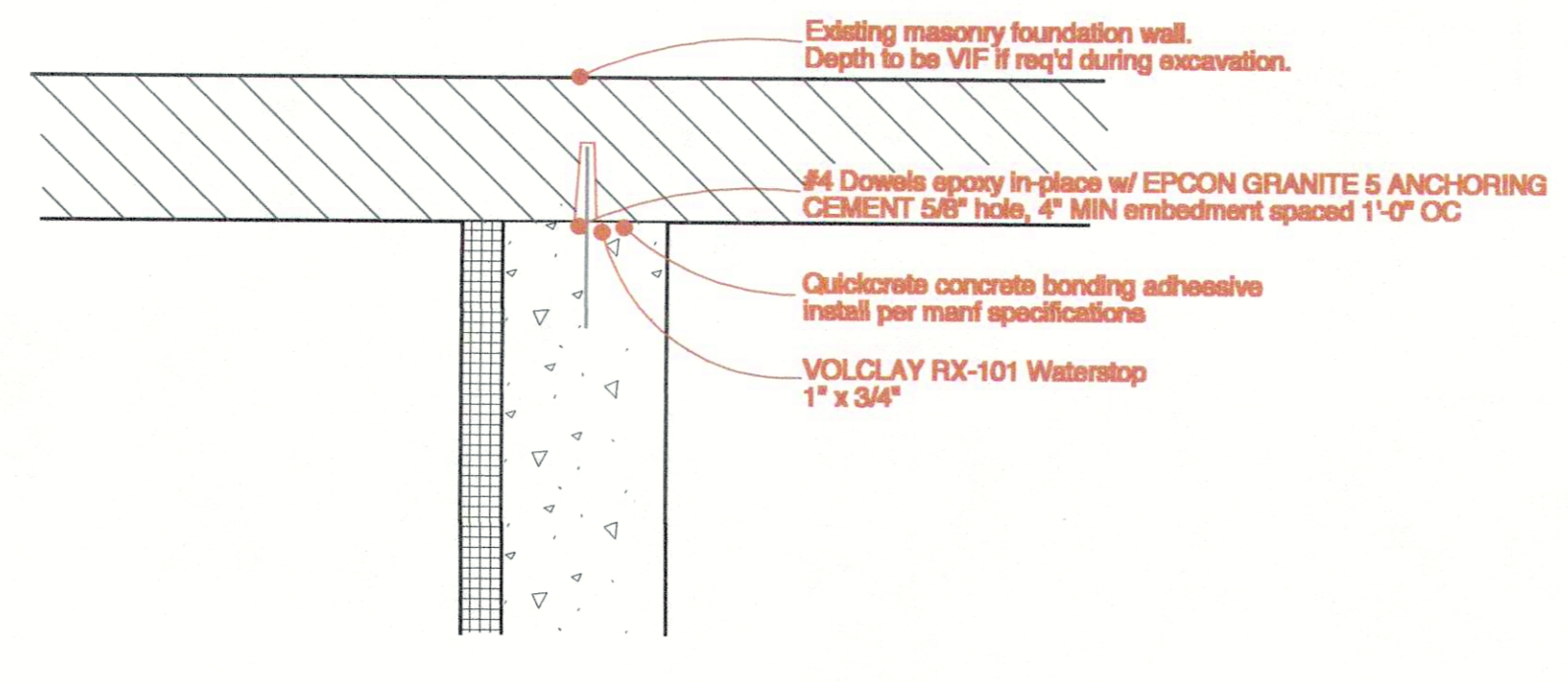
24 Section Detail



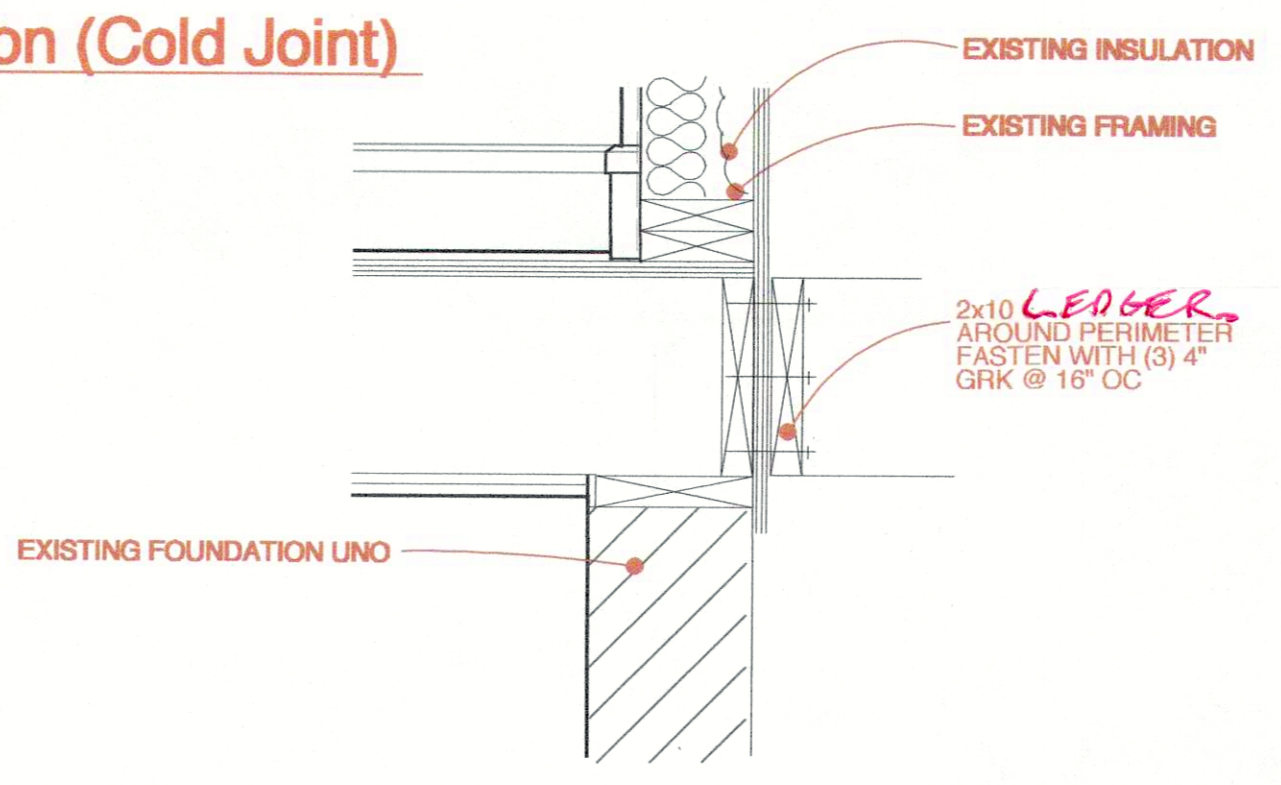
13 Roof Framing Plan



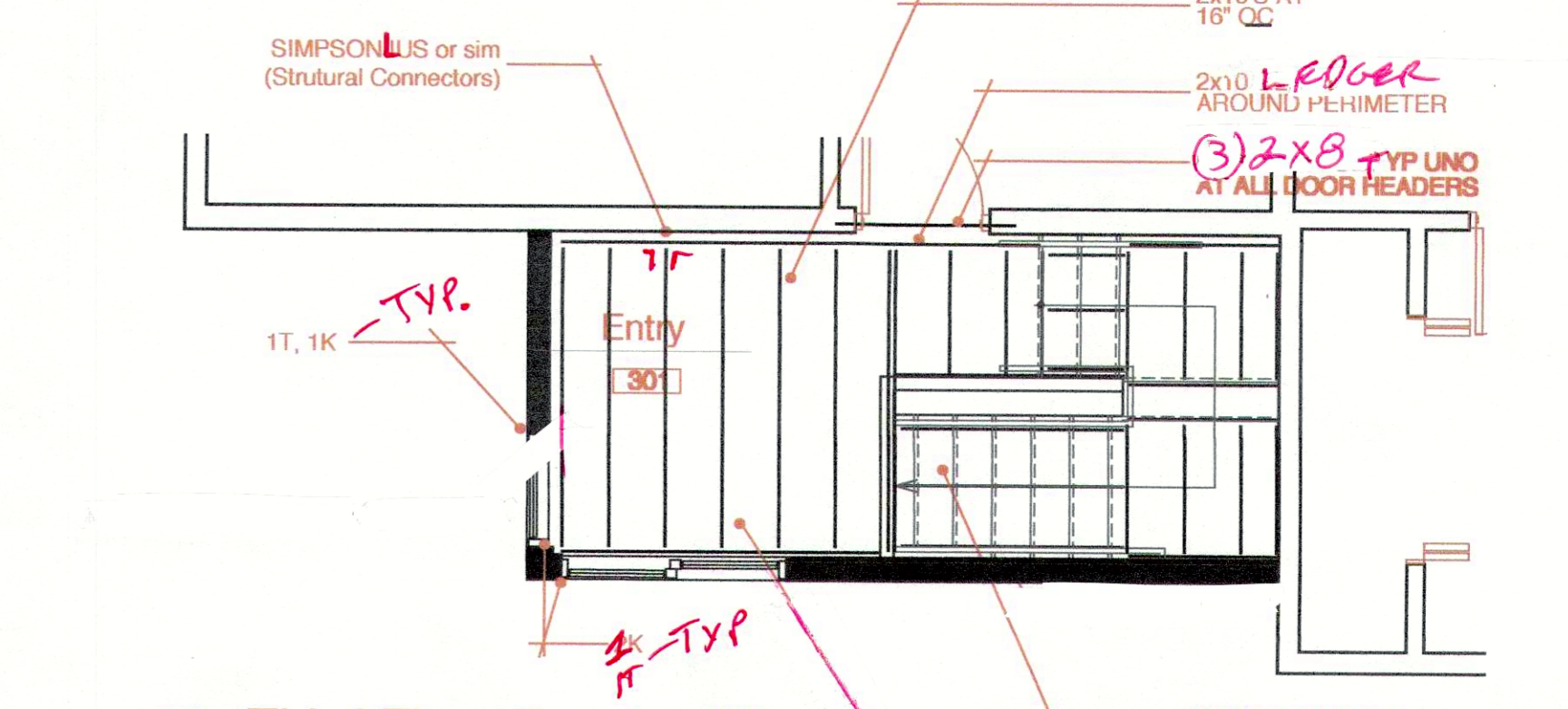
39 Typical Lintel Detail



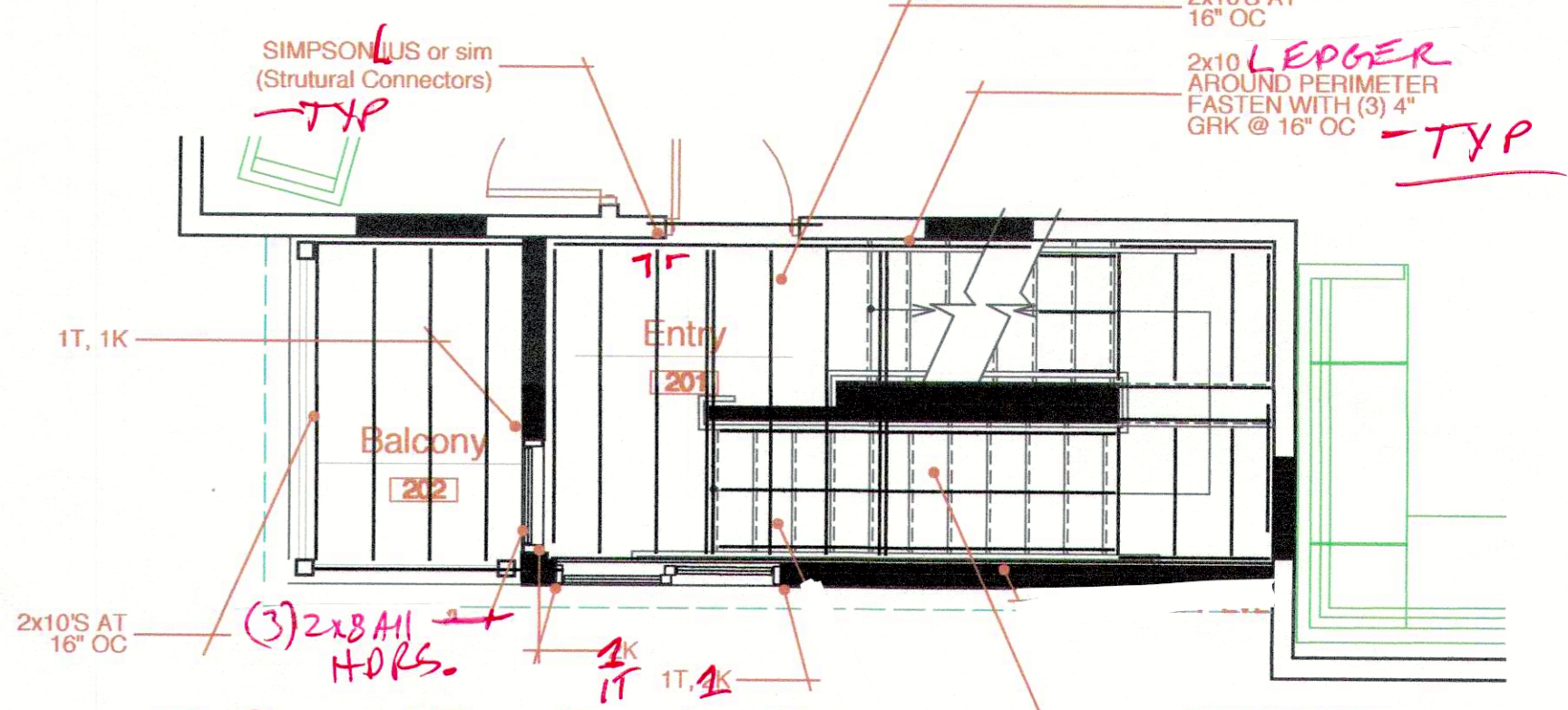
22 Plan Detail at Existing Foundation (Cold Joint)



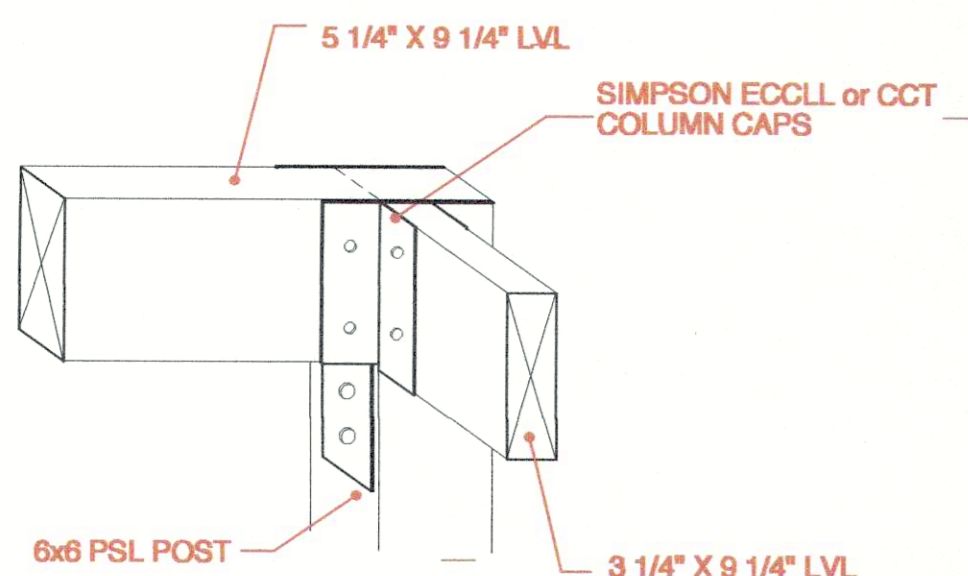
21 Ledger Detail



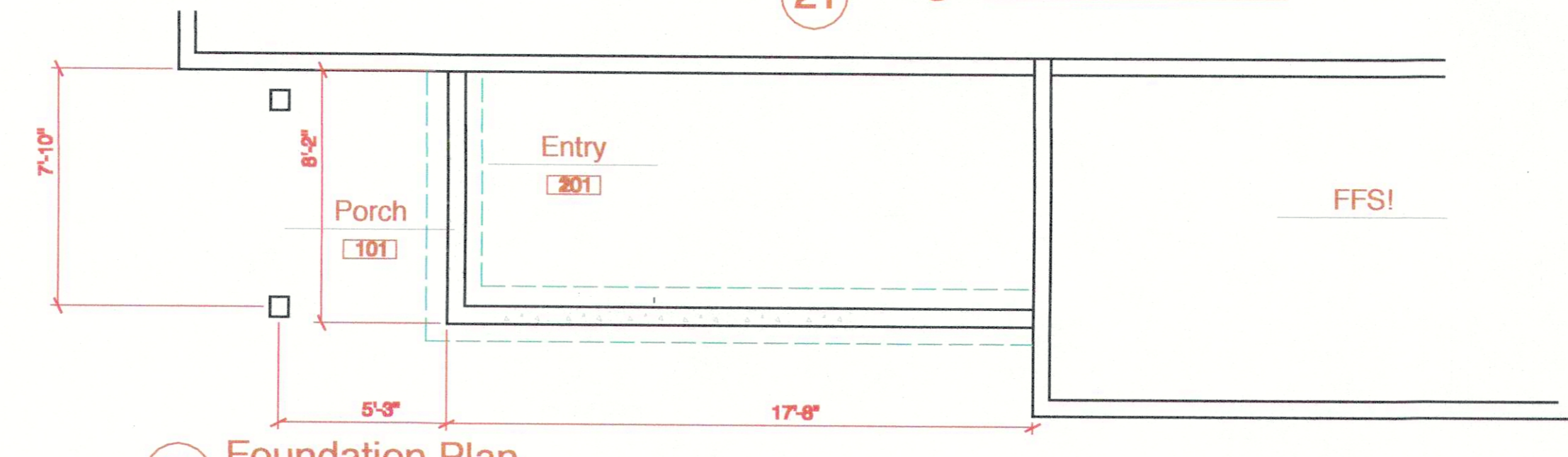
12 Third Floor Framing Plan



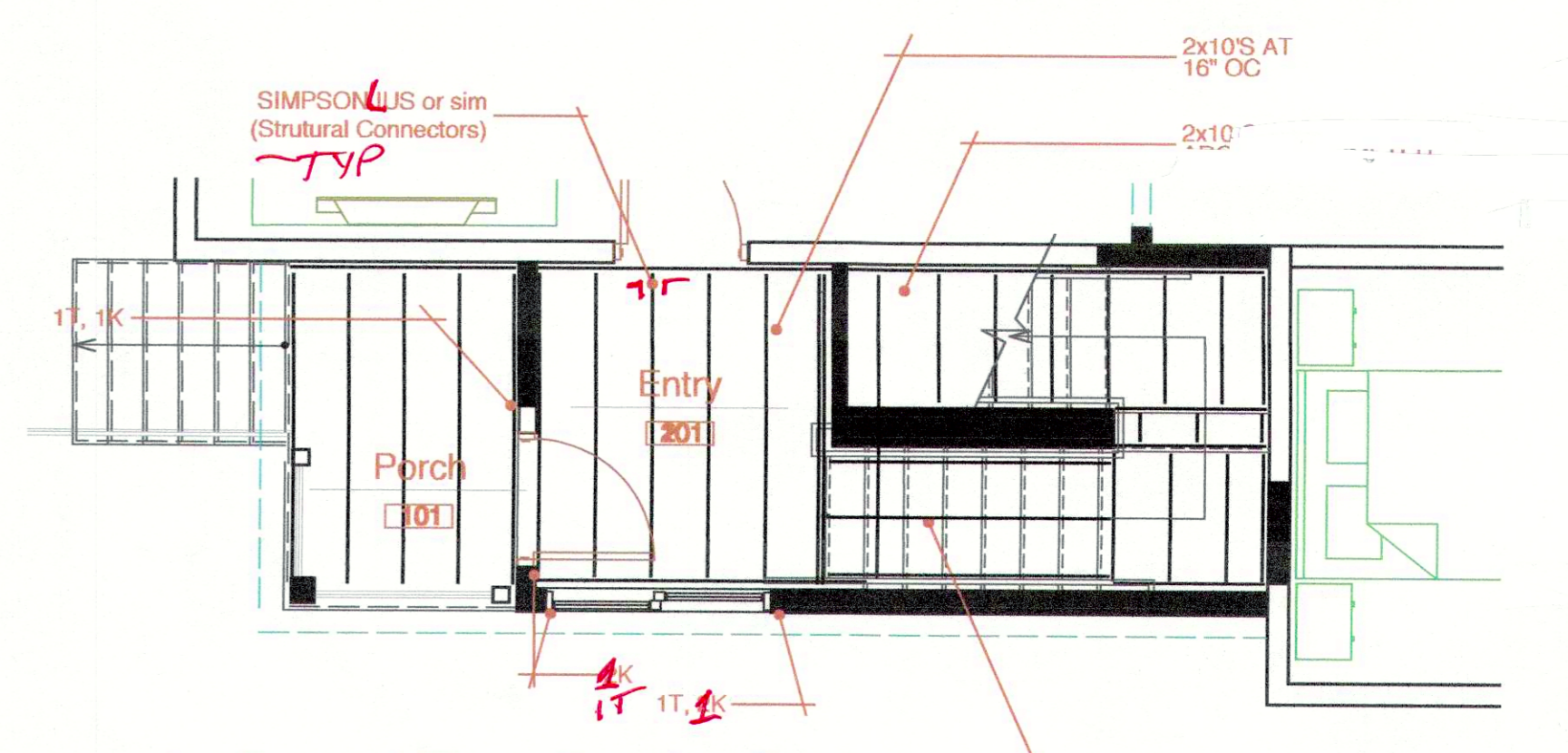
11 Second Floor Framing Plan



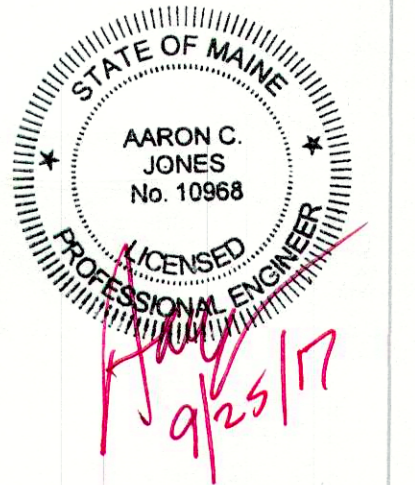
38 Typical Framing Detail



20 Foundation Plan



10 Ground Floor Framing Plan



41 edgewood ave
portland, maine 04103
telephone 207 450 0750
e-mail matthewwinch@earthlink.net

Revisions	date
Existing Conditions Draft	02/02/2017
Revisions per code review	07/24/17
Revisions per code review	08/02/17

project name
Spinato Renovation
project location
33-37 North Street
Portland Maine

date
May 8, 2017
scale
1/4" = 1'-0"
project #
2016-011
drawing title
Framing Plans & Sections
drawing number
S101