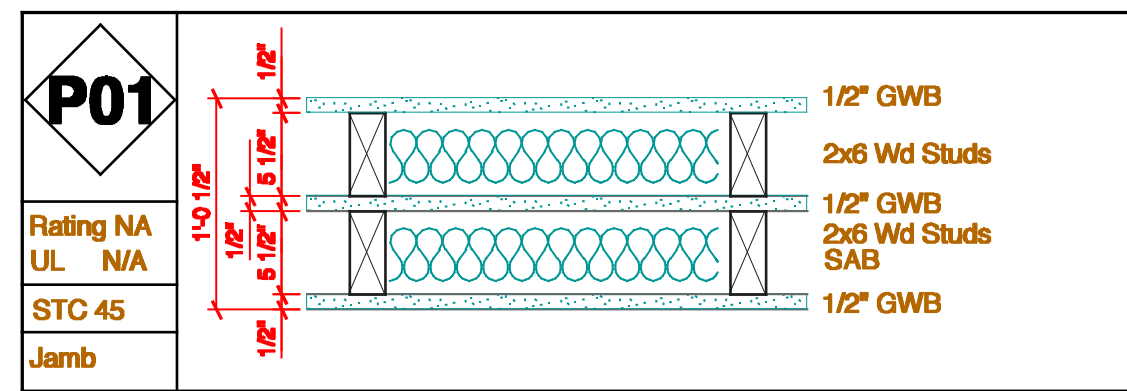
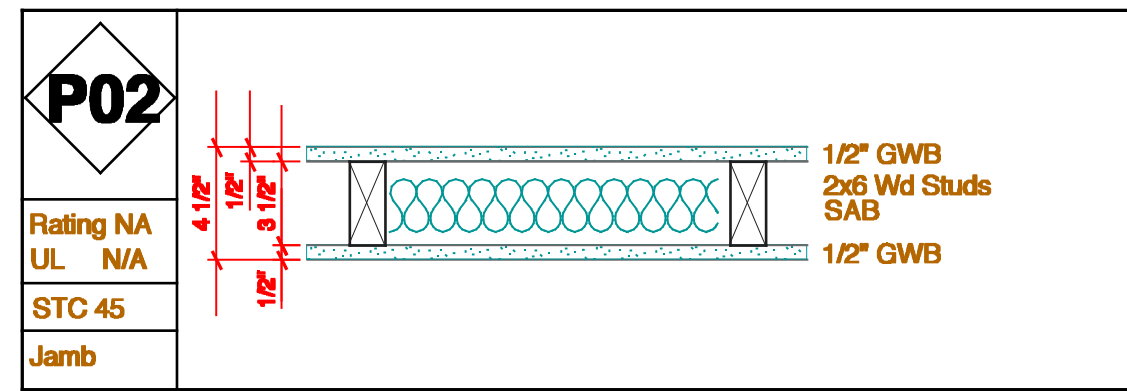
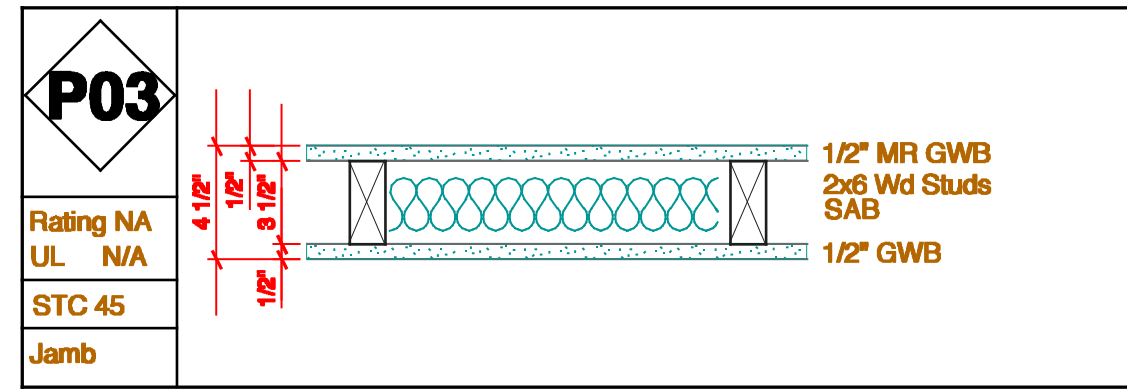
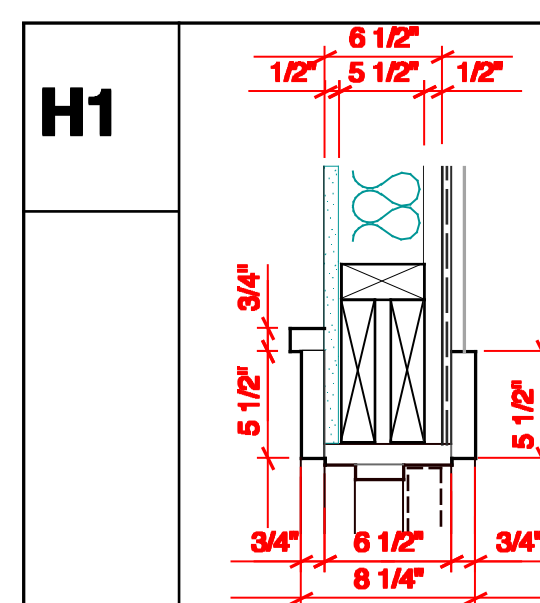
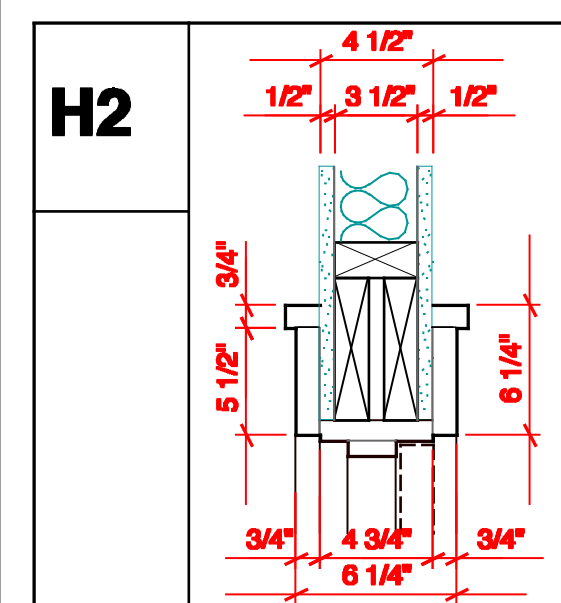
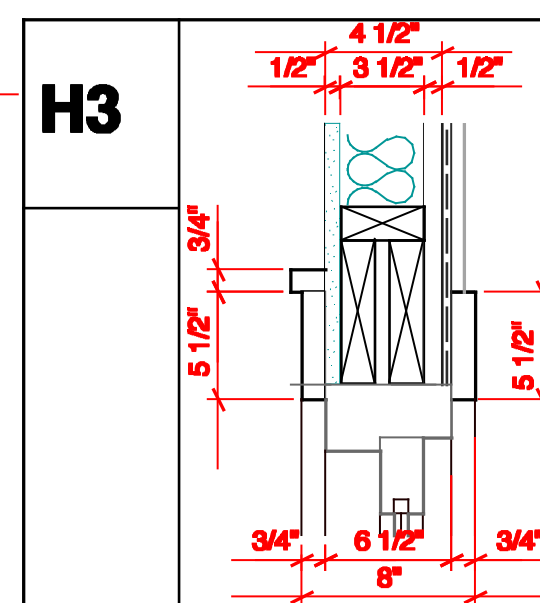
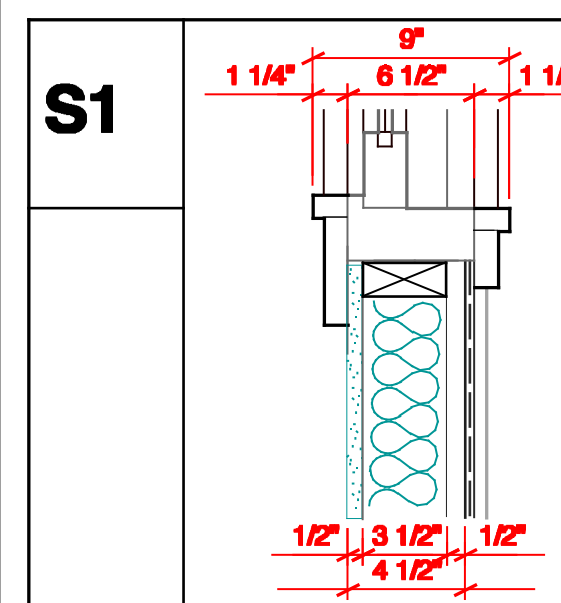
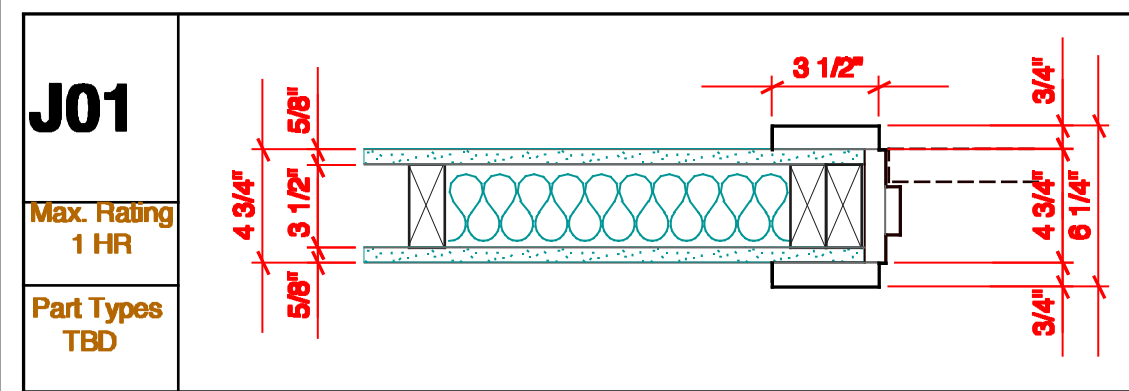
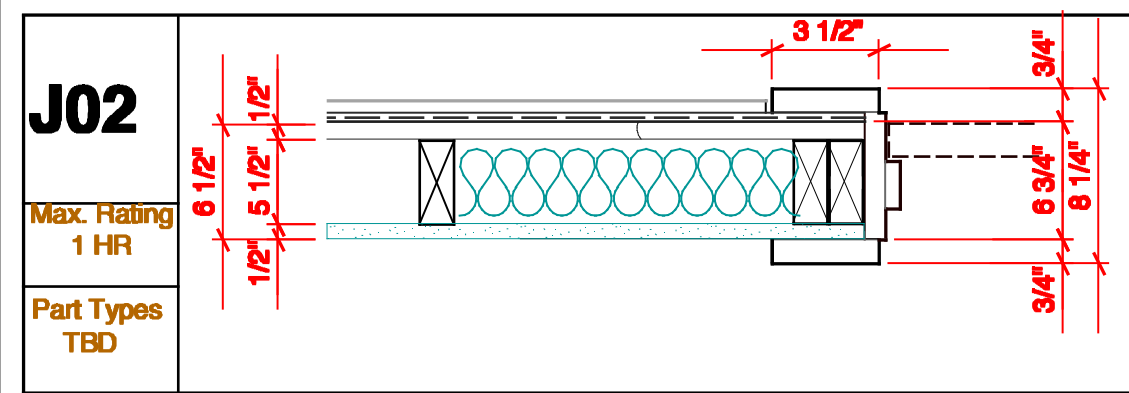
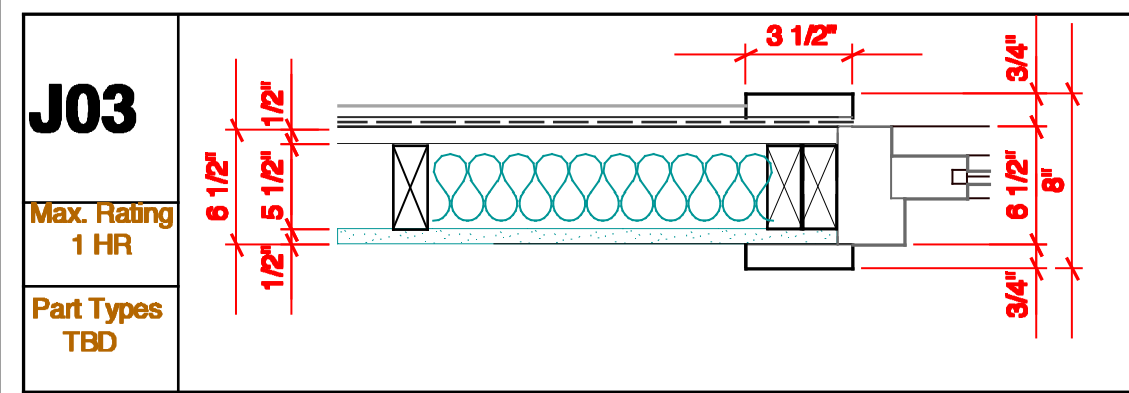
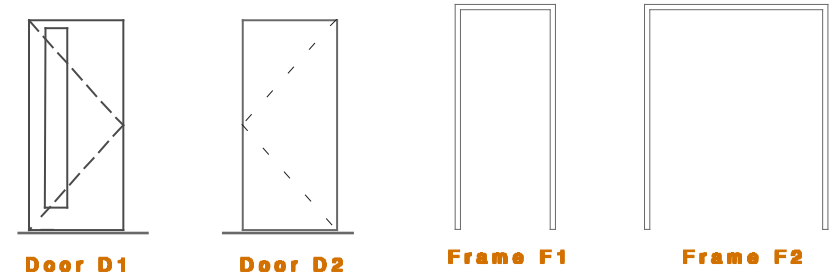


DOOR NO.	LOCATION (opens into)	LABEL	MATERIAL	TYPE	FRAME				DOOR				REMARKS		
					JAMB OPENING WIDTH	JAMB OPENING HEIGHT	JAMB OPENING DEPTH	HEAD	JAMB	TYPE	MATERIAL	THRESHOLD		UNDERCUT	HARDWARE
101	Porch - Entry	60 Min	HM	F1	3'-4"	6'-10"	6 1/2"	H3	J01	D5	FG	ALUM	none	A	New outswing door with leaded glass, alum. clad, tempered low-e glass, delayed egress locks.
102	Hall - Entry	60 Min	HM	F1	3'-4"	6'-10"	7"	H1	J02	D3	WD	ALUM	none	B	Solid core wood veneer (or equity) door with tempered lites.
103	Hall - Bath	none	WD	F1	2'-9"	6'-9"	4 1/2"	H2	J01	D3	WD	none	1/2"	C	
104	Closest - Bath	none	WD	F2	5'-9"	6'-9"	4 1/2"	H2	J01	D3	WD	none	1/2"	C	
105	Hall - Bedroom	none	WD	F1	2'-9"	6'-9"	4 1/2"	H2	J01	D3	WD	none	1/2"	C	
106	Closest - Bedroom	none	WD	F1	2'-9"	6'-9"	4 1/2"	H2	J01	D3	WD	none	1/2"	C	
107	Hall - Bedroom	none	WD	F1	2'-9"	6'-9"	4 1/2"	H2	J01	D3	WD	none	1/2"	C	
108	Closest - Bedroom	none	WD	F1	2'-9"	6'-9"	4 1/2"	H2	J01	D3	WD	none	1/2"	C	
109	Hall - Bedroom	none	WD	F1	2'-9"	6'-9"	4 1/2"	H2	J01	D3	WD	none	1/2"	C	
110	Hall - Bedroom	none	WD	F1	2'-9"	6'-9"	4 1/2"	H2	J01	D3	WD	none	1/2"	C	
201	Hall - Entry	60 Min	HM	F1	3'-4"	6'-10"	7"	H1	J02	D3	WD	ALUM	none	B	Solid core wood veneer (or equity) door with tempered lites.
301	Hall - Entry	60 Min	HM	F1	3'-4"	6'-10"	7"	H1	J02	D3	WD	ALUM	none	B	Solid core wood veneer (or equity) door with tempered lites.

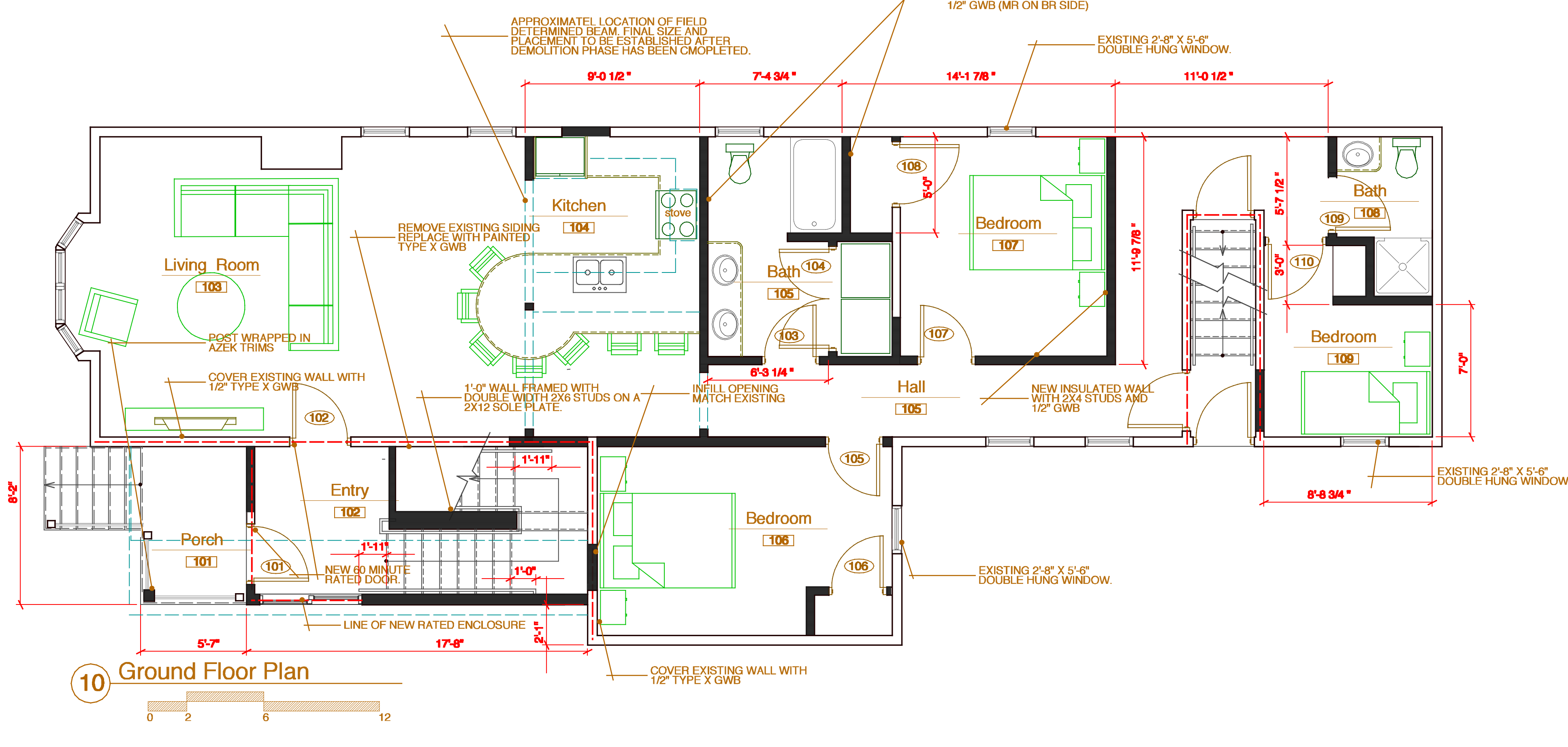
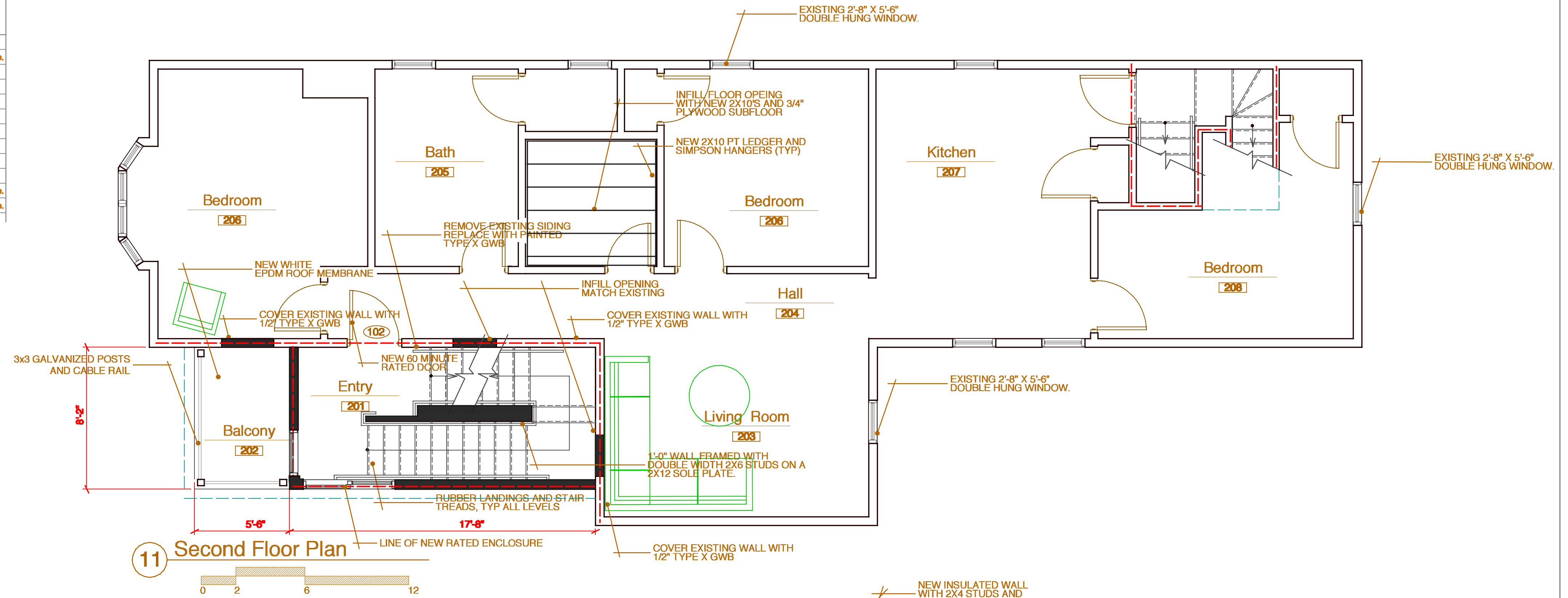
Door & Frame Elevations



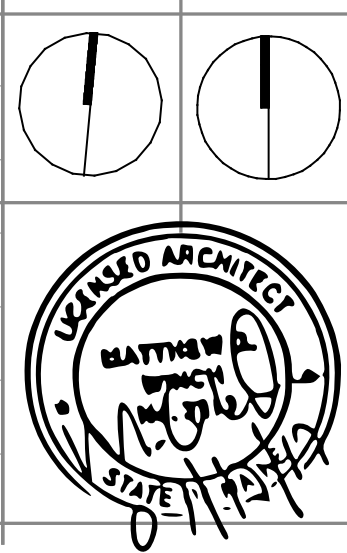
Frame / Door Notes

- All doors in sound insulated partitions shall be sound gasketed, unless noted otherwise.
- All frames in sound insulated partitions shall be sealed with acoustic sealant between the wall sheathing and the frame backend, unless noted otherwise.
- Refer to jamb designation on Door Schedule for details, materials, and dimensions, typ.
- Refer to Door Schedule for additional information.

J1 — Jamb detail designation
 Max. Rating — Maximum fire rating for opening
 45 Minutes
 Head Detail — Head type references for this detail
 D1, D3
 Part Types — Partition type references for this detail
 306-309
 301-304



Revisions	date
Revisions per code review	07/24/17
Revisions per code review	08/02/17



project name
Spinato Renovation
 project location
 33-37 North Street
 Portland Maine

date
 May 8, 2017
 scale
 1/4" = 1'-0"
 project #
 2016-011
 drawing title
Floor Plans & Door Sched
 drawing number
A101