

Submittal Data: 36RLXFZH
Inverter Driven Heat Pump

36,000 BTU Multi-Zone System

Job Name: _____

Date: _____

Location: 1st and 2nd floor

Approval: _____

Engineer: _____

Construction: _____

Submitted to: _____

Unit #: _____

Submitted by: _____

Drawing #: _____

Reference: _____

General Features

- Wired or wireless remote
- Apple catechin filter
- Ion deodorizing filter
- Auto louver: up/down
- Auto louver: 4-way
- Low ambient cooling
- Blue fin coating
- Standard Warranty: 5 years parts, 7 years compressor. Applies to systems purchased before June 1st 2015*
- Extended Warranty: 10 years parts, 10 years compressor. Systems that have been installed on or after June 1st 2015 by licensed contractors and the online Product Registration has been submitted.**
- Elite Contractor Extended Warranty: 12 years parts, 12 years compressor. Systems that have been installed on or after June 1st 2015 by contractors who have met requirements and have been approved for elite contractor status plus, the online Product Registration has been submitted ***

Model Information

Condenser..... AOU36RLXFZH
Evaporator..... (ARU) / (AGU) / (AUU) / (ASU) 7, 9, 12, 18, 24RLF(1)
Connectable indoor units..... 2 - 4
Total capacity range..... 27,000 - 39,000 Btu/h

Electrical

Available Voltage Range..... 208/230V AC 1ph-60Hz
Minimum Circuit Ampacity..... 31.5 A
Max Fuse Size..... 40 A

Current

Starting Current..... 12.9 A
Operating Current..... 26.0 A
Cooling (non-duct) 11.9 A / (ducted) 12.9 A / (mix) 12.4 A
Heating (non-duct) 11.8 A / (ducted) 12.1 A / (mix) 11.8 A

Input Power

Cooling (non-duct) 3.52 kW / (ducted) 3.92 kW / (mix) 3.71 kW
Heating (non-duct) 3.00 kW / (ducted) 3.22 kW / (mix) 3.11 kW

Capacity

Nominal Cooling..... 35,200 Btu/h
Min-Max Cooling..... 12,000 - 39,000 Btu/h
Nominal Heating..... 36,400 Btu/h
Min-Max Heating..... 12,000 - 42,000 Btu/h

Compressor

DC Twin Rotary (inv x1)
Motor Output..... 2,100 W
Refrigerant..... R410a
Pre-Charge..... 8 lbs. 13 oz.
Oil..... RB68

Fan Motor

Type: DC (condenser)..... Propeller x1
Motor Output (condenser)..... 100 W
Type: DC (evaporator)..... (wall-mount) Cross flow
(compact cassette) Turbo
(ducted) Sirocco x2 (18 k x3)
(floor) Cross flow x2

Motor Output (Evaporator)..... (wall) 30-42W (compact cassette) 54W (ducted) 80-81W
(floor) 16W

Heat Exchanger

Dimensions (condenser)..... (H x W x D) in. (mm)..... 38-1/16 x 36-5/16 x 2-3/16 (966x922x55)
Fin Pitch..... 1.45 FPI
Rows x Stages..... 2 x 38

Pipe Type (Material)..... Grooved H-Pin (Copper)
Fin Type (Material)..... Aluminum (Blue fin)

Operation Temperature Range

Cooling..... 14°F (-10°C) - 115°F (46°C)
Heating..... -15°F (-26°C) - 75°F (24°C)

Efficiency

SEER**..... 20.0 (wall-mount) 18.0 (duct) 19.0 (mix)
EER (cooling)..... 13.0 Btu/W (wall-mount) 12.0 Btu/W(duct) 12.5 Btu/W(mix)
COP (heating)..... 4.00 W/W (wall-mount) 3.88 W/W (duct) 3.94 W/W(mix)
HSPF (heating)..... 10.3 (wall-mount) 9.3 (duct) 9.8 (mix)

Enclosure (condenser)

Material..... Painted galvanized steel
Color..... Beige (10 YR 7.5/1.0 NN)

Sound Pressure Level

Cooling..... 53 dB(A)
Heating..... 55 dB (A)

Dimensions

H x W x D (condenser)
Net in. (mm)..... 39-5/16 x 38-3/16 x 14-9/16 (998x970x370)
Gross in. (mm)..... 45-3/4 x 45-1/4 x 18-13/16 (1,162x1,150x478)

Connection Pipe

Liquid..... 1/4" (6.35 mm) x4
Gas..... 3/8" (9.52 mm) x3 + 1/2" (12.70 mm) x1
Method (Liquid/Gas)..... Brazing
Pre-charge length (Total)..... 164 ft. (50m)
Max length (Total)..... 230 ft. (70m)
Max length (Each)..... 82 ft. (25m)
Min. length (Total)..... 49 ft. (15m)
Min length (Each)..... 16 ft. (5m)
Max Height Difference..... 49 ft. (15m)

Weight

Condenser..... 205 lbs (93kg)
Evaporators (wall-mount) 19 lbs. - 31 lbs.
(compact cassette) 33 lbs.
(ducted) 37 lbs. - 49 lbs.
(floor) 31 lbs

Accessories

UTY-DMMMUM..... Central wired remote control (backlit, displays room temp.)
UTY-RNNUM..... Wired remote control
UTY-RSNUM..... Wired remote control (simple)

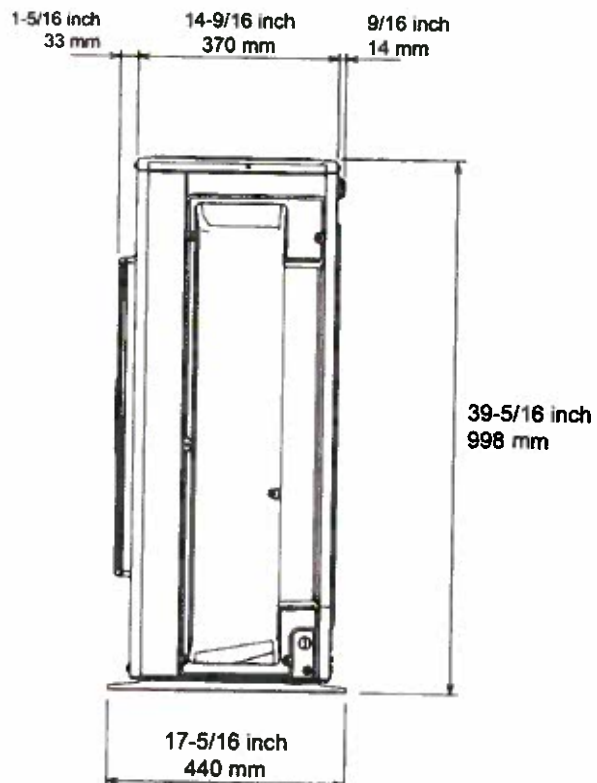
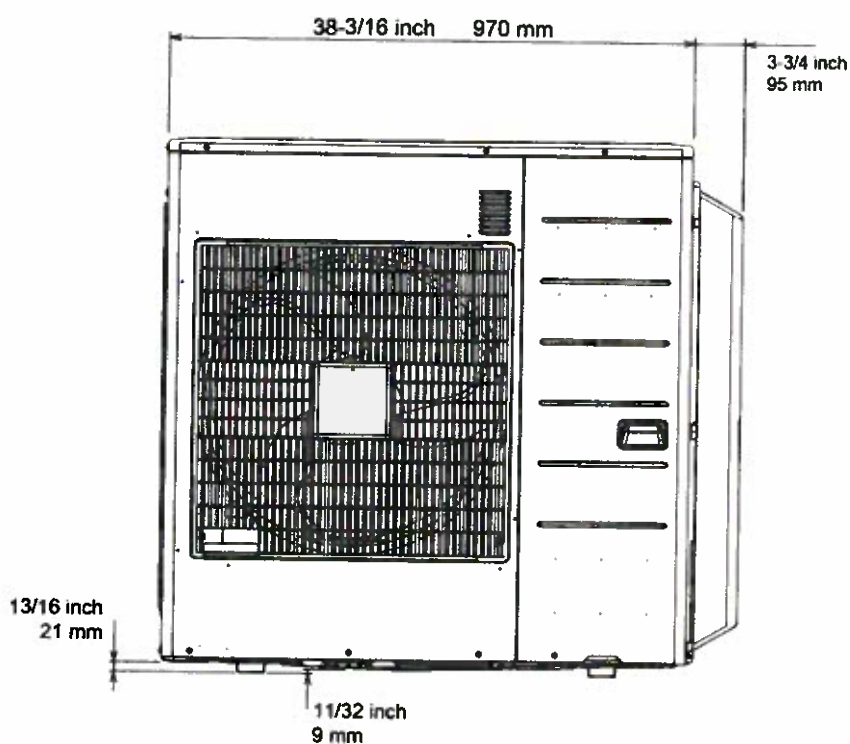
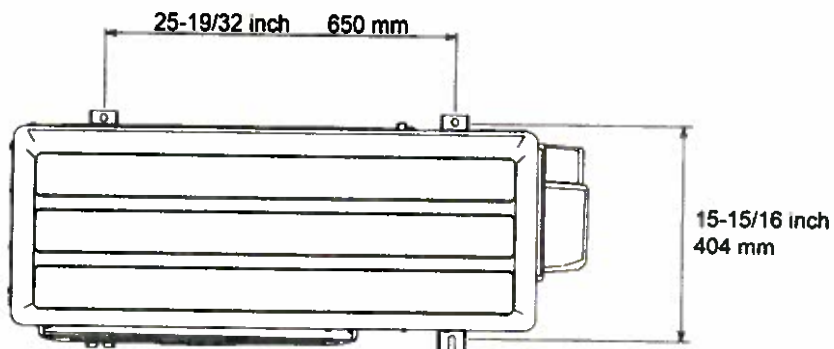
Intertek® ETL Number

AOU36RLXFZH..... 91987

Reference to chart for approved conditions. **Test conditions are based on AHRI 210/240. Note: Specifications are based on the following conditions: Cooling: indoor temperature of 80°F (26.7°C) DB (67°F (19.4°C) WB), and outdoor temperature of 91°F (33°C) DB (79°F (26.1°C) WB). Heating: indoor temperature of 65°F (18.3°C) DB (59°F (15°C) WB), and outdoor temperature of 47°F (8°C) DB (43°F (6°C) WB). Pipe length: 300 ft. (91.4 m). Height difference: 49 ft. (15 m). (duct) unit - indoor unit.

Dimensions: 36RLXFZH

[Unit: in. (mm)]



The Fujitsu logo is a registered trademark of Fujitsu Limited.
 The Halcyon logo and name is a trademark of Fujitsu General America, Inc. Copyright 2016 Fujitsu General America, Inc.
 Fujitsu's products are subject to continuous improvements. Fujitsu reserves the right to modify product design, specifications and information in this brochure without notice and without incurring any obligations.

Job Name: _____

Date: _____

Location: 3rd floor ?

Approval: _____

Engineer: _____

Construction: _____

Submitted to: _____

Unit #: _____

Submitted by: _____

Drawing #: _____

Reference: _____

General Features

- Wired or wireless remote
- Apple catechin filter
- Ion deodorizing filter
- Auto louver up/down
- Auto louver 4-way
- Low ambient cooling
- Cold prevention
- Blue fin coating
- Standard Warranty: 5 years parts, 7 years compressor. Applies to systems purchased before June 1st 2015*
- Extended Warranty: 10 years parts, 10 years compressor. Systems that have been installed on or after June 1st 2015 by licensed contractors and the online Product Registration has been submitted.**
- Elite Contractor Extended Warranty: 12 years parts, 12 years compressor. Systems that have been installed on or after June 1st 2015 by contractors who have met requirements and have been approved for elite contractor status plus, the online Product Registration has been submitted.***

Model Information

Condenser	AOU24RLXFZH
Evaporator	(ASU) / (ARU) / (AGU) / (AUU) 7,9,12RLF(1)
Connectable indoor units	2 - 3
Total capacity range	14,000 - 27,000 Btu/h

Electrical

Available Voltage Range	208/230V AC 1ph-60Hz
Minimum Circuit Ampacity	208/230 +/- 10%
Max Fuse Size	25 1 A
Max Starting Current	30 A
	8 3 A

Input Power

Cooling	(non-duct) 1.65 kW / (ducted) 1.81 kW / (mix) 1.74 kW
Heating	(non-duct) 1.81 kW / (ducted) 1.89 kW / (mix) 1.85 kW

Current

Cooling	(non-duct) 7.2 A / (ducted) 7.9 A / (mix) 7.6 A
Heating	(non-duct) 7.9 A / (ducted) 8.3 A / (mix) 8.1 A

Capacity

Nominal Cooling	22,000 Btu/h
Min-Max Cooling	6,100 - 27,000 Btu/h
Nominal Heating	25,000 Btu/h
Min-Max Heating	6,800 - 29,800 Btu/h

Compressor

Motor Output	Rotary (inv x1) 2,100 W
Refrigerant	R410a
Charge	4 lbs. 14 oz
Oil	RB68

Fan Motor

(Condenser) Type	DC Propeller x1
(Condenser) Motor Output	100 W
(Evaporator) Type	DC Cross flow (compact cassette) Turbo (ducted) Sirocco x2 (18 k x3) (floor) Cross flow x2

(Evaporator) Motor Output	(wall) 30W-42W (compact cassette) 54W (ducted) 80-81W (floor) 16W
---------------------------	---

Heat Exchanger

Dimensions (H x W x D) in (mm)	31-7/16 x 35-7/16 x 1-7/16 (798x900x36.38)
Fin Pitch	20 FPI
Rows x Stages	2 x 38
Pipe Type (Material)	Copper
Fin Type (Material)	Aluminum (Blue fin)

Operation Temperature Range

Cooling	14°F - 115°F (-10°C - 46°C)
Heating	-15°F - 75°F (-26°C - 24°C)

Efficiency

SEER ¹	(wall-mount) 20 (duct) 18 (mix) 19
EER (cooling)	(wall-mount) 13.3 Btu/W (duct) 12.1 Btu/W (mix) 12.7 Btu/W
COP (heating)	(wall-mount) 4.04 W/W (duct) 3.87 W/W (mix) 3.96 W/W
HSPF (heating)	(wall-mount) 10.3 (duct) 9 (mix) 9.7

Enclosure (Condenser)

Material	Painted galvanized steel
Color	Beige (10 YR 7.5/1.0 NN)

Sound Pressure Level

Condenser	52 dB(A)
-----------	----------

Dimensions

H x W x D	
Condenser	
Net in. (mm)	32-11/16 x 35-7/16 x 13 (830x900x330)
Gross in. (mm)	38-3/16 x 41-5/16 x 17-1/2 (970x1,050x445)

Connection Pipe

Liquid	1/4" x3
Gas	3/8" x2 + 1/2" x1
Method (Liquid/Gas)	Brazing
Max Length (Pre-charge)	229ft. (70m) / (98 ft. {30m})
Max Height Difference	49 ft. (15m)

Weight

Condenser	146 lbs. (66 kg)
Evaporators	(wall-mount) 19 lbs. - 31 lbs. (compact cassette) 33 lbs. (ducted) 37 lbs. - 49 lbs. (floor) 31 lbs.

Accessories

Wired Remote Controller	UTY-RVNUM
Wired Remote Controller	UTY-RNNUM
Simple Remote Controller	UTY-RSNUM

Intertek® ETL Number

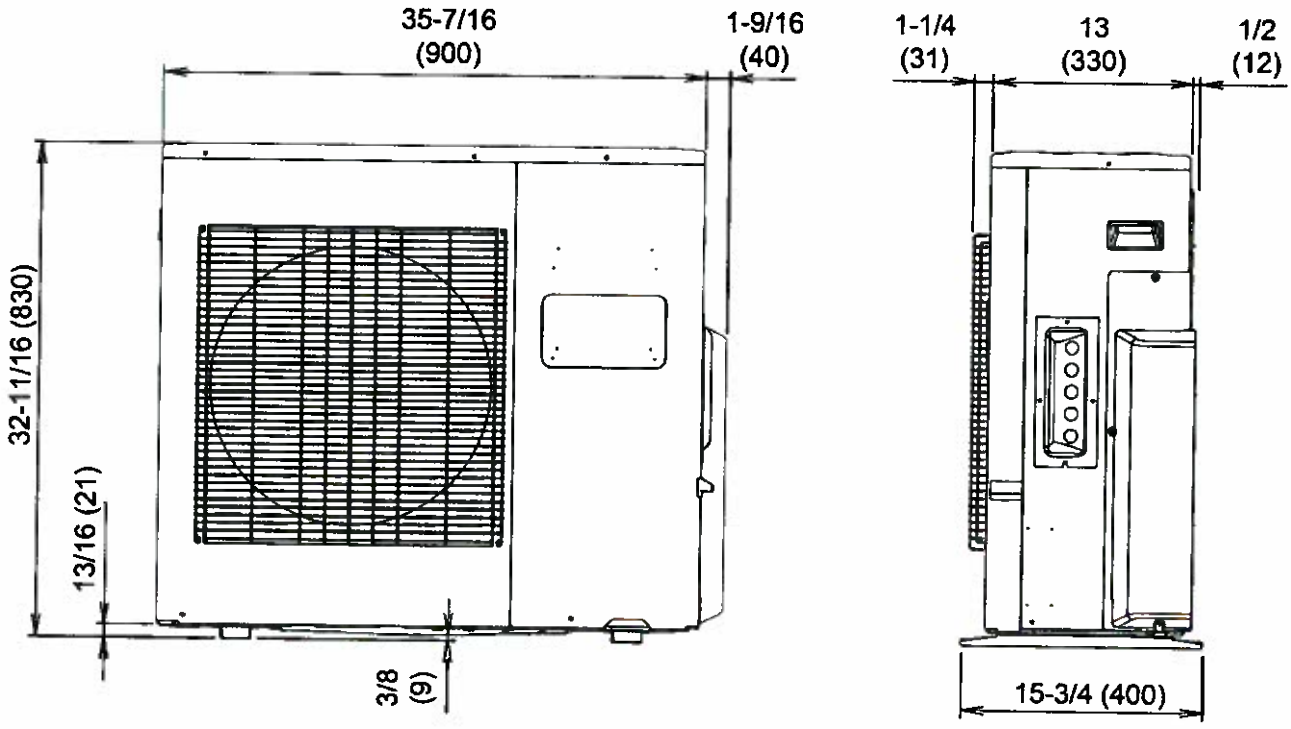
AOU24RLXFZH	91987
-------------	-------

Reference literature for approved combinations. **Test conditions are based on AHRI 210/240. Note: Specifications are based on the following conditions: Cooling: Indoor temperature of 80°F (26.7°C) DB/67°F (19.4°C) WB, and outdoor temperature of 95°F (35°C) DB/75°F (23.9°C) WB. Heating: Indoor temperature of 70°F (21.1°C) DB/59°F (15°C) WB, and outdoor temperature of 47°F (8.3°C) DB/43°F (6.1°C) WB. Pipe length: 248.7m (7.8m). Height difference: 0ft. (0m). (Outdoor unit - indoor unit). (**Standard warranty)***12 year warranty***12 year warranty



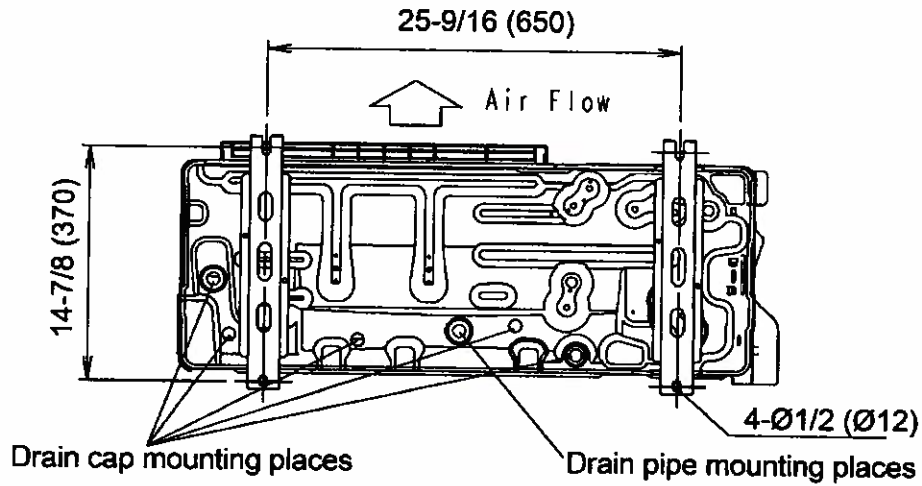
Dimensions: 24RLXFZH

[Unit: in. (mm)]



Front view

Side view



Bottom view

Submittal Data: 15RLS3H
Inverter Driven Heat Pump

15,000 BTU Wall Mount

Job Name: _____
Location: 3rd floor ?
Engineer: _____
Submitted to: _____
Submitted by: _____
Reference: _____

Date: _____
Approval: _____
Construction: _____
Unit #: _____
Drawing #: _____

General Features

- *Wired or wireless remote
- *Energy saving program
- *Sleep timer
- *24-hour timer
- *Weekly timer
- *Dry mode
- *Powerful mode
- *High performance heating
- *Base pan heater
- *Standard Warranty: 5 years parts, 7 years compressor. Applies to systems purchased before June 1st 2015*
- *Extended Warranty: 10 years parts, 10 years compressor. Systems that have been installed on or after June 1st 2015 by licensed contractors and the online Product Registration has been submitted**
- *Elite Contractor Extended Warranty: 12 years parts, 12 years compressor. Systems that have been installed on or after June 1st 2015 by contractors who have met requirements and have been approved for elite contractor status plus, the online Product Registration has been submitted.***

Model Information

Condenser..... AOU15RLS3H
Evaporator..... ASU15RLS3

Electrical..... 208/230V AC 1ph-60Hz
Available Voltage Range..... 208/230 +/- 10%
Minimum Circuit Ampacity..... 18.2 A
Max Fuse Size..... 20A
Max Starting Current..... 5.2 A

Input Power

Cooling..... 1.04 kW
Heating..... 1.15 kW

Running Current

Cooling..... 4.8 A
Heating..... 5.2 A

Capacity

Nominal Cooling..... 15,000 Btu
Min-Max Cooling..... 3,100-18,400 Btu/h
Nominal Heating..... 18,000 Btu/h
Min-Max Heating..... 3,100-23,900 Btu/h

Compressor

Motor Output..... Rotary (inv x1) 1,000 W
Refrigerant..... R410a
Charge..... 3 lbs. 1 oz
Oil..... FREOL a68SZ

Fan Motor

(Condenser) Type: DC..... Propeller x 1
(Condenser) Motor Output..... 49 W
(Evaporator) Type: DC..... Cross flow fan x1
(Evaporator) Motor Output..... 61 W

Heat Exchanger (Condenser (C) Evaporator (E))

Dimensions (H x W x D)
Condenser..... 23-1/8 x 34-11/16 x 1-7/16 in. (588x881x36.4 mm)
Evaporator..... Main 15-1/8 x 28-3/8 x 1-3/16 in. (384x720x30) Sub 3-5/16 x 28-3/8 x 1/2 in. (84x720x13.3 mm) + 15/16 x 28-3/8 x 1/2 in. (126x720x13.3 mm)

Fin Pitch..... 20 FPI (C) Main 21 FPI Sub 18 FPI (E)
Rows x Stages..... 2 x 28 (C) Main 3 x 24 Sub 1 x 10 (E)
Pipe Type (Material)..... Copper (C) Copper (E)
Fin Type (Material)..... Aluminum (C) Aluminum (E)

Note: Specifications are based on the following conditions:
Cooling: Indoor temperature of 80°F (26.7°C), DB-6°F (19.4°C) WB, and outdoor temperature of 95°F (35°C) DB-75°F (23.9°C) WB
Heating: Indoor temperature of 69°F (21.1°C) DB-59°F (15°C) WB, and outdoor temperature of 47°F (8.3°C) DB-43°F (6.1°C) WB
Pipe length: 248.7m (78.8m), Height difference: 6m (19.7m) (Outdoor unit - indoor unit) (**Standard warranty) (***) 10 year warranty (***) 12 year warranty

Operation Temperature Range

Cooling..... 14°F (-10°C) to 115°F (46°C)
Heating..... -15°F (-26°C) to 75°F (24°C)

Efficiency

SEER..... 25.3
EER (cooling)..... 4.09 kW/kW
COP (heating)..... 4.59 kW/kW
HSPF (heating)..... 13.3 Btu/hW

Enclosure (Condenser)

Material..... Painted galvanized steel
Color..... Beige (10 YR 7.5/1.0 NN)

Sound Pressure Level

Condenser..... 49 dB(A)
Evaporator..... 45 dB(A)

Dimensions

H x W x D
Condenser in (mm)..... 24-1/2 (620) x 31-1/8 (790) x 11-7/16 (290)
Evaporator in (mm)..... 11-5/8 (295) x 37 (940) x 10-5/8 (270)

Connection Pipe

Liquid..... 1/4" / 6.35 mm Flare
Gas..... 1/2" / 12.7 mm Flare
Method (Liquid/Gas)..... Brazing
Max Length (Pre-charge)..... 66 ft. (20 m) / (49 ft. (15 m))
Max Height Difference..... 49 ft. (15 m)

Weight

Condenser..... 88 lbs. (40 kg)
Evaporator..... 31 lbs. (14 kg)

Accessories

UTY-RVNUM..... Wired remote controller (backlit, shows room temp.)
UTY-RNNUM..... Wired remote controller
UTY-RSNUM..... Wired remote controller (simple)
UTY-TWBXF1..... Interface kit
UTY-XWZXZ5..... Dry contact wire kit

Intertek ETL Number

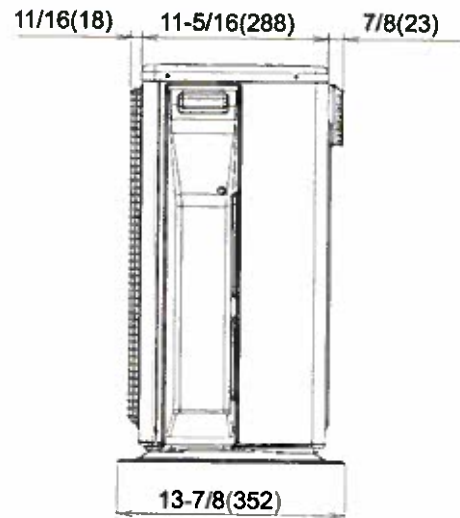
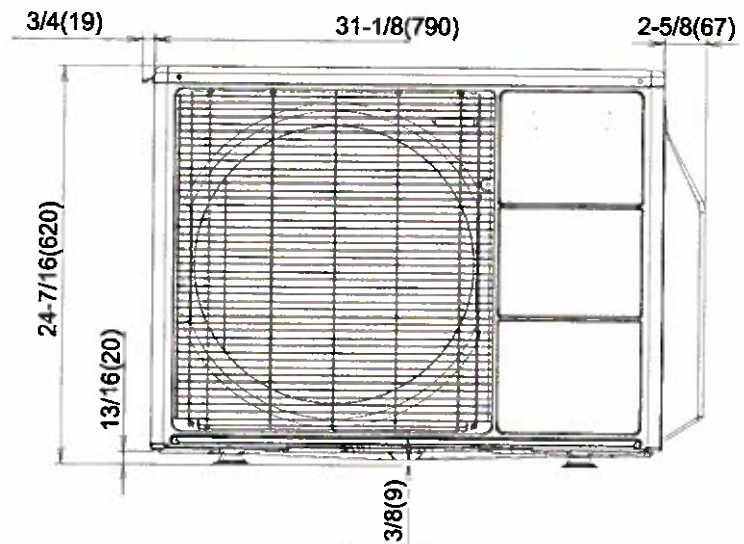
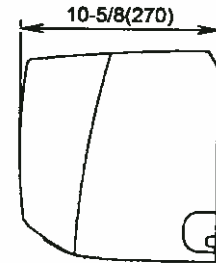
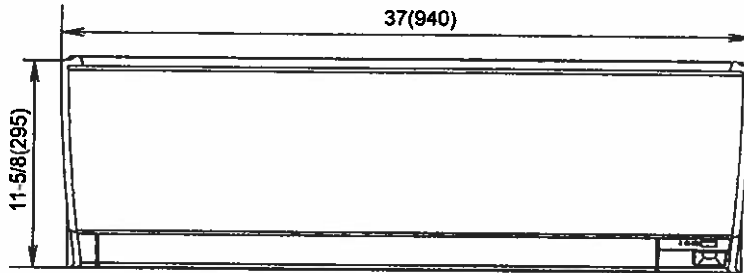
AOU15RLS3H..... 91986
ASU15RLS3..... 91986

* Requires interface kit # UTY-TWBXF1 in order to connect these devices to them.



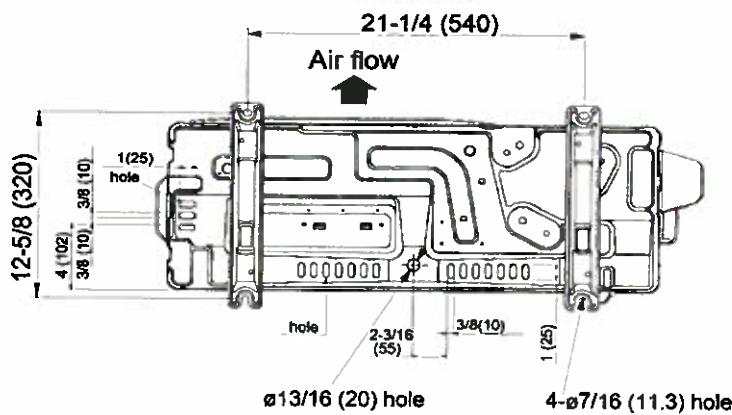
Dimensions: 15RLS3H

[Unit: in (mm)]

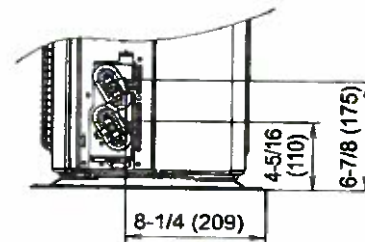


Front view

Side view



Bottom view



The Fujitsu logo is a registered trademark of Fujitsu Limited.
 The Halcyon logo and name is a trademark of Fujitsu General America, Inc.
 Copyright 2016 Fujitsu General America, Inc.
 Fujitsu's products are subject to continuous improvements. Fujitsu reserves the right to modify product design, specifications and information in this brochure without notice and without incurring any obligations.

FUJITSU
 Fujitsu General America, Inc.
 353 Route 46 West
 Fairfield, NJ 07004
 Toll Free: 1-888-888-3424
 Fax: (973) 836-0447
www.fujitsu-general.com