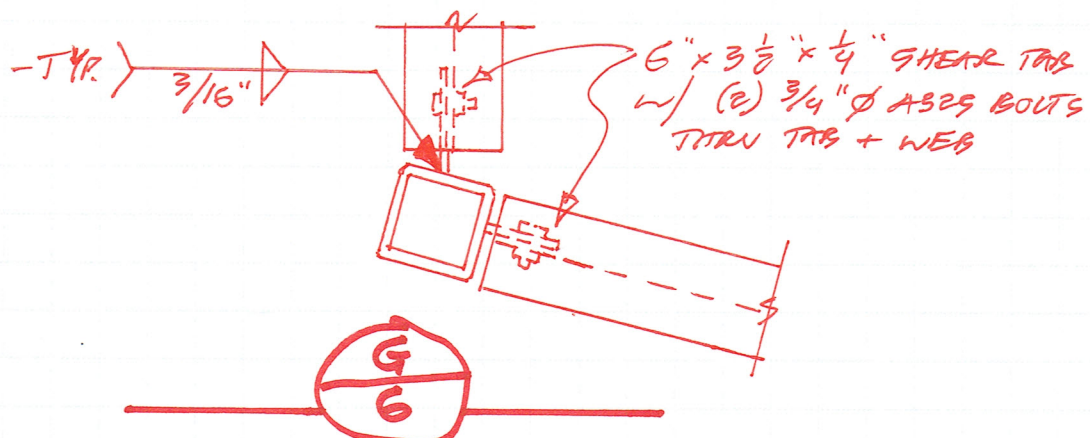
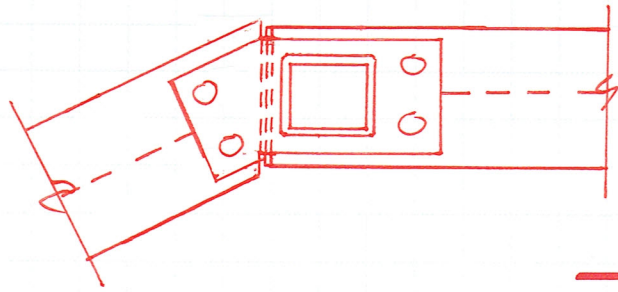
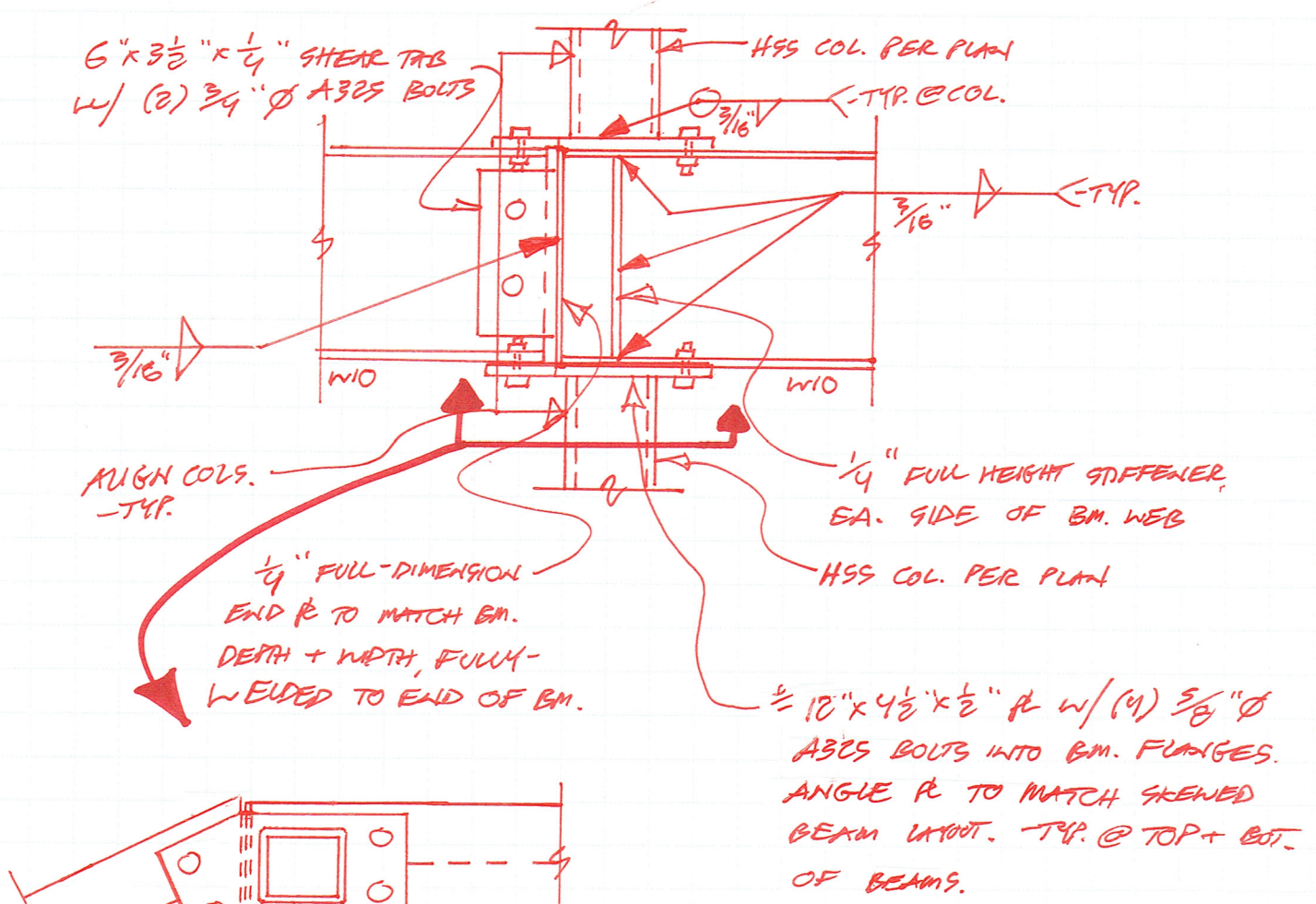


77 Oak Street, Portland, ME 04101 | p. 207-774-4614 | f. 866-793-7835



TYP. BM.-COL. CONNECTION @ CONT. COL.