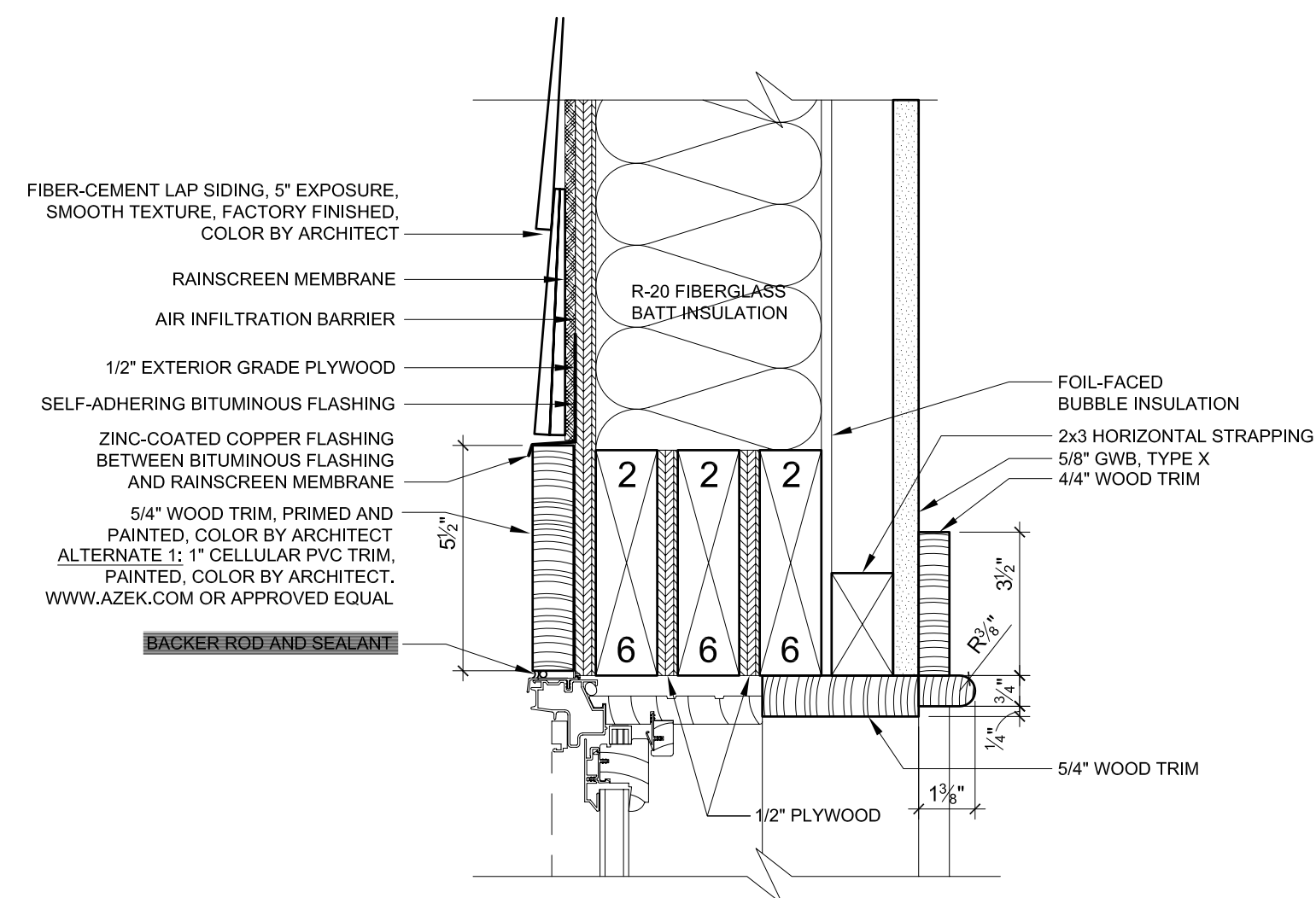
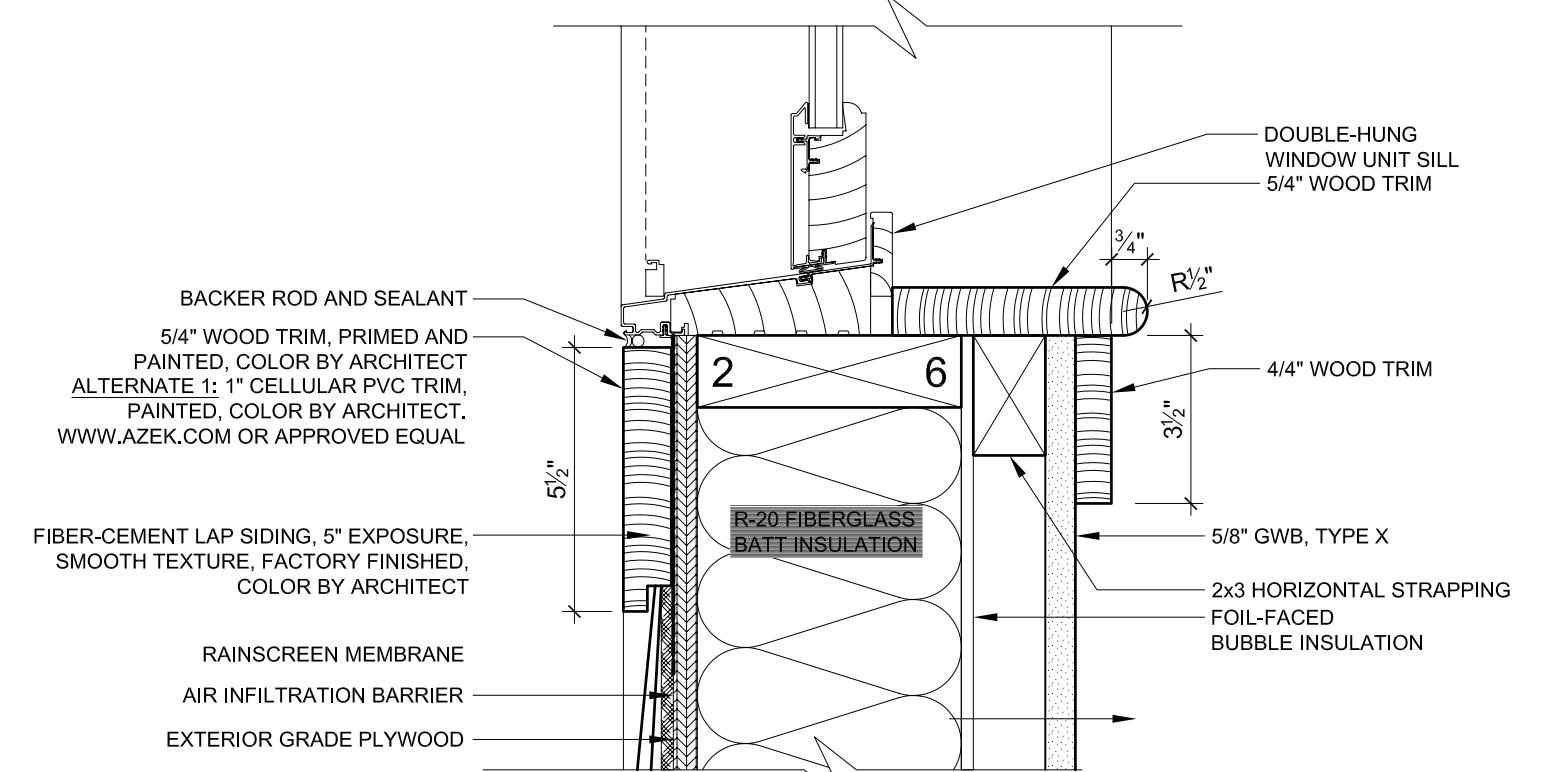


**WINDOW JAMB**



**WINDOW HEAD**

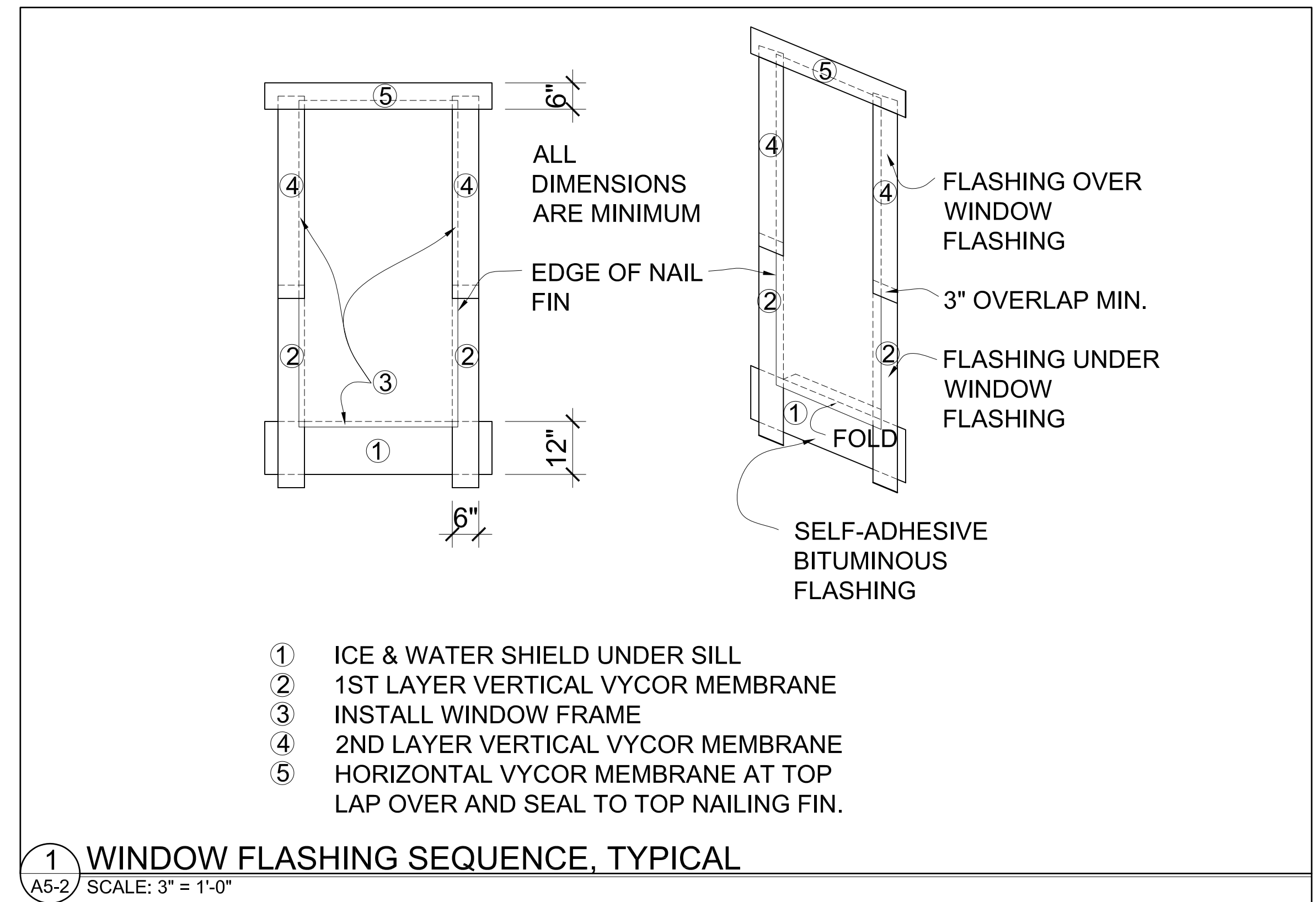
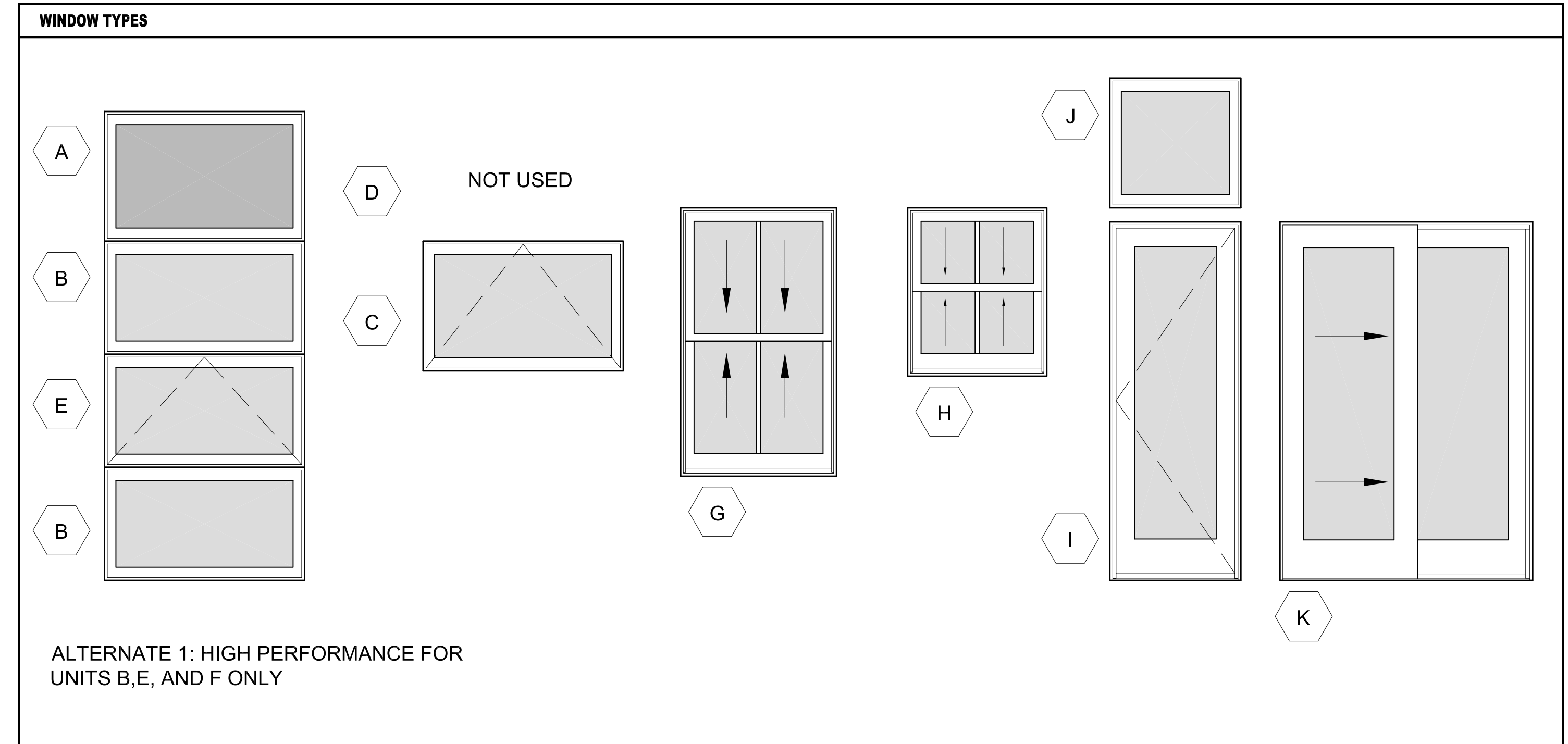


**WINDOW SILL**

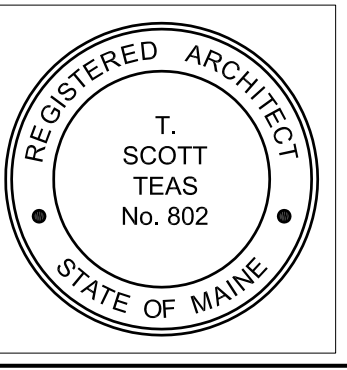
**2 WINDOW DETAILS, TYPICAL FOR DOUBLE HUNG**  
A5-2 SCALE: 3" = 1'-0"

TYPE	ACTION	FRAME SIZE (WxH)	ROUGH OPENING (WxH)	DETAILS			MATERIAL	FINISH INT.	FINISH EXT.	LOW-E	TEMPERED	GRILLES	EGRESS	ACCESSORIES	CATALOG NO.	NOTES
				HEAD	JAMB	SILL										
A	FIX	4'-0" x 2'-7 1/8"	4'-11 1/4" x 2'-7 1/8"				CLDWD			OPAQUE	NO	NO	NO	MULLION COVERS, REFER TO DETAILS	MARVIN CAWN4832	
B	FIX	4'-0" x 2'-3 1/8"	4'-11 1/4" x 2'-3 1/8"				CLDWD			LOW-E	YES	NO	NO	MULLION COVERS, REFER TO DETAILS	MARVIN CAWN4828	
C	AWN	4'-0" x 2'-7 1/8"	4'-11 1/4" x 2'-7 1/8"				CLDWD			LOW-E	NO	NO	NO	MULLION COVERS, REFER TO DETAILS	MARVIN CAWN4832	
D	-	NOT USED	NOT USED													
E	AWN	4'-0" x 2'-3 1/8"	4'-11 1/4" x 2'-3 1/8"				CLDWD			LOW-E	NO	NO	NO	MULLION COVERS, REFER TO DETAILS	MARVIN CAWN4828	
F	-	NOT USED	NOT USED													
G	DH	3'-1 3/8" x 5'-4 3/8"	3'-2 3/8" x 5'-4 7/8"				CLDWD			LOW-E	NO	YES	YES		MARVIN CUDH3228	
H	DH	2'-9 3/8" x 3'-4 3/8"	2'-10 3/8" x 3'-4 7/8"				CLDWD			LOW-E	NO	YES	NO		MARVIN CUDH2816	
I	STND	2'-7 7/16" x 7'-2"	2'-7 11/16" x 7'-2"				CLDWD			LOW-E	YES	NO	NO		MARVIN CDFD2670	
J	FIX	2'-7 7/16" x 2'-6 5/8"	2'-7 11/16" x 2'-6 5/8"				CLDWD			OPAQUE	NO	NO	-		MARVIN CSFD5088	CUSTOM CLAD AWNING, TO BE MULLED WITH UNIT K, COMBINED R.O. IS 2'-7 11/16" x 9'-9 1/8"
K	SLDR	5'-0 5/8" x 6'-10"	5'-1 5/8" x 6'-10 1/2"				CLDWD			LOW-E	YES	NO	-			

NOTE: WINDOW SIZES BASED UPON MARVIN WINDOWS AND DOORS SERIES: CLAD ULTIMATE DOUBLE HUNG, CLAD ULTIMATE INSWING FRENCH DOOR, CLAD SLIDING FRENCH DOOR, AND CLAD AWNING. PROPOSER TO PROVIDE SPECIFICATION FOR SUBSTITUTIONS, LISTED R.O. NARROWER THAN MARVIN R.O. FOR UNITS LABELED: FIX, AWN, AND STND.



**1 WINDOW FLASHING SEQUENCE, TYPICAL**  
A5-2 SCALE: 3" = 1'-0"



© 2005 TFH ARCHITECTS

**SUMNER COURT**  
A QUALITY RESIDENTIAL DEVELOPMENT BY FORT SUMNER, LLC  
117 SHERIDAN STREET, PORTLAND, MAINE

**TFH ARCHITECTS**  
100 COMMERCIAL STREET  
PORTLAND MAINE 04101  
TELEPHONE 207 775 6141  
ARCHITECTURE PLANNING

CONSULTANTS:  
**STRUCTURAL:**  
Structural Design Consulting  
22 Oakmont Drive  
Old Orchard Beach, ME 04064  
207-934-8038

REVISIONS:  
  
DATE: February 3, 2005  
PROJECT No. 0418  
DRAWN BY: CSC  
CHECKED BY: TST  
SCALE: As Noted

SHEET TITLE:  
Window Schedule

**A5-1**