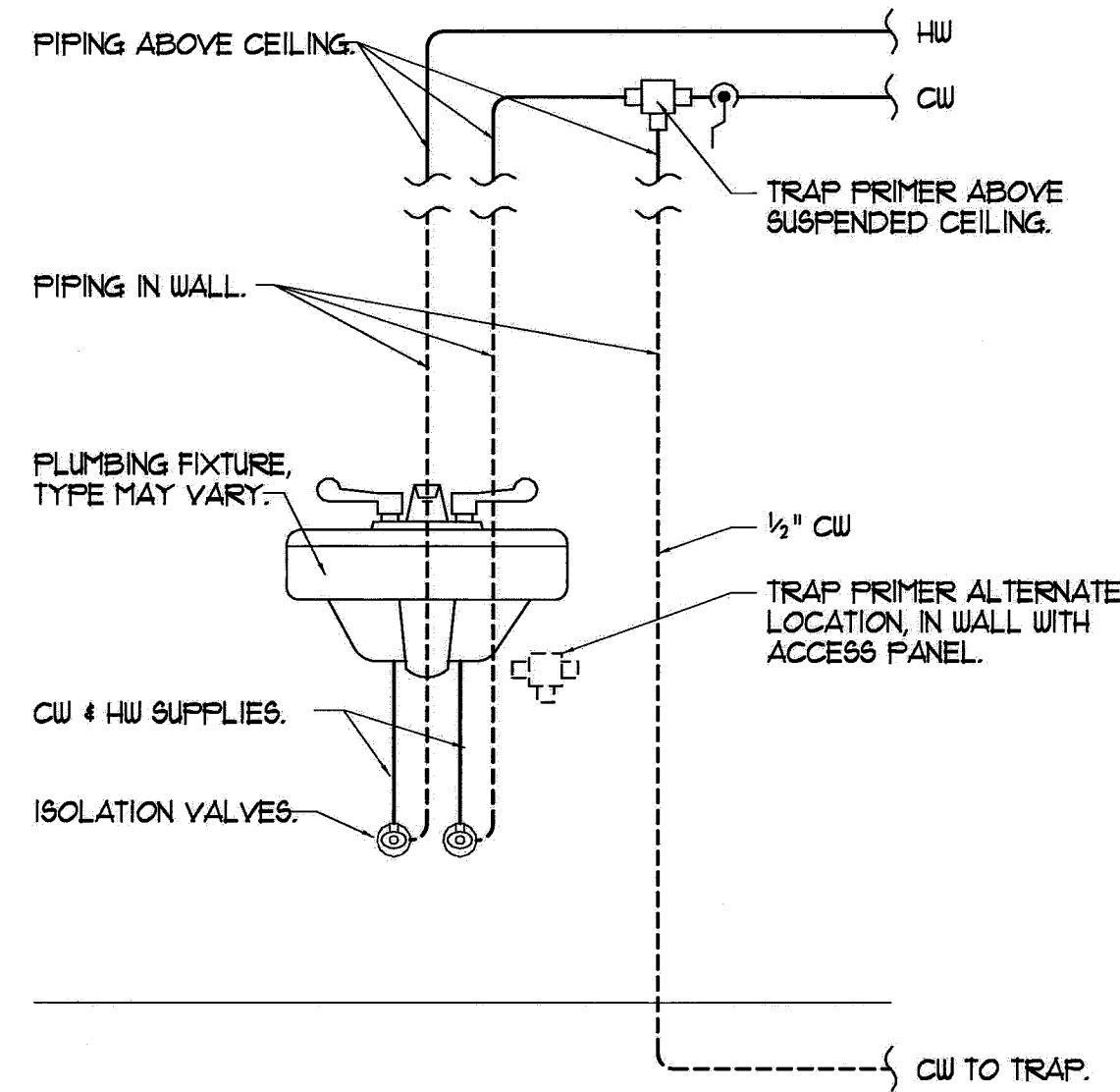


NOTE
NO DUCTWORK OR PIPING
IS PERMITTED IN THE
HATCHED AREAS.

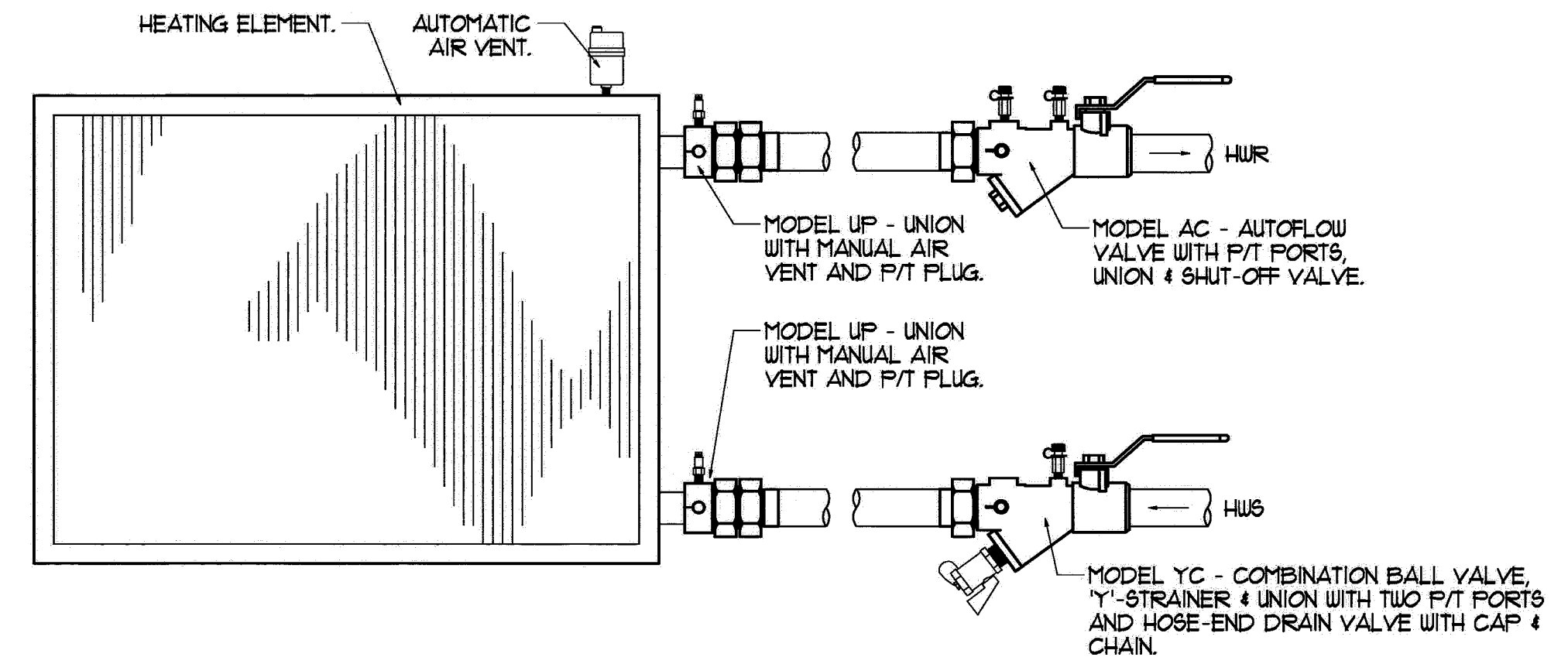
SEE NEC SECTIONS
110.26 AND 406.18
(2008 EDITION)

CLEARANCES AT ELECTRICAL PANELS
NTS



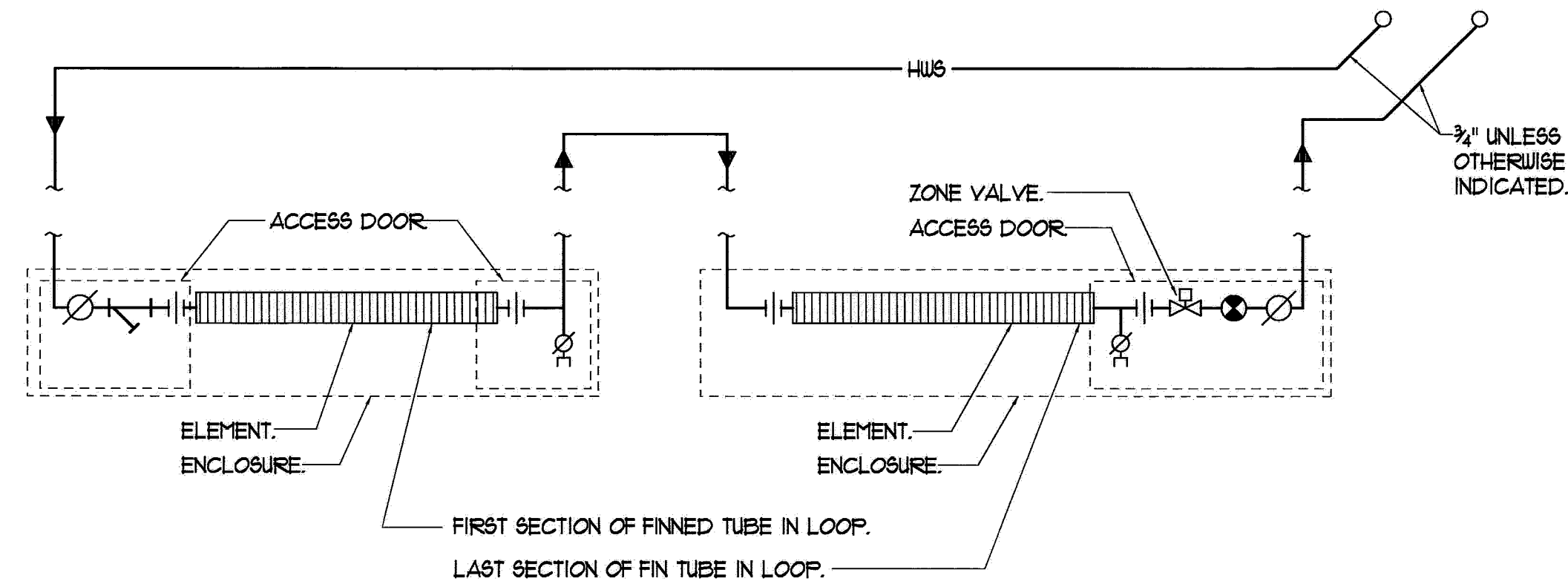
TRAP PRIMER CONNECTION DETAIL

NTS
NOTE - ALL FLOOR DRAINS SHALL HAVE TRAP PRIMERS,
CONNECT TO NEAREST FIXTURE.



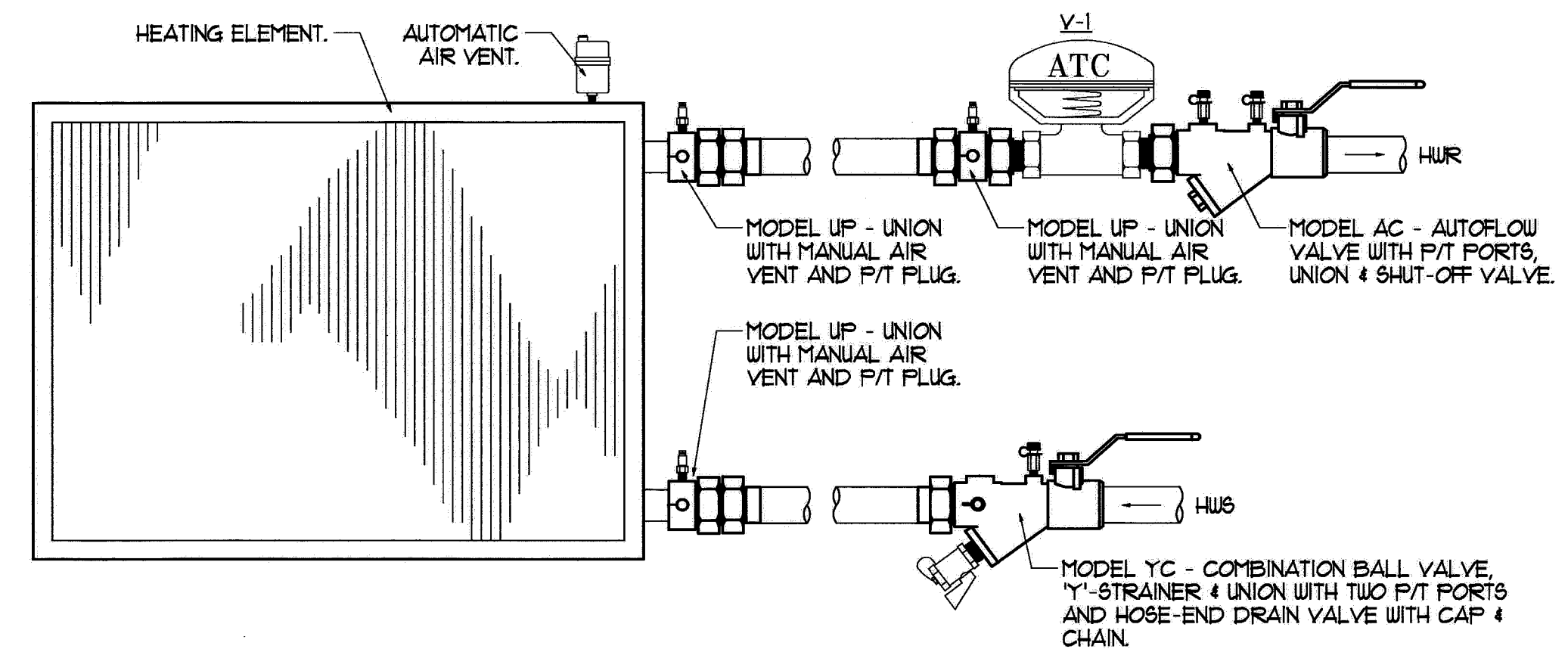
AUTOFLOW VALVE PIPING SCHEMATIC W/ NO VALVE CONTROL

NTS
NOTE - MODEL NUMBERS BASED ON FLOW DESIGN INC. FOR PIPE SIZES 2" AND SMALLER.
NOTE - DETAIL APPLIES TO UNIT HEATERS AND CABINET UNIT HEATERS.



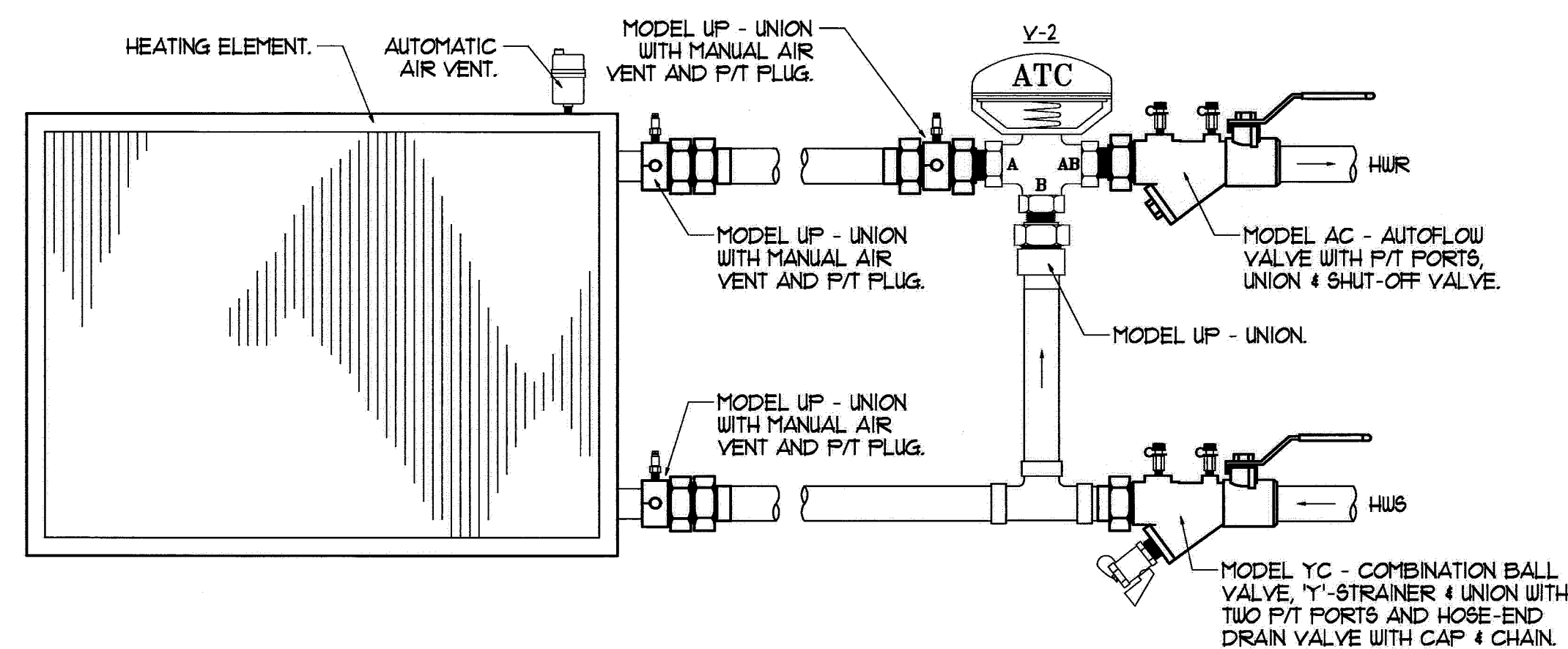
TYPICAL FIN TUBE PIPING DETAIL

NTS



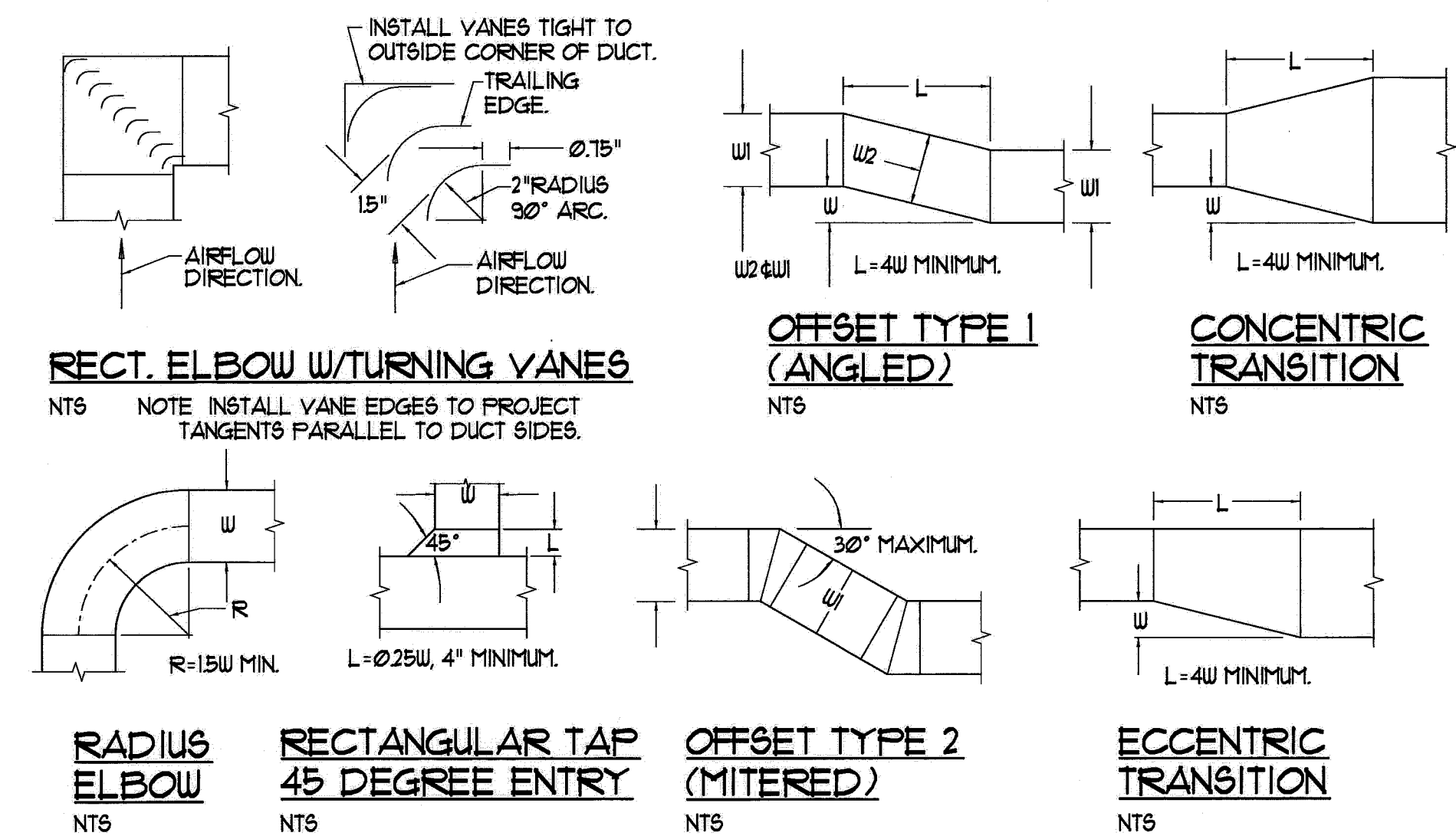
AUTOFLOW VALVE PIPING SCHEMATIC W/ 2-WAY VALVE

NTS
NOTE - MODEL NUMBERS BASED ON FLOW DESIGN INC. FOR PIPE SIZES 2" AND SMALLER.
NOTE - DETAIL APPLIES TO ALL FIN TUBE AND KICKSPACE/WALL HEATERS.



AUTOFLOW VALVE PIPING SCHEMATIC W/ 3-WAY VALVE

NTS
NOTE - MODEL NUMBERS BASED ON FLOW DESIGN INC. FOR PIPE SIZES 2" AND SMALLER.
NOTE - DETAIL APPLIES TO HEATING COILS AS INDICATED.



LOW PRESSURE DUCT CONSTRUCTION DETAILS - TYPICAL

NTS

CWS
CWS Architects
Architecture
Space Planning
Value Design
434 Cumberland Avenue
Portland, ME 04101
Phone: (207) 774-4441
Fax: (207) 774-4016
www.CWSarch.com

BENNETT ENGINEERING
MECHANICAL • ELECTRICAL
(207) 855-9475

STATE OF MAINE
STEPHEN P. JONES
REGISTERED PROFESSIONAL ENGINEER

Owner:
Avesta Munjoy Commons, LP.
307 Cumberland Ave.
Portland, Maine 04101
TEL: 207-553-7780

Munjoy Commons Apartments
Portland, Maine

Project No: 07429
Drawing Title:
SHALER MECHANICAL DETAILS

Scale: 1/4" = 1'-0"
Date: August 28, 2009

Revisions:
△
△
△
△
△
△

Drawing Number:
SHALER M3.4