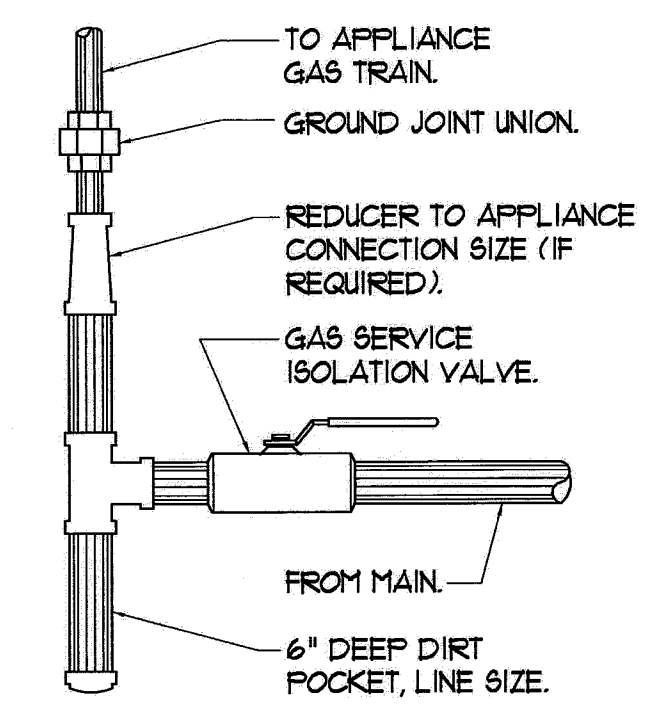
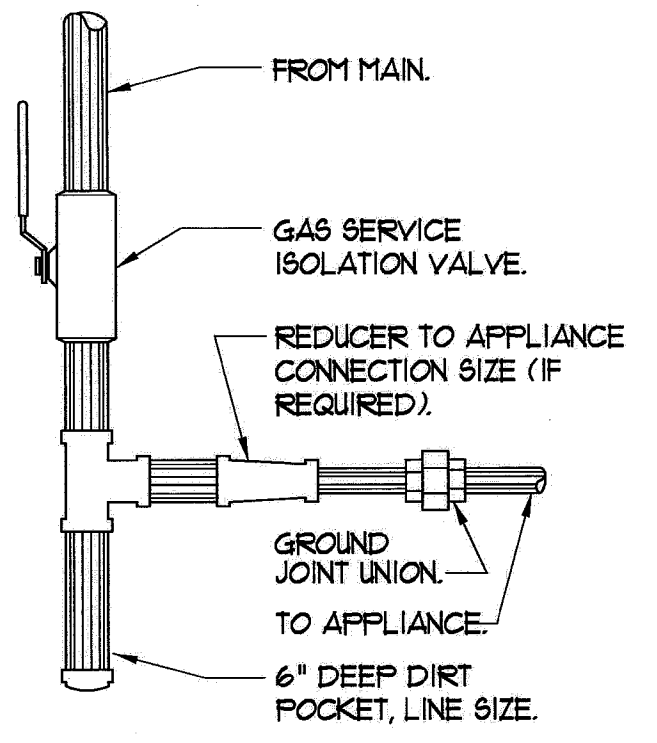


DOMESTIC HOT WATER PIPING SCHEMATIC W/ SOLAR PREHEAT
 NTS



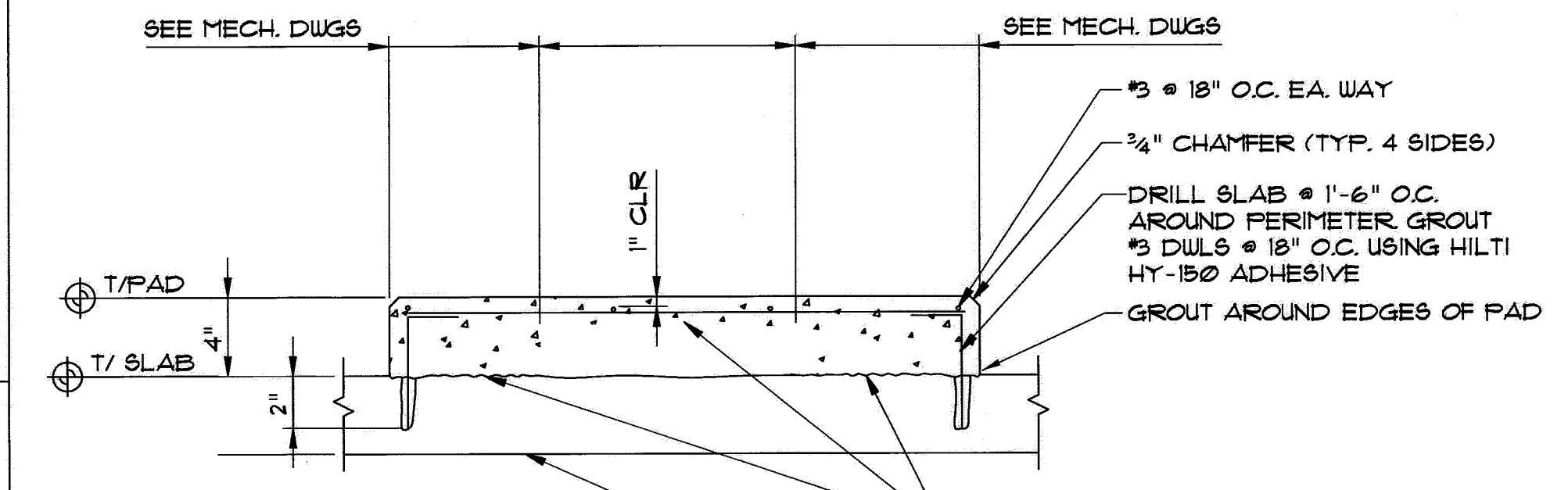
UPFEED GAS PIPING CONNECTION DETAIL
 NTS

NOTE APPLIANCES WITH REGULATORS LOCATE PIPING SHOWN HEREIN UPSTREAM OF THE APPLIANCE REGULATOR. PROVIDE A TEST PLUG DOWNSTREAM OF THE APPLIANCE REGULATOR.



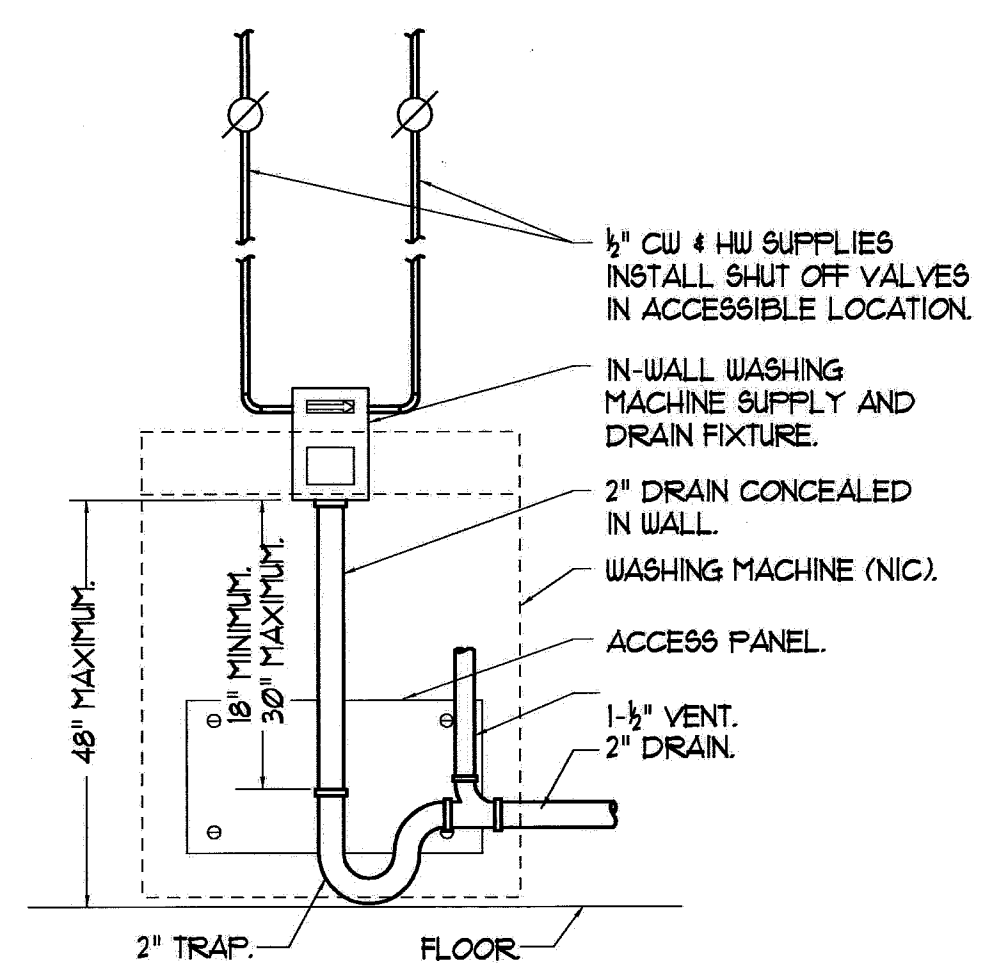
DOWNFEED GAS PIPING CONNECTION DETAIL
 NTS

NOTE APPLIANCES WITH REGULATORS LOCATE PIPING SHOWN HEREIN UPSTREAM OF THE APPLIANCE REGULATOR. PROVIDE A TEST PLUG DOWNSTREAM OF THE APPLIANCE REGULATOR.

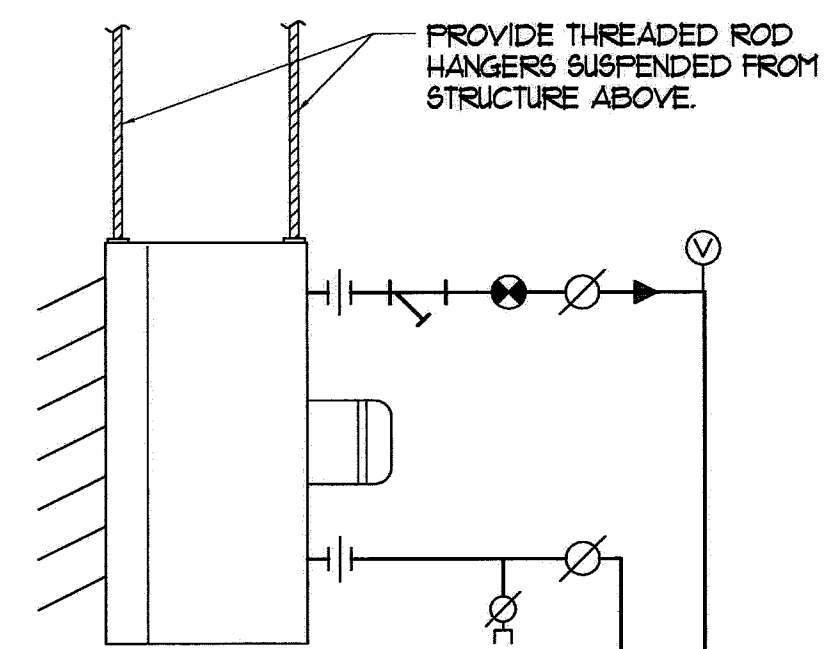


TYP. CONCRETE PAD ON SLAB
 NTS

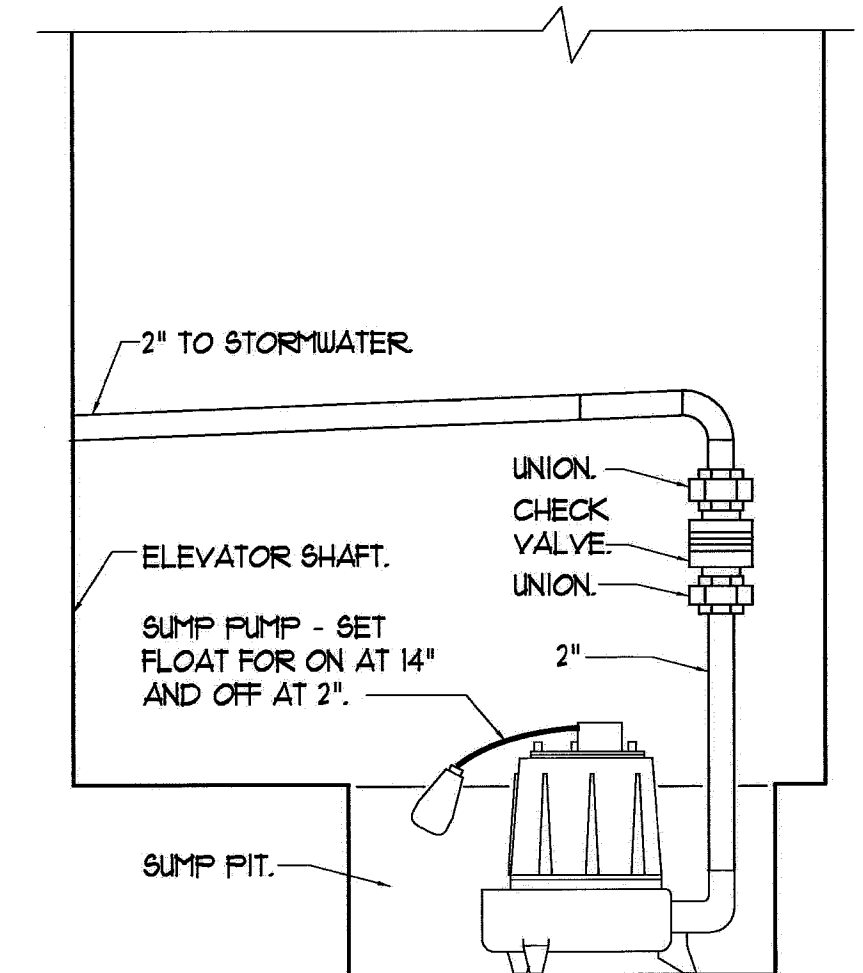
COORDINATE SIZES AND LOCATIONS WITH MECHANICAL EQUIPMENT.



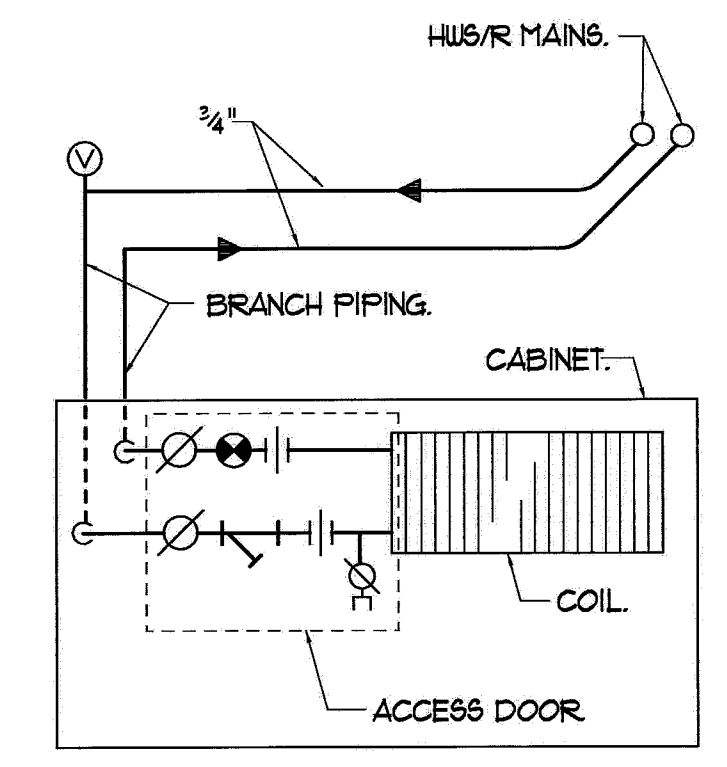
WASHING MACHINE HOOK-UP DETAIL
 NTS



HORIZONTAL UNIT HEATER PIPING DETAIL
 NTS



ELEVATOR SUMP PUMP PIPING DETAIL
 NTS



CABINET UNIT HEATER PIPING DETAIL
 NTS