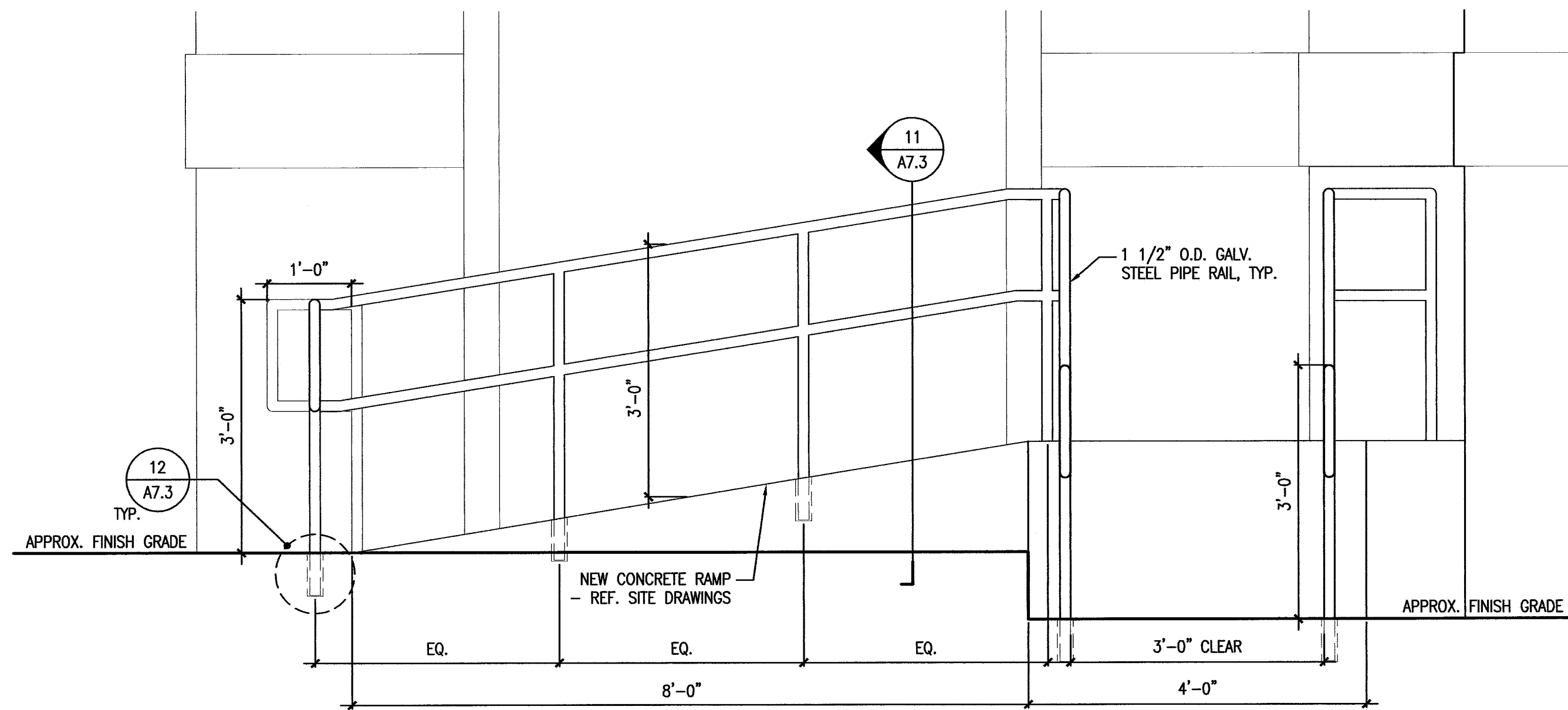
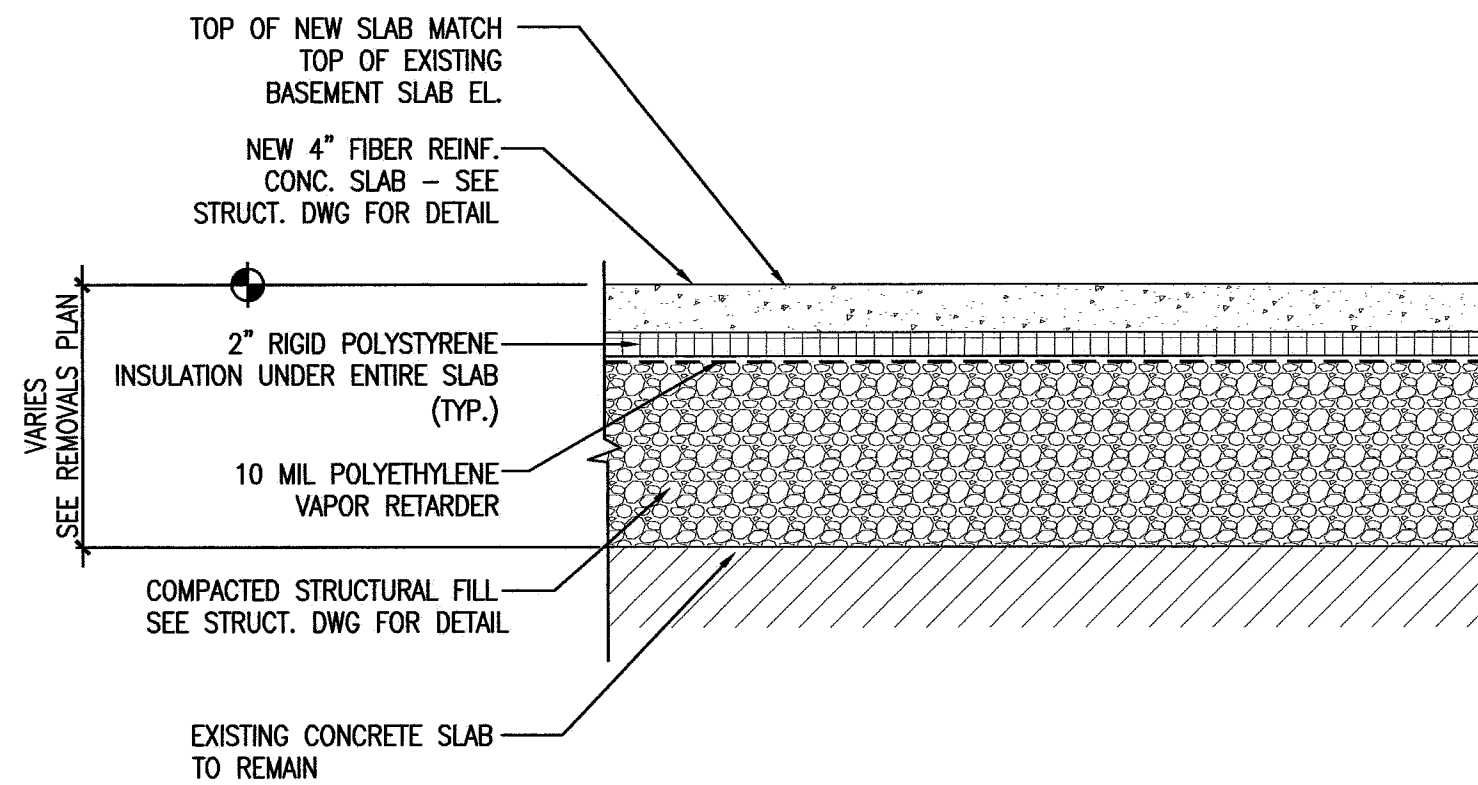


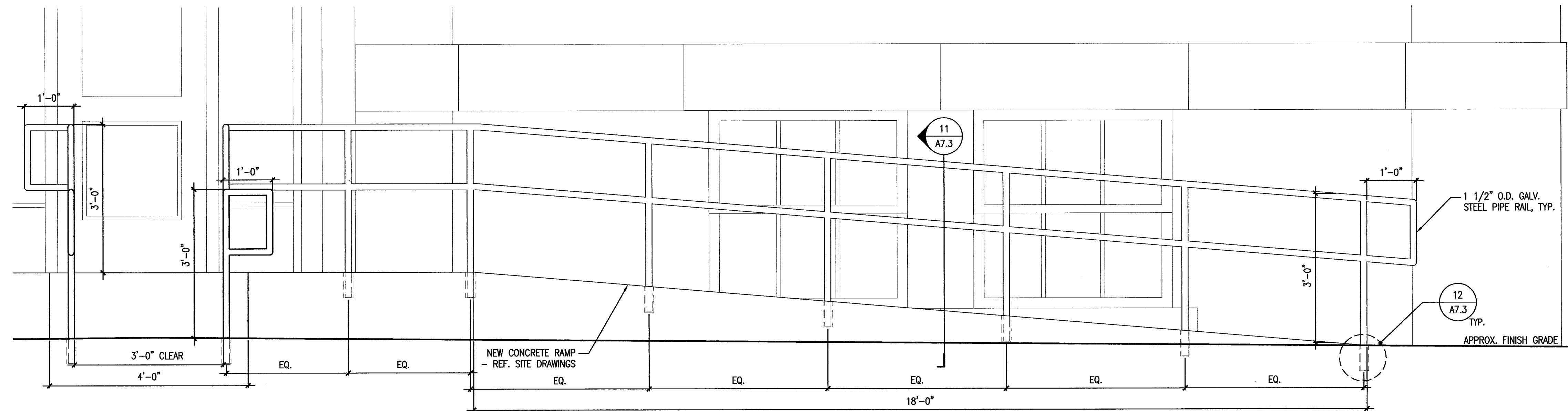
**1** BASEMENT - INT. NON-BEARING WALL DETAIL  
 REFERENCED FROM: SCALE: 1/2" = 1'-0"



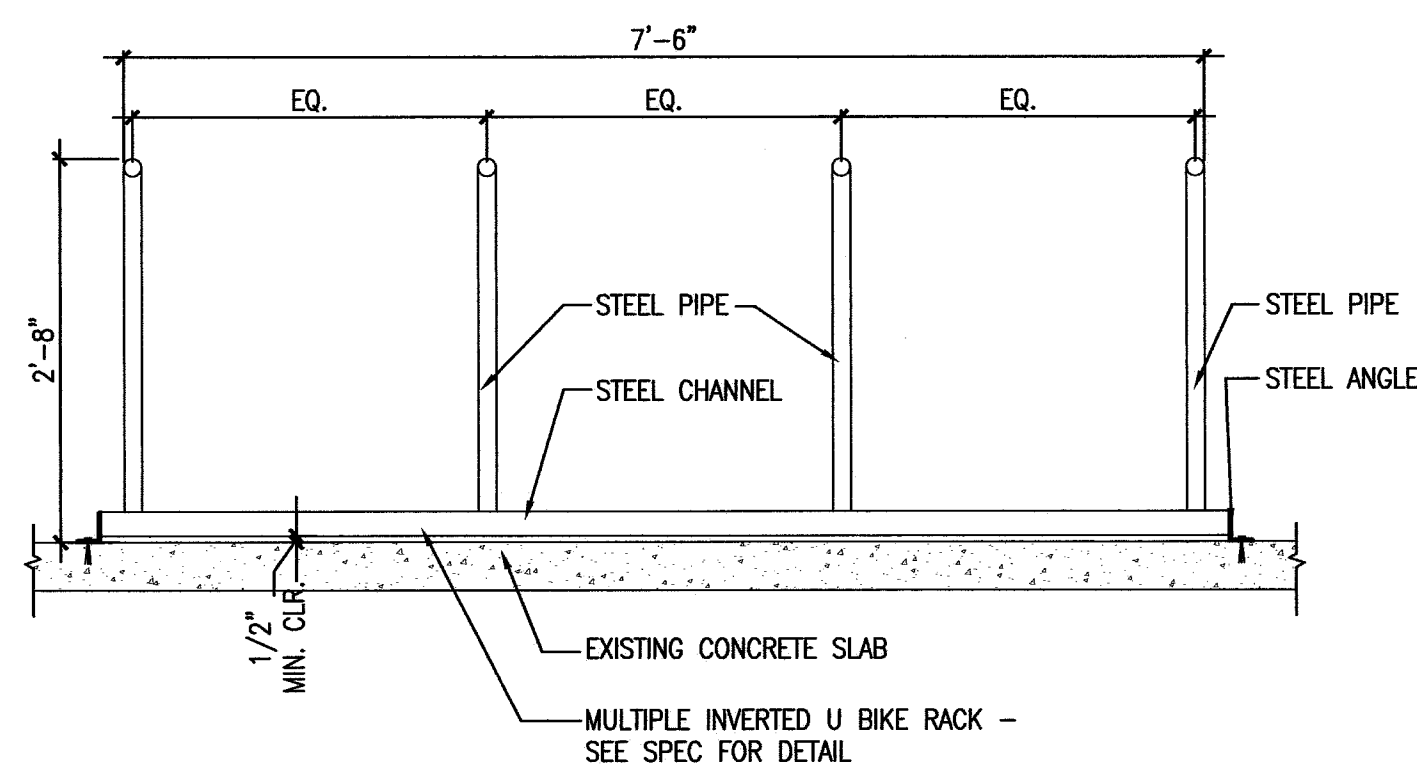
**2** NEW RAMP/HANDRAIL ENLARGED ELEVATION  
 REFERENCED FROM: SCALE: 3/4" = 1'-0"



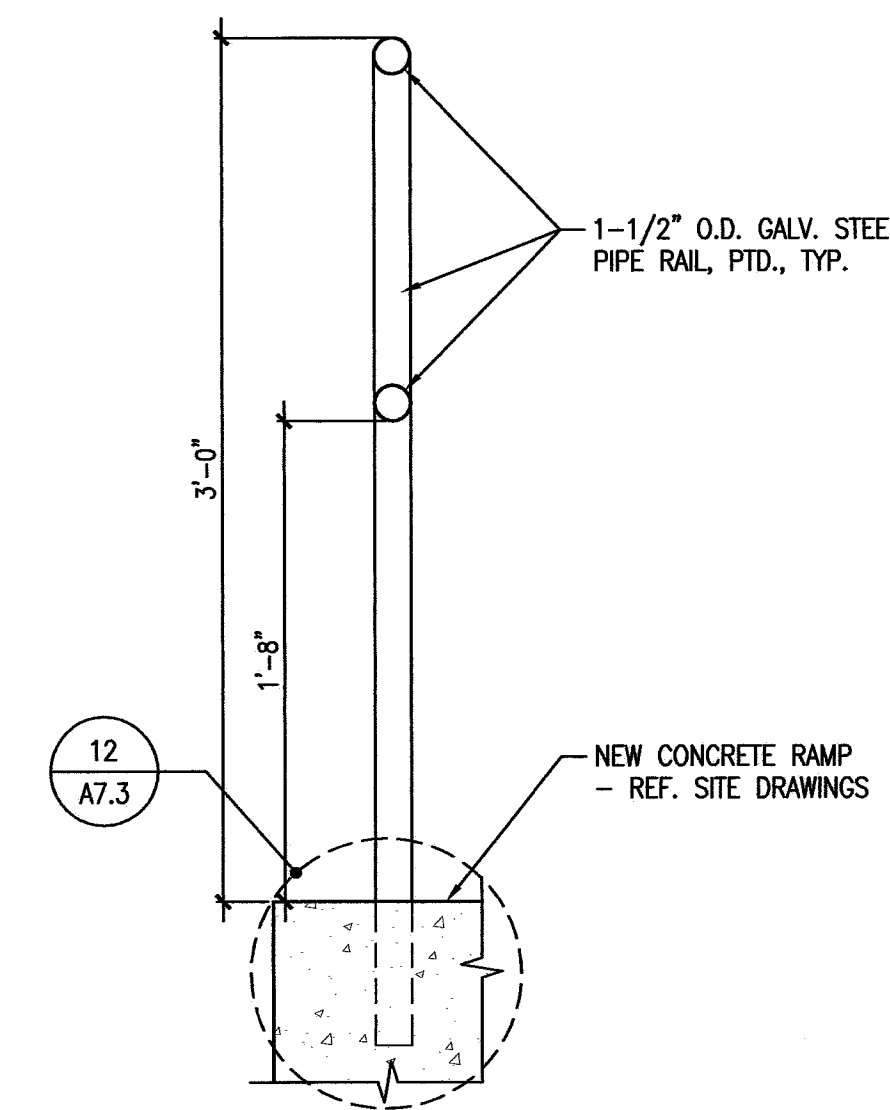
**5** BASEMENT - INFILL HOLE IN CONCRETE FLR  
 REFERENCED FROM: SCALE: 3/4" = 1'-0"



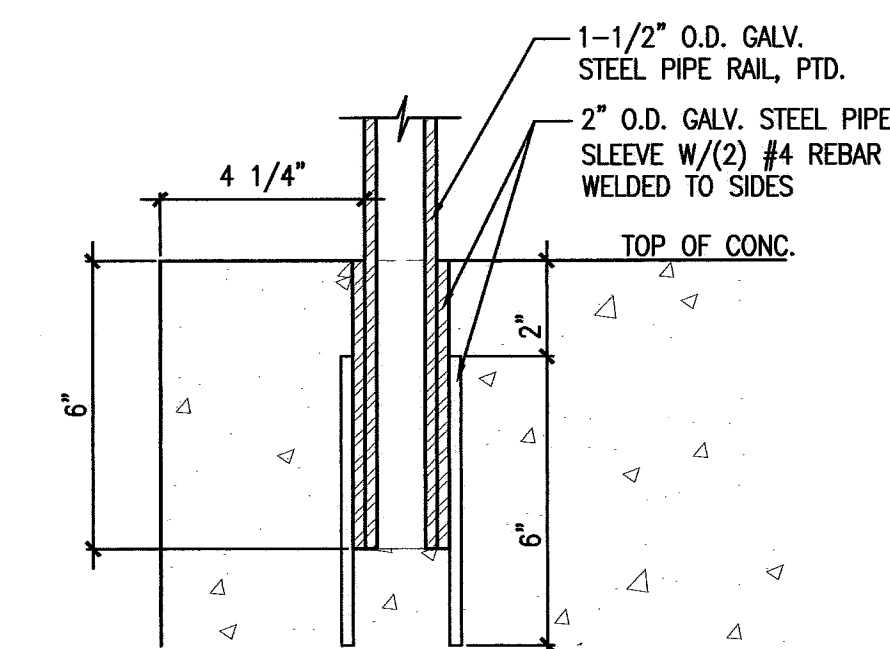
**6** NEW RAMP/HANDRAIL ENLARGED ELEVATION  
 REFERENCED FROM: SCALE: 3/4" = 1'-0"



**9** INVERTED U BIKE RACK  
 REFERENCED FROM: SCALE: 3/4" = 1'-0"



**11** HANDRAIL DETAIL  
 REFERENCED FROM: SCALE: 1/2" = 1'-0"



**12** HANDRAIL PIPE SLEEVE DETAIL  
 REFERENCED FROM: SCALE: 3" = 1'-0"

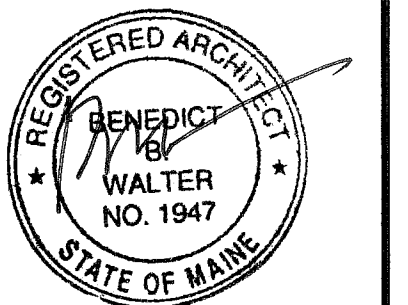
**CWS**

CWS Architects

Architecture  
 Space Planning  
 Value Design

434 Cumberland Avenue  
 Portland, ME 04101  
 Phone: (207)774-4441  
 Fax: (207)774-4016

www.CWSarch.com



Owner:  
**Avesta Munjoy Commons, LP.**

307 Cumberland Ave.  
 Portland, Maine 04101  
 TEL. 207-553-7780

Client:

**Munjoy Commons Apartments**

Portland, Maine

Project No: 07429

Drawing Title:  
**SHAILER DETAILS**

Scale: AS NOTED

Date: August 28, 2009

Revisions:

- △
- △
- △
- △
- △

Drawing Number:

**SHAILER  
 A7.3**