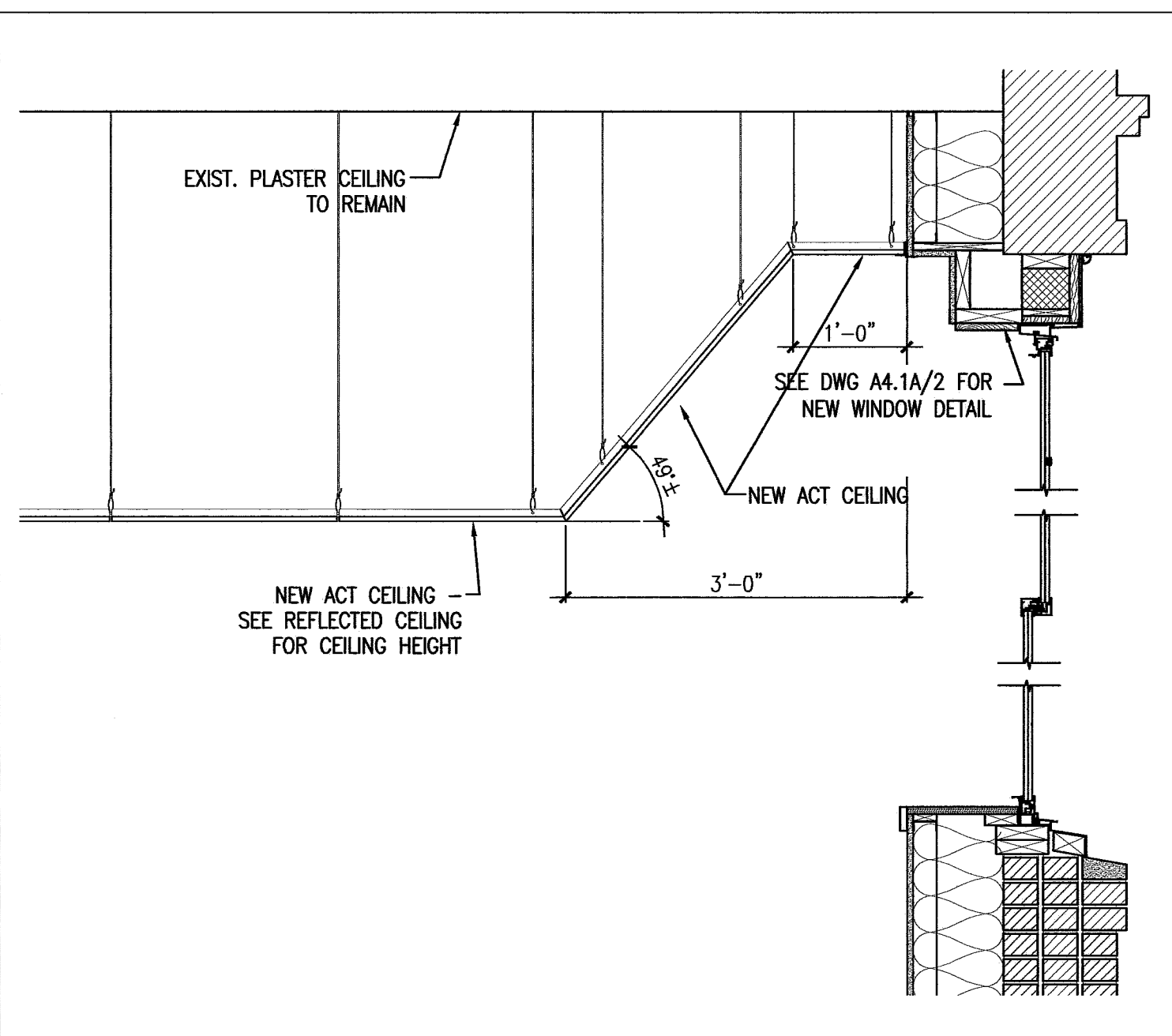
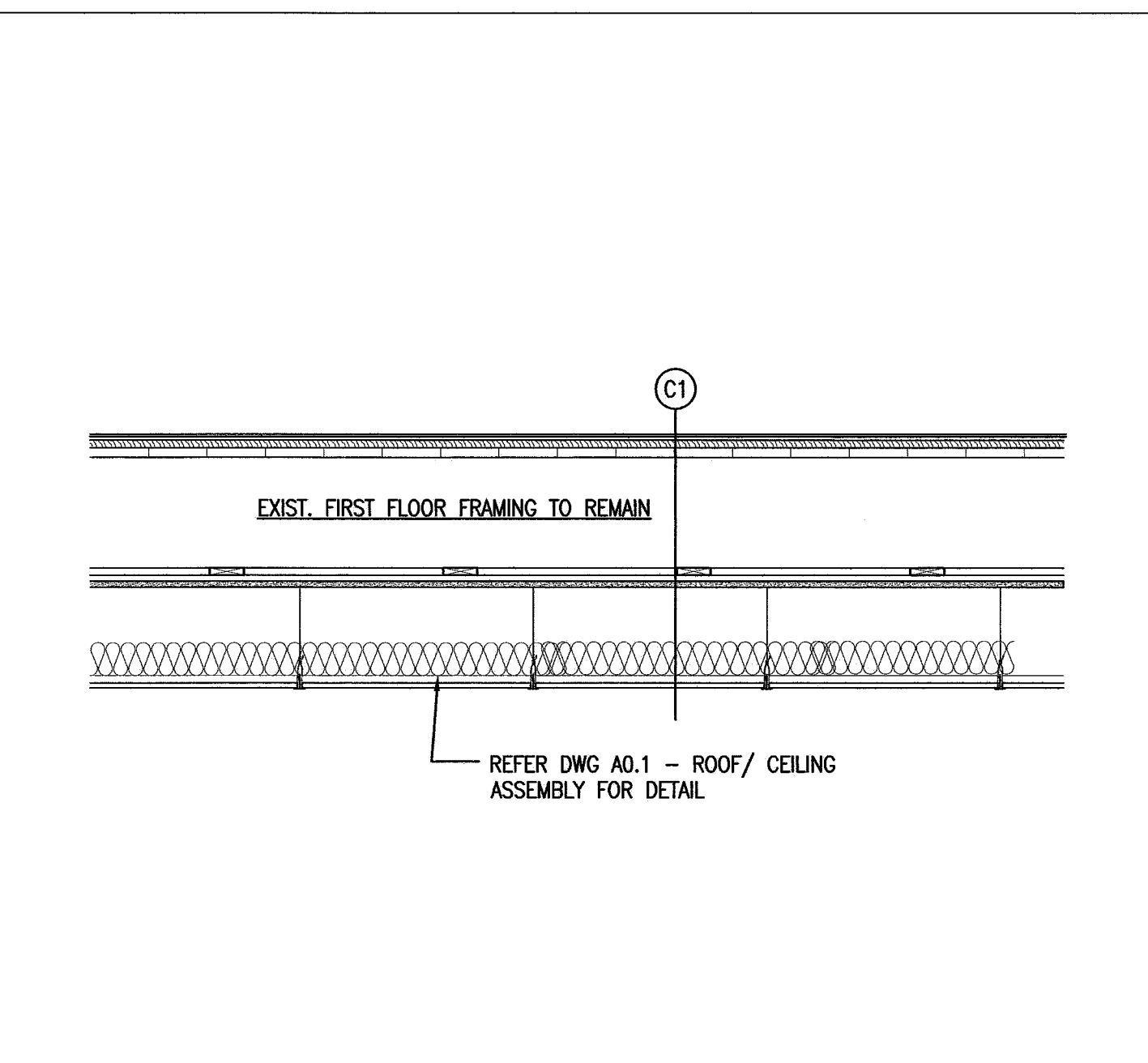


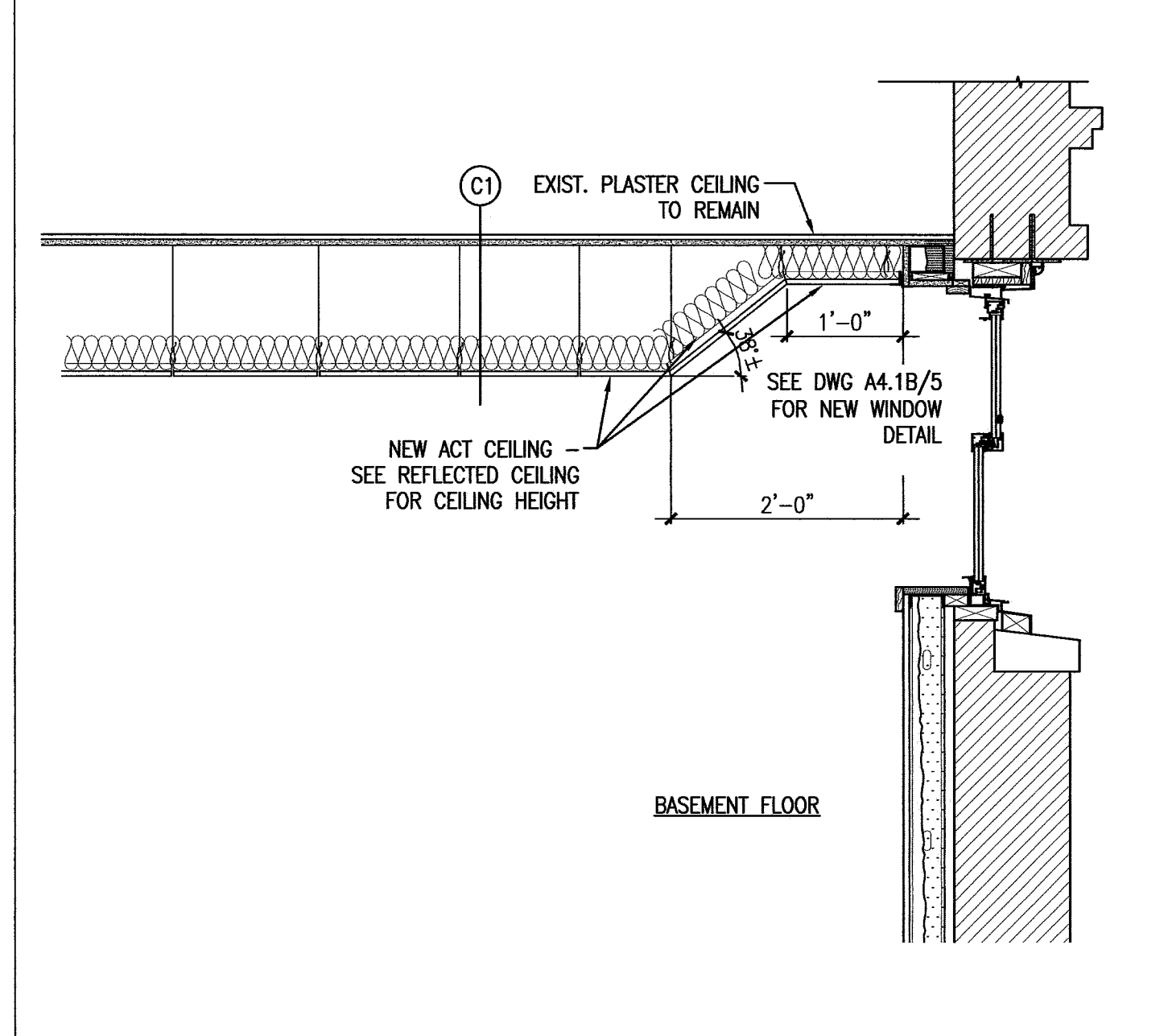
1 CEILING WELL @ FIRST AND SECOND FLOOR
 REFERENCED FROM: SCALE: 3/4" = 1'-0"



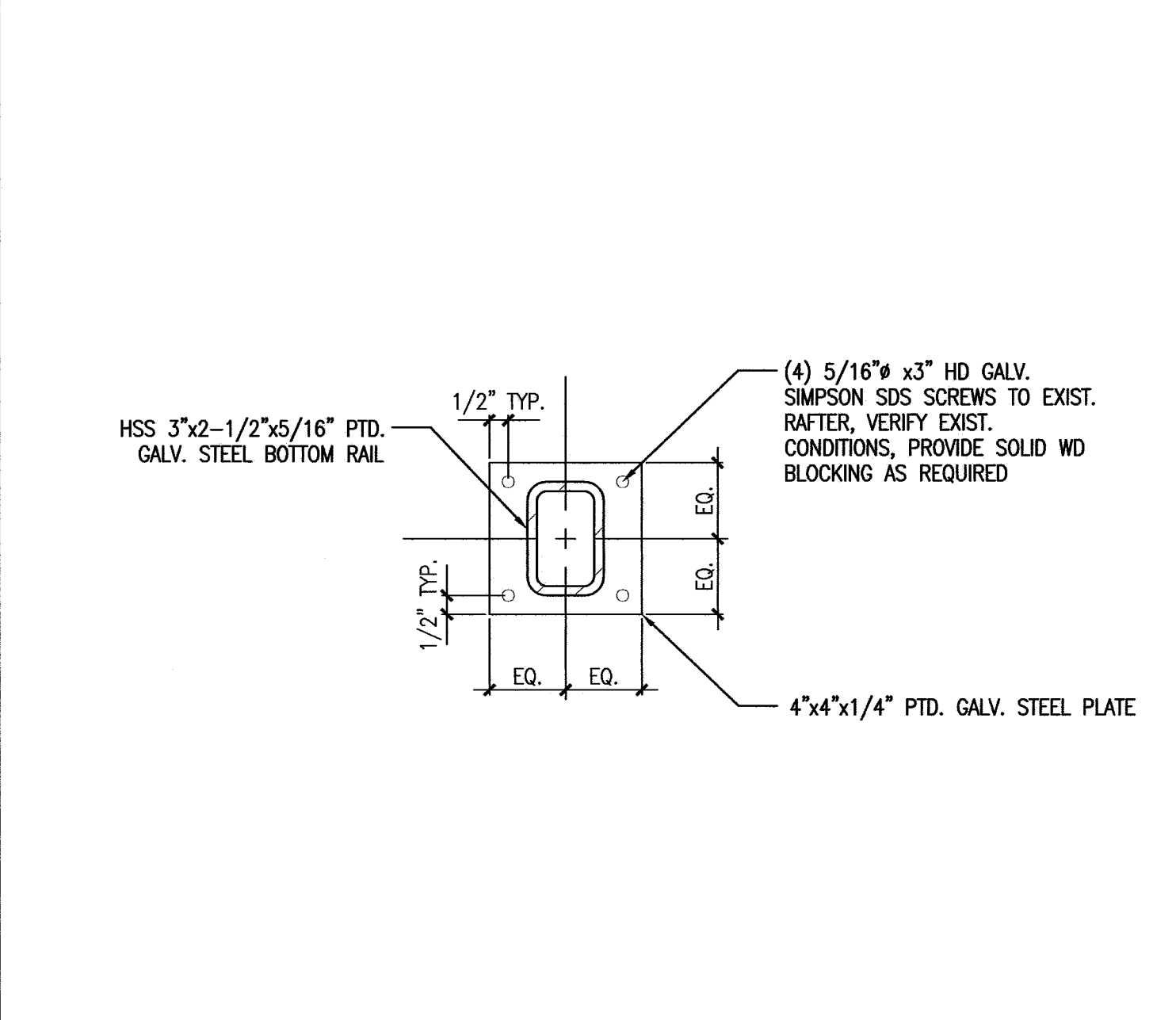
2 CEILING WELL @ ANNEX BUILDING
 REFERENCED FROM: SCALE: 3/4" = 1'-0"



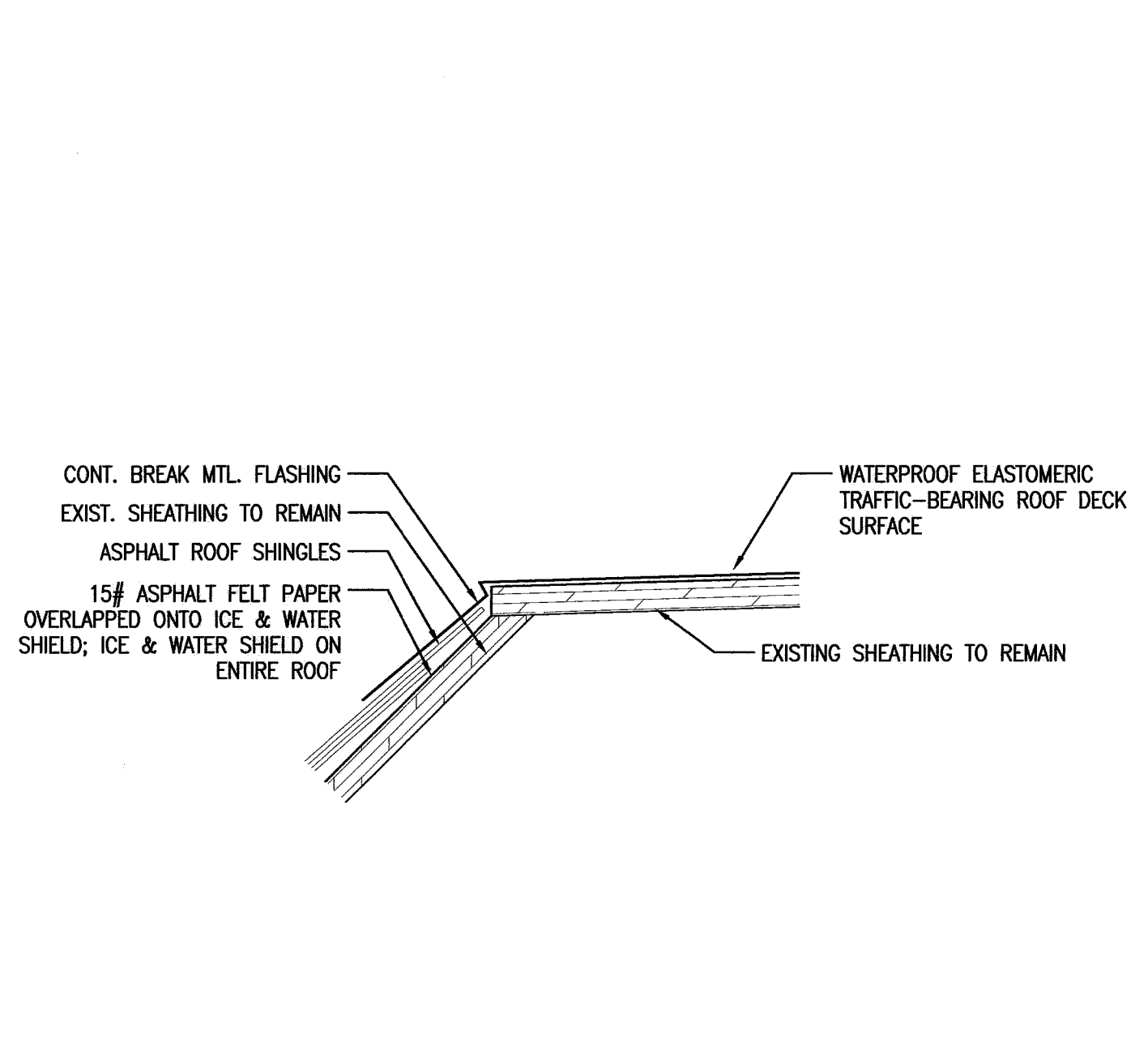
3 FLOOR / CEILING ASSEMBLY AT BASEMENT
 REFERENCED FROM: SCALE: 3/4" = 1'-0"



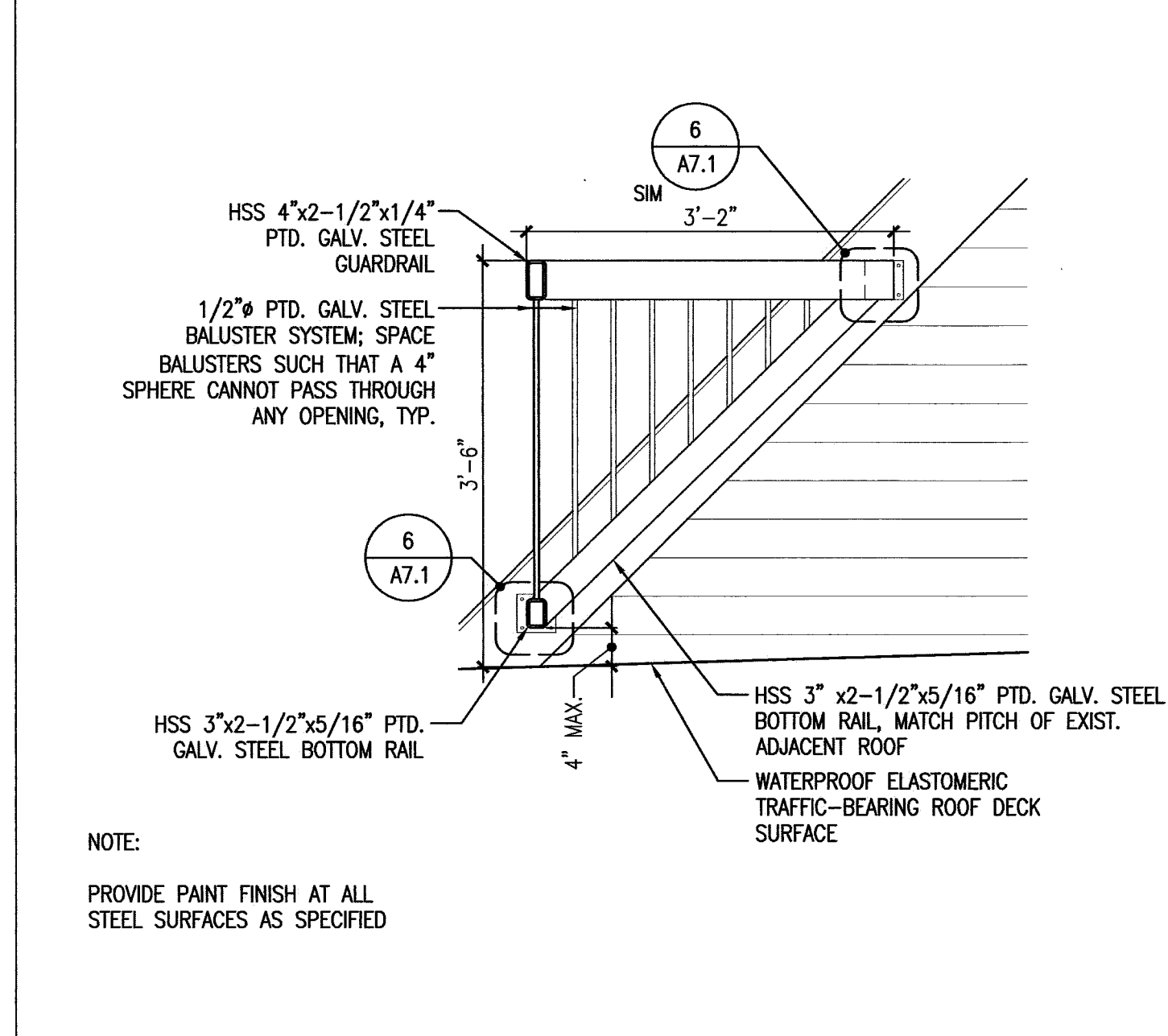
5 CEILING WELL @ BASEMENT FLOOR
 REFERENCED FROM: SCALE: 3/4" = 1'-0"



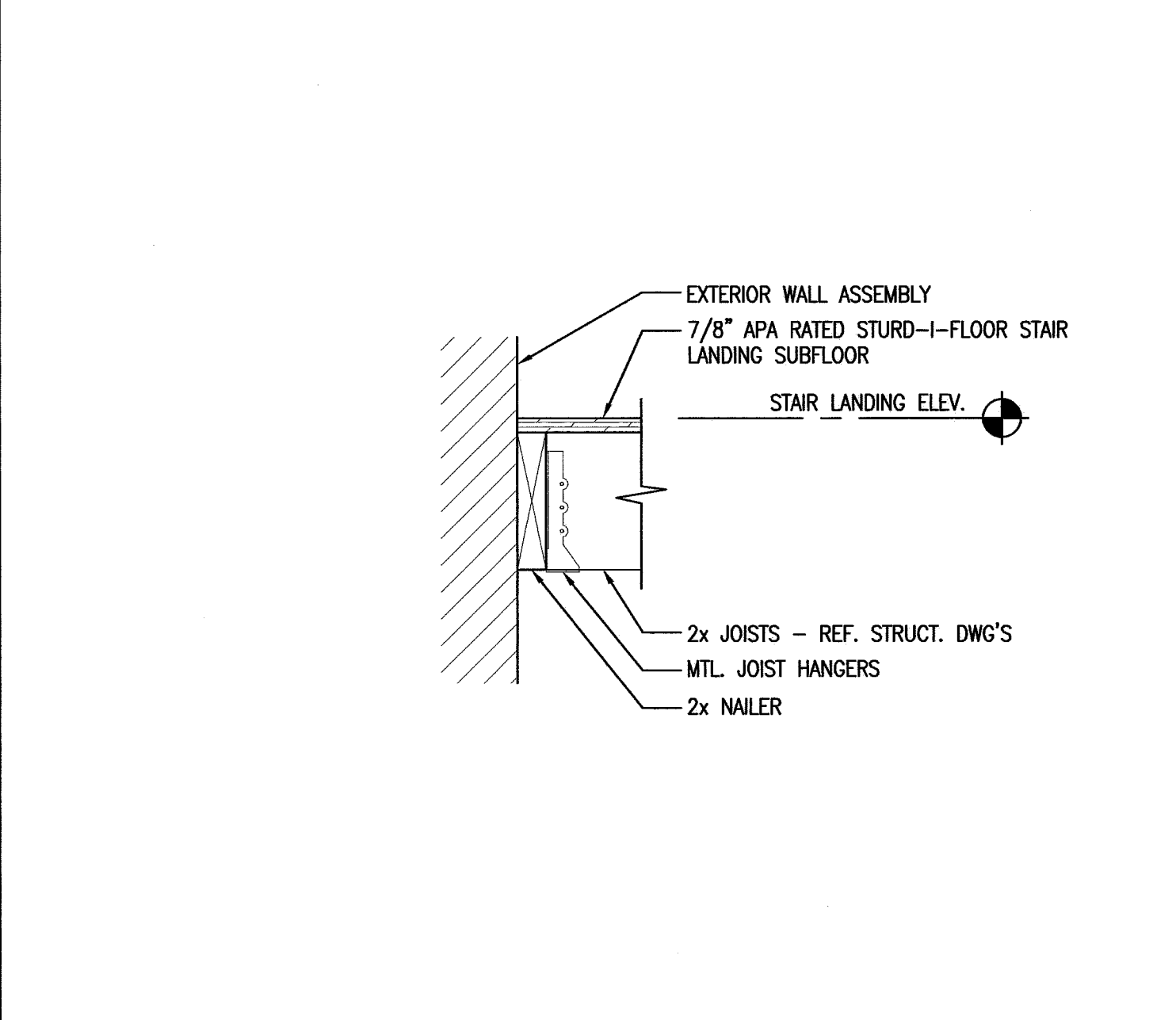
6 EXTERIOR DECK GUARDRAIL PLATE DETAIL
 REFERENCED FROM: SCALE: 3" = 1'-0"



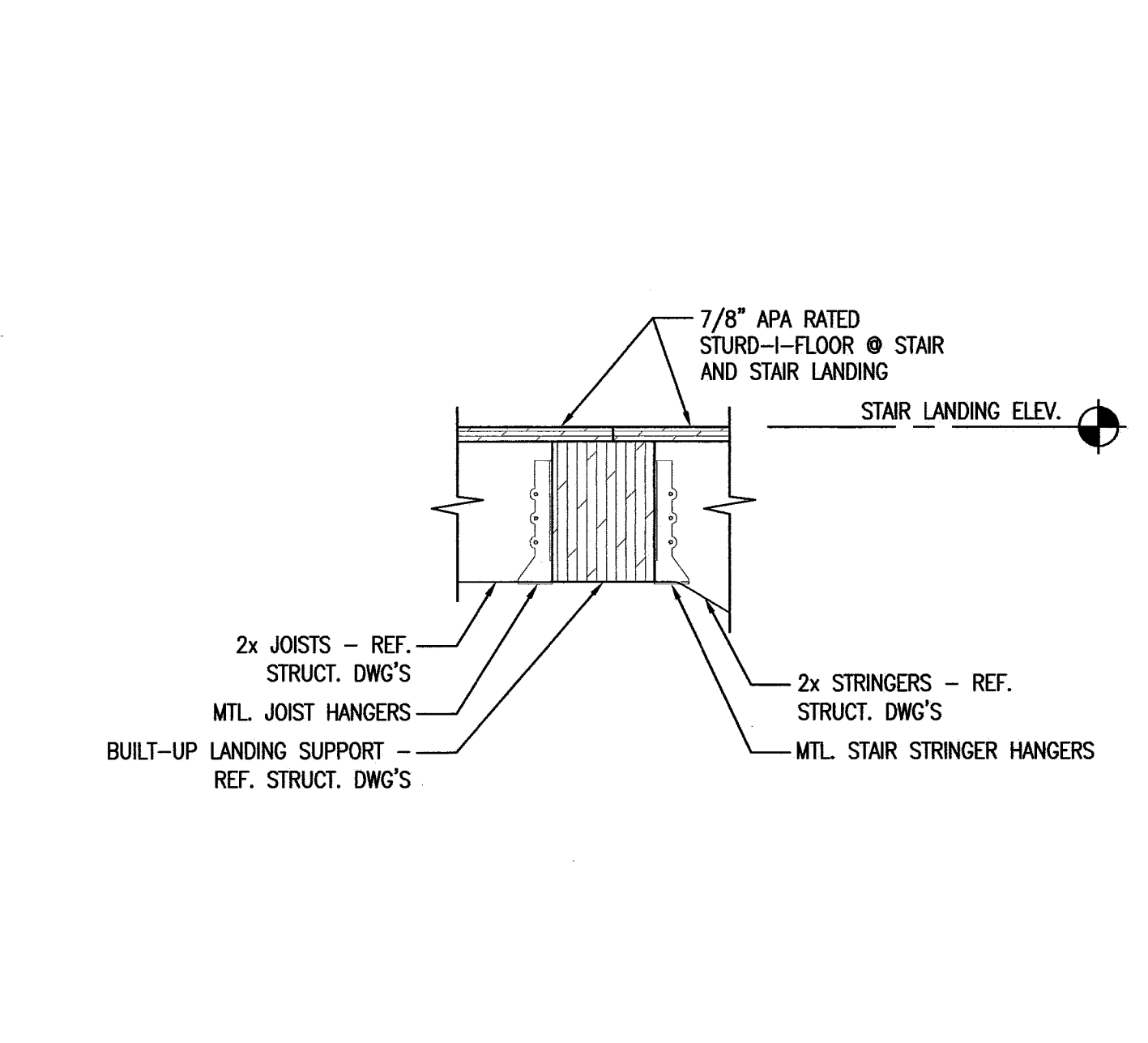
7 EDGE OF EXTERIOR DECK/ROOF DETAIL
 REFERENCED FROM: SCALE: 3" = 1'-0"



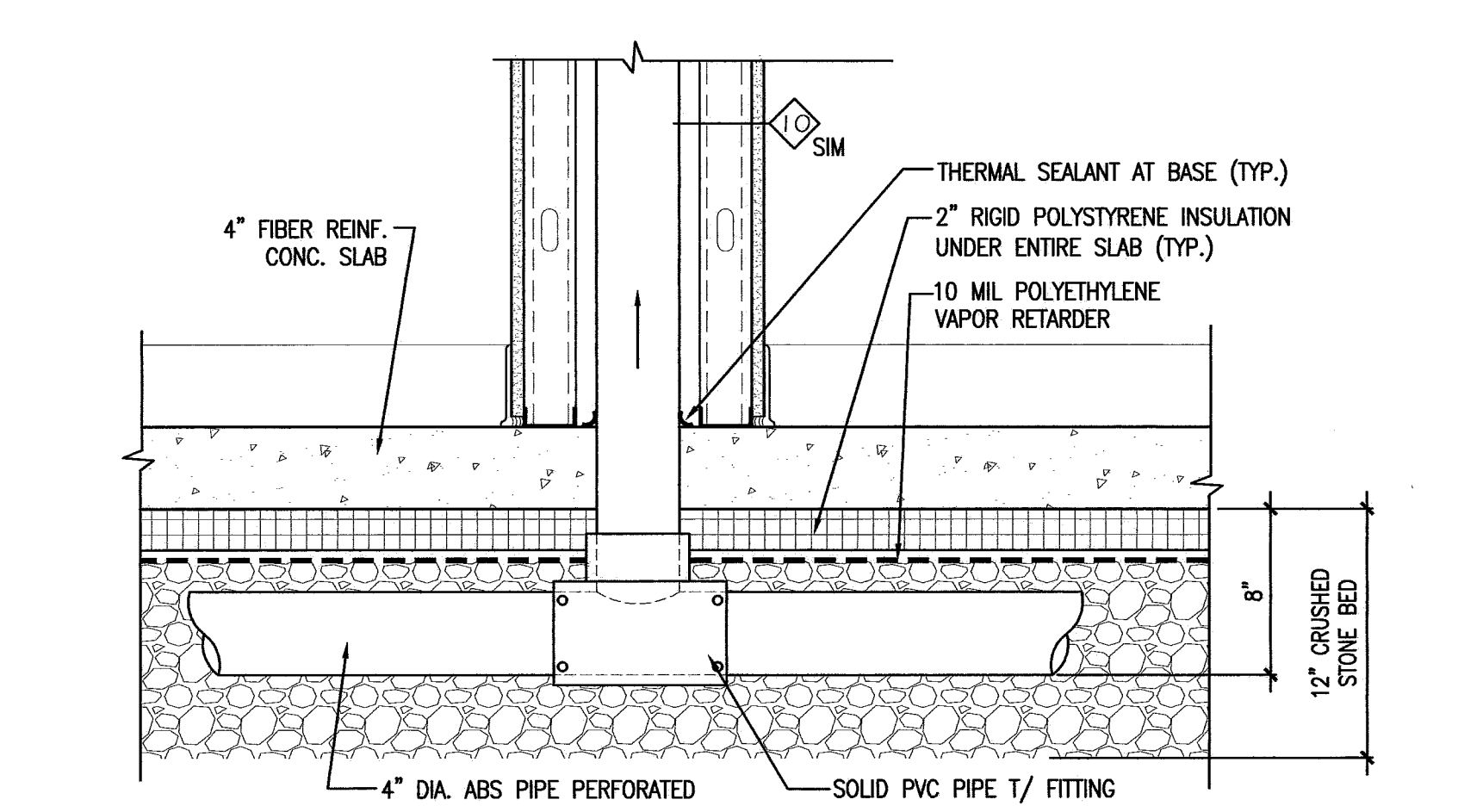
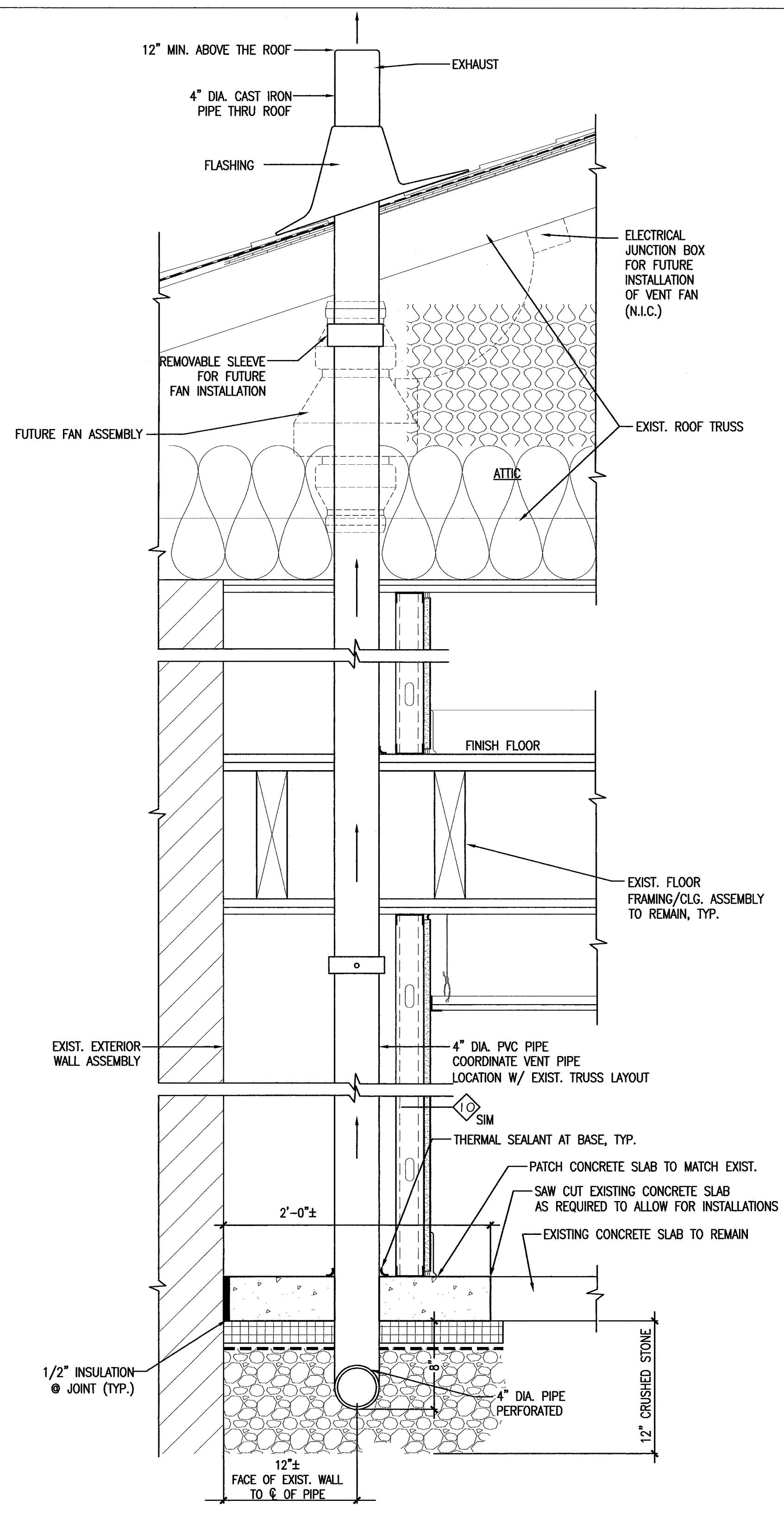
9 DETAIL @ EXTERIOR DECK GUARDRAIL
 REFERENCED FROM: SCALE: 3/4" = 1'-0"



10 STAIR LANDING SUPPORT DTL @ WALL
 REFERENCED FROM: SCALE: 1 1/2" = 1'-0"



11 STAIR LANDING SUPPORT DETAIL
 REFERENCED FROM: SCALE: 1 1/2" = 1'-0"



12 RADON VENT PIPE DETAILS
 REFERENCED FROM: SCALE: 1 1/2" = 1'-0"

CWS
CWS Architects
 Architecture
 Space Planning
 Value Design
 434 Cumberland Avenue
 Portland, ME 04101
 Phone: (207) 774-4441
 Fax: (207) 774-4016
 www.CWSarch.com

REGISTERED ARCHITECT
 BENEDICT B. WALTER
 NO. 1947
 STATE OF MAINE

Owner:
Avesta Munjoy Commons, LP.
 307 Cumberland Ave.
 Portland, Maine 04101
 TEL. 207-553-7780

Client:

Munjoy Commons Apartments
 Portland, Maine

Project No: 07429

Drawing Title:
SHALER DETAILS

Scale: AS NOTED
 Date: August 28, 2009

Revisions:

Drawing Number:
SHALER A7.1