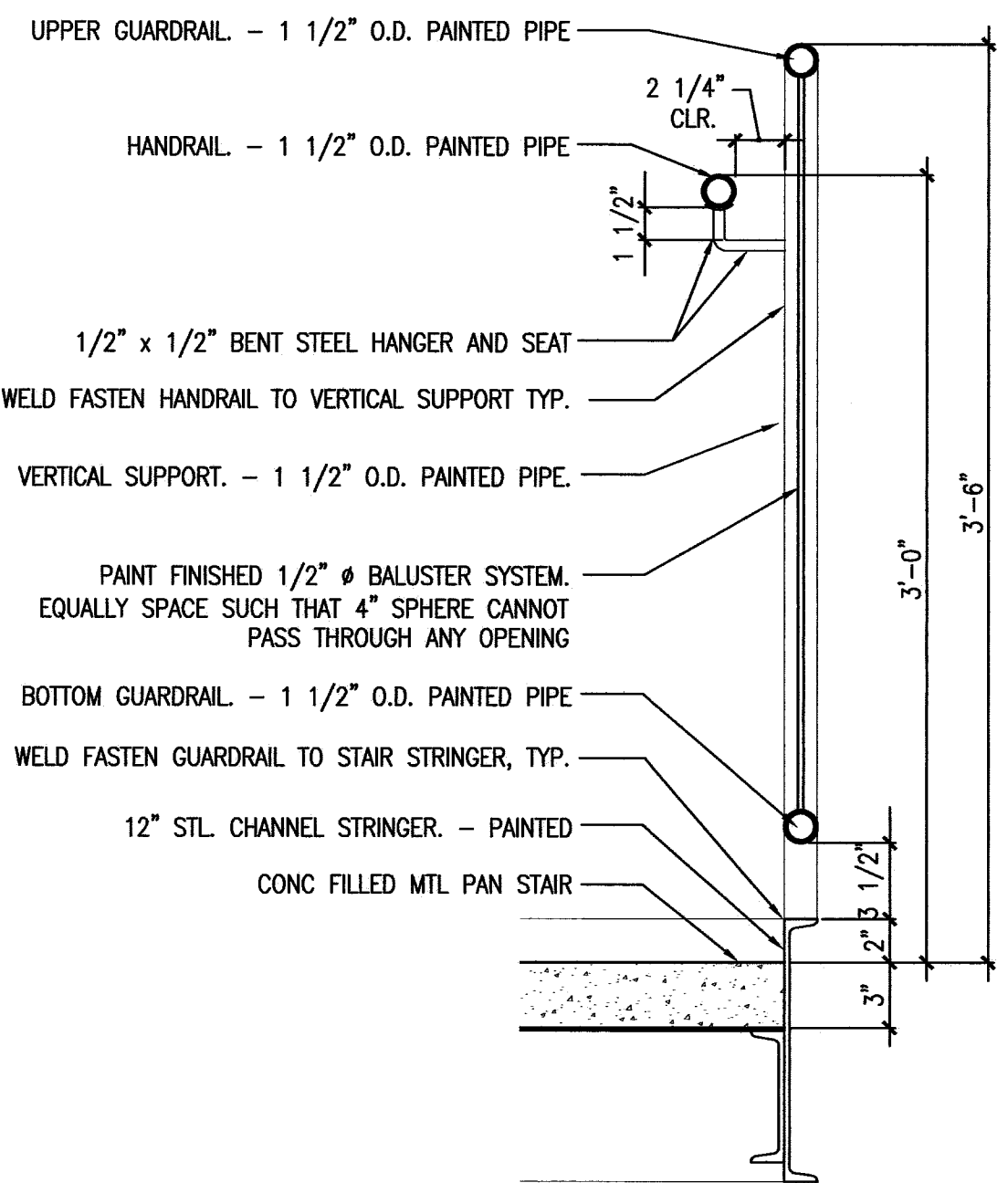


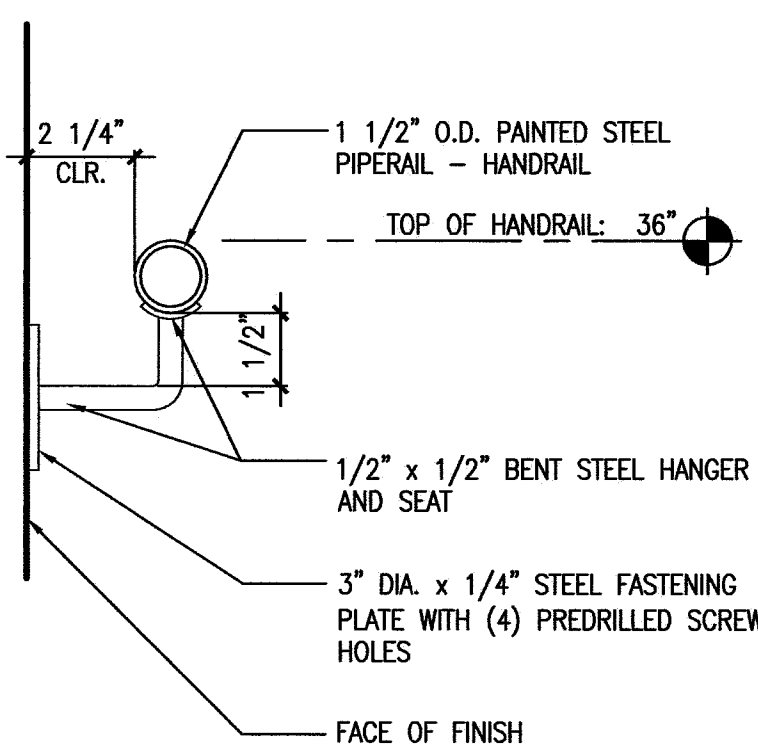
1 TYP. BASE OF STAIR DETAIL

REFERENCED FROM: SCALE: 3" = 1'-0"



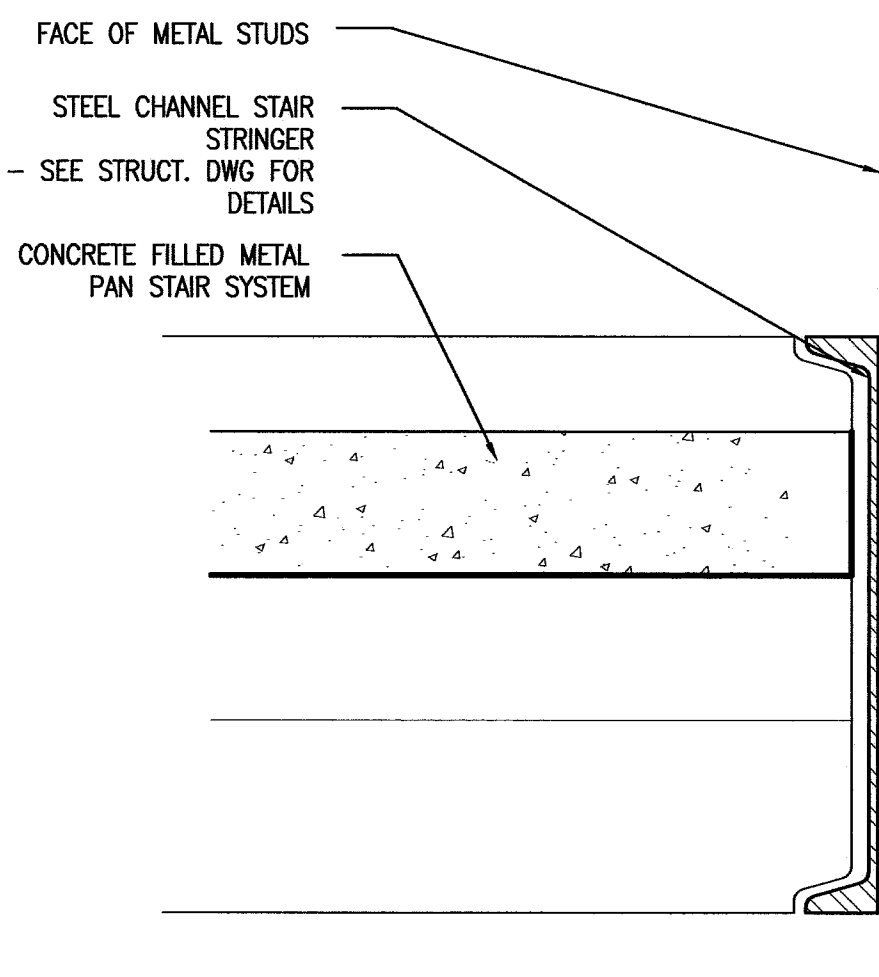
2 TYP. HAND AND GUARDRAIL SECTION

REFERENCED FROM: SCALE: 1 1/2" = 1'-0"



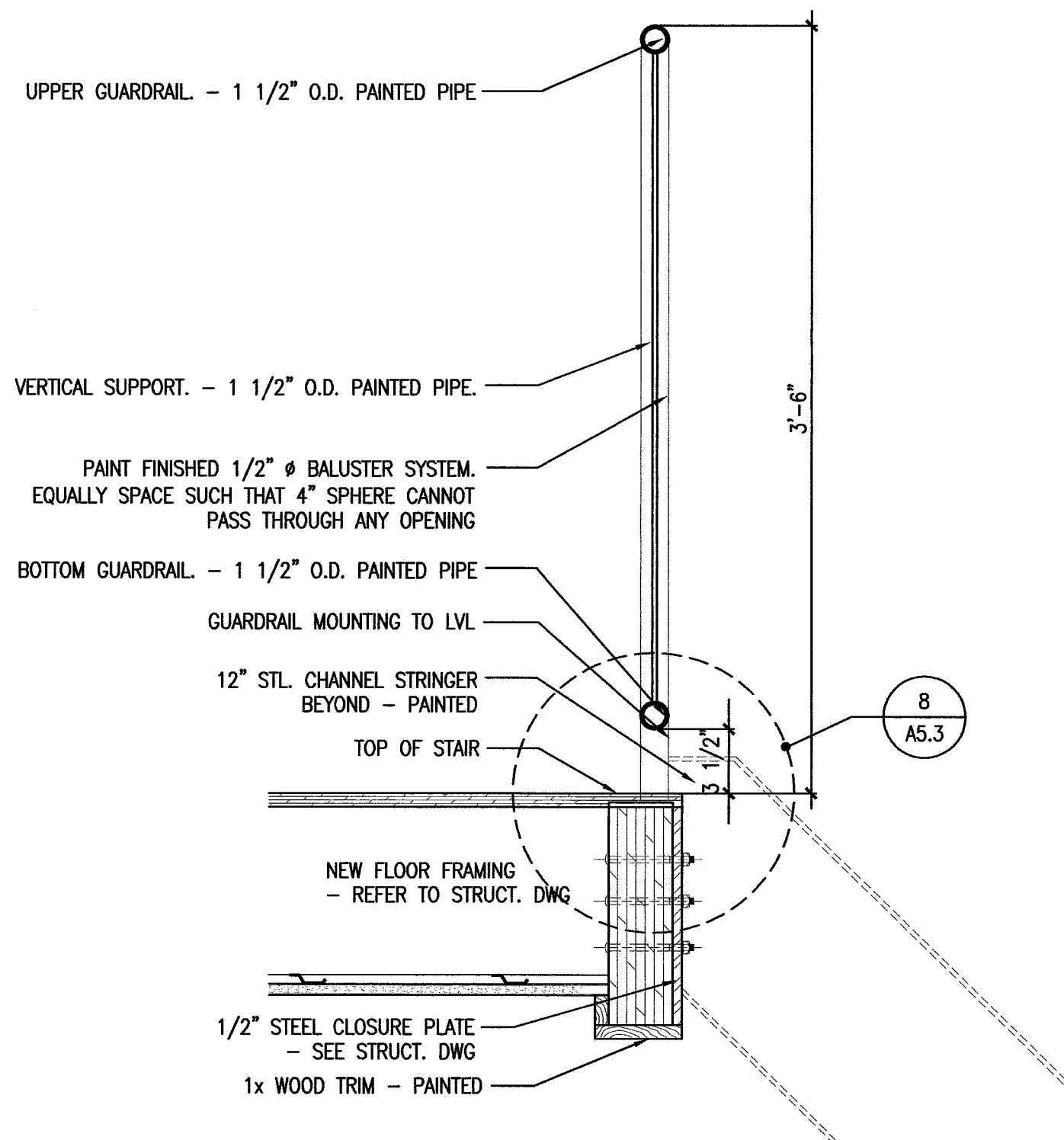
3 TYP. HAND RAIL DETAIL

REFERENCED FROM: SCALE: 3" = 1'-0"



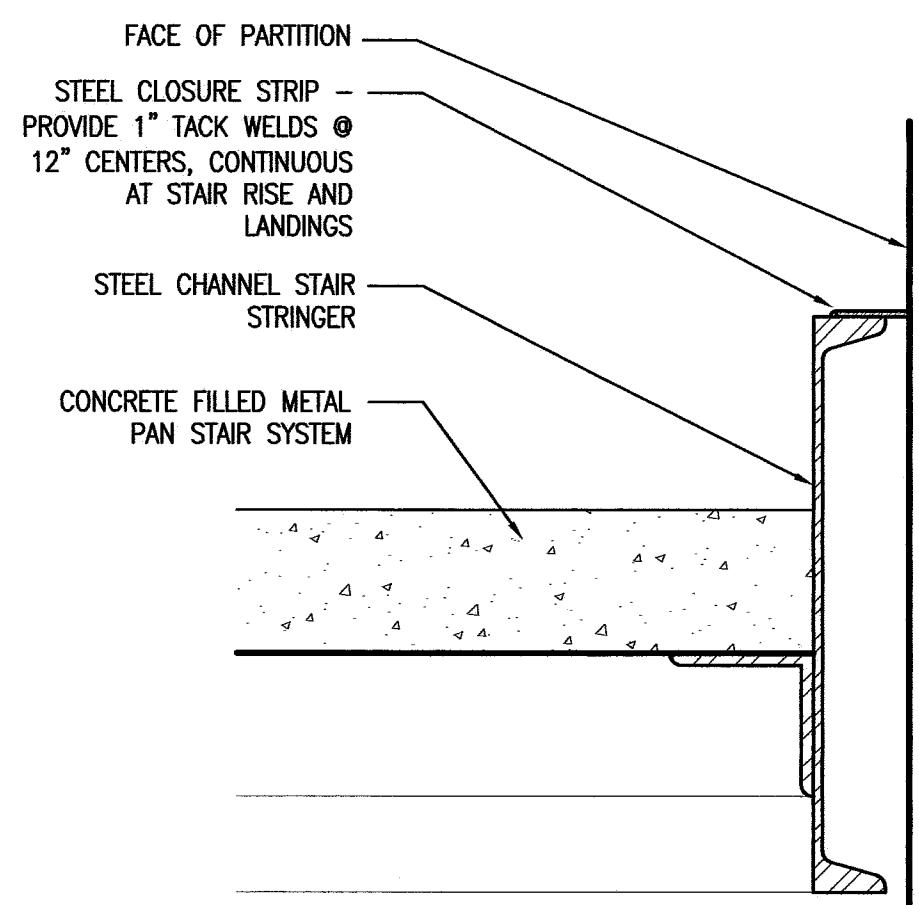
4 DETAIL AT INT. LANDING

REFERENCED FROM: SCALE: 3" = 1'-0"



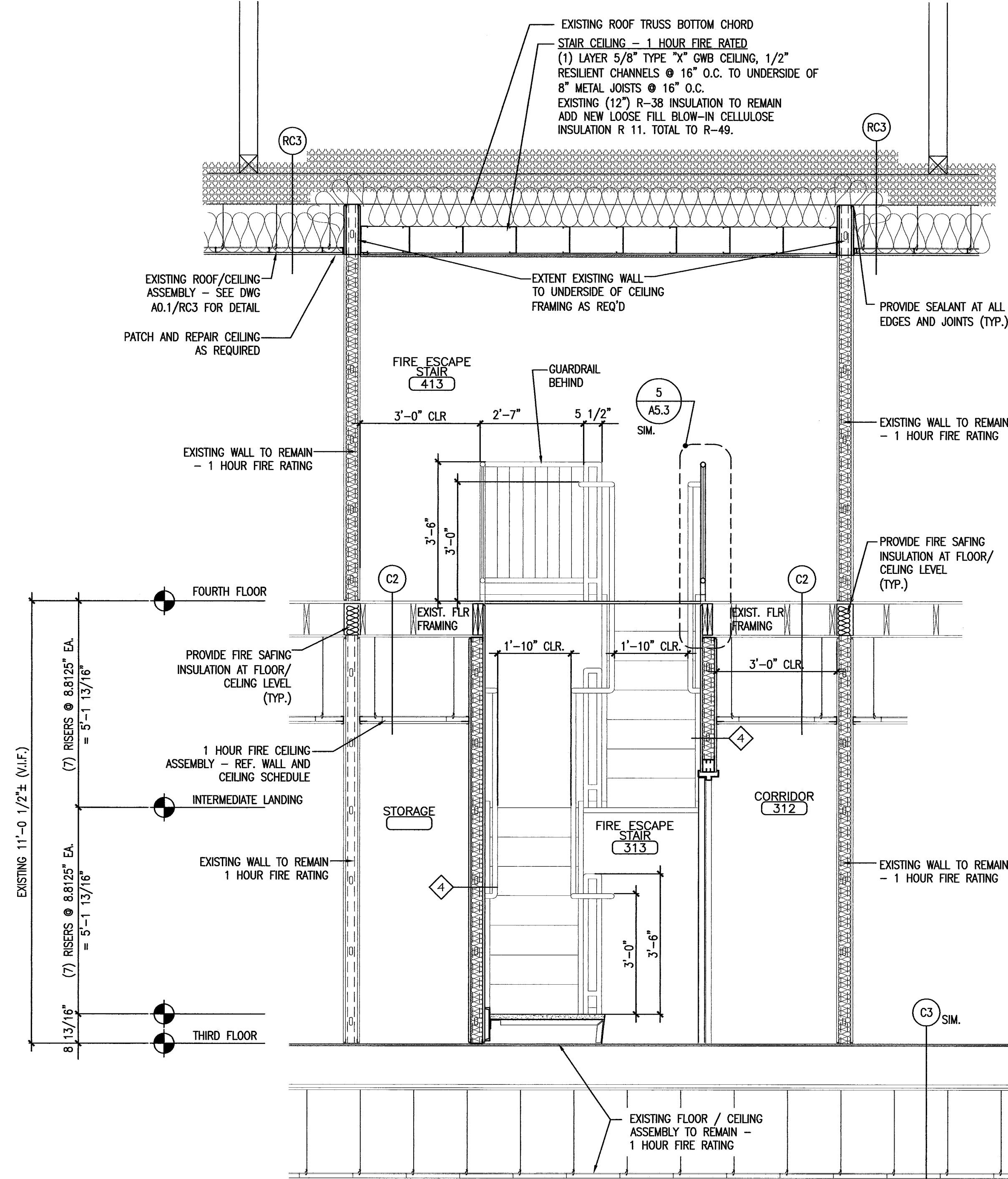
5 TYP. GUARDRAIL SECTION

REFERENCED FROM: SCALE: 1 1/2" = 1'-0"



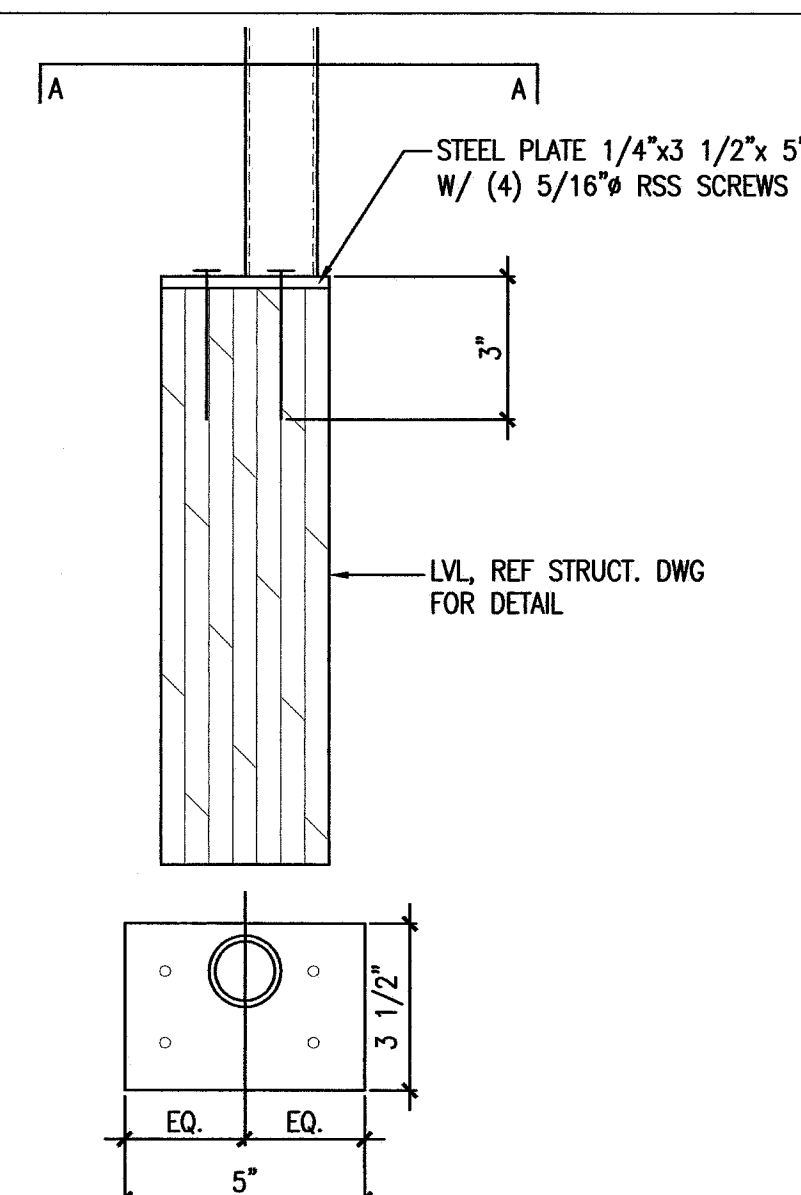
6 TYP. EDGE OF STRINGER DETAIL

REFERENCED FROM: SCALE: 3" = 1'-0"



7 SECTION @ FIRE ESCAPE STAIR

REFERENCED FROM: SCALE: 1/2" = 1'-0"



8 GUARDRAIL BRACKET DETAIL

REFERENCED FROM: SCALE: 3" = 1'-0"

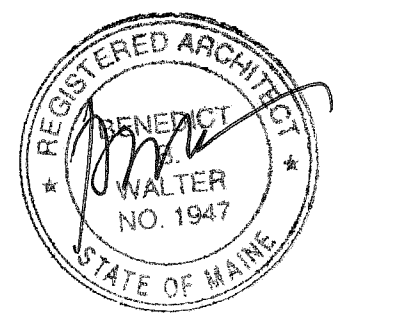
CWS

CWS Architects

Architecture
Space Planning
Value Design

434 Cumberland Avenue
Portland, ME 04101
Phone: (207)774-4441
Fax: (207)774-4016

www.CWSArch.com



Owner:

Avesta Munjoy Commons, LP.

307 Cumberland Ave.
Portland, Maine 04101
TEL. 207-553-7780

Client:

Munjoy Commons Apartments

Portland, Maine

Project No: 07429

Drawing Title:

SHALER FIRE ESCAPE STAIR DETAILS

Scale: AS NOTED

Date: August 28, 2009

- Revisions:
- ▲
 - ▲
 - ▲
 - ▲
 - ▲
 - ▲

Drawing Number:

SHALER A5.3