

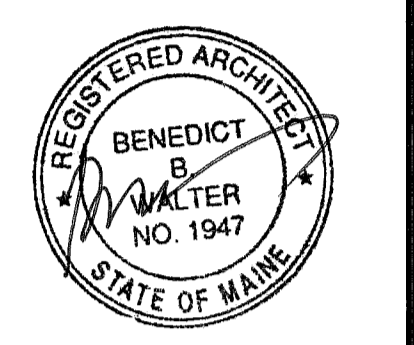


CWS Architects

Architecture
Space Planning
Value Design

434 Cumberland Avenue
Portland, ME 04101
Phone: (207)774-4441
Fax: (207)774-4016

www.CWSarch.com



Owner:

Avesta Munjoy Commons, LP.

307 Cumberland Ave.
Portland, Maine 04101
TEL. 207-553-7780

Client:

Munjoy Commons Apartments

Portland, Maine

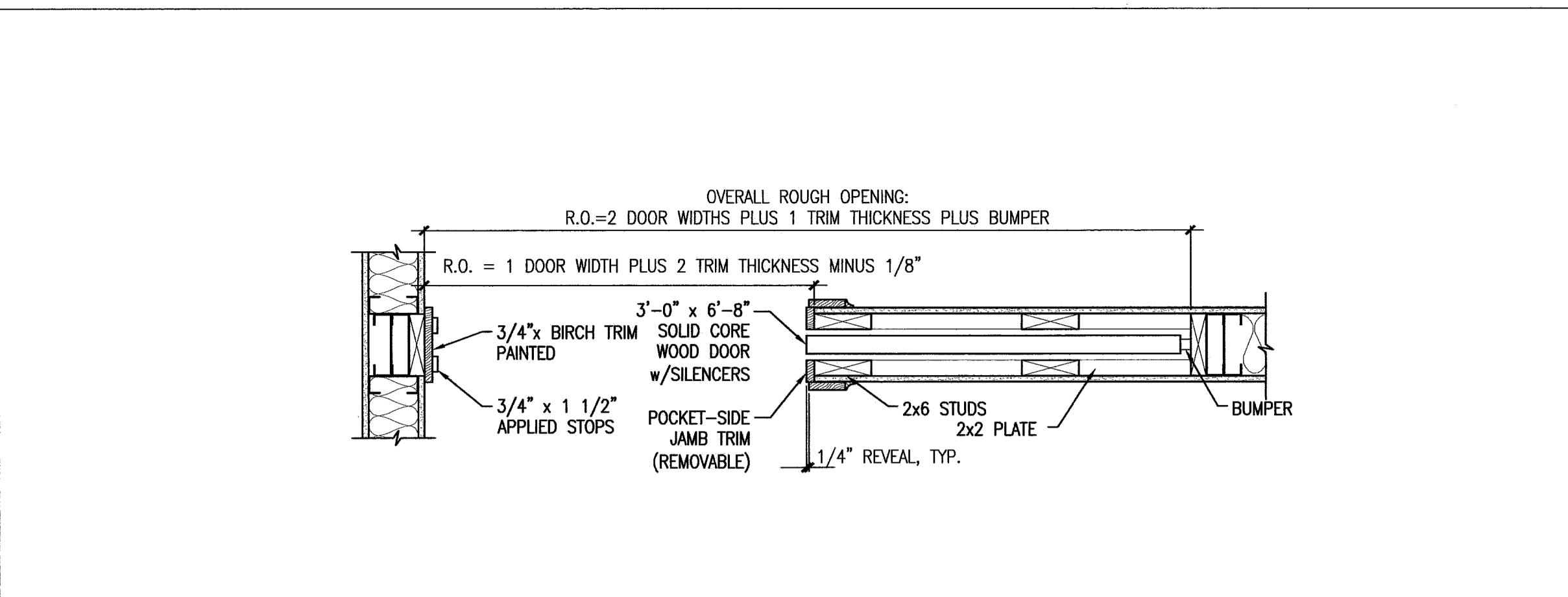
Project No: 07429

Drawing Title:
SHAILER DOOR DETAILS

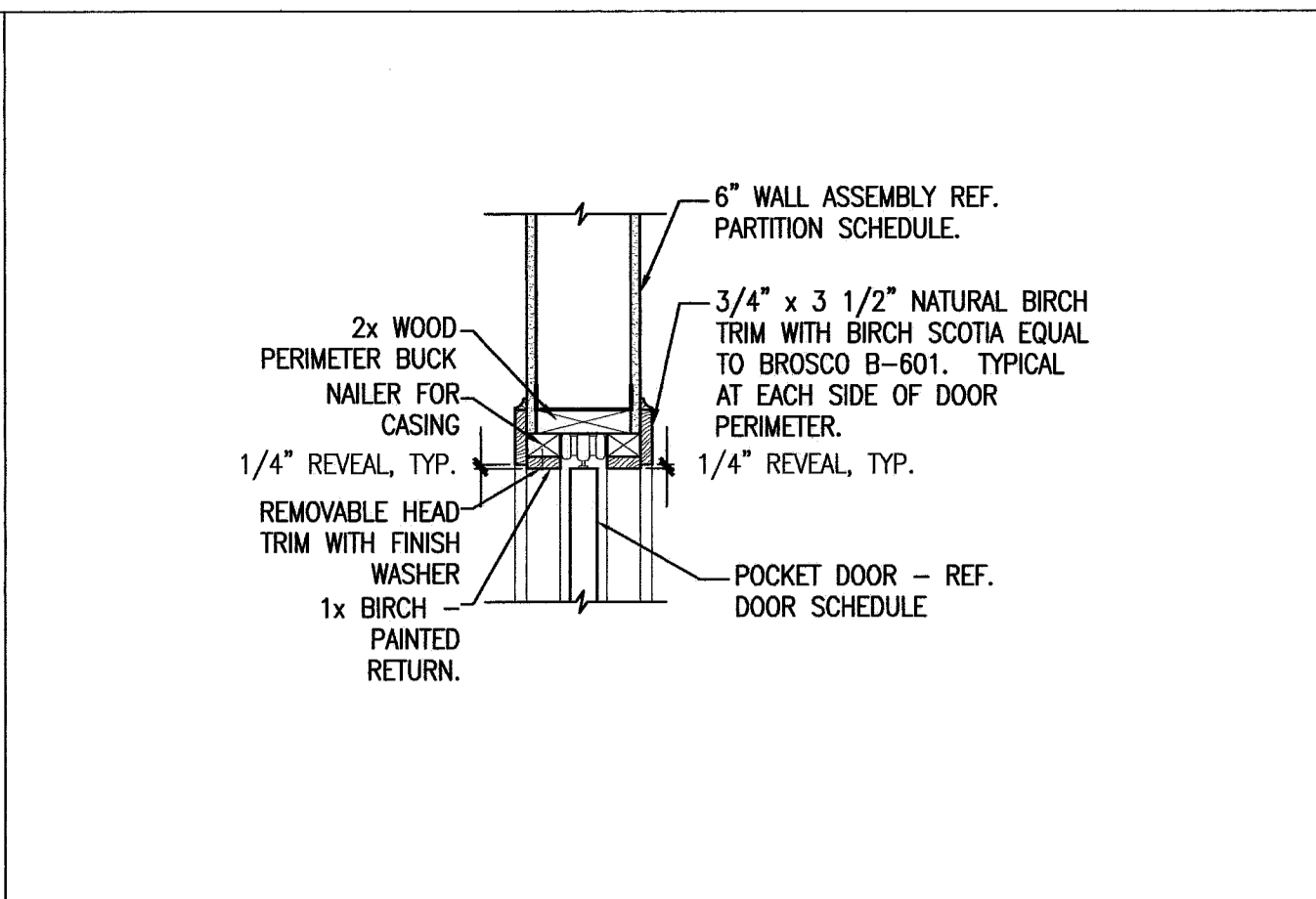
Scale: AS NOTED
Date: August 28, 2009

- Revisions:
- △
 - △
 - △
 - △
 - △

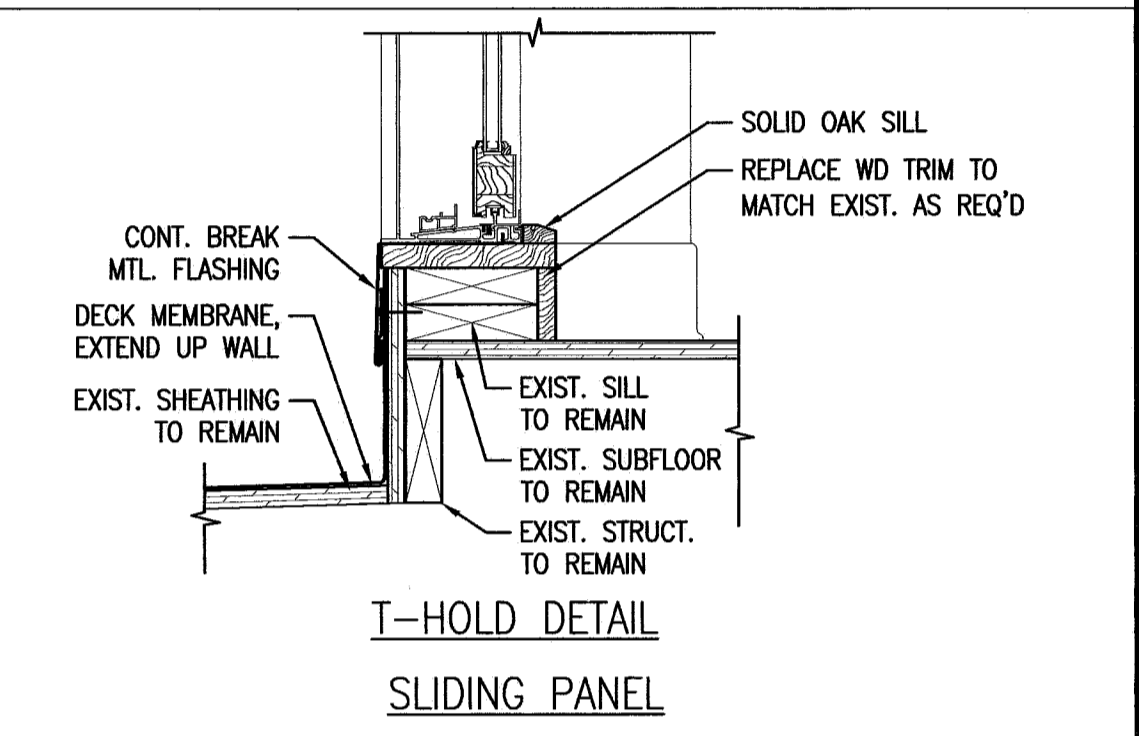
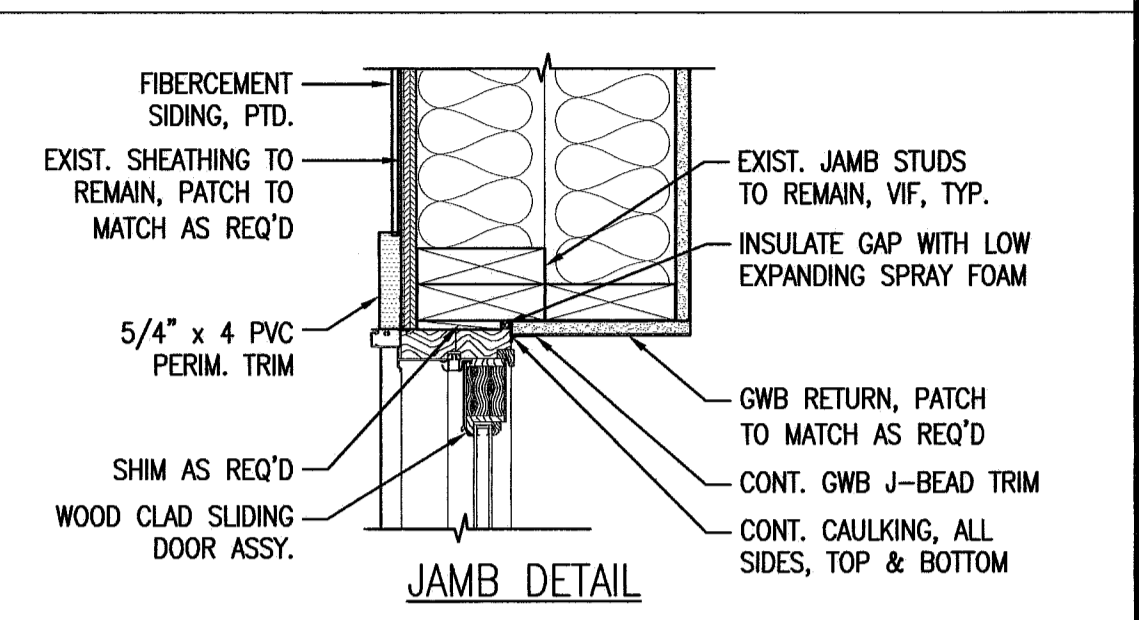
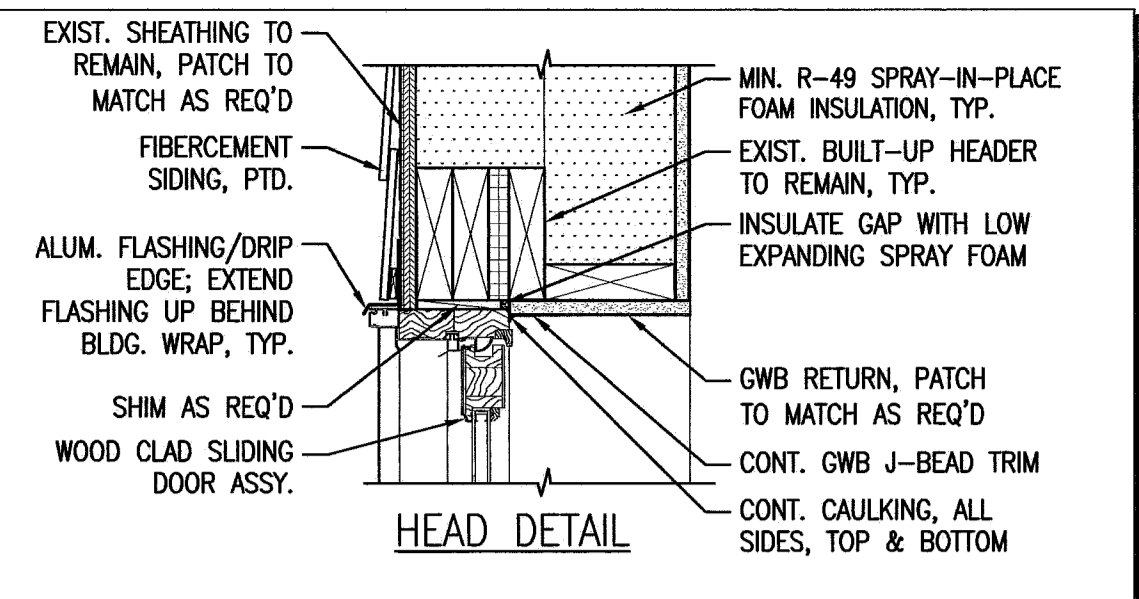
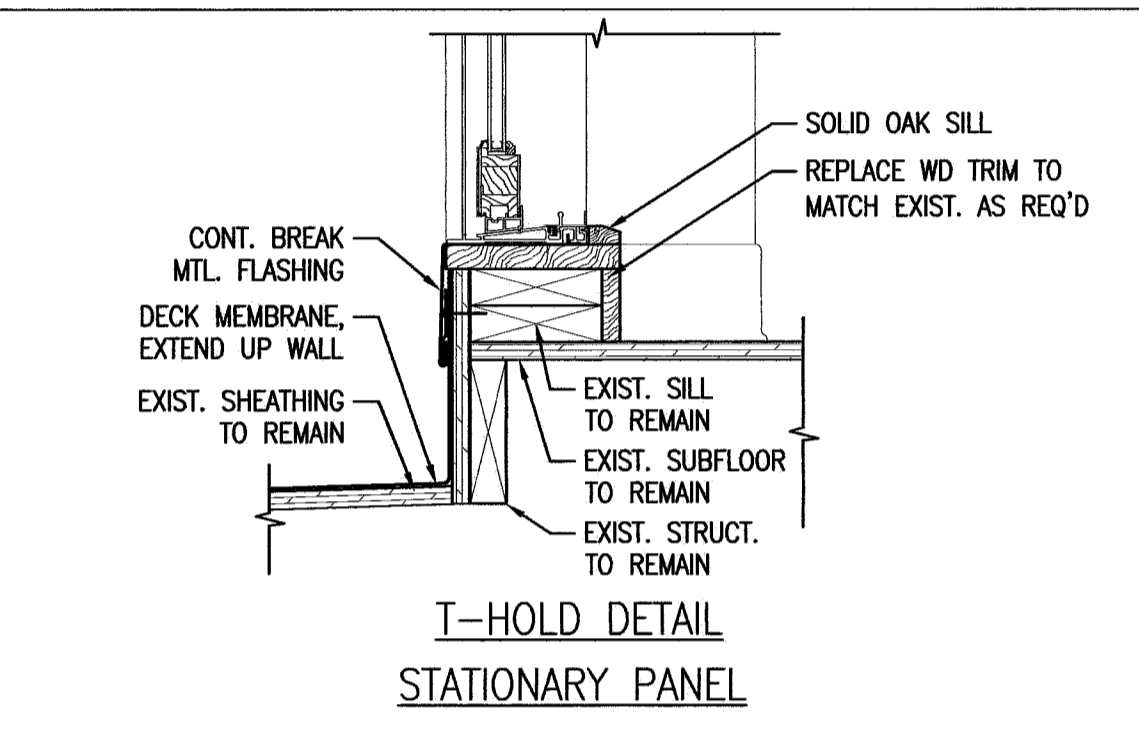
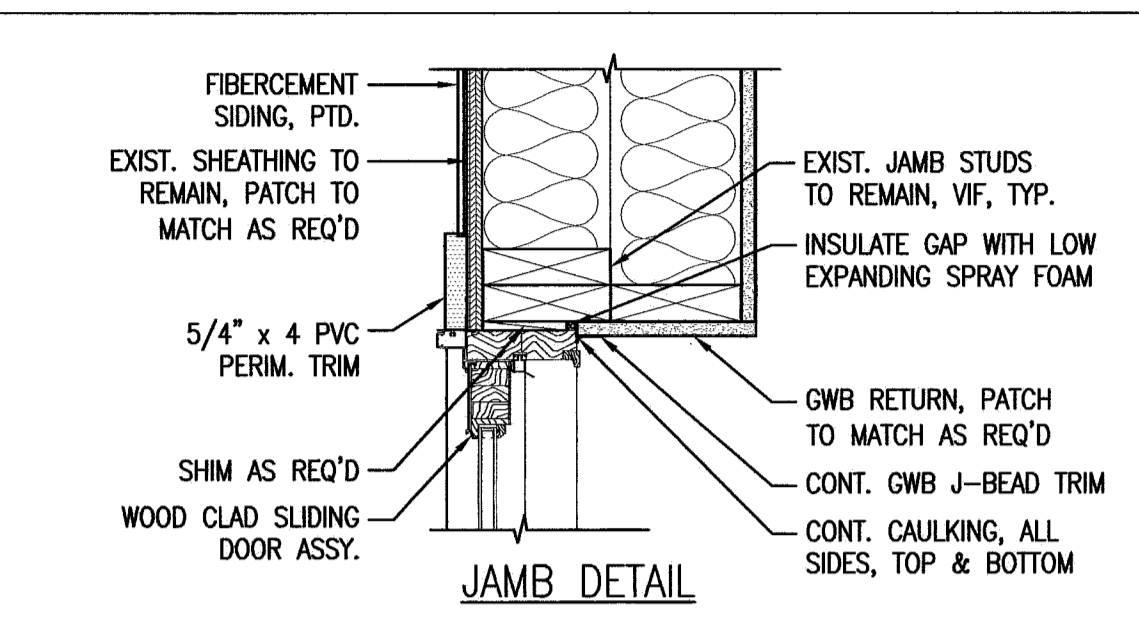
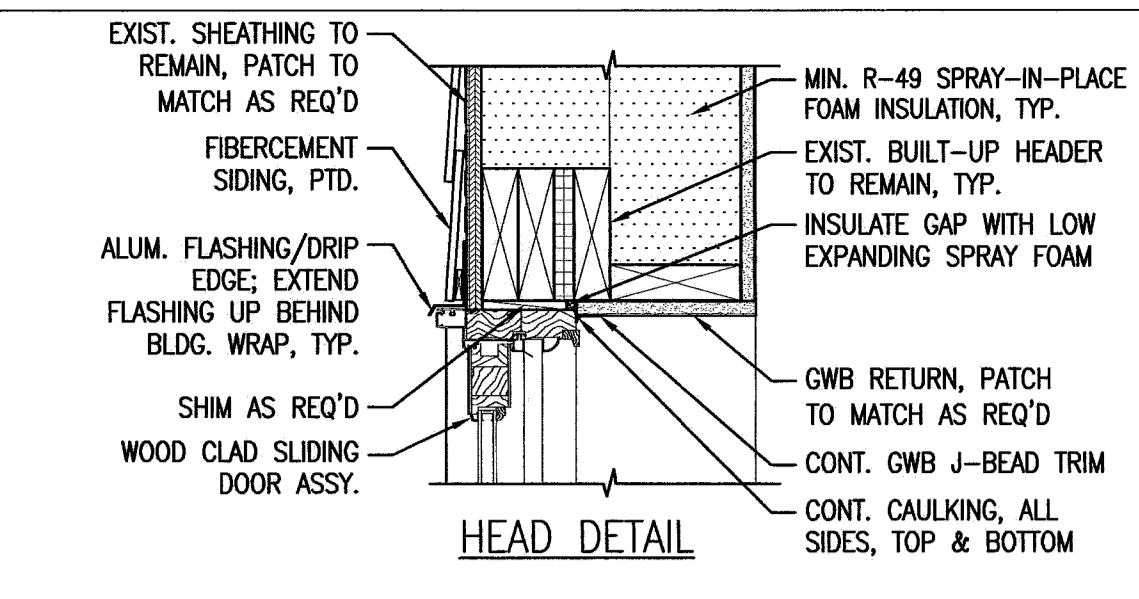
Drawing Number:
A4.2B



1 POCKET DOOR - FRAMING AND TRIM DETAIL
REFERENCED FROM: SCALE: 1" = 1'-0"



2 POCKET DOOR HEAD TRIM DETAIL
REFERENCED FROM: SCALE: 1" = 1'-0"

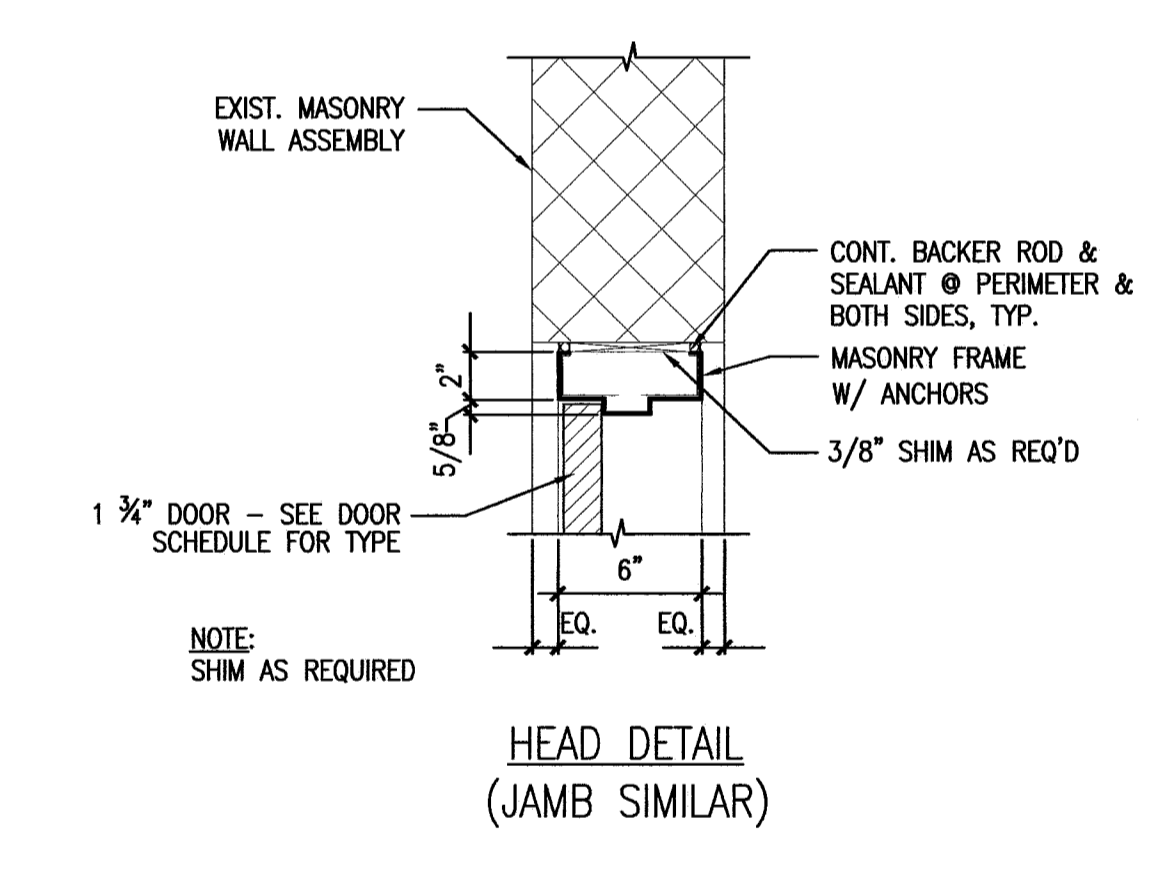
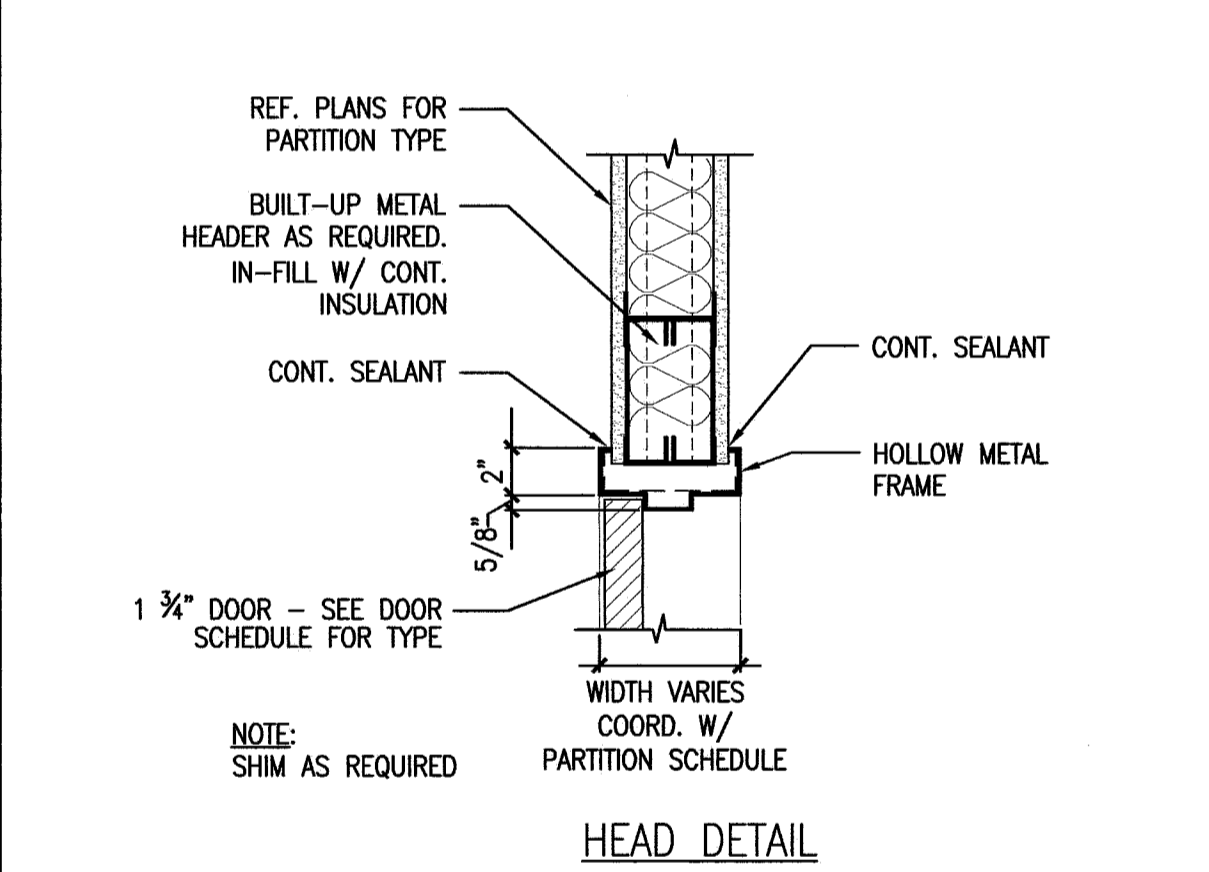


6 TYP. SLIDING GLASS DOOR DETAILS
REFERENCED FROM: SCALE: 1 1/2" = 1'-0"

3 -
REFERENCED FROM: SCALE: 1 1/2" = 1'-0"

7 -
REFERENCED FROM: SCALE:

8 -
REFERENCED FROM: SCALE:

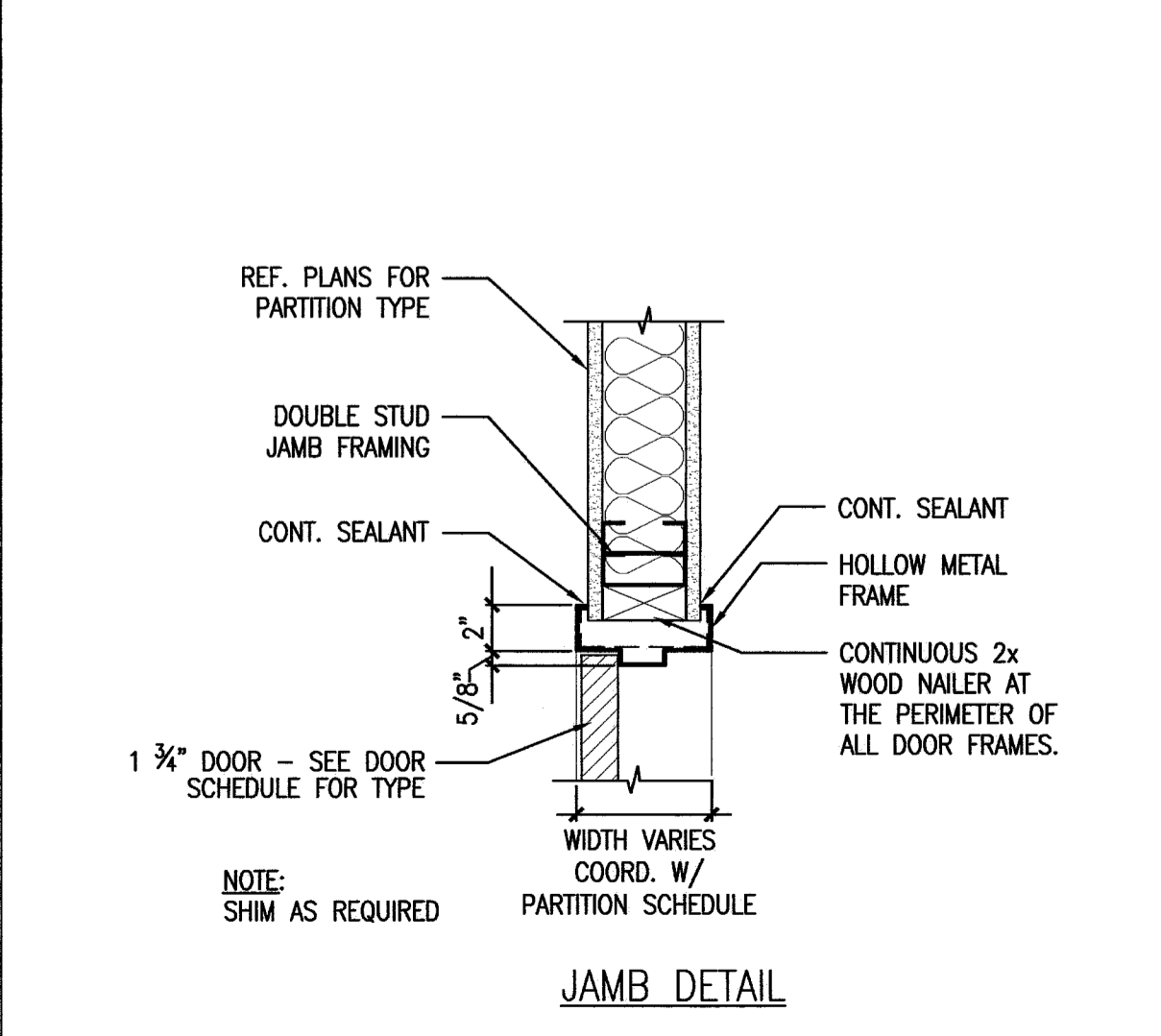


4 TYP. HM DOOR FRAME HEAD DET.
REFERENCED FROM: SCALE: 1 1/2" = 1'-0"

9 DOOR FRAME DET. @ EXIST. MAS.
SCALE: 1 1/2" = 1'-0"

10 -
REFERENCED FROM: SCALE:

11 -
REFERENCED FROM: SCALE:



12 -
REFERENCED FROM: SCALE:

13 -
REFERENCED FROM: SCALE:

14 -
REFERENCED FROM: SCALE:

5 TYP. HM DOOR FRAME JAMB DET.
REFERENCED FROM: SCALE: 1 1/2" = 1'-0"