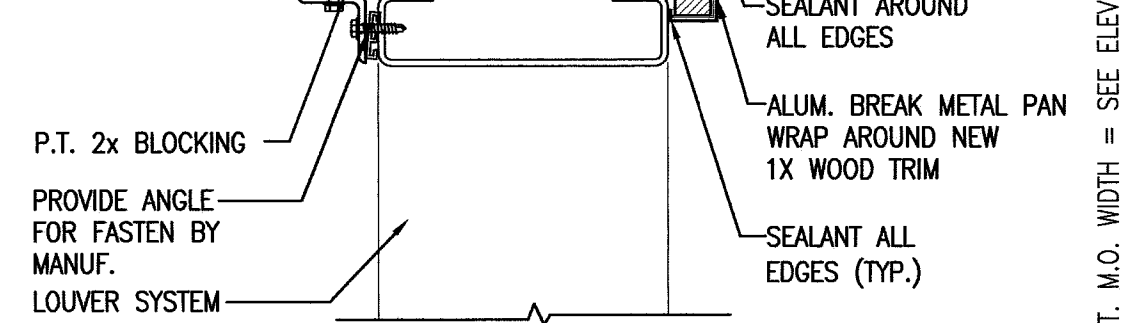
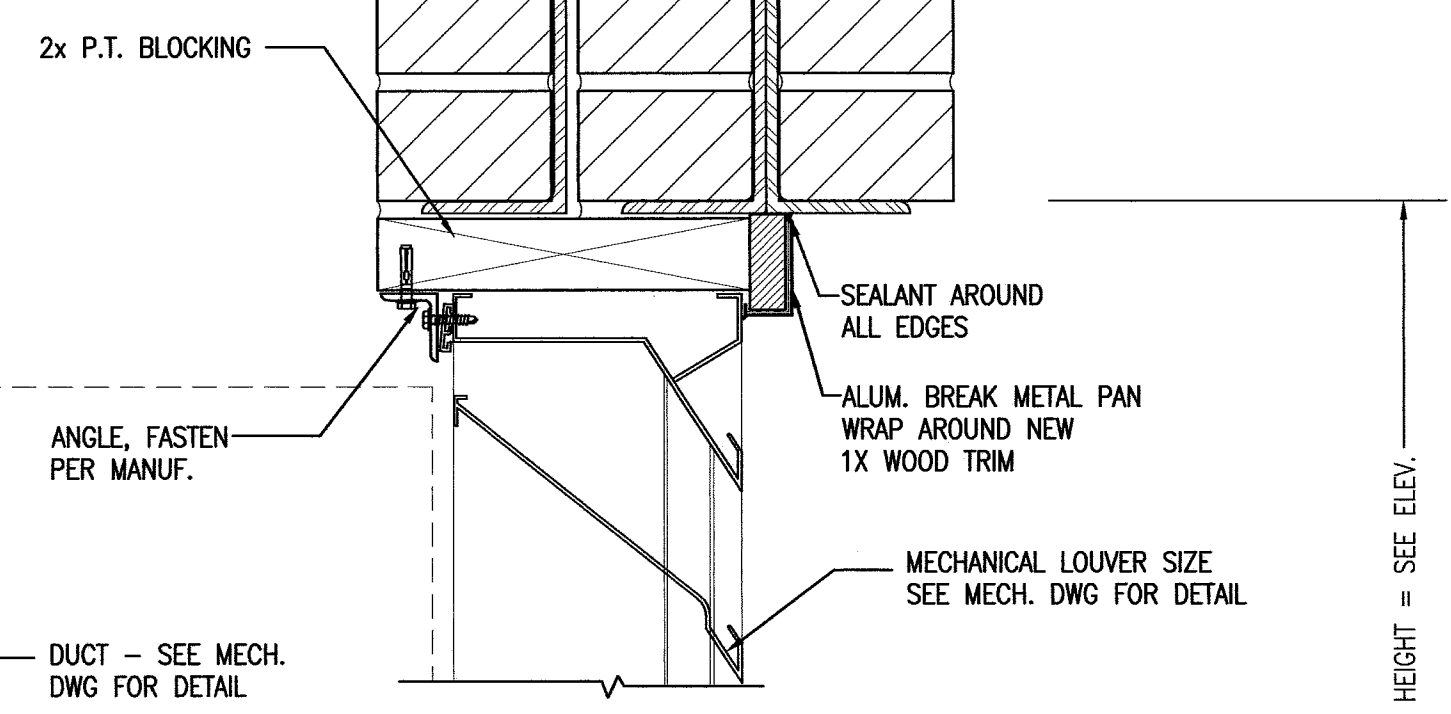


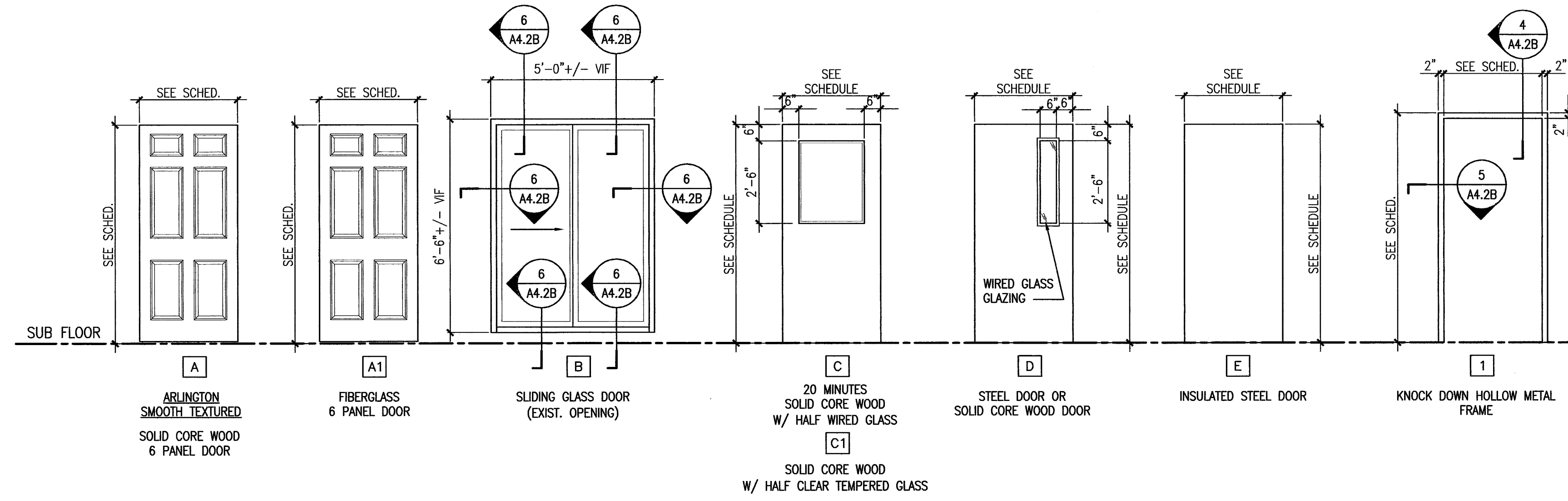
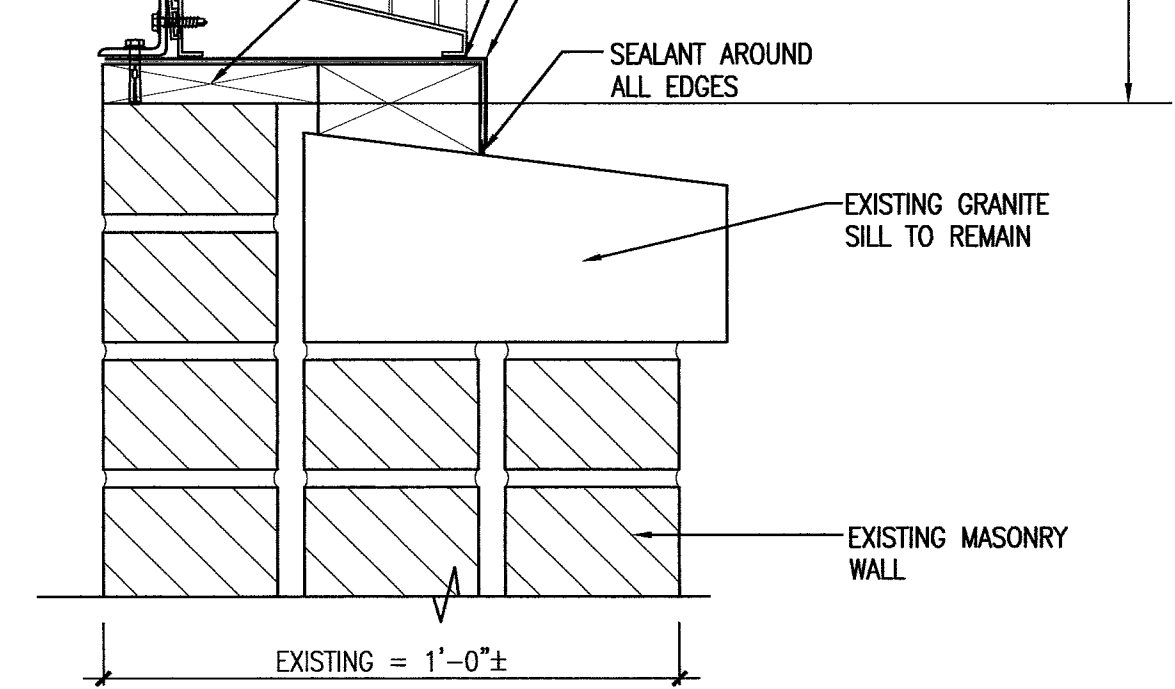
JAMB DETAIL



HEAD



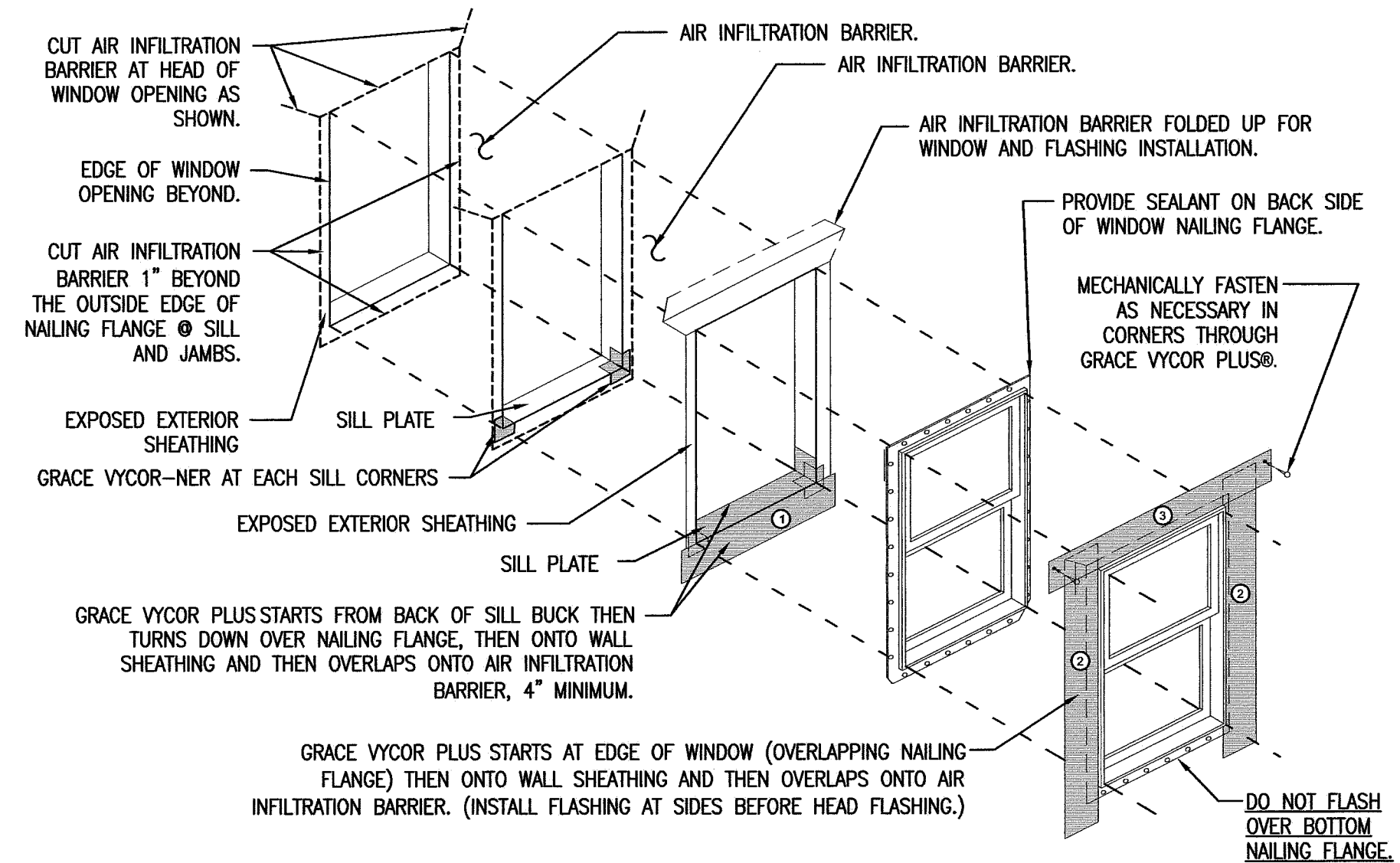
SILL



1 DOOR AND DOOR FRAME ELEVATIONS

REFERENCED FROM:

SCALE: 3/8" = 1'-0"

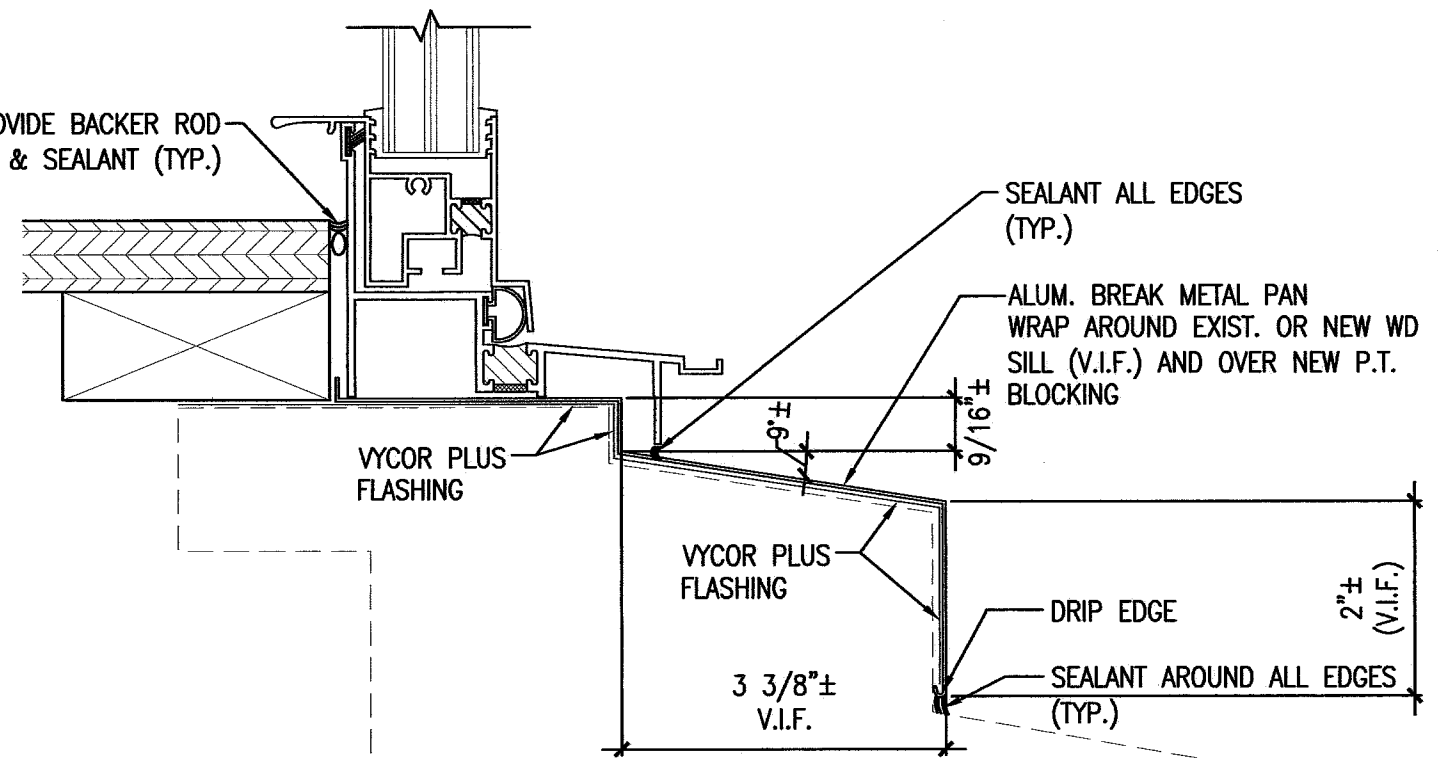
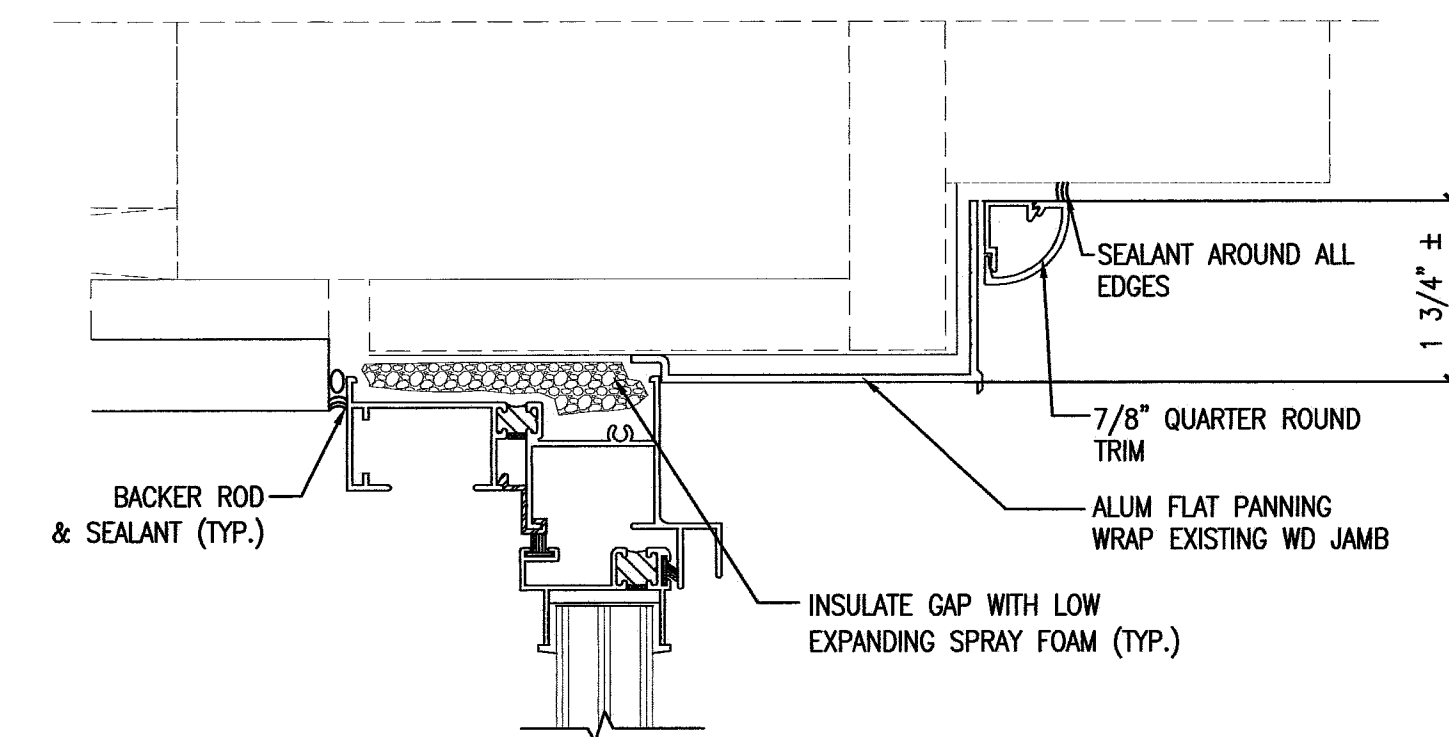
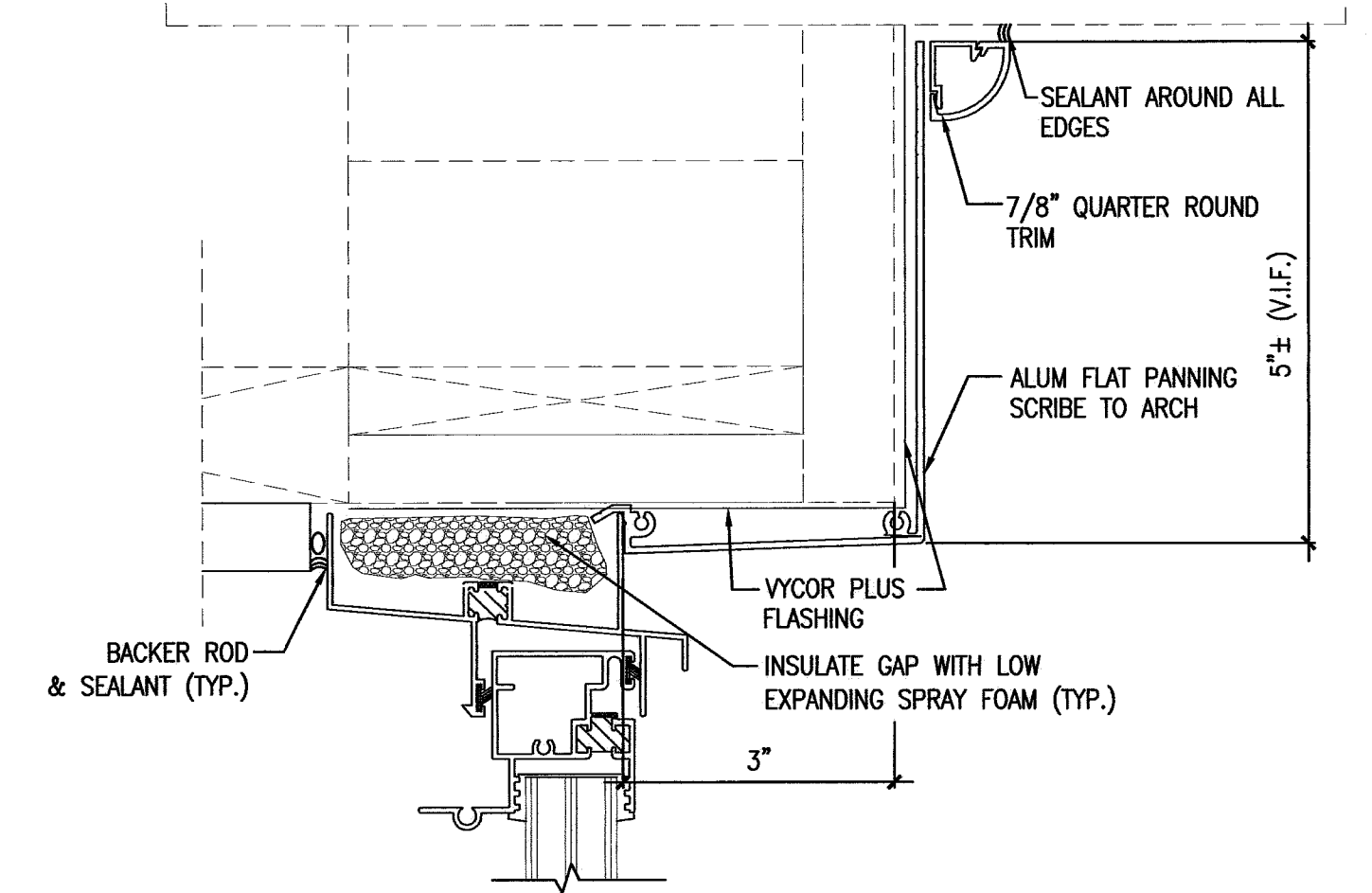


- NOTES:**
- A. INSTALL AIR INFILTRATION BARRIER AS SPECIFIED.
 - B. INSTALL GRACE VYCOR PLUS IN ORDER AS SHOWN BY NUMBERED STEPS.
 - C. IF APPLICABLE, LEAVE RELEASE PAPER ON LOWER HALF ON SILL FLASHING UNTIL FUTURE TIE-IN.
 - D. INSTALL GRACE VYCOR PLUS AND AIR INFILTRATION BARRIER TO FORM WATER SHEDDING LAPS TO THE EXTERIOR SIDE OF THE WALL ASSEMBLY.
 - E. COORDINATE WITH FLASHING REQUIREMENTS OF WINDOW MANUFACTURER. REFERENCE WINDOW ELEVATIONS & DETAILS FOR ADDITIONAL INFORMATION.
 - F. HEAD AND JAMB DETAILS AT DOOR CONDITIONS SIMILAR.

3 WINDOW FLASHING INSTALLATION DIAGRAM

REFERENCED FROM:

SCALE: 3/8" = 1'-0"



5 ALUM BREAK METAL PAN WRAP DETAILS

REFERENCED FROM:

SCALE: 6" = 1'-0"

2 MECHANICAL LOUVER DETAILS

REFERENCED FROM:

SCALE: 3/8" = 1'-0"

4

REFERENCED FROM:

SCALE: 3/8" = 1'-0"

CWS Architects
 Architecture
 Space Planning
 Value Design
 434 Cumberland Avenue
 Portland, ME 04101
 Phone: (207)774-4441
 Fax: (207)774-4016
 www.CWSarch.com

Avesta Munjoy Commons, LP.
 307 Cumberland Ave.
 Portland, Maine 04101
 TEL. 207-553-7880

Munjoy Commons Apartments
 Portland, Maine

Project No: 07429
 Drawing Title:
SHAILER WINDOW AND DOOR ELEVATIONS

Scale: 3/8" = 1'-0"
 Date: August 28, 2009

- Revisions:
- △
 - △
 - △
 - △
 - △
 - △

Drawing Number:
SHAILER A4.0B