

Owner:
Avesta Munjoy Commons, LP.
307 Cumberland Ave.
Portland, Maine 04101
TEL. 207-553-7800

Client:

Munjoy Commons Apartments

Portland, Maine

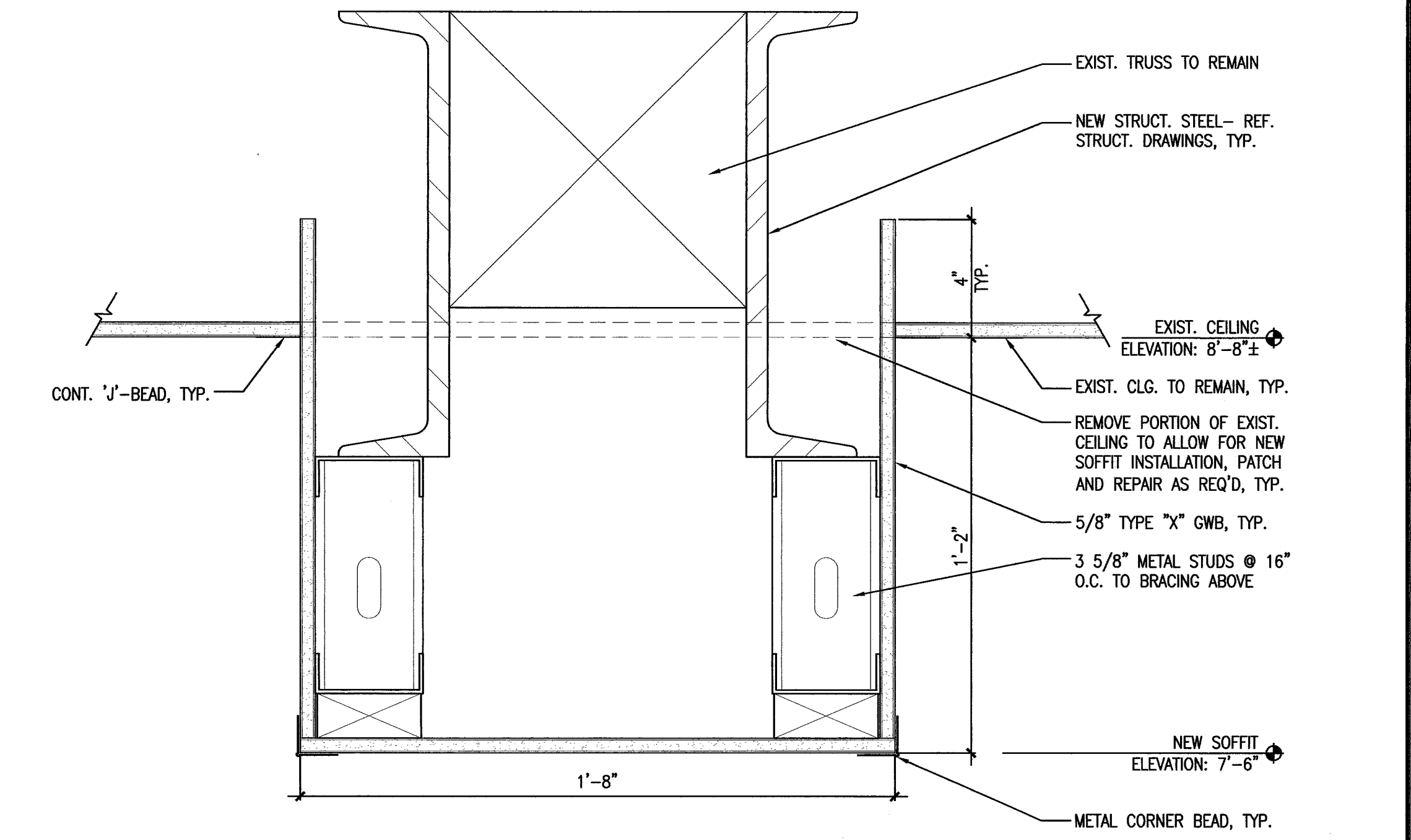
Project No: 07429

Drawing Title:
SHALER 3RD & 4TH FLOOR REFLECTED CEILING PLANS

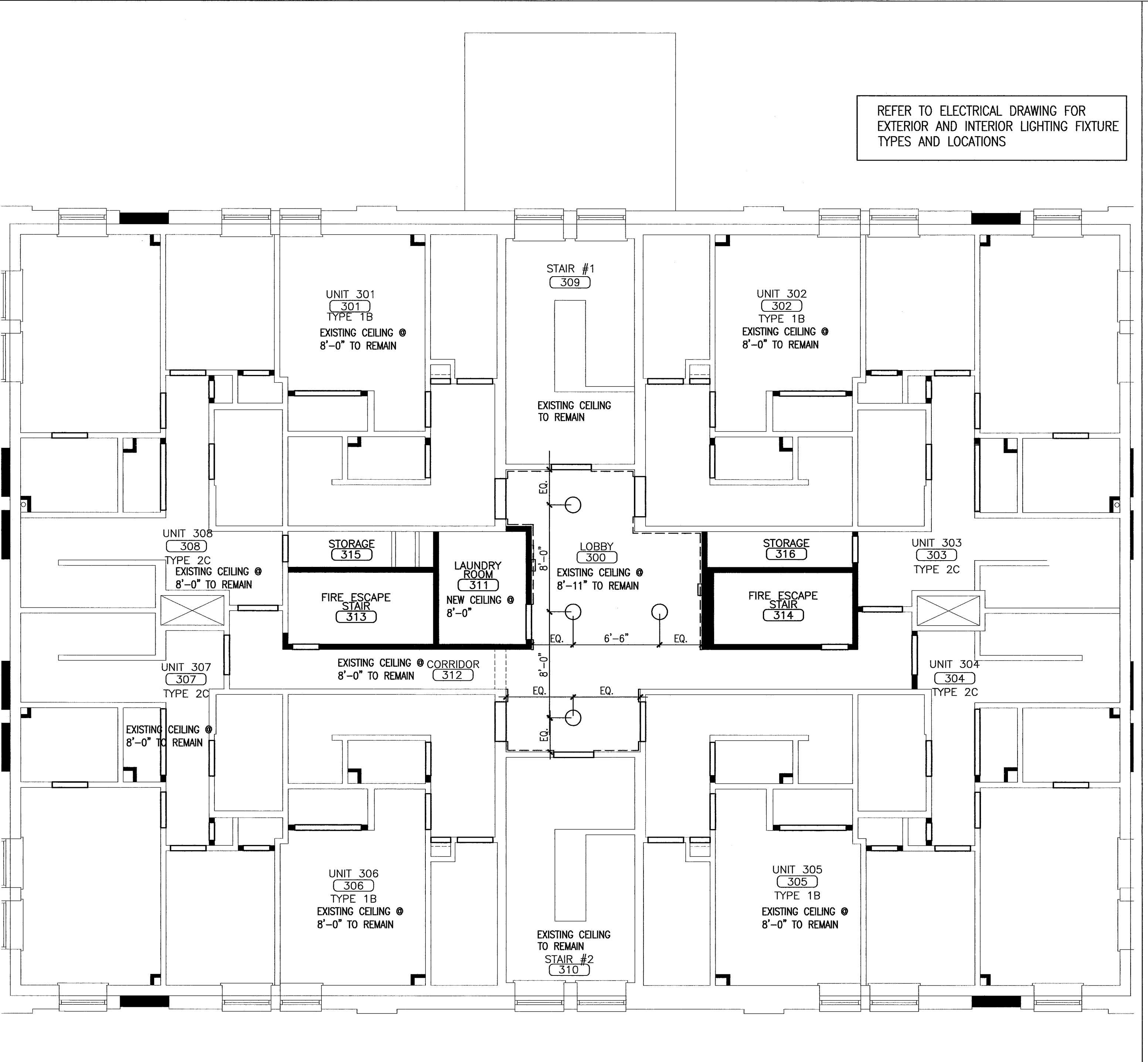
Scale: AS NOTED
Date: August 28, 2009

- Revisions:
- ▲
 - ▲
 - ▲
 - ▲
 - ▲

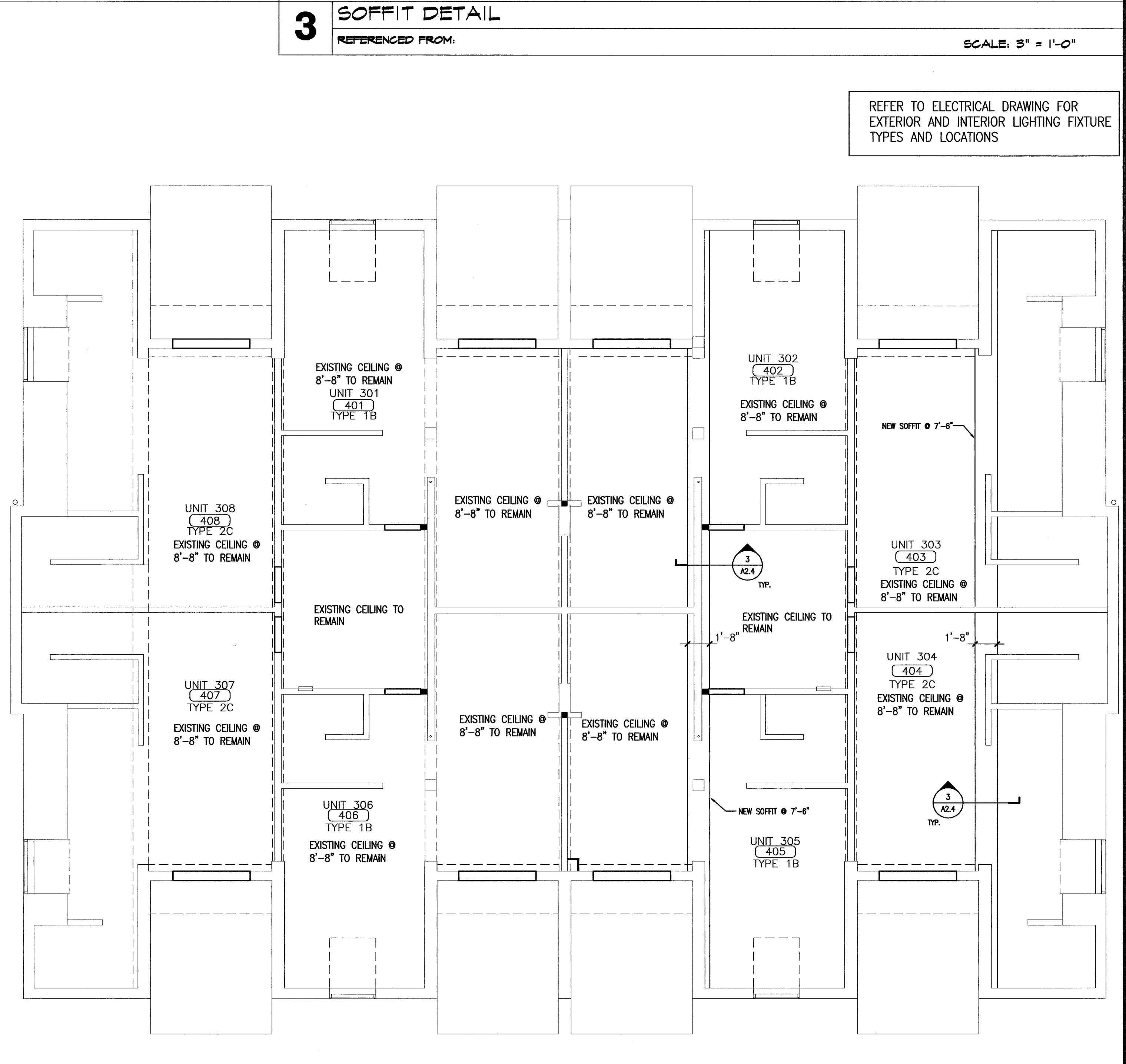
Drawing Number:
SHALER A2.4



3 SOFFIT DETAIL
REFERENCED FROM: SCALE: 3" = 1'-0"



1 THIRD FLOOR REFLECTED CEILING PLAN
REFERENCED FROM: SCALE: 3/16" = 1'-0"



2 FOURTH FLOOR REFLECTED CEILING PLAN
REFERENCED FROM: SCALE: 3/16" = 1'-0"