

Owner:
Avesta Munjoy Commons, LP.

307 Cumberland Ave.
Portland, Maine 04101
TEL. 207-553-7780

Client:

Munjoy Commons Apartments

Portland, Maine

Project No: 07429

Drawing Title:

SHAILER BASEMENT REFLECTED CEILING PLAN

Scale: AS NOTED

Date: August 28, 2009

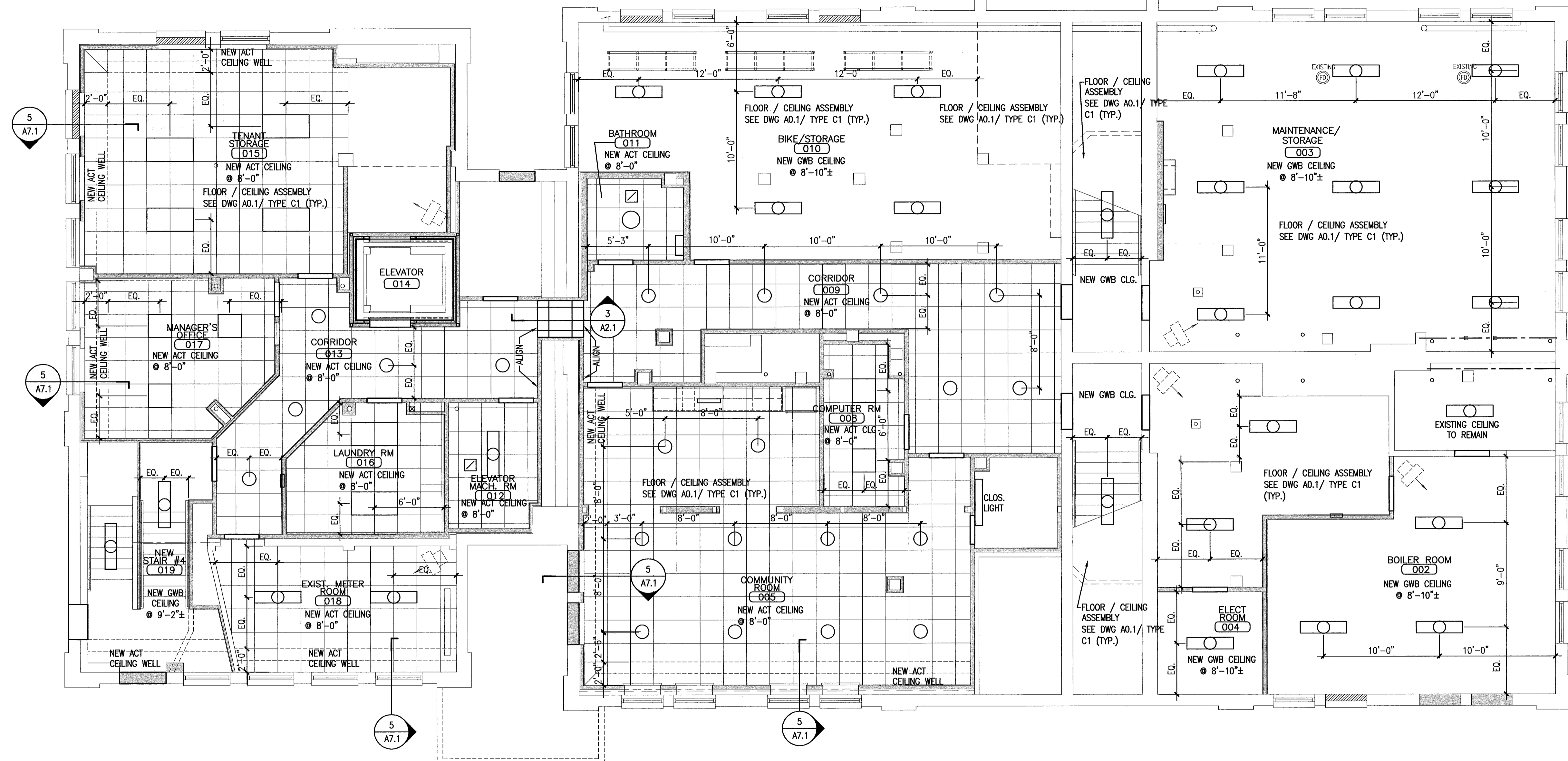
Revisions:

- △
- △
- △
- △
- △
- △

Drawing Number:

**SHAILER
A2.1**

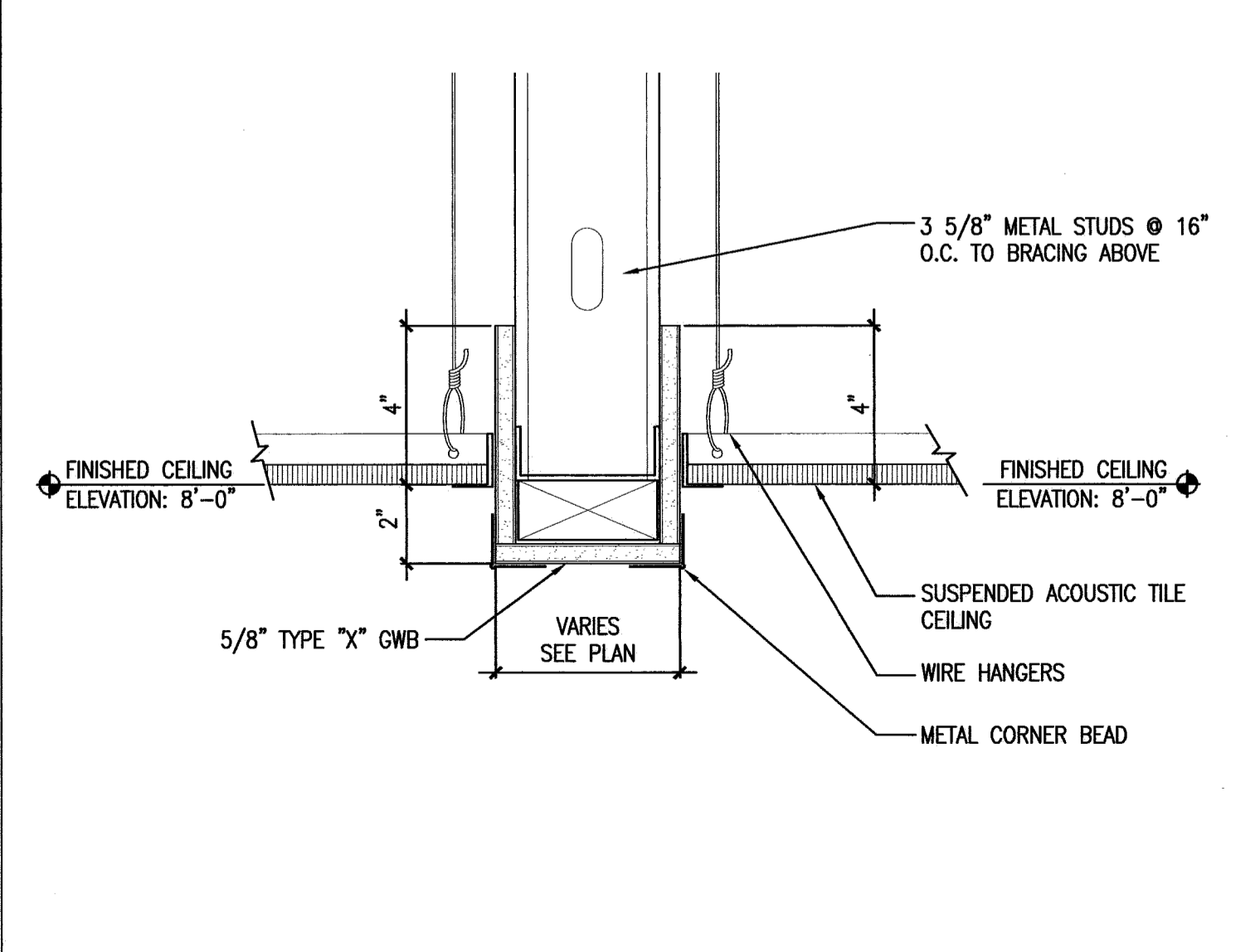
REFER TO ELECTRICAL DRAWINGS FOR EXTERIOR AND INTERIOR LIGHTING FIXTURE TYPES AND LOCATIONS



1 BASEMENT REFLECTED CEILING PLAN

REFERENCED FROM:

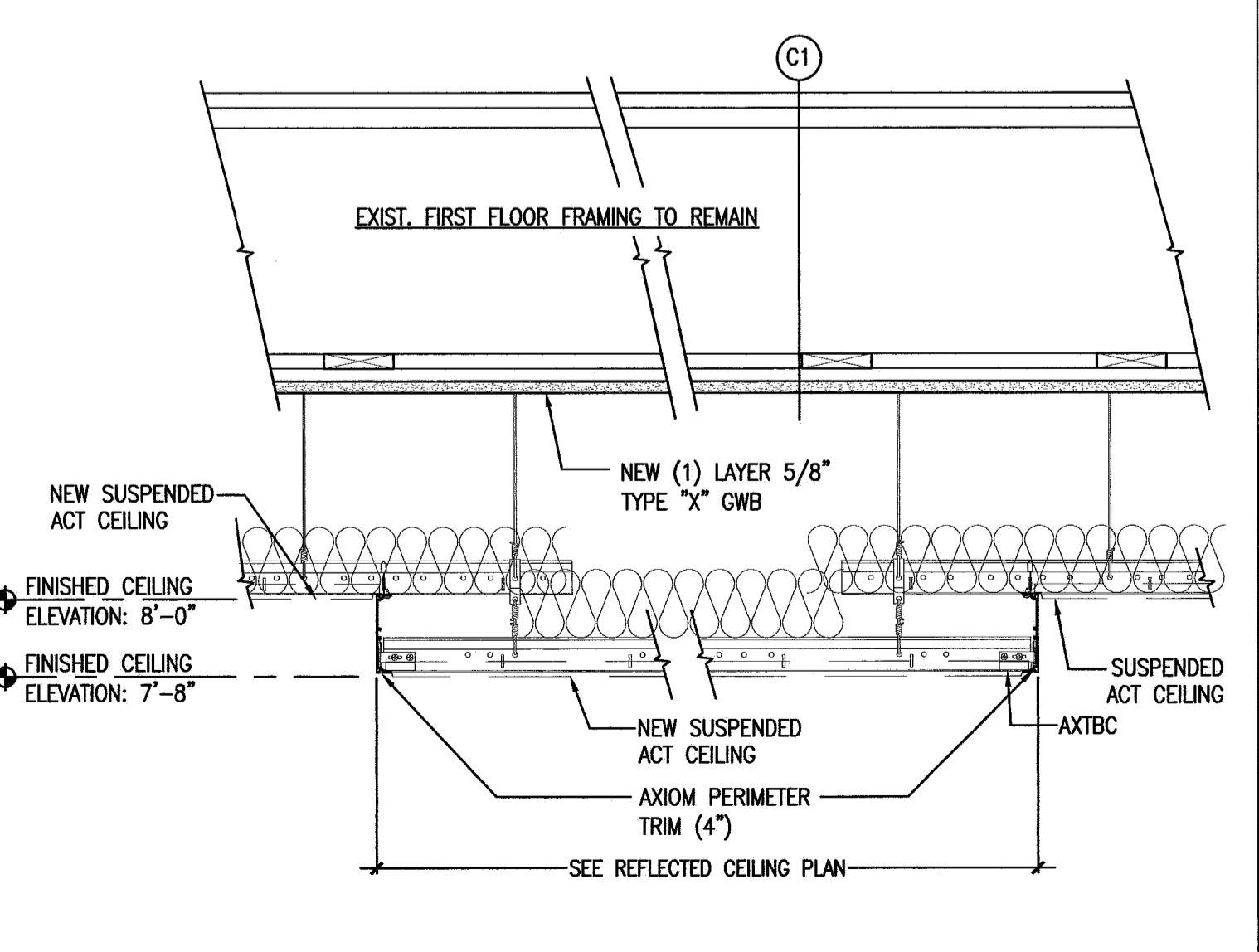
SCALE: 3/16" = 1'-0"



2 CEILING SOFFIT

REFERENCED FROM:

SCALE: 3" = 1'-0"



3 AXIOM PERIMETER TRIM

REFERENCED FROM:

SCALE: 1/2" = 1'-0"



3

SCALE: