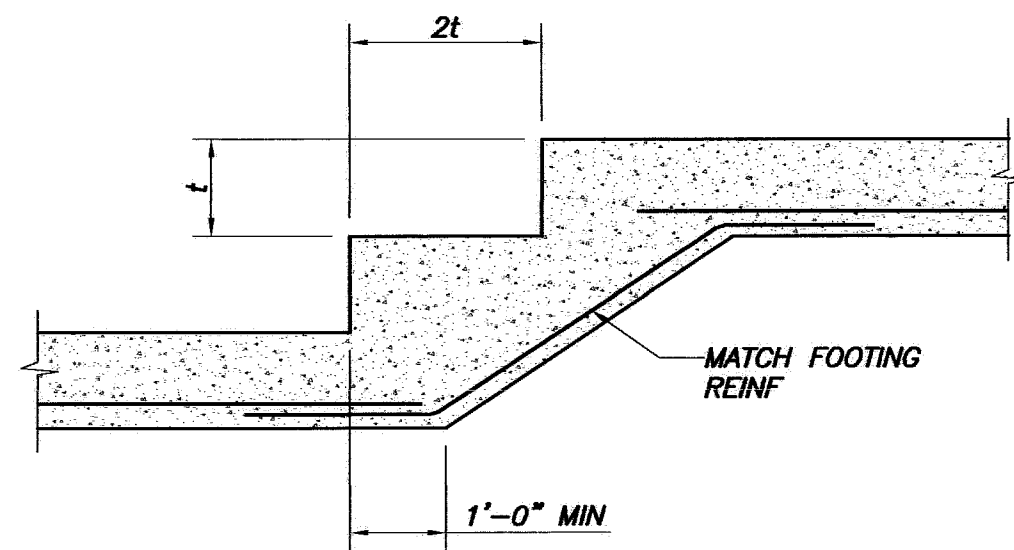
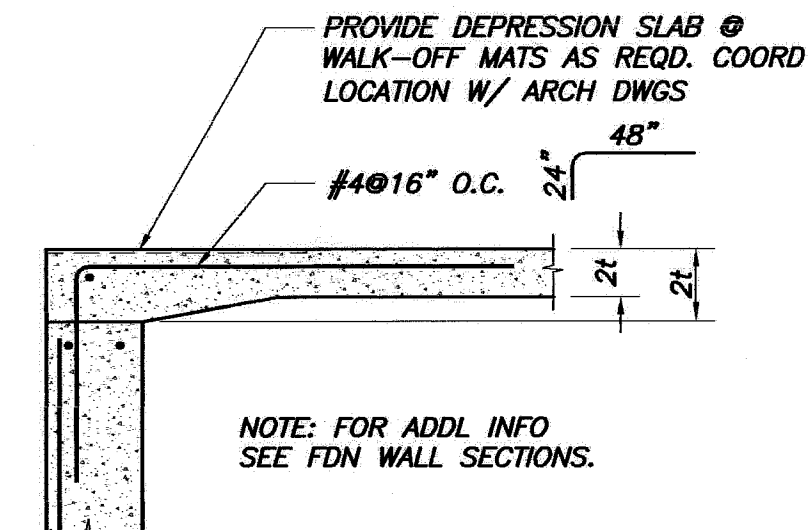


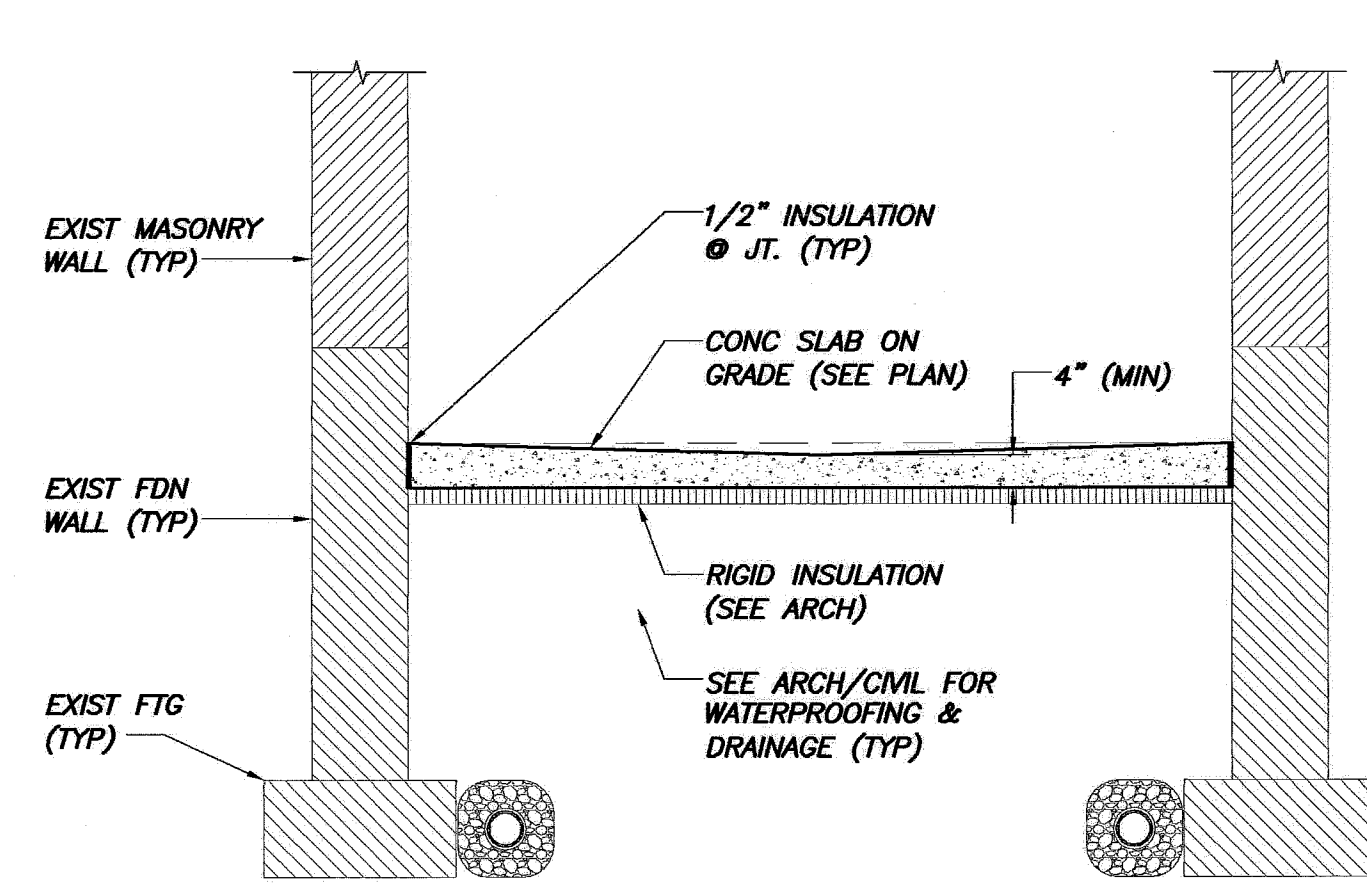
TYP WALL REINF DETAILS
N.T.S.



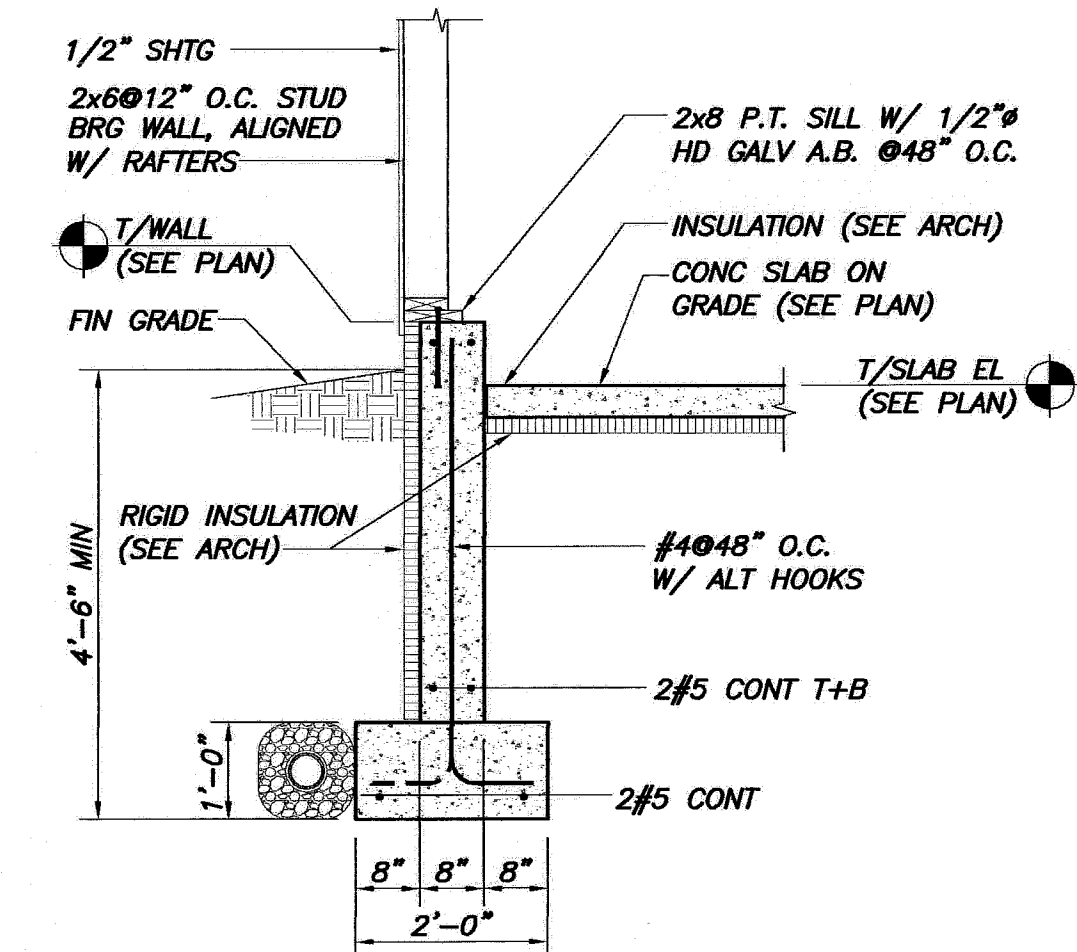
TYP STEP FOOTING DETAIL
N.T.S.
t = FOOTING THICKNESS



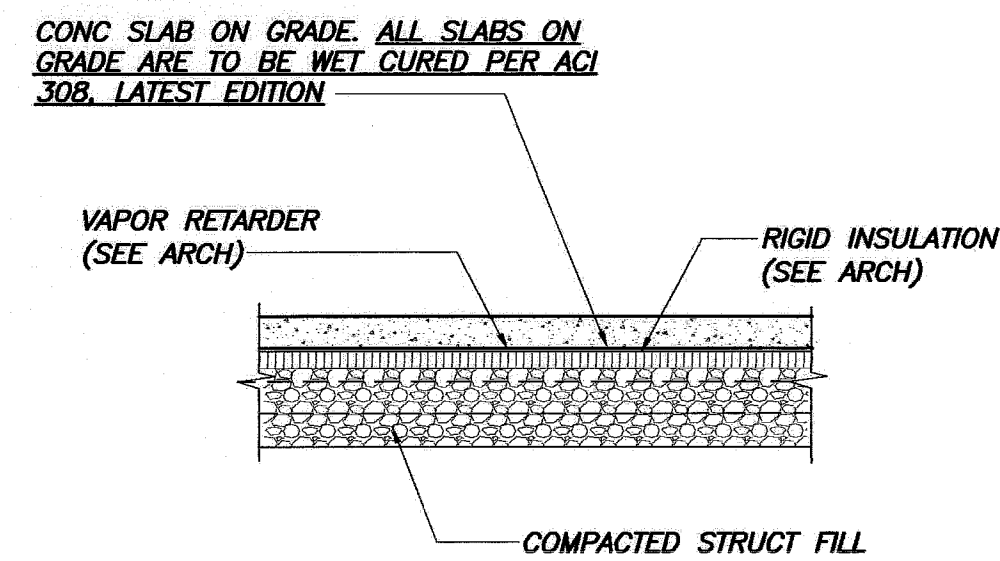
TYP SLAB DETAIL @ DOOR
N.T.S.
t = SLAB THICKNESS



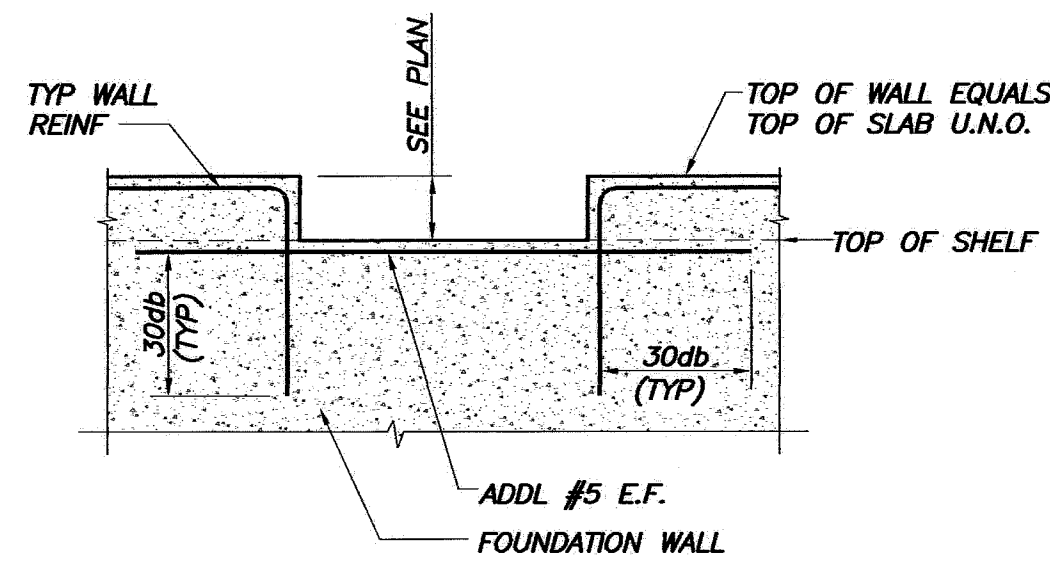
SECTION 1
1/2"=1'-0" S1.1



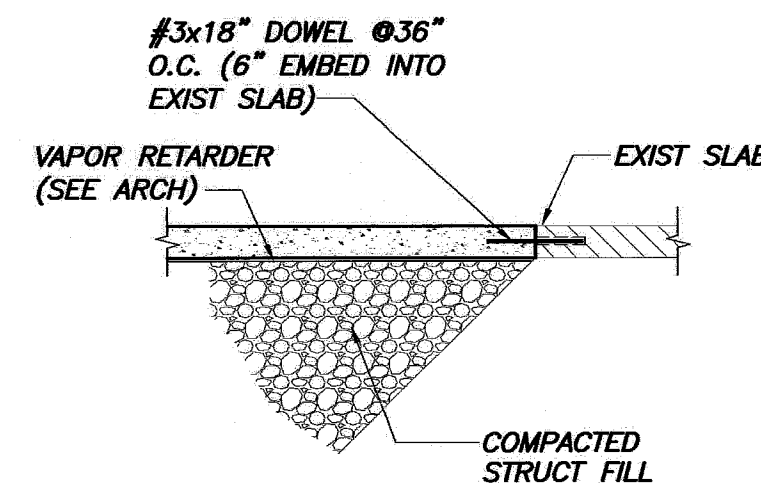
SECTION 2
1/2"=1'-0" S1.1



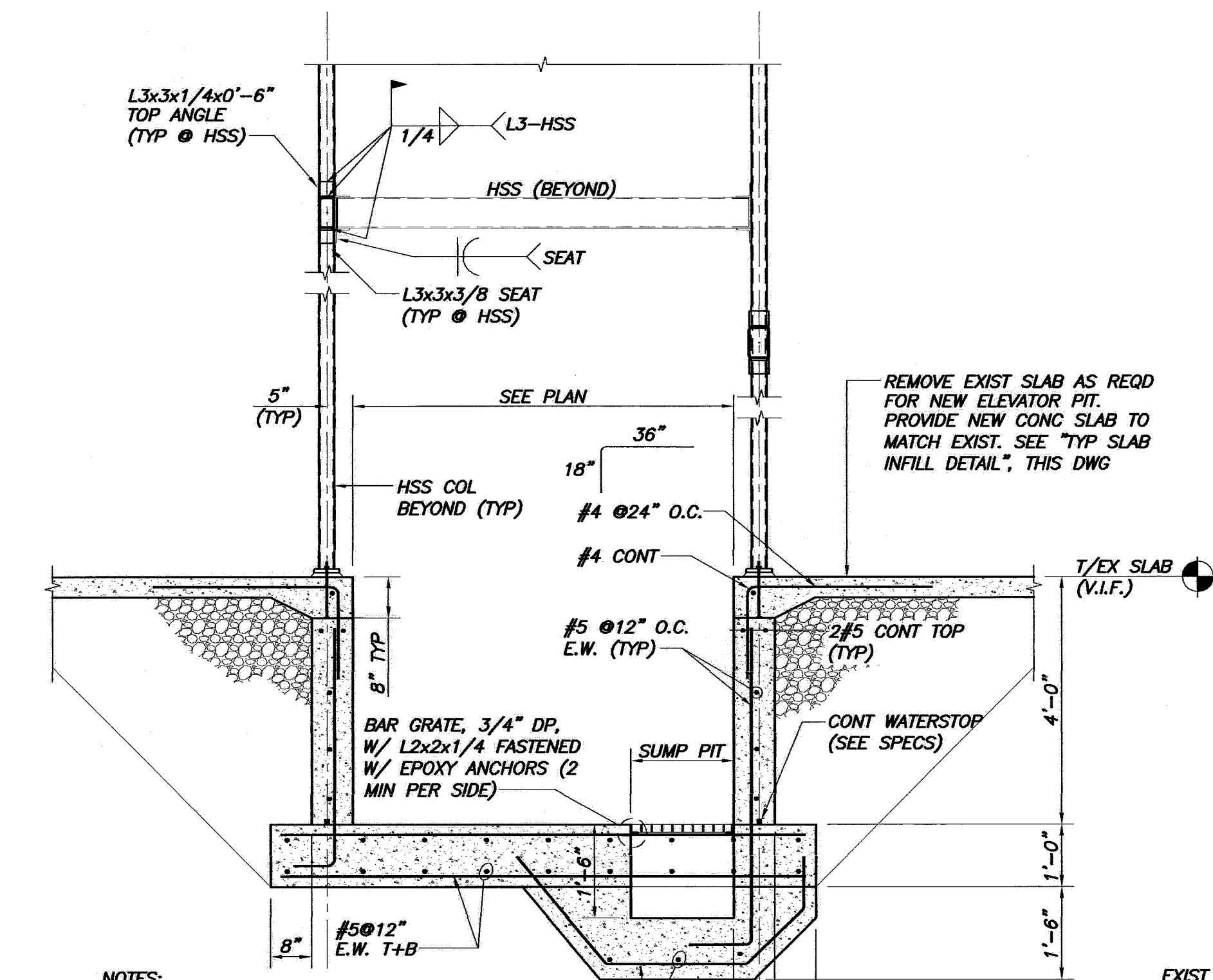
TYP SLAB DETAIL
N.T.S.



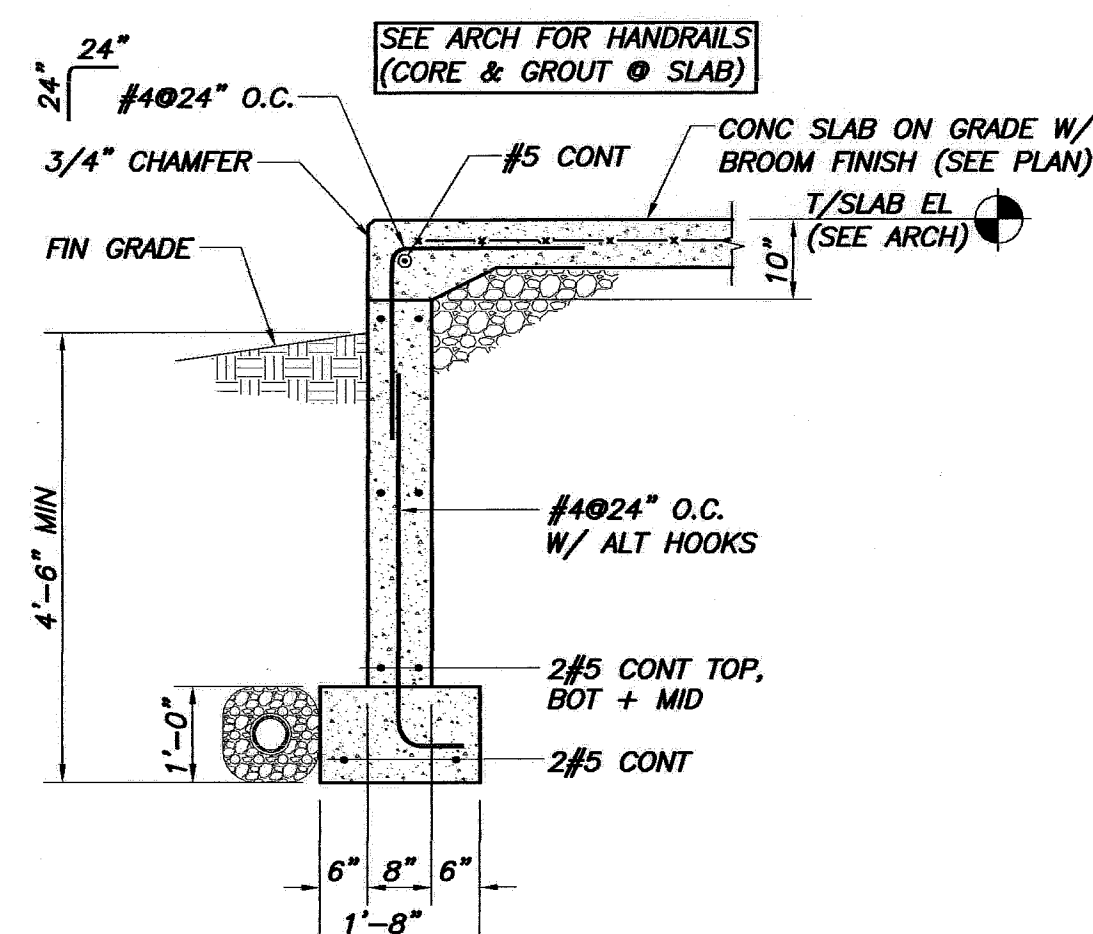
TYP WALL DEPRESSION DETAIL @ DOOR
N.T.S.



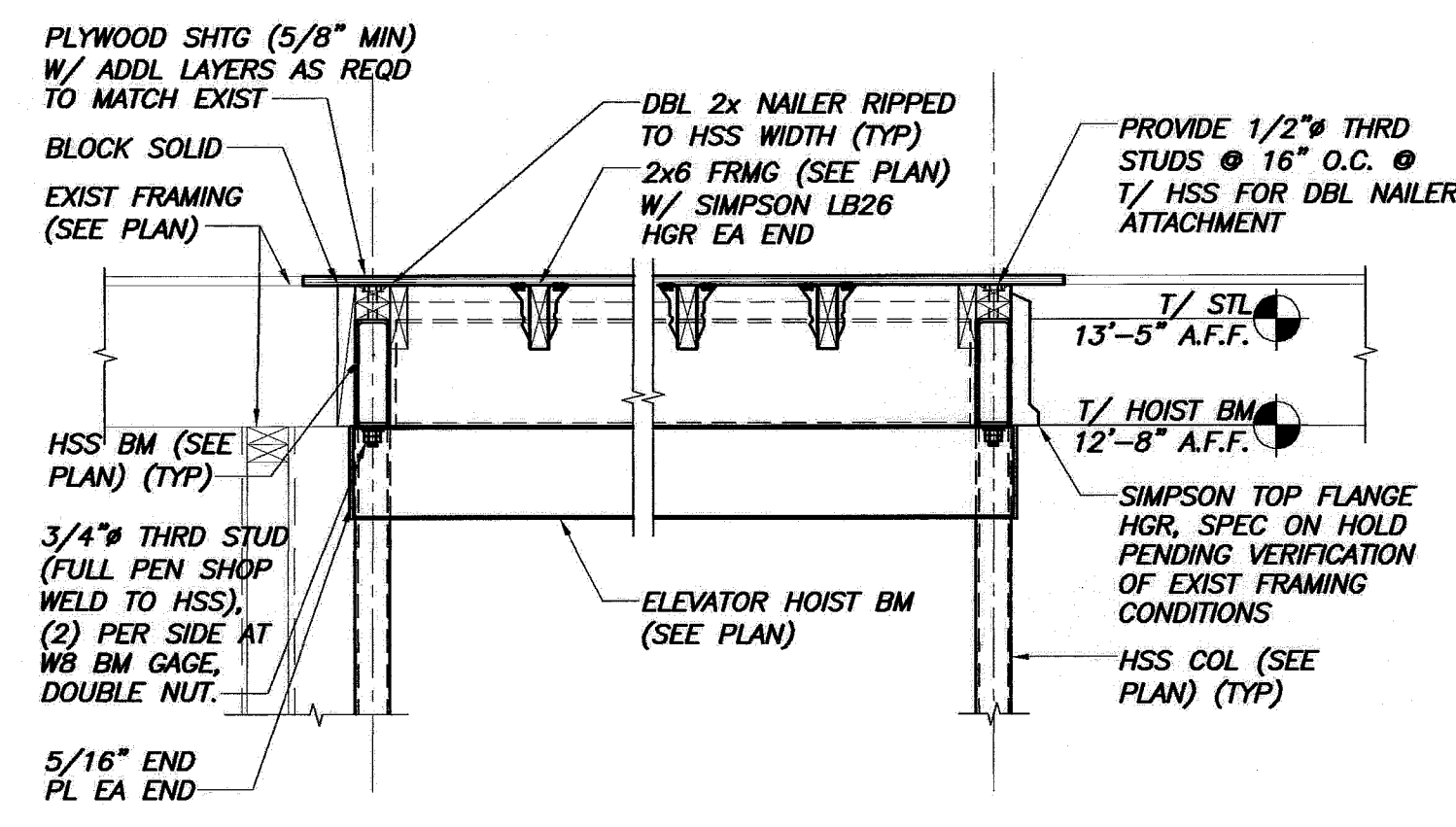
TYP SLAB INFILL DETAIL
N.T.S.



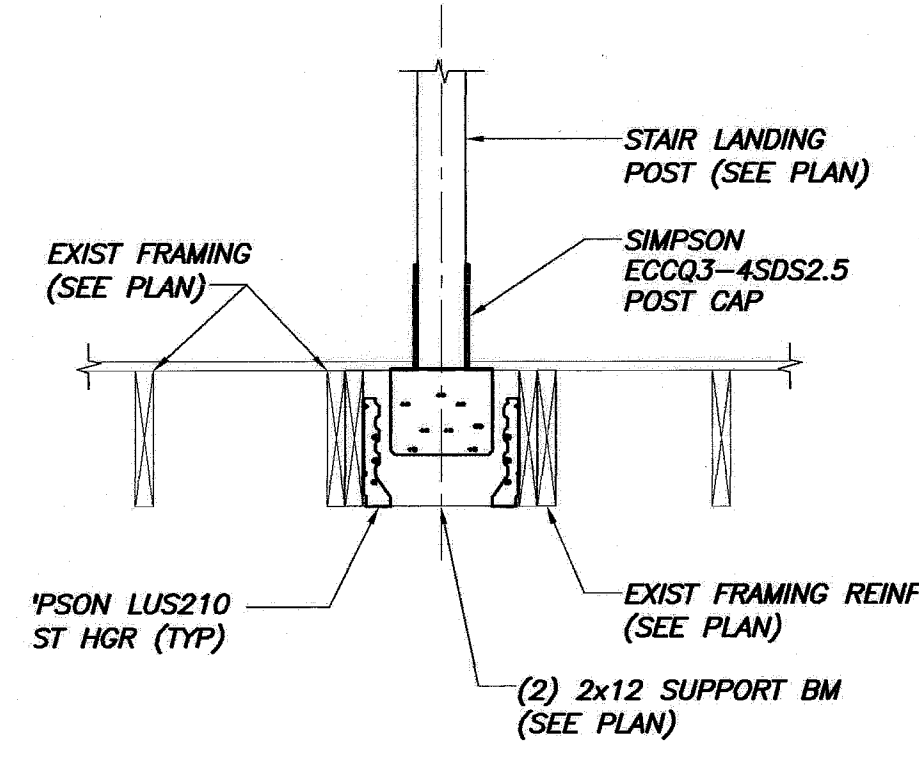
SECTION 3
1/2"=1'-0" S1.1



SECTION 4
1/2"=1'-0" S1.1

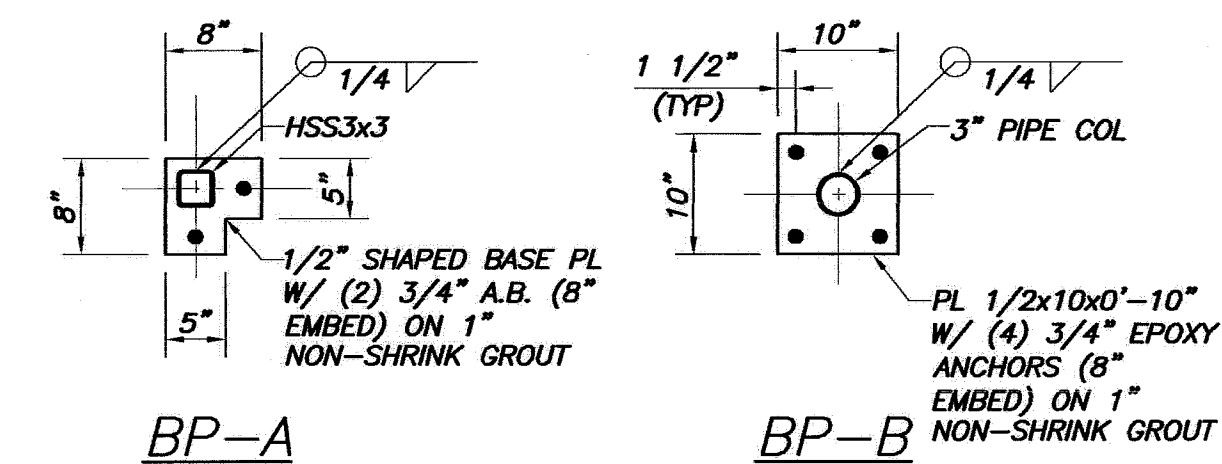


SECTION 5
3/4"=1'-0" S1.3



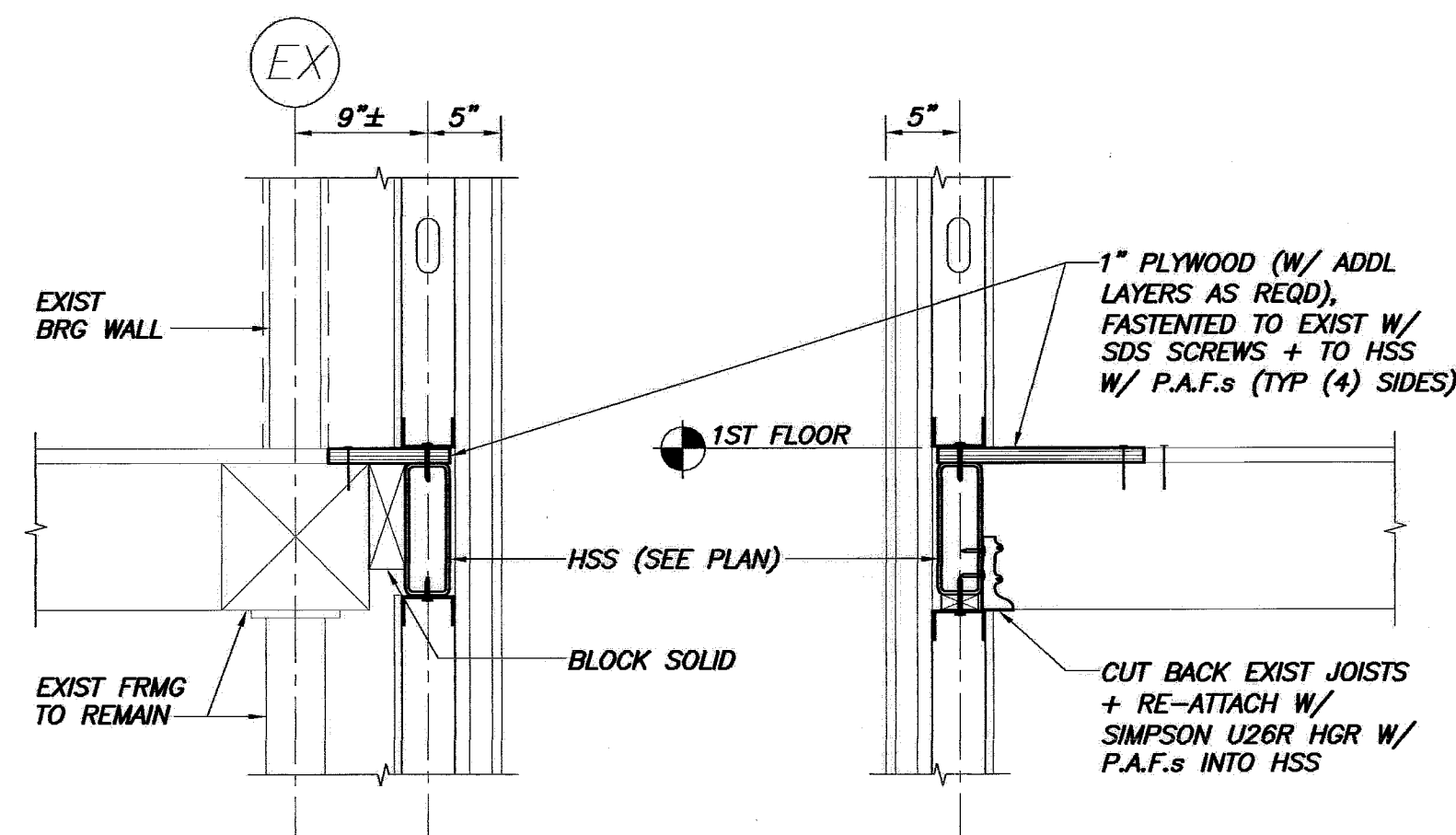
SECTION 6
3/4"=1'-0" S1.3

- NOTES:**
1. G.C. TO COORD SUMP PIT SIZE & LOCATION W/APPROVED ELEVATOR SHOP DWGS.
2. G.C. TO COORD HYDRAULICS BONDOUT W/APPROVED ELEVATOR SHOP DWGS.
3. G.C. TO COORD ALL MEP BONDOUTS.

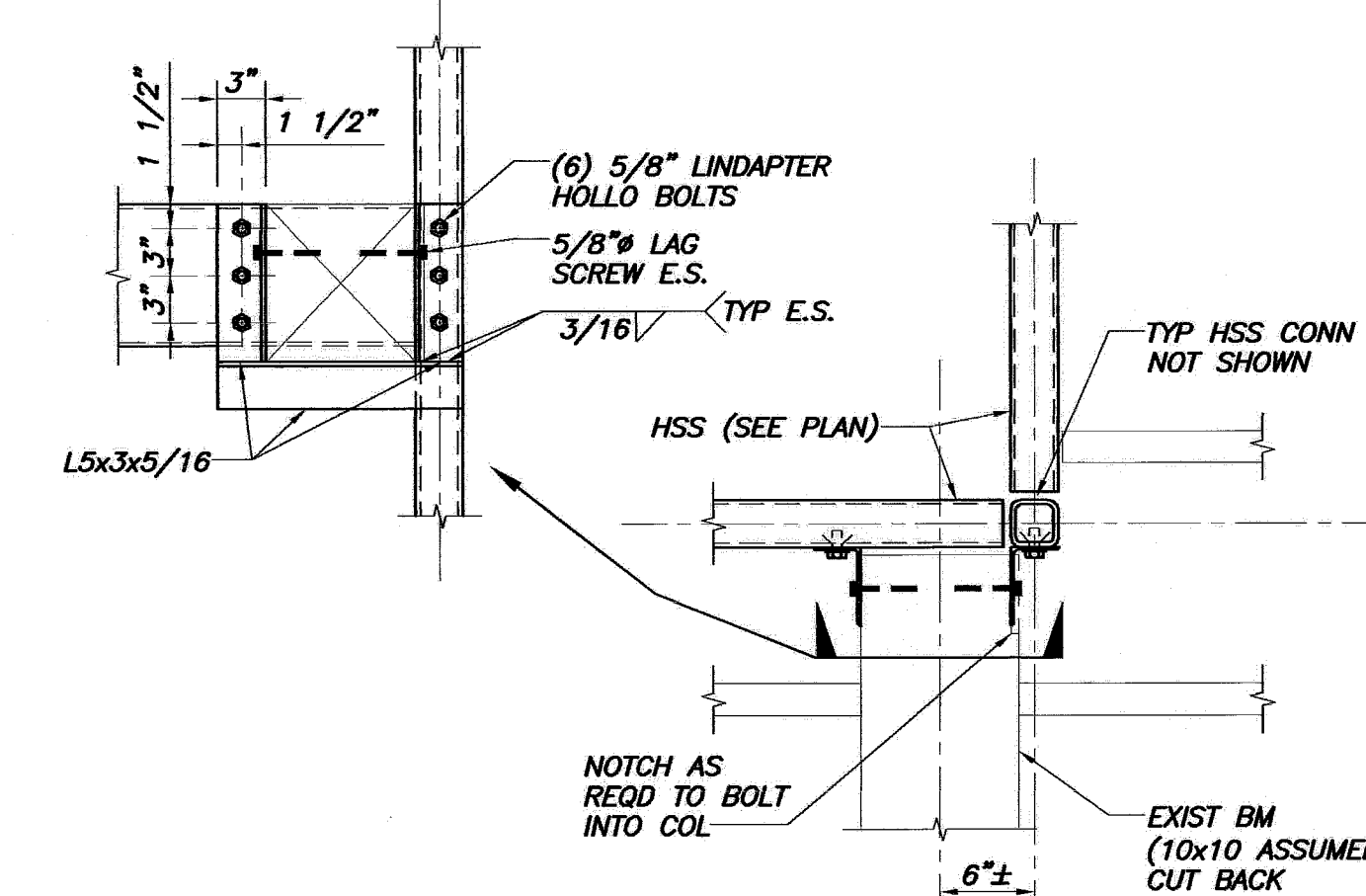


BP-A

BP-B



SECTION 7
1"=1'-0" S1.2



DETAIL A
1"=1'-0" S1.2

BAR SIZE	LAP LENGTH		
	3,000 PS1	3,500 PS1	4,000 PS1
#3	30"	28"	24"
#4	36"	34"	32"
#5	48"	45"	42"
#6	56"	52"	48"
#7	81"	78"	72"
#8	93"	88"	80"

CWS Architects
Architecture
Space Planning
Value Design
134 Cumberland Avenue
Portland, ME 04101
Phone: (207)774-4441
Fax: (207)774-4016
www.CWSarch.com

STATE OF MAINE
PAUL B. BECKER
NO. 6564

Owner:
Avesta Munjoy Commons, LP.
307 Cumberland Ave.
Portland, Maine 04101
TEL. 207-553-7780

Client:

Munjoy Commons Apartments
Portland, Maine

BECKER
structural engineers, inc.
79 York Street
Portland, ME 04103-4703
Tel: 207-679-8888
Fax: 207-679-8922
www.beckerse.com

Project No: 07429
Drawing Title:
SHALER SECTIONS & DETAILS

Scale: AS NOTED
Date: AUGUST 28, 2009
Revisions:

Drawing Number:
SHALER S2.1