

SUBMITTAL DATA: MXZ-3C24NAHZ
 MULTI-INDOOR INVERTER HEAT-PUMP SYSTEM

Job Name:

System Reference:

Date:

GENERAL FEATURES

- Highly energy-efficient system that features 100% heating capacity at 5° F with guaranteed capacity down to -13° F
- Quiet operation
- Built-in base pan heater to prevent ice in drain pan
- Limited warranty: five years parts and seven years compressors




Outdoor Unit: MXZ-3C24NAHZ

ACCESSORIES

- 3/8" x 1/2" Port Adapter (MAC-A454JP-E)
- 1/2" x 3/8" Port Adapter (MAC-A455JP-E)
- 1/2" x 5/8" Port Adapter (MAC-A456JP-E)
- M-NET Adapter (PAC-IF01MNT-E)
- Drain Socket (PAC-SG60DS-E)
- Airflow Guide (PAC-SH96SG-E)

(For data on specific indoor units, see the MXZ-C Technical and Service Manual.)

Specifications			Model Name
Unit Type			MXZ-3C24NAHZ
Cooling* (Non-ducted / Ducted)	Rated Capacity	Btu/h	22,000 / 23,600
	Capacity Range	Btu/h	6,000 - 23,600
	Rated Total Input	W	1,630 / 2,360
Heating at 47°F* (Non-ducted / Ducted)	Rated Capacity	Btu/h	25,000 / 24,600
	Capacity Range	Btu/h	7,200 - 30,600
	Rated Total Input	W	1,725 / 1,871
Heating at 17°F* (Non-ducted/Ducted)	Rated Capacity	Btu/h	14,000 / 14,000
	Maximum Capacity	Btu/h	25,000 / 24,600
	Rated Total Input	W	1,622 / 1,635
Heating at 5°F*	Maximum Capacity	Btu/h	25,000
Electrical Requirements	Power Supply	Voltage, Phase, Hertz	208 / 230V, 1-Phase, 60 Hz
	Recommended Fuse/Breaker Size	A	40
	MCA	A	30
Voltage	Indoor - Outdoor S1-S2	V	AC 208 / 230
	Indoor - Outdoor S2-S3	V	DC ±24
Compressor			DC INVERTER-driven Twin Rotary
Fan Motor (ECM)			F.L.A.
Sound Pressure Level (Non-ducted/Ducted)	Cooling		1.9
	Heating		54
External Dimensions (H x W x D)		In / mm	41-9/32 x 37-13/32 x 13
			1048 x 950 x 330
Net Weight		Lbs / kg	189 / 86
External Finish			Munsell No. 3Y 7.8/11
Refrigerant Pipe Size O.D. — Eight Ports	Liquid (High Pressure)	In / mm	1/4 / 6.35
	Gas (Low Pressure)		A:1/2 / 12.7 ; B,C: 3/8 / 9.52
Max. Refrigerant Line Length		Ft / m	230 / 70
Max. Piping Length for Each Indoor Unit		Ft / m	82 / 25
Max. Refrigerant Pipe Height Difference	If IDU is Above ODU	Ft / m	49 / 15
	If IDU is Below ODU		49 / 15
Connection Method			Flared/Flared
Refrigerant			R410A

*** Rating Conditions per AHRI Standard:**

 Cooling | Indoor: 80° F (27° C) DB / 67° F (19° C) WB
 Cooling | Outdoor: 95° F (35° C) DB / W.B. 23.9° C (75° F)

 Heating at 47°F | Indoor: 70° F (21° C) DB / 60° F (16° C) WB
 Heating at 47°F | Outdoor: 47° F (8° C) DB / 43° F (6° C) WB

 Heating at 17° F | Indoor: 70° F (21° C) DB
 Heating at 17° F | Outdoor: 17° F (-8° C) DB / 15° F (-9° C) WB

SPECIFICATIONS: MXZ-3C24NAHZ

Operating Range:

Outdoor	
Cooling	D.B. 23 to 115° F [D.B. -5 to 46° C]*1
Heating	D.B. -13 to 70° F [D.B. -25 to 21° C]

*1. D.B. 5 to 115° F [D.B. -15 to 46° C],
when an optional Air Outlet Guide is installed.

Energy Efficiencies:

Indoor Unit Type	SEER	EER	HSPF	COP @ 47°F	COP @ 17°F
Non-ducted (06 + 06 + 09)	19.0	13.5	10.0	4.25	2.53
Ducted and Non-ducted	17.3	11.75	9.5	4.03	2.52
Ducted (09 + 09 + 09)	15.5	10.0	9.0	3.80	2.51

Multi-zone Indoor/Outdoor Combination Table

	MSZ-FH*	MSZ-GE*	MFZ*	MVZ*	SEZ-KD*	SLZ*	PCA (A24)*	PLA*	PEAD*
MXZ-3C24NAHZ	OK	6,9,12,15,18 OK 24 NO	OK	12,18 OK 24,30,36 NO	OK	OK	NO	18 OK 12,24 NO	NO

* Refer to indoor unit submittal.

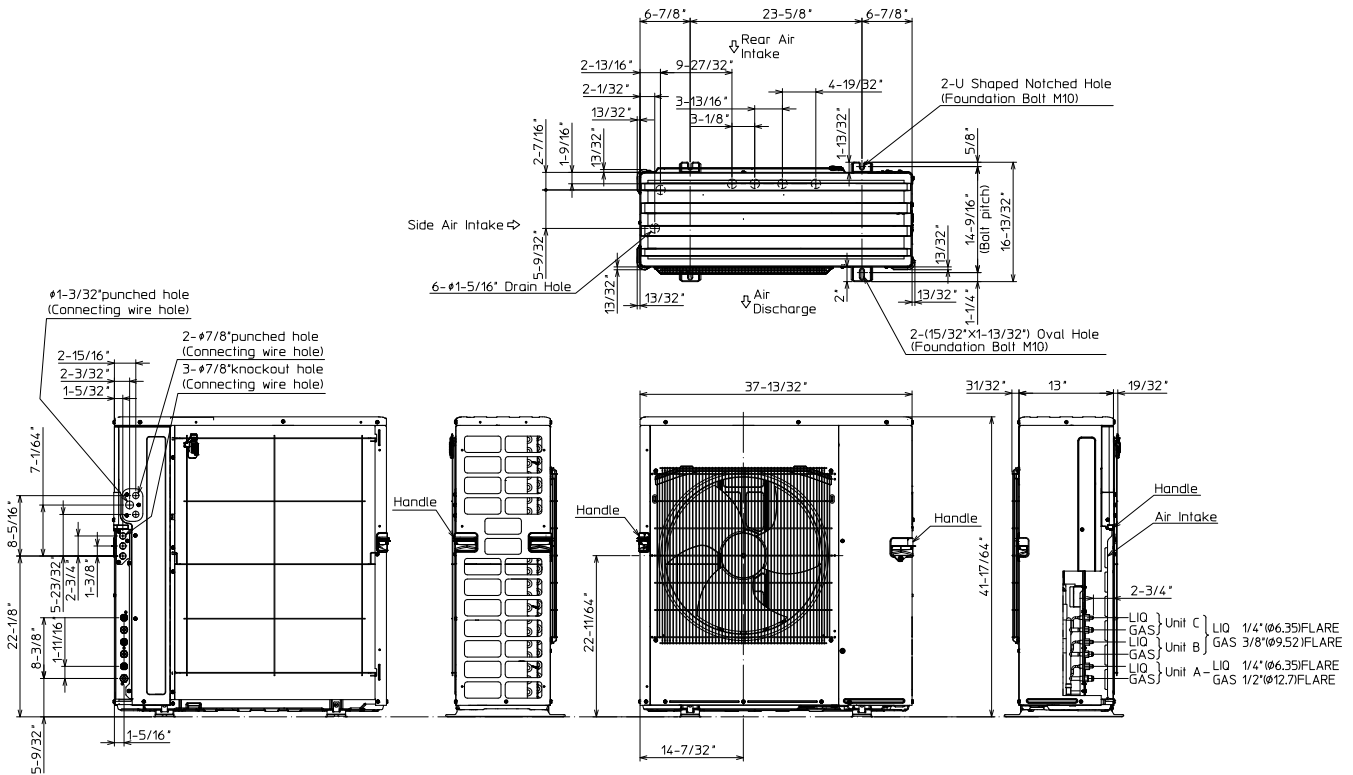
Notes:

- Minimum of two Indoor Units must be connected to the MXZ-3C24NAHZ.
- Minimum installed capacity cannot be less than 12,000 Btu/h.
- System can operate with only one Indoor Unit turned on.
- May connect to any style indoor unit or combination.
- Information provided at 208/230V.
Refer to the MXZ-C Technical & Service Manual for detailed specifications and additional information per Indoor Unit Combination.

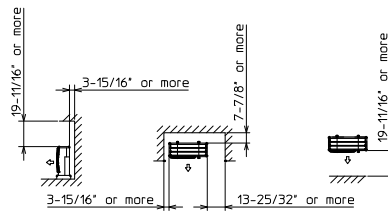
Notes:

DIMENSIONS: MXZ-3C24NAHZ

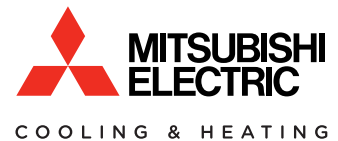
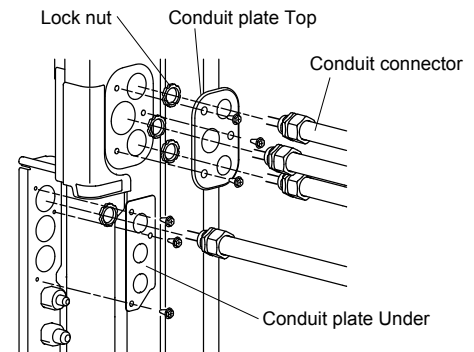
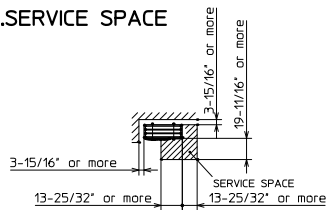
Unit: inch (mm)



1. FREE SPACE



2. SERVICE SPACE



1340 Satellite Boulevard
 Suwanee, GA 30024
 Toll Free: 800-433-4822
 www.mehvac.com