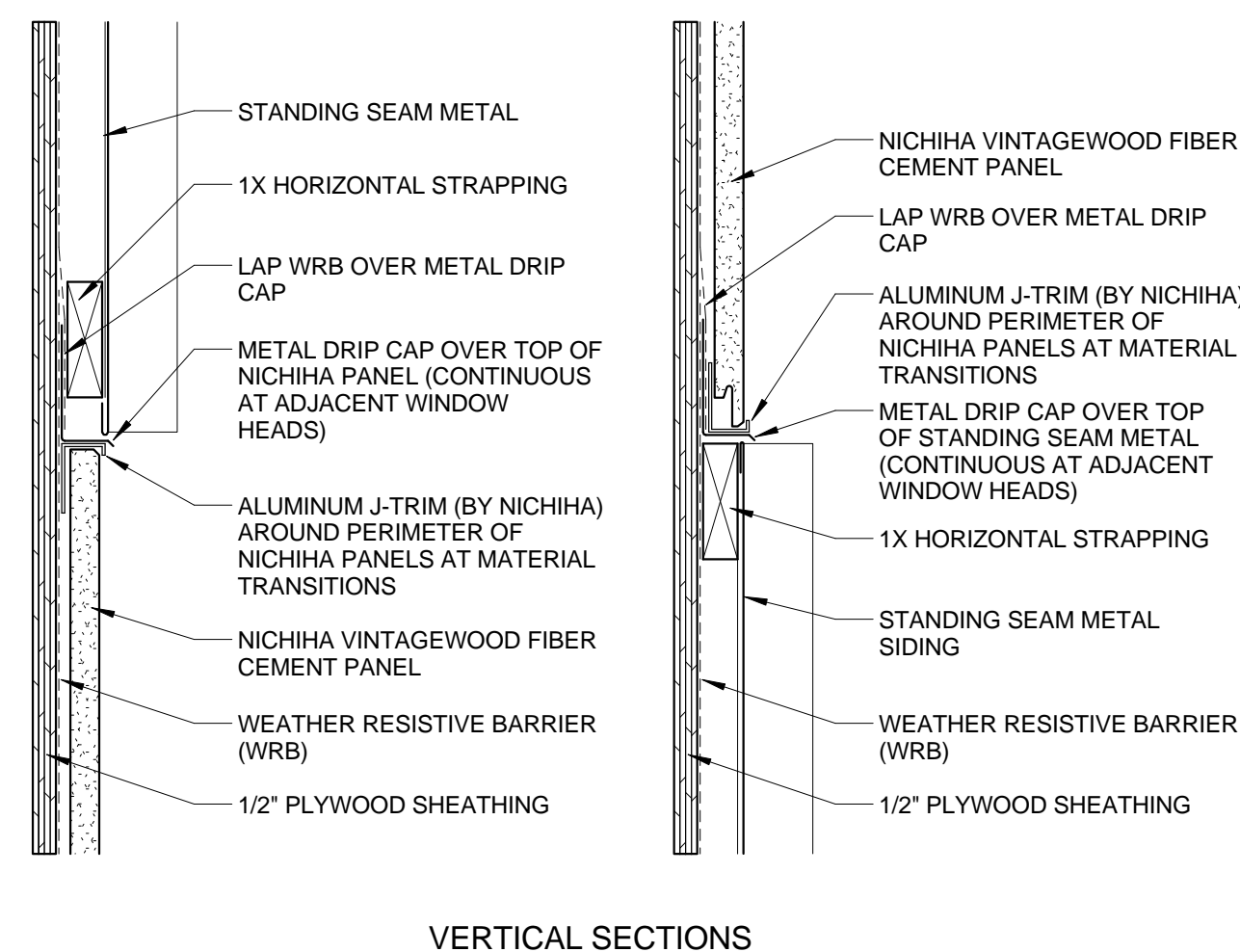
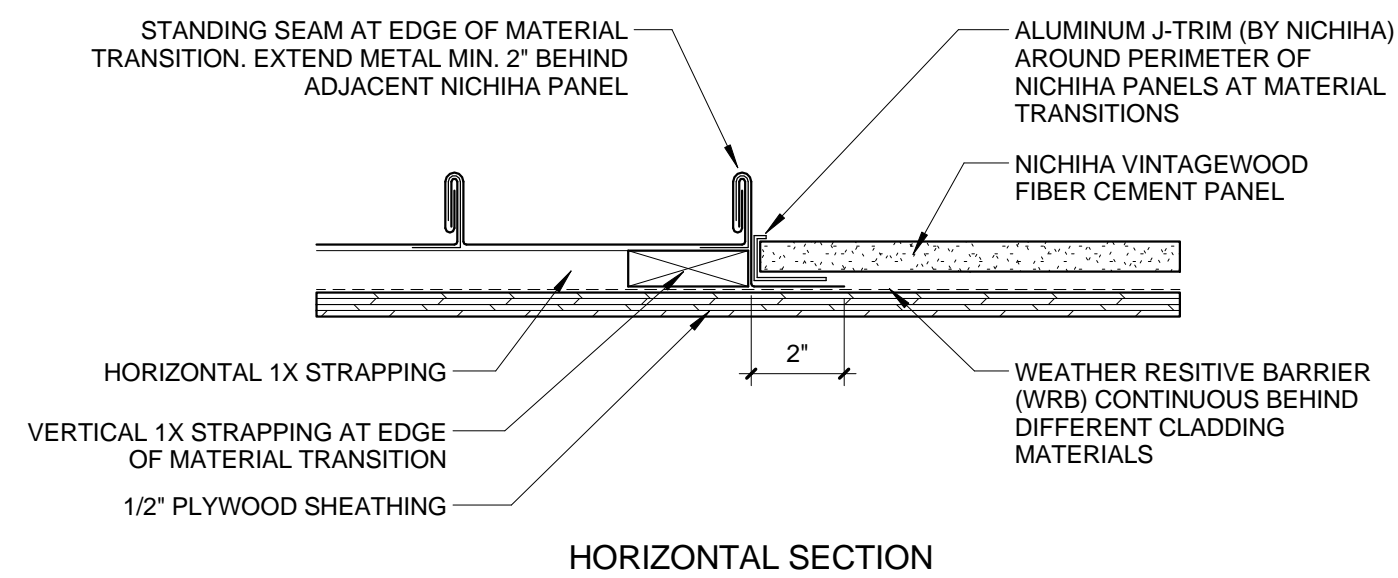


<p><b>1A</b></p> <p>R-VALUE N/A</p>		<p><b>1B</b></p> <p>R-VALUE N/A</p>		<p><b>2</b></p> <p>R-VALUE R-21 MIN.</p>	
<p><b>3A</b></p> <p>R-VALUE N/A</p>	<p>SHEAR WALL - REFER TO STRUCTURAL DRAWINGS</p>	<p><b>3B</b></p> <p>R-VALUE R-21 MIN.</p>	<p>SHEAR WALL - REFER TO STRUCTURAL DRAWINGS</p>		
<p><b>E1A</b></p> <p>R-VALUE R-42 MIN.</p>		<p><b>E1B</b></p> <p>R-VALUE R-42 MIN.</p>		<p><b>E1C</b></p> <p>R-VALUE R-42 MIN.</p>	
<p><b>E2A</b></p> <p>R-VALUE R-21 MIN.</p>		<p><b>E2B</b></p> <p>R-VALUE R-21 MIN.</p>		<p><b>E2C</b></p> <p>R-VALUE R-21 MIN.</p>	
<p><b>E3C</b></p> <p>R-VALUE R-42 MIN.</p>		<p><b>E4A</b></p> <p>R-VALUE R-10 MIN.</p>		<p><b>E4B</b></p> <p>R-VALUE R-20 MIN.</p>	
<p><b>E5A</b></p> <p>R-VALUE R-21 MIN.</p>	<p>SHEAR WALL - REFER TO STRUCTURAL DRAWINGS</p>	<p><b>E5C</b></p> <p>R-VALUE R-21 MIN.</p>	<p>SHEAR WALL - REFER TO STRUCTURAL DRAWINGS</p>		



1 TYPICAL SIDING TRANSITIONS  
 3" = 1'-0"

WALL TYPES  
 1 1/2" = 1'-0"