



**BOGG + KIEFNER RESIDENCE**  
100 SHERIDAN STREET, PORTLAND, MAINE

**BRIBURN**  
architecture for life  
20 Maple St. Suite 201 Portland, ME 04101 207-774-9422

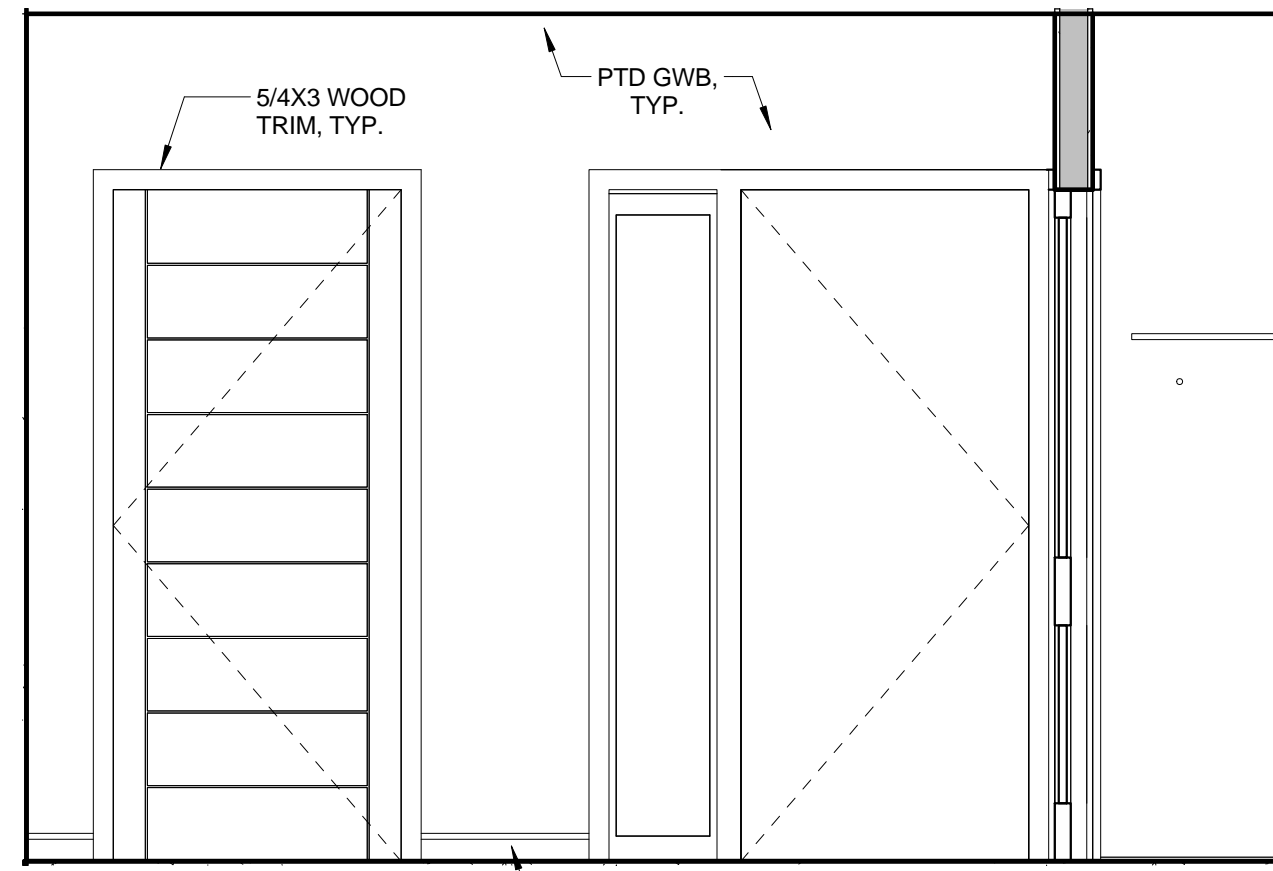
CONSULTANTS:

REVISIONS:

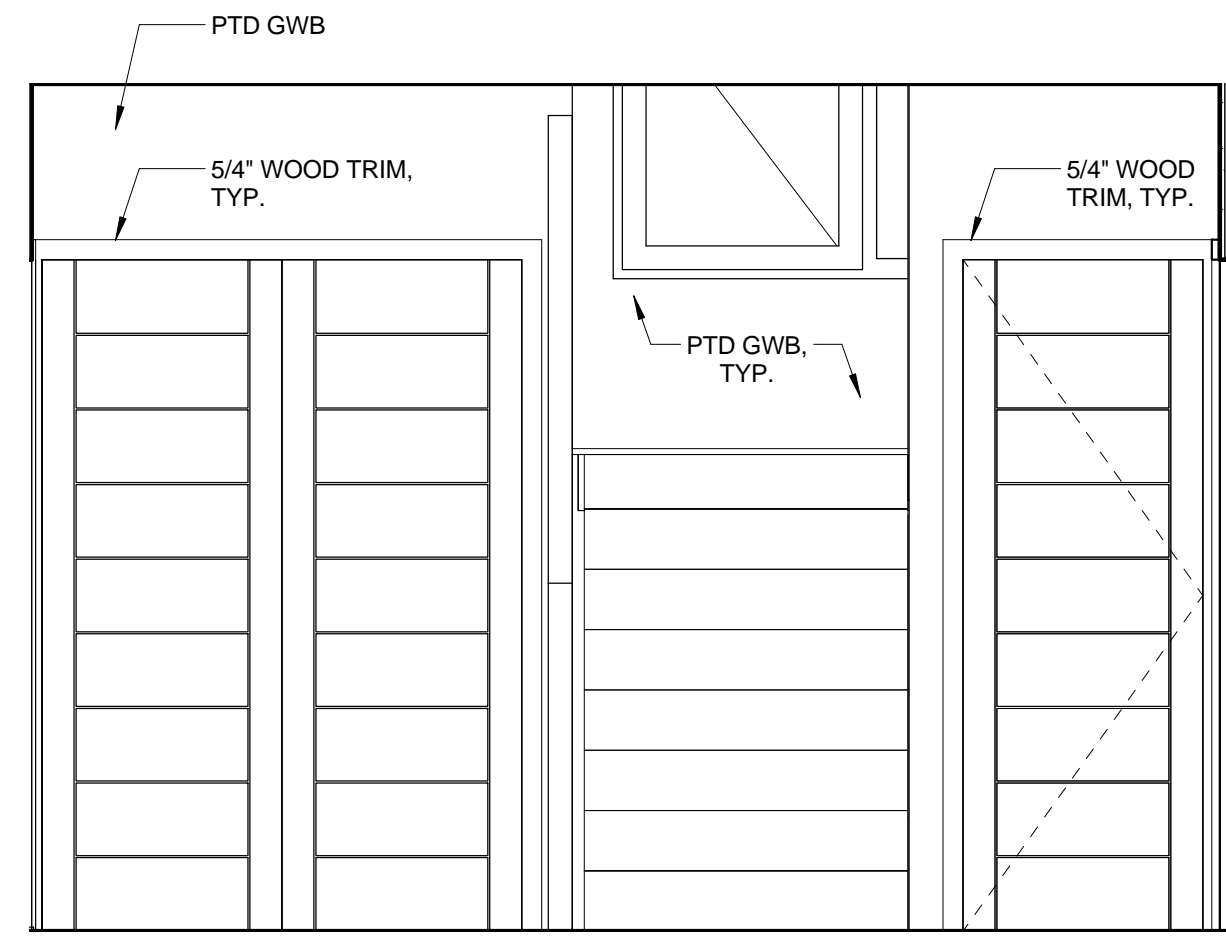
ISSUED: 09/30/14  
PROJECT No: 1410  
DRAWN BY: LB  
CHECKED BY: HWH

SHEET TITLE:  
INTERIOR  
ELEVATIONS &  
ENLARGED STAIR  
PLAN, SECTIONS  
& DETAILS

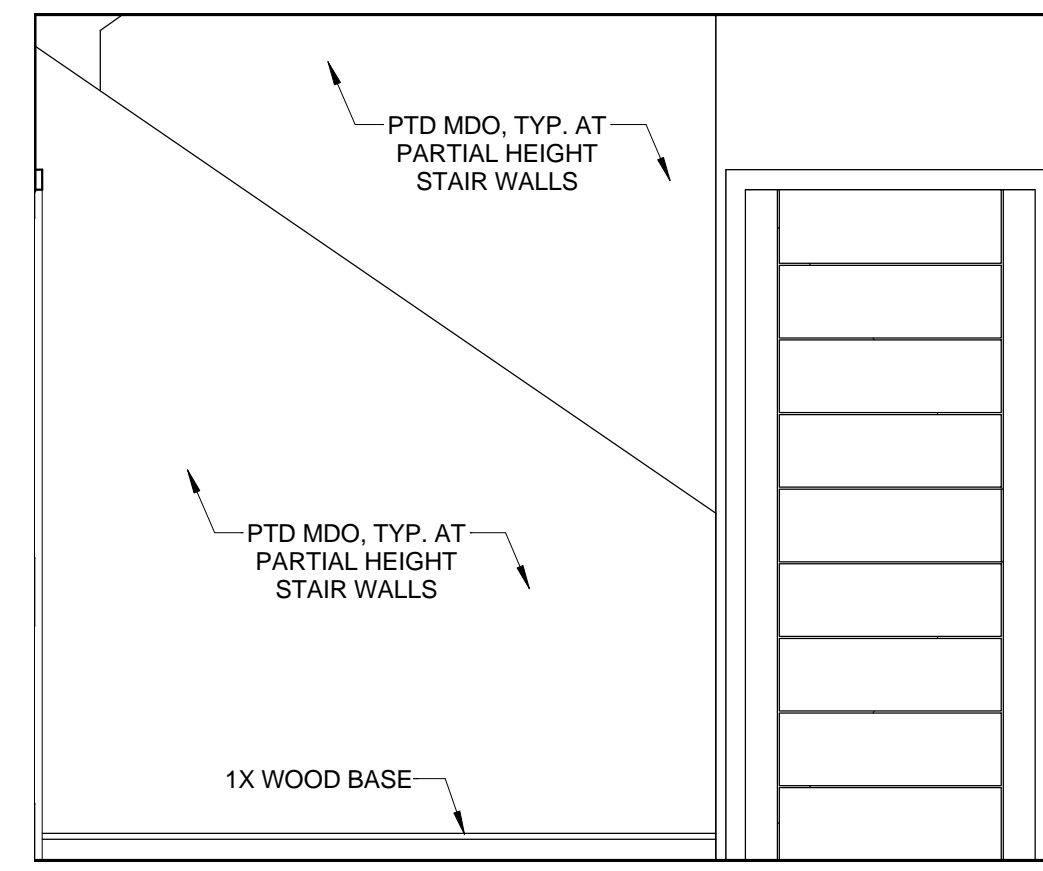
**A502**



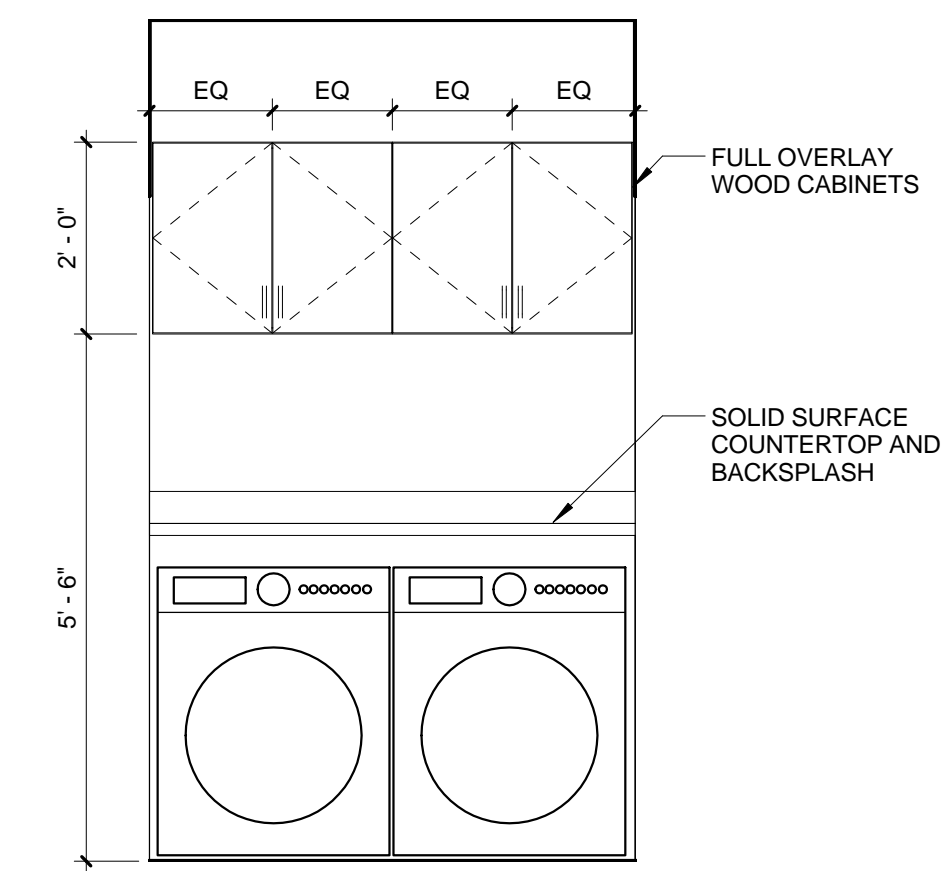
3 ENTRY - NORTH  
1/2" = 1'-0"



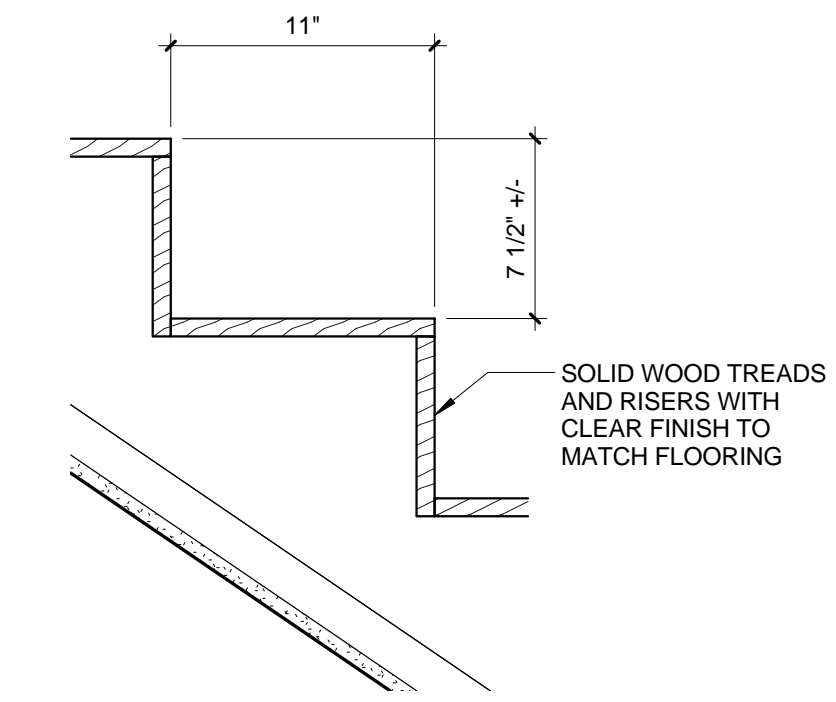
4 ENTRY - EAST  
1/2" = 1'-0"



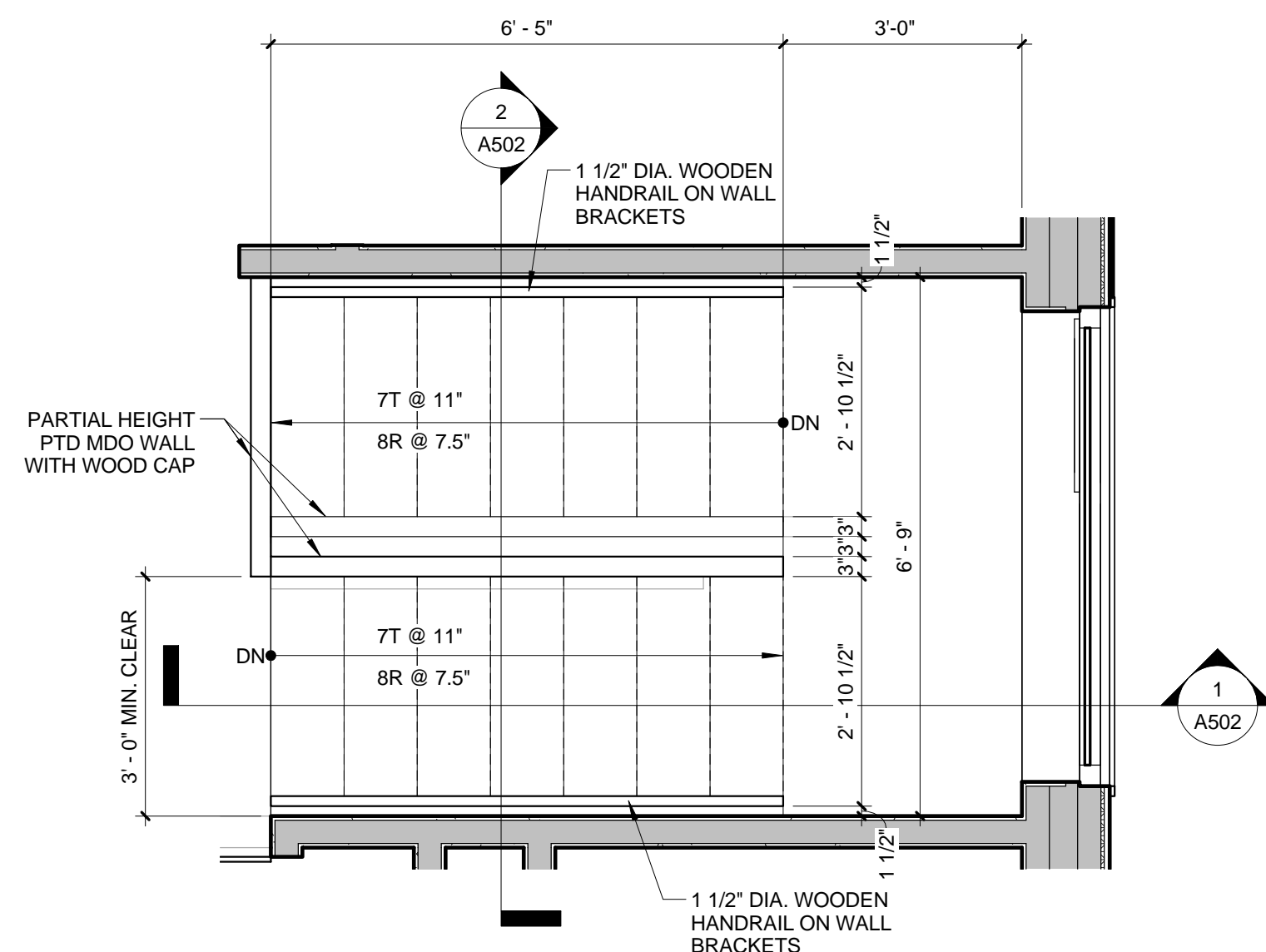
5 ENTRY - SOUTH  
1/2" = 1'-0"



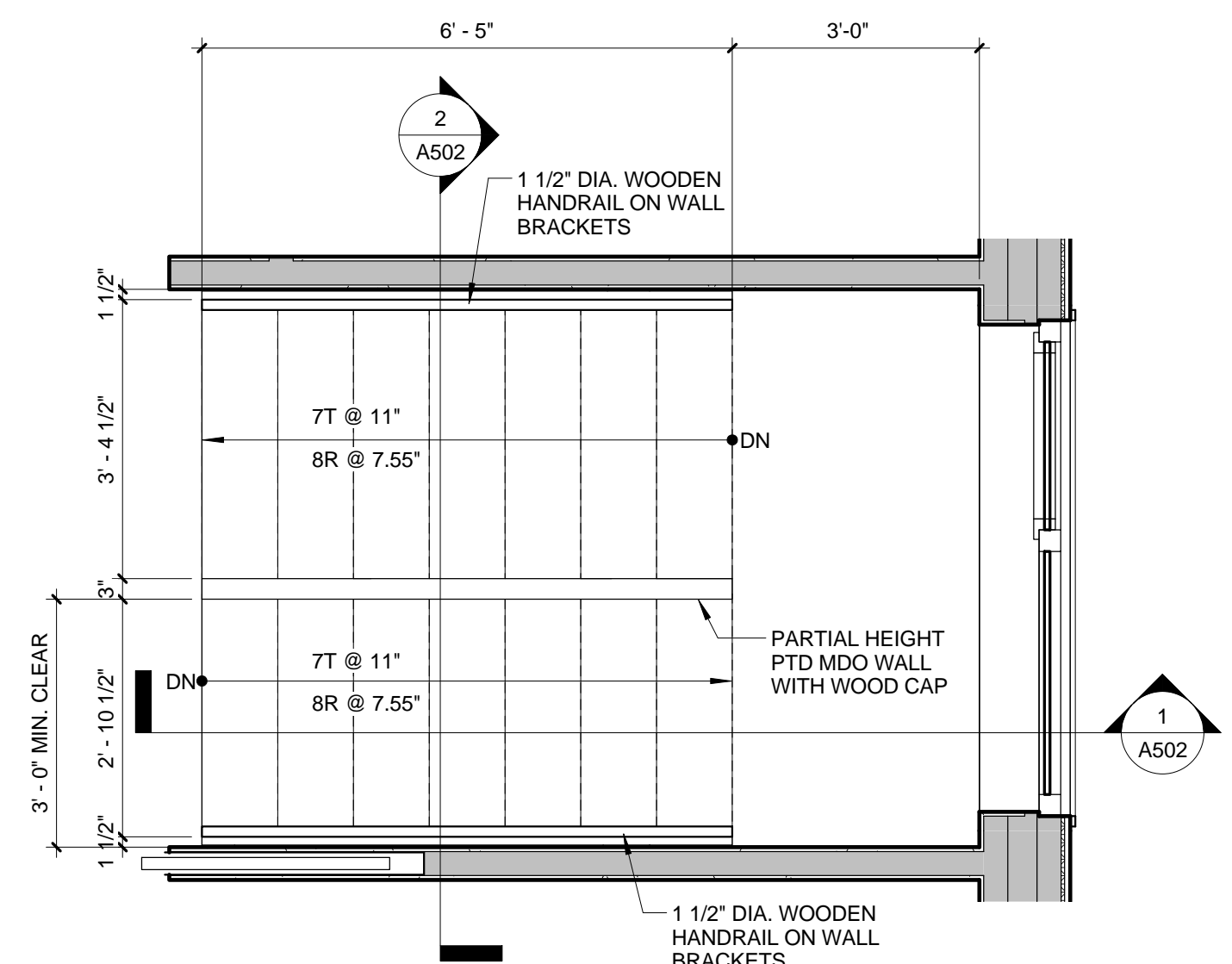
6 LAUNDRY ROOM - EAST  
1/2" = 1'-0"



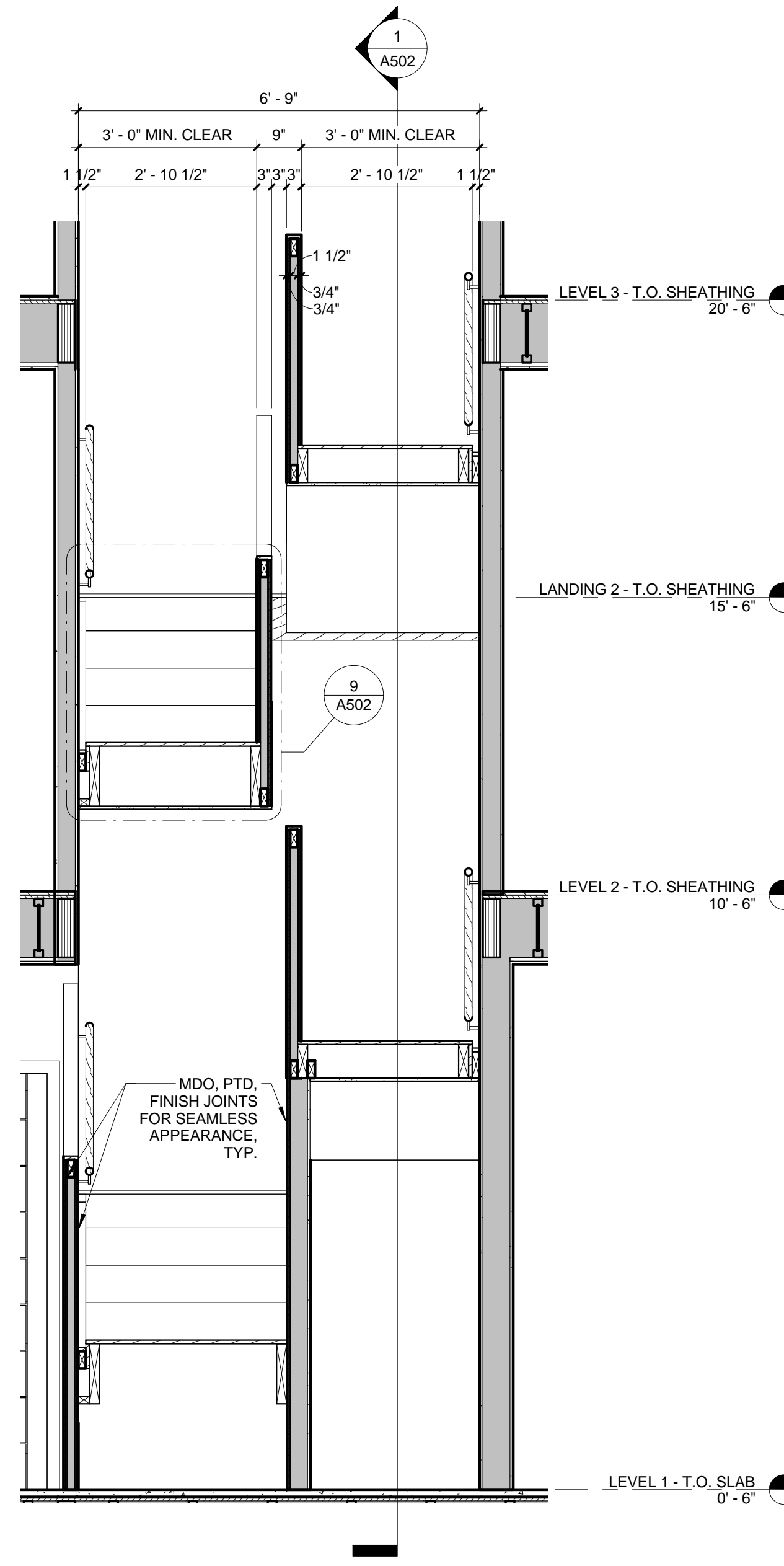
10 DETAIL - RISER AND RUN  
1/2" = 1'-0"



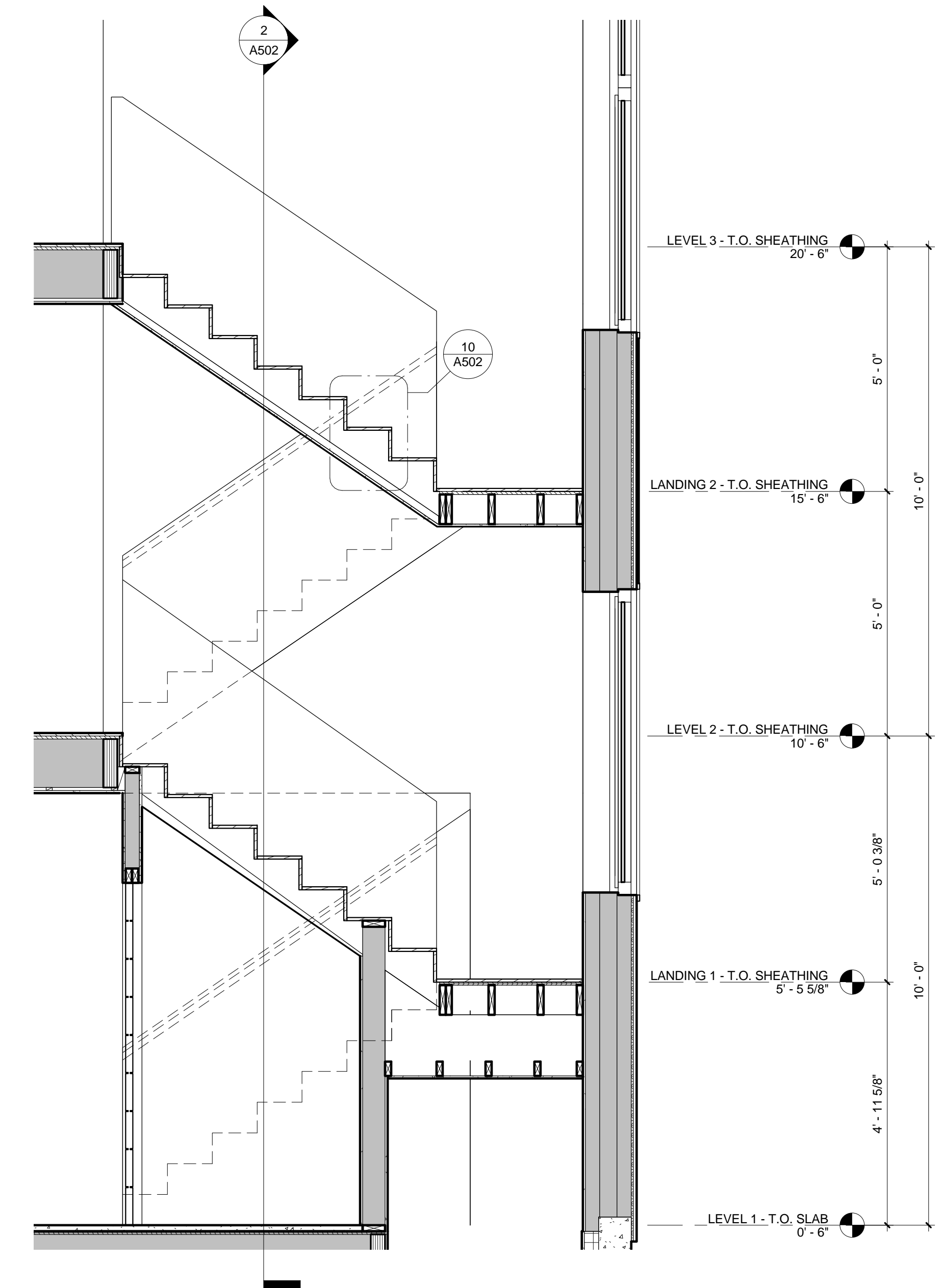
7 ENLARGED PLAN - 3RD FLOOR  
1/2" = 1'-0"



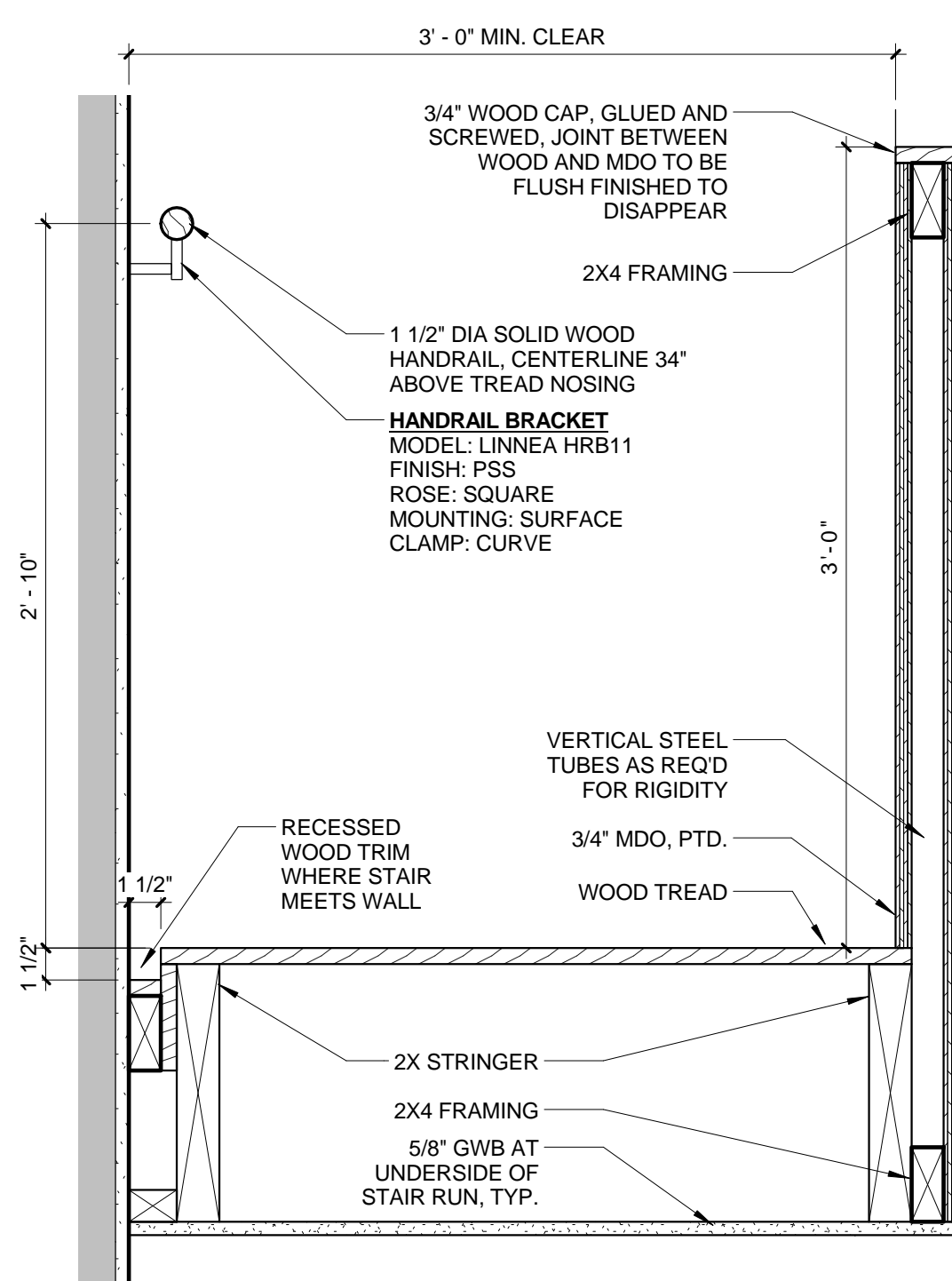
8 ENLARGED PLAN - 2ND FLOOR  
1/2" = 1'-0"



2 STAIR SECTION  
1/2" = 1'-0"



1 STAIR SECTION 2  
1/2" = 1'-0"



9 DETAIL - STAIR TREAD AND RAILING  
1/2" = 1'-0"