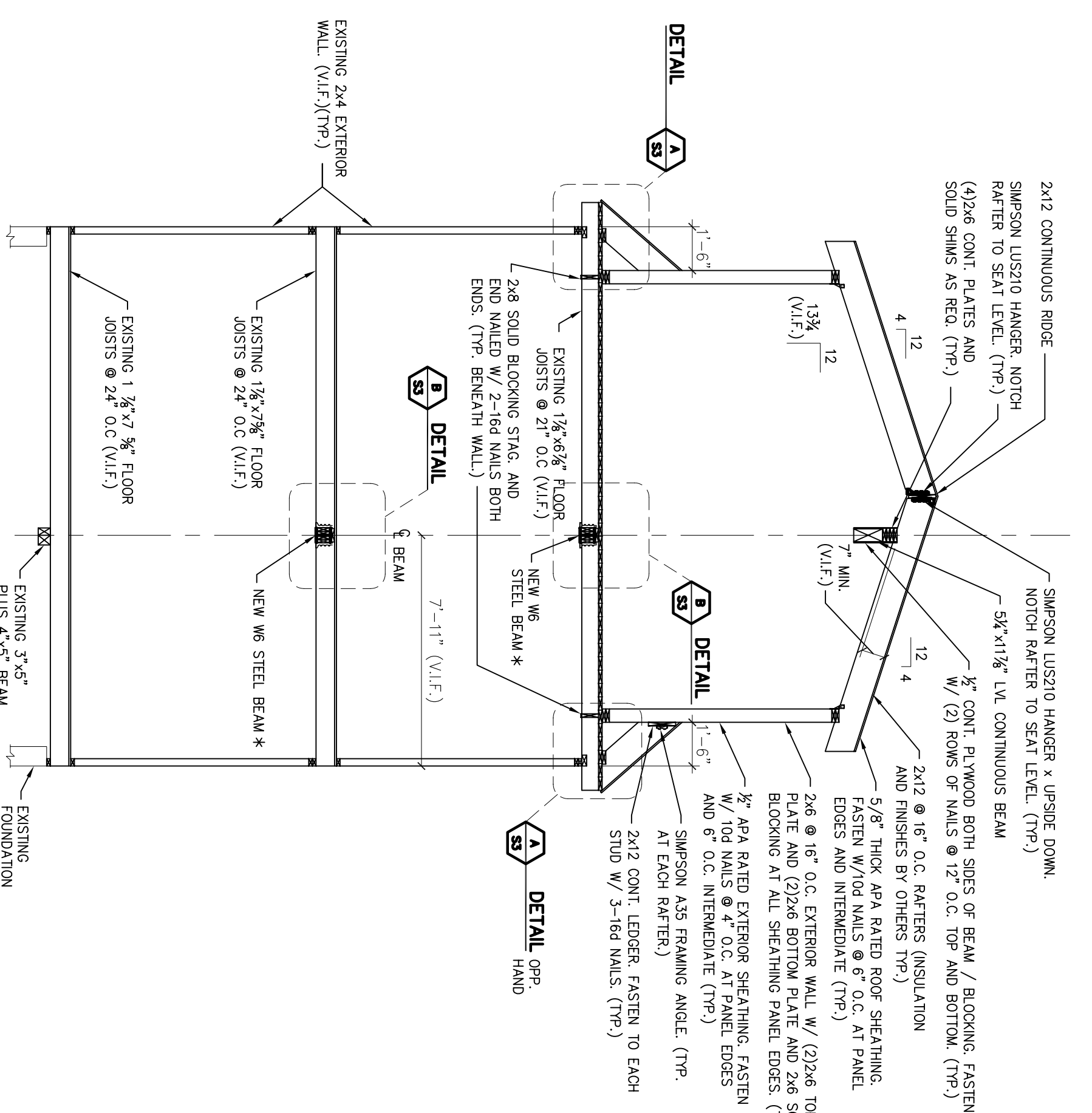
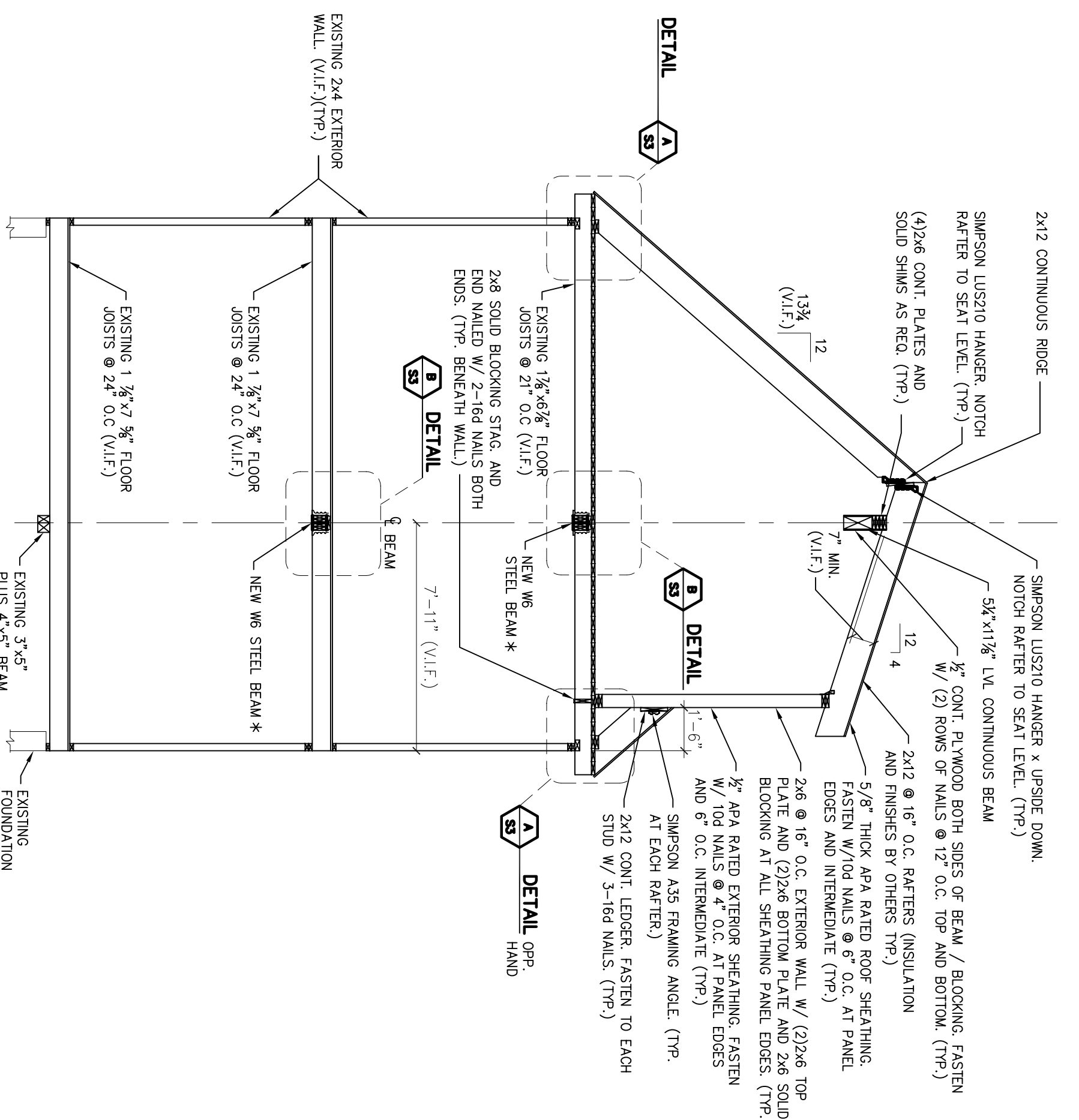


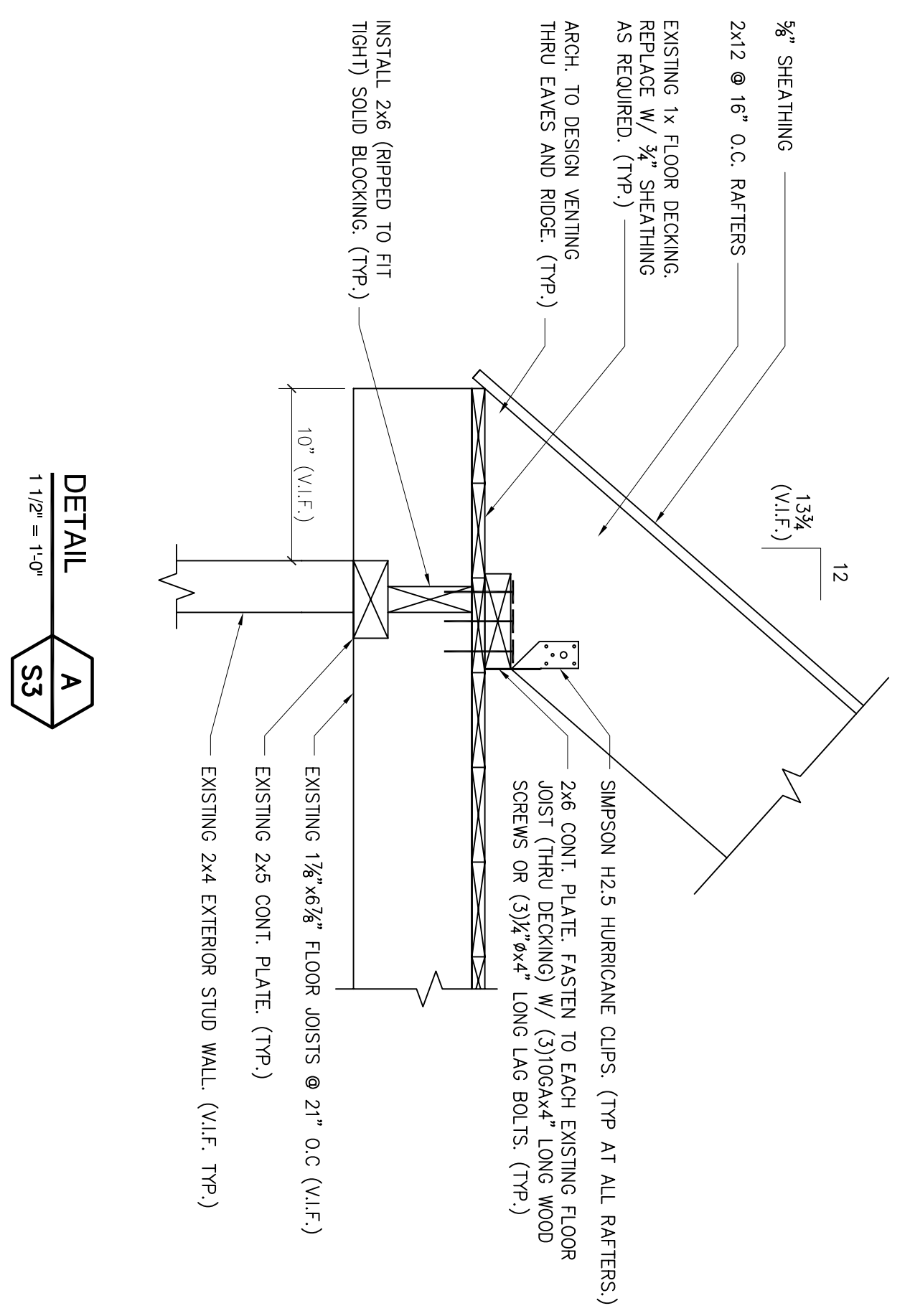
*-K- INDICATES: PROVIDE TEMPORARY SUPPORT/SHORING AS REQUIRED ON BOTH SIDES OF NEW W6 PBE PRIOR TO CUTTING EXISTING FLOOR JOISTS AND INSTALLING NEW W6 STEEL BEAM.



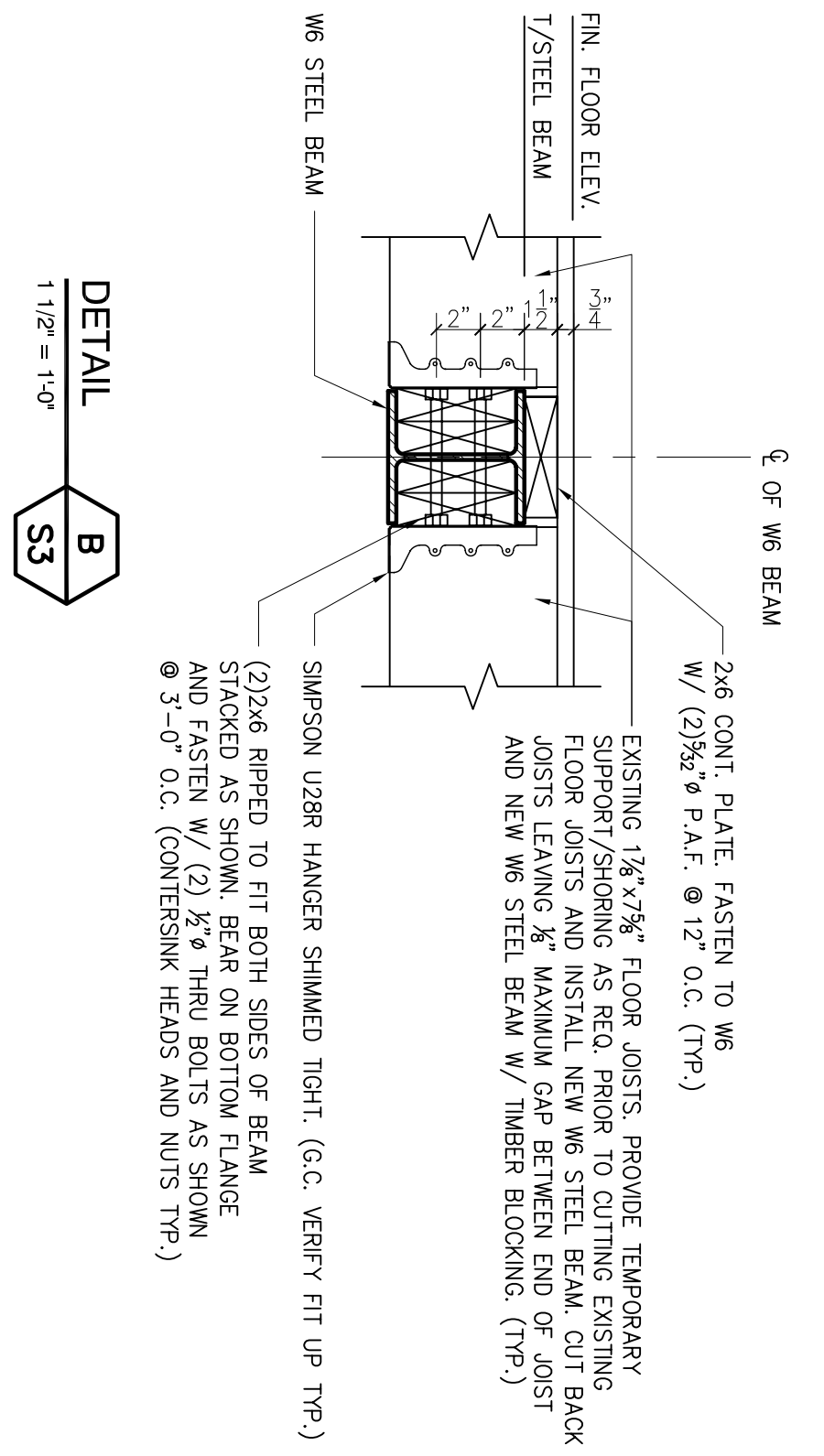
*-K- INDICATES: PROVIDE TEMPORARY SUPPORT/SHORING AS REQUIRED ON BOTH SIDES OF NEW W6 PBE PRIOR TO CUTTING EXISTING FLOOR JOISTS AND INSTALLING NEW W6 STEEL BEAM.



*-K- INDICATES: PROVIDE TEMPORARY SUPPORT/SHORING AS REQUIRED ON BOTH SIDES OF NEW W6 PBE PRIOR TO CUTTING EXISTING FLOOR JOISTS AND INSTALLING NEW W6 STEEL BEAM.



DETAIL A
1 1/2" = 1'-0"



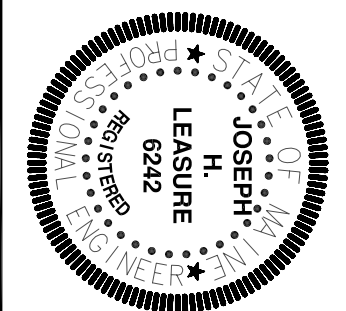
DETAIL B
1 1/2" = 1'-0"

SMITH RESIDENCE-DORMER ADDITION

116 SHERIDON STREET
PORTLAND, MAINE

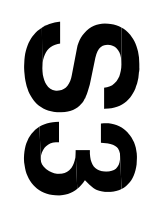
SECTIONS AND DETAILS

designed by:	rev.	date	description	appr'd
JHL				
drawn by:				
KSP				
checked by:				
MFL				
scale:				
AS NOTED				
date:				
07/20/07				
plot date:				
07/20/07				
project #:				
27108				



L & L STRUCTURAL ENGINEERING SERVICES, INC.
SIX O STREET
SOUTH PORTLAND, MAINE 04106

PHONE: (207) 767-4830
FAX: (207) 799-5432



THESE DRAWINGS HAVE BEEN ENGINEERED BY L&L STRUCTURAL ENGINEERING SERVICES, INC. FOR THE TITLED SET ONLY. THE ENGINEER'S LIABILITY IS LIMITED TO THE DESIGN AND CONSTRUCTION OF THE STRUCTURE SHOWN AND SHALL NOT BE RESPONSIBLE FOR ANY ALTERATIONS MADE TO THE DESIGN OR CONSTRUCTION OF THE STRUCTURE WITHOUT THE WRITTEN CONSENT OF L&L STRUCTURAL ENGINEERING SERVICES, INC.