

**PRELIMINARY
NOT FOR CONSTRUCTION**

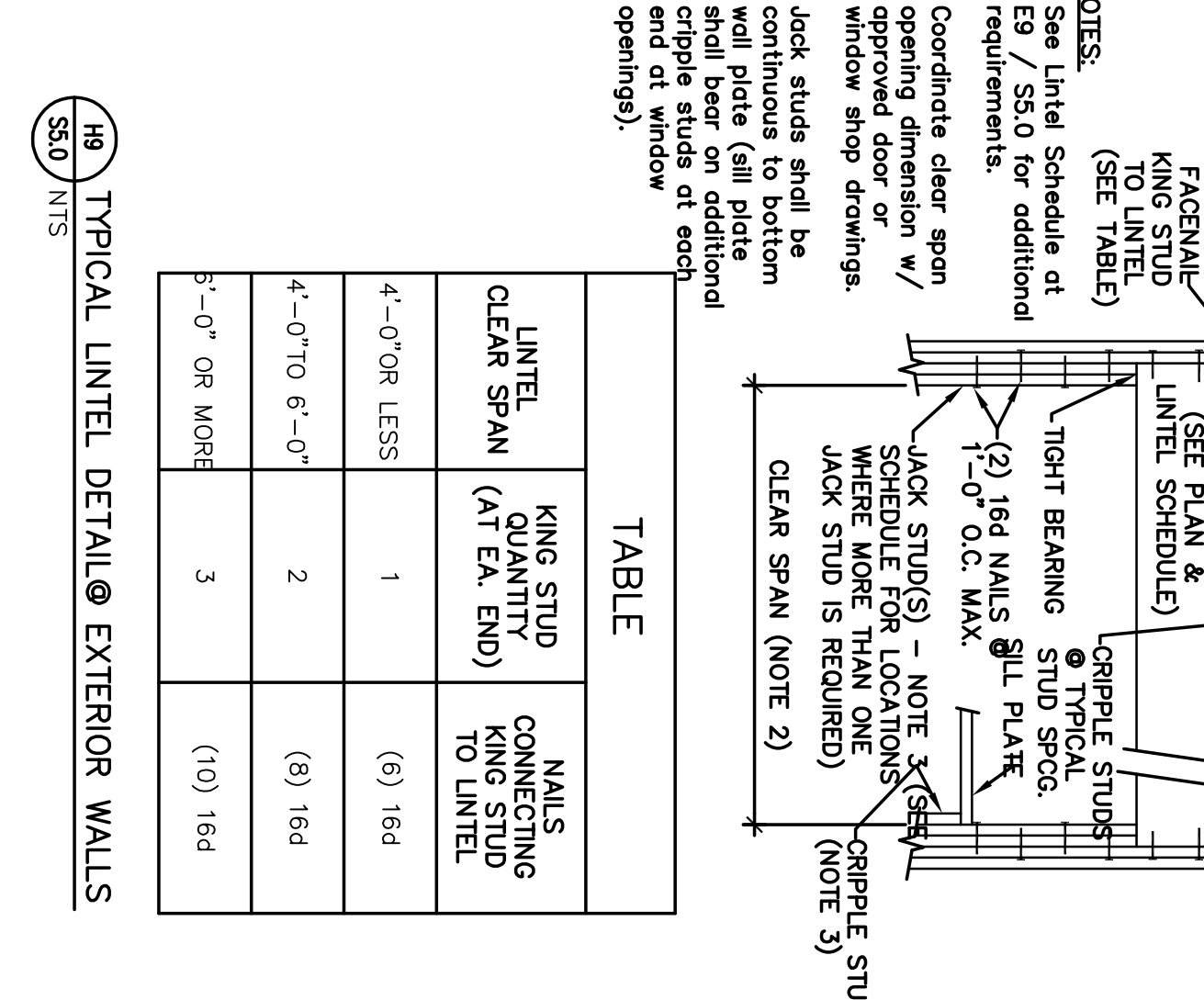
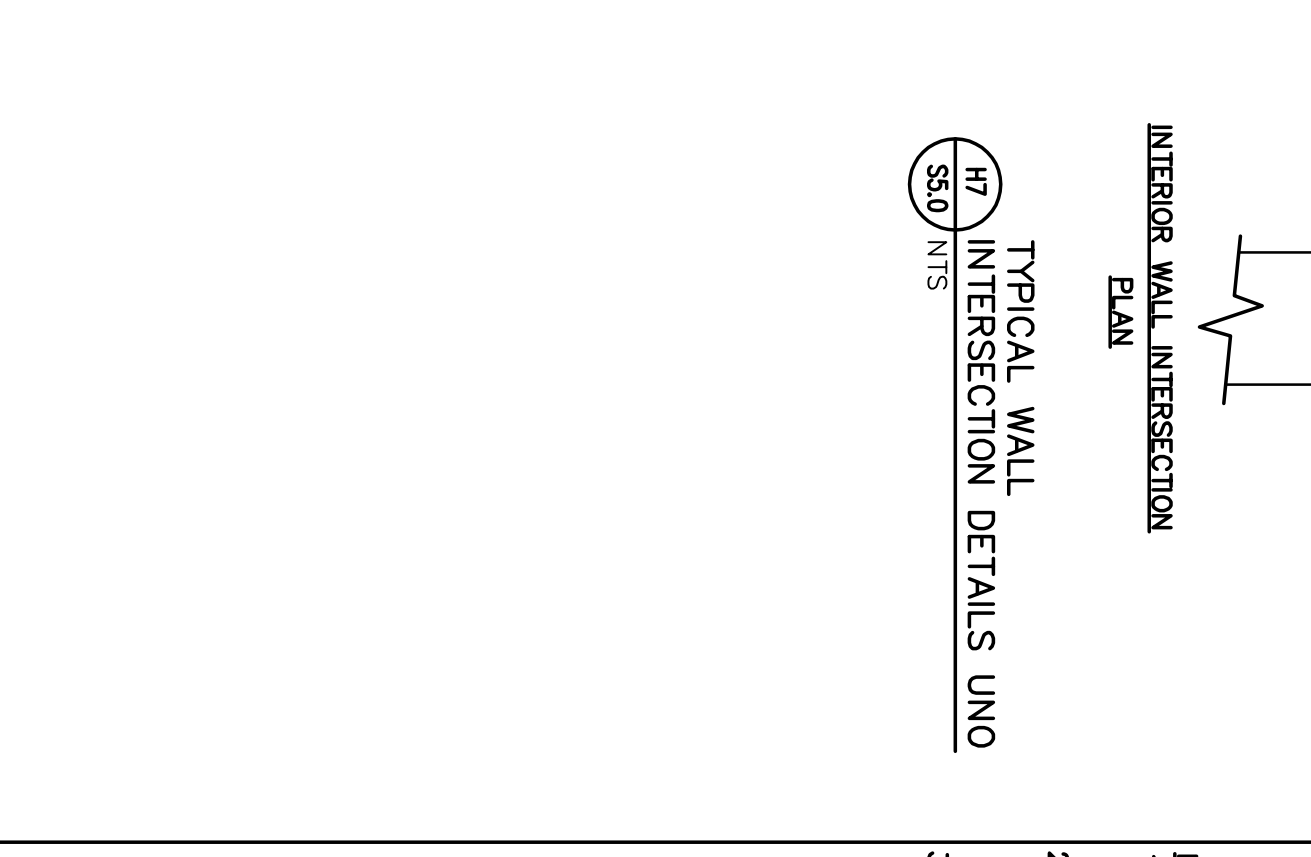
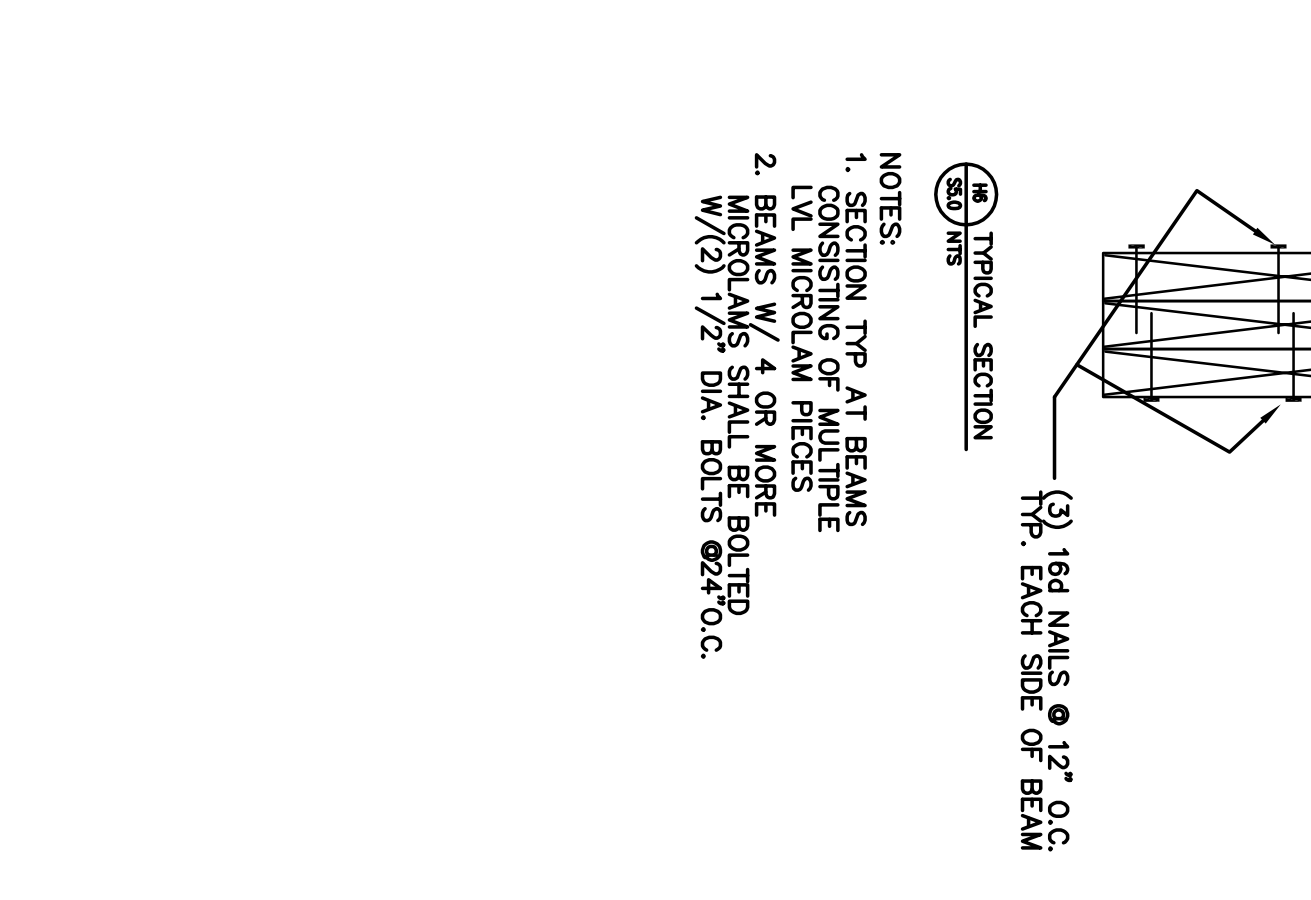
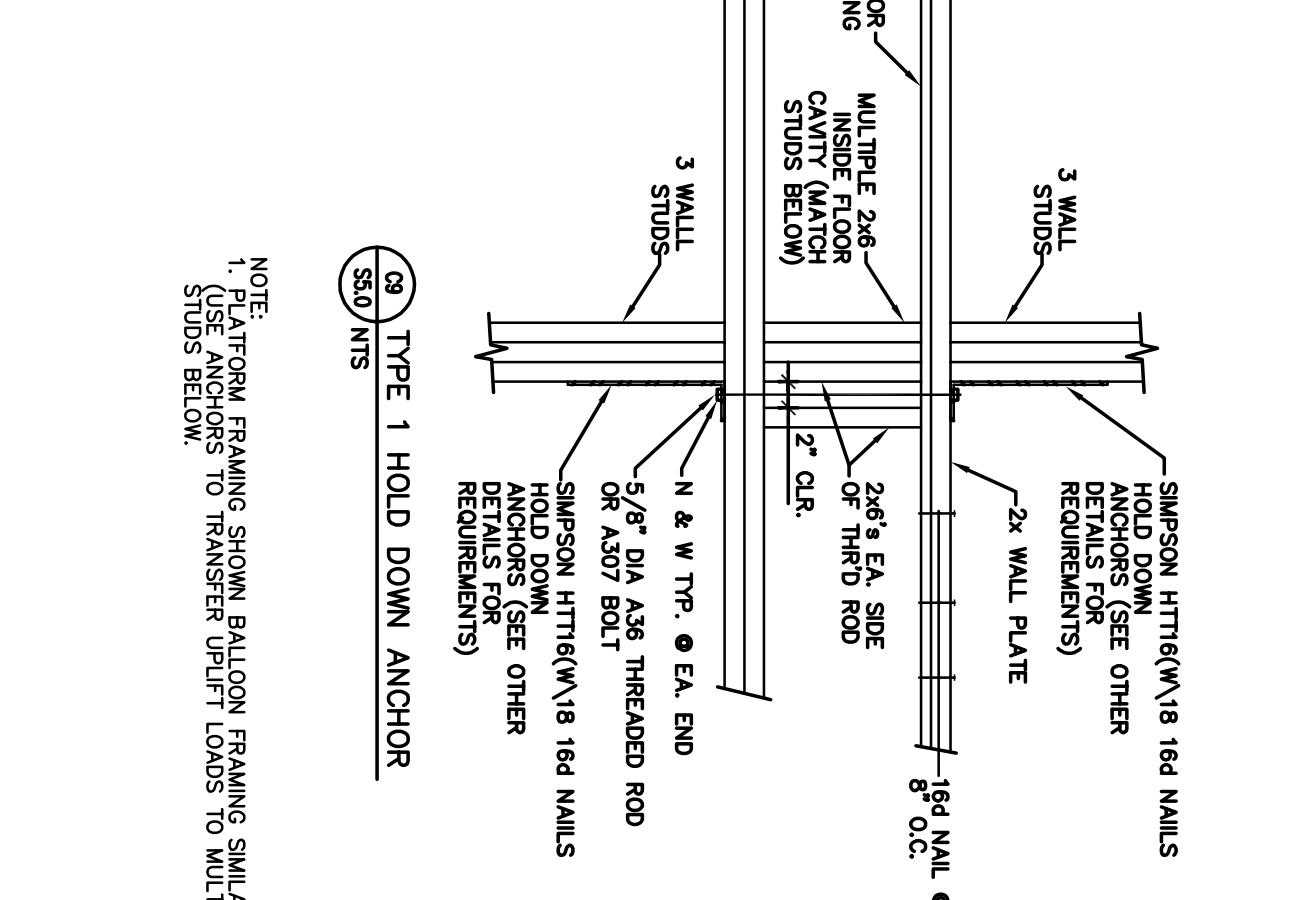
UNDER NO CIRCUMSTANCES SHALL THIS DRAWING BE USED TO DEVELOP SHOP DRAWINGS OR FABRICATE NEW MATERIALS.

WOOD LINTEL SCHEDULE (SEE NOTES)

LINTEL SIZE	LINTEL MATERIAL	QUANTITY OF JACK STUDS AT EACH END	SECTION REFERENCE
(2) 2 x 8 OR (3) 2 x 8	#2 SPF	1	H7 / S5.0
(2) 2 x 10 OR (3) 2 x 10	#2 SPF	1	H7 / S5.0
(2) 2 x 12 OR (3) 2 x 12	#2 SPF	2	H7 / S5.0
7 1/4 x 3 1/2"	MICROLAM	2	H6/S5.0
9 1/2 x 5 1/4"	MICROLAM	2	H6/S5.0
11 7/8 x 5 1/4"	MICROLAM	2	H6/S5.0

NOTES: 1. See H9 / S5.0 for typical framing at lintel.
2. Except where otherwise noted by the above schedule, interior lintels shall be (3) 2x8's @ 2x6 stud walls and (2) 2x6's @ 2x4 stud walls.
3. 2x6 LINTEL SHALL BE SIMILAR TO 2x6 LINTEL CONSTRUCTION

E9 LINTEL SCHEDULE
SSO



E9 LINTEL SCHEDULE
SSO