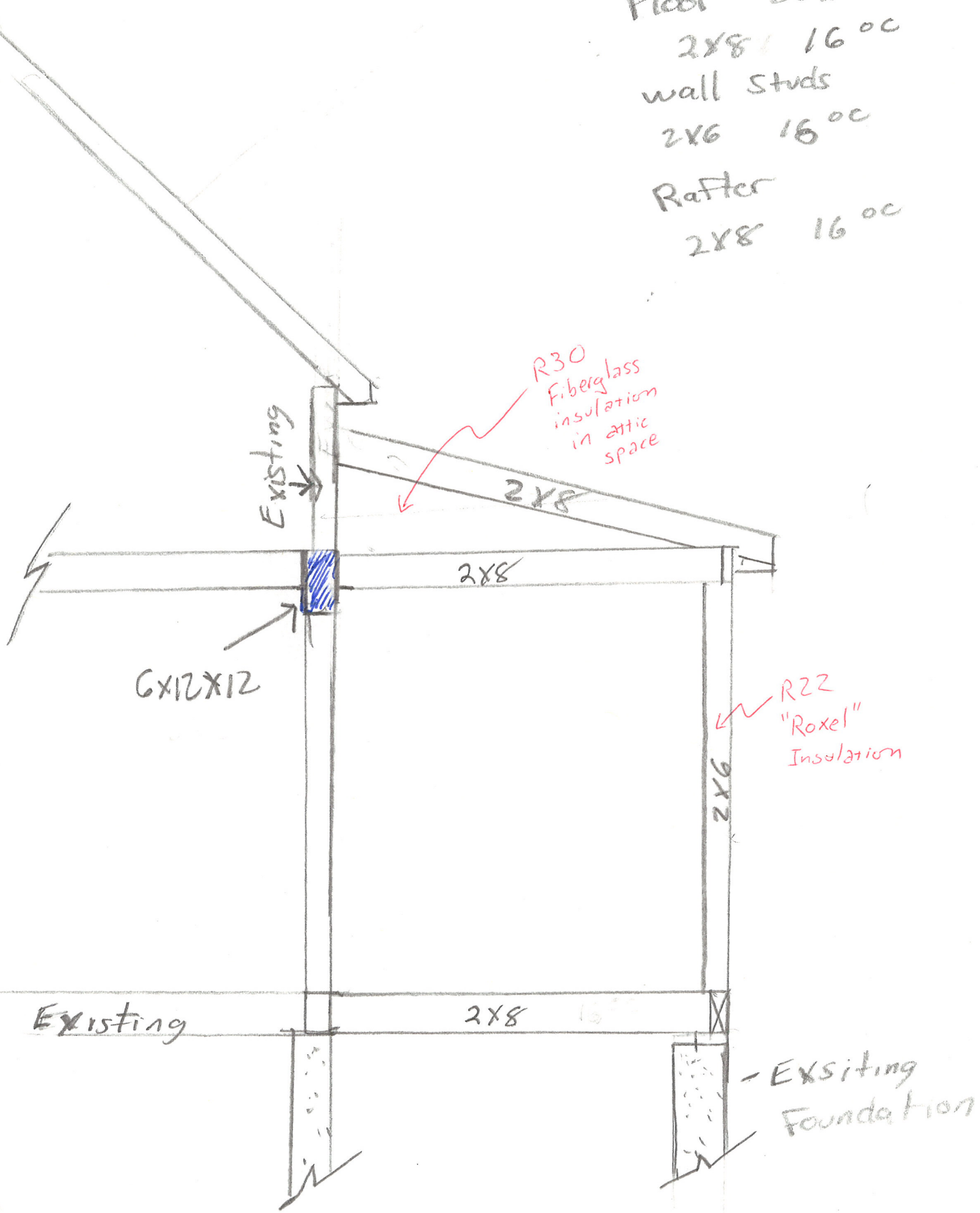


Floor Joists
 2x8 @ 16" oc
 wall studs
 2x6 @ 16" oc
 Rafter
 2x8 @ 16" oc



R30
 Fiberglass
 insulation
 in attic
 space

R22
 "Roxel"
 Insulation

Existing

6x12x12

Existing

- Existing
Foundation