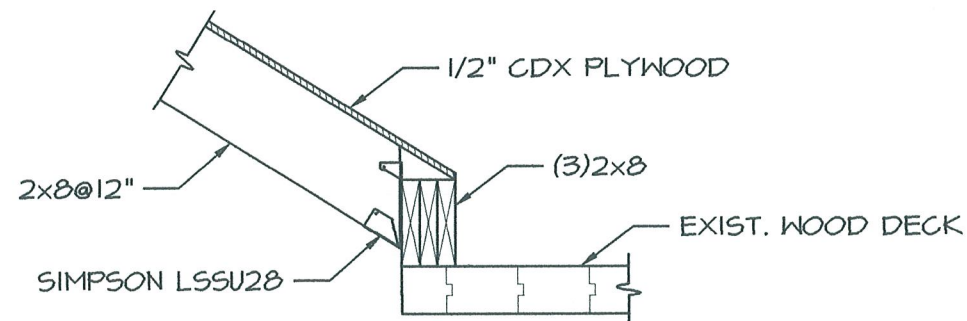


S1

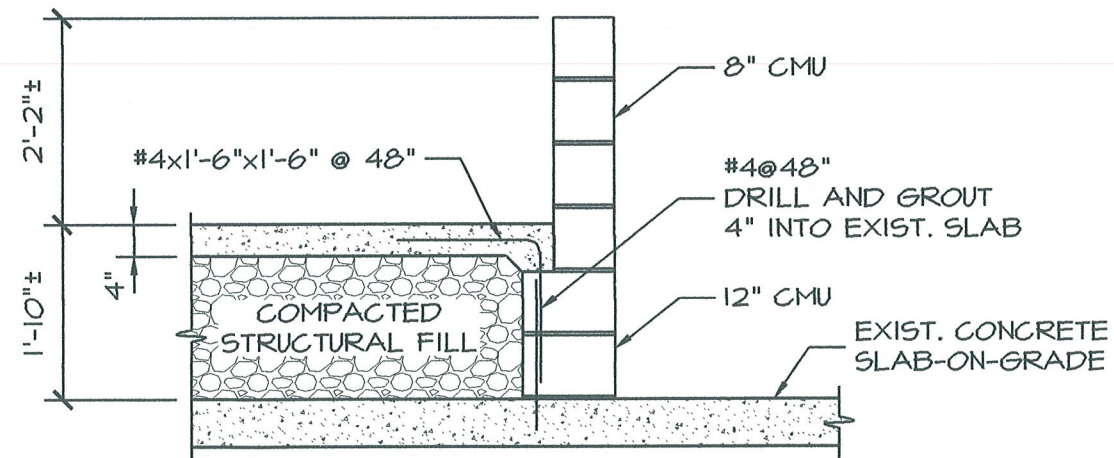
ROOF FRAMING AT REAR STAIR

1/4"=1'-0"

SEE A1 FOR LOCATION AND ALL DIMENSIONS



SECTION I



SECTION AT EDGE OF PRODUCTION AREA

1/2"=1'-0"

SEE A1 FOR LOCATION

**Maine Mead
Nissen Building
75 Washington Ave.
Portland, Maine**

revision number

date

06/30/10