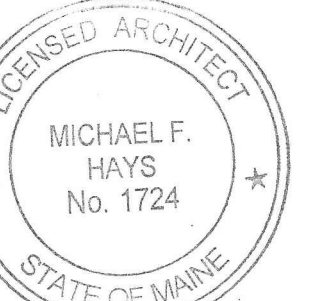


GRANT HAYS
ASSOCIATES

ARCHITECTURE & INTERIOR DESIGN
P.O. BOX 6179 FALMOUTH MAINE, 04103
207.871.5900 www.granthays.com

SCALE



Michael F. Hays

REVISIONS

PROJECT NAME

RENOVATION TO
OXBOW
BLENDING & BOTTLING
TOILET ROOMS
49 WASHINGTON AVENUE PORTLAND, MAINE 04101

1/2" = 1'-0"

INTERIOR
ELEVATIONS

DATE
28 JUNE 2017

SCALE
1/2" = 1'-0"

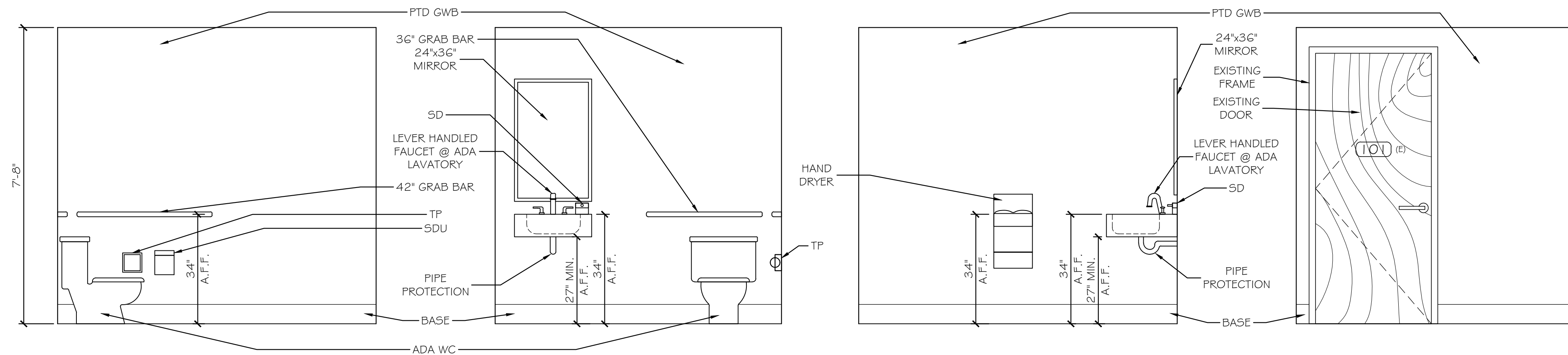
DRAWN
MFH / mgk

JOB NO.
170608

1/2" = 1'-0"

A-2

COPYRIGHT
REPRODUCTION OR REVUE OF THIS
DOCUMENT WITHOUT WRITTEN
PERMISSION FROM GRANT HAYS
ASSOCIATES IS PROHIBITED.



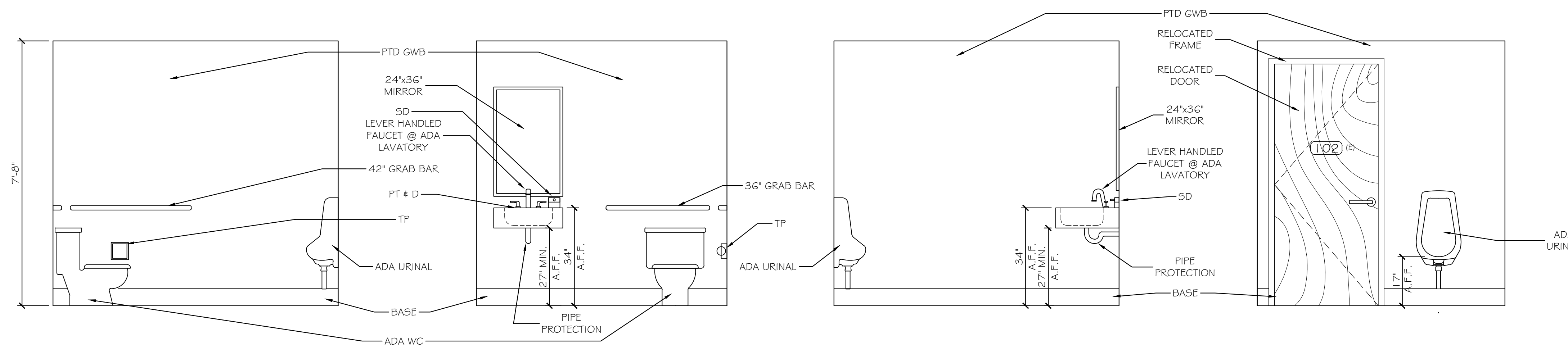
1 EXISTING WOMEN [101]
SCALE: 1/2" = 1'-0"

2 EXISTING WOMEN [101]
SCALE: 1/2" = 1'-0"

3 EXISTING WOMEN [101]
SCALE: 1/2" = 1'-0"

4 EXISTING WOMEN [101]
SCALE: 1/2" = 1'-0"

NOTE: SEE SHEET A-3 FOR MOUNTING HEIGHTS
AND LOCATIONS OF TOILET ACCESSORIES
FOR ACCESSIBILITY COMPLIANCE.

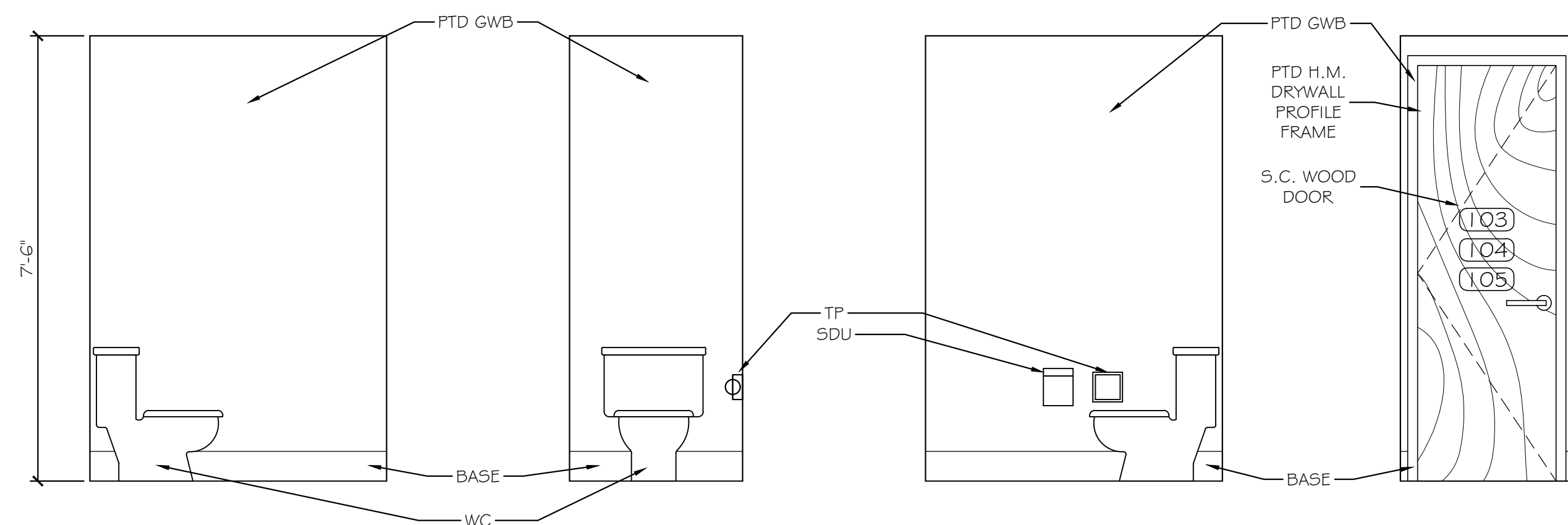


5 EXISTING MEN [102]
SCALE: 1/2" = 1'-0"

6 EXISTING MEN [102]
SCALE: 1/2" = 1'-0"

7 EXISTING MEN [102]
SCALE: 1/2" = 1'-0"

8 EXISTING MEN [102]
SCALE: 1/2" = 1'-0"

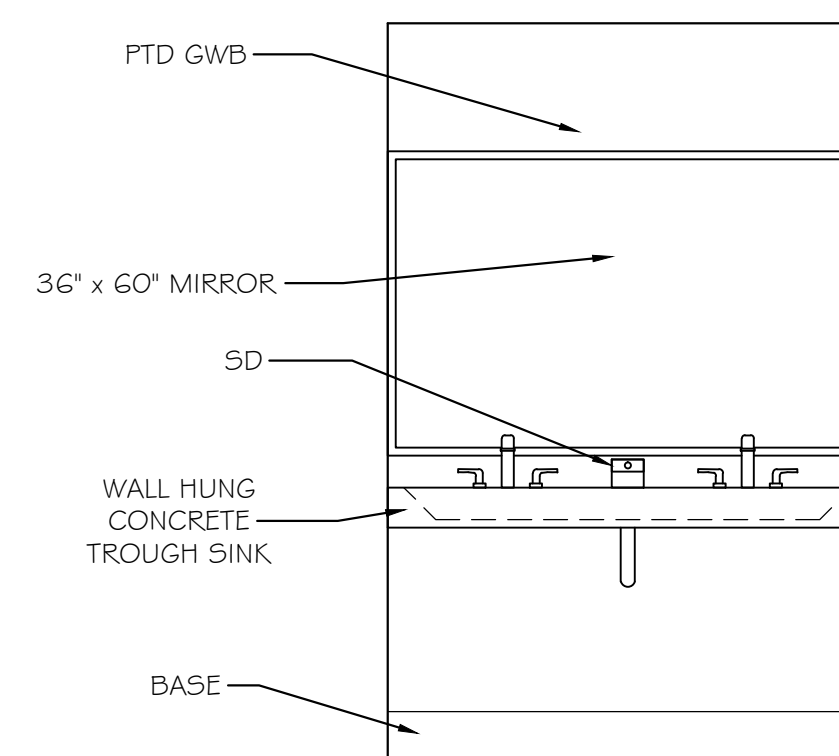


9 TOILET [106],
[107] & [108]
SCALE: 1/2" = 1'-0"

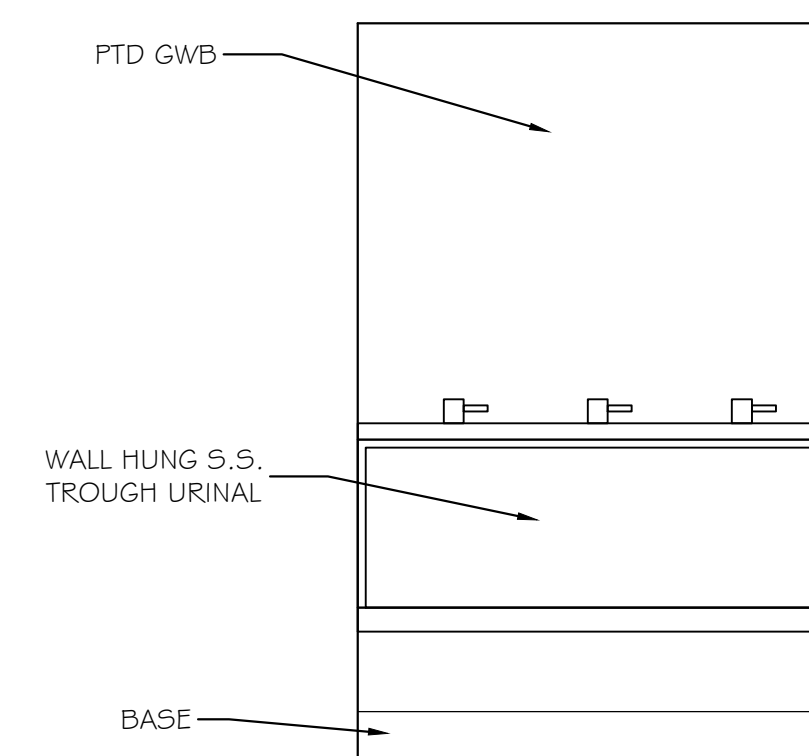
10 TOILET [106],
[107] & [108]
SCALE: 1/2" = 1'-0"

11 TOILET [106],
[107] & [108]
SCALE: 1/2" = 1'-0"

12 TOILET [106],
[107] & [108]
SCALE: 1/2" = 1'-0"



13 LAVS [105]
SCALE: 1/2" = 1'-0"



14 URINALS [109]
SCALE: 1/2" = 1'-0"