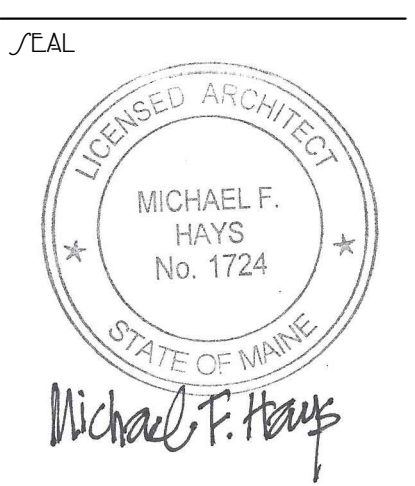


GRANT HAYS
ASSOCIATES

ARCHITECTURE & INTERIOR DESIGN
P.O. BOX 6179 FALMOUTH MAINE, 04103
207.871.5900 www.granthays.com



REVISIONS

PROJECT NAME

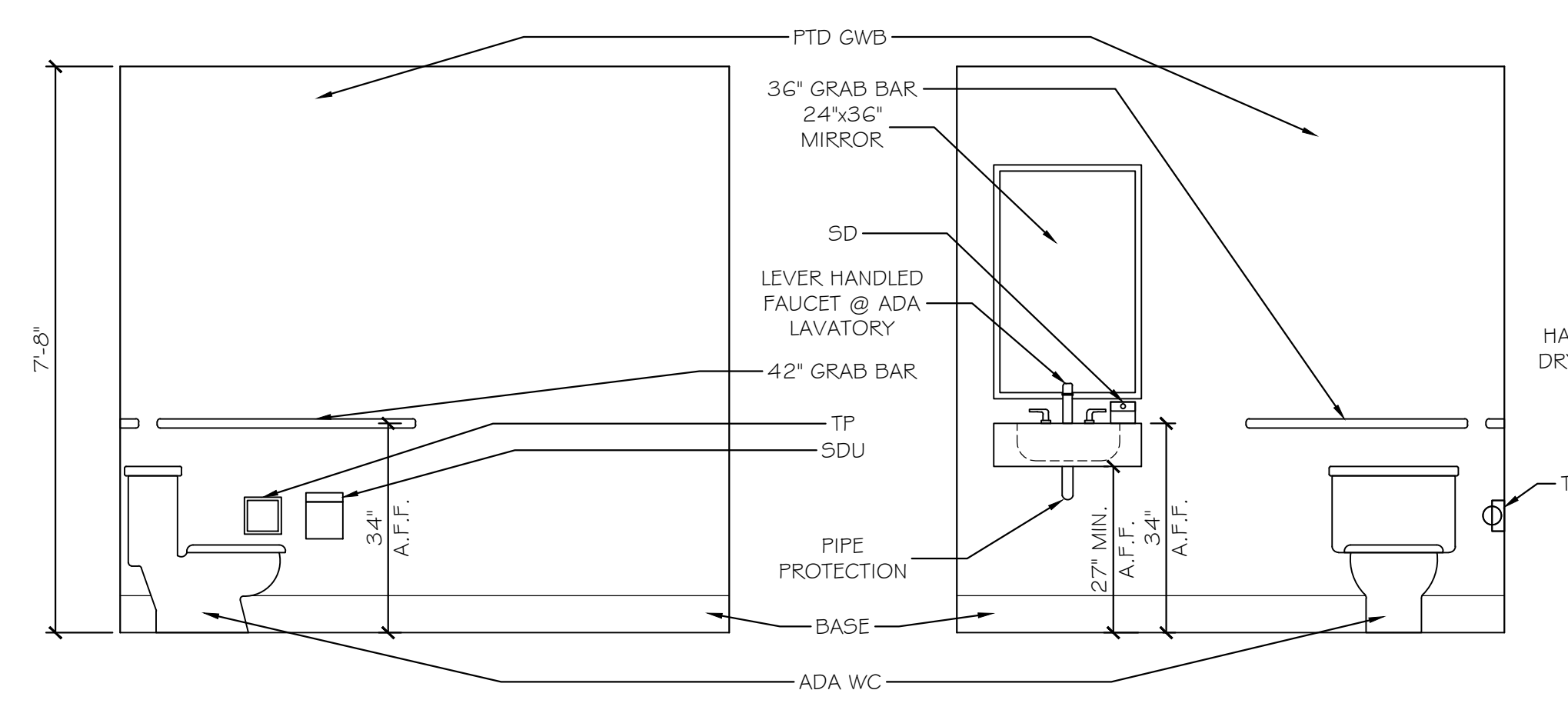
RENOVATION TO
OXBOW
BLENDING & BOTTLING
TOILET ROOMS
49 WASHINGTON AVENUE PORTLAND, MAINE 04101

SHEET

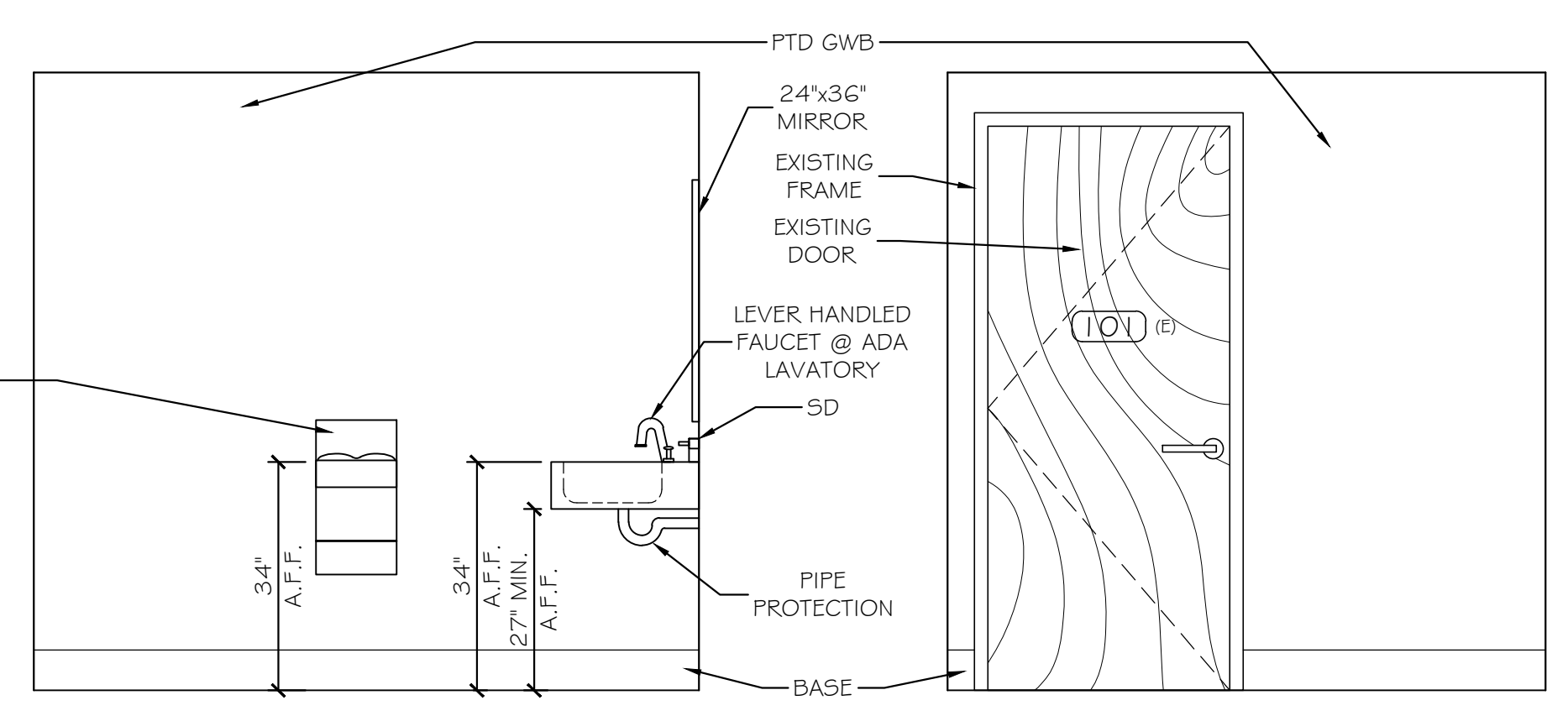
INTERIOR
ELEVATIONS

DATE
16 JUNE 2017
SCALE
1/2" = 1'-0"
DRAWN
MFH / mgk
JOB NO.
170608
SHEET

A-2
COPYRIGHT
REPRODUCTION OR REVUE OF THIS
DOCUMENT WITHOUT WRITTEN
PERMISSION FROM GRANT HAYS
ASSOCIATES IS PROHIBITED.



1 EXISTING WOMEN [101]
SCALE: 1/2" = 1'-0"

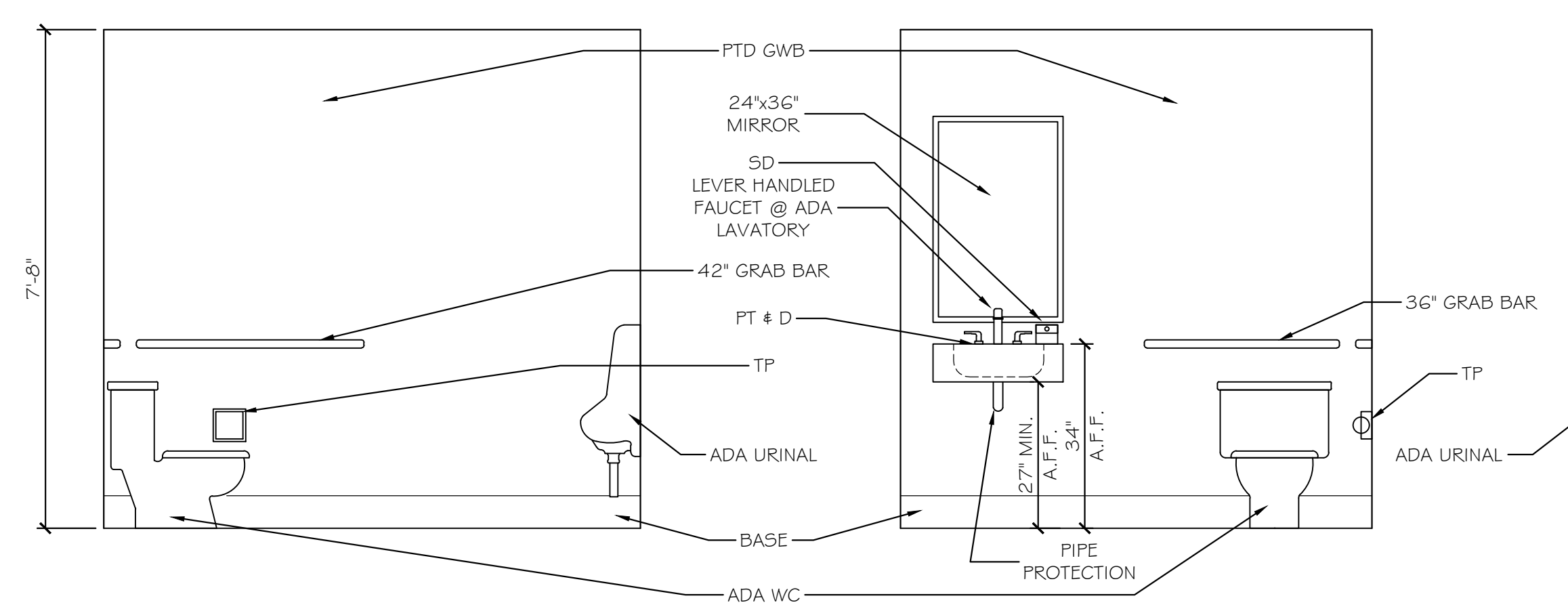


2 EXISTING WOMEN [101]
SCALE: 1/2" = 1'-0"

3 EXISTING WOMEN [101]
SCALE: 1/2" = 1'-0"

4 EXISTING WOMEN [101]
SCALE: 1/2" = 1'-0"

NOTE: SEE SHEET A-3 FOR MOUNTING HEIGHTS AND LOCATIONS OF TOILET ACCESSORIES FOR ACCESSIBILITY COMPLIANCE.

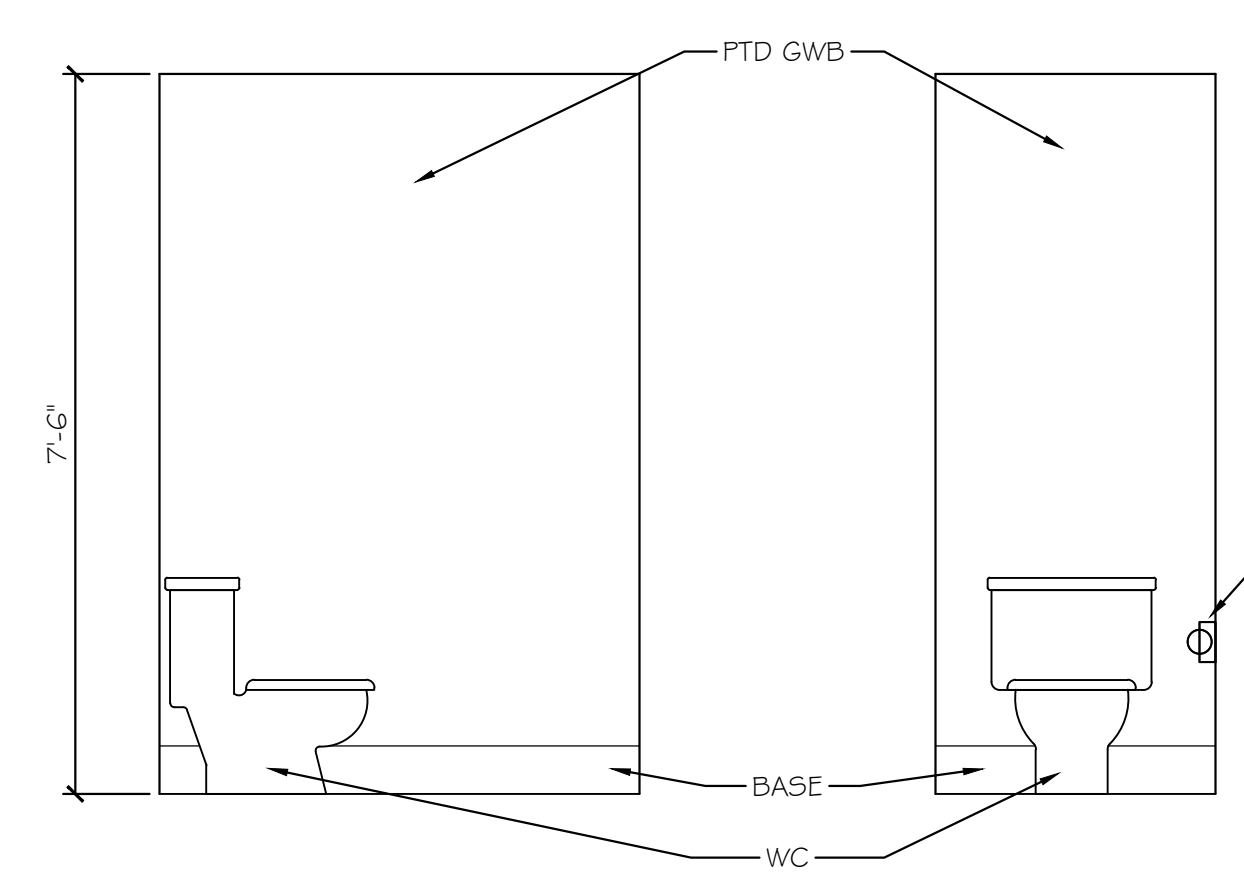


5 EXISTING MEN [102]
SCALE: 1/2" = 1'-0"

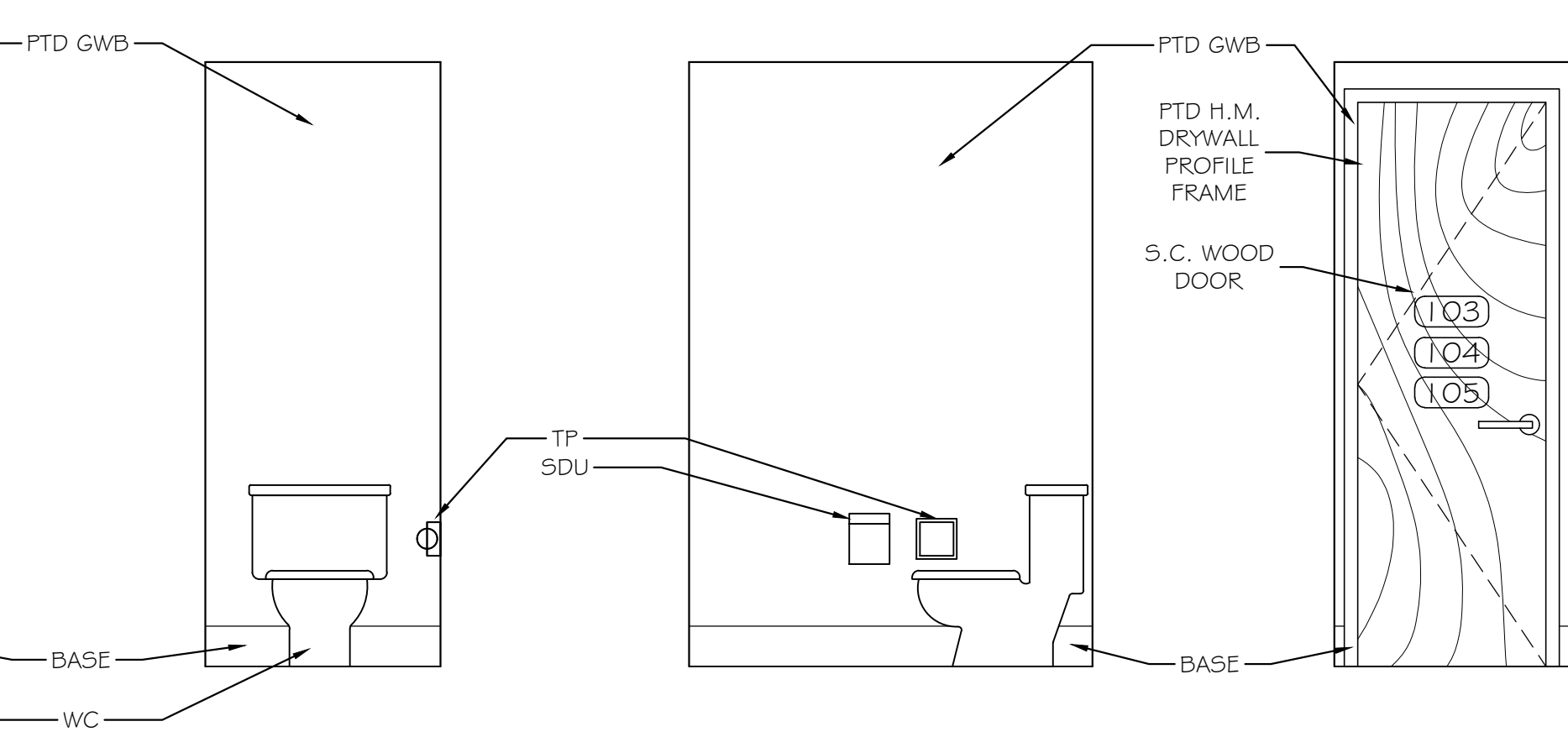
6 EXISTING MEN [102]
SCALE: 1/2" = 1'-0"

7 EXISTING MEN [102]
SCALE: 1/2" = 1'-0"

8 EXISTING MEN [102]
SCALE: 1/2" = 1'-0"



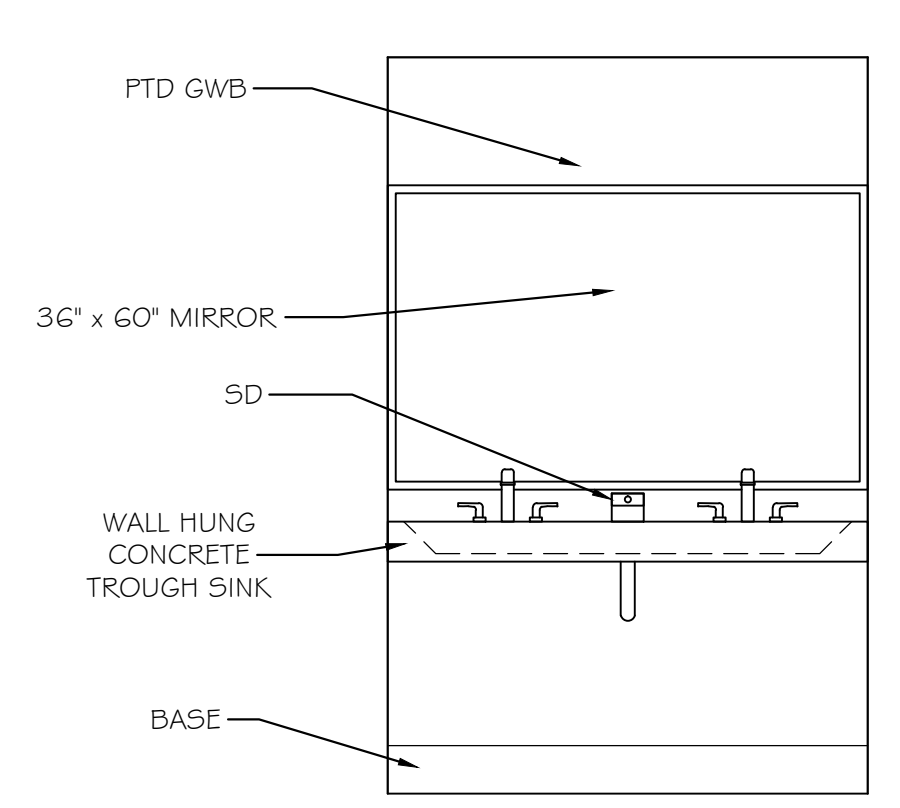
9 TOILET [106, 107 & 108]
SCALE: 1/2" = 1'-0"



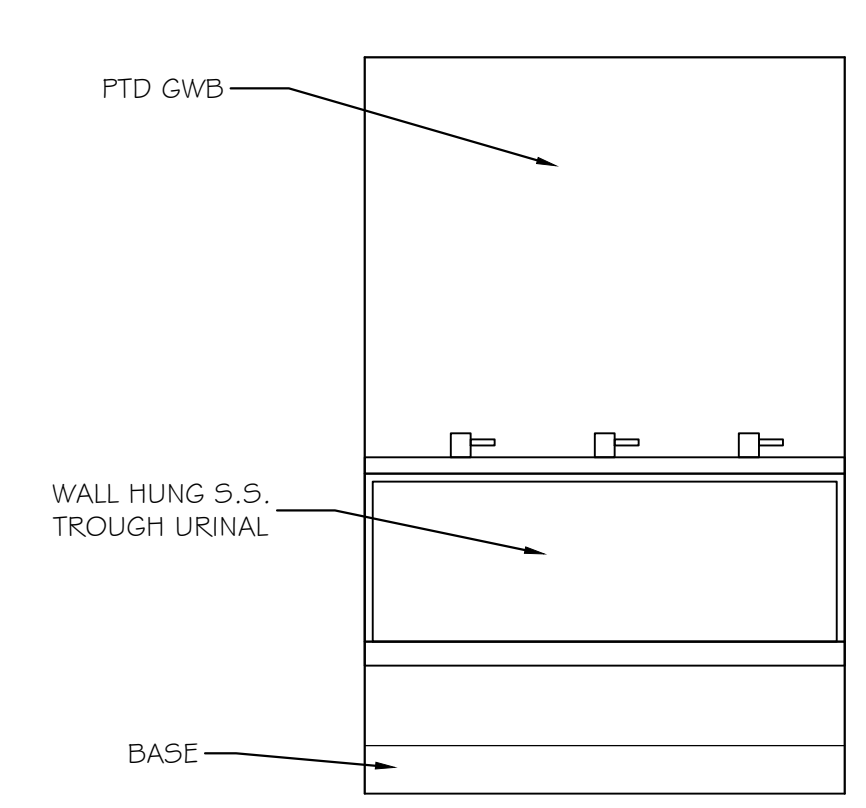
10 TOILET [106, 107 & 108]
SCALE: 1/2" = 1'-0"

11 TOILET [106, 107 & 108]
SCALE: 1/2" = 1'-0"

12 TOILET [106, 107 & 108]
SCALE: 1/2" = 1'-0"



13 LAVS [105]
SCALE: 1/2" = 1'-0"



14 URINALS [109]
SCALE: 1/2" = 1'-0"