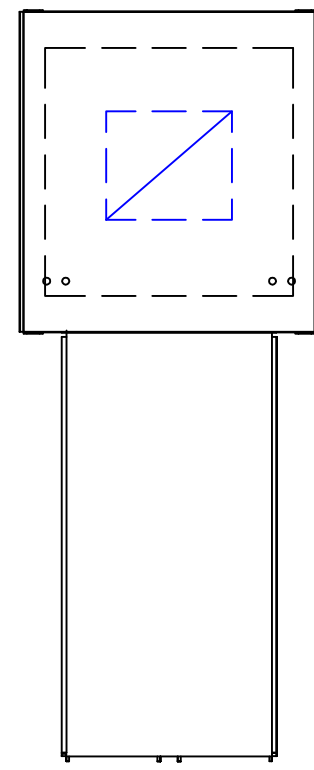
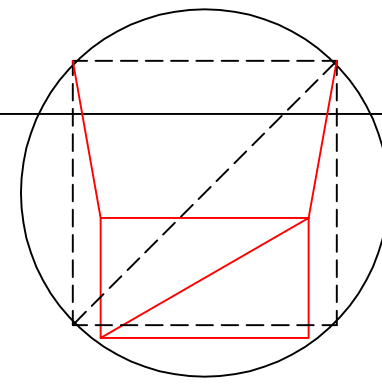


NEW MUA-2



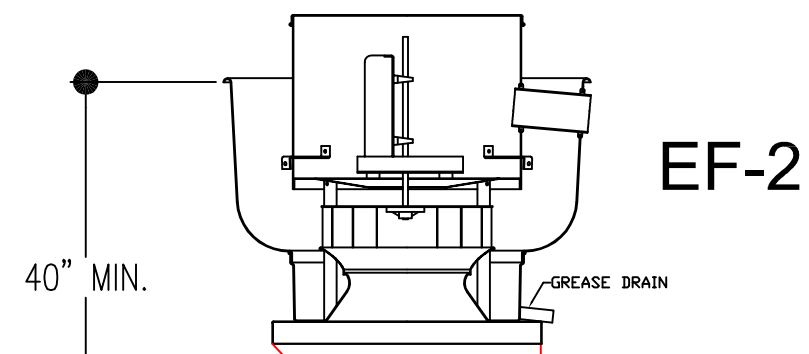
NEW EF-2



HIGH ROOF  
LOW ROOF

ROOF PART PLAN

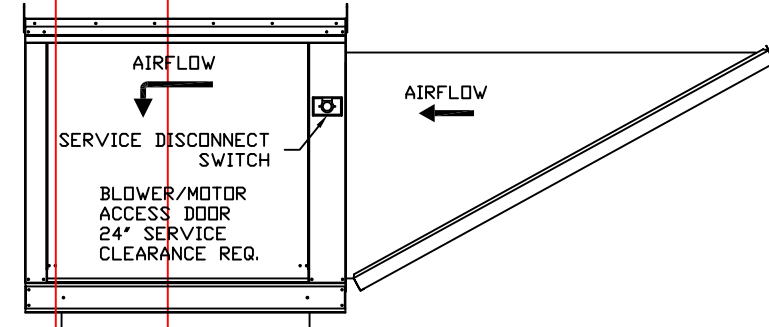
HINGE TOWARDS  
HIGH ROOF



EF-2

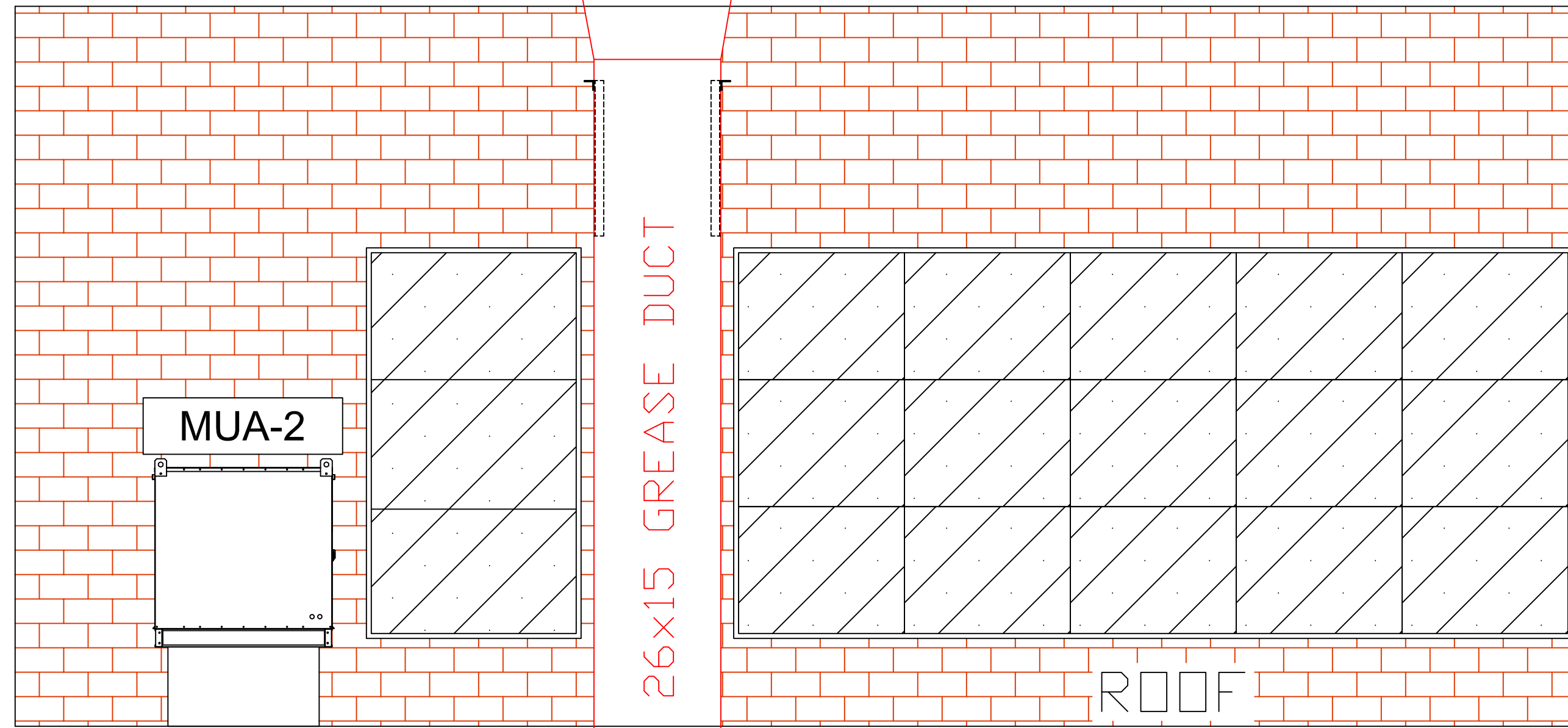
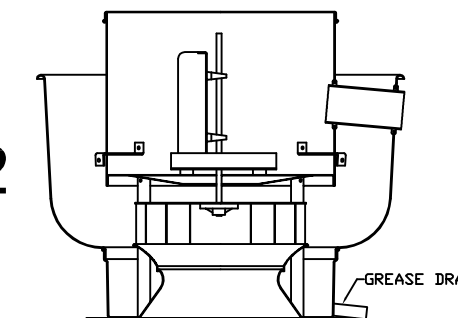
26x15 GREASE  
DUCT

MUA-2  
ON LOW ROOF



ROOF SIDE ELEVATION

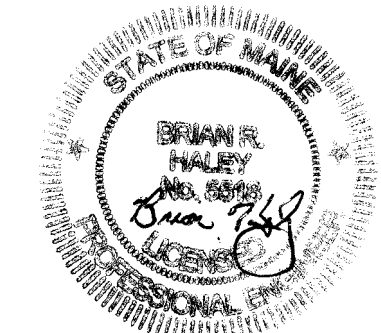
NEW EF-2



26x15 GREASE DUCT

ROOF

ROOF FRONT ELEVATION



FOR CONSTRUCTION

Halley's  
Metal Shop, Inc.  
Since 1917



HALEY'S METAL SHOP, INC.  
539 ELM STREET  
BIDDEFORD, MAINE 04005  
PH: 207-284-8571, FAX: 207-284-9597

DATE: 12/22/16

SCALE: 1/2"=1'-0"

**CONG TU BOT RESTAURANT  
PORTLAND, MAINE  
HVAC  
ROOF VENTILATION PLAN  
M-2**