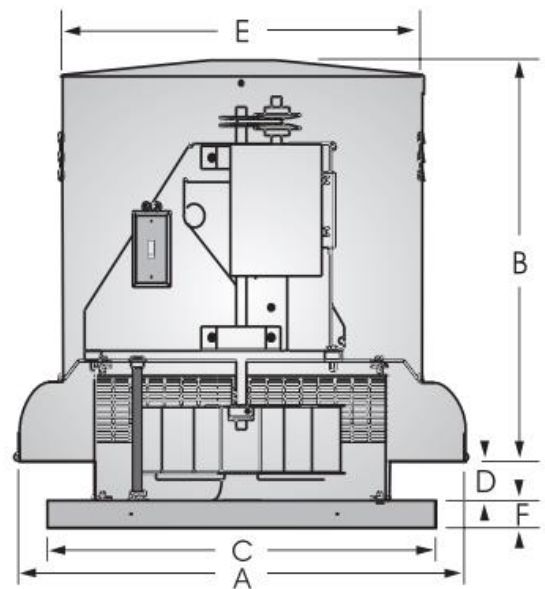


Milne Spirit Works LLC
Dba Hardshore Distilling Company
59 Washington Avenue, Suite 1-E
Portland, ME 04101

G1-3: 4,000 CFM Centrifugal Roof Exhauster Specs

S&P USA 4,000 CFM Centrifugal, Belt Drive, Roof-Mounted Downblast Fan Technical Details

Manufacturer: S&P USA
Model: DB24-3/4
Type: Belt drive, downblast
CFM-Rating: 4,000 CFM
Horsepower: 0.75
Motor RPM: 1,750
Fan RPM: 620
Fan Diameter: 24 inches
Electrical Supply: 230V/3PH
Nominal Damper Size: 30 inches x 30 inches
Dimensions:



A: 41.25 inches
B: 26.50 inches
C: 35.75 inches
D: 8.50 inches
E: 30.00 inches
F: 2.50 inches

Material: Heavy-gauge aluminum construction, stainless fasteners
Add-ons: 33.75" square galvanized steel roof curb, 12" high with insect screen
Ducting: 26-gauge G-60 galvanized steel
Hanging: 18-gauge flat stock when hung from rafters. Additional gussets will add support to the duct from the wall. Gussets will be fastened to both the walls and the ducting with standard fasteners