

© 2015 RYAN SENATORE ARCHITECTURE

**NISSEN BUILDING
RENOVATIONS
PORTLAND, MAINE**



**RYAN SENATORE
ARCHITECTURE**
565 CONGRESS STREET
PORTLAND, MAINE
207-650-6414
senatorearchitecture.com

CONSULTANTS:
STRUCTURAL:
Structural Integrity
77 Oak Street
Portland, ME 04101
207-774-4614

REVISIONS:
REVISION #1 - 12/29/15

DATE: NOVEMBER 9, 2015

PROJECT No.: 1523

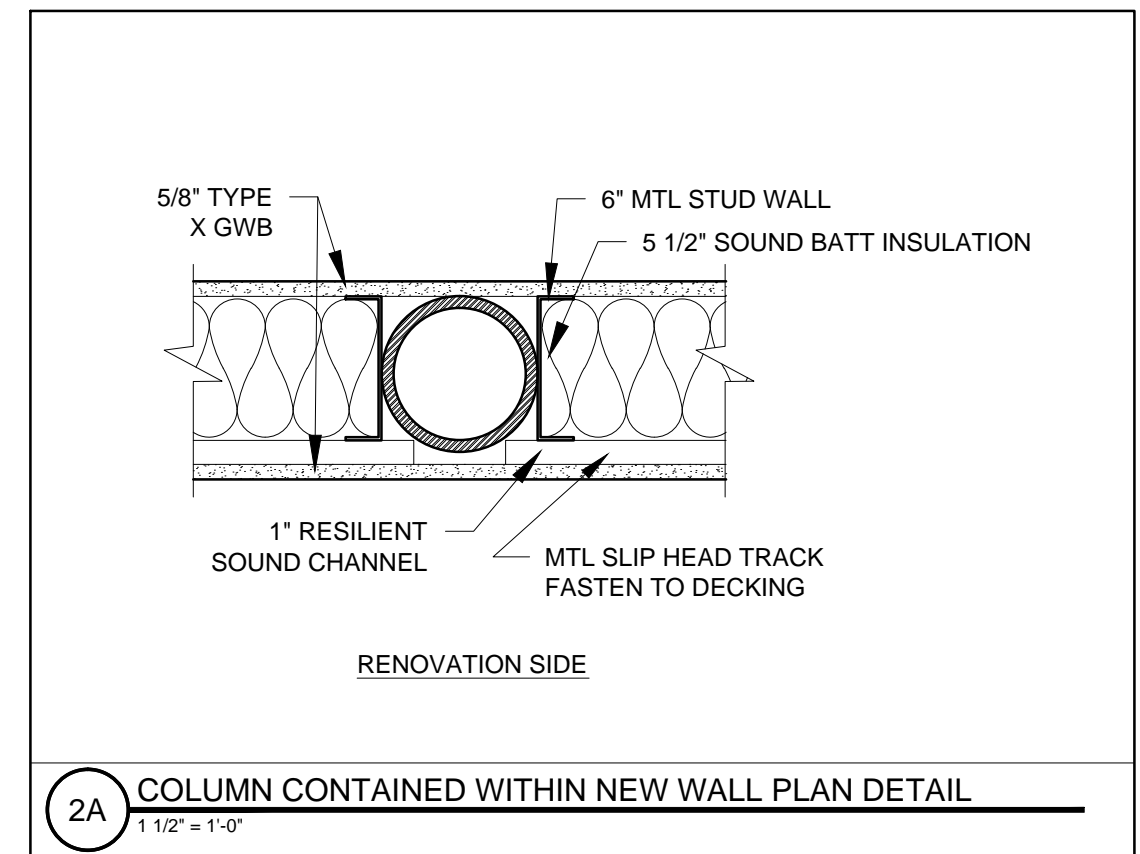
DRAWN BY: JPF

CHECKED BY: RJS

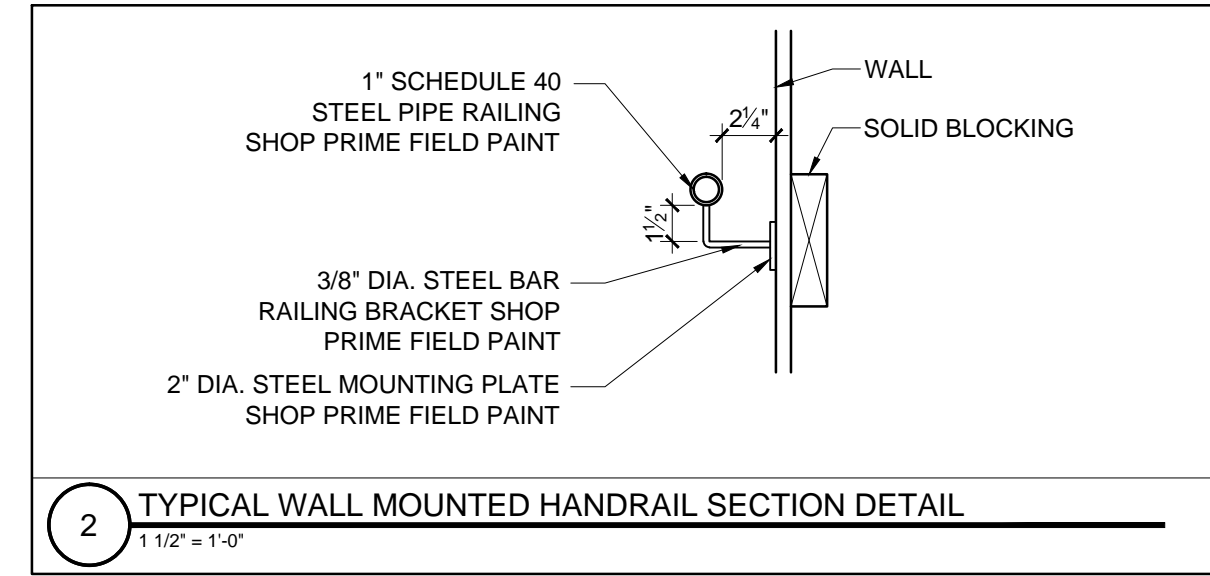
SCALE: AS NOTED

SHEET TITLE:
DETAILS

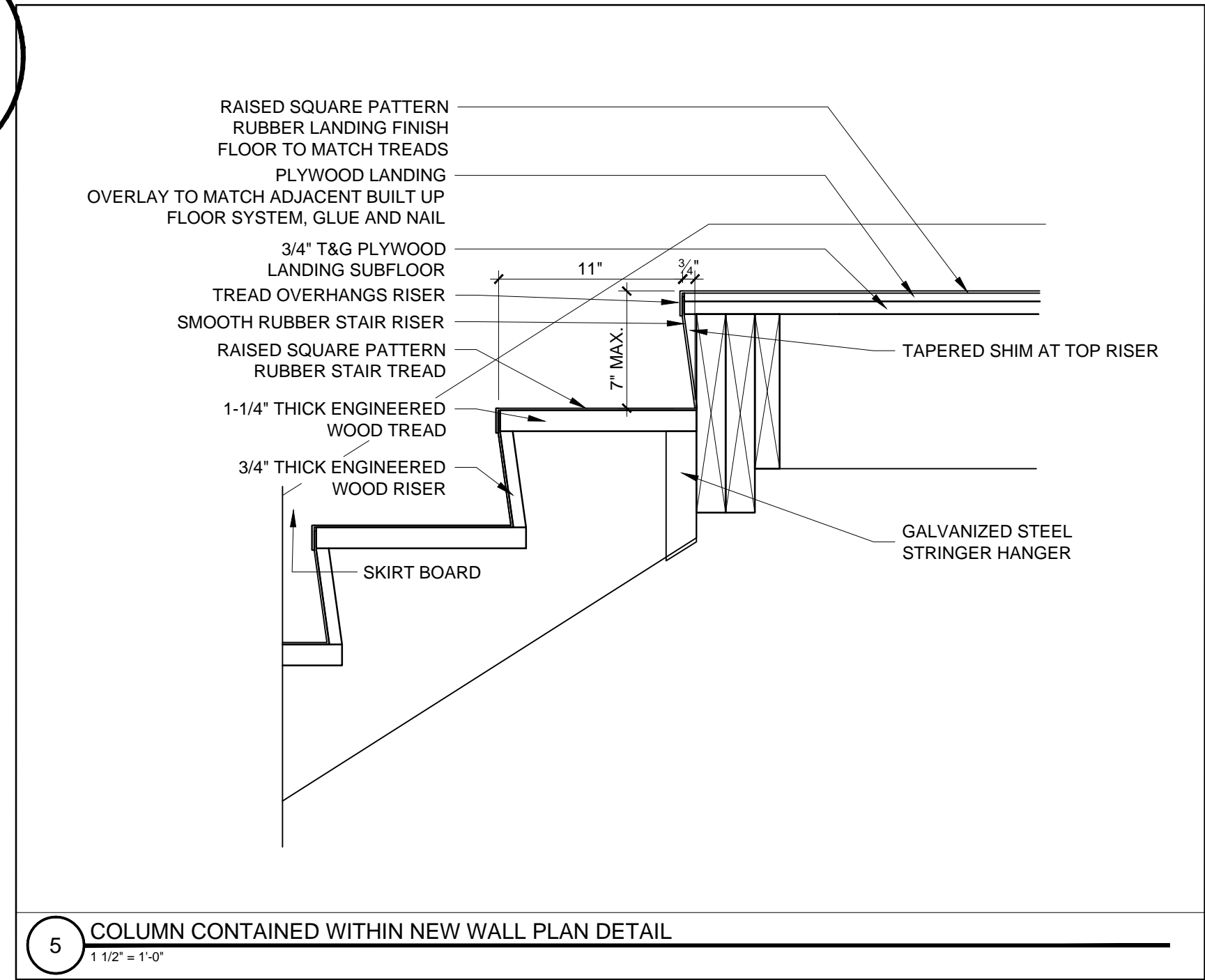
A5-0



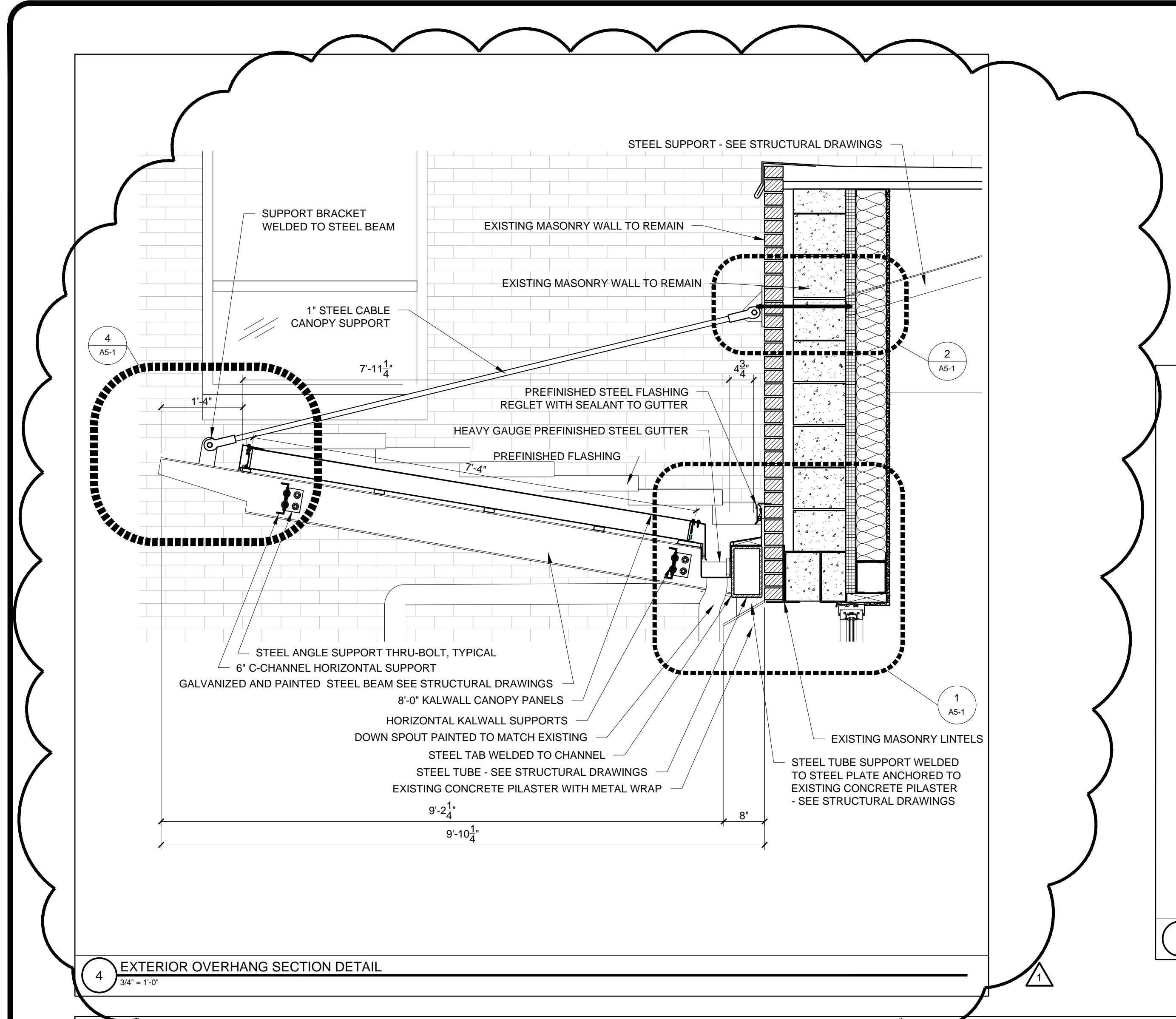
2A COLUMN CONTAINED WITHIN NEW WALL PLAN DETAIL
1 1/2" = 1'-0"



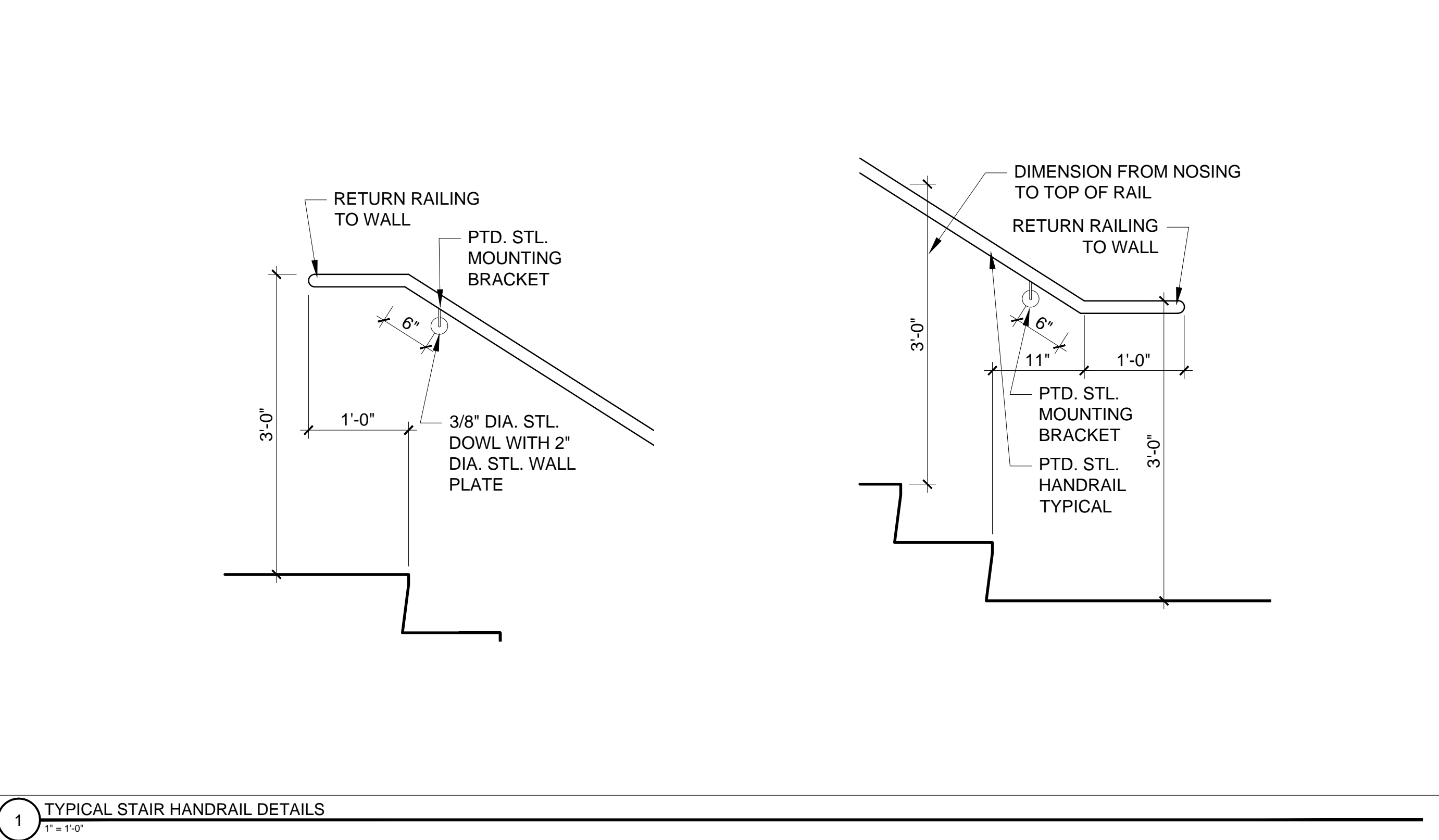
2 TYPICAL WALL MOUNTED HANDRAIL SECTION DETAIL
1 1/2" = 1'-0"



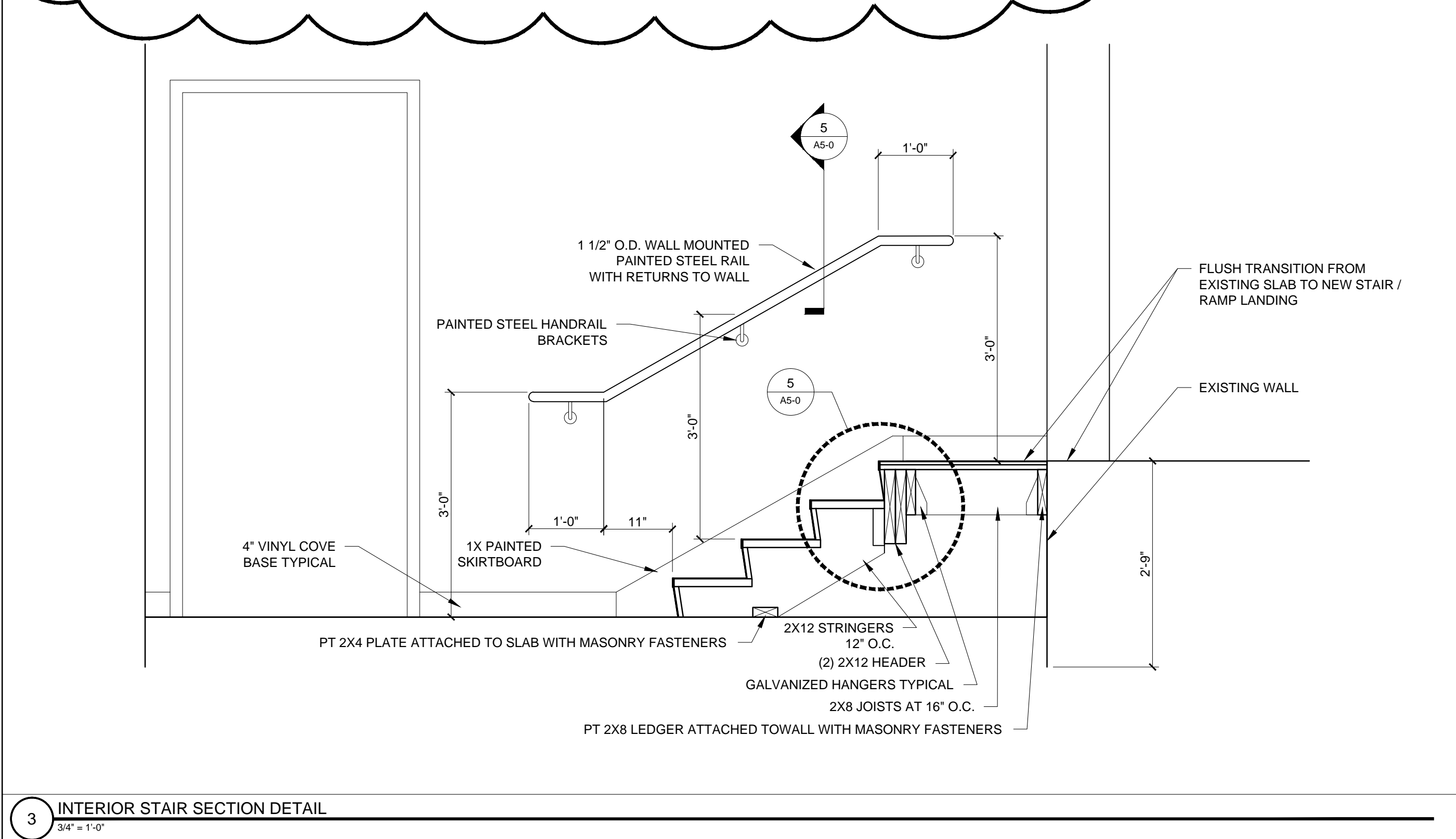
5 COLUMN CONTAINED WITHIN NEW WALL PLAN DETAIL
1 1/2" = 1'-0"



4 EXTERIOR OVERHANG SECTION DETAIL
3/4" = 1'-0"



1 TYPICAL STAIR HANDRAIL DETAILS
1" = 1'-0"



3 INTERIOR STAIR SECTION DETAIL
3/4" = 1'-0"