

© 2015 RYAN SENATORE ARCHITECTURE

NISSEN BUILDING RENOVATIONS PORTLAND, MAINE



**RYAN SENATORE
ARCHITECTURE**
565 CONGRESS STREET
PORTLAND, MAINE
207-650-6414
senatorearchitecture.com

CONSULTANTS:
STRUCTURAL:
Structural Integrity
77 Oak Street
Portland, ME 04101
207-774-4614

REVISIONS:

DATE: NOVEMBER 9, 2015

PROJECT No. 1523

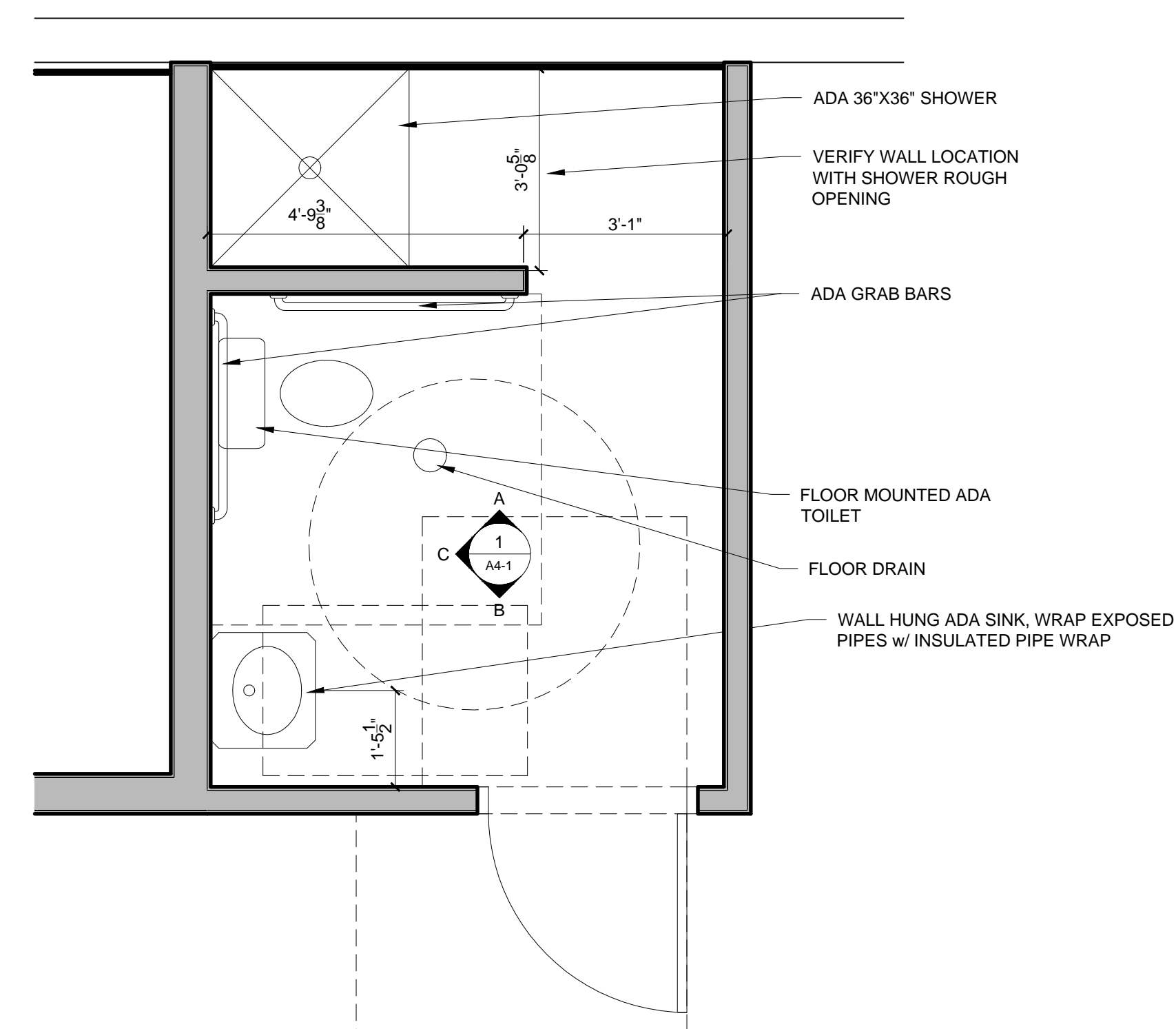
DRAWN BY: JPF

CHECKED BY: RJS

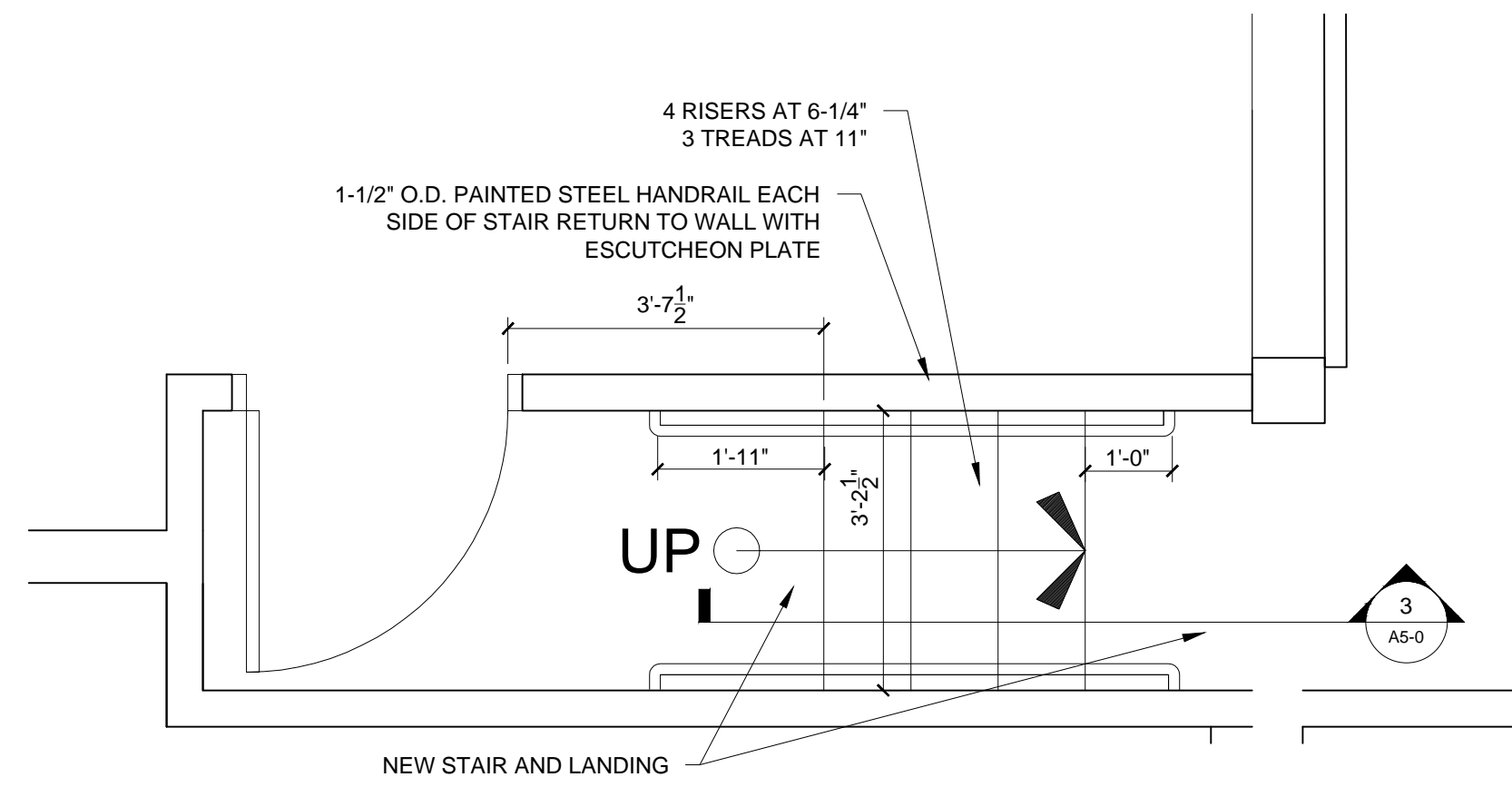
SCALE: AS NOTED

SHEET TITLE:
**ENLARGED
FLOOR PLANS**

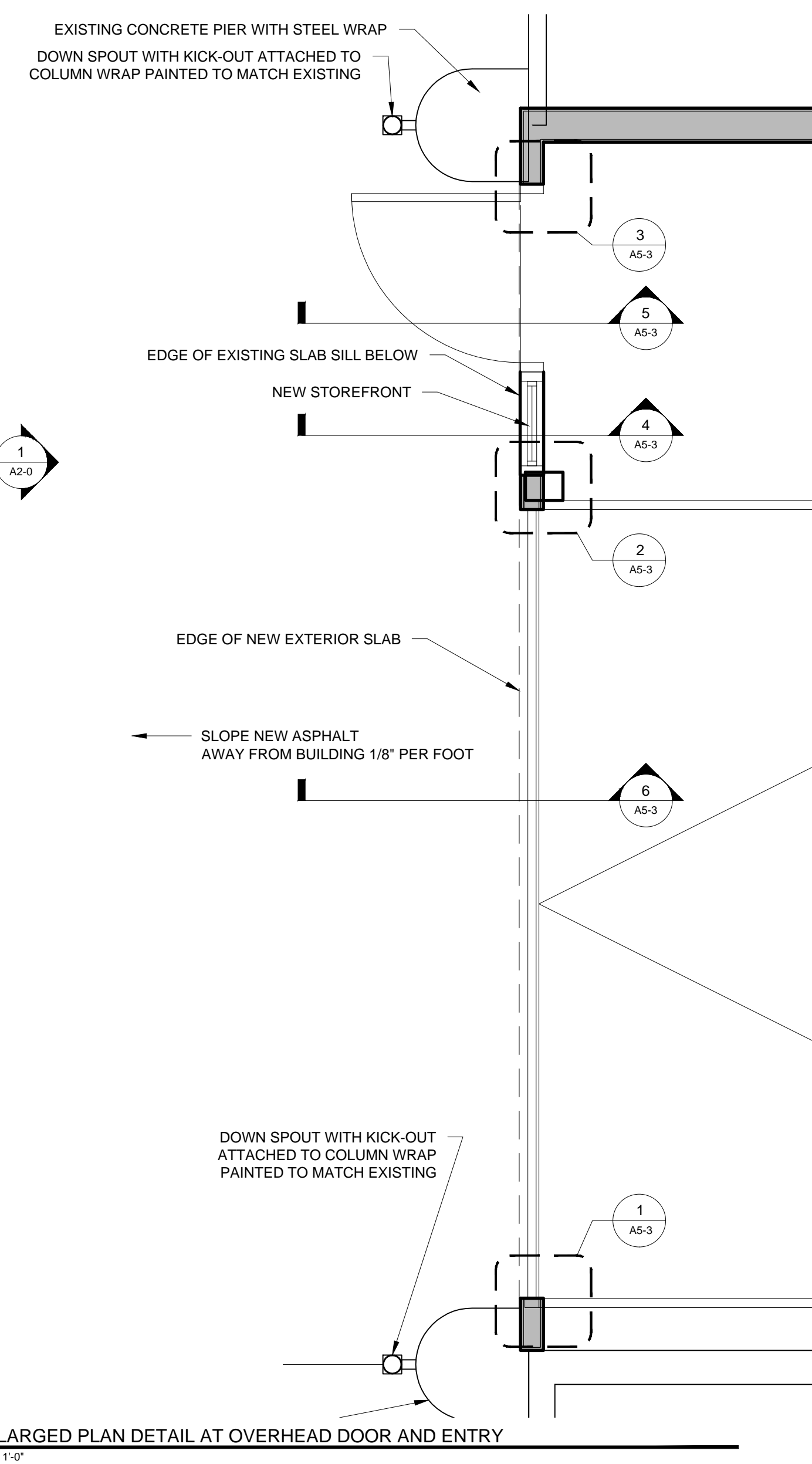
A1-2



2 ENLARGED BATHROOM FLOOR PLAN
1/2" = 1'-0"



3 ENLARGED INTERIOR STAIR PLAN
1/2" = 1'-0"



1 ENLARGED PLAN DETAIL AT OVERHEAD DOOR AND ENTRY
1/2" = 1'-0"