

© 2015 RYAN SENATORE ARCHITECTURE

NISSEN BUILDING - SUITE 2-F / 3-D
ROMASCO STREET
PORTLAND, MAINE



RYAN SENATORE
 ARCHITECTURE
 565 CONGRESS STREET
 PORTLAND, MAINE 04101
 207-650-6414
 senatorearchitecture.com

CONSULTANTS:

REVISIONS:

DATE: AUGUST 6, 2015

PROJECT No.

DRAWN BY: JPF / RJS

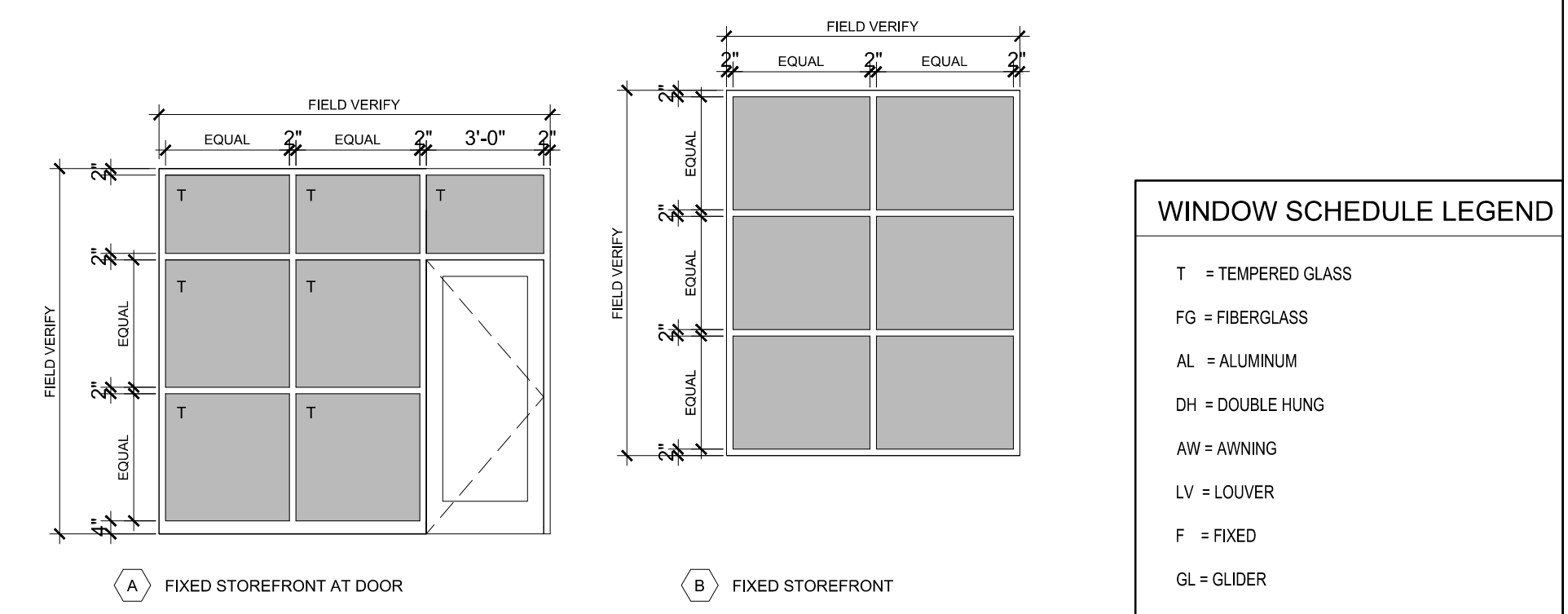
CHECKED BY: RJS

SCALE: AS NOTED

SHEET TITLE:
WINDOW SCHEDULE

A1-1

WINDOW SCHEDULE



1 WINDOW TYPES
1/4" = 1'-0"

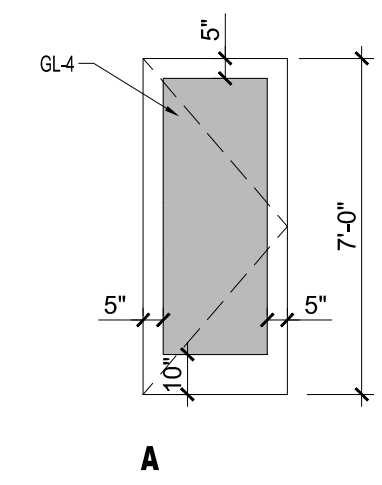
WINDOW SCHEDULE

KEY	ACTION	ROUGH * OPENING (WH) VIF	R.O. HEAD HEIGHT FROM SUB FLOOR	DETAILS			MATERIAL	FINISH	REMARKS
				HEAD	JAMB	SILL			
A	F	EXISTING OPENING	-	-	-	-	AL	-	THERMALLY BROKEN STOREFRONT, SUB SILL RECEPTOR, INSULATED, TEMPERED GLAZING UNITS, VIF, MASONRY OPENING
B	F	EXISTING OPENING	-	-	-	-	AL	-	THERMALLY BROKEN STOREFRONT, SUB SILL RECEPTOR, INSULATED GLAZING UNITS, VIF, MASONRY OPENING

WINDOW NOTES:

- 1.) COORDINATE AND ADJUST ROUGH OPENING DIMENSIONS TO ACCOMMODATE SILL PAN FLASHING SYSTEM
- 2.) ALL GLAZING LOCATED WITHIN 18" OF FINISHED FLOOR TO BE TEMPERED GLASS
- 3.) ALL EXTERIOR GLAZING TO BE INSULATED
- 4.) SEAL WINDOW TO ROUGH OPENING WITH LOW EXPANDING FOAM INSULATION - SEE DETAILS
- 5.) G.C. TO VERIFY WINDOW SIZES WITH MASONRY OPENINGS

DOOR SCHEDULE



1 DOOR TYPES
1/4" = 1'-0"

DOOR SCHEDULE

DOOR NO.	TYPE	SIZE			MATERIAL	FINISH	INSULATED	FRAME			CLOSER	FIRE RATING (MINUTES)	HARDWARE KEY MS - MORTISE LOCK SET LS - LOCK SET PR - PRIBRACY SET PS - PASSAGE SET LP - LEVER PULL PH - PEEPHOLE LENSE	REMARKS	
		WIDTH	HEIGHT	THICKNESS				TYPE	MATERIAL	THRESHOLD					
		HEAD	JAMB	SILL											
100.1	A	3'-0"	7'-0"	1-3/4"	AL	ANO	Y	-	AL	AL	-	-	Y	-	STOREFRONT DOOR WITH SIDELIGHT, TRANSOM AND PANIC HARDWARE

GLAZING SCHEDULE

KEY	GLAZING TYPE
GL-1	INSULATED CLEAR TEMPERED GLAZING
GL-2	FIRE RATED INSULATED GLAZING
GL-3	CLEAR TEMPERED GLASS
GL-4	CLEAR INSULATED TEMPERED GLASS
GL-5	FIRE RATED GLAZING