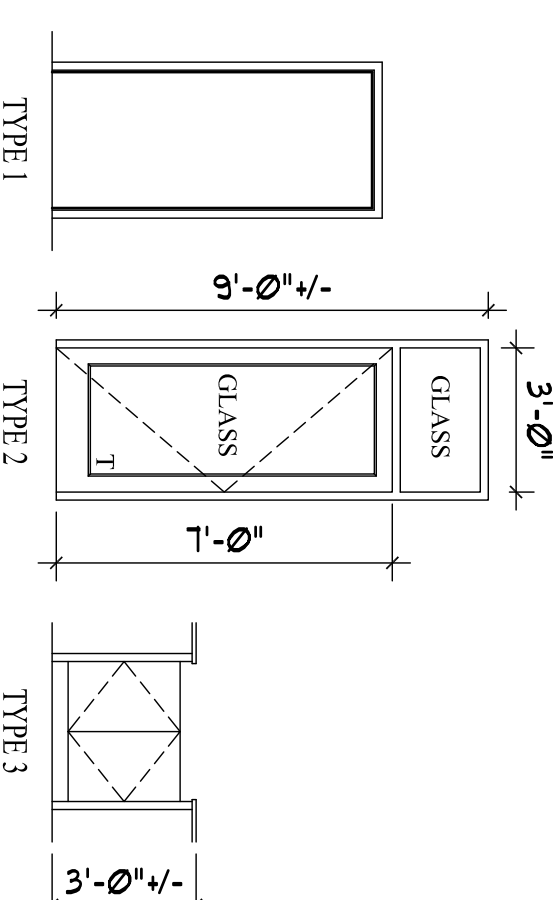


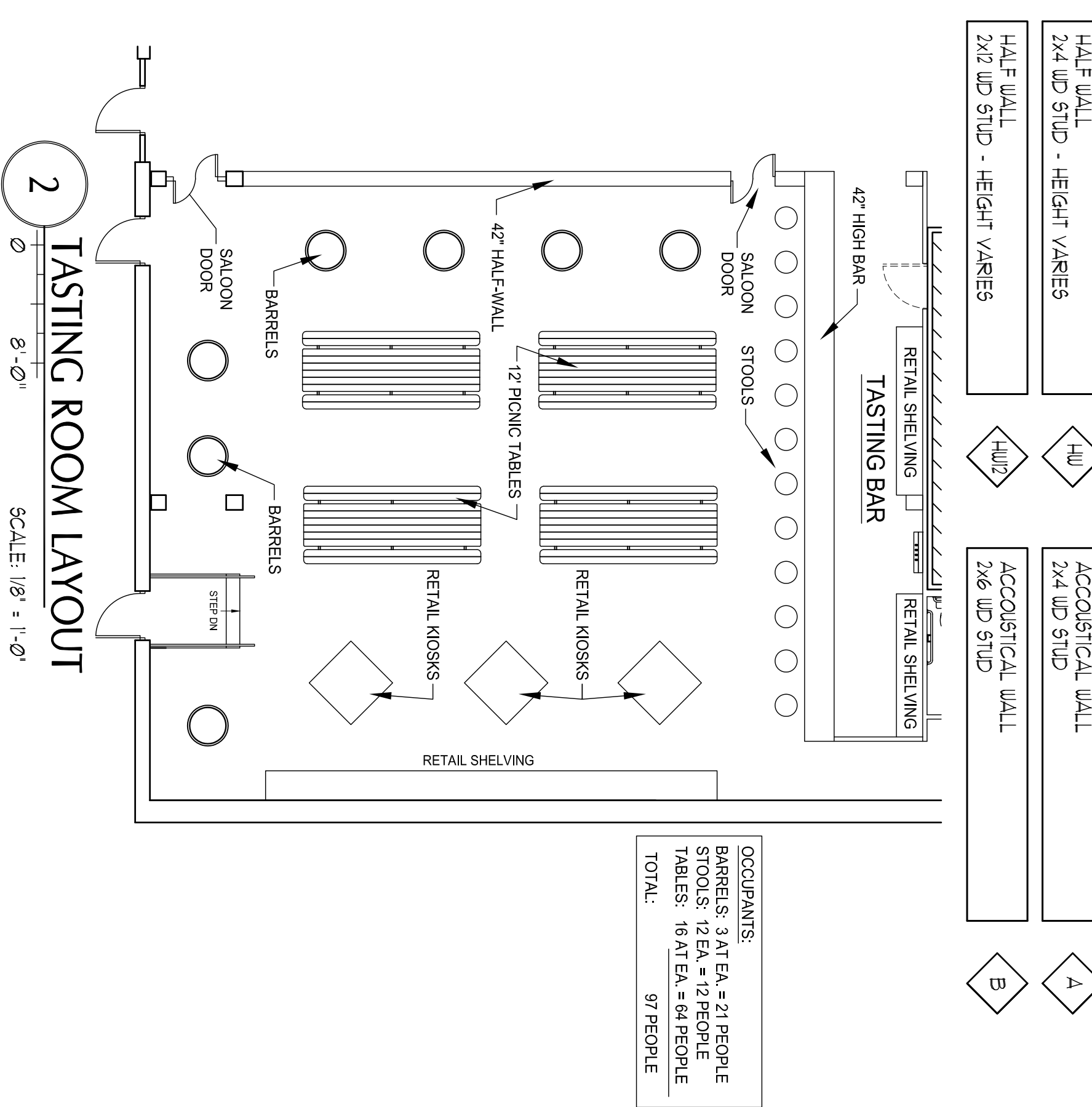
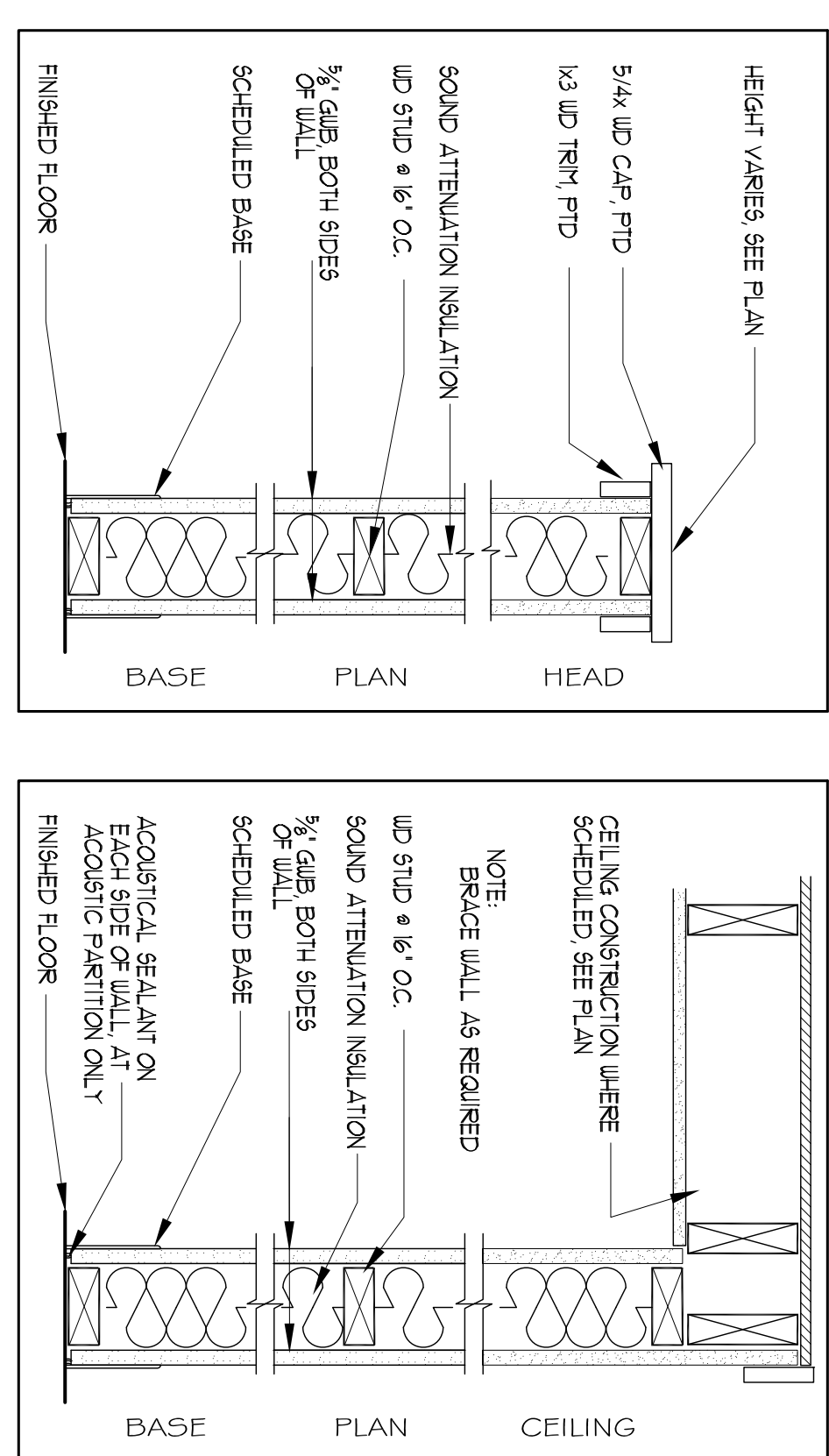
1 FLOOR PLAN
SCALE: 1/8" = 1'-0"

| * DOOR SCHEDULE * | | | | | | | |
|-------------------|--------|-------------------------|----------------|--|----------------|--------|-------------------------------|
| DOOR No. | NEW/EX | SIZE W x H x T | DOOR Material | HARDWARE | FRAME Material | RATING | REMARKS |
| 01 | NEW | 3'-0" x 7'-0" x 1'-3/4" | Alum. Glass | Lever Lockset, Weather Stripping, Alum. Threshold | Alum. | 1 HR | Owner option to use rail door |
| 02 | NEW | 3'-0" x 6'-8" x 1'-3/4" | Insl. Metal | Point Lockset, Closer, Weatherstripping, Alum. Threshold | Metal | | Ex. closer to be replaced |
| 03 | EX | 3'-0" x 6'-8" x 1'-3/4" | Insl. Metal | Closer, Kickplate (REMAINER IS EXISTING) | Metal | | |
| 04 | NEW | 3'-0" x 6'-8" x 1'-3/4" | S. C. Oak Slab | Lever Handle Privacy Set, Kick Plate, Closer | Wood | | |
| 05 | NEW | 3'-0" x 6'-8" x 1'-3/4" | S. C. Oak Slab | Lever Handle Privacy Set, Kick Plate, Closer | Wood | | |
| 06 | NEW | (2) 1'-6" x 2'-4" x 1" | Wood | Double Swing Spring Hinges | Wood | | Saloon Style Door |
| 07 | NEW | 3'-0" x 2'-4" x 1" | Wood | Double Swing Spring Hinges | Wood | | Saloon Style Door |
| 08 | EX | 3'-0" x 6'-8" x 1'-3/4" | H.C. Wood | (EXISTING) | Wood | 1 HR | |
| 09 | EX | 3'-0" x 6'-8" x 1'-3/4" | Insl. Metal | Lever Handle, Closer (REMAINER IS EXISTING) | Metal | | |
| 10 | EX | 3'-0" x 6'-8" x 1'-3/4" | Insl. Metal | Lever Handle, Closer (REMAINER IS EXISTING) | Metal | | |
| 11 | EX | 3'-0" x 6'-8" x 1'-3/4" | Hollow Metal | Lever Handle, Closer (REMAINER IS EXISTING) | Metal | | |

NOTE: All new hardware to meet ADA requirements.
NOTE: Signs on doors 3, 8, 10, and 11 to read: "Doors to remain unlocked during business hours"



WALL TYPES



2 TASTING ROOM LAYOUT
SCALE: 1/8" = 1'-0"

PORTLAND CITY ARCHITECTURE
65 NEWBURY STREET
PORTLAND, ME 04101
207.761.9000

PERMIT SET
• NOT FOR CONSTRUCTION •

OXBOW BREWING CO.

59 Washington Ave.
Portland, Maine

FLOOR PLAN

Drawn By: MC
Checked By: ACH

A-1.10

| # | DATE | DESCRIPTION |
|----|---------|-------------|
| 01 | 1-31-14 | PERMIT SET |

Date Issued: 07.31.2014
Project Number: 14102
Drawing Scale: AS NOTED