

**GENERAL NOTES**

**1: DRAWING NOTES:** CONTRACTOR TO FURNISH AND INSTALL ALL NOTED LABOR AND MATERIALS UNLESS OTHERWISE NOTED.

**2: CODE COMPLIANCE:** ALL WORK SHALL CONFORM TO THE LATEST EDITION OF STATE, LOCAL AND OTHER CODES WHICH APPLY TO THIS PROJECT OR HAVE JURISDICTION.

**3: COORDINATION:** IT IS THE RESPONSIBILITY OF THE CONTRACTOR TO COORDINATE ALL DISCIPLINES AND TRADES SO THAT ALL BUILDING SYSTEMS AND COMPONENTS CAN BE ASSEMBLED WITHOUT CONFLICTS. IN THE EVENT THAT THE CONSTRUCTION DOCUMENTS DEFINE CONDITIONS WHICH PROHIBIT, OR MAY PROHIBIT, SUCH ASSEMBLY, THE CONTRACTOR SHALL BRING TO THE ARCHITECTS ATTENTION, IN WRITING AND IN A TIMELY FASHION, SUCH CONDITION. THE CONTRACTOR SHALL NOT PROCEED WITH RELATED WORK WITHOUT A WRITTEN RESOLUTION.

**4: DISCREPANCIES & CLARIFICATIONS:** THIS PROJECT INVOLVES THE FIT-UP OF AN EXISTING BUILDING. EXISTING DIMENSIONS SHOWN ON THE DRAWINGS ARE BELIEVED TO BE ACCURATE, BUT CANNOT BE GUARANTEED. MEASURE AND VERIFY DIMENSIONS IN FIELD PRIOR TO FABRICATION AND CONSTRUCTION. IT IS THE RESPONSIBILITY OF THE CONTRACTOR TO BRING TO THE ARCHITECTS ATTENTION, IN WRITING, ANY DISCREPANCIES OR AMBIGUITIES IN THE DRAWINGS AND/OR SPECIFICATIONS. THE CONTRACTOR SHALL NOT PROCEED WITH RELATED WORK WITHOUT A WRITTEN RESOLUTION OR CLARIFICATION FROM THE ARCHITECT.

**5: LAYOUT:** UNLESS INDICATED OTHERWISE, CENTER WALL FRAMING AND PARTITION FRAMING ON COLUMN LINES. FLOOR PLAN DIMENSIONS ARE TO CENTER OF FRAMING, FACE OF CONCRETE, FACE OF CMU, OR FROM COLUMN CENTERLINES, UNLESS INDICATED OTHERWISE. DOORS AND WINDOWS ARE DIMENSIONED TO CENTERLINES UNLESS INDICATED OTHERWISE.

**6: CENTERING:** UNLESS INDICATED OTHERWISE, CENTER BUILDING ELEMENTS WITHIN OR BETWEEN BUILDING ELEMENTS WHEN CONDITIONS OR THE DRAWINGS INDICATE OR IMPLY THAT SUCH IS THE INTENT, WHETHER OR NOT DIMENSIONS ARE INCLUDED.

**7: SYMMETRY:** WHERE CONDITIONS OR THE DRAWINGS INDICATE OR IMPLY THAT SYMMETRY IS INTENDED, INFORMATION PROVIDED AT ONE SIDE APPLIES EQUALLY TO BOTH SIDES, UNLESS CONDITIONS CLEARLY PRECLUDE SUCH APPLICATION.

**8: ACCESSIBILITY:** ALL HANDICAPPED ACCESSIBLE BATHROOMS, GRAB BARS, AND DOOR OPENINGS SHALL MEET THE REQUIREMENTS OF TITLE 94-349, CHAPTER 1 OF THE MAINE HUMAN RIGHTS COMMISSION TITLE LATEST EDITION & THE DEPARTMENT OF JUSTICE ADA STANDARDS FOR ACCESSIBLE DESIGN.

**9: DRAWING SCALES:** WORK FROM THE GIVEN DIMENSIONS ONLY. SCALE IS INDICATED ON THE DRAWINGS FOR CONVENIENCE ONLY. IT IS NOT INTENDED THAT INFORMATION BE DETERMINED BY SCALING THE DRAWINGS SINCE SOME ITEMS MAY NOT BE TO SCALE.

**10: WATER-RESISTANT GWB:** INSTALL WATER-RESISTANT GYPSUM WALL BOARD IN ALL RESTROOMS & TOILET ROOMS OR AT ANY WALL WITH PLUMBING FIXTURES.

**10A: HIGH IMPACT GWB:** INSTALL HIGH IMPACT GYPSUM WALL BOARD IN ALL STAIRWELLS

**11: INTERIOR ELEVATIONS:** INTERIOR ELEVATIONS MAY BE REVERSED FROM AND/OR SIMILAR TO ACTUAL CONDITIONS. SEE FLOOR PLANS FOR WINDOW AND DOOR QUANTITIES AND LOCATIONS, FOR CASEWORK LAYOUTS, AND FOR MONITOR LOCATIONS.

**12: BUILDING INSULATION:** PROVIDE AS INDICATED IN WALL SECTIONS AND IN ACCORDANCE WITH PARTITION TYPES, WHETHER OR NOT SHOWN IN DETAILS AND OTHER DRAWINGS. FOR CLARITY, INSULATION MAY NOT BE SHOWN IN SOME CASES, EVEN IF IT IS TO BE PROVIDED.

**13: BLOCKING:** INSTALL BLOCKING BEHIND ALL SURFACE-APPLIED FIXTURES TRIM, CASEWORK, SHELVES, BRACKETS, TOILET ACCESSORIES, CHAIR RAILS, PICTURE RAILS, GRAB BARS, BASE MOLDINGS, AND AS OTHERWISE REQUIRED, WHEN SUCH ITEMS ARE APPLIED ON STUD WALLS.

**14: PENETRATIONS AT STRUCTURAL MEMBERS:** BEFORE PENETRATING JOISTS, BEAMS OR OTHER STRUCTURAL MEMBERS, CONSULT WITH THE ARCHITECT.

**15: DAMAGED WORK:** BUILDING OR SITE COMPONENTS WHICH ARE AFFECTED BY NEW WORK, DEMOLITION, OR WHICH MAY BE DAMAGED BY THE GENERAL CONTRACTOR OR ANY SUB-CONTRACTOR SHALL BE REPLACED OR RESTORED TO ORIGINAL CONDITION AND COLOR TO MEET THE APPROVAL OF THE ARCHITECT.

**16: UTILITIES:** VERIFY THE SIZE AND LOCATION OF ALL UNDERGROUND UTILITIES AND REPORT ANY DISCREPANCIES TO THE ARCHITECT IN WRITING. DO NOT PROCEED WITH WORK UNTIL THE DISCREPANCY HAS BEEN RESOLVED TO THE SATISFACTION OF THE ARCHITECT.

**17: RATED CONSTRUCTION:** PROVIDE RATED CONSTRUCTION AS REQUIRED BY CODE, AS SPECIFIED, AND AS INDICATED ON DRAWINGS. IT IS THE RESPONSIBILITY OF THE CONTRACTOR TO PROVIDE AND INSTALL ALL COMPONENTS REQUIRED TO CREATE SUCH RATED CONSTRUCTION, REGARDLESS OF WHETHER OR NOT SUCH COMPONENTS ARE INDICATED. PROVIDE CONTINUITY OF SUCH RATED CONSTRUCTION AROUND AND BETWEEN SPACES, INCLUDING AT CHASES AND AT FLOORS, TO MAINTAIN COMPLETE SEPARATIONS, EVEN IF NOT SPECIFICALLY INDICATED.

**18: SHOP DRAWINGS:** SUBMIT SHOP DRAWINGS TO THE ARCHITECT FOR REVIEW PRIOR TO FABRICATIONS. SUBMITTALS REQUIRED INCLUDE, BUT ARE NOT LIMITED TO, SHOP DRAWINGS FOR ALL PREFABRICATED CONCRETE, STEEL, MILLWORK & SIGNAGE, SAMPLES OF ALL PROPOSED PAINTS, METALS, WALL COVERINGS, LAMINATES, SOLID SURFACE MATERIALS, CERAMIC TILE, AND HARDWARE. SUBMIT MANUFACTURERS' DATA FOR ALL LIGHTING SYSTEMS, AND HARDWARE.

**19: PERMITS:** THE GENERAL CONTRACTOR SHALL OBTAIN AND PAY FOR ANY BUILDING PERMITS REQUIRED AND CARRY ANY INSURANCE COVERAGES REQUIRED.

**20: INTERIOR FINISHES:** ALL INTERIOR FINISHES AND FURNISHINGS ARE TO BE CLASS 'A' FIRE-RATED AND ARE TO COMPLY WITH SECTION 920.0 BOCA (INTERIOR FLAME SPREAD).

**21: ELECTRICAL DESIGN:** DESIGN BUILD FORMAT

**22: WASTE REMOVAL:** THE GENERAL CONTRACTOR SHALL DISPOSE OF ALL WASTE AND DEBRIS OFF THE PREMISES.

**23: LANDLORD COORDINATION:** THE GENERAL CONTRACTOR MUST COORDINATE WITH THE BUILDING OWNER ALL ACTIVITIES INCLUDING BUT NOT LIMITED TO WORK WHICH WILL GENERATE EXCESSIVE NOISE AND MODIFICATION TO UTILITIES. WORK MUST NOT INTERFERE WITH EXISTING SMOKE DETECTORS, ALARMS OR BUILDING SYSTEM MANAGEMENT.

**24: TEMPORARY FACILITIES:** PROVIDE ALL TEMPORARY FACILITIES AND SERVICES, CONSTRUCTION AND SUPPORT FACILITIES, AND SECURITY AND PROTECTION AS NEEDED TO PROTECT NEW AND EXISTING CONSTRUCTION FOR THE DURATION OF A COMPLETE INSTALLATION.

**25: FINAL CLEANING:** EMPLOY EXPERIENCED WORKERS FOR FINAL CLEANING. CLEAN EACH SURFACE TO THE CONDITION EXPECTED IN A COMMERCIAL BUILDING CLEANING PROGRAM.

**26: MANUFACTURERS INSTRUCTIONS:** ALL MATERIALS & EQUIPMENT SHALL BE INSTALLED ACCORDING TO MANUFACTURER'S SPECIFICATIONS.

**27: GUARANTEE:** GUARANTEE: ALL MATERIALS AND WORKMANSHIP SHALL BE GUARANTEED FOR A PERIOD OF ONE YEAR FROM THE DATE OF FINAL ACCEPTANCE UNLESS OTHERWISE SPECIFIED FOR A LONGER PERIOD OF TIME ON A CERTAIN ITEM.

**28: ASBESTOS:** ALL MATERIAL USED FOR THE CONSTRUCTION OF THIS PROJECT, WHETHER THE BUILDING MATERIALS OR APPURTENANCES, SHALL BE NON-ASBESTOS CONTAINING MATERIAL.

**29: HAZARDOUS FUMES:** THE GENERAL CONTRACTOR SHALL CONFIRM THAT ALL MATERIAL AND FINISHES SPECIFIED IN A WAY THAT FABRICATION OR INSTALLATION WILL NOT RELEASE FUMES OR AROMAS DURING CONSTRUCTION WHICH MAY BE A HAZARD OR NUISANCE TO PERSONNEL.

**30: PEST CONTROL:** SEAL AND CAULK AROUND ALL PENETRATIONS, CRACKS AND CREVICES AND ANY OPENINGS CAPABLE OF HARBORING INSECTS/RODENTS.

**31: EXPOSED UTILITIES:** ALL EXPOSED UTILITY WIRES AND PIPES (ELECTRICAL, PLUMBING, ETC.) SHALL BE INSTALLED IN A WAY THAT DOES NOT OBSTRUCT OR PREVENT THE CLEANING OF FLOORS, WALLS, AND CEILING AREAS. THEY SHALL BE INSTALLED A MINIMUM OF 6" OFF FLOORS AND 1" OFF WALLS, CEILINGS AND ADJACENT PIPES.

**32. OWNER SUPPLIED EQUIPMENT:** EQUIPMENT SUPPLIED BY THE OWNER AND INSTALLED BY THE GENERAL CONTRACTOR SHALL BE IDENTIFIED BY EQUIPMENT INFORMATION AND SPECIFICATIONS ARE TO BE THE MOST CURRENT AVAILABLE AT THE TIME OF DOCUMENTATION PREPARATION. THE GENERAL CONTRACTOR SHALL BE RESPONSIBLE FOR VERIFYING WITH THE OWNER THE EXACT DIMENSIONS AND EQUIPMENT CONNECTION REQUIREMENTS (INCLUDING ELECTRICAL CIRCUIT REQUIREMENTS) OF EQUIPMENT TO BE SUPPLIED. THE GENERAL CONTRACTOR SHALL MAKE ALL FINAL CONNECTIONS AS NOTED ON THE DRAWINGS. INSTALL THE SET UP IN WORKING ORDER, CHECK WARRANTIES, TEST AND NOT VOID WARRANTIES. THE GENERAL CONTRACTOR SHALL COORDINATE WITH THE OWNER DELIVERY, STORAGE AND INSTALLATION OF ALL OWNER SUPPLIED EQUIPMENT. THE GENERAL CONTRACTOR SHALL STORE EQUIPMENT IF REQUESTED BY THE OWNER UNTIL INSTALLATION. SEE DRAWINGS FOR OTHER OWNER SUPPLIED/GENERAL CONTRACTOR INSTALLED ITEMS.

**33: FIRE PROTECTION NOTE:** EXISTING SPRINKLERHEADS, ALARM SYSTEM AND DETECTORS ARE TO BE MODIFIED TO CONFORM WITH THE PROPOSED PLAN. COORDINATE WITH THE ARCHITECT, ANY MODIFICATION OR LOCATIONS WHERE EXISTING SYSTEMS ARE AFFECTED BY THE NEW DESIGN.

**34: SOILS AT FOOTINGS:** REPORT THE LOCATION OF ALL UNSUITABLE SOILS AND MATERIALS BELOW ANTICIPATED LEVEL OF FOOTING TO THE ARCHITECT PRIOR TO THE SETTING OF FORMS.

**35: ACCESS PANELS:** CONTRACTOR IS RESPONSIBLE FOR COORDINATING QUANTITY AND LOCATION OF ALL REQUIRED ACCESS PANELS FOR ALL MEP CONTROLS, CLEANOUTS, DAMPERS, PULL BOXES, ETC.

**36: EXISTING HAZARDOUS MATERIALS** ALL HAZARDOUS MATERIALS INCLUDING BUT NOT LIMITED TO ASBESTOS AND LEAD PAINT ARE TO BE HANDLED, ENCAPSULATED, ABATED AND DISPOSED OF IN ACCORDANCE WITH ANY AND ALL FEDERAL, STATE AND LOCAL REQUIREMENTS AND REGULATIONS.

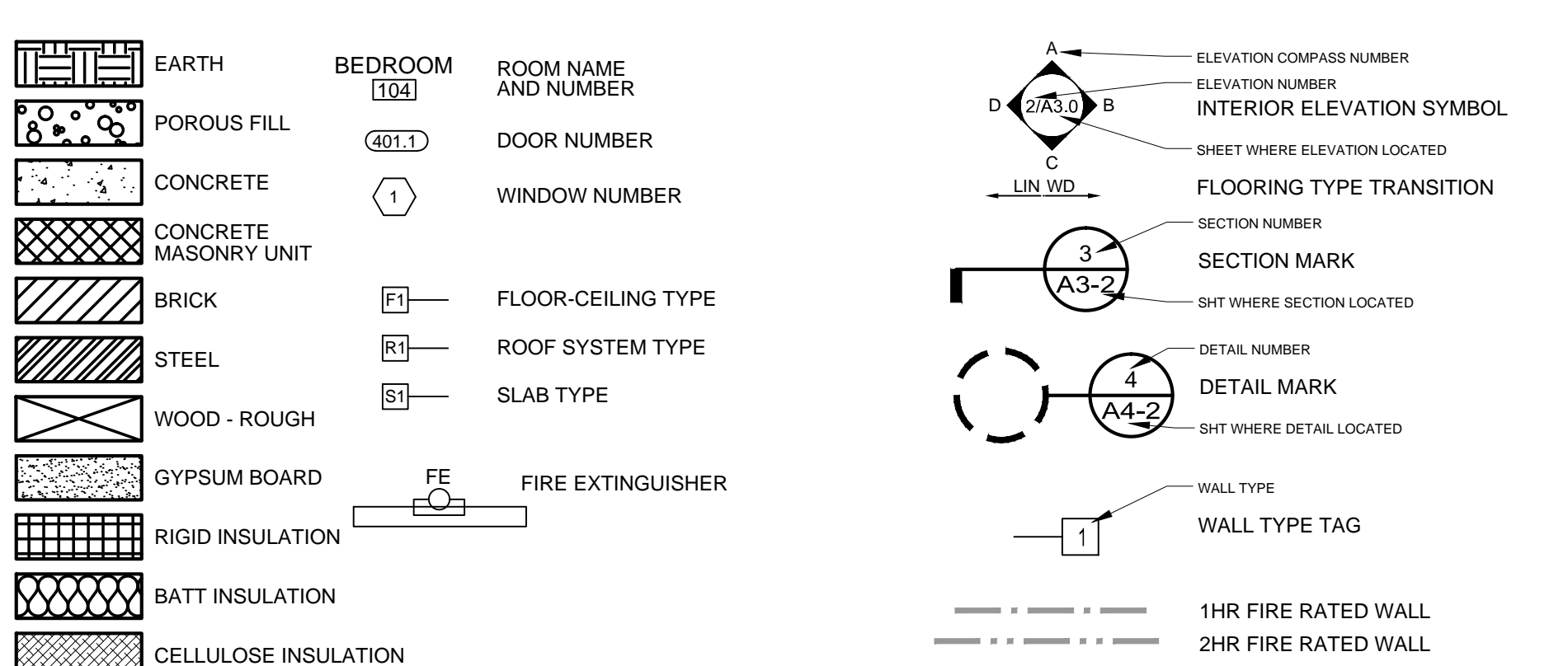
**37: INDUSTRY STANDARDS:** ALL WORK SHALL BE PERFORMED IN ACCORDANCE WITH INDUSTRY STANDARDS. STANDARDS INCLUDE BUT ARE NOT LIMITED TO THE FOLLOWING:

AAMA AMERICAN ARCHITECTURAL MANUFACTURERS ASSOCIATION  
 ACI AMERICAN CONCRETE INSTITUTE  
 ANSI AMERICAN NATIONAL STANDARDS INSTITUTE  
 ASTM AMERICAN SOCIETY FOR TESTS AND MATERIALS  
 AWI ARCHITECTURAL WOODWORK INSTITUTE  
 "CUSTOM GRADE"  
 AWS AMERICAN WELDING SOCIETY  
 IGMA INSULATING GLASS MANUFACTURERS ALLIANCE  
 NAAMM NATIONAL ASSOCIATION OF ARCHITECTURAL METAL MANUFACTURERS  
 NRCA NATIONAL ROOFING CONTRACTORS ASSOCIATION  
 NTCA NATIONAL TILE CONTRACTORS ASSOCIATION  
 SMACNA SHEET METAL AND AIR CONDITIONING NATIONAL ASSOCIATION  
 WDMA WINDOW AND DOOR MANUFACTURERS ASSOCIATION

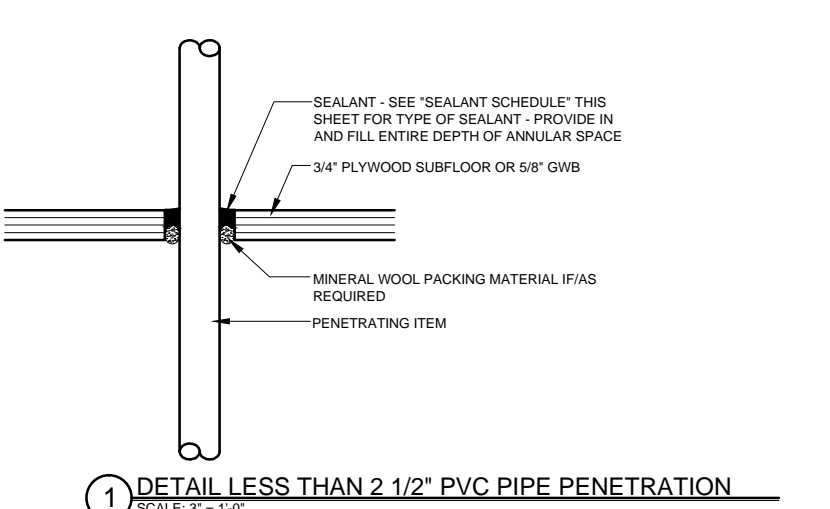
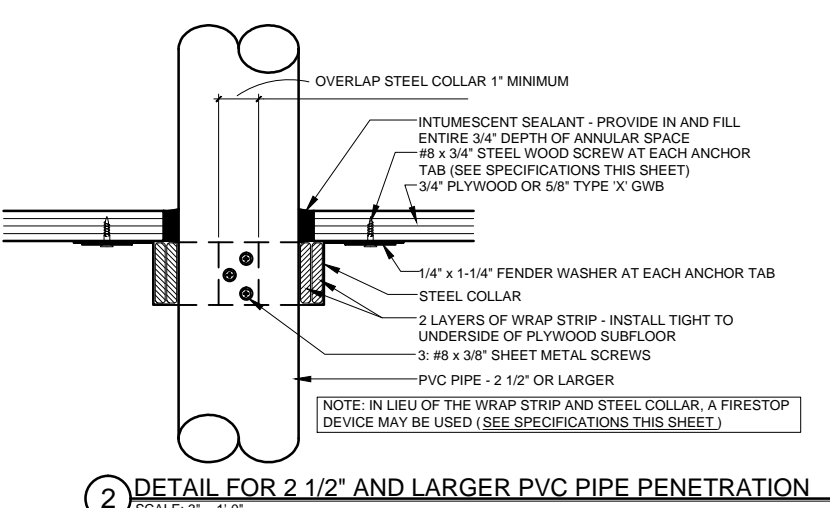
**ABBREVIATIONS**

<b>A</b> AC AIR CONDITIONING ACT ACUSTICAL CEILING TILE ADAAG ADA DRAIN	<b>B</b> B TO BLS BACK-TO-BACK ANGLES B.B.G.C. BASE BUILDING GENERAL CONTRACTOR BL BUILDING LINE BLDG BUILDING BLKG BLOCKING BSMT BASEMENT BTWN BETWEEN BO BY OTHERS	<b>C</b> C COURSE (MASONRY) CER CERAMIC CG CORNER GUARD CH COAT HOOK CJ CONTROL JOINT CL CL CLG CEILING CMU CONCRETE MASONRY UNIT CO CLEAN OUT COL COLUMN CONC CONCRETE COND CONDITION CONN CONNECTION CONSTR CONSTRUCTION CONT CONTINUOUS CORR CORRIDOR CT CERAMIC TILE CUH CABINET UNIT HEATER	<b>L</b> LAB LABORATORY LAM LAMINATED LD LEAD LH LEFT-HAND LCC LEAD COATED COPPER	<b>M</b> M MACH MACHINERY MAS MASONRY MAT MATERIAL MAX MAXIMUM MD MEDIUM-DENSITY OVERLAY MEC MECHANICAL MEMB MEMBRANE MET METAL MEZ MEZZANINE MFR MANUFACTURER MIN MINIMUM MISC MISCELLANEOUS MNO MASONRY OPENING MNT MOUNTED ML METAL MB MARKER BOARD	<b>N</b> N NORTH N NUMBER N IN CONTACT NOM NOMINAL DIMENSION NOT TO SCALE	<b>O</b> O ONOVER ON CENTER OD OUTSIDE DIAMETER/OUTSIDE DIMENSION OFF OFF OF OPENING OPP OPPOSITE ORP ORIENTED STRAND BOARD OZ OUNCE	<b>P</b> PBOIBC PURCHASED BY OWNER INSTALLED BY CONTRACTOR PC PRECAST PL PLATE PLM PLASTIC LAMINATE PAIR PAIR PREFAB PREFABRICATE PRM PRIMED PSF POUNDS PER SQUARE FOOT P.S.I. POUNDS PER SQUARE INCH PTD PAINTED PTN POLYVINYL CHLORIDE PVD PLYWOOD PRES PRESSURE TREATED PERF PERFORATED	<b>Q</b> Q QUARRY TILE QTR QUARTER	<b>R</b> R RISER/RADIUS RAD RADIUS RUBB RUBBER BASE RCP REFLECTED CEILING PLAN RD ROOF DRAIN REBAR REINFORCING BAR REF REFRIGERATOR REINF REINFORCED REQ REQUIRED RES RESILIENT REV REVERSE RM ROOM RO ROUGH OPENING ROW RIGHT OF WAY	<b>S</b> S SOUTH SCH SCHEDULE SF SQUARE FEET SIMILAR SIMILAR SPEC SPECIFICATION SQ SQUARE SS STAINLESS STEEL STC SOUND TRANSMISSION CLASS STD STANDARD STL STEEL STOR STORAGE STR STRUCTURE/STRUCTURAL SUSP SUSPENSION	<b>T</b> T TONGUE&GROOVE TEL TELEPHONE THK THICK TOP OF DECK TOP OF DECK TOS TOP OF STEEL TYPICAL TYPICAL TV TELEVISION TB TACK BOARD TOP OF CONCRETE TOP OF CONCRETE	<b>U</b> U UNDERWRITERS LABORATORIES, INC. UV UNIT VENTILATOR	<b>V</b> V VINYL COMPOSITION TILE VERT VERTICAL VERIF VERIFY IN FIELD VOL VOLUME	<b>W</b> W WEST W/O WITHOUT W/ WITH WOOD WOOD WF WIDE FLANGE WP WORK POINT WT WEIGHT
---	---	---	---	---	---	--	---	---------------------------------------	--	--	---	--	---	--

**DRAWING LEGEND**



**FIRESTOPPING DETAILS**



**SPECIFICATIONS**

**WRAP STRIP:** 1/4" THICK x 1 1/2" MINIMUM WIDTH INTUMESCENT MATERIAL WITH PLASTIC FILM FACING BOTH SIDES. TEMPORARILY SECURE WITH MAKING TAPE. SPECIFIED TECHNOLOGIES INC. (STI) "SpecSeal Red Wrap Strip" OR "SpecSeal Blue Wrap Strip" OR EQUAL.

**STEEL COLLAR:** WRAP STRIP MANUFACTURER'S STEEL COLLAR, FABRICATED FROM .016 INCH THICK GALVANIZED SHEET STEEL, WIDTH TO MATCH WRAP STRIP (1 1/2" MINIMUM), WITH 1 INCH x 2 INCH ANCHOR TABS AND RETAINER TABS. ANCHOR TABS TO BE SYMMETRICALLY OPPOSED AROUND COLLAR. PROVIDE 3 TABS FOR 2 1/2" AND 3" PIPE; PROVIDE 4 TABS FOR 4" PIPE.

**INTUMESCENT SEALANT:** ONE-PART, INTUMESCENT, LATEX ELASTOMER TESTED TO ASTM E 814. MINIMUM EXPANSION OF 3x AT 1000°F. 3M "FIRE BARRIER SEALANT CP 25WB" OR EQUAL.

**FIRESTOP SEALANT:** SINGLE COMPONENT NONCOMBUSTIBLE FIRE RATED SEALANT TESTED TO ASTM E 814. TESTED TO 3000°F. "BOSS 136 FIRESTOP/DRAFT SEALANT" MANUFACTURED BY ACCUMETRIC, LLC, OR EQUAL.

**SEALANT SCHEDULE:**

**INTUMESCENT SEALANT:** PROVIDE AT ALL PENETRATIONS THROUGH RATED CONSTRUCTION FOR PENETRATING ITEMS INCLUDING BUT NOT LIMITED TO: PVC PIPE; ROOF LEADER PIPES; GAS PIPES & LINES; SPRINKLER PIPES; ELECTRICAL & COMMUNICATIONS CABLES & WIRES; AND ALARM SYSTEM WIRES. DO NOT USE INTUMESCENT SEALANT AT DOMESTIC HOT WATER OR HYDRONIC HEATING SYSTEM PIPES.

**FIRESTOP SEALANT:** PROVIDE AT ALL PENETRATIONS THROUGH RATED CONSTRUCTION FOR PENETRATING ITEMS INCLUDING DOMESTIC HOT AND COLD WATER PIPES AND HYDRONIC HEATING SYSTEM PIPES.

**NOTE:** FOR LOCATIONS OF RATED CONSTRUCTION, SEE ARCHITECTURAL FLOOR PLANS AND SECTIONS

**WALL TYPE NOTES**

- FIRE RATED WALLS TO EXTEND UP TO DECKING ABOVE THROUGH THE FLOOR / CEILING ASSEMBLY. AT FLUTED DECKING DRYWALL TO BE CUT TO AND EXTEND UP TO PROFILE OF DECK FLUTES WITH ALLOWANCE FOR DEFLECTION JOINT
- INSTALL WATER RESISTANT GYPSUM WALLBOARD IN ALL RESTROOMS AND TOILET ROOM WALLS AND CEILINGS, AND AT ANY WALL WITH PLUMBING FIXTURES
- WHEN TWO ADJACENT WALL TYPES HAVE DIFFERING NUMBERS OF LAYERS OF GWB, THE FINISHED FACE OF GWB MUST FORM ONE CONTINUOUS PLANE, ADJUST STUD PLANE LOCATION AS REQUIRED TO ACHIEVE THE CONTINUOUS PLANE
- HOLD BOTTOM OF GWB UP 1/2" FROM CONCRETE, PROVIDE SEALANT AT JOINT.
- ALL WALL TYPES WITH AN INSULATION COMPONENT TO BE ACOUSTICALLY SEALED
- PROVIDE ACOUSTICAL SEALANT AROUND ALL PENETRATING ELEMENTS IN WALLS AND CEILINGS (ELECTRICAL BOXES, DUCTS, PIPES, ETC)
- FOR ALL WALLS THAT DO NOT RUN UP TO STRUCTURE ABOVE, PROVIDE DIAGONAL BRACING TO STRUCTURE ABOVE FOR WALL SUPPORT

GRAPHIC DEPICTION	DESCRIPTION
	- LAYER OF 5/8" GWB - 3/4" MTL STUDS AT 16" O.C. - LAYER OF 5/8" GWB

TYPE	FIRE RATING	UL NUMBER	STC RATING
NA	N/A	N/A	N/A

GRAPHIC DEPICTION	DESCRIPTION
	- LAYER OF 5/8" GWB - 6" MTL STUDS AT 16" O.C. - 5/8" SOUND BATT INSULATION - LAYER OF 5/8" GWB

TYPE	FIRE RATING	UL NUMBER	STC RATING
NB	N/A	N/A	N/A

GRAPHIC DEPICTION	DESCRIPTION
	- LAYER OF 5/8" GWB - 3/4" MTL STUDS AT 16" O.C. - 3/8" SOUND BATT INSULATION - 1/2" RESILIENT CHANNEL (ON DINING ROOM SIDE) - LAYER OF 5/8" GWB

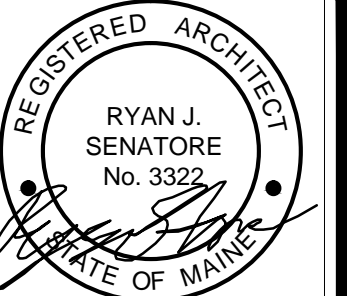
TYPE	FIRE RATING	UL NUMBER	STC RATING	IIC RATING
NC	N/A	N/A	N/A	N/A

GRAPHIC DEPICTION	DESCRIPTION
	- LAYER OF 5/8" GWB - 3/4" MTL STUDS AT 16" O.C. - 3/8" SOUND BATT INSULATION - 1/2" RESILIENT CHANNEL (ON DINING ROOM SIDE) - LAYER OF 5/8" GWB

TYPE	FIRE RATING	UL NUMBER	STC RATING	IIC RATING
ND	N/A	N/A	N/A	N/A

GRAPHIC DEPICTION	DESCRIPTION
	- FRP FROM FLOOR TO 4" AFF. - LAYER OF 5/8" GWB - 2" MTL STUDS AT 16" O.C.

TYPE	FIRE RATING	UL NUMBER	STC RATING	IIC RATING
NE	N/A	N/A	N/A	N/A



© 2014 RYAN SENATORE ARCHITECTURE

**RESTAURANT FIT-UP**  
75 WASHINGTON AVENUE  
PORTLAND, MAINE



**RYAN SENATORE ARCHITECTURE**  
565 CONGRESS STREET  
SUITE 304  
PORTLAND, MAINE 04101  
207-650-6414  
senatorearchitecture.com

CONSULTANTS:

REVISIONS:

DATE: OCTOBER 17, 2014

PROJECT No. 1437

DRAWN BY: RJS

CHECKED BY: RJS

SCALE: AS NOTED

SHEET TITLE:  
GENERAL NOTES, ABBREVIATIONS, LEGEND, WALL TYPES

**G1-1**