

Gawron
Turgeon
ARCHITECTS

100 Washington Avenue
Portland, Maine 04101
www.gawronturgeon.com
207.625.6257 or 207.625.0001 fax

GOODWILL INDUSTRIES
75 WASHINGTON AVENUE - THIRD FLOOR
PORTLAND, MAINE

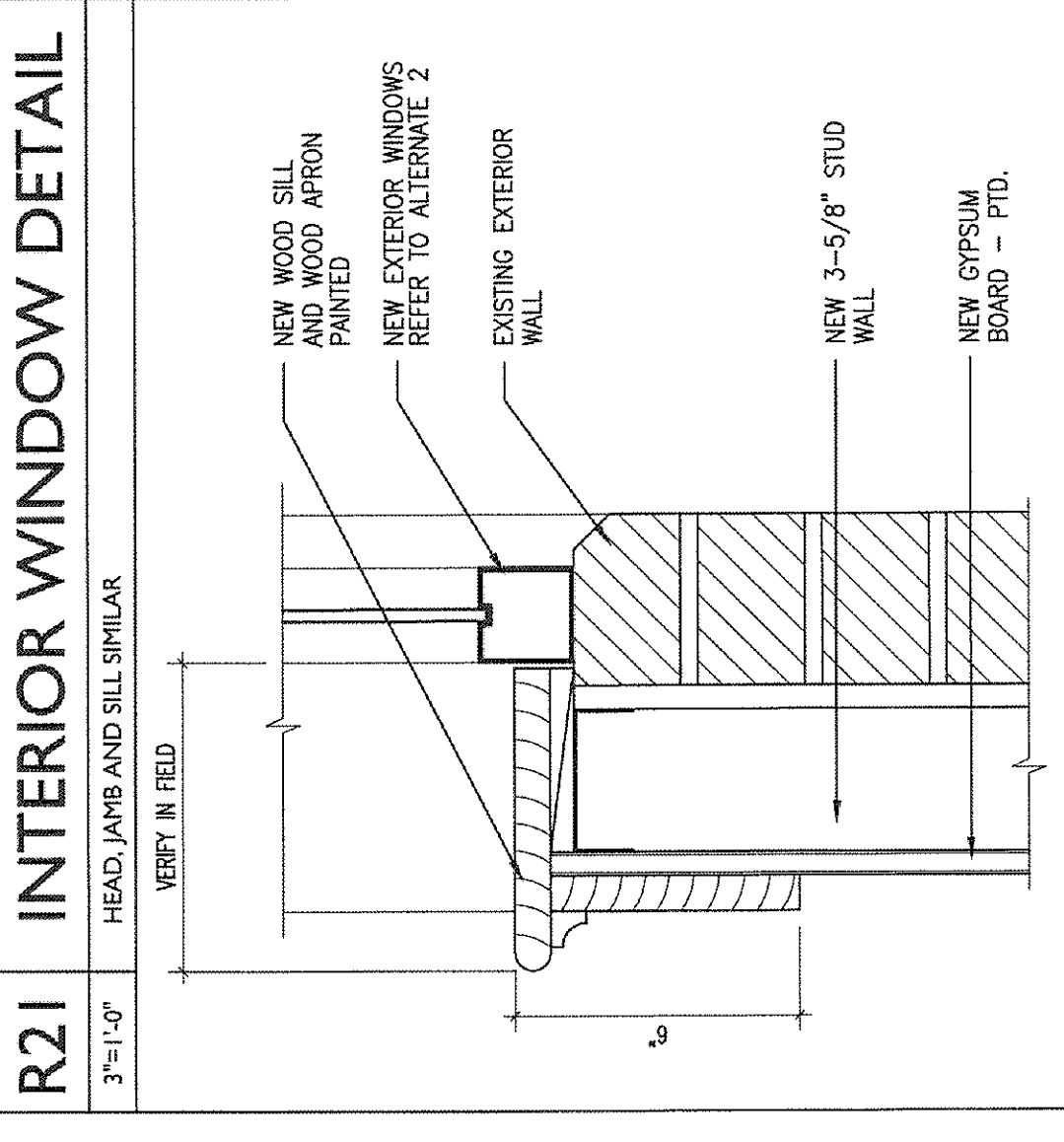
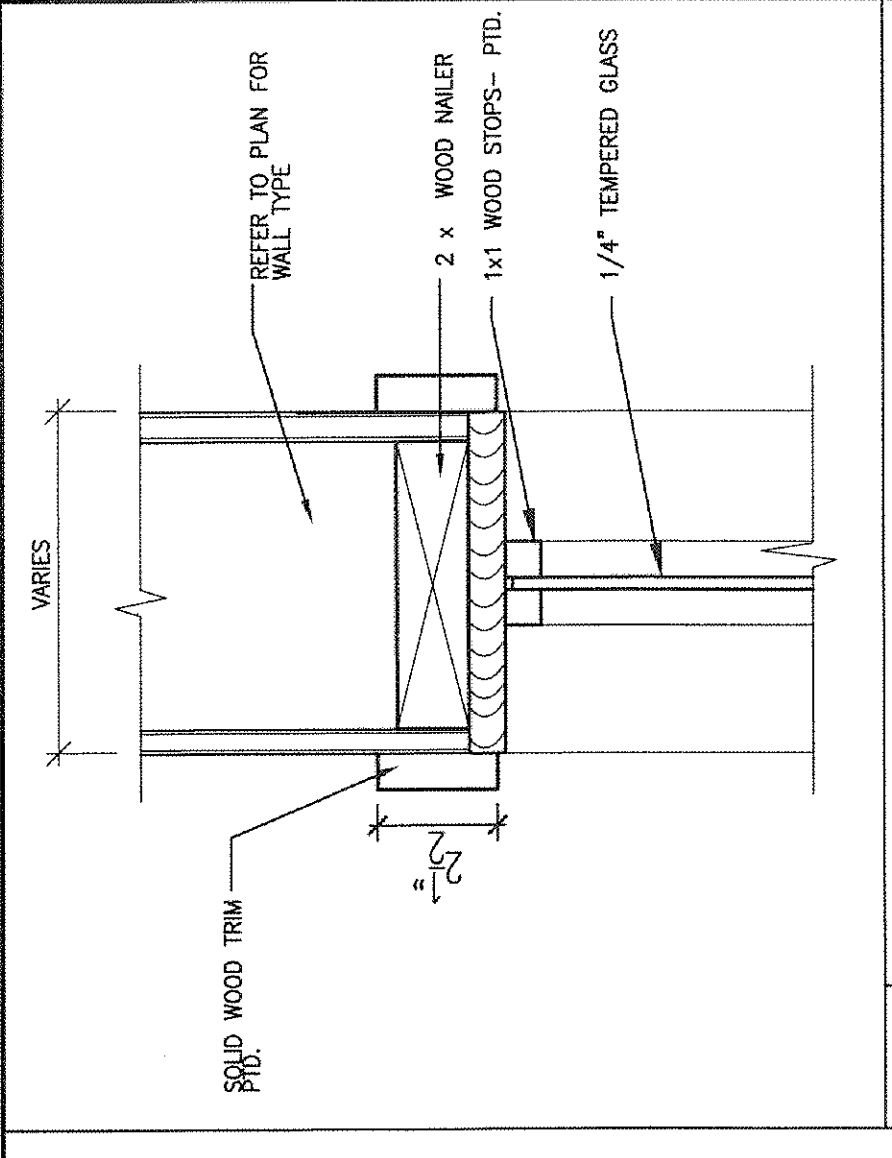
REVISIONS	
#	DATE DESCRIPTION
1	08/11/13 FRAMING SET

DATE	08/21/13
PROJECT #	070313
DRAWN BY:	DLP
CHECKED BY:	NET
DRAWING SCALE	AS NOTED

SHEET TITLE
DOORS SCHEDULE
DOOR AND FRAME TYPES

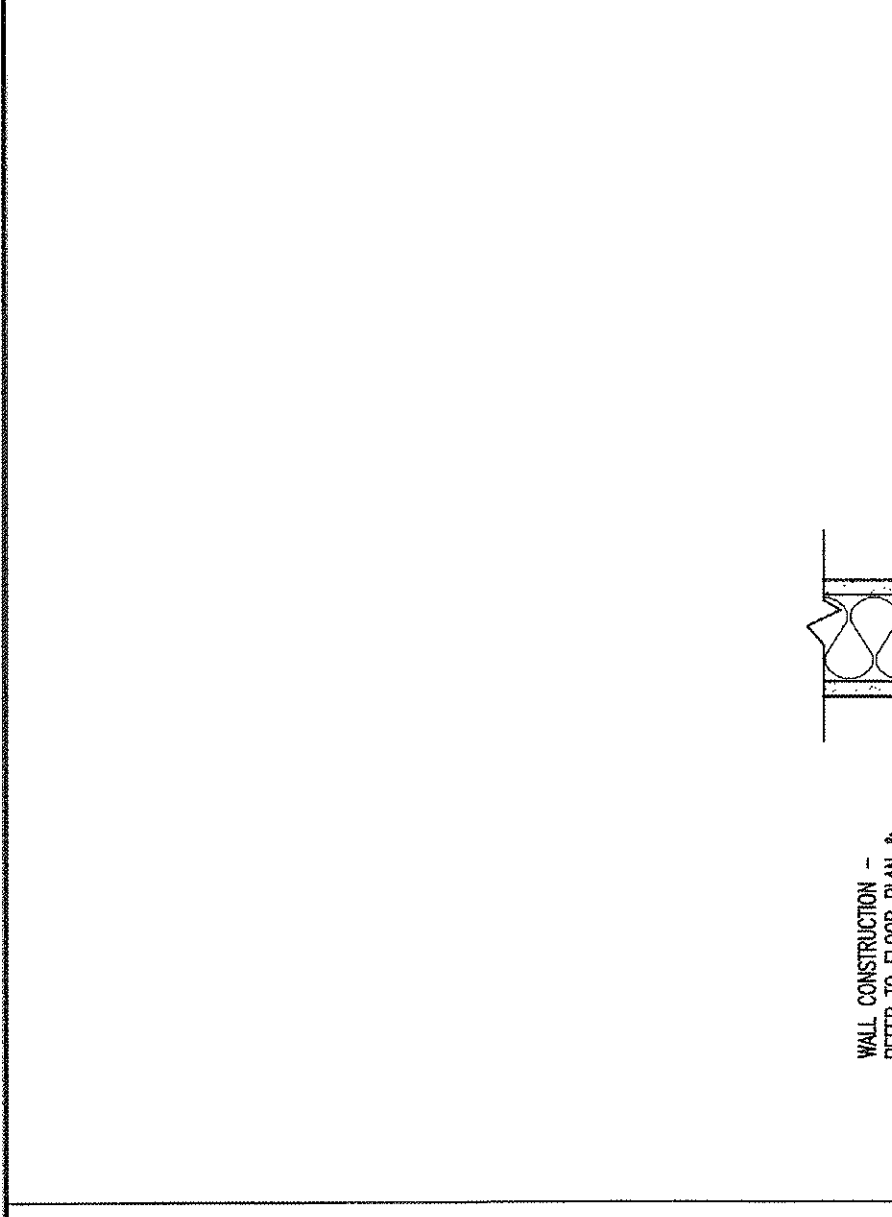
A800

COPYRIGHT 1985-2001
THE PROFESSIONAL REGISTER OF
MAINE ARCHITECTS & PLANNERS

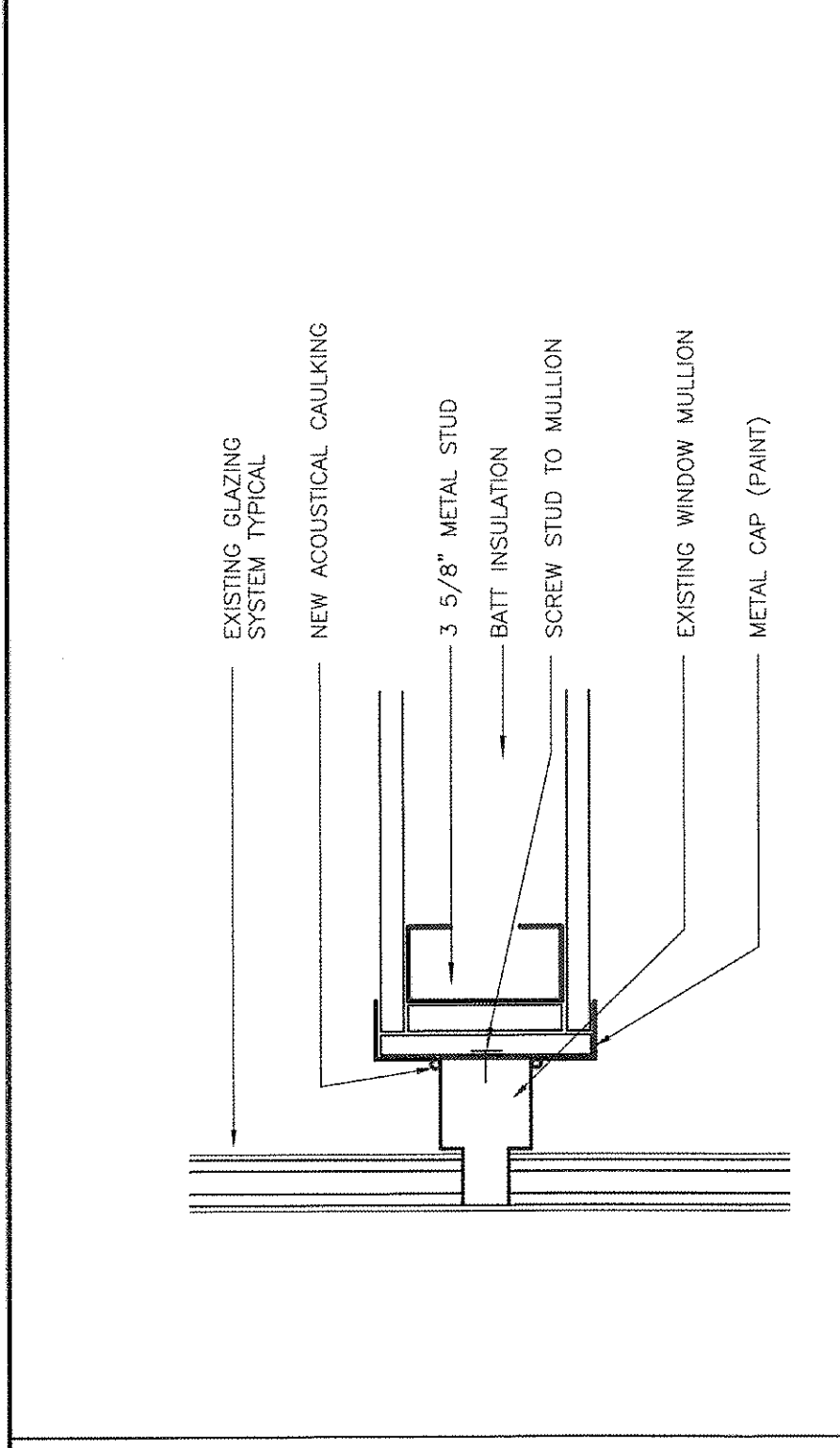


R21 INTERIOR WINDOW DETAIL
3\"/>

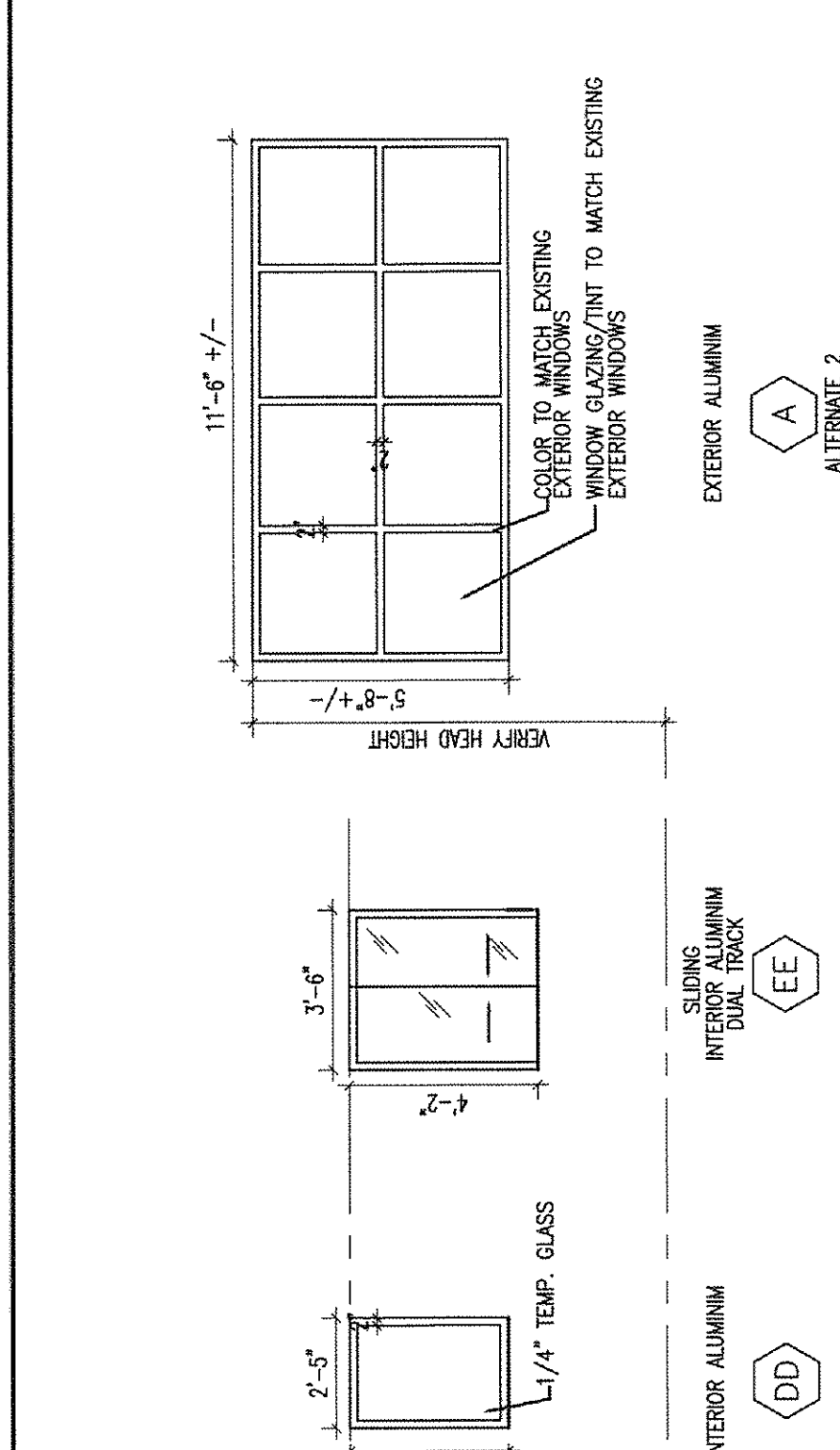
N21 SILL DETAIL - ALTERNATE 2
3\"/>



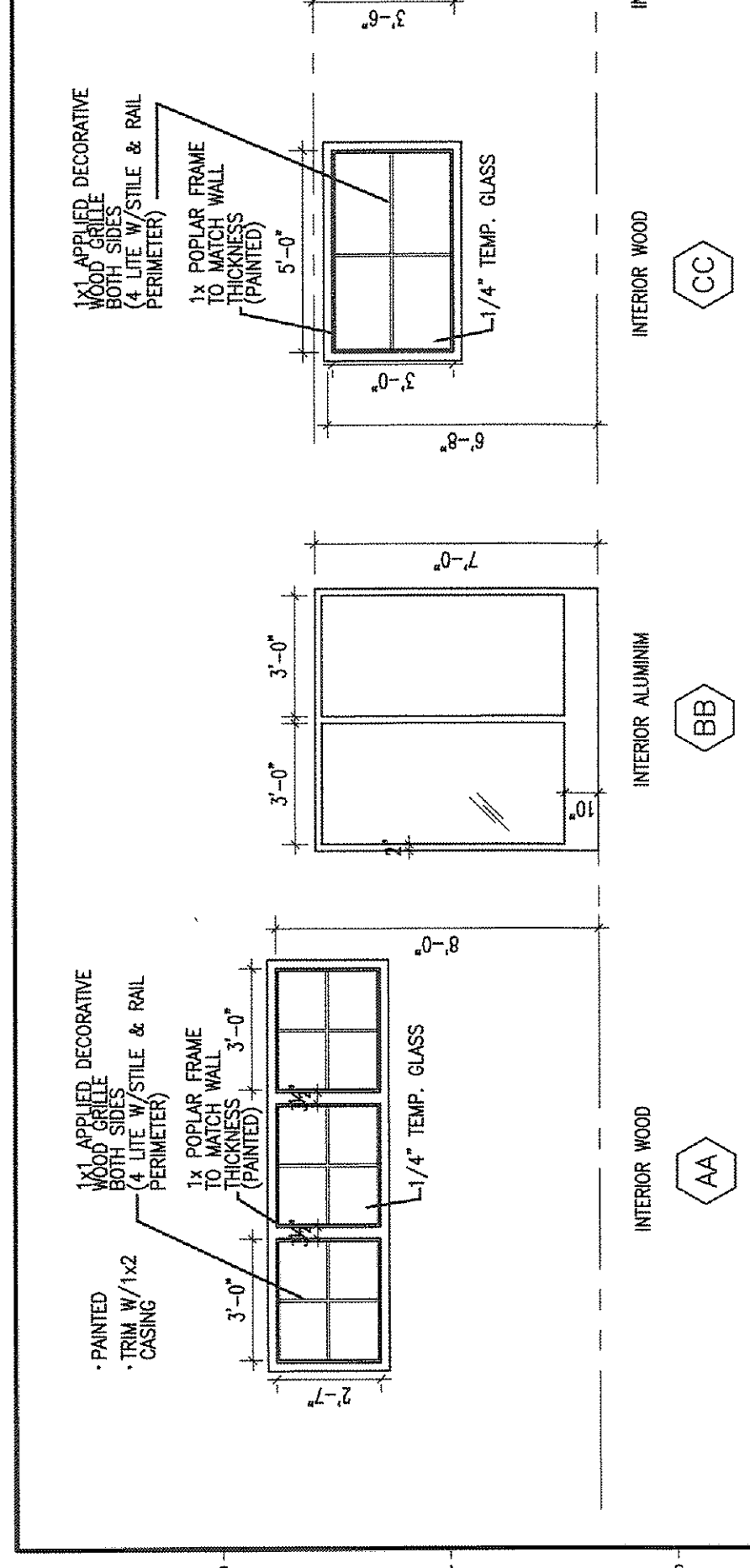
H1/J1
H2/J2



R12 WALL/MULLION DETAIL
3\"/>



N7 FRAME TYPES



RI WINDOW TYPES
1\"/>

N17 HEAD DETAILS
1\"/>

N12 WALL/MULLION DETAIL
3\"/>

N7 FRAME TYPES

N1 WINDOW TYPES
1\"/>

DOOR SCHEDULE																																					
 | | |
 | | | | | | | | |
 | | | | | |
 | | | | | | | | |
 | | | | | | | | |
 | | |
 | | | | | | | | |
 | | | | | |
 | | | | | | | | |
 | | | | | | | | |
 | | |
 | | | | | | | | |
 | | | | | | | | |
 | | | | | | | | |
 | | | | | | | | |
 | | | | | |
 | | | | | | | | |
 | | | | | | | | |
 | | | | | | | | |
 | | | | | | | | |
 | | | | | |
 | | | | | |
 | | | | | | | | |
 | | | | | | | | | | | | | | |
 | | | | | |
 | | | | | | | | |
 | | | | | |
 | | | | | | | | |
 | | | | | | | | |
 | | | | | | | | |
 | | | | | | | | |
 | | | | | | | | |
 | | | | | | | | |
 | | | | | | | | | | | |
 | | | | | | | | | | | | | | |
 | | | | | | | | | | | | | | | | | |
 | | | | | | | | | | | | | | | | | |
 | | | | | | | | | | | | | | | | | | | | | | | |
 | | | | | | | | | | | | | | | | | | | | | | | | | | | | | |
 | | | | | | | | | | | | | | | | | | | | | | | | | | | | | | | | | | | | | | |
 | | | | | | | | | | | | | | | | | | | | | | | | | | | | | | | | | | | | | | | | | | | | | | | | | | | | | | |
|---------------|------|--|-------|-----------|--------------|---------|-------
---|--------|--------
---|-------|-----------|------|-------|------
--|------|------
--|-------|-----------|------|-------|------
---|------|------
---|-------|-----------|------|-------|------
--|------|------
--|-------|-----------|------|-------|------
---|------|------
---|-------|-----------|------|-------|------
--|------|------
--|-------|-----------|------|-------|------
---|------|------
---|-------|-----------|------|-------|------
---|------|------
---|-------|-----------|------|-------|------
--|------|------
--|-------|-----------|------|-------|------
--|------|------
--|-------|-----------|------|-------|------
--|------|------
--|-------|-----------|------|-------|------
---|------|------
---|-------|-----------|------|-------|------
---	------	------
--	-------	------
---	-------	------
---	-------	-----------
--	------	------
-------	------	---
--	------	------
---	------	------
--	-------	------
---	-------	-----------
---	-------	-----------
---	-------	-----------
--	-------	-----------
---	------	------
--	-----	------
--	-------	-----------
--	------	------
--	-----	------
---	-------	-----------
---	------	------
--	-----	------
--	-------	-----------
---	-------	-----------
--	-------	-----------
--	-------	-----------
--	------	------
--	------	-----
--	------	-----
--	------	-----
--	------	------
--	------	------
--	------	------
NO	TYPE	THK
 | | FRAMES |
 | | DOORS | | | | | | |
 | | | | | |
 | | | | | | | | |
 | | | | | | | | |
 | | |
 | | | | | | | | |
 | | | | | |
 | | | | | | | | |
 | | | | | | | | |
 | | |
 | | | | | | | | |
 | | | | | | | | |
 | | | | | | | | |
 | | | | | | | | |
 | | | | | |
 | | | | | | | | |
 | | | | | | | | |
 | | | | | | | | |
 | | | | | | | | |
 | | | | | |
 | | | | | |
 | | | | | | | | |
 | | | | | | | | | | | | | | |
 | | | | | |
 | | | | | | | | |
 | | | | | |
 | | | | | | | | |
 | | | | | | | | |
 | | | | | | | | |
 | | | | | | | | |
 | | | | | | | | |
 | | | | | | | | |
 | | | | | | | | | | | |
 | | | | | | | | | | | | | | |
 | | | | | | | | | | | | | | | | | |
 | | | | | | | | | | | | | | | | | |
 | | | | | | | | | | | | | | | | | | | | | | | |
 | | | | | | | | | | | | | | | | | | | | | | | | | | | | | |
 | | | | | | | | | | | | | | | | | | | | | | | | | | | | | | | | | | | | | | |
 | | | | | | | | | | | | | | | | | | | | | | | | | | | | | | | | | | | | | | | | | | | | | | | | | | | | | | |
| | | | | | | | NO | SIZE
 | RATING | NO | NO
 | NO | NO | NO | NO | | | | | | | | | | | | | | | | | | | | | | | | | | | | | | | | | | | | | | | | | | | | | | | | | | |
 | | | | | |
 | | | | | | | | |
 | | | | | | | | |
 | | |
 | | | | | | | | |
 | | | | | |
 | | | | | | | | |
 | | | | | | | | |
 | | |
 | | | | | | | | |
 | | | | | | | | |
 | | | | | | | | |
 | | | | | | | | |
 | | | | | |
 | | | | | | | | |
 | | | | | | | | |
 | | | | | | | | |
 | | | | | | | | |
 | | | | | |
 | | | | | |
 | | | | | | | | |
 | | | | | | | | | | | | | | |
 | | | | | |
 | | | | | | | | |
 | | | | | |
 | | | | | | | | |
 | | | | | | | | |
 | | | | | | | | |
 | | | | | | | | |
 | | | | | | | | |
 | | | | | | | | |
 | | | | | | | | | | | |
 | | | | | | | | | | | | | | |
 | | | | | | | | | | | | | | | | | |
 | | | | | | | | | | | | | | | | | |
 | | | | | | | | | | | | | | | | | | | | | | | |
 | | | | | | | | | | | | | | | | | | | | | | | | | | | | | |
 | | | | | | | | | | | | | | | | | | | | | | | | | | | | | | | | | | | | | | |
 | | | | | | | | | | | | | | | | | | | | | | | | | | | | | | | | | | | | | | | | | | | | | | | | | | | | | | |
| 351 | C | 2 | 3\"/> | | | | |
 | | |
 | | | | | | | | |
 | | | | | |
 | | | | | | | | |
 | | | | | | | | |
 | | |
 | | | | | | | | |
 | | | | | |
 | | | | | | | | |
 | | | | | | | | |
 | | |
 | | | | | | | | |
 | | | | | | | | |
 | | | | | | | | |
 | | | | | | | | |
 | | | | | |
 | | | | | | | | |
 | | | | | | | | |
 | | | | | | | | |
 | | | | | | | | |
 | | | | | |
 | | | | | |
 | | | | | | | | |
 | | | | | | | | | | | | | | |
 | | | | | |
 | | | | | | | | |
 | | | | | |
 | | | | | | | | |
 | | | | | | | | |
 | | | | | | | | |
 | | | | | | | | |
 | | | | | | | | |
 | | | | | | | | |
 | | | | | | | | | | | |
 | | | | | | | | | | | | | | |
 | | | | | | | | | | | | | | | | | |
 | | | | | | | | | | | | | | | | | |
 | | | | | | | | | | | | | | | | | | | | | | | |
 | | | | | | | | | | | | | | | | | | | | | | | | | | | | | |
 | | | | | | | | | | | | | | | | | | | | | | | | | | | | | | | | | | | | | | |
 | | | | | | | | | | | | | | | | | | | | | | | | | | | | | | | | | | | | | | | | | | | | | | | | | | | | | | |
| 352 | ETR | - | WD. | J2 | PTD. | - | 351 | 3\"/>
 | | | | | | | | | | | | | | | | | | | | | | | | | | | | | | | | | | | | | | | | | | | | | | | | | | | | | | |
 | | | | | | | | |
 | | | | | |
 | | | | | | | | |
 | | | | | | | | |
 | | |
 | | | | | | | | |
 | | | | | |
 | | | | | | | | |
 | | | | | | | | |
 | | |
 | | | | | | | | |
 | | | | | | | | |
 | | | | | | | | |
 | | | | | | | | |
 | | | | | |
 | | | | | | | | |
 | | | | | | | | |
 | | | | | | | | |
 | | | | | | | | |
 | | | | | |
 | | | | | |
 | | | | | | | | |
 | | | | | | | | | | | | | | |
 | | | | | |
 | | | | | | | | |
 | | | | | |
 | | | | | | | | |
 | | | | | | | | |
 | | | | | | | | |
 | | | | | | | | |
 | | | | | | | | |
 | | | | | | | | |
 | | | | | | | | | | | |
 | | | | | | | | | | | | | | |
 | | | | | | | | | | | | | | | | | |
 | | | | | | | | | | | | | | | | | |
 | | | | | | | | | | | | | | | | | | | | | | | |
 | | | | | | | | | | | | | | | | | | | | | | | | | | | | | |
 | | | | | | | | | | | | | | | | | | | | | | | | | | | | | | | | | | | | | | |
 | | | | | | | | | | | | | | | | | | | | | | | | | | | | | | | | | | | | | | | | | | | | | | | | | | | | | | |
| 353 | A | 3\"/> <tr> <td>354</td> <td>ETR</td> <td>-</td> <td>WD.</td> <td>J2</td> <td>PTD.</td> <td>-</td> <td>352</td> <td>3\"/> <tr> <td>355</td> <td>ETR</td> <td>-</td> <td>WD.</td> <td>J2</td> <td>PTD.</td> <td>-</td> <td>353</td> <td>3\"/> <tr> <td>356</td> <td>ETR</td> <td>-</td> <td>WD.</td> <td>J2</td> <td>PTD.</td> <td>-</td> <td>354</td> <td>3\"/> <tr> <td>357</td> <td>ETR</td> <td>-</td> <td>WD.</td> <td>J2</td> <td>PTD.</td> <td>-</td> <td>355</td> <td>3\"/> <tr> <td>358</td> <td>ETR</td> <td>-</td> <td>WD.</td> <td>J2</td> <td>PTD.</td> <td>-</td> <td>356</td> <td>3\"/> <tr> <td>359</td> <td>ETR</td> <td>-</td> <td>WD.</td> <td>J2</td> <td>PTD.</td> <td>-</td> <td>357</td> <td>3\"/> <tr> <td>360</td> <td>ETR</td> <td>-</td> <td>WD.</td> <td>J2</td> <td>PTD.</td> <td>-</td> <td>358</td> <td>3\"/> <tr> <td>361A</td> <td>ETR</td> <td>-</td> <td>WD.</td> <td>J2</td> <td>PTD.</td> <td>-</td> <td>359</td> <td>3\"/> <tr> <td>362</td> <td>ETR</td> <td>-</td> <td>WD.</td> <td>J2</td> <td>PTD.</td> <td>-</td> <td>360</td> <td>3\"/> <tr> <td>363</td> <td>ETR</td> <td>-</td> <td>WD.</td> <td>J2</td> <td>PTD.</td> <td>-</td> <td>361A</td> <td>3\"/> <tr> <td>364A</td> <td>ETR</td> <td>-</td> <td>WD.</td> <td>J2</td> <td>PTD.</td> <td>-</td> <td>362</td> <td>3\"/> <tr> <td>365</td> <td>ETR</td> <td>-</td> <td>WD.</td> <td>J2</td> <td>PTD.</td> <td>-</td> <td>363</td> <td>3\"/> <tr> <td>366</td> <td>ETR</td> <td>-</td> <td>WD.</td> <td>J2</td> <td>PTD.</td> <td>-</td> <td>364A</td> <td>3\"/> <tr> <td>367</td> <td>B</td> <td>2 <td>HM</td> <td>J1</td> <td>PTD.</td> <td>1 HR.</td> <td>365</td> <td>3\"/> <tr> <td>368</td> <td>ETR</td> <td>-</td> <td>WD.</td> <td>J2</td> <td>PTD.</td> <td>-</td> <td>366</td> <td>3\"/> <tr> <td>369</td> <td>ETR</td> <td>-</td> <td>WD.</td> <td>J2</td> <td>PTD.</td> <td>-</td> <td>367</td> <td>3\"/> <tr> <td>370</td> <td>ETR</td> <td>-</td> <td>WD.</td> <td>J2</td> <td>PTD.</td> <td>-</td> <td>368</td> <td>3\"/> <tr> <td>371</td> <td>ETR</td> <td>-</td> <td>WD.</td> <td>J2</td> <td>PTD.</td> <td>-</td> <td>369</td> <td>3\"/> <tr> <td>372</td> <td>B</td> <td>2 <td>HM</td> <td>J1</td> <td>PTD.</td> <td>1 HR.</td> <td>370</td> <td>3\"/> <tr> <td>373A</td> <td>ETR</td> <td>-</td> <td>WD.</td> <td>J2</td> <td>PTD.</td> <td>-</td> <td>371</td> <td>3\"/> <tr> <td>374B</td> <td>ETR</td> <td>-</td> <td>WD.</td> <td>J2</td> <td>PTD.</td> <td>-</td> <td>372</td> <td>3\"/> <tr> <td>374C</td> <td>ETR</td> <td>-</td> <td>WD.</td> <td>J2</td> <td>PTD.</td> <td>-</td> <td>373A</td> <td>3\"/> <tr> <td>375</td> <td>B</td> <td>1 <td>WD</td> <td>J1</td> <td>PTD.</td> <td>-</td> <td>374B</td> <td>3\"/> <tr> <td>376</td> <td>B</td> <td>1 <td>WD</td> <td>J1</td> <td>PTD.</td> <td>-</td> <td>374C</td> <td>3\"/> <tr> <td>377</td> <td>B</td> <td>1 <td>WD</td> <td>J1</td> <td>PTD.</td> <td>-</td> <td>375</td> <td>3\"/> <tr> <td>377A</td> <td>B</td> <td>1 <td>WD</td> <td>J1</td> <td>PTD.</td> <td>-</td> <td>376</td> <td>3\"/> <tr> <td>378</td> <td>B</td> <td>1 <td>WD</td> <td>J1</td> <td>PTD.</td> <td>-</td> <td>377</td> <td>3\"/> <tr> <td>379</td> <td>B</td> <td>1 <td>WD</td> <td>J1</td> <td>PTD.</td> <td>-</td> <td>377A</td> <td>3\"/> <tr> <td>380A</td> <td>B</td> <td>1 <td>WD</td> <td>J1</td> <td>PTD.</td> <td>-</td> <td>378</td> <td>3\"/> <tr> <td>380B</td> <td>B</td> <td>1 <td>WD</td> <td>J1</td> <td>PTD.</td> <td>-</td> <td>379</td> <td>3\"/> <tr> <td>382</td> <td>ETR</td> <td>-</td> <td>WD.</td> <td>J2</td> <td>PTD.</td> <td>-</td> <td>380A</td> <td>3\"/> <tr> <td>382A</td> <td>D</td> <td>6 <td>ALUM.</td> <td>ANODIZE D</td> <td>-</td> <td>-</td> <td>380B</td> <td>3\"/> <tr> <td>385</td> <td>ETR</td> <td>-</td> <td>WD.</td> <td>J2</td> <td>PTD.</td> <td>-</td> <td>382</td> <td>3\"/> <tr> <td>386</td> <td>ETR</td> <td>-</td> <td>WD.</td> <td>J2</td> <td>PTD.</td> <td>-</td> <td>382A</td> <td>3\"/> <tr> <td>387</td> <td>ETR</td> <td>-</td> <td>WD.</td> <td>J2</td> <td>PTD.</td> <td>-</td> <td>385</td> <td>3\"/> <tr> <td>388</td> <td>ETR</td> <td>-</td> <td>WD.</td> <td>J2</td> <td>PTD.</td> <td>-</td> <td>386</td> <td>3\"/> <tr> <td>389</td> <td>ETR</td> <td>-</td> <td>WD.</td> <td>J2</td> <td>PTD.</td> <td>-</td> <td>387</td> <td>3\"/> <tr> <td>391</td> <td>ETR</td> <td>-</td> <td>WD.</td> <td>J2</td> <td>PTD.</td> <td>-</td> <td>388</td> <td>3\"/> <tr> <td>391A</td> <td>ETR</td> <td>-</td> <td>WD.</td> <td>J2</td> <td>PTD.</td> <td>-</td> <td>389</td> <td>3\"/> <tr> <td>391B</td> <td>ETR</td> <td>-</td> <td>WD.</td> <td>J2</td> <td>PTD.</td> <td>-</td> <td>391</td> <td>3\"/> <tr> <td>394</td> <td>ETR</td> <td>-</td> <td>WD.</td> <td>J2</td> <td>PTD.</td> <td>-</td> <td>391A</td> <td>3\"/> <tr> <td>395</td> <td>ETR</td> <td>-</td> <td>WD.</td> <td>J2</td> <td>PTD.</td> <td>-</td> <td>391B</td> <td>3\"/> <tr> <td>396</td> <td>ETR</td> <td>-</td> <td>WD.</td> <td>J2</td> <td>PTD.</td> <td>-</td> <td>394</td> <td>3\"/> <tr> <td>398</td> <td>ETR</td> <td>-</td> <td>WD.</td> <td>J2</td> <td>PTD.</td> <td>-</td> <td>395</td> <td>3\"/> <tr> <td>399</td> <td>ETR</td> <td>-</td> <td>WD.</td> <td>J2</td> <td>PTD.</td> <td>-</td> <td>396</td> <td>3\"/> <tr> <td>3991</td> <td>ETR</td> <td>-</td> <td>WD.</td> <td>J2</td> <td>PTD.</td> <td>-</td> <td>398</td> <td>3\"/> <tr> <td>3992</td> <td>A</td> <td>3\"/> <tr> <td>3993</td> <td>ETR</td> <td>-</td> <td>WD.</td> <td>J2</td> <td>PTD.</td> <td>-</td> <td>399</td> <td>3\"/> <tr> <td>3994</td> <td>ETR</td> <td>-</td> <td>WD.</td> <td>J2</td> <td>PTD.</td> <td>-</td> <td>3991</td> <td>3\"/> <tr> <td>3995</td> <td>ETR</td> <td>-</td> <td>WD.</td> <td>J2</td> <td>PTD.</td> <td>-</td> <td>3992</td> <td>3\"/> <tr> <td>3997</td> <td>ETR</td> <td>-</td> <td>WD.</td> <td>J2</td> <td>PTD.</td> <td>-</td> <td>3993</td> <td>3\"/> <tr> <td>3998</td> <td>ETR</td> <td>-</td> <td>WD.</td> <td>J2</td> <td>PTD.</td> <td>-</td> <td>3994</td> <td>3\"/> <tr> <td>3999</td> <td>ETR</td> <td>-</td> <td>WD.</td> <td>J2</td> <td>PTD.</td> <td>-</td> <td>3995</td> <td>3\"/> <tr> <td>3999</td> <td>ETR</td> <td>-</td> <td>WD.</td> <td>J2</td> <td>PTD.</td> <td>-</td> <td>3997</td> <td>3\"/> </td></tr></td></tr></td></tr></td></tr></td></tr></td></tr></td></tr></td></tr></td></tr></td></tr></td></tr></td></tr></td></tr></td></tr></td></tr></td></tr></td></tr></td></tr></td></tr></td></tr></td></tr></td></tr></td></td></tr></td></tr></td></td></tr></td></td></tr></td></td></tr></td></td></tr></td></td></tr></td></td></tr></td></td></tr></td></td></tr></td></tr></td></tr></td></tr></td></td></tr></td></tr></td></tr></td></tr></td></tr></td></td></tr></td></tr></td></tr></td></tr></td></tr></td></tr></td></tr></td></tr></td></tr></td></tr></td></tr></td></tr></td></tr></td></tr> | 354 | ETR | - | WD. | J2 | PTD.
 | - | 352 | 3\"/> <tr> <td>355</td> <td>ETR</td> <td>-</td> <td>WD.</td> <td>J2</td> <td>PTD.</td> <td>-</td> <td>353</td> <td>3\"/> <tr> <td>356</td> <td>ETR</td> <td>-</td> <td>WD.</td> <td>J2</td> <td>PTD.</td> <td>-</td> <td>354</td> <td>3\"/> <tr> <td>357</td> <td>ETR</td> <td>-</td> <td>WD.</td> <td>J2</td> <td>PTD.</td> <td>-</td> <td>355</td> <td>3\"/> <tr> <td>358</td> <td>ETR</td> <td>-</td> <td>WD.</td> <td>J2</td> <td>PTD.</td> <td>-</td> <td>356</td> <td>3\"/> <tr> <td>359</td> <td>ETR</td> <td>-</td> <td>WD.</td> <td>J2</td> <td>PTD.</td> <td>-</td> <td>357</td> <td>3\"/> <tr> <td>360</td> <td>ETR</td> <td>-</td> <td>WD.</td> <td>J2</td> <td>PTD.</td> <td>-</td> <td>358</td> <td>3\"/> <tr> <td>361A</td> <td>ETR</td> <td>-</td> <td>WD.</td> <td>J2</td> <td>PTD.</td> <td>-</td> <td>359</td> <td>3\"/> <tr> <td>362</td> <td>ETR</td> <td>-</td> <td>WD.</td> <td>J2</td> <td>PTD.</td> <td>-</td> <td>360</td> <td>3\"/> <tr> <td>363</td> <td>ETR</td> <td>-</td> <td>WD.</td> <td>J2</td> <td>PTD.</td> <td>-</td> <td>361A</td> <td>3\"/> <tr> <td>364A</td> <td>ETR</td> <td>-</td> <td>WD.</td> <td>J2</td> <td>PTD.</td> <td>-</td> <td>362</td> <td>3\"/> <tr> <td>365</td> <td>ETR</td> <td>-</td> <td>WD.</td> <td>J2</td> <td>PTD.</td> <td>-</td> <td>363</td> <td>3\"/> <tr> <td>366</td> <td>ETR</td> <td>-</td> <td>WD.</td> <td>J2</td> <td>PTD.</td> <td>-</td> <td>364A</td> <td>3\"/> <tr> <td>367</td> <td>B</td> <td>2 <td>HM</td> <td>J1</td> <td>PTD.</td> <td>1 HR.</td> <td>365</td> <td>3\"/> <tr> <td>368</td> <td>ETR</td> <td>-</td> <td>WD.</td> <td>J2</td> <td>PTD.</td> <td>-</td> <td>366</td> <td>3\"/> <tr> <td>369</td> <td>ETR</td> <td>-</td> <td>WD.</td> <td>J2</td> <td>PTD.</td> <td>-</td> <td>367</td> <td>3\"/> <tr> <td>370</td> <td>ETR</td> <td>-</td> <td>WD.</td> <td>J2</td> <td>PTD.</td> <td>-</td> <td>368</td> <td>3\"/> <tr> <td>371</td> <td>ETR</td> <td>-</td> <td>WD.</td> <td>J2</td> <td>PTD.</td> <td>-</td> <td>369</td> <td>3\"/> <tr> <td>372</td> <td>B</td> <td>2 <td>HM</td> <td>J1</td> <td>PTD.</td> <td>1 HR.</td> <td>370</td> <td>3\"/> <tr> <td>373A</td> <td>ETR</td> <td>-</td> <td>WD.</td> <td>J2</td> <td>PTD.</td> <td>-</td> <td>371</td> <td>3\"/> <tr> <td>374B</td> <td>ETR</td> <td>-</td> <td>WD.</td> <td>J2</td> <td>PTD.</td> <td>-</td> <td>372</td> <td>3\"/> <tr> <td>374C</td> <td>ETR</td> <td>-</td> <td>WD.</td> <td>J2</td> <td>PTD.</td> <td>-</td> <td>373A</td> <td>3\"/> <tr> <td>375</td> <td>B</td> <td>1 <td>WD</td> <td>J1</td> <td>PTD.</td> <td>-</td> <td>374B</td> <td>3\"/> <tr> <td>376</td> <td>B</td> <td>1 <td>WD</td> <td>J1</td> <td>PTD.</td> <td>-</td> <td>374C</td> <td>3\"/> <tr> <td>377</td> <td>B</td> <td>1 <td>WD</td> <td>J1</td> <td>PTD.</td> <td>-</td> <td>375</td> <td>3\"/> <tr> <td>377A</td> <td>B</td> <td>1 <td>WD</td> <td>J1</td> <td>PTD.</td> <td>-</td> <td>376</td> <td>3\"/> <tr> <td>378</td> <td>B</td> <td>1 <td>WD</td> <td>J1</td> <td>PTD.</td> <td>-</td> <td>377</td> <td>3\"/> <tr> <td>379</td> <td>B</td> <td>1 <td>WD</td> <td>J1</td> <td>PTD.</td> <td>-</td> <td>377A</td> <td>3\"/> <tr> <td>380A</td> <td>B</td> <td>1 <td>WD</td> <td>J1</td> <td>PTD.</td> <td>-</td> <td>378</td> <td>3\"/> <tr> <td>380B</td> <td>B</td> <td>1 <td>WD</td> <td>J1</td> <td>PTD.</td> <td>-</td> <td>379</td> <td>3\"/> <tr> <td>382</td> <td>ETR</td> <td>-</td> <td>WD.</td> <td>J2</td> <td>PTD.</td> <td>-</td> <td>380A</td> <td>3\"/> <tr> <td>382A</td> <td>D</td> <td>6 <td>ALUM.</td> <td>ANODIZE D</td> <td>-</td> <td>-</td> <td>380B</td> <td>3\"/> <tr> <td>385</td> <td>ETR</td> <td>-</td> <td>WD.</td> <td>J2</td> <td>PTD.</td> <td>-</td> <td>382</td> <td>3\"/> <tr> <td>386</td> <td>ETR</td> <td>-</td> <td>WD.</td> <td>J2</td> <td>PTD.</td> <td>-</td> <td>382A</td> <td>3\"/> <tr> <td>387</td> <td>ETR</td> <td>-</td> <td>WD.</td> <td>J2</td> <td>PTD.</td> <td>-</td> <td>385</td> <td>3\"/> <tr> <td>388</td> <td>ETR</td> <td>-</td> <td>WD.</td> <td>J2</td> <td>PTD.</td> <td>-</td> <td>386</td> <td>3\"/> <tr> <td>389</td> <td>ETR</td> <td>-</td> <td>WD.</td> <td>J2</td> <td>PTD.</td> <td>-</td> <td>387</td> <td>3\"/> <tr> <td>391</td> <td>ETR</td> <td>-</td> <td>WD.</td> <td>J2</td> <td>PTD.</td> <td>-</td> <td>388</td> <td>3\"/> <tr> <td>391A</td> <td>ETR</td> <td>-</td> <td>WD.</td> <td>J2</td> <td>PTD.</td> <td>-</td> <td>389</td> <td>3\"/> <tr> <td>391B</td> <td>ETR</td> <td>-</td> <td>WD.</td> <td>J2</td> <td>PTD.</td> <td>-</td> <td>391</td> <td>3\"/> <tr> <td>394</td> <td>ETR</td> <td>-</td> <td>WD.</td> <td>J2</td> <td>PTD.</td> <td>-</td> <td>391A</td> <td>3\"/> <tr> <td>395</td> <td>ETR</td> <td>-</td> <td>WD.</td> <td>J2</td> <td>PTD.</td> <td>-</td> <td>391B</td> <td>3\"/> <tr> <td>396</td> <td>ETR</td> <td>-</td> <td>WD.</td> <td>J2</td> <td>PTD.</td> <td>-</td> <td>394</td> <td>3\"/> <tr> <td>398</td> <td>ETR</td> <td>-</td> <td>WD.</td> <td>J2</td> <td>PTD.</td> <td>-</td> <td>395</td> <td>3\"/> <tr> <td>399</td> <td>ETR</td> <td>-</td> <td>WD.</td> <td>J2</td> <td>PTD.</td> <td>-</td> <td>396</td> <td>3\"/> <tr> <td>3991</td> <td>ETR</td> <td>-</td> <td>WD.</td> <td>J2</td> <td>PTD.</td> <td>-</td> <td>398</td> <td>3\"/> <tr> <td>3992</td> <td>A</td> <td>3\"/> <tr> <td>3993</td> <td>ETR</td> <td>-</td> <td>WD.</td> <td>J2</td> <td>PTD.</td> <td>-</td> <td>399</td> <td>3\"/> <tr> <td>3994</td> <td>ETR</td> <td>-</td> <td>WD.</td> <td>J2</td> <td>PTD.</td> <td>-</td> <td>3991</td> <td>3\"/> <tr> <td>3995</td> <td>ETR</td> <td>-</td> <td>WD.</td> <td>J2</td> <td>PTD.</td> <td>-</td> <td>3992</td> <td>3\"/> <tr> <td>3997</td> <td>ETR</td> <td>-</td> <td>WD.</td> <td>J2</td> <td>PTD.</td> <td>-</td> <td>3993</td> <td>3\"/> <tr> <td>3998</td> <td>ETR</td> <td>-</td> <td>WD.</td> <td>J2</td> <td>PTD.</td> <td>-</td> <td>3994</td> <td>3\"/> <tr> <td>3999</td> <td>ETR</td> <td>-</td> <td>WD.</td> <td>J2</td> <td>PTD.</td> <td>-</td> <td>3995</td> <td>3\"/> <tr> <td>3999</td> <td>ETR</td> <td>-</td> <td>WD.</td> <td>J2</td> <td>PTD.</td> <td>-</td> <td>3997</td>
<td>3\"/> </td></tr></td></tr></td></tr></td></tr></td></tr></td></tr></td></tr></td></tr></td></tr></td></tr></td></tr></td></tr></td></tr></td></tr></td></tr></td></tr></td></tr></td></tr></td></tr></td></tr></td></tr></td></tr></td></td></tr></td></tr></td></td></tr></td></td></tr></td></td></tr></td></td></tr></td></td></tr></td></td></tr></td></td></tr></td></td></tr></td></tr></td></tr></td></tr></td></td></tr></td></tr></td></tr></td></tr></td></tr></td></td></tr></td></tr></td></tr></td></tr></td></tr></td></tr></td></tr></td></tr></td></tr></td></tr></td></tr></td></tr></td></tr> | 355 | ETR | - | WD. | J2 | PTD. | - | 353 | 3\"/> <tr> <td>356</td> <td>ETR</td> <td>-</td> <td>WD.</td> <td>J2</td> <td>PTD.</td> <td>-</td> <td>354</td> <td>3\"/> <tr> <td>357</td> <td>ETR</td> <td>-</td> <td>WD.</td> <td>J2</td> <td>PTD.</td> <td>-</td> <td>355</td> <td>3\"/> <tr> <td>358</td> <td>ETR</td> <td>-</td> <td>WD.</td> <td>J2</td> <td>PTD.</td> <td>-</td> <td>356</td> <td>3\"/> <tr> <td>359</td> <td>ETR</td> <td>-</td> <td>WD.</td> <td>J2</td> <td>PTD.</td> <td>-</td> <td>357</td> <td>3\"/> <tr> <td>360</td> <td>ETR</td> <td>-</td> <td>WD.</td> <td>J2</td> <td>PTD.</td> <td>-</td> <td>358</td> <td>3\"/> <tr> <td>361A</td> <td>ETR</td> <td>-</td> <td>WD.</td> <td>J2</td> <td>PTD.</td> <td>-</td> <td>359</td> <td>3\"/> <tr> <td>362</td> <td>ETR</td> <td>-</td> <td>WD.</td> <td>J2</td> <td>PTD.</td> <td>-</td> <td>360</td> <td>3\"/> <tr> <td>363</td> <td>ETR</td> <td>-</td> <td>WD.</td> <td>J2</td> <td>PTD.</td> <td>-</td> <td>361A</td> <td>3\"/> <tr> <td>364A</td> <td>ETR</td> <td>-</td> <td>WD.</td> <td>J2</td> <td>PTD.</td> <td>-</td> <td>362</td> <td>3\"/> <tr> <td>365</td> <td>ETR</td> <td>-</td> <td>WD.</td> <td>J2</td> <td>PTD.</td> <td>-</td> <td>363</td> <td>3\"/> <tr> <td>366</td> <td>ETR</td> <td>-</td> <td>WD.</td> <td>J2</td> <td>PTD.</td> <td>-</td> <td>364A</td> <td>3\"/> <tr> <td>367</td> <td>B</td> <td>2 <td>HM</td> <td>J1</td> <td>PTD.</td> <td>1 HR.</td> <td>365</td> <td>3\"/> <tr> <td>368</td> <td>ETR</td> <td>-</td> <td>WD.</td> <td>J2</td> <td>PTD.</td> <td>-</td> <td>366</td> <td>3\"/> <tr> <td>369</td> <td>ETR</td> <td>-</td> <td>WD.</td> <td>J2</td> <td>PTD.</td> <td>-</td> <td>367</td> <td>3\"/> <tr> <td>370</td> <td>ETR</td> <td>-</td> <td>WD.</td> <td>J2</td> <td>PTD.</td> <td>-</td> <td>368</td> <td>3\"/> <tr> <td>371</td> <td>ETR</td> <td>-</td> <td>WD.</td> <td>J2</td> <td>PTD.</td> <td>-</td> <td>369</td> <td>3\"/> <tr> <td>372</td> <td>B</td> <td>2 <td>HM</td> <td>J1</td> <td>PTD.</td> <td>1 HR.</td> <td>370</td> <td>3\"/> <tr> <td>373A</td> <td>ETR</td> <td>-</td> <td>WD.</td> <td>J2</td> <td>PTD.</td> <td>-</td> <td>371</td> <td>3\"/> <tr> <td>374B</td> <td>ETR</td> <td>-</td> <td>WD.</td> <td>J2</td> <td>PTD.</td> <td>-</td> <td>372</td> <td>3\"/> <tr> <td>374C</td> <td>ETR</td> <td>-</td> <td>WD.</td> <td>J2</td> <td>PTD.</td> <td>-</td> <td>373A</td> <td>3\"/> <tr> <td>375</td> <td>B</td> <td>1 <td>WD</td> <td>J1</td> <td>PTD.</td> <td>-</td> <td>374B</td> <td>3\"/> <tr> <td>376</td> <td>B</td> <td>1 <td>WD</td> <td>J1</td> <td>PTD.</td> <td>-</td> <td>374C</td> <td>3\"/> <tr> <td>377</td> <td>B</td> <td>1 <td>WD</td> <td>J1</td>
<td>PTD.</td> <td>-</td> <td>375</td> <td>3\"/> <tr> <td>377A</td> <td>B</td> <td>1 <td>WD</td> <td>J1</td> <td>PTD.</td> <td>-</td> <td>376</td> <td>3\"/> <tr> <td>378</td> <td>B</td> <td>1 <td>WD</td> <td>J1</td> <td>PTD.</td> <td>-</td> <td>377</td> <td>3\"/> <tr> <td>379</td> <td>B</td> <td>1 <td>WD</td> <td>J1</td> <td>PTD.</td> <td>-</td> <td>377A</td> <td>3\"/> <tr> <td>380A</td> <td>B</td> <td>1 <td>WD</td> <td>J1</td> <td>PTD.</td> <td>-</td> <td>378</td> <td>3\"/> <tr> <td>380B</td> <td>B</td> <td>1 <td>WD</td> <td>J1</td> <td>PTD.</td> <td>-</td> <td>379</td> <td>3\"/> <tr> <td>382</td> <td>ETR</td> <td>-</td> <td>WD.</td> <td>J2</td> <td>PTD.</td> <td>-</td> <td>380A</td> <td>3\"/> <tr> <td>382A</td> <td>D</td> <td>6 <td>ALUM.</td> <td>ANODIZE D</td> <td>-</td> <td>-</td> <td>380B</td> <td>3\"/> <tr> <td>385</td> <td>ETR</td> <td>-</td> <td>WD.</td> <td>J2</td> <td>PTD.</td> <td>-</td> <td>382</td> <td>3\"/> <tr> <td>386</td> <td>ETR</td> <td>-</td> <td>WD.</td> <td>J2</td> <td>PTD.</td> <td>-</td> <td>382A</td> <td>3\"/> <tr> <td>387</td> <td>ETR</td> <td>-</td> <td>WD.</td> <td>J2</td> <td>PTD.</td> <td>-</td> <td>385</td> <td>3\"/> <tr> <td>388</td> <td>ETR</td> <td>-</td> <td>WD.</td> <td>J2</td> <td>PTD.</td> <td>-</td> <td>386</td> <td>3\"/> <tr> <td>389</td> <td>ETR</td> <td>-</td> <td>WD.</td> <td>J2</td> <td>PTD.</td> <td>-</td> <td>387</td> <td>3\"/> <tr> <td>391</td> <td>ETR</td> <td>-</td> <td>WD.</td> <td>J2</td> <td>PTD.</td> <td>-</td> <td>388</td> <td>3\"/> <tr> <td>391A</td> <td>ETR</td> <td>-</td> <td>WD.</td> <td>J2</td> <td>PTD.</td> <td>-</td> <td>389</td> <td>3\"/> <tr> <td>391B</td> <td>ETR</td> <td>-</td> <td>WD.</td> <td>J2</td> <td>PTD.</td> <td>-</td> <td>391</td> <td>3\"/> <tr> <td>394</td> <td>ETR</td> <td>-</td> <td>WD.</td> <td>J2</td> <td>PTD.</td> <td>-</td> <td>391A</td> <td>3\"/> <tr> <td>395</td> <td>ETR</td> <td>-</td> <td>WD.</td> <td>J2</td> <td>PTD.</td> <td>-</td> <td>391B</td> <td>3\"/> <tr> <td>396</td> <td>ETR</td> <td>-</td> <td>WD.</td> <td>J2</td> <td>PTD.</td> <td>-</td> <td>394</td> <td>3\"/> <tr> <td>398</td> <td>ETR</td> <td>-</td> <td>WD.</td> <td>J2</td> <td>PTD.</td> <td>-</td> <td>395</td> <td>3\"/> <tr> <td>399</td> <td>ETR</td> <td>-</td> <td>WD.</td> <td>J2</td> <td>PTD.</td> <td>-</td> <td>396</td> <td>3\"/> <tr> <td>3991</td> <td>ETR</td> <td>-</td> <td>WD.</td> <td>J2</td> <td>PTD.</td> <td>-</td> <td>398</td> <td>3\"/> <tr> <td>3992</td> <td>A</td> <td>3\"/> <tr> <td>3993</td> <td>ETR</td> <td>-</td> <td>WD.</td> <td>J2</td> <td>PTD.</td> <td>-</td> <td>399</td> <td>3\"/> <tr> <td>3994</td> <td>ETR</td> <td>-</td> <td>WD.</td> <td>J2</td> <td>PTD.</td> <td>-</td> <td>3991</td> <td>3\"/> <tr> <td>3995</td> <td>ETR</td> <td>-</td> <td>WD.</td> <td>J2</td> <td>PTD.</td> <td>-</td> <td>3992</td> <td>3\"/> <tr> <td>3997</td> <td>ETR</td> <td>-</td> <td>WD.</td> <td>J2</td> <td>PTD.</td> <td>-</td> <td>3993</td> <td>3\"/> <tr> <td>3998</td> <td>ETR</td> <td>-</td> <td>WD.</td> <td>J2</td> <td>PTD.</td> <td>-</td> <td>3994</td> <td>3\"/> <tr> <td>3999</td> <td>ETR</td> <td>-</td> <td>WD.</td> <td>J2</td> <td>PTD.</td> <td>-</td> <td>3995</td> <td>3\"/> <tr> <td>3999</td> <td>ETR</td> <td>-</td> <td>WD.</td> <td>J2</td> <td>PTD.</td> <td>-</td> <td>3997</td> <td>3\"/> </td></tr></td></tr></td></tr></td></tr></td></tr></td></tr></td></tr></td></tr></td></tr></td></tr></td></tr></td></tr></td></tr></td></tr></td></tr></td></tr></td></tr></td></tr></td></tr></td></tr></td></tr></td></tr></td></td></tr></td></tr></td></td></tr></td></td></tr></td></td></tr></td></td></tr></td></td></tr></td></td></tr></td></td></tr></td></td></tr></td></tr></td></tr></td></tr></td></td></tr></td></tr></td></tr></td></tr></td></tr></td></td></tr></td></tr></td></tr></td></tr></td></tr></td></tr></td></tr></td></tr></td></tr></td></tr></td></tr></td></tr> | 356 | ETR | - | WD. | J2 | PTD.
 | - | 354 | 3\"/> <tr> <td>357</td> <td>ETR</td> <td>-</td> <td>WD.</td> <td>J2</td> <td>PTD.</td> <td>-</td> <td>355</td> <td>3\"/> <tr> <td>358</td> <td>ETR</td> <td>-</td> <td>WD.</td> <td>J2</td> <td>PTD.</td> <td>-</td> <td>356</td> <td>3\"/> <tr> <td>359</td> <td>ETR</td> <td>-</td> <td>WD.</td> <td>J2</td> <td>PTD.</td> <td>-</td> <td>357</td> <td>3\"/> <tr> <td>360</td> <td>ETR</td> <td>-</td> <td>WD.</td> <td>J2</td> <td>PTD.</td> <td>-</td> <td>358</td> <td>3\"/> <tr> <td>361A</td> <td>ETR</td> <td>-</td> <td>WD.</td> <td>J2</td> <td>PTD.</td> <td>-</td> <td>359</td> <td>3\"/> <tr> <td>362</td> <td>ETR</td> <td>-</td> <td>WD.</td> <td>J2</td> <td>PTD.</td> <td>-</td> <td>360</td> <td>3\"/> <tr> <td>363</td> <td>ETR</td> <td>-</td> <td>WD.</td> <td>J2</td> <td>PTD.</td> <td>-</td> <td>361A</td> <td>3\"/> <tr> <td>364A</td> <td>ETR</td> <td>-</td> <td>WD.</td> <td>J2</td> <td>PTD.</td> <td>-</td> <td>362</td> <td>3\"/> <tr> <td>365</td> <td>ETR</td> <td>-</td> <td>WD.</td> <td>J2</td> <td>PTD.</td> <td>-</td> <td>363</td> <td>3\"/> <tr> <td>366</td> <td>ETR</td> <td>-</td> <td>WD.</td> <td>J2</td> <td>PTD.</td> <td>-</td> <td>364A</td> <td>3\"/> <tr> <td>367</td> <td>B</td> <td>2 <td>HM</td> <td>J1</td> <td>PTD.</td> <td>1 HR.</td> <td>365</td> <td>3\"/> <tr> <td>368</td> <td>ETR</td> <td>-</td> <td>WD.</td> <td>J2</td> <td>PTD.</td> <td>-</td> <td>366</td> <td>3\"/> <tr> <td>369</td> <td>ETR</td> <td>-</td> <td>WD.</td> <td>J2</td> <td>PTD.</td> <td>-</td> <td>367</td> <td>3\"/> <tr> <td>370</td> <td>ETR</td> <td>-</td> <td>WD.</td> <td>J2</td> <td>PTD.</td> <td>-</td> <td>368</td> <td>3\"/> <tr> <td>371</td> <td>ETR</td> <td>-</td> <td>WD.</td> <td>J2</td> <td>PTD.</td> <td>-</td> <td>369</td> <td>3\"/> <tr> <td>372</td> <td>B</td> <td>2 <td>HM</td> <td>J1</td> <td>PTD.</td> <td>1 HR.</td> <td>370</td> <td>3\"/> <tr> <td>373A</td> <td>ETR</td> <td>-</td> <td>WD.</td> <td>J2</td> <td>PTD.</td> <td>-</td> <td>371</td> <td>3\"/> <tr> <td>374B</td> <td>ETR</td> <td>-</td> <td>WD.</td> <td>J2</td> <td>PTD.</td> <td>-</td> <td>372</td> <td>3\"/> <tr> <td>374C</td> <td>ETR</td> <td>-</td> <td>WD.</td> <td>J2</td> <td>PTD.</td> <td>-</td> <td>373A</td> <td>3\"/> <tr> <td>375</td> <td>B</td> <td>1 <td>WD</td> <td>J1</td> <td>PTD.</td> <td>-</td> <td>374B</td> <td>3\"/> <tr> <td>376</td> <td>B</td> <td>1 <td>WD</td> <td>J1</td> <td>PTD.</td> <td>-</td> <td>374C</td> <td>3\"/> <tr> <td>377</td> <td>B</td> <td>1 <td>WD</td> <td>J1</td> <td>PTD.</td> <td>-</td> <td>375</td> <td>3\"/> <tr> <td>377A</td> <td>B</td> <td>1 <td>WD</td> <td>J1</td> <td>PTD.</td> <td>-</td> <td>376</td> <td>3\"/> <tr> <td>378</td> <td>B</td> <td>1 <td>WD</td> <td>J1</td> <td>PTD.</td> <td>-</td> <td>377</td> <td>3\"/> <tr> <td>379</td> <td>B</td> <td>1 <td>WD</td> <td>J1</td> <td>PTD.</td> <td>-</td> <td>377A</td> <td>3\"/> <tr> <td>380A</td> <td>B</td> <td>1 <td>WD</td> <td>J1</td> <td>PTD.</td> <td>-</td> <td>378</td> <td>3\"/> <tr> <td>380B</td> <td>B</td> <td>1 <td>WD</td> <td>J1</td> <td>PTD.</td> <td>-</td> <td>379</td> <td>3\"/> <tr> <td>382</td> <td>ETR</td> <td>-</td> <td>WD.</td> <td>J2</td> <td>PTD.</td> <td>-</td> <td>380A</td> <td>3\"/> <tr> <td>382A</td> <td>D</td> <td>6 <td>ALUM.</td> <td>ANODIZE D</td> <td>-</td> <td>-</td> <td>380B</td> <td>3\"/> <tr> <td>385</td> <td>ETR</td> <td>-</td> <td>WD.</td> <td>J2</td> <td>PTD.</td> <td>-</td> <td>382</td> <td>3\"/> <tr> <td>386</td> <td>ETR</td> <td>-</td> <td>WD.</td> <td>J2</td> <td>PTD.</td> <td>-</td> <td>382A</td> <td>3\"/> <tr> <td>387</td> <td>ETR</td> <td>-</td> <td>WD.</td> <td>J2</td> <td>PTD.</td> <td>-</td> <td>385</td> <td>3\"/> <tr> <td>388</td> <td>ETR</td> <td>-</td> <td>WD.</td> <td>J2</td> <td>PTD.</td> <td>-</td> <td>386</td> <td>3\"/> <tr> <td>389</td> <td>ETR</td> <td>-</td> <td>WD.</td> <td>J2</td> <td>PTD.</td> <td>-</td> <td>387</td> <td>3\"/> <tr> <td>391</td> <td>ETR</td> <td>-</td> <td>WD.</td> <td>J2</td> <td>PTD.</td> <td>-</td> <td>388</td> <td>3\"/> <tr> <td>391A</td> <td>ETR</td> <td>-</td> <td>WD.</td> <td>J2</td> <td>PTD.</td> <td>-</td> <td>389</td> <td>3\"/> <tr> <td>391B</td> <td>ETR</td> <td>-</td> <td>WD.</td> <td>J2</td> <td>PTD.</td> <td>-</td> <td>391</td> <td>3\"/> <tr> <td>394</td> <td>ETR</td> <td>-</td> <td>WD.</td> <td>J2</td> <td>PTD.</td> <td>-</td> <td>391A</td> <td>3\"/> <tr> <td>395</td> <td>ETR</td> <td>-</td> <td>WD.</td> <td>J2</td> <td>PTD.</td> <td>-</td> <td>391B</td> <td>3\"/> <tr> <td>396</td> <td>ETR</td> <td>-</td> <td>WD.</td> <td>J2</td> <td>PTD.</td> <td>-</td> <td>394</td> <td>3\"/> <tr> <td>398</td> <td>ETR</td> <td>-</td> <td>WD.</td> <td>J2</td> <td>PTD.</td> <td>-</td> <td>395</td> <td>3\"/> <tr> <td>399</td> <td>ETR</td> <td>-</td> <td>WD.</td> <td>J2</td> <td>PTD.</td> <td>-</td> <td>396</td> <td>3\"/> <tr> <td>3991</td> <td>ETR</td> <td>-</td> <td>WD.</td> <td>J2</td> <td>PTD.</td> <td>-</td> <td>398</td> <td>3\"/> <tr> <td>3992</td> <td>A</td> <td>3\"/> <tr> <td>3993</td> <td>ETR</td> <td>-</td> <td>WD.</td> <td>J2</td> <td>PTD.</td> <td>-</td> <td>399</td> <td>3\"/> <tr> <td>3994</td> <td>ETR</td> <td>-</td> <td>WD.</td> <td>J2</td> <td>PTD.</td> <td>-</td> <td>3991</td> <td>3\"/> <tr> <td>3995</td> <td>ETR</td> <td>-</td> <td>WD.</td> <td>J2</td> <td>PTD.</td> <td>-</td> <td>3992</td> <td>3\"/> <tr> <td>3997</td> <td>ETR</td> <td>-</td> <td>WD.</td> <td>J2</td> <td>PTD.</td> <td>-</td> <td>3993</td> <td>3\"/> <tr> <td>3998</td> <td>ETR</td> <td>-</td> <td>WD.</td> <td>J2</td> <td>PTD.</td> <td>-</td> <td>3994</td> <td>3\"/> <tr> <td>3999</td> <td>ETR</td> <td>-</td> <td>WD.</td> <td>J2</td> <td>PTD.</td> <td>-</td> <td>3995</td> <td>3\"/> <tr> <td>3999</td> <td>ETR</td> <td>-</td> <td>WD.</td> <td>J2</td> <td>PTD.</td> <td>-</td> <td>3997</td> <td>3\"/> </td></tr></td></tr></td></tr></td></tr></td></tr></td></tr></td></tr></td></tr></td></tr></td></tr></td></tr></td></tr></td></tr></td></tr></td></tr></td></tr></td></tr></td></tr></td></tr></td></tr></td></tr></td></tr></td></td></tr></td></tr></td></td></tr></td></td></tr></td></td></tr></td></td></tr></td></td></tr></td></td></tr></td></td></tr></td></td></tr></td></tr></td></tr></td></tr></td></td></tr></td></tr></td></tr></td></tr></td></tr></td></td></tr></td></tr></td></tr></td></tr></td></tr></td></tr></td></tr></td></tr></td></tr></td></tr></td></tr> | 357 | ETR | - | WD. | J2 | PTD.
 | - | 355 | 3\"/> <tr> <td>358</td> <td>ETR</td> <td>-</td> <td>WD.</td> <td>J2</td> <td>PTD.</td> <td>-</td> <td>356</td> <td>3\"/> <tr> <td>359</td> <td>ETR</td> <td>-</td> <td>WD.</td> <td>J2</td> <td>PTD.</td> <td>-</td> <td>357</td> <td>3\"/> <tr> <td>360</td> <td>ETR</td> <td>-</td> <td>WD.</td> <td>J2</td> <td>PTD.</td> <td>-</td> <td>358</td> <td>3\"/> <tr> <td>361A</td> <td>ETR</td> <td>-</td> <td>WD.</td> <td>J2</td> <td>PTD.</td> <td>-</td> <td>359</td> <td>3\"/> <tr> <td>362</td> <td>ETR</td> <td>-</td> <td>WD.</td> <td>J2</td> <td>PTD.</td> <td>-</td> <td>360</td> <td>3\"/> <tr> <td>363</td> <td>ETR</td> <td>-</td> <td>WD.</td> <td>J2</td> <td>PTD.</td> <td>-</td> <td>361A</td> <td>3\"/> <tr> <td>364A</td> <td>ETR</td> <td>-</td> <td>WD.</td> <td>J2</td> <td>PTD.</td> <td>-</td> <td>362</td> <td>3\"/> <tr> <td>365</td> <td>ETR</td> <td>-</td> <td>WD.</td> <td>J2</td> <td>PTD.</td> <td>-</td> <td>363</td> <td>3\"/> <tr> <td>366</td> <td>ETR</td> <td>-</td> <td>WD.</td> <td>J2</td> <td>PTD.</td> <td>-</td> <td>364A</td> <td>3\"/> <tr> <td>367</td> <td>B</td> <td>2 <td>HM</td> <td>J1</td> <td>PTD.</td> <td>1 HR.</td> <td>365</td> <td>3\"/> <tr> <td>368</td> <td>ETR</td> <td>-</td> <td>WD.</td> <td>J2</td> <td>PTD.</td> <td>-</td> <td>366</td> <td>3\"/> <tr> <td>369</td> <td>ETR</td> <td>-</td> <td>WD.</td> <td>J2</td> <td>PTD.</td> <td>-</td> <td>367</td> <td>3\"/> <tr> <td>370</td> <td>ETR</td> <td>-</td> <td>WD.</td> <td>J2</td> <td>PTD.</td> <td>-</td> <td>368</td> <td>3\"/> <tr> <td>371</td> <td>ETR</td> <td>-</td> <td>WD.</td> <td>J2</td> <td>PTD.</td> <td>-</td> <td>369</td> <td>3\"/> <tr> <td>372</td> <td>B</td> <td>2 <td>HM</td> <td>J1</td> <td>PTD.</td> <td>1 HR.</td> <td>370</td> <td>3\"/> <tr> <td>373A</td> <td>ETR</td> <td>-</td> <td>WD.</td> <td>J2</td> <td>PTD.</td> <td>-</td> <td>371</td> <td>3\"/> <tr> <td>374B</td> <td>ETR</td> <td>-</td> <td>WD.</td> <td>J2</td> <td>PTD.</td> <td>-</td> <td>372</td> <td>3\"/> <tr> <td>374C</td> <td>ETR</td> <td>-</td> <td>WD.</td> <td>J2</td> <td>PTD.</td> <td>-</td> <td>373A</td> <td>3\"/> <tr> <td>375</td> <td>B</td> <td>1 <td>WD</td> <td>J1</td> <td>PTD.</td> <td>-</td> <td>374B</td> <td>3\"/> <tr> <td>376</td> <td>B</td> <td>1 <td>WD</td> <td>J1</td> <td>PTD.</td> <td>-</td> <td>374C</td> <td>3\"/> <tr> <td>377</td> <td>B</td> <td>1 <td>WD</td> <td>J1</td> <td>PTD.</td> <td>-</td> <td>375</td> <td>3\"/> <tr> <td>377A</td> <td>B</td> <td>1 <td>WD</td> <td>J1</td> <td>PTD.</td> <td>-</td> <td>376</td> <td>3\"/> <tr> <td>378</td> <td>B</td> <td>1 <td>WD</td> <td>J1</td> <td>PTD.</td> <td>-</td> <td>377</td> <td>3\"/> <tr> <td>379</td> <td>B</td> <td>1 <td>WD</td> <td>J1</td> <td>PTD.</td> <td>-</td> <td>377A</td> <td>3\"/> <tr> <td>380A</td> <td>B</td> <td>1 <td>WD</td> <td>J1</td> <td>PTD.</td> <td>-</td> <td>378</td> <td>3\"/> <tr> <td>380B</td> <td>B</td> <td>1 <td>WD</td> <td>J1</td> <td>PTD.</td> <td>-</td> <td>379</td> <td>3\"/> <tr> <td>382</td> <td>ETR</td> <td>-</td> <td>WD.</td> <td>J2</td> <td>PTD.</td> <td>-</td> <td>380A</td> <td>3\"/> <tr> <td>382A</td> <td>D</td> <td>6 <td>ALUM.</td> <td>ANODIZE D</td> <td>-</td> <td>-</td> <td>380B</td> <td>3\"/> <tr> <td>385</td> <td>ETR</td> <td>-</td> <td>WD.</td> <td>J2</td> <td>PTD.</td> <td>-</td> <td>382</td> <td>3\"/> <tr> <td>386</td> <td>ETR</td> <td>-</td> <td>WD.</td> <td>J2</td> <td>PTD.</td> <td>-</td> <td>382A</td> <td>3\"/> <tr> <td>387</td> <td>ETR</td> <td>-</td> <td>WD.</td> <td>J2</td> <td>PTD.</td> <td>-</td> <td>385</td> <td>3\"/> <tr> <td>388</td> <td>ETR</td> <td>-</td> <td>WD.</td> <td>J2</td> <td>PTD.</td> <td>-</td> <td>386</td> <td>3\"/> <tr> <td>389</td> <td>ETR</td> <td>-</td> <td>WD.</td> <td>J2</td> <td>PTD.</td> <td>-</td> <td>387</td> <td>3\"/> <tr> <td>391</td> <td>ETR</td> <td>-</td> <td>WD.</td> <td>J2</td> <td>PTD.</td> <td>-</td> <td>388</td> <td>3\"/> <tr> <td>391A</td> <td>ETR</td> <td>-</td> <td>WD.</td> <td>J2</td> <td>PTD.</td> <td>-</td> <td>389</td> <td>3\"/> <tr> <td>391B</td> <td>ETR</td> <td>-</td> <td>WD.</td> <td>J2</td> <td>PTD.</td> <td>-</td> <td>391</td> <td>3\"/> <tr> <td>394</td> <td>ETR</td> <td>-</td> <td>WD.</td> <td>J2</td> <td>PTD.</td> <td>-</td> <td>391A</td> <td>3\"/> <tr> <td>395</td> <td>ETR</td> <td>-</td> <td>WD.</td> <td>J2</td> <td>PTD.</td> <td>-</td> <td>391B</td> <td>3\"/> <tr> <td>396</td> <td>ETR</td> <td>-</td> <td>WD.</td> <td>J2</td> <td>PTD.</td> <td>-</td> <td>394</td> <td>3\"/> <tr> <td>398</td> <td>ETR</td> <td>-</td> <td>WD.</td> <td>J2</td> <td>PTD.</td> <td>-</td> <td>395</td> <td>3\"/> <tr> <td>399</td> <td>ETR</td> <td>-</td> <td>WD.</td> <td>J2</td> <td>PTD.</td> <td>-</td> <td>396</td> <td>3\"/> <tr> <td>3991</td> <td>ETR</td> <td>-</td> <td>WD.</td> <td>J2</td> <td>PTD.</td> <td>-</td> <td>398</td> <td>3\"/> <tr> <td>3992</td> <td>A</td> <td>3\"/> <tr> <td>3993</td> <td>ETR</td> <td>-</td> <td>WD.</td> <td>J2</td> <td>PTD.</td> <td>-</td> <td>399</td> <td>3\"/> <tr> <td>3994</td> <td>ETR</td> <td>-</td> <td>WD.</td> <td>J2</td> <td>PTD.</td> <td>-</td> <td>3991</td> <td>3\"/> <tr> <td>3995</td> <td>ETR</td> <td>-</td> <td>WD.</td> <td>J2</td> <td>PTD.</td> <td>-</td> <td>3992</td> <td>3\"/> <tr> <td>3997</td> <td>ETR</td> <td>-</td> <td>WD.</td> <td>J2</td> <td>PTD.</td> <td>-</td> <td>3993</td> <td>3\"/> <tr> <td>3998</td> <td>ETR</td> <td>-</td> <td>WD.</td> <td>J2</td> <td>PTD.</td> <td>-</td> <td>3994</td> <td>3\"/> <tr> <td>3999</td> <td>ETR</td> <td>-</td> <td>WD.</td> <td>J2</td> <td>PTD.</td> <td>-</td> <td>3995</td> <td>3\"/> <tr> <td>3999</td> <td>ETR</td> <td>-</td> <td>WD.</td> <td>J2</td> <td>PTD.</td> <td>-</td> <td>3997</td> <td>3\"/> </td></tr></td></tr></td></tr></td></tr></td></tr></td></tr></td></tr></td></tr></td></tr></td></tr></td></tr></td></tr></td></tr></td></tr></td></tr></td></tr></td></tr></td></tr></td></tr></td></tr></td></tr></td></tr></td></td></tr></td></tr></td></td></tr></td></td></tr></td></td></tr></td></td></tr></td></td></tr></td></td></tr></td></td></tr></td></td></tr></td></tr></td></tr></td></tr></td></td></tr></td></tr></td></tr></td></tr></td></tr></td></td></tr></td></tr></td></tr></td></tr></td></tr></td></tr></td></tr></td></tr></td></tr></td></tr> | 358 | ETR | -
 WD. | J2 | PTD. | - | 356 | 3\"/> <tr> <td>359</td> <td>ETR</td> <td>-</td> <td>WD.</td> <td>J2</td> <td>PTD.</td> <td>-</td> <td>357</td> <td>3\"/> <tr> <td>360</td> <td>ETR</td> <td>-</td> <td>WD.</td> <td>J2</td> <td>PTD.</td> <td>-</td> <td>358</td> <td>3\"/> <tr> <td>361A</td> <td>ETR</td> <td>-</td> <td>WD.</td> <td>J2</td> <td>PTD.</td> <td>-</td> <td>359</td> <td>3\"/> <tr> <td>362</td> <td>ETR</td> <td>-</td> <td>WD.</td> <td>J2</td> <td>PTD.</td> <td>-</td> <td>360</td> <td>3\"/> <tr> <td>363</td> <td>ETR</td> <td>-</td> <td>WD.</td> <td>J2</td> <td>PTD.</td> <td>-</td> <td>361A</td> <td>3\"/> <tr> <td>364A</td> <td>ETR</td> <td>-</td> <td>WD.</td> <td>J2</td> <td>PTD.</td> <td>-</td> <td>362</td> <td>3\"/> <tr> <td>365</td> <td>ETR</td> <td>-</td> <td>WD.</td> <td>J2</td> <td>PTD.</td> <td>-</td> <td>363</td> <td>3\"/> <tr> <td>366</td> <td>ETR</td> <td>-</td> <td>WD.</td> <td>J2</td> <td>PTD.</td> <td>-</td> <td>364A</td> <td>3\"/> <tr> <td>367</td> <td>B</td> <td>2 <td>HM</td> <td>J1</td> <td>PTD.</td> <td>1 HR.</td> <td>365</td> <td>3\"/> <tr> <td>368</td> <td>ETR</td> <td>-</td> <td>WD.</td> <td>J2</td> <td>PTD.</td> <td>-</td> <td>366</td> <td>3\"/> <tr> <td>369</td> <td>ETR</td> <td>-</td> <td>WD.</td> <td>J2</td> <td>PTD.</td> <td>-</td> <td>367</td> <td>3\"/> <tr> <td>370</td> <td>ETR</td> <td>-</td> <td>WD.</td> <td>J2</td> <td>PTD.</td> <td>-</td> <td>368</td> <td>3\"/> <tr> <td>371</td> <td>ETR</td> <td>-</td> <td>WD.</td> <td>J2</td> <td>PTD.</td> <td>-</td> <td>369</td> <td>3\"/> <tr> <td>372</td> <td>B</td> <td>2 <td>HM</td> <td>J1</td> <td>PTD.</td> <td>1 HR.</td> <td>370</td> <td>3\"/> <tr> <td>373A</td> <td>ETR</td> <td>-</td> <td>WD.</td> <td>J2</td> <td>PTD.</td> <td>-</td> <td>371</td> <td>3\"/> <tr> <td>374B</td> <td>ETR</td> <td>-</td> <td>WD.</td> <td>J2</td> <td>PTD.</td> <td>-</td> <td>372</td> <td>3\"/> <tr> <td>374C</td> <td>ETR</td> <td>-</td> <td>WD.</td> <td>J2</td> <td>PTD.</td> <td>-</td> <td>373A</td> <td>3\"/> <tr> <td>375</td> <td>B</td> <td>1 <td>WD</td> <td>J1</td> <td>PTD.</td> <td>-</td> <td>374B</td> <td>3\"/> <tr> <td>376</td> <td>B</td> <td>1 <td>WD</td> <td>J1</td> <td>PTD.</td> <td>-</td> <td>374C</td> <td>3\"/> <tr> <td>377</td> <td>B</td> <td>1 <td>WD</td> <td>J1</td> <td>PTD.</td> <td>-</td> <td>375</td> <td>3\"/> <tr> <td>377A</td> <td>B</td> <td>1 <td>WD</td> <td>J1</td> <td>PTD.</td> <td>-</td> <td>376</td> <td>3\"/> <tr> <td>378</td> <td>B</td> <td>1 <td>WD</td> <td>J1</td> <td>PTD.</td> <td>-</td> <td>377</td> <td>3\"/> <tr> <td>379</td> <td>B</td> <td>1 <td>WD</td> <td>J1</td> <td>PTD.</td> <td>-</td> <td>377A</td> <td>3\"/> <tr> <td>380A</td> <td>B</td> <td>1 <td>WD</td> <td>J1</td> <td>PTD.</td> <td>-</td> <td>378</td> <td>3\"/> <tr> <td>380B</td> <td>B</td> <td>1 <td>WD</td> <td>J1</td> <td>PTD.</td> <td>-</td> <td>379</td> <td>3\"/> <tr> <td>382</td> <td>ETR</td> <td>-</td> <td>WD.</td> <td>J2</td> <td>PTD.</td> <td>-</td> <td>380A</td> <td>3\"/> <tr> <td>382A</td> <td>D</td> <td>6 <td>ALUM.</td> <td>ANODIZE D</td> <td>-</td> <td>-</td> <td>380B</td> <td>3\"/> <tr> <td>385</td> <td>ETR</td> <td>-</td> <td>WD.</td> <td>J2</td> <td>PTD.</td> <td>-</td> <td>382</td> <td>3\"/> <tr> <td>386</td> <td>ETR</td> <td>-</td> <td>WD.</td> <td>J2</td> <td>PTD.</td> <td>-</td> <td>382A</td> <td>3\"/> <tr> <td>387</td> <td>ETR</td> <td>-</td> <td>WD.</td> <td>J2</td> <td>PTD.</td> <td>-</td> <td>385</td> <td>3\"/> <tr> <td>388</td> <td>ETR</td> <td>-</td> <td>WD.</td> <td>J2</td> <td>PTD.</td> <td>-</td> <td>386</td> <td>3\"/> <tr> <td>389</td> <td>ETR</td> <td>-</td> <td>WD.</td>
<td>J2</td> <td>PTD.</td> <td>-</td> <td>387</td> <td>3\"/> <tr> <td>391</td> <td>ETR</td> <td>-</td> <td>WD.</td> <td>J2</td> <td>PTD.</td> <td>-</td> <td>388</td> <td>3\"/> <tr> <td>391A</td> <td>ETR</td> <td>-</td> <td>WD.</td> <td>J2</td> <td>PTD.</td> <td>-</td> <td>389</td> <td>3\"/> <tr> <td>391B</td> <td>ETR</td> <td>-</td> <td>WD.</td> <td>J2</td> <td>PTD.</td> <td>-</td> <td>391</td> <td>3\"/> <tr> <td>394</td> <td>ETR</td> <td>-</td> <td>WD.</td> <td>J2</td> <td>PTD.</td> <td>-</td> <td>391A</td> <td>3\"/> <tr> <td>395</td> <td>ETR</td> <td>-</td> <td>WD.</td> <td>J2</td> <td>PTD.</td> <td>-</td> <td>391B</td> <td>3\"/> <tr> <td>396</td> <td>ETR</td> <td>-</td> <td>WD.</td> <td>J2</td> <td>PTD.</td> <td>-</td> <td>394</td> <td>3\"/> <tr> <td>398</td> <td>ETR</td> <td>-</td> <td>WD.</td> <td>J2</td> <td>PTD.</td> <td>-</td> <td>395</td> <td>3\"/> <tr> <td>399</td> <td>ETR</td> <td>-</td> <td>WD.</td> <td>J2</td> <td>PTD.</td> <td>-</td> <td>396</td> <td>3\"/> <tr> <td>3991</td> <td>ETR</td> <td>-</td> <td>WD.</td> <td>J2</td> <td>PTD.</td> <td>-</td> <td>398</td> <td>3\"/> <tr> <td>3992</td> <td>A</td> <td>3\"/> <tr> <td>3993</td> <td>ETR</td> <td>-</td> <td>WD.</td> <td>J2</td> <td>PTD.</td> <td>-</td> <td>399</td> <td>3\"/> <tr> <td>3994</td> <td>ETR</td> <td>-</td> <td>WD.</td> <td>J2</td> <td>PTD.</td> <td>-</td> <td>3991</td> <td>3\"/> <tr> <td>3995</td> <td>ETR</td> <td>-</td> <td>WD.</td> <td>J2</td> <td>PTD.</td> <td>-</td> <td>3992</td> <td>3\"/> <tr> <td>3997</td> <td>ETR</td> <td>-</td> <td>WD.</td> <td>J2</td> <td>PTD.</td> <td>-</td> <td>3993</td> <td>3\"/> <tr> <td>3998</td> <td>ETR</td> <td>-</td> <td>WD.</td> <td>J2</td> <td>PTD.</td> <td>-</td> <td>3994</td> <td>3\"/> <tr> <td>3999</td> <td>ETR</td> <td>-</td> <td>WD.</td> <td>J2</td> <td>PTD.</td> <td>-</td> <td>3995</td> <td>3\"/> <tr> <td>3999</td> <td>ETR</td> <td>-</td> <td>WD.</td> <td>J2</td> <td>PTD.</td> <td>-</td> <td>3997</td> <td>3\"/> </td></tr></td></tr></td></tr></td></tr></td></tr></td></tr></td></tr></td></tr></td></tr></td></tr></td></tr></td></tr></td></tr></td></tr></td></tr></td></tr></td></tr></td></tr></td></tr></td></tr></td></tr></td></tr></td></td></tr></td></tr></td></td></tr></td></td></tr></td></td></tr></td></td></tr></td></td></tr></td></td></tr></td></td></tr></td></td></tr></td></tr></td></tr></td></tr></td></td></tr></td></tr></td></tr></td></tr></td></tr></td></td></tr></td></tr></td></tr></td></tr></td></tr></td></tr></td></tr></td></tr></td></tr> | 359 | ETR | - | WD. | J2 | PTD. | - | 357 | 3\"/> <tr> <td>360</td> <td>ETR</td> <td>-</td> <td>WD.</td> <td>J2</td> <td>PTD.</td> <td>-</td> <td>358</td> <td>3\"/> <tr> <td>361A</td> <td>ETR</td> <td>-</td> <td>WD.</td> <td>J2</td> <td>PTD.</td> <td>-</td> <td>359</td> <td>3\"/> <tr> <td>362</td> <td>ETR</td> <td>-</td> <td>WD.</td> <td>J2</td> <td>PTD.</td> <td>-</td> <td>360</td> <td>3\"/> <tr> <td>363</td> <td>ETR</td> <td>-</td> <td>WD.</td> <td>J2</td> <td>PTD.</td> <td>-</td> <td>361A</td> <td>3\"/> <tr> <td>364A</td> <td>ETR</td> <td>-</td> <td>WD.</td> <td>J2</td> <td>PTD.</td> <td>-</td> <td>362</td> <td>3\"/> <tr> <td>365</td> <td>ETR</td> <td>-</td> <td>WD.</td> <td>J2</td> <td>PTD.</td> <td>-</td> <td>363</td> <td>3\"/> <tr> <td>366</td> <td>ETR</td> <td>-</td> <td>WD.</td> <td>J2</td> <td>PTD.</td> <td>-</td> <td>364A</td> <td>3\"/> <tr> <td>367</td> <td>B</td> <td>2 <td>HM</td> <td>J1</td> <td>PTD.</td> <td>1 HR.</td> <td>365</td> <td>3\"/> <tr> <td>368</td> <td>ETR</td> <td>-</td> <td>WD.</td> <td>J2</td> <td>PTD.</td> <td>-</td> <td>366</td> <td>3\"/> <tr> <td>369</td> <td>ETR</td> <td>-</td> <td>WD.</td> <td>J2</td> <td>PTD.</td> <td>-</td> <td>367</td> <td>3\"/> <tr> <td>370</td>
<td>ETR</td> <td>-</td> <td>WD.</td> <td>J2</td> <td>PTD.</td> <td>-</td> <td>368</td> <td>3\"/> <tr> <td>371</td> <td>ETR</td> <td>-</td> <td>WD.</td> <td>J2</td> <td>PTD.</td> <td>-</td> <td>369</td> <td>3\"/> <tr> <td>372</td> <td>B</td> <td>2 <td>HM</td> <td>J1</td> <td>PTD.</td> <td>1 HR.</td> <td>370</td> <td>3\"/> <tr> <td>373A</td> <td>ETR</td> <td>-</td> <td>WD.</td> <td>J2</td> <td>PTD.</td> <td>-</td> <td>371</td> <td>3\"/> <tr> <td>374B</td> <td>ETR</td> <td>-</td> <td>WD.</td> <td>J2</td> <td>PTD.</td> <td>-</td> <td>372</td> <td>3\"/> <tr> <td>374C</td> <td>ETR</td> <td>-</td> <td>WD.</td> <td>J2</td> <td>PTD.</td> <td>-</td> <td>373A</td> <td>3\"/> <tr> <td>375</td> <td>B</td> <td>1 <td>WD</td> <td>J1</td> <td>PTD.</td> <td>-</td> <td>374B</td> <td>3\"/> <tr> <td>376</td> <td>B</td> <td>1 <td>WD</td> <td>J1</td> <td>PTD.</td> <td>-</td> <td>374C</td> <td>3\"/> <tr> <td>377</td> <td>B</td> <td>1 <td>WD</td> <td>J1</td> <td>PTD.</td> <td>-</td> <td>375</td> <td>3\"/> <tr> <td>377A</td> <td>B</td> <td>1 <td>WD</td> <td>J1</td> <td>PTD.</td> <td>-</td> <td>376</td> <td>3\"/> <tr> <td>378</td> <td>B</td> <td>1 <td>WD</td> <td>J1</td> <td>PTD.</td> <td>-</td> <td>377</td> <td>3\"/> <tr> <td>379</td> <td>B</td> <td>1 <td>WD</td> <td>J1</td> <td>PTD.</td> <td>-</td> <td>377A</td> <td>3\"/> <tr> <td>380A</td> <td>B</td> <td>1 <td>WD</td> <td>J1</td> <td>PTD.</td> <td>-</td> <td>378</td> <td>3\"/> <tr> <td>380B</td> <td>B</td> <td>1 <td>WD</td> <td>J1</td> <td>PTD.</td> <td>-</td> <td>379</td> <td>3\"/> <tr> <td>382</td> <td>ETR</td> <td>-</td> <td>WD.</td> <td>J2</td> <td>PTD.</td> <td>-</td> <td>380A</td> <td>3\"/> <tr> <td>382A</td> <td>D</td> <td>6 <td>ALUM.</td> <td>ANODIZE D</td> <td>-</td> <td>-</td> <td>380B</td> <td>3\"/> <tr> <td>385</td> <td>ETR</td> <td>-</td> <td>WD.</td> <td>J2</td> <td>PTD.</td> <td>-</td> <td>382</td> <td>3\"/> <tr> <td>386</td> <td>ETR</td> <td>-</td> <td>WD.</td> <td>J2</td> <td>PTD.</td> <td>-</td> <td>382A</td> <td>3\"/> <tr> <td>387</td> <td>ETR</td> <td>-</td> <td>WD.</td> <td>J2</td> <td>PTD.</td> <td>-</td> <td>385</td> <td>3\"/> <tr> <td>388</td> <td>ETR</td> <td>-</td> <td>WD.</td> <td>J2</td> <td>PTD.</td> <td>-</td> <td>386</td> <td>3\"/> <tr> <td>389</td> <td>ETR</td> <td>-</td> <td>WD.</td> <td>J2</td> <td>PTD.</td> <td>-</td> <td>387</td> <td>3\"/> <tr> <td>391</td> <td>ETR</td> <td>-</td> <td>WD.</td> <td>J2</td> <td>PTD.</td> <td>-</td> <td>388</td> <td>3\"/> <tr> <td>391A</td> <td>ETR</td> <td>-</td> <td>WD.</td> <td>J2</td> <td>PTD.</td> <td>-</td> <td>389</td> <td>3\"/> <tr> <td>391B</td> <td>ETR</td> <td>-</td> <td>WD.</td> <td>J2</td> <td>PTD.</td> <td>-</td> <td>391</td> <td>3\"/> <tr> <td>394</td> <td>ETR</td> <td>-</td> <td>WD.</td> <td>J2</td> <td>PTD.</td> <td>-</td> <td>391A</td> <td>3\"/> <tr> <td>395</td> <td>ETR</td> <td>-</td> <td>WD.</td> <td>J2</td> <td>PTD.</td> <td>-</td> <td>391B</td> <td>3\"/> <tr> <td>396</td> <td>ETR</td> <td>-</td> <td>WD.</td> <td>J2</td> <td>PTD.</td> <td>-</td> <td>394</td> <td>3\"/> <tr> <td>398</td> <td>ETR</td> <td>-</td> <td>WD.</td> <td>J2</td> <td>PTD.</td> <td>-</td> <td>395</td> <td>3\"/> <tr> <td>399</td> <td>ETR</td> <td>-</td> <td>WD.</td> <td>J2</td> <td>PTD.</td> <td>-</td> <td>396</td> <td>3\"/> <tr> <td>3991</td> <td>ETR</td> <td>-</td> <td>WD.</td> <td>J2</td> <td>PTD.</td> <td>-</td> <td>398</td> <td>3\"/> <tr> <td>3992</td> <td>A</td> <td>3\"/> <tr> <td>3993</td> <td>ETR</td> <td>-</td> <td>WD.</td> <td>J2</td> <td>PTD.</td> <td>-</td> <td>399</td> <td>3\"/> <tr> <td>3994</td> <td>ETR</td> <td>-</td> <td>WD.</td> <td>J2</td> <td>PTD.</td> <td>-</td> <td>3991</td> <td>3\"/> <tr> <td>3995</td> <td>ETR</td> <td>-</td> <td>WD.</td> <td>J2</td> <td>PTD.</td> <td>-</td> <td>3992</td> <td>3\"/> <tr> <td>3997</td> <td>ETR</td> <td>-</td> <td>WD.</td> <td>J2</td> <td>PTD.</td> <td>-</td> <td>3993</td> <td>3\"/> <tr> <td>3998</td> <td>ETR</td> <td>-</td> <td>WD.</td> <td>J2</td> <td>PTD.</td> <td>-</td> <td>3994</td> <td>3\"/> <tr> <td>3999</td> <td>ETR</td> <td>-</td> <td>WD.</td> <td>J2</td> <td>PTD.</td> <td>-</td> <td>3995</td> <td>3\"/> <tr> <td>3999</td> <td>ETR</td> <td>-</td> <td>WD.</td> <td>J2</td> <td>PTD.</td> <td>-</td> <td>3997</td> <td>3\"/> </td></tr></td></tr></td></tr></td></tr></td></tr></td></tr></td></tr></td></tr></td></tr></td></tr></td></tr></td></tr></td></tr></td></tr></td></tr></td></tr></td></tr></td></tr></td></tr></td></tr></td></tr></td></tr></td></td></tr></td></tr></td></td></tr></td></td></tr></td></td></tr></td></td></tr></td></td></tr></td></td></tr></td></td></tr></td></td></tr></td></tr></td></tr></td></tr></td></td></tr></td></tr></td></tr></td></tr></td></tr></td></td></tr></td></tr></td></tr></td></tr></td></tr></td></tr></td></tr></td></tr> | 360 | ETR | - | WD. | J2 | PTD.
 | - | 358 | 3\"/> <tr> <td>361A</td> <td>ETR</td> <td>-</td> <td>WD.</td> <td>J2</td> <td>PTD.</td> <td>-</td> <td>359</td> <td>3\"/> <tr> <td>362</td> <td>ETR</td> <td>-</td> <td>WD.</td> <td>J2</td> <td>PTD.</td> <td>-</td> <td>360</td> <td>3\"/> <tr> <td>363</td> <td>ETR</td> <td>-</td> <td>WD.</td> <td>J2</td> <td>PTD.</td> <td>-</td> <td>361A</td> <td>3\"/> <tr> <td>364A</td> <td>ETR</td> <td>-</td> <td>WD.</td> <td>J2</td> <td>PTD.</td> <td>-</td> <td>362</td> <td>3\"/> <tr> <td>365</td> <td>ETR</td> <td>-</td> <td>WD.</td> <td>J2</td> <td>PTD.</td> <td>-</td> <td>363</td> <td>3\"/> <tr> <td>366</td> <td>ETR</td> <td>-</td> <td>WD.</td> <td>J2</td> <td>PTD.</td> <td>-</td> <td>364A</td> <td>3\"/> <tr> <td>367</td> <td>B</td> <td>2 <td>HM</td> <td>J1</td> <td>PTD.</td> <td>1 HR.</td> <td>365</td> <td>3\"/> <tr> <td>368</td> <td>ETR</td> <td>-</td> <td>WD.</td> <td>J2</td> <td>PTD.</td> <td>-</td> <td>366</td> <td>3\"/> <tr> <td>369</td> <td>ETR</td> <td>-</td> <td>WD.</td> <td>J2</td> <td>PTD.</td> <td>-</td> <td>367</td> <td>3\"/> <tr> <td>370</td> <td>ETR</td> <td>-</td> <td>WD.</td> <td>J2</td> <td>PTD.</td> <td>-</td> <td>368</td> <td>3\"/> <tr> <td>371</td> <td>ETR</td> <td>-</td> <td>WD.</td> <td>J2</td> <td>PTD.</td> <td>-</td> <td>369</td> <td>3\"/> <tr> <td>372</td> <td>B</td> <td>2 <td>HM</td> <td>J1</td> <td>PTD.</td> <td>1 HR.</td> <td>370</td> <td>3\"/> <tr> <td>373A</td> <td>ETR</td> <td>-</td> <td>WD.</td> <td>J2</td> <td>PTD.</td> <td>-</td> <td>371</td> <td>3\"/> <tr> <td>374B</td> <td>ETR</td> <td>-</td> <td>WD.</td> <td>J2</td> <td>PTD.</td> <td>-</td> <td>372</td> <td>3\"/> <tr> <td>374C</td> <td>ETR</td> <td>-</td> <td>WD.</td> <td>J2</td> <td>PTD.</td> <td>-</td> <td>373A</td> <td>3\"/> <tr> <td>375</td> <td>B</td> <td>1 <td>WD</td> <td>J1</td> <td>PTD.</td> <td>-</td> <td>374B</td> <td>3\"/> <tr> <td>376</td> <td>B</td> <td>1 <td>WD</td> <td>J1</td> <td>PTD.</td> <td>-</td> <td>374C</td> <td>3\"/> <tr> <td>377</td> <td>B</td> <td>1 <td>WD</td> <td>J1</td> <td>PTD.</td> <td>-</td> <td>375</td> <td>3\"/> <tr> <td>377A</td> <td>B</td> <td>1 <td>WD</td> <td>J1</td> <td>PTD.</td> <td>-</td> <td>376</td> <td>3\"/> <tr> <td>378</td> <td>B</td> <td>1 <td>WD</td> <td>J1</td> <td>PTD.</td> <td>-</td> <td>377</td> <td>3\"/> <tr> <td>379</td> <td>B</td> <td>1 <td>WD</td> <td>J1</td> <td>PTD.</td> <td>-</td> <td>377A</td> <td>3\"/> <tr> <td>380A</td> <td>B</td> <td>1 <td>WD</td> <td>J1</td> <td>PTD.</td> <td>-</td> <td>378</td> <td>3\"/> <tr> <td>380B</td> <td>B</td> <td>1 <td>WD</td> <td>J1</td> <td>PTD.</td> <td>-</td> <td>379</td> <td>3\"/> <tr> <td>382</td> <td>ETR</td> <td>-</td> <td>WD.</td> <td>J2</td> <td>PTD.</td> <td>-</td> <td>380A</td> <td>3\"/> <tr> <td>382A</td> <td>D</td> <td>6 <td>ALUM.</td> <td>ANODIZE D</td> <td>-</td> <td>-</td> <td>380B</td> <td>3\"/> <tr> <td>385</td> <td>ETR</td> <td>-</td> <td>WD.</td> <td>J2</td> <td>PTD.</td> <td>-</td> <td>382</td> <td>3\"/> <tr> <td>386</td> <td>ETR</td> <td>-</td> <td>WD.</td> <td>J2</td> <td>PTD.</td> <td>-</td> <td>382A</td> <td>3\"/> <tr> <td>387</td> <td>ETR</td> <td>-</td> <td>WD.</td> <td>J2</td> <td>PTD.</td> <td>-</td> <td>385</td> <td>3\"/> <tr> <td>388</td> <td>ETR</td> <td>-</td> <td>WD.</td> <td>J2</td> <td>PTD.</td> <td>-</td> <td>386</td> <td>3\"/> <tr> <td>389</td> <td>ETR</td> <td>-</td> <td>WD.</td> <td>J2</td> <td>PTD.</td> <td>-</td> <td>387</td> <td>3\"/> <tr> <td>391</td> <td>ETR</td> <td>-</td> <td>WD.</td> <td>J2</td> <td>PTD.</td> <td>-</td> <td>388</td> <td>3\"/> <tr> <td>391A</td> <td>ETR</td> <td>-</td> <td>WD.</td> <td>J2</td> <td>PTD.</td> <td>-</td> <td>389</td> <td>3\"/> <tr> <td>391B</td> <td>ETR</td> <td>-</td> <td>WD.</td> <td>J2</td> <td>PTD.</td> <td>-</td> <td>391</td> <td>3\"/> <tr> <td>394</td> <td>ETR</td> <td>-</td> <td>WD.</td> <td>J2</td> <td>PTD.</td> <td>-</td> <td>391A</td> <td>3\"/> <tr> <td>395</td> <td>ETR</td> <td>-</td> <td>WD.</td> <td>J2</td> <td>PTD.</td> <td>-</td> <td>391B</td> <td>3\"/> <tr> <td>396</td> <td>ETR</td> <td>-</td> <td>WD.</td> <td>J2</td> <td>PTD.</td> <td>-</td> <td>394</td> <td>3\"/> <tr> <td>398</td> <td>ETR</td> <td>-</td> <td>WD.</td> <td>J2</td> <td>PTD.</td> <td>-</td> <td>395</td> <td>3\"/> <tr> <td>399</td> <td>ETR</td> <td>-</td> <td>WD.</td> <td>J2</td> <td>PTD.</td> <td>-</td> <td>396</td> <td>3\"/> <tr> <td>3991</td> <td>ETR</td> <td>-</td> <td>WD.</td> <td>J2</td> <td>PTD.</td> <td>-</td> <td>398</td> <td>3\"/> <tr> <td>3992</td> <td>A</td> <td>3\"/> <tr> <td>3993</td> <td>ETR</td> <td>-</td> <td>WD.</td> <td>J2</td> <td>PTD.</td> <td>-</td> <td>399</td> <td>3\"/> <tr> <td>3994</td> <td>ETR</td> <td>-</td> <td>WD.</td> <td>J2</td> <td>PTD.</td> <td>-</td> <td>3991</td> <td>3\"/> <tr> <td>3995</td> <td>ETR</td> <td>-</td> <td>WD.</td> <td>J2</td> <td>PTD.</td> <td>-</td> <td>3992</td> <td>3\"/> <tr> <td>3997</td> <td>ETR</td> <td>-</td> <td>WD.</td> <td>J2</td> <td>PTD.</td> <td>-</td> <td>3993</td> <td>3\"/> <tr> <td>3998</td> <td>ETR</td> <td>-</td> <td>WD.</td> <td>J2</td> <td>PTD.</td> <td>-</td> <td>3994</td> <td>3\"/> <tr> <td>3999</td> <td>ETR</td> <td>-</td> <td>WD.</td> <td>J2</td> <td>PTD.</td> <td>-</td> <td>3995</td> <td>3\"/> <tr> <td>3999</td> <td>ETR</td> <td>-</td> <td>WD.</td> <td>J2</td> <td>PTD.</td> <td>-</td> <td>3997</td> <td>3\"/> </td></tr></td></tr></td></tr></td></tr></td></tr></td></tr></td></tr></td></tr></td></tr></td></tr></td></tr></td></tr></td></tr></td></tr></td></tr></td></tr></td></tr></td></tr></td></tr></td></tr></td></tr></td></tr></td></td></tr></td></tr></td></td></tr></td></td></tr></td></td></tr></td></td></tr></td></td></tr></td></td></tr></td></td></tr></td></td></tr></td></tr></td></tr></td></tr></td></td></tr></td></tr></td></tr></td></tr></td></tr></td></td></tr></td></tr></td></tr></td></tr></td></tr></td></tr></td></tr> | 361A | ETR | - | WD. | J2 | PTD.
 | - | 359 | 3\"/> <tr> <td>362</td> <td>ETR</td> <td>-</td> <td>WD.</td> <td>J2</td> <td>PTD.</td> <td>-</td> <td>360</td> <td>3\"/> <tr> <td>363</td> <td>ETR</td> <td>-</td> <td>WD.</td> <td>J2</td> <td>PTD.</td> <td>-</td> <td>361A</td> <td>3\"/> <tr> <td>364A</td> <td>ETR</td> <td>-</td> <td>WD.</td> <td>J2</td> <td>PTD.</td> <td>-</td> <td>362</td> <td>3\"/> <tr> <td>365</td> <td>ETR</td> <td>-</td> <td>WD.</td> <td>J2</td> <td>PTD.</td> <td>-</td> <td>363</td> <td>3\"/> <tr> <td>366</td> <td>ETR</td> <td>-</td> <td>WD.</td> <td>J2</td> <td>PTD.</td> <td>-</td> <td>364A</td> <td>3\"/> <tr> <td>367</td> <td>B</td> <td>2 <td>HM</td> <td>J1</td> <td>PTD.</td> <td>1 HR.</td> <td>365</td> <td>3\"/> <tr> <td>368</td> <td>ETR</td> <td>-</td> <td>WD.</td> <td>J2</td> <td>PTD.</td> <td>-</td> <td>366</td> <td>3\"/> <tr> <td>369</td> <td>ETR</td> <td>-</td> <td>WD.</td> <td>J2</td> <td>PTD.</td> <td>-</td> <td>367</td> <td>3\"/> <tr> <td>370</td> <td>ETR</td> <td>-</td> <td>WD.</td> <td>J2</td> <td>PTD.</td> <td>-</td> <td>368</td> <td>3\"/> <tr> <td>371</td> <td>ETR</td> <td>-</td> <td>WD.</td> <td>J2</td> <td>PTD.</td> <td>-</td> <td>369</td> <td>3\"/> <tr> <td>372</td> <td>B</td> <td>2 <td>HM</td> <td>J1</td> <td>PTD.</td> <td>1 HR.</td> <td>370</td> <td>3\"/> <tr> <td>373A</td> <td>ETR</td> <td>-</td> <td>WD.</td> <td>J2</td> <td>PTD.</td> <td>-</td> <td>371</td> <td>3\"/> <tr> <td>374B</td> <td>ETR</td> <td>-</td> <td>WD.</td> <td>J2</td> <td>PTD.</td> <td>-</td> <td>372</td> <td>3\"/> <tr> <td>374C</td> <td>ETR</td> <td>-</td> <td>WD.</td> <td>J2</td> <td>PTD.</td> <td>-</td> <td>373A</td> <td>3\"/> <tr> <td>375</td> <td>B</td> <td>1 <td>WD</td> <td>J1</td> <td>PTD.</td> <td>-</td> <td>374B</td> <td>3\"/> <tr> <td>376</td> <td>B</td> <td>1 <td>WD</td> <td>J1</td> <td>PTD.</td> <td>-</td> <td>374C</td> <td>3\"/> <tr> <td>377</td> <td>B</td> <td>1 <td>WD</td> <td>J1</td> <td>PTD.</td> <td>-</td> <td>375</td> <td>3\"/> <tr> <td>377A</td> <td>B</td> <td>1 <td>WD</td> <td>J1</td> <td>PTD.</td> <td>-</td> <td>376</td> <td>3\"/> <tr> <td>378</td> <td>B</td> <td>1 <td>WD</td> <td>J1</td> <td>PTD.</td> <td>-</td> <td>377</td> <td>3\"/> <tr> <td>379</td> <td>B</td> <td>1 <td>WD</td> <td>J1</td> <td>PTD.</td> <td>-</td> <td>377A</td> <td>3\"/> <tr> <td>380A</td> <td>B</td> <td>1 <td>WD</td> <td>J1</td> <td>PTD.</td> <td>-</td> <td>378</td> <td>3\"/> <tr> <td>380B</td> <td>B</td> <td>1 <td>WD</td> <td>J1</td> <td>PTD.</td> <td>-</td> <td>379</td> <td>3\"/> <tr> <td>382</td> <td>ETR</td> <td>-</td> <td>WD.</td> <td>J2</td> <td>PTD.</td> <td>-</td> <td>380A</td> <td>3\"/> <tr> <td>382A</td> <td>D</td> <td>6 <td>ALUM.</td> <td>ANODIZE D</td> <td>-</td> <td>-</td> <td>380B</td> <td>3\"/> <tr> <td>385</td> <td>ETR</td> <td>-</td> <td>WD.</td> <td>J2</td> <td>PTD.</td> <td>-</td> <td>382</td> <td>3\"/> <tr> <td>386</td> <td>ETR</td> <td>-</td> <td>WD.</td> <td>J2</td> <td>PTD.</td> <td>-</td> <td>382A</td> <td>3\"/> <tr> <td>387</td> <td>ETR</td> <td>-</td> <td>WD.</td> <td>J2</td> <td>PTD.</td> <td>-</td> <td>385</td> <td>3\"/> <tr> <td>388</td> <td>ETR</td> <td>-</td> <td>WD.</td> <td>J2</td> <td>PTD.</td> <td>-</td> <td>386</td> <td>3\"/> <tr> <td>389</td> <td>ETR</td> <td>-</td> <td>WD.</td> <td>J2</td> <td>PTD.</td> <td>-</td> <td>387</td> <td>3\"/> <tr> <td>391</td> <td>ETR</td> <td>-</td> <td>WD.</td> <td>J2</td> <td>PTD.</td> <td>-</td> <td>388</td> <td>3\"/> <tr> <td>391A</td> <td>ETR</td> <td>-</td> <td>WD.</td> <td>J2</td> <td>PTD.</td> <td>-</td> <td>389</td> <td>3\"/> <tr> <td>391B</td> <td>ETR</td> <td>-</td> <td>WD.</td> <td>J2</td> <td>PTD.</td> <td>-</td> <td>391</td> <td>3\"/> <tr> <td>394</td> <td>ETR</td> <td>-</td> <td>WD.</td> <td>J2</td> <td>PTD.</td> <td>-</td> <td>391A</td> <td>3\"/> <tr> <td>395</td> <td>ETR</td> <td>-</td> <td>WD.</td> <td>J2</td> <td>PTD.</td> <td>-</td> <td>391B</td> <td>3\"/> <tr> <td>396</td> <td>ETR</td> <td>-</td> <td>WD.</td> <td>J2</td> <td>PTD.</td> <td>-</td> <td>394</td> <td>3\"/> <tr> <td>398</td> <td>ETR</td> <td>-</td> <td>WD.</td> <td>J2</td> <td>PTD.</td> <td>-</td> <td>395</td> <td>3\"/> <tr> <td>399</td> <td>ETR</td> <td>-</td> <td>WD.</td> <td>J2</td> <td>PTD.</td> <td>-</td> <td>396</td> <td>3\"/> <tr> <td>3991</td> <td>ETR</td> <td>-</td> <td>WD.</td> <td>J2</td> <td>PTD.</td> <td>-</td> <td>398</td> <td>3\"/> <tr> <td>3992</td> <td>A</td> <td>3\"/> <tr> <td>3993</td> <td>ETR</td> <td>-</td> <td>WD.</td> <td>J2</td> <td>PTD.</td> <td>-</td> <td>399</td> <td>3\"/> <tr> <td>3994</td> <td>ETR</td> <td>-</td> <td>WD.</td> <td>J2</td> <td>PTD.</td> <td>-</td> <td>3991</td> <td>3\"/> <tr> <td>3995</td> <td>ETR</td> <td>-</td> <td>WD.</td> <td>J2</td> <td>PTD.</td> <td>-</td> <td>3992</td> <td>3\"/> <tr> <td>3997</td> <td>ETR</td> <td>-</td> <td>WD.</td> <td>J2</td> <td>PTD.</td> <td>-</td> <td>3993</td> <td>3\"/> <tr> <td>3998</td> <td>ETR</td> <td>-</td> <td>WD.</td> <td>J2</td> <td>PTD.</td> <td>-</td> <td>3994</td> <td>3\"/> <tr> <td>3999</td> <td>ETR</td> <td>-</td> <td>WD.</td> <td>J2</td> <td>PTD.</td> <td>-</td> <td>3995</td> <td>3\"/> <tr> <td>3999</td> <td>ETR</td> <td>-</td> <td>WD.</td> <td>J2</td> <td>PTD.</td> <td>-</td> <td>3997</td> <td>3\"/> </td></tr></td></tr></td></tr></td></tr></td></tr></td></tr></td></tr></td></tr></td></tr></td></tr></td></tr></td></tr></td></tr></td></tr></td></tr></td></tr></td></tr></td></tr></td></tr></td></tr></td></tr></td></tr></td></td></tr></td></tr></td></td></tr></td></td></tr></td></td></tr></td></td></tr></td></td></tr></td></td></tr></td></td></tr></td></td></tr></td></tr></td></tr></td></tr></td></td></tr></td></tr></td></tr></td></tr></td></tr></td></td></tr></td></tr></td></tr></td></tr></td></tr></td></tr> | 362 | ETR | - | WD. | J2 | PTD.
 | - | 360 | 3\"/> <tr> <td>363</td> <td>ETR</td> <td>-</td> <td>WD.</td> <td>J2</td> <td>PTD.</td> <td>-</td> <td>361A</td> <td>3\"/> <tr> <td>364A</td> <td>ETR</td> <td>-</td> <td>WD.</td> <td>J2</td> <td>PTD.</td> <td>-</td> <td>362</td> <td>3\"/> <tr> <td>365</td> <td>ETR</td> <td>-</td> <td>WD.</td> <td>J2</td> <td>PTD.</td> <td>-</td> <td>363</td> <td>3\"/> <tr> <td>366</td> <td>ETR</td> <td>-</td> <td>WD.</td> <td>J2</td> <td>PTD.</td> <td>-</td> <td>364A</td> <td>3\"/> <tr> <td>367</td> <td>B</td> <td>2 <td>HM</td> <td>J1</td> <td>PTD.</td> <td>1 HR.</td> <td>365</td> <td>3\"/> <tr> <td>368</td> <td>ETR</td> <td>-</td> <td>WD.</td> <td>J2</td> <td>PTD.</td> <td>-</td> <td>366</td> <td>3\"/> <tr> <td>369</td> <td>ETR</td> <td>-</td> <td>WD.</td> <td>J2</td> <td>PTD.</td> <td>-</td> <td>367</td> <td>3\"/> <tr> <td>370</td> <td>ETR</td> <td>-</td> <td>WD.</td> <td>J2</td> <td>PTD.</td> <td>-</td> <td>368</td> <td>3\"/> <tr> <td>371</td> <td>ETR</td> <td>-</td> <td>WD.</td> <td>J2</td> <td>PTD.</td> <td>-</td> <td>369</td> <td>3\"/> <tr> <td>372</td> <td>B</td> <td>2 <td>HM</td> <td>J1</td> <td>PTD.</td> <td>1 HR.</td> <td>370</td> <td>3\"/> <tr> <td>373A</td> <td>ETR</td> <td>-</td> <td>WD.</td> <td>J2</td> <td>PTD.</td> <td>-</td> <td>371</td> <td>3\"/> <tr> <td>374B</td> <td>ETR</td> <td>-</td> <td>WD.</td> <td>J2</td> <td>PTD.</td> <td>-</td> <td>372</td> <td>3\"/> <tr> <td>374C</td> <td>ETR</td> <td>-</td> <td>WD.</td> <td>J2</td> <td>PTD.</td> <td>-</td> <td>373A</td> <td>3\"/> <tr> <td>375</td> <td>B</td> <td>1 <td>WD</td> <td>J1</td> <td>PTD.</td> <td>-</td> <td>374B</td> <td>3\"/> <tr> <td>376</td> <td>B</td> <td>1 <td>WD</td> <td>J1</td> <td>PTD.</td> <td>-</td> <td>374C</td> <td>3\"/> <tr> <td>377</td> <td>B</td> <td>1 <td>WD</td> <td>J1</td> <td>PTD.</td> <td>-</td> <td>375</td> <td>3\"/> <tr> <td>377A</td> <td>B</td> <td>1 <td>WD</td> <td>J1</td> <td>PTD.</td> <td>-</td> <td>376</td> <td>3\"/> <tr> <td>378</td> <td>B</td> <td>1 <td>WD</td> <td>J1</td> <td>PTD.</td> <td>-</td> <td>377</td> <td>3\"/> <tr> <td>379</td> <td>B</td> <td>1 <td>WD</td> <td>J1</td> <td>PTD.</td> <td>-</td> <td>377A</td> <td>3\"/> <tr> <td>380A</td> <td>B</td> <td>1 <td>WD</td> <td>J1</td> <td>PTD.</td> <td>-</td> <td>378</td> <td>3\"/> <tr> <td>380B</td> <td>B</td> <td>1 <td>WD</td> <td>J1</td> <td>PTD.</td> <td>-</td> <td>379</td> <td>3\"/> <tr> <td>382</td> <td>ETR</td> <td>-</td> <td>WD.</td> <td>J2</td> <td>PTD.</td> <td>-</td> <td>380A</td> <td>3\"/> <tr> <td>382A</td> <td>D</td> <td>6 <td>ALUM.</td> <td>ANODIZE D</td> <td>-</td> <td>-</td> <td>380B</td> <td>3\"/> <tr> <td>385</td> <td>ETR</td> <td>-</td> <td>WD.</td> <td>J2</td> <td>PTD.</td> <td>-</td> <td>382</td> <td>3\"/> <tr> <td>386</td> <td>ETR</td> <td>-</td> <td>WD.</td> <td>J2</td> <td>PTD.</td> <td>-</td> <td>382A</td> <td>3\"/> <tr> <td>387</td> <td>ETR</td> <td>-</td> <td>WD.</td> <td>J2</td> <td>PTD.</td> <td>-</td> <td>385</td> <td>3\"/> <tr> <td>388</td> <td>ETR</td> <td>-</td> <td>WD.</td> <td>J2</td> <td>PTD.</td> <td>-</td> <td>386</td> <td>3\"/> <tr> <td>389</td> <td>ETR</td> <td>-</td> <td>WD.</td> <td>J2</td> <td>PTD.</td> <td>-</td> <td>387</td> <td>3\"/> <tr> <td>391</td> <td>ETR</td> <td>-</td> <td>WD.</td> <td>J2</td> <td>PTD.</td> <td>-</td> <td>388</td> <td>3\"/> <tr> <td>391A</td> <td>ETR</td> <td>-</td> <td>WD.</td> <td>J2</td> <td>PTD.</td> <td>-</td> <td>389</td> <td>3\"/> <tr> <td>391B</td> <td>ETR</td> <td>-</td> <td>WD.</td> <td>J2</td> <td>PTD.</td> <td>-</td> <td>391</td> <td>3\"/> <tr> <td>394</td> <td>ETR</td> <td>-</td> <td>WD.</td> <td>J2</td> <td>PTD.</td> <td>-</td> <td>391A</td> <td>3\"/> <tr> <td>395</td> <td>ETR</td> <td>-</td> <td>WD.</td> <td>J2</td> <td>PTD.</td> <td>-</td> <td>391B</td> <td>3\"/> <tr> <td>396</td> <td>ETR</td> <td>-</td> <td>WD.</td> <td>J2</td> <td>PTD.</td> <td>-</td> <td>394</td> <td>3\"/> <tr> <td>398</td> <td>ETR</td> <td>-</td> <td>WD.</td> <td>J2</td> <td>PTD.</td> <td>-</td> <td>395</td> <td>3\"/> <tr> <td>399</td> <td>ETR</td> <td>-</td> <td>WD.</td> <td>J2</td> <td>PTD.</td> <td>-</td> <td>396</td> <td>3\"/> <tr> <td>3991</td> <td>ETR</td> <td>-</td> <td>WD.</td> <td>J2</td> <td>PTD.</td> <td>-</td> <td>398</td> <td>3\"/> <tr> <td>3992</td> <td>A</td> <td>3\"/> <tr> <td>3993</td> <td>ETR</td> <td>-</td> <td>WD.</td> <td>J2</td> <td>PTD.</td> <td>-</td> <td>399</td> <td>3\"/> <tr> <td>3994</td> <td>ETR</td> <td>-</td> <td>WD.</td> <td>J2</td> <td>PTD.</td> <td>-</td> <td>3991</td> <td>3\"/> <tr> <td>3995</td> <td>ETR</td> <td>-</td> <td>WD.</td> <td>J2</td> <td>PTD.</td> <td>-</td> <td>3992</td> <td>3\"/> <tr> <td>3997</td> <td>ETR</td> <td>-</td> <td>WD.</td> <td>J2</td> <td>PTD.</td> <td>-</td> <td>3993</td> <td>3\"/> <tr> <td>3998</td> <td>ETR</td> <td>-</td> <td>WD.</td> <td>J2</td> <td>PTD.</td> <td>-</td> <td>3994</td> <td>3\"/> <tr> <td>3999</td> <td>ETR</td> <td>-</td> <td>WD.</td> <td>J2</td> <td>PTD.</td> <td>-</td> <td>3995</td> <td>3\"/> <tr> <td>3999</td> <td>ETR</td> <td>-</td> <td>WD.</td> <td>J2</td> <td>PTD.</td> <td>-</td> <td>3997</td> <td>3\"/>
</td></tr></td></tr></td></tr></td></tr></td></tr></td></tr></td></tr></td></tr></td></tr></td></tr></td></tr></td></tr></td></tr></td></tr></td></tr></td></tr></td></tr></td></tr></td></tr></td></tr></td></tr></td></tr></td></td></tr></td></tr></td></td></tr></td></td></tr></td></td></tr></td></td></tr></td></td></tr></td></td></tr></td></td></tr></td></td></tr></td></tr></td></tr></td></tr></td></td></tr></td></tr></td></tr></td></tr></td></tr></td></td></tr></td></tr></td></tr></td></tr></td></tr> | 363 | ETR | - | WD. | J2 | PTD. | - | 361A | 3\"/> <tr> <td>364A</td> <td>ETR</td> <td>-</td> <td>WD.</td> <td>J2</td> <td>PTD.</td> <td>-</td> <td>362</td> <td>3\"/> <tr> <td>365</td> <td>ETR</td> <td>-</td> <td>WD.</td> <td>J2</td> <td>PTD.</td> <td>-</td> <td>363</td> <td>3\"/> <tr> <td>366</td> <td>ETR</td> <td>-</td> <td>WD.</td> <td>J2</td> <td>PTD.</td> <td>-</td> <td>364A</td> <td>3\"/> <tr> <td>367</td> <td>B</td> <td>2 <td>HM</td> <td>J1</td> <td>PTD.</td> <td>1 HR.</td> <td>365</td> <td>3\"/> <tr> <td>368</td> <td>ETR</td> <td>-</td> <td>WD.</td> <td>J2</td> <td>PTD.</td> <td>-</td> <td>366</td> <td>3\"/> <tr> <td>369</td> <td>ETR</td> <td>-</td> <td>WD.</td> <td>J2</td> <td>PTD.</td> <td>-</td> <td>367</td> <td>3\"/> <tr> <td>370</td> <td>ETR</td> <td>-</td> <td>WD.</td> <td>J2</td> <td>PTD.</td> <td>-</td> <td>368</td> <td>3\"/> <tr> <td>371</td> <td>ETR</td> <td>-</td> <td>WD.</td> <td>J2</td> <td>PTD.</td> <td>-</td> <td>369</td> <td>3\"/> <tr> <td>372</td> <td>B</td> <td>2 <td>HM</td> <td>J1</td> <td>PTD.</td> <td>1 HR.</td> <td>370</td> <td>3\"/> <tr> <td>373A</td> <td>ETR</td> <td>-</td> <td>WD.</td> <td>J2</td> <td>PTD.</td> <td>-</td> <td>371</td> <td>3\"/> <tr> <td>374B</td> <td>ETR</td> <td>-</td> <td>WD.</td> <td>J2</td> <td>PTD.</td> <td>-</td> <td>372</td> <td>3\"/> <tr> <td>374C</td> <td>ETR</td> <td>-</td> <td>WD.</td> <td>J2</td> <td>PTD.</td> <td>-</td> <td>373A</td> <td>3\"/> <tr> <td>375</td> <td>B</td> <td>1 <td>WD</td> <td>J1</td> <td>PTD.</td> <td>-</td> <td>374B</td> <td>3\"/> <tr> <td>376</td> <td>B</td> <td>1 <td>WD</td> <td>J1</td> <td>PTD.</td> <td>-</td> <td>374C</td> <td>3\"/> <tr> <td>377</td> <td>B</td> <td>1 <td>WD</td> <td>J1</td> <td>PTD.</td> <td>-</td> <td>375</td> <td>3\"/> <tr> <td>377A</td> <td>B</td> <td>1 <td>WD</td> <td>J1</td> <td>PTD.</td> <td>-</td> <td>376</td> <td>3\"/> <tr> <td>378</td> <td>B</td> <td>1 <td>WD</td> <td>J1</td> <td>PTD.</td> <td>-</td> <td>377</td> <td>3\"/> <tr> <td>379</td> <td>B</td> <td>1 <td>WD</td> <td>J1</td> <td>PTD.</td> <td>-</td> <td>377A</td> <td>3\"/> <tr> <td>380A</td> <td>B</td> <td>1 <td>WD</td> <td>J1</td> <td>PTD.</td> <td>-</td> <td>378</td> <td>3\"/> <tr> <td>380B</td> <td>B</td> <td>1 <td>WD</td> <td>J1</td> <td>PTD.</td> <td>-</td> <td>379</td> <td>3\"/> <tr> <td>382</td> <td>ETR</td> <td>-</td> <td>WD.</td> <td>J2</td> <td>PTD.</td> <td>-</td> <td>380A</td> <td>3\"/> <tr> <td>382A</td> <td>D</td> <td>6 <td>ALUM.</td> <td>ANODIZE D</td> <td>-</td> <td>-</td> <td>380B</td> <td>3\"/> <tr> <td>385</td> <td>ETR</td> <td>-</td> <td>WD.</td> <td>J2</td> <td>PTD.</td> <td>-</td> <td>382</td> <td>3\"/> <tr> <td>386</td> <td>ETR</td> <td>-</td> <td>WD.</td> <td>J2</td> <td>PTD.</td> <td>-</td> <td>382A</td> <td>3\"/> <tr> <td>387</td> <td>ETR</td> <td>-</td> <td>WD.</td> <td>J2</td> <td>PTD.</td> <td>-</td> <td>385</td> <td>3\"/> <tr> <td>388</td> <td>ETR</td> <td>-</td> <td>WD.</td> <td>J2</td> <td>PTD.</td> <td>-</td> <td>386</td> <td>3\"/> <tr> <td>389</td> <td>ETR</td> <td>-</td> <td>WD.</td> <td>J2</td> <td>PTD.</td> <td>-</td> <td>387</td> <td>3\"/> <tr> <td>391</td> <td>ETR</td> <td>-</td> <td>WD.</td> <td>J2</td> <td>PTD.</td> <td>-</td> <td>388</td> <td>3\"/> <tr> <td>391A</td> <td>ETR</td> <td>-</td> <td>WD.</td> <td>J2</td> <td>PTD.</td> <td>-</td> <td>389</td> <td>3\"/> <tr> <td>391B</td> <td>ETR</td> <td>-</td> <td>WD.</td> <td>J2</td> <td>PTD.</td> <td>-</td> <td>391</td> <td>3\"/> <tr> <td>394</td> <td>ETR</td> <td>-</td> <td>WD.</td> <td>J2</td> <td>PTD.</td> <td>-</td> <td>391A</td> <td>3\"/> <tr> <td>395</td> <td>ETR</td> <td>-</td> <td>WD.</td> <td>J2</td> <td>PTD.</td> <td>-</td> <td>391B</td> <td>3\"/> <tr> <td>396</td> <td>ETR</td> <td>-</td>
<td>WD.</td> <td>J2</td> <td>PTD.</td> <td>-</td> <td>394</td> <td>3\"/> <tr> <td>398</td> <td>ETR</td> <td>-</td> <td>WD.</td> <td>J2</td> <td>PTD.</td> <td>-</td> <td>395</td> <td>3\"/> <tr> <td>399</td> <td>ETR</td> <td>-</td> <td>WD.</td> <td>J2</td> <td>PTD.</td> <td>-</td> <td>396</td> <td>3\"/> <tr> <td>3991</td> <td>ETR</td> <td>-</td> <td>WD.</td> <td>J2</td> <td>PTD.</td> <td>-</td> <td>398</td> <td>3\"/> <tr> <td>3992</td> <td>A</td> <td>3\"/> <tr> <td>3993</td> <td>ETR</td> <td>-</td> <td>WD.</td> <td>J2</td> <td>PTD.</td> <td>-</td> <td>399</td> <td>3\"/> <tr> <td>3994</td> <td>ETR</td> <td>-</td> <td>WD.</td> <td>J2</td> <td>PTD.</td> <td>-</td> <td>3991</td> <td>3\"/> <tr> <td>3995</td> <td>ETR</td> <td>-</td> <td>WD.</td> <td>J2</td> <td>PTD.</td> <td>-</td> <td>3992</td> <td>3\"/> <tr> <td>3997</td> <td>ETR</td> <td>-</td> <td>WD.</td> <td>J2</td> <td>PTD.</td> <td>-</td> <td>3993</td> <td>3\"/> <tr> <td>3998</td> <td>ETR</td> <td>-</td> <td>WD.</td> <td>J2</td> <td>PTD.</td> <td>-</td> <td>3994</td> <td>3\"/> <tr> <td>3999</td> <td>ETR</td> <td>-</td> <td>WD.</td> <td>J2</td> <td>PTD.</td> <td>-</td> <td>3995</td> <td>3\"/> <tr> <td>3999</td> <td>ETR</td> <td>-</td> <td>WD.</td> <td>J2</td> <td>PTD.</td> <td>-</td> <td>3997</td> <td>3\"/> </td></tr></td></tr></td></tr></td></tr></td></tr></td></tr></td></tr></td></tr></td></tr></td></tr></td></tr></td></tr></td></tr></td></tr></td></tr></td></tr></td></tr></td></tr></td></tr></td></tr></td></tr></td></tr></td></td></tr></td></tr></td></td></tr></td></td></tr></td></td></tr></td></td></tr></td></td></tr></td></td></tr></td></td></tr></td></td></tr></td></tr></td></tr></td></tr></td></td></tr></td></tr></td></tr></td></tr></td></tr></td></td></tr></td></tr></td></tr></td></tr> | 364A | ETR | - | WD. | J2 | PTD. | - | 362 | 3\"/> <tr> <td>365</td> <td>ETR</td> <td>-</td> <td>WD.</td> <td>J2</td> <td>PTD.</td> <td>-</td> <td>363</td> <td>3\"/> <tr> <td>366</td> <td>ETR</td> <td>-</td> <td>WD.</td> <td>J2</td> <td>PTD.</td> <td>-</td> <td>364A</td> <td>3\"/> <tr> <td>367</td> <td>B</td> <td>2 <td>HM</td> <td>J1</td> <td>PTD.</td> <td>1 HR.</td> <td>365</td> <td>3\"/> <tr> <td>368</td> <td>ETR</td> <td>-</td> <td>WD.</td> <td>J2</td> <td>PTD.</td> <td>-</td> <td>366</td> <td>3\"/> <tr> <td>369</td> <td>ETR</td> <td>-</td> <td>WD.</td> <td>J2</td> <td>PTD.</td> <td>-</td> <td>367</td> <td>3\"/> <tr> <td>370</td> <td>ETR</td> <td>-</td> <td>WD.</td> <td>J2</td> <td>PTD.</td> <td>-</td> <td>368</td> <td>3\"/> <tr> <td>371</td> <td>ETR</td> <td>-</td> <td>WD.</td> <td>J2</td> <td>PTD.</td> <td>-</td> <td>369</td> <td>3\"/> <tr> <td>372</td> <td>B</td> <td>2 <td>HM</td> <td>J1</td> <td>PTD.</td> <td>1 HR.</td> <td>370</td> <td>3\"/> <tr> <td>373A</td> <td>ETR</td> <td>-</td> <td>WD.</td> <td>J2</td> <td>PTD.</td> <td>-</td> <td>371</td> <td>3\"/> <tr> <td>374B</td> <td>ETR</td> <td>-</td> <td>WD.</td> <td>J2</td> <td>PTD.</td> <td>-</td> <td>372</td> <td>3\"/> <tr> <td>374C</td> <td>ETR</td> <td>-</td> <td>WD.</td> <td>J2</td> <td>PTD.</td> <td>-</td> <td>373A</td> <td>3\"/> <tr> <td>375</td> <td>B</td> <td>1 <td>WD</td> <td>J1</td> <td>PTD.</td> <td>-</td> <td>374B</td> <td>3\"/> <tr> <td>376</td> <td>B</td> <td>1 <td>WD</td> <td>J1</td> <td>PTD.</td> <td>-</td> <td>374C</td> <td>3\"/> <tr> <td>377</td> <td>B</td> <td>1 <td>WD</td> <td>J1</td> <td>PTD.</td> <td>-</td> <td>375</td> <td>3\"/> <tr> <td>377A</td> <td>B</td> <td>1 <td>WD</td> <td>J1</td> <td>PTD.</td> <td>-</td> <td>376</td> <td>3\"/> <tr> <td>378</td> <td>B</td> <td>1 <td>WD</td> <td>J1</td> <td>PTD.</td> <td>-</td> <td>377</td> <td>3\"/> <tr> <td>379</td> <td>B</td> <td>1 <td>WD</td> <td>J1</td> <td>PTD.</td> <td>-</td> <td>377A</td> <td>3\"/> <tr> <td>380A</td> <td>B</td> <td>1 <td>WD</td> <td>J1</td> <td>PTD.</td> <td>-</td> <td>378</td> <td>3\"/> <tr> <td>380B</td> <td>B</td> <td>1 <td>WD</td> <td>J1</td> <td>PTD.</td> <td>-</td> <td>379</td> <td>3\"/> <tr> <td>382</td> <td>ETR</td> <td>-</td> <td>WD.</td> <td>J2</td> <td>PTD.</td> <td>-</td> <td>380A</td> <td>3\"/> <tr> <td>382A</td> <td>D</td> <td>6 <td>ALUM.</td> <td>ANODIZE D</td> <td>-</td> <td>-</td> <td>380B</td> <td>3\"/> <tr> <td>385</td> <td>ETR</td> <td>-</td> <td>WD.</td> <td>J2</td> <td>PTD.</td> <td>-</td> <td>382</td> <td>3\"/> <tr> <td>386</td> <td>ETR</td> <td>-</td> <td>WD.</td>
<td>J2</td> <td>PTD.</td> <td>-</td> <td>382A</td> <td>3\"/> <tr> <td>387</td> <td>ETR</td> <td>-</td> <td>WD.</td> <td>J2</td> <td>PTD.</td> <td>-</td> <td>385</td> <td>3\"/> <tr> <td>388</td> <td>ETR</td> <td>-</td> <td>WD.</td> <td>J2</td> <td>PTD.</td> <td>-</td> <td>386</td> <td>3\"/> <tr> <td>389</td> <td>ETR</td> <td>-</td> <td>WD.</td> <td>J2</td> <td>PTD.</td> <td>-</td> <td>387</td> <td>3\"/> <tr> <td>391</td> <td>ETR</td> <td>-</td> <td>WD.</td> <td>J2</td> <td>PTD.</td> <td>-</td> <td>388</td> <td>3\"/> <tr> <td>391A</td> <td>ETR</td> <td>-</td> <td>WD.</td> <td>J2</td> <td>PTD.</td> <td>-</td> <td>389</td> <td>3\"/> <tr> <td>391B</td> <td>ETR</td> <td>-</td> <td>WD.</td> <td>J2</td> <td>PTD.</td> <td>-</td> <td>391</td> <td>3\"/> <tr> <td>394</td> <td>ETR</td> <td>-</td> <td>WD.</td> <td>J2</td> <td>PTD.</td> <td>-</td> <td>391A</td> <td>3\"/> <tr> <td>395</td> <td>ETR</td> <td>-</td> <td>WD.</td> <td>J2</td> <td>PTD.</td> <td>-</td> <td>391B</td> <td>3\"/> <tr> <td>396</td> <td>ETR</td> <td>-</td> <td>WD.</td> <td>J2</td> <td>PTD.</td> <td>-</td> <td>394</td> <td>3\"/> <tr> <td>398</td> <td>ETR</td> <td>-</td> <td>WD.</td> <td>J2</td> <td>PTD.</td> <td>-</td> <td>395</td> <td>3\"/> <tr> <td>399</td> <td>ETR</td> <td>-</td> <td>WD.</td> <td>J2</td> <td>PTD.</td> <td>-</td> <td>396</td> <td>3\"/> <tr> <td>3991</td> <td>ETR</td> <td>-</td> <td>WD.</td> <td>J2</td> <td>PTD.</td> <td>-</td> <td>398</td> <td>3\"/> <tr> <td>3992</td> <td>A</td> <td>3\"/> <tr> <td>3993</td> <td>ETR</td> <td>-</td> <td>WD.</td> <td>J2</td> <td>PTD.</td> <td>-</td> <td>399</td> <td>3\"/> <tr> <td>3994</td> <td>ETR</td> <td>-</td> <td>WD.</td> <td>J2</td> <td>PTD.</td> <td>-</td> <td>3991</td> <td>3\"/> <tr> <td>3995</td> <td>ETR</td> <td>-</td> <td>WD.</td> <td>J2</td> <td>PTD.</td> <td>-</td> <td>3992</td> <td>3\"/> <tr> <td>3997</td> <td>ETR</td> <td>-</td> <td>WD.</td> <td>J2</td> <td>PTD.</td> <td>-</td> <td>3993</td> <td>3\"/> <tr> <td>3998</td> <td>ETR</td> <td>-</td> <td>WD.</td> <td>J2</td> <td>PTD.</td> <td>-</td> <td>3994</td> <td>3\"/> <tr> <td>3999</td> <td>ETR</td> <td>-</td> <td>WD.</td> <td>J2</td> <td>PTD.</td> <td>-</td> <td>3995</td> <td>3\"/> <tr> <td>3999</td> <td>ETR</td> <td>-</td> <td>WD.</td> <td>J2</td> <td>PTD.</td> <td>-</td> <td>3997</td> <td>3\"/> </td></tr></td></tr></td></tr></td></tr></td></tr></td></tr></td></tr></td></tr></td></tr></td></tr></td></tr></td></tr></td></tr></td></tr></td></tr></td></tr></td></tr></td></tr></td></tr></td></tr></td></tr></td></tr></td></td></tr></td></tr></td></td></tr></td></td></tr></td></td></tr></td></td></tr></td></td></tr></td></td></tr></td></td></tr></td></td></tr></td></tr></td></tr></td></tr></td></td></tr></td></tr></td></tr></td></tr></td></tr></td></td></tr></td></tr></td></tr> | 365 | ETR | - | WD. | J2 | PTD. | - | 363 | 3\"/> <tr> <td>366</td> <td>ETR</td> <td>-</td> <td>WD.</td> <td>J2</td> <td>PTD.</td> <td>-</td> <td>364A</td> <td>3\"/> <tr> <td>367</td> <td>B</td> <td>2 <td>HM</td> <td>J1</td> <td>PTD.</td> <td>1 HR.</td> <td>365</td> <td>3\"/> <tr> <td>368</td> <td>ETR</td> <td>-</td> <td>WD.</td> <td>J2</td> <td>PTD.</td> <td>-</td> <td>366</td> <td>3\"/> <tr> <td>369</td> <td>ETR</td> <td>-</td> <td>WD.</td> <td>J2</td> <td>PTD.</td> <td>-</td> <td>367</td> <td>3\"/> <tr> <td>370</td> <td>ETR</td> <td>-</td> <td>WD.</td> <td>J2</td> <td>PTD.</td> <td>-</td> <td>368</td> <td>3\"/> <tr> <td>371</td> <td>ETR</td> <td>-</td> <td>WD.</td> <td>J2</td> <td>PTD.</td> <td>-</td> <td>369</td> <td>3\"/> <tr> <td>372</td> <td>B</td> <td>2 <td>HM</td> <td>J1</td> <td>PTD.</td> <td>1 HR.</td> <td>370</td> <td>3\"/> <tr> <td>373A</td> <td>ETR</td> <td>-</td> <td>WD.</td> <td>J2</td> <td>PTD.</td> <td>-</td> <td>371</td> <td>3\"/> <tr> <td>374B</td> <td>ETR</td> <td>-</td> <td>WD.</td> <td>J2</td> <td>PTD.</td> <td>-</td> <td>372</td> <td>3\"/> <tr> <td>374C</td> <td>ETR</td> <td>-</td> <td>WD.</td> <td>J2</td> <td>PTD.</td> <td>-</td> <td>373A</td> <td>3\"/> <tr> <td>375</td> <td>B</td> <td>1 <td>WD</td> <td>J1</td> <td>PTD.</td> <td>-</td> <td>374B</td> <td>3\"/> <tr> <td>376</td> <td>B</td> <td>1 <td>WD</td> <td>J1</td> <td>PTD.</td> <td>-</td> <td>374C</td> <td>3\"/> <tr> <td>377</td> <td>B</td> <td>1 <td>WD</td> <td>J1</td> <td>PTD.</td> <td>-</td> <td>375</td> <td>3\"/> <tr> <td>377A</td> <td>B</td> <td>1 <td>WD</td> <td>J1</td> <td>PTD.</td> <td>-</td> <td>376</td> <td>3\"/> <tr> <td>378</td> <td>B</td> <td>1 <td>WD</td> <td>J1</td>
<td>PTD.</td> <td>-</td> <td>377</td> <td>3\"/> <tr> <td>379</td> <td>B</td> <td>1 <td>WD</td> <td>J1</td> <td>PTD.</td> <td>-</td> <td>377A</td> <td>3\"/> <tr> <td>380A</td> <td>B</td> <td>1 <td>WD</td> <td>J1</td> <td>PTD.</td> <td>-</td> <td>378</td> <td>3\"/> <tr> <td>380B</td> <td>B</td> <td>1 <td>WD</td> <td>J1</td> <td>PTD.</td> <td>-</td> <td>379</td> <td>3\"/> <tr> <td>382</td> <td>ETR</td> <td>-</td> <td>WD.</td> <td>J2</td> <td>PTD.</td> <td>-</td> <td>380A</td> <td>3\"/> <tr> <td>382A</td> <td>D</td> <td>6 <td>ALUM.</td> <td>ANODIZE D</td> <td>-</td> <td>-</td> <td>380B</td> <td>3\"/> <tr> <td>385</td> <td>ETR</td> <td>-</td> <td>WD.</td> <td>J2</td> <td>PTD.</td> <td>-</td> <td>382</td> <td>3\"/> <tr> <td>386</td> <td>ETR</td> <td>-</td> <td>WD.</td> <td>J2</td> <td>PTD.</td> <td>-</td> <td>382A</td> <td>3\"/> <tr> <td>387</td> <td>ETR</td> <td>-</td> <td>WD.</td> <td>J2</td> <td>PTD.</td> <td>-</td> <td>385</td> <td>3\"/> <tr> <td>388</td> <td>ETR</td> <td>-</td> <td>WD.</td> <td>J2</td> <td>PTD.</td> <td>-</td> <td>386</td> <td>3\"/> <tr> <td>389</td> <td>ETR</td> <td>-</td> <td>WD.</td> <td>J2</td> <td>PTD.</td> <td>-</td> <td>387</td> <td>3\"/> <tr> <td>391</td> <td>ETR</td> <td>-</td> <td>WD.</td> <td>J2</td> <td>PTD.</td> <td>-</td> <td>388</td> <td>3\"/> <tr> <td>391A</td> <td>ETR</td> <td>-</td> <td>WD.</td> <td>J2</td> <td>PTD.</td> <td>-</td> <td>389</td> <td>3\"/> <tr> <td>391B</td> <td>ETR</td> <td>-</td> <td>WD.</td> <td>J2</td> <td>PTD.</td> <td>-</td> <td>391</td> <td>3\"/> <tr> <td>394</td> <td>ETR</td> <td>-</td> <td>WD.</td> <td>J2</td> <td>PTD.</td> <td>-</td> <td>391A</td> <td>3\"/> <tr> <td>395</td> <td>ETR</td> <td>-</td> <td>WD.</td> <td>J2</td> <td>PTD.</td> <td>-</td> <td>391B</td> <td>3\"/> <tr> <td>396</td> <td>ETR</td> <td>-</td> <td>WD.</td> <td>J2</td> <td>PTD.</td> <td>-</td> <td>394</td> <td>3\"/> <tr> <td>398</td> <td>ETR</td> <td>-</td> <td>WD.</td> <td>J2</td> <td>PTD.</td> <td>-</td> <td>395</td> <td>3\"/> <tr> <td>399</td> <td>ETR</td> <td>-</td> <td>WD.</td> <td>J2</td> <td>PTD.</td> <td>-</td> <td>396</td> <td>3\"/> <tr> <td>3991</td> <td>ETR</td> <td>-</td> <td>WD.</td> <td>J2</td> <td>PTD.</td> <td>-</td> <td>398</td> <td>3\"/> <tr> <td>3992</td> <td>A</td> <td>3\"/> <tr> <td>3993</td> <td>ETR</td> <td>-</td> <td>WD.</td> <td>J2</td> <td>PTD.</td> <td>-</td> <td>399</td> <td>3\"/> <tr> <td>3994</td> <td>ETR</td> <td>-</td> <td>WD.</td> <td>J2</td> <td>PTD.</td> <td>-</td> <td>3991</td> <td>3\"/> <tr> <td>3995</td> <td>ETR</td> <td>-</td> <td>WD.</td> <td>J2</td> <td>PTD.</td> <td>-</td> <td>3992</td> <td>3\"/> <tr> <td>3997</td> <td>ETR</td> <td>-</td> <td>WD.</td> <td>J2</td> <td>PTD.</td> <td>-</td> <td>3993</td> <td>3\"/> <tr> <td>3998</td> <td>ETR</td> <td>-</td> <td>WD.</td> <td>J2</td> <td>PTD.</td> <td>-</td> <td>3994</td> <td>3\"/> <tr> <td>3999</td> <td>ETR</td> <td>-</td> <td>WD.</td> <td>J2</td> <td>PTD.</td> <td>-</td> <td>3995</td> <td>3\"/> <tr> <td>3999</td> <td>ETR</td> <td>-</td> <td>WD.</td> <td>J2</td> <td>PTD.</td> <td>-</td> <td>3997</td> <td>3\"/> </td></tr></td></tr></td></tr></td></tr></td></tr></td></tr></td></tr></td></tr></td></tr></td></tr></td></tr></td></tr></td></tr></td></tr></td></tr></td></tr></td></tr></td></tr></td></tr></td></tr></td></tr></td></tr></td></td></tr></td></tr></td></td></tr></td></td></tr></td></td></tr></td></td></tr></td></td></tr></td></td></tr></td></td></tr></td></td></tr></td></tr></td></tr></td></tr></td></td></tr></td></tr></td></tr></td></tr></td></tr></td></td></tr></td></tr> | 366 | ETR | - | WD. | J2 | PTD. | - | 364A | 3\"/> <tr> <td>367</td> <td>B</td> <td>2 <td>HM</td> <td>J1</td> <td>PTD.</td> <td>1 HR.</td> <td>365</td> <td>3\"/> <tr> <td>368</td> <td>ETR</td> <td>-</td> <td>WD.</td> <td>J2</td> <td>PTD.</td> <td>-</td> <td>366</td> <td>3\"/> <tr> <td>369</td> <td>ETR</td> <td>-</td> <td>WD.</td> <td>J2</td> <td>PTD.</td> <td>-</td> <td>367</td> <td>3\"/> <tr> <td>370</td> <td>ETR</td> <td>-</td> <td>WD.</td> <td>J2</td> <td>PTD.</td> <td>-</td> <td>368</td> <td>3\"/> <tr> <td>371</td> <td>ETR</td> <td>-</td> <td>WD.</td> <td>J2</td> <td>PTD.</td> <td>-</td> <td>369</td> <td>3\"/> <tr> <td>372</td> <td>B</td> <td>2 <td>HM</td> <td>J1</td> <td>PTD.</td> <td>1 HR.</td> <td>370</td> <td>3\"/> <tr> <td>373A</td> <td>ETR</td> <td>-</td> <td>WD.</td> <td>J2</td> <td>PTD.</td> <td>-</td> <td>371</td> <td>3\"/> <tr> <td>374B</td> <td>ETR</td> <td>-</td> <td>WD.</td> <td>J2</td> <td>PTD.</td> <td>-</td> <td>372</td> <td>3\"/> <tr> <td>374C</td> <td>ETR</td> <td>-</td> <td>WD.</td> <td>J2</td> <td>PTD.</td>
<td>-</td> <td>373A</td> <td>3\"/> <tr> <td>375</td> <td>B</td> <td>1 <td>WD</td> <td>J1</td> <td>PTD.</td> <td>-</td> <td>374B</td> <td>3\"/> <tr> <td>376</td> <td>B</td> <td>1 <td>WD</td> <td>J1</td> <td>PTD.</td> <td>-</td> <td>374C</td> <td>3\"/> <tr> <td>377</td> <td>B</td> <td>1 <td>WD</td> <td>J1</td> <td>PTD.</td> <td>-</td> <td>375</td> <td>3\"/> <tr> <td>377A</td> <td>B</td> <td>1 <td>WD</td> <td>J1</td> <td>PTD.</td> <td>-</td> <td>376</td> <td>3\"/> <tr> <td>378</td> <td>B</td> <td>1 <td>WD</td> <td>J1</td> <td>PTD.</td> <td>-</td> <td>377</td> <td>3\"/> <tr> <td>379</td> <td>B</td> <td>1 <td>WD</td> <td>J1</td> <td>PTD.</td> <td>-</td> <td>377A</td> <td>3\"/> <tr> <td>380A</td> <td>B</td> <td>1 <td>WD</td> <td>J1</td> <td>PTD.</td> <td>-</td> <td>378</td> <td>3\"/> <tr> <td>380B</td> <td>B</td> <td>1 <td>WD</td> <td>J1</td> <td>PTD.</td> <td>-</td> <td>379</td> <td>3\"/> <tr> <td>382</td> <td>ETR</td> <td>-</td> <td>WD.</td> <td>J2</td> <td>PTD.</td> <td>-</td> <td>380A</td> <td>3\"/> <tr> <td>382A</td> <td>D</td> <td>6 <td>ALUM.</td> <td>ANODIZE D</td> <td>-</td> <td>-</td> <td>380B</td> <td>3\"/> <tr> <td>385</td> <td>ETR</td> <td>-</td> <td>WD.</td> <td>J2</td> <td>PTD.</td> <td>-</td> <td>382</td> <td>3\"/> <tr> <td>386</td> <td>ETR</td> <td>-</td> <td>WD.</td> <td>J2</td> <td>PTD.</td> <td>-</td> <td>382A</td> <td>3\"/> <tr> <td>387</td> <td>ETR</td> <td>-</td> <td>WD.</td> <td>J2</td> <td>PTD.</td> <td>-</td> <td>385</td> <td>3\"/> <tr> <td>388</td> <td>ETR</td> <td>-</td> <td>WD.</td> <td>J2</td> <td>PTD.</td> <td>-</td> <td>386</td> <td>3\"/> <tr> <td>389</td> <td>ETR</td> <td>-</td> <td>WD.</td> <td>J2</td> <td>PTD.</td> <td>-</td> <td>387</td> <td>3\"/> <tr> <td>391</td> <td>ETR</td> <td>-</td> <td>WD.</td> <td>J2</td> <td>PTD.</td> <td>-</td> <td>388</td> <td>3\"/> <tr> <td>391A</td> <td>ETR</td> <td>-</td> <td>WD.</td> <td>J2</td> <td>PTD.</td> <td>-</td> <td>389</td> <td>3\"/> <tr> <td>391B</td> <td>ETR</td> <td>-</td> <td>WD.</td> <td>J2</td> <td>PTD.</td> <td>-</td> <td>391</td> <td>3\"/> <tr> <td>394</td> <td>ETR</td> <td>-</td> <td>WD.</td> <td>J2</td> <td>PTD.</td> <td>-</td> <td>391A</td> <td>3\"/> <tr> <td>395</td> <td>ETR</td> <td>-</td> <td>WD.</td> <td>J2</td> <td>PTD.</td> <td>-</td> <td>391B</td> <td>3\"/> <tr> <td>396</td> <td>ETR</td> <td>-</td> <td>WD.</td> <td>J2</td> <td>PTD.</td> <td>-</td> <td>394</td> <td>3\"/> <tr> <td>398</td> <td>ETR</td> <td>-</td> <td>WD.</td> <td>J2</td> <td>PTD.</td> <td>-</td> <td>395</td> <td>3\"/> <tr> <td>399</td> <td>ETR</td> <td>-</td> <td>WD.</td> <td>J2</td> <td>PTD.</td> <td>-</td> <td>396</td> <td>3\"/> <tr> <td>3991</td> <td>ETR</td> <td>-</td> <td>WD.</td> <td>J2</td> <td>PTD.</td> <td>-</td> <td>398</td> <td>3\"/> <tr> <td>3992</td> <td>A</td> <td>3\"/> <tr> <td>3993</td> <td>ETR</td> <td>-</td> <td>WD.</td> <td>J2</td> <td>PTD.</td> <td>-</td> <td>399</td> <td>3\"/> <tr> <td>3994</td> <td>ETR</td> <td>-</td> <td>WD.</td> <td>J2</td> <td>PTD.</td> <td>-</td> <td>3991</td> <td>3\"/> <tr> <td>3995</td> <td>ETR</td> <td>-</td> <td>WD.</td> <td>J2</td> <td>PTD.</td> <td>-</td> <td>3992</td> <td>3\"/> <tr> <td>3997</td> <td>ETR</td> <td>-</td> <td>WD.</td> <td>J2</td> <td>PTD.</td> <td>-</td> <td>3993</td> <td>3\"/> <tr> <td>3998</td> <td>ETR</td> <td>-</td> <td>WD.</td> <td>J2</td> <td>PTD.</td> <td>-</td> <td>3994</td> <td>3\"/> <tr> <td>3999</td> <td>ETR</td> <td>-</td> <td>WD.</td> <td>J2</td> <td>PTD.</td> <td>-</td> <td>3995</td> <td>3\"/> <tr> <td>3999</td> <td>ETR</td> <td>-</td> <td>WD.</td> <td>J2</td> <td>PTD.</td> <td>-</td> <td>3997</td> <td>3\"/> </td></tr></td></tr></td></tr></td></tr></td></tr></td></tr></td></tr></td></tr></td></tr></td></tr></td></tr></td></tr></td></tr></td></tr></td></tr></td></tr></td></tr></td></tr></td></tr></td></tr></td></tr></td></tr></td></td></tr></td></tr></td></td></tr></td></td></tr></td></td></tr></td></td></tr></td></td></tr></td></td></tr></td></td></tr></td></td></tr></td></tr></td></tr></td></tr></td></td></tr></td></tr></td></tr></td></tr></td></tr></td></td></tr> | 367 | B | 2 <td>HM</td> <td>J1</td> <td>PTD.</td> <td>1 HR.</td> <td>365</td> <td>3\"/> <tr> <td>368</td> <td>ETR</td> <td>-</td> <td>WD.</td> <td>J2</td> <td>PTD.</td> <td>-</td> <td>366</td> <td>3\"/> <tr> <td>369</td> <td>ETR</td> <td>-</td> <td>WD.</td> <td>J2</td> <td>PTD.</td> <td>-</td> <td>367</td> <td>3\"/> <tr> <td>370</td> <td>ETR</td> <td>-</td> <td>WD.</td> <td>J2</td> <td>PTD.</td> <td>-</td> <td>368</td> <td>3\"/> <tr> <td>371</td> <td>ETR</td> <td>-</td> <td>WD.</td> <td>J2</td> <td>PTD.</td> <td>-</td> <td>369</td> <td>3\"/> <tr> <td>372</td> <td>B</td> <td>2 <td>HM</td> <td>J1</td> <td>PTD.</td> <td>1 HR.</td> <td>370</td> <td>3\"/> <tr> <td>373A</td> <td>ETR</td> <td>-</td> <td>WD.</td> <td>J2</td> <td>PTD.</td> <td>-</td> <td>371</td> <td>3\"/> <tr> <td>374B</td> <td>ETR</td> <td>-</td> <td>WD.</td> <td>J2</td> <td>PTD.</td> <td>-</td> <td>372</td> <td>3\"/> <tr> <td>374C</td> <td>ETR</td> <td>-</td> <td>WD.</td> <td>J2</td> <td>PTD.</td> <td>-</td> <td>373A</td> <td>3\"/> <tr> <td>375</td> <td>B</td> <td>1 <td>WD</td> <td>J1</td> <td>PTD.</td> <td>-</td> <td>374B</td> <td>3\"/> <tr> <td>376</td> <td>B</td> <td>1 <td>WD</td> <td>J1</td> <td>PTD.</td> <td>-</td> <td>374C</td> <td>3\"/> <tr> <td>377</td> <td>B</td> <td>1 <td>WD</td> <td>J1</td> <td>PTD.</td> <td>-</td> <td>375</td> <td>3\"/> <tr> <td>377A</td> <td>B</td> <td>1 <td>WD</td> <td>J1</td> <td>PTD.</td> <td>-</td> <td>376</td> <td>3\"/> <tr> <td>378</td> <td>B</td> <td>1 <td>WD</td> <td>J1</td> <td>PTD.</td> <td>-</td> <td>377</td> <td>3\"/> <tr> <td>379</td> <td>B</td> <td>1 <td>WD</td> <td>J1</td> <td>PTD.</td> <td>-</td> <td>377A</td> <td>3\"/> <tr> <td>380A</td> <td>B</td> <td>1 <td>WD</td> <td>J1</td> <td>PTD.</td> <td>-</td> <td>378</td> <td>3\"/> <tr> <td>380B</td> <td>B</td> <td>1 <td>WD</td> <td>J1</td> <td>PTD.</td> <td>-</td> <td>379</td> <td>3\"/> <tr> <td>382</td> <td>ETR</td> <td>-</td> <td>WD.</td> <td>J2</td> <td>PTD.</td> <td>-</td> <td>380A</td> <td>3\"/> <tr> <td>382A</td> <td>D</td> <td>6 <td>ALUM.</td> <td>ANODIZE D</td> <td>-</td> <td>-</td> <td>380B</td> <td>3\"/> <tr> <td>385</td> <td>ETR</td> <td>-</td> <td>WD.</td> <td>J2</td> <td>PTD.</td> <td>-</td> <td>382</td> <td>3\"/> <tr> <td>386</td> <td>ETR</td> <td>-</td> <td>WD.</td> <td>J2</td> <td>PTD.</td> <td>-</td> <td>382A</td> <td>3\"/> <tr> <td>387</td> <td>ETR</td> <td>-</td> <td>WD.</td> <td>J2</td> <td>PTD.</td> <td>-</td> <td>385</td> <td>3\"/> <tr> <td>388</td> <td>ETR</td> <td>-</td> <td>WD.</td> <td>J2</td> <td>PTD.</td> <td>-</td> <td>386</td> <td>3\"/> <tr> <td>389</td> <td>ETR</td> <td>-</td> <td>WD.</td> <td>J2</td> <td>PTD.</td> <td>-</td> <td>387</td> <td>3\"/> <tr> <td>391</td> <td>ETR</td> <td>-</td> <td>WD.</td> <td>J2</td> <td>PTD.</td> <td>-</td> <td>388</td> <td>3\"/> <tr> <td>391A</td> <td>ETR</td> <td>-</td> <td>WD.</td> <td>J2</td> <td>PTD.</td> <td>-</td> <td>389</td> <td>3\"/> <tr> <td>391B</td> <td>ETR</td> <td>-</td> <td>WD.</td> <td>J2</td> <td>PTD.</td> <td>-</td> <td>391</td> <td>3\"/> <tr> <td>394</td> <td>ETR</td> <td>-</td> <td>WD.</td> <td>J2</td> <td>PTD.</td> <td>-</td> <td>391A</td> <td>3\"/> <tr> <td>395</td> <td>ETR</td> <td>-</td> <td>WD.</td> <td>J2</td> <td>PTD.</td> <td>-</td> <td>391B</td> <td>3\"/> <tr> <td>396</td> <td>ETR</td> <td>-</td> <td>WD.</td> <td>J2</td> <td>PTD.</td> <td>-</td> <td>394</td> <td>3\"/> <tr> <td>398</td> <td>ETR</td> <td>-</td> <td>WD.</td> <td>J2</td> <td>PTD.</td> <td>-</td> <td>395</td> <td>3\"/> <tr> <td>399</td> <td>ETR</td> <td>-</td> <td>WD.</td> <td>J2</td> <td>PTD.</td> <td>-</td> <td>396</td> <td>3\"/> <tr> <td>3991</td> <td>ETR</td> <td>-</td> <td>WD.</td> <td>J2</td> <td>PTD.</td> <td>-</td> <td>398</td> <td>3\"/> <tr> <td>3992</td> <td>A</td> <td>3\"/> <tr> <td>3993</td> <td>ETR</td> <td>-</td> <td>WD.</td> <td>J2</td> <td>PTD.</td> <td>-</td> <td>399</td> <td>3\"/> <tr> <td>3994</td> <td>ETR</td> <td>-</td> <td>WD.</td> <td>J2</td> <td>PTD.</td> <td>-</td> <td>3991</td> <td>3\"/> <tr> <td>3995</td> <td>ETR</td> <td>-</td> <td>WD.</td> <td>J2</td> <td>PTD.</td> <td>-</td> <td>3992</td> <td>3\"/> <tr> <td>3997</td> <td>ETR</td> <td>-</td> <td>WD.</td> <td>J2</td> <td>PTD.</td> <td>-</td> <td>3993</td> <td>3\"/> <tr> <td>3998</td> <td>ETR</td> <td>-</td> <td>WD.</td> <td>J2</td> <td>PTD.</td> <td>-</td> <td>3994</td> <td>3\"/> <tr> <td>3999</td> <td>ETR</td> <td>-</td> <td>WD.</td> <td>J2</td> <td>PTD.</td> <td>-</td> <td>3995</td> <td>3\"/> <tr> <td>3999</td> <td>ETR</td> <td>-</td> <td>WD.</td> <td>J2</td> <td>PTD.</td> <td>-</td> <td>3997</td> <td>3\"/> </td></tr></td></tr></td></tr></td></tr></td></tr></td></tr></td></tr></td></tr></td></tr></td></tr></td></tr></td></tr></td></tr></td></tr></td></tr></td></tr></td></tr></td></tr></td></tr></td></tr></td></tr></td></tr></td></td></tr></td></tr></td></td></tr></td></td></tr></td></td></tr></td></td></tr></td></td></tr></td></td></tr></td></td></tr></td></td></tr></td></tr></td></tr></td></tr></td></td></tr></td></tr></td></tr></td></tr></td></tr></td> | HM | J1 | PTD.
 | 1 HR. | 365 | 3\"/> <tr> <td>368</td> <td>ETR</td> <td>-</td> <td>WD.</td> <td>J2</td> <td>PTD.</td> <td>-</td> <td>366</td> <td>3\"/> <tr> <td>369</td> <td>ETR</td> <td>-</td> <td>WD.</td> <td>J2</td> <td>PTD.</td> <td>-</td> <td>367</td> <td>3\"/> <tr> <td>370</td> <td>ETR</td> <td>-</td> <td>WD.</td> <td>J2</td> <td>PTD.</td> <td>-</td> <td>368</td> <td>3\"/> <tr> <td>371</td> <td>ETR</td> <td>-</td> <td>WD.</td> <td>J2</td> <td>PTD.</td> <td>-</td> <td>369</td> <td>3\"/> <tr> <td>372</td> <td>B</td> <td>2 <td>HM</td> <td>J1</td> <td>PTD.</td> <td>1 HR.</td> <td>370</td> <td>3\"/> <tr> <td>373A</td> <td>ETR</td> <td>-</td> <td>WD.</td> <td>J2</td> <td>PTD.</td> <td>-</td> <td>371</td> <td>3\"/> <tr> <td>374B</td> <td>ETR</td> <td>-</td> <td>WD.</td> <td>J2</td> <td>PTD.</td> <td>-</td> <td>372</td> <td>3\"/> <tr> <td>374C</td> <td>ETR</td> <td>-</td> <td>WD.</td> <td>J2</td> <td>PTD.</td> <td>-</td> <td>373A</td> <td>3\"/> <tr> <td>375</td> <td>B</td> <td>1 <td>WD</td> <td>J1</td> <td>PTD.</td> <td>-</td> <td>374B</td> <td>3\"/> <tr> <td>376</td> <td>B</td> <td>1 <td>WD</td> <td>J1</td> <td>PTD.</td> <td>-</td> <td>374C</td> <td>3\"/> <tr> <td>377</td> <td>B</td> <td>1 <td>WD</td> <td>J1</td> <td>PTD.</td> <td>-</td> <td>375</td> <td>3\"/> <tr> <td>377A</td> <td>B</td> <td>1 <td>WD</td> <td>J1</td> <td>PTD.</td> <td>-</td> <td>376</td> <td>3\"/> <tr> <td>378</td> <td>B</td> <td>1 <td>WD</td> <td>J1</td> <td>PTD.</td> <td>-</td> <td>377</td> <td>3\"/> <tr> <td>379</td> <td>B</td> <td>1 <td>WD</td> <td>J1</td> <td>PTD.</td> <td>-</td> <td>377A</td> <td>3\"/> <tr> <td>380A</td> <td>B</td> <td>1 <td>WD</td> <td>J1</td> <td>PTD.</td> <td>-</td> <td>378</td> <td>3\"/> <tr> <td>380B</td> <td>B</td> <td>1 <td>WD</td> <td>J1</td> <td>PTD.</td> <td>-</td> <td>379</td> <td>3\"/> <tr> <td>382</td> <td>ETR</td> <td>-</td> <td>WD.</td> <td>J2</td> <td>PTD.</td> <td>-</td> <td>380A</td> <td>3\"/> <tr> <td>382A</td> <td>D</td> <td>6 <td>ALUM.</td> <td>ANODIZE D</td> <td>-</td> <td>-</td> <td>380B</td> <td>3\"/> <tr> <td>385</td> <td>ETR</td> <td>-</td> <td>WD.</td> <td>J2</td> <td>PTD.</td> <td>-</td> <td>382</td> <td>3\"/> <tr> <td>386</td> <td>ETR</td> <td>-</td> <td>WD.</td> <td>J2</td> <td>PTD.</td> <td>-</td> <td>382A</td> <td>3\"/> <tr> <td>387</td> <td>ETR</td> <td>-</td> <td>WD.</td> <td>J2</td> <td>PTD.</td> <td>-</td> <td>385</td> <td>3\"/> <tr> <td>388</td> <td>ETR</td> <td>-</td> <td>WD.</td> <td>J2</td> <td>PTD.</td> <td>-</td> <td>386</td> <td>3\"/> <tr> <td>389</td> <td>ETR</td> <td>-</td> <td>WD.</td> <td>J2</td> <td>PTD.</td> <td>-</td> <td>387</td> <td>3\"/> <tr> <td>391</td> <td>ETR</td> <td>-</td> <td>WD.</td> <td>J2</td> <td>PTD.</td> <td>-</td> <td>388</td> <td>3\"/> <tr> <td>391A</td> <td>ETR</td> <td>-</td> <td>WD.</td> <td>J2</td> <td>PTD.</td> <td>-</td> <td>389</td> <td>3\"/> <tr> <td>391B</td> <td>ETR</td> <td>-</td> <td>WD.</td> <td>J2</td> <td>PTD.</td> <td>-</td> <td>391</td> <td>3\"/> <tr> <td>394</td> <td>ETR</td> <td>-</td> <td>WD.</td> <td>J2</td> <td>PTD.</td> <td>-</td> <td>391A</td> <td>3\"/> <tr> <td>395</td> <td>ETR</td> <td>-</td> <td>WD.</td> <td>J2</td> <td>PTD.</td> <td>-</td> <td>391B</td> <td>3\"/> <tr> <td>396</td> <td>ETR</td> <td>-</td> <td>WD.</td> <td>J2</td> <td>PTD.</td> <td>-</td> <td>394</td> <td>3\"/> <tr> <td>398</td> <td>ETR</td> <td>-</td> <td>WD.</td> <td>J2</td> <td>PTD.</td> <td>-</td> <td>395</td> <td>3\"/> <tr> <td>399</td> <td>ETR</td> <td>-</td> <td>WD.</td> <td>J2</td> <td>PTD.</td> <td>-</td> <td>396</td> <td>3\"/> <tr> <td>3991</td> <td>ETR</td> <td>-</td> <td>WD.</td> <td>J2</td> <td>PTD.</td> <td>-</td> <td>398</td> <td>3\"/> <tr> <td>3992</td> <td>A</td> <td>3\"/> <tr> <td>3993</td> <td>ETR</td> <td>-</td> <td>WD.</td> <td>J2</td> <td>PTD.</td> <td>-</td> <td>399</td> <td>3\"/> <tr> <td>3994</td> <td>ETR</td> <td>-</td> <td>WD.</td> <td>J2</td> <td>PTD.</td> <td>-</td> <td>3991</td> <td>3\"/> <tr> <td>3995</td> <td>ETR</td> <td>-</td> <td>WD.</td> <td>J2</td> <td>PTD.</td> <td>-</td> <td>3992</td> <td>3\"/> <tr> <td>3997</td> <td>ETR</td> <td>-</td> <td>WD.</td> <td>J2</td> <td>PTD.</td> <td>-</td> <td>3993</td> <td>3\"/> <tr> <td>3998</td> <td>ETR</td> <td>-</td> <td>WD.</td> <td>J2</td> <td>PTD.</td> <td>-</td> <td>3994</td> <td>3\"/> <tr> <td>3999</td> <td>ETR</td> <td>-</td> <td>WD.</td> <td>J2</td> <td>PTD.</td> <td>-</td> <td>3995</td> <td>3\"/> <tr> <td>3999</td> <td>ETR</td> <td>-</td> <td>WD.</td> <td>J2</td> <td>PTD.</td> <td>-</td> <td>3997</td> <td>3\"/> </td></tr></td></tr></td></tr></td></tr></td></tr></td></tr></td></tr></td></tr></td></tr></td></tr></td></tr></td></tr></td></tr></td></tr></td></tr></td></tr></td></tr></td></tr></td></tr></td></tr></td></tr></td></tr></td></td></tr></td></tr></td></td></tr></td></td></tr></td></td></tr></td></td></tr></td></td></tr></td></td></tr></td></td></tr></td></td></tr></td></tr></td></tr></td></tr></td></td></tr></td></tr></td></tr></td></tr></td></tr> | 368 | ETR | - | WD. | J2 | PTD.
 | - | 366 | 3\"/> <tr> <td>369</td> <td>ETR</td> <td>-</td> <td>WD.</td> <td>J2</td> <td>PTD.</td> <td>-</td> <td>367</td> <td>3\"/> <tr> <td>370</td> <td>ETR</td> <td>-</td> <td>WD.</td> <td>J2</td> <td>PTD.</td> <td>-</td> <td>368</td> <td>3\"/> <tr> <td>371</td> <td>ETR</td> <td>-</td> <td>WD.</td> <td>J2</td> <td>PTD.</td> <td>-</td> <td>369</td> <td>3\"/> <tr> <td>372</td> <td>B</td> <td>2 <td>HM</td> <td>J1</td> <td>PTD.</td> <td>1 HR.</td> <td>370</td> <td>3\"/> <tr> <td>373A</td> <td>ETR</td> <td>-</td> <td>WD.</td> <td>J2</td> <td>PTD.</td> <td>-</td> <td>371</td> <td>3\"/> <tr> <td>374B</td> <td>ETR</td> <td>-</td> <td>WD.</td> <td>J2</td> <td>PTD.</td> <td>-</td> <td>372</td> <td>3\"/> <tr> <td>374C</td> <td>ETR</td> <td>-</td> <td>WD.</td> <td>J2</td> <td>PTD.</td> <td>-</td> <td>373A</td> <td>3\"/> <tr> <td>375</td> <td>B</td> <td>1 <td>WD</td> <td>J1</td> <td>PTD.</td> <td>-</td> <td>374B</td> <td>3\"/> <tr> <td>376</td> <td>B</td> <td>1 <td>WD</td> <td>J1</td> <td>PTD.</td> <td>-</td> <td>374C</td> <td>3\"/> <tr> <td>377</td> <td>B</td> <td>1 <td>WD</td> <td>J1</td> <td>PTD.</td> <td>-</td> <td>375</td> <td>3\"/> <tr> <td>377A</td> <td>B</td> <td>1 <td>WD</td> <td>J1</td> <td>PTD.</td> <td>-</td> <td>376</td> <td>3\"/> <tr> <td>378</td> <td>B</td> <td>1 <td>WD</td> <td>J1</td> <td>PTD.</td> <td>-</td> <td>377</td> <td>3\"/> <tr> <td>379</td> <td>B</td> <td>1 <td>WD</td> <td>J1</td> <td>PTD.</td> <td>-</td> <td>377A</td> <td>3\"/> <tr> <td>380A</td> <td>B</td> <td>1 <td>WD</td> <td>J1</td> <td>PTD.</td> <td>-</td> <td>378</td> <td>3\"/> <tr> <td>380B</td> <td>B</td> <td>1 <td>WD</td> <td>J1</td> <td>PTD.</td> <td>-</td> <td>379</td> <td>3\"/> <tr> <td>382</td> <td>ETR</td> <td>-</td> <td>WD.</td> <td>J2</td> <td>PTD.</td> <td>-</td> <td>380A</td> <td>3\"/> <tr> <td>382A</td> <td>D</td> <td>6 <td>ALUM.</td> <td>ANODIZE D</td> <td>-</td> <td>-</td> <td>380B</td> <td>3\"/> <tr> <td>385</td> <td>ETR</td> <td>-</td> <td>WD.</td> <td>J2</td> <td>PTD.</td> <td>-</td> <td>382</td> <td>3\"/> <tr> <td>386</td> <td>ETR</td> <td>-</td> <td>WD.</td> <td>J2</td> <td>PTD.</td> <td>-</td> <td>382A</td> <td>3\"/> <tr> <td>387</td> <td>ETR</td> <td>-</td> <td>WD.</td> <td>J2</td> <td>PTD.</td> <td>-</td> <td>385</td> <td>3\"/> <tr> <td>388</td> <td>ETR</td> <td>-</td> <td>WD.</td> <td>J2</td> <td>PTD.</td> <td>-</td> <td>386</td> <td>3\"/> <tr> <td>389</td> <td>ETR</td> <td>-</td> <td>WD.</td> <td>J2</td> <td>PTD.</td> <td>-</td> <td>387</td> <td>3\"/> <tr> <td>391</td> <td>ETR</td> <td>-</td> <td>WD.</td> <td>J2</td> <td>PTD.</td> <td>-</td> <td>388</td> <td>3\"/> <tr> <td>391A</td> <td>ETR</td> <td>-</td> <td>WD.</td> <td>J2</td> <td>PTD.</td> <td>-</td> <td>389</td> <td>3\"/> <tr> <td>391B</td> <td>ETR</td> <td>-</td> <td>WD.</td> <td>J2</td> <td>PTD.</td> <td>-</td> <td>391</td> <td>3\"/> <tr> <td>394</td> <td>ETR</td> <td>-</td> <td>WD.</td> <td>J2</td> <td>PTD.</td> <td>-</td> <td>391A</td> <td>3\"/> <tr> <td>395</td> <td>ETR</td> <td>-</td> <td>WD.</td> <td>J2</td> <td>PTD.</td> <td>-</td> <td>391B</td> <td>3\"/> <tr> <td>396</td> <td>ETR</td> <td>-</td> <td>WD.</td> <td>J2</td> <td>PTD.</td> <td>-</td> <td>394</td> <td>3\"/> <tr> <td>398</td> <td>ETR</td> <td>-</td> <td>WD.</td> <td>J2</td> <td>PTD.</td> <td>-</td> <td>395</td> <td>3\"/> <tr> <td>399</td> <td>ETR</td> <td>-</td> <td>WD.</td> <td>J2</td> <td>PTD.</td> <td>-</td> <td>396</td> <td>3\"/> <tr> <td>3991</td> <td>ETR</td> <td>-</td> <td>WD.</td> <td>J2</td> <td>PTD.</td> <td>-</td> <td>398</td> <td>3\"/> <tr> <td>3992</td> <td>A</td> <td>3\"/> <tr> <td>3993</td> <td>ETR</td> <td>-</td> <td>WD.</td> <td>J2</td> <td>PTD.</td> <td>-</td> <td>399</td> <td>3\"/> <tr> <td>3994</td> <td>ETR</td> <td>-</td> <td>WD.</td> <td>J2</td> <td>PTD.</td> <td>-</td> <td>3991</td> <td>3\"/> <tr> <td>3995</td> <td>ETR</td> <td>-</td> <td>WD.</td> <td>J2</td> <td>PTD.</td> <td>-</td> <td>3992</td> <td>3\"/> <tr> <td>3997</td> <td>ETR</td> <td>-</td> <td>WD.</td> <td>J2</td> <td>PTD.</td> <td>-</td> <td>3993</td> <td>3\"/> <tr> <td>3998</td> <td>ETR</td> <td>-</td> <td>WD.</td> <td>J2</td> <td>PTD.</td> <td>-</td> <td>3994</td> <td>3\"/> <tr> <td>3999</td> <td>ETR</td> <td>-</td> <td>WD.</td> <td>J2</td> <td>PTD.</td> <td>-</td> <td>3995</td> <td>3\"/> <tr> <td>3999</td> <td>ETR</td> <td>-</td> <td>WD.</td> <td>J2</td> <td>PTD.</td> <td>-</td> <td>3997</td> <td>3\"/> </td></tr></td></tr></td></tr></td></tr></td></tr></td></tr></td></tr></td></tr></td></tr></td></tr></td></tr></td></tr></td></tr></td></tr></td></tr></td></tr></td></tr></td></tr></td></tr></td></tr></td></tr></td></tr></td></td></tr></td></tr></td></td></tr></td></td></tr></td></td></tr></td></td></tr></td></td></tr></td></td></tr></td></td></tr></td></td></tr></td></tr></td></tr></td></tr></td></td></tr></td></tr></td></tr></td></tr> | 369 | ETR | - | WD. | J2 | PTD.
 | - | 367 | 3\"/> <tr> <td>370</td> <td>ETR</td> <td>-</td> <td>WD.</td> <td>J2</td> <td>PTD.</td> <td>-</td> <td>368</td> <td>3\"/> <tr> <td>371</td> <td>ETR</td> <td>-</td> <td>WD.</td> <td>J2</td> <td>PTD.</td> <td>-</td> <td>369</td> <td>3\"/> <tr> <td>372</td> <td>B</td> <td>2 <td>HM</td> <td>J1</td> <td>PTD.</td> <td>1 HR.</td> <td>370</td> <td>3\"/> <tr> <td>373A</td> <td>ETR</td> <td>-</td> <td>WD.</td> <td>J2</td> <td>PTD.</td> <td>-</td> <td>371</td> <td>3\"/> <tr> <td>374B</td> <td>ETR</td> <td>-</td> <td>WD.</td> <td>J2</td> <td>PTD.</td> <td>-</td> <td>372</td> <td>3\"/> <tr> <td>374C</td> <td>ETR</td> <td>-</td> <td>WD.</td> <td>J2</td> <td>PTD.</td> <td>-</td> <td>373A</td> <td>3\"/> <tr> <td>375</td> <td>B</td> <td>1 <td>WD</td> <td>J1</td> <td>PTD.</td> <td>-</td> <td>374B</td> <td>3\"/> <tr> <td>376</td> <td>B</td> <td>1 <td>WD</td> <td>J1</td> <td>PTD.</td> <td>-</td> <td>374C</td> <td>3\"/> <tr> <td>377</td> <td>B</td> <td>1 <td>WD</td> <td>J1</td> <td>PTD.</td> <td>-</td> <td>375</td> <td>3\"/> <tr> <td>377A</td> <td>B</td> <td>1 <td>WD</td> <td>J1</td> <td>PTD.</td> <td>-</td> <td>376</td> <td>3\"/> <tr> <td>378</td> <td>B</td> <td>1 <td>WD</td> <td>J1</td> <td>PTD.</td> <td>-</td> <td>377</td> <td>3\"/> <tr> <td>379</td> <td>B</td> <td>1 <td>WD</td> <td>J1</td> <td>PTD.</td> <td>-</td> <td>377A</td> <td>3\"/> <tr> <td>380A</td> <td>B</td> <td>1 <td>WD</td> <td>J1</td> <td>PTD.</td> <td>-</td> <td>378</td> <td>3\"/> <tr> <td>380B</td> <td>B</td> <td>1 <td>WD</td> <td>J1</td> <td>PTD.</td> <td>-</td> <td>379</td> <td>3\"/> <tr> <td>382</td> <td>ETR</td> <td>-</td> <td>WD.</td> <td>J2</td> <td>PTD.</td> <td>-</td> <td>380A</td> <td>3\"/> <tr> <td>382A</td> <td>D</td> <td>6 <td>ALUM.</td> <td>ANODIZE D</td> <td>-</td> <td>-</td> <td>380B</td> <td>3\"/> <tr> <td>385</td> <td>ETR</td> <td>-</td> <td>WD.</td> <td>J2</td> <td>PTD.</td> <td>-</td> <td>382</td> <td>3\"/> <tr> <td>386</td> <td>ETR</td> <td>-</td> <td>WD.</td> <td>J2</td> <td>PTD.</td> <td>-</td> <td>382A</td> <td>3\"/> <tr> <td>387</td> <td>ETR</td> <td>-</td> <td>WD.</td> <td>J2</td> <td>PTD.</td> <td>-</td> <td>385</td> <td>3\"/> <tr> <td>388</td> <td>ETR</td> <td>-</td> <td>WD.</td> <td>J2</td> <td>PTD.</td> <td>-</td> <td>386</td> <td>3\"/> <tr> <td>389</td> <td>ETR</td> <td>-</td> <td>WD.</td> <td>J2</td> <td>PTD.</td> <td>-</td> <td>387</td> <td>3\"/> <tr> <td>391</td> <td>ETR</td> <td>-</td> <td>WD.</td> <td>J2</td> <td>PTD.</td> <td>-</td> <td>388</td> <td>3\"/> <tr> <td>391A</td> <td>ETR</td> <td>-</td> <td>WD.</td> <td>J2</td> <td>PTD.</td> <td>-</td> <td>389</td> <td>3\"/> <tr> <td>391B</td> <td>ETR</td> <td>-</td> <td>WD.</td> <td>J2</td> <td>PTD.</td> <td>-</td> <td>391</td> <td>3\"/> <tr> <td>394</td> <td>ETR</td> <td>-</td> <td>WD.</td> <td>J2</td> <td>PTD.</td> <td>-</td> <td>391A</td> <td>3\"/> <tr> <td>395</td> <td>ETR</td> <td>-</td> <td>WD.</td> <td>J2</td> <td>PTD.</td> <td>-</td> <td>391B</td> <td>3\"/> <tr> <td>396</td> <td>ETR</td> <td>-</td> <td>WD.</td> <td>J2</td> <td>PTD.</td> <td>-</td> <td>394</td> <td>3\"/> <tr> <td>398</td> <td>ETR</td> <td>-</td> <td>WD.</td> <td>J2</td> <td>PTD.</td> <td>-</td> <td>395</td> <td>3\"/> <tr> <td>399</td> <td>ETR</td> <td>-</td> <td>WD.</td> <td>J2</td> <td>PTD.</td> <td>-</td> <td>396</td> <td>3\"/> <tr> <td>3991</td> <td>ETR</td> <td>-</td> <td>WD.</td> <td>J2</td> <td>PTD.</td> <td>-</td> <td>398</td> <td>3\"/> <tr> <td>3992</td> <td>A</td> <td>3\"/> <tr> <td>3993</td> <td>ETR</td> <td>-</td> <td>WD.</td> <td>J2</td> <td>PTD.</td> <td>-</td> <td>399</td> <td>3\"/> <tr> <td>3994</td> <td>ETR</td> <td>-</td> <td>WD.</td> <td>J2</td> <td>PTD.</td> <td>-</td> <td>3991</td> <td>3\"/> <tr> <td>3995</td> <td>ETR</td> <td>-</td> <td>WD.</td> <td>J2</td> <td>PTD.</td> <td>-</td> <td>3992</td> <td>3\"/> <tr> <td>3997</td> <td>ETR</td> <td>-</td> <td>WD.</td> <td>J2</td> <td>PTD.</td> <td>-</td> <td>3993</td> <td>3\"/> <tr> <td>3998</td> <td>ETR</td> <td>-</td> <td>WD.</td> <td>J2</td> <td>PTD.</td> <td>-</td> <td>3994</td> <td>3\"/> <tr> <td>3999</td> <td>ETR</td> <td>-</td> <td>WD.</td> <td>J2</td> <td>PTD.</td> <td>-</td> <td>3995</td> <td>3\"/> <tr> <td>3999</td> <td>ETR</td> <td>-</td> <td>WD.</td> <td>J2</td> <td>PTD.</td> <td>-</td> <td>3997</td> <td>3\"/> </td></tr></td></tr></td></tr></td></tr></td></tr></td></tr></td></tr></td></tr></td></tr></td></tr></td></tr></td></tr></td></tr></td></tr></td></tr></td></tr></td></tr></td></tr></td></tr></td></tr></td></tr></td></tr></td></td></tr></td></tr></td></td></tr></td></td></tr></td></td></tr></td></td></tr></td></td></tr></td></td></tr></td></td></tr></td></td></tr></td></tr></td></tr></td></tr></td></td></tr></td></tr></td></tr> | 370 | ETR | - | WD. | J2 | PTD.
 | - | 368 | 3\"/> <tr> <td>371</td> <td>ETR</td> <td>-</td> <td>WD.</td> <td>J2</td> <td>PTD.</td> <td>-</td> <td>369</td> <td>3\"/> <tr> <td>372</td> <td>B</td> <td>2 <td>HM</td> <td>J1</td> <td>PTD.</td> <td>1 HR.</td> <td>370</td> <td>3\"/> <tr> <td>373A</td> <td>ETR</td> <td>-</td> <td>WD.</td> <td>J2</td> <td>PTD.</td> <td>-</td> <td>371</td> <td>3\"/> <tr> <td>374B</td> <td>ETR</td> <td>-</td> <td>WD.</td> <td>J2</td> <td>PTD.</td> <td>-</td> <td>372</td> <td>3\"/> <tr> <td>374C</td> <td>ETR</td> <td>-</td> <td>WD.</td> <td>J2</td> <td>PTD.</td> <td>-</td> <td>373A</td> <td>3\"/> <tr> <td>375</td> <td>B</td> <td>1 <td>WD</td> <td>J1</td> <td>PTD.</td> <td>-</td> <td>374B</td> <td>3\"/> <tr> <td>376</td> <td>B</td> <td>1 <td>WD</td> <td>J1</td> <td>PTD.</td> <td>-</td> <td>374C</td> <td>3\"/> <tr> <td>377</td> <td>B</td> <td>1 <td>WD</td> <td>J1</td> <td>PTD.</td> <td>-</td> <td>375</td> <td>3\"/> <tr> <td>377A</td> <td>B</td> <td>1 <td>WD</td> <td>J1</td> <td>PTD.</td> <td>-</td> <td>376</td> <td>3\"/> <tr> <td>378</td> <td>B</td> <td>1 <td>WD</td> <td>J1</td> <td>PTD.</td> <td>-</td> <td>377</td> <td>3\"/> <tr> <td>379</td> <td>B</td> <td>1 <td>WD</td> <td>J1</td> <td>PTD.</td> <td>-</td> <td>377A</td> <td>3\"/> <tr> <td>380A</td> <td>B</td> <td>1 <td>WD</td> <td>J1</td> <td>PTD.</td> <td>-</td> <td>378</td> <td>3\"/> <tr> <td>380B</td> <td>B</td> <td>1 <td>WD</td> <td>J1</td> <td>PTD.</td> <td>-</td> <td>379</td> <td>3\"/> <tr> <td>382</td> <td>ETR</td> <td>-</td> <td>WD.</td> <td>J2</td> <td>PTD.</td> <td>-</td> <td>380A</td> <td>3\"/> <tr> <td>382A</td> <td>D</td> <td>6 <td>ALUM.</td> <td>ANODIZE D</td> <td>-</td> <td>-</td> <td>380B</td> <td>3\"/> <tr> <td>385</td> <td>ETR</td> <td>-</td> <td>WD.</td> <td>J2</td> <td>PTD.</td> <td>-</td> <td>382</td> <td>3\"/> <tr> <td>386</td> <td>ETR</td> <td>-</td> <td>WD.</td> <td>J2</td> <td>PTD.</td> <td>-</td> <td>382A</td> <td>3\"/> <tr> <td>387</td> <td>ETR</td> <td>-</td> <td>WD.</td> <td>J2</td> <td>PTD.</td> <td>-</td> <td>385</td> <td>3\"/> <tr> <td>388</td> <td>ETR</td> <td>-</td> <td>WD.</td> <td>J2</td> <td>PTD.</td> <td>-</td> <td>386</td> <td>3\"/> <tr> <td>389</td> <td>ETR</td> <td>-</td> <td>WD.</td> <td>J2</td> <td>PTD.</td> <td>-</td> <td>387</td> <td>3\"/> <tr> <td>391</td> <td>ETR</td> <td>-</td> <td>WD.</td> <td>J2</td> <td>PTD.</td> <td>-</td> <td>388</td> <td>3\"/> <tr> <td>391A</td> <td>ETR</td> <td>-</td> <td>WD.</td> <td>J2</td> <td>PTD.</td> <td>-</td> <td>389</td> <td>3\"/> <tr> <td>391B</td> <td>ETR</td> <td>-</td> <td>WD.</td> <td>J2</td> <td>PTD.</td> <td>-</td> <td>391</td> <td>3\"/> <tr> <td>394</td> <td>ETR</td> <td>-</td> <td>WD.</td> <td>J2</td> <td>PTD.</td> <td>-</td> <td>391A</td> <td>3\"/> <tr> <td>395</td> <td>ETR</td> <td>-</td> <td>WD.</td> <td>J2</td> <td>PTD.</td> <td>-</td> <td>391B</td> <td>3\"/> <tr> <td>396</td> <td>ETR</td> <td>-</td> <td>WD.</td> <td>J2</td> <td>PTD.</td> <td>-</td> <td>394</td> <td>3\"/> <tr> <td>398</td> <td>ETR</td> <td>-</td> <td>WD.</td> <td>J2</td> <td>PTD.</td> <td>-</td> <td>395</td> <td>3\"/> <tr> <td>399</td> <td>ETR</td> <td>-</td> <td>WD.</td> <td>J2</td> <td>PTD.</td> <td>-</td> <td>396</td> <td>3\"/> <tr> <td>3991</td> <td>ETR</td> <td>-</td> <td>WD.</td> <td>J2</td> <td>PTD.</td> <td>-</td> <td>398</td> <td>3\"/> <tr> <td>3992</td> <td>A</td> <td>3\"/> <tr> <td>3993</td> <td>ETR</td> <td>-</td> <td>WD.</td> <td>J2</td> <td>PTD.</td> <td>-</td> <td>399</td> <td>3\"/> <tr> <td>3994</td> <td>ETR</td> <td>-</td> <td>WD.</td> <td>J2</td> <td>PTD.</td> <td>-</td> <td>3991</td> <td>3\"/> <tr> <td>3995</td> <td>ETR</td> <td>-</td> <td>WD.</td> <td>J2</td> <td>PTD.</td> <td>-</td> <td>3992</td> <td>3\"/> <tr> <td>3997</td> <td>ETR</td> <td>-</td> <td>WD.</td> <td>J2</td> <td>PTD.</td> <td>-</td> <td>3993</td> <td>3\"/> <tr> <td>3998</td> <td>ETR</td> <td>-</td> <td>WD.</td> <td>J2</td> <td>PTD.</td> <td>-</td> <td>3994</td> <td>3\"/> <tr> <td>3999</td> <td>ETR</td> <td>-</td> <td>WD.</td> <td>J2</td> <td>PTD.</td> <td>-</td> <td>3995</td> <td>3\"/> <tr> <td>3999</td> <td>ETR</td> <td>-</td> <td>WD.</td> <td>J2</td> <td>PTD.</td> <td>-</td> <td>3997</td> <td>3\"/> </td></tr></td></tr></td></tr></td></tr></td></tr></td></tr></td></tr></td></tr></td></tr></td></tr></td></tr></td></tr></td></tr></td></tr></td></tr></td></tr></td></tr></td></tr></td></tr></td></tr></td></tr></td></tr></td></td></tr></td></tr></td></td></tr></td></td></tr></td></td></tr></td></td></tr></td></td></tr></td></td></tr></td></td></tr></td></td></tr></td></tr></td></tr></td></tr></td></td></tr></td></tr> | 371 | ETR | - | WD. | J2 | PTD.
 | - | 369 | 3\"/> <tr> <td>372</td> <td>B</td> <td>2 <td>HM</td> <td>J1</td> <td>PTD.</td> <td>1 HR.</td> <td>370</td> <td>3\"/> <tr> <td>373A</td> <td>ETR</td> <td>-</td> <td>WD.</td> <td>J2</td> <td>PTD.</td> <td>-</td> <td>371</td> <td>3\"/> <tr> <td>374B</td> <td>ETR</td> <td>-</td> <td>WD.</td> <td>J2</td> <td>PTD.</td> <td>-</td> <td>372</td> <td>3\"/> <tr> <td>374C</td> <td>ETR</td> <td>-</td> <td>WD.</td> <td>J2</td> <td>PTD.</td> <td>-</td> <td>373A</td> <td>3\"/> <tr> <td>375</td> <td>B</td> <td>1 <td>WD</td> <td>J1</td> <td>PTD.</td> <td>-</td> <td>374B</td> <td>3\"/> <tr> <td>376</td> <td>B</td> <td>1 <td>WD</td> <td>J1</td> <td>PTD.</td> <td>-</td> <td>374C</td> <td>3\"/> <tr> <td>377</td> <td>B</td> <td>1 <td>WD</td> <td>J1</td> <td>PTD.</td> <td>-</td> <td>375</td> <td>3\"/> <tr> <td>377A</td> <td>B</td> <td>1 <td>WD</td> <td>J1</td> <td>PTD.</td> <td>-</td> <td>376</td> <td>3\"/> <tr> <td>378</td> <td>B</td> <td>1 <td>WD</td> <td>J1</td> <td>PTD.</td> <td>-</td> <td>377</td> <td>3\"/> <tr> <td>379</td> <td>B</td> <td>1 <td>WD</td> <td>J1</td> <td>PTD.</td> <td>-</td> <td>377A</td> <td>3\"/> <tr> <td>380A</td> <td>B</td> <td>1 <td>WD</td> <td>J1</td> <td>PTD.</td> <td>-</td> <td>378</td> <td>3\"/> <tr> <td>380B</td> <td>B</td> <td>1 <td>WD</td> <td>J1</td> <td>PTD.</td> <td>-</td> <td>379</td> <td>3\"/> <tr> <td>382</td> <td>ETR</td> <td>-</td> <td>WD.</td> <td>J2</td> <td>PTD.</td> <td>-</td> <td>380A</td> <td>3\"/> <tr> <td>382A</td> <td>D</td> <td>6 <td>ALUM.</td> <td>ANODIZE D</td> <td>-</td> <td>-</td> <td>380B</td> <td>3\"/> <tr> <td>385</td> <td>ETR</td> <td>-</td> <td>WD.</td> <td>J2</td> <td>PTD.</td> <td>-</td> <td>382</td> <td>3\"/> <tr> <td>386</td> <td>ETR</td> <td>-</td> <td>WD.</td> <td>J2</td> <td>PTD.</td> <td>-</td> <td>382A</td> <td>3\"/> <tr> <td>387</td> <td>ETR</td> <td>-</td> <td>WD.</td> <td>J2</td> <td>PTD.</td> <td>-</td> <td>385</td> <td>3\"/> <tr> <td>388</td> <td>ETR</td> <td>-</td> <td>WD.</td> <td>J2</td> <td>PTD.</td> <td>-</td> <td>386</td> <td>3\"/> <tr> <td>389</td> <td>ETR</td> <td>-</td> <td>WD.</td> <td>J2</td> <td>PTD.</td> <td>-</td> <td>387</td> <td>3\"/> <tr> <td>391</td> <td>ETR</td> <td>-</td> <td>WD.</td> <td>J2</td> <td>PTD.</td> <td>-</td> <td>388</td> <td>3\"/> <tr> <td>391A</td> <td>ETR</td> <td>-</td> <td>WD.</td> <td>J2</td> <td>PTD.</td> <td>-</td> <td>389</td> <td>3\"/> <tr> <td>391B</td> <td>ETR</td> <td>-</td> <td>WD.</td> <td>J2</td> <td>PTD.</td> <td>-</td> <td>391</td> <td>3\"/> <tr> <td>394</td> <td>ETR</td> <td>-</td> <td>WD.</td> <td>J2</td> <td>PTD.</td> <td>-</td> <td>391A</td> <td>3\"/> <tr> <td>395</td> <td>ETR</td> <td>-</td> <td>WD.</td> <td>J2</td> <td>PTD.</td> <td>-</td> <td>391B</td> <td>3\"/> <tr> <td>396</td> <td>ETR</td> <td>-</td> <td>WD.</td> <td>J2</td> <td>PTD.</td> <td>-</td> <td>394</td> <td>3\"/> <tr> <td>398</td> <td>ETR</td> <td>-</td> <td>WD.</td> <td>J2</td> <td>PTD.</td> <td>-</td> <td>395</td> <td>3\"/> <tr> <td>399</td> <td>ETR</td> <td>-</td> <td>WD.</td> <td>J2</td> <td>PTD.</td> <td>-</td> <td>396</td> <td>3\"/> <tr> <td>3991</td> <td>ETR</td> <td>-</td> <td>WD.</td> <td>J2</td> <td>PTD.</td> <td>-</td> <td>398</td> <td>3\"/> <tr> <td>3992</td> <td>A</td> <td>3\"/> <tr> <td>3993</td> <td>ETR</td> <td>-</td> <td>WD.</td> <td>J2</td> <td>PTD.</td> <td>-</td> <td>399</td> <td>3\"/> <tr> <td>3994</td> <td>ETR</td> <td>-</td> <td>WD.</td> <td>J2</td> <td>PTD.</td> <td>-</td> <td>3991</td> <td>3\"/> <tr> <td>3995</td> <td>ETR</td> <td>-</td> <td>WD.</td> <td>J2</td> <td>PTD.</td> <td>-</td> <td>3992</td> <td>3\"/> <tr> <td>3997</td> <td>ETR</td> <td>-</td> <td>WD.</td> <td>J2</td> <td>PTD.</td> <td>-</td> <td>3993</td> <td>3\"/> <tr> <td>3998</td> <td>ETR</td> <td>-</td> <td>WD.</td> <td>J2</td> <td>PTD.</td> <td>-</td> <td>3994</td> <td>3\"/> <tr> <td>3999</td> <td>ETR</td> <td>-</td> <td>WD.</td> <td>J2</td> <td>PTD.</td> <td>-</td> <td>3995</td> <td>3\"/> <tr> <td>3999</td> <td>ETR</td> <td>-</td> <td>WD.</td> <td>J2</td> <td>PTD.</td> <td>-</td> <td>3997</td> <td>3\"/> </td></tr></td></tr></td></tr></td></tr></td></tr></td></tr></td></tr></td></tr></td></tr></td></tr></td></tr></td></tr></td></tr></td></tr></td></tr></td></tr></td></tr></td></tr></td></tr></td></tr></td></tr></td></tr></td></td></tr></td></tr></td></td></tr></td></td></tr></td></td></tr></td></td></tr></td></td></tr></td></td></tr></td></td></tr></td></td></tr></td></tr></td></tr></td></tr></td></td></tr> | 372 | B | 2 <td>HM</td> <td>J1</td> <td>PTD.</td> <td>1 HR.</td> <td>370</td> <td>3\"/> <tr> <td>373A</td> <td>ETR</td> <td>-</td> <td>WD.</td> <td>J2</td> <td>PTD.</td> <td>-</td> <td>371</td> <td>3\"/> <tr> <td>374B</td> <td>ETR</td> <td>-</td> <td>WD.</td> <td>J2</td> <td>PTD.</td> <td>-</td> <td>372</td> <td>3\"/> <tr> <td>374C</td> <td>ETR</td> <td>-</td> <td>WD.</td> <td>J2</td> <td>PTD.</td> <td>-</td> <td>373A</td> <td>3\"/> <tr> <td>375</td> <td>B</td> <td>1 <td>WD</td> <td>J1</td> <td>PTD.</td> <td>-</td> <td>374B</td> <td>3\"/> <tr> <td>376</td> <td>B</td> <td>1 <td>WD</td> <td>J1</td> <td>PTD.</td> <td>-</td> <td>374C</td> <td>3\"/> <tr> <td>377</td> <td>B</td> <td>1 <td>WD</td> <td>J1</td> <td>PTD.</td> <td>-</td> <td>375</td> <td>3\"/> <tr> <td>377A</td> <td>B</td> <td>1 <td>WD</td> <td>J1</td> <td>PTD.</td> <td>-</td> <td>376</td> <td>3\"/> <tr> <td>378</td> <td>B</td> <td>1 <td>WD</td> <td>J1</td> <td>PTD.</td> <td>-</td> <td>377</td> <td>3\"/> <tr> <td>379</td> <td>B</td> <td>1 <td>WD</td> <td>J1</td> <td>PTD.</td> <td>-</td> <td>377A</td> <td>3\"/> <tr> <td>380A</td> <td>B</td> <td>1 <td>WD</td> <td>J1</td> <td>PTD.</td> <td>-</td> <td>378</td> <td>3\"/> <tr> <td>380B</td> <td>B</td> <td>1 <td>WD</td> <td>J1</td> <td>PTD.</td> <td>-</td> <td>379</td> <td>3\"/> <tr> <td>382</td> <td>ETR</td> <td>-</td> <td>WD.</td> <td>J2</td> <td>PTD.</td> <td>-</td> <td>380A</td> <td>3\"/> <tr> <td>382A</td> <td>D</td> <td>6 <td>ALUM.</td> <td>ANODIZE D</td> <td>-</td> <td>-</td> <td>380B</td> <td>3\"/> <tr> <td>385</td> <td>ETR</td> <td>-</td> <td>WD.</td> <td>J2</td> <td>PTD.</td> <td>-</td> <td>382</td> <td>3\"/> <tr> <td>386</td> <td>ETR</td> <td>-</td> <td>WD.</td> <td>J2</td> <td>PTD.</td> <td>-</td> <td>382A</td>
<td>3\"/> <tr> <td>387</td> <td>ETR</td> <td>-</td> <td>WD.</td> <td>J2</td> <td>PTD.</td> <td>-</td> <td>385</td> <td>3\"/> <tr> <td>388</td> <td>ETR</td> <td>-</td> <td>WD.</td> <td>J2</td> <td>PTD.</td> <td>-</td> <td>386</td> <td>3\"/> <tr> <td>389</td> <td>ETR</td> <td>-</td> <td>WD.</td> <td>J2</td> <td>PTD.</td> <td>-</td> <td>387</td> <td>3\"/> <tr> <td>391</td> <td>ETR</td> <td>-</td> <td>WD.</td> <td>J2</td> <td>PTD.</td> <td>-</td> <td>388</td> <td>3\"/> <tr> <td>391A</td> <td>ETR</td> <td>-</td> <td>WD.</td> <td>J2</td> <td>PTD.</td> <td>-</td> <td>389</td> <td>3\"/> <tr> <td>391B</td> <td>ETR</td> <td>-</td> <td>WD.</td> <td>J2</td> <td>PTD.</td> <td>-</td> <td>391</td> <td>3\"/> <tr> <td>394</td> <td>ETR</td> <td>-</td> <td>WD.</td> <td>J2</td> <td>PTD.</td> <td>-</td> <td>391A</td> <td>3\"/> <tr> <td>395</td> <td>ETR</td> <td>-</td> <td>WD.</td> <td>J2</td> <td>PTD.</td> <td>-</td> <td>391B</td> <td>3\"/> <tr> <td>396</td> <td>ETR</td> <td>-</td> <td>WD.</td> <td>J2</td> <td>PTD.</td> <td>-</td> <td>394</td> <td>3\"/> <tr> <td>398</td> <td>ETR</td> <td>-</td> <td>WD.</td> <td>J2</td> <td>PTD.</td> <td>-</td> <td>395</td> <td>3\"/> <tr> <td>399</td> <td>ETR</td> <td>-</td> <td>WD.</td> <td>J2</td> <td>PTD.</td> <td>-</td> <td>396</td> <td>3\"/> <tr> <td>3991</td> <td>ETR</td> <td>-</td> <td>WD.</td> <td>J2</td> <td>PTD.</td> <td>-</td> <td>398</td> <td>3\"/> <tr> <td>3992</td> <td>A</td> <td>3\"/> <tr> <td>3993</td> <td>ETR</td> <td>-</td> <td>WD.</td> <td>J2</td> <td>PTD.</td> <td>-</td> <td>399</td> <td>3\"/> <tr> <td>3994</td> <td>ETR</td> <td>-</td> <td>WD.</td> <td>J2</td> <td>PTD.</td> <td>-</td> <td>3991</td> <td>3\"/> <tr> <td>3995</td> <td>ETR</td> <td>-</td> <td>WD.</td> <td>J2</td> <td>PTD.</td> <td>-</td> <td>3992</td> <td>3\"/> <tr> <td>3997</td> <td>ETR</td> <td>-</td> <td>WD.</td> <td>J2</td> <td>PTD.</td> <td>-</td> <td>3993</td> <td>3\"/> <tr> <td>3998</td> <td>ETR</td> <td>-</td> <td>WD.</td> <td>J2</td> <td>PTD.</td> <td>-</td> <td>3994</td> <td>3\"/> <tr> <td>3999</td> <td>ETR</td> <td>-</td> <td>WD.</td> <td>J2</td> <td>PTD.</td> <td>-</td> <td>3995</td> <td>3\"/> <tr> <td>3999</td> <td>ETR</td> <td>-</td> <td>WD.</td> <td>J2</td> <td>PTD.</td> <td>-</td> <td>3997</td> <td>3\"/> </td></tr></td></tr></td></tr></td></tr></td></tr></td></tr></td></tr></td></tr></td></tr></td></tr></td></tr></td></tr></td></tr></td></tr></td></tr></td></tr></td></tr></td></tr></td></tr></td></tr></td></tr></td></tr></td></td></tr></td></tr></td></td></tr></td></td></tr></td></td></tr></td></td></tr></td></td></tr></td></td></tr></td></td></tr></td></td></tr></td></tr></td></tr></td></tr></td> | HM | J1 | PTD. | 1 HR. | 370 | 3\"/> <tr> <td>373A</td> <td>ETR</td> <td>-</td> <td>WD.</td> <td>J2</td> <td>PTD.</td> <td>-</td> <td>371</td> <td>3\"/> <tr> <td>374B</td> <td>ETR</td> <td>-</td> <td>WD.</td> <td>J2</td> <td>PTD.</td> <td>-</td> <td>372</td> <td>3\"/> <tr> <td>374C</td> <td>ETR</td> <td>-</td> <td>WD.</td> <td>J2</td> <td>PTD.</td> <td>-</td> <td>373A</td> <td>3\"/> <tr> <td>375</td> <td>B</td> <td>1 <td>WD</td> <td>J1</td> <td>PTD.</td> <td>-</td> <td>374B</td> <td>3\"/> <tr> <td>376</td> <td>B</td> <td>1 <td>WD</td> <td>J1</td> <td>PTD.</td> <td>-</td> <td>374C</td> <td>3\"/> <tr> <td>377</td> <td>B</td> <td>1 <td>WD</td> <td>J1</td> <td>PTD.</td> <td>-</td> <td>375</td> <td>3\"/> <tr> <td>377A</td> <td>B</td> <td>1 <td>WD</td> <td>J1</td> <td>PTD.</td> <td>-</td> <td>376</td> <td>3\"/> <tr> <td>378</td> <td>B</td> <td>1 <td>WD</td> <td>J1</td> <td>PTD.</td> <td>-</td> <td>377</td> <td>3\"/> <tr> <td>379</td> <td>B</td> <td>1 <td>WD</td> <td>J1</td> <td>PTD.</td> <td>-</td> <td>377A</td> <td>3\"/> <tr> <td>380A</td> <td>B</td> <td>1 <td>WD</td> <td>J1</td> <td>PTD.</td> <td>-</td> <td>378</td> <td>3\"/> <tr> <td>380B</td> <td>B</td> <td>1 <td>WD</td> <td>J1</td> <td>PTD.</td> <td>-</td> <td>379</td> <td>3\"/> <tr> <td>382</td> <td>ETR</td> <td>-</td> <td>WD.</td> <td>J2</td> <td>PTD.</td> <td>-</td> <td>380A</td> <td>3\"/> <tr> <td>382A</td> <td>D</td> <td>6 <td>ALUM.</td> <td>ANODIZE D</td> <td>-</td> <td>-</td> <td>380B</td> <td>3\"/> <tr> <td>385</td> <td>ETR</td> <td>-</td> <td>WD.</td> <td>J2</td> <td>PTD.</td> <td>-</td> <td>382</td> <td>3\"/> <tr> <td>386</td> <td>ETR</td> <td>-</td> <td>WD.</td> <td>J2</td> <td>PTD.</td> <td>-</td> <td>382A</td> <td>3\"/> <tr> <td>387</td> <td>ETR</td> <td>-</td> <td>WD.</td> <td>J2</td> <td>PTD.</td> <td>-</td> <td>385</td> <td>3\"/> <tr> <td>388</td> <td>ETR</td> <td>-</td> <td>WD.</td> <td>J2</td> <td>PTD.</td> <td>-</td> <td>386</td> <td>3\"/> <tr> <td>389</td> <td>ETR</td> <td>-</td> <td>WD.</td> <td>J2</td> <td>PTD.</td> <td>-</td> <td>387</td> <td>3\"/> <tr> <td>391</td> <td>ETR</td> <td>-</td> <td>WD.</td> <td>J2</td> <td>PTD.</td> <td>-</td> <td>388</td> <td>3\"/> <tr> <td>391A</td> <td>ETR</td> <td>-</td> <td>WD.</td> <td>J2</td> <td>PTD.</td> <td>-</td> <td>389</td> <td>3\"/> <tr> <td>391B</td> <td>ETR</td> <td>-</td> <td>WD.</td> <td>J2</td> <td>PTD.</td> <td>-</td> <td>391</td> <td>3\"/> <tr> <td>394</td> <td>ETR</td> <td>-</td> <td>WD.</td> <td>J2</td> <td>PTD.</td> <td>-</td> <td>391A</td> <td>3\"/> <tr> <td>395</td> <td>ETR</td> <td>-</td> <td>WD.</td> <td>J2</td> <td>PTD.</td> <td>-</td> <td>391B</td> <td>3\"/> <tr> <td>396</td> <td>ETR</td> <td>-</td> <td>WD.</td> <td>J2</td>
<td>PTD.</td> <td>-</td> <td>394</td> <td>3\"/> <tr> <td>398</td> <td>ETR</td> <td>-</td> <td>WD.</td> <td>J2</td> <td>PTD.</td> <td>-</td> <td>395</td> <td>3\"/> <tr> <td>399</td> <td>ETR</td> <td>-</td> <td>WD.</td> <td>J2</td> <td>PTD.</td> <td>-</td> <td>396</td> <td>3\"/> <tr> <td>3991</td> <td>ETR</td> <td>-</td> <td>WD.</td> <td>J2</td> <td>PTD.</td> <td>-</td> <td>398</td> <td>3\"/> <tr> <td>3992</td> <td>A</td> <td>3\"/> <tr> <td>3993</td> <td>ETR</td> <td>-</td> <td>WD.</td> <td>J2</td> <td>PTD.</td> <td>-</td> <td>399</td> <td>3\"/> <tr> <td>3994</td> <td>ETR</td> <td>-</td> <td>WD.</td> <td>J2</td> <td>PTD.</td> <td>-</td> <td>3991</td> <td>3\"/> <tr> <td>3995</td> <td>ETR</td> <td>-</td> <td>WD.</td> <td>J2</td> <td>PTD.</td> <td>-</td> <td>3992</td> <td>3\"/> <tr> <td>3997</td> <td>ETR</td> <td>-</td> <td>WD.</td> <td>J2</td> <td>PTD.</td> <td>-</td> <td>3993</td> <td>3\"/> <tr> <td>3998</td> <td>ETR</td> <td>-</td> <td>WD.</td> <td>J2</td> <td>PTD.</td> <td>-</td> <td>3994</td> <td>3\"/> <tr> <td>3999</td> <td>ETR</td> <td>-</td> <td>WD.</td> <td>J2</td> <td>PTD.</td> <td>-</td> <td>3995</td> <td>3\"/> <tr> <td>3999</td> <td>ETR</td> <td>-</td> <td>WD.</td> <td>J2</td> <td>PTD.</td> <td>-</td> <td>3997</td> <td>3\"/> </td></tr></td></tr></td></tr></td></tr></td></tr></td></tr></td></tr></td></tr></td></tr></td></tr></td></tr></td></tr></td></tr></td></tr></td></tr></td></tr></td></tr></td></tr></td></tr></td></tr></td></tr></td></tr></td></td></tr></td></tr></td></td></tr></td></td></tr></td></td></tr></td></td></tr></td></td></tr></td></td></tr></td></td></tr></td></td></tr></td></tr></td></tr></td></tr> | 373A | ETR | - | WD. | J2 | PTD. | - | 371 | 3\"/> <tr> <td>374B</td> <td>ETR</td> <td>-</td> <td>WD.</td> <td>J2</td> <td>PTD.</td> <td>-</td> <td>372</td> <td>3\"/> <tr> <td>374C</td> <td>ETR</td> <td>-</td> <td>WD.</td> <td>J2</td> <td>PTD.</td> <td>-</td> <td>373A</td> <td>3\"/> <tr> <td>375</td> <td>B</td> <td>1 <td>WD</td> <td>J1</td> <td>PTD.</td> <td>-</td> <td>374B</td> <td>3\"/> <tr> <td>376</td> <td>B</td> <td>1 <td>WD</td> <td>J1</td> <td>PTD.</td> <td>-</td> <td>374C</td> <td>3\"/> <tr> <td>377</td> <td>B</td> <td>1 <td>WD</td> <td>J1</td> <td>PTD.</td> <td>-</td> <td>375</td> <td>3\"/> <tr> <td>377A</td> <td>B</td> <td>1 <td>WD</td> <td>J1</td> <td>PTD.</td> <td>-</td> <td>376</td> <td>3\"/> <tr> <td>378</td> <td>B</td> <td>1 <td>WD</td> <td>J1</td> <td>PTD.</td> <td>-</td> <td>377</td> <td>3\"/> <tr> <td>379</td> <td>B</td> <td>1 <td>WD</td> <td>J1</td> <td>PTD.</td> <td>-</td> <td>377A</td> <td>3\"/> <tr> <td>380A</td> <td>B</td> <td>1 <td>WD</td> <td>J1</td> <td>PTD.</td> <td>-</td> <td>378</td> <td>3\"/> <tr> <td>380B</td> <td>B</td> <td>1 <td>WD</td> <td>J1</td> <td>PTD.</td> <td>-</td> <td>379</td> <td>3\"/> <tr> <td>382</td> <td>ETR</td> <td>-</td> <td>WD.</td> <td>J2</td> <td>PTD.</td> <td>-</td> <td>380A</td> <td>3\"/> <tr> <td>382A</td> <td>D</td> <td>6 <td>ALUM.</td> <td>ANODIZE D</td> <td>-</td> <td>-</td> <td>380B</td> <td>3\"/> <tr> <td>385</td> <td>ETR</td> <td>-</td> <td>WD.</td> <td>J2</td> <td>PTD.</td> <td>-</td> <td>382</td> <td>3\"/> <tr> <td>386</td> <td>ETR</td> <td>-</td> <td>WD.</td> <td>J2</td> <td>PTD.</td> <td>-</td> <td>382A</td> <td>3\"/> <tr> <td>387</td> <td>ETR</td> <td>-</td> <td>WD.</td> <td>J2</td> <td>PTD.</td> <td>-</td> <td>385</td> <td>3\"/> <tr> <td>388</td> <td>ETR</td> <td>-</td> <td>WD.</td> <td>J2</td> <td>PTD.</td> <td>-</td> <td>386</td> <td>3\"/> <tr> <td>389</td> <td>ETR</td> <td>-</td> <td>WD.</td> <td>J2</td> <td>PTD.</td> <td>-</td> <td>387</td> <td>3\"/> <tr> <td>391</td> <td>ETR</td> <td>-</td> <td>WD.</td> <td>J2</td> <td>PTD.</td> <td>-</td> <td>388</td> <td>3\"/> <tr> <td>391A</td> <td>ETR</td> <td>-</td> <td>WD.</td> <td>J2</td> <td>PTD.</td> <td>-</td> <td>389</td> <td>3\"/> <tr> <td>391B</td> <td>ETR</td> <td>-</td> <td>WD.</td> <td>J2</td> <td>PTD.</td> <td>-</td> <td>391</td> <td>3\"/> <tr> <td>394</td> <td>ETR</td> <td>-</td> <td>WD.</td> <td>J2</td> <td>PTD.</td> <td>-</td> <td>391A</td> <td>3\"/> <tr> <td>395</td> <td>ETR</td> <td>-</td> <td>WD.</td> <td>J2</td> <td>PTD.</td> <td>-</td> <td>391B</td> <td>3\"/> <tr> <td>396</td> <td>ETR</td> <td>-</td> <td>WD.</td> <td>J2</td> <td>PTD.</td> <td>-</td> <td>394</td> <td>3\"/> <tr> <td>398</td> <td>ETR</td> <td>-</td> <td>WD.</td> <td>J2</td> <td>PTD.</td> <td>-</td> <td>395</td> <td>3\"/> <tr> <td>399</td> <td>ETR</td> <td>-</td> <td>WD.</td> <td>J2</td> <td>PTD.</td> <td>-</td> <td>396</td> <td>3\"/> <tr> <td>3991</td> <td>ETR</td> <td>-</td> <td>WD.</td> <td>J2</td> <td>PTD.</td> <td>-</td> <td>398</td> <td>3\"/> <tr> <td>3992</td> <td>A</td> <td>3\"/> <tr> <td>3993</td> <td>ETR</td> <td>-</td> <td>WD.</td> <td>J2</td> <td>PTD.</td> <td>-</td> <td>399</td> <td>3\"/> <tr> <td>3994</td> <td>ETR</td> <td>-</td> <td>WD.</td> <td>J2</td> <td>PTD.</td> <td>-</td> <td>3991</td> <td>3\"/> <tr> <td>3995</td> <td>ETR</td> <td>-</td> <td>WD.</td> <td>J2</td> <td>PTD.</td> <td>-</td> <td>3992</td> <td>3\"/> <tr> <td>3997</td> <td>ETR</td> <td>-</td> <td>WD.</td> <td>J2</td> <td>PTD.</td> <td>-</td> <td>3993</td> <td>3\"/> <tr> <td>3998</td> <td>ETR</td> <td>-</td> <td>WD.</td> <td>J2</td> <td>PTD.</td> <td>-</td> <td>3994</td> <td>3\"/> <tr> <td>3999</td> <td>ETR</td> <td>-</td> <td>WD.</td> <td>J2</td> <td>PTD.</td> <td>-</td> <td>3995</td> <td>3\"/> <tr> <td>3999</td> <td>ETR</td> <td>-</td> <td>WD.</td> <td>J2</td> <td>PTD.</td> <td>-</td>
<td>3997</td> <td>3\"/> </td></tr></td></tr></td></tr></td></tr></td></tr></td></tr></td></tr></td></tr></td></tr></td></tr></td></tr></td></tr></td></tr></td></tr></td></tr></td></tr></td></tr></td></tr></td></tr></td></tr></td></tr></td></tr></td></td></tr></td></tr></td></td></tr></td></td></tr></td></td></tr></td></td></tr></td></td></tr></td></td></tr></td></td></tr></td></td></tr></td></tr></td></tr> | 374B | ETR | - | WD. | J2 | PTD. | - | 372 | 3\"/> <tr> <td>374C</td> <td>ETR</td> <td>-</td> <td>WD.</td> <td>J2</td> <td>PTD.</td> <td>-</td> <td>373A</td> <td>3\"/> <tr> <td>375</td> <td>B</td> <td>1 <td>WD</td> <td>J1</td> <td>PTD.</td> <td>-</td> <td>374B</td> <td>3\"/> <tr> <td>376</td> <td>B</td> <td>1 <td>WD</td> <td>J1</td> <td>PTD.</td> <td>-</td> <td>374C</td> <td>3\"/> <tr> <td>377</td> <td>B</td> <td>1 <td>WD</td> <td>J1</td> <td>PTD.</td> <td>-</td> <td>375</td> <td>3\"/> <tr> <td>377A</td> <td>B</td> <td>1 <td>WD</td> <td>J1</td> <td>PTD.</td> <td>-</td> <td>376</td> <td>3\"/> <tr> <td>378</td> <td>B</td> <td>1 <td>WD</td> <td>J1</td> <td>PTD.</td> <td>-</td> <td>377</td> <td>3\"/> <tr> <td>379</td> <td>B</td> <td>1 <td>WD</td> <td>J1</td> <td>PTD.</td> <td>-</td> <td>377A</td> <td>3\"/> <tr> <td>380A</td> <td>B</td> <td>1 <td>WD</td> <td>J1</td> <td>PTD.</td> <td>-</td> <td>378</td> <td>3\"/> <tr> <td>380B</td> <td>B</td> <td>1 <td>WD</td> <td>J1</td> <td>PTD.</td> <td>-</td> <td>379</td> <td>3\"/> <tr> <td>382</td> <td>ETR</td> <td>-</td> <td>WD.</td> <td>J2</td> <td>PTD.</td> <td>-</td> <td>380A</td> <td>3\"/> <tr> <td>382A</td> <td>D</td> <td>6 <td>ALUM.</td> <td>ANODIZE D</td> <td>-</td> <td>-</td> <td>380B</td> <td>3\"/> <tr> <td>385</td> <td>ETR</td> <td>-</td> <td>WD.</td> <td>J2</td> <td>PTD.</td> <td>-</td> <td>382</td> <td>3\"/> <tr> <td>386</td> <td>ETR</td> <td>-</td> <td>WD.</td> <td>J2</td> <td>PTD.</td> <td>-</td> <td>382A</td> <td>3\"/> <tr> <td>387</td> <td>ETR</td> <td>-</td> <td>WD.</td> <td>J2</td> <td>PTD.</td> <td>-</td> <td>385</td> <td>3\"/> <tr> <td>388</td> <td>ETR</td> <td>-</td> <td>WD.</td> <td>J2</td> <td>PTD.</td> <td>-</td> <td>386</td> <td>3\"/> <tr> <td>389</td> <td>ETR</td> <td>-</td> <td>WD.</td> <td>J2</td> <td>PTD.</td> <td>-</td> <td>387</td> <td>3\"/> <tr> <td>391</td> <td>ETR</td> <td>-</td> <td>WD.</td> <td>J2</td> <td>PTD.</td> <td>-</td> <td>388</td> <td>3\"/> <tr> <td>391A</td> <td>ETR</td> <td>-</td> <td>WD.</td> <td>J2</td> <td>PTD.</td> <td>-</td> <td>389</td> <td>3\"/> <tr> <td>391B</td> <td>ETR</td> <td>-</td> <td>WD.</td> <td>J2</td> <td>PTD.</td> <td>-</td> <td>391</td> <td>3\"/> <tr> <td>394</td> <td>ETR</td> <td>-</td> <td>WD.</td> <td>J2</td> <td>PTD.</td> <td>-</td> <td>391A</td> <td>3\"/> <tr> <td>395</td> <td>ETR</td> <td>-</td> <td>WD.</td> <td>J2</td> <td>PTD.</td> <td>-</td> <td>391B</td> <td>3\"/> <tr> <td>396</td> <td>ETR</td> <td>-</td> <td>WD.</td> <td>J2</td> <td>PTD.</td> <td>-</td> <td>394</td> <td>3\"/> <tr> <td>398</td> <td>ETR</td> <td>-</td> <td>WD.</td> <td>J2</td> <td>PTD.</td> <td>-</td> <td>395</td> <td>3\"/> <tr> <td>399</td> <td>ETR</td> <td>-</td> <td>WD.</td> <td>J2</td> <td>PTD.</td> <td>-</td> <td>396</td> <td>3\"/> <tr> <td>3991</td> <td>ETR</td> <td>-</td> <td>WD.</td> <td>J2</td> <td>PTD.</td> <td>-</td> <td>398</td> <td>3\"/> <tr> <td>3992</td> <td>A</td> <td>3\"/> <tr> <td>3993</td> <td>ETR</td> <td>-</td> <td>WD.</td> <td>J2</td> <td>PTD.</td> <td>-</td> <td>399</td> <td>3\"/> <tr> <td>3994</td> <td>ETR</td> <td>-</td> <td>WD.</td> <td>J2</td> <td>PTD.</td> <td>-</td> <td>3991</td> <td>3\"/> <tr> <td>3995</td> <td>ETR</td> <td>-</td> <td>WD.</td> <td>J2</td> <td>PTD.</td> <td>-</td> <td>3992</td> <td>3\"/> <tr> <td>3997</td> <td>ETR</td> <td>-</td> <td>WD.</td> <td>J2</td> <td>PTD.</td> <td>-</td> <td>3993</td> <td>3\"/> <tr> <td>3998</td> <td>ETR</td> <td>-</td> <td>WD.</td> <td>J2</td> <td>PTD.</td> <td>-</td> <td>3994</td> <td>3\"/> <tr> <td>3999</td> <td>ETR</td> <td>-</td> <td>WD.</td> <td>J2</td> <td>PTD.</td> <td>-</td> <td>3995</td> <td>3\"/> <tr> <td>3999</td> <td>ETR</td> <td>-</td> <td>WD.</td> <td>J2</td> <td>PTD.</td> <td>-</td> <td>3997</td> <td>3\"/> </td></tr></td></tr></td></tr></td></tr></td></tr></td></tr></td></tr></td></tr></td></tr></td></tr></td></tr></td></tr></td></tr></td></tr></td></tr></td></tr></td></tr></td></tr></td></tr></td></tr></td></tr></td></tr></td></td></tr></td></tr></td></td></tr></td></td></tr></td></td></tr></td></td></tr></td></td></tr></td></td></tr></td></td></tr></td></td></tr></td></tr> | 374C | ETR | - | WD. | J2 | PTD.
 | - | 373A | 3\"/> <tr> <td>375</td> <td>B</td> <td>1 <td>WD</td> <td>J1</td> <td>PTD.</td> <td>-</td> <td>374B</td> <td>3\"/> <tr> <td>376</td> <td>B</td> <td>1 <td>WD</td> <td>J1</td> <td>PTD.</td> <td>-</td> <td>374C</td> <td>3\"/> <tr> <td>377</td> <td>B</td> <td>1 <td>WD</td> <td>J1</td> <td>PTD.</td> <td>-</td> <td>375</td> <td>3\"/> <tr> <td>377A</td> <td>B</td> <td>1 <td>WD</td> <td>J1</td> <td>PTD.</td> <td>-</td> <td>376</td> <td>3\"/> <tr> <td>378</td> <td>B</td> <td>1 <td>WD</td> <td>J1</td> <td>PTD.</td> <td>-</td> <td>377</td> <td>3\"/> <tr> <td>379</td> <td>B</td> <td>1 <td>WD</td> <td>J1</td> <td>PTD.</td> <td>-</td> <td>377A</td> <td>3\"/> <tr> <td>380A</td> <td>B</td> <td>1 <td>WD</td> <td>J1</td> <td>PTD.</td> <td>-</td> <td>378</td> <td>3\"/> <tr> <td>380B</td> <td>B</td> <td>1 <td>WD</td> <td>J1</td> <td>PTD.</td> <td>-</td> <td>379</td> <td>3\"/> <tr> <td>382</td> <td>ETR</td> <td>-</td> <td>WD.</td> <td>J2</td> <td>PTD.</td> <td>-</td> <td>380A</td> <td>3\"/> <tr> <td>382A</td> <td>D</td> <td>6 <td>ALUM.</td> <td>ANODIZE D</td> <td>-</td> <td>-</td> <td>380B</td> <td>3\"/> <tr> <td>385</td> <td>ETR</td> <td>-</td> <td>WD.</td> <td>J2</td> <td>PTD.</td> <td>-</td> <td>382</td> <td>3\"/> <tr> <td>386</td> <td>ETR</td> <td>-</td> <td>WD.</td> <td>J2</td> <td>PTD.</td> <td>-</td> <td>382A</td> <td>3\"/> <tr> <td>387</td> <td>ETR</td> <td>-</td> <td>WD.</td> <td>J2</td> <td>PTD.</td> <td>-</td> <td>385</td> <td>3\"/> <tr> <td>388</td> <td>ETR</td> <td>-</td> <td>WD.</td> <td>J2</td> <td>PTD.</td> <td>-</td> <td>386</td> <td>3\"/> <tr> <td>389</td> <td>ETR</td> <td>-</td> <td>WD.</td> <td>J2</td> <td>PTD.</td> <td>-</td> <td>387</td> <td>3\"/> <tr> <td>391</td> <td>ETR</td> <td>-</td> <td>WD.</td> <td>J2</td> <td>PTD.</td> <td>-</td> <td>388</td> <td>3\"/> <tr> <td>391A</td> <td>ETR</td> <td>-</td> <td>WD.</td> <td>J2</td> <td>PTD.</td> <td>-</td> <td>389</td> <td>3\"/> <tr> <td>391B</td> <td>ETR</td> <td>-</td> <td>WD.</td> <td>J2</td> <td>PTD.</td> <td>-</td> <td>391</td> <td>3\"/> <tr> <td>394</td> <td>ETR</td> <td>-</td> <td>WD.</td> <td>J2</td> <td>PTD.</td> <td>-</td> <td>391A</td> <td>3\"/> <tr> <td>395</td> <td>ETR</td> <td>-</td> <td>WD.</td> <td>J2</td> <td>PTD.</td> <td>-</td> <td>391B</td> <td>3\"/> <tr> <td>396</td> <td>ETR</td> <td>-</td> <td>WD.</td> <td>J2</td> <td>PTD.</td> <td>-</td> <td>394</td> <td>3\"/> <tr> <td>398</td> <td>ETR</td> <td>-</td> <td>WD.</td> <td>J2</td> <td>PTD.</td> <td>-</td> <td>395</td> <td>3\"/> <tr> <td>399</td> <td>ETR</td> <td>-</td> <td>WD.</td> <td>J2</td> <td>PTD.</td> <td>-</td> <td>396</td> <td>3\"/> <tr> <td>3991</td> <td>ETR</td> <td>-</td> <td>WD.</td> <td>J2</td> <td>PTD.</td> <td>-</td> <td>398</td> <td>3\"/> <tr> <td>3992</td> <td>A</td> <td>3\"/> <tr> <td>3993</td> <td>ETR</td> <td>-</td> <td>WD.</td> <td>J2</td> <td>PTD.</td> <td>-</td> <td>399</td> <td>3\"/> <tr> <td>3994</td> <td>ETR</td> <td>-</td> <td>WD.</td> <td>J2</td> <td>PTD.</td> <td>-</td> <td>3991</td> <td>3\"/> <tr> <td>3995</td> <td>ETR</td> <td>-</td> <td>WD.</td> <td>J2</td> <td>PTD.</td> <td>-</td> <td>3992</td> <td>3\"/> <tr> <td>3997</td> <td>ETR</td> <td>-</td> <td>WD.</td> <td>J2</td> <td>PTD.</td> <td>-</td> <td>3993</td> <td>3\"/> <tr> <td>3998</td> <td>ETR</td> <td>-</td> <td>WD.</td> <td>J2</td> <td>PTD.</td> <td>-</td> <td>3994</td> <td>3\"/> <tr> <td>3999</td> <td>ETR</td> <td>-</td> <td>WD.</td> <td>J2</td> <td>PTD.</td> <td>-</td> <td>3995</td> <td>3\"/> <tr> <td>3999</td> <td>ETR</td> <td>-</td> <td>WD.</td> <td>J2</td> <td>PTD.</td> <td>-</td> <td>3997</td> <td>3\"/> </td></tr></td></tr></td></tr></td></tr></td></tr></td></tr></td></tr></td></tr></td></tr></td></tr></td></tr></td></tr></td></tr></td></tr></td></tr></td></tr></td></tr></td></tr></td></tr></td></tr></td></tr></td></tr></td></td></tr></td></tr></td></td></tr></td></td></tr></td></td></tr></td></td></tr></td></td></tr></td></td></tr></td></td></tr></td></td></tr> | 375 | B | 1 <td>WD</td> <td>J1</td> <td>PTD.</td> <td>-</td> <td>374B</td> <td>3\"/> <tr> <td>376</td> <td>B</td> <td>1 <td>WD</td> <td>J1</td> <td>PTD.</td> <td>-</td> <td>374C</td> <td>3\"/> <tr> <td>377</td> <td>B</td> <td>1 <td>WD</td> <td>J1</td> <td>PTD.</td> <td>-</td> <td>375</td> <td>3\"/> <tr> <td>377A</td> <td>B</td> <td>1 <td>WD</td> <td>J1</td> <td>PTD.</td> <td>-</td> <td>376</td> <td>3\"/> <tr> <td>378</td> <td>B</td> <td>1 <td>WD</td> <td>J1</td> <td>PTD.</td> <td>-</td> <td>377</td> <td>3\"/> <tr> <td>379</td> <td>B</td> <td>1 <td>WD</td> <td>J1</td> <td>PTD.</td> <td>-</td> <td>377A</td> <td>3\"/> <tr> <td>380A</td> <td>B</td> <td>1 <td>WD</td> <td>J1</td> <td>PTD.</td> <td>-</td> <td>378</td> <td>3\"/> <tr> <td>380B</td> <td>B</td> <td>1 <td>WD</td> <td>J1</td> <td>PTD.</td> <td>-</td> <td>379</td> <td>3\"/> <tr> <td>382</td> <td>ETR</td> <td>-</td> <td>WD.</td> <td>J2</td> <td>PTD.</td> <td>-</td> <td>380A</td> <td>3\"/> <tr> <td>382A</td> <td>D</td> <td>6 <td>ALUM.</td> <td>ANODIZE D</td> <td>-</td> <td>-</td> <td>380B</td> <td>3\"/> <tr> <td>385</td> <td>ETR</td> <td>-</td> <td>WD.</td> <td>J2</td> <td>PTD.</td> <td>-</td> <td>382</td> <td>3\"/> <tr> <td>386</td> <td>ETR</td> <td>-</td> <td>WD.</td> <td>J2</td> <td>PTD.</td> <td>-</td> <td>382A</td> <td>3\"/> <tr> <td>387</td> <td>ETR</td> <td>-</td> <td>WD.</td> <td>J2</td> <td>PTD.</td> <td>-</td> <td>385</td> <td>3\"/> <tr> <td>388</td> <td>ETR</td> <td>-</td> <td>WD.</td> <td>J2</td> <td>PTD.</td> <td>-</td> <td>386</td> <td>3\"/> <tr> <td>389</td> <td>ETR</td> <td>-</td> <td>WD.</td> <td>J2</td> <td>PTD.</td> <td>-</td> <td>387</td> <td>3\"/> <tr> <td>391</td> <td>ETR</td> <td>-</td> <td>WD.</td> <td>J2</td> <td>PTD.</td> <td>-</td> <td>388</td> <td>3\"/> <tr> <td>391A</td> <td>ETR</td> <td>-</td> <td>WD.</td> <td>J2</td> <td>PTD.</td> <td>-</td> <td>389</td> <td>3\"/> <tr> <td>391B</td> <td>ETR</td> <td>-</td> <td>WD.</td> <td>J2</td> <td>PTD.</td> <td>-</td> <td>391</td> <td>3\"/> <tr> <td>394</td> <td>ETR</td> <td>-</td> <td>WD.</td> <td>J2</td> <td>PTD.</td> <td>-</td> <td>391A</td> <td>3\"/> <tr> <td>395</td> <td>ETR</td> <td>-</td> <td>WD.</td> <td>J2</td> <td>PTD.</td> <td>-</td> <td>391B</td> <td>3\"/> <tr> <td>396</td> <td>ETR</td> <td>-</td> <td>WD.</td> <td>J2</td> <td>PTD.</td> <td>-</td> <td>394</td> <td>3\"/> <tr> <td>398</td> <td>ETR</td> <td>-</td> <td>WD.</td> <td>J2</td> <td>PTD.</td> <td>-</td> <td>395</td> <td>3\"/> <tr> <td>399</td> <td>ETR</td> <td>-</td> <td>WD.</td> <td>J2</td> <td>PTD.</td> <td>-</td> <td>396</td> <td>3\"/> <tr> <td>3991</td> <td>ETR</td> <td>-</td> <td>WD.</td> <td>J2</td> <td>PTD.</td> <td>-</td> <td>398</td> <td>3\"/> <tr> <td>3992</td> <td>A</td> <td>3\"/> <tr> <td>3993</td> <td>ETR</td> <td>-</td> <td>WD.</td> <td>J2</td> <td>PTD.</td>
<td>-</td> <td>399</td> <td>3\"/> <tr> <td>3994</td> <td>ETR</td> <td>-</td> <td>WD.</td> <td>J2</td> <td>PTD.</td> <td>-</td> <td>3991</td> <td>3\"/> <tr> <td>3995</td> <td>ETR</td> <td>-</td> <td>WD.</td> <td>J2</td> <td>PTD.</td> <td>-</td> <td>3992</td> <td>3\"/> <tr> <td>3997</td> <td>ETR</td> <td>-</td> <td>WD.</td> <td>J2</td> <td>PTD.</td> <td>-</td> <td>3993</td> <td>3\"/> <tr> <td>3998</td> <td>ETR</td> <td>-</td> <td>WD.</td> <td>J2</td> <td>PTD.</td> <td>-</td> <td>3994</td> <td>3\"/> <tr> <td>3999</td> <td>ETR</td> <td>-</td> <td>WD.</td> <td>J2</td> <td>PTD.</td> <td>-</td> <td>3995</td> <td>3\"/> <tr> <td>3999</td> <td>ETR</td> <td>-</td> <td>WD.</td> <td>J2</td> <td>PTD.</td> <td>-</td> <td>3997</td> <td>3\"/> </td></tr></td></tr></td></tr></td></tr></td></tr></td></tr></td></tr></td></tr></td></tr></td></tr></td></tr></td></tr></td></tr></td></tr></td></tr></td></tr></td></tr></td></tr></td></tr></td></tr></td></tr></td></tr></td></td></tr></td></tr></td></td></tr></td></td></tr></td></td></tr></td></td></tr></td></td></tr></td></td></tr></td></td></tr></td> | WD | J1 | PTD. | - | 374B | 3\"/> <tr> <td>376</td> <td>B</td> <td>1 <td>WD</td> <td>J1</td> <td>PTD.</td> <td>-</td> <td>374C</td> <td>3\"/> <tr> <td>377</td> <td>B</td> <td>1 <td>WD</td> <td>J1</td> <td>PTD.</td> <td>-</td> <td>375</td> <td>3\"/> <tr> <td>377A</td> <td>B</td> <td>1 <td>WD</td> <td>J1</td> <td>PTD.</td> <td>-</td> <td>376</td> <td>3\"/> <tr> <td>378</td> <td>B</td> <td>1 <td>WD</td> <td>J1</td> <td>PTD.</td> <td>-</td> <td>377</td> <td>3\"/> <tr> <td>379</td> <td>B</td> <td>1 <td>WD</td> <td>J1</td> <td>PTD.</td> <td>-</td> <td>377A</td> <td>3\"/> <tr> <td>380A</td> <td>B</td> <td>1 <td>WD</td> <td>J1</td> <td>PTD.</td> <td>-</td> <td>378</td> <td>3\"/> <tr> <td>380B</td> <td>B</td> <td>1 <td>WD</td> <td>J1</td> <td>PTD.</td> <td>-</td> <td>379</td> <td>3\"/> <tr> <td>382</td> <td>ETR</td> <td>-</td> <td>WD.</td> <td>J2</td> <td>PTD.</td> <td>-</td> <td>380A</td> <td>3\"/> <tr> <td>382A</td> <td>D</td> <td>6 <td>ALUM.</td> <td>ANODIZE D</td> <td>-</td> <td>-</td> <td>380B</td> <td>3\"/> <tr> <td>385</td> <td>ETR</td> <td>-</td> <td>WD.</td> <td>J2</td> <td>PTD.</td> <td>-</td> <td>382</td> <td>3\"/> <tr> <td>386</td> <td>ETR</td> <td>-</td> <td>WD.</td> <td>J2</td> <td>PTD.</td> <td>-</td> <td>382A</td> <td>3\"/> <tr> <td>387</td> <td>ETR</td> <td>-</td> <td>WD.</td> <td>J2</td> <td>PTD.</td> <td>-</td> <td>385</td> <td>3\"/> <tr> <td>388</td> <td>ETR</td> <td>-</td> <td>WD.</td> <td>J2</td> <td>PTD.</td> <td>-</td> <td>386</td> <td>3\"/> <tr> <td>389</td> <td>ETR</td> <td>-</td> <td>WD.</td> <td>J2</td> <td>PTD.</td> <td>-</td> <td>387</td> <td>3\"/> <tr> <td>391</td> <td>ETR</td> <td>-</td> <td>WD.</td> <td>J2</td> <td>PTD.</td> <td>-</td> <td>388</td> <td>3\"/> <tr> <td>391A</td> <td>ETR</td> <td>-</td> <td>WD.</td> <td>J2</td> <td>PTD.</td> <td>-</td> <td>389</td> <td>3\"/> <tr> <td>391B</td> <td>ETR</td> <td>-</td> <td>WD.</td> <td>J2</td> <td>PTD.</td> <td>-</td> <td>391</td> <td>3\"/> <tr> <td>394</td> <td>ETR</td> <td>-</td> <td>WD.</td> <td>J2</td> <td>PTD.</td> <td>-</td> <td>391A</td> <td>3\"/> <tr> <td>395</td> <td>ETR</td> <td>-</td> <td>WD.</td> <td>J2</td> <td>PTD.</td> <td>-</td> <td>391B</td> <td>3\"/> <tr> <td>396</td> <td>ETR</td> <td>-</td> <td>WD.</td> <td>J2</td> <td>PTD.</td> <td>-</td> <td>394</td> <td>3\"/> <tr> <td>398</td> <td>ETR</td> <td>-</td> <td>WD.</td> <td>J2</td> <td>PTD.</td> <td>-</td> <td>395</td> <td>3\"/> <tr> <td>399</td> <td>ETR</td> <td>-</td> <td>WD.</td> <td>J2</td> <td>PTD.</td> <td>-</td> <td>396</td> <td>3\"/> <tr> <td>3991</td> <td>ETR</td> <td>-</td> <td>WD.</td> <td>J2</td> <td>PTD.</td> <td>-</td> <td>398</td> <td>3\"/> <tr> <td>3992</td> <td>A</td> <td>3\"/> <tr> <td>3993</td> <td>ETR</td> <td>-</td> <td>WD.</td> <td>J2</td> <td>PTD.</td> <td>-</td> <td>399</td> <td>3\"/> <tr> <td>3994</td> <td>ETR</td> <td>-</td> <td>WD.</td> <td>J2</td> <td>PTD.</td> <td>-</td> <td>3991</td> <td>3\"/> <tr> <td>3995</td> <td>ETR</td> <td>-</td> <td>WD.</td> <td>J2</td> <td>PTD.</td> <td>-</td> <td>3992</td> <td>3\"/> <tr> <td>3997</td> <td>ETR</td> <td>-</td> <td>WD.</td> <td>J2</td> <td>PTD.</td> <td>-</td> <td>3993</td> <td>3\"/> <tr> <td>3998</td> <td>ETR</td> <td>-</td> <td>WD.</td> <td>J2</td> <td>PTD.</td> <td>-</td> <td>3994</td> <td>3\"/> <tr> <td>3999</td> <td>ETR</td> <td>-</td> <td>WD.</td> <td>J2</td> <td>PTD.</td> <td>-</td> <td>3995</td> <td>3\"/> <tr> <td>3999</td> <td>ETR</td> <td>-</td> <td>WD.</td> <td>J2</td> <td>PTD.</td> <td>-</td> <td>3997</td> <td>3\"/> </td></tr></td></tr></td></tr></td></tr></td></tr></td></tr></td></tr></td></tr></td></tr></td></tr></td></tr></td></tr></td></tr></td></tr></td></tr></td></tr></td></tr></td></tr></td></tr></td></tr></td></tr></td></tr></td></td></tr></td></tr></td></td></tr></td></td></tr></td></td></tr></td></td></tr></td></td></tr></td></td></tr></td></td></tr> | 376 | B | 1 <td>WD</td> <td>J1</td> <td>PTD.</td> <td>-</td> <td>374C</td> <td>3\"/> <tr> <td>377</td> <td>B</td> <td>1 <td>WD</td> <td>J1</td> <td>PTD.</td> <td>-</td> <td>375</td> <td>3\"/> <tr> <td>377A</td> <td>B</td> <td>1 <td>WD</td> <td>J1</td> <td>PTD.</td> <td>-</td> <td>376</td> <td>3\"/> <tr> <td>378</td> <td>B</td> <td>1 <td>WD</td> <td>J1</td> <td>PTD.</td> <td>-</td> <td>377</td> <td>3\"/> <tr> <td>379</td> <td>B</td> <td>1 <td>WD</td> <td>J1</td> <td>PTD.</td> <td>-</td> <td>377A</td> <td>3\"/> <tr> <td>380A</td> <td>B</td> <td>1 <td>WD</td> <td>J1</td> <td>PTD.</td> <td>-</td> <td>378</td> <td>3\"/> <tr> <td>380B</td> <td>B</td> <td>1 <td>WD</td> <td>J1</td> <td>PTD.</td> <td>-</td> <td>379</td> <td>3\"/> <tr> <td>382</td> <td>ETR</td> <td>-</td> <td>WD.</td> <td>J2</td> <td>PTD.</td> <td>-</td> <td>380A</td> <td>3\"/> <tr> <td>382A</td> <td>D</td> <td>6 <td>ALUM.</td> <td>ANODIZE D</td>
<td>-</td> <td>-</td> <td>380B</td> <td>3\"/> <tr> <td>385</td> <td>ETR</td> <td>-</td> <td>WD.</td> <td>J2</td> <td>PTD.</td> <td>-</td> <td>382</td> <td>3\"/> <tr> <td>386</td> <td>ETR</td> <td>-</td> <td>WD.</td> <td>J2</td> <td>PTD.</td> <td>-</td> <td>382A</td> <td>3\"/> <tr> <td>387</td> <td>ETR</td> <td>-</td> <td>WD.</td> <td>J2</td> <td>PTD.</td> <td>-</td> <td>385</td> <td>3\"/> <tr> <td>388</td> <td>ETR</td> <td>-</td> <td>WD.</td> <td>J2</td> <td>PTD.</td> <td>-</td> <td>386</td> <td>3\"/> <tr> <td>389</td> <td>ETR</td> <td>-</td> <td>WD.</td> <td>J2</td> <td>PTD.</td> <td>-</td> <td>387</td> <td>3\"/> <tr> <td>391</td> <td>ETR</td> <td>-</td> <td>WD.</td> <td>J2</td> <td>PTD.</td> <td>-</td> <td>388</td> <td>3\"/> <tr> <td>391A</td> <td>ETR</td> <td>-</td> <td>WD.</td> <td>J2</td> <td>PTD.</td> <td>-</td> <td>389</td> <td>3\"/> <tr> <td>391B</td> <td>ETR</td> <td>-</td> <td>WD.</td> <td>J2</td> <td>PTD.</td> <td>-</td> <td>391</td> <td>3\"/> <tr> <td>394</td> <td>ETR</td> <td>-</td> <td>WD.</td> <td>J2</td> <td>PTD.</td> <td>-</td> <td>391A</td> <td>3\"/> <tr> <td>395</td> <td>ETR</td> <td>-</td> <td>WD.</td> <td>J2</td> <td>PTD.</td> <td>-</td> <td>391B</td> <td>3\"/> <tr> <td>396</td> <td>ETR</td> <td>-</td> <td>WD.</td> <td>J2</td> <td>PTD.</td> <td>-</td> <td>394</td> <td>3\"/> <tr> <td>398</td> <td>ETR</td> <td>-</td> <td>WD.</td> <td>J2</td> <td>PTD.</td> <td>-</td> <td>395</td> <td>3\"/> <tr> <td>399</td> <td>ETR</td> <td>-</td> <td>WD.</td> <td>J2</td> <td>PTD.</td> <td>-</td> <td>396</td> <td>3\"/> <tr> <td>3991</td> <td>ETR</td> <td>-</td> <td>WD.</td> <td>J2</td> <td>PTD.</td> <td>-</td> <td>398</td> <td>3\"/> <tr> <td>3992</td> <td>A</td> <td>3\"/> <tr> <td>3993</td> <td>ETR</td> <td>-</td> <td>WD.</td> <td>J2</td> <td>PTD.</td> <td>-</td> <td>399</td> <td>3\"/> <tr> <td>3994</td> <td>ETR</td> <td>-</td> <td>WD.</td> <td>J2</td> <td>PTD.</td> <td>-</td> <td>3991</td> <td>3\"/> <tr> <td>3995</td> <td>ETR</td> <td>-</td> <td>WD.</td> <td>J2</td> <td>PTD.</td> <td>-</td> <td>3992</td> <td>3\"/> <tr> <td>3997</td> <td>ETR</td> <td>-</td> <td>WD.</td> <td>J2</td> <td>PTD.</td> <td>-</td> <td>3993</td> <td>3\"/> <tr> <td>3998</td> <td>ETR</td> <td>-</td> <td>WD.</td> <td>J2</td> <td>PTD.</td> <td>-</td> <td>3994</td> <td>3\"/> <tr> <td>3999</td> <td>ETR</td> <td>-</td> <td>WD.</td> <td>J2</td> <td>PTD.</td> <td>-</td> <td>3995</td> <td>3\"/> <tr> <td>3999</td> <td>ETR</td> <td>-</td> <td>WD.</td> <td>J2</td> <td>PTD.</td> <td>-</td> <td>3997</td> <td>3\"/> </td></tr></td></tr></td></tr></td></tr></td></tr></td></tr></td></tr></td></tr></td></tr></td></tr></td></tr></td></tr></td></tr></td></tr></td></tr></td></tr></td></tr></td></tr></td></tr></td></tr></td></tr></td></tr></td></td></tr></td></tr></td></td></tr></td></td></tr></td></td></tr></td></td></tr></td></td></tr></td></td></tr></td> | WD | J1 | PTD. | - | 374C | 3\"/> <tr> <td>377</td> <td>B</td> <td>1 <td>WD</td> <td>J1</td> <td>PTD.</td> <td>-</td> <td>375</td> <td>3\"/> <tr> <td>377A</td> <td>B</td> <td>1 <td>WD</td> <td>J1</td> <td>PTD.</td> <td>-</td> <td>376</td> <td>3\"/> <tr> <td>378</td> <td>B</td> <td>1 <td>WD</td> <td>J1</td> <td>PTD.</td> <td>-</td> <td>377</td> <td>3\"/> <tr> <td>379</td> <td>B</td> <td>1 <td>WD</td> <td>J1</td> <td>PTD.</td> <td>-</td> <td>377A</td> <td>3\"/> <tr> <td>380A</td> <td>B</td> <td>1 <td>WD</td> <td>J1</td> <td>PTD.</td> <td>-</td> <td>378</td> <td>3\"/> <tr> <td>380B</td> <td>B</td> <td>1 <td>WD</td> <td>J1</td> <td>PTD.</td> <td>-</td> <td>379</td> <td>3\"/> <tr> <td>382</td> <td>ETR</td> <td>-</td> <td>WD.</td> <td>J2</td> <td>PTD.</td> <td>-</td> <td>380A</td> <td>3\"/> <tr> <td>382A</td> <td>D</td> <td>6 <td>ALUM.</td> <td>ANODIZE D</td> <td>-</td> <td>-</td> <td>380B</td> <td>3\"/> <tr> <td>385</td> <td>ETR</td> <td>-</td> <td>WD.</td> <td>J2</td> <td>PTD.</td> <td>-</td> <td>382</td> <td>3\"/> <tr> <td>386</td> <td>ETR</td> <td>-</td> <td>WD.</td> <td>J2</td> <td>PTD.</td> <td>-</td> <td>382A</td> <td>3\"/> <tr> <td>387</td> <td>ETR</td> <td>-</td> <td>WD.</td> <td>J2</td> <td>PTD.</td> <td>-</td> <td>385</td> <td>3\"/> <tr> <td>388</td> <td>ETR</td> <td>-</td> <td>WD.</td> <td>J2</td> <td>PTD.</td> <td>-</td> <td>386</td> <td>3\"/> <tr> <td>389</td> <td>ETR</td> <td>-</td> <td>WD.</td> <td>J2</td> <td>PTD.</td> <td>-</td> <td>387</td> <td>3\"/> <tr> <td>391</td> <td>ETR</td> <td>-</td> <td>WD.</td> <td>J2</td> <td>PTD.</td> <td>-</td> <td>388</td> <td>3\"/> <tr> <td>391A</td> <td>ETR</td> <td>-</td> <td>WD.</td> <td>J2</td> <td>PTD.</td> <td>-</td> <td>389</td> <td>3\"/> <tr> <td>391B</td> <td>ETR</td> <td>-</td> <td>WD.</td> <td>J2</td> <td>PTD.</td> <td>-</td> <td>391</td> <td>3\"/> <tr> <td>394</td> <td>ETR</td> <td>-</td> <td>WD.</td> <td>J2</td> <td>PTD.</td> <td>-</td> <td>391A</td> <td>3\"/> <tr> <td>395</td> <td>ETR</td> <td>-</td> <td>WD.</td> <td>J2</td> <td>PTD.</td> <td>-</td> <td>391B</td> <td>3\"/> <tr> <td>396</td> <td>ETR</td> <td>-</td> <td>WD.</td> <td>J2</td> <td>PTD.</td> <td>-</td> <td>394</td> <td>3\"/> <tr> <td>398</td> <td>ETR</td> <td>-</td> <td>WD.</td> <td>J2</td> <td>PTD.</td> <td>-</td> <td>395</td> <td>3\"/> <tr> <td>399</td> <td>ETR</td> <td>-</td> <td>WD.</td> <td>J2</td> <td>PTD.</td> <td>-</td> <td>396</td> <td>3\"/> <tr> <td>3991</td> <td>ETR</td> <td>-</td> <td>WD.</td> <td>J2</td> <td>PTD.</td> <td>-</td> <td>398</td> <td>3\"/> <tr> <td>3992</td> <td>A</td> <td>3\"/> <tr> <td>3993</td> <td>ETR</td> <td>-</td> <td>WD.</td> <td>J2</td> <td>PTD.</td> <td>-</td> <td>399</td> <td>3\"/> <tr> <td>3994</td> <td>ETR</td> <td>-</td> <td>WD.</td> <td>J2</td> <td>PTD.</td> <td>-</td> <td>3991</td> <td>3\"/> <tr> <td>3995</td> <td>ETR</td> <td>-</td> <td>WD.</td> <td>J2</td> <td>PTD.</td> <td>-</td> <td>3992</td> <td>3\"/> <tr> <td>3997</td> <td>ETR</td> <td>-</td> <td>WD.</td> <td>J2</td> <td>PTD.</td> <td>-</td> <td>3993</td> <td>3\"/> <tr> <td>3998</td> <td>ETR</td> <td>-</td> <td>WD.</td> <td>J2</td> <td>PTD.</td>
<td>-</td> <td>3994</td> <td>3\"/> <tr> <td>3999</td> <td>ETR</td> <td>-</td> <td>WD.</td> <td>J2</td> <td>PTD.</td> <td>-</td> <td>3995</td> <td>3\"/> <tr> <td>3999</td> <td>ETR</td> <td>-</td> <td>WD.</td> <td>J2</td> <td>PTD.</td> <td>-</td> <td>3997</td> <td>3\"/> </td></tr></td></tr></td></tr></td></tr></td></tr></td></tr></td></tr></td></tr></td></tr></td></tr></td></tr></td></tr></td></tr></td></tr></td></tr></td></tr></td></tr></td></tr></td></tr></td></tr></td></tr></td></tr></td></td></tr></td></tr></td></td></tr></td></td></tr></td></td></tr></td></td></tr></td></td></tr></td></td></tr> | 377 | B | 1 <td>WD</td> <td>J1</td> <td>PTD.</td> <td>-</td> <td>375</td> <td>3\"/> <tr> <td>377A</td> <td>B</td> <td>1 <td>WD</td> <td>J1</td> <td>PTD.</td> <td>-</td> <td>376</td> <td>3\"/> <tr> <td>378</td> <td>B</td> <td>1 <td>WD</td> <td>J1</td> <td>PTD.</td> <td>-</td> <td>377</td> <td>3\"/> <tr> <td>379</td> <td>B</td> <td>1 <td>WD</td> <td>J1</td> <td>PTD.</td> <td>-</td> <td>377A</td> <td>3\"/> <tr> <td>380A</td> <td>B</td> <td>1 <td>WD</td> <td>J1</td> <td>PTD.</td> <td>-</td> <td>378</td> <td>3\"/> <tr> <td>380B</td> <td>B</td> <td>1 <td>WD</td> <td>J1</td> <td>PTD.</td> <td>-</td> <td>379</td> <td>3\"/> <tr> <td>382</td> <td>ETR</td> <td>-</td> <td>WD.</td> <td>J2</td> <td>PTD.</td> <td>-</td> <td>380A</td> <td>3\"/> <tr> <td>382A</td> <td>D</td> <td>6 <td>ALUM.</td> <td>ANODIZE D</td> <td>-</td> <td>-</td> <td>380B</td> <td>3\"/> <tr> <td>385</td> <td>ETR</td> <td>-</td> <td>WD.</td> <td>J2</td> <td>PTD.</td> <td>-</td> <td>382</td> <td>3\"/> <tr> <td>386</td> <td>ETR</td> <td>-</td> <td>WD.</td> <td>J2</td> <td>PTD.</td> <td>-</td> <td>382A</td> <td>3\"/> <tr> <td>387</td> <td>ETR</td> <td>-</td> <td>WD.</td> <td>J2</td> <td>PTD.</td> <td>-</td> <td>385</td> <td>3\"/> <tr> <td>388</td> <td>ETR</td> <td>-</td> <td>WD.</td> <td>J2</td> <td>PTD.</td> <td>-</td> <td>386</td> <td>3\"/> <tr> <td>389</td> <td>ETR</td> <td>-</td> <td>WD.</td> <td>J2</td> <td>PTD.</td> <td>-</td> <td>387</td> <td>3\"/> <tr> <td>391</td> <td>ETR</td> <td>-</td> <td>WD.</td> <td>J2</td> <td>PTD.</td> <td>-</td> <td>388</td> <td>3\"/> <tr> <td>391A</td> <td>ETR</td> <td>-</td> <td>WD.</td> <td>J2</td> <td>PTD.</td> <td>-</td> <td>389</td> <td>3\"/> <tr> <td>391B</td> <td>ETR</td> <td>-</td> <td>WD.</td> <td>J2</td> <td>PTD.</td> <td>-</td> <td>391</td> <td>3\"/> <tr> <td>394</td> <td>ETR</td> <td>-</td> <td>WD.</td> <td>J2</td> <td>PTD.</td> <td>-</td> <td>391A</td> <td>3\"/> <tr> <td>395</td> <td>ETR</td> <td>-</td> <td>WD.</td> <td>J2</td> <td>PTD.</td> <td>-</td> <td>391B</td> <td>3\"/> <tr> <td>396</td> <td>ETR</td> <td>-</td> <td>WD.</td> <td>J2</td> <td>PTD.</td> <td>-</td> <td>394</td> <td>3\"/> <tr> <td>398</td> <td>ETR</td> <td>-</td> <td>WD.</td> <td>J2</td> <td>PTD.</td> <td>-</td> <td>395</td> <td>3\"/> <tr> <td>399</td> <td>ETR</td> <td>-</td> <td>WD.</td> <td>J2</td> <td>PTD.</td> <td>-</td> <td>396</td> <td>3\"/> <tr> <td>3991</td> <td>ETR</td> <td>-</td> <td>WD.</td> <td>J2</td> <td>PTD.</td> <td>-</td> <td>398</td> <td>3\"/> <tr> <td>3992</td> <td>A</td> <td>3\"/> <tr> <td>3993</td> <td>ETR</td> <td>-</td> <td>WD.</td> <td>J2</td> <td>PTD.</td> <td>-</td> <td>399</td> <td>3\"/> <tr> <td>3994</td> <td>ETR</td> <td>-</td> <td>WD.</td> <td>J2</td> <td>PTD.</td> <td>-</td> <td>3991</td> <td>3\"/> <tr> <td>3995</td> <td>ETR</td> <td>-</td> <td>WD.</td> <td>J2</td> <td>PTD.</td> <td>-</td> <td>3992</td> <td>3\"/> <tr> <td>3997</td> <td>ETR</td> <td>-</td> <td>WD.</td> <td>J2</td> <td>PTD.</td> <td>-</td> <td>3993</td> <td>3\"/> <tr> <td>3998</td> <td>ETR</td> <td>-</td> <td>WD.</td> <td>J2</td> <td>PTD.</td> <td>-</td> <td>3994</td> <td>3\"/> <tr> <td>3999</td> <td>ETR</td> <td>-</td> <td>WD.</td> <td>J2</td> <td>PTD.</td> <td>-</td> <td>3995</td> <td>3\"/> <tr> <td>3999</td> <td>ETR</td> <td>-</td> <td>WD.</td> <td>J2</td> <td>PTD.</td> <td>-</td> <td>3997</td> <td>3\"/> </td></tr></td></tr></td></tr></td></tr></td></tr></td></tr></td></tr></td></tr></td></tr></td></tr></td></tr></td></tr></td></tr></td></tr></td></tr></td></tr></td></tr></td></tr></td></tr></td></tr></td></tr></td></tr></td></td></tr></td></tr></td></td></tr></td></td></tr></td></td></tr></td></td></tr></td></td></tr></td> | WD | J1 | PTD. | - | 375 | 3\"/> <tr> <td>377A</td> <td>B</td> <td>1 <td>WD</td> <td>J1</td> <td>PTD.</td> <td>-</td> <td>376</td> <td>3\"/> <tr> <td>378</td> <td>B</td> <td>1 <td>WD</td> <td>J1</td> <td>PTD.</td> <td>-</td> <td>377</td> <td>3\"/> <tr> <td>379</td> <td>B</td> <td>1 <td>WD</td> <td>J1</td> <td>PTD.</td> <td>-</td> <td>377A</td> <td>3\"/> <tr> <td>380A</td> <td>B</td> <td>1 <td>WD</td> <td>J1</td> <td>PTD.</td> <td>-</td> <td>378</td> <td>3\"/> <tr> <td>380B</td> <td>B</td> <td>1 <td>WD</td> <td>J1</td> <td>PTD.</td> <td>-</td> <td>379</td> <td>3\"/> <tr> <td>382</td> <td>ETR</td> <td>-</td> <td>WD.</td> <td>J2</td> <td>PTD.</td> <td>-</td> <td>380A</td> <td>3\"/> <tr> <td>382A</td> <td>D</td> <td>6 <td>ALUM.</td> <td>ANODIZE D</td> <td>-</td> <td>-</td> <td>380B</td> <td>3\"/> <tr> <td>385</td> <td>ETR</td> <td>-</td> <td>WD.</td> <td>J2</td> <td>PTD.</td> <td>-</td> <td>382</td> <td>3\"/> <tr> <td>386</td> <td>ETR</td> <td>-</td> <td>WD.</td> <td>J2</td> <td>PTD.</td> <td>-</td> <td>382A</td> <td>3\"/> <tr> <td>387</td> <td>ETR</td> <td>-</td> <td>WD.</td> <td>J2</td> <td>PTD.</td> <td>-</td> <td>385</td> <td>3\"/> <tr> <td>388</td> <td>ETR</td> <td>-</td> <td>WD.</td> <td>J2</td> <td>PTD.</td> <td>-</td> <td>386</td> <td>3\"/> <tr> <td>389</td> <td>ETR</td> <td>-</td> <td>WD.</td> <td>J2</td> <td>PTD.</td> <td>-</td> <td>387</td> <td>3\"/> <tr> <td>391</td> <td>ETR</td> <td>-</td> <td>WD.</td> <td>J2</td> <td>PTD.</td> <td>-</td> <td>388</td> <td>3\"/> <tr> <td>391A</td> <td>ETR</td> <td>-</td> <td>WD.</td> <td>J2</td> <td>PTD.</td> <td>-</td> <td>389</td> <td>3\"/> <tr> <td>391B</td> <td>ETR</td> <td>-</td> <td>WD.</td> <td>J2</td> <td>PTD.</td> <td>-</td> <td>391</td> <td>3\"/> <tr> <td>394</td> <td>ETR</td> <td>-</td> <td>WD.</td> <td>J2</td> <td>PTD.</td> <td>-</td> <td>391A</td>
<td>3\"/> <tr> <td>395</td> <td>ETR</td> <td>-</td> <td>WD.</td> <td>J2</td> <td>PTD.</td> <td>-</td> <td>391B</td> <td>3\"/> <tr> <td>396</td> <td>ETR</td> <td>-</td> <td>WD.</td> <td>J2</td> <td>PTD.</td> <td>-</td> <td>394</td> <td>3\"/> <tr> <td>398</td> <td>ETR</td> <td>-</td> <td>WD.</td> <td>J2</td> <td>PTD.</td> <td>-</td> <td>395</td> <td>3\"/> <tr> <td>399</td> <td>ETR</td> <td>-</td> <td>WD.</td> <td>J2</td> <td>PTD.</td> <td>-</td> <td>396</td> <td>3\"/> <tr> <td>3991</td> <td>ETR</td> <td>-</td> <td>WD.</td> <td>J2</td> <td>PTD.</td> <td>-</td> <td>398</td> <td>3\"/> <tr> <td>3992</td> <td>A</td> <td>3\"/> <tr> <td>3993</td> <td>ETR</td> <td>-</td> <td>WD.</td> <td>J2</td> <td>PTD.</td> <td>-</td> <td>399</td> <td>3\"/> <tr> <td>3994</td> <td>ETR</td> <td>-</td> <td>WD.</td> <td>J2</td> <td>PTD.</td> <td>-</td> <td>3991</td> <td>3\"/> <tr> <td>3995</td> <td>ETR</td> <td>-</td> <td>WD.</td> <td>J2</td> <td>PTD.</td> <td>-</td> <td>3992</td> <td>3\"/> <tr> <td>3997</td> <td>ETR</td> <td>-</td> <td>WD.</td> <td>J2</td> <td>PTD.</td> <td>-</td> <td>3993</td> <td>3\"/> <tr> <td>3998</td> <td>ETR</td> <td>-</td> <td>WD.</td> <td>J2</td> <td>PTD.</td> <td>-</td> <td>3994</td> <td>3\"/> <tr> <td>3999</td> <td>ETR</td> <td>-</td> <td>WD.</td> <td>J2</td> <td>PTD.</td> <td>-</td> <td>3995</td> <td>3\"/> <tr> <td>3999</td> <td>ETR</td> <td>-</td> <td>WD.</td> <td>J2</td> <td>PTD.</td> <td>-</td> <td>3997</td> <td>3\"/> </td></tr></td></tr></td></tr></td></tr></td></tr></td></tr></td></tr></td></tr></td></tr></td></tr></td></tr></td></tr></td></tr></td></tr></td></tr></td></tr></td></tr></td></tr></td></tr></td></tr></td></tr></td></tr></td></td></tr></td></tr></td></td></tr></td></td></tr></td></td></tr></td></td></tr></td></td></tr> | 377A | B | 1 <td>WD</td> <td>J1</td> <td>PTD.</td> <td>-</td> <td>376</td> <td>3\"/> <tr> <td>378</td> <td>B</td> <td>1 <td>WD</td> <td>J1</td> <td>PTD.</td> <td>-</td> <td>377</td> <td>3\"/> <tr> <td>379</td> <td>B</td> <td>1 <td>WD</td> <td>J1</td> <td>PTD.</td> <td>-</td> <td>377A</td> <td>3\"/> <tr> <td>380A</td> <td>B</td> <td>1 <td>WD</td> <td>J1</td> <td>PTD.</td> <td>-</td> <td>378</td> <td>3\"/> <tr> <td>380B</td> <td>B</td> <td>1 <td>WD</td> <td>J1</td> <td>PTD.</td> <td>-</td> <td>379</td> <td>3\"/> <tr> <td>382</td> <td>ETR</td> <td>-</td> <td>WD.</td> <td>J2</td> <td>PTD.</td> <td>-</td> <td>380A</td> <td>3\"/> <tr> <td>382A</td> <td>D</td> <td>6 <td>ALUM.</td> <td>ANODIZE D</td> <td>-</td> <td>-</td> <td>380B</td> <td>3\"/> <tr> <td>385</td> <td>ETR</td> <td>-</td> <td>WD.</td> <td>J2</td> <td>PTD.</td> <td>-</td> <td>382</td> <td>3\"/> <tr> <td>386</td> <td>ETR</td> <td>-</td> <td>WD.</td> <td>J2</td> <td>PTD.</td> <td>-</td> <td>382A</td> <td>3\"/> <tr> <td>387</td> <td>ETR</td> <td>-</td> <td>WD.</td> <td>J2</td> <td>PTD.</td> <td>-</td> <td>385</td> <td>3\"/> <tr> <td>388</td> <td>ETR</td> <td>-</td> <td>WD.</td> <td>J2</td> <td>PTD.</td> <td>-</td> <td>386</td> <td>3\"/> <tr> <td>389</td> <td>ETR</td> <td>-</td> <td>WD.</td> <td>J2</td> <td>PTD.</td> <td>-</td> <td>387</td> <td>3\"/> <tr> <td>391</td> <td>ETR</td> <td>-</td> <td>WD.</td> <td>J2</td> <td>PTD.</td> <td>-</td> <td>388</td> <td>3\"/> <tr> <td>391A</td> <td>ETR</td> <td>-</td> <td>WD.</td> <td>J2</td> <td>PTD.</td> <td>-</td> <td>389</td> <td>3\"/> <tr> <td>391B</td> <td>ETR</td> <td>-</td> <td>WD.</td> <td>J2</td> <td>PTD.</td> <td>-</td> <td>391</td> <td>3\"/> <tr> <td>394</td> <td>ETR</td> <td>-</td> <td>WD.</td> <td>J2</td> <td>PTD.</td> <td>-</td> <td>391A</td> <td>3\"/> <tr> <td>395</td> <td>ETR</td> <td>-</td> <td>WD.</td> <td>J2</td> <td>PTD.</td> <td>-</td> <td>391B</td> <td>3\"/> <tr> <td>396</td> <td>ETR</td> <td>-</td> <td>WD.</td> <td>J2</td> <td>PTD.</td> <td>-</td> <td>394</td> <td>3\"/> <tr> <td>398</td> <td>ETR</td> <td>-</td> <td>WD.</td> <td>J2</td> <td>PTD.</td> <td>-</td> <td>395</td> <td>3\"/> <tr> <td>399</td> <td>ETR</td> <td>-</td> <td>WD.</td> <td>J2</td> <td>PTD.</td> <td>-</td> <td>396</td> <td>3\"/> <tr> <td>3991</td> <td>ETR</td> <td>-</td> <td>WD.</td> <td>J2</td> <td>PTD.</td> <td>-</td> <td>398</td> <td>3\"/> <tr> <td>3992</td> <td>A</td> <td>3\"/> <tr> <td>3993</td> <td>ETR</td> <td>-</td> <td>WD.</td> <td>J2</td> <td>PTD.</td> <td>-</td> <td>399</td> <td>3\"/> <tr> <td>3994</td> <td>ETR</td> <td>-</td> <td>WD.</td> <td>J2</td> <td>PTD.</td> <td>-</td> <td>3991</td> <td>3\"/> <tr> <td>3995</td> <td>ETR</td> <td>-</td> <td>WD.</td> <td>J2</td> <td>PTD.</td> <td>-</td> <td>3992</td> <td>3\"/> <tr> <td>3997</td> <td>ETR</td> <td>-</td> <td>WD.</td> <td>J2</td> <td>PTD.</td> <td>-</td> <td>3993</td> <td>3\"/> <tr> <td>3998</td> <td>ETR</td> <td>-</td> <td>WD.</td> <td>J2</td> <td>PTD.</td> <td>-</td> <td>3994</td> <td>3\"/> <tr> <td>3999</td> <td>ETR</td> <td>-</td> <td>WD.</td> <td>J2</td> <td>PTD.</td> <td>-</td> <td>3995</td> <td>3\"/> <tr> <td>3999</td> <td>ETR</td> <td>-</td> <td>WD.</td> <td>J2</td> <td>PTD.</td> <td>-</td> <td>3997</td> <td>3\"/> </td></tr></td></tr></td></tr></td></tr></td></tr></td></tr></td></tr></td></tr></td></tr></td></tr></td></tr></td></tr></td></tr></td></tr></td></tr></td></tr></td></tr></td></tr></td></tr></td></tr></td></tr></td></tr></td></td></tr></td></tr></td></td></tr></td></td></tr></td></td></tr></td></td></tr></td> | WD | J1 | PTD. | - | 376 | 3\"/> <tr> <td>378</td> <td>B</td> <td>1 <td>WD</td> <td>J1</td> <td>PTD.</td> <td>-</td> <td>377</td> <td>3\"/> <tr> <td>379</td> <td>B</td> <td>1 <td>WD</td> <td>J1</td> <td>PTD.</td> <td>-</td> <td>377A</td> <td>3\"/> <tr> <td>380A</td> <td>B</td> <td>1 <td>WD</td> <td>J1</td> <td>PTD.</td> <td>-</td> <td>378</td> <td>3\"/> <tr> <td>380B</td> <td>B</td> <td>1 <td>WD</td> <td>J1</td> <td>PTD.</td> <td>-</td> <td>379</td> <td>3\"/> <tr> <td>382</td> <td>ETR</td> <td>-</td> <td>WD.</td> <td>J2</td> <td>PTD.</td> <td>-</td> <td>380A</td> <td>3\"/> <tr> <td>382A</td> <td>D</td> <td>6 <td>ALUM.</td> <td>ANODIZE D</td> <td>-</td> <td>-</td> <td>380B</td> <td>3\"/> <tr> <td>385</td> <td>ETR</td> <td>-</td> <td>WD.</td> <td>J2</td> <td>PTD.</td> <td>-</td> <td>382</td> <td>3\"/> <tr> <td>386</td> <td>ETR</td> <td>-</td> <td>WD.</td> <td>J2</td> <td>PTD.</td> <td>-</td> <td>382A</td>
<td>3\"/> <tr> <td>387</td> <td>ETR</td> <td>-</td> <td>WD.</td> <td>J2</td> <td>PTD.</td> <td>-</td> <td>385</td> <td>3\"/> <tr> <td>388</td> <td>ETR</td> <td>-</td> <td>WD.</td> <td>J2</td> <td>PTD.</td> <td>-</td> <td>386</td> <td>3\"/> <tr> <td>389</td> <td>ETR</td> <td>-</td> <td>WD.</td> <td>J2</td> <td>PTD.</td> <td>-</td> <td>387</td> <td>3\"/> <tr> <td>391</td> <td>ETR</td> <td>-</td> <td>WD.</td> <td>J2</td> <td>PTD.</td> <td>-</td> <td>388</td> <td>3\"/> <tr> <td>391A</td> <td>ETR</td> <td>-</td> <td>WD.</td> <td>J2</td> <td>PTD.</td> <td>-</td> <td>389</td> <td>3\"/> <tr> <td>391B</td> <td>ETR</td> <td>-</td> <td>WD.</td> <td>J2</td> <td>PTD.</td> <td>-</td> <td>391</td> <td>3\"/> <tr> <td>394</td> <td>ETR</td> <td>-</td> <td>WD.</td> <td>J2</td> <td>PTD.</td> <td>-</td> <td>391A</td> <td>3\"/> <tr> <td>395</td> <td>ETR</td> <td>-</td> <td>WD.</td> <td>J2</td> <td>PTD.</td> <td>-</td> <td>391B</td> <td>3\"/> <tr> <td>396</td> <td>ETR</td> <td>-</td> <td>WD.</td> <td>J2</td> <td>PTD.</td> <td>-</td> <td>394</td> <td>3\"/> <tr> <td>398</td> <td>ETR</td> <td>-</td> <td>WD.</td> <td>J2</td> <td>PTD.</td> <td>-</td> <td>395</td> <td>3\"/> <tr> <td>399</td> <td>ETR</td> <td>-</td> <td>WD.</td> <td>J2</td> <td>PTD.</td> <td>-</td> <td>396</td> <td>3\"/> <tr> <td>3991</td> <td>ETR</td> <td>-</td> <td>WD.</td> <td>J2</td> <td>PTD.</td> <td>-</td> <td>398</td> <td>3\"/> <tr> <td>3992</td> <td>A</td> <td>3\"/> <tr> <td>3993</td> <td>ETR</td> <td>-</td> <td>WD.</td> <td>J2</td> <td>PTD.</td> <td>-</td> <td>399</td> <td>3\"/> <tr> <td>3994</td> <td>ETR</td> <td>-</td> <td>WD.</td> <td>J2</td> <td>PTD.</td> <td>-</td> <td>3991</td> <td>3\"/> <tr> <td>3995</td> <td>ETR</td> <td>-</td> <td>WD.</td> <td>J2</td> <td>PTD.</td> <td>-</td> <td>3992</td> <td>3\"/> <tr> <td>3997</td> <td>ETR</td> <td>-</td> <td>WD.</td> <td>J2</td> <td>PTD.</td> <td>-</td> <td>3993</td> <td>3\"/> <tr> <td>3998</td> <td>ETR</td> <td>-</td> <td>WD.</td> <td>J2</td> <td>PTD.</td> <td>-</td> <td>3994</td> <td>3\"/> <tr> <td>3999</td> <td>ETR</td> <td>-</td> <td>WD.</td> <td>J2</td> <td>PTD.</td> <td>-</td> <td>3995</td> <td>3\"/> <tr> <td>3999</td> <td>ETR</td> <td>-</td> <td>WD.</td> <td>J2</td> <td>PTD.</td> <td>-</td> <td>3997</td> <td>3\"/> </td></tr></td></tr></td></tr></td></tr></td></tr></td></tr></td></tr></td></tr></td></tr></td></tr></td></tr></td></tr></td></tr></td></tr></td></tr></td></tr></td></tr></td></tr></td></tr></td></tr></td></tr></td></tr></td></td></tr></td></tr></td></td></tr></td></td></tr></td></td></tr></td></td></tr> | 378 | B | 1 <td>WD</td> <td>J1</td> <td>PTD.</td> <td>-</td> <td>377</td> <td>3\"/> <tr> <td>379</td> <td>B</td> <td>1 <td>WD</td> <td>J1</td> <td>PTD.</td> <td>-</td> <td>377A</td> <td>3\"/> <tr> <td>380A</td> <td>B</td> <td>1 <td>WD</td> <td>J1</td> <td>PTD.</td> <td>-</td> <td>378</td> <td>3\"/> <tr> <td>380B</td> <td>B</td> <td>1 <td>WD</td> <td>J1</td> <td>PTD.</td> <td>-</td> <td>379</td> <td>3\"/> <tr> <td>382</td> <td>ETR</td> <td>-</td> <td>WD.</td> <td>J2</td> <td>PTD.</td> <td>-</td> <td>380A</td> <td>3\"/> <tr> <td>382A</td> <td>D</td> <td>6 <td>ALUM.</td> <td>ANODIZE D</td> <td>-</td> <td>-</td> <td>380B</td> <td>3\"/> <tr> <td>385</td> <td>ETR</td> <td>-</td> <td>WD.</td> <td>J2</td> <td>PTD.</td> <td>-</td> <td>382</td> <td>3\"/> <tr> <td>386</td> <td>ETR</td> <td>-</td> <td>WD.</td> <td>J2</td> <td>PTD.</td> <td>-</td> <td>382A</td> <td>3\"/> <tr> <td>387</td> <td>ETR</td> <td>-</td> <td>WD.</td> <td>J2</td> <td>PTD.</td> <td>-</td> <td>385</td> <td>3\"/> <tr> <td>388</td> <td>ETR</td> <td>-</td> <td>WD.</td> <td>J2</td> <td>PTD.</td> <td>-</td> <td>386</td> <td>3\"/> <tr> <td>389</td> <td>ETR</td> <td>-</td> <td>WD.</td> <td>J2</td> <td>PTD.</td> <td>-</td> <td>387</td> <td>3\"/> <tr> <td>391</td> <td>ETR</td> <td>-</td> <td>WD.</td> <td>J2</td> <td>PTD.</td> <td>-</td> <td>388</td> <td>3\"/> <tr> <td>391A</td> <td>ETR</td> <td>-</td> <td>WD.</td> <td>J2</td> <td>PTD.</td> <td>-</td> <td>389</td> <td>3\"/> <tr> <td>391B</td> <td>ETR</td> <td>-</td> <td>WD.</td> <td>J2</td> <td>PTD.</td> <td>-</td> <td>391</td> <td>3\"/> <tr> <td>394</td> <td>ETR</td> <td>-</td> <td>WD.</td> <td>J2</td> <td>PTD.</td> <td>-</td> <td>391A</td> <td>3\"/> <tr> <td>395</td> <td>ETR</td> <td>-</td> <td>WD.</td> <td>J2</td> <td>PTD.</td> <td>-</td> <td>391B</td> <td>3\"/> <tr> <td>396</td> <td>ETR</td> <td>-</td> <td>WD.</td> <td>J2</td> <td>PTD.</td> <td>-</td> <td>394</td> <td>3\"/> <tr> <td>398</td> <td>ETR</td> <td>-</td> <td>WD.</td> <td>J2</td> <td>PTD.</td> <td>-</td> <td>395</td> <td>3\"/> <tr> <td>399</td> <td>ETR</td> <td>-</td> <td>WD.</td> <td>J2</td> <td>PTD.</td> <td>-</td> <td>396</td> <td>3\"/> <tr> <td>3991</td> <td>ETR</td> <td>-</td> <td>WD.</td> <td>J2</td> <td>PTD.</td> <td>-</td> <td>398</td> <td>3\"/> <tr> <td>3992</td> <td>A</td> <td>3\"/> <tr> <td>3993</td> <td>ETR</td> <td>-</td> <td>WD.</td> <td>J2</td> <td>PTD.</td> <td>-</td> <td>399</td> <td>3\"/> <tr> <td>3994</td> <td>ETR</td> <td>-</td> <td>WD.</td> <td>J2</td> <td>PTD.</td> <td>-</td> <td>3991</td> <td>3\"/> <tr> <td>3995</td> <td>ETR</td> <td>-</td> <td>WD.</td> <td>J2</td> <td>PTD.</td> <td>-</td> <td>3992</td> <td>3\"/> <tr> <td>3997</td> <td>ETR</td> <td>-</td> <td>WD.</td> <td>J2</td> <td>PTD.</td> <td>-</td> <td>3993</td> <td>3\"/> <tr> <td>3998</td> <td>ETR</td> <td>-</td> <td>WD.</td> <td>J2</td> <td>PTD.</td> <td>-</td> <td>3994</td> <td>3\"/> <tr> <td>3999</td> <td>ETR</td> <td>-</td> <td>WD.</td> <td>J2</td> <td>PTD.</td> <td>-</td> <td>3995</td> <td>3\"/> <tr> <td>3999</td> <td>ETR</td> <td>-</td> <td>WD.</td> <td>J2</td> <td>PTD.</td> <td>-</td> <td>3997</td> <td>3\"/> </td></tr></td></tr></td></tr></td></tr></td></tr></td></tr></td></tr></td></tr></td></tr></td></tr></td></tr></td></tr></td></tr></td></tr></td></tr></td></tr></td></tr></td></tr></td></tr></td></tr></td></tr></td></tr></td></td></tr></td></tr></td></td></tr></td></td></tr></td></td></tr></td> | WD | J1 | PTD. | - | 377 | 3\"/> <tr> <td>379</td> <td>B</td> <td>1 <td>WD</td> <td>J1</td> <td>PTD.</td> <td>-</td> <td>377A</td> <td>3\"/> <tr> <td>380A</td> <td>B</td> <td>1 <td>WD</td> <td>J1</td> <td>PTD.</td> <td>-</td> <td>378</td> <td>3\"/> <tr> <td>380B</td> <td>B</td> <td>1 <td>WD</td> <td>J1</td> <td>PTD.</td> <td>-</td> <td>379</td> <td>3\"/> <tr>
<td>382</td> <td>ETR</td> <td>-</td> <td>WD.</td> <td>J2</td> <td>PTD.</td> <td>-</td> <td>380A</td> <td>3\"/> <tr> <td>382A</td> <td>D</td> <td>6 <td>ALUM.</td> <td>ANODIZE D</td> <td>-</td> <td>-</td> <td>380B</td> <td>3\"/> <tr> <td>385</td> <td>ETR</td> <td>-</td> <td>WD.</td> <td>J2</td> <td>PTD.</td> <td>-</td> <td>382</td> <td>3\"/> <tr> <td>386</td> <td>ETR</td> <td>-</td> <td>WD.</td> <td>J2</td> <td>PTD.</td> <td>-</td> <td>382A</td> <td>3\"/> <tr> <td>387</td> <td>ETR</td> <td>-</td> <td>WD.</td> <td>J2</td> <td>PTD.</td> <td>-</td> <td>385</td> <td>3\"/> <tr> <td>388</td> <td>ETR</td> <td>-</td> <td>WD.</td> <td>J2</td> <td>PTD.</td> <td>-</td> <td>386</td> <td>3\"/> <tr> <td>389</td> <td>ETR</td> <td>-</td> <td>WD.</td> <td>J2</td> <td>PTD.</td> <td>-</td> <td>387</td> <td>3\"/> <tr> <td>391</td> <td>ETR</td> <td>-</td> <td>WD.</td> <td>J2</td> <td>PTD.</td> <td>-</td> <td>388</td> <td>3\"/> <tr> <td>391A</td> <td>ETR</td> <td>-</td> <td>WD.</td> <td>J2</td> <td>PTD.</td> <td>-</td> <td>389</td> <td>3\"/> <tr> <td>391B</td> <td>ETR</td> <td>-</td> <td>WD.</td> <td>J2</td> <td>PTD.</td> <td>-</td> <td>391</td> <td>3\"/> <tr> <td>394</td> <td>ETR</td> <td>-</td> <td>WD.</td> <td>J2</td> <td>PTD.</td> <td>-</td> <td>391A</td> <td>3\"/> <tr> <td>395</td> <td>ETR</td> <td>-</td> <td>WD.</td> <td>J2</td> <td>PTD.</td> <td>-</td> <td>391B</td> <td>3\"/> <tr> <td>396</td> <td>ETR</td> <td>-</td> <td>WD.</td> <td>J2</td> <td>PTD.</td> <td>-</td> <td>394</td> <td>3\"/> <tr> <td>398</td> <td>ETR</td> <td>-</td> <td>WD.</td> <td>J2</td> <td>PTD.</td> <td>-</td> <td>395</td> <td>3\"/> <tr> <td>399</td> <td>ETR</td> <td>-</td> <td>WD.</td> <td>J2</td> <td>PTD.</td> <td>-</td> <td>396</td> <td>3\"/> <tr> <td>3991</td> <td>ETR</td> <td>-</td> <td>WD.</td> <td>J2</td> <td>PTD.</td> <td>-</td> <td>398</td> <td>3\"/> <tr> <td>3992</td> <td>A</td> <td>3\"/> <tr> <td>3993</td> <td>ETR</td> <td>-</td> <td>WD.</td> <td>J2</td> <td>PTD.</td> <td>-</td> <td>399</td> <td>3\"/> <tr> <td>3994</td> <td>ETR</td> <td>-</td> <td>WD.</td> <td>J2</td> <td>PTD.</td> <td>-</td> <td>3991</td> <td>3\"/> <tr> <td>3995</td> <td>ETR</td> <td>-</td> <td>WD.</td> <td>J2</td> <td>PTD.</td> <td>-</td> <td>3992</td> <td>3\"/> <tr> <td>3997</td> <td>ETR</td> <td>-</td> <td>WD.</td> <td>J2</td> <td>PTD.</td> <td>-</td> <td>3993</td> <td>3\"/> <tr> <td>3998</td> <td>ETR</td> <td>-</td> <td>WD.</td> <td>J2</td> <td>PTD.</td> <td>-</td> <td>3994</td> <td>3\"/> <tr> <td>3999</td> <td>ETR</td> <td>-</td> <td>WD.</td> <td>J2</td> <td>PTD.</td> <td>-</td> <td>3995</td> <td>3\"/> <tr> <td>3999</td> <td>ETR</td> <td>-</td> <td>WD.</td> <td>J2</td> <td>PTD.</td> <td>-</td> <td>3997</td> <td>3\"/> </td></tr></td></tr></td></tr></td></tr></td></tr></td></tr></td></tr></td></tr></td></tr></td></tr></td></tr></td></tr></td></tr></td></tr></td></tr></td></tr></td></tr></td></tr></td></tr></td></tr></td></tr></td></tr></td></td></tr></td></tr></td></td></tr></td></td></tr></td></td></tr> | 379 | B | 1 <td>WD</td> <td>J1</td> <td>PTD.</td> <td>-</td> <td>377A</td> <td>3\"/> <tr> <td>380A</td> <td>B</td> <td>1 <td>WD</td> <td>J1</td> <td>PTD.</td> <td>-</td> <td>378</td> <td>3\"/> <tr> <td>380B</td> <td>B</td> <td>1 <td>WD</td> <td>J1</td> <td>PTD.</td> <td>-</td> <td>379</td> <td>3\"/> <tr> <td>382</td> <td>ETR</td> <td>-</td> <td>WD.</td> <td>J2</td> <td>PTD.</td> <td>-</td> <td>380A</td> <td>3\"/> <tr> <td>382A</td> <td>D</td> <td>6 <td>ALUM.</td> <td>ANODIZE D</td> <td>-</td> <td>-</td> <td>380B</td> <td>3\"/> <tr> <td>385</td> <td>ETR</td> <td>-</td> <td>WD.</td> <td>J2</td> <td>PTD.</td> <td>-</td> <td>382</td> <td>3\"/> <tr> <td>386</td> <td>ETR</td> <td>-</td> <td>WD.</td> <td>J2</td> <td>PTD.</td> <td>-</td> <td>382A</td> <td>3\"/> <tr> <td>387</td> <td>ETR</td> <td>-</td> <td>WD.</td> <td>J2</td> <td>PTD.</td> <td>-</td> <td>385</td> <td>3\"/> <tr> <td>388</td> <td>ETR</td> <td>-</td> <td>WD.</td> <td>J2</td> <td>PTD.</td> <td>-</td> <td>386</td> <td>3\"/> <tr> <td>389</td> <td>ETR</td> <td>-</td> <td>WD.</td> <td>J2</td> <td>PTD.</td> <td>-</td> <td>387</td> <td>3\"/> <tr> <td>391</td> <td>ETR</td> <td>-</td> <td>WD.</td> <td>J2</td> <td>PTD.</td> <td>-</td> <td>388</td> <td>3\"/> <tr> <td>391A</td> <td>ETR</td> <td>-</td> <td>WD.</td> <td>J2</td> <td>PTD.</td> <td>-</td> <td>389</td> <td>3\"/> <tr> <td>391B</td> <td>ETR</td> <td>-</td> <td>WD.</td> <td>J2</td> <td>PTD.</td> <td>-</td> <td>391</td> <td>3\"/> <tr> <td>394</td> <td>ETR</td> <td>-</td> <td>WD.</td> <td>J2</td> <td>PTD.</td> <td>-</td> <td>391A</td> <td>3\"/> <tr> <td>395</td> <td>ETR</td> <td>-</td> <td>WD.</td> <td>J2</td> <td>PTD.</td> <td>-</td> <td>391B</td> <td>3\"/> <tr> <td>396</td> <td>ETR</td> <td>-</td> <td>WD.</td> <td>J2</td> <td>PTD.</td> <td>-</td> <td>394</td> <td>3\"/> <tr> <td>398</td> <td>ETR</td> <td>-</td> <td>WD.</td> <td>J2</td> <td>PTD.</td> <td>-</td> <td>395</td> <td>3\"/> <tr> <td>399</td> <td>ETR</td> <td>-</td> <td>WD.</td> <td>J2</td> <td>PTD.</td> <td>-</td> <td>396</td> <td>3\"/> <tr> <td>3991</td> <td>ETR</td> <td>-</td> <td>WD.</td> <td>J2</td> <td>PTD.</td> <td>-</td> <td>398</td> <td>3\"/> <tr> <td>3992</td> <td>A</td> <td>3\"/> <tr> <td>3993</td> <td>ETR</td> <td>-</td> <td>WD.</td> <td>J2</td> <td>PTD.</td> <td>-</td> <td>399</td> <td>3\"/> <tr> <td>3994</td> <td>ETR</td> <td>-</td> <td>WD.</td> <td>J2</td> <td>PTD.</td> <td>-</td> <td>3991</td> <td>3\"/> <tr> <td>3995</td> <td>ETR</td> <td>-</td> <td>WD.</td> <td>J2</td> <td>PTD.</td> <td>-</td> <td>3992</td> <td>3\"/> <tr> <td>3997</td> <td>ETR</td> <td>-</td> <td>WD.</td> <td>J2</td> <td>PTD.</td> <td>-</td> <td>3993</td> <td>3\"/> <tr> <td>3998</td> <td>ETR</td> <td>-</td> <td>WD.</td> <td>J2</td> <td>PTD.</td> <td>-</td> <td>3994</td> <td>3\"/> <tr> <td>3999</td> <td>ETR</td> <td>-</td> <td>WD.</td> <td>J2</td> <td>PTD.</td> <td>-</td> <td>3995</td> <td>3\"/> <tr> <td>3999</td> <td>ETR</td> <td>-</td> <td>WD.</td> <td>J2</td> <td>PTD.</td> <td>-</td> <td>3997</td> <td>3\"/> </td></tr></td></tr></td></tr></td></tr></td></tr></td></tr></td></tr></td></tr></td></tr></td></tr></td></tr></td></tr></td></tr></td></tr></td></tr></td></tr></td></tr></td></tr></td></tr></td></tr></td></tr></td></tr></td></td></tr></td></tr></td></td></tr></td></td></tr></td> | WD | J1 | PTD. | - | 377A | 3\"/> <tr> <td>380A</td> <td>B</td> <td>1 <td>WD</td> <td>J1</td> <td>PTD.</td> <td>-</td> <td>378</td> <td>3\"/> <tr> <td>380B</td> <td>B</td> <td>1
<td>WD</td> <td>J1</td> <td>PTD.</td> <td>-</td> <td>379</td> <td>3\"/> <tr> <td>382</td> <td>ETR</td> <td>-</td> <td>WD.</td> <td>J2</td> <td>PTD.</td> <td>-</td> <td>380A</td> <td>3\"/> <tr> <td>382A</td> <td>D</td> <td>6 <td>ALUM.</td> <td>ANODIZE D</td> <td>-</td> <td>-</td> <td>380B</td> <td>3\"/> <tr> <td>385</td> <td>ETR</td> <td>-</td> <td>WD.</td> <td>J2</td> <td>PTD.</td> <td>-</td> <td>382</td> <td>3\"/> <tr> <td>386</td> <td>ETR</td> <td>-</td> <td>WD.</td> <td>J2</td> <td>PTD.</td> <td>-</td> <td>382A</td> <td>3\"/> <tr> <td>387</td> <td>ETR</td> <td>-</td> <td>WD.</td> <td>J2</td> <td>PTD.</td> <td>-</td> <td>385</td> <td>3\"/> <tr> <td>388</td> <td>ETR</td> <td>-</td> <td>WD.</td> <td>J2</td> <td>PTD.</td> <td>-</td> <td>386</td> <td>3\"/> <tr> <td>389</td> <td>ETR</td> <td>-</td> <td>WD.</td> <td>J2</td> <td>PTD.</td> <td>-</td> <td>387</td> <td>3\"/> <tr> <td>391</td> <td>ETR</td> <td>-</td> <td>WD.</td> <td>J2</td> <td>PTD.</td> <td>-</td> <td>388</td> <td>3\"/> <tr> <td>391A</td> <td>ETR</td> <td>-</td> <td>WD.</td> <td>J2</td> <td>PTD.</td> <td>-</td> <td>389</td> <td>3\"/> <tr> <td>391B</td> <td>ETR</td> <td>-</td> <td>WD.</td> <td>J2</td> <td>PTD.</td> <td>-</td> <td>391</td> <td>3\"/> <tr> <td>394</td> <td>ETR</td> <td>-</td> <td>WD.</td> <td>J2</td> <td>PTD.</td> <td>-</td> <td>391A</td> <td>3\"/> <tr> <td>395</td> <td>ETR</td> <td>-</td> <td>WD.</td> <td>J2</td> <td>PTD.</td> <td>-</td> <td>391B</td> <td>3\"/> <tr> <td>396</td> <td>ETR</td> <td>-</td> <td>WD.</td> <td>J2</td> <td>PTD.</td> <td>-</td> <td>394</td> <td>3\"/> <tr> <td>398</td> <td>ETR</td> <td>-</td> <td>WD.</td> <td>J2</td> <td>PTD.</td> <td>-</td> <td>395</td> <td>3\"/> <tr> <td>399</td> <td>ETR</td> <td>-</td> <td>WD.</td> <td>J2</td> <td>PTD.</td> <td>-</td> <td>396</td> <td>3\"/> <tr> <td>3991</td> <td>ETR</td> <td>-</td> <td>WD.</td> <td>J2</td> <td>PTD.</td> <td>-</td> <td>398</td> <td>3\"/> <tr> <td>3992</td> <td>A</td> <td>3\"/> <tr> <td>3993</td> <td>ETR</td> <td>-</td> <td>WD.</td> <td>J2</td> <td>PTD.</td> <td>-</td> <td>399</td> <td>3\"/> <tr> <td>3994</td> <td>ETR</td> <td>-</td> <td>WD.</td> <td>J2</td> <td>PTD.</td> <td>-</td> <td>3991</td> <td>3\"/> <tr> <td>3995</td> <td>ETR</td> <td>-</td> <td>WD.</td> <td>J2</td> <td>PTD.</td> <td>-</td> <td>3992</td> <td>3\"/> <tr> <td>3997</td> <td>ETR</td> <td>-</td> <td>WD.</td> <td>J2</td> <td>PTD.</td> <td>-</td> <td>3993</td> <td>3\"/> <tr> <td>3998</td> <td>ETR</td> <td>-</td> <td>WD.</td> <td>J2</td> <td>PTD.</td> <td>-</td> <td>3994</td> <td>3\"/> <tr> <td>3999</td> <td>ETR</td> <td>-</td> <td>WD.</td> <td>J2</td> <td>PTD.</td> <td>-</td> <td>3995</td> <td>3\"/> <tr> <td>3999</td> <td>ETR</td> <td>-</td> <td>WD.</td> <td>J2</td> <td>PTD.</td> <td>-</td> <td>3997</td> <td>3\"/> </td></tr></td></tr></td></tr></td></tr></td></tr></td></tr></td></tr></td></tr></td></tr></td></tr></td></tr></td></tr></td></tr></td></tr></td></tr></td></tr></td></tr></td></tr></td></tr></td></tr></td></tr></td></tr></td></td></tr></td></tr></td></td></tr></td></td></tr> | 380A | B | 1 <td>WD</td> <td>J1</td> <td>PTD.</td> <td>-</td> <td>378</td> <td>3\"/> <tr> <td>380B</td> <td>B</td> <td>1 <td>WD</td> <td>J1</td> <td>PTD.</td> <td>-</td> <td>379</td> <td>3\"/> <tr> <td>382</td> <td>ETR</td> <td>-</td> <td>WD.</td> <td>J2</td> <td>PTD.</td> <td>-</td> <td>380A</td> <td>3\"/> <tr> <td>382A</td> <td>D</td> <td>6 <td>ALUM.</td> <td>ANODIZE D</td> <td>-</td> <td>-</td> <td>380B</td> <td>3\"/> <tr> <td>385</td> <td>ETR</td> <td>-</td> <td>WD.</td> <td>J2</td> <td>PTD.</td> <td>-</td> <td>382</td> <td>3\"/> <tr> <td>386</td> <td>ETR</td> <td>-</td> <td>WD.</td> <td>J2</td> <td>PTD.</td> <td>-</td> <td>382A</td> <td>3\"/> <tr> <td>387</td> <td>ETR</td> <td>-</td> <td>WD.</td> <td>J2</td> <td>PTD.</td> <td>-</td> <td>385</td> <td>3\"/> <tr> <td>388</td> <td>ETR</td> <td>-</td> <td>WD.</td> <td>J2</td> <td>PTD.</td> <td>-</td> <td>386</td> <td>3\"/> <tr> <td>389</td> <td>ETR</td> <td>-</td> <td>WD.</td> <td>J2</td> <td>PTD.</td> <td>-</td> <td>387</td> <td>3\"/> <tr> <td>391</td> <td>ETR</td> <td>-</td> <td>WD.</td> <td>J2</td> <td>PTD.</td> <td>-</td> <td>388</td> <td>3\"/> <tr> <td>391A</td> <td>ETR</td> <td>-</td> <td>WD.</td> <td>J2</td> <td>PTD.</td> <td>-</td> <td>389</td> <td>3\"/> <tr> <td>391B</td> <td>ETR</td> <td>-</td> <td>WD.</td> <td>J2</td> <td>PTD.</td> <td>-</td> <td>391</td> <td>3\"/> <tr> <td>394</td> <td>ETR</td> <td>-</td> <td>WD.</td> <td>J2</td> <td>PTD.</td> <td>-</td> <td>391A</td> <td>3\"/> <tr> <td>395</td> <td>ETR</td> <td>-</td> <td>WD.</td> <td>J2</td> <td>PTD.</td> <td>-</td> <td>391B</td> <td>3\"/> <tr> <td>396</td> <td>ETR</td> <td>-</td> <td>WD.</td> <td>J2</td> <td>PTD.</td> <td>-</td> <td>394</td> <td>3\"/> <tr> <td>398</td> <td>ETR</td> <td>-</td> <td>WD.</td> <td>J2</td> <td>PTD.</td> <td>-</td> <td>395</td> <td>3\"/> <tr> <td>399</td> <td>ETR</td> <td>-</td> <td>WD.</td> <td>J2</td> <td>PTD.</td> <td>-</td> <td>396</td> <td>3\"/> <tr> <td>3991</td> <td>ETR</td> <td>-</td> <td>WD.</td> <td>J2</td> <td>PTD.</td> <td>-</td> <td>398</td> <td>3\"/> <tr> <td>3992</td> <td>A</td> <td>3\"/> <tr> <td>3993</td> <td>ETR</td> <td>-</td> <td>WD.</td> <td>J2</td> <td>PTD.</td> <td>-</td> <td>399</td> <td>3\"/> <tr> <td>3994</td> <td>ETR</td> <td>-</td> <td>WD.</td> <td>J2</td> <td>PTD.</td> <td>-</td> <td>3991</td> <td>3\"/> <tr> <td>3995</td> <td>ETR</td> <td>-</td> <td>WD.</td> <td>J2</td> <td>PTD.</td> <td>-</td> <td>3992</td> <td>3\"/> <tr> <td>3997</td> <td>ETR</td> <td>-</td> <td>WD.</td> <td>J2</td> <td>PTD.</td> <td>-</td> <td>3993</td> <td>3\"/> <tr> <td>3998</td> <td>ETR</td> <td>-</td> <td>WD.</td> <td>J2</td> <td>PTD.</td> <td>-</td> <td>3994</td> <td>3\"/> <tr> <td>3999</td> <td>ETR</td> <td>-</td> <td>WD.</td> <td>J2</td> <td>PTD.</td> <td>-</td> <td>3995</td> <td>3\"/> <tr> <td>3999</td> <td>ETR</td> <td>-</td> <td>WD.</td> <td>J2</td> <td>PTD.</td> <td>-</td> <td>3997</td> <td>3\"/> </td></tr></td></tr></td></tr></td></tr></td></tr></td></tr></td></tr></td></tr></td></tr></td></tr></td></tr></td></tr></td></tr></td></tr></td></tr></td></tr></td></tr></td></tr></td></tr></td></tr></td></tr></td></tr></td></td></tr></td></tr></td></td></tr></td> | WD | J1 | PTD. | - | 378 | 3\"/> <tr> <td>380B</td> <td>B</td> <td>1 <td>WD</td> <td>J1</td> <td>PTD.</td> <td>-</td> <td>379</td> <td>3\"/> <tr> <td>382</td> <td>ETR</td> <td>-</td> <td>WD.</td> <td>J2</td> <td>PTD.</td> <td>-</td> <td>380A</td> <td>3\"/> <tr> <td>382A</td> <td>D</td> <td>6 <td>ALUM.</td> <td>ANODIZE D</td> <td>-</td> <td>-</td> <td>380B</td>
<td>3\"/> <tr> <td>385</td> <td>ETR</td> <td>-</td> <td>WD.</td> <td>J2</td> <td>PTD.</td> <td>-</td> <td>382</td> <td>3\"/> <tr> <td>386</td> <td>ETR</td> <td>-</td> <td>WD.</td> <td>J2</td> <td>PTD.</td> <td>-</td> <td>382A</td> <td>3\"/> <tr> <td>387</td> <td>ETR</td> <td>-</td> <td>WD.</td> <td>J2</td> <td>PTD.</td> <td>-</td> <td>385</td> <td>3\"/> <tr> <td>388</td> <td>ETR</td> <td>-</td> <td>WD.</td> <td>J2</td> <td>PTD.</td> <td>-</td> <td>386</td> <td>3\"/> <tr> <td>389</td> <td>ETR</td> <td>-</td> <td>WD.</td> <td>J2</td> <td>PTD.</td> <td>-</td> <td>387</td> <td>3\"/> <tr> <td>391</td> <td>ETR</td> <td>-</td> <td>WD.</td> <td>J2</td> <td>PTD.</td> <td>-</td> <td>388</td> <td>3\"/> <tr> <td>391A</td> <td>ETR</td> <td>-</td> <td>WD.</td> <td>J2</td> <td>PTD.</td> <td>-</td> <td>389</td> <td>3\"/> <tr> <td>391B</td> <td>ETR</td> <td>-</td> <td>WD.</td> <td>J2</td> <td>PTD.</td> <td>-</td> <td>391</td> <td>3\"/> <tr> <td>394</td> <td>ETR</td> <td>-</td> <td>WD.</td> <td>J2</td> <td>PTD.</td> <td>-</td> <td>391A</td> <td>3\"/> <tr> <td>395</td> <td>ETR</td> <td>-</td> <td>WD.</td> <td>J2</td> <td>PTD.</td> <td>-</td> <td>391B</td> <td>3\"/> <tr> <td>396</td> <td>ETR</td> <td>-</td> <td>WD.</td> <td>J2</td> <td>PTD.</td> <td>-</td> <td>394</td> <td>3\"/> <tr> <td>398</td> <td>ETR</td> <td>-</td> <td>WD.</td> <td>J2</td> <td>PTD.</td> <td>-</td> <td>395</td> <td>3\"/> <tr> <td>399</td> <td>ETR</td> <td>-</td> <td>WD.</td> <td>J2</td> <td>PTD.</td> <td>-</td> <td>396</td> <td>3\"/> <tr> <td>3991</td> <td>ETR</td> <td>-</td> <td>WD.</td> <td>J2</td> <td>PTD.</td> <td>-</td> <td>398</td> <td>3\"/> <tr> <td>3992</td> <td>A</td> <td>3\"/> <tr> <td>3993</td> <td>ETR</td> <td>-</td> <td>WD.</td> <td>J2</td> <td>PTD.</td> <td>-</td> <td>399</td> <td>3\"/> <tr> <td>3994</td> <td>ETR</td> <td>-</td> <td>WD.</td> <td>J2</td> <td>PTD.</td> <td>-</td> <td>3991</td> <td>3\"/> <tr> <td>3995</td> <td>ETR</td> <td>-</td> <td>WD.</td> <td>J2</td> <td>PTD.</td> <td>-</td> <td>3992</td> <td>3\"/> <tr> <td>3997</td> <td>ETR</td> <td>-</td> <td>WD.</td> <td>J2</td> <td>PTD.</td> <td>-</td> <td>3993</td> <td>3\"/> <tr> <td>3998</td> <td>ETR</td> <td>-</td> <td>WD.</td> <td>J2</td> <td>PTD.</td> <td>-</td> <td>3994</td> <td>3\"/> <tr> <td>3999</td> <td>ETR</td> <td>-</td> <td>WD.</td> <td>J2</td> <td>PTD.</td> <td>-</td> <td>3995</td> <td>3\"/> <tr> <td>3999</td> <td>ETR</td> <td>-</td> <td>WD.</td> <td>J2</td> <td>PTD.</td> <td>-</td> <td>3997</td> <td>3\"/> </td></tr></td></tr></td></tr></td></tr></td></tr></td></tr></td></tr></td></tr></td></tr></td></tr></td></tr></td></tr></td></tr></td></tr></td></tr></td></tr></td></tr></td></tr></td></tr></td></tr></td></tr></td></tr></td></td></tr></td></tr></td></td></tr> | 380B | B | 1 <td>WD</td> <td>J1</td> <td>PTD.</td> <td>-</td> <td>379</td> <td>3\"/> <tr> <td>382</td> <td>ETR</td> <td>-</td> <td>WD.</td> <td>J2</td> <td>PTD.</td> <td>-</td> <td>380A</td> <td>3\"/> <tr> <td>382A</td> <td>D</td> <td>6 <td>ALUM.</td> <td>ANODIZE D</td> <td>-</td> <td>-</td> <td>380B</td> <td>3\"/> <tr> <td>385</td> <td>ETR</td> <td>-</td> <td>WD.</td> <td>J2</td> <td>PTD.</td> <td>-</td> <td>382</td> <td>3\"/> <tr> <td>386</td> <td>ETR</td> <td>-</td> <td>WD.</td> <td>J2</td> <td>PTD.</td> <td>-</td> <td>382A</td> <td>3\"/> <tr> <td>387</td> <td>ETR</td> <td>-</td> <td>WD.</td> <td>J2</td> <td>PTD.</td> <td>-</td> <td>385</td> <td>3\"/> <tr> <td>388</td> <td>ETR</td> <td>-</td> <td>WD.</td> <td>J2</td> <td>PTD.</td> <td>-</td> <td>386</td> <td>3\"/> <tr> <td>389</td> <td>ETR</td> <td>-</td> <td>WD.</td> <td>J2</td> <td>PTD.</td> <td>-</td> <td>387</td> <td>3\"/> <tr> <td>391</td> <td>ETR</td> <td>-</td> <td>WD.</td> <td>J2</td> <td>PTD.</td> <td>-</td> <td>388</td> <td>3\"/> <tr> <td>391A</td> <td>ETR</td> <td>-</td> <td>WD.</td> <td>J2</td> <td>PTD.</td> <td>-</td> <td>389</td> <td>3\"/> <tr> <td>391B</td> <td>ETR</td> <td>-</td> <td>WD.</td> <td>J2</td> <td>PTD.</td> <td>-</td> <td>391</td> <td>3\"/> <tr> <td>394</td> <td>ETR</td> <td>-</td> <td>WD.</td> <td>J2</td> <td>PTD.</td> <td>-</td> <td>391A</td> <td>3\"/> <tr> <td>395</td> <td>ETR</td> <td>-</td> <td>WD.</td> <td>J2</td> <td>PTD.</td> <td>-</td> <td>391B</td> <td>3\"/> <tr> <td>396</td> <td>ETR</td> <td>-</td> <td>WD.</td> <td>J2</td> <td>PTD.</td> <td>-</td> <td>394</td> <td>3\"/> <tr> <td>398</td> <td>ETR</td> <td>-</td> <td>WD.</td> <td>J2</td> <td>PTD.</td> <td>-</td> <td>395</td> <td>3\"/> <tr> <td>399</td> <td>ETR</td> <td>-</td> <td>WD.</td> <td>J2</td> <td>PTD.</td> <td>-</td> <td>396</td> <td>3\"/> <tr> <td>3991</td> <td>ETR</td> <td>-</td> <td>WD.</td> <td>J2</td> <td>PTD.</td> <td>-</td> <td>398</td> <td>3\"/> <tr> <td>3992</td> <td>A</td> <td>3\"/> <tr> <td>3993</td> <td>ETR</td> <td>-</td> <td>WD.</td> <td>J2</td> <td>PTD.</td> <td>-</td> <td>399</td> <td>3\"/> <tr> <td>3994</td> <td>ETR</td> <td>-</td> <td>WD.</td> <td>J2</td> <td>PTD.</td> <td>-</td> <td>3991</td> <td>3\"/> <tr> <td>3995</td> <td>ETR</td> <td>-</td> <td>WD.</td> <td>J2</td> <td>PTD.</td> <td>-</td> <td>3992</td> <td>3\"/> <tr> <td>3997</td> <td>ETR</td> <td>-</td> <td>WD.</td> <td>J2</td> <td>PTD.</td> <td>-</td> <td>3993</td> <td>3\"/> <tr> <td>3998</td> <td>ETR</td> <td>-</td> <td>WD.</td> <td>J2</td> <td>PTD.</td> <td>-</td> <td>3994</td> <td>3\"/> <tr> <td>3999</td> <td>ETR</td> <td>-</td> <td>WD.</td> <td>J2</td> <td>PTD.</td> <td>-</td> <td>3995</td> <td>3\"/> <tr> <td>3999</td> <td>ETR</td> <td>-</td> <td>WD.</td> <td>J2</td> <td>PTD.</td> <td>-</td> <td>3997</td> <td>3\"/> </td></tr></td></tr></td></tr></td></tr></td></tr></td></tr></td></tr></td></tr></td></tr></td></tr></td></tr></td></tr></td></tr></td></tr></td></tr></td></tr></td></tr></td></tr></td></tr></td></tr></td></tr></td></tr></td></td></tr></td></tr></td> | WD | J1 | PTD. | - | 379 | 3\"/> <tr> <td>382</td> <td>ETR</td> <td>-</td> <td>WD.</td> <td>J2</td> <td>PTD.</td> <td>-</td> <td>380A</td> <td>3\"/> <tr> <td>382A</td> <td>D</td> <td>6 <td>ALUM.</td> <td>ANODIZE D</td> <td>-</td> <td>-</td> <td>380B</td> <td>3\"/> <tr> <td>385</td> <td>ETR</td> <td>-</td> <td>WD.</td> <td>J2</td> <td>PTD.</td> <td>-</td> <td>382</td> <td>3\"/> <tr> <td>386</td> <td>ETR</td> <td>-</td> <td>WD.</td> <td>J2</td> <td>PTD.</td> <td>-</td> <td>382A</td> <td>3\"/> <tr> <td>387</td> <td>ETR</td> <td>-</td> <td>WD.</td> <td>J2</td> <td>PTD.</td> <td>-</td> <td>385</td> <td>3\"/> <tr> <td>388</td> <td>ETR</td> <td>-</td> <td>WD.</td> <td>J2</td> <td>PTD.</td> <td>-</td> <td>386</td> <td>3\"/> <tr> <td>389</td> <td>ETR</td> <td>-</td> <td>WD.</td> <td>J2</td> <td>PTD.</td> <td>-</td> <td>387</td> <td>3\"/> <tr> <td>391</td> <td>ETR</td> <td>-</td> <td>WD.</td> <td>J2</td>
<td>PTD.</td> <td>-</td> <td>388</td> <td>3\"/> <tr> <td>391A</td> <td>ETR</td> <td>-</td> <td>WD.</td> <td>J2</td> <td>PTD.</td> <td>-</td> <td>389</td> <td>3\"/> <tr> <td>391B</td> <td>ETR</td> <td>-</td> <td>WD.</td> <td>J2</td> <td>PTD.</td> <td>-</td> <td>391</td> <td>3\"/> <tr> <td>394</td> <td>ETR</td> <td>-</td> <td>WD.</td> <td>J2</td> <td>PTD.</td> <td>-</td> <td>391A</td> <td>3\"/> <tr> <td>395</td> <td>ETR</td> <td>-</td> <td>WD.</td> <td>J2</td> <td>PTD.</td> <td>-</td> <td>391B</td> <td>3\"/> <tr> <td>396</td> <td>ETR</td> <td>-</td> <td>WD.</td> <td>J2</td> <td>PTD.</td> <td>-</td> <td>394</td> <td>3\"/> <tr> <td>398</td> <td>ETR</td> <td>-</td> <td>WD.</td> <td>J2</td> <td>PTD.</td> <td>-</td> <td>395</td> <td>3\"/> <tr> <td>399</td> <td>ETR</td> <td>-</td> <td>WD.</td> <td>J2</td> <td>PTD.</td> <td>-</td> <td>396</td> <td>3\"/> <tr> <td>3991</td> <td>ETR</td> <td>-</td> <td>WD.</td> <td>J2</td> <td>PTD.</td> <td>-</td> <td>398</td> <td>3\"/> <tr> <td>3992</td> <td>A</td> <td>3\"/> <tr> <td>3993</td> <td>ETR</td> <td>-</td> <td>WD.</td> <td>J2</td> <td>PTD.</td> <td>-</td> <td>399</td> <td>3\"/> <tr> <td>3994</td> <td>ETR</td> <td>-</td> <td>WD.</td> <td>J2</td> <td>PTD.</td> <td>-</td> <td>3991</td> <td>3\"/> <tr> <td>3995</td> <td>ETR</td> <td>-</td> <td>WD.</td> <td>J2</td> <td>PTD.</td> <td>-</td> <td>3992</td> <td>3\"/> <tr> <td>3997</td> <td>ETR</td> <td>-</td> <td>WD.</td> <td>J2</td> <td>PTD.</td> <td>-</td> <td>3993</td> <td>3\"/> <tr> <td>3998</td> <td>ETR</td> <td>-</td> <td>WD.</td> <td>J2</td> <td>PTD.</td> <td>-</td> <td>3994</td> <td>3\"/> <tr> <td>3999</td> <td>ETR</td> <td>-</td> <td>WD.</td> <td>J2</td> <td>PTD.</td> <td>-</td> <td>3995</td> <td>3\"/> <tr> <td>3999</td> <td>ETR</td> <td>-</td> <td>WD.</td> <td>J2</td> <td>PTD.</td> <td>-</td> <td>3997</td> <td>3\"/> </td></tr></td></tr></td></tr></td></tr></td></tr></td></tr></td></tr></td></tr></td></tr></td></tr></td></tr></td></tr></td></tr></td></tr></td></tr></td></tr></td></tr></td></tr></td></tr></td></tr></td></tr></td></tr></td></td></tr></td></tr> | 382 | ETR | - | WD. | J2 | PTD. | - | 380A | 3\"/> <tr> <td>382A</td> <td>D</td> <td>6 <td>ALUM.</td> <td>ANODIZE D</td> <td>-</td> <td>-</td> <td>380B</td> <td>3\"/> <tr> <td>385</td> <td>ETR</td> <td>-</td> <td>WD.</td> <td>J2</td> <td>PTD.</td> <td>-</td> <td>382</td> <td>3\"/> <tr> <td>386</td> <td>ETR</td> <td>-</td> <td>WD.</td> <td>J2</td> <td>PTD.</td> <td>-</td> <td>382A</td> <td>3\"/> <tr> <td>387</td> <td>ETR</td> <td>-</td> <td>WD.</td> <td>J2</td> <td>PTD.</td> <td>-</td> <td>385</td> <td>3\"/> <tr> <td>388</td> <td>ETR</td> <td>-</td> <td>WD.</td> <td>J2</td> <td>PTD.</td> <td>-</td> <td>386</td> <td>3\"/> <tr> <td>389</td> <td>ETR</td> <td>-</td> <td>WD.</td> <td>J2</td> <td>PTD.</td> <td>-</td> <td>387</td> <td>3\"/> <tr> <td>391</td> <td>ETR</td> <td>-</td> <td>WD.</td> <td>J2</td> <td>PTD.</td> <td>-</td> <td>388</td> <td>3\"/> <tr> <td>391A</td> <td>ETR</td> <td>-</td> <td>WD.</td> <td>J2</td> <td>PTD.</td> <td>-</td> <td>389</td> <td>3\"/> <tr> <td>391B</td> <td>ETR</td> <td>-</td> <td>WD.</td> <td>J2</td> <td>PTD.</td> <td>-</td> <td>391</td> <td>3\"/> <tr> <td>394</td> <td>ETR</td> <td>-</td> <td>WD.</td> <td>J2</td> <td>PTD.</td> <td>-</td> <td>391A</td> <td>3\"/> <tr> <td>395</td> <td>ETR</td> <td>-</td> <td>WD.</td> <td>J2</td> <td>PTD.</td> <td>-</td> <td>391B</td> <td>3\"/> <tr> <td>396</td> <td>ETR</td> <td>-</td> <td>WD.</td> <td>J2</td> <td>PTD.</td> <td>-</td> <td>394</td> <td>3\"/> <tr> <td>398</td> <td>ETR</td> <td>-</td> <td>WD.</td> <td>J2</td> <td>PTD.</td> <td>-</td> <td>395</td> <td>3\"/> <tr> <td>399</td> <td>ETR</td> <td>-</td> <td>WD.</td> <td>J2</td> <td>PTD.</td> <td>-</td> <td>396</td> <td>3\"/> <tr> <td>3991</td> <td>ETR</td> <td>-</td> <td>WD.</td> <td>J2</td> <td>PTD.</td> <td>-</td> <td>398</td> <td>3\"/> <tr> <td>3992</td> <td>A</td> <td>3\"/> <tr> <td>3993</td> <td>ETR</td> <td>-</td> <td>WD.</td> <td>J2</td> <td>PTD.</td> <td>-</td> <td>399</td> <td>3\"/> <tr> <td>3994</td> <td>ETR</td> <td>-</td> <td>WD.</td> <td>J2</td> <td>PTD.</td> <td>-</td> <td>3991</td> <td>3\"/> <tr> <td>3995</td> <td>ETR</td> <td>-</td> <td>WD.</td> <td>J2</td> <td>PTD.</td> <td>-</td> <td>3992</td> <td>3\"/> <tr> <td>3997</td> <td>ETR</td> <td>-</td> <td>WD.</td> <td>J2</td> <td>PTD.</td> <td>-</td> <td>3993</td> <td>3\"/> <tr> <td>3998</td> <td>ETR</td> <td>-</td> <td>WD.</td> <td>J2</td> <td>PTD.</td> <td>-</td> <td>3994</td> <td>3\"/> <tr> <td>3999</td> <td>ETR</td> <td>-</td> <td>WD.</td> <td>J2</td> <td>PTD.</td> <td>-</td> <td>3995</td> <td>3\"/> <tr> <td>3999</td> <td>ETR</td> <td>-</td> <td>WD.</td> <td>J2</td> <td>PTD.</td> <td>-</td> <td>3997</td> <td>3\"/> </td></tr></td></tr></td></tr></td></tr></td></tr></td></tr></td></tr></td></tr></td></tr></td></tr></td></tr></td></tr></td></tr></td></tr></td></tr></td></tr></td></tr></td></tr></td></tr></td></tr></td></tr></td></tr></td></td></tr> | 382A | D | 6 <td>ALUM.</td> <td>ANODIZE D</td> <td>-</td> <td>-</td> <td>380B</td> <td>3\"/> <tr> <td>385</td> <td>ETR</td> <td>-</td> <td>WD.</td> <td>J2</td> <td>PTD.</td> <td>-</td> <td>382</td> <td>3\"/> <tr> <td>386</td> <td>ETR</td> <td>-</td> <td>WD.</td> <td>J2</td> <td>PTD.</td> <td>-</td> <td>382A</td> <td>3\"/> <tr> <td>387</td> <td>ETR</td> <td>-</td> <td>WD.</td> <td>J2</td> <td>PTD.</td> <td>-</td> <td>385</td> <td>3\"/> <tr> <td>388</td> <td>ETR</td> <td>-</td> <td>WD.</td> <td>J2</td> <td>PTD.</td> <td>-</td> <td>386</td> <td>3\"/> <tr> <td>389</td> <td>ETR</td> <td>-</td> <td>WD.</td> <td>J2</td> <td>PTD.</td> <td>-</td> <td>387</td> <td>3\"/> <tr> <td>391</td> <td>ETR</td> <td>-</td> <td>WD.</td> <td>J2</td> <td>PTD.</td> <td>-</td> <td>388</td> <td>3\"/> <tr> <td>391A</td> <td>ETR</td> <td>-</td> <td>WD.</td> <td>J2</td> <td>PTD.</td> <td>-</td> <td>389</td> <td>3\"/> <tr> <td>391B</td> <td>ETR</td> <td>-</td> <td>WD.</td> <td>J2</td> <td>PTD.</td> <td>-</td> <td>391</td> <td>3\"/> <tr> <td>394</td> <td>ETR</td> <td>-</td> <td>WD.</td> <td>J2</td> <td>PTD.</td> <td>-</td> <td>391A</td> <td>3\"/> <tr> <td>395</td> <td>ETR</td> <td>-</td> <td>WD.</td> <td>J2</td> <td>PTD.</td> <td>-</td> <td>391B</td> <td>3\"/> <tr> <td>396</td> <td>ETR</td> <td>-</td> <td>WD.</td> <td>J2</td> <td>PTD.</td> <td>-</td> <td>394</td> <td>3\"/> <tr> <td>398</td> <td>ETR</td> <td>-</td> <td>WD.</td> <td>J2</td> <td>PTD.</td> <td>-</td> <td>395</td> <td>3\"/> <tr> <td>399</td> <td>ETR</td> <td>-</td> <td>WD.</td> <td>J2</td> <td>PTD.</td> <td>-</td> <td>396</td> <td>3\"/> <tr> <td>3991</td> <td>ETR</td> <td>-</td> <td>WD.</td> <td>J2</td> <td>PTD.</td> <td>-</td> <td>398</td> <td>3\"/> <tr> <td>3992</td> <td>A</td> <td>3\"/> <tr> <td>3993</td> <td>ETR</td> <td>-</td> <td>WD.</td> <td>J2</td> <td>PTD.</td> <td>-</td> <td>399</td> <td>3\"/>
<tr> <td>3994</td> <td>ETR</td> <td>-</td> <td>WD.</td> <td>J2</td> <td>PTD.</td> <td>-</td> <td>3991</td> <td>3\"/> <tr> <td>3995</td> <td>ETR</td> <td>-</td> <td>WD.</td> <td>J2</td> <td>PTD.</td> <td>-</td> <td>3992</td> <td>3\"/> <tr> <td>3997</td> <td>ETR</td> <td>-</td> <td>WD.</td> <td>J2</td> <td>PTD.</td> <td>-</td> <td>3993</td> <td>3\"/> <tr> <td>3998</td> <td>ETR</td> <td>-</td> <td>WD.</td> <td>J2</td> <td>PTD.</td> <td>-</td> <td>3994</td> <td>3\"/> <tr> <td>3999</td> <td>ETR</td> <td>-</td> <td>WD.</td> <td>J2</td> <td>PTD.</td> <td>-</td> <td>3995</td> <td>3\"/> <tr> <td>3999</td> <td>ETR</td> <td>-</td> <td>WD.</td> <td>J2</td> <td>PTD.</td> <td>-</td> <td>3997</td> <td>3\"/> </td></tr></td></tr></td></tr></td></tr></td></tr></td></tr></td></tr></td></tr></td></tr></td></tr></td></tr></td></tr></td></tr></td></tr></td></tr></td></tr></td></tr></td></tr></td></tr></td></tr></td></tr></td></tr></td> | ALUM. | ANODIZE D | - | - | 380B | 3\"/> <tr> <td>385</td> <td>ETR</td> <td>-</td> <td>WD.</td> <td>J2</td> <td>PTD.</td> <td>-</td> <td>382</td> <td>3\"/> <tr> <td>386</td> <td>ETR</td> <td>-</td> <td>WD.</td> <td>J2</td> <td>PTD.</td> <td>-</td> <td>382A</td> <td>3\"/> <tr> <td>387</td> <td>ETR</td> <td>-</td> <td>WD.</td> <td>J2</td> <td>PTD.</td> <td>-</td> <td>385</td> <td>3\"/> <tr> <td>388</td> <td>ETR</td> <td>-</td> <td>WD.</td> <td>J2</td> <td>PTD.</td> <td>-</td> <td>386</td> <td>3\"/> <tr> <td>389</td> <td>ETR</td> <td>-</td> <td>WD.</td> <td>J2</td> <td>PTD.</td> <td>-</td> <td>387</td> <td>3\"/> <tr> <td>391</td> <td>ETR</td> <td>-</td> <td>WD.</td> <td>J2</td> <td>PTD.</td> <td>-</td> <td>388</td> <td>3\"/> <tr> <td>391A</td> <td>ETR</td> <td>-</td> <td>WD.</td> <td>J2</td> <td>PTD.</td> <td>-</td> <td>389</td> <td>3\"/> <tr> <td>391B</td> <td>ETR</td> <td>-</td> <td>WD.</td> <td>J2</td> <td>PTD.</td> <td>-</td> <td>391</td> <td>3\"/> <tr> <td>394</td> <td>ETR</td> <td>-</td> <td>WD.</td> <td>J2</td> <td>PTD.</td> <td>-</td> <td>391A</td> <td>3\"/> <tr> <td>395</td> <td>ETR</td> <td>-</td> <td>WD.</td> <td>J2</td> <td>PTD.</td> <td>-</td> <td>391B</td> <td>3\"/> <tr> <td>396</td> <td>ETR</td> <td>-</td> <td>WD.</td> <td>J2</td> <td>PTD.</td> <td>-</td> <td>394</td> <td>3\"/> <tr> <td>398</td> <td>ETR</td> <td>-</td> <td>WD.</td> <td>J2</td> <td>PTD.</td> <td>-</td> <td>395</td> <td>3\"/> <tr> <td>399</td> <td>ETR</td> <td>-</td> <td>WD.</td> <td>J2</td> <td>PTD.</td> <td>-</td> <td>396</td> <td>3\"/> <tr> <td>3991</td> <td>ETR</td> <td>-</td> <td>WD.</td> <td>J2</td> <td>PTD.</td> <td>-</td> <td>398</td> <td>3\"/> <tr> <td>3992</td> <td>A</td> <td>3\"/> <tr> <td>3993</td> <td>ETR</td> <td>-</td> <td>WD.</td> <td>J2</td> <td>PTD.</td> <td>-</td> <td>399</td> <td>3\"/> <tr> <td>3994</td> <td>ETR</td> <td>-</td> <td>WD.</td> <td>J2</td> <td>PTD.</td> <td>-</td> <td>3991</td> <td>3\"/> <tr> <td>3995</td> <td>ETR</td> <td>-</td> <td>WD.</td> <td>J2</td> <td>PTD.</td> <td>-</td> <td>3992</td> <td>3\"/> <tr> <td>3997</td> <td>ETR</td> <td>-</td> <td>WD.</td> <td>J2</td> <td>PTD.</td> <td>-</td> <td>3993</td> <td>3\"/> <tr> <td>3998</td> <td>ETR</td> <td>-</td> <td>WD.</td> <td>J2</td> <td>PTD.</td> <td>-</td> <td>3994</td> <td>3\"/> <tr> <td>3999</td> <td>ETR</td> <td>-</td> <td>WD.</td> <td>J2</td> <td>PTD.</td> <td>-</td> <td>3995</td> <td>3\"/> <tr> <td>3999</td> <td>ETR</td> <td>-</td> <td>WD.</td> <td>J2</td> <td>PTD.</td> <td>-</td> <td>3997</td> <td>3\"/> </td></tr></td></tr></td></tr></td></tr></td></tr></td></tr></td></tr></td></tr></td></tr></td></tr></td></tr></td></tr></td></tr></td></tr></td></tr></td></tr></td></tr></td></tr></td></tr></td></tr></td></tr></td></tr> | 385 | ETR | - | WD. | J2 | PTD. | - | 382 | 3\"/> <tr> <td>386</td> <td>ETR</td> <td>-</td> <td>WD.</td> <td>J2</td> <td>PTD.</td> <td>-</td> <td>382A</td> <td>3\"/> <tr> <td>387</td> <td>ETR</td> <td>-</td> <td>WD.</td> <td>J2</td> <td>PTD.</td> <td>-</td> <td>385</td> <td>3\"/> <tr> <td>388</td> <td>ETR</td> <td>-</td> <td>WD.</td> <td>J2</td> <td>PTD.</td> <td>-</td> <td>386</td> <td>3\"/> <tr> <td>389</td> <td>ETR</td> <td>-</td> <td>WD.</td> <td>J2</td> <td>PTD.</td> <td>-</td> <td>387</td> <td>3\"/> <tr> <td>391</td> <td>ETR</td> <td>-</td> <td>WD.</td> <td>J2</td> <td>PTD.</td> <td>-</td> <td>388</td> <td>3\"/> <tr> <td>391A</td> <td>ETR</td> <td>-</td> <td>WD.</td> <td>J2</td> <td>PTD.</td> <td>-</td> <td>389</td>
<td>3\"/> <tr> <td>391B</td> <td>ETR</td> <td>-</td> <td>WD.</td> <td>J2</td> <td>PTD.</td> <td>-</td> <td>391</td> <td>3\"/> <tr> <td>394</td> <td>ETR</td> <td>-</td> <td>WD.</td> <td>J2</td> <td>PTD.</td> <td>-</td> <td>391A</td> <td>3\"/> <tr> <td>395</td> <td>ETR</td> <td>-</td> <td>WD.</td> <td>J2</td> <td>PTD.</td> <td>-</td> <td>391B</td> <td>3\"/> <tr> <td>396</td> <td>ETR</td> <td>-</td> <td>WD.</td> <td>J2</td> <td>PTD.</td> <td>-</td> <td>394</td> <td>3\"/> <tr> <td>398</td> <td>ETR</td> <td>-</td> <td>WD.</td> <td>J2</td> <td>PTD.</td> <td>-</td> <td>395</td> <td>3\"/> <tr> <td>399</td> <td>ETR</td> <td>-</td> <td>WD.</td> <td>J2</td> <td>PTD.</td> <td>-</td> <td>396</td> <td>3\"/> <tr> <td>3991</td> <td>ETR</td> <td>-</td> <td>WD.</td> <td>J2</td> <td>PTD.</td> <td>-</td> <td>398</td> <td>3\"/> <tr> <td>3992</td> <td>A</td> <td>3\"/> <tr> <td>3993</td> <td>ETR</td> <td>-</td> <td>WD.</td> <td>J2</td> <td>PTD.</td> <td>-</td> <td>399</td> <td>3\"/> <tr> <td>3994</td> <td>ETR</td> <td>-</td> <td>WD.</td> <td>J2</td> <td>PTD.</td> <td>-</td> <td>3991</td> <td>3\"/> <tr> <td>3995</td> <td>ETR</td> <td>-</td> <td>WD.</td> <td>J2</td> <td>PTD.</td> <td>-</td> <td>3992</td> <td>3\"/> <tr> <td>3997</td> <td>ETR</td> <td>-</td> <td>WD.</td> <td>J2</td> <td>PTD.</td> <td>-</td> <td>3993</td> <td>3\"/> <tr> <td>3998</td> <td>ETR</td> <td>-</td> <td>WD.</td> <td>J2</td> <td>PTD.</td> <td>-</td> <td>3994</td> <td>3\"/> <tr> <td>3999</td> <td>ETR</td> <td>-</td> <td>WD.</td> <td>J2</td> <td>PTD.</td> <td>-</td> <td>3995</td> <td>3\"/> <tr> <td>3999</td> <td>ETR</td> <td>-</td> <td>WD.</td> <td>J2</td> <td>PTD.</td> <td>-</td> <td>3997</td> <td>3\"/> </td></tr></td></tr></td></tr></td></tr></td></tr></td></tr></td></tr></td></tr></td></tr></td></tr></td></tr></td></tr></td></tr></td></tr></td></tr></td></tr></td></tr></td></tr></td></tr></td></tr></td></tr> | 386 | ETR | - | WD. | J2 | PTD. | - | 382A | 3\"/> <tr> <td>387</td> <td>ETR</td> <td>-</td> <td>WD.</td> <td>J2</td> <td>PTD.</td> <td>-</td> <td>385</td> <td>3\"/> <tr> <td>388</td> <td>ETR</td> <td>-</td> <td>WD.</td> <td>J2</td> <td>PTD.</td> <td>-</td> <td>386</td> <td>3\"/> <tr> <td>389</td> <td>ETR</td> <td>-</td> <td>WD.</td> <td>J2</td> <td>PTD.</td> <td>-</td> <td>387</td> <td>3\"/> <tr> <td>391</td> <td>ETR</td> <td>-</td> <td>WD.</td> <td>J2</td> <td>PTD.</td> <td>-</td> <td>388</td> <td>3\"/> <tr> <td>391A</td> <td>ETR</td> <td>-</td> <td>WD.</td> <td>J2</td> <td>PTD.</td> <td>-</td> <td>389</td> <td>3\"/> <tr> <td>391B</td> <td>ETR</td> <td>-</td> <td>WD.</td> <td>J2</td> <td>PTD.</td> <td>-</td> <td>391</td> <td>3\"/> <tr> <td>394</td> <td>ETR</td> <td>-</td> <td>WD.</td> <td>J2</td> <td>PTD.</td> <td>-</td> <td>391A</td> <td>3\"/> <tr> <td>395</td> <td>ETR</td> <td>-</td> <td>WD.</td> <td>J2</td> <td>PTD.</td> <td>-</td> <td>391B</td> <td>3\"/> <tr> <td>396</td> <td>ETR</td> <td>-</td> <td>WD.</td> <td>J2</td> <td>PTD.</td> <td>-</td> <td>394</td> <td>3\"/> <tr> <td>398</td> <td>ETR</td> <td>-</td> <td>WD.</td> <td>J2</td> <td>PTD.</td> <td>-</td> <td>395</td> <td>3\"/> <tr> <td>399</td> <td>ETR</td> <td>-</td> <td>WD.</td> <td>J2</td> <td>PTD.</td> <td>-</td> <td>396</td> <td>3\"/> <tr> <td>3991</td> <td>ETR</td> <td>-</td> <td>WD.</td> <td>J2</td> <td>PTD.</td> <td>-</td> <td>398</td> <td>3\"/> <tr> <td>3992</td> <td>A</td> <td>3\"/> <tr> <td>3993</td> <td>ETR</td> <td>-</td> <td>WD.</td> <td>J2</td> <td>PTD.</td> <td>-</td> <td>399</td> <td>3\"/> <tr> <td>3994</td> <td>ETR</td> <td>-</td> <td>WD.</td> <td>J2</td> <td>PTD.</td> <td>-</td> <td>3991</td> <td>3\"/> <tr> <td>3995</td> <td>ETR</td> <td>-</td> <td>WD.</td> <td>J2</td> <td>PTD.</td> <td>-</td> <td>3992</td> <td>3\"/> <tr> <td>3997</td> <td>ETR</td> <td>-</td> <td>WD.</td> <td>J2</td> <td>PTD.</td> <td>-</td> <td>3993</td> <td>3\"/> <tr> <td>3998</td> <td>ETR</td> <td>-</td> <td>WD.</td> <td>J2</td> <td>PTD.</td> <td>-</td> <td>3994</td> <td>3\"/> <tr> <td>3999</td> <td>ETR</td> <td>-</td> <td>WD.</td> <td>J2</td> <td>PTD.</td> <td>-</td> <td>3995</td> <td>3\"/> <tr> <td>3999</td> <td>ETR</td> <td>-</td> <td>WD.</td> <td>J2</td> <td>PTD.</td> <td>-</td> <td>3997</td> <td>3\"/> </td></tr></td></tr></td></tr></td></tr></td></tr></td></tr></td></tr></td></tr></td></tr></td></tr></td></tr></td></tr></td></tr></td></tr></td></tr></td></tr></td></tr></td></tr></td></tr></td></tr> | 387 | ETR | - | WD. | J2 | PTD. | - | 385 | 3\"/> <tr> <td>388</td> <td>ETR</td> <td>-</td> <td>WD.</td> <td>J2</td> <td>PTD.</td> <td>-</td> <td>386</td> <td>3\"/> <tr> <td>389</td> <td>ETR</td> <td>-</td> <td>WD.</td> <td>J2</td> <td>PTD.</td> <td>-</td> <td>387</td> <td>3\"/> <tr> <td>391</td> <td>ETR</td> <td>-</td> <td>WD.</td> <td>J2</td> <td>PTD.</td> <td>-</td> <td>388</td> <td>3\"/> <tr> <td>391A</td> <td>ETR</td> <td>-</td> <td>WD.</td> <td>J2</td> <td>PTD.</td> <td>-</td> <td>389</td>
<td>3\"/> <tr> <td>391B</td> <td>ETR</td> <td>-</td> <td>WD.</td> <td>J2</td> <td>PTD.</td> <td>-</td> <td>391</td> <td>3\"/> <tr> <td>394</td> <td>ETR</td> <td>-</td> <td>WD.</td> <td>J2</td> <td>PTD.</td> <td>-</td> <td>391A</td> <td>3\"/> <tr> <td>395</td> <td>ETR</td> <td>-</td> <td>WD.</td> <td>J2</td> <td>PTD.</td> <td>-</td> <td>391B</td> <td>3\"/> <tr> <td>396</td> <td>ETR</td> <td>-</td> <td>WD.</td> <td>J2</td> <td>PTD.</td> <td>-</td> <td>394</td> <td>3\"/> <tr> <td>398</td> <td>ETR</td> <td>-</td> <td>WD.</td> <td>J2</td> <td>PTD.</td> <td>-</td> <td>395</td> <td>3\"/> <tr> <td>399</td> <td>ETR</td> <td>-</td> <td>WD.</td> <td>J2</td> <td>PTD.</td> <td>-</td> <td>396</td> <td>3\"/> <tr> <td>3991</td> <td>ETR</td> <td>-</td> <td>WD.</td> <td>J2</td> <td>PTD.</td> <td>-</td> <td>398</td> <td>3\"/> <tr> <td>3992</td> <td>A</td> <td>3\"/> <tr> <td>3993</td> <td>ETR</td> <td>-</td> <td>WD.</td> <td>J2</td> <td>PTD.</td> <td>-</td> <td>399</td> <td>3\"/> <tr> <td>3994</td> <td>ETR</td> <td>-</td> <td>WD.</td> <td>J2</td> <td>PTD.</td> <td>-</td> <td>3991</td> <td>3\"/> <tr> <td>3995</td> <td>ETR</td> <td>-</td> <td>WD.</td> <td>J2</td> <td>PTD.</td> <td>-</td> <td>3992</td> <td>3\"/> <tr> <td>3997</td> <td>ETR</td> <td>-</td> <td>WD.</td> <td>J2</td> <td>PTD.</td> <td>-</td> <td>3993</td> <td>3\"/> <tr> <td>3998</td> <td>ETR</td> <td>-</td> <td>WD.</td> <td>J2</td> <td>PTD.</td> <td>-</td> <td>3994</td> <td>3\"/> <tr> <td>3999</td> <td>ETR</td> <td>-</td> <td>WD.</td> <td>J2</td> <td>PTD.</td> <td>-</td> <td>3995</td> <td>3\"/> <tr> <td>3999</td> <td>ETR</td> <td>-</td> <td>WD.</td> <td>J2</td> <td>PTD.</td> <td>-</td> <td>3997</td> <td>3\"/> </td></tr></td></tr></td></tr></td></tr></td></tr></td></tr></td></tr></td></tr></td></tr></td></tr></td></tr></td></tr></td></tr></td></tr></td></tr></td></tr></td></tr></td></tr></td></tr> | 388 | ETR | - | WD. | J2 | PTD. | - | 386 | 3\"/> <tr> <td>389</td> <td>ETR</td> <td>-</td> <td>WD.</td> <td>J2</td> <td>PTD.</td> <td>-</td> <td>387</td> <td>3\"/> <tr> <td>391</td> <td>ETR</td> <td>-</td> <td>WD.</td> <td>J2</td> <td>PTD.</td> <td>-</td> <td>388</td> <td>3\"/> <tr> <td>391A</td> <td>ETR</td> <td>-</td> <td>WD.</td> <td>J2</td> <td>PTD.</td> <td>-</td> <td>389</td> <td>3\"/> <tr> <td>391B</td> <td>ETR</td> <td>-</td> <td>WD.</td> <td>J2</td> <td>PTD.</td> <td>-</td> <td>391</td> <td>3\"/> <tr> <td>394</td> <td>ETR</td> <td>-</td> <td>WD.</td> <td>J2</td> <td>PTD.</td> <td>-</td> <td>391A</td> <td>3\"/> <tr> <td>395</td> <td>ETR</td> <td>-</td> <td>WD.</td> <td>J2</td> <td>PTD.</td> <td>-</td> <td>391B</td> <td>3\"/> <tr> <td>396</td> <td>ETR</td> <td>-</td> <td>WD.</td> <td>J2</td> <td>PTD.</td> <td>-</td> <td>394</td> <td>3\"/> <tr> <td>398</td> <td>ETR</td> <td>-</td> <td>WD.</td> <td>J2</td> <td>PTD.</td> <td>-</td> <td>395</td> <td>3\"/> <tr> <td>399</td> <td>ETR</td> <td>-</td> <td>WD.</td> <td>J2</td> <td>PTD.</td> <td>-</td> <td>396</td> <td>3\"/> <tr> <td>3991</td> <td>ETR</td> <td>-</td> <td>WD.</td> <td>J2</td> <td>PTD.</td> <td>-</td> <td>398</td> <td>3\"/> <tr> <td>3992</td> <td>A</td> <td>3\"/> <tr> <td>3993</td> <td>ETR</td> <td>-</td> <td>WD.</td> <td>J2</td> <td>PTD.</td> <td>-</td> <td>399</td> <td>3\"/> <tr> <td>3994</td> <td>ETR</td> <td>-</td> <td>WD.</td> <td>J2</td> <td>PTD.</td> <td>-</td> <td>3991</td> <td>3\"/> <tr> <td>3995</td> <td>ETR</td> <td>-</td> <td>WD.</td> <td>J2</td> <td>PTD.</td> <td>-</td> <td>3992</td> <td>3\"/> <tr> <td>3997</td> <td>ETR</td> <td>-</td> <td>WD.</td> <td>J2</td> <td>PTD.</td> <td>-</td> <td>3993</td> <td>3\"/> <tr> <td>3998</td> <td>ETR</td> <td>-</td> <td>WD.</td> <td>J2</td> <td>PTD.</td> <td>-</td> <td>3994</td> <td>3\"/> <tr> <td>3999</td> <td>ETR</td> <td>-</td> <td>WD.</td> <td>J2</td> <td>PTD.</td> <td>-</td> <td>3995</td> <td>3\"/> <tr> <td>3999</td> <td>ETR</td> <td>-</td> <td>WD.</td> <td>J2</td> <td>PTD.</td> <td>-</td> <td>3997</td> <td>3\"/> </td></tr></td></tr></td></tr></td></tr></td></tr></td></tr></td></tr></td></tr></td></tr></td></tr></td></tr></td></tr></td></tr></td></tr></td></tr></td></tr></td></tr></td></tr> | 389 | ETR | - | WD. | J2 | PTD. | - | 387 | 3\"/> <tr> <td>391</td> <td>ETR</td> <td>-</td> <td>WD.</td> <td>J2</td> <td>PTD.</td> <td>-</td> <td>388</td> <td>3\"/> <tr> <td>391A</td> <td>ETR</td> <td>-</td> <td>WD.</td> <td>J2</td> <td>PTD.</td> <td>-</td> <td>389</td> <td>3\"/> <tr> <td>391B</td> <td>ETR</td> <td>-</td> <td>WD.</td> <td>J2</td> <td>PTD.</td> <td>-</td> <td>391</td> <td>3\"/> <tr> <td>394</td> <td>ETR</td> <td>-</td> <td>WD.</td> <td>J2</td> <td>PTD.</td> <td>-</td> <td>391A</td> <td>3\"/> <tr> <td>395</td> <td>ETR</td> <td>-</td> <td>WD.</td> <td>J2</td> <td>PTD.</td> <td>-</td> <td>391B</td> <td>3\"/> <tr> <td>396</td> <td>ETR</td> <td>-</td> <td>WD.</td> <td>J2</td> <td>PTD.</td> <td>-</td> <td>394</td> <td>3\"/> <tr> <td>398</td> <td>ETR</td> <td>-</td> <td>WD.</td> <td>J2</td> <td>PTD.</td> <td>-</td> <td>395</td> <td>3\"/> <tr> <td>399</td> <td>ETR</td> <td>-</td> <td>WD.</td> <td>J2</td> <td>PTD.</td> <td>-</td> <td>396</td> <td>3\"/> <tr> <td>3991</td> <td>ETR</td> <td>-</td> <td>WD.</td> <td>J2</td> <td>PTD.</td> <td>-</td> <td>398</td> <td>3\"/> <tr> <td>3992</td> <td>A</td> <td>3\"/> <tr> <td>3993</td> <td>ETR</td> <td>-</td> <td>WD.</td> <td>J2</td> <td>PTD.</td> <td>-</td> <td>399</td> <td>3\"/> <tr> <td>3994</td>
<td>ETR</td> <td>-</td> <td>WD.</td> <td>J2</td> <td>PTD.</td> <td>-</td> <td>3991</td> <td>3\"/> <tr> <td>3995</td> <td>ETR</td> <td>-</td> <td>WD.</td> <td>J2</td> <td>PTD.</td> <td>-</td> <td>3992</td> <td>3\"/> <tr> <td>3997</td> <td>ETR</td> <td>-</td> <td>WD.</td> <td>J2</td> <td>PTD.</td> <td>-</td> <td>3993</td> <td>3\"/> <tr> <td>3998</td> <td>ETR</td> <td>-</td> <td>WD.</td> <td>J2</td> <td>PTD.</td> <td>-</td> <td>3994</td> <td>3\"/> <tr> <td>3999</td> <td>ETR</td> <td>-</td> <td>WD.</td> <td>J2</td> <td>PTD.</td> <td>-</td> <td>3995</td> <td>3\"/> <tr> <td>3999</td> <td>ETR</td> <td>-</td> <td>WD.</td> <td>J2</td> <td>PTD.</td> <td>-</td> <td>3997</td> <td>3\"/> </td></tr></td></tr></td></tr></td></tr></td></tr></td></tr></td></tr></td></tr></td></tr></td></tr></td></tr></td></tr></td></tr></td></tr></td></tr></td></tr></td></tr> | 391 | ETR | - | WD. | J2 | PTD. | - | 388 | 3\"/> <tr> <td>391A</td> <td>ETR</td> <td>-</td> <td>WD.</td> <td>J2</td> <td>PTD.</td> <td>-</td> <td>389</td> <td>3\"/> <tr> <td>391B</td> <td>ETR</td> <td>-</td> <td>WD.</td> <td>J2</td> <td>PTD.</td> <td>-</td> <td>391</td> <td>3\"/> <tr> <td>394</td> <td>ETR</td> <td>-</td> <td>WD.</td> <td>J2</td> <td>PTD.</td> <td>-</td> <td>391A</td> <td>3\"/> <tr> <td>395</td> <td>ETR</td> <td>-</td> <td>WD.</td> <td>J2</td> <td>PTD.</td> <td>-</td> <td>391B</td> <td>3\"/> <tr> <td>396</td> <td>ETR</td> <td>-</td> <td>WD.</td> <td>J2</td> <td>PTD.</td> <td>-</td> <td>394</td> <td>3\"/> <tr> <td>398</td> <td>ETR</td> <td>-</td> <td>WD.</td> <td>J2</td> <td>PTD.</td> <td>-</td> <td>395</td> <td>3\"/> <tr> <td>399</td> <td>ETR</td> <td>-</td> <td>WD.</td> <td>J2</td> <td>PTD.</td> <td>-</td> <td>396</td> <td>3\"/> <tr> <td>3991</td> <td>ETR</td> <td>-</td> <td>WD.</td> <td>J2</td> <td>PTD.</td> <td>-</td> <td>398</td> <td>3\"/> <tr> <td>3992</td> <td>A</td> <td>3\"/> <tr> <td>3993</td> <td>ETR</td> <td>-</td> <td>WD.</td> <td>J2</td> <td>PTD.</td> <td>-</td> <td>399</td> <td>3\"/> <tr> <td>3994</td> <td>ETR</td> <td>-</td> <td>WD.</td> <td>J2</td> <td>PTD.</td> <td>-</td> <td>3991</td> <td>3\"/> <tr> <td>3995</td> <td>ETR</td> <td>-</td> <td>WD.</td> <td>J2</td> <td>PTD.</td> <td>-</td> <td>3992</td> <td>3\"/> <tr> <td>3997</td> <td>ETR</td> <td>-</td> <td>WD.</td> <td>J2</td> <td>PTD.</td> <td>-</td> <td>3993</td> <td>3\"/> <tr> <td>3998</td> <td>ETR</td> <td>-</td> <td>WD.</td> <td>J2</td> <td>PTD.</td> <td>-</td> <td>3994</td> <td>3\"/> <tr> <td>3999</td> <td>ETR</td> <td>-</td> <td>WD.</td> <td>J2</td> <td>PTD.</td> <td>-</td> <td>3995</td> <td>3\"/> <tr> <td>3999</td> <td>ETR</td> <td>-</td> <td>WD.</td> <td>J2</td> <td>PTD.</td> <td>-</td> <td>3997</td> <td>3\"/> </td></tr></td></tr></td></tr></td></tr></td></tr></td></tr></td></tr></td></tr></td></tr></td></tr></td></tr></td></tr></td></tr></td></tr></td></tr></td></tr> | 391A | ETR | - | WD. | J2 | PTD. | - | 389 | 3\"/> <tr> <td>391B</td> <td>ETR</td> <td>-</td> <td>WD.</td> <td>J2</td> <td>PTD.</td> <td>-</td> <td>391</td> <td>3\"/> <tr> <td>394</td> <td>ETR</td> <td>-</td> <td>WD.</td> <td>J2</td> <td>PTD.</td> <td>-</td> <td>391A</td> <td>3\"/> <tr> <td>395</td> <td>ETR</td> <td>-</td> <td>WD.</td> <td>J2</td> <td>PTD.</td> <td>-</td> <td>391B</td> <td>3\"/> <tr> <td>396</td> <td>ETR</td> <td>-</td> <td>WD.</td> <td>J2</td> <td>PTD.</td> <td>-</td> <td>394</td> <td>3\"/> <tr> <td>398</td> <td>ETR</td> <td>-</td> <td>WD.</td> <td>J2</td> <td>PTD.</td> <td>-</td> <td>395</td> <td>3\"/> <tr> <td>399</td> <td>ETR</td> <td>-</td> <td>WD.</td> <td>J2</td> <td>PTD.</td> <td>-</td> <td>396</td> <td>3\"/> <tr> <td>3991</td> <td>ETR</td> <td>-</td> <td>WD.</td> <td>J2</td> <td>PTD.</td> <td>-</td> <td>398</td> <td>3\"/> <tr> <td>3992</td> <td>A</td> <td>3\"/> <tr> <td>3993</td> <td>ETR</td> <td>-</td> <td>WD.</td> <td>J2</td> <td>PTD.</td> <td>-</td> <td>399</td> <td>3\"/> <tr> <td>3994</td> <td>ETR</td> <td>-</td> <td>WD.</td> <td>J2</td> <td>PTD.</td> <td>-</td> <td>3991</td> <td>3\"/> <tr> <td>3995</td> <td>ETR</td> <td>-</td> <td>WD.</td> <td>J2</td> <td>PTD.</td> <td>-</td> <td>3992</td> <td>3\"/> <tr> <td>3997</td> <td>ETR</td> <td>-</td> <td>WD.</td> <td>J2</td> <td>PTD.</td> <td>-</td> <td>3993</td> <td>3\"/> <tr> <td>3998</td> <td>ETR</td> <td>-</td> <td>WD.</td> <td>J2</td> <td>PTD.</td> <td>-</td> <td>3994</td> <td>3\"/> <tr> <td>3999</td> <td>ETR</td> <td>-</td> <td>WD.</td> <td>J2</td> <td>PTD.</td> <td>-</td> <td>3995</td> <td>3\"/> <tr> <td>3999</td> <td>ETR</td> <td>-</td> <td>WD.</td> <td>J2</td> <td>PTD.</td> <td>-</td> <td>3997</td> <td>3\"/> </td></tr></td></tr></td></tr></td></tr></td></tr></td></tr></td></tr></td></tr></td></tr></td></tr></td></tr></td></tr></td></tr></td></tr></td></tr> | 391B | ETR | - | WD. | J2 | PTD.
 | - | 391 | 3\"/> <tr> <td>394</td> <td>ETR</td> <td>-</td> <td>WD.</td> <td>J2</td> <td>PTD.</td> <td>-</td> <td>391A</td> <td>3\"/> <tr> <td>395</td> <td>ETR</td> <td>-</td> <td>WD.</td> <td>J2</td> <td>PTD.</td> <td>-</td> <td>391B</td> <td>3\"/> <tr> <td>396</td> <td>ETR</td> <td>-</td> <td>WD.</td> <td>J2</td> <td>PTD.</td> <td>-</td> <td>394</td> <td>3\"/> <tr> <td>398</td> <td>ETR</td> <td>-</td> <td>WD.</td> <td>J2</td> <td>PTD.</td> <td>-</td> <td>395</td> <td>3\"/> <tr> <td>399</td> <td>ETR</td> <td>-</td> <td>WD.</td> <td>J2</td> <td>PTD.</td> <td>-</td> <td>396</td> <td>3\"/> <tr> <td>3991</td> <td>ETR</td> <td>-</td> <td>WD.</td> <td>J2</td> <td>PTD.</td> <td>-</td> <td>398</td> <td>3\"/> <tr> <td>3992</td> <td>A</td> <td>3\"/> <tr> <td>3993</td> <td>ETR</td> <td>-</td> <td>WD.</td> <td>J2</td> <td>PTD.</td> <td>-</td> <td>399</td> <td>3\"/> <tr> <td>3994</td> <td>ETR</td> <td>-</td> <td>WD.</td> <td>J2</td> <td>PTD.</td> <td>-</td> <td>3991</td> <td>3\"/> <tr> <td>3995</td> <td>ETR</td> <td>-</td> <td>WD.</td> <td>J2</td> <td>PTD.</td> <td>-</td> <td>3992</td> <td>3\"/> <tr> <td>3997</td> <td>ETR</td> <td>-</td> <td>WD.</td> <td>J2</td> <td>PTD.</td> <td>-</td> <td>3993</td> <td>3\"/> <tr> <td>3998</td> <td>ETR</td> <td>-</td> <td>WD.</td> <td>J2</td> <td>PTD.</td> <td>-</td> <td>3994</td> <td>3\"/> <tr> <td>3999</td> <td>ETR</td> <td>-</td> <td>WD.</td> <td>J2</td> <td>PTD.</td> <td>-</td> <td>3995</td> <td>3\"/> <tr> <td>3999</td> <td>ETR</td> <td>-</td> <td>WD.</td> <td>J2</td> <td>PTD.</td> <td>-</td> <td>3997</td> <td>3\"/> </td></tr></td></tr></td></tr></td></tr></td></tr></td></tr></td></tr></td></tr></td></tr></td></tr></td></tr></td></tr></td></tr></td></tr> | 394 | ETR | - | WD. | J2 | PTD. | - | 391A | 3\"/> <tr> <td>395</td> <td>ETR</td> <td>-</td> <td>WD.</td> <td>J2</td> <td>PTD.</td> <td>-</td> <td>391B</td> <td>3\"/> <tr> <td>396</td> <td>ETR</td> <td>-</td> <td>WD.</td> <td>J2</td> <td>PTD.</td> <td>-</td> <td>394</td> <td>3\"/> <tr> <td>398</td> <td>ETR</td> <td>-</td> <td>WD.</td> <td>J2</td> <td>PTD.</td> <td>-</td> <td>395</td> <td>3\"/> <tr> <td>399</td> <td>ETR</td> <td>-</td> <td>WD.</td> <td>J2</td> <td>PTD.</td> <td>-</td> <td>396</td> <td>3\"/> <tr> <td>3991</td> <td>ETR</td> <td>-</td> <td>WD.</td> <td>J2</td> <td>PTD.</td> <td>-</td> <td>398</td> <td>3\"/> <tr> <td>3992</td> <td>A</td> <td>3\"/> <tr> <td>3993</td> <td>ETR</td> <td>-</td> <td>WD.</td> <td>J2</td> <td>PTD.</td> <td>-</td> <td>399</td> <td>3\"/> <tr> <td>3994</td> <td>ETR</td> <td>-</td> <td>WD.</td> <td>J2</td> <td>PTD.</td> <td>-</td> <td>3991</td> <td>3\"/> <tr> <td>3995</td> <td>ETR</td> <td>-</td> <td>WD.</td> <td>J2</td> <td>PTD.</td> <td>-</td> <td>3992</td> <td>3\"/> <tr> <td>3997</td> <td>ETR</td> <td>-</td> <td>WD.</td> <td>J2</td> <td>PTD.</td> <td>-</td> <td>3993</td> <td>3\"/> <tr> <td>3998</td> <td>ETR</td> <td>-</td> <td>WD.</td> <td>J2</td> <td>PTD.</td> <td>-</td> <td>3994</td> <td>3\"/> <tr> <td>3999</td> <td>ETR</td> <td>-</td> <td>WD.</td> <td>J2</td> <td>PTD.</td> <td>-</td> <td>3995</td> <td>3\"/> <tr> <td>3999</td> <td>ETR</td> <td>-</td> <td>WD.</td> <td>J2</td> <td>PTD.</td> <td>-</td> <td>3997</td> <td>3\"/> </td></tr></td></tr></td></tr></td></tr></td></tr></td></tr></td></tr></td></tr></td></tr></td></tr></td></tr></td></tr></td></tr> | 395 | ETR | - | WD. | J2 | PTD. | - | 391B | 3\"/> <tr> <td>396</td> <td>ETR</td> <td>-</td> <td>WD.</td> <td>J2</td> <td>PTD.</td> <td>-</td> <td>394</td> <td>3\"/> <tr> <td>398</td> <td>ETR</td> <td>-</td> <td>WD.</td> <td>J2</td> <td>PTD.</td> <td>-</td> <td>395</td> <td>3\"/> <tr> <td>399</td> <td>ETR</td> <td>-</td> <td>WD.</td> <td>J2</td> <td>PTD.</td> <td>-</td> <td>396</td> <td>3\"/> <tr> <td>3991</td> <td>ETR</td> <td>-</td> <td>WD.</td> <td>J2</td> <td>PTD.</td> <td>-</td> <td>398</td> <td>3\"/> <tr> <td>3992</td> <td>A</td> <td>3\"/> <tr> <td>3993</td> <td>ETR</td> <td>-</td> <td>WD.</td> <td>J2</td> <td>PTD.</td> <td>-</td> <td>399</td> <td>3\"/> <tr> <td>3994</td> <td>ETR</td> <td>-</td> <td>WD.</td> <td>J2</td> <td>PTD.</td> <td>-</td> <td>3991</td> <td>3\"/> <tr> <td>3995</td> <td>ETR</td> <td>-</td> <td>WD.</td> <td>J2</td> <td>PTD.</td> <td>-</td> <td>3992</td> <td>3\"/> <tr> <td>3997</td> <td>ETR</td> <td>-</td> <td>WD.</td> <td>J2</td> <td>PTD.</td> <td>-</td> <td>3993</td> <td>3\"/> <tr> <td>3998</td> <td>ETR</td> <td>-</td> <td>WD.</td> <td>J2</td> <td>PTD.</td> <td>-</td> <td>3994</td> <td>3\"/> <tr> <td>3999</td> <td>ETR</td> <td>-</td> <td>WD.</td> <td>J2</td> <td>PTD.</td> <td>-</td> <td>3995</td> <td>3\"/> <tr> <td>3999</td> <td>ETR</td> <td>-</td> <td>WD.</td> <td>J2</td> <td>PTD.</td> <td>-</td> <td>3997</td> <td>3\"/> </td></tr></td></tr></td></tr></td></tr></td></tr></td></tr></td></tr></td></tr></td></tr></td></tr></td></tr></td></tr> | 396 | ETR | - | WD. | J2 | PTD.
 | - | 394 | 3\"/> <tr> <td>398</td> <td>ETR</td> <td>-</td> <td>WD.</td> <td>J2</td> <td>PTD.</td> <td>-</td> <td>395</td> <td>3\"/> <tr> <td>399</td> <td>ETR</td> <td>-</td> <td>WD.</td> <td>J2</td> <td>PTD.</td> <td>-</td> <td>396</td> <td>3\"/> <tr> <td>3991</td> <td>ETR</td> <td>-</td> <td>WD.</td> <td>J2</td> <td>PTD.</td> <td>-</td> <td>398</td> <td>3\"/> <tr> <td>3992</td> <td>A</td> <td>3\"/> <tr> <td>3993</td> <td>ETR</td> <td>-</td> <td>WD.</td> <td>J2</td> <td>PTD.</td> <td>-</td> <td>399</td> <td>3\"/> <tr> <td>3994</td> <td>ETR</td> <td>-</td> <td>WD.</td> <td>J2</td> <td>PTD.</td> <td>-</td> <td>3991</td> <td>3\"/> <tr> <td>3995</td> <td>ETR</td> <td>-</td> <td>WD.</td> <td>J2</td> <td>PTD.</td> <td>-</td> <td>3992</td> <td>3\"/> <tr> <td>3997</td> <td>ETR</td> <td>-</td> <td>WD.</td> <td>J2</td> <td>PTD.</td> <td>-</td> <td>3993</td> <td>3\"/> <tr> <td>3998</td> <td>ETR</td> <td>-</td> <td>WD.</td> <td>J2</td> <td>PTD.</td> <td>-</td> <td>3994</td> <td>3\"/> <tr> <td>3999</td> <td>ETR</td> <td>-</td> <td>WD.</td> <td>J2</td> <td>PTD.</td> <td>-</td> <td>3995</td> <td>3\"/> <tr> <td>3999</td> <td>ETR</td> <td>-</td> <td>WD.</td> <td>J2</td> <td>PTD.</td> <td>-</td> <td>3997</td> <td>3\"/> </td></tr></td></tr></td></tr></td></tr></td></tr></td></tr></td></tr></td></tr></td></tr></td></tr></td></tr> | 398 | ETR | - | WD. | J2 | PTD. | - | 395 | 3\"/> <tr> <td>399</td> <td>ETR</td> <td>-</td> <td>WD.</td> <td>J2</td> <td>PTD.</td> <td>-</td> <td>396</td> <td>3\"/> <tr> <td>3991</td> <td>ETR</td> <td>-</td> <td>WD.</td> <td>J2</td> <td>PTD.</td> <td>-</td> <td>398</td> <td>3\"/> <tr> <td>3992</td> <td>A</td> <td>3\"/> <tr> <td>3993</td> <td>ETR</td> <td>-</td> <td>WD.</td> <td>J2</td> <td>PTD.</td> <td>-</td> <td>399</td> <td>3\"/> <tr> <td>3994</td> <td>ETR</td> <td>-</td> <td>WD.</td> <td>J2</td> <td>PTD.</td> <td>-</td> <td>3991</td> <td>3\"/> <tr> <td>3995</td> <td>ETR</td> <td>-</td> <td>WD.</td> <td>J2</td> <td>PTD.</td> <td>-</td> <td>3992</td> <td>3\"/> <tr> <td>3997</td> <td>ETR</td> <td>-</td> <td>WD.</td> <td>J2</td> <td>PTD.</td> <td>-</td> <td>3993</td> <td>3\"/> <tr> <td>3998</td> <td>ETR</td> <td>-</td> <td>WD.</td> <td>J2</td> <td>PTD.</td> <td>-</td> <td>3994</td> <td>3\"/> <tr> <td>3999</td> <td>ETR</td> <td>-</td> <td>WD.</td> <td>J2</td> <td>PTD.</td> <td>-</td> <td>3995</td> <td>3\"/> <tr> <td>3999</td> <td>ETR</td> <td>-</td> <td>WD.</td> <td>J2</td> <td>PTD.</td> <td>-</td> <td>3997</td> <td>3\"/> </td></tr></td></tr></td></tr></td></tr></td></tr></td></tr></td></tr></td></tr></td></tr></td></tr> | 399 | ETR | - | WD. | J2 | PTD. | - | 396 | 3\"/> <tr> <td>3991</td> <td>ETR</td> <td>-</td> <td>WD.</td> <td>J2</td> <td>PTD.</td> <td>-</td> <td>398</td> <td>3\"/> <tr> <td>3992</td> <td>A</td> <td>3\"/> <tr> <td>3993</td> <td>ETR</td> <td>-</td> <td>WD.</td> <td>J2</td> <td>PTD.</td> <td>-</td> <td>399</td> <td>3\"/> <tr> <td>3994</td> <td>ETR</td> <td>-</td> <td>WD.</td> <td>J2</td> <td>PTD.</td> <td>-</td> <td>3991</td> <td>3\"/> <tr> <td>3995</td> <td>ETR</td> <td>-</td> <td>WD.</td> <td>J2</td> <td>PTD.</td> <td>-</td> <td>3992</td> <td>3\"/> <tr> <td>3997</td> <td>ETR</td> <td>-</td> <td>WD.</td> <td>J2</td> <td>PTD.</td> <td>-</td> <td>3993</td> <td>3\"/> <tr> <td>3998</td> <td>ETR</td> <td>-</td> <td>WD.</td> <td>J2</td> <td>PTD.</td> <td>-</td> <td>3994</td> <td>3\"/> <tr> <td>3999</td> <td>ETR</td> <td>-</td> <td>WD.</td> <td>J2</td> <td>PTD.</td> <td>-</td> <td>3995</td> <td>3\"/> <tr> <td>3999</td> <td>ETR</td> <td>-</td> <td>WD.</td> <td>J2</td> <td>PTD.</td> <td>-</td> <td>3997</td> <td>3\"/> </td></tr></td></tr></td></tr></td></tr></td></tr></td></tr></td></tr></td></tr></td></tr> | 3991 | ETR | - | WD. | J2 | PTD. | - | 398 | 3\"/> <tr> <td>3992</td> <td>A</td> <td>3\"/> <tr> <td>3993</td> <td>ETR</td> <td>-</td> <td>WD.</td> <td>J2</td> <td>PTD.</td> <td>-</td> <td>399</td> <td>3\"/> <tr> <td>3994</td> <td>ETR</td> <td>-</td> <td>WD.</td> <td>J2</td> <td>PTD.</td> <td>-</td> <td>3991</td> <td>3\"/> <tr> <td>3995</td> <td>ETR</td> <td>-</td> <td>WD.</td> <td>J2</td> <td>PTD.</td> <td>-</td> <td>3992</td> <td>3\"/> <tr> <td>3997</td> <td>ETR</td> <td>-</td> <td>WD.</td> <td>J2</td> <td>PTD.</td> <td>-</td> <td>3993</td> <td>3\"/> <tr> <td>3998</td> <td>ETR</td> <td>-</td> <td>WD.</td> <td>J2</td> <td>PTD.</td> <td>-</td> <td>3994</td> <td>3\"/> <tr> <td>3999</td> <td>ETR</td> <td>-</td> <td>WD.</td> <td>J2</td> <td>PTD.</td> <td>-</td> <td>3995</td> <td>3\"/> <tr> <td>3999</td> <td>ETR</td> <td>-</td> <td>WD.</td> <td>J2</td> <td>PTD.</td> <td>-</td> <td>3997</td> <td>3\"/> </td></tr></td></tr></td></tr></td></tr></td></tr></td></tr></td></tr></td></tr> | 3992 | A | 3\"/> <tr> <td>3993</td> <td>ETR</td> <td>-</td> <td>WD.</td> <td>J2</td> <td>PTD.</td> <td>-</td> <td>399</td> <td>3\"/> <tr> <td>3994</td> <td>ETR</td> <td>-</td> <td>WD.</td> <td>J2</td> <td>PTD.</td> <td>-</td> <td>3991</td> <td>3\"/> <tr> <td>3995</td> <td>ETR</td> <td>-</td> <td>WD.</td> <td>J2</td> <td>PTD.</td> <td>-</td> <td>3992</td> <td>3\"/> <tr> <td>3997</td> <td>ETR</td> <td>-</td> <td>WD.</td> <td>J2</td> <td>PTD.</td> <td>-</td> <td>3993</td> <td>3\"/> <tr> <td>3998</td> <td>ETR</td> <td>-</td> <td>WD.</td> <td>J2</td> <td>PTD.</td> <td>-</td> <td>3994</td> <td>3\"/> <tr> <td>3999</td> <td>ETR</td> <td>-</td> <td>WD.</td> <td>J2</td> <td>PTD.</td> <td>-</td> <td>3995</td> <td>3\"/> <tr> <td>3999</td> <td>ETR</td> <td>-</td> <td>WD.</td> <td>J2</td> <td>PTD.</td> <td>-</td> <td>3997</td> <td>3\"/> </td></tr></td></tr></td></tr></td></tr></td></tr></td></tr></td></tr> | 3993 | ETR | - | WD. | J2 | PTD.
 | - | 399 | 3\"/> <tr> <td>3994</td> <td>ETR</td> <td>-</td> <td>WD.</td> <td>J2</td> <td>PTD.</td> <td>-</td> <td>3991</td> <td>3\"/> <tr> <td>3995</td> <td>ETR</td> <td>-</td> <td>WD.</td> <td>J2</td> <td>PTD.</td> <td>-</td> <td>3992</td> <td>3\"/> <tr> <td>3997</td> <td>ETR</td> <td>-</td> <td>WD.</td> <td>J2</td> <td>PTD.</td> <td>-</td> <td>3993</td> <td>3\"/> <tr> <td>3998</td> <td>ETR</td> <td>-</td> <td>WD.</td> <td>J2</td> <td>PTD.</td> <td>-</td> <td>3994</td> <td>3\"/> <tr> <td>3999</td> <td>ETR</td> <td>-</td> <td>WD.</td> <td>J2</td> <td>PTD.</td> <td>-</td> <td>3995</td> <td>3\"/> <tr> <td>3999</td> <td>ETR</td> <td>-</td> <td>WD.</td> <td>J2</td> <td>PTD.</td> <td>-</td> <td>3997</td> <td>3\"/> </td></tr></td></tr></td></tr></td></tr></td></tr></td></tr> | 3994 | ETR | - | WD. | J2 | PTD. | - | 3991 | 3\"/> <tr> <td>3995</td> <td>ETR</td> <td>-</td> <td>WD.</td> <td>J2</td> <td>PTD.</td> <td>-</td> <td>3992</td> <td>3\"/> <tr> <td>3997</td> <td>ETR</td> <td>-</td> <td>WD.</td> <td>J2</td> <td>PTD.</td> <td>-</td> <td>3993</td> <td>3\"/> <tr> <td>3998</td> <td>ETR</td> <td>-</td> <td>WD.</td> <td>J2</td> <td>PTD.</td> <td>-</td> <td>3994</td> <td>3\"/> <tr> <td>3999</td> <td>ETR</td> <td>-</td> <td>WD.</td> <td>J2</td> <td>PTD.</td> <td>-</td> <td>3995</td> <td>3\"/> <tr> <td>3999</td> <td>ETR</td> <td>-</td> <td>WD.</td> <td>J2</td> <td>PTD.</td> <td>-</td> <td>3997</td> <td>3\"/> </td></tr></td></tr></td></tr></td></tr></td></tr> | 3995 | ETR | - | WD. | J2 | PTD. | - | 3992 | 3\"/> <tr> <td>3997</td> <td>ETR</td> <td>-</td> <td>WD.</td> <td>J2</td> <td>PTD.</td> <td>-</td> <td>3993</td> <td>3\"/> <tr> <td>3998</td> <td>ETR</td> <td>-</td> <td>WD.</td> <td>J2</td> <td>PTD.</td> <td>-</td> <td>3994</td> <td>3\"/> <tr> <td>3999</td> <td>ETR</td> <td>-</td> <td>WD.</td> <td>J2</td> <td>PTD.</td> <td>-</td> <td>3995</td> <td>3\"/> <tr> <td>3999</td> <td>ETR</td> <td>-</td> <td>WD.</td> <td>J2</td> <td>PTD.</td> <td>-</td> <td>3997</td> <td>3\"/> </td></tr></td></tr></td></tr></td></tr> | 3997 | ETR | - | WD. | J2 | PTD. | - | 3993 | 3\"/> <tr> <td>3998</td> <td>ETR</td> <td>-</td> <td>WD.</td> <td>J2</td> <td>PTD.</td> <td>-</td> <td>3994</td> <td>3\"/> <tr> <td>3999</td> <td>ETR</td> <td>-</td> <td>WD.</td> <td>J2</td> <td>PTD.</td> <td>-</td> <td>3995</td> <td>3\"/> <tr> <td>3999</td> <td>ETR</td> <td>-</td> <td>WD.</td> <td>J2</td> <td>PTD.</td> <td>-</td> <td>3997</td> <td>3\"/> </td></tr></td></tr></td></tr> | 3998 | ETR | - | WD. | J2 | PTD. | - | 3994 | 3\"/> <tr> <td>3999</td> <td>ETR</td> <td>-</td> <td>WD.</td> <td>J2</td> <td>PTD.</td> <td>-</td> <td>3995</td> <td>3\"/> <tr> <td>3999</td> <td>ETR</td> <td>-</td> <td>WD.</td> <td>J2</td> <td>PTD.</td> <td>-</td> <td>3997</td> <td>3\"/> </td></tr></td></tr> | 3999 | ETR | - | WD. | J2 | PTD. | - | 3995 | 3\"/> <tr> <td>3999</td> <td>ETR</td> <td>-</td> <td>WD.</td> <td>J2</td> <td>PTD.</td> <td>-</td> <td>3997</td> <td>3\"/> </td></tr> | 3999 | ETR | - | WD. | J2 | PTD. | - | 3997 | 3\"/> |
| 354 | ETR | - | WD. | J2 | PTD. | - | 352 | 3\"/> <tr> <td>355</td> <td>ETR</td> <td>-</td> <td>WD.</td> <td>J2</td> <td>PTD.</td> <td>-</td> <td>353</td> <td>3\"/> <tr> <td>356</td> <td>ETR</td> <td>-</td> <td>WD.</td> <td>J2</td> <td>PTD.</td> <td>-</td> <td>354</td> <td>3\"/> <tr> <td>357</td> <td>ETR</td> <td>-</td> <td>WD.</td> <td>J2</td> <td>PTD.</td> <td>-</td> <td>355</td> <td>3\"/> <tr> <td>358</td> <td>ETR</td> <td>-</td> <td>WD.</td> <td>J2</td> <td>PTD.</td> <td>-</td> <td>356</td> <td>3\"/> <tr> <td>359</td> <td>ETR</td> <td>-</td> <td>WD.</td> <td>J2</td> <td>PTD.</td> <td>-</td> <td>357</td> <td>3\"/> <tr> <td>360</td> <td>ETR</td> <td>-</td> <td>WD.</td> <td>J2</td> <td>PTD.</td> <td>-</td> <td>358</td> <td>3\"/> <tr> <td>361A</td> <td>ETR</td> <td>-</td> <td>WD.</td> <td>J2</td> <td>PTD.</td> <td>-</td> <td>359</td> <td>3\"/> <tr> <td>362</td> <td>ETR</td> <td>-</td> <td>WD.</td> <td>J2</td> <td>PTD.</td> <td>-</td> <td>360</td> <td>3\"/> <tr> <td>363</td> <td>ETR</td> <td>-</td> <td>WD.</td> <td>J2</td> <td>PTD.</td> <td>-</td> <td>361A</td> <td>3\"/> <tr> <td>364A</td> <td>ETR</td> <td>-</td> <td>WD.</td> <td>J2</td> <td>PTD.</td> <td>-</td> <td>362</td> <td>3\"/> <tr> <td>365</td> <td>ETR</td> <td>-</td> <td>WD.</td> <td>J2</td> <td>PTD.</td> <td>-</td> <td>363</td> <td>3\"/> <tr> <td>366</td> <td>ETR</td> <td>-</td> <td>WD.</td> <td>J2</td> <td>PTD.</td> <td>-</td> <td>364A</td> <td>3\"/> <tr> <td>367</td> <td>B</td> <td>2 <td>HM</td> <td>J1</td> <td>PTD.</td> <td>1 HR.</td> <td>365</td> <td>3\"/> <tr> <td>368</td> <td>ETR</td> <td>-</td> <td>WD.</td> <td>J2</td> <td>PTD.</td> <td>-</td> <td>366</td> <td>3\"/> <tr> <td>369</td> <td>ETR</td> <td>-</td> <td>WD.</td> <td>J2</td> <td>PTD.</td> <td>-</td> <td>367</td> <td>3\"/> <tr> <td>370</td> <td>ETR</td> <td>-</td> <td>WD.</td> <td>J2</td> <td>PTD.</td> <td>-</td> <td>368</td> <td>3\"/> <tr> <td>371</td> <td>ETR</td> <td>-</td> <td>WD.</td> <td>J2</td> <td>PTD.</td> <td>-</td> <td>369</td> <td>3\"/> <tr> <td>372</td> <td>B</td> <td>2 <td>HM</td> <td>J1</td> <td>PTD.</td> <td>1 HR.</td> <td>370</td> <td>3\"/> <tr> <td>373A</td> <td>ETR</td> <td>-</td> <td>WD.</td> <td>J2</td> <td>PTD.</td> <td>-</td> <td>371</td> <td>3\"/> <tr> <td>374B</td> <td>ETR</td> <td>-</td> <td>WD.</td> <td>J2</td> <td>PTD.</td> <td>-</td> <td>372</td> <td>3\"/> <tr> <td>374C</td> <td>ETR</td> <td>-</td> <td>WD.</td> <td>J2</td> <td>PTD.</td> <td>-</td> <td>373A</td> <td>3\"/> <tr> <td>375</td> <td>B</td> <td>1 <td>WD</td> <td>J1</td> <td>PTD.</td> <td>-</td> <td>374B</td> <td>3\"/> <tr> <td>376</td> <td>B</td> <td>1 <td>WD</td> <td>J1</td> <td>PTD.</td> <td>-</td> <td>374C</td> <td>3\"/> <tr> <td>377</td> <td>B</td> <td>1 <td>WD</td> <td>J1</td> <td>PTD.</td> <td>-</td> <td>375</td> <td>3\"/> <tr> <td>377A</td> <td>B</td> <td>1 <td>WD</td> <td>J1</td> <td>PTD.</td> <td>-</td> <td>376</td> <td>3\"/> <tr> <td>378</td> <td>B</td> <td>1 <td>WD</td>
<td>J1</td> <td>PTD.</td> <td>-</td> <td>377</td> <td>3\"/> <tr> <td>379</td> <td>B</td> <td>1 <td>WD</td> <td>J1</td> <td>PTD.</td> <td>-</td> <td>377A</td> <td>3\"/> <tr> <td>380A</td> <td>B</td> <td>1 <td>WD</td> <td>J1</td> <td>PTD.</td> <td>-</td> <td>378</td> <td>3\"/> <tr> <td>380B</td> <td>B</td> <td>1 <td>WD</td> <td>J1</td> <td>PTD.</td> <td>-</td> <td>379</td> <td>3\"/> <tr> <td>382</td> <td>ETR</td> <td>-</td> <td>WD.</td> <td>J2</td> <td>PTD.</td> <td>-</td> <td>380A</td> <td>3\"/> <tr> <td>382A</td> <td>D</td> <td>6 <td>ALUM.</td> <td>ANODIZE D</td> <td>-</td> <td>-</td> <td>380B</td> <td>3\"/> <tr> <td>385</td> <td>ETR</td> <td>-</td> <td>WD.</td> <td>J2</td> <td>PTD.</td> <td>-</td> <td>382</td> <td>3\"/> <tr> <td>386</td> <td>ETR</td> <td>-</td> <td>WD.</td> <td>J2</td> <td>PTD.</td> <td>-</td> <td>382A</td> <td>3\"/> <tr> <td>387</td> <td>ETR</td> <td>-</td> <td>WD.</td> <td>J2</td> <td>PTD.</td> <td>-</td> <td>385</td> <td>3\"/> <tr> <td>388</td> <td>ETR</td> <td>-</td> <td>WD.</td> <td>J2</td> <td>PTD.</td> <td>-</td> <td>386</td> <td>3\"/> <tr> <td>389</td> <td>ETR</td> <td>-</td> <td>WD.</td> <td>J2</td> <td>PTD.</td> <td>-</td> <td>387</td> <td>3\"/> <tr> <td>391</td> <td>ETR</td> <td>-</td> <td>WD.</td> <td>J2</td> <td>PTD.</td> <td>-</td> <td>388</td> <td>3\"/> <tr> <td>391A</td> <td>ETR</td> <td>-</td> <td>WD.</td> <td>J2</td> <td>PTD.</td> <td>-</td> <td>389</td> <td>3\"/> <tr> <td>391B</td> <td>ETR</td> <td>-</td> <td>WD.</td> <td>J2</td> <td>PTD.</td> <td>-</td> <td>391</td> <td>3\"/> <tr> <td>394</td> <td>ETR</td> <td>-</td> <td>WD.</td> <td>J2</td> <td>PTD.</td> <td>-</td> <td>391A</td> <td>3\"/> <tr> <td>395</td> <td>ETR</td> <td>-</td> <td>WD.</td> <td>J2</td> <td>PTD.</td> <td>-</td> <td>391B</td> <td>3\"/> <tr> <td>396</td> <td>ETR</td> <td>-</td> <td>WD.</td> <td>J2</td> <td>PTD.</td> <td>-</td> <td>394</td> <td>3\"/> <tr> <td>398</td> <td>ETR</td> <td>-</td> <td>WD.</td> <td>J2</td> <td>PTD.</td> <td>-</td> <td>395</td> <td>3\"/> <tr> <td>399</td> <td>ETR</td> <td>-</td> <td>WD.</td> <td>J2</td> <td>PTD.</td> <td>-</td> <td>396</td> <td>3\"/> <tr> <td>3991</td> <td>ETR</td> <td>-</td> <td>WD.</td> <td>J2</td> <td>PTD.</td> <td>-</td> <td>398</td> <td>3\"/> <tr> <td>3992</td> <td>A</td> <td>3\"/> <tr> <td>3993</td> <td>ETR</td> <td>-</td> <td>WD.</td> <td>J2</td> <td>PTD.</td> <td>-</td> <td>399</td> <td>3\"/> <tr> <td>3994</td> <td>ETR</td> <td>-</td> <td>WD.</td> <td>J2</td> <td>PTD.</td> <td>-</td> <td>3991</td> <td>3\"/> <tr> <td>3995</td> <td>ETR</td> <td>-</td> <td>WD.</td> <td>J2</td> <td>PTD.</td> <td>-</td> <td>3992</td> <td>3\"/> <tr> <td>3997</td> <td>ETR</td> <td>-</td> <td>WD.</td> <td>J2</td> <td>PTD.</td> <td>-</td> <td>3993</td> <td>3\"/> <tr> <td>3998</td> <td>ETR</td> <td>-</td> <td>WD.</td> <td>J2</td> <td>PTD.</td> <td>-</td> <td>3994</td> <td>3\"/> <tr> <td>3999</td> <td>ETR</td> <td>-</td> <td>WD.</td> <td>J2</td> <td>PTD.</td> <td>-</td> <td>3995</td> <td>3\"/> <tr> <td>3999</td> <td>ETR</td> <td>-</td> <td>WD.</td> <td>J2</td> <td>PTD.</td> <td>-</td> <td>3997</td> <td>3\"/> </td></tr></td></tr></td></tr></td></tr></td></tr></td></tr></td></tr></td></tr></td></tr></td></tr></td></tr></td></tr></td></tr></td></tr></td></tr></td></tr></td></tr></td></tr></td></tr></td></tr></td></tr></td></tr></td></td></tr></td></tr></td></td></tr></td></td></tr></td></td></tr></td></td></tr></td></td></tr></td></td></tr></td></td></tr></td></td></tr></td></tr></td></tr></td></tr></td></td></tr></td></tr></td></tr></td></tr></td></tr></td></td></tr></td></tr></td></tr></td></tr></td></tr></td></tr></td></tr></td></tr></td></tr></td></tr></td></tr></td></tr></td></tr> | 355 | ETR | -
 | WD. | J2 | PTD. | - | 353 | 3\"/> <tr> <td>356</td> <td>ETR</td> <td>-</td> <td>WD.</td> <td>J2</td> <td>PTD.</td> <td>-</td> <td>354</td> <td>3\"/> <tr> <td>357</td> <td>ETR</td> <td>-</td> <td>WD.</td> <td>J2</td> <td>PTD.</td> <td>-</td> <td>355</td> <td>3\"/> <tr> <td>358</td> <td>ETR</td> <td>-</td> <td>WD.</td> <td>J2</td> <td>PTD.</td> <td>-</td> <td>356</td> <td>3\"/> <tr> <td>359</td> <td>ETR</td> <td>-</td> <td>WD.</td> <td>J2</td> <td>PTD.</td> <td>-</td> <td>357</td> <td>3\"/> <tr> <td>360</td> <td>ETR</td> <td>-</td> <td>WD.</td> <td>J2</td> <td>PTD.</td> <td>-</td> <td>358</td> <td>3\"/> <tr> <td>361A</td> <td>ETR</td> <td>-</td> <td>WD.</td> <td>J2</td> <td>PTD.</td> <td>-</td> <td>359</td> <td>3\"/> <tr> <td>362</td> <td>ETR</td> <td>-</td> <td>WD.</td> <td>J2</td> <td>PTD.</td> <td>-</td> <td>360</td> <td>3\"/> <tr> <td>363</td> <td>ETR</td> <td>-</td> <td>WD.</td> <td>J2</td> <td>PTD.</td> <td>-</td> <td>361A</td> <td>3\"/> <tr> <td>364A</td> <td>ETR</td> <td>-</td> <td>WD.</td> <td>J2</td> <td>PTD.</td> <td>-</td> <td>362</td> <td>3\"/> <tr> <td>365</td> <td>ETR</td> <td>-</td> <td>WD.</td> <td>J2</td> <td>PTD.</td> <td>-</td> <td>363</td> <td>3\"/> <tr> <td>366</td> <td>ETR</td> <td>-</td> <td>WD.</td> <td>J2</td> <td>PTD.</td> <td>-</td> <td>364A</td> <td>3\"/> <tr> <td>367</td> <td>B</td> <td>2 <td>HM</td> <td>J1</td> <td>PTD.</td> <td>1 HR.</td> <td>365</td> <td>3\"/> <tr> <td>368</td> <td>ETR</td> <td>-</td> <td>WD.</td> <td>J2</td> <td>PTD.</td> <td>-</td> <td>366</td> <td>3\"/> <tr> <td>369</td> <td>ETR</td> <td>-</td> <td>WD.</td> <td>J2</td> <td>PTD.</td> <td>-</td> <td>367</td> <td>3\"/> <tr> <td>370</td> <td>ETR</td> <td>-</td> <td>WD.</td> <td>J2</td> <td>PTD.</td> <td>-</td> <td>368</td> <td>3\"/> <tr> <td>371</td> <td>ETR</td> <td>-</td> <td>WD.</td> <td>J2</td> <td>PTD.</td> <td>-</td> <td>369</td> <td>3\"/> <tr> <td>372</td> <td>B</td> <td>2 <td>HM</td> <td>J1</td> <td>PTD.</td> <td>1 HR.</td> <td>370</td> <td>3\"/> <tr> <td>373A</td> <td>ETR</td> <td>-</td> <td>WD.</td> <td>J2</td> <td>PTD.</td> <td>-</td> <td>371</td> <td>3\"/> <tr> <td>374B</td> <td>ETR</td> <td>-</td> <td>WD.</td> <td>J2</td> <td>PTD.</td> <td>-</td> <td>372</td> <td>3\"/> <tr> <td>374C</td> <td>ETR</td> <td>-</td> <td>WD.</td> <td>J2</td> <td>PTD.</td> <td>-</td> <td>373A</td> <td>3\"/> <tr> <td>375</td> <td>B</td> <td>1 <td>WD</td> <td>J1</td> <td>PTD.</td> <td>-</td> <td>374B</td> <td>3\"/> <tr> <td>376</td> <td>B</td> <td>1 <td>WD</td> <td>J1</td> <td>PTD.</td> <td>-</td> <td>374C</td> <td>3\"/> <tr> <td>377</td> <td>B</td> <td>1 <td>WD</td> <td>J1</td> <td>PTD.</td> <td>-</td> <td>375</td> <td>3\"/> <tr> <td>377A</td> <td>B</td> <td>1 <td>WD</td> <td>J1</td> <td>PTD.</td> <td>-</td> <td>376</td> <td>3\"/> <tr> <td>378</td> <td>B</td> <td>1 <td>WD</td> <td>J1</td> <td>PTD.</td> <td>-</td> <td>377</td> <td>3\"/> <tr> <td>379</td> <td>B</td> <td>1 <td>WD</td> <td>J1</td> <td>PTD.</td> <td>-</td> <td>377A</td> <td>3\"/> <tr> <td>380A</td> <td>B</td> <td>1 <td>WD</td> <td>J1</td> <td>PTD.</td> <td>-</td> <td>378</td> <td>3\"/> <tr> <td>380B</td> <td>B</td> <td>1 <td>WD</td> <td>J1</td> <td>PTD.</td> <td>-</td> <td>379</td> <td>3\"/> <tr> <td>382</td> <td>ETR</td> <td>-</td> <td>WD.</td> <td>J2</td> <td>PTD.</td> <td>-</td> <td>380A</td> <td>3\"/> <tr> <td>382A</td> <td>D</td> <td>6 <td>ALUM.</td> <td>ANODIZE D</td> <td>-</td> <td>-</td> <td>380B</td> <td>3\"/> <tr> <td>385</td> <td>ETR</td> <td>-</td> <td>WD.</td> <td>J2</td> <td>PTD.</td> <td>-</td> <td>382</td> <td>3\"/> <tr> <td>386</td> <td>ETR</td> <td>-</td> <td>WD.</td> <td>J2</td> <td>PTD.</td> <td>-</td> <td>382A</td> <td>3\"/> <tr> <td>387</td> <td>ETR</td> <td>-</td> <td>WD.</td> <td>J2</td> <td>PTD.</td> <td>-</td> <td>385</td> <td>3\"/> <tr> <td>388</td> <td>ETR</td> <td>-</td> <td>WD.</td> <td>J2</td> <td>PTD.</td> <td>-</td> <td>386</td> <td>3\"/> <tr> <td>389</td> <td>ETR</td> <td>-</td> <td>WD.</td> <td>J2</td> <td>PTD.</td> <td>-</td> <td>387</td> <td>3\"/> <tr> <td>391</td> <td>ETR</td> <td>-</td> <td>WD.</td> <td>J2</td> <td>PTD.</td> <td>-</td> <td>388</td> <td>3\"/> <tr> <td>391A</td> <td>ETR</td> <td>-</td> <td>WD.</td> <td>J2</td> <td>PTD.</td> <td>-</td> <td>389</td> <td>3\"/> <tr> <td>391B</td> <td>ETR</td> <td>-</td> <td>WD.</td> <td>J2</td> <td>PTD.</td> <td>-</td> <td>391</td> <td>3\"/> <tr> <td>394</td> <td>ETR</td> <td>-</td> <td>WD.</td> <td>J2</td> <td>PTD.</td> <td>-</td> <td>391A</td> <td>3\"/> <tr> <td>395</td> <td>ETR</td> <td>-</td> <td>WD.</td> <td>J2</td> <td>PTD.</td> <td>-</td> <td>391B</td> <td>3\"/> <tr> <td>396</td> <td>ETR</td> <td>-</td> <td>WD.</td> <td>J2</td> <td>PTD.</td> <td>-</td> <td>394</td> <td>3\"/> <tr> <td>398</td> <td>ETR</td> <td>-</td> <td>WD.</td> <td>J2</td> <td>PTD.</td> <td>-</td> <td>395</td> <td>3\"/> <tr> <td>399</td> <td>ETR</td> <td>-</td> <td>WD.</td> <td>J2</td> <td>PTD.</td> <td>-</td> <td>396</td> <td>3\"/> <tr> <td>3991</td> <td>ETR</td> <td>-</td> <td>WD.</td> <td>J2</td> <td>PTD.</td> <td>-</td> <td>398</td> <td>3\"/> <tr> <td>3992</td> <td>A</td> <td>3\"/> <tr> <td>3993</td> <td>ETR</td> <td>-</td> <td>WD.</td> <td>J2</td> <td>PTD.</td> <td>-</td> <td>399</td> <td>3\"/> <tr> <td>3994</td> <td>ETR</td> <td>-</td> <td>WD.</td> <td>J2</td> <td>PTD.</td> <td>-</td> <td>3991</td> <td>3\"/> <tr> <td>3995</td> <td>ETR</td> <td>-</td> <td>WD.</td> <td>J2</td> <td>PTD.</td> <td>-</td> <td>3992</td> <td>3\"/> <tr> <td>3997</td> <td>ETR</td> <td>-</td> <td>WD.</td> <td>J2</td> <td>PTD.</td> <td>-</td> <td>3993</td> <td>3\"/> <tr> <td>3998</td> <td>ETR</td> <td>-</td> <td>WD.</td> <td>J2</td> <td>PTD.</td> <td>-</td> <td>3994</td> <td>3\"/> <tr> <td>3999</td> <td>ETR</td> <td>-</td> <td>WD.</td> <td>J2</td> <td>PTD.</td> <td>-</td> <td>3995</td> <td>3\"/> <tr> <td>3999</td> <td>ETR</td> <td>-</td> <td>WD.</td> <td>J2</td> <td>PTD.</td> <td>-</td> <td>3997</td> <td>3\"/> </td></tr></td></tr></td></tr></td></tr></td></tr></td></tr></td></tr></td></tr></td></tr></td></tr></td></tr></td></tr></td></tr></td></tr></td></tr></td></tr></td></tr></td></tr></td></tr></td></tr></td></tr></td></tr></td></td></tr></td></tr></td></td></tr></td></td></tr></td></td></tr></td></td></tr></td></td></tr></td></td></tr></td></td></tr></td></td></tr></td></tr></td></tr></td></tr></td></td></tr></td></tr></td></tr></td></tr></td></tr></td></td></tr></td></tr></td></tr></td></tr></td></tr></td></tr></td></tr></td></tr></td></tr></td></tr></td></tr></td></tr> | 356 | ETR | -
 | WD. | J2 | PTD. | - | 354 | 3\"/> <tr> <td>357</td> <td>ETR</td> <td>-</td> <td>WD.</td> <td>J2</td> <td>PTD.</td> <td>-</td> <td>355</td> <td>3\"/> <tr> <td>358</td> <td>ETR</td> <td>-</td> <td>WD.</td> <td>J2</td> <td>PTD.</td> <td>-</td> <td>356</td> <td>3\"/> <tr> <td>359</td> <td>ETR</td> <td>-</td> <td>WD.</td> <td>J2</td> <td>PTD.</td> <td>-</td> <td>357</td> <td>3\"/> <tr> <td>360</td> <td>ETR</td> <td>-</td> <td>WD.</td> <td>J2</td> <td>PTD.</td> <td>-</td> <td>358</td> <td>3\"/> <tr> <td>361A</td> <td>ETR</td> <td>-</td> <td>WD.</td> <td>J2</td> <td>PTD.</td> <td>-</td> <td>359</td> <td>3\"/> <tr> <td>362</td> <td>ETR</td> <td>-</td> <td>WD.</td> <td>J2</td> <td>PTD.</td> <td>-</td> <td>360</td> <td>3\"/> <tr> <td>363</td> <td>ETR</td> <td>-</td> <td>WD.</td> <td>J2</td> <td>PTD.</td> <td>-</td> <td>361A</td> <td>3\"/> <tr> <td>364A</td> <td>ETR</td> <td>-</td> <td>WD.</td> <td>J2</td> <td>PTD.</td> <td>-</td> <td>362</td> <td>3\"/> <tr> <td>365</td> <td>ETR</td> <td>-</td> <td>WD.</td> <td>J2</td> <td>PTD.</td> <td>-</td> <td>363</td> <td>3\"/> <tr> <td>366</td> <td>ETR</td> <td>-</td> <td>WD.</td> <td>J2</td> <td>PTD.</td> <td>-</td> <td>364A</td> <td>3\"/> <tr> <td>367</td> <td>B</td> <td>2 <td>HM</td> <td>J1</td> <td>PTD.</td> <td>1 HR.</td> <td>365</td> <td>3\"/> <tr> <td>368</td> <td>ETR</td> <td>-</td> <td>WD.</td> <td>J2</td> <td>PTD.</td> <td>-</td> <td>366</td> <td>3\"/> <tr> <td>369</td> <td>ETR</td> <td>-</td> <td>WD.</td> <td>J2</td> <td>PTD.</td> <td>-</td> <td>367</td> <td>3\"/> <tr> <td>370</td> <td>ETR</td> <td>-</td> <td>WD.</td> <td>J2</td> <td>PTD.</td> <td>-</td> <td>368</td> <td>3\"/> <tr> <td>371</td> <td>ETR</td> <td>-</td> <td>WD.</td> <td>J2</td> <td>PTD.</td> <td>-</td> <td>369</td> <td>3\"/> <tr> <td>372</td> <td>B</td> <td>2 <td>HM</td> <td>J1</td> <td>PTD.</td> <td>1 HR.</td> <td>370</td> <td>3\"/> <tr> <td>373A</td> <td>ETR</td> <td>-</td> <td>WD.</td> <td>J2</td> <td>PTD.</td> <td>-</td> <td>371</td> <td>3\"/> <tr> <td>374B</td> <td>ETR</td> <td>-</td> <td>WD.</td> <td>J2</td> <td>PTD.</td> <td>-</td> <td>372</td> <td>3\"/> <tr> <td>374C</td> <td>ETR</td> <td>-</td> <td>WD.</td> <td>J2</td> <td>PTD.</td> <td>-</td> <td>373A</td> <td>3\"/> <tr> <td>375</td> <td>B</td> <td>1 <td>WD</td> <td>J1</td> <td>PTD.</td> <td>-</td> <td>374B</td> <td>3\"/> <tr> <td>376</td> <td>B</td> <td>1 <td>WD</td> <td>J1</td> <td>PTD.</td> <td>-</td> <td>374C</td> <td>3\"/> <tr> <td>377</td> <td>B</td> <td>1 <td>WD</td> <td>J1</td> <td>PTD.</td> <td>-</td> <td>375</td> <td>3\"/> <tr> <td>377A</td> <td>B</td> <td>1 <td>WD</td> <td>J1</td> <td>PTD.</td> <td>-</td> <td>376</td> <td>3\"/> <tr> <td>378</td> <td>B</td> <td>1 <td>WD</td> <td>J1</td> <td>PTD.</td> <td>-</td> <td>377</td> <td>3\"/> <tr> <td>379</td> <td>B</td> <td>1 <td>WD</td> <td>J1</td> <td>PTD.</td> <td>-</td> <td>377A</td> <td>3\"/> <tr> <td>380A</td> <td>B</td> <td>1 <td>WD</td> <td>J1</td> <td>PTD.</td> <td>-</td> <td>378</td> <td>3\"/> <tr> <td>380B</td> <td>B</td> <td>1 <td>WD</td> <td>J1</td> <td>PTD.</td> <td>-</td> <td>379</td> <td>3\"/> <tr> <td>382</td> <td>ETR</td> <td>-</td> <td>WD.</td> <td>J2</td> <td>PTD.</td> <td>-</td> <td>380A</td> <td>3\"/> <tr> <td>382A</td> <td>D</td> <td>6 <td>ALUM.</td> <td>ANODIZE D</td> <td>-</td> <td>-</td> <td>380B</td> <td>3\"/> <tr> <td>385</td> <td>ETR</td> <td>-</td> <td>WD.</td> <td>J2</td> <td>PTD.</td> <td>-</td> <td>382</td> <td>3\"/> <tr> <td>386</td> <td>ETR</td> <td>-</td> <td>WD.</td> <td>J2</td> <td>PTD.</td> <td>-</td> <td>382A</td> <td>3\"/> <tr> <td>387</td> <td>ETR</td> <td>-</td> <td>WD.</td> <td>J2</td> <td>PTD.</td> <td>-</td> <td>385</td> <td>3\"/> <tr> <td>388</td> <td>ETR</td> <td>-</td> <td>WD.</td> <td>J2</td> <td>PTD.</td> <td>-</td> <td>386</td> <td>3\"/> <tr> <td>389</td> <td>ETR</td> <td>-</td> <td>WD.</td> <td>J2</td> <td>PTD.</td> <td>-</td> <td>387</td> <td>3\"/> <tr> <td>391</td> <td>ETR</td> <td>-</td> <td>WD.</td> <td>J2</td> <td>PTD.</td> <td>-</td> <td>388</td> <td>3\"/> <tr> <td>391A</td> <td>ETR</td> <td>-</td> <td>WD.</td> <td>J2</td> <td>PTD.</td> <td>-</td> <td>389</td> <td>3\"/> <tr> <td>391B</td> <td>ETR</td> <td>-</td> <td>WD.</td> <td>J2</td> <td>PTD.</td> <td>-</td> <td>391</td> <td>3\"/> <tr> <td>394</td> <td>ETR</td> <td>-</td> <td>WD.</td> <td>J2</td> <td>PTD.</td> <td>-</td> <td>391A</td> <td>3\"/> <tr> <td>395</td> <td>ETR</td> <td>-</td> <td>WD.</td> <td>J2</td> <td>PTD.</td> <td>-</td> <td>391B</td> <td>3\"/> <tr> <td>396</td> <td>ETR</td> <td>-</td> <td>WD.</td> <td>J2</td> <td>PTD.</td> <td>-</td> <td>394</td> <td>3\"/> <tr> <td>398</td> <td>ETR</td> <td>-</td> <td>WD.</td> <td>J2</td> <td>PTD.</td> <td>-</td> <td>395</td> <td>3\"/> <tr> <td>399</td> <td>ETR</td> <td>-</td> <td>WD.</td> <td>J2</td> <td>PTD.</td> <td>-</td> <td>396</td> <td>3\"/> <tr> <td>3991</td> <td>ETR</td> <td>-</td> <td>WD.</td> <td>J2</td> <td>PTD.</td> <td>-</td> <td>398</td> <td>3\"/> <tr> <td>3992</td> <td>A</td> <td>3\"/> <tr> <td>3993</td> <td>ETR</td> <td>-</td> <td>WD.</td> <td>J2</td> <td>PTD.</td> <td>-</td> <td>399</td> <td>3\"/> <tr> <td>3994</td> <td>ETR</td> <td>-</td> <td>WD.</td> <td>J2</td> <td>PTD.</td> <td>-</td> <td>3991</td> <td>3\"/> <tr> <td>3995</td> <td>ETR</td> <td>-</td> <td>WD.</td> <td>J2</td> <td>PTD.</td> <td>-</td> <td>3992</td> <td>3\"/> <tr> <td>3997</td> <td>ETR</td> <td>-</td> <td>WD.</td> <td>J2</td> <td>PTD.</td> <td>-</td> <td>3993</td> <td>3\"/> <tr> <td>3998</td> <td>ETR</td> <td>-</td> <td>WD.</td> <td>J2</td> <td>PTD.</td> <td>-</td> <td>3994</td> <td>3\"/> <tr> <td>3999</td> <td>ETR</td> <td>-</td> <td>WD.</td> <td>J2</td> <td>PTD.</td> <td>-</td> <td>3995</td> <td>3\"/> <tr> <td>3999</td> <td>ETR</td> <td>-</td> <td>WD.</td> <td>J2</td> <td>PTD.</td> <td>-</td> <td>3997</td> <td>3\"/>
</td></tr></td></tr></td></tr></td></tr></td></tr></td></tr></td></tr></td></tr></td></tr></td></tr></td></tr></td></tr></td></tr></td></tr></td></tr></td></tr></td></tr></td></tr></td></tr></td></tr></td></tr></td></tr></td></td></tr></td></tr></td></td></tr></td></td></tr></td></td></tr></td></td></tr></td></td></tr></td></td></tr></td></td></tr></td></td></tr></td></tr></td></tr></td></tr></td></td></tr></td></tr></td></tr></td></tr></td></tr></td></td></tr></td></tr></td></tr></td></tr></td></tr></td></tr></td></tr></td></tr></td></tr></td></tr></td></tr> | 357 | ETR | - | WD. | J2 | PTD. | - | 355 | 3\"/> <tr> <td>358</td> <td>ETR</td> <td>-</td> <td>WD.</td> <td>J2</td> <td>PTD.</td> <td>-</td> <td>356</td> <td>3\"/> <tr> <td>359</td> <td>ETR</td> <td>-</td> <td>WD.</td> <td>J2</td> <td>PTD.</td> <td>-</td> <td>357</td> <td>3\"/> <tr> <td>360</td> <td>ETR</td> <td>-</td> <td>WD.</td> <td>J2</td> <td>PTD.</td> <td>-</td> <td>358</td> <td>3\"/> <tr> <td>361A</td> <td>ETR</td> <td>-</td> <td>WD.</td> <td>J2</td> <td>PTD.</td> <td>-</td> <td>359</td> <td>3\"/> <tr> <td>362</td> <td>ETR</td> <td>-</td> <td>WD.</td> <td>J2</td> <td>PTD.</td> <td>-</td> <td>360</td> <td>3\"/> <tr> <td>363</td> <td>ETR</td> <td>-</td> <td>WD.</td> <td>J2</td> <td>PTD.</td> <td>-</td> <td>361A</td> <td>3\"/> <tr> <td>364A</td> <td>ETR</td> <td>-</td> <td>WD.</td> <td>J2</td> <td>PTD.</td> <td>-</td> <td>362</td> <td>3\"/> <tr> <td>365</td> <td>ETR</td> <td>-</td> <td>WD.</td> <td>J2</td> <td>PTD.</td> <td>-</td> <td>363</td> <td>3\"/> <tr> <td>366</td> <td>ETR</td> <td>-</td> <td>WD.</td> <td>J2</td> <td>PTD.</td> <td>-</td> <td>364A</td> <td>3\"/> <tr> <td>367</td> <td>B</td> <td>2 <td>HM</td> <td>J1</td> <td>PTD.</td> <td>1 HR.</td> <td>365</td> <td>3\"/> <tr> <td>368</td> <td>ETR</td> <td>-</td> <td>WD.</td> <td>J2</td> <td>PTD.</td> <td>-</td> <td>366</td> <td>3\"/> <tr> <td>369</td> <td>ETR</td> <td>-</td> <td>WD.</td> <td>J2</td> <td>PTD.</td> <td>-</td> <td>367</td> <td>3\"/> <tr> <td>370</td> <td>ETR</td> <td>-</td> <td>WD.</td> <td>J2</td> <td>PTD.</td> <td>-</td> <td>368</td> <td>3\"/> <tr> <td>371</td> <td>ETR</td> <td>-</td> <td>WD.</td> <td>J2</td> <td>PTD.</td> <td>-</td> <td>369</td> <td>3\"/> <tr> <td>372</td> <td>B</td> <td>2 <td>HM</td> <td>J1</td> <td>PTD.</td> <td>1 HR.</td> <td>370</td> <td>3\"/> <tr> <td>373A</td> <td>ETR</td> <td>-</td> <td>WD.</td> <td>J2</td> <td>PTD.</td> <td>-</td> <td>371</td> <td>3\"/> <tr> <td>374B</td> <td>ETR</td> <td>-</td> <td>WD.</td> <td>J2</td> <td>PTD.</td> <td>-</td> <td>372</td> <td>3\"/> <tr> <td>374C</td> <td>ETR</td> <td>-</td> <td>WD.</td> <td>J2</td> <td>PTD.</td> <td>-</td> <td>373A</td> <td>3\"/> <tr> <td>375</td> <td>B</td> <td>1 <td>WD</td> <td>J1</td> <td>PTD.</td> <td>-</td> <td>374B</td> <td>3\"/> <tr> <td>376</td> <td>B</td> <td>1 <td>WD</td> <td>J1</td> <td>PTD.</td> <td>-</td> <td>374C</td> <td>3\"/> <tr> <td>377</td> <td>B</td> <td>1 <td>WD</td> <td>J1</td> <td>PTD.</td> <td>-</td> <td>375</td> <td>3\"/> <tr> <td>377A</td> <td>B</td> <td>1 <td>WD</td> <td>J1</td> <td>PTD.</td> <td>-</td> <td>376</td> <td>3\"/> <tr> <td>378</td> <td>B</td> <td>1 <td>WD</td> <td>J1</td> <td>PTD.</td> <td>-</td> <td>377</td> <td>3\"/> <tr> <td>379</td> <td>B</td> <td>1 <td>WD</td> <td>J1</td> <td>PTD.</td> <td>-</td> <td>377A</td> <td>3\"/> <tr> <td>380A</td>
<td>B</td> <td>1 <td>WD</td> <td>J1</td> <td>PTD.</td> <td>-</td> <td>378</td> <td>3\"/> <tr> <td>380B</td> <td>B</td> <td>1 <td>WD</td> <td>J1</td> <td>PTD.</td> <td>-</td> <td>379</td> <td>3\"/> <tr> <td>382</td> <td>ETR</td> <td>-</td> <td>WD.</td> <td>J2</td> <td>PTD.</td> <td>-</td> <td>380A</td> <td>3\"/> <tr> <td>382A</td> <td>D</td> <td>6 <td>ALUM.</td> <td>ANODIZE D</td> <td>-</td> <td>-</td> <td>380B</td> <td>3\"/> <tr> <td>385</td> <td>ETR</td> <td>-</td> <td>WD.</td> <td>J2</td> <td>PTD.</td> <td>-</td> <td>382</td> <td>3\"/> <tr> <td>386</td> <td>ETR</td> <td>-</td> <td>WD.</td> <td>J2</td> <td>PTD.</td> <td>-</td> <td>382A</td> <td>3\"/> <tr> <td>387</td> <td>ETR</td> <td>-</td> <td>WD.</td> <td>J2</td> <td>PTD.</td> <td>-</td> <td>385</td> <td>3\"/> <tr> <td>388</td> <td>ETR</td> <td>-</td> <td>WD.</td> <td>J2</td> <td>PTD.</td> <td>-</td> <td>386</td> <td>3\"/> <tr> <td>389</td> <td>ETR</td> <td>-</td> <td>WD.</td> <td>J2</td> <td>PTD.</td> <td>-</td> <td>387</td> <td>3\"/> <tr> <td>391</td> <td>ETR</td> <td>-</td> <td>WD.</td> <td>J2</td> <td>PTD.</td> <td>-</td> <td>388</td> <td>3\"/> <tr> <td>391A</td> <td>ETR</td> <td>-</td> <td>WD.</td> <td>J2</td> <td>PTD.</td> <td>-</td> <td>389</td> <td>3\"/> <tr> <td>391B</td> <td>ETR</td> <td>-</td> <td>WD.</td> <td>J2</td> <td>PTD.</td> <td>-</td> <td>391</td> <td>3\"/> <tr> <td>394</td> <td>ETR</td> <td>-</td> <td>WD.</td> <td>J2</td> <td>PTD.</td> <td>-</td> <td>391A</td> <td>3\"/> <tr> <td>395</td> <td>ETR</td> <td>-</td> <td>WD.</td> <td>J2</td> <td>PTD.</td> <td>-</td> <td>391B</td> <td>3\"/> <tr> <td>396</td> <td>ETR</td> <td>-</td> <td>WD.</td> <td>J2</td> <td>PTD.</td> <td>-</td> <td>394</td> <td>3\"/> <tr> <td>398</td> <td>ETR</td> <td>-</td> <td>WD.</td> <td>J2</td> <td>PTD.</td> <td>-</td> <td>395</td> <td>3\"/> <tr> <td>399</td> <td>ETR</td> <td>-</td> <td>WD.</td> <td>J2</td> <td>PTD.</td> <td>-</td> <td>396</td> <td>3\"/> <tr> <td>3991</td> <td>ETR</td> <td>-</td> <td>WD.</td> <td>J2</td> <td>PTD.</td> <td>-</td> <td>398</td> <td>3\"/> <tr> <td>3992</td> <td>A</td> <td>3\"/> <tr> <td>3993</td> <td>ETR</td> <td>-</td> <td>WD.</td> <td>J2</td> <td>PTD.</td> <td>-</td> <td>399</td> <td>3\"/> <tr> <td>3994</td> <td>ETR</td> <td>-</td> <td>WD.</td> <td>J2</td> <td>PTD.</td> <td>-</td> <td>3991</td> <td>3\"/> <tr> <td>3995</td> <td>ETR</td> <td>-</td> <td>WD.</td> <td>J2</td> <td>PTD.</td> <td>-</td> <td>3992</td> <td>3\"/> <tr> <td>3997</td> <td>ETR</td> <td>-</td> <td>WD.</td> <td>J2</td> <td>PTD.</td> <td>-</td> <td>3993</td> <td>3\"/> <tr> <td>3998</td> <td>ETR</td> <td>-</td> <td>WD.</td> <td>J2</td> <td>PTD.</td> <td>-</td> <td>3994</td> <td>3\"/> <tr> <td>3999</td> <td>ETR</td> <td>-</td> <td>WD.</td> <td>J2</td> <td>PTD.</td> <td>-</td> <td>3995</td> <td>3\"/> <tr> <td>3999</td> <td>ETR</td> <td>-</td> <td>WD.</td> <td>J2</td> <td>PTD.</td> <td>-</td> <td>3997</td> <td>3\"/> </td></tr></td></tr></td></tr></td></tr></td></tr></td></tr></td></tr></td></tr></td></tr></td></tr></td></tr></td></tr></td></tr></td></tr></td></tr></td></tr></td></tr></td></tr></td></tr></td></tr></td></tr></td></tr></td></td></tr></td></tr></td></td></tr></td></td></tr></td></td></tr></td></td></tr></td></td></tr></td></td></tr></td></td></tr></td></td></tr></td></tr></td></tr></td></tr></td></td></tr></td></tr></td></tr></td></tr></td></tr></td></td></tr></td></tr></td></tr></td></tr></td></tr></td></tr></td></tr></td></tr></td></tr></td></tr> | 358 | ETR | - | WD. | J2
 | PTD. | - | 356 | 3\"/> <tr> <td>359</td> <td>ETR</td> <td>-</td> <td>WD.</td> <td>J2</td> <td>PTD.</td> <td>-</td> <td>357</td> <td>3\"/> <tr> <td>360</td> <td>ETR</td> <td>-</td> <td>WD.</td> <td>J2</td> <td>PTD.</td> <td>-</td> <td>358</td> <td>3\"/> <tr> <td>361A</td> <td>ETR</td> <td>-</td> <td>WD.</td> <td>J2</td> <td>PTD.</td> <td>-</td> <td>359</td> <td>3\"/> <tr> <td>362</td> <td>ETR</td> <td>-</td> <td>WD.</td> <td>J2</td> <td>PTD.</td> <td>-</td> <td>360</td> <td>3\"/> <tr> <td>363</td> <td>ETR</td> <td>-</td> <td>WD.</td> <td>J2</td> <td>PTD.</td> <td>-</td> <td>361A</td> <td>3\"/> <tr> <td>364A</td> <td>ETR</td> <td>-</td> <td>WD.</td> <td>J2</td> <td>PTD.</td> <td>-</td> <td>362</td> <td>3\"/> <tr> <td>365</td> <td>ETR</td> <td>-</td> <td>WD.</td> <td>J2</td> <td>PTD.</td> <td>-</td> <td>363</td> <td>3\"/> <tr> <td>366</td> <td>ETR</td> <td>-</td> <td>WD.</td> <td>J2</td> <td>PTD.</td> <td>-</td> <td>364A</td> <td>3\"/> <tr> <td>367</td> <td>B</td> <td>2 <td>HM</td> <td>J1</td> <td>PTD.</td> <td>1 HR.</td> <td>365</td> <td>3\"/> <tr> <td>368</td> <td>ETR</td> <td>-</td> <td>WD.</td> <td>J2</td> <td>PTD.</td> <td>-</td> <td>366</td> <td>3\"/> <tr> <td>369</td> <td>ETR</td> <td>-</td> <td>WD.</td> <td>J2</td> <td>PTD.</td> <td>-</td> <td>367</td> <td>3\"/> <tr> <td>370</td> <td>ETR</td> <td>-</td> <td>WD.</td> <td>J2</td> <td>PTD.</td> <td>-</td> <td>368</td> <td>3\"/> <tr> <td>371</td> <td>ETR</td> <td>-</td> <td>WD.</td> <td>J2</td> <td>PTD.</td> <td>-</td> <td>369</td> <td>3\"/> <tr> <td>372</td> <td>B</td> <td>2 <td>HM</td> <td>J1</td> <td>PTD.</td> <td>1 HR.</td> <td>370</td> <td>3\"/> <tr> <td>373A</td> <td>ETR</td> <td>-</td> <td>WD.</td> <td>J2</td> <td>PTD.</td> <td>-</td> <td>371</td> <td>3\"/> <tr> <td>374B</td> <td>ETR</td> <td>-</td> <td>WD.</td> <td>J2</td> <td>PTD.</td> <td>-</td> <td>372</td> <td>3\"/> <tr> <td>374C</td> <td>ETR</td> <td>-</td> <td>WD.</td> <td>J2</td> <td>PTD.</td> <td>-</td> <td>373A</td> <td>3\"/> <tr> <td>375</td> <td>B</td> <td>1 <td>WD</td> <td>J1</td> <td>PTD.</td> <td>-</td> <td>374B</td> <td>3\"/> <tr> <td>376</td> <td>B</td> <td>1 <td>WD</td> <td>J1</td> <td>PTD.</td> <td>-</td> <td>374C</td> <td>3\"/> <tr> <td>377</td> <td>B</td> <td>1 <td>WD</td> <td>J1</td> <td>PTD.</td> <td>-</td> <td>375</td> <td>3\"/> <tr> <td>377A</td> <td>B</td> <td>1 <td>WD</td> <td>J1</td> <td>PTD.</td> <td>-</td> <td>376</td> <td>3\"/> <tr> <td>378</td> <td>B</td> <td>1 <td>WD</td> <td>J1</td> <td>PTD.</td> <td>-</td> <td>377</td> <td>3\"/> <tr> <td>379</td> <td>B</td> <td>1 <td>WD</td> <td>J1</td> <td>PTD.</td> <td>-</td> <td>377A</td> <td>3\"/> <tr> <td>380A</td> <td>B</td> <td>1 <td>WD</td> <td>J1</td> <td>PTD.</td> <td>-</td> <td>378</td> <td>3\"/> <tr> <td>380B</td> <td>B</td> <td>1 <td>WD</td> <td>J1</td> <td>PTD.</td> <td>-</td> <td>379</td> <td>3\"/> <tr> <td>382</td> <td>ETR</td> <td>-</td> <td>WD.</td> <td>J2</td> <td>PTD.</td> <td>-</td> <td>380A</td> <td>3\"/> <tr> <td>382A</td> <td>D</td> <td>6 <td>ALUM.</td> <td>ANODIZE D</td> <td>-</td> <td>-</td> <td>380B</td> <td>3\"/> <tr> <td>385</td> <td>ETR</td> <td>-</td> <td>WD.</td> <td>J2</td> <td>PTD.</td> <td>-</td> <td>382</td> <td>3\"/> <tr> <td>386</td> <td>ETR</td> <td>-</td> <td>WD.</td> <td>J2</td> <td>PTD.</td> <td>-</td> <td>382A</td> <td>3\"/> <tr> <td>387</td> <td>ETR</td> <td>-</td> <td>WD.</td> <td>J2</td> <td>PTD.</td> <td>-</td> <td>385</td> <td>3\"/> <tr> <td>388</td> <td>ETR</td> <td>-</td> <td>WD.</td> <td>J2</td> <td>PTD.</td> <td>-</td> <td>386</td> <td>3\"/> <tr> <td>389</td> <td>ETR</td> <td>-</td> <td>WD.</td> <td>J2</td> <td>PTD.</td> <td>-</td> <td>387</td> <td>3\"/> <tr> <td>391</td> <td>ETR</td> <td>-</td> <td>WD.</td> <td>J2</td> <td>PTD.</td> <td>-</td> <td>388</td> <td>3\"/> <tr> <td>391A</td> <td>ETR</td> <td>-</td> <td>WD.</td> <td>J2</td> <td>PTD.</td> <td>-</td> <td>389</td> <td>3\"/> <tr> <td>391B</td> <td>ETR</td> <td>-</td> <td>WD.</td> <td>J2</td> <td>PTD.</td> <td>-</td> <td>391</td> <td>3\"/> <tr> <td>394</td> <td>ETR</td> <td>-</td> <td>WD.</td> <td>J2</td> <td>PTD.</td> <td>-</td> <td>391A</td> <td>3\"/> <tr> <td>395</td> <td>ETR</td> <td>-</td> <td>WD.</td> <td>J2</td> <td>PTD.</td> <td>-</td> <td>391B</td> <td>3\"/> <tr> <td>396</td> <td>ETR</td> <td>-</td> <td>WD.</td> <td>J2</td> <td>PTD.</td> <td>-</td> <td>394</td> <td>3\"/> <tr> <td>398</td> <td>ETR</td> <td>-</td> <td>WD.</td> <td>J2</td> <td>PTD.</td> <td>-</td> <td>395</td> <td>3\"/> <tr> <td>399</td> <td>ETR</td> <td>-</td> <td>WD.</td> <td>J2</td> <td>PTD.</td> <td>-</td> <td>396</td> <td>3\"/> <tr> <td>3991</td> <td>ETR</td> <td>-</td> <td>WD.</td> <td>J2</td> <td>PTD.</td> <td>-</td> <td>398</td> <td>3\"/> <tr> <td>3992</td> <td>A</td> <td>3\"/> <tr> <td>3993</td> <td>ETR</td> <td>-</td> <td>WD.</td> <td>J2</td> <td>PTD.</td> <td>-</td> <td>399</td> <td>3\"/> <tr> <td>3994</td> <td>ETR</td> <td>-</td> <td>WD.</td> <td>J2</td> <td>PTD.</td> <td>-</td> <td>3991</td> <td>3\"/> <tr> <td>3995</td> <td>ETR</td> <td>-</td> <td>WD.</td> <td>J2</td> <td>PTD.</td> <td>-</td> <td>3992</td> <td>3\"/> <tr> <td>3997</td> <td>ETR</td> <td>-</td> <td>WD.</td> <td>J2</td> <td>PTD.</td> <td>-</td> <td>3993</td> <td>3\"/> <tr> <td>3998</td> <td>ETR</td> <td>-</td> <td>WD.</td> <td>J2</td> <td>PTD.</td> <td>-</td> <td>3994</td> <td>3\"/> <tr> <td>3999</td> <td>ETR</td> <td>-</td> <td>WD.</td> <td>J2</td> <td>PTD.</td> <td>-</td> <td>3995</td> <td>3\"/> <tr> <td>3999</td> <td>ETR</td> <td>-</td> <td>WD.</td> <td>J2</td> <td>PTD.</td> <td>-</td> <td>3997</td> <td>3\"/> </td></tr></td></tr></td></tr></td></tr></td></tr></td></tr></td></tr></td></tr></td></tr></td></tr></td></tr></td></tr></td></tr></td></tr></td></tr></td></tr></td></tr></td></tr></td></tr></td></tr></td></tr></td></tr></td></td></tr></td></tr></td></td></tr></td></td></tr></td></td></tr></td></td></tr></td></td></tr></td></td></tr></td></td></tr></td></td></tr></td></tr></td></tr></td></tr></td></td></tr></td></tr></td></tr></td></tr></td></tr></td></td></tr></td></tr></td></tr></td></tr></td></tr></td></tr></td></tr></td></tr></td></tr> | 359 | ETR | -
 | WD. | J2 | PTD. | - | 357 | 3\"/> <tr> <td>360</td> <td>ETR</td> <td>-</td> <td>WD.</td> <td>J2</td> <td>PTD.</td> <td>-</td> <td>358</td> <td>3\"/> <tr> <td>361A</td> <td>ETR</td> <td>-</td> <td>WD.</td> <td>J2</td> <td>PTD.</td> <td>-</td> <td>359</td> <td>3\"/> <tr> <td>362</td> <td>ETR</td> <td>-</td> <td>WD.</td> <td>J2</td> <td>PTD.</td> <td>-</td> <td>360</td> <td>3\"/> <tr> <td>363</td> <td>ETR</td> <td>-</td> <td>WD.</td> <td>J2</td> <td>PTD.</td> <td>-</td> <td>361A</td> <td>3\"/> <tr> <td>364A</td> <td>ETR</td> <td>-</td> <td>WD.</td> <td>J2</td> <td>PTD.</td> <td>-</td> <td>362</td> <td>3\"/> <tr> <td>365</td> <td>ETR</td> <td>-</td> <td>WD.</td> <td>J2</td> <td>PTD.</td> <td>-</td> <td>363</td> <td>3\"/> <tr> <td>366</td> <td>ETR</td> <td>-</td> <td>WD.</td> <td>J2</td> <td>PTD.</td> <td>-</td> <td>364A</td> <td>3\"/> <tr> <td>367</td> <td>B</td> <td>2 <td>HM</td> <td>J1</td> <td>PTD.</td> <td>1 HR.</td> <td>365</td> <td>3\"/> <tr> <td>368</td> <td>ETR</td> <td>-</td> <td>WD.</td> <td>J2</td> <td>PTD.</td> <td>-</td> <td>366</td> <td>3\"/> <tr> <td>369</td> <td>ETR</td> <td>-</td> <td>WD.</td> <td>J2</td> <td>PTD.</td> <td>-</td> <td>367</td> <td>3\"/> <tr> <td>370</td> <td>ETR</td> <td>-</td> <td>WD.</td> <td>J2</td> <td>PTD.</td> <td>-</td> <td>368</td> <td>3\"/> <tr> <td>371</td> <td>ETR</td> <td>-</td> <td>WD.</td> <td>J2</td> <td>PTD.</td> <td>-</td> <td>369</td> <td>3\"/> <tr> <td>372</td> <td>B</td> <td>2 <td>HM</td> <td>J1</td> <td>PTD.</td> <td>1 HR.</td> <td>370</td> <td>3\"/> <tr> <td>373A</td> <td>ETR</td> <td>-</td> <td>WD.</td> <td>J2</td> <td>PTD.</td> <td>-</td> <td>371</td> <td>3\"/> <tr> <td>374B</td> <td>ETR</td> <td>-</td> <td>WD.</td> <td>J2</td> <td>PTD.</td> <td>-</td> <td>372</td> <td>3\"/> <tr> <td>374C</td> <td>ETR</td> <td>-</td> <td>WD.</td> <td>J2</td> <td>PTD.</td> <td>-</td> <td>373A</td> <td>3\"/> <tr> <td>375</td> <td>B</td> <td>1 <td>WD</td> <td>J1</td> <td>PTD.</td> <td>-</td> <td>374B</td> <td>3\"/> <tr> <td>376</td> <td>B</td> <td>1 <td>WD</td> <td>J1</td> <td>PTD.</td> <td>-</td> <td>374C</td> <td>3\"/> <tr> <td>377</td> <td>B</td> <td>1 <td>WD</td> <td>J1</td> <td>PTD.</td> <td>-</td> <td>375</td> <td>3\"/> <tr> <td>377A</td> <td>B</td> <td>1 <td>WD</td> <td>J1</td> <td>PTD.</td> <td>-</td> <td>376</td> <td>3\"/> <tr> <td>378</td> <td>B</td> <td>1 <td>WD</td> <td>J1</td> <td>PTD.</td> <td>-</td> <td>377</td> <td>3\"/> <tr> <td>379</td> <td>B</td> <td>1 <td>WD</td> <td>J1</td> <td>PTD.</td> <td>-</td> <td>377A</td> <td>3\"/> <tr> <td>380A</td> <td>B</td> <td>1 <td>WD</td> <td>J1</td> <td>PTD.</td> <td>-</td> <td>378</td> <td>3\"/> <tr> <td>380B</td> <td>B</td> <td>1 <td>WD</td> <td>J1</td> <td>PTD.</td> <td>-</td> <td>379</td> <td>3\"/> <tr> <td>382</td> <td>ETR</td> <td>-</td> <td>WD.</td> <td>J2</td> <td>PTD.</td> <td>-</td> <td>380A</td> <td>3\"/> <tr> <td>382A</td> <td>D</td> <td>6 <td>ALUM.</td> <td>ANODIZE D</td> <td>-</td> <td>-</td> <td>380B</td> <td>3\"/> <tr> <td>385</td> <td>ETR</td> <td>-</td> <td>WD.</td> <td>J2</td> <td>PTD.</td> <td>-</td> <td>382</td> <td>3\"/> <tr> <td>386</td> <td>ETR</td> <td>-</td> <td>WD.</td> <td>J2</td> <td>PTD.</td> <td>-</td> <td>382A</td> <td>3\"/> <tr> <td>387</td> <td>ETR</td> <td>-</td> <td>WD.</td> <td>J2</td> <td>PTD.</td> <td>-</td> <td>385</td> <td>3\"/> <tr> <td>388</td> <td>ETR</td> <td>-</td> <td>WD.</td> <td>J2</td> <td>PTD.</td> <td>-</td> <td>386</td> <td>3\"/> <tr> <td>389</td> <td>ETR</td> <td>-</td> <td>WD.</td> <td>J2</td> <td>PTD.</td> <td>-</td> <td>387</td> <td>3\"/> <tr> <td>391</td> <td>ETR</td> <td>-</td> <td>WD.</td> <td>J2</td> <td>PTD.</td> <td>-</td> <td>388</td> <td>3\"/> <tr> <td>391A</td> <td>ETR</td> <td>-</td> <td>WD.</td> <td>J2</td> <td>PTD.</td> <td>-</td> <td>389</td> <td>3\"/> <tr> <td>391B</td> <td>ETR</td> <td>-</td> <td>WD.</td> <td>J2</td> <td>PTD.</td> <td>-</td> <td>391</td> <td>3\"/> <tr> <td>394</td> <td>ETR</td> <td>-</td> <td>WD.</td> <td>J2</td> <td>PTD.</td> <td>-</td> <td>391A</td> <td>3\"/> <tr> <td>395</td> <td>ETR</td> <td>-</td> <td>WD.</td> <td>J2</td> <td>PTD.</td> <td>-</td> <td>391B</td> <td>3\"/> <tr> <td>396</td> <td>ETR</td> <td>-</td> <td>WD.</td> <td>J2</td> <td>PTD.</td> <td>-</td> <td>394</td> <td>3\"/> <tr> <td>398</td> <td>ETR</td> <td>-</td> <td>WD.</td> <td>J2</td> <td>PTD.</td> <td>-</td> <td>395</td> <td>3\"/> <tr> <td>399</td> <td>ETR</td> <td>-</td> <td>WD.</td> <td>J2</td> <td>PTD.</td> <td>-</td> <td>396</td> <td>3\"/> <tr> <td>3991</td> <td>ETR</td> <td>-</td> <td>WD.</td> <td>J2</td> <td>PTD.</td> <td>-</td> <td>398</td> <td>3\"/> <tr> <td>3992</td> <td>A</td> <td>3\"/> <tr> <td>3993</td> <td>ETR</td> <td>-</td> <td>WD.</td> <td>J2</td> <td>PTD.</td> <td>-</td> <td>399</td> <td>3\"/> <tr> <td>3994</td> <td>ETR</td> <td>-</td> <td>WD.</td> <td>J2</td> <td>PTD.</td> <td>-</td> <td>3991</td> <td>3\"/> <tr> <td>3995</td> <td>ETR</td> <td>-</td> <td>WD.</td> <td>J2</td> <td>PTD.</td> <td>-</td> <td>3992</td> <td>3\"/> <tr> <td>3997</td> <td>ETR</td> <td>-</td> <td>WD.</td> <td>J2</td> <td>PTD.</td> <td>-</td> <td>3993</td> <td>3\"/> <tr> <td>3998</td> <td>ETR</td> <td>-</td> <td>WD.</td> <td>J2</td> <td>PTD.</td> <td>-</td> <td>3994</td> <td>3\"/> <tr> <td>3999</td> <td>ETR</td> <td>-</td> <td>WD.</td> <td>J2</td> <td>PTD.</td> <td>-</td> <td>3995</td> <td>3\"/> <tr> <td>3999</td> <td>ETR</td> <td>-</td> <td>WD.</td> <td>J2</td> <td>PTD.</td> <td>-</td> <td>3997</td> <td>3\"/> </td></tr></td></tr></td></tr></td></tr></td></tr></td></tr></td></tr></td></tr></td></tr></td></tr></td></tr></td></tr></td></tr></td></tr></td></tr></td></tr></td></tr></td></tr></td></tr></td></tr></td></tr></td></tr></td></td></tr></td></tr></td></td></tr></td></td></tr></td></td></tr></td></td></tr></td></td></tr></td></td></tr></td></td></tr></td></td></tr></td></tr></td></tr></td></tr></td></td></tr></td></tr></td></tr></td></tr></td></tr></td></td></tr></td></tr></td></tr></td></tr></td></tr></td></tr></td></tr></td></tr> | 360 | ETR | -
 | WD. | J2 | PTD. | - | 358 | 3\"/> <tr> <td>361A</td> <td>ETR</td> <td>-</td> <td>WD.</td> <td>J2</td> <td>PTD.</td> <td>-</td> <td>359</td> <td>3\"/> <tr> <td>362</td> <td>ETR</td> <td>-</td> <td>WD.</td> <td>J2</td> <td>PTD.</td> <td>-</td> <td>360</td> <td>3\"/> <tr> <td>363</td> <td>ETR</td> <td>-</td> <td>WD.</td> <td>J2</td> <td>PTD.</td> <td>-</td> <td>361A</td> <td>3\"/> <tr> <td>364A</td> <td>ETR</td> <td>-</td> <td>WD.</td> <td>J2</td> <td>PTD.</td> <td>-</td> <td>362</td> <td>3\"/> <tr> <td>365</td> <td>ETR</td> <td>-</td> <td>WD.</td> <td>J2</td> <td>PTD.</td> <td>-</td> <td>363</td> <td>3\"/> <tr> <td>366</td> <td>ETR</td> <td>-</td> <td>WD.</td> <td>J2</td> <td>PTD.</td> <td>-</td> <td>364A</td> <td>3\"/> <tr> <td>367</td> <td>B</td> <td>2 <td>HM</td> <td>J1</td> <td>PTD.</td> <td>1 HR.</td> <td>365</td> <td>3\"/> <tr> <td>368</td> <td>ETR</td> <td>-</td> <td>WD.</td> <td>J2</td> <td>PTD.</td> <td>-</td> <td>366</td> <td>3\"/> <tr> <td>369</td> <td>ETR</td> <td>-</td> <td>WD.</td> <td>J2</td> <td>PTD.</td> <td>-</td> <td>367</td> <td>3\"/> <tr> <td>370</td> <td>ETR</td> <td>-</td> <td>WD.</td> <td>J2</td> <td>PTD.</td> <td>-</td> <td>368</td> <td>3\"/> <tr> <td>371</td> <td>ETR</td> <td>-</td> <td>WD.</td> <td>J2</td> <td>PTD.</td> <td>-</td> <td>369</td> <td>3\"/> <tr> <td>372</td> <td>B</td> <td>2 <td>HM</td> <td>J1</td> <td>PTD.</td> <td>1 HR.</td> <td>370</td> <td>3\"/> <tr> <td>373A</td> <td>ETR</td> <td>-</td> <td>WD.</td> <td>J2</td> <td>PTD.</td> <td>-</td> <td>371</td> <td>3\"/> <tr> <td>374B</td> <td>ETR</td> <td>-</td> <td>WD.</td> <td>J2</td> <td>PTD.</td> <td>-</td> <td>372</td> <td>3\"/> <tr> <td>374C</td> <td>ETR</td> <td>-</td> <td>WD.</td> <td>J2</td> <td>PTD.</td> <td>-</td> <td>373A</td> <td>3\"/> <tr> <td>375</td> <td>B</td> <td>1 <td>WD</td> <td>J1</td> <td>PTD.</td> <td>-</td> <td>374B</td> <td>3\"/> <tr> <td>376</td> <td>B</td> <td>1 <td>WD</td> <td>J1</td> <td>PTD.</td> <td>-</td> <td>374C</td> <td>3\"/> <tr> <td>377</td> <td>B</td> <td>1 <td>WD</td> <td>J1</td> <td>PTD.</td> <td>-</td> <td>375</td> <td>3\"/> <tr> <td>377A</td> <td>B</td> <td>1 <td>WD</td> <td>J1</td> <td>PTD.</td> <td>-</td> <td>376</td> <td>3\"/> <tr> <td>378</td> <td>B</td> <td>1 <td>WD</td> <td>J1</td> <td>PTD.</td> <td>-</td> <td>377</td> <td>3\"/> <tr> <td>379</td> <td>B</td> <td>1 <td>WD</td> <td>J1</td> <td>PTD.</td> <td>-</td> <td>377A</td> <td>3\"/> <tr> <td>380A</td> <td>B</td> <td>1 <td>WD</td> <td>J1</td> <td>PTD.</td> <td>-</td> <td>378</td> <td>3\"/> <tr> <td>380B</td> <td>B</td> <td>1 <td>WD</td> <td>J1</td> <td>PTD.</td> <td>-</td> <td>379</td> <td>3\"/> <tr> <td>382</td> <td>ETR</td> <td>-</td> <td>WD.</td> <td>J2</td> <td>PTD.</td> <td>-</td> <td>380A</td> <td>3\"/> <tr> <td>382A</td> <td>D</td> <td>6 <td>ALUM.</td> <td>ANODIZE D</td> <td>-</td> <td>-</td> <td>380B</td> <td>3\"/> <tr> <td>385</td> <td>ETR</td> <td>-</td> <td>WD.</td> <td>J2</td> <td>PTD.</td> <td>-</td> <td>382</td> <td>3\"/> <tr> <td>386</td> <td>ETR</td> <td>-</td> <td>WD.</td> <td>J2</td> <td>PTD.</td> <td>-</td> <td>382A</td> <td>3\"/> <tr> <td>387</td> <td>ETR</td> <td>-</td> <td>WD.</td> <td>J2</td> <td>PTD.</td> <td>-</td> <td>385</td> <td>3\"/> <tr> <td>388</td> <td>ETR</td> <td>-</td> <td>WD.</td> <td>J2</td> <td>PTD.</td> <td>-</td> <td>386</td> <td>3\"/> <tr> <td>389</td> <td>ETR</td> <td>-</td> <td>WD.</td> <td>J2</td> <td>PTD.</td> <td>-</td> <td>387</td> <td>3\"/> <tr> <td>391</td> <td>ETR</td> <td>-</td> <td>WD.</td> <td>J2</td> <td>PTD.</td> <td>-</td> <td>388</td> <td>3\"/> <tr> <td>391A</td> <td>ETR</td> <td>-</td> <td>WD.</td> <td>J2</td> <td>PTD.</td> <td>-</td> <td>389</td> <td>3\"/> <tr> <td>391B</td> <td>ETR</td> <td>-</td> <td>WD.</td> <td>J2</td> <td>PTD.</td> <td>-</td> <td>391</td> <td>3\"/> <tr> <td>394</td> <td>ETR</td> <td>-</td> <td>WD.</td> <td>J2</td> <td>PTD.</td> <td>-</td> <td>391A</td> <td>3\"/> <tr> <td>395</td> <td>ETR</td> <td>-</td> <td>WD.</td> <td>J2</td> <td>PTD.</td> <td>-</td> <td>391B</td> <td>3\"/> <tr> <td>396</td> <td>ETR</td> <td>-</td> <td>WD.</td> <td>J2</td> <td>PTD.</td> <td>-</td> <td>394</td> <td>3\"/> <tr> <td>398</td> <td>ETR</td> <td>-</td> <td>WD.</td> <td>J2</td> <td>PTD.</td> <td>-</td> <td>395</td> <td>3\"/> <tr> <td>399</td> <td>ETR</td> <td>-</td> <td>WD.</td> <td>J2</td> <td>PTD.</td> <td>-</td> <td>396</td> <td>3\"/> <tr> <td>3991</td> <td>ETR</td> <td>-</td> <td>WD.</td> <td>J2</td> <td>PTD.</td> <td>-</td> <td>398</td> <td>3\"/> <tr> <td>3992</td> <td>A</td> <td>3\"/> <tr> <td>3993</td> <td>ETR</td> <td>-</td> <td>WD.</td> <td>J2</td> <td>PTD.</td> <td>-</td> <td>399</td> <td>3\"/> <tr> <td>3994</td> <td>ETR</td> <td>-</td> <td>WD.</td> <td>J2</td> <td>PTD.</td> <td>-</td> <td>3991</td> <td>3\"/> <tr> <td>3995</td> <td>ETR</td> <td>-</td> <td>WD.</td> <td>J2</td> <td>PTD.</td> <td>-</td> <td>3992</td> <td>3\"/> <tr> <td>3997</td>
<td>ETR</td> <td>-</td> <td>WD.</td> <td>J2</td> <td>PTD.</td> <td>-</td> <td>3993</td> <td>3\"/> <tr> <td>3998</td> <td>ETR</td> <td>-</td> <td>WD.</td> <td>J2</td> <td>PTD.</td> <td>-</td> <td>3994</td> <td>3\"/> <tr> <td>3999</td> <td>ETR</td> <td>-</td> <td>WD.</td> <td>J2</td> <td>PTD.</td> <td>-</td> <td>3995</td> <td>3\"/> <tr> <td>3999</td> <td>ETR</td> <td>-</td> <td>WD.</td> <td>J2</td> <td>PTD.</td> <td>-</td> <td>3997</td> <td>3\"/> </td></tr></td></tr></td></tr></td></tr></td></tr></td></tr></td></tr></td></tr></td></tr></td></tr></td></tr></td></tr></td></tr></td></tr></td></tr></td></tr></td></tr></td></tr></td></tr></td></tr></td></tr></td></tr></td></td></tr></td></tr></td></td></tr></td></td></tr></td></td></tr></td></td></tr></td></td></tr></td></td></tr></td></td></tr></td></td></tr></td></tr></td></tr></td></tr></td></td></tr></td></tr></td></tr></td></tr></td></tr></td></td></tr></td></tr></td></tr></td></tr></td></tr></td></tr></td></tr> | 361A | ETR | - | WD. | J2 | PTD. | - | 359 | 3\"/> <tr> <td>362</td> <td>ETR</td> <td>-</td> <td>WD.</td> <td>J2</td> <td>PTD.</td> <td>-</td> <td>360</td> <td>3\"/> <tr> <td>363</td> <td>ETR</td> <td>-</td> <td>WD.</td> <td>J2</td> <td>PTD.</td> <td>-</td> <td>361A</td> <td>3\"/> <tr> <td>364A</td> <td>ETR</td> <td>-</td> <td>WD.</td> <td>J2</td> <td>PTD.</td> <td>-</td> <td>362</td> <td>3\"/> <tr> <td>365</td> <td>ETR</td> <td>-</td> <td>WD.</td> <td>J2</td> <td>PTD.</td> <td>-</td> <td>363</td> <td>3\"/> <tr> <td>366</td> <td>ETR</td> <td>-</td> <td>WD.</td> <td>J2</td> <td>PTD.</td> <td>-</td> <td>364A</td> <td>3\"/> <tr> <td>367</td> <td>B</td> <td>2 <td>HM</td> <td>J1</td> <td>PTD.</td> <td>1 HR.</td> <td>365</td> <td>3\"/> <tr> <td>368</td> <td>ETR</td> <td>-</td> <td>WD.</td> <td>J2</td> <td>PTD.</td> <td>-</td> <td>366</td> <td>3\"/> <tr> <td>369</td> <td>ETR</td> <td>-</td> <td>WD.</td> <td>J2</td> <td>PTD.</td> <td>-</td> <td>367</td> <td>3\"/> <tr> <td>370</td> <td>ETR</td> <td>-</td> <td>WD.</td> <td>J2</td> <td>PTD.</td> <td>-</td> <td>368</td> <td>3\"/> <tr> <td>371</td> <td>ETR</td> <td>-</td> <td>WD.</td> <td>J2</td> <td>PTD.</td> <td>-</td> <td>369</td> <td>3\"/> <tr> <td>372</td> <td>B</td> <td>2 <td>HM</td> <td>J1</td> <td>PTD.</td> <td>1 HR.</td> <td>370</td> <td>3\"/> <tr> <td>373A</td> <td>ETR</td> <td>-</td> <td>WD.</td> <td>J2</td> <td>PTD.</td> <td>-</td> <td>371</td> <td>3\"/> <tr> <td>374B</td> <td>ETR</td> <td>-</td> <td>WD.</td> <td>J2</td> <td>PTD.</td> <td>-</td> <td>372</td> <td>3\"/> <tr> <td>374C</td> <td>ETR</td> <td>-</td> <td>WD.</td> <td>J2</td> <td>PTD.</td> <td>-</td> <td>373A</td> <td>3\"/> <tr> <td>375</td> <td>B</td> <td>1 <td>WD</td> <td>J1</td> <td>PTD.</td> <td>-</td> <td>374B</td> <td>3\"/> <tr> <td>376</td> <td>B</td> <td>1 <td>WD</td> <td>J1</td> <td>PTD.</td> <td>-</td> <td>374C</td> <td>3\"/> <tr> <td>377</td> <td>B</td> <td>1 <td>WD</td> <td>J1</td> <td>PTD.</td> <td>-</td> <td>375</td> <td>3\"/> <tr> <td>377A</td> <td>B</td> <td>1 <td>WD</td> <td>J1</td> <td>PTD.</td> <td>-</td> <td>376</td> <td>3\"/> <tr> <td>378</td> <td>B</td> <td>1 <td>WD</td> <td>J1</td> <td>PTD.</td> <td>-</td> <td>377</td> <td>3\"/> <tr> <td>379</td> <td>B</td> <td>1 <td>WD</td> <td>J1</td> <td>PTD.</td> <td>-</td> <td>377A</td> <td>3\"/> <tr> <td>380A</td> <td>B</td> <td>1 <td>WD</td> <td>J1</td> <td>PTD.</td> <td>-</td> <td>378</td> <td>3\"/> <tr> <td>380B</td> <td>B</td> <td>1 <td>WD</td> <td>J1</td> <td>PTD.</td> <td>-</td> <td>379</td> <td>3\"/> <tr> <td>382</td> <td>ETR</td> <td>-</td> <td>WD.</td> <td>J2</td> <td>PTD.</td> <td>-</td> <td>380A</td> <td>3\"/> <tr> <td>382A</td> <td>D</td> <td>6 <td>ALUM.</td> <td>ANODIZE D</td> <td>-</td> <td>-</td> <td>380B</td> <td>3\"/> <tr> <td>385</td> <td>ETR</td> <td>-</td> <td>WD.</td> <td>J2</td> <td>PTD.</td> <td>-</td> <td>382</td> <td>3\"/> <tr>
<td>386</td> <td>ETR</td> <td>-</td> <td>WD.</td> <td>J2</td> <td>PTD.</td> <td>-</td> <td>382A</td> <td>3\"/> <tr> <td>387</td> <td>ETR</td> <td>-</td> <td>WD.</td> <td>J2</td> <td>PTD.</td> <td>-</td> <td>385</td> <td>3\"/> <tr> <td>388</td> <td>ETR</td> <td>-</td> <td>WD.</td> <td>J2</td> <td>PTD.</td> <td>-</td> <td>386</td> <td>3\"/> <tr> <td>389</td> <td>ETR</td> <td>-</td> <td>WD.</td> <td>J2</td> <td>PTD.</td> <td>-</td> <td>387</td> <td>3\"/> <tr> <td>391</td> <td>ETR</td> <td>-</td> <td>WD.</td> <td>J2</td> <td>PTD.</td> <td>-</td> <td>388</td> <td>3\"/> <tr> <td>391A</td> <td>ETR</td> <td>-</td> <td>WD.</td> <td>J2</td> <td>PTD.</td> <td>-</td> <td>389</td> <td>3\"/> <tr> <td>391B</td> <td>ETR</td> <td>-</td> <td>WD.</td> <td>J2</td> <td>PTD.</td> <td>-</td> <td>391</td> <td>3\"/> <tr> <td>394</td> <td>ETR</td> <td>-</td> <td>WD.</td> <td>J2</td> <td>PTD.</td> <td>-</td> <td>391A</td> <td>3\"/> <tr> <td>395</td> <td>ETR</td> <td>-</td> <td>WD.</td> <td>J2</td> <td>PTD.</td> <td>-</td> <td>391B</td> <td>3\"/> <tr> <td>396</td> <td>ETR</td> <td>-</td> <td>WD.</td> <td>J2</td> <td>PTD.</td> <td>-</td> <td>394</td> <td>3\"/> <tr> <td>398</td> <td>ETR</td> <td>-</td> <td>WD.</td> <td>J2</td> <td>PTD.</td> <td>-</td> <td>395</td> <td>3\"/> <tr> <td>399</td> <td>ETR</td> <td>-</td> <td>WD.</td> <td>J2</td> <td>PTD.</td> <td>-</td> <td>396</td> <td>3\"/> <tr> <td>3991</td> <td>ETR</td> <td>-</td> <td>WD.</td> <td>J2</td> <td>PTD.</td> <td>-</td> <td>398</td> <td>3\"/> <tr> <td>3992</td> <td>A</td> <td>3\"/> <tr> <td>3993</td> <td>ETR</td> <td>-</td> <td>WD.</td> <td>J2</td> <td>PTD.</td> <td>-</td> <td>399</td> <td>3\"/> <tr> <td>3994</td> <td>ETR</td> <td>-</td> <td>WD.</td> <td>J2</td> <td>PTD.</td> <td>-</td> <td>3991</td> <td>3\"/> <tr> <td>3995</td> <td>ETR</td> <td>-</td> <td>WD.</td> <td>J2</td> <td>PTD.</td> <td>-</td> <td>3992</td> <td>3\"/> <tr> <td>3997</td> <td>ETR</td> <td>-</td> <td>WD.</td> <td>J2</td> <td>PTD.</td> <td>-</td> <td>3993</td> <td>3\"/> <tr> <td>3998</td> <td>ETR</td> <td>-</td> <td>WD.</td> <td>J2</td> <td>PTD.</td> <td>-</td> <td>3994</td> <td>3\"/> <tr> <td>3999</td> <td>ETR</td> <td>-</td> <td>WD.</td> <td>J2</td> <td>PTD.</td> <td>-</td> <td>3995</td> <td>3\"/> <tr> <td>3999</td> <td>ETR</td> <td>-</td> <td>WD.</td> <td>J2</td> <td>PTD.</td> <td>-</td> <td>3997</td> <td>3\"/> </td></tr></td></tr></td></tr></td></tr></td></tr></td></tr></td></tr></td></tr></td></tr></td></tr></td></tr></td></tr></td></tr></td></tr></td></tr></td></tr></td></tr></td></tr></td></tr></td></tr></td></tr></td></tr></td></td></tr></td></tr></td></td></tr></td></td></tr></td></td></tr></td></td></tr></td></td></tr></td></td></tr></td></td></tr></td></td></tr></td></tr></td></tr></td></tr></td></td></tr></td></tr></td></tr></td></tr></td></tr></td></td></tr></td></tr></td></tr></td></tr></td></tr></td></tr> | 362 | ETR | - | WD. | J2 | PTD. | - | 360 | 3\"/> <tr> <td>363</td> <td>ETR</td> <td>-</td> <td>WD.</td> <td>J2</td> <td>PTD.</td> <td>-</td> <td>361A</td> <td>3\"/> <tr> <td>364A</td> <td>ETR</td> <td>-</td> <td>WD.</td> <td>J2</td> <td>PTD.</td> <td>-</td> <td>362</td> <td>3\"/> <tr> <td>365</td> <td>ETR</td> <td>-</td> <td>WD.</td> <td>J2</td> <td>PTD.</td> <td>-</td> <td>363</td> <td>3\"/> <tr> <td>366</td> <td>ETR</td> <td>-</td> <td>WD.</td> <td>J2</td> <td>PTD.</td> <td>-</td> <td>364A</td> <td>3\"/> <tr> <td>367</td> <td>B</td> <td>2 <td>HM</td> <td>J1</td> <td>PTD.</td> <td>1 HR.</td> <td>365</td> <td>3\"/> <tr> <td>368</td> <td>ETR</td> <td>-</td> <td>WD.</td> <td>J2</td> <td>PTD.</td> <td>-</td> <td>366</td> <td>3\"/> <tr> <td>369</td> <td>ETR</td> <td>-</td> <td>WD.</td> <td>J2</td> <td>PTD.</td> <td>-</td> <td>367</td> <td>3\"/> <tr> <td>370</td> <td>ETR</td> <td>-</td> <td>WD.</td> <td>J2</td> <td>PTD.</td> <td>-</td> <td>368</td> <td>3\"/> <tr> <td>371</td> <td>ETR</td> <td>-</td> <td>WD.</td> <td>J2</td> <td>PTD.</td> <td>-</td> <td>369</td> <td>3\"/> <tr> <td>372</td>
<td>B</td> <td>2 <td>HM</td> <td>J1</td> <td>PTD.</td> <td>1 HR.</td> <td>370</td> <td>3\"/> <tr> <td>373A</td> <td>ETR</td> <td>-</td> <td>WD.</td> <td>J2</td> <td>PTD.</td> <td>-</td> <td>371</td> <td>3\"/> <tr> <td>374B</td> <td>ETR</td> <td>-</td> <td>WD.</td> <td>J2</td> <td>PTD.</td> <td>-</td> <td>372</td> <td>3\"/> <tr> <td>374C</td> <td>ETR</td> <td>-</td> <td>WD.</td> <td>J2</td> <td>PTD.</td> <td>-</td> <td>373A</td> <td>3\"/> <tr> <td>375</td> <td>B</td> <td>1 <td>WD</td> <td>J1</td> <td>PTD.</td> <td>-</td> <td>374B</td> <td>3\"/> <tr> <td>376</td> <td>B</td> <td>1 <td>WD</td> <td>J1</td> <td>PTD.</td> <td>-</td> <td>374C</td> <td>3\"/> <tr> <td>377</td> <td>B</td> <td>1 <td>WD</td> <td>J1</td> <td>PTD.</td> <td>-</td> <td>375</td> <td>3\"/> <tr> <td>377A</td> <td>B</td> <td>1 <td>WD</td> <td>J1</td> <td>PTD.</td> <td>-</td> <td>376</td> <td>3\"/> <tr> <td>378</td> <td>B</td> <td>1 <td>WD</td> <td>J1</td> <td>PTD.</td> <td>-</td> <td>377</td> <td>3\"/> <tr> <td>379</td> <td>B</td> <td>1 <td>WD</td> <td>J1</td> <td>PTD.</td> <td>-</td> <td>377A</td> <td>3\"/> <tr> <td>380A</td> <td>B</td> <td>1 <td>WD</td> <td>J1</td> <td>PTD.</td> <td>-</td> <td>378</td> <td>3\"/> <tr> <td>380B</td> <td>B</td> <td>1 <td>WD</td> <td>J1</td> <td>PTD.</td> <td>-</td> <td>379</td> <td>3\"/> <tr> <td>382</td> <td>ETR</td> <td>-</td> <td>WD.</td> <td>J2</td> <td>PTD.</td> <td>-</td> <td>380A</td> <td>3\"/> <tr> <td>382A</td> <td>D</td> <td>6 <td>ALUM.</td> <td>ANODIZE D</td> <td>-</td> <td>-</td> <td>380B</td> <td>3\"/> <tr> <td>385</td> <td>ETR</td> <td>-</td> <td>WD.</td> <td>J2</td> <td>PTD.</td> <td>-</td> <td>382</td> <td>3\"/> <tr> <td>386</td> <td>ETR</td> <td>-</td> <td>WD.</td> <td>J2</td> <td>PTD.</td> <td>-</td> <td>382A</td> <td>3\"/> <tr> <td>387</td> <td>ETR</td> <td>-</td> <td>WD.</td> <td>J2</td> <td>PTD.</td> <td>-</td> <td>385</td> <td>3\"/> <tr> <td>388</td> <td>ETR</td> <td>-</td> <td>WD.</td> <td>J2</td> <td>PTD.</td> <td>-</td> <td>386</td> <td>3\"/> <tr> <td>389</td> <td>ETR</td> <td>-</td> <td>WD.</td> <td>J2</td> <td>PTD.</td> <td>-</td> <td>387</td> <td>3\"/> <tr> <td>391</td> <td>ETR</td> <td>-</td> <td>WD.</td> <td>J2</td> <td>PTD.</td> <td>-</td> <td>388</td> <td>3\"/> <tr> <td>391A</td> <td>ETR</td> <td>-</td> <td>WD.</td> <td>J2</td> <td>PTD.</td> <td>-</td> <td>389</td> <td>3\"/> <tr> <td>391B</td> <td>ETR</td> <td>-</td> <td>WD.</td> <td>J2</td> <td>PTD.</td> <td>-</td> <td>391</td> <td>3\"/> <tr> <td>394</td> <td>ETR</td> <td>-</td> <td>WD.</td> <td>J2</td> <td>PTD.</td> <td>-</td> <td>391A</td> <td>3\"/> <tr> <td>395</td> <td>ETR</td> <td>-</td> <td>WD.</td> <td>J2</td> <td>PTD.</td> <td>-</td> <td>391B</td> <td>3\"/> <tr> <td>396</td> <td>ETR</td> <td>-</td> <td>WD.</td> <td>J2</td> <td>PTD.</td> <td>-</td> <td>394</td> <td>3\"/> <tr> <td>398</td> <td>ETR</td> <td>-</td> <td>WD.</td> <td>J2</td> <td>PTD.</td> <td>-</td> <td>395</td> <td>3\"/> <tr> <td>399</td> <td>ETR</td> <td>-</td> <td>WD.</td> <td>J2</td> <td>PTD.</td> <td>-</td> <td>396</td> <td>3\"/> <tr> <td>3991</td> <td>ETR</td> <td>-</td> <td>WD.</td> <td>J2</td> <td>PTD.</td> <td>-</td> <td>398</td> <td>3\"/> <tr> <td>3992</td> <td>A</td> <td>3\"/> <tr> <td>3993</td> <td>ETR</td> <td>-</td> <td>WD.</td> <td>J2</td> <td>PTD.</td> <td>-</td> <td>399</td> <td>3\"/> <tr> <td>3994</td> <td>ETR</td> <td>-</td> <td>WD.</td> <td>J2</td> <td>PTD.</td> <td>-</td> <td>3991</td> <td>3\"/> <tr> <td>3995</td> <td>ETR</td> <td>-</td> <td>WD.</td> <td>J2</td> <td>PTD.</td> <td>-</td> <td>3992</td> <td>3\"/> <tr> <td>3997</td> <td>ETR</td> <td>-</td> <td>WD.</td> <td>J2</td> <td>PTD.</td> <td>-</td> <td>3993</td> <td>3\"/> <tr> <td>3998</td> <td>ETR</td> <td>-</td> <td>WD.</td> <td>J2</td> <td>PTD.</td> <td>-</td> <td>3994</td> <td>3\"/> <tr> <td>3999</td> <td>ETR</td> <td>-</td> <td>WD.</td> <td>J2</td> <td>PTD.</td> <td>-</td> <td>3995</td> <td>3\"/> <tr> <td>3999</td> <td>ETR</td> <td>-</td> <td>WD.</td> <td>J2</td> <td>PTD.</td> <td>-</td> <td>3997</td> <td>3\"/> </td></tr></td></tr></td></tr></td></tr></td></tr></td></tr></td></tr></td></tr></td></tr></td></tr></td></tr></td></tr></td></tr></td></tr></td></tr></td></tr></td></tr></td></tr></td></tr></td></tr></td></tr></td></tr></td></td></tr></td></tr></td></td></tr></td></td></tr></td></td></tr></td></td></tr></td></td></tr></td></td></tr></td></td></tr></td></td></tr></td></tr></td></tr></td></tr></td></td></tr></td></tr></td></tr></td></tr></td></tr></td></td></tr></td></tr></td></tr></td></tr></td></tr> | 363 | ETR | -
 | WD. | J2 | PTD. | - | 361A | 3\"/> <tr> <td>364A</td> <td>ETR</td> <td>-</td> <td>WD.</td> <td>J2</td> <td>PTD.</td> <td>-</td> <td>362</td> <td>3\"/> <tr> <td>365</td> <td>ETR</td> <td>-</td> <td>WD.</td> <td>J2</td> <td>PTD.</td> <td>-</td> <td>363</td> <td>3\"/> <tr> <td>366</td> <td>ETR</td> <td>-</td> <td>WD.</td> <td>J2</td> <td>PTD.</td> <td>-</td> <td>364A</td> <td>3\"/> <tr> <td>367</td> <td>B</td> <td>2 <td>HM</td> <td>J1</td> <td>PTD.</td> <td>1 HR.</td> <td>365</td> <td>3\"/> <tr> <td>368</td> <td>ETR</td> <td>-</td> <td>WD.</td> <td>J2</td> <td>PTD.</td> <td>-</td> <td>366</td> <td>3\"/> <tr> <td>369</td> <td>ETR</td> <td>-</td> <td>WD.</td> <td>J2</td> <td>PTD.</td> <td>-</td> <td>367</td> <td>3\"/> <tr> <td>370</td> <td>ETR</td> <td>-</td> <td>WD.</td> <td>J2</td> <td>PTD.</td> <td>-</td> <td>368</td> <td>3\"/> <tr> <td>371</td> <td>ETR</td> <td>-</td> <td>WD.</td> <td>J2</td> <td>PTD.</td> <td>-</td> <td>369</td> <td>3\"/> <tr> <td>372</td> <td>B</td> <td>2 <td>HM</td> <td>J1</td> <td>PTD.</td> <td>1 HR.</td> <td>370</td> <td>3\"/> <tr> <td>373A</td> <td>ETR</td> <td>-</td> <td>WD.</td> <td>J2</td> <td>PTD.</td> <td>-</td> <td>371</td> <td>3\"/> <tr> <td>374B</td> <td>ETR</td> <td>-</td> <td>WD.</td> <td>J2</td> <td>PTD.</td> <td>-</td> <td>372</td> <td>3\"/> <tr> <td>374C</td> <td>ETR</td> <td>-</td> <td>WD.</td> <td>J2</td> <td>PTD.</td> <td>-</td> <td>373A</td> <td>3\"/> <tr> <td>375</td> <td>B</td> <td>1 <td>WD</td> <td>J1</td> <td>PTD.</td> <td>-</td> <td>374B</td> <td>3\"/> <tr> <td>376</td> <td>B</td> <td>1 <td>WD</td> <td>J1</td> <td>PTD.</td> <td>-</td> <td>374C</td> <td>3\"/> <tr> <td>377</td> <td>B</td> <td>1 <td>WD</td> <td>J1</td> <td>PTD.</td> <td>-</td> <td>375</td> <td>3\"/> <tr> <td>377A</td> <td>B</td> <td>1 <td>WD</td> <td>J1</td> <td>PTD.</td> <td>-</td> <td>376</td> <td>3\"/> <tr> <td>378</td> <td>B</td> <td>1 <td>WD</td> <td>J1</td> <td>PTD.</td> <td>-</td> <td>377</td> <td>3\"/> <tr> <td>379</td> <td>B</td> <td>1 <td>WD</td> <td>J1</td> <td>PTD.</td> <td>-</td> <td>377A</td> <td>3\"/> <tr> <td>380A</td> <td>B</td> <td>1 <td>WD</td> <td>J1</td> <td>PTD.</td> <td>-</td> <td>378</td> <td>3\"/> <tr> <td>380B</td> <td>B</td> <td>1 <td>WD</td> <td>J1</td> <td>PTD.</td> <td>-</td> <td>379</td> <td>3\"/> <tr> <td>382</td> <td>ETR</td> <td>-</td> <td>WD.</td> <td>J2</td> <td>PTD.</td> <td>-</td> <td>380A</td> <td>3\"/> <tr> <td>382A</td> <td>D</td> <td>6 <td>ALUM.</td> <td>ANODIZE D</td> <td>-</td> <td>-</td> <td>380B</td> <td>3\"/> <tr> <td>385</td> <td>ETR</td> <td>-</td> <td>WD.</td> <td>J2</td> <td>PTD.</td> <td>-</td> <td>382</td> <td>3\"/> <tr> <td>386</td> <td>ETR</td> <td>-</td> <td>WD.</td> <td>J2</td> <td>PTD.</td> <td>-</td> <td>382A</td> <td>3\"/> <tr> <td>387</td> <td>ETR</td> <td>-</td> <td>WD.</td> <td>J2</td> <td>PTD.</td> <td>-</td> <td>385</td> <td>3\"/> <tr> <td>388</td> <td>ETR</td> <td>-</td> <td>WD.</td> <td>J2</td> <td>PTD.</td> <td>-</td> <td>386</td> <td>3\"/> <tr> <td>389</td> <td>ETR</td> <td>-</td> <td>WD.</td> <td>J2</td> <td>PTD.</td> <td>-</td> <td>387</td> <td>3\"/> <tr> <td>391</td> <td>ETR</td> <td>-</td> <td>WD.</td> <td>J2</td> <td>PTD.</td> <td>-</td> <td>388</td> <td>3\"/> <tr> <td>391A</td> <td>ETR</td> <td>-</td> <td>WD.</td> <td>J2</td> <td>PTD.</td> <td>-</td> <td>389</td> <td>3\"/> <tr> <td>391B</td> <td>ETR</td> <td>-</td> <td>WD.</td> <td>J2</td> <td>PTD.</td> <td>-</td> <td>391</td> <td>3\"/> <tr> <td>394</td> <td>ETR</td> <td>-</td> <td>WD.</td> <td>J2</td> <td>PTD.</td> <td>-</td> <td>391A</td> <td>3\"/> <tr> <td>395</td> <td>ETR</td> <td>-</td> <td>WD.</td> <td>J2</td> <td>PTD.</td> <td>-</td> <td>391B</td> <td>3\"/> <tr> <td>396</td> <td>ETR</td> <td>-</td> <td>WD.</td> <td>J2</td> <td>PTD.</td> <td>-</td> <td>394</td> <td>3\"/> <tr> <td>398</td> <td>ETR</td> <td>-</td> <td>WD.</td> <td>J2</td> <td>PTD.</td> <td>-</td> <td>395</td> <td>3\"/> <tr> <td>399</td> <td>ETR</td> <td>-</td> <td>WD.</td> <td>J2</td> <td>PTD.</td> <td>-</td> <td>396</td> <td>3\"/> <tr> <td>3991</td> <td>ETR</td> <td>-</td> <td>WD.</td> <td>J2</td> <td>PTD.</td> <td>-</td> <td>398</td> <td>3\"/> <tr> <td>3992</td> <td>A</td> <td>3\"/> <tr> <td>3993</td> <td>ETR</td> <td>-</td> <td>WD.</td> <td>J2</td> <td>PTD.</td> <td>-</td> <td>399</td> <td>3\"/> <tr> <td>3994</td> <td>ETR</td> <td>-</td> <td>WD.</td> <td>J2</td> <td>PTD.</td> <td>-</td> <td>3991</td> <td>3\"/> <tr> <td>3995</td> <td>ETR</td> <td>-</td> <td>WD.</td> <td>J2</td> <td>PTD.</td> <td>-</td> <td>3992</td> <td>3\"/> <tr> <td>3997</td> <td>ETR</td> <td>-</td> <td>WD.</td> <td>J2</td> <td>PTD.</td> <td>-</td> <td>3993</td> <td>3\"/> <tr> <td>3998</td> <td>ETR</td> <td>-</td> <td>WD.</td> <td>J2</td> <td>PTD.</td> <td>-</td> <td>3994</td> <td>3\"/> <tr> <td>3999</td> <td>ETR</td> <td>-</td> <td>WD.</td> <td>J2</td> <td>PTD.</td> <td>-</td> <td>3995</td> <td>3\"/> <tr> <td>3999</td> <td>ETR</td> <td>-</td> <td>WD.</td> <td>J2</td> <td>PTD.</td> <td>-</td> <td>3997</td> <td>3\"/> </td></tr></td></tr></td></tr></td></tr></td></tr></td></tr></td></tr></td></tr></td></tr></td></tr></td></tr></td></tr></td></tr></td></tr></td></tr></td></tr></td></tr></td></tr></td></tr></td></tr></td></tr></td></tr></td></td></tr></td></tr></td></td></tr></td></td></tr></td></td></tr></td></td></tr></td></td></tr></td></td></tr></td></td></tr></td></td></tr></td></tr></td></tr></td></tr></td></td></tr></td></tr></td></tr></td></tr></td></tr></td></td></tr></td></tr></td></tr></td></tr> | 364A | ETR | -
 | WD. | J2 | PTD. | - | 362 | 3\"/> <tr> <td>365</td> <td>ETR</td> <td>-</td> <td>WD.</td> <td>J2</td> <td>PTD.</td> <td>-</td> <td>363</td> <td>3\"/> <tr> <td>366</td> <td>ETR</td> <td>-</td> <td>WD.</td> <td>J2</td> <td>PTD.</td> <td>-</td> <td>364A</td> <td>3\"/> <tr> <td>367</td> <td>B</td> <td>2 <td>HM</td> <td>J1</td> <td>PTD.</td> <td>1 HR.</td> <td>365</td> <td>3\"/> <tr> <td>368</td> <td>ETR</td> <td>-</td> <td>WD.</td> <td>J2</td> <td>PTD.</td> <td>-</td> <td>366</td> <td>3\"/> <tr> <td>369</td> <td>ETR</td> <td>-</td> <td>WD.</td> <td>J2</td> <td>PTD.</td> <td>-</td> <td>367</td> <td>3\"/> <tr> <td>370</td> <td>ETR</td> <td>-</td> <td>WD.</td> <td>J2</td> <td>PTD.</td> <td>-</td> <td>368</td> <td>3\"/> <tr> <td>371</td> <td>ETR</td> <td>-</td> <td>WD.</td> <td>J2</td> <td>PTD.</td> <td>-</td> <td>369</td> <td>3\"/> <tr> <td>372</td> <td>B</td> <td>2 <td>HM</td> <td>J1</td> <td>PTD.</td> <td>1 HR.</td> <td>370</td> <td>3\"/> <tr> <td>373A</td> <td>ETR</td> <td>-</td> <td>WD.</td> <td>J2</td> <td>PTD.</td> <td>-</td> <td>371</td> <td>3\"/> <tr> <td>374B</td> <td>ETR</td> <td>-</td> <td>WD.</td> <td>J2</td> <td>PTD.</td> <td>-</td> <td>372</td> <td>3\"/> <tr> <td>374C</td> <td>ETR</td> <td>-</td> <td>WD.</td> <td>J2</td> <td>PTD.</td> <td>-</td> <td>373A</td> <td>3\"/> <tr> <td>375</td> <td>B</td> <td>1 <td>WD</td> <td>J1</td> <td>PTD.</td> <td>-</td> <td>374B</td> <td>3\"/> <tr> <td>376</td> <td>B</td> <td>1 <td>WD</td> <td>J1</td> <td>PTD.</td> <td>-</td> <td>374C</td> <td>3\"/> <tr> <td>377</td> <td>B</td> <td>1 <td>WD</td> <td>J1</td> <td>PTD.</td> <td>-</td> <td>375</td> <td>3\"/> <tr> <td>377A</td> <td>B</td> <td>1 <td>WD</td> <td>J1</td> <td>PTD.</td> <td>-</td> <td>376</td> <td>3\"/> <tr> <td>378</td> <td>B</td> <td>1 <td>WD</td> <td>J1</td> <td>PTD.</td> <td>-</td> <td>377</td> <td>3\"/> <tr> <td>379</td> <td>B</td> <td>1 <td>WD</td> <td>J1</td> <td>PTD.</td> <td>-</td> <td>377A</td> <td>3\"/> <tr> <td>380A</td> <td>B</td> <td>1 <td>WD</td> <td>J1</td> <td>PTD.</td> <td>-</td> <td>378</td> <td>3\"/> <tr> <td>380B</td> <td>B</td> <td>1 <td>WD</td> <td>J1</td> <td>PTD.</td> <td>-</td> <td>379</td> <td>3\"/> <tr> <td>382</td> <td>ETR</td> <td>-</td> <td>WD.</td> <td>J2</td> <td>PTD.</td> <td>-</td> <td>380A</td> <td>3\"/> <tr> <td>382A</td> <td>D</td> <td>6 <td>ALUM.</td> <td>ANODIZE D</td> <td>-</td> <td>-</td> <td>380B</td> <td>3\"/> <tr> <td>385</td> <td>ETR</td> <td>-</td> <td>WD.</td> <td>J2</td> <td>PTD.</td> <td>-</td> <td>382</td> <td>3\"/> <tr> <td>386</td> <td>ETR</td> <td>-</td> <td>WD.</td> <td>J2</td> <td>PTD.</td> <td>-</td> <td>382A</td> <td>3\"/> <tr> <td>387</td> <td>ETR</td> <td>-</td> <td>WD.</td> <td>J2</td> <td>PTD.</td> <td>-</td> <td>385</td> <td>3\"/> <tr> <td>388</td> <td>ETR</td> <td>-</td> <td>WD.</td> <td>J2</td> <td>PTD.</td> <td>-</td> <td>386</td> <td>3\"/> <tr> <td>389</td> <td>ETR</td> <td>-</td> <td>WD.</td> <td>J2</td> <td>PTD.</td> <td>-</td> <td>387</td> <td>3\"/> <tr> <td>391</td> <td>ETR</td> <td>-</td> <td>WD.</td> <td>J2</td> <td>PTD.</td> <td>-</td> <td>388</td> <td>3\"/> <tr> <td>391A</td> <td>ETR</td> <td>-</td> <td>WD.</td> <td>J2</td> <td>PTD.</td> <td>-</td> <td>389</td> <td>3\"/> <tr> <td>391B</td> <td>ETR</td> <td>-</td> <td>WD.</td> <td>J2</td> <td>PTD.</td> <td>-</td> <td>391</td> <td>3\"/> <tr> <td>394</td> <td>ETR</td> <td>-</td> <td>WD.</td> <td>J2</td> <td>PTD.</td> <td>-</td> <td>391A</td> <td>3\"/> <tr> <td>395</td> <td>ETR</td> <td>-</td> <td>WD.</td> <td>J2</td> <td>PTD.</td> <td>-</td> <td>391B</td> <td>3\"/> <tr> <td>396</td> <td>ETR</td> <td>-</td> <td>WD.</td> <td>J2</td> <td>PTD.</td> <td>-</td> <td>394</td> <td>3\"/> <tr> <td>398</td> <td>ETR</td> <td>-</td> <td>WD.</td> <td>J2</td> <td>PTD.</td> <td>-</td> <td>395</td> <td>3\"/> <tr> <td>399</td> <td>ETR</td> <td>-</td> <td>WD.</td> <td>J2</td> <td>PTD.</td> <td>-</td> <td>396</td> <td>3\"/> <tr> <td>3991</td> <td>ETR</td> <td>-</td> <td>WD.</td> <td>J2</td> <td>PTD.</td> <td>-</td> <td>398</td> <td>3\"/> <tr> <td>3992</td> <td>A</td> <td>3\"/> <tr> <td>3993</td> <td>ETR</td> <td>-</td> <td>WD.</td> <td>J2</td> <td>PTD.</td> <td>-</td> <td>399</td> <td>3\"/> <tr> <td>3994</td> <td>ETR</td> <td>-</td> <td>WD.</td> <td>J2</td> <td>PTD.</td> <td>-</td> <td>3991</td> <td>3\"/> <tr> <td>3995</td> <td>ETR</td> <td>-</td> <td>WD.</td> <td>J2</td> <td>PTD.</td> <td>-</td> <td>3992</td> <td>3\"/> <tr> <td>3997</td> <td>ETR</td> <td>-</td> <td>WD.</td> <td>J2</td> <td>PTD.</td> <td>-</td> <td>3993</td> <td>3\"/> <tr> <td>3998</td> <td>ETR</td> <td>-</td> <td>WD.</td> <td>J2</td> <td>PTD.</td> <td>-</td> <td>3994</td> <td>3\"/> <tr> <td>3999</td> <td>ETR</td> <td>-</td> <td>WD.</td> <td>J2</td> <td>PTD.</td> <td>-</td> <td>3995</td> <td>3\"/> <tr> <td>3999</td> <td>ETR</td> <td>-</td> <td>WD.</td> <td>J2</td> <td>PTD.</td> <td>-</td> <td>3997</td> <td>3\"/> </td></tr></td></tr></td></tr></td></tr></td></tr></td></tr></td></tr></td></tr></td></tr></td></tr></td></tr></td></tr></td></tr></td></tr></td></tr></td></tr></td></tr></td></tr></td></tr></td></tr></td></tr></td></tr></td></td></tr></td></tr></td></td></tr></td></td></tr></td></td></tr></td></td></tr></td></td></tr></td></td></tr></td></td></tr></td></td></tr></td></tr></td></tr></td></tr></td></td></tr></td></tr></td></tr></td></tr></td></tr></td></td></tr></td></tr></td></tr> | 365 | ETR | -
 | WD. | J2 | PTD. | - | 363 | 3\"/> <tr> <td>366</td> <td>ETR</td> <td>-</td> <td>WD.</td> <td>J2</td> <td>PTD.</td> <td>-</td> <td>364A</td> <td>3\"/> <tr> <td>367</td> <td>B</td> <td>2 <td>HM</td> <td>J1</td> <td>PTD.</td> <td>1 HR.</td> <td>365</td> <td>3\"/> <tr> <td>368</td> <td>ETR</td> <td>-</td> <td>WD.</td> <td>J2</td> <td>PTD.</td> <td>-</td> <td>366</td> <td>3\"/> <tr> <td>369</td> <td>ETR</td> <td>-</td> <td>WD.</td> <td>J2</td> <td>PTD.</td> <td>-</td> <td>367</td> <td>3\"/> <tr> <td>370</td> <td>ETR</td> <td>-</td> <td>WD.</td> <td>J2</td> <td>PTD.</td> <td>-</td> <td>368</td> <td>3\"/> <tr> <td>371</td> <td>ETR</td> <td>-</td> <td>WD.</td> <td>J2</td> <td>PTD.</td> <td>-</td> <td>369</td> <td>3\"/> <tr> <td>372</td> <td>B</td> <td>2 <td>HM</td> <td>J1</td> <td>PTD.</td> <td>1 HR.</td> <td>370</td> <td>3\"/> <tr> <td>373A</td> <td>ETR</td> <td>-</td> <td>WD.</td> <td>J2</td> <td>PTD.</td> <td>-</td> <td>371</td> <td>3\"/> <tr> <td>374B</td> <td>ETR</td> <td>-</td> <td>WD.</td> <td>J2</td> <td>PTD.</td> <td>-</td> <td>372</td> <td>3\"/> <tr> <td>374C</td> <td>ETR</td> <td>-</td> <td>WD.</td> <td>J2</td> <td>PTD.</td> <td>-</td> <td>373A</td> <td>3\"/> <tr> <td>375</td> <td>B</td> <td>1 <td>WD</td> <td>J1</td> <td>PTD.</td> <td>-</td> <td>374B</td> <td>3\"/> <tr> <td>376</td> <td>B</td> <td>1 <td>WD</td> <td>J1</td> <td>PTD.</td> <td>-</td> <td>374C</td> <td>3\"/> <tr> <td>377</td> <td>B</td> <td>1 <td>WD</td> <td>J1</td> <td>PTD.</td> <td>-</td> <td>375</td> <td>3\"/> <tr> <td>377A</td> <td>B</td> <td>1 <td>WD</td> <td>J1</td> <td>PTD.</td> <td>-</td> <td>376</td> <td>3\"/> <tr> <td>378</td> <td>B</td> <td>1 <td>WD</td> <td>J1</td> <td>PTD.</td> <td>-</td> <td>377</td> <td>3\"/> <tr> <td>379</td> <td>B</td> <td>1 <td>WD</td> <td>J1</td> <td>PTD.</td> <td>-</td> <td>377A</td> <td>3\"/> <tr> <td>380A</td> <td>B</td> <td>1 <td>WD</td> <td>J1</td> <td>PTD.</td> <td>-</td> <td>378</td> <td>3\"/> <tr> <td>380B</td> <td>B</td> <td>1 <td>WD</td> <td>J1</td> <td>PTD.</td> <td>-</td> <td>379</td> <td>3\"/> <tr> <td>382</td> <td>ETR</td> <td>-</td> <td>WD.</td> <td>J2</td> <td>PTD.</td> <td>-</td> <td>380A</td> <td>3\"/> <tr> <td>382A</td> <td>D</td> <td>6 <td>ALUM.</td> <td>ANODIZE D</td> <td>-</td> <td>-</td> <td>380B</td> <td>3\"/> <tr> <td>385</td> <td>ETR</td> <td>-</td> <td>WD.</td> <td>J2</td> <td>PTD.</td> <td>-</td> <td>382</td> <td>3\"/> <tr> <td>386</td> <td>ETR</td> <td>-</td> <td>WD.</td> <td>J2</td> <td>PTD.</td> <td>-</td> <td>382A</td> <td>3\"/> <tr> <td>387</td> <td>ETR</td> <td>-</td> <td>WD.</td> <td>J2</td> <td>PTD.</td> <td>-</td> <td>385</td> <td>3\"/> <tr> <td>388</td> <td>ETR</td> <td>-</td> <td>WD.</td> <td>J2</td> <td>PTD.</td> <td>-</td> <td>386</td> <td>3\"/> <tr> <td>389</td> <td>ETR</td> <td>-</td> <td>WD.</td> <td>J2</td> <td>PTD.</td> <td>-</td> <td>387</td> <td>3\"/> <tr> <td>391</td> <td>ETR</td> <td>-</td> <td>WD.</td> <td>J2</td> <td>PTD.</td> <td>-</td> <td>388</td> <td>3\"/> <tr> <td>391A</td> <td>ETR</td> <td>-</td> <td>WD.</td> <td>J2</td> <td>PTD.</td> <td>-</td> <td>389</td> <td>3\"/> <tr> <td>391B</td> <td>ETR</td> <td>-</td> <td>WD.</td> <td>J2</td> <td>PTD.</td> <td>-</td> <td>391</td> <td>3\"/> <tr> <td>394</td> <td>ETR</td> <td>-</td> <td>WD.</td> <td>J2</td> <td>PTD.</td> <td>-</td> <td>391A</td> <td>3\"/> <tr> <td>395</td> <td>ETR</td> <td>-</td> <td>WD.</td> <td>J2</td> <td>PTD.</td> <td>-</td> <td>391B</td> <td>3\"/> <tr> <td>396</td> <td>ETR</td> <td>-</td> <td>WD.</td> <td>J2</td> <td>PTD.</td> <td>-</td> <td>394</td> <td>3\"/> <tr> <td>398</td> <td>ETR</td> <td>-</td> <td>WD.</td> <td>J2</td> <td>PTD.</td> <td>-</td> <td>395</td> <td>3\"/> <tr> <td>399</td> <td>ETR</td> <td>-</td> <td>WD.</td> <td>J2</td> <td>PTD.</td> <td>-</td> <td>396</td> <td>3\"/> <tr> <td>3991</td> <td>ETR</td> <td>-</td> <td>WD.</td> <td>J2</td> <td>PTD.</td> <td>-</td> <td>398</td> <td>3\"/> <tr> <td>3992</td> <td>A</td> <td>3\"/> <tr> <td>3993</td> <td>ETR</td> <td>-</td> <td>WD.</td> <td>J2</td> <td>PTD.</td> <td>-</td> <td>399</td> <td>3\"/> <tr> <td>3994</td> <td>ETR</td> <td>-</td> <td>WD.</td> <td>J2</td> <td>PTD.</td> <td>-</td> <td>3991</td> <td>3\"/> <tr> <td>3995</td> <td>ETR</td> <td>-</td> <td>WD.</td> <td>J2</td> <td>PTD.</td> <td>-</td> <td>3992</td> <td>3\"/> <tr> <td>3997</td> <td>ETR</td> <td>-</td> <td>WD.</td> <td>J2</td> <td>PTD.</td> <td>-</td> <td>3993</td> <td>3\"/> <tr> <td>3998</td> <td>ETR</td> <td>-</td> <td>WD.</td> <td>J2</td> <td>PTD.</td> <td>-</td> <td>3994</td> <td>3\"/> <tr> <td>3999</td> <td>ETR</td> <td>-</td> <td>WD.</td> <td>J2</td> <td>PTD.</td> <td>-</td> <td>3995</td> <td>3\"/> <tr> <td>3999</td> <td>ETR</td> <td>-</td> <td>WD.</td> <td>J2</td> <td>PTD.</td> <td>-</td> <td>3997</td> <td>3\"/> </td></tr></td></tr></td></tr></td></tr></td></tr></td></tr></td></tr></td></tr></td></tr></td></tr></td></tr></td></tr></td></tr></td></tr></td></tr></td></tr></td></tr></td></tr></td></tr></td></tr></td></tr></td></tr></td></td></tr></td></tr></td></td></tr></td></td></tr></td></td></tr></td></td></tr></td></td></tr></td></td></tr></td></td></tr></td></td></tr></td></tr></td></tr></td></tr></td></td></tr></td></tr></td></tr></td></tr></td></tr></td></td></tr></td></tr> | 366 | ETR | -
 | WD. | J2 | PTD. | - | 364A | 3\"/> <tr> <td>367</td> <td>B</td> <td>2 <td>HM</td> <td>J1</td> <td>PTD.</td> <td>1 HR.</td> <td>365</td> <td>3\"/> <tr> <td>368</td> <td>ETR</td> <td>-</td> <td>WD.</td> <td>J2</td> <td>PTD.</td> <td>-</td> <td>366</td> <td>3\"/> <tr> <td>369</td> <td>ETR</td> <td>-</td> <td>WD.</td> <td>J2</td> <td>PTD.</td> <td>-</td> <td>367</td> <td>3\"/> <tr> <td>370</td> <td>ETR</td> <td>-</td> <td>WD.</td> <td>J2</td> <td>PTD.</td> <td>-</td> <td>368</td> <td>3\"/> <tr> <td>371</td> <td>ETR</td> <td>-</td> <td>WD.</td> <td>J2</td> <td>PTD.</td> <td>-</td> <td>369</td> <td>3\"/> <tr> <td>372</td> <td>B</td> <td>2 <td>HM</td> <td>J1</td> <td>PTD.</td> <td>1 HR.</td> <td>370</td> <td>3\"/> <tr> <td>373A</td> <td>ETR</td> <td>-</td> <td>WD.</td> <td>J2</td> <td>PTD.</td> <td>-</td> <td>371</td> <td>3\"/> <tr> <td>374B</td> <td>ETR</td> <td>-</td> <td>WD.</td> <td>J2</td> <td>PTD.</td> <td>-</td> <td>372</td> <td>3\"/> <tr> <td>374C</td> <td>ETR</td> <td>-</td> <td>WD.</td> <td>J2</td> <td>PTD.</td> <td>-</td> <td>373A</td> <td>3\"/> <tr> <td>375</td> <td>B</td> <td>1 <td>WD</td> <td>J1</td> <td>PTD.</td> <td>-</td> <td>374B</td> <td>3\"/> <tr> <td>376</td> <td>B</td> <td>1 <td>WD</td> <td>J1</td> <td>PTD.</td> <td>-</td> <td>374C</td> <td>3\"/> <tr> <td>377</td> <td>B</td> <td>1 <td>WD</td> <td>J1</td> <td>PTD.</td> <td>-</td> <td>375</td> <td>3\"/> <tr> <td>377A</td> <td>B</td> <td>1 <td>WD</td> <td>J1</td> <td>PTD.</td> <td>-</td> <td>376</td> <td>3\"/> <tr> <td>378</td> <td>B</td> <td>1 <td>WD</td> <td>J1</td> <td>PTD.</td> <td>-</td> <td>377</td> <td>3\"/> <tr> <td>379</td> <td>B</td> <td>1 <td>WD</td> <td>J1</td> <td>PTD.</td> <td>-</td> <td>377A</td> <td>3\"/> <tr> <td>380A</td> <td>B</td> <td>1 <td>WD</td> <td>J1</td> <td>PTD.</td> <td>-</td> <td>378</td> <td>3\"/> <tr> <td>380B</td> <td>B</td> <td>1 <td>WD</td> <td>J1</td> <td>PTD.</td> <td>-</td> <td>379</td> <td>3\"/> <tr> <td>382</td> <td>ETR</td> <td>-</td> <td>WD.</td> <td>J2</td> <td>PTD.</td> <td>-</td> <td>380A</td> <td>3\"/> <tr> <td>382A</td> <td>D</td> <td>6 <td>ALUM.</td> <td>ANODIZE D</td> <td>-</td> <td>-</td> <td>380B</td> <td>3\"/> <tr> <td>385</td> <td>ETR</td> <td>-</td> <td>WD.</td> <td>J2</td> <td>PTD.</td> <td>-</td> <td>382</td> <td>3\"/> <tr> <td>386</td> <td>ETR</td> <td>-</td> <td>WD.</td> <td>J2</td> <td>PTD.</td> <td>-</td> <td>382A</td> <td>3\"/> <tr> <td>387</td> <td>ETR</td> <td>-</td> <td>WD.</td> <td>J2</td> <td>PTD.</td> <td>-</td> <td>385</td> <td>3\"/> <tr> <td>388</td> <td>ETR</td> <td>-</td> <td>WD.</td> <td>J2</td> <td>PTD.</td> <td>-</td> <td>386</td> <td>3\"/> <tr> <td>389</td> <td>ETR</td> <td>-</td> <td>WD.</td> <td>J2</td> <td>PTD.</td> <td>-</td> <td>387</td> <td>3\"/> <tr> <td>391</td> <td>ETR</td> <td>-</td> <td>WD.</td> <td>J2</td> <td>PTD.</td> <td>-</td> <td>388</td> <td>3\"/> <tr> <td>391A</td> <td>ETR</td> <td>-</td> <td>WD.</td> <td>J2</td> <td>PTD.</td> <td>-</td> <td>389</td> <td>3\"/> <tr> <td>391B</td> <td>ETR</td> <td>-</td> <td>WD.</td> <td>J2</td> <td>PTD.</td> <td>-</td> <td>391</td> <td>3\"/> <tr> <td>394</td> <td>ETR</td> <td>-</td> <td>WD.</td> <td>J2</td> <td>PTD.</td> <td>-</td> <td>391A</td> <td>3\"/> <tr> <td>395</td> <td>ETR</td> <td>-</td> <td>WD.</td> <td>J2</td> <td>PTD.</td> <td>-</td> <td>391B</td> <td>3\"/> <tr> <td>396</td> <td>ETR</td> <td>-</td> <td>WD.</td> <td>J2</td> <td>PTD.</td> <td>-</td> <td>394</td> <td>3\"/> <tr> <td>398</td> <td>ETR</td> <td>-</td> <td>WD.</td> <td>J2</td> <td>PTD.</td> <td>-</td> <td>395</td> <td>3\"/> <tr> <td>399</td> <td>ETR</td> <td>-</td> <td>WD.</td> <td>J2</td> <td>PTD.</td> <td>-</td> <td>396</td> <td>3\"/> <tr> <td>3991</td> <td>ETR</td> <td>-</td> <td>WD.</td> <td>J2</td> <td>PTD.</td> <td>-</td> <td>398</td> <td>3\"/> <tr> <td>3992</td> <td>A</td> <td>3\"/> <tr> <td>3993</td> <td>ETR</td> <td>-</td> <td>WD.</td> <td>J2</td> <td>PTD.</td> <td>-</td> <td>399</td> <td>3\"/> <tr> <td>3994</td> <td>ETR</td> <td>-</td> <td>WD.</td> <td>J2</td> <td>PTD.</td> <td>-</td> <td>3991</td> <td>3\"/> <tr> <td>3995</td> <td>ETR</td> <td>-</td> <td>WD.</td> <td>J2</td> <td>PTD.</td> <td>-</td> <td>3992</td> <td>3\"/> <tr> <td>3997</td> <td>ETR</td> <td>-</td> <td>WD.</td> <td>J2</td> <td>PTD.</td> <td>-</td> <td>3993</td> <td>3\"/> <tr> <td>3998</td> <td>ETR</td> <td>-</td> <td>WD.</td> <td>J2</td> <td>PTD.</td> <td>-</td> <td>3994</td> <td>3\"/> <tr> <td>3999</td> <td>ETR</td> <td>-</td> <td>WD.</td> <td>J2</td> <td>PTD.</td> <td>-</td> <td>3995</td> <td>3\"/> <tr> <td>3999</td> <td>ETR</td> <td>-</td> <td>WD.</td> <td>J2</td> <td>PTD.</td> <td>-</td> <td>3997</td> <td>3\"/> </td></tr></td></tr></td></tr></td></tr></td></tr></td></tr></td></tr></td></tr></td></tr></td></tr></td></tr></td></tr></td></tr></td></tr></td></tr></td></tr></td></tr></td></tr></td></tr></td></tr></td></tr></td></tr></td></td></tr></td></tr></td></td></tr></td></td></tr></td></td></tr></td></td></tr></td></td></tr></td></td></tr></td></td></tr></td></td></tr></td></tr></td></tr></td></tr></td></td></tr></td></tr></td></tr></td></tr></td></tr></td></td></tr> | 367 | B | 2 <td>HM</td> <td>J1</td> <td>PTD.</td> <td>1 HR.</td> <td>365</td> <td>3\"/> <tr> <td>368</td> <td>ETR</td> <td>-</td> <td>WD.</td> <td>J2</td> <td>PTD.</td> <td>-</td> <td>366</td> <td>3\"/> <tr> <td>369</td> <td>ETR</td> <td>-</td> <td>WD.</td> <td>J2</td> <td>PTD.</td> <td>-</td> <td>367</td> <td>3\"/> <tr> <td>370</td> <td>ETR</td> <td>-</td> <td>WD.</td> <td>J2</td> <td>PTD.</td> <td>-</td> <td>368</td> <td>3\"/> <tr> <td>371</td> <td>ETR</td> <td>-</td> <td>WD.</td> <td>J2</td> <td>PTD.</td> <td>-</td> <td>369</td> <td>3\"/> <tr> <td>372</td> <td>B</td> <td>2 <td>HM</td> <td>J1</td> <td>PTD.</td> <td>1 HR.</td> <td>370</td> <td>3\"/> <tr> <td>373A</td> <td>ETR</td> <td>-</td> <td>WD.</td> <td>J2</td> <td>PTD.</td> <td>-</td> <td>371</td> <td>3\"/> <tr> <td>374B</td> <td>ETR</td> <td>-</td> <td>WD.</td> <td>J2</td> <td>PTD.</td> <td>-</td> <td>372</td> <td>3\"/> <tr> <td>374C</td> <td>ETR</td> <td>-</td> <td>WD.</td> <td>J2</td> <td>PTD.</td> <td>-</td> <td>373A</td> <td>3\"/> <tr> <td>375</td> <td>B</td> <td>1 <td>WD</td> <td>J1</td> <td>PTD.</td> <td>-</td>
<td>374B</td> <td>3\"/> <tr> <td>376</td> <td>B</td> <td>1 <td>WD</td> <td>J1</td> <td>PTD.</td> <td>-</td> <td>374C</td> <td>3\"/> <tr> <td>377</td> <td>B</td> <td>1 <td>WD</td> <td>J1</td> <td>PTD.</td> <td>-</td> <td>375</td> <td>3\"/> <tr> <td>377A</td> <td>B</td> <td>1 <td>WD</td> <td>J1</td> <td>PTD.</td> <td>-</td> <td>376</td> <td>3\"/> <tr> <td>378</td> <td>B</td> <td>1 <td>WD</td> <td>J1</td> <td>PTD.</td> <td>-</td> <td>377</td> <td>3\"/> <tr> <td>379</td> <td>B</td> <td>1 <td>WD</td> <td>J1</td> <td>PTD.</td> <td>-</td> <td>377A</td> <td>3\"/> <tr> <td>380A</td> <td>B</td> <td>1 <td>WD</td> <td>J1</td> <td>PTD.</td> <td>-</td> <td>378</td> <td>3\"/> <tr> <td>380B</td> <td>B</td> <td>1 <td>WD</td> <td>J1</td> <td>PTD.</td> <td>-</td> <td>379</td> <td>3\"/> <tr> <td>382</td> <td>ETR</td> <td>-</td> <td>WD.</td> <td>J2</td> <td>PTD.</td> <td>-</td> <td>380A</td> <td>3\"/> <tr> <td>382A</td> <td>D</td> <td>6 <td>ALUM.</td> <td>ANODIZE D</td> <td>-</td> <td>-</td> <td>380B</td> <td>3\"/> <tr> <td>385</td> <td>ETR</td> <td>-</td> <td>WD.</td> <td>J2</td> <td>PTD.</td> <td>-</td> <td>382</td> <td>3\"/> <tr> <td>386</td> <td>ETR</td> <td>-</td> <td>WD.</td> <td>J2</td> <td>PTD.</td> <td>-</td> <td>382A</td> <td>3\"/> <tr> <td>387</td> <td>ETR</td> <td>-</td> <td>WD.</td> <td>J2</td> <td>PTD.</td> <td>-</td> <td>385</td> <td>3\"/> <tr> <td>388</td> <td>ETR</td> <td>-</td> <td>WD.</td> <td>J2</td> <td>PTD.</td> <td>-</td> <td>386</td> <td>3\"/> <tr> <td>389</td> <td>ETR</td> <td>-</td> <td>WD.</td> <td>J2</td> <td>PTD.</td> <td>-</td> <td>387</td> <td>3\"/> <tr> <td>391</td> <td>ETR</td> <td>-</td> <td>WD.</td> <td>J2</td> <td>PTD.</td> <td>-</td> <td>388</td> <td>3\"/> <tr> <td>391A</td> <td>ETR</td> <td>-</td> <td>WD.</td> <td>J2</td> <td>PTD.</td> <td>-</td> <td>389</td> <td>3\"/> <tr> <td>391B</td> <td>ETR</td> <td>-</td> <td>WD.</td> <td>J2</td> <td>PTD.</td> <td>-</td> <td>391</td> <td>3\"/> <tr> <td>394</td> <td>ETR</td> <td>-</td> <td>WD.</td> <td>J2</td> <td>PTD.</td> <td>-</td> <td>391A</td> <td>3\"/> <tr> <td>395</td> <td>ETR</td> <td>-</td> <td>WD.</td> <td>J2</td> <td>PTD.</td> <td>-</td> <td>391B</td> <td>3\"/> <tr> <td>396</td> <td>ETR</td> <td>-</td> <td>WD.</td> <td>J2</td> <td>PTD.</td> <td>-</td> <td>394</td> <td>3\"/> <tr> <td>398</td> <td>ETR</td> <td>-</td> <td>WD.</td> <td>J2</td> <td>PTD.</td> <td>-</td> <td>395</td> <td>3\"/> <tr> <td>399</td> <td>ETR</td> <td>-</td> <td>WD.</td> <td>J2</td> <td>PTD.</td> <td>-</td> <td>396</td> <td>3\"/> <tr> <td>3991</td> <td>ETR</td> <td>-</td> <td>WD.</td> <td>J2</td> <td>PTD.</td> <td>-</td> <td>398</td> <td>3\"/> <tr> <td>3992</td> <td>A</td> <td>3\"/> <tr> <td>3993</td> <td>ETR</td> <td>-</td> <td>WD.</td> <td>J2</td> <td>PTD.</td> <td>-</td> <td>399</td> <td>3\"/> <tr> <td>3994</td> <td>ETR</td> <td>-</td> <td>WD.</td> <td>J2</td> <td>PTD.</td> <td>-</td> <td>3991</td> <td>3\"/> <tr> <td>3995</td> <td>ETR</td> <td>-</td> <td>WD.</td> <td>J2</td> <td>PTD.</td> <td>-</td> <td>3992</td> <td>3\"/> <tr> <td>3997</td> <td>ETR</td> <td>-</td> <td>WD.</td> <td>J2</td> <td>PTD.</td> <td>-</td> <td>3993</td> <td>3\"/> <tr> <td>3998</td> <td>ETR</td> <td>-</td> <td>WD.</td> <td>J2</td> <td>PTD.</td> <td>-</td> <td>3994</td> <td>3\"/> <tr> <td>3999</td> <td>ETR</td> <td>-</td> <td>WD.</td> <td>J2</td> <td>PTD.</td> <td>-</td> <td>3995</td> <td>3\"/> <tr> <td>3999</td> <td>ETR</td> <td>-</td> <td>WD.</td> <td>J2</td> <td>PTD.</td> <td>-</td> <td>3997</td> <td>3\"/> </td></tr></td></tr></td></tr></td></tr></td></tr></td></tr></td></tr></td></tr></td></tr></td></tr></td></tr></td></tr></td></tr></td></tr></td></tr></td></tr></td></tr></td></tr></td></tr></td></tr></td></tr></td></tr></td></td></tr></td></tr></td></td></tr></td></td></tr></td></td></tr></td></td></tr></td></td></tr></td></td></tr></td></td></tr></td></td></tr></td></tr></td></tr></td></tr></td></td></tr></td></tr></td></tr></td></tr></td></tr></td> | HM | J1 | PTD. | 1 HR. | 365 | 3\"/> <tr> <td>368</td> <td>ETR</td> <td>-</td> <td>WD.</td> <td>J2</td> <td>PTD.</td> <td>-</td> <td>366</td> <td>3\"/> <tr> <td>369</td> <td>ETR</td> <td>-</td> <td>WD.</td> <td>J2</td> <td>PTD.</td> <td>-</td> <td>367</td> <td>3\"/> <tr> <td>370</td> <td>ETR</td> <td>-</td> <td>WD.</td> <td>J2</td> <td>PTD.</td> <td>-</td> <td>368</td> <td>3\"/> <tr> <td>371</td> <td>ETR</td> <td>-</td> <td>WD.</td> <td>J2</td> <td>PTD.</td> <td>-</td> <td>369</td> <td>3\"/> <tr> <td>372</td> <td>B</td> <td>2 <td>HM</td> <td>J1</td> <td>PTD.</td> <td>1 HR.</td> <td>370</td> <td>3\"/> <tr> <td>373A</td> <td>ETR</td> <td>-</td> <td>WD.</td>
<td>J2</td> <td>PTD.</td> <td>-</td> <td>371</td> <td>3\"/> <tr> <td>374B</td> <td>ETR</td> <td>-</td> <td>WD.</td> <td>J2</td> <td>PTD.</td> <td>-</td> <td>372</td> <td>3\"/> <tr> <td>374C</td> <td>ETR</td> <td>-</td> <td>WD.</td> <td>J2</td> <td>PTD.</td> <td>-</td> <td>373A</td> <td>3\"/> <tr> <td>375</td> <td>B</td> <td>1 <td>WD</td> <td>J1</td> <td>PTD.</td> <td>-</td> <td>374B</td> <td>3\"/> <tr> <td>376</td> <td>B</td> <td>1 <td>WD</td> <td>J1</td> <td>PTD.</td> <td>-</td> <td>374C</td> <td>3\"/> <tr> <td>377</td> <td>B</td> <td>1 <td>WD</td> <td>J1</td> <td>PTD.</td> <td>-</td> <td>375</td> <td>3\"/> <tr> <td>377A</td> <td>B</td> <td>1 <td>WD</td> <td>J1</td> <td>PTD.</td> <td>-</td> <td>376</td> <td>3\"/> <tr> <td>378</td> <td>B</td> <td>1 <td>WD</td> <td>J1</td> <td>PTD.</td> <td>-</td> <td>377</td> <td>3\"/> <tr> <td>379</td> <td>B</td> <td>1 <td>WD</td> <td>J1</td> <td>PTD.</td> <td>-</td> <td>377A</td> <td>3\"/> <tr> <td>380A</td> <td>B</td> <td>1 <td>WD</td> <td>J1</td> <td>PTD.</td> <td>-</td> <td>378</td> <td>3\"/> <tr> <td>380B</td> <td>B</td> <td>1 <td>WD</td> <td>J1</td> <td>PTD.</td> <td>-</td> <td>379</td> <td>3\"/> <tr> <td>382</td> <td>ETR</td> <td>-</td> <td>WD.</td> <td>J2</td> <td>PTD.</td> <td>-</td> <td>380A</td> <td>3\"/> <tr> <td>382A</td> <td>D</td> <td>6 <td>ALUM.</td> <td>ANODIZE D</td> <td>-</td> <td>-</td> <td>380B</td> <td>3\"/> <tr> <td>385</td> <td>ETR</td> <td>-</td> <td>WD.</td> <td>J2</td> <td>PTD.</td> <td>-</td> <td>382</td> <td>3\"/> <tr> <td>386</td> <td>ETR</td> <td>-</td> <td>WD.</td> <td>J2</td> <td>PTD.</td> <td>-</td> <td>382A</td> <td>3\"/> <tr> <td>387</td> <td>ETR</td> <td>-</td> <td>WD.</td> <td>J2</td> <td>PTD.</td> <td>-</td> <td>385</td> <td>3\"/> <tr> <td>388</td> <td>ETR</td> <td>-</td> <td>WD.</td> <td>J2</td> <td>PTD.</td> <td>-</td> <td>386</td> <td>3\"/> <tr> <td>389</td> <td>ETR</td> <td>-</td> <td>WD.</td> <td>J2</td> <td>PTD.</td> <td>-</td> <td>387</td> <td>3\"/> <tr> <td>391</td> <td>ETR</td> <td>-</td> <td>WD.</td> <td>J2</td> <td>PTD.</td> <td>-</td> <td>388</td> <td>3\"/> <tr> <td>391A</td> <td>ETR</td> <td>-</td> <td>WD.</td> <td>J2</td> <td>PTD.</td> <td>-</td> <td>389</td> <td>3\"/> <tr> <td>391B</td> <td>ETR</td> <td>-</td> <td>WD.</td> <td>J2</td> <td>PTD.</td> <td>-</td> <td>391</td> <td>3\"/> <tr> <td>394</td> <td>ETR</td> <td>-</td> <td>WD.</td> <td>J2</td> <td>PTD.</td> <td>-</td> <td>391A</td> <td>3\"/> <tr> <td>395</td> <td>ETR</td> <td>-</td> <td>WD.</td> <td>J2</td> <td>PTD.</td> <td>-</td> <td>391B</td> <td>3\"/> <tr> <td>396</td> <td>ETR</td> <td>-</td> <td>WD.</td> <td>J2</td> <td>PTD.</td> <td>-</td> <td>394</td> <td>3\"/> <tr> <td>398</td> <td>ETR</td> <td>-</td> <td>WD.</td> <td>J2</td> <td>PTD.</td> <td>-</td> <td>395</td> <td>3\"/> <tr> <td>399</td> <td>ETR</td> <td>-</td> <td>WD.</td> <td>J2</td> <td>PTD.</td> <td>-</td> <td>396</td> <td>3\"/> <tr> <td>3991</td> <td>ETR</td> <td>-</td> <td>WD.</td> <td>J2</td> <td>PTD.</td> <td>-</td> <td>398</td> <td>3\"/> <tr> <td>3992</td> <td>A</td> <td>3\"/> <tr> <td>3993</td> <td>ETR</td> <td>-</td> <td>WD.</td> <td>J2</td> <td>PTD.</td> <td>-</td> <td>399</td> <td>3\"/> <tr> <td>3994</td> <td>ETR</td> <td>-</td> <td>WD.</td> <td>J2</td> <td>PTD.</td> <td>-</td> <td>3991</td> <td>3\"/> <tr> <td>3995</td> <td>ETR</td> <td>-</td> <td>WD.</td> <td>J2</td> <td>PTD.</td> <td>-</td> <td>3992</td> <td>3\"/> <tr> <td>3997</td> <td>ETR</td> <td>-</td> <td>WD.</td> <td>J2</td> <td>PTD.</td> <td>-</td> <td>3993</td> <td>3\"/> <tr> <td>3998</td> <td>ETR</td> <td>-</td> <td>WD.</td> <td>J2</td> <td>PTD.</td> <td>-</td> <td>3994</td> <td>3\"/> <tr> <td>3999</td> <td>ETR</td> <td>-</td> <td>WD.</td> <td>J2</td> <td>PTD.</td> <td>-</td> <td>3995</td> <td>3\"/> <tr> <td>3999</td> <td>ETR</td> <td>-</td> <td>WD.</td> <td>J2</td> <td>PTD.</td> <td>-</td> <td>3997</td> <td>3\"/> </td></tr></td></tr></td></tr></td></tr></td></tr></td></tr></td></tr></td></tr></td></tr></td></tr></td></tr></td></tr></td></tr></td></tr></td></tr></td></tr></td></tr></td></tr></td></tr></td></tr></td></tr></td></tr></td></td></tr></td></tr></td></td></tr></td></td></tr></td></td></tr></td></td></tr></td></td></tr></td></td></tr></td></td></tr></td></td></tr></td></tr></td></tr></td></tr></td></td></tr></td></tr></td></tr></td></tr></td></tr> | 368 | ETR | - | WD. | J2 | PTD. | - | 366 | 3\"/> <tr> <td>369</td> <td>ETR</td> <td>-</td> <td>WD.</td> <td>J2</td> <td>PTD.</td> <td>-</td> <td>367</td> <td>3\"/> <tr> <td>370</td> <td>ETR</td> <td>-</td> <td>WD.</td> <td>J2</td> <td>PTD.</td> <td>-</td> <td>368</td> <td>3\"/> <tr> <td>371</td> <td>ETR</td> <td>-</td> <td>WD.</td> <td>J2</td> <td>PTD.</td> <td>-</td> <td>369</td> <td>3\"/> <tr>
<td>372</td> <td>B</td> <td>2 <td>HM</td> <td>J1</td> <td>PTD.</td> <td>1 HR.</td> <td>370</td> <td>3\"/> <tr> <td>373A</td> <td>ETR</td> <td>-</td> <td>WD.</td> <td>J2</td> <td>PTD.</td> <td>-</td> <td>371</td> <td>3\"/> <tr> <td>374B</td> <td>ETR</td> <td>-</td> <td>WD.</td> <td>J2</td> <td>PTD.</td> <td>-</td> <td>372</td> <td>3\"/> <tr> <td>374C</td> <td>ETR</td> <td>-</td> <td>WD.</td> <td>J2</td> <td>PTD.</td> <td>-</td> <td>373A</td> <td>3\"/> <tr> <td>375</td> <td>B</td> <td>1 <td>WD</td> <td>J1</td> <td>PTD.</td> <td>-</td> <td>374B</td> <td>3\"/> <tr> <td>376</td> <td>B</td> <td>1 <td>WD</td> <td>J1</td> <td>PTD.</td> <td>-</td> <td>374C</td> <td>3\"/> <tr> <td>377</td> <td>B</td> <td>1 <td>WD</td> <td>J1</td> <td>PTD.</td> <td>-</td> <td>375</td> <td>3\"/> <tr> <td>377A</td> <td>B</td> <td>1 <td>WD</td> <td>J1</td> <td>PTD.</td> <td>-</td> <td>376</td> <td>3\"/> <tr> <td>378</td> <td>B</td> <td>1 <td>WD</td> <td>J1</td> <td>PTD.</td> <td>-</td> <td>377</td> <td>3\"/> <tr> <td>379</td> <td>B</td> <td>1 <td>WD</td> <td>J1</td> <td>PTD.</td> <td>-</td> <td>377A</td> <td>3\"/> <tr> <td>380A</td> <td>B</td> <td>1 <td>WD</td> <td>J1</td> <td>PTD.</td> <td>-</td> <td>378</td> <td>3\"/> <tr> <td>380B</td> <td>B</td> <td>1 <td>WD</td> <td>J1</td> <td>PTD.</td> <td>-</td> <td>379</td> <td>3\"/> <tr> <td>382</td> <td>ETR</td> <td>-</td> <td>WD.</td> <td>J2</td> <td>PTD.</td> <td>-</td> <td>380A</td> <td>3\"/> <tr> <td>382A</td> <td>D</td> <td>6 <td>ALUM.</td> <td>ANODIZE D</td> <td>-</td> <td>-</td> <td>380B</td> <td>3\"/> <tr> <td>385</td> <td>ETR</td> <td>-</td> <td>WD.</td> <td>J2</td> <td>PTD.</td> <td>-</td> <td>382</td> <td>3\"/> <tr> <td>386</td> <td>ETR</td> <td>-</td> <td>WD.</td> <td>J2</td> <td>PTD.</td> <td>-</td> <td>382A</td> <td>3\"/> <tr> <td>387</td> <td>ETR</td> <td>-</td> <td>WD.</td> <td>J2</td> <td>PTD.</td> <td>-</td> <td>385</td> <td>3\"/> <tr> <td>388</td> <td>ETR</td> <td>-</td> <td>WD.</td> <td>J2</td> <td>PTD.</td> <td>-</td> <td>386</td> <td>3\"/> <tr> <td>389</td> <td>ETR</td> <td>-</td> <td>WD.</td> <td>J2</td> <td>PTD.</td> <td>-</td> <td>387</td> <td>3\"/> <tr> <td>391</td> <td>ETR</td> <td>-</td> <td>WD.</td> <td>J2</td> <td>PTD.</td> <td>-</td> <td>388</td> <td>3\"/> <tr> <td>391A</td> <td>ETR</td> <td>-</td> <td>WD.</td> <td>J2</td> <td>PTD.</td> <td>-</td> <td>389</td> <td>3\"/> <tr> <td>391B</td> <td>ETR</td> <td>-</td> <td>WD.</td> <td>J2</td> <td>PTD.</td> <td>-</td> <td>391</td> <td>3\"/> <tr> <td>394</td> <td>ETR</td> <td>-</td> <td>WD.</td> <td>J2</td> <td>PTD.</td> <td>-</td> <td>391A</td> <td>3\"/> <tr> <td>395</td> <td>ETR</td> <td>-</td> <td>WD.</td> <td>J2</td> <td>PTD.</td> <td>-</td> <td>391B</td> <td>3\"/> <tr> <td>396</td> <td>ETR</td> <td>-</td> <td>WD.</td> <td>J2</td> <td>PTD.</td> <td>-</td> <td>394</td> <td>3\"/> <tr> <td>398</td> <td>ETR</td> <td>-</td> <td>WD.</td> <td>J2</td> <td>PTD.</td> <td>-</td> <td>395</td> <td>3\"/> <tr> <td>399</td> <td>ETR</td> <td>-</td> <td>WD.</td> <td>J2</td> <td>PTD.</td> <td>-</td> <td>396</td> <td>3\"/> <tr> <td>3991</td> <td>ETR</td> <td>-</td> <td>WD.</td> <td>J2</td> <td>PTD.</td> <td>-</td> <td>398</td> <td>3\"/> <tr> <td>3992</td> <td>A</td> <td>3\"/> <tr> <td>3993</td> <td>ETR</td> <td>-</td> <td>WD.</td> <td>J2</td> <td>PTD.</td> <td>-</td> <td>399</td> <td>3\"/> <tr> <td>3994</td> <td>ETR</td> <td>-</td> <td>WD.</td> <td>J2</td> <td>PTD.</td> <td>-</td> <td>3991</td> <td>3\"/> <tr> <td>3995</td> <td>ETR</td> <td>-</td> <td>WD.</td> <td>J2</td> <td>PTD.</td> <td>-</td> <td>3992</td> <td>3\"/> <tr> <td>3997</td> <td>ETR</td> <td>-</td> <td>WD.</td> <td>J2</td> <td>PTD.</td> <td>-</td> <td>3993</td> <td>3\"/> <tr> <td>3998</td> <td>ETR</td> <td>-</td> <td>WD.</td> <td>J2</td> <td>PTD.</td> <td>-</td> <td>3994</td> <td>3\"/> <tr> <td>3999</td> <td>ETR</td> <td>-</td> <td>WD.</td> <td>J2</td> <td>PTD.</td> <td>-</td> <td>3995</td> <td>3\"/> <tr> <td>3999</td> <td>ETR</td> <td>-</td> <td>WD.</td> <td>J2</td> <td>PTD.</td> <td>-</td> <td>3997</td> <td>3\"/> </td></tr></td></tr></td></tr></td></tr></td></tr></td></tr></td></tr></td></tr></td></tr></td></tr></td></tr></td></tr></td></tr></td></tr></td></tr></td></tr></td></tr></td></tr></td></tr></td></tr></td></tr></td></tr></td></td></tr></td></tr></td></td></tr></td></td></tr></td></td></tr></td></td></tr></td></td></tr></td></td></tr></td></td></tr></td></td></tr></td></tr></td></tr></td></tr></td></td></tr></td></tr></td></tr></td></tr> | 369 | ETR | - | WD. | J2 | PTD. | - | 367 | 3\"/> <tr> <td>370</td> <td>ETR</td> <td>-</td> <td>WD.</td> <td>J2</td> <td>PTD.</td> <td>-</td> <td>368</td> <td>3\"/> <tr> <td>371</td> <td>ETR</td> <td>-</td> <td>WD.</td> <td>J2</td> <td>PTD.</td> <td>-</td> <td>369</td> <td>3\"/> <tr> <td>372</td> <td>B</td> <td>2 <td>HM</td> <td>J1</td> <td>PTD.</td> <td>1 HR.</td> <td>370</td>
<td>3\"/> <tr> <td>373A</td> <td>ETR</td> <td>-</td> <td>WD.</td> <td>J2</td> <td>PTD.</td> <td>-</td> <td>371</td> <td>3\"/> <tr> <td>374B</td> <td>ETR</td> <td>-</td> <td>WD.</td> <td>J2</td> <td>PTD.</td> <td>-</td> <td>372</td> <td>3\"/> <tr> <td>374C</td> <td>ETR</td> <td>-</td> <td>WD.</td> <td>J2</td> <td>PTD.</td> <td>-</td> <td>373A</td> <td>3\"/> <tr> <td>375</td> <td>B</td> <td>1 <td>WD</td> <td>J1</td> <td>PTD.</td> <td>-</td> <td>374B</td> <td>3\"/> <tr> <td>376</td> <td>B</td> <td>1 <td>WD</td> <td>J1</td> <td>PTD.</td> <td>-</td> <td>374C</td> <td>3\"/> <tr> <td>377</td> <td>B</td> <td>1 <td>WD</td> <td>J1</td> <td>PTD.</td> <td>-</td> <td>375</td> <td>3\"/> <tr> <td>377A</td> <td>B</td> <td>1 <td>WD</td> <td>J1</td> <td>PTD.</td> <td>-</td> <td>376</td> <td>3\"/> <tr> <td>378</td> <td>B</td> <td>1 <td>WD</td> <td>J1</td> <td>PTD.</td> <td>-</td> <td>377</td> <td>3\"/> <tr> <td>379</td> <td>B</td> <td>1 <td>WD</td> <td>J1</td> <td>PTD.</td> <td>-</td> <td>377A</td> <td>3\"/> <tr> <td>380A</td> <td>B</td> <td>1 <td>WD</td> <td>J1</td> <td>PTD.</td> <td>-</td> <td>378</td> <td>3\"/> <tr> <td>380B</td> <td>B</td> <td>1 <td>WD</td> <td>J1</td> <td>PTD.</td> <td>-</td> <td>379</td> <td>3\"/> <tr> <td>382</td> <td>ETR</td> <td>-</td> <td>WD.</td> <td>J2</td> <td>PTD.</td> <td>-</td> <td>380A</td> <td>3\"/> <tr> <td>382A</td> <td>D</td> <td>6 <td>ALUM.</td> <td>ANODIZE D</td> <td>-</td> <td>-</td> <td>380B</td> <td>3\"/> <tr> <td>385</td> <td>ETR</td> <td>-</td> <td>WD.</td> <td>J2</td> <td>PTD.</td> <td>-</td> <td>382</td> <td>3\"/> <tr> <td>386</td> <td>ETR</td> <td>-</td> <td>WD.</td> <td>J2</td> <td>PTD.</td> <td>-</td> <td>382A</td> <td>3\"/> <tr> <td>387</td> <td>ETR</td> <td>-</td> <td>WD.</td> <td>J2</td> <td>PTD.</td> <td>-</td> <td>385</td> <td>3\"/> <tr> <td>388</td> <td>ETR</td> <td>-</td> <td>WD.</td> <td>J2</td> <td>PTD.</td> <td>-</td> <td>386</td> <td>3\"/> <tr> <td>389</td> <td>ETR</td> <td>-</td> <td>WD.</td> <td>J2</td> <td>PTD.</td> <td>-</td> <td>387</td> <td>3\"/> <tr> <td>391</td> <td>ETR</td> <td>-</td> <td>WD.</td> <td>J2</td> <td>PTD.</td> <td>-</td> <td>388</td> <td>3\"/> <tr> <td>391A</td> <td>ETR</td> <td>-</td> <td>WD.</td> <td>J2</td> <td>PTD.</td> <td>-</td> <td>389</td> <td>3\"/> <tr> <td>391B</td> <td>ETR</td> <td>-</td> <td>WD.</td> <td>J2</td> <td>PTD.</td> <td>-</td> <td>391</td> <td>3\"/> <tr> <td>394</td> <td>ETR</td> <td>-</td> <td>WD.</td> <td>J2</td> <td>PTD.</td> <td>-</td> <td>391A</td> <td>3\"/> <tr> <td>395</td> <td>ETR</td> <td>-</td> <td>WD.</td> <td>J2</td> <td>PTD.</td> <td>-</td> <td>391B</td> <td>3\"/> <tr> <td>396</td> <td>ETR</td> <td>-</td> <td>WD.</td> <td>J2</td> <td>PTD.</td> <td>-</td> <td>394</td> <td>3\"/> <tr> <td>398</td> <td>ETR</td> <td>-</td> <td>WD.</td> <td>J2</td> <td>PTD.</td> <td>-</td> <td>395</td> <td>3\"/> <tr> <td>399</td> <td>ETR</td> <td>-</td> <td>WD.</td> <td>J2</td> <td>PTD.</td> <td>-</td> <td>396</td> <td>3\"/> <tr> <td>3991</td> <td>ETR</td> <td>-</td> <td>WD.</td> <td>J2</td> <td>PTD.</td> <td>-</td> <td>398</td> <td>3\"/> <tr> <td>3992</td> <td>A</td> <td>3\"/> <tr> <td>3993</td> <td>ETR</td> <td>-</td> <td>WD.</td> <td>J2</td> <td>PTD.</td> <td>-</td> <td>399</td> <td>3\"/> <tr> <td>3994</td> <td>ETR</td> <td>-</td> <td>WD.</td> <td>J2</td> <td>PTD.</td> <td>-</td> <td>3991</td> <td>3\"/> <tr> <td>3995</td> <td>ETR</td> <td>-</td> <td>WD.</td> <td>J2</td> <td>PTD.</td> <td>-</td> <td>3992</td> <td>3\"/> <tr> <td>3997</td> <td>ETR</td> <td>-</td> <td>WD.</td> <td>J2</td> <td>PTD.</td> <td>-</td> <td>3993</td> <td>3\"/> <tr> <td>3998</td> <td>ETR</td> <td>-</td> <td>WD.</td> <td>J2</td> <td>PTD.</td> <td>-</td> <td>3994</td> <td>3\"/> <tr> <td>3999</td> <td>ETR</td> <td>-</td> <td>WD.</td> <td>J2</td> <td>PTD.</td> <td>-</td> <td>3995</td> <td>3\"/> <tr> <td>3999</td> <td>ETR</td> <td>-</td> <td>WD.</td> <td>J2</td> <td>PTD.</td> <td>-</td> <td>3997</td> <td>3\"/> </td></tr></td></tr></td></tr></td></tr></td></tr></td></tr></td></tr></td></tr></td></tr></td></tr></td></tr></td></tr></td></tr></td></tr></td></tr></td></tr></td></tr></td></tr></td></tr></td></tr></td></tr></td></tr></td></td></tr></td></tr></td></td></tr></td></td></tr></td></td></tr></td></td></tr></td></td></tr></td></td></tr></td></td></tr></td></td></tr></td></tr></td></tr></td></tr></td></td></tr></td></tr></td></tr> | 370 | ETR | - | WD. | J2 | PTD. | - | 368 | 3\"/> <tr> <td>371</td> <td>ETR</td> <td>-</td> <td>WD.</td> <td>J2</td> <td>PTD.</td> <td>-</td> <td>369</td> <td>3\"/> <tr> <td>372</td> <td>B</td> <td>2 <td>HM</td> <td>J1</td> <td>PTD.</td> <td>1 HR.</td> <td>370</td> <td>3\"/> <tr> <td>373A</td> <td>ETR</td> <td>-</td> <td>WD.</td> <td>J2</td> <td>PTD.</td> <td>-</td> <td>371</td> <td>3\"/> <tr> <td>374B</td> <td>ETR</td> <td>-</td> <td>WD.</td> <td>J2</td> <td>PTD.</td> <td>-</td> <td>372</td> <td>3\"/> <tr> <td>374C</td> <td>ETR</td> <td>-</td> <td>WD.</td> <td>J2</td> <td>PTD.</td> <td>-</td> <td>373A</td>
<td>3\"/> <tr> <td>375</td> <td>B</td> <td>1 <td>WD</td> <td>J1</td> <td>PTD.</td> <td>-</td> <td>374B</td> <td>3\"/> <tr> <td>376</td> <td>B</td> <td>1 <td>WD</td> <td>J1</td> <td>PTD.</td> <td>-</td> <td>374C</td> <td>3\"/> <tr> <td>377</td> <td>B</td> <td>1 <td>WD</td> <td>J1</td> <td>PTD.</td> <td>-</td> <td>375</td> <td>3\"/> <tr> <td>377A</td> <td>B</td> <td>1 <td>WD</td> <td>J1</td> <td>PTD.</td> <td>-</td> <td>376</td> <td>3\"/> <tr> <td>378</td> <td>B</td> <td>1 <td>WD</td> <td>J1</td> <td>PTD.</td> <td>-</td> <td>377</td> <td>3\"/> <tr> <td>379</td> <td>B</td> <td>1 <td>WD</td> <td>J1</td> <td>PTD.</td> <td>-</td> <td>377A</td> <td>3\"/> <tr> <td>380A</td> <td>B</td> <td>1 <td>WD</td> <td>J1</td> <td>PTD.</td> <td>-</td> <td>378</td> <td>3\"/> <tr> <td>380B</td> <td>B</td> <td>1 <td>WD</td> <td>J1</td> <td>PTD.</td> <td>-</td> <td>379</td> <td>3\"/> <tr> <td>382</td> <td>ETR</td> <td>-</td> <td>WD.</td> <td>J2</td> <td>PTD.</td> <td>-</td> <td>380A</td> <td>3\"/> <tr> <td>382A</td> <td>D</td> <td>6 <td>ALUM.</td> <td>ANODIZE D</td> <td>-</td> <td>-</td> <td>380B</td> <td>3\"/> <tr> <td>385</td> <td>ETR</td> <td>-</td> <td>WD.</td> <td>J2</td> <td>PTD.</td> <td>-</td> <td>382</td> <td>3\"/> <tr> <td>386</td> <td>ETR</td> <td>-</td> <td>WD.</td> <td>J2</td> <td>PTD.</td> <td>-</td> <td>382A</td> <td>3\"/> <tr> <td>387</td> <td>ETR</td> <td>-</td> <td>WD.</td> <td>J2</td> <td>PTD.</td> <td>-</td> <td>385</td> <td>3\"/> <tr> <td>388</td> <td>ETR</td> <td>-</td> <td>WD.</td> <td>J2</td> <td>PTD.</td> <td>-</td> <td>386</td> <td>3\"/> <tr> <td>389</td> <td>ETR</td> <td>-</td> <td>WD.</td> <td>J2</td> <td>PTD.</td> <td>-</td> <td>387</td> <td>3\"/> <tr> <td>391</td> <td>ETR</td> <td>-</td> <td>WD.</td> <td>J2</td> <td>PTD.</td> <td>-</td> <td>388</td> <td>3\"/> <tr> <td>391A</td> <td>ETR</td> <td>-</td> <td>WD.</td> <td>J2</td> <td>PTD.</td> <td>-</td> <td>389</td> <td>3\"/> <tr> <td>391B</td> <td>ETR</td> <td>-</td> <td>WD.</td> <td>J2</td> <td>PTD.</td> <td>-</td> <td>391</td> <td>3\"/> <tr> <td>394</td> <td>ETR</td> <td>-</td> <td>WD.</td> <td>J2</td> <td>PTD.</td> <td>-</td> <td>391A</td> <td>3\"/> <tr> <td>395</td> <td>ETR</td> <td>-</td> <td>WD.</td> <td>J2</td> <td>PTD.</td> <td>-</td> <td>391B</td> <td>3\"/> <tr> <td>396</td> <td>ETR</td> <td>-</td> <td>WD.</td> <td>J2</td> <td>PTD.</td> <td>-</td> <td>394</td> <td>3\"/> <tr> <td>398</td> <td>ETR</td> <td>-</td> <td>WD.</td> <td>J2</td> <td>PTD.</td> <td>-</td> <td>395</td> <td>3\"/> <tr> <td>399</td> <td>ETR</td> <td>-</td> <td>WD.</td> <td>J2</td> <td>PTD.</td> <td>-</td> <td>396</td> <td>3\"/> <tr> <td>3991</td> <td>ETR</td> <td>-</td> <td>WD.</td> <td>J2</td> <td>PTD.</td> <td>-</td> <td>398</td> <td>3\"/> <tr> <td>3992</td> <td>A</td> <td>3\"/> <tr> <td>3993</td> <td>ETR</td> <td>-</td> <td>WD.</td> <td>J2</td> <td>PTD.</td> <td>-</td> <td>399</td> <td>3\"/> <tr> <td>3994</td> <td>ETR</td> <td>-</td> <td>WD.</td> <td>J2</td> <td>PTD.</td> <td>-</td> <td>3991</td> <td>3\"/> <tr> <td>3995</td> <td>ETR</td> <td>-</td> <td>WD.</td> <td>J2</td> <td>PTD.</td> <td>-</td> <td>3992</td> <td>3\"/> <tr> <td>3997</td> <td>ETR</td> <td>-</td> <td>WD.</td> <td>J2</td> <td>PTD.</td> <td>-</td> <td>3993</td> <td>3\"/> <tr> <td>3998</td> <td>ETR</td> <td>-</td> <td>WD.</td> <td>J2</td> <td>PTD.</td> <td>-</td> <td>3994</td> <td>3\"/> <tr> <td>3999</td> <td>ETR</td> <td>-</td> <td>WD.</td> <td>J2</td> <td>PTD.</td> <td>-</td> <td>3995</td> <td>3\"/> <tr> <td>3999</td> <td>ETR</td> <td>-</td> <td>WD.</td> <td>J2</td> <td>PTD.</td> <td>-</td> <td>3997</td> <td>3\"/> </td></tr></td></tr></td></tr></td></tr></td></tr></td></tr></td></tr></td></tr></td></tr></td></tr></td></tr></td></tr></td></tr></td></tr></td></tr></td></tr></td></tr></td></tr></td></tr></td></tr></td></tr></td></tr></td></td></tr></td></tr></td></td></tr></td></td></tr></td></td></tr></td></td></tr></td></td></tr></td></td></tr></td></td></tr></td></td></tr></td></tr></td></tr></td></tr></td></td></tr></td></tr> | 371 | ETR | - | WD. | J2 | PTD. | - | 369 | 3\"/> <tr> <td>372</td> <td>B</td> <td>2 <td>HM</td> <td>J1</td> <td>PTD.</td> <td>1 HR.</td> <td>370</td> <td>3\"/> <tr> <td>373A</td> <td>ETR</td> <td>-</td> <td>WD.</td> <td>J2</td> <td>PTD.</td> <td>-</td> <td>371</td> <td>3\"/> <tr> <td>374B</td> <td>ETR</td> <td>-</td> <td>WD.</td> <td>J2</td> <td>PTD.</td> <td>-</td> <td>372</td> <td>3\"/> <tr> <td>374C</td> <td>ETR</td> <td>-</td> <td>WD.</td> <td>J2</td> <td>PTD.</td> <td>-</td> <td>373A</td> <td>3\"/> <tr> <td>375</td> <td>B</td> <td>1 <td>WD</td> <td>J1</td> <td>PTD.</td> <td>-</td> <td>374B</td> <td>3\"/> <tr> <td>376</td> <td>B</td> <td>1 <td>WD</td> <td>J1</td> <td>PTD.</td> <td>-</td> <td>374C</td> <td>3\"/> <tr> <td>377</td> <td>B</td> <td>1 <td>WD</td> <td>J1</td> <td>PTD.</td> <td>-</td> <td>375</td> <td>3\"/> <tr> <td>377A</td> <td>B</td> <td>1 <td>WD</td> <td>J1</td> <td>PTD.</td> <td>-</td> <td>376</td> <td>3\"/> <tr> <td>378</td> <td>B</td> <td>1 <td>WD</td> <td>J1</td> <td>PTD.</td> <td>-</td> <td>377</td> <td>3\"/> <tr> <td>379</td> <td>B</td> <td>1 <td>WD</td>
<td>J1</td> <td>PTD.</td> <td>-</td> <td>377A</td> <td>3\"/> <tr> <td>380A</td> <td>B</td> <td>1 <td>WD</td> <td>J1</td> <td>PTD.</td> <td>-</td> <td>378</td> <td>3\"/> <tr> <td>380B</td> <td>B</td> <td>1 <td>WD</td> <td>J1</td> <td>PTD.</td> <td>-</td> <td>379</td> <td>3\"/> <tr> <td>382</td> <td>ETR</td> <td>-</td> <td>WD.</td> <td>J2</td> <td>PTD.</td> <td>-</td> <td>380A</td> <td>3\"/> <tr> <td>382A</td> <td>D</td> <td>6 <td>ALUM.</td> <td>ANODIZE D</td> <td>-</td> <td>-</td> <td>380B</td> <td>3\"/> <tr> <td>385</td> <td>ETR</td> <td>-</td> <td>WD.</td> <td>J2</td> <td>PTD.</td> <td>-</td> <td>382</td> <td>3\"/> <tr> <td>386</td> <td>ETR</td> <td>-</td> <td>WD.</td> <td>J2</td> <td>PTD.</td> <td>-</td> <td>382A</td> <td>3\"/> <tr> <td>387</td> <td>ETR</td> <td>-</td> <td>WD.</td> <td>J2</td> <td>PTD.</td> <td>-</td> <td>385</td> <td>3\"/> <tr> <td>388</td> <td>ETR</td> <td>-</td> <td>WD.</td> <td>J2</td> <td>PTD.</td> <td>-</td> <td>386</td> <td>3\"/> <tr> <td>389</td> <td>ETR</td> <td>-</td> <td>WD.</td> <td>J2</td> <td>PTD.</td> <td>-</td> <td>387</td> <td>3\"/> <tr> <td>391</td> <td>ETR</td> <td>-</td> <td>WD.</td> <td>J2</td> <td>PTD.</td> <td>-</td> <td>388</td> <td>3\"/> <tr> <td>391A</td> <td>ETR</td> <td>-</td> <td>WD.</td> <td>J2</td> <td>PTD.</td> <td>-</td> <td>389</td> <td>3\"/> <tr> <td>391B</td> <td>ETR</td> <td>-</td> <td>WD.</td> <td>J2</td> <td>PTD.</td> <td>-</td> <td>391</td> <td>3\"/> <tr> <td>394</td> <td>ETR</td> <td>-</td> <td>WD.</td> <td>J2</td> <td>PTD.</td> <td>-</td> <td>391A</td> <td>3\"/> <tr> <td>395</td> <td>ETR</td> <td>-</td> <td>WD.</td> <td>J2</td> <td>PTD.</td> <td>-</td> <td>391B</td> <td>3\"/> <tr> <td>396</td> <td>ETR</td> <td>-</td> <td>WD.</td> <td>J2</td> <td>PTD.</td> <td>-</td> <td>394</td> <td>3\"/> <tr> <td>398</td> <td>ETR</td> <td>-</td> <td>WD.</td> <td>J2</td> <td>PTD.</td> <td>-</td> <td>395</td> <td>3\"/> <tr> <td>399</td> <td>ETR</td> <td>-</td> <td>WD.</td> <td>J2</td> <td>PTD.</td> <td>-</td> <td>396</td> <td>3\"/> <tr> <td>3991</td> <td>ETR</td> <td>-</td> <td>WD.</td> <td>J2</td> <td>PTD.</td> <td>-</td> <td>398</td> <td>3\"/> <tr> <td>3992</td> <td>A</td> <td>3\"/> <tr> <td>3993</td> <td>ETR</td> <td>-</td> <td>WD.</td> <td>J2</td> <td>PTD.</td> <td>-</td> <td>399</td> <td>3\"/> <tr> <td>3994</td> <td>ETR</td> <td>-</td> <td>WD.</td> <td>J2</td> <td>PTD.</td> <td>-</td> <td>3991</td> <td>3\"/> <tr> <td>3995</td> <td>ETR</td> <td>-</td> <td>WD.</td> <td>J2</td> <td>PTD.</td> <td>-</td> <td>3992</td> <td>3\"/> <tr> <td>3997</td> <td>ETR</td> <td>-</td> <td>WD.</td> <td>J2</td> <td>PTD.</td> <td>-</td> <td>3993</td> <td>3\"/> <tr> <td>3998</td> <td>ETR</td> <td>-</td> <td>WD.</td> <td>J2</td> <td>PTD.</td> <td>-</td> <td>3994</td> <td>3\"/> <tr> <td>3999</td> <td>ETR</td> <td>-</td> <td>WD.</td> <td>J2</td> <td>PTD.</td> <td>-</td> <td>3995</td> <td>3\"/> <tr> <td>3999</td> <td>ETR</td> <td>-</td> <td>WD.</td> <td>J2</td> <td>PTD.</td> <td>-</td> <td>3997</td> <td>3\"/> </td></tr></td></tr></td></tr></td></tr></td></tr></td></tr></td></tr></td></tr></td></tr></td></tr></td></tr></td></tr></td></tr></td></tr></td></tr></td></tr></td></tr></td></tr></td></tr></td></tr></td></tr></td></tr></td></td></tr></td></tr></td></td></tr></td></td></tr></td></td></tr></td></td></tr></td></td></tr></td></td></tr></td></td></tr></td></td></tr></td></tr></td></tr></td></tr></td></td></tr> | 372 | B | 2 <td>HM</td> <td>J1</td> <td>PTD.</td> <td>1 HR.</td> <td>370</td> <td>3\"/> <tr> <td>373A</td> <td>ETR</td> <td>-</td> <td>WD.</td> <td>J2</td> <td>PTD.</td> <td>-</td> <td>371</td> <td>3\"/> <tr> <td>374B</td> <td>ETR</td> <td>-</td> <td>WD.</td> <td>J2</td> <td>PTD.</td> <td>-</td> <td>372</td> <td>3\"/> <tr> <td>374C</td> <td>ETR</td> <td>-</td> <td>WD.</td> <td>J2</td> <td>PTD.</td> <td>-</td> <td>373A</td> <td>3\"/> <tr> <td>375</td> <td>B</td> <td>1 <td>WD</td> <td>J1</td> <td>PTD.</td> <td>-</td> <td>374B</td> <td>3\"/> <tr> <td>376</td> <td>B</td> <td>1 <td>WD</td> <td>J1</td> <td>PTD.</td> <td>-</td> <td>374C</td> <td>3\"/> <tr> <td>377</td> <td>B</td> <td>1 <td>WD</td> <td>J1</td> <td>PTD.</td> <td>-</td> <td>375</td> <td>3\"/> <tr> <td>377A</td> <td>B</td> <td>1 <td>WD</td> <td>J1</td> <td>PTD.</td> <td>-</td> <td>376</td> <td>3\"/> <tr> <td>378</td> <td>B</td> <td>1 <td>WD</td> <td>J1</td> <td>PTD.</td> <td>-</td> <td>377</td> <td>3\"/> <tr> <td>379</td> <td>B</td> <td>1 <td>WD</td> <td>J1</td> <td>PTD.</td> <td>-</td> <td>377A</td> <td>3\"/> <tr> <td>380A</td> <td>B</td> <td>1 <td>WD</td> <td>J1</td> <td>PTD.</td> <td>-</td> <td>378</td> <td>3\"/> <tr> <td>380B</td> <td>B</td> <td>1 <td>WD</td> <td>J1</td> <td>PTD.</td> <td>-</td> <td>379</td> <td>3\"/> <tr> <td>382</td> <td>ETR</td> <td>-</td> <td>WD.</td> <td>J2</td> <td>PTD.</td> <td>-</td> <td>380A</td> <td>3\"/> <tr> <td>382A</td> <td>D</td> <td>6 <td>ALUM.</td> <td>ANODIZE D</td> <td>-</td> <td>-</td> <td>380B</td> <td>3\"/> <tr> <td>385</td> <td>ETR</td> <td>-</td> <td>WD.</td> <td>J2</td> <td>PTD.</td> <td>-</td> <td>382</td> <td>3\"/> <tr> <td>386</td> <td>ETR</td> <td>-</td> <td>WD.</td> <td>J2</td> <td>PTD.</td> <td>-</td> <td>382A</td> <td>3\"/> <tr> <td>387</td> <td>ETR</td> <td>-</td> <td>WD.</td> <td>J2</td> <td>PTD.</td> <td>-</td> <td>385</td> <td>3\"/> <tr> <td>388</td> <td>ETR</td> <td>-</td> <td>WD.</td> <td>J2</td> <td>PTD.</td> <td>-</td> <td>386</td> <td>3\"/> <tr> <td>389</td> <td>ETR</td> <td>-</td> <td>WD.</td> <td>J2</td> <td>PTD.</td> <td>-</td> <td>387</td> <td>3\"/> <tr> <td>391</td> <td>ETR</td> <td>-</td> <td>WD.</td> <td>J2</td> <td>PTD.</td> <td>-</td> <td>388</td> <td>3\"/> <tr> <td>391A</td> <td>ETR</td> <td>-</td> <td>WD.</td> <td>J2</td> <td>PTD.</td> <td>-</td> <td>389</td> <td>3\"/> <tr> <td>391B</td> <td>ETR</td> <td>-</td> <td>WD.</td> <td>J2</td> <td>PTD.</td> <td>-</td> <td>391</td> <td>3\"/> <tr> <td>394</td> <td>ETR</td> <td>-</td> <td>WD.</td> <td>J2</td> <td>PTD.</td> <td>-</td> <td>391A</td> <td>3\"/> <tr> <td>395</td> <td>ETR</td> <td>-</td> <td>WD.</td> <td>J2</td> <td>PTD.</td> <td>-</td> <td>391B</td> <td>3\"/> <tr> <td>396</td> <td>ETR</td> <td>-</td> <td>WD.</td> <td>J2</td> <td>PTD.</td> <td>-</td> <td>394</td> <td>3\"/> <tr> <td>398</td> <td>ETR</td> <td>-</td> <td>WD.</td> <td>J2</td> <td>PTD.</td> <td>-</td> <td>395</td> <td>3\"/> <tr> <td>399</td> <td>ETR</td> <td>-</td> <td>WD.</td> <td>J2</td> <td>PTD.</td> <td>-</td> <td>396</td> <td>3\"/> <tr> <td>3991</td> <td>ETR</td> <td>-</td> <td>WD.</td> <td>J2</td> <td>PTD.</td> <td>-</td> <td>398</td> <td>3\"/> <tr> <td>3992</td> <td>A</td> <td>3\"/> <tr> <td>3993</td> <td>ETR</td> <td>-</td> <td>WD.</td> <td>J2</td> <td>PTD.</td> <td>-</td> <td>399</td> <td>3\"/> <tr> <td>3994</td> <td>ETR</td> <td>-</td> <td>WD.</td> <td>J2</td> <td>PTD.</td> <td>-</td> <td>3991</td> <td>3\"/> <tr> <td>3995</td> <td>ETR</td> <td>-</td> <td>WD.</td> <td>J2</td> <td>PTD.</td> <td>-</td> <td>3992</td> <td>3\"/> <tr> <td>3997</td> <td>ETR</td> <td>-</td> <td>WD.</td> <td>J2</td> <td>PTD.</td> <td>-</td> <td>3993</td> <td>3\"/> <tr> <td>3998</td> <td>ETR</td> <td>-</td> <td>WD.</td> <td>J2</td> <td>PTD.</td> <td>-</td> <td>3994</td> <td>3\"/> <tr> <td>3999</td> <td>ETR</td> <td>-</td> <td>WD.</td> <td>J2</td> <td>PTD.</td> <td>-</td> <td>3995</td> <td>3\"/> <tr> <td>3999</td> <td>ETR</td> <td>-</td> <td>WD.</td> <td>J2</td> <td>PTD.</td> <td>-</td> <td>3997</td> <td>3\"/> </td></tr></td></tr></td></tr></td></tr></td></tr></td></tr></td></tr></td></tr></td></tr></td></tr></td></tr></td></tr></td></tr></td></tr></td></tr></td></tr></td></tr></td></tr></td></tr></td></tr></td></tr></td></tr></td></td></tr></td></tr></td></td></tr></td></td></tr></td></td></tr></td></td></tr></td></td></tr></td></td></tr></td></td></tr></td></td></tr></td></tr></td></tr></td></tr></td> | HM | J1 | PTD.
 | 1 HR. | 370 | 3\"/> <tr> <td>373A</td> <td>ETR</td> <td>-</td> <td>WD.</td> <td>J2</td> <td>PTD.</td> <td>-</td> <td>371</td> <td>3\"/> <tr> <td>374B</td> <td>ETR</td> <td>-</td> <td>WD.</td> <td>J2</td> <td>PTD.</td> <td>-</td> <td>372</td> <td>3\"/> <tr> <td>374C</td> <td>ETR</td> <td>-</td> <td>WD.</td> <td>J2</td> <td>PTD.</td> <td>-</td> <td>373A</td> <td>3\"/> <tr> <td>375</td> <td>B</td> <td>1 <td>WD</td> <td>J1</td> <td>PTD.</td> <td>-</td> <td>374B</td> <td>3\"/> <tr> <td>376</td> <td>B</td> <td>1 <td>WD</td> <td>J1</td> <td>PTD.</td> <td>-</td> <td>374C</td> <td>3\"/> <tr> <td>377</td> <td>B</td> <td>1 <td>WD</td> <td>J1</td> <td>PTD.</td> <td>-</td> <td>375</td> <td>3\"/> <tr> <td>377A</td> <td>B</td> <td>1 <td>WD</td> <td>J1</td> <td>PTD.</td> <td>-</td> <td>376</td> <td>3\"/> <tr> <td>378</td> <td>B</td> <td>1 <td>WD</td> <td>J1</td> <td>PTD.</td> <td>-</td> <td>377</td> <td>3\"/> <tr> <td>379</td> <td>B</td> <td>1 <td>WD</td> <td>J1</td> <td>PTD.</td> <td>-</td> <td>377A</td> <td>3\"/> <tr> <td>380A</td> <td>B</td> <td>1 <td>WD</td> <td>J1</td> <td>PTD.</td> <td>-</td> <td>378</td> <td>3\"/> <tr> <td>380B</td> <td>B</td> <td>1 <td>WD</td> <td>J1</td> <td>PTD.</td> <td>-</td> <td>379</td> <td>3\"/> <tr> <td>382</td> <td>ETR</td> <td>-</td> <td>WD.</td> <td>J2</td> <td>PTD.</td> <td>-</td> <td>380A</td> <td>3\"/> <tr> <td>382A</td> <td>D</td> <td>6 <td>ALUM.</td> <td>ANODIZE D</td> <td>-</td> <td>-</td> <td>380B</td> <td>3\"/> <tr> <td>385</td> <td>ETR</td> <td>-</td> <td>WD.</td> <td>J2</td> <td>PTD.</td> <td>-</td> <td>382</td> <td>3\"/> <tr> <td>386</td> <td>ETR</td> <td>-</td> <td>WD.</td> <td>J2</td> <td>PTD.</td> <td>-</td> <td>382A</td> <td>3\"/> <tr> <td>387</td> <td>ETR</td> <td>-</td> <td>WD.</td> <td>J2</td> <td>PTD.</td> <td>-</td> <td>385</td> <td>3\"/> <tr> <td>388</td> <td>ETR</td> <td>-</td> <td>WD.</td> <td>J2</td> <td>PTD.</td> <td>-</td> <td>386</td> <td>3\"/> <tr> <td>389</td> <td>ETR</td> <td>-</td> <td>WD.</td> <td>J2</td> <td>PTD.</td> <td>-</td> <td>387</td> <td>3\"/> <tr> <td>391</td> <td>ETR</td> <td>-</td> <td>WD.</td> <td>J2</td> <td>PTD.</td> <td>-</td> <td>388</td> <td>3\"/> <tr> <td>391A</td> <td>ETR</td> <td>-</td> <td>WD.</td> <td>J2</td> <td>PTD.</td> <td>-</td> <td>389</td> <td>3\"/> <tr> <td>391B</td> <td>ETR</td> <td>-</td> <td>WD.</td> <td>J2</td> <td>PTD.</td> <td>-</td> <td>391</td> <td>3\"/> <tr> <td>394</td> <td>ETR</td> <td>-</td> <td>WD.</td> <td>J2</td> <td>PTD.</td> <td>-</td> <td>391A</td> <td>3\"/> <tr> <td>395</td> <td>ETR</td> <td>-</td> <td>WD.</td> <td>J2</td> <td>PTD.</td> <td>-</td> <td>391B</td> <td>3\"/> <tr> <td>396</td> <td>ETR</td> <td>-</td> <td>WD.</td> <td>J2</td> <td>PTD.</td> <td>-</td> <td>394</td> <td>3\"/> <tr> <td>398</td> <td>ETR</td> <td>-</td> <td>WD.</td> <td>J2</td> <td>PTD.</td> <td>-</td> <td>395</td> <td>3\"/> <tr> <td>399</td> <td>ETR</td> <td>-</td> <td>WD.</td> <td>J2</td> <td>PTD.</td> <td>-</td> <td>396</td> <td>3\"/> <tr> <td>3991</td> <td>ETR</td> <td>-</td> <td>WD.</td> <td>J2</td> <td>PTD.</td> <td>-</td> <td>398</td> <td>3\"/> <tr> <td>3992</td> <td>A</td> <td>3\"/> <tr> <td>3993</td> <td>ETR</td> <td>-</td> <td>WD.</td> <td>J2</td> <td>PTD.</td> <td>-</td> <td>399</td> <td>3\"/> <tr> <td>3994</td> <td>ETR</td> <td>-</td> <td>WD.</td> <td>J2</td> <td>PTD.</td> <td>-</td> <td>3991</td> <td>3\"/> <tr> <td>3995</td> <td>ETR</td> <td>-</td> <td>WD.</td> <td>J2</td> <td>PTD.</td> <td>-</td> <td>3992</td> <td>3\"/> <tr> <td>3997</td> <td>ETR</td> <td>-</td> <td>WD.</td> <td>J2</td> <td>PTD.</td> <td>-</td> <td>3993</td> <td>3\"/> <tr> <td>3998</td> <td>ETR</td> <td>-</td> <td>WD.</td> <td>J2</td> <td>PTD.</td> <td>-</td> <td>3994</td> <td>3\"/> <tr> <td>3999</td> <td>ETR</td> <td>-</td> <td>WD.</td> <td>J2</td> <td>PTD.</td> <td>-</td> <td>3995</td> <td>3\"/> <tr> <td>3999</td> <td>ETR</td> <td>-</td> <td>WD.</td> <td>J2</td> <td>PTD.</td> <td>-</td> <td>3997</td> <td>3\"/> </td></tr></td></tr></td></tr></td></tr></td></tr></td></tr></td></tr></td></tr></td></tr></td></tr></td></tr></td></tr></td></tr></td></tr></td></tr></td></tr></td></tr></td></tr></td></tr></td></tr></td></tr></td></tr></td></td></tr></td></tr></td></td></tr></td></td></tr></td></td></tr></td></td></tr></td></td></tr></td></td></tr></td></td></tr></td></td></tr></td></tr></td></tr></td></tr> | 373A | ETR | -
 | WD. | J2 | PTD. | - | 371 | 3\"/> <tr> <td>374B</td> <td>ETR</td> <td>-</td> <td>WD.</td> <td>J2</td> <td>PTD.</td> <td>-</td> <td>372</td> <td>3\"/> <tr> <td>374C</td> <td>ETR</td> <td>-</td> <td>WD.</td> <td>J2</td> <td>PTD.</td> <td>-</td> <td>373A</td> <td>3\"/> <tr> <td>375</td> <td>B</td> <td>1 <td>WD</td> <td>J1</td> <td>PTD.</td> <td>-</td> <td>374B</td> <td>3\"/> <tr> <td>376</td> <td>B</td> <td>1 <td>WD</td> <td>J1</td> <td>PTD.</td> <td>-</td> <td>374C</td> <td>3\"/> <tr> <td>377</td> <td>B</td> <td>1 <td>WD</td> <td>J1</td> <td>PTD.</td> <td>-</td> <td>375</td> <td>3\"/> <tr> <td>377A</td> <td>B</td> <td>1 <td>WD</td> <td>J1</td> <td>PTD.</td> <td>-</td> <td>376</td> <td>3\"/> <tr> <td>378</td> <td>B</td> <td>1 <td>WD</td> <td>J1</td> <td>PTD.</td> <td>-</td> <td>377</td> <td>3\"/> <tr> <td>379</td> <td>B</td> <td>1 <td>WD</td> <td>J1</td> <td>PTD.</td> <td>-</td> <td>377A</td> <td>3\"/> <tr> <td>380A</td> <td>B</td> <td>1 <td>WD</td> <td>J1</td> <td>PTD.</td> <td>-</td> <td>378</td> <td>3\"/> <tr> <td>380B</td> <td>B</td> <td>1 <td>WD</td> <td>J1</td> <td>PTD.</td> <td>-</td> <td>379</td> <td>3\"/> <tr> <td>382</td> <td>ETR</td> <td>-</td> <td>WD.</td> <td>J2</td> <td>PTD.</td> <td>-</td> <td>380A</td> <td>3\"/> <tr> <td>382A</td> <td>D</td> <td>6 <td>ALUM.</td> <td>ANODIZE D</td> <td>-</td> <td>-</td> <td>380B</td> <td>3\"/> <tr> <td>385</td> <td>ETR</td> <td>-</td> <td>WD.</td> <td>J2</td> <td>PTD.</td> <td>-</td> <td>382</td> <td>3\"/> <tr> <td>386</td> <td>ETR</td> <td>-</td> <td>WD.</td> <td>J2</td> <td>PTD.</td> <td>-</td> <td>382A</td> <td>3\"/> <tr> <td>387</td> <td>ETR</td> <td>-</td> <td>WD.</td> <td>J2</td> <td>PTD.</td> <td>-</td> <td>385</td> <td>3\"/> <tr> <td>388</td> <td>ETR</td> <td>-</td> <td>WD.</td> <td>J2</td> <td>PTD.</td> <td>-</td> <td>386</td> <td>3\"/> <tr> <td>389</td> <td>ETR</td> <td>-</td> <td>WD.</td> <td>J2</td> <td>PTD.</td> <td>-</td> <td>387</td> <td>3\"/> <tr> <td>391</td> <td>ETR</td> <td>-</td> <td>WD.</td> <td>J2</td> <td>PTD.</td> <td>-</td> <td>388</td> <td>3\"/> <tr> <td>391A</td> <td>ETR</td> <td>-</td> <td>WD.</td> <td>J2</td> <td>PTD.</td> <td>-</td> <td>389</td> <td>3\"/> <tr> <td>391B</td> <td>ETR</td> <td>-</td> <td>WD.</td> <td>J2</td> <td>PTD.</td> <td>-</td> <td>391</td> <td>3\"/> <tr> <td>394</td> <td>ETR</td> <td>-</td> <td>WD.</td> <td>J2</td> <td>PTD.</td> <td>-</td> <td>391A</td> <td>3\"/> <tr> <td>395</td> <td>ETR</td> <td>-</td> <td>WD.</td> <td>J2</td> <td>PTD.</td> <td>-</td> <td>391B</td> <td>3\"/> <tr> <td>396</td> <td>ETR</td> <td>-</td> <td>WD.</td> <td>J2</td> <td>PTD.</td> <td>-</td> <td>394</td> <td>3\"/> <tr> <td>398</td> <td>ETR</td> <td>-</td> <td>WD.</td> <td>J2</td> <td>PTD.</td> <td>-</td> <td>395</td> <td>3\"/> <tr> <td>399</td> <td>ETR</td> <td>-</td> <td>WD.</td> <td>J2</td> <td>PTD.</td> <td>-</td> <td>396</td> <td>3\"/> <tr> <td>3991</td> <td>ETR</td> <td>-</td> <td>WD.</td> <td>J2</td> <td>PTD.</td> <td>-</td> <td>398</td> <td>3\"/> <tr> <td>3992</td> <td>A</td> <td>3\"/> <tr> <td>3993</td> <td>ETR</td> <td>-</td> <td>WD.</td> <td>J2</td> <td>PTD.</td> <td>-</td> <td>399</td> <td>3\"/> <tr> <td>3994</td> <td>ETR</td> <td>-</td> <td>WD.</td> <td>J2</td> <td>PTD.</td> <td>-</td> <td>3991</td> <td>3\"/> <tr> <td>3995</td> <td>ETR</td> <td>-</td> <td>WD.</td> <td>J2</td> <td>PTD.</td> <td>-</td> <td>3992</td> <td>3\"/> <tr> <td>3997</td> <td>ETR</td> <td>-</td> <td>WD.</td> <td>J2</td> <td>PTD.</td> <td>-</td> <td>3993</td> <td>3\"/> <tr> <td>3998</td> <td>ETR</td> <td>-</td> <td>WD.</td> <td>J2</td> <td>PTD.</td> <td>-</td> <td>3994</td> <td>3\"/> <tr> <td>3999</td> <td>ETR</td> <td>-</td> <td>WD.</td> <td>J2</td> <td>PTD.</td> <td>-</td> <td>3995</td> <td>3\"/> <tr> <td>3999</td> <td>ETR</td> <td>-</td> <td>WD.</td> <td>J2</td> <td>PTD.</td> <td>-</td> <td>3997</td> <td>3\"/> </td></tr></td></tr></td></tr></td></tr></td></tr></td></tr></td></tr></td></tr></td></tr></td></tr></td></tr></td></tr></td></tr></td></tr></td></tr></td></tr></td></tr></td></tr></td></tr></td></tr></td></tr></td></tr></td></td></tr></td></tr></td></td></tr></td></td></tr></td></td></tr></td></td></tr></td></td></tr></td></td></tr></td></td></tr></td></td></tr></td></tr></td></tr> | 374B | ETR | -
 | WD. | J2 | PTD. | - | 372 | 3\"/> <tr> <td>374C</td> <td>ETR</td> <td>-</td> <td>WD.</td> <td>J2</td> <td>PTD.</td> <td>-</td> <td>373A</td> <td>3\"/> <tr> <td>375</td> <td>B</td> <td>1 <td>WD</td> <td>J1</td> <td>PTD.</td> <td>-</td> <td>374B</td> <td>3\"/> <tr> <td>376</td> <td>B</td> <td>1 <td>WD</td> <td>J1</td> <td>PTD.</td> <td>-</td> <td>374C</td> <td>3\"/> <tr> <td>377</td> <td>B</td> <td>1 <td>WD</td> <td>J1</td> <td>PTD.</td> <td>-</td> <td>375</td> <td>3\"/> <tr> <td>377A</td> <td>B</td> <td>1 <td>WD</td> <td>J1</td> <td>PTD.</td> <td>-</td> <td>376</td> <td>3\"/> <tr> <td>378</td> <td>B</td> <td>1 <td>WD</td> <td>J1</td> <td>PTD.</td> <td>-</td> <td>377</td> <td>3\"/> <tr> <td>379</td> <td>B</td> <td>1 <td>WD</td> <td>J1</td> <td>PTD.</td> <td>-</td> <td>377A</td> <td>3\"/> <tr> <td>380A</td> <td>B</td> <td>1 <td>WD</td> <td>J1</td> <td>PTD.</td> <td>-</td> <td>378</td> <td>3\"/> <tr> <td>380B</td> <td>B</td> <td>1 <td>WD</td> <td>J1</td> <td>PTD.</td> <td>-</td> <td>379</td> <td>3\"/> <tr> <td>382</td> <td>ETR</td> <td>-</td> <td>WD.</td> <td>J2</td> <td>PTD.</td> <td>-</td> <td>380A</td> <td>3\"/> <tr> <td>382A</td> <td>D</td> <td>6 <td>ALUM.</td> <td>ANODIZE D</td> <td>-</td> <td>-</td> <td>380B</td> <td>3\"/> <tr> <td>385</td> <td>ETR</td> <td>-</td> <td>WD.</td> <td>J2</td> <td>PTD.</td> <td>-</td> <td>382</td> <td>3\"/> <tr> <td>386</td> <td>ETR</td> <td>-</td> <td>WD.</td> <td>J2</td> <td>PTD.</td> <td>-</td> <td>382A</td> <td>3\"/> <tr> <td>387</td> <td>ETR</td> <td>-</td> <td>WD.</td> <td>J2</td> <td>PTD.</td> <td>-</td> <td>385</td> <td>3\"/> <tr> <td>388</td> <td>ETR</td> <td>-</td> <td>WD.</td> <td>J2</td> <td>PTD.</td> <td>-</td> <td>386</td> <td>3\"/> <tr> <td>389</td> <td>ETR</td> <td>-</td> <td>WD.</td> <td>J2</td> <td>PTD.</td> <td>-</td> <td>387</td> <td>3\"/> <tr> <td>391</td> <td>ETR</td> <td>-</td> <td>WD.</td> <td>J2</td> <td>PTD.</td> <td>-</td> <td>388</td> <td>3\"/> <tr> <td>391A</td> <td>ETR</td> <td>-</td> <td>WD.</td> <td>J2</td> <td>PTD.</td> <td>-</td> <td>389</td> <td>3\"/> <tr> <td>391B</td> <td>ETR</td> <td>-</td> <td>WD.</td> <td>J2</td> <td>PTD.</td> <td>-</td> <td>391</td> <td>3\"/> <tr> <td>394</td> <td>ETR</td> <td>-</td> <td>WD.</td> <td>J2</td> <td>PTD.</td> <td>-</td> <td>391A</td> <td>3\"/> <tr> <td>395</td> <td>ETR</td> <td>-</td> <td>WD.</td> <td>J2</td> <td>PTD.</td> <td>-</td> <td>391B</td> <td>3\"/> <tr> <td>396</td> <td>ETR</td> <td>-</td> <td>WD.</td> <td>J2</td> <td>PTD.</td> <td>-</td> <td>394</td> <td>3\"/> <tr> <td>398</td> <td>ETR</td> <td>-</td> <td>WD.</td> <td>J2</td> <td>PTD.</td> <td>-</td> <td>395</td> <td>3\"/> <tr> <td>399</td> <td>ETR</td> <td>-</td> <td>WD.</td> <td>J2</td> <td>PTD.</td> <td>-</td> <td>396</td> <td>3\"/> <tr> <td>3991</td> <td>ETR</td> <td>-</td> <td>WD.</td> <td>J2</td> <td>PTD.</td> <td>-</td> <td>398</td> <td>3\"/> <tr> <td>3992</td> <td>A</td> <td>3\"/> <tr> <td>3993</td> <td>ETR</td> <td>-</td> <td>WD.</td> <td>J2</td> <td>PTD.</td> <td>-</td> <td>399</td> <td>3\"/> <tr> <td>3994</td> <td>ETR</td> <td>-</td> <td>WD.</td> <td>J2</td> <td>PTD.</td> <td>-</td> <td>3991</td> <td>3\"/> <tr> <td>3995</td> <td>ETR</td> <td>-</td> <td>WD.</td> <td>J2</td> <td>PTD.</td> <td>-</td> <td>3992</td> <td>3\"/> <tr> <td>3997</td> <td>ETR</td> <td>-</td> <td>WD.</td> <td>J2</td> <td>PTD.</td> <td>-</td> <td>3993</td> <td>3\"/> <tr> <td>3998</td> <td>ETR</td> <td>-</td> <td>WD.</td> <td>J2</td> <td>PTD.</td> <td>-</td> <td>3994</td> <td>3\"/> <tr> <td>3999</td> <td>ETR</td> <td>-</td> <td>WD.</td> <td>J2</td> <td>PTD.</td> <td>-</td> <td>3995</td> <td>3\"/> <tr> <td>3999</td> <td>ETR</td> <td>-</td> <td>WD.</td> <td>J2</td> <td>PTD.</td> <td>-</td> <td>3997</td> <td>3\"/> </td></tr></td></tr></td></tr></td></tr></td></tr></td></tr></td></tr></td></tr></td></tr></td></tr></td></tr></td></tr></td></tr></td></tr></td></tr></td></tr></td></tr></td></tr></td></tr></td></tr></td></tr></td></tr></td></td></tr></td></tr></td></td></tr></td></td></tr></td></td></tr></td></td></tr></td></td></tr></td></td></tr></td></td></tr></td></td></tr></td></tr> | 374C | ETR | - | WD. | J2 | PTD. | - | 373A | 3\"/> <tr> <td>375</td> <td>B</td> <td>1 <td>WD</td> <td>J1</td> <td>PTD.</td> <td>-</td> <td>374B</td> <td>3\"/> <tr> <td>376</td> <td>B</td> <td>1 <td>WD</td> <td>J1</td> <td>PTD.</td> <td>-</td> <td>374C</td> <td>3\"/> <tr> <td>377</td> <td>B</td> <td>1 <td>WD</td> <td>J1</td> <td>PTD.</td> <td>-</td> <td>375</td> <td>3\"/> <tr> <td>377A</td> <td>B</td> <td>1 <td>WD</td> <td>J1</td> <td>PTD.</td> <td>-</td> <td>376</td> <td>3\"/> <tr> <td>378</td> <td>B</td> <td>1 <td>WD</td> <td>J1</td> <td>PTD.</td> <td>-</td> <td>377</td> <td>3\"/> <tr> <td>379</td> <td>B</td> <td>1 <td>WD</td> <td>J1</td> <td>PTD.</td> <td>-</td> <td>377A</td> <td>3\"/> <tr> <td>380A</td> <td>B</td> <td>1 <td>WD</td> <td>J1</td> <td>PTD.</td> <td>-</td> <td>378</td> <td>3\"/> <tr> <td>380B</td> <td>B</td> <td>1 <td>WD</td> <td>J1</td> <td>PTD.</td> <td>-</td> <td>379</td> <td>3\"/> <tr> <td>382</td> <td>ETR</td> <td>-</td> <td>WD.</td> <td>J2</td> <td>PTD.</td> <td>-</td> <td>380A</td> <td>3\"/> <tr> <td>382A</td> <td>D</td> <td>6 <td>ALUM.</td> <td>ANODIZE D</td> <td>-</td> <td>-</td> <td>380B</td> <td>3\"/> <tr>
<td>385</td> <td>ETR</td> <td>-</td> <td>WD.</td> <td>J2</td> <td>PTD.</td> <td>-</td> <td>382</td> <td>3\"/> <tr> <td>386</td> <td>ETR</td> <td>-</td> <td>WD.</td> <td>J2</td> <td>PTD.</td> <td>-</td> <td>382A</td> <td>3\"/> <tr> <td>387</td> <td>ETR</td> <td>-</td> <td>WD.</td> <td>J2</td> <td>PTD.</td> <td>-</td> <td>385</td> <td>3\"/> <tr> <td>388</td> <td>ETR</td> <td>-</td> <td>WD.</td> <td>J2</td> <td>PTD.</td> <td>-</td> <td>386</td> <td>3\"/> <tr> <td>389</td> <td>ETR</td> <td>-</td> <td>WD.</td> <td>J2</td> <td>PTD.</td> <td>-</td> <td>387</td> <td>3\"/> <tr> <td>391</td> <td>ETR</td> <td>-</td> <td>WD.</td> <td>J2</td> <td>PTD.</td> <td>-</td> <td>388</td> <td>3\"/> <tr> <td>391A</td> <td>ETR</td> <td>-</td> <td>WD.</td> <td>J2</td> <td>PTD.</td> <td>-</td> <td>389</td> <td>3\"/> <tr> <td>391B</td> <td>ETR</td> <td>-</td> <td>WD.</td> <td>J2</td> <td>PTD.</td> <td>-</td> <td>391</td> <td>3\"/> <tr> <td>394</td> <td>ETR</td> <td>-</td> <td>WD.</td> <td>J2</td> <td>PTD.</td> <td>-</td> <td>391A</td> <td>3\"/> <tr> <td>395</td> <td>ETR</td> <td>-</td> <td>WD.</td> <td>J2</td> <td>PTD.</td> <td>-</td> <td>391B</td> <td>3\"/> <tr> <td>396</td> <td>ETR</td> <td>-</td> <td>WD.</td> <td>J2</td> <td>PTD.</td> <td>-</td> <td>394</td> <td>3\"/> <tr> <td>398</td> <td>ETR</td> <td>-</td> <td>WD.</td> <td>J2</td> <td>PTD.</td> <td>-</td> <td>395</td> <td>3\"/> <tr> <td>399</td> <td>ETR</td> <td>-</td> <td>WD.</td> <td>J2</td> <td>PTD.</td> <td>-</td> <td>396</td> <td>3\"/> <tr> <td>3991</td> <td>ETR</td> <td>-</td> <td>WD.</td> <td>J2</td> <td>PTD.</td> <td>-</td> <td>398</td> <td>3\"/> <tr> <td>3992</td> <td>A</td> <td>3\"/> <tr> <td>3993</td> <td>ETR</td> <td>-</td> <td>WD.</td> <td>J2</td> <td>PTD.</td> <td>-</td> <td>399</td> <td>3\"/> <tr> <td>3994</td> <td>ETR</td> <td>-</td> <td>WD.</td> <td>J2</td> <td>PTD.</td> <td>-</td> <td>3991</td> <td>3\"/> <tr> <td>3995</td> <td>ETR</td> <td>-</td> <td>WD.</td> <td>J2</td> <td>PTD.</td> <td>-</td> <td>3992</td> <td>3\"/> <tr> <td>3997</td> <td>ETR</td> <td>-</td> <td>WD.</td> <td>J2</td> <td>PTD.</td> <td>-</td> <td>3993</td> <td>3\"/> <tr> <td>3998</td> <td>ETR</td> <td>-</td> <td>WD.</td> <td>J2</td> <td>PTD.</td> <td>-</td> <td>3994</td> <td>3\"/> <tr> <td>3999</td> <td>ETR</td> <td>-</td> <td>WD.</td> <td>J2</td> <td>PTD.</td> <td>-</td> <td>3995</td> <td>3\"/> <tr> <td>3999</td> <td>ETR</td> <td>-</td> <td>WD.</td> <td>J2</td> <td>PTD.</td> <td>-</td> <td>3997</td> <td>3\"/> </td></tr></td></tr></td></tr></td></tr></td></tr></td></tr></td></tr></td></tr></td></tr></td></tr></td></tr></td></tr></td></tr></td></tr></td></tr></td></tr></td></tr></td></tr></td></tr></td></tr></td></tr></td></tr></td></td></tr></td></tr></td></td></tr></td></td></tr></td></td></tr></td></td></tr></td></td></tr></td></td></tr></td></td></tr></td></td></tr> | 375 | B | 1 <td>WD</td> <td>J1</td> <td>PTD.</td> <td>-</td> <td>374B</td> <td>3\"/> <tr> <td>376</td> <td>B</td> <td>1 <td>WD</td> <td>J1</td> <td>PTD.</td> <td>-</td> <td>374C</td> <td>3\"/> <tr> <td>377</td> <td>B</td> <td>1 <td>WD</td> <td>J1</td> <td>PTD.</td> <td>-</td> <td>375</td> <td>3\"/> <tr> <td>377A</td> <td>B</td> <td>1 <td>WD</td> <td>J1</td> <td>PTD.</td> <td>-</td> <td>376</td> <td>3\"/> <tr> <td>378</td> <td>B</td> <td>1 <td>WD</td> <td>J1</td> <td>PTD.</td> <td>-</td> <td>377</td> <td>3\"/> <tr> <td>379</td> <td>B</td> <td>1 <td>WD</td> <td>J1</td> <td>PTD.</td> <td>-</td> <td>377A</td> <td>3\"/> <tr> <td>380A</td> <td>B</td> <td>1 <td>WD</td> <td>J1</td> <td>PTD.</td> <td>-</td> <td>378</td> <td>3\"/> <tr> <td>380B</td> <td>B</td> <td>1 <td>WD</td> <td>J1</td> <td>PTD.</td> <td>-</td> <td>379</td> <td>3\"/> <tr> <td>382</td> <td>ETR</td> <td>-</td> <td>WD.</td> <td>J2</td> <td>PTD.</td> <td>-</td> <td>380A</td> <td>3\"/> <tr> <td>382A</td> <td>D</td> <td>6 <td>ALUM.</td> <td>ANODIZE D</td> <td>-</td> <td>-</td> <td>380B</td> <td>3\"/> <tr> <td>385</td> <td>ETR</td> <td>-</td> <td>WD.</td> <td>J2</td> <td>PTD.</td> <td>-</td> <td>382</td> <td>3\"/> <tr> <td>386</td> <td>ETR</td> <td>-</td> <td>WD.</td> <td>J2</td> <td>PTD.</td> <td>-</td> <td>382A</td> <td>3\"/> <tr> <td>387</td> <td>ETR</td> <td>-</td> <td>WD.</td> <td>J2</td> <td>PTD.</td> <td>-</td> <td>385</td> <td>3\"/> <tr> <td>388</td> <td>ETR</td> <td>-</td> <td>WD.</td> <td>J2</td> <td>PTD.</td> <td>-</td> <td>386</td> <td>3\"/> <tr> <td>389</td> <td>ETR</td> <td>-</td> <td>WD.</td> <td>J2</td> <td>PTD.</td> <td>-</td> <td>387</td> <td>3\"/> <tr> <td>391</td> <td>ETR</td> <td>-</td> <td>WD.</td> <td>J2</td> <td>PTD.</td> <td>-</td> <td>388</td> <td>3\"/> <tr> <td>391A</td> <td>ETR</td> <td>-</td> <td>WD.</td> <td>J2</td> <td>PTD.</td> <td>-</td> <td>389</td> <td>3\"/> <tr> <td>391B</td> <td>ETR</td> <td>-</td> <td>WD.</td> <td>J2</td> <td>PTD.</td> <td>-</td> <td>391</td> <td>3\"/> <tr> <td>394</td> <td>ETR</td> <td>-</td> <td>WD.</td> <td>J2</td> <td>PTD.</td> <td>-</td> <td>391A</td> <td>3\"/> <tr> <td>395</td> <td>ETR</td> <td>-</td> <td>WD.</td> <td>J2</td> <td>PTD.</td> <td>-</td> <td>391B</td> <td>3\"/> <tr> <td>396</td> <td>ETR</td> <td>-</td> <td>WD.</td> <td>J2</td> <td>PTD.</td> <td>-</td> <td>394</td> <td>3\"/> <tr> <td>398</td> <td>ETR</td> <td>-</td> <td>WD.</td> <td>J2</td> <td>PTD.</td> <td>-</td> <td>395</td> <td>3\"/> <tr> <td>399</td> <td>ETR</td> <td>-</td> <td>WD.</td> <td>J2</td> <td>PTD.</td> <td>-</td> <td>396</td> <td>3\"/> <tr> <td>3991</td> <td>ETR</td> <td>-</td> <td>WD.</td> <td>J2</td> <td>PTD.</td> <td>-</td> <td>398</td> <td>3\"/> <tr> <td>3992</td> <td>A</td> <td>3\"/> <tr> <td>3993</td> <td>ETR</td> <td>-</td> <td>WD.</td> <td>J2</td> <td>PTD.</td> <td>-</td> <td>399</td> <td>3\"/> <tr> <td>3994</td> <td>ETR</td> <td>-</td> <td>WD.</td> <td>J2</td> <td>PTD.</td> <td>-</td> <td>3991</td> <td>3\"/> <tr> <td>3995</td> <td>ETR</td> <td>-</td> <td>WD.</td> <td>J2</td> <td>PTD.</td> <td>-</td> <td>3992</td> <td>3\"/> <tr> <td>3997</td> <td>ETR</td> <td>-</td> <td>WD.</td> <td>J2</td> <td>PTD.</td> <td>-</td> <td>3993</td> <td>3\"/> <tr> <td>3998</td> <td>ETR</td> <td>-</td> <td>WD.</td> <td>J2</td> <td>PTD.</td> <td>-</td> <td>3994</td> <td>3\"/> <tr> <td>3999</td> <td>ETR</td> <td>-</td> <td>WD.</td> <td>J2</td> <td>PTD.</td> <td>-</td> <td>3995</td> <td>3\"/> <tr> <td>3999</td> <td>ETR</td> <td>-</td> <td>WD.</td> <td>J2</td> <td>PTD.</td> <td>-</td> <td>3997</td> <td>3\"/> </td></tr></td></tr></td></tr></td></tr></td></tr></td></tr></td></tr></td></tr></td></tr></td></tr></td></tr></td></tr></td></tr></td></tr></td></tr></td></tr></td></tr></td></tr></td></tr></td></tr></td></tr></td></tr></td></td></tr></td></tr></td></td></tr></td></td></tr></td></td></tr></td></td></tr></td></td></tr></td></td></tr></td></td></tr></td> | WD | J1 | PTD.
 | - | 374B | 3\"/> <tr> <td>376</td> <td>B</td> <td>1 <td>WD</td> <td>J1</td> <td>PTD.</td> <td>-</td> <td>374C</td> <td>3\"/> <tr> <td>377</td> <td>B</td> <td>1 <td>WD</td> <td>J1</td> <td>PTD.</td> <td>-</td> <td>375</td> <td>3\"/> <tr> <td>377A</td> <td>B</td> <td>1 <td>WD</td> <td>J1</td> <td>PTD.</td> <td>-</td> <td>376</td> <td>3\"/> <tr> <td>378</td> <td>B</td> <td>1 <td>WD</td> <td>J1</td> <td>PTD.</td> <td>-</td> <td>377</td> <td>3\"/> <tr> <td>379</td> <td>B</td> <td>1 <td>WD</td> <td>J1</td> <td>PTD.</td> <td>-</td> <td>377A</td> <td>3\"/> <tr> <td>380A</td> <td>B</td> <td>1 <td>WD</td> <td>J1</td> <td>PTD.</td> <td>-</td> <td>378</td> <td>3\"/> <tr> <td>380B</td> <td>B</td> <td>1 <td>WD</td> <td>J1</td> <td>PTD.</td> <td>-</td> <td>379</td> <td>3\"/> <tr> <td>382</td> <td>ETR</td> <td>-</td> <td>WD.</td> <td>J2</td> <td>PTD.</td> <td>-</td> <td>380A</td> <td>3\"/> <tr> <td>382A</td> <td>D</td> <td>6 <td>ALUM.</td> <td>ANODIZE D</td> <td>-</td> <td>-</td> <td>380B</td> <td>3\"/> <tr> <td>385</td> <td>ETR</td> <td>-</td> <td>WD.</td> <td>J2</td> <td>PTD.</td> <td>-</td> <td>382</td> <td>3\"/> <tr> <td>386</td> <td>ETR</td> <td>-</td> <td>WD.</td> <td>J2</td> <td>PTD.</td> <td>-</td> <td>382A</td> <td>3\"/> <tr> <td>387</td> <td>ETR</td> <td>-</td> <td>WD.</td> <td>J2</td> <td>PTD.</td> <td>-</td> <td>385</td> <td>3\"/> <tr> <td>388</td> <td>ETR</td> <td>-</td> <td>WD.</td> <td>J2</td> <td>PTD.</td> <td>-</td> <td>386</td> <td>3\"/> <tr> <td>389</td> <td>ETR</td> <td>-</td> <td>WD.</td> <td>J2</td> <td>PTD.</td> <td>-</td> <td>387</td> <td>3\"/> <tr> <td>391</td> <td>ETR</td> <td>-</td> <td>WD.</td> <td>J2</td> <td>PTD.</td> <td>-</td> <td>388</td> <td>3\"/> <tr> <td>391A</td> <td>ETR</td> <td>-</td> <td>WD.</td> <td>J2</td> <td>PTD.</td> <td>-</td> <td>389</td> <td>3\"/> <tr> <td>391B</td> <td>ETR</td> <td>-</td> <td>WD.</td> <td>J2</td> <td>PTD.</td> <td>-</td> <td>391</td> <td>3\"/> <tr> <td>394</td> <td>ETR</td> <td>-</td> <td>WD.</td> <td>J2</td> <td>PTD.</td> <td>-</td> <td>391A</td> <td>3\"/> <tr> <td>395</td> <td>ETR</td> <td>-</td> <td>WD.</td> <td>J2</td> <td>PTD.</td> <td>-</td> <td>391B</td> <td>3\"/> <tr> <td>396</td> <td>ETR</td> <td>-</td> <td>WD.</td> <td>J2</td> <td>PTD.</td> <td>-</td> <td>394</td> <td>3\"/> <tr> <td>398</td> <td>ETR</td> <td>-</td> <td>WD.</td> <td>J2</td> <td>PTD.</td> <td>-</td> <td>395</td> <td>3\"/> <tr> <td>399</td> <td>ETR</td> <td>-</td> <td>WD.</td> <td>J2</td> <td>PTD.</td> <td>-</td> <td>396</td> <td>3\"/> <tr> <td>3991</td> <td>ETR</td> <td>-</td> <td>WD.</td> <td>J2</td> <td>PTD.</td> <td>-</td> <td>398</td> <td>3\"/> <tr> <td>3992</td> <td>A</td> <td>3\"/> <tr> <td>3993</td> <td>ETR</td> <td>-</td> <td>WD.</td> <td>J2</td> <td>PTD.</td> <td>-</td> <td>399</td> <td>3\"/> <tr> <td>3994</td> <td>ETR</td> <td>-</td> <td>WD.</td> <td>J2</td> <td>PTD.</td> <td>-</td> <td>3991</td> <td>3\"/> <tr> <td>3995</td> <td>ETR</td> <td>-</td> <td>WD.</td> <td>J2</td> <td>PTD.</td> <td>-</td> <td>3992</td> <td>3\"/> <tr> <td>3997</td> <td>ETR</td> <td>-</td> <td>WD.</td> <td>J2</td> <td>PTD.</td> <td>-</td> <td>3993</td> <td>3\"/> <tr> <td>3998</td> <td>ETR</td> <td>-</td> <td>WD.</td> <td>J2</td> <td>PTD.</td> <td>-</td> <td>3994</td> <td>3\"/> <tr> <td>3999</td> <td>ETR</td> <td>-</td> <td>WD.</td> <td>J2</td> <td>PTD.</td> <td>-</td> <td>3995</td> <td>3\"/> <tr> <td>3999</td> <td>ETR</td> <td>-</td> <td>WD.</td> <td>J2</td> <td>PTD.</td> <td>-</td> <td>3997</td> <td>3\"/> </td></tr></td></tr></td></tr></td></tr></td></tr></td></tr></td></tr></td></tr></td></tr></td></tr></td></tr></td></tr></td></tr></td></tr></td></tr></td></tr></td></tr></td></tr></td></tr></td></tr></td></tr></td></tr></td></td></tr></td></tr></td></td></tr></td></td></tr></td></td></tr></td></td></tr></td></td></tr></td></td></tr></td></td></tr> | 376 | B | 1 <td>WD</td> <td>J1</td> <td>PTD.</td> <td>-</td> <td>374C</td> <td>3\"/> <tr> <td>377</td> <td>B</td> <td>1 <td>WD</td> <td>J1</td> <td>PTD.</td> <td>-</td> <td>375</td> <td>3\"/> <tr> <td>377A</td> <td>B</td> <td>1 <td>WD</td> <td>J1</td> <td>PTD.</td> <td>-</td> <td>376</td> <td>3\"/> <tr> <td>378</td> <td>B</td> <td>1 <td>WD</td> <td>J1</td> <td>PTD.</td> <td>-</td> <td>377</td> <td>3\"/> <tr> <td>379</td> <td>B</td> <td>1 <td>WD</td> <td>J1</td> <td>PTD.</td> <td>-</td> <td>377A</td> <td>3\"/> <tr> <td>380A</td> <td>B</td> <td>1 <td>WD</td> <td>J1</td> <td>PTD.</td> <td>-</td> <td>378</td> <td>3\"/> <tr> <td>380B</td> <td>B</td> <td>1 <td>WD</td> <td>J1</td> <td>PTD.</td> <td>-</td> <td>379</td> <td>3\"/> <tr> <td>382</td> <td>ETR</td> <td>-</td> <td>WD.</td> <td>J2</td> <td>PTD.</td> <td>-</td> <td>380A</td> <td>3\"/> <tr> <td>382A</td> <td>D</td> <td>6 <td>ALUM.</td> <td>ANODIZE D</td> <td>-</td> <td>-</td> <td>380B</td> <td>3\"/> <tr> <td>385</td> <td>ETR</td> <td>-</td> <td>WD.</td> <td>J2</td> <td>PTD.</td> <td>-</td> <td>382</td> <td>3\"/> <tr> <td>386</td> <td>ETR</td> <td>-</td> <td>WD.</td> <td>J2</td> <td>PTD.</td> <td>-</td> <td>382A</td> <td>3\"/> <tr> <td>387</td> <td>ETR</td> <td>-</td> <td>WD.</td> <td>J2</td> <td>PTD.</td> <td>-</td> <td>385</td> <td>3\"/> <tr> <td>388</td> <td>ETR</td> <td>-</td> <td>WD.</td> <td>J2</td> <td>PTD.</td> <td>-</td> <td>386</td> <td>3\"/> <tr> <td>389</td> <td>ETR</td> <td>-</td> <td>WD.</td> <td>J2</td> <td>PTD.</td> <td>-</td> <td>387</td> <td>3\"/> <tr> <td>391</td> <td>ETR</td> <td>-</td> <td>WD.</td> <td>J2</td> <td>PTD.</td> <td>-</td> <td>388</td> <td>3\"/> <tr> <td>391A</td> <td>ETR</td> <td>-</td> <td>WD.</td> <td>J2</td> <td>PTD.</td> <td>-</td> <td>389</td> <td>3\"/> <tr> <td>391B</td> <td>ETR</td> <td>-</td> <td>WD.</td> <td>J2</td> <td>PTD.</td> <td>-</td> <td>391</td> <td>3\"/> <tr> <td>394</td> <td>ETR</td> <td>-</td> <td>WD.</td> <td>J2</td> <td>PTD.</td> <td>-</td> <td>391A</td> <td>3\"/> <tr> <td>395</td> <td>ETR</td> <td>-</td> <td>WD.</td> <td>J2</td> <td>PTD.</td> <td>-</td> <td>391B</td> <td>3\"/> <tr> <td>396</td> <td>ETR</td> <td>-</td> <td>WD.</td> <td>J2</td> <td>PTD.</td> <td>-</td> <td>394</td> <td>3\"/> <tr> <td>398</td> <td>ETR</td> <td>-</td> <td>WD.</td> <td>J2</td> <td>PTD.</td> <td>-</td> <td>395</td> <td>3\"/> <tr> <td>399</td> <td>ETR</td> <td>-</td> <td>WD.</td> <td>J2</td> <td>PTD.</td> <td>-</td> <td>396</td> <td>3\"/> <tr> <td>3991</td> <td>ETR</td> <td>-</td> <td>WD.</td> <td>J2</td> <td>PTD.</td> <td>-</td> <td>398</td> <td>3\"/> <tr> <td>3992</td> <td>A</td> <td>3\"/> <tr> <td>3993</td> <td>ETR</td> <td>-</td> <td>WD.</td> <td>J2</td> <td>PTD.</td> <td>-</td> <td>399</td> <td>3\"/> <tr> <td>3994</td> <td>ETR</td> <td>-</td> <td>WD.</td> <td>J2</td> <td>PTD.</td> <td>-</td> <td>3991</td> <td>3\"/> <tr> <td>3995</td> <td>ETR</td> <td>-</td> <td>WD.</td> <td>J2</td> <td>PTD.</td> <td>-</td> <td>3992</td> <td>3\"/> <tr> <td>3997</td> <td>ETR</td> <td>-</td> <td>WD.</td> <td>J2</td> <td>PTD.</td> <td>-</td> <td>3993</td> <td>3\"/> <tr> <td>3998</td> <td>ETR</td> <td>-</td> <td>WD.</td> <td>J2</td> <td>PTD.</td> <td>-</td> <td>3994</td> <td>3\"/> <tr> <td>3999</td> <td>ETR</td> <td>-</td> <td>WD.</td> <td>J2</td> <td>PTD.</td> <td>-</td> <td>3995</td> <td>3\"/> <tr> <td>3999</td> <td>ETR</td> <td>-</td> <td>WD.</td> <td>J2</td> <td>PTD.</td> <td>-</td> <td>3997</td> <td>3\"/> </td></tr></td></tr></td></tr></td></tr></td></tr></td></tr></td></tr></td></tr></td></tr></td></tr></td></tr></td></tr></td></tr></td></tr></td></tr></td></tr></td></tr></td></tr></td></tr></td></tr></td></tr></td></tr></td></td></tr></td></tr></td></td></tr></td></td></tr></td></td></tr></td></td></tr></td></td></tr></td></td></tr></td> | WD | J1 | PTD.
 | - | 374C | 3\"/> <tr> <td>377</td> <td>B</td> <td>1 <td>WD</td> <td>J1</td> <td>PTD.</td> <td>-</td> <td>375</td> <td>3\"/> <tr> <td>377A</td> <td>B</td> <td>1 <td>WD</td> <td>J1</td> <td>PTD.</td> <td>-</td> <td>376</td> <td>3\"/> <tr> <td>378</td> <td>B</td> <td>1 <td>WD</td> <td>J1</td> <td>PTD.</td> <td>-</td> <td>377</td> <td>3\"/> <tr> <td>379</td> <td>B</td> <td>1 <td>WD</td> <td>J1</td> <td>PTD.</td> <td>-</td> <td>377A</td> <td>3\"/> <tr> <td>380A</td> <td>B</td> <td>1 <td>WD</td> <td>J1</td> <td>PTD.</td> <td>-</td> <td>378</td> <td>3\"/> <tr> <td>380B</td> <td>B</td> <td>1 <td>WD</td> <td>J1</td> <td>PTD.</td> <td>-</td> <td>379</td> <td>3\"/> <tr> <td>382</td> <td>ETR</td> <td>-</td> <td>WD.</td> <td>J2</td> <td>PTD.</td> <td>-</td> <td>380A</td> <td>3\"/> <tr> <td>382A</td> <td>D</td> <td>6 <td>ALUM.</td> <td>ANODIZE D</td> <td>-</td> <td>-</td> <td>380B</td> <td>3\"/> <tr> <td>385</td> <td>ETR</td> <td>-</td> <td>WD.</td> <td>J2</td> <td>PTD.</td> <td>-</td> <td>382</td> <td>3\"/> <tr> <td>386</td> <td>ETR</td> <td>-</td> <td>WD.</td> <td>J2</td> <td>PTD.</td> <td>-</td> <td>382A</td> <td>3\"/> <tr> <td>387</td> <td>ETR</td> <td>-</td> <td>WD.</td> <td>J2</td> <td>PTD.</td> <td>-</td> <td>385</td> <td>3\"/> <tr> <td>388</td> <td>ETR</td> <td>-</td> <td>WD.</td> <td>J2</td> <td>PTD.</td> <td>-</td> <td>386</td> <td>3\"/> <tr> <td>389</td> <td>ETR</td> <td>-</td> <td>WD.</td> <td>J2</td> <td>PTD.</td> <td>-</td> <td>387</td> <td>3\"/> <tr> <td>391</td> <td>ETR</td> <td>-</td> <td>WD.</td> <td>J2</td> <td>PTD.</td> <td>-</td> <td>388</td> <td>3\"/> <tr> <td>391A</td> <td>ETR</td> <td>-</td> <td>WD.</td> <td>J2</td> <td>PTD.</td> <td>-</td> <td>389</td> <td>3\"/> <tr> <td>391B</td> <td>ETR</td> <td>-</td> <td>WD.</td> <td>J2</td> <td>PTD.</td> <td>-</td> <td>391</td> <td>3\"/> <tr> <td>394</td> <td>ETR</td> <td>-</td> <td>WD.</td> <td>J2</td> <td>PTD.</td> <td>-</td> <td>391A</td> <td>3\"/> <tr> <td>395</td> <td>ETR</td> <td>-</td> <td>WD.</td> <td>J2</td> <td>PTD.</td> <td>-</td> <td>391B</td> <td>3\"/> <tr> <td>396</td> <td>ETR</td> <td>-</td> <td>WD.</td> <td>J2</td> <td>PTD.</td> <td>-</td> <td>394</td> <td>3\"/> <tr> <td>398</td> <td>ETR</td> <td>-</td> <td>WD.</td> <td>J2</td> <td>PTD.</td> <td>-</td> <td>395</td> <td>3\"/> <tr> <td>399</td> <td>ETR</td> <td>-</td> <td>WD.</td> <td>J2</td> <td>PTD.</td> <td>-</td> <td>396</td> <td>3\"/> <tr> <td>3991</td> <td>ETR</td> <td>-</td> <td>WD.</td> <td>J2</td> <td>PTD.</td> <td>-</td> <td>398</td> <td>3\"/> <tr> <td>3992</td> <td>A</td> <td>3\"/> <tr> <td>3993</td> <td>ETR</td> <td>-</td> <td>WD.</td> <td>J2</td> <td>PTD.</td> <td>-</td> <td>399</td> <td>3\"/> <tr> <td>3994</td> <td>ETR</td> <td>-</td> <td>WD.</td> <td>J2</td> <td>PTD.</td> <td>-</td> <td>3991</td> <td>3\"/> <tr> <td>3995</td> <td>ETR</td> <td>-</td> <td>WD.</td> <td>J2</td> <td>PTD.</td> <td>-</td> <td>3992</td> <td>3\"/> <tr> <td>3997</td> <td>ETR</td> <td>-</td> <td>WD.</td> <td>J2</td> <td>PTD.</td> <td>-</td> <td>3993</td> <td>3\"/> <tr> <td>3998</td> <td>ETR</td> <td>-</td> <td>WD.</td> <td>J2</td> <td>PTD.</td> <td>-</td> <td>3994</td> <td>3\"/> <tr> <td>3999</td> <td>ETR</td> <td>-</td> <td>WD.</td> <td>J2</td> <td>PTD.</td> <td>-</td> <td>3995</td> <td>3\"/> <tr> <td>3999</td> <td>ETR</td> <td>-</td> <td>WD.</td> <td>J2</td> <td>PTD.</td> <td>-</td> <td>3997</td> <td>3\"/> </td></tr></td></tr></td></tr></td></tr></td></tr></td></tr></td></tr></td></tr></td></tr></td></tr></td></tr></td></tr></td></tr></td></tr></td></tr></td></tr></td></tr></td></tr></td></tr></td></tr></td></tr></td></tr></td></td></tr></td></tr></td></td></tr></td></td></tr></td></td></tr></td></td></tr></td></td></tr></td></td></tr> | 377 | B | 1 <td>WD</td> <td>J1</td> <td>PTD.</td> <td>-</td> <td>375</td> <td>3\"/> <tr> <td>377A</td> <td>B</td> <td>1 <td>WD</td> <td>J1</td> <td>PTD.</td> <td>-</td> <td>376</td> <td>3\"/> <tr> <td>378</td> <td>B</td> <td>1 <td>WD</td> <td>J1</td> <td>PTD.</td> <td>-</td> <td>377</td> <td>3\"/> <tr> <td>379</td> <td>B</td> <td>1 <td>WD</td> <td>J1</td> <td>PTD.</td> <td>-</td> <td>377A</td> <td>3\"/> <tr> <td>380A</td> <td>B</td> <td>1 <td>WD</td> <td>J1</td> <td>PTD.</td> <td>-</td> <td>378</td> <td>3\"/> <tr> <td>380B</td> <td>B</td> <td>1 <td>WD</td> <td>J1</td> <td>PTD.</td> <td>-</td> <td>379</td> <td>3\"/> <tr> <td>382</td> <td>ETR</td> <td>-</td> <td>WD.</td> <td>J2</td> <td>PTD.</td> <td>-</td> <td>380A</td> <td>3\"/> <tr> <td>382A</td> <td>D</td> <td>6 <td>ALUM.</td> <td>ANODIZE D</td> <td>-</td> <td>-</td> <td>380B</td> <td>3\"/> <tr> <td>385</td> <td>ETR</td> <td>-</td> <td>WD.</td> <td>J2</td> <td>PTD.</td> <td>-</td> <td>382</td> <td>3\"/> <tr> <td>386</td> <td>ETR</td> <td>-</td> <td>WD.</td> <td>J2</td> <td>PTD.</td> <td>-</td> <td>382A</td> <td>3\"/> <tr> <td>387</td> <td>ETR</td> <td>-</td> <td>WD.</td> <td>J2</td> <td>PTD.</td> <td>-</td> <td>385</td> <td>3\"/> <tr> <td>388</td> <td>ETR</td> <td>-</td> <td>WD.</td> <td>J2</td> <td>PTD.</td> <td>-</td> <td>386</td> <td>3\"/> <tr> <td>389</td> <td>ETR</td> <td>-</td> <td>WD.</td> <td>J2</td> <td>PTD.</td> <td>-</td> <td>387</td> <td>3\"/> <tr> <td>391</td> <td>ETR</td> <td>-</td> <td>WD.</td> <td>J2</td> <td>PTD.</td> <td>-</td> <td>388</td> <td>3\"/> <tr> <td>391A</td> <td>ETR</td> <td>-</td> <td>WD.</td> <td>J2</td> <td>PTD.</td> <td>-</td> <td>389</td> <td>3\"/> <tr> <td>391B</td> <td>ETR</td> <td>-</td> <td>WD.</td> <td>J2</td> <td>PTD.</td> <td>-</td> <td>391</td> <td>3\"/> <tr> <td>394</td> <td>ETR</td> <td>-</td> <td>WD.</td> <td>J2</td> <td>PTD.</td> <td>-</td> <td>391A</td> <td>3\"/> <tr> <td>395</td> <td>ETR</td> <td>-</td> <td>WD.</td> <td>J2</td> <td>PTD.</td> <td>-</td> <td>391B</td> <td>3\"/> <tr> <td>396</td> <td>ETR</td> <td>-</td> <td>WD.</td> <td>J2</td> <td>PTD.</td> <td>-</td> <td>394</td> <td>3\"/> <tr> <td>398</td> <td>ETR</td> <td>-</td> <td>WD.</td> <td>J2</td> <td>PTD.</td> <td>-</td> <td>395</td> <td>3\"/> <tr> <td>399</td> <td>ETR</td> <td>-</td> <td>WD.</td> <td>J2</td> <td>PTD.</td> <td>-</td> <td>396</td> <td>3\"/> <tr> <td>3991</td> <td>ETR</td> <td>-</td> <td>WD.</td> <td>J2</td> <td>PTD.</td> <td>-</td> <td>398</td> <td>3\"/> <tr> <td>3992</td> <td>A</td> <td>3\"/> <tr> <td>3993</td> <td>ETR</td> <td>-</td> <td>WD.</td> <td>J2</td> <td>PTD.</td> <td>-</td> <td>399</td> <td>3\"/> <tr> <td>3994</td> <td>ETR</td> <td>-</td> <td>WD.</td> <td>J2</td> <td>PTD.</td> <td>-</td> <td>3991</td> <td>3\"/> <tr> <td>3995</td> <td>ETR</td> <td>-</td> <td>WD.</td> <td>J2</td> <td>PTD.</td> <td>-</td> <td>3992</td> <td>3\"/> <tr> <td>3997</td> <td>ETR</td> <td>-</td> <td>WD.</td> <td>J2</td> <td>PTD.</td> <td>-</td> <td>3993</td> <td>3\"/> <tr> <td>3998</td> <td>ETR</td> <td>-</td> <td>WD.</td> <td>J2</td> <td>PTD.</td> <td>-</td> <td>3994</td> <td>3\"/> <tr> <td>3999</td> <td>ETR</td> <td>-</td> <td>WD.</td> <td>J2</td>
<td>PTD.</td> <td>-</td> <td>3995</td> <td>3\"/> <tr> <td>3999</td> <td>ETR</td> <td>-</td> <td>WD.</td> <td>J2</td> <td>PTD.</td> <td>-</td> <td>3997</td> <td>3\"/> </td></tr></td></tr></td></tr></td></tr></td></tr></td></tr></td></tr></td></tr></td></tr></td></tr></td></tr></td></tr></td></tr></td></tr></td></tr></td></tr></td></tr></td></tr></td></tr></td></tr></td></tr></td></tr></td></td></tr></td></tr></td></td></tr></td></td></tr></td></td></tr></td></td></tr></td></td></tr></td> | WD | J1 | PTD. | - | 375 | 3\"/> <tr> <td>377A</td> <td>B</td> <td>1 <td>WD</td> <td>J1</td> <td>PTD.</td> <td>-</td> <td>376</td> <td>3\"/> <tr> <td>378</td> <td>B</td> <td>1 <td>WD</td> <td>J1</td> <td>PTD.</td> <td>-</td> <td>377</td> <td>3\"/> <tr> <td>379</td> <td>B</td> <td>1 <td>WD</td> <td>J1</td> <td>PTD.</td> <td>-</td> <td>377A</td> <td>3\"/> <tr> <td>380A</td> <td>B</td> <td>1 <td>WD</td> <td>J1</td> <td>PTD.</td> <td>-</td> <td>378</td> <td>3\"/> <tr> <td>380B</td> <td>B</td> <td>1 <td>WD</td> <td>J1</td> <td>PTD.</td> <td>-</td> <td>379</td> <td>3\"/> <tr> <td>382</td> <td>ETR</td> <td>-</td> <td>WD.</td> <td>J2</td> <td>PTD.</td> <td>-</td> <td>380A</td> <td>3\"/> <tr> <td>382A</td> <td>D</td> <td>6 <td>ALUM.</td> <td>ANODIZE D</td> <td>-</td> <td>-</td> <td>380B</td> <td>3\"/> <tr> <td>385</td> <td>ETR</td> <td>-</td> <td>WD.</td> <td>J2</td> <td>PTD.</td> <td>-</td> <td>382</td> <td>3\"/> <tr> <td>386</td> <td>ETR</td> <td>-</td> <td>WD.</td> <td>J2</td> <td>PTD.</td> <td>-</td> <td>382A</td> <td>3\"/> <tr> <td>387</td> <td>ETR</td> <td>-</td> <td>WD.</td> <td>J2</td> <td>PTD.</td> <td>-</td> <td>385</td> <td>3\"/> <tr> <td>388</td> <td>ETR</td> <td>-</td> <td>WD.</td> <td>J2</td> <td>PTD.</td> <td>-</td> <td>386</td> <td>3\"/> <tr> <td>389</td> <td>ETR</td> <td>-</td> <td>WD.</td> <td>J2</td> <td>PTD.</td> <td>-</td> <td>387</td> <td>3\"/> <tr> <td>391</td> <td>ETR</td> <td>-</td> <td>WD.</td> <td>J2</td> <td>PTD.</td> <td>-</td> <td>388</td> <td>3\"/> <tr> <td>391A</td> <td>ETR</td> <td>-</td> <td>WD.</td> <td>J2</td> <td>PTD.</td> <td>-</td> <td>389</td> <td>3\"/> <tr> <td>391B</td> <td>ETR</td> <td>-</td> <td>WD.</td> <td>J2</td> <td>PTD.</td> <td>-</td> <td>391</td> <td>3\"/> <tr> <td>394</td> <td>ETR</td> <td>-</td> <td>WD.</td> <td>J2</td> <td>PTD.</td> <td>-</td> <td>391A</td> <td>3\"/> <tr> <td>395</td> <td>ETR</td> <td>-</td> <td>WD.</td> <td>J2</td> <td>PTD.</td> <td>-</td> <td>391B</td> <td>3\"/> <tr> <td>396</td> <td>ETR</td> <td>-</td> <td>WD.</td> <td>J2</td> <td>PTD.</td> <td>-</td> <td>394</td> <td>3\"/> <tr> <td>398</td> <td>ETR</td> <td>-</td> <td>WD.</td> <td>J2</td> <td>PTD.</td> <td>-</td> <td>395</td> <td>3\"/> <tr> <td>399</td> <td>ETR</td> <td>-</td> <td>WD.</td> <td>J2</td> <td>PTD.</td> <td>-</td> <td>396</td> <td>3\"/> <tr> <td>3991</td> <td>ETR</td> <td>-</td> <td>WD.</td> <td>J2</td> <td>PTD.</td> <td>-</td> <td>398</td> <td>3\"/> <tr> <td>3992</td> <td>A</td> <td>3\"/> <tr> <td>3993</td> <td>ETR</td> <td>-</td> <td>WD.</td> <td>J2</td> <td>PTD.</td> <td>-</td> <td>399</td> <td>3\"/> <tr> <td>3994</td> <td>ETR</td> <td>-</td> <td>WD.</td> <td>J2</td> <td>PTD.</td> <td>-</td> <td>3991</td> <td>3\"/> <tr> <td>3995</td> <td>ETR</td> <td>-</td> <td>WD.</td> <td>J2</td> <td>PTD.</td> <td>-</td> <td>3992</td> <td>3\"/> <tr> <td>3997</td> <td>ETR</td> <td>-</td> <td>WD.</td> <td>J2</td> <td>PTD.</td> <td>-</td> <td>3993</td> <td>3\"/> <tr> <td>3998</td> <td>ETR</td> <td>-</td> <td>WD.</td> <td>J2</td> <td>PTD.</td> <td>-</td> <td>3994</td> <td>3\"/> <tr> <td>3999</td> <td>ETR</td> <td>-</td> <td>WD.</td> <td>J2</td> <td>PTD.</td> <td>-</td> <td>3995</td> <td>3\"/> <tr> <td>3999</td> <td>ETR</td> <td>-</td> <td>WD.</td> <td>J2</td> <td>PTD.</td> <td>-</td> <td>3997</td> <td>3\"/> </td></tr></td></tr></td></tr></td></tr></td></tr></td></tr></td></tr></td></tr></td></tr></td></tr></td></tr></td></tr></td></tr></td></tr></td></tr></td></tr></td></tr></td></tr></td></tr></td></tr></td></tr></td></tr></td></td></tr></td></tr></td></td></tr></td></td></tr></td></td></tr></td></td></tr></td></td></tr> | 377A | B | 1 <td>WD</td> <td>J1</td> <td>PTD.</td> <td>-</td> <td>376</td> <td>3\"/> <tr> <td>378</td> <td>B</td> <td>1 <td>WD</td> <td>J1</td> <td>PTD.</td> <td>-</td> <td>377</td> <td>3\"/> <tr> <td>379</td> <td>B</td> <td>1 <td>WD</td> <td>J1</td> <td>PTD.</td> <td>-</td> <td>377A</td> <td>3\"/> <tr> <td>380A</td> <td>B</td> <td>1 <td>WD</td> <td>J1</td> <td>PTD.</td> <td>-</td> <td>378</td> <td>3\"/> <tr> <td>380B</td> <td>B</td> <td>1 <td>WD</td> <td>J1</td> <td>PTD.</td> <td>-</td> <td>379</td> <td>3\"/> <tr> <td>382</td> <td>ETR</td> <td>-</td> <td>WD.</td> <td>J2</td> <td>PTD.</td> <td>-</td> <td>380A</td> <td>3\"/> <tr> <td>382A</td> <td>D</td> <td>6 <td>ALUM.</td> <td>ANODIZE D</td> <td>-</td> <td>-</td> <td>380B</td> <td>3\"/> <tr> <td>385</td> <td>ETR</td> <td>-</td> <td>WD.</td> <td>J2</td> <td>PTD.</td> <td>-</td> <td>382</td> <td>3\"/> <tr> <td>386</td> <td>ETR</td> <td>-</td> <td>WD.</td> <td>J2</td> <td>PTD.</td> <td>-</td> <td>382A</td> <td>3\"/> <tr> <td>387</td> <td>ETR</td> <td>-</td> <td>WD.</td> <td>J2</td> <td>PTD.</td> <td>-</td> <td>385</td> <td>3\"/> <tr> <td>388</td> <td>ETR</td> <td>-</td> <td>WD.</td> <td>J2</td> <td>PTD.</td> <td>-</td> <td>386</td> <td>3\"/> <tr> <td>389</td> <td>ETR</td> <td>-</td> <td>WD.</td> <td>J2</td> <td>PTD.</td> <td>-</td> <td>387</td> <td>3\"/> <tr> <td>391</td> <td>ETR</td> <td>-</td> <td>WD.</td> <td>J2</td> <td>PTD.</td> <td>-</td> <td>388</td> <td>3\"/> <tr> <td>391A</td> <td>ETR</td> <td>-</td> <td>WD.</td> <td>J2</td> <td>PTD.</td> <td>-</td> <td>389</td> <td>3\"/> <tr> <td>391B</td> <td>ETR</td> <td>-</td> <td>WD.</td> <td>J2</td> <td>PTD.</td> <td>-</td> <td>391</td> <td>3\"/> <tr> <td>394</td> <td>ETR</td> <td>-</td> <td>WD.</td> <td>J2</td> <td>PTD.</td> <td>-</td> <td>391A</td> <td>3\"/> <tr> <td>395</td> <td>ETR</td> <td>-</td> <td>WD.</td> <td>J2</td> <td>PTD.</td> <td>-</td>
<td>391B</td> <td>3\"/> <tr> <td>396</td> <td>ETR</td> <td>-</td> <td>WD.</td> <td>J2</td> <td>PTD.</td> <td>-</td> <td>394</td> <td>3\"/> <tr> <td>398</td> <td>ETR</td> <td>-</td> <td>WD.</td> <td>J2</td> <td>PTD.</td> <td>-</td> <td>395</td> <td>3\"/> <tr> <td>399</td> <td>ETR</td> <td>-</td> <td>WD.</td> <td>J2</td> <td>PTD.</td> <td>-</td> <td>396</td> <td>3\"/> <tr> <td>3991</td> <td>ETR</td> <td>-</td> <td>WD.</td> <td>J2</td> <td>PTD.</td> <td>-</td> <td>398</td> <td>3\"/> <tr> <td>3992</td> <td>A</td> <td>3\"/> <tr> <td>3993</td> <td>ETR</td> <td>-</td> <td>WD.</td> <td>J2</td> <td>PTD.</td> <td>-</td> <td>399</td> <td>3\"/> <tr> <td>3994</td> <td>ETR</td> <td>-</td> <td>WD.</td> <td>J2</td> <td>PTD.</td> <td>-</td> <td>3991</td> <td>3\"/> <tr> <td>3995</td> <td>ETR</td> <td>-</td> <td>WD.</td> <td>J2</td> <td>PTD.</td> <td>-</td> <td>3992</td> <td>3\"/> <tr> <td>3997</td> <td>ETR</td> <td>-</td> <td>WD.</td> <td>J2</td> <td>PTD.</td> <td>-</td> <td>3993</td> <td>3\"/> <tr> <td>3998</td> <td>ETR</td> <td>-</td> <td>WD.</td> <td>J2</td> <td>PTD.</td> <td>-</td> <td>3994</td> <td>3\"/> <tr> <td>3999</td> <td>ETR</td> <td>-</td> <td>WD.</td> <td>J2</td> <td>PTD.</td> <td>-</td> <td>3995</td> <td>3\"/> <tr> <td>3999</td> <td>ETR</td> <td>-</td> <td>WD.</td> <td>J2</td> <td>PTD.</td> <td>-</td> <td>3997</td> <td>3\"/> </td></tr></td></tr></td></tr></td></tr></td></tr></td></tr></td></tr></td></tr></td></tr></td></tr></td></tr></td></tr></td></tr></td></tr></td></tr></td></tr></td></tr></td></tr></td></tr></td></tr></td></tr></td></tr></td></td></tr></td></tr></td></td></tr></td></td></tr></td></td></tr></td></td></tr></td> | WD | J1 | PTD. | - | 376 | 3\"/> <tr> <td>378</td> <td>B</td> <td>1 <td>WD</td> <td>J1</td> <td>PTD.</td> <td>-</td> <td>377</td> <td>3\"/> <tr> <td>379</td> <td>B</td> <td>1 <td>WD</td> <td>J1</td> <td>PTD.</td> <td>-</td> <td>377A</td> <td>3\"/> <tr> <td>380A</td> <td>B</td> <td>1 <td>WD</td> <td>J1</td> <td>PTD.</td> <td>-</td> <td>378</td> <td>3\"/> <tr> <td>380B</td> <td>B</td> <td>1 <td>WD</td> <td>J1</td> <td>PTD.</td> <td>-</td> <td>379</td> <td>3\"/> <tr> <td>382</td> <td>ETR</td> <td>-</td> <td>WD.</td> <td>J2</td> <td>PTD.</td> <td>-</td> <td>380A</td> <td>3\"/> <tr> <td>382A</td> <td>D</td> <td>6 <td>ALUM.</td> <td>ANODIZE D</td> <td>-</td> <td>-</td> <td>380B</td> <td>3\"/> <tr> <td>385</td> <td>ETR</td> <td>-</td> <td>WD.</td> <td>J2</td> <td>PTD.</td> <td>-</td> <td>382</td> <td>3\"/> <tr> <td>386</td> <td>ETR</td> <td>-</td> <td>WD.</td> <td>J2</td> <td>PTD.</td> <td>-</td> <td>382A</td> <td>3\"/> <tr> <td>387</td> <td>ETR</td> <td>-</td> <td>WD.</td> <td>J2</td> <td>PTD.</td> <td>-</td> <td>385</td> <td>3\"/> <tr> <td>388</td> <td>ETR</td> <td>-</td> <td>WD.</td> <td>J2</td> <td>PTD.</td> <td>-</td> <td>386</td> <td>3\"/> <tr> <td>389</td> <td>ETR</td> <td>-</td> <td>WD.</td> <td>J2</td> <td>PTD.</td> <td>-</td> <td>387</td> <td>3\"/> <tr> <td>391</td> <td>ETR</td> <td>-</td> <td>WD.</td> <td>J2</td> <td>PTD.</td> <td>-</td> <td>388</td> <td>3\"/> <tr> <td>391A</td> <td>ETR</td> <td>-</td> <td>WD.</td> <td>J2</td> <td>PTD.</td> <td>-</td> <td>389</td> <td>3\"/> <tr> <td>391B</td> <td>ETR</td> <td>-</td> <td>WD.</td> <td>J2</td> <td>PTD.</td> <td>-</td> <td>391</td> <td>3\"/> <tr> <td>394</td> <td>ETR</td> <td>-</td> <td>WD.</td> <td>J2</td> <td>PTD.</td> <td>-</td> <td>391A</td> <td>3\"/> <tr> <td>395</td> <td>ETR</td> <td>-</td> <td>WD.</td> <td>J2</td> <td>PTD.</td> <td>-</td> <td>391B</td> <td>3\"/> <tr> <td>396</td> <td>ETR</td> <td>-</td> <td>WD.</td> <td>J2</td> <td>PTD.</td> <td>-</td> <td>394</td> <td>3\"/> <tr> <td>398</td> <td>ETR</td> <td>-</td> <td>WD.</td> <td>J2</td> <td>PTD.</td> <td>-</td> <td>395</td> <td>3\"/> <tr> <td>399</td> <td>ETR</td> <td>-</td> <td>WD.</td> <td>J2</td> <td>PTD.</td> <td>-</td> <td>396</td> <td>3\"/> <tr> <td>3991</td> <td>ETR</td> <td>-</td> <td>WD.</td> <td>J2</td> <td>PTD.</td> <td>-</td> <td>398</td> <td>3\"/> <tr> <td>3992</td> <td>A</td> <td>3\"/> <tr> <td>3993</td> <td>ETR</td> <td>-</td> <td>WD.</td> <td>J2</td> <td>PTD.</td> <td>-</td> <td>399</td> <td>3\"/> <tr> <td>3994</td> <td>ETR</td> <td>-</td> <td>WD.</td> <td>J2</td> <td>PTD.</td> <td>-</td> <td>3991</td> <td>3\"/> <tr> <td>3995</td> <td>ETR</td> <td>-</td> <td>WD.</td> <td>J2</td> <td>PTD.</td> <td>-</td> <td>3992</td> <td>3\"/> <tr> <td>3997</td> <td>ETR</td> <td>-</td> <td>WD.</td> <td>J2</td> <td>PTD.</td> <td>-</td> <td>3993</td> <td>3\"/> <tr> <td>3998</td> <td>ETR</td> <td>-</td> <td>WD.</td> <td>J2</td> <td>PTD.</td> <td>-</td> <td>3994</td> <td>3\"/> <tr> <td>3999</td> <td>ETR</td> <td>-</td> <td>WD.</td> <td>J2</td> <td>PTD.</td> <td>-</td> <td>3995</td> <td>3\"/> <tr> <td>3999</td> <td>ETR</td> <td>-</td> <td>WD.</td> <td>J2</td> <td>PTD.</td> <td>-</td> <td>3997</td> <td>3\"/> </td></tr></td></tr></td></tr></td></tr></td></tr></td></tr></td></tr></td></tr></td></tr></td></tr></td></tr></td></tr></td></tr></td></tr></td></tr></td></tr></td></tr></td></tr></td></tr></td></tr></td></tr></td></tr></td></td></tr></td></tr></td></td></tr></td></td></tr></td></td></tr></td></td></tr> | 378 | B | 1 <td>WD</td> <td>J1</td> <td>PTD.</td> <td>-</td> <td>377</td> <td>3\"/> <tr> <td>379</td> <td>B</td> <td>1 <td>WD</td> <td>J1</td> <td>PTD.</td> <td>-</td> <td>377A</td> <td>3\"/> <tr> <td>380A</td> <td>B</td> <td>1 <td>WD</td> <td>J1</td> <td>PTD.</td> <td>-</td> <td>378</td> <td>3\"/> <tr> <td>380B</td> <td>B</td> <td>1 <td>WD</td> <td>J1</td> <td>PTD.</td> <td>-</td> <td>379</td> <td>3\"/> <tr> <td>382</td> <td>ETR</td> <td>-</td> <td>WD.</td> <td>J2</td> <td>PTD.</td> <td>-</td> <td>380A</td> <td>3\"/> <tr> <td>382A</td> <td>D</td> <td>6 <td>ALUM.</td> <td>ANODIZE D</td> <td>-</td> <td>-</td> <td>380B</td> <td>3\"/> <tr> <td>385</td> <td>ETR</td> <td>-</td> <td>WD.</td> <td>J2</td> <td>PTD.</td> <td>-</td> <td>382</td> <td>3\"/> <tr> <td>386</td> <td>ETR</td> <td>-</td> <td>WD.</td> <td>J2</td> <td>PTD.</td> <td>-</td> <td>382A</td> <td>3\"/> <tr> <td>387</td> <td>ETR</td> <td>-</td> <td>WD.</td> <td>J2</td> <td>PTD.</td> <td>-</td>
<td>385</td> <td>3\"/> <tr> <td>388</td> <td>ETR</td> <td>-</td> <td>WD.</td> <td>J2</td> <td>PTD.</td> <td>-</td> <td>386</td> <td>3\"/> <tr> <td>389</td> <td>ETR</td> <td>-</td> <td>WD.</td> <td>J2</td> <td>PTD.</td> <td>-</td> <td>387</td> <td>3\"/> <tr> <td>391</td> <td>ETR</td> <td>-</td> <td>WD.</td> <td>J2</td> <td>PTD.</td> <td>-</td> <td>388</td> <td>3\"/> <tr> <td>391A</td> <td>ETR</td> <td>-</td> <td>WD.</td> <td>J2</td> <td>PTD.</td> <td>-</td> <td>389</td> <td>3\"/> <tr> <td>391B</td> <td>ETR</td> <td>-</td> <td>WD.</td> <td>J2</td> <td>PTD.</td> <td>-</td> <td>391</td> <td>3\"/> <tr> <td>394</td> <td>ETR</td> <td>-</td> <td>WD.</td> <td>J2</td> <td>PTD.</td> <td>-</td> <td>391A</td> <td>3\"/> <tr> <td>395</td> <td>ETR</td> <td>-</td> <td>WD.</td> <td>J2</td> <td>PTD.</td> <td>-</td> <td>391B</td> <td>3\"/> <tr> <td>396</td> <td>ETR</td> <td>-</td> <td>WD.</td> <td>J2</td> <td>PTD.</td> <td>-</td> <td>394</td> <td>3\"/> <tr> <td>398</td> <td>ETR</td> <td>-</td> <td>WD.</td> <td>J2</td> <td>PTD.</td> <td>-</td> <td>395</td> <td>3\"/> <tr> <td>399</td> <td>ETR</td> <td>-</td> <td>WD.</td> <td>J2</td> <td>PTD.</td> <td>-</td> <td>396</td> <td>3\"/> <tr> <td>3991</td> <td>ETR</td> <td>-</td> <td>WD.</td> <td>J2</td> <td>PTD.</td> <td>-</td> <td>398</td> <td>3\"/> <tr> <td>3992</td> <td>A</td> <td>3\"/> <tr> <td>3993</td> <td>ETR</td> <td>-</td> <td>WD.</td> <td>J2</td> <td>PTD.</td> <td>-</td> <td>399</td> <td>3\"/> <tr> <td>3994</td> <td>ETR</td> <td>-</td> <td>WD.</td> <td>J2</td> <td>PTD.</td> <td>-</td> <td>3991</td> <td>3\"/> <tr> <td>3995</td> <td>ETR</td> <td>-</td> <td>WD.</td> <td>J2</td> <td>PTD.</td> <td>-</td> <td>3992</td> <td>3\"/> <tr> <td>3997</td> <td>ETR</td> <td>-</td> <td>WD.</td> <td>J2</td> <td>PTD.</td> <td>-</td> <td>3993</td> <td>3\"/> <tr> <td>3998</td> <td>ETR</td> <td>-</td> <td>WD.</td> <td>J2</td> <td>PTD.</td> <td>-</td> <td>3994</td> <td>3\"/> <tr> <td>3999</td> <td>ETR</td> <td>-</td> <td>WD.</td> <td>J2</td> <td>PTD.</td> <td>-</td> <td>3995</td> <td>3\"/> <tr> <td>3999</td> <td>ETR</td> <td>-</td> <td>WD.</td> <td>J2</td> <td>PTD.</td> <td>-</td> <td>3997</td> <td>3\"/> </td></tr></td></tr></td></tr></td></tr></td></tr></td></tr></td></tr></td></tr></td></tr></td></tr></td></tr></td></tr></td></tr></td></tr></td></tr></td></tr></td></tr></td></tr></td></tr></td></tr></td></tr></td></tr></td></td></tr></td></tr></td></td></tr></td></td></tr></td></td></tr></td> | WD | J1 | PTD. | - | 377 | 3\"/> <tr> <td>379</td> <td>B</td> <td>1 <td>WD</td> <td>J1</td> <td>PTD.</td> <td>-</td> <td>377A</td> <td>3\"/> <tr> <td>380A</td> <td>B</td> <td>1 <td>WD</td> <td>J1</td> <td>PTD.</td> <td>-</td> <td>378</td> <td>3\"/> <tr> <td>380B</td> <td>B</td> <td>1 <td>WD</td> <td>J1</td> <td>PTD.</td> <td>-</td> <td>379</td> <td>3\"/> <tr> <td>382</td> <td>ETR</td> <td>-</td> <td>WD.</td> <td>J2</td> <td>PTD.</td> <td>-</td> <td>380A</td> <td>3\"/> <tr> <td>382A</td> <td>D</td> <td>6 <td>ALUM.</td> <td>ANODIZE D</td> <td>-</td> <td>-</td> <td>380B</td> <td>3\"/> <tr> <td>385</td> <td>ETR</td> <td>-</td> <td>WD.</td> <td>J2</td> <td>PTD.</td> <td>-</td> <td>382</td> <td>3\"/> <tr> <td>386</td> <td>ETR</td> <td>-</td> <td>WD.</td> <td>J2</td> <td>PTD.</td> <td>-</td> <td>382A</td> <td>3\"/> <tr> <td>387</td> <td>ETR</td> <td>-</td> <td>WD.</td> <td>J2</td> <td>PTD.</td> <td>-</td> <td>385</td> <td>3\"/> <tr> <td>388</td> <td>ETR</td> <td>-</td> <td>WD.</td> <td>J2</td> <td>PTD.</td> <td>-</td> <td>386</td> <td>3\"/> <tr> <td>389</td> <td>ETR</td> <td>-</td> <td>WD.</td> <td>J2</td> <td>PTD.</td> <td>-</td> <td>387</td> <td>3\"/> <tr> <td>391</td> <td>ETR</td> <td>-</td> <td>WD.</td> <td>J2</td> <td>PTD.</td> <td>-</td> <td>388</td> <td>3\"/> <tr> <td>391A</td> <td>ETR</td> <td>-</td> <td>WD.</td> <td>J2</td> <td>PTD.</td> <td>-</td> <td>389</td> <td>3\"/> <tr> <td>391B</td> <td>ETR</td> <td>-</td> <td>WD.</td> <td>J2</td> <td>PTD.</td> <td>-</td> <td>391</td> <td>3\"/> <tr> <td>394</td> <td>ETR</td> <td>-</td> <td>WD.</td> <td>J2</td> <td>PTD.</td> <td>-</td> <td>391A</td> <td>3\"/> <tr> <td>395</td> <td>ETR</td> <td>-</td> <td>WD.</td> <td>J2</td> <td>PTD.</td> <td>-</td> <td>391B</td> <td>3\"/> <tr> <td>396</td> <td>ETR</td> <td>-</td> <td>WD.</td> <td>J2</td> <td>PTD.</td> <td>-</td> <td>394</td> <td>3\"/> <tr> <td>398</td> <td>ETR</td> <td>-</td> <td>WD.</td> <td>J2</td> <td>PTD.</td> <td>-</td> <td>395</td> <td>3\"/> <tr> <td>399</td> <td>ETR</td> <td>-</td> <td>WD.</td> <td>J2</td> <td>PTD.</td> <td>-</td> <td>396</td> <td>3\"/> <tr> <td>3991</td> <td>ETR</td> <td>-</td> <td>WD.</td> <td>J2</td> <td>PTD.</td> <td>-</td> <td>398</td> <td>3\"/> <tr> <td>3992</td> <td>A</td> <td>3\"/> <tr> <td>3993</td> <td>ETR</td> <td>-</td> <td>WD.</td> <td>J2</td> <td>PTD.</td> <td>-</td> <td>399</td> <td>3\"/> <tr> <td>3994</td> <td>ETR</td> <td>-</td> <td>WD.</td> <td>J2</td> <td>PTD.</td> <td>-</td> <td>3991</td> <td>3\"/> <tr> <td>3995</td> <td>ETR</td> <td>-</td> <td>WD.</td> <td>J2</td> <td>PTD.</td> <td>-</td> <td>3992</td> <td>3\"/> <tr> <td>3997</td> <td>ETR</td> <td>-</td> <td>WD.</td> <td>J2</td> <td>PTD.</td> <td>-</td> <td>3993</td> <td>3\"/> <tr> <td>3998</td> <td>ETR</td> <td>-</td> <td>WD.</td> <td>J2</td> <td>PTD.</td> <td>-</td> <td>3994</td> <td>3\"/> <tr> <td>3999</td> <td>ETR</td> <td>-</td> <td>WD.</td> <td>J2</td> <td>PTD.</td> <td>-</td> <td>3995</td> <td>3\"/> <tr> <td>3999</td> <td>ETR</td> <td>-</td> <td>WD.</td> <td>J2</td> <td>PTD.</td> <td>-</td> <td>3997</td> <td>3\"/> </td></tr></td></tr></td></tr></td></tr></td></tr></td></tr></td></tr></td></tr></td></tr></td></tr></td></tr></td></tr></td></tr></td></tr></td></tr></td></tr></td></tr></td></tr></td></tr></td></tr></td></tr></td></tr></td></td></tr></td></tr></td></td></tr></td></td></tr></td></td></tr> | 379 | B | 1 <td>WD</td> <td>J1</td> <td>PTD.</td> <td>-</td> <td>377A</td> <td>3\"/> <tr> <td>380A</td> <td>B</td> <td>1 <td>WD</td> <td>J1</td> <td>PTD.</td> <td>-</td> <td>378</td> <td>3\"/> <tr> <td>380B</td> <td>B</td> <td>1 <td>WD</td> <td>J1</td> <td>PTD.</td> <td>-</td> <td>379</td> <td>3\"/> <tr> <td>382</td> <td>ETR</td> <td>-</td> <td>WD.</td> <td>J2</td> <td>PTD.</td> <td>-</td> <td>380A</td>
<td>3\"/> <tr> <td>382A</td> <td>D</td> <td>6 <td>ALUM.</td> <td>ANODIZE D</td> <td>-</td> <td>-</td> <td>380B</td> <td>3\"/> <tr> <td>385</td> <td>ETR</td> <td>-</td> <td>WD.</td> <td>J2</td> <td>PTD.</td> <td>-</td> <td>382</td> <td>3\"/> <tr> <td>386</td> <td>ETR</td> <td>-</td> <td>WD.</td> <td>J2</td> <td>PTD.</td> <td>-</td> <td>382A</td> <td>3\"/> <tr> <td>387</td> <td>ETR</td> <td>-</td> <td>WD.</td> <td>J2</td> <td>PTD.</td> <td>-</td> <td>385</td> <td>3\"/> <tr> <td>388</td> <td>ETR</td> <td>-</td> <td>WD.</td> <td>J2</td> <td>PTD.</td> <td>-</td> <td>386</td> <td>3\"/> <tr> <td>389</td> <td>ETR</td> <td>-</td> <td>WD.</td> <td>J2</td> <td>PTD.</td> <td>-</td> <td>387</td> <td>3\"/> <tr> <td>391</td> <td>ETR</td> <td>-</td> <td>WD.</td> <td>J2</td> <td>PTD.</td> <td>-</td> <td>388</td> <td>3\"/> <tr> <td>391A</td> <td>ETR</td> <td>-</td> <td>WD.</td> <td>J2</td> <td>PTD.</td> <td>-</td> <td>389</td> <td>3\"/> <tr> <td>391B</td> <td>ETR</td> <td>-</td> <td>WD.</td> <td>J2</td> <td>PTD.</td> <td>-</td> <td>391</td> <td>3\"/> <tr> <td>394</td> <td>ETR</td> <td>-</td> <td>WD.</td> <td>J2</td> <td>PTD.</td> <td>-</td> <td>391A</td> <td>3\"/> <tr> <td>395</td> <td>ETR</td> <td>-</td> <td>WD.</td> <td>J2</td> <td>PTD.</td> <td>-</td> <td>391B</td> <td>3\"/> <tr> <td>396</td> <td>ETR</td> <td>-</td> <td>WD.</td> <td>J2</td> <td>PTD.</td> <td>-</td> <td>394</td> <td>3\"/> <tr> <td>398</td> <td>ETR</td> <td>-</td> <td>WD.</td> <td>J2</td> <td>PTD.</td> <td>-</td> <td>395</td> <td>3\"/> <tr> <td>399</td> <td>ETR</td> <td>-</td> <td>WD.</td> <td>J2</td> <td>PTD.</td> <td>-</td> <td>396</td> <td>3\"/> <tr> <td>3991</td> <td>ETR</td> <td>-</td> <td>WD.</td> <td>J2</td> <td>PTD.</td> <td>-</td> <td>398</td> <td>3\"/> <tr> <td>3992</td> <td>A</td> <td>3\"/> <tr> <td>3993</td> <td>ETR</td> <td>-</td> <td>WD.</td> <td>J2</td> <td>PTD.</td> <td>-</td> <td>399</td> <td>3\"/> <tr> <td>3994</td> <td>ETR</td> <td>-</td> <td>WD.</td> <td>J2</td> <td>PTD.</td> <td>-</td> <td>3991</td> <td>3\"/> <tr> <td>3995</td> <td>ETR</td> <td>-</td> <td>WD.</td> <td>J2</td> <td>PTD.</td> <td>-</td> <td>3992</td> <td>3\"/> <tr> <td>3997</td> <td>ETR</td> <td>-</td> <td>WD.</td> <td>J2</td> <td>PTD.</td> <td>-</td> <td>3993</td> <td>3\"/> <tr> <td>3998</td> <td>ETR</td> <td>-</td> <td>WD.</td> <td>J2</td> <td>PTD.</td> <td>-</td> <td>3994</td> <td>3\"/> <tr> <td>3999</td> <td>ETR</td> <td>-</td> <td>WD.</td> <td>J2</td> <td>PTD.</td> <td>-</td> <td>3995</td> <td>3\"/> <tr> <td>3999</td> <td>ETR</td> <td>-</td> <td>WD.</td> <td>J2</td> <td>PTD.</td> <td>-</td> <td>3997</td> <td>3\"/> </td></tr></td></tr></td></tr></td></tr></td></tr></td></tr></td></tr></td></tr></td></tr></td></tr></td></tr></td></tr></td></tr></td></tr></td></tr></td></tr></td></tr></td></tr></td></tr></td></tr></td></tr></td></tr></td></td></tr></td></tr></td></td></tr></td></td></tr></td> | WD | J1 | PTD. | - | 377A | 3\"/> <tr> <td>380A</td> <td>B</td> <td>1 <td>WD</td> <td>J1</td> <td>PTD.</td> <td>-</td> <td>378</td> <td>3\"/> <tr> <td>380B</td> <td>B</td> <td>1 <td>WD</td> <td>J1</td> <td>PTD.</td> <td>-</td> <td>379</td> <td>3\"/> <tr> <td>382</td> <td>ETR</td> <td>-</td> <td>WD.</td> <td>J2</td> <td>PTD.</td> <td>-</td> <td>380A</td> <td>3\"/> <tr> <td>382A</td> <td>D</td> <td>6 <td>ALUM.</td> <td>ANODIZE D</td> <td>-</td> <td>-</td> <td>380B</td> <td>3\"/> <tr> <td>385</td> <td>ETR</td> <td>-</td> <td>WD.</td> <td>J2</td> <td>PTD.</td> <td>-</td> <td>382</td> <td>3\"/> <tr> <td>386</td> <td>ETR</td> <td>-</td> <td>WD.</td> <td>J2</td> <td>PTD.</td> <td>-</td> <td>382A</td> <td>3\"/> <tr> <td>387</td> <td>ETR</td> <td>-</td> <td>WD.</td> <td>J2</td> <td>PTD.</td> <td>-</td> <td>385</td> <td>3\"/> <tr> <td>388</td> <td>ETR</td> <td>-</td> <td>WD.</td> <td>J2</td> <td>PTD.</td> <td>-</td> <td>386</td> <td>3\"/> <tr> <td>389</td> <td>ETR</td> <td>-</td> <td>WD.</td> <td>J2</td> <td>PTD.</td> <td>-</td> <td>387</td> <td>3\"/> <tr> <td>391</td> <td>ETR</td> <td>-</td> <td>WD.</td> <td>J2</td> <td>PTD.</td> <td>-</td> <td>388</td> <td>3\"/> <tr> <td>391A</td> <td>ETR</td> <td>-</td> <td>WD.</td> <td>J2</td> <td>PTD.</td> <td>-</td> <td>389</td> <td>3\"/> <tr> <td>391B</td> <td>ETR</td> <td>-</td> <td>WD.</td> <td>J2</td> <td>PTD.</td> <td>-</td> <td>391</td> <td>3\"/> <tr> <td>394</td> <td>ETR</td> <td>-</td> <td>WD.</td> <td>J2</td> <td>PTD.</td> <td>-</td> <td>391A</td> <td>3\"/> <tr> <td>395</td> <td>ETR</td> <td>-</td> <td>WD.</td> <td>J2</td> <td>PTD.</td> <td>-</td> <td>391B</td> <td>3\"/> <tr> <td>396</td> <td>ETR</td> <td>-</td> <td>WD.</td> <td>J2</td> <td>PTD.</td> <td>-</td> <td>394</td> <td>3\"/> <tr> <td>398</td> <td>ETR</td> <td>-</td> <td>WD.</td> <td>J2</td> <td>PTD.</td> <td>-</td> <td>395</td> <td>3\"/> <tr> <td>399</td> <td>ETR</td> <td>-</td> <td>WD.</td> <td>J2</td> <td>PTD.</td> <td>-</td> <td>396</td> <td>3\"/> <tr> <td>3991</td> <td>ETR</td> <td>-</td> <td>WD.</td> <td>J2</td> <td>PTD.</td> <td>-</td> <td>398</td> <td>3\"/> <tr> <td>3992</td> <td>A</td> <td>3\"/> <tr> <td>3993</td> <td>ETR</td> <td>-</td> <td>WD.</td> <td>J2</td> <td>PTD.</td> <td>-</td> <td>399</td> <td>3\"/> <tr> <td>3994</td> <td>ETR</td> <td>-</td> <td>WD.</td> <td>J2</td> <td>PTD.</td> <td>-</td> <td>3991</td> <td>3\"/> <tr> <td>3995</td> <td>ETR</td> <td>-</td> <td>WD.</td> <td>J2</td> <td>PTD.</td> <td>-</td> <td>3992</td> <td>3\"/> <tr> <td>3997</td> <td>ETR</td> <td>-</td> <td>WD.</td> <td>J2</td> <td>PTD.</td> <td>-</td> <td>3993</td> <td>3\"/> <tr> <td>3998</td> <td>ETR</td> <td>-</td> <td>WD.</td> <td>J2</td> <td>PTD.</td> <td>-</td> <td>3994</td> <td>3\"/> <tr> <td>3999</td> <td>ETR</td> <td>-</td> <td>WD.</td> <td>J2</td> <td>PTD.</td> <td>-</td> <td>3995</td> <td>3\"/> <tr> <td>3999</td> <td>ETR</td> <td>-</td> <td>WD.</td> <td>J2</td> <td>PTD.</td> <td>-</td> <td>3997</td> <td>3\"/> </td></tr></td></tr></td></tr></td></tr></td></tr></td></tr></td></tr></td></tr></td></tr></td></tr></td></tr></td></tr></td></tr></td></tr></td></tr></td></tr></td></tr></td></tr></td></tr></td></tr></td></tr></td></tr></td></td></tr></td></tr></td></td></tr></td></td></tr> | 380A | B | 1 <td>WD</td> <td>J1</td> <td>PTD.</td> <td>-</td> <td>378</td> <td>3\"/> <tr> <td>380B</td> <td>B</td> <td>1 <td>WD</td> <td>J1</td> <td>PTD.</td> <td>-</td> <td>379</td> <td>3\"/> <tr> <td>382</td> <td>ETR</td>
<td>-</td> <td>WD.</td> <td>J2</td> <td>PTD.</td> <td>-</td> <td>380A</td> <td>3\"/> <tr> <td>382A</td> <td>D</td> <td>6 <td>ALUM.</td> <td>ANODIZE D</td> <td>-</td> <td>-</td> <td>380B</td> <td>3\"/> <tr> <td>385</td> <td>ETR</td> <td>-</td> <td>WD.</td> <td>J2</td> <td>PTD.</td> <td>-</td> <td>382</td> <td>3\"/> <tr> <td>386</td> <td>ETR</td> <td>-</td> <td>WD.</td> <td>J2</td> <td>PTD.</td> <td>-</td> <td>382A</td> <td>3\"/> <tr> <td>387</td> <td>ETR</td> <td>-</td> <td>WD.</td> <td>J2</td> <td>PTD.</td> <td>-</td> <td>385</td> <td>3\"/> <tr> <td>388</td> <td>ETR</td> <td>-</td> <td>WD.</td> <td>J2</td> <td>PTD.</td> <td>-</td> <td>386</td> <td>3\"/> <tr> <td>389</td> <td>ETR</td> <td>-</td> <td>WD.</td> <td>J2</td> <td>PTD.</td> <td>-</td> <td>387</td> <td>3\"/> <tr> <td>391</td> <td>ETR</td> <td>-</td> <td>WD.</td> <td>J2</td> <td>PTD.</td> <td>-</td> <td>388</td> <td>3\"/> <tr> <td>391A</td> <td>ETR</td> <td>-</td> <td>WD.</td> <td>J2</td> <td>PTD.</td> <td>-</td> <td>389</td> <td>3\"/> <tr> <td>391B</td> <td>ETR</td> <td>-</td> <td>WD.</td> <td>J2</td> <td>PTD.</td> <td>-</td> <td>391</td> <td>3\"/> <tr> <td>394</td> <td>ETR</td> <td>-</td> <td>WD.</td> <td>J2</td> <td>PTD.</td> <td>-</td> <td>391A</td> <td>3\"/> <tr> <td>395</td> <td>ETR</td> <td>-</td> <td>WD.</td> <td>J2</td> <td>PTD.</td> <td>-</td> <td>391B</td> <td>3\"/> <tr> <td>396</td> <td>ETR</td> <td>-</td> <td>WD.</td> <td>J2</td> <td>PTD.</td> <td>-</td> <td>394</td> <td>3\"/> <tr> <td>398</td> <td>ETR</td> <td>-</td> <td>WD.</td> <td>J2</td> <td>PTD.</td> <td>-</td> <td>395</td> <td>3\"/> <tr> <td>399</td> <td>ETR</td> <td>-</td> <td>WD.</td> <td>J2</td> <td>PTD.</td> <td>-</td> <td>396</td> <td>3\"/> <tr> <td>3991</td> <td>ETR</td> <td>-</td> <td>WD.</td> <td>J2</td> <td>PTD.</td> <td>-</td> <td>398</td> <td>3\"/> <tr> <td>3992</td> <td>A</td> <td>3\"/> <tr> <td>3993</td> <td>ETR</td> <td>-</td> <td>WD.</td> <td>J2</td> <td>PTD.</td> <td>-</td> <td>399</td> <td>3\"/> <tr> <td>3994</td> <td>ETR</td> <td>-</td> <td>WD.</td> <td>J2</td> <td>PTD.</td> <td>-</td> <td>3991</td> <td>3\"/> <tr> <td>3995</td> <td>ETR</td> <td>-</td> <td>WD.</td> <td>J2</td> <td>PTD.</td> <td>-</td> <td>3992</td> <td>3\"/> <tr> <td>3997</td> <td>ETR</td> <td>-</td> <td>WD.</td> <td>J2</td> <td>PTD.</td> <td>-</td> <td>3993</td> <td>3\"/> <tr> <td>3998</td> <td>ETR</td> <td>-</td> <td>WD.</td> <td>J2</td> <td>PTD.</td> <td>-</td> <td>3994</td> <td>3\"/> <tr> <td>3999</td> <td>ETR</td> <td>-</td> <td>WD.</td> <td>J2</td> <td>PTD.</td> <td>-</td> <td>3995</td> <td>3\"/> <tr> <td>3999</td> <td>ETR</td> <td>-</td> <td>WD.</td> <td>J2</td> <td>PTD.</td> <td>-</td> <td>3997</td> <td>3\"/> </td></tr></td></tr></td></tr></td></tr></td></tr></td></tr></td></tr></td></tr></td></tr></td></tr></td></tr></td></tr></td></tr></td></tr></td></tr></td></tr></td></tr></td></tr></td></tr></td></tr></td></tr></td></tr></td></td></tr></td></tr></td></td></tr></td> | WD | J1 | PTD. | - | 378 | 3\"/> <tr> <td>380B</td> <td>B</td> <td>1 <td>WD</td> <td>J1</td> <td>PTD.</td> <td>-</td> <td>379</td> <td>3\"/> <tr> <td>382</td> <td>ETR</td> <td>-</td> <td>WD.</td> <td>J2</td> <td>PTD.</td> <td>-</td> <td>380A</td> <td>3\"/> <tr> <td>382A</td> <td>D</td> <td>6 <td>ALUM.</td> <td>ANODIZE D</td> <td>-</td> <td>-</td> <td>380B</td> <td>3\"/> <tr> <td>385</td> <td>ETR</td> <td>-</td> <td>WD.</td> <td>J2</td> <td>PTD.</td> <td>-</td> <td>382</td> <td>3\"/> <tr> <td>386</td> <td>ETR</td> <td>-</td> <td>WD.</td> <td>J2</td> <td>PTD.</td> <td>-</td> <td>382A</td> <td>3\"/> <tr> <td>387</td> <td>ETR</td> <td>-</td> <td>WD.</td> <td>J2</td> <td>PTD.</td> <td>-</td> <td>385</td> <td>3\"/> <tr> <td>388</td> <td>ETR</td> <td>-</td> <td>WD.</td> <td>J2</td> <td>PTD.</td> <td>-</td> <td>386</td> <td>3\"/> <tr> <td>389</td> <td>ETR</td> <td>-</td> <td>WD.</td> <td>J2</td> <td>PTD.</td> <td>-</td> <td>387</td> <td>3\"/> <tr> <td>391</td> <td>ETR</td> <td>-</td> <td>WD.</td> <td>J2</td> <td>PTD.</td> <td>-</td> <td>388</td> <td>3\"/> <tr> <td>391A</td> <td>ETR</td> <td>-</td> <td>WD.</td> <td>J2</td> <td>PTD.</td> <td>-</td> <td>389</td> <td>3\"/> <tr> <td>391B</td> <td>ETR</td> <td>-</td> <td>WD.</td> <td>J2</td> <td>PTD.</td> <td>-</td> <td>391</td> <td>3\"/> <tr> <td>394</td> <td>ETR</td> <td>-</td> <td>WD.</td> <td>J2</td> <td>PTD.</td> <td>-</td> <td>391A</td> <td>3\"/> <tr> <td>395</td> <td>ETR</td> <td>-</td> <td>WD.</td> <td>J2</td> <td>PTD.</td> <td>-</td> <td>391B</td> <td>3\"/> <tr> <td>396</td> <td>ETR</td> <td>-</td> <td>WD.</td> <td>J2</td> <td>PTD.</td> <td>-</td> <td>394</td> <td>3\"/> <tr> <td>398</td> <td>ETR</td> <td>-</td> <td>WD.</td> <td>J2</td> <td>PTD.</td> <td>-</td> <td>395</td> <td>3\"/> <tr> <td>399</td> <td>ETR</td> <td>-</td> <td>WD.</td> <td>J2</td> <td>PTD.</td> <td>-</td> <td>396</td> <td>3\"/> <tr> <td>3991</td> <td>ETR</td> <td>-</td> <td>WD.</td> <td>J2</td> <td>PTD.</td> <td>-</td> <td>398</td> <td>3\"/> <tr> <td>3992</td> <td>A</td> <td>3\"/> <tr> <td>3993</td> <td>ETR</td> <td>-</td> <td>WD.</td> <td>J2</td> <td>PTD.</td> <td>-</td> <td>399</td> <td>3\"/> <tr> <td>3994</td> <td>ETR</td> <td>-</td> <td>WD.</td> <td>J2</td> <td>PTD.</td> <td>-</td> <td>3991</td> <td>3\"/> <tr> <td>3995</td> <td>ETR</td> <td>-</td> <td>WD.</td> <td>J2</td> <td>PTD.</td> <td>-</td> <td>3992</td> <td>3\"/> <tr> <td>3997</td> <td>ETR</td> <td>-</td> <td>WD.</td> <td>J2</td> <td>PTD.</td> <td>-</td> <td>3993</td> <td>3\"/> <tr> <td>3998</td> <td>ETR</td> <td>-</td> <td>WD.</td> <td>J2</td> <td>PTD.</td> <td>-</td> <td>3994</td> <td>3\"/> <tr> <td>3999</td> <td>ETR</td> <td>-</td> <td>WD.</td> <td>J2</td> <td>PTD.</td> <td>-</td> <td>3995</td> <td>3\"/> <tr> <td>3999</td> <td>ETR</td> <td>-</td> <td>WD.</td> <td>J2</td> <td>PTD.</td> <td>-</td> <td>3997</td> <td>3\"/> </td></tr></td></tr></td></tr></td></tr></td></tr></td></tr></td></tr></td></tr></td></tr></td></tr></td></tr></td></tr></td></tr></td></tr></td></tr></td></tr></td></tr></td></tr></td></tr></td></tr></td></tr></td></tr></td></td></tr></td></tr></td></td></tr> | 380B | B | 1 <td>WD</td> <td>J1</td> <td>PTD.</td> <td>-</td> <td>379</td> <td>3\"/> <tr> <td>382</td> <td>ETR</td> <td>-</td> <td>WD.</td> <td>J2</td> <td>PTD.</td> <td>-</td> <td>380A</td> <td>3\"/> <tr> <td>382A</td> <td>D</td> <td>6 <td>ALUM.</td> <td>ANODIZE D</td> <td>-</td> <td>-</td> <td>380B</td> <td>3\"/> <tr> <td>385</td> <td>ETR</td> <td>-</td> <td>WD.</td> <td>J2</td> <td>PTD.</td> <td>-</td>
<td>382</td> <td>3\"/> <tr> <td>386</td> <td>ETR</td> <td>-</td> <td>WD.</td> <td>J2</td> <td>PTD.</td> <td>-</td> <td>382A</td> <td>3\"/> <tr> <td>387</td> <td>ETR</td> <td>-</td> <td>WD.</td> <td>J2</td> <td>PTD.</td> <td>-</td> <td>385</td> <td>3\"/> <tr> <td>388</td> <td>ETR</td> <td>-</td> <td>WD.</td> <td>J2</td> <td>PTD.</td> <td>-</td> <td>386</td> <td>3\"/> <tr> <td>389</td> <td>ETR</td> <td>-</td> <td>WD.</td> <td>J2</td> <td>PTD.</td> <td>-</td> <td>387</td> <td>3\"/> <tr> <td>391</td> <td>ETR</td> <td>-</td> <td>WD.</td> <td>J2</td> <td>PTD.</td> <td>-</td> <td>388</td> <td>3\"/> <tr> <td>391A</td> <td>ETR</td> <td>-</td> <td>WD.</td> <td>J2</td> <td>PTD.</td> <td>-</td> <td>389</td> <td>3\"/> <tr> <td>391B</td> <td>ETR</td> <td>-</td> <td>WD.</td> <td>J2</td> <td>PTD.</td> <td>-</td> <td>391</td> <td>3\"/> <tr> <td>394</td> <td>ETR</td> <td>-</td> <td>WD.</td> <td>J2</td> <td>PTD.</td> <td>-</td> <td>391A</td> <td>3\"/> <tr> <td>395</td> <td>ETR</td> <td>-</td> <td>WD.</td> <td>J2</td> <td>PTD.</td> <td>-</td> <td>391B</td> <td>3\"/> <tr> <td>396</td> <td>ETR</td> <td>-</td> <td>WD.</td> <td>J2</td> <td>PTD.</td> <td>-</td> <td>394</td> <td>3\"/> <tr> <td>398</td> <td>ETR</td> <td>-</td> <td>WD.</td> <td>J2</td> <td>PTD.</td> <td>-</td> <td>395</td> <td>3\"/> <tr> <td>399</td> <td>ETR</td> <td>-</td> <td>WD.</td> <td>J2</td> <td>PTD.</td> <td>-</td> <td>396</td> <td>3\"/> <tr> <td>3991</td> <td>ETR</td> <td>-</td> <td>WD.</td> <td>J2</td> <td>PTD.</td> <td>-</td> <td>398</td> <td>3\"/> <tr> <td>3992</td> <td>A</td> <td>3\"/> <tr> <td>3993</td> <td>ETR</td> <td>-</td> <td>WD.</td> <td>J2</td> <td>PTD.</td> <td>-</td> <td>399</td> <td>3\"/> <tr> <td>3994</td> <td>ETR</td> <td>-</td> <td>WD.</td> <td>J2</td> <td>PTD.</td> <td>-</td> <td>3991</td> <td>3\"/> <tr> <td>3995</td> <td>ETR</td> <td>-</td> <td>WD.</td> <td>J2</td> <td>PTD.</td> <td>-</td> <td>3992</td> <td>3\"/> <tr> <td>3997</td> <td>ETR</td> <td>-</td> <td>WD.</td> <td>J2</td> <td>PTD.</td> <td>-</td> <td>3993</td> <td>3\"/> <tr> <td>3998</td> <td>ETR</td> <td>-</td> <td>WD.</td> <td>J2</td> <td>PTD.</td> <td>-</td> <td>3994</td> <td>3\"/> <tr> <td>3999</td> <td>ETR</td> <td>-</td> <td>WD.</td> <td>J2</td> <td>PTD.</td> <td>-</td> <td>3995</td> <td>3\"/> <tr> <td>3999</td> <td>ETR</td> <td>-</td> <td>WD.</td> <td>J2</td> <td>PTD.</td> <td>-</td> <td>3997</td> <td>3\"/> </td></tr></td></tr></td></tr></td></tr></td></tr></td></tr></td></tr></td></tr></td></tr></td></tr></td></tr></td></tr></td></tr></td></tr></td></tr></td></tr></td></tr></td></tr></td></tr></td></tr></td></tr></td></tr></td></td></tr></td></tr></td> | WD | J1 | PTD. | - | 379 | 3\"/> <tr> <td>382</td> <td>ETR</td> <td>-</td> <td>WD.</td> <td>J2</td> <td>PTD.</td> <td>-</td> <td>380A</td> <td>3\"/> <tr> <td>382A</td> <td>D</td> <td>6 <td>ALUM.</td> <td>ANODIZE D</td> <td>-</td> <td>-</td> <td>380B</td> <td>3\"/> <tr> <td>385</td> <td>ETR</td> <td>-</td> <td>WD.</td> <td>J2</td> <td>PTD.</td> <td>-</td> <td>382</td> <td>3\"/> <tr> <td>386</td> <td>ETR</td> <td>-</td> <td>WD.</td> <td>J2</td> <td>PTD.</td> <td>-</td> <td>382A</td> <td>3\"/> <tr> <td>387</td> <td>ETR</td> <td>-</td> <td>WD.</td> <td>J2</td> <td>PTD.</td> <td>-</td> <td>385</td> <td>3\"/> <tr> <td>388</td> <td>ETR</td> <td>-</td> <td>WD.</td> <td>J2</td> <td>PTD.</td> <td>-</td> <td>386</td> <td>3\"/> <tr> <td>389</td> <td>ETR</td> <td>-</td> <td>WD.</td> <td>J2</td> <td>PTD.</td> <td>-</td> <td>387</td> <td>3\"/> <tr> <td>391</td> <td>ETR</td> <td>-</td> <td>WD.</td> <td>J2</td> <td>PTD.</td> <td>-</td> <td>388</td> <td>3\"/> <tr> <td>391A</td> <td>ETR</td> <td>-</td> <td>WD.</td> <td>J2</td> <td>PTD.</td> <td>-</td> <td>389</td> <td>3\"/> <tr> <td>391B</td> <td>ETR</td> <td>-</td> <td>WD.</td> <td>J2</td> <td>PTD.</td> <td>-</td> <td>391</td> <td>3\"/> <tr> <td>394</td> <td>ETR</td> <td>-</td> <td>WD.</td> <td>J2</td> <td>PTD.</td> <td>-</td> <td>391A</td> <td>3\"/> <tr> <td>395</td> <td>ETR</td> <td>-</td> <td>WD.</td> <td>J2</td> <td>PTD.</td> <td>-</td> <td>391B</td> <td>3\"/> <tr> <td>396</td> <td>ETR</td> <td>-</td> <td>WD.</td> <td>J2</td> <td>PTD.</td> <td>-</td> <td>394</td> <td>3\"/> <tr> <td>398</td> <td>ETR</td> <td>-</td> <td>WD.</td> <td>J2</td> <td>PTD.</td> <td>-</td> <td>395</td> <td>3\"/> <tr> <td>399</td> <td>ETR</td> <td>-</td> <td>WD.</td> <td>J2</td> <td>PTD.</td> <td>-</td> <td>396</td> <td>3\"/> <tr> <td>3991</td> <td>ETR</td> <td>-</td> <td>WD.</td> <td>J2</td> <td>PTD.</td> <td>-</td> <td>398</td> <td>3\"/> <tr> <td>3992</td> <td>A</td> <td>3\"/> <tr> <td>3993</td> <td>ETR</td> <td>-</td> <td>WD.</td> <td>J2</td> <td>PTD.</td> <td>-</td> <td>399</td> <td>3\"/> <tr> <td>3994</td> <td>ETR</td> <td>-</td> <td>WD.</td> <td>J2</td> <td>PTD.</td> <td>-</td> <td>3991</td> <td>3\"/> <tr> <td>3995</td> <td>ETR</td> <td>-</td> <td>WD.</td> <td>J2</td> <td>PTD.</td> <td>-</td> <td>3992</td> <td>3\"/> <tr> <td>3997</td> <td>ETR</td> <td>-</td> <td>WD.</td> <td>J2</td> <td>PTD.</td> <td>-</td> <td>3993</td> <td>3\"/> <tr> <td>3998</td> <td>ETR</td> <td>-</td> <td>WD.</td> <td>J2</td> <td>PTD.</td> <td>-</td> <td>3994</td> <td>3\"/> <tr> <td>3999</td> <td>ETR</td> <td>-</td> <td>WD.</td> <td>J2</td> <td>PTD.</td> <td>-</td> <td>3995</td> <td>3\"/> <tr> <td>3999</td> <td>ETR</td> <td>-</td> <td>WD.</td> <td>J2</td> <td>PTD.</td> <td>-</td> <td>3997</td> <td>3\"/> </td></tr></td></tr></td></tr></td></tr></td></tr></td></tr></td></tr></td></tr></td></tr></td></tr></td></tr></td></tr></td></tr></td></tr></td></tr></td></tr></td></tr></td></tr></td></tr></td></tr></td></tr></td></tr></td></td></tr></td></tr> | 382 | ETR | -
 | WD. | J2 | PTD. | - | 380A | 3\"/> <tr> <td>382A</td> <td>D</td> <td>6 <td>ALUM.</td> <td>ANODIZE D</td> <td>-</td> <td>-</td> <td>380B</td> <td>3\"/> <tr> <td>385</td> <td>ETR</td> <td>-</td> <td>WD.</td> <td>J2</td> <td>PTD.</td> <td>-</td> <td>382</td> <td>3\"/> <tr> <td>386</td> <td>ETR</td> <td>-</td> <td>WD.</td> <td>J2</td> <td>PTD.</td> <td>-</td> <td>382A</td> <td>3\"/> <tr> <td>387</td> <td>ETR</td> <td>-</td> <td>WD.</td> <td>J2</td> <td>PTD.</td> <td>-</td> <td>385</td> <td>3\"/> <tr> <td>388</td> <td>ETR</td> <td>-</td> <td>WD.</td> <td>J2</td> <td>PTD.</td> <td>-</td> <td>386</td> <td>3\"/> <tr> <td>389</td> <td>ETR</td> <td>-</td> <td>WD.</td> <td>J2</td> <td>PTD.</td> <td>-</td> <td>387</td> <td>3\"/> <tr> <td>391</td> <td>ETR</td> <td>-</td> <td>WD.</td> <td>J2</td> <td>PTD.</td> <td>-</td> <td>388</td> <td>3\"/> <tr> <td>391A</td> <td>ETR</td> <td>-</td> <td>WD.</td> <td>J2</td> <td>PTD.</td> <td>-</td> <td>389</td> <td>3\"/> <tr> <td>391B</td> <td>ETR</td> <td>-</td> <td>WD.</td> <td>J2</td> <td>PTD.</td> <td>-</td> <td>391</td> <td>3\"/> <tr> <td>394</td> <td>ETR</td> <td>-</td> <td>WD.</td> <td>J2</td> <td>PTD.</td> <td>-</td> <td>391A</td> <td>3\"/> <tr> <td>395</td> <td>ETR</td> <td>-</td> <td>WD.</td> <td>J2</td> <td>PTD.</td> <td>-</td> <td>391B</td> <td>3\"/> <tr> <td>396</td> <td>ETR</td> <td>-</td> <td>WD.</td> <td>J2</td> <td>PTD.</td> <td>-</td> <td>394</td> <td>3\"/> <tr> <td>398</td> <td>ETR</td> <td>-</td> <td>WD.</td> <td>J2</td> <td>PTD.</td> <td>-</td> <td>395</td> <td>3\"/> <tr> <td>399</td> <td>ETR</td> <td>-</td> <td>WD.</td> <td>J2</td> <td>PTD.</td> <td>-</td> <td>396</td> <td>3\"/> <tr> <td>3991</td> <td>ETR</td> <td>-</td> <td>WD.</td> <td>J2</td> <td>PTD.</td> <td>-</td> <td>398</td> <td>3\"/> <tr> <td>3992</td> <td>A</td> <td>3\"/> <tr> <td>3993</td> <td>ETR</td> <td>-</td> <td>WD.</td> <td>J2</td> <td>PTD.</td> <td>-</td> <td>399</td> <td>3\"/> <tr> <td>3994</td> <td>ETR</td> <td>-</td> <td>WD.</td> <td>J2</td> <td>PTD.</td> <td>-</td> <td>3991</td> <td>3\"/> <tr> <td>3995</td> <td>ETR</td> <td>-</td> <td>WD.</td> <td>J2</td> <td>PTD.</td> <td>-</td> <td>3992</td> <td>3\"/> <tr> <td>3997</td> <td>ETR</td> <td>-</td> <td>WD.</td> <td>J2</td> <td>PTD.</td> <td>-</td> <td>3993</td> <td>3\"/> <tr> <td>3998</td> <td>ETR</td> <td>-</td> <td>WD.</td> <td>J2</td> <td>PTD.</td> <td>-</td> <td>3994</td> <td>3\"/> <tr> <td>3999</td> <td>ETR</td> <td>-</td> <td>WD.</td> <td>J2</td> <td>PTD.</td> <td>-</td> <td>3995</td> <td>3\"/> <tr> <td>3999</td> <td>ETR</td> <td>-</td> <td>WD.</td> <td>J2</td> <td>PTD.</td> <td>-</td> <td>3997</td> <td>3\"/> </td></tr></td></tr></td></tr></td></tr></td></tr></td></tr></td></tr></td></tr></td></tr></td></tr></td></tr></td></tr></td></tr></td></tr></td></tr></td></tr></td></tr></td></tr></td></tr></td></tr></td></tr></td></tr></td></td></tr> | 382A | D | 6 <td>ALUM.</td> <td>ANODIZE D</td> <td>-</td> <td>-</td> <td>380B</td> <td>3\"/> <tr> <td>385</td> <td>ETR</td> <td>-</td> <td>WD.</td> <td>J2</td> <td>PTD.</td> <td>-</td> <td>382</td> <td>3\"/> <tr> <td>386</td> <td>ETR</td> <td>-</td> <td>WD.</td> <td>J2</td> <td>PTD.</td> <td>-</td> <td>382A</td> <td>3\"/> <tr> <td>387</td> <td>ETR</td> <td>-</td> <td>WD.</td> <td>J2</td> <td>PTD.</td> <td>-</td> <td>385</td> <td>3\"/> <tr> <td>388</td> <td>ETR</td> <td>-</td> <td>WD.</td> <td>J2</td> <td>PTD.</td> <td>-</td> <td>386</td> <td>3\"/> <tr> <td>389</td> <td>ETR</td> <td>-</td> <td>WD.</td> <td>J2</td> <td>PTD.</td> <td>-</td> <td>387</td> <td>3\"/> <tr> <td>391</td> <td>ETR</td> <td>-</td> <td>WD.</td> <td>J2</td> <td>PTD.</td> <td>-</td> <td>388</td> <td>3\"/> <tr> <td>391A</td> <td>ETR</td> <td>-</td> <td>WD.</td> <td>J2</td> <td>PTD.</td> <td>-</td> <td>389</td> <td>3\"/> <tr> <td>391B</td> <td>ETR</td> <td>-</td> <td>WD.</td> <td>J2</td> <td>PTD.</td> <td>-</td> <td>391</td> <td>3\"/> <tr> <td>394</td> <td>ETR</td> <td>-</td> <td>WD.</td> <td>J2</td> <td>PTD.</td> <td>-</td> <td>391A</td> <td>3\"/> <tr> <td>395</td> <td>ETR</td> <td>-</td> <td>WD.</td> <td>J2</td> <td>PTD.</td> <td>-</td> <td>391B</td> <td>3\"/> <tr> <td>396</td> <td>ETR</td> <td>-</td> <td>WD.</td> <td>J2</td> <td>PTD.</td> <td>-</td> <td>394</td> <td>3\"/> <tr> <td>398</td> <td>ETR</td> <td>-</td> <td>WD.</td> <td>J2</td> <td>PTD.</td> <td>-</td> <td>395</td> <td>3\"/> <tr> <td>399</td> <td>ETR</td> <td>-</td> <td>WD.</td> <td>J2</td> <td>PTD.</td> <td>-</td> <td>396</td> <td>3\"/> <tr> <td>3991</td> <td>ETR</td> <td>-</td> <td>WD.</td> <td>J2</td> <td>PTD.</td> <td>-</td> <td>398</td> <td>3\"/> <tr> <td>3992</td> <td>A</td> <td>3\"/> <tr> <td>3993</td> <td>ETR</td> <td>-</td> <td>WD.</td> <td>J2</td> <td>PTD.</td> <td>-</td> <td>399</td> <td>3\"/> <tr> <td>3994</td> <td>ETR</td> <td>-</td> <td>WD.</td> <td>J2</td> <td>PTD.</td> <td>-</td> <td>3991</td> <td>3\"/> <tr> <td>3995</td> <td>ETR</td> <td>-</td> <td>WD.</td> <td>J2</td> <td>PTD.</td> <td>-</td> <td>3992</td> <td>3\"/> <tr> <td>3997</td> <td>ETR</td> <td>-</td> <td>WD.</td> <td>J2</td> <td>PTD.</td> <td>-</td> <td>3993</td> <td>3\"/> <tr> <td>3998</td> <td>ETR</td> <td>-</td> <td>WD.</td> <td>J2</td> <td>PTD.</td> <td>-</td> <td>3994</td> <td>3\"/> <tr> <td>3999</td> <td>ETR</td> <td>-</td> <td>WD.</td> <td>J2</td> <td>PTD.</td> <td>-</td> <td>3995</td> <td>3\"/> <tr> <td>3999</td> <td>ETR</td> <td>-</td> <td>WD.</td> <td>J2</td> <td>PTD.</td> <td>-</td> <td>3997</td> <td>3\"/> </td></tr></td></tr></td></tr></td></tr></td></tr></td></tr></td></tr></td></tr></td></tr></td></tr></td></tr></td></tr></td></tr></td></tr></td></tr></td></tr></td></tr></td></tr></td></tr></td></tr></td></tr></td></tr></td> | ALUM. | ANODIZE D | -
 | - | 380B | 3\"/> <tr> <td>385</td> <td>ETR</td> <td>-</td> <td>WD.</td> <td>J2</td> <td>PTD.</td> <td>-</td> <td>382</td> <td>3\"/> <tr> <td>386</td> <td>ETR</td> <td>-</td> <td>WD.</td> <td>J2</td> <td>PTD.</td> <td>-</td> <td>382A</td> <td>3\"/> <tr> <td>387</td> <td>ETR</td> <td>-</td> <td>WD.</td> <td>J2</td> <td>PTD.</td> <td>-</td> <td>385</td> <td>3\"/> <tr> <td>388</td> <td>ETR</td> <td>-</td> <td>WD.</td> <td>J2</td> <td>PTD.</td> <td>-</td> <td>386</td> <td>3\"/> <tr> <td>389</td> <td>ETR</td> <td>-</td> <td>WD.</td> <td>J2</td> <td>PTD.</td> <td>-</td> <td>387</td> <td>3\"/> <tr> <td>391</td> <td>ETR</td> <td>-</td> <td>WD.</td> <td>J2</td> <td>PTD.</td> <td>-</td> <td>388</td> <td>3\"/> <tr> <td>391A</td> <td>ETR</td> <td>-</td> <td>WD.</td> <td>J2</td> <td>PTD.</td> <td>-</td> <td>389</td> <td>3\"/> <tr> <td>391B</td> <td>ETR</td> <td>-</td> <td>WD.</td> <td>J2</td> <td>PTD.</td> <td>-</td> <td>391</td> <td>3\"/> <tr> <td>394</td> <td>ETR</td> <td>-</td> <td>WD.</td> <td>J2</td> <td>PTD.</td> <td>-</td> <td>391A</td> <td>3\"/> <tr> <td>395</td> <td>ETR</td> <td>-</td> <td>WD.</td> <td>J2</td> <td>PTD.</td> <td>-</td> <td>391B</td> <td>3\"/> <tr> <td>396</td> <td>ETR</td> <td>-</td> <td>WD.</td> <td>J2</td> <td>PTD.</td> <td>-</td> <td>394</td> <td>3\"/> <tr> <td>398</td> <td>ETR</td> <td>-</td> <td>WD.</td> <td>J2</td> <td>PTD.</td> <td>-</td> <td>395</td> <td>3\"/> <tr> <td>399</td> <td>ETR</td> <td>-</td> <td>WD.</td> <td>J2</td> <td>PTD.</td> <td>-</td> <td>396</td> <td>3\"/> <tr> <td>3991</td> <td>ETR</td> <td>-</td> <td>WD.</td> <td>J2</td> <td>PTD.</td> <td>-</td> <td>398</td> <td>3\"/> <tr> <td>3992</td> <td>A</td> <td>3\"/> <tr> <td>3993</td> <td>ETR</td> <td>-</td> <td>WD.</td> <td>J2</td> <td>PTD.</td> <td>-</td> <td>399</td> <td>3\"/> <tr> <td>3994</td> <td>ETR</td> <td>-</td> <td>WD.</td> <td>J2</td> <td>PTD.</td> <td>-</td> <td>3991</td> <td>3\"/> <tr> <td>3995</td> <td>ETR</td> <td>-</td> <td>WD.</td> <td>J2</td> <td>PTD.</td> <td>-</td> <td>3992</td> <td>3\"/> <tr> <td>3997</td> <td>ETR</td> <td>-</td> <td>WD.</td> <td>J2</td> <td>PTD.</td> <td>-</td> <td>3993</td> <td>3\"/> <tr> <td>3998</td> <td>ETR</td> <td>-</td> <td>WD.</td> <td>J2</td> <td>PTD.</td> <td>-</td> <td>3994</td> <td>3\"/> <tr> <td>3999</td> <td>ETR</td> <td>-</td> <td>WD.</td> <td>J2</td> <td>PTD.</td> <td>-</td> <td>3995</td> <td>3\"/> <tr> <td>3999</td> <td>ETR</td> <td>-</td> <td>WD.</td> <td>J2</td> <td>PTD.</td> <td>-</td> <td>3997</td> <td>3\"/> </td></tr></td></tr></td></tr></td></tr></td></tr></td></tr></td></tr></td></tr></td></tr></td></tr></td></tr></td></tr></td></tr></td></tr></td></tr></td></tr></td></tr></td></tr></td></tr></td></tr></td></tr></td></tr> | 385 | ETR | - | WD. | J2 | PTD. | - | 382 | 3\"/> <tr> <td>386</td> <td>ETR</td> <td>-</td> <td>WD.</td> <td>J2</td> <td>PTD.</td> <td>-</td> <td>382A</td> <td>3\"/> <tr> <td>387</td> <td>ETR</td> <td>-</td> <td>WD.</td> <td>J2</td> <td>PTD.</td> <td>-</td> <td>385</td> <td>3\"/> <tr> <td>388</td> <td>ETR</td> <td>-</td> <td>WD.</td> <td>J2</td> <td>PTD.</td> <td>-</td> <td>386</td> <td>3\"/> <tr> <td>389</td> <td>ETR</td> <td>-</td> <td>WD.</td> <td>J2</td> <td>PTD.</td> <td>-</td> <td>387</td> <td>3\"/> <tr> <td>391</td> <td>ETR</td> <td>-</td> <td>WD.</td> <td>J2</td> <td>PTD.</td> <td>-</td> <td>388</td> <td>3\"/> <tr> <td>391A</td> <td>ETR</td> <td>-</td> <td>WD.</td> <td>J2</td> <td>PTD.</td> <td>-</td> <td>389</td> <td>3\"/> <tr> <td>391B</td> <td>ETR</td> <td>-</td> <td>WD.</td> <td>J2</td> <td>PTD.</td> <td>-</td> <td>391</td> <td>3\"/> <tr> <td>394</td> <td>ETR</td> <td>-</td> <td>WD.</td> <td>J2</td> <td>PTD.</td> <td>-</td> <td>391A</td> <td>3\"/> <tr> <td>395</td> <td>ETR</td> <td>-</td> <td>WD.</td> <td>J2</td> <td>PTD.</td> <td>-</td> <td>391B</td> <td>3\"/> <tr> <td>396</td> <td>ETR</td> <td>-</td> <td>WD.</td> <td>J2</td> <td>PTD.</td> <td>-</td> <td>394</td> <td>3\"/> <tr> <td>398</td> <td>ETR</td> <td>-</td> <td>WD.</td> <td>J2</td> <td>PTD.</td> <td>-</td> <td>395</td> <td>3\"/> <tr> <td>399</td> <td>ETR</td> <td>-</td> <td>WD.</td> <td>J2</td> <td>PTD.</td> <td>-</td> <td>396</td> <td>3\"/> <tr> <td>3991</td> <td>ETR</td> <td>-</td> <td>WD.</td> <td>J2</td> <td>PTD.</td> <td>-</td> <td>398</td> <td>3\"/> <tr> <td>3992</td> <td>A</td> <td>3\"/> <tr> <td>3993</td> <td>ETR</td> <td>-</td> <td>WD.</td> <td>J2</td> <td>PTD.</td> <td>-</td> <td>399</td> <td>3\"/> <tr> <td>3994</td> <td>ETR</td> <td>-</td> <td>WD.</td> <td>J2</td> <td>PTD.</td> <td>-</td> <td>3991</td> <td>3\"/> <tr> <td>3995</td> <td>ETR</td> <td>-</td> <td>WD.</td> <td>J2</td> <td>PTD.</td> <td>-</td> <td>3992</td> <td>3\"/> <tr> <td>3997</td> <td>ETR</td> <td>-</td> <td>WD.</td> <td>J2</td> <td>PTD.</td> <td>-</td> <td>3993</td> <td>3\"/> <tr> <td>3998</td> <td>ETR</td> <td>-</td> <td>WD.</td> <td>J2</td> <td>PTD.</td> <td>-</td> <td>3994</td> <td>3\"/> <tr> <td>3999</td> <td>ETR</td> <td>-</td> <td>WD.</td> <td>J2</td> <td>PTD.</td> <td>-</td> <td>3995</td> <td>3\"/> <tr> <td>3999</td> <td>ETR</td> <td>-</td> <td>WD.</td> <td>J2</td> <td>PTD.</td> <td>-</td> <td>3997</td> <td>3\"/> </td></tr></td></tr></td></tr></td></tr></td></tr></td></tr></td></tr></td></tr></td></tr></td></tr></td></tr></td></tr></td></tr></td></tr></td></tr></td></tr></td></tr></td></tr></td></tr></td></tr></td></tr> | 386 | ETR | -
 | WD. | J2 | PTD. | - | 382A | 3\"/> <tr> <td>387</td> <td>ETR</td> <td>-</td> <td>WD.</td> <td>J2</td> <td>PTD.</td> <td>-</td> <td>385</td> <td>3\"/> <tr> <td>388</td> <td>ETR</td> <td>-</td> <td>WD.</td> <td>J2</td> <td>PTD.</td> <td>-</td> <td>386</td> <td>3\"/> <tr> <td>389</td> <td>ETR</td> <td>-</td> <td>WD.</td> <td>J2</td> <td>PTD.</td> <td>-</td> <td>387</td> <td>3\"/> <tr> <td>391</td> <td>ETR</td> <td>-</td> <td>WD.</td> <td>J2</td> <td>PTD.</td> <td>-</td> <td>388</td> <td>3\"/> <tr> <td>391A</td> <td>ETR</td> <td>-</td> <td>WD.</td> <td>J2</td> <td>PTD.</td> <td>-</td> <td>389</td> <td>3\"/> <tr> <td>391B</td> <td>ETR</td> <td>-</td> <td>WD.</td> <td>J2</td> <td>PTD.</td> <td>-</td> <td>391</td> <td>3\"/> <tr> <td>394</td> <td>ETR</td> <td>-</td> <td>WD.</td> <td>J2</td> <td>PTD.</td> <td>-</td> <td>391A</td> <td>3\"/> <tr> <td>395</td> <td>ETR</td> <td>-</td> <td>WD.</td> <td>J2</td> <td>PTD.</td> <td>-</td> <td>391B</td> <td>3\"/> <tr> <td>396</td> <td>ETR</td> <td>-</td> <td>WD.</td> <td>J2</td> <td>PTD.</td> <td>-</td> <td>394</td> <td>3\"/> <tr> <td>398</td> <td>ETR</td> <td>-</td> <td>WD.</td> <td>J2</td> <td>PTD.</td> <td>-</td> <td>395</td> <td>3\"/> <tr> <td>399</td> <td>ETR</td> <td>-</td> <td>WD.</td> <td>J2</td> <td>PTD.</td> <td>-</td> <td>396</td> <td>3\"/> <tr> <td>3991</td> <td>ETR</td> <td>-</td> <td>WD.</td> <td>J2</td> <td>PTD.</td> <td>-</td> <td>398</td> <td>3\"/> <tr> <td>3992</td> <td>A</td> <td>3\"/> <tr> <td>3993</td> <td>ETR</td> <td>-</td> <td>WD.</td> <td>J2</td> <td>PTD.</td> <td>-</td> <td>399</td> <td>3\"/> <tr> <td>3994</td> <td>ETR</td> <td>-</td> <td>WD.</td> <td>J2</td> <td>PTD.</td> <td>-</td> <td>3991</td> <td>3\"/> <tr> <td>3995</td> <td>ETR</td> <td>-</td> <td>WD.</td> <td>J2</td> <td>PTD.</td> <td>-</td> <td>3992</td> <td>3\"/> <tr> <td>3997</td> <td>ETR</td> <td>-</td> <td>WD.</td> <td>J2</td> <td>PTD.</td> <td>-</td> <td>3993</td> <td>3\"/> <tr> <td>3998</td> <td>ETR</td> <td>-</td> <td>WD.</td> <td>J2</td> <td>PTD.</td> <td>-</td> <td>3994</td> <td>3\"/> <tr> <td>3999</td> <td>ETR</td> <td>-</td> <td>WD.</td> <td>J2</td> <td>PTD.</td> <td>-</td> <td>3995</td> <td>3\"/> <tr> <td>3999</td> <td>ETR</td> <td>-</td> <td>WD.</td> <td>J2</td> <td>PTD.</td> <td>-</td> <td>3997</td> <td>3\"/> </td></tr></td></tr></td></tr></td></tr></td></tr></td></tr></td></tr></td></tr></td></tr></td></tr></td></tr></td></tr></td></tr></td></tr></td></tr></td></tr></td></tr></td></tr></td></tr></td></tr> | 387 | ETR | - | WD. | J2 | PTD. | - | 385 | 3\"/> <tr> <td>388</td> <td>ETR</td> <td>-</td> <td>WD.</td> <td>J2</td> <td>PTD.</td> <td>-</td> <td>386</td> <td>3\"/> <tr> <td>389</td> <td>ETR</td> <td>-</td> <td>WD.</td> <td>J2</td> <td>PTD.</td> <td>-</td> <td>387</td> <td>3\"/> <tr> <td>391</td> <td>ETR</td> <td>-</td> <td>WD.</td> <td>J2</td> <td>PTD.</td> <td>-</td> <td>388</td> <td>3\"/> <tr> <td>391A</td> <td>ETR</td> <td>-</td> <td>WD.</td> <td>J2</td> <td>PTD.</td> <td>-</td> <td>389</td> <td>3\"/> <tr> <td>391B</td> <td>ETR</td> <td>-</td> <td>WD.</td> <td>J2</td> <td>PTD.</td> <td>-</td> <td>391</td> <td>3\"/> <tr> <td>394</td> <td>ETR</td> <td>-</td> <td>WD.</td> <td>J2</td> <td>PTD.</td> <td>-</td> <td>391A</td> <td>3\"/> <tr> <td>395</td> <td>ETR</td> <td>-</td> <td>WD.</td> <td>J2</td> <td>PTD.</td> <td>-</td> <td>391B</td> <td>3\"/> <tr> <td>396</td> <td>ETR</td> <td>-</td> <td>WD.</td> <td>J2</td> <td>PTD.</td> <td>-</td> <td>394</td> <td>3\"/> <tr> <td>398</td> <td>ETR</td> <td>-</td> <td>WD.</td> <td>J2</td> <td>PTD.</td> <td>-</td> <td>395</td> <td>3\"/> <tr> <td>399</td> <td>ETR</td> <td>-</td> <td>WD.</td> <td>J2</td> <td>PTD.</td> <td>-</td> <td>396</td> <td>3\"/> <tr> <td>3991</td> <td>ETR</td> <td>-</td> <td>WD.</td> <td>J2</td> <td>PTD.</td> <td>-</td> <td>398</td> <td>3\"/> <tr> <td>3992</td> <td>A</td> <td>3\"/> <tr> <td>3993</td> <td>ETR</td> <td>-</td> <td>WD.</td> <td>J2</td> <td>PTD.</td> <td>-</td> <td>399</td> <td>3\"/> <tr> <td>3994</td> <td>ETR</td> <td>-</td> <td>WD.</td> <td>J2</td> <td>PTD.</td> <td>-</td> <td>3991</td> <td>3\"/> <tr> <td>3995</td> <td>ETR</td> <td>-</td> <td>WD.</td> <td>J2</td> <td>PTD.</td> <td>-</td> <td>3992</td> <td>3\"/> <tr> <td>3997</td> <td>ETR</td> <td>-</td> <td>WD.</td> <td>J2</td> <td>PTD.</td> <td>-</td> <td>3993</td> <td>3\"/> <tr> <td>3998</td> <td>ETR</td> <td>-</td> <td>WD.</td> <td>J2</td> <td>PTD.</td> <td>-</td> <td>3994</td> <td>3\"/> <tr> <td>3999</td> <td>ETR</td> <td>-</td> <td>WD.</td> <td>J2</td> <td>PTD.</td> <td>-</td> <td>3995</td> <td>3\"/> <tr> <td>3999</td> <td>ETR</td> <td>-</td> <td>WD.</td> <td>J2</td> <td>PTD.</td> <td>-</td> <td>3997</td> <td>3\"/> </td></tr></td></tr></td></tr></td></tr></td></tr></td></tr></td></tr></td></tr></td></tr></td></tr></td></tr></td></tr></td></tr></td></tr></td></tr></td></tr></td></tr></td></tr></td></tr> | 388 | ETR | -
 | WD. | J2 | PTD. | - | 386 | 3\"/> <tr> <td>389</td> <td>ETR</td> <td>-</td> <td>WD.</td> <td>J2</td> <td>PTD.</td> <td>-</td> <td>387</td> <td>3\"/> <tr> <td>391</td> <td>ETR</td> <td>-</td> <td>WD.</td> <td>J2</td> <td>PTD.</td> <td>-</td> <td>388</td> <td>3\"/> <tr> <td>391A</td> <td>ETR</td> <td>-</td> <td>WD.</td> <td>J2</td> <td>PTD.</td> <td>-</td> <td>389</td> <td>3\"/> <tr> <td>391B</td> <td>ETR</td> <td>-</td> <td>WD.</td> <td>J2</td> <td>PTD.</td> <td>-</td> <td>391</td> <td>3\"/> <tr> <td>394</td> <td>ETR</td> <td>-</td> <td>WD.</td> <td>J2</td> <td>PTD.</td> <td>-</td> <td>391A</td> <td>3\"/> <tr> <td>395</td> <td>ETR</td> <td>-</td> <td>WD.</td> <td>J2</td> <td>PTD.</td> <td>-</td> <td>391B</td> <td>3\"/> <tr> <td>396</td> <td>ETR</td> <td>-</td> <td>WD.</td> <td>J2</td> <td>PTD.</td> <td>-</td> <td>394</td> <td>3\"/> <tr> <td>398</td> <td>ETR</td> <td>-</td> <td>WD.</td> <td>J2</td> <td>PTD.</td> <td>-</td> <td>395</td> <td>3\"/> <tr> <td>399</td> <td>ETR</td> <td>-</td> <td>WD.</td> <td>J2</td> <td>PTD.</td> <td>-</td> <td>396</td> <td>3\"/> <tr> <td>3991</td> <td>ETR</td> <td>-</td> <td>WD.</td> <td>J2</td> <td>PTD.</td> <td>-</td> <td>398</td> <td>3\"/> <tr> <td>3992</td> <td>A</td> <td>3\"/> <tr> <td>3993</td> <td>ETR</td> <td>-</td> <td>WD.</td> <td>J2</td> <td>PTD.</td> <td>-</td> <td>399</td> <td>3\"/> <tr> <td>3994</td> <td>ETR</td> <td>-</td> <td>WD.</td> <td>J2</td> <td>PTD.</td> <td>-</td> <td>3991</td> <td>3\"/> <tr> <td>3995</td> <td>ETR</td> <td>-</td> <td>WD.</td> <td>J2</td> <td>PTD.</td> <td>-</td> <td>3992</td> <td>3\"/> <tr> <td>3997</td> <td>ETR</td> <td>-</td> <td>WD.</td> <td>J2</td> <td>PTD.</td> <td>-</td> <td>3993</td> <td>3\"/> <tr> <td>3998</td> <td>ETR</td> <td>-</td> <td>WD.</td> <td>J2</td> <td>PTD.</td> <td>-</td> <td>3994</td> <td>3\"/> <tr> <td>3999</td> <td>ETR</td> <td>-</td> <td>WD.</td> <td>J2</td> <td>PTD.</td> <td>-</td> <td>3995</td> <td>3\"/> <tr> <td>3999</td> <td>ETR</td> <td>-</td> <td>WD.</td> <td>J2</td> <td>PTD.</td> <td>-</td> <td>3997</td> <td>3\"/> </td></tr></td></tr></td></tr></td></tr></td></tr></td></tr></td></tr></td></tr></td></tr></td></tr></td></tr></td></tr></td></tr></td></tr></td></tr></td></tr></td></tr></td></tr> | 389 | ETR | - | WD. | J2 | PTD. | - | 387 | 3\"/> <tr> <td>391</td> <td>ETR</td> <td>-</td> <td>WD.</td> <td>J2</td> <td>PTD.</td> <td>-</td> <td>388</td> <td>3\"/> <tr> <td>391A</td> <td>ETR</td> <td>-</td> <td>WD.</td> <td>J2</td> <td>PTD.</td> <td>-</td> <td>389</td> <td>3\"/> <tr> <td>391B</td> <td>ETR</td> <td>-</td> <td>WD.</td> <td>J2</td> <td>PTD.</td> <td>-</td> <td>391</td> <td>3\"/> <tr> <td>394</td> <td>ETR</td> <td>-</td> <td>WD.</td> <td>J2</td> <td>PTD.</td> <td>-</td> <td>391A</td> <td>3\"/> <tr> <td>395</td> <td>ETR</td> <td>-</td> <td>WD.</td> <td>J2</td> <td>PTD.</td> <td>-</td> <td>391B</td> <td>3\"/> <tr> <td>396</td> <td>ETR</td> <td>-</td> <td>WD.</td> <td>J2</td> <td>PTD.</td> <td>-</td> <td>394</td> <td>3\"/> <tr> <td>398</td> <td>ETR</td> <td>-</td> <td>WD.</td> <td>J2</td> <td>PTD.</td> <td>-</td> <td>395</td> <td>3\"/> <tr> <td>399</td> <td>ETR</td> <td>-</td> <td>WD.</td> <td>J2</td> <td>PTD.</td> <td>-</td> <td>396</td> <td>3\"/> <tr> <td>3991</td> <td>ETR</td> <td>-</td> <td>WD.</td> <td>J2</td> <td>PTD.</td> <td>-</td> <td>398</td> <td>3\"/> <tr> <td>3992</td> <td>A</td> <td>3\"/> <tr> <td>3993</td> <td>ETR</td> <td>-</td> <td>WD.</td> <td>J2</td> <td>PTD.</td> <td>-</td> <td>399</td> <td>3\"/> <tr> <td>3994</td> <td>ETR</td> <td>-</td> <td>WD.</td> <td>J2</td> <td>PTD.</td> <td>-</td> <td>3991</td> <td>3\"/> <tr> <td>3995</td> <td>ETR</td> <td>-</td> <td>WD.</td> <td>J2</td> <td>PTD.</td> <td>-</td> <td>3992</td> <td>3\"/> <tr> <td>3997</td> <td>ETR</td> <td>-</td> <td>WD.</td> <td>J2</td> <td>PTD.</td> <td>-</td> <td>3993</td> <td>3\"/> <tr> <td>3998</td> <td>ETR</td> <td>-</td> <td>WD.</td> <td>J2</td> <td>PTD.</td> <td>-</td> <td>3994</td> <td>3\"/> <tr> <td>3999</td> <td>ETR</td> <td>-</td> <td>WD.</td> <td>J2</td> <td>PTD.</td> <td>-</td> <td>3995</td> <td>3\"/> <tr> <td>3999</td> <td>ETR</td> <td>-</td> <td>WD.</td> <td>J2</td> <td>PTD.</td> <td>-</td> <td>3997</td> <td>3\"/> </td></tr></td></tr></td></tr></td></tr></td></tr></td></tr></td></tr></td></tr></td></tr></td></tr></td></tr></td></tr></td></tr></td></tr></td></tr></td></tr></td></tr> | 391 | ETR | -
 | WD. | J2 | PTD. | - | 388 | 3\"/> <tr> <td>391A</td> <td>ETR</td> <td>-</td> <td>WD.</td> <td>J2</td> <td>PTD.</td> <td>-</td> <td>389</td> <td>3\"/> <tr> <td>391B</td> <td>ETR</td> <td>-</td> <td>WD.</td> <td>J2</td> <td>PTD.</td> <td>-</td> <td>391</td> <td>3\"/> <tr> <td>394</td> <td>ETR</td> <td>-</td> <td>WD.</td> <td>J2</td> <td>PTD.</td> <td>-</td> <td>391A</td> <td>3\"/> <tr> <td>395</td> <td>ETR</td> <td>-</td> <td>WD.</td> <td>J2</td> <td>PTD.</td> <td>-</td> <td>391B</td> <td>3\"/> <tr> <td>396</td> <td>ETR</td> <td>-</td> <td>WD.</td> <td>J2</td> <td>PTD.</td> <td>-</td> <td>394</td> <td>3\"/> <tr> <td>398</td> <td>ETR</td> <td>-</td> <td>WD.</td> <td>J2</td> <td>PTD.</td> <td>-</td> <td>395</td> <td>3\"/> <tr> <td>399</td> <td>ETR</td> <td>-</td> <td>WD.</td> <td>J2</td> <td>PTD.</td> <td>-</td> <td>396</td> <td>3\"/> <tr> <td>3991</td> <td>ETR</td> <td>-</td> <td>WD.</td> <td>J2</td> <td>PTD.</td> <td>-</td> <td>398</td> <td>3\"/> <tr> <td>3992</td> <td>A</td> <td>3\"/> <tr> <td>3993</td> <td>ETR</td> <td>-</td> <td>WD.</td> <td>J2</td> <td>PTD.</td> <td>-</td> <td>399</td> <td>3\"/> <tr> <td>3994</td> <td>ETR</td> <td>-</td> <td>WD.</td> <td>J2</td> <td>PTD.</td> <td>-</td> <td>3991</td> <td>3\"/> <tr> <td>3995</td> <td>ETR</td> <td>-</td> <td>WD.</td> <td>J2</td> <td>PTD.</td> <td>-</td> <td>3992</td> <td>3\"/> <tr> <td>3997</td> <td>ETR</td> <td>-</td> <td>WD.</td> <td>J2</td> <td>PTD.</td> <td>-</td> <td>3993</td> <td>3\"/> <tr> <td>3998</td> <td>ETR</td> <td>-</td> <td>WD.</td> <td>J2</td> <td>PTD.</td> <td>-</td> <td>3994</td> <td>3\"/> <tr> <td>3999</td> <td>ETR</td> <td>-</td> <td>WD.</td> <td>J2</td> <td>PTD.</td> <td>-</td> <td>3995</td> <td>3\"/> <tr> <td>3999</td> <td>ETR</td> <td>-</td> <td>WD.</td> <td>J2</td> <td>PTD.</td> <td>-</td> <td>3997</td> <td>3\"/> </td></tr></td></tr></td></tr></td></tr></td></tr></td></tr></td></tr></td></tr></td></tr></td></tr></td></tr></td></tr></td></tr></td></tr></td></tr></td></tr> | 391A | ETR | - | WD. | J2 | PTD. | - | 389 | 3\"/> <tr> <td>391B</td> <td>ETR</td> <td>-</td> <td>WD.</td> <td>J2</td> <td>PTD.</td> <td>-</td> <td>391</td> <td>3\"/> <tr> <td>394</td> <td>ETR</td> <td>-</td> <td>WD.</td> <td>J2</td> <td>PTD.</td> <td>-</td> <td>391A</td> <td>3\"/> <tr> <td>395</td> <td>ETR</td> <td>-</td> <td>WD.</td> <td>J2</td> <td>PTD.</td> <td>-</td> <td>391B</td> <td>3\"/> <tr> <td>396</td> <td>ETR</td> <td>-</td> <td>WD.</td> <td>J2</td> <td>PTD.</td> <td>-</td> <td>394</td> <td>3\"/> <tr> <td>398</td> <td>ETR</td> <td>-</td> <td>WD.</td> <td>J2</td> <td>PTD.</td> <td>-</td> <td>395</td> <td>3\"/> <tr> <td>399</td> <td>ETR</td> <td>-</td> <td>WD.</td> <td>J2</td> <td>PTD.</td> <td>-</td> <td>396</td> <td>3\"/> <tr> <td>3991</td> <td>ETR</td> <td>-</td> <td>WD.</td> <td>J2</td> <td>PTD.</td> <td>-</td> <td>398</td> <td>3\"/> <tr> <td>3992</td> <td>A</td> <td>3\"/> <tr> <td>3993</td> <td>ETR</td> <td>-</td> <td>WD.</td> <td>J2</td> <td>PTD.</td> <td>-</td> <td>399</td> <td>3\"/> <tr> <td>3994</td> <td>ETR</td> <td>-</td> <td>WD.</td> <td>J2</td> <td>PTD.</td> <td>-</td> <td>3991</td> <td>3\"/> <tr> <td>3995</td> <td>ETR</td> <td>-</td> <td>WD.</td> <td>J2</td> <td>PTD.</td> <td>-</td> <td>3992</td> <td>3\"/> <tr> <td>3997</td> <td>ETR</td> <td>-</td> <td>WD.</td> <td>J2</td> <td>PTD.</td> <td>-</td> <td>3993</td> <td>3\"/> <tr> <td>3998</td> <td>ETR</td> <td>-</td> <td>WD.</td> <td>J2</td> <td>PTD.</td> <td>-</td> <td>3994</td> <td>3\"/> <tr> <td>3999</td> <td>ETR</td> <td>-</td> <td>WD.</td> <td>J2</td> <td>PTD.</td> <td>-</td> <td>3995</td> <td>3\"/> <tr> <td>3999</td> <td>ETR</td> <td>-</td> <td>WD.</td> <td>J2</td> <td>PTD.</td> <td>-</td> <td>3997</td> <td>3\"/> </td></tr></td></tr></td></tr></td></tr></td></tr></td></tr></td></tr></td></tr></td></tr></td></tr></td></tr></td></tr></td></tr></td></tr></td></tr> | 391B | ETR | - | WD. | J2 | PTD. | - | 391 | 3\"/> <tr> <td>394</td> <td>ETR</td> <td>-</td> <td>WD.</td> <td>J2</td> <td>PTD.</td> <td>-</td> <td>391A</td> <td>3\"/> <tr> <td>395</td> <td>ETR</td> <td>-</td> <td>WD.</td> <td>J2</td> <td>PTD.</td> <td>-</td> <td>391B</td> <td>3\"/> <tr> <td>396</td> <td>ETR</td> <td>-</td> <td>WD.</td> <td>J2</td> <td>PTD.</td> <td>-</td> <td>394</td> <td>3\"/> <tr> <td>398</td> <td>ETR</td> <td>-</td> <td>WD.</td> <td>J2</td> <td>PTD.</td> <td>-</td> <td>395</td> <td>3\"/> <tr> <td>399</td> <td>ETR</td> <td>-</td> <td>WD.</td> <td>J2</td> <td>PTD.</td> <td>-</td> <td>396</td> <td>3\"/> <tr> <td>3991</td> <td>ETR</td> <td>-</td> <td>WD.</td> <td>J2</td> <td>PTD.</td> <td>-</td> <td>398</td> <td>3\"/> <tr> <td>3992</td> <td>A</td> <td>3\"/> <tr> <td>3993</td> <td>ETR</td> <td>-</td> <td>WD.</td> <td>J2</td> <td>PTD.</td> <td>-</td> <td>399</td> <td>3\"/> <tr> <td>3994</td> <td>ETR</td> <td>-</td> <td>WD.</td> <td>J2</td> <td>PTD.</td> <td>-</td> <td>3991</td> <td>3\"/> <tr> <td>3995</td> <td>ETR</td> <td>-</td> <td>WD.</td> <td>J2</td> <td>PTD.</td> <td>-</td> <td>3992</td> <td>3\"/> <tr> <td>3997</td> <td>ETR</td> <td>-</td> <td>WD.</td> <td>J2</td> <td>PTD.</td> <td>-</td> <td>3993</td> <td>3\"/> <tr> <td>3998</td> <td>ETR</td> <td>-</td>
<td>WD.</td> <td>J2</td> <td>PTD.</td> <td>-</td> <td>3994</td> <td>3\"/> <tr> <td>3999</td> <td>ETR</td> <td>-</td> <td>WD.</td> <td>J2</td> <td>PTD.</td> <td>-</td> <td>3995</td> <td>3\"/> <tr> <td>3999</td> <td>ETR</td> <td>-</td> <td>WD.</td> <td>J2</td> <td>PTD.</td> <td>-</td> <td>3997</td> <td>3\"/> </td></tr></td></tr></td></tr></td></tr></td></tr></td></tr></td></tr></td></tr></td></tr></td></tr></td></tr></td></tr></td></tr></td></tr> | 394 | ETR | - | WD. | J2 | PTD. | - | 391A | 3\"/> <tr> <td>395</td> <td>ETR</td> <td>-</td> <td>WD.</td> <td>J2</td> <td>PTD.</td> <td>-</td> <td>391B</td> <td>3\"/> <tr> <td>396</td> <td>ETR</td> <td>-</td> <td>WD.</td> <td>J2</td> <td>PTD.</td> <td>-</td> <td>394</td> <td>3\"/> <tr> <td>398</td> <td>ETR</td> <td>-</td> <td>WD.</td> <td>J2</td> <td>PTD.</td> <td>-</td> <td>395</td> <td>3\"/> <tr> <td>399</td> <td>ETR</td> <td>-</td> <td>WD.</td> <td>J2</td> <td>PTD.</td> <td>-</td> <td>396</td> <td>3\"/> <tr> <td>3991</td> <td>ETR</td> <td>-</td> <td>WD.</td> <td>J2</td> <td>PTD.</td> <td>-</td> <td>398</td> <td>3\"/> <tr> <td>3992</td> <td>A</td> <td>3\"/> <tr> <td>3993</td> <td>ETR</td> <td>-</td> <td>WD.</td> <td>J2</td> <td>PTD.</td> <td>-</td> <td>399</td> <td>3\"/> <tr> <td>3994</td> <td>ETR</td> <td>-</td> <td>WD.</td> <td>J2</td> <td>PTD.</td> <td>-</td> <td>3991</td> <td>3\"/> <tr> <td>3995</td> <td>ETR</td> <td>-</td> <td>WD.</td> <td>J2</td> <td>PTD.</td> <td>-</td> <td>3992</td> <td>3\"/> <tr> <td>3997</td> <td>ETR</td> <td>-</td> <td>WD.</td> <td>J2</td> <td>PTD.</td> <td>-</td> <td>3993</td> <td>3\"/> <tr> <td>3998</td> <td>ETR</td> <td>-</td> <td>WD.</td> <td>J2</td> <td>PTD.</td> <td>-</td> <td>3994</td> <td>3\"/> <tr> <td>3999</td> <td>ETR</td> <td>-</td> <td>WD.</td> <td>J2</td> <td>PTD.</td> <td>-</td> <td>3995</td> <td>3\"/> <tr> <td>3999</td> <td>ETR</td> <td>-</td> <td>WD.</td> <td>J2</td> <td>PTD.</td> <td>-</td> <td>3997</td> <td>3\"/> </td></tr></td></tr></td></tr></td></tr></td></tr></td></tr></td></tr></td></tr></td></tr></td></tr></td></tr></td></tr></td></tr> | 395 | ETR | - | WD. | J2 | PTD. | - | 391B | 3\"/> <tr> <td>396</td> <td>ETR</td> <td>-</td> <td>WD.</td> <td>J2</td> <td>PTD.</td> <td>-</td> <td>394</td> <td>3\"/> <tr> <td>398</td> <td>ETR</td> <td>-</td> <td>WD.</td> <td>J2</td> <td>PTD.</td> <td>-</td> <td>395</td> <td>3\"/> <tr> <td>399</td> <td>ETR</td> <td>-</td> <td>WD.</td> <td>J2</td> <td>PTD.</td> <td>-</td> <td>396</td> <td>3\"/> <tr> <td>3991</td> <td>ETR</td> <td>-</td> <td>WD.</td> <td>J2</td> <td>PTD.</td> <td>-</td> <td>398</td> <td>3\"/> <tr> <td>3992</td> <td>A</td> <td>3\"/> <tr> <td>3993</td> <td>ETR</td> <td>-</td> <td>WD.</td> <td>J2</td> <td>PTD.</td> <td>-</td> <td>399</td> <td>3\"/> <tr> <td>3994</td> <td>ETR</td> <td>-</td> <td>WD.</td> <td>J2</td> <td>PTD.</td> <td>-</td> <td>3991</td> <td>3\"/> <tr> <td>3995</td> <td>ETR</td> <td>-</td> <td>WD.</td> <td>J2</td> <td>PTD.</td> <td>-</td> <td>3992</td> <td>3\"/> <tr> <td>3997</td> <td>ETR</td> <td>-</td> <td>WD.</td> <td>J2</td> <td>PTD.</td> <td>-</td> <td>3993</td> <td>3\"/> <tr> <td>3998</td> <td>ETR</td> <td>-</td> <td>WD.</td> <td>J2</td> <td>PTD.</td> <td>-</td> <td>3994</td> <td>3\"/> <tr> <td>3999</td> <td>ETR</td> <td>-</td> <td>WD.</td> <td>J2</td> <td>PTD.</td> <td>-</td> <td>3995</td> <td>3\"/> <tr> <td>3999</td> <td>ETR</td> <td>-</td> <td>WD.</td> <td>J2</td> <td>PTD.</td> <td>-</td> <td>3997</td> <td>3\"/> </td></tr></td></tr></td></tr></td></tr></td></tr></td></tr></td></tr></td></tr></td></tr></td></tr></td></tr></td></tr> | 396 | ETR | - | WD. | J2 | PTD. | - | 394 | 3\"/> <tr> <td>398</td> <td>ETR</td> <td>-</td> <td>WD.</td> <td>J2</td> <td>PTD.</td> <td>-</td> <td>395</td> <td>3\"/> <tr> <td>399</td> <td>ETR</td> <td>-</td> <td>WD.</td> <td>J2</td> <td>PTD.</td> <td>-</td> <td>396</td> <td>3\"/> <tr> <td>3991</td> <td>ETR</td> <td>-</td> <td>WD.</td> <td>J2</td> <td>PTD.</td> <td>-</td> <td>398</td> <td>3\"/> <tr> <td>3992</td> <td>A</td> <td>3\"/> <tr> <td>3993</td> <td>ETR</td> <td>-</td> <td>WD.</td> <td>J2</td> <td>PTD.</td> <td>-</td> <td>399</td> <td>3\"/> <tr> <td>3994</td> <td>ETR</td> <td>-</td> <td>WD.</td> <td>J2</td> <td>PTD.</td> <td>-</td> <td>3991</td> <td>3\"/> <tr> <td>3995</td> <td>ETR</td> <td>-</td> <td>WD.</td> <td>J2</td> <td>PTD.</td> <td>-</td> <td>3992</td> <td>3\"/> <tr> <td>3997</td> <td>ETR</td> <td>-</td> <td>WD.</td> <td>J2</td> <td>PTD.</td> <td>-</td> <td>3993</td> <td>3\"/> <tr> <td>3998</td> <td>ETR</td> <td>-</td> <td>WD.</td> <td>J2</td> <td>PTD.</td> <td>-</td> <td>3994</td> <td>3\"/> <tr> <td>3999</td> <td>ETR</td> <td>-</td> <td>WD.</td> <td>J2</td> <td>PTD.</td> <td>-</td> <td>3995</td> <td>3\"/> <tr> <td>3999</td> <td>ETR</td> <td>-</td> <td>WD.</td> <td>J2</td> <td>PTD.</td> <td>-</td> <td>3997</td> <td>3\"/> </td></tr></td></tr></td></tr></td></tr></td></tr></td></tr></td></tr></td></tr></td></tr></td></tr></td></tr> | 398 | ETR | -
 | WD. | J2 | PTD. | - | 395 | 3\"/> <tr> <td>399</td> <td>ETR</td> <td>-</td> <td>WD.</td> <td>J2</td> <td>PTD.</td> <td>-</td> <td>396</td> <td>3\"/> <tr> <td>3991</td> <td>ETR</td> <td>-</td> <td>WD.</td> <td>J2</td> <td>PTD.</td> <td>-</td> <td>398</td> <td>3\"/> <tr> <td>3992</td> <td>A</td> <td>3\"/> <tr> <td>3993</td> <td>ETR</td> <td>-</td> <td>WD.</td> <td>J2</td> <td>PTD.</td> <td>-</td> <td>399</td> <td>3\"/> <tr> <td>3994</td> <td>ETR</td> <td>-</td> <td>WD.</td> <td>J2</td> <td>PTD.</td> <td>-</td> <td>3991</td> <td>3\"/> <tr> <td>3995</td> <td>ETR</td> <td>-</td> <td>WD.</td> <td>J2</td> <td>PTD.</td> <td>-</td> <td>3992</td> <td>3\"/> <tr> <td>3997</td> <td>ETR</td> <td>-</td> <td>WD.</td> <td>J2</td> <td>PTD.</td> <td>-</td> <td>3993</td> <td>3\"/> <tr> <td>3998</td> <td>ETR</td> <td>-</td> <td>WD.</td> <td>J2</td> <td>PTD.</td> <td>-</td> <td>3994</td> <td>3\"/> <tr> <td>3999</td> <td>ETR</td> <td>-</td> <td>WD.</td> <td>J2</td> <td>PTD.</td> <td>-</td> <td>3995</td> <td>3\"/> <tr> <td>3999</td> <td>ETR</td> <td>-</td> <td>WD.</td> <td>J2</td> <td>PTD.</td> <td>-</td> <td>3997</td> <td>3\"/> </td></tr></td></tr></td></tr></td></tr></td></tr></td></tr></td></tr></td></tr></td></tr></td></tr> | 399 | ETR | - | WD. | J2 | PTD. | - | 396 | 3\"/> <tr> <td>3991</td> <td>ETR</td> <td>-</td> <td>WD.</td> <td>J2</td> <td>PTD.</td> <td>-</td> <td>398</td> <td>3\"/> <tr> <td>3992</td> <td>A</td> <td>3\"/> <tr> <td>3993</td> <td>ETR</td> <td>-</td> <td>WD.</td> <td>J2</td> <td>PTD.</td> <td>-</td> <td>399</td> <td>3\"/> <tr> <td>3994</td> <td>ETR</td> <td>-</td> <td>WD.</td> <td>J2</td> <td>PTD.</td> <td>-</td> <td>3991</td> <td>3\"/> <tr> <td>3995</td> <td>ETR</td> <td>-</td> <td>WD.</td> <td>J2</td> <td>PTD.</td> <td>-</td> <td>3992</td> <td>3\"/> <tr> <td>3997</td> <td>ETR</td> <td>-</td> <td>WD.</td> <td>J2</td> <td>PTD.</td> <td>-</td> <td>3993</td> <td>3\"/> <tr> <td>3998</td> <td>ETR</td> <td>-</td> <td>WD.</td> <td>J2</td> <td>PTD.</td> <td>-</td> <td>3994</td> <td>3\"/> <tr> <td>3999</td> <td>ETR</td> <td>-</td> <td>WD.</td> <td>J2</td> <td>PTD.</td> <td>-</td> <td>3995</td> <td>3\"/> <tr> <td>3999</td> <td>ETR</td> <td>-</td> <td>WD.</td> <td>J2</td> <td>PTD.</td> <td>-</td> <td>3997</td> <td>3\"/> </td></tr></td></tr></td></tr></td></tr></td></tr></td></tr></td></tr></td></tr></td></tr> | 3991 | ETR | - | WD. | J2 | PTD. | - | 398 | 3\"/> <tr> <td>3992</td> <td>A</td> <td>3\"/> <tr> <td>3993</td> <td>ETR</td> <td>-</td> <td>WD.</td> <td>J2</td> <td>PTD.</td> <td>-</td> <td>399</td> <td>3\"/> <tr> <td>3994</td> <td>ETR</td> <td>-</td> <td>WD.</td> <td>J2</td> <td>PTD.</td> <td>-</td> <td>3991</td> <td>3\"/> <tr> <td>3995</td> <td>ETR</td> <td>-</td> <td>WD.</td> <td>J2</td> <td>PTD.</td> <td>-</td> <td>3992</td> <td>3\"/> <tr> <td>3997</td> <td>ETR</td> <td>-</td> <td>WD.</td> <td>J2</td> <td>PTD.</td> <td>-</td> <td>3993</td> <td>3\"/> <tr> <td>3998</td> <td>ETR</td> <td>-</td> <td>WD.</td> <td>J2</td> <td>PTD.</td> <td>-</td> <td>3994</td> <td>3\"/> <tr> <td>3999</td> <td>ETR</td> <td>-</td> <td>WD.</td> <td>J2</td> <td>PTD.</td> <td>-</td> <td>3995</td> <td>3\"/> <tr> <td>3999</td> <td>ETR</td> <td>-</td> <td>WD.</td> <td>J2</td> <td>PTD.</td> <td>-</td> <td>3997</td> <td>3\"/> </td></tr></td></tr></td></tr></td></tr></td></tr></td></tr></td></tr></td></tr> | 3992 | A | 3\"/> <tr> <td>3993</td> <td>ETR</td> <td>-</td> <td>WD.</td> <td>J2</td> <td>PTD.</td> <td>-</td> <td>399</td> <td>3\"/> <tr> <td>3994</td> <td>ETR</td> <td>-</td> <td>WD.</td> <td>J2</td> <td>PTD.</td> <td>-</td> <td>3991</td> <td>3\"/> <tr> <td>3995</td> <td>ETR</td> <td>-</td> <td>WD.</td> <td>J2</td> <td>PTD.</td> <td>-</td> <td>3992</td> <td>3\"/> <tr> <td>3997</td> <td>ETR</td> <td>-</td> <td>WD.</td> <td>J2</td> <td>PTD.</td> <td>-</td> <td>3993</td> <td>3\"/> <tr> <td>3998</td> <td>ETR</td> <td>-</td> <td>WD.</td> <td>J2</td> <td>PTD.</td> <td>-</td> <td>3994</td> <td>3\"/> <tr> <td>3999</td> <td>ETR</td> <td>-</td> <td>WD.</td> <td>J2</td> <td>PTD.</td> <td>-</td> <td>3995</td> <td>3\"/> <tr> <td>3999</td> <td>ETR</td> <td>-</td> <td>WD.</td> <td>J2</td> <td>PTD.</td> <td>-</td> <td>3997</td> <td>3\"/> </td></tr></td></tr></td></tr></td></tr></td></tr></td></tr></td></tr> | 3993 | ETR | - | WD. | J2 | PTD. | - | 399 | 3\"/> <tr> <td>3994</td> <td>ETR</td> <td>-</td> <td>WD.</td> <td>J2</td> <td>PTD.</td> <td>-</td> <td>3991</td> <td>3\"/> <tr> <td>3995</td> <td>ETR</td> <td>-</td> <td>WD.</td> <td>J2</td> <td>PTD.</td> <td>-</td> <td>3992</td> <td>3\"/> <tr> <td>3997</td> <td>ETR</td> <td>-</td> <td>WD.</td> <td>J2</td> <td>PTD.</td> <td>-</td> <td>3993</td> <td>3\"/> <tr> <td>3998</td> <td>ETR</td> <td>-</td> <td>WD.</td> <td>J2</td> <td>PTD.</td> <td>-</td> <td>3994</td> <td>3\"/> <tr> <td>3999</td> <td>ETR</td> <td>-</td> <td>WD.</td> <td>J2</td> <td>PTD.</td> <td>-</td> <td>3995</td> <td>3\"/> <tr> <td>3999</td> <td>ETR</td> <td>-</td> <td>WD.</td> <td>J2</td> <td>PTD.</td> <td>-</td> <td>3997</td> <td>3\"/> </td></tr></td></tr></td></tr></td></tr></td></tr></td></tr> | 3994 | ETR | -
 | WD. | J2 | PTD. | - | 3991 | 3\"/> <tr> <td>3995</td> <td>ETR</td> <td>-</td> <td>WD.</td> <td>J2</td> <td>PTD.</td> <td>-</td> <td>3992</td> <td>3\"/> <tr> <td>3997</td> <td>ETR</td> <td>-</td> <td>WD.</td> <td>J2</td> <td>PTD.</td> <td>-</td> <td>3993</td> <td>3\"/> <tr> <td>3998</td> <td>ETR</td> <td>-</td> <td>WD.</td> <td>J2</td> <td>PTD.</td> <td>-</td> <td>3994</td> <td>3\"/> <tr> <td>3999</td> <td>ETR</td> <td>-</td> <td>WD.</td> <td>J2</td> <td>PTD.</td> <td>-</td> <td>3995</td> <td>3\"/> <tr> <td>3999</td> <td>ETR</td> <td>-</td> <td>WD.</td> <td>J2</td> <td>PTD.</td> <td>-</td> <td>3997</td> <td>3\"/> </td></tr></td></tr></td></tr></td></tr></td></tr> | 3995 | ETR | - | WD. | J2 | PTD. | - | 3992 | 3\"/> <tr> <td>3997</td> <td>ETR</td> <td>-</td> <td>WD.</td> <td>J2</td> <td>PTD.</td> <td>-</td> <td>3993</td> <td>3\"/> <tr> <td>3998</td> <td>ETR</td> <td>-</td> <td>WD.</td> <td>J2</td> <td>PTD.</td> <td>-</td> <td>3994</td> <td>3\"/> <tr> <td>3999</td> <td>ETR</td> <td>-</td> <td>WD.</td> <td>J2</td> <td>PTD.</td> <td>-</td> <td>3995</td> <td>3\"/> <tr> <td>3999</td> <td>ETR</td> <td>-</td> <td>WD.</td> <td>J2</td> <td>PTD.</td> <td>-</td> <td>3997</td> <td>3\"/> </td></tr></td></tr></td></tr></td></tr> | 3997 | ETR | - | WD. | J2 | PTD. | - | 3993 | 3\"/> <tr> <td>3998</td> <td>ETR</td> <td>-</td> <td>WD.</td> <td>J2</td> <td>PTD.</td> <td>-</td> <td>3994</td> <td>3\"/> <tr> <td>3999</td> <td>ETR</td> <td>-</td> <td>WD.</td> <td>J2</td> <td>PTD.</td> <td>-</td> <td>3995</td> <td>3\"/> <tr> <td>3999</td> <td>ETR</td> <td>-</td> <td>WD.</td> <td>J2</td> <td>PTD.</td> <td>-</td> <td>3997</td> <td>3\"/> </td></tr></td></tr></td></tr> | 3998 | ETR | - | WD. | J2 | PTD. | - | 3994 | 3\"/> <tr> <td>3999</td> <td>ETR</td> <td>-</td> <td>WD.</td> <td>J2</td> <td>PTD.</td> <td>-</td> <td>3995</td> <td>3\"/> <tr> <td>3999</td> <td>ETR</td> <td>-</td> <td>WD.</td> <td>J2</td> <td>PTD.</td> <td>-</td> <td>3997</td> <td>3\"/> </td></tr></td></tr> | 3999 | ETR | - | WD. | J2 | PTD. | - | 3995 | 3\"/> <tr> <td>3999</td> <td>ETR</td> <td>-</td> <td>WD.</td> <td>J2</td> <td>PTD.</td> <td>-</td> <td>3997</td> <td>3\"/> </td></tr> | 3999 | ETR | - | WD. | J2 | PTD. | - | 3997 | 3\"/> | | | |
| 355 | ETR | - | WD. | J2 | PTD. | - | 353 | 3\"/> <tr> <td>356</td> <td>ETR</td> <td>-</td> <td>WD.</td> <td>J2</td> <td>PTD.</td> <td>-</td> <td>354</td> <td>3\"/> <tr> <td>357</td> <td>ETR</td> <td>-</td> <td>WD.</td> <td>J2</td> <td>PTD.</td> <td>-</td> <td>355</td> <td>3\"/> <tr> <td>358</td> <td>ETR</td> <td>-</td> <td>WD.</td> <td>J2</td> <td>PTD.</td> <td>-</td> <td>356</td> <td>3\"/> <tr> <td>359</td> <td>ETR</td> <td>-</td> <td>WD.</td> <td>J2</td> <td>PTD.</td> <td>-</td> <td>357</td> <td>3\"/> <tr> <td>360</td> <td>ETR</td> <td>-</td> <td>WD.</td> <td>J2</td> <td>PTD.</td> <td>-</td> <td>358</td> <td>3\"/> <tr> <td>361A</td> <td>ETR</td> <td>-</td> <td>WD.</td> <td>J2</td> <td>PTD.</td> <td>-</td> <td>359</td> <td>3\"/> <tr> <td>362</td> <td>ETR</td> <td>-</td> <td>WD.</td> <td>J2</td> <td>PTD.</td> <td>-</td> <td>360</td> <td>3\"/> <tr> <td>363</td> <td>ETR</td> <td>-</td> <td>WD.</td> <td>J2</td> <td>PTD.</td> <td>-</td> <td>361A</td> <td>3\"/> <tr> <td>364A</td> <td>ETR</td> <td>-</td> <td>WD.</td> <td>J2</td> <td>PTD.</td> <td>-</td> <td>362</td> <td>3\"/> <tr> <td>365</td> <td>ETR</td> <td>-</td> <td>WD.</td> <td>J2</td> <td>PTD.</td> <td>-</td> <td>363</td> <td>3\"/> <tr> <td>366</td> <td>ETR</td> <td>-</td> <td>WD.</td> <td>J2</td> <td>PTD.</td> <td>-</td> <td>364A</td> <td>3\"/> <tr> <td>367</td> <td>B</td> <td>2 <td>HM</td> <td>J1</td> <td>PTD.</td> <td>1 HR.</td> <td>365</td> <td>3\"/> <tr> <td>368</td> <td>ETR</td> <td>-</td> <td>WD.</td> <td>J2</td> <td>PTD.</td> <td>-</td> <td>366</td> <td>3\"/> <tr> <td>369</td> <td>ETR</td> <td>-</td> <td>WD.</td> <td>J2</td> <td>PTD.</td> <td>-</td> <td>367</td> <td>3\"/> <tr> <td>370</td> <td>ETR</td> <td>-</td> <td>WD.</td> <td>J2</td> <td>PTD.</td> <td>-</td> <td>368</td> <td>3\"/> <tr> <td>371</td> <td>ETR</td> <td>-</td> <td>WD.</td> <td>J2</td> <td>PTD.</td> <td>-</td> <td>369</td> <td>3\"/> <tr> <td>372</td> <td>B</td> <td>2 <td>HM</td> <td>J1</td> <td>PTD.</td> <td>1 HR.</td> <td>370</td> <td>3\"/> <tr> <td>373A</td> <td>ETR</td> <td>-</td> <td>WD.</td> <td>J2</td> <td>PTD.</td> <td>-</td> <td>371</td> <td>3\"/> <tr> <td>374B</td> <td>ETR</td> <td>-</td> <td>WD.</td> <td>J2</td> <td>PTD.</td> <td>-</td> <td>372</td> <td>3\"/> <tr> <td>374C</td> <td>ETR</td> <td>-</td> <td>WD.</td> <td>J2</td> <td>PTD.</td> <td>-</td> <td>373A</td> <td>3\"/> <tr> <td>375</td> <td>B</td> <td>1 <td>WD</td> <td>J1</td> <td>PTD.</td> <td>-</td> <td>374B</td> <td>3\"/> <tr> <td>376</td> <td>B</td> <td>1 <td>WD</td> <td>J1</td> <td>PTD.</td> <td>-</td> <td>374C</td> <td>3\"/> <tr> <td>377</td> <td>B</td> <td>1 <td>WD</td> <td>J1</td> <td>PTD.</td> <td>-</td> <td>375</td> <td>3\"/> <tr> <td>377A</td> <td>B</td> <td>1 <td>WD</td> <td>J1</td> <td>PTD.</td> <td>-</td> <td>376</td> <td>3\"/> <tr> <td>378</td> <td>B</td> <td>1 <td>WD</td> <td>J1</td> <td>PTD.</td> <td>-</td> <td>377</td> <td>3\"/> <tr> <td>379</td> <td>B</td> <td>1 <td>WD</td> <td>J1</td>
<td>PTD.</td> <td>-</td> <td>377A</td> <td>3\"/> <tr> <td>380A</td> <td>B</td> <td>1 <td>WD</td> <td>J1</td> <td>PTD.</td> <td>-</td> <td>378</td> <td>3\"/> <tr> <td>380B</td> <td>B</td> <td>1 <td>WD</td> <td>J1</td> <td>PTD.</td> <td>-</td> <td>379</td> <td>3\"/> <tr> <td>382</td> <td>ETR</td> <td>-</td> <td>WD.</td> <td>J2</td> <td>PTD.</td> <td>-</td> <td>380A</td> <td>3\"/> <tr> <td>382A</td> <td>D</td> <td>6 <td>ALUM.</td> <td>ANODIZE D</td> <td>-</td> <td>-</td> <td>380B</td> <td>3\"/> <tr> <td>385</td> <td>ETR</td> <td>-</td> <td>WD.</td> <td>J2</td> <td>PTD.</td> <td>-</td> <td>382</td> <td>3\"/> <tr> <td>386</td> <td>ETR</td> <td>-</td> <td>WD.</td> <td>J2</td> <td>PTD.</td> <td>-</td> <td>382A</td> <td>3\"/> <tr> <td>387</td> <td>ETR</td> <td>-</td> <td>WD.</td> <td>J2</td> <td>PTD.</td> <td>-</td> <td>385</td> <td>3\"/> <tr> <td>388</td> <td>ETR</td> <td>-</td> <td>WD.</td> <td>J2</td> <td>PTD.</td> <td>-</td> <td>386</td> <td>3\"/> <tr> <td>389</td> <td>ETR</td> <td>-</td> <td>WD.</td> <td>J2</td> <td>PTD.</td> <td>-</td> <td>387</td> <td>3\"/> <tr> <td>391</td> <td>ETR</td> <td>-</td> <td>WD.</td> <td>J2</td> <td>PTD.</td> <td>-</td> <td>388</td> <td>3\"/> <tr> <td>391A</td> <td>ETR</td> <td>-</td> <td>WD.</td> <td>J2</td> <td>PTD.</td> <td>-</td> <td>389</td> <td>3\"/> <tr> <td>391B</td> <td>ETR</td> <td>-</td> <td>WD.</td> <td>J2</td> <td>PTD.</td> <td>-</td> <td>391</td> <td>3\"/> <tr> <td>394</td> <td>ETR</td> <td>-</td> <td>WD.</td> <td>J2</td> <td>PTD.</td> <td>-</td> <td>391A</td> <td>3\"/> <tr> <td>395</td> <td>ETR</td> <td>-</td> <td>WD.</td> <td>J2</td> <td>PTD.</td> <td>-</td> <td>391B</td> <td>3\"/> <tr> <td>396</td> <td>ETR</td> <td>-</td> <td>WD.</td> <td>J2</td> <td>PTD.</td> <td>-</td> <td>394</td> <td>3\"/> <tr> <td>398</td> <td>ETR</td> <td>-</td> <td>WD.</td> <td>J2</td> <td>PTD.</td> <td>-</td> <td>395</td> <td>3\"/> <tr> <td>399</td> <td>ETR</td> <td>-</td> <td>WD.</td> <td>J2</td> <td>PTD.</td> <td>-</td> <td>396</td> <td>3\"/> <tr> <td>3991</td> <td>ETR</td> <td>-</td> <td>WD.</td> <td>J2</td> <td>PTD.</td> <td>-</td> <td>398</td> <td>3\"/> <tr> <td>3992</td> <td>A</td> <td>3\"/> <tr> <td>3993</td> <td>ETR</td> <td>-</td> <td>WD.</td> <td>J2</td> <td>PTD.</td> <td>-</td> <td>399</td> <td>3\"/> <tr> <td>3994</td> <td>ETR</td> <td>-</td> <td>WD.</td> <td>J2</td> <td>PTD.</td> <td>-</td> <td>3991</td> <td>3\"/> <tr> <td>3995</td> <td>ETR</td> <td>-</td> <td>WD.</td> <td>J2</td> <td>PTD.</td> <td>-</td> <td>3992</td> <td>3\"/> <tr> <td>3997</td> <td>ETR</td> <td>-</td> <td>WD.</td> <td>J2</td> <td>PTD.</td> <td>-</td> <td>3993</td> <td>3\"/> <tr> <td>3998</td> <td>ETR</td> <td>-</td> <td>WD.</td> <td>J2</td> <td>PTD.</td> <td>-</td> <td>3994</td> <td>3\"/> <tr> <td>3999</td> <td>ETR</td> <td>-</td> <td>WD.</td> <td>J2</td> <td>PTD.</td> <td>-</td> <td>3995</td> <td>3\"/> <tr> <td>3999</td> <td>ETR</td> <td>-</td> <td>WD.</td> <td>J2</td> <td>PTD.</td> <td>-</td> <td>3997</td> <td>3\"/> </td></tr></td></tr></td></tr></td></tr></td></tr></td></tr></td></tr></td></tr></td></tr></td></tr></td></tr></td></tr></td></tr></td></tr></td></tr></td></tr></td></tr></td></tr></td></tr></td></tr></td></tr></td></tr></td></td></tr></td></tr></td></td></tr></td></td></tr></td></td></tr></td></td></tr></td></td></tr></td></td></tr></td></td></tr></td></td></tr></td></tr></td></tr></td></tr></td></td></tr></td></tr></td></tr></td></tr></td></tr></td></td></tr></td></tr></td></tr></td></tr></td></tr></td></tr></td></tr></td></tr></td></tr></td></tr></td></tr></td></tr> | 356 | ETR | -
 | WD. | J2 | PTD. | - | 354 | 3\"/> <tr> <td>357</td> <td>ETR</td> <td>-</td> <td>WD.</td> <td>J2</td> <td>PTD.</td> <td>-</td> <td>355</td> <td>3\"/> <tr> <td>358</td> <td>ETR</td> <td>-</td> <td>WD.</td> <td>J2</td> <td>PTD.</td> <td>-</td> <td>356</td> <td>3\"/> <tr> <td>359</td> <td>ETR</td> <td>-</td> <td>WD.</td> <td>J2</td> <td>PTD.</td> <td>-</td> <td>357</td> <td>3\"/> <tr> <td>360</td> <td>ETR</td> <td>-</td> <td>WD.</td> <td>J2</td> <td>PTD.</td> <td>-</td> <td>358</td> <td>3\"/> <tr> <td>361A</td> <td>ETR</td> <td>-</td> <td>WD.</td> <td>J2</td> <td>PTD.</td> <td>-</td> <td>359</td> <td>3\"/> <tr> <td>362</td> <td>ETR</td> <td>-</td> <td>WD.</td> <td>J2</td> <td>PTD.</td> <td>-</td> <td>360</td> <td>3\"/> <tr> <td>363</td> <td>ETR</td> <td>-</td> <td>WD.</td> <td>J2</td> <td>PTD.</td> <td>-</td> <td>361A</td> <td>3\"/> <tr> <td>364A</td> <td>ETR</td> <td>-</td> <td>WD.</td> <td>J2</td> <td>PTD.</td> <td>-</td> <td>362</td> <td>3\"/> <tr> <td>365</td> <td>ETR</td> <td>-</td> <td>WD.</td> <td>J2</td> <td>PTD.</td> <td>-</td> <td>363</td> <td>3\"/> <tr> <td>366</td> <td>ETR</td> <td>-</td> <td>WD.</td> <td>J2</td> <td>PTD.</td> <td>-</td> <td>364A</td> <td>3\"/> <tr> <td>367</td> <td>B</td> <td>2 <td>HM</td> <td>J1</td> <td>PTD.</td> <td>1 HR.</td> <td>365</td> <td>3\"/> <tr> <td>368</td> <td>ETR</td> <td>-</td> <td>WD.</td> <td>J2</td> <td>PTD.</td> <td>-</td> <td>366</td> <td>3\"/> <tr> <td>369</td> <td>ETR</td> <td>-</td> <td>WD.</td> <td>J2</td> <td>PTD.</td> <td>-</td> <td>367</td> <td>3\"/> <tr> <td>370</td> <td>ETR</td> <td>-</td> <td>WD.</td> <td>J2</td> <td>PTD.</td> <td>-</td> <td>368</td> <td>3\"/> <tr> <td>371</td> <td>ETR</td> <td>-</td> <td>WD.</td> <td>J2</td> <td>PTD.</td> <td>-</td> <td>369</td> <td>3\"/> <tr> <td>372</td> <td>B</td> <td>2 <td>HM</td> <td>J1</td> <td>PTD.</td> <td>1 HR.</td> <td>370</td> <td>3\"/> <tr> <td>373A</td> <td>ETR</td> <td>-</td> <td>WD.</td> <td>J2</td> <td>PTD.</td> <td>-</td> <td>371</td> <td>3\"/> <tr> <td>374B</td> <td>ETR</td> <td>-</td> <td>WD.</td> <td>J2</td> <td>PTD.</td> <td>-</td> <td>372</td> <td>3\"/> <tr> <td>374C</td> <td>ETR</td> <td>-</td> <td>WD.</td> <td>J2</td> <td>PTD.</td> <td>-</td> <td>373A</td> <td>3\"/> <tr> <td>375</td> <td>B</td> <td>1 <td>WD</td> <td>J1</td> <td>PTD.</td> <td>-</td> <td>374B</td> <td>3\"/> <tr> <td>376</td> <td>B</td> <td>1 <td>WD</td> <td>J1</td> <td>PTD.</td> <td>-</td> <td>374C</td> <td>3\"/> <tr> <td>377</td> <td>B</td> <td>1 <td>WD</td> <td>J1</td> <td>PTD.</td> <td>-</td> <td>375</td> <td>3\"/> <tr> <td>377A</td> <td>B</td> <td>1 <td>WD</td> <td>J1</td> <td>PTD.</td> <td>-</td> <td>376</td> <td>3\"/> <tr> <td>378</td> <td>B</td> <td>1 <td>WD</td> <td>J1</td> <td>PTD.</td> <td>-</td> <td>377</td> <td>3\"/> <tr> <td>379</td> <td>B</td> <td>1 <td>WD</td> <td>J1</td> <td>PTD.</td> <td>-</td> <td>377A</td> <td>3\"/> <tr> <td>380A</td> <td>B</td> <td>1 <td>WD</td> <td>J1</td> <td>PTD.</td> <td>-</td> <td>378</td> <td>3\"/> <tr> <td>380B</td> <td>B</td> <td>1 <td>WD</td> <td>J1</td> <td>PTD.</td> <td>-</td> <td>379</td> <td>3\"/> <tr> <td>382</td> <td>ETR</td> <td>-</td> <td>WD.</td> <td>J2</td> <td>PTD.</td> <td>-</td> <td>380A</td> <td>3\"/> <tr> <td>382A</td> <td>D</td> <td>6 <td>ALUM.</td> <td>ANODIZE D</td> <td>-</td> <td>-</td> <td>380B</td> <td>3\"/> <tr> <td>385</td> <td>ETR</td> <td>-</td> <td>WD.</td> <td>J2</td> <td>PTD.</td> <td>-</td> <td>382</td> <td>3\"/> <tr> <td>386</td> <td>ETR</td> <td>-</td> <td>WD.</td> <td>J2</td> <td>PTD.</td> <td>-</td> <td>382A</td> <td>3\"/> <tr> <td>387</td> <td>ETR</td> <td>-</td> <td>WD.</td> <td>J2</td> <td>PTD.</td> <td>-</td> <td>385</td> <td>3\"/> <tr> <td>388</td> <td>ETR</td> <td>-</td> <td>WD.</td> <td>J2</td> <td>PTD.</td> <td>-</td> <td>386</td> <td>3\"/> <tr> <td>389</td> <td>ETR</td> <td>-</td> <td>WD.</td> <td>J2</td> <td>PTD.</td> <td>-</td> <td>387</td> <td>3\"/> <tr> <td>391</td> <td>ETR</td> <td>-</td> <td>WD.</td> <td>J2</td> <td>PTD.</td> <td>-</td> <td>388</td> <td>3\"/> <tr> <td>391A</td> <td>ETR</td> <td>-</td> <td>WD.</td> <td>J2</td> <td>PTD.</td> <td>-</td> <td>389</td> <td>3\"/> <tr> <td>391B</td> <td>ETR</td> <td>-</td> <td>WD.</td> <td>J2</td> <td>PTD.</td> <td>-</td> <td>391</td> <td>3\"/> <tr> <td>394</td> <td>ETR</td> <td>-</td> <td>WD.</td> <td>J2</td> <td>PTD.</td> <td>-</td> <td>391A</td> <td>3\"/> <tr> <td>395</td> <td>ETR</td> <td>-</td> <td>WD.</td> <td>J2</td> <td>PTD.</td> <td>-</td> <td>391B</td> <td>3\"/> <tr> <td>396</td> <td>ETR</td> <td>-</td> <td>WD.</td> <td>J2</td> <td>PTD.</td> <td>-</td> <td>394</td> <td>3\"/> <tr> <td>398</td> <td>ETR</td> <td>-</td> <td>WD.</td> <td>J2</td> <td>PTD.</td> <td>-</td> <td>395</td> <td>3\"/> <tr> <td>399</td> <td>ETR</td> <td>-</td> <td>WD.</td> <td>J2</td> <td>PTD.</td> <td>-</td> <td>396</td> <td>3\"/> <tr> <td>3991</td> <td>ETR</td> <td>-</td> <td>WD.</td> <td>J2</td> <td>PTD.</td> <td>-</td> <td>398</td> <td>3\"/> <tr> <td>3992</td> <td>A</td> <td>3\"/> <tr> <td>3993</td> <td>ETR</td> <td>-</td> <td>WD.</td> <td>J2</td> <td>PTD.</td> <td>-</td> <td>399</td> <td>3\"/> <tr> <td>3994</td> <td>ETR</td> <td>-</td> <td>WD.</td> <td>J2</td> <td>PTD.</td> <td>-</td> <td>3991</td> <td>3\"/> <tr> <td>3995</td> <td>ETR</td> <td>-</td> <td>WD.</td> <td>J2</td> <td>PTD.</td> <td>-</td> <td>3992</td> <td>3\"/> <tr> <td>3997</td> <td>ETR</td> <td>-</td> <td>WD.</td> <td>J2</td> <td>PTD.</td> <td>-</td> <td>3993</td> <td>3\"/> <tr> <td>3998</td> <td>ETR</td> <td>-</td> <td>WD.</td> <td>J2</td> <td>PTD.</td> <td>-</td> <td>3994</td> <td>3\"/> <tr> <td>3999</td> <td>ETR</td> <td>-</td> <td>WD.</td> <td>J2</td> <td>PTD.</td> <td>-</td> <td>3995</td> <td>3\"/> <tr> <td>3999</td> <td>ETR</td> <td>-</td> <td>WD.</td> <td>J2</td> <td>PTD.</td> <td>-</td> <td>3997</td> <td>3\"/> </td></tr></td></tr></td></tr></td></tr></td></tr></td></tr></td></tr></td></tr></td></tr></td></tr></td></tr></td></tr></td></tr></td></tr></td></tr></td></tr></td></tr></td></tr></td></tr></td></tr></td></tr></td></tr></td></td></tr></td></tr></td></td></tr></td></td></tr></td></td></tr></td></td></tr></td></td></tr></td></td></tr></td></td></tr></td></td></tr></td></tr></td></tr></td></tr></td></td></tr></td></tr></td></tr></td></tr></td></tr></td></td></tr></td></tr></td></tr></td></tr></td></tr></td></tr></td></tr></td></tr></td></tr></td></tr></td></tr> | 357 | ETR | -
 | WD. | J2 | PTD. | - | 355 | 3\"/> <tr> <td>358</td> <td>ETR</td> <td>-</td> <td>WD.</td> <td>J2</td> <td>PTD.</td> <td>-</td> <td>356</td> <td>3\"/> <tr> <td>359</td> <td>ETR</td> <td>-</td> <td>WD.</td> <td>J2</td> <td>PTD.</td> <td>-</td> <td>357</td> <td>3\"/> <tr> <td>360</td> <td>ETR</td> <td>-</td> <td>WD.</td> <td>J2</td> <td>PTD.</td> <td>-</td> <td>358</td> <td>3\"/> <tr> <td>361A</td> <td>ETR</td> <td>-</td> <td>WD.</td> <td>J2</td> <td>PTD.</td> <td>-</td> <td>359</td> <td>3\"/> <tr> <td>362</td> <td>ETR</td> <td>-</td> <td>WD.</td> <td>J2</td> <td>PTD.</td> <td>-</td> <td>360</td> <td>3\"/> <tr> <td>363</td> <td>ETR</td> <td>-</td> <td>WD.</td> <td>J2</td> <td>PTD.</td> <td>-</td> <td>361A</td> <td>3\"/> <tr> <td>364A</td> <td>ETR</td> <td>-</td> <td>WD.</td> <td>J2</td> <td>PTD.</td> <td>-</td> <td>362</td> <td>3\"/> <tr> <td>365</td> <td>ETR</td> <td>-</td> <td>WD.</td> <td>J2</td> <td>PTD.</td> <td>-</td> <td>363</td> <td>3\"/> <tr> <td>366</td> <td>ETR</td> <td>-</td> <td>WD.</td> <td>J2</td> <td>PTD.</td> <td>-</td> <td>364A</td> <td>3\"/> <tr> <td>367</td> <td>B</td> <td>2 <td>HM</td> <td>J1</td> <td>PTD.</td> <td>1 HR.</td> <td>365</td> <td>3\"/> <tr> <td>368</td> <td>ETR</td> <td>-</td> <td>WD.</td> <td>J2</td> <td>PTD.</td> <td>-</td> <td>366</td> <td>3\"/> <tr> <td>369</td> <td>ETR</td> <td>-</td> <td>WD.</td> <td>J2</td> <td>PTD.</td> <td>-</td> <td>367</td> <td>3\"/> <tr> <td>370</td> <td>ETR</td> <td>-</td> <td>WD.</td> <td>J2</td> <td>PTD.</td> <td>-</td> <td>368</td> <td>3\"/> <tr> <td>371</td> <td>ETR</td> <td>-</td> <td>WD.</td> <td>J2</td> <td>PTD.</td> <td>-</td> <td>369</td> <td>3\"/> <tr> <td>372</td> <td>B</td> <td>2 <td>HM</td> <td>J1</td> <td>PTD.</td> <td>1 HR.</td> <td>370</td> <td>3\"/> <tr> <td>373A</td> <td>ETR</td> <td>-</td> <td>WD.</td> <td>J2</td> <td>PTD.</td> <td>-</td> <td>371</td> <td>3\"/> <tr> <td>374B</td> <td>ETR</td> <td>-</td> <td>WD.</td> <td>J2</td> <td>PTD.</td> <td>-</td> <td>372</td> <td>3\"/> <tr> <td>374C</td> <td>ETR</td> <td>-</td> <td>WD.</td> <td>J2</td> <td>PTD.</td> <td>-</td> <td>373A</td> <td>3\"/> <tr> <td>375</td> <td>B</td> <td>1 <td>WD</td> <td>J1</td> <td>PTD.</td> <td>-</td> <td>374B</td> <td>3\"/> <tr> <td>376</td> <td>B</td> <td>1 <td>WD</td> <td>J1</td> <td>PTD.</td> <td>-</td> <td>374C</td> <td>3\"/> <tr> <td>377</td> <td>B</td> <td>1 <td>WD</td> <td>J1</td> <td>PTD.</td> <td>-</td> <td>375</td> <td>3\"/> <tr> <td>377A</td> <td>B</td> <td>1 <td>WD</td> <td>J1</td> <td>PTD.</td> <td>-</td> <td>376</td> <td>3\"/> <tr> <td>378</td> <td>B</td> <td>1 <td>WD</td> <td>J1</td> <td>PTD.</td> <td>-</td> <td>377</td> <td>3\"/> <tr> <td>379</td> <td>B</td> <td>1 <td>WD</td> <td>J1</td> <td>PTD.</td> <td>-</td> <td>377A</td> <td>3\"/> <tr> <td>380A</td> <td>B</td> <td>1 <td>WD</td> <td>J1</td> <td>PTD.</td> <td>-</td> <td>378</td> <td>3\"/> <tr> <td>380B</td> <td>B</td> <td>1 <td>WD</td> <td>J1</td> <td>PTD.</td> <td>-</td> <td>379</td> <td>3\"/> <tr> <td>382</td> <td>ETR</td> <td>-</td> <td>WD.</td> <td>J2</td> <td>PTD.</td> <td>-</td> <td>380A</td> <td>3\"/> <tr> <td>382A</td> <td>D</td> <td>6 <td>ALUM.</td> <td>ANODIZE D</td> <td>-</td> <td>-</td> <td>380B</td> <td>3\"/> <tr> <td>385</td> <td>ETR</td> <td>-</td> <td>WD.</td> <td>J2</td> <td>PTD.</td> <td>-</td> <td>382</td> <td>3\"/> <tr> <td>386</td> <td>ETR</td> <td>-</td> <td>WD.</td> <td>J2</td> <td>PTD.</td> <td>-</td> <td>382A</td> <td>3\"/> <tr> <td>387</td> <td>ETR</td> <td>-</td> <td>WD.</td> <td>J2</td> <td>PTD.</td> <td>-</td> <td>385</td> <td>3\"/> <tr> <td>388</td> <td>ETR</td> <td>-</td> <td>WD.</td> <td>J2</td> <td>PTD.</td> <td>-</td> <td>386</td> <td>3\"/> <tr> <td>389</td> <td>ETR</td> <td>-</td> <td>WD.</td> <td>J2</td> <td>PTD.</td> <td>-</td> <td>387</td> <td>3\"/> <tr> <td>391</td> <td>ETR</td> <td>-</td> <td>WD.</td> <td>J2</td> <td>PTD.</td> <td>-</td> <td>388</td> <td>3\"/> <tr> <td>391A</td> <td>ETR</td> <td>-</td> <td>WD.</td> <td>J2</td> <td>PTD.</td> <td>-</td> <td>389</td> <td>3\"/> <tr> <td>391B</td> <td>ETR</td> <td>-</td> <td>WD.</td> <td>J2</td> <td>PTD.</td> <td>-</td> <td>391</td> <td>3\"/> <tr> <td>394</td> <td>ETR</td> <td>-</td> <td>WD.</td> <td>J2</td> <td>PTD.</td> <td>-</td> <td>391A</td> <td>3\"/> <tr> <td>395</td> <td>ETR</td> <td>-</td> <td>WD.</td> <td>J2</td> <td>PTD.</td> <td>-</td> <td>391B</td> <td>3\"/> <tr> <td>396</td> <td>ETR</td> <td>-</td> <td>WD.</td> <td>J2</td> <td>PTD.</td> <td>-</td> <td>394</td> <td>3\"/> <tr> <td>398</td> <td>ETR</td> <td>-</td> <td>WD.</td> <td>J2</td> <td>PTD.</td> <td>-</td> <td>395</td> <td>3\"/> <tr> <td>399</td> <td>ETR</td> <td>-</td> <td>WD.</td> <td>J2</td> <td>PTD.</td> <td>-</td> <td>396</td> <td>3\"/> <tr> <td>3991</td> <td>ETR</td> <td>-</td> <td>WD.</td> <td>J2</td> <td>PTD.</td> <td>-</td> <td>398</td> <td>3\"/> <tr> <td>3992</td> <td>A</td> <td>3\"/> <tr> <td>3993</td> <td>ETR</td> <td>-</td> <td>WD.</td> <td>J2</td> <td>PTD.</td> <td>-</td> <td>399</td> <td>3\"/> <tr> <td>3994</td> <td>ETR</td> <td>-</td> <td>WD.</td> <td>J2</td> <td>PTD.</td> <td>-</td> <td>3991</td> <td>3\"/> <tr> <td>3995</td> <td>ETR</td> <td>-</td> <td>WD.</td> <td>J2</td> <td>PTD.</td> <td>-</td> <td>3992</td> <td>3\"/> <tr> <td>3997</td> <td>ETR</td> <td>-</td> <td>WD.</td> <td>J2</td> <td>PTD.</td> <td>-</td> <td>3993</td> <td>3\"/> <tr> <td>3998</td> <td>ETR</td> <td>-</td> <td>WD.</td> <td>J2</td> <td>PTD.</td> <td>-</td> <td>3994</td> <td>3\"/> <tr> <td>3999</td> <td>ETR</td> <td>-</td> <td>WD.</td> <td>J2</td> <td>PTD.</td> <td>-</td> <td>3995</td> <td>3\"/> <tr> <td>3999</td> <td>ETR</td> <td>-</td> <td>WD.</td> <td>J2</td> <td>PTD.</td> <td>-</td> <td>3997</td> <td>3\"/>
</td></tr></td></tr></td></tr></td></tr></td></tr></td></tr></td></tr></td></tr></td></tr></td></tr></td></tr></td></tr></td></tr></td></tr></td></tr></td></tr></td></tr></td></tr></td></tr></td></tr></td></tr></td></tr></td></td></tr></td></tr></td></td></tr></td></td></tr></td></td></tr></td></td></tr></td></td></tr></td></td></tr></td></td></tr></td></td></tr></td></tr></td></tr></td></tr></td></td></tr></td></tr></td></tr></td></tr></td></tr></td></td></tr></td></tr></td></tr></td></tr></td></tr></td></tr></td></tr></td></tr></td></tr></td></tr> | 358 | ETR | - | WD. | J2 | PTD. | - | 356 | 3\"/> <tr> <td>359</td> <td>ETR</td> <td>-</td> <td>WD.</td> <td>J2</td> <td>PTD.</td> <td>-</td> <td>357</td> <td>3\"/> <tr> <td>360</td> <td>ETR</td> <td>-</td> <td>WD.</td> <td>J2</td> <td>PTD.</td> <td>-</td> <td>358</td> <td>3\"/> <tr> <td>361A</td> <td>ETR</td> <td>-</td> <td>WD.</td> <td>J2</td> <td>PTD.</td> <td>-</td> <td>359</td> <td>3\"/> <tr> <td>362</td> <td>ETR</td> <td>-</td> <td>WD.</td> <td>J2</td> <td>PTD.</td> <td>-</td> <td>360</td> <td>3\"/> <tr> <td>363</td> <td>ETR</td> <td>-</td> <td>WD.</td> <td>J2</td> <td>PTD.</td> <td>-</td> <td>361A</td> <td>3\"/> <tr> <td>364A</td> <td>ETR</td> <td>-</td> <td>WD.</td> <td>J2</td> <td>PTD.</td> <td>-</td> <td>362</td> <td>3\"/> <tr> <td>365</td> <td>ETR</td> <td>-</td> <td>WD.</td> <td>J2</td> <td>PTD.</td> <td>-</td> <td>363</td> <td>3\"/> <tr> <td>366</td> <td>ETR</td> <td>-</td> <td>WD.</td> <td>J2</td> <td>PTD.</td> <td>-</td> <td>364A</td> <td>3\"/> <tr> <td>367</td> <td>B</td> <td>2 <td>HM</td> <td>J1</td> <td>PTD.</td> <td>1 HR.</td> <td>365</td> <td>3\"/> <tr> <td>368</td> <td>ETR</td> <td>-</td> <td>WD.</td> <td>J2</td> <td>PTD.</td> <td>-</td> <td>366</td> <td>3\"/> <tr> <td>369</td> <td>ETR</td> <td>-</td> <td>WD.</td> <td>J2</td> <td>PTD.</td> <td>-</td> <td>367</td> <td>3\"/> <tr> <td>370</td> <td>ETR</td> <td>-</td> <td>WD.</td> <td>J2</td> <td>PTD.</td> <td>-</td> <td>368</td> <td>3\"/> <tr> <td>371</td> <td>ETR</td> <td>-</td> <td>WD.</td> <td>J2</td> <td>PTD.</td> <td>-</td> <td>369</td> <td>3\"/> <tr> <td>372</td> <td>B</td> <td>2 <td>HM</td> <td>J1</td> <td>PTD.</td> <td>1 HR.</td> <td>370</td> <td>3\"/> <tr> <td>373A</td> <td>ETR</td> <td>-</td> <td>WD.</td> <td>J2</td> <td>PTD.</td> <td>-</td> <td>371</td> <td>3\"/> <tr> <td>374B</td> <td>ETR</td> <td>-</td> <td>WD.</td> <td>J2</td> <td>PTD.</td> <td>-</td> <td>372</td> <td>3\"/> <tr> <td>374C</td> <td>ETR</td> <td>-</td> <td>WD.</td> <td>J2</td> <td>PTD.</td> <td>-</td> <td>373A</td> <td>3\"/> <tr> <td>375</td> <td>B</td> <td>1 <td>WD</td> <td>J1</td> <td>PTD.</td> <td>-</td> <td>374B</td> <td>3\"/> <tr> <td>376</td> <td>B</td> <td>1 <td>WD</td> <td>J1</td> <td>PTD.</td> <td>-</td> <td>374C</td> <td>3\"/> <tr> <td>377</td> <td>B</td> <td>1 <td>WD</td> <td>J1</td> <td>PTD.</td> <td>-</td> <td>375</td> <td>3\"/> <tr> <td>377A</td> <td>B</td> <td>1 <td>WD</td> <td>J1</td> <td>PTD.</td> <td>-</td> <td>376</td> <td>3\"/> <tr> <td>378</td> <td>B</td> <td>1 <td>WD</td> <td>J1</td> <td>PTD.</td> <td>-</td> <td>377</td> <td>3\"/> <tr> <td>379</td> <td>B</td> <td>1 <td>WD</td> <td>J1</td> <td>PTD.</td> <td>-</td> <td>377A</td> <td>3\"/> <tr> <td>380A</td>
<td>B</td> <td>1 <td>WD</td> <td>J1</td> <td>PTD.</td> <td>-</td> <td>378</td> <td>3\"/> <tr> <td>380B</td> <td>B</td> <td>1 <td>WD</td> <td>J1</td> <td>PTD.</td> <td>-</td> <td>379</td> <td>3\"/> <tr> <td>382</td> <td>ETR</td> <td>-</td> <td>WD.</td> <td>J2</td> <td>PTD.</td> <td>-</td> <td>380A</td> <td>3\"/> <tr> <td>382A</td> <td>D</td> <td>6 <td>ALUM.</td> <td>ANODIZE D</td> <td>-</td> <td>-</td> <td>380B</td> <td>3\"/> <tr> <td>385</td> <td>ETR</td> <td>-</td> <td>WD.</td> <td>J2</td> <td>PTD.</td> <td>-</td> <td>382</td> <td>3\"/> <tr> <td>386</td> <td>ETR</td> <td>-</td> <td>WD.</td> <td>J2</td> <td>PTD.</td> <td>-</td> <td>382A</td> <td>3\"/> <tr> <td>387</td> <td>ETR</td> <td>-</td> <td>WD.</td> <td>J2</td> <td>PTD.</td> <td>-</td> <td>385</td> <td>3\"/> <tr> <td>388</td> <td>ETR</td> <td>-</td> <td>WD.</td> <td>J2</td> <td>PTD.</td> <td>-</td> <td>386</td> <td>3\"/> <tr> <td>389</td> <td>ETR</td> <td>-</td> <td>WD.</td> <td>J2</td> <td>PTD.</td> <td>-</td> <td>387</td> <td>3\"/> <tr> <td>391</td> <td>ETR</td> <td>-</td> <td>WD.</td> <td>J2</td> <td>PTD.</td> <td>-</td> <td>388</td> <td>3\"/> <tr> <td>391A</td> <td>ETR</td> <td>-</td> <td>WD.</td> <td>J2</td> <td>PTD.</td> <td>-</td> <td>389</td> <td>3\"/> <tr> <td>391B</td> <td>ETR</td> <td>-</td> <td>WD.</td> <td>J2</td> <td>PTD.</td> <td>-</td> <td>391</td> <td>3\"/> <tr> <td>394</td> <td>ETR</td> <td>-</td> <td>WD.</td> <td>J2</td> <td>PTD.</td> <td>-</td> <td>391A</td> <td>3\"/> <tr> <td>395</td> <td>ETR</td> <td>-</td> <td>WD.</td> <td>J2</td> <td>PTD.</td> <td>-</td> <td>391B</td> <td>3\"/> <tr> <td>396</td> <td>ETR</td> <td>-</td> <td>WD.</td> <td>J2</td> <td>PTD.</td> <td>-</td> <td>394</td> <td>3\"/> <tr> <td>398</td> <td>ETR</td> <td>-</td> <td>WD.</td> <td>J2</td> <td>PTD.</td> <td>-</td> <td>395</td> <td>3\"/> <tr> <td>399</td> <td>ETR</td> <td>-</td> <td>WD.</td> <td>J2</td> <td>PTD.</td> <td>-</td> <td>396</td> <td>3\"/> <tr> <td>3991</td> <td>ETR</td> <td>-</td> <td>WD.</td> <td>J2</td> <td>PTD.</td> <td>-</td> <td>398</td> <td>3\"/> <tr> <td>3992</td> <td>A</td> <td>3\"/> <tr> <td>3993</td> <td>ETR</td> <td>-</td> <td>WD.</td> <td>J2</td> <td>PTD.</td> <td>-</td> <td>399</td> <td>3\"/> <tr> <td>3994</td> <td>ETR</td> <td>-</td> <td>WD.</td> <td>J2</td> <td>PTD.</td> <td>-</td> <td>3991</td> <td>3\"/> <tr> <td>3995</td> <td>ETR</td> <td>-</td> <td>WD.</td> <td>J2</td> <td>PTD.</td> <td>-</td> <td>3992</td> <td>3\"/> <tr> <td>3997</td> <td>ETR</td> <td>-</td> <td>WD.</td> <td>J2</td> <td>PTD.</td> <td>-</td> <td>3993</td> <td>3\"/> <tr> <td>3998</td> <td>ETR</td> <td>-</td> <td>WD.</td> <td>J2</td> <td>PTD.</td> <td>-</td> <td>3994</td> <td>3\"/> <tr> <td>3999</td> <td>ETR</td> <td>-</td> <td>WD.</td> <td>J2</td> <td>PTD.</td> <td>-</td> <td>3995</td> <td>3\"/> <tr> <td>3999</td> <td>ETR</td> <td>-</td> <td>WD.</td> <td>J2</td> <td>PTD.</td> <td>-</td> <td>3997</td> <td>3\"/> </td></tr></td></tr></td></tr></td></tr></td></tr></td></tr></td></tr></td></tr></td></tr></td></tr></td></tr></td></tr></td></tr></td></tr></td></tr></td></tr></td></tr></td></tr></td></tr></td></tr></td></tr></td></tr></td></td></tr></td></tr></td></td></tr></td></td></tr></td></td></tr></td></td></tr></td></td></tr></td></td></tr></td></td></tr></td></td></tr></td></tr></td></tr></td></tr></td></td></tr></td></tr></td></tr></td></tr></td></tr></td></td></tr></td></tr></td></tr></td></tr></td></tr></td></tr></td></tr></td></tr></td></tr> | 359 | ETR | -
 | WD. | J2 | PTD. | - | 357 | 3\"/> <tr> <td>360</td> <td>ETR</td> <td>-</td> <td>WD.</td> <td>J2</td> <td>PTD.</td> <td>-</td> <td>358</td> <td>3\"/> <tr> <td>361A</td> <td>ETR</td> <td>-</td> <td>WD.</td> <td>J2</td> <td>PTD.</td> <td>-</td> <td>359</td> <td>3\"/> <tr> <td>362</td> <td>ETR</td> <td>-</td> <td>WD.</td> <td>J2</td> <td>PTD.</td> <td>-</td> <td>360</td> <td>3\"/> <tr> <td>363</td> <td>ETR</td> <td>-</td> <td>WD.</td> <td>J2</td> <td>PTD.</td> <td>-</td> <td>361A</td> <td>3\"/> <tr> <td>364A</td> <td>ETR</td> <td>-</td> <td>WD.</td> <td>J2</td> <td>PTD.</td> <td>-</td> <td>362</td> <td>3\"/> <tr> <td>365</td> <td>ETR</td> <td>-</td> <td>WD.</td> <td>J2</td> <td>PTD.</td> <td>-</td> <td>363</td> <td>3\"/> <tr> <td>366</td> <td>ETR</td> <td>-</td> <td>WD.</td> <td>J2</td> <td>PTD.</td> <td>-</td> <td>364A</td> <td>3\"/> <tr> <td>367</td> <td>B</td> <td>2 <td>HM</td> <td>J1</td> <td>PTD.</td> <td>1 HR.</td> <td>365</td> <td>3\"/> <tr> <td>368</td> <td>ETR</td> <td>-</td> <td>WD.</td> <td>J2</td> <td>PTD.</td> <td>-</td> <td>366</td> <td>3\"/> <tr> <td>369</td> <td>ETR</td> <td>-</td> <td>WD.</td> <td>J2</td> <td>PTD.</td> <td>-</td> <td>367</td> <td>3\"/> <tr> <td>370</td> <td>ETR</td> <td>-</td> <td>WD.</td> <td>J2</td> <td>PTD.</td> <td>-</td> <td>368</td> <td>3\"/> <tr> <td>371</td> <td>ETR</td> <td>-</td> <td>WD.</td> <td>J2</td> <td>PTD.</td> <td>-</td> <td>369</td> <td>3\"/> <tr> <td>372</td> <td>B</td> <td>2 <td>HM</td> <td>J1</td> <td>PTD.</td> <td>1 HR.</td> <td>370</td> <td>3\"/> <tr> <td>373A</td> <td>ETR</td> <td>-</td> <td>WD.</td> <td>J2</td> <td>PTD.</td> <td>-</td> <td>371</td> <td>3\"/> <tr> <td>374B</td> <td>ETR</td> <td>-</td> <td>WD.</td> <td>J2</td> <td>PTD.</td> <td>-</td> <td>372</td> <td>3\"/> <tr> <td>374C</td> <td>ETR</td> <td>-</td> <td>WD.</td> <td>J2</td> <td>PTD.</td> <td>-</td> <td>373A</td> <td>3\"/> <tr> <td>375</td> <td>B</td> <td>1 <td>WD</td> <td>J1</td> <td>PTD.</td> <td>-</td> <td>374B</td> <td>3\"/> <tr> <td>376</td> <td>B</td> <td>1 <td>WD</td> <td>J1</td> <td>PTD.</td> <td>-</td> <td>374C</td> <td>3\"/> <tr> <td>377</td> <td>B</td> <td>1 <td>WD</td> <td>J1</td> <td>PTD.</td> <td>-</td> <td>375</td> <td>3\"/> <tr> <td>377A</td> <td>B</td> <td>1 <td>WD</td> <td>J1</td> <td>PTD.</td> <td>-</td> <td>376</td> <td>3\"/> <tr> <td>378</td> <td>B</td> <td>1 <td>WD</td> <td>J1</td> <td>PTD.</td> <td>-</td> <td>377</td> <td>3\"/> <tr> <td>379</td> <td>B</td> <td>1 <td>WD</td> <td>J1</td> <td>PTD.</td> <td>-</td> <td>377A</td> <td>3\"/> <tr> <td>380A</td> <td>B</td> <td>1 <td>WD</td> <td>J1</td> <td>PTD.</td> <td>-</td> <td>378</td> <td>3\"/> <tr> <td>380B</td> <td>B</td> <td>1 <td>WD</td> <td>J1</td> <td>PTD.</td> <td>-</td> <td>379</td> <td>3\"/> <tr> <td>382</td> <td>ETR</td> <td>-</td> <td>WD.</td> <td>J2</td> <td>PTD.</td> <td>-</td> <td>380A</td> <td>3\"/> <tr> <td>382A</td> <td>D</td> <td>6 <td>ALUM.</td> <td>ANODIZE D</td> <td>-</td> <td>-</td> <td>380B</td> <td>3\"/> <tr> <td>385</td> <td>ETR</td> <td>-</td> <td>WD.</td> <td>J2</td> <td>PTD.</td> <td>-</td> <td>382</td> <td>3\"/> <tr> <td>386</td> <td>ETR</td> <td>-</td> <td>WD.</td> <td>J2</td> <td>PTD.</td> <td>-</td> <td>382A</td> <td>3\"/> <tr> <td>387</td> <td>ETR</td> <td>-</td> <td>WD.</td> <td>J2</td> <td>PTD.</td> <td>-</td> <td>385</td> <td>3\"/> <tr> <td>388</td> <td>ETR</td> <td>-</td> <td>WD.</td> <td>J2</td> <td>PTD.</td> <td>-</td> <td>386</td> <td>3\"/> <tr> <td>389</td> <td>ETR</td> <td>-</td> <td>WD.</td> <td>J2</td> <td>PTD.</td> <td>-</td> <td>387</td> <td>3\"/> <tr> <td>391</td> <td>ETR</td> <td>-</td> <td>WD.</td> <td>J2</td> <td>PTD.</td> <td>-</td> <td>388</td> <td>3\"/> <tr> <td>391A</td> <td>ETR</td> <td>-</td> <td>WD.</td> <td>J2</td> <td>PTD.</td> <td>-</td> <td>389</td> <td>3\"/> <tr> <td>391B</td> <td>ETR</td> <td>-</td> <td>WD.</td> <td>J2</td> <td>PTD.</td> <td>-</td> <td>391</td> <td>3\"/> <tr> <td>394</td> <td>ETR</td> <td>-</td> <td>WD.</td> <td>J2</td> <td>PTD.</td> <td>-</td> <td>391A</td> <td>3\"/> <tr> <td>395</td> <td>ETR</td> <td>-</td> <td>WD.</td> <td>J2</td> <td>PTD.</td> <td>-</td> <td>391B</td> <td>3\"/> <tr> <td>396</td> <td>ETR</td> <td>-</td> <td>WD.</td> <td>J2</td> <td>PTD.</td> <td>-</td> <td>394</td> <td>3\"/> <tr> <td>398</td> <td>ETR</td> <td>-</td> <td>WD.</td> <td>J2</td> <td>PTD.</td> <td>-</td> <td>395</td> <td>3\"/> <tr> <td>399</td> <td>ETR</td> <td>-</td> <td>WD.</td> <td>J2</td> <td>PTD.</td> <td>-</td> <td>396</td> <td>3\"/> <tr> <td>3991</td> <td>ETR</td> <td>-</td> <td>WD.</td> <td>J2</td> <td>PTD.</td> <td>-</td> <td>398</td> <td>3\"/> <tr> <td>3992</td> <td>A</td> <td>3\"/> <tr> <td>3993</td> <td>ETR</td> <td>-</td> <td>WD.</td> <td>J2</td> <td>PTD.</td> <td>-</td> <td>399</td> <td>3\"/> <tr> <td>3994</td> <td>ETR</td> <td>-</td> <td>WD.</td> <td>J2</td> <td>PTD.</td> <td>-</td> <td>3991</td> <td>3\"/> <tr> <td>3995</td> <td>ETR</td> <td>-</td> <td>WD.</td> <td>J2</td> <td>PTD.</td> <td>-</td> <td>3992</td> <td>3\"/> <tr> <td>3997</td> <td>ETR</td> <td>-</td> <td>WD.</td> <td>J2</td> <td>PTD.</td> <td>-</td> <td>3993</td> <td>3\"/> <tr> <td>3998</td> <td>ETR</td> <td>-</td> <td>WD.</td> <td>J2</td> <td>PTD.</td> <td>-</td> <td>3994</td> <td>3\"/> <tr> <td>3999</td> <td>ETR</td> <td>-</td> <td>WD.</td> <td>J2</td> <td>PTD.</td> <td>-</td> <td>3995</td> <td>3\"/> <tr> <td>3999</td> <td>ETR</td> <td>-</td> <td>WD.</td> <td>J2</td> <td>PTD.</td> <td>-</td> <td>3997</td> <td>3\"/> </td></tr></td></tr></td></tr></td></tr></td></tr></td></tr></td></tr></td></tr></td></tr></td></tr></td></tr></td></tr></td></tr></td></tr></td></tr></td></tr></td></tr></td></tr></td></tr></td></tr></td></tr></td></tr></td></td></tr></td></tr></td></td></tr></td></td></tr></td></td></tr></td></td></tr></td></td></tr></td></td></tr></td></td></tr></td></td></tr></td></tr></td></tr></td></tr></td></td></tr></td></tr></td></tr></td></tr></td></tr></td></td></tr></td></tr></td></tr></td></tr></td></tr></td></tr></td></tr></td></tr> | 360 | ETR | -
 | WD. | J2 | PTD. | - | 358 | 3\"/> <tr> <td>361A</td> <td>ETR</td> <td>-</td> <td>WD.</td> <td>J2</td> <td>PTD.</td> <td>-</td> <td>359</td> <td>3\"/> <tr> <td>362</td> <td>ETR</td> <td>-</td> <td>WD.</td> <td>J2</td> <td>PTD.</td> <td>-</td> <td>360</td> <td>3\"/> <tr> <td>363</td> <td>ETR</td> <td>-</td> <td>WD.</td> <td>J2</td> <td>PTD.</td> <td>-</td> <td>361A</td> <td>3\"/> <tr> <td>364A</td> <td>ETR</td> <td>-</td> <td>WD.</td> <td>J2</td> <td>PTD.</td> <td>-</td> <td>362</td> <td>3\"/> <tr> <td>365</td> <td>ETR</td> <td>-</td> <td>WD.</td> <td>J2</td> <td>PTD.</td> <td>-</td> <td>363</td> <td>3\"/> <tr> <td>366</td> <td>ETR</td> <td>-</td> <td>WD.</td> <td>J2</td> <td>PTD.</td> <td>-</td> <td>364A</td> <td>3\"/> <tr> <td>367</td> <td>B</td> <td>2 <td>HM</td> <td>J1</td> <td>PTD.</td> <td>1 HR.</td> <td>365</td> <td>3\"/> <tr> <td>368</td> <td>ETR</td> <td>-</td> <td>WD.</td> <td>J2</td> <td>PTD.</td> <td>-</td> <td>366</td> <td>3\"/> <tr> <td>369</td> <td>ETR</td> <td>-</td> <td>WD.</td> <td>J2</td> <td>PTD.</td> <td>-</td> <td>367</td> <td>3\"/> <tr> <td>370</td> <td>ETR</td> <td>-</td> <td>WD.</td> <td>J2</td> <td>PTD.</td> <td>-</td> <td>368</td> <td>3\"/> <tr> <td>371</td> <td>ETR</td> <td>-</td> <td>WD.</td> <td>J2</td> <td>PTD.</td> <td>-</td> <td>369</td> <td>3\"/> <tr> <td>372</td> <td>B</td> <td>2 <td>HM</td> <td>J1</td> <td>PTD.</td> <td>1 HR.</td> <td>370</td> <td>3\"/> <tr> <td>373A</td> <td>ETR</td> <td>-</td> <td>WD.</td> <td>J2</td> <td>PTD.</td> <td>-</td> <td>371</td> <td>3\"/> <tr> <td>374B</td> <td>ETR</td> <td>-</td> <td>WD.</td> <td>J2</td> <td>PTD.</td> <td>-</td> <td>372</td> <td>3\"/> <tr> <td>374C</td> <td>ETR</td> <td>-</td> <td>WD.</td> <td>J2</td> <td>PTD.</td> <td>-</td> <td>373A</td> <td>3\"/> <tr> <td>375</td> <td>B</td> <td>1 <td>WD</td> <td>J1</td> <td>PTD.</td> <td>-</td> <td>374B</td> <td>3\"/> <tr> <td>376</td> <td>B</td> <td>1 <td>WD</td> <td>J1</td> <td>PTD.</td> <td>-</td> <td>374C</td> <td>3\"/> <tr> <td>377</td> <td>B</td> <td>1 <td>WD</td> <td>J1</td> <td>PTD.</td> <td>-</td> <td>375</td> <td>3\"/> <tr> <td>377A</td> <td>B</td> <td>1 <td>WD</td> <td>J1</td> <td>PTD.</td> <td>-</td> <td>376</td> <td>3\"/> <tr> <td>378</td> <td>B</td> <td>1 <td>WD</td> <td>J1</td> <td>PTD.</td> <td>-</td> <td>377</td> <td>3\"/> <tr> <td>379</td> <td>B</td> <td>1 <td>WD</td> <td>J1</td> <td>PTD.</td> <td>-</td> <td>377A</td> <td>3\"/> <tr> <td>380A</td> <td>B</td> <td>1 <td>WD</td> <td>J1</td> <td>PTD.</td> <td>-</td> <td>378</td> <td>3\"/> <tr> <td>380B</td> <td>B</td> <td>1 <td>WD</td> <td>J1</td> <td>PTD.</td> <td>-</td> <td>379</td> <td>3\"/> <tr> <td>382</td> <td>ETR</td> <td>-</td> <td>WD.</td> <td>J2</td> <td>PTD.</td> <td>-</td> <td>380A</td> <td>3\"/> <tr> <td>382A</td> <td>D</td> <td>6 <td>ALUM.</td> <td>ANODIZE D</td> <td>-</td> <td>-</td> <td>380B</td> <td>3\"/> <tr> <td>385</td> <td>ETR</td> <td>-</td> <td>WD.</td> <td>J2</td> <td>PTD.</td> <td>-</td> <td>382</td> <td>3\"/> <tr> <td>386</td> <td>ETR</td> <td>-</td> <td>WD.</td> <td>J2</td> <td>PTD.</td> <td>-</td> <td>382A</td> <td>3\"/> <tr> <td>387</td> <td>ETR</td> <td>-</td> <td>WD.</td> <td>J2</td> <td>PTD.</td> <td>-</td> <td>385</td> <td>3\"/> <tr> <td>388</td> <td>ETR</td> <td>-</td> <td>WD.</td> <td>J2</td> <td>PTD.</td> <td>-</td> <td>386</td> <td>3\"/> <tr> <td>389</td> <td>ETR</td> <td>-</td> <td>WD.</td> <td>J2</td> <td>PTD.</td> <td>-</td> <td>387</td> <td>3\"/> <tr> <td>391</td> <td>ETR</td> <td>-</td> <td>WD.</td> <td>J2</td> <td>PTD.</td> <td>-</td> <td>388</td> <td>3\"/> <tr> <td>391A</td> <td>ETR</td> <td>-</td> <td>WD.</td> <td>J2</td> <td>PTD.</td> <td>-</td> <td>389</td> <td>3\"/> <tr> <td>391B</td> <td>ETR</td> <td>-</td> <td>WD.</td> <td>J2</td> <td>PTD.</td> <td>-</td> <td>391</td> <td>3\"/> <tr> <td>394</td> <td>ETR</td> <td>-</td> <td>WD.</td> <td>J2</td> <td>PTD.</td> <td>-</td> <td>391A</td> <td>3\"/> <tr> <td>395</td> <td>ETR</td> <td>-</td> <td>WD.</td> <td>J2</td> <td>PTD.</td> <td>-</td> <td>391B</td> <td>3\"/> <tr> <td>396</td> <td>ETR</td> <td>-</td> <td>WD.</td> <td>J2</td> <td>PTD.</td> <td>-</td> <td>394</td> <td>3\"/> <tr> <td>398</td> <td>ETR</td> <td>-</td> <td>WD.</td> <td>J2</td> <td>PTD.</td> <td>-</td> <td>395</td> <td>3\"/> <tr> <td>399</td> <td>ETR</td> <td>-</td> <td>WD.</td> <td>J2</td> <td>PTD.</td> <td>-</td> <td>396</td> <td>3\"/> <tr> <td>3991</td> <td>ETR</td> <td>-</td> <td>WD.</td> <td>J2</td> <td>PTD.</td> <td>-</td> <td>398</td> <td>3\"/> <tr> <td>3992</td> <td>A</td> <td>3\"/> <tr> <td>3993</td> <td>ETR</td> <td>-</td> <td>WD.</td> <td>J2</td> <td>PTD.</td> <td>-</td> <td>399</td> <td>3\"/> <tr> <td>3994</td> <td>ETR</td> <td>-</td> <td>WD.</td> <td>J2</td> <td>PTD.</td> <td>-</td> <td>3991</td> <td>3\"/> <tr> <td>3995</td> <td>ETR</td> <td>-</td> <td>WD.</td> <td>J2</td> <td>PTD.</td> <td>-</td> <td>3992</td> <td>3\"/> <tr> <td>3997</td> <td>ETR</td> <td>-</td> <td>WD.</td> <td>J2</td> <td>PTD.</td> <td>-</td> <td>3993</td> <td>3\"/> <tr> <td>3998</td> <td>ETR</td> <td>-</td> <td>WD.</td> <td>J2</td> <td>PTD.</td> <td>-</td> <td>3994</td> <td>3\"/> <tr> <td>3999</td> <td>ETR</td> <td>-</td> <td>WD.</td> <td>J2</td> <td>PTD.</td> <td>-</td> <td>3995</td> <td>3\"/> <tr> <td>3999</td> <td>ETR</td> <td>-</td> <td>WD.</td> <td>J2</td> <td>PTD.</td> <td>-</td> <td>3997</td> <td>3\"/> </td></tr></td></tr></td></tr></td></tr></td></tr></td></tr></td></tr></td></tr></td></tr></td></tr></td></tr></td></tr></td></tr></td></tr></td></tr></td></tr></td></tr></td></tr></td></tr></td></tr></td></tr></td></tr></td></td></tr></td></tr></td></td></tr></td></td></tr></td></td></tr></td></td></tr></td></td></tr></td></td></tr></td></td></tr></td></td></tr></td></tr></td></tr></td></tr></td></td></tr></td></tr></td></tr></td></tr></td></tr></td></td></tr></td></tr></td></tr></td></tr></td></tr></td></tr></td></tr> | 361A | ETR | -
 | WD. | J2 | PTD. | - | 359 | 3\"/> <tr> <td>362</td> <td>ETR</td> <td>-</td> <td>WD.</td> <td>J2</td> <td>PTD.</td> <td>-</td> <td>360</td> <td>3\"/> <tr> <td>363</td> <td>ETR</td> <td>-</td> <td>WD.</td> <td>J2</td> <td>PTD.</td> <td>-</td> <td>361A</td> <td>3\"/> <tr> <td>364A</td> <td>ETR</td> <td>-</td> <td>WD.</td> <td>J2</td> <td>PTD.</td> <td>-</td> <td>362</td> <td>3\"/> <tr> <td>365</td> <td>ETR</td> <td>-</td> <td>WD.</td> <td>J2</td> <td>PTD.</td> <td>-</td> <td>363</td> <td>3\"/> <tr> <td>366</td> <td>ETR</td> <td>-</td> <td>WD.</td> <td>J2</td> <td>PTD.</td> <td>-</td> <td>364A</td> <td>3\"/> <tr> <td>367</td> <td>B</td> <td>2 <td>HM</td> <td>J1</td> <td>PTD.</td> <td>1 HR.</td> <td>365</td> <td>3\"/> <tr> <td>368</td> <td>ETR</td> <td>-</td> <td>WD.</td> <td>J2</td> <td>PTD.</td> <td>-</td> <td>366</td> <td>3\"/> <tr> <td>369</td> <td>ETR</td> <td>-</td> <td>WD.</td> <td>J2</td> <td>PTD.</td> <td>-</td> <td>367</td> <td>3\"/> <tr> <td>370</td> <td>ETR</td> <td>-</td> <td>WD.</td> <td>J2</td> <td>PTD.</td> <td>-</td> <td>368</td> <td>3\"/> <tr> <td>371</td> <td>ETR</td> <td>-</td> <td>WD.</td> <td>J2</td> <td>PTD.</td> <td>-</td> <td>369</td> <td>3\"/> <tr> <td>372</td> <td>B</td> <td>2 <td>HM</td> <td>J1</td> <td>PTD.</td> <td>1 HR.</td> <td>370</td> <td>3\"/> <tr> <td>373A</td> <td>ETR</td> <td>-</td> <td>WD.</td> <td>J2</td> <td>PTD.</td> <td>-</td> <td>371</td> <td>3\"/> <tr> <td>374B</td> <td>ETR</td> <td>-</td> <td>WD.</td> <td>J2</td> <td>PTD.</td> <td>-</td> <td>372</td> <td>3\"/> <tr> <td>374C</td> <td>ETR</td> <td>-</td> <td>WD.</td> <td>J2</td> <td>PTD.</td> <td>-</td> <td>373A</td> <td>3\"/> <tr> <td>375</td> <td>B</td> <td>1 <td>WD</td> <td>J1</td> <td>PTD.</td> <td>-</td> <td>374B</td> <td>3\"/> <tr> <td>376</td> <td>B</td> <td>1 <td>WD</td> <td>J1</td> <td>PTD.</td> <td>-</td> <td>374C</td> <td>3\"/> <tr> <td>377</td> <td>B</td> <td>1 <td>WD</td> <td>J1</td> <td>PTD.</td> <td>-</td> <td>375</td> <td>3\"/> <tr> <td>377A</td> <td>B</td> <td>1 <td>WD</td> <td>J1</td> <td>PTD.</td> <td>-</td> <td>376</td> <td>3\"/> <tr> <td>378</td> <td>B</td> <td>1 <td>WD</td> <td>J1</td> <td>PTD.</td> <td>-</td> <td>377</td> <td>3\"/> <tr> <td>379</td> <td>B</td> <td>1 <td>WD</td> <td>J1</td> <td>PTD.</td> <td>-</td> <td>377A</td> <td>3\"/> <tr> <td>380A</td> <td>B</td> <td>1 <td>WD</td> <td>J1</td> <td>PTD.</td> <td>-</td> <td>378</td> <td>3\"/> <tr> <td>380B</td> <td>B</td> <td>1 <td>WD</td> <td>J1</td> <td>PTD.</td> <td>-</td> <td>379</td> <td>3\"/> <tr> <td>382</td> <td>ETR</td> <td>-</td> <td>WD.</td> <td>J2</td> <td>PTD.</td> <td>-</td> <td>380A</td> <td>3\"/> <tr> <td>382A</td> <td>D</td> <td>6 <td>ALUM.</td> <td>ANODIZE D</td> <td>-</td> <td>-</td> <td>380B</td> <td>3\"/> <tr> <td>385</td> <td>ETR</td> <td>-</td> <td>WD.</td> <td>J2</td> <td>PTD.</td> <td>-</td> <td>382</td> <td>3\"/> <tr> <td>386</td> <td>ETR</td> <td>-</td> <td>WD.</td> <td>J2</td> <td>PTD.</td> <td>-</td> <td>382A</td> <td>3\"/> <tr> <td>387</td> <td>ETR</td> <td>-</td> <td>WD.</td> <td>J2</td> <td>PTD.</td> <td>-</td> <td>385</td> <td>3\"/> <tr> <td>388</td> <td>ETR</td> <td>-</td> <td>WD.</td> <td>J2</td> <td>PTD.</td> <td>-</td> <td>386</td> <td>3\"/> <tr> <td>389</td> <td>ETR</td> <td>-</td> <td>WD.</td> <td>J2</td> <td>PTD.</td> <td>-</td> <td>387</td> <td>3\"/> <tr> <td>391</td> <td>ETR</td> <td>-</td> <td>WD.</td> <td>J2</td> <td>PTD.</td> <td>-</td> <td>388</td> <td>3\"/> <tr> <td>391A</td> <td>ETR</td> <td>-</td> <td>WD.</td> <td>J2</td> <td>PTD.</td> <td>-</td> <td>389</td> <td>3\"/> <tr> <td>391B</td> <td>ETR</td> <td>-</td> <td>WD.</td> <td>J2</td> <td>PTD.</td> <td>-</td> <td>391</td> <td>3\"/> <tr> <td>394</td> <td>ETR</td> <td>-</td> <td>WD.</td> <td>J2</td> <td>PTD.</td> <td>-</td> <td>391A</td> <td>3\"/> <tr> <td>395</td> <td>ETR</td> <td>-</td> <td>WD.</td> <td>J2</td> <td>PTD.</td> <td>-</td> <td>391B</td> <td>3\"/> <tr> <td>396</td> <td>ETR</td> <td>-</td> <td>WD.</td> <td>J2</td> <td>PTD.</td> <td>-</td> <td>394</td> <td>3\"/> <tr> <td>398</td> <td>ETR</td> <td>-</td> <td>WD.</td> <td>J2</td> <td>PTD.</td> <td>-</td> <td>395</td> <td>3\"/> <tr> <td>399</td> <td>ETR</td> <td>-</td> <td>WD.</td> <td>J2</td> <td>PTD.</td> <td>-</td> <td>396</td> <td>3\"/> <tr> <td>3991</td> <td>ETR</td> <td>-</td> <td>WD.</td> <td>J2</td> <td>PTD.</td> <td>-</td> <td>398</td> <td>3\"/> <tr> <td>3992</td> <td>A</td> <td>3\"/> <tr> <td>3993</td> <td>ETR</td> <td>-</td> <td>WD.</td> <td>J2</td> <td>PTD.</td> <td>-</td> <td>399</td> <td>3\"/> <tr> <td>3994</td> <td>ETR</td> <td>-</td> <td>WD.</td> <td>J2</td> <td>PTD.</td> <td>-</td> <td>3991</td> <td>3\"/> <tr> <td>3995</td> <td>ETR</td> <td>-</td> <td>WD.</td> <td>J2</td> <td>PTD.</td> <td>-</td> <td>3992</td> <td>3\"/> <tr> <td>3997</td>
<td>ETR</td> <td>-</td> <td>WD.</td> <td>J2</td> <td>PTD.</td> <td>-</td> <td>3993</td> <td>3\"/> <tr> <td>3998</td> <td>ETR</td> <td>-</td> <td>WD.</td> <td>J2</td> <td>PTD.</td> <td>-</td> <td>3994</td> <td>3\"/> <tr> <td>3999</td> <td>ETR</td> <td>-</td> <td>WD.</td> <td>J2</td> <td>PTD.</td> <td>-</td> <td>3995</td> <td>3\"/> <tr> <td>3999</td> <td>ETR</td> <td>-</td> <td>WD.</td> <td>J2</td> <td>PTD.</td> <td>-</td> <td>3997</td> <td>3\"/> </td></tr></td></tr></td></tr></td></tr></td></tr></td></tr></td></tr></td></tr></td></tr></td></tr></td></tr></td></tr></td></tr></td></tr></td></tr></td></tr></td></tr></td></tr></td></tr></td></tr></td></tr></td></tr></td></td></tr></td></tr></td></td></tr></td></td></tr></td></td></tr></td></td></tr></td></td></tr></td></td></tr></td></td></tr></td></td></tr></td></tr></td></tr></td></tr></td></td></tr></td></tr></td></tr></td></tr></td></tr></td></td></tr></td></tr></td></tr></td></tr></td></tr></td></tr> | 362 | ETR | - | WD. | J2 | PTD. | - | 360 | 3\"/> <tr> <td>363</td> <td>ETR</td> <td>-</td> <td>WD.</td> <td>J2</td> <td>PTD.</td> <td>-</td> <td>361A</td> <td>3\"/> <tr> <td>364A</td> <td>ETR</td> <td>-</td> <td>WD.</td> <td>J2</td> <td>PTD.</td> <td>-</td> <td>362</td> <td>3\"/> <tr> <td>365</td> <td>ETR</td> <td>-</td> <td>WD.</td> <td>J2</td> <td>PTD.</td> <td>-</td> <td>363</td> <td>3\"/> <tr> <td>366</td> <td>ETR</td> <td>-</td> <td>WD.</td> <td>J2</td> <td>PTD.</td> <td>-</td> <td>364A</td> <td>3\"/> <tr> <td>367</td> <td>B</td> <td>2 <td>HM</td> <td>J1</td> <td>PTD.</td> <td>1 HR.</td> <td>365</td> <td>3\"/> <tr> <td>368</td> <td>ETR</td> <td>-</td> <td>WD.</td> <td>J2</td> <td>PTD.</td> <td>-</td> <td>366</td> <td>3\"/> <tr> <td>369</td> <td>ETR</td> <td>-</td> <td>WD.</td> <td>J2</td> <td>PTD.</td> <td>-</td> <td>367</td> <td>3\"/> <tr> <td>370</td> <td>ETR</td> <td>-</td> <td>WD.</td> <td>J2</td> <td>PTD.</td> <td>-</td> <td>368</td> <td>3\"/> <tr> <td>371</td> <td>ETR</td> <td>-</td> <td>WD.</td> <td>J2</td> <td>PTD.</td> <td>-</td> <td>369</td> <td>3\"/> <tr> <td>372</td> <td>B</td> <td>2 <td>HM</td> <td>J1</td> <td>PTD.</td> <td>1 HR.</td> <td>370</td> <td>3\"/> <tr> <td>373A</td> <td>ETR</td> <td>-</td> <td>WD.</td> <td>J2</td> <td>PTD.</td> <td>-</td> <td>371</td> <td>3\"/> <tr> <td>374B</td> <td>ETR</td> <td>-</td> <td>WD.</td> <td>J2</td> <td>PTD.</td> <td>-</td> <td>372</td> <td>3\"/> <tr> <td>374C</td> <td>ETR</td> <td>-</td> <td>WD.</td> <td>J2</td> <td>PTD.</td> <td>-</td> <td>373A</td> <td>3\"/> <tr> <td>375</td> <td>B</td> <td>1 <td>WD</td> <td>J1</td> <td>PTD.</td> <td>-</td> <td>374B</td> <td>3\"/> <tr> <td>376</td> <td>B</td> <td>1 <td>WD</td> <td>J1</td> <td>PTD.</td> <td>-</td> <td>374C</td> <td>3\"/> <tr> <td>377</td> <td>B</td> <td>1 <td>WD</td> <td>J1</td> <td>PTD.</td> <td>-</td> <td>375</td> <td>3\"/> <tr> <td>377A</td> <td>B</td> <td>1 <td>WD</td> <td>J1</td> <td>PTD.</td> <td>-</td> <td>376</td> <td>3\"/> <tr> <td>378</td> <td>B</td> <td>1 <td>WD</td> <td>J1</td> <td>PTD.</td> <td>-</td> <td>377</td> <td>3\"/> <tr> <td>379</td> <td>B</td> <td>1 <td>WD</td> <td>J1</td> <td>PTD.</td> <td>-</td> <td>377A</td> <td>3\"/> <tr> <td>380A</td> <td>B</td> <td>1 <td>WD</td> <td>J1</td> <td>PTD.</td> <td>-</td> <td>378</td> <td>3\"/> <tr> <td>380B</td> <td>B</td> <td>1 <td>WD</td> <td>J1</td> <td>PTD.</td> <td>-</td> <td>379</td> <td>3\"/> <tr> <td>382</td> <td>ETR</td> <td>-</td> <td>WD.</td> <td>J2</td> <td>PTD.</td> <td>-</td> <td>380A</td> <td>3\"/> <tr> <td>382A</td> <td>D</td> <td>6 <td>ALUM.</td> <td>ANODIZE D</td> <td>-</td> <td>-</td> <td>380B</td> <td>3\"/> <tr> <td>385</td> <td>ETR</td> <td>-</td> <td>WD.</td> <td>J2</td> <td>PTD.</td> <td>-</td> <td>382</td> <td>3\"/> <tr>
<td>386</td> <td>ETR</td> <td>-</td> <td>WD.</td> <td>J2</td> <td>PTD.</td> <td>-</td> <td>382A</td> <td>3\"/> <tr> <td>387</td> <td>ETR</td> <td>-</td> <td>WD.</td> <td>J2</td> <td>PTD.</td> <td>-</td> <td>385</td> <td>3\"/> <tr> <td>388</td> <td>ETR</td> <td>-</td> <td>WD.</td> <td>J2</td> <td>PTD.</td> <td>-</td> <td>386</td> <td>3\"/> <tr> <td>389</td> <td>ETR</td> <td>-</td> <td>WD.</td> <td>J2</td> <td>PTD.</td> <td>-</td> <td>387</td> <td>3\"/> <tr> <td>391</td> <td>ETR</td> <td>-</td> <td>WD.</td> <td>J2</td> <td>PTD.</td> <td>-</td> <td>388</td> <td>3\"/> <tr> <td>391A</td> <td>ETR</td> <td>-</td> <td>WD.</td> <td>J2</td> <td>PTD.</td> <td>-</td> <td>389</td> <td>3\"/> <tr> <td>391B</td> <td>ETR</td> <td>-</td> <td>WD.</td> <td>J2</td> <td>PTD.</td> <td>-</td> <td>391</td> <td>3\"/> <tr> <td>394</td> <td>ETR</td> <td>-</td> <td>WD.</td> <td>J2</td> <td>PTD.</td> <td>-</td> <td>391A</td> <td>3\"/> <tr> <td>395</td> <td>ETR</td> <td>-</td> <td>WD.</td> <td>J2</td> <td>PTD.</td> <td>-</td> <td>391B</td> <td>3\"/> <tr> <td>396</td> <td>ETR</td> <td>-</td> <td>WD.</td> <td>J2</td> <td>PTD.</td> <td>-</td> <td>394</td> <td>3\"/> <tr> <td>398</td> <td>ETR</td> <td>-</td> <td>WD.</td> <td>J2</td> <td>PTD.</td> <td>-</td> <td>395</td> <td>3\"/> <tr> <td>399</td> <td>ETR</td> <td>-</td> <td>WD.</td> <td>J2</td> <td>PTD.</td> <td>-</td> <td>396</td> <td>3\"/> <tr> <td>3991</td> <td>ETR</td> <td>-</td> <td>WD.</td> <td>J2</td> <td>PTD.</td> <td>-</td> <td>398</td> <td>3\"/> <tr> <td>3992</td> <td>A</td> <td>3\"/> <tr> <td>3993</td> <td>ETR</td> <td>-</td> <td>WD.</td> <td>J2</td> <td>PTD.</td> <td>-</td> <td>399</td> <td>3\"/> <tr> <td>3994</td> <td>ETR</td> <td>-</td> <td>WD.</td> <td>J2</td> <td>PTD.</td> <td>-</td> <td>3991</td> <td>3\"/> <tr> <td>3995</td> <td>ETR</td> <td>-</td> <td>WD.</td> <td>J2</td> <td>PTD.</td> <td>-</td> <td>3992</td> <td>3\"/> <tr> <td>3997</td> <td>ETR</td> <td>-</td> <td>WD.</td> <td>J2</td> <td>PTD.</td> <td>-</td> <td>3993</td> <td>3\"/> <tr> <td>3998</td> <td>ETR</td> <td>-</td> <td>WD.</td> <td>J2</td> <td>PTD.</td> <td>-</td> <td>3994</td> <td>3\"/> <tr> <td>3999</td> <td>ETR</td> <td>-</td> <td>WD.</td> <td>J2</td> <td>PTD.</td> <td>-</td> <td>3995</td> <td>3\"/> <tr> <td>3999</td> <td>ETR</td> <td>-</td> <td>WD.</td> <td>J2</td> <td>PTD.</td> <td>-</td> <td>3997</td> <td>3\"/> </td></tr></td></tr></td></tr></td></tr></td></tr></td></tr></td></tr></td></tr></td></tr></td></tr></td></tr></td></tr></td></tr></td></tr></td></tr></td></tr></td></tr></td></tr></td></tr></td></tr></td></tr></td></tr></td></td></tr></td></tr></td></td></tr></td></td></tr></td></td></tr></td></td></tr></td></td></tr></td></td></tr></td></td></tr></td></td></tr></td></tr></td></tr></td></tr></td></td></tr></td></tr></td></tr></td></tr></td></tr></td></td></tr></td></tr></td></tr></td></tr></td></tr> | 363 | ETR | - | WD. | J2 | PTD. | - | 361A | 3\"/> <tr> <td>364A</td> <td>ETR</td> <td>-</td> <td>WD.</td> <td>J2</td> <td>PTD.</td> <td>-</td> <td>362</td> <td>3\"/> <tr> <td>365</td> <td>ETR</td> <td>-</td> <td>WD.</td> <td>J2</td> <td>PTD.</td> <td>-</td> <td>363</td> <td>3\"/> <tr> <td>366</td> <td>ETR</td> <td>-</td> <td>WD.</td> <td>J2</td> <td>PTD.</td> <td>-</td> <td>364A</td> <td>3\"/> <tr> <td>367</td> <td>B</td> <td>2 <td>HM</td> <td>J1</td> <td>PTD.</td> <td>1 HR.</td> <td>365</td> <td>3\"/> <tr> <td>368</td> <td>ETR</td> <td>-</td> <td>WD.</td> <td>J2</td> <td>PTD.</td> <td>-</td> <td>366</td> <td>3\"/> <tr> <td>369</td> <td>ETR</td> <td>-</td> <td>WD.</td> <td>J2</td> <td>PTD.</td> <td>-</td> <td>367</td> <td>3\"/> <tr> <td>370</td> <td>ETR</td> <td>-</td> <td>WD.</td> <td>J2</td> <td>PTD.</td> <td>-</td> <td>368</td> <td>3\"/> <tr> <td>371</td> <td>ETR</td> <td>-</td> <td>WD.</td> <td>J2</td> <td>PTD.</td> <td>-</td> <td>369</td> <td>3\"/> <tr> <td>372</td>
<td>B</td> <td>2 <td>HM</td> <td>J1</td> <td>PTD.</td> <td>1 HR.</td> <td>370</td> <td>3\"/> <tr> <td>373A</td> <td>ETR</td> <td>-</td> <td>WD.</td> <td>J2</td> <td>PTD.</td> <td>-</td> <td>371</td> <td>3\"/> <tr> <td>374B</td> <td>ETR</td> <td>-</td> <td>WD.</td> <td>J2</td> <td>PTD.</td> <td>-</td> <td>372</td> <td>3\"/> <tr> <td>374C</td> <td>ETR</td> <td>-</td> <td>WD.</td> <td>J2</td> <td>PTD.</td> <td>-</td> <td>373A</td> <td>3\"/> <tr> <td>375</td> <td>B</td> <td>1 <td>WD</td> <td>J1</td> <td>PTD.</td> <td>-</td> <td>374B</td> <td>3\"/> <tr> <td>376</td> <td>B</td> <td>1 <td>WD</td> <td>J1</td> <td>PTD.</td> <td>-</td> <td>374C</td> <td>3\"/> <tr> <td>377</td> <td>B</td> <td>1 <td>WD</td> <td>J1</td> <td>PTD.</td> <td>-</td> <td>375</td> <td>3\"/> <tr> <td>377A</td> <td>B</td> <td>1 <td>WD</td> <td>J1</td> <td>PTD.</td> <td>-</td> <td>376</td> <td>3\"/> <tr> <td>378</td> <td>B</td> <td>1 <td>WD</td> <td>J1</td> <td>PTD.</td> <td>-</td> <td>377</td> <td>3\"/> <tr> <td>379</td> <td>B</td> <td>1 <td>WD</td> <td>J1</td> <td>PTD.</td> <td>-</td> <td>377A</td> <td>3\"/> <tr> <td>380A</td> <td>B</td> <td>1 <td>WD</td> <td>J1</td> <td>PTD.</td> <td>-</td> <td>378</td> <td>3\"/> <tr> <td>380B</td> <td>B</td> <td>1 <td>WD</td> <td>J1</td> <td>PTD.</td> <td>-</td> <td>379</td> <td>3\"/> <tr> <td>382</td> <td>ETR</td> <td>-</td> <td>WD.</td> <td>J2</td> <td>PTD.</td> <td>-</td> <td>380A</td> <td>3\"/> <tr> <td>382A</td> <td>D</td> <td>6 <td>ALUM.</td> <td>ANODIZE D</td> <td>-</td> <td>-</td> <td>380B</td> <td>3\"/> <tr> <td>385</td> <td>ETR</td> <td>-</td> <td>WD.</td> <td>J2</td> <td>PTD.</td> <td>-</td> <td>382</td> <td>3\"/> <tr> <td>386</td> <td>ETR</td> <td>-</td> <td>WD.</td> <td>J2</td> <td>PTD.</td> <td>-</td> <td>382A</td> <td>3\"/> <tr> <td>387</td> <td>ETR</td> <td>-</td> <td>WD.</td> <td>J2</td> <td>PTD.</td> <td>-</td> <td>385</td> <td>3\"/> <tr> <td>388</td> <td>ETR</td> <td>-</td> <td>WD.</td> <td>J2</td> <td>PTD.</td> <td>-</td> <td>386</td> <td>3\"/> <tr> <td>389</td> <td>ETR</td> <td>-</td> <td>WD.</td> <td>J2</td> <td>PTD.</td> <td>-</td> <td>387</td> <td>3\"/> <tr> <td>391</td> <td>ETR</td> <td>-</td> <td>WD.</td> <td>J2</td> <td>PTD.</td> <td>-</td> <td>388</td> <td>3\"/> <tr> <td>391A</td> <td>ETR</td> <td>-</td> <td>WD.</td> <td>J2</td> <td>PTD.</td> <td>-</td> <td>389</td> <td>3\"/> <tr> <td>391B</td> <td>ETR</td> <td>-</td> <td>WD.</td> <td>J2</td> <td>PTD.</td> <td>-</td> <td>391</td> <td>3\"/> <tr> <td>394</td> <td>ETR</td> <td>-</td> <td>WD.</td> <td>J2</td> <td>PTD.</td> <td>-</td> <td>391A</td> <td>3\"/> <tr> <td>395</td> <td>ETR</td> <td>-</td> <td>WD.</td> <td>J2</td> <td>PTD.</td> <td>-</td> <td>391B</td> <td>3\"/> <tr> <td>396</td> <td>ETR</td> <td>-</td> <td>WD.</td> <td>J2</td> <td>PTD.</td> <td>-</td> <td>394</td> <td>3\"/> <tr> <td>398</td> <td>ETR</td> <td>-</td> <td>WD.</td> <td>J2</td> <td>PTD.</td> <td>-</td> <td>395</td> <td>3\"/> <tr> <td>399</td> <td>ETR</td> <td>-</td> <td>WD.</td> <td>J2</td> <td>PTD.</td> <td>-</td> <td>396</td> <td>3\"/> <tr> <td>3991</td> <td>ETR</td> <td>-</td> <td>WD.</td> <td>J2</td> <td>PTD.</td> <td>-</td> <td>398</td> <td>3\"/> <tr> <td>3992</td> <td>A</td> <td>3\"/> <tr> <td>3993</td> <td>ETR</td> <td>-</td> <td>WD.</td> <td>J2</td> <td>PTD.</td> <td>-</td> <td>399</td> <td>3\"/> <tr> <td>3994</td> <td>ETR</td> <td>-</td> <td>WD.</td> <td>J2</td> <td>PTD.</td> <td>-</td> <td>3991</td> <td>3\"/> <tr> <td>3995</td> <td>ETR</td> <td>-</td> <td>WD.</td> <td>J2</td> <td>PTD.</td> <td>-</td> <td>3992</td> <td>3\"/> <tr> <td>3997</td> <td>ETR</td> <td>-</td> <td>WD.</td> <td>J2</td> <td>PTD.</td> <td>-</td> <td>3993</td> <td>3\"/> <tr> <td>3998</td> <td>ETR</td> <td>-</td> <td>WD.</td> <td>J2</td> <td>PTD.</td> <td>-</td> <td>3994</td> <td>3\"/> <tr> <td>3999</td> <td>ETR</td> <td>-</td> <td>WD.</td> <td>J2</td> <td>PTD.</td> <td>-</td> <td>3995</td> <td>3\"/> <tr> <td>3999</td> <td>ETR</td> <td>-</td> <td>WD.</td> <td>J2</td> <td>PTD.</td> <td>-</td> <td>3997</td> <td>3\"/> </td></tr></td></tr></td></tr></td></tr></td></tr></td></tr></td></tr></td></tr></td></tr></td></tr></td></tr></td></tr></td></tr></td></tr></td></tr></td></tr></td></tr></td></tr></td></tr></td></tr></td></tr></td></tr></td></td></tr></td></tr></td></td></tr></td></td></tr></td></td></tr></td></td></tr></td></td></tr></td></td></tr></td></td></tr></td></td></tr></td></tr></td></tr></td></tr></td></td></tr></td></tr></td></tr></td></tr></td></tr></td></td></tr></td></tr></td></tr></td></tr> | 364A | ETR | -
 | WD. | J2 | PTD. | - | 362 | 3\"/> <tr> <td>365</td> <td>ETR</td> <td>-</td> <td>WD.</td> <td>J2</td> <td>PTD.</td> <td>-</td> <td>363</td> <td>3\"/> <tr> <td>366</td> <td>ETR</td> <td>-</td> <td>WD.</td> <td>J2</td> <td>PTD.</td> <td>-</td> <td>364A</td> <td>3\"/> <tr> <td>367</td> <td>B</td> <td>2 <td>HM</td> <td>J1</td> <td>PTD.</td> <td>1 HR.</td> <td>365</td> <td>3\"/> <tr> <td>368</td> <td>ETR</td> <td>-</td> <td>WD.</td> <td>J2</td> <td>PTD.</td> <td>-</td> <td>366</td> <td>3\"/> <tr> <td>369</td> <td>ETR</td> <td>-</td> <td>WD.</td> <td>J2</td> <td>PTD.</td> <td>-</td> <td>367</td> <td>3\"/> <tr> <td>370</td> <td>ETR</td> <td>-</td> <td>WD.</td> <td>J2</td> <td>PTD.</td> <td>-</td> <td>368</td> <td>3\"/> <tr> <td>371</td> <td>ETR</td> <td>-</td> <td>WD.</td> <td>J2</td> <td>PTD.</td> <td>-</td> <td>369</td> <td>3\"/> <tr> <td>372</td> <td>B</td> <td>2 <td>HM</td> <td>J1</td> <td>PTD.</td> <td>1 HR.</td> <td>370</td> <td>3\"/> <tr> <td>373A</td> <td>ETR</td> <td>-</td> <td>WD.</td> <td>J2</td> <td>PTD.</td> <td>-</td> <td>371</td> <td>3\"/> <tr> <td>374B</td> <td>ETR</td> <td>-</td> <td>WD.</td> <td>J2</td> <td>PTD.</td> <td>-</td> <td>372</td> <td>3\"/> <tr> <td>374C</td> <td>ETR</td> <td>-</td> <td>WD.</td> <td>J2</td> <td>PTD.</td> <td>-</td> <td>373A</td> <td>3\"/> <tr> <td>375</td> <td>B</td> <td>1 <td>WD</td> <td>J1</td> <td>PTD.</td> <td>-</td> <td>374B</td> <td>3\"/> <tr> <td>376</td> <td>B</td> <td>1 <td>WD</td> <td>J1</td> <td>PTD.</td> <td>-</td> <td>374C</td> <td>3\"/> <tr> <td>377</td> <td>B</td> <td>1 <td>WD</td> <td>J1</td> <td>PTD.</td> <td>-</td> <td>375</td> <td>3\"/> <tr> <td>377A</td> <td>B</td> <td>1 <td>WD</td> <td>J1</td> <td>PTD.</td> <td>-</td> <td>376</td> <td>3\"/> <tr> <td>378</td> <td>B</td> <td>1 <td>WD</td> <td>J1</td> <td>PTD.</td> <td>-</td> <td>377</td> <td>3\"/> <tr> <td>379</td> <td>B</td> <td>1 <td>WD</td> <td>J1</td> <td>PTD.</td> <td>-</td> <td>377A</td> <td>3\"/> <tr> <td>380A</td> <td>B</td> <td>1 <td>WD</td> <td>J1</td> <td>PTD.</td> <td>-</td> <td>378</td> <td>3\"/> <tr> <td>380B</td> <td>B</td> <td>1 <td>WD</td> <td>J1</td> <td>PTD.</td> <td>-</td> <td>379</td> <td>3\"/> <tr> <td>382</td> <td>ETR</td> <td>-</td> <td>WD.</td> <td>J2</td> <td>PTD.</td> <td>-</td> <td>380A</td> <td>3\"/> <tr> <td>382A</td> <td>D</td> <td>6 <td>ALUM.</td> <td>ANODIZE D</td> <td>-</td> <td>-</td> <td>380B</td> <td>3\"/> <tr> <td>385</td> <td>ETR</td> <td>-</td> <td>WD.</td> <td>J2</td> <td>PTD.</td> <td>-</td> <td>382</td> <td>3\"/> <tr> <td>386</td> <td>ETR</td> <td>-</td> <td>WD.</td> <td>J2</td> <td>PTD.</td> <td>-</td> <td>382A</td> <td>3\"/> <tr> <td>387</td> <td>ETR</td> <td>-</td> <td>WD.</td> <td>J2</td> <td>PTD.</td> <td>-</td> <td>385</td> <td>3\"/> <tr> <td>388</td> <td>ETR</td> <td>-</td> <td>WD.</td> <td>J2</td> <td>PTD.</td> <td>-</td> <td>386</td> <td>3\"/> <tr> <td>389</td> <td>ETR</td> <td>-</td> <td>WD.</td> <td>J2</td> <td>PTD.</td> <td>-</td> <td>387</td> <td>3\"/> <tr> <td>391</td> <td>ETR</td> <td>-</td> <td>WD.</td> <td>J2</td> <td>PTD.</td> <td>-</td> <td>388</td> <td>3\"/> <tr> <td>391A</td> <td>ETR</td> <td>-</td> <td>WD.</td> <td>J2</td> <td>PTD.</td> <td>-</td> <td>389</td> <td>3\"/> <tr> <td>391B</td> <td>ETR</td> <td>-</td> <td>WD.</td> <td>J2</td> <td>PTD.</td> <td>-</td> <td>391</td> <td>3\"/> <tr> <td>394</td> <td>ETR</td> <td>-</td> <td>WD.</td> <td>J2</td> <td>PTD.</td> <td>-</td> <td>391A</td> <td>3\"/> <tr> <td>395</td> <td>ETR</td> <td>-</td> <td>WD.</td> <td>J2</td> <td>PTD.</td> <td>-</td> <td>391B</td> <td>3\"/> <tr> <td>396</td> <td>ETR</td> <td>-</td> <td>WD.</td> <td>J2</td> <td>PTD.</td> <td>-</td> <td>394</td> <td>3\"/> <tr> <td>398</td> <td>ETR</td> <td>-</td> <td>WD.</td> <td>J2</td> <td>PTD.</td> <td>-</td> <td>395</td> <td>3\"/> <tr> <td>399</td> <td>ETR</td> <td>-</td> <td>WD.</td> <td>J2</td> <td>PTD.</td> <td>-</td> <td>396</td> <td>3\"/> <tr> <td>3991</td> <td>ETR</td> <td>-</td> <td>WD.</td> <td>J2</td> <td>PTD.</td> <td>-</td> <td>398</td> <td>3\"/> <tr> <td>3992</td> <td>A</td> <td>3\"/> <tr> <td>3993</td> <td>ETR</td> <td>-</td> <td>WD.</td> <td>J2</td> <td>PTD.</td> <td>-</td> <td>399</td> <td>3\"/> <tr> <td>3994</td> <td>ETR</td> <td>-</td> <td>WD.</td> <td>J2</td> <td>PTD.</td> <td>-</td> <td>3991</td> <td>3\"/> <tr> <td>3995</td> <td>ETR</td> <td>-</td> <td>WD.</td> <td>J2</td> <td>PTD.</td> <td>-</td> <td>3992</td> <td>3\"/> <tr> <td>3997</td> <td>ETR</td> <td>-</td> <td>WD.</td> <td>J2</td> <td>PTD.</td> <td>-</td> <td>3993</td> <td>3\"/> <tr> <td>3998</td> <td>ETR</td> <td>-</td> <td>WD.</td> <td>J2</td> <td>PTD.</td> <td>-</td> <td>3994</td> <td>3\"/> <tr> <td>3999</td> <td>ETR</td> <td>-</td> <td>WD.</td> <td>J2</td> <td>PTD.</td> <td>-</td> <td>3995</td> <td>3\"/> <tr> <td>3999</td> <td>ETR</td> <td>-</td> <td>WD.</td> <td>J2</td> <td>PTD.</td> <td>-</td> <td>3997</td> <td>3\"/> </td></tr></td></tr></td></tr></td></tr></td></tr></td></tr></td></tr></td></tr></td></tr></td></tr></td></tr></td></tr></td></tr></td></tr></td></tr></td></tr></td></tr></td></tr></td></tr></td></tr></td></tr></td></tr></td></td></tr></td></tr></td></td></tr></td></td></tr></td></td></tr></td></td></tr></td></td></tr></td></td></tr></td></td></tr></td></td></tr></td></tr></td></tr></td></tr></td></td></tr></td></tr></td></tr></td></tr></td></tr></td></td></tr></td></tr></td></tr> | 365 | ETR | -
 | WD. | J2 | PTD. | - | 363 | 3\"/> <tr> <td>366</td> <td>ETR</td> <td>-</td> <td>WD.</td> <td>J2</td> <td>PTD.</td> <td>-</td> <td>364A</td> <td>3\"/> <tr> <td>367</td> <td>B</td> <td>2 <td>HM</td> <td>J1</td> <td>PTD.</td> <td>1 HR.</td> <td>365</td> <td>3\"/> <tr> <td>368</td> <td>ETR</td> <td>-</td> <td>WD.</td> <td>J2</td> <td>PTD.</td> <td>-</td> <td>366</td> <td>3\"/> <tr> <td>369</td> <td>ETR</td> <td>-</td> <td>WD.</td> <td>J2</td> <td>PTD.</td> <td>-</td> <td>367</td> <td>3\"/> <tr> <td>370</td> <td>ETR</td> <td>-</td> <td>WD.</td> <td>J2</td> <td>PTD.</td> <td>-</td> <td>368</td> <td>3\"/> <tr> <td>371</td> <td>ETR</td> <td>-</td> <td>WD.</td> <td>J2</td> <td>PTD.</td> <td>-</td> <td>369</td> <td>3\"/> <tr> <td>372</td> <td>B</td> <td>2 <td>HM</td> <td>J1</td> <td>PTD.</td> <td>1 HR.</td> <td>370</td> <td>3\"/> <tr> <td>373A</td> <td>ETR</td> <td>-</td> <td>WD.</td> <td>J2</td> <td>PTD.</td> <td>-</td> <td>371</td> <td>3\"/> <tr> <td>374B</td> <td>ETR</td> <td>-</td> <td>WD.</td> <td>J2</td> <td>PTD.</td> <td>-</td> <td>372</td> <td>3\"/> <tr> <td>374C</td> <td>ETR</td> <td>-</td> <td>WD.</td> <td>J2</td> <td>PTD.</td> <td>-</td> <td>373A</td> <td>3\"/> <tr> <td>375</td> <td>B</td> <td>1 <td>WD</td> <td>J1</td> <td>PTD.</td> <td>-</td> <td>374B</td> <td>3\"/> <tr> <td>376</td> <td>B</td> <td>1 <td>WD</td> <td>J1</td> <td>PTD.</td> <td>-</td> <td>374C</td> <td>3\"/> <tr> <td>377</td> <td>B</td> <td>1 <td>WD</td> <td>J1</td> <td>PTD.</td> <td>-</td> <td>375</td> <td>3\"/> <tr> <td>377A</td> <td>B</td> <td>1 <td>WD</td> <td>J1</td> <td>PTD.</td> <td>-</td> <td>376</td> <td>3\"/> <tr> <td>378</td> <td>B</td> <td>1 <td>WD</td> <td>J1</td> <td>PTD.</td> <td>-</td> <td>377</td> <td>3\"/> <tr> <td>379</td> <td>B</td> <td>1 <td>WD</td> <td>J1</td> <td>PTD.</td> <td>-</td> <td>377A</td> <td>3\"/> <tr> <td>380A</td> <td>B</td> <td>1 <td>WD</td> <td>J1</td> <td>PTD.</td> <td>-</td> <td>378</td> <td>3\"/> <tr> <td>380B</td> <td>B</td> <td>1 <td>WD</td> <td>J1</td> <td>PTD.</td> <td>-</td> <td>379</td> <td>3\"/> <tr> <td>382</td> <td>ETR</td> <td>-</td> <td>WD.</td> <td>J2</td> <td>PTD.</td> <td>-</td> <td>380A</td> <td>3\"/> <tr> <td>382A</td> <td>D</td> <td>6 <td>ALUM.</td> <td>ANODIZE D</td> <td>-</td> <td>-</td> <td>380B</td> <td>3\"/> <tr> <td>385</td> <td>ETR</td> <td>-</td> <td>WD.</td> <td>J2</td> <td>PTD.</td> <td>-</td> <td>382</td> <td>3\"/> <tr> <td>386</td> <td>ETR</td> <td>-</td> <td>WD.</td> <td>J2</td> <td>PTD.</td> <td>-</td> <td>382A</td> <td>3\"/> <tr> <td>387</td> <td>ETR</td> <td>-</td> <td>WD.</td> <td>J2</td> <td>PTD.</td> <td>-</td> <td>385</td> <td>3\"/> <tr> <td>388</td> <td>ETR</td> <td>-</td> <td>WD.</td> <td>J2</td> <td>PTD.</td> <td>-</td> <td>386</td> <td>3\"/> <tr> <td>389</td> <td>ETR</td> <td>-</td> <td>WD.</td> <td>J2</td> <td>PTD.</td> <td>-</td> <td>387</td> <td>3\"/> <tr> <td>391</td> <td>ETR</td> <td>-</td> <td>WD.</td> <td>J2</td> <td>PTD.</td> <td>-</td> <td>388</td> <td>3\"/> <tr> <td>391A</td> <td>ETR</td> <td>-</td> <td>WD.</td> <td>J2</td> <td>PTD.</td> <td>-</td> <td>389</td> <td>3\"/> <tr> <td>391B</td> <td>ETR</td> <td>-</td> <td>WD.</td> <td>J2</td> <td>PTD.</td> <td>-</td> <td>391</td> <td>3\"/> <tr> <td>394</td> <td>ETR</td> <td>-</td> <td>WD.</td> <td>J2</td> <td>PTD.</td> <td>-</td> <td>391A</td> <td>3\"/> <tr> <td>395</td> <td>ETR</td> <td>-</td> <td>WD.</td> <td>J2</td> <td>PTD.</td> <td>-</td> <td>391B</td> <td>3\"/> <tr> <td>396</td> <td>ETR</td> <td>-</td> <td>WD.</td> <td>J2</td> <td>PTD.</td> <td>-</td> <td>394</td> <td>3\"/> <tr> <td>398</td> <td>ETR</td> <td>-</td> <td>WD.</td> <td>J2</td> <td>PTD.</td> <td>-</td> <td>395</td> <td>3\"/> <tr> <td>399</td> <td>ETR</td> <td>-</td> <td>WD.</td> <td>J2</td> <td>PTD.</td> <td>-</td> <td>396</td> <td>3\"/> <tr> <td>3991</td> <td>ETR</td> <td>-</td> <td>WD.</td> <td>J2</td> <td>PTD.</td> <td>-</td> <td>398</td> <td>3\"/> <tr> <td>3992</td> <td>A</td> <td>3\"/> <tr> <td>3993</td> <td>ETR</td> <td>-</td> <td>WD.</td> <td>J2</td> <td>PTD.</td> <td>-</td> <td>399</td> <td>3\"/> <tr> <td>3994</td> <td>ETR</td> <td>-</td> <td>WD.</td> <td>J2</td> <td>PTD.</td> <td>-</td> <td>3991</td> <td>3\"/> <tr> <td>3995</td> <td>ETR</td> <td>-</td> <td>WD.</td> <td>J2</td> <td>PTD.</td> <td>-</td> <td>3992</td> <td>3\"/> <tr> <td>3997</td> <td>ETR</td> <td>-</td> <td>WD.</td> <td>J2</td> <td>PTD.</td> <td>-</td> <td>3993</td> <td>3\"/> <tr> <td>3998</td> <td>ETR</td> <td>-</td> <td>WD.</td> <td>J2</td> <td>PTD.</td> <td>-</td> <td>3994</td> <td>3\"/> <tr> <td>3999</td> <td>ETR</td> <td>-</td> <td>WD.</td> <td>J2</td> <td>PTD.</td> <td>-</td> <td>3995</td> <td>3\"/> <tr> <td>3999</td> <td>ETR</td> <td>-</td> <td>WD.</td> <td>J2</td> <td>PTD.</td> <td>-</td> <td>3997</td> <td>3\"/> </td></tr></td></tr></td></tr></td></tr></td></tr></td></tr></td></tr></td></tr></td></tr></td></tr></td></tr></td></tr></td></tr></td></tr></td></tr></td></tr></td></tr></td></tr></td></tr></td></tr></td></tr></td></tr></td></td></tr></td></tr></td></td></tr></td></td></tr></td></td></tr></td></td></tr></td></td></tr></td></td></tr></td></td></tr></td></td></tr></td></tr></td></tr></td></tr></td></td></tr></td></tr></td></tr></td></tr></td></tr></td></td></tr></td></tr> | 366 | ETR | -
 | WD. | J2 | PTD. | - | 364A | 3\"/> <tr> <td>367</td> <td>B</td> <td>2 <td>HM</td> <td>J1</td> <td>PTD.</td> <td>1 HR.</td> <td>365</td> <td>3\"/> <tr> <td>368</td> <td>ETR</td> <td>-</td> <td>WD.</td> <td>J2</td> <td>PTD.</td> <td>-</td> <td>366</td> <td>3\"/> <tr> <td>369</td> <td>ETR</td> <td>-</td> <td>WD.</td> <td>J2</td> <td>PTD.</td> <td>-</td> <td>367</td> <td>3\"/> <tr> <td>370</td> <td>ETR</td> <td>-</td> <td>WD.</td> <td>J2</td> <td>PTD.</td> <td>-</td> <td>368</td> <td>3\"/> <tr> <td>371</td> <td>ETR</td> <td>-</td> <td>WD.</td> <td>J2</td> <td>PTD.</td> <td>-</td> <td>369</td> <td>3\"/> <tr> <td>372</td> <td>B</td> <td>2 <td>HM</td> <td>J1</td> <td>PTD.</td> <td>1 HR.</td> <td>370</td> <td>3\"/> <tr> <td>373A</td> <td>ETR</td> <td>-</td> <td>WD.</td> <td>J2</td> <td>PTD.</td> <td>-</td> <td>371</td> <td>3\"/> <tr> <td>374B</td> <td>ETR</td> <td>-</td> <td>WD.</td> <td>J2</td> <td>PTD.</td> <td>-</td> <td>372</td> <td>3\"/> <tr> <td>374C</td> <td>ETR</td> <td>-</td> <td>WD.</td> <td>J2</td> <td>PTD.</td> <td>-</td> <td>373A</td> <td>3\"/> <tr> <td>375</td> <td>B</td> <td>1 <td>WD</td> <td>J1</td> <td>PTD.</td> <td>-</td> <td>374B</td> <td>3\"/> <tr> <td>376</td> <td>B</td> <td>1 <td>WD</td> <td>J1</td> <td>PTD.</td> <td>-</td> <td>374C</td> <td>3\"/> <tr> <td>377</td> <td>B</td> <td>1 <td>WD</td> <td>J1</td> <td>PTD.</td> <td>-</td> <td>375</td> <td>3\"/> <tr> <td>377A</td> <td>B</td> <td>1 <td>WD</td> <td>J1</td> <td>PTD.</td> <td>-</td> <td>376</td> <td>3\"/> <tr> <td>378</td> <td>B</td> <td>1 <td>WD</td> <td>J1</td> <td>PTD.</td> <td>-</td> <td>377</td> <td>3\"/> <tr> <td>379</td> <td>B</td> <td>1 <td>WD</td> <td>J1</td> <td>PTD.</td> <td>-</td> <td>377A</td> <td>3\"/> <tr> <td>380A</td> <td>B</td> <td>1 <td>WD</td> <td>J1</td> <td>PTD.</td> <td>-</td> <td>378</td> <td>3\"/> <tr> <td>380B</td> <td>B</td> <td>1 <td>WD</td> <td>J1</td> <td>PTD.</td> <td>-</td> <td>379</td> <td>3\"/> <tr> <td>382</td> <td>ETR</td> <td>-</td> <td>WD.</td> <td>J2</td> <td>PTD.</td> <td>-</td> <td>380A</td> <td>3\"/> <tr> <td>382A</td> <td>D</td> <td>6 <td>ALUM.</td> <td>ANODIZE D</td> <td>-</td> <td>-</td> <td>380B</td> <td>3\"/> <tr> <td>385</td> <td>ETR</td> <td>-</td> <td>WD.</td> <td>J2</td> <td>PTD.</td> <td>-</td> <td>382</td> <td>3\"/> <tr> <td>386</td> <td>ETR</td> <td>-</td> <td>WD.</td> <td>J2</td> <td>PTD.</td> <td>-</td> <td>382A</td> <td>3\"/> <tr> <td>387</td> <td>ETR</td> <td>-</td> <td>WD.</td> <td>J2</td> <td>PTD.</td> <td>-</td> <td>385</td> <td>3\"/> <tr> <td>388</td> <td>ETR</td> <td>-</td> <td>WD.</td> <td>J2</td> <td>PTD.</td> <td>-</td> <td>386</td> <td>3\"/> <tr> <td>389</td> <td>ETR</td> <td>-</td> <td>WD.</td> <td>J2</td> <td>PTD.</td> <td>-</td> <td>387</td> <td>3\"/> <tr> <td>391</td> <td>ETR</td> <td>-</td> <td>WD.</td> <td>J2</td> <td>PTD.</td> <td>-</td> <td>388</td> <td>3\"/> <tr> <td>391A</td> <td>ETR</td> <td>-</td> <td>WD.</td> <td>J2</td> <td>PTD.</td> <td>-</td> <td>389</td> <td>3\"/> <tr> <td>391B</td> <td>ETR</td> <td>-</td> <td>WD.</td> <td>J2</td> <td>PTD.</td> <td>-</td> <td>391</td> <td>3\"/> <tr> <td>394</td> <td>ETR</td> <td>-</td> <td>WD.</td> <td>J2</td> <td>PTD.</td> <td>-</td> <td>391A</td> <td>3\"/> <tr> <td>395</td> <td>ETR</td> <td>-</td> <td>WD.</td> <td>J2</td> <td>PTD.</td> <td>-</td> <td>391B</td> <td>3\"/> <tr> <td>396</td> <td>ETR</td> <td>-</td> <td>WD.</td> <td>J2</td> <td>PTD.</td> <td>-</td> <td>394</td> <td>3\"/> <tr> <td>398</td> <td>ETR</td> <td>-</td> <td>WD.</td> <td>J2</td> <td>PTD.</td> <td>-</td> <td>395</td> <td>3\"/> <tr> <td>399</td> <td>ETR</td> <td>-</td> <td>WD.</td> <td>J2</td> <td>PTD.</td> <td>-</td> <td>396</td> <td>3\"/> <tr> <td>3991</td> <td>ETR</td> <td>-</td> <td>WD.</td> <td>J2</td> <td>PTD.</td> <td>-</td> <td>398</td> <td>3\"/> <tr> <td>3992</td> <td>A</td> <td>3\"/> <tr> <td>3993</td> <td>ETR</td> <td>-</td> <td>WD.</td> <td>J2</td> <td>PTD.</td> <td>-</td> <td>399</td> <td>3\"/> <tr> <td>3994</td> <td>ETR</td> <td>-</td> <td>WD.</td> <td>J2</td> <td>PTD.</td> <td>-</td> <td>3991</td> <td>3\"/> <tr> <td>3995</td> <td>ETR</td> <td>-</td> <td>WD.</td> <td>J2</td> <td>PTD.</td> <td>-</td> <td>3992</td> <td>3\"/> <tr> <td>3997</td> <td>ETR</td> <td>-</td> <td>WD.</td> <td>J2</td> <td>PTD.</td> <td>-</td> <td>3993</td> <td>3\"/> <tr> <td>3998</td> <td>ETR</td> <td>-</td> <td>WD.</td> <td>J2</td> <td>PTD.</td> <td>-</td> <td>3994</td> <td>3\"/> <tr> <td>3999</td> <td>ETR</td> <td>-</td> <td>WD.</td> <td>J2</td> <td>PTD.</td> <td>-</td> <td>3995</td> <td>3\"/> <tr> <td>3999</td> <td>ETR</td> <td>-</td> <td>WD.</td> <td>J2</td> <td>PTD.</td> <td>-</td> <td>3997</td> <td>3\"/> </td></tr></td></tr></td></tr></td></tr></td></tr></td></tr></td></tr></td></tr></td></tr></td></tr></td></tr></td></tr></td></tr></td></tr></td></tr></td></tr></td></tr></td></tr></td></tr></td></tr></td></tr></td></tr></td></td></tr></td></tr></td></td></tr></td></td></tr></td></td></tr></td></td></tr></td></td></tr></td></td></tr></td></td></tr></td></td></tr></td></tr></td></tr></td></tr></td></td></tr></td></tr></td></tr></td></tr></td></tr></td></td></tr> | 367 | B | 2 <td>HM</td> <td>J1</td> <td>PTD.</td> <td>1 HR.</td> <td>365</td> <td>3\"/> <tr> <td>368</td> <td>ETR</td> <td>-</td> <td>WD.</td> <td>J2</td> <td>PTD.</td> <td>-</td> <td>366</td> <td>3\"/> <tr> <td>369</td> <td>ETR</td> <td>-</td> <td>WD.</td> <td>J2</td> <td>PTD.</td> <td>-</td> <td>367</td> <td>3\"/> <tr> <td>370</td> <td>ETR</td> <td>-</td> <td>WD.</td> <td>J2</td> <td>PTD.</td> <td>-</td> <td>368</td> <td>3\"/> <tr> <td>371</td> <td>ETR</td> <td>-</td> <td>WD.</td> <td>J2</td> <td>PTD.</td> <td>-</td> <td>369</td> <td>3\"/> <tr> <td>372</td> <td>B</td> <td>2 <td>HM</td> <td>J1</td> <td>PTD.</td> <td>1 HR.</td> <td>370</td> <td>3\"/> <tr> <td>373A</td> <td>ETR</td> <td>-</td> <td>WD.</td> <td>J2</td> <td>PTD.</td> <td>-</td> <td>371</td> <td>3\"/> <tr> <td>374B</td> <td>ETR</td> <td>-</td> <td>WD.</td> <td>J2</td> <td>PTD.</td> <td>-</td> <td>372</td> <td>3\"/> <tr> <td>374C</td> <td>ETR</td> <td>-</td> <td>WD.</td> <td>J2</td> <td>PTD.</td> <td>-</td> <td>373A</td> <td>3\"/> <tr> <td>375</td> <td>B</td> <td>1 <td>WD</td> <td>J1</td> <td>PTD.</td> <td>-</td> <td>374B</td> <td>3\"/> <tr> <td>376</td> <td>B</td> <td>1 <td>WD</td> <td>J1</td> <td>PTD.</td> <td>-</td> <td>374C</td> <td>3\"/> <tr> <td>377</td> <td>B</td> <td>1 <td>WD</td> <td>J1</td> <td>PTD.</td> <td>-</td> <td>375</td> <td>3\"/> <tr> <td>377A</td> <td>B</td> <td>1 <td>WD</td> <td>J1</td> <td>PTD.</td> <td>-</td> <td>376</td> <td>3\"/> <tr> <td>378</td> <td>B</td> <td>1 <td>WD</td> <td>J1</td> <td>PTD.</td> <td>-</td> <td>377</td> <td>3\"/> <tr> <td>379</td> <td>B</td> <td>1 <td>WD</td> <td>J1</td>
<td>PTD.</td> <td>-</td> <td>377A</td> <td>3\"/> <tr> <td>380A</td> <td>B</td> <td>1 <td>WD</td> <td>J1</td> <td>PTD.</td> <td>-</td> <td>378</td> <td>3\"/> <tr> <td>380B</td> <td>B</td> <td>1 <td>WD</td> <td>J1</td> <td>PTD.</td> <td>-</td> <td>379</td> <td>3\"/> <tr> <td>382</td> <td>ETR</td> <td>-</td> <td>WD.</td> <td>J2</td> <td>PTD.</td> <td>-</td> <td>380A</td> <td>3\"/> <tr> <td>382A</td> <td>D</td> <td>6 <td>ALUM.</td> <td>ANODIZE D</td> <td>-</td> <td>-</td> <td>380B</td> <td>3\"/> <tr> <td>385</td> <td>ETR</td> <td>-</td> <td>WD.</td> <td>J2</td> <td>PTD.</td> <td>-</td> <td>382</td> <td>3\"/> <tr> <td>386</td> <td>ETR</td> <td>-</td> <td>WD.</td> <td>J2</td> <td>PTD.</td> <td>-</td> <td>382A</td> <td>3\"/> <tr> <td>387</td> <td>ETR</td> <td>-</td> <td>WD.</td> <td>J2</td> <td>PTD.</td> <td>-</td> <td>385</td> <td>3\"/> <tr> <td>388</td> <td>ETR</td> <td>-</td> <td>WD.</td> <td>J2</td> <td>PTD.</td> <td>-</td> <td>386</td> <td>3\"/> <tr> <td>389</td> <td>ETR</td> <td>-</td> <td>WD.</td> <td>J2</td> <td>PTD.</td> <td>-</td> <td>387</td> <td>3\"/> <tr> <td>391</td> <td>ETR</td> <td>-</td> <td>WD.</td> <td>J2</td> <td>PTD.</td> <td>-</td> <td>388</td> <td>3\"/> <tr> <td>391A</td> <td>ETR</td> <td>-</td> <td>WD.</td> <td>J2</td> <td>PTD.</td> <td>-</td> <td>389</td> <td>3\"/> <tr> <td>391B</td> <td>ETR</td> <td>-</td> <td>WD.</td> <td>J2</td> <td>PTD.</td> <td>-</td> <td>391</td> <td>3\"/> <tr> <td>394</td> <td>ETR</td> <td>-</td> <td>WD.</td> <td>J2</td> <td>PTD.</td> <td>-</td> <td>391A</td> <td>3\"/> <tr> <td>395</td> <td>ETR</td> <td>-</td> <td>WD.</td> <td>J2</td> <td>PTD.</td> <td>-</td> <td>391B</td> <td>3\"/> <tr> <td>396</td> <td>ETR</td> <td>-</td> <td>WD.</td> <td>J2</td> <td>PTD.</td> <td>-</td> <td>394</td> <td>3\"/> <tr> <td>398</td> <td>ETR</td> <td>-</td> <td>WD.</td> <td>J2</td> <td>PTD.</td> <td>-</td> <td>395</td> <td>3\"/> <tr> <td>399</td> <td>ETR</td> <td>-</td> <td>WD.</td> <td>J2</td> <td>PTD.</td> <td>-</td> <td>396</td> <td>3\"/> <tr> <td>3991</td> <td>ETR</td> <td>-</td> <td>WD.</td> <td>J2</td> <td>PTD.</td> <td>-</td> <td>398</td> <td>3\"/> <tr> <td>3992</td> <td>A</td> <td>3\"/> <tr> <td>3993</td> <td>ETR</td> <td>-</td> <td>WD.</td> <td>J2</td> <td>PTD.</td> <td>-</td> <td>399</td> <td>3\"/> <tr> <td>3994</td> <td>ETR</td> <td>-</td> <td>WD.</td> <td>J2</td> <td>PTD.</td> <td>-</td> <td>3991</td> <td>3\"/> <tr> <td>3995</td> <td>ETR</td> <td>-</td> <td>WD.</td> <td>J2</td> <td>PTD.</td> <td>-</td> <td>3992</td> <td>3\"/> <tr> <td>3997</td> <td>ETR</td> <td>-</td> <td>WD.</td> <td>J2</td> <td>PTD.</td> <td>-</td> <td>3993</td> <td>3\"/> <tr> <td>3998</td> <td>ETR</td> <td>-</td> <td>WD.</td> <td>J2</td> <td>PTD.</td> <td>-</td> <td>3994</td> <td>3\"/> <tr> <td>3999</td> <td>ETR</td> <td>-</td> <td>WD.</td> <td>J2</td> <td>PTD.</td> <td>-</td> <td>3995</td> <td>3\"/> <tr> <td>3999</td> <td>ETR</td> <td>-</td> <td>WD.</td> <td>J2</td> <td>PTD.</td> <td>-</td> <td>3997</td> <td>3\"/> </td></tr></td></tr></td></tr></td></tr></td></tr></td></tr></td></tr></td></tr></td></tr></td></tr></td></tr></td></tr></td></tr></td></tr></td></tr></td></tr></td></tr></td></tr></td></tr></td></tr></td></tr></td></tr></td></td></tr></td></tr></td></td></tr></td></td></tr></td></td></tr></td></td></tr></td></td></tr></td></td></tr></td></td></tr></td></td></tr></td></tr></td></tr></td></tr></td></td></tr></td></tr></td></tr></td></tr></td></tr></td> | HM | J1 | PTD. | 1 HR. | 365 | 3\"/> <tr> <td>368</td> <td>ETR</td> <td>-</td> <td>WD.</td> <td>J2</td> <td>PTD.</td> <td>-</td> <td>366</td> <td>3\"/> <tr> <td>369</td> <td>ETR</td> <td>-</td> <td>WD.</td> <td>J2</td> <td>PTD.</td> <td>-</td> <td>367</td> <td>3\"/> <tr> <td>370</td> <td>ETR</td> <td>-</td> <td>WD.</td> <td>J2</td> <td>PTD.</td> <td>-</td> <td>368</td> <td>3\"/> <tr> <td>371</td> <td>ETR</td> <td>-</td> <td>WD.</td> <td>J2</td> <td>PTD.</td> <td>-</td> <td>369</td> <td>3\"/> <tr> <td>372</td> <td>B</td> <td>2 <td>HM</td> <td>J1</td> <td>PTD.</td> <td>1 HR.</td> <td>370</td> <td>3\"/> <tr> <td>373A</td> <td>ETR</td> <td>-</td> <td>WD.</td> <td>J2</td> <td>PTD.</td> <td>-</td> <td>371</td> <td>3\"/> <tr> <td>374B</td> <td>ETR</td> <td>-</td> <td>WD.</td> <td>J2</td> <td>PTD.</td> <td>-</td> <td>372</td> <td>3\"/> <tr> <td>374C</td> <td>ETR</td> <td>-</td> <td>WD.</td> <td>J2</td> <td>PTD.</td> <td>-</td> <td>373A</td> <td>3\"/> <tr> <td>375</td> <td>B</td> <td>1 <td>WD</td> <td>J1</td> <td>PTD.</td> <td>-</td> <td>374B</td> <td>3\"/> <tr> <td>376</td> <td>B</td> <td>1 <td>WD</td> <td>J1</td> <td>PTD.</td> <td>-</td> <td>374C</td> <td>3\"/> <tr> <td>377</td> <td>B</td> <td>1 <td>WD</td> <td>J1</td> <td>PTD.</td> <td>-</td> <td>375</td> <td>3\"/> <tr> <td>377A</td> <td>B</td> <td>1 <td>WD</td> <td>J1</td> <td>PTD.</td> <td>-</td> <td>376</td> <td>3\"/> <tr> <td>378</td> <td>B</td> <td>1 <td>WD</td> <td>J1</td> <td>PTD.</td> <td>-</td> <td>377</td> <td>3\"/> <tr> <td>379</td> <td>B</td> <td>1 <td>WD</td> <td>J1</td> <td>PTD.</td> <td>-</td> <td>377A</td> <td>3\"/> <tr> <td>380A</td> <td>B</td> <td>1 <td>WD</td> <td>J1</td> <td>PTD.</td> <td>-</td> <td>378</td> <td>3\"/> <tr> <td>380B</td> <td>B</td> <td>1 <td>WD</td> <td>J1</td> <td>PTD.</td> <td>-</td> <td>379</td> <td>3\"/> <tr> <td>382</td> <td>ETR</td> <td>-</td> <td>WD.</td> <td>J2</td> <td>PTD.</td> <td>-</td> <td>380A</td> <td>3\"/> <tr> <td>382A</td> <td>D</td> <td>6 <td>ALUM.</td> <td>ANODIZE D</td> <td>-</td> <td>-</td> <td>380B</td> <td>3\"/> <tr> <td>385</td> <td>ETR</td> <td>-</td> <td>WD.</td> <td>J2</td> <td>PTD.</td> <td>-</td> <td>382</td> <td>3\"/> <tr> <td>386</td> <td>ETR</td> <td>-</td> <td>WD.</td> <td>J2</td> <td>PTD.</td> <td>-</td> <td>382A</td> <td>3\"/> <tr> <td>387</td> <td>ETR</td> <td>-</td> <td>WD.</td> <td>J2</td> <td>PTD.</td> <td>-</td> <td>385</td> <td>3\"/> <tr> <td>388</td> <td>ETR</td> <td>-</td> <td>WD.</td> <td>J2</td> <td>PTD.</td> <td>-</td> <td>386</td> <td>3\"/> <tr> <td>389</td> <td>ETR</td> <td>-</td> <td>WD.</td> <td>J2</td> <td>PTD.</td> <td>-</td> <td>387</td> <td>3\"/> <tr> <td>391</td> <td>ETR</td> <td>-</td> <td>WD.</td> <td>J2</td> <td>PTD.</td> <td>-</td> <td>388</td> <td>3\"/> <tr> <td>391A</td> <td>ETR</td> <td>-</td> <td>WD.</td> <td>J2</td> <td>PTD.</td> <td>-</td> <td>389</td> <td>3\"/> <tr> <td>391B</td> <td>ETR</td> <td>-</td> <td>WD.</td> <td>J2</td> <td>PTD.</td> <td>-</td> <td>391</td> <td>3\"/> <tr> <td>394</td> <td>ETR</td> <td>-</td> <td>WD.</td> <td>J2</td> <td>PTD.</td> <td>-</td> <td>391A</td> <td>3\"/> <tr> <td>395</td> <td>ETR</td> <td>-</td> <td>WD.</td> <td>J2</td> <td>PTD.</td> <td>-</td> <td>391B</td> <td>3\"/> <tr> <td>396</td> <td>ETR</td> <td>-</td> <td>WD.</td> <td>J2</td> <td>PTD.</td> <td>-</td> <td>394</td> <td>3\"/> <tr> <td>398</td> <td>ETR</td> <td>-</td> <td>WD.</td> <td>J2</td> <td>PTD.</td> <td>-</td> <td>395</td> <td>3\"/> <tr> <td>399</td> <td>ETR</td> <td>-</td> <td>WD.</td> <td>J2</td> <td>PTD.</td> <td>-</td> <td>396</td> <td>3\"/> <tr> <td>3991</td> <td>ETR</td> <td>-</td> <td>WD.</td> <td>J2</td> <td>PTD.</td> <td>-</td> <td>398</td> <td>3\"/> <tr> <td>3992</td> <td>A</td> <td>3\"/> <tr> <td>3993</td> <td>ETR</td> <td>-</td> <td>WD.</td> <td>J2</td> <td>PTD.</td> <td>-</td> <td>399</td> <td>3\"/> <tr> <td>3994</td> <td>ETR</td> <td>-</td> <td>WD.</td> <td>J2</td> <td>PTD.</td> <td>-</td> <td>3991</td> <td>3\"/> <tr> <td>3995</td> <td>ETR</td> <td>-</td> <td>WD.</td> <td>J2</td> <td>PTD.</td> <td>-</td> <td>3992</td> <td>3\"/> <tr> <td>3997</td> <td>ETR</td> <td>-</td> <td>WD.</td> <td>J2</td> <td>PTD.</td> <td>-</td> <td>3993</td> <td>3\"/> <tr> <td>3998</td> <td>ETR</td> <td>-</td> <td>WD.</td> <td>J2</td> <td>PTD.</td> <td>-</td> <td>3994</td> <td>3\"/> <tr> <td>3999</td> <td>ETR</td> <td>-</td> <td>WD.</td> <td>J2</td> <td>PTD.</td> <td>-</td> <td>3995</td> <td>3\"/> <tr> <td>3999</td> <td>ETR</td> <td>-</td> <td>WD.</td> <td>J2</td> <td>PTD.</td> <td>-</td> <td>3997</td> <td>3\"/> </td></tr></td></tr></td></tr></td></tr></td></tr></td></tr></td></tr></td></tr></td></tr></td></tr></td></tr></td></tr></td></tr></td></tr></td></tr></td></tr></td></tr></td></tr></td></tr></td></tr></td></tr></td></tr></td></td></tr></td></tr></td></td></tr></td></td></tr></td></td></tr></td></td></tr></td></td></tr></td></td></tr></td></td></tr></td></td></tr></td></tr></td></tr></td></tr></td></td></tr></td></tr></td></tr></td></tr></td></tr> | 368 | ETR | -
 | WD. | J2 | PTD. | - | 366 | 3\"/> <tr> <td>369</td> <td>ETR</td> <td>-</td> <td>WD.</td> <td>J2</td> <td>PTD.</td> <td>-</td> <td>367</td> <td>3\"/> <tr> <td>370</td> <td>ETR</td> <td>-</td> <td>WD.</td> <td>J2</td> <td>PTD.</td> <td>-</td> <td>368</td> <td>3\"/> <tr> <td>371</td> <td>ETR</td> <td>-</td> <td>WD.</td> <td>J2</td> <td>PTD.</td> <td>-</td> <td>369</td> <td>3\"/> <tr> <td>372</td> <td>B</td> <td>2 <td>HM</td> <td>J1</td> <td>PTD.</td> <td>1 HR.</td> <td>370</td> <td>3\"/> <tr> <td>373A</td> <td>ETR</td> <td>-</td>
<td>WD.</td> <td>J2</td> <td>PTD.</td> <td>-</td> <td>371</td> <td>3\"/> <tr> <td>374B</td> <td>ETR</td> <td>-</td> <td>WD.</td> <td>J2</td> <td>PTD.</td> <td>-</td> <td>372</td> <td>3\"/> <tr> <td>374C</td> <td>ETR</td> <td>-</td> <td>WD.</td> <td>J2</td> <td>PTD.</td> <td>-</td> <td>373A</td> <td>3\"/> <tr> <td>375</td> <td>B</td> <td>1 <td>WD</td> <td>J1</td> <td>PTD.</td> <td>-</td> <td>374B</td> <td>3\"/> <tr> <td>376</td> <td>B</td> <td>1 <td>WD</td> <td>J1</td> <td>PTD.</td> <td>-</td> <td>374C</td> <td>3\"/> <tr> <td>377</td> <td>B</td> <td>1 <td>WD</td> <td>J1</td> <td>PTD.</td> <td>-</td> <td>375</td> <td>3\"/> <tr> <td>377A</td> <td>B</td> <td>1 <td>WD</td> <td>J1</td> <td>PTD.</td> <td>-</td> <td>376</td> <td>3\"/> <tr> <td>378</td> <td>B</td> <td>1 <td>WD</td> <td>J1</td> <td>PTD.</td> <td>-</td> <td>377</td> <td>3\"/> <tr> <td>379</td> <td>B</td> <td>1 <td>WD</td> <td>J1</td> <td>PTD.</td> <td>-</td> <td>377A</td> <td>3\"/> <tr> <td>380A</td> <td>B</td> <td>1 <td>WD</td> <td>J1</td> <td>PTD.</td> <td>-</td> <td>378</td> <td>3\"/> <tr> <td>380B</td> <td>B</td> <td>1 <td>WD</td> <td>J1</td> <td>PTD.</td> <td>-</td> <td>379</td> <td>3\"/> <tr> <td>382</td> <td>ETR</td> <td>-</td> <td>WD.</td> <td>J2</td> <td>PTD.</td> <td>-</td> <td>380A</td> <td>3\"/> <tr> <td>382A</td> <td>D</td> <td>6 <td>ALUM.</td> <td>ANODIZE D</td> <td>-</td> <td>-</td> <td>380B</td> <td>3\"/> <tr> <td>385</td> <td>ETR</td> <td>-</td> <td>WD.</td> <td>J2</td> <td>PTD.</td> <td>-</td> <td>382</td> <td>3\"/> <tr> <td>386</td> <td>ETR</td> <td>-</td> <td>WD.</td> <td>J2</td> <td>PTD.</td> <td>-</td> <td>382A</td> <td>3\"/> <tr> <td>387</td> <td>ETR</td> <td>-</td> <td>WD.</td> <td>J2</td> <td>PTD.</td> <td>-</td> <td>385</td> <td>3\"/> <tr> <td>388</td> <td>ETR</td> <td>-</td> <td>WD.</td> <td>J2</td> <td>PTD.</td> <td>-</td> <td>386</td> <td>3\"/> <tr> <td>389</td> <td>ETR</td> <td>-</td> <td>WD.</td> <td>J2</td> <td>PTD.</td> <td>-</td> <td>387</td> <td>3\"/> <tr> <td>391</td> <td>ETR</td> <td>-</td> <td>WD.</td> <td>J2</td> <td>PTD.</td> <td>-</td> <td>388</td> <td>3\"/> <tr> <td>391A</td> <td>ETR</td> <td>-</td> <td>WD.</td> <td>J2</td> <td>PTD.</td> <td>-</td> <td>389</td> <td>3\"/> <tr> <td>391B</td> <td>ETR</td> <td>-</td> <td>WD.</td> <td>J2</td> <td>PTD.</td> <td>-</td> <td>391</td> <td>3\"/> <tr> <td>394</td> <td>ETR</td> <td>-</td> <td>WD.</td> <td>J2</td> <td>PTD.</td> <td>-</td> <td>391A</td> <td>3\"/> <tr> <td>395</td> <td>ETR</td> <td>-</td> <td>WD.</td> <td>J2</td> <td>PTD.</td> <td>-</td> <td>391B</td> <td>3\"/> <tr> <td>396</td> <td>ETR</td> <td>-</td> <td>WD.</td> <td>J2</td> <td>PTD.</td> <td>-</td> <td>394</td> <td>3\"/> <tr> <td>398</td> <td>ETR</td> <td>-</td> <td>WD.</td> <td>J2</td> <td>PTD.</td> <td>-</td> <td>395</td> <td>3\"/> <tr> <td>399</td> <td>ETR</td> <td>-</td> <td>WD.</td> <td>J2</td> <td>PTD.</td> <td>-</td> <td>396</td> <td>3\"/> <tr> <td>3991</td> <td>ETR</td> <td>-</td> <td>WD.</td> <td>J2</td> <td>PTD.</td> <td>-</td> <td>398</td> <td>3\"/> <tr> <td>3992</td> <td>A</td> <td>3\"/> <tr> <td>3993</td> <td>ETR</td> <td>-</td> <td>WD.</td> <td>J2</td> <td>PTD.</td> <td>-</td> <td>399</td> <td>3\"/> <tr> <td>3994</td> <td>ETR</td> <td>-</td> <td>WD.</td> <td>J2</td> <td>PTD.</td> <td>-</td> <td>3991</td> <td>3\"/> <tr> <td>3995</td> <td>ETR</td> <td>-</td> <td>WD.</td> <td>J2</td> <td>PTD.</td> <td>-</td> <td>3992</td> <td>3\"/> <tr> <td>3997</td> <td>ETR</td> <td>-</td> <td>WD.</td> <td>J2</td> <td>PTD.</td> <td>-</td> <td>3993</td> <td>3\"/> <tr> <td>3998</td> <td>ETR</td> <td>-</td> <td>WD.</td> <td>J2</td> <td>PTD.</td> <td>-</td> <td>3994</td> <td>3\"/> <tr> <td>3999</td> <td>ETR</td> <td>-</td> <td>WD.</td> <td>J2</td> <td>PTD.</td> <td>-</td> <td>3995</td> <td>3\"/> <tr> <td>3999</td> <td>ETR</td> <td>-</td> <td>WD.</td> <td>J2</td> <td>PTD.</td> <td>-</td> <td>3997</td> <td>3\"/> </td></tr></td></tr></td></tr></td></tr></td></tr></td></tr></td></tr></td></tr></td></tr></td></tr></td></tr></td></tr></td></tr></td></tr></td></tr></td></tr></td></tr></td></tr></td></tr></td></tr></td></tr></td></tr></td></td></tr></td></tr></td></td></tr></td></td></tr></td></td></tr></td></td></tr></td></td></tr></td></td></tr></td></td></tr></td></td></tr></td></tr></td></tr></td></tr></td></td></tr></td></tr></td></tr></td></tr> | 369 | ETR | - | WD. | J2 | PTD. | - | 367 | 3\"/> <tr> <td>370</td> <td>ETR</td> <td>-</td> <td>WD.</td> <td>J2</td> <td>PTD.</td> <td>-</td> <td>368</td> <td>3\"/> <tr> <td>371</td> <td>ETR</td> <td>-</td> <td>WD.</td> <td>J2</td> <td>PTD.</td> <td>-</td> <td>369</td> <td>3\"/>
<tr> <td>372</td> <td>B</td> <td>2 <td>HM</td> <td>J1</td> <td>PTD.</td> <td>1 HR.</td> <td>370</td> <td>3\"/> <tr> <td>373A</td> <td>ETR</td> <td>-</td> <td>WD.</td> <td>J2</td> <td>PTD.</td> <td>-</td> <td>371</td> <td>3\"/> <tr> <td>374B</td> <td>ETR</td> <td>-</td> <td>WD.</td> <td>J2</td> <td>PTD.</td> <td>-</td> <td>372</td> <td>3\"/> <tr> <td>374C</td> <td>ETR</td> <td>-</td> <td>WD.</td> <td>J2</td> <td>PTD.</td> <td>-</td> <td>373A</td> <td>3\"/> <tr> <td>375</td> <td>B</td> <td>1 <td>WD</td> <td>J1</td> <td>PTD.</td> <td>-</td> <td>374B</td> <td>3\"/> <tr> <td>376</td> <td>B</td> <td>1 <td>WD</td> <td>J1</td> <td>PTD.</td> <td>-</td> <td>374C</td> <td>3\"/> <tr> <td>377</td> <td>B</td> <td>1 <td>WD</td> <td>J1</td> <td>PTD.</td> <td>-</td> <td>375</td> <td>3\"/> <tr> <td>377A</td> <td>B</td> <td>1 <td>WD</td> <td>J1</td> <td>PTD.</td> <td>-</td> <td>376</td> <td>3\"/> <tr> <td>378</td> <td>B</td> <td>1 <td>WD</td> <td>J1</td> <td>PTD.</td> <td>-</td> <td>377</td> <td>3\"/> <tr> <td>379</td> <td>B</td> <td>1 <td>WD</td> <td>J1</td> <td>PTD.</td> <td>-</td> <td>377A</td> <td>3\"/> <tr> <td>380A</td> <td>B</td> <td>1 <td>WD</td> <td>J1</td> <td>PTD.</td> <td>-</td> <td>378</td> <td>3\"/> <tr> <td>380B</td> <td>B</td> <td>1 <td>WD</td> <td>J1</td> <td>PTD.</td> <td>-</td> <td>379</td> <td>3\"/> <tr> <td>382</td> <td>ETR</td> <td>-</td> <td>WD.</td> <td>J2</td> <td>PTD.</td> <td>-</td> <td>380A</td> <td>3\"/> <tr> <td>382A</td> <td>D</td> <td>6 <td>ALUM.</td> <td>ANODIZE D</td> <td>-</td> <td>-</td> <td>380B</td> <td>3\"/> <tr> <td>385</td> <td>ETR</td> <td>-</td> <td>WD.</td> <td>J2</td> <td>PTD.</td> <td>-</td> <td>382</td> <td>3\"/> <tr> <td>386</td> <td>ETR</td> <td>-</td> <td>WD.</td> <td>J2</td> <td>PTD.</td> <td>-</td> <td>382A</td> <td>3\"/> <tr> <td>387</td> <td>ETR</td> <td>-</td> <td>WD.</td> <td>J2</td> <td>PTD.</td> <td>-</td> <td>385</td> <td>3\"/> <tr> <td>388</td> <td>ETR</td> <td>-</td> <td>WD.</td> <td>J2</td> <td>PTD.</td> <td>-</td> <td>386</td> <td>3\"/> <tr> <td>389</td> <td>ETR</td> <td>-</td> <td>WD.</td> <td>J2</td> <td>PTD.</td> <td>-</td> <td>387</td> <td>3\"/> <tr> <td>391</td> <td>ETR</td> <td>-</td> <td>WD.</td> <td>J2</td> <td>PTD.</td> <td>-</td> <td>388</td> <td>3\"/> <tr> <td>391A</td> <td>ETR</td> <td>-</td> <td>WD.</td> <td>J2</td> <td>PTD.</td> <td>-</td> <td>389</td> <td>3\"/> <tr> <td>391B</td> <td>ETR</td> <td>-</td> <td>WD.</td> <td>J2</td> <td>PTD.</td> <td>-</td> <td>391</td> <td>3\"/> <tr> <td>394</td> <td>ETR</td> <td>-</td> <td>WD.</td> <td>J2</td> <td>PTD.</td> <td>-</td> <td>391A</td> <td>3\"/> <tr> <td>395</td> <td>ETR</td> <td>-</td> <td>WD.</td> <td>J2</td> <td>PTD.</td> <td>-</td> <td>391B</td> <td>3\"/> <tr> <td>396</td> <td>ETR</td> <td>-</td> <td>WD.</td> <td>J2</td> <td>PTD.</td> <td>-</td> <td>394</td> <td>3\"/> <tr> <td>398</td> <td>ETR</td> <td>-</td> <td>WD.</td> <td>J2</td> <td>PTD.</td> <td>-</td> <td>395</td> <td>3\"/> <tr> <td>399</td> <td>ETR</td> <td>-</td> <td>WD.</td> <td>J2</td> <td>PTD.</td> <td>-</td> <td>396</td> <td>3\"/> <tr> <td>3991</td> <td>ETR</td> <td>-</td> <td>WD.</td> <td>J2</td> <td>PTD.</td> <td>-</td> <td>398</td> <td>3\"/> <tr> <td>3992</td> <td>A</td> <td>3\"/> <tr> <td>3993</td> <td>ETR</td> <td>-</td> <td>WD.</td> <td>J2</td> <td>PTD.</td> <td>-</td> <td>399</td> <td>3\"/> <tr> <td>3994</td> <td>ETR</td> <td>-</td> <td>WD.</td> <td>J2</td> <td>PTD.</td> <td>-</td> <td>3991</td> <td>3\"/> <tr> <td>3995</td> <td>ETR</td> <td>-</td> <td>WD.</td> <td>J2</td> <td>PTD.</td> <td>-</td> <td>3992</td> <td>3\"/> <tr> <td>3997</td> <td>ETR</td> <td>-</td> <td>WD.</td> <td>J2</td> <td>PTD.</td> <td>-</td> <td>3993</td> <td>3\"/> <tr> <td>3998</td> <td>ETR</td> <td>-</td> <td>WD.</td> <td>J2</td> <td>PTD.</td> <td>-</td> <td>3994</td> <td>3\"/> <tr> <td>3999</td> <td>ETR</td> <td>-</td> <td>WD.</td> <td>J2</td> <td>PTD.</td> <td>-</td> <td>3995</td> <td>3\"/> <tr> <td>3999</td> <td>ETR</td> <td>-</td> <td>WD.</td> <td>J2</td> <td>PTD.</td> <td>-</td> <td>3997</td> <td>3\"/> </td></tr></td></tr></td></tr></td></tr></td></tr></td></tr></td></tr></td></tr></td></tr></td></tr></td></tr></td></tr></td></tr></td></tr></td></tr></td></tr></td></tr></td></tr></td></tr></td></tr></td></tr></td></tr></td></td></tr></td></tr></td></td></tr></td></td></tr></td></td></tr></td></td></tr></td></td></tr></td></td></tr></td></td></tr></td></td></tr></td></tr></td></tr></td></tr></td></td></tr></td></tr></td></tr> | 370 | ETR | - | WD. | J2 | PTD. | - | 368 | 3\"/> <tr> <td>371</td> <td>ETR</td> <td>-</td> <td>WD.</td> <td>J2</td> <td>PTD.</td> <td>-</td> <td>369</td> <td>3\"/> <tr> <td>372</td> <td>B</td> <td>2 <td>HM</td> <td>J1</td> <td>PTD.</td> <td>1 HR.</td> <td>370</td>
<td>3\"/> <tr> <td>373A</td> <td>ETR</td> <td>-</td> <td>WD.</td> <td>J2</td> <td>PTD.</td> <td>-</td> <td>371</td> <td>3\"/> <tr> <td>374B</td> <td>ETR</td> <td>-</td> <td>WD.</td> <td>J2</td> <td>PTD.</td> <td>-</td> <td>372</td> <td>3\"/> <tr> <td>374C</td> <td>ETR</td> <td>-</td> <td>WD.</td> <td>J2</td> <td>PTD.</td> <td>-</td> <td>373A</td> <td>3\"/> <tr> <td>375</td> <td>B</td> <td>1 <td>WD</td> <td>J1</td> <td>PTD.</td> <td>-</td> <td>374B</td> <td>3\"/> <tr> <td>376</td> <td>B</td> <td>1 <td>WD</td> <td>J1</td> <td>PTD.</td> <td>-</td> <td>374C</td> <td>3\"/> <tr> <td>377</td> <td>B</td> <td>1 <td>WD</td> <td>J1</td> <td>PTD.</td> <td>-</td> <td>375</td> <td>3\"/> <tr> <td>377A</td> <td>B</td> <td>1 <td>WD</td> <td>J1</td> <td>PTD.</td> <td>-</td> <td>376</td> <td>3\"/> <tr> <td>378</td> <td>B</td> <td>1 <td>WD</td> <td>J1</td> <td>PTD.</td> <td>-</td> <td>377</td> <td>3\"/> <tr> <td>379</td> <td>B</td> <td>1 <td>WD</td> <td>J1</td> <td>PTD.</td> <td>-</td> <td>377A</td> <td>3\"/> <tr> <td>380A</td> <td>B</td> <td>1 <td>WD</td> <td>J1</td> <td>PTD.</td> <td>-</td> <td>378</td> <td>3\"/> <tr> <td>380B</td> <td>B</td> <td>1 <td>WD</td> <td>J1</td> <td>PTD.</td> <td>-</td> <td>379</td> <td>3\"/> <tr> <td>382</td> <td>ETR</td> <td>-</td> <td>WD.</td> <td>J2</td> <td>PTD.</td> <td>-</td> <td>380A</td> <td>3\"/> <tr> <td>382A</td> <td>D</td> <td>6 <td>ALUM.</td> <td>ANODIZE D</td> <td>-</td> <td>-</td> <td>380B</td> <td>3\"/> <tr> <td>385</td> <td>ETR</td> <td>-</td> <td>WD.</td> <td>J2</td> <td>PTD.</td> <td>-</td> <td>382</td> <td>3\"/> <tr> <td>386</td> <td>ETR</td> <td>-</td> <td>WD.</td> <td>J2</td> <td>PTD.</td> <td>-</td> <td>382A</td> <td>3\"/> <tr> <td>387</td> <td>ETR</td> <td>-</td> <td>WD.</td> <td>J2</td> <td>PTD.</td> <td>-</td> <td>385</td> <td>3\"/> <tr> <td>388</td> <td>ETR</td> <td>-</td> <td>WD.</td> <td>J2</td> <td>PTD.</td> <td>-</td> <td>386</td> <td>3\"/> <tr> <td>389</td> <td>ETR</td> <td>-</td> <td>WD.</td> <td>J2</td> <td>PTD.</td> <td>-</td> <td>387</td> <td>3\"/> <tr> <td>391</td> <td>ETR</td> <td>-</td> <td>WD.</td> <td>J2</td> <td>PTD.</td> <td>-</td> <td>388</td> <td>3\"/> <tr> <td>391A</td> <td>ETR</td> <td>-</td> <td>WD.</td> <td>J2</td> <td>PTD.</td> <td>-</td> <td>389</td> <td>3\"/> <tr> <td>391B</td> <td>ETR</td> <td>-</td> <td>WD.</td> <td>J2</td> <td>PTD.</td> <td>-</td> <td>391</td> <td>3\"/> <tr> <td>394</td> <td>ETR</td> <td>-</td> <td>WD.</td> <td>J2</td> <td>PTD.</td> <td>-</td> <td>391A</td> <td>3\"/> <tr> <td>395</td> <td>ETR</td> <td>-</td> <td>WD.</td> <td>J2</td> <td>PTD.</td> <td>-</td> <td>391B</td> <td>3\"/> <tr> <td>396</td> <td>ETR</td> <td>-</td> <td>WD.</td> <td>J2</td> <td>PTD.</td> <td>-</td> <td>394</td> <td>3\"/> <tr> <td>398</td> <td>ETR</td> <td>-</td> <td>WD.</td> <td>J2</td> <td>PTD.</td> <td>-</td> <td>395</td> <td>3\"/> <tr> <td>399</td> <td>ETR</td> <td>-</td> <td>WD.</td> <td>J2</td> <td>PTD.</td> <td>-</td> <td>396</td> <td>3\"/> <tr> <td>3991</td> <td>ETR</td> <td>-</td> <td>WD.</td> <td>J2</td> <td>PTD.</td> <td>-</td> <td>398</td> <td>3\"/> <tr> <td>3992</td> <td>A</td> <td>3\"/> <tr> <td>3993</td> <td>ETR</td> <td>-</td> <td>WD.</td> <td>J2</td> <td>PTD.</td> <td>-</td> <td>399</td> <td>3\"/> <tr> <td>3994</td> <td>ETR</td> <td>-</td> <td>WD.</td> <td>J2</td> <td>PTD.</td> <td>-</td> <td>3991</td> <td>3\"/> <tr> <td>3995</td> <td>ETR</td> <td>-</td> <td>WD.</td> <td>J2</td> <td>PTD.</td> <td>-</td> <td>3992</td> <td>3\"/> <tr> <td>3997</td> <td>ETR</td> <td>-</td> <td>WD.</td> <td>J2</td> <td>PTD.</td> <td>-</td> <td>3993</td> <td>3\"/> <tr> <td>3998</td> <td>ETR</td> <td>-</td> <td>WD.</td> <td>J2</td> <td>PTD.</td> <td>-</td> <td>3994</td> <td>3\"/> <tr> <td>3999</td> <td>ETR</td> <td>-</td> <td>WD.</td> <td>J2</td> <td>PTD.</td> <td>-</td> <td>3995</td> <td>3\"/> <tr> <td>3999</td> <td>ETR</td> <td>-</td> <td>WD.</td> <td>J2</td> <td>PTD.</td> <td>-</td> <td>3997</td> <td>3\"/> </td></tr></td></tr></td></tr></td></tr></td></tr></td></tr></td></tr></td></tr></td></tr></td></tr></td></tr></td></tr></td></tr></td></tr></td></tr></td></tr></td></tr></td></tr></td></tr></td></tr></td></tr></td></tr></td></td></tr></td></tr></td></td></tr></td></td></tr></td></td></tr></td></td></tr></td></td></tr></td></td></tr></td></td></tr></td></td></tr></td></tr></td></tr></td></tr></td></td></tr></td></tr> | 371 | ETR | - | WD. | J2 | PTD. | - | 369 | 3\"/> <tr> <td>372</td> <td>B</td> <td>2 <td>HM</td> <td>J1</td> <td>PTD.</td> <td>1 HR.</td> <td>370</td> <td>3\"/> <tr> <td>373A</td> <td>ETR</td> <td>-</td> <td>WD.</td> <td>J2</td> <td>PTD.</td> <td>-</td> <td>371</td> <td>3\"/> <tr> <td>374B</td> <td>ETR</td> <td>-</td> <td>WD.</td> <td>J2</td> <td>PTD.</td> <td>-</td> <td>372</td> <td>3\"/> <tr> <td>374C</td> <td>ETR</td> <td>-</td> <td>WD.</td> <td>J2</td> <td>PTD.</td> <td>-</td> <td>373A</td>
<td>3\"/> <tr> <td>375</td> <td>B</td> <td>1 <td>WD</td> <td>J1</td> <td>PTD.</td> <td>-</td> <td>374B</td> <td>3\"/> <tr> <td>376</td> <td>B</td> <td>1 <td>WD</td> <td>J1</td> <td>PTD.</td> <td>-</td> <td>374C</td> <td>3\"/> <tr> <td>377</td> <td>B</td> <td>1 <td>WD</td> <td>J1</td> <td>PTD.</td> <td>-</td> <td>375</td> <td>3\"/> <tr> <td>377A</td> <td>B</td> <td>1 <td>WD</td> <td>J1</td> <td>PTD.</td> <td>-</td> <td>376</td> <td>3\"/> <tr> <td>378</td> <td>B</td> <td>1 <td>WD</td> <td>J1</td> <td>PTD.</td> <td>-</td> <td>377</td> <td>3\"/> <tr> <td>379</td> <td>B</td> <td>1 <td>WD</td> <td>J1</td> <td>PTD.</td> <td>-</td> <td>377A</td> <td>3\"/> <tr> <td>380A</td> <td>B</td> <td>1 <td>WD</td> <td>J1</td> <td>PTD.</td> <td>-</td> <td>378</td> <td>3\"/> <tr> <td>380B</td> <td>B</td> <td>1 <td>WD</td> <td>J1</td> <td>PTD.</td> <td>-</td> <td>379</td> <td>3\"/> <tr> <td>382</td> <td>ETR</td> <td>-</td> <td>WD.</td> <td>J2</td> <td>PTD.</td> <td>-</td> <td>380A</td> <td>3\"/> <tr> <td>382A</td> <td>D</td> <td>6 <td>ALUM.</td> <td>ANODIZE D</td> <td>-</td> <td>-</td> <td>380B</td> <td>3\"/> <tr> <td>385</td> <td>ETR</td> <td>-</td> <td>WD.</td> <td>J2</td> <td>PTD.</td> <td>-</td> <td>382</td> <td>3\"/> <tr> <td>386</td> <td>ETR</td> <td>-</td> <td>WD.</td> <td>J2</td> <td>PTD.</td> <td>-</td> <td>382A</td> <td>3\"/> <tr> <td>387</td> <td>ETR</td> <td>-</td> <td>WD.</td> <td>J2</td> <td>PTD.</td> <td>-</td> <td>385</td> <td>3\"/> <tr> <td>388</td> <td>ETR</td> <td>-</td> <td>WD.</td> <td>J2</td> <td>PTD.</td> <td>-</td> <td>386</td> <td>3\"/> <tr> <td>389</td> <td>ETR</td> <td>-</td> <td>WD.</td> <td>J2</td> <td>PTD.</td> <td>-</td> <td>387</td> <td>3\"/> <tr> <td>391</td> <td>ETR</td> <td>-</td> <td>WD.</td> <td>J2</td> <td>PTD.</td> <td>-</td> <td>388</td> <td>3\"/> <tr> <td>391A</td> <td>ETR</td> <td>-</td> <td>WD.</td> <td>J2</td> <td>PTD.</td> <td>-</td> <td>389</td> <td>3\"/> <tr> <td>391B</td> <td>ETR</td> <td>-</td> <td>WD.</td> <td>J2</td> <td>PTD.</td> <td>-</td> <td>391</td> <td>3\"/> <tr> <td>394</td> <td>ETR</td> <td>-</td> <td>WD.</td> <td>J2</td> <td>PTD.</td> <td>-</td> <td>391A</td> <td>3\"/> <tr> <td>395</td> <td>ETR</td> <td>-</td> <td>WD.</td> <td>J2</td> <td>PTD.</td> <td>-</td> <td>391B</td> <td>3\"/> <tr> <td>396</td> <td>ETR</td> <td>-</td> <td>WD.</td> <td>J2</td> <td>PTD.</td> <td>-</td> <td>394</td> <td>3\"/> <tr> <td>398</td> <td>ETR</td> <td>-</td> <td>WD.</td> <td>J2</td> <td>PTD.</td> <td>-</td> <td>395</td> <td>3\"/> <tr> <td>399</td> <td>ETR</td> <td>-</td> <td>WD.</td> <td>J2</td> <td>PTD.</td> <td>-</td> <td>396</td> <td>3\"/> <tr> <td>3991</td> <td>ETR</td> <td>-</td> <td>WD.</td> <td>J2</td> <td>PTD.</td> <td>-</td> <td>398</td> <td>3\"/> <tr> <td>3992</td> <td>A</td> <td>3\"/> <tr> <td>3993</td> <td>ETR</td> <td>-</td> <td>WD.</td> <td>J2</td> <td>PTD.</td> <td>-</td> <td>399</td> <td>3\"/> <tr> <td>3994</td> <td>ETR</td> <td>-</td> <td>WD.</td> <td>J2</td> <td>PTD.</td> <td>-</td> <td>3991</td> <td>3\"/> <tr> <td>3995</td> <td>ETR</td> <td>-</td> <td>WD.</td> <td>J2</td> <td>PTD.</td> <td>-</td> <td>3992</td> <td>3\"/> <tr> <td>3997</td> <td>ETR</td> <td>-</td> <td>WD.</td> <td>J2</td> <td>PTD.</td> <td>-</td> <td>3993</td> <td>3\"/> <tr> <td>3998</td> <td>ETR</td> <td>-</td> <td>WD.</td> <td>J2</td> <td>PTD.</td> <td>-</td> <td>3994</td> <td>3\"/> <tr> <td>3999</td> <td>ETR</td> <td>-</td> <td>WD.</td> <td>J2</td> <td>PTD.</td> <td>-</td> <td>3995</td> <td>3\"/> <tr> <td>3999</td> <td>ETR</td> <td>-</td> <td>WD.</td> <td>J2</td> <td>PTD.</td> <td>-</td> <td>3997</td> <td>3\"/> </td></tr></td></tr></td></tr></td></tr></td></tr></td></tr></td></tr></td></tr></td></tr></td></tr></td></tr></td></tr></td></tr></td></tr></td></tr></td></tr></td></tr></td></tr></td></tr></td></tr></td></tr></td></tr></td></td></tr></td></tr></td></td></tr></td></td></tr></td></td></tr></td></td></tr></td></td></tr></td></td></tr></td></td></tr></td></td></tr></td></tr></td></tr></td></tr></td></td></tr> | 372 | B | 2 <td>HM</td> <td>J1</td> <td>PTD.</td> <td>1 HR.</td> <td>370</td> <td>3\"/> <tr> <td>373A</td> <td>ETR</td> <td>-</td> <td>WD.</td> <td>J2</td> <td>PTD.</td> <td>-</td> <td>371</td> <td>3\"/> <tr> <td>374B</td> <td>ETR</td> <td>-</td> <td>WD.</td> <td>J2</td> <td>PTD.</td> <td>-</td> <td>372</td> <td>3\"/> <tr> <td>374C</td> <td>ETR</td> <td>-</td> <td>WD.</td> <td>J2</td> <td>PTD.</td> <td>-</td> <td>373A</td> <td>3\"/> <tr> <td>375</td> <td>B</td> <td>1 <td>WD</td> <td>J1</td> <td>PTD.</td> <td>-</td> <td>374B</td> <td>3\"/> <tr> <td>376</td> <td>B</td> <td>1 <td>WD</td> <td>J1</td> <td>PTD.</td> <td>-</td> <td>374C</td> <td>3\"/> <tr> <td>377</td> <td>B</td> <td>1 <td>WD</td> <td>J1</td> <td>PTD.</td> <td>-</td> <td>375</td> <td>3\"/> <tr> <td>377A</td> <td>B</td> <td>1 <td>WD</td> <td>J1</td> <td>PTD.</td> <td>-</td> <td>376</td> <td>3\"/> <tr> <td>378</td> <td>B</td> <td>1 <td>WD</td> <td>J1</td> <td>PTD.</td> <td>-</td> <td>377</td> <td>3\"/> <tr> <td>379</td> <td>B</td> <td>1 <td>WD</td> <td>J1</td> <td>PTD.</td> <td>-</td> <td>377A</td> <td>3\"/> <tr> <td>380A</td> <td>B</td> <td>1 <td>WD</td> <td>J1</td> <td>PTD.</td> <td>-</td> <td>378</td> <td>3\"/> <tr> <td>380B</td> <td>B</td> <td>1 <td>WD</td> <td>J1</td> <td>PTD.</td> <td>-</td> <td>379</td> <td>3\"/> <tr> <td>382</td> <td>ETR</td> <td>-</td> <td>WD.</td> <td>J2</td> <td>PTD.</td> <td>-</td> <td>380A</td> <td>3\"/> <tr> <td>382A</td> <td>D</td> <td>6 <td>ALUM.</td> <td>ANODIZE D</td> <td>-</td> <td>-</td> <td>380B</td> <td>3\"/> <tr> <td>385</td> <td>ETR</td> <td>-</td> <td>WD.</td> <td>J2</td> <td>PTD.</td> <td>-</td> <td>382</td> <td>3\"/> <tr> <td>386</td> <td>ETR</td> <td>-</td> <td>WD.</td> <td>J2</td> <td>PTD.</td> <td>-</td> <td>382A</td> <td>3\"/> <tr> <td>387</td> <td>ETR</td> <td>-</td> <td>WD.</td> <td>J2</td> <td>PTD.</td> <td>-</td> <td>385</td> <td>3\"/> <tr> <td>388</td> <td>ETR</td> <td>-</td> <td>WD.</td> <td>J2</td> <td>PTD.</td> <td>-</td> <td>386</td> <td>3\"/> <tr> <td>389</td> <td>ETR</td> <td>-</td> <td>WD.</td> <td>J2</td> <td>PTD.</td> <td>-</td> <td>387</td> <td>3\"/> <tr> <td>391</td> <td>ETR</td> <td>-</td> <td>WD.</td> <td>J2</td> <td>PTD.</td> <td>-</td> <td>388</td> <td>3\"/> <tr> <td>391A</td> <td>ETR</td> <td>-</td> <td>WD.</td> <td>J2</td> <td>PTD.</td> <td>-</td> <td>389</td> <td>3\"/> <tr> <td>391B</td> <td>ETR</td> <td>-</td> <td>WD.</td> <td>J2</td> <td>PTD.</td> <td>-</td> <td>391</td> <td>3\"/> <tr> <td>394</td> <td>ETR</td> <td>-</td> <td>WD.</td> <td>J2</td> <td>PTD.</td> <td>-</td> <td>391A</td> <td>3\"/> <tr> <td>395</td> <td>ETR</td> <td>-</td> <td>WD.</td> <td>J2</td> <td>PTD.</td> <td>-</td> <td>391B</td> <td>3\"/> <tr> <td>396</td> <td>ETR</td> <td>-</td> <td>WD.</td> <td>J2</td> <td>PTD.</td> <td>-</td> <td>394</td> <td>3\"/> <tr> <td>398</td> <td>ETR</td> <td>-</td> <td>WD.</td> <td>J2</td> <td>PTD.</td> <td>-</td> <td>395</td> <td>3\"/> <tr> <td>399</td> <td>ETR</td> <td>-</td> <td>WD.</td> <td>J2</td> <td>PTD.</td> <td>-</td> <td>396</td> <td>3\"/> <tr> <td>3991</td> <td>ETR</td> <td>-</td> <td>WD.</td> <td>J2</td> <td>PTD.</td> <td>-</td> <td>398</td> <td>3\"/> <tr> <td>3992</td> <td>A</td> <td>3\"/> <tr> <td>3993</td> <td>ETR</td> <td>-</td> <td>WD.</td> <td>J2</td> <td>PTD.</td> <td>-</td> <td>399</td> <td>3\"/> <tr> <td>3994</td> <td>ETR</td> <td>-</td> <td>WD.</td> <td>J2</td> <td>PTD.</td> <td>-</td> <td>3991</td> <td>3\"/> <tr> <td>3995</td> <td>ETR</td> <td>-</td> <td>WD.</td> <td>J2</td> <td>PTD.</td> <td>-</td> <td>3992</td> <td>3\"/> <tr> <td>3997</td> <td>ETR</td> <td>-</td> <td>WD.</td> <td>J2</td> <td>PTD.</td> <td>-</td> <td>3993</td> <td>3\"/> <tr> <td>3998</td> <td>ETR</td> <td>-</td> <td>WD.</td> <td>J2</td> <td>PTD.</td> <td>-</td> <td>3994</td> <td>3\"/> <tr> <td>3999</td> <td>ETR</td> <td>-</td> <td>WD.</td> <td>J2</td> <td>PTD.</td> <td>-</td> <td>3995</td> <td>3\"/> <tr> <td>3999</td> <td>ETR</td> <td>-</td> <td>WD.</td> <td>J2</td> <td>PTD.</td> <td>-</td> <td>3997</td> <td>3\"/> </td></tr></td></tr></td></tr></td></tr></td></tr></td></tr></td></tr></td></tr></td></tr></td></tr></td></tr></td></tr></td></tr></td></tr></td></tr></td></tr></td></tr></td></tr></td></tr></td></tr></td></tr></td></tr></td></td></tr></td></tr></td></td></tr></td></td></tr></td></td></tr></td></td></tr></td></td></tr></td></td></tr></td></td></tr></td></td></tr></td></tr></td></tr></td></tr></td> | HM | J1 | PTD. | 1 HR. | 370 | 3\"/> <tr> <td>373A</td> <td>ETR</td> <td>-</td> <td>WD.</td> <td>J2</td> <td>PTD.</td> <td>-</td> <td>371</td> <td>3\"/> <tr> <td>374B</td> <td>ETR</td> <td>-</td> <td>WD.</td> <td>J2</td> <td>PTD.</td> <td>-</td> <td>372</td> <td>3\"/> <tr> <td>374C</td> <td>ETR</td> <td>-</td> <td>WD.</td> <td>J2</td> <td>PTD.</td> <td>-</td> <td>373A</td> <td>3\"/> <tr> <td>375</td> <td>B</td> <td>1 <td>WD</td> <td>J1</td> <td>PTD.</td> <td>-</td> <td>374B</td> <td>3\"/> <tr> <td>376</td> <td>B</td> <td>1 <td>WD</td> <td>J1</td> <td>PTD.</td> <td>-</td> <td>374C</td> <td>3\"/> <tr> <td>377</td> <td>B</td> <td>1 <td>WD</td> <td>J1</td> <td>PTD.</td> <td>-</td> <td>375</td> <td>3\"/> <tr> <td>377A</td> <td>B</td> <td>1 <td>WD</td> <td>J1</td> <td>PTD.</td> <td>-</td> <td>376</td> <td>3\"/> <tr> <td>378</td> <td>B</td> <td>1 <td>WD</td> <td>J1</td> <td>PTD.</td> <td>-</td> <td>377</td> <td>3\"/> <tr> <td>379</td> <td>B</td> <td>1
<td>WD</td> <td>J1</td> <td>PTD.</td> <td>-</td> <td>377A</td> <td>3\"/> <tr> <td>380A</td> <td>B</td> <td>1 <td>WD</td> <td>J1</td> <td>PTD.</td> <td>-</td> <td>378</td> <td>3\"/> <tr> <td>380B</td> <td>B</td> <td>1 <td>WD</td> <td>J1</td> <td>PTD.</td> <td>-</td> <td>379</td> <td>3\"/> <tr> <td>382</td> <td>ETR</td> <td>-</td> <td>WD.</td> <td>J2</td> <td>PTD.</td> <td>-</td> <td>380A</td> <td>3\"/> <tr> <td>382A</td> <td>D</td> <td>6 <td>ALUM.</td> <td>ANODIZE D</td> <td>-</td> <td>-</td> <td>380B</td> <td>3\"/> <tr> <td>385</td> <td>ETR</td> <td>-</td> <td>WD.</td> <td>J2</td> <td>PTD.</td> <td>-</td> <td>382</td> <td>3\"/> <tr> <td>386</td> <td>ETR</td> <td>-</td> <td>WD.</td> <td>J2</td> <td>PTD.</td> <td>-</td> <td>382A</td> <td>3\"/> <tr> <td>387</td> <td>ETR</td> <td>-</td> <td>WD.</td> <td>J2</td> <td>PTD.</td> <td>-</td> <td>385</td> <td>3\"/> <tr> <td>388</td> <td>ETR</td> <td>-</td> <td>WD.</td> <td>J2</td> <td>PTD.</td> <td>-</td> <td>386</td> <td>3\"/> <tr> <td>389</td> <td>ETR</td> <td>-</td> <td>WD.</td> <td>J2</td> <td>PTD.</td> <td>-</td> <td>387</td> <td>3\"/> <tr> <td>391</td> <td>ETR</td> <td>-</td> <td>WD.</td> <td>J2</td> <td>PTD.</td> <td>-</td> <td>388</td> <td>3\"/> <tr> <td>391A</td> <td>ETR</td> <td>-</td> <td>WD.</td> <td>J2</td> <td>PTD.</td> <td>-</td> <td>389</td> <td>3\"/> <tr> <td>391B</td> <td>ETR</td> <td>-</td> <td>WD.</td> <td>J2</td> <td>PTD.</td> <td>-</td> <td>391</td> <td>3\"/> <tr> <td>394</td> <td>ETR</td> <td>-</td> <td>WD.</td> <td>J2</td> <td>PTD.</td> <td>-</td> <td>391A</td> <td>3\"/> <tr> <td>395</td> <td>ETR</td> <td>-</td> <td>WD.</td> <td>J2</td> <td>PTD.</td> <td>-</td> <td>391B</td> <td>3\"/> <tr> <td>396</td> <td>ETR</td> <td>-</td> <td>WD.</td> <td>J2</td> <td>PTD.</td> <td>-</td> <td>394</td> <td>3\"/> <tr> <td>398</td> <td>ETR</td> <td>-</td> <td>WD.</td> <td>J2</td> <td>PTD.</td> <td>-</td> <td>395</td> <td>3\"/> <tr> <td>399</td> <td>ETR</td> <td>-</td> <td>WD.</td> <td>J2</td> <td>PTD.</td> <td>-</td> <td>396</td> <td>3\"/> <tr> <td>3991</td> <td>ETR</td> <td>-</td> <td>WD.</td> <td>J2</td> <td>PTD.</td> <td>-</td> <td>398</td> <td>3\"/> <tr> <td>3992</td> <td>A</td> <td>3\"/> <tr> <td>3993</td> <td>ETR</td> <td>-</td> <td>WD.</td> <td>J2</td> <td>PTD.</td> <td>-</td> <td>399</td> <td>3\"/> <tr> <td>3994</td> <td>ETR</td> <td>-</td> <td>WD.</td> <td>J2</td> <td>PTD.</td> <td>-</td> <td>3991</td> <td>3\"/> <tr> <td>3995</td> <td>ETR</td> <td>-</td> <td>WD.</td> <td>J2</td> <td>PTD.</td> <td>-</td> <td>3992</td> <td>3\"/> <tr> <td>3997</td> <td>ETR</td> <td>-</td> <td>WD.</td> <td>J2</td> <td>PTD.</td> <td>-</td> <td>3993</td> <td>3\"/> <tr> <td>3998</td> <td>ETR</td> <td>-</td> <td>WD.</td> <td>J2</td> <td>PTD.</td> <td>-</td> <td>3994</td> <td>3\"/> <tr> <td>3999</td> <td>ETR</td> <td>-</td> <td>WD.</td> <td>J2</td> <td>PTD.</td> <td>-</td> <td>3995</td> <td>3\"/> <tr> <td>3999</td> <td>ETR</td> <td>-</td> <td>WD.</td> <td>J2</td> <td>PTD.</td> <td>-</td> <td>3997</td> <td>3\"/> </td></tr></td></tr></td></tr></td></tr></td></tr></td></tr></td></tr></td></tr></td></tr></td></tr></td></tr></td></tr></td></tr></td></tr></td></tr></td></tr></td></tr></td></tr></td></tr></td></tr></td></tr></td></tr></td></td></tr></td></tr></td></td></tr></td></td></tr></td></td></tr></td></td></tr></td></td></tr></td></td></tr></td></td></tr></td></td></tr></td></tr></td></tr></td></tr> | 373A | ETR | - | WD. | J2 | PTD.
 | - | 371 | 3\"/> <tr> <td>374B</td> <td>ETR</td> <td>-</td> <td>WD.</td> <td>J2</td> <td>PTD.</td> <td>-</td> <td>372</td> <td>3\"/> <tr> <td>374C</td> <td>ETR</td> <td>-</td> <td>WD.</td> <td>J2</td> <td>PTD.</td> <td>-</td> <td>373A</td> <td>3\"/> <tr> <td>375</td> <td>B</td> <td>1 <td>WD</td> <td>J1</td> <td>PTD.</td> <td>-</td> <td>374B</td> <td>3\"/> <tr> <td>376</td> <td>B</td> <td>1 <td>WD</td> <td>J1</td> <td>PTD.</td> <td>-</td> <td>374C</td> <td>3\"/> <tr> <td>377</td> <td>B</td> <td>1 <td>WD</td> <td>J1</td> <td>PTD.</td> <td>-</td> <td>375</td> <td>3\"/> <tr> <td>377A</td> <td>B</td> <td>1 <td>WD</td> <td>J1</td> <td>PTD.</td> <td>-</td> <td>376</td> <td>3\"/> <tr> <td>378</td> <td>B</td> <td>1 <td>WD</td> <td>J1</td> <td>PTD.</td> <td>-</td> <td>377</td> <td>3\"/> <tr> <td>379</td> <td>B</td> <td>1 <td>WD</td> <td>J1</td> <td>PTD.</td> <td>-</td> <td>377A</td> <td>3\"/> <tr> <td>380A</td> <td>B</td> <td>1 <td>WD</td> <td>J1</td> <td>PTD.</td> <td>-</td> <td>378</td> <td>3\"/> <tr> <td>380B</td> <td>B</td> <td>1 <td>WD</td> <td>J1</td> <td>PTD.</td> <td>-</td> <td>379</td> <td>3\"/> <tr> <td>382</td> <td>ETR</td> <td>-</td> <td>WD.</td> <td>J2</td> <td>PTD.</td> <td>-</td> <td>380A</td> <td>3\"/> <tr> <td>382A</td> <td>D</td> <td>6 <td>ALUM.</td> <td>ANODIZE D</td> <td>-</td> <td>-</td> <td>380B</td> <td>3\"/> <tr> <td>385</td> <td>ETR</td> <td>-</td> <td>WD.</td> <td>J2</td> <td>PTD.</td> <td>-</td> <td>382</td> <td>3\"/> <tr> <td>386</td> <td>ETR</td> <td>-</td> <td>WD.</td> <td>J2</td> <td>PTD.</td> <td>-</td> <td>382A</td> <td>3\"/> <tr> <td>387</td> <td>ETR</td> <td>-</td> <td>WD.</td> <td>J2</td> <td>PTD.</td> <td>-</td> <td>385</td> <td>3\"/> <tr> <td>388</td> <td>ETR</td> <td>-</td> <td>WD.</td> <td>J2</td> <td>PTD.</td> <td>-</td> <td>386</td> <td>3\"/> <tr> <td>389</td> <td>ETR</td> <td>-</td> <td>WD.</td> <td>J2</td> <td>PTD.</td> <td>-</td> <td>387</td> <td>3\"/> <tr> <td>391</td> <td>ETR</td> <td>-</td> <td>WD.</td> <td>J2</td> <td>PTD.</td> <td>-</td> <td>388</td> <td>3\"/> <tr> <td>391A</td> <td>ETR</td> <td>-</td> <td>WD.</td> <td>J2</td> <td>PTD.</td> <td>-</td> <td>389</td> <td>3\"/> <tr> <td>391B</td> <td>ETR</td> <td>-</td> <td>WD.</td> <td>J2</td> <td>PTD.</td> <td>-</td> <td>391</td> <td>3\"/> <tr> <td>394</td> <td>ETR</td> <td>-</td> <td>WD.</td> <td>J2</td> <td>PTD.</td> <td>-</td> <td>391A</td> <td>3\"/> <tr> <td>395</td> <td>ETR</td> <td>-</td> <td>WD.</td> <td>J2</td> <td>PTD.</td> <td>-</td> <td>391B</td> <td>3\"/> <tr> <td>396</td> <td>ETR</td> <td>-</td> <td>WD.</td> <td>J2</td> <td>PTD.</td> <td>-</td> <td>394</td> <td>3\"/> <tr> <td>398</td> <td>ETR</td> <td>-</td> <td>WD.</td> <td>J2</td> <td>PTD.</td> <td>-</td> <td>395</td> <td>3\"/> <tr> <td>399</td> <td>ETR</td> <td>-</td> <td>WD.</td> <td>J2</td> <td>PTD.</td> <td>-</td> <td>396</td> <td>3\"/> <tr> <td>3991</td> <td>ETR</td> <td>-</td> <td>WD.</td> <td>J2</td> <td>PTD.</td> <td>-</td> <td>398</td> <td>3\"/> <tr> <td>3992</td> <td>A</td> <td>3\"/> <tr> <td>3993</td> <td>ETR</td> <td>-</td> <td>WD.</td> <td>J2</td> <td>PTD.</td> <td>-</td> <td>399</td> <td>3\"/> <tr> <td>3994</td> <td>ETR</td> <td>-</td> <td>WD.</td> <td>J2</td> <td>PTD.</td> <td>-</td> <td>3991</td> <td>3\"/> <tr> <td>3995</td> <td>ETR</td> <td>-</td> <td>WD.</td> <td>J2</td> <td>PTD.</td> <td>-</td> <td>3992</td> <td>3\"/> <tr> <td>3997</td> <td>ETR</td> <td>-</td> <td>WD.</td> <td>J2</td> <td>PTD.</td> <td>-</td> <td>3993</td> <td>3\"/> <tr> <td>3998</td> <td>ETR</td> <td>-</td> <td>WD.</td> <td>J2</td> <td>PTD.</td> <td>-</td> <td>3994</td> <td>3\"/> <tr> <td>3999</td> <td>ETR</td> <td>-</td> <td>WD.</td> <td>J2</td> <td>PTD.</td> <td>-</td> <td>3995</td> <td>3\"/> <tr> <td>3999</td> <td>ETR</td> <td>-</td> <td>WD.</td> <td>J2</td> <td>PTD.</td> <td>-</td> <td>3997</td> <td>3\"/> </td></tr></td></tr></td></tr></td></tr></td></tr></td></tr></td></tr></td></tr></td></tr></td></tr></td></tr></td></tr></td></tr></td></tr></td></tr></td></tr></td></tr></td></tr></td></tr></td></tr></td></tr></td></tr></td></td></tr></td></tr></td></td></tr></td></td></tr></td></td></tr></td></td></tr></td></td></tr></td></td></tr></td></td></tr></td></td></tr></td></tr></td></tr> | 374B | ETR | -
 | WD. | J2 | PTD. | - | 372 | 3\"/> <tr> <td>374C</td> <td>ETR</td> <td>-</td> <td>WD.</td> <td>J2</td> <td>PTD.</td> <td>-</td> <td>373A</td> <td>3\"/> <tr> <td>375</td> <td>B</td> <td>1 <td>WD</td> <td>J1</td> <td>PTD.</td> <td>-</td> <td>374B</td> <td>3\"/> <tr> <td>376</td> <td>B</td> <td>1 <td>WD</td> <td>J1</td> <td>PTD.</td> <td>-</td> <td>374C</td> <td>3\"/> <tr> <td>377</td> <td>B</td> <td>1 <td>WD</td> <td>J1</td> <td>PTD.</td> <td>-</td> <td>375</td> <td>3\"/> <tr> <td>377A</td> <td>B</td> <td>1 <td>WD</td> <td>J1</td> <td>PTD.</td> <td>-</td> <td>376</td> <td>3\"/> <tr> <td>378</td> <td>B</td> <td>1 <td>WD</td> <td>J1</td> <td>PTD.</td> <td>-</td> <td>377</td> <td>3\"/> <tr> <td>379</td> <td>B</td> <td>1 <td>WD</td> <td>J1</td> <td>PTD.</td> <td>-</td> <td>377A</td> <td>3\"/> <tr> <td>380A</td> <td>B</td> <td>1 <td>WD</td> <td>J1</td> <td>PTD.</td> <td>-</td> <td>378</td> <td>3\"/> <tr> <td>380B</td> <td>B</td> <td>1 <td>WD</td> <td>J1</td> <td>PTD.</td> <td>-</td> <td>379</td> <td>3\"/> <tr> <td>382</td> <td>ETR</td> <td>-</td> <td>WD.</td> <td>J2</td> <td>PTD.</td> <td>-</td> <td>380A</td> <td>3\"/> <tr> <td>382A</td> <td>D</td> <td>6 <td>ALUM.</td> <td>ANODIZE D</td> <td>-</td> <td>-</td> <td>380B</td> <td>3\"/> <tr> <td>385</td> <td>ETR</td> <td>-</td> <td>WD.</td> <td>J2</td> <td>PTD.</td> <td>-</td> <td>382</td> <td>3\"/> <tr> <td>386</td> <td>ETR</td> <td>-</td> <td>WD.</td> <td>J2</td> <td>PTD.</td> <td>-</td> <td>382A</td> <td>3\"/> <tr> <td>387</td> <td>ETR</td> <td>-</td> <td>WD.</td> <td>J2</td> <td>PTD.</td> <td>-</td> <td>385</td> <td>3\"/> <tr> <td>388</td> <td>ETR</td> <td>-</td> <td>WD.</td> <td>J2</td> <td>PTD.</td> <td>-</td> <td>386</td> <td>3\"/> <tr> <td>389</td> <td>ETR</td> <td>-</td> <td>WD.</td> <td>J2</td> <td>PTD.</td> <td>-</td> <td>387</td> <td>3\"/> <tr> <td>391</td> <td>ETR</td> <td>-</td> <td>WD.</td> <td>J2</td> <td>PTD.</td> <td>-</td> <td>388</td> <td>3\"/> <tr> <td>391A</td> <td>ETR</td> <td>-</td> <td>WD.</td> <td>J2</td> <td>PTD.</td> <td>-</td> <td>389</td> <td>3\"/> <tr> <td>391B</td> <td>ETR</td> <td>-</td> <td>WD.</td> <td>J2</td> <td>PTD.</td> <td>-</td> <td>391</td> <td>3\"/> <tr> <td>394</td> <td>ETR</td> <td>-</td> <td>WD.</td> <td>J2</td> <td>PTD.</td> <td>-</td> <td>391A</td> <td>3\"/> <tr> <td>395</td> <td>ETR</td> <td>-</td> <td>WD.</td> <td>J2</td> <td>PTD.</td> <td>-</td> <td>391B</td> <td>3\"/> <tr> <td>396</td> <td>ETR</td> <td>-</td> <td>WD.</td> <td>J2</td> <td>PTD.</td> <td>-</td> <td>394</td> <td>3\"/> <tr> <td>398</td> <td>ETR</td> <td>-</td> <td>WD.</td> <td>J2</td> <td>PTD.</td> <td>-</td> <td>395</td> <td>3\"/> <tr> <td>399</td> <td>ETR</td> <td>-</td> <td>WD.</td> <td>J2</td> <td>PTD.</td> <td>-</td> <td>396</td> <td>3\"/> <tr> <td>3991</td> <td>ETR</td> <td>-</td> <td>WD.</td> <td>J2</td> <td>PTD.</td> <td>-</td> <td>398</td> <td>3\"/> <tr> <td>3992</td> <td>A</td> <td>3\"/> <tr> <td>3993</td> <td>ETR</td> <td>-</td> <td>WD.</td> <td>J2</td> <td>PTD.</td> <td>-</td> <td>399</td> <td>3\"/> <tr> <td>3994</td> <td>ETR</td> <td>-</td> <td>WD.</td> <td>J2</td> <td>PTD.</td> <td>-</td> <td>3991</td> <td>3\"/> <tr> <td>3995</td> <td>ETR</td> <td>-</td> <td>WD.</td> <td>J2</td> <td>PTD.</td> <td>-</td> <td>3992</td> <td>3\"/> <tr> <td>3997</td> <td>ETR</td> <td>-</td> <td>WD.</td> <td>J2</td> <td>PTD.</td> <td>-</td> <td>3993</td> <td>3\"/> <tr> <td>3998</td> <td>ETR</td> <td>-</td> <td>WD.</td> <td>J2</td> <td>PTD.</td> <td>-</td> <td>3994</td> <td>3\"/> <tr> <td>3999</td> <td>ETR</td> <td>-</td> <td>WD.</td> <td>J2</td> <td>PTD.</td> <td>-</td> <td>3995</td> <td>3\"/> <tr> <td>3999</td> <td>ETR</td> <td>-</td> <td>WD.</td> <td>J2</td> <td>PTD.</td> <td>-</td> <td>3997</td> <td>3\"/> </td></tr></td></tr></td></tr></td></tr></td></tr></td></tr></td></tr></td></tr></td></tr></td></tr></td></tr></td></tr></td></tr></td></tr></td></tr></td></tr></td></tr></td></tr></td></tr></td></tr></td></tr></td></tr></td></td></tr></td></tr></td></td></tr></td></td></tr></td></td></tr></td></td></tr></td></td></tr></td></td></tr></td></td></tr></td></td></tr></td></tr> | 374C | ETR | -
 | WD. | J2 | PTD. | - | 373A | 3\"/> <tr> <td>375</td> <td>B</td> <td>1 <td>WD</td> <td>J1</td> <td>PTD.</td> <td>-</td> <td>374B</td> <td>3\"/> <tr> <td>376</td> <td>B</td> <td>1 <td>WD</td> <td>J1</td> <td>PTD.</td> <td>-</td> <td>374C</td> <td>3\"/> <tr> <td>377</td> <td>B</td> <td>1 <td>WD</td> <td>J1</td> <td>PTD.</td> <td>-</td> <td>375</td> <td>3\"/> <tr> <td>377A</td> <td>B</td> <td>1 <td>WD</td> <td>J1</td> <td>PTD.</td> <td>-</td> <td>376</td> <td>3\"/> <tr> <td>378</td> <td>B</td> <td>1 <td>WD</td> <td>J1</td> <td>PTD.</td> <td>-</td> <td>377</td> <td>3\"/> <tr> <td>379</td> <td>B</td> <td>1 <td>WD</td> <td>J1</td> <td>PTD.</td> <td>-</td> <td>377A</td> <td>3\"/> <tr> <td>380A</td> <td>B</td> <td>1 <td>WD</td> <td>J1</td> <td>PTD.</td> <td>-</td> <td>378</td> <td>3\"/> <tr> <td>380B</td> <td>B</td> <td>1 <td>WD</td> <td>J1</td> <td>PTD.</td> <td>-</td> <td>379</td> <td>3\"/> <tr> <td>382</td> <td>ETR</td> <td>-</td> <td>WD.</td> <td>J2</td> <td>PTD.</td> <td>-</td> <td>380A</td> <td>3\"/> <tr> <td>382A</td> <td>D</td> <td>6 <td>ALUM.</td> <td>ANODIZE D</td> <td>-</td> <td>-</td> <td>380B</td> <td>3\"/> <tr> <td>385</td> <td>ETR</td> <td>-</td> <td>WD.</td> <td>J2</td> <td>PTD.</td> <td>-</td> <td>382</td> <td>3\"/> <tr> <td>386</td> <td>ETR</td> <td>-</td> <td>WD.</td> <td>J2</td> <td>PTD.</td> <td>-</td> <td>382A</td> <td>3\"/> <tr> <td>387</td> <td>ETR</td> <td>-</td> <td>WD.</td> <td>J2</td> <td>PTD.</td> <td>-</td> <td>385</td> <td>3\"/> <tr> <td>388</td> <td>ETR</td> <td>-</td> <td>WD.</td> <td>J2</td> <td>PTD.</td> <td>-</td> <td>386</td> <td>3\"/> <tr> <td>389</td> <td>ETR</td> <td>-</td> <td>WD.</td> <td>J2</td> <td>PTD.</td> <td>-</td> <td>387</td> <td>3\"/> <tr> <td>391</td> <td>ETR</td> <td>-</td> <td>WD.</td> <td>J2</td> <td>PTD.</td> <td>-</td> <td>388</td> <td>3\"/> <tr> <td>391A</td> <td>ETR</td> <td>-</td> <td>WD.</td> <td>J2</td> <td>PTD.</td> <td>-</td> <td>389</td> <td>3\"/> <tr> <td>391B</td> <td>ETR</td> <td>-</td> <td>WD.</td> <td>J2</td> <td>PTD.</td> <td>-</td> <td>391</td> <td>3\"/> <tr> <td>394</td> <td>ETR</td> <td>-</td> <td>WD.</td> <td>J2</td> <td>PTD.</td> <td>-</td> <td>391A</td> <td>3\"/> <tr> <td>395</td> <td>ETR</td> <td>-</td> <td>WD.</td> <td>J2</td> <td>PTD.</td> <td>-</td> <td>391B</td> <td>3\"/> <tr> <td>396</td> <td>ETR</td> <td>-</td> <td>WD.</td> <td>J2</td> <td>PTD.</td> <td>-</td> <td>394</td> <td>3\"/> <tr> <td>398</td> <td>ETR</td> <td>-</td> <td>WD.</td> <td>J2</td> <td>PTD.</td> <td>-</td> <td>395</td> <td>3\"/> <tr> <td>399</td> <td>ETR</td> <td>-</td> <td>WD.</td> <td>J2</td> <td>PTD.</td> <td>-</td> <td>396</td> <td>3\"/> <tr> <td>3991</td> <td>ETR</td> <td>-</td> <td>WD.</td> <td>J2</td> <td>PTD.</td> <td>-</td> <td>398</td> <td>3\"/> <tr> <td>3992</td> <td>A</td> <td>3\"/> <tr> <td>3993</td> <td>ETR</td> <td>-</td> <td>WD.</td> <td>J2</td> <td>PTD.</td> <td>-</td> <td>399</td> <td>3\"/> <tr> <td>3994</td> <td>ETR</td> <td>-</td> <td>WD.</td> <td>J2</td> <td>PTD.</td> <td>-</td> <td>3991</td> <td>3\"/> <tr> <td>3995</td> <td>ETR</td> <td>-</td> <td>WD.</td> <td>J2</td> <td>PTD.</td> <td>-</td> <td>3992</td> <td>3\"/> <tr> <td>3997</td> <td>ETR</td> <td>-</td> <td>WD.</td> <td>J2</td> <td>PTD.</td> <td>-</td> <td>3993</td> <td>3\"/> <tr> <td>3998</td> <td>ETR</td> <td>-</td> <td>WD.</td> <td>J2</td> <td>PTD.</td> <td>-</td> <td>3994</td> <td>3\"/> <tr> <td>3999</td> <td>ETR</td> <td>-</td> <td>WD.</td> <td>J2</td> <td>PTD.</td> <td>-</td> <td>3995</td> <td>3\"/> <tr> <td>3999</td> <td>ETR</td> <td>-</td> <td>WD.</td> <td>J2</td> <td>PTD.</td> <td>-</td> <td>3997</td> <td>3\"/> </td></tr></td></tr></td></tr></td></tr></td></tr></td></tr></td></tr></td></tr></td></tr></td></tr></td></tr></td></tr></td></tr></td></tr></td></tr></td></tr></td></tr></td></tr></td></tr></td></tr></td></tr></td></tr></td></td></tr></td></tr></td></td></tr></td></td></tr></td></td></tr></td></td></tr></td></td></tr></td></td></tr></td></td></tr></td></td></tr> | 375 | B | 1 <td>WD</td> <td>J1</td> <td>PTD.</td> <td>-</td> <td>374B</td> <td>3\"/> <tr> <td>376</td> <td>B</td> <td>1 <td>WD</td> <td>J1</td> <td>PTD.</td> <td>-</td> <td>374C</td> <td>3\"/> <tr> <td>377</td> <td>B</td> <td>1 <td>WD</td> <td>J1</td> <td>PTD.</td> <td>-</td> <td>375</td> <td>3\"/> <tr> <td>377A</td> <td>B</td> <td>1 <td>WD</td> <td>J1</td> <td>PTD.</td> <td>-</td> <td>376</td> <td>3\"/> <tr> <td>378</td> <td>B</td> <td>1 <td>WD</td> <td>J1</td> <td>PTD.</td> <td>-</td> <td>377</td> <td>3\"/> <tr> <td>379</td> <td>B</td> <td>1 <td>WD</td> <td>J1</td> <td>PTD.</td> <td>-</td> <td>377A</td> <td>3\"/> <tr> <td>380A</td> <td>B</td> <td>1 <td>WD</td> <td>J1</td> <td>PTD.</td> <td>-</td> <td>378</td> <td>3\"/> <tr> <td>380B</td> <td>B</td> <td>1 <td>WD</td> <td>J1</td> <td>PTD.</td> <td>-</td> <td>379</td> <td>3\"/> <tr> <td>382</td> <td>ETR</td> <td>-</td> <td>WD.</td> <td>J2</td> <td>PTD.</td> <td>-</td> <td>380A</td> <td>3\"/> <tr> <td>382A</td> <td>D</td> <td>6 <td>ALUM.</td> <td>ANODIZE D</td> <td>-</td> <td>-</td> <td>380B</td> <td>3\"/> <tr> <td>385</td> <td>ETR</td> <td>-</td> <td>WD.</td> <td>J2</td> <td>PTD.</td> <td>-</td> <td>382</td> <td>3\"/> <tr> <td>386</td> <td>ETR</td> <td>-</td> <td>WD.</td> <td>J2</td> <td>PTD.</td> <td>-</td> <td>382A</td> <td>3\"/> <tr> <td>387</td> <td>ETR</td> <td>-</td> <td>WD.</td> <td>J2</td> <td>PTD.</td> <td>-</td> <td>385</td> <td>3\"/> <tr> <td>388</td> <td>ETR</td> <td>-</td> <td>WD.</td> <td>J2</td> <td>PTD.</td> <td>-</td> <td>386</td> <td>3\"/> <tr> <td>389</td> <td>ETR</td> <td>-</td> <td>WD.</td> <td>J2</td> <td>PTD.</td> <td>-</td> <td>387</td> <td>3\"/> <tr> <td>391</td> <td>ETR</td> <td>-</td> <td>WD.</td> <td>J2</td> <td>PTD.</td> <td>-</td> <td>388</td> <td>3\"/> <tr> <td>391A</td> <td>ETR</td> <td>-</td> <td>WD.</td> <td>J2</td> <td>PTD.</td> <td>-</td> <td>389</td> <td>3\"/> <tr> <td>391B</td> <td>ETR</td> <td>-</td> <td>WD.</td> <td>J2</td> <td>PTD.</td> <td>-</td> <td>391</td> <td>3\"/> <tr> <td>394</td> <td>ETR</td> <td>-</td> <td>WD.</td> <td>J2</td> <td>PTD.</td> <td>-</td> <td>391A</td> <td>3\"/> <tr> <td>395</td> <td>ETR</td> <td>-</td> <td>WD.</td> <td>J2</td> <td>PTD.</td> <td>-</td> <td>391B</td> <td>3\"/> <tr> <td>396</td> <td>ETR</td> <td>-</td> <td>WD.</td> <td>J2</td> <td>PTD.</td> <td>-</td> <td>394</td> <td>3\"/> <tr> <td>398</td> <td>ETR</td> <td>-</td> <td>WD.</td> <td>J2</td> <td>PTD.</td> <td>-</td> <td>395</td> <td>3\"/> <tr> <td>399</td> <td>ETR</td> <td>-</td> <td>WD.</td> <td>J2</td> <td>PTD.</td> <td>-</td> <td>396</td> <td>3\"/> <tr> <td>3991</td> <td>ETR</td> <td>-</td> <td>WD.</td> <td>J2</td> <td>PTD.</td> <td>-</td> <td>398</td> <td>3\"/> <tr> <td>3992</td> <td>A</td> <td>3\"/> <tr> <td>3993</td> <td>ETR</td> <td>-</td> <td>WD.</td> <td>J2</td> <td>PTD.</td> <td>-</td> <td>399</td> <td>3\"/> <tr> <td>3994</td> <td>ETR</td> <td>-</td> <td>WD.</td> <td>J2</td> <td>PTD.</td> <td>-</td> <td>3991</td> <td>3\"/> <tr> <td>3995</td> <td>ETR</td> <td>-</td> <td>WD.</td> <td>J2</td> <td>PTD.</td> <td>-</td> <td>3992</td> <td>3\"/> <tr> <td>3997</td> <td>ETR</td> <td>-</td> <td>WD.</td> <td>J2</td> <td>PTD.</td> <td>-</td> <td>3993</td> <td>3\"/> <tr> <td>3998</td> <td>ETR</td> <td>-</td> <td>WD.</td> <td>J2</td> <td>PTD.</td> <td>-</td> <td>3994</td> <td>3\"/> <tr> <td>3999</td> <td>ETR</td> <td>-</td> <td>WD.</td> <td>J2</td> <td>PTD.</td> <td>-</td> <td>3995</td> <td>3\"/> <tr> <td>3999</td> <td>ETR</td> <td>-</td> <td>WD.</td> <td>J2</td> <td>PTD.</td> <td>-</td> <td>3997</td> <td>3\"/> </td></tr></td></tr></td></tr></td></tr></td></tr></td></tr></td></tr></td></tr></td></tr></td></tr></td></tr></td></tr></td></tr></td></tr></td></tr></td></tr></td></tr></td></tr></td></tr></td></tr></td></tr></td></tr></td></td></tr></td></tr></td></td></tr></td></td></tr></td></td></tr></td></td></tr></td></td></tr></td></td></tr></td></td></tr></td> | WD | J1 | PTD. | - | 374B | 3\"/> <tr> <td>376</td> <td>B</td> <td>1 <td>WD</td> <td>J1</td> <td>PTD.</td> <td>-</td> <td>374C</td> <td>3\"/> <tr> <td>377</td> <td>B</td> <td>1 <td>WD</td> <td>J1</td> <td>PTD.</td> <td>-</td> <td>375</td> <td>3\"/> <tr> <td>377A</td> <td>B</td> <td>1 <td>WD</td> <td>J1</td> <td>PTD.</td> <td>-</td> <td>376</td> <td>3\"/> <tr> <td>378</td> <td>B</td> <td>1 <td>WD</td> <td>J1</td> <td>PTD.</td> <td>-</td> <td>377</td> <td>3\"/> <tr> <td>379</td> <td>B</td> <td>1 <td>WD</td> <td>J1</td> <td>PTD.</td> <td>-</td> <td>377A</td> <td>3\"/> <tr> <td>380A</td> <td>B</td> <td>1 <td>WD</td> <td>J1</td> <td>PTD.</td> <td>-</td> <td>378</td> <td>3\"/> <tr> <td>380B</td> <td>B</td> <td>1 <td>WD</td> <td>J1</td> <td>PTD.</td> <td>-</td> <td>379</td> <td>3\"/> <tr> <td>382</td> <td>ETR</td> <td>-</td> <td>WD.</td> <td>J2</td> <td>PTD.</td> <td>-</td> <td>380A</td> <td>3\"/> <tr> <td>382A</td> <td>D</td> <td>6 <td>ALUM.</td> <td>ANODIZE D</td> <td>-</td> <td>-</td> <td>380B</td> <td>3\"/>
<tr> <td>385</td> <td>ETR</td> <td>-</td> <td>WD.</td> <td>J2</td> <td>PTD.</td> <td>-</td> <td>382</td> <td>3\"/> <tr> <td>386</td> <td>ETR</td> <td>-</td> <td>WD.</td> <td>J2</td> <td>PTD.</td> <td>-</td> <td>382A</td> <td>3\"/> <tr> <td>387</td> <td>ETR</td> <td>-</td> <td>WD.</td> <td>J2</td> <td>PTD.</td> <td>-</td> <td>385</td> <td>3\"/> <tr> <td>388</td> <td>ETR</td> <td>-</td> <td>WD.</td> <td>J2</td> <td>PTD.</td> <td>-</td> <td>386</td> <td>3\"/> <tr> <td>389</td> <td>ETR</td> <td>-</td> <td>WD.</td> <td>J2</td> <td>PTD.</td> <td>-</td> <td>387</td> <td>3\"/> <tr> <td>391</td> <td>ETR</td> <td>-</td> <td>WD.</td> <td>J2</td> <td>PTD.</td> <td>-</td> <td>388</td> <td>3\"/> <tr> <td>391A</td> <td>ETR</td> <td>-</td> <td>WD.</td> <td>J2</td> <td>PTD.</td> <td>-</td> <td>389</td> <td>3\"/> <tr> <td>391B</td> <td>ETR</td> <td>-</td> <td>WD.</td> <td>J2</td> <td>PTD.</td> <td>-</td> <td>391</td> <td>3\"/> <tr> <td>394</td> <td>ETR</td> <td>-</td> <td>WD.</td> <td>J2</td> <td>PTD.</td> <td>-</td> <td>391A</td> <td>3\"/> <tr> <td>395</td> <td>ETR</td> <td>-</td> <td>WD.</td> <td>J2</td> <td>PTD.</td> <td>-</td> <td>391B</td> <td>3\"/> <tr> <td>396</td> <td>ETR</td> <td>-</td> <td>WD.</td> <td>J2</td> <td>PTD.</td> <td>-</td> <td>394</td> <td>3\"/> <tr> <td>398</td> <td>ETR</td> <td>-</td> <td>WD.</td> <td>J2</td> <td>PTD.</td> <td>-</td> <td>395</td> <td>3\"/> <tr> <td>399</td> <td>ETR</td> <td>-</td> <td>WD.</td> <td>J2</td> <td>PTD.</td> <td>-</td> <td>396</td> <td>3\"/> <tr> <td>3991</td> <td>ETR</td> <td>-</td> <td>WD.</td> <td>J2</td> <td>PTD.</td> <td>-</td> <td>398</td> <td>3\"/> <tr> <td>3992</td> <td>A</td> <td>3\"/> <tr> <td>3993</td> <td>ETR</td> <td>-</td> <td>WD.</td> <td>J2</td> <td>PTD.</td> <td>-</td> <td>399</td> <td>3\"/> <tr> <td>3994</td> <td>ETR</td> <td>-</td> <td>WD.</td> <td>J2</td> <td>PTD.</td> <td>-</td> <td>3991</td> <td>3\"/> <tr> <td>3995</td> <td>ETR</td> <td>-</td> <td>WD.</td> <td>J2</td> <td>PTD.</td> <td>-</td> <td>3992</td> <td>3\"/> <tr> <td>3997</td> <td>ETR</td> <td>-</td> <td>WD.</td> <td>J2</td> <td>PTD.</td> <td>-</td> <td>3993</td> <td>3\"/> <tr> <td>3998</td> <td>ETR</td> <td>-</td> <td>WD.</td> <td>J2</td> <td>PTD.</td> <td>-</td> <td>3994</td> <td>3\"/> <tr> <td>3999</td> <td>ETR</td> <td>-</td> <td>WD.</td> <td>J2</td> <td>PTD.</td> <td>-</td> <td>3995</td> <td>3\"/> <tr> <td>3999</td> <td>ETR</td> <td>-</td> <td>WD.</td> <td>J2</td> <td>PTD.</td> <td>-</td> <td>3997</td> <td>3\"/> </td></tr></td></tr></td></tr></td></tr></td></tr></td></tr></td></tr></td></tr></td></tr></td></tr></td></tr></td></tr></td></tr></td></tr></td></tr></td></tr></td></tr></td></tr></td></tr></td></tr></td></tr></td></tr></td></td></tr></td></tr></td></td></tr></td></td></tr></td></td></tr></td></td></tr></td></td></tr></td></td></tr></td></td></tr> | 376 | B | 1 <td>WD</td> <td>J1</td> <td>PTD.</td> <td>-</td> <td>374C</td> <td>3\"/> <tr> <td>377</td> <td>B</td> <td>1 <td>WD</td> <td>J1</td> <td>PTD.</td> <td>-</td> <td>375</td> <td>3\"/> <tr> <td>377A</td> <td>B</td> <td>1 <td>WD</td> <td>J1</td> <td>PTD.</td> <td>-</td> <td>376</td> <td>3\"/> <tr> <td>378</td> <td>B</td> <td>1 <td>WD</td> <td>J1</td> <td>PTD.</td> <td>-</td> <td>377</td> <td>3\"/> <tr> <td>379</td> <td>B</td> <td>1 <td>WD</td> <td>J1</td> <td>PTD.</td> <td>-</td> <td>377A</td> <td>3\"/> <tr> <td>380A</td> <td>B</td> <td>1 <td>WD</td> <td>J1</td> <td>PTD.</td> <td>-</td> <td>378</td> <td>3\"/> <tr> <td>380B</td> <td>B</td> <td>1 <td>WD</td> <td>J1</td> <td>PTD.</td> <td>-</td> <td>379</td> <td>3\"/> <tr> <td>382</td> <td>ETR</td> <td>-</td> <td>WD.</td> <td>J2</td> <td>PTD.</td> <td>-</td> <td>380A</td> <td>3\"/> <tr> <td>382A</td> <td>D</td> <td>6 <td>ALUM.</td> <td>ANODIZE D</td> <td>-</td> <td>-</td> <td>380B</td> <td>3\"/> <tr> <td>385</td> <td>ETR</td> <td>-</td> <td>WD.</td> <td>J2</td> <td>PTD.</td> <td>-</td> <td>382</td> <td>3\"/> <tr> <td>386</td> <td>ETR</td> <td>-</td> <td>WD.</td> <td>J2</td> <td>PTD.</td> <td>-</td> <td>382A</td> <td>3\"/> <tr> <td>387</td> <td>ETR</td> <td>-</td> <td>WD.</td> <td>J2</td> <td>PTD.</td> <td>-</td> <td>385</td> <td>3\"/> <tr> <td>388</td> <td>ETR</td> <td>-</td> <td>WD.</td> <td>J2</td> <td>PTD.</td> <td>-</td> <td>386</td> <td>3\"/> <tr> <td>389</td> <td>ETR</td> <td>-</td> <td>WD.</td> <td>J2</td> <td>PTD.</td> <td>-</td> <td>387</td> <td>3\"/> <tr> <td>391</td> <td>ETR</td> <td>-</td> <td>WD.</td> <td>J2</td> <td>PTD.</td> <td>-</td> <td>388</td> <td>3\"/> <tr> <td>391A</td> <td>ETR</td> <td>-</td> <td>WD.</td> <td>J2</td> <td>PTD.</td> <td>-</td> <td>389</td> <td>3\"/> <tr> <td>391B</td> <td>ETR</td> <td>-</td> <td>WD.</td> <td>J2</td> <td>PTD.</td> <td>-</td> <td>391</td> <td>3\"/> <tr> <td>394</td> <td>ETR</td> <td>-</td> <td>WD.</td> <td>J2</td> <td>PTD.</td> <td>-</td> <td>391A</td> <td>3\"/> <tr> <td>395</td> <td>ETR</td> <td>-</td> <td>WD.</td> <td>J2</td> <td>PTD.</td> <td>-</td> <td>391B</td> <td>3\"/> <tr> <td>396</td> <td>ETR</td> <td>-</td> <td>WD.</td> <td>J2</td> <td>PTD.</td> <td>-</td> <td>394</td> <td>3\"/> <tr> <td>398</td> <td>ETR</td> <td>-</td> <td>WD.</td> <td>J2</td> <td>PTD.</td> <td>-</td> <td>395</td> <td>3\"/> <tr> <td>399</td> <td>ETR</td> <td>-</td> <td>WD.</td> <td>J2</td> <td>PTD.</td> <td>-</td> <td>396</td> <td>3\"/> <tr> <td>3991</td> <td>ETR</td> <td>-</td> <td>WD.</td> <td>J2</td> <td>PTD.</td> <td>-</td> <td>398</td> <td>3\"/> <tr> <td>3992</td> <td>A</td> <td>3\"/> <tr> <td>3993</td> <td>ETR</td> <td>-</td> <td>WD.</td> <td>J2</td> <td>PTD.</td> <td>-</td> <td>399</td> <td>3\"/> <tr> <td>3994</td> <td>ETR</td> <td>-</td> <td>WD.</td> <td>J2</td> <td>PTD.</td> <td>-</td> <td>3991</td> <td>3\"/> <tr> <td>3995</td> <td>ETR</td> <td>-</td> <td>WD.</td> <td>J2</td> <td>PTD.</td> <td>-</td> <td>3992</td> <td>3\"/> <tr> <td>3997</td> <td>ETR</td> <td>-</td> <td>WD.</td> <td>J2</td> <td>PTD.</td> <td>-</td> <td>3993</td> <td>3\"/> <tr> <td>3998</td> <td>ETR</td> <td>-</td> <td>WD.</td> <td>J2</td> <td>PTD.</td> <td>-</td> <td>3994</td> <td>3\"/> <tr> <td>3999</td> <td>ETR</td> <td>-</td> <td>WD.</td> <td>J2</td> <td>PTD.</td> <td>-</td> <td>3995</td> <td>3\"/> <tr> <td>3999</td> <td>ETR</td> <td>-</td> <td>WD.</td> <td>J2</td> <td>PTD.</td> <td>-</td> <td>3997</td> <td>3\"/> </td></tr></td></tr></td></tr></td></tr></td></tr></td></tr></td></tr></td></tr></td></tr></td></tr></td></tr></td></tr></td></tr></td></tr></td></tr></td></tr></td></tr></td></tr></td></tr></td></tr></td></tr></td></tr></td></td></tr></td></tr></td></td></tr></td></td></tr></td></td></tr></td></td></tr></td></td></tr></td></td></tr></td> | WD | J1 | PTD.
 | - | 374C | 3\"/> <tr> <td>377</td> <td>B</td> <td>1 <td>WD</td> <td>J1</td> <td>PTD.</td> <td>-</td> <td>375</td> <td>3\"/> <tr> <td>377A</td> <td>B</td> <td>1 <td>WD</td> <td>J1</td> <td>PTD.</td> <td>-</td> <td>376</td> <td>3\"/> <tr> <td>378</td> <td>B</td> <td>1 <td>WD</td> <td>J1</td> <td>PTD.</td> <td>-</td> <td>377</td> <td>3\"/> <tr> <td>379</td> <td>B</td> <td>1 <td>WD</td> <td>J1</td> <td>PTD.</td> <td>-</td> <td>377A</td> <td>3\"/> <tr> <td>380A</td> <td>B</td> <td>1 <td>WD</td> <td>J1</td> <td>PTD.</td> <td>-</td> <td>378</td> <td>3\"/> <tr> <td>380B</td> <td>B</td> <td>1 <td>WD</td> <td>J1</td> <td>PTD.</td> <td>-</td> <td>379</td> <td>3\"/> <tr> <td>382</td> <td>ETR</td> <td>-</td> <td>WD.</td> <td>J2</td> <td>PTD.</td> <td>-</td> <td>380A</td> <td>3\"/> <tr> <td>382A</td> <td>D</td> <td>6 <td>ALUM.</td> <td>ANODIZE D</td> <td>-</td> <td>-</td> <td>380B</td> <td>3\"/> <tr> <td>385</td> <td>ETR</td> <td>-</td> <td>WD.</td> <td>J2</td> <td>PTD.</td> <td>-</td> <td>382</td> <td>3\"/> <tr> <td>386</td> <td>ETR</td> <td>-</td> <td>WD.</td> <td>J2</td> <td>PTD.</td> <td>-</td> <td>382A</td> <td>3\"/> <tr> <td>387</td> <td>ETR</td> <td>-</td> <td>WD.</td> <td>J2</td> <td>PTD.</td> <td>-</td> <td>385</td> <td>3\"/> <tr> <td>388</td> <td>ETR</td> <td>-</td> <td>WD.</td> <td>J2</td> <td>PTD.</td> <td>-</td> <td>386</td> <td>3\"/> <tr> <td>389</td> <td>ETR</td> <td>-</td> <td>WD.</td> <td>J2</td> <td>PTD.</td> <td>-</td> <td>387</td> <td>3\"/> <tr> <td>391</td> <td>ETR</td> <td>-</td> <td>WD.</td> <td>J2</td> <td>PTD.</td> <td>-</td> <td>388</td> <td>3\"/> <tr> <td>391A</td> <td>ETR</td> <td>-</td> <td>WD.</td> <td>J2</td> <td>PTD.</td> <td>-</td> <td>389</td> <td>3\"/> <tr> <td>391B</td> <td>ETR</td> <td>-</td> <td>WD.</td> <td>J2</td> <td>PTD.</td> <td>-</td> <td>391</td> <td>3\"/> <tr> <td>394</td> <td>ETR</td> <td>-</td> <td>WD.</td> <td>J2</td> <td>PTD.</td> <td>-</td> <td>391A</td> <td>3\"/> <tr> <td>395</td> <td>ETR</td> <td>-</td> <td>WD.</td> <td>J2</td> <td>PTD.</td> <td>-</td> <td>391B</td> <td>3\"/> <tr> <td>396</td> <td>ETR</td> <td>-</td> <td>WD.</td> <td>J2</td> <td>PTD.</td> <td>-</td> <td>394</td> <td>3\"/> <tr> <td>398</td> <td>ETR</td> <td>-</td> <td>WD.</td> <td>J2</td> <td>PTD.</td> <td>-</td> <td>395</td> <td>3\"/> <tr> <td>399</td> <td>ETR</td> <td>-</td> <td>WD.</td> <td>J2</td> <td>PTD.</td> <td>-</td> <td>396</td> <td>3\"/> <tr> <td>3991</td> <td>ETR</td> <td>-</td> <td>WD.</td> <td>J2</td> <td>PTD.</td> <td>-</td> <td>398</td> <td>3\"/> <tr> <td>3992</td> <td>A</td> <td>3\"/> <tr> <td>3993</td> <td>ETR</td> <td>-</td> <td>WD.</td> <td>J2</td> <td>PTD.</td> <td>-</td> <td>399</td> <td>3\"/> <tr> <td>3994</td> <td>ETR</td> <td>-</td> <td>WD.</td> <td>J2</td> <td>PTD.</td> <td>-</td> <td>3991</td> <td>3\"/> <tr> <td>3995</td> <td>ETR</td> <td>-</td> <td>WD.</td> <td>J2</td> <td>PTD.</td> <td>-</td> <td>3992</td> <td>3\"/> <tr> <td>3997</td> <td>ETR</td> <td>-</td> <td>WD.</td> <td>J2</td> <td>PTD.</td> <td>-</td> <td>3993</td> <td>3\"/> <tr> <td>3998</td> <td>ETR</td> <td>-</td> <td>WD.</td> <td>J2</td> <td>PTD.</td> <td>-</td> <td>3994</td> <td>3\"/> <tr> <td>3999</td> <td>ETR</td> <td>-</td> <td>WD.</td> <td>J2</td> <td>PTD.</td> <td>-</td> <td>3995</td> <td>3\"/> <tr> <td>3999</td> <td>ETR</td> <td>-</td> <td>WD.</td> <td>J2</td> <td>PTD.</td> <td>-</td> <td>3997</td> <td>3\"/> </td></tr></td></tr></td></tr></td></tr></td></tr></td></tr></td></tr></td></tr></td></tr></td></tr></td></tr></td></tr></td></tr></td></tr></td></tr></td></tr></td></tr></td></tr></td></tr></td></tr></td></tr></td></tr></td></td></tr></td></tr></td></td></tr></td></td></tr></td></td></tr></td></td></tr></td></td></tr></td></td></tr> | 377 | B | 1 <td>WD</td> <td>J1</td> <td>PTD.</td> <td>-</td> <td>375</td> <td>3\"/> <tr> <td>377A</td> <td>B</td> <td>1 <td>WD</td> <td>J1</td> <td>PTD.</td> <td>-</td> <td>376</td> <td>3\"/> <tr> <td>378</td> <td>B</td> <td>1 <td>WD</td> <td>J1</td> <td>PTD.</td> <td>-</td> <td>377</td> <td>3\"/> <tr> <td>379</td> <td>B</td> <td>1 <td>WD</td> <td>J1</td> <td>PTD.</td> <td>-</td> <td>377A</td> <td>3\"/> <tr> <td>380A</td> <td>B</td> <td>1 <td>WD</td> <td>J1</td> <td>PTD.</td> <td>-</td> <td>378</td> <td>3\"/> <tr> <td>380B</td> <td>B</td> <td>1 <td>WD</td> <td>J1</td> <td>PTD.</td> <td>-</td> <td>379</td> <td>3\"/> <tr> <td>382</td> <td>ETR</td> <td>-</td> <td>WD.</td> <td>J2</td> <td>PTD.</td> <td>-</td> <td>380A</td> <td>3\"/> <tr> <td>382A</td> <td>D</td> <td>6 <td>ALUM.</td> <td>ANODIZE D</td> <td>-</td> <td>-</td> <td>380B</td> <td>3\"/> <tr> <td>385</td> <td>ETR</td> <td>-</td> <td>WD.</td> <td>J2</td> <td>PTD.</td> <td>-</td> <td>382</td> <td>3\"/> <tr> <td>386</td> <td>ETR</td> <td>-</td> <td>WD.</td> <td>J2</td> <td>PTD.</td> <td>-</td> <td>382A</td> <td>3\"/> <tr> <td>387</td> <td>ETR</td> <td>-</td> <td>WD.</td> <td>J2</td> <td>PTD.</td> <td>-</td> <td>385</td> <td>3\"/> <tr> <td>388</td> <td>ETR</td> <td>-</td> <td>WD.</td> <td>J2</td> <td>PTD.</td> <td>-</td> <td>386</td> <td>3\"/> <tr> <td>389</td> <td>ETR</td> <td>-</td> <td>WD.</td> <td>J2</td> <td>PTD.</td> <td>-</td> <td>387</td> <td>3\"/> <tr> <td>391</td> <td>ETR</td> <td>-</td> <td>WD.</td> <td>J2</td> <td>PTD.</td> <td>-</td> <td>388</td> <td>3\"/> <tr> <td>391A</td> <td>ETR</td> <td>-</td> <td>WD.</td> <td>J2</td> <td>PTD.</td> <td>-</td> <td>389</td> <td>3\"/> <tr> <td>391B</td> <td>ETR</td> <td>-</td> <td>WD.</td> <td>J2</td> <td>PTD.</td> <td>-</td> <td>391</td> <td>3\"/> <tr> <td>394</td> <td>ETR</td> <td>-</td> <td>WD.</td> <td>J2</td> <td>PTD.</td> <td>-</td> <td>391A</td> <td>3\"/> <tr> <td>395</td> <td>ETR</td> <td>-</td> <td>WD.</td> <td>J2</td> <td>PTD.</td> <td>-</td> <td>391B</td> <td>3\"/> <tr> <td>396</td> <td>ETR</td> <td>-</td> <td>WD.</td> <td>J2</td> <td>PTD.</td> <td>-</td> <td>394</td> <td>3\"/> <tr> <td>398</td> <td>ETR</td> <td>-</td> <td>WD.</td> <td>J2</td> <td>PTD.</td> <td>-</td> <td>395</td> <td>3\"/> <tr> <td>399</td> <td>ETR</td> <td>-</td> <td>WD.</td> <td>J2</td> <td>PTD.</td> <td>-</td> <td>396</td> <td>3\"/> <tr> <td>3991</td> <td>ETR</td> <td>-</td> <td>WD.</td> <td>J2</td> <td>PTD.</td> <td>-</td> <td>398</td> <td>3\"/> <tr> <td>3992</td> <td>A</td> <td>3\"/> <tr> <td>3993</td> <td>ETR</td> <td>-</td> <td>WD.</td> <td>J2</td> <td>PTD.</td> <td>-</td> <td>399</td> <td>3\"/> <tr> <td>3994</td> <td>ETR</td> <td>-</td> <td>WD.</td> <td>J2</td> <td>PTD.</td> <td>-</td> <td>3991</td> <td>3\"/> <tr> <td>3995</td> <td>ETR</td> <td>-</td> <td>WD.</td> <td>J2</td> <td>PTD.</td> <td>-</td> <td>3992</td> <td>3\"/> <tr> <td>3997</td> <td>ETR</td> <td>-</td> <td>WD.</td> <td>J2</td> <td>PTD.</td> <td>-</td> <td>3993</td> <td>3\"/> <tr> <td>3998</td> <td>ETR</td> <td>-</td> <td>WD.</td> <td>J2</td> <td>PTD.</td> <td>-</td> <td>3994</td> <td>3\"/> <tr> <td>3999</td> <td>ETR</td> <td>-</td> <td>WD.</td> <td>J2</td> <td>PTD.</td> <td>-</td> <td>3995</td> <td>3\"/> <tr> <td>3999</td> <td>ETR</td> <td>-</td> <td>WD.</td> <td>J2</td> <td>PTD.</td> <td>-</td> <td>3997</td> <td>3\"/> </td></tr></td></tr></td></tr></td></tr></td></tr></td></tr></td></tr></td></tr></td></tr></td></tr></td></tr></td></tr></td></tr></td></tr></td></tr></td></tr></td></tr></td></tr></td></tr></td></tr></td></tr></td></tr></td></td></tr></td></tr></td></td></tr></td></td></tr></td></td></tr></td></td></tr></td></td></tr></td> | WD | J1 | PTD.
 | - | 375 | 3\"/> <tr> <td>377A</td> <td>B</td> <td>1 <td>WD</td> <td>J1</td> <td>PTD.</td> <td>-</td> <td>376</td> <td>3\"/> <tr> <td>378</td> <td>B</td> <td>1 <td>WD</td> <td>J1</td> <td>PTD.</td> <td>-</td> <td>377</td> <td>3\"/> <tr> <td>379</td> <td>B</td> <td>1 <td>WD</td> <td>J1</td> <td>PTD.</td> <td>-</td> <td>377A</td> <td>3\"/> <tr> <td>380A</td> <td>B</td> <td>1 <td>WD</td> <td>J1</td> <td>PTD.</td> <td>-</td> <td>378</td> <td>3\"/> <tr> <td>380B</td> <td>B</td> <td>1 <td>WD</td> <td>J1</td> <td>PTD.</td> <td>-</td> <td>379</td> <td>3\"/> <tr> <td>382</td> <td>ETR</td> <td>-</td> <td>WD.</td> <td>J2</td> <td>PTD.</td> <td>-</td> <td>380A</td> <td>3\"/> <tr> <td>382A</td> <td>D</td> <td>6 <td>ALUM.</td> <td>ANODIZE D</td> <td>-</td> <td>-</td> <td>380B</td> <td>3\"/> <tr> <td>385</td> <td>ETR</td> <td>-</td> <td>WD.</td> <td>J2</td> <td>PTD.</td> <td>-</td> <td>382</td> <td>3\"/> <tr> <td>386</td> <td>ETR</td> <td>-</td> <td>WD.</td> <td>J2</td> <td>PTD.</td> <td>-</td> <td>382A</td> <td>3\"/> <tr> <td>387</td> <td>ETR</td> <td>-</td> <td>WD.</td> <td>J2</td> <td>PTD.</td> <td>-</td> <td>385</td> <td>3\"/> <tr> <td>388</td> <td>ETR</td> <td>-</td> <td>WD.</td> <td>J2</td> <td>PTD.</td> <td>-</td> <td>386</td> <td>3\"/> <tr> <td>389</td> <td>ETR</td> <td>-</td> <td>WD.</td> <td>J2</td> <td>PTD.</td> <td>-</td> <td>387</td> <td>3\"/> <tr> <td>391</td> <td>ETR</td> <td>-</td> <td>WD.</td> <td>J2</td> <td>PTD.</td> <td>-</td> <td>388</td> <td>3\"/> <tr> <td>391A</td> <td>ETR</td> <td>-</td> <td>WD.</td> <td>J2</td> <td>PTD.</td> <td>-</td> <td>389</td> <td>3\"/> <tr> <td>391B</td> <td>ETR</td> <td>-</td> <td>WD.</td> <td>J2</td> <td>PTD.</td> <td>-</td> <td>391</td> <td>3\"/> <tr> <td>394</td> <td>ETR</td> <td>-</td> <td>WD.</td> <td>J2</td> <td>PTD.</td> <td>-</td> <td>391A</td> <td>3\"/> <tr> <td>395</td> <td>ETR</td> <td>-</td> <td>WD.</td> <td>J2</td> <td>PTD.</td> <td>-</td> <td>391B</td> <td>3\"/> <tr> <td>396</td> <td>ETR</td> <td>-</td> <td>WD.</td> <td>J2</td> <td>PTD.</td> <td>-</td> <td>394</td> <td>3\"/> <tr> <td>398</td> <td>ETR</td> <td>-</td> <td>WD.</td> <td>J2</td> <td>PTD.</td> <td>-</td> <td>395</td> <td>3\"/> <tr> <td>399</td> <td>ETR</td> <td>-</td> <td>WD.</td> <td>J2</td> <td>PTD.</td> <td>-</td> <td>396</td> <td>3\"/> <tr> <td>3991</td> <td>ETR</td> <td>-</td> <td>WD.</td> <td>J2</td> <td>PTD.</td> <td>-</td> <td>398</td> <td>3\"/> <tr> <td>3992</td> <td>A</td> <td>3\"/> <tr> <td>3993</td> <td>ETR</td> <td>-</td> <td>WD.</td> <td>J2</td> <td>PTD.</td> <td>-</td> <td>399</td> <td>3\"/> <tr> <td>3994</td> <td>ETR</td> <td>-</td> <td>WD.</td> <td>J2</td> <td>PTD.</td> <td>-</td> <td>3991</td> <td>3\"/> <tr> <td>3995</td> <td>ETR</td> <td>-</td> <td>WD.</td> <td>J2</td> <td>PTD.</td> <td>-</td> <td>3992</td> <td>3\"/> <tr> <td>3997</td> <td>ETR</td> <td>-</td> <td>WD.</td> <td>J2</td> <td>PTD.</td> <td>-</td> <td>3993</td> <td>3\"/> <tr> <td>3998</td> <td>ETR</td> <td>-</td> <td>WD.</td> <td>J2</td> <td>PTD.</td> <td>-</td> <td>3994</td> <td>3\"/> <tr> <td>3999</td> <td>ETR</td> <td>-</td> <td>WD.</td> <td>J2</td> <td>PTD.</td> <td>-</td> <td>3995</td> <td>3\"/> <tr> <td>3999</td> <td>ETR</td> <td>-</td> <td>WD.</td> <td>J2</td> <td>PTD.</td> <td>-</td> <td>3997</td> <td>3\"/> </td></tr></td></tr></td></tr></td></tr></td></tr></td></tr></td></tr></td></tr></td></tr></td></tr></td></tr></td></tr></td></tr></td></tr></td></tr></td></tr></td></tr></td></tr></td></tr></td></tr></td></tr></td></tr></td></td></tr></td></tr></td></td></tr></td></td></tr></td></td></tr></td></td></tr></td></td></tr> | 377A | B | 1 <td>WD</td> <td>J1</td> <td>PTD.</td> <td>-</td> <td>376</td> <td>3\"/> <tr> <td>378</td> <td>B</td> <td>1 <td>WD</td> <td>J1</td> <td>PTD.</td> <td>-</td> <td>377</td> <td>3\"/> <tr> <td>379</td> <td>B</td> <td>1 <td>WD</td> <td>J1</td> <td>PTD.</td> <td>-</td> <td>377A</td> <td>3\"/> <tr> <td>380A</td> <td>B</td> <td>1 <td>WD</td> <td>J1</td> <td>PTD.</td> <td>-</td> <td>378</td> <td>3\"/> <tr> <td>380B</td> <td>B</td> <td>1 <td>WD</td> <td>J1</td> <td>PTD.</td> <td>-</td> <td>379</td> <td>3\"/> <tr> <td>382</td> <td>ETR</td> <td>-</td> <td>WD.</td> <td>J2</td> <td>PTD.</td> <td>-</td> <td>380A</td> <td>3\"/> <tr> <td>382A</td> <td>D</td> <td>6 <td>ALUM.</td> <td>ANODIZE D</td> <td>-</td> <td>-</td> <td>380B</td> <td>3\"/> <tr> <td>385</td> <td>ETR</td> <td>-</td> <td>WD.</td> <td>J2</td> <td>PTD.</td> <td>-</td> <td>382</td> <td>3\"/> <tr> <td>386</td> <td>ETR</td> <td>-</td> <td>WD.</td> <td>J2</td> <td>PTD.</td> <td>-</td> <td>382A</td> <td>3\"/> <tr> <td>387</td> <td>ETR</td> <td>-</td> <td>WD.</td> <td>J2</td> <td>PTD.</td> <td>-</td> <td>385</td> <td>3\"/> <tr> <td>388</td> <td>ETR</td> <td>-</td> <td>WD.</td> <td>J2</td> <td>PTD.</td> <td>-</td> <td>386</td> <td>3\"/> <tr> <td>389</td> <td>ETR</td> <td>-</td> <td>WD.</td> <td>J2</td> <td>PTD.</td> <td>-</td> <td>387</td> <td>3\"/> <tr> <td>391</td> <td>ETR</td> <td>-</td> <td>WD.</td> <td>J2</td> <td>PTD.</td> <td>-</td> <td>388</td> <td>3\"/> <tr> <td>391A</td> <td>ETR</td> <td>-</td> <td>WD.</td> <td>J2</td> <td>PTD.</td> <td>-</td> <td>389</td> <td>3\"/> <tr> <td>391B</td> <td>ETR</td> <td>-</td> <td>WD.</td> <td>J2</td> <td>PTD.</td> <td>-</td> <td>391</td> <td>3\"/> <tr> <td>394</td> <td>ETR</td> <td>-</td> <td>WD.</td> <td>J2</td> <td>PTD.</td> <td>-</td> <td>391A</td> <td>3\"/> <tr> <td>395</td> <td>ETR</td> <td>-</td> <td>WD.</td> <td>J2</td> <td>PTD.</td> <td>-</td> <td>391B</td> <td>3\"/> <tr> <td>396</td> <td>ETR</td> <td>-</td> <td>WD.</td> <td>J2</td> <td>PTD.</td> <td>-</td> <td>394</td> <td>3\"/> <tr> <td>398</td> <td>ETR</td> <td>-</td> <td>WD.</td> <td>J2</td> <td>PTD.</td> <td>-</td> <td>395</td> <td>3\"/> <tr> <td>399</td> <td>ETR</td> <td>-</td> <td>WD.</td> <td>J2</td> <td>PTD.</td> <td>-</td> <td>396</td> <td>3\"/> <tr> <td>3991</td> <td>ETR</td> <td>-</td> <td>WD.</td> <td>J2</td> <td>PTD.</td> <td>-</td> <td>398</td> <td>3\"/> <tr> <td>3992</td> <td>A</td> <td>3\"/> <tr> <td>3993</td> <td>ETR</td> <td>-</td> <td>WD.</td> <td>J2</td> <td>PTD.</td> <td>-</td> <td>399</td> <td>3\"/> <tr> <td>3994</td> <td>ETR</td> <td>-</td> <td>WD.</td> <td>J2</td> <td>PTD.</td> <td>-</td> <td>3991</td> <td>3\"/> <tr> <td>3995</td> <td>ETR</td> <td>-</td> <td>WD.</td> <td>J2</td> <td>PTD.</td> <td>-</td> <td>3992</td> <td>3\"/> <tr> <td>3997</td> <td>ETR</td> <td>-</td> <td>WD.</td> <td>J2</td> <td>PTD.</td> <td>-</td> <td>3993</td> <td>3\"/> <tr> <td>3998</td> <td>ETR</td> <td>-</td> <td>WD.</td> <td>J2</td> <td>PTD.</td> <td>-</td> <td>3994</td> <td>3\"/> <tr> <td>3999</td> <td>ETR</td> <td>-</td> <td>WD.</td> <td>J2</td>
<td>PTD.</td> <td>-</td> <td>3995</td> <td>3\"/> <tr> <td>3999</td> <td>ETR</td> <td>-</td> <td>WD.</td> <td>J2</td> <td>PTD.</td> <td>-</td> <td>3997</td> <td>3\"/> </td></tr></td></tr></td></tr></td></tr></td></tr></td></tr></td></tr></td></tr></td></tr></td></tr></td></tr></td></tr></td></tr></td></tr></td></tr></td></tr></td></tr></td></tr></td></tr></td></tr></td></tr></td></tr></td></td></tr></td></tr></td></td></tr></td></td></tr></td></td></tr></td></td></tr></td> | WD | J1 | PTD. | - | 376 | 3\"/> <tr> <td>378</td> <td>B</td> <td>1 <td>WD</td> <td>J1</td> <td>PTD.</td> <td>-</td> <td>377</td> <td>3\"/> <tr> <td>379</td> <td>B</td> <td>1 <td>WD</td> <td>J1</td> <td>PTD.</td> <td>-</td> <td>377A</td> <td>3\"/> <tr> <td>380A</td> <td>B</td> <td>1 <td>WD</td> <td>J1</td> <td>PTD.</td> <td>-</td> <td>378</td> <td>3\"/> <tr> <td>380B</td> <td>B</td> <td>1 <td>WD</td> <td>J1</td> <td>PTD.</td> <td>-</td> <td>379</td> <td>3\"/> <tr> <td>382</td> <td>ETR</td> <td>-</td> <td>WD.</td> <td>J2</td> <td>PTD.</td> <td>-</td> <td>380A</td> <td>3\"/> <tr> <td>382A</td> <td>D</td> <td>6 <td>ALUM.</td> <td>ANODIZE D</td> <td>-</td> <td>-</td> <td>380B</td> <td>3\"/> <tr> <td>385</td> <td>ETR</td> <td>-</td> <td>WD.</td> <td>J2</td> <td>PTD.</td> <td>-</td> <td>382</td> <td>3\"/> <tr> <td>386</td> <td>ETR</td> <td>-</td> <td>WD.</td> <td>J2</td> <td>PTD.</td> <td>-</td> <td>382A</td> <td>3\"/> <tr> <td>387</td> <td>ETR</td> <td>-</td> <td>WD.</td> <td>J2</td> <td>PTD.</td> <td>-</td> <td>385</td> <td>3\"/> <tr> <td>388</td> <td>ETR</td> <td>-</td> <td>WD.</td> <td>J2</td> <td>PTD.</td> <td>-</td> <td>386</td> <td>3\"/> <tr> <td>389</td> <td>ETR</td> <td>-</td> <td>WD.</td> <td>J2</td> <td>PTD.</td> <td>-</td> <td>387</td> <td>3\"/> <tr> <td>391</td> <td>ETR</td> <td>-</td> <td>WD.</td> <td>J2</td> <td>PTD.</td> <td>-</td> <td>388</td> <td>3\"/> <tr> <td>391A</td> <td>ETR</td> <td>-</td> <td>WD.</td> <td>J2</td> <td>PTD.</td> <td>-</td> <td>389</td> <td>3\"/> <tr> <td>391B</td> <td>ETR</td> <td>-</td> <td>WD.</td> <td>J2</td> <td>PTD.</td> <td>-</td> <td>391</td> <td>3\"/> <tr> <td>394</td> <td>ETR</td> <td>-</td> <td>WD.</td> <td>J2</td> <td>PTD.</td> <td>-</td> <td>391A</td> <td>3\"/> <tr> <td>395</td> <td>ETR</td> <td>-</td> <td>WD.</td> <td>J2</td> <td>PTD.</td> <td>-</td> <td>391B</td> <td>3\"/> <tr> <td>396</td> <td>ETR</td> <td>-</td> <td>WD.</td> <td>J2</td> <td>PTD.</td> <td>-</td> <td>394</td> <td>3\"/> <tr> <td>398</td> <td>ETR</td> <td>-</td> <td>WD.</td> <td>J2</td> <td>PTD.</td> <td>-</td> <td>395</td> <td>3\"/> <tr> <td>399</td> <td>ETR</td> <td>-</td> <td>WD.</td> <td>J2</td> <td>PTD.</td> <td>-</td> <td>396</td> <td>3\"/> <tr> <td>3991</td> <td>ETR</td> <td>-</td> <td>WD.</td> <td>J2</td> <td>PTD.</td> <td>-</td> <td>398</td> <td>3\"/> <tr> <td>3992</td> <td>A</td> <td>3\"/> <tr> <td>3993</td> <td>ETR</td> <td>-</td> <td>WD.</td> <td>J2</td> <td>PTD.</td> <td>-</td> <td>399</td> <td>3\"/> <tr> <td>3994</td> <td>ETR</td> <td>-</td> <td>WD.</td> <td>J2</td> <td>PTD.</td> <td>-</td> <td>3991</td> <td>3\"/> <tr> <td>3995</td> <td>ETR</td> <td>-</td> <td>WD.</td> <td>J2</td> <td>PTD.</td> <td>-</td> <td>3992</td> <td>3\"/> <tr> <td>3997</td> <td>ETR</td> <td>-</td> <td>WD.</td> <td>J2</td> <td>PTD.</td> <td>-</td> <td>3993</td> <td>3\"/> <tr> <td>3998</td> <td>ETR</td> <td>-</td> <td>WD.</td> <td>J2</td> <td>PTD.</td> <td>-</td> <td>3994</td> <td>3\"/> <tr> <td>3999</td> <td>ETR</td> <td>-</td> <td>WD.</td> <td>J2</td> <td>PTD.</td> <td>-</td> <td>3995</td> <td>3\"/> <tr> <td>3999</td> <td>ETR</td> <td>-</td> <td>WD.</td> <td>J2</td> <td>PTD.</td> <td>-</td> <td>3997</td> <td>3\"/> </td></tr></td></tr></td></tr></td></tr></td></tr></td></tr></td></tr></td></tr></td></tr></td></tr></td></tr></td></tr></td></tr></td></tr></td></tr></td></tr></td></tr></td></tr></td></tr></td></tr></td></tr></td></tr></td></td></tr></td></tr></td></td></tr></td></td></tr></td></td></tr></td></td></tr> | 378 | B | 1 <td>WD</td> <td>J1</td> <td>PTD.</td> <td>-</td> <td>377</td> <td>3\"/> <tr> <td>379</td> <td>B</td> <td>1 <td>WD</td> <td>J1</td> <td>PTD.</td> <td>-</td> <td>377A</td> <td>3\"/> <tr> <td>380A</td> <td>B</td> <td>1 <td>WD</td> <td>J1</td> <td>PTD.</td> <td>-</td> <td>378</td> <td>3\"/> <tr> <td>380B</td> <td>B</td> <td>1 <td>WD</td> <td>J1</td> <td>PTD.</td> <td>-</td> <td>379</td> <td>3\"/> <tr> <td>382</td> <td>ETR</td> <td>-</td> <td>WD.</td> <td>J2</td> <td>PTD.</td> <td>-</td> <td>380A</td> <td>3\"/> <tr> <td>382A</td> <td>D</td> <td>6 <td>ALUM.</td> <td>ANODIZE D</td> <td>-</td> <td>-</td> <td>380B</td> <td>3\"/> <tr> <td>385</td> <td>ETR</td> <td>-</td> <td>WD.</td> <td>J2</td> <td>PTD.</td> <td>-</td> <td>382</td> <td>3\"/> <tr> <td>386</td> <td>ETR</td> <td>-</td> <td>WD.</td> <td>J2</td> <td>PTD.</td> <td>-</td> <td>382A</td> <td>3\"/> <tr> <td>387</td> <td>ETR</td> <td>-</td> <td>WD.</td> <td>J2</td> <td>PTD.</td> <td>-</td> <td>385</td> <td>3\"/> <tr> <td>388</td> <td>ETR</td> <td>-</td> <td>WD.</td> <td>J2</td> <td>PTD.</td> <td>-</td> <td>386</td> <td>3\"/> <tr> <td>389</td> <td>ETR</td> <td>-</td> <td>WD.</td> <td>J2</td> <td>PTD.</td> <td>-</td> <td>387</td> <td>3\"/> <tr> <td>391</td> <td>ETR</td> <td>-</td> <td>WD.</td> <td>J2</td> <td>PTD.</td> <td>-</td> <td>388</td> <td>3\"/> <tr> <td>391A</td> <td>ETR</td> <td>-</td> <td>WD.</td> <td>J2</td> <td>PTD.</td> <td>-</td> <td>389</td> <td>3\"/> <tr> <td>391B</td> <td>ETR</td> <td>-</td> <td>WD.</td> <td>J2</td> <td>PTD.</td> <td>-</td> <td>391</td> <td>3\"/> <tr> <td>394</td> <td>ETR</td> <td>-</td> <td>WD.</td> <td>J2</td> <td>PTD.</td> <td>-</td> <td>391A</td> <td>3\"/> <tr> <td>395</td> <td>ETR</td> <td>-</td> <td>WD.</td> <td>J2</td> <td>PTD.</td> <td>-</td>
<td>391B</td> <td>3\"/> <tr> <td>396</td> <td>ETR</td> <td>-</td> <td>WD.</td> <td>J2</td> <td>PTD.</td> <td>-</td> <td>394</td> <td>3\"/> <tr> <td>398</td> <td>ETR</td> <td>-</td> <td>WD.</td> <td>J2</td> <td>PTD.</td> <td>-</td> <td>395</td> <td>3\"/> <tr> <td>399</td> <td>ETR</td> <td>-</td> <td>WD.</td> <td>J2</td> <td>PTD.</td> <td>-</td> <td>396</td> <td>3\"/> <tr> <td>3991</td> <td>ETR</td> <td>-</td> <td>WD.</td> <td>J2</td> <td>PTD.</td> <td>-</td> <td>398</td> <td>3\"/> <tr> <td>3992</td> <td>A</td> <td>3\"/> <tr> <td>3993</td> <td>ETR</td> <td>-</td> <td>WD.</td> <td>J2</td> <td>PTD.</td> <td>-</td> <td>399</td> <td>3\"/> <tr> <td>3994</td> <td>ETR</td> <td>-</td> <td>WD.</td> <td>J2</td> <td>PTD.</td> <td>-</td> <td>3991</td> <td>3\"/> <tr> <td>3995</td> <td>ETR</td> <td>-</td> <td>WD.</td> <td>J2</td> <td>PTD.</td> <td>-</td> <td>3992</td> <td>3\"/> <tr> <td>3997</td> <td>ETR</td> <td>-</td> <td>WD.</td> <td>J2</td> <td>PTD.</td> <td>-</td> <td>3993</td> <td>3\"/> <tr> <td>3998</td> <td>ETR</td> <td>-</td> <td>WD.</td> <td>J2</td> <td>PTD.</td> <td>-</td> <td>3994</td> <td>3\"/> <tr> <td>3999</td> <td>ETR</td> <td>-</td> <td>WD.</td> <td>J2</td> <td>PTD.</td> <td>-</td> <td>3995</td> <td>3\"/> <tr> <td>3999</td> <td>ETR</td> <td>-</td> <td>WD.</td> <td>J2</td> <td>PTD.</td> <td>-</td> <td>3997</td> <td>3\"/> </td></tr></td></tr></td></tr></td></tr></td></tr></td></tr></td></tr></td></tr></td></tr></td></tr></td></tr></td></tr></td></tr></td></tr></td></tr></td></tr></td></tr></td></tr></td></tr></td></tr></td></tr></td></tr></td></td></tr></td></tr></td></td></tr></td></td></tr></td></td></tr></td> | WD | J1 | PTD. | - | 377 | 3\"/> <tr> <td>379</td> <td>B</td> <td>1 <td>WD</td> <td>J1</td> <td>PTD.</td> <td>-</td> <td>377A</td> <td>3\"/> <tr> <td>380A</td> <td>B</td> <td>1 <td>WD</td> <td>J1</td> <td>PTD.</td> <td>-</td> <td>378</td> <td>3\"/> <tr> <td>380B</td> <td>B</td> <td>1 <td>WD</td> <td>J1</td> <td>PTD.</td> <td>-</td> <td>379</td> <td>3\"/> <tr> <td>382</td> <td>ETR</td> <td>-</td> <td>WD.</td> <td>J2</td> <td>PTD.</td> <td>-</td> <td>380A</td> <td>3\"/> <tr> <td>382A</td> <td>D</td> <td>6 <td>ALUM.</td> <td>ANODIZE D</td> <td>-</td> <td>-</td> <td>380B</td> <td>3\"/> <tr> <td>385</td> <td>ETR</td> <td>-</td> <td>WD.</td> <td>J2</td> <td>PTD.</td> <td>-</td> <td>382</td> <td>3\"/> <tr> <td>386</td> <td>ETR</td> <td>-</td> <td>WD.</td> <td>J2</td> <td>PTD.</td> <td>-</td> <td>382A</td> <td>3\"/> <tr> <td>387</td> <td>ETR</td> <td>-</td> <td>WD.</td> <td>J2</td> <td>PTD.</td> <td>-</td> <td>385</td> <td>3\"/> <tr> <td>388</td> <td>ETR</td> <td>-</td> <td>WD.</td> <td>J2</td> <td>PTD.</td> <td>-</td> <td>386</td> <td>3\"/> <tr> <td>389</td> <td>ETR</td> <td>-</td> <td>WD.</td> <td>J2</td> <td>PTD.</td> <td>-</td> <td>387</td> <td>3\"/> <tr> <td>391</td> <td>ETR</td> <td>-</td> <td>WD.</td> <td>J2</td> <td>PTD.</td> <td>-</td> <td>388</td> <td>3\"/> <tr> <td>391A</td> <td>ETR</td> <td>-</td> <td>WD.</td> <td>J2</td> <td>PTD.</td> <td>-</td> <td>389</td> <td>3\"/> <tr> <td>391B</td> <td>ETR</td> <td>-</td> <td>WD.</td> <td>J2</td> <td>PTD.</td> <td>-</td> <td>391</td> <td>3\"/> <tr> <td>394</td> <td>ETR</td> <td>-</td> <td>WD.</td> <td>J2</td> <td>PTD.</td> <td>-</td> <td>391A</td> <td>3\"/> <tr> <td>395</td> <td>ETR</td> <td>-</td> <td>WD.</td> <td>J2</td> <td>PTD.</td> <td>-</td> <td>391B</td> <td>3\"/> <tr> <td>396</td> <td>ETR</td> <td>-</td> <td>WD.</td> <td>J2</td> <td>PTD.</td> <td>-</td> <td>394</td> <td>3\"/> <tr> <td>398</td> <td>ETR</td> <td>-</td> <td>WD.</td> <td>J2</td> <td>PTD.</td> <td>-</td> <td>395</td> <td>3\"/> <tr> <td>399</td> <td>ETR</td> <td>-</td> <td>WD.</td> <td>J2</td> <td>PTD.</td> <td>-</td> <td>396</td> <td>3\"/> <tr> <td>3991</td> <td>ETR</td> <td>-</td> <td>WD.</td> <td>J2</td> <td>PTD.</td> <td>-</td> <td>398</td> <td>3\"/> <tr> <td>3992</td> <td>A</td> <td>3\"/> <tr> <td>3993</td> <td>ETR</td> <td>-</td> <td>WD.</td> <td>J2</td> <td>PTD.</td> <td>-</td> <td>399</td> <td>3\"/> <tr> <td>3994</td> <td>ETR</td> <td>-</td> <td>WD.</td> <td>J2</td> <td>PTD.</td> <td>-</td> <td>3991</td> <td>3\"/> <tr> <td>3995</td> <td>ETR</td> <td>-</td> <td>WD.</td> <td>J2</td> <td>PTD.</td> <td>-</td> <td>3992</td> <td>3\"/> <tr> <td>3997</td> <td>ETR</td> <td>-</td> <td>WD.</td> <td>J2</td> <td>PTD.</td> <td>-</td> <td>3993</td> <td>3\"/> <tr> <td>3998</td> <td>ETR</td> <td>-</td> <td>WD.</td> <td>J2</td> <td>PTD.</td> <td>-</td> <td>3994</td> <td>3\"/> <tr> <td>3999</td> <td>ETR</td> <td>-</td> <td>WD.</td> <td>J2</td> <td>PTD.</td> <td>-</td> <td>3995</td> <td>3\"/> <tr> <td>3999</td> <td>ETR</td> <td>-</td> <td>WD.</td> <td>J2</td> <td>PTD.</td> <td>-</td> <td>3997</td> <td>3\"/> </td></tr></td></tr></td></tr></td></tr></td></tr></td></tr></td></tr></td></tr></td></tr></td></tr></td></tr></td></tr></td></tr></td></tr></td></tr></td></tr></td></tr></td></tr></td></tr></td></tr></td></tr></td></tr></td></td></tr></td></tr></td></td></tr></td></td></tr></td></td></tr> | 379 | B | 1 <td>WD</td> <td>J1</td> <td>PTD.</td> <td>-</td> <td>377A</td> <td>3\"/> <tr> <td>380A</td> <td>B</td> <td>1 <td>WD</td> <td>J1</td> <td>PTD.</td> <td>-</td> <td>378</td> <td>3\"/> <tr> <td>380B</td> <td>B</td> <td>1 <td>WD</td> <td>J1</td> <td>PTD.</td> <td>-</td> <td>379</td> <td>3\"/> <tr> <td>382</td> <td>ETR</td> <td>-</td> <td>WD.</td> <td>J2</td> <td>PTD.</td> <td>-</td> <td>380A</td> <td>3\"/> <tr> <td>382A</td> <td>D</td> <td>6 <td>ALUM.</td> <td>ANODIZE D</td> <td>-</td> <td>-</td> <td>380B</td> <td>3\"/> <tr> <td>385</td> <td>ETR</td> <td>-</td> <td>WD.</td> <td>J2</td> <td>PTD.</td> <td>-</td> <td>382</td> <td>3\"/> <tr> <td>386</td> <td>ETR</td> <td>-</td> <td>WD.</td> <td>J2</td> <td>PTD.</td> <td>-</td> <td>382A</td> <td>3\"/> <tr> <td>387</td> <td>ETR</td> <td>-</td> <td>WD.</td> <td>J2</td> <td>PTD.</td> <td>-</td>
<td>385</td> <td>3\"/> <tr> <td>388</td> <td>ETR</td> <td>-</td> <td>WD.</td> <td>J2</td> <td>PTD.</td> <td>-</td> <td>386</td> <td>3\"/> <tr> <td>389</td> <td>ETR</td> <td>-</td> <td>WD.</td> <td>J2</td> <td>PTD.</td> <td>-</td> <td>387</td> <td>3\"/> <tr> <td>391</td> <td>ETR</td> <td>-</td> <td>WD.</td> <td>J2</td> <td>PTD.</td> <td>-</td> <td>388</td> <td>3\"/> <tr> <td>391A</td> <td>ETR</td> <td>-</td> <td>WD.</td> <td>J2</td> <td>PTD.</td> <td>-</td> <td>389</td> <td>3\"/> <tr> <td>391B</td> <td>ETR</td> <td>-</td> <td>WD.</td> <td>J2</td> <td>PTD.</td> <td>-</td> <td>391</td> <td>3\"/> <tr> <td>394</td> <td>ETR</td> <td>-</td> <td>WD.</td> <td>J2</td> <td>PTD.</td> <td>-</td> <td>391A</td> <td>3\"/> <tr> <td>395</td> <td>ETR</td> <td>-</td> <td>WD.</td> <td>J2</td> <td>PTD.</td> <td>-</td> <td>391B</td> <td>3\"/> <tr> <td>396</td> <td>ETR</td> <td>-</td> <td>WD.</td> <td>J2</td> <td>PTD.</td> <td>-</td> <td>394</td> <td>3\"/> <tr> <td>398</td> <td>ETR</td> <td>-</td> <td>WD.</td> <td>J2</td> <td>PTD.</td> <td>-</td> <td>395</td> <td>3\"/> <tr> <td>399</td> <td>ETR</td> <td>-</td> <td>WD.</td> <td>J2</td> <td>PTD.</td> <td>-</td> <td>396</td> <td>3\"/> <tr> <td>3991</td> <td>ETR</td> <td>-</td> <td>WD.</td> <td>J2</td> <td>PTD.</td> <td>-</td> <td>398</td> <td>3\"/> <tr> <td>3992</td> <td>A</td> <td>3\"/> <tr> <td>3993</td> <td>ETR</td> <td>-</td> <td>WD.</td> <td>J2</td> <td>PTD.</td> <td>-</td> <td>399</td> <td>3\"/> <tr> <td>3994</td> <td>ETR</td> <td>-</td> <td>WD.</td> <td>J2</td> <td>PTD.</td> <td>-</td> <td>3991</td> <td>3\"/> <tr> <td>3995</td> <td>ETR</td> <td>-</td> <td>WD.</td> <td>J2</td> <td>PTD.</td> <td>-</td> <td>3992</td> <td>3\"/> <tr> <td>3997</td> <td>ETR</td> <td>-</td> <td>WD.</td> <td>J2</td> <td>PTD.</td> <td>-</td> <td>3993</td> <td>3\"/> <tr> <td>3998</td> <td>ETR</td> <td>-</td> <td>WD.</td> <td>J2</td> <td>PTD.</td> <td>-</td> <td>3994</td> <td>3\"/> <tr> <td>3999</td> <td>ETR</td> <td>-</td> <td>WD.</td> <td>J2</td> <td>PTD.</td> <td>-</td> <td>3995</td> <td>3\"/> <tr> <td>3999</td> <td>ETR</td> <td>-</td> <td>WD.</td> <td>J2</td> <td>PTD.</td> <td>-</td> <td>3997</td> <td>3\"/> </td></tr></td></tr></td></tr></td></tr></td></tr></td></tr></td></tr></td></tr></td></tr></td></tr></td></tr></td></tr></td></tr></td></tr></td></tr></td></tr></td></tr></td></tr></td></tr></td></tr></td></tr></td></tr></td></td></tr></td></tr></td></td></tr></td></td></tr></td> | WD | J1 | PTD. | - | 377A | 3\"/> <tr> <td>380A</td> <td>B</td> <td>1 <td>WD</td> <td>J1</td> <td>PTD.</td> <td>-</td> <td>378</td> <td>3\"/> <tr> <td>380B</td> <td>B</td> <td>1 <td>WD</td> <td>J1</td> <td>PTD.</td> <td>-</td> <td>379</td> <td>3\"/> <tr> <td>382</td> <td>ETR</td> <td>-</td> <td>WD.</td> <td>J2</td> <td>PTD.</td> <td>-</td> <td>380A</td> <td>3\"/> <tr> <td>382A</td> <td>D</td> <td>6 <td>ALUM.</td> <td>ANODIZE D</td> <td>-</td> <td>-</td> <td>380B</td> <td>3\"/> <tr> <td>385</td> <td>ETR</td> <td>-</td> <td>WD.</td> <td>J2</td> <td>PTD.</td> <td>-</td> <td>382</td> <td>3\"/> <tr> <td>386</td> <td>ETR</td> <td>-</td> <td>WD.</td> <td>J2</td> <td>PTD.</td> <td>-</td> <td>382A</td> <td>3\"/> <tr> <td>387</td> <td>ETR</td> <td>-</td> <td>WD.</td> <td>J2</td> <td>PTD.</td> <td>-</td> <td>385</td> <td>3\"/> <tr> <td>388</td> <td>ETR</td> <td>-</td> <td>WD.</td> <td>J2</td> <td>PTD.</td> <td>-</td> <td>386</td> <td>3\"/> <tr> <td>389</td> <td>ETR</td> <td>-</td> <td>WD.</td> <td>J2</td> <td>PTD.</td> <td>-</td> <td>387</td> <td>3\"/> <tr> <td>391</td> <td>ETR</td> <td>-</td> <td>WD.</td> <td>J2</td> <td>PTD.</td> <td>-</td> <td>388</td> <td>3\"/> <tr> <td>391A</td> <td>ETR</td> <td>-</td> <td>WD.</td> <td>J2</td> <td>PTD.</td> <td>-</td> <td>389</td> <td>3\"/> <tr> <td>391B</td> <td>ETR</td> <td>-</td> <td>WD.</td> <td>J2</td> <td>PTD.</td> <td>-</td> <td>391</td> <td>3\"/> <tr> <td>394</td> <td>ETR</td> <td>-</td> <td>WD.</td> <td>J2</td> <td>PTD.</td> <td>-</td> <td>391A</td> <td>3\"/> <tr> <td>395</td> <td>ETR</td> <td>-</td> <td>WD.</td> <td>J2</td> <td>PTD.</td> <td>-</td> <td>391B</td> <td>3\"/> <tr> <td>396</td> <td>ETR</td> <td>-</td> <td>WD.</td> <td>J2</td> <td>PTD.</td> <td>-</td> <td>394</td> <td>3\"/> <tr> <td>398</td> <td>ETR</td> <td>-</td> <td>WD.</td> <td>J2</td> <td>PTD.</td> <td>-</td> <td>395</td> <td>3\"/> <tr> <td>399</td> <td>ETR</td> <td>-</td> <td>WD.</td> <td>J2</td> <td>PTD.</td> <td>-</td> <td>396</td> <td>3\"/> <tr> <td>3991</td> <td>ETR</td> <td>-</td> <td>WD.</td> <td>J2</td> <td>PTD.</td> <td>-</td> <td>398</td> <td>3\"/> <tr> <td>3992</td> <td>A</td> <td>3\"/> <tr> <td>3993</td> <td>ETR</td> <td>-</td> <td>WD.</td> <td>J2</td> <td>PTD.</td> <td>-</td> <td>399</td> <td>3\"/> <tr> <td>3994</td> <td>ETR</td> <td>-</td> <td>WD.</td> <td>J2</td> <td>PTD.</td> <td>-</td> <td>3991</td> <td>3\"/> <tr> <td>3995</td> <td>ETR</td> <td>-</td> <td>WD.</td> <td>J2</td> <td>PTD.</td> <td>-</td> <td>3992</td> <td>3\"/> <tr> <td>3997</td> <td>ETR</td> <td>-</td> <td>WD.</td> <td>J2</td> <td>PTD.</td> <td>-</td> <td>3993</td> <td>3\"/> <tr> <td>3998</td> <td>ETR</td> <td>-</td> <td>WD.</td> <td>J2</td> <td>PTD.</td> <td>-</td> <td>3994</td> <td>3\"/> <tr> <td>3999</td> <td>ETR</td> <td>-</td> <td>WD.</td> <td>J2</td> <td>PTD.</td> <td>-</td> <td>3995</td> <td>3\"/> <tr> <td>3999</td> <td>ETR</td> <td>-</td> <td>WD.</td> <td>J2</td> <td>PTD.</td> <td>-</td> <td>3997</td> <td>3\"/> </td></tr></td></tr></td></tr></td></tr></td></tr></td></tr></td></tr></td></tr></td></tr></td></tr></td></tr></td></tr></td></tr></td></tr></td></tr></td></tr></td></tr></td></tr></td></tr></td></tr></td></tr></td></tr></td></td></tr></td></tr></td></td></tr></td></td></tr> | 380A | B | 1 <td>WD</td> <td>J1</td> <td>PTD.</td> <td>-</td> <td>378</td> <td>3\"/> <tr> <td>380B</td> <td>B</td> <td>1 <td>WD</td> <td>J1</td> <td>PTD.</td> <td>-</td> <td>379</td> <td>3\"/> <tr> <td>382</td> <td>ETR</td> <td>-</td> <td>WD.</td> <td>J2</td> <td>PTD.</td> <td>-</td> <td>380A</td> <td>3\"/>
<tr> <td>382A</td> <td>D</td> <td>6 <td>ALUM.</td> <td>ANODIZE D</td> <td>-</td> <td>-</td> <td>380B</td> <td>3\"/> <tr> <td>385</td> <td>ETR</td> <td>-</td> <td>WD.</td> <td>J2</td> <td>PTD.</td> <td>-</td> <td>382</td> <td>3\"/> <tr> <td>386</td> <td>ETR</td> <td>-</td> <td>WD.</td> <td>J2</td> <td>PTD.</td> <td>-</td> <td>382A</td> <td>3\"/> <tr> <td>387</td> <td>ETR</td> <td>-</td> <td>WD.</td> <td>J2</td> <td>PTD.</td> <td>-</td> <td>385</td> <td>3\"/> <tr> <td>388</td> <td>ETR</td> <td>-</td> <td>WD.</td> <td>J2</td> <td>PTD.</td> <td>-</td> <td>386</td> <td>3\"/> <tr> <td>389</td> <td>ETR</td> <td>-</td> <td>WD.</td> <td>J2</td> <td>PTD.</td> <td>-</td> <td>387</td> <td>3\"/> <tr> <td>391</td> <td>ETR</td> <td>-</td> <td>WD.</td> <td>J2</td> <td>PTD.</td> <td>-</td> <td>388</td> <td>3\"/> <tr> <td>391A</td> <td>ETR</td> <td>-</td> <td>WD.</td> <td>J2</td> <td>PTD.</td> <td>-</td> <td>389</td> <td>3\"/> <tr> <td>391B</td> <td>ETR</td> <td>-</td> <td>WD.</td> <td>J2</td> <td>PTD.</td> <td>-</td> <td>391</td> <td>3\"/> <tr> <td>394</td> <td>ETR</td> <td>-</td> <td>WD.</td> <td>J2</td> <td>PTD.</td> <td>-</td> <td>391A</td> <td>3\"/> <tr> <td>395</td> <td>ETR</td> <td>-</td> <td>WD.</td> <td>J2</td> <td>PTD.</td> <td>-</td> <td>391B</td> <td>3\"/> <tr> <td>396</td> <td>ETR</td> <td>-</td> <td>WD.</td> <td>J2</td> <td>PTD.</td> <td>-</td> <td>394</td> <td>3\"/> <tr> <td>398</td> <td>ETR</td> <td>-</td> <td>WD.</td> <td>J2</td> <td>PTD.</td> <td>-</td> <td>395</td> <td>3\"/> <tr> <td>399</td> <td>ETR</td> <td>-</td> <td>WD.</td> <td>J2</td> <td>PTD.</td> <td>-</td> <td>396</td> <td>3\"/> <tr> <td>3991</td> <td>ETR</td> <td>-</td> <td>WD.</td> <td>J2</td> <td>PTD.</td> <td>-</td> <td>398</td> <td>3\"/> <tr> <td>3992</td> <td>A</td> <td>3\"/> <tr> <td>3993</td> <td>ETR</td> <td>-</td> <td>WD.</td> <td>J2</td> <td>PTD.</td> <td>-</td> <td>399</td> <td>3\"/> <tr> <td>3994</td> <td>ETR</td> <td>-</td> <td>WD.</td> <td>J2</td> <td>PTD.</td> <td>-</td> <td>3991</td> <td>3\"/> <tr> <td>3995</td> <td>ETR</td> <td>-</td> <td>WD.</td> <td>J2</td> <td>PTD.</td> <td>-</td> <td>3992</td> <td>3\"/> <tr> <td>3997</td> <td>ETR</td> <td>-</td> <td>WD.</td> <td>J2</td> <td>PTD.</td> <td>-</td> <td>3993</td> <td>3\"/> <tr> <td>3998</td> <td>ETR</td> <td>-</td> <td>WD.</td> <td>J2</td> <td>PTD.</td> <td>-</td> <td>3994</td> <td>3\"/> <tr> <td>3999</td> <td>ETR</td> <td>-</td> <td>WD.</td> <td>J2</td> <td>PTD.</td> <td>-</td> <td>3995</td> <td>3\"/> <tr> <td>3999</td> <td>ETR</td> <td>-</td> <td>WD.</td> <td>J2</td> <td>PTD.</td> <td>-</td> <td>3997</td> <td>3\"/> </td></tr></td></tr></td></tr></td></tr></td></tr></td></tr></td></tr></td></tr></td></tr></td></tr></td></tr></td></tr></td></tr></td></tr></td></tr></td></tr></td></tr></td></tr></td></tr></td></tr></td></tr></td></tr></td></td></tr></td></tr></td></td></tr></td> | WD | J1 | PTD. | - | 378 | 3\"/> <tr> <td>380B</td> <td>B</td> <td>1 <td>WD</td> <td>J1</td> <td>PTD.</td> <td>-</td> <td>379</td> <td>3\"/> <tr> <td>382</td> <td>ETR</td> <td>-</td> <td>WD.</td> <td>J2</td> <td>PTD.</td> <td>-</td> <td>380A</td> <td>3\"/> <tr> <td>382A</td> <td>D</td> <td>6 <td>ALUM.</td> <td>ANODIZE D</td> <td>-</td> <td>-</td> <td>380B</td> <td>3\"/> <tr> <td>385</td> <td>ETR</td> <td>-</td> <td>WD.</td> <td>J2</td> <td>PTD.</td> <td>-</td> <td>382</td> <td>3\"/> <tr> <td>386</td> <td>ETR</td> <td>-</td> <td>WD.</td> <td>J2</td> <td>PTD.</td> <td>-</td> <td>382A</td> <td>3\"/> <tr> <td>387</td> <td>ETR</td> <td>-</td> <td>WD.</td> <td>J2</td> <td>PTD.</td> <td>-</td> <td>385</td> <td>3\"/> <tr> <td>388</td> <td>ETR</td> <td>-</td> <td>WD.</td> <td>J2</td> <td>PTD.</td> <td>-</td> <td>386</td> <td>3\"/> <tr> <td>389</td> <td>ETR</td> <td>-</td> <td>WD.</td> <td>J2</td> <td>PTD.</td> <td>-</td> <td>387</td> <td>3\"/> <tr> <td>391</td> <td>ETR</td> <td>-</td> <td>WD.</td> <td>J2</td> <td>PTD.</td> <td>-</td> <td>388</td> <td>3\"/> <tr> <td>391A</td> <td>ETR</td> <td>-</td> <td>WD.</td> <td>J2</td> <td>PTD.</td> <td>-</td> <td>389</td> <td>3\"/> <tr> <td>391B</td> <td>ETR</td> <td>-</td> <td>WD.</td> <td>J2</td> <td>PTD.</td> <td>-</td> <td>391</td> <td>3\"/> <tr> <td>394</td> <td>ETR</td> <td>-</td> <td>WD.</td> <td>J2</td> <td>PTD.</td> <td>-</td> <td>391A</td> <td>3\"/> <tr> <td>395</td> <td>ETR</td> <td>-</td> <td>WD.</td> <td>J2</td> <td>PTD.</td> <td>-</td> <td>391B</td> <td>3\"/> <tr> <td>396</td> <td>ETR</td> <td>-</td> <td>WD.</td> <td>J2</td> <td>PTD.</td> <td>-</td> <td>394</td> <td>3\"/> <tr> <td>398</td> <td>ETR</td> <td>-</td> <td>WD.</td> <td>J2</td> <td>PTD.</td> <td>-</td> <td>395</td> <td>3\"/> <tr> <td>399</td> <td>ETR</td> <td>-</td> <td>WD.</td> <td>J2</td> <td>PTD.</td> <td>-</td> <td>396</td> <td>3\"/> <tr> <td>3991</td> <td>ETR</td> <td>-</td> <td>WD.</td> <td>J2</td> <td>PTD.</td> <td>-</td> <td>398</td> <td>3\"/> <tr> <td>3992</td> <td>A</td> <td>3\"/> <tr> <td>3993</td> <td>ETR</td> <td>-</td> <td>WD.</td> <td>J2</td> <td>PTD.</td> <td>-</td> <td>399</td> <td>3\"/> <tr> <td>3994</td> <td>ETR</td> <td>-</td> <td>WD.</td> <td>J2</td> <td>PTD.</td> <td>-</td> <td>3991</td> <td>3\"/> <tr> <td>3995</td> <td>ETR</td> <td>-</td> <td>WD.</td> <td>J2</td> <td>PTD.</td> <td>-</td> <td>3992</td> <td>3\"/> <tr> <td>3997</td> <td>ETR</td> <td>-</td> <td>WD.</td> <td>J2</td> <td>PTD.</td> <td>-</td> <td>3993</td> <td>3\"/> <tr> <td>3998</td> <td>ETR</td> <td>-</td> <td>WD.</td> <td>J2</td> <td>PTD.</td> <td>-</td> <td>3994</td> <td>3\"/> <tr> <td>3999</td> <td>ETR</td> <td>-</td> <td>WD.</td> <td>J2</td> <td>PTD.</td> <td>-</td> <td>3995</td> <td>3\"/> <tr> <td>3999</td> <td>ETR</td> <td>-</td> <td>WD.</td> <td>J2</td> <td>PTD.</td> <td>-</td> <td>3997</td> <td>3\"/> </td></tr></td></tr></td></tr></td></tr></td></tr></td></tr></td></tr></td></tr></td></tr></td></tr></td></tr></td></tr></td></tr></td></tr></td></tr></td></tr></td></tr></td></tr></td></tr></td></tr></td></tr></td></tr></td></td></tr></td></tr></td></td></tr> | 380B | B | 1 <td>WD</td> <td>J1</td> <td>PTD.</td> <td>-</td> <td>379</td> <td>3\"/> <tr> <td>382</td> <td>ETR</td> <td>-</td>
<td>WD.</td> <td>J2</td> <td>PTD.</td> <td>-</td> <td>380A</td> <td>3\"/> <tr> <td>382A</td> <td>D</td> <td>6 <td>ALUM.</td> <td>ANODIZE D</td> <td>-</td> <td>-</td> <td>380B</td> <td>3\"/> <tr> <td>385</td> <td>ETR</td> <td>-</td> <td>WD.</td> <td>J2</td> <td>PTD.</td> <td>-</td> <td>382</td> <td>3\"/> <tr> <td>386</td> <td>ETR</td> <td>-</td> <td>WD.</td> <td>J2</td> <td>PTD.</td> <td>-</td> <td>382A</td> <td>3\"/> <tr> <td>387</td> <td>ETR</td> <td>-</td> <td>WD.</td> <td>J2</td> <td>PTD.</td> <td>-</td> <td>385</td> <td>3\"/> <tr> <td>388</td> <td>ETR</td> <td>-</td> <td>WD.</td> <td>J2</td> <td>PTD.</td> <td>-</td> <td>386</td> <td>3\"/> <tr> <td>389</td> <td>ETR</td> <td>-</td> <td>WD.</td> <td>J2</td> <td>PTD.</td> <td>-</td> <td>387</td> <td>3\"/> <tr> <td>391</td> <td>ETR</td> <td>-</td> <td>WD.</td> <td>J2</td> <td>PTD.</td> <td>-</td> <td>388</td> <td>3\"/> <tr> <td>391A</td> <td>ETR</td> <td>-</td> <td>WD.</td> <td>J2</td> <td>PTD.</td> <td>-</td> <td>389</td> <td>3\"/> <tr> <td>391B</td> <td>ETR</td> <td>-</td> <td>WD.</td> <td>J2</td> <td>PTD.</td> <td>-</td> <td>391</td> <td>3\"/> <tr> <td>394</td> <td>ETR</td> <td>-</td> <td>WD.</td> <td>J2</td> <td>PTD.</td> <td>-</td> <td>391A</td> <td>3\"/> <tr> <td>395</td> <td>ETR</td> <td>-</td> <td>WD.</td> <td>J2</td> <td>PTD.</td> <td>-</td> <td>391B</td> <td>3\"/> <tr> <td>396</td> <td>ETR</td> <td>-</td> <td>WD.</td> <td>J2</td> <td>PTD.</td> <td>-</td> <td>394</td> <td>3\"/> <tr> <td>398</td> <td>ETR</td> <td>-</td> <td>WD.</td> <td>J2</td> <td>PTD.</td> <td>-</td> <td>395</td> <td>3\"/> <tr> <td>399</td> <td>ETR</td> <td>-</td> <td>WD.</td> <td>J2</td> <td>PTD.</td> <td>-</td> <td>396</td> <td>3\"/> <tr> <td>3991</td> <td>ETR</td> <td>-</td> <td>WD.</td> <td>J2</td> <td>PTD.</td> <td>-</td> <td>398</td> <td>3\"/> <tr> <td>3992</td> <td>A</td> <td>3\"/> <tr> <td>3993</td> <td>ETR</td> <td>-</td> <td>WD.</td> <td>J2</td> <td>PTD.</td> <td>-</td> <td>399</td> <td>3\"/> <tr> <td>3994</td> <td>ETR</td> <td>-</td> <td>WD.</td> <td>J2</td> <td>PTD.</td> <td>-</td> <td>3991</td> <td>3\"/> <tr> <td>3995</td> <td>ETR</td> <td>-</td> <td>WD.</td> <td>J2</td> <td>PTD.</td> <td>-</td> <td>3992</td> <td>3\"/> <tr> <td>3997</td> <td>ETR</td> <td>-</td> <td>WD.</td> <td>J2</td> <td>PTD.</td> <td>-</td> <td>3993</td> <td>3\"/> <tr> <td>3998</td> <td>ETR</td> <td>-</td> <td>WD.</td> <td>J2</td> <td>PTD.</td> <td>-</td> <td>3994</td> <td>3\"/> <tr> <td>3999</td> <td>ETR</td> <td>-</td> <td>WD.</td> <td>J2</td> <td>PTD.</td> <td>-</td> <td>3995</td> <td>3\"/> <tr> <td>3999</td> <td>ETR</td> <td>-</td> <td>WD.</td> <td>J2</td> <td>PTD.</td> <td>-</td> <td>3997</td> <td>3\"/> </td></tr></td></tr></td></tr></td></tr></td></tr></td></tr></td></tr></td></tr></td></tr></td></tr></td></tr></td></tr></td></tr></td></tr></td></tr></td></tr></td></tr></td></tr></td></tr></td></tr></td></tr></td></tr></td></td></tr></td></tr></td> | WD | J1 | PTD. | - | 379 | 3\"/> <tr> <td>382</td> <td>ETR</td> <td>-</td> <td>WD.</td> <td>J2</td> <td>PTD.</td> <td>-</td> <td>380A</td> <td>3\"/> <tr> <td>382A</td> <td>D</td> <td>6 <td>ALUM.</td> <td>ANODIZE D</td> <td>-</td> <td>-</td> <td>380B</td> <td>3\"/> <tr> <td>385</td> <td>ETR</td> <td>-</td> <td>WD.</td> <td>J2</td> <td>PTD.</td> <td>-</td> <td>382</td> <td>3\"/> <tr> <td>386</td> <td>ETR</td> <td>-</td> <td>WD.</td> <td>J2</td> <td>PTD.</td> <td>-</td> <td>382A</td> <td>3\"/> <tr> <td>387</td> <td>ETR</td> <td>-</td> <td>WD.</td> <td>J2</td> <td>PTD.</td> <td>-</td> <td>385</td> <td>3\"/> <tr> <td>388</td> <td>ETR</td> <td>-</td> <td>WD.</td> <td>J2</td> <td>PTD.</td> <td>-</td> <td>386</td> <td>3\"/> <tr> <td>389</td> <td>ETR</td> <td>-</td> <td>WD.</td> <td>J2</td> <td>PTD.</td> <td>-</td> <td>387</td> <td>3\"/> <tr> <td>391</td> <td>ETR</td> <td>-</td> <td>WD.</td> <td>J2</td> <td>PTD.</td> <td>-</td> <td>388</td> <td>3\"/> <tr> <td>391A</td> <td>ETR</td> <td>-</td> <td>WD.</td> <td>J2</td> <td>PTD.</td> <td>-</td> <td>389</td> <td>3\"/> <tr> <td>391B</td> <td>ETR</td> <td>-</td> <td>WD.</td> <td>J2</td> <td>PTD.</td> <td>-</td> <td>391</td> <td>3\"/> <tr> <td>394</td> <td>ETR</td> <td>-</td> <td>WD.</td> <td>J2</td> <td>PTD.</td> <td>-</td> <td>391A</td> <td>3\"/> <tr> <td>395</td> <td>ETR</td> <td>-</td> <td>WD.</td> <td>J2</td> <td>PTD.</td> <td>-</td> <td>391B</td> <td>3\"/> <tr> <td>396</td> <td>ETR</td> <td>-</td> <td>WD.</td> <td>J2</td> <td>PTD.</td> <td>-</td> <td>394</td> <td>3\"/> <tr> <td>398</td> <td>ETR</td> <td>-</td> <td>WD.</td> <td>J2</td> <td>PTD.</td> <td>-</td> <td>395</td> <td>3\"/> <tr> <td>399</td> <td>ETR</td> <td>-</td> <td>WD.</td> <td>J2</td> <td>PTD.</td> <td>-</td> <td>396</td> <td>3\"/> <tr> <td>3991</td> <td>ETR</td> <td>-</td> <td>WD.</td> <td>J2</td> <td>PTD.</td> <td>-</td> <td>398</td> <td>3\"/> <tr> <td>3992</td> <td>A</td> <td>3\"/> <tr> <td>3993</td> <td>ETR</td> <td>-</td> <td>WD.</td> <td>J2</td> <td>PTD.</td> <td>-</td> <td>399</td> <td>3\"/> <tr> <td>3994</td> <td>ETR</td> <td>-</td> <td>WD.</td> <td>J2</td> <td>PTD.</td> <td>-</td> <td>3991</td> <td>3\"/> <tr> <td>3995</td> <td>ETR</td> <td>-</td> <td>WD.</td> <td>J2</td> <td>PTD.</td> <td>-</td> <td>3992</td> <td>3\"/> <tr> <td>3997</td> <td>ETR</td> <td>-</td> <td>WD.</td> <td>J2</td> <td>PTD.</td> <td>-</td> <td>3993</td> <td>3\"/> <tr> <td>3998</td> <td>ETR</td> <td>-</td> <td>WD.</td> <td>J2</td> <td>PTD.</td> <td>-</td> <td>3994</td> <td>3\"/> <tr> <td>3999</td> <td>ETR</td> <td>-</td> <td>WD.</td> <td>J2</td> <td>PTD.</td> <td>-</td> <td>3995</td> <td>3\"/> <tr> <td>3999</td> <td>ETR</td> <td>-</td> <td>WD.</td> <td>J2</td> <td>PTD.</td> <td>-</td> <td>3997</td> <td>3\"/> </td></tr></td></tr></td></tr></td></tr></td></tr></td></tr></td></tr></td></tr></td></tr></td></tr></td></tr></td></tr></td></tr></td></tr></td></tr></td></tr></td></tr></td></tr></td></tr></td></tr></td></tr></td></tr></td></td></tr></td></tr> | 382 | ETR | -
 | WD. | J2 | PTD. | - | 380A | 3\"/> <tr> <td>382A</td> <td>D</td> <td>6 <td>ALUM.</td> <td>ANODIZE D</td> <td>-</td> <td>-</td> <td>380B</td> <td>3\"/> <tr> <td>385</td> <td>ETR</td> <td>-</td> <td>WD.</td> <td>J2</td> <td>PTD.</td> <td>-</td> <td>382</td> <td>3\"/> <tr> <td>386</td> <td>ETR</td> <td>-</td> <td>WD.</td> <td>J2</td> <td>PTD.</td> <td>-</td> <td>382A</td> <td>3\"/> <tr> <td>387</td> <td>ETR</td> <td>-</td> <td>WD.</td> <td>J2</td> <td>PTD.</td> <td>-</td> <td>385</td> <td>3\"/> <tr> <td>388</td> <td>ETR</td> <td>-</td> <td>WD.</td> <td>J2</td> <td>PTD.</td> <td>-</td> <td>386</td> <td>3\"/> <tr> <td>389</td> <td>ETR</td> <td>-</td> <td>WD.</td> <td>J2</td> <td>PTD.</td> <td>-</td> <td>387</td> <td>3\"/> <tr> <td>391</td> <td>ETR</td> <td>-</td> <td>WD.</td> <td>J2</td> <td>PTD.</td> <td>-</td> <td>388</td> <td>3\"/> <tr> <td>391A</td> <td>ETR</td> <td>-</td> <td>WD.</td> <td>J2</td> <td>PTD.</td> <td>-</td> <td>389</td> <td>3\"/> <tr> <td>391B</td> <td>ETR</td> <td>-</td> <td>WD.</td> <td>J2</td> <td>PTD.</td> <td>-</td> <td>391</td> <td>3\"/> <tr> <td>394</td> <td>ETR</td> <td>-</td> <td>WD.</td> <td>J2</td> <td>PTD.</td> <td>-</td> <td>391A</td> <td>3\"/> <tr> <td>395</td> <td>ETR</td> <td>-</td> <td>WD.</td> <td>J2</td> <td>PTD.</td> <td>-</td> <td>391B</td> <td>3\"/> <tr> <td>396</td> <td>ETR</td> <td>-</td> <td>WD.</td> <td>J2</td> <td>PTD.</td> <td>-</td> <td>394</td> <td>3\"/> <tr> <td>398</td> <td>ETR</td> <td>-</td> <td>WD.</td> <td>J2</td> <td>PTD.</td> <td>-</td> <td>395</td> <td>3\"/> <tr> <td>399</td> <td>ETR</td> <td>-</td> <td>WD.</td> <td>J2</td> <td>PTD.</td> <td>-</td> <td>396</td> <td>3\"/> <tr> <td>3991</td> <td>ETR</td> <td>-</td> <td>WD.</td> <td>J2</td> <td>PTD.</td> <td>-</td> <td>398</td> <td>3\"/> <tr> <td>3992</td> <td>A</td> <td>3\"/> <tr> <td>3993</td> <td>ETR</td> <td>-</td> <td>WD.</td> <td>J2</td> <td>PTD.</td> <td>-</td> <td>399</td> <td>3\"/> <tr> <td>3994</td> <td>ETR</td> <td>-</td> <td>WD.</td> <td>J2</td> <td>PTD.</td> <td>-</td> <td>3991</td> <td>3\"/> <tr> <td>3995</td> <td>ETR</td> <td>-</td> <td>WD.</td> <td>J2</td> <td>PTD.</td> <td>-</td> <td>3992</td> <td>3\"/> <tr> <td>3997</td> <td>ETR</td> <td>-</td> <td>WD.</td> <td>J2</td> <td>PTD.</td> <td>-</td> <td>3993</td> <td>3\"/> <tr> <td>3998</td> <td>ETR</td> <td>-</td> <td>WD.</td> <td>J2</td> <td>PTD.</td> <td>-</td> <td>3994</td> <td>3\"/> <tr> <td>3999</td> <td>ETR</td> <td>-</td> <td>WD.</td> <td>J2</td> <td>PTD.</td> <td>-</td> <td>3995</td> <td>3\"/> <tr> <td>3999</td> <td>ETR</td> <td>-</td> <td>WD.</td> <td>J2</td> <td>PTD.</td> <td>-</td> <td>3997</td> <td>3\"/> </td></tr></td></tr></td></tr></td></tr></td></tr></td></tr></td></tr></td></tr></td></tr></td></tr></td></tr></td></tr></td></tr></td></tr></td></tr></td></tr></td></tr></td></tr></td></tr></td></tr></td></tr></td></tr></td></td></tr> | 382A | D | 6 <td>ALUM.</td> <td>ANODIZE D</td> <td>-</td> <td>-</td> <td>380B</td> <td>3\"/> <tr> <td>385</td> <td>ETR</td> <td>-</td> <td>WD.</td> <td>J2</td> <td>PTD.</td> <td>-</td> <td>382</td> <td>3\"/> <tr> <td>386</td> <td>ETR</td> <td>-</td> <td>WD.</td> <td>J2</td> <td>PTD.</td> <td>-</td> <td>382A</td> <td>3\"/> <tr> <td>387</td> <td>ETR</td> <td>-</td> <td>WD.</td> <td>J2</td> <td>PTD.</td> <td>-</td> <td>385</td> <td>3\"/> <tr> <td>388</td> <td>ETR</td> <td>-</td> <td>WD.</td> <td>J2</td> <td>PTD.</td> <td>-</td> <td>386</td> <td>3\"/> <tr> <td>389</td> <td>ETR</td> <td>-</td> <td>WD.</td> <td>J2</td> <td>PTD.</td> <td>-</td> <td>387</td> <td>3\"/> <tr> <td>391</td> <td>ETR</td> <td>-</td> <td>WD.</td> <td>J2</td> <td>PTD.</td> <td>-</td> <td>388</td> <td>3\"/> <tr> <td>391A</td> <td>ETR</td> <td>-</td> <td>WD.</td> <td>J2</td> <td>PTD.</td> <td>-</td>
<td>389</td> <td>3\"/> <tr> <td>391B</td> <td>ETR</td> <td>-</td> <td>WD.</td> <td>J2</td> <td>PTD.</td> <td>-</td> <td>391</td> <td>3\"/> <tr> <td>394</td> <td>ETR</td> <td>-</td> <td>WD.</td> <td>J2</td> <td>PTD.</td> <td>-</td> <td>391A</td> <td>3\"/> <tr> <td>395</td> <td>ETR</td> <td>-</td> <td>WD.</td> <td>J2</td> <td>PTD.</td> <td>-</td> <td>391B</td> <td>3\"/> <tr> <td>396</td> <td>ETR</td> <td>-</td> <td>WD.</td> <td>J2</td> <td>PTD.</td> <td>-</td> <td>394</td> <td>3\"/> <tr> <td>398</td> <td>ETR</td> <td>-</td> <td>WD.</td> <td>J2</td> <td>PTD.</td> <td>-</td> <td>395</td> <td>3\"/> <tr> <td>399</td> <td>ETR</td> <td>-</td> <td>WD.</td> <td>J2</td> <td>PTD.</td> <td>-</td> <td>396</td> <td>3\"/> <tr> <td>3991</td> <td>ETR</td> <td>-</td> <td>WD.</td> <td>J2</td> <td>PTD.</td> <td>-</td> <td>398</td> <td>3\"/> <tr> <td>3992</td> <td>A</td> <td>3\"/> <tr> <td>3993</td> <td>ETR</td> <td>-</td> <td>WD.</td> <td>J2</td> <td>PTD.</td> <td>-</td> <td>399</td> <td>3\"/> <tr> <td>3994</td> <td>ETR</td> <td>-</td> <td>WD.</td> <td>J2</td> <td>PTD.</td> <td>-</td> <td>3991</td> <td>3\"/> <tr> <td>3995</td> <td>ETR</td> <td>-</td> <td>WD.</td> <td>J2</td> <td>PTD.</td> <td>-</td> <td>3992</td> <td>3\"/> <tr> <td>3997</td> <td>ETR</td> <td>-</td> <td>WD.</td> <td>J2</td> <td>PTD.</td> <td>-</td> <td>3993</td> <td>3\"/> <tr> <td>3998</td> <td>ETR</td> <td>-</td> <td>WD.</td> <td>J2</td> <td>PTD.</td> <td>-</td> <td>3994</td> <td>3\"/> <tr> <td>3999</td> <td>ETR</td> <td>-</td> <td>WD.</td> <td>J2</td> <td>PTD.</td> <td>-</td> <td>3995</td> <td>3\"/> <tr> <td>3999</td> <td>ETR</td> <td>-</td> <td>WD.</td> <td>J2</td> <td>PTD.</td> <td>-</td> <td>3997</td> <td>3\"/> </td></tr></td></tr></td></tr></td></tr></td></tr></td></tr></td></tr></td></tr></td></tr></td></tr></td></tr></td></tr></td></tr></td></tr></td></tr></td></tr></td></tr></td></tr></td></tr></td></tr></td></tr></td></tr></td> | ALUM. | ANODIZE D | - | - | 380B | 3\"/> <tr> <td>385</td> <td>ETR</td> <td>-</td> <td>WD.</td> <td>J2</td> <td>PTD.</td> <td>-</td> <td>382</td> <td>3\"/> <tr> <td>386</td> <td>ETR</td> <td>-</td> <td>WD.</td> <td>J2</td> <td>PTD.</td> <td>-</td> <td>382A</td> <td>3\"/> <tr> <td>387</td> <td>ETR</td> <td>-</td> <td>WD.</td> <td>J2</td> <td>PTD.</td> <td>-</td> <td>385</td> <td>3\"/> <tr> <td>388</td> <td>ETR</td> <td>-</td> <td>WD.</td> <td>J2</td> <td>PTD.</td> <td>-</td> <td>386</td> <td>3\"/> <tr> <td>389</td> <td>ETR</td> <td>-</td> <td>WD.</td> <td>J2</td> <td>PTD.</td> <td>-</td> <td>387</td> <td>3\"/> <tr> <td>391</td> <td>ETR</td> <td>-</td> <td>WD.</td> <td>J2</td> <td>PTD.</td> <td>-</td> <td>388</td> <td>3\"/> <tr> <td>391A</td> <td>ETR</td> <td>-</td> <td>WD.</td> <td>J2</td> <td>PTD.</td> <td>-</td> <td>389</td> <td>3\"/> <tr> <td>391B</td> <td>ETR</td> <td>-</td> <td>WD.</td> <td>J2</td> <td>PTD.</td> <td>-</td> <td>391</td> <td>3\"/> <tr> <td>394</td> <td>ETR</td> <td>-</td> <td>WD.</td> <td>J2</td> <td>PTD.</td> <td>-</td> <td>391A</td> <td>3\"/> <tr> <td>395</td> <td>ETR</td> <td>-</td> <td>WD.</td> <td>J2</td> <td>PTD.</td> <td>-</td> <td>391B</td> <td>3\"/> <tr> <td>396</td> <td>ETR</td> <td>-</td> <td>WD.</td> <td>J2</td> <td>PTD.</td> <td>-</td> <td>394</td> <td>3\"/> <tr> <td>398</td> <td>ETR</td> <td>-</td> <td>WD.</td> <td>J2</td> <td>PTD.</td> <td>-</td> <td>395</td> <td>3\"/> <tr> <td>399</td> <td>ETR</td> <td>-</td> <td>WD.</td> <td>J2</td> <td>PTD.</td> <td>-</td> <td>396</td> <td>3\"/> <tr> <td>3991</td> <td>ETR</td> <td>-</td> <td>WD.</td> <td>J2</td> <td>PTD.</td> <td>-</td> <td>398</td> <td>3\"/> <tr> <td>3992</td> <td>A</td> <td>3\"/> <tr> <td>3993</td> <td>ETR</td> <td>-</td> <td>WD.</td> <td>J2</td> <td>PTD.</td> <td>-</td> <td>399</td> <td>3\"/> <tr> <td>3994</td> <td>ETR</td> <td>-</td> <td>WD.</td> <td>J2</td> <td>PTD.</td> <td>-</td> <td>3991</td> <td>3\"/> <tr> <td>3995</td> <td>ETR</td> <td>-</td> <td>WD.</td> <td>J2</td> <td>PTD.</td> <td>-</td> <td>3992</td> <td>3\"/> <tr> <td>3997</td> <td>ETR</td> <td>-</td> <td>WD.</td> <td>J2</td> <td>PTD.</td> <td>-</td> <td>3993</td> <td>3\"/> <tr> <td>3998</td> <td>ETR</td> <td>-</td> <td>WD.</td> <td>J2</td> <td>PTD.</td> <td>-</td> <td>3994</td> <td>3\"/> <tr> <td>3999</td> <td>ETR</td> <td>-</td> <td>WD.</td> <td>J2</td> <td>PTD.</td> <td>-</td> <td>3995</td> <td>3\"/> <tr> <td>3999</td> <td>ETR</td> <td>-</td> <td>WD.</td> <td>J2</td> <td>PTD.</td> <td>-</td> <td>3997</td> <td>3\"/> </td></tr></td></tr></td></tr></td></tr></td></tr></td></tr></td></tr></td></tr></td></tr></td></tr></td></tr></td></tr></td></tr></td></tr></td></tr></td></tr></td></tr></td></tr></td></tr></td></tr></td></tr></td></tr> | 385 | ETR | - | WD. | J2 | PTD.
 | - | 382 | 3\"/> <tr> <td>386</td> <td>ETR</td> <td>-</td> <td>WD.</td> <td>J2</td> <td>PTD.</td> <td>-</td> <td>382A</td> <td>3\"/> <tr> <td>387</td> <td>ETR</td> <td>-</td> <td>WD.</td> <td>J2</td> <td>PTD.</td> <td>-</td> <td>385</td> <td>3\"/> <tr> <td>388</td> <td>ETR</td> <td>-</td> <td>WD.</td> <td>J2</td> <td>PTD.</td> <td>-</td> <td>386</td> <td>3\"/> <tr> <td>389</td> <td>ETR</td> <td>-</td> <td>WD.</td> <td>J2</td> <td>PTD.</td> <td>-</td> <td>387</td> <td>3\"/> <tr> <td>391</td> <td>ETR</td> <td>-</td> <td>WD.</td> <td>J2</td> <td>PTD.</td> <td>-</td> <td>388</td> <td>3\"/> <tr> <td>391A</td> <td>ETR</td> <td>-</td> <td>WD.</td> <td>J2</td> <td>PTD.</td> <td>-</td> <td>389</td> <td>3\"/> <tr> <td>391B</td> <td>ETR</td> <td>-</td> <td>WD.</td> <td>J2</td> <td>PTD.</td> <td>-</td> <td>391</td> <td>3\"/> <tr> <td>394</td> <td>ETR</td> <td>-</td> <td>WD.</td> <td>J2</td> <td>PTD.</td> <td>-</td> <td>391A</td> <td>3\"/> <tr> <td>395</td> <td>ETR</td> <td>-</td> <td>WD.</td> <td>J2</td> <td>PTD.</td> <td>-</td> <td>391B</td> <td>3\"/> <tr> <td>396</td> <td>ETR</td> <td>-</td> <td>WD.</td> <td>J2</td> <td>PTD.</td> <td>-</td> <td>394</td> <td>3\"/> <tr> <td>398</td> <td>ETR</td> <td>-</td> <td>WD.</td> <td>J2</td> <td>PTD.</td> <td>-</td> <td>395</td> <td>3\"/> <tr> <td>399</td> <td>ETR</td> <td>-</td> <td>WD.</td> <td>J2</td> <td>PTD.</td> <td>-</td> <td>396</td> <td>3\"/> <tr> <td>3991</td> <td>ETR</td> <td>-</td> <td>WD.</td> <td>J2</td> <td>PTD.</td> <td>-</td> <td>398</td> <td>3\"/> <tr> <td>3992</td> <td>A</td> <td>3\"/> <tr> <td>3993</td> <td>ETR</td> <td>-</td> <td>WD.</td> <td>J2</td> <td>PTD.</td> <td>-</td> <td>399</td> <td>3\"/> <tr> <td>3994</td> <td>ETR</td> <td>-</td> <td>WD.</td> <td>J2</td> <td>PTD.</td> <td>-</td> <td>3991</td> <td>3\"/> <tr> <td>3995</td> <td>ETR</td> <td>-</td> <td>WD.</td> <td>J2</td> <td>PTD.</td> <td>-</td> <td>3992</td> <td>3\"/> <tr> <td>3997</td> <td>ETR</td> <td>-</td> <td>WD.</td> <td>J2</td> <td>PTD.</td> <td>-</td> <td>3993</td> <td>3\"/> <tr> <td>3998</td> <td>ETR</td> <td>-</td> <td>WD.</td> <td>J2</td> <td>PTD.</td> <td>-</td> <td>3994</td> <td>3\"/> <tr> <td>3999</td> <td>ETR</td> <td>-</td> <td>WD.</td> <td>J2</td> <td>PTD.</td> <td>-</td> <td>3995</td> <td>3\"/> <tr> <td>3999</td> <td>ETR</td> <td>-</td> <td>WD.</td> <td>J2</td> <td>PTD.</td> <td>-</td> <td>3997</td> <td>3\"/> </td></tr></td></tr></td></tr></td></tr></td></tr></td></tr></td></tr></td></tr></td></tr></td></tr></td></tr></td></tr></td></tr></td></tr></td></tr></td></tr></td></tr></td></tr></td></tr></td></tr></td></tr> | 386 | ETR | - | WD. | J2 | PTD. | - | 382A | 3\"/> <tr> <td>387</td> <td>ETR</td> <td>-</td> <td>WD.</td> <td>J2</td> <td>PTD.</td> <td>-</td> <td>385</td> <td>3\"/> <tr> <td>388</td> <td>ETR</td> <td>-</td> <td>WD.</td> <td>J2</td> <td>PTD.</td> <td>-</td> <td>386</td> <td>3\"/> <tr> <td>389</td> <td>ETR</td> <td>-</td> <td>WD.</td> <td>J2</td> <td>PTD.</td> <td>-</td> <td>387</td> <td>3\"/> <tr> <td>391</td> <td>ETR</td> <td>-</td> <td>WD.</td> <td>J2</td> <td>PTD.</td> <td>-</td> <td>388</td> <td>3\"/> <tr> <td>391A</td> <td>ETR</td> <td>-</td> <td>WD.</td> <td>J2</td> <td>PTD.</td> <td>-</td> <td>389</td> <td>3\"/> <tr> <td>391B</td> <td>ETR</td> <td>-</td> <td>WD.</td> <td>J2</td> <td>PTD.</td> <td>-</td> <td>391</td> <td>3\"/> <tr> <td>394</td> <td>ETR</td> <td>-</td> <td>WD.</td> <td>J2</td> <td>PTD.</td> <td>-</td> <td>391A</td> <td>3\"/> <tr> <td>395</td> <td>ETR</td> <td>-</td> <td>WD.</td> <td>J2</td> <td>PTD.</td> <td>-</td> <td>391B</td> <td>3\"/> <tr> <td>396</td> <td>ETR</td> <td>-</td> <td>WD.</td> <td>J2</td> <td>PTD.</td> <td>-</td> <td>394</td> <td>3\"/> <tr> <td>398</td> <td>ETR</td> <td>-</td> <td>WD.</td> <td>J2</td> <td>PTD.</td> <td>-</td> <td>395</td> <td>3\"/> <tr> <td>399</td> <td>ETR</td> <td>-</td> <td>WD.</td> <td>J2</td> <td>PTD.</td> <td>-</td> <td>396</td> <td>3\"/> <tr> <td>3991</td> <td>ETR</td> <td>-</td> <td>WD.</td> <td>J2</td> <td>PTD.</td> <td>-</td> <td>398</td> <td>3\"/> <tr> <td>3992</td> <td>A</td> <td>3\"/> <tr> <td>3993</td> <td>ETR</td> <td>-</td> <td>WD.</td> <td>J2</td> <td>PTD.</td> <td>-</td> <td>399</td> <td>3\"/> <tr> <td>3994</td> <td>ETR</td> <td>-</td> <td>WD.</td> <td>J2</td> <td>PTD.</td> <td>-</td> <td>3991</td> <td>3\"/> <tr> <td>3995</td> <td>ETR</td> <td>-</td> <td>WD.</td> <td>J2</td> <td>PTD.</td> <td>-</td> <td>3992</td> <td>3\"/> <tr> <td>3997</td> <td>ETR</td> <td>-</td> <td>WD.</td> <td>J2</td> <td>PTD.</td> <td>-</td> <td>3993</td> <td>3\"/> <tr> <td>3998</td> <td>ETR</td> <td>-</td> <td>WD.</td> <td>J2</td> <td>PTD.</td> <td>-</td> <td>3994</td> <td>3\"/> <tr> <td>3999</td> <td>ETR</td> <td>-</td> <td>WD.</td> <td>J2</td> <td>PTD.</td> <td>-</td> <td>3995</td> <td>3\"/> <tr> <td>3999</td> <td>ETR</td> <td>-</td> <td>WD.</td> <td>J2</td> <td>PTD.</td> <td>-</td> <td>3997</td> <td>3\"/> </td></tr></td></tr></td></tr></td></tr></td></tr></td></tr></td></tr></td></tr></td></tr></td></tr></td></tr></td></tr></td></tr></td></tr></td></tr></td></tr></td></tr></td></tr></td></tr></td></tr> | 387 | ETR | -
 | WD. | J2 | PTD. | - | 385 | 3\"/> <tr> <td>388</td> <td>ETR</td> <td>-</td> <td>WD.</td> <td>J2</td> <td>PTD.</td> <td>-</td> <td>386</td> <td>3\"/> <tr> <td>389</td> <td>ETR</td> <td>-</td> <td>WD.</td> <td>J2</td> <td>PTD.</td> <td>-</td> <td>387</td> <td>3\"/> <tr> <td>391</td> <td>ETR</td> <td>-</td> <td>WD.</td> <td>J2</td> <td>PTD.</td> <td>-</td> <td>388</td> <td>3\"/> <tr> <td>391A</td> <td>ETR</td> <td>-</td> <td>WD.</td> <td>J2</td> <td>PTD.</td> <td>-</td> <td>389</td> <td>3\"/> <tr> <td>391B</td> <td>ETR</td> <td>-</td> <td>WD.</td> <td>J2</td> <td>PTD.</td> <td>-</td> <td>391</td> <td>3\"/> <tr> <td>394</td> <td>ETR</td> <td>-</td> <td>WD.</td> <td>J2</td> <td>PTD.</td> <td>-</td> <td>391A</td> <td>3\"/> <tr> <td>395</td> <td>ETR</td> <td>-</td> <td>WD.</td> <td>J2</td> <td>PTD.</td> <td>-</td> <td>391B</td> <td>3\"/> <tr> <td>396</td> <td>ETR</td> <td>-</td> <td>WD.</td> <td>J2</td> <td>PTD.</td> <td>-</td> <td>394</td> <td>3\"/> <tr> <td>398</td> <td>ETR</td> <td>-</td> <td>WD.</td> <td>J2</td> <td>PTD.</td> <td>-</td> <td>395</td> <td>3\"/> <tr> <td>399</td> <td>ETR</td> <td>-</td> <td>WD.</td> <td>J2</td> <td>PTD.</td> <td>-</td> <td>396</td> <td>3\"/> <tr> <td>3991</td> <td>ETR</td> <td>-</td> <td>WD.</td> <td>J2</td> <td>PTD.</td> <td>-</td> <td>398</td> <td>3\"/> <tr> <td>3992</td> <td>A</td> <td>3\"/> <tr> <td>3993</td> <td>ETR</td> <td>-</td> <td>WD.</td> <td>J2</td> <td>PTD.</td> <td>-</td> <td>399</td> <td>3\"/> <tr> <td>3994</td> <td>ETR</td> <td>-</td> <td>WD.</td> <td>J2</td> <td>PTD.</td> <td>-</td> <td>3991</td> <td>3\"/> <tr> <td>3995</td> <td>ETR</td> <td>-</td> <td>WD.</td> <td>J2</td> <td>PTD.</td> <td>-</td> <td>3992</td> <td>3\"/> <tr> <td>3997</td> <td>ETR</td> <td>-</td> <td>WD.</td> <td>J2</td> <td>PTD.</td> <td>-</td> <td>3993</td> <td>3\"/> <tr> <td>3998</td> <td>ETR</td> <td>-</td> <td>WD.</td> <td>J2</td> <td>PTD.</td> <td>-</td> <td>3994</td> <td>3\"/> <tr> <td>3999</td> <td>ETR</td> <td>-</td> <td>WD.</td> <td>J2</td> <td>PTD.</td> <td>-</td> <td>3995</td> <td>3\"/> <tr> <td>3999</td> <td>ETR</td> <td>-</td> <td>WD.</td> <td>J2</td> <td>PTD.</td> <td>-</td> <td>3997</td> <td>3\"/> </td></tr></td></tr></td></tr></td></tr></td></tr></td></tr></td></tr></td></tr></td></tr></td></tr></td></tr></td></tr></td></tr></td></tr></td></tr></td></tr></td></tr></td></tr></td></tr> | 388 | ETR | - | WD. | J2 | PTD. | - | 386 | 3\"/> <tr> <td>389</td> <td>ETR</td> <td>-</td> <td>WD.</td> <td>J2</td> <td>PTD.</td> <td>-</td> <td>387</td> <td>3\"/> <tr> <td>391</td> <td>ETR</td> <td>-</td> <td>WD.</td> <td>J2</td> <td>PTD.</td> <td>-</td> <td>388</td> <td>3\"/> <tr> <td>391A</td> <td>ETR</td> <td>-</td> <td>WD.</td> <td>J2</td> <td>PTD.</td> <td>-</td> <td>389</td> <td>3\"/> <tr> <td>391B</td> <td>ETR</td> <td>-</td> <td>WD.</td> <td>J2</td> <td>PTD.</td> <td>-</td> <td>391</td> <td>3\"/> <tr> <td>394</td> <td>ETR</td> <td>-</td> <td>WD.</td> <td>J2</td> <td>PTD.</td> <td>-</td> <td>391A</td> <td>3\"/> <tr> <td>395</td> <td>ETR</td> <td>-</td> <td>WD.</td> <td>J2</td> <td>PTD.</td> <td>-</td> <td>391B</td> <td>3\"/> <tr> <td>396</td> <td>ETR</td> <td>-</td> <td>WD.</td> <td>J2</td> <td>PTD.</td> <td>-</td> <td>394</td> <td>3\"/> <tr> <td>398</td> <td>ETR</td> <td>-</td> <td>WD.</td> <td>J2</td> <td>PTD.</td> <td>-</td> <td>395</td> <td>3\"/> <tr> <td>399</td> <td>ETR</td> <td>-</td> <td>WD.</td> <td>J2</td> <td>PTD.</td> <td>-</td> <td>396</td> <td>3\"/> <tr> <td>3991</td> <td>ETR</td> <td>-</td> <td>WD.</td> <td>J2</td> <td>PTD.</td> <td>-</td> <td>398</td> <td>3\"/> <tr> <td>3992</td> <td>A</td> <td>3\"/> <tr> <td>3993</td> <td>ETR</td> <td>-</td> <td>WD.</td> <td>J2</td> <td>PTD.</td> <td>-</td> <td>399</td> <td>3\"/> <tr> <td>3994</td> <td>ETR</td> <td>-</td> <td>WD.</td> <td>J2</td> <td>PTD.</td> <td>-</td> <td>3991</td> <td>3\"/> <tr> <td>3995</td> <td>ETR</td> <td>-</td> <td>WD.</td> <td>J2</td> <td>PTD.</td> <td>-</td> <td>3992</td> <td>3\"/> <tr> <td>3997</td> <td>ETR</td> <td>-</td> <td>WD.</td> <td>J2</td> <td>PTD.</td> <td>-</td> <td>3993</td> <td>3\"/> <tr> <td>3998</td> <td>ETR</td> <td>-</td> <td>WD.</td> <td>J2</td> <td>PTD.</td> <td>-</td> <td>3994</td> <td>3\"/> <tr> <td>3999</td> <td>ETR</td> <td>-</td> <td>WD.</td> <td>J2</td> <td>PTD.</td> <td>-</td> <td>3995</td> <td>3\"/> <tr> <td>3999</td> <td>ETR</td> <td>-</td> <td>WD.</td> <td>J2</td> <td>PTD.</td> <td>-</td> <td>3997</td> <td>3\"/> </td></tr></td></tr></td></tr></td></tr></td></tr></td></tr></td></tr></td></tr></td></tr></td></tr></td></tr></td></tr></td></tr></td></tr></td></tr></td></tr></td></tr></td></tr> | 389 | ETR | -
 | WD. | J2 | PTD. | - | 387 | 3\"/> <tr> <td>391</td> <td>ETR</td> <td>-</td> <td>WD.</td> <td>J2</td> <td>PTD.</td> <td>-</td> <td>388</td> <td>3\"/> <tr> <td>391A</td> <td>ETR</td> <td>-</td> <td>WD.</td> <td>J2</td> <td>PTD.</td> <td>-</td> <td>389</td> <td>3\"/> <tr> <td>391B</td> <td>ETR</td> <td>-</td> <td>WD.</td> <td>J2</td> <td>PTD.</td> <td>-</td> <td>391</td> <td>3\"/> <tr> <td>394</td> <td>ETR</td> <td>-</td> <td>WD.</td> <td>J2</td> <td>PTD.</td> <td>-</td> <td>391A</td> <td>3\"/> <tr> <td>395</td> <td>ETR</td> <td>-</td> <td>WD.</td> <td>J2</td> <td>PTD.</td> <td>-</td> <td>391B</td> <td>3\"/> <tr> <td>396</td> <td>ETR</td> <td>-</td> <td>WD.</td> <td>J2</td> <td>PTD.</td> <td>-</td> <td>394</td> <td>3\"/> <tr> <td>398</td> <td>ETR</td> <td>-</td> <td>WD.</td> <td>J2</td> <td>PTD.</td> <td>-</td> <td>395</td> <td>3\"/> <tr> <td>399</td> <td>ETR</td> <td>-</td> <td>WD.</td> <td>J2</td> <td>PTD.</td> <td>-</td> <td>396</td> <td>3\"/> <tr> <td>3991</td> <td>ETR</td> <td>-</td> <td>WD.</td> <td>J2</td> <td>PTD.</td> <td>-</td> <td>398</td> <td>3\"/> <tr> <td>3992</td> <td>A</td> <td>3\"/> <tr> <td>3993</td> <td>ETR</td> <td>-</td> <td>WD.</td> <td>J2</td> <td>PTD.</td> <td>-</td> <td>399</td> <td>3\"/> <tr> <td>3994</td> <td>ETR</td> <td>-</td> <td>WD.</td> <td>J2</td> <td>PTD.</td> <td>-</td> <td>3991</td> <td>3\"/> <tr> <td>3995</td> <td>ETR</td> <td>-</td> <td>WD.</td> <td>J2</td> <td>PTD.</td> <td>-</td> <td>3992</td> <td>3\"/> <tr> <td>3997</td> <td>ETR</td> <td>-</td> <td>WD.</td> <td>J2</td> <td>PTD.</td> <td>-</td> <td>3993</td> <td>3\"/> <tr> <td>3998</td> <td>ETR</td> <td>-</td> <td>WD.</td> <td>J2</td> <td>PTD.</td> <td>-</td> <td>3994</td> <td>3\"/> <tr> <td>3999</td> <td>ETR</td> <td>-</td> <td>WD.</td> <td>J2</td> <td>PTD.</td> <td>-</td> <td>3995</td> <td>3\"/> <tr> <td>3999</td> <td>ETR</td> <td>-</td> <td>WD.</td> <td>J2</td> <td>PTD.</td> <td>-</td> <td>3997</td> <td>3\"/> </td></tr></td></tr></td></tr></td></tr></td></tr></td></tr></td></tr></td></tr></td></tr></td></tr></td></tr></td></tr></td></tr></td></tr></td></tr></td></tr></td></tr> | 391 | ETR | - | WD. | J2 | PTD. | - | 388 | 3\"/> <tr> <td>391A</td> <td>ETR</td> <td>-</td> <td>WD.</td> <td>J2</td> <td>PTD.</td> <td>-</td> <td>389</td> <td>3\"/> <tr> <td>391B</td> <td>ETR</td> <td>-</td> <td>WD.</td> <td>J2</td> <td>PTD.</td> <td>-</td> <td>391</td> <td>3\"/> <tr> <td>394</td> <td>ETR</td> <td>-</td> <td>WD.</td> <td>J2</td> <td>PTD.</td> <td>-</td> <td>391A</td> <td>3\"/> <tr> <td>395</td> <td>ETR</td> <td>-</td> <td>WD.</td> <td>J2</td> <td>PTD.</td> <td>-</td> <td>391B</td> <td>3\"/> <tr> <td>396</td> <td>ETR</td> <td>-</td> <td>WD.</td> <td>J2</td> <td>PTD.</td> <td>-</td> <td>394</td> <td>3\"/> <tr> <td>398</td> <td>ETR</td> <td>-</td> <td>WD.</td> <td>J2</td> <td>PTD.</td> <td>-</td> <td>395</td> <td>3\"/> <tr> <td>399</td> <td>ETR</td> <td>-</td> <td>WD.</td> <td>J2</td> <td>PTD.</td> <td>-</td> <td>396</td> <td>3\"/> <tr> <td>3991</td> <td>ETR</td> <td>-</td> <td>WD.</td> <td>J2</td> <td>PTD.</td> <td>-</td> <td>398</td> <td>3\"/> <tr> <td>3992</td> <td>A</td> <td>3\"/> <tr> <td>3993</td> <td>ETR</td> <td>-</td> <td>WD.</td> <td>J2</td> <td>PTD.</td> <td>-</td> <td>399</td> <td>3\"/> <tr> <td>3994</td> <td>ETR</td> <td>-</td> <td>WD.</td> <td>J2</td> <td>PTD.</td> <td>-</td> <td>3991</td> <td>3\"/> <tr> <td>3995</td> <td>ETR</td> <td>-</td> <td>WD.</td> <td>J2</td> <td>PTD.</td> <td>-</td> <td>3992</td> <td>3\"/> <tr> <td>3997</td> <td>ETR</td> <td>-</td> <td>WD.</td> <td>J2</td> <td>PTD.</td> <td>-</td> <td>3993</td> <td>3\"/> <tr> <td>3998</td> <td>ETR</td> <td>-</td> <td>WD.</td> <td>J2</td> <td>PTD.</td> <td>-</td> <td>3994</td> <td>3\"/> <tr> <td>3999</td> <td>ETR</td> <td>-</td> <td>WD.</td> <td>J2</td> <td>PTD.</td> <td>-</td> <td>3995</td> <td>3\"/> <tr> <td>3999</td> <td>ETR</td> <td>-</td> <td>WD.</td> <td>J2</td> <td>PTD.</td> <td>-</td> <td>3997</td> <td>3\"/> </td></tr></td></tr></td></tr></td></tr></td></tr></td></tr></td></tr></td></tr></td></tr></td></tr></td></tr></td></tr></td></tr></td></tr></td></tr></td></tr> | 391A | ETR | -
 | WD. | J2 | PTD. | - | 389 | 3\"/> <tr> <td>391B</td> <td>ETR</td> <td>-</td> <td>WD.</td> <td>J2</td> <td>PTD.</td> <td>-</td> <td>391</td> <td>3\"/> <tr> <td>394</td> <td>ETR</td> <td>-</td> <td>WD.</td> <td>J2</td> <td>PTD.</td> <td>-</td> <td>391A</td> <td>3\"/> <tr> <td>395</td> <td>ETR</td> <td>-</td> <td>WD.</td> <td>J2</td> <td>PTD.</td> <td>-</td> <td>391B</td> <td>3\"/> <tr> <td>396</td> <td>ETR</td> <td>-</td> <td>WD.</td> <td>J2</td> <td>PTD.</td> <td>-</td> <td>394</td> <td>3\"/> <tr> <td>398</td> <td>ETR</td> <td>-</td> <td>WD.</td> <td>J2</td> <td>PTD.</td> <td>-</td> <td>395</td> <td>3\"/> <tr> <td>399</td> <td>ETR</td> <td>-</td> <td>WD.</td> <td>J2</td> <td>PTD.</td> <td>-</td> <td>396</td> <td>3\"/> <tr> <td>3991</td> <td>ETR</td> <td>-</td> <td>WD.</td> <td>J2</td> <td>PTD.</td> <td>-</td> <td>398</td> <td>3\"/> <tr> <td>3992</td> <td>A</td> <td>3\"/> <tr> <td>3993</td> <td>ETR</td> <td>-</td> <td>WD.</td> <td>J2</td> <td>PTD.</td> <td>-</td> <td>399</td> <td>3\"/> <tr> <td>3994</td> <td>ETR</td> <td>-</td> <td>WD.</td> <td>J2</td> <td>PTD.</td> <td>-</td> <td>3991</td> <td>3\"/> <tr> <td>3995</td> <td>ETR</td> <td>-</td> <td>WD.</td> <td>J2</td> <td>PTD.</td> <td>-</td> <td>3992</td> <td>3\"/> <tr> <td>3997</td> <td>ETR</td> <td>-</td> <td>WD.</td> <td>J2</td> <td>PTD.</td> <td>-</td> <td>3993</td> <td>3\"/> <tr> <td>3998</td> <td>ETR</td> <td>-</td> <td>WD.</td> <td>J2</td> <td>PTD.</td> <td>-</td> <td>3994</td> <td>3\"/> <tr> <td>3999</td> <td>ETR</td> <td>-</td> <td>WD.</td> <td>J2</td> <td>PTD.</td> <td>-</td> <td>3995</td> <td>3\"/> <tr> <td>3999</td> <td>ETR</td> <td>-</td> <td>WD.</td> <td>J2</td> <td>PTD.</td> <td>-</td> <td>3997</td> <td>3\"/> </td></tr></td></tr></td></tr></td></tr></td></tr></td></tr></td></tr></td></tr></td></tr></td></tr></td></tr></td></tr></td></tr></td></tr></td></tr> | 391B | ETR | - | WD. | J2 | PTD. | - | 391 | 3\"/> <tr> <td>394</td> <td>ETR</td> <td>-</td> <td>WD.</td> <td>J2</td> <td>PTD.</td> <td>-</td> <td>391A</td> <td>3\"/> <tr> <td>395</td> <td>ETR</td> <td>-</td> <td>WD.</td> <td>J2</td> <td>PTD.</td> <td>-</td> <td>391B</td> <td>3\"/> <tr> <td>396</td> <td>ETR</td> <td>-</td> <td>WD.</td> <td>J2</td> <td>PTD.</td> <td>-</td> <td>394</td> <td>3\"/> <tr> <td>398</td> <td>ETR</td> <td>-</td> <td>WD.</td> <td>J2</td> <td>PTD.</td> <td>-</td> <td>395</td> <td>3\"/> <tr> <td>399</td> <td>ETR</td> <td>-</td> <td>WD.</td> <td>J2</td> <td>PTD.</td> <td>-</td> <td>396</td> <td>3\"/> <tr> <td>3991</td> <td>ETR</td> <td>-</td> <td>WD.</td> <td>J2</td> <td>PTD.</td> <td>-</td> <td>398</td> <td>3\"/> <tr> <td>3992</td> <td>A</td> <td>3\"/> <tr> <td>3993</td> <td>ETR</td> <td>-</td> <td>WD.</td> <td>J2</td> <td>PTD.</td> <td>-</td> <td>399</td> <td>3\"/> <tr> <td>3994</td> <td>ETR</td> <td>-</td> <td>WD.</td> <td>J2</td> <td>PTD.</td> <td>-</td> <td>3991</td> <td>3\"/> <tr> <td>3995</td> <td>ETR</td> <td>-</td> <td>WD.</td> <td>J2</td> <td>PTD.</td> <td>-</td> <td>3992</td> <td>3\"/> <tr> <td>3997</td> <td>ETR</td> <td>-</td> <td>WD.</td> <td>J2</td> <td>PTD.</td> <td>-</td> <td>3993</td> <td>3\"/> <tr> <td>3998</td> <td>ETR</td> <td>-</td> <td>WD.</td> <td>J2</td> <td>PTD.</td> <td>-</td> <td>3994</td> <td>3\"/> <tr> <td>3999</td> <td>ETR</td> <td>-</td> <td>WD.</td> <td>J2</td> <td>PTD.</td> <td>-</td> <td>3995</td> <td>3\"/> <tr> <td>3999</td> <td>ETR</td> <td>-</td> <td>WD.</td> <td>J2</td> <td>PTD.</td> <td>-</td> <td>3997</td> <td>3\"/> </td></tr></td></tr></td></tr></td></tr></td></tr></td></tr></td></tr></td></tr></td></tr></td></tr></td></tr></td></tr></td></tr></td></tr> | 394 | ETR | - | WD. | J2 | PTD. | - | 391A | 3\"/> <tr> <td>395</td> <td>ETR</td> <td>-</td> <td>WD.</td> <td>J2</td> <td>PTD.</td> <td>-</td> <td>391B</td> <td>3\"/> <tr> <td>396</td> <td>ETR</td> <td>-</td> <td>WD.</td> <td>J2</td> <td>PTD.</td> <td>-</td> <td>394</td> <td>3\"/> <tr> <td>398</td> <td>ETR</td> <td>-</td> <td>WD.</td> <td>J2</td> <td>PTD.</td> <td>-</td> <td>395</td> <td>3\"/> <tr> <td>399</td> <td>ETR</td> <td>-</td> <td>WD.</td> <td>J2</td> <td>PTD.</td> <td>-</td> <td>396</td> <td>3\"/> <tr> <td>3991</td> <td>ETR</td> <td>-</td> <td>WD.</td> <td>J2</td> <td>PTD.</td> <td>-</td> <td>398</td> <td>3\"/> <tr> <td>3992</td> <td>A</td> <td>3\"/> <tr> <td>3993</td> <td>ETR</td> <td>-</td> <td>WD.</td> <td>J2</td> <td>PTD.</td> <td>-</td> <td>399</td> <td>3\"/> <tr> <td>3994</td> <td>ETR</td> <td>-</td> <td>WD.</td> <td>J2</td> <td>PTD.</td> <td>-</td> <td>3991</td> <td>3\"/> <tr> <td>3995</td> <td>ETR</td> <td>-</td> <td>WD.</td> <td>J2</td> <td>PTD.</td> <td>-</td> <td>3992</td> <td>3\"/> <tr> <td>3997</td> <td>ETR</td> <td>-</td> <td>WD.</td> <td>J2</td> <td>PTD.</td> <td>-</td> <td>3993</td> <td>3\"/> <tr> <td>3998</td> <td>ETR</td> <td>-</td> <td>WD.</td> <td>J2</td>
<td>PTD.</td> <td>-</td> <td>3994</td> <td>3\"/> <tr> <td>3999</td> <td>ETR</td> <td>-</td> <td>WD.</td> <td>J2</td> <td>PTD.</td> <td>-</td> <td>3995</td> <td>3\"/> <tr> <td>3999</td> <td>ETR</td> <td>-</td> <td>WD.</td> <td>J2</td> <td>PTD.</td> <td>-</td> <td>3997</td> <td>3\"/> </td></tr></td></tr></td></tr></td></tr></td></tr></td></tr></td></tr></td></tr></td></tr></td></tr></td></tr></td></tr></td></tr> | 395 | ETR | - | WD. | J2 | PTD. | - | 391B | 3\"/> <tr> <td>396</td> <td>ETR</td> <td>-</td> <td>WD.</td> <td>J2</td> <td>PTD.</td> <td>-</td> <td>394</td> <td>3\"/> <tr> <td>398</td> <td>ETR</td> <td>-</td> <td>WD.</td> <td>J2</td> <td>PTD.</td> <td>-</td> <td>395</td> <td>3\"/> <tr> <td>399</td> <td>ETR</td> <td>-</td> <td>WD.</td> <td>J2</td> <td>PTD.</td> <td>-</td> <td>396</td> <td>3\"/> <tr> <td>3991</td> <td>ETR</td> <td>-</td> <td>WD.</td> <td>J2</td> <td>PTD.</td> <td>-</td> <td>398</td> <td>3\"/> <tr> <td>3992</td> <td>A</td> <td>3\"/> <tr> <td>3993</td> <td>ETR</td> <td>-</td> <td>WD.</td> <td>J2</td> <td>PTD.</td> <td>-</td> <td>399</td> <td>3\"/> <tr> <td>3994</td> <td>ETR</td> <td>-</td> <td>WD.</td> <td>J2</td> <td>PTD.</td> <td>-</td> <td>3991</td> <td>3\"/> <tr> <td>3995</td> <td>ETR</td> <td>-</td> <td>WD.</td> <td>J2</td> <td>PTD.</td> <td>-</td> <td>3992</td> <td>3\"/> <tr> <td>3997</td> <td>ETR</td> <td>-</td> <td>WD.</td> <td>J2</td> <td>PTD.</td> <td>-</td> <td>3993</td> <td>3\"/> <tr> <td>3998</td> <td>ETR</td> <td>-</td> <td>WD.</td> <td>J2</td> <td>PTD.</td> <td>-</td> <td>3994</td> <td>3\"/> <tr> <td>3999</td> <td>ETR</td> <td>-</td> <td>WD.</td> <td>J2</td> <td>PTD.</td> <td>-</td> <td>3995</td> <td>3\"/> <tr> <td>3999</td> <td>ETR</td> <td>-</td> <td>WD.</td> <td>J2</td> <td>PTD.</td> <td>-</td> <td>3997</td> <td>3\"/> </td></tr></td></tr></td></tr></td></tr></td></tr></td></tr></td></tr></td></tr></td></tr></td></tr></td></tr></td></tr> | 396 | ETR | - | WD. | J2 | PTD. | - | 394 | 3\"/> <tr> <td>398</td> <td>ETR</td> <td>-</td> <td>WD.</td> <td>J2</td> <td>PTD.</td> <td>-</td> <td>395</td> <td>3\"/> <tr> <td>399</td> <td>ETR</td> <td>-</td> <td>WD.</td> <td>J2</td> <td>PTD.</td> <td>-</td> <td>396</td> <td>3\"/> <tr> <td>3991</td> <td>ETR</td> <td>-</td> <td>WD.</td> <td>J2</td> <td>PTD.</td> <td>-</td> <td>398</td> <td>3\"/> <tr> <td>3992</td> <td>A</td> <td>3\"/> <tr> <td>3993</td> <td>ETR</td> <td>-</td> <td>WD.</td> <td>J2</td> <td>PTD.</td> <td>-</td> <td>399</td> <td>3\"/> <tr> <td>3994</td> <td>ETR</td> <td>-</td> <td>WD.</td> <td>J2</td> <td>PTD.</td> <td>-</td> <td>3991</td> <td>3\"/> <tr> <td>3995</td> <td>ETR</td> <td>-</td> <td>WD.</td> <td>J2</td> <td>PTD.</td> <td>-</td> <td>3992</td> <td>3\"/> <tr> <td>3997</td> <td>ETR</td> <td>-</td> <td>WD.</td> <td>J2</td> <td>PTD.</td> <td>-</td> <td>3993</td> <td>3\"/> <tr> <td>3998</td> <td>ETR</td> <td>-</td> <td>WD.</td> <td>J2</td> <td>PTD.</td> <td>-</td> <td>3994</td> <td>3\"/> <tr> <td>3999</td> <td>ETR</td> <td>-</td> <td>WD.</td> <td>J2</td> <td>PTD.</td> <td>-</td> <td>3995</td> <td>3\"/> <tr> <td>3999</td> <td>ETR</td> <td>-</td> <td>WD.</td> <td>J2</td> <td>PTD.</td> <td>-</td> <td>3997</td> <td>3\"/> </td></tr></td></tr></td></tr></td></tr></td></tr></td></tr></td></tr></td></tr></td></tr></td></tr></td></tr> | 398 | ETR | - | WD. | J2 | PTD. | - | 395 | 3\"/> <tr> <td>399</td> <td>ETR</td> <td>-</td> <td>WD.</td> <td>J2</td> <td>PTD.</td> <td>-</td> <td>396</td> <td>3\"/> <tr> <td>3991</td> <td>ETR</td> <td>-</td> <td>WD.</td> <td>J2</td> <td>PTD.</td> <td>-</td> <td>398</td> <td>3\"/> <tr> <td>3992</td> <td>A</td> <td>3\"/> <tr> <td>3993</td> <td>ETR</td> <td>-</td> <td>WD.</td> <td>J2</td> <td>PTD.</td> <td>-</td> <td>399</td> <td>3\"/> <tr> <td>3994</td> <td>ETR</td> <td>-</td> <td>WD.</td> <td>J2</td> <td>PTD.</td> <td>-</td> <td>3991</td> <td>3\"/> <tr> <td>3995</td> <td>ETR</td> <td>-</td> <td>WD.</td> <td>J2</td> <td>PTD.</td> <td>-</td> <td>3992</td> <td>3\"/> <tr> <td>3997</td> <td>ETR</td> <td>-</td> <td>WD.</td> <td>J2</td> <td>PTD.</td> <td>-</td> <td>3993</td> <td>3\"/> <tr> <td>3998</td> <td>ETR</td> <td>-</td> <td>WD.</td> <td>J2</td> <td>PTD.</td> <td>-</td> <td>3994</td> <td>3\"/> <tr> <td>3999</td> <td>ETR</td> <td>-</td> <td>WD.</td> <td>J2</td> <td>PTD.</td> <td>-</td> <td>3995</td> <td>3\"/> <tr> <td>3999</td> <td>ETR</td> <td>-</td> <td>WD.</td> <td>J2</td> <td>PTD.</td> <td>-</td> <td>3997</td> <td>3\"/> </td></tr></td></tr></td></tr></td></tr></td></tr></td></tr></td></tr></td></tr></td></tr></td></tr>
 | 399 | ETR | - | WD. | J2 | PTD. | - | 396 | 3\"/> <tr> <td>3991</td> <td>ETR</td> <td>-</td> <td>WD.</td> <td>J2</td> <td>PTD.</td> <td>-</td> <td>398</td> <td>3\"/> <tr> <td>3992</td> <td>A</td> <td>3\"/> <tr> <td>3993</td> <td>ETR</td> <td>-</td> <td>WD.</td> <td>J2</td> <td>PTD.</td> <td>-</td> <td>399</td> <td>3\"/> <tr> <td>3994</td> <td>ETR</td> <td>-</td> <td>WD.</td> <td>J2</td> <td>PTD.</td> <td>-</td> <td>3991</td> <td>3\"/> <tr> <td>3995</td> <td>ETR</td> <td>-</td> <td>WD.</td> <td>J2</td> <td>PTD.</td> <td>-</td> <td>3992</td> <td>3\"/> <tr> <td>3997</td> <td>ETR</td> <td>-</td> <td>WD.</td> <td>J2</td> <td>PTD.</td> <td>-</td> <td>3993</td> <td>3\"/> <tr> <td>3998</td> <td>ETR</td> <td>-</td> <td>WD.</td> <td>J2</td> <td>PTD.</td> <td>-</td> <td>3994</td> <td>3\"/> <tr> <td>3999</td> <td>ETR</td> <td>-</td> <td>WD.</td> <td>J2</td> <td>PTD.</td> <td>-</td> <td>3995</td> <td>3\"/> <tr> <td>3999</td> <td>ETR</td> <td>-</td> <td>WD.</td> <td>J2</td> <td>PTD.</td> <td>-</td> <td>3997</td> <td>3\"/> </td></tr></td></tr></td></tr></td></tr></td></tr></td></tr></td></tr></td></tr></td></tr> | 3991 | ETR | - | WD. | J2 | PTD. | - | 398 | 3\"/> <tr> <td>3992</td> <td>A</td> <td>3\"/> <tr> <td>3993</td> <td>ETR</td> <td>-</td> <td>WD.</td> <td>J2</td> <td>PTD.</td> <td>-</td> <td>399</td> <td>3\"/> <tr> <td>3994</td> <td>ETR</td> <td>-</td> <td>WD.</td> <td>J2</td> <td>PTD.</td> <td>-</td> <td>3991</td> <td>3\"/> <tr> <td>3995</td> <td>ETR</td> <td>-</td> <td>WD.</td> <td>J2</td> <td>PTD.</td> <td>-</td> <td>3992</td> <td>3\"/> <tr> <td>3997</td> <td>ETR</td> <td>-</td> <td>WD.</td> <td>J2</td> <td>PTD.</td> <td>-</td> <td>3993</td> <td>3\"/> <tr> <td>3998</td> <td>ETR</td> <td>-</td> <td>WD.</td> <td>J2</td> <td>PTD.</td> <td>-</td> <td>3994</td> <td>3\"/> <tr> <td>3999</td> <td>ETR</td> <td>-</td> <td>WD.</td> <td>J2</td> <td>PTD.</td> <td>-</td> <td>3995</td> <td>3\"/> <tr> <td>3999</td> <td>ETR</td> <td>-</td> <td>WD.</td> <td>J2</td> <td>PTD.</td> <td>-</td> <td>3997</td> <td>3\"/> </td></tr></td></tr></td></tr></td></tr></td></tr></td></tr></td></tr></td></tr> | 3992 | A | 3\"/> <tr> <td>3993</td> <td>ETR</td> <td>-</td> <td>WD.</td> <td>J2</td> <td>PTD.</td> <td>-</td> <td>399</td> <td>3\"/> <tr> <td>3994</td> <td>ETR</td> <td>-</td> <td>WD.</td> <td>J2</td> <td>PTD.</td> <td>-</td> <td>3991</td> <td>3\"/> <tr> <td>3995</td> <td>ETR</td> <td>-</td> <td>WD.</td> <td>J2</td> <td>PTD.</td> <td>-</td> <td>3992</td> <td>3\"/> <tr> <td>3997</td> <td>ETR</td> <td>-</td> <td>WD.</td> <td>J2</td> <td>PTD.</td> <td>-</td> <td>3993</td> <td>3\"/> <tr> <td>3998</td> <td>ETR</td> <td>-</td> <td>WD.</td> <td>J2</td> <td>PTD.</td> <td>-</td> <td>3994</td> <td>3\"/> <tr> <td>3999</td> <td>ETR</td> <td>-</td> <td>WD.</td> <td>J2</td> <td>PTD.</td> <td>-</td> <td>3995</td> <td>3\"/> <tr> <td>3999</td> <td>ETR</td> <td>-</td> <td>WD.</td> <td>J2</td> <td>PTD.</td> <td>-</td> <td>3997</td> <td>3\"/> </td></tr></td></tr></td></tr></td></tr></td></tr></td></tr></td></tr> | 3993 | ETR | - | WD. | J2 | PTD. | - | 399 | 3\"/> <tr> <td>3994</td> <td>ETR</td> <td>-</td> <td>WD.</td> <td>J2</td> <td>PTD.</td> <td>-</td> <td>3991</td> <td>3\"/> <tr> <td>3995</td> <td>ETR</td> <td>-</td> <td>WD.</td> <td>J2</td> <td>PTD.</td> <td>-</td> <td>3992</td> <td>3\"/> <tr> <td>3997</td> <td>ETR</td> <td>-</td> <td>WD.</td> <td>J2</td> <td>PTD.</td> <td>-</td> <td>3993</td> <td>3\"/> <tr> <td>3998</td> <td>ETR</td> <td>-</td> <td>WD.</td> <td>J2</td> <td>PTD.</td> <td>-</td> <td>3994</td> <td>3\"/> <tr> <td>3999</td> <td>ETR</td> <td>-</td> <td>WD.</td> <td>J2</td> <td>PTD.</td> <td>-</td> <td>3995</td> <td>3\"/> <tr> <td>3999</td> <td>ETR</td> <td>-</td> <td>WD.</td> <td>J2</td> <td>PTD.</td> <td>-</td> <td>3997</td> <td>3\"/> </td></tr></td></tr></td></tr></td></tr></td></tr></td></tr> | 3994 | ETR | - | WD. | J2 | PTD. | - | 3991 | 3\"/> <tr> <td>3995</td> <td>ETR</td> <td>-</td> <td>WD.</td> <td>J2</td> <td>PTD.</td> <td>-</td> <td>3992</td> <td>3\"/> <tr> <td>3997</td> <td>ETR</td> <td>-</td> <td>WD.</td> <td>J2</td> <td>PTD.</td> <td>-</td> <td>3993</td> <td>3\"/> <tr> <td>3998</td> <td>ETR</td> <td>-</td> <td>WD.</td> <td>J2</td> <td>PTD.</td> <td>-</td> <td>3994</td> <td>3\"/> <tr> <td>3999</td> <td>ETR</td> <td>-</td> <td>WD.</td> <td>J2</td> <td>PTD.</td> <td>-</td> <td>3995</td> <td>3\"/> <tr> <td>3999</td> <td>ETR</td> <td>-</td> <td>WD.</td> <td>J2</td> <td>PTD.</td> <td>-</td> <td>3997</td> <td>3\"/> </td></tr></td></tr></td></tr></td></tr></td></tr>
 | 3995 | ETR | - | WD. | J2 | PTD. | - | 3992 | 3\"/> <tr> <td>3997</td> <td>ETR</td> <td>-</td> <td>WD.</td> <td>J2</td> <td>PTD.</td> <td>-</td> <td>3993</td> <td>3\"/> <tr> <td>3998</td> <td>ETR</td> <td>-</td> <td>WD.</td> <td>J2</td> <td>PTD.</td> <td>-</td> <td>3994</td> <td>3\"/> <tr> <td>3999</td> <td>ETR</td> <td>-</td> <td>WD.</td> <td>J2</td> <td>PTD.</td> <td>-</td> <td>3995</td> <td>3\"/> <tr> <td>3999</td> <td>ETR</td> <td>-</td> <td>WD.</td> <td>J2</td> <td>PTD.</td> <td>-</td> <td>3997</td> <td>3\"/> </td></tr></td></tr></td></tr></td></tr> | 3997 | ETR | - | WD. | J2 | PTD. | - | 3993 | 3\"/> <tr> <td>3998</td> <td>ETR</td> <td>-</td> <td>WD.</td> <td>J2</td> <td>PTD.</td> <td>-</td> <td>3994</td> <td>3\"/> <tr> <td>3999</td> <td>ETR</td> <td>-</td> <td>WD.</td> <td>J2</td> <td>PTD.</td> <td>-</td> <td>3995</td> <td>3\"/> <tr> <td>3999</td> <td>ETR</td> <td>-</td> <td>WD.</td> <td>J2</td> <td>PTD.</td> <td>-</td> <td>3997</td> <td>3\"/> </td></tr></td></tr></td></tr> | 3998 | ETR | - | WD. | J2 | PTD. | - | 3994 | 3\"/> <tr> <td>3999</td> <td>ETR</td> <td>-</td> <td>WD.</td> <td>J2</td> <td>PTD.</td> <td>-</td> <td>3995</td> <td>3\"/> <tr> <td>3999</td> <td>ETR</td> <td>-</td> <td>WD.</td> <td>J2</td> <td>PTD.</td> <td>-</td> <td>3997</td> <td>3\"/> </td></tr></td></tr> | 3999 | ETR | - | WD. | J2 | PTD. | - | 3995 | 3\"/> <tr> <td>3999</td> <td>ETR</td> <td>-</td> <td>WD.</td> <td>J2</td> <td>PTD.</td> <td>-</td> <td>3997</td> <td>3\"/> </td></tr> | 3999 | ETR | - | WD. | J2 | PTD. | - | 3997 | 3\"/> | | | | | | | | | | | | |
| 356 | ETR | - | WD. | J2 | PTD. | - | 354 | 3\"/> <tr> <td>357</td> <td>ETR</td> <td>-</td> <td>WD.</td> <td>J2</td> <td>PTD.</td> <td>-</td> <td>355</td> <td>3\"/> <tr> <td>358</td> <td>ETR</td> <td>-</td> <td>WD.</td> <td>J2</td> <td>PTD.</td> <td>-</td> <td>356</td> <td>3\"/> <tr> <td>359</td> <td>ETR</td> <td>-</td> <td>WD.</td> <td>J2</td> <td>PTD.</td> <td>-</td> <td>357</td> <td>3\"/> <tr> <td>360</td> <td>ETR</td> <td>-</td> <td>WD.</td> <td>J2</td> <td>PTD.</td> <td>-</td> <td>358</td> <td>3\"/> <tr> <td>361A</td> <td>ETR</td> <td>-</td> <td>WD.</td> <td>J2</td> <td>PTD.</td> <td>-</td> <td>359</td> <td>3\"/> <tr> <td>362</td> <td>ETR</td> <td>-</td> <td>WD.</td> <td>J2</td> <td>PTD.</td> <td>-</td> <td>360</td> <td>3\"/> <tr> <td>363</td> <td>ETR</td> <td>-</td> <td>WD.</td> <td>J2</td> <td>PTD.</td> <td>-</td> <td>361A</td> <td>3\"/> <tr> <td>364A</td> <td>ETR</td> <td>-</td> <td>WD.</td> <td>J2</td> <td>PTD.</td> <td>-</td> <td>362</td> <td>3\"/> <tr> <td>365</td> <td>ETR</td> <td>-</td> <td>WD.</td> <td>J2</td> <td>PTD.</td> <td>-</td> <td>363</td> <td>3\"/> <tr> <td>366</td> <td>ETR</td> <td>-</td> <td>WD.</td> <td>J2</td> <td>PTD.</td> <td>-</td> <td>364A</td> <td>3\"/> <tr> <td>367</td> <td>B</td> <td>2 <td>HM</td> <td>J1</td> <td>PTD.</td> <td>1 HR.</td> <td>365</td> <td>3\"/> <tr> <td>368</td> <td>ETR</td> <td>-</td> <td>WD.</td> <td>J2</td> <td>PTD.</td> <td>-</td> <td>366</td> <td>3\"/> <tr> <td>369</td> <td>ETR</td> <td>-</td> <td>WD.</td> <td>J2</td> <td>PTD.</td> <td>-</td> <td>367</td> <td>3\"/> <tr> <td>370</td> <td>ETR</td> <td>-</td> <td>WD.</td> <td>J2</td> <td>PTD.</td> <td>-</td> <td>368</td> <td>3\"/> <tr> <td>371</td> <td>ETR</td> <td>-</td> <td>WD.</td> <td>J2</td> <td>PTD.</td> <td>-</td> <td>369</td> <td>3\"/> <tr> <td>372</td> <td>B</td> <td>2 <td>HM</td> <td>J1</td> <td>PTD.</td> <td>1 HR.</td> <td>370</td> <td>3\"/> <tr> <td>373A</td> <td>ETR</td> <td>-</td> <td>WD.</td> <td>J2</td> <td>PTD.</td> <td>-</td> <td>371</td> <td>3\"/> <tr> <td>374B</td> <td>ETR</td> <td>-</td> <td>WD.</td> <td>J2</td> <td>PTD.</td> <td>-</td> <td>372</td> <td>3\"/> <tr> <td>374C</td> <td>ETR</td> <td>-</td> <td>WD.</td> <td>J2</td> <td>PTD.</td> <td>-</td> <td>373A</td> <td>3\"/> <tr> <td>375</td> <td>B</td> <td>1 <td>WD</td> <td>J1</td> <td>PTD.</td> <td>-</td> <td>374B</td> <td>3\"/> <tr> <td>376</td> <td>B</td> <td>1 <td>WD</td> <td>J1</td> <td>PTD.</td> <td>-</td> <td>374C</td> <td>3\"/> <tr> <td>377</td> <td>B</td> <td>1 <td>WD</td> <td>J1</td> <td>PTD.</td> <td>-</td> <td>375</td> <td>3\"/> <tr> <td>377A</td> <td>B</td> <td>1 <td>WD</td> <td>J1</td> <td>PTD.</td> <td>-</td> <td>376</td> <td>3\"/> <tr> <td>378</td> <td>B</td> <td>1 <td>WD</td> <td>J1</td> <td>PTD.</td> <td>-</td> <td>377</td> <td>3\"/> <tr> <td>379</td> <td>B</td> <td>1 <td>WD</td> <td>J1</td> <td>PTD.</td> <td>-</td> <td>377A</td> <td>3\"/> <tr> <td>380A</td> <td>B</td> <td>1 <td>WD</td> <td>J1</td>
<td>PTD.</td> <td>-</td> <td>378</td> <td>3\"/> <tr> <td>380B</td> <td>B</td> <td>1 <td>WD</td> <td>J1</td> <td>PTD.</td> <td>-</td> <td>379</td> <td>3\"/> <tr> <td>382</td> <td>ETR</td> <td>-</td> <td>WD.</td> <td>J2</td> <td>PTD.</td> <td>-</td> <td>380A</td> <td>3\"/> <tr> <td>382A</td> <td>D</td> <td>6 <td>ALUM.</td> <td>ANODIZE D</td> <td>-</td> <td>-</td> <td>380B</td> <td>3\"/> <tr> <td>385</td> <td>ETR</td> <td>-</td> <td>WD.</td> <td>J2</td> <td>PTD.</td> <td>-</td> <td>382</td> <td>3\"/> <tr> <td>386</td> <td>ETR</td> <td>-</td> <td>WD.</td> <td>J2</td> <td>PTD.</td> <td>-</td> <td>382A</td> <td>3\"/> <tr> <td>387</td> <td>ETR</td> <td>-</td> <td>WD.</td> <td>J2</td> <td>PTD.</td> <td>-</td> <td>385</td> <td>3\"/> <tr> <td>388</td> <td>ETR</td> <td>-</td> <td>WD.</td> <td>J2</td> <td>PTD.</td> <td>-</td> <td>386</td> <td>3\"/> <tr> <td>389</td> <td>ETR</td> <td>-</td> <td>WD.</td> <td>J2</td> <td>PTD.</td> <td>-</td> <td>387</td> <td>3\"/> <tr> <td>391</td> <td>ETR</td> <td>-</td> <td>WD.</td> <td>J2</td> <td>PTD.</td> <td>-</td> <td>388</td> <td>3\"/> <tr> <td>391A</td> <td>ETR</td> <td>-</td> <td>WD.</td> <td>J2</td> <td>PTD.</td> <td>-</td> <td>389</td> <td>3\"/> <tr> <td>391B</td> <td>ETR</td> <td>-</td> <td>WD.</td> <td>J2</td> <td>PTD.</td> <td>-</td> <td>391</td> <td>3\"/> <tr> <td>394</td> <td>ETR</td> <td>-</td> <td>WD.</td> <td>J2</td> <td>PTD.</td> <td>-</td> <td>391A</td> <td>3\"/> <tr> <td>395</td> <td>ETR</td> <td>-</td> <td>WD.</td> <td>J2</td> <td>PTD.</td> <td>-</td> <td>391B</td> <td>3\"/> <tr> <td>396</td> <td>ETR</td> <td>-</td> <td>WD.</td> <td>J2</td> <td>PTD.</td> <td>-</td> <td>394</td> <td>3\"/> <tr> <td>398</td> <td>ETR</td> <td>-</td> <td>WD.</td> <td>J2</td> <td>PTD.</td> <td>-</td> <td>395</td> <td>3\"/> <tr> <td>399</td> <td>ETR</td> <td>-</td> <td>WD.</td> <td>J2</td> <td>PTD.</td> <td>-</td> <td>396</td> <td>3\"/> <tr> <td>3991</td> <td>ETR</td> <td>-</td> <td>WD.</td> <td>J2</td> <td>PTD.</td> <td>-</td> <td>398</td> <td>3\"/> <tr> <td>3992</td> <td>A</td> <td>3\"/> <tr> <td>3993</td> <td>ETR</td> <td>-</td> <td>WD.</td> <td>J2</td> <td>PTD.</td> <td>-</td> <td>399</td> <td>3\"/> <tr> <td>3994</td> <td>ETR</td> <td>-</td> <td>WD.</td> <td>J2</td> <td>PTD.</td> <td>-</td> <td>3991</td> <td>3\"/> <tr> <td>3995</td> <td>ETR</td> <td>-</td> <td>WD.</td> <td>J2</td> <td>PTD.</td> <td>-</td> <td>3992</td> <td>3\"/> <tr> <td>3997</td> <td>ETR</td> <td>-</td> <td>WD.</td> <td>J2</td> <td>PTD.</td> <td>-</td> <td>3993</td> <td>3\"/> <tr> <td>3998</td> <td>ETR</td> <td>-</td> <td>WD.</td> <td>J2</td> <td>PTD.</td> <td>-</td> <td>3994</td> <td>3\"/> <tr> <td>3999</td> <td>ETR</td> <td>-</td> <td>WD.</td> <td>J2</td> <td>PTD.</td> <td>-</td> <td>3995</td> <td>3\"/> <tr> <td>3999</td> <td>ETR</td> <td>-</td> <td>WD.</td> <td>J2</td> <td>PTD.</td> <td>-</td> <td>3997</td> <td>3\"/> </td></tr></td></tr></td></tr></td></tr></td></tr></td></tr></td></tr></td></tr></td></tr></td></tr></td></tr></td></tr></td></tr></td></tr></td></tr></td></tr></td></tr></td></tr></td></tr></td></tr></td></tr></td></tr></td></td></tr></td></tr></td></td></tr></td></td></tr></td></td></tr></td></td></tr></td></td></tr></td></td></tr></td></td></tr></td></td></tr></td></tr></td></tr></td></tr></td></td></tr></td></tr></td></tr></td></tr></td></tr></td></td></tr></td></tr></td></tr></td></tr></td></tr></td></tr></td></tr></td></tr></td></tr></td></tr></td></tr> | 357 | ETR | -
 | WD. | J2 | PTD. | - | 355 | 3\"/> <tr> <td>358</td> <td>ETR</td> <td>-</td> <td>WD.</td> <td>J2</td> <td>PTD.</td> <td>-</td> <td>356</td> <td>3\"/> <tr> <td>359</td> <td>ETR</td> <td>-</td> <td>WD.</td> <td>J2</td> <td>PTD.</td> <td>-</td> <td>357</td> <td>3\"/> <tr> <td>360</td> <td>ETR</td> <td>-</td> <td>WD.</td> <td>J2</td> <td>PTD.</td> <td>-</td> <td>358</td> <td>3\"/> <tr> <td>361A</td> <td>ETR</td> <td>-</td> <td>WD.</td> <td>J2</td> <td>PTD.</td> <td>-</td> <td>359</td> <td>3\"/> <tr> <td>362</td> <td>ETR</td> <td>-</td> <td>WD.</td> <td>J2</td> <td>PTD.</td> <td>-</td> <td>360</td> <td>3\"/> <tr> <td>363</td> <td>ETR</td> <td>-</td> <td>WD.</td> <td>J2</td> <td>PTD.</td> <td>-</td> <td>361A</td> <td>3\"/> <tr> <td>364A</td> <td>ETR</td> <td>-</td> <td>WD.</td> <td>J2</td> <td>PTD.</td> <td>-</td> <td>362</td> <td>3\"/> <tr> <td>365</td> <td>ETR</td> <td>-</td> <td>WD.</td> <td>J2</td> <td>PTD.</td> <td>-</td> <td>363</td> <td>3\"/> <tr> <td>366</td> <td>ETR</td> <td>-</td> <td>WD.</td> <td>J2</td> <td>PTD.</td> <td>-</td> <td>364A</td> <td>3\"/> <tr> <td>367</td> <td>B</td> <td>2 <td>HM</td> <td>J1</td> <td>PTD.</td> <td>1 HR.</td> <td>365</td> <td>3\"/> <tr> <td>368</td> <td>ETR</td> <td>-</td> <td>WD.</td> <td>J2</td> <td>PTD.</td> <td>-</td> <td>366</td> <td>3\"/> <tr> <td>369</td> <td>ETR</td> <td>-</td> <td>WD.</td> <td>J2</td> <td>PTD.</td> <td>-</td> <td>367</td> <td>3\"/> <tr> <td>370</td> <td>ETR</td> <td>-</td> <td>WD.</td> <td>J2</td> <td>PTD.</td> <td>-</td> <td>368</td> <td>3\"/> <tr> <td>371</td> <td>ETR</td> <td>-</td> <td>WD.</td> <td>J2</td> <td>PTD.</td> <td>-</td> <td>369</td> <td>3\"/> <tr> <td>372</td> <td>B</td> <td>2 <td>HM</td> <td>J1</td> <td>PTD.</td> <td>1 HR.</td> <td>370</td> <td>3\"/> <tr> <td>373A</td> <td>ETR</td> <td>-</td> <td>WD.</td> <td>J2</td> <td>PTD.</td> <td>-</td> <td>371</td> <td>3\"/> <tr> <td>374B</td> <td>ETR</td> <td>-</td> <td>WD.</td> <td>J2</td> <td>PTD.</td> <td>-</td> <td>372</td> <td>3\"/> <tr> <td>374C</td> <td>ETR</td> <td>-</td> <td>WD.</td> <td>J2</td> <td>PTD.</td> <td>-</td> <td>373A</td> <td>3\"/> <tr> <td>375</td> <td>B</td> <td>1 <td>WD</td> <td>J1</td> <td>PTD.</td> <td>-</td> <td>374B</td> <td>3\"/> <tr> <td>376</td> <td>B</td> <td>1 <td>WD</td> <td>J1</td> <td>PTD.</td> <td>-</td> <td>374C</td> <td>3\"/> <tr> <td>377</td> <td>B</td> <td>1 <td>WD</td> <td>J1</td> <td>PTD.</td> <td>-</td> <td>375</td> <td>3\"/> <tr> <td>377A</td> <td>B</td> <td>1 <td>WD</td> <td>J1</td> <td>PTD.</td> <td>-</td> <td>376</td> <td>3\"/> <tr> <td>378</td> <td>B</td> <td>1 <td>WD</td> <td>J1</td> <td>PTD.</td> <td>-</td> <td>377</td> <td>3\"/> <tr> <td>379</td> <td>B</td> <td>1 <td>WD</td> <td>J1</td> <td>PTD.</td> <td>-</td> <td>377A</td> <td>3\"/> <tr> <td>380A</td> <td>B</td> <td>1 <td>WD</td> <td>J1</td> <td>PTD.</td> <td>-</td> <td>378</td> <td>3\"/> <tr> <td>380B</td> <td>B</td> <td>1 <td>WD</td> <td>J1</td> <td>PTD.</td> <td>-</td> <td>379</td> <td>3\"/> <tr> <td>382</td> <td>ETR</td> <td>-</td> <td>WD.</td> <td>J2</td> <td>PTD.</td> <td>-</td> <td>380A</td> <td>3\"/> <tr> <td>382A</td> <td>D</td> <td>6 <td>ALUM.</td> <td>ANODIZE D</td> <td>-</td> <td>-</td> <td>380B</td> <td>3\"/> <tr> <td>385</td> <td>ETR</td> <td>-</td> <td>WD.</td> <td>J2</td> <td>PTD.</td> <td>-</td> <td>382</td> <td>3\"/> <tr> <td>386</td> <td>ETR</td> <td>-</td> <td>WD.</td> <td>J2</td> <td>PTD.</td> <td>-</td> <td>382A</td> <td>3\"/> <tr> <td>387</td> <td>ETR</td> <td>-</td> <td>WD.</td> <td>J2</td> <td>PTD.</td> <td>-</td> <td>385</td> <td>3\"/> <tr> <td>388</td> <td>ETR</td> <td>-</td> <td>WD.</td> <td>J2</td> <td>PTD.</td> <td>-</td> <td>386</td> <td>3\"/> <tr> <td>389</td> <td>ETR</td> <td>-</td> <td>WD.</td> <td>J2</td> <td>PTD.</td> <td>-</td> <td>387</td> <td>3\"/> <tr> <td>391</td> <td>ETR</td> <td>-</td> <td>WD.</td> <td>J2</td> <td>PTD.</td> <td>-</td> <td>388</td> <td>3\"/> <tr> <td>391A</td> <td>ETR</td> <td>-</td> <td>WD.</td> <td>J2</td> <td>PTD.</td> <td>-</td> <td>389</td> <td>3\"/> <tr> <td>391B</td> <td>ETR</td> <td>-</td> <td>WD.</td> <td>J2</td> <td>PTD.</td> <td>-</td> <td>391</td> <td>3\"/> <tr> <td>394</td> <td>ETR</td> <td>-</td> <td>WD.</td> <td>J2</td> <td>PTD.</td> <td>-</td> <td>391A</td> <td>3\"/> <tr> <td>395</td> <td>ETR</td> <td>-</td> <td>WD.</td> <td>J2</td> <td>PTD.</td> <td>-</td> <td>391B</td> <td>3\"/> <tr> <td>396</td> <td>ETR</td> <td>-</td> <td>WD.</td> <td>J2</td> <td>PTD.</td> <td>-</td> <td>394</td> <td>3\"/> <tr> <td>398</td> <td>ETR</td> <td>-</td> <td>WD.</td> <td>J2</td> <td>PTD.</td> <td>-</td> <td>395</td> <td>3\"/> <tr> <td>399</td> <td>ETR</td> <td>-</td> <td>WD.</td> <td>J2</td> <td>PTD.</td> <td>-</td> <td>396</td> <td>3\"/> <tr> <td>3991</td> <td>ETR</td> <td>-</td> <td>WD.</td> <td>J2</td> <td>PTD.</td> <td>-</td> <td>398</td> <td>3\"/> <tr> <td>3992</td> <td>A</td> <td>3\"/> <tr> <td>3993</td> <td>ETR</td> <td>-</td> <td>WD.</td> <td>J2</td> <td>PTD.</td> <td>-</td> <td>399</td> <td>3\"/> <tr> <td>3994</td> <td>ETR</td> <td>-</td> <td>WD.</td> <td>J2</td> <td>PTD.</td> <td>-</td> <td>3991</td> <td>3\"/> <tr> <td>3995</td> <td>ETR</td> <td>-</td> <td>WD.</td> <td>J2</td> <td>PTD.</td> <td>-</td> <td>3992</td> <td>3\"/> <tr> <td>3997</td> <td>ETR</td> <td>-</td> <td>WD.</td> <td>J2</td> <td>PTD.</td> <td>-</td> <td>3993</td> <td>3\"/> <tr> <td>3998</td> <td>ETR</td> <td>-</td> <td>WD.</td> <td>J2</td> <td>PTD.</td> <td>-</td> <td>3994</td> <td>3\"/> <tr> <td>3999</td> <td>ETR</td> <td>-</td> <td>WD.</td> <td>J2</td> <td>PTD.</td> <td>-</td> <td>3995</td> <td>3\"/> <tr> <td>3999</td> <td>ETR</td> <td>-</td> <td>WD.</td> <td>J2</td> <td>PTD.</td> <td>-</td> <td>3997</td> <td>3\"/> </td></tr></td></tr></td></tr></td></tr></td></tr></td></tr></td></tr></td></tr></td></tr></td></tr></td></tr></td></tr></td></tr></td></tr></td></tr></td></tr></td></tr></td></tr></td></tr></td></tr></td></tr></td></tr></td></td></tr></td></tr></td></td></tr></td></td></tr></td></td></tr></td></td></tr></td></td></tr></td></td></tr></td></td></tr></td></td></tr></td></tr></td></tr></td></tr></td></td></tr></td></tr></td></tr></td></tr></td></tr></td></td></tr></td></tr></td></tr></td></tr></td></tr></td></tr></td></tr></td></tr></td></tr></td></tr> | 358 | ETR | -
 | WD. | J2 | PTD. | - | 356 | 3\"/> <tr> <td>359</td> <td>ETR</td> <td>-</td> <td>WD.</td> <td>J2</td> <td>PTD.</td> <td>-</td> <td>357</td> <td>3\"/> <tr> <td>360</td> <td>ETR</td> <td>-</td> <td>WD.</td> <td>J2</td> <td>PTD.</td> <td>-</td> <td>358</td> <td>3\"/> <tr> <td>361A</td> <td>ETR</td> <td>-</td> <td>WD.</td> <td>J2</td> <td>PTD.</td> <td>-</td> <td>359</td> <td>3\"/> <tr> <td>362</td> <td>ETR</td> <td>-</td> <td>WD.</td> <td>J2</td> <td>PTD.</td> <td>-</td> <td>360</td> <td>3\"/> <tr> <td>363</td> <td>ETR</td> <td>-</td> <td>WD.</td> <td>J2</td> <td>PTD.</td> <td>-</td> <td>361A</td> <td>3\"/> <tr> <td>364A</td> <td>ETR</td> <td>-</td> <td>WD.</td> <td>J2</td> <td>PTD.</td> <td>-</td> <td>362</td> <td>3\"/> <tr> <td>365</td> <td>ETR</td> <td>-</td> <td>WD.</td> <td>J2</td> <td>PTD.</td> <td>-</td> <td>363</td> <td>3\"/> <tr> <td>366</td> <td>ETR</td> <td>-</td> <td>WD.</td> <td>J2</td> <td>PTD.</td> <td>-</td> <td>364A</td> <td>3\"/> <tr> <td>367</td> <td>B</td> <td>2 <td>HM</td> <td>J1</td> <td>PTD.</td> <td>1 HR.</td> <td>365</td> <td>3\"/> <tr> <td>368</td> <td>ETR</td> <td>-</td> <td>WD.</td> <td>J2</td> <td>PTD.</td> <td>-</td> <td>366</td> <td>3\"/> <tr> <td>369</td> <td>ETR</td> <td>-</td> <td>WD.</td> <td>J2</td> <td>PTD.</td> <td>-</td> <td>367</td> <td>3\"/> <tr> <td>370</td> <td>ETR</td> <td>-</td> <td>WD.</td> <td>J2</td> <td>PTD.</td> <td>-</td> <td>368</td> <td>3\"/> <tr> <td>371</td> <td>ETR</td> <td>-</td> <td>WD.</td> <td>J2</td> <td>PTD.</td> <td>-</td> <td>369</td> <td>3\"/> <tr> <td>372</td> <td>B</td> <td>2 <td>HM</td> <td>J1</td> <td>PTD.</td> <td>1 HR.</td> <td>370</td> <td>3\"/> <tr> <td>373A</td> <td>ETR</td> <td>-</td> <td>WD.</td> <td>J2</td> <td>PTD.</td> <td>-</td> <td>371</td> <td>3\"/> <tr> <td>374B</td> <td>ETR</td> <td>-</td> <td>WD.</td> <td>J2</td> <td>PTD.</td> <td>-</td> <td>372</td> <td>3\"/> <tr> <td>374C</td> <td>ETR</td> <td>-</td> <td>WD.</td> <td>J2</td> <td>PTD.</td> <td>-</td> <td>373A</td> <td>3\"/> <tr> <td>375</td> <td>B</td> <td>1 <td>WD</td> <td>J1</td> <td>PTD.</td> <td>-</td> <td>374B</td> <td>3\"/> <tr> <td>376</td> <td>B</td> <td>1 <td>WD</td> <td>J1</td> <td>PTD.</td> <td>-</td> <td>374C</td> <td>3\"/> <tr> <td>377</td> <td>B</td> <td>1 <td>WD</td> <td>J1</td> <td>PTD.</td> <td>-</td> <td>375</td> <td>3\"/> <tr> <td>377A</td> <td>B</td> <td>1 <td>WD</td> <td>J1</td> <td>PTD.</td> <td>-</td> <td>376</td> <td>3\"/> <tr> <td>378</td> <td>B</td> <td>1 <td>WD</td> <td>J1</td> <td>PTD.</td> <td>-</td> <td>377</td> <td>3\"/> <tr> <td>379</td> <td>B</td> <td>1 <td>WD</td> <td>J1</td> <td>PTD.</td> <td>-</td> <td>377A</td> <td>3\"/> <tr> <td>380A</td> <td>B</td> <td>1 <td>WD</td> <td>J1</td> <td>PTD.</td> <td>-</td> <td>378</td> <td>3\"/> <tr> <td>380B</td> <td>B</td> <td>1 <td>WD</td> <td>J1</td> <td>PTD.</td> <td>-</td> <td>379</td> <td>3\"/> <tr> <td>382</td> <td>ETR</td> <td>-</td> <td>WD.</td> <td>J2</td> <td>PTD.</td> <td>-</td> <td>380A</td> <td>3\"/> <tr> <td>382A</td> <td>D</td> <td>6 <td>ALUM.</td> <td>ANODIZE D</td> <td>-</td> <td>-</td> <td>380B</td> <td>3\"/> <tr> <td>385</td> <td>ETR</td> <td>-</td> <td>WD.</td> <td>J2</td> <td>PTD.</td> <td>-</td> <td>382</td> <td>3\"/> <tr> <td>386</td> <td>ETR</td> <td>-</td> <td>WD.</td> <td>J2</td> <td>PTD.</td> <td>-</td> <td>382A</td> <td>3\"/> <tr> <td>387</td> <td>ETR</td> <td>-</td> <td>WD.</td> <td>J2</td> <td>PTD.</td> <td>-</td> <td>385</td> <td>3\"/> <tr> <td>388</td> <td>ETR</td> <td>-</td> <td>WD.</td> <td>J2</td> <td>PTD.</td> <td>-</td> <td>386</td> <td>3\"/> <tr> <td>389</td> <td>ETR</td> <td>-</td> <td>WD.</td> <td>J2</td> <td>PTD.</td> <td>-</td> <td>387</td> <td>3\"/> <tr> <td>391</td> <td>ETR</td> <td>-</td> <td>WD.</td> <td>J2</td> <td>PTD.</td> <td>-</td> <td>388</td> <td>3\"/> <tr> <td>391A</td> <td>ETR</td> <td>-</td> <td>WD.</td> <td>J2</td> <td>PTD.</td> <td>-</td> <td>389</td> <td>3\"/> <tr> <td>391B</td> <td>ETR</td> <td>-</td> <td>WD.</td> <td>J2</td> <td>PTD.</td> <td>-</td> <td>391</td> <td>3\"/> <tr> <td>394</td> <td>ETR</td> <td>-</td> <td>WD.</td> <td>J2</td> <td>PTD.</td> <td>-</td> <td>391A</td> <td>3\"/> <tr> <td>395</td> <td>ETR</td> <td>-</td> <td>WD.</td> <td>J2</td> <td>PTD.</td> <td>-</td> <td>391B</td> <td>3\"/> <tr> <td>396</td> <td>ETR</td> <td>-</td> <td>WD.</td> <td>J2</td> <td>PTD.</td> <td>-</td> <td>394</td> <td>3\"/> <tr> <td>398</td> <td>ETR</td> <td>-</td> <td>WD.</td> <td>J2</td> <td>PTD.</td> <td>-</td> <td>395</td> <td>3\"/> <tr> <td>399</td> <td>ETR</td> <td>-</td> <td>WD.</td> <td>J2</td> <td>PTD.</td> <td>-</td> <td>396</td> <td>3\"/> <tr> <td>3991</td> <td>ETR</td> <td>-</td> <td>WD.</td> <td>J2</td> <td>PTD.</td> <td>-</td> <td>398</td> <td>3\"/> <tr> <td>3992</td> <td>A</td> <td>3\"/> <tr> <td>3993</td> <td>ETR</td> <td>-</td> <td>WD.</td> <td>J2</td> <td>PTD.</td> <td>-</td> <td>399</td> <td>3\"/> <tr> <td>3994</td> <td>ETR</td> <td>-</td> <td>WD.</td> <td>J2</td> <td>PTD.</td> <td>-</td> <td>3991</td> <td>3\"/> <tr> <td>3995</td> <td>ETR</td> <td>-</td> <td>WD.</td> <td>J2</td> <td>PTD.</td> <td>-</td> <td>3992</td> <td>3\"/> <tr> <td>3997</td> <td>ETR</td> <td>-</td> <td>WD.</td> <td>J2</td> <td>PTD.</td> <td>-</td> <td>3993</td> <td>3\"/> <tr> <td>3998</td> <td>ETR</td> <td>-</td> <td>WD.</td> <td>J2</td> <td>PTD.</td> <td>-</td> <td>3994</td> <td>3\"/> <tr> <td>3999</td> <td>ETR</td> <td>-</td> <td>WD.</td> <td>J2</td> <td>PTD.</td> <td>-</td> <td>3995</td> <td>3\"/> <tr> <td>3999</td> <td>ETR</td> <td>-</td> <td>WD.</td> <td>J2</td> <td>PTD.</td> <td>-</td> <td>3997</td> <td>3\"/>
</td></tr></td></tr></td></tr></td></tr></td></tr></td></tr></td></tr></td></tr></td></tr></td></tr></td></tr></td></tr></td></tr></td></tr></td></tr></td></tr></td></tr></td></tr></td></tr></td></tr></td></tr></td></tr></td></td></tr></td></tr></td></td></tr></td></td></tr></td></td></tr></td></td></tr></td></td></tr></td></td></tr></td></td></tr></td></td></tr></td></tr></td></tr></td></tr></td></td></tr></td></tr></td></tr></td></tr></td></tr></td></td></tr></td></tr></td></tr></td></tr></td></tr></td></tr></td></tr></td></tr></td></tr> | 359 | ETR | - | WD. | J2 | PTD. | - | 357 | 3\"/> <tr> <td>360</td> <td>ETR</td> <td>-</td> <td>WD.</td> <td>J2</td> <td>PTD.</td> <td>-</td> <td>358</td> <td>3\"/> <tr> <td>361A</td> <td>ETR</td> <td>-</td> <td>WD.</td> <td>J2</td> <td>PTD.</td> <td>-</td> <td>359</td> <td>3\"/> <tr> <td>362</td> <td>ETR</td> <td>-</td> <td>WD.</td> <td>J2</td> <td>PTD.</td> <td>-</td> <td>360</td> <td>3\"/> <tr> <td>363</td> <td>ETR</td> <td>-</td> <td>WD.</td> <td>J2</td> <td>PTD.</td> <td>-</td> <td>361A</td> <td>3\"/> <tr> <td>364A</td> <td>ETR</td> <td>-</td> <td>WD.</td> <td>J2</td> <td>PTD.</td> <td>-</td> <td>362</td> <td>3\"/> <tr> <td>365</td> <td>ETR</td> <td>-</td> <td>WD.</td> <td>J2</td> <td>PTD.</td> <td>-</td> <td>363</td> <td>3\"/> <tr> <td>366</td> <td>ETR</td> <td>-</td> <td>WD.</td> <td>J2</td> <td>PTD.</td> <td>-</td> <td>364A</td> <td>3\"/> <tr> <td>367</td> <td>B</td> <td>2 <td>HM</td> <td>J1</td> <td>PTD.</td> <td>1 HR.</td> <td>365</td> <td>3\"/> <tr> <td>368</td> <td>ETR</td> <td>-</td> <td>WD.</td> <td>J2</td> <td>PTD.</td> <td>-</td> <td>366</td> <td>3\"/> <tr> <td>369</td> <td>ETR</td> <td>-</td> <td>WD.</td> <td>J2</td> <td>PTD.</td> <td>-</td> <td>367</td> <td>3\"/> <tr> <td>370</td> <td>ETR</td> <td>-</td> <td>WD.</td> <td>J2</td> <td>PTD.</td> <td>-</td> <td>368</td> <td>3\"/> <tr> <td>371</td> <td>ETR</td> <td>-</td> <td>WD.</td> <td>J2</td> <td>PTD.</td> <td>-</td> <td>369</td> <td>3\"/> <tr> <td>372</td> <td>B</td> <td>2 <td>HM</td> <td>J1</td> <td>PTD.</td> <td>1 HR.</td> <td>370</td> <td>3\"/> <tr> <td>373A</td> <td>ETR</td> <td>-</td> <td>WD.</td> <td>J2</td> <td>PTD.</td> <td>-</td> <td>371</td> <td>3\"/> <tr> <td>374B</td> <td>ETR</td> <td>-</td> <td>WD.</td> <td>J2</td> <td>PTD.</td> <td>-</td> <td>372</td> <td>3\"/> <tr> <td>374C</td> <td>ETR</td> <td>-</td> <td>WD.</td> <td>J2</td> <td>PTD.</td> <td>-</td> <td>373A</td> <td>3\"/> <tr> <td>375</td> <td>B</td> <td>1 <td>WD</td> <td>J1</td> <td>PTD.</td> <td>-</td> <td>374B</td> <td>3\"/> <tr> <td>376</td> <td>B</td> <td>1 <td>WD</td> <td>J1</td> <td>PTD.</td> <td>-</td> <td>374C</td> <td>3\"/> <tr> <td>377</td> <td>B</td> <td>1 <td>WD</td> <td>J1</td> <td>PTD.</td> <td>-</td> <td>375</td> <td>3\"/> <tr> <td>377A</td> <td>B</td> <td>1 <td>WD</td> <td>J1</td> <td>PTD.</td> <td>-</td> <td>376</td> <td>3\"/> <tr> <td>378</td> <td>B</td> <td>1 <td>WD</td> <td>J1</td> <td>PTD.</td> <td>-</td> <td>377</td> <td>3\"/> <tr> <td>379</td> <td>B</td> <td>1 <td>WD</td> <td>J1</td> <td>PTD.</td> <td>-</td> <td>377A</td> <td>3\"/> <tr> <td>380A</td>
<td>B</td> <td>1 <td>WD</td> <td>J1</td> <td>PTD.</td> <td>-</td> <td>378</td> <td>3\"/> <tr> <td>380B</td> <td>B</td> <td>1 <td>WD</td> <td>J1</td> <td>PTD.</td> <td>-</td> <td>379</td> <td>3\"/> <tr> <td>382</td> <td>ETR</td> <td>-</td> <td>WD.</td> <td>J2</td> <td>PTD.</td> <td>-</td> <td>380A</td> <td>3\"/> <tr> <td>382A</td> <td>D</td> <td>6 <td>ALUM.</td> <td>ANODIZE D</td> <td>-</td> <td>-</td> <td>380B</td> <td>3\"/> <tr> <td>385</td> <td>ETR</td> <td>-</td> <td>WD.</td> <td>J2</td> <td>PTD.</td> <td>-</td> <td>382</td> <td>3\"/> <tr> <td>386</td> <td>ETR</td> <td>-</td> <td>WD.</td> <td>J2</td> <td>PTD.</td> <td>-</td> <td>382A</td> <td>3\"/> <tr> <td>387</td> <td>ETR</td> <td>-</td> <td>WD.</td> <td>J2</td> <td>PTD.</td> <td>-</td> <td>385</td> <td>3\"/> <tr> <td>388</td> <td>ETR</td> <td>-</td> <td>WD.</td> <td>J2</td> <td>PTD.</td> <td>-</td> <td>386</td> <td>3\"/> <tr> <td>389</td> <td>ETR</td> <td>-</td> <td>WD.</td> <td>J2</td> <td>PTD.</td> <td>-</td> <td>387</td> <td>3\"/> <tr> <td>391</td> <td>ETR</td> <td>-</td> <td>WD.</td> <td>J2</td> <td>PTD.</td> <td>-</td> <td>388</td> <td>3\"/> <tr> <td>391A</td> <td>ETR</td> <td>-</td> <td>WD.</td> <td>J2</td> <td>PTD.</td> <td>-</td> <td>389</td> <td>3\"/> <tr> <td>391B</td> <td>ETR</td> <td>-</td> <td>WD.</td> <td>J2</td> <td>PTD.</td> <td>-</td> <td>391</td> <td>3\"/> <tr> <td>394</td> <td>ETR</td> <td>-</td> <td>WD.</td> <td>J2</td> <td>PTD.</td> <td>-</td> <td>391A</td> <td>3\"/> <tr> <td>395</td> <td>ETR</td> <td>-</td> <td>WD.</td> <td>J2</td> <td>PTD.</td> <td>-</td> <td>391B</td> <td>3\"/> <tr> <td>396</td> <td>ETR</td> <td>-</td> <td>WD.</td> <td>J2</td> <td>PTD.</td> <td>-</td> <td>394</td> <td>3\"/> <tr> <td>398</td> <td>ETR</td> <td>-</td> <td>WD.</td> <td>J2</td> <td>PTD.</td> <td>-</td> <td>395</td> <td>3\"/> <tr> <td>399</td> <td>ETR</td> <td>-</td> <td>WD.</td> <td>J2</td> <td>PTD.</td> <td>-</td> <td>396</td> <td>3\"/> <tr> <td>3991</td> <td>ETR</td> <td>-</td> <td>WD.</td> <td>J2</td> <td>PTD.</td> <td>-</td> <td>398</td> <td>3\"/> <tr> <td>3992</td> <td>A</td> <td>3\"/> <tr> <td>3993</td> <td>ETR</td> <td>-</td> <td>WD.</td> <td>J2</td> <td>PTD.</td> <td>-</td> <td>399</td> <td>3\"/> <tr> <td>3994</td> <td>ETR</td> <td>-</td> <td>WD.</td> <td>J2</td> <td>PTD.</td> <td>-</td> <td>3991</td> <td>3\"/> <tr> <td>3995</td> <td>ETR</td> <td>-</td> <td>WD.</td> <td>J2</td> <td>PTD.</td> <td>-</td> <td>3992</td> <td>3\"/> <tr> <td>3997</td> <td>ETR</td> <td>-</td> <td>WD.</td> <td>J2</td> <td>PTD.</td> <td>-</td> <td>3993</td> <td>3\"/> <tr> <td>3998</td> <td>ETR</td> <td>-</td> <td>WD.</td> <td>J2</td> <td>PTD.</td> <td>-</td> <td>3994</td> <td>3\"/> <tr> <td>3999</td> <td>ETR</td> <td>-</td> <td>WD.</td> <td>J2</td> <td>PTD.</td> <td>-</td> <td>3995</td> <td>3\"/> <tr> <td>3999</td> <td>ETR</td> <td>-</td> <td>WD.</td> <td>J2</td> <td>PTD.</td> <td>-</td> <td>3997</td> <td>3\"/> </td></tr></td></tr></td></tr></td></tr></td></tr></td></tr></td></tr></td></tr></td></tr></td></tr></td></tr></td></tr></td></tr></td></tr></td></tr></td></tr></td></tr></td></tr></td></tr></td></tr></td></tr></td></tr></td></td></tr></td></tr></td></td></tr></td></td></tr></td></td></tr></td></td></tr></td></td></tr></td></td></tr></td></td></tr></td></td></tr></td></tr></td></tr></td></tr></td></td></tr></td></tr></td></tr></td></tr></td></tr></td></td></tr></td></tr></td></tr></td></tr></td></tr></td></tr></td></tr></td></tr> | 360 | ETR | -
 | WD. | J2 | PTD. | - | 358 | 3\"/> <tr> <td>361A</td> <td>ETR</td> <td>-</td> <td>WD.</td> <td>J2</td> <td>PTD.</td> <td>-</td> <td>359</td> <td>3\"/> <tr> <td>362</td> <td>ETR</td> <td>-</td> <td>WD.</td> <td>J2</td> <td>PTD.</td> <td>-</td> <td>360</td> <td>3\"/> <tr> <td>363</td> <td>ETR</td> <td>-</td> <td>WD.</td> <td>J2</td> <td>PTD.</td> <td>-</td> <td>361A</td> <td>3\"/> <tr> <td>364A</td> <td>ETR</td> <td>-</td> <td>WD.</td> <td>J2</td> <td>PTD.</td> <td>-</td> <td>362</td> <td>3\"/> <tr> <td>365</td> <td>ETR</td> <td>-</td> <td>WD.</td> <td>J2</td> <td>PTD.</td> <td>-</td> <td>363</td> <td>3\"/> <tr> <td>366</td> <td>ETR</td> <td>-</td> <td>WD.</td> <td>J2</td> <td>PTD.</td> <td>-</td> <td>364A</td> <td>3\"/> <tr> <td>367</td> <td>B</td> <td>2 <td>HM</td> <td>J1</td> <td>PTD.</td> <td>1 HR.</td> <td>365</td> <td>3\"/> <tr> <td>368</td> <td>ETR</td> <td>-</td> <td>WD.</td> <td>J2</td> <td>PTD.</td> <td>-</td> <td>366</td> <td>3\"/> <tr> <td>369</td> <td>ETR</td> <td>-</td> <td>WD.</td> <td>J2</td> <td>PTD.</td> <td>-</td> <td>367</td> <td>3\"/> <tr> <td>370</td> <td>ETR</td> <td>-</td> <td>WD.</td> <td>J2</td> <td>PTD.</td> <td>-</td> <td>368</td> <td>3\"/> <tr> <td>371</td> <td>ETR</td> <td>-</td> <td>WD.</td> <td>J2</td> <td>PTD.</td> <td>-</td> <td>369</td> <td>3\"/> <tr> <td>372</td> <td>B</td> <td>2 <td>HM</td> <td>J1</td> <td>PTD.</td> <td>1 HR.</td> <td>370</td> <td>3\"/> <tr> <td>373A</td> <td>ETR</td> <td>-</td> <td>WD.</td> <td>J2</td> <td>PTD.</td> <td>-</td> <td>371</td> <td>3\"/> <tr> <td>374B</td> <td>ETR</td> <td>-</td> <td>WD.</td> <td>J2</td> <td>PTD.</td> <td>-</td> <td>372</td> <td>3\"/> <tr> <td>374C</td> <td>ETR</td> <td>-</td> <td>WD.</td> <td>J2</td> <td>PTD.</td> <td>-</td> <td>373A</td> <td>3\"/> <tr> <td>375</td> <td>B</td> <td>1 <td>WD</td> <td>J1</td> <td>PTD.</td> <td>-</td> <td>374B</td> <td>3\"/> <tr> <td>376</td> <td>B</td> <td>1 <td>WD</td> <td>J1</td> <td>PTD.</td> <td>-</td> <td>374C</td> <td>3\"/> <tr> <td>377</td> <td>B</td> <td>1 <td>WD</td> <td>J1</td> <td>PTD.</td> <td>-</td> <td>375</td> <td>3\"/> <tr> <td>377A</td> <td>B</td> <td>1 <td>WD</td> <td>J1</td> <td>PTD.</td> <td>-</td> <td>376</td> <td>3\"/> <tr> <td>378</td> <td>B</td> <td>1 <td>WD</td> <td>J1</td> <td>PTD.</td> <td>-</td> <td>377</td> <td>3\"/> <tr> <td>379</td> <td>B</td> <td>1 <td>WD</td> <td>J1</td> <td>PTD.</td> <td>-</td> <td>377A</td> <td>3\"/> <tr> <td>380A</td> <td>B</td> <td>1 <td>WD</td> <td>J1</td> <td>PTD.</td> <td>-</td> <td>378</td> <td>3\"/> <tr> <td>380B</td> <td>B</td> <td>1 <td>WD</td> <td>J1</td> <td>PTD.</td> <td>-</td> <td>379</td> <td>3\"/> <tr> <td>382</td> <td>ETR</td> <td>-</td> <td>WD.</td> <td>J2</td> <td>PTD.</td> <td>-</td> <td>380A</td> <td>3\"/> <tr> <td>382A</td> <td>D</td> <td>6 <td>ALUM.</td> <td>ANODIZE D</td> <td>-</td> <td>-</td> <td>380B</td> <td>3\"/> <tr> <td>385</td> <td>ETR</td> <td>-</td> <td>WD.</td> <td>J2</td> <td>PTD.</td> <td>-</td> <td>382</td> <td>3\"/> <tr> <td>386</td> <td>ETR</td> <td>-</td> <td>WD.</td> <td>J2</td> <td>PTD.</td> <td>-</td> <td>382A</td> <td>3\"/> <tr> <td>387</td> <td>ETR</td> <td>-</td> <td>WD.</td> <td>J2</td> <td>PTD.</td> <td>-</td> <td>385</td> <td>3\"/> <tr> <td>388</td> <td>ETR</td> <td>-</td> <td>WD.</td> <td>J2</td> <td>PTD.</td> <td>-</td> <td>386</td> <td>3\"/> <tr> <td>389</td> <td>ETR</td> <td>-</td> <td>WD.</td> <td>J2</td> <td>PTD.</td> <td>-</td> <td>387</td> <td>3\"/> <tr> <td>391</td> <td>ETR</td> <td>-</td> <td>WD.</td> <td>J2</td> <td>PTD.</td> <td>-</td> <td>388</td> <td>3\"/> <tr> <td>391A</td> <td>ETR</td> <td>-</td> <td>WD.</td> <td>J2</td> <td>PTD.</td> <td>-</td> <td>389</td> <td>3\"/> <tr> <td>391B</td> <td>ETR</td> <td>-</td> <td>WD.</td> <td>J2</td> <td>PTD.</td> <td>-</td> <td>391</td> <td>3\"/> <tr> <td>394</td> <td>ETR</td> <td>-</td> <td>WD.</td> <td>J2</td> <td>PTD.</td> <td>-</td> <td>391A</td> <td>3\"/> <tr> <td>395</td> <td>ETR</td> <td>-</td> <td>WD.</td> <td>J2</td> <td>PTD.</td> <td>-</td> <td>391B</td> <td>3\"/> <tr> <td>396</td> <td>ETR</td> <td>-</td> <td>WD.</td> <td>J2</td> <td>PTD.</td> <td>-</td> <td>394</td> <td>3\"/> <tr> <td>398</td> <td>ETR</td> <td>-</td> <td>WD.</td> <td>J2</td> <td>PTD.</td> <td>-</td> <td>395</td> <td>3\"/> <tr> <td>399</td> <td>ETR</td> <td>-</td> <td>WD.</td> <td>J2</td> <td>PTD.</td> <td>-</td> <td>396</td> <td>3\"/> <tr> <td>3991</td> <td>ETR</td> <td>-</td> <td>WD.</td> <td>J2</td> <td>PTD.</td> <td>-</td> <td>398</td> <td>3\"/> <tr> <td>3992</td> <td>A</td> <td>3\"/> <tr> <td>3993</td> <td>ETR</td> <td>-</td> <td>WD.</td> <td>J2</td> <td>PTD.</td> <td>-</td> <td>399</td> <td>3\"/> <tr> <td>3994</td> <td>ETR</td> <td>-</td> <td>WD.</td> <td>J2</td> <td>PTD.</td> <td>-</td> <td>3991</td> <td>3\"/> <tr> <td>3995</td> <td>ETR</td> <td>-</td> <td>WD.</td> <td>J2</td> <td>PTD.</td> <td>-</td> <td>3992</td> <td>3\"/> <tr> <td>3997</td> <td>ETR</td> <td>-</td> <td>WD.</td> <td>J2</td> <td>PTD.</td> <td>-</td> <td>3993</td> <td>3\"/> <tr> <td>3998</td> <td>ETR</td> <td>-</td> <td>WD.</td> <td>J2</td> <td>PTD.</td> <td>-</td> <td>3994</td> <td>3\"/> <tr> <td>3999</td> <td>ETR</td> <td>-</td> <td>WD.</td> <td>J2</td> <td>PTD.</td> <td>-</td> <td>3995</td> <td>3\"/> <tr> <td>3999</td> <td>ETR</td> <td>-</td> <td>WD.</td> <td>J2</td> <td>PTD.</td> <td>-</td> <td>3997</td> <td>3\"/> </td></tr></td></tr></td></tr></td></tr></td></tr></td></tr></td></tr></td></tr></td></tr></td></tr></td></tr></td></tr></td></tr></td></tr></td></tr></td></tr></td></tr></td></tr></td></tr></td></tr></td></tr></td></tr></td></td></tr></td></tr></td></td></tr></td></td></tr></td></td></tr></td></td></tr></td></td></tr></td></td></tr></td></td></tr></td></td></tr></td></tr></td></tr></td></tr></td></td></tr></td></tr></td></tr></td></tr></td></tr></td></td></tr></td></tr></td></tr></td></tr></td></tr></td></tr></td></tr> | 361A | ETR | -
 | WD. | J2 | PTD. | - | 359 | 3\"/> <tr> <td>362</td> <td>ETR</td> <td>-</td> <td>WD.</td> <td>J2</td> <td>PTD.</td> <td>-</td> <td>360</td> <td>3\"/> <tr> <td>363</td> <td>ETR</td> <td>-</td> <td>WD.</td> <td>J2</td> <td>PTD.</td> <td>-</td> <td>361A</td> <td>3\"/> <tr> <td>364A</td> <td>ETR</td> <td>-</td> <td>WD.</td> <td>J2</td> <td>PTD.</td> <td>-</td> <td>362</td> <td>3\"/> <tr> <td>365</td> <td>ETR</td> <td>-</td> <td>WD.</td> <td>J2</td> <td>PTD.</td> <td>-</td> <td>363</td> <td>3\"/> <tr> <td>366</td> <td>ETR</td> <td>-</td> <td>WD.</td> <td>J2</td> <td>PTD.</td> <td>-</td> <td>364A</td> <td>3\"/> <tr> <td>367</td> <td>B</td> <td>2 <td>HM</td> <td>J1</td> <td>PTD.</td> <td>1 HR.</td> <td>365</td> <td>3\"/> <tr> <td>368</td> <td>ETR</td> <td>-</td> <td>WD.</td> <td>J2</td> <td>PTD.</td> <td>-</td> <td>366</td> <td>3\"/> <tr> <td>369</td> <td>ETR</td> <td>-</td> <td>WD.</td> <td>J2</td> <td>PTD.</td> <td>-</td> <td>367</td> <td>3\"/> <tr> <td>370</td> <td>ETR</td> <td>-</td> <td>WD.</td> <td>J2</td> <td>PTD.</td> <td>-</td> <td>368</td> <td>3\"/> <tr> <td>371</td> <td>ETR</td> <td>-</td> <td>WD.</td> <td>J2</td> <td>PTD.</td> <td>-</td> <td>369</td> <td>3\"/> <tr> <td>372</td> <td>B</td> <td>2 <td>HM</td> <td>J1</td> <td>PTD.</td> <td>1 HR.</td> <td>370</td> <td>3\"/> <tr> <td>373A</td> <td>ETR</td> <td>-</td> <td>WD.</td> <td>J2</td> <td>PTD.</td> <td>-</td> <td>371</td> <td>3\"/> <tr> <td>374B</td> <td>ETR</td> <td>-</td> <td>WD.</td> <td>J2</td> <td>PTD.</td> <td>-</td> <td>372</td> <td>3\"/> <tr> <td>374C</td> <td>ETR</td> <td>-</td> <td>WD.</td> <td>J2</td> <td>PTD.</td> <td>-</td> <td>373A</td> <td>3\"/> <tr> <td>375</td> <td>B</td> <td>1 <td>WD</td> <td>J1</td> <td>PTD.</td> <td>-</td> <td>374B</td> <td>3\"/> <tr> <td>376</td> <td>B</td> <td>1 <td>WD</td> <td>J1</td> <td>PTD.</td> <td>-</td> <td>374C</td> <td>3\"/> <tr> <td>377</td> <td>B</td> <td>1 <td>WD</td> <td>J1</td> <td>PTD.</td> <td>-</td> <td>375</td> <td>3\"/> <tr> <td>377A</td> <td>B</td> <td>1 <td>WD</td> <td>J1</td> <td>PTD.</td> <td>-</td> <td>376</td> <td>3\"/> <tr> <td>378</td> <td>B</td> <td>1 <td>WD</td> <td>J1</td> <td>PTD.</td> <td>-</td> <td>377</td> <td>3\"/> <tr> <td>379</td> <td>B</td> <td>1 <td>WD</td> <td>J1</td> <td>PTD.</td> <td>-</td> <td>377A</td> <td>3\"/> <tr> <td>380A</td> <td>B</td> <td>1 <td>WD</td> <td>J1</td> <td>PTD.</td> <td>-</td> <td>378</td> <td>3\"/> <tr> <td>380B</td> <td>B</td> <td>1 <td>WD</td> <td>J1</td> <td>PTD.</td> <td>-</td> <td>379</td> <td>3\"/> <tr> <td>382</td> <td>ETR</td> <td>-</td> <td>WD.</td> <td>J2</td> <td>PTD.</td> <td>-</td> <td>380A</td> <td>3\"/> <tr> <td>382A</td> <td>D</td> <td>6 <td>ALUM.</td> <td>ANODIZE D</td> <td>-</td> <td>-</td> <td>380B</td> <td>3\"/> <tr> <td>385</td> <td>ETR</td> <td>-</td> <td>WD.</td> <td>J2</td> <td>PTD.</td> <td>-</td> <td>382</td> <td>3\"/> <tr> <td>386</td> <td>ETR</td> <td>-</td> <td>WD.</td> <td>J2</td> <td>PTD.</td> <td>-</td> <td>382A</td> <td>3\"/> <tr> <td>387</td> <td>ETR</td> <td>-</td> <td>WD.</td> <td>J2</td> <td>PTD.</td> <td>-</td> <td>385</td> <td>3\"/> <tr> <td>388</td> <td>ETR</td> <td>-</td> <td>WD.</td> <td>J2</td> <td>PTD.</td> <td>-</td> <td>386</td> <td>3\"/> <tr> <td>389</td> <td>ETR</td> <td>-</td> <td>WD.</td> <td>J2</td> <td>PTD.</td> <td>-</td> <td>387</td> <td>3\"/> <tr> <td>391</td> <td>ETR</td> <td>-</td> <td>WD.</td> <td>J2</td> <td>PTD.</td> <td>-</td> <td>388</td> <td>3\"/> <tr> <td>391A</td> <td>ETR</td> <td>-</td> <td>WD.</td> <td>J2</td> <td>PTD.</td> <td>-</td> <td>389</td> <td>3\"/> <tr> <td>391B</td> <td>ETR</td> <td>-</td> <td>WD.</td> <td>J2</td> <td>PTD.</td> <td>-</td> <td>391</td> <td>3\"/> <tr> <td>394</td> <td>ETR</td> <td>-</td> <td>WD.</td> <td>J2</td> <td>PTD.</td> <td>-</td> <td>391A</td> <td>3\"/> <tr> <td>395</td> <td>ETR</td> <td>-</td> <td>WD.</td> <td>J2</td> <td>PTD.</td> <td>-</td> <td>391B</td> <td>3\"/> <tr> <td>396</td> <td>ETR</td> <td>-</td> <td>WD.</td> <td>J2</td> <td>PTD.</td> <td>-</td> <td>394</td> <td>3\"/> <tr> <td>398</td> <td>ETR</td> <td>-</td> <td>WD.</td> <td>J2</td> <td>PTD.</td> <td>-</td> <td>395</td> <td>3\"/> <tr> <td>399</td> <td>ETR</td> <td>-</td> <td>WD.</td> <td>J2</td> <td>PTD.</td> <td>-</td> <td>396</td> <td>3\"/> <tr> <td>3991</td> <td>ETR</td> <td>-</td> <td>WD.</td> <td>J2</td> <td>PTD.</td> <td>-</td> <td>398</td> <td>3\"/> <tr> <td>3992</td> <td>A</td> <td>3\"/> <tr> <td>3993</td> <td>ETR</td> <td>-</td> <td>WD.</td> <td>J2</td> <td>PTD.</td> <td>-</td> <td>399</td> <td>3\"/> <tr> <td>3994</td> <td>ETR</td> <td>-</td> <td>WD.</td> <td>J2</td> <td>PTD.</td> <td>-</td> <td>3991</td> <td>3\"/> <tr> <td>3995</td> <td>ETR</td> <td>-</td> <td>WD.</td> <td>J2</td> <td>PTD.</td> <td>-</td> <td>3992</td> <td>3\"/> <tr> <td>3997</td> <td>ETR</td> <td>-</td> <td>WD.</td> <td>J2</td> <td>PTD.</td> <td>-</td> <td>3993</td> <td>3\"/> <tr> <td>3998</td> <td>ETR</td> <td>-</td> <td>WD.</td> <td>J2</td> <td>PTD.</td> <td>-</td> <td>3994</td> <td>3\"/> <tr> <td>3999</td> <td>ETR</td> <td>-</td> <td>WD.</td> <td>J2</td> <td>PTD.</td> <td>-</td> <td>3995</td> <td>3\"/> <tr> <td>3999</td> <td>ETR</td> <td>-</td> <td>WD.</td> <td>J2</td> <td>PTD.</td> <td>-</td> <td>3997</td> <td>3\"/> </td></tr></td></tr></td></tr></td></tr></td></tr></td></tr></td></tr></td></tr></td></tr></td></tr></td></tr></td></tr></td></tr></td></tr></td></tr></td></tr></td></tr></td></tr></td></tr></td></tr></td></tr></td></tr></td></td></tr></td></tr></td></td></tr></td></td></tr></td></td></tr></td></td></tr></td></td></tr></td></td></tr></td></td></tr></td></td></tr></td></tr></td></tr></td></tr></td></td></tr></td></tr></td></tr></td></tr></td></tr></td></td></tr></td></tr></td></tr></td></tr></td></tr></td></tr> | 362 | ETR | -
 | WD. | J2 | PTD. | - | 360 | 3\"/> <tr> <td>363</td> <td>ETR</td> <td>-</td> <td>WD.</td> <td>J2</td> <td>PTD.</td> <td>-</td> <td>361A</td> <td>3\"/> <tr> <td>364A</td> <td>ETR</td> <td>-</td> <td>WD.</td> <td>J2</td> <td>PTD.</td> <td>-</td> <td>362</td> <td>3\"/> <tr> <td>365</td> <td>ETR</td> <td>-</td> <td>WD.</td> <td>J2</td> <td>PTD.</td> <td>-</td> <td>363</td> <td>3\"/> <tr> <td>366</td> <td>ETR</td> <td>-</td> <td>WD.</td> <td>J2</td> <td>PTD.</td> <td>-</td> <td>364A</td> <td>3\"/> <tr> <td>367</td> <td>B</td> <td>2 <td>HM</td> <td>J1</td> <td>PTD.</td> <td>1 HR.</td> <td>365</td> <td>3\"/> <tr> <td>368</td> <td>ETR</td> <td>-</td> <td>WD.</td> <td>J2</td> <td>PTD.</td> <td>-</td> <td>366</td> <td>3\"/> <tr> <td>369</td> <td>ETR</td> <td>-</td> <td>WD.</td> <td>J2</td> <td>PTD.</td> <td>-</td> <td>367</td> <td>3\"/> <tr> <td>370</td> <td>ETR</td> <td>-</td> <td>WD.</td> <td>J2</td> <td>PTD.</td> <td>-</td> <td>368</td> <td>3\"/> <tr> <td>371</td> <td>ETR</td> <td>-</td> <td>WD.</td> <td>J2</td> <td>PTD.</td> <td>-</td> <td>369</td> <td>3\"/> <tr> <td>372</td> <td>B</td> <td>2 <td>HM</td> <td>J1</td> <td>PTD.</td> <td>1 HR.</td> <td>370</td> <td>3\"/> <tr> <td>373A</td> <td>ETR</td> <td>-</td> <td>WD.</td> <td>J2</td> <td>PTD.</td> <td>-</td> <td>371</td> <td>3\"/> <tr> <td>374B</td> <td>ETR</td> <td>-</td> <td>WD.</td> <td>J2</td> <td>PTD.</td> <td>-</td> <td>372</td> <td>3\"/> <tr> <td>374C</td> <td>ETR</td> <td>-</td> <td>WD.</td> <td>J2</td> <td>PTD.</td> <td>-</td> <td>373A</td> <td>3\"/> <tr> <td>375</td> <td>B</td> <td>1 <td>WD</td> <td>J1</td> <td>PTD.</td> <td>-</td> <td>374B</td> <td>3\"/> <tr> <td>376</td> <td>B</td> <td>1 <td>WD</td> <td>J1</td> <td>PTD.</td> <td>-</td> <td>374C</td> <td>3\"/> <tr> <td>377</td> <td>B</td> <td>1 <td>WD</td> <td>J1</td> <td>PTD.</td> <td>-</td> <td>375</td> <td>3\"/> <tr> <td>377A</td> <td>B</td> <td>1 <td>WD</td> <td>J1</td> <td>PTD.</td> <td>-</td> <td>376</td> <td>3\"/> <tr> <td>378</td> <td>B</td> <td>1 <td>WD</td> <td>J1</td> <td>PTD.</td> <td>-</td> <td>377</td> <td>3\"/> <tr> <td>379</td> <td>B</td> <td>1 <td>WD</td> <td>J1</td> <td>PTD.</td> <td>-</td> <td>377A</td> <td>3\"/> <tr> <td>380A</td> <td>B</td> <td>1 <td>WD</td> <td>J1</td> <td>PTD.</td> <td>-</td> <td>378</td> <td>3\"/> <tr> <td>380B</td> <td>B</td> <td>1 <td>WD</td> <td>J1</td> <td>PTD.</td> <td>-</td> <td>379</td> <td>3\"/> <tr> <td>382</td> <td>ETR</td> <td>-</td> <td>WD.</td> <td>J2</td> <td>PTD.</td> <td>-</td> <td>380A</td> <td>3\"/> <tr> <td>382A</td> <td>D</td> <td>6 <td>ALUM.</td> <td>ANODIZE D</td> <td>-</td> <td>-</td> <td>380B</td> <td>3\"/> <tr> <td>385</td> <td>ETR</td> <td>-</td> <td>WD.</td> <td>J2</td> <td>PTD.</td> <td>-</td> <td>382</td> <td>3\"/> <tr> <td>386</td> <td>ETR</td> <td>-</td> <td>WD.</td> <td>J2</td> <td>PTD.</td> <td>-</td> <td>382A</td> <td>3\"/> <tr> <td>387</td> <td>ETR</td> <td>-</td> <td>WD.</td> <td>J2</td> <td>PTD.</td> <td>-</td> <td>385</td> <td>3\"/> <tr> <td>388</td> <td>ETR</td> <td>-</td> <td>WD.</td> <td>J2</td> <td>PTD.</td> <td>-</td> <td>386</td> <td>3\"/> <tr> <td>389</td> <td>ETR</td> <td>-</td> <td>WD.</td> <td>J2</td> <td>PTD.</td> <td>-</td> <td>387</td> <td>3\"/> <tr> <td>391</td> <td>ETR</td> <td>-</td> <td>WD.</td> <td>J2</td> <td>PTD.</td> <td>-</td> <td>388</td> <td>3\"/> <tr> <td>391A</td> <td>ETR</td> <td>-</td> <td>WD.</td> <td>J2</td> <td>PTD.</td> <td>-</td> <td>389</td> <td>3\"/> <tr> <td>391B</td> <td>ETR</td> <td>-</td> <td>WD.</td> <td>J2</td> <td>PTD.</td> <td>-</td> <td>391</td> <td>3\"/> <tr> <td>394</td> <td>ETR</td> <td>-</td> <td>WD.</td> <td>J2</td> <td>PTD.</td> <td>-</td> <td>391A</td> <td>3\"/> <tr> <td>395</td> <td>ETR</td> <td>-</td> <td>WD.</td> <td>J2</td> <td>PTD.</td> <td>-</td> <td>391B</td> <td>3\"/> <tr> <td>396</td> <td>ETR</td> <td>-</td> <td>WD.</td> <td>J2</td> <td>PTD.</td> <td>-</td> <td>394</td> <td>3\"/> <tr> <td>398</td> <td>ETR</td> <td>-</td> <td>WD.</td> <td>J2</td> <td>PTD.</td> <td>-</td> <td>395</td> <td>3\"/> <tr> <td>399</td> <td>ETR</td> <td>-</td> <td>WD.</td> <td>J2</td> <td>PTD.</td> <td>-</td> <td>396</td> <td>3\"/> <tr> <td>3991</td> <td>ETR</td> <td>-</td> <td>WD.</td> <td>J2</td> <td>PTD.</td> <td>-</td> <td>398</td> <td>3\"/> <tr> <td>3992</td> <td>A</td> <td>3\"/> <tr> <td>3993</td> <td>ETR</td> <td>-</td> <td>WD.</td> <td>J2</td> <td>PTD.</td> <td>-</td> <td>399</td> <td>3\"/> <tr> <td>3994</td> <td>ETR</td> <td>-</td> <td>WD.</td> <td>J2</td> <td>PTD.</td> <td>-</td> <td>3991</td> <td>3\"/> <tr> <td>3995</td> <td>ETR</td> <td>-</td> <td>WD.</td> <td>J2</td> <td>PTD.</td> <td>-</td> <td>3992</td> <td>3\"/> <tr> <td>3997</td>
<td>ETR</td> <td>-</td> <td>WD.</td> <td>J2</td> <td>PTD.</td> <td>-</td> <td>3993</td> <td>3\"/> <tr> <td>3998</td> <td>ETR</td> <td>-</td> <td>WD.</td> <td>J2</td> <td>PTD.</td> <td>-</td> <td>3994</td> <td>3\"/> <tr> <td>3999</td> <td>ETR</td> <td>-</td> <td>WD.</td> <td>J2</td> <td>PTD.</td> <td>-</td> <td>3995</td> <td>3\"/> <tr> <td>3999</td> <td>ETR</td> <td>-</td> <td>WD.</td> <td>J2</td> <td>PTD.</td> <td>-</td> <td>3997</td> <td>3\"/> </td></tr></td></tr></td></tr></td></tr></td></tr></td></tr></td></tr></td></tr></td></tr></td></tr></td></tr></td></tr></td></tr></td></tr></td></tr></td></tr></td></tr></td></tr></td></tr></td></tr></td></tr></td></tr></td></td></tr></td></tr></td></td></tr></td></td></tr></td></td></tr></td></td></tr></td></td></tr></td></td></tr></td></td></tr></td></td></tr></td></tr></td></tr></td></tr></td></td></tr></td></tr></td></tr></td></tr></td></tr></td></td></tr></td></tr></td></tr></td></tr></td></tr> | 363 | ETR | - | WD. | J2 | PTD. | - | 361A | 3\"/> <tr> <td>364A</td> <td>ETR</td> <td>-</td> <td>WD.</td> <td>J2</td> <td>PTD.</td> <td>-</td> <td>362</td> <td>3\"/> <tr> <td>365</td> <td>ETR</td> <td>-</td> <td>WD.</td> <td>J2</td> <td>PTD.</td> <td>-</td> <td>363</td> <td>3\"/> <tr> <td>366</td> <td>ETR</td> <td>-</td> <td>WD.</td> <td>J2</td> <td>PTD.</td> <td>-</td> <td>364A</td> <td>3\"/> <tr> <td>367</td> <td>B</td> <td>2 <td>HM</td> <td>J1</td> <td>PTD.</td> <td>1 HR.</td> <td>365</td> <td>3\"/> <tr> <td>368</td> <td>ETR</td> <td>-</td> <td>WD.</td> <td>J2</td> <td>PTD.</td> <td>-</td> <td>366</td> <td>3\"/> <tr> <td>369</td> <td>ETR</td> <td>-</td> <td>WD.</td> <td>J2</td> <td>PTD.</td> <td>-</td> <td>367</td> <td>3\"/> <tr> <td>370</td> <td>ETR</td> <td>-</td> <td>WD.</td> <td>J2</td> <td>PTD.</td> <td>-</td> <td>368</td> <td>3\"/> <tr> <td>371</td> <td>ETR</td> <td>-</td> <td>WD.</td> <td>J2</td> <td>PTD.</td> <td>-</td> <td>369</td> <td>3\"/> <tr> <td>372</td> <td>B</td> <td>2 <td>HM</td> <td>J1</td> <td>PTD.</td> <td>1 HR.</td> <td>370</td> <td>3\"/> <tr> <td>373A</td> <td>ETR</td> <td>-</td> <td>WD.</td> <td>J2</td> <td>PTD.</td> <td>-</td> <td>371</td> <td>3\"/> <tr> <td>374B</td> <td>ETR</td> <td>-</td> <td>WD.</td> <td>J2</td> <td>PTD.</td> <td>-</td> <td>372</td> <td>3\"/> <tr> <td>374C</td> <td>ETR</td> <td>-</td> <td>WD.</td> <td>J2</td> <td>PTD.</td> <td>-</td> <td>373A</td> <td>3\"/> <tr> <td>375</td> <td>B</td> <td>1 <td>WD</td> <td>J1</td> <td>PTD.</td> <td>-</td> <td>374B</td> <td>3\"/> <tr> <td>376</td> <td>B</td> <td>1 <td>WD</td> <td>J1</td> <td>PTD.</td> <td>-</td> <td>374C</td> <td>3\"/> <tr> <td>377</td> <td>B</td> <td>1 <td>WD</td> <td>J1</td> <td>PTD.</td> <td>-</td> <td>375</td> <td>3\"/> <tr> <td>377A</td> <td>B</td> <td>1 <td>WD</td> <td>J1</td> <td>PTD.</td> <td>-</td> <td>376</td> <td>3\"/> <tr> <td>378</td> <td>B</td> <td>1 <td>WD</td> <td>J1</td> <td>PTD.</td> <td>-</td> <td>377</td> <td>3\"/> <tr> <td>379</td> <td>B</td> <td>1 <td>WD</td> <td>J1</td> <td>PTD.</td> <td>-</td> <td>377A</td> <td>3\"/> <tr> <td>380A</td> <td>B</td> <td>1 <td>WD</td> <td>J1</td> <td>PTD.</td> <td>-</td> <td>378</td> <td>3\"/> <tr> <td>380B</td> <td>B</td> <td>1 <td>WD</td> <td>J1</td> <td>PTD.</td> <td>-</td> <td>379</td> <td>3\"/> <tr> <td>382</td> <td>ETR</td> <td>-</td> <td>WD.</td> <td>J2</td> <td>PTD.</td> <td>-</td> <td>380A</td> <td>3\"/> <tr> <td>382A</td> <td>D</td> <td>6 <td>ALUM.</td> <td>ANODIZE D</td> <td>-</td> <td>-</td> <td>380B</td> <td>3\"/> <tr> <td>385</td> <td>ETR</td> <td>-</td> <td>WD.</td> <td>J2</td> <td>PTD.</td> <td>-</td> <td>382</td> <td>3\"/> <tr>
<td>386</td> <td>ETR</td> <td>-</td> <td>WD.</td> <td>J2</td> <td>PTD.</td> <td>-</td> <td>382A</td> <td>3\"/> <tr> <td>387</td> <td>ETR</td> <td>-</td> <td>WD.</td> <td>J2</td> <td>PTD.</td> <td>-</td> <td>385</td> <td>3\"/> <tr> <td>388</td> <td>ETR</td> <td>-</td> <td>WD.</td> <td>J2</td> <td>PTD.</td> <td>-</td> <td>386</td> <td>3\"/> <tr> <td>389</td> <td>ETR</td> <td>-</td> <td>WD.</td> <td>J2</td> <td>PTD.</td> <td>-</td> <td>387</td> <td>3\"/> <tr> <td>391</td> <td>ETR</td> <td>-</td> <td>WD.</td> <td>J2</td> <td>PTD.</td> <td>-</td> <td>388</td> <td>3\"/> <tr> <td>391A</td> <td>ETR</td> <td>-</td> <td>WD.</td> <td>J2</td> <td>PTD.</td> <td>-</td> <td>389</td> <td>3\"/> <tr> <td>391B</td> <td>ETR</td> <td>-</td> <td>WD.</td> <td>J2</td> <td>PTD.</td> <td>-</td> <td>391</td> <td>3\"/> <tr> <td>394</td> <td>ETR</td> <td>-</td> <td>WD.</td> <td>J2</td> <td>PTD.</td> <td>-</td> <td>391A</td> <td>3\"/> <tr> <td>395</td> <td>ETR</td> <td>-</td> <td>WD.</td> <td>J2</td> <td>PTD.</td> <td>-</td> <td>391B</td> <td>3\"/> <tr> <td>396</td> <td>ETR</td> <td>-</td> <td>WD.</td> <td>J2</td> <td>PTD.</td> <td>-</td> <td>394</td> <td>3\"/> <tr> <td>398</td> <td>ETR</td> <td>-</td> <td>WD.</td> <td>J2</td> <td>PTD.</td> <td>-</td> <td>395</td> <td>3\"/> <tr> <td>399</td> <td>ETR</td> <td>-</td> <td>WD.</td> <td>J2</td> <td>PTD.</td> <td>-</td> <td>396</td> <td>3\"/> <tr> <td>3991</td> <td>ETR</td> <td>-</td> <td>WD.</td> <td>J2</td> <td>PTD.</td> <td>-</td> <td>398</td> <td>3\"/> <tr> <td>3992</td> <td>A</td> <td>3\"/> <tr> <td>3993</td> <td>ETR</td> <td>-</td> <td>WD.</td> <td>J2</td> <td>PTD.</td> <td>-</td> <td>399</td> <td>3\"/> <tr> <td>3994</td> <td>ETR</td> <td>-</td> <td>WD.</td> <td>J2</td> <td>PTD.</td> <td>-</td> <td>3991</td> <td>3\"/> <tr> <td>3995</td> <td>ETR</td> <td>-</td> <td>WD.</td> <td>J2</td> <td>PTD.</td> <td>-</td> <td>3992</td> <td>3\"/> <tr> <td>3997</td> <td>ETR</td> <td>-</td> <td>WD.</td> <td>J2</td> <td>PTD.</td> <td>-</td> <td>3993</td> <td>3\"/> <tr> <td>3998</td> <td>ETR</td> <td>-</td> <td>WD.</td> <td>J2</td> <td>PTD.</td> <td>-</td> <td>3994</td> <td>3\"/> <tr> <td>3999</td> <td>ETR</td> <td>-</td> <td>WD.</td> <td>J2</td> <td>PTD.</td> <td>-</td> <td>3995</td> <td>3\"/> <tr> <td>3999</td> <td>ETR</td> <td>-</td> <td>WD.</td> <td>J2</td> <td>PTD.</td> <td>-</td> <td>3997</td> <td>3\"/> </td></tr></td></tr></td></tr></td></tr></td></tr></td></tr></td></tr></td></tr></td></tr></td></tr></td></tr></td></tr></td></tr></td></tr></td></tr></td></tr></td></tr></td></tr></td></tr></td></tr></td></tr></td></tr></td></td></tr></td></tr></td></td></tr></td></td></tr></td></td></tr></td></td></tr></td></td></tr></td></td></tr></td></td></tr></td></td></tr></td></tr></td></tr></td></tr></td></td></tr></td></tr></td></tr></td></tr></td></tr></td></td></tr></td></tr></td></tr></td></tr> | 364A | ETR | - | WD. | J2 | PTD. | - | 362 | 3\"/> <tr> <td>365</td> <td>ETR</td> <td>-</td> <td>WD.</td> <td>J2</td> <td>PTD.</td> <td>-</td> <td>363</td> <td>3\"/> <tr> <td>366</td> <td>ETR</td> <td>-</td> <td>WD.</td> <td>J2</td> <td>PTD.</td> <td>-</td> <td>364A</td> <td>3\"/> <tr> <td>367</td> <td>B</td> <td>2 <td>HM</td> <td>J1</td> <td>PTD.</td> <td>1 HR.</td> <td>365</td> <td>3\"/> <tr> <td>368</td> <td>ETR</td> <td>-</td> <td>WD.</td> <td>J2</td> <td>PTD.</td> <td>-</td> <td>366</td> <td>3\"/> <tr> <td>369</td> <td>ETR</td> <td>-</td> <td>WD.</td> <td>J2</td> <td>PTD.</td> <td>-</td> <td>367</td> <td>3\"/> <tr> <td>370</td> <td>ETR</td> <td>-</td> <td>WD.</td> <td>J2</td> <td>PTD.</td> <td>-</td> <td>368</td> <td>3\"/> <tr> <td>371</td> <td>ETR</td> <td>-</td> <td>WD.</td> <td>J2</td> <td>PTD.</td> <td>-</td> <td>369</td> <td>3\"/> <tr> <td>372</td>
<td>B</td> <td>2 <td>HM</td> <td>J1</td> <td>PTD.</td> <td>1 HR.</td> <td>370</td> <td>3\"/> <tr> <td>373A</td> <td>ETR</td> <td>-</td> <td>WD.</td> <td>J2</td> <td>PTD.</td> <td>-</td> <td>371</td> <td>3\"/> <tr> <td>374B</td> <td>ETR</td> <td>-</td> <td>WD.</td> <td>J2</td> <td>PTD.</td> <td>-</td> <td>372</td> <td>3\"/> <tr> <td>374C</td> <td>ETR</td> <td>-</td> <td>WD.</td> <td>J2</td> <td>PTD.</td> <td>-</td> <td>373A</td> <td>3\"/> <tr> <td>375</td> <td>B</td> <td>1 <td>WD</td> <td>J1</td> <td>PTD.</td> <td>-</td> <td>374B</td> <td>3\"/> <tr> <td>376</td> <td>B</td> <td>1 <td>WD</td> <td>J1</td> <td>PTD.</td> <td>-</td> <td>374C</td> <td>3\"/> <tr> <td>377</td> <td>B</td> <td>1 <td>WD</td> <td>J1</td> <td>PTD.</td> <td>-</td> <td>375</td> <td>3\"/> <tr> <td>377A</td> <td>B</td> <td>1 <td>WD</td> <td>J1</td> <td>PTD.</td> <td>-</td> <td>376</td> <td>3\"/> <tr> <td>378</td> <td>B</td> <td>1 <td>WD</td> <td>J1</td> <td>PTD.</td> <td>-</td> <td>377</td> <td>3\"/> <tr> <td>379</td> <td>B</td> <td>1 <td>WD</td> <td>J1</td> <td>PTD.</td> <td>-</td> <td>377A</td> <td>3\"/> <tr> <td>380A</td> <td>B</td> <td>1 <td>WD</td> <td>J1</td> <td>PTD.</td> <td>-</td> <td>378</td> <td>3\"/> <tr> <td>380B</td> <td>B</td> <td>1 <td>WD</td> <td>J1</td> <td>PTD.</td> <td>-</td> <td>379</td> <td>3\"/> <tr> <td>382</td> <td>ETR</td> <td>-</td> <td>WD.</td> <td>J2</td> <td>PTD.</td> <td>-</td> <td>380A</td> <td>3\"/> <tr> <td>382A</td> <td>D</td> <td>6 <td>ALUM.</td> <td>ANODIZE D</td> <td>-</td> <td>-</td> <td>380B</td> <td>3\"/> <tr> <td>385</td> <td>ETR</td> <td>-</td> <td>WD.</td> <td>J2</td> <td>PTD.</td> <td>-</td> <td>382</td> <td>3\"/> <tr> <td>386</td> <td>ETR</td> <td>-</td> <td>WD.</td> <td>J2</td> <td>PTD.</td> <td>-</td> <td>382A</td> <td>3\"/> <tr> <td>387</td> <td>ETR</td> <td>-</td> <td>WD.</td> <td>J2</td> <td>PTD.</td> <td>-</td> <td>385</td> <td>3\"/> <tr> <td>388</td> <td>ETR</td> <td>-</td> <td>WD.</td> <td>J2</td> <td>PTD.</td> <td>-</td> <td>386</td> <td>3\"/> <tr> <td>389</td> <td>ETR</td> <td>-</td> <td>WD.</td> <td>J2</td> <td>PTD.</td> <td>-</td> <td>387</td> <td>3\"/> <tr> <td>391</td> <td>ETR</td> <td>-</td> <td>WD.</td> <td>J2</td> <td>PTD.</td> <td>-</td> <td>388</td> <td>3\"/> <tr> <td>391A</td> <td>ETR</td> <td>-</td> <td>WD.</td> <td>J2</td> <td>PTD.</td> <td>-</td> <td>389</td> <td>3\"/> <tr> <td>391B</td> <td>ETR</td> <td>-</td> <td>WD.</td> <td>J2</td> <td>PTD.</td> <td>-</td> <td>391</td> <td>3\"/> <tr> <td>394</td> <td>ETR</td> <td>-</td> <td>WD.</td> <td>J2</td> <td>PTD.</td> <td>-</td> <td>391A</td> <td>3\"/> <tr> <td>395</td> <td>ETR</td> <td>-</td> <td>WD.</td> <td>J2</td> <td>PTD.</td> <td>-</td> <td>391B</td> <td>3\"/> <tr> <td>396</td> <td>ETR</td> <td>-</td> <td>WD.</td> <td>J2</td> <td>PTD.</td> <td>-</td> <td>394</td> <td>3\"/> <tr> <td>398</td> <td>ETR</td> <td>-</td> <td>WD.</td> <td>J2</td> <td>PTD.</td> <td>-</td> <td>395</td> <td>3\"/> <tr> <td>399</td> <td>ETR</td> <td>-</td> <td>WD.</td> <td>J2</td> <td>PTD.</td> <td>-</td> <td>396</td> <td>3\"/> <tr> <td>3991</td> <td>ETR</td> <td>-</td> <td>WD.</td> <td>J2</td> <td>PTD.</td> <td>-</td> <td>398</td> <td>3\"/> <tr> <td>3992</td> <td>A</td> <td>3\"/> <tr> <td>3993</td> <td>ETR</td> <td>-</td> <td>WD.</td> <td>J2</td> <td>PTD.</td> <td>-</td> <td>399</td> <td>3\"/> <tr> <td>3994</td> <td>ETR</td> <td>-</td> <td>WD.</td> <td>J2</td> <td>PTD.</td> <td>-</td> <td>3991</td> <td>3\"/> <tr> <td>3995</td> <td>ETR</td> <td>-</td> <td>WD.</td> <td>J2</td> <td>PTD.</td> <td>-</td> <td>3992</td> <td>3\"/> <tr> <td>3997</td> <td>ETR</td> <td>-</td> <td>WD.</td> <td>J2</td> <td>PTD.</td> <td>-</td> <td>3993</td> <td>3\"/> <tr> <td>3998</td> <td>ETR</td> <td>-</td> <td>WD.</td> <td>J2</td> <td>PTD.</td> <td>-</td> <td>3994</td> <td>3\"/> <tr> <td>3999</td> <td>ETR</td> <td>-</td> <td>WD.</td> <td>J2</td> <td>PTD.</td> <td>-</td> <td>3995</td> <td>3\"/> <tr> <td>3999</td> <td>ETR</td> <td>-</td> <td>WD.</td> <td>J2</td> <td>PTD.</td> <td>-</td> <td>3997</td> <td>3\"/> </td></tr></td></tr></td></tr></td></tr></td></tr></td></tr></td></tr></td></tr></td></tr></td></tr></td></tr></td></tr></td></tr></td></tr></td></tr></td></tr></td></tr></td></tr></td></tr></td></tr></td></tr></td></tr></td></td></tr></td></tr></td></td></tr></td></td></tr></td></td></tr></td></td></tr></td></td></tr></td></td></tr></td></td></tr></td></td></tr></td></tr></td></tr></td></tr></td></td></tr></td></tr></td></tr></td></tr></td></tr></td></td></tr></td></tr></td></tr> | 365 | ETR | -
 | WD. | J2 | PTD. | - | 363 | 3\"/> <tr> <td>366</td> <td>ETR</td> <td>-</td> <td>WD.</td> <td>J2</td> <td>PTD.</td> <td>-</td> <td>364A</td> <td>3\"/> <tr> <td>367</td> <td>B</td> <td>2 <td>HM</td> <td>J1</td> <td>PTD.</td> <td>1 HR.</td> <td>365</td> <td>3\"/> <tr> <td>368</td> <td>ETR</td> <td>-</td> <td>WD.</td> <td>J2</td> <td>PTD.</td> <td>-</td> <td>366</td> <td>3\"/> <tr> <td>369</td> <td>ETR</td> <td>-</td> <td>WD.</td> <td>J2</td> <td>PTD.</td> <td>-</td> <td>367</td> <td>3\"/> <tr> <td>370</td> <td>ETR</td> <td>-</td> <td>WD.</td> <td>J2</td> <td>PTD.</td> <td>-</td> <td>368</td> <td>3\"/> <tr> <td>371</td> <td>ETR</td> <td>-</td> <td>WD.</td> <td>J2</td> <td>PTD.</td> <td>-</td> <td>369</td> <td>3\"/> <tr> <td>372</td> <td>B</td> <td>2 <td>HM</td> <td>J1</td> <td>PTD.</td> <td>1 HR.</td> <td>370</td> <td>3\"/> <tr> <td>373A</td> <td>ETR</td> <td>-</td> <td>WD.</td> <td>J2</td> <td>PTD.</td> <td>-</td> <td>371</td> <td>3\"/> <tr> <td>374B</td> <td>ETR</td> <td>-</td> <td>WD.</td> <td>J2</td> <td>PTD.</td> <td>-</td> <td>372</td> <td>3\"/> <tr> <td>374C</td> <td>ETR</td> <td>-</td> <td>WD.</td> <td>J2</td> <td>PTD.</td> <td>-</td> <td>373A</td> <td>3\"/> <tr> <td>375</td> <td>B</td> <td>1 <td>WD</td> <td>J1</td> <td>PTD.</td> <td>-</td> <td>374B</td> <td>3\"/> <tr> <td>376</td> <td>B</td> <td>1 <td>WD</td> <td>J1</td> <td>PTD.</td> <td>-</td> <td>374C</td> <td>3\"/> <tr> <td>377</td> <td>B</td> <td>1 <td>WD</td> <td>J1</td> <td>PTD.</td> <td>-</td> <td>375</td> <td>3\"/> <tr> <td>377A</td> <td>B</td> <td>1 <td>WD</td> <td>J1</td> <td>PTD.</td> <td>-</td> <td>376</td> <td>3\"/> <tr> <td>378</td> <td>B</td> <td>1 <td>WD</td> <td>J1</td> <td>PTD.</td> <td>-</td> <td>377</td> <td>3\"/> <tr> <td>379</td> <td>B</td> <td>1 <td>WD</td> <td>J1</td> <td>PTD.</td> <td>-</td> <td>377A</td> <td>3\"/> <tr> <td>380A</td> <td>B</td> <td>1 <td>WD</td> <td>J1</td> <td>PTD.</td> <td>-</td> <td>378</td> <td>3\"/> <tr> <td>380B</td> <td>B</td> <td>1 <td>WD</td> <td>J1</td> <td>PTD.</td> <td>-</td> <td>379</td> <td>3\"/> <tr> <td>382</td> <td>ETR</td> <td>-</td> <td>WD.</td> <td>J2</td> <td>PTD.</td> <td>-</td> <td>380A</td> <td>3\"/> <tr> <td>382A</td> <td>D</td> <td>6 <td>ALUM.</td> <td>ANODIZE D</td> <td>-</td> <td>-</td> <td>380B</td> <td>3\"/> <tr> <td>385</td> <td>ETR</td> <td>-</td> <td>WD.</td> <td>J2</td> <td>PTD.</td> <td>-</td> <td>382</td> <td>3\"/> <tr> <td>386</td> <td>ETR</td> <td>-</td> <td>WD.</td> <td>J2</td> <td>PTD.</td> <td>-</td> <td>382A</td> <td>3\"/> <tr> <td>387</td> <td>ETR</td> <td>-</td> <td>WD.</td> <td>J2</td> <td>PTD.</td> <td>-</td> <td>385</td> <td>3\"/> <tr> <td>388</td> <td>ETR</td> <td>-</td> <td>WD.</td> <td>J2</td> <td>PTD.</td> <td>-</td> <td>386</td> <td>3\"/> <tr> <td>389</td> <td>ETR</td> <td>-</td> <td>WD.</td> <td>J2</td> <td>PTD.</td> <td>-</td> <td>387</td> <td>3\"/> <tr> <td>391</td> <td>ETR</td> <td>-</td> <td>WD.</td> <td>J2</td> <td>PTD.</td> <td>-</td> <td>388</td> <td>3\"/> <tr> <td>391A</td> <td>ETR</td> <td>-</td> <td>WD.</td> <td>J2</td> <td>PTD.</td> <td>-</td> <td>389</td> <td>3\"/> <tr> <td>391B</td> <td>ETR</td> <td>-</td> <td>WD.</td> <td>J2</td> <td>PTD.</td> <td>-</td> <td>391</td> <td>3\"/> <tr> <td>394</td> <td>ETR</td> <td>-</td> <td>WD.</td> <td>J2</td> <td>PTD.</td> <td>-</td> <td>391A</td> <td>3\"/> <tr> <td>395</td> <td>ETR</td> <td>-</td> <td>WD.</td> <td>J2</td> <td>PTD.</td> <td>-</td> <td>391B</td> <td>3\"/> <tr> <td>396</td> <td>ETR</td> <td>-</td> <td>WD.</td> <td>J2</td> <td>PTD.</td> <td>-</td> <td>394</td> <td>3\"/> <tr> <td>398</td> <td>ETR</td> <td>-</td> <td>WD.</td> <td>J2</td> <td>PTD.</td> <td>-</td> <td>395</td> <td>3\"/> <tr> <td>399</td> <td>ETR</td> <td>-</td> <td>WD.</td> <td>J2</td> <td>PTD.</td> <td>-</td> <td>396</td> <td>3\"/> <tr> <td>3991</td> <td>ETR</td> <td>-</td> <td>WD.</td> <td>J2</td> <td>PTD.</td> <td>-</td> <td>398</td> <td>3\"/> <tr> <td>3992</td> <td>A</td> <td>3\"/> <tr> <td>3993</td> <td>ETR</td> <td>-</td> <td>WD.</td> <td>J2</td> <td>PTD.</td> <td>-</td> <td>399</td> <td>3\"/> <tr> <td>3994</td> <td>ETR</td> <td>-</td> <td>WD.</td> <td>J2</td> <td>PTD.</td> <td>-</td> <td>3991</td> <td>3\"/> <tr> <td>3995</td> <td>ETR</td> <td>-</td> <td>WD.</td> <td>J2</td> <td>PTD.</td> <td>-</td> <td>3992</td> <td>3\"/> <tr> <td>3997</td> <td>ETR</td> <td>-</td> <td>WD.</td> <td>J2</td> <td>PTD.</td> <td>-</td> <td>3993</td> <td>3\"/> <tr> <td>3998</td> <td>ETR</td> <td>-</td> <td>WD.</td> <td>J2</td> <td>PTD.</td> <td>-</td> <td>3994</td> <td>3\"/> <tr> <td>3999</td> <td>ETR</td> <td>-</td> <td>WD.</td> <td>J2</td> <td>PTD.</td> <td>-</td> <td>3995</td> <td>3\"/> <tr> <td>3999</td> <td>ETR</td> <td>-</td> <td>WD.</td> <td>J2</td> <td>PTD.</td> <td>-</td> <td>3997</td> <td>3\"/> </td></tr></td></tr></td></tr></td></tr></td></tr></td></tr></td></tr></td></tr></td></tr></td></tr></td></tr></td></tr></td></tr></td></tr></td></tr></td></tr></td></tr></td></tr></td></tr></td></tr></td></tr></td></tr></td></td></tr></td></tr></td></td></tr></td></td></tr></td></td></tr></td></td></tr></td></td></tr></td></td></tr></td></td></tr></td></td></tr></td></tr></td></tr></td></tr></td></td></tr></td></tr></td></tr></td></tr></td></tr></td></td></tr></td></tr> | 366 | ETR | -
 | WD. | J2 | PTD. | - | 364A | 3\"/> <tr> <td>367</td> <td>B</td> <td>2 <td>HM</td> <td>J1</td> <td>PTD.</td> <td>1 HR.</td> <td>365</td> <td>3\"/> <tr> <td>368</td> <td>ETR</td> <td>-</td> <td>WD.</td> <td>J2</td> <td>PTD.</td> <td>-</td> <td>366</td> <td>3\"/> <tr> <td>369</td> <td>ETR</td> <td>-</td> <td>WD.</td> <td>J2</td> <td>PTD.</td> <td>-</td> <td>367</td> <td>3\"/> <tr> <td>370</td> <td>ETR</td> <td>-</td> <td>WD.</td> <td>J2</td> <td>PTD.</td> <td>-</td> <td>368</td> <td>3\"/> <tr> <td>371</td> <td>ETR</td> <td>-</td> <td>WD.</td> <td>J2</td> <td>PTD.</td> <td>-</td> <td>369</td> <td>3\"/> <tr> <td>372</td> <td>B</td> <td>2 <td>HM</td> <td>J1</td> <td>PTD.</td> <td>1 HR.</td> <td>370</td> <td>3\"/> <tr> <td>373A</td> <td>ETR</td> <td>-</td> <td>WD.</td> <td>J2</td> <td>PTD.</td> <td>-</td> <td>371</td> <td>3\"/> <tr> <td>374B</td> <td>ETR</td> <td>-</td> <td>WD.</td> <td>J2</td> <td>PTD.</td> <td>-</td> <td>372</td> <td>3\"/> <tr> <td>374C</td> <td>ETR</td> <td>-</td> <td>WD.</td> <td>J2</td> <td>PTD.</td> <td>-</td> <td>373A</td> <td>3\"/> <tr> <td>375</td> <td>B</td> <td>1 <td>WD</td> <td>J1</td> <td>PTD.</td> <td>-</td> <td>374B</td> <td>3\"/> <tr> <td>376</td> <td>B</td> <td>1 <td>WD</td> <td>J1</td> <td>PTD.</td> <td>-</td> <td>374C</td> <td>3\"/> <tr> <td>377</td> <td>B</td> <td>1 <td>WD</td> <td>J1</td> <td>PTD.</td> <td>-</td> <td>375</td> <td>3\"/> <tr> <td>377A</td> <td>B</td> <td>1 <td>WD</td> <td>J1</td> <td>PTD.</td> <td>-</td> <td>376</td> <td>3\"/> <tr> <td>378</td> <td>B</td> <td>1 <td>WD</td> <td>J1</td> <td>PTD.</td> <td>-</td> <td>377</td> <td>3\"/> <tr> <td>379</td> <td>B</td> <td>1 <td>WD</td> <td>J1</td> <td>PTD.</td> <td>-</td> <td>377A</td> <td>3\"/> <tr> <td>380A</td> <td>B</td> <td>1 <td>WD</td> <td>J1</td> <td>PTD.</td> <td>-</td> <td>378</td> <td>3\"/> <tr> <td>380B</td> <td>B</td> <td>1 <td>WD</td> <td>J1</td> <td>PTD.</td> <td>-</td> <td>379</td> <td>3\"/> <tr> <td>382</td> <td>ETR</td> <td>-</td> <td>WD.</td> <td>J2</td> <td>PTD.</td> <td>-</td> <td>380A</td> <td>3\"/> <tr> <td>382A</td> <td>D</td> <td>6 <td>ALUM.</td> <td>ANODIZE D</td> <td>-</td> <td>-</td> <td>380B</td> <td>3\"/> <tr> <td>385</td> <td>ETR</td> <td>-</td> <td>WD.</td> <td>J2</td> <td>PTD.</td> <td>-</td> <td>382</td> <td>3\"/> <tr> <td>386</td> <td>ETR</td> <td>-</td> <td>WD.</td> <td>J2</td> <td>PTD.</td> <td>-</td> <td>382A</td> <td>3\"/> <tr> <td>387</td> <td>ETR</td> <td>-</td> <td>WD.</td> <td>J2</td> <td>PTD.</td> <td>-</td> <td>385</td> <td>3\"/> <tr> <td>388</td> <td>ETR</td> <td>-</td> <td>WD.</td> <td>J2</td> <td>PTD.</td> <td>-</td> <td>386</td> <td>3\"/> <tr> <td>389</td> <td>ETR</td> <td>-</td> <td>WD.</td> <td>J2</td> <td>PTD.</td> <td>-</td> <td>387</td> <td>3\"/> <tr> <td>391</td> <td>ETR</td> <td>-</td> <td>WD.</td> <td>J2</td> <td>PTD.</td> <td>-</td> <td>388</td> <td>3\"/> <tr> <td>391A</td> <td>ETR</td> <td>-</td> <td>WD.</td> <td>J2</td> <td>PTD.</td> <td>-</td> <td>389</td> <td>3\"/> <tr> <td>391B</td> <td>ETR</td> <td>-</td> <td>WD.</td> <td>J2</td> <td>PTD.</td> <td>-</td> <td>391</td> <td>3\"/> <tr> <td>394</td> <td>ETR</td> <td>-</td> <td>WD.</td> <td>J2</td> <td>PTD.</td> <td>-</td> <td>391A</td> <td>3\"/> <tr> <td>395</td> <td>ETR</td> <td>-</td> <td>WD.</td> <td>J2</td> <td>PTD.</td> <td>-</td> <td>391B</td> <td>3\"/> <tr> <td>396</td> <td>ETR</td> <td>-</td> <td>WD.</td> <td>J2</td> <td>PTD.</td> <td>-</td> <td>394</td> <td>3\"/> <tr> <td>398</td> <td>ETR</td> <td>-</td> <td>WD.</td> <td>J2</td> <td>PTD.</td> <td>-</td> <td>395</td> <td>3\"/> <tr> <td>399</td> <td>ETR</td> <td>-</td> <td>WD.</td> <td>J2</td> <td>PTD.</td> <td>-</td> <td>396</td> <td>3\"/> <tr> <td>3991</td> <td>ETR</td> <td>-</td> <td>WD.</td> <td>J2</td> <td>PTD.</td> <td>-</td> <td>398</td> <td>3\"/> <tr> <td>3992</td> <td>A</td> <td>3\"/> <tr> <td>3993</td> <td>ETR</td> <td>-</td> <td>WD.</td> <td>J2</td> <td>PTD.</td> <td>-</td> <td>399</td> <td>3\"/> <tr> <td>3994</td> <td>ETR</td> <td>-</td> <td>WD.</td> <td>J2</td> <td>PTD.</td> <td>-</td> <td>3991</td> <td>3\"/> <tr> <td>3995</td> <td>ETR</td> <td>-</td> <td>WD.</td> <td>J2</td> <td>PTD.</td> <td>-</td> <td>3992</td> <td>3\"/> <tr> <td>3997</td> <td>ETR</td> <td>-</td> <td>WD.</td> <td>J2</td> <td>PTD.</td> <td>-</td> <td>3993</td> <td>3\"/> <tr> <td>3998</td> <td>ETR</td> <td>-</td> <td>WD.</td> <td>J2</td> <td>PTD.</td> <td>-</td> <td>3994</td> <td>3\"/> <tr> <td>3999</td> <td>ETR</td> <td>-</td> <td>WD.</td> <td>J2</td> <td>PTD.</td> <td>-</td> <td>3995</td> <td>3\"/> <tr> <td>3999</td> <td>ETR</td> <td>-</td> <td>WD.</td> <td>J2</td> <td>PTD.</td> <td>-</td> <td>3997</td> <td>3\"/> </td></tr></td></tr></td></tr></td></tr></td></tr></td></tr></td></tr></td></tr></td></tr></td></tr></td></tr></td></tr></td></tr></td></tr></td></tr></td></tr></td></tr></td></tr></td></tr></td></tr></td></tr></td></tr></td></td></tr></td></tr></td></td></tr></td></td></tr></td></td></tr></td></td></tr></td></td></tr></td></td></tr></td></td></tr></td></td></tr></td></tr></td></tr></td></tr></td></td></tr></td></tr></td></tr></td></tr></td></tr></td></td></tr> | 367 | B | 2 <td>HM</td> <td>J1</td> <td>PTD.</td> <td>1 HR.</td> <td>365</td> <td>3\"/> <tr> <td>368</td> <td>ETR</td> <td>-</td> <td>WD.</td> <td>J2</td> <td>PTD.</td> <td>-</td> <td>366</td> <td>3\"/> <tr> <td>369</td> <td>ETR</td> <td>-</td> <td>WD.</td> <td>J2</td> <td>PTD.</td> <td>-</td> <td>367</td> <td>3\"/> <tr> <td>370</td> <td>ETR</td> <td>-</td> <td>WD.</td> <td>J2</td> <td>PTD.</td> <td>-</td> <td>368</td> <td>3\"/> <tr> <td>371</td> <td>ETR</td> <td>-</td> <td>WD.</td> <td>J2</td> <td>PTD.</td> <td>-</td> <td>369</td> <td>3\"/> <tr> <td>372</td> <td>B</td> <td>2 <td>HM</td> <td>J1</td> <td>PTD.</td> <td>1 HR.</td> <td>370</td> <td>3\"/> <tr> <td>373A</td> <td>ETR</td> <td>-</td> <td>WD.</td> <td>J2</td> <td>PTD.</td> <td>-</td> <td>371</td> <td>3\"/> <tr> <td>374B</td> <td>ETR</td> <td>-</td> <td>WD.</td> <td>J2</td> <td>PTD.</td> <td>-</td> <td>372</td> <td>3\"/> <tr> <td>374C</td> <td>ETR</td> <td>-</td> <td>WD.</td> <td>J2</td> <td>PTD.</td> <td>-</td> <td>373A</td> <td>3\"/> <tr> <td>375</td> <td>B</td> <td>1 <td>WD</td> <td>J1</td> <td>PTD.</td> <td>-</td> <td>374B</td> <td>3\"/> <tr> <td>376</td> <td>B</td> <td>1 <td>WD</td> <td>J1</td> <td>PTD.</td> <td>-</td> <td>374C</td> <td>3\"/> <tr> <td>377</td> <td>B</td> <td>1 <td>WD</td> <td>J1</td> <td>PTD.</td> <td>-</td> <td>375</td> <td>3\"/> <tr> <td>377A</td> <td>B</td> <td>1 <td>WD</td> <td>J1</td> <td>PTD.</td> <td>-</td> <td>376</td> <td>3\"/> <tr> <td>378</td> <td>B</td> <td>1 <td>WD</td> <td>J1</td> <td>PTD.</td> <td>-</td> <td>377</td> <td>3\"/> <tr> <td>379</td> <td>B</td> <td>1 <td>WD</td> <td>J1</td> <td>PTD.</td> <td>-</td> <td>377A</td> <td>3\"/> <tr> <td>380A</td> <td>B</td> <td>1 <td>WD</td> <td>J1</td> <td>PTD.</td> <td>-</td> <td>378</td> <td>3\"/> <tr> <td>380B</td> <td>B</td> <td>1 <td>WD</td> <td>J1</td> <td>PTD.</td> <td>-</td> <td>379</td> <td>3\"/> <tr> <td>382</td> <td>ETR</td> <td>-</td> <td>WD.</td> <td>J2</td> <td>PTD.</td> <td>-</td> <td>380A</td> <td>3\"/> <tr> <td>382A</td> <td>D</td> <td>6 <td>ALUM.</td> <td>ANODIZE D</td> <td>-</td> <td>-</td> <td>380B</td> <td>3\"/> <tr> <td>385</td> <td>ETR</td> <td>-</td> <td>WD.</td> <td>J2</td> <td>PTD.</td> <td>-</td> <td>382</td> <td>3\"/> <tr> <td>386</td> <td>ETR</td> <td>-</td> <td>WD.</td> <td>J2</td> <td>PTD.</td> <td>-</td> <td>382A</td> <td>3\"/> <tr> <td>387</td> <td>ETR</td> <td>-</td> <td>WD.</td>
<td>J2</td> <td>PTD.</td> <td>-</td> <td>385</td> <td>3\"/> <tr> <td>388</td> <td>ETR</td> <td>-</td> <td>WD.</td> <td>J2</td> <td>PTD.</td> <td>-</td> <td>386</td> <td>3\"/> <tr> <td>389</td> <td>ETR</td> <td>-</td> <td>WD.</td> <td>J2</td> <td>PTD.</td> <td>-</td> <td>387</td> <td>3\"/> <tr> <td>391</td> <td>ETR</td> <td>-</td> <td>WD.</td> <td>J2</td> <td>PTD.</td> <td>-</td> <td>388</td> <td>3\"/> <tr> <td>391A</td> <td>ETR</td> <td>-</td> <td>WD.</td> <td>J2</td> <td>PTD.</td> <td>-</td> <td>389</td> <td>3\"/> <tr> <td>391B</td> <td>ETR</td> <td>-</td> <td>WD.</td> <td>J2</td> <td>PTD.</td> <td>-</td> <td>391</td> <td>3\"/> <tr> <td>394</td> <td>ETR</td> <td>-</td> <td>WD.</td> <td>J2</td> <td>PTD.</td> <td>-</td> <td>391A</td> <td>3\"/> <tr> <td>395</td> <td>ETR</td> <td>-</td> <td>WD.</td> <td>J2</td> <td>PTD.</td> <td>-</td> <td>391B</td> <td>3\"/> <tr> <td>396</td> <td>ETR</td> <td>-</td> <td>WD.</td> <td>J2</td> <td>PTD.</td> <td>-</td> <td>394</td> <td>3\"/> <tr> <td>398</td> <td>ETR</td> <td>-</td> <td>WD.</td> <td>J2</td> <td>PTD.</td> <td>-</td> <td>395</td> <td>3\"/> <tr> <td>399</td> <td>ETR</td> <td>-</td> <td>WD.</td> <td>J2</td> <td>PTD.</td> <td>-</td> <td>396</td> <td>3\"/> <tr> <td>3991</td> <td>ETR</td> <td>-</td> <td>WD.</td> <td>J2</td> <td>PTD.</td> <td>-</td> <td>398</td> <td>3\"/> <tr> <td>3992</td> <td>A</td> <td>3\"/> <tr> <td>3993</td> <td>ETR</td> <td>-</td> <td>WD.</td> <td>J2</td> <td>PTD.</td> <td>-</td> <td>399</td> <td>3\"/> <tr> <td>3994</td> <td>ETR</td> <td>-</td> <td>WD.</td> <td>J2</td> <td>PTD.</td> <td>-</td> <td>3991</td> <td>3\"/> <tr> <td>3995</td> <td>ETR</td> <td>-</td> <td>WD.</td> <td>J2</td> <td>PTD.</td> <td>-</td> <td>3992</td> <td>3\"/> <tr> <td>3997</td> <td>ETR</td> <td>-</td> <td>WD.</td> <td>J2</td> <td>PTD.</td> <td>-</td> <td>3993</td> <td>3\"/> <tr> <td>3998</td> <td>ETR</td> <td>-</td> <td>WD.</td> <td>J2</td> <td>PTD.</td> <td>-</td> <td>3994</td> <td>3\"/> <tr> <td>3999</td> <td>ETR</td> <td>-</td> <td>WD.</td> <td>J2</td> <td>PTD.</td> <td>-</td> <td>3995</td> <td>3\"/> <tr> <td>3999</td> <td>ETR</td> <td>-</td> <td>WD.</td> <td>J2</td> <td>PTD.</td> <td>-</td> <td>3997</td> <td>3\"/> </td></tr></td></tr></td></tr></td></tr></td></tr></td></tr></td></tr></td></tr></td></tr></td></tr></td></tr></td></tr></td></tr></td></tr></td></tr></td></tr></td></tr></td></tr></td></tr></td></tr></td></tr></td></tr></td></td></tr></td></tr></td></td></tr></td></td></tr></td></td></tr></td></td></tr></td></td></tr></td></td></tr></td></td></tr></td></td></tr></td></tr></td></tr></td></tr></td></td></tr></td></tr></td></tr></td></tr></td></tr></td> | HM | J1 | PTD. | 1 HR. | 365 | 3\"/> <tr> <td>368</td> <td>ETR</td> <td>-</td> <td>WD.</td> <td>J2</td> <td>PTD.</td> <td>-</td> <td>366</td> <td>3\"/> <tr> <td>369</td> <td>ETR</td> <td>-</td> <td>WD.</td> <td>J2</td> <td>PTD.</td> <td>-</td> <td>367</td> <td>3\"/> <tr> <td>370</td> <td>ETR</td> <td>-</td> <td>WD.</td> <td>J2</td> <td>PTD.</td> <td>-</td> <td>368</td> <td>3\"/> <tr> <td>371</td> <td>ETR</td> <td>-</td> <td>WD.</td> <td>J2</td> <td>PTD.</td> <td>-</td> <td>369</td> <td>3\"/> <tr> <td>372</td> <td>B</td> <td>2 <td>HM</td> <td>J1</td> <td>PTD.</td> <td>1 HR.</td> <td>370</td> <td>3\"/> <tr> <td>373A</td> <td>ETR</td> <td>-</td> <td>WD.</td> <td>J2</td> <td>PTD.</td> <td>-</td> <td>371</td> <td>3\"/> <tr> <td>374B</td> <td>ETR</td> <td>-</td> <td>WD.</td> <td>J2</td> <td>PTD.</td> <td>-</td> <td>372</td> <td>3\"/> <tr> <td>374C</td> <td>ETR</td> <td>-</td> <td>WD.</td> <td>J2</td> <td>PTD.</td> <td>-</td> <td>373A</td> <td>3\"/> <tr> <td>375</td> <td>B</td> <td>1 <td>WD</td> <td>J1</td> <td>PTD.</td> <td>-</td> <td>374B</td> <td>3\"/> <tr> <td>376</td> <td>B</td> <td>1 <td>WD</td> <td>J1</td> <td>PTD.</td> <td>-</td> <td>374C</td> <td>3\"/> <tr> <td>377</td> <td>B</td> <td>1 <td>WD</td> <td>J1</td> <td>PTD.</td> <td>-</td> <td>375</td> <td>3\"/> <tr> <td>377A</td> <td>B</td> <td>1 <td>WD</td> <td>J1</td> <td>PTD.</td> <td>-</td> <td>376</td> <td>3\"/> <tr> <td>378</td> <td>B</td> <td>1 <td>WD</td> <td>J1</td> <td>PTD.</td> <td>-</td> <td>377</td> <td>3\"/> <tr> <td>379</td> <td>B</td> <td>1 <td>WD</td> <td>J1</td> <td>PTD.</td> <td>-</td> <td>377A</td> <td>3\"/> <tr> <td>380A</td> <td>B</td> <td>1 <td>WD</td> <td>J1</td> <td>PTD.</td> <td>-</td> <td>378</td> <td>3\"/> <tr> <td>380B</td> <td>B</td> <td>1 <td>WD</td> <td>J1</td> <td>PTD.</td> <td>-</td> <td>379</td> <td>3\"/> <tr> <td>382</td> <td>ETR</td> <td>-</td> <td>WD.</td> <td>J2</td> <td>PTD.</td> <td>-</td> <td>380A</td> <td>3\"/> <tr> <td>382A</td> <td>D</td> <td>6 <td>ALUM.</td> <td>ANODIZE D</td> <td>-</td> <td>-</td> <td>380B</td> <td>3\"/> <tr> <td>385</td> <td>ETR</td> <td>-</td> <td>WD.</td> <td>J2</td> <td>PTD.</td> <td>-</td> <td>382</td> <td>3\"/> <tr> <td>386</td> <td>ETR</td> <td>-</td> <td>WD.</td> <td>J2</td> <td>PTD.</td> <td>-</td> <td>382A</td> <td>3\"/> <tr> <td>387</td> <td>ETR</td> <td>-</td> <td>WD.</td> <td>J2</td> <td>PTD.</td> <td>-</td> <td>385</td> <td>3\"/> <tr> <td>388</td> <td>ETR</td> <td>-</td> <td>WD.</td> <td>J2</td> <td>PTD.</td> <td>-</td> <td>386</td> <td>3\"/> <tr> <td>389</td> <td>ETR</td> <td>-</td> <td>WD.</td> <td>J2</td> <td>PTD.</td> <td>-</td> <td>387</td> <td>3\"/> <tr> <td>391</td> <td>ETR</td> <td>-</td> <td>WD.</td> <td>J2</td> <td>PTD.</td> <td>-</td> <td>388</td> <td>3\"/> <tr> <td>391A</td> <td>ETR</td> <td>-</td> <td>WD.</td> <td>J2</td> <td>PTD.</td> <td>-</td> <td>389</td> <td>3\"/> <tr> <td>391B</td> <td>ETR</td> <td>-</td> <td>WD.</td> <td>J2</td> <td>PTD.</td> <td>-</td> <td>391</td> <td>3\"/> <tr> <td>394</td> <td>ETR</td> <td>-</td> <td>WD.</td> <td>J2</td> <td>PTD.</td> <td>-</td> <td>391A</td> <td>3\"/> <tr> <td>395</td> <td>ETR</td> <td>-</td> <td>WD.</td> <td>J2</td> <td>PTD.</td> <td>-</td> <td>391B</td> <td>3\"/> <tr> <td>396</td> <td>ETR</td> <td>-</td> <td>WD.</td> <td>J2</td> <td>PTD.</td> <td>-</td> <td>394</td> <td>3\"/> <tr> <td>398</td> <td>ETR</td> <td>-</td> <td>WD.</td> <td>J2</td> <td>PTD.</td> <td>-</td> <td>395</td> <td>3\"/> <tr> <td>399</td> <td>ETR</td> <td>-</td> <td>WD.</td> <td>J2</td> <td>PTD.</td> <td>-</td> <td>396</td> <td>3\"/> <tr> <td>3991</td> <td>ETR</td> <td>-</td> <td>WD.</td> <td>J2</td> <td>PTD.</td> <td>-</td> <td>398</td> <td>3\"/> <tr> <td>3992</td> <td>A</td> <td>3\"/> <tr> <td>3993</td> <td>ETR</td> <td>-</td> <td>WD.</td> <td>J2</td> <td>PTD.</td> <td>-</td> <td>399</td> <td>3\"/> <tr> <td>3994</td> <td>ETR</td> <td>-</td> <td>WD.</td> <td>J2</td> <td>PTD.</td> <td>-</td> <td>3991</td> <td>3\"/> <tr> <td>3995</td> <td>ETR</td> <td>-</td> <td>WD.</td> <td>J2</td> <td>PTD.</td> <td>-</td> <td>3992</td> <td>3\"/> <tr> <td>3997</td> <td>ETR</td> <td>-</td> <td>WD.</td> <td>J2</td> <td>PTD.</td> <td>-</td> <td>3993</td> <td>3\"/> <tr> <td>3998</td> <td>ETR</td> <td>-</td> <td>WD.</td> <td>J2</td> <td>PTD.</td> <td>-</td> <td>3994</td> <td>3\"/> <tr> <td>3999</td> <td>ETR</td> <td>-</td> <td>WD.</td> <td>J2</td> <td>PTD.</td> <td>-</td> <td>3995</td> <td>3\"/> <tr> <td>3999</td> <td>ETR</td> <td>-</td> <td>WD.</td> <td>J2</td> <td>PTD.</td> <td>-</td> <td>3997</td> <td>3\"/> </td></tr></td></tr></td></tr></td></tr></td></tr></td></tr></td></tr></td></tr></td></tr></td></tr></td></tr></td></tr></td></tr></td></tr></td></tr></td></tr></td></tr></td></tr></td></tr></td></tr></td></tr></td></tr></td></td></tr></td></tr></td></td></tr></td></td></tr></td></td></tr></td></td></tr></td></td></tr></td></td></tr></td></td></tr></td></td></tr></td></tr></td></tr></td></tr></td></td></tr></td></tr></td></tr></td></tr></td></tr> | 368 | ETR | -
 | WD. | J2 | PTD. | - | 366 | 3\"/> <tr> <td>369</td> <td>ETR</td> <td>-</td> <td>WD.</td> <td>J2</td> <td>PTD.</td> <td>-</td> <td>367</td> <td>3\"/> <tr> <td>370</td> <td>ETR</td> <td>-</td> <td>WD.</td> <td>J2</td> <td>PTD.</td> <td>-</td> <td>368</td> <td>3\"/> <tr> <td>371</td> <td>ETR</td> <td>-</td> <td>WD.</td> <td>J2</td> <td>PTD.</td> <td>-</td> <td>369</td> <td>3\"/> <tr> <td>372</td> <td>B</td> <td>2 <td>HM</td> <td>J1</td> <td>PTD.</td> <td>1 HR.</td> <td>370</td> <td>3\"/> <tr> <td>373A</td> <td>ETR</td> <td>-</td> <td>WD.</td> <td>J2</td> <td>PTD.</td> <td>-</td> <td>371</td> <td>3\"/> <tr> <td>374B</td> <td>ETR</td> <td>-</td> <td>WD.</td> <td>J2</td> <td>PTD.</td> <td>-</td> <td>372</td> <td>3\"/> <tr> <td>374C</td> <td>ETR</td> <td>-</td> <td>WD.</td> <td>J2</td> <td>PTD.</td> <td>-</td> <td>373A</td> <td>3\"/> <tr> <td>375</td> <td>B</td> <td>1 <td>WD</td> <td>J1</td> <td>PTD.</td> <td>-</td> <td>374B</td> <td>3\"/> <tr> <td>376</td> <td>B</td> <td>1 <td>WD</td> <td>J1</td> <td>PTD.</td> <td>-</td> <td>374C</td> <td>3\"/> <tr> <td>377</td> <td>B</td> <td>1 <td>WD</td> <td>J1</td> <td>PTD.</td> <td>-</td> <td>375</td> <td>3\"/> <tr> <td>377A</td> <td>B</td> <td>1 <td>WD</td> <td>J1</td> <td>PTD.</td> <td>-</td> <td>376</td> <td>3\"/> <tr> <td>378</td> <td>B</td> <td>1 <td>WD</td> <td>J1</td> <td>PTD.</td> <td>-</td> <td>377</td> <td>3\"/> <tr> <td>379</td> <td>B</td> <td>1 <td>WD</td> <td>J1</td> <td>PTD.</td> <td>-</td> <td>377A</td> <td>3\"/> <tr> <td>380A</td> <td>B</td> <td>1 <td>WD</td> <td>J1</td> <td>PTD.</td> <td>-</td> <td>378</td> <td>3\"/> <tr> <td>380B</td> <td>B</td> <td>1 <td>WD</td> <td>J1</td> <td>PTD.</td> <td>-</td> <td>379</td> <td>3\"/> <tr> <td>382</td> <td>ETR</td> <td>-</td> <td>WD.</td> <td>J2</td> <td>PTD.</td> <td>-</td> <td>380A</td> <td>3\"/> <tr> <td>382A</td> <td>D</td> <td>6 <td>ALUM.</td> <td>ANODIZE D</td> <td>-</td> <td>-</td> <td>380B</td> <td>3\"/> <tr> <td>385</td> <td>ETR</td> <td>-</td> <td>WD.</td> <td>J2</td> <td>PTD.</td> <td>-</td> <td>382</td> <td>3\"/> <tr> <td>386</td> <td>ETR</td> <td>-</td> <td>WD.</td> <td>J2</td> <td>PTD.</td> <td>-</td> <td>382A</td> <td>3\"/> <tr> <td>387</td> <td>ETR</td> <td>-</td> <td>WD.</td> <td>J2</td> <td>PTD.</td> <td>-</td> <td>385</td> <td>3\"/> <tr> <td>388</td> <td>ETR</td> <td>-</td> <td>WD.</td> <td>J2</td> <td>PTD.</td> <td>-</td> <td>386</td> <td>3\"/> <tr> <td>389</td> <td>ETR</td> <td>-</td> <td>WD.</td> <td>J2</td> <td>PTD.</td> <td>-</td> <td>387</td> <td>3\"/> <tr> <td>391</td> <td>ETR</td> <td>-</td> <td>WD.</td> <td>J2</td> <td>PTD.</td> <td>-</td> <td>388</td> <td>3\"/> <tr> <td>391A</td> <td>ETR</td> <td>-</td> <td>WD.</td> <td>J2</td> <td>PTD.</td> <td>-</td> <td>389</td> <td>3\"/> <tr> <td>391B</td> <td>ETR</td> <td>-</td> <td>WD.</td> <td>J2</td> <td>PTD.</td> <td>-</td> <td>391</td> <td>3\"/> <tr> <td>394</td> <td>ETR</td> <td>-</td> <td>WD.</td> <td>J2</td> <td>PTD.</td> <td>-</td> <td>391A</td> <td>3\"/> <tr> <td>395</td> <td>ETR</td> <td>-</td> <td>WD.</td> <td>J2</td> <td>PTD.</td> <td>-</td> <td>391B</td> <td>3\"/> <tr> <td>396</td> <td>ETR</td> <td>-</td> <td>WD.</td> <td>J2</td> <td>PTD.</td> <td>-</td> <td>394</td> <td>3\"/> <tr> <td>398</td> <td>ETR</td> <td>-</td> <td>WD.</td> <td>J2</td> <td>PTD.</td> <td>-</td> <td>395</td> <td>3\"/> <tr> <td>399</td> <td>ETR</td> <td>-</td> <td>WD.</td> <td>J2</td> <td>PTD.</td> <td>-</td> <td>396</td> <td>3\"/> <tr> <td>3991</td> <td>ETR</td> <td>-</td> <td>WD.</td> <td>J2</td> <td>PTD.</td> <td>-</td> <td>398</td> <td>3\"/> <tr> <td>3992</td> <td>A</td> <td>3\"/> <tr> <td>3993</td> <td>ETR</td> <td>-</td> <td>WD.</td> <td>J2</td> <td>PTD.</td> <td>-</td> <td>399</td> <td>3\"/> <tr> <td>3994</td> <td>ETR</td> <td>-</td> <td>WD.</td> <td>J2</td> <td>PTD.</td> <td>-</td> <td>3991</td> <td>3\"/> <tr> <td>3995</td> <td>ETR</td> <td>-</td> <td>WD.</td> <td>J2</td> <td>PTD.</td> <td>-</td> <td>3992</td> <td>3\"/> <tr> <td>3997</td> <td>ETR</td> <td>-</td> <td>WD.</td> <td>J2</td> <td>PTD.</td> <td>-</td> <td>3993</td> <td>3\"/> <tr> <td>3998</td> <td>ETR</td> <td>-</td> <td>WD.</td> <td>J2</td> <td>PTD.</td> <td>-</td> <td>3994</td> <td>3\"/> <tr> <td>3999</td> <td>ETR</td> <td>-</td> <td>WD.</td> <td>J2</td> <td>PTD.</td> <td>-</td> <td>3995</td> <td>3\"/> <tr> <td>3999</td> <td>ETR</td> <td>-</td> <td>WD.</td> <td>J2</td> <td>PTD.</td> <td>-</td> <td>3997</td> <td>3\"/> </td></tr></td></tr></td></tr></td></tr></td></tr></td></tr></td></tr></td></tr></td></tr></td></tr></td></tr></td></tr></td></tr></td></tr></td></tr></td></tr></td></tr></td></tr></td></tr></td></tr></td></tr></td></tr></td></td></tr></td></tr></td></td></tr></td></td></tr></td></td></tr></td></td></tr></td></td></tr></td></td></tr></td></td></tr></td></td></tr></td></tr></td></tr></td></tr></td></td></tr></td></tr></td></tr></td></tr> | 369 | ETR | -
 | WD. | J2 | PTD. | - | 367 | 3\"/> <tr> <td>370</td> <td>ETR</td> <td>-</td> <td>WD.</td> <td>J2</td> <td>PTD.</td> <td>-</td> <td>368</td> <td>3\"/> <tr> <td>371</td> <td>ETR</td> <td>-</td> <td>WD.</td> <td>J2</td> <td>PTD.</td> <td>-</td> <td>369</td> <td>3\"/> <tr> <td>372</td> <td>B</td> <td>2 <td>HM</td> <td>J1</td> <td>PTD.</td> <td>1 HR.</td> <td>370</td> <td>3\"/> <tr> <td>373A</td> <td>ETR</td> <td>-</td> <td>WD.</td>
<td>J2</td> <td>PTD.</td> <td>-</td> <td>371</td> <td>3\"/> <tr> <td>374B</td> <td>ETR</td> <td>-</td> <td>WD.</td> <td>J2</td> <td>PTD.</td> <td>-</td> <td>372</td> <td>3\"/> <tr> <td>374C</td> <td>ETR</td> <td>-</td> <td>WD.</td> <td>J2</td> <td>PTD.</td> <td>-</td> <td>373A</td> <td>3\"/> <tr> <td>375</td> <td>B</td> <td>1 <td>WD</td> <td>J1</td> <td>PTD.</td> <td>-</td> <td>374B</td> <td>3\"/> <tr> <td>376</td> <td>B</td> <td>1 <td>WD</td> <td>J1</td> <td>PTD.</td> <td>-</td> <td>374C</td> <td>3\"/> <tr> <td>377</td> <td>B</td> <td>1 <td>WD</td> <td>J1</td> <td>PTD.</td> <td>-</td> <td>375</td> <td>3\"/> <tr> <td>377A</td> <td>B</td> <td>1 <td>WD</td> <td>J1</td> <td>PTD.</td> <td>-</td> <td>376</td> <td>3\"/> <tr> <td>378</td> <td>B</td> <td>1 <td>WD</td> <td>J1</td> <td>PTD.</td> <td>-</td> <td>377</td> <td>3\"/> <tr> <td>379</td> <td>B</td> <td>1 <td>WD</td> <td>J1</td> <td>PTD.</td> <td>-</td> <td>377A</td> <td>3\"/> <tr> <td>380A</td> <td>B</td> <td>1 <td>WD</td> <td>J1</td> <td>PTD.</td> <td>-</td> <td>378</td> <td>3\"/> <tr> <td>380B</td> <td>B</td> <td>1 <td>WD</td> <td>J1</td> <td>PTD.</td> <td>-</td> <td>379</td> <td>3\"/> <tr> <td>382</td> <td>ETR</td> <td>-</td> <td>WD.</td> <td>J2</td> <td>PTD.</td> <td>-</td> <td>380A</td> <td>3\"/> <tr> <td>382A</td> <td>D</td> <td>6 <td>ALUM.</td> <td>ANODIZE D</td> <td>-</td> <td>-</td> <td>380B</td> <td>3\"/> <tr> <td>385</td> <td>ETR</td> <td>-</td> <td>WD.</td> <td>J2</td> <td>PTD.</td> <td>-</td> <td>382</td> <td>3\"/> <tr> <td>386</td> <td>ETR</td> <td>-</td> <td>WD.</td> <td>J2</td> <td>PTD.</td> <td>-</td> <td>382A</td> <td>3\"/> <tr> <td>387</td> <td>ETR</td> <td>-</td> <td>WD.</td> <td>J2</td> <td>PTD.</td> <td>-</td> <td>385</td> <td>3\"/> <tr> <td>388</td> <td>ETR</td> <td>-</td> <td>WD.</td> <td>J2</td> <td>PTD.</td> <td>-</td> <td>386</td> <td>3\"/> <tr> <td>389</td> <td>ETR</td> <td>-</td> <td>WD.</td> <td>J2</td> <td>PTD.</td> <td>-</td> <td>387</td> <td>3\"/> <tr> <td>391</td> <td>ETR</td> <td>-</td> <td>WD.</td> <td>J2</td> <td>PTD.</td> <td>-</td> <td>388</td> <td>3\"/> <tr> <td>391A</td> <td>ETR</td> <td>-</td> <td>WD.</td> <td>J2</td> <td>PTD.</td> <td>-</td> <td>389</td> <td>3\"/> <tr> <td>391B</td> <td>ETR</td> <td>-</td> <td>WD.</td> <td>J2</td> <td>PTD.</td> <td>-</td> <td>391</td> <td>3\"/> <tr> <td>394</td> <td>ETR</td> <td>-</td> <td>WD.</td> <td>J2</td> <td>PTD.</td> <td>-</td> <td>391A</td> <td>3\"/> <tr> <td>395</td> <td>ETR</td> <td>-</td> <td>WD.</td> <td>J2</td> <td>PTD.</td> <td>-</td> <td>391B</td> <td>3\"/> <tr> <td>396</td> <td>ETR</td> <td>-</td> <td>WD.</td> <td>J2</td> <td>PTD.</td> <td>-</td> <td>394</td> <td>3\"/> <tr> <td>398</td> <td>ETR</td> <td>-</td> <td>WD.</td> <td>J2</td> <td>PTD.</td> <td>-</td> <td>395</td> <td>3\"/> <tr> <td>399</td> <td>ETR</td> <td>-</td> <td>WD.</td> <td>J2</td> <td>PTD.</td> <td>-</td> <td>396</td> <td>3\"/> <tr> <td>3991</td> <td>ETR</td> <td>-</td> <td>WD.</td> <td>J2</td> <td>PTD.</td> <td>-</td> <td>398</td> <td>3\"/> <tr> <td>3992</td> <td>A</td> <td>3\"/> <tr> <td>3993</td> <td>ETR</td> <td>-</td> <td>WD.</td> <td>J2</td> <td>PTD.</td> <td>-</td> <td>399</td> <td>3\"/> <tr> <td>3994</td> <td>ETR</td> <td>-</td> <td>WD.</td> <td>J2</td> <td>PTD.</td> <td>-</td> <td>3991</td> <td>3\"/> <tr> <td>3995</td> <td>ETR</td> <td>-</td> <td>WD.</td> <td>J2</td> <td>PTD.</td> <td>-</td> <td>3992</td> <td>3\"/> <tr> <td>3997</td> <td>ETR</td> <td>-</td> <td>WD.</td> <td>J2</td> <td>PTD.</td> <td>-</td> <td>3993</td> <td>3\"/> <tr> <td>3998</td> <td>ETR</td> <td>-</td> <td>WD.</td> <td>J2</td> <td>PTD.</td> <td>-</td> <td>3994</td> <td>3\"/> <tr> <td>3999</td> <td>ETR</td> <td>-</td> <td>WD.</td> <td>J2</td> <td>PTD.</td> <td>-</td> <td>3995</td> <td>3\"/> <tr> <td>3999</td> <td>ETR</td> <td>-</td> <td>WD.</td> <td>J2</td> <td>PTD.</td> <td>-</td> <td>3997</td> <td>3\"/> </td></tr></td></tr></td></tr></td></tr></td></tr></td></tr></td></tr></td></tr></td></tr></td></tr></td></tr></td></tr></td></tr></td></tr></td></tr></td></tr></td></tr></td></tr></td></tr></td></tr></td></tr></td></tr></td></td></tr></td></tr></td></td></tr></td></td></tr></td></td></tr></td></td></tr></td></td></tr></td></td></tr></td></td></tr></td></td></tr></td></tr></td></tr></td></tr></td></td></tr></td></tr></td></tr> | 370 | ETR | - | WD. | J2 | PTD. | - | 368 | 3\"/> <tr> <td>371</td> <td>ETR</td> <td>-</td> <td>WD.</td> <td>J2</td> <td>PTD.</td> <td>-</td> <td>369</td> <td>3\"/> <tr>
<td>372</td> <td>B</td> <td>2 <td>HM</td> <td>J1</td> <td>PTD.</td> <td>1 HR.</td> <td>370</td> <td>3\"/> <tr> <td>373A</td> <td>ETR</td> <td>-</td> <td>WD.</td> <td>J2</td> <td>PTD.</td> <td>-</td> <td>371</td> <td>3\"/> <tr> <td>374B</td> <td>ETR</td> <td>-</td> <td>WD.</td> <td>J2</td> <td>PTD.</td> <td>-</td> <td>372</td> <td>3\"/> <tr> <td>374C</td> <td>ETR</td> <td>-</td> <td>WD.</td> <td>J2</td> <td>PTD.</td> <td>-</td> <td>373A</td> <td>3\"/> <tr> <td>375</td> <td>B</td> <td>1 <td>WD</td> <td>J1</td> <td>PTD.</td> <td>-</td> <td>374B</td> <td>3\"/> <tr> <td>376</td> <td>B</td> <td>1 <td>WD</td> <td>J1</td> <td>PTD.</td> <td>-</td> <td>374C</td> <td>3\"/> <tr> <td>377</td> <td>B</td> <td>1 <td>WD</td> <td>J1</td> <td>PTD.</td> <td>-</td> <td>375</td> <td>3\"/> <tr> <td>377A</td> <td>B</td> <td>1 <td>WD</td> <td>J1</td> <td>PTD.</td> <td>-</td> <td>376</td> <td>3\"/> <tr> <td>378</td> <td>B</td> <td>1 <td>WD</td> <td>J1</td> <td>PTD.</td> <td>-</td> <td>377</td> <td>3\"/> <tr> <td>379</td> <td>B</td> <td>1 <td>WD</td> <td>J1</td> <td>PTD.</td> <td>-</td> <td>377A</td> <td>3\"/> <tr> <td>380A</td> <td>B</td> <td>1 <td>WD</td> <td>J1</td> <td>PTD.</td> <td>-</td> <td>378</td> <td>3\"/> <tr> <td>380B</td> <td>B</td> <td>1 <td>WD</td> <td>J1</td> <td>PTD.</td> <td>-</td> <td>379</td> <td>3\"/> <tr> <td>382</td> <td>ETR</td> <td>-</td> <td>WD.</td> <td>J2</td> <td>PTD.</td> <td>-</td> <td>380A</td> <td>3\"/> <tr> <td>382A</td> <td>D</td> <td>6 <td>ALUM.</td> <td>ANODIZE D</td> <td>-</td> <td>-</td> <td>380B</td> <td>3\"/> <tr> <td>385</td> <td>ETR</td> <td>-</td> <td>WD.</td> <td>J2</td> <td>PTD.</td> <td>-</td> <td>382</td> <td>3\"/> <tr> <td>386</td> <td>ETR</td> <td>-</td> <td>WD.</td> <td>J2</td> <td>PTD.</td> <td>-</td> <td>382A</td> <td>3\"/> <tr> <td>387</td> <td>ETR</td> <td>-</td> <td>WD.</td> <td>J2</td> <td>PTD.</td> <td>-</td> <td>385</td> <td>3\"/> <tr> <td>388</td> <td>ETR</td> <td>-</td> <td>WD.</td> <td>J2</td> <td>PTD.</td> <td>-</td> <td>386</td> <td>3\"/> <tr> <td>389</td> <td>ETR</td> <td>-</td> <td>WD.</td> <td>J2</td> <td>PTD.</td> <td>-</td> <td>387</td> <td>3\"/> <tr> <td>391</td> <td>ETR</td> <td>-</td> <td>WD.</td> <td>J2</td> <td>PTD.</td> <td>-</td> <td>388</td> <td>3\"/> <tr> <td>391A</td> <td>ETR</td> <td>-</td> <td>WD.</td> <td>J2</td> <td>PTD.</td> <td>-</td> <td>389</td> <td>3\"/> <tr> <td>391B</td> <td>ETR</td> <td>-</td> <td>WD.</td> <td>J2</td> <td>PTD.</td> <td>-</td> <td>391</td> <td>3\"/> <tr> <td>394</td> <td>ETR</td> <td>-</td> <td>WD.</td> <td>J2</td> <td>PTD.</td> <td>-</td> <td>391A</td> <td>3\"/> <tr> <td>395</td> <td>ETR</td> <td>-</td> <td>WD.</td> <td>J2</td> <td>PTD.</td> <td>-</td> <td>391B</td> <td>3\"/> <tr> <td>396</td> <td>ETR</td> <td>-</td> <td>WD.</td> <td>J2</td> <td>PTD.</td> <td>-</td> <td>394</td> <td>3\"/> <tr> <td>398</td> <td>ETR</td> <td>-</td> <td>WD.</td> <td>J2</td> <td>PTD.</td> <td>-</td> <td>395</td> <td>3\"/> <tr> <td>399</td> <td>ETR</td> <td>-</td> <td>WD.</td> <td>J2</td> <td>PTD.</td> <td>-</td> <td>396</td> <td>3\"/> <tr> <td>3991</td> <td>ETR</td> <td>-</td> <td>WD.</td> <td>J2</td> <td>PTD.</td> <td>-</td> <td>398</td> <td>3\"/> <tr> <td>3992</td> <td>A</td> <td>3\"/> <tr> <td>3993</td> <td>ETR</td> <td>-</td> <td>WD.</td> <td>J2</td> <td>PTD.</td> <td>-</td> <td>399</td> <td>3\"/> <tr> <td>3994</td> <td>ETR</td> <td>-</td> <td>WD.</td> <td>J2</td> <td>PTD.</td> <td>-</td> <td>3991</td> <td>3\"/> <tr> <td>3995</td> <td>ETR</td> <td>-</td> <td>WD.</td> <td>J2</td> <td>PTD.</td> <td>-</td> <td>3992</td> <td>3\"/> <tr> <td>3997</td> <td>ETR</td> <td>-</td> <td>WD.</td> <td>J2</td> <td>PTD.</td> <td>-</td> <td>3993</td> <td>3\"/> <tr> <td>3998</td> <td>ETR</td> <td>-</td> <td>WD.</td> <td>J2</td> <td>PTD.</td> <td>-</td> <td>3994</td> <td>3\"/> <tr> <td>3999</td> <td>ETR</td> <td>-</td> <td>WD.</td> <td>J2</td> <td>PTD.</td> <td>-</td> <td>3995</td> <td>3\"/> <tr> <td>3999</td> <td>ETR</td> <td>-</td> <td>WD.</td> <td>J2</td> <td>PTD.</td> <td>-</td> <td>3997</td> <td>3\"/> </td></tr></td></tr></td></tr></td></tr></td></tr></td></tr></td></tr></td></tr></td></tr></td></tr></td></tr></td></tr></td></tr></td></tr></td></tr></td></tr></td></tr></td></tr></td></tr></td></tr></td></tr></td></tr></td></td></tr></td></tr></td></td></tr></td></td></tr></td></td></tr></td></td></tr></td></td></tr></td></td></tr></td></td></tr></td></td></tr></td></tr></td></tr></td></tr></td></td></tr></td></tr> | 371 | ETR | - | WD. | J2 | PTD. | - | 369 | 3\"/> <tr> <td>372</td> <td>B</td> <td>2 <td>HM</td> <td>J1</td> <td>PTD.</td> <td>1 HR.</td> <td>370</td>
<td>3\"/> <tr> <td>373A</td> <td>ETR</td> <td>-</td> <td>WD.</td> <td>J2</td> <td>PTD.</td> <td>-</td> <td>371</td> <td>3\"/> <tr> <td>374B</td> <td>ETR</td> <td>-</td> <td>WD.</td> <td>J2</td> <td>PTD.</td> <td>-</td> <td>372</td> <td>3\"/> <tr> <td>374C</td> <td>ETR</td> <td>-</td> <td>WD.</td> <td>J2</td> <td>PTD.</td> <td>-</td> <td>373A</td> <td>3\"/> <tr> <td>375</td> <td>B</td> <td>1 <td>WD</td> <td>J1</td> <td>PTD.</td> <td>-</td> <td>374B</td> <td>3\"/> <tr> <td>376</td> <td>B</td> <td>1 <td>WD</td> <td>J1</td> <td>PTD.</td> <td>-</td> <td>374C</td> <td>3\"/> <tr> <td>377</td> <td>B</td> <td>1 <td>WD</td> <td>J1</td> <td>PTD.</td> <td>-</td> <td>375</td> <td>3\"/> <tr> <td>377A</td> <td>B</td> <td>1 <td>WD</td> <td>J1</td> <td>PTD.</td> <td>-</td> <td>376</td> <td>3\"/> <tr> <td>378</td> <td>B</td> <td>1 <td>WD</td> <td>J1</td> <td>PTD.</td> <td>-</td> <td>377</td> <td>3\"/> <tr> <td>379</td> <td>B</td> <td>1 <td>WD</td> <td>J1</td> <td>PTD.</td> <td>-</td> <td>377A</td> <td>3\"/> <tr> <td>380A</td> <td>B</td> <td>1 <td>WD</td> <td>J1</td> <td>PTD.</td> <td>-</td> <td>378</td> <td>3\"/> <tr> <td>380B</td> <td>B</td> <td>1 <td>WD</td> <td>J1</td> <td>PTD.</td> <td>-</td> <td>379</td> <td>3\"/> <tr> <td>382</td> <td>ETR</td> <td>-</td> <td>WD.</td> <td>J2</td> <td>PTD.</td> <td>-</td> <td>380A</td> <td>3\"/> <tr> <td>382A</td> <td>D</td> <td>6 <td>ALUM.</td> <td>ANODIZE D</td> <td>-</td> <td>-</td> <td>380B</td> <td>3\"/> <tr> <td>385</td> <td>ETR</td> <td>-</td> <td>WD.</td> <td>J2</td> <td>PTD.</td> <td>-</td> <td>382</td> <td>3\"/> <tr> <td>386</td> <td>ETR</td> <td>-</td> <td>WD.</td> <td>J2</td> <td>PTD.</td> <td>-</td> <td>382A</td> <td>3\"/> <tr> <td>387</td> <td>ETR</td> <td>-</td> <td>WD.</td> <td>J2</td> <td>PTD.</td> <td>-</td> <td>385</td> <td>3\"/> <tr> <td>388</td> <td>ETR</td> <td>-</td> <td>WD.</td> <td>J2</td> <td>PTD.</td> <td>-</td> <td>386</td> <td>3\"/> <tr> <td>389</td> <td>ETR</td> <td>-</td> <td>WD.</td> <td>J2</td> <td>PTD.</td> <td>-</td> <td>387</td> <td>3\"/> <tr> <td>391</td> <td>ETR</td> <td>-</td> <td>WD.</td> <td>J2</td> <td>PTD.</td> <td>-</td> <td>388</td> <td>3\"/> <tr> <td>391A</td> <td>ETR</td> <td>-</td> <td>WD.</td> <td>J2</td> <td>PTD.</td> <td>-</td> <td>389</td> <td>3\"/> <tr> <td>391B</td> <td>ETR</td> <td>-</td> <td>WD.</td> <td>J2</td> <td>PTD.</td> <td>-</td> <td>391</td> <td>3\"/> <tr> <td>394</td> <td>ETR</td> <td>-</td> <td>WD.</td> <td>J2</td> <td>PTD.</td> <td>-</td> <td>391A</td> <td>3\"/> <tr> <td>395</td> <td>ETR</td> <td>-</td> <td>WD.</td> <td>J2</td> <td>PTD.</td> <td>-</td> <td>391B</td> <td>3\"/> <tr> <td>396</td> <td>ETR</td> <td>-</td> <td>WD.</td> <td>J2</td> <td>PTD.</td> <td>-</td> <td>394</td> <td>3\"/> <tr> <td>398</td> <td>ETR</td> <td>-</td> <td>WD.</td> <td>J2</td> <td>PTD.</td> <td>-</td> <td>395</td> <td>3\"/> <tr> <td>399</td> <td>ETR</td> <td>-</td> <td>WD.</td> <td>J2</td> <td>PTD.</td> <td>-</td> <td>396</td> <td>3\"/> <tr> <td>3991</td> <td>ETR</td> <td>-</td> <td>WD.</td> <td>J2</td> <td>PTD.</td> <td>-</td> <td>398</td> <td>3\"/> <tr> <td>3992</td> <td>A</td> <td>3\"/> <tr> <td>3993</td> <td>ETR</td> <td>-</td> <td>WD.</td> <td>J2</td> <td>PTD.</td> <td>-</td> <td>399</td> <td>3\"/> <tr> <td>3994</td> <td>ETR</td> <td>-</td> <td>WD.</td> <td>J2</td> <td>PTD.</td> <td>-</td> <td>3991</td> <td>3\"/> <tr> <td>3995</td> <td>ETR</td> <td>-</td> <td>WD.</td> <td>J2</td> <td>PTD.</td> <td>-</td> <td>3992</td> <td>3\"/> <tr> <td>3997</td> <td>ETR</td> <td>-</td> <td>WD.</td> <td>J2</td> <td>PTD.</td> <td>-</td> <td>3993</td> <td>3\"/> <tr> <td>3998</td> <td>ETR</td> <td>-</td> <td>WD.</td> <td>J2</td> <td>PTD.</td> <td>-</td> <td>3994</td> <td>3\"/> <tr> <td>3999</td> <td>ETR</td> <td>-</td> <td>WD.</td> <td>J2</td> <td>PTD.</td> <td>-</td> <td>3995</td> <td>3\"/> <tr> <td>3999</td> <td>ETR</td> <td>-</td> <td>WD.</td> <td>J2</td> <td>PTD.</td> <td>-</td> <td>3997</td> <td>3\"/> </td></tr></td></tr></td></tr></td></tr></td></tr></td></tr></td></tr></td></tr></td></tr></td></tr></td></tr></td></tr></td></tr></td></tr></td></tr></td></tr></td></tr></td></tr></td></tr></td></tr></td></tr></td></tr></td></td></tr></td></tr></td></td></tr></td></td></tr></td></td></tr></td></td></tr></td></td></tr></td></td></tr></td></td></tr></td></td></tr></td></tr></td></tr></td></tr></td></td></tr> | 372 | B | 2 <td>HM</td> <td>J1</td> <td>PTD.</td> <td>1 HR.</td> <td>370</td> <td>3\"/> <tr> <td>373A</td> <td>ETR</td> <td>-</td> <td>WD.</td> <td>J2</td> <td>PTD.</td> <td>-</td> <td>371</td> <td>3\"/> <tr> <td>374B</td> <td>ETR</td> <td>-</td> <td>WD.</td> <td>J2</td> <td>PTD.</td> <td>-</td> <td>372</td> <td>3\"/> <tr> <td>374C</td> <td>ETR</td> <td>-</td> <td>WD.</td> <td>J2</td> <td>PTD.</td> <td>-</td> <td>373A</td> <td>3\"/> <tr> <td>375</td> <td>B</td> <td>1 <td>WD</td> <td>J1</td> <td>PTD.</td> <td>-</td> <td>374B</td> <td>3\"/> <tr> <td>376</td> <td>B</td> <td>1 <td>WD</td> <td>J1</td> <td>PTD.</td> <td>-</td> <td>374C</td> <td>3\"/> <tr> <td>377</td> <td>B</td> <td>1 <td>WD</td> <td>J1</td> <td>PTD.</td> <td>-</td> <td>375</td> <td>3\"/> <tr> <td>377A</td> <td>B</td> <td>1 <td>WD</td> <td>J1</td> <td>PTD.</td> <td>-</td> <td>376</td> <td>3\"/> <tr> <td>378</td> <td>B</td> <td>1 <td>WD</td> <td>J1</td> <td>PTD.</td> <td>-</td> <td>377</td> <td>3\"/> <tr> <td>379</td> <td>B</td> <td>1 <td>WD</td> <td>J1</td> <td>PTD.</td> <td>-</td> <td>377A</td> <td>3\"/> <tr> <td>380A</td> <td>B</td> <td>1 <td>WD</td> <td>J1</td> <td>PTD.</td> <td>-</td> <td>378</td> <td>3\"/> <tr> <td>380B</td> <td>B</td> <td>1 <td>WD</td> <td>J1</td> <td>PTD.</td> <td>-</td> <td>379</td> <td>3\"/> <tr> <td>382</td> <td>ETR</td> <td>-</td> <td>WD.</td> <td>J2</td> <td>PTD.</td> <td>-</td> <td>380A</td> <td>3\"/> <tr> <td>382A</td> <td>D</td> <td>6 <td>ALUM.</td> <td>ANODIZE D</td> <td>-</td> <td>-</td> <td>380B</td> <td>3\"/> <tr> <td>385</td> <td>ETR</td> <td>-</td> <td>WD.</td> <td>J2</td> <td>PTD.</td> <td>-</td> <td>382</td> <td>3\"/> <tr> <td>386</td> <td>ETR</td> <td>-</td> <td>WD.</td> <td>J2</td> <td>PTD.</td> <td>-</td> <td>382A</td> <td>3\"/> <tr> <td>387</td> <td>ETR</td> <td>-</td> <td>WD.</td> <td>J2</td> <td>PTD.</td> <td>-</td> <td>385</td> <td>3\"/> <tr> <td>388</td> <td>ETR</td> <td>-</td> <td>WD.</td> <td>J2</td> <td>PTD.</td> <td>-</td> <td>386</td> <td>3\"/> <tr> <td>389</td> <td>ETR</td> <td>-</td> <td>WD.</td> <td>J2</td> <td>PTD.</td> <td>-</td> <td>387</td> <td>3\"/> <tr> <td>391</td> <td>ETR</td> <td>-</td> <td>WD.</td> <td>J2</td> <td>PTD.</td> <td>-</td> <td>388</td> <td>3\"/> <tr> <td>391A</td> <td>ETR</td> <td>-</td> <td>WD.</td> <td>J2</td> <td>PTD.</td> <td>-</td> <td>389</td> <td>3\"/> <tr> <td>391B</td> <td>ETR</td> <td>-</td> <td>WD.</td> <td>J2</td> <td>PTD.</td> <td>-</td> <td>391</td> <td>3\"/> <tr> <td>394</td> <td>ETR</td> <td>-</td> <td>WD.</td> <td>J2</td> <td>PTD.</td> <td>-</td> <td>391A</td> <td>3\"/> <tr> <td>395</td> <td>ETR</td> <td>-</td> <td>WD.</td> <td>J2</td> <td>PTD.</td> <td>-</td> <td>391B</td> <td>3\"/> <tr> <td>396</td> <td>ETR</td> <td>-</td> <td>WD.</td> <td>J2</td> <td>PTD.</td> <td>-</td> <td>394</td> <td>3\"/> <tr> <td>398</td> <td>ETR</td> <td>-</td> <td>WD.</td> <td>J2</td> <td>PTD.</td> <td>-</td> <td>395</td> <td>3\"/> <tr> <td>399</td> <td>ETR</td> <td>-</td> <td>WD.</td> <td>J2</td> <td>PTD.</td> <td>-</td> <td>396</td> <td>3\"/> <tr> <td>3991</td> <td>ETR</td> <td>-</td> <td>WD.</td> <td>J2</td> <td>PTD.</td> <td>-</td> <td>398</td> <td>3\"/> <tr> <td>3992</td> <td>A</td> <td>3\"/> <tr> <td>3993</td> <td>ETR</td> <td>-</td> <td>WD.</td> <td>J2</td> <td>PTD.</td> <td>-</td> <td>399</td> <td>3\"/> <tr> <td>3994</td> <td>ETR</td> <td>-</td> <td>WD.</td> <td>J2</td> <td>PTD.</td> <td>-</td> <td>3991</td> <td>3\"/> <tr> <td>3995</td> <td>ETR</td> <td>-</td> <td>WD.</td> <td>J2</td> <td>PTD.</td> <td>-</td> <td>3992</td> <td>3\"/> <tr> <td>3997</td> <td>ETR</td> <td>-</td> <td>WD.</td> <td>J2</td> <td>PTD.</td> <td>-</td> <td>3993</td> <td>3\"/> <tr> <td>3998</td> <td>ETR</td> <td>-</td> <td>WD.</td> <td>J2</td> <td>PTD.</td> <td>-</td> <td>3994</td> <td>3\"/> <tr> <td>3999</td> <td>ETR</td> <td>-</td> <td>WD.</td> <td>J2</td> <td>PTD.</td> <td>-</td> <td>3995</td> <td>3\"/> <tr> <td>3999</td> <td>ETR</td> <td>-</td> <td>WD.</td> <td>J2</td> <td>PTD.</td> <td>-</td> <td>3997</td> <td>3\"/> </td></tr></td></tr></td></tr></td></tr></td></tr></td></tr></td></tr></td></tr></td></tr></td></tr></td></tr></td></tr></td></tr></td></tr></td></tr></td></tr></td></tr></td></tr></td></tr></td></tr></td></tr></td></tr></td></td></tr></td></tr></td></td></tr></td></td></tr></td></td></tr></td></td></tr></td></td></tr></td></td></tr></td></td></tr></td></td></tr></td></tr></td></tr></td></tr></td> | HM | J1 | PTD. | 1 HR. | 370 | 3\"/> <tr> <td>373A</td> <td>ETR</td> <td>-</td> <td>WD.</td> <td>J2</td> <td>PTD.</td> <td>-</td> <td>371</td> <td>3\"/> <tr> <td>374B</td> <td>ETR</td> <td>-</td> <td>WD.</td> <td>J2</td> <td>PTD.</td> <td>-</td> <td>372</td> <td>3\"/> <tr> <td>374C</td> <td>ETR</td> <td>-</td> <td>WD.</td> <td>J2</td> <td>PTD.</td> <td>-</td>
<td>373A</td> <td>3\"/> <tr> <td>375</td> <td>B</td> <td>1 <td>WD</td> <td>J1</td> <td>PTD.</td> <td>-</td> <td>374B</td> <td>3\"/> <tr> <td>376</td> <td>B</td> <td>1 <td>WD</td> <td>J1</td> <td>PTD.</td> <td>-</td> <td>374C</td> <td>3\"/> <tr> <td>377</td> <td>B</td> <td>1 <td>WD</td> <td>J1</td> <td>PTD.</td> <td>-</td> <td>375</td> <td>3\"/> <tr> <td>377A</td> <td>B</td> <td>1 <td>WD</td> <td>J1</td> <td>PTD.</td> <td>-</td> <td>376</td> <td>3\"/> <tr> <td>378</td> <td>B</td> <td>1 <td>WD</td> <td>J1</td> <td>PTD.</td> <td>-</td> <td>377</td> <td>3\"/> <tr> <td>379</td> <td>B</td> <td>1 <td>WD</td> <td>J1</td> <td>PTD.</td> <td>-</td> <td>377A</td> <td>3\"/> <tr> <td>380A</td> <td>B</td> <td>1 <td>WD</td> <td>J1</td> <td>PTD.</td> <td>-</td> <td>378</td> <td>3\"/> <tr> <td>380B</td> <td>B</td> <td>1 <td>WD</td> <td>J1</td> <td>PTD.</td> <td>-</td> <td>379</td> <td>3\"/> <tr> <td>382</td> <td>ETR</td> <td>-</td> <td>WD.</td> <td>J2</td> <td>PTD.</td> <td>-</td> <td>380A</td> <td>3\"/> <tr> <td>382A</td> <td>D</td> <td>6 <td>ALUM.</td> <td>ANODIZE D</td> <td>-</td> <td>-</td> <td>380B</td> <td>3\"/> <tr> <td>385</td> <td>ETR</td> <td>-</td> <td>WD.</td> <td>J2</td> <td>PTD.</td> <td>-</td> <td>382</td> <td>3\"/> <tr> <td>386</td> <td>ETR</td> <td>-</td> <td>WD.</td> <td>J2</td> <td>PTD.</td> <td>-</td> <td>382A</td> <td>3\"/> <tr> <td>387</td> <td>ETR</td> <td>-</td> <td>WD.</td> <td>J2</td> <td>PTD.</td> <td>-</td> <td>385</td> <td>3\"/> <tr> <td>388</td> <td>ETR</td> <td>-</td> <td>WD.</td> <td>J2</td> <td>PTD.</td> <td>-</td> <td>386</td> <td>3\"/> <tr> <td>389</td> <td>ETR</td> <td>-</td> <td>WD.</td> <td>J2</td> <td>PTD.</td> <td>-</td> <td>387</td> <td>3\"/> <tr> <td>391</td> <td>ETR</td> <td>-</td> <td>WD.</td> <td>J2</td> <td>PTD.</td> <td>-</td> <td>388</td> <td>3\"/> <tr> <td>391A</td> <td>ETR</td> <td>-</td> <td>WD.</td> <td>J2</td> <td>PTD.</td> <td>-</td> <td>389</td> <td>3\"/> <tr> <td>391B</td> <td>ETR</td> <td>-</td> <td>WD.</td> <td>J2</td> <td>PTD.</td> <td>-</td> <td>391</td> <td>3\"/> <tr> <td>394</td> <td>ETR</td> <td>-</td> <td>WD.</td> <td>J2</td> <td>PTD.</td> <td>-</td> <td>391A</td> <td>3\"/> <tr> <td>395</td> <td>ETR</td> <td>-</td> <td>WD.</td> <td>J2</td> <td>PTD.</td> <td>-</td> <td>391B</td> <td>3\"/> <tr> <td>396</td> <td>ETR</td> <td>-</td> <td>WD.</td> <td>J2</td> <td>PTD.</td> <td>-</td> <td>394</td> <td>3\"/> <tr> <td>398</td> <td>ETR</td> <td>-</td> <td>WD.</td> <td>J2</td> <td>PTD.</td> <td>-</td> <td>395</td> <td>3\"/> <tr> <td>399</td> <td>ETR</td> <td>-</td> <td>WD.</td> <td>J2</td> <td>PTD.</td> <td>-</td> <td>396</td> <td>3\"/> <tr> <td>3991</td> <td>ETR</td> <td>-</td> <td>WD.</td> <td>J2</td> <td>PTD.</td> <td>-</td> <td>398</td> <td>3\"/> <tr> <td>3992</td> <td>A</td> <td>3\"/> <tr> <td>3993</td> <td>ETR</td> <td>-</td> <td>WD.</td> <td>J2</td> <td>PTD.</td> <td>-</td> <td>399</td> <td>3\"/> <tr> <td>3994</td> <td>ETR</td> <td>-</td> <td>WD.</td> <td>J2</td> <td>PTD.</td> <td>-</td> <td>3991</td> <td>3\"/> <tr> <td>3995</td> <td>ETR</td> <td>-</td> <td>WD.</td> <td>J2</td> <td>PTD.</td> <td>-</td> <td>3992</td> <td>3\"/> <tr> <td>3997</td> <td>ETR</td> <td>-</td> <td>WD.</td> <td>J2</td> <td>PTD.</td> <td>-</td> <td>3993</td> <td>3\"/> <tr> <td>3998</td> <td>ETR</td> <td>-</td> <td>WD.</td> <td>J2</td> <td>PTD.</td> <td>-</td> <td>3994</td> <td>3\"/> <tr> <td>3999</td> <td>ETR</td> <td>-</td> <td>WD.</td> <td>J2</td> <td>PTD.</td> <td>-</td> <td>3995</td> <td>3\"/> <tr> <td>3999</td> <td>ETR</td> <td>-</td> <td>WD.</td> <td>J2</td> <td>PTD.</td> <td>-</td> <td>3997</td> <td>3\"/> </td></tr></td></tr></td></tr></td></tr></td></tr></td></tr></td></tr></td></tr></td></tr></td></tr></td></tr></td></tr></td></tr></td></tr></td></tr></td></tr></td></tr></td></tr></td></tr></td></tr></td></tr></td></tr></td></td></tr></td></tr></td></td></tr></td></td></tr></td></td></tr></td></td></tr></td></td></tr></td></td></tr></td></td></tr></td></td></tr></td></tr></td></tr></td></tr> | 373A | ETR | - | WD. | J2 | PTD. | - | 371 | 3\"/> <tr> <td>374B</td> <td>ETR</td> <td>-</td> <td>WD.</td> <td>J2</td> <td>PTD.</td> <td>-</td> <td>372</td> <td>3\"/> <tr> <td>374C</td> <td>ETR</td> <td>-</td> <td>WD.</td> <td>J2</td> <td>PTD.</td> <td>-</td> <td>373A</td> <td>3\"/> <tr> <td>375</td> <td>B</td> <td>1 <td>WD</td> <td>J1</td> <td>PTD.</td> <td>-</td> <td>374B</td> <td>3\"/> <tr> <td>376</td> <td>B</td> <td>1 <td>WD</td> <td>J1</td> <td>PTD.</td> <td>-</td> <td>374C</td> <td>3\"/> <tr> <td>377</td> <td>B</td> <td>1 <td>WD</td> <td>J1</td> <td>PTD.</td> <td>-</td> <td>375</td> <td>3\"/> <tr> <td>377A</td> <td>B</td> <td>1 <td>WD</td> <td>J1</td> <td>PTD.</td> <td>-</td> <td>376</td> <td>3\"/> <tr> <td>378</td> <td>B</td> <td>1 <td>WD</td> <td>J1</td> <td>PTD.</td> <td>-</td> <td>377</td> <td>3\"/> <tr> <td>379</td> <td>B</td> <td>1
<td>WD</td> <td>J1</td> <td>PTD.</td> <td>-</td> <td>377A</td> <td>3\"/> <tr> <td>380A</td> <td>B</td> <td>1 <td>WD</td> <td>J1</td> <td>PTD.</td> <td>-</td> <td>378</td> <td>3\"/> <tr> <td>380B</td> <td>B</td> <td>1 <td>WD</td> <td>J1</td> <td>PTD.</td> <td>-</td> <td>379</td> <td>3\"/> <tr> <td>382</td> <td>ETR</td> <td>-</td> <td>WD.</td> <td>J2</td> <td>PTD.</td> <td>-</td> <td>380A</td> <td>3\"/> <tr> <td>382A</td> <td>D</td> <td>6 <td>ALUM.</td> <td>ANODIZE D</td> <td>-</td> <td>-</td> <td>380B</td> <td>3\"/> <tr> <td>385</td> <td>ETR</td> <td>-</td> <td>WD.</td> <td>J2</td> <td>PTD.</td> <td>-</td> <td>382</td> <td>3\"/> <tr> <td>386</td> <td>ETR</td> <td>-</td> <td>WD.</td> <td>J2</td> <td>PTD.</td> <td>-</td> <td>382A</td> <td>3\"/> <tr> <td>387</td> <td>ETR</td> <td>-</td> <td>WD.</td> <td>J2</td> <td>PTD.</td> <td>-</td> <td>385</td> <td>3\"/> <tr> <td>388</td> <td>ETR</td> <td>-</td> <td>WD.</td> <td>J2</td> <td>PTD.</td> <td>-</td> <td>386</td> <td>3\"/> <tr> <td>389</td> <td>ETR</td> <td>-</td> <td>WD.</td> <td>J2</td> <td>PTD.</td> <td>-</td> <td>387</td> <td>3\"/> <tr> <td>391</td> <td>ETR</td> <td>-</td> <td>WD.</td> <td>J2</td> <td>PTD.</td> <td>-</td> <td>388</td> <td>3\"/> <tr> <td>391A</td> <td>ETR</td> <td>-</td> <td>WD.</td> <td>J2</td> <td>PTD.</td> <td>-</td> <td>389</td> <td>3\"/> <tr> <td>391B</td> <td>ETR</td> <td>-</td> <td>WD.</td> <td>J2</td> <td>PTD.</td> <td>-</td> <td>391</td> <td>3\"/> <tr> <td>394</td> <td>ETR</td> <td>-</td> <td>WD.</td> <td>J2</td> <td>PTD.</td> <td>-</td> <td>391A</td> <td>3\"/> <tr> <td>395</td> <td>ETR</td> <td>-</td> <td>WD.</td> <td>J2</td> <td>PTD.</td> <td>-</td> <td>391B</td> <td>3\"/> <tr> <td>396</td> <td>ETR</td> <td>-</td> <td>WD.</td> <td>J2</td> <td>PTD.</td> <td>-</td> <td>394</td> <td>3\"/> <tr> <td>398</td> <td>ETR</td> <td>-</td> <td>WD.</td> <td>J2</td> <td>PTD.</td> <td>-</td> <td>395</td> <td>3\"/> <tr> <td>399</td> <td>ETR</td> <td>-</td> <td>WD.</td> <td>J2</td> <td>PTD.</td> <td>-</td> <td>396</td> <td>3\"/> <tr> <td>3991</td> <td>ETR</td> <td>-</td> <td>WD.</td> <td>J2</td> <td>PTD.</td> <td>-</td> <td>398</td> <td>3\"/> <tr> <td>3992</td> <td>A</td> <td>3\"/> <tr> <td>3993</td> <td>ETR</td> <td>-</td> <td>WD.</td> <td>J2</td> <td>PTD.</td> <td>-</td> <td>399</td> <td>3\"/> <tr> <td>3994</td> <td>ETR</td> <td>-</td> <td>WD.</td> <td>J2</td> <td>PTD.</td> <td>-</td> <td>3991</td> <td>3\"/> <tr> <td>3995</td> <td>ETR</td> <td>-</td> <td>WD.</td> <td>J2</td> <td>PTD.</td> <td>-</td> <td>3992</td> <td>3\"/> <tr> <td>3997</td> <td>ETR</td> <td>-</td> <td>WD.</td> <td>J2</td> <td>PTD.</td> <td>-</td> <td>3993</td> <td>3\"/> <tr> <td>3998</td> <td>ETR</td> <td>-</td> <td>WD.</td> <td>J2</td> <td>PTD.</td> <td>-</td> <td>3994</td> <td>3\"/> <tr> <td>3999</td> <td>ETR</td> <td>-</td> <td>WD.</td> <td>J2</td> <td>PTD.</td> <td>-</td> <td>3995</td> <td>3\"/> <tr> <td>3999</td> <td>ETR</td> <td>-</td> <td>WD.</td> <td>J2</td> <td>PTD.</td> <td>-</td> <td>3997</td> <td>3\"/> </td></tr></td></tr></td></tr></td></tr></td></tr></td></tr></td></tr></td></tr></td></tr></td></tr></td></tr></td></tr></td></tr></td></tr></td></tr></td></tr></td></tr></td></tr></td></tr></td></tr></td></tr></td></tr></td></td></tr></td></tr></td></td></tr></td></td></tr></td></td></tr></td></td></tr></td></td></tr></td></td></tr></td></td></tr></td></td></tr></td></tr></td></tr> | 374B | ETR | - | WD. | J2 | PTD.
 | - | 372 | 3\"/> <tr> <td>374C</td> <td>ETR</td> <td>-</td> <td>WD.</td> <td>J2</td> <td>PTD.</td> <td>-</td> <td>373A</td> <td>3\"/> <tr> <td>375</td> <td>B</td> <td>1 <td>WD</td> <td>J1</td> <td>PTD.</td> <td>-</td> <td>374B</td> <td>3\"/> <tr> <td>376</td> <td>B</td> <td>1 <td>WD</td> <td>J1</td> <td>PTD.</td> <td>-</td> <td>374C</td> <td>3\"/> <tr> <td>377</td> <td>B</td> <td>1 <td>WD</td> <td>J1</td> <td>PTD.</td> <td>-</td> <td>375</td> <td>3\"/> <tr> <td>377A</td> <td>B</td> <td>1 <td>WD</td> <td>J1</td> <td>PTD.</td> <td>-</td> <td>376</td> <td>3\"/> <tr> <td>378</td> <td>B</td> <td>1 <td>WD</td> <td>J1</td> <td>PTD.</td> <td>-</td> <td>377</td> <td>3\"/> <tr> <td>379</td> <td>B</td> <td>1 <td>WD</td> <td>J1</td> <td>PTD.</td> <td>-</td> <td>377A</td> <td>3\"/> <tr> <td>380A</td> <td>B</td> <td>1 <td>WD</td> <td>J1</td> <td>PTD.</td> <td>-</td> <td>378</td> <td>3\"/> <tr> <td>380B</td> <td>B</td> <td>1 <td>WD</td> <td>J1</td> <td>PTD.</td> <td>-</td> <td>379</td> <td>3\"/> <tr> <td>382</td> <td>ETR</td> <td>-</td> <td>WD.</td> <td>J2</td> <td>PTD.</td> <td>-</td> <td>380A</td> <td>3\"/> <tr> <td>382A</td> <td>D</td> <td>6 <td>ALUM.</td> <td>ANODIZE D</td> <td>-</td> <td>-</td> <td>380B</td> <td>3\"/> <tr> <td>385</td> <td>ETR</td> <td>-</td> <td>WD.</td> <td>J2</td> <td>PTD.</td> <td>-</td> <td>382</td> <td>3\"/> <tr> <td>386</td> <td>ETR</td> <td>-</td> <td>WD.</td> <td>J2</td> <td>PTD.</td> <td>-</td> <td>382A</td> <td>3\"/> <tr> <td>387</td> <td>ETR</td> <td>-</td> <td>WD.</td> <td>J2</td> <td>PTD.</td> <td>-</td> <td>385</td> <td>3\"/> <tr> <td>388</td> <td>ETR</td> <td>-</td> <td>WD.</td> <td>J2</td> <td>PTD.</td> <td>-</td> <td>386</td> <td>3\"/> <tr> <td>389</td> <td>ETR</td> <td>-</td> <td>WD.</td> <td>J2</td> <td>PTD.</td> <td>-</td> <td>387</td> <td>3\"/> <tr> <td>391</td> <td>ETR</td> <td>-</td> <td>WD.</td> <td>J2</td> <td>PTD.</td> <td>-</td> <td>388</td> <td>3\"/> <tr> <td>391A</td> <td>ETR</td> <td>-</td> <td>WD.</td> <td>J2</td> <td>PTD.</td> <td>-</td> <td>389</td> <td>3\"/> <tr> <td>391B</td> <td>ETR</td> <td>-</td> <td>WD.</td> <td>J2</td> <td>PTD.</td> <td>-</td> <td>391</td> <td>3\"/> <tr> <td>394</td> <td>ETR</td> <td>-</td> <td>WD.</td> <td>J2</td> <td>PTD.</td> <td>-</td> <td>391A</td> <td>3\"/> <tr> <td>395</td> <td>ETR</td> <td>-</td> <td>WD.</td> <td>J2</td> <td>PTD.</td> <td>-</td> <td>391B</td> <td>3\"/> <tr> <td>396</td> <td>ETR</td> <td>-</td> <td>WD.</td> <td>J2</td> <td>PTD.</td> <td>-</td> <td>394</td> <td>3\"/> <tr> <td>398</td> <td>ETR</td> <td>-</td> <td>WD.</td> <td>J2</td> <td>PTD.</td> <td>-</td> <td>395</td> <td>3\"/> <tr> <td>399</td> <td>ETR</td> <td>-</td> <td>WD.</td> <td>J2</td> <td>PTD.</td> <td>-</td> <td>396</td> <td>3\"/> <tr> <td>3991</td> <td>ETR</td> <td>-</td> <td>WD.</td> <td>J2</td> <td>PTD.</td> <td>-</td> <td>398</td> <td>3\"/> <tr> <td>3992</td> <td>A</td> <td>3\"/> <tr> <td>3993</td> <td>ETR</td> <td>-</td> <td>WD.</td> <td>J2</td> <td>PTD.</td> <td>-</td> <td>399</td> <td>3\"/> <tr> <td>3994</td> <td>ETR</td> <td>-</td> <td>WD.</td> <td>J2</td> <td>PTD.</td> <td>-</td> <td>3991</td> <td>3\"/> <tr> <td>3995</td> <td>ETR</td> <td>-</td> <td>WD.</td> <td>J2</td> <td>PTD.</td> <td>-</td> <td>3992</td> <td>3\"/> <tr> <td>3997</td> <td>ETR</td> <td>-</td> <td>WD.</td> <td>J2</td> <td>PTD.</td> <td>-</td> <td>3993</td> <td>3\"/> <tr> <td>3998</td> <td>ETR</td> <td>-</td> <td>WD.</td> <td>J2</td> <td>PTD.</td> <td>-</td> <td>3994</td> <td>3\"/> <tr> <td>3999</td> <td>ETR</td> <td>-</td> <td>WD.</td> <td>J2</td> <td>PTD.</td> <td>-</td> <td>3995</td> <td>3\"/> <tr> <td>3999</td> <td>ETR</td> <td>-</td> <td>WD.</td> <td>J2</td> <td>PTD.</td> <td>-</td> <td>3997</td> <td>3\"/> </td></tr></td></tr></td></tr></td></tr></td></tr></td></tr></td></tr></td></tr></td></tr></td></tr></td></tr></td></tr></td></tr></td></tr></td></tr></td></tr></td></tr></td></tr></td></tr></td></tr></td></tr></td></tr></td></td></tr></td></tr></td></td></tr></td></td></tr></td></td></tr></td></td></tr></td></td></tr></td></td></tr></td></td></tr></td></td></tr></td></tr> | 374C | ETR | -
 | WD. | J2 | PTD. | - | 373A | 3\"/> <tr> <td>375</td> <td>B</td> <td>1 <td>WD</td> <td>J1</td> <td>PTD.</td> <td>-</td> <td>374B</td> <td>3\"/> <tr> <td>376</td> <td>B</td> <td>1 <td>WD</td> <td>J1</td> <td>PTD.</td> <td>-</td> <td>374C</td> <td>3\"/> <tr> <td>377</td> <td>B</td> <td>1 <td>WD</td> <td>J1</td> <td>PTD.</td> <td>-</td> <td>375</td> <td>3\"/> <tr> <td>377A</td> <td>B</td> <td>1 <td>WD</td> <td>J1</td> <td>PTD.</td> <td>-</td> <td>376</td> <td>3\"/> <tr> <td>378</td> <td>B</td> <td>1 <td>WD</td> <td>J1</td> <td>PTD.</td> <td>-</td> <td>377</td> <td>3\"/> <tr> <td>379</td> <td>B</td> <td>1 <td>WD</td> <td>J1</td> <td>PTD.</td> <td>-</td> <td>377A</td> <td>3\"/> <tr> <td>380A</td> <td>B</td> <td>1 <td>WD</td> <td>J1</td> <td>PTD.</td> <td>-</td> <td>378</td> <td>3\"/> <tr> <td>380B</td> <td>B</td> <td>1 <td>WD</td> <td>J1</td> <td>PTD.</td> <td>-</td> <td>379</td> <td>3\"/> <tr> <td>382</td> <td>ETR</td> <td>-</td> <td>WD.</td> <td>J2</td> <td>PTD.</td> <td>-</td> <td>380A</td> <td>3\"/> <tr> <td>382A</td> <td>D</td> <td>6 <td>ALUM.</td> <td>ANODIZE D</td> <td>-</td> <td>-</td> <td>380B</td> <td>3\"/> <tr> <td>385</td> <td>ETR</td> <td>-</td> <td>WD.</td> <td>J2</td> <td>PTD.</td> <td>-</td> <td>382</td> <td>3\"/> <tr> <td>386</td> <td>ETR</td> <td>-</td> <td>WD.</td> <td>J2</td> <td>PTD.</td> <td>-</td> <td>382A</td> <td>3\"/> <tr> <td>387</td> <td>ETR</td> <td>-</td> <td>WD.</td> <td>J2</td> <td>PTD.</td> <td>-</td> <td>385</td> <td>3\"/> <tr> <td>388</td> <td>ETR</td> <td>-</td> <td>WD.</td> <td>J2</td> <td>PTD.</td> <td>-</td> <td>386</td> <td>3\"/> <tr> <td>389</td> <td>ETR</td> <td>-</td> <td>WD.</td> <td>J2</td> <td>PTD.</td> <td>-</td> <td>387</td> <td>3\"/> <tr> <td>391</td> <td>ETR</td> <td>-</td> <td>WD.</td> <td>J2</td> <td>PTD.</td> <td>-</td> <td>388</td> <td>3\"/> <tr> <td>391A</td> <td>ETR</td> <td>-</td> <td>WD.</td> <td>J2</td> <td>PTD.</td> <td>-</td> <td>389</td> <td>3\"/> <tr> <td>391B</td> <td>ETR</td> <td>-</td> <td>WD.</td> <td>J2</td> <td>PTD.</td> <td>-</td> <td>391</td> <td>3\"/> <tr> <td>394</td> <td>ETR</td> <td>-</td> <td>WD.</td> <td>J2</td> <td>PTD.</td> <td>-</td> <td>391A</td> <td>3\"/> <tr> <td>395</td> <td>ETR</td> <td>-</td> <td>WD.</td> <td>J2</td> <td>PTD.</td> <td>-</td> <td>391B</td> <td>3\"/> <tr> <td>396</td> <td>ETR</td> <td>-</td> <td>WD.</td> <td>J2</td> <td>PTD.</td> <td>-</td> <td>394</td> <td>3\"/> <tr> <td>398</td> <td>ETR</td> <td>-</td> <td>WD.</td> <td>J2</td> <td>PTD.</td> <td>-</td> <td>395</td> <td>3\"/> <tr> <td>399</td> <td>ETR</td> <td>-</td> <td>WD.</td> <td>J2</td> <td>PTD.</td> <td>-</td> <td>396</td> <td>3\"/> <tr> <td>3991</td> <td>ETR</td> <td>-</td> <td>WD.</td> <td>J2</td> <td>PTD.</td> <td>-</td> <td>398</td> <td>3\"/> <tr> <td>3992</td> <td>A</td> <td>3\"/> <tr> <td>3993</td> <td>ETR</td> <td>-</td> <td>WD.</td> <td>J2</td> <td>PTD.</td> <td>-</td> <td>399</td> <td>3\"/> <tr> <td>3994</td> <td>ETR</td> <td>-</td> <td>WD.</td> <td>J2</td> <td>PTD.</td> <td>-</td> <td>3991</td> <td>3\"/> <tr> <td>3995</td> <td>ETR</td> <td>-</td> <td>WD.</td> <td>J2</td> <td>PTD.</td> <td>-</td> <td>3992</td> <td>3\"/> <tr> <td>3997</td> <td>ETR</td> <td>-</td> <td>WD.</td> <td>J2</td> <td>PTD.</td> <td>-</td> <td>3993</td> <td>3\"/> <tr> <td>3998</td> <td>ETR</td> <td>-</td> <td>WD.</td> <td>J2</td> <td>PTD.</td> <td>-</td> <td>3994</td> <td>3\"/> <tr> <td>3999</td> <td>ETR</td> <td>-</td> <td>WD.</td> <td>J2</td> <td>PTD.</td> <td>-</td> <td>3995</td> <td>3\"/> <tr> <td>3999</td> <td>ETR</td> <td>-</td> <td>WD.</td> <td>J2</td> <td>PTD.</td> <td>-</td> <td>3997</td> <td>3\"/> </td></tr></td></tr></td></tr></td></tr></td></tr></td></tr></td></tr></td></tr></td></tr></td></tr></td></tr></td></tr></td></tr></td></tr></td></tr></td></tr></td></tr></td></tr></td></tr></td></tr></td></tr></td></tr></td></td></tr></td></tr></td></td></tr></td></td></tr></td></td></tr></td></td></tr></td></td></tr></td></td></tr></td></td></tr></td></td></tr> | 375 | B | 1 <td>WD</td> <td>J1</td> <td>PTD.</td> <td>-</td> <td>374B</td> <td>3\"/> <tr> <td>376</td> <td>B</td> <td>1 <td>WD</td> <td>J1</td> <td>PTD.</td> <td>-</td> <td>374C</td> <td>3\"/> <tr> <td>377</td> <td>B</td> <td>1 <td>WD</td> <td>J1</td> <td>PTD.</td> <td>-</td> <td>375</td> <td>3\"/> <tr> <td>377A</td> <td>B</td> <td>1 <td>WD</td> <td>J1</td> <td>PTD.</td> <td>-</td> <td>376</td> <td>3\"/> <tr> <td>378</td> <td>B</td> <td>1 <td>WD</td> <td>J1</td> <td>PTD.</td> <td>-</td> <td>377</td> <td>3\"/> <tr> <td>379</td> <td>B</td> <td>1 <td>WD</td> <td>J1</td> <td>PTD.</td> <td>-</td> <td>377A</td> <td>3\"/> <tr> <td>380A</td> <td>B</td> <td>1 <td>WD</td> <td>J1</td> <td>PTD.</td> <td>-</td> <td>378</td> <td>3\"/> <tr> <td>380B</td> <td>B</td> <td>1 <td>WD</td> <td>J1</td> <td>PTD.</td> <td>-</td> <td>379</td> <td>3\"/> <tr> <td>382</td> <td>ETR</td> <td>-</td> <td>WD.</td> <td>J2</td> <td>PTD.</td> <td>-</td> <td>380A</td> <td>3\"/> <tr> <td>382A</td> <td>D</td> <td>6 <td>ALUM.</td> <td>ANODIZE D</td> <td>-</td> <td>-</td> <td>380B</td> <td>3\"/> <tr> <td>385</td> <td>ETR</td> <td>-</td> <td>WD.</td> <td>J2</td> <td>PTD.</td> <td>-</td> <td>382</td> <td>3\"/> <tr> <td>386</td> <td>ETR</td> <td>-</td> <td>WD.</td> <td>J2</td> <td>PTD.</td> <td>-</td> <td>382A</td> <td>3\"/> <tr> <td>387</td> <td>ETR</td> <td>-</td> <td>WD.</td> <td>J2</td> <td>PTD.</td> <td>-</td> <td>385</td> <td>3\"/> <tr> <td>388</td> <td>ETR</td> <td>-</td> <td>WD.</td> <td>J2</td> <td>PTD.</td> <td>-</td> <td>386</td> <td>3\"/> <tr> <td>389</td> <td>ETR</td> <td>-</td> <td>WD.</td> <td>J2</td> <td>PTD.</td> <td>-</td> <td>387</td> <td>3\"/> <tr> <td>391</td> <td>ETR</td> <td>-</td> <td>WD.</td> <td>J2</td> <td>PTD.</td> <td>-</td> <td>388</td> <td>3\"/> <tr> <td>391A</td> <td>ETR</td> <td>-</td> <td>WD.</td> <td>J2</td> <td>PTD.</td> <td>-</td> <td>389</td> <td>3\"/> <tr> <td>391B</td> <td>ETR</td> <td>-</td> <td>WD.</td> <td>J2</td> <td>PTD.</td> <td>-</td> <td>391</td> <td>3\"/> <tr> <td>394</td> <td>ETR</td> <td>-</td> <td>WD.</td> <td>J2</td> <td>PTD.</td> <td>-</td> <td>391A</td> <td>3\"/> <tr> <td>395</td> <td>ETR</td> <td>-</td> <td>WD.</td> <td>J2</td> <td>PTD.</td> <td>-</td> <td>391B</td> <td>3\"/> <tr> <td>396</td> <td>ETR</td> <td>-</td> <td>WD.</td> <td>J2</td> <td>PTD.</td> <td>-</td> <td>394</td> <td>3\"/> <tr> <td>398</td> <td>ETR</td> <td>-</td> <td>WD.</td> <td>J2</td> <td>PTD.</td> <td>-</td> <td>395</td> <td>3\"/> <tr> <td>399</td> <td>ETR</td> <td>-</td> <td>WD.</td> <td>J2</td> <td>PTD.</td> <td>-</td> <td>396</td> <td>3\"/> <tr> <td>3991</td> <td>ETR</td> <td>-</td> <td>WD.</td> <td>J2</td> <td>PTD.</td> <td>-</td> <td>398</td> <td>3\"/> <tr> <td>3992</td> <td>A</td> <td>3\"/> <tr> <td>3993</td> <td>ETR</td> <td>-</td> <td>WD.</td> <td>J2</td> <td>PTD.</td> <td>-</td> <td>399</td> <td>3\"/> <tr> <td>3994</td> <td>ETR</td> <td>-</td> <td>WD.</td> <td>J2</td> <td>PTD.</td> <td>-</td> <td>3991</td> <td>3\"/> <tr> <td>3995</td> <td>ETR</td> <td>-</td> <td>WD.</td> <td>J2</td> <td>PTD.</td> <td>-</td> <td>3992</td> <td>3\"/> <tr> <td>3997</td> <td>ETR</td> <td>-</td> <td>WD.</td> <td>J2</td> <td>PTD.</td> <td>-</td> <td>3993</td> <td>3\"/> <tr> <td>3998</td> <td>ETR</td> <td>-</td> <td>WD.</td> <td>J2</td> <td>PTD.</td> <td>-</td> <td>3994</td> <td>3\"/> <tr> <td>3999</td> <td>ETR</td> <td>-</td> <td>WD.</td> <td>J2</td> <td>PTD.</td> <td>-</td> <td>3995</td> <td>3\"/> <tr> <td>3999</td> <td>ETR</td> <td>-</td> <td>WD.</td> <td>J2</td> <td>PTD.</td> <td>-</td> <td>3997</td> <td>3\"/>
</td></tr></td></tr></td></tr></td></tr></td></tr></td></tr></td></tr></td></tr></td></tr></td></tr></td></tr></td></tr></td></tr></td></tr></td></tr></td></tr></td></tr></td></tr></td></tr></td></tr></td></tr></td></tr></td></td></tr></td></tr></td></td></tr></td></td></tr></td></td></tr></td></td></tr></td></td></tr></td></td></tr></td></td></tr></td> | WD | J1 | PTD. | - | 374B | 3\"/> <tr> <td>376</td> <td>B</td> <td>1 <td>WD</td> <td>J1</td> <td>PTD.</td> <td>-</td> <td>374C</td> <td>3\"/> <tr> <td>377</td> <td>B</td> <td>1 <td>WD</td> <td>J1</td> <td>PTD.</td> <td>-</td> <td>375</td> <td>3\"/> <tr> <td>377A</td> <td>B</td> <td>1 <td>WD</td> <td>J1</td> <td>PTD.</td> <td>-</td> <td>376</td> <td>3\"/> <tr> <td>378</td> <td>B</td> <td>1 <td>WD</td> <td>J1</td> <td>PTD.</td> <td>-</td> <td>377</td> <td>3\"/> <tr> <td>379</td> <td>B</td> <td>1 <td>WD</td> <td>J1</td> <td>PTD.</td> <td>-</td> <td>377A</td> <td>3\"/> <tr> <td>380A</td> <td>B</td> <td>1 <td>WD</td> <td>J1</td> <td>PTD.</td> <td>-</td> <td>378</td> <td>3\"/> <tr> <td>380B</td> <td>B</td> <td>1 <td>WD</td> <td>J1</td> <td>PTD.</td> <td>-</td> <td>379</td> <td>3\"/> <tr> <td>382</td> <td>ETR</td> <td>-</td> <td>WD.</td> <td>J2</td> <td>PTD.</td> <td>-</td> <td>380A</td> <td>3\"/> <tr> <td>382A</td> <td>D</td> <td>6 <td>ALUM.</td> <td>ANODIZE D</td> <td>-</td> <td>-</td> <td>380B</td> <td>3\"/> <tr> <td>385</td> <td>ETR</td> <td>-</td> <td>WD.</td> <td>J2</td> <td>PTD.</td> <td>-</td> <td>382</td> <td>3\"/> <tr> <td>386</td> <td>ETR</td> <td>-</td> <td>WD.</td> <td>J2</td> <td>PTD.</td> <td>-</td> <td>382A</td> <td>3\"/> <tr> <td>387</td> <td>ETR</td> <td>-</td> <td>WD.</td> <td>J2</td> <td>PTD.</td> <td>-</td> <td>385</td> <td>3\"/> <tr> <td>388</td> <td>ETR</td> <td>-</td> <td>WD.</td> <td>J2</td> <td>PTD.</td> <td>-</td> <td>386</td> <td>3\"/> <tr> <td>389</td> <td>ETR</td> <td>-</td> <td>WD.</td> <td>J2</td> <td>PTD.</td> <td>-</td> <td>387</td> <td>3\"/> <tr> <td>391</td> <td>ETR</td> <td>-</td> <td>WD.</td> <td>J2</td> <td>PTD.</td> <td>-</td> <td>388</td> <td>3\"/> <tr> <td>391A</td> <td>ETR</td> <td>-</td> <td>WD.</td> <td>J2</td> <td>PTD.</td> <td>-</td> <td>389</td> <td>3\"/> <tr> <td>391B</td> <td>ETR</td> <td>-</td> <td>WD.</td> <td>J2</td> <td>PTD.</td> <td>-</td> <td>391</td> <td>3\"/> <tr> <td>394</td> <td>ETR</td> <td>-</td> <td>WD.</td> <td>J2</td> <td>PTD.</td> <td>-</td> <td>391A</td> <td>3\"/> <tr> <td>395</td> <td>ETR</td> <td>-</td> <td>WD.</td> <td>J2</td> <td>PTD.</td> <td>-</td> <td>391B</td> <td>3\"/> <tr> <td>396</td> <td>ETR</td> <td>-</td> <td>WD.</td> <td>J2</td> <td>PTD.</td> <td>-</td> <td>394</td> <td>3\"/> <tr> <td>398</td> <td>ETR</td> <td>-</td> <td>WD.</td> <td>J2</td> <td>PTD.</td> <td>-</td> <td>395</td> <td>3\"/> <tr> <td>399</td> <td>ETR</td> <td>-</td> <td>WD.</td> <td>J2</td> <td>PTD.</td> <td>-</td> <td>396</td> <td>3\"/> <tr> <td>3991</td> <td>ETR</td> <td>-</td> <td>WD.</td> <td>J2</td> <td>PTD.</td> <td>-</td> <td>398</td> <td>3\"/> <tr> <td>3992</td> <td>A</td> <td>3\"/> <tr> <td>3993</td> <td>ETR</td> <td>-</td> <td>WD.</td> <td>J2</td> <td>PTD.</td> <td>-</td> <td>399</td> <td>3\"/> <tr> <td>3994</td> <td>ETR</td> <td>-</td> <td>WD.</td> <td>J2</td> <td>PTD.</td> <td>-</td> <td>3991</td> <td>3\"/> <tr> <td>3995</td> <td>ETR</td> <td>-</td> <td>WD.</td> <td>J2</td> <td>PTD.</td> <td>-</td> <td>3992</td> <td>3\"/> <tr> <td>3997</td> <td>ETR</td> <td>-</td> <td>WD.</td> <td>J2</td> <td>PTD.</td> <td>-</td> <td>3993</td> <td>3\"/> <tr> <td>3998</td> <td>ETR</td> <td>-</td> <td>WD.</td> <td>J2</td> <td>PTD.</td> <td>-</td> <td>3994</td> <td>3\"/> <tr> <td>3999</td> <td>ETR</td> <td>-</td> <td>WD.</td> <td>J2</td> <td>PTD.</td> <td>-</td> <td>3995</td> <td>3\"/> <tr> <td>3999</td> <td>ETR</td> <td>-</td> <td>WD.</td> <td>J2</td> <td>PTD.</td> <td>-</td> <td>3997</td> <td>3\"/> </td></tr></td></tr></td></tr></td></tr></td></tr></td></tr></td></tr></td></tr></td></tr></td></tr></td></tr></td></tr></td></tr></td></tr></td></tr></td></tr></td></tr></td></tr></td></tr></td></tr></td></tr></td></tr></td></td></tr></td></tr></td></td></tr></td></td></tr></td></td></tr></td></td></tr></td></td></tr></td></td></tr></td></td></tr> | 376 | B | 1 <td>WD</td> <td>J1</td> <td>PTD.</td> <td>-</td> <td>374C</td> <td>3\"/> <tr> <td>377</td> <td>B</td> <td>1 <td>WD</td> <td>J1</td> <td>PTD.</td> <td>-</td> <td>375</td> <td>3\"/> <tr> <td>377A</td> <td>B</td> <td>1 <td>WD</td> <td>J1</td> <td>PTD.</td> <td>-</td> <td>376</td> <td>3\"/> <tr> <td>378</td> <td>B</td> <td>1 <td>WD</td> <td>J1</td> <td>PTD.</td> <td>-</td> <td>377</td> <td>3\"/> <tr> <td>379</td> <td>B</td> <td>1 <td>WD</td> <td>J1</td> <td>PTD.</td> <td>-</td> <td>377A</td> <td>3\"/> <tr> <td>380A</td> <td>B</td> <td>1 <td>WD</td> <td>J1</td> <td>PTD.</td> <td>-</td> <td>378</td> <td>3\"/> <tr> <td>380B</td> <td>B</td> <td>1 <td>WD</td> <td>J1</td> <td>PTD.</td> <td>-</td> <td>379</td> <td>3\"/> <tr> <td>382</td> <td>ETR</td> <td>-</td> <td>WD.</td> <td>J2</td> <td>PTD.</td> <td>-</td> <td>380A</td> <td>3\"/> <tr> <td>382A</td> <td>D</td> <td>6 <td>ALUM.</td> <td>ANODIZE D</td> <td>-</td> <td>-</td> <td>380B</td> <td>3\"/> <tr> <td>385</td> <td>ETR</td> <td>-</td> <td>WD.</td> <td>J2</td> <td>PTD.</td> <td>-</td> <td>382</td> <td>3\"/> <tr> <td>386</td> <td>ETR</td> <td>-</td> <td>WD.</td> <td>J2</td> <td>PTD.</td> <td>-</td> <td>382A</td> <td>3\"/> <tr> <td>387</td> <td>ETR</td> <td>-</td> <td>WD.</td> <td>J2</td> <td>PTD.</td> <td>-</td> <td>385</td> <td>3\"/> <tr> <td>388</td> <td>ETR</td> <td>-</td> <td>WD.</td> <td>J2</td> <td>PTD.</td> <td>-</td> <td>386</td> <td>3\"/> <tr> <td>389</td> <td>ETR</td> <td>-</td> <td>WD.</td> <td>J2</td> <td>PTD.</td> <td>-</td> <td>387</td> <td>3\"/> <tr> <td>391</td> <td>ETR</td> <td>-</td> <td>WD.</td> <td>J2</td> <td>PTD.</td> <td>-</td> <td>388</td> <td>3\"/> <tr> <td>391A</td> <td>ETR</td> <td>-</td> <td>WD.</td> <td>J2</td> <td>PTD.</td> <td>-</td> <td>389</td> <td>3\"/> <tr> <td>391B</td> <td>ETR</td> <td>-</td> <td>WD.</td> <td>J2</td> <td>PTD.</td> <td>-</td> <td>391</td> <td>3\"/> <tr> <td>394</td> <td>ETR</td> <td>-</td> <td>WD.</td> <td>J2</td> <td>PTD.</td> <td>-</td> <td>391A</td> <td>3\"/> <tr> <td>395</td> <td>ETR</td> <td>-</td> <td>WD.</td> <td>J2</td> <td>PTD.</td> <td>-</td> <td>391B</td> <td>3\"/> <tr> <td>396</td> <td>ETR</td> <td>-</td> <td>WD.</td> <td>J2</td> <td>PTD.</td> <td>-</td> <td>394</td> <td>3\"/> <tr> <td>398</td> <td>ETR</td> <td>-</td> <td>WD.</td> <td>J2</td> <td>PTD.</td> <td>-</td> <td>395</td> <td>3\"/> <tr> <td>399</td> <td>ETR</td> <td>-</td> <td>WD.</td> <td>J2</td> <td>PTD.</td> <td>-</td> <td>396</td> <td>3\"/> <tr> <td>3991</td> <td>ETR</td> <td>-</td> <td>WD.</td> <td>J2</td> <td>PTD.</td> <td>-</td> <td>398</td> <td>3\"/> <tr> <td>3992</td> <td>A</td> <td>3\"/> <tr> <td>3993</td> <td>ETR</td> <td>-</td> <td>WD.</td> <td>J2</td> <td>PTD.</td> <td>-</td> <td>399</td> <td>3\"/> <tr> <td>3994</td> <td>ETR</td> <td>-</td> <td>WD.</td> <td>J2</td> <td>PTD.</td> <td>-</td> <td>3991</td> <td>3\"/> <tr> <td>3995</td> <td>ETR</td> <td>-</td> <td>WD.</td> <td>J2</td> <td>PTD.</td> <td>-</td> <td>3992</td> <td>3\"/> <tr> <td>3997</td> <td>ETR</td> <td>-</td> <td>WD.</td> <td>J2</td> <td>PTD.</td> <td>-</td> <td>3993</td> <td>3\"/> <tr> <td>3998</td> <td>ETR</td> <td>-</td> <td>WD.</td> <td>J2</td> <td>PTD.</td> <td>-</td> <td>3994</td> <td>3\"/> <tr> <td>3999</td> <td>ETR</td> <td>-</td> <td>WD.</td> <td>J2</td> <td>PTD.</td> <td>-</td> <td>3995</td> <td>3\"/> <tr> <td>3999</td> <td>ETR</td> <td>-</td> <td>WD.</td> <td>J2</td> <td>PTD.</td> <td>-</td> <td>3997</td> <td>3\"/> </td></tr></td></tr></td></tr></td></tr></td></tr></td></tr></td></tr></td></tr></td></tr></td></tr></td></tr></td></tr></td></tr></td></tr></td></tr></td></tr></td></tr></td></tr></td></tr></td></tr></td></tr></td></tr></td></td></tr></td></tr></td></td></tr></td></td></tr></td></td></tr></td></td></tr></td></td></tr></td></td></tr></td> | WD | J1 | PTD. | - | 374C | 3\"/> <tr> <td>377</td> <td>B</td> <td>1 <td>WD</td> <td>J1</td> <td>PTD.</td> <td>-</td> <td>375</td> <td>3\"/> <tr> <td>377A</td> <td>B</td> <td>1 <td>WD</td> <td>J1</td> <td>PTD.</td> <td>-</td> <td>376</td> <td>3\"/> <tr> <td>378</td> <td>B</td> <td>1 <td>WD</td> <td>J1</td> <td>PTD.</td> <td>-</td> <td>377</td> <td>3\"/> <tr> <td>379</td> <td>B</td> <td>1 <td>WD</td> <td>J1</td> <td>PTD.</td> <td>-</td> <td>377A</td> <td>3\"/> <tr> <td>380A</td> <td>B</td> <td>1 <td>WD</td> <td>J1</td> <td>PTD.</td> <td>-</td> <td>378</td> <td>3\"/> <tr> <td>380B</td> <td>B</td> <td>1 <td>WD</td> <td>J1</td> <td>PTD.</td> <td>-</td> <td>379</td> <td>3\"/> <tr> <td>382</td> <td>ETR</td> <td>-</td> <td>WD.</td> <td>J2</td> <td>PTD.</td> <td>-</td> <td>380A</td> <td>3\"/> <tr> <td>382A</td> <td>D</td> <td>6
<td>ALUM.</td> <td>ANODIZE D</td> <td>-</td> <td>-</td> <td>380B</td> <td>3\"/> <tr> <td>385</td> <td>ETR</td> <td>-</td> <td>WD.</td> <td>J2</td> <td>PTD.</td> <td>-</td> <td>382</td> <td>3\"/> <tr> <td>386</td> <td>ETR</td> <td>-</td> <td>WD.</td> <td>J2</td> <td>PTD.</td> <td>-</td> <td>382A</td> <td>3\"/> <tr> <td>387</td> <td>ETR</td> <td>-</td> <td>WD.</td> <td>J2</td> <td>PTD.</td> <td>-</td> <td>385</td> <td>3\"/> <tr> <td>388</td> <td>ETR</td> <td>-</td> <td>WD.</td> <td>J2</td> <td>PTD.</td> <td>-</td> <td>386</td> <td>3\"/> <tr> <td>389</td> <td>ETR</td> <td>-</td> <td>WD.</td> <td>J2</td> <td>PTD.</td> <td>-</td> <td>387</td> <td>3\"/> <tr> <td>391</td> <td>ETR</td> <td>-</td> <td>WD.</td> <td>J2</td> <td>PTD.</td> <td>-</td> <td>388</td> <td>3\"/> <tr> <td>391A</td> <td>ETR</td> <td>-</td> <td>WD.</td> <td>J2</td> <td>PTD.</td> <td>-</td> <td>389</td> <td>3\"/> <tr> <td>391B</td> <td>ETR</td> <td>-</td> <td>WD.</td> <td>J2</td> <td>PTD.</td> <td>-</td> <td>391</td> <td>3\"/> <tr> <td>394</td> <td>ETR</td> <td>-</td> <td>WD.</td> <td>J2</td> <td>PTD.</td> <td>-</td> <td>391A</td> <td>3\"/> <tr> <td>395</td> <td>ETR</td> <td>-</td> <td>WD.</td> <td>J2</td> <td>PTD.</td> <td>-</td> <td>391B</td> <td>3\"/> <tr> <td>396</td> <td>ETR</td> <td>-</td> <td>WD.</td> <td>J2</td> <td>PTD.</td> <td>-</td> <td>394</td> <td>3\"/> <tr> <td>398</td> <td>ETR</td> <td>-</td> <td>WD.</td> <td>J2</td> <td>PTD.</td> <td>-</td> <td>395</td> <td>3\"/> <tr> <td>399</td> <td>ETR</td> <td>-</td> <td>WD.</td> <td>J2</td> <td>PTD.</td> <td>-</td> <td>396</td> <td>3\"/> <tr> <td>3991</td> <td>ETR</td> <td>-</td> <td>WD.</td> <td>J2</td> <td>PTD.</td> <td>-</td> <td>398</td> <td>3\"/> <tr> <td>3992</td> <td>A</td> <td>3\"/> <tr> <td>3993</td> <td>ETR</td> <td>-</td> <td>WD.</td> <td>J2</td> <td>PTD.</td> <td>-</td> <td>399</td> <td>3\"/> <tr> <td>3994</td> <td>ETR</td> <td>-</td> <td>WD.</td> <td>J2</td> <td>PTD.</td> <td>-</td> <td>3991</td> <td>3\"/> <tr> <td>3995</td> <td>ETR</td> <td>-</td> <td>WD.</td> <td>J2</td> <td>PTD.</td> <td>-</td> <td>3992</td> <td>3\"/> <tr> <td>3997</td> <td>ETR</td> <td>-</td> <td>WD.</td> <td>J2</td> <td>PTD.</td> <td>-</td> <td>3993</td> <td>3\"/> <tr> <td>3998</td> <td>ETR</td> <td>-</td> <td>WD.</td> <td>J2</td> <td>PTD.</td> <td>-</td> <td>3994</td> <td>3\"/> <tr> <td>3999</td> <td>ETR</td> <td>-</td> <td>WD.</td> <td>J2</td> <td>PTD.</td> <td>-</td> <td>3995</td> <td>3\"/> <tr> <td>3999</td> <td>ETR</td> <td>-</td> <td>WD.</td> <td>J2</td> <td>PTD.</td> <td>-</td> <td>3997</td> <td>3\"/> </td></tr></td></tr></td></tr></td></tr></td></tr></td></tr></td></tr></td></tr></td></tr></td></tr></td></tr></td></tr></td></tr></td></tr></td></tr></td></tr></td></tr></td></tr></td></tr></td></tr></td></tr></td></tr></td></td></tr></td></tr></td></td></tr></td></td></tr></td></td></tr></td></td></tr></td></td></tr></td></td></tr> | 377 | B | 1 <td>WD</td> <td>J1</td> <td>PTD.</td> <td>-</td> <td>375</td> <td>3\"/> <tr> <td>377A</td> <td>B</td> <td>1 <td>WD</td> <td>J1</td> <td>PTD.</td> <td>-</td> <td>376</td> <td>3\"/> <tr> <td>378</td> <td>B</td> <td>1 <td>WD</td> <td>J1</td> <td>PTD.</td> <td>-</td> <td>377</td> <td>3\"/> <tr> <td>379</td> <td>B</td> <td>1 <td>WD</td> <td>J1</td> <td>PTD.</td> <td>-</td> <td>377A</td> <td>3\"/> <tr> <td>380A</td> <td>B</td> <td>1 <td>WD</td> <td>J1</td> <td>PTD.</td> <td>-</td> <td>378</td> <td>3\"/> <tr> <td>380B</td> <td>B</td> <td>1 <td>WD</td> <td>J1</td> <td>PTD.</td> <td>-</td> <td>379</td> <td>3\"/> <tr> <td>382</td> <td>ETR</td> <td>-</td> <td>WD.</td> <td>J2</td> <td>PTD.</td> <td>-</td> <td>380A</td> <td>3\"/> <tr> <td>382A</td> <td>D</td> <td>6 <td>ALUM.</td> <td>ANODIZE D</td> <td>-</td> <td>-</td> <td>380B</td> <td>3\"/> <tr> <td>385</td> <td>ETR</td> <td>-</td> <td>WD.</td> <td>J2</td> <td>PTD.</td> <td>-</td> <td>382</td> <td>3\"/> <tr> <td>386</td> <td>ETR</td> <td>-</td> <td>WD.</td> <td>J2</td> <td>PTD.</td> <td>-</td> <td>382A</td> <td>3\"/> <tr> <td>387</td> <td>ETR</td> <td>-</td> <td>WD.</td> <td>J2</td> <td>PTD.</td> <td>-</td> <td>385</td> <td>3\"/> <tr> <td>388</td> <td>ETR</td> <td>-</td> <td>WD.</td> <td>J2</td> <td>PTD.</td> <td>-</td> <td>386</td> <td>3\"/> <tr> <td>389</td> <td>ETR</td> <td>-</td> <td>WD.</td> <td>J2</td> <td>PTD.</td> <td>-</td> <td>387</td> <td>3\"/> <tr> <td>391</td> <td>ETR</td> <td>-</td> <td>WD.</td> <td>J2</td> <td>PTD.</td> <td>-</td> <td>388</td> <td>3\"/> <tr> <td>391A</td> <td>ETR</td> <td>-</td> <td>WD.</td> <td>J2</td> <td>PTD.</td> <td>-</td> <td>389</td> <td>3\"/> <tr> <td>391B</td> <td>ETR</td> <td>-</td> <td>WD.</td> <td>J2</td> <td>PTD.</td> <td>-</td> <td>391</td> <td>3\"/> <tr> <td>394</td> <td>ETR</td> <td>-</td> <td>WD.</td> <td>J2</td> <td>PTD.</td> <td>-</td> <td>391A</td> <td>3\"/> <tr> <td>395</td> <td>ETR</td> <td>-</td> <td>WD.</td> <td>J2</td> <td>PTD.</td> <td>-</td> <td>391B</td> <td>3\"/> <tr> <td>396</td> <td>ETR</td> <td>-</td> <td>WD.</td> <td>J2</td> <td>PTD.</td> <td>-</td> <td>394</td> <td>3\"/> <tr> <td>398</td> <td>ETR</td> <td>-</td> <td>WD.</td> <td>J2</td> <td>PTD.</td> <td>-</td> <td>395</td> <td>3\"/> <tr> <td>399</td> <td>ETR</td> <td>-</td> <td>WD.</td> <td>J2</td> <td>PTD.</td> <td>-</td> <td>396</td> <td>3\"/> <tr> <td>3991</td> <td>ETR</td> <td>-</td> <td>WD.</td> <td>J2</td> <td>PTD.</td> <td>-</td> <td>398</td> <td>3\"/> <tr> <td>3992</td> <td>A</td> <td>3\"/> <tr> <td>3993</td> <td>ETR</td> <td>-</td> <td>WD.</td> <td>J2</td> <td>PTD.</td> <td>-</td> <td>399</td> <td>3\"/> <tr> <td>3994</td> <td>ETR</td> <td>-</td> <td>WD.</td> <td>J2</td> <td>PTD.</td> <td>-</td> <td>3991</td> <td>3\"/> <tr> <td>3995</td> <td>ETR</td> <td>-</td> <td>WD.</td> <td>J2</td> <td>PTD.</td> <td>-</td> <td>3992</td> <td>3\"/> <tr> <td>3997</td> <td>ETR</td> <td>-</td> <td>WD.</td> <td>J2</td> <td>PTD.</td> <td>-</td> <td>3993</td> <td>3\"/> <tr> <td>3998</td> <td>ETR</td> <td>-</td> <td>WD.</td> <td>J2</td> <td>PTD.</td> <td>-</td> <td>3994</td> <td>3\"/> <tr> <td>3999</td> <td>ETR</td> <td>-</td> <td>WD.</td> <td>J2</td> <td>PTD.</td> <td>-</td> <td>3995</td> <td>3\"/> <tr> <td>3999</td> <td>ETR</td> <td>-</td> <td>WD.</td> <td>J2</td> <td>PTD.</td> <td>-</td> <td>3997</td> <td>3\"/> </td></tr></td></tr></td></tr></td></tr></td></tr></td></tr></td></tr></td></tr></td></tr></td></tr></td></tr></td></tr></td></tr></td></tr></td></tr></td></tr></td></tr></td></tr></td></tr></td></tr></td></tr></td></tr></td></td></tr></td></tr></td></td></tr></td></td></tr></td></td></tr></td></td></tr></td></td></tr></td> | WD | J1 | PTD.
 | - | 375 | 3\"/> <tr> <td>377A</td> <td>B</td> <td>1 <td>WD</td> <td>J1</td> <td>PTD.</td> <td>-</td> <td>376</td> <td>3\"/> <tr> <td>378</td> <td>B</td> <td>1 <td>WD</td> <td>J1</td> <td>PTD.</td> <td>-</td> <td>377</td> <td>3\"/> <tr> <td>379</td> <td>B</td> <td>1 <td>WD</td> <td>J1</td> <td>PTD.</td> <td>-</td> <td>377A</td> <td>3\"/> <tr> <td>380A</td> <td>B</td> <td>1 <td>WD</td> <td>J1</td> <td>PTD.</td> <td>-</td> <td>378</td> <td>3\"/> <tr> <td>380B</td> <td>B</td> <td>1 <td>WD</td> <td>J1</td> <td>PTD.</td> <td>-</td> <td>379</td> <td>3\"/> <tr> <td>382</td> <td>ETR</td> <td>-</td> <td>WD.</td> <td>J2</td> <td>PTD.</td> <td>-</td> <td>380A</td> <td>3\"/> <tr> <td>382A</td> <td>D</td> <td>6 <td>ALUM.</td> <td>ANODIZE D</td> <td>-</td> <td>-</td> <td>380B</td> <td>3\"/> <tr> <td>385</td> <td>ETR</td> <td>-</td> <td>WD.</td> <td>J2</td> <td>PTD.</td> <td>-</td> <td>382</td> <td>3\"/> <tr> <td>386</td> <td>ETR</td> <td>-</td> <td>WD.</td> <td>J2</td> <td>PTD.</td> <td>-</td> <td>382A</td> <td>3\"/> <tr> <td>387</td> <td>ETR</td> <td>-</td> <td>WD.</td> <td>J2</td> <td>PTD.</td> <td>-</td> <td>385</td> <td>3\"/> <tr> <td>388</td> <td>ETR</td> <td>-</td> <td>WD.</td> <td>J2</td> <td>PTD.</td> <td>-</td> <td>386</td> <td>3\"/> <tr> <td>389</td> <td>ETR</td> <td>-</td> <td>WD.</td> <td>J2</td> <td>PTD.</td> <td>-</td> <td>387</td> <td>3\"/> <tr> <td>391</td> <td>ETR</td> <td>-</td> <td>WD.</td> <td>J2</td> <td>PTD.</td> <td>-</td> <td>388</td> <td>3\"/> <tr> <td>391A</td> <td>ETR</td> <td>-</td> <td>WD.</td> <td>J2</td> <td>PTD.</td> <td>-</td> <td>389</td> <td>3\"/> <tr> <td>391B</td> <td>ETR</td> <td>-</td> <td>WD.</td> <td>J2</td> <td>PTD.</td> <td>-</td> <td>391</td> <td>3\"/> <tr> <td>394</td> <td>ETR</td> <td>-</td> <td>WD.</td> <td>J2</td> <td>PTD.</td> <td>-</td> <td>391A</td> <td>3\"/> <tr> <td>395</td> <td>ETR</td> <td>-</td> <td>WD.</td> <td>J2</td> <td>PTD.</td> <td>-</td> <td>391B</td> <td>3\"/> <tr> <td>396</td> <td>ETR</td> <td>-</td> <td>WD.</td> <td>J2</td> <td>PTD.</td> <td>-</td> <td>394</td> <td>3\"/> <tr> <td>398</td> <td>ETR</td> <td>-</td> <td>WD.</td> <td>J2</td> <td>PTD.</td> <td>-</td> <td>395</td> <td>3\"/> <tr> <td>399</td> <td>ETR</td> <td>-</td> <td>WD.</td> <td>J2</td> <td>PTD.</td> <td>-</td> <td>396</td> <td>3\"/> <tr> <td>3991</td> <td>ETR</td> <td>-</td> <td>WD.</td> <td>J2</td> <td>PTD.</td> <td>-</td> <td>398</td> <td>3\"/> <tr> <td>3992</td> <td>A</td> <td>3\"/> <tr> <td>3993</td> <td>ETR</td> <td>-</td> <td>WD.</td> <td>J2</td> <td>PTD.</td> <td>-</td> <td>399</td> <td>3\"/> <tr> <td>3994</td> <td>ETR</td> <td>-</td> <td>WD.</td> <td>J2</td> <td>PTD.</td> <td>-</td> <td>3991</td> <td>3\"/> <tr> <td>3995</td> <td>ETR</td> <td>-</td> <td>WD.</td> <td>J2</td> <td>PTD.</td> <td>-</td> <td>3992</td> <td>3\"/> <tr> <td>3997</td> <td>ETR</td> <td>-</td> <td>WD.</td> <td>J2</td> <td>PTD.</td> <td>-</td> <td>3993</td> <td>3\"/> <tr> <td>3998</td> <td>ETR</td> <td>-</td> <td>WD.</td> <td>J2</td> <td>PTD.</td> <td>-</td> <td>3994</td> <td>3\"/> <tr> <td>3999</td> <td>ETR</td> <td>-</td> <td>WD.</td> <td>J2</td> <td>PTD.</td> <td>-</td> <td>3995</td> <td>3\"/> <tr> <td>3999</td> <td>ETR</td> <td>-</td> <td>WD.</td> <td>J2</td> <td>PTD.</td> <td>-</td> <td>3997</td> <td>3\"/> </td></tr></td></tr></td></tr></td></tr></td></tr></td></tr></td></tr></td></tr></td></tr></td></tr></td></tr></td></tr></td></tr></td></tr></td></tr></td></tr></td></tr></td></tr></td></tr></td></tr></td></tr></td></tr></td></td></tr></td></tr></td></td></tr></td></td></tr></td></td></tr></td></td></tr></td></td></tr> | 377A | B | 1 <td>WD</td> <td>J1</td> <td>PTD.</td> <td>-</td> <td>376</td> <td>3\"/> <tr> <td>378</td> <td>B</td> <td>1 <td>WD</td> <td>J1</td> <td>PTD.</td> <td>-</td> <td>377</td> <td>3\"/> <tr> <td>379</td> <td>B</td> <td>1 <td>WD</td> <td>J1</td> <td>PTD.</td> <td>-</td> <td>377A</td> <td>3\"/> <tr> <td>380A</td> <td>B</td> <td>1 <td>WD</td> <td>J1</td> <td>PTD.</td> <td>-</td> <td>378</td> <td>3\"/> <tr> <td>380B</td> <td>B</td> <td>1 <td>WD</td> <td>J1</td> <td>PTD.</td> <td>-</td> <td>379</td> <td>3\"/> <tr> <td>382</td> <td>ETR</td> <td>-</td> <td>WD.</td> <td>J2</td> <td>PTD.</td> <td>-</td> <td>380A</td> <td>3\"/> <tr> <td>382A</td> <td>D</td> <td>6 <td>ALUM.</td> <td>ANODIZE D</td> <td>-</td> <td>-</td> <td>380B</td> <td>3\"/> <tr> <td>385</td> <td>ETR</td> <td>-</td> <td>WD.</td> <td>J2</td> <td>PTD.</td> <td>-</td> <td>382</td> <td>3\"/> <tr> <td>386</td> <td>ETR</td> <td>-</td> <td>WD.</td> <td>J2</td> <td>PTD.</td> <td>-</td> <td>382A</td> <td>3\"/> <tr> <td>387</td> <td>ETR</td> <td>-</td> <td>WD.</td> <td>J2</td> <td>PTD.</td> <td>-</td> <td>385</td> <td>3\"/> <tr> <td>388</td> <td>ETR</td> <td>-</td> <td>WD.</td> <td>J2</td> <td>PTD.</td> <td>-</td> <td>386</td> <td>3\"/> <tr> <td>389</td> <td>ETR</td> <td>-</td> <td>WD.</td> <td>J2</td> <td>PTD.</td> <td>-</td> <td>387</td> <td>3\"/> <tr> <td>391</td> <td>ETR</td> <td>-</td> <td>WD.</td> <td>J2</td> <td>PTD.</td> <td>-</td> <td>388</td> <td>3\"/> <tr> <td>391A</td> <td>ETR</td> <td>-</td> <td>WD.</td> <td>J2</td> <td>PTD.</td> <td>-</td> <td>389</td> <td>3\"/> <tr> <td>391B</td> <td>ETR</td> <td>-</td> <td>WD.</td> <td>J2</td> <td>PTD.</td> <td>-</td> <td>391</td> <td>3\"/> <tr> <td>394</td> <td>ETR</td> <td>-</td> <td>WD.</td> <td>J2</td> <td>PTD.</td> <td>-</td> <td>391A</td> <td>3\"/> <tr> <td>395</td> <td>ETR</td> <td>-</td> <td>WD.</td> <td>J2</td> <td>PTD.</td> <td>-</td> <td>391B</td> <td>3\"/> <tr> <td>396</td> <td>ETR</td> <td>-</td> <td>WD.</td> <td>J2</td> <td>PTD.</td> <td>-</td> <td>394</td> <td>3\"/> <tr> <td>398</td> <td>ETR</td> <td>-</td> <td>WD.</td> <td>J2</td> <td>PTD.</td> <td>-</td> <td>395</td> <td>3\"/> <tr> <td>399</td> <td>ETR</td> <td>-</td> <td>WD.</td> <td>J2</td> <td>PTD.</td> <td>-</td> <td>396</td> <td>3\"/> <tr> <td>3991</td> <td>ETR</td> <td>-</td> <td>WD.</td> <td>J2</td> <td>PTD.</td> <td>-</td> <td>398</td> <td>3\"/> <tr> <td>3992</td> <td>A</td> <td>3\"/> <tr> <td>3993</td> <td>ETR</td> <td>-</td> <td>WD.</td> <td>J2</td> <td>PTD.</td> <td>-</td> <td>399</td> <td>3\"/> <tr> <td>3994</td> <td>ETR</td> <td>-</td> <td>WD.</td> <td>J2</td> <td>PTD.</td> <td>-</td> <td>3991</td> <td>3\"/> <tr> <td>3995</td> <td>ETR</td> <td>-</td> <td>WD.</td> <td>J2</td> <td>PTD.</td> <td>-</td> <td>3992</td> <td>3\"/> <tr> <td>3997</td> <td>ETR</td> <td>-</td> <td>WD.</td> <td>J2</td> <td>PTD.</td> <td>-</td> <td>3993</td> <td>3\"/> <tr> <td>3998</td> <td>ETR</td> <td>-</td> <td>WD.</td> <td>J2</td> <td>PTD.</td> <td>-</td> <td>3994</td> <td>3\"/> <tr> <td>3999</td> <td>ETR</td> <td>-</td> <td>WD.</td> <td>J2</td> <td>PTD.</td> <td>-</td> <td>3995</td> <td>3\"/> <tr> <td>3999</td> <td>ETR</td> <td>-</td> <td>WD.</td> <td>J2</td> <td>PTD.</td> <td>-</td> <td>3997</td> <td>3\"/> </td></tr></td></tr></td></tr></td></tr></td></tr></td></tr></td></tr></td></tr></td></tr></td></tr></td></tr></td></tr></td></tr></td></tr></td></tr></td></tr></td></tr></td></tr></td></tr></td></tr></td></tr></td></tr></td></td></tr></td></tr></td></td></tr></td></td></tr></td></td></tr></td></td></tr></td> | WD | J1 | PTD.
 | - | 376 | 3\"/> <tr> <td>378</td> <td>B</td> <td>1 <td>WD</td> <td>J1</td> <td>PTD.</td> <td>-</td> <td>377</td> <td>3\"/> <tr> <td>379</td> <td>B</td> <td>1 <td>WD</td> <td>J1</td> <td>PTD.</td> <td>-</td> <td>377A</td> <td>3\"/> <tr> <td>380A</td> <td>B</td> <td>1 <td>WD</td> <td>J1</td> <td>PTD.</td> <td>-</td> <td>378</td> <td>3\"/> <tr> <td>380B</td> <td>B</td> <td>1 <td>WD</td> <td>J1</td> <td>PTD.</td> <td>-</td> <td>379</td> <td>3\"/> <tr> <td>382</td> <td>ETR</td> <td>-</td> <td>WD.</td> <td>J2</td> <td>PTD.</td> <td>-</td> <td>380A</td> <td>3\"/> <tr> <td>382A</td> <td>D</td> <td>6 <td>ALUM.</td> <td>ANODIZE D</td> <td>-</td> <td>-</td> <td>380B</td> <td>3\"/> <tr> <td>385</td> <td>ETR</td> <td>-</td> <td>WD.</td> <td>J2</td> <td>PTD.</td> <td>-</td> <td>382</td> <td>3\"/> <tr> <td>386</td> <td>ETR</td> <td>-</td> <td>WD.</td> <td>J2</td> <td>PTD.</td> <td>-</td> <td>382A</td> <td>3\"/> <tr> <td>387</td> <td>ETR</td> <td>-</td> <td>WD.</td> <td>J2</td> <td>PTD.</td> <td>-</td> <td>385</td> <td>3\"/> <tr> <td>388</td> <td>ETR</td> <td>-</td> <td>WD.</td> <td>J2</td> <td>PTD.</td> <td>-</td> <td>386</td> <td>3\"/> <tr> <td>389</td> <td>ETR</td> <td>-</td> <td>WD.</td> <td>J2</td> <td>PTD.</td> <td>-</td> <td>387</td> <td>3\"/> <tr> <td>391</td> <td>ETR</td> <td>-</td> <td>WD.</td> <td>J2</td> <td>PTD.</td> <td>-</td> <td>388</td> <td>3\"/> <tr> <td>391A</td> <td>ETR</td> <td>-</td> <td>WD.</td> <td>J2</td> <td>PTD.</td> <td>-</td> <td>389</td> <td>3\"/> <tr> <td>391B</td> <td>ETR</td> <td>-</td> <td>WD.</td> <td>J2</td> <td>PTD.</td> <td>-</td> <td>391</td> <td>3\"/> <tr> <td>394</td> <td>ETR</td> <td>-</td> <td>WD.</td> <td>J2</td> <td>PTD.</td> <td>-</td> <td>391A</td> <td>3\"/> <tr> <td>395</td> <td>ETR</td> <td>-</td> <td>WD.</td> <td>J2</td> <td>PTD.</td> <td>-</td> <td>391B</td> <td>3\"/> <tr> <td>396</td> <td>ETR</td> <td>-</td> <td>WD.</td> <td>J2</td> <td>PTD.</td> <td>-</td> <td>394</td> <td>3\"/> <tr> <td>398</td> <td>ETR</td> <td>-</td> <td>WD.</td> <td>J2</td> <td>PTD.</td> <td>-</td> <td>395</td> <td>3\"/> <tr> <td>399</td> <td>ETR</td> <td>-</td> <td>WD.</td> <td>J2</td> <td>PTD.</td> <td>-</td> <td>396</td> <td>3\"/> <tr> <td>3991</td> <td>ETR</td> <td>-</td> <td>WD.</td> <td>J2</td> <td>PTD.</td> <td>-</td> <td>398</td> <td>3\"/> <tr> <td>3992</td> <td>A</td> <td>3\"/> <tr> <td>3993</td> <td>ETR</td> <td>-</td> <td>WD.</td> <td>J2</td> <td>PTD.</td> <td>-</td> <td>399</td> <td>3\"/> <tr> <td>3994</td> <td>ETR</td> <td>-</td> <td>WD.</td> <td>J2</td> <td>PTD.</td> <td>-</td> <td>3991</td> <td>3\"/> <tr> <td>3995</td> <td>ETR</td> <td>-</td> <td>WD.</td> <td>J2</td> <td>PTD.</td> <td>-</td> <td>3992</td> <td>3\"/> <tr> <td>3997</td> <td>ETR</td> <td>-</td> <td>WD.</td> <td>J2</td> <td>PTD.</td> <td>-</td> <td>3993</td> <td>3\"/> <tr> <td>3998</td> <td>ETR</td> <td>-</td> <td>WD.</td> <td>J2</td> <td>PTD.</td> <td>-</td> <td>3994</td> <td>3\"/> <tr> <td>3999</td> <td>ETR</td> <td>-</td> <td>WD.</td> <td>J2</td> <td>PTD.</td> <td>-</td> <td>3995</td> <td>3\"/> <tr> <td>3999</td> <td>ETR</td> <td>-</td> <td>WD.</td> <td>J2</td> <td>PTD.</td> <td>-</td> <td>3997</td> <td>3\"/> </td></tr></td></tr></td></tr></td></tr></td></tr></td></tr></td></tr></td></tr></td></tr></td></tr></td></tr></td></tr></td></tr></td></tr></td></tr></td></tr></td></tr></td></tr></td></tr></td></tr></td></tr></td></tr></td></td></tr></td></tr></td></td></tr></td></td></tr></td></td></tr></td></td></tr> | 378 | B | 1 <td>WD</td> <td>J1</td> <td>PTD.</td> <td>-</td> <td>377</td> <td>3\"/> <tr> <td>379</td> <td>B</td> <td>1 <td>WD</td> <td>J1</td> <td>PTD.</td> <td>-</td> <td>377A</td> <td>3\"/> <tr> <td>380A</td> <td>B</td> <td>1 <td>WD</td> <td>J1</td> <td>PTD.</td> <td>-</td> <td>378</td> <td>3\"/> <tr> <td>380B</td> <td>B</td> <td>1 <td>WD</td> <td>J1</td> <td>PTD.</td> <td>-</td> <td>379</td> <td>3\"/> <tr> <td>382</td> <td>ETR</td> <td>-</td> <td>WD.</td> <td>J2</td> <td>PTD.</td> <td>-</td> <td>380A</td> <td>3\"/> <tr> <td>382A</td> <td>D</td> <td>6 <td>ALUM.</td> <td>ANODIZE D</td> <td>-</td> <td>-</td> <td>380B</td> <td>3\"/> <tr> <td>385</td> <td>ETR</td> <td>-</td> <td>WD.</td> <td>J2</td> <td>PTD.</td> <td>-</td> <td>382</td> <td>3\"/> <tr> <td>386</td> <td>ETR</td> <td>-</td> <td>WD.</td> <td>J2</td> <td>PTD.</td> <td>-</td> <td>382A</td> <td>3\"/> <tr> <td>387</td> <td>ETR</td> <td>-</td> <td>WD.</td> <td>J2</td> <td>PTD.</td> <td>-</td> <td>385</td> <td>3\"/> <tr> <td>388</td> <td>ETR</td> <td>-</td> <td>WD.</td> <td>J2</td> <td>PTD.</td> <td>-</td> <td>386</td> <td>3\"/> <tr> <td>389</td> <td>ETR</td> <td>-</td> <td>WD.</td> <td>J2</td> <td>PTD.</td> <td>-</td> <td>387</td> <td>3\"/> <tr> <td>391</td> <td>ETR</td> <td>-</td> <td>WD.</td> <td>J2</td> <td>PTD.</td> <td>-</td> <td>388</td> <td>3\"/> <tr> <td>391A</td> <td>ETR</td> <td>-</td> <td>WD.</td> <td>J2</td> <td>PTD.</td> <td>-</td> <td>389</td> <td>3\"/> <tr> <td>391B</td> <td>ETR</td> <td>-</td> <td>WD.</td> <td>J2</td> <td>PTD.</td> <td>-</td> <td>391</td> <td>3\"/> <tr> <td>394</td> <td>ETR</td> <td>-</td> <td>WD.</td> <td>J2</td> <td>PTD.</td> <td>-</td> <td>391A</td> <td>3\"/> <tr> <td>395</td> <td>ETR</td> <td>-</td> <td>WD.</td> <td>J2</td> <td>PTD.</td> <td>-</td> <td>391B</td> <td>3\"/> <tr> <td>396</td> <td>ETR</td> <td>-</td> <td>WD.</td> <td>J2</td> <td>PTD.</td> <td>-</td> <td>394</td> <td>3\"/> <tr> <td>398</td> <td>ETR</td> <td>-</td> <td>WD.</td> <td>J2</td> <td>PTD.</td> <td>-</td> <td>395</td> <td>3\"/> <tr> <td>399</td> <td>ETR</td> <td>-</td> <td>WD.</td> <td>J2</td> <td>PTD.</td> <td>-</td> <td>396</td> <td>3\"/> <tr> <td>3991</td> <td>ETR</td> <td>-</td> <td>WD.</td> <td>J2</td> <td>PTD.</td> <td>-</td> <td>398</td> <td>3\"/> <tr> <td>3992</td> <td>A</td> <td>3\"/> <tr> <td>3993</td> <td>ETR</td> <td>-</td> <td>WD.</td> <td>J2</td> <td>PTD.</td> <td>-</td> <td>399</td> <td>3\"/> <tr> <td>3994</td> <td>ETR</td> <td>-</td> <td>WD.</td> <td>J2</td> <td>PTD.</td> <td>-</td> <td>3991</td> <td>3\"/> <tr> <td>3995</td> <td>ETR</td> <td>-</td> <td>WD.</td> <td>J2</td> <td>PTD.</td> <td>-</td> <td>3992</td> <td>3\"/> <tr> <td>3997</td> <td>ETR</td> <td>-</td> <td>WD.</td> <td>J2</td> <td>PTD.</td> <td>-</td> <td>3993</td> <td>3\"/> <tr> <td>3998</td> <td>ETR</td> <td>-</td> <td>WD.</td> <td>J2</td> <td>PTD.</td> <td>-</td> <td>3994</td>
<td>3\"/> <tr> <td>3999</td> <td>ETR</td> <td>-</td> <td>WD.</td> <td>J2</td> <td>PTD.</td> <td>-</td> <td>3995</td> <td>3\"/> <tr> <td>3999</td> <td>ETR</td> <td>-</td> <td>WD.</td> <td>J2</td> <td>PTD.</td> <td>-</td> <td>3997</td> <td>3\"/> </td></tr></td></tr></td></tr></td></tr></td></tr></td></tr></td></tr></td></tr></td></tr></td></tr></td></tr></td></tr></td></tr></td></tr></td></tr></td></tr></td></tr></td></tr></td></tr></td></tr></td></tr></td></tr></td></td></tr></td></tr></td></td></tr></td></td></tr></td></td></tr></td> | WD | J1 | PTD. | - | 377 | 3\"/> <tr> <td>379</td> <td>B</td> <td>1 <td>WD</td> <td>J1</td> <td>PTD.</td> <td>-</td> <td>377A</td> <td>3\"/> <tr> <td>380A</td> <td>B</td> <td>1 <td>WD</td> <td>J1</td> <td>PTD.</td> <td>-</td> <td>378</td> <td>3\"/> <tr> <td>380B</td> <td>B</td> <td>1 <td>WD</td> <td>J1</td> <td>PTD.</td> <td>-</td> <td>379</td> <td>3\"/> <tr> <td>382</td> <td>ETR</td> <td>-</td> <td>WD.</td> <td>J2</td> <td>PTD.</td> <td>-</td> <td>380A</td> <td>3\"/> <tr> <td>382A</td> <td>D</td> <td>6 <td>ALUM.</td> <td>ANODIZE D</td> <td>-</td> <td>-</td> <td>380B</td> <td>3\"/> <tr> <td>385</td> <td>ETR</td> <td>-</td> <td>WD.</td> <td>J2</td> <td>PTD.</td> <td>-</td> <td>382</td> <td>3\"/> <tr> <td>386</td> <td>ETR</td> <td>-</td> <td>WD.</td> <td>J2</td> <td>PTD.</td> <td>-</td> <td>382A</td> <td>3\"/> <tr> <td>387</td> <td>ETR</td> <td>-</td> <td>WD.</td> <td>J2</td> <td>PTD.</td> <td>-</td> <td>385</td> <td>3\"/> <tr> <td>388</td> <td>ETR</td> <td>-</td> <td>WD.</td> <td>J2</td> <td>PTD.</td> <td>-</td> <td>386</td> <td>3\"/> <tr> <td>389</td> <td>ETR</td> <td>-</td> <td>WD.</td> <td>J2</td> <td>PTD.</td> <td>-</td> <td>387</td> <td>3\"/> <tr> <td>391</td> <td>ETR</td> <td>-</td> <td>WD.</td> <td>J2</td> <td>PTD.</td> <td>-</td> <td>388</td> <td>3\"/> <tr> <td>391A</td> <td>ETR</td> <td>-</td> <td>WD.</td> <td>J2</td> <td>PTD.</td> <td>-</td> <td>389</td> <td>3\"/> <tr> <td>391B</td> <td>ETR</td> <td>-</td> <td>WD.</td> <td>J2</td> <td>PTD.</td> <td>-</td> <td>391</td> <td>3\"/> <tr> <td>394</td> <td>ETR</td> <td>-</td> <td>WD.</td> <td>J2</td> <td>PTD.</td> <td>-</td> <td>391A</td> <td>3\"/> <tr> <td>395</td> <td>ETR</td> <td>-</td> <td>WD.</td> <td>J2</td> <td>PTD.</td> <td>-</td> <td>391B</td> <td>3\"/> <tr> <td>396</td> <td>ETR</td> <td>-</td> <td>WD.</td> <td>J2</td> <td>PTD.</td> <td>-</td> <td>394</td> <td>3\"/> <tr> <td>398</td> <td>ETR</td> <td>-</td> <td>WD.</td> <td>J2</td> <td>PTD.</td> <td>-</td> <td>395</td> <td>3\"/> <tr> <td>399</td> <td>ETR</td> <td>-</td> <td>WD.</td> <td>J2</td> <td>PTD.</td> <td>-</td> <td>396</td> <td>3\"/> <tr> <td>3991</td> <td>ETR</td> <td>-</td> <td>WD.</td> <td>J2</td> <td>PTD.</td> <td>-</td> <td>398</td> <td>3\"/> <tr> <td>3992</td> <td>A</td> <td>3\"/> <tr> <td>3993</td> <td>ETR</td> <td>-</td> <td>WD.</td> <td>J2</td> <td>PTD.</td> <td>-</td> <td>399</td> <td>3\"/> <tr> <td>3994</td> <td>ETR</td> <td>-</td> <td>WD.</td> <td>J2</td> <td>PTD.</td> <td>-</td> <td>3991</td> <td>3\"/> <tr> <td>3995</td> <td>ETR</td> <td>-</td> <td>WD.</td> <td>J2</td> <td>PTD.</td> <td>-</td> <td>3992</td> <td>3\"/> <tr> <td>3997</td> <td>ETR</td> <td>-</td> <td>WD.</td> <td>J2</td> <td>PTD.</td> <td>-</td> <td>3993</td> <td>3\"/> <tr> <td>3998</td> <td>ETR</td> <td>-</td> <td>WD.</td> <td>J2</td> <td>PTD.</td> <td>-</td> <td>3994</td> <td>3\"/> <tr> <td>3999</td> <td>ETR</td> <td>-</td> <td>WD.</td> <td>J2</td> <td>PTD.</td> <td>-</td> <td>3995</td> <td>3\"/> <tr> <td>3999</td> <td>ETR</td> <td>-</td> <td>WD.</td> <td>J2</td> <td>PTD.</td> <td>-</td> <td>3997</td> <td>3\"/> </td></tr></td></tr></td></tr></td></tr></td></tr></td></tr></td></tr></td></tr></td></tr></td></tr></td></tr></td></tr></td></tr></td></tr></td></tr></td></tr></td></tr></td></tr></td></tr></td></tr></td></tr></td></tr></td></td></tr></td></tr></td></td></tr></td></td></tr></td></td></tr> | 379 | B | 1 <td>WD</td> <td>J1</td> <td>PTD.</td> <td>-</td> <td>377A</td> <td>3\"/> <tr> <td>380A</td> <td>B</td> <td>1 <td>WD</td> <td>J1</td> <td>PTD.</td> <td>-</td> <td>378</td> <td>3\"/> <tr> <td>380B</td> <td>B</td> <td>1 <td>WD</td> <td>J1</td> <td>PTD.</td> <td>-</td> <td>379</td> <td>3\"/> <tr> <td>382</td> <td>ETR</td> <td>-</td> <td>WD.</td> <td>J2</td> <td>PTD.</td> <td>-</td> <td>380A</td> <td>3\"/> <tr> <td>382A</td> <td>D</td> <td>6 <td>ALUM.</td> <td>ANODIZE D</td> <td>-</td> <td>-</td> <td>380B</td> <td>3\"/> <tr> <td>385</td> <td>ETR</td> <td>-</td> <td>WD.</td> <td>J2</td> <td>PTD.</td> <td>-</td> <td>382</td> <td>3\"/> <tr> <td>386</td> <td>ETR</td> <td>-</td> <td>WD.</td> <td>J2</td> <td>PTD.</td> <td>-</td> <td>382A</td> <td>3\"/> <tr> <td>387</td> <td>ETR</td> <td>-</td> <td>WD.</td> <td>J2</td> <td>PTD.</td> <td>-</td> <td>385</td> <td>3\"/> <tr> <td>388</td> <td>ETR</td> <td>-</td> <td>WD.</td> <td>J2</td> <td>PTD.</td> <td>-</td> <td>386</td> <td>3\"/> <tr> <td>389</td> <td>ETR</td> <td>-</td> <td>WD.</td> <td>J2</td> <td>PTD.</td> <td>-</td> <td>387</td> <td>3\"/> <tr> <td>391</td> <td>ETR</td> <td>-</td> <td>WD.</td> <td>J2</td> <td>PTD.</td> <td>-</td> <td>388</td> <td>3\"/> <tr> <td>391A</td> <td>ETR</td> <td>-</td> <td>WD.</td> <td>J2</td> <td>PTD.</td> <td>-</td> <td>389</td> <td>3\"/> <tr> <td>391B</td> <td>ETR</td> <td>-</td> <td>WD.</td> <td>J2</td> <td>PTD.</td> <td>-</td> <td>391</td> <td>3\"/> <tr> <td>394</td> <td>ETR</td> <td>-</td> <td>WD.</td> <td>J2</td> <td>PTD.</td> <td>-</td> <td>391A</td> <td>3\"/> <tr> <td>395</td>
<td>ETR</td> <td>-</td> <td>WD.</td> <td>J2</td> <td>PTD.</td> <td>-</td> <td>391B</td> <td>3\"/> <tr> <td>396</td> <td>ETR</td> <td>-</td> <td>WD.</td> <td>J2</td> <td>PTD.</td> <td>-</td> <td>394</td> <td>3\"/> <tr> <td>398</td> <td>ETR</td> <td>-</td> <td>WD.</td> <td>J2</td> <td>PTD.</td> <td>-</td> <td>395</td> <td>3\"/> <tr> <td>399</td> <td>ETR</td> <td>-</td> <td>WD.</td> <td>J2</td> <td>PTD.</td> <td>-</td> <td>396</td> <td>3\"/> <tr> <td>3991</td> <td>ETR</td> <td>-</td> <td>WD.</td> <td>J2</td> <td>PTD.</td> <td>-</td> <td>398</td> <td>3\"/> <tr> <td>3992</td> <td>A</td> <td>3\"/> <tr> <td>3993</td> <td>ETR</td> <td>-</td> <td>WD.</td> <td>J2</td> <td>PTD.</td> <td>-</td> <td>399</td> <td>3\"/> <tr> <td>3994</td> <td>ETR</td> <td>-</td> <td>WD.</td> <td>J2</td> <td>PTD.</td> <td>-</td> <td>3991</td> <td>3\"/> <tr> <td>3995</td> <td>ETR</td> <td>-</td> <td>WD.</td> <td>J2</td> <td>PTD.</td> <td>-</td> <td>3992</td> <td>3\"/> <tr> <td>3997</td> <td>ETR</td> <td>-</td> <td>WD.</td> <td>J2</td> <td>PTD.</td> <td>-</td> <td>3993</td> <td>3\"/> <tr> <td>3998</td> <td>ETR</td> <td>-</td> <td>WD.</td> <td>J2</td> <td>PTD.</td> <td>-</td> <td>3994</td> <td>3\"/> <tr> <td>3999</td> <td>ETR</td> <td>-</td> <td>WD.</td> <td>J2</td> <td>PTD.</td> <td>-</td> <td>3995</td> <td>3\"/> <tr> <td>3999</td> <td>ETR</td> <td>-</td> <td>WD.</td> <td>J2</td> <td>PTD.</td> <td>-</td> <td>3997</td> <td>3\"/> </td></tr></td></tr></td></tr></td></tr></td></tr></td></tr></td></tr></td></tr></td></tr></td></tr></td></tr></td></tr></td></tr></td></tr></td></tr></td></tr></td></tr></td></tr></td></tr></td></tr></td></tr></td></tr></td></td></tr></td></tr></td></td></tr></td></td></tr></td> | WD | J1 | PTD. | - | 377A | 3\"/> <tr> <td>380A</td> <td>B</td> <td>1 <td>WD</td> <td>J1</td> <td>PTD.</td> <td>-</td> <td>378</td> <td>3\"/> <tr> <td>380B</td> <td>B</td> <td>1 <td>WD</td> <td>J1</td> <td>PTD.</td> <td>-</td> <td>379</td> <td>3\"/> <tr> <td>382</td> <td>ETR</td> <td>-</td> <td>WD.</td> <td>J2</td> <td>PTD.</td> <td>-</td> <td>380A</td> <td>3\"/> <tr> <td>382A</td> <td>D</td> <td>6 <td>ALUM.</td> <td>ANODIZE D</td> <td>-</td> <td>-</td> <td>380B</td> <td>3\"/> <tr> <td>385</td> <td>ETR</td> <td>-</td> <td>WD.</td> <td>J2</td> <td>PTD.</td> <td>-</td> <td>382</td> <td>3\"/> <tr> <td>386</td> <td>ETR</td> <td>-</td> <td>WD.</td> <td>J2</td> <td>PTD.</td> <td>-</td> <td>382A</td> <td>3\"/> <tr> <td>387</td> <td>ETR</td> <td>-</td> <td>WD.</td> <td>J2</td> <td>PTD.</td> <td>-</td> <td>385</td> <td>3\"/> <tr> <td>388</td> <td>ETR</td> <td>-</td> <td>WD.</td> <td>J2</td> <td>PTD.</td> <td>-</td> <td>386</td> <td>3\"/> <tr> <td>389</td> <td>ETR</td> <td>-</td> <td>WD.</td> <td>J2</td> <td>PTD.</td> <td>-</td> <td>387</td> <td>3\"/> <tr> <td>391</td> <td>ETR</td> <td>-</td> <td>WD.</td> <td>J2</td> <td>PTD.</td> <td>-</td> <td>388</td> <td>3\"/> <tr> <td>391A</td> <td>ETR</td> <td>-</td> <td>WD.</td> <td>J2</td> <td>PTD.</td> <td>-</td> <td>389</td> <td>3\"/> <tr> <td>391B</td> <td>ETR</td> <td>-</td> <td>WD.</td> <td>J2</td> <td>PTD.</td> <td>-</td> <td>391</td> <td>3\"/> <tr> <td>394</td> <td>ETR</td> <td>-</td> <td>WD.</td> <td>J2</td> <td>PTD.</td> <td>-</td> <td>391A</td> <td>3\"/> <tr> <td>395</td> <td>ETR</td> <td>-</td> <td>WD.</td> <td>J2</td> <td>PTD.</td> <td>-</td> <td>391B</td> <td>3\"/> <tr> <td>396</td> <td>ETR</td> <td>-</td> <td>WD.</td> <td>J2</td> <td>PTD.</td> <td>-</td> <td>394</td> <td>3\"/> <tr> <td>398</td> <td>ETR</td> <td>-</td> <td>WD.</td> <td>J2</td> <td>PTD.</td> <td>-</td> <td>395</td> <td>3\"/> <tr> <td>399</td> <td>ETR</td> <td>-</td> <td>WD.</td> <td>J2</td> <td>PTD.</td> <td>-</td> <td>396</td> <td>3\"/> <tr> <td>3991</td> <td>ETR</td> <td>-</td> <td>WD.</td> <td>J2</td> <td>PTD.</td> <td>-</td> <td>398</td> <td>3\"/> <tr> <td>3992</td> <td>A</td> <td>3\"/> <tr> <td>3993</td> <td>ETR</td> <td>-</td> <td>WD.</td> <td>J2</td> <td>PTD.</td> <td>-</td> <td>399</td> <td>3\"/> <tr> <td>3994</td> <td>ETR</td> <td>-</td> <td>WD.</td> <td>J2</td> <td>PTD.</td> <td>-</td> <td>3991</td> <td>3\"/> <tr> <td>3995</td> <td>ETR</td> <td>-</td> <td>WD.</td> <td>J2</td> <td>PTD.</td> <td>-</td> <td>3992</td> <td>3\"/> <tr> <td>3997</td> <td>ETR</td> <td>-</td> <td>WD.</td> <td>J2</td> <td>PTD.</td> <td>-</td> <td>3993</td> <td>3\"/> <tr> <td>3998</td> <td>ETR</td> <td>-</td> <td>WD.</td> <td>J2</td> <td>PTD.</td> <td>-</td> <td>3994</td> <td>3\"/> <tr> <td>3999</td> <td>ETR</td> <td>-</td> <td>WD.</td> <td>J2</td> <td>PTD.</td> <td>-</td> <td>3995</td> <td>3\"/> <tr> <td>3999</td> <td>ETR</td> <td>-</td> <td>WD.</td> <td>J2</td> <td>PTD.</td> <td>-</td> <td>3997</td> <td>3\"/> </td></tr></td></tr></td></tr></td></tr></td></tr></td></tr></td></tr></td></tr></td></tr></td></tr></td></tr></td></tr></td></tr></td></tr></td></tr></td></tr></td></tr></td></tr></td></tr></td></tr></td></tr></td></tr></td></td></tr></td></tr></td></td></tr></td></td></tr> | 380A | B | 1 <td>WD</td> <td>J1</td> <td>PTD.</td> <td>-</td> <td>378</td> <td>3\"/> <tr> <td>380B</td> <td>B</td> <td>1 <td>WD</td> <td>J1</td> <td>PTD.</td> <td>-</td> <td>379</td> <td>3\"/> <tr> <td>382</td> <td>ETR</td> <td>-</td> <td>WD.</td> <td>J2</td> <td>PTD.</td> <td>-</td> <td>380A</td> <td>3\"/> <tr> <td>382A</td> <td>D</td> <td>6 <td>ALUM.</td> <td>ANODIZE D</td> <td>-</td> <td>-</td> <td>380B</td> <td>3\"/> <tr> <td>385</td> <td>ETR</td> <td>-</td> <td>WD.</td> <td>J2</td> <td>PTD.</td> <td>-</td> <td>382</td> <td>3\"/> <tr> <td>386</td> <td>ETR</td> <td>-</td> <td>WD.</td> <td>J2</td> <td>PTD.</td> <td>-</td> <td>382A</td> <td>3\"/> <tr> <td>387</td>
<td>ETR</td> <td>-</td> <td>WD.</td> <td>J2</td> <td>PTD.</td> <td>-</td> <td>385</td> <td>3\"/> <tr> <td>388</td> <td>ETR</td> <td>-</td> <td>WD.</td> <td>J2</td> <td>PTD.</td> <td>-</td> <td>386</td> <td>3\"/> <tr> <td>389</td> <td>ETR</td> <td>-</td> <td>WD.</td> <td>J2</td> <td>PTD.</td> <td>-</td> <td>387</td> <td>3\"/> <tr> <td>391</td> <td>ETR</td> <td>-</td> <td>WD.</td> <td>J2</td> <td>PTD.</td> <td>-</td> <td>388</td> <td>3\"/> <tr> <td>391A</td> <td>ETR</td> <td>-</td> <td>WD.</td> <td>J2</td> <td>PTD.</td> <td>-</td> <td>389</td> <td>3\"/> <tr> <td>391B</td> <td>ETR</td> <td>-</td> <td>WD.</td> <td>J2</td> <td>PTD.</td> <td>-</td> <td>391</td> <td>3\"/> <tr> <td>394</td> <td>ETR</td> <td>-</td> <td>WD.</td> <td>J2</td> <td>PTD.</td> <td>-</td> <td>391A</td> <td>3\"/> <tr> <td>395</td> <td>ETR</td> <td>-</td> <td>WD.</td> <td>J2</td> <td>PTD.</td> <td>-</td> <td>391B</td> <td>3\"/> <tr> <td>396</td> <td>ETR</td> <td>-</td> <td>WD.</td> <td>J2</td> <td>PTD.</td> <td>-</td> <td>394</td> <td>3\"/> <tr> <td>398</td> <td>ETR</td> <td>-</td> <td>WD.</td> <td>J2</td> <td>PTD.</td> <td>-</td> <td>395</td> <td>3\"/> <tr> <td>399</td> <td>ETR</td> <td>-</td> <td>WD.</td> <td>J2</td> <td>PTD.</td> <td>-</td> <td>396</td> <td>3\"/> <tr> <td>3991</td> <td>ETR</td> <td>-</td> <td>WD.</td> <td>J2</td> <td>PTD.</td> <td>-</td> <td>398</td> <td>3\"/> <tr> <td>3992</td> <td>A</td> <td>3\"/> <tr> <td>3993</td> <td>ETR</td> <td>-</td> <td>WD.</td> <td>J2</td> <td>PTD.</td> <td>-</td> <td>399</td> <td>3\"/> <tr> <td>3994</td> <td>ETR</td> <td>-</td> <td>WD.</td> <td>J2</td> <td>PTD.</td> <td>-</td> <td>3991</td> <td>3\"/> <tr> <td>3995</td> <td>ETR</td> <td>-</td> <td>WD.</td> <td>J2</td> <td>PTD.</td> <td>-</td> <td>3992</td> <td>3\"/> <tr> <td>3997</td> <td>ETR</td> <td>-</td> <td>WD.</td> <td>J2</td> <td>PTD.</td> <td>-</td> <td>3993</td> <td>3\"/> <tr> <td>3998</td> <td>ETR</td> <td>-</td> <td>WD.</td> <td>J2</td> <td>PTD.</td> <td>-</td> <td>3994</td> <td>3\"/> <tr> <td>3999</td> <td>ETR</td> <td>-</td> <td>WD.</td> <td>J2</td> <td>PTD.</td> <td>-</td> <td>3995</td> <td>3\"/> <tr> <td>3999</td> <td>ETR</td> <td>-</td> <td>WD.</td> <td>J2</td> <td>PTD.</td> <td>-</td> <td>3997</td> <td>3\"/> </td></tr></td></tr></td></tr></td></tr></td></tr></td></tr></td></tr></td></tr></td></tr></td></tr></td></tr></td></tr></td></tr></td></tr></td></tr></td></tr></td></tr></td></tr></td></tr></td></tr></td></tr></td></tr></td></td></tr></td></tr></td></td></tr></td> | WD | J1 | PTD. | - | 378 | 3\"/> <tr> <td>380B</td> <td>B</td> <td>1 <td>WD</td> <td>J1</td> <td>PTD.</td> <td>-</td> <td>379</td> <td>3\"/> <tr> <td>382</td> <td>ETR</td> <td>-</td> <td>WD.</td> <td>J2</td> <td>PTD.</td> <td>-</td> <td>380A</td> <td>3\"/> <tr> <td>382A</td> <td>D</td> <td>6 <td>ALUM.</td> <td>ANODIZE D</td> <td>-</td> <td>-</td> <td>380B</td> <td>3\"/> <tr> <td>385</td> <td>ETR</td> <td>-</td> <td>WD.</td> <td>J2</td> <td>PTD.</td> <td>-</td> <td>382</td> <td>3\"/> <tr> <td>386</td> <td>ETR</td> <td>-</td> <td>WD.</td> <td>J2</td> <td>PTD.</td> <td>-</td> <td>382A</td> <td>3\"/> <tr> <td>387</td> <td>ETR</td> <td>-</td> <td>WD.</td> <td>J2</td> <td>PTD.</td> <td>-</td> <td>385</td> <td>3\"/> <tr> <td>388</td> <td>ETR</td> <td>-</td> <td>WD.</td> <td>J2</td> <td>PTD.</td> <td>-</td> <td>386</td> <td>3\"/> <tr> <td>389</td> <td>ETR</td> <td>-</td> <td>WD.</td> <td>J2</td> <td>PTD.</td> <td>-</td> <td>387</td> <td>3\"/> <tr> <td>391</td> <td>ETR</td> <td>-</td> <td>WD.</td> <td>J2</td> <td>PTD.</td> <td>-</td> <td>388</td> <td>3\"/> <tr> <td>391A</td> <td>ETR</td> <td>-</td> <td>WD.</td> <td>J2</td> <td>PTD.</td> <td>-</td> <td>389</td> <td>3\"/> <tr> <td>391B</td> <td>ETR</td> <td>-</td> <td>WD.</td> <td>J2</td> <td>PTD.</td> <td>-</td> <td>391</td> <td>3\"/> <tr> <td>394</td> <td>ETR</td> <td>-</td> <td>WD.</td> <td>J2</td> <td>PTD.</td> <td>-</td> <td>391A</td> <td>3\"/> <tr> <td>395</td> <td>ETR</td> <td>-</td> <td>WD.</td> <td>J2</td> <td>PTD.</td> <td>-</td> <td>391B</td> <td>3\"/> <tr> <td>396</td> <td>ETR</td> <td>-</td> <td>WD.</td> <td>J2</td> <td>PTD.</td> <td>-</td> <td>394</td> <td>3\"/> <tr> <td>398</td> <td>ETR</td> <td>-</td> <td>WD.</td> <td>J2</td> <td>PTD.</td> <td>-</td> <td>395</td> <td>3\"/> <tr> <td>399</td> <td>ETR</td> <td>-</td> <td>WD.</td> <td>J2</td> <td>PTD.</td> <td>-</td> <td>396</td> <td>3\"/> <tr> <td>3991</td> <td>ETR</td> <td>-</td> <td>WD.</td> <td>J2</td> <td>PTD.</td> <td>-</td> <td>398</td> <td>3\"/> <tr> <td>3992</td> <td>A</td> <td>3\"/> <tr> <td>3993</td> <td>ETR</td> <td>-</td> <td>WD.</td> <td>J2</td> <td>PTD.</td> <td>-</td> <td>399</td> <td>3\"/> <tr> <td>3994</td> <td>ETR</td> <td>-</td> <td>WD.</td> <td>J2</td> <td>PTD.</td> <td>-</td> <td>3991</td> <td>3\"/> <tr> <td>3995</td> <td>ETR</td> <td>-</td> <td>WD.</td> <td>J2</td> <td>PTD.</td> <td>-</td> <td>3992</td> <td>3\"/> <tr> <td>3997</td> <td>ETR</td> <td>-</td> <td>WD.</td> <td>J2</td> <td>PTD.</td> <td>-</td> <td>3993</td> <td>3\"/> <tr> <td>3998</td> <td>ETR</td> <td>-</td> <td>WD.</td> <td>J2</td> <td>PTD.</td> <td>-</td> <td>3994</td> <td>3\"/> <tr> <td>3999</td> <td>ETR</td> <td>-</td> <td>WD.</td> <td>J2</td> <td>PTD.</td> <td>-</td> <td>3995</td> <td>3\"/> <tr> <td>3999</td> <td>ETR</td> <td>-</td> <td>WD.</td> <td>J2</td> <td>PTD.</td> <td>-</td> <td>3997</td> <td>3\"/> </td></tr></td></tr></td></tr></td></tr></td></tr></td></tr></td></tr></td></tr></td></tr></td></tr></td></tr></td></tr></td></tr></td></tr></td></tr></td></tr></td></tr></td></tr></td></tr></td></tr></td></tr></td></tr></td></td></tr></td></tr></td></td></tr> | 380B | B | 1 <td>WD</td> <td>J1</td> <td>PTD.</td> <td>-</td> <td>379</td> <td>3\"/> <tr> <td>382</td> <td>ETR</td> <td>-</td>
<td>WD.</td> <td>J2</td> <td>PTD.</td> <td>-</td> <td>380A</td> <td>3\"/> <tr> <td>382A</td> <td>D</td> <td>6 <td>ALUM.</td> <td>ANODIZE D</td> <td>-</td> <td>-</td> <td>380B</td> <td>3\"/> <tr> <td>385</td> <td>ETR</td> <td>-</td> <td>WD.</td> <td>J2</td> <td>PTD.</td> <td>-</td> <td>382</td> <td>3\"/> <tr> <td>386</td> <td>ETR</td> <td>-</td> <td>WD.</td> <td>J2</td> <td>PTD.</td> <td>-</td> <td>382A</td> <td>3\"/> <tr> <td>387</td> <td>ETR</td> <td>-</td> <td>WD.</td> <td>J2</td> <td>PTD.</td> <td>-</td> <td>385</td> <td>3\"/> <tr> <td>388</td> <td>ETR</td> <td>-</td> <td>WD.</td> <td>J2</td> <td>PTD.</td> <td>-</td> <td>386</td> <td>3\"/> <tr> <td>389</td> <td>ETR</td> <td>-</td> <td>WD.</td> <td>J2</td> <td>PTD.</td> <td>-</td> <td>387</td> <td>3\"/> <tr> <td>391</td> <td>ETR</td> <td>-</td> <td>WD.</td> <td>J2</td> <td>PTD.</td> <td>-</td> <td>388</td> <td>3\"/> <tr> <td>391A</td> <td>ETR</td> <td>-</td> <td>WD.</td> <td>J2</td> <td>PTD.</td> <td>-</td> <td>389</td> <td>3\"/> <tr> <td>391B</td> <td>ETR</td> <td>-</td> <td>WD.</td> <td>J2</td> <td>PTD.</td> <td>-</td> <td>391</td> <td>3\"/> <tr> <td>394</td> <td>ETR</td> <td>-</td> <td>WD.</td> <td>J2</td> <td>PTD.</td> <td>-</td> <td>391A</td> <td>3\"/> <tr> <td>395</td> <td>ETR</td> <td>-</td> <td>WD.</td> <td>J2</td> <td>PTD.</td> <td>-</td> <td>391B</td> <td>3\"/> <tr> <td>396</td> <td>ETR</td> <td>-</td> <td>WD.</td> <td>J2</td> <td>PTD.</td> <td>-</td> <td>394</td> <td>3\"/> <tr> <td>398</td> <td>ETR</td> <td>-</td> <td>WD.</td> <td>J2</td> <td>PTD.</td> <td>-</td> <td>395</td> <td>3\"/> <tr> <td>399</td> <td>ETR</td> <td>-</td> <td>WD.</td> <td>J2</td> <td>PTD.</td> <td>-</td> <td>396</td> <td>3\"/> <tr> <td>3991</td> <td>ETR</td> <td>-</td> <td>WD.</td> <td>J2</td> <td>PTD.</td> <td>-</td> <td>398</td> <td>3\"/> <tr> <td>3992</td> <td>A</td> <td>3\"/> <tr> <td>3993</td> <td>ETR</td> <td>-</td> <td>WD.</td> <td>J2</td> <td>PTD.</td> <td>-</td> <td>399</td> <td>3\"/> <tr> <td>3994</td> <td>ETR</td> <td>-</td> <td>WD.</td> <td>J2</td> <td>PTD.</td> <td>-</td> <td>3991</td> <td>3\"/> <tr> <td>3995</td> <td>ETR</td> <td>-</td> <td>WD.</td> <td>J2</td> <td>PTD.</td> <td>-</td> <td>3992</td> <td>3\"/> <tr> <td>3997</td> <td>ETR</td> <td>-</td> <td>WD.</td> <td>J2</td> <td>PTD.</td> <td>-</td> <td>3993</td> <td>3\"/> <tr> <td>3998</td> <td>ETR</td> <td>-</td> <td>WD.</td> <td>J2</td> <td>PTD.</td> <td>-</td> <td>3994</td> <td>3\"/> <tr> <td>3999</td> <td>ETR</td> <td>-</td> <td>WD.</td> <td>J2</td> <td>PTD.</td> <td>-</td> <td>3995</td> <td>3\"/> <tr> <td>3999</td> <td>ETR</td> <td>-</td> <td>WD.</td> <td>J2</td> <td>PTD.</td> <td>-</td> <td>3997</td> <td>3\"/> </td></tr></td></tr></td></tr></td></tr></td></tr></td></tr></td></tr></td></tr></td></tr></td></tr></td></tr></td></tr></td></tr></td></tr></td></tr></td></tr></td></tr></td></tr></td></tr></td></tr></td></tr></td></tr></td></td></tr></td></tr></td> | WD | J1 | PTD. | - | 379 | 3\"/> <tr> <td>382</td> <td>ETR</td> <td>-</td> <td>WD.</td> <td>J2</td> <td>PTD.</td> <td>-</td> <td>380A</td> <td>3\"/> <tr> <td>382A</td> <td>D</td> <td>6 <td>ALUM.</td> <td>ANODIZE D</td> <td>-</td> <td>-</td> <td>380B</td> <td>3\"/> <tr> <td>385</td> <td>ETR</td> <td>-</td> <td>WD.</td> <td>J2</td> <td>PTD.</td> <td>-</td> <td>382</td> <td>3\"/> <tr> <td>386</td> <td>ETR</td> <td>-</td> <td>WD.</td> <td>J2</td> <td>PTD.</td> <td>-</td> <td>382A</td> <td>3\"/> <tr> <td>387</td> <td>ETR</td> <td>-</td> <td>WD.</td> <td>J2</td> <td>PTD.</td> <td>-</td> <td>385</td> <td>3\"/> <tr> <td>388</td> <td>ETR</td> <td>-</td> <td>WD.</td> <td>J2</td> <td>PTD.</td> <td>-</td> <td>386</td> <td>3\"/> <tr> <td>389</td> <td>ETR</td> <td>-</td> <td>WD.</td> <td>J2</td> <td>PTD.</td> <td>-</td> <td>387</td> <td>3\"/> <tr> <td>391</td> <td>ETR</td> <td>-</td> <td>WD.</td> <td>J2</td> <td>PTD.</td> <td>-</td> <td>388</td> <td>3\"/> <tr> <td>391A</td> <td>ETR</td> <td>-</td> <td>WD.</td> <td>J2</td> <td>PTD.</td> <td>-</td> <td>389</td> <td>3\"/> <tr> <td>391B</td> <td>ETR</td> <td>-</td> <td>WD.</td> <td>J2</td> <td>PTD.</td> <td>-</td> <td>391</td> <td>3\"/> <tr> <td>394</td> <td>ETR</td> <td>-</td> <td>WD.</td> <td>J2</td> <td>PTD.</td> <td>-</td> <td>391A</td> <td>3\"/> <tr> <td>395</td> <td>ETR</td> <td>-</td> <td>WD.</td> <td>J2</td> <td>PTD.</td> <td>-</td> <td>391B</td> <td>3\"/> <tr> <td>396</td> <td>ETR</td> <td>-</td> <td>WD.</td> <td>J2</td> <td>PTD.</td> <td>-</td> <td>394</td> <td>3\"/> <tr> <td>398</td> <td>ETR</td> <td>-</td> <td>WD.</td> <td>J2</td> <td>PTD.</td> <td>-</td> <td>395</td> <td>3\"/> <tr> <td>399</td> <td>ETR</td> <td>-</td> <td>WD.</td> <td>J2</td> <td>PTD.</td> <td>-</td> <td>396</td> <td>3\"/> <tr> <td>3991</td> <td>ETR</td> <td>-</td> <td>WD.</td> <td>J2</td> <td>PTD.</td> <td>-</td> <td>398</td> <td>3\"/> <tr> <td>3992</td> <td>A</td> <td>3\"/> <tr> <td>3993</td> <td>ETR</td> <td>-</td> <td>WD.</td> <td>J2</td> <td>PTD.</td> <td>-</td> <td>399</td> <td>3\"/> <tr> <td>3994</td> <td>ETR</td> <td>-</td> <td>WD.</td> <td>J2</td> <td>PTD.</td> <td>-</td> <td>3991</td> <td>3\"/> <tr> <td>3995</td> <td>ETR</td> <td>-</td> <td>WD.</td> <td>J2</td> <td>PTD.</td> <td>-</td> <td>3992</td> <td>3\"/> <tr> <td>3997</td> <td>ETR</td> <td>-</td> <td>WD.</td> <td>J2</td> <td>PTD.</td> <td>-</td> <td>3993</td> <td>3\"/> <tr> <td>3998</td> <td>ETR</td> <td>-</td> <td>WD.</td> <td>J2</td> <td>PTD.</td> <td>-</td> <td>3994</td> <td>3\"/> <tr> <td>3999</td> <td>ETR</td> <td>-</td> <td>WD.</td> <td>J2</td> <td>PTD.</td> <td>-</td> <td>3995</td> <td>3\"/> <tr> <td>3999</td> <td>ETR</td> <td>-</td> <td>WD.</td> <td>J2</td> <td>PTD.</td> <td>-</td> <td>3997</td> <td>3\"/> </td></tr></td></tr></td></tr></td></tr></td></tr></td></tr></td></tr></td></tr></td></tr></td></tr></td></tr></td></tr></td></tr></td></tr></td></tr></td></tr></td></tr></td></tr></td></tr></td></tr></td></tr></td></tr></td></td></tr></td></tr>
 | 382 | ETR | - | WD. | J2 | PTD. | - | 380A | 3\"/> <tr> <td>382A</td> <td>D</td> <td>6 <td>ALUM.</td> <td>ANODIZE D</td> <td>-</td> <td>-</td> <td>380B</td> <td>3\"/> <tr> <td>385</td> <td>ETR</td> <td>-</td> <td>WD.</td> <td>J2</td> <td>PTD.</td> <td>-</td> <td>382</td> <td>3\"/> <tr> <td>386</td> <td>ETR</td> <td>-</td> <td>WD.</td> <td>J2</td> <td>PTD.</td> <td>-</td> <td>382A</td> <td>3\"/> <tr> <td>387</td> <td>ETR</td> <td>-</td> <td>WD.</td> <td>J2</td> <td>PTD.</td> <td>-</td> <td>385</td> <td>3\"/> <tr> <td>388</td> <td>ETR</td> <td>-</td> <td>WD.</td> <td>J2</td> <td>PTD.</td> <td>-</td> <td>386</td> <td>3\"/> <tr> <td>389</td> <td>ETR</td> <td>-</td> <td>WD.</td> <td>J2</td> <td>PTD.</td> <td>-</td> <td>387</td> <td>3\"/> <tr> <td>391</td> <td>ETR</td> <td>-</td> <td>WD.</td> <td>J2</td> <td>PTD.</td> <td>-</td> <td>388</td> <td>3\"/> <tr> <td>391A</td> <td>ETR</td> <td>-</td> <td>WD.</td> <td>J2</td> <td>PTD.</td> <td>-</td> <td>389</td> <td>3\"/> <tr> <td>391B</td> <td>ETR</td> <td>-</td> <td>WD.</td> <td>J2</td> <td>PTD.</td> <td>-</td> <td>391</td> <td>3\"/> <tr> <td>394</td> <td>ETR</td> <td>-</td> <td>WD.</td> <td>J2</td> <td>PTD.</td> <td>-</td> <td>391A</td> <td>3\"/> <tr> <td>395</td> <td>ETR</td> <td>-</td> <td>WD.</td> <td>J2</td> <td>PTD.</td> <td>-</td> <td>391B</td> <td>3\"/> <tr> <td>396</td> <td>ETR</td> <td>-</td> <td>WD.</td> <td>J2</td> <td>PTD.</td> <td>-</td> <td>394</td> <td>3\"/> <tr> <td>398</td> <td>ETR</td> <td>-</td> <td>WD.</td> <td>J2</td> <td>PTD.</td> <td>-</td> <td>395</td> <td>3\"/> <tr> <td>399</td> <td>ETR</td> <td>-</td> <td>WD.</td> <td>J2</td> <td>PTD.</td> <td>-</td> <td>396</td> <td>3\"/> <tr> <td>3991</td> <td>ETR</td> <td>-</td> <td>WD.</td> <td>J2</td> <td>PTD.</td> <td>-</td> <td>398</td> <td>3\"/> <tr> <td>3992</td> <td>A</td> <td>3\"/> <tr> <td>3993</td> <td>ETR</td> <td>-</td> <td>WD.</td> <td>J2</td> <td>PTD.</td> <td>-</td> <td>399</td> <td>3\"/> <tr> <td>3994</td> <td>ETR</td> <td>-</td> <td>WD.</td> <td>J2</td> <td>PTD.</td> <td>-</td> <td>3991</td> <td>3\"/> <tr> <td>3995</td> <td>ETR</td> <td>-</td> <td>WD.</td> <td>J2</td> <td>PTD.</td> <td>-</td> <td>3992</td> <td>3\"/> <tr> <td>3997</td> <td>ETR</td> <td>-</td> <td>WD.</td> <td>J2</td> <td>PTD.</td> <td>-</td> <td>3993</td> <td>3\"/> <tr> <td>3998</td> <td>ETR</td> <td>-</td> <td>WD.</td> <td>J2</td> <td>PTD.</td> <td>-</td> <td>3994</td> <td>3\"/> <tr> <td>3999</td> <td>ETR</td> <td>-</td> <td>WD.</td> <td>J2</td> <td>PTD.</td> <td>-</td> <td>3995</td> <td>3\"/> <tr> <td>3999</td> <td>ETR</td> <td>-</td> <td>WD.</td> <td>J2</td> <td>PTD.</td> <td>-</td> <td>3997</td> <td>3\"/> </td></tr></td></tr></td></tr></td></tr></td></tr></td></tr></td></tr></td></tr></td></tr></td></tr></td></tr></td></tr></td></tr></td></tr></td></tr></td></tr></td></tr></td></tr></td></tr></td></tr></td></tr></td></tr></td></td></tr> | 382A | D | 6 <td>ALUM.</td> <td>ANODIZE D</td> <td>-</td> <td>-</td> <td>380B</td> <td>3\"/> <tr> <td>385</td> <td>ETR</td> <td>-</td>
<td>WD.</td> <td>J2</td> <td>PTD.</td> <td>-</td> <td>382</td> <td>3\"/> <tr> <td>386</td> <td>ETR</td> <td>-</td> <td>WD.</td> <td>J2</td> <td>PTD.</td> <td>-</td> <td>382A</td> <td>3\"/> <tr> <td>387</td> <td>ETR</td> <td>-</td> <td>WD.</td> <td>J2</td> <td>PTD.</td> <td>-</td> <td>385</td> <td>3\"/> <tr> <td>388</td> <td>ETR</td> <td>-</td> <td>WD.</td> <td>J2</td> <td>PTD.</td> <td>-</td> <td>386</td> <td>3\"/> <tr> <td>389</td> <td>ETR</td> <td>-</td> <td>WD.</td> <td>J2</td> <td>PTD.</td> <td>-</td> <td>387</td> <td>3\"/> <tr> <td>391</td> <td>ETR</td> <td>-</td> <td>WD.</td> <td>J2</td> <td>PTD.</td> <td>-</td> <td>388</td> <td>3\"/> <tr> <td>391A</td> <td>ETR</td> <td>-</td> <td>WD.</td> <td>J2</td> <td>PTD.</td> <td>-</td> <td>389</td> <td>3\"/> <tr> <td>391B</td> <td>ETR</td> <td>-</td> <td>WD.</td> <td>J2</td> <td>PTD.</td> <td>-</td> <td>391</td> <td>3\"/> <tr> <td>394</td> <td>ETR</td> <td>-</td> <td>WD.</td> <td>J2</td> <td>PTD.</td> <td>-</td> <td>391A</td> <td>3\"/> <tr> <td>395</td> <td>ETR</td> <td>-</td> <td>WD.</td> <td>J2</td> <td>PTD.</td> <td>-</td> <td>391B</td> <td>3\"/> <tr> <td>396</td> <td>ETR</td> <td>-</td> <td>WD.</td> <td>J2</td> <td>PTD.</td> <td>-</td> <td>394</td> <td>3\"/> <tr> <td>398</td> <td>ETR</td> <td>-</td> <td>WD.</td> <td>J2</td> <td>PTD.</td> <td>-</td> <td>395</td> <td>3\"/> <tr> <td>399</td> <td>ETR</td> <td>-</td> <td>WD.</td> <td>J2</td> <td>PTD.</td> <td>-</td> <td>396</td> <td>3\"/> <tr> <td>3991</td> <td>ETR</td> <td>-</td> <td>WD.</td> <td>J2</td> <td>PTD.</td> <td>-</td> <td>398</td> <td>3\"/> <tr> <td>3992</td> <td>A</td> <td>3\"/> <tr> <td>3993</td> <td>ETR</td> <td>-</td> <td>WD.</td> <td>J2</td> <td>PTD.</td> <td>-</td> <td>399</td> <td>3\"/> <tr> <td>3994</td> <td>ETR</td> <td>-</td> <td>WD.</td> <td>J2</td> <td>PTD.</td> <td>-</td> <td>3991</td> <td>3\"/> <tr> <td>3995</td> <td>ETR</td> <td>-</td> <td>WD.</td> <td>J2</td> <td>PTD.</td> <td>-</td> <td>3992</td> <td>3\"/> <tr> <td>3997</td> <td>ETR</td> <td>-</td> <td>WD.</td> <td>J2</td> <td>PTD.</td> <td>-</td> <td>3993</td> <td>3\"/> <tr> <td>3998</td> <td>ETR</td> <td>-</td> <td>WD.</td> <td>J2</td> <td>PTD.</td> <td>-</td> <td>3994</td> <td>3\"/> <tr> <td>3999</td> <td>ETR</td> <td>-</td> <td>WD.</td> <td>J2</td> <td>PTD.</td> <td>-</td> <td>3995</td> <td>3\"/> <tr> <td>3999</td> <td>ETR</td> <td>-</td> <td>WD.</td> <td>J2</td> <td>PTD.</td> <td>-</td> <td>3997</td> <td>3\"/> </td></tr></td></tr></td></tr></td></tr></td></tr></td></tr></td></tr></td></tr></td></tr></td></tr></td></tr></td></tr></td></tr></td></tr></td></tr></td></tr></td></tr></td></tr></td></tr></td></tr></td></tr></td></tr></td> | ALUM. | ANODIZE D | - | - | 380B | 3\"/> <tr> <td>385</td> <td>ETR</td> <td>-</td> <td>WD.</td> <td>J2</td> <td>PTD.</td> <td>-</td> <td>382</td> <td>3\"/> <tr> <td>386</td> <td>ETR</td> <td>-</td> <td>WD.</td> <td>J2</td> <td>PTD.</td> <td>-</td> <td>382A</td> <td>3\"/> <tr> <td>387</td> <td>ETR</td> <td>-</td> <td>WD.</td> <td>J2</td> <td>PTD.</td> <td>-</td> <td>385</td> <td>3\"/> <tr> <td>388</td> <td>ETR</td> <td>-</td> <td>WD.</td> <td>J2</td> <td>PTD.</td> <td>-</td> <td>386</td> <td>3\"/> <tr> <td>389</td> <td>ETR</td> <td>-</td> <td>WD.</td> <td>J2</td> <td>PTD.</td> <td>-</td> <td>387</td> <td>3\"/> <tr> <td>391</td> <td>ETR</td> <td>-</td> <td>WD.</td> <td>J2</td> <td>PTD.</td> <td>-</td> <td>388</td> <td>3\"/> <tr> <td>391A</td> <td>ETR</td> <td>-</td> <td>WD.</td> <td>J2</td> <td>PTD.</td> <td>-</td> <td>389</td> <td>3\"/> <tr> <td>391B</td> <td>ETR</td> <td>-</td> <td>WD.</td> <td>J2</td> <td>PTD.</td> <td>-</td> <td>391</td> <td>3\"/> <tr> <td>394</td> <td>ETR</td> <td>-</td> <td>WD.</td> <td>J2</td> <td>PTD.</td> <td>-</td> <td>391A</td> <td>3\"/> <tr> <td>395</td> <td>ETR</td> <td>-</td> <td>WD.</td> <td>J2</td> <td>PTD.</td> <td>-</td> <td>391B</td> <td>3\"/> <tr> <td>396</td> <td>ETR</td> <td>-</td> <td>WD.</td> <td>J2</td> <td>PTD.</td> <td>-</td> <td>394</td> <td>3\"/> <tr> <td>398</td> <td>ETR</td> <td>-</td> <td>WD.</td> <td>J2</td> <td>PTD.</td> <td>-</td> <td>395</td> <td>3\"/> <tr> <td>399</td> <td>ETR</td> <td>-</td> <td>WD.</td> <td>J2</td> <td>PTD.</td> <td>-</td> <td>396</td> <td>3\"/> <tr> <td>3991</td> <td>ETR</td> <td>-</td> <td>WD.</td> <td>J2</td> <td>PTD.</td> <td>-</td> <td>398</td> <td>3\"/> <tr> <td>3992</td> <td>A</td> <td>3\"/> <tr> <td>3993</td> <td>ETR</td> <td>-</td> <td>WD.</td> <td>J2</td> <td>PTD.</td> <td>-</td> <td>399</td> <td>3\"/> <tr> <td>3994</td> <td>ETR</td> <td>-</td> <td>WD.</td> <td>J2</td> <td>PTD.</td> <td>-</td> <td>3991</td> <td>3\"/> <tr> <td>3995</td> <td>ETR</td> <td>-</td> <td>WD.</td> <td>J2</td> <td>PTD.</td> <td>-</td> <td>3992</td> <td>3\"/> <tr> <td>3997</td> <td>ETR</td> <td>-</td> <td>WD.</td> <td>J2</td> <td>PTD.</td> <td>-</td> <td>3993</td> <td>3\"/> <tr> <td>3998</td> <td>ETR</td> <td>-</td> <td>WD.</td> <td>J2</td> <td>PTD.</td> <td>-</td> <td>3994</td> <td>3\"/> <tr> <td>3999</td> <td>ETR</td> <td>-</td> <td>WD.</td> <td>J2</td> <td>PTD.</td> <td>-</td> <td>3995</td> <td>3\"/> <tr> <td>3999</td> <td>ETR</td> <td>-</td> <td>WD.</td> <td>J2</td> <td>PTD.</td> <td>-</td> <td>3997</td> <td>3\"/> </td></tr></td></tr></td></tr></td></tr></td></tr></td></tr></td></tr></td></tr></td></tr></td></tr></td></tr></td></tr></td></tr></td></tr></td></tr></td></tr></td></tr></td></tr></td></tr></td></tr></td></tr></td></tr> | 385 | ETR | -
 | WD. | J2 | PTD. | - | 382 | 3\"/> <tr> <td>386</td> <td>ETR</td> <td>-</td> <td>WD.</td> <td>J2</td> <td>PTD.</td> <td>-</td> <td>382A</td> <td>3\"/> <tr> <td>387</td> <td>ETR</td> <td>-</td> <td>WD.</td> <td>J2</td> <td>PTD.</td> <td>-</td> <td>385</td> <td>3\"/> <tr> <td>388</td> <td>ETR</td> <td>-</td> <td>WD.</td> <td>J2</td> <td>PTD.</td> <td>-</td> <td>386</td> <td>3\"/> <tr> <td>389</td> <td>ETR</td> <td>-</td> <td>WD.</td> <td>J2</td> <td>PTD.</td> <td>-</td> <td>387</td> <td>3\"/> <tr> <td>391</td> <td>ETR</td> <td>-</td> <td>WD.</td> <td>J2</td> <td>PTD.</td> <td>-</td> <td>388</td> <td>3\"/> <tr> <td>391A</td> <td>ETR</td> <td>-</td> <td>WD.</td> <td>J2</td> <td>PTD.</td> <td>-</td> <td>389</td> <td>3\"/> <tr> <td>391B</td> <td>ETR</td> <td>-</td> <td>WD.</td> <td>J2</td> <td>PTD.</td> <td>-</td> <td>391</td> <td>3\"/> <tr> <td>394</td> <td>ETR</td> <td>-</td> <td>WD.</td> <td>J2</td> <td>PTD.</td> <td>-</td> <td>391A</td> <td>3\"/> <tr> <td>395</td> <td>ETR</td> <td>-</td> <td>WD.</td> <td>J2</td> <td>PTD.</td> <td>-</td> <td>391B</td> <td>3\"/> <tr> <td>396</td> <td>ETR</td> <td>-</td> <td>WD.</td> <td>J2</td> <td>PTD.</td> <td>-</td> <td>394</td> <td>3\"/> <tr> <td>398</td> <td>ETR</td> <td>-</td> <td>WD.</td> <td>J2</td> <td>PTD.</td> <td>-</td> <td>395</td> <td>3\"/> <tr> <td>399</td> <td>ETR</td> <td>-</td> <td>WD.</td> <td>J2</td> <td>PTD.</td> <td>-</td> <td>396</td> <td>3\"/> <tr> <td>3991</td> <td>ETR</td> <td>-</td> <td>WD.</td> <td>J2</td> <td>PTD.</td> <td>-</td> <td>398</td> <td>3\"/> <tr> <td>3992</td> <td>A</td> <td>3\"/> <tr> <td>3993</td> <td>ETR</td> <td>-</td> <td>WD.</td> <td>J2</td> <td>PTD.</td> <td>-</td> <td>399</td> <td>3\"/> <tr> <td>3994</td> <td>ETR</td> <td>-</td> <td>WD.</td> <td>J2</td> <td>PTD.</td> <td>-</td> <td>3991</td> <td>3\"/> <tr> <td>3995</td> <td>ETR</td> <td>-</td> <td>WD.</td> <td>J2</td> <td>PTD.</td> <td>-</td> <td>3992</td> <td>3\"/> <tr> <td>3997</td> <td>ETR</td> <td>-</td> <td>WD.</td> <td>J2</td> <td>PTD.</td> <td>-</td> <td>3993</td> <td>3\"/> <tr> <td>3998</td> <td>ETR</td> <td>-</td> <td>WD.</td> <td>J2</td> <td>PTD.</td> <td>-</td> <td>3994</td> <td>3\"/> <tr> <td>3999</td> <td>ETR</td> <td>-</td> <td>WD.</td> <td>J2</td> <td>PTD.</td> <td>-</td> <td>3995</td> <td>3\"/> <tr> <td>3999</td> <td>ETR</td> <td>-</td> <td>WD.</td> <td>J2</td> <td>PTD.</td> <td>-</td> <td>3997</td> <td>3\"/> </td></tr></td></tr></td></tr></td></tr></td></tr></td></tr></td></tr></td></tr></td></tr></td></tr></td></tr></td></tr></td></tr></td></tr></td></tr></td></tr></td></tr></td></tr></td></tr></td></tr></td></tr> | 386 | ETR | - | WD. | J2 | PTD.
 | - | 382A | 3\"/> <tr> <td>387</td> <td>ETR</td> <td>-</td> <td>WD.</td> <td>J2</td> <td>PTD.</td> <td>-</td> <td>385</td> <td>3\"/> <tr> <td>388</td> <td>ETR</td> <td>-</td> <td>WD.</td> <td>J2</td> <td>PTD.</td> <td>-</td> <td>386</td> <td>3\"/> <tr> <td>389</td> <td>ETR</td> <td>-</td> <td>WD.</td> <td>J2</td> <td>PTD.</td> <td>-</td> <td>387</td> <td>3\"/> <tr> <td>391</td> <td>ETR</td> <td>-</td> <td>WD.</td> <td>J2</td> <td>PTD.</td> <td>-</td> <td>388</td> <td>3\"/> <tr> <td>391A</td> <td>ETR</td> <td>-</td> <td>WD.</td> <td>J2</td> <td>PTD.</td> <td>-</td> <td>389</td> <td>3\"/> <tr> <td>391B</td> <td>ETR</td> <td>-</td> <td>WD.</td> <td>J2</td> <td>PTD.</td> <td>-</td> <td>391</td> <td>3\"/> <tr> <td>394</td> <td>ETR</td> <td>-</td> <td>WD.</td> <td>J2</td> <td>PTD.</td> <td>-</td> <td>391A</td> <td>3\"/> <tr> <td>395</td> <td>ETR</td> <td>-</td> <td>WD.</td> <td>J2</td> <td>PTD.</td> <td>-</td> <td>391B</td> <td>3\"/> <tr> <td>396</td> <td>ETR</td> <td>-</td> <td>WD.</td> <td>J2</td> <td>PTD.</td> <td>-</td> <td>394</td> <td>3\"/> <tr> <td>398</td> <td>ETR</td> <td>-</td> <td>WD.</td> <td>J2</td> <td>PTD.</td> <td>-</td> <td>395</td> <td>3\"/> <tr> <td>399</td> <td>ETR</td> <td>-</td> <td>WD.</td> <td>J2</td> <td>PTD.</td> <td>-</td> <td>396</td> <td>3\"/> <tr> <td>3991</td> <td>ETR</td> <td>-</td> <td>WD.</td> <td>J2</td> <td>PTD.</td> <td>-</td> <td>398</td> <td>3\"/> <tr> <td>3992</td> <td>A</td> <td>3\"/> <tr> <td>3993</td> <td>ETR</td> <td>-</td> <td>WD.</td> <td>J2</td> <td>PTD.</td> <td>-</td> <td>399</td> <td>3\"/> <tr> <td>3994</td> <td>ETR</td> <td>-</td> <td>WD.</td> <td>J2</td> <td>PTD.</td> <td>-</td> <td>3991</td> <td>3\"/> <tr> <td>3995</td> <td>ETR</td> <td>-</td> <td>WD.</td> <td>J2</td> <td>PTD.</td> <td>-</td> <td>3992</td> <td>3\"/> <tr> <td>3997</td> <td>ETR</td> <td>-</td> <td>WD.</td> <td>J2</td> <td>PTD.</td> <td>-</td> <td>3993</td> <td>3\"/> <tr> <td>3998</td> <td>ETR</td> <td>-</td> <td>WD.</td> <td>J2</td> <td>PTD.</td> <td>-</td> <td>3994</td> <td>3\"/> <tr> <td>3999</td> <td>ETR</td> <td>-</td> <td>WD.</td> <td>J2</td> <td>PTD.</td> <td>-</td> <td>3995</td> <td>3\"/> <tr> <td>3999</td> <td>ETR</td> <td>-</td> <td>WD.</td> <td>J2</td> <td>PTD.</td> <td>-</td> <td>3997</td> <td>3\"/> </td></tr></td></tr></td></tr></td></tr></td></tr></td></tr></td></tr></td></tr></td></tr></td></tr></td></tr></td></tr></td></tr></td></tr></td></tr></td></tr></td></tr></td></tr></td></tr></td></tr> | 387 | ETR | - | WD. | J2 | PTD. | - | 385 | 3\"/> <tr> <td>388</td> <td>ETR</td> <td>-</td> <td>WD.</td> <td>J2</td> <td>PTD.</td> <td>-</td> <td>386</td> <td>3\"/> <tr> <td>389</td> <td>ETR</td> <td>-</td> <td>WD.</td> <td>J2</td> <td>PTD.</td> <td>-</td> <td>387</td> <td>3\"/> <tr> <td>391</td> <td>ETR</td> <td>-</td> <td>WD.</td> <td>J2</td> <td>PTD.</td> <td>-</td> <td>388</td> <td>3\"/> <tr> <td>391A</td> <td>ETR</td> <td>-</td> <td>WD.</td> <td>J2</td> <td>PTD.</td> <td>-</td> <td>389</td> <td>3\"/> <tr> <td>391B</td> <td>ETR</td> <td>-</td> <td>WD.</td> <td>J2</td> <td>PTD.</td> <td>-</td> <td>391</td> <td>3\"/> <tr> <td>394</td> <td>ETR</td> <td>-</td> <td>WD.</td> <td>J2</td> <td>PTD.</td> <td>-</td> <td>391A</td> <td>3\"/> <tr> <td>395</td> <td>ETR</td> <td>-</td> <td>WD.</td> <td>J2</td> <td>PTD.</td> <td>-</td> <td>391B</td> <td>3\"/> <tr> <td>396</td> <td>ETR</td> <td>-</td> <td>WD.</td> <td>J2</td> <td>PTD.</td> <td>-</td> <td>394</td> <td>3\"/> <tr> <td>398</td> <td>ETR</td> <td>-</td> <td>WD.</td> <td>J2</td> <td>PTD.</td> <td>-</td> <td>395</td> <td>3\"/> <tr> <td>399</td> <td>ETR</td> <td>-</td> <td>WD.</td> <td>J2</td> <td>PTD.</td> <td>-</td> <td>396</td> <td>3\"/> <tr> <td>3991</td> <td>ETR</td> <td>-</td> <td>WD.</td> <td>J2</td> <td>PTD.</td> <td>-</td> <td>398</td> <td>3\"/> <tr> <td>3992</td> <td>A</td> <td>3\"/> <tr> <td>3993</td> <td>ETR</td> <td>-</td> <td>WD.</td> <td>J2</td> <td>PTD.</td> <td>-</td> <td>399</td> <td>3\"/> <tr> <td>3994</td> <td>ETR</td> <td>-</td> <td>WD.</td> <td>J2</td> <td>PTD.</td> <td>-</td> <td>3991</td> <td>3\"/> <tr> <td>3995</td> <td>ETR</td> <td>-</td> <td>WD.</td> <td>J2</td> <td>PTD.</td> <td>-</td> <td>3992</td> <td>3\"/> <tr> <td>3997</td> <td>ETR</td> <td>-</td> <td>WD.</td> <td>J2</td> <td>PTD.</td> <td>-</td> <td>3993</td> <td>3\"/> <tr> <td>3998</td> <td>ETR</td> <td>-</td> <td>WD.</td> <td>J2</td> <td>PTD.</td> <td>-</td> <td>3994</td> <td>3\"/> <tr> <td>3999</td> <td>ETR</td> <td>-</td> <td>WD.</td> <td>J2</td> <td>PTD.</td> <td>-</td> <td>3995</td> <td>3\"/> <tr> <td>3999</td> <td>ETR</td> <td>-</td> <td>WD.</td> <td>J2</td> <td>PTD.</td> <td>-</td> <td>3997</td> <td>3\"/> </td></tr></td></tr></td></tr></td></tr></td></tr></td></tr></td></tr></td></tr></td></tr></td></tr></td></tr></td></tr></td></tr></td></tr></td></tr></td></tr></td></tr></td></tr></td></tr> | 388 | ETR | -
 | WD. | J2 | PTD. | - | 386 | 3\"/> <tr> <td>389</td> <td>ETR</td> <td>-</td> <td>WD.</td> <td>J2</td> <td>PTD.</td> <td>-</td> <td>387</td> <td>3\"/> <tr> <td>391</td> <td>ETR</td> <td>-</td> <td>WD.</td> <td>J2</td> <td>PTD.</td> <td>-</td> <td>388</td> <td>3\"/> <tr> <td>391A</td> <td>ETR</td> <td>-</td> <td>WD.</td> <td>J2</td> <td>PTD.</td> <td>-</td> <td>389</td> <td>3\"/> <tr> <td>391B</td> <td>ETR</td> <td>-</td> <td>WD.</td> <td>J2</td> <td>PTD.</td> <td>-</td> <td>391</td> <td>3\"/> <tr> <td>394</td> <td>ETR</td> <td>-</td> <td>WD.</td> <td>J2</td> <td>PTD.</td> <td>-</td> <td>391A</td> <td>3\"/> <tr> <td>395</td> <td>ETR</td> <td>-</td> <td>WD.</td> <td>J2</td> <td>PTD.</td> <td>-</td> <td>391B</td> <td>3\"/> <tr> <td>396</td> <td>ETR</td> <td>-</td> <td>WD.</td> <td>J2</td> <td>PTD.</td> <td>-</td> <td>394</td> <td>3\"/> <tr> <td>398</td> <td>ETR</td> <td>-</td> <td>WD.</td> <td>J2</td> <td>PTD.</td> <td>-</td> <td>395</td> <td>3\"/> <tr> <td>399</td> <td>ETR</td> <td>-</td> <td>WD.</td> <td>J2</td> <td>PTD.</td> <td>-</td> <td>396</td> <td>3\"/> <tr> <td>3991</td> <td>ETR</td> <td>-</td> <td>WD.</td> <td>J2</td> <td>PTD.</td> <td>-</td> <td>398</td> <td>3\"/> <tr> <td>3992</td> <td>A</td> <td>3\"/> <tr> <td>3993</td> <td>ETR</td> <td>-</td> <td>WD.</td> <td>J2</td> <td>PTD.</td> <td>-</td> <td>399</td> <td>3\"/> <tr> <td>3994</td> <td>ETR</td> <td>-</td> <td>WD.</td> <td>J2</td> <td>PTD.</td> <td>-</td> <td>3991</td> <td>3\"/> <tr> <td>3995</td> <td>ETR</td> <td>-</td> <td>WD.</td> <td>J2</td> <td>PTD.</td> <td>-</td> <td>3992</td> <td>3\"/> <tr> <td>3997</td> <td>ETR</td> <td>-</td> <td>WD.</td> <td>J2</td> <td>PTD.</td> <td>-</td> <td>3993</td> <td>3\"/> <tr> <td>3998</td> <td>ETR</td> <td>-</td> <td>WD.</td> <td>J2</td> <td>PTD.</td> <td>-</td> <td>3994</td> <td>3\"/> <tr> <td>3999</td> <td>ETR</td> <td>-</td> <td>WD.</td> <td>J2</td> <td>PTD.</td> <td>-</td> <td>3995</td> <td>3\"/> <tr> <td>3999</td> <td>ETR</td> <td>-</td> <td>WD.</td> <td>J2</td> <td>PTD.</td> <td>-</td> <td>3997</td> <td>3\"/> </td></tr></td></tr></td></tr></td></tr></td></tr></td></tr></td></tr></td></tr></td></tr></td></tr></td></tr></td></tr></td></tr></td></tr></td></tr></td></tr></td></tr></td></tr> | 389 | ETR | - | WD. | J2 | PTD. | - | 387 | 3\"/> <tr> <td>391</td> <td>ETR</td> <td>-</td> <td>WD.</td> <td>J2</td> <td>PTD.</td> <td>-</td> <td>388</td> <td>3\"/> <tr> <td>391A</td> <td>ETR</td> <td>-</td> <td>WD.</td> <td>J2</td> <td>PTD.</td> <td>-</td> <td>389</td> <td>3\"/> <tr> <td>391B</td> <td>ETR</td> <td>-</td> <td>WD.</td> <td>J2</td> <td>PTD.</td> <td>-</td> <td>391</td> <td>3\"/> <tr> <td>394</td> <td>ETR</td> <td>-</td> <td>WD.</td> <td>J2</td> <td>PTD.</td> <td>-</td> <td>391A</td> <td>3\"/> <tr> <td>395</td> <td>ETR</td> <td>-</td> <td>WD.</td> <td>J2</td> <td>PTD.</td> <td>-</td> <td>391B</td> <td>3\"/> <tr> <td>396</td> <td>ETR</td> <td>-</td> <td>WD.</td> <td>J2</td> <td>PTD.</td> <td>-</td> <td>394</td> <td>3\"/> <tr> <td>398</td> <td>ETR</td> <td>-</td> <td>WD.</td> <td>J2</td> <td>PTD.</td> <td>-</td> <td>395</td> <td>3\"/> <tr> <td>399</td> <td>ETR</td> <td>-</td> <td>WD.</td> <td>J2</td> <td>PTD.</td> <td>-</td> <td>396</td> <td>3\"/> <tr> <td>3991</td> <td>ETR</td> <td>-</td> <td>WD.</td> <td>J2</td> <td>PTD.</td> <td>-</td> <td>398</td> <td>3\"/> <tr> <td>3992</td> <td>A</td> <td>3\"/> <tr> <td>3993</td> <td>ETR</td> <td>-</td> <td>WD.</td> <td>J2</td> <td>PTD.</td> <td>-</td> <td>399</td> <td>3\"/> <tr> <td>3994</td> <td>ETR</td> <td>-</td> <td>WD.</td> <td>J2</td> <td>PTD.</td> <td>-</td> <td>3991</td> <td>3\"/> <tr> <td>3995</td> <td>ETR</td> <td>-</td> <td>WD.</td> <td>J2</td> <td>PTD.</td> <td>-</td> <td>3992</td> <td>3\"/> <tr> <td>3997</td> <td>ETR</td> <td>-</td> <td>WD.</td> <td>J2</td> <td>PTD.</td> <td>-</td> <td>3993</td> <td>3\"/> <tr> <td>3998</td> <td>ETR</td> <td>-</td> <td>WD.</td> <td>J2</td> <td>PTD.</td> <td>-</td> <td>3994</td> <td>3\"/> <tr> <td>3999</td> <td>ETR</td> <td>-</td> <td>WD.</td> <td>J2</td> <td>PTD.</td> <td>-</td> <td>3995</td> <td>3\"/> <tr> <td>3999</td> <td>ETR</td> <td>-</td> <td>WD.</td> <td>J2</td> <td>PTD.</td> <td>-</td> <td>3997</td> <td>3\"/> </td></tr></td></tr></td></tr></td></tr></td></tr></td></tr></td></tr></td></tr></td></tr></td></tr></td></tr></td></tr></td></tr></td></tr></td></tr></td></tr></td></tr> | 391 | ETR | -
 | WD. | J2 | PTD. | - | 388 | 3\"/> <tr> <td>391A</td> <td>ETR</td> <td>-</td> <td>WD.</td> <td>J2</td> <td>PTD.</td> <td>-</td> <td>389</td> <td>3\"/> <tr> <td>391B</td> <td>ETR</td> <td>-</td> <td>WD.</td> <td>J2</td> <td>PTD.</td> <td>-</td> <td>391</td> <td>3\"/> <tr> <td>394</td> <td>ETR</td> <td>-</td> <td>WD.</td> <td>J2</td> <td>PTD.</td> <td>-</td> <td>391A</td> <td>3\"/> <tr> <td>395</td> <td>ETR</td> <td>-</td> <td>WD.</td> <td>J2</td> <td>PTD.</td> <td>-</td> <td>391B</td> <td>3\"/> <tr> <td>396</td> <td>ETR</td> <td>-</td> <td>WD.</td> <td>J2</td> <td>PTD.</td> <td>-</td> <td>394</td> <td>3\"/> <tr> <td>398</td> <td>ETR</td> <td>-</td> <td>WD.</td> <td>J2</td> <td>PTD.</td> <td>-</td> <td>395</td> <td>3\"/> <tr> <td>399</td> <td>ETR</td> <td>-</td> <td>WD.</td> <td>J2</td> <td>PTD.</td> <td>-</td> <td>396</td> <td>3\"/> <tr> <td>3991</td> <td>ETR</td> <td>-</td> <td>WD.</td> <td>J2</td> <td>PTD.</td> <td>-</td> <td>398</td> <td>3\"/> <tr> <td>3992</td> <td>A</td> <td>3\"/> <tr> <td>3993</td> <td>ETR</td> <td>-</td> <td>WD.</td> <td>J2</td> <td>PTD.</td> <td>-</td> <td>399</td> <td>3\"/> <tr> <td>3994</td> <td>ETR</td> <td>-</td> <td>WD.</td> <td>J2</td> <td>PTD.</td> <td>-</td> <td>3991</td> <td>3\"/> <tr> <td>3995</td> <td>ETR</td> <td>-</td> <td>WD.</td> <td>J2</td> <td>PTD.</td> <td>-</td> <td>3992</td> <td>3\"/> <tr> <td>3997</td> <td>ETR</td> <td>-</td> <td>WD.</td> <td>J2</td> <td>PTD.</td> <td>-</td> <td>3993</td> <td>3\"/> <tr> <td>3998</td> <td>ETR</td> <td>-</td> <td>WD.</td> <td>J2</td> <td>PTD.</td> <td>-</td> <td>3994</td> <td>3\"/> <tr> <td>3999</td> <td>ETR</td> <td>-</td> <td>WD.</td> <td>J2</td> <td>PTD.</td> <td>-</td> <td>3995</td> <td>3\"/> <tr> <td>3999</td> <td>ETR</td> <td>-</td> <td>WD.</td> <td>J2</td> <td>PTD.</td> <td>-</td> <td>3997</td> <td>3\"/> </td></tr></td></tr></td></tr></td></tr></td></tr></td></tr></td></tr></td></tr></td></tr></td></tr></td></tr></td></tr></td></tr></td></tr></td></tr></td></tr> | 391A | ETR | - | WD. | J2 | PTD. | - | 389 | 3\"/> <tr> <td>391B</td> <td>ETR</td> <td>-</td> <td>WD.</td> <td>J2</td> <td>PTD.</td> <td>-</td> <td>391</td> <td>3\"/> <tr> <td>394</td> <td>ETR</td> <td>-</td> <td>WD.</td> <td>J2</td> <td>PTD.</td> <td>-</td> <td>391A</td> <td>3\"/> <tr> <td>395</td> <td>ETR</td> <td>-</td> <td>WD.</td> <td>J2</td> <td>PTD.</td> <td>-</td> <td>391B</td> <td>3\"/> <tr> <td>396</td> <td>ETR</td> <td>-</td> <td>WD.</td> <td>J2</td> <td>PTD.</td> <td>-</td> <td>394</td> <td>3\"/> <tr> <td>398</td> <td>ETR</td> <td>-</td> <td>WD.</td> <td>J2</td> <td>PTD.</td> <td>-</td> <td>395</td> <td>3\"/> <tr> <td>399</td> <td>ETR</td> <td>-</td> <td>WD.</td> <td>J2</td> <td>PTD.</td> <td>-</td> <td>396</td> <td>3\"/> <tr> <td>3991</td> <td>ETR</td> <td>-</td> <td>WD.</td> <td>J2</td> <td>PTD.</td> <td>-</td> <td>398</td> <td>3\"/> <tr> <td>3992</td> <td>A</td> <td>3\"/> <tr> <td>3993</td> <td>ETR</td> <td>-</td> <td>WD.</td> <td>J2</td> <td>PTD.</td> <td>-</td> <td>399</td> <td>3\"/> <tr> <td>3994</td> <td>ETR</td> <td>-</td> <td>WD.</td> <td>J2</td> <td>PTD.</td> <td>-</td> <td>3991</td> <td>3\"/> <tr> <td>3995</td> <td>ETR</td> <td>-</td> <td>WD.</td> <td>J2</td> <td>PTD.</td> <td>-</td> <td>3992</td> <td>3\"/> <tr> <td>3997</td> <td>ETR</td> <td>-</td> <td>WD.</td> <td>J2</td> <td>PTD.</td> <td>-</td> <td>3993</td> <td>3\"/> <tr> <td>3998</td> <td>ETR</td> <td>-</td> <td>WD.</td> <td>J2</td> <td>PTD.</td> <td>-</td> <td>3994</td> <td>3\"/> <tr> <td>3999</td> <td>ETR</td> <td>-</td> <td>WD.</td> <td>J2</td> <td>PTD.</td> <td>-</td> <td>3995</td> <td>3\"/> <tr> <td>3999</td> <td>ETR</td> <td>-</td> <td>WD.</td> <td>J2</td> <td>PTD.</td> <td>-</td> <td>3997</td> <td>3\"/> </td></tr></td></tr></td></tr></td></tr></td></tr></td></tr></td></tr></td></tr></td></tr></td></tr></td></tr></td></tr></td></tr></td></tr></td></tr> | 391B | ETR | -
 | WD. | J2 | PTD. | - | 391 | 3\"/> <tr> <td>394</td> <td>ETR</td> <td>-</td> <td>WD.</td> <td>J2</td> <td>PTD.</td> <td>-</td> <td>391A</td> <td>3\"/> <tr> <td>395</td> <td>ETR</td> <td>-</td> <td>WD.</td> <td>J2</td> <td>PTD.</td> <td>-</td> <td>391B</td> <td>3\"/> <tr> <td>396</td> <td>ETR</td> <td>-</td> <td>WD.</td> <td>J2</td> <td>PTD.</td> <td>-</td> <td>394</td> <td>3\"/> <tr> <td>398</td> <td>ETR</td> <td>-</td> <td>WD.</td> <td>J2</td> <td>PTD.</td> <td>-</td> <td>395</td> <td>3\"/> <tr> <td>399</td> <td>ETR</td> <td>-</td> <td>WD.</td> <td>J2</td> <td>PTD.</td> <td>-</td> <td>396</td> <td>3\"/> <tr> <td>3991</td> <td>ETR</td> <td>-</td> <td>WD.</td> <td>J2</td> <td>PTD.</td> <td>-</td> <td>398</td> <td>3\"/> <tr> <td>3992</td> <td>A</td> <td>3\"/> <tr> <td>3993</td> <td>ETR</td> <td>-</td> <td>WD.</td> <td>J2</td> <td>PTD.</td> <td>-</td> <td>399</td> <td>3\"/> <tr> <td>3994</td> <td>ETR</td> <td>-</td> <td>WD.</td> <td>J2</td> <td>PTD.</td> <td>-</td> <td>3991</td> <td>3\"/> <tr> <td>3995</td> <td>ETR</td> <td>-</td> <td>WD.</td> <td>J2</td> <td>PTD.</td> <td>-</td> <td>3992</td> <td>3\"/> <tr> <td>3997</td> <td>ETR</td> <td>-</td> <td>WD.</td> <td>J2</td> <td>PTD.</td> <td>-</td> <td>3993</td> <td>3\"/> <tr> <td>3998</td> <td>ETR</td> <td>-</td> <td>WD.</td> <td>J2</td> <td>PTD.</td> <td>-</td> <td>3994</td> <td>3\"/> <tr> <td>3999</td> <td>ETR</td> <td>-</td> <td>WD.</td> <td>J2</td> <td>PTD.</td> <td>-</td> <td>3995</td> <td>3\"/> <tr> <td>3999</td> <td>ETR</td> <td>-</td> <td>WD.</td> <td>J2</td> <td>PTD.</td> <td>-</td> <td>3997</td> <td>3\"/> </td></tr></td></tr></td></tr></td></tr></td></tr></td></tr></td></tr></td></tr></td></tr></td></tr></td></tr></td></tr></td></tr></td></tr> | 394 | ETR | - | WD. | J2 | PTD. | - | 391A | 3\"/> <tr> <td>395</td> <td>ETR</td> <td>-</td> <td>WD.</td> <td>J2</td> <td>PTD.</td> <td>-</td> <td>391B</td> <td>3\"/> <tr> <td>396</td> <td>ETR</td> <td>-</td> <td>WD.</td> <td>J2</td> <td>PTD.</td> <td>-</td> <td>394</td> <td>3\"/> <tr> <td>398</td> <td>ETR</td> <td>-</td> <td>WD.</td> <td>J2</td> <td>PTD.</td> <td>-</td> <td>395</td> <td>3\"/> <tr> <td>399</td> <td>ETR</td> <td>-</td> <td>WD.</td> <td>J2</td> <td>PTD.</td> <td>-</td> <td>396</td> <td>3\"/> <tr> <td>3991</td> <td>ETR</td> <td>-</td> <td>WD.</td> <td>J2</td> <td>PTD.</td> <td>-</td> <td>398</td> <td>3\"/> <tr> <td>3992</td> <td>A</td> <td>3\"/> <tr> <td>3993</td> <td>ETR</td> <td>-</td> <td>WD.</td> <td>J2</td> <td>PTD.</td> <td>-</td> <td>399</td> <td>3\"/> <tr> <td>3994</td> <td>ETR</td> <td>-</td> <td>WD.</td> <td>J2</td> <td>PTD.</td> <td>-</td> <td>3991</td> <td>3\"/> <tr> <td>3995</td> <td>ETR</td> <td>-</td> <td>WD.</td> <td>J2</td> <td>PTD.</td> <td>-</td> <td>3992</td> <td>3\"/> <tr> <td>3997</td> <td>ETR</td> <td>-</td> <td>WD.</td> <td>J2</td> <td>PTD.</td> <td>-</td> <td>3993</td> <td>3\"/> <tr> <td>3998</td> <td>ETR</td> <td>-</td> <td>WD.</td> <td>J2</td> <td>PTD.</td> <td>-</td> <td>3994</td> <td>3\"/> <tr> <td>3999</td> <td>ETR</td> <td>-</td> <td>WD.</td> <td>J2</td> <td>PTD.</td> <td>-</td> <td>3995</td> <td>3\"/> <tr> <td>3999</td> <td>ETR</td> <td>-</td> <td>WD.</td> <td>J2</td> <td>PTD.</td> <td>-</td> <td>3997</td> <td>3\"/> </td></tr></td></tr></td></tr></td></tr></td></tr></td></tr></td></tr></td></tr></td></tr></td></tr></td></tr></td></tr></td></tr> | 395 | ETR | - | WD. | J2 | PTD. | - | 391B | 3\"/> <tr> <td>396</td> <td>ETR</td> <td>-</td> <td>WD.</td> <td>J2</td> <td>PTD.</td> <td>-</td> <td>394</td> <td>3\"/> <tr> <td>398</td> <td>ETR</td> <td>-</td> <td>WD.</td> <td>J2</td> <td>PTD.</td> <td>-</td> <td>395</td> <td>3\"/> <tr> <td>399</td> <td>ETR</td> <td>-</td> <td>WD.</td> <td>J2</td> <td>PTD.</td> <td>-</td> <td>396</td> <td>3\"/> <tr> <td>3991</td> <td>ETR</td> <td>-</td> <td>WD.</td> <td>J2</td> <td>PTD.</td> <td>-</td> <td>398</td> <td>3\"/> <tr> <td>3992</td> <td>A</td> <td>3\"/> <tr> <td>3993</td> <td>ETR</td> <td>-</td> <td>WD.</td> <td>J2</td> <td>PTD.</td> <td>-</td> <td>399</td> <td>3\"/> <tr> <td>3994</td> <td>ETR</td> <td>-</td> <td>WD.</td> <td>J2</td> <td>PTD.</td> <td>-</td> <td>3991</td> <td>3\"/> <tr> <td>3995</td> <td>ETR</td> <td>-</td> <td>WD.</td> <td>J2</td> <td>PTD.</td> <td>-</td> <td>3992</td> <td>3\"/> <tr> <td>3997</td> <td>ETR</td> <td>-</td> <td>WD.</td> <td>J2</td> <td>PTD.</td> <td>-</td> <td>3993</td> <td>3\"/>
<tr> <td>3998</td> <td>ETR</td> <td>-</td> <td>WD.</td> <td>J2</td> <td>PTD.</td> <td>-</td> <td>3994</td> <td>3\"/> <tr> <td>3999</td> <td>ETR</td> <td>-</td> <td>WD.</td> <td>J2</td> <td>PTD.</td> <td>-</td> <td>3995</td> <td>3\"/> <tr> <td>3999</td> <td>ETR</td> <td>-</td> <td>WD.</td> <td>J2</td> <td>PTD.</td> <td>-</td> <td>3997</td> <td>3\"/> </td></tr></td></tr></td></tr></td></tr></td></tr></td></tr></td></tr></td></tr></td></tr></td></tr></td></tr></td></tr> | 396 | ETR | - | WD. | J2 | PTD. | - | 394 | 3\"/> <tr> <td>398</td> <td>ETR</td> <td>-</td> <td>WD.</td> <td>J2</td> <td>PTD.</td> <td>-</td> <td>395</td> <td>3\"/> <tr> <td>399</td> <td>ETR</td> <td>-</td> <td>WD.</td> <td>J2</td> <td>PTD.</td> <td>-</td> <td>396</td> <td>3\"/> <tr> <td>3991</td> <td>ETR</td> <td>-</td> <td>WD.</td> <td>J2</td> <td>PTD.</td> <td>-</td> <td>398</td> <td>3\"/> <tr> <td>3992</td> <td>A</td> <td>3\"/> <tr> <td>3993</td> <td>ETR</td> <td>-</td> <td>WD.</td> <td>J2</td> <td>PTD.</td> <td>-</td> <td>399</td> <td>3\"/> <tr> <td>3994</td> <td>ETR</td> <td>-</td> <td>WD.</td> <td>J2</td> <td>PTD.</td> <td>-</td> <td>3991</td> <td>3\"/> <tr> <td>3995</td> <td>ETR</td> <td>-</td> <td>WD.</td> <td>J2</td> <td>PTD.</td> <td>-</td> <td>3992</td> <td>3\"/> <tr> <td>3997</td> <td>ETR</td> <td>-</td> <td>WD.</td> <td>J2</td> <td>PTD.</td> <td>-</td> <td>3993</td> <td>3\"/> <tr> <td>3998</td> <td>ETR</td> <td>-</td> <td>WD.</td> <td>J2</td> <td>PTD.</td> <td>-</td> <td>3994</td> <td>3\"/> <tr> <td>3999</td> <td>ETR</td> <td>-</td> <td>WD.</td> <td>J2</td> <td>PTD.</td> <td>-</td> <td>3995</td> <td>3\"/> <tr> <td>3999</td> <td>ETR</td> <td>-</td> <td>WD.</td> <td>J2</td> <td>PTD.</td> <td>-</td> <td>3997</td> <td>3\"/> </td></tr></td></tr></td></tr></td></tr></td></tr></td></tr></td></tr></td></tr></td></tr></td></tr></td></tr> | 398 | ETR | - | WD. | J2 | PTD. | - | 395 | 3\"/> <tr> <td>399</td> <td>ETR</td> <td>-</td> <td>WD.</td> <td>J2</td> <td>PTD.</td> <td>-</td> <td>396</td> <td>3\"/> <tr> <td>3991</td> <td>ETR</td> <td>-</td> <td>WD.</td> <td>J2</td> <td>PTD.</td> <td>-</td> <td>398</td> <td>3\"/> <tr> <td>3992</td> <td>A</td> <td>3\"/> <tr> <td>3993</td> <td>ETR</td> <td>-</td> <td>WD.</td> <td>J2</td> <td>PTD.</td> <td>-</td> <td>399</td> <td>3\"/> <tr> <td>3994</td> <td>ETR</td> <td>-</td> <td>WD.</td> <td>J2</td> <td>PTD.</td> <td>-</td> <td>3991</td> <td>3\"/> <tr> <td>3995</td> <td>ETR</td> <td>-</td> <td>WD.</td> <td>J2</td> <td>PTD.</td> <td>-</td> <td>3992</td> <td>3\"/> <tr> <td>3997</td> <td>ETR</td> <td>-</td> <td>WD.</td> <td>J2</td> <td>PTD.</td> <td>-</td> <td>3993</td> <td>3\"/> <tr> <td>3998</td> <td>ETR</td> <td>-</td> <td>WD.</td> <td>J2</td> <td>PTD.</td> <td>-</td> <td>3994</td> <td>3\"/> <tr> <td>3999</td> <td>ETR</td> <td>-</td> <td>WD.</td> <td>J2</td> <td>PTD.</td> <td>-</td> <td>3995</td> <td>3\"/> <tr> <td>3999</td> <td>ETR</td> <td>-</td> <td>WD.</td> <td>J2</td> <td>PTD.</td> <td>-</td> <td>3997</td> <td>3\"/> </td></tr></td></tr></td></tr></td></tr></td></tr></td></tr></td></tr></td></tr></td></tr></td></tr> | 399 | ETR | - | WD. | J2 | PTD. | - | 396 | 3\"/> <tr> <td>3991</td> <td>ETR</td> <td>-</td> <td>WD.</td> <td>J2</td> <td>PTD.</td> <td>-</td> <td>398</td> <td>3\"/> <tr> <td>3992</td> <td>A</td> <td>3\"/> <tr> <td>3993</td> <td>ETR</td> <td>-</td> <td>WD.</td> <td>J2</td> <td>PTD.</td> <td>-</td> <td>399</td> <td>3\"/> <tr> <td>3994</td> <td>ETR</td> <td>-</td> <td>WD.</td> <td>J2</td> <td>PTD.</td> <td>-</td> <td>3991</td> <td>3\"/> <tr> <td>3995</td> <td>ETR</td> <td>-</td> <td>WD.</td> <td>J2</td> <td>PTD.</td> <td>-</td> <td>3992</td> <td>3\"/> <tr> <td>3997</td> <td>ETR</td> <td>-</td> <td>WD.</td> <td>J2</td> <td>PTD.</td> <td>-</td> <td>3993</td> <td>3\"/> <tr> <td>3998</td> <td>ETR</td> <td>-</td> <td>WD.</td> <td>J2</td> <td>PTD.</td> <td>-</td> <td>3994</td> <td>3\"/> <tr> <td>3999</td> <td>ETR</td> <td>-</td> <td>WD.</td> <td>J2</td> <td>PTD.</td> <td>-</td> <td>3995</td> <td>3\"/> <tr> <td>3999</td> <td>ETR</td> <td>-</td> <td>WD.</td> <td>J2</td> <td>PTD.</td> <td>-</td> <td>3997</td> <td>3\"/> </td></tr></td></tr></td></tr></td></tr></td></tr></td></tr></td></tr></td></tr></td></tr>
 | 3991 | ETR | - | WD. | J2 | PTD. | - | 398 | 3\"/> <tr> <td>3992</td> <td>A</td> <td>3\"/> <tr> <td>3993</td> <td>ETR</td> <td>-</td> <td>WD.</td> <td>J2</td> <td>PTD.</td> <td>-</td> <td>399</td> <td>3\"/> <tr> <td>3994</td> <td>ETR</td> <td>-</td> <td>WD.</td> <td>J2</td> <td>PTD.</td> <td>-</td> <td>3991</td> <td>3\"/> <tr> <td>3995</td> <td>ETR</td> <td>-</td> <td>WD.</td> <td>J2</td> <td>PTD.</td> <td>-</td> <td>3992</td> <td>3\"/> <tr> <td>3997</td> <td>ETR</td> <td>-</td> <td>WD.</td> <td>J2</td> <td>PTD.</td> <td>-</td> <td>3993</td> <td>3\"/> <tr> <td>3998</td> <td>ETR</td> <td>-</td> <td>WD.</td> <td>J2</td> <td>PTD.</td> <td>-</td> <td>3994</td> <td>3\"/> <tr> <td>3999</td> <td>ETR</td> <td>-</td> <td>WD.</td> <td>J2</td> <td>PTD.</td> <td>-</td> <td>3995</td> <td>3\"/> <tr> <td>3999</td> <td>ETR</td> <td>-</td> <td>WD.</td> <td>J2</td> <td>PTD.</td> <td>-</td> <td>3997</td> <td>3\"/> </td></tr></td></tr></td></tr></td></tr></td></tr></td></tr></td></tr></td></tr> | 3992 | A | 3\"/> <tr> <td>3993</td> <td>ETR</td> <td>-</td> <td>WD.</td> <td>J2</td> <td>PTD.</td> <td>-</td> <td>399</td> <td>3\"/> <tr> <td>3994</td> <td>ETR</td> <td>-</td> <td>WD.</td> <td>J2</td> <td>PTD.</td> <td>-</td> <td>3991</td> <td>3\"/> <tr> <td>3995</td> <td>ETR</td> <td>-</td> <td>WD.</td> <td>J2</td> <td>PTD.</td> <td>-</td> <td>3992</td> <td>3\"/> <tr> <td>3997</td> <td>ETR</td> <td>-</td> <td>WD.</td> <td>J2</td> <td>PTD.</td> <td>-</td> <td>3993</td> <td>3\"/> <tr> <td>3998</td> <td>ETR</td> <td>-</td> <td>WD.</td> <td>J2</td> <td>PTD.</td> <td>-</td> <td>3994</td> <td>3\"/> <tr> <td>3999</td> <td>ETR</td> <td>-</td> <td>WD.</td> <td>J2</td> <td>PTD.</td> <td>-</td> <td>3995</td> <td>3\"/> <tr> <td>3999</td> <td>ETR</td> <td>-</td> <td>WD.</td> <td>J2</td> <td>PTD.</td> <td>-</td> <td>3997</td> <td>3\"/> </td></tr></td></tr></td></tr></td></tr></td></tr></td></tr></td></tr> | 3993 | ETR | - | WD. | J2 | PTD. | - | 399 | 3\"/> <tr> <td>3994</td> <td>ETR</td> <td>-</td> <td>WD.</td> <td>J2</td> <td>PTD.</td> <td>-</td> <td>3991</td> <td>3\"/> <tr> <td>3995</td> <td>ETR</td> <td>-</td> <td>WD.</td> <td>J2</td> <td>PTD.</td> <td>-</td> <td>3992</td> <td>3\"/> <tr> <td>3997</td> <td>ETR</td> <td>-</td> <td>WD.</td> <td>J2</td> <td>PTD.</td> <td>-</td> <td>3993</td> <td>3\"/> <tr> <td>3998</td> <td>ETR</td> <td>-</td> <td>WD.</td> <td>J2</td> <td>PTD.</td> <td>-</td> <td>3994</td> <td>3\"/> <tr> <td>3999</td> <td>ETR</td> <td>-</td> <td>WD.</td> <td>J2</td> <td>PTD.</td> <td>-</td> <td>3995</td> <td>3\"/> <tr> <td>3999</td> <td>ETR</td> <td>-</td> <td>WD.</td> <td>J2</td> <td>PTD.</td> <td>-</td> <td>3997</td> <td>3\"/> </td></tr></td></tr></td></tr></td></tr></td></tr></td></tr> | 3994 | ETR | - | WD. | J2 | PTD. | - | 3991 | 3\"/> <tr> <td>3995</td> <td>ETR</td> <td>-</td> <td>WD.</td> <td>J2</td> <td>PTD.</td> <td>-</td> <td>3992</td> <td>3\"/> <tr> <td>3997</td> <td>ETR</td> <td>-</td> <td>WD.</td> <td>J2</td> <td>PTD.</td> <td>-</td> <td>3993</td> <td>3\"/> <tr> <td>3998</td> <td>ETR</td> <td>-</td> <td>WD.</td> <td>J2</td> <td>PTD.</td> <td>-</td> <td>3994</td> <td>3\"/> <tr> <td>3999</td> <td>ETR</td> <td>-</td> <td>WD.</td> <td>J2</td> <td>PTD.</td> <td>-</td> <td>3995</td> <td>3\"/> <tr> <td>3999</td> <td>ETR</td> <td>-</td> <td>WD.</td> <td>J2</td> <td>PTD.</td> <td>-</td> <td>3997</td> <td>3\"/> </td></tr></td></tr></td></tr></td></tr></td></tr> | 3995 | ETR | - | WD. | J2 | PTD. | - | 3992 | 3\"/> <tr> <td>3997</td> <td>ETR</td> <td>-</td> <td>WD.</td> <td>J2</td> <td>PTD.</td> <td>-</td> <td>3993</td> <td>3\"/> <tr> <td>3998</td> <td>ETR</td> <td>-</td> <td>WD.</td> <td>J2</td> <td>PTD.</td> <td>-</td> <td>3994</td> <td>3\"/> <tr> <td>3999</td> <td>ETR</td> <td>-</td> <td>WD.</td> <td>J2</td> <td>PTD.</td> <td>-</td> <td>3995</td> <td>3\"/> <tr> <td>3999</td> <td>ETR</td> <td>-</td> <td>WD.</td> <td>J2</td> <td>PTD.</td> <td>-</td> <td>3997</td> <td>3\"/> </td></tr></td></tr></td></tr></td></tr>
 | 3997 | ETR | - | WD. | J2 | PTD. | - | 3993 | 3\"/> <tr> <td>3998</td> <td>ETR</td> <td>-</td> <td>WD.</td> <td>J2</td> <td>PTD.</td> <td>-</td> <td>3994</td> <td>3\"/> <tr> <td>3999</td> <td>ETR</td> <td>-</td> <td>WD.</td> <td>J2</td> <td>PTD.</td> <td>-</td> <td>3995</td> <td>3\"/> <tr> <td>3999</td> <td>ETR</td> <td>-</td> <td>WD.</td> <td>J2</td> <td>PTD.</td> <td>-</td> <td>3997</td> <td>3\"/> </td></tr></td></tr></td></tr> | 3998 | ETR | - | WD. | J2 | PTD. | - | 3994 | 3\"/> <tr> <td>3999</td> <td>ETR</td> <td>-</td> <td>WD.</td> <td>J2</td> <td>PTD.</td> <td>-</td> <td>3995</td> <td>3\"/> <tr> <td>3999</td> <td>ETR</td> <td>-</td> <td>WD.</td> <td>J2</td> <td>PTD.</td> <td>-</td> <td>3997</td> <td>3\"/> </td></tr></td></tr> | 3999 | ETR | - | WD. | J2 | PTD. | - | 3995 | 3\"/> <tr> <td>3999</td> <td>ETR</td> <td>-</td> <td>WD.</td> <td>J2</td> <td>PTD.</td> <td>-</td> <td>3997</td> <td>3\"/> </td></tr> | 3999 | ETR | - | WD. | J2 | PTD. | - | 3997 | 3\"/> | | | | | | | | | | | | | | | | | | | | | |
| 357 | ETR | - | WD. | J2 | PTD. | - | 355 | 3\"/> <tr> <td>358</td> <td>ETR</td> <td>-</td> <td>WD.</td> <td>J2</td> <td>PTD.</td> <td>-</td> <td>356</td> <td>3\"/> <tr> <td>359</td> <td>ETR</td> <td>-</td> <td>WD.</td> <td>J2</td> <td>PTD.</td> <td>-</td> <td>357</td> <td>3\"/> <tr> <td>360</td> <td>ETR</td> <td>-</td> <td>WD.</td> <td>J2</td> <td>PTD.</td> <td>-</td> <td>358</td> <td>3\"/> <tr> <td>361A</td> <td>ETR</td> <td>-</td> <td>WD.</td> <td>J2</td> <td>PTD.</td> <td>-</td> <td>359</td> <td>3\"/> <tr> <td>362</td> <td>ETR</td> <td>-</td> <td>WD.</td> <td>J2</td> <td>PTD.</td> <td>-</td> <td>360</td> <td>3\"/> <tr> <td>363</td> <td>ETR</td> <td>-</td> <td>WD.</td> <td>J2</td> <td>PTD.</td> <td>-</td> <td>361A</td> <td>3\"/> <tr> <td>364A</td> <td>ETR</td> <td>-</td> <td>WD.</td> <td>J2</td> <td>PTD.</td> <td>-</td> <td>362</td> <td>3\"/> <tr> <td>365</td> <td>ETR</td> <td>-</td> <td>WD.</td> <td>J2</td> <td>PTD.</td> <td>-</td> <td>363</td> <td>3\"/> <tr> <td>366</td> <td>ETR</td> <td>-</td> <td>WD.</td> <td>J2</td> <td>PTD.</td> <td>-</td> <td>364A</td> <td>3\"/> <tr> <td>367</td> <td>B</td> <td>2 <td>HM</td> <td>J1</td> <td>PTD.</td> <td>1 HR.</td> <td>365</td> <td>3\"/> <tr> <td>368</td> <td>ETR</td> <td>-</td> <td>WD.</td> <td>J2</td> <td>PTD.</td> <td>-</td> <td>366</td> <td>3\"/> <tr> <td>369</td> <td>ETR</td> <td>-</td> <td>WD.</td> <td>J2</td> <td>PTD.</td> <td>-</td> <td>367</td> <td>3\"/> <tr> <td>370</td> <td>ETR</td> <td>-</td> <td>WD.</td> <td>J2</td> <td>PTD.</td> <td>-</td> <td>368</td> <td>3\"/> <tr> <td>371</td> <td>ETR</td> <td>-</td> <td>WD.</td> <td>J2</td> <td>PTD.</td> <td>-</td> <td>369</td> <td>3\"/> <tr> <td>372</td> <td>B</td> <td>2 <td>HM</td> <td>J1</td> <td>PTD.</td> <td>1 HR.</td> <td>370</td> <td>3\"/> <tr> <td>373A</td> <td>ETR</td> <td>-</td> <td>WD.</td> <td>J2</td> <td>PTD.</td> <td>-</td> <td>371</td> <td>3\"/> <tr> <td>374B</td> <td>ETR</td> <td>-</td> <td>WD.</td> <td>J2</td> <td>PTD.</td> <td>-</td> <td>372</td> <td>3\"/> <tr> <td>374C</td> <td>ETR</td> <td>-</td> <td>WD.</td> <td>J2</td> <td>PTD.</td> <td>-</td> <td>373A</td> <td>3\"/> <tr> <td>375</td> <td>B</td> <td>1 <td>WD</td> <td>J1</td> <td>PTD.</td> <td>-</td> <td>374B</td> <td>3\"/> <tr> <td>376</td> <td>B</td> <td>1 <td>WD</td> <td>J1</td> <td>PTD.</td> <td>-</td> <td>374C</td> <td>3\"/> <tr> <td>377</td> <td>B</td> <td>1 <td>WD</td> <td>J1</td> <td>PTD.</td> <td>-</td> <td>375</td> <td>3\"/> <tr> <td>377A</td> <td>B</td> <td>1 <td>WD</td> <td>J1</td> <td>PTD.</td> <td>-</td> <td>376</td> <td>3\"/> <tr> <td>378</td> <td>B</td> <td>1 <td>WD</td> <td>J1</td> <td>PTD.</td> <td>-</td> <td>377</td> <td>3\"/> <tr> <td>379</td> <td>B</td> <td>1 <td>WD</td> <td>J1</td> <td>PTD.</td> <td>-</td> <td>377A</td> <td>3\"/> <tr> <td>380A</td> <td>B</td> <td>1 <td>WD</td> <td>J1</td> <td>PTD.</td> <td>-</td> <td>378</td> <td>3\"/> <tr> <td>380B</td> <td>B</td> <td>1 <td>WD</td> <td>J1</td>
<td>PTD.</td> <td>-</td> <td>379</td> <td>3\"/> <tr> <td>382</td> <td>ETR</td> <td>-</td> <td>WD.</td> <td>J2</td> <td>PTD.</td> <td>-</td> <td>380A</td> <td>3\"/> <tr> <td>382A</td> <td>D</td> <td>6 <td>ALUM.</td> <td>ANODIZE D</td> <td>-</td> <td>-</td> <td>380B</td> <td>3\"/> <tr> <td>385</td> <td>ETR</td> <td>-</td> <td>WD.</td> <td>J2</td> <td>PTD.</td> <td>-</td> <td>382</td> <td>3\"/> <tr> <td>386</td> <td>ETR</td> <td>-</td> <td>WD.</td> <td>J2</td> <td>PTD.</td> <td>-</td> <td>382A</td> <td>3\"/> <tr> <td>387</td> <td>ETR</td> <td>-</td> <td>WD.</td> <td>J2</td> <td>PTD.</td> <td>-</td> <td>385</td> <td>3\"/> <tr> <td>388</td> <td>ETR</td> <td>-</td> <td>WD.</td> <td>J2</td> <td>PTD.</td> <td>-</td> <td>386</td> <td>3\"/> <tr> <td>389</td> <td>ETR</td> <td>-</td> <td>WD.</td> <td>J2</td> <td>PTD.</td> <td>-</td> <td>387</td> <td>3\"/> <tr> <td>391</td> <td>ETR</td> <td>-</td> <td>WD.</td> <td>J2</td> <td>PTD.</td> <td>-</td> <td>388</td> <td>3\"/> <tr> <td>391A</td> <td>ETR</td> <td>-</td> <td>WD.</td> <td>J2</td> <td>PTD.</td> <td>-</td> <td>389</td> <td>3\"/> <tr> <td>391B</td> <td>ETR</td> <td>-</td> <td>WD.</td> <td>J2</td> <td>PTD.</td> <td>-</td> <td>391</td> <td>3\"/> <tr> <td>394</td> <td>ETR</td> <td>-</td> <td>WD.</td> <td>J2</td> <td>PTD.</td> <td>-</td> <td>391A</td> <td>3\"/> <tr> <td>395</td> <td>ETR</td> <td>-</td> <td>WD.</td> <td>J2</td> <td>PTD.</td> <td>-</td> <td>391B</td> <td>3\"/> <tr> <td>396</td> <td>ETR</td> <td>-</td> <td>WD.</td> <td>J2</td> <td>PTD.</td> <td>-</td> <td>394</td> <td>3\"/> <tr> <td>398</td> <td>ETR</td> <td>-</td> <td>WD.</td> <td>J2</td> <td>PTD.</td> <td>-</td> <td>395</td> <td>3\"/> <tr> <td>399</td> <td>ETR</td> <td>-</td> <td>WD.</td> <td>J2</td> <td>PTD.</td> <td>-</td> <td>396</td> <td>3\"/> <tr> <td>3991</td> <td>ETR</td> <td>-</td> <td>WD.</td> <td>J2</td> <td>PTD.</td> <td>-</td> <td>398</td> <td>3\"/> <tr> <td>3992</td> <td>A</td> <td>3\"/> <tr> <td>3993</td> <td>ETR</td> <td>-</td> <td>WD.</td> <td>J2</td> <td>PTD.</td> <td>-</td> <td>399</td> <td>3\"/> <tr> <td>3994</td> <td>ETR</td> <td>-</td> <td>WD.</td> <td>J2</td> <td>PTD.</td> <td>-</td> <td>3991</td> <td>3\"/> <tr> <td>3995</td> <td>ETR</td> <td>-</td> <td>WD.</td> <td>J2</td> <td>PTD.</td> <td>-</td> <td>3992</td> <td>3\"/> <tr> <td>3997</td> <td>ETR</td> <td>-</td> <td>WD.</td> <td>J2</td> <td>PTD.</td> <td>-</td> <td>3993</td> <td>3\"/> <tr> <td>3998</td> <td>ETR</td> <td>-</td> <td>WD.</td> <td>J2</td> <td>PTD.</td> <td>-</td> <td>3994</td> <td>3\"/> <tr> <td>3999</td> <td>ETR</td> <td>-</td> <td>WD.</td> <td>J2</td> <td>PTD.</td> <td>-</td> <td>3995</td> <td>3\"/> <tr> <td>3999</td> <td>ETR</td> <td>-</td> <td>WD.</td> <td>J2</td> <td>PTD.</td> <td>-</td> <td>3997</td> <td>3\"/> </td></tr></td></tr></td></tr></td></tr></td></tr></td></tr></td></tr></td></tr></td></tr></td></tr></td></tr></td></tr></td></tr></td></tr></td></tr></td></tr></td></tr></td></tr></td></tr></td></tr></td></tr></td></tr></td></td></tr></td></tr></td></td></tr></td></td></tr></td></td></tr></td></td></tr></td></td></tr></td></td></tr></td></td></tr></td></td></tr></td></tr></td></tr></td></tr></td></td></tr></td></tr></td></tr></td></tr></td></tr></td></td></tr></td></tr></td></tr></td></tr></td></tr></td></tr></td></tr></td></tr></td></tr></td></tr> | 358 | ETR | -
 | WD. | J2 | PTD. | - | 356 | 3\"/> <tr> <td>359</td> <td>ETR</td> <td>-</td> <td>WD.</td> <td>J2</td> <td>PTD.</td> <td>-</td> <td>357</td> <td>3\"/> <tr> <td>360</td> <td>ETR</td> <td>-</td> <td>WD.</td> <td>J2</td> <td>PTD.</td> <td>-</td> <td>358</td> <td>3\"/> <tr> <td>361A</td> <td>ETR</td> <td>-</td> <td>WD.</td> <td>J2</td> <td>PTD.</td> <td>-</td> <td>359</td> <td>3\"/> <tr> <td>362</td> <td>ETR</td> <td>-</td> <td>WD.</td> <td>J2</td> <td>PTD.</td> <td>-</td> <td>360</td> <td>3\"/> <tr> <td>363</td> <td>ETR</td> <td>-</td> <td>WD.</td> <td>J2</td> <td>PTD.</td> <td>-</td> <td>361A</td> <td>3\"/> <tr> <td>364A</td> <td>ETR</td> <td>-</td> <td>WD.</td> <td>J2</td> <td>PTD.</td> <td>-</td> <td>362</td> <td>3\"/> <tr> <td>365</td> <td>ETR</td> <td>-</td> <td>WD.</td> <td>J2</td> <td>PTD.</td> <td>-</td> <td>363</td> <td>3\"/> <tr> <td>366</td> <td>ETR</td> <td>-</td> <td>WD.</td> <td>J2</td> <td>PTD.</td> <td>-</td> <td>364A</td> <td>3\"/> <tr> <td>367</td> <td>B</td> <td>2 <td>HM</td> <td>J1</td> <td>PTD.</td> <td>1 HR.</td> <td>365</td> <td>3\"/> <tr> <td>368</td> <td>ETR</td> <td>-</td> <td>WD.</td> <td>J2</td> <td>PTD.</td> <td>-</td> <td>366</td> <td>3\"/> <tr> <td>369</td> <td>ETR</td> <td>-</td> <td>WD.</td> <td>J2</td> <td>PTD.</td> <td>-</td> <td>367</td> <td>3\"/> <tr> <td>370</td> <td>ETR</td> <td>-</td> <td>WD.</td> <td>J2</td> <td>PTD.</td> <td>-</td> <td>368</td> <td>3\"/> <tr> <td>371</td> <td>ETR</td> <td>-</td> <td>WD.</td> <td>J2</td> <td>PTD.</td> <td>-</td> <td>369</td> <td>3\"/> <tr> <td>372</td> <td>B</td> <td>2 <td>HM</td> <td>J1</td> <td>PTD.</td> <td>1 HR.</td> <td>370</td> <td>3\"/> <tr> <td>373A</td> <td>ETR</td> <td>-</td> <td>WD.</td> <td>J2</td> <td>PTD.</td> <td>-</td> <td>371</td> <td>3\"/> <tr> <td>374B</td> <td>ETR</td> <td>-</td> <td>WD.</td> <td>J2</td> <td>PTD.</td> <td>-</td> <td>372</td> <td>3\"/> <tr> <td>374C</td> <td>ETR</td> <td>-</td> <td>WD.</td> <td>J2</td> <td>PTD.</td> <td>-</td> <td>373A</td> <td>3\"/> <tr> <td>375</td> <td>B</td> <td>1 <td>WD</td> <td>J1</td> <td>PTD.</td> <td>-</td> <td>374B</td> <td>3\"/> <tr> <td>376</td> <td>B</td> <td>1 <td>WD</td> <td>J1</td> <td>PTD.</td> <td>-</td> <td>374C</td> <td>3\"/> <tr> <td>377</td> <td>B</td> <td>1 <td>WD</td> <td>J1</td> <td>PTD.</td> <td>-</td> <td>375</td> <td>3\"/> <tr> <td>377A</td> <td>B</td> <td>1 <td>WD</td> <td>J1</td> <td>PTD.</td> <td>-</td> <td>376</td> <td>3\"/> <tr> <td>378</td> <td>B</td> <td>1 <td>WD</td> <td>J1</td> <td>PTD.</td> <td>-</td> <td>377</td> <td>3\"/> <tr> <td>379</td> <td>B</td> <td>1 <td>WD</td> <td>J1</td> <td>PTD.</td> <td>-</td> <td>377A</td> <td>3\"/> <tr> <td>380A</td> <td>B</td> <td>1 <td>WD</td> <td>J1</td> <td>PTD.</td> <td>-</td> <td>378</td> <td>3\"/> <tr> <td>380B</td> <td>B</td> <td>1 <td>WD</td> <td>J1</td> <td>PTD.</td> <td>-</td> <td>379</td> <td>3\"/> <tr> <td>382</td> <td>ETR</td> <td>-</td> <td>WD.</td> <td>J2</td> <td>PTD.</td> <td>-</td> <td>380A</td> <td>3\"/> <tr> <td>382A</td> <td>D</td> <td>6 <td>ALUM.</td> <td>ANODIZE D</td> <td>-</td> <td>-</td> <td>380B</td> <td>3\"/> <tr> <td>385</td> <td>ETR</td> <td>-</td> <td>WD.</td> <td>J2</td> <td>PTD.</td> <td>-</td> <td>382</td> <td>3\"/> <tr> <td>386</td> <td>ETR</td> <td>-</td> <td>WD.</td> <td>J2</td> <td>PTD.</td> <td>-</td> <td>382A</td> <td>3\"/> <tr> <td>387</td> <td>ETR</td> <td>-</td> <td>WD.</td> <td>J2</td> <td>PTD.</td> <td>-</td> <td>385</td> <td>3\"/> <tr> <td>388</td> <td>ETR</td> <td>-</td> <td>WD.</td> <td>J2</td> <td>PTD.</td> <td>-</td> <td>386</td> <td>3\"/> <tr> <td>389</td> <td>ETR</td> <td>-</td> <td>WD.</td> <td>J2</td> <td>PTD.</td> <td>-</td> <td>387</td> <td>3\"/> <tr> <td>391</td> <td>ETR</td> <td>-</td> <td>WD.</td> <td>J2</td> <td>PTD.</td> <td>-</td> <td>388</td> <td>3\"/> <tr> <td>391A</td> <td>ETR</td> <td>-</td> <td>WD.</td> <td>J2</td> <td>PTD.</td> <td>-</td> <td>389</td> <td>3\"/> <tr> <td>391B</td> <td>ETR</td> <td>-</td> <td>WD.</td> <td>J2</td> <td>PTD.</td> <td>-</td> <td>391</td> <td>3\"/> <tr> <td>394</td> <td>ETR</td> <td>-</td> <td>WD.</td> <td>J2</td> <td>PTD.</td> <td>-</td> <td>391A</td> <td>3\"/> <tr> <td>395</td> <td>ETR</td> <td>-</td> <td>WD.</td> <td>J2</td> <td>PTD.</td> <td>-</td> <td>391B</td> <td>3\"/> <tr> <td>396</td> <td>ETR</td> <td>-</td> <td>WD.</td> <td>J2</td> <td>PTD.</td> <td>-</td> <td>394</td> <td>3\"/> <tr> <td>398</td> <td>ETR</td> <td>-</td> <td>WD.</td> <td>J2</td> <td>PTD.</td> <td>-</td> <td>395</td> <td>3\"/> <tr> <td>399</td> <td>ETR</td> <td>-</td> <td>WD.</td> <td>J2</td> <td>PTD.</td> <td>-</td> <td>396</td> <td>3\"/> <tr> <td>3991</td> <td>ETR</td> <td>-</td> <td>WD.</td> <td>J2</td> <td>PTD.</td> <td>-</td> <td>398</td> <td>3\"/> <tr> <td>3992</td> <td>A</td> <td>3\"/> <tr> <td>3993</td> <td>ETR</td> <td>-</td> <td>WD.</td> <td>J2</td> <td>PTD.</td> <td>-</td> <td>399</td> <td>3\"/> <tr> <td>3994</td> <td>ETR</td> <td>-</td> <td>WD.</td> <td>J2</td> <td>PTD.</td> <td>-</td> <td>3991</td> <td>3\"/> <tr> <td>3995</td> <td>ETR</td> <td>-</td> <td>WD.</td> <td>J2</td> <td>PTD.</td> <td>-</td> <td>3992</td> <td>3\"/> <tr> <td>3997</td> <td>ETR</td> <td>-</td> <td>WD.</td> <td>J2</td> <td>PTD.</td> <td>-</td> <td>3993</td> <td>3\"/> <tr> <td>3998</td> <td>ETR</td> <td>-</td> <td>WD.</td> <td>J2</td> <td>PTD.</td> <td>-</td> <td>3994</td> <td>3\"/> <tr> <td>3999</td> <td>ETR</td> <td>-</td> <td>WD.</td> <td>J2</td> <td>PTD.</td> <td>-</td> <td>3995</td> <td>3\"/> <tr> <td>3999</td> <td>ETR</td> <td>-</td> <td>WD.</td> <td>J2</td> <td>PTD.</td> <td>-</td> <td>3997</td> <td>3\"/> </td></tr></td></tr></td></tr></td></tr></td></tr></td></tr></td></tr></td></tr></td></tr></td></tr></td></tr></td></tr></td></tr></td></tr></td></tr></td></tr></td></tr></td></tr></td></tr></td></tr></td></tr></td></tr></td></td></tr></td></tr></td></td></tr></td></td></tr></td></td></tr></td></td></tr></td></td></tr></td></td></tr></td></td></tr></td></td></tr></td></tr></td></tr></td></tr></td></td></tr></td></tr></td></tr></td></tr></td></tr></td></td></tr></td></tr></td></tr></td></tr></td></tr></td></tr></td></tr></td></tr></td></tr> | 359 | ETR | -
 | WD. | J2 | PTD. | - | 357 | 3\"/> <tr> <td>360</td> <td>ETR</td> <td>-</td> <td>WD.</td> <td>J2</td> <td>PTD.</td> <td>-</td> <td>358</td> <td>3\"/> <tr> <td>361A</td> <td>ETR</td> <td>-</td> <td>WD.</td> <td>J2</td> <td>PTD.</td> <td>-</td> <td>359</td> <td>3\"/> <tr> <td>362</td> <td>ETR</td> <td>-</td> <td>WD.</td> <td>J2</td> <td>PTD.</td> <td>-</td> <td>360</td> <td>3\"/> <tr> <td>363</td> <td>ETR</td> <td>-</td> <td>WD.</td> <td>J2</td> <td>PTD.</td> <td>-</td> <td>361A</td> <td>3\"/> <tr> <td>364A</td> <td>ETR</td> <td>-</td> <td>WD.</td> <td>J2</td> <td>PTD.</td> <td>-</td> <td>362</td> <td>3\"/> <tr> <td>365</td> <td>ETR</td> <td>-</td> <td>WD.</td> <td>J2</td> <td>PTD.</td> <td>-</td> <td>363</td> <td>3\"/> <tr> <td>366</td> <td>ETR</td> <td>-</td> <td>WD.</td> <td>J2</td> <td>PTD.</td> <td>-</td> <td>364A</td> <td>3\"/> <tr> <td>367</td> <td>B</td> <td>2 <td>HM</td> <td>J1</td> <td>PTD.</td> <td>1 HR.</td> <td>365</td> <td>3\"/> <tr> <td>368</td> <td>ETR</td> <td>-</td> <td>WD.</td> <td>J2</td> <td>PTD.</td> <td>-</td> <td>366</td> <td>3\"/> <tr> <td>369</td> <td>ETR</td> <td>-</td> <td>WD.</td> <td>J2</td> <td>PTD.</td> <td>-</td> <td>367</td> <td>3\"/> <tr> <td>370</td> <td>ETR</td> <td>-</td> <td>WD.</td> <td>J2</td> <td>PTD.</td> <td>-</td> <td>368</td> <td>3\"/> <tr> <td>371</td> <td>ETR</td> <td>-</td> <td>WD.</td> <td>J2</td> <td>PTD.</td> <td>-</td> <td>369</td> <td>3\"/> <tr> <td>372</td> <td>B</td> <td>2 <td>HM</td> <td>J1</td> <td>PTD.</td> <td>1 HR.</td> <td>370</td> <td>3\"/> <tr> <td>373A</td> <td>ETR</td> <td>-</td> <td>WD.</td> <td>J2</td> <td>PTD.</td> <td>-</td> <td>371</td> <td>3\"/> <tr> <td>374B</td> <td>ETR</td> <td>-</td> <td>WD.</td> <td>J2</td> <td>PTD.</td> <td>-</td> <td>372</td> <td>3\"/> <tr> <td>374C</td> <td>ETR</td> <td>-</td> <td>WD.</td> <td>J2</td> <td>PTD.</td> <td>-</td> <td>373A</td> <td>3\"/> <tr> <td>375</td> <td>B</td> <td>1 <td>WD</td> <td>J1</td> <td>PTD.</td> <td>-</td> <td>374B</td> <td>3\"/> <tr> <td>376</td> <td>B</td> <td>1 <td>WD</td> <td>J1</td> <td>PTD.</td> <td>-</td> <td>374C</td> <td>3\"/> <tr> <td>377</td> <td>B</td> <td>1 <td>WD</td> <td>J1</td> <td>PTD.</td> <td>-</td> <td>375</td> <td>3\"/> <tr> <td>377A</td> <td>B</td> <td>1 <td>WD</td> <td>J1</td> <td>PTD.</td> <td>-</td> <td>376</td> <td>3\"/> <tr> <td>378</td> <td>B</td> <td>1 <td>WD</td> <td>J1</td> <td>PTD.</td> <td>-</td> <td>377</td> <td>3\"/> <tr> <td>379</td> <td>B</td> <td>1 <td>WD</td> <td>J1</td> <td>PTD.</td> <td>-</td> <td>377A</td> <td>3\"/> <tr> <td>380A</td> <td>B</td> <td>1 <td>WD</td> <td>J1</td> <td>PTD.</td> <td>-</td> <td>378</td> <td>3\"/> <tr> <td>380B</td> <td>B</td> <td>1 <td>WD</td> <td>J1</td> <td>PTD.</td> <td>-</td> <td>379</td> <td>3\"/> <tr> <td>382</td> <td>ETR</td> <td>-</td> <td>WD.</td> <td>J2</td> <td>PTD.</td> <td>-</td> <td>380A</td> <td>3\"/> <tr> <td>382A</td> <td>D</td> <td>6 <td>ALUM.</td> <td>ANODIZE D</td> <td>-</td> <td>-</td> <td>380B</td> <td>3\"/> <tr> <td>385</td> <td>ETR</td> <td>-</td> <td>WD.</td> <td>J2</td> <td>PTD.</td> <td>-</td> <td>382</td> <td>3\"/> <tr> <td>386</td> <td>ETR</td> <td>-</td> <td>WD.</td> <td>J2</td> <td>PTD.</td> <td>-</td> <td>382A</td> <td>3\"/> <tr> <td>387</td> <td>ETR</td> <td>-</td> <td>WD.</td> <td>J2</td> <td>PTD.</td> <td>-</td> <td>385</td> <td>3\"/> <tr> <td>388</td> <td>ETR</td> <td>-</td> <td>WD.</td> <td>J2</td> <td>PTD.</td> <td>-</td> <td>386</td> <td>3\"/> <tr> <td>389</td> <td>ETR</td> <td>-</td> <td>WD.</td> <td>J2</td> <td>PTD.</td> <td>-</td> <td>387</td> <td>3\"/> <tr> <td>391</td> <td>ETR</td> <td>-</td> <td>WD.</td> <td>J2</td> <td>PTD.</td> <td>-</td> <td>388</td> <td>3\"/> <tr> <td>391A</td> <td>ETR</td> <td>-</td> <td>WD.</td> <td>J2</td> <td>PTD.</td> <td>-</td> <td>389</td> <td>3\"/> <tr> <td>391B</td> <td>ETR</td> <td>-</td> <td>WD.</td> <td>J2</td> <td>PTD.</td> <td>-</td> <td>391</td> <td>3\"/> <tr> <td>394</td> <td>ETR</td> <td>-</td> <td>WD.</td> <td>J2</td> <td>PTD.</td> <td>-</td> <td>391A</td> <td>3\"/> <tr> <td>395</td> <td>ETR</td> <td>-</td> <td>WD.</td> <td>J2</td> <td>PTD.</td> <td>-</td> <td>391B</td> <td>3\"/> <tr> <td>396</td> <td>ETR</td> <td>-</td> <td>WD.</td> <td>J2</td> <td>PTD.</td> <td>-</td> <td>394</td> <td>3\"/> <tr> <td>398</td> <td>ETR</td> <td>-</td> <td>WD.</td> <td>J2</td> <td>PTD.</td> <td>-</td> <td>395</td> <td>3\"/> <tr> <td>399</td> <td>ETR</td> <td>-</td> <td>WD.</td> <td>J2</td> <td>PTD.</td> <td>-</td> <td>396</td> <td>3\"/> <tr> <td>3991</td> <td>ETR</td> <td>-</td> <td>WD.</td> <td>J2</td> <td>PTD.</td> <td>-</td> <td>398</td> <td>3\"/> <tr> <td>3992</td> <td>A</td> <td>3\"/> <tr> <td>3993</td> <td>ETR</td> <td>-</td> <td>WD.</td> <td>J2</td> <td>PTD.</td> <td>-</td> <td>399</td> <td>3\"/> <tr> <td>3994</td> <td>ETR</td> <td>-</td> <td>WD.</td> <td>J2</td> <td>PTD.</td> <td>-</td> <td>3991</td> <td>3\"/> <tr> <td>3995</td> <td>ETR</td> <td>-</td> <td>WD.</td> <td>J2</td> <td>PTD.</td> <td>-</td> <td>3992</td> <td>3\"/> <tr> <td>3997</td> <td>ETR</td> <td>-</td> <td>WD.</td> <td>J2</td> <td>PTD.</td> <td>-</td> <td>3993</td> <td>3\"/> <tr> <td>3998</td> <td>ETR</td> <td>-</td> <td>WD.</td> <td>J2</td> <td>PTD.</td> <td>-</td> <td>3994</td> <td>3\"/> <tr> <td>3999</td> <td>ETR</td> <td>-</td> <td>WD.</td> <td>J2</td> <td>PTD.</td> <td>-</td> <td>3995</td> <td>3\"/> <tr> <td>3999</td> <td>ETR</td> <td>-</td> <td>WD.</td> <td>J2</td> <td>PTD.</td> <td>-</td> <td>3997</td> <td>3\"/>
</td></tr></td></tr></td></tr></td></tr></td></tr></td></tr></td></tr></td></tr></td></tr></td></tr></td></tr></td></tr></td></tr></td></tr></td></tr></td></tr></td></tr></td></tr></td></tr></td></tr></td></tr></td></tr></td></td></tr></td></tr></td></td></tr></td></td></tr></td></td></tr></td></td></tr></td></td></tr></td></td></tr></td></td></tr></td></td></tr></td></tr></td></tr></td></tr></td></td></tr></td></tr></td></tr></td></tr></td></tr></td></td></tr></td></tr></td></tr></td></tr></td></tr></td></tr></td></tr></td></tr> | 360 | ETR | - | WD. | J2 | PTD. | - | 358 | 3\"/> <tr> <td>361A</td> <td>ETR</td> <td>-</td> <td>WD.</td> <td>J2</td> <td>PTD.</td> <td>-</td> <td>359</td> <td>3\"/> <tr> <td>362</td> <td>ETR</td> <td>-</td> <td>WD.</td> <td>J2</td> <td>PTD.</td> <td>-</td> <td>360</td> <td>3\"/> <tr> <td>363</td> <td>ETR</td> <td>-</td> <td>WD.</td> <td>J2</td> <td>PTD.</td> <td>-</td> <td>361A</td> <td>3\"/> <tr> <td>364A</td> <td>ETR</td> <td>-</td> <td>WD.</td> <td>J2</td> <td>PTD.</td> <td>-</td> <td>362</td> <td>3\"/> <tr> <td>365</td> <td>ETR</td> <td>-</td> <td>WD.</td> <td>J2</td> <td>PTD.</td> <td>-</td> <td>363</td> <td>3\"/> <tr> <td>366</td> <td>ETR</td> <td>-</td> <td>WD.</td> <td>J2</td> <td>PTD.</td> <td>-</td> <td>364A</td> <td>3\"/> <tr> <td>367</td> <td>B</td> <td>2 <td>HM</td> <td>J1</td> <td>PTD.</td> <td>1 HR.</td> <td>365</td> <td>3\"/> <tr> <td>368</td> <td>ETR</td> <td>-</td> <td>WD.</td> <td>J2</td> <td>PTD.</td> <td>-</td> <td>366</td> <td>3\"/> <tr> <td>369</td> <td>ETR</td> <td>-</td> <td>WD.</td> <td>J2</td> <td>PTD.</td> <td>-</td> <td>367</td> <td>3\"/> <tr> <td>370</td> <td>ETR</td> <td>-</td> <td>WD.</td> <td>J2</td> <td>PTD.</td> <td>-</td> <td>368</td> <td>3\"/> <tr> <td>371</td> <td>ETR</td> <td>-</td> <td>WD.</td> <td>J2</td> <td>PTD.</td> <td>-</td> <td>369</td> <td>3\"/> <tr> <td>372</td> <td>B</td> <td>2 <td>HM</td> <td>J1</td> <td>PTD.</td> <td>1 HR.</td> <td>370</td> <td>3\"/> <tr> <td>373A</td> <td>ETR</td> <td>-</td> <td>WD.</td> <td>J2</td> <td>PTD.</td> <td>-</td> <td>371</td> <td>3\"/> <tr> <td>374B</td> <td>ETR</td> <td>-</td> <td>WD.</td> <td>J2</td> <td>PTD.</td> <td>-</td> <td>372</td> <td>3\"/> <tr> <td>374C</td> <td>ETR</td> <td>-</td> <td>WD.</td> <td>J2</td> <td>PTD.</td> <td>-</td> <td>373A</td> <td>3\"/> <tr> <td>375</td> <td>B</td> <td>1 <td>WD</td> <td>J1</td> <td>PTD.</td> <td>-</td> <td>374B</td> <td>3\"/> <tr> <td>376</td> <td>B</td> <td>1 <td>WD</td> <td>J1</td> <td>PTD.</td> <td>-</td> <td>374C</td> <td>3\"/> <tr> <td>377</td> <td>B</td> <td>1 <td>WD</td> <td>J1</td> <td>PTD.</td> <td>-</td> <td>375</td> <td>3\"/> <tr> <td>377A</td> <td>B</td> <td>1 <td>WD</td> <td>J1</td> <td>PTD.</td> <td>-</td> <td>376</td> <td>3\"/> <tr> <td>378</td> <td>B</td> <td>1 <td>WD</td> <td>J1</td> <td>PTD.</td> <td>-</td> <td>377</td> <td>3\"/> <tr> <td>379</td> <td>B</td> <td>1 <td>WD</td> <td>J1</td> <td>PTD.</td> <td>-</td> <td>377A</td> <td>3\"/> <tr> <td>380A</td>
<td>B</td> <td>1 <td>WD</td> <td>J1</td> <td>PTD.</td> <td>-</td> <td>378</td> <td>3\"/> <tr> <td>380B</td> <td>B</td> <td>1 <td>WD</td> <td>J1</td> <td>PTD.</td> <td>-</td> <td>379</td> <td>3\"/> <tr> <td>382</td> <td>ETR</td> <td>-</td> <td>WD.</td> <td>J2</td> <td>PTD.</td> <td>-</td> <td>380A</td> <td>3\"/> <tr> <td>382A</td> <td>D</td> <td>6 <td>ALUM.</td> <td>ANODIZE D</td> <td>-</td> <td>-</td> <td>380B</td> <td>3\"/> <tr> <td>385</td> <td>ETR</td> <td>-</td> <td>WD.</td> <td>J2</td> <td>PTD.</td> <td>-</td> <td>382</td> <td>3\"/> <tr> <td>386</td> <td>ETR</td> <td>-</td> <td>WD.</td> <td>J2</td> <td>PTD.</td> <td>-</td> <td>382A</td> <td>3\"/> <tr> <td>387</td> <td>ETR</td> <td>-</td> <td>WD.</td> <td>J2</td> <td>PTD.</td> <td>-</td> <td>385</td> <td>3\"/> <tr> <td>388</td> <td>ETR</td> <td>-</td> <td>WD.</td> <td>J2</td> <td>PTD.</td> <td>-</td> <td>386</td> <td>3\"/> <tr> <td>389</td> <td>ETR</td> <td>-</td> <td>WD.</td> <td>J2</td> <td>PTD.</td> <td>-</td> <td>387</td> <td>3\"/> <tr> <td>391</td> <td>ETR</td> <td>-</td> <td>WD.</td> <td>J2</td> <td>PTD.</td> <td>-</td> <td>388</td> <td>3\"/> <tr> <td>391A</td> <td>ETR</td> <td>-</td> <td>WD.</td> <td>J2</td> <td>PTD.</td> <td>-</td> <td>389</td> <td>3\"/> <tr> <td>391B</td> <td>ETR</td> <td>-</td> <td>WD.</td> <td>J2</td> <td>PTD.</td> <td>-</td> <td>391</td> <td>3\"/> <tr> <td>394</td> <td>ETR</td> <td>-</td> <td>WD.</td> <td>J2</td> <td>PTD.</td> <td>-</td> <td>391A</td> <td>3\"/> <tr> <td>395</td> <td>ETR</td> <td>-</td> <td>WD.</td> <td>J2</td> <td>PTD.</td> <td>-</td> <td>391B</td> <td>3\"/> <tr> <td>396</td> <td>ETR</td> <td>-</td> <td>WD.</td> <td>J2</td> <td>PTD.</td> <td>-</td> <td>394</td> <td>3\"/> <tr> <td>398</td> <td>ETR</td> <td>-</td> <td>WD.</td> <td>J2</td> <td>PTD.</td> <td>-</td> <td>395</td> <td>3\"/> <tr> <td>399</td> <td>ETR</td> <td>-</td> <td>WD.</td> <td>J2</td> <td>PTD.</td> <td>-</td> <td>396</td> <td>3\"/> <tr> <td>3991</td> <td>ETR</td> <td>-</td> <td>WD.</td> <td>J2</td> <td>PTD.</td> <td>-</td> <td>398</td> <td>3\"/> <tr> <td>3992</td> <td>A</td> <td>3\"/> <tr> <td>3993</td> <td>ETR</td> <td>-</td> <td>WD.</td> <td>J2</td> <td>PTD.</td> <td>-</td> <td>399</td> <td>3\"/> <tr> <td>3994</td> <td>ETR</td> <td>-</td> <td>WD.</td> <td>J2</td> <td>PTD.</td> <td>-</td> <td>3991</td> <td>3\"/> <tr> <td>3995</td> <td>ETR</td> <td>-</td> <td>WD.</td> <td>J2</td> <td>PTD.</td> <td>-</td> <td>3992</td> <td>3\"/> <tr> <td>3997</td> <td>ETR</td> <td>-</td> <td>WD.</td> <td>J2</td> <td>PTD.</td> <td>-</td> <td>3993</td> <td>3\"/> <tr> <td>3998</td> <td>ETR</td> <td>-</td> <td>WD.</td> <td>J2</td> <td>PTD.</td> <td>-</td> <td>3994</td> <td>3\"/> <tr> <td>3999</td> <td>ETR</td> <td>-</td> <td>WD.</td> <td>J2</td> <td>PTD.</td> <td>-</td> <td>3995</td> <td>3\"/> <tr> <td>3999</td> <td>ETR</td> <td>-</td> <td>WD.</td> <td>J2</td> <td>PTD.</td> <td>-</td> <td>3997</td> <td>3\"/> </td></tr></td></tr></td></tr></td></tr></td></tr></td></tr></td></tr></td></tr></td></tr></td></tr></td></tr></td></tr></td></tr></td></tr></td></tr></td></tr></td></tr></td></tr></td></tr></td></tr></td></tr></td></tr></td></td></tr></td></tr></td></td></tr></td></td></tr></td></td></tr></td></td></tr></td></td></tr></td></td></tr></td></td></tr></td></td></tr></td></tr></td></tr></td></tr></td></td></tr></td></tr></td></tr></td></tr></td></tr></td></td></tr></td></tr></td></tr></td></tr></td></tr></td></tr></td></tr> | 361A | ETR | -
 | WD. | J2 | PTD. | - | 359 | 3\"/> <tr> <td>362</td> <td>ETR</td> <td>-</td> <td>WD.</td> <td>J2</td> <td>PTD.</td> <td>-</td> <td>360</td> <td>3\"/> <tr> <td>363</td> <td>ETR</td> <td>-</td> <td>WD.</td> <td>J2</td> <td>PTD.</td> <td>-</td> <td>361A</td> <td>3\"/> <tr> <td>364A</td> <td>ETR</td> <td>-</td> <td>WD.</td> <td>J2</td> <td>PTD.</td> <td>-</td> <td>362</td> <td>3\"/> <tr> <td>365</td> <td>ETR</td> <td>-</td> <td>WD.</td> <td>J2</td> <td>PTD.</td> <td>-</td> <td>363</td> <td>3\"/> <tr> <td>366</td> <td>ETR</td> <td>-</td> <td>WD.</td> <td>J2</td> <td>PTD.</td> <td>-</td> <td>364A</td> <td>3\"/> <tr> <td>367</td> <td>B</td> <td>2 <td>HM</td> <td>J1</td> <td>PTD.</td> <td>1 HR.</td> <td>365</td> <td>3\"/> <tr> <td>368</td> <td>ETR</td> <td>-</td> <td>WD.</td> <td>J2</td> <td>PTD.</td> <td>-</td> <td>366</td> <td>3\"/> <tr> <td>369</td> <td>ETR</td> <td>-</td> <td>WD.</td> <td>J2</td> <td>PTD.</td> <td>-</td> <td>367</td> <td>3\"/> <tr> <td>370</td> <td>ETR</td> <td>-</td> <td>WD.</td> <td>J2</td> <td>PTD.</td> <td>-</td> <td>368</td> <td>3\"/> <tr> <td>371</td> <td>ETR</td> <td>-</td> <td>WD.</td> <td>J2</td> <td>PTD.</td> <td>-</td> <td>369</td> <td>3\"/> <tr> <td>372</td> <td>B</td> <td>2 <td>HM</td> <td>J1</td> <td>PTD.</td> <td>1 HR.</td> <td>370</td> <td>3\"/> <tr> <td>373A</td> <td>ETR</td> <td>-</td> <td>WD.</td> <td>J2</td> <td>PTD.</td> <td>-</td> <td>371</td> <td>3\"/> <tr> <td>374B</td> <td>ETR</td> <td>-</td> <td>WD.</td> <td>J2</td> <td>PTD.</td> <td>-</td> <td>372</td> <td>3\"/> <tr> <td>374C</td> <td>ETR</td> <td>-</td> <td>WD.</td> <td>J2</td> <td>PTD.</td> <td>-</td> <td>373A</td> <td>3\"/> <tr> <td>375</td> <td>B</td> <td>1 <td>WD</td> <td>J1</td> <td>PTD.</td> <td>-</td> <td>374B</td> <td>3\"/> <tr> <td>376</td> <td>B</td> <td>1 <td>WD</td> <td>J1</td> <td>PTD.</td> <td>-</td> <td>374C</td> <td>3\"/> <tr> <td>377</td> <td>B</td> <td>1 <td>WD</td> <td>J1</td> <td>PTD.</td> <td>-</td> <td>375</td> <td>3\"/> <tr> <td>377A</td> <td>B</td> <td>1 <td>WD</td> <td>J1</td> <td>PTD.</td> <td>-</td> <td>376</td> <td>3\"/> <tr> <td>378</td> <td>B</td> <td>1 <td>WD</td> <td>J1</td> <td>PTD.</td> <td>-</td> <td>377</td> <td>3\"/> <tr> <td>379</td> <td>B</td> <td>1 <td>WD</td> <td>J1</td> <td>PTD.</td> <td>-</td> <td>377A</td> <td>3\"/> <tr> <td>380A</td> <td>B</td> <td>1 <td>WD</td> <td>J1</td> <td>PTD.</td> <td>-</td> <td>378</td> <td>3\"/> <tr> <td>380B</td> <td>B</td> <td>1 <td>WD</td> <td>J1</td> <td>PTD.</td> <td>-</td> <td>379</td> <td>3\"/> <tr> <td>382</td> <td>ETR</td> <td>-</td> <td>WD.</td> <td>J2</td> <td>PTD.</td> <td>-</td> <td>380A</td> <td>3\"/> <tr> <td>382A</td> <td>D</td> <td>6 <td>ALUM.</td> <td>ANODIZE D</td> <td>-</td> <td>-</td> <td>380B</td> <td>3\"/> <tr> <td>385</td> <td>ETR</td> <td>-</td> <td>WD.</td> <td>J2</td> <td>PTD.</td> <td>-</td> <td>382</td> <td>3\"/> <tr> <td>386</td> <td>ETR</td> <td>-</td> <td>WD.</td> <td>J2</td> <td>PTD.</td> <td>-</td> <td>382A</td> <td>3\"/> <tr> <td>387</td> <td>ETR</td> <td>-</td> <td>WD.</td> <td>J2</td> <td>PTD.</td> <td>-</td> <td>385</td> <td>3\"/> <tr> <td>388</td> <td>ETR</td> <td>-</td> <td>WD.</td> <td>J2</td> <td>PTD.</td> <td>-</td> <td>386</td> <td>3\"/> <tr> <td>389</td> <td>ETR</td> <td>-</td> <td>WD.</td> <td>J2</td> <td>PTD.</td> <td>-</td> <td>387</td> <td>3\"/> <tr> <td>391</td> <td>ETR</td> <td>-</td> <td>WD.</td> <td>J2</td> <td>PTD.</td> <td>-</td> <td>388</td> <td>3\"/> <tr> <td>391A</td> <td>ETR</td> <td>-</td> <td>WD.</td> <td>J2</td> <td>PTD.</td> <td>-</td> <td>389</td> <td>3\"/> <tr> <td>391B</td> <td>ETR</td> <td>-</td> <td>WD.</td> <td>J2</td> <td>PTD.</td> <td>-</td> <td>391</td> <td>3\"/> <tr> <td>394</td> <td>ETR</td> <td>-</td> <td>WD.</td> <td>J2</td> <td>PTD.</td> <td>-</td> <td>391A</td> <td>3\"/> <tr> <td>395</td> <td>ETR</td> <td>-</td> <td>WD.</td> <td>J2</td> <td>PTD.</td> <td>-</td> <td>391B</td> <td>3\"/> <tr> <td>396</td> <td>ETR</td> <td>-</td> <td>WD.</td> <td>J2</td> <td>PTD.</td> <td>-</td> <td>394</td> <td>3\"/> <tr> <td>398</td> <td>ETR</td> <td>-</td> <td>WD.</td> <td>J2</td> <td>PTD.</td> <td>-</td> <td>395</td> <td>3\"/> <tr> <td>399</td> <td>ETR</td> <td>-</td> <td>WD.</td> <td>J2</td> <td>PTD.</td> <td>-</td> <td>396</td> <td>3\"/> <tr> <td>3991</td> <td>ETR</td> <td>-</td> <td>WD.</td> <td>J2</td> <td>PTD.</td> <td>-</td> <td>398</td> <td>3\"/> <tr> <td>3992</td> <td>A</td> <td>3\"/> <tr> <td>3993</td> <td>ETR</td> <td>-</td> <td>WD.</td> <td>J2</td> <td>PTD.</td> <td>-</td> <td>399</td> <td>3\"/> <tr> <td>3994</td> <td>ETR</td> <td>-</td> <td>WD.</td> <td>J2</td> <td>PTD.</td> <td>-</td> <td>3991</td> <td>3\"/> <tr> <td>3995</td> <td>ETR</td> <td>-</td> <td>WD.</td> <td>J2</td> <td>PTD.</td> <td>-</td> <td>3992</td> <td>3\"/> <tr> <td>3997</td> <td>ETR</td> <td>-</td> <td>WD.</td> <td>J2</td> <td>PTD.</td> <td>-</td> <td>3993</td> <td>3\"/> <tr> <td>3998</td> <td>ETR</td> <td>-</td> <td>WD.</td> <td>J2</td> <td>PTD.</td> <td>-</td> <td>3994</td> <td>3\"/> <tr> <td>3999</td> <td>ETR</td> <td>-</td> <td>WD.</td> <td>J2</td> <td>PTD.</td> <td>-</td> <td>3995</td> <td>3\"/> <tr> <td>3999</td> <td>ETR</td> <td>-</td> <td>WD.</td> <td>J2</td> <td>PTD.</td> <td>-</td> <td>3997</td> <td>3\"/> </td></tr></td></tr></td></tr></td></tr></td></tr></td></tr></td></tr></td></tr></td></tr></td></tr></td></tr></td></tr></td></tr></td></tr></td></tr></td></tr></td></tr></td></tr></td></tr></td></tr></td></tr></td></tr></td></td></tr></td></tr></td></td></tr></td></td></tr></td></td></tr></td></td></tr></td></td></tr></td></td></tr></td></td></tr></td></td></tr></td></tr></td></tr></td></tr></td></td></tr></td></tr></td></tr></td></tr></td></tr></td></td></tr></td></tr></td></tr></td></tr></td></tr></td></tr> | 362 | ETR | -
 | WD. | J2 | PTD. | - | 360 | 3\"/> <tr> <td>363</td> <td>ETR</td> <td>-</td> <td>WD.</td> <td>J2</td> <td>PTD.</td> <td>-</td> <td>361A</td> <td>3\"/> <tr> <td>364A</td> <td>ETR</td> <td>-</td> <td>WD.</td> <td>J2</td> <td>PTD.</td> <td>-</td> <td>362</td> <td>3\"/> <tr> <td>365</td> <td>ETR</td> <td>-</td> <td>WD.</td> <td>J2</td> <td>PTD.</td> <td>-</td> <td>363</td> <td>3\"/> <tr> <td>366</td> <td>ETR</td> <td>-</td> <td>WD.</td> <td>J2</td> <td>PTD.</td> <td>-</td> <td>364A</td> <td>3\"/> <tr> <td>367</td> <td>B</td> <td>2 <td>HM</td> <td>J1</td> <td>PTD.</td> <td>1 HR.</td> <td>365</td> <td>3\"/> <tr> <td>368</td> <td>ETR</td> <td>-</td> <td>WD.</td> <td>J2</td> <td>PTD.</td> <td>-</td> <td>366</td> <td>3\"/> <tr> <td>369</td> <td>ETR</td> <td>-</td> <td>WD.</td> <td>J2</td> <td>PTD.</td> <td>-</td> <td>367</td> <td>3\"/> <tr> <td>370</td> <td>ETR</td> <td>-</td> <td>WD.</td> <td>J2</td> <td>PTD.</td> <td>-</td> <td>368</td> <td>3\"/> <tr> <td>371</td> <td>ETR</td> <td>-</td> <td>WD.</td> <td>J2</td> <td>PTD.</td> <td>-</td> <td>369</td> <td>3\"/> <tr> <td>372</td> <td>B</td> <td>2 <td>HM</td> <td>J1</td> <td>PTD.</td> <td>1 HR.</td> <td>370</td> <td>3\"/> <tr> <td>373A</td> <td>ETR</td> <td>-</td> <td>WD.</td> <td>J2</td> <td>PTD.</td> <td>-</td> <td>371</td> <td>3\"/> <tr> <td>374B</td> <td>ETR</td> <td>-</td> <td>WD.</td> <td>J2</td> <td>PTD.</td> <td>-</td> <td>372</td> <td>3\"/> <tr> <td>374C</td> <td>ETR</td> <td>-</td> <td>WD.</td> <td>J2</td> <td>PTD.</td> <td>-</td> <td>373A</td> <td>3\"/> <tr> <td>375</td> <td>B</td> <td>1 <td>WD</td> <td>J1</td> <td>PTD.</td> <td>-</td> <td>374B</td> <td>3\"/> <tr> <td>376</td> <td>B</td> <td>1 <td>WD</td> <td>J1</td> <td>PTD.</td> <td>-</td> <td>374C</td> <td>3\"/> <tr> <td>377</td> <td>B</td> <td>1 <td>WD</td> <td>J1</td> <td>PTD.</td> <td>-</td> <td>375</td> <td>3\"/> <tr> <td>377A</td> <td>B</td> <td>1 <td>WD</td> <td>J1</td> <td>PTD.</td> <td>-</td> <td>376</td> <td>3\"/> <tr> <td>378</td> <td>B</td> <td>1 <td>WD</td> <td>J1</td> <td>PTD.</td> <td>-</td> <td>377</td> <td>3\"/> <tr> <td>379</td> <td>B</td> <td>1 <td>WD</td> <td>J1</td> <td>PTD.</td> <td>-</td> <td>377A</td> <td>3\"/> <tr> <td>380A</td> <td>B</td> <td>1 <td>WD</td> <td>J1</td> <td>PTD.</td> <td>-</td> <td>378</td> <td>3\"/> <tr> <td>380B</td> <td>B</td> <td>1 <td>WD</td> <td>J1</td> <td>PTD.</td> <td>-</td> <td>379</td> <td>3\"/> <tr> <td>382</td> <td>ETR</td> <td>-</td> <td>WD.</td> <td>J2</td> <td>PTD.</td> <td>-</td> <td>380A</td> <td>3\"/> <tr> <td>382A</td> <td>D</td> <td>6 <td>ALUM.</td> <td>ANODIZE D</td> <td>-</td> <td>-</td> <td>380B</td> <td>3\"/> <tr> <td>385</td> <td>ETR</td> <td>-</td> <td>WD.</td> <td>J2</td> <td>PTD.</td> <td>-</td> <td>382</td> <td>3\"/> <tr> <td>386</td> <td>ETR</td> <td>-</td> <td>WD.</td> <td>J2</td> <td>PTD.</td> <td>-</td> <td>382A</td> <td>3\"/> <tr> <td>387</td> <td>ETR</td> <td>-</td> <td>WD.</td> <td>J2</td> <td>PTD.</td> <td>-</td> <td>385</td> <td>3\"/> <tr> <td>388</td> <td>ETR</td> <td>-</td> <td>WD.</td> <td>J2</td> <td>PTD.</td> <td>-</td> <td>386</td> <td>3\"/> <tr> <td>389</td> <td>ETR</td> <td>-</td> <td>WD.</td> <td>J2</td> <td>PTD.</td> <td>-</td> <td>387</td> <td>3\"/> <tr> <td>391</td> <td>ETR</td> <td>-</td> <td>WD.</td> <td>J2</td> <td>PTD.</td> <td>-</td> <td>388</td> <td>3\"/> <tr> <td>391A</td> <td>ETR</td> <td>-</td> <td>WD.</td> <td>J2</td> <td>PTD.</td> <td>-</td> <td>389</td> <td>3\"/> <tr> <td>391B</td> <td>ETR</td> <td>-</td> <td>WD.</td> <td>J2</td> <td>PTD.</td> <td>-</td> <td>391</td> <td>3\"/> <tr> <td>394</td> <td>ETR</td> <td>-</td> <td>WD.</td> <td>J2</td> <td>PTD.</td> <td>-</td> <td>391A</td> <td>3\"/> <tr> <td>395</td> <td>ETR</td> <td>-</td> <td>WD.</td> <td>J2</td> <td>PTD.</td> <td>-</td> <td>391B</td> <td>3\"/> <tr> <td>396</td> <td>ETR</td> <td>-</td> <td>WD.</td> <td>J2</td> <td>PTD.</td> <td>-</td> <td>394</td> <td>3\"/> <tr> <td>398</td> <td>ETR</td> <td>-</td> <td>WD.</td> <td>J2</td> <td>PTD.</td> <td>-</td> <td>395</td> <td>3\"/> <tr> <td>399</td> <td>ETR</td> <td>-</td> <td>WD.</td> <td>J2</td> <td>PTD.</td> <td>-</td> <td>396</td> <td>3\"/> <tr> <td>3991</td> <td>ETR</td> <td>-</td> <td>WD.</td> <td>J2</td> <td>PTD.</td> <td>-</td> <td>398</td> <td>3\"/> <tr> <td>3992</td> <td>A</td> <td>3\"/> <tr> <td>3993</td> <td>ETR</td> <td>-</td> <td>WD.</td> <td>J2</td> <td>PTD.</td> <td>-</td> <td>399</td> <td>3\"/> <tr> <td>3994</td> <td>ETR</td> <td>-</td> <td>WD.</td> <td>J2</td> <td>PTD.</td> <td>-</td> <td>3991</td> <td>3\"/> <tr> <td>3995</td> <td>ETR</td> <td>-</td> <td>WD.</td> <td>J2</td> <td>PTD.</td> <td>-</td> <td>3992</td> <td>3\"/> <tr> <td>3997</td> <td>ETR</td> <td>-</td> <td>WD.</td> <td>J2</td> <td>PTD.</td> <td>-</td> <td>3993</td> <td>3\"/> <tr> <td>3998</td> <td>ETR</td> <td>-</td> <td>WD.</td> <td>J2</td> <td>PTD.</td> <td>-</td> <td>3994</td> <td>3\"/> <tr> <td>3999</td> <td>ETR</td> <td>-</td> <td>WD.</td> <td>J2</td> <td>PTD.</td> <td>-</td> <td>3995</td> <td>3\"/> <tr> <td>3999</td> <td>ETR</td> <td>-</td> <td>WD.</td> <td>J2</td> <td>PTD.</td> <td>-</td> <td>3997</td> <td>3\"/> </td></tr></td></tr></td></tr></td></tr></td></tr></td></tr></td></tr></td></tr></td></tr></td></tr></td></tr></td></tr></td></tr></td></tr></td></tr></td></tr></td></tr></td></tr></td></tr></td></tr></td></tr></td></tr></td></td></tr></td></tr></td></td></tr></td></td></tr></td></td></tr></td></td></tr></td></td></tr></td></td></tr></td></td></tr></td></td></tr></td></tr></td></tr></td></tr></td></td></tr></td></tr></td></tr></td></tr></td></tr></td></td></tr></td></tr></td></tr></td></tr></td></tr> | 363 | ETR | -
 | WD. | J2 | PTD. | - | 361A | 3\"/> <tr> <td>364A</td> <td>ETR</td> <td>-</td> <td>WD.</td> <td>J2</td> <td>PTD.</td> <td>-</td> <td>362</td> <td>3\"/> <tr> <td>365</td> <td>ETR</td> <td>-</td> <td>WD.</td> <td>J2</td> <td>PTD.</td> <td>-</td> <td>363</td> <td>3\"/> <tr> <td>366</td> <td>ETR</td> <td>-</td> <td>WD.</td> <td>J2</td> <td>PTD.</td> <td>-</td> <td>364A</td> <td>3\"/> <tr> <td>367</td> <td>B</td> <td>2 <td>HM</td> <td>J1</td> <td>PTD.</td> <td>1 HR.</td> <td>365</td> <td>3\"/> <tr> <td>368</td> <td>ETR</td> <td>-</td> <td>WD.</td> <td>J2</td> <td>PTD.</td> <td>-</td> <td>366</td> <td>3\"/> <tr> <td>369</td> <td>ETR</td> <td>-</td> <td>WD.</td> <td>J2</td> <td>PTD.</td> <td>-</td> <td>367</td> <td>3\"/> <tr> <td>370</td> <td>ETR</td> <td>-</td> <td>WD.</td> <td>J2</td> <td>PTD.</td> <td>-</td> <td>368</td> <td>3\"/> <tr> <td>371</td> <td>ETR</td> <td>-</td> <td>WD.</td> <td>J2</td> <td>PTD.</td> <td>-</td> <td>369</td> <td>3\"/> <tr> <td>372</td> <td>B</td> <td>2 <td>HM</td> <td>J1</td> <td>PTD.</td> <td>1 HR.</td> <td>370</td> <td>3\"/> <tr> <td>373A</td> <td>ETR</td> <td>-</td> <td>WD.</td> <td>J2</td> <td>PTD.</td> <td>-</td> <td>371</td> <td>3\"/> <tr> <td>374B</td> <td>ETR</td> <td>-</td> <td>WD.</td> <td>J2</td> <td>PTD.</td> <td>-</td> <td>372</td> <td>3\"/> <tr> <td>374C</td> <td>ETR</td> <td>-</td> <td>WD.</td> <td>J2</td> <td>PTD.</td> <td>-</td> <td>373A</td> <td>3\"/> <tr> <td>375</td> <td>B</td> <td>1 <td>WD</td> <td>J1</td> <td>PTD.</td> <td>-</td> <td>374B</td> <td>3\"/> <tr> <td>376</td> <td>B</td> <td>1 <td>WD</td> <td>J1</td> <td>PTD.</td> <td>-</td> <td>374C</td> <td>3\"/> <tr> <td>377</td> <td>B</td> <td>1 <td>WD</td> <td>J1</td> <td>PTD.</td> <td>-</td> <td>375</td> <td>3\"/> <tr> <td>377A</td> <td>B</td> <td>1 <td>WD</td> <td>J1</td> <td>PTD.</td> <td>-</td> <td>376</td> <td>3\"/> <tr> <td>378</td> <td>B</td> <td>1 <td>WD</td> <td>J1</td> <td>PTD.</td> <td>-</td> <td>377</td> <td>3\"/> <tr> <td>379</td> <td>B</td> <td>1 <td>WD</td> <td>J1</td> <td>PTD.</td> <td>-</td> <td>377A</td> <td>3\"/> <tr> <td>380A</td> <td>B</td> <td>1 <td>WD</td> <td>J1</td> <td>PTD.</td> <td>-</td> <td>378</td> <td>3\"/> <tr> <td>380B</td> <td>B</td> <td>1 <td>WD</td> <td>J1</td> <td>PTD.</td> <td>-</td> <td>379</td> <td>3\"/> <tr> <td>382</td> <td>ETR</td> <td>-</td> <td>WD.</td> <td>J2</td> <td>PTD.</td> <td>-</td> <td>380A</td> <td>3\"/> <tr> <td>382A</td> <td>D</td> <td>6 <td>ALUM.</td> <td>ANODIZE D</td> <td>-</td> <td>-</td> <td>380B</td> <td>3\"/> <tr> <td>385</td> <td>ETR</td> <td>-</td> <td>WD.</td> <td>J2</td> <td>PTD.</td> <td>-</td> <td>382</td> <td>3\"/> <tr> <td>386</td> <td>ETR</td> <td>-</td> <td>WD.</td> <td>J2</td> <td>PTD.</td> <td>-</td> <td>382A</td> <td>3\"/> <tr> <td>387</td> <td>ETR</td> <td>-</td> <td>WD.</td> <td>J2</td> <td>PTD.</td> <td>-</td> <td>385</td> <td>3\"/> <tr> <td>388</td> <td>ETR</td> <td>-</td> <td>WD.</td> <td>J2</td> <td>PTD.</td> <td>-</td> <td>386</td> <td>3\"/> <tr> <td>389</td> <td>ETR</td> <td>-</td> <td>WD.</td> <td>J2</td> <td>PTD.</td> <td>-</td> <td>387</td> <td>3\"/> <tr> <td>391</td> <td>ETR</td> <td>-</td> <td>WD.</td> <td>J2</td> <td>PTD.</td> <td>-</td> <td>388</td> <td>3\"/> <tr> <td>391A</td> <td>ETR</td> <td>-</td> <td>WD.</td> <td>J2</td> <td>PTD.</td> <td>-</td> <td>389</td> <td>3\"/> <tr> <td>391B</td> <td>ETR</td> <td>-</td> <td>WD.</td> <td>J2</td> <td>PTD.</td> <td>-</td> <td>391</td> <td>3\"/> <tr> <td>394</td> <td>ETR</td> <td>-</td> <td>WD.</td> <td>J2</td> <td>PTD.</td> <td>-</td> <td>391A</td> <td>3\"/> <tr> <td>395</td> <td>ETR</td> <td>-</td> <td>WD.</td> <td>J2</td> <td>PTD.</td> <td>-</td> <td>391B</td> <td>3\"/> <tr> <td>396</td> <td>ETR</td> <td>-</td> <td>WD.</td> <td>J2</td> <td>PTD.</td> <td>-</td> <td>394</td> <td>3\"/> <tr> <td>398</td> <td>ETR</td> <td>-</td> <td>WD.</td> <td>J2</td> <td>PTD.</td> <td>-</td> <td>395</td> <td>3\"/> <tr> <td>399</td> <td>ETR</td> <td>-</td> <td>WD.</td> <td>J2</td> <td>PTD.</td> <td>-</td> <td>396</td> <td>3\"/> <tr> <td>3991</td> <td>ETR</td> <td>-</td> <td>WD.</td> <td>J2</td> <td>PTD.</td> <td>-</td> <td>398</td> <td>3\"/> <tr> <td>3992</td> <td>A</td> <td>3\"/> <tr> <td>3993</td> <td>ETR</td> <td>-</td> <td>WD.</td> <td>J2</td> <td>PTD.</td> <td>-</td> <td>399</td> <td>3\"/> <tr> <td>3994</td> <td>ETR</td> <td>-</td> <td>WD.</td> <td>J2</td> <td>PTD.</td> <td>-</td> <td>3991</td> <td>3\"/> <tr> <td>3995</td> <td>ETR</td> <td>-</td> <td>WD.</td> <td>J2</td> <td>PTD.</td> <td>-</td> <td>3992</td> <td>3\"/> <tr> <td>3997</td>
<td>ETR</td> <td>-</td> <td>WD.</td> <td>J2</td> <td>PTD.</td> <td>-</td> <td>3993</td> <td>3\"/> <tr> <td>3998</td> <td>ETR</td> <td>-</td> <td>WD.</td> <td>J2</td> <td>PTD.</td> <td>-</td> <td>3994</td> <td>3\"/> <tr> <td>3999</td> <td>ETR</td> <td>-</td> <td>WD.</td> <td>J2</td> <td>PTD.</td> <td>-</td> <td>3995</td> <td>3\"/> <tr> <td>3999</td> <td>ETR</td> <td>-</td> <td>WD.</td> <td>J2</td> <td>PTD.</td> <td>-</td> <td>3997</td> <td>3\"/> </td></tr></td></tr></td></tr></td></tr></td></tr></td></tr></td></tr></td></tr></td></tr></td></tr></td></tr></td></tr></td></tr></td></tr></td></tr></td></tr></td></tr></td></tr></td></tr></td></tr></td></tr></td></tr></td></td></tr></td></tr></td></td></tr></td></td></tr></td></td></tr></td></td></tr></td></td></tr></td></td></tr></td></td></tr></td></td></tr></td></tr></td></tr></td></tr></td></td></tr></td></tr></td></tr></td></tr></td></tr></td></td></tr></td></tr></td></tr></td></tr> | 364A | ETR | - | WD. | J2 | PTD. | - | 362 | 3\"/> <tr> <td>365</td> <td>ETR</td> <td>-</td> <td>WD.</td> <td>J2</td> <td>PTD.</td> <td>-</td> <td>363</td> <td>3\"/> <tr> <td>366</td> <td>ETR</td> <td>-</td> <td>WD.</td> <td>J2</td> <td>PTD.</td> <td>-</td> <td>364A</td> <td>3\"/> <tr> <td>367</td> <td>B</td> <td>2 <td>HM</td> <td>J1</td> <td>PTD.</td> <td>1 HR.</td> <td>365</td> <td>3\"/> <tr> <td>368</td> <td>ETR</td> <td>-</td> <td>WD.</td> <td>J2</td> <td>PTD.</td> <td>-</td> <td>366</td> <td>3\"/> <tr> <td>369</td> <td>ETR</td> <td>-</td> <td>WD.</td> <td>J2</td> <td>PTD.</td> <td>-</td> <td>367</td> <td>3\"/> <tr> <td>370</td> <td>ETR</td> <td>-</td> <td>WD.</td> <td>J2</td> <td>PTD.</td> <td>-</td> <td>368</td> <td>3\"/> <tr> <td>371</td> <td>ETR</td> <td>-</td> <td>WD.</td> <td>J2</td> <td>PTD.</td> <td>-</td> <td>369</td> <td>3\"/> <tr> <td>372</td> <td>B</td> <td>2 <td>HM</td> <td>J1</td> <td>PTD.</td> <td>1 HR.</td> <td>370</td> <td>3\"/> <tr> <td>373A</td> <td>ETR</td> <td>-</td> <td>WD.</td> <td>J2</td> <td>PTD.</td> <td>-</td> <td>371</td> <td>3\"/> <tr> <td>374B</td> <td>ETR</td> <td>-</td> <td>WD.</td> <td>J2</td> <td>PTD.</td> <td>-</td> <td>372</td> <td>3\"/> <tr> <td>374C</td> <td>ETR</td> <td>-</td> <td>WD.</td> <td>J2</td> <td>PTD.</td> <td>-</td> <td>373A</td> <td>3\"/> <tr> <td>375</td> <td>B</td> <td>1 <td>WD</td> <td>J1</td> <td>PTD.</td> <td>-</td> <td>374B</td> <td>3\"/> <tr> <td>376</td> <td>B</td> <td>1 <td>WD</td> <td>J1</td> <td>PTD.</td> <td>-</td> <td>374C</td> <td>3\"/> <tr> <td>377</td> <td>B</td> <td>1 <td>WD</td> <td>J1</td> <td>PTD.</td> <td>-</td> <td>375</td> <td>3\"/> <tr> <td>377A</td> <td>B</td> <td>1 <td>WD</td> <td>J1</td> <td>PTD.</td> <td>-</td> <td>376</td> <td>3\"/> <tr> <td>378</td> <td>B</td> <td>1 <td>WD</td> <td>J1</td> <td>PTD.</td> <td>-</td> <td>377</td> <td>3\"/> <tr> <td>379</td> <td>B</td> <td>1 <td>WD</td> <td>J1</td> <td>PTD.</td> <td>-</td> <td>377A</td> <td>3\"/> <tr> <td>380A</td> <td>B</td> <td>1 <td>WD</td> <td>J1</td> <td>PTD.</td> <td>-</td> <td>378</td> <td>3\"/> <tr> <td>380B</td> <td>B</td> <td>1 <td>WD</td> <td>J1</td> <td>PTD.</td> <td>-</td> <td>379</td> <td>3\"/> <tr> <td>382</td> <td>ETR</td> <td>-</td> <td>WD.</td> <td>J2</td> <td>PTD.</td> <td>-</td> <td>380A</td> <td>3\"/> <tr> <td>382A</td> <td>D</td> <td>6 <td>ALUM.</td> <td>ANODIZE D</td> <td>-</td> <td>-</td> <td>380B</td> <td>3\"/> <tr> <td>385</td> <td>ETR</td> <td>-</td> <td>WD.</td> <td>J2</td> <td>PTD.</td> <td>-</td> <td>382</td> <td>3\"/> <tr>
<td>386</td> <td>ETR</td> <td>-</td> <td>WD.</td> <td>J2</td> <td>PTD.</td> <td>-</td> <td>382A</td> <td>3\"/> <tr> <td>387</td> <td>ETR</td> <td>-</td> <td>WD.</td> <td>J2</td> <td>PTD.</td> <td>-</td> <td>385</td> <td>3\"/> <tr> <td>388</td> <td>ETR</td> <td>-</td> <td>WD.</td> <td>J2</td> <td>PTD.</td> <td>-</td> <td>386</td> <td>3\"/> <tr> <td>389</td> <td>ETR</td> <td>-</td> <td>WD.</td> <td>J2</td> <td>PTD.</td> <td>-</td> <td>387</td> <td>3\"/> <tr> <td>391</td> <td>ETR</td> <td>-</td> <td>WD.</td> <td>J2</td> <td>PTD.</td> <td>-</td> <td>388</td> <td>3\"/> <tr> <td>391A</td> <td>ETR</td> <td>-</td> <td>WD.</td> <td>J2</td> <td>PTD.</td> <td>-</td> <td>389</td> <td>3\"/> <tr> <td>391B</td> <td>ETR</td> <td>-</td> <td>WD.</td> <td>J2</td> <td>PTD.</td> <td>-</td> <td>391</td> <td>3\"/> <tr> <td>394</td> <td>ETR</td> <td>-</td> <td>WD.</td> <td>J2</td> <td>PTD.</td> <td>-</td> <td>391A</td> <td>3\"/> <tr> <td>395</td> <td>ETR</td> <td>-</td> <td>WD.</td> <td>J2</td> <td>PTD.</td> <td>-</td> <td>391B</td> <td>3\"/> <tr> <td>396</td> <td>ETR</td> <td>-</td> <td>WD.</td> <td>J2</td> <td>PTD.</td> <td>-</td> <td>394</td> <td>3\"/> <tr> <td>398</td> <td>ETR</td> <td>-</td> <td>WD.</td> <td>J2</td> <td>PTD.</td> <td>-</td> <td>395</td> <td>3\"/> <tr> <td>399</td> <td>ETR</td> <td>-</td> <td>WD.</td> <td>J2</td> <td>PTD.</td> <td>-</td> <td>396</td> <td>3\"/> <tr> <td>3991</td> <td>ETR</td> <td>-</td> <td>WD.</td> <td>J2</td> <td>PTD.</td> <td>-</td> <td>398</td> <td>3\"/> <tr> <td>3992</td> <td>A</td> <td>3\"/> <tr> <td>3993</td> <td>ETR</td> <td>-</td> <td>WD.</td> <td>J2</td> <td>PTD.</td> <td>-</td> <td>399</td> <td>3\"/> <tr> <td>3994</td> <td>ETR</td> <td>-</td> <td>WD.</td> <td>J2</td> <td>PTD.</td> <td>-</td> <td>3991</td> <td>3\"/> <tr> <td>3995</td> <td>ETR</td> <td>-</td> <td>WD.</td> <td>J2</td> <td>PTD.</td> <td>-</td> <td>3992</td> <td>3\"/> <tr> <td>3997</td> <td>ETR</td> <td>-</td> <td>WD.</td> <td>J2</td> <td>PTD.</td> <td>-</td> <td>3993</td> <td>3\"/> <tr> <td>3998</td> <td>ETR</td> <td>-</td> <td>WD.</td> <td>J2</td> <td>PTD.</td> <td>-</td> <td>3994</td> <td>3\"/> <tr> <td>3999</td> <td>ETR</td> <td>-</td> <td>WD.</td> <td>J2</td> <td>PTD.</td> <td>-</td> <td>3995</td> <td>3\"/> <tr> <td>3999</td> <td>ETR</td> <td>-</td> <td>WD.</td> <td>J2</td> <td>PTD.</td> <td>-</td> <td>3997</td> <td>3\"/> </td></tr></td></tr></td></tr></td></tr></td></tr></td></tr></td></tr></td></tr></td></tr></td></tr></td></tr></td></tr></td></tr></td></tr></td></tr></td></tr></td></tr></td></tr></td></tr></td></tr></td></tr></td></tr></td></td></tr></td></tr></td></td></tr></td></td></tr></td></td></tr></td></td></tr></td></td></tr></td></td></tr></td></td></tr></td></td></tr></td></tr></td></tr></td></tr></td></td></tr></td></tr></td></tr></td></tr></td></tr></td></td></tr></td></tr></td></tr> | 365 | ETR | - | WD. | J2 | PTD. | - | 363 | 3\"/> <tr> <td>366</td> <td>ETR</td> <td>-</td> <td>WD.</td> <td>J2</td> <td>PTD.</td> <td>-</td> <td>364A</td> <td>3\"/> <tr> <td>367</td> <td>B</td> <td>2 <td>HM</td> <td>J1</td> <td>PTD.</td> <td>1 HR.</td> <td>365</td> <td>3\"/> <tr> <td>368</td> <td>ETR</td> <td>-</td> <td>WD.</td> <td>J2</td> <td>PTD.</td> <td>-</td> <td>366</td> <td>3\"/> <tr> <td>369</td> <td>ETR</td> <td>-</td> <td>WD.</td> <td>J2</td> <td>PTD.</td> <td>-</td> <td>367</td> <td>3\"/> <tr> <td>370</td> <td>ETR</td> <td>-</td> <td>WD.</td> <td>J2</td> <td>PTD.</td> <td>-</td> <td>368</td> <td>3\"/> <tr> <td>371</td> <td>ETR</td> <td>-</td> <td>WD.</td> <td>J2</td> <td>PTD.</td> <td>-</td> <td>369</td> <td>3\"/> <tr> <td>372</td>
<td>B</td> <td>2 <td>HM</td> <td>J1</td> <td>PTD.</td> <td>1 HR.</td> <td>370</td> <td>3\"/> <tr> <td>373A</td> <td>ETR</td> <td>-</td> <td>WD.</td> <td>J2</td> <td>PTD.</td> <td>-</td> <td>371</td> <td>3\"/> <tr> <td>374B</td> <td>ETR</td> <td>-</td> <td>WD.</td> <td>J2</td> <td>PTD.</td> <td>-</td> <td>372</td> <td>3\"/> <tr> <td>374C</td> <td>ETR</td> <td>-</td> <td>WD.</td> <td>J2</td> <td>PTD.</td> <td>-</td> <td>373A</td> <td>3\"/> <tr> <td>375</td> <td>B</td> <td>1 <td>WD</td> <td>J1</td> <td>PTD.</td> <td>-</td> <td>374B</td> <td>3\"/> <tr> <td>376</td> <td>B</td> <td>1 <td>WD</td> <td>J1</td> <td>PTD.</td> <td>-</td> <td>374C</td> <td>3\"/> <tr> <td>377</td> <td>B</td> <td>1 <td>WD</td> <td>J1</td> <td>PTD.</td> <td>-</td> <td>375</td> <td>3\"/> <tr> <td>377A</td> <td>B</td> <td>1 <td>WD</td> <td>J1</td> <td>PTD.</td> <td>-</td> <td>376</td> <td>3\"/> <tr> <td>378</td> <td>B</td> <td>1 <td>WD</td> <td>J1</td> <td>PTD.</td> <td>-</td> <td>377</td> <td>3\"/> <tr> <td>379</td> <td>B</td> <td>1 <td>WD</td> <td>J1</td> <td>PTD.</td> <td>-</td> <td>377A</td> <td>3\"/> <tr> <td>380A</td> <td>B</td> <td>1 <td>WD</td> <td>J1</td> <td>PTD.</td> <td>-</td> <td>378</td> <td>3\"/> <tr> <td>380B</td> <td>B</td> <td>1 <td>WD</td> <td>J1</td> <td>PTD.</td> <td>-</td> <td>379</td> <td>3\"/> <tr> <td>382</td> <td>ETR</td> <td>-</td> <td>WD.</td> <td>J2</td> <td>PTD.</td> <td>-</td> <td>380A</td> <td>3\"/> <tr> <td>382A</td> <td>D</td> <td>6 <td>ALUM.</td> <td>ANODIZE D</td> <td>-</td> <td>-</td> <td>380B</td> <td>3\"/> <tr> <td>385</td> <td>ETR</td> <td>-</td> <td>WD.</td> <td>J2</td> <td>PTD.</td> <td>-</td> <td>382</td> <td>3\"/> <tr> <td>386</td> <td>ETR</td> <td>-</td> <td>WD.</td> <td>J2</td> <td>PTD.</td> <td>-</td> <td>382A</td> <td>3\"/> <tr> <td>387</td> <td>ETR</td> <td>-</td> <td>WD.</td> <td>J2</td> <td>PTD.</td> <td>-</td> <td>385</td> <td>3\"/> <tr> <td>388</td> <td>ETR</td> <td>-</td> <td>WD.</td> <td>J2</td> <td>PTD.</td> <td>-</td> <td>386</td> <td>3\"/> <tr> <td>389</td> <td>ETR</td> <td>-</td> <td>WD.</td> <td>J2</td> <td>PTD.</td> <td>-</td> <td>387</td> <td>3\"/> <tr> <td>391</td> <td>ETR</td> <td>-</td> <td>WD.</td> <td>J2</td> <td>PTD.</td> <td>-</td> <td>388</td> <td>3\"/> <tr> <td>391A</td> <td>ETR</td> <td>-</td> <td>WD.</td> <td>J2</td> <td>PTD.</td> <td>-</td> <td>389</td> <td>3\"/> <tr> <td>391B</td> <td>ETR</td> <td>-</td> <td>WD.</td> <td>J2</td> <td>PTD.</td> <td>-</td> <td>391</td> <td>3\"/> <tr> <td>394</td> <td>ETR</td> <td>-</td> <td>WD.</td> <td>J2</td> <td>PTD.</td> <td>-</td> <td>391A</td> <td>3\"/> <tr> <td>395</td> <td>ETR</td> <td>-</td> <td>WD.</td> <td>J2</td> <td>PTD.</td> <td>-</td> <td>391B</td> <td>3\"/> <tr> <td>396</td> <td>ETR</td> <td>-</td> <td>WD.</td> <td>J2</td> <td>PTD.</td> <td>-</td> <td>394</td> <td>3\"/> <tr> <td>398</td> <td>ETR</td> <td>-</td> <td>WD.</td> <td>J2</td> <td>PTD.</td> <td>-</td> <td>395</td> <td>3\"/> <tr> <td>399</td> <td>ETR</td> <td>-</td> <td>WD.</td> <td>J2</td> <td>PTD.</td> <td>-</td> <td>396</td> <td>3\"/> <tr> <td>3991</td> <td>ETR</td> <td>-</td> <td>WD.</td> <td>J2</td> <td>PTD.</td> <td>-</td> <td>398</td> <td>3\"/> <tr> <td>3992</td> <td>A</td> <td>3\"/> <tr> <td>3993</td> <td>ETR</td> <td>-</td> <td>WD.</td> <td>J2</td> <td>PTD.</td> <td>-</td> <td>399</td> <td>3\"/> <tr> <td>3994</td> <td>ETR</td> <td>-</td> <td>WD.</td> <td>J2</td> <td>PTD.</td> <td>-</td> <td>3991</td> <td>3\"/> <tr> <td>3995</td> <td>ETR</td> <td>-</td> <td>WD.</td> <td>J2</td> <td>PTD.</td> <td>-</td> <td>3992</td> <td>3\"/> <tr> <td>3997</td> <td>ETR</td> <td>-</td> <td>WD.</td> <td>J2</td> <td>PTD.</td> <td>-</td> <td>3993</td> <td>3\"/> <tr> <td>3998</td> <td>ETR</td> <td>-</td> <td>WD.</td> <td>J2</td> <td>PTD.</td> <td>-</td> <td>3994</td> <td>3\"/> <tr> <td>3999</td> <td>ETR</td> <td>-</td> <td>WD.</td> <td>J2</td> <td>PTD.</td> <td>-</td> <td>3995</td> <td>3\"/> <tr> <td>3999</td> <td>ETR</td> <td>-</td> <td>WD.</td> <td>J2</td> <td>PTD.</td> <td>-</td> <td>3997</td> <td>3\"/> </td></tr></td></tr></td></tr></td></tr></td></tr></td></tr></td></tr></td></tr></td></tr></td></tr></td></tr></td></tr></td></tr></td></tr></td></tr></td></tr></td></tr></td></tr></td></tr></td></tr></td></tr></td></tr></td></td></tr></td></tr></td></td></tr></td></td></tr></td></td></tr></td></td></tr></td></td></tr></td></td></tr></td></td></tr></td></td></tr></td></tr></td></tr></td></tr></td></td></tr></td></tr></td></tr></td></tr></td></tr></td></td></tr></td></tr> | 366 | ETR | -
 | WD. | J2 | PTD. | - | 364A | 3\"/> <tr> <td>367</td> <td>B</td> <td>2 <td>HM</td> <td>J1</td> <td>PTD.</td> <td>1 HR.</td> <td>365</td> <td>3\"/> <tr> <td>368</td> <td>ETR</td> <td>-</td> <td>WD.</td> <td>J2</td> <td>PTD.</td> <td>-</td> <td>366</td> <td>3\"/> <tr> <td>369</td> <td>ETR</td> <td>-</td> <td>WD.</td> <td>J2</td> <td>PTD.</td> <td>-</td> <td>367</td> <td>3\"/> <tr> <td>370</td> <td>ETR</td> <td>-</td> <td>WD.</td> <td>J2</td> <td>PTD.</td> <td>-</td> <td>368</td> <td>3\"/> <tr> <td>371</td> <td>ETR</td> <td>-</td> <td>WD.</td> <td>J2</td> <td>PTD.</td> <td>-</td> <td>369</td> <td>3\"/> <tr> <td>372</td> <td>B</td> <td>2 <td>HM</td> <td>J1</td> <td>PTD.</td> <td>1 HR.</td> <td>370</td> <td>3\"/> <tr> <td>373A</td> <td>ETR</td> <td>-</td> <td>WD.</td> <td>J2</td> <td>PTD.</td> <td>-</td> <td>371</td> <td>3\"/> <tr> <td>374B</td> <td>ETR</td> <td>-</td> <td>WD.</td> <td>J2</td> <td>PTD.</td> <td>-</td> <td>372</td> <td>3\"/> <tr> <td>374C</td> <td>ETR</td> <td>-</td> <td>WD.</td> <td>J2</td> <td>PTD.</td> <td>-</td> <td>373A</td> <td>3\"/> <tr> <td>375</td> <td>B</td> <td>1 <td>WD</td> <td>J1</td> <td>PTD.</td> <td>-</td> <td>374B</td> <td>3\"/> <tr> <td>376</td> <td>B</td> <td>1 <td>WD</td> <td>J1</td> <td>PTD.</td> <td>-</td> <td>374C</td> <td>3\"/> <tr> <td>377</td> <td>B</td> <td>1 <td>WD</td> <td>J1</td> <td>PTD.</td> <td>-</td> <td>375</td> <td>3\"/> <tr> <td>377A</td> <td>B</td> <td>1 <td>WD</td> <td>J1</td> <td>PTD.</td> <td>-</td> <td>376</td> <td>3\"/> <tr> <td>378</td> <td>B</td> <td>1 <td>WD</td> <td>J1</td> <td>PTD.</td> <td>-</td> <td>377</td> <td>3\"/> <tr> <td>379</td> <td>B</td> <td>1 <td>WD</td> <td>J1</td> <td>PTD.</td> <td>-</td> <td>377A</td> <td>3\"/> <tr> <td>380A</td> <td>B</td> <td>1 <td>WD</td> <td>J1</td> <td>PTD.</td> <td>-</td> <td>378</td> <td>3\"/> <tr> <td>380B</td> <td>B</td> <td>1 <td>WD</td> <td>J1</td> <td>PTD.</td> <td>-</td> <td>379</td> <td>3\"/> <tr> <td>382</td> <td>ETR</td> <td>-</td> <td>WD.</td> <td>J2</td> <td>PTD.</td> <td>-</td> <td>380A</td> <td>3\"/> <tr> <td>382A</td> <td>D</td> <td>6 <td>ALUM.</td> <td>ANODIZE D</td> <td>-</td> <td>-</td> <td>380B</td> <td>3\"/> <tr> <td>385</td> <td>ETR</td> <td>-</td> <td>WD.</td> <td>J2</td> <td>PTD.</td> <td>-</td> <td>382</td> <td>3\"/> <tr> <td>386</td> <td>ETR</td> <td>-</td> <td>WD.</td> <td>J2</td> <td>PTD.</td> <td>-</td> <td>382A</td> <td>3\"/> <tr> <td>387</td> <td>ETR</td> <td>-</td> <td>WD.</td> <td>J2</td> <td>PTD.</td> <td>-</td> <td>385</td> <td>3\"/> <tr> <td>388</td> <td>ETR</td> <td>-</td> <td>WD.</td> <td>J2</td> <td>PTD.</td> <td>-</td> <td>386</td> <td>3\"/> <tr> <td>389</td> <td>ETR</td> <td>-</td> <td>WD.</td> <td>J2</td> <td>PTD.</td> <td>-</td> <td>387</td> <td>3\"/> <tr> <td>391</td> <td>ETR</td> <td>-</td> <td>WD.</td> <td>J2</td> <td>PTD.</td> <td>-</td> <td>388</td> <td>3\"/> <tr> <td>391A</td> <td>ETR</td> <td>-</td> <td>WD.</td> <td>J2</td> <td>PTD.</td> <td>-</td> <td>389</td> <td>3\"/> <tr> <td>391B</td> <td>ETR</td> <td>-</td> <td>WD.</td> <td>J2</td> <td>PTD.</td> <td>-</td> <td>391</td> <td>3\"/> <tr> <td>394</td> <td>ETR</td> <td>-</td> <td>WD.</td> <td>J2</td> <td>PTD.</td> <td>-</td> <td>391A</td> <td>3\"/> <tr> <td>395</td> <td>ETR</td> <td>-</td> <td>WD.</td> <td>J2</td> <td>PTD.</td> <td>-</td> <td>391B</td> <td>3\"/> <tr> <td>396</td> <td>ETR</td> <td>-</td> <td>WD.</td> <td>J2</td> <td>PTD.</td> <td>-</td> <td>394</td> <td>3\"/> <tr> <td>398</td> <td>ETR</td> <td>-</td> <td>WD.</td> <td>J2</td> <td>PTD.</td> <td>-</td> <td>395</td> <td>3\"/> <tr> <td>399</td> <td>ETR</td> <td>-</td> <td>WD.</td> <td>J2</td> <td>PTD.</td> <td>-</td> <td>396</td> <td>3\"/> <tr> <td>3991</td> <td>ETR</td> <td>-</td> <td>WD.</td> <td>J2</td> <td>PTD.</td> <td>-</td> <td>398</td> <td>3\"/> <tr> <td>3992</td> <td>A</td> <td>3\"/> <tr> <td>3993</td> <td>ETR</td> <td>-</td> <td>WD.</td> <td>J2</td> <td>PTD.</td> <td>-</td> <td>399</td> <td>3\"/> <tr> <td>3994</td> <td>ETR</td> <td>-</td> <td>WD.</td> <td>J2</td> <td>PTD.</td> <td>-</td> <td>3991</td> <td>3\"/> <tr> <td>3995</td> <td>ETR</td> <td>-</td> <td>WD.</td> <td>J2</td> <td>PTD.</td> <td>-</td> <td>3992</td> <td>3\"/> <tr> <td>3997</td> <td>ETR</td> <td>-</td> <td>WD.</td> <td>J2</td> <td>PTD.</td> <td>-</td> <td>3993</td> <td>3\"/> <tr> <td>3998</td> <td>ETR</td> <td>-</td> <td>WD.</td> <td>J2</td> <td>PTD.</td> <td>-</td> <td>3994</td> <td>3\"/> <tr> <td>3999</td> <td>ETR</td> <td>-</td> <td>WD.</td> <td>J2</td> <td>PTD.</td> <td>-</td> <td>3995</td> <td>3\"/> <tr> <td>3999</td> <td>ETR</td> <td>-</td> <td>WD.</td> <td>J2</td> <td>PTD.</td> <td>-</td> <td>3997</td> <td>3\"/> </td></tr></td></tr></td></tr></td></tr></td></tr></td></tr></td></tr></td></tr></td></tr></td></tr></td></tr></td></tr></td></tr></td></tr></td></tr></td></tr></td></tr></td></tr></td></tr></td></tr></td></tr></td></tr></td></td></tr></td></tr></td></td></tr></td></td></tr></td></td></tr></td></td></tr></td></td></tr></td></td></tr></td></td></tr></td></td></tr></td></tr></td></tr></td></tr></td></td></tr></td></tr></td></tr></td></tr></td></tr></td></td></tr> | 367 | B | 2 <td>HM</td> <td>J1</td> <td>PTD.</td> <td>1 HR.</td> <td>365</td> <td>3\"/> <tr> <td>368</td> <td>ETR</td> <td>-</td> <td>WD.</td> <td>J2</td> <td>PTD.</td> <td>-</td> <td>366</td> <td>3\"/> <tr> <td>369</td> <td>ETR</td> <td>-</td> <td>WD.</td> <td>J2</td> <td>PTD.</td> <td>-</td> <td>367</td> <td>3\"/> <tr> <td>370</td> <td>ETR</td> <td>-</td> <td>WD.</td> <td>J2</td> <td>PTD.</td> <td>-</td> <td>368</td> <td>3\"/> <tr> <td>371</td> <td>ETR</td> <td>-</td> <td>WD.</td> <td>J2</td> <td>PTD.</td> <td>-</td> <td>369</td> <td>3\"/> <tr> <td>372</td> <td>B</td> <td>2 <td>HM</td> <td>J1</td> <td>PTD.</td> <td>1 HR.</td> <td>370</td> <td>3\"/> <tr> <td>373A</td> <td>ETR</td> <td>-</td> <td>WD.</td> <td>J2</td> <td>PTD.</td> <td>-</td> <td>371</td> <td>3\"/> <tr> <td>374B</td> <td>ETR</td> <td>-</td> <td>WD.</td> <td>J2</td> <td>PTD.</td> <td>-</td> <td>372</td> <td>3\"/> <tr> <td>374C</td> <td>ETR</td> <td>-</td> <td>WD.</td> <td>J2</td> <td>PTD.</td> <td>-</td> <td>373A</td> <td>3\"/> <tr> <td>375</td> <td>B</td> <td>1 <td>WD</td> <td>J1</td> <td>PTD.</td> <td>-</td> <td>374B</td> <td>3\"/> <tr> <td>376</td> <td>B</td> <td>1 <td>WD</td> <td>J1</td> <td>PTD.</td> <td>-</td> <td>374C</td> <td>3\"/> <tr> <td>377</td> <td>B</td> <td>1 <td>WD</td> <td>J1</td> <td>PTD.</td> <td>-</td> <td>375</td> <td>3\"/> <tr> <td>377A</td> <td>B</td> <td>1 <td>WD</td> <td>J1</td> <td>PTD.</td> <td>-</td> <td>376</td> <td>3\"/> <tr> <td>378</td> <td>B</td> <td>1 <td>WD</td> <td>J1</td> <td>PTD.</td> <td>-</td> <td>377</td> <td>3\"/> <tr> <td>379</td> <td>B</td> <td>1 <td>WD</td> <td>J1</td> <td>PTD.</td> <td>-</td> <td>377A</td> <td>3\"/> <tr> <td>380A</td> <td>B</td> <td>1 <td>WD</td> <td>J1</td> <td>PTD.</td> <td>-</td> <td>378</td> <td>3\"/> <tr> <td>380B</td> <td>B</td> <td>1 <td>WD</td> <td>J1</td> <td>PTD.</td> <td>-</td> <td>379</td> <td>3\"/> <tr> <td>382</td> <td>ETR</td> <td>-</td> <td>WD.</td> <td>J2</td> <td>PTD.</td> <td>-</td> <td>380A</td> <td>3\"/> <tr> <td>382A</td> <td>D</td> <td>6 <td>ALUM.</td> <td>ANODIZE D</td> <td>-</td> <td>-</td> <td>380B</td> <td>3\"/> <tr> <td>385</td> <td>ETR</td> <td>-</td> <td>WD.</td> <td>J2</td> <td>PTD.</td> <td>-</td> <td>382</td> <td>3\"/> <tr> <td>386</td> <td>ETR</td> <td>-</td> <td>WD.</td> <td>J2</td> <td>PTD.</td> <td>-</td> <td>382A</td> <td>3\"/> <tr> <td>387</td> <td>ETR</td> <td>-</td> <td>WD.</td> <td>J2</td> <td>PTD.</td> <td>-</td> <td>385</td> <td>3\"/> <tr> <td>388</td> <td>ETR</td> <td>-</td> <td>WD.</td> <td>J2</td> <td>PTD.</td> <td>-</td> <td>386</td> <td>3\"/> <tr> <td>389</td> <td>ETR</td> <td>-</td> <td>WD.</td> <td>J2</td> <td>PTD.</td> <td>-</td> <td>387</td> <td>3\"/> <tr> <td>391</td> <td>ETR</td> <td>-</td> <td>WD.</td> <td>J2</td> <td>PTD.</td> <td>-</td> <td>388</td> <td>3\"/> <tr> <td>391A</td> <td>ETR</td> <td>-</td> <td>WD.</td> <td>J2</td> <td>PTD.</td> <td>-</td> <td>389</td> <td>3\"/> <tr> <td>391B</td> <td>ETR</td> <td>-</td> <td>WD.</td> <td>J2</td> <td>PTD.</td> <td>-</td> <td>391</td> <td>3\"/> <tr> <td>394</td> <td>ETR</td> <td>-</td> <td>WD.</td> <td>J2</td> <td>PTD.</td> <td>-</td> <td>391A</td> <td>3\"/> <tr> <td>395</td> <td>ETR</td> <td>-</td> <td>WD.</td> <td>J2</td> <td>PTD.</td> <td>-</td> <td>391B</td> <td>3\"/> <tr> <td>396</td> <td>ETR</td> <td>-</td> <td>WD.</td> <td>J2</td> <td>PTD.</td> <td>-</td> <td>394</td> <td>3\"/> <tr> <td>398</td> <td>ETR</td> <td>-</td>
<td>WD.</td> <td>J2</td> <td>PTD.</td> <td>-</td> <td>395</td> <td>3\"/> <tr> <td>399</td> <td>ETR</td> <td>-</td> <td>WD.</td> <td>J2</td> <td>PTD.</td> <td>-</td> <td>396</td> <td>3\"/> <tr> <td>3991</td> <td>ETR</td> <td>-</td> <td>WD.</td> <td>J2</td> <td>PTD.</td> <td>-</td> <td>398</td> <td>3\"/> <tr> <td>3992</td> <td>A</td> <td>3\"/> <tr> <td>3993</td> <td>ETR</td> <td>-</td> <td>WD.</td> <td>J2</td> <td>PTD.</td> <td>-</td> <td>399</td> <td>3\"/> <tr> <td>3994</td> <td>ETR</td> <td>-</td> <td>WD.</td> <td>J2</td> <td>PTD.</td> <td>-</td> <td>3991</td> <td>3\"/> <tr> <td>3995</td> <td>ETR</td> <td>-</td> <td>WD.</td> <td>J2</td> <td>PTD.</td> <td>-</td> <td>3992</td> <td>3\"/> <tr> <td>3997</td> <td>ETR</td> <td>-</td> <td>WD.</td> <td>J2</td> <td>PTD.</td> <td>-</td> <td>3993</td> <td>3\"/> <tr> <td>3998</td> <td>ETR</td> <td>-</td> <td>WD.</td> <td>J2</td> <td>PTD.</td> <td>-</td> <td>3994</td> <td>3\"/> <tr> <td>3999</td> <td>ETR</td> <td>-</td> <td>WD.</td> <td>J2</td> <td>PTD.</td> <td>-</td> <td>3995</td> <td>3\"/> <tr> <td>3999</td> <td>ETR</td> <td>-</td> <td>WD.</td> <td>J2</td> <td>PTD.</td> <td>-</td> <td>3997</td> <td>3\"/> </td></tr></td></tr></td></tr></td></tr></td></tr></td></tr></td></tr></td></tr></td></tr></td></tr></td></tr></td></tr></td></tr></td></tr></td></tr></td></tr></td></tr></td></tr></td></tr></td></tr></td></tr></td></tr></td></td></tr></td></tr></td></td></tr></td></td></tr></td></td></tr></td></td></tr></td></td></tr></td></td></tr></td></td></tr></td></td></tr></td></tr></td></tr></td></tr></td></td></tr></td></tr></td></tr></td></tr></td></tr></td> | HM | J1 | PTD. | 1 HR. | 365 | 3\"/> <tr> <td>368</td> <td>ETR</td> <td>-</td> <td>WD.</td> <td>J2</td> <td>PTD.</td> <td>-</td> <td>366</td> <td>3\"/> <tr> <td>369</td> <td>ETR</td> <td>-</td> <td>WD.</td> <td>J2</td> <td>PTD.</td> <td>-</td> <td>367</td> <td>3\"/> <tr> <td>370</td> <td>ETR</td> <td>-</td> <td>WD.</td> <td>J2</td> <td>PTD.</td> <td>-</td> <td>368</td> <td>3\"/> <tr> <td>371</td> <td>ETR</td> <td>-</td> <td>WD.</td> <td>J2</td> <td>PTD.</td> <td>-</td> <td>369</td> <td>3\"/> <tr> <td>372</td> <td>B</td> <td>2 <td>HM</td> <td>J1</td> <td>PTD.</td> <td>1 HR.</td> <td>370</td> <td>3\"/> <tr> <td>373A</td> <td>ETR</td> <td>-</td> <td>WD.</td> <td>J2</td> <td>PTD.</td> <td>-</td> <td>371</td> <td>3\"/> <tr> <td>374B</td> <td>ETR</td> <td>-</td> <td>WD.</td> <td>J2</td> <td>PTD.</td> <td>-</td> <td>372</td> <td>3\"/> <tr> <td>374C</td> <td>ETR</td> <td>-</td> <td>WD.</td> <td>J2</td> <td>PTD.</td> <td>-</td> <td>373A</td> <td>3\"/> <tr> <td>375</td> <td>B</td> <td>1 <td>WD</td> <td>J1</td> <td>PTD.</td> <td>-</td> <td>374B</td> <td>3\"/> <tr> <td>376</td> <td>B</td> <td>1 <td>WD</td> <td>J1</td> <td>PTD.</td> <td>-</td> <td>374C</td> <td>3\"/> <tr> <td>377</td> <td>B</td> <td>1 <td>WD</td> <td>J1</td> <td>PTD.</td> <td>-</td> <td>375</td> <td>3\"/> <tr> <td>377A</td> <td>B</td> <td>1 <td>WD</td> <td>J1</td> <td>PTD.</td> <td>-</td> <td>376</td> <td>3\"/> <tr> <td>378</td> <td>B</td> <td>1 <td>WD</td> <td>J1</td> <td>PTD.</td> <td>-</td> <td>377</td> <td>3\"/> <tr> <td>379</td> <td>B</td> <td>1 <td>WD</td> <td>J1</td> <td>PTD.</td> <td>-</td> <td>377A</td> <td>3\"/> <tr> <td>380A</td> <td>B</td> <td>1 <td>WD</td> <td>J1</td> <td>PTD.</td> <td>-</td> <td>378</td> <td>3\"/> <tr> <td>380B</td> <td>B</td> <td>1 <td>WD</td> <td>J1</td> <td>PTD.</td> <td>-</td> <td>379</td> <td>3\"/> <tr> <td>382</td> <td>ETR</td> <td>-</td> <td>WD.</td> <td>J2</td> <td>PTD.</td> <td>-</td> <td>380A</td> <td>3\"/> <tr> <td>382A</td> <td>D</td> <td>6 <td>ALUM.</td> <td>ANODIZE D</td> <td>-</td> <td>-</td> <td>380B</td> <td>3\"/> <tr> <td>385</td> <td>ETR</td> <td>-</td> <td>WD.</td> <td>J2</td> <td>PTD.</td> <td>-</td> <td>382</td> <td>3\"/> <tr> <td>386</td> <td>ETR</td> <td>-</td> <td>WD.</td> <td>J2</td> <td>PTD.</td> <td>-</td> <td>382A</td> <td>3\"/> <tr> <td>387</td> <td>ETR</td> <td>-</td> <td>WD.</td> <td>J2</td> <td>PTD.</td> <td>-</td> <td>385</td> <td>3\"/> <tr> <td>388</td> <td>ETR</td> <td>-</td> <td>WD.</td> <td>J2</td> <td>PTD.</td> <td>-</td> <td>386</td> <td>3\"/> <tr> <td>389</td> <td>ETR</td> <td>-</td> <td>WD.</td> <td>J2</td> <td>PTD.</td> <td>-</td> <td>387</td> <td>3\"/> <tr> <td>391</td> <td>ETR</td> <td>-</td> <td>WD.</td> <td>J2</td> <td>PTD.</td> <td>-</td> <td>388</td> <td>3\"/> <tr> <td>391A</td> <td>ETR</td> <td>-</td> <td>WD.</td> <td>J2</td> <td>PTD.</td> <td>-</td> <td>389</td> <td>3\"/> <tr> <td>391B</td> <td>ETR</td> <td>-</td> <td>WD.</td> <td>J2</td> <td>PTD.</td> <td>-</td> <td>391</td> <td>3\"/> <tr> <td>394</td> <td>ETR</td> <td>-</td> <td>WD.</td> <td>J2</td> <td>PTD.</td> <td>-</td> <td>391A</td> <td>3\"/> <tr> <td>395</td> <td>ETR</td> <td>-</td> <td>WD.</td> <td>J2</td> <td>PTD.</td> <td>-</td> <td>391B</td> <td>3\"/> <tr> <td>396</td> <td>ETR</td> <td>-</td> <td>WD.</td> <td>J2</td> <td>PTD.</td> <td>-</td> <td>394</td> <td>3\"/> <tr> <td>398</td> <td>ETR</td> <td>-</td> <td>WD.</td> <td>J2</td> <td>PTD.</td> <td>-</td> <td>395</td> <td>3\"/> <tr> <td>399</td> <td>ETR</td> <td>-</td> <td>WD.</td> <td>J2</td> <td>PTD.</td> <td>-</td> <td>396</td> <td>3\"/> <tr> <td>3991</td> <td>ETR</td> <td>-</td> <td>WD.</td> <td>J2</td> <td>PTD.</td> <td>-</td> <td>398</td> <td>3\"/> <tr> <td>3992</td> <td>A</td> <td>3\"/> <tr> <td>3993</td> <td>ETR</td> <td>-</td> <td>WD.</td> <td>J2</td> <td>PTD.</td> <td>-</td> <td>399</td> <td>3\"/> <tr> <td>3994</td> <td>ETR</td> <td>-</td> <td>WD.</td> <td>J2</td> <td>PTD.</td> <td>-</td> <td>3991</td> <td>3\"/> <tr> <td>3995</td> <td>ETR</td> <td>-</td> <td>WD.</td> <td>J2</td> <td>PTD.</td> <td>-</td> <td>3992</td> <td>3\"/> <tr> <td>3997</td> <td>ETR</td> <td>-</td> <td>WD.</td> <td>J2</td> <td>PTD.</td> <td>-</td> <td>3993</td> <td>3\"/> <tr> <td>3998</td> <td>ETR</td> <td>-</td> <td>WD.</td> <td>J2</td> <td>PTD.</td> <td>-</td> <td>3994</td> <td>3\"/> <tr> <td>3999</td> <td>ETR</td> <td>-</td> <td>WD.</td> <td>J2</td> <td>PTD.</td> <td>-</td> <td>3995</td> <td>3\"/> <tr> <td>3999</td> <td>ETR</td> <td>-</td> <td>WD.</td> <td>J2</td> <td>PTD.</td> <td>-</td> <td>3997</td> <td>3\"/> </td></tr></td></tr></td></tr></td></tr></td></tr></td></tr></td></tr></td></tr></td></tr></td></tr></td></tr></td></tr></td></tr></td></tr></td></tr></td></tr></td></tr></td></tr></td></tr></td></tr></td></tr></td></tr></td></td></tr></td></tr></td></td></tr></td></td></tr></td></td></tr></td></td></tr></td></td></tr></td></td></tr></td></td></tr></td></td></tr></td></tr></td></tr></td></tr></td></td></tr></td></tr></td></tr></td></tr></td></tr> | 368 | ETR | -
 | WD. | J2 | PTD. | - | 366 | 3\"/> <tr> <td>369</td> <td>ETR</td> <td>-</td> <td>WD.</td> <td>J2</td> <td>PTD.</td> <td>-</td> <td>367</td> <td>3\"/> <tr> <td>370</td> <td>ETR</td> <td>-</td> <td>WD.</td> <td>J2</td> <td>PTD.</td> <td>-</td> <td>368</td> <td>3\"/> <tr> <td>371</td> <td>ETR</td> <td>-</td> <td>WD.</td> <td>J2</td> <td>PTD.</td> <td>-</td> <td>369</td> <td>3\"/> <tr> <td>372</td> <td>B</td> <td>2 <td>HM</td> <td>J1</td> <td>PTD.</td> <td>1 HR.</td> <td>370</td> <td>3\"/> <tr> <td>373A</td> <td>ETR</td> <td>-</td> <td>WD.</td> <td>J2</td> <td>PTD.</td> <td>-</td> <td>371</td> <td>3\"/> <tr> <td>374B</td> <td>ETR</td> <td>-</td> <td>WD.</td> <td>J2</td> <td>PTD.</td> <td>-</td> <td>372</td> <td>3\"/> <tr> <td>374C</td> <td>ETR</td> <td>-</td> <td>WD.</td> <td>J2</td> <td>PTD.</td> <td>-</td> <td>373A</td> <td>3\"/> <tr> <td>375</td> <td>B</td> <td>1 <td>WD</td> <td>J1</td> <td>PTD.</td> <td>-</td> <td>374B</td> <td>3\"/> <tr> <td>376</td> <td>B</td> <td>1 <td>WD</td> <td>J1</td> <td>PTD.</td> <td>-</td> <td>374C</td> <td>3\"/> <tr> <td>377</td> <td>B</td> <td>1 <td>WD</td> <td>J1</td> <td>PTD.</td> <td>-</td> <td>375</td> <td>3\"/> <tr> <td>377A</td> <td>B</td> <td>1 <td>WD</td> <td>J1</td> <td>PTD.</td> <td>-</td> <td>376</td> <td>3\"/> <tr> <td>378</td> <td>B</td> <td>1 <td>WD</td> <td>J1</td> <td>PTD.</td> <td>-</td> <td>377</td> <td>3\"/> <tr> <td>379</td> <td>B</td> <td>1 <td>WD</td> <td>J1</td> <td>PTD.</td> <td>-</td> <td>377A</td> <td>3\"/> <tr> <td>380A</td> <td>B</td> <td>1 <td>WD</td> <td>J1</td> <td>PTD.</td> <td>-</td> <td>378</td> <td>3\"/> <tr> <td>380B</td> <td>B</td> <td>1 <td>WD</td> <td>J1</td> <td>PTD.</td> <td>-</td> <td>379</td> <td>3\"/> <tr> <td>382</td> <td>ETR</td> <td>-</td> <td>WD.</td> <td>J2</td> <td>PTD.</td> <td>-</td> <td>380A</td> <td>3\"/> <tr> <td>382A</td> <td>D</td> <td>6 <td>ALUM.</td> <td>ANODIZE D</td> <td>-</td> <td>-</td> <td>380B</td> <td>3\"/> <tr> <td>385</td> <td>ETR</td> <td>-</td> <td>WD.</td> <td>J2</td> <td>PTD.</td> <td>-</td> <td>382</td> <td>3\"/> <tr> <td>386</td> <td>ETR</td> <td>-</td> <td>WD.</td> <td>J2</td> <td>PTD.</td> <td>-</td> <td>382A</td> <td>3\"/> <tr> <td>387</td> <td>ETR</td> <td>-</td> <td>WD.</td> <td>J2</td> <td>PTD.</td> <td>-</td> <td>385</td> <td>3\"/> <tr> <td>388</td> <td>ETR</td> <td>-</td> <td>WD.</td> <td>J2</td> <td>PTD.</td> <td>-</td> <td>386</td> <td>3\"/> <tr> <td>389</td> <td>ETR</td> <td>-</td> <td>WD.</td> <td>J2</td> <td>PTD.</td> <td>-</td> <td>387</td> <td>3\"/> <tr> <td>391</td> <td>ETR</td> <td>-</td> <td>WD.</td> <td>J2</td> <td>PTD.</td> <td>-</td> <td>388</td> <td>3\"/> <tr> <td>391A</td> <td>ETR</td> <td>-</td> <td>WD.</td> <td>J2</td> <td>PTD.</td> <td>-</td> <td>389</td> <td>3\"/> <tr> <td>391B</td> <td>ETR</td> <td>-</td> <td>WD.</td> <td>J2</td> <td>PTD.</td> <td>-</td> <td>391</td> <td>3\"/> <tr> <td>394</td> <td>ETR</td> <td>-</td> <td>WD.</td> <td>J2</td> <td>PTD.</td> <td>-</td> <td>391A</td> <td>3\"/> <tr> <td>395</td> <td>ETR</td> <td>-</td> <td>WD.</td> <td>J2</td> <td>PTD.</td> <td>-</td> <td>391B</td> <td>3\"/> <tr> <td>396</td> <td>ETR</td> <td>-</td> <td>WD.</td> <td>J2</td> <td>PTD.</td> <td>-</td> <td>394</td> <td>3\"/> <tr> <td>398</td> <td>ETR</td> <td>-</td> <td>WD.</td> <td>J2</td> <td>PTD.</td> <td>-</td> <td>395</td> <td>3\"/> <tr> <td>399</td> <td>ETR</td> <td>-</td> <td>WD.</td> <td>J2</td> <td>PTD.</td> <td>-</td> <td>396</td> <td>3\"/> <tr> <td>3991</td> <td>ETR</td> <td>-</td> <td>WD.</td> <td>J2</td> <td>PTD.</td> <td>-</td> <td>398</td> <td>3\"/> <tr> <td>3992</td> <td>A</td> <td>3\"/> <tr> <td>3993</td> <td>ETR</td> <td>-</td> <td>WD.</td> <td>J2</td> <td>PTD.</td> <td>-</td> <td>399</td> <td>3\"/> <tr> <td>3994</td> <td>ETR</td> <td>-</td> <td>WD.</td> <td>J2</td> <td>PTD.</td> <td>-</td> <td>3991</td> <td>3\"/> <tr> <td>3995</td> <td>ETR</td> <td>-</td> <td>WD.</td> <td>J2</td> <td>PTD.</td> <td>-</td> <td>3992</td> <td>3\"/> <tr> <td>3997</td> <td>ETR</td> <td>-</td> <td>WD.</td> <td>J2</td> <td>PTD.</td> <td>-</td> <td>3993</td> <td>3\"/> <tr> <td>3998</td> <td>ETR</td> <td>-</td> <td>WD.</td> <td>J2</td> <td>PTD.</td> <td>-</td> <td>3994</td> <td>3\"/> <tr> <td>3999</td> <td>ETR</td> <td>-</td> <td>WD.</td> <td>J2</td> <td>PTD.</td> <td>-</td> <td>3995</td> <td>3\"/> <tr> <td>3999</td> <td>ETR</td> <td>-</td> <td>WD.</td> <td>J2</td> <td>PTD.</td> <td>-</td> <td>3997</td> <td>3\"/> </td></tr></td></tr></td></tr></td></tr></td></tr></td></tr></td></tr></td></tr></td></tr></td></tr></td></tr></td></tr></td></tr></td></tr></td></tr></td></tr></td></tr></td></tr></td></tr></td></tr></td></tr></td></tr></td></td></tr></td></tr></td></td></tr></td></td></tr></td></td></tr></td></td></tr></td></td></tr></td></td></tr></td></td></tr></td></td></tr></td></tr></td></tr></td></tr></td></td></tr></td></tr></td></tr></td></tr> | 369 | ETR | -
 | WD. | J2 | PTD. | - | 367 | 3\"/> <tr> <td>370</td> <td>ETR</td> <td>-</td> <td>WD.</td> <td>J2</td> <td>PTD.</td> <td>-</td> <td>368</td> <td>3\"/> <tr> <td>371</td> <td>ETR</td> <td>-</td> <td>WD.</td> <td>J2</td> <td>PTD.</td> <td>-</td> <td>369</td> <td>3\"/> <tr> <td>372</td> <td>B</td> <td>2 <td>HM</td> <td>J1</td> <td>PTD.</td> <td>1 HR.</td> <td>370</td> <td>3\"/> <tr> <td>373A</td> <td>ETR</td> <td>-</td> <td>WD.</td> <td>J2</td> <td>PTD.</td> <td>-</td> <td>371</td> <td>3\"/> <tr> <td>374B</td> <td>ETR</td> <td>-</td> <td>WD.</td> <td>J2</td> <td>PTD.</td> <td>-</td> <td>372</td> <td>3\"/> <tr> <td>374C</td> <td>ETR</td> <td>-</td> <td>WD.</td> <td>J2</td> <td>PTD.</td> <td>-</td> <td>373A</td> <td>3\"/> <tr> <td>375</td> <td>B</td> <td>1 <td>WD</td> <td>J1</td> <td>PTD.</td> <td>-</td> <td>374B</td> <td>3\"/> <tr> <td>376</td> <td>B</td> <td>1 <td>WD</td> <td>J1</td> <td>PTD.</td> <td>-</td> <td>374C</td> <td>3\"/> <tr> <td>377</td> <td>B</td> <td>1 <td>WD</td> <td>J1</td> <td>PTD.</td> <td>-</td> <td>375</td> <td>3\"/> <tr> <td>377A</td> <td>B</td> <td>1 <td>WD</td> <td>J1</td> <td>PTD.</td> <td>-</td> <td>376</td> <td>3\"/> <tr> <td>378</td> <td>B</td> <td>1 <td>WD</td> <td>J1</td> <td>PTD.</td> <td>-</td> <td>377</td> <td>3\"/> <tr> <td>379</td> <td>B</td> <td>1 <td>WD</td> <td>J1</td> <td>PTD.</td> <td>-</td> <td>377A</td> <td>3\"/> <tr> <td>380A</td> <td>B</td> <td>1 <td>WD</td> <td>J1</td> <td>PTD.</td> <td>-</td> <td>378</td> <td>3\"/> <tr> <td>380B</td> <td>B</td> <td>1 <td>WD</td> <td>J1</td> <td>PTD.</td> <td>-</td> <td>379</td> <td>3\"/> <tr> <td>382</td> <td>ETR</td> <td>-</td> <td>WD.</td> <td>J2</td> <td>PTD.</td> <td>-</td> <td>380A</td> <td>3\"/> <tr> <td>382A</td> <td>D</td> <td>6 <td>ALUM.</td> <td>ANODIZE D</td> <td>-</td> <td>-</td> <td>380B</td> <td>3\"/> <tr> <td>385</td> <td>ETR</td> <td>-</td> <td>WD.</td> <td>J2</td> <td>PTD.</td> <td>-</td> <td>382</td> <td>3\"/> <tr> <td>386</td> <td>ETR</td> <td>-</td> <td>WD.</td> <td>J2</td> <td>PTD.</td> <td>-</td> <td>382A</td> <td>3\"/> <tr> <td>387</td> <td>ETR</td> <td>-</td> <td>WD.</td> <td>J2</td> <td>PTD.</td> <td>-</td> <td>385</td> <td>3\"/> <tr> <td>388</td> <td>ETR</td> <td>-</td> <td>WD.</td> <td>J2</td> <td>PTD.</td> <td>-</td> <td>386</td> <td>3\"/> <tr> <td>389</td> <td>ETR</td> <td>-</td> <td>WD.</td> <td>J2</td> <td>PTD.</td> <td>-</td> <td>387</td> <td>3\"/> <tr> <td>391</td> <td>ETR</td> <td>-</td> <td>WD.</td> <td>J2</td> <td>PTD.</td> <td>-</td> <td>388</td> <td>3\"/> <tr> <td>391A</td> <td>ETR</td> <td>-</td> <td>WD.</td> <td>J2</td> <td>PTD.</td> <td>-</td> <td>389</td> <td>3\"/> <tr> <td>391B</td> <td>ETR</td> <td>-</td> <td>WD.</td> <td>J2</td> <td>PTD.</td> <td>-</td> <td>391</td> <td>3\"/> <tr> <td>394</td> <td>ETR</td> <td>-</td> <td>WD.</td> <td>J2</td> <td>PTD.</td> <td>-</td> <td>391A</td> <td>3\"/> <tr> <td>395</td> <td>ETR</td> <td>-</td> <td>WD.</td> <td>J2</td> <td>PTD.</td> <td>-</td> <td>391B</td> <td>3\"/> <tr> <td>396</td> <td>ETR</td> <td>-</td> <td>WD.</td> <td>J2</td> <td>PTD.</td> <td>-</td> <td>394</td> <td>3\"/> <tr> <td>398</td> <td>ETR</td> <td>-</td> <td>WD.</td> <td>J2</td> <td>PTD.</td> <td>-</td> <td>395</td> <td>3\"/> <tr> <td>399</td> <td>ETR</td> <td>-</td> <td>WD.</td> <td>J2</td> <td>PTD.</td> <td>-</td> <td>396</td> <td>3\"/> <tr> <td>3991</td> <td>ETR</td> <td>-</td> <td>WD.</td> <td>J2</td> <td>PTD.</td> <td>-</td> <td>398</td> <td>3\"/> <tr> <td>3992</td> <td>A</td> <td>3\"/> <tr> <td>3993</td> <td>ETR</td> <td>-</td> <td>WD.</td> <td>J2</td> <td>PTD.</td> <td>-</td> <td>399</td> <td>3\"/> <tr> <td>3994</td> <td>ETR</td> <td>-</td> <td>WD.</td> <td>J2</td> <td>PTD.</td> <td>-</td> <td>3991</td> <td>3\"/> <tr> <td>3995</td> <td>ETR</td> <td>-</td> <td>WD.</td> <td>J2</td> <td>PTD.</td> <td>-</td> <td>3992</td> <td>3\"/> <tr> <td>3997</td> <td>ETR</td> <td>-</td> <td>WD.</td> <td>J2</td> <td>PTD.</td> <td>-</td> <td>3993</td> <td>3\"/> <tr> <td>3998</td> <td>ETR</td> <td>-</td> <td>WD.</td> <td>J2</td> <td>PTD.</td> <td>-</td> <td>3994</td> <td>3\"/> <tr> <td>3999</td> <td>ETR</td> <td>-</td> <td>WD.</td> <td>J2</td> <td>PTD.</td> <td>-</td> <td>3995</td> <td>3\"/> <tr> <td>3999</td> <td>ETR</td> <td>-</td> <td>WD.</td> <td>J2</td> <td>PTD.</td> <td>-</td> <td>3997</td> <td>3\"/> </td></tr></td></tr></td></tr></td></tr></td></tr></td></tr></td></tr></td></tr></td></tr></td></tr></td></tr></td></tr></td></tr></td></tr></td></tr></td></tr></td></tr></td></tr></td></tr></td></tr></td></tr></td></tr></td></td></tr></td></tr></td></td></tr></td></td></tr></td></td></tr></td></td></tr></td></td></tr></td></td></tr></td></td></tr></td></td></tr></td></tr></td></tr></td></tr></td></td></tr></td></tr></td></tr> | 370 | ETR | -
 | WD. | J2 | PTD. | - | 368 | 3\"/> <tr> <td>371</td> <td>ETR</td> <td>-</td> <td>WD.</td> <td>J2</td> <td>PTD.</td> <td>-</td> <td>369</td> <td>3\"/> <tr> <td>372</td> <td>B</td> <td>2 <td>HM</td> <td>J1</td> <td>PTD.</td> <td>1 HR.</td> <td>370</td> <td>3\"/> <tr> <td>373A</td> <td>ETR</td> <td>-</td> <td>WD.</td>
<td>J2</td> <td>PTD.</td> <td>-</td> <td>371</td> <td>3\"/> <tr> <td>374B</td> <td>ETR</td> <td>-</td> <td>WD.</td> <td>J2</td> <td>PTD.</td> <td>-</td> <td>372</td> <td>3\"/> <tr> <td>374C</td> <td>ETR</td> <td>-</td> <td>WD.</td> <td>J2</td> <td>PTD.</td> <td>-</td> <td>373A</td> <td>3\"/> <tr> <td>375</td> <td>B</td> <td>1 <td>WD</td> <td>J1</td> <td>PTD.</td> <td>-</td> <td>374B</td> <td>3\"/> <tr> <td>376</td> <td>B</td> <td>1 <td>WD</td> <td>J1</td> <td>PTD.</td> <td>-</td> <td>374C</td> <td>3\"/> <tr> <td>377</td> <td>B</td> <td>1 <td>WD</td> <td>J1</td> <td>PTD.</td> <td>-</td> <td>375</td> <td>3\"/> <tr> <td>377A</td> <td>B</td> <td>1 <td>WD</td> <td>J1</td> <td>PTD.</td> <td>-</td> <td>376</td> <td>3\"/> <tr> <td>378</td> <td>B</td> <td>1 <td>WD</td> <td>J1</td> <td>PTD.</td> <td>-</td> <td>377</td> <td>3\"/> <tr> <td>379</td> <td>B</td> <td>1 <td>WD</td> <td>J1</td> <td>PTD.</td> <td>-</td> <td>377A</td> <td>3\"/> <tr> <td>380A</td> <td>B</td> <td>1 <td>WD</td> <td>J1</td> <td>PTD.</td> <td>-</td> <td>378</td> <td>3\"/> <tr> <td>380B</td> <td>B</td> <td>1 <td>WD</td> <td>J1</td> <td>PTD.</td> <td>-</td> <td>379</td> <td>3\"/> <tr> <td>382</td> <td>ETR</td> <td>-</td> <td>WD.</td> <td>J2</td> <td>PTD.</td> <td>-</td> <td>380A</td> <td>3\"/> <tr> <td>382A</td> <td>D</td> <td>6 <td>ALUM.</td> <td>ANODIZE D</td> <td>-</td> <td>-</td> <td>380B</td> <td>3\"/> <tr> <td>385</td> <td>ETR</td> <td>-</td> <td>WD.</td> <td>J2</td> <td>PTD.</td> <td>-</td> <td>382</td> <td>3\"/> <tr> <td>386</td> <td>ETR</td> <td>-</td> <td>WD.</td> <td>J2</td> <td>PTD.</td> <td>-</td> <td>382A</td> <td>3\"/> <tr> <td>387</td> <td>ETR</td> <td>-</td> <td>WD.</td> <td>J2</td> <td>PTD.</td> <td>-</td> <td>385</td> <td>3\"/> <tr> <td>388</td> <td>ETR</td> <td>-</td> <td>WD.</td> <td>J2</td> <td>PTD.</td> <td>-</td> <td>386</td> <td>3\"/> <tr> <td>389</td> <td>ETR</td> <td>-</td> <td>WD.</td> <td>J2</td> <td>PTD.</td> <td>-</td> <td>387</td> <td>3\"/> <tr> <td>391</td> <td>ETR</td> <td>-</td> <td>WD.</td> <td>J2</td> <td>PTD.</td> <td>-</td> <td>388</td> <td>3\"/> <tr> <td>391A</td> <td>ETR</td> <td>-</td> <td>WD.</td> <td>J2</td> <td>PTD.</td> <td>-</td> <td>389</td> <td>3\"/> <tr> <td>391B</td> <td>ETR</td> <td>-</td> <td>WD.</td> <td>J2</td> <td>PTD.</td> <td>-</td> <td>391</td> <td>3\"/> <tr> <td>394</td> <td>ETR</td> <td>-</td> <td>WD.</td> <td>J2</td> <td>PTD.</td> <td>-</td> <td>391A</td> <td>3\"/> <tr> <td>395</td> <td>ETR</td> <td>-</td> <td>WD.</td> <td>J2</td> <td>PTD.</td> <td>-</td> <td>391B</td> <td>3\"/> <tr> <td>396</td> <td>ETR</td> <td>-</td> <td>WD.</td> <td>J2</td> <td>PTD.</td> <td>-</td> <td>394</td> <td>3\"/> <tr> <td>398</td> <td>ETR</td> <td>-</td> <td>WD.</td> <td>J2</td> <td>PTD.</td> <td>-</td> <td>395</td> <td>3\"/> <tr> <td>399</td> <td>ETR</td> <td>-</td> <td>WD.</td> <td>J2</td> <td>PTD.</td> <td>-</td> <td>396</td> <td>3\"/> <tr> <td>3991</td> <td>ETR</td> <td>-</td> <td>WD.</td> <td>J2</td> <td>PTD.</td> <td>-</td> <td>398</td> <td>3\"/> <tr> <td>3992</td> <td>A</td> <td>3\"/> <tr> <td>3993</td> <td>ETR</td> <td>-</td> <td>WD.</td> <td>J2</td> <td>PTD.</td> <td>-</td> <td>399</td> <td>3\"/> <tr> <td>3994</td> <td>ETR</td> <td>-</td> <td>WD.</td> <td>J2</td> <td>PTD.</td> <td>-</td> <td>3991</td> <td>3\"/> <tr> <td>3995</td> <td>ETR</td> <td>-</td> <td>WD.</td> <td>J2</td> <td>PTD.</td> <td>-</td> <td>3992</td> <td>3\"/> <tr> <td>3997</td> <td>ETR</td> <td>-</td> <td>WD.</td> <td>J2</td> <td>PTD.</td> <td>-</td> <td>3993</td> <td>3\"/> <tr> <td>3998</td> <td>ETR</td> <td>-</td> <td>WD.</td> <td>J2</td> <td>PTD.</td> <td>-</td> <td>3994</td> <td>3\"/> <tr> <td>3999</td> <td>ETR</td> <td>-</td> <td>WD.</td> <td>J2</td> <td>PTD.</td> <td>-</td> <td>3995</td> <td>3\"/> <tr> <td>3999</td> <td>ETR</td> <td>-</td> <td>WD.</td> <td>J2</td> <td>PTD.</td> <td>-</td> <td>3997</td> <td>3\"/> </td></tr></td></tr></td></tr></td></tr></td></tr></td></tr></td></tr></td></tr></td></tr></td></tr></td></tr></td></tr></td></tr></td></tr></td></tr></td></tr></td></tr></td></tr></td></tr></td></tr></td></tr></td></tr></td></td></tr></td></tr></td></td></tr></td></td></tr></td></td></tr></td></td></tr></td></td></tr></td></td></tr></td></td></tr></td></td></tr></td></tr></td></tr></td></tr></td></td></tr></td></tr> | 371 | ETR | - | WD. | J2 | PTD. | - | 369 | 3\"/> <tr>
<td>372</td> <td>B</td> <td>2 <td>HM</td> <td>J1</td> <td>PTD.</td> <td>1 HR.</td> <td>370</td> <td>3\"/> <tr> <td>373A</td> <td>ETR</td> <td>-</td> <td>WD.</td> <td>J2</td> <td>PTD.</td> <td>-</td> <td>371</td> <td>3\"/> <tr> <td>374B</td> <td>ETR</td> <td>-</td> <td>WD.</td> <td>J2</td> <td>PTD.</td> <td>-</td> <td>372</td> <td>3\"/> <tr> <td>374C</td> <td>ETR</td> <td>-</td> <td>WD.</td> <td>J2</td> <td>PTD.</td> <td>-</td> <td>373A</td> <td>3\"/> <tr> <td>375</td> <td>B</td> <td>1 <td>WD</td> <td>J1</td> <td>PTD.</td> <td>-</td> <td>374B</td> <td>3\"/> <tr> <td>376</td> <td>B</td> <td>1 <td>WD</td> <td>J1</td> <td>PTD.</td> <td>-</td> <td>374C</td> <td>3\"/> <tr> <td>377</td> <td>B</td> <td>1 <td>WD</td> <td>J1</td> <td>PTD.</td> <td>-</td> <td>375</td> <td>3\"/> <tr> <td>377A</td> <td>B</td> <td>1 <td>WD</td> <td>J1</td> <td>PTD.</td> <td>-</td> <td>376</td> <td>3\"/> <tr> <td>378</td> <td>B</td> <td>1 <td>WD</td> <td>J1</td> <td>PTD.</td> <td>-</td> <td>377</td> <td>3\"/> <tr> <td>379</td> <td>B</td> <td>1 <td>WD</td> <td>J1</td> <td>PTD.</td> <td>-</td> <td>377A</td> <td>3\"/> <tr> <td>380A</td> <td>B</td> <td>1 <td>WD</td> <td>J1</td> <td>PTD.</td> <td>-</td> <td>378</td> <td>3\"/> <tr> <td>380B</td> <td>B</td> <td>1 <td>WD</td> <td>J1</td> <td>PTD.</td> <td>-</td> <td>379</td> <td>3\"/> <tr> <td>382</td> <td>ETR</td> <td>-</td> <td>WD.</td> <td>J2</td> <td>PTD.</td> <td>-</td> <td>380A</td> <td>3\"/> <tr> <td>382A</td> <td>D</td> <td>6 <td>ALUM.</td> <td>ANODIZE D</td> <td>-</td> <td>-</td> <td>380B</td> <td>3\"/> <tr> <td>385</td> <td>ETR</td> <td>-</td> <td>WD.</td> <td>J2</td> <td>PTD.</td> <td>-</td> <td>382</td> <td>3\"/> <tr> <td>386</td> <td>ETR</td> <td>-</td> <td>WD.</td> <td>J2</td> <td>PTD.</td> <td>-</td> <td>382A</td> <td>3\"/> <tr> <td>387</td> <td>ETR</td> <td>-</td> <td>WD.</td> <td>J2</td> <td>PTD.</td> <td>-</td> <td>385</td> <td>3\"/> <tr> <td>388</td> <td>ETR</td> <td>-</td> <td>WD.</td> <td>J2</td> <td>PTD.</td> <td>-</td> <td>386</td> <td>3\"/> <tr> <td>389</td> <td>ETR</td> <td>-</td> <td>WD.</td> <td>J2</td> <td>PTD.</td> <td>-</td> <td>387</td> <td>3\"/> <tr> <td>391</td> <td>ETR</td> <td>-</td> <td>WD.</td> <td>J2</td> <td>PTD.</td> <td>-</td> <td>388</td> <td>3\"/> <tr> <td>391A</td> <td>ETR</td> <td>-</td> <td>WD.</td> <td>J2</td> <td>PTD.</td> <td>-</td> <td>389</td> <td>3\"/> <tr> <td>391B</td> <td>ETR</td> <td>-</td> <td>WD.</td> <td>J2</td> <td>PTD.</td> <td>-</td> <td>391</td> <td>3\"/> <tr> <td>394</td> <td>ETR</td> <td>-</td> <td>WD.</td> <td>J2</td> <td>PTD.</td> <td>-</td> <td>391A</td> <td>3\"/> <tr> <td>395</td> <td>ETR</td> <td>-</td> <td>WD.</td> <td>J2</td> <td>PTD.</td> <td>-</td> <td>391B</td> <td>3\"/> <tr> <td>396</td> <td>ETR</td> <td>-</td> <td>WD.</td> <td>J2</td> <td>PTD.</td> <td>-</td> <td>394</td> <td>3\"/> <tr> <td>398</td> <td>ETR</td> <td>-</td> <td>WD.</td> <td>J2</td> <td>PTD.</td> <td>-</td> <td>395</td> <td>3\"/> <tr> <td>399</td> <td>ETR</td> <td>-</td> <td>WD.</td> <td>J2</td> <td>PTD.</td> <td>-</td> <td>396</td> <td>3\"/> <tr> <td>3991</td> <td>ETR</td> <td>-</td> <td>WD.</td> <td>J2</td> <td>PTD.</td> <td>-</td> <td>398</td> <td>3\"/> <tr> <td>3992</td> <td>A</td> <td>3\"/> <tr> <td>3993</td> <td>ETR</td> <td>-</td> <td>WD.</td> <td>J2</td> <td>PTD.</td> <td>-</td> <td>399</td> <td>3\"/> <tr> <td>3994</td> <td>ETR</td> <td>-</td> <td>WD.</td> <td>J2</td> <td>PTD.</td> <td>-</td> <td>3991</td> <td>3\"/> <tr> <td>3995</td> <td>ETR</td> <td>-</td> <td>WD.</td> <td>J2</td> <td>PTD.</td> <td>-</td> <td>3992</td> <td>3\"/> <tr> <td>3997</td> <td>ETR</td> <td>-</td> <td>WD.</td> <td>J2</td> <td>PTD.</td> <td>-</td> <td>3993</td> <td>3\"/> <tr> <td>3998</td> <td>ETR</td> <td>-</td> <td>WD.</td> <td>J2</td> <td>PTD.</td> <td>-</td> <td>3994</td> <td>3\"/> <tr> <td>3999</td> <td>ETR</td> <td>-</td> <td>WD.</td> <td>J2</td> <td>PTD.</td> <td>-</td> <td>3995</td> <td>3\"/> <tr> <td>3999</td> <td>ETR</td> <td>-</td> <td>WD.</td> <td>J2</td> <td>PTD.</td> <td>-</td> <td>3997</td> <td>3\"/> </td></tr></td></tr></td></tr></td></tr></td></tr></td></tr></td></tr></td></tr></td></tr></td></tr></td></tr></td></tr></td></tr></td></tr></td></tr></td></tr></td></tr></td></tr></td></tr></td></tr></td></tr></td></tr></td></td></tr></td></tr></td></td></tr></td></td></tr></td></td></tr></td></td></tr></td></td></tr></td></td></tr></td></td></tr></td></td></tr></td></tr></td></tr></td></tr></td></td></tr> | 372 | B | 2 <td>HM</td> <td>J1</td> <td>PTD.</td> <td>1 HR.</td> <td>370</td> <td>3\"/> <tr> <td>373A</td> <td>ETR</td> <td>-</td> <td>WD.</td> <td>J2</td> <td>PTD.</td> <td>-</td> <td>371</td> <td>3\"/> <tr> <td>374B</td> <td>ETR</td> <td>-</td> <td>WD.</td> <td>J2</td> <td>PTD.</td> <td>-</td> <td>372</td> <td>3\"/> <tr> <td>374C</td> <td>ETR</td> <td>-</td> <td>WD.</td> <td>J2</td> <td>PTD.</td> <td>-</td> <td>373A</td> <td>3\"/> <tr> <td>375</td> <td>B</td> <td>1 <td>WD</td> <td>J1</td> <td>PTD.</td> <td>-</td> <td>374B</td> <td>3\"/> <tr> <td>376</td> <td>B</td> <td>1 <td>WD</td> <td>J1</td> <td>PTD.</td> <td>-</td> <td>374C</td> <td>3\"/> <tr> <td>377</td> <td>B</td> <td>1 <td>WD</td> <td>J1</td> <td>PTD.</td> <td>-</td> <td>375</td> <td>3\"/> <tr> <td>377A</td> <td>B</td> <td>1 <td>WD</td> <td>J1</td> <td>PTD.</td> <td>-</td> <td>376</td> <td>3\"/> <tr> <td>378</td> <td>B</td> <td>1 <td>WD</td> <td>J1</td> <td>PTD.</td> <td>-</td> <td>377</td> <td>3\"/> <tr> <td>379</td> <td>B</td> <td>1 <td>WD</td> <td>J1</td> <td>PTD.</td> <td>-</td> <td>377A</td> <td>3\"/> <tr> <td>380A</td> <td>B</td> <td>1 <td>WD</td> <td>J1</td> <td>PTD.</td> <td>-</td> <td>378</td> <td>3\"/> <tr> <td>380B</td> <td>B</td> <td>1 <td>WD</td> <td>J1</td> <td>PTD.</td> <td>-</td> <td>379</td> <td>3\"/> <tr> <td>382</td> <td>ETR</td> <td>-</td> <td>WD.</td> <td>J2</td> <td>PTD.</td> <td>-</td> <td>380A</td> <td>3\"/> <tr> <td>382A</td> <td>D</td> <td>6 <td>ALUM.</td> <td>ANODIZE D</td> <td>-</td> <td>-</td> <td>380B</td> <td>3\"/> <tr> <td>385</td> <td>ETR</td> <td>-</td> <td>WD.</td> <td>J2</td> <td>PTD.</td> <td>-</td> <td>382</td> <td>3\"/> <tr> <td>386</td> <td>ETR</td> <td>-</td> <td>WD.</td> <td>J2</td> <td>PTD.</td> <td>-</td> <td>382A</td> <td>3\"/> <tr> <td>387</td> <td>ETR</td> <td>-</td> <td>WD.</td> <td>J2</td> <td>PTD.</td> <td>-</td> <td>385</td> <td>3\"/> <tr> <td>388</td> <td>ETR</td> <td>-</td> <td>WD.</td> <td>J2</td> <td>PTD.</td> <td>-</td> <td>386</td> <td>3\"/> <tr> <td>389</td> <td>ETR</td> <td>-</td> <td>WD.</td> <td>J2</td> <td>PTD.</td> <td>-</td> <td>387</td> <td>3\"/> <tr> <td>391</td> <td>ETR</td> <td>-</td> <td>WD.</td> <td>J2</td> <td>PTD.</td> <td>-</td> <td>388</td> <td>3\"/> <tr> <td>391A</td> <td>ETR</td> <td>-</td> <td>WD.</td> <td>J2</td> <td>PTD.</td> <td>-</td> <td>389</td> <td>3\"/> <tr> <td>391B</td> <td>ETR</td> <td>-</td> <td>WD.</td> <td>J2</td> <td>PTD.</td> <td>-</td> <td>391</td> <td>3\"/> <tr> <td>394</td> <td>ETR</td> <td>-</td> <td>WD.</td> <td>J2</td> <td>PTD.</td> <td>-</td> <td>391A</td> <td>3\"/> <tr> <td>395</td> <td>ETR</td> <td>-</td> <td>WD.</td> <td>J2</td> <td>PTD.</td> <td>-</td> <td>391B</td> <td>3\"/> <tr> <td>396</td> <td>ETR</td> <td>-</td> <td>WD.</td> <td>J2</td> <td>PTD.</td> <td>-</td> <td>394</td> <td>3\"/> <tr> <td>398</td> <td>ETR</td> <td>-</td> <td>WD.</td> <td>J2</td> <td>PTD.</td> <td>-</td> <td>395</td> <td>3\"/> <tr> <td>399</td> <td>ETR</td> <td>-</td> <td>WD.</td> <td>J2</td> <td>PTD.</td> <td>-</td> <td>396</td> <td>3\"/> <tr> <td>3991</td> <td>ETR</td> <td>-</td> <td>WD.</td> <td>J2</td> <td>PTD.</td> <td>-</td> <td>398</td> <td>3\"/> <tr> <td>3992</td> <td>A</td> <td>3\"/> <tr> <td>3993</td> <td>ETR</td> <td>-</td> <td>WD.</td> <td>J2</td> <td>PTD.</td> <td>-</td> <td>399</td> <td>3\"/> <tr> <td>3994</td> <td>ETR</td> <td>-</td> <td>WD.</td> <td>J2</td> <td>PTD.</td> <td>-</td> <td>3991</td> <td>3\"/> <tr> <td>3995</td> <td>ETR</td> <td>-</td> <td>WD.</td> <td>J2</td> <td>PTD.</td> <td>-</td> <td>3992</td> <td>3\"/> <tr> <td>3997</td> <td>ETR</td> <td>-</td> <td>WD.</td> <td>J2</td> <td>PTD.</td> <td>-</td> <td>3993</td> <td>3\"/> <tr> <td>3998</td> <td>ETR</td> <td>-</td> <td>WD.</td> <td>J2</td> <td>PTD.</td> <td>-</td> <td>3994</td> <td>3\"/> <tr> <td>3999</td> <td>ETR</td> <td>-</td> <td>WD.</td> <td>J2</td> <td>PTD.</td> <td>-</td> <td>3995</td> <td>3\"/> <tr> <td>3999</td> <td>ETR</td> <td>-</td> <td>WD.</td> <td>J2</td> <td>PTD.</td> <td>-</td> <td>3997</td> <td>3\"/> </td></tr></td></tr></td></tr></td></tr></td></tr></td></tr></td></tr></td></tr></td></tr></td></tr></td></tr></td></tr></td></tr></td></tr></td></tr></td></tr></td></tr></td></tr></td></tr></td></tr></td></tr></td></tr></td></td></tr></td></tr></td></td></tr></td></td></tr></td></td></tr></td></td></tr></td></td></tr></td></td></tr></td></td></tr></td></td></tr></td></tr></td></tr></td></tr></td> | HM | J1 | PTD. | 1 HR. | 370
 | 3\"/> <tr> <td>373A</td> <td>ETR</td> <td>-</td> <td>WD.</td> <td>J2</td> <td>PTD.</td> <td>-</td> <td>371</td> <td>3\"/> <tr> <td>374B</td> <td>ETR</td> <td>-</td> <td>WD.</td> <td>J2</td> <td>PTD.</td> <td>-</td> <td>372</td> <td>3\"/> <tr> <td>374C</td> <td>ETR</td> <td>-</td> <td>WD.</td> <td>J2</td> <td>PTD.</td> <td>-</td> <td>373A</td> <td>3\"/> <tr> <td>375</td> <td>B</td> <td>1 <td>WD</td> <td>J1</td> <td>PTD.</td> <td>-</td> <td>374B</td> <td>3\"/> <tr> <td>376</td> <td>B</td> <td>1 <td>WD</td> <td>J1</td> <td>PTD.</td> <td>-</td> <td>374C</td> <td>3\"/> <tr> <td>377</td> <td>B</td> <td>1 <td>WD</td> <td>J1</td> <td>PTD.</td> <td>-</td> <td>375</td> <td>3\"/> <tr> <td>377A</td> <td>B</td> <td>1 <td>WD</td> <td>J1</td> <td>PTD.</td> <td>-</td> <td>376</td> <td>3\"/> <tr> <td>378</td> <td>B</td> <td>1 <td>WD</td> <td>J1</td> <td>PTD.</td> <td>-</td> <td>377</td> <td>3\"/> <tr> <td>379</td> <td>B</td> <td>1 <td>WD</td> <td>J1</td> <td>PTD.</td> <td>-</td> <td>377A</td> <td>3\"/> <tr> <td>380A</td> <td>B</td> <td>1 <td>WD</td> <td>J1</td> <td>PTD.</td> <td>-</td> <td>378</td> <td>3\"/> <tr> <td>380B</td> <td>B</td> <td>1 <td>WD</td> <td>J1</td> <td>PTD.</td> <td>-</td> <td>379</td> <td>3\"/> <tr> <td>382</td> <td>ETR</td> <td>-</td> <td>WD.</td> <td>J2</td> <td>PTD.</td> <td>-</td> <td>380A</td> <td>3\"/> <tr> <td>382A</td> <td>D</td> <td>6 <td>ALUM.</td> <td>ANODIZE D</td> <td>-</td> <td>-</td> <td>380B</td> <td>3\"/> <tr> <td>385</td> <td>ETR</td> <td>-</td> <td>WD.</td> <td>J2</td> <td>PTD.</td> <td>-</td> <td>382</td> <td>3\"/> <tr> <td>386</td> <td>ETR</td> <td>-</td> <td>WD.</td> <td>J2</td> <td>PTD.</td> <td>-</td> <td>382A</td> <td>3\"/> <tr> <td>387</td> <td>ETR</td> <td>-</td> <td>WD.</td> <td>J2</td> <td>PTD.</td> <td>-</td> <td>385</td> <td>3\"/> <tr> <td>388</td> <td>ETR</td> <td>-</td> <td>WD.</td> <td>J2</td> <td>PTD.</td> <td>-</td> <td>386</td> <td>3\"/> <tr> <td>389</td> <td>ETR</td> <td>-</td> <td>WD.</td> <td>J2</td> <td>PTD.</td> <td>-</td> <td>387</td> <td>3\"/> <tr> <td>391</td> <td>ETR</td> <td>-</td> <td>WD.</td> <td>J2</td> <td>PTD.</td> <td>-</td> <td>388</td> <td>3\"/> <tr> <td>391A</td> <td>ETR</td> <td>-</td> <td>WD.</td> <td>J2</td> <td>PTD.</td> <td>-</td> <td>389</td> <td>3\"/> <tr> <td>391B</td> <td>ETR</td> <td>-</td> <td>WD.</td> <td>J2</td> <td>PTD.</td> <td>-</td> <td>391</td> <td>3\"/> <tr> <td>394</td> <td>ETR</td> <td>-</td> <td>WD.</td> <td>J2</td> <td>PTD.</td> <td>-</td> <td>391A</td> <td>3\"/> <tr> <td>395</td> <td>ETR</td> <td>-</td> <td>WD.</td> <td>J2</td> <td>PTD.</td> <td>-</td> <td>391B</td> <td>3\"/> <tr> <td>396</td> <td>ETR</td> <td>-</td> <td>WD.</td> <td>J2</td> <td>PTD.</td> <td>-</td> <td>394</td> <td>3\"/> <tr> <td>398</td> <td>ETR</td> <td>-</td> <td>WD.</td> <td>J2</td> <td>PTD.</td> <td>-</td> <td>395</td> <td>3\"/> <tr> <td>399</td> <td>ETR</td> <td>-</td> <td>WD.</td> <td>J2</td> <td>PTD.</td> <td>-</td> <td>396</td> <td>3\"/> <tr> <td>3991</td> <td>ETR</td> <td>-</td> <td>WD.</td> <td>J2</td> <td>PTD.</td> <td>-</td> <td>398</td> <td>3\"/> <tr> <td>3992</td> <td>A</td> <td>3\"/> <tr> <td>3993</td> <td>ETR</td> <td>-</td> <td>WD.</td> <td>J2</td> <td>PTD.</td> <td>-</td> <td>399</td> <td>3\"/> <tr> <td>3994</td> <td>ETR</td> <td>-</td> <td>WD.</td> <td>J2</td> <td>PTD.</td> <td>-</td> <td>3991</td> <td>3\"/> <tr> <td>3995</td> <td>ETR</td> <td>-</td> <td>WD.</td> <td>J2</td> <td>PTD.</td> <td>-</td> <td>3992</td> <td>3\"/> <tr> <td>3997</td> <td>ETR</td> <td>-</td> <td>WD.</td> <td>J2</td> <td>PTD.</td> <td>-</td> <td>3993</td> <td>3\"/> <tr> <td>3998</td> <td>ETR</td> <td>-</td> <td>WD.</td> <td>J2</td> <td>PTD.</td> <td>-</td> <td>3994</td> <td>3\"/> <tr> <td>3999</td> <td>ETR</td> <td>-</td> <td>WD.</td> <td>J2</td> <td>PTD.</td> <td>-</td> <td>3995</td> <td>3\"/> <tr> <td>3999</td> <td>ETR</td> <td>-</td> <td>WD.</td> <td>J2</td> <td>PTD.</td> <td>-</td> <td>3997</td> <td>3\"/> </td></tr></td></tr></td></tr></td></tr></td></tr></td></tr></td></tr></td></tr></td></tr></td></tr></td></tr></td></tr></td></tr></td></tr></td></tr></td></tr></td></tr></td></tr></td></tr></td></tr></td></tr></td></tr></td></td></tr></td></tr></td></td></tr></td></td></tr></td></td></tr></td></td></tr></td></td></tr></td></td></tr></td></td></tr></td></td></tr></td></tr></td></tr></td></tr> | 373A | ETR | - | WD. | J2 | PTD. | - | 371 | 3\"/> <tr> <td>374B</td> <td>ETR</td> <td>-</td> <td>WD.</td> <td>J2</td> <td>PTD.</td> <td>-</td> <td>372</td> <td>3\"/> <tr> <td>374C</td> <td>ETR</td> <td>-</td> <td>WD.</td> <td>J2</td> <td>PTD.</td> <td>-</td> <td>373A</td>
<td>3\"/> <tr> <td>375</td> <td>B</td> <td>1 <td>WD</td> <td>J1</td> <td>PTD.</td> <td>-</td> <td>374B</td> <td>3\"/> <tr> <td>376</td> <td>B</td> <td>1 <td>WD</td> <td>J1</td> <td>PTD.</td> <td>-</td> <td>374C</td> <td>3\"/> <tr> <td>377</td> <td>B</td> <td>1 <td>WD</td> <td>J1</td> <td>PTD.</td> <td>-</td> <td>375</td> <td>3\"/> <tr> <td>377A</td> <td>B</td> <td>1 <td>WD</td> <td>J1</td> <td>PTD.</td> <td>-</td> <td>376</td> <td>3\"/> <tr> <td>378</td> <td>B</td> <td>1 <td>WD</td> <td>J1</td> <td>PTD.</td> <td>-</td> <td>377</td> <td>3\"/> <tr> <td>379</td> <td>B</td> <td>1 <td>WD</td> <td>J1</td> <td>PTD.</td> <td>-</td> <td>377A</td> <td>3\"/> <tr> <td>380A</td> <td>B</td> <td>1 <td>WD</td> <td>J1</td> <td>PTD.</td> <td>-</td> <td>378</td> <td>3\"/> <tr> <td>380B</td> <td>B</td> <td>1 <td>WD</td> <td>J1</td> <td>PTD.</td> <td>-</td> <td>379</td> <td>3\"/> <tr> <td>382</td> <td>ETR</td> <td>-</td> <td>WD.</td> <td>J2</td> <td>PTD.</td> <td>-</td> <td>380A</td> <td>3\"/> <tr> <td>382A</td> <td>D</td> <td>6 <td>ALUM.</td> <td>ANODIZE D</td> <td>-</td> <td>-</td> <td>380B</td> <td>3\"/> <tr> <td>385</td> <td>ETR</td> <td>-</td> <td>WD.</td> <td>J2</td> <td>PTD.</td> <td>-</td> <td>382</td> <td>3\"/> <tr> <td>386</td> <td>ETR</td> <td>-</td> <td>WD.</td> <td>J2</td> <td>PTD.</td> <td>-</td> <td>382A</td> <td>3\"/> <tr> <td>387</td> <td>ETR</td> <td>-</td> <td>WD.</td> <td>J2</td> <td>PTD.</td> <td>-</td> <td>385</td> <td>3\"/> <tr> <td>388</td> <td>ETR</td> <td>-</td> <td>WD.</td> <td>J2</td> <td>PTD.</td> <td>-</td> <td>386</td> <td>3\"/> <tr> <td>389</td> <td>ETR</td> <td>-</td> <td>WD.</td> <td>J2</td> <td>PTD.</td> <td>-</td> <td>387</td> <td>3\"/> <tr> <td>391</td> <td>ETR</td> <td>-</td> <td>WD.</td> <td>J2</td> <td>PTD.</td> <td>-</td> <td>388</td> <td>3\"/> <tr> <td>391A</td> <td>ETR</td> <td>-</td> <td>WD.</td> <td>J2</td> <td>PTD.</td> <td>-</td> <td>389</td> <td>3\"/> <tr> <td>391B</td> <td>ETR</td> <td>-</td> <td>WD.</td> <td>J2</td> <td>PTD.</td> <td>-</td> <td>391</td> <td>3\"/> <tr> <td>394</td> <td>ETR</td> <td>-</td> <td>WD.</td> <td>J2</td> <td>PTD.</td> <td>-</td> <td>391A</td> <td>3\"/> <tr> <td>395</td> <td>ETR</td> <td>-</td> <td>WD.</td> <td>J2</td> <td>PTD.</td> <td>-</td> <td>391B</td> <td>3\"/> <tr> <td>396</td> <td>ETR</td> <td>-</td> <td>WD.</td> <td>J2</td> <td>PTD.</td> <td>-</td> <td>394</td> <td>3\"/> <tr> <td>398</td> <td>ETR</td> <td>-</td> <td>WD.</td> <td>J2</td> <td>PTD.</td> <td>-</td> <td>395</td> <td>3\"/> <tr> <td>399</td> <td>ETR</td> <td>-</td> <td>WD.</td> <td>J2</td> <td>PTD.</td> <td>-</td> <td>396</td> <td>3\"/> <tr> <td>3991</td> <td>ETR</td> <td>-</td> <td>WD.</td> <td>J2</td> <td>PTD.</td> <td>-</td> <td>398</td> <td>3\"/> <tr> <td>3992</td> <td>A</td> <td>3\"/> <tr> <td>3993</td> <td>ETR</td> <td>-</td> <td>WD.</td> <td>J2</td> <td>PTD.</td> <td>-</td> <td>399</td> <td>3\"/> <tr> <td>3994</td> <td>ETR</td> <td>-</td> <td>WD.</td> <td>J2</td> <td>PTD.</td> <td>-</td> <td>3991</td> <td>3\"/> <tr> <td>3995</td> <td>ETR</td> <td>-</td> <td>WD.</td> <td>J2</td> <td>PTD.</td> <td>-</td> <td>3992</td> <td>3\"/> <tr> <td>3997</td> <td>ETR</td> <td>-</td> <td>WD.</td> <td>J2</td> <td>PTD.</td> <td>-</td> <td>3993</td> <td>3\"/> <tr> <td>3998</td> <td>ETR</td> <td>-</td> <td>WD.</td> <td>J2</td> <td>PTD.</td> <td>-</td> <td>3994</td> <td>3\"/> <tr> <td>3999</td> <td>ETR</td> <td>-</td> <td>WD.</td> <td>J2</td> <td>PTD.</td> <td>-</td> <td>3995</td> <td>3\"/> <tr> <td>3999</td> <td>ETR</td> <td>-</td> <td>WD.</td> <td>J2</td> <td>PTD.</td> <td>-</td> <td>3997</td> <td>3\"/> </td></tr></td></tr></td></tr></td></tr></td></tr></td></tr></td></tr></td></tr></td></tr></td></tr></td></tr></td></tr></td></tr></td></tr></td></tr></td></tr></td></tr></td></tr></td></tr></td></tr></td></tr></td></tr></td></td></tr></td></tr></td></td></tr></td></td></tr></td></td></tr></td></td></tr></td></td></tr></td></td></tr></td></td></tr></td></td></tr></td></tr></td></tr> | 374B | ETR | - | WD. | J2 | PTD. | - | 372 | 3\"/> <tr> <td>374C</td> <td>ETR</td> <td>-</td> <td>WD.</td> <td>J2</td> <td>PTD.</td> <td>-</td> <td>373A</td> <td>3\"/> <tr> <td>375</td> <td>B</td> <td>1 <td>WD</td> <td>J1</td> <td>PTD.</td> <td>-</td> <td>374B</td> <td>3\"/> <tr> <td>376</td> <td>B</td> <td>1 <td>WD</td> <td>J1</td> <td>PTD.</td> <td>-</td> <td>374C</td> <td>3\"/> <tr> <td>377</td> <td>B</td> <td>1 <td>WD</td> <td>J1</td> <td>PTD.</td> <td>-</td> <td>375</td> <td>3\"/> <tr> <td>377A</td> <td>B</td> <td>1 <td>WD</td> <td>J1</td> <td>PTD.</td> <td>-</td> <td>376</td> <td>3\"/> <tr> <td>378</td> <td>B</td> <td>1 <td>WD</td> <td>J1</td> <td>PTD.</td> <td>-</td> <td>377</td> <td>3\"/> <tr> <td>379</td> <td>B</td> <td>1 <td>WD</td>
<td>J1</td> <td>PTD.</td> <td>-</td> <td>377A</td> <td>3\"/> <tr> <td>380A</td> <td>B</td> <td>1 <td>WD</td> <td>J1</td> <td>PTD.</td> <td>-</td> <td>378</td> <td>3\"/> <tr> <td>380B</td> <td>B</td> <td>1 <td>WD</td> <td>J1</td> <td>PTD.</td> <td>-</td> <td>379</td> <td>3\"/> <tr> <td>382</td> <td>ETR</td> <td>-</td> <td>WD.</td> <td>J2</td> <td>PTD.</td> <td>-</td> <td>380A</td> <td>3\"/> <tr> <td>382A</td> <td>D</td> <td>6 <td>ALUM.</td> <td>ANODIZE D</td> <td>-</td> <td>-</td> <td>380B</td> <td>3\"/> <tr> <td>385</td> <td>ETR</td> <td>-</td> <td>WD.</td> <td>J2</td> <td>PTD.</td> <td>-</td> <td>382</td> <td>3\"/> <tr> <td>386</td> <td>ETR</td> <td>-</td> <td>WD.</td> <td>J2</td> <td>PTD.</td> <td>-</td> <td>382A</td> <td>3\"/> <tr> <td>387</td> <td>ETR</td> <td>-</td> <td>WD.</td> <td>J2</td> <td>PTD.</td> <td>-</td> <td>385</td> <td>3\"/> <tr> <td>388</td> <td>ETR</td> <td>-</td> <td>WD.</td> <td>J2</td> <td>PTD.</td> <td>-</td> <td>386</td> <td>3\"/> <tr> <td>389</td> <td>ETR</td> <td>-</td> <td>WD.</td> <td>J2</td> <td>PTD.</td> <td>-</td> <td>387</td> <td>3\"/> <tr> <td>391</td> <td>ETR</td> <td>-</td> <td>WD.</td> <td>J2</td> <td>PTD.</td> <td>-</td> <td>388</td> <td>3\"/> <tr> <td>391A</td> <td>ETR</td> <td>-</td> <td>WD.</td> <td>J2</td> <td>PTD.</td> <td>-</td> <td>389</td> <td>3\"/> <tr> <td>391B</td> <td>ETR</td> <td>-</td> <td>WD.</td> <td>J2</td> <td>PTD.</td> <td>-</td> <td>391</td> <td>3\"/> <tr> <td>394</td> <td>ETR</td> <td>-</td> <td>WD.</td> <td>J2</td> <td>PTD.</td> <td>-</td> <td>391A</td> <td>3\"/> <tr> <td>395</td> <td>ETR</td> <td>-</td> <td>WD.</td> <td>J2</td> <td>PTD.</td> <td>-</td> <td>391B</td> <td>3\"/> <tr> <td>396</td> <td>ETR</td> <td>-</td> <td>WD.</td> <td>J2</td> <td>PTD.</td> <td>-</td> <td>394</td> <td>3\"/> <tr> <td>398</td> <td>ETR</td> <td>-</td> <td>WD.</td> <td>J2</td> <td>PTD.</td> <td>-</td> <td>395</td> <td>3\"/> <tr> <td>399</td> <td>ETR</td> <td>-</td> <td>WD.</td> <td>J2</td> <td>PTD.</td> <td>-</td> <td>396</td> <td>3\"/> <tr> <td>3991</td> <td>ETR</td> <td>-</td> <td>WD.</td> <td>J2</td> <td>PTD.</td> <td>-</td> <td>398</td> <td>3\"/> <tr> <td>3992</td> <td>A</td> <td>3\"/> <tr> <td>3993</td> <td>ETR</td> <td>-</td> <td>WD.</td> <td>J2</td> <td>PTD.</td> <td>-</td> <td>399</td> <td>3\"/> <tr> <td>3994</td> <td>ETR</td> <td>-</td> <td>WD.</td> <td>J2</td> <td>PTD.</td> <td>-</td> <td>3991</td> <td>3\"/> <tr> <td>3995</td> <td>ETR</td> <td>-</td> <td>WD.</td> <td>J2</td> <td>PTD.</td> <td>-</td> <td>3992</td> <td>3\"/> <tr> <td>3997</td> <td>ETR</td> <td>-</td> <td>WD.</td> <td>J2</td> <td>PTD.</td> <td>-</td> <td>3993</td> <td>3\"/> <tr> <td>3998</td> <td>ETR</td> <td>-</td> <td>WD.</td> <td>J2</td> <td>PTD.</td> <td>-</td> <td>3994</td> <td>3\"/> <tr> <td>3999</td> <td>ETR</td> <td>-</td> <td>WD.</td> <td>J2</td> <td>PTD.</td> <td>-</td> <td>3995</td> <td>3\"/> <tr> <td>3999</td> <td>ETR</td> <td>-</td> <td>WD.</td> <td>J2</td> <td>PTD.</td> <td>-</td> <td>3997</td> <td>3\"/> </td></tr></td></tr></td></tr></td></tr></td></tr></td></tr></td></tr></td></tr></td></tr></td></tr></td></tr></td></tr></td></tr></td></tr></td></tr></td></tr></td></tr></td></tr></td></tr></td></tr></td></tr></td></tr></td></td></tr></td></tr></td></td></tr></td></td></tr></td></td></tr></td></td></tr></td></td></tr></td></td></tr></td></td></tr></td></td></tr></td></tr> | 374C | ETR | - | WD. | J2 | PTD.
 | - | 373A | 3\"/> <tr> <td>375</td> <td>B</td> <td>1 <td>WD</td> <td>J1</td> <td>PTD.</td> <td>-</td> <td>374B</td> <td>3\"/> <tr> <td>376</td> <td>B</td> <td>1 <td>WD</td> <td>J1</td> <td>PTD.</td> <td>-</td> <td>374C</td> <td>3\"/> <tr> <td>377</td> <td>B</td> <td>1 <td>WD</td> <td>J1</td> <td>PTD.</td> <td>-</td> <td>375</td> <td>3\"/> <tr> <td>377A</td> <td>B</td> <td>1 <td>WD</td> <td>J1</td> <td>PTD.</td> <td>-</td> <td>376</td> <td>3\"/> <tr> <td>378</td> <td>B</td> <td>1 <td>WD</td> <td>J1</td> <td>PTD.</td> <td>-</td> <td>377</td> <td>3\"/> <tr> <td>379</td> <td>B</td> <td>1 <td>WD</td> <td>J1</td> <td>PTD.</td> <td>-</td> <td>377A</td> <td>3\"/> <tr> <td>380A</td> <td>B</td> <td>1 <td>WD</td> <td>J1</td> <td>PTD.</td> <td>-</td> <td>378</td> <td>3\"/> <tr> <td>380B</td> <td>B</td> <td>1 <td>WD</td> <td>J1</td> <td>PTD.</td> <td>-</td> <td>379</td> <td>3\"/> <tr> <td>382</td> <td>ETR</td> <td>-</td> <td>WD.</td> <td>J2</td> <td>PTD.</td> <td>-</td> <td>380A</td> <td>3\"/> <tr> <td>382A</td> <td>D</td> <td>6 <td>ALUM.</td> <td>ANODIZE D</td> <td>-</td> <td>-</td> <td>380B</td> <td>3\"/> <tr> <td>385</td> <td>ETR</td> <td>-</td> <td>WD.</td> <td>J2</td> <td>PTD.</td> <td>-</td> <td>382</td> <td>3\"/> <tr> <td>386</td> <td>ETR</td> <td>-</td> <td>WD.</td> <td>J2</td> <td>PTD.</td> <td>-</td> <td>382A</td> <td>3\"/> <tr> <td>387</td> <td>ETR</td> <td>-</td> <td>WD.</td> <td>J2</td> <td>PTD.</td> <td>-</td> <td>385</td> <td>3\"/> <tr> <td>388</td> <td>ETR</td> <td>-</td> <td>WD.</td> <td>J2</td> <td>PTD.</td> <td>-</td> <td>386</td> <td>3\"/> <tr> <td>389</td> <td>ETR</td> <td>-</td> <td>WD.</td> <td>J2</td> <td>PTD.</td> <td>-</td> <td>387</td> <td>3\"/> <tr> <td>391</td> <td>ETR</td> <td>-</td> <td>WD.</td> <td>J2</td> <td>PTD.</td> <td>-</td> <td>388</td> <td>3\"/> <tr> <td>391A</td> <td>ETR</td> <td>-</td> <td>WD.</td> <td>J2</td> <td>PTD.</td> <td>-</td> <td>389</td> <td>3\"/> <tr> <td>391B</td> <td>ETR</td> <td>-</td> <td>WD.</td> <td>J2</td> <td>PTD.</td> <td>-</td> <td>391</td> <td>3\"/> <tr> <td>394</td> <td>ETR</td> <td>-</td> <td>WD.</td> <td>J2</td> <td>PTD.</td> <td>-</td> <td>391A</td> <td>3\"/> <tr> <td>395</td> <td>ETR</td> <td>-</td> <td>WD.</td> <td>J2</td> <td>PTD.</td> <td>-</td> <td>391B</td> <td>3\"/> <tr> <td>396</td> <td>ETR</td> <td>-</td> <td>WD.</td> <td>J2</td> <td>PTD.</td> <td>-</td> <td>394</td> <td>3\"/> <tr> <td>398</td> <td>ETR</td> <td>-</td> <td>WD.</td> <td>J2</td> <td>PTD.</td> <td>-</td> <td>395</td> <td>3\"/> <tr> <td>399</td> <td>ETR</td> <td>-</td> <td>WD.</td> <td>J2</td> <td>PTD.</td> <td>-</td> <td>396</td> <td>3\"/> <tr> <td>3991</td> <td>ETR</td> <td>-</td> <td>WD.</td> <td>J2</td> <td>PTD.</td> <td>-</td> <td>398</td> <td>3\"/> <tr> <td>3992</td> <td>A</td> <td>3\"/> <tr> <td>3993</td> <td>ETR</td> <td>-</td> <td>WD.</td> <td>J2</td> <td>PTD.</td> <td>-</td> <td>399</td> <td>3\"/> <tr> <td>3994</td> <td>ETR</td> <td>-</td> <td>WD.</td> <td>J2</td> <td>PTD.</td> <td>-</td> <td>3991</td> <td>3\"/> <tr> <td>3995</td> <td>ETR</td> <td>-</td> <td>WD.</td> <td>J2</td> <td>PTD.</td> <td>-</td> <td>3992</td> <td>3\"/> <tr> <td>3997</td> <td>ETR</td> <td>-</td> <td>WD.</td> <td>J2</td> <td>PTD.</td> <td>-</td> <td>3993</td> <td>3\"/> <tr> <td>3998</td> <td>ETR</td> <td>-</td> <td>WD.</td> <td>J2</td> <td>PTD.</td> <td>-</td> <td>3994</td> <td>3\"/> <tr> <td>3999</td> <td>ETR</td> <td>-</td> <td>WD.</td> <td>J2</td> <td>PTD.</td> <td>-</td> <td>3995</td> <td>3\"/> <tr> <td>3999</td> <td>ETR</td> <td>-</td> <td>WD.</td> <td>J2</td> <td>PTD.</td> <td>-</td> <td>3997</td> <td>3\"/> </td></tr></td></tr></td></tr></td></tr></td></tr></td></tr></td></tr></td></tr></td></tr></td></tr></td></tr></td></tr></td></tr></td></tr></td></tr></td></tr></td></tr></td></tr></td></tr></td></tr></td></tr></td></tr></td></td></tr></td></tr></td></td></tr></td></td></tr></td></td></tr></td></td></tr></td></td></tr></td></td></tr></td></td></tr></td></td></tr> | 375 | B | 1 <td>WD</td> <td>J1</td> <td>PTD.</td> <td>-</td> <td>374B</td> <td>3\"/> <tr> <td>376</td> <td>B</td> <td>1 <td>WD</td> <td>J1</td> <td>PTD.</td> <td>-</td> <td>374C</td> <td>3\"/> <tr> <td>377</td> <td>B</td> <td>1 <td>WD</td> <td>J1</td> <td>PTD.</td> <td>-</td> <td>375</td> <td>3\"/> <tr> <td>377A</td> <td>B</td> <td>1 <td>WD</td> <td>J1</td> <td>PTD.</td> <td>-</td> <td>376</td> <td>3\"/> <tr> <td>378</td> <td>B</td> <td>1 <td>WD</td> <td>J1</td> <td>PTD.</td> <td>-</td> <td>377</td> <td>3\"/> <tr> <td>379</td> <td>B</td> <td>1 <td>WD</td> <td>J1</td> <td>PTD.</td> <td>-</td> <td>377A</td> <td>3\"/> <tr> <td>380A</td> <td>B</td> <td>1 <td>WD</td> <td>J1</td> <td>PTD.</td> <td>-</td> <td>378</td> <td>3\"/> <tr> <td>380B</td> <td>B</td> <td>1 <td>WD</td> <td>J1</td> <td>PTD.</td> <td>-</td> <td>379</td> <td>3\"/> <tr> <td>382</td> <td>ETR</td> <td>-</td> <td>WD.</td> <td>J2</td> <td>PTD.</td> <td>-</td> <td>380A</td> <td>3\"/> <tr> <td>382A</td> <td>D</td> <td>6 <td>ALUM.</td> <td>ANODIZE D</td> <td>-</td> <td>-</td> <td>380B</td> <td>3\"/> <tr> <td>385</td> <td>ETR</td> <td>-</td> <td>WD.</td> <td>J2</td> <td>PTD.</td> <td>-</td> <td>382</td> <td>3\"/> <tr> <td>386</td> <td>ETR</td> <td>-</td> <td>WD.</td> <td>J2</td> <td>PTD.</td> <td>-</td> <td>382A</td> <td>3\"/> <tr> <td>387</td> <td>ETR</td> <td>-</td> <td>WD.</td> <td>J2</td> <td>PTD.</td> <td>-</td> <td>385</td> <td>3\"/> <tr> <td>388</td> <td>ETR</td> <td>-</td> <td>WD.</td> <td>J2</td> <td>PTD.</td> <td>-</td> <td>386</td> <td>3\"/> <tr> <td>389</td> <td>ETR</td> <td>-</td> <td>WD.</td> <td>J2</td> <td>PTD.</td> <td>-</td> <td>387</td> <td>3\"/> <tr> <td>391</td> <td>ETR</td> <td>-</td> <td>WD.</td> <td>J2</td> <td>PTD.</td> <td>-</td> <td>388</td> <td>3\"/> <tr> <td>391A</td> <td>ETR</td> <td>-</td> <td>WD.</td> <td>J2</td> <td>PTD.</td> <td>-</td> <td>389</td> <td>3\"/> <tr> <td>391B</td> <td>ETR</td> <td>-</td> <td>WD.</td> <td>J2</td> <td>PTD.</td> <td>-</td> <td>391</td> <td>3\"/> <tr> <td>394</td> <td>ETR</td> <td>-</td> <td>WD.</td> <td>J2</td> <td>PTD.</td> <td>-</td> <td>391A</td> <td>3\"/> <tr> <td>395</td> <td>ETR</td> <td>-</td> <td>WD.</td> <td>J2</td> <td>PTD.</td> <td>-</td> <td>391B</td> <td>3\"/> <tr> <td>396</td> <td>ETR</td> <td>-</td> <td>WD.</td> <td>J2</td> <td>PTD.</td> <td>-</td> <td>394</td> <td>3\"/> <tr> <td>398</td> <td>ETR</td> <td>-</td> <td>WD.</td>
<td>J2</td> <td>PTD.</td> <td>-</td> <td>395</td> <td>3\"/> <tr> <td>399</td> <td>ETR</td> <td>-</td> <td>WD.</td> <td>J2</td> <td>PTD.</td> <td>-</td> <td>396</td> <td>3\"/> <tr> <td>3991</td> <td>ETR</td> <td>-</td> <td>WD.</td> <td>J2</td> <td>PTD.</td> <td>-</td> <td>398</td> <td>3\"/> <tr> <td>3992</td> <td>A</td> <td>3\"/> <tr> <td>3993</td> <td>ETR</td> <td>-</td> <td>WD.</td> <td>J2</td> <td>PTD.</td> <td>-</td> <td>399</td> <td>3\"/> <tr> <td>3994</td> <td>ETR</td> <td>-</td> <td>WD.</td> <td>J2</td> <td>PTD.</td> <td>-</td> <td>3991</td> <td>3\"/> <tr> <td>3995</td> <td>ETR</td> <td>-</td> <td>WD.</td> <td>J2</td> <td>PTD.</td> <td>-</td> <td>3992</td> <td>3\"/> <tr> <td>3997</td> <td>ETR</td> <td>-</td> <td>WD.</td> <td>J2</td> <td>PTD.</td> <td>-</td> <td>3993</td> <td>3\"/> <tr> <td>3998</td> <td>ETR</td> <td>-</td> <td>WD.</td> <td>J2</td> <td>PTD.</td> <td>-</td> <td>3994</td> <td>3\"/> <tr> <td>3999</td> <td>ETR</td> <td>-</td> <td>WD.</td> <td>J2</td> <td>PTD.</td> <td>-</td> <td>3995</td> <td>3\"/> <tr> <td>3999</td> <td>ETR</td> <td>-</td> <td>WD.</td> <td>J2</td> <td>PTD.</td> <td>-</td> <td>3997</td> <td>3\"/> </td></tr></td></tr></td></tr></td></tr></td></tr></td></tr></td></tr></td></tr></td></tr></td></tr></td></tr></td></tr></td></tr></td></tr></td></tr></td></tr></td></tr></td></tr></td></tr></td></tr></td></tr></td></tr></td></td></tr></td></tr></td></td></tr></td></td></tr></td></td></tr></td></td></tr></td></td></tr></td></td></tr></td></td></tr></td> | WD | J1 | PTD. | - | 374B | 3\"/> <tr> <td>376</td> <td>B</td> <td>1 <td>WD</td> <td>J1</td> <td>PTD.</td> <td>-</td> <td>374C</td> <td>3\"/> <tr> <td>377</td> <td>B</td> <td>1 <td>WD</td> <td>J1</td> <td>PTD.</td> <td>-</td> <td>375</td> <td>3\"/> <tr> <td>377A</td> <td>B</td> <td>1 <td>WD</td> <td>J1</td> <td>PTD.</td> <td>-</td> <td>376</td> <td>3\"/> <tr> <td>378</td> <td>B</td> <td>1 <td>WD</td> <td>J1</td> <td>PTD.</td> <td>-</td> <td>377</td> <td>3\"/> <tr> <td>379</td> <td>B</td> <td>1 <td>WD</td> <td>J1</td> <td>PTD.</td> <td>-</td> <td>377A</td> <td>3\"/> <tr> <td>380A</td> <td>B</td> <td>1 <td>WD</td> <td>J1</td> <td>PTD.</td> <td>-</td> <td>378</td> <td>3\"/> <tr> <td>380B</td> <td>B</td> <td>1 <td>WD</td> <td>J1</td> <td>PTD.</td> <td>-</td> <td>379</td> <td>3\"/> <tr> <td>382</td> <td>ETR</td> <td>-</td> <td>WD.</td> <td>J2</td> <td>PTD.</td> <td>-</td> <td>380A</td> <td>3\"/> <tr> <td>382A</td> <td>D</td> <td>6 <td>ALUM.</td> <td>ANODIZE D</td> <td>-</td> <td>-</td> <td>380B</td> <td>3\"/> <tr> <td>385</td> <td>ETR</td> <td>-</td> <td>WD.</td> <td>J2</td> <td>PTD.</td> <td>-</td> <td>382</td> <td>3\"/> <tr> <td>386</td> <td>ETR</td> <td>-</td> <td>WD.</td> <td>J2</td> <td>PTD.</td> <td>-</td> <td>382A</td> <td>3\"/> <tr> <td>387</td> <td>ETR</td> <td>-</td> <td>WD.</td> <td>J2</td> <td>PTD.</td> <td>-</td> <td>385</td> <td>3\"/> <tr> <td>388</td> <td>ETR</td> <td>-</td> <td>WD.</td> <td>J2</td> <td>PTD.</td> <td>-</td> <td>386</td> <td>3\"/> <tr> <td>389</td> <td>ETR</td> <td>-</td> <td>WD.</td> <td>J2</td> <td>PTD.</td> <td>-</td> <td>387</td> <td>3\"/> <tr> <td>391</td> <td>ETR</td> <td>-</td> <td>WD.</td> <td>J2</td> <td>PTD.</td> <td>-</td> <td>388</td> <td>3\"/> <tr> <td>391A</td> <td>ETR</td> <td>-</td> <td>WD.</td> <td>J2</td> <td>PTD.</td> <td>-</td> <td>389</td> <td>3\"/> <tr> <td>391B</td> <td>ETR</td> <td>-</td> <td>WD.</td> <td>J2</td> <td>PTD.</td> <td>-</td> <td>391</td> <td>3\"/> <tr> <td>394</td> <td>ETR</td> <td>-</td> <td>WD.</td> <td>J2</td> <td>PTD.</td> <td>-</td> <td>391A</td> <td>3\"/> <tr> <td>395</td> <td>ETR</td> <td>-</td> <td>WD.</td> <td>J2</td> <td>PTD.</td> <td>-</td> <td>391B</td> <td>3\"/> <tr> <td>396</td> <td>ETR</td> <td>-</td> <td>WD.</td> <td>J2</td> <td>PTD.</td> <td>-</td> <td>394</td> <td>3\"/> <tr> <td>398</td> <td>ETR</td> <td>-</td> <td>WD.</td> <td>J2</td> <td>PTD.</td> <td>-</td> <td>395</td> <td>3\"/> <tr> <td>399</td> <td>ETR</td> <td>-</td> <td>WD.</td> <td>J2</td> <td>PTD.</td> <td>-</td> <td>396</td> <td>3\"/> <tr> <td>3991</td> <td>ETR</td> <td>-</td> <td>WD.</td> <td>J2</td> <td>PTD.</td> <td>-</td> <td>398</td> <td>3\"/> <tr> <td>3992</td> <td>A</td> <td>3\"/> <tr> <td>3993</td> <td>ETR</td> <td>-</td> <td>WD.</td> <td>J2</td> <td>PTD.</td> <td>-</td> <td>399</td> <td>3\"/> <tr> <td>3994</td> <td>ETR</td> <td>-</td> <td>WD.</td> <td>J2</td> <td>PTD.</td> <td>-</td> <td>3991</td> <td>3\"/> <tr> <td>3995</td> <td>ETR</td> <td>-</td> <td>WD.</td> <td>J2</td> <td>PTD.</td> <td>-</td> <td>3992</td> <td>3\"/> <tr> <td>3997</td> <td>ETR</td> <td>-</td> <td>WD.</td> <td>J2</td> <td>PTD.</td> <td>-</td> <td>3993</td> <td>3\"/> <tr> <td>3998</td> <td>ETR</td> <td>-</td> <td>WD.</td> <td>J2</td> <td>PTD.</td> <td>-</td> <td>3994</td> <td>3\"/> <tr> <td>3999</td> <td>ETR</td> <td>-</td> <td>WD.</td> <td>J2</td> <td>PTD.</td> <td>-</td> <td>3995</td> <td>3\"/> <tr> <td>3999</td> <td>ETR</td> <td>-</td> <td>WD.</td> <td>J2</td> <td>PTD.</td> <td>-</td> <td>3997</td> <td>3\"/> </td></tr></td></tr></td></tr></td></tr></td></tr></td></tr></td></tr></td></tr></td></tr></td></tr></td></tr></td></tr></td></tr></td></tr></td></tr></td></tr></td></tr></td></tr></td></tr></td></tr></td></tr></td></tr></td></td></tr></td></tr></td></td></tr></td></td></tr></td></td></tr></td></td></tr></td></td></tr></td></td></tr></td></td></tr> | 376 | B | 1 <td>WD</td> <td>J1</td> <td>PTD.</td> <td>-</td> <td>374C</td> <td>3\"/> <tr> <td>377</td> <td>B</td> <td>1 <td>WD</td> <td>J1</td> <td>PTD.</td> <td>-</td> <td>375</td> <td>3\"/> <tr> <td>377A</td> <td>B</td> <td>1 <td>WD</td> <td>J1</td> <td>PTD.</td> <td>-</td> <td>376</td> <td>3\"/> <tr> <td>378</td> <td>B</td> <td>1 <td>WD</td> <td>J1</td> <td>PTD.</td> <td>-</td> <td>377</td> <td>3\"/> <tr> <td>379</td> <td>B</td> <td>1 <td>WD</td> <td>J1</td> <td>PTD.</td> <td>-</td> <td>377A</td> <td>3\"/> <tr> <td>380A</td> <td>B</td> <td>1 <td>WD</td> <td>J1</td> <td>PTD.</td> <td>-</td> <td>378</td> <td>3\"/> <tr> <td>380B</td> <td>B</td> <td>1 <td>WD</td> <td>J1</td> <td>PTD.</td> <td>-</td> <td>379</td> <td>3\"/> <tr> <td>382</td> <td>ETR</td> <td>-</td> <td>WD.</td> <td>J2</td> <td>PTD.</td> <td>-</td> <td>380A</td> <td>3\"/> <tr> <td>382A</td> <td>D</td> <td>6 <td>ALUM.</td> <td>ANODIZE D</td> <td>-</td> <td>-</td> <td>380B</td> <td>3\"/> <tr> <td>385</td> <td>ETR</td> <td>-</td> <td>WD.</td> <td>J2</td> <td>PTD.</td> <td>-</td> <td>382</td> <td>3\"/> <tr> <td>386</td> <td>ETR</td> <td>-</td> <td>WD.</td> <td>J2</td> <td>PTD.</td> <td>-</td> <td>382A</td> <td>3\"/> <tr> <td>387</td> <td>ETR</td> <td>-</td> <td>WD.</td> <td>J2</td> <td>PTD.</td> <td>-</td> <td>385</td> <td>3\"/> <tr> <td>388</td> <td>ETR</td> <td>-</td> <td>WD.</td> <td>J2</td> <td>PTD.</td> <td>-</td> <td>386</td> <td>3\"/> <tr> <td>389</td> <td>ETR</td> <td>-</td> <td>WD.</td> <td>J2</td> <td>PTD.</td> <td>-</td> <td>387</td> <td>3\"/> <tr> <td>391</td> <td>ETR</td> <td>-</td> <td>WD.</td> <td>J2</td> <td>PTD.</td> <td>-</td> <td>388</td> <td>3\"/> <tr> <td>391A</td> <td>ETR</td> <td>-</td> <td>WD.</td> <td>J2</td> <td>PTD.</td> <td>-</td> <td>389</td> <td>3\"/> <tr> <td>391B</td> <td>ETR</td> <td>-</td> <td>WD.</td> <td>J2</td> <td>PTD.</td> <td>-</td> <td>391</td> <td>3\"/> <tr> <td>394</td> <td>ETR</td> <td>-</td> <td>WD.</td> <td>J2</td> <td>PTD.</td> <td>-</td> <td>391A</td> <td>3\"/> <tr> <td>395</td> <td>ETR</td> <td>-</td> <td>WD.</td> <td>J2</td> <td>PTD.</td> <td>-</td> <td>391B</td> <td>3\"/> <tr> <td>396</td> <td>ETR</td> <td>-</td> <td>WD.</td> <td>J2</td> <td>PTD.</td> <td>-</td> <td>394</td> <td>3\"/> <tr> <td>398</td> <td>ETR</td> <td>-</td> <td>WD.</td> <td>J2</td> <td>PTD.</td> <td>-</td> <td>395</td> <td>3\"/> <tr> <td>399</td> <td>ETR</td> <td>-</td> <td>WD.</td> <td>J2</td> <td>PTD.</td> <td>-</td> <td>396</td> <td>3\"/> <tr> <td>3991</td> <td>ETR</td> <td>-</td> <td>WD.</td> <td>J2</td> <td>PTD.</td> <td>-</td> <td>398</td> <td>3\"/> <tr> <td>3992</td> <td>A</td> <td>3\"/> <tr> <td>3993</td> <td>ETR</td> <td>-</td> <td>WD.</td> <td>J2</td> <td>PTD.</td> <td>-</td> <td>399</td> <td>3\"/> <tr> <td>3994</td> <td>ETR</td> <td>-</td> <td>WD.</td> <td>J2</td> <td>PTD.</td> <td>-</td> <td>3991</td> <td>3\"/> <tr> <td>3995</td> <td>ETR</td> <td>-</td> <td>WD.</td> <td>J2</td> <td>PTD.</td> <td>-</td> <td>3992</td> <td>3\"/> <tr> <td>3997</td> <td>ETR</td> <td>-</td> <td>WD.</td> <td>J2</td> <td>PTD.</td> <td>-</td> <td>3993</td> <td>3\"/> <tr> <td>3998</td> <td>ETR</td> <td>-</td> <td>WD.</td> <td>J2</td> <td>PTD.</td> <td>-</td> <td>3994</td> <td>3\"/> <tr> <td>3999</td> <td>ETR</td> <td>-</td> <td>WD.</td> <td>J2</td> <td>PTD.</td> <td>-</td> <td>3995</td> <td>3\"/> <tr> <td>3999</td> <td>ETR</td> <td>-</td> <td>WD.</td> <td>J2</td> <td>PTD.</td> <td>-</td> <td>3997</td> <td>3\"/>
</td></tr></td></tr></td></tr></td></tr></td></tr></td></tr></td></tr></td></tr></td></tr></td></tr></td></tr></td></tr></td></tr></td></tr></td></tr></td></tr></td></tr></td></tr></td></tr></td></tr></td></tr></td></tr></td></td></tr></td></tr></td></td></tr></td></td></tr></td></td></tr></td></td></tr></td></td></tr></td></td></tr></td> | WD | J1 | PTD. | - | 374C | 3\"/> <tr> <td>377</td> <td>B</td> <td>1 <td>WD</td> <td>J1</td> <td>PTD.</td> <td>-</td> <td>375</td> <td>3\"/> <tr> <td>377A</td> <td>B</td> <td>1 <td>WD</td> <td>J1</td> <td>PTD.</td> <td>-</td> <td>376</td> <td>3\"/> <tr> <td>378</td> <td>B</td> <td>1 <td>WD</td> <td>J1</td> <td>PTD.</td> <td>-</td> <td>377</td> <td>3\"/> <tr> <td>379</td> <td>B</td> <td>1 <td>WD</td> <td>J1</td> <td>PTD.</td> <td>-</td> <td>377A</td> <td>3\"/> <tr> <td>380A</td> <td>B</td> <td>1 <td>WD</td> <td>J1</td> <td>PTD.</td> <td>-</td> <td>378</td> <td>3\"/> <tr> <td>380B</td> <td>B</td> <td>1 <td>WD</td> <td>J1</td> <td>PTD.</td> <td>-</td> <td>379</td> <td>3\"/> <tr> <td>382</td> <td>ETR</td> <td>-</td> <td>WD.</td> <td>J2</td> <td>PTD.</td> <td>-</td> <td>380A</td> <td>3\"/> <tr> <td>382A</td> <td>D</td> <td>6 <td>ALUM.</td> <td>ANODIZE D</td> <td>-</td> <td>-</td> <td>380B</td> <td>3\"/> <tr> <td>385</td> <td>ETR</td> <td>-</td> <td>WD.</td> <td>J2</td> <td>PTD.</td> <td>-</td> <td>382</td> <td>3\"/> <tr> <td>386</td> <td>ETR</td> <td>-</td> <td>WD.</td> <td>J2</td> <td>PTD.</td> <td>-</td> <td>382A</td> <td>3\"/> <tr> <td>387</td> <td>ETR</td> <td>-</td> <td>WD.</td> <td>J2</td> <td>PTD.</td> <td>-</td> <td>385</td> <td>3\"/> <tr> <td>388</td> <td>ETR</td> <td>-</td> <td>WD.</td> <td>J2</td> <td>PTD.</td> <td>-</td> <td>386</td> <td>3\"/> <tr> <td>389</td> <td>ETR</td> <td>-</td> <td>WD.</td> <td>J2</td> <td>PTD.</td> <td>-</td> <td>387</td> <td>3\"/> <tr> <td>391</td> <td>ETR</td> <td>-</td> <td>WD.</td> <td>J2</td> <td>PTD.</td> <td>-</td> <td>388</td> <td>3\"/> <tr> <td>391A</td> <td>ETR</td> <td>-</td> <td>WD.</td> <td>J2</td> <td>PTD.</td> <td>-</td> <td>389</td> <td>3\"/> <tr> <td>391B</td> <td>ETR</td> <td>-</td> <td>WD.</td> <td>J2</td> <td>PTD.</td> <td>-</td> <td>391</td> <td>3\"/> <tr> <td>394</td> <td>ETR</td> <td>-</td> <td>WD.</td> <td>J2</td> <td>PTD.</td> <td>-</td> <td>391A</td> <td>3\"/> <tr> <td>395</td> <td>ETR</td> <td>-</td> <td>WD.</td> <td>J2</td> <td>PTD.</td> <td>-</td> <td>391B</td> <td>3\"/> <tr> <td>396</td> <td>ETR</td> <td>-</td> <td>WD.</td> <td>J2</td> <td>PTD.</td> <td>-</td> <td>394</td> <td>3\"/> <tr> <td>398</td> <td>ETR</td> <td>-</td> <td>WD.</td> <td>J2</td> <td>PTD.</td> <td>-</td> <td>395</td> <td>3\"/> <tr> <td>399</td> <td>ETR</td> <td>-</td> <td>WD.</td> <td>J2</td> <td>PTD.</td> <td>-</td> <td>396</td> <td>3\"/> <tr> <td>3991</td> <td>ETR</td> <td>-</td> <td>WD.</td> <td>J2</td> <td>PTD.</td> <td>-</td> <td>398</td> <td>3\"/> <tr> <td>3992</td> <td>A</td> <td>3\"/> <tr> <td>3993</td> <td>ETR</td> <td>-</td> <td>WD.</td> <td>J2</td> <td>PTD.</td> <td>-</td> <td>399</td> <td>3\"/> <tr> <td>3994</td> <td>ETR</td> <td>-</td> <td>WD.</td> <td>J2</td> <td>PTD.</td> <td>-</td> <td>3991</td> <td>3\"/> <tr> <td>3995</td> <td>ETR</td> <td>-</td> <td>WD.</td> <td>J2</td> <td>PTD.</td> <td>-</td> <td>3992</td> <td>3\"/> <tr> <td>3997</td> <td>ETR</td> <td>-</td> <td>WD.</td> <td>J2</td> <td>PTD.</td> <td>-</td> <td>3993</td> <td>3\"/> <tr> <td>3998</td> <td>ETR</td> <td>-</td> <td>WD.</td> <td>J2</td> <td>PTD.</td> <td>-</td> <td>3994</td> <td>3\"/> <tr> <td>3999</td> <td>ETR</td> <td>-</td> <td>WD.</td> <td>J2</td> <td>PTD.</td> <td>-</td> <td>3995</td> <td>3\"/> <tr> <td>3999</td> <td>ETR</td> <td>-</td> <td>WD.</td> <td>J2</td> <td>PTD.</td> <td>-</td> <td>3997</td> <td>3\"/> </td></tr></td></tr></td></tr></td></tr></td></tr></td></tr></td></tr></td></tr></td></tr></td></tr></td></tr></td></tr></td></tr></td></tr></td></tr></td></tr></td></tr></td></tr></td></tr></td></tr></td></tr></td></tr></td></td></tr></td></tr></td></td></tr></td></td></tr></td></td></tr></td></td></tr></td></td></tr></td></td></tr> | 377 | B | 1 <td>WD</td> <td>J1</td> <td>PTD.</td> <td>-</td> <td>375</td> <td>3\"/> <tr> <td>377A</td> <td>B</td> <td>1 <td>WD</td> <td>J1</td> <td>PTD.</td> <td>-</td> <td>376</td> <td>3\"/> <tr> <td>378</td> <td>B</td> <td>1 <td>WD</td> <td>J1</td> <td>PTD.</td> <td>-</td> <td>377</td> <td>3\"/> <tr> <td>379</td> <td>B</td> <td>1 <td>WD</td> <td>J1</td> <td>PTD.</td> <td>-</td> <td>377A</td> <td>3\"/> <tr> <td>380A</td> <td>B</td> <td>1 <td>WD</td> <td>J1</td> <td>PTD.</td> <td>-</td> <td>378</td> <td>3\"/> <tr> <td>380B</td> <td>B</td> <td>1 <td>WD</td> <td>J1</td> <td>PTD.</td> <td>-</td> <td>379</td> <td>3\"/> <tr> <td>382</td> <td>ETR</td> <td>-</td> <td>WD.</td> <td>J2</td> <td>PTD.</td> <td>-</td> <td>380A</td> <td>3\"/> <tr> <td>382A</td> <td>D</td> <td>6 <td>ALUM.</td> <td>ANODIZE D</td> <td>-</td> <td>-</td> <td>380B</td> <td>3\"/> <tr> <td>385</td> <td>ETR</td> <td>-</td> <td>WD.</td> <td>J2</td> <td>PTD.</td> <td>-</td> <td>382</td> <td>3\"/> <tr> <td>386</td> <td>ETR</td> <td>-</td> <td>WD.</td> <td>J2</td> <td>PTD.</td> <td>-</td> <td>382A</td> <td>3\"/> <tr> <td>387</td> <td>ETR</td> <td>-</td> <td>WD.</td> <td>J2</td> <td>PTD.</td> <td>-</td> <td>385</td> <td>3\"/> <tr> <td>388</td> <td>ETR</td> <td>-</td> <td>WD.</td> <td>J2</td> <td>PTD.</td> <td>-</td> <td>386</td> <td>3\"/> <tr> <td>389</td> <td>ETR</td> <td>-</td> <td>WD.</td> <td>J2</td> <td>PTD.</td> <td>-</td> <td>387</td> <td>3\"/> <tr> <td>391</td> <td>ETR</td> <td>-</td> <td>WD.</td> <td>J2</td> <td>PTD.</td> <td>-</td> <td>388</td> <td>3\"/> <tr> <td>391A</td> <td>ETR</td> <td>-</td> <td>WD.</td> <td>J2</td> <td>PTD.</td> <td>-</td> <td>389</td> <td>3\"/> <tr> <td>391B</td> <td>ETR</td> <td>-</td> <td>WD.</td> <td>J2</td> <td>PTD.</td> <td>-</td> <td>391</td> <td>3\"/> <tr> <td>394</td> <td>ETR</td> <td>-</td> <td>WD.</td> <td>J2</td> <td>PTD.</td> <td>-</td> <td>391A</td> <td>3\"/> <tr> <td>395</td> <td>ETR</td> <td>-</td> <td>WD.</td> <td>J2</td> <td>PTD.</td> <td>-</td> <td>391B</td> <td>3\"/> <tr> <td>396</td> <td>ETR</td> <td>-</td> <td>WD.</td> <td>J2</td> <td>PTD.</td> <td>-</td> <td>394</td> <td>3\"/> <tr> <td>398</td> <td>ETR</td> <td>-</td> <td>WD.</td> <td>J2</td> <td>PTD.</td> <td>-</td> <td>395</td> <td>3\"/> <tr> <td>399</td> <td>ETR</td> <td>-</td> <td>WD.</td> <td>J2</td> <td>PTD.</td> <td>-</td> <td>396</td> <td>3\"/> <tr> <td>3991</td> <td>ETR</td> <td>-</td> <td>WD.</td> <td>J2</td> <td>PTD.</td> <td>-</td> <td>398</td> <td>3\"/> <tr> <td>3992</td> <td>A</td> <td>3\"/> <tr> <td>3993</td> <td>ETR</td> <td>-</td> <td>WD.</td> <td>J2</td> <td>PTD.</td> <td>-</td> <td>399</td> <td>3\"/> <tr> <td>3994</td> <td>ETR</td> <td>-</td> <td>WD.</td> <td>J2</td> <td>PTD.</td> <td>-</td> <td>3991</td> <td>3\"/> <tr> <td>3995</td> <td>ETR</td> <td>-</td> <td>WD.</td> <td>J2</td> <td>PTD.</td> <td>-</td> <td>3992</td> <td>3\"/> <tr> <td>3997</td> <td>ETR</td> <td>-</td> <td>WD.</td> <td>J2</td> <td>PTD.</td> <td>-</td> <td>3993</td> <td>3\"/> <tr> <td>3998</td> <td>ETR</td> <td>-</td> <td>WD.</td> <td>J2</td> <td>PTD.</td> <td>-</td> <td>3994</td> <td>3\"/> <tr> <td>3999</td> <td>ETR</td> <td>-</td> <td>WD.</td> <td>J2</td> <td>PTD.</td> <td>-</td> <td>3995</td> <td>3\"/> <tr> <td>3999</td> <td>ETR</td> <td>-</td> <td>WD.</td> <td>J2</td> <td>PTD.</td> <td>-</td> <td>3997</td> <td>3\"/> </td></tr></td></tr></td></tr></td></tr></td></tr></td></tr></td></tr></td></tr></td></tr></td></tr></td></tr></td></tr></td></tr></td></tr></td></tr></td></tr></td></tr></td></tr></td></tr></td></tr></td></tr></td></tr></td></td></tr></td></tr></td></td></tr></td></td></tr></td></td></tr></td></td></tr></td></td></tr></td> | WD | J1 | PTD. | - | 375 | 3\"/> <tr> <td>377A</td> <td>B</td> <td>1 <td>WD</td> <td>J1</td> <td>PTD.</td> <td>-</td> <td>376</td> <td>3\"/> <tr> <td>378</td> <td>B</td> <td>1 <td>WD</td> <td>J1</td> <td>PTD.</td> <td>-</td> <td>377</td> <td>3\"/> <tr> <td>379</td> <td>B</td> <td>1 <td>WD</td> <td>J1</td> <td>PTD.</td> <td>-</td> <td>377A</td> <td>3\"/> <tr> <td>380A</td> <td>B</td> <td>1 <td>WD</td> <td>J1</td> <td>PTD.</td> <td>-</td> <td>378</td> <td>3\"/> <tr> <td>380B</td> <td>B</td> <td>1 <td>WD</td> <td>J1</td> <td>PTD.</td> <td>-</td> <td>379</td> <td>3\"/> <tr> <td>382</td> <td>ETR</td> <td>-</td> <td>WD.</td> <td>J2</td> <td>PTD.</td> <td>-</td> <td>380A</td> <td>3\"/> <tr> <td>382A</td> <td>D</td> <td>6
<td>ALUM.</td> <td>ANODIZE D</td> <td>-</td> <td>-</td> <td>380B</td> <td>3\"/> <tr> <td>385</td> <td>ETR</td> <td>-</td> <td>WD.</td> <td>J2</td> <td>PTD.</td> <td>-</td> <td>382</td> <td>3\"/> <tr> <td>386</td> <td>ETR</td> <td>-</td> <td>WD.</td> <td>J2</td> <td>PTD.</td> <td>-</td> <td>382A</td> <td>3\"/> <tr> <td>387</td> <td>ETR</td> <td>-</td> <td>WD.</td> <td>J2</td> <td>PTD.</td> <td>-</td> <td>385</td> <td>3\"/> <tr> <td>388</td> <td>ETR</td> <td>-</td> <td>WD.</td> <td>J2</td> <td>PTD.</td> <td>-</td> <td>386</td> <td>3\"/> <tr> <td>389</td> <td>ETR</td> <td>-</td> <td>WD.</td> <td>J2</td> <td>PTD.</td> <td>-</td> <td>387</td> <td>3\"/> <tr> <td>391</td> <td>ETR</td> <td>-</td> <td>WD.</td> <td>J2</td> <td>PTD.</td> <td>-</td> <td>388</td> <td>3\"/> <tr> <td>391A</td> <td>ETR</td> <td>-</td> <td>WD.</td> <td>J2</td> <td>PTD.</td> <td>-</td> <td>389</td> <td>3\"/> <tr> <td>391B</td> <td>ETR</td> <td>-</td> <td>WD.</td> <td>J2</td> <td>PTD.</td> <td>-</td> <td>391</td> <td>3\"/> <tr> <td>394</td> <td>ETR</td> <td>-</td> <td>WD.</td> <td>J2</td> <td>PTD.</td> <td>-</td> <td>391A</td> <td>3\"/> <tr> <td>395</td> <td>ETR</td> <td>-</td> <td>WD.</td> <td>J2</td> <td>PTD.</td> <td>-</td> <td>391B</td> <td>3\"/> <tr> <td>396</td> <td>ETR</td> <td>-</td> <td>WD.</td> <td>J2</td> <td>PTD.</td> <td>-</td> <td>394</td> <td>3\"/> <tr> <td>398</td> <td>ETR</td> <td>-</td> <td>WD.</td> <td>J2</td> <td>PTD.</td> <td>-</td> <td>395</td> <td>3\"/> <tr> <td>399</td> <td>ETR</td> <td>-</td> <td>WD.</td> <td>J2</td> <td>PTD.</td> <td>-</td> <td>396</td> <td>3\"/> <tr> <td>3991</td> <td>ETR</td> <td>-</td> <td>WD.</td> <td>J2</td> <td>PTD.</td> <td>-</td> <td>398</td> <td>3\"/> <tr> <td>3992</td> <td>A</td> <td>3\"/> <tr> <td>3993</td> <td>ETR</td> <td>-</td> <td>WD.</td> <td>J2</td> <td>PTD.</td> <td>-</td> <td>399</td> <td>3\"/> <tr> <td>3994</td> <td>ETR</td> <td>-</td> <td>WD.</td> <td>J2</td> <td>PTD.</td> <td>-</td> <td>3991</td> <td>3\"/> <tr> <td>3995</td> <td>ETR</td> <td>-</td> <td>WD.</td> <td>J2</td> <td>PTD.</td> <td>-</td> <td>3992</td> <td>3\"/> <tr> <td>3997</td> <td>ETR</td> <td>-</td> <td>WD.</td> <td>J2</td> <td>PTD.</td> <td>-</td> <td>3993</td> <td>3\"/> <tr> <td>3998</td> <td>ETR</td> <td>-</td> <td>WD.</td> <td>J2</td> <td>PTD.</td> <td>-</td> <td>3994</td> <td>3\"/> <tr> <td>3999</td> <td>ETR</td> <td>-</td> <td>WD.</td> <td>J2</td> <td>PTD.</td> <td>-</td> <td>3995</td> <td>3\"/> <tr> <td>3999</td> <td>ETR</td> <td>-</td> <td>WD.</td> <td>J2</td> <td>PTD.</td> <td>-</td> <td>3997</td> <td>3\"/> </td></tr></td></tr></td></tr></td></tr></td></tr></td></tr></td></tr></td></tr></td></tr></td></tr></td></tr></td></tr></td></tr></td></tr></td></tr></td></tr></td></tr></td></tr></td></tr></td></tr></td></tr></td></tr></td></td></tr></td></tr></td></td></tr></td></td></tr></td></td></tr></td></td></tr></td></td></tr> | 377A | B | 1 <td>WD</td> <td>J1</td> <td>PTD.</td> <td>-</td> <td>376</td> <td>3\"/> <tr> <td>378</td> <td>B</td> <td>1 <td>WD</td> <td>J1</td> <td>PTD.</td> <td>-</td> <td>377</td> <td>3\"/> <tr> <td>379</td> <td>B</td> <td>1 <td>WD</td> <td>J1</td> <td>PTD.</td> <td>-</td> <td>377A</td> <td>3\"/> <tr> <td>380A</td> <td>B</td> <td>1 <td>WD</td> <td>J1</td> <td>PTD.</td> <td>-</td> <td>378</td> <td>3\"/> <tr> <td>380B</td> <td>B</td> <td>1 <td>WD</td> <td>J1</td> <td>PTD.</td> <td>-</td> <td>379</td> <td>3\"/> <tr> <td>382</td> <td>ETR</td> <td>-</td> <td>WD.</td> <td>J2</td> <td>PTD.</td> <td>-</td> <td>380A</td> <td>3\"/> <tr> <td>382A</td> <td>D</td> <td>6 <td>ALUM.</td> <td>ANODIZE D</td> <td>-</td> <td>-</td> <td>380B</td> <td>3\"/> <tr> <td>385</td> <td>ETR</td> <td>-</td> <td>WD.</td> <td>J2</td> <td>PTD.</td> <td>-</td> <td>382</td> <td>3\"/> <tr> <td>386</td> <td>ETR</td> <td>-</td> <td>WD.</td> <td>J2</td> <td>PTD.</td> <td>-</td> <td>382A</td> <td>3\"/> <tr> <td>387</td> <td>ETR</td> <td>-</td> <td>WD.</td> <td>J2</td> <td>PTD.</td> <td>-</td> <td>385</td> <td>3\"/> <tr> <td>388</td> <td>ETR</td> <td>-</td> <td>WD.</td> <td>J2</td> <td>PTD.</td> <td>-</td> <td>386</td> <td>3\"/> <tr> <td>389</td> <td>ETR</td> <td>-</td> <td>WD.</td> <td>J2</td> <td>PTD.</td> <td>-</td> <td>387</td> <td>3\"/> <tr> <td>391</td> <td>ETR</td> <td>-</td> <td>WD.</td> <td>J2</td> <td>PTD.</td> <td>-</td> <td>388</td> <td>3\"/> <tr> <td>391A</td> <td>ETR</td> <td>-</td> <td>WD.</td> <td>J2</td> <td>PTD.</td> <td>-</td> <td>389</td> <td>3\"/> <tr> <td>391B</td> <td>ETR</td> <td>-</td> <td>WD.</td> <td>J2</td> <td>PTD.</td> <td>-</td> <td>391</td> <td>3\"/> <tr> <td>394</td> <td>ETR</td> <td>-</td> <td>WD.</td> <td>J2</td> <td>PTD.</td> <td>-</td> <td>391A</td> <td>3\"/> <tr> <td>395</td> <td>ETR</td> <td>-</td> <td>WD.</td> <td>J2</td> <td>PTD.</td> <td>-</td> <td>391B</td> <td>3\"/> <tr> <td>396</td> <td>ETR</td> <td>-</td> <td>WD.</td> <td>J2</td> <td>PTD.</td> <td>-</td> <td>394</td> <td>3\"/> <tr> <td>398</td> <td>ETR</td> <td>-</td> <td>WD.</td> <td>J2</td> <td>PTD.</td> <td>-</td> <td>395</td> <td>3\"/> <tr> <td>399</td> <td>ETR</td> <td>-</td> <td>WD.</td> <td>J2</td> <td>PTD.</td> <td>-</td> <td>396</td> <td>3\"/> <tr> <td>3991</td> <td>ETR</td> <td>-</td> <td>WD.</td> <td>J2</td> <td>PTD.</td> <td>-</td> <td>398</td> <td>3\"/> <tr> <td>3992</td> <td>A</td> <td>3\"/> <tr> <td>3993</td> <td>ETR</td> <td>-</td> <td>WD.</td> <td>J2</td> <td>PTD.</td> <td>-</td> <td>399</td> <td>3\"/> <tr> <td>3994</td> <td>ETR</td> <td>-</td> <td>WD.</td> <td>J2</td> <td>PTD.</td> <td>-</td> <td>3991</td> <td>3\"/> <tr> <td>3995</td> <td>ETR</td> <td>-</td> <td>WD.</td> <td>J2</td> <td>PTD.</td> <td>-</td> <td>3992</td> <td>3\"/> <tr> <td>3997</td> <td>ETR</td> <td>-</td> <td>WD.</td> <td>J2</td> <td>PTD.</td> <td>-</td> <td>3993</td> <td>3\"/> <tr> <td>3998</td> <td>ETR</td> <td>-</td> <td>WD.</td> <td>J2</td> <td>PTD.</td> <td>-</td> <td>3994</td> <td>3\"/> <tr> <td>3999</td> <td>ETR</td> <td>-</td> <td>WD.</td> <td>J2</td> <td>PTD.</td> <td>-</td> <td>3995</td> <td>3\"/> <tr> <td>3999</td> <td>ETR</td> <td>-</td> <td>WD.</td> <td>J2</td> <td>PTD.</td> <td>-</td> <td>3997</td> <td>3\"/> </td></tr></td></tr></td></tr></td></tr></td></tr></td></tr></td></tr></td></tr></td></tr></td></tr></td></tr></td></tr></td></tr></td></tr></td></tr></td></tr></td></tr></td></tr></td></tr></td></tr></td></tr></td></tr></td></td></tr></td></tr></td></td></tr></td></td></tr></td></td></tr></td></td></tr></td> | WD | J1 | PTD.
 | - | 376 | 3\"/> <tr> <td>378</td> <td>B</td> <td>1 <td>WD</td> <td>J1</td> <td>PTD.</td> <td>-</td> <td>377</td> <td>3\"/> <tr> <td>379</td> <td>B</td> <td>1 <td>WD</td> <td>J1</td> <td>PTD.</td> <td>-</td> <td>377A</td> <td>3\"/> <tr> <td>380A</td> <td>B</td> <td>1 <td>WD</td> <td>J1</td> <td>PTD.</td> <td>-</td> <td>378</td> <td>3\"/> <tr> <td>380B</td> <td>B</td> <td>1 <td>WD</td> <td>J1</td> <td>PTD.</td> <td>-</td> <td>379</td> <td>3\"/> <tr> <td>382</td> <td>ETR</td> <td>-</td> <td>WD.</td> <td>J2</td> <td>PTD.</td> <td>-</td> <td>380A</td> <td>3\"/> <tr> <td>382A</td> <td>D</td> <td>6 <td>ALUM.</td> <td>ANODIZE D</td> <td>-</td> <td>-</td> <td>380B</td> <td>3\"/> <tr> <td>385</td> <td>ETR</td> <td>-</td> <td>WD.</td> <td>J2</td> <td>PTD.</td> <td>-</td> <td>382</td> <td>3\"/> <tr> <td>386</td> <td>ETR</td> <td>-</td> <td>WD.</td> <td>J2</td> <td>PTD.</td> <td>-</td> <td>382A</td> <td>3\"/> <tr> <td>387</td> <td>ETR</td> <td>-</td> <td>WD.</td> <td>J2</td> <td>PTD.</td> <td>-</td> <td>385</td> <td>3\"/> <tr> <td>388</td> <td>ETR</td> <td>-</td> <td>WD.</td> <td>J2</td> <td>PTD.</td> <td>-</td> <td>386</td> <td>3\"/> <tr> <td>389</td> <td>ETR</td> <td>-</td> <td>WD.</td> <td>J2</td> <td>PTD.</td> <td>-</td> <td>387</td> <td>3\"/> <tr> <td>391</td> <td>ETR</td> <td>-</td> <td>WD.</td> <td>J2</td> <td>PTD.</td> <td>-</td> <td>388</td> <td>3\"/> <tr> <td>391A</td> <td>ETR</td> <td>-</td> <td>WD.</td> <td>J2</td> <td>PTD.</td> <td>-</td> <td>389</td> <td>3\"/> <tr> <td>391B</td> <td>ETR</td> <td>-</td> <td>WD.</td> <td>J2</td> <td>PTD.</td> <td>-</td> <td>391</td> <td>3\"/> <tr> <td>394</td> <td>ETR</td> <td>-</td> <td>WD.</td> <td>J2</td> <td>PTD.</td> <td>-</td> <td>391A</td> <td>3\"/> <tr> <td>395</td> <td>ETR</td> <td>-</td> <td>WD.</td> <td>J2</td> <td>PTD.</td> <td>-</td> <td>391B</td> <td>3\"/> <tr> <td>396</td> <td>ETR</td> <td>-</td> <td>WD.</td> <td>J2</td> <td>PTD.</td> <td>-</td> <td>394</td> <td>3\"/> <tr> <td>398</td> <td>ETR</td> <td>-</td> <td>WD.</td> <td>J2</td> <td>PTD.</td> <td>-</td> <td>395</td> <td>3\"/> <tr> <td>399</td> <td>ETR</td> <td>-</td> <td>WD.</td> <td>J2</td> <td>PTD.</td> <td>-</td> <td>396</td> <td>3\"/> <tr> <td>3991</td> <td>ETR</td> <td>-</td> <td>WD.</td> <td>J2</td> <td>PTD.</td> <td>-</td> <td>398</td> <td>3\"/> <tr> <td>3992</td> <td>A</td> <td>3\"/> <tr> <td>3993</td> <td>ETR</td> <td>-</td> <td>WD.</td> <td>J2</td> <td>PTD.</td> <td>-</td> <td>399</td> <td>3\"/> <tr> <td>3994</td> <td>ETR</td> <td>-</td> <td>WD.</td> <td>J2</td> <td>PTD.</td> <td>-</td> <td>3991</td> <td>3\"/> <tr> <td>3995</td> <td>ETR</td> <td>-</td> <td>WD.</td> <td>J2</td> <td>PTD.</td> <td>-</td> <td>3992</td> <td>3\"/> <tr> <td>3997</td> <td>ETR</td> <td>-</td> <td>WD.</td> <td>J2</td> <td>PTD.</td> <td>-</td> <td>3993</td> <td>3\"/> <tr> <td>3998</td> <td>ETR</td> <td>-</td> <td>WD.</td> <td>J2</td> <td>PTD.</td> <td>-</td> <td>3994</td> <td>3\"/> <tr> <td>3999</td> <td>ETR</td> <td>-</td> <td>WD.</td> <td>J2</td> <td>PTD.</td> <td>-</td> <td>3995</td> <td>3\"/> <tr> <td>3999</td> <td>ETR</td> <td>-</td> <td>WD.</td> <td>J2</td> <td>PTD.</td> <td>-</td> <td>3997</td> <td>3\"/> </td></tr></td></tr></td></tr></td></tr></td></tr></td></tr></td></tr></td></tr></td></tr></td></tr></td></tr></td></tr></td></tr></td></tr></td></tr></td></tr></td></tr></td></tr></td></tr></td></tr></td></tr></td></tr></td></td></tr></td></tr></td></td></tr></td></td></tr></td></td></tr></td></td></tr> | 378 | B | 1 <td>WD</td> <td>J1</td> <td>PTD.</td> <td>-</td> <td>377</td> <td>3\"/> <tr> <td>379</td> <td>B</td> <td>1 <td>WD</td> <td>J1</td> <td>PTD.</td> <td>-</td> <td>377A</td> <td>3\"/> <tr> <td>380A</td> <td>B</td> <td>1 <td>WD</td> <td>J1</td> <td>PTD.</td> <td>-</td> <td>378</td> <td>3\"/> <tr> <td>380B</td> <td>B</td> <td>1 <td>WD</td> <td>J1</td> <td>PTD.</td> <td>-</td> <td>379</td> <td>3\"/> <tr> <td>382</td> <td>ETR</td> <td>-</td> <td>WD.</td> <td>J2</td> <td>PTD.</td> <td>-</td> <td>380A</td> <td>3\"/> <tr> <td>382A</td> <td>D</td> <td>6 <td>ALUM.</td> <td>ANODIZE D</td> <td>-</td> <td>-</td> <td>380B</td> <td>3\"/> <tr> <td>385</td> <td>ETR</td> <td>-</td> <td>WD.</td> <td>J2</td> <td>PTD.</td> <td>-</td> <td>382</td> <td>3\"/> <tr> <td>386</td> <td>ETR</td> <td>-</td> <td>WD.</td> <td>J2</td> <td>PTD.</td> <td>-</td> <td>382A</td> <td>3\"/> <tr> <td>387</td> <td>ETR</td> <td>-</td> <td>WD.</td> <td>J2</td> <td>PTD.</td> <td>-</td> <td>385</td> <td>3\"/> <tr> <td>388</td> <td>ETR</td> <td>-</td> <td>WD.</td> <td>J2</td> <td>PTD.</td> <td>-</td> <td>386</td> <td>3\"/> <tr> <td>389</td> <td>ETR</td> <td>-</td> <td>WD.</td> <td>J2</td> <td>PTD.</td> <td>-</td> <td>387</td> <td>3\"/> <tr> <td>391</td> <td>ETR</td> <td>-</td> <td>WD.</td> <td>J2</td> <td>PTD.</td> <td>-</td> <td>388</td> <td>3\"/> <tr> <td>391A</td> <td>ETR</td> <td>-</td> <td>WD.</td> <td>J2</td> <td>PTD.</td> <td>-</td> <td>389</td> <td>3\"/> <tr> <td>391B</td> <td>ETR</td> <td>-</td> <td>WD.</td> <td>J2</td> <td>PTD.</td> <td>-</td> <td>391</td> <td>3\"/> <tr> <td>394</td> <td>ETR</td> <td>-</td> <td>WD.</td> <td>J2</td> <td>PTD.</td> <td>-</td> <td>391A</td> <td>3\"/> <tr> <td>395</td> <td>ETR</td> <td>-</td> <td>WD.</td> <td>J2</td> <td>PTD.</td> <td>-</td> <td>391B</td> <td>3\"/> <tr> <td>396</td> <td>ETR</td> <td>-</td> <td>WD.</td> <td>J2</td> <td>PTD.</td> <td>-</td> <td>394</td> <td>3\"/> <tr> <td>398</td> <td>ETR</td> <td>-</td> <td>WD.</td> <td>J2</td> <td>PTD.</td> <td>-</td> <td>395</td> <td>3\"/> <tr> <td>399</td> <td>ETR</td> <td>-</td> <td>WD.</td> <td>J2</td> <td>PTD.</td> <td>-</td> <td>396</td> <td>3\"/> <tr> <td>3991</td> <td>ETR</td> <td>-</td> <td>WD.</td> <td>J2</td> <td>PTD.</td> <td>-</td> <td>398</td> <td>3\"/> <tr> <td>3992</td> <td>A</td> <td>3\"/> <tr> <td>3993</td> <td>ETR</td> <td>-</td> <td>WD.</td> <td>J2</td> <td>PTD.</td> <td>-</td> <td>399</td> <td>3\"/> <tr> <td>3994</td> <td>ETR</td> <td>-</td> <td>WD.</td> <td>J2</td> <td>PTD.</td> <td>-</td> <td>3991</td> <td>3\"/> <tr> <td>3995</td> <td>ETR</td> <td>-</td> <td>WD.</td> <td>J2</td> <td>PTD.</td> <td>-</td> <td>3992</td> <td>3\"/> <tr> <td>3997</td> <td>ETR</td> <td>-</td> <td>WD.</td> <td>J2</td> <td>PTD.</td> <td>-</td> <td>3993</td> <td>3\"/> <tr> <td>3998</td> <td>ETR</td> <td>-</td> <td>WD.</td> <td>J2</td> <td>PTD.</td> <td>-</td> <td>3994</td> <td>3\"/> <tr> <td>3999</td> <td>ETR</td> <td>-</td> <td>WD.</td> <td>J2</td> <td>PTD.</td> <td>-</td> <td>3995</td> <td>3\"/> <tr> <td>3999</td> <td>ETR</td> <td>-</td> <td>WD.</td> <td>J2</td> <td>PTD.</td> <td>-</td> <td>3997</td> <td>3\"/> </td></tr></td></tr></td></tr></td></tr></td></tr></td></tr></td></tr></td></tr></td></tr></td></tr></td></tr></td></tr></td></tr></td></tr></td></tr></td></tr></td></tr></td></tr></td></tr></td></tr></td></tr></td></tr></td></td></tr></td></tr></td></td></tr></td></td></tr></td></td></tr></td> | WD | J1 | PTD.
 | - | 377 | 3\"/> <tr> <td>379</td> <td>B</td> <td>1 <td>WD</td> <td>J1</td> <td>PTD.</td> <td>-</td> <td>377A</td> <td>3\"/> <tr> <td>380A</td> <td>B</td> <td>1 <td>WD</td> <td>J1</td> <td>PTD.</td> <td>-</td> <td>378</td> <td>3\"/> <tr> <td>380B</td> <td>B</td> <td>1 <td>WD</td> <td>J1</td> <td>PTD.</td> <td>-</td> <td>379</td> <td>3\"/> <tr> <td>382</td> <td>ETR</td> <td>-</td> <td>WD.</td> <td>J2</td> <td>PTD.</td> <td>-</td> <td>380A</td> <td>3\"/> <tr> <td>382A</td> <td>D</td> <td>6 <td>ALUM.</td> <td>ANODIZE D</td> <td>-</td> <td>-</td> <td>380B</td> <td>3\"/> <tr> <td>385</td> <td>ETR</td> <td>-</td> <td>WD.</td> <td>J2</td> <td>PTD.</td> <td>-</td> <td>382</td> <td>3\"/> <tr> <td>386</td> <td>ETR</td> <td>-</td> <td>WD.</td> <td>J2</td> <td>PTD.</td> <td>-</td> <td>382A</td> <td>3\"/> <tr> <td>387</td> <td>ETR</td> <td>-</td> <td>WD.</td> <td>J2</td> <td>PTD.</td> <td>-</td> <td>385</td> <td>3\"/> <tr> <td>388</td> <td>ETR</td> <td>-</td> <td>WD.</td> <td>J2</td> <td>PTD.</td> <td>-</td> <td>386</td> <td>3\"/> <tr> <td>389</td> <td>ETR</td> <td>-</td> <td>WD.</td> <td>J2</td> <td>PTD.</td> <td>-</td> <td>387</td> <td>3\"/> <tr> <td>391</td> <td>ETR</td> <td>-</td> <td>WD.</td> <td>J2</td> <td>PTD.</td> <td>-</td> <td>388</td> <td>3\"/> <tr> <td>391A</td> <td>ETR</td> <td>-</td> <td>WD.</td> <td>J2</td> <td>PTD.</td> <td>-</td> <td>389</td> <td>3\"/> <tr> <td>391B</td> <td>ETR</td> <td>-</td> <td>WD.</td> <td>J2</td> <td>PTD.</td> <td>-</td> <td>391</td> <td>3\"/> <tr> <td>394</td> <td>ETR</td> <td>-</td> <td>WD.</td> <td>J2</td> <td>PTD.</td> <td>-</td> <td>391A</td> <td>3\"/> <tr> <td>395</td> <td>ETR</td> <td>-</td> <td>WD.</td> <td>J2</td> <td>PTD.</td> <td>-</td> <td>391B</td> <td>3\"/> <tr> <td>396</td> <td>ETR</td> <td>-</td> <td>WD.</td> <td>J2</td> <td>PTD.</td> <td>-</td> <td>394</td> <td>3\"/> <tr> <td>398</td> <td>ETR</td> <td>-</td> <td>WD.</td> <td>J2</td> <td>PTD.</td> <td>-</td> <td>395</td> <td>3\"/> <tr> <td>399</td> <td>ETR</td> <td>-</td> <td>WD.</td> <td>J2</td> <td>PTD.</td> <td>-</td> <td>396</td> <td>3\"/> <tr> <td>3991</td> <td>ETR</td> <td>-</td> <td>WD.</td> <td>J2</td> <td>PTD.</td> <td>-</td> <td>398</td> <td>3\"/> <tr> <td>3992</td> <td>A</td> <td>3\"/> <tr> <td>3993</td> <td>ETR</td> <td>-</td> <td>WD.</td> <td>J2</td> <td>PTD.</td> <td>-</td> <td>399</td> <td>3\"/> <tr> <td>3994</td> <td>ETR</td> <td>-</td> <td>WD.</td> <td>J2</td> <td>PTD.</td> <td>-</td> <td>3991</td> <td>3\"/> <tr> <td>3995</td> <td>ETR</td> <td>-</td> <td>WD.</td> <td>J2</td> <td>PTD.</td> <td>-</td> <td>3992</td> <td>3\"/> <tr> <td>3997</td> <td>ETR</td> <td>-</td> <td>WD.</td> <td>J2</td> <td>PTD.</td> <td>-</td> <td>3993</td> <td>3\"/> <tr> <td>3998</td> <td>ETR</td> <td>-</td> <td>WD.</td> <td>J2</td> <td>PTD.</td> <td>-</td> <td>3994</td> <td>3\"/> <tr> <td>3999</td> <td>ETR</td> <td>-</td> <td>WD.</td> <td>J2</td> <td>PTD.</td> <td>-</td> <td>3995</td> <td>3\"/> <tr> <td>3999</td> <td>ETR</td> <td>-</td> <td>WD.</td> <td>J2</td> <td>PTD.</td> <td>-</td> <td>3997</td> <td>3\"/> </td></tr></td></tr></td></tr></td></tr></td></tr></td></tr></td></tr></td></tr></td></tr></td></tr></td></tr></td></tr></td></tr></td></tr></td></tr></td></tr></td></tr></td></tr></td></tr></td></tr></td></tr></td></tr></td></td></tr></td></tr></td></td></tr></td></td></tr></td></td></tr> | 379 | B | 1 <td>WD</td> <td>J1</td> <td>PTD.</td> <td>-</td> <td>377A</td> <td>3\"/> <tr> <td>380A</td> <td>B</td> <td>1 <td>WD</td> <td>J1</td> <td>PTD.</td> <td>-</td> <td>378</td> <td>3\"/> <tr> <td>380B</td> <td>B</td> <td>1 <td>WD</td> <td>J1</td> <td>PTD.</td> <td>-</td> <td>379</td> <td>3\"/> <tr> <td>382</td> <td>ETR</td> <td>-</td> <td>WD.</td> <td>J2</td> <td>PTD.</td> <td>-</td> <td>380A</td> <td>3\"/> <tr> <td>382A</td> <td>D</td> <td>6 <td>ALUM.</td> <td>ANODIZE D</td> <td>-</td> <td>-</td> <td>380B</td> <td>3\"/> <tr> <td>385</td> <td>ETR</td> <td>-</td> <td>WD.</td> <td>J2</td> <td>PTD.</td> <td>-</td> <td>382</td> <td>3\"/> <tr> <td>386</td> <td>ETR</td> <td>-</td> <td>WD.</td> <td>J2</td> <td>PTD.</td> <td>-</td> <td>382A</td> <td>3\"/> <tr> <td>387</td> <td>ETR</td> <td>-</td> <td>WD.</td> <td>J2</td> <td>PTD.</td> <td>-</td> <td>385</td> <td>3\"/> <tr> <td>388</td> <td>ETR</td> <td>-</td> <td>WD.</td> <td>J2</td> <td>PTD.</td> <td>-</td> <td>386</td> <td>3\"/> <tr> <td>389</td> <td>ETR</td> <td>-</td> <td>WD.</td> <td>J2</td> <td>PTD.</td> <td>-</td> <td>387</td> <td>3\"/> <tr> <td>391</td> <td>ETR</td> <td>-</td> <td>WD.</td> <td>J2</td> <td>PTD.</td> <td>-</td> <td>388</td> <td>3\"/> <tr> <td>391A</td> <td>ETR</td> <td>-</td> <td>WD.</td> <td>J2</td> <td>PTD.</td> <td>-</td> <td>389</td> <td>3\"/> <tr> <td>391B</td> <td>ETR</td> <td>-</td> <td>WD.</td> <td>J2</td> <td>PTD.</td> <td>-</td> <td>391</td> <td>3\"/> <tr> <td>394</td> <td>ETR</td> <td>-</td> <td>WD.</td> <td>J2</td> <td>PTD.</td> <td>-</td> <td>391A</td> <td>3\"/> <tr> <td>395</td> <td>ETR</td> <td>-</td> <td>WD.</td> <td>J2</td> <td>PTD.</td> <td>-</td> <td>391B</td> <td>3\"/> <tr> <td>396</td> <td>ETR</td> <td>-</td> <td>WD.</td> <td>J2</td> <td>PTD.</td> <td>-</td> <td>394</td> <td>3\"/> <tr> <td>398</td> <td>ETR</td> <td>-</td> <td>WD.</td> <td>J2</td> <td>PTD.</td> <td>-</td> <td>395</td> <td>3\"/> <tr> <td>399</td> <td>ETR</td> <td>-</td> <td>WD.</td> <td>J2</td> <td>PTD.</td> <td>-</td> <td>396</td> <td>3\"/> <tr> <td>3991</td> <td>ETR</td> <td>-</td> <td>WD.</td> <td>J2</td> <td>PTD.</td> <td>-</td> <td>398</td> <td>3\"/> <tr> <td>3992</td> <td>A</td> <td>3\"/> <tr> <td>3993</td> <td>ETR</td> <td>-</td> <td>WD.</td> <td>J2</td> <td>PTD.</td> <td>-</td> <td>399</td> <td>3\"/> <tr> <td>3994</td> <td>ETR</td> <td>-</td> <td>WD.</td> <td>J2</td> <td>PTD.</td> <td>-</td> <td>3991</td> <td>3\"/> <tr> <td>3995</td> <td>ETR</td> <td>-</td> <td>WD.</td> <td>J2</td> <td>PTD.</td> <td>-</td> <td>3992</td> <td>3\"/> <tr> <td>3997</td> <td>ETR</td> <td>-</td> <td>WD.</td> <td>J2</td> <td>PTD.</td> <td>-</td> <td>3993</td> <td>3\"/> <tr> <td>3998</td> <td>ETR</td> <td>-</td> <td>WD.</td> <td>J2</td> <td>PTD.</td> <td>-</td> <td>3994</td>
<td>3\"/> <tr> <td>3999</td> <td>ETR</td> <td>-</td> <td>WD.</td> <td>J2</td> <td>PTD.</td> <td>-</td> <td>3995</td> <td>3\"/> <tr> <td>3999</td> <td>ETR</td> <td>-</td> <td>WD.</td> <td>J2</td> <td>PTD.</td> <td>-</td> <td>3997</td> <td>3\"/> </td></tr></td></tr></td></tr></td></tr></td></tr></td></tr></td></tr></td></tr></td></tr></td></tr></td></tr></td></tr></td></tr></td></tr></td></tr></td></tr></td></tr></td></tr></td></tr></td></tr></td></tr></td></tr></td></td></tr></td></tr></td></td></tr></td></td></tr></td> | WD | J1 | PTD. | - | 377A | 3\"/> <tr> <td>380A</td> <td>B</td> <td>1 <td>WD</td> <td>J1</td> <td>PTD.</td> <td>-</td> <td>378</td> <td>3\"/> <tr> <td>380B</td> <td>B</td> <td>1 <td>WD</td> <td>J1</td> <td>PTD.</td> <td>-</td> <td>379</td> <td>3\"/> <tr> <td>382</td> <td>ETR</td> <td>-</td> <td>WD.</td> <td>J2</td> <td>PTD.</td> <td>-</td> <td>380A</td> <td>3\"/> <tr> <td>382A</td> <td>D</td> <td>6 <td>ALUM.</td> <td>ANODIZE D</td> <td>-</td> <td>-</td> <td>380B</td> <td>3\"/> <tr> <td>385</td> <td>ETR</td> <td>-</td> <td>WD.</td> <td>J2</td> <td>PTD.</td> <td>-</td> <td>382</td> <td>3\"/> <tr> <td>386</td> <td>ETR</td> <td>-</td> <td>WD.</td> <td>J2</td> <td>PTD.</td> <td>-</td> <td>382A</td> <td>3\"/> <tr> <td>387</td> <td>ETR</td> <td>-</td> <td>WD.</td> <td>J2</td> <td>PTD.</td> <td>-</td> <td>385</td> <td>3\"/> <tr> <td>388</td> <td>ETR</td> <td>-</td> <td>WD.</td> <td>J2</td> <td>PTD.</td> <td>-</td> <td>386</td> <td>3\"/> <tr> <td>389</td> <td>ETR</td> <td>-</td> <td>WD.</td> <td>J2</td> <td>PTD.</td> <td>-</td> <td>387</td> <td>3\"/> <tr> <td>391</td> <td>ETR</td> <td>-</td> <td>WD.</td> <td>J2</td> <td>PTD.</td> <td>-</td> <td>388</td> <td>3\"/> <tr> <td>391A</td> <td>ETR</td> <td>-</td> <td>WD.</td> <td>J2</td> <td>PTD.</td> <td>-</td> <td>389</td> <td>3\"/> <tr> <td>391B</td> <td>ETR</td> <td>-</td> <td>WD.</td> <td>J2</td> <td>PTD.</td> <td>-</td> <td>391</td> <td>3\"/> <tr> <td>394</td> <td>ETR</td> <td>-</td> <td>WD.</td> <td>J2</td> <td>PTD.</td> <td>-</td> <td>391A</td> <td>3\"/> <tr> <td>395</td> <td>ETR</td> <td>-</td> <td>WD.</td> <td>J2</td> <td>PTD.</td> <td>-</td> <td>391B</td> <td>3\"/> <tr> <td>396</td> <td>ETR</td> <td>-</td> <td>WD.</td> <td>J2</td> <td>PTD.</td> <td>-</td> <td>394</td> <td>3\"/> <tr> <td>398</td> <td>ETR</td> <td>-</td> <td>WD.</td> <td>J2</td> <td>PTD.</td> <td>-</td> <td>395</td> <td>3\"/> <tr> <td>399</td> <td>ETR</td> <td>-</td> <td>WD.</td> <td>J2</td> <td>PTD.</td> <td>-</td> <td>396</td> <td>3\"/> <tr> <td>3991</td> <td>ETR</td> <td>-</td> <td>WD.</td> <td>J2</td> <td>PTD.</td> <td>-</td> <td>398</td> <td>3\"/> <tr> <td>3992</td> <td>A</td> <td>3\"/> <tr> <td>3993</td> <td>ETR</td> <td>-</td> <td>WD.</td> <td>J2</td> <td>PTD.</td> <td>-</td> <td>399</td> <td>3\"/> <tr> <td>3994</td> <td>ETR</td> <td>-</td> <td>WD.</td> <td>J2</td> <td>PTD.</td> <td>-</td> <td>3991</td> <td>3\"/> <tr> <td>3995</td> <td>ETR</td> <td>-</td> <td>WD.</td> <td>J2</td> <td>PTD.</td> <td>-</td> <td>3992</td> <td>3\"/> <tr> <td>3997</td> <td>ETR</td> <td>-</td> <td>WD.</td> <td>J2</td> <td>PTD.</td> <td>-</td> <td>3993</td> <td>3\"/> <tr> <td>3998</td> <td>ETR</td> <td>-</td> <td>WD.</td> <td>J2</td> <td>PTD.</td> <td>-</td> <td>3994</td> <td>3\"/> <tr> <td>3999</td> <td>ETR</td> <td>-</td> <td>WD.</td> <td>J2</td> <td>PTD.</td> <td>-</td> <td>3995</td> <td>3\"/> <tr> <td>3999</td> <td>ETR</td> <td>-</td> <td>WD.</td> <td>J2</td> <td>PTD.</td> <td>-</td> <td>3997</td> <td>3\"/> </td></tr></td></tr></td></tr></td></tr></td></tr></td></tr></td></tr></td></tr></td></tr></td></tr></td></tr></td></tr></td></tr></td></tr></td></tr></td></tr></td></tr></td></tr></td></tr></td></tr></td></tr></td></tr></td></td></tr></td></tr></td></td></tr></td></td></tr> | 380A | B | 1 <td>WD</td> <td>J1</td> <td>PTD.</td> <td>-</td> <td>378</td> <td>3\"/> <tr> <td>380B</td> <td>B</td> <td>1 <td>WD</td> <td>J1</td> <td>PTD.</td> <td>-</td> <td>379</td> <td>3\"/> <tr> <td>382</td> <td>ETR</td> <td>-</td> <td>WD.</td> <td>J2</td> <td>PTD.</td> <td>-</td> <td>380A</td> <td>3\"/> <tr> <td>382A</td> <td>D</td> <td>6 <td>ALUM.</td> <td>ANODIZE D</td> <td>-</td> <td>-</td> <td>380B</td> <td>3\"/> <tr> <td>385</td> <td>ETR</td> <td>-</td> <td>WD.</td> <td>J2</td> <td>PTD.</td> <td>-</td> <td>382</td> <td>3\"/> <tr> <td>386</td> <td>ETR</td> <td>-</td> <td>WD.</td> <td>J2</td> <td>PTD.</td> <td>-</td> <td>382A</td> <td>3\"/> <tr> <td>387</td> <td>ETR</td> <td>-</td> <td>WD.</td> <td>J2</td> <td>PTD.</td> <td>-</td> <td>385</td> <td>3\"/> <tr> <td>388</td> <td>ETR</td> <td>-</td> <td>WD.</td> <td>J2</td> <td>PTD.</td> <td>-</td> <td>386</td> <td>3\"/> <tr> <td>389</td> <td>ETR</td> <td>-</td> <td>WD.</td> <td>J2</td> <td>PTD.</td> <td>-</td> <td>387</td> <td>3\"/> <tr> <td>391</td> <td>ETR</td> <td>-</td> <td>WD.</td> <td>J2</td> <td>PTD.</td> <td>-</td> <td>388</td> <td>3\"/> <tr> <td>391A</td> <td>ETR</td> <td>-</td> <td>WD.</td> <td>J2</td> <td>PTD.</td> <td>-</td> <td>389</td> <td>3\"/> <tr> <td>391B</td> <td>ETR</td> <td>-</td> <td>WD.</td> <td>J2</td> <td>PTD.</td> <td>-</td> <td>391</td> <td>3\"/> <tr> <td>394</td> <td>ETR</td> <td>-</td> <td>WD.</td> <td>J2</td> <td>PTD.</td> <td>-</td> <td>391A</td> <td>3\"/> <tr> <td>395</td>
<td>ETR</td> <td>-</td> <td>WD.</td> <td>J2</td> <td>PTD.</td> <td>-</td> <td>391B</td> <td>3\"/> <tr> <td>396</td> <td>ETR</td> <td>-</td> <td>WD.</td> <td>J2</td> <td>PTD.</td> <td>-</td> <td>394</td> <td>3\"/> <tr> <td>398</td> <td>ETR</td> <td>-</td> <td>WD.</td> <td>J2</td> <td>PTD.</td> <td>-</td> <td>395</td> <td>3\"/> <tr> <td>399</td> <td>ETR</td> <td>-</td> <td>WD.</td> <td>J2</td> <td>PTD.</td> <td>-</td> <td>396</td> <td>3\"/> <tr> <td>3991</td> <td>ETR</td> <td>-</td> <td>WD.</td> <td>J2</td> <td>PTD.</td> <td>-</td> <td>398</td> <td>3\"/> <tr> <td>3992</td> <td>A</td> <td>3\"/> <tr> <td>3993</td> <td>ETR</td> <td>-</td> <td>WD.</td> <td>J2</td> <td>PTD.</td> <td>-</td> <td>399</td> <td>3\"/> <tr> <td>3994</td> <td>ETR</td> <td>-</td> <td>WD.</td> <td>J2</td> <td>PTD.</td> <td>-</td> <td>3991</td> <td>3\"/> <tr> <td>3995</td> <td>ETR</td> <td>-</td> <td>WD.</td> <td>J2</td> <td>PTD.</td> <td>-</td> <td>3992</td> <td>3\"/> <tr> <td>3997</td> <td>ETR</td> <td>-</td> <td>WD.</td> <td>J2</td> <td>PTD.</td> <td>-</td> <td>3993</td> <td>3\"/> <tr> <td>3998</td> <td>ETR</td> <td>-</td> <td>WD.</td> <td>J2</td> <td>PTD.</td> <td>-</td> <td>3994</td> <td>3\"/> <tr> <td>3999</td> <td>ETR</td> <td>-</td> <td>WD.</td> <td>J2</td> <td>PTD.</td> <td>-</td> <td>3995</td> <td>3\"/> <tr> <td>3999</td> <td>ETR</td> <td>-</td> <td>WD.</td> <td>J2</td> <td>PTD.</td> <td>-</td> <td>3997</td> <td>3\"/> </td></tr></td></tr></td></tr></td></tr></td></tr></td></tr></td></tr></td></tr></td></tr></td></tr></td></tr></td></tr></td></tr></td></tr></td></tr></td></tr></td></tr></td></tr></td></tr></td></tr></td></tr></td></tr></td></td></tr></td></tr></td></td></tr></td> | WD | J1 | PTD. | - | 378 | 3\"/> <tr> <td>380B</td> <td>B</td> <td>1 <td>WD</td> <td>J1</td> <td>PTD.</td> <td>-</td> <td>379</td> <td>3\"/> <tr> <td>382</td> <td>ETR</td> <td>-</td> <td>WD.</td> <td>J2</td> <td>PTD.</td> <td>-</td> <td>380A</td> <td>3\"/> <tr> <td>382A</td> <td>D</td> <td>6 <td>ALUM.</td> <td>ANODIZE D</td> <td>-</td> <td>-</td> <td>380B</td> <td>3\"/> <tr> <td>385</td> <td>ETR</td> <td>-</td> <td>WD.</td> <td>J2</td> <td>PTD.</td> <td>-</td> <td>382</td> <td>3\"/> <tr> <td>386</td> <td>ETR</td> <td>-</td> <td>WD.</td> <td>J2</td> <td>PTD.</td> <td>-</td> <td>382A</td> <td>3\"/> <tr> <td>387</td> <td>ETR</td> <td>-</td> <td>WD.</td> <td>J2</td> <td>PTD.</td> <td>-</td> <td>385</td> <td>3\"/> <tr> <td>388</td> <td>ETR</td> <td>-</td> <td>WD.</td> <td>J2</td> <td>PTD.</td> <td>-</td> <td>386</td> <td>3\"/> <tr> <td>389</td> <td>ETR</td> <td>-</td> <td>WD.</td> <td>J2</td> <td>PTD.</td> <td>-</td> <td>387</td> <td>3\"/> <tr> <td>391</td> <td>ETR</td> <td>-</td> <td>WD.</td> <td>J2</td> <td>PTD.</td> <td>-</td> <td>388</td> <td>3\"/> <tr> <td>391A</td> <td>ETR</td> <td>-</td> <td>WD.</td> <td>J2</td> <td>PTD.</td> <td>-</td> <td>389</td> <td>3\"/> <tr> <td>391B</td> <td>ETR</td> <td>-</td> <td>WD.</td> <td>J2</td> <td>PTD.</td> <td>-</td> <td>391</td> <td>3\"/> <tr> <td>394</td> <td>ETR</td> <td>-</td> <td>WD.</td> <td>J2</td> <td>PTD.</td> <td>-</td> <td>391A</td> <td>3\"/> <tr> <td>395</td> <td>ETR</td> <td>-</td> <td>WD.</td> <td>J2</td> <td>PTD.</td> <td>-</td> <td>391B</td> <td>3\"/> <tr> <td>396</td> <td>ETR</td> <td>-</td> <td>WD.</td> <td>J2</td> <td>PTD.</td> <td>-</td> <td>394</td> <td>3\"/> <tr> <td>398</td> <td>ETR</td> <td>-</td> <td>WD.</td> <td>J2</td> <td>PTD.</td> <td>-</td> <td>395</td> <td>3\"/> <tr> <td>399</td> <td>ETR</td> <td>-</td> <td>WD.</td> <td>J2</td> <td>PTD.</td> <td>-</td> <td>396</td> <td>3\"/> <tr> <td>3991</td> <td>ETR</td> <td>-</td> <td>WD.</td> <td>J2</td> <td>PTD.</td> <td>-</td> <td>398</td> <td>3\"/> <tr> <td>3992</td> <td>A</td> <td>3\"/> <tr> <td>3993</td> <td>ETR</td> <td>-</td> <td>WD.</td> <td>J2</td> <td>PTD.</td> <td>-</td> <td>399</td> <td>3\"/> <tr> <td>3994</td> <td>ETR</td> <td>-</td> <td>WD.</td> <td>J2</td> <td>PTD.</td> <td>-</td> <td>3991</td> <td>3\"/> <tr> <td>3995</td> <td>ETR</td> <td>-</td> <td>WD.</td> <td>J2</td> <td>PTD.</td> <td>-</td> <td>3992</td> <td>3\"/> <tr> <td>3997</td> <td>ETR</td> <td>-</td> <td>WD.</td> <td>J2</td> <td>PTD.</td> <td>-</td> <td>3993</td> <td>3\"/> <tr> <td>3998</td> <td>ETR</td> <td>-</td> <td>WD.</td> <td>J2</td> <td>PTD.</td> <td>-</td> <td>3994</td> <td>3\"/> <tr> <td>3999</td> <td>ETR</td> <td>-</td> <td>WD.</td> <td>J2</td> <td>PTD.</td> <td>-</td> <td>3995</td> <td>3\"/> <tr> <td>3999</td> <td>ETR</td> <td>-</td> <td>WD.</td> <td>J2</td> <td>PTD.</td> <td>-</td> <td>3997</td> <td>3\"/> </td></tr></td></tr></td></tr></td></tr></td></tr></td></tr></td></tr></td></tr></td></tr></td></tr></td></tr></td></tr></td></tr></td></tr></td></tr></td></tr></td></tr></td></tr></td></tr></td></tr></td></tr></td></tr></td></td></tr></td></tr></td></td></tr> | 380B | B | 1 <td>WD</td> <td>J1</td> <td>PTD.</td> <td>-</td> <td>379</td> <td>3\"/> <tr> <td>382</td> <td>ETR</td> <td>-</td> <td>WD.</td> <td>J2</td> <td>PTD.</td> <td>-</td> <td>380A</td> <td>3\"/> <tr> <td>382A</td> <td>D</td> <td>6 <td>ALUM.</td> <td>ANODIZE D</td> <td>-</td> <td>-</td> <td>380B</td> <td>3\"/> <tr> <td>385</td> <td>ETR</td> <td>-</td> <td>WD.</td> <td>J2</td> <td>PTD.</td> <td>-</td> <td>382</td> <td>3\"/> <tr> <td>386</td> <td>ETR</td> <td>-</td> <td>WD.</td> <td>J2</td> <td>PTD.</td> <td>-</td> <td>382A</td> <td>3\"/> <tr> <td>387</td>
<td>ETR</td> <td>-</td> <td>WD.</td> <td>J2</td> <td>PTD.</td> <td>-</td> <td>385</td> <td>3\"/> <tr> <td>388</td> <td>ETR</td> <td>-</td> <td>WD.</td> <td>J2</td> <td>PTD.</td> <td>-</td> <td>386</td> <td>3\"/> <tr> <td>389</td> <td>ETR</td> <td>-</td> <td>WD.</td> <td>J2</td> <td>PTD.</td> <td>-</td> <td>387</td> <td>3\"/> <tr> <td>391</td> <td>ETR</td> <td>-</td> <td>WD.</td> <td>J2</td> <td>PTD.</td> <td>-</td> <td>388</td> <td>3\"/> <tr> <td>391A</td> <td>ETR</td> <td>-</td> <td>WD.</td> <td>J2</td> <td>PTD.</td> <td>-</td> <td>389</td> <td>3\"/> <tr> <td>391B</td> <td>ETR</td> <td>-</td> <td>WD.</td> <td>J2</td> <td>PTD.</td> <td>-</td> <td>391</td> <td>3\"/> <tr> <td>394</td> <td>ETR</td> <td>-</td> <td>WD.</td> <td>J2</td> <td>PTD.</td> <td>-</td> <td>391A</td> <td>3\"/> <tr> <td>395</td> <td>ETR</td> <td>-</td> <td>WD.</td> <td>J2</td> <td>PTD.</td> <td>-</td> <td>391B</td> <td>3\"/> <tr> <td>396</td> <td>ETR</td> <td>-</td> <td>WD.</td> <td>J2</td> <td>PTD.</td> <td>-</td> <td>394</td> <td>3\"/> <tr> <td>398</td> <td>ETR</td> <td>-</td> <td>WD.</td> <td>J2</td> <td>PTD.</td> <td>-</td> <td>395</td> <td>3\"/> <tr> <td>399</td> <td>ETR</td> <td>-</td> <td>WD.</td> <td>J2</td> <td>PTD.</td> <td>-</td> <td>396</td> <td>3\"/> <tr> <td>3991</td> <td>ETR</td> <td>-</td> <td>WD.</td> <td>J2</td> <td>PTD.</td> <td>-</td> <td>398</td> <td>3\"/> <tr> <td>3992</td> <td>A</td> <td>3\"/> <tr> <td>3993</td> <td>ETR</td> <td>-</td> <td>WD.</td> <td>J2</td> <td>PTD.</td> <td>-</td> <td>399</td> <td>3\"/> <tr> <td>3994</td> <td>ETR</td> <td>-</td> <td>WD.</td> <td>J2</td> <td>PTD.</td> <td>-</td> <td>3991</td> <td>3\"/> <tr> <td>3995</td> <td>ETR</td> <td>-</td> <td>WD.</td> <td>J2</td> <td>PTD.</td> <td>-</td> <td>3992</td> <td>3\"/> <tr> <td>3997</td> <td>ETR</td> <td>-</td> <td>WD.</td> <td>J2</td> <td>PTD.</td> <td>-</td> <td>3993</td> <td>3\"/> <tr> <td>3998</td> <td>ETR</td> <td>-</td> <td>WD.</td> <td>J2</td> <td>PTD.</td> <td>-</td> <td>3994</td> <td>3\"/> <tr> <td>3999</td> <td>ETR</td> <td>-</td> <td>WD.</td> <td>J2</td> <td>PTD.</td> <td>-</td> <td>3995</td> <td>3\"/> <tr> <td>3999</td> <td>ETR</td> <td>-</td> <td>WD.</td> <td>J2</td> <td>PTD.</td> <td>-</td> <td>3997</td> <td>3\"/> </td></tr></td></tr></td></tr></td></tr></td></tr></td></tr></td></tr></td></tr></td></tr></td></tr></td></tr></td></tr></td></tr></td></tr></td></tr></td></tr></td></tr></td></tr></td></tr></td></tr></td></tr></td></tr></td></td></tr></td></tr></td> | WD | J1 | PTD. | - | 379 | 3\"/> <tr> <td>382</td> <td>ETR</td> <td>-</td> <td>WD.</td> <td>J2</td> <td>PTD.</td> <td>-</td> <td>380A</td> <td>3\"/> <tr> <td>382A</td> <td>D</td> <td>6 <td>ALUM.</td> <td>ANODIZE D</td> <td>-</td> <td>-</td> <td>380B</td> <td>3\"/> <tr> <td>385</td> <td>ETR</td> <td>-</td> <td>WD.</td> <td>J2</td> <td>PTD.</td> <td>-</td> <td>382</td> <td>3\"/> <tr> <td>386</td> <td>ETR</td> <td>-</td> <td>WD.</td> <td>J2</td> <td>PTD.</td> <td>-</td> <td>382A</td> <td>3\"/> <tr> <td>387</td> <td>ETR</td> <td>-</td> <td>WD.</td> <td>J2</td> <td>PTD.</td> <td>-</td> <td>385</td> <td>3\"/> <tr> <td>388</td> <td>ETR</td> <td>-</td> <td>WD.</td> <td>J2</td> <td>PTD.</td> <td>-</td> <td>386</td> <td>3\"/> <tr> <td>389</td> <td>ETR</td> <td>-</td> <td>WD.</td> <td>J2</td> <td>PTD.</td> <td>-</td> <td>387</td> <td>3\"/> <tr> <td>391</td> <td>ETR</td> <td>-</td> <td>WD.</td> <td>J2</td> <td>PTD.</td> <td>-</td> <td>388</td> <td>3\"/> <tr> <td>391A</td> <td>ETR</td> <td>-</td> <td>WD.</td> <td>J2</td> <td>PTD.</td> <td>-</td> <td>389</td> <td>3\"/> <tr> <td>391B</td> <td>ETR</td> <td>-</td> <td>WD.</td> <td>J2</td> <td>PTD.</td> <td>-</td> <td>391</td> <td>3\"/> <tr> <td>394</td> <td>ETR</td> <td>-</td> <td>WD.</td> <td>J2</td> <td>PTD.</td> <td>-</td> <td>391A</td> <td>3\"/> <tr> <td>395</td> <td>ETR</td> <td>-</td> <td>WD.</td> <td>J2</td> <td>PTD.</td> <td>-</td> <td>391B</td> <td>3\"/> <tr> <td>396</td> <td>ETR</td> <td>-</td> <td>WD.</td> <td>J2</td> <td>PTD.</td> <td>-</td> <td>394</td> <td>3\"/> <tr> <td>398</td> <td>ETR</td> <td>-</td> <td>WD.</td> <td>J2</td> <td>PTD.</td> <td>-</td> <td>395</td> <td>3\"/> <tr> <td>399</td> <td>ETR</td> <td>-</td> <td>WD.</td> <td>J2</td> <td>PTD.</td> <td>-</td> <td>396</td> <td>3\"/> <tr> <td>3991</td> <td>ETR</td> <td>-</td> <td>WD.</td> <td>J2</td> <td>PTD.</td> <td>-</td> <td>398</td> <td>3\"/> <tr> <td>3992</td> <td>A</td> <td>3\"/> <tr> <td>3993</td> <td>ETR</td> <td>-</td> <td>WD.</td> <td>J2</td> <td>PTD.</td> <td>-</td> <td>399</td> <td>3\"/> <tr> <td>3994</td> <td>ETR</td> <td>-</td> <td>WD.</td> <td>J2</td> <td>PTD.</td> <td>-</td> <td>3991</td> <td>3\"/> <tr> <td>3995</td> <td>ETR</td> <td>-</td> <td>WD.</td> <td>J2</td> <td>PTD.</td> <td>-</td> <td>3992</td> <td>3\"/> <tr> <td>3997</td> <td>ETR</td> <td>-</td> <td>WD.</td> <td>J2</td> <td>PTD.</td> <td>-</td> <td>3993</td> <td>3\"/> <tr> <td>3998</td> <td>ETR</td> <td>-</td> <td>WD.</td> <td>J2</td> <td>PTD.</td> <td>-</td> <td>3994</td> <td>3\"/> <tr> <td>3999</td> <td>ETR</td> <td>-</td> <td>WD.</td> <td>J2</td> <td>PTD.</td> <td>-</td> <td>3995</td> <td>3\"/> <tr> <td>3999</td> <td>ETR</td> <td>-</td> <td>WD.</td> <td>J2</td> <td>PTD.</td> <td>-</td> <td>3997</td> <td>3\"/> </td></tr></td></tr></td></tr></td></tr></td></tr></td></tr></td></tr></td></tr></td></tr></td></tr></td></tr></td></tr></td></tr></td></tr></td></tr></td></tr></td></tr></td></tr></td></tr></td></tr></td></tr></td></tr></td></td></tr></td></tr> | 382 | ETR | -
 | WD. | J2 | PTD. | - | 380A | 3\"/> <tr> <td>382A</td> <td>D</td> <td>6 <td>ALUM.</td> <td>ANODIZE D</td> <td>-</td> <td>-</td> <td>380B</td> <td>3\"/> <tr> <td>385</td> <td>ETR</td> <td>-</td> <td>WD.</td> <td>J2</td> <td>PTD.</td> <td>-</td> <td>382</td> <td>3\"/> <tr> <td>386</td> <td>ETR</td> <td>-</td> <td>WD.</td> <td>J2</td> <td>PTD.</td> <td>-</td> <td>382A</td> <td>3\"/> <tr> <td>387</td> <td>ETR</td> <td>-</td> <td>WD.</td> <td>J2</td> <td>PTD.</td> <td>-</td> <td>385</td> <td>3\"/> <tr> <td>388</td> <td>ETR</td> <td>-</td> <td>WD.</td> <td>J2</td> <td>PTD.</td> <td>-</td> <td>386</td> <td>3\"/> <tr> <td>389</td> <td>ETR</td> <td>-</td> <td>WD.</td> <td>J2</td> <td>PTD.</td> <td>-</td> <td>387</td> <td>3\"/> <tr> <td>391</td> <td>ETR</td> <td>-</td> <td>WD.</td> <td>J2</td> <td>PTD.</td> <td>-</td> <td>388</td> <td>3\"/> <tr> <td>391A</td> <td>ETR</td> <td>-</td> <td>WD.</td> <td>J2</td> <td>PTD.</td> <td>-</td> <td>389</td> <td>3\"/> <tr> <td>391B</td> <td>ETR</td> <td>-</td> <td>WD.</td> <td>J2</td> <td>PTD.</td> <td>-</td> <td>391</td> <td>3\"/> <tr> <td>394</td> <td>ETR</td> <td>-</td> <td>WD.</td> <td>J2</td> <td>PTD.</td> <td>-</td> <td>391A</td> <td>3\"/> <tr> <td>395</td> <td>ETR</td> <td>-</td> <td>WD.</td> <td>J2</td> <td>PTD.</td> <td>-</td> <td>391B</td> <td>3\"/> <tr> <td>396</td> <td>ETR</td> <td>-</td> <td>WD.</td> <td>J2</td> <td>PTD.</td> <td>-</td> <td>394</td> <td>3\"/> <tr> <td>398</td> <td>ETR</td> <td>-</td> <td>WD.</td> <td>J2</td> <td>PTD.</td> <td>-</td> <td>395</td> <td>3\"/> <tr> <td>399</td> <td>ETR</td> <td>-</td> <td>WD.</td> <td>J2</td> <td>PTD.</td> <td>-</td> <td>396</td> <td>3\"/> <tr> <td>3991</td> <td>ETR</td> <td>-</td> <td>WD.</td> <td>J2</td> <td>PTD.</td> <td>-</td> <td>398</td> <td>3\"/> <tr> <td>3992</td> <td>A</td> <td>3\"/> <tr> <td>3993</td> <td>ETR</td> <td>-</td> <td>WD.</td> <td>J2</td> <td>PTD.</td> <td>-</td> <td>399</td> <td>3\"/> <tr> <td>3994</td> <td>ETR</td> <td>-</td> <td>WD.</td> <td>J2</td> <td>PTD.</td> <td>-</td> <td>3991</td> <td>3\"/> <tr> <td>3995</td> <td>ETR</td> <td>-</td> <td>WD.</td> <td>J2</td> <td>PTD.</td> <td>-</td> <td>3992</td> <td>3\"/> <tr> <td>3997</td> <td>ETR</td> <td>-</td> <td>WD.</td> <td>J2</td> <td>PTD.</td> <td>-</td> <td>3993</td> <td>3\"/> <tr> <td>3998</td> <td>ETR</td> <td>-</td> <td>WD.</td> <td>J2</td> <td>PTD.</td> <td>-</td> <td>3994</td> <td>3\"/> <tr> <td>3999</td> <td>ETR</td> <td>-</td> <td>WD.</td> <td>J2</td> <td>PTD.</td> <td>-</td> <td>3995</td> <td>3\"/> <tr> <td>3999</td> <td>ETR</td> <td>-</td> <td>WD.</td> <td>J2</td> <td>PTD.</td> <td>-</td> <td>3997</td> <td>3\"/> </td></tr></td></tr></td></tr></td></tr></td></tr></td></tr></td></tr></td></tr></td></tr></td></tr></td></tr></td></tr></td></tr></td></tr></td></tr></td></tr></td></tr></td></tr></td></tr></td></tr></td></tr></td></tr></td></td></tr>
 | 382A | D | 6 <td>ALUM.</td> <td>ANODIZE D</td> <td>-</td> <td>-</td> <td>380B</td> <td>3\"/> <tr> <td>385</td> <td>ETR</td> <td>-</td> <td>WD.</td> <td>J2</td> <td>PTD.</td> <td>-</td> <td>382</td> <td>3\"/> <tr> <td>386</td> <td>ETR</td> <td>-</td> <td>WD.</td> <td>J2</td> <td>PTD.</td> <td>-</td> <td>382A</td> <td>3\"/> <tr> <td>387</td> <td>ETR</td> <td>-</td> <td>WD.</td> <td>J2</td> <td>PTD.</td> <td>-</td> <td>385</td> <td>3\"/> <tr> <td>388</td> <td>ETR</td> <td>-</td> <td>WD.</td> <td>J2</td> <td>PTD.</td> <td>-</td> <td>386</td> <td>3\"/> <tr> <td>389</td> <td>ETR</td> <td>-</td> <td>WD.</td> <td>J2</td> <td>PTD.</td> <td>-</td> <td>387</td> <td>3\"/> <tr> <td>391</td> <td>ETR</td> <td>-</td> <td>WD.</td> <td>J2</td> <td>PTD.</td> <td>-</td> <td>388</td> <td>3\"/> <tr> <td>391A</td> <td>ETR</td> <td>-</td> <td>WD.</td> <td>J2</td> <td>PTD.</td> <td>-</td> <td>389</td> <td>3\"/> <tr> <td>391B</td> <td>ETR</td> <td>-</td> <td>WD.</td> <td>J2</td> <td>PTD.</td> <td>-</td> <td>391</td> <td>3\"/> <tr> <td>394</td> <td>ETR</td> <td>-</td> <td>WD.</td> <td>J2</td> <td>PTD.</td> <td>-</td> <td>391A</td> <td>3\"/> <tr> <td>395</td> <td>ETR</td> <td>-</td> <td>WD.</td> <td>J2</td> <td>PTD.</td> <td>-</td> <td>391B</td> <td>3\"/> <tr> <td>396</td> <td>ETR</td> <td>-</td> <td>WD.</td> <td>J2</td> <td>PTD.</td> <td>-</td> <td>394</td> <td>3\"/> <tr> <td>398</td> <td>ETR</td> <td>-</td> <td>WD.</td> <td>J2</td> <td>PTD.</td> <td>-</td> <td>395</td> <td>3\"/> <tr> <td>399</td> <td>ETR</td> <td>-</td> <td>WD.</td> <td>J2</td> <td>PTD.</td> <td>-</td> <td>396</td> <td>3\"/> <tr> <td>3991</td> <td>ETR</td> <td>-</td> <td>WD.</td> <td>J2</td> <td>PTD.</td> <td>-</td> <td>398</td> <td>3\"/> <tr> <td>3992</td> <td>A</td> <td>3\"/> <tr> <td>3993</td> <td>ETR</td> <td>-</td> <td>WD.</td> <td>J2</td> <td>PTD.</td> <td>-</td> <td>399</td> <td>3\"/> <tr> <td>3994</td> <td>ETR</td> <td>-</td> <td>WD.</td> <td>J2</td> <td>PTD.</td> <td>-</td> <td>3991</td> <td>3\"/> <tr> <td>3995</td> <td>ETR</td> <td>-</td> <td>WD.</td> <td>J2</td> <td>PTD.</td> <td>-</td> <td>3992</td> <td>3\"/> <tr> <td>3997</td> <td>ETR</td> <td>-</td> <td>WD.</td> <td>J2</td> <td>PTD.</td> <td>-</td> <td>3993</td> <td>3\"/> <tr> <td>3998</td> <td>ETR</td> <td>-</td> <td>WD.</td> <td>J2</td> <td>PTD.</td> <td>-</td> <td>3994</td> <td>3\"/> <tr> <td>3999</td> <td>ETR</td> <td>-</td> <td>WD.</td> <td>J2</td> <td>PTD.</td> <td>-</td> <td>3995</td> <td>3\"/> <tr> <td>3999</td> <td>ETR</td> <td>-</td> <td>WD.</td> <td>J2</td> <td>PTD.</td> <td>-</td> <td>3997</td> <td>3\"/> </td></tr></td></tr></td></tr></td></tr></td></tr></td></tr></td></tr></td></tr></td></tr></td></tr></td></tr></td></tr></td></tr></td></tr></td></tr></td></tr></td></tr></td></tr></td></tr></td></tr></td></tr></td></tr></td> | ALUM. | ANODIZE D | - | - | 380B | 3\"/> <tr> <td>385</td> <td>ETR</td> <td>-</td> <td>WD.</td> <td>J2</td> <td>PTD.</td> <td>-</td> <td>382</td> <td>3\"/> <tr> <td>386</td> <td>ETR</td> <td>-</td> <td>WD.</td> <td>J2</td> <td>PTD.</td> <td>-</td> <td>382A</td> <td>3\"/> <tr> <td>387</td> <td>ETR</td> <td>-</td> <td>WD.</td> <td>J2</td> <td>PTD.</td> <td>-</td> <td>385</td> <td>3\"/> <tr> <td>388</td> <td>ETR</td> <td>-</td> <td>WD.</td> <td>J2</td> <td>PTD.</td> <td>-</td> <td>386</td> <td>3\"/> <tr> <td>389</td> <td>ETR</td> <td>-</td> <td>WD.</td> <td>J2</td> <td>PTD.</td> <td>-</td> <td>387</td> <td>3\"/> <tr> <td>391</td> <td>ETR</td> <td>-</td> <td>WD.</td> <td>J2</td> <td>PTD.</td> <td>-</td> <td>388</td> <td>3\"/> <tr> <td>391A</td> <td>ETR</td> <td>-</td> <td>WD.</td> <td>J2</td> <td>PTD.</td> <td>-</td> <td>389</td> <td>3\"/> <tr> <td>391B</td> <td>ETR</td> <td>-</td> <td>WD.</td> <td>J2</td> <td>PTD.</td> <td>-</td> <td>391</td> <td>3\"/> <tr> <td>394</td> <td>ETR</td> <td>-</td> <td>WD.</td> <td>J2</td> <td>PTD.</td> <td>-</td> <td>391A</td> <td>3\"/> <tr> <td>395</td> <td>ETR</td> <td>-</td> <td>WD.</td> <td>J2</td> <td>PTD.</td> <td>-</td> <td>391B</td> <td>3\"/> <tr> <td>396</td> <td>ETR</td> <td>-</td> <td>WD.</td> <td>J2</td> <td>PTD.</td> <td>-</td> <td>394</td> <td>3\"/> <tr> <td>398</td> <td>ETR</td> <td>-</td> <td>WD.</td> <td>J2</td> <td>PTD.</td> <td>-</td> <td>395</td> <td>3\"/> <tr> <td>399</td> <td>ETR</td> <td>-</td> <td>WD.</td> <td>J2</td> <td>PTD.</td> <td>-</td> <td>396</td> <td>3\"/> <tr> <td>3991</td> <td>ETR</td> <td>-</td> <td>WD.</td> <td>J2</td> <td>PTD.</td> <td>-</td> <td>398</td> <td>3\"/> <tr> <td>3992</td> <td>A</td> <td>3\"/> <tr> <td>3993</td> <td>ETR</td> <td>-</td> <td>WD.</td> <td>J2</td> <td>PTD.</td> <td>-</td> <td>399</td> <td>3\"/> <tr> <td>3994</td> <td>ETR</td> <td>-</td> <td>WD.</td> <td>J2</td> <td>PTD.</td> <td>-</td> <td>3991</td> <td>3\"/> <tr> <td>3995</td> <td>ETR</td> <td>-</td> <td>WD.</td> <td>J2</td> <td>PTD.</td> <td>-</td> <td>3992</td> <td>3\"/> <tr> <td>3997</td> <td>ETR</td> <td>-</td> <td>WD.</td> <td>J2</td> <td>PTD.</td> <td>-</td> <td>3993</td> <td>3\"/> <tr> <td>3998</td> <td>ETR</td> <td>-</td> <td>WD.</td> <td>J2</td> <td>PTD.</td> <td>-</td> <td>3994</td> <td>3\"/> <tr> <td>3999</td> <td>ETR</td> <td>-</td> <td>WD.</td> <td>J2</td> <td>PTD.</td> <td>-</td> <td>3995</td> <td>3\"/> <tr> <td>3999</td> <td>ETR</td> <td>-</td> <td>WD.</td> <td>J2</td> <td>PTD.</td> <td>-</td> <td>3997</td> <td>3\"/> </td></tr></td></tr></td></tr></td></tr></td></tr></td></tr></td></tr></td></tr></td></tr></td></tr></td></tr></td></tr></td></tr></td></tr></td></tr></td></tr></td></tr></td></tr></td></tr></td></tr></td></tr></td></tr> | 385 | ETR | -
 | WD. | J2 | PTD. | - | 382 | 3\"/> <tr> <td>386</td> <td>ETR</td> <td>-</td> <td>WD.</td> <td>J2</td> <td>PTD.</td> <td>-</td> <td>382A</td> <td>3\"/> <tr> <td>387</td> <td>ETR</td> <td>-</td> <td>WD.</td> <td>J2</td> <td>PTD.</td> <td>-</td> <td>385</td> <td>3\"/> <tr> <td>388</td> <td>ETR</td> <td>-</td> <td>WD.</td> <td>J2</td> <td>PTD.</td> <td>-</td> <td>386</td> <td>3\"/> <tr> <td>389</td> <td>ETR</td> <td>-</td> <td>WD.</td> <td>J2</td> <td>PTD.</td> <td>-</td> <td>387</td> <td>3\"/> <tr> <td>391</td> <td>ETR</td> <td>-</td> <td>WD.</td> <td>J2</td> <td>PTD.</td> <td>-</td> <td>388</td> <td>3\"/> <tr> <td>391A</td> <td>ETR</td> <td>-</td> <td>WD.</td> <td>J2</td> <td>PTD.</td> <td>-</td> <td>389</td> <td>3\"/> <tr> <td>391B</td> <td>ETR</td> <td>-</td> <td>WD.</td> <td>J2</td> <td>PTD.</td> <td>-</td> <td>391</td> <td>3\"/> <tr> <td>394</td> <td>ETR</td> <td>-</td> <td>WD.</td> <td>J2</td> <td>PTD.</td> <td>-</td> <td>391A</td> <td>3\"/> <tr> <td>395</td> <td>ETR</td> <td>-</td> <td>WD.</td> <td>J2</td> <td>PTD.</td> <td>-</td> <td>391B</td> <td>3\"/> <tr> <td>396</td> <td>ETR</td> <td>-</td> <td>WD.</td> <td>J2</td> <td>PTD.</td> <td>-</td> <td>394</td> <td>3\"/> <tr> <td>398</td> <td>ETR</td> <td>-</td> <td>WD.</td> <td>J2</td> <td>PTD.</td> <td>-</td> <td>395</td> <td>3\"/> <tr> <td>399</td> <td>ETR</td> <td>-</td> <td>WD.</td> <td>J2</td> <td>PTD.</td> <td>-</td> <td>396</td> <td>3\"/> <tr> <td>3991</td> <td>ETR</td> <td>-</td> <td>WD.</td> <td>J2</td> <td>PTD.</td> <td>-</td> <td>398</td> <td>3\"/> <tr> <td>3992</td> <td>A</td> <td>3\"/> <tr> <td>3993</td> <td>ETR</td> <td>-</td> <td>WD.</td> <td>J2</td> <td>PTD.</td> <td>-</td> <td>399</td> <td>3\"/> <tr> <td>3994</td> <td>ETR</td> <td>-</td> <td>WD.</td> <td>J2</td> <td>PTD.</td> <td>-</td> <td>3991</td> <td>3\"/> <tr> <td>3995</td> <td>ETR</td> <td>-</td> <td>WD.</td> <td>J2</td> <td>PTD.</td> <td>-</td> <td>3992</td> <td>3\"/> <tr> <td>3997</td> <td>ETR</td> <td>-</td> <td>WD.</td> <td>J2</td> <td>PTD.</td> <td>-</td> <td>3993</td> <td>3\"/> <tr> <td>3998</td> <td>ETR</td> <td>-</td> <td>WD.</td> <td>J2</td> <td>PTD.</td> <td>-</td> <td>3994</td> <td>3\"/> <tr> <td>3999</td> <td>ETR</td> <td>-</td> <td>WD.</td> <td>J2</td> <td>PTD.</td> <td>-</td> <td>3995</td> <td>3\"/> <tr> <td>3999</td> <td>ETR</td> <td>-</td> <td>WD.</td> <td>J2</td> <td>PTD.</td> <td>-</td> <td>3997</td> <td>3\"/> </td></tr></td></tr></td></tr></td></tr></td></tr></td></tr></td></tr></td></tr></td></tr></td></tr></td></tr></td></tr></td></tr></td></tr></td></tr></td></tr></td></tr></td></tr></td></tr></td></tr></td></tr> | 386 | ETR | -
 | WD. | J2 | PTD. | - | 382A | 3\"/> <tr> <td>387</td> <td>ETR</td> <td>-</td> <td>WD.</td> <td>J2</td> <td>PTD.</td> <td>-</td> <td>385</td> <td>3\"/> <tr> <td>388</td> <td>ETR</td> <td>-</td> <td>WD.</td> <td>J2</td> <td>PTD.</td> <td>-</td> <td>386</td> <td>3\"/> <tr> <td>389</td> <td>ETR</td> <td>-</td> <td>WD.</td> <td>J2</td> <td>PTD.</td> <td>-</td> <td>387</td> <td>3\"/> <tr> <td>391</td> <td>ETR</td> <td>-</td> <td>WD.</td> <td>J2</td> <td>PTD.</td> <td>-</td> <td>388</td> <td>3\"/> <tr> <td>391A</td> <td>ETR</td> <td>-</td> <td>WD.</td> <td>J2</td> <td>PTD.</td> <td>-</td> <td>389</td> <td>3\"/> <tr> <td>391B</td> <td>ETR</td> <td>-</td> <td>WD.</td> <td>J2</td> <td>PTD.</td> <td>-</td> <td>391</td> <td>3\"/> <tr> <td>394</td> <td>ETR</td> <td>-</td> <td>WD.</td> <td>J2</td> <td>PTD.</td> <td>-</td> <td>391A</td> <td>3\"/> <tr> <td>395</td> <td>ETR</td> <td>-</td> <td>WD.</td> <td>J2</td> <td>PTD.</td> <td>-</td> <td>391B</td> <td>3\"/> <tr> <td>396</td> <td>ETR</td> <td>-</td> <td>WD.</td> <td>J2</td> <td>PTD.</td> <td>-</td> <td>394</td> <td>3\"/> <tr> <td>398</td> <td>ETR</td> <td>-</td> <td>WD.</td> <td>J2</td> <td>PTD.</td> <td>-</td> <td>395</td> <td>3\"/> <tr> <td>399</td> <td>ETR</td> <td>-</td> <td>WD.</td> <td>J2</td> <td>PTD.</td> <td>-</td> <td>396</td> <td>3\"/> <tr> <td>3991</td> <td>ETR</td> <td>-</td> <td>WD.</td> <td>J2</td> <td>PTD.</td> <td>-</td> <td>398</td> <td>3\"/> <tr> <td>3992</td> <td>A</td> <td>3\"/> <tr> <td>3993</td> <td>ETR</td> <td>-</td> <td>WD.</td> <td>J2</td> <td>PTD.</td> <td>-</td> <td>399</td> <td>3\"/> <tr> <td>3994</td> <td>ETR</td> <td>-</td> <td>WD.</td> <td>J2</td> <td>PTD.</td> <td>-</td> <td>3991</td> <td>3\"/> <tr> <td>3995</td> <td>ETR</td> <td>-</td> <td>WD.</td> <td>J2</td> <td>PTD.</td> <td>-</td> <td>3992</td> <td>3\"/> <tr> <td>3997</td> <td>ETR</td> <td>-</td> <td>WD.</td> <td>J2</td> <td>PTD.</td> <td>-</td> <td>3993</td> <td>3\"/> <tr> <td>3998</td> <td>ETR</td> <td>-</td> <td>WD.</td> <td>J2</td> <td>PTD.</td> <td>-</td> <td>3994</td> <td>3\"/> <tr> <td>3999</td> <td>ETR</td> <td>-</td> <td>WD.</td> <td>J2</td> <td>PTD.</td> <td>-</td> <td>3995</td> <td>3\"/> <tr> <td>3999</td> <td>ETR</td> <td>-</td> <td>WD.</td> <td>J2</td> <td>PTD.</td> <td>-</td> <td>3997</td> <td>3\"/> </td></tr></td></tr></td></tr></td></tr></td></tr></td></tr></td></tr></td></tr></td></tr></td></tr></td></tr></td></tr></td></tr></td></tr></td></tr></td></tr></td></tr></td></tr></td></tr></td></tr> | 387 | ETR | - | WD. | J2 | PTD.
 | - | 385 | 3\"/> <tr> <td>388</td> <td>ETR</td> <td>-</td> <td>WD.</td> <td>J2</td> <td>PTD.</td> <td>-</td> <td>386</td> <td>3\"/> <tr> <td>389</td> <td>ETR</td> <td>-</td> <td>WD.</td> <td>J2</td> <td>PTD.</td> <td>-</td> <td>387</td> <td>3\"/> <tr> <td>391</td> <td>ETR</td> <td>-</td> <td>WD.</td> <td>J2</td> <td>PTD.</td> <td>-</td> <td>388</td> <td>3\"/> <tr> <td>391A</td> <td>ETR</td> <td>-</td> <td>WD.</td> <td>J2</td> <td>PTD.</td> <td>-</td> <td>389</td> <td>3\"/> <tr> <td>391B</td> <td>ETR</td> <td>-</td> <td>WD.</td> <td>J2</td> <td>PTD.</td> <td>-</td> <td>391</td> <td>3\"/> <tr> <td>394</td> <td>ETR</td> <td>-</td> <td>WD.</td> <td>J2</td> <td>PTD.</td> <td>-</td> <td>391A</td> <td>3\"/> <tr> <td>395</td> <td>ETR</td> <td>-</td> <td>WD.</td> <td>J2</td> <td>PTD.</td> <td>-</td> <td>391B</td> <td>3\"/> <tr> <td>396</td> <td>ETR</td> <td>-</td> <td>WD.</td> <td>J2</td> <td>PTD.</td> <td>-</td> <td>394</td> <td>3\"/> <tr> <td>398</td> <td>ETR</td> <td>-</td> <td>WD.</td> <td>J2</td> <td>PTD.</td> <td>-</td> <td>395</td> <td>3\"/> <tr> <td>399</td> <td>ETR</td> <td>-</td> <td>WD.</td> <td>J2</td> <td>PTD.</td> <td>-</td> <td>396</td> <td>3\"/> <tr> <td>3991</td> <td>ETR</td> <td>-</td> <td>WD.</td> <td>J2</td> <td>PTD.</td> <td>-</td> <td>398</td> <td>3\"/> <tr> <td>3992</td> <td>A</td> <td>3\"/> <tr> <td>3993</td> <td>ETR</td> <td>-</td> <td>WD.</td> <td>J2</td> <td>PTD.</td> <td>-</td> <td>399</td> <td>3\"/> <tr> <td>3994</td> <td>ETR</td> <td>-</td> <td>WD.</td> <td>J2</td> <td>PTD.</td> <td>-</td> <td>3991</td> <td>3\"/> <tr> <td>3995</td> <td>ETR</td> <td>-</td> <td>WD.</td> <td>J2</td> <td>PTD.</td> <td>-</td> <td>3992</td> <td>3\"/> <tr> <td>3997</td> <td>ETR</td> <td>-</td> <td>WD.</td> <td>J2</td> <td>PTD.</td> <td>-</td> <td>3993</td> <td>3\"/> <tr> <td>3998</td> <td>ETR</td> <td>-</td> <td>WD.</td> <td>J2</td> <td>PTD.</td> <td>-</td> <td>3994</td> <td>3\"/> <tr> <td>3999</td> <td>ETR</td> <td>-</td> <td>WD.</td> <td>J2</td> <td>PTD.</td> <td>-</td> <td>3995</td> <td>3\"/> <tr> <td>3999</td> <td>ETR</td> <td>-</td> <td>WD.</td> <td>J2</td> <td>PTD.</td> <td>-</td> <td>3997</td> <td>3\"/> </td></tr></td></tr></td></tr></td></tr></td></tr></td></tr></td></tr></td></tr></td></tr></td></tr></td></tr></td></tr></td></tr></td></tr></td></tr></td></tr></td></tr></td></tr></td></tr> | 388 | ETR | - | WD. | J2 | PTD. | - | 386 | 3\"/> <tr> <td>389</td> <td>ETR</td> <td>-</td> <td>WD.</td> <td>J2</td> <td>PTD.</td> <td>-</td> <td>387</td> <td>3\"/> <tr> <td>391</td> <td>ETR</td> <td>-</td> <td>WD.</td> <td>J2</td> <td>PTD.</td> <td>-</td> <td>388</td> <td>3\"/> <tr> <td>391A</td> <td>ETR</td> <td>-</td> <td>WD.</td> <td>J2</td> <td>PTD.</td> <td>-</td> <td>389</td> <td>3\"/> <tr> <td>391B</td> <td>ETR</td> <td>-</td> <td>WD.</td> <td>J2</td> <td>PTD.</td> <td>-</td> <td>391</td> <td>3\"/> <tr> <td>394</td> <td>ETR</td> <td>-</td> <td>WD.</td> <td>J2</td> <td>PTD.</td> <td>-</td> <td>391A</td> <td>3\"/> <tr> <td>395</td> <td>ETR</td> <td>-</td> <td>WD.</td> <td>J2</td> <td>PTD.</td> <td>-</td> <td>391B</td> <td>3\"/> <tr> <td>396</td> <td>ETR</td> <td>-</td> <td>WD.</td> <td>J2</td> <td>PTD.</td> <td>-</td> <td>394</td> <td>3\"/> <tr> <td>398</td> <td>ETR</td> <td>-</td> <td>WD.</td> <td>J2</td> <td>PTD.</td> <td>-</td> <td>395</td> <td>3\"/> <tr> <td>399</td> <td>ETR</td> <td>-</td> <td>WD.</td> <td>J2</td> <td>PTD.</td> <td>-</td> <td>396</td> <td>3\"/> <tr> <td>3991</td> <td>ETR</td> <td>-</td> <td>WD.</td> <td>J2</td> <td>PTD.</td> <td>-</td> <td>398</td> <td>3\"/> <tr> <td>3992</td> <td>A</td> <td>3\"/> <tr> <td>3993</td> <td>ETR</td> <td>-</td> <td>WD.</td> <td>J2</td> <td>PTD.</td> <td>-</td> <td>399</td> <td>3\"/> <tr> <td>3994</td> <td>ETR</td> <td>-</td> <td>WD.</td> <td>J2</td> <td>PTD.</td> <td>-</td> <td>3991</td> <td>3\"/> <tr> <td>3995</td> <td>ETR</td> <td>-</td> <td>WD.</td> <td>J2</td> <td>PTD.</td> <td>-</td> <td>3992</td> <td>3\"/> <tr> <td>3997</td> <td>ETR</td> <td>-</td> <td>WD.</td> <td>J2</td> <td>PTD.</td> <td>-</td> <td>3993</td> <td>3\"/> <tr> <td>3998</td> <td>ETR</td> <td>-</td> <td>WD.</td> <td>J2</td> <td>PTD.</td> <td>-</td> <td>3994</td> <td>3\"/> <tr> <td>3999</td> <td>ETR</td> <td>-</td> <td>WD.</td> <td>J2</td> <td>PTD.</td> <td>-</td> <td>3995</td> <td>3\"/> <tr> <td>3999</td> <td>ETR</td> <td>-</td> <td>WD.</td> <td>J2</td> <td>PTD.</td> <td>-</td> <td>3997</td> <td>3\"/> </td></tr></td></tr></td></tr></td></tr></td></tr></td></tr></td></tr></td></tr></td></tr></td></tr></td></tr></td></tr></td></tr></td></tr></td></tr></td></tr></td></tr></td></tr> | 389 | ETR | -
 | WD. | J2 | PTD. | - | 387 | 3\"/> <tr> <td>391</td> <td>ETR</td> <td>-</td> <td>WD.</td> <td>J2</td> <td>PTD.</td> <td>-</td> <td>388</td> <td>3\"/> <tr> <td>391A</td> <td>ETR</td> <td>-</td> <td>WD.</td> <td>J2</td> <td>PTD.</td> <td>-</td> <td>389</td> <td>3\"/> <tr> <td>391B</td> <td>ETR</td> <td>-</td> <td>WD.</td> <td>J2</td> <td>PTD.</td> <td>-</td> <td>391</td> <td>3\"/> <tr> <td>394</td> <td>ETR</td> <td>-</td> <td>WD.</td> <td>J2</td> <td>PTD.</td> <td>-</td> <td>391A</td> <td>3\"/> <tr> <td>395</td> <td>ETR</td> <td>-</td> <td>WD.</td> <td>J2</td> <td>PTD.</td> <td>-</td> <td>391B</td> <td>3\"/> <tr> <td>396</td> <td>ETR</td> <td>-</td> <td>WD.</td> <td>J2</td> <td>PTD.</td> <td>-</td> <td>394</td> <td>3\"/> <tr> <td>398</td> <td>ETR</td> <td>-</td> <td>WD.</td> <td>J2</td> <td>PTD.</td> <td>-</td> <td>395</td> <td>3\"/> <tr> <td>399</td> <td>ETR</td> <td>-</td> <td>WD.</td> <td>J2</td> <td>PTD.</td> <td>-</td> <td>396</td> <td>3\"/> <tr> <td>3991</td> <td>ETR</td> <td>-</td> <td>WD.</td> <td>J2</td> <td>PTD.</td> <td>-</td> <td>398</td> <td>3\"/> <tr> <td>3992</td> <td>A</td> <td>3\"/> <tr> <td>3993</td> <td>ETR</td> <td>-</td> <td>WD.</td> <td>J2</td> <td>PTD.</td> <td>-</td> <td>399</td> <td>3\"/> <tr> <td>3994</td> <td>ETR</td> <td>-</td> <td>WD.</td> <td>J2</td> <td>PTD.</td> <td>-</td> <td>3991</td> <td>3\"/> <tr> <td>3995</td> <td>ETR</td> <td>-</td> <td>WD.</td> <td>J2</td> <td>PTD.</td> <td>-</td> <td>3992</td> <td>3\"/> <tr> <td>3997</td> <td>ETR</td> <td>-</td> <td>WD.</td> <td>J2</td> <td>PTD.</td> <td>-</td> <td>3993</td> <td>3\"/> <tr> <td>3998</td> <td>ETR</td> <td>-</td> <td>WD.</td> <td>J2</td> <td>PTD.</td> <td>-</td> <td>3994</td> <td>3\"/> <tr> <td>3999</td> <td>ETR</td> <td>-</td> <td>WD.</td> <td>J2</td> <td>PTD.</td> <td>-</td> <td>3995</td> <td>3\"/> <tr> <td>3999</td> <td>ETR</td> <td>-</td> <td>WD.</td> <td>J2</td> <td>PTD.</td> <td>-</td> <td>3997</td> <td>3\"/> </td></tr></td></tr></td></tr></td></tr></td></tr></td></tr></td></tr></td></tr></td></tr></td></tr></td></tr></td></tr></td></tr></td></tr></td></tr></td></tr></td></tr> | 391 | ETR | - | WD. | J2 | PTD. | - | 388 | 3\"/> <tr> <td>391A</td> <td>ETR</td> <td>-</td> <td>WD.</td> <td>J2</td> <td>PTD.</td> <td>-</td> <td>389</td> <td>3\"/> <tr> <td>391B</td> <td>ETR</td> <td>-</td> <td>WD.</td> <td>J2</td> <td>PTD.</td> <td>-</td> <td>391</td> <td>3\"/> <tr> <td>394</td> <td>ETR</td> <td>-</td> <td>WD.</td> <td>J2</td> <td>PTD.</td> <td>-</td> <td>391A</td> <td>3\"/> <tr> <td>395</td> <td>ETR</td> <td>-</td> <td>WD.</td> <td>J2</td> <td>PTD.</td> <td>-</td> <td>391B</td> <td>3\"/> <tr> <td>396</td> <td>ETR</td> <td>-</td> <td>WD.</td> <td>J2</td> <td>PTD.</td> <td>-</td> <td>394</td> <td>3\"/> <tr> <td>398</td> <td>ETR</td> <td>-</td> <td>WD.</td> <td>J2</td> <td>PTD.</td> <td>-</td> <td>395</td> <td>3\"/> <tr> <td>399</td> <td>ETR</td> <td>-</td> <td>WD.</td> <td>J2</td> <td>PTD.</td> <td>-</td> <td>396</td> <td>3\"/> <tr> <td>3991</td> <td>ETR</td> <td>-</td> <td>WD.</td> <td>J2</td> <td>PTD.</td> <td>-</td> <td>398</td> <td>3\"/> <tr> <td>3992</td> <td>A</td> <td>3\"/> <tr> <td>3993</td> <td>ETR</td> <td>-</td> <td>WD.</td> <td>J2</td> <td>PTD.</td> <td>-</td> <td>399</td> <td>3\"/> <tr> <td>3994</td> <td>ETR</td> <td>-</td> <td>WD.</td> <td>J2</td> <td>PTD.</td> <td>-</td> <td>3991</td> <td>3\"/> <tr> <td>3995</td> <td>ETR</td> <td>-</td> <td>WD.</td> <td>J2</td> <td>PTD.</td> <td>-</td> <td>3992</td> <td>3\"/> <tr> <td>3997</td> <td>ETR</td> <td>-</td> <td>WD.</td> <td>J2</td> <td>PTD.</td> <td>-</td> <td>3993</td> <td>3\"/> <tr> <td>3998</td> <td>ETR</td> <td>-</td> <td>WD.</td> <td>J2</td> <td>PTD.</td> <td>-</td> <td>3994</td> <td>3\"/> <tr> <td>3999</td> <td>ETR</td> <td>-</td> <td>WD.</td> <td>J2</td> <td>PTD.</td> <td>-</td> <td>3995</td> <td>3\"/> <tr> <td>3999</td> <td>ETR</td> <td>-</td> <td>WD.</td> <td>J2</td> <td>PTD.</td> <td>-</td> <td>3997</td> <td>3\"/> </td></tr></td></tr></td></tr></td></tr></td></tr></td></tr></td></tr></td></tr></td></tr></td></tr></td></tr></td></tr></td></tr></td></tr></td></tr></td></tr> | 391A | ETR | -
 | WD. | J2 | PTD. | - | 389 | 3\"/> <tr> <td>391B</td> <td>ETR</td> <td>-</td> <td>WD.</td> <td>J2</td> <td>PTD.</td> <td>-</td> <td>391</td> <td>3\"/> <tr> <td>394</td> <td>ETR</td> <td>-</td> <td>WD.</td> <td>J2</td> <td>PTD.</td> <td>-</td> <td>391A</td> <td>3\"/> <tr> <td>395</td> <td>ETR</td> <td>-</td> <td>WD.</td> <td>J2</td> <td>PTD.</td> <td>-</td> <td>391B</td> <td>3\"/> <tr> <td>396</td> <td>ETR</td> <td>-</td> <td>WD.</td> <td>J2</td> <td>PTD.</td> <td>-</td> <td>394</td> <td>3\"/> <tr> <td>398</td> <td>ETR</td> <td>-</td> <td>WD.</td> <td>J2</td> <td>PTD.</td> <td>-</td> <td>395</td> <td>3\"/> <tr> <td>399</td> <td>ETR</td> <td>-</td> <td>WD.</td> <td>J2</td> <td>PTD.</td> <td>-</td> <td>396</td> <td>3\"/> <tr> <td>3991</td> <td>ETR</td> <td>-</td> <td>WD.</td> <td>J2</td> <td>PTD.</td> <td>-</td> <td>398</td> <td>3\"/> <tr> <td>3992</td> <td>A</td> <td>3\"/> <tr> <td>3993</td> <td>ETR</td> <td>-</td> <td>WD.</td> <td>J2</td> <td>PTD.</td> <td>-</td> <td>399</td> <td>3\"/> <tr> <td>3994</td> <td>ETR</td> <td>-</td> <td>WD.</td> <td>J2</td> <td>PTD.</td> <td>-</td> <td>3991</td> <td>3\"/> <tr> <td>3995</td> <td>ETR</td> <td>-</td> <td>WD.</td> <td>J2</td> <td>PTD.</td> <td>-</td> <td>3992</td> <td>3\"/> <tr> <td>3997</td> <td>ETR</td> <td>-</td> <td>WD.</td> <td>J2</td> <td>PTD.</td> <td>-</td> <td>3993</td> <td>3\"/> <tr> <td>3998</td> <td>ETR</td> <td>-</td> <td>WD.</td> <td>J2</td> <td>PTD.</td> <td>-</td> <td>3994</td> <td>3\"/> <tr> <td>3999</td> <td>ETR</td> <td>-</td> <td>WD.</td> <td>J2</td> <td>PTD.</td> <td>-</td> <td>3995</td> <td>3\"/> <tr> <td>3999</td> <td>ETR</td> <td>-</td> <td>WD.</td> <td>J2</td> <td>PTD.</td> <td>-</td> <td>3997</td> <td>3\"/> </td></tr></td></tr></td></tr></td></tr></td></tr></td></tr></td></tr></td></tr></td></tr></td></tr></td></tr></td></tr></td></tr></td></tr></td></tr> | 391B | ETR | - | WD. | J2 | PTD. | - | 391 | 3\"/> <tr> <td>394</td> <td>ETR</td> <td>-</td> <td>WD.</td> <td>J2</td> <td>PTD.</td> <td>-</td> <td>391A</td> <td>3\"/> <tr> <td>395</td> <td>ETR</td> <td>-</td> <td>WD.</td> <td>J2</td> <td>PTD.</td> <td>-</td> <td>391B</td> <td>3\"/> <tr> <td>396</td> <td>ETR</td> <td>-</td> <td>WD.</td> <td>J2</td> <td>PTD.</td> <td>-</td> <td>394</td> <td>3\"/> <tr> <td>398</td> <td>ETR</td> <td>-</td> <td>WD.</td> <td>J2</td> <td>PTD.</td> <td>-</td> <td>395</td> <td>3\"/> <tr> <td>399</td> <td>ETR</td> <td>-</td> <td>WD.</td> <td>J2</td> <td>PTD.</td> <td>-</td> <td>396</td> <td>3\"/> <tr> <td>3991</td> <td>ETR</td> <td>-</td> <td>WD.</td> <td>J2</td> <td>PTD.</td> <td>-</td> <td>398</td> <td>3\"/> <tr> <td>3992</td> <td>A</td> <td>3\"/> <tr> <td>3993</td> <td>ETR</td> <td>-</td> <td>WD.</td> <td>J2</td> <td>PTD.</td> <td>-</td> <td>399</td> <td>3\"/> <tr> <td>3994</td> <td>ETR</td> <td>-</td> <td>WD.</td> <td>J2</td> <td>PTD.</td> <td>-</td> <td>3991</td> <td>3\"/> <tr> <td>3995</td> <td>ETR</td> <td>-</td> <td>WD.</td> <td>J2</td> <td>PTD.</td> <td>-</td> <td>3992</td> <td>3\"/> <tr> <td>3997</td> <td>ETR</td> <td>-</td> <td>WD.</td> <td>J2</td> <td>PTD.</td> <td>-</td> <td>3993</td> <td>3\"/> <tr> <td>3998</td> <td>ETR</td> <td>-</td> <td>WD.</td> <td>J2</td> <td>PTD.</td> <td>-</td> <td>3994</td> <td>3\"/> <tr> <td>3999</td> <td>ETR</td> <td>-</td> <td>WD.</td> <td>J2</td> <td>PTD.</td> <td>-</td> <td>3995</td> <td>3\"/> <tr> <td>3999</td> <td>ETR</td> <td>-</td> <td>WD.</td> <td>J2</td> <td>PTD.</td> <td>-</td> <td>3997</td> <td>3\"/> </td></tr></td></tr></td></tr></td></tr></td></tr></td></tr></td></tr></td></tr></td></tr></td></tr></td></tr></td></tr></td></tr></td></tr> | 394 | ETR | -
 | WD. | J2 | PTD. | - | 391A | 3\"/> <tr> <td>395</td> <td>ETR</td> <td>-</td> <td>WD.</td> <td>J2</td> <td>PTD.</td> <td>-</td> <td>391B</td> <td>3\"/> <tr> <td>396</td> <td>ETR</td> <td>-</td> <td>WD.</td> <td>J2</td> <td>PTD.</td> <td>-</td> <td>394</td> <td>3\"/> <tr> <td>398</td> <td>ETR</td> <td>-</td> <td>WD.</td> <td>J2</td> <td>PTD.</td> <td>-</td> <td>395</td> <td>3\"/> <tr> <td>399</td> <td>ETR</td> <td>-</td> <td>WD.</td> <td>J2</td> <td>PTD.</td> <td>-</td> <td>396</td> <td>3\"/> <tr> <td>3991</td> <td>ETR</td> <td>-</td> <td>WD.</td> <td>J2</td> <td>PTD.</td> <td>-</td> <td>398</td> <td>3\"/> <tr> <td>3992</td> <td>A</td> <td>3\"/> <tr> <td>3993</td> <td>ETR</td> <td>-</td> <td>WD.</td> <td>J2</td> <td>PTD.</td> <td>-</td> <td>399</td> <td>3\"/> <tr> <td>3994</td> <td>ETR</td> <td>-</td> <td>WD.</td> <td>J2</td> <td>PTD.</td> <td>-</td> <td>3991</td> <td>3\"/> <tr> <td>3995</td> <td>ETR</td> <td>-</td> <td>WD.</td> <td>J2</td> <td>PTD.</td> <td>-</td> <td>3992</td> <td>3\"/> <tr> <td>3997</td> <td>ETR</td> <td>-</td> <td>WD.</td> <td>J2</td> <td>PTD.</td> <td>-</td> <td>3993</td> <td>3\"/> <tr> <td>3998</td> <td>ETR</td> <td>-</td> <td>WD.</td> <td>J2</td> <td>PTD.</td> <td>-</td> <td>3994</td> <td>3\"/> <tr> <td>3999</td> <td>ETR</td> <td>-</td> <td>WD.</td> <td>J2</td> <td>PTD.</td> <td>-</td> <td>3995</td> <td>3\"/> <tr> <td>3999</td> <td>ETR</td> <td>-</td> <td>WD.</td> <td>J2</td> <td>PTD.</td> <td>-</td> <td>3997</td> <td>3\"/> </td></tr></td></tr></td></tr></td></tr></td></tr></td></tr></td></tr></td></tr></td></tr></td></tr></td></tr></td></tr></td></tr> | 395 | ETR | - | WD. | J2 | PTD. | - | 391B | 3\"/> <tr> <td>396</td> <td>ETR</td> <td>-</td> <td>WD.</td> <td>J2</td> <td>PTD.</td> <td>-</td> <td>394</td> <td>3\"/> <tr> <td>398</td> <td>ETR</td> <td>-</td> <td>WD.</td> <td>J2</td> <td>PTD.</td> <td>-</td> <td>395</td> <td>3\"/> <tr> <td>399</td> <td>ETR</td> <td>-</td> <td>WD.</td> <td>J2</td> <td>PTD.</td> <td>-</td> <td>396</td> <td>3\"/> <tr> <td>3991</td> <td>ETR</td> <td>-</td> <td>WD.</td> <td>J2</td> <td>PTD.</td> <td>-</td> <td>398</td> <td>3\"/> <tr> <td>3992</td> <td>A</td> <td>3\"/> <tr> <td>3993</td> <td>ETR</td> <td>-</td> <td>WD.</td> <td>J2</td> <td>PTD.</td> <td>-</td> <td>399</td> <td>3\"/> <tr> <td>3994</td> <td>ETR</td> <td>-</td> <td>WD.</td> <td>J2</td> <td>PTD.</td> <td>-</td> <td>3991</td> <td>3\"/> <tr> <td>3995</td> <td>ETR</td> <td>-</td> <td>WD.</td> <td>J2</td> <td>PTD.</td> <td>-</td> <td>3992</td> <td>3\"/> <tr> <td>3997</td> <td>ETR</td> <td>-</td> <td>WD.</td> <td>J2</td> <td>PTD.</td> <td>-</td> <td>3993</td> <td>3\"/> <tr> <td>3998</td> <td>ETR</td> <td>-</td> <td>WD.</td> <td>J2</td> <td>PTD.</td> <td>-</td> <td>3994</td> <td>3\"/> <tr> <td>3999</td> <td>ETR</td> <td>-</td> <td>WD.</td> <td>J2</td> <td>PTD.</td> <td>-</td> <td>3995</td> <td>3\"/> <tr> <td>3999</td> <td>ETR</td> <td>-</td> <td>WD.</td> <td>J2</td> <td>PTD.</td> <td>-</td> <td>3997</td> <td>3\"/> </td></tr></td></tr></td></tr></td></tr></td></tr></td></tr></td></tr></td></tr></td></tr></td></tr></td></tr></td></tr> | 396 | ETR | - | WD. | J2 | PTD. | - | 394 | 3\"/> <tr> <td>398</td> <td>ETR</td> <td>-</td> <td>WD.</td> <td>J2</td> <td>PTD.</td> <td>-</td> <td>395</td> <td>3\"/> <tr> <td>399</td> <td>ETR</td> <td>-</td> <td>WD.</td> <td>J2</td> <td>PTD.</td> <td>-</td> <td>396</td> <td>3\"/> <tr> <td>3991</td> <td>ETR</td> <td>-</td> <td>WD.</td> <td>J2</td> <td>PTD.</td> <td>-</td> <td>398</td> <td>3\"/> <tr> <td>3992</td> <td>A</td> <td>3\"/> <tr> <td>3993</td> <td>ETR</td> <td>-</td> <td>WD.</td> <td>J2</td> <td>PTD.</td> <td>-</td> <td>399</td> <td>3\"/> <tr> <td>3994</td> <td>ETR</td> <td>-</td> <td>WD.</td> <td>J2</td> <td>PTD.</td> <td>-</td> <td>3991</td> <td>3\"/> <tr> <td>3995</td> <td>ETR</td> <td>-</td> <td>WD.</td> <td>J2</td> <td>PTD.</td> <td>-</td> <td>3992</td> <td>3\"/> <tr> <td>3997</td> <td>ETR</td> <td>-</td> <td>WD.</td> <td>J2</td> <td>PTD.</td> <td>-</td> <td>3993</td> <td>3\"/> <tr>
<td>3998</td> <td>ETR</td> <td>-</td> <td>WD.</td> <td>J2</td> <td>PTD.</td> <td>-</td> <td>3994</td> <td>3\"/> <tr> <td>3999</td> <td>ETR</td> <td>-</td> <td>WD.</td> <td>J2</td> <td>PTD.</td> <td>-</td> <td>3995</td> <td>3\"/> <tr> <td>3999</td> <td>ETR</td> <td>-</td> <td>WD.</td> <td>J2</td> <td>PTD.</td> <td>-</td> <td>3997</td> <td>3\"/> </td></tr></td></tr></td></tr></td></tr></td></tr></td></tr></td></tr></td></tr></td></tr></td></tr></td></tr> | 398 | ETR | - | WD. | J2 | PTD. | - | 395 | 3\"/> <tr> <td>399</td> <td>ETR</td> <td>-</td> <td>WD.</td> <td>J2</td> <td>PTD.</td> <td>-</td> <td>396</td> <td>3\"/> <tr> <td>3991</td> <td>ETR</td> <td>-</td> <td>WD.</td> <td>J2</td> <td>PTD.</td> <td>-</td> <td>398</td> <td>3\"/> <tr> <td>3992</td> <td>A</td> <td>3\"/> <tr> <td>3993</td> <td>ETR</td> <td>-</td> <td>WD.</td> <td>J2</td> <td>PTD.</td> <td>-</td> <td>399</td> <td>3\"/> <tr> <td>3994</td> <td>ETR</td> <td>-</td> <td>WD.</td> <td>J2</td> <td>PTD.</td> <td>-</td> <td>3991</td> <td>3\"/> <tr> <td>3995</td> <td>ETR</td> <td>-</td> <td>WD.</td> <td>J2</td> <td>PTD.</td> <td>-</td> <td>3992</td> <td>3\"/> <tr> <td>3997</td> <td>ETR</td> <td>-</td> <td>WD.</td> <td>J2</td> <td>PTD.</td> <td>-</td> <td>3993</td> <td>3\"/> <tr> <td>3998</td> <td>ETR</td> <td>-</td> <td>WD.</td> <td>J2</td> <td>PTD.</td> <td>-</td> <td>3994</td> <td>3\"/> <tr> <td>3999</td> <td>ETR</td> <td>-</td> <td>WD.</td> <td>J2</td> <td>PTD.</td> <td>-</td> <td>3995</td> <td>3\"/> <tr> <td>3999</td> <td>ETR</td> <td>-</td> <td>WD.</td> <td>J2</td> <td>PTD.</td> <td>-</td> <td>3997</td> <td>3\"/> </td></tr></td></tr></td></tr></td></tr></td></tr></td></tr></td></tr></td></tr></td></tr></td></tr> | 399 | ETR | - | WD. | J2 | PTD. | - | 396 | 3\"/> <tr> <td>3991</td> <td>ETR</td> <td>-</td> <td>WD.</td> <td>J2</td> <td>PTD.</td> <td>-</td> <td>398</td> <td>3\"/> <tr> <td>3992</td> <td>A</td> <td>3\"/> <tr> <td>3993</td> <td>ETR</td> <td>-</td> <td>WD.</td> <td>J2</td> <td>PTD.</td> <td>-</td> <td>399</td> <td>3\"/> <tr> <td>3994</td> <td>ETR</td> <td>-</td> <td>WD.</td> <td>J2</td> <td>PTD.</td> <td>-</td> <td>3991</td> <td>3\"/> <tr> <td>3995</td> <td>ETR</td> <td>-</td> <td>WD.</td> <td>J2</td> <td>PTD.</td> <td>-</td> <td>3992</td> <td>3\"/> <tr> <td>3997</td> <td>ETR</td> <td>-</td> <td>WD.</td> <td>J2</td> <td>PTD.</td> <td>-</td> <td>3993</td> <td>3\"/> <tr> <td>3998</td> <td>ETR</td> <td>-</td> <td>WD.</td> <td>J2</td> <td>PTD.</td> <td>-</td> <td>3994</td> <td>3\"/> <tr> <td>3999</td> <td>ETR</td> <td>-</td> <td>WD.</td> <td>J2</td> <td>PTD.</td> <td>-</td> <td>3995</td> <td>3\"/> <tr> <td>3999</td> <td>ETR</td> <td>-</td> <td>WD.</td> <td>J2</td> <td>PTD.</td> <td>-</td> <td>3997</td> <td>3\"/> </td></tr></td></tr></td></tr></td></tr></td></tr></td></tr></td></tr></td></tr></td></tr> | 3991 | ETR | - | WD. | J2 | PTD. | - | 398 | 3\"/> <tr> <td>3992</td> <td>A</td> <td>3\"/> <tr> <td>3993</td> <td>ETR</td> <td>-</td> <td>WD.</td> <td>J2</td> <td>PTD.</td> <td>-</td> <td>399</td> <td>3\"/> <tr> <td>3994</td> <td>ETR</td> <td>-</td> <td>WD.</td> <td>J2</td> <td>PTD.</td> <td>-</td> <td>3991</td> <td>3\"/> <tr> <td>3995</td> <td>ETR</td> <td>-</td> <td>WD.</td> <td>J2</td> <td>PTD.</td> <td>-</td> <td>3992</td> <td>3\"/> <tr> <td>3997</td> <td>ETR</td> <td>-</td> <td>WD.</td> <td>J2</td> <td>PTD.</td> <td>-</td> <td>3993</td> <td>3\"/> <tr> <td>3998</td> <td>ETR</td> <td>-</td> <td>WD.</td> <td>J2</td> <td>PTD.</td> <td>-</td> <td>3994</td> <td>3\"/> <tr> <td>3999</td> <td>ETR</td> <td>-</td> <td>WD.</td> <td>J2</td> <td>PTD.</td> <td>-</td> <td>3995</td> <td>3\"/> <tr> <td>3999</td> <td>ETR</td> <td>-</td> <td>WD.</td> <td>J2</td> <td>PTD.</td> <td>-</td> <td>3997</td> <td>3\"/> </td></tr></td></tr></td></tr></td></tr></td></tr></td></tr></td></tr></td></tr>
 | 3992 | A | 3\"/> <tr> <td>3993</td> <td>ETR</td> <td>-</td> <td>WD.</td> <td>J2</td> <td>PTD.</td> <td>-</td> <td>399</td> <td>3\"/> <tr> <td>3994</td> <td>ETR</td> <td>-</td> <td>WD.</td> <td>J2</td> <td>PTD.</td> <td>-</td> <td>3991</td> <td>3\"/> <tr> <td>3995</td> <td>ETR</td> <td>-</td> <td>WD.</td> <td>J2</td> <td>PTD.</td> <td>-</td> <td>3992</td> <td>3\"/> <tr> <td>3997</td> <td>ETR</td> <td>-</td> <td>WD.</td> <td>J2</td> <td>PTD.</td> <td>-</td> <td>3993</td> <td>3\"/> <tr> <td>3998</td> <td>ETR</td> <td>-</td> <td>WD.</td> <td>J2</td> <td>PTD.</td> <td>-</td> <td>3994</td> <td>3\"/> <tr> <td>3999</td> <td>ETR</td> <td>-</td> <td>WD.</td> <td>J2</td> <td>PTD.</td> <td>-</td> <td>3995</td> <td>3\"/> <tr> <td>3999</td> <td>ETR</td> <td>-</td> <td>WD.</td> <td>J2</td> <td>PTD.</td> <td>-</td> <td>3997</td> <td>3\"/> </td></tr></td></tr></td></tr></td></tr></td></tr></td></tr></td></tr> | 3993 | ETR | - | WD. | J2 | PTD. | - | 399 | 3\"/> <tr> <td>3994</td> <td>ETR</td> <td>-</td> <td>WD.</td> <td>J2</td> <td>PTD.</td> <td>-</td> <td>3991</td> <td>3\"/> <tr> <td>3995</td> <td>ETR</td> <td>-</td> <td>WD.</td> <td>J2</td> <td>PTD.</td> <td>-</td> <td>3992</td> <td>3\"/> <tr> <td>3997</td> <td>ETR</td> <td>-</td> <td>WD.</td> <td>J2</td> <td>PTD.</td> <td>-</td> <td>3993</td> <td>3\"/> <tr> <td>3998</td> <td>ETR</td> <td>-</td> <td>WD.</td> <td>J2</td> <td>PTD.</td> <td>-</td> <td>3994</td> <td>3\"/> <tr> <td>3999</td> <td>ETR</td> <td>-</td> <td>WD.</td> <td>J2</td> <td>PTD.</td> <td>-</td> <td>3995</td> <td>3\"/> <tr> <td>3999</td> <td>ETR</td> <td>-</td> <td>WD.</td> <td>J2</td> <td>PTD.</td> <td>-</td> <td>3997</td> <td>3\"/> </td></tr></td></tr></td></tr></td></tr></td></tr></td></tr> | 3994 | ETR | - | WD. | J2 | PTD. | - | 3991 | 3\"/> <tr> <td>3995</td> <td>ETR</td> <td>-</td> <td>WD.</td> <td>J2</td> <td>PTD.</td> <td>-</td> <td>3992</td> <td>3\"/> <tr> <td>3997</td> <td>ETR</td> <td>-</td> <td>WD.</td> <td>J2</td> <td>PTD.</td> <td>-</td> <td>3993</td> <td>3\"/> <tr> <td>3998</td> <td>ETR</td> <td>-</td> <td>WD.</td> <td>J2</td> <td>PTD.</td> <td>-</td> <td>3994</td> <td>3\"/> <tr> <td>3999</td> <td>ETR</td> <td>-</td> <td>WD.</td> <td>J2</td> <td>PTD.</td> <td>-</td> <td>3995</td> <td>3\"/> <tr> <td>3999</td> <td>ETR</td> <td>-</td> <td>WD.</td> <td>J2</td> <td>PTD.</td> <td>-</td> <td>3997</td> <td>3\"/> </td></tr></td></tr></td></tr></td></tr></td></tr> | 3995 | ETR | - | WD. | J2 | PTD. | - | 3992 | 3\"/> <tr> <td>3997</td> <td>ETR</td> <td>-</td> <td>WD.</td> <td>J2</td> <td>PTD.</td> <td>-</td> <td>3993</td> <td>3\"/> <tr> <td>3998</td> <td>ETR</td> <td>-</td> <td>WD.</td> <td>J2</td> <td>PTD.</td> <td>-</td> <td>3994</td> <td>3\"/> <tr> <td>3999</td> <td>ETR</td> <td>-</td> <td>WD.</td> <td>J2</td> <td>PTD.</td> <td>-</td> <td>3995</td> <td>3\"/> <tr> <td>3999</td> <td>ETR</td> <td>-</td> <td>WD.</td> <td>J2</td> <td>PTD.</td> <td>-</td> <td>3997</td> <td>3\"/> </td></tr></td></tr></td></tr></td></tr> | 3997 | ETR | - | WD. | J2 | PTD. | - | 3993 | 3\"/> <tr> <td>3998</td> <td>ETR</td> <td>-</td> <td>WD.</td> <td>J2</td> <td>PTD.</td> <td>-</td> <td>3994</td> <td>3\"/> <tr> <td>3999</td> <td>ETR</td> <td>-</td> <td>WD.</td> <td>J2</td> <td>PTD.</td> <td>-</td> <td>3995</td> <td>3\"/> <tr> <td>3999</td> <td>ETR</td> <td>-</td> <td>WD.</td> <td>J2</td> <td>PTD.</td> <td>-</td> <td>3997</td> <td>3\"/> </td></tr></td></tr></td></tr>
 | 3998 | ETR | - | WD. | J2 | PTD. | - | 3994 | 3\"/> <tr> <td>3999</td> <td>ETR</td> <td>-</td> <td>WD.</td> <td>J2</td> <td>PTD.</td> <td>-</td> <td>3995</td> <td>3\"/> <tr> <td>3999</td> <td>ETR</td> <td>-</td> <td>WD.</td> <td>J2</td> <td>PTD.</td> <td>-</td> <td>3997</td> <td>3\"/> </td></tr></td></tr> | 3999 | ETR | - | WD. | J2 | PTD. | - | 3995 | 3\"/> <tr> <td>3999</td> <td>ETR</td> <td>-</td> <td>WD.</td> <td>J2</td> <td>PTD.</td> <td>-</td> <td>3997</td> <td>3\"/> </td></tr> | 3999 | ETR | - | WD. | J2 | PTD. | - | 3997 | 3\"/> | | | | | | | | | | | | | | | | | | | | | | | | | | | | | | |
| 358 | ETR | - | WD. | J2 | PTD. | - | 356 | 3\"/> <tr> <td>359</td> <td>ETR</td> <td>-</td> <td>WD.</td> <td>J2</td> <td>PTD.</td> <td>-</td> <td>357</td> <td>3\"/> <tr> <td>360</td> <td>ETR</td> <td>-</td> <td>WD.</td> <td>J2</td> <td>PTD.</td> <td>-</td> <td>358</td> <td>3\"/> <tr> <td>361A</td> <td>ETR</td> <td>-</td> <td>WD.</td> <td>J2</td> <td>PTD.</td> <td>-</td> <td>359</td> <td>3\"/> <tr> <td>362</td> <td>ETR</td> <td>-</td> <td>WD.</td> <td>J2</td> <td>PTD.</td> <td>-</td> <td>360</td> <td>3\"/> <tr> <td>363</td> <td>ETR</td> <td>-</td> <td>WD.</td> <td>J2</td> <td>PTD.</td> <td>-</td> <td>361A</td> <td>3\"/> <tr> <td>364A</td> <td>ETR</td> <td>-</td> <td>WD.</td> <td>J2</td> <td>PTD.</td> <td>-</td> <td>362</td> <td>3\"/> <tr> <td>365</td> <td>ETR</td> <td>-</td> <td>WD.</td> <td>J2</td> <td>PTD.</td> <td>-</td> <td>363</td> <td>3\"/> <tr> <td>366</td> <td>ETR</td> <td>-</td> <td>WD.</td> <td>J2</td> <td>PTD.</td> <td>-</td> <td>364A</td> <td>3\"/> <tr> <td>367</td> <td>B</td> <td>2 <td>HM</td> <td>J1</td> <td>PTD.</td> <td>1 HR.</td> <td>365</td> <td>3\"/> <tr> <td>368</td> <td>ETR</td> <td>-</td> <td>WD.</td> <td>J2</td> <td>PTD.</td> <td>-</td> <td>366</td> <td>3\"/> <tr> <td>369</td> <td>ETR</td> <td>-</td> <td>WD.</td> <td>J2</td> <td>PTD.</td> <td>-</td> <td>367</td> <td>3\"/> <tr> <td>370</td> <td>ETR</td> <td>-</td> <td>WD.</td> <td>J2</td> <td>PTD.</td> <td>-</td> <td>368</td> <td>3\"/> <tr> <td>371</td> <td>ETR</td> <td>-</td> <td>WD.</td> <td>J2</td> <td>PTD.</td> <td>-</td> <td>369</td> <td>3\"/> <tr> <td>372</td> <td>B</td> <td>2 <td>HM</td> <td>J1</td> <td>PTD.</td> <td>1 HR.</td> <td>370</td> <td>3\"/> <tr> <td>373A</td> <td>ETR</td> <td>-</td> <td>WD.</td> <td>J2</td> <td>PTD.</td> <td>-</td> <td>371</td> <td>3\"/> <tr> <td>374B</td> <td>ETR</td> <td>-</td> <td>WD.</td> <td>J2</td> <td>PTD.</td> <td>-</td> <td>372</td> <td>3\"/> <tr> <td>374C</td> <td>ETR</td> <td>-</td> <td>WD.</td> <td>J2</td> <td>PTD.</td> <td>-</td> <td>373A</td> <td>3\"/> <tr> <td>375</td> <td>B</td> <td>1 <td>WD</td> <td>J1</td> <td>PTD.</td> <td>-</td> <td>374B</td> <td>3\"/> <tr> <td>376</td> <td>B</td> <td>1 <td>WD</td> <td>J1</td> <td>PTD.</td> <td>-</td> <td>374C</td> <td>3\"/> <tr> <td>377</td> <td>B</td> <td>1 <td>WD</td> <td>J1</td> <td>PTD.</td> <td>-</td> <td>375</td> <td>3\"/> <tr> <td>377A</td> <td>B</td> <td>1 <td>WD</td> <td>J1</td> <td>PTD.</td> <td>-</td> <td>376</td> <td>3\"/> <tr> <td>378</td> <td>B</td> <td>1 <td>WD</td> <td>J1</td> <td>PTD.</td> <td>-</td> <td>377</td> <td>3\"/> <tr> <td>379</td> <td>B</td> <td>1 <td>WD</td> <td>J1</td> <td>PTD.</td> <td>-</td> <td>377A</td> <td>3\"/> <tr> <td>380A</td> <td>B</td> <td>1 <td>WD</td> <td>J1</td> <td>PTD.</td> <td>-</td> <td>378</td> <td>3\"/> <tr> <td>380B</td> <td>B</td> <td>1 <td>WD</td> <td>J1</td> <td>PTD.</td> <td>-</td> <td>379</td> <td>3\"/> <tr> <td>382</td> <td>ETR</td> <td>-</td> <td>WD.</td> <td>J2</td>
<td>PTD.</td> <td>-</td> <td>380A</td> <td>3\"/> <tr> <td>382A</td> <td>D</td> <td>6 <td>ALUM.</td> <td>ANODIZE D</td> <td>-</td> <td>-</td> <td>380B</td> <td>3\"/> <tr> <td>385</td> <td>ETR</td> <td>-</td> <td>WD.</td> <td>J2</td> <td>PTD.</td> <td>-</td> <td>382</td> <td>3\"/> <tr> <td>386</td> <td>ETR</td> <td>-</td> <td>WD.</td> <td>J2</td> <td>PTD.</td> <td>-</td> <td>382A</td> <td>3\"/> <tr> <td>387</td> <td>ETR</td> <td>-</td> <td>WD.</td> <td>J2</td> <td>PTD.</td> <td>-</td> <td>385</td> <td>3\"/> <tr> <td>388</td> <td>ETR</td> <td>-</td> <td>WD.</td> <td>J2</td> <td>PTD.</td> <td>-</td> <td>386</td> <td>3\"/> <tr> <td>389</td> <td>ETR</td> <td>-</td> <td>WD.</td> <td>J2</td> <td>PTD.</td> <td>-</td> <td>387</td> <td>3\"/> <tr> <td>391</td> <td>ETR</td> <td>-</td> <td>WD.</td> <td>J2</td> <td>PTD.</td> <td>-</td> <td>388</td> <td>3\"/> <tr> <td>391A</td> <td>ETR</td> <td>-</td> <td>WD.</td> <td>J2</td> <td>PTD.</td> <td>-</td> <td>389</td> <td>3\"/> <tr> <td>391B</td> <td>ETR</td> <td>-</td> <td>WD.</td> <td>J2</td> <td>PTD.</td> <td>-</td> <td>391</td> <td>3\"/> <tr> <td>394</td> <td>ETR</td> <td>-</td> <td>WD.</td> <td>J2</td> <td>PTD.</td> <td>-</td> <td>391A</td> <td>3\"/> <tr> <td>395</td> <td>ETR</td> <td>-</td> <td>WD.</td> <td>J2</td> <td>PTD.</td> <td>-</td> <td>391B</td> <td>3\"/> <tr> <td>396</td> <td>ETR</td> <td>-</td> <td>WD.</td> <td>J2</td> <td>PTD.</td> <td>-</td> <td>394</td> <td>3\"/> <tr> <td>398</td> <td>ETR</td> <td>-</td> <td>WD.</td> <td>J2</td> <td>PTD.</td> <td>-</td> <td>395</td> <td>3\"/> <tr> <td>399</td> <td>ETR</td> <td>-</td> <td>WD.</td> <td>J2</td> <td>PTD.</td> <td>-</td> <td>396</td> <td>3\"/> <tr> <td>3991</td> <td>ETR</td> <td>-</td> <td>WD.</td> <td>J2</td> <td>PTD.</td> <td>-</td> <td>398</td> <td>3\"/> <tr> <td>3992</td> <td>A</td> <td>3\"/> <tr> <td>3993</td> <td>ETR</td> <td>-</td> <td>WD.</td> <td>J2</td> <td>PTD.</td> <td>-</td> <td>399</td> <td>3\"/> <tr> <td>3994</td> <td>ETR</td> <td>-</td> <td>WD.</td> <td>J2</td> <td>PTD.</td> <td>-</td> <td>3991</td> <td>3\"/> <tr> <td>3995</td> <td>ETR</td> <td>-</td> <td>WD.</td> <td>J2</td> <td>PTD.</td> <td>-</td> <td>3992</td> <td>3\"/> <tr> <td>3997</td> <td>ETR</td> <td>-</td> <td>WD.</td> <td>J2</td> <td>PTD.</td> <td>-</td> <td>3993</td> <td>3\"/> <tr> <td>3998</td> <td>ETR</td> <td>-</td> <td>WD.</td> <td>J2</td> <td>PTD.</td> <td>-</td> <td>3994</td> <td>3\"/> <tr> <td>3999</td> <td>ETR</td> <td>-</td> <td>WD.</td> <td>J2</td> <td>PTD.</td> <td>-</td> <td>3995</td> <td>3\"/> <tr> <td>3999</td> <td>ETR</td> <td>-</td> <td>WD.</td> <td>J2</td> <td>PTD.</td> <td>-</td> <td>3997</td> <td>3\"/> </td></tr></td></tr></td></tr></td></tr></td></tr></td></tr></td></tr></td></tr></td></tr></td></tr></td></tr></td></tr></td></tr></td></tr></td></tr></td></tr></td></tr></td></tr></td></tr></td></tr></td></tr></td></tr></td></td></tr></td></tr></td></td></tr></td></td></tr></td></td></tr></td></td></tr></td></td></tr></td></td></tr></td></td></tr></td></td></tr></td></tr></td></tr></td></tr></td></td></tr></td></tr></td></tr></td></tr></td></tr></td></td></tr></td></tr></td></tr></td></tr></td></tr></td></tr></td></tr></td></tr></td></tr> | 359 | ETR | -
 | WD. | J2 | PTD. | - | 357 | 3\"/> <tr> <td>360</td> <td>ETR</td> <td>-</td> <td>WD.</td> <td>J2</td> <td>PTD.</td> <td>-</td> <td>358</td> <td>3\"/> <tr> <td>361A</td> <td>ETR</td> <td>-</td> <td>WD.</td> <td>J2</td> <td>PTD.</td> <td>-</td> <td>359</td> <td>3\"/> <tr> <td>362</td> <td>ETR</td> <td>-</td> <td>WD.</td> <td>J2</td> <td>PTD.</td> <td>-</td> <td>360</td> <td>3\"/> <tr> <td>363</td> <td>ETR</td> <td>-</td> <td>WD.</td> <td>J2</td> <td>PTD.</td> <td>-</td> <td>361A</td> <td>3\"/> <tr> <td>364A</td> <td>ETR</td> <td>-</td> <td>WD.</td> <td>J2</td> <td>PTD.</td> <td>-</td> <td>362</td> <td>3\"/> <tr> <td>365</td> <td>ETR</td> <td>-</td> <td>WD.</td> <td>J2</td> <td>PTD.</td> <td>-</td> <td>363</td> <td>3\"/> <tr> <td>366</td> <td>ETR</td> <td>-</td> <td>WD.</td> <td>J2</td> <td>PTD.</td> <td>-</td> <td>364A</td> <td>3\"/> <tr> <td>367</td> <td>B</td> <td>2 <td>HM</td> <td>J1</td> <td>PTD.</td> <td>1 HR.</td> <td>365</td> <td>3\"/> <tr> <td>368</td> <td>ETR</td> <td>-</td> <td>WD.</td> <td>J2</td> <td>PTD.</td> <td>-</td> <td>366</td> <td>3\"/> <tr> <td>369</td> <td>ETR</td> <td>-</td> <td>WD.</td> <td>J2</td> <td>PTD.</td> <td>-</td> <td>367</td> <td>3\"/> <tr> <td>370</td> <td>ETR</td> <td>-</td> <td>WD.</td> <td>J2</td> <td>PTD.</td> <td>-</td> <td>368</td> <td>3\"/> <tr> <td>371</td> <td>ETR</td> <td>-</td> <td>WD.</td> <td>J2</td> <td>PTD.</td> <td>-</td> <td>369</td> <td>3\"/> <tr> <td>372</td> <td>B</td> <td>2 <td>HM</td> <td>J1</td> <td>PTD.</td> <td>1 HR.</td> <td>370</td> <td>3\"/> <tr> <td>373A</td> <td>ETR</td> <td>-</td> <td>WD.</td> <td>J2</td> <td>PTD.</td> <td>-</td> <td>371</td> <td>3\"/> <tr> <td>374B</td> <td>ETR</td> <td>-</td> <td>WD.</td> <td>J2</td> <td>PTD.</td> <td>-</td> <td>372</td> <td>3\"/> <tr> <td>374C</td> <td>ETR</td> <td>-</td> <td>WD.</td> <td>J2</td> <td>PTD.</td> <td>-</td> <td>373A</td> <td>3\"/> <tr> <td>375</td> <td>B</td> <td>1 <td>WD</td> <td>J1</td> <td>PTD.</td> <td>-</td> <td>374B</td> <td>3\"/> <tr> <td>376</td> <td>B</td> <td>1 <td>WD</td> <td>J1</td> <td>PTD.</td> <td>-</td> <td>374C</td> <td>3\"/> <tr> <td>377</td> <td>B</td> <td>1 <td>WD</td> <td>J1</td> <td>PTD.</td> <td>-</td> <td>375</td> <td>3\"/> <tr> <td>377A</td> <td>B</td> <td>1 <td>WD</td> <td>J1</td> <td>PTD.</td> <td>-</td> <td>376</td> <td>3\"/> <tr> <td>378</td> <td>B</td> <td>1 <td>WD</td> <td>J1</td> <td>PTD.</td> <td>-</td> <td>377</td> <td>3\"/> <tr> <td>379</td> <td>B</td> <td>1 <td>WD</td> <td>J1</td> <td>PTD.</td> <td>-</td> <td>377A</td> <td>3\"/> <tr> <td>380A</td> <td>B</td> <td>1 <td>WD</td> <td>J1</td> <td>PTD.</td> <td>-</td> <td>378</td> <td>3\"/> <tr> <td>380B</td> <td>B</td> <td>1 <td>WD</td> <td>J1</td> <td>PTD.</td> <td>-</td> <td>379</td> <td>3\"/> <tr> <td>382</td> <td>ETR</td> <td>-</td> <td>WD.</td> <td>J2</td> <td>PTD.</td> <td>-</td> <td>380A</td> <td>3\"/> <tr> <td>382A</td> <td>D</td> <td>6 <td>ALUM.</td> <td>ANODIZE D</td> <td>-</td> <td>-</td> <td>380B</td> <td>3\"/> <tr> <td>385</td> <td>ETR</td> <td>-</td> <td>WD.</td> <td>J2</td> <td>PTD.</td> <td>-</td> <td>382</td> <td>3\"/> <tr> <td>386</td> <td>ETR</td> <td>-</td> <td>WD.</td> <td>J2</td> <td>PTD.</td> <td>-</td> <td>382A</td> <td>3\"/> <tr> <td>387</td> <td>ETR</td> <td>-</td> <td>WD.</td> <td>J2</td> <td>PTD.</td> <td>-</td> <td>385</td> <td>3\"/> <tr> <td>388</td> <td>ETR</td> <td>-</td> <td>WD.</td> <td>J2</td> <td>PTD.</td> <td>-</td> <td>386</td> <td>3\"/> <tr> <td>389</td> <td>ETR</td> <td>-</td> <td>WD.</td> <td>J2</td> <td>PTD.</td> <td>-</td> <td>387</td> <td>3\"/> <tr> <td>391</td> <td>ETR</td> <td>-</td> <td>WD.</td> <td>J2</td> <td>PTD.</td> <td>-</td> <td>388</td> <td>3\"/> <tr> <td>391A</td> <td>ETR</td> <td>-</td> <td>WD.</td> <td>J2</td> <td>PTD.</td> <td>-</td> <td>389</td> <td>3\"/> <tr> <td>391B</td> <td>ETR</td> <td>-</td> <td>WD.</td> <td>J2</td> <td>PTD.</td> <td>-</td> <td>391</td> <td>3\"/> <tr> <td>394</td> <td>ETR</td> <td>-</td> <td>WD.</td> <td>J2</td> <td>PTD.</td> <td>-</td> <td>391A</td> <td>3\"/> <tr> <td>395</td> <td>ETR</td> <td>-</td> <td>WD.</td> <td>J2</td> <td>PTD.</td> <td>-</td> <td>391B</td> <td>3\"/> <tr> <td>396</td> <td>ETR</td> <td>-</td> <td>WD.</td> <td>J2</td> <td>PTD.</td> <td>-</td> <td>394</td> <td>3\"/> <tr> <td>398</td> <td>ETR</td> <td>-</td> <td>WD.</td> <td>J2</td> <td>PTD.</td> <td>-</td> <td>395</td> <td>3\"/> <tr> <td>399</td> <td>ETR</td> <td>-</td> <td>WD.</td> <td>J2</td> <td>PTD.</td> <td>-</td> <td>396</td> <td>3\"/> <tr> <td>3991</td> <td>ETR</td> <td>-</td> <td>WD.</td> <td>J2</td> <td>PTD.</td> <td>-</td> <td>398</td> <td>3\"/> <tr> <td>3992</td> <td>A</td> <td>3\"/> <tr> <td>3993</td> <td>ETR</td> <td>-</td> <td>WD.</td> <td>J2</td> <td>PTD.</td> <td>-</td> <td>399</td> <td>3\"/> <tr> <td>3994</td> <td>ETR</td> <td>-</td> <td>WD.</td> <td>J2</td> <td>PTD.</td> <td>-</td> <td>3991</td> <td>3\"/> <tr> <td>3995</td> <td>ETR</td> <td>-</td> <td>WD.</td> <td>J2</td> <td>PTD.</td> <td>-</td> <td>3992</td> <td>3\"/> <tr> <td>3997</td> <td>ETR</td> <td>-</td> <td>WD.</td> <td>J2</td> <td>PTD.</td> <td>-</td> <td>3993</td> <td>3\"/> <tr> <td>3998</td> <td>ETR</td> <td>-</td> <td>WD.</td> <td>J2</td> <td>PTD.</td> <td>-</td> <td>3994</td> <td>3\"/> <tr> <td>3999</td> <td>ETR</td> <td>-</td> <td>WD.</td> <td>J2</td> <td>PTD.</td> <td>-</td> <td>3995</td> <td>3\"/> <tr> <td>3999</td> <td>ETR</td> <td>-</td> <td>WD.</td> <td>J2</td> <td>PTD.</td> <td>-</td> <td>3997</td> <td>3\"/> </td></tr></td></tr></td></tr></td></tr></td></tr></td></tr></td></tr></td></tr></td></tr></td></tr></td></tr></td></tr></td></tr></td></tr></td></tr></td></tr></td></tr></td></tr></td></tr></td></tr></td></tr></td></tr></td></td></tr></td></tr></td></td></tr></td></td></tr></td></td></tr></td></td></tr></td></td></tr></td></td></tr></td></td></tr></td></td></tr></td></tr></td></tr></td></tr></td></td></tr></td></tr></td></tr></td></tr></td></tr></td></td></tr></td></tr></td></tr></td></tr></td></tr></td></tr></td></tr></td></tr> | 360 | ETR | -
 | WD. | J2 | PTD. | - | 358 | 3\"/> <tr> <td>361A</td> <td>ETR</td> <td>-</td> <td>WD.</td> <td>J2</td> <td>PTD.</td> <td>-</td> <td>359</td> <td>3\"/> <tr> <td>362</td> <td>ETR</td> <td>-</td> <td>WD.</td> <td>J2</td> <td>PTD.</td> <td>-</td> <td>360</td> <td>3\"/> <tr> <td>363</td> <td>ETR</td> <td>-</td> <td>WD.</td> <td>J2</td> <td>PTD.</td> <td>-</td> <td>361A</td> <td>3\"/> <tr> <td>364A</td> <td>ETR</td> <td>-</td> <td>WD.</td> <td>J2</td> <td>PTD.</td> <td>-</td> <td>362</td> <td>3\"/> <tr> <td>365</td> <td>ETR</td> <td>-</td> <td>WD.</td> <td>J2</td> <td>PTD.</td> <td>-</td> <td>363</td> <td>3\"/> <tr> <td>366</td> <td>ETR</td> <td>-</td> <td>WD.</td> <td>J2</td> <td>PTD.</td> <td>-</td> <td>364A</td> <td>3\"/> <tr> <td>367</td> <td>B</td> <td>2 <td>HM</td> <td>J1</td> <td>PTD.</td> <td>1 HR.</td> <td>365</td> <td>3\"/> <tr> <td>368</td> <td>ETR</td> <td>-</td> <td>WD.</td> <td>J2</td> <td>PTD.</td> <td>-</td> <td>366</td> <td>3\"/> <tr> <td>369</td> <td>ETR</td> <td>-</td> <td>WD.</td> <td>J2</td> <td>PTD.</td> <td>-</td> <td>367</td> <td>3\"/> <tr> <td>370</td> <td>ETR</td> <td>-</td> <td>WD.</td> <td>J2</td> <td>PTD.</td> <td>-</td> <td>368</td> <td>3\"/> <tr> <td>371</td> <td>ETR</td> <td>-</td> <td>WD.</td> <td>J2</td> <td>PTD.</td> <td>-</td> <td>369</td> <td>3\"/> <tr> <td>372</td> <td>B</td> <td>2 <td>HM</td> <td>J1</td> <td>PTD.</td> <td>1 HR.</td> <td>370</td> <td>3\"/> <tr> <td>373A</td> <td>ETR</td> <td>-</td> <td>WD.</td> <td>J2</td> <td>PTD.</td> <td>-</td> <td>371</td> <td>3\"/> <tr> <td>374B</td> <td>ETR</td> <td>-</td> <td>WD.</td> <td>J2</td> <td>PTD.</td> <td>-</td> <td>372</td> <td>3\"/> <tr> <td>374C</td> <td>ETR</td> <td>-</td> <td>WD.</td> <td>J2</td> <td>PTD.</td> <td>-</td> <td>373A</td> <td>3\"/> <tr> <td>375</td> <td>B</td> <td>1 <td>WD</td> <td>J1</td> <td>PTD.</td> <td>-</td> <td>374B</td> <td>3\"/> <tr> <td>376</td> <td>B</td> <td>1 <td>WD</td> <td>J1</td> <td>PTD.</td> <td>-</td> <td>374C</td> <td>3\"/> <tr> <td>377</td> <td>B</td> <td>1 <td>WD</td> <td>J1</td> <td>PTD.</td> <td>-</td> <td>375</td> <td>3\"/> <tr> <td>377A</td> <td>B</td> <td>1 <td>WD</td> <td>J1</td> <td>PTD.</td> <td>-</td> <td>376</td> <td>3\"/> <tr> <td>378</td> <td>B</td> <td>1 <td>WD</td> <td>J1</td> <td>PTD.</td> <td>-</td> <td>377</td> <td>3\"/> <tr> <td>379</td> <td>B</td> <td>1 <td>WD</td> <td>J1</td> <td>PTD.</td> <td>-</td> <td>377A</td> <td>3\"/> <tr> <td>380A</td> <td>B</td> <td>1 <td>WD</td> <td>J1</td> <td>PTD.</td> <td>-</td> <td>378</td> <td>3\"/> <tr> <td>380B</td> <td>B</td> <td>1 <td>WD</td> <td>J1</td> <td>PTD.</td> <td>-</td> <td>379</td> <td>3\"/> <tr> <td>382</td> <td>ETR</td> <td>-</td> <td>WD.</td> <td>J2</td> <td>PTD.</td> <td>-</td> <td>380A</td> <td>3\"/> <tr> <td>382A</td> <td>D</td> <td>6 <td>ALUM.</td> <td>ANODIZE D</td> <td>-</td> <td>-</td> <td>380B</td> <td>3\"/> <tr> <td>385</td> <td>ETR</td> <td>-</td> <td>WD.</td> <td>J2</td> <td>PTD.</td> <td>-</td> <td>382</td> <td>3\"/> <tr> <td>386</td> <td>ETR</td> <td>-</td> <td>WD.</td> <td>J2</td> <td>PTD.</td> <td>-</td> <td>382A</td> <td>3\"/> <tr> <td>387</td> <td>ETR</td> <td>-</td> <td>WD.</td> <td>J2</td> <td>PTD.</td> <td>-</td> <td>385</td> <td>3\"/> <tr> <td>388</td> <td>ETR</td> <td>-</td> <td>WD.</td> <td>J2</td> <td>PTD.</td> <td>-</td> <td>386</td> <td>3\"/> <tr> <td>389</td> <td>ETR</td> <td>-</td> <td>WD.</td> <td>J2</td> <td>PTD.</td> <td>-</td> <td>387</td> <td>3\"/> <tr> <td>391</td> <td>ETR</td> <td>-</td> <td>WD.</td> <td>J2</td> <td>PTD.</td> <td>-</td> <td>388</td> <td>3\"/> <tr> <td>391A</td> <td>ETR</td> <td>-</td> <td>WD.</td> <td>J2</td> <td>PTD.</td> <td>-</td> <td>389</td> <td>3\"/> <tr> <td>391B</td> <td>ETR</td> <td>-</td> <td>WD.</td> <td>J2</td> <td>PTD.</td> <td>-</td> <td>391</td> <td>3\"/> <tr> <td>394</td> <td>ETR</td> <td>-</td> <td>WD.</td> <td>J2</td> <td>PTD.</td> <td>-</td> <td>391A</td> <td>3\"/> <tr> <td>395</td> <td>ETR</td> <td>-</td> <td>WD.</td> <td>J2</td> <td>PTD.</td> <td>-</td> <td>391B</td> <td>3\"/> <tr> <td>396</td> <td>ETR</td> <td>-</td> <td>WD.</td> <td>J2</td> <td>PTD.</td> <td>-</td> <td>394</td> <td>3\"/> <tr> <td>398</td> <td>ETR</td> <td>-</td> <td>WD.</td> <td>J2</td> <td>PTD.</td> <td>-</td> <td>395</td> <td>3\"/> <tr> <td>399</td> <td>ETR</td> <td>-</td> <td>WD.</td> <td>J2</td> <td>PTD.</td> <td>-</td> <td>396</td> <td>3\"/> <tr> <td>3991</td> <td>ETR</td> <td>-</td> <td>WD.</td> <td>J2</td> <td>PTD.</td> <td>-</td> <td>398</td> <td>3\"/> <tr> <td>3992</td> <td>A</td> <td>3\"/> <tr> <td>3993</td> <td>ETR</td> <td>-</td> <td>WD.</td> <td>J2</td> <td>PTD.</td> <td>-</td> <td>399</td> <td>3\"/> <tr> <td>3994</td> <td>ETR</td> <td>-</td> <td>WD.</td> <td>J2</td> <td>PTD.</td> <td>-</td> <td>3991</td> <td>3\"/> <tr> <td>3995</td> <td>ETR</td> <td>-</td> <td>WD.</td> <td>J2</td> <td>PTD.</td> <td>-</td> <td>3992</td> <td>3\"/> <tr> <td>3997</td> <td>ETR</td> <td>-</td> <td>WD.</td> <td>J2</td> <td>PTD.</td> <td>-</td> <td>3993</td> <td>3\"/> <tr> <td>3998</td> <td>ETR</td> <td>-</td> <td>WD.</td> <td>J2</td> <td>PTD.</td> <td>-</td> <td>3994</td> <td>3\"/> <tr> <td>3999</td> <td>ETR</td> <td>-</td> <td>WD.</td> <td>J2</td> <td>PTD.</td> <td>-</td> <td>3995</td> <td>3\"/> <tr> <td>3999</td> <td>ETR</td> <td>-</td> <td>WD.</td> <td>J2</td> <td>PTD.</td> <td>-</td> <td>3997</td> <td>3\"/>
</td></tr></td></tr></td></tr></td></tr></td></tr></td></tr></td></tr></td></tr></td></tr></td></tr></td></tr></td></tr></td></tr></td></tr></td></tr></td></tr></td></tr></td></tr></td></tr></td></tr></td></tr></td></tr></td></td></tr></td></tr></td></td></tr></td></td></tr></td></td></tr></td></td></tr></td></td></tr></td></td></tr></td></td></tr></td></td></tr></td></tr></td></tr></td></tr></td></td></tr></td></tr></td></tr></td></tr></td></tr></td></td></tr></td></tr></td></tr></td></tr></td></tr></td></tr></td></tr> | 361A | ETR | - | WD. | J2 | PTD. | - | 359 | 3\"/> <tr> <td>362</td> <td>ETR</td> <td>-</td> <td>WD.</td> <td>J2</td> <td>PTD.</td> <td>-</td> <td>360</td> <td>3\"/> <tr> <td>363</td> <td>ETR</td> <td>-</td> <td>WD.</td> <td>J2</td> <td>PTD.</td> <td>-</td> <td>361A</td> <td>3\"/> <tr> <td>364A</td> <td>ETR</td> <td>-</td> <td>WD.</td> <td>J2</td> <td>PTD.</td> <td>-</td> <td>362</td> <td>3\"/> <tr> <td>365</td> <td>ETR</td> <td>-</td> <td>WD.</td> <td>J2</td> <td>PTD.</td> <td>-</td> <td>363</td> <td>3\"/> <tr> <td>366</td> <td>ETR</td> <td>-</td> <td>WD.</td> <td>J2</td> <td>PTD.</td> <td>-</td> <td>364A</td> <td>3\"/> <tr> <td>367</td> <td>B</td> <td>2 <td>HM</td> <td>J1</td> <td>PTD.</td> <td>1 HR.</td> <td>365</td> <td>3\"/> <tr> <td>368</td> <td>ETR</td> <td>-</td> <td>WD.</td> <td>J2</td> <td>PTD.</td> <td>-</td> <td>366</td> <td>3\"/> <tr> <td>369</td> <td>ETR</td> <td>-</td> <td>WD.</td> <td>J2</td> <td>PTD.</td> <td>-</td> <td>367</td> <td>3\"/> <tr> <td>370</td> <td>ETR</td> <td>-</td> <td>WD.</td> <td>J2</td> <td>PTD.</td> <td>-</td> <td>368</td> <td>3\"/> <tr> <td>371</td> <td>ETR</td> <td>-</td> <td>WD.</td> <td>J2</td> <td>PTD.</td> <td>-</td> <td>369</td> <td>3\"/> <tr> <td>372</td> <td>B</td> <td>2 <td>HM</td> <td>J1</td> <td>PTD.</td> <td>1 HR.</td> <td>370</td> <td>3\"/> <tr> <td>373A</td> <td>ETR</td> <td>-</td> <td>WD.</td> <td>J2</td> <td>PTD.</td> <td>-</td> <td>371</td> <td>3\"/> <tr> <td>374B</td> <td>ETR</td> <td>-</td> <td>WD.</td> <td>J2</td> <td>PTD.</td> <td>-</td> <td>372</td> <td>3\"/> <tr> <td>374C</td> <td>ETR</td> <td>-</td> <td>WD.</td> <td>J2</td> <td>PTD.</td> <td>-</td> <td>373A</td> <td>3\"/> <tr> <td>375</td> <td>B</td> <td>1 <td>WD</td> <td>J1</td> <td>PTD.</td> <td>-</td> <td>374B</td> <td>3\"/> <tr> <td>376</td> <td>B</td> <td>1 <td>WD</td> <td>J1</td> <td>PTD.</td> <td>-</td> <td>374C</td> <td>3\"/> <tr> <td>377</td> <td>B</td> <td>1 <td>WD</td> <td>J1</td> <td>PTD.</td> <td>-</td> <td>375</td> <td>3\"/> <tr> <td>377A</td> <td>B</td> <td>1 <td>WD</td> <td>J1</td> <td>PTD.</td> <td>-</td> <td>376</td> <td>3\"/> <tr> <td>378</td> <td>B</td> <td>1 <td>WD</td> <td>J1</td> <td>PTD.</td> <td>-</td> <td>377</td> <td>3\"/> <tr> <td>379</td> <td>B</td> <td>1 <td>WD</td> <td>J1</td> <td>PTD.</td> <td>-</td> <td>377A</td> <td>3\"/> <tr> <td>380A</td>
<td>B</td> <td>1 <td>WD</td> <td>J1</td> <td>PTD.</td> <td>-</td> <td>378</td> <td>3\"/> <tr> <td>380B</td> <td>B</td> <td>1 <td>WD</td> <td>J1</td> <td>PTD.</td> <td>-</td> <td>379</td> <td>3\"/> <tr> <td>382</td> <td>ETR</td> <td>-</td> <td>WD.</td> <td>J2</td> <td>PTD.</td> <td>-</td> <td>380A</td> <td>3\"/> <tr> <td>382A</td> <td>D</td> <td>6 <td>ALUM.</td> <td>ANODIZE D</td> <td>-</td> <td>-</td> <td>380B</td> <td>3\"/> <tr> <td>385</td> <td>ETR</td> <td>-</td> <td>WD.</td> <td>J2</td> <td>PTD.</td> <td>-</td> <td>382</td> <td>3\"/> <tr> <td>386</td> <td>ETR</td> <td>-</td> <td>WD.</td> <td>J2</td> <td>PTD.</td> <td>-</td> <td>382A</td> <td>3\"/> <tr> <td>387</td> <td>ETR</td> <td>-</td> <td>WD.</td> <td>J2</td> <td>PTD.</td> <td>-</td> <td>385</td> <td>3\"/> <tr> <td>388</td> <td>ETR</td> <td>-</td> <td>WD.</td> <td>J2</td> <td>PTD.</td> <td>-</td> <td>386</td> <td>3\"/> <tr> <td>389</td> <td>ETR</td> <td>-</td> <td>WD.</td> <td>J2</td> <td>PTD.</td> <td>-</td> <td>387</td> <td>3\"/> <tr> <td>391</td> <td>ETR</td> <td>-</td> <td>WD.</td> <td>J2</td> <td>PTD.</td> <td>-</td> <td>388</td> <td>3\"/> <tr> <td>391A</td> <td>ETR</td> <td>-</td> <td>WD.</td> <td>J2</td> <td>PTD.</td> <td>-</td> <td>389</td> <td>3\"/> <tr> <td>391B</td> <td>ETR</td> <td>-</td> <td>WD.</td> <td>J2</td> <td>PTD.</td> <td>-</td> <td>391</td> <td>3\"/> <tr> <td>394</td> <td>ETR</td> <td>-</td> <td>WD.</td> <td>J2</td> <td>PTD.</td> <td>-</td> <td>391A</td> <td>3\"/> <tr> <td>395</td> <td>ETR</td> <td>-</td> <td>WD.</td> <td>J2</td> <td>PTD.</td> <td>-</td> <td>391B</td> <td>3\"/> <tr> <td>396</td> <td>ETR</td> <td>-</td> <td>WD.</td> <td>J2</td> <td>PTD.</td> <td>-</td> <td>394</td> <td>3\"/> <tr> <td>398</td> <td>ETR</td> <td>-</td> <td>WD.</td> <td>J2</td> <td>PTD.</td> <td>-</td> <td>395</td> <td>3\"/> <tr> <td>399</td> <td>ETR</td> <td>-</td> <td>WD.</td> <td>J2</td> <td>PTD.</td> <td>-</td> <td>396</td> <td>3\"/> <tr> <td>3991</td> <td>ETR</td> <td>-</td> <td>WD.</td> <td>J2</td> <td>PTD.</td> <td>-</td> <td>398</td> <td>3\"/> <tr> <td>3992</td> <td>A</td> <td>3\"/> <tr> <td>3993</td> <td>ETR</td> <td>-</td> <td>WD.</td> <td>J2</td> <td>PTD.</td> <td>-</td> <td>399</td> <td>3\"/> <tr> <td>3994</td> <td>ETR</td> <td>-</td> <td>WD.</td> <td>J2</td> <td>PTD.</td> <td>-</td> <td>3991</td> <td>3\"/> <tr> <td>3995</td> <td>ETR</td> <td>-</td> <td>WD.</td> <td>J2</td> <td>PTD.</td> <td>-</td> <td>3992</td> <td>3\"/> <tr> <td>3997</td> <td>ETR</td> <td>-</td> <td>WD.</td> <td>J2</td> <td>PTD.</td> <td>-</td> <td>3993</td> <td>3\"/> <tr> <td>3998</td> <td>ETR</td> <td>-</td> <td>WD.</td> <td>J2</td> <td>PTD.</td> <td>-</td> <td>3994</td> <td>3\"/> <tr> <td>3999</td> <td>ETR</td> <td>-</td> <td>WD.</td> <td>J2</td> <td>PTD.</td> <td>-</td> <td>3995</td> <td>3\"/> <tr> <td>3999</td> <td>ETR</td> <td>-</td> <td>WD.</td> <td>J2</td> <td>PTD.</td> <td>-</td> <td>3997</td> <td>3\"/> </td></tr></td></tr></td></tr></td></tr></td></tr></td></tr></td></tr></td></tr></td></tr></td></tr></td></tr></td></tr></td></tr></td></tr></td></tr></td></tr></td></tr></td></tr></td></tr></td></tr></td></tr></td></tr></td></td></tr></td></tr></td></td></tr></td></td></tr></td></td></tr></td></td></tr></td></td></tr></td></td></tr></td></td></tr></td></td></tr></td></tr></td></tr></td></tr></td></td></tr></td></tr></td></tr></td></tr></td></tr></td></td></tr></td></tr></td></tr></td></tr></td></tr></td></tr> | 362 | ETR | -
 | WD. | J2 | PTD. | - | 360 | 3\"/> <tr> <td>363</td> <td>ETR</td> <td>-</td> <td>WD.</td> <td>J2</td> <td>PTD.</td> <td>-</td> <td>361A</td> <td>3\"/> <tr> <td>364A</td> <td>ETR</td> <td>-</td> <td>WD.</td> <td>J2</td> <td>PTD.</td> <td>-</td> <td>362</td> <td>3\"/> <tr> <td>365</td> <td>ETR</td> <td>-</td> <td>WD.</td> <td>J2</td> <td>PTD.</td> <td>-</td> <td>363</td> <td>3\"/> <tr> <td>366</td> <td>ETR</td> <td>-</td> <td>WD.</td> <td>J2</td> <td>PTD.</td> <td>-</td> <td>364A</td> <td>3\"/> <tr> <td>367</td> <td>B</td> <td>2 <td>HM</td> <td>J1</td> <td>PTD.</td> <td>1 HR.</td> <td>365</td> <td>3\"/> <tr> <td>368</td> <td>ETR</td> <td>-</td> <td>WD.</td> <td>J2</td> <td>PTD.</td> <td>-</td> <td>366</td> <td>3\"/> <tr> <td>369</td> <td>ETR</td> <td>-</td> <td>WD.</td> <td>J2</td> <td>PTD.</td> <td>-</td> <td>367</td> <td>3\"/> <tr> <td>370</td> <td>ETR</td> <td>-</td> <td>WD.</td> <td>J2</td> <td>PTD.</td> <td>-</td> <td>368</td> <td>3\"/> <tr> <td>371</td> <td>ETR</td> <td>-</td> <td>WD.</td> <td>J2</td> <td>PTD.</td> <td>-</td> <td>369</td> <td>3\"/> <tr> <td>372</td> <td>B</td> <td>2 <td>HM</td> <td>J1</td> <td>PTD.</td> <td>1 HR.</td> <td>370</td> <td>3\"/> <tr> <td>373A</td> <td>ETR</td> <td>-</td> <td>WD.</td> <td>J2</td> <td>PTD.</td> <td>-</td> <td>371</td> <td>3\"/> <tr> <td>374B</td> <td>ETR</td> <td>-</td> <td>WD.</td> <td>J2</td> <td>PTD.</td> <td>-</td> <td>372</td> <td>3\"/> <tr> <td>374C</td> <td>ETR</td> <td>-</td> <td>WD.</td> <td>J2</td> <td>PTD.</td> <td>-</td> <td>373A</td> <td>3\"/> <tr> <td>375</td> <td>B</td> <td>1 <td>WD</td> <td>J1</td> <td>PTD.</td> <td>-</td> <td>374B</td> <td>3\"/> <tr> <td>376</td> <td>B</td> <td>1 <td>WD</td> <td>J1</td> <td>PTD.</td> <td>-</td> <td>374C</td> <td>3\"/> <tr> <td>377</td> <td>B</td> <td>1 <td>WD</td> <td>J1</td> <td>PTD.</td> <td>-</td> <td>375</td> <td>3\"/> <tr> <td>377A</td> <td>B</td> <td>1 <td>WD</td> <td>J1</td> <td>PTD.</td> <td>-</td> <td>376</td> <td>3\"/> <tr> <td>378</td> <td>B</td> <td>1 <td>WD</td> <td>J1</td> <td>PTD.</td> <td>-</td> <td>377</td> <td>3\"/> <tr> <td>379</td> <td>B</td> <td>1 <td>WD</td> <td>J1</td> <td>PTD.</td> <td>-</td> <td>377A</td> <td>3\"/> <tr> <td>380A</td> <td>B</td> <td>1 <td>WD</td> <td>J1</td> <td>PTD.</td> <td>-</td> <td>378</td> <td>3\"/> <tr> <td>380B</td> <td>B</td> <td>1 <td>WD</td> <td>J1</td> <td>PTD.</td> <td>-</td> <td>379</td> <td>3\"/> <tr> <td>382</td> <td>ETR</td> <td>-</td> <td>WD.</td> <td>J2</td> <td>PTD.</td> <td>-</td> <td>380A</td> <td>3\"/> <tr> <td>382A</td> <td>D</td> <td>6 <td>ALUM.</td> <td>ANODIZE D</td> <td>-</td> <td>-</td> <td>380B</td> <td>3\"/> <tr> <td>385</td> <td>ETR</td> <td>-</td> <td>WD.</td> <td>J2</td> <td>PTD.</td> <td>-</td> <td>382</td> <td>3\"/> <tr> <td>386</td> <td>ETR</td> <td>-</td> <td>WD.</td> <td>J2</td> <td>PTD.</td> <td>-</td> <td>382A</td> <td>3\"/> <tr> <td>387</td> <td>ETR</td> <td>-</td> <td>WD.</td> <td>J2</td> <td>PTD.</td> <td>-</td> <td>385</td> <td>3\"/> <tr> <td>388</td> <td>ETR</td> <td>-</td> <td>WD.</td> <td>J2</td> <td>PTD.</td> <td>-</td> <td>386</td> <td>3\"/> <tr> <td>389</td> <td>ETR</td> <td>-</td> <td>WD.</td> <td>J2</td> <td>PTD.</td> <td>-</td> <td>387</td> <td>3\"/> <tr> <td>391</td> <td>ETR</td> <td>-</td> <td>WD.</td> <td>J2</td> <td>PTD.</td> <td>-</td> <td>388</td> <td>3\"/> <tr> <td>391A</td> <td>ETR</td> <td>-</td> <td>WD.</td> <td>J2</td> <td>PTD.</td> <td>-</td> <td>389</td> <td>3\"/> <tr> <td>391B</td> <td>ETR</td> <td>-</td> <td>WD.</td> <td>J2</td> <td>PTD.</td> <td>-</td> <td>391</td> <td>3\"/> <tr> <td>394</td> <td>ETR</td> <td>-</td> <td>WD.</td> <td>J2</td> <td>PTD.</td> <td>-</td> <td>391A</td> <td>3\"/> <tr> <td>395</td> <td>ETR</td> <td>-</td> <td>WD.</td> <td>J2</td> <td>PTD.</td> <td>-</td> <td>391B</td> <td>3\"/> <tr> <td>396</td> <td>ETR</td> <td>-</td> <td>WD.</td> <td>J2</td> <td>PTD.</td> <td>-</td> <td>394</td> <td>3\"/> <tr> <td>398</td> <td>ETR</td> <td>-</td> <td>WD.</td> <td>J2</td> <td>PTD.</td> <td>-</td> <td>395</td> <td>3\"/> <tr> <td>399</td> <td>ETR</td> <td>-</td> <td>WD.</td> <td>J2</td> <td>PTD.</td> <td>-</td> <td>396</td> <td>3\"/> <tr> <td>3991</td> <td>ETR</td> <td>-</td> <td>WD.</td> <td>J2</td> <td>PTD.</td> <td>-</td> <td>398</td> <td>3\"/> <tr> <td>3992</td> <td>A</td> <td>3\"/> <tr> <td>3993</td> <td>ETR</td> <td>-</td> <td>WD.</td> <td>J2</td> <td>PTD.</td> <td>-</td> <td>399</td> <td>3\"/> <tr> <td>3994</td> <td>ETR</td> <td>-</td> <td>WD.</td> <td>J2</td> <td>PTD.</td> <td>-</td> <td>3991</td> <td>3\"/> <tr> <td>3995</td> <td>ETR</td> <td>-</td> <td>WD.</td> <td>J2</td> <td>PTD.</td> <td>-</td> <td>3992</td> <td>3\"/> <tr> <td>3997</td> <td>ETR</td> <td>-</td> <td>WD.</td> <td>J2</td> <td>PTD.</td> <td>-</td> <td>3993</td> <td>3\"/> <tr> <td>3998</td> <td>ETR</td> <td>-</td> <td>WD.</td> <td>J2</td> <td>PTD.</td> <td>-</td> <td>3994</td> <td>3\"/> <tr> <td>3999</td> <td>ETR</td> <td>-</td> <td>WD.</td> <td>J2</td> <td>PTD.</td> <td>-</td> <td>3995</td> <td>3\"/> <tr> <td>3999</td> <td>ETR</td> <td>-</td> <td>WD.</td> <td>J2</td> <td>PTD.</td> <td>-</td> <td>3997</td> <td>3\"/> </td></tr></td></tr></td></tr></td></tr></td></tr></td></tr></td></tr></td></tr></td></tr></td></tr></td></tr></td></tr></td></tr></td></tr></td></tr></td></tr></td></tr></td></tr></td></tr></td></tr></td></tr></td></tr></td></td></tr></td></tr></td></td></tr></td></td></tr></td></td></tr></td></td></tr></td></td></tr></td></td></tr></td></td></tr></td></td></tr></td></tr></td></tr></td></tr></td></td></tr></td></tr></td></tr></td></tr></td></tr></td></td></tr></td></tr></td></tr></td></tr></td></tr> | 363 | ETR | -
 | WD. | J2 | PTD. | - | 361A | 3\"/> <tr> <td>364A</td> <td>ETR</td> <td>-</td> <td>WD.</td> <td>J2</td> <td>PTD.</td> <td>-</td> <td>362</td> <td>3\"/> <tr> <td>365</td> <td>ETR</td> <td>-</td> <td>WD.</td> <td>J2</td> <td>PTD.</td> <td>-</td> <td>363</td> <td>3\"/> <tr> <td>366</td> <td>ETR</td> <td>-</td> <td>WD.</td> <td>J2</td> <td>PTD.</td> <td>-</td> <td>364A</td> <td>3\"/> <tr> <td>367</td> <td>B</td> <td>2 <td>HM</td> <td>J1</td> <td>PTD.</td> <td>1 HR.</td> <td>365</td> <td>3\"/> <tr> <td>368</td> <td>ETR</td> <td>-</td> <td>WD.</td> <td>J2</td> <td>PTD.</td> <td>-</td> <td>366</td> <td>3\"/> <tr> <td>369</td> <td>ETR</td> <td>-</td> <td>WD.</td> <td>J2</td> <td>PTD.</td> <td>-</td> <td>367</td> <td>3\"/> <tr> <td>370</td> <td>ETR</td> <td>-</td> <td>WD.</td> <td>J2</td> <td>PTD.</td> <td>-</td> <td>368</td> <td>3\"/> <tr> <td>371</td> <td>ETR</td> <td>-</td> <td>WD.</td> <td>J2</td> <td>PTD.</td> <td>-</td> <td>369</td> <td>3\"/> <tr> <td>372</td> <td>B</td> <td>2 <td>HM</td> <td>J1</td> <td>PTD.</td> <td>1 HR.</td> <td>370</td> <td>3\"/> <tr> <td>373A</td> <td>ETR</td> <td>-</td> <td>WD.</td> <td>J2</td> <td>PTD.</td> <td>-</td> <td>371</td> <td>3\"/> <tr> <td>374B</td> <td>ETR</td> <td>-</td> <td>WD.</td> <td>J2</td> <td>PTD.</td> <td>-</td> <td>372</td> <td>3\"/> <tr> <td>374C</td> <td>ETR</td> <td>-</td> <td>WD.</td> <td>J2</td> <td>PTD.</td> <td>-</td> <td>373A</td> <td>3\"/> <tr> <td>375</td> <td>B</td> <td>1 <td>WD</td> <td>J1</td> <td>PTD.</td> <td>-</td> <td>374B</td> <td>3\"/> <tr> <td>376</td> <td>B</td> <td>1 <td>WD</td> <td>J1</td> <td>PTD.</td> <td>-</td> <td>374C</td> <td>3\"/> <tr> <td>377</td> <td>B</td> <td>1 <td>WD</td> <td>J1</td> <td>PTD.</td> <td>-</td> <td>375</td> <td>3\"/> <tr> <td>377A</td> <td>B</td> <td>1 <td>WD</td> <td>J1</td> <td>PTD.</td> <td>-</td> <td>376</td> <td>3\"/> <tr> <td>378</td> <td>B</td> <td>1 <td>WD</td> <td>J1</td> <td>PTD.</td> <td>-</td> <td>377</td> <td>3\"/> <tr> <td>379</td> <td>B</td> <td>1 <td>WD</td> <td>J1</td> <td>PTD.</td> <td>-</td> <td>377A</td> <td>3\"/> <tr> <td>380A</td> <td>B</td> <td>1 <td>WD</td> <td>J1</td> <td>PTD.</td> <td>-</td> <td>378</td> <td>3\"/> <tr> <td>380B</td> <td>B</td> <td>1 <td>WD</td> <td>J1</td> <td>PTD.</td> <td>-</td> <td>379</td> <td>3\"/> <tr> <td>382</td> <td>ETR</td> <td>-</td> <td>WD.</td> <td>J2</td> <td>PTD.</td> <td>-</td> <td>380A</td> <td>3\"/> <tr> <td>382A</td> <td>D</td> <td>6 <td>ALUM.</td> <td>ANODIZE D</td> <td>-</td> <td>-</td> <td>380B</td> <td>3\"/> <tr> <td>385</td> <td>ETR</td> <td>-</td> <td>WD.</td> <td>J2</td> <td>PTD.</td> <td>-</td> <td>382</td> <td>3\"/> <tr> <td>386</td> <td>ETR</td> <td>-</td> <td>WD.</td> <td>J2</td> <td>PTD.</td> <td>-</td> <td>382A</td> <td>3\"/> <tr> <td>387</td> <td>ETR</td> <td>-</td> <td>WD.</td> <td>J2</td> <td>PTD.</td> <td>-</td> <td>385</td> <td>3\"/> <tr> <td>388</td> <td>ETR</td> <td>-</td> <td>WD.</td> <td>J2</td> <td>PTD.</td> <td>-</td> <td>386</td> <td>3\"/> <tr> <td>389</td> <td>ETR</td> <td>-</td> <td>WD.</td> <td>J2</td> <td>PTD.</td> <td>-</td> <td>387</td> <td>3\"/> <tr> <td>391</td> <td>ETR</td> <td>-</td> <td>WD.</td> <td>J2</td> <td>PTD.</td> <td>-</td> <td>388</td> <td>3\"/> <tr> <td>391A</td> <td>ETR</td> <td>-</td> <td>WD.</td> <td>J2</td> <td>PTD.</td> <td>-</td> <td>389</td> <td>3\"/> <tr> <td>391B</td> <td>ETR</td> <td>-</td> <td>WD.</td> <td>J2</td> <td>PTD.</td> <td>-</td> <td>391</td> <td>3\"/> <tr> <td>394</td> <td>ETR</td> <td>-</td> <td>WD.</td> <td>J2</td> <td>PTD.</td> <td>-</td> <td>391A</td> <td>3\"/> <tr> <td>395</td> <td>ETR</td> <td>-</td> <td>WD.</td> <td>J2</td> <td>PTD.</td> <td>-</td> <td>391B</td> <td>3\"/> <tr> <td>396</td> <td>ETR</td> <td>-</td> <td>WD.</td> <td>J2</td> <td>PTD.</td> <td>-</td> <td>394</td> <td>3\"/> <tr> <td>398</td> <td>ETR</td> <td>-</td> <td>WD.</td> <td>J2</td> <td>PTD.</td> <td>-</td> <td>395</td> <td>3\"/> <tr> <td>399</td> <td>ETR</td> <td>-</td> <td>WD.</td> <td>J2</td> <td>PTD.</td> <td>-</td> <td>396</td> <td>3\"/> <tr> <td>3991</td> <td>ETR</td> <td>-</td> <td>WD.</td> <td>J2</td> <td>PTD.</td> <td>-</td> <td>398</td> <td>3\"/> <tr> <td>3992</td> <td>A</td> <td>3\"/> <tr> <td>3993</td> <td>ETR</td> <td>-</td> <td>WD.</td> <td>J2</td> <td>PTD.</td> <td>-</td> <td>399</td> <td>3\"/> <tr> <td>3994</td> <td>ETR</td> <td>-</td> <td>WD.</td> <td>J2</td> <td>PTD.</td> <td>-</td> <td>3991</td> <td>3\"/> <tr> <td>3995</td> <td>ETR</td> <td>-</td> <td>WD.</td> <td>J2</td> <td>PTD.</td> <td>-</td> <td>3992</td> <td>3\"/> <tr> <td>3997</td> <td>ETR</td> <td>-</td> <td>WD.</td> <td>J2</td> <td>PTD.</td> <td>-</td> <td>3993</td> <td>3\"/> <tr> <td>3998</td> <td>ETR</td> <td>-</td> <td>WD.</td> <td>J2</td> <td>PTD.</td> <td>-</td> <td>3994</td> <td>3\"/> <tr> <td>3999</td> <td>ETR</td> <td>-</td> <td>WD.</td> <td>J2</td> <td>PTD.</td> <td>-</td> <td>3995</td> <td>3\"/> <tr> <td>3999</td> <td>ETR</td> <td>-</td> <td>WD.</td> <td>J2</td> <td>PTD.</td> <td>-</td> <td>3997</td> <td>3\"/> </td></tr></td></tr></td></tr></td></tr></td></tr></td></tr></td></tr></td></tr></td></tr></td></tr></td></tr></td></tr></td></tr></td></tr></td></tr></td></tr></td></tr></td></tr></td></tr></td></tr></td></tr></td></tr></td></td></tr></td></tr></td></td></tr></td></td></tr></td></td></tr></td></td></tr></td></td></tr></td></td></tr></td></td></tr></td></td></tr></td></tr></td></tr></td></tr></td></td></tr></td></tr></td></tr></td></tr></td></tr></td></td></tr></td></tr></td></tr></td></tr> | 364A | ETR | -
 | WD. | J2 | PTD. | - | 362 | 3\"/> <tr> <td>365</td> <td>ETR</td> <td>-</td> <td>WD.</td> <td>J2</td> <td>PTD.</td> <td>-</td> <td>363</td> <td>3\"/> <tr> <td>366</td> <td>ETR</td> <td>-</td> <td>WD.</td> <td>J2</td> <td>PTD.</td> <td>-</td> <td>364A</td> <td>3\"/> <tr> <td>367</td> <td>B</td> <td>2 <td>HM</td> <td>J1</td> <td>PTD.</td> <td>1 HR.</td> <td>365</td> <td>3\"/> <tr> <td>368</td> <td>ETR</td> <td>-</td> <td>WD.</td> <td>J2</td> <td>PTD.</td> <td>-</td> <td>366</td> <td>3\"/> <tr> <td>369</td> <td>ETR</td> <td>-</td> <td>WD.</td> <td>J2</td> <td>PTD.</td> <td>-</td> <td>367</td> <td>3\"/> <tr> <td>370</td> <td>ETR</td> <td>-</td> <td>WD.</td> <td>J2</td> <td>PTD.</td> <td>-</td> <td>368</td> <td>3\"/> <tr> <td>371</td> <td>ETR</td> <td>-</td> <td>WD.</td> <td>J2</td> <td>PTD.</td> <td>-</td> <td>369</td> <td>3\"/> <tr> <td>372</td> <td>B</td> <td>2 <td>HM</td> <td>J1</td> <td>PTD.</td> <td>1 HR.</td> <td>370</td> <td>3\"/> <tr> <td>373A</td> <td>ETR</td> <td>-</td> <td>WD.</td> <td>J2</td> <td>PTD.</td> <td>-</td> <td>371</td> <td>3\"/> <tr> <td>374B</td> <td>ETR</td> <td>-</td> <td>WD.</td> <td>J2</td> <td>PTD.</td> <td>-</td> <td>372</td> <td>3\"/> <tr> <td>374C</td> <td>ETR</td> <td>-</td> <td>WD.</td> <td>J2</td> <td>PTD.</td> <td>-</td> <td>373A</td> <td>3\"/> <tr> <td>375</td> <td>B</td> <td>1 <td>WD</td> <td>J1</td> <td>PTD.</td> <td>-</td> <td>374B</td> <td>3\"/> <tr> <td>376</td> <td>B</td> <td>1 <td>WD</td> <td>J1</td> <td>PTD.</td> <td>-</td> <td>374C</td> <td>3\"/> <tr> <td>377</td> <td>B</td> <td>1 <td>WD</td> <td>J1</td> <td>PTD.</td> <td>-</td> <td>375</td> <td>3\"/> <tr> <td>377A</td> <td>B</td> <td>1 <td>WD</td> <td>J1</td> <td>PTD.</td> <td>-</td> <td>376</td> <td>3\"/> <tr> <td>378</td> <td>B</td> <td>1 <td>WD</td> <td>J1</td> <td>PTD.</td> <td>-</td> <td>377</td> <td>3\"/> <tr> <td>379</td> <td>B</td> <td>1 <td>WD</td> <td>J1</td> <td>PTD.</td> <td>-</td> <td>377A</td> <td>3\"/> <tr> <td>380A</td> <td>B</td> <td>1 <td>WD</td> <td>J1</td> <td>PTD.</td> <td>-</td> <td>378</td> <td>3\"/> <tr> <td>380B</td> <td>B</td> <td>1 <td>WD</td> <td>J1</td> <td>PTD.</td> <td>-</td> <td>379</td> <td>3\"/> <tr> <td>382</td> <td>ETR</td> <td>-</td> <td>WD.</td> <td>J2</td> <td>PTD.</td> <td>-</td> <td>380A</td> <td>3\"/> <tr> <td>382A</td> <td>D</td> <td>6 <td>ALUM.</td> <td>ANODIZE D</td> <td>-</td> <td>-</td> <td>380B</td> <td>3\"/> <tr> <td>385</td> <td>ETR</td> <td>-</td> <td>WD.</td> <td>J2</td> <td>PTD.</td> <td>-</td> <td>382</td> <td>3\"/> <tr> <td>386</td> <td>ETR</td> <td>-</td> <td>WD.</td> <td>J2</td> <td>PTD.</td> <td>-</td> <td>382A</td> <td>3\"/> <tr> <td>387</td> <td>ETR</td> <td>-</td> <td>WD.</td> <td>J2</td> <td>PTD.</td> <td>-</td> <td>385</td> <td>3\"/> <tr> <td>388</td> <td>ETR</td> <td>-</td> <td>WD.</td> <td>J2</td> <td>PTD.</td> <td>-</td> <td>386</td> <td>3\"/> <tr> <td>389</td> <td>ETR</td> <td>-</td> <td>WD.</td> <td>J2</td> <td>PTD.</td> <td>-</td> <td>387</td> <td>3\"/> <tr> <td>391</td> <td>ETR</td> <td>-</td> <td>WD.</td> <td>J2</td> <td>PTD.</td> <td>-</td> <td>388</td> <td>3\"/> <tr> <td>391A</td> <td>ETR</td> <td>-</td> <td>WD.</td> <td>J2</td> <td>PTD.</td> <td>-</td> <td>389</td> <td>3\"/> <tr> <td>391B</td> <td>ETR</td> <td>-</td> <td>WD.</td> <td>J2</td> <td>PTD.</td> <td>-</td> <td>391</td> <td>3\"/> <tr> <td>394</td> <td>ETR</td> <td>-</td> <td>WD.</td> <td>J2</td> <td>PTD.</td> <td>-</td> <td>391A</td> <td>3\"/> <tr> <td>395</td> <td>ETR</td> <td>-</td> <td>WD.</td> <td>J2</td> <td>PTD.</td> <td>-</td> <td>391B</td> <td>3\"/> <tr> <td>396</td> <td>ETR</td> <td>-</td> <td>WD.</td> <td>J2</td> <td>PTD.</td> <td>-</td> <td>394</td> <td>3\"/> <tr> <td>398</td> <td>ETR</td> <td>-</td> <td>WD.</td> <td>J2</td> <td>PTD.</td> <td>-</td> <td>395</td> <td>3\"/> <tr> <td>399</td> <td>ETR</td> <td>-</td> <td>WD.</td> <td>J2</td> <td>PTD.</td> <td>-</td> <td>396</td> <td>3\"/> <tr> <td>3991</td> <td>ETR</td> <td>-</td> <td>WD.</td> <td>J2</td> <td>PTD.</td> <td>-</td> <td>398</td> <td>3\"/> <tr> <td>3992</td> <td>A</td> <td>3\"/> <tr> <td>3993</td> <td>ETR</td> <td>-</td> <td>WD.</td> <td>J2</td> <td>PTD.</td> <td>-</td> <td>399</td> <td>3\"/> <tr> <td>3994</td> <td>ETR</td> <td>-</td> <td>WD.</td> <td>J2</td> <td>PTD.</td> <td>-</td> <td>3991</td> <td>3\"/> <tr> <td>3995</td> <td>ETR</td> <td>-</td> <td>WD.</td> <td>J2</td> <td>PTD.</td> <td>-</td> <td>3992</td> <td>3\"/> <tr> <td>3997</td>
<td>ETR</td> <td>-</td> <td>WD.</td> <td>J2</td> <td>PTD.</td> <td>-</td> <td>3993</td> <td>3\"/> <tr> <td>3998</td> <td>ETR</td> <td>-</td> <td>WD.</td> <td>J2</td> <td>PTD.</td> <td>-</td> <td>3994</td> <td>3\"/> <tr> <td>3999</td> <td>ETR</td> <td>-</td> <td>WD.</td> <td>J2</td> <td>PTD.</td> <td>-</td> <td>3995</td> <td>3\"/> <tr> <td>3999</td> <td>ETR</td> <td>-</td> <td>WD.</td> <td>J2</td> <td>PTD.</td> <td>-</td> <td>3997</td> <td>3\"/> </td></tr></td></tr></td></tr></td></tr></td></tr></td></tr></td></tr></td></tr></td></tr></td></tr></td></tr></td></tr></td></tr></td></tr></td></tr></td></tr></td></tr></td></tr></td></tr></td></tr></td></tr></td></tr></td></td></tr></td></tr></td></td></tr></td></td></tr></td></td></tr></td></td></tr></td></td></tr></td></td></tr></td></td></tr></td></td></tr></td></tr></td></tr></td></tr></td></td></tr></td></tr></td></tr></td></tr></td></tr></td></td></tr></td></tr></td></tr> | 365 | ETR | - | WD. | J2 | PTD. | - | 363 | 3\"/> <tr> <td>366</td> <td>ETR</td> <td>-</td> <td>WD.</td> <td>J2</td> <td>PTD.</td> <td>-</td> <td>364A</td> <td>3\"/> <tr> <td>367</td> <td>B</td> <td>2 <td>HM</td> <td>J1</td> <td>PTD.</td> <td>1 HR.</td> <td>365</td> <td>3\"/> <tr> <td>368</td> <td>ETR</td> <td>-</td> <td>WD.</td> <td>J2</td> <td>PTD.</td> <td>-</td> <td>366</td> <td>3\"/> <tr> <td>369</td> <td>ETR</td> <td>-</td> <td>WD.</td> <td>J2</td> <td>PTD.</td> <td>-</td> <td>367</td> <td>3\"/> <tr> <td>370</td> <td>ETR</td> <td>-</td> <td>WD.</td> <td>J2</td> <td>PTD.</td> <td>-</td> <td>368</td> <td>3\"/> <tr> <td>371</td> <td>ETR</td> <td>-</td> <td>WD.</td> <td>J2</td> <td>PTD.</td> <td>-</td> <td>369</td> <td>3\"/> <tr> <td>372</td> <td>B</td> <td>2 <td>HM</td> <td>J1</td> <td>PTD.</td> <td>1 HR.</td> <td>370</td> <td>3\"/> <tr> <td>373A</td> <td>ETR</td> <td>-</td> <td>WD.</td> <td>J2</td> <td>PTD.</td> <td>-</td> <td>371</td> <td>3\"/> <tr> <td>374B</td> <td>ETR</td> <td>-</td> <td>WD.</td> <td>J2</td> <td>PTD.</td> <td>-</td> <td>372</td> <td>3\"/> <tr> <td>374C</td> <td>ETR</td> <td>-</td> <td>WD.</td> <td>J2</td> <td>PTD.</td> <td>-</td> <td>373A</td> <td>3\"/> <tr> <td>375</td> <td>B</td> <td>1 <td>WD</td> <td>J1</td> <td>PTD.</td> <td>-</td> <td>374B</td> <td>3\"/> <tr> <td>376</td> <td>B</td> <td>1 <td>WD</td> <td>J1</td> <td>PTD.</td> <td>-</td> <td>374C</td> <td>3\"/> <tr> <td>377</td> <td>B</td> <td>1 <td>WD</td> <td>J1</td> <td>PTD.</td> <td>-</td> <td>375</td> <td>3\"/> <tr> <td>377A</td> <td>B</td> <td>1 <td>WD</td> <td>J1</td> <td>PTD.</td> <td>-</td> <td>376</td> <td>3\"/> <tr> <td>378</td> <td>B</td> <td>1 <td>WD</td> <td>J1</td> <td>PTD.</td> <td>-</td> <td>377</td> <td>3\"/> <tr> <td>379</td> <td>B</td> <td>1 <td>WD</td> <td>J1</td> <td>PTD.</td> <td>-</td> <td>377A</td> <td>3\"/> <tr> <td>380A</td> <td>B</td> <td>1 <td>WD</td> <td>J1</td> <td>PTD.</td> <td>-</td> <td>378</td> <td>3\"/> <tr> <td>380B</td> <td>B</td> <td>1 <td>WD</td> <td>J1</td> <td>PTD.</td> <td>-</td> <td>379</td> <td>3\"/> <tr> <td>382</td> <td>ETR</td> <td>-</td> <td>WD.</td> <td>J2</td> <td>PTD.</td> <td>-</td> <td>380A</td> <td>3\"/> <tr> <td>382A</td> <td>D</td> <td>6 <td>ALUM.</td> <td>ANODIZE D</td> <td>-</td> <td>-</td> <td>380B</td> <td>3\"/> <tr> <td>385</td> <td>ETR</td> <td>-</td> <td>WD.</td> <td>J2</td> <td>PTD.</td> <td>-</td> <td>382</td> <td>3\"/> <tr>
<td>386</td> <td>ETR</td> <td>-</td> <td>WD.</td> <td>J2</td> <td>PTD.</td> <td>-</td> <td>382A</td> <td>3\"/> <tr> <td>387</td> <td>ETR</td> <td>-</td> <td>WD.</td> <td>J2</td> <td>PTD.</td> <td>-</td> <td>385</td> <td>3\"/> <tr> <td>388</td> <td>ETR</td> <td>-</td> <td>WD.</td> <td>J2</td> <td>PTD.</td> <td>-</td> <td>386</td> <td>3\"/> <tr> <td>389</td> <td>ETR</td> <td>-</td> <td>WD.</td> <td>J2</td> <td>PTD.</td> <td>-</td> <td>387</td> <td>3\"/> <tr> <td>391</td> <td>ETR</td> <td>-</td> <td>WD.</td> <td>J2</td> <td>PTD.</td> <td>-</td> <td>388</td> <td>3\"/> <tr> <td>391A</td> <td>ETR</td> <td>-</td> <td>WD.</td> <td>J2</td> <td>PTD.</td> <td>-</td> <td>389</td> <td>3\"/> <tr> <td>391B</td> <td>ETR</td> <td>-</td> <td>WD.</td> <td>J2</td> <td>PTD.</td> <td>-</td> <td>391</td> <td>3\"/> <tr> <td>394</td> <td>ETR</td> <td>-</td> <td>WD.</td> <td>J2</td> <td>PTD.</td> <td>-</td> <td>391A</td> <td>3\"/> <tr> <td>395</td> <td>ETR</td> <td>-</td> <td>WD.</td> <td>J2</td> <td>PTD.</td> <td>-</td> <td>391B</td> <td>3\"/> <tr> <td>396</td> <td>ETR</td> <td>-</td> <td>WD.</td> <td>J2</td> <td>PTD.</td> <td>-</td> <td>394</td> <td>3\"/> <tr> <td>398</td> <td>ETR</td> <td>-</td> <td>WD.</td> <td>J2</td> <td>PTD.</td> <td>-</td> <td>395</td> <td>3\"/> <tr> <td>399</td> <td>ETR</td> <td>-</td> <td>WD.</td> <td>J2</td> <td>PTD.</td> <td>-</td> <td>396</td> <td>3\"/> <tr> <td>3991</td> <td>ETR</td> <td>-</td> <td>WD.</td> <td>J2</td> <td>PTD.</td> <td>-</td> <td>398</td> <td>3\"/> <tr> <td>3992</td> <td>A</td> <td>3\"/> <tr> <td>3993</td> <td>ETR</td> <td>-</td> <td>WD.</td> <td>J2</td> <td>PTD.</td> <td>-</td> <td>399</td> <td>3\"/> <tr> <td>3994</td> <td>ETR</td> <td>-</td> <td>WD.</td> <td>J2</td> <td>PTD.</td> <td>-</td> <td>3991</td> <td>3\"/> <tr> <td>3995</td> <td>ETR</td> <td>-</td> <td>WD.</td> <td>J2</td> <td>PTD.</td> <td>-</td> <td>3992</td> <td>3\"/> <tr> <td>3997</td> <td>ETR</td> <td>-</td> <td>WD.</td> <td>J2</td> <td>PTD.</td> <td>-</td> <td>3993</td> <td>3\"/> <tr> <td>3998</td> <td>ETR</td> <td>-</td> <td>WD.</td> <td>J2</td> <td>PTD.</td> <td>-</td> <td>3994</td> <td>3\"/> <tr> <td>3999</td> <td>ETR</td> <td>-</td> <td>WD.</td> <td>J2</td> <td>PTD.</td> <td>-</td> <td>3995</td> <td>3\"/> <tr> <td>3999</td> <td>ETR</td> <td>-</td> <td>WD.</td> <td>J2</td> <td>PTD.</td> <td>-</td> <td>3997</td> <td>3\"/> </td></tr></td></tr></td></tr></td></tr></td></tr></td></tr></td></tr></td></tr></td></tr></td></tr></td></tr></td></tr></td></tr></td></tr></td></tr></td></tr></td></tr></td></tr></td></tr></td></tr></td></tr></td></tr></td></td></tr></td></tr></td></td></tr></td></td></tr></td></td></tr></td></td></tr></td></td></tr></td></td></tr></td></td></tr></td></td></tr></td></tr></td></tr></td></tr></td></td></tr></td></tr></td></tr></td></tr></td></tr></td></td></tr></td></tr> | 366 | ETR | - | WD. | J2 | PTD. | - | 364A | 3\"/> <tr> <td>367</td> <td>B</td> <td>2 <td>HM</td> <td>J1</td> <td>PTD.</td> <td>1 HR.</td> <td>365</td> <td>3\"/> <tr> <td>368</td> <td>ETR</td> <td>-</td> <td>WD.</td> <td>J2</td> <td>PTD.</td> <td>-</td> <td>366</td> <td>3\"/> <tr> <td>369</td> <td>ETR</td> <td>-</td> <td>WD.</td> <td>J2</td> <td>PTD.</td> <td>-</td> <td>367</td> <td>3\"/> <tr> <td>370</td> <td>ETR</td> <td>-</td> <td>WD.</td> <td>J2</td> <td>PTD.</td> <td>-</td> <td>368</td> <td>3\"/> <tr> <td>371</td> <td>ETR</td> <td>-</td> <td>WD.</td> <td>J2</td> <td>PTD.</td> <td>-</td> <td>369</td> <td>3\"/> <tr> <td>372</td>
<td>B</td> <td>2 <td>HM</td> <td>J1</td> <td>PTD.</td> <td>1 HR.</td> <td>370</td> <td>3\"/> <tr> <td>373A</td> <td>ETR</td> <td>-</td> <td>WD.</td> <td>J2</td> <td>PTD.</td> <td>-</td> <td>371</td> <td>3\"/> <tr> <td>374B</td> <td>ETR</td> <td>-</td> <td>WD.</td> <td>J2</td> <td>PTD.</td> <td>-</td> <td>372</td> <td>3\"/> <tr> <td>374C</td> <td>ETR</td> <td>-</td> <td>WD.</td> <td>J2</td> <td>PTD.</td> <td>-</td> <td>373A</td> <td>3\"/> <tr> <td>375</td> <td>B</td> <td>1 <td>WD</td> <td>J1</td> <td>PTD.</td> <td>-</td> <td>374B</td> <td>3\"/> <tr> <td>376</td> <td>B</td> <td>1 <td>WD</td> <td>J1</td> <td>PTD.</td> <td>-</td> <td>374C</td> <td>3\"/> <tr> <td>377</td> <td>B</td> <td>1 <td>WD</td> <td>J1</td> <td>PTD.</td> <td>-</td> <td>375</td> <td>3\"/> <tr> <td>377A</td> <td>B</td> <td>1 <td>WD</td> <td>J1</td> <td>PTD.</td> <td>-</td> <td>376</td> <td>3\"/> <tr> <td>378</td> <td>B</td> <td>1 <td>WD</td> <td>J1</td> <td>PTD.</td> <td>-</td> <td>377</td> <td>3\"/> <tr> <td>379</td> <td>B</td> <td>1 <td>WD</td> <td>J1</td> <td>PTD.</td> <td>-</td> <td>377A</td> <td>3\"/> <tr> <td>380A</td> <td>B</td> <td>1 <td>WD</td> <td>J1</td> <td>PTD.</td> <td>-</td> <td>378</td> <td>3\"/> <tr> <td>380B</td> <td>B</td> <td>1 <td>WD</td> <td>J1</td> <td>PTD.</td> <td>-</td> <td>379</td> <td>3\"/> <tr> <td>382</td> <td>ETR</td> <td>-</td> <td>WD.</td> <td>J2</td> <td>PTD.</td> <td>-</td> <td>380A</td> <td>3\"/> <tr> <td>382A</td> <td>D</td> <td>6 <td>ALUM.</td> <td>ANODIZE D</td> <td>-</td> <td>-</td> <td>380B</td> <td>3\"/> <tr> <td>385</td> <td>ETR</td> <td>-</td> <td>WD.</td> <td>J2</td> <td>PTD.</td> <td>-</td> <td>382</td> <td>3\"/> <tr> <td>386</td> <td>ETR</td> <td>-</td> <td>WD.</td> <td>J2</td> <td>PTD.</td> <td>-</td> <td>382A</td> <td>3\"/> <tr> <td>387</td> <td>ETR</td> <td>-</td> <td>WD.</td> <td>J2</td> <td>PTD.</td> <td>-</td> <td>385</td> <td>3\"/> <tr> <td>388</td> <td>ETR</td> <td>-</td> <td>WD.</td> <td>J2</td> <td>PTD.</td> <td>-</td> <td>386</td> <td>3\"/> <tr> <td>389</td> <td>ETR</td> <td>-</td> <td>WD.</td> <td>J2</td> <td>PTD.</td> <td>-</td> <td>387</td> <td>3\"/> <tr> <td>391</td> <td>ETR</td> <td>-</td> <td>WD.</td> <td>J2</td> <td>PTD.</td> <td>-</td> <td>388</td> <td>3\"/> <tr> <td>391A</td> <td>ETR</td> <td>-</td> <td>WD.</td> <td>J2</td> <td>PTD.</td> <td>-</td> <td>389</td> <td>3\"/> <tr> <td>391B</td> <td>ETR</td> <td>-</td> <td>WD.</td> <td>J2</td> <td>PTD.</td> <td>-</td> <td>391</td> <td>3\"/> <tr> <td>394</td> <td>ETR</td> <td>-</td> <td>WD.</td> <td>J2</td> <td>PTD.</td> <td>-</td> <td>391A</td> <td>3\"/> <tr> <td>395</td> <td>ETR</td> <td>-</td> <td>WD.</td> <td>J2</td> <td>PTD.</td> <td>-</td> <td>391B</td> <td>3\"/> <tr> <td>396</td> <td>ETR</td> <td>-</td> <td>WD.</td> <td>J2</td> <td>PTD.</td> <td>-</td> <td>394</td> <td>3\"/> <tr> <td>398</td> <td>ETR</td> <td>-</td> <td>WD.</td> <td>J2</td> <td>PTD.</td> <td>-</td> <td>395</td> <td>3\"/> <tr> <td>399</td> <td>ETR</td> <td>-</td> <td>WD.</td> <td>J2</td> <td>PTD.</td> <td>-</td> <td>396</td> <td>3\"/> <tr> <td>3991</td> <td>ETR</td> <td>-</td> <td>WD.</td> <td>J2</td> <td>PTD.</td> <td>-</td> <td>398</td> <td>3\"/> <tr> <td>3992</td> <td>A</td> <td>3\"/> <tr> <td>3993</td> <td>ETR</td> <td>-</td> <td>WD.</td> <td>J2</td> <td>PTD.</td> <td>-</td> <td>399</td> <td>3\"/> <tr> <td>3994</td> <td>ETR</td> <td>-</td> <td>WD.</td> <td>J2</td> <td>PTD.</td> <td>-</td> <td>3991</td> <td>3\"/> <tr> <td>3995</td> <td>ETR</td> <td>-</td> <td>WD.</td> <td>J2</td> <td>PTD.</td> <td>-</td> <td>3992</td> <td>3\"/> <tr> <td>3997</td> <td>ETR</td> <td>-</td> <td>WD.</td> <td>J2</td> <td>PTD.</td> <td>-</td> <td>3993</td> <td>3\"/> <tr> <td>3998</td> <td>ETR</td> <td>-</td> <td>WD.</td> <td>J2</td> <td>PTD.</td> <td>-</td> <td>3994</td> <td>3\"/> <tr> <td>3999</td> <td>ETR</td> <td>-</td> <td>WD.</td> <td>J2</td> <td>PTD.</td> <td>-</td> <td>3995</td> <td>3\"/> <tr> <td>3999</td> <td>ETR</td> <td>-</td> <td>WD.</td> <td>J2</td> <td>PTD.</td> <td>-</td> <td>3997</td> <td>3\"/> </td></tr></td></tr></td></tr></td></tr></td></tr></td></tr></td></tr></td></tr></td></tr></td></tr></td></tr></td></tr></td></tr></td></tr></td></tr></td></tr></td></tr></td></tr></td></tr></td></tr></td></tr></td></tr></td></td></tr></td></tr></td></td></tr></td></td></tr></td></td></tr></td></td></tr></td></td></tr></td></td></tr></td></td></tr></td></td></tr></td></tr></td></tr></td></tr></td></td></tr></td></tr></td></tr></td></tr></td></tr></td></td></tr> | 367 | B | 2 <td>HM</td> <td>J1</td> <td>PTD.</td> <td>1 HR.</td> <td>365</td> <td>3\"/> <tr> <td>368</td> <td>ETR</td> <td>-</td> <td>WD.</td> <td>J2</td> <td>PTD.</td> <td>-</td> <td>366</td> <td>3\"/> <tr> <td>369</td> <td>ETR</td> <td>-</td> <td>WD.</td> <td>J2</td> <td>PTD.</td> <td>-</td> <td>367</td> <td>3\"/> <tr> <td>370</td> <td>ETR</td> <td>-</td> <td>WD.</td> <td>J2</td> <td>PTD.</td> <td>-</td> <td>368</td> <td>3\"/> <tr> <td>371</td> <td>ETR</td> <td>-</td> <td>WD.</td> <td>J2</td> <td>PTD.</td> <td>-</td> <td>369</td> <td>3\"/> <tr> <td>372</td> <td>B</td> <td>2 <td>HM</td> <td>J1</td> <td>PTD.</td> <td>1 HR.</td> <td>370</td> <td>3\"/> <tr> <td>373A</td> <td>ETR</td> <td>-</td> <td>WD.</td> <td>J2</td> <td>PTD.</td> <td>-</td> <td>371</td> <td>3\"/> <tr> <td>374B</td> <td>ETR</td> <td>-</td> <td>WD.</td> <td>J2</td> <td>PTD.</td> <td>-</td> <td>372</td> <td>3\"/> <tr> <td>374C</td> <td>ETR</td> <td>-</td> <td>WD.</td> <td>J2</td> <td>PTD.</td> <td>-</td> <td>373A</td> <td>3\"/> <tr> <td>375</td> <td>B</td> <td>1 <td>WD</td> <td>J1</td> <td>PTD.</td> <td>-</td> <td>374B</td> <td>3\"/> <tr> <td>376</td> <td>B</td> <td>1 <td>WD</td> <td>J1</td> <td>PTD.</td> <td>-</td> <td>374C</td> <td>3\"/> <tr> <td>377</td> <td>B</td> <td>1 <td>WD</td> <td>J1</td> <td>PTD.</td> <td>-</td> <td>375</td> <td>3\"/> <tr> <td>377A</td> <td>B</td> <td>1 <td>WD</td> <td>J1</td> <td>PTD.</td> <td>-</td> <td>376</td> <td>3\"/> <tr> <td>378</td> <td>B</td> <td>1 <td>WD</td> <td>J1</td> <td>PTD.</td> <td>-</td> <td>377</td> <td>3\"/> <tr> <td>379</td> <td>B</td> <td>1 <td>WD</td> <td>J1</td> <td>PTD.</td> <td>-</td> <td>377A</td> <td>3\"/> <tr> <td>380A</td> <td>B</td> <td>1 <td>WD</td> <td>J1</td> <td>PTD.</td> <td>-</td> <td>378</td> <td>3\"/> <tr> <td>380B</td> <td>B</td> <td>1 <td>WD</td> <td>J1</td> <td>PTD.</td> <td>-</td> <td>379</td> <td>3\"/> <tr> <td>382</td> <td>ETR</td> <td>-</td> <td>WD.</td> <td>J2</td> <td>PTD.</td> <td>-</td> <td>380A</td> <td>3\"/> <tr> <td>382A</td> <td>D</td> <td>6 <td>ALUM.</td> <td>ANODIZE D</td> <td>-</td> <td>-</td> <td>380B</td> <td>3\"/> <tr> <td>385</td> <td>ETR</td> <td>-</td> <td>WD.</td> <td>J2</td> <td>PTD.</td> <td>-</td> <td>382</td> <td>3\"/> <tr> <td>386</td> <td>ETR</td> <td>-</td> <td>WD.</td> <td>J2</td> <td>PTD.</td> <td>-</td> <td>382A</td> <td>3\"/> <tr> <td>387</td> <td>ETR</td> <td>-</td> <td>WD.</td> <td>J2</td> <td>PTD.</td> <td>-</td> <td>385</td> <td>3\"/> <tr> <td>388</td> <td>ETR</td> <td>-</td> <td>WD.</td> <td>J2</td> <td>PTD.</td> <td>-</td> <td>386</td> <td>3\"/> <tr> <td>389</td> <td>ETR</td> <td>-</td> <td>WD.</td> <td>J2</td> <td>PTD.</td> <td>-</td> <td>387</td> <td>3\"/> <tr> <td>391</td> <td>ETR</td> <td>-</td> <td>WD.</td> <td>J2</td> <td>PTD.</td> <td>-</td> <td>388</td> <td>3\"/> <tr> <td>391A</td> <td>ETR</td> <td>-</td> <td>WD.</td> <td>J2</td> <td>PTD.</td> <td>-</td> <td>389</td> <td>3\"/> <tr> <td>391B</td> <td>ETR</td> <td>-</td> <td>WD.</td> <td>J2</td> <td>PTD.</td> <td>-</td> <td>391</td> <td>3\"/> <tr> <td>394</td> <td>ETR</td> <td>-</td> <td>WD.</td> <td>J2</td> <td>PTD.</td> <td>-</td> <td>391A</td> <td>3\"/> <tr> <td>395</td> <td>ETR</td> <td>-</td> <td>WD.</td> <td>J2</td> <td>PTD.</td> <td>-</td> <td>391B</td> <td>3\"/> <tr> <td>396</td> <td>ETR</td> <td>-</td> <td>WD.</td> <td>J2</td> <td>PTD.</td> <td>-</td> <td>394</td> <td>3\"/> <tr> <td>398</td> <td>ETR</td> <td>-</td> <td>WD.</td> <td>J2</td> <td>PTD.</td> <td>-</td> <td>395</td> <td>3\"/> <tr> <td>399</td> <td>ETR</td> <td>-</td> <td>WD.</td> <td>J2</td> <td>PTD.</td> <td>-</td> <td>396</td> <td>3\"/> <tr> <td>3991</td> <td>ETR</td> <td>-</td> <td>WD.</td> <td>J2</td> <td>PTD.</td> <td>-</td> <td>398</td> <td>3\"/> <tr> <td>3992</td> <td>A</td> <td>3\"/> <tr> <td>3993</td> <td>ETR</td> <td>-</td> <td>WD.</td> <td>J2</td> <td>PTD.</td> <td>-</td> <td>399</td> <td>3\"/> <tr> <td>3994</td> <td>ETR</td> <td>-</td> <td>WD.</td> <td>J2</td> <td>PTD.</td> <td>-</td> <td>3991</td> <td>3\"/> <tr> <td>3995</td> <td>ETR</td> <td>-</td> <td>WD.</td> <td>J2</td> <td>PTD.</td> <td>-</td> <td>3992</td> <td>3\"/> <tr> <td>3997</td> <td>ETR</td> <td>-</td> <td>WD.</td> <td>J2</td> <td>PTD.</td> <td>-</td> <td>3993</td> <td>3\"/> <tr> <td>3998</td> <td>ETR</td> <td>-</td> <td>WD.</td> <td>J2</td> <td>PTD.</td> <td>-</td> <td>3994</td> <td>3\"/> <tr> <td>3999</td> <td>ETR</td> <td>-</td> <td>WD.</td> <td>J2</td> <td>PTD.</td> <td>-</td> <td>3995</td> <td>3\"/> <tr> <td>3999</td> <td>ETR</td> <td>-</td> <td>WD.</td> <td>J2</td> <td>PTD.</td> <td>-</td> <td>3997</td> <td>3\"/>
</td></tr></td></tr></td></tr></td></tr></td></tr></td></tr></td></tr></td></tr></td></tr></td></tr></td></tr></td></tr></td></tr></td></tr></td></tr></td></tr></td></tr></td></tr></td></tr></td></tr></td></tr></td></tr></td></td></tr></td></tr></td></td></tr></td></td></tr></td></td></tr></td></td></tr></td></td></tr></td></td></tr></td></td></tr></td></td></tr></td></tr></td></tr></td></tr></td></td></tr></td></tr></td></tr></td></tr></td></tr></td> | HM | J1 | PTD. | 1 HR. | 365 | 3\"/> <tr> <td>368</td> <td>ETR</td> <td>-</td> <td>WD.</td> <td>J2</td> <td>PTD.</td> <td>-</td> <td>366</td> <td>3\"/> <tr> <td>369</td> <td>ETR</td> <td>-</td> <td>WD.</td> <td>J2</td> <td>PTD.</td> <td>-</td> <td>367</td> <td>3\"/> <tr> <td>370</td> <td>ETR</td> <td>-</td> <td>WD.</td> <td>J2</td> <td>PTD.</td> <td>-</td> <td>368</td> <td>3\"/> <tr> <td>371</td> <td>ETR</td> <td>-</td> <td>WD.</td> <td>J2</td> <td>PTD.</td> <td>-</td> <td>369</td> <td>3\"/> <tr> <td>372</td> <td>B</td> <td>2 <td>HM</td> <td>J1</td> <td>PTD.</td> <td>1 HR.</td> <td>370</td> <td>3\"/> <tr> <td>373A</td> <td>ETR</td> <td>-</td> <td>WD.</td> <td>J2</td> <td>PTD.</td> <td>-</td> <td>371</td> <td>3\"/> <tr> <td>374B</td> <td>ETR</td> <td>-</td> <td>WD.</td> <td>J2</td> <td>PTD.</td> <td>-</td> <td>372</td> <td>3\"/> <tr> <td>374C</td> <td>ETR</td> <td>-</td> <td>WD.</td> <td>J2</td> <td>PTD.</td> <td>-</td> <td>373A</td> <td>3\"/> <tr> <td>375</td> <td>B</td> <td>1 <td>WD</td> <td>J1</td> <td>PTD.</td> <td>-</td> <td>374B</td> <td>3\"/> <tr> <td>376</td> <td>B</td> <td>1 <td>WD</td> <td>J1</td> <td>PTD.</td> <td>-</td> <td>374C</td> <td>3\"/> <tr> <td>377</td> <td>B</td> <td>1 <td>WD</td> <td>J1</td> <td>PTD.</td> <td>-</td> <td>375</td> <td>3\"/> <tr> <td>377A</td> <td>B</td> <td>1 <td>WD</td> <td>J1</td> <td>PTD.</td> <td>-</td> <td>376</td> <td>3\"/> <tr> <td>378</td> <td>B</td> <td>1 <td>WD</td> <td>J1</td> <td>PTD.</td> <td>-</td> <td>377</td> <td>3\"/> <tr> <td>379</td> <td>B</td> <td>1 <td>WD</td> <td>J1</td> <td>PTD.</td> <td>-</td> <td>377A</td> <td>3\"/> <tr> <td>380A</td> <td>B</td> <td>1 <td>WD</td> <td>J1</td> <td>PTD.</td> <td>-</td> <td>378</td> <td>3\"/> <tr> <td>380B</td> <td>B</td> <td>1 <td>WD</td> <td>J1</td> <td>PTD.</td> <td>-</td> <td>379</td> <td>3\"/> <tr> <td>382</td> <td>ETR</td> <td>-</td> <td>WD.</td> <td>J2</td> <td>PTD.</td> <td>-</td> <td>380A</td> <td>3\"/> <tr> <td>382A</td> <td>D</td> <td>6 <td>ALUM.</td> <td>ANODIZE D</td> <td>-</td> <td>-</td> <td>380B</td> <td>3\"/> <tr> <td>385</td> <td>ETR</td> <td>-</td> <td>WD.</td> <td>J2</td> <td>PTD.</td> <td>-</td> <td>382</td> <td>3\"/> <tr> <td>386</td> <td>ETR</td> <td>-</td> <td>WD.</td> <td>J2</td> <td>PTD.</td> <td>-</td> <td>382A</td> <td>3\"/> <tr> <td>387</td> <td>ETR</td> <td>-</td> <td>WD.</td> <td>J2</td> <td>PTD.</td> <td>-</td> <td>385</td> <td>3\"/> <tr> <td>388</td> <td>ETR</td> <td>-</td> <td>WD.</td> <td>J2</td> <td>PTD.</td> <td>-</td> <td>386</td> <td>3\"/> <tr> <td>389</td> <td>ETR</td> <td>-</td> <td>WD.</td> <td>J2</td> <td>PTD.</td> <td>-</td> <td>387</td> <td>3\"/> <tr> <td>391</td> <td>ETR</td> <td>-</td> <td>WD.</td> <td>J2</td> <td>PTD.</td> <td>-</td> <td>388</td> <td>3\"/> <tr> <td>391A</td> <td>ETR</td> <td>-</td> <td>WD.</td> <td>J2</td> <td>PTD.</td> <td>-</td> <td>389</td> <td>3\"/> <tr> <td>391B</td> <td>ETR</td> <td>-</td> <td>WD.</td> <td>J2</td> <td>PTD.</td> <td>-</td> <td>391</td> <td>3\"/> <tr> <td>394</td> <td>ETR</td> <td>-</td> <td>WD.</td> <td>J2</td> <td>PTD.</td> <td>-</td> <td>391A</td> <td>3\"/> <tr> <td>395</td> <td>ETR</td> <td>-</td> <td>WD.</td> <td>J2</td> <td>PTD.</td> <td>-</td> <td>391B</td> <td>3\"/> <tr> <td>396</td> <td>ETR</td> <td>-</td> <td>WD.</td> <td>J2</td> <td>PTD.</td> <td>-</td> <td>394</td> <td>3\"/> <tr> <td>398</td> <td>ETR</td> <td>-</td> <td>WD.</td> <td>J2</td> <td>PTD.</td> <td>-</td> <td>395</td> <td>3\"/> <tr> <td>399</td> <td>ETR</td> <td>-</td> <td>WD.</td> <td>J2</td> <td>PTD.</td> <td>-</td> <td>396</td> <td>3\"/> <tr> <td>3991</td> <td>ETR</td> <td>-</td> <td>WD.</td> <td>J2</td> <td>PTD.</td> <td>-</td> <td>398</td> <td>3\"/> <tr> <td>3992</td> <td>A</td> <td>3\"/> <tr> <td>3993</td> <td>ETR</td> <td>-</td> <td>WD.</td> <td>J2</td> <td>PTD.</td> <td>-</td> <td>399</td> <td>3\"/> <tr> <td>3994</td> <td>ETR</td> <td>-</td> <td>WD.</td> <td>J2</td> <td>PTD.</td> <td>-</td> <td>3991</td> <td>3\"/> <tr> <td>3995</td> <td>ETR</td> <td>-</td> <td>WD.</td> <td>J2</td> <td>PTD.</td> <td>-</td> <td>3992</td> <td>3\"/> <tr> <td>3997</td> <td>ETR</td> <td>-</td> <td>WD.</td> <td>J2</td> <td>PTD.</td> <td>-</td> <td>3993</td> <td>3\"/> <tr> <td>3998</td> <td>ETR</td> <td>-</td> <td>WD.</td> <td>J2</td> <td>PTD.</td> <td>-</td> <td>3994</td> <td>3\"/> <tr> <td>3999</td> <td>ETR</td> <td>-</td> <td>WD.</td> <td>J2</td> <td>PTD.</td> <td>-</td> <td>3995</td> <td>3\"/> <tr> <td>3999</td> <td>ETR</td> <td>-</td> <td>WD.</td> <td>J2</td> <td>PTD.</td> <td>-</td> <td>3997</td> <td>3\"/> </td></tr></td></tr></td></tr></td></tr></td></tr></td></tr></td></tr></td></tr></td></tr></td></tr></td></tr></td></tr></td></tr></td></tr></td></tr></td></tr></td></tr></td></tr></td></tr></td></tr></td></tr></td></tr></td></td></tr></td></tr></td></td></tr></td></td></tr></td></td></tr></td></td></tr></td></td></tr></td></td></tr></td></td></tr></td></td></tr></td></tr></td></tr></td></tr></td></td></tr></td></tr></td></tr></td></tr></td></tr> | 368 | ETR | -
 | WD. | J2 | PTD. | - | 366 | 3\"/> <tr> <td>369</td> <td>ETR</td> <td>-</td> <td>WD.</td> <td>J2</td> <td>PTD.</td> <td>-</td> <td>367</td> <td>3\"/> <tr> <td>370</td> <td>ETR</td> <td>-</td> <td>WD.</td> <td>J2</td> <td>PTD.</td> <td>-</td> <td>368</td> <td>3\"/> <tr> <td>371</td> <td>ETR</td> <td>-</td> <td>WD.</td> <td>J2</td> <td>PTD.</td> <td>-</td> <td>369</td> <td>3\"/> <tr> <td>372</td> <td>B</td> <td>2 <td>HM</td> <td>J1</td> <td>PTD.</td> <td>1 HR.</td> <td>370</td> <td>3\"/> <tr> <td>373A</td> <td>ETR</td> <td>-</td> <td>WD.</td> <td>J2</td> <td>PTD.</td> <td>-</td> <td>371</td> <td>3\"/> <tr> <td>374B</td> <td>ETR</td> <td>-</td> <td>WD.</td> <td>J2</td> <td>PTD.</td> <td>-</td> <td>372</td> <td>3\"/> <tr> <td>374C</td> <td>ETR</td> <td>-</td> <td>WD.</td> <td>J2</td> <td>PTD.</td> <td>-</td> <td>373A</td> <td>3\"/> <tr> <td>375</td> <td>B</td> <td>1 <td>WD</td> <td>J1</td> <td>PTD.</td> <td>-</td> <td>374B</td> <td>3\"/> <tr> <td>376</td> <td>B</td> <td>1 <td>WD</td> <td>J1</td> <td>PTD.</td> <td>-</td> <td>374C</td> <td>3\"/> <tr> <td>377</td> <td>B</td> <td>1 <td>WD</td> <td>J1</td> <td>PTD.</td> <td>-</td> <td>375</td> <td>3\"/> <tr> <td>377A</td> <td>B</td> <td>1 <td>WD</td> <td>J1</td> <td>PTD.</td> <td>-</td> <td>376</td> <td>3\"/> <tr> <td>378</td> <td>B</td> <td>1 <td>WD</td> <td>J1</td> <td>PTD.</td> <td>-</td> <td>377</td> <td>3\"/> <tr> <td>379</td> <td>B</td> <td>1 <td>WD</td> <td>J1</td> <td>PTD.</td> <td>-</td> <td>377A</td> <td>3\"/> <tr> <td>380A</td> <td>B</td> <td>1 <td>WD</td> <td>J1</td> <td>PTD.</td> <td>-</td> <td>378</td> <td>3\"/> <tr> <td>380B</td> <td>B</td> <td>1 <td>WD</td> <td>J1</td> <td>PTD.</td> <td>-</td> <td>379</td> <td>3\"/> <tr> <td>382</td> <td>ETR</td> <td>-</td> <td>WD.</td> <td>J2</td> <td>PTD.</td> <td>-</td> <td>380A</td> <td>3\"/> <tr> <td>382A</td> <td>D</td> <td>6 <td>ALUM.</td> <td>ANODIZE D</td> <td>-</td> <td>-</td> <td>380B</td> <td>3\"/> <tr> <td>385</td> <td>ETR</td> <td>-</td> <td>WD.</td> <td>J2</td> <td>PTD.</td> <td>-</td> <td>382</td> <td>3\"/> <tr> <td>386</td> <td>ETR</td> <td>-</td> <td>WD.</td> <td>J2</td> <td>PTD.</td> <td>-</td> <td>382A</td> <td>3\"/> <tr> <td>387</td> <td>ETR</td> <td>-</td> <td>WD.</td> <td>J2</td> <td>PTD.</td> <td>-</td> <td>385</td> <td>3\"/> <tr> <td>388</td> <td>ETR</td> <td>-</td> <td>WD.</td> <td>J2</td> <td>PTD.</td> <td>-</td> <td>386</td> <td>3\"/> <tr> <td>389</td> <td>ETR</td> <td>-</td> <td>WD.</td> <td>J2</td> <td>PTD.</td> <td>-</td> <td>387</td> <td>3\"/> <tr> <td>391</td> <td>ETR</td> <td>-</td> <td>WD.</td> <td>J2</td> <td>PTD.</td> <td>-</td> <td>388</td> <td>3\"/> <tr> <td>391A</td> <td>ETR</td> <td>-</td> <td>WD.</td> <td>J2</td> <td>PTD.</td> <td>-</td> <td>389</td> <td>3\"/> <tr> <td>391B</td> <td>ETR</td> <td>-</td> <td>WD.</td> <td>J2</td> <td>PTD.</td> <td>-</td> <td>391</td> <td>3\"/> <tr> <td>394</td> <td>ETR</td> <td>-</td> <td>WD.</td> <td>J2</td> <td>PTD.</td> <td>-</td> <td>391A</td> <td>3\"/> <tr> <td>395</td> <td>ETR</td> <td>-</td> <td>WD.</td> <td>J2</td> <td>PTD.</td> <td>-</td> <td>391B</td> <td>3\"/> <tr> <td>396</td> <td>ETR</td> <td>-</td> <td>WD.</td> <td>J2</td> <td>PTD.</td> <td>-</td> <td>394</td> <td>3\"/> <tr> <td>398</td> <td>ETR</td> <td>-</td> <td>WD.</td> <td>J2</td> <td>PTD.</td> <td>-</td> <td>395</td> <td>3\"/> <tr> <td>399</td> <td>ETR</td> <td>-</td> <td>WD.</td> <td>J2</td> <td>PTD.</td> <td>-</td> <td>396</td> <td>3\"/> <tr> <td>3991</td> <td>ETR</td> <td>-</td> <td>WD.</td> <td>J2</td> <td>PTD.</td> <td>-</td> <td>398</td> <td>3\"/> <tr> <td>3992</td> <td>A</td> <td>3\"/> <tr> <td>3993</td> <td>ETR</td> <td>-</td> <td>WD.</td> <td>J2</td> <td>PTD.</td> <td>-</td> <td>399</td> <td>3\"/> <tr> <td>3994</td> <td>ETR</td> <td>-</td> <td>WD.</td> <td>J2</td> <td>PTD.</td> <td>-</td> <td>3991</td> <td>3\"/> <tr> <td>3995</td> <td>ETR</td> <td>-</td> <td>WD.</td> <td>J2</td> <td>PTD.</td> <td>-</td> <td>3992</td> <td>3\"/> <tr> <td>3997</td> <td>ETR</td> <td>-</td> <td>WD.</td> <td>J2</td> <td>PTD.</td> <td>-</td> <td>3993</td> <td>3\"/> <tr> <td>3998</td> <td>ETR</td> <td>-</td> <td>WD.</td> <td>J2</td> <td>PTD.</td> <td>-</td> <td>3994</td> <td>3\"/> <tr> <td>3999</td> <td>ETR</td> <td>-</td> <td>WD.</td> <td>J2</td> <td>PTD.</td> <td>-</td> <td>3995</td> <td>3\"/> <tr> <td>3999</td> <td>ETR</td> <td>-</td> <td>WD.</td> <td>J2</td> <td>PTD.</td> <td>-</td> <td>3997</td> <td>3\"/> </td></tr></td></tr></td></tr></td></tr></td></tr></td></tr></td></tr></td></tr></td></tr></td></tr></td></tr></td></tr></td></tr></td></tr></td></tr></td></tr></td></tr></td></tr></td></tr></td></tr></td></tr></td></tr></td></td></tr></td></tr></td></td></tr></td></td></tr></td></td></tr></td></td></tr></td></td></tr></td></td></tr></td></td></tr></td></td></tr></td></tr></td></tr></td></tr></td></td></tr></td></tr></td></tr></td></tr> | 369 | ETR | -
 | WD. | J2 | PTD. | - | 367 | 3\"/> <tr> <td>370</td> <td>ETR</td> <td>-</td> <td>WD.</td> <td>J2</td> <td>PTD.</td> <td>-</td> <td>368</td> <td>3\"/> <tr> <td>371</td> <td>ETR</td> <td>-</td> <td>WD.</td> <td>J2</td> <td>PTD.</td> <td>-</td> <td>369</td> <td>3\"/> <tr> <td>372</td> <td>B</td> <td>2 <td>HM</td> <td>J1</td> <td>PTD.</td> <td>1 HR.</td> <td>370</td> <td>3\"/> <tr> <td>373A</td> <td>ETR</td> <td>-</td> <td>WD.</td> <td>J2</td> <td>PTD.</td> <td>-</td> <td>371</td> <td>3\"/> <tr> <td>374B</td> <td>ETR</td> <td>-</td> <td>WD.</td> <td>J2</td> <td>PTD.</td> <td>-</td> <td>372</td> <td>3\"/> <tr> <td>374C</td> <td>ETR</td> <td>-</td> <td>WD.</td> <td>J2</td> <td>PTD.</td> <td>-</td> <td>373A</td> <td>3\"/> <tr> <td>375</td> <td>B</td> <td>1 <td>WD</td> <td>J1</td> <td>PTD.</td> <td>-</td> <td>374B</td> <td>3\"/> <tr> <td>376</td> <td>B</td> <td>1 <td>WD</td> <td>J1</td> <td>PTD.</td> <td>-</td> <td>374C</td> <td>3\"/> <tr> <td>377</td> <td>B</td> <td>1 <td>WD</td> <td>J1</td> <td>PTD.</td> <td>-</td> <td>375</td> <td>3\"/> <tr> <td>377A</td> <td>B</td> <td>1 <td>WD</td> <td>J1</td> <td>PTD.</td> <td>-</td> <td>376</td> <td>3\"/> <tr> <td>378</td> <td>B</td> <td>1 <td>WD</td> <td>J1</td> <td>PTD.</td> <td>-</td> <td>377</td> <td>3\"/> <tr> <td>379</td> <td>B</td> <td>1 <td>WD</td> <td>J1</td> <td>PTD.</td> <td>-</td> <td>377A</td> <td>3\"/> <tr> <td>380A</td> <td>B</td> <td>1 <td>WD</td> <td>J1</td> <td>PTD.</td> <td>-</td> <td>378</td> <td>3\"/> <tr> <td>380B</td> <td>B</td> <td>1 <td>WD</td> <td>J1</td> <td>PTD.</td> <td>-</td> <td>379</td> <td>3\"/> <tr> <td>382</td> <td>ETR</td> <td>-</td> <td>WD.</td> <td>J2</td> <td>PTD.</td> <td>-</td> <td>380A</td> <td>3\"/> <tr> <td>382A</td> <td>D</td> <td>6 <td>ALUM.</td> <td>ANODIZE D</td> <td>-</td> <td>-</td> <td>380B</td> <td>3\"/> <tr> <td>385</td> <td>ETR</td> <td>-</td> <td>WD.</td> <td>J2</td> <td>PTD.</td> <td>-</td> <td>382</td> <td>3\"/> <tr> <td>386</td> <td>ETR</td> <td>-</td> <td>WD.</td> <td>J2</td> <td>PTD.</td> <td>-</td> <td>382A</td> <td>3\"/> <tr> <td>387</td> <td>ETR</td> <td>-</td> <td>WD.</td> <td>J2</td> <td>PTD.</td> <td>-</td> <td>385</td> <td>3\"/> <tr> <td>388</td> <td>ETR</td> <td>-</td> <td>WD.</td> <td>J2</td> <td>PTD.</td> <td>-</td> <td>386</td> <td>3\"/> <tr> <td>389</td> <td>ETR</td> <td>-</td> <td>WD.</td> <td>J2</td> <td>PTD.</td> <td>-</td> <td>387</td> <td>3\"/> <tr> <td>391</td> <td>ETR</td> <td>-</td> <td>WD.</td> <td>J2</td> <td>PTD.</td> <td>-</td> <td>388</td> <td>3\"/> <tr> <td>391A</td> <td>ETR</td> <td>-</td> <td>WD.</td> <td>J2</td> <td>PTD.</td> <td>-</td> <td>389</td> <td>3\"/> <tr> <td>391B</td> <td>ETR</td> <td>-</td> <td>WD.</td> <td>J2</td> <td>PTD.</td> <td>-</td> <td>391</td> <td>3\"/> <tr> <td>394</td> <td>ETR</td> <td>-</td> <td>WD.</td> <td>J2</td> <td>PTD.</td> <td>-</td> <td>391A</td> <td>3\"/> <tr> <td>395</td> <td>ETR</td> <td>-</td> <td>WD.</td> <td>J2</td> <td>PTD.</td> <td>-</td> <td>391B</td> <td>3\"/> <tr> <td>396</td> <td>ETR</td> <td>-</td> <td>WD.</td> <td>J2</td> <td>PTD.</td> <td>-</td> <td>394</td> <td>3\"/> <tr> <td>398</td> <td>ETR</td> <td>-</td> <td>WD.</td> <td>J2</td> <td>PTD.</td> <td>-</td> <td>395</td> <td>3\"/> <tr> <td>399</td> <td>ETR</td> <td>-</td> <td>WD.</td> <td>J2</td> <td>PTD.</td> <td>-</td> <td>396</td> <td>3\"/> <tr> <td>3991</td> <td>ETR</td> <td>-</td> <td>WD.</td> <td>J2</td> <td>PTD.</td> <td>-</td> <td>398</td> <td>3\"/> <tr> <td>3992</td> <td>A</td> <td>3\"/> <tr> <td>3993</td> <td>ETR</td> <td>-</td> <td>WD.</td> <td>J2</td> <td>PTD.</td> <td>-</td> <td>399</td> <td>3\"/> <tr> <td>3994</td> <td>ETR</td> <td>-</td> <td>WD.</td> <td>J2</td> <td>PTD.</td> <td>-</td> <td>3991</td> <td>3\"/> <tr> <td>3995</td> <td>ETR</td> <td>-</td> <td>WD.</td> <td>J2</td> <td>PTD.</td> <td>-</td> <td>3992</td> <td>3\"/> <tr> <td>3997</td> <td>ETR</td> <td>-</td> <td>WD.</td> <td>J2</td> <td>PTD.</td> <td>-</td> <td>3993</td> <td>3\"/> <tr> <td>3998</td> <td>ETR</td> <td>-</td> <td>WD.</td> <td>J2</td> <td>PTD.</td> <td>-</td> <td>3994</td> <td>3\"/> <tr> <td>3999</td> <td>ETR</td> <td>-</td> <td>WD.</td> <td>J2</td> <td>PTD.</td> <td>-</td> <td>3995</td> <td>3\"/> <tr> <td>3999</td> <td>ETR</td> <td>-</td> <td>WD.</td> <td>J2</td> <td>PTD.</td> <td>-</td> <td>3997</td> <td>3\"/> </td></tr></td></tr></td></tr></td></tr></td></tr></td></tr></td></tr></td></tr></td></tr></td></tr></td></tr></td></tr></td></tr></td></tr></td></tr></td></tr></td></tr></td></tr></td></tr></td></tr></td></tr></td></tr></td></td></tr></td></tr></td></td></tr></td></td></tr></td></td></tr></td></td></tr></td></td></tr></td></td></tr></td></td></tr></td></td></tr></td></tr></td></tr></td></tr></td></td></tr></td></tr></td></tr> | 370 | ETR | -
 | WD. | J2 | PTD. | - | 368 | 3\"/> <tr> <td>371</td> <td>ETR</td> <td>-</td> <td>WD.</td> <td>J2</td> <td>PTD.</td> <td>-</td> <td>369</td> <td>3\"/> <tr> <td>372</td> <td>B</td> <td>2 <td>HM</td> <td>J1</td> <td>PTD.</td> <td>1 HR.</td> <td>370</td> <td>3\"/> <tr> <td>373A</td> <td>ETR</td> <td>-</td> <td>WD.</td> <td>J2</td> <td>PTD.</td> <td>-</td> <td>371</td> <td>3\"/> <tr> <td>374B</td> <td>ETR</td> <td>-</td> <td>WD.</td> <td>J2</td> <td>PTD.</td> <td>-</td> <td>372</td> <td>3\"/> <tr> <td>374C</td> <td>ETR</td> <td>-</td> <td>WD.</td> <td>J2</td> <td>PTD.</td> <td>-</td> <td>373A</td> <td>3\"/> <tr> <td>375</td> <td>B</td> <td>1 <td>WD</td> <td>J1</td> <td>PTD.</td> <td>-</td> <td>374B</td> <td>3\"/> <tr> <td>376</td> <td>B</td> <td>1 <td>WD</td> <td>J1</td> <td>PTD.</td> <td>-</td> <td>374C</td> <td>3\"/> <tr> <td>377</td> <td>B</td> <td>1 <td>WD</td> <td>J1</td> <td>PTD.</td> <td>-</td> <td>375</td> <td>3\"/> <tr> <td>377A</td> <td>B</td> <td>1 <td>WD</td> <td>J1</td> <td>PTD.</td> <td>-</td> <td>376</td> <td>3\"/> <tr> <td>378</td> <td>B</td> <td>1 <td>WD</td> <td>J1</td> <td>PTD.</td> <td>-</td> <td>377</td> <td>3\"/> <tr> <td>379</td> <td>B</td> <td>1 <td>WD</td> <td>J1</td> <td>PTD.</td> <td>-</td> <td>377A</td> <td>3\"/> <tr> <td>380A</td> <td>B</td> <td>1 <td>WD</td> <td>J1</td> <td>PTD.</td> <td>-</td> <td>378</td> <td>3\"/> <tr> <td>380B</td> <td>B</td> <td>1 <td>WD</td> <td>J1</td> <td>PTD.</td> <td>-</td> <td>379</td> <td>3\"/> <tr> <td>382</td> <td>ETR</td> <td>-</td> <td>WD.</td> <td>J2</td> <td>PTD.</td> <td>-</td> <td>380A</td> <td>3\"/> <tr> <td>382A</td> <td>D</td> <td>6 <td>ALUM.</td> <td>ANODIZE D</td> <td>-</td> <td>-</td> <td>380B</td> <td>3\"/> <tr> <td>385</td> <td>ETR</td> <td>-</td> <td>WD.</td> <td>J2</td> <td>PTD.</td> <td>-</td> <td>382</td> <td>3\"/> <tr> <td>386</td> <td>ETR</td> <td>-</td> <td>WD.</td> <td>J2</td> <td>PTD.</td> <td>-</td> <td>382A</td> <td>3\"/> <tr> <td>387</td> <td>ETR</td> <td>-</td> <td>WD.</td> <td>J2</td> <td>PTD.</td> <td>-</td> <td>385</td> <td>3\"/> <tr> <td>388</td> <td>ETR</td> <td>-</td> <td>WD.</td> <td>J2</td> <td>PTD.</td> <td>-</td> <td>386</td> <td>3\"/> <tr> <td>389</td> <td>ETR</td> <td>-</td> <td>WD.</td> <td>J2</td> <td>PTD.</td> <td>-</td> <td>387</td> <td>3\"/> <tr> <td>391</td> <td>ETR</td> <td>-</td> <td>WD.</td> <td>J2</td> <td>PTD.</td> <td>-</td> <td>388</td> <td>3\"/> <tr> <td>391A</td> <td>ETR</td> <td>-</td> <td>WD.</td> <td>J2</td> <td>PTD.</td> <td>-</td> <td>389</td> <td>3\"/> <tr> <td>391B</td> <td>ETR</td> <td>-</td> <td>WD.</td> <td>J2</td> <td>PTD.</td> <td>-</td> <td>391</td> <td>3\"/> <tr> <td>394</td> <td>ETR</td> <td>-</td> <td>WD.</td> <td>J2</td> <td>PTD.</td> <td>-</td> <td>391A</td> <td>3\"/> <tr> <td>395</td> <td>ETR</td> <td>-</td> <td>WD.</td> <td>J2</td> <td>PTD.</td> <td>-</td> <td>391B</td> <td>3\"/> <tr> <td>396</td> <td>ETR</td> <td>-</td> <td>WD.</td> <td>J2</td> <td>PTD.</td> <td>-</td> <td>394</td> <td>3\"/> <tr> <td>398</td> <td>ETR</td> <td>-</td> <td>WD.</td> <td>J2</td> <td>PTD.</td> <td>-</td> <td>395</td> <td>3\"/> <tr> <td>399</td> <td>ETR</td> <td>-</td> <td>WD.</td> <td>J2</td> <td>PTD.</td> <td>-</td> <td>396</td> <td>3\"/> <tr> <td>3991</td> <td>ETR</td> <td>-</td> <td>WD.</td> <td>J2</td> <td>PTD.</td> <td>-</td> <td>398</td> <td>3\"/> <tr> <td>3992</td> <td>A</td> <td>3\"/> <tr> <td>3993</td> <td>ETR</td> <td>-</td> <td>WD.</td> <td>J2</td> <td>PTD.</td> <td>-</td> <td>399</td> <td>3\"/> <tr> <td>3994</td> <td>ETR</td> <td>-</td> <td>WD.</td> <td>J2</td> <td>PTD.</td> <td>-</td> <td>3991</td> <td>3\"/> <tr> <td>3995</td> <td>ETR</td> <td>-</td> <td>WD.</td> <td>J2</td> <td>PTD.</td> <td>-</td> <td>3992</td> <td>3\"/> <tr> <td>3997</td> <td>ETR</td> <td>-</td> <td>WD.</td> <td>J2</td> <td>PTD.</td> <td>-</td> <td>3993</td> <td>3\"/> <tr> <td>3998</td> <td>ETR</td> <td>-</td> <td>WD.</td> <td>J2</td> <td>PTD.</td> <td>-</td> <td>3994</td> <td>3\"/> <tr> <td>3999</td> <td>ETR</td> <td>-</td> <td>WD.</td> <td>J2</td> <td>PTD.</td> <td>-</td> <td>3995</td> <td>3\"/> <tr> <td>3999</td> <td>ETR</td> <td>-</td> <td>WD.</td> <td>J2</td> <td>PTD.</td> <td>-</td> <td>3997</td> <td>3\"/> </td></tr></td></tr></td></tr></td></tr></td></tr></td></tr></td></tr></td></tr></td></tr></td></tr></td></tr></td></tr></td></tr></td></tr></td></tr></td></tr></td></tr></td></tr></td></tr></td></tr></td></tr></td></tr></td></td></tr></td></tr></td></td></tr></td></td></tr></td></td></tr></td></td></tr></td></td></tr></td></td></tr></td></td></tr></td></td></tr></td></tr></td></tr></td></tr></td></td></tr></td></tr> | 371 | ETR | -
 | WD. | J2 | PTD. | - | 369 | 3\"/> <tr> <td>372</td> <td>B</td> <td>2 <td>HM</td> <td>J1</td>
<td>PTD.</td> <td>1 HR.</td> <td>370</td> <td>3\"/> <tr> <td>373A</td> <td>ETR</td> <td>-</td> <td>WD.</td> <td>J2</td> <td>PTD.</td> <td>-</td> <td>371</td> <td>3\"/> <tr> <td>374B</td> <td>ETR</td> <td>-</td> <td>WD.</td> <td>J2</td> <td>PTD.</td> <td>-</td> <td>372</td> <td>3\"/> <tr> <td>374C</td> <td>ETR</td> <td>-</td> <td>WD.</td> <td>J2</td> <td>PTD.</td> <td>-</td> <td>373A</td> <td>3\"/> <tr> <td>375</td> <td>B</td> <td>1 <td>WD</td> <td>J1</td> <td>PTD.</td> <td>-</td> <td>374B</td> <td>3\"/> <tr> <td>376</td> <td>B</td> <td>1 <td>WD</td> <td>J1</td> <td>PTD.</td> <td>-</td> <td>374C</td> <td>3\"/> <tr> <td>377</td> <td>B</td> <td>1 <td>WD</td> <td>J1</td> <td>PTD.</td> <td>-</td> <td>375</td> <td>3\"/> <tr> <td>377A</td> <td>B</td> <td>1 <td>WD</td> <td>J1</td> <td>PTD.</td> <td>-</td> <td>376</td> <td>3\"/> <tr> <td>378</td> <td>B</td> <td>1 <td>WD</td> <td>J1</td> <td>PTD.</td> <td>-</td> <td>377</td> <td>3\"/> <tr> <td>379</td> <td>B</td> <td>1 <td>WD</td> <td>J1</td> <td>PTD.</td> <td>-</td> <td>377A</td> <td>3\"/> <tr> <td>380A</td> <td>B</td> <td>1 <td>WD</td> <td>J1</td> <td>PTD.</td> <td>-</td> <td>378</td> <td>3\"/> <tr> <td>380B</td> <td>B</td> <td>1 <td>WD</td> <td>J1</td> <td>PTD.</td> <td>-</td> <td>379</td> <td>3\"/> <tr> <td>382</td> <td>ETR</td> <td>-</td> <td>WD.</td> <td>J2</td> <td>PTD.</td> <td>-</td> <td>380A</td> <td>3\"/> <tr> <td>382A</td> <td>D</td> <td>6 <td>ALUM.</td> <td>ANODIZE D</td> <td>-</td> <td>-</td> <td>380B</td> <td>3\"/> <tr> <td>385</td> <td>ETR</td> <td>-</td> <td>WD.</td> <td>J2</td> <td>PTD.</td> <td>-</td> <td>382</td> <td>3\"/> <tr> <td>386</td> <td>ETR</td> <td>-</td> <td>WD.</td> <td>J2</td> <td>PTD.</td> <td>-</td> <td>382A</td> <td>3\"/> <tr> <td>387</td> <td>ETR</td> <td>-</td> <td>WD.</td> <td>J2</td> <td>PTD.</td> <td>-</td> <td>385</td> <td>3\"/> <tr> <td>388</td> <td>ETR</td> <td>-</td> <td>WD.</td> <td>J2</td> <td>PTD.</td> <td>-</td> <td>386</td> <td>3\"/> <tr> <td>389</td> <td>ETR</td> <td>-</td> <td>WD.</td> <td>J2</td> <td>PTD.</td> <td>-</td> <td>387</td> <td>3\"/> <tr> <td>391</td> <td>ETR</td> <td>-</td> <td>WD.</td> <td>J2</td> <td>PTD.</td> <td>-</td> <td>388</td> <td>3\"/> <tr> <td>391A</td> <td>ETR</td> <td>-</td> <td>WD.</td> <td>J2</td> <td>PTD.</td> <td>-</td> <td>389</td> <td>3\"/> <tr> <td>391B</td> <td>ETR</td> <td>-</td> <td>WD.</td> <td>J2</td> <td>PTD.</td> <td>-</td> <td>391</td> <td>3\"/> <tr> <td>394</td> <td>ETR</td> <td>-</td> <td>WD.</td> <td>J2</td> <td>PTD.</td> <td>-</td> <td>391A</td> <td>3\"/> <tr> <td>395</td> <td>ETR</td> <td>-</td> <td>WD.</td> <td>J2</td> <td>PTD.</td> <td>-</td> <td>391B</td> <td>3\"/> <tr> <td>396</td> <td>ETR</td> <td>-</td> <td>WD.</td> <td>J2</td> <td>PTD.</td> <td>-</td> <td>394</td> <td>3\"/> <tr> <td>398</td> <td>ETR</td> <td>-</td> <td>WD.</td> <td>J2</td> <td>PTD.</td> <td>-</td> <td>395</td> <td>3\"/> <tr> <td>399</td> <td>ETR</td> <td>-</td> <td>WD.</td> <td>J2</td> <td>PTD.</td> <td>-</td> <td>396</td> <td>3\"/> <tr> <td>3991</td> <td>ETR</td> <td>-</td> <td>WD.</td> <td>J2</td> <td>PTD.</td> <td>-</td> <td>398</td> <td>3\"/> <tr> <td>3992</td> <td>A</td> <td>3\"/> <tr> <td>3993</td> <td>ETR</td> <td>-</td> <td>WD.</td> <td>J2</td> <td>PTD.</td> <td>-</td> <td>399</td> <td>3\"/> <tr> <td>3994</td> <td>ETR</td> <td>-</td> <td>WD.</td> <td>J2</td> <td>PTD.</td> <td>-</td> <td>3991</td> <td>3\"/> <tr> <td>3995</td> <td>ETR</td> <td>-</td> <td>WD.</td> <td>J2</td> <td>PTD.</td> <td>-</td> <td>3992</td> <td>3\"/> <tr> <td>3997</td> <td>ETR</td> <td>-</td> <td>WD.</td> <td>J2</td> <td>PTD.</td> <td>-</td> <td>3993</td> <td>3\"/> <tr> <td>3998</td> <td>ETR</td> <td>-</td> <td>WD.</td> <td>J2</td> <td>PTD.</td> <td>-</td> <td>3994</td> <td>3\"/> <tr> <td>3999</td> <td>ETR</td> <td>-</td> <td>WD.</td> <td>J2</td> <td>PTD.</td> <td>-</td> <td>3995</td> <td>3\"/> <tr> <td>3999</td> <td>ETR</td> <td>-</td> <td>WD.</td> <td>J2</td> <td>PTD.</td> <td>-</td> <td>3997</td> <td>3\"/> </td></tr></td></tr></td></tr></td></tr></td></tr></td></tr></td></tr></td></tr></td></tr></td></tr></td></tr></td></tr></td></tr></td></tr></td></tr></td></tr></td></tr></td></tr></td></tr></td></tr></td></tr></td></tr></td></td></tr></td></tr></td></td></tr></td></td></tr></td></td></tr></td></td></tr></td></td></tr></td></td></tr></td></td></tr></td></td></tr></td></tr></td></tr></td></tr></td></td></tr> | 372 | B | 2 <td>HM</td> <td>J1</td> <td>PTD.</td> <td>1 HR.</td> <td>370</td> <td>3\"/> <tr> <td>373A</td> <td>ETR</td> <td>-</td> <td>WD.</td> <td>J2</td> <td>PTD.</td> <td>-</td> <td>371</td> <td>3\"/> <tr> <td>374B</td> <td>ETR</td> <td>-</td> <td>WD.</td> <td>J2</td> <td>PTD.</td> <td>-</td> <td>372</td> <td>3\"/> <tr> <td>374C</td> <td>ETR</td> <td>-</td> <td>WD.</td> <td>J2</td> <td>PTD.</td> <td>-</td> <td>373A</td> <td>3\"/> <tr> <td>375</td> <td>B</td> <td>1 <td>WD</td> <td>J1</td> <td>PTD.</td> <td>-</td> <td>374B</td> <td>3\"/> <tr> <td>376</td> <td>B</td> <td>1 <td>WD</td> <td>J1</td> <td>PTD.</td> <td>-</td> <td>374C</td> <td>3\"/> <tr> <td>377</td> <td>B</td> <td>1 <td>WD</td> <td>J1</td> <td>PTD.</td> <td>-</td> <td>375</td> <td>3\"/> <tr> <td>377A</td> <td>B</td> <td>1 <td>WD</td> <td>J1</td> <td>PTD.</td> <td>-</td> <td>376</td> <td>3\"/> <tr> <td>378</td> <td>B</td> <td>1 <td>WD</td> <td>J1</td> <td>PTD.</td> <td>-</td> <td>377</td> <td>3\"/> <tr> <td>379</td> <td>B</td> <td>1 <td>WD</td> <td>J1</td> <td>PTD.</td> <td>-</td> <td>377A</td> <td>3\"/> <tr> <td>380A</td> <td>B</td> <td>1 <td>WD</td> <td>J1</td> <td>PTD.</td> <td>-</td> <td>378</td> <td>3\"/> <tr> <td>380B</td> <td>B</td> <td>1 <td>WD</td> <td>J1</td> <td>PTD.</td> <td>-</td> <td>379</td> <td>3\"/> <tr> <td>382</td> <td>ETR</td> <td>-</td> <td>WD.</td> <td>J2</td> <td>PTD.</td> <td>-</td> <td>380A</td> <td>3\"/> <tr> <td>382A</td> <td>D</td> <td>6 <td>ALUM.</td> <td>ANODIZE D</td> <td>-</td> <td>-</td> <td>380B</td> <td>3\"/> <tr> <td>385</td> <td>ETR</td> <td>-</td> <td>WD.</td> <td>J2</td> <td>PTD.</td> <td>-</td> <td>382</td> <td>3\"/> <tr> <td>386</td> <td>ETR</td> <td>-</td> <td>WD.</td> <td>J2</td> <td>PTD.</td> <td>-</td> <td>382A</td> <td>3\"/> <tr> <td>387</td> <td>ETR</td> <td>-</td> <td>WD.</td> <td>J2</td> <td>PTD.</td> <td>-</td> <td>385</td> <td>3\"/> <tr> <td>388</td> <td>ETR</td> <td>-</td> <td>WD.</td> <td>J2</td> <td>PTD.</td> <td>-</td> <td>386</td> <td>3\"/> <tr> <td>389</td> <td>ETR</td> <td>-</td> <td>WD.</td> <td>J2</td> <td>PTD.</td> <td>-</td> <td>387</td> <td>3\"/> <tr> <td>391</td> <td>ETR</td> <td>-</td> <td>WD.</td> <td>J2</td> <td>PTD.</td> <td>-</td> <td>388</td> <td>3\"/> <tr> <td>391A</td> <td>ETR</td> <td>-</td> <td>WD.</td> <td>J2</td> <td>PTD.</td> <td>-</td> <td>389</td> <td>3\"/> <tr> <td>391B</td> <td>ETR</td> <td>-</td> <td>WD.</td> <td>J2</td> <td>PTD.</td> <td>-</td> <td>391</td> <td>3\"/> <tr> <td>394</td> <td>ETR</td> <td>-</td> <td>WD.</td> <td>J2</td> <td>PTD.</td> <td>-</td> <td>391A</td> <td>3\"/> <tr> <td>395</td> <td>ETR</td> <td>-</td> <td>WD.</td> <td>J2</td> <td>PTD.</td> <td>-</td> <td>391B</td> <td>3\"/> <tr> <td>396</td> <td>ETR</td> <td>-</td> <td>WD.</td> <td>J2</td> <td>PTD.</td> <td>-</td> <td>394</td> <td>3\"/> <tr> <td>398</td> <td>ETR</td> <td>-</td> <td>WD.</td> <td>J2</td> <td>PTD.</td> <td>-</td> <td>395</td> <td>3\"/> <tr> <td>399</td> <td>ETR</td> <td>-</td> <td>WD.</td> <td>J2</td> <td>PTD.</td> <td>-</td> <td>396</td> <td>3\"/> <tr> <td>3991</td> <td>ETR</td> <td>-</td> <td>WD.</td> <td>J2</td> <td>PTD.</td> <td>-</td> <td>398</td> <td>3\"/> <tr> <td>3992</td> <td>A</td> <td>3\"/> <tr> <td>3993</td> <td>ETR</td> <td>-</td> <td>WD.</td> <td>J2</td> <td>PTD.</td> <td>-</td> <td>399</td> <td>3\"/> <tr> <td>3994</td> <td>ETR</td> <td>-</td> <td>WD.</td> <td>J2</td> <td>PTD.</td> <td>-</td> <td>3991</td> <td>3\"/> <tr> <td>3995</td> <td>ETR</td> <td>-</td> <td>WD.</td> <td>J2</td> <td>PTD.</td> <td>-</td> <td>3992</td> <td>3\"/> <tr> <td>3997</td> <td>ETR</td> <td>-</td> <td>WD.</td> <td>J2</td> <td>PTD.</td> <td>-</td> <td>3993</td> <td>3\"/> <tr> <td>3998</td> <td>ETR</td> <td>-</td> <td>WD.</td> <td>J2</td> <td>PTD.</td> <td>-</td> <td>3994</td> <td>3\"/> <tr> <td>3999</td> <td>ETR</td> <td>-</td> <td>WD.</td> <td>J2</td> <td>PTD.</td> <td>-</td> <td>3995</td> <td>3\"/> <tr> <td>3999</td> <td>ETR</td> <td>-</td> <td>WD.</td> <td>J2</td> <td>PTD.</td> <td>-</td> <td>3997</td> <td>3\"/> </td></tr></td></tr></td></tr></td></tr></td></tr></td></tr></td></tr></td></tr></td></tr></td></tr></td></tr></td></tr></td></tr></td></tr></td></tr></td></tr></td></tr></td></tr></td></tr></td></tr></td></tr></td></tr></td></td></tr></td></tr></td></td></tr></td></td></tr></td></td></tr></td></td></tr></td></td></tr></td></td></tr></td></td></tr></td></td></tr></td></tr></td></tr></td></tr></td>
 | HM | J1 | PTD. | 1 HR. | 370 | 3\"/> <tr> <td>373A</td> <td>ETR</td> <td>-</td> <td>WD.</td> <td>J2</td> <td>PTD.</td> <td>-</td> <td>371</td> <td>3\"/> <tr> <td>374B</td> <td>ETR</td> <td>-</td> <td>WD.</td> <td>J2</td> <td>PTD.</td> <td>-</td> <td>372</td> <td>3\"/> <tr> <td>374C</td> <td>ETR</td> <td>-</td> <td>WD.</td> <td>J2</td> <td>PTD.</td> <td>-</td> <td>373A</td> <td>3\"/> <tr> <td>375</td> <td>B</td> <td>1 <td>WD</td> <td>J1</td> <td>PTD.</td> <td>-</td> <td>374B</td> <td>3\"/> <tr> <td>376</td> <td>B</td> <td>1 <td>WD</td> <td>J1</td> <td>PTD.</td> <td>-</td> <td>374C</td> <td>3\"/> <tr> <td>377</td> <td>B</td> <td>1 <td>WD</td> <td>J1</td> <td>PTD.</td> <td>-</td> <td>375</td> <td>3\"/> <tr> <td>377A</td> <td>B</td> <td>1 <td>WD</td> <td>J1</td> <td>PTD.</td> <td>-</td> <td>376</td> <td>3\"/> <tr> <td>378</td> <td>B</td> <td>1 <td>WD</td> <td>J1</td> <td>PTD.</td> <td>-</td> <td>377</td> <td>3\"/> <tr> <td>379</td> <td>B</td> <td>1 <td>WD</td> <td>J1</td> <td>PTD.</td> <td>-</td> <td>377A</td> <td>3\"/> <tr> <td>380A</td> <td>B</td> <td>1 <td>WD</td> <td>J1</td> <td>PTD.</td> <td>-</td> <td>378</td> <td>3\"/> <tr> <td>380B</td> <td>B</td> <td>1 <td>WD</td> <td>J1</td> <td>PTD.</td> <td>-</td> <td>379</td> <td>3\"/> <tr> <td>382</td> <td>ETR</td> <td>-</td> <td>WD.</td> <td>J2</td> <td>PTD.</td> <td>-</td> <td>380A</td> <td>3\"/> <tr> <td>382A</td> <td>D</td> <td>6 <td>ALUM.</td> <td>ANODIZE D</td> <td>-</td> <td>-</td> <td>380B</td> <td>3\"/> <tr> <td>385</td> <td>ETR</td> <td>-</td> <td>WD.</td> <td>J2</td> <td>PTD.</td> <td>-</td> <td>382</td> <td>3\"/> <tr> <td>386</td> <td>ETR</td> <td>-</td> <td>WD.</td> <td>J2</td> <td>PTD.</td> <td>-</td> <td>382A</td> <td>3\"/> <tr> <td>387</td> <td>ETR</td> <td>-</td> <td>WD.</td> <td>J2</td> <td>PTD.</td> <td>-</td> <td>385</td> <td>3\"/> <tr> <td>388</td> <td>ETR</td> <td>-</td> <td>WD.</td> <td>J2</td> <td>PTD.</td> <td>-</td> <td>386</td> <td>3\"/> <tr> <td>389</td> <td>ETR</td> <td>-</td> <td>WD.</td> <td>J2</td> <td>PTD.</td> <td>-</td> <td>387</td> <td>3\"/> <tr> <td>391</td> <td>ETR</td> <td>-</td> <td>WD.</td> <td>J2</td> <td>PTD.</td> <td>-</td> <td>388</td> <td>3\"/> <tr> <td>391A</td> <td>ETR</td> <td>-</td> <td>WD.</td> <td>J2</td> <td>PTD.</td> <td>-</td> <td>389</td> <td>3\"/> <tr> <td>391B</td> <td>ETR</td> <td>-</td> <td>WD.</td> <td>J2</td> <td>PTD.</td> <td>-</td> <td>391</td> <td>3\"/> <tr> <td>394</td> <td>ETR</td> <td>-</td> <td>WD.</td> <td>J2</td> <td>PTD.</td> <td>-</td> <td>391A</td> <td>3\"/> <tr> <td>395</td> <td>ETR</td> <td>-</td> <td>WD.</td> <td>J2</td> <td>PTD.</td> <td>-</td> <td>391B</td> <td>3\"/> <tr> <td>396</td> <td>ETR</td> <td>-</td> <td>WD.</td> <td>J2</td> <td>PTD.</td> <td>-</td> <td>394</td> <td>3\"/> <tr> <td>398</td> <td>ETR</td> <td>-</td> <td>WD.</td> <td>J2</td> <td>PTD.</td> <td>-</td> <td>395</td> <td>3\"/> <tr> <td>399</td> <td>ETR</td> <td>-</td> <td>WD.</td> <td>J2</td> <td>PTD.</td> <td>-</td> <td>396</td> <td>3\"/> <tr> <td>3991</td> <td>ETR</td> <td>-</td> <td>WD.</td> <td>J2</td> <td>PTD.</td> <td>-</td> <td>398</td> <td>3\"/> <tr> <td>3992</td> <td>A</td> <td>3\"/> <tr> <td>3993</td> <td>ETR</td> <td>-</td> <td>WD.</td> <td>J2</td> <td>PTD.</td> <td>-</td> <td>399</td> <td>3\"/> <tr> <td>3994</td> <td>ETR</td> <td>-</td> <td>WD.</td> <td>J2</td> <td>PTD.</td> <td>-</td> <td>3991</td> <td>3\"/> <tr> <td>3995</td> <td>ETR</td> <td>-</td> <td>WD.</td> <td>J2</td> <td>PTD.</td> <td>-</td> <td>3992</td> <td>3\"/> <tr> <td>3997</td> <td>ETR</td> <td>-</td> <td>WD.</td> <td>J2</td> <td>PTD.</td> <td>-</td> <td>3993</td> <td>3\"/> <tr> <td>3998</td> <td>ETR</td> <td>-</td> <td>WD.</td> <td>J2</td> <td>PTD.</td> <td>-</td> <td>3994</td> <td>3\"/> <tr> <td>3999</td> <td>ETR</td> <td>-</td> <td>WD.</td> <td>J2</td> <td>PTD.</td> <td>-</td> <td>3995</td> <td>3\"/> <tr> <td>3999</td> <td>ETR</td> <td>-</td> <td>WD.</td> <td>J2</td> <td>PTD.</td> <td>-</td> <td>3997</td> <td>3\"/> </td></tr></td></tr></td></tr></td></tr></td></tr></td></tr></td></tr></td></tr></td></tr></td></tr></td></tr></td></tr></td></tr></td></tr></td></tr></td></tr></td></tr></td></tr></td></tr></td></tr></td></tr></td></tr></td></td></tr></td></tr></td></td></tr></td></td></tr></td></td></tr></td></td></tr></td></td></tr></td></td></tr></td></td></tr></td></td></tr></td></tr></td></tr></td></tr> | 373A | ETR | -
 | WD. | J2 | PTD. | - | 371 | 3\"/> <tr> <td>374B</td> <td>ETR</td> <td>-</td> <td>WD.</td> <td>J2</td> <td>PTD.</td> <td>-</td> <td>372</td> <td>3\"/> <tr> <td>374C</td> <td>ETR</td> <td>-</td> <td>WD.</td> <td>J2</td> <td>PTD.</td> <td>-</td> <td>373A</td> <td>3\"/> <tr> <td>375</td> <td>B</td> <td>1 <td>WD</td> <td>J1</td> <td>PTD.</td> <td>-</td> <td>374B</td> <td>3\"/> <tr> <td>376</td> <td>B</td> <td>1 <td>WD</td> <td>J1</td> <td>PTD.</td> <td>-</td> <td>374C</td> <td>3\"/> <tr> <td>377</td> <td>B</td> <td>1 <td>WD</td> <td>J1</td> <td>PTD.</td> <td>-</td> <td>375</td> <td>3\"/> <tr> <td>377A</td> <td>B</td> <td>1 <td>WD</td> <td>J1</td> <td>PTD.</td> <td>-</td> <td>376</td> <td>3\"/> <tr> <td>378</td> <td>B</td> <td>1 <td>WD</td> <td>J1</td> <td>PTD.</td> <td>-</td> <td>377</td> <td>3\"/> <tr> <td>379</td> <td>B</td> <td>1 <td>WD</td> <td>J1</td> <td>PTD.</td> <td>-</td> <td>377A</td> <td>3\"/> <tr> <td>380A</td> <td>B</td> <td>1 <td>WD</td> <td>J1</td> <td>PTD.</td> <td>-</td> <td>378</td> <td>3\"/> <tr> <td>380B</td> <td>B</td> <td>1 <td>WD</td> <td>J1</td> <td>PTD.</td> <td>-</td> <td>379</td> <td>3\"/> <tr> <td>382</td> <td>ETR</td> <td>-</td> <td>WD.</td> <td>J2</td> <td>PTD.</td> <td>-</td> <td>380A</td> <td>3\"/> <tr> <td>382A</td> <td>D</td> <td>6 <td>ALUM.</td> <td>ANODIZE D</td> <td>-</td> <td>-</td> <td>380B</td> <td>3\"/> <tr> <td>385</td> <td>ETR</td> <td>-</td> <td>WD.</td> <td>J2</td> <td>PTD.</td> <td>-</td> <td>382</td> <td>3\"/> <tr> <td>386</td> <td>ETR</td> <td>-</td> <td>WD.</td> <td>J2</td> <td>PTD.</td> <td>-</td> <td>382A</td> <td>3\"/> <tr> <td>387</td> <td>ETR</td> <td>-</td> <td>WD.</td> <td>J2</td> <td>PTD.</td> <td>-</td> <td>385</td> <td>3\"/> <tr> <td>388</td> <td>ETR</td> <td>-</td> <td>WD.</td> <td>J2</td> <td>PTD.</td> <td>-</td> <td>386</td> <td>3\"/> <tr> <td>389</td> <td>ETR</td> <td>-</td> <td>WD.</td> <td>J2</td> <td>PTD.</td> <td>-</td> <td>387</td> <td>3\"/> <tr> <td>391</td> <td>ETR</td> <td>-</td> <td>WD.</td> <td>J2</td> <td>PTD.</td> <td>-</td> <td>388</td> <td>3\"/> <tr> <td>391A</td> <td>ETR</td> <td>-</td> <td>WD.</td> <td>J2</td> <td>PTD.</td> <td>-</td> <td>389</td> <td>3\"/> <tr> <td>391B</td> <td>ETR</td> <td>-</td> <td>WD.</td> <td>J2</td> <td>PTD.</td> <td>-</td> <td>391</td> <td>3\"/> <tr> <td>394</td> <td>ETR</td> <td>-</td> <td>WD.</td> <td>J2</td> <td>PTD.</td> <td>-</td> <td>391A</td> <td>3\"/> <tr> <td>395</td> <td>ETR</td> <td>-</td> <td>WD.</td> <td>J2</td> <td>PTD.</td> <td>-</td> <td>391B</td> <td>3\"/> <tr> <td>396</td> <td>ETR</td> <td>-</td> <td>WD.</td> <td>J2</td> <td>PTD.</td> <td>-</td> <td>394</td> <td>3\"/> <tr> <td>398</td> <td>ETR</td> <td>-</td> <td>WD.</td> <td>J2</td> <td>PTD.</td> <td>-</td> <td>395</td> <td>3\"/> <tr> <td>399</td> <td>ETR</td> <td>-</td> <td>WD.</td> <td>J2</td> <td>PTD.</td> <td>-</td> <td>396</td> <td>3\"/> <tr> <td>3991</td> <td>ETR</td> <td>-</td> <td>WD.</td> <td>J2</td> <td>PTD.</td> <td>-</td> <td>398</td> <td>3\"/> <tr> <td>3992</td> <td>A</td> <td>3\"/> <tr> <td>3993</td> <td>ETR</td> <td>-</td> <td>WD.</td> <td>J2</td> <td>PTD.</td> <td>-</td> <td>399</td> <td>3\"/> <tr> <td>3994</td> <td>ETR</td> <td>-</td> <td>WD.</td> <td>J2</td> <td>PTD.</td> <td>-</td> <td>3991</td> <td>3\"/> <tr> <td>3995</td> <td>ETR</td> <td>-</td> <td>WD.</td> <td>J2</td> <td>PTD.</td> <td>-</td> <td>3992</td> <td>3\"/> <tr> <td>3997</td> <td>ETR</td> <td>-</td> <td>WD.</td> <td>J2</td> <td>PTD.</td> <td>-</td> <td>3993</td> <td>3\"/> <tr> <td>3998</td> <td>ETR</td> <td>-</td> <td>WD.</td> <td>J2</td> <td>PTD.</td> <td>-</td> <td>3994</td> <td>3\"/> <tr> <td>3999</td> <td>ETR</td> <td>-</td> <td>WD.</td> <td>J2</td> <td>PTD.</td> <td>-</td> <td>3995</td> <td>3\"/> <tr> <td>3999</td> <td>ETR</td> <td>-</td> <td>WD.</td> <td>J2</td> <td>PTD.</td> <td>-</td> <td>3997</td> <td>3\"/> </td></tr></td></tr></td></tr></td></tr></td></tr></td></tr></td></tr></td></tr></td></tr></td></tr></td></tr></td></tr></td></tr></td></tr></td></tr></td></tr></td></tr></td></tr></td></tr></td></tr></td></tr></td></tr></td></td></tr></td></tr></td></td></tr></td></td></tr></td></td></tr></td></td></tr></td></td></tr></td></td></tr></td></td></tr></td></td></tr></td></tr></td></tr> | 374B | ETR | - | WD. | J2 | PTD. | - | 372 | 3\"/> <tr>
<td>374C</td> <td>ETR</td> <td>-</td> <td>WD.</td> <td>J2</td> <td>PTD.</td> <td>-</td> <td>373A</td> <td>3\"/> <tr> <td>375</td> <td>B</td> <td>1 <td>WD</td> <td>J1</td> <td>PTD.</td> <td>-</td> <td>374B</td> <td>3\"/> <tr> <td>376</td> <td>B</td> <td>1 <td>WD</td> <td>J1</td> <td>PTD.</td> <td>-</td> <td>374C</td> <td>3\"/> <tr> <td>377</td> <td>B</td> <td>1 <td>WD</td> <td>J1</td> <td>PTD.</td> <td>-</td> <td>375</td> <td>3\"/> <tr> <td>377A</td> <td>B</td> <td>1 <td>WD</td> <td>J1</td> <td>PTD.</td> <td>-</td> <td>376</td> <td>3\"/> <tr> <td>378</td> <td>B</td> <td>1 <td>WD</td> <td>J1</td> <td>PTD.</td> <td>-</td> <td>377</td> <td>3\"/> <tr> <td>379</td> <td>B</td> <td>1 <td>WD</td> <td>J1</td> <td>PTD.</td> <td>-</td> <td>377A</td> <td>3\"/> <tr> <td>380A</td> <td>B</td> <td>1 <td>WD</td> <td>J1</td> <td>PTD.</td> <td>-</td> <td>378</td> <td>3\"/> <tr> <td>380B</td> <td>B</td> <td>1 <td>WD</td> <td>J1</td> <td>PTD.</td> <td>-</td> <td>379</td> <td>3\"/> <tr> <td>382</td> <td>ETR</td> <td>-</td> <td>WD.</td> <td>J2</td> <td>PTD.</td> <td>-</td> <td>380A</td> <td>3\"/> <tr> <td>382A</td> <td>D</td> <td>6 <td>ALUM.</td> <td>ANODIZE D</td> <td>-</td> <td>-</td> <td>380B</td> <td>3\"/> <tr> <td>385</td> <td>ETR</td> <td>-</td> <td>WD.</td> <td>J2</td> <td>PTD.</td> <td>-</td> <td>382</td> <td>3\"/> <tr> <td>386</td> <td>ETR</td> <td>-</td> <td>WD.</td> <td>J2</td> <td>PTD.</td> <td>-</td> <td>382A</td> <td>3\"/> <tr> <td>387</td> <td>ETR</td> <td>-</td> <td>WD.</td> <td>J2</td> <td>PTD.</td> <td>-</td> <td>385</td> <td>3\"/> <tr> <td>388</td> <td>ETR</td> <td>-</td> <td>WD.</td> <td>J2</td> <td>PTD.</td> <td>-</td> <td>386</td> <td>3\"/> <tr> <td>389</td> <td>ETR</td> <td>-</td> <td>WD.</td> <td>J2</td> <td>PTD.</td> <td>-</td> <td>387</td> <td>3\"/> <tr> <td>391</td> <td>ETR</td> <td>-</td> <td>WD.</td> <td>J2</td> <td>PTD.</td> <td>-</td> <td>388</td> <td>3\"/> <tr> <td>391A</td> <td>ETR</td> <td>-</td> <td>WD.</td> <td>J2</td> <td>PTD.</td> <td>-</td> <td>389</td> <td>3\"/> <tr> <td>391B</td> <td>ETR</td> <td>-</td> <td>WD.</td> <td>J2</td> <td>PTD.</td> <td>-</td> <td>391</td> <td>3\"/> <tr> <td>394</td> <td>ETR</td> <td>-</td> <td>WD.</td> <td>J2</td> <td>PTD.</td> <td>-</td> <td>391A</td> <td>3\"/> <tr> <td>395</td> <td>ETR</td> <td>-</td> <td>WD.</td> <td>J2</td> <td>PTD.</td> <td>-</td> <td>391B</td> <td>3\"/> <tr> <td>396</td> <td>ETR</td> <td>-</td> <td>WD.</td> <td>J2</td> <td>PTD.</td> <td>-</td> <td>394</td> <td>3\"/> <tr> <td>398</td> <td>ETR</td> <td>-</td> <td>WD.</td> <td>J2</td> <td>PTD.</td> <td>-</td> <td>395</td> <td>3\"/> <tr> <td>399</td> <td>ETR</td> <td>-</td> <td>WD.</td> <td>J2</td> <td>PTD.</td> <td>-</td> <td>396</td> <td>3\"/> <tr> <td>3991</td> <td>ETR</td> <td>-</td> <td>WD.</td> <td>J2</td> <td>PTD.</td> <td>-</td> <td>398</td> <td>3\"/> <tr> <td>3992</td> <td>A</td> <td>3\"/> <tr> <td>3993</td> <td>ETR</td> <td>-</td> <td>WD.</td> <td>J2</td> <td>PTD.</td> <td>-</td> <td>399</td> <td>3\"/> <tr> <td>3994</td> <td>ETR</td> <td>-</td> <td>WD.</td> <td>J2</td> <td>PTD.</td> <td>-</td> <td>3991</td> <td>3\"/> <tr> <td>3995</td> <td>ETR</td> <td>-</td> <td>WD.</td> <td>J2</td> <td>PTD.</td> <td>-</td> <td>3992</td> <td>3\"/> <tr> <td>3997</td> <td>ETR</td> <td>-</td> <td>WD.</td> <td>J2</td> <td>PTD.</td> <td>-</td> <td>3993</td> <td>3\"/> <tr> <td>3998</td> <td>ETR</td> <td>-</td> <td>WD.</td> <td>J2</td> <td>PTD.</td> <td>-</td> <td>3994</td> <td>3\"/> <tr> <td>3999</td> <td>ETR</td> <td>-</td> <td>WD.</td> <td>J2</td> <td>PTD.</td> <td>-</td> <td>3995</td> <td>3\"/> <tr> <td>3999</td> <td>ETR</td> <td>-</td> <td>WD.</td> <td>J2</td> <td>PTD.</td> <td>-</td> <td>3997</td> <td>3\"/> </td></tr></td></tr></td></tr></td></tr></td></tr></td></tr></td></tr></td></tr></td></tr></td></tr></td></tr></td></tr></td></tr></td></tr></td></tr></td></tr></td></tr></td></tr></td></tr></td></tr></td></tr></td></tr></td></td></tr></td></tr></td></td></tr></td></td></tr></td></td></tr></td></td></tr></td></td></tr></td></td></tr></td></td></tr></td></td></tr></td></tr> | 374C | ETR | - | WD. | J2 | PTD. | - | 373A | 3\"/> <tr> <td>375</td> <td>B</td> <td>1 <td>WD</td> <td>J1</td> <td>PTD.</td> <td>-</td> <td>374B</td> <td>3\"/> <tr> <td>376</td> <td>B</td> <td>1 <td>WD</td> <td>J1</td> <td>PTD.</td> <td>-</td> <td>374C</td> <td>3\"/> <tr> <td>377</td> <td>B</td> <td>1 <td>WD</td> <td>J1</td> <td>PTD.</td> <td>-</td> <td>375</td> <td>3\"/> <tr> <td>377A</td> <td>B</td> <td>1 <td>WD</td> <td>J1</td> <td>PTD.</td> <td>-</td> <td>376</td> <td>3\"/> <tr> <td>378</td> <td>B</td> <td>1 <td>WD</td> <td>J1</td>
<td>PTD.</td> <td>-</td> <td>377</td> <td>3\"/> <tr> <td>379</td> <td>B</td> <td>1 <td>WD</td> <td>J1</td> <td>PTD.</td> <td>-</td> <td>377A</td> <td>3\"/> <tr> <td>380A</td> <td>B</td> <td>1 <td>WD</td> <td>J1</td> <td>PTD.</td> <td>-</td> <td>378</td> <td>3\"/> <tr> <td>380B</td> <td>B</td> <td>1 <td>WD</td> <td>J1</td> <td>PTD.</td> <td>-</td> <td>379</td> <td>3\"/> <tr> <td>382</td> <td>ETR</td> <td>-</td> <td>WD.</td> <td>J2</td> <td>PTD.</td> <td>-</td> <td>380A</td> <td>3\"/> <tr> <td>382A</td> <td>D</td> <td>6 <td>ALUM.</td> <td>ANODIZE D</td> <td>-</td> <td>-</td> <td>380B</td> <td>3\"/> <tr> <td>385</td> <td>ETR</td> <td>-</td> <td>WD.</td> <td>J2</td> <td>PTD.</td> <td>-</td> <td>382</td> <td>3\"/> <tr> <td>386</td> <td>ETR</td> <td>-</td> <td>WD.</td> <td>J2</td> <td>PTD.</td> <td>-</td> <td>382A</td> <td>3\"/> <tr> <td>387</td> <td>ETR</td> <td>-</td> <td>WD.</td> <td>J2</td> <td>PTD.</td> <td>-</td> <td>385</td> <td>3\"/> <tr> <td>388</td> <td>ETR</td> <td>-</td> <td>WD.</td> <td>J2</td> <td>PTD.</td> <td>-</td> <td>386</td> <td>3\"/> <tr> <td>389</td> <td>ETR</td> <td>-</td> <td>WD.</td> <td>J2</td> <td>PTD.</td> <td>-</td> <td>387</td> <td>3\"/> <tr> <td>391</td> <td>ETR</td> <td>-</td> <td>WD.</td> <td>J2</td> <td>PTD.</td> <td>-</td> <td>388</td> <td>3\"/> <tr> <td>391A</td> <td>ETR</td> <td>-</td> <td>WD.</td> <td>J2</td> <td>PTD.</td> <td>-</td> <td>389</td> <td>3\"/> <tr> <td>391B</td> <td>ETR</td> <td>-</td> <td>WD.</td> <td>J2</td> <td>PTD.</td> <td>-</td> <td>391</td> <td>3\"/> <tr> <td>394</td> <td>ETR</td> <td>-</td> <td>WD.</td> <td>J2</td> <td>PTD.</td> <td>-</td> <td>391A</td> <td>3\"/> <tr> <td>395</td> <td>ETR</td> <td>-</td> <td>WD.</td> <td>J2</td> <td>PTD.</td> <td>-</td> <td>391B</td> <td>3\"/> <tr> <td>396</td> <td>ETR</td> <td>-</td> <td>WD.</td> <td>J2</td> <td>PTD.</td> <td>-</td> <td>394</td> <td>3\"/> <tr> <td>398</td> <td>ETR</td> <td>-</td> <td>WD.</td> <td>J2</td> <td>PTD.</td> <td>-</td> <td>395</td> <td>3\"/> <tr> <td>399</td> <td>ETR</td> <td>-</td> <td>WD.</td> <td>J2</td> <td>PTD.</td> <td>-</td> <td>396</td> <td>3\"/> <tr> <td>3991</td> <td>ETR</td> <td>-</td> <td>WD.</td> <td>J2</td> <td>PTD.</td> <td>-</td> <td>398</td> <td>3\"/> <tr> <td>3992</td> <td>A</td> <td>3\"/> <tr> <td>3993</td> <td>ETR</td> <td>-</td> <td>WD.</td> <td>J2</td> <td>PTD.</td> <td>-</td> <td>399</td> <td>3\"/> <tr> <td>3994</td> <td>ETR</td> <td>-</td> <td>WD.</td> <td>J2</td> <td>PTD.</td> <td>-</td> <td>3991</td> <td>3\"/> <tr> <td>3995</td> <td>ETR</td> <td>-</td> <td>WD.</td> <td>J2</td> <td>PTD.</td> <td>-</td> <td>3992</td> <td>3\"/> <tr> <td>3997</td> <td>ETR</td> <td>-</td> <td>WD.</td> <td>J2</td> <td>PTD.</td> <td>-</td> <td>3993</td> <td>3\"/> <tr> <td>3998</td> <td>ETR</td> <td>-</td> <td>WD.</td> <td>J2</td> <td>PTD.</td> <td>-</td> <td>3994</td> <td>3\"/> <tr> <td>3999</td> <td>ETR</td> <td>-</td> <td>WD.</td> <td>J2</td> <td>PTD.</td> <td>-</td> <td>3995</td> <td>3\"/> <tr> <td>3999</td> <td>ETR</td> <td>-</td> <td>WD.</td> <td>J2</td> <td>PTD.</td> <td>-</td> <td>3997</td> <td>3\"/> </td></tr></td></tr></td></tr></td></tr></td></tr></td></tr></td></tr></td></tr></td></tr></td></tr></td></tr></td></tr></td></tr></td></tr></td></tr></td></tr></td></tr></td></tr></td></tr></td></tr></td></tr></td></tr></td></td></tr></td></tr></td></td></tr></td></td></tr></td></td></tr></td></td></tr></td></td></tr></td></td></tr></td></td></tr></td></td></tr> | 375 | B | 1 <td>WD</td> <td>J1</td> <td>PTD.</td> <td>-</td> <td>374B</td> <td>3\"/> <tr> <td>376</td> <td>B</td> <td>1 <td>WD</td> <td>J1</td> <td>PTD.</td> <td>-</td> <td>374C</td> <td>3\"/> <tr> <td>377</td> <td>B</td> <td>1 <td>WD</td> <td>J1</td> <td>PTD.</td> <td>-</td> <td>375</td> <td>3\"/> <tr> <td>377A</td> <td>B</td> <td>1 <td>WD</td> <td>J1</td> <td>PTD.</td> <td>-</td> <td>376</td> <td>3\"/> <tr> <td>378</td> <td>B</td> <td>1 <td>WD</td> <td>J1</td> <td>PTD.</td> <td>-</td> <td>377</td> <td>3\"/> <tr> <td>379</td> <td>B</td> <td>1 <td>WD</td> <td>J1</td> <td>PTD.</td> <td>-</td> <td>377A</td> <td>3\"/> <tr> <td>380A</td> <td>B</td> <td>1 <td>WD</td> <td>J1</td> <td>PTD.</td> <td>-</td> <td>378</td> <td>3\"/> <tr> <td>380B</td> <td>B</td> <td>1 <td>WD</td> <td>J1</td> <td>PTD.</td> <td>-</td> <td>379</td> <td>3\"/> <tr> <td>382</td> <td>ETR</td> <td>-</td> <td>WD.</td> <td>J2</td> <td>PTD.</td> <td>-</td> <td>380A</td> <td>3\"/> <tr> <td>382A</td> <td>D</td> <td>6 <td>ALUM.</td> <td>ANODIZE D</td> <td>-</td> <td>-</td> <td>380B</td> <td>3\"/> <tr> <td>385</td> <td>ETR</td> <td>-</td> <td>WD.</td> <td>J2</td> <td>PTD.</td> <td>-</td> <td>382</td> <td>3\"/> <tr> <td>386</td> <td>ETR</td> <td>-</td> <td>WD.</td> <td>J2</td> <td>PTD.</td> <td>-</td> <td>382A</td> <td>3\"/> <tr> <td>387</td> <td>ETR</td> <td>-</td> <td>WD.</td> <td>J2</td> <td>PTD.</td> <td>-</td> <td>385</td> <td>3\"/> <tr> <td>388</td> <td>ETR</td> <td>-</td> <td>WD.</td> <td>J2</td> <td>PTD.</td> <td>-</td> <td>386</td> <td>3\"/> <tr> <td>389</td> <td>ETR</td> <td>-</td> <td>WD.</td> <td>J2</td> <td>PTD.</td> <td>-</td> <td>387</td> <td>3\"/> <tr> <td>391</td> <td>ETR</td> <td>-</td> <td>WD.</td> <td>J2</td> <td>PTD.</td> <td>-</td> <td>388</td> <td>3\"/> <tr> <td>391A</td> <td>ETR</td> <td>-</td> <td>WD.</td> <td>J2</td> <td>PTD.</td> <td>-</td> <td>389</td> <td>3\"/> <tr> <td>391B</td> <td>ETR</td> <td>-</td> <td>WD.</td> <td>J2</td> <td>PTD.</td> <td>-</td> <td>391</td> <td>3\"/> <tr> <td>394</td> <td>ETR</td> <td>-</td> <td>WD.</td> <td>J2</td> <td>PTD.</td> <td>-</td> <td>391A</td> <td>3\"/> <tr> <td>395</td> <td>ETR</td> <td>-</td> <td>WD.</td> <td>J2</td> <td>PTD.</td> <td>-</td> <td>391B</td> <td>3\"/> <tr> <td>396</td> <td>ETR</td> <td>-</td> <td>WD.</td> <td>J2</td> <td>PTD.</td> <td>-</td> <td>394</td> <td>3\"/> <tr> <td>398</td> <td>ETR</td> <td>-</td> <td>WD.</td> <td>J2</td> <td>PTD.</td> <td>-</td> <td>395</td> <td>3\"/> <tr> <td>399</td> <td>ETR</td> <td>-</td> <td>WD.</td> <td>J2</td> <td>PTD.</td> <td>-</td> <td>396</td> <td>3\"/> <tr> <td>3991</td> <td>ETR</td> <td>-</td> <td>WD.</td> <td>J2</td> <td>PTD.</td> <td>-</td> <td>398</td> <td>3\"/> <tr> <td>3992</td> <td>A</td> <td>3\"/> <tr> <td>3993</td> <td>ETR</td> <td>-</td> <td>WD.</td> <td>J2</td> <td>PTD.</td> <td>-</td> <td>399</td> <td>3\"/> <tr> <td>3994</td> <td>ETR</td> <td>-</td> <td>WD.</td> <td>J2</td> <td>PTD.</td> <td>-</td> <td>3991</td> <td>3\"/> <tr> <td>3995</td> <td>ETR</td> <td>-</td> <td>WD.</td> <td>J2</td> <td>PTD.</td> <td>-</td> <td>3992</td> <td>3\"/> <tr> <td>3997</td> <td>ETR</td> <td>-</td> <td>WD.</td> <td>J2</td> <td>PTD.</td> <td>-</td> <td>3993</td> <td>3\"/> <tr> <td>3998</td> <td>ETR</td> <td>-</td> <td>WD.</td> <td>J2</td> <td>PTD.</td> <td>-</td> <td>3994</td> <td>3\"/> <tr> <td>3999</td> <td>ETR</td> <td>-</td> <td>WD.</td> <td>J2</td> <td>PTD.</td> <td>-</td> <td>3995</td> <td>3\"/> <tr> <td>3999</td> <td>ETR</td> <td>-</td> <td>WD.</td> <td>J2</td> <td>PTD.</td> <td>-</td> <td>3997</td> <td>3\"/> </td></tr></td></tr></td></tr></td></tr></td></tr></td></tr></td></tr></td></tr></td></tr></td></tr></td></tr></td></tr></td></tr></td></tr></td></tr></td></tr></td></tr></td></tr></td></tr></td></tr></td></tr></td></tr></td></td></tr></td></tr></td></td></tr></td></td></tr></td></td></tr></td></td></tr></td></td></tr></td></td></tr></td></td></tr></td> | WD | J1 | PTD.
 | - | 374B | 3\"/> <tr> <td>376</td> <td>B</td> <td>1 <td>WD</td> <td>J1</td> <td>PTD.</td> <td>-</td> <td>374C</td> <td>3\"/> <tr> <td>377</td> <td>B</td> <td>1 <td>WD</td> <td>J1</td> <td>PTD.</td> <td>-</td> <td>375</td> <td>3\"/> <tr> <td>377A</td> <td>B</td> <td>1 <td>WD</td> <td>J1</td> <td>PTD.</td> <td>-</td> <td>376</td> <td>3\"/> <tr> <td>378</td> <td>B</td> <td>1 <td>WD</td> <td>J1</td> <td>PTD.</td> <td>-</td> <td>377</td> <td>3\"/> <tr> <td>379</td> <td>B</td> <td>1 <td>WD</td> <td>J1</td> <td>PTD.</td> <td>-</td> <td>377A</td> <td>3\"/> <tr> <td>380A</td> <td>B</td> <td>1 <td>WD</td> <td>J1</td> <td>PTD.</td> <td>-</td> <td>378</td> <td>3\"/> <tr> <td>380B</td> <td>B</td> <td>1 <td>WD</td> <td>J1</td> <td>PTD.</td> <td>-</td> <td>379</td> <td>3\"/> <tr> <td>382</td> <td>ETR</td> <td>-</td> <td>WD.</td> <td>J2</td> <td>PTD.</td> <td>-</td> <td>380A</td> <td>3\"/> <tr> <td>382A</td> <td>D</td> <td>6 <td>ALUM.</td> <td>ANODIZE D</td> <td>-</td> <td>-</td> <td>380B</td> <td>3\"/> <tr> <td>385</td> <td>ETR</td> <td>-</td> <td>WD.</td> <td>J2</td> <td>PTD.</td> <td>-</td> <td>382</td> <td>3\"/> <tr> <td>386</td> <td>ETR</td> <td>-</td> <td>WD.</td> <td>J2</td> <td>PTD.</td> <td>-</td> <td>382A</td> <td>3\"/> <tr> <td>387</td> <td>ETR</td> <td>-</td> <td>WD.</td> <td>J2</td> <td>PTD.</td> <td>-</td> <td>385</td> <td>3\"/> <tr> <td>388</td> <td>ETR</td> <td>-</td> <td>WD.</td> <td>J2</td> <td>PTD.</td> <td>-</td> <td>386</td> <td>3\"/> <tr> <td>389</td> <td>ETR</td> <td>-</td> <td>WD.</td> <td>J2</td> <td>PTD.</td> <td>-</td> <td>387</td> <td>3\"/> <tr> <td>391</td> <td>ETR</td> <td>-</td> <td>WD.</td> <td>J2</td> <td>PTD.</td> <td>-</td> <td>388</td> <td>3\"/> <tr> <td>391A</td> <td>ETR</td> <td>-</td> <td>WD.</td> <td>J2</td> <td>PTD.</td> <td>-</td> <td>389</td> <td>3\"/> <tr> <td>391B</td> <td>ETR</td> <td>-</td> <td>WD.</td> <td>J2</td> <td>PTD.</td> <td>-</td> <td>391</td> <td>3\"/> <tr> <td>394</td> <td>ETR</td> <td>-</td> <td>WD.</td> <td>J2</td> <td>PTD.</td> <td>-</td> <td>391A</td> <td>3\"/> <tr> <td>395</td> <td>ETR</td> <td>-</td> <td>WD.</td> <td>J2</td> <td>PTD.</td> <td>-</td> <td>391B</td> <td>3\"/> <tr> <td>396</td> <td>ETR</td> <td>-</td> <td>WD.</td> <td>J2</td> <td>PTD.</td> <td>-</td> <td>394</td> <td>3\"/> <tr> <td>398</td> <td>ETR</td> <td>-</td> <td>WD.</td> <td>J2</td> <td>PTD.</td> <td>-</td> <td>395</td> <td>3\"/> <tr> <td>399</td> <td>ETR</td> <td>-</td> <td>WD.</td> <td>J2</td> <td>PTD.</td> <td>-</td> <td>396</td> <td>3\"/> <tr> <td>3991</td> <td>ETR</td> <td>-</td> <td>WD.</td> <td>J2</td> <td>PTD.</td> <td>-</td> <td>398</td> <td>3\"/> <tr> <td>3992</td> <td>A</td> <td>3\"/> <tr> <td>3993</td> <td>ETR</td> <td>-</td> <td>WD.</td> <td>J2</td> <td>PTD.</td> <td>-</td> <td>399</td> <td>3\"/> <tr> <td>3994</td> <td>ETR</td> <td>-</td> <td>WD.</td> <td>J2</td> <td>PTD.</td> <td>-</td> <td>3991</td> <td>3\"/> <tr> <td>3995</td> <td>ETR</td> <td>-</td> <td>WD.</td> <td>J2</td> <td>PTD.</td> <td>-</td> <td>3992</td> <td>3\"/> <tr> <td>3997</td> <td>ETR</td> <td>-</td> <td>WD.</td> <td>J2</td> <td>PTD.</td> <td>-</td> <td>3993</td> <td>3\"/> <tr> <td>3998</td> <td>ETR</td> <td>-</td> <td>WD.</td> <td>J2</td> <td>PTD.</td> <td>-</td> <td>3994</td> <td>3\"/> <tr> <td>3999</td> <td>ETR</td> <td>-</td> <td>WD.</td> <td>J2</td> <td>PTD.</td> <td>-</td> <td>3995</td> <td>3\"/> <tr> <td>3999</td> <td>ETR</td> <td>-</td> <td>WD.</td> <td>J2</td> <td>PTD.</td> <td>-</td> <td>3997</td> <td>3\"/> </td></tr></td></tr></td></tr></td></tr></td></tr></td></tr></td></tr></td></tr></td></tr></td></tr></td></tr></td></tr></td></tr></td></tr></td></tr></td></tr></td></tr></td></tr></td></tr></td></tr></td></tr></td></tr></td></td></tr></td></tr></td></td></tr></td></td></tr></td></td></tr></td></td></tr></td></td></tr></td></td></tr></td></td></tr> | 376 | B | 1 <td>WD</td> <td>J1</td> <td>PTD.</td> <td>-</td> <td>374C</td> <td>3\"/> <tr> <td>377</td> <td>B</td> <td>1 <td>WD</td> <td>J1</td> <td>PTD.</td> <td>-</td> <td>375</td> <td>3\"/> <tr> <td>377A</td> <td>B</td> <td>1 <td>WD</td> <td>J1</td> <td>PTD.</td> <td>-</td> <td>376</td> <td>3\"/> <tr> <td>378</td> <td>B</td> <td>1 <td>WD</td> <td>J1</td> <td>PTD.</td> <td>-</td> <td>377</td> <td>3\"/> <tr> <td>379</td> <td>B</td> <td>1 <td>WD</td> <td>J1</td> <td>PTD.</td> <td>-</td> <td>377A</td> <td>3\"/> <tr> <td>380A</td> <td>B</td> <td>1 <td>WD</td> <td>J1</td> <td>PTD.</td> <td>-</td> <td>378</td> <td>3\"/> <tr> <td>380B</td> <td>B</td> <td>1 <td>WD</td> <td>J1</td> <td>PTD.</td> <td>-</td> <td>379</td> <td>3\"/> <tr> <td>382</td> <td>ETR</td> <td>-</td> <td>WD.</td> <td>J2</td> <td>PTD.</td> <td>-</td> <td>380A</td> <td>3\"/> <tr> <td>382A</td> <td>D</td> <td>6 <td>ALUM.</td> <td>ANODIZE D</td> <td>-</td> <td>-</td> <td>380B</td> <td>3\"/> <tr> <td>385</td> <td>ETR</td> <td>-</td> <td>WD.</td> <td>J2</td> <td>PTD.</td> <td>-</td> <td>382</td> <td>3\"/> <tr> <td>386</td> <td>ETR</td> <td>-</td> <td>WD.</td> <td>J2</td> <td>PTD.</td> <td>-</td> <td>382A</td> <td>3\"/> <tr> <td>387</td> <td>ETR</td> <td>-</td> <td>WD.</td> <td>J2</td> <td>PTD.</td> <td>-</td> <td>385</td> <td>3\"/> <tr> <td>388</td> <td>ETR</td> <td>-</td> <td>WD.</td> <td>J2</td> <td>PTD.</td> <td>-</td> <td>386</td> <td>3\"/> <tr> <td>389</td> <td>ETR</td> <td>-</td> <td>WD.</td> <td>J2</td> <td>PTD.</td> <td>-</td> <td>387</td> <td>3\"/> <tr> <td>391</td> <td>ETR</td> <td>-</td> <td>WD.</td> <td>J2</td> <td>PTD.</td> <td>-</td> <td>388</td> <td>3\"/> <tr> <td>391A</td> <td>ETR</td> <td>-</td> <td>WD.</td> <td>J2</td> <td>PTD.</td> <td>-</td> <td>389</td> <td>3\"/> <tr> <td>391B</td> <td>ETR</td> <td>-</td> <td>WD.</td> <td>J2</td> <td>PTD.</td> <td>-</td> <td>391</td> <td>3\"/> <tr> <td>394</td> <td>ETR</td> <td>-</td> <td>WD.</td> <td>J2</td> <td>PTD.</td> <td>-</td> <td>391A</td> <td>3\"/> <tr> <td>395</td> <td>ETR</td> <td>-</td> <td>WD.</td> <td>J2</td> <td>PTD.</td> <td>-</td> <td>391B</td> <td>3\"/> <tr> <td>396</td> <td>ETR</td> <td>-</td> <td>WD.</td> <td>J2</td>
<td>PTD.</td> <td>-</td> <td>394</td> <td>3\"/> <tr> <td>398</td> <td>ETR</td> <td>-</td> <td>WD.</td> <td>J2</td> <td>PTD.</td> <td>-</td> <td>395</td> <td>3\"/> <tr> <td>399</td> <td>ETR</td> <td>-</td> <td>WD.</td> <td>J2</td> <td>PTD.</td> <td>-</td> <td>396</td> <td>3\"/> <tr> <td>3991</td> <td>ETR</td> <td>-</td> <td>WD.</td> <td>J2</td> <td>PTD.</td> <td>-</td> <td>398</td> <td>3\"/> <tr> <td>3992</td> <td>A</td> <td>3\"/> <tr> <td>3993</td> <td>ETR</td> <td>-</td> <td>WD.</td> <td>J2</td> <td>PTD.</td> <td>-</td> <td>399</td> <td>3\"/> <tr> <td>3994</td> <td>ETR</td> <td>-</td> <td>WD.</td> <td>J2</td> <td>PTD.</td> <td>-</td> <td>3991</td> <td>3\"/> <tr> <td>3995</td> <td>ETR</td> <td>-</td> <td>WD.</td> <td>J2</td> <td>PTD.</td> <td>-</td> <td>3992</td> <td>3\"/> <tr> <td>3997</td> <td>ETR</td> <td>-</td> <td>WD.</td> <td>J2</td> <td>PTD.</td> <td>-</td> <td>3993</td> <td>3\"/> <tr> <td>3998</td> <td>ETR</td> <td>-</td> <td>WD.</td> <td>J2</td> <td>PTD.</td> <td>-</td> <td>3994</td> <td>3\"/> <tr> <td>3999</td> <td>ETR</td> <td>-</td> <td>WD.</td> <td>J2</td> <td>PTD.</td> <td>-</td> <td>3995</td> <td>3\"/> <tr> <td>3999</td> <td>ETR</td> <td>-</td> <td>WD.</td> <td>J2</td> <td>PTD.</td> <td>-</td> <td>3997</td> <td>3\"/> </td></tr></td></tr></td></tr></td></tr></td></tr></td></tr></td></tr></td></tr></td></tr></td></tr></td></tr></td></tr></td></tr></td></tr></td></tr></td></tr></td></tr></td></tr></td></tr></td></tr></td></tr></td></tr></td></td></tr></td></tr></td></td></tr></td></td></tr></td></td></tr></td></td></tr></td></td></tr></td></td></tr></td> | WD | J1 | PTD. | - | 374C | 3\"/> <tr> <td>377</td> <td>B</td> <td>1 <td>WD</td> <td>J1</td> <td>PTD.</td> <td>-</td> <td>375</td> <td>3\"/> <tr> <td>377A</td> <td>B</td> <td>1 <td>WD</td> <td>J1</td> <td>PTD.</td> <td>-</td> <td>376</td> <td>3\"/> <tr> <td>378</td> <td>B</td> <td>1 <td>WD</td> <td>J1</td> <td>PTD.</td> <td>-</td> <td>377</td> <td>3\"/> <tr> <td>379</td> <td>B</td> <td>1 <td>WD</td> <td>J1</td> <td>PTD.</td> <td>-</td> <td>377A</td> <td>3\"/> <tr> <td>380A</td> <td>B</td> <td>1 <td>WD</td> <td>J1</td> <td>PTD.</td> <td>-</td> <td>378</td> <td>3\"/> <tr> <td>380B</td> <td>B</td> <td>1 <td>WD</td> <td>J1</td> <td>PTD.</td> <td>-</td> <td>379</td> <td>3\"/> <tr> <td>382</td> <td>ETR</td> <td>-</td> <td>WD.</td> <td>J2</td> <td>PTD.</td> <td>-</td> <td>380A</td> <td>3\"/> <tr> <td>382A</td> <td>D</td> <td>6 <td>ALUM.</td> <td>ANODIZE D</td> <td>-</td> <td>-</td> <td>380B</td> <td>3\"/> <tr> <td>385</td> <td>ETR</td> <td>-</td> <td>WD.</td> <td>J2</td> <td>PTD.</td> <td>-</td> <td>382</td> <td>3\"/> <tr> <td>386</td> <td>ETR</td> <td>-</td> <td>WD.</td> <td>J2</td> <td>PTD.</td> <td>-</td> <td>382A</td> <td>3\"/> <tr> <td>387</td> <td>ETR</td> <td>-</td> <td>WD.</td> <td>J2</td> <td>PTD.</td> <td>-</td> <td>385</td> <td>3\"/> <tr> <td>388</td> <td>ETR</td> <td>-</td> <td>WD.</td> <td>J2</td> <td>PTD.</td> <td>-</td> <td>386</td> <td>3\"/> <tr> <td>389</td> <td>ETR</td> <td>-</td> <td>WD.</td> <td>J2</td> <td>PTD.</td> <td>-</td> <td>387</td> <td>3\"/> <tr> <td>391</td> <td>ETR</td> <td>-</td> <td>WD.</td> <td>J2</td> <td>PTD.</td> <td>-</td> <td>388</td> <td>3\"/> <tr> <td>391A</td> <td>ETR</td> <td>-</td> <td>WD.</td> <td>J2</td> <td>PTD.</td> <td>-</td> <td>389</td> <td>3\"/> <tr> <td>391B</td> <td>ETR</td> <td>-</td> <td>WD.</td> <td>J2</td> <td>PTD.</td> <td>-</td> <td>391</td> <td>3\"/> <tr> <td>394</td> <td>ETR</td> <td>-</td> <td>WD.</td> <td>J2</td> <td>PTD.</td> <td>-</td> <td>391A</td> <td>3\"/> <tr> <td>395</td> <td>ETR</td> <td>-</td> <td>WD.</td> <td>J2</td> <td>PTD.</td> <td>-</td> <td>391B</td> <td>3\"/> <tr> <td>396</td> <td>ETR</td> <td>-</td> <td>WD.</td> <td>J2</td> <td>PTD.</td> <td>-</td> <td>394</td> <td>3\"/> <tr> <td>398</td> <td>ETR</td> <td>-</td> <td>WD.</td> <td>J2</td> <td>PTD.</td> <td>-</td> <td>395</td> <td>3\"/> <tr> <td>399</td> <td>ETR</td> <td>-</td> <td>WD.</td> <td>J2</td> <td>PTD.</td> <td>-</td> <td>396</td> <td>3\"/> <tr> <td>3991</td> <td>ETR</td> <td>-</td> <td>WD.</td> <td>J2</td> <td>PTD.</td> <td>-</td> <td>398</td> <td>3\"/> <tr> <td>3992</td> <td>A</td> <td>3\"/> <tr> <td>3993</td> <td>ETR</td> <td>-</td> <td>WD.</td> <td>J2</td> <td>PTD.</td> <td>-</td> <td>399</td> <td>3\"/> <tr> <td>3994</td> <td>ETR</td> <td>-</td> <td>WD.</td> <td>J2</td> <td>PTD.</td> <td>-</td> <td>3991</td> <td>3\"/> <tr> <td>3995</td> <td>ETR</td> <td>-</td> <td>WD.</td> <td>J2</td> <td>PTD.</td> <td>-</td> <td>3992</td> <td>3\"/> <tr> <td>3997</td> <td>ETR</td> <td>-</td> <td>WD.</td> <td>J2</td> <td>PTD.</td> <td>-</td> <td>3993</td> <td>3\"/> <tr> <td>3998</td> <td>ETR</td> <td>-</td> <td>WD.</td> <td>J2</td> <td>PTD.</td> <td>-</td> <td>3994</td> <td>3\"/> <tr> <td>3999</td> <td>ETR</td> <td>-</td> <td>WD.</td> <td>J2</td> <td>PTD.</td> <td>-</td> <td>3995</td> <td>3\"/> <tr> <td>3999</td> <td>ETR</td> <td>-</td> <td>WD.</td> <td>J2</td> <td>PTD.</td> <td>-</td> <td>3997</td> <td>3\"/> </td></tr></td></tr></td></tr></td></tr></td></tr></td></tr></td></tr></td></tr></td></tr></td></tr></td></tr></td></tr></td></tr></td></tr></td></tr></td></tr></td></tr></td></tr></td></tr></td></tr></td></tr></td></tr></td></td></tr></td></tr></td></td></tr></td></td></tr></td></td></tr></td></td></tr></td></td></tr></td></td></tr> | 377 | B | 1 <td>WD</td> <td>J1</td> <td>PTD.</td> <td>-</td> <td>375</td> <td>3\"/> <tr> <td>377A</td> <td>B</td> <td>1 <td>WD</td> <td>J1</td> <td>PTD.</td> <td>-</td> <td>376</td> <td>3\"/> <tr> <td>378</td> <td>B</td> <td>1 <td>WD</td> <td>J1</td> <td>PTD.</td> <td>-</td> <td>377</td> <td>3\"/> <tr> <td>379</td> <td>B</td> <td>1 <td>WD</td> <td>J1</td> <td>PTD.</td> <td>-</td> <td>377A</td> <td>3\"/> <tr> <td>380A</td> <td>B</td> <td>1 <td>WD</td> <td>J1</td> <td>PTD.</td> <td>-</td> <td>378</td> <td>3\"/> <tr> <td>380B</td> <td>B</td> <td>1 <td>WD</td> <td>J1</td> <td>PTD.</td> <td>-</td> <td>379</td> <td>3\"/> <tr> <td>382</td> <td>ETR</td> <td>-</td> <td>WD.</td> <td>J2</td> <td>PTD.</td> <td>-</td> <td>380A</td> <td>3\"/> <tr> <td>382A</td> <td>D</td> <td>6 <td>ALUM.</td> <td>ANODIZE D</td> <td>-</td> <td>-</td> <td>380B</td> <td>3\"/> <tr> <td>385</td> <td>ETR</td> <td>-</td> <td>WD.</td> <td>J2</td> <td>PTD.</td> <td>-</td> <td>382</td> <td>3\"/> <tr> <td>386</td> <td>ETR</td> <td>-</td> <td>WD.</td> <td>J2</td> <td>PTD.</td> <td>-</td> <td>382A</td> <td>3\"/> <tr> <td>387</td> <td>ETR</td> <td>-</td> <td>WD.</td> <td>J2</td> <td>PTD.</td> <td>-</td> <td>385</td> <td>3\"/> <tr> <td>388</td> <td>ETR</td> <td>-</td> <td>WD.</td> <td>J2</td> <td>PTD.</td> <td>-</td> <td>386</td> <td>3\"/> <tr> <td>389</td> <td>ETR</td> <td>-</td> <td>WD.</td> <td>J2</td> <td>PTD.</td> <td>-</td> <td>387</td> <td>3\"/> <tr> <td>391</td> <td>ETR</td> <td>-</td> <td>WD.</td> <td>J2</td> <td>PTD.</td> <td>-</td> <td>388</td> <td>3\"/> <tr> <td>391A</td> <td>ETR</td> <td>-</td> <td>WD.</td> <td>J2</td> <td>PTD.</td> <td>-</td> <td>389</td> <td>3\"/> <tr> <td>391B</td> <td>ETR</td> <td>-</td> <td>WD.</td> <td>J2</td> <td>PTD.</td> <td>-</td> <td>391</td> <td>3\"/> <tr> <td>394</td> <td>ETR</td> <td>-</td> <td>WD.</td> <td>J2</td> <td>PTD.</td> <td>-</td> <td>391A</td> <td>3\"/> <tr> <td>395</td> <td>ETR</td> <td>-</td> <td>WD.</td> <td>J2</td> <td>PTD.</td> <td>-</td> <td>391B</td> <td>3\"/> <tr> <td>396</td> <td>ETR</td> <td>-</td> <td>WD.</td> <td>J2</td> <td>PTD.</td> <td>-</td> <td>394</td> <td>3\"/> <tr> <td>398</td> <td>ETR</td> <td>-</td> <td>WD.</td> <td>J2</td> <td>PTD.</td> <td>-</td> <td>395</td> <td>3\"/> <tr> <td>399</td> <td>ETR</td> <td>-</td> <td>WD.</td> <td>J2</td> <td>PTD.</td> <td>-</td> <td>396</td> <td>3\"/> <tr> <td>3991</td> <td>ETR</td> <td>-</td> <td>WD.</td> <td>J2</td> <td>PTD.</td> <td>-</td> <td>398</td> <td>3\"/> <tr> <td>3992</td> <td>A</td> <td>3\"/> <tr> <td>3993</td> <td>ETR</td> <td>-</td> <td>WD.</td> <td>J2</td> <td>PTD.</td> <td>-</td> <td>399</td> <td>3\"/> <tr> <td>3994</td> <td>ETR</td> <td>-</td> <td>WD.</td> <td>J2</td> <td>PTD.</td> <td>-</td> <td>3991</td> <td>3\"/> <tr> <td>3995</td> <td>ETR</td> <td>-</td> <td>WD.</td> <td>J2</td> <td>PTD.</td> <td>-</td> <td>3992</td> <td>3\"/> <tr> <td>3997</td> <td>ETR</td> <td>-</td> <td>WD.</td> <td>J2</td> <td>PTD.</td> <td>-</td> <td>3993</td> <td>3\"/> <tr> <td>3998</td> <td>ETR</td> <td>-</td> <td>WD.</td> <td>J2</td> <td>PTD.</td> <td>-</td> <td>3994</td> <td>3\"/> <tr> <td>3999</td> <td>ETR</td> <td>-</td> <td>WD.</td> <td>J2</td> <td>PTD.</td> <td>-</td> <td>3995</td> <td>3\"/> <tr> <td>3999</td> <td>ETR</td> <td>-</td> <td>WD.</td> <td>J2</td> <td>PTD.</td>
<td>-</td> <td>3997</td> <td>3\"/> </td></tr></td></tr></td></tr></td></tr></td></tr></td></tr></td></tr></td></tr></td></tr></td></tr></td></tr></td></tr></td></tr></td></tr></td></tr></td></tr></td></tr></td></tr></td></tr></td></tr></td></tr></td></tr></td></td></tr></td></tr></td></td></tr></td></td></tr></td></td></tr></td></td></tr></td></td></tr></td> | WD | J1 | PTD. | - | 375 | 3\"/> <tr> <td>377A</td> <td>B</td> <td>1 <td>WD</td> <td>J1</td> <td>PTD.</td> <td>-</td> <td>376</td> <td>3\"/> <tr> <td>378</td> <td>B</td> <td>1 <td>WD</td> <td>J1</td> <td>PTD.</td> <td>-</td> <td>377</td> <td>3\"/> <tr> <td>379</td> <td>B</td> <td>1 <td>WD</td> <td>J1</td> <td>PTD.</td> <td>-</td> <td>377A</td> <td>3\"/> <tr> <td>380A</td> <td>B</td> <td>1 <td>WD</td> <td>J1</td> <td>PTD.</td> <td>-</td> <td>378</td> <td>3\"/> <tr> <td>380B</td> <td>B</td> <td>1 <td>WD</td> <td>J1</td> <td>PTD.</td> <td>-</td> <td>379</td> <td>3\"/> <tr> <td>382</td> <td>ETR</td> <td>-</td> <td>WD.</td> <td>J2</td> <td>PTD.</td> <td>-</td> <td>380A</td> <td>3\"/> <tr> <td>382A</td> <td>D</td> <td>6 <td>ALUM.</td> <td>ANODIZE D</td> <td>-</td> <td>-</td> <td>380B</td> <td>3\"/> <tr> <td>385</td> <td>ETR</td> <td>-</td> <td>WD.</td> <td>J2</td> <td>PTD.</td> <td>-</td> <td>382</td> <td>3\"/> <tr> <td>386</td> <td>ETR</td> <td>-</td> <td>WD.</td> <td>J2</td> <td>PTD.</td> <td>-</td> <td>382A</td> <td>3\"/> <tr> <td>387</td> <td>ETR</td> <td>-</td> <td>WD.</td> <td>J2</td> <td>PTD.</td> <td>-</td> <td>385</td> <td>3\"/> <tr> <td>388</td> <td>ETR</td> <td>-</td> <td>WD.</td> <td>J2</td> <td>PTD.</td> <td>-</td> <td>386</td> <td>3\"/> <tr> <td>389</td> <td>ETR</td> <td>-</td> <td>WD.</td> <td>J2</td> <td>PTD.</td> <td>-</td> <td>387</td> <td>3\"/> <tr> <td>391</td> <td>ETR</td> <td>-</td> <td>WD.</td> <td>J2</td> <td>PTD.</td> <td>-</td> <td>388</td> <td>3\"/> <tr> <td>391A</td> <td>ETR</td> <td>-</td> <td>WD.</td> <td>J2</td> <td>PTD.</td> <td>-</td> <td>389</td> <td>3\"/> <tr> <td>391B</td> <td>ETR</td> <td>-</td> <td>WD.</td> <td>J2</td> <td>PTD.</td> <td>-</td> <td>391</td> <td>3\"/> <tr> <td>394</td> <td>ETR</td> <td>-</td> <td>WD.</td> <td>J2</td> <td>PTD.</td> <td>-</td> <td>391A</td> <td>3\"/> <tr> <td>395</td> <td>ETR</td> <td>-</td> <td>WD.</td> <td>J2</td> <td>PTD.</td> <td>-</td> <td>391B</td> <td>3\"/> <tr> <td>396</td> <td>ETR</td> <td>-</td> <td>WD.</td> <td>J2</td> <td>PTD.</td> <td>-</td> <td>394</td> <td>3\"/> <tr> <td>398</td> <td>ETR</td> <td>-</td> <td>WD.</td> <td>J2</td> <td>PTD.</td> <td>-</td> <td>395</td> <td>3\"/> <tr> <td>399</td> <td>ETR</td> <td>-</td> <td>WD.</td> <td>J2</td> <td>PTD.</td> <td>-</td> <td>396</td> <td>3\"/> <tr> <td>3991</td> <td>ETR</td> <td>-</td> <td>WD.</td> <td>J2</td> <td>PTD.</td> <td>-</td> <td>398</td> <td>3\"/> <tr> <td>3992</td> <td>A</td> <td>3\"/> <tr> <td>3993</td> <td>ETR</td> <td>-</td> <td>WD.</td> <td>J2</td> <td>PTD.</td> <td>-</td> <td>399</td> <td>3\"/> <tr> <td>3994</td> <td>ETR</td> <td>-</td> <td>WD.</td> <td>J2</td> <td>PTD.</td> <td>-</td> <td>3991</td> <td>3\"/> <tr> <td>3995</td> <td>ETR</td> <td>-</td> <td>WD.</td> <td>J2</td> <td>PTD.</td> <td>-</td> <td>3992</td> <td>3\"/> <tr> <td>3997</td> <td>ETR</td> <td>-</td> <td>WD.</td> <td>J2</td> <td>PTD.</td> <td>-</td> <td>3993</td> <td>3\"/> <tr> <td>3998</td> <td>ETR</td> <td>-</td> <td>WD.</td> <td>J2</td> <td>PTD.</td> <td>-</td> <td>3994</td> <td>3\"/> <tr> <td>3999</td> <td>ETR</td> <td>-</td> <td>WD.</td> <td>J2</td> <td>PTD.</td> <td>-</td> <td>3995</td> <td>3\"/> <tr> <td>3999</td> <td>ETR</td> <td>-</td> <td>WD.</td> <td>J2</td> <td>PTD.</td> <td>-</td> <td>3997</td> <td>3\"/> </td></tr></td></tr></td></tr></td></tr></td></tr></td></tr></td></tr></td></tr></td></tr></td></tr></td></tr></td></tr></td></tr></td></tr></td></tr></td></tr></td></tr></td></tr></td></tr></td></tr></td></tr></td></tr></td></td></tr></td></tr></td></td></tr></td></td></tr></td></td></tr></td></td></tr></td></td></tr> | 377A | B | 1 <td>WD</td> <td>J1</td> <td>PTD.</td> <td>-</td> <td>376</td> <td>3\"/> <tr> <td>378</td> <td>B</td> <td>1 <td>WD</td> <td>J1</td> <td>PTD.</td> <td>-</td> <td>377</td> <td>3\"/> <tr> <td>379</td> <td>B</td> <td>1 <td>WD</td> <td>J1</td> <td>PTD.</td> <td>-</td> <td>377A</td> <td>3\"/> <tr> <td>380A</td> <td>B</td> <td>1 <td>WD</td> <td>J1</td> <td>PTD.</td> <td>-</td> <td>378</td> <td>3\"/> <tr> <td>380B</td> <td>B</td> <td>1 <td>WD</td> <td>J1</td> <td>PTD.</td> <td>-</td> <td>379</td> <td>3\"/> <tr> <td>382</td> <td>ETR</td> <td>-</td> <td>WD.</td> <td>J2</td> <td>PTD.</td> <td>-</td> <td>380A</td> <td>3\"/> <tr> <td>382A</td> <td>D</td> <td>6 <td>ALUM.</td> <td>ANODIZE D</td> <td>-</td> <td>-</td> <td>380B</td> <td>3\"/> <tr> <td>385</td> <td>ETR</td> <td>-</td> <td>WD.</td> <td>J2</td> <td>PTD.</td> <td>-</td> <td>382</td> <td>3\"/> <tr> <td>386</td> <td>ETR</td> <td>-</td> <td>WD.</td> <td>J2</td> <td>PTD.</td> <td>-</td> <td>382A</td> <td>3\"/> <tr> <td>387</td> <td>ETR</td> <td>-</td> <td>WD.</td> <td>J2</td> <td>PTD.</td> <td>-</td> <td>385</td> <td>3\"/> <tr> <td>388</td> <td>ETR</td> <td>-</td> <td>WD.</td> <td>J2</td> <td>PTD.</td> <td>-</td> <td>386</td> <td>3\"/> <tr> <td>389</td> <td>ETR</td> <td>-</td> <td>WD.</td> <td>J2</td> <td>PTD.</td> <td>-</td> <td>387</td> <td>3\"/> <tr> <td>391</td> <td>ETR</td> <td>-</td> <td>WD.</td> <td>J2</td> <td>PTD.</td> <td>-</td> <td>388</td> <td>3\"/> <tr> <td>391A</td> <td>ETR</td> <td>-</td> <td>WD.</td> <td>J2</td> <td>PTD.</td> <td>-</td> <td>389</td> <td>3\"/> <tr> <td>391B</td> <td>ETR</td> <td>-</td> <td>WD.</td> <td>J2</td> <td>PTD.</td> <td>-</td> <td>391</td> <td>3\"/> <tr> <td>394</td> <td>ETR</td> <td>-</td> <td>WD.</td> <td>J2</td> <td>PTD.</td> <td>-</td> <td>391A</td> <td>3\"/> <tr> <td>395</td> <td>ETR</td> <td>-</td> <td>WD.</td> <td>J2</td> <td>PTD.</td> <td>-</td> <td>391B</td> <td>3\"/> <tr> <td>396</td> <td>ETR</td> <td>-</td> <td>WD.</td> <td>J2</td> <td>PTD.</td> <td>-</td> <td>394</td> <td>3\"/> <tr> <td>398</td> <td>ETR</td> <td>-</td> <td>WD.</td> <td>J2</td> <td>PTD.</td> <td>-</td> <td>395</td> <td>3\"/> <tr> <td>399</td> <td>ETR</td> <td>-</td> <td>WD.</td> <td>J2</td> <td>PTD.</td> <td>-</td> <td>396</td> <td>3\"/> <tr> <td>3991</td> <td>ETR</td> <td>-</td> <td>WD.</td> <td>J2</td> <td>PTD.</td> <td>-</td> <td>398</td> <td>3\"/> <tr> <td>3992</td> <td>A</td> <td>3\"/> <tr> <td>3993</td> <td>ETR</td> <td>-</td> <td>WD.</td> <td>J2</td> <td>PTD.</td> <td>-</td> <td>399</td> <td>3\"/> <tr> <td>3994</td> <td>ETR</td> <td>-</td> <td>WD.</td> <td>J2</td> <td>PTD.</td> <td>-</td> <td>3991</td> <td>3\"/> <tr> <td>3995</td> <td>ETR</td> <td>-</td> <td>WD.</td> <td>J2</td> <td>PTD.</td> <td>-</td> <td>3992</td> <td>3\"/> <tr> <td>3997</td> <td>ETR</td> <td>-</td> <td>WD.</td> <td>J2</td> <td>PTD.</td> <td>-</td> <td>3993</td> <td>3\"/> <tr> <td>3998</td> <td>ETR</td> <td>-</td> <td>WD.</td> <td>J2</td> <td>PTD.</td> <td>-</td> <td>3994</td> <td>3\"/> <tr> <td>3999</td> <td>ETR</td> <td>-</td> <td>WD.</td> <td>J2</td> <td>PTD.</td> <td>-</td> <td>3995</td> <td>3\"/> <tr> <td>3999</td> <td>ETR</td> <td>-</td> <td>WD.</td> <td>J2</td> <td>PTD.</td> <td>-</td> <td>3997</td> <td>3\"/> </td></tr></td></tr></td></tr></td></tr></td></tr></td></tr></td></tr></td></tr></td></tr></td></tr></td></tr></td></tr></td></tr></td></tr></td></tr></td></tr></td></tr></td></tr></td></tr></td></tr></td></tr></td></tr></td></td></tr></td></tr></td></td></tr></td></td></tr></td></td></tr></td></td></tr></td> | WD | J1 | PTD. | - | 376 | 3\"/> <tr> <td>378</td> <td>B</td> <td>1 <td>WD</td> <td>J1</td> <td>PTD.</td> <td>-</td> <td>377</td> <td>3\"/> <tr> <td>379</td> <td>B</td> <td>1 <td>WD</td> <td>J1</td> <td>PTD.</td> <td>-</td> <td>377A</td> <td>3\"/> <tr> <td>380A</td> <td>B</td> <td>1 <td>WD</td> <td>J1</td> <td>PTD.</td> <td>-</td> <td>378</td> <td>3\"/> <tr> <td>380B</td> <td>B</td> <td>1 <td>WD</td> <td>J1</td> <td>PTD.</td> <td>-</td> <td>379</td> <td>3\"/> <tr> <td>382</td> <td>ETR</td> <td>-</td> <td>WD.</td> <td>J2</td> <td>PTD.</td> <td>-</td> <td>380A</td>
<td>3\"/> <tr> <td>382A</td> <td>D</td> <td>6 <td>ALUM.</td> <td>ANODIZE D</td> <td>-</td> <td>-</td> <td>380B</td> <td>3\"/> <tr> <td>385</td> <td>ETR</td> <td>-</td> <td>WD.</td> <td>J2</td> <td>PTD.</td> <td>-</td> <td>382</td> <td>3\"/> <tr> <td>386</td> <td>ETR</td> <td>-</td> <td>WD.</td> <td>J2</td> <td>PTD.</td> <td>-</td> <td>382A</td> <td>3\"/> <tr> <td>387</td> <td>ETR</td> <td>-</td> <td>WD.</td> <td>J2</td> <td>PTD.</td> <td>-</td> <td>385</td> <td>3\"/> <tr> <td>388</td> <td>ETR</td> <td>-</td> <td>WD.</td> <td>J2</td> <td>PTD.</td> <td>-</td> <td>386</td> <td>3\"/> <tr> <td>389</td> <td>ETR</td> <td>-</td> <td>WD.</td> <td>J2</td> <td>PTD.</td> <td>-</td> <td>387</td> <td>3\"/> <tr> <td>391</td> <td>ETR</td> <td>-</td> <td>WD.</td> <td>J2</td> <td>PTD.</td> <td>-</td> <td>388</td> <td>3\"/> <tr> <td>391A</td> <td>ETR</td> <td>-</td> <td>WD.</td> <td>J2</td> <td>PTD.</td> <td>-</td> <td>389</td> <td>3\"/> <tr> <td>391B</td> <td>ETR</td> <td>-</td> <td>WD.</td> <td>J2</td> <td>PTD.</td> <td>-</td> <td>391</td> <td>3\"/> <tr> <td>394</td> <td>ETR</td> <td>-</td> <td>WD.</td> <td>J2</td> <td>PTD.</td> <td>-</td> <td>391A</td> <td>3\"/> <tr> <td>395</td> <td>ETR</td> <td>-</td> <td>WD.</td> <td>J2</td> <td>PTD.</td> <td>-</td> <td>391B</td> <td>3\"/> <tr> <td>396</td> <td>ETR</td> <td>-</td> <td>WD.</td> <td>J2</td> <td>PTD.</td> <td>-</td> <td>394</td> <td>3\"/> <tr> <td>398</td> <td>ETR</td> <td>-</td> <td>WD.</td> <td>J2</td> <td>PTD.</td> <td>-</td> <td>395</td> <td>3\"/> <tr> <td>399</td> <td>ETR</td> <td>-</td> <td>WD.</td> <td>J2</td> <td>PTD.</td> <td>-</td> <td>396</td> <td>3\"/> <tr> <td>3991</td> <td>ETR</td> <td>-</td> <td>WD.</td> <td>J2</td> <td>PTD.</td> <td>-</td> <td>398</td> <td>3\"/> <tr> <td>3992</td> <td>A</td> <td>3\"/> <tr> <td>3993</td> <td>ETR</td> <td>-</td> <td>WD.</td> <td>J2</td> <td>PTD.</td> <td>-</td> <td>399</td> <td>3\"/> <tr> <td>3994</td> <td>ETR</td> <td>-</td> <td>WD.</td> <td>J2</td> <td>PTD.</td> <td>-</td> <td>3991</td> <td>3\"/> <tr> <td>3995</td> <td>ETR</td> <td>-</td> <td>WD.</td> <td>J2</td> <td>PTD.</td> <td>-</td> <td>3992</td> <td>3\"/> <tr> <td>3997</td> <td>ETR</td> <td>-</td> <td>WD.</td> <td>J2</td> <td>PTD.</td> <td>-</td> <td>3993</td> <td>3\"/> <tr> <td>3998</td> <td>ETR</td> <td>-</td> <td>WD.</td> <td>J2</td> <td>PTD.</td> <td>-</td> <td>3994</td> <td>3\"/> <tr> <td>3999</td> <td>ETR</td> <td>-</td> <td>WD.</td> <td>J2</td> <td>PTD.</td> <td>-</td> <td>3995</td> <td>3\"/> <tr> <td>3999</td> <td>ETR</td> <td>-</td> <td>WD.</td> <td>J2</td> <td>PTD.</td> <td>-</td> <td>3997</td> <td>3\"/> </td></tr></td></tr></td></tr></td></tr></td></tr></td></tr></td></tr></td></tr></td></tr></td></tr></td></tr></td></tr></td></tr></td></tr></td></tr></td></tr></td></tr></td></tr></td></tr></td></tr></td></tr></td></tr></td></td></tr></td></tr></td></td></tr></td></td></tr></td></td></tr></td></td></tr> | 378 | B | 1 <td>WD</td> <td>J1</td> <td>PTD.</td> <td>-</td> <td>377</td> <td>3\"/> <tr> <td>379</td> <td>B</td> <td>1 <td>WD</td> <td>J1</td> <td>PTD.</td> <td>-</td> <td>377A</td> <td>3\"/> <tr> <td>380A</td> <td>B</td> <td>1 <td>WD</td> <td>J1</td> <td>PTD.</td> <td>-</td> <td>378</td> <td>3\"/> <tr> <td>380B</td> <td>B</td> <td>1 <td>WD</td> <td>J1</td> <td>PTD.</td> <td>-</td> <td>379</td> <td>3\"/> <tr> <td>382</td> <td>ETR</td> <td>-</td> <td>WD.</td> <td>J2</td> <td>PTD.</td> <td>-</td> <td>380A</td> <td>3\"/> <tr> <td>382A</td> <td>D</td> <td>6 <td>ALUM.</td> <td>ANODIZE D</td> <td>-</td> <td>-</td> <td>380B</td> <td>3\"/> <tr> <td>385</td> <td>ETR</td> <td>-</td> <td>WD.</td> <td>J2</td> <td>PTD.</td> <td>-</td> <td>382</td> <td>3\"/> <tr> <td>386</td> <td>ETR</td> <td>-</td> <td>WD.</td> <td>J2</td> <td>PTD.</td> <td>-</td> <td>382A</td> <td>3\"/> <tr> <td>387</td> <td>ETR</td> <td>-</td> <td>WD.</td> <td>J2</td> <td>PTD.</td> <td>-</td> <td>385</td> <td>3\"/> <tr> <td>388</td> <td>ETR</td> <td>-</td> <td>WD.</td> <td>J2</td> <td>PTD.</td> <td>-</td> <td>386</td> <td>3\"/> <tr> <td>389</td> <td>ETR</td> <td>-</td> <td>WD.</td> <td>J2</td> <td>PTD.</td> <td>-</td> <td>387</td> <td>3\"/> <tr> <td>391</td> <td>ETR</td> <td>-</td> <td>WD.</td> <td>J2</td> <td>PTD.</td> <td>-</td> <td>388</td> <td>3\"/> <tr> <td>391A</td> <td>ETR</td> <td>-</td> <td>WD.</td> <td>J2</td> <td>PTD.</td> <td>-</td> <td>389</td> <td>3\"/> <tr> <td>391B</td> <td>ETR</td> <td>-</td> <td>WD.</td> <td>J2</td> <td>PTD.</td> <td>-</td> <td>391</td> <td>3\"/> <tr> <td>394</td> <td>ETR</td> <td>-</td> <td>WD.</td> <td>J2</td> <td>PTD.</td> <td>-</td> <td>391A</td> <td>3\"/> <tr> <td>395</td> <td>ETR</td> <td>-</td> <td>WD.</td> <td>J2</td> <td>PTD.</td> <td>-</td> <td>391B</td> <td>3\"/> <tr> <td>396</td> <td>ETR</td> <td>-</td> <td>WD.</td> <td>J2</td> <td>PTD.</td> <td>-</td> <td>394</td> <td>3\"/> <tr> <td>398</td> <td>ETR</td> <td>-</td> <td>WD.</td> <td>J2</td> <td>PTD.</td> <td>-</td> <td>395</td> <td>3\"/> <tr> <td>399</td> <td>ETR</td> <td>-</td> <td>WD.</td> <td>J2</td> <td>PTD.</td> <td>-</td> <td>396</td> <td>3\"/> <tr> <td>3991</td> <td>ETR</td> <td>-</td> <td>WD.</td> <td>J2</td> <td>PTD.</td> <td>-</td> <td>398</td> <td>3\"/> <tr> <td>3992</td> <td>A</td> <td>3\"/> <tr> <td>3993</td> <td>ETR</td> <td>-</td> <td>WD.</td> <td>J2</td> <td>PTD.</td> <td>-</td> <td>399</td> <td>3\"/> <tr> <td>3994</td> <td>ETR</td> <td>-</td> <td>WD.</td> <td>J2</td> <td>PTD.</td> <td>-</td> <td>3991</td> <td>3\"/> <tr> <td>3995</td> <td>ETR</td> <td>-</td> <td>WD.</td> <td>J2</td> <td>PTD.</td> <td>-</td> <td>3992</td> <td>3\"/> <tr> <td>3997</td> <td>ETR</td> <td>-</td> <td>WD.</td> <td>J2</td> <td>PTD.</td> <td>-</td> <td>3993</td> <td>3\"/> <tr> <td>3998</td> <td>ETR</td> <td>-</td> <td>WD.</td> <td>J2</td> <td>PTD.</td> <td>-</td> <td>3994</td> <td>3\"/> <tr> <td>3999</td> <td>ETR</td> <td>-</td> <td>WD.</td> <td>J2</td> <td>PTD.</td> <td>-</td> <td>3995</td> <td>3\"/> <tr> <td>3999</td> <td>ETR</td> <td>-</td> <td>WD.</td> <td>J2</td> <td>PTD.</td> <td>-</td> <td>3997</td> <td>3\"/> </td></tr></td></tr></td></tr></td></tr></td></tr></td></tr></td></tr></td></tr></td></tr></td></tr></td></tr></td></tr></td></tr></td></tr></td></tr></td></tr></td></tr></td></tr></td></tr></td></tr></td></tr></td></tr></td></td></tr></td></tr></td></td></tr></td></td></tr></td></td></tr></td> | WD | J1 | PTD.
 | - | 377 | 3\"/> <tr> <td>379</td> <td>B</td> <td>1 <td>WD</td> <td>J1</td> <td>PTD.</td> <td>-</td> <td>377A</td> <td>3\"/> <tr> <td>380A</td> <td>B</td> <td>1 <td>WD</td> <td>J1</td> <td>PTD.</td> <td>-</td> <td>378</td> <td>3\"/> <tr> <td>380B</td> <td>B</td> <td>1 <td>WD</td> <td>J1</td> <td>PTD.</td> <td>-</td> <td>379</td> <td>3\"/> <tr> <td>382</td> <td>ETR</td> <td>-</td> <td>WD.</td> <td>J2</td> <td>PTD.</td> <td>-</td> <td>380A</td> <td>3\"/> <tr> <td>382A</td> <td>D</td> <td>6 <td>ALUM.</td> <td>ANODIZE D</td> <td>-</td> <td>-</td> <td>380B</td> <td>3\"/> <tr> <td>385</td> <td>ETR</td> <td>-</td> <td>WD.</td> <td>J2</td> <td>PTD.</td> <td>-</td> <td>382</td> <td>3\"/> <tr> <td>386</td> <td>ETR</td> <td>-</td> <td>WD.</td> <td>J2</td> <td>PTD.</td> <td>-</td> <td>382A</td> <td>3\"/> <tr> <td>387</td> <td>ETR</td> <td>-</td> <td>WD.</td> <td>J2</td> <td>PTD.</td> <td>-</td> <td>385</td> <td>3\"/> <tr> <td>388</td> <td>ETR</td> <td>-</td> <td>WD.</td> <td>J2</td> <td>PTD.</td> <td>-</td> <td>386</td> <td>3\"/> <tr> <td>389</td> <td>ETR</td> <td>-</td> <td>WD.</td> <td>J2</td> <td>PTD.</td> <td>-</td> <td>387</td> <td>3\"/> <tr> <td>391</td> <td>ETR</td> <td>-</td> <td>WD.</td> <td>J2</td> <td>PTD.</td> <td>-</td> <td>388</td> <td>3\"/> <tr> <td>391A</td> <td>ETR</td> <td>-</td> <td>WD.</td> <td>J2</td> <td>PTD.</td> <td>-</td> <td>389</td> <td>3\"/> <tr> <td>391B</td> <td>ETR</td> <td>-</td> <td>WD.</td> <td>J2</td> <td>PTD.</td> <td>-</td> <td>391</td> <td>3\"/> <tr> <td>394</td> <td>ETR</td> <td>-</td> <td>WD.</td> <td>J2</td> <td>PTD.</td> <td>-</td> <td>391A</td> <td>3\"/> <tr> <td>395</td> <td>ETR</td> <td>-</td> <td>WD.</td> <td>J2</td> <td>PTD.</td> <td>-</td> <td>391B</td> <td>3\"/> <tr> <td>396</td> <td>ETR</td> <td>-</td> <td>WD.</td> <td>J2</td> <td>PTD.</td> <td>-</td> <td>394</td> <td>3\"/> <tr> <td>398</td> <td>ETR</td> <td>-</td> <td>WD.</td> <td>J2</td> <td>PTD.</td> <td>-</td> <td>395</td> <td>3\"/> <tr> <td>399</td> <td>ETR</td> <td>-</td> <td>WD.</td> <td>J2</td> <td>PTD.</td> <td>-</td> <td>396</td> <td>3\"/> <tr> <td>3991</td> <td>ETR</td> <td>-</td> <td>WD.</td> <td>J2</td> <td>PTD.</td> <td>-</td> <td>398</td> <td>3\"/> <tr> <td>3992</td> <td>A</td> <td>3\"/> <tr> <td>3993</td> <td>ETR</td> <td>-</td> <td>WD.</td> <td>J2</td> <td>PTD.</td> <td>-</td> <td>399</td> <td>3\"/> <tr> <td>3994</td> <td>ETR</td> <td>-</td> <td>WD.</td> <td>J2</td> <td>PTD.</td> <td>-</td> <td>3991</td> <td>3\"/> <tr> <td>3995</td> <td>ETR</td> <td>-</td> <td>WD.</td> <td>J2</td> <td>PTD.</td> <td>-</td> <td>3992</td> <td>3\"/> <tr> <td>3997</td> <td>ETR</td> <td>-</td> <td>WD.</td> <td>J2</td> <td>PTD.</td> <td>-</td> <td>3993</td> <td>3\"/> <tr> <td>3998</td> <td>ETR</td> <td>-</td> <td>WD.</td> <td>J2</td> <td>PTD.</td> <td>-</td> <td>3994</td> <td>3\"/> <tr> <td>3999</td> <td>ETR</td> <td>-</td> <td>WD.</td> <td>J2</td> <td>PTD.</td> <td>-</td> <td>3995</td> <td>3\"/> <tr> <td>3999</td> <td>ETR</td> <td>-</td> <td>WD.</td> <td>J2</td> <td>PTD.</td> <td>-</td> <td>3997</td> <td>3\"/> </td></tr></td></tr></td></tr></td></tr></td></tr></td></tr></td></tr></td></tr></td></tr></td></tr></td></tr></td></tr></td></tr></td></tr></td></tr></td></tr></td></tr></td></tr></td></tr></td></tr></td></tr></td></tr></td></td></tr></td></tr></td></td></tr></td></td></tr></td></td></tr> | 379 | B | 1 <td>WD</td> <td>J1</td> <td>PTD.</td> <td>-</td> <td>377A</td> <td>3\"/> <tr> <td>380A</td> <td>B</td> <td>1 <td>WD</td> <td>J1</td> <td>PTD.</td> <td>-</td> <td>378</td> <td>3\"/> <tr> <td>380B</td> <td>B</td> <td>1 <td>WD</td> <td>J1</td> <td>PTD.</td> <td>-</td> <td>379</td> <td>3\"/> <tr> <td>382</td> <td>ETR</td> <td>-</td> <td>WD.</td> <td>J2</td> <td>PTD.</td> <td>-</td> <td>380A</td> <td>3\"/> <tr> <td>382A</td> <td>D</td> <td>6 <td>ALUM.</td> <td>ANODIZE D</td> <td>-</td> <td>-</td> <td>380B</td> <td>3\"/> <tr> <td>385</td> <td>ETR</td> <td>-</td> <td>WD.</td> <td>J2</td> <td>PTD.</td> <td>-</td> <td>382</td> <td>3\"/> <tr> <td>386</td> <td>ETR</td> <td>-</td> <td>WD.</td> <td>J2</td> <td>PTD.</td> <td>-</td> <td>382A</td> <td>3\"/> <tr> <td>387</td> <td>ETR</td> <td>-</td> <td>WD.</td> <td>J2</td> <td>PTD.</td> <td>-</td> <td>385</td> <td>3\"/> <tr> <td>388</td> <td>ETR</td> <td>-</td> <td>WD.</td> <td>J2</td> <td>PTD.</td> <td>-</td> <td>386</td> <td>3\"/> <tr> <td>389</td> <td>ETR</td> <td>-</td> <td>WD.</td> <td>J2</td> <td>PTD.</td> <td>-</td> <td>387</td> <td>3\"/> <tr> <td>391</td> <td>ETR</td> <td>-</td> <td>WD.</td> <td>J2</td> <td>PTD.</td> <td>-</td> <td>388</td> <td>3\"/> <tr> <td>391A</td> <td>ETR</td> <td>-</td> <td>WD.</td> <td>J2</td> <td>PTD.</td> <td>-</td> <td>389</td> <td>3\"/> <tr> <td>391B</td> <td>ETR</td> <td>-</td> <td>WD.</td> <td>J2</td> <td>PTD.</td> <td>-</td> <td>391</td> <td>3\"/> <tr> <td>394</td> <td>ETR</td> <td>-</td> <td>WD.</td> <td>J2</td> <td>PTD.</td> <td>-</td> <td>391A</td> <td>3\"/> <tr> <td>395</td> <td>ETR</td> <td>-</td> <td>WD.</td> <td>J2</td> <td>PTD.</td> <td>-</td> <td>391B</td> <td>3\"/> <tr> <td>396</td> <td>ETR</td> <td>-</td> <td>WD.</td> <td>J2</td> <td>PTD.</td> <td>-</td> <td>394</td> <td>3\"/> <tr> <td>398</td> <td>ETR</td> <td>-</td> <td>WD.</td> <td>J2</td> <td>PTD.</td> <td>-</td> <td>395</td> <td>3\"/> <tr> <td>399</td> <td>ETR</td> <td>-</td> <td>WD.</td> <td>J2</td> <td>PTD.</td> <td>-</td> <td>396</td> <td>3\"/> <tr> <td>3991</td> <td>ETR</td> <td>-</td> <td>WD.</td> <td>J2</td> <td>PTD.</td> <td>-</td> <td>398</td> <td>3\"/> <tr> <td>3992</td> <td>A</td> <td>3\"/> <tr> <td>3993</td> <td>ETR</td> <td>-</td> <td>WD.</td> <td>J2</td> <td>PTD.</td> <td>-</td> <td>399</td> <td>3\"/> <tr> <td>3994</td> <td>ETR</td> <td>-</td> <td>WD.</td> <td>J2</td> <td>PTD.</td> <td>-</td> <td>3991</td> <td>3\"/> <tr> <td>3995</td> <td>ETR</td> <td>-</td> <td>WD.</td> <td>J2</td> <td>PTD.</td> <td>-</td> <td>3992</td> <td>3\"/> <tr> <td>3997</td> <td>ETR</td> <td>-</td> <td>WD.</td> <td>J2</td> <td>PTD.</td> <td>-</td> <td>3993</td> <td>3\"/> <tr> <td>3998</td> <td>ETR</td> <td>-</td> <td>WD.</td> <td>J2</td> <td>PTD.</td> <td>-</td> <td>3994</td> <td>3\"/> <tr> <td>3999</td> <td>ETR</td> <td>-</td> <td>WD.</td> <td>J2</td> <td>PTD.</td> <td>-</td> <td>3995</td> <td>3\"/> <tr> <td>3999</td> <td>ETR</td> <td>-</td> <td>WD.</td> <td>J2</td> <td>PTD.</td> <td>-</td> <td>3997</td> <td>3\"/> </td></tr></td></tr></td></tr></td></tr></td></tr></td></tr></td></tr></td></tr></td></tr></td></tr></td></tr></td></tr></td></tr></td></tr></td></tr></td></tr></td></tr></td></tr></td></tr></td></tr></td></tr></td></tr></td></td></tr></td></tr></td></td></tr></td></td></tr></td> | WD | J1 | PTD.
 | - | 377A | 3\"/> <tr> <td>380A</td> <td>B</td> <td>1 <td>WD</td> <td>J1</td> <td>PTD.</td> <td>-</td> <td>378</td> <td>3\"/> <tr> <td>380B</td> <td>B</td> <td>1 <td>WD</td> <td>J1</td> <td>PTD.</td> <td>-</td> <td>379</td> <td>3\"/> <tr> <td>382</td> <td>ETR</td> <td>-</td> <td>WD.</td> <td>J2</td> <td>PTD.</td> <td>-</td> <td>380A</td> <td>3\"/> <tr> <td>382A</td> <td>D</td> <td>6 <td>ALUM.</td> <td>ANODIZE D</td> <td>-</td> <td>-</td> <td>380B</td> <td>3\"/> <tr> <td>385</td> <td>ETR</td> <td>-</td> <td>WD.</td> <td>J2</td> <td>PTD.</td> <td>-</td> <td>382</td> <td>3\"/> <tr> <td>386</td> <td>ETR</td> <td>-</td> <td>WD.</td> <td>J2</td> <td>PTD.</td> <td>-</td> <td>382A</td> <td>3\"/> <tr> <td>387</td> <td>ETR</td> <td>-</td> <td>WD.</td> <td>J2</td> <td>PTD.</td> <td>-</td> <td>385</td> <td>3\"/> <tr> <td>388</td> <td>ETR</td> <td>-</td> <td>WD.</td> <td>J2</td> <td>PTD.</td> <td>-</td> <td>386</td> <td>3\"/> <tr> <td>389</td> <td>ETR</td> <td>-</td> <td>WD.</td> <td>J2</td> <td>PTD.</td> <td>-</td> <td>387</td> <td>3\"/> <tr> <td>391</td> <td>ETR</td> <td>-</td> <td>WD.</td> <td>J2</td> <td>PTD.</td> <td>-</td> <td>388</td> <td>3\"/> <tr> <td>391A</td> <td>ETR</td> <td>-</td> <td>WD.</td> <td>J2</td> <td>PTD.</td> <td>-</td> <td>389</td> <td>3\"/> <tr> <td>391B</td> <td>ETR</td> <td>-</td> <td>WD.</td> <td>J2</td> <td>PTD.</td> <td>-</td> <td>391</td> <td>3\"/> <tr> <td>394</td> <td>ETR</td> <td>-</td> <td>WD.</td> <td>J2</td> <td>PTD.</td> <td>-</td> <td>391A</td> <td>3\"/> <tr> <td>395</td> <td>ETR</td> <td>-</td> <td>WD.</td> <td>J2</td> <td>PTD.</td> <td>-</td> <td>391B</td> <td>3\"/> <tr> <td>396</td> <td>ETR</td> <td>-</td> <td>WD.</td> <td>J2</td> <td>PTD.</td> <td>-</td> <td>394</td> <td>3\"/> <tr> <td>398</td> <td>ETR</td> <td>-</td> <td>WD.</td> <td>J2</td> <td>PTD.</td> <td>-</td> <td>395</td> <td>3\"/> <tr> <td>399</td> <td>ETR</td> <td>-</td> <td>WD.</td> <td>J2</td> <td>PTD.</td> <td>-</td> <td>396</td> <td>3\"/> <tr> <td>3991</td> <td>ETR</td> <td>-</td> <td>WD.</td> <td>J2</td> <td>PTD.</td> <td>-</td> <td>398</td> <td>3\"/> <tr> <td>3992</td> <td>A</td> <td>3\"/> <tr> <td>3993</td> <td>ETR</td> <td>-</td> <td>WD.</td> <td>J2</td> <td>PTD.</td> <td>-</td> <td>399</td> <td>3\"/> <tr> <td>3994</td> <td>ETR</td> <td>-</td> <td>WD.</td> <td>J2</td> <td>PTD.</td> <td>-</td> <td>3991</td> <td>3\"/> <tr> <td>3995</td> <td>ETR</td> <td>-</td> <td>WD.</td> <td>J2</td> <td>PTD.</td> <td>-</td> <td>3992</td> <td>3\"/> <tr> <td>3997</td> <td>ETR</td> <td>-</td> <td>WD.</td> <td>J2</td> <td>PTD.</td> <td>-</td> <td>3993</td> <td>3\"/> <tr> <td>3998</td> <td>ETR</td> <td>-</td> <td>WD.</td> <td>J2</td> <td>PTD.</td> <td>-</td> <td>3994</td> <td>3\"/> <tr> <td>3999</td> <td>ETR</td> <td>-</td> <td>WD.</td> <td>J2</td> <td>PTD.</td> <td>-</td> <td>3995</td> <td>3\"/> <tr> <td>3999</td> <td>ETR</td> <td>-</td> <td>WD.</td> <td>J2</td> <td>PTD.</td> <td>-</td> <td>3997</td> <td>3\"/> </td></tr></td></tr></td></tr></td></tr></td></tr></td></tr></td></tr></td></tr></td></tr></td></tr></td></tr></td></tr></td></tr></td></tr></td></tr></td></tr></td></tr></td></tr></td></tr></td></tr></td></tr></td></tr></td></td></tr></td></tr></td></td></tr></td></td></tr> | 380A | B | 1 <td>WD</td> <td>J1</td> <td>PTD.</td> <td>-</td> <td>378</td> <td>3\"/> <tr> <td>380B</td> <td>B</td> <td>1 <td>WD</td> <td>J1</td> <td>PTD.</td> <td>-</td> <td>379</td> <td>3\"/> <tr> <td>382</td> <td>ETR</td> <td>-</td> <td>WD.</td> <td>J2</td> <td>PTD.</td> <td>-</td> <td>380A</td> <td>3\"/> <tr> <td>382A</td> <td>D</td> <td>6 <td>ALUM.</td> <td>ANODIZE D</td> <td>-</td> <td>-</td> <td>380B</td> <td>3\"/> <tr> <td>385</td> <td>ETR</td> <td>-</td> <td>WD.</td> <td>J2</td> <td>PTD.</td> <td>-</td> <td>382</td> <td>3\"/> <tr> <td>386</td> <td>ETR</td> <td>-</td> <td>WD.</td> <td>J2</td> <td>PTD.</td> <td>-</td> <td>382A</td> <td>3\"/> <tr> <td>387</td> <td>ETR</td> <td>-</td> <td>WD.</td> <td>J2</td> <td>PTD.</td> <td>-</td> <td>385</td> <td>3\"/> <tr> <td>388</td> <td>ETR</td> <td>-</td> <td>WD.</td> <td>J2</td> <td>PTD.</td> <td>-</td> <td>386</td> <td>3\"/> <tr> <td>389</td> <td>ETR</td> <td>-</td> <td>WD.</td> <td>J2</td> <td>PTD.</td> <td>-</td> <td>387</td> <td>3\"/> <tr> <td>391</td> <td>ETR</td> <td>-</td> <td>WD.</td> <td>J2</td> <td>PTD.</td> <td>-</td> <td>388</td> <td>3\"/> <tr> <td>391A</td> <td>ETR</td> <td>-</td> <td>WD.</td> <td>J2</td> <td>PTD.</td> <td>-</td> <td>389</td> <td>3\"/> <tr> <td>391B</td> <td>ETR</td> <td>-</td> <td>WD.</td> <td>J2</td> <td>PTD.</td> <td>-</td> <td>391</td> <td>3\"/> <tr> <td>394</td> <td>ETR</td> <td>-</td> <td>WD.</td> <td>J2</td> <td>PTD.</td> <td>-</td> <td>391A</td> <td>3\"/> <tr> <td>395</td> <td>ETR</td> <td>-</td> <td>WD.</td> <td>J2</td> <td>PTD.</td> <td>-</td> <td>391B</td> <td>3\"/> <tr> <td>396</td> <td>ETR</td> <td>-</td> <td>WD.</td> <td>J2</td> <td>PTD.</td> <td>-</td> <td>394</td> <td>3\"/> <tr> <td>398</td> <td>ETR</td> <td>-</td> <td>WD.</td> <td>J2</td> <td>PTD.</td> <td>-</td> <td>395</td> <td>3\"/> <tr> <td>399</td> <td>ETR</td> <td>-</td> <td>WD.</td> <td>J2</td> <td>PTD.</td> <td>-</td> <td>396</td> <td>3\"/> <tr> <td>3991</td> <td>ETR</td> <td>-</td> <td>WD.</td> <td>J2</td> <td>PTD.</td> <td>-</td> <td>398</td> <td>3\"/> <tr> <td>3992</td> <td>A</td> <td>3\"/> <tr> <td>3993</td> <td>ETR</td> <td>-</td> <td>WD.</td> <td>J2</td> <td>PTD.</td> <td>-</td> <td>399</td> <td>3\"/> <tr> <td>3994</td> <td>ETR</td> <td>-</td> <td>WD.</td> <td>J2</td> <td>PTD.</td> <td>-</td> <td>3991</td> <td>3\"/> <tr> <td>3995</td> <td>ETR</td> <td>-</td> <td>WD.</td> <td>J2</td> <td>PTD.</td> <td>-</td> <td>3992</td> <td>3\"/> <tr> <td>3997</td> <td>ETR</td> <td>-</td> <td>WD.</td> <td>J2</td> <td>PTD.</td> <td>-</td> <td>3993</td> <td>3\"/> <tr> <td>3998</td> <td>ETR</td> <td>-</td> <td>WD.</td>
<td>J2</td> <td>PTD.</td> <td>-</td> <td>3994</td> <td>3\"/> <tr> <td>3999</td> <td>ETR</td> <td>-</td> <td>WD.</td> <td>J2</td> <td>PTD.</td> <td>-</td> <td>3995</td> <td>3\"/> <tr> <td>3999</td> <td>ETR</td> <td>-</td> <td>WD.</td> <td>J2</td> <td>PTD.</td> <td>-</td> <td>3997</td> <td>3\"/> </td></tr></td></tr></td></tr></td></tr></td></tr></td></tr></td></tr></td></tr></td></tr></td></tr></td></tr></td></tr></td></tr></td></tr></td></tr></td></tr></td></tr></td></tr></td></tr></td></tr></td></tr></td></tr></td></td></tr></td></tr></td></td></tr></td> | WD | J1 | PTD. | - | 378 | 3\"/> <tr> <td>380B</td> <td>B</td> <td>1 <td>WD</td> <td>J1</td> <td>PTD.</td> <td>-</td> <td>379</td> <td>3\"/> <tr> <td>382</td> <td>ETR</td> <td>-</td> <td>WD.</td> <td>J2</td> <td>PTD.</td> <td>-</td> <td>380A</td> <td>3\"/> <tr> <td>382A</td> <td>D</td> <td>6 <td>ALUM.</td> <td>ANODIZE D</td> <td>-</td> <td>-</td> <td>380B</td> <td>3\"/> <tr> <td>385</td> <td>ETR</td> <td>-</td> <td>WD.</td> <td>J2</td> <td>PTD.</td> <td>-</td> <td>382</td> <td>3\"/> <tr> <td>386</td> <td>ETR</td> <td>-</td> <td>WD.</td> <td>J2</td> <td>PTD.</td> <td>-</td> <td>382A</td> <td>3\"/> <tr> <td>387</td> <td>ETR</td> <td>-</td> <td>WD.</td> <td>J2</td> <td>PTD.</td> <td>-</td> <td>385</td> <td>3\"/> <tr> <td>388</td> <td>ETR</td> <td>-</td> <td>WD.</td> <td>J2</td> <td>PTD.</td> <td>-</td> <td>386</td> <td>3\"/> <tr> <td>389</td> <td>ETR</td> <td>-</td> <td>WD.</td> <td>J2</td> <td>PTD.</td> <td>-</td> <td>387</td> <td>3\"/> <tr> <td>391</td> <td>ETR</td> <td>-</td> <td>WD.</td> <td>J2</td> <td>PTD.</td> <td>-</td> <td>388</td> <td>3\"/> <tr> <td>391A</td> <td>ETR</td> <td>-</td> <td>WD.</td> <td>J2</td> <td>PTD.</td> <td>-</td> <td>389</td> <td>3\"/> <tr> <td>391B</td> <td>ETR</td> <td>-</td> <td>WD.</td> <td>J2</td> <td>PTD.</td> <td>-</td> <td>391</td> <td>3\"/> <tr> <td>394</td> <td>ETR</td> <td>-</td> <td>WD.</td> <td>J2</td> <td>PTD.</td> <td>-</td> <td>391A</td> <td>3\"/> <tr> <td>395</td> <td>ETR</td> <td>-</td> <td>WD.</td> <td>J2</td> <td>PTD.</td> <td>-</td> <td>391B</td> <td>3\"/> <tr> <td>396</td> <td>ETR</td> <td>-</td> <td>WD.</td> <td>J2</td> <td>PTD.</td> <td>-</td> <td>394</td> <td>3\"/> <tr> <td>398</td> <td>ETR</td> <td>-</td> <td>WD.</td> <td>J2</td> <td>PTD.</td> <td>-</td> <td>395</td> <td>3\"/> <tr> <td>399</td> <td>ETR</td> <td>-</td> <td>WD.</td> <td>J2</td> <td>PTD.</td> <td>-</td> <td>396</td> <td>3\"/> <tr> <td>3991</td> <td>ETR</td> <td>-</td> <td>WD.</td> <td>J2</td> <td>PTD.</td> <td>-</td> <td>398</td> <td>3\"/> <tr> <td>3992</td> <td>A</td> <td>3\"/> <tr> <td>3993</td> <td>ETR</td> <td>-</td> <td>WD.</td> <td>J2</td> <td>PTD.</td> <td>-</td> <td>399</td> <td>3\"/> <tr> <td>3994</td> <td>ETR</td> <td>-</td> <td>WD.</td> <td>J2</td> <td>PTD.</td> <td>-</td> <td>3991</td> <td>3\"/> <tr> <td>3995</td> <td>ETR</td> <td>-</td> <td>WD.</td> <td>J2</td> <td>PTD.</td> <td>-</td> <td>3992</td> <td>3\"/> <tr> <td>3997</td> <td>ETR</td> <td>-</td> <td>WD.</td> <td>J2</td> <td>PTD.</td> <td>-</td> <td>3993</td> <td>3\"/> <tr> <td>3998</td> <td>ETR</td> <td>-</td> <td>WD.</td> <td>J2</td> <td>PTD.</td> <td>-</td> <td>3994</td> <td>3\"/> <tr> <td>3999</td> <td>ETR</td> <td>-</td> <td>WD.</td> <td>J2</td> <td>PTD.</td> <td>-</td> <td>3995</td> <td>3\"/> <tr> <td>3999</td> <td>ETR</td> <td>-</td> <td>WD.</td> <td>J2</td> <td>PTD.</td> <td>-</td> <td>3997</td> <td>3\"/> </td></tr></td></tr></td></tr></td></tr></td></tr></td></tr></td></tr></td></tr></td></tr></td></tr></td></tr></td></tr></td></tr></td></tr></td></tr></td></tr></td></tr></td></tr></td></tr></td></tr></td></tr></td></tr></td></td></tr></td></tr></td></td></tr> | 380B | B | 1 <td>WD</td> <td>J1</td> <td>PTD.</td> <td>-</td> <td>379</td> <td>3\"/> <tr> <td>382</td> <td>ETR</td> <td>-</td> <td>WD.</td> <td>J2</td> <td>PTD.</td> <td>-</td> <td>380A</td> <td>3\"/> <tr> <td>382A</td> <td>D</td> <td>6 <td>ALUM.</td> <td>ANODIZE D</td> <td>-</td> <td>-</td> <td>380B</td> <td>3\"/> <tr> <td>385</td> <td>ETR</td> <td>-</td> <td>WD.</td> <td>J2</td> <td>PTD.</td> <td>-</td> <td>382</td> <td>3\"/> <tr> <td>386</td> <td>ETR</td> <td>-</td> <td>WD.</td> <td>J2</td> <td>PTD.</td> <td>-</td> <td>382A</td> <td>3\"/> <tr> <td>387</td> <td>ETR</td> <td>-</td> <td>WD.</td> <td>J2</td> <td>PTD.</td> <td>-</td> <td>385</td> <td>3\"/> <tr> <td>388</td> <td>ETR</td> <td>-</td> <td>WD.</td> <td>J2</td> <td>PTD.</td> <td>-</td> <td>386</td> <td>3\"/> <tr> <td>389</td> <td>ETR</td> <td>-</td> <td>WD.</td> <td>J2</td> <td>PTD.</td> <td>-</td> <td>387</td> <td>3\"/> <tr> <td>391</td> <td>ETR</td> <td>-</td> <td>WD.</td> <td>J2</td> <td>PTD.</td> <td>-</td> <td>388</td> <td>3\"/> <tr> <td>391A</td> <td>ETR</td> <td>-</td> <td>WD.</td> <td>J2</td> <td>PTD.</td> <td>-</td> <td>389</td> <td>3\"/> <tr> <td>391B</td> <td>ETR</td> <td>-</td> <td>WD.</td> <td>J2</td> <td>PTD.</td> <td>-</td> <td>391</td> <td>3\"/> <tr> <td>394</td> <td>ETR</td> <td>-</td> <td>WD.</td> <td>J2</td> <td>PTD.</td>
<td>-</td> <td>391A</td> <td>3\"/> <tr> <td>395</td> <td>ETR</td> <td>-</td> <td>WD.</td> <td>J2</td> <td>PTD.</td> <td>-</td> <td>391B</td> <td>3\"/> <tr> <td>396</td> <td>ETR</td> <td>-</td> <td>WD.</td> <td>J2</td> <td>PTD.</td> <td>-</td> <td>394</td> <td>3\"/> <tr> <td>398</td> <td>ETR</td> <td>-</td> <td>WD.</td> <td>J2</td> <td>PTD.</td> <td>-</td> <td>395</td> <td>3\"/> <tr> <td>399</td> <td>ETR</td> <td>-</td> <td>WD.</td> <td>J2</td> <td>PTD.</td> <td>-</td> <td>396</td> <td>3\"/> <tr> <td>3991</td> <td>ETR</td> <td>-</td> <td>WD.</td> <td>J2</td> <td>PTD.</td> <td>-</td> <td>398</td> <td>3\"/> <tr> <td>3992</td> <td>A</td> <td>3\"/> <tr> <td>3993</td> <td>ETR</td> <td>-</td> <td>WD.</td> <td>J2</td> <td>PTD.</td> <td>-</td> <td>399</td> <td>3\"/> <tr> <td>3994</td> <td>ETR</td> <td>-</td> <td>WD.</td> <td>J2</td> <td>PTD.</td> <td>-</td> <td>3991</td> <td>3\"/> <tr> <td>3995</td> <td>ETR</td> <td>-</td> <td>WD.</td> <td>J2</td> <td>PTD.</td> <td>-</td> <td>3992</td> <td>3\"/> <tr> <td>3997</td> <td>ETR</td> <td>-</td> <td>WD.</td> <td>J2</td> <td>PTD.</td> <td>-</td> <td>3993</td> <td>3\"/> <tr> <td>3998</td> <td>ETR</td> <td>-</td> <td>WD.</td> <td>J2</td> <td>PTD.</td> <td>-</td> <td>3994</td> <td>3\"/> <tr> <td>3999</td> <td>ETR</td> <td>-</td> <td>WD.</td> <td>J2</td> <td>PTD.</td> <td>-</td> <td>3995</td> <td>3\"/> <tr> <td>3999</td> <td>ETR</td> <td>-</td> <td>WD.</td> <td>J2</td> <td>PTD.</td> <td>-</td> <td>3997</td> <td>3\"/> </td></tr></td></tr></td></tr></td></tr></td></tr></td></tr></td></tr></td></tr></td></tr></td></tr></td></tr></td></tr></td></tr></td></tr></td></tr></td></tr></td></tr></td></tr></td></tr></td></tr></td></tr></td></tr></td></td></tr></td></tr></td> | WD | J1 | PTD. | - | 379 | 3\"/> <tr> <td>382</td> <td>ETR</td> <td>-</td> <td>WD.</td> <td>J2</td> <td>PTD.</td> <td>-</td> <td>380A</td> <td>3\"/> <tr> <td>382A</td> <td>D</td> <td>6 <td>ALUM.</td> <td>ANODIZE D</td> <td>-</td> <td>-</td> <td>380B</td> <td>3\"/> <tr> <td>385</td> <td>ETR</td> <td>-</td> <td>WD.</td> <td>J2</td> <td>PTD.</td> <td>-</td> <td>382</td> <td>3\"/> <tr> <td>386</td> <td>ETR</td> <td>-</td> <td>WD.</td> <td>J2</td> <td>PTD.</td> <td>-</td> <td>382A</td> <td>3\"/> <tr> <td>387</td> <td>ETR</td> <td>-</td> <td>WD.</td> <td>J2</td> <td>PTD.</td> <td>-</td> <td>385</td> <td>3\"/> <tr> <td>388</td> <td>ETR</td> <td>-</td> <td>WD.</td> <td>J2</td> <td>PTD.</td> <td>-</td> <td>386</td> <td>3\"/> <tr> <td>389</td> <td>ETR</td> <td>-</td> <td>WD.</td> <td>J2</td> <td>PTD.</td> <td>-</td> <td>387</td> <td>3\"/> <tr> <td>391</td> <td>ETR</td> <td>-</td> <td>WD.</td> <td>J2</td> <td>PTD.</td> <td>-</td> <td>388</td> <td>3\"/> <tr> <td>391A</td> <td>ETR</td> <td>-</td> <td>WD.</td> <td>J2</td> <td>PTD.</td> <td>-</td> <td>389</td> <td>3\"/> <tr> <td>391B</td> <td>ETR</td> <td>-</td> <td>WD.</td> <td>J2</td> <td>PTD.</td> <td>-</td> <td>391</td> <td>3\"/> <tr> <td>394</td> <td>ETR</td> <td>-</td> <td>WD.</td> <td>J2</td> <td>PTD.</td> <td>-</td> <td>391A</td> <td>3\"/> <tr> <td>395</td> <td>ETR</td> <td>-</td> <td>WD.</td> <td>J2</td> <td>PTD.</td> <td>-</td> <td>391B</td> <td>3\"/> <tr> <td>396</td> <td>ETR</td> <td>-</td> <td>WD.</td> <td>J2</td> <td>PTD.</td> <td>-</td> <td>394</td> <td>3\"/> <tr> <td>398</td> <td>ETR</td> <td>-</td> <td>WD.</td> <td>J2</td> <td>PTD.</td> <td>-</td> <td>395</td> <td>3\"/> <tr> <td>399</td> <td>ETR</td> <td>-</td> <td>WD.</td> <td>J2</td> <td>PTD.</td> <td>-</td> <td>396</td> <td>3\"/> <tr> <td>3991</td> <td>ETR</td> <td>-</td> <td>WD.</td> <td>J2</td> <td>PTD.</td> <td>-</td> <td>398</td> <td>3\"/> <tr> <td>3992</td> <td>A</td> <td>3\"/> <tr> <td>3993</td> <td>ETR</td> <td>-</td> <td>WD.</td> <td>J2</td> <td>PTD.</td> <td>-</td> <td>399</td> <td>3\"/> <tr> <td>3994</td> <td>ETR</td> <td>-</td> <td>WD.</td> <td>J2</td> <td>PTD.</td> <td>-</td> <td>3991</td> <td>3\"/> <tr> <td>3995</td> <td>ETR</td> <td>-</td> <td>WD.</td> <td>J2</td> <td>PTD.</td> <td>-</td> <td>3992</td> <td>3\"/> <tr> <td>3997</td> <td>ETR</td> <td>-</td> <td>WD.</td> <td>J2</td> <td>PTD.</td> <td>-</td> <td>3993</td> <td>3\"/> <tr> <td>3998</td> <td>ETR</td> <td>-</td> <td>WD.</td> <td>J2</td> <td>PTD.</td> <td>-</td> <td>3994</td> <td>3\"/> <tr> <td>3999</td> <td>ETR</td> <td>-</td> <td>WD.</td> <td>J2</td> <td>PTD.</td> <td>-</td> <td>3995</td> <td>3\"/> <tr> <td>3999</td> <td>ETR</td> <td>-</td> <td>WD.</td> <td>J2</td> <td>PTD.</td> <td>-</td> <td>3997</td> <td>3\"/> </td></tr></td></tr></td></tr></td></tr></td></tr></td></tr></td></tr></td></tr></td></tr></td></tr></td></tr></td></tr></td></tr></td></tr></td></tr></td></tr></td></tr></td></tr></td></tr></td></tr></td></tr></td></tr></td></td></tr></td></tr> | 382 | ETR | -
 | WD. | J2 | PTD. | - | 380A | 3\"/> <tr> <td>382A</td> <td>D</td> <td>6 <td>ALUM.</td> <td>ANODIZE D</td> <td>-</td> <td>-</td> <td>380B</td> <td>3\"/> <tr> <td>385</td> <td>ETR</td> <td>-</td> <td>WD.</td> <td>J2</td> <td>PTD.</td> <td>-</td> <td>382</td> <td>3\"/> <tr> <td>386</td> <td>ETR</td> <td>-</td> <td>WD.</td> <td>J2</td> <td>PTD.</td> <td>-</td> <td>382A</td> <td>3\"/> <tr> <td>387</td> <td>ETR</td> <td>-</td> <td>WD.</td> <td>J2</td> <td>PTD.</td> <td>-</td> <td>385</td> <td>3\"/> <tr> <td>388</td> <td>ETR</td> <td>-</td> <td>WD.</td> <td>J2</td> <td>PTD.</td> <td>-</td> <td>386</td> <td>3\"/> <tr> <td>389</td> <td>ETR</td> <td>-</td> <td>WD.</td> <td>J2</td> <td>PTD.</td> <td>-</td> <td>387</td> <td>3\"/> <tr> <td>391</td> <td>ETR</td> <td>-</td> <td>WD.</td> <td>J2</td> <td>PTD.</td> <td>-</td> <td>388</td> <td>3\"/> <tr> <td>391A</td> <td>ETR</td> <td>-</td> <td>WD.</td> <td>J2</td> <td>PTD.</td> <td>-</td> <td>389</td> <td>3\"/> <tr> <td>391B</td> <td>ETR</td> <td>-</td> <td>WD.</td> <td>J2</td> <td>PTD.</td> <td>-</td> <td>391</td> <td>3\"/> <tr> <td>394</td> <td>ETR</td> <td>-</td> <td>WD.</td> <td>J2</td> <td>PTD.</td> <td>-</td> <td>391A</td> <td>3\"/> <tr> <td>395</td> <td>ETR</td> <td>-</td> <td>WD.</td> <td>J2</td> <td>PTD.</td> <td>-</td> <td>391B</td> <td>3\"/> <tr> <td>396</td> <td>ETR</td> <td>-</td> <td>WD.</td> <td>J2</td> <td>PTD.</td> <td>-</td> <td>394</td> <td>3\"/> <tr> <td>398</td> <td>ETR</td> <td>-</td> <td>WD.</td> <td>J2</td> <td>PTD.</td> <td>-</td> <td>395</td> <td>3\"/> <tr> <td>399</td> <td>ETR</td> <td>-</td> <td>WD.</td> <td>J2</td> <td>PTD.</td> <td>-</td> <td>396</td> <td>3\"/> <tr> <td>3991</td> <td>ETR</td> <td>-</td> <td>WD.</td> <td>J2</td> <td>PTD.</td> <td>-</td> <td>398</td> <td>3\"/> <tr> <td>3992</td> <td>A</td> <td>3\"/> <tr> <td>3993</td> <td>ETR</td> <td>-</td> <td>WD.</td> <td>J2</td> <td>PTD.</td> <td>-</td> <td>399</td> <td>3\"/> <tr> <td>3994</td> <td>ETR</td> <td>-</td> <td>WD.</td> <td>J2</td> <td>PTD.</td> <td>-</td> <td>3991</td> <td>3\"/> <tr> <td>3995</td> <td>ETR</td> <td>-</td> <td>WD.</td> <td>J2</td> <td>PTD.</td> <td>-</td> <td>3992</td> <td>3\"/> <tr> <td>3997</td> <td>ETR</td> <td>-</td> <td>WD.</td> <td>J2</td> <td>PTD.</td> <td>-</td> <td>3993</td> <td>3\"/> <tr> <td>3998</td> <td>ETR</td> <td>-</td> <td>WD.</td> <td>J2</td> <td>PTD.</td> <td>-</td> <td>3994</td> <td>3\"/> <tr> <td>3999</td> <td>ETR</td> <td>-</td> <td>WD.</td> <td>J2</td> <td>PTD.</td> <td>-</td> <td>3995</td> <td>3\"/> <tr> <td>3999</td> <td>ETR</td> <td>-</td> <td>WD.</td> <td>J2</td> <td>PTD.</td> <td>-</td> <td>3997</td> <td>3\"/> </td></tr></td></tr></td></tr></td></tr></td></tr></td></tr></td></tr></td></tr></td></tr></td></tr></td></tr></td></tr></td></tr></td></tr></td></tr></td></tr></td></tr></td></tr></td></tr></td></tr></td></tr></td></tr></td></td></tr>
 | 382A | D | 6 <td>ALUM.</td> <td>ANODIZE D</td> <td>-</td> <td>-</td> <td>380B</td> <td>3\"/> <tr> <td>385</td> <td>ETR</td> <td>-</td> <td>WD.</td> <td>J2</td> <td>PTD.</td> <td>-</td> <td>382</td> <td>3\"/> <tr> <td>386</td> <td>ETR</td> <td>-</td> <td>WD.</td> <td>J2</td> <td>PTD.</td> <td>-</td> <td>382A</td> <td>3\"/> <tr> <td>387</td> <td>ETR</td> <td>-</td> <td>WD.</td> <td>J2</td> <td>PTD.</td> <td>-</td> <td>385</td> <td>3\"/> <tr> <td>388</td> <td>ETR</td> <td>-</td> <td>WD.</td> <td>J2</td> <td>PTD.</td> <td>-</td> <td>386</td> <td>3\"/> <tr> <td>389</td> <td>ETR</td> <td>-</td> <td>WD.</td> <td>J2</td> <td>PTD.</td> <td>-</td> <td>387</td> <td>3\"/> <tr> <td>391</td> <td>ETR</td> <td>-</td> <td>WD.</td> <td>J2</td> <td>PTD.</td> <td>-</td> <td>388</td> <td>3\"/> <tr> <td>391A</td> <td>ETR</td> <td>-</td> <td>WD.</td> <td>J2</td> <td>PTD.</td> <td>-</td> <td>389</td> <td>3\"/> <tr> <td>391B</td> <td>ETR</td> <td>-</td> <td>WD.</td> <td>J2</td> <td>PTD.</td> <td>-</td> <td>391</td> <td>3\"/> <tr> <td>394</td> <td>ETR</td> <td>-</td> <td>WD.</td> <td>J2</td> <td>PTD.</td> <td>-</td> <td>391A</td> <td>3\"/> <tr> <td>395</td> <td>ETR</td> <td>-</td> <td>WD.</td> <td>J2</td> <td>PTD.</td> <td>-</td> <td>391B</td> <td>3\"/> <tr> <td>396</td> <td>ETR</td> <td>-</td> <td>WD.</td> <td>J2</td> <td>PTD.</td> <td>-</td> <td>394</td> <td>3\"/> <tr> <td>398</td> <td>ETR</td> <td>-</td> <td>WD.</td> <td>J2</td> <td>PTD.</td> <td>-</td> <td>395</td> <td>3\"/> <tr> <td>399</td> <td>ETR</td> <td>-</td> <td>WD.</td> <td>J2</td> <td>PTD.</td> <td>-</td> <td>396</td> <td>3\"/> <tr> <td>3991</td> <td>ETR</td> <td>-</td> <td>WD.</td> <td>J2</td> <td>PTD.</td> <td>-</td> <td>398</td> <td>3\"/> <tr> <td>3992</td> <td>A</td> <td>3\"/> <tr> <td>3993</td> <td>ETR</td> <td>-</td> <td>WD.</td> <td>J2</td> <td>PTD.</td> <td>-</td> <td>399</td> <td>3\"/> <tr> <td>3994</td> <td>ETR</td> <td>-</td> <td>WD.</td> <td>J2</td> <td>PTD.</td> <td>-</td> <td>3991</td> <td>3\"/> <tr> <td>3995</td> <td>ETR</td> <td>-</td> <td>WD.</td> <td>J2</td> <td>PTD.</td> <td>-</td> <td>3992</td> <td>3\"/> <tr> <td>3997</td> <td>ETR</td> <td>-</td> <td>WD.</td> <td>J2</td> <td>PTD.</td> <td>-</td> <td>3993</td> <td>3\"/> <tr> <td>3998</td> <td>ETR</td> <td>-</td> <td>WD.</td> <td>J2</td> <td>PTD.</td> <td>-</td> <td>3994</td> <td>3\"/> <tr> <td>3999</td> <td>ETR</td> <td>-</td> <td>WD.</td> <td>J2</td> <td>PTD.</td> <td>-</td> <td>3995</td> <td>3\"/> <tr> <td>3999</td> <td>ETR</td> <td>-</td> <td>WD.</td> <td>J2</td> <td>PTD.</td> <td>-</td> <td>3997</td> <td>3\"/> </td></tr></td></tr></td></tr></td></tr></td></tr></td></tr></td></tr></td></tr></td></tr></td></tr></td></tr></td></tr></td></tr></td></tr></td></tr></td></tr></td></tr></td></tr></td></tr></td></tr></td></tr></td></tr></td> | ALUM. | ANODIZE D | - | - | 380B | 3\"/> <tr> <td>385</td> <td>ETR</td> <td>-</td> <td>WD.</td> <td>J2</td> <td>PTD.</td> <td>-</td> <td>382</td> <td>3\"/> <tr> <td>386</td> <td>ETR</td> <td>-</td> <td>WD.</td> <td>J2</td> <td>PTD.</td> <td>-</td> <td>382A</td> <td>3\"/> <tr> <td>387</td> <td>ETR</td> <td>-</td> <td>WD.</td> <td>J2</td> <td>PTD.</td> <td>-</td> <td>385</td> <td>3\"/> <tr> <td>388</td> <td>ETR</td> <td>-</td> <td>WD.</td> <td>J2</td> <td>PTD.</td> <td>-</td> <td>386</td> <td>3\"/> <tr> <td>389</td> <td>ETR</td> <td>-</td> <td>WD.</td> <td>J2</td> <td>PTD.</td> <td>-</td> <td>387</td> <td>3\"/> <tr> <td>391</td> <td>ETR</td> <td>-</td> <td>WD.</td> <td>J2</td> <td>PTD.</td> <td>-</td> <td>388</td> <td>3\"/> <tr> <td>391A</td> <td>ETR</td> <td>-</td> <td>WD.</td> <td>J2</td> <td>PTD.</td> <td>-</td> <td>389</td> <td>3\"/> <tr> <td>391B</td> <td>ETR</td> <td>-</td> <td>WD.</td> <td>J2</td> <td>PTD.</td> <td>-</td> <td>391</td> <td>3\"/> <tr> <td>394</td> <td>ETR</td> <td>-</td> <td>WD.</td> <td>J2</td> <td>PTD.</td> <td>-</td> <td>391A</td> <td>3\"/> <tr> <td>395</td> <td>ETR</td> <td>-</td> <td>WD.</td> <td>J2</td> <td>PTD.</td> <td>-</td> <td>391B</td> <td>3\"/> <tr> <td>396</td> <td>ETR</td> <td>-</td> <td>WD.</td> <td>J2</td> <td>PTD.</td> <td>-</td> <td>394</td> <td>3\"/> <tr> <td>398</td> <td>ETR</td> <td>-</td> <td>WD.</td> <td>J2</td> <td>PTD.</td> <td>-</td> <td>395</td> <td>3\"/> <tr> <td>399</td> <td>ETR</td> <td>-</td> <td>WD.</td> <td>J2</td> <td>PTD.</td> <td>-</td> <td>396</td> <td>3\"/> <tr> <td>3991</td> <td>ETR</td> <td>-</td> <td>WD.</td> <td>J2</td> <td>PTD.</td> <td>-</td> <td>398</td> <td>3\"/> <tr> <td>3992</td> <td>A</td> <td>3\"/> <tr> <td>3993</td> <td>ETR</td> <td>-</td> <td>WD.</td> <td>J2</td> <td>PTD.</td> <td>-</td> <td>399</td> <td>3\"/> <tr> <td>3994</td> <td>ETR</td> <td>-</td> <td>WD.</td> <td>J2</td> <td>PTD.</td> <td>-</td> <td>3991</td> <td>3\"/> <tr> <td>3995</td> <td>ETR</td> <td>-</td> <td>WD.</td> <td>J2</td> <td>PTD.</td> <td>-</td> <td>3992</td> <td>3\"/> <tr> <td>3997</td> <td>ETR</td> <td>-</td> <td>WD.</td> <td>J2</td> <td>PTD.</td> <td>-</td> <td>3993</td> <td>3\"/> <tr> <td>3998</td> <td>ETR</td> <td>-</td> <td>WD.</td> <td>J2</td> <td>PTD.</td> <td>-</td> <td>3994</td> <td>3\"/> <tr> <td>3999</td> <td>ETR</td> <td>-</td> <td>WD.</td> <td>J2</td> <td>PTD.</td> <td>-</td> <td>3995</td> <td>3\"/> <tr> <td>3999</td> <td>ETR</td> <td>-</td> <td>WD.</td> <td>J2</td> <td>PTD.</td> <td>-</td> <td>3997</td> <td>3\"/> </td></tr></td></tr></td></tr></td></tr></td></tr></td></tr></td></tr></td></tr></td></tr></td></tr></td></tr></td></tr></td></tr></td></tr></td></tr></td></tr></td></tr></td></tr></td></tr></td></tr></td></tr></td></tr>
 | 385 | ETR | - | WD. | J2 | PTD. | - | 382 | 3\"/> <tr> <td>386</td> <td>ETR</td> <td>-</td> <td>WD.</td> <td>J2</td> <td>PTD.</td> <td>-</td> <td>382A</td> <td>3\"/> <tr> <td>387</td> <td>ETR</td> <td>-</td> <td>WD.</td> <td>J2</td> <td>PTD.</td> <td>-</td> <td>385</td> <td>3\"/> <tr> <td>388</td> <td>ETR</td> <td>-</td> <td>WD.</td> <td>J2</td> <td>PTD.</td> <td>-</td> <td>386</td> <td>3\"/> <tr> <td>389</td> <td>ETR</td> <td>-</td> <td>WD.</td> <td>J2</td> <td>PTD.</td> <td>-</td> <td>387</td> <td>3\"/> <tr> <td>391</td> <td>ETR</td> <td>-</td> <td>WD.</td> <td>J2</td> <td>PTD.</td> <td>-</td> <td>388</td> <td>3\"/> <tr> <td>391A</td> <td>ETR</td> <td>-</td> <td>WD.</td> <td>J2</td> <td>PTD.</td> <td>-</td> <td>389</td> <td>3\"/> <tr> <td>391B</td> <td>ETR</td> <td>-</td> <td>WD.</td> <td>J2</td> <td>PTD.</td> <td>-</td> <td>391</td> <td>3\"/> <tr> <td>394</td> <td>ETR</td> <td>-</td> <td>WD.</td> <td>J2</td> <td>PTD.</td> <td>-</td> <td>391A</td> <td>3\"/> <tr> <td>395</td> <td>ETR</td> <td>-</td> <td>WD.</td> <td>J2</td> <td>PTD.</td> <td>-</td> <td>391B</td> <td>3\"/> <tr> <td>396</td> <td>ETR</td> <td>-</td> <td>WD.</td> <td>J2</td> <td>PTD.</td> <td>-</td> <td>394</td> <td>3\"/> <tr> <td>398</td> <td>ETR</td> <td>-</td> <td>WD.</td> <td>J2</td> <td>PTD.</td> <td>-</td> <td>395</td> <td>3\"/> <tr> <td>399</td> <td>ETR</td> <td>-</td> <td>WD.</td> <td>J2</td> <td>PTD.</td> <td>-</td> <td>396</td> <td>3\"/> <tr> <td>3991</td> <td>ETR</td> <td>-</td> <td>WD.</td> <td>J2</td> <td>PTD.</td> <td>-</td> <td>398</td> <td>3\"/> <tr> <td>3992</td> <td>A</td> <td>3\"/> <tr> <td>3993</td> <td>ETR</td> <td>-</td> <td>WD.</td> <td>J2</td> <td>PTD.</td> <td>-</td> <td>399</td> <td>3\"/> <tr> <td>3994</td> <td>ETR</td> <td>-</td> <td>WD.</td> <td>J2</td> <td>PTD.</td> <td>-</td> <td>3991</td> <td>3\"/> <tr> <td>3995</td> <td>ETR</td> <td>-</td> <td>WD.</td> <td>J2</td> <td>PTD.</td> <td>-</td> <td>3992</td> <td>3\"/> <tr> <td>3997</td> <td>ETR</td> <td>-</td> <td>WD.</td> <td>J2</td> <td>PTD.</td> <td>-</td> <td>3993</td> <td>3\"/> <tr> <td>3998</td> <td>ETR</td> <td>-</td> <td>WD.</td> <td>J2</td> <td>PTD.</td> <td>-</td> <td>3994</td> <td>3\"/> <tr> <td>3999</td> <td>ETR</td> <td>-</td> <td>WD.</td> <td>J2</td> <td>PTD.</td> <td>-</td> <td>3995</td> <td>3\"/> <tr> <td>3999</td> <td>ETR</td> <td>-</td> <td>WD.</td> <td>J2</td> <td>PTD.</td> <td>-</td> <td>3997</td> <td>3\"/> </td></tr></td></tr></td></tr></td></tr></td></tr></td></tr></td></tr></td></tr></td></tr></td></tr></td></tr></td></tr></td></tr></td></tr></td></tr></td></tr></td></tr></td></tr></td></tr></td></tr></td></tr>
 | 386 | ETR | - | WD. | J2 | PTD. | - | 382A | 3\"/> <tr> <td>387</td> <td>ETR</td> <td>-</td> <td>WD.</td> <td>J2</td> <td>PTD.</td> <td>-</td> <td>385</td> <td>3\"/> <tr> <td>388</td> <td>ETR</td> <td>-</td> <td>WD.</td> <td>J2</td> <td>PTD.</td> <td>-</td> <td>386</td> <td>3\"/> <tr> <td>389</td> <td>ETR</td> <td>-</td> <td>WD.</td> <td>J2</td> <td>PTD.</td> <td>-</td> <td>387</td> <td>3\"/> <tr> <td>391</td> <td>ETR</td> <td>-</td> <td>WD.</td> <td>J2</td> <td>PTD.</td> <td>-</td> <td>388</td> <td>3\"/> <tr> <td>391A</td> <td>ETR</td> <td>-</td> <td>WD.</td> <td>J2</td> <td>PTD.</td> <td>-</td> <td>389</td> <td>3\"/> <tr> <td>391B</td> <td>ETR</td> <td>-</td> <td>WD.</td> <td>J2</td> <td>PTD.</td> <td>-</td> <td>391</td> <td>3\"/> <tr> <td>394</td> <td>ETR</td> <td>-</td> <td>WD.</td> <td>J2</td> <td>PTD.</td> <td>-</td> <td>391A</td> <td>3\"/> <tr> <td>395</td> <td>ETR</td> <td>-</td> <td>WD.</td> <td>J2</td> <td>PTD.</td> <td>-</td> <td>391B</td> <td>3\"/> <tr> <td>396</td> <td>ETR</td> <td>-</td> <td>WD.</td> <td>J2</td> <td>PTD.</td> <td>-</td> <td>394</td> <td>3\"/> <tr> <td>398</td> <td>ETR</td> <td>-</td> <td>WD.</td> <td>J2</td> <td>PTD.</td> <td>-</td> <td>395</td> <td>3\"/> <tr> <td>399</td> <td>ETR</td> <td>-</td> <td>WD.</td> <td>J2</td> <td>PTD.</td> <td>-</td> <td>396</td> <td>3\"/> <tr> <td>3991</td> <td>ETR</td> <td>-</td> <td>WD.</td> <td>J2</td> <td>PTD.</td> <td>-</td> <td>398</td> <td>3\"/> <tr> <td>3992</td> <td>A</td> <td>3\"/> <tr> <td>3993</td> <td>ETR</td> <td>-</td> <td>WD.</td> <td>J2</td> <td>PTD.</td> <td>-</td> <td>399</td> <td>3\"/> <tr> <td>3994</td> <td>ETR</td> <td>-</td> <td>WD.</td> <td>J2</td> <td>PTD.</td> <td>-</td> <td>3991</td> <td>3\"/> <tr> <td>3995</td> <td>ETR</td> <td>-</td> <td>WD.</td> <td>J2</td> <td>PTD.</td> <td>-</td> <td>3992</td> <td>3\"/> <tr> <td>3997</td> <td>ETR</td> <td>-</td> <td>WD.</td> <td>J2</td> <td>PTD.</td> <td>-</td> <td>3993</td> <td>3\"/> <tr> <td>3998</td> <td>ETR</td> <td>-</td> <td>WD.</td> <td>J2</td> <td>PTD.</td> <td>-</td> <td>3994</td> <td>3\"/> <tr> <td>3999</td> <td>ETR</td> <td>-</td> <td>WD.</td> <td>J2</td> <td>PTD.</td> <td>-</td> <td>3995</td> <td>3\"/> <tr> <td>3999</td> <td>ETR</td> <td>-</td> <td>WD.</td> <td>J2</td> <td>PTD.</td> <td>-</td> <td>3997</td> <td>3\"/> </td></tr></td></tr></td></tr></td></tr></td></tr></td></tr></td></tr></td></tr></td></tr></td></tr></td></tr></td></tr></td></tr></td></tr></td></tr></td></tr></td></tr></td></tr></td></tr></td></tr> | 387 | ETR | -
 | WD. | J2 | PTD. | - | 385 | 3\"/> <tr> <td>388</td> <td>ETR</td> <td>-</td> <td>WD.</td> <td>J2</td> <td>PTD.</td> <td>-</td> <td>386</td> <td>3\"/> <tr> <td>389</td> <td>ETR</td> <td>-</td> <td>WD.</td> <td>J2</td> <td>PTD.</td> <td>-</td> <td>387</td> <td>3\"/> <tr> <td>391</td> <td>ETR</td> <td>-</td> <td>WD.</td> <td>J2</td> <td>PTD.</td> <td>-</td> <td>388</td> <td>3\"/> <tr> <td>391A</td> <td>ETR</td> <td>-</td> <td>WD.</td> <td>J2</td> <td>PTD.</td> <td>-</td> <td>389</td> <td>3\"/> <tr> <td>391B</td> <td>ETR</td> <td>-</td> <td>WD.</td> <td>J2</td> <td>PTD.</td> <td>-</td> <td>391</td> <td>3\"/> <tr> <td>394</td> <td>ETR</td> <td>-</td> <td>WD.</td> <td>J2</td> <td>PTD.</td> <td>-</td> <td>391A</td> <td>3\"/> <tr> <td>395</td> <td>ETR</td> <td>-</td> <td>WD.</td> <td>J2</td> <td>PTD.</td> <td>-</td> <td>391B</td> <td>3\"/> <tr> <td>396</td> <td>ETR</td> <td>-</td> <td>WD.</td> <td>J2</td> <td>PTD.</td> <td>-</td> <td>394</td> <td>3\"/> <tr> <td>398</td> <td>ETR</td> <td>-</td> <td>WD.</td> <td>J2</td> <td>PTD.</td> <td>-</td> <td>395</td> <td>3\"/> <tr> <td>399</td> <td>ETR</td> <td>-</td> <td>WD.</td> <td>J2</td> <td>PTD.</td> <td>-</td> <td>396</td> <td>3\"/> <tr> <td>3991</td> <td>ETR</td> <td>-</td> <td>WD.</td> <td>J2</td> <td>PTD.</td> <td>-</td> <td>398</td> <td>3\"/> <tr> <td>3992</td> <td>A</td> <td>3\"/> <tr> <td>3993</td> <td>ETR</td> <td>-</td> <td>WD.</td> <td>J2</td> <td>PTD.</td> <td>-</td> <td>399</td> <td>3\"/> <tr> <td>3994</td> <td>ETR</td> <td>-</td> <td>WD.</td> <td>J2</td> <td>PTD.</td> <td>-</td> <td>3991</td> <td>3\"/> <tr> <td>3995</td> <td>ETR</td> <td>-</td> <td>WD.</td> <td>J2</td> <td>PTD.</td> <td>-</td> <td>3992</td> <td>3\"/> <tr> <td>3997</td> <td>ETR</td> <td>-</td> <td>WD.</td> <td>J2</td> <td>PTD.</td> <td>-</td> <td>3993</td> <td>3\"/> <tr> <td>3998</td> <td>ETR</td> <td>-</td> <td>WD.</td> <td>J2</td> <td>PTD.</td> <td>-</td> <td>3994</td> <td>3\"/> <tr> <td>3999</td> <td>ETR</td> <td>-</td> <td>WD.</td> <td>J2</td> <td>PTD.</td> <td>-</td> <td>3995</td> <td>3\"/> <tr> <td>3999</td> <td>ETR</td> <td>-</td> <td>WD.</td> <td>J2</td> <td>PTD.</td> <td>-</td> <td>3997</td> <td>3\"/> </td></tr></td></tr></td></tr></td></tr></td></tr></td></tr></td></tr></td></tr></td></tr></td></tr></td></tr></td></tr></td></tr></td></tr></td></tr></td></tr></td></tr></td></tr></td></tr> | 388 | ETR | - | WD. | J2 | PTD.
 | - | 386 | 3\"/> <tr> <td>389</td> <td>ETR</td> <td>-</td> <td>WD.</td> <td>J2</td> <td>PTD.</td> <td>-</td> <td>387</td> <td>3\"/> <tr> <td>391</td> <td>ETR</td> <td>-</td> <td>WD.</td> <td>J2</td> <td>PTD.</td> <td>-</td> <td>388</td> <td>3\"/> <tr> <td>391A</td> <td>ETR</td> <td>-</td> <td>WD.</td> <td>J2</td> <td>PTD.</td> <td>-</td> <td>389</td> <td>3\"/> <tr> <td>391B</td> <td>ETR</td> <td>-</td> <td>WD.</td> <td>J2</td> <td>PTD.</td> <td>-</td> <td>391</td> <td>3\"/> <tr> <td>394</td> <td>ETR</td> <td>-</td> <td>WD.</td> <td>J2</td> <td>PTD.</td> <td>-</td> <td>391A</td> <td>3\"/> <tr> <td>395</td> <td>ETR</td> <td>-</td> <td>WD.</td> <td>J2</td> <td>PTD.</td> <td>-</td> <td>391B</td> <td>3\"/> <tr> <td>396</td> <td>ETR</td> <td>-</td> <td>WD.</td> <td>J2</td> <td>PTD.</td> <td>-</td> <td>394</td> <td>3\"/> <tr> <td>398</td> <td>ETR</td> <td>-</td> <td>WD.</td> <td>J2</td> <td>PTD.</td> <td>-</td> <td>395</td> <td>3\"/> <tr> <td>399</td> <td>ETR</td> <td>-</td> <td>WD.</td> <td>J2</td> <td>PTD.</td> <td>-</td> <td>396</td> <td>3\"/> <tr> <td>3991</td> <td>ETR</td> <td>-</td> <td>WD.</td> <td>J2</td> <td>PTD.</td> <td>-</td> <td>398</td> <td>3\"/> <tr> <td>3992</td> <td>A</td> <td>3\"/> <tr> <td>3993</td> <td>ETR</td> <td>-</td> <td>WD.</td> <td>J2</td> <td>PTD.</td> <td>-</td> <td>399</td> <td>3\"/> <tr> <td>3994</td> <td>ETR</td> <td>-</td> <td>WD.</td> <td>J2</td> <td>PTD.</td> <td>-</td> <td>3991</td> <td>3\"/> <tr> <td>3995</td> <td>ETR</td> <td>-</td> <td>WD.</td> <td>J2</td> <td>PTD.</td> <td>-</td> <td>3992</td> <td>3\"/> <tr> <td>3997</td> <td>ETR</td> <td>-</td> <td>WD.</td> <td>J2</td> <td>PTD.</td> <td>-</td> <td>3993</td> <td>3\"/> <tr> <td>3998</td> <td>ETR</td> <td>-</td> <td>WD.</td> <td>J2</td> <td>PTD.</td> <td>-</td> <td>3994</td> <td>3\"/> <tr> <td>3999</td> <td>ETR</td> <td>-</td> <td>WD.</td> <td>J2</td> <td>PTD.</td> <td>-</td> <td>3995</td> <td>3\"/> <tr> <td>3999</td> <td>ETR</td> <td>-</td> <td>WD.</td> <td>J2</td> <td>PTD.</td> <td>-</td> <td>3997</td> <td>3\"/> </td></tr></td></tr></td></tr></td></tr></td></tr></td></tr></td></tr></td></tr></td></tr></td></tr></td></tr></td></tr></td></tr></td></tr></td></tr></td></tr></td></tr></td></tr> | 389 | ETR | - | WD. | J2 | PTD. | - | 387 | 3\"/> <tr> <td>391</td> <td>ETR</td> <td>-</td> <td>WD.</td> <td>J2</td> <td>PTD.</td> <td>-</td> <td>388</td> <td>3\"/> <tr> <td>391A</td> <td>ETR</td> <td>-</td> <td>WD.</td> <td>J2</td> <td>PTD.</td> <td>-</td> <td>389</td> <td>3\"/> <tr> <td>391B</td> <td>ETR</td> <td>-</td> <td>WD.</td> <td>J2</td> <td>PTD.</td> <td>-</td> <td>391</td> <td>3\"/> <tr> <td>394</td> <td>ETR</td> <td>-</td> <td>WD.</td> <td>J2</td> <td>PTD.</td> <td>-</td> <td>391A</td> <td>3\"/> <tr> <td>395</td> <td>ETR</td> <td>-</td> <td>WD.</td> <td>J2</td> <td>PTD.</td> <td>-</td> <td>391B</td> <td>3\"/> <tr> <td>396</td> <td>ETR</td> <td>-</td> <td>WD.</td> <td>J2</td> <td>PTD.</td> <td>-</td> <td>394</td> <td>3\"/> <tr> <td>398</td> <td>ETR</td> <td>-</td> <td>WD.</td> <td>J2</td> <td>PTD.</td> <td>-</td> <td>395</td> <td>3\"/> <tr> <td>399</td> <td>ETR</td> <td>-</td> <td>WD.</td> <td>J2</td> <td>PTD.</td> <td>-</td> <td>396</td> <td>3\"/> <tr> <td>3991</td> <td>ETR</td> <td>-</td> <td>WD.</td> <td>J2</td> <td>PTD.</td> <td>-</td> <td>398</td> <td>3\"/> <tr> <td>3992</td> <td>A</td> <td>3\"/> <tr> <td>3993</td> <td>ETR</td> <td>-</td> <td>WD.</td> <td>J2</td> <td>PTD.</td> <td>-</td> <td>399</td> <td>3\"/> <tr> <td>3994</td> <td>ETR</td> <td>-</td> <td>WD.</td> <td>J2</td> <td>PTD.</td> <td>-</td> <td>3991</td> <td>3\"/> <tr> <td>3995</td> <td>ETR</td> <td>-</td> <td>WD.</td> <td>J2</td> <td>PTD.</td> <td>-</td> <td>3992</td> <td>3\"/> <tr> <td>3997</td> <td>ETR</td> <td>-</td> <td>WD.</td> <td>J2</td> <td>PTD.</td> <td>-</td> <td>3993</td> <td>3\"/> <tr> <td>3998</td> <td>ETR</td> <td>-</td> <td>WD.</td> <td>J2</td> <td>PTD.</td> <td>-</td> <td>3994</td> <td>3\"/> <tr> <td>3999</td> <td>ETR</td> <td>-</td> <td>WD.</td> <td>J2</td> <td>PTD.</td> <td>-</td> <td>3995</td> <td>3\"/> <tr> <td>3999</td> <td>ETR</td> <td>-</td> <td>WD.</td> <td>J2</td> <td>PTD.</td> <td>-</td> <td>3997</td> <td>3\"/> </td></tr></td></tr></td></tr></td></tr></td></tr></td></tr></td></tr></td></tr></td></tr></td></tr></td></tr></td></tr></td></tr></td></tr></td></tr></td></tr></td></tr> | 391 | ETR | -
 | WD. | J2 | PTD. | - | 388 | 3\"/> <tr> <td>391A</td> <td>ETR</td> <td>-</td> <td>WD.</td> <td>J2</td> <td>PTD.</td> <td>-</td> <td>389</td> <td>3\"/> <tr> <td>391B</td> <td>ETR</td> <td>-</td> <td>WD.</td> <td>J2</td> <td>PTD.</td> <td>-</td> <td>391</td> <td>3\"/> <tr> <td>394</td> <td>ETR</td> <td>-</td> <td>WD.</td> <td>J2</td> <td>PTD.</td> <td>-</td> <td>391A</td> <td>3\"/> <tr> <td>395</td> <td>ETR</td> <td>-</td> <td>WD.</td> <td>J2</td> <td>PTD.</td> <td>-</td> <td>391B</td> <td>3\"/> <tr> <td>396</td> <td>ETR</td> <td>-</td> <td>WD.</td> <td>J2</td> <td>PTD.</td> <td>-</td> <td>394</td> <td>3\"/> <tr> <td>398</td> <td>ETR</td> <td>-</td> <td>WD.</td> <td>J2</td> <td>PTD.</td> <td>-</td> <td>395</td> <td>3\"/> <tr> <td>399</td> <td>ETR</td> <td>-</td> <td>WD.</td> <td>J2</td> <td>PTD.</td> <td>-</td> <td>396</td> <td>3\"/> <tr> <td>3991</td> <td>ETR</td> <td>-</td> <td>WD.</td> <td>J2</td> <td>PTD.</td> <td>-</td> <td>398</td> <td>3\"/> <tr> <td>3992</td> <td>A</td> <td>3\"/> <tr> <td>3993</td> <td>ETR</td> <td>-</td> <td>WD.</td> <td>J2</td> <td>PTD.</td> <td>-</td> <td>399</td> <td>3\"/> <tr> <td>3994</td> <td>ETR</td> <td>-</td> <td>WD.</td> <td>J2</td> <td>PTD.</td> <td>-</td> <td>3991</td> <td>3\"/> <tr> <td>3995</td> <td>ETR</td> <td>-</td> <td>WD.</td> <td>J2</td> <td>PTD.</td> <td>-</td> <td>3992</td> <td>3\"/> <tr> <td>3997</td> <td>ETR</td> <td>-</td> <td>WD.</td> <td>J2</td> <td>PTD.</td> <td>-</td> <td>3993</td> <td>3\"/> <tr> <td>3998</td> <td>ETR</td> <td>-</td> <td>WD.</td> <td>J2</td> <td>PTD.</td> <td>-</td> <td>3994</td> <td>3\"/> <tr> <td>3999</td> <td>ETR</td> <td>-</td> <td>WD.</td> <td>J2</td> <td>PTD.</td> <td>-</td> <td>3995</td> <td>3\"/> <tr> <td>3999</td> <td>ETR</td> <td>-</td> <td>WD.</td> <td>J2</td> <td>PTD.</td> <td>-</td> <td>3997</td> <td>3\"/> </td></tr></td></tr></td></tr></td></tr></td></tr></td></tr></td></tr></td></tr></td></tr></td></tr></td></tr></td></tr></td></tr></td></tr></td></tr></td></tr> | 391A | ETR | - | WD. | J2 | PTD. | - | 389 | 3\"/> <tr> <td>391B</td> <td>ETR</td> <td>-</td> <td>WD.</td> <td>J2</td> <td>PTD.</td> <td>-</td> <td>391</td> <td>3\"/> <tr> <td>394</td> <td>ETR</td> <td>-</td> <td>WD.</td> <td>J2</td> <td>PTD.</td> <td>-</td> <td>391A</td> <td>3\"/> <tr> <td>395</td> <td>ETR</td> <td>-</td> <td>WD.</td> <td>J2</td> <td>PTD.</td> <td>-</td> <td>391B</td> <td>3\"/> <tr> <td>396</td> <td>ETR</td> <td>-</td> <td>WD.</td> <td>J2</td> <td>PTD.</td> <td>-</td> <td>394</td> <td>3\"/> <tr> <td>398</td> <td>ETR</td> <td>-</td> <td>WD.</td> <td>J2</td> <td>PTD.</td> <td>-</td> <td>395</td> <td>3\"/> <tr> <td>399</td> <td>ETR</td> <td>-</td> <td>WD.</td> <td>J2</td> <td>PTD.</td> <td>-</td> <td>396</td> <td>3\"/> <tr> <td>3991</td> <td>ETR</td> <td>-</td> <td>WD.</td> <td>J2</td> <td>PTD.</td> <td>-</td> <td>398</td> <td>3\"/> <tr> <td>3992</td> <td>A</td> <td>3\"/> <tr> <td>3993</td> <td>ETR</td> <td>-</td> <td>WD.</td> <td>J2</td> <td>PTD.</td> <td>-</td> <td>399</td> <td>3\"/> <tr> <td>3994</td> <td>ETR</td> <td>-</td> <td>WD.</td> <td>J2</td> <td>PTD.</td> <td>-</td> <td>3991</td> <td>3\"/> <tr> <td>3995</td> <td>ETR</td> <td>-</td> <td>WD.</td> <td>J2</td> <td>PTD.</td> <td>-</td> <td>3992</td> <td>3\"/> <tr> <td>3997</td> <td>ETR</td> <td>-</td> <td>WD.</td> <td>J2</td> <td>PTD.</td> <td>-</td> <td>3993</td> <td>3\"/> <tr> <td>3998</td> <td>ETR</td> <td>-</td> <td>WD.</td> <td>J2</td> <td>PTD.</td> <td>-</td> <td>3994</td> <td>3\"/> <tr> <td>3999</td> <td>ETR</td> <td>-</td> <td>WD.</td> <td>J2</td> <td>PTD.</td> <td>-</td> <td>3995</td> <td>3\"/> <tr> <td>3999</td> <td>ETR</td> <td>-</td> <td>WD.</td> <td>J2</td> <td>PTD.</td> <td>-</td> <td>3997</td> <td>3\"/> </td></tr></td></tr></td></tr></td></tr></td></tr></td></tr></td></tr></td></tr></td></tr></td></tr></td></tr></td></tr></td></tr></td></tr></td></tr> | 391B | ETR | -
 | WD. | J2 | PTD. | - | 391 | 3\"/> <tr> <td>394</td> <td>ETR</td> <td>-</td> <td>WD.</td> <td>J2</td> <td>PTD.</td> <td>-</td> <td>391A</td> <td>3\"/> <tr> <td>395</td> <td>ETR</td> <td>-</td> <td>WD.</td> <td>J2</td> <td>PTD.</td> <td>-</td> <td>391B</td> <td>3\"/> <tr> <td>396</td> <td>ETR</td> <td>-</td> <td>WD.</td> <td>J2</td> <td>PTD.</td> <td>-</td> <td>394</td> <td>3\"/> <tr> <td>398</td> <td>ETR</td> <td>-</td> <td>WD.</td> <td>J2</td> <td>PTD.</td> <td>-</td> <td>395</td> <td>3\"/> <tr> <td>399</td> <td>ETR</td> <td>-</td> <td>WD.</td> <td>J2</td> <td>PTD.</td> <td>-</td> <td>396</td> <td>3\"/> <tr> <td>3991</td> <td>ETR</td> <td>-</td> <td>WD.</td> <td>J2</td> <td>PTD.</td> <td>-</td> <td>398</td> <td>3\"/> <tr> <td>3992</td> <td>A</td> <td>3\"/> <tr> <td>3993</td> <td>ETR</td> <td>-</td> <td>WD.</td> <td>J2</td> <td>PTD.</td> <td>-</td> <td>399</td> <td>3\"/> <tr> <td>3994</td> <td>ETR</td> <td>-</td> <td>WD.</td> <td>J2</td> <td>PTD.</td> <td>-</td> <td>3991</td> <td>3\"/> <tr> <td>3995</td> <td>ETR</td> <td>-</td> <td>WD.</td> <td>J2</td> <td>PTD.</td> <td>-</td> <td>3992</td> <td>3\"/> <tr> <td>3997</td> <td>ETR</td> <td>-</td> <td>WD.</td> <td>J2</td> <td>PTD.</td> <td>-</td> <td>3993</td> <td>3\"/> <tr> <td>3998</td> <td>ETR</td> <td>-</td> <td>WD.</td> <td>J2</td> <td>PTD.</td> <td>-</td> <td>3994</td> <td>3\"/> <tr> <td>3999</td> <td>ETR</td> <td>-</td> <td>WD.</td> <td>J2</td> <td>PTD.</td> <td>-</td> <td>3995</td> <td>3\"/> <tr> <td>3999</td> <td>ETR</td> <td>-</td> <td>WD.</td> <td>J2</td> <td>PTD.</td> <td>-</td> <td>3997</td> <td>3\"/> </td></tr></td></tr></td></tr></td></tr></td></tr></td></tr></td></tr></td></tr></td></tr></td></tr></td></tr></td></tr></td></tr></td></tr> | 394 | ETR | - | WD. | J2 | PTD. | - | 391A | 3\"/> <tr> <td>395</td> <td>ETR</td> <td>-</td> <td>WD.</td> <td>J2</td> <td>PTD.</td> <td>-</td> <td>391B</td> <td>3\"/> <tr> <td>396</td> <td>ETR</td> <td>-</td> <td>WD.</td> <td>J2</td> <td>PTD.</td> <td>-</td> <td>394</td> <td>3\"/> <tr> <td>398</td> <td>ETR</td> <td>-</td> <td>WD.</td> <td>J2</td> <td>PTD.</td> <td>-</td> <td>395</td> <td>3\"/> <tr> <td>399</td> <td>ETR</td> <td>-</td> <td>WD.</td> <td>J2</td> <td>PTD.</td> <td>-</td> <td>396</td> <td>3\"/> <tr> <td>3991</td> <td>ETR</td> <td>-</td> <td>WD.</td> <td>J2</td> <td>PTD.</td> <td>-</td> <td>398</td> <td>3\"/> <tr> <td>3992</td> <td>A</td> <td>3\"/> <tr> <td>3993</td> <td>ETR</td> <td>-</td> <td>WD.</td> <td>J2</td> <td>PTD.</td> <td>-</td> <td>399</td> <td>3\"/> <tr> <td>3994</td> <td>ETR</td> <td>-</td> <td>WD.</td> <td>J2</td> <td>PTD.</td> <td>-</td> <td>3991</td> <td>3\"/> <tr> <td>3995</td> <td>ETR</td> <td>-</td> <td>WD.</td> <td>J2</td> <td>PTD.</td> <td>-</td> <td>3992</td> <td>3\"/> <tr> <td>3997</td> <td>ETR</td> <td>-</td> <td>WD.</td> <td>J2</td> <td>PTD.</td> <td>-</td> <td>3993</td> <td>3\"/> <tr> <td>3998</td> <td>ETR</td> <td>-</td> <td>WD.</td> <td>J2</td> <td>PTD.</td> <td>-</td> <td>3994</td> <td>3\"/> <tr> <td>3999</td> <td>ETR</td> <td>-</td> <td>WD.</td> <td>J2</td> <td>PTD.</td> <td>-</td> <td>3995</td> <td>3\"/> <tr> <td>3999</td> <td>ETR</td> <td>-</td> <td>WD.</td> <td>J2</td> <td>PTD.</td> <td>-</td> <td>3997</td> <td>3\"/> </td></tr></td></tr></td></tr></td></tr></td></tr></td></tr></td></tr></td></tr></td></tr></td></tr></td></tr></td></tr></td></tr> | 395 | ETR | -
 | WD. | J2 | PTD. | - | 391B | 3\"/> <tr> <td>396</td> <td>ETR</td> <td>-</td> <td>WD.</td> <td>J2</td> <td>PTD.</td> <td>-</td> <td>394</td> <td>3\"/> <tr> <td>398</td> <td>ETR</td> <td>-</td> <td>WD.</td> <td>J2</td> <td>PTD.</td> <td>-</td> <td>395</td> <td>3\"/> <tr> <td>399</td> <td>ETR</td> <td>-</td> <td>WD.</td> <td>J2</td> <td>PTD.</td> <td>-</td> <td>396</td> <td>3\"/> <tr> <td>3991</td> <td>ETR</td> <td>-</td> <td>WD.</td> <td>J2</td> <td>PTD.</td> <td>-</td> <td>398</td> <td>3\"/> <tr> <td>3992</td> <td>A</td> <td>3\"/> <tr> <td>3993</td> <td>ETR</td> <td>-</td> <td>WD.</td> <td>J2</td> <td>PTD.</td> <td>-</td> <td>399</td> <td>3\"/> <tr> <td>3994</td> <td>ETR</td> <td>-</td> <td>WD.</td> <td>J2</td> <td>PTD.</td> <td>-</td> <td>3991</td> <td>3\"/> <tr> <td>3995</td> <td>ETR</td> <td>-</td> <td>WD.</td> <td>J2</td> <td>PTD.</td> <td>-</td> <td>3992</td> <td>3\"/> <tr> <td>3997</td> <td>ETR</td> <td>-</td> <td>WD.</td> <td>J2</td> <td>PTD.</td> <td>-</td> <td>3993</td> <td>3\"/> <tr> <td>3998</td> <td>ETR</td> <td>-</td> <td>WD.</td> <td>J2</td> <td>PTD.</td> <td>-</td> <td>3994</td> <td>3\"/> <tr> <td>3999</td> <td>ETR</td> <td>-</td> <td>WD.</td> <td>J2</td> <td>PTD.</td> <td>-</td> <td>3995</td> <td>3\"/> <tr> <td>3999</td> <td>ETR</td> <td>-</td> <td>WD.</td> <td>J2</td> <td>PTD.</td> <td>-</td> <td>3997</td> <td>3\"/> </td></tr></td></tr></td></tr></td></tr></td></tr></td></tr></td></tr></td></tr></td></tr></td></tr></td></tr></td></tr> | 396 | ETR | - | WD. | J2 | PTD. | - | 394 | 3\"/> <tr> <td>398</td> <td>ETR</td> <td>-</td> <td>WD.</td> <td>J2</td> <td>PTD.</td> <td>-</td> <td>395</td> <td>3\"/> <tr> <td>399</td> <td>ETR</td> <td>-</td> <td>WD.</td> <td>J2</td> <td>PTD.</td> <td>-</td> <td>396</td> <td>3\"/> <tr> <td>3991</td> <td>ETR</td> <td>-</td> <td>WD.</td> <td>J2</td> <td>PTD.</td> <td>-</td> <td>398</td> <td>3\"/> <tr> <td>3992</td> <td>A</td> <td>3\"/> <tr> <td>3993</td> <td>ETR</td> <td>-</td> <td>WD.</td> <td>J2</td> <td>PTD.</td> <td>-</td> <td>399</td> <td>3\"/> <tr> <td>3994</td> <td>ETR</td> <td>-</td> <td>WD.</td> <td>J2</td> <td>PTD.</td> <td>-</td> <td>3991</td> <td>3\"/> <tr> <td>3995</td> <td>ETR</td> <td>-</td> <td>WD.</td> <td>J2</td> <td>PTD.</td> <td>-</td> <td>3992</td> <td>3\"/> <tr> <td>3997</td> <td>ETR</td> <td>-</td> <td>WD.</td> <td>J2</td> <td>PTD.</td> <td>-</td> <td>3993</td> <td>3\"/> <tr> <td>3998</td> <td>ETR</td> <td>-</td> <td>WD.</td> <td>J2</td> <td>PTD.</td> <td>-</td> <td>3994</td> <td>3\"/> <tr> <td>3999</td> <td>ETR</td> <td>-</td> <td>WD.</td> <td>J2</td> <td>PTD.</td> <td>-</td> <td>3995</td> <td>3\"/> <tr> <td>3999</td> <td>ETR</td> <td>-</td> <td>WD.</td> <td>J2</td> <td>PTD.</td> <td>-</td> <td>3997</td> <td>3\"/> </td></tr></td></tr></td></tr></td></tr></td></tr></td></tr></td></tr></td></tr></td></tr></td></tr></td></tr> | 398 | ETR | - | WD. | J2 | PTD. | - | 395 | 3\"/> <tr> <td>399</td> <td>ETR</td> <td>-</td> <td>WD.</td> <td>J2</td> <td>PTD.</td> <td>-</td> <td>396</td> <td>3\"/> <tr> <td>3991</td> <td>ETR</td> <td>-</td> <td>WD.</td> <td>J2</td> <td>PTD.</td> <td>-</td> <td>398</td> <td>3\"/> <tr> <td>3992</td> <td>A</td> <td>3\"/> <tr> <td>3993</td> <td>ETR</td> <td>-</td> <td>WD.</td> <td>J2</td> <td>PTD.</td> <td>-</td> <td>399</td> <td>3\"/> <tr> <td>3994</td> <td>ETR</td> <td>-</td> <td>WD.</td> <td>J2</td> <td>PTD.</td> <td>-</td> <td>3991</td> <td>3\"/> <tr> <td>3995</td> <td>ETR</td> <td>-</td> <td>WD.</td> <td>J2</td> <td>PTD.</td> <td>-</td> <td>3992</td> <td>3\"/> <tr> <td>3997</td> <td>ETR</td> <td>-</td> <td>WD.</td> <td>J2</td> <td>PTD.</td> <td>-</td>
<td>3993</td> <td>3\"/> <tr> <td>3998</td> <td>ETR</td> <td>-</td> <td>WD.</td> <td>J2</td> <td>PTD.</td> <td>-</td> <td>3994</td> <td>3\"/> <tr> <td>3999</td> <td>ETR</td> <td>-</td> <td>WD.</td> <td>J2</td> <td>PTD.</td> <td>-</td> <td>3995</td> <td>3\"/> <tr> <td>3999</td> <td>ETR</td> <td>-</td> <td>WD.</td> <td>J2</td> <td>PTD.</td> <td>-</td> <td>3997</td> <td>3\"/> </td></tr></td></tr></td></tr></td></tr></td></tr></td></tr></td></tr></td></tr></td></tr></td></tr> | 399 | ETR | - | WD. | J2 | PTD. | - | 396 | 3\"/> <tr> <td>3991</td> <td>ETR</td> <td>-</td> <td>WD.</td> <td>J2</td> <td>PTD.</td> <td>-</td> <td>398</td> <td>3\"/> <tr> <td>3992</td> <td>A</td> <td>3\"/> <tr> <td>3993</td> <td>ETR</td> <td>-</td> <td>WD.</td> <td>J2</td> <td>PTD.</td> <td>-</td> <td>399</td> <td>3\"/> <tr> <td>3994</td> <td>ETR</td> <td>-</td> <td>WD.</td> <td>J2</td> <td>PTD.</td> <td>-</td> <td>3991</td> <td>3\"/> <tr> <td>3995</td> <td>ETR</td> <td>-</td> <td>WD.</td> <td>J2</td> <td>PTD.</td> <td>-</td> <td>3992</td> <td>3\"/> <tr> <td>3997</td> <td>ETR</td> <td>-</td> <td>WD.</td> <td>J2</td> <td>PTD.</td> <td>-</td> <td>3993</td> <td>3\"/> <tr> <td>3998</td> <td>ETR</td> <td>-</td> <td>WD.</td> <td>J2</td> <td>PTD.</td> <td>-</td> <td>3994</td> <td>3\"/> <tr> <td>3999</td> <td>ETR</td> <td>-</td> <td>WD.</td> <td>J2</td> <td>PTD.</td> <td>-</td> <td>3995</td> <td>3\"/> <tr> <td>3999</td> <td>ETR</td> <td>-</td> <td>WD.</td> <td>J2</td> <td>PTD.</td> <td>-</td> <td>3997</td> <td>3\"/> </td></tr></td></tr></td></tr></td></tr></td></tr></td></tr></td></tr></td></tr></td></tr> | 3991 | ETR | - | WD. | J2 | PTD. | - | 398 | 3\"/> <tr> <td>3992</td> <td>A</td> <td>3\"/> <tr> <td>3993</td> <td>ETR</td> <td>-</td> <td>WD.</td> <td>J2</td> <td>PTD.</td> <td>-</td> <td>399</td> <td>3\"/> <tr> <td>3994</td> <td>ETR</td> <td>-</td> <td>WD.</td> <td>J2</td> <td>PTD.</td> <td>-</td> <td>3991</td> <td>3\"/> <tr> <td>3995</td> <td>ETR</td> <td>-</td> <td>WD.</td> <td>J2</td> <td>PTD.</td> <td>-</td> <td>3992</td> <td>3\"/> <tr> <td>3997</td> <td>ETR</td> <td>-</td> <td>WD.</td> <td>J2</td> <td>PTD.</td> <td>-</td> <td>3993</td> <td>3\"/> <tr> <td>3998</td> <td>ETR</td> <td>-</td> <td>WD.</td> <td>J2</td> <td>PTD.</td> <td>-</td> <td>3994</td> <td>3\"/> <tr> <td>3999</td> <td>ETR</td> <td>-</td> <td>WD.</td> <td>J2</td> <td>PTD.</td> <td>-</td> <td>3995</td> <td>3\"/> <tr> <td>3999</td> <td>ETR</td> <td>-</td> <td>WD.</td> <td>J2</td> <td>PTD.</td> <td>-</td> <td>3997</td> <td>3\"/> </td></tr></td></tr></td></tr></td></tr></td></tr></td></tr></td></tr></td></tr> | 3992 | A | 3\"/> <tr> <td>3993</td> <td>ETR</td> <td>-</td> <td>WD.</td> <td>J2</td> <td>PTD.</td> <td>-</td> <td>399</td> <td>3\"/> <tr> <td>3994</td> <td>ETR</td> <td>-</td> <td>WD.</td> <td>J2</td> <td>PTD.</td> <td>-</td> <td>3991</td> <td>3\"/> <tr> <td>3995</td> <td>ETR</td> <td>-</td> <td>WD.</td> <td>J2</td> <td>PTD.</td> <td>-</td> <td>3992</td> <td>3\"/> <tr> <td>3997</td> <td>ETR</td> <td>-</td> <td>WD.</td> <td>J2</td> <td>PTD.</td> <td>-</td> <td>3993</td> <td>3\"/> <tr> <td>3998</td> <td>ETR</td> <td>-</td> <td>WD.</td> <td>J2</td> <td>PTD.</td> <td>-</td> <td>3994</td> <td>3\"/> <tr> <td>3999</td> <td>ETR</td> <td>-</td> <td>WD.</td> <td>J2</td> <td>PTD.</td> <td>-</td> <td>3995</td> <td>3\"/> <tr> <td>3999</td> <td>ETR</td> <td>-</td> <td>WD.</td> <td>J2</td> <td>PTD.</td> <td>-</td> <td>3997</td> <td>3\"/> </td></tr></td></tr></td></tr></td></tr></td></tr></td></tr></td></tr> | 3993 | ETR | - | WD. | J2 | PTD.
 | - | 399 | 3\"/> <tr> <td>3994</td> <td>ETR</td> <td>-</td> <td>WD.</td> <td>J2</td> <td>PTD.</td> <td>-</td> <td>3991</td> <td>3\"/> <tr> <td>3995</td> <td>ETR</td> <td>-</td> <td>WD.</td> <td>J2</td> <td>PTD.</td> <td>-</td> <td>3992</td> <td>3\"/> <tr> <td>3997</td> <td>ETR</td> <td>-</td> <td>WD.</td> <td>J2</td> <td>PTD.</td> <td>-</td> <td>3993</td> <td>3\"/> <tr> <td>3998</td> <td>ETR</td> <td>-</td> <td>WD.</td> <td>J2</td> <td>PTD.</td> <td>-</td> <td>3994</td> <td>3\"/> <tr> <td>3999</td> <td>ETR</td> <td>-</td> <td>WD.</td> <td>J2</td> <td>PTD.</td> <td>-</td> <td>3995</td> <td>3\"/> <tr> <td>3999</td> <td>ETR</td> <td>-</td> <td>WD.</td> <td>J2</td> <td>PTD.</td> <td>-</td> <td>3997</td> <td>3\"/> </td></tr></td></tr></td></tr></td></tr></td></tr></td></tr> | 3994 | ETR | - | WD. | J2 | PTD. | - | 3991 | 3\"/> <tr> <td>3995</td> <td>ETR</td> <td>-</td> <td>WD.</td> <td>J2</td> <td>PTD.</td> <td>-</td> <td>3992</td> <td>3\"/> <tr> <td>3997</td> <td>ETR</td> <td>-</td> <td>WD.</td> <td>J2</td> <td>PTD.</td> <td>-</td> <td>3993</td> <td>3\"/> <tr> <td>3998</td> <td>ETR</td> <td>-</td> <td>WD.</td> <td>J2</td> <td>PTD.</td> <td>-</td> <td>3994</td> <td>3\"/> <tr> <td>3999</td> <td>ETR</td> <td>-</td> <td>WD.</td> <td>J2</td> <td>PTD.</td> <td>-</td> <td>3995</td> <td>3\"/> <tr> <td>3999</td> <td>ETR</td> <td>-</td> <td>WD.</td> <td>J2</td> <td>PTD.</td> <td>-</td> <td>3997</td> <td>3\"/> </td></tr></td></tr></td></tr></td></tr></td></tr> | 3995 | ETR | - | WD. | J2 | PTD. | - | 3992 | 3\"/> <tr> <td>3997</td> <td>ETR</td> <td>-</td> <td>WD.</td> <td>J2</td> <td>PTD.</td> <td>-</td> <td>3993</td> <td>3\"/> <tr> <td>3998</td> <td>ETR</td> <td>-</td> <td>WD.</td> <td>J2</td> <td>PTD.</td> <td>-</td> <td>3994</td> <td>3\"/> <tr> <td>3999</td> <td>ETR</td> <td>-</td> <td>WD.</td> <td>J2</td> <td>PTD.</td> <td>-</td> <td>3995</td> <td>3\"/> <tr> <td>3999</td> <td>ETR</td> <td>-</td> <td>WD.</td> <td>J2</td> <td>PTD.</td> <td>-</td> <td>3997</td> <td>3\"/> </td></tr></td></tr></td></tr></td></tr> | 3997 | ETR | - | WD. | J2 | PTD. | - | 3993 | 3\"/> <tr> <td>3998</td> <td>ETR</td> <td>-</td> <td>WD.</td> <td>J2</td> <td>PTD.</td> <td>-</td> <td>3994</td> <td>3\"/> <tr> <td>3999</td> <td>ETR</td> <td>-</td> <td>WD.</td> <td>J2</td> <td>PTD.</td> <td>-</td> <td>3995</td> <td>3\"/> <tr> <td>3999</td> <td>ETR</td> <td>-</td> <td>WD.</td> <td>J2</td> <td>PTD.</td> <td>-</td> <td>3997</td> <td>3\"/> </td></tr></td></tr></td></tr> | 3998 | ETR | - | WD. | J2 | PTD. | - | 3994 | 3\"/> <tr> <td>3999</td> <td>ETR</td> <td>-</td> <td>WD.</td> <td>J2</td> <td>PTD.</td> <td>-</td> <td>3995</td> <td>3\"/> <tr> <td>3999</td> <td>ETR</td> <td>-</td> <td>WD.</td> <td>J2</td> <td>PTD.</td> <td>-</td> <td>3997</td> <td>3\"/> </td></tr></td></tr>
 | 3999 | ETR | - | WD. | J2 | PTD. | - | 3995 | 3\"/> <tr> <td>3999</td> <td>ETR</td> <td>-</td> <td>WD.</td> <td>J2</td> <td>PTD.</td> <td>-</td> <td>3997</td> <td>3\"/> </td></tr> | 3999 | ETR | - | WD. | J2 | PTD. | - | 3997 | 3\"/> | | | | | | | | | | | | | | | | | | | | | | | | | | | | | | | | | | | | | | | |
| 359 | ETR | - | WD. | J2 | PTD. | - | 357 | 3\"/> <tr> <td>360</td> <td>ETR</td> <td>-</td> <td>WD.</td> <td>J2</td> <td>PTD.</td> <td>-</td> <td>358</td> <td>3\"/> <tr> <td>361A</td> <td>ETR</td> <td>-</td> <td>WD.</td> <td>J2</td> <td>PTD.</td> <td>-</td> <td>359</td> <td>3\"/> <tr> <td>362</td> <td>ETR</td> <td>-</td> <td>WD.</td> <td>J2</td> <td>PTD.</td> <td>-</td> <td>360</td> <td>3\"/> <tr> <td>363</td> <td>ETR</td> <td>-</td> <td>WD.</td> <td>J2</td> <td>PTD.</td> <td>-</td> <td>361A</td> <td>3\"/> <tr> <td>364A</td> <td>ETR</td> <td>-</td> <td>WD.</td> <td>J2</td> <td>PTD.</td> <td>-</td> <td>362</td> <td>3\"/> <tr> <td>365</td> <td>ETR</td> <td>-</td> <td>WD.</td> <td>J2</td> <td>PTD.</td> <td>-</td> <td>363</td> <td>3\"/> <tr> <td>366</td> <td>ETR</td> <td>-</td> <td>WD.</td> <td>J2</td> <td>PTD.</td> <td>-</td> <td>364A</td> <td>3\"/> <tr> <td>367</td> <td>B</td> <td>2 <td>HM</td> <td>J1</td> <td>PTD.</td> <td>1 HR.</td> <td>365</td> <td>3\"/> <tr> <td>368</td> <td>ETR</td> <td>-</td> <td>WD.</td> <td>J2</td> <td>PTD.</td> <td>-</td> <td>366</td> <td>3\"/> <tr> <td>369</td> <td>ETR</td> <td>-</td> <td>WD.</td> <td>J2</td> <td>PTD.</td> <td>-</td> <td>367</td> <td>3\"/> <tr> <td>370</td> <td>ETR</td> <td>-</td> <td>WD.</td> <td>J2</td> <td>PTD.</td> <td>-</td> <td>368</td> <td>3\"/> <tr> <td>371</td> <td>ETR</td> <td>-</td> <td>WD.</td> <td>J2</td> <td>PTD.</td> <td>-</td> <td>369</td> <td>3\"/> <tr> <td>372</td> <td>B</td> <td>2 <td>HM</td> <td>J1</td> <td>PTD.</td> <td>1 HR.</td> <td>370</td> <td>3\"/> <tr> <td>373A</td> <td>ETR</td> <td>-</td> <td>WD.</td> <td>J2</td> <td>PTD.</td> <td>-</td> <td>371</td> <td>3\"/> <tr> <td>374B</td> <td>ETR</td> <td>-</td> <td>WD.</td> <td>J2</td> <td>PTD.</td> <td>-</td> <td>372</td> <td>3\"/> <tr> <td>374C</td> <td>ETR</td> <td>-</td> <td>WD.</td> <td>J2</td> <td>PTD.</td> <td>-</td> <td>373A</td> <td>3\"/> <tr> <td>375</td> <td>B</td> <td>1 <td>WD</td> <td>J1</td> <td>PTD.</td> <td>-</td> <td>374B</td> <td>3\"/> <tr> <td>376</td> <td>B</td> <td>1 <td>WD</td> <td>J1</td> <td>PTD.</td> <td>-</td> <td>374C</td> <td>3\"/> <tr> <td>377</td> <td>B</td> <td>1 <td>WD</td> <td>J1</td> <td>PTD.</td> <td>-</td> <td>375</td> <td>3\"/> <tr> <td>377A</td> <td>B</td> <td>1 <td>WD</td> <td>J1</td> <td>PTD.</td> <td>-</td> <td>376</td> <td>3\"/> <tr> <td>378</td> <td>B</td> <td>1 <td>WD</td> <td>J1</td> <td>PTD.</td> <td>-</td> <td>377</td> <td>3\"/> <tr> <td>379</td> <td>B</td> <td>1 <td>WD</td> <td>J1</td> <td>PTD.</td> <td>-</td> <td>377A</td> <td>3\"/> <tr> <td>380A</td> <td>B</td> <td>1 <td>WD</td> <td>J1</td> <td>PTD.</td> <td>-</td> <td>378</td> <td>3\"/> <tr> <td>380B</td> <td>B</td> <td>1 <td>WD</td> <td>J1</td> <td>PTD.</td> <td>-</td> <td>379</td> <td>3\"/> <tr> <td>382</td> <td>ETR</td> <td>-</td> <td>WD.</td> <td>J2</td> <td>PTD.</td> <td>-</td> <td>380A</td> <td>3\"/> <tr> <td>382A</td> <td>D</td> <td>6 <td>ALUM.</td> <td>ANODIZE D</td>
<td>-</td> <td>-</td> <td>380B</td> <td>3\"/> <tr> <td>385</td> <td>ETR</td> <td>-</td> <td>WD.</td> <td>J2</td> <td>PTD.</td> <td>-</td> <td>382</td> <td>3\"/> <tr> <td>386</td> <td>ETR</td> <td>-</td> <td>WD.</td> <td>J2</td> <td>PTD.</td> <td>-</td> <td>382A</td> <td>3\"/> <tr> <td>387</td> <td>ETR</td> <td>-</td> <td>WD.</td> <td>J2</td> <td>PTD.</td> <td>-</td> <td>385</td> <td>3\"/> <tr> <td>388</td> <td>ETR</td> <td>-</td> <td>WD.</td> <td>J2</td> <td>PTD.</td> <td>-</td> <td>386</td> <td>3\"/> <tr> <td>389</td> <td>ETR</td> <td>-</td> <td>WD.</td> <td>J2</td> <td>PTD.</td> <td>-</td> <td>387</td> <td>3\"/> <tr> <td>391</td> <td>ETR</td> <td>-</td> <td>WD.</td> <td>J2</td> <td>PTD.</td> <td>-</td> <td>388</td> <td>3\"/> <tr> <td>391A</td> <td>ETR</td> <td>-</td> <td>WD.</td> <td>J2</td> <td>PTD.</td> <td>-</td> <td>389</td> <td>3\"/> <tr> <td>391B</td> <td>ETR</td> <td>-</td> <td>WD.</td> <td>J2</td> <td>PTD.</td> <td>-</td> <td>391</td> <td>3\"/> <tr> <td>394</td> <td>ETR</td> <td>-</td> <td>WD.</td> <td>J2</td> <td>PTD.</td> <td>-</td> <td>391A</td> <td>3\"/> <tr> <td>395</td> <td>ETR</td> <td>-</td> <td>WD.</td> <td>J2</td> <td>PTD.</td> <td>-</td> <td>391B</td> <td>3\"/> <tr> <td>396</td> <td>ETR</td> <td>-</td> <td>WD.</td> <td>J2</td> <td>PTD.</td> <td>-</td> <td>394</td> <td>3\"/> <tr> <td>398</td> <td>ETR</td> <td>-</td> <td>WD.</td> <td>J2</td> <td>PTD.</td> <td>-</td> <td>395</td> <td>3\"/> <tr> <td>399</td> <td>ETR</td> <td>-</td> <td>WD.</td> <td>J2</td> <td>PTD.</td> <td>-</td> <td>396</td> <td>3\"/> <tr> <td>3991</td> <td>ETR</td> <td>-</td> <td>WD.</td> <td>J2</td> <td>PTD.</td> <td>-</td> <td>398</td> <td>3\"/> <tr> <td>3992</td> <td>A</td> <td>3\"/> <tr> <td>3993</td> <td>ETR</td> <td>-</td> <td>WD.</td> <td>J2</td> <td>PTD.</td> <td>-</td> <td>399</td> <td>3\"/> <tr> <td>3994</td> <td>ETR</td> <td>-</td> <td>WD.</td> <td>J2</td> <td>PTD.</td> <td>-</td> <td>3991</td> <td>3\"/> <tr> <td>3995</td> <td>ETR</td> <td>-</td> <td>WD.</td> <td>J2</td> <td>PTD.</td> <td>-</td> <td>3992</td> <td>3\"/> <tr> <td>3997</td> <td>ETR</td> <td>-</td> <td>WD.</td> <td>J2</td> <td>PTD.</td> <td>-</td> <td>3993</td> <td>3\"/> <tr> <td>3998</td> <td>ETR</td> <td>-</td> <td>WD.</td> <td>J2</td> <td>PTD.</td> <td>-</td> <td>3994</td> <td>3\"/> <tr> <td>3999</td> <td>ETR</td> <td>-</td> <td>WD.</td> <td>J2</td> <td>PTD.</td> <td>-</td> <td>3995</td> <td>3\"/> <tr> <td>3999</td> <td>ETR</td> <td>-</td> <td>WD.</td> <td>J2</td> <td>PTD.</td> <td>-</td> <td>3997</td> <td>3\"/> </td></tr></td></tr></td></tr></td></tr></td></tr></td></tr></td></tr></td></tr></td></tr></td></tr></td></tr></td></tr></td></tr></td></tr></td></tr></td></tr></td></tr></td></tr></td></tr></td></tr></td></tr></td></tr></td></td></tr></td></tr></td></td></tr></td></td></tr></td></td></tr></td></td></tr></td></td></tr></td></td></tr></td></td></tr></td></td></tr></td></tr></td></tr></td></tr></td></td></tr></td></tr></td></tr></td></tr></td></tr></td></td></tr></td></tr></td></tr></td></tr></td></tr></td></tr></td></tr></td></tr> | 360 | ETR | -
 | WD. | J2 | PTD. | - | 358 | 3\"/> <tr> <td>361A</td> <td>ETR</td> <td>-</td> <td>WD.</td> <td>J2</td> <td>PTD.</td> <td>-</td> <td>359</td> <td>3\"/> <tr> <td>362</td> <td>ETR</td> <td>-</td> <td>WD.</td> <td>J2</td> <td>PTD.</td> <td>-</td> <td>360</td> <td>3\"/> <tr> <td>363</td> <td>ETR</td> <td>-</td> <td>WD.</td> <td>J2</td> <td>PTD.</td> <td>-</td> <td>361A</td> <td>3\"/> <tr> <td>364A</td> <td>ETR</td> <td>-</td> <td>WD.</td> <td>J2</td> <td>PTD.</td> <td>-</td> <td>362</td> <td>3\"/> <tr> <td>365</td> <td>ETR</td> <td>-</td> <td>WD.</td> <td>J2</td> <td>PTD.</td> <td>-</td> <td>363</td> <td>3\"/> <tr> <td>366</td> <td>ETR</td> <td>-</td> <td>WD.</td> <td>J2</td> <td>PTD.</td> <td>-</td> <td>364A</td> <td>3\"/> <tr> <td>367</td> <td>B</td> <td>2 <td>HM</td> <td>J1</td> <td>PTD.</td> <td>1 HR.</td> <td>365</td> <td>3\"/> <tr> <td>368</td> <td>ETR</td> <td>-</td> <td>WD.</td> <td>J2</td> <td>PTD.</td> <td>-</td> <td>366</td> <td>3\"/> <tr> <td>369</td> <td>ETR</td> <td>-</td> <td>WD.</td> <td>J2</td> <td>PTD.</td> <td>-</td> <td>367</td> <td>3\"/> <tr> <td>370</td> <td>ETR</td> <td>-</td> <td>WD.</td> <td>J2</td> <td>PTD.</td> <td>-</td> <td>368</td> <td>3\"/> <tr> <td>371</td> <td>ETR</td> <td>-</td> <td>WD.</td> <td>J2</td> <td>PTD.</td> <td>-</td> <td>369</td> <td>3\"/> <tr> <td>372</td> <td>B</td> <td>2 <td>HM</td> <td>J1</td> <td>PTD.</td> <td>1 HR.</td> <td>370</td> <td>3\"/> <tr> <td>373A</td> <td>ETR</td> <td>-</td> <td>WD.</td> <td>J2</td> <td>PTD.</td> <td>-</td> <td>371</td> <td>3\"/> <tr> <td>374B</td> <td>ETR</td> <td>-</td> <td>WD.</td> <td>J2</td> <td>PTD.</td> <td>-</td> <td>372</td> <td>3\"/> <tr> <td>374C</td> <td>ETR</td> <td>-</td> <td>WD.</td> <td>J2</td> <td>PTD.</td> <td>-</td> <td>373A</td> <td>3\"/> <tr> <td>375</td> <td>B</td> <td>1 <td>WD</td> <td>J1</td> <td>PTD.</td> <td>-</td> <td>374B</td> <td>3\"/> <tr> <td>376</td> <td>B</td> <td>1 <td>WD</td> <td>J1</td> <td>PTD.</td> <td>-</td> <td>374C</td> <td>3\"/> <tr> <td>377</td> <td>B</td> <td>1 <td>WD</td> <td>J1</td> <td>PTD.</td> <td>-</td> <td>375</td> <td>3\"/> <tr> <td>377A</td> <td>B</td> <td>1 <td>WD</td> <td>J1</td> <td>PTD.</td> <td>-</td> <td>376</td> <td>3\"/> <tr> <td>378</td> <td>B</td> <td>1 <td>WD</td> <td>J1</td> <td>PTD.</td> <td>-</td> <td>377</td> <td>3\"/> <tr> <td>379</td> <td>B</td> <td>1 <td>WD</td> <td>J1</td> <td>PTD.</td> <td>-</td> <td>377A</td> <td>3\"/> <tr> <td>380A</td> <td>B</td> <td>1 <td>WD</td> <td>J1</td> <td>PTD.</td> <td>-</td> <td>378</td> <td>3\"/> <tr> <td>380B</td> <td>B</td> <td>1 <td>WD</td> <td>J1</td> <td>PTD.</td> <td>-</td> <td>379</td> <td>3\"/> <tr> <td>382</td> <td>ETR</td> <td>-</td> <td>WD.</td> <td>J2</td> <td>PTD.</td> <td>-</td> <td>380A</td> <td>3\"/> <tr> <td>382A</td> <td>D</td> <td>6 <td>ALUM.</td> <td>ANODIZE D</td> <td>-</td> <td>-</td> <td>380B</td> <td>3\"/> <tr> <td>385</td> <td>ETR</td> <td>-</td> <td>WD.</td> <td>J2</td> <td>PTD.</td> <td>-</td> <td>382</td> <td>3\"/> <tr> <td>386</td> <td>ETR</td> <td>-</td> <td>WD.</td> <td>J2</td> <td>PTD.</td> <td>-</td> <td>382A</td> <td>3\"/> <tr> <td>387</td> <td>ETR</td> <td>-</td> <td>WD.</td> <td>J2</td> <td>PTD.</td> <td>-</td> <td>385</td> <td>3\"/> <tr> <td>388</td> <td>ETR</td> <td>-</td> <td>WD.</td> <td>J2</td> <td>PTD.</td> <td>-</td> <td>386</td> <td>3\"/> <tr> <td>389</td> <td>ETR</td> <td>-</td> <td>WD.</td> <td>J2</td> <td>PTD.</td> <td>-</td> <td>387</td> <td>3\"/> <tr> <td>391</td> <td>ETR</td> <td>-</td> <td>WD.</td> <td>J2</td> <td>PTD.</td> <td>-</td> <td>388</td> <td>3\"/> <tr> <td>391A</td> <td>ETR</td> <td>-</td> <td>WD.</td> <td>J2</td> <td>PTD.</td> <td>-</td> <td>389</td> <td>3\"/> <tr> <td>391B</td> <td>ETR</td> <td>-</td> <td>WD.</td> <td>J2</td> <td>PTD.</td> <td>-</td> <td>391</td> <td>3\"/> <tr> <td>394</td> <td>ETR</td> <td>-</td> <td>WD.</td> <td>J2</td> <td>PTD.</td> <td>-</td> <td>391A</td> <td>3\"/> <tr> <td>395</td> <td>ETR</td> <td>-</td> <td>WD.</td> <td>J2</td> <td>PTD.</td> <td>-</td> <td>391B</td> <td>3\"/> <tr> <td>396</td> <td>ETR</td> <td>-</td> <td>WD.</td> <td>J2</td> <td>PTD.</td> <td>-</td> <td>394</td> <td>3\"/> <tr> <td>398</td> <td>ETR</td> <td>-</td> <td>WD.</td> <td>J2</td> <td>PTD.</td> <td>-</td> <td>395</td> <td>3\"/> <tr> <td>399</td> <td>ETR</td> <td>-</td> <td>WD.</td> <td>J2</td> <td>PTD.</td> <td>-</td> <td>396</td> <td>3\"/> <tr> <td>3991</td> <td>ETR</td> <td>-</td> <td>WD.</td> <td>J2</td> <td>PTD.</td> <td>-</td> <td>398</td> <td>3\"/> <tr> <td>3992</td> <td>A</td> <td>3\"/> <tr> <td>3993</td> <td>ETR</td> <td>-</td> <td>WD.</td> <td>J2</td> <td>PTD.</td> <td>-</td> <td>399</td> <td>3\"/> <tr> <td>3994</td> <td>ETR</td> <td>-</td> <td>WD.</td> <td>J2</td> <td>PTD.</td> <td>-</td> <td>3991</td> <td>3\"/> <tr> <td>3995</td> <td>ETR</td> <td>-</td> <td>WD.</td> <td>J2</td> <td>PTD.</td> <td>-</td> <td>3992</td> <td>3\"/> <tr> <td>3997</td> <td>ETR</td> <td>-</td> <td>WD.</td> <td>J2</td> <td>PTD.</td> <td>-</td> <td>3993</td> <td>3\"/> <tr> <td>3998</td> <td>ETR</td> <td>-</td> <td>WD.</td> <td>J2</td> <td>PTD.</td> <td>-</td> <td>3994</td> <td>3\"/> <tr> <td>3999</td> <td>ETR</td> <td>-</td> <td>WD.</td> <td>J2</td> <td>PTD.</td> <td>-</td> <td>3995</td> <td>3\"/> <tr> <td>3999</td> <td>ETR</td> <td>-</td> <td>WD.</td> <td>J2</td> <td>PTD.</td> <td>-</td> <td>3997</td> <td>3\"/> </td></tr></td></tr></td></tr></td></tr></td></tr></td></tr></td></tr></td></tr></td></tr></td></tr></td></tr></td></tr></td></tr></td></tr></td></tr></td></tr></td></tr></td></tr></td></tr></td></tr></td></tr></td></tr></td></td></tr></td></tr></td></td></tr></td></td></tr></td></td></tr></td></td></tr></td></td></tr></td></td></tr></td></td></tr></td></td></tr></td></tr></td></tr></td></tr></td></td></tr></td></tr></td></tr></td></tr></td></tr></td></td></tr></td></tr></td></tr></td></tr></td></tr></td></tr></td></tr> | 361A | ETR | -
 | WD. | J2 | PTD. | - | 359 | 3\"/> <tr> <td>362</td> <td>ETR</td> <td>-</td> <td>WD.</td> <td>J2</td> <td>PTD.</td> <td>-</td> <td>360</td> <td>3\"/> <tr> <td>363</td> <td>ETR</td> <td>-</td> <td>WD.</td> <td>J2</td> <td>PTD.</td> <td>-</td> <td>361A</td> <td>3\"/> <tr> <td>364A</td> <td>ETR</td> <td>-</td> <td>WD.</td> <td>J2</td> <td>PTD.</td> <td>-</td> <td>362</td> <td>3\"/> <tr> <td>365</td> <td>ETR</td> <td>-</td> <td>WD.</td> <td>J2</td> <td>PTD.</td> <td>-</td> <td>363</td> <td>3\"/> <tr> <td>366</td> <td>ETR</td> <td>-</td> <td>WD.</td> <td>J2</td> <td>PTD.</td> <td>-</td> <td>364A</td> <td>3\"/> <tr> <td>367</td> <td>B</td> <td>2 <td>HM</td> <td>J1</td> <td>PTD.</td> <td>1 HR.</td> <td>365</td> <td>3\"/> <tr> <td>368</td> <td>ETR</td> <td>-</td> <td>WD.</td> <td>J2</td> <td>PTD.</td> <td>-</td> <td>366</td> <td>3\"/> <tr> <td>369</td> <td>ETR</td> <td>-</td> <td>WD.</td> <td>J2</td> <td>PTD.</td> <td>-</td> <td>367</td> <td>3\"/> <tr> <td>370</td> <td>ETR</td> <td>-</td> <td>WD.</td> <td>J2</td> <td>PTD.</td> <td>-</td> <td>368</td> <td>3\"/> <tr> <td>371</td> <td>ETR</td> <td>-</td> <td>WD.</td> <td>J2</td> <td>PTD.</td> <td>-</td> <td>369</td> <td>3\"/> <tr> <td>372</td> <td>B</td> <td>2 <td>HM</td> <td>J1</td> <td>PTD.</td> <td>1 HR.</td> <td>370</td> <td>3\"/> <tr> <td>373A</td> <td>ETR</td> <td>-</td> <td>WD.</td> <td>J2</td> <td>PTD.</td> <td>-</td> <td>371</td> <td>3\"/> <tr> <td>374B</td> <td>ETR</td> <td>-</td> <td>WD.</td> <td>J2</td> <td>PTD.</td> <td>-</td> <td>372</td> <td>3\"/> <tr> <td>374C</td> <td>ETR</td> <td>-</td> <td>WD.</td> <td>J2</td> <td>PTD.</td> <td>-</td> <td>373A</td> <td>3\"/> <tr> <td>375</td> <td>B</td> <td>1 <td>WD</td> <td>J1</td> <td>PTD.</td> <td>-</td> <td>374B</td> <td>3\"/> <tr> <td>376</td> <td>B</td> <td>1 <td>WD</td> <td>J1</td> <td>PTD.</td> <td>-</td> <td>374C</td> <td>3\"/> <tr> <td>377</td> <td>B</td> <td>1 <td>WD</td> <td>J1</td> <td>PTD.</td> <td>-</td> <td>375</td> <td>3\"/> <tr> <td>377A</td> <td>B</td> <td>1 <td>WD</td> <td>J1</td> <td>PTD.</td> <td>-</td> <td>376</td> <td>3\"/> <tr> <td>378</td> <td>B</td> <td>1 <td>WD</td> <td>J1</td> <td>PTD.</td> <td>-</td> <td>377</td> <td>3\"/> <tr> <td>379</td> <td>B</td> <td>1 <td>WD</td> <td>J1</td> <td>PTD.</td> <td>-</td> <td>377A</td> <td>3\"/> <tr> <td>380A</td> <td>B</td> <td>1 <td>WD</td> <td>J1</td> <td>PTD.</td> <td>-</td> <td>378</td> <td>3\"/> <tr> <td>380B</td> <td>B</td> <td>1 <td>WD</td> <td>J1</td> <td>PTD.</td> <td>-</td> <td>379</td> <td>3\"/> <tr> <td>382</td> <td>ETR</td> <td>-</td> <td>WD.</td> <td>J2</td> <td>PTD.</td> <td>-</td> <td>380A</td> <td>3\"/> <tr> <td>382A</td> <td>D</td> <td>6 <td>ALUM.</td> <td>ANODIZE D</td> <td>-</td> <td>-</td> <td>380B</td> <td>3\"/> <tr> <td>385</td> <td>ETR</td> <td>-</td> <td>WD.</td> <td>J2</td> <td>PTD.</td> <td>-</td> <td>382</td> <td>3\"/> <tr> <td>386</td> <td>ETR</td> <td>-</td> <td>WD.</td> <td>J2</td> <td>PTD.</td> <td>-</td> <td>382A</td> <td>3\"/> <tr> <td>387</td> <td>ETR</td> <td>-</td> <td>WD.</td> <td>J2</td> <td>PTD.</td> <td>-</td> <td>385</td> <td>3\"/> <tr> <td>388</td> <td>ETR</td> <td>-</td> <td>WD.</td> <td>J2</td> <td>PTD.</td> <td>-</td> <td>386</td> <td>3\"/> <tr> <td>389</td> <td>ETR</td> <td>-</td> <td>WD.</td> <td>J2</td> <td>PTD.</td> <td>-</td> <td>387</td> <td>3\"/> <tr> <td>391</td> <td>ETR</td> <td>-</td> <td>WD.</td> <td>J2</td> <td>PTD.</td> <td>-</td> <td>388</td> <td>3\"/> <tr> <td>391A</td> <td>ETR</td> <td>-</td> <td>WD.</td> <td>J2</td> <td>PTD.</td> <td>-</td> <td>389</td> <td>3\"/> <tr> <td>391B</td> <td>ETR</td> <td>-</td> <td>WD.</td> <td>J2</td> <td>PTD.</td> <td>-</td> <td>391</td> <td>3\"/> <tr> <td>394</td> <td>ETR</td> <td>-</td> <td>WD.</td> <td>J2</td> <td>PTD.</td> <td>-</td> <td>391A</td> <td>3\"/> <tr> <td>395</td> <td>ETR</td> <td>-</td> <td>WD.</td> <td>J2</td> <td>PTD.</td> <td>-</td> <td>391B</td> <td>3\"/> <tr> <td>396</td> <td>ETR</td> <td>-</td> <td>WD.</td> <td>J2</td> <td>PTD.</td> <td>-</td> <td>394</td> <td>3\"/> <tr> <td>398</td> <td>ETR</td> <td>-</td> <td>WD.</td> <td>J2</td> <td>PTD.</td> <td>-</td> <td>395</td> <td>3\"/> <tr> <td>399</td> <td>ETR</td> <td>-</td> <td>WD.</td> <td>J2</td> <td>PTD.</td> <td>-</td> <td>396</td> <td>3\"/> <tr> <td>3991</td> <td>ETR</td> <td>-</td> <td>WD.</td> <td>J2</td> <td>PTD.</td> <td>-</td> <td>398</td> <td>3\"/> <tr> <td>3992</td> <td>A</td> <td>3\"/> <tr> <td>3993</td> <td>ETR</td> <td>-</td> <td>WD.</td> <td>J2</td> <td>PTD.</td> <td>-</td> <td>399</td> <td>3\"/> <tr> <td>3994</td> <td>ETR</td> <td>-</td> <td>WD.</td> <td>J2</td> <td>PTD.</td> <td>-</td> <td>3991</td> <td>3\"/> <tr> <td>3995</td> <td>ETR</td> <td>-</td> <td>WD.</td> <td>J2</td> <td>PTD.</td> <td>-</td> <td>3992</td> <td>3\"/> <tr> <td>3997</td> <td>ETR</td> <td>-</td> <td>WD.</td> <td>J2</td> <td>PTD.</td> <td>-</td> <td>3993</td> <td>3\"/> <tr> <td>3998</td> <td>ETR</td> <td>-</td> <td>WD.</td> <td>J2</td> <td>PTD.</td> <td>-</td> <td>3994</td> <td>3\"/> <tr> <td>3999</td> <td>ETR</td> <td>-</td> <td>WD.</td> <td>J2</td> <td>PTD.</td> <td>-</td> <td>3995</td> <td>3\"/> <tr> <td>3999</td> <td>ETR</td> <td>-</td> <td>WD.</td> <td>J2</td> <td>PTD.</td> <td>-</td> <td>3997</td> <td>3\"/> </td></tr></td></tr></td></tr></td></tr></td></tr></td></tr></td></tr></td></tr></td></tr></td></tr></td></tr></td></tr></td></tr></td></tr></td></tr></td></tr></td></tr></td></tr></td></tr></td></tr></td></tr></td></tr></td></td></tr></td></tr></td></td></tr></td></td></tr></td></td></tr></td></td></tr></td></td></tr></td></td></tr></td></td></tr></td></td></tr></td></tr></td></tr></td></tr></td></td></tr></td></tr></td></tr></td></tr></td></tr></td></td></tr></td></tr></td></tr></td></tr></td></tr></td></tr>
 | 362 | ETR | - | WD. | J2 | PTD. | - | 360 | 3\"/> <tr> <td>363</td> <td>ETR</td> <td>-</td> <td>WD.</td> <td>J2</td> <td>PTD.</td> <td>-</td> <td>361A</td> <td>3\"/> <tr> <td>364A</td> <td>ETR</td> <td>-</td> <td>WD.</td> <td>J2</td> <td>PTD.</td> <td>-</td> <td>362</td> <td>3\"/> <tr> <td>365</td> <td>ETR</td> <td>-</td> <td>WD.</td> <td>J2</td> <td>PTD.</td> <td>-</td> <td>363</td> <td>3\"/> <tr> <td>366</td> <td>ETR</td> <td>-</td> <td>WD.</td> <td>J2</td> <td>PTD.</td> <td>-</td> <td>364A</td> <td>3\"/> <tr> <td>367</td> <td>B</td> <td>2 <td>HM</td> <td>J1</td> <td>PTD.</td> <td>1 HR.</td> <td>365</td> <td>3\"/> <tr> <td>368</td> <td>ETR</td> <td>-</td> <td>WD.</td> <td>J2</td> <td>PTD.</td> <td>-</td> <td>366</td> <td>3\"/> <tr> <td>369</td> <td>ETR</td> <td>-</td> <td>WD.</td> <td>J2</td> <td>PTD.</td> <td>-</td> <td>367</td> <td>3\"/> <tr> <td>370</td> <td>ETR</td> <td>-</td> <td>WD.</td> <td>J2</td> <td>PTD.</td> <td>-</td> <td>368</td> <td>3\"/> <tr> <td>371</td> <td>ETR</td> <td>-</td> <td>WD.</td> <td>J2</td> <td>PTD.</td> <td>-</td> <td>369</td> <td>3\"/> <tr> <td>372</td> <td>B</td> <td>2 <td>HM</td> <td>J1</td> <td>PTD.</td> <td>1 HR.</td> <td>370</td> <td>3\"/> <tr> <td>373A</td> <td>ETR</td> <td>-</td> <td>WD.</td> <td>J2</td> <td>PTD.</td> <td>-</td> <td>371</td> <td>3\"/> <tr> <td>374B</td> <td>ETR</td> <td>-</td> <td>WD.</td> <td>J2</td> <td>PTD.</td> <td>-</td> <td>372</td> <td>3\"/> <tr> <td>374C</td> <td>ETR</td> <td>-</td> <td>WD.</td> <td>J2</td> <td>PTD.</td> <td>-</td> <td>373A</td> <td>3\"/> <tr> <td>375</td> <td>B</td> <td>1 <td>WD</td> <td>J1</td> <td>PTD.</td> <td>-</td> <td>374B</td> <td>3\"/> <tr> <td>376</td> <td>B</td> <td>1 <td>WD</td> <td>J1</td> <td>PTD.</td> <td>-</td> <td>374C</td> <td>3\"/> <tr> <td>377</td> <td>B</td> <td>1 <td>WD</td> <td>J1</td> <td>PTD.</td> <td>-</td> <td>375</td> <td>3\"/> <tr> <td>377A</td> <td>B</td> <td>1 <td>WD</td> <td>J1</td> <td>PTD.</td> <td>-</td> <td>376</td> <td>3\"/> <tr> <td>378</td> <td>B</td> <td>1 <td>WD</td> <td>J1</td> <td>PTD.</td> <td>-</td> <td>377</td> <td>3\"/> <tr> <td>379</td> <td>B</td> <td>1 <td>WD</td> <td>J1</td> <td>PTD.</td> <td>-</td> <td>377A</td> <td>3\"/> <tr> <td>380A</td> <td>B</td> <td>1 <td>WD</td> <td>J1</td> <td>PTD.</td> <td>-</td> <td>378</td> <td>3\"/> <tr> <td>380B</td> <td>B</td> <td>1 <td>WD</td> <td>J1</td> <td>PTD.</td> <td>-</td> <td>379</td> <td>3\"/> <tr> <td>382</td> <td>ETR</td> <td>-</td> <td>WD.</td> <td>J2</td> <td>PTD.</td> <td>-</td> <td>380A</td> <td>3\"/> <tr> <td>382A</td> <td>D</td> <td>6 <td>ALUM.</td> <td>ANODIZE D</td> <td>-</td> <td>-</td> <td>380B</td> <td>3\"/> <tr> <td>385</td> <td>ETR</td> <td>-</td> <td>WD.</td> <td>J2</td> <td>PTD.</td> <td>-</td> <td>382</td> <td>3\"/> <tr> <td>386</td> <td>ETR</td> <td>-</td>
<td>WD.</td> <td>J2</td> <td>PTD.</td> <td>-</td> <td>382A</td> <td>3\"/> <tr> <td>387</td> <td>ETR</td> <td>-</td> <td>WD.</td> <td>J2</td> <td>PTD.</td> <td>-</td> <td>385</td> <td>3\"/> <tr> <td>388</td> <td>ETR</td> <td>-</td> <td>WD.</td> <td>J2</td> <td>PTD.</td> <td>-</td> <td>386</td> <td>3\"/> <tr> <td>389</td> <td>ETR</td> <td>-</td> <td>WD.</td> <td>J2</td> <td>PTD.</td> <td>-</td> <td>387</td> <td>3\"/> <tr> <td>391</td> <td>ETR</td> <td>-</td> <td>WD.</td> <td>J2</td> <td>PTD.</td> <td>-</td> <td>388</td> <td>3\"/> <tr> <td>391A</td> <td>ETR</td> <td>-</td> <td>WD.</td> <td>J2</td> <td>PTD.</td> <td>-</td> <td>389</td> <td>3\"/> <tr> <td>391B</td> <td>ETR</td> <td>-</td> <td>WD.</td> <td>J2</td> <td>PTD.</td> <td>-</td> <td>391</td> <td>3\"/> <tr> <td>394</td> <td>ETR</td> <td>-</td> <td>WD.</td> <td>J2</td> <td>PTD.</td> <td>-</td> <td>391A</td> <td>3\"/> <tr> <td>395</td> <td>ETR</td> <td>-</td> <td>WD.</td> <td>J2</td> <td>PTD.</td> <td>-</td> <td>391B</td> <td>3\"/> <tr> <td>396</td> <td>ETR</td> <td>-</td> <td>WD.</td> <td>J2</td> <td>PTD.</td> <td>-</td> <td>394</td> <td>3\"/> <tr> <td>398</td> <td>ETR</td> <td>-</td> <td>WD.</td> <td>J2</td> <td>PTD.</td> <td>-</td> <td>395</td> <td>3\"/> <tr> <td>399</td> <td>ETR</td> <td>-</td> <td>WD.</td> <td>J2</td> <td>PTD.</td> <td>-</td> <td>396</td> <td>3\"/> <tr> <td>3991</td> <td>ETR</td> <td>-</td> <td>WD.</td> <td>J2</td> <td>PTD.</td> <td>-</td> <td>398</td> <td>3\"/> <tr> <td>3992</td> <td>A</td> <td>3\"/> <tr> <td>3993</td> <td>ETR</td> <td>-</td> <td>WD.</td> <td>J2</td> <td>PTD.</td> <td>-</td> <td>399</td> <td>3\"/> <tr> <td>3994</td> <td>ETR</td> <td>-</td> <td>WD.</td> <td>J2</td> <td>PTD.</td> <td>-</td> <td>3991</td> <td>3\"/> <tr> <td>3995</td> <td>ETR</td> <td>-</td> <td>WD.</td> <td>J2</td> <td>PTD.</td> <td>-</td> <td>3992</td> <td>3\"/> <tr> <td>3997</td> <td>ETR</td> <td>-</td> <td>WD.</td> <td>J2</td> <td>PTD.</td> <td>-</td> <td>3993</td> <td>3\"/> <tr> <td>3998</td> <td>ETR</td> <td>-</td> <td>WD.</td> <td>J2</td> <td>PTD.</td> <td>-</td> <td>3994</td> <td>3\"/> <tr> <td>3999</td> <td>ETR</td> <td>-</td> <td>WD.</td> <td>J2</td> <td>PTD.</td> <td>-</td> <td>3995</td> <td>3\"/> <tr> <td>3999</td> <td>ETR</td> <td>-</td> <td>WD.</td> <td>J2</td> <td>PTD.</td> <td>-</td> <td>3997</td> <td>3\"/> </td></tr></td></tr></td></tr></td></tr></td></tr></td></tr></td></tr></td></tr></td></tr></td></tr></td></tr></td></tr></td></tr></td></tr></td></tr></td></tr></td></tr></td></tr></td></tr></td></tr></td></tr></td></tr></td></td></tr></td></tr></td></td></tr></td></td></tr></td></td></tr></td></td></tr></td></td></tr></td></td></tr></td></td></tr></td></td></tr></td></tr></td></tr></td></tr></td></td></tr></td></tr></td></tr></td></tr></td></tr></td></td></tr></td></tr></td></tr></td></tr></td></tr> | 363 | ETR | - | WD. | J2 | PTD. |
- | 361A | 3\"/> <tr> <td>364A</td> <td>ETR</td> <td>-</td> <td>WD.</td> <td>J2</td> <td>PTD.</td> <td>-</td> <td>362</td> <td>3\"/> <tr> <td>365</td> <td>ETR</td> <td>-</td> <td>WD.</td> <td>J2</td> <td>PTD.</td> <td>-</td> <td>363</td> <td>3\"/> <tr> <td>366</td> <td>ETR</td> <td>-</td> <td>WD.</td> <td>J2</td> <td>PTD.</td> <td>-</td> <td>364A</td> <td>3\"/> <tr> <td>367</td> <td>B</td> <td>2 <td>HM</td> <td>J1</td> <td>PTD.</td> <td>1 HR.</td> <td>365</td> <td>3\"/> <tr> <td>368</td> <td>ETR</td> <td>-</td> <td>WD.</td> <td>J2</td> <td>PTD.</td> <td>-</td> <td>366</td> <td>3\"/> <tr> <td>369</td> <td>ETR</td> <td>-</td> <td>WD.</td> <td>J2</td> <td>PTD.</td> <td>-</td> <td>367</td> <td>3\"/> <tr> <td>370</td> <td>ETR</td> <td>-</td> <td>WD.</td> <td>J2</td> <td>PTD.</td> <td>-</td> <td>368</td> <td>3\"/> <tr> <td>371</td> <td>ETR</td> <td>-</td> <td>WD.</td> <td>J2</td> <td>PTD.</td> <td>-</td> <td>369</td> <td>3\"/> <tr> <td>372</td> <td>B</td> <td>2 <td>HM</td> <td>J1</td> <td>PTD.</td> <td>1 HR.</td> <td>370</td> <td>3\"/> <tr> <td>373A</td> <td>ETR</td> <td>-</td> <td>WD.</td> <td>J2</td> <td>PTD.</td> <td>-</td> <td>371</td> <td>3\"/> <tr> <td>374B</td> <td>ETR</td> <td>-</td> <td>WD.</td> <td>J2</td> <td>PTD.</td> <td>-</td> <td>372</td> <td>3\"/> <tr> <td>374C</td> <td>ETR</td> <td>-</td> <td>WD.</td> <td>J2</td> <td>PTD.</td> <td>-</td> <td>373A</td> <td>3\"/> <tr> <td>375</td> <td>B</td> <td>1 <td>WD</td> <td>J1</td> <td>PTD.</td> <td>-</td> <td>374B</td> <td>3\"/> <tr> <td>376</td> <td>B</td> <td>1 <td>WD</td> <td>J1</td> <td>PTD.</td> <td>-</td> <td>374C</td> <td>3\"/> <tr> <td>377</td> <td>B</td> <td>1 <td>WD</td> <td>J1</td> <td>PTD.</td> <td>-</td> <td>375</td> <td>3\"/> <tr> <td>377A</td> <td>B</td> <td>1 <td>WD</td> <td>J1</td> <td>PTD.</td> <td>-</td> <td>376</td> <td>3\"/> <tr> <td>378</td> <td>B</td> <td>1 <td>WD</td> <td>J1</td> <td>PTD.</td> <td>-</td> <td>377</td> <td>3\"/> <tr> <td>379</td> <td>B</td> <td>1 <td>WD</td> <td>J1</td> <td>PTD.</td> <td>-</td> <td>377A</td> <td>3\"/> <tr> <td>380A</td> <td>B</td> <td>1 <td>WD</td> <td>J1</td> <td>PTD.</td> <td>-</td> <td>378</td> <td>3\"/> <tr> <td>380B</td> <td>B</td> <td>1 <td>WD</td> <td>J1</td> <td>PTD.</td> <td>-</td> <td>379</td> <td>3\"/> <tr> <td>382</td> <td>ETR</td> <td>-</td> <td>WD.</td> <td>J2</td> <td>PTD.</td> <td>-</td> <td>380A</td> <td>3\"/> <tr> <td>382A</td> <td>D</td> <td>6 <td>ALUM.</td> <td>ANODIZE D</td> <td>-</td> <td>-</td> <td>380B</td> <td>3\"/> <tr> <td>385</td> <td>ETR</td> <td>-</td> <td>WD.</td> <td>J2</td> <td>PTD.</td> <td>-</td> <td>382</td> <td>3\"/> <tr> <td>386</td> <td>ETR</td> <td>-</td> <td>WD.</td> <td>J2</td> <td>PTD.</td> <td>-</td> <td>382A</td> <td>3\"/> <tr> <td>387</td> <td>ETR</td> <td>-</td> <td>WD.</td> <td>J2</td> <td>PTD.</td> <td>-</td> <td>385</td> <td>3\"/> <tr> <td>388</td> <td>ETR</td> <td>-</td> <td>WD.</td> <td>J2</td> <td>PTD.</td> <td>-</td> <td>386</td> <td>3\"/> <tr> <td>389</td> <td>ETR</td> <td>-</td> <td>WD.</td> <td>J2</td> <td>PTD.</td> <td>-</td> <td>387</td> <td>3\"/> <tr> <td>391</td> <td>ETR</td> <td>-</td> <td>WD.</td> <td>J2</td> <td>PTD.</td> <td>-</td> <td>388</td> <td>3\"/> <tr> <td>391A</td> <td>ETR</td> <td>-</td> <td>WD.</td> <td>J2</td> <td>PTD.</td> <td>-</td> <td>389</td> <td>3\"/> <tr> <td>391B</td> <td>ETR</td> <td>-</td> <td>WD.</td> <td>J2</td> <td>PTD.</td> <td>-</td> <td>391</td> <td>3\"/> <tr> <td>394</td> <td>ETR</td> <td>-</td> <td>WD.</td> <td>J2</td> <td>PTD.</td> <td>-</td> <td>391A</td> <td>3\"/> <tr> <td>395</td> <td>ETR</td> <td>-</td> <td>WD.</td> <td>J2</td> <td>PTD.</td> <td>-</td> <td>391B</td> <td>3\"/> <tr> <td>396</td> <td>ETR</td> <td>-</td> <td>WD.</td> <td>J2</td> <td>PTD.</td> <td>-</td> <td>394</td> <td>3\"/> <tr> <td>398</td> <td>ETR</td> <td>-</td> <td>WD.</td> <td>J2</td> <td>PTD.</td> <td>-</td> <td>395</td> <td>3\"/> <tr> <td>399</td> <td>ETR</td> <td>-</td> <td>WD.</td> <td>J2</td> <td>PTD.</td> <td>-</td> <td>396</td> <td>3\"/> <tr> <td>3991</td> <td>ETR</td> <td>-</td> <td>WD.</td> <td>J2</td> <td>PTD.</td> <td>-</td> <td>398</td> <td>3\"/> <tr> <td>3992</td> <td>A</td> <td>3\"/> <tr> <td>3993</td> <td>ETR</td> <td>-</td> <td>WD.</td> <td>J2</td> <td>PTD.</td> <td>-</td> <td>399</td> <td>3\"/> <tr> <td>3994</td> <td>ETR</td> <td>-</td> <td>WD.</td> <td>J2</td> <td>PTD.</td> <td>-</td> <td>3991</td> <td>3\"/> <tr> <td>3995</td> <td>ETR</td> <td>-</td> <td>WD.</td> <td>J2</td> <td>PTD.</td> <td>-</td> <td>3992</td> <td>3\"/> <tr> <td>3997</td> <td>ETR</td> <td>-</td> <td>WD.</td> <td>J2</td> <td>PTD.</td> <td>-</td> <td>3993</td> <td>3\"/> <tr> <td>3998</td> <td>ETR</td> <td>-</td> <td>WD.</td> <td>J2</td> <td>PTD.</td> <td>-</td> <td>3994</td> <td>3\"/> <tr> <td>3999</td> <td>ETR</td> <td>-</td> <td>WD.</td> <td>J2</td> <td>PTD.</td> <td>-</td> <td>3995</td> <td>3\"/> <tr> <td>3999</td> <td>ETR</td> <td>-</td> <td>WD.</td> <td>J2</td> <td>PTD.</td> <td>-</td> <td>3997</td> <td>3\"/> </td></tr></td></tr></td></tr></td></tr></td></tr></td></tr></td></tr></td></tr></td></tr></td></tr></td></tr></td></tr></td></tr></td></tr></td></tr></td></tr></td></tr></td></tr></td></tr></td></tr></td></tr></td></tr></td></td></tr></td></tr></td></td></tr></td></td></tr></td></td></tr></td></td></tr></td></td></tr></td></td></tr></td></td></tr></td></td></tr></td></tr></td></tr></td></tr></td></td></tr></td></tr></td></tr></td></tr></td></tr></td></td></tr></td></tr></td></tr></td></tr> | 364A | ETR | -
 | WD. | J2 | PTD. | - | 362 | 3\"/> <tr> <td>365</td> <td>ETR</td> <td>-</td> <td>WD.</td> <td>J2</td> <td>PTD.</td> <td>-</td> <td>363</td> <td>3\"/> <tr> <td>366</td> <td>ETR</td> <td>-</td> <td>WD.</td> <td>J2</td> <td>PTD.</td> <td>-</td> <td>364A</td> <td>3\"/> <tr> <td>367</td> <td>B</td> <td>2 <td>HM</td> <td>J1</td> <td>PTD.</td> <td>1 HR.</td> <td>365</td> <td>3\"/> <tr> <td>368</td> <td>ETR</td> <td>-</td> <td>WD.</td> <td>J2</td> <td>PTD.</td> <td>-</td> <td>366</td> <td>3\"/> <tr> <td>369</td> <td>ETR</td> <td>-</td> <td>WD.</td> <td>J2</td> <td>PTD.</td> <td>-</td> <td>367</td> <td>3\"/> <tr> <td>370</td> <td>ETR</td> <td>-</td> <td>WD.</td> <td>J2</td> <td>PTD.</td> <td>-</td> <td>368</td> <td>3\"/> <tr> <td>371</td> <td>ETR</td> <td>-</td> <td>WD.</td> <td>J2</td> <td>PTD.</td> <td>-</td> <td>369</td> <td>3\"/> <tr> <td>372</td> <td>B</td> <td>2 <td>HM</td> <td>J1</td> <td>PTD.</td> <td>1 HR.</td> <td>370</td> <td>3\"/> <tr> <td>373A</td> <td>ETR</td> <td>-</td> <td>WD.</td> <td>J2</td> <td>PTD.</td> <td>-</td> <td>371</td> <td>3\"/> <tr> <td>374B</td> <td>ETR</td> <td>-</td> <td>WD.</td> <td>J2</td> <td>PTD.</td> <td>-</td> <td>372</td> <td>3\"/> <tr> <td>374C</td> <td>ETR</td> <td>-</td> <td>WD.</td> <td>J2</td> <td>PTD.</td> <td>-</td> <td>373A</td> <td>3\"/> <tr> <td>375</td> <td>B</td> <td>1 <td>WD</td> <td>J1</td> <td>PTD.</td> <td>-</td> <td>374B</td> <td>3\"/> <tr> <td>376</td> <td>B</td> <td>1 <td>WD</td> <td>J1</td> <td>PTD.</td> <td>-</td> <td>374C</td> <td>3\"/> <tr> <td>377</td> <td>B</td> <td>1 <td>WD</td> <td>J1</td> <td>PTD.</td> <td>-</td> <td>375</td> <td>3\"/> <tr> <td>377A</td> <td>B</td> <td>1 <td>WD</td> <td>J1</td> <td>PTD.</td> <td>-</td> <td>376</td> <td>3\"/> <tr> <td>378</td> <td>B</td> <td>1 <td>WD</td> <td>J1</td> <td>PTD.</td> <td>-</td> <td>377</td> <td>3\"/> <tr> <td>379</td> <td>B</td> <td>1 <td>WD</td> <td>J1</td> <td>PTD.</td> <td>-</td> <td>377A</td> <td>3\"/> <tr> <td>380A</td> <td>B</td> <td>1 <td>WD</td> <td>J1</td> <td>PTD.</td> <td>-</td> <td>378</td> <td>3\"/> <tr> <td>380B</td> <td>B</td> <td>1 <td>WD</td> <td>J1</td> <td>PTD.</td> <td>-</td> <td>379</td> <td>3\"/> <tr> <td>382</td> <td>ETR</td> <td>-</td> <td>WD.</td> <td>J2</td> <td>PTD.</td> <td>-</td> <td>380A</td> <td>3\"/> <tr> <td>382A</td> <td>D</td> <td>6 <td>ALUM.</td> <td>ANODIZE D</td> <td>-</td> <td>-</td> <td>380B</td> <td>3\"/> <tr> <td>385</td> <td>ETR</td> <td>-</td> <td>WD.</td> <td>J2</td> <td>PTD.</td> <td>-</td> <td>382</td> <td>3\"/> <tr> <td>386</td> <td>ETR</td> <td>-</td> <td>WD.</td> <td>J2</td> <td>PTD.</td> <td>-</td> <td>382A</td> <td>3\"/> <tr> <td>387</td> <td>ETR</td> <td>-</td> <td>WD.</td> <td>J2</td> <td>PTD.</td> <td>-</td> <td>385</td> <td>3\"/> <tr> <td>388</td> <td>ETR</td> <td>-</td> <td>WD.</td> <td>J2</td> <td>PTD.</td> <td>-</td> <td>386</td> <td>3\"/> <tr> <td>389</td> <td>ETR</td> <td>-</td> <td>WD.</td> <td>J2</td> <td>PTD.</td> <td>-</td> <td>387</td> <td>3\"/> <tr> <td>391</td> <td>ETR</td> <td>-</td> <td>WD.</td> <td>J2</td> <td>PTD.</td> <td>-</td> <td>388</td> <td>3\"/> <tr> <td>391A</td> <td>ETR</td> <td>-</td> <td>WD.</td> <td>J2</td> <td>PTD.</td> <td>-</td> <td>389</td> <td>3\"/> <tr> <td>391B</td> <td>ETR</td> <td>-</td> <td>WD.</td> <td>J2</td> <td>PTD.</td> <td>-</td> <td>391</td> <td>3\"/> <tr> <td>394</td> <td>ETR</td> <td>-</td> <td>WD.</td> <td>J2</td> <td>PTD.</td> <td>-</td> <td>391A</td> <td>3\"/> <tr> <td>395</td> <td>ETR</td> <td>-</td> <td>WD.</td> <td>J2</td> <td>PTD.</td> <td>-</td> <td>391B</td> <td>3\"/> <tr> <td>396</td> <td>ETR</td> <td>-</td> <td>WD.</td> <td>J2</td> <td>PTD.</td> <td>-</td> <td>394</td> <td>3\"/> <tr> <td>398</td> <td>ETR</td> <td>-</td> <td>WD.</td> <td>J2</td> <td>PTD.</td> <td>-</td> <td>395</td> <td>3\"/> <tr> <td>399</td> <td>ETR</td> <td>-</td> <td>WD.</td> <td>J2</td> <td>PTD.</td> <td>-</td> <td>396</td> <td>3\"/> <tr> <td>3991</td> <td>ETR</td> <td>-</td> <td>WD.</td> <td>J2</td> <td>PTD.</td> <td>-</td> <td>398</td> <td>3\"/> <tr> <td>3992</td> <td>A</td> <td>3\"/> <tr> <td>3993</td> <td>ETR</td> <td>-</td> <td>WD.</td> <td>J2</td> <td>PTD.</td> <td>-</td> <td>399</td> <td>3\"/> <tr> <td>3994</td> <td>ETR</td> <td>-</td> <td>WD.</td> <td>J2</td> <td>PTD.</td> <td>-</td> <td>3991</td> <td>3\"/> <tr> <td>3995</td> <td>ETR</td> <td>-</td> <td>WD.</td> <td>J2</td> <td>PTD.</td> <td>-</td> <td>3992</td> <td>3\"/> <tr> <td>3997</td> <td>ETR</td> <td>-</td> <td>WD.</td> <td>J2</td> <td>PTD.</td> <td>-</td> <td>3993</td> <td>3\"/> <tr> <td>3998</td> <td>ETR</td> <td>-</td> <td>WD.</td> <td>J2</td> <td>PTD.</td> <td>-</td> <td>3994</td> <td>3\"/> <tr> <td>3999</td> <td>ETR</td> <td>-</td> <td>WD.</td> <td>J2</td> <td>PTD.</td> <td>-</td> <td>3995</td> <td>3\"/> <tr> <td>3999</td> <td>ETR</td> <td>-</td> <td>WD.</td> <td>J2</td> <td>PTD.</td> <td>-</td> <td>3997</td> <td>3\"/> </td></tr></td></tr></td></tr></td></tr></td></tr></td></tr></td></tr></td></tr></td></tr></td></tr></td></tr></td></tr></td></tr></td></tr></td></tr></td></tr></td></tr></td></tr></td></tr></td></tr></td></tr></td></tr></td></td></tr></td></tr></td></td></tr></td></td></tr></td></td></tr></td></td></tr></td></td></tr></td></td></tr></td></td></tr></td></td></tr></td></tr></td></tr></td></tr></td></td></tr></td></tr></td></tr></td></tr></td></tr></td></td></tr></td></tr></td></tr> | 365 | ETR | -
 | WD. | J2 | PTD. | - | 363 | 3\"/> <tr> <td>366</td> <td>ETR</td> <td>-</td> <td>WD.</td> <td>J2</td> <td>PTD.</td> <td>-</td> <td>364A</td> <td>3\"/> <tr> <td>367</td> <td>B</td> <td>2 <td>HM</td> <td>J1</td> <td>PTD.</td> <td>1 HR.</td> <td>365</td> <td>3\"/> <tr> <td>368</td> <td>ETR</td> <td>-</td> <td>WD.</td> <td>J2</td> <td>PTD.</td> <td>-</td> <td>366</td> <td>3\"/> <tr> <td>369</td> <td>ETR</td> <td>-</td> <td>WD.</td> <td>J2</td> <td>PTD.</td> <td>-</td> <td>367</td> <td>3\"/> <tr> <td>370</td> <td>ETR</td> <td>-</td> <td>WD.</td> <td>J2</td> <td>PTD.</td> <td>-</td> <td>368</td> <td>3\"/> <tr> <td>371</td> <td>ETR</td> <td>-</td> <td>WD.</td> <td>J2</td> <td>PTD.</td> <td>-</td> <td>369</td> <td>3\"/> <tr> <td>372</td> <td>B</td> <td>2 <td>HM</td> <td>J1</td> <td>PTD.</td> <td>1 HR.</td> <td>370</td> <td>3\"/> <tr> <td>373A</td> <td>ETR</td> <td>-</td> <td>WD.</td> <td>J2</td> <td>PTD.</td> <td>-</td> <td>371</td> <td>3\"/> <tr> <td>374B</td> <td>ETR</td> <td>-</td> <td>WD.</td> <td>J2</td> <td>PTD.</td> <td>-</td> <td>372</td> <td>3\"/> <tr> <td>374C</td> <td>ETR</td> <td>-</td> <td>WD.</td> <td>J2</td> <td>PTD.</td> <td>-</td> <td>373A</td> <td>3\"/> <tr> <td>375</td> <td>B</td> <td>1 <td>WD</td> <td>J1</td> <td>PTD.</td> <td>-</td> <td>374B</td> <td>3\"/> <tr> <td>376</td> <td>B</td> <td>1 <td>WD</td> <td>J1</td> <td>PTD.</td> <td>-</td> <td>374C</td> <td>3\"/> <tr> <td>377</td> <td>B</td> <td>1 <td>WD</td> <td>J1</td> <td>PTD.</td> <td>-</td> <td>375</td> <td>3\"/> <tr> <td>377A</td> <td>B</td> <td>1 <td>WD</td> <td>J1</td> <td>PTD.</td> <td>-</td> <td>376</td> <td>3\"/> <tr> <td>378</td> <td>B</td> <td>1 <td>WD</td> <td>J1</td> <td>PTD.</td> <td>-</td> <td>377</td> <td>3\"/> <tr> <td>379</td> <td>B</td> <td>1 <td>WD</td> <td>J1</td> <td>PTD.</td> <td>-</td> <td>377A</td> <td>3\"/> <tr> <td>380A</td> <td>B</td> <td>1 <td>WD</td> <td>J1</td> <td>PTD.</td> <td>-</td> <td>378</td> <td>3\"/> <tr> <td>380B</td> <td>B</td> <td>1 <td>WD</td> <td>J1</td> <td>PTD.</td> <td>-</td> <td>379</td> <td>3\"/> <tr> <td>382</td> <td>ETR</td> <td>-</td> <td>WD.</td> <td>J2</td> <td>PTD.</td> <td>-</td> <td>380A</td> <td>3\"/> <tr> <td>382A</td> <td>D</td> <td>6 <td>ALUM.</td> <td>ANODIZE D</td> <td>-</td> <td>-</td> <td>380B</td> <td>3\"/> <tr> <td>385</td> <td>ETR</td> <td>-</td> <td>WD.</td> <td>J2</td> <td>PTD.</td> <td>-</td> <td>382</td> <td>3\"/> <tr> <td>386</td> <td>ETR</td> <td>-</td> <td>WD.</td> <td>J2</td> <td>PTD.</td> <td>-</td> <td>382A</td> <td>3\"/> <tr> <td>387</td> <td>ETR</td> <td>-</td> <td>WD.</td> <td>J2</td> <td>PTD.</td> <td>-</td> <td>385</td> <td>3\"/> <tr> <td>388</td> <td>ETR</td> <td>-</td> <td>WD.</td> <td>J2</td> <td>PTD.</td> <td>-</td> <td>386</td> <td>3\"/> <tr> <td>389</td> <td>ETR</td> <td>-</td> <td>WD.</td> <td>J2</td> <td>PTD.</td> <td>-</td> <td>387</td> <td>3\"/> <tr> <td>391</td> <td>ETR</td> <td>-</td> <td>WD.</td> <td>J2</td> <td>PTD.</td> <td>-</td> <td>388</td> <td>3\"/> <tr> <td>391A</td> <td>ETR</td> <td>-</td> <td>WD.</td> <td>J2</td> <td>PTD.</td> <td>-</td> <td>389</td> <td>3\"/> <tr> <td>391B</td> <td>ETR</td> <td>-</td> <td>WD.</td> <td>J2</td> <td>PTD.</td> <td>-</td> <td>391</td> <td>3\"/> <tr> <td>394</td> <td>ETR</td> <td>-</td> <td>WD.</td> <td>J2</td> <td>PTD.</td> <td>-</td> <td>391A</td> <td>3\"/> <tr> <td>395</td> <td>ETR</td> <td>-</td> <td>WD.</td> <td>J2</td> <td>PTD.</td> <td>-</td> <td>391B</td> <td>3\"/> <tr> <td>396</td> <td>ETR</td> <td>-</td> <td>WD.</td> <td>J2</td> <td>PTD.</td> <td>-</td> <td>394</td> <td>3\"/> <tr> <td>398</td> <td>ETR</td> <td>-</td> <td>WD.</td> <td>J2</td> <td>PTD.</td> <td>-</td> <td>395</td> <td>3\"/> <tr> <td>399</td> <td>ETR</td> <td>-</td> <td>WD.</td> <td>J2</td> <td>PTD.</td> <td>-</td> <td>396</td> <td>3\"/> <tr> <td>3991</td> <td>ETR</td> <td>-</td> <td>WD.</td> <td>J2</td> <td>PTD.</td> <td>-</td> <td>398</td> <td>3\"/> <tr> <td>3992</td> <td>A</td> <td>3\"/> <tr> <td>3993</td> <td>ETR</td> <td>-</td> <td>WD.</td> <td>J2</td> <td>PTD.</td> <td>-</td> <td>399</td> <td>3\"/> <tr> <td>3994</td> <td>ETR</td> <td>-</td> <td>WD.</td> <td>J2</td> <td>PTD.</td> <td>-</td> <td>3991</td> <td>3\"/> <tr> <td>3995</td> <td>ETR</td> <td>-</td> <td>WD.</td> <td>J2</td> <td>PTD.</td> <td>-</td> <td>3992</td> <td>3\"/> <tr> <td>3997</td> <td>ETR</td> <td>-</td> <td>WD.</td> <td>J2</td> <td>PTD.</td> <td>-</td> <td>3993</td> <td>3\"/> <tr> <td>3998</td> <td>ETR</td> <td>-</td> <td>WD.</td> <td>J2</td> <td>PTD.</td> <td>-</td> <td>3994</td> <td>3\"/> <tr> <td>3999</td> <td>ETR</td> <td>-</td> <td>WD.</td> <td>J2</td> <td>PTD.</td> <td>-</td> <td>3995</td> <td>3\"/> <tr> <td>3999</td> <td>ETR</td> <td>-</td> <td>WD.</td> <td>J2</td> <td>PTD.</td> <td>-</td> <td>3997</td> <td>3\"/>
</td></tr></td></tr></td></tr></td></tr></td></tr></td></tr></td></tr></td></tr></td></tr></td></tr></td></tr></td></tr></td></tr></td></tr></td></tr></td></tr></td></tr></td></tr></td></tr></td></tr></td></tr></td></tr></td></td></tr></td></tr></td></td></tr></td></td></tr></td></td></tr></td></td></tr></td></td></tr></td></td></tr></td></td></tr></td></td></tr></td></tr></td></tr></td></tr></td></td></tr></td></tr></td></tr></td></tr></td></tr></td></td></tr></td></tr> | 366 | ETR | - | WD. | J2 | PTD. | - | 364A | 3\"/> <tr> <td>367</td> <td>B</td> <td>2 <td>HM</td> <td>J1</td> <td>PTD.</td> <td>1 HR.</td> <td>365</td> <td>3\"/> <tr> <td>368</td> <td>ETR</td> <td>-</td> <td>WD.</td> <td>J2</td> <td>PTD.</td> <td>-</td> <td>366</td> <td>3\"/> <tr> <td>369</td> <td>ETR</td> <td>-</td> <td>WD.</td> <td>J2</td> <td>PTD.</td> <td>-</td> <td>367</td> <td>3\"/> <tr> <td>370</td> <td>ETR</td> <td>-</td> <td>WD.</td> <td>J2</td> <td>PTD.</td> <td>-</td> <td>368</td> <td>3\"/> <tr> <td>371</td> <td>ETR</td> <td>-</td> <td>WD.</td> <td>J2</td> <td>PTD.</td> <td>-</td> <td>369</td> <td>3\"/> <tr> <td>372</td> <td>B</td> <td>2 <td>HM</td> <td>J1</td> <td>PTD.</td> <td>1 HR.</td> <td>370</td> <td>3\"/> <tr> <td>373A</td> <td>ETR</td> <td>-</td> <td>WD.</td> <td>J2</td> <td>PTD.</td> <td>-</td> <td>371</td> <td>3\"/> <tr> <td>374B</td> <td>ETR</td> <td>-</td> <td>WD.</td> <td>J2</td> <td>PTD.</td> <td>-</td> <td>372</td> <td>3\"/> <tr> <td>374C</td> <td>ETR</td> <td>-</td> <td>WD.</td> <td>J2</td> <td>PTD.</td> <td>-</td> <td>373A</td> <td>3\"/> <tr> <td>375</td> <td>B</td> <td>1 <td>WD</td> <td>J1</td> <td>PTD.</td> <td>-</td> <td>374B</td> <td>3\"/> <tr> <td>376</td> <td>B</td> <td>1 <td>WD</td> <td>J1</td> <td>PTD.</td> <td>-</td> <td>374C</td> <td>3\"/> <tr> <td>377</td> <td>B</td> <td>1 <td>WD</td> <td>J1</td> <td>PTD.</td> <td>-</td> <td>375</td> <td>3\"/> <tr> <td>377A</td> <td>B</td> <td>1 <td>WD</td> <td>J1</td> <td>PTD.</td> <td>-</td> <td>376</td> <td>3\"/> <tr> <td>378</td> <td>B</td> <td>1 <td>WD</td> <td>J1</td> <td>PTD.</td> <td>-</td> <td>377</td> <td>3\"/> <tr> <td>379</td> <td>B</td> <td>1 <td>WD</td> <td>J1</td> <td>PTD.</td> <td>-</td> <td>377A</td> <td>3\"/> <tr> <td>380A</td> <td>B</td> <td>1 <td>WD</td> <td>J1</td> <td>PTD.</td> <td>-</td> <td>378</td> <td>3\"/> <tr> <td>380B</td> <td>B</td> <td>1 <td>WD</td> <td>J1</td> <td>PTD.</td> <td>-</td> <td>379</td> <td>3\"/> <tr> <td>382</td> <td>ETR</td> <td>-</td> <td>WD.</td> <td>J2</td> <td>PTD.</td> <td>-</td> <td>380A</td> <td>3\"/> <tr> <td>382A</td> <td>D</td> <td>6 <td>ALUM.</td> <td>ANODIZE D</td> <td>-</td> <td>-</td> <td>380B</td> <td>3\"/> <tr> <td>385</td> <td>ETR</td> <td>-</td> <td>WD.</td> <td>J2</td> <td>PTD.</td> <td>-</td> <td>382</td> <td>3\"/> <tr> <td>386</td> <td>ETR</td> <td>-</td> <td>WD.</td> <td>J2</td> <td>PTD.</td> <td>-</td> <td>382A</td> <td>3\"/> <tr> <td>387</td> <td>ETR</td> <td>-</td> <td>WD.</td> <td>J2</td> <td>PTD.</td> <td>-</td> <td>385</td> <td>3\"/> <tr> <td>388</td> <td>ETR</td> <td>-</td> <td>WD.</td> <td>J2</td> <td>PTD.</td> <td>-</td> <td>386</td> <td>3\"/> <tr> <td>389</td> <td>ETR</td> <td>-</td> <td>WD.</td> <td>J2</td> <td>PTD.</td> <td>-</td> <td>387</td> <td>3\"/>
 <tr> <td>391</td> <td>ETR</td> <td>-</td> <td>WD.</td> <td>J2</td> <td>PTD.</td> <td>-</td> <td>388</td> <td>3\"/> <tr> <td>391A</td> <td>ETR</td> <td>-</td> <td>WD.</td> <td>J2</td> <td>PTD.</td> <td>-</td> <td>389</td> <td>3\"/> <tr> <td>391B</td> <td>ETR</td> <td>-</td> <td>WD.</td> <td>J2</td> <td>PTD.</td> <td>-</td> <td>391</td> <td>3\"/> <tr> <td>394</td> <td>ETR</td> <td>-</td> <td>WD.</td> <td>J2</td> <td>PTD.</td> <td>-</td> <td>391A</td> <td>3\"/> <tr> <td>395</td> <td>ETR</td> <td>-</td> <td>WD.</td> <td>J2</td> <td>PTD.</td> <td>-</td> <td>391B</td> <td>3\"/> <tr> <td>396</td> <td>ETR</td> <td>-</td> <td>WD.</td> <td>J2</td> <td>PTD.</td> <td>-</td> <td>394</td> <td>3\"/> <tr> <td>398</td> <td>ETR</td> <td>-</td> <td>WD.</td> <td>J2</td> <td>PTD.</td> <td>-</td> <td>395</td> <td>3\"/> <tr> <td>399</td> <td>ETR</td> <td>-</td> <td>WD.</td> <td>J2</td> <td>PTD.</td> <td>-</td> <td>396</td> <td>3\"/> <tr> <td>3991</td> <td>ETR</td> <td>-</td> <td>WD.</td> <td>J2</td> <td>PTD.</td> <td>-</td> <td>398</td> <td>3\"/> <tr> <td>3992</td> <td>A</td> <td>3\"/> <tr> <td>3993</td> <td>ETR</td> <td>-</td> <td>WD.</td> <td>J2</td> <td>PTD.</td> <td>-</td> <td>399</td> <td>3\"/> <tr> <td>3994</td> <td>ETR</td> <td>-</td> <td>WD.</td> <td>J2</td> <td>PTD.</td> <td>-</td> <td>3991</td> <td>3\"/> <tr> <td>3995</td> <td>ETR</td> <td>-</td> <td>WD.</td> <td>J2</td> <td>PTD.</td> <td>-</td> <td>3992</td> <td>3\"/> <tr> <td>3997</td> <td>ETR</td> <td>-</td> <td>WD.</td> <td>J2</td> <td>PTD.</td> <td>-</td> <td>3993</td> <td>3\"/> <tr> <td>3998</td> <td>ETR</td> <td>-</td> <td>WD.</td> <td>J2</td> <td>PTD.</td> <td>-</td> <td>3994</td> <td>3\"/> <tr> <td>3999</td> <td>ETR</td> <td>-</td> <td>WD.</td> <td>J2</td> <td>PTD.</td> <td>-</td> <td>3995</td> <td>3\"/> <tr> <td>3999</td> <td>ETR</td> <td>-</td> <td>WD.</td> <td>J2</td> <td>PTD.</td> <td>-</td> <td>3997</td> <td>3\"/> </td></tr></td></tr></td></tr></td></tr></td></tr></td></tr></td></tr></td></tr></td></tr></td></tr></td></tr></td></tr></td></tr></td></tr></td></tr></td></tr></td></tr></td></tr></td></tr></td></tr></td></tr></td></tr></td></td></tr></td></tr></td></td></tr></td></td></tr></td></td></tr></td></td></tr></td></td></tr></td></td></tr></td></td></tr></td></td></tr></td></tr></td></tr></td></tr></td></td></tr></td></tr></td></tr></td></tr></td></tr></td></td></tr> | 367 | B | 2 <td>HM</td> <td>J1</td> <td>PTD.</td> <td>1 HR.</td> <td>365</td> <td>3\"/> <tr> <td>368</td> <td>ETR</td> <td>-</td> <td>WD.</td> <td>J2</td> <td>PTD.</td> <td>-</td> <td>366</td> <td>3\"/> <tr> <td>369</td> <td>ETR</td> <td>-</td> <td>WD.</td> <td>J2</td> <td>PTD.</td> <td>-</td> <td>367</td> <td>3\"/> <tr> <td>370</td> <td>ETR</td> <td>-</td> <td>WD.</td> <td>J2</td> <td>PTD.</td> <td>-</td> <td>368</td> <td>3\"/> <tr> <td>371</td> <td>ETR</td> <td>-</td> <td>WD.</td> <td>J2</td> <td>PTD.</td> <td>-</td> <td>369</td> <td>3\"/> <tr> <td>372</td> <td>B</td> <td>2 <td>HM</td> <td>J1</td> <td>PTD.</td> <td>1 HR.</td> <td>370</td> <td>3\"/> <tr> <td>373A</td> <td>ETR</td> <td>-</td> <td>WD.</td> <td>J2</td> <td>PTD.</td> <td>-</td> <td>371</td> <td>3\"/> <tr> <td>374B</td> <td>ETR</td> <td>-</td> <td>WD.</td> <td>J2</td> <td>PTD.</td> <td>-</td> <td>372</td> <td>3\"/> <tr> <td>374C</td> <td>ETR</td> <td>-</td> <td>WD.</td> <td>J2</td> <td>PTD.</td> <td>-</td> <td>373A</td> <td>3\"/> <tr> <td>375</td> <td>B</td> <td>1 <td>WD</td> <td>J1</td> <td>PTD.</td> <td>-</td> <td>374B</td> <td>3\"/> <tr> <td>376</td> <td>B</td> <td>1 <td>WD</td> <td>J1</td> <td>PTD.</td> <td>-</td> <td>374C</td> <td>3\"/> <tr> <td>377</td> <td>B</td> <td>1 <td>WD</td> <td>J1</td> <td>PTD.</td> <td>-</td> <td>375</td> <td>3\"/> <tr> <td>377A</td> <td>B</td> <td>1 <td>WD</td> <td>J1</td> <td>PTD.</td> <td>-</td> <td>376</td> <td>3\"/> <tr> <td>378</td> <td>B</td> <td>1 <td>WD</td> <td>J1</td> <td>PTD.</td> <td>-</td> <td>377</td> <td>3\"/> <tr> <td>379</td> <td>B</td> <td>1 <td>WD</td> <td>J1</td> <td>PTD.</td> <td>-</td> <td>377A</td> <td>3\"/> <tr> <td>380A</td> <td>B</td> <td>1 <td>WD</td> <td>J1</td> <td>PTD.</td> <td>-</td> <td>378</td> <td>3\"/> <tr> <td>380B</td> <td>B</td> <td>1 <td>WD</td> <td>J1</td> <td>PTD.</td> <td>-</td> <td>379</td> <td>3\"/> <tr> <td>382</td> <td>ETR</td> <td>-</td> <td>WD.</td> <td>J2</td> <td>PTD.</td> <td>-</td> <td>380A</td> <td>3\"/> <tr> <td>382A</td> <td>D</td> <td>6 <td>ALUM.</td> <td>ANODIZE D</td> <td>-</td> <td>-</td> <td>380B</td> <td>3\"/> <tr> <td>385</td> <td>ETR</td> <td>-</td> <td>WD.</td> <td>J2</td> <td>PTD.</td> <td>-</td> <td>382</td> <td>3\"/> <tr> <td>386</td> <td>ETR</td> <td>-</td> <td>WD.</td> <td>J2</td> <td>PTD.</td> <td>-</td> <td>382A</td> <td>3\"/> <tr> <td>387</td> <td>ETR</td> <td>-</td> <td>WD.</td> <td>J2</td> <td>PTD.</td> <td>-</td> <td>385</td> <td>3\"/> <tr> <td>388</td> <td>ETR</td> <td>-</td> <td>WD.</td> <td>J2</td> <td>PTD.</td> <td>-</td> <td>386</td> <td>3\"/> <tr> <td>389</td> <td>ETR</td> <td>-</td> <td>WD.</td> <td>J2</td> <td>PTD.</td> <td>-</td> <td>387</td> <td>3\"/> <tr> <td>391</td> <td>ETR</td> <td>-</td> <td>WD.</td> <td>J2</td> <td>PTD.</td> <td>-</td> <td>388</td> <td>3\"/> <tr> <td>391A</td> <td>ETR</td> <td>-</td> <td>WD.</td> <td>J2</td> <td>PTD.</td> <td>-</td> <td>389</td> <td>3\"/> <tr> <td>391B</td> <td>ETR</td> <td>-</td> <td>WD.</td> <td>J2</td> <td>PTD.</td> <td>-</td> <td>391</td> <td>3\"/> <tr> <td>394</td> <td>ETR</td> <td>-</td> <td>WD.</td> <td>J2</td> <td>PTD.</td> <td>-</td> <td>391A</td> <td>3\"/> <tr> <td>395</td> <td>ETR</td> <td>-</td> <td>WD.</td> <td>J2</td> <td>PTD.</td> <td>-</td> <td>391B</td> <td>3\"/> <tr> <td>396</td> <td>ETR</td> <td>-</td> <td>WD.</td> <td>J2</td> <td>PTD.</td> <td>-</td> <td>394</td> <td>3\"/> <tr> <td>398</td> <td>ETR</td> <td>-</td> <td>WD.</td> <td>J2</td> <td>PTD.</td> <td>-</td> <td>395</td> <td>3\"/> <tr> <td>399</td> <td>ETR</td> <td>-</td> <td>WD.</td> <td>J2</td> <td>PTD.</td> <td>-</td> <td>396</td> <td>3\"/> <tr> <td>3991</td> <td>ETR</td> <td>-</td> <td>WD.</td> <td>J2</td> <td>PTD.</td> <td>-</td> <td>398</td> <td>3\"/> <tr> <td>3992</td> <td>A</td> <td>3\"/> <tr> <td>3993</td> <td>ETR</td> <td>-</td> <td>WD.</td> <td>J2</td> <td>PTD.</td> <td>-</td> <td>399</td> <td>3\"/> <tr> <td>3994</td> <td>ETR</td> <td>-</td> <td>WD.</td> <td>J2</td> <td>PTD.</td> <td>-</td> <td>3991</td> <td>3\"/> <tr> <td>3995</td> <td>ETR</td> <td>-</td> <td>WD.</td> <td>J2</td> <td>PTD.</td> <td>-</td> <td>3992</td> <td>3\"/> <tr> <td>3997</td> <td>ETR</td> <td>-</td> <td>WD.</td> <td>J2</td> <td>PTD.</td> <td>-</td> <td>3993</td> <td>3\"/> <tr> <td>3998</td> <td>ETR</td> <td>-</td> <td>WD.</td> <td>J2</td> <td>PTD.</td> <td>-</td> <td>3994</td> <td>3\"/> <tr> <td>3999</td> <td>ETR</td> <td>-</td> <td>WD.</td> <td>J2</td> <td>PTD.</td> <td>-</td> <td>3995</td> <td>3\"/> <tr> <td>3999</td> <td>ETR</td> <td>-</td> <td>WD.</td> <td>J2</td> <td>PTD.</td> <td>-</td> <td>3997</td> <td>3\"/> </td></tr></td></tr></td></tr></td></tr></td></tr></td></tr></td></tr></td></tr></td></tr></td></tr></td></tr></td></tr></td></tr></td></tr></td></tr></td></tr></td></tr></td></tr></td></tr></td></tr></td></tr></td></tr></td></td></tr></td></tr></td></td></tr></td></td></tr></td></td></tr></td></td></tr></td></td></tr></td></td></tr></td></td></tr></td></td></tr></td></tr></td></tr></td></tr></td></td></tr></td></tr></td></tr></td></tr></td></tr></td> | HM | J1 | PTD. | 1 HR. | 365 | 3\"/> <tr> <td>368</td> <td>ETR</td> <td>-</td> <td>WD.</td> <td>J2</td> <td>PTD.</td> <td>-</td> <td>366</td> <td>3\"/> <tr> <td>369</td> <td>ETR</td> <td>-</td> <td>WD.</td> <td>J2</td> <td>PTD.</td> <td>-</td> <td>367</td> <td>3\"/> <tr> <td>370</td> <td>ETR</td> <td>-</td> <td>WD.</td> <td>J2</td> <td>PTD.</td> <td>-</td> <td>368</td> <td>3\"/> <tr> <td>371</td> <td>ETR</td> <td>-</td> <td>WD.</td> <td>J2</td> <td>PTD.</td> <td>-</td> <td>369</td> <td>3\"/> <tr> <td>372</td> <td>B</td> <td>2 <td>HM</td> <td>J1</td> <td>PTD.</td> <td>1 HR.</td> <td>370</td> <td>3\"/> <tr> <td>373A</td> <td>ETR</td> <td>-</td> <td>WD.</td> <td>J2</td> <td>PTD.</td> <td>-</td> <td>371</td> <td>3\"/> <tr> <td>374B</td> <td>ETR</td> <td>-</td> <td>WD.</td> <td>J2</td> <td>PTD.</td> <td>-</td> <td>372</td> <td>3\"/> <tr> <td>374C</td> <td>ETR</td> <td>-</td> <td>WD.</td> <td>J2</td> <td>PTD.</td> <td>-</td> <td>373A</td> <td>3\"/> <tr>
<td>375</td> <td>B</td> <td>1 <td>WD</td> <td>J1</td> <td>PTD.</td> <td>-</td> <td>374B</td> <td>3\"/> <tr> <td>376</td> <td>B</td> <td>1 <td>WD</td> <td>J1</td> <td>PTD.</td> <td>-</td> <td>374C</td> <td>3\"/> <tr> <td>377</td> <td>B</td> <td>1 <td>WD</td> <td>J1</td> <td>PTD.</td> <td>-</td> <td>375</td> <td>3\"/> <tr> <td>377A</td> <td>B</td> <td>1 <td>WD</td> <td>J1</td> <td>PTD.</td> <td>-</td> <td>376</td> <td>3\"/> <tr> <td>378</td> <td>B</td> <td>1 <td>WD</td> <td>J1</td> <td>PTD.</td> <td>-</td> <td>377</td> <td>3\"/> <tr> <td>379</td> <td>B</td> <td>1 <td>WD</td> <td>J1</td> <td>PTD.</td> <td>-</td> <td>377A</td> <td>3\"/> <tr> <td>380A</td> <td>B</td> <td>1 <td>WD</td> <td>J1</td> <td>PTD.</td> <td>-</td> <td>378</td> <td>3\"/> <tr> <td>380B</td> <td>B</td> <td>1 <td>WD</td> <td>J1</td> <td>PTD.</td> <td>-</td> <td>379</td> <td>3\"/> <tr> <td>382</td> <td>ETR</td> <td>-</td> <td>WD.</td> <td>J2</td> <td>PTD.</td> <td>-</td> <td>380A</td> <td>3\"/> <tr> <td>382A</td> <td>D</td> <td>6 <td>ALUM.</td> <td>ANODIZE D</td> <td>-</td> <td>-</td> <td>380B</td> <td>3\"/> <tr> <td>385</td> <td>ETR</td> <td>-</td> <td>WD.</td> <td>J2</td> <td>PTD.</td> <td>-</td> <td>382</td> <td>3\"/> <tr> <td>386</td> <td>ETR</td> <td>-</td> <td>WD.</td> <td>J2</td> <td>PTD.</td> <td>-</td> <td>382A</td> <td>3\"/> <tr> <td>387</td> <td>ETR</td> <td>-</td> <td>WD.</td> <td>J2</td> <td>PTD.</td> <td>-</td> <td>385</td> <td>3\"/> <tr> <td>388</td> <td>ETR</td> <td>-</td> <td>WD.</td> <td>J2</td> <td>PTD.</td> <td>-</td> <td>386</td> <td>3\"/> <tr> <td>389</td> <td>ETR</td> <td>-</td> <td>WD.</td> <td>J2</td> <td>PTD.</td> <td>-</td> <td>387</td> <td>3\"/> <tr> <td>391</td> <td>ETR</td> <td>-</td> <td>WD.</td> <td>J2</td> <td>PTD.</td> <td>-</td> <td>388</td> <td>3\"/> <tr> <td>391A</td> <td>ETR</td> <td>-</td> <td>WD.</td> <td>J2</td> <td>PTD.</td> <td>-</td> <td>389</td> <td>3\"/> <tr> <td>391B</td> <td>ETR</td> <td>-</td> <td>WD.</td> <td>J2</td> <td>PTD.</td> <td>-</td> <td>391</td> <td>3\"/> <tr> <td>394</td> <td>ETR</td> <td>-</td> <td>WD.</td> <td>J2</td> <td>PTD.</td> <td>-</td> <td>391A</td> <td>3\"/> <tr> <td>395</td> <td>ETR</td> <td>-</td> <td>WD.</td> <td>J2</td> <td>PTD.</td> <td>-</td> <td>391B</td> <td>3\"/> <tr> <td>396</td> <td>ETR</td> <td>-</td> <td>WD.</td> <td>J2</td> <td>PTD.</td> <td>-</td> <td>394</td> <td>3\"/> <tr> <td>398</td> <td>ETR</td> <td>-</td> <td>WD.</td> <td>J2</td> <td>PTD.</td> <td>-</td> <td>395</td> <td>3\"/> <tr> <td>399</td> <td>ETR</td> <td>-</td> <td>WD.</td> <td>J2</td> <td>PTD.</td> <td>-</td> <td>396</td> <td>3\"/> <tr> <td>3991</td> <td>ETR</td> <td>-</td> <td>WD.</td> <td>J2</td> <td>PTD.</td> <td>-</td> <td>398</td> <td>3\"/> <tr> <td>3992</td> <td>A</td> <td>3\"/> <tr> <td>3993</td> <td>ETR</td> <td>-</td> <td>WD.</td> <td>J2</td> <td>PTD.</td> <td>-</td> <td>399</td> <td>3\"/> <tr> <td>3994</td> <td>ETR</td> <td>-</td> <td>WD.</td> <td>J2</td> <td>PTD.</td> <td>-</td> <td>3991</td> <td>3\"/> <tr> <td>3995</td> <td>ETR</td> <td>-</td> <td>WD.</td> <td>J2</td> <td>PTD.</td> <td>-</td> <td>3992</td> <td>3\"/> <tr> <td>3997</td> <td>ETR</td> <td>-</td> <td>WD.</td> <td>J2</td> <td>PTD.</td> <td>-</td> <td>3993</td> <td>3\"/> <tr> <td>3998</td> <td>ETR</td> <td>-</td> <td>WD.</td> <td>J2</td> <td>PTD.</td> <td>-</td> <td>3994</td> <td>3\"/> <tr> <td>3999</td> <td>ETR</td> <td>-</td> <td>WD.</td> <td>J2</td> <td>PTD.</td> <td>-</td> <td>3995</td> <td>3\"/> <tr> <td>3999</td> <td>ETR</td> <td>-</td> <td>WD.</td> <td>J2</td> <td>PTD.</td> <td>-</td> <td>3997</td> <td>3\"/> </td></tr></td></tr></td></tr></td></tr></td></tr></td></tr></td></tr></td></tr></td></tr></td></tr></td></tr></td></tr></td></tr></td></tr></td></tr></td></tr></td></tr></td></tr></td></tr></td></tr></td></tr></td></tr></td></td></tr></td></tr></td></td></tr></td></td></tr></td></td></tr></td></td></tr></td></td></tr></td></td></tr></td></td></tr></td></td></tr></td></tr></td></tr></td></tr></td></td></tr></td></tr></td></tr></td></tr></td></tr> | 368 | ETR | -
 | WD. | J2 | PTD. | - | 366 | 3\"/> <tr> <td>369</td> <td>ETR</td> <td>-</td> <td>WD.</td> <td>J2</td> <td>PTD.</td> <td>-</td> <td>367</td> <td>3\"/> <tr> <td>370</td> <td>ETR</td> <td>-</td> <td>WD.</td> <td>J2</td> <td>PTD.</td> <td>-</td> <td>368</td> <td>3\"/> <tr> <td>371</td> <td>ETR</td> <td>-</td> <td>WD.</td> <td>J2</td> <td>PTD.</td> <td>-</td> <td>369</td> <td>3\"/> <tr> <td>372</td> <td>B</td> <td>2 <td>HM</td> <td>J1</td> <td>PTD.</td> <td>1 HR.</td> <td>370</td> <td>3\"/> <tr> <td>373A</td> <td>ETR</td> <td>-</td> <td>WD.</td> <td>J2</td> <td>PTD.</td> <td>-</td> <td>371</td> <td>3\"/> <tr> <td>374B</td> <td>ETR</td> <td>-</td> <td>WD.</td> <td>J2</td> <td>PTD.</td> <td>-</td> <td>372</td> <td>3\"/> <tr> <td>374C</td> <td>ETR</td> <td>-</td> <td>WD.</td> <td>J2</td> <td>PTD.</td> <td>-</td> <td>373A</td> <td>3\"/> <tr> <td>375</td> <td>B</td> <td>1 <td>WD</td> <td>J1</td> <td>PTD.</td> <td>-</td> <td>374B</td> <td>3\"/> <tr> <td>376</td> <td>B</td> <td>1 <td>WD</td> <td>J1</td> <td>PTD.</td> <td>-</td> <td>374C</td> <td>3\"/> <tr> <td>377</td> <td>B</td> <td>1 <td>WD</td> <td>J1</td> <td>PTD.</td> <td>-</td> <td>375</td> <td>3\"/> <tr> <td>377A</td> <td>B</td> <td>1 <td>WD</td> <td>J1</td> <td>PTD.</td> <td>-</td> <td>376</td> <td>3\"/> <tr> <td>378</td> <td>B</td> <td>1 <td>WD</td> <td>J1</td> <td>PTD.</td> <td>-</td> <td>377</td> <td>3\"/> <tr> <td>379</td> <td>B</td> <td>1 <td>WD</td> <td>J1</td> <td>PTD.</td> <td>-</td> <td>377A</td> <td>3\"/> <tr> <td>380A</td> <td>B</td> <td>1 <td>WD</td> <td>J1</td> <td>PTD.</td> <td>-</td> <td>378</td> <td>3\"/> <tr> <td>380B</td> <td>B</td> <td>1 <td>WD</td> <td>J1</td> <td>PTD.</td> <td>-</td> <td>379</td> <td>3\"/> <tr> <td>382</td> <td>ETR</td> <td>-</td> <td>WD.</td> <td>J2</td> <td>PTD.</td> <td>-</td> <td>380A</td> <td>3\"/> <tr> <td>382A</td> <td>D</td> <td>6 <td>ALUM.</td> <td>ANODIZE D</td> <td>-</td> <td>-</td> <td>380B</td> <td>3\"/> <tr> <td>385</td> <td>ETR</td> <td>-</td> <td>WD.</td> <td>J2</td> <td>PTD.</td> <td>-</td> <td>382</td> <td>3\"/> <tr> <td>386</td> <td>ETR</td> <td>-</td> <td>WD.</td> <td>J2</td> <td>PTD.</td> <td>-</td> <td>382A</td> <td>3\"/> <tr> <td>387</td> <td>ETR</td> <td>-</td> <td>WD.</td> <td>J2</td> <td>PTD.</td> <td>-</td> <td>385</td> <td>3\"/> <tr> <td>388</td> <td>ETR</td> <td>-</td> <td>WD.</td> <td>J2</td> <td>PTD.</td> <td>-</td> <td>386</td> <td>3\"/> <tr> <td>389</td> <td>ETR</td> <td>-</td> <td>WD.</td> <td>J2</td> <td>PTD.</td> <td>-</td> <td>387</td> <td>3\"/> <tr> <td>391</td> <td>ETR</td> <td>-</td> <td>WD.</td> <td>J2</td> <td>PTD.</td> <td>-</td> <td>388</td> <td>3\"/> <tr> <td>391A</td> <td>ETR</td> <td>-</td> <td>WD.</td> <td>J2</td> <td>PTD.</td> <td>-</td> <td>389</td> <td>3\"/> <tr> <td>391B</td> <td>ETR</td> <td>-</td> <td>WD.</td> <td>J2</td> <td>PTD.</td> <td>-</td> <td>391</td> <td>3\"/> <tr> <td>394</td> <td>ETR</td> <td>-</td> <td>WD.</td> <td>J2</td> <td>PTD.</td> <td>-</td> <td>391A</td> <td>3\"/> <tr> <td>395</td> <td>ETR</td> <td>-</td> <td>WD.</td> <td>J2</td> <td>PTD.</td> <td>-</td> <td>391B</td> <td>3\"/> <tr> <td>396</td> <td>ETR</td> <td>-</td> <td>WD.</td> <td>J2</td> <td>PTD.</td> <td>-</td> <td>394</td> <td>3\"/> <tr> <td>398</td> <td>ETR</td> <td>-</td> <td>WD.</td> <td>J2</td> <td>PTD.</td> <td>-</td> <td>395</td> <td>3\"/> <tr> <td>399</td> <td>ETR</td> <td>-</td> <td>WD.</td> <td>J2</td> <td>PTD.</td> <td>-</td> <td>396</td> <td>3\"/> <tr> <td>3991</td> <td>ETR</td> <td>-</td> <td>WD.</td> <td>J2</td> <td>PTD.</td> <td>-</td> <td>398</td> <td>3\"/> <tr> <td>3992</td> <td>A</td> <td>3\"/> <tr> <td>3993</td> <td>ETR</td> <td>-</td> <td>WD.</td> <td>J2</td> <td>PTD.</td> <td>-</td> <td>399</td> <td>3\"/> <tr> <td>3994</td> <td>ETR</td> <td>-</td> <td>WD.</td> <td>J2</td> <td>PTD.</td> <td>-</td> <td>3991</td> <td>3\"/> <tr> <td>3995</td> <td>ETR</td> <td>-</td> <td>WD.</td> <td>J2</td> <td>PTD.</td> <td>-</td> <td>3992</td> <td>3\"/> <tr> <td>3997</td> <td>ETR</td> <td>-</td> <td>WD.</td> <td>J2</td> <td>PTD.</td> <td>-</td> <td>3993</td> <td>3\"/> <tr> <td>3998</td> <td>ETR</td> <td>-</td> <td>WD.</td> <td>J2</td> <td>PTD.</td> <td>-</td> <td>3994</td> <td>3\"/> <tr> <td>3999</td> <td>ETR</td> <td>-</td> <td>WD.</td> <td>J2</td> <td>PTD.</td> <td>-</td> <td>3995</td> <td>3\"/> <tr> <td>3999</td> <td>ETR</td> <td>-</td> <td>WD.</td> <td>J2</td> <td>PTD.</td> <td>-</td> <td>3997</td> <td>3\"/> </td></tr></td></tr></td></tr></td></tr></td></tr></td></tr></td></tr></td></tr></td></tr></td></tr></td></tr></td></tr></td></tr></td></tr></td></tr></td></tr></td></tr></td></tr></td></tr></td></tr></td></tr></td></tr></td></td></tr></td></tr></td></td></tr></td></td></tr></td></td></tr></td></td></tr></td></td></tr></td></td></tr></td></td></tr></td></td></tr></td></tr></td></tr></td></tr></td></td></tr></td></tr></td></tr></td></tr> | 369 | ETR | -
 | WD. | J2 | PTD. | - | 367 | 3\"/> <tr> <td>370</td> <td>ETR</td> <td>-</td> <td>WD.</td> <td>J2</td> <td>PTD.</td> <td>-</td> <td>368</td> <td>3\"/> <tr> <td>371</td> <td>ETR</td> <td>-</td> <td>WD.</td> <td>J2</td> <td>PTD.</td> <td>-</td> <td>369</td> <td>3\"/> <tr> <td>372</td> <td>B</td> <td>2 <td>HM</td> <td>J1</td> <td>PTD.</td> <td>1 HR.</td> <td>370</td> <td>3\"/> <tr> <td>373A</td> <td>ETR</td> <td>-</td> <td>WD.</td> <td>J2</td> <td>PTD.</td> <td>-</td> <td>371</td> <td>3\"/> <tr> <td>374B</td> <td>ETR</td> <td>-</td> <td>WD.</td> <td>J2</td> <td>PTD.</td> <td>-</td> <td>372</td> <td>3\"/> <tr> <td>374C</td> <td>ETR</td> <td>-</td> <td>WD.</td> <td>J2</td> <td>PTD.</td> <td>-</td> <td>373A</td> <td>3\"/> <tr> <td>375</td> <td>B</td> <td>1 <td>WD</td> <td>J1</td> <td>PTD.</td> <td>-</td> <td>374B</td> <td>3\"/> <tr> <td>376</td> <td>B</td> <td>1 <td>WD</td> <td>J1</td> <td>PTD.</td> <td>-</td> <td>374C</td> <td>3\"/> <tr> <td>377</td> <td>B</td> <td>1 <td>WD</td> <td>J1</td> <td>PTD.</td> <td>-</td> <td>375</td> <td>3\"/> <tr> <td>377A</td> <td>B</td> <td>1 <td>WD</td> <td>J1</td> <td>PTD.</td> <td>-</td> <td>376</td> <td>3\"/> <tr> <td>378</td> <td>B</td> <td>1 <td>WD</td> <td>J1</td> <td>PTD.</td> <td>-</td> <td>377</td> <td>3\"/> <tr> <td>379</td> <td>B</td> <td>1 <td>WD</td> <td>J1</td> <td>PTD.</td> <td>-</td> <td>377A</td> <td>3\"/> <tr> <td>380A</td> <td>B</td> <td>1 <td>WD</td> <td>J1</td> <td>PTD.</td> <td>-</td> <td>378</td> <td>3\"/> <tr> <td>380B</td> <td>B</td> <td>1 <td>WD</td> <td>J1</td> <td>PTD.</td> <td>-</td> <td>379</td> <td>3\"/> <tr> <td>382</td> <td>ETR</td> <td>-</td> <td>WD.</td> <td>J2</td> <td>PTD.</td> <td>-</td> <td>380A</td> <td>3\"/> <tr> <td>382A</td> <td>D</td> <td>6 <td>ALUM.</td> <td>ANODIZE D</td> <td>-</td> <td>-</td> <td>380B</td> <td>3\"/> <tr> <td>385</td> <td>ETR</td> <td>-</td> <td>WD.</td> <td>J2</td> <td>PTD.</td> <td>-</td> <td>382</td> <td>3\"/> <tr> <td>386</td> <td>ETR</td> <td>-</td> <td>WD.</td> <td>J2</td> <td>PTD.</td> <td>-</td> <td>382A</td> <td>3\"/> <tr> <td>387</td> <td>ETR</td> <td>-</td> <td>WD.</td> <td>J2</td> <td>PTD.</td> <td>-</td> <td>385</td> <td>3\"/> <tr> <td>388</td> <td>ETR</td> <td>-</td> <td>WD.</td> <td>J2</td> <td>PTD.</td> <td>-</td> <td>386</td> <td>3\"/> <tr> <td>389</td> <td>ETR</td> <td>-</td> <td>WD.</td> <td>J2</td> <td>PTD.</td> <td>-</td> <td>387</td> <td>3\"/> <tr> <td>391</td> <td>ETR</td> <td>-</td> <td>WD.</td> <td>J2</td> <td>PTD.</td> <td>-</td> <td>388</td> <td>3\"/> <tr> <td>391A</td> <td>ETR</td> <td>-</td> <td>WD.</td> <td>J2</td> <td>PTD.</td> <td>-</td> <td>389</td> <td>3\"/> <tr> <td>391B</td> <td>ETR</td> <td>-</td> <td>WD.</td> <td>J2</td> <td>PTD.</td> <td>-</td> <td>391</td> <td>3\"/> <tr> <td>394</td> <td>ETR</td> <td>-</td> <td>WD.</td> <td>J2</td> <td>PTD.</td> <td>-</td> <td>391A</td> <td>3\"/> <tr> <td>395</td> <td>ETR</td> <td>-</td> <td>WD.</td> <td>J2</td> <td>PTD.</td> <td>-</td> <td>391B</td> <td>3\"/> <tr> <td>396</td> <td>ETR</td> <td>-</td> <td>WD.</td> <td>J2</td> <td>PTD.</td> <td>-</td> <td>394</td> <td>3\"/> <tr> <td>398</td> <td>ETR</td> <td>-</td> <td>WD.</td> <td>J2</td> <td>PTD.</td> <td>-</td> <td>395</td> <td>3\"/> <tr> <td>399</td> <td>ETR</td> <td>-</td> <td>WD.</td> <td>J2</td> <td>PTD.</td> <td>-</td> <td>396</td> <td>3\"/> <tr> <td>3991</td> <td>ETR</td> <td>-</td> <td>WD.</td> <td>J2</td> <td>PTD.</td> <td>-</td> <td>398</td> <td>3\"/> <tr> <td>3992</td> <td>A</td> <td>3\"/> <tr> <td>3993</td> <td>ETR</td> <td>-</td> <td>WD.</td> <td>J2</td> <td>PTD.</td> <td>-</td> <td>399</td> <td>3\"/> <tr> <td>3994</td> <td>ETR</td> <td>-</td> <td>WD.</td> <td>J2</td> <td>PTD.</td> <td>-</td> <td>3991</td> <td>3\"/> <tr> <td>3995</td> <td>ETR</td> <td>-</td> <td>WD.</td> <td>J2</td> <td>PTD.</td> <td>-</td> <td>3992</td> <td>3\"/> <tr> <td>3997</td> <td>ETR</td> <td>-</td> <td>WD.</td> <td>J2</td> <td>PTD.</td> <td>-</td> <td>3993</td> <td>3\"/> <tr> <td>3998</td> <td>ETR</td> <td>-</td> <td>WD.</td> <td>J2</td> <td>PTD.</td> <td>-</td> <td>3994</td> <td>3\"/> <tr> <td>3999</td> <td>ETR</td> <td>-</td> <td>WD.</td> <td>J2</td> <td>PTD.</td> <td>-</td> <td>3995</td> <td>3\"/> <tr> <td>3999</td> <td>ETR</td> <td>-</td> <td>WD.</td> <td>J2</td> <td>PTD.</td> <td>-</td> <td>3997</td> <td>3\"/> </td></tr></td></tr></td></tr></td></tr></td></tr></td></tr></td></tr></td></tr></td></tr></td></tr></td></tr></td></tr></td></tr></td></tr></td></tr></td></tr></td></tr></td></tr></td></tr></td></tr></td></tr></td></tr></td></td></tr></td></tr></td></td></tr></td></td></tr></td></td></tr></td></td></tr></td></td></tr></td></td></tr></td></td></tr></td></td></tr></td></tr></td></tr></td></tr></td></td></tr></td></tr></td></tr> | 370 | ETR | -
 | WD. | J2 | PTD. | - | 368 | 3\"/> <tr> <td>371</td> <td>ETR</td> <td>-</td> <td>WD.</td> <td>J2</td> <td>PTD.</td> <td>-</td> <td>369</td> <td>3\"/> <tr> <td>372</td> <td>B</td> <td>2 <td>HM</td> <td>J1</td> <td>PTD.</td> <td>1 HR.</td> <td>370</td> <td>3\"/> <tr> <td>373A</td> <td>ETR</td> <td>-</td> <td>WD.</td> <td>J2</td> <td>PTD.</td> <td>-</td> <td>371</td> <td>3\"/> <tr> <td>374B</td> <td>ETR</td> <td>-</td> <td>WD.</td> <td>J2</td> <td>PTD.</td> <td>-</td> <td>372</td> <td>3\"/> <tr> <td>374C</td> <td>ETR</td> <td>-</td> <td>WD.</td> <td>J2</td> <td>PTD.</td> <td>-</td> <td>373A</td> <td>3\"/> <tr> <td>375</td> <td>B</td> <td>1 <td>WD</td> <td>J1</td> <td>PTD.</td> <td>-</td> <td>374B</td> <td>3\"/> <tr> <td>376</td> <td>B</td> <td>1 <td>WD</td> <td>J1</td> <td>PTD.</td> <td>-</td> <td>374C</td> <td>3\"/> <tr> <td>377</td> <td>B</td> <td>1 <td>WD</td> <td>J1</td> <td>PTD.</td> <td>-</td> <td>375</td> <td>3\"/> <tr> <td>377A</td> <td>B</td> <td>1 <td>WD</td> <td>J1</td> <td>PTD.</td> <td>-</td> <td>376</td> <td>3\"/> <tr> <td>378</td> <td>B</td> <td>1 <td>WD</td> <td>J1</td> <td>PTD.</td> <td>-</td> <td>377</td> <td>3\"/> <tr> <td>379</td> <td>B</td> <td>1 <td>WD</td> <td>J1</td> <td>PTD.</td> <td>-</td> <td>377A</td> <td>3\"/> <tr> <td>380A</td> <td>B</td> <td>1 <td>WD</td> <td>J1</td> <td>PTD.</td> <td>-</td> <td>378</td> <td>3\"/> <tr> <td>380B</td> <td>B</td> <td>1 <td>WD</td> <td>J1</td> <td>PTD.</td> <td>-</td> <td>379</td> <td>3\"/> <tr> <td>382</td> <td>ETR</td> <td>-</td> <td>WD.</td> <td>J2</td> <td>PTD.</td> <td>-</td> <td>380A</td> <td>3\"/> <tr> <td>382A</td> <td>D</td> <td>6 <td>ALUM.</td> <td>ANODIZE D</td> <td>-</td> <td>-</td> <td>380B</td> <td>3\"/> <tr> <td>385</td> <td>ETR</td> <td>-</td> <td>WD.</td> <td>J2</td> <td>PTD.</td> <td>-</td> <td>382</td> <td>3\"/> <tr> <td>386</td> <td>ETR</td> <td>-</td> <td>WD.</td> <td>J2</td> <td>PTD.</td> <td>-</td> <td>382A</td> <td>3\"/> <tr> <td>387</td> <td>ETR</td> <td>-</td> <td>WD.</td> <td>J2</td> <td>PTD.</td> <td>-</td> <td>385</td> <td>3\"/> <tr> <td>388</td> <td>ETR</td> <td>-</td> <td>WD.</td> <td>J2</td> <td>PTD.</td> <td>-</td> <td>386</td> <td>3\"/> <tr> <td>389</td> <td>ETR</td> <td>-</td> <td>WD.</td> <td>J2</td> <td>PTD.</td> <td>-</td> <td>387</td> <td>3\"/> <tr> <td>391</td> <td>ETR</td> <td>-</td> <td>WD.</td> <td>J2</td> <td>PTD.</td> <td>-</td> <td>388</td> <td>3\"/> <tr> <td>391A</td> <td>ETR</td> <td>-</td> <td>WD.</td> <td>J2</td> <td>PTD.</td> <td>-</td> <td>389</td> <td>3\"/> <tr> <td>391B</td> <td>ETR</td> <td>-</td> <td>WD.</td> <td>J2</td> <td>PTD.</td> <td>-</td> <td>391</td> <td>3\"/> <tr> <td>394</td> <td>ETR</td> <td>-</td> <td>WD.</td> <td>J2</td> <td>PTD.</td> <td>-</td> <td>391A</td> <td>3\"/> <tr> <td>395</td> <td>ETR</td> <td>-</td> <td>WD.</td> <td>J2</td> <td>PTD.</td> <td>-</td> <td>391B</td> <td>3\"/> <tr> <td>396</td> <td>ETR</td> <td>-</td> <td>WD.</td> <td>J2</td> <td>PTD.</td> <td>-</td> <td>394</td> <td>3\"/> <tr> <td>398</td> <td>ETR</td> <td>-</td> <td>WD.</td> <td>J2</td> <td>PTD.</td> <td>-</td> <td>395</td> <td>3\"/> <tr> <td>399</td> <td>ETR</td> <td>-</td> <td>WD.</td> <td>J2</td> <td>PTD.</td> <td>-</td> <td>396</td> <td>3\"/> <tr> <td>3991</td> <td>ETR</td> <td>-</td> <td>WD.</td> <td>J2</td> <td>PTD.</td> <td>-</td> <td>398</td> <td>3\"/> <tr> <td>3992</td> <td>A</td> <td>3\"/> <tr> <td>3993</td> <td>ETR</td> <td>-</td> <td>WD.</td> <td>J2</td> <td>PTD.</td> <td>-</td> <td>399</td> <td>3\"/> <tr> <td>3994</td> <td>ETR</td> <td>-</td> <td>WD.</td> <td>J2</td> <td>PTD.</td> <td>-</td> <td>3991</td> <td>3\"/> <tr> <td>3995</td> <td>ETR</td> <td>-</td> <td>WD.</td> <td>J2</td> <td>PTD.</td> <td>-</td> <td>3992</td> <td>3\"/> <tr> <td>3997</td> <td>ETR</td> <td>-</td> <td>WD.</td> <td>J2</td> <td>PTD.</td> <td>-</td> <td>3993</td> <td>3\"/> <tr> <td>3998</td> <td>ETR</td> <td>-</td> <td>WD.</td> <td>J2</td> <td>PTD.</td> <td>-</td> <td>3994</td> <td>3\"/> <tr> <td>3999</td> <td>ETR</td> <td>-</td> <td>WD.</td> <td>J2</td> <td>PTD.</td> <td>-</td> <td>3995</td> <td>3\"/> <tr> <td>3999</td> <td>ETR</td> <td>-</td> <td>WD.</td> <td>J2</td> <td>PTD.</td> <td>-</td> <td>3997</td> <td>3\"/> </td></tr></td></tr></td></tr></td></tr></td></tr></td></tr></td></tr></td></tr></td></tr></td></tr></td></tr></td></tr></td></tr></td></tr></td></tr></td></tr></td></tr></td></tr></td></tr></td></tr></td></tr></td></tr></td></td></tr></td></tr></td></td></tr></td></td></tr></td></td></tr></td></td></tr></td></td></tr></td></td></tr></td></td></tr></td></td></tr></td></tr></td></tr></td></tr></td></td></tr></td></tr> | 371 | ETR | -
 | WD. | J2 | PTD. | - | 369 | 3\"/> <tr> <td>372</td> <td>B</td> <td>2 <td>HM</td> <td>J1</td> <td>PTD.</td> <td>1 HR.</td> <td>370</td> <td>3\"/> <tr> <td>373A</td> <td>ETR</td> <td>-</td> <td>WD.</td> <td>J2</td> <td>PTD.</td> <td>-</td> <td>371</td> <td>3\"/> <tr> <td>374B</td> <td>ETR</td> <td>-</td> <td>WD.</td> <td>J2</td> <td>PTD.</td> <td>-</td> <td>372</td> <td>3\"/> <tr> <td>374C</td> <td>ETR</td> <td>-</td> <td>WD.</td> <td>J2</td> <td>PTD.</td> <td>-</td> <td>373A</td> <td>3\"/> <tr> <td>375</td> <td>B</td> <td>1 <td>WD</td> <td>J1</td> <td>PTD.</td> <td>-</td> <td>374B</td> <td>3\"/> <tr> <td>376</td> <td>B</td> <td>1 <td>WD</td> <td>J1</td> <td>PTD.</td> <td>-</td> <td>374C</td> <td>3\"/> <tr> <td>377</td> <td>B</td> <td>1 <td>WD</td> <td>J1</td> <td>PTD.</td> <td>-</td> <td>375</td> <td>3\"/> <tr> <td>377A</td> <td>B</td> <td>1 <td>WD</td> <td>J1</td> <td>PTD.</td> <td>-</td> <td>376</td> <td>3\"/> <tr> <td>378</td> <td>B</td> <td>1 <td>WD</td> <td>J1</td> <td>PTD.</td> <td>-</td> <td>377</td> <td>3\"/> <tr> <td>379</td> <td>B</td> <td>1 <td>WD</td> <td>J1</td> <td>PTD.</td> <td>-</td> <td>377A</td> <td>3\"/> <tr> <td>380A</td> <td>B</td> <td>1 <td>WD</td> <td>J1</td> <td>PTD.</td> <td>-</td> <td>378</td> <td>3\"/> <tr> <td>380B</td> <td>B</td> <td>1 <td>WD</td> <td>J1</td> <td>PTD.</td> <td>-</td> <td>379</td> <td>3\"/> <tr> <td>382</td> <td>ETR</td> <td>-</td> <td>WD.</td> <td>J2</td> <td>PTD.</td> <td>-</td> <td>380A</td> <td>3\"/> <tr> <td>382A</td> <td>D</td> <td>6 <td>ALUM.</td> <td>ANODIZE D</td> <td>-</td> <td>-</td> <td>380B</td> <td>3\"/> <tr> <td>385</td> <td>ETR</td> <td>-</td> <td>WD.</td> <td>J2</td> <td>PTD.</td> <td>-</td> <td>382</td> <td>3\"/> <tr> <td>386</td> <td>ETR</td> <td>-</td> <td>WD.</td> <td>J2</td> <td>PTD.</td> <td>-</td> <td>382A</td> <td>3\"/> <tr> <td>387</td> <td>ETR</td> <td>-</td> <td>WD.</td> <td>J2</td> <td>PTD.</td> <td>-</td> <td>385</td> <td>3\"/> <tr> <td>388</td> <td>ETR</td> <td>-</td> <td>WD.</td> <td>J2</td> <td>PTD.</td> <td>-</td> <td>386</td> <td>3\"/> <tr> <td>389</td> <td>ETR</td> <td>-</td> <td>WD.</td> <td>J2</td> <td>PTD.</td> <td>-</td> <td>387</td> <td>3\"/> <tr> <td>391</td> <td>ETR</td> <td>-</td> <td>WD.</td> <td>J2</td> <td>PTD.</td> <td>-</td> <td>388</td> <td>3\"/> <tr> <td>391A</td> <td>ETR</td> <td>-</td> <td>WD.</td> <td>J2</td> <td>PTD.</td> <td>-</td> <td>389</td> <td>3\"/> <tr> <td>391B</td> <td>ETR</td> <td>-</td> <td>WD.</td> <td>J2</td> <td>PTD.</td> <td>-</td> <td>391</td> <td>3\"/> <tr> <td>394</td> <td>ETR</td> <td>-</td> <td>WD.</td> <td>J2</td> <td>PTD.</td> <td>-</td> <td>391A</td> <td>3\"/> <tr> <td>395</td> <td>ETR</td> <td>-</td> <td>WD.</td> <td>J2</td> <td>PTD.</td> <td>-</td> <td>391B</td> <td>3\"/> <tr> <td>396</td> <td>ETR</td> <td>-</td> <td>WD.</td> <td>J2</td> <td>PTD.</td> <td>-</td> <td>394</td> <td>3\"/> <tr> <td>398</td> <td>ETR</td> <td>-</td> <td>WD.</td> <td>J2</td> <td>PTD.</td> <td>-</td> <td>395</td> <td>3\"/> <tr> <td>399</td> <td>ETR</td> <td>-</td> <td>WD.</td> <td>J2</td> <td>PTD.</td> <td>-</td> <td>396</td> <td>3\"/> <tr> <td>3991</td> <td>ETR</td> <td>-</td> <td>WD.</td> <td>J2</td> <td>PTD.</td> <td>-</td> <td>398</td> <td>3\"/> <tr> <td>3992</td> <td>A</td> <td>3\"/> <tr> <td>3993</td> <td>ETR</td> <td>-</td> <td>WD.</td> <td>J2</td> <td>PTD.</td> <td>-</td> <td>399</td> <td>3\"/> <tr> <td>3994</td> <td>ETR</td> <td>-</td> <td>WD.</td> <td>J2</td> <td>PTD.</td> <td>-</td> <td>3991</td> <td>3\"/> <tr> <td>3995</td> <td>ETR</td> <td>-</td> <td>WD.</td> <td>J2</td> <td>PTD.</td> <td>-</td> <td>3992</td> <td>3\"/> <tr> <td>3997</td> <td>ETR</td> <td>-</td> <td>WD.</td> <td>J2</td> <td>PTD.</td> <td>-</td> <td>3993</td> <td>3\"/> <tr> <td>3998</td> <td>ETR</td> <td>-</td> <td>WD.</td> <td>J2</td> <td>PTD.</td> <td>-</td> <td>3994</td> <td>3\"/> <tr> <td>3999</td> <td>ETR</td> <td>-</td> <td>WD.</td> <td>J2</td> <td>PTD.</td> <td>-</td> <td>3995</td> <td>3\"/> <tr> <td>3999</td> <td>ETR</td> <td>-</td> <td>WD.</td> <td>J2</td> <td>PTD.</td> <td>-</td> <td>3997</td> <td>3\"/> </td></tr></td></tr></td></tr></td></tr></td></tr></td></tr></td></tr></td></tr></td></tr></td></tr></td></tr></td></tr></td></tr></td></tr></td></tr></td></tr></td></tr></td></tr></td></tr></td></tr></td></tr></td></tr></td></td></tr></td></tr></td></td></tr></td></td></tr></td></td></tr></td></td></tr></td></td></tr></td></td></tr></td></td></tr></td></td></tr></td></tr></td></tr></td></tr></td></td></tr> | 372 | B | 2 <td>HM</td> <td>J1</td> <td>PTD.</td> <td>1 HR.</td> <td>370</td> <td>3\"/> <tr> <td>373A</td> <td>ETR</td> <td>-</td> <td>WD.</td> <td>J2</td> <td>PTD.</td> <td>-</td> <td>371</td> <td>3\"/> <tr> <td>374B</td> <td>ETR</td> <td>-</td> <td>WD.</td> <td>J2</td> <td>PTD.</td> <td>-</td> <td>372</td> <td>3\"/> <tr> <td>374C</td> <td>ETR</td> <td>-</td> <td>WD.</td> <td>J2</td> <td>PTD.</td> <td>-</td> <td>373A</td> <td>3\"/> <tr> <td>375</td> <td>B</td> <td>1 <td>WD</td> <td>J1</td> <td>PTD.</td> <td>-</td> <td>374B</td> <td>3\"/> <tr> <td>376</td> <td>B</td> <td>1 <td>WD</td> <td>J1</td> <td>PTD.</td> <td>-</td> <td>374C</td> <td>3\"/> <tr> <td>377</td> <td>B</td> <td>1 <td>WD</td> <td>J1</td> <td>PTD.</td> <td>-</td> <td>375</td> <td>3\"/> <tr> <td>377A</td> <td>B</td> <td>1 <td>WD</td> <td>J1</td> <td>PTD.</td> <td>-</td> <td>376</td> <td>3\"/> <tr> <td>378</td> <td>B</td> <td>1 <td>WD</td> <td>J1</td> <td>PTD.</td> <td>-</td> <td>377</td>
<td>3\"/> <tr> <td>379</td> <td>B</td> <td>1 <td>WD</td> <td>J1</td> <td>PTD.</td> <td>-</td> <td>377A</td> <td>3\"/> <tr> <td>380A</td> <td>B</td> <td>1 <td>WD</td> <td>J1</td> <td>PTD.</td> <td>-</td> <td>378</td> <td>3\"/> <tr> <td>380B</td> <td>B</td> <td>1 <td>WD</td> <td>J1</td> <td>PTD.</td> <td>-</td> <td>379</td> <td>3\"/> <tr> <td>382</td> <td>ETR</td> <td>-</td> <td>WD.</td> <td>J2</td> <td>PTD.</td> <td>-</td> <td>380A</td> <td>3\"/> <tr> <td>382A</td> <td>D</td> <td>6 <td>ALUM.</td> <td>ANODIZE D</td> <td>-</td> <td>-</td> <td>380B</td> <td>3\"/> <tr> <td>385</td> <td>ETR</td> <td>-</td> <td>WD.</td> <td>J2</td> <td>PTD.</td> <td>-</td> <td>382</td> <td>3\"/> <tr> <td>386</td> <td>ETR</td> <td>-</td> <td>WD.</td> <td>J2</td> <td>PTD.</td> <td>-</td> <td>382A</td> <td>3\"/> <tr> <td>387</td> <td>ETR</td> <td>-</td> <td>WD.</td> <td>J2</td> <td>PTD.</td> <td>-</td> <td>385</td> <td>3\"/> <tr> <td>388</td> <td>ETR</td> <td>-</td> <td>WD.</td> <td>J2</td> <td>PTD.</td> <td>-</td> <td>386</td> <td>3\"/> <tr> <td>389</td> <td>ETR</td> <td>-</td> <td>WD.</td> <td>J2</td> <td>PTD.</td> <td>-</td> <td>387</td> <td>3\"/> <tr> <td>391</td> <td>ETR</td> <td>-</td> <td>WD.</td> <td>J2</td> <td>PTD.</td> <td>-</td> <td>388</td> <td>3\"/> <tr> <td>391A</td> <td>ETR</td> <td>-</td> <td>WD.</td> <td>J2</td> <td>PTD.</td> <td>-</td> <td>389</td> <td>3\"/> <tr> <td>391B</td> <td>ETR</td> <td>-</td> <td>WD.</td> <td>J2</td> <td>PTD.</td> <td>-</td> <td>391</td> <td>3\"/> <tr> <td>394</td> <td>ETR</td> <td>-</td> <td>WD.</td> <td>J2</td> <td>PTD.</td> <td>-</td> <td>391A</td> <td>3\"/> <tr> <td>395</td> <td>ETR</td> <td>-</td> <td>WD.</td> <td>J2</td> <td>PTD.</td> <td>-</td> <td>391B</td> <td>3\"/> <tr> <td>396</td> <td>ETR</td> <td>-</td> <td>WD.</td> <td>J2</td> <td>PTD.</td> <td>-</td> <td>394</td> <td>3\"/> <tr> <td>398</td> <td>ETR</td> <td>-</td> <td>WD.</td> <td>J2</td> <td>PTD.</td> <td>-</td> <td>395</td> <td>3\"/> <tr> <td>399</td> <td>ETR</td> <td>-</td> <td>WD.</td> <td>J2</td> <td>PTD.</td> <td>-</td> <td>396</td> <td>3\"/> <tr> <td>3991</td> <td>ETR</td> <td>-</td> <td>WD.</td> <td>J2</td> <td>PTD.</td> <td>-</td> <td>398</td> <td>3\"/> <tr> <td>3992</td> <td>A</td> <td>3\"/> <tr> <td>3993</td> <td>ETR</td> <td>-</td> <td>WD.</td> <td>J2</td> <td>PTD.</td> <td>-</td> <td>399</td> <td>3\"/> <tr> <td>3994</td> <td>ETR</td> <td>-</td> <td>WD.</td> <td>J2</td> <td>PTD.</td> <td>-</td> <td>3991</td> <td>3\"/> <tr> <td>3995</td> <td>ETR</td> <td>-</td> <td>WD.</td> <td>J2</td> <td>PTD.</td> <td>-</td> <td>3992</td> <td>3\"/> <tr> <td>3997</td> <td>ETR</td> <td>-</td> <td>WD.</td> <td>J2</td> <td>PTD.</td> <td>-</td> <td>3993</td> <td>3\"/> <tr> <td>3998</td> <td>ETR</td> <td>-</td> <td>WD.</td> <td>J2</td> <td>PTD.</td> <td>-</td> <td>3994</td> <td>3\"/> <tr> <td>3999</td> <td>ETR</td> <td>-</td> <td>WD.</td> <td>J2</td> <td>PTD.</td> <td>-</td> <td>3995</td> <td>3\"/> <tr> <td>3999</td> <td>ETR</td> <td>-</td> <td>WD.</td> <td>J2</td> <td>PTD.</td> <td>-</td> <td>3997</td> <td>3\"/> </td></tr></td></tr></td></tr></td></tr></td></tr></td></tr></td></tr></td></tr></td></tr></td></tr></td></tr></td></tr></td></tr></td></tr></td></tr></td></tr></td></tr></td></tr></td></tr></td></tr></td></tr></td></tr></td></td></tr></td></tr></td></td></tr></td></td></tr></td></td></tr></td></td></tr></td></td></tr></td></td></tr></td></td></tr></td></td></tr></td></tr></td></tr></td></tr></td> | HM | J1 | PTD. | 1 HR. | 370 | 3\"/> <tr> <td>373A</td> <td>ETR</td> <td>-</td> <td>WD.</td> <td>J2</td> <td>PTD.</td> <td>-</td> <td>371</td> <td>3\"/> <tr> <td>374B</td> <td>ETR</td> <td>-</td> <td>WD.</td> <td>J2</td> <td>PTD.</td> <td>-</td> <td>372</td> <td>3\"/> <tr> <td>374C</td> <td>ETR</td> <td>-</td> <td>WD.</td> <td>J2</td> <td>PTD.</td> <td>-</td> <td>373A</td> <td>3\"/> <tr> <td>375</td> <td>B</td> <td>1 <td>WD</td> <td>J1</td> <td>PTD.</td> <td>-</td> <td>374B</td> <td>3\"/> <tr> <td>376</td> <td>B</td> <td>1
<td>WD</td> <td>J1</td> <td>PTD.</td> <td>-</td> <td>374C</td> <td>3\"/> <tr> <td>377</td> <td>B</td> <td>1 <td>WD</td> <td>J1</td> <td>PTD.</td> <td>-</td> <td>375</td> <td>3\"/> <tr> <td>377A</td> <td>B</td> <td>1 <td>WD</td> <td>J1</td> <td>PTD.</td> <td>-</td> <td>376</td> <td>3\"/> <tr> <td>378</td> <td>B</td> <td>1 <td>WD</td> <td>J1</td> <td>PTD.</td> <td>-</td> <td>377</td> <td>3\"/> <tr> <td>379</td> <td>B</td> <td>1 <td>WD</td> <td>J1</td> <td>PTD.</td> <td>-</td> <td>377A</td> <td>3\"/> <tr> <td>380A</td> <td>B</td> <td>1 <td>WD</td> <td>J1</td> <td>PTD.</td> <td>-</td> <td>378</td> <td>3\"/> <tr> <td>380B</td> <td>B</td> <td>1 <td>WD</td> <td>J1</td> <td>PTD.</td> <td>-</td> <td>379</td> <td>3\"/> <tr> <td>382</td> <td>ETR</td> <td>-</td> <td>WD.</td> <td>J2</td> <td>PTD.</td> <td>-</td> <td>380A</td> <td>3\"/> <tr> <td>382A</td> <td>D</td> <td>6 <td>ALUM.</td> <td>ANODIZE D</td> <td>-</td> <td>-</td> <td>380B</td> <td>3\"/> <tr> <td>385</td> <td>ETR</td> <td>-</td> <td>WD.</td> <td>J2</td> <td>PTD.</td> <td>-</td> <td>382</td> <td>3\"/> <tr> <td>386</td> <td>ETR</td> <td>-</td> <td>WD.</td> <td>J2</td> <td>PTD.</td> <td>-</td> <td>382A</td> <td>3\"/> <tr> <td>387</td> <td>ETR</td> <td>-</td> <td>WD.</td> <td>J2</td> <td>PTD.</td> <td>-</td> <td>385</td> <td>3\"/> <tr> <td>388</td> <td>ETR</td> <td>-</td> <td>WD.</td> <td>J2</td> <td>PTD.</td> <td>-</td> <td>386</td> <td>3\"/> <tr> <td>389</td> <td>ETR</td> <td>-</td> <td>WD.</td> <td>J2</td> <td>PTD.</td> <td>-</td> <td>387</td> <td>3\"/> <tr> <td>391</td> <td>ETR</td> <td>-</td> <td>WD.</td> <td>J2</td> <td>PTD.</td> <td>-</td> <td>388</td> <td>3\"/> <tr> <td>391A</td> <td>ETR</td> <td>-</td> <td>WD.</td> <td>J2</td> <td>PTD.</td> <td>-</td> <td>389</td> <td>3\"/> <tr> <td>391B</td> <td>ETR</td> <td>-</td> <td>WD.</td> <td>J2</td> <td>PTD.</td> <td>-</td> <td>391</td> <td>3\"/> <tr> <td>394</td> <td>ETR</td> <td>-</td> <td>WD.</td> <td>J2</td> <td>PTD.</td> <td>-</td> <td>391A</td> <td>3\"/> <tr> <td>395</td> <td>ETR</td> <td>-</td> <td>WD.</td> <td>J2</td> <td>PTD.</td> <td>-</td> <td>391B</td> <td>3\"/> <tr> <td>396</td> <td>ETR</td> <td>-</td> <td>WD.</td> <td>J2</td> <td>PTD.</td> <td>-</td> <td>394</td> <td>3\"/> <tr> <td>398</td> <td>ETR</td> <td>-</td> <td>WD.</td> <td>J2</td> <td>PTD.</td> <td>-</td> <td>395</td> <td>3\"/> <tr> <td>399</td> <td>ETR</td> <td>-</td> <td>WD.</td> <td>J2</td> <td>PTD.</td> <td>-</td> <td>396</td> <td>3\"/> <tr> <td>3991</td> <td>ETR</td> <td>-</td> <td>WD.</td> <td>J2</td> <td>PTD.</td> <td>-</td> <td>398</td> <td>3\"/> <tr> <td>3992</td> <td>A</td> <td>3\"/> <tr> <td>3993</td> <td>ETR</td> <td>-</td> <td>WD.</td> <td>J2</td> <td>PTD.</td> <td>-</td> <td>399</td> <td>3\"/> <tr> <td>3994</td> <td>ETR</td> <td>-</td> <td>WD.</td> <td>J2</td> <td>PTD.</td> <td>-</td> <td>3991</td> <td>3\"/> <tr> <td>3995</td> <td>ETR</td> <td>-</td> <td>WD.</td> <td>J2</td> <td>PTD.</td> <td>-</td> <td>3992</td> <td>3\"/> <tr> <td>3997</td> <td>ETR</td> <td>-</td> <td>WD.</td> <td>J2</td> <td>PTD.</td> <td>-</td> <td>3993</td> <td>3\"/> <tr> <td>3998</td> <td>ETR</td> <td>-</td> <td>WD.</td> <td>J2</td> <td>PTD.</td> <td>-</td> <td>3994</td> <td>3\"/> <tr> <td>3999</td> <td>ETR</td> <td>-</td> <td>WD.</td> <td>J2</td> <td>PTD.</td> <td>-</td> <td>3995</td> <td>3\"/> <tr> <td>3999</td> <td>ETR</td> <td>-</td> <td>WD.</td> <td>J2</td> <td>PTD.</td> <td>-</td> <td>3997</td> <td>3\"/> </td></tr></td></tr></td></tr></td></tr></td></tr></td></tr></td></tr></td></tr></td></tr></td></tr></td></tr></td></tr></td></tr></td></tr></td></tr></td></tr></td></tr></td></tr></td></tr></td></tr></td></tr></td></tr></td></td></tr></td></tr></td></td></tr></td></td></tr></td></td></tr></td></td></tr></td></td></tr></td></td></tr></td></td></tr></td></td></tr></td></tr></td></tr></td></tr> | 373A | ETR | - | WD. | J2 | PTD. | - | 371 | 3\"/> <tr> <td>374B</td> <td>ETR</td> <td>-</td> <td>WD.</td> <td>J2</td> <td>PTD.</td> <td>-</td> <td>372</td> <td>3\"/> <tr> <td>374C</td> <td>ETR</td> <td>-</td> <td>WD.</td> <td>J2</td> <td>PTD.</td> <td>-</td> <td>373A</td>
<td>3\"/> <tr> <td>375</td> <td>B</td> <td>1 <td>WD</td> <td>J1</td> <td>PTD.</td> <td>-</td> <td>374B</td> <td>3\"/> <tr> <td>376</td> <td>B</td> <td>1 <td>WD</td> <td>J1</td> <td>PTD.</td> <td>-</td> <td>374C</td> <td>3\"/> <tr> <td>377</td> <td>B</td> <td>1 <td>WD</td> <td>J1</td> <td>PTD.</td> <td>-</td> <td>375</td> <td>3\"/> <tr> <td>377A</td> <td>B</td> <td>1 <td>WD</td> <td>J1</td> <td>PTD.</td> <td>-</td> <td>376</td> <td>3\"/> <tr> <td>378</td> <td>B</td> <td>1 <td>WD</td> <td>J1</td> <td>PTD.</td> <td>-</td> <td>377</td> <td>3\"/> <tr> <td>379</td> <td>B</td> <td>1 <td>WD</td> <td>J1</td> <td>PTD.</td> <td>-</td> <td>377A</td> <td>3\"/> <tr> <td>380A</td> <td>B</td> <td>1 <td>WD</td> <td>J1</td> <td>PTD.</td> <td>-</td> <td>378</td> <td>3\"/> <tr> <td>380B</td> <td>B</td> <td>1 <td>WD</td> <td>J1</td> <td>PTD.</td> <td>-</td> <td>379</td> <td>3\"/> <tr> <td>382</td> <td>ETR</td> <td>-</td> <td>WD.</td> <td>J2</td> <td>PTD.</td> <td>-</td> <td>380A</td> <td>3\"/> <tr> <td>382A</td> <td>D</td> <td>6 <td>ALUM.</td> <td>ANODIZE D</td> <td>-</td> <td>-</td> <td>380B</td> <td>3\"/> <tr> <td>385</td> <td>ETR</td> <td>-</td> <td>WD.</td> <td>J2</td> <td>PTD.</td> <td>-</td> <td>382</td> <td>3\"/> <tr> <td>386</td> <td>ETR</td> <td>-</td> <td>WD.</td> <td>J2</td> <td>PTD.</td> <td>-</td> <td>382A</td> <td>3\"/> <tr> <td>387</td> <td>ETR</td> <td>-</td> <td>WD.</td> <td>J2</td> <td>PTD.</td> <td>-</td> <td>385</td> <td>3\"/> <tr> <td>388</td> <td>ETR</td> <td>-</td> <td>WD.</td> <td>J2</td> <td>PTD.</td> <td>-</td> <td>386</td> <td>3\"/> <tr> <td>389</td> <td>ETR</td> <td>-</td> <td>WD.</td> <td>J2</td> <td>PTD.</td> <td>-</td> <td>387</td> <td>3\"/> <tr> <td>391</td> <td>ETR</td> <td>-</td> <td>WD.</td> <td>J2</td> <td>PTD.</td> <td>-</td> <td>388</td> <td>3\"/> <tr> <td>391A</td> <td>ETR</td> <td>-</td> <td>WD.</td> <td>J2</td> <td>PTD.</td> <td>-</td> <td>389</td> <td>3\"/> <tr> <td>391B</td> <td>ETR</td> <td>-</td> <td>WD.</td> <td>J2</td> <td>PTD.</td> <td>-</td> <td>391</td> <td>3\"/> <tr> <td>394</td> <td>ETR</td> <td>-</td> <td>WD.</td> <td>J2</td> <td>PTD.</td> <td>-</td> <td>391A</td> <td>3\"/> <tr> <td>395</td> <td>ETR</td> <td>-</td> <td>WD.</td> <td>J2</td> <td>PTD.</td> <td>-</td> <td>391B</td> <td>3\"/> <tr> <td>396</td> <td>ETR</td> <td>-</td> <td>WD.</td> <td>J2</td> <td>PTD.</td> <td>-</td> <td>394</td> <td>3\"/> <tr> <td>398</td> <td>ETR</td> <td>-</td> <td>WD.</td> <td>J2</td> <td>PTD.</td> <td>-</td> <td>395</td> <td>3\"/> <tr> <td>399</td> <td>ETR</td> <td>-</td> <td>WD.</td> <td>J2</td> <td>PTD.</td> <td>-</td> <td>396</td> <td>3\"/> <tr> <td>3991</td> <td>ETR</td> <td>-</td> <td>WD.</td> <td>J2</td> <td>PTD.</td> <td>-</td> <td>398</td> <td>3\"/> <tr> <td>3992</td> <td>A</td> <td>3\"/> <tr> <td>3993</td> <td>ETR</td> <td>-</td> <td>WD.</td> <td>J2</td> <td>PTD.</td> <td>-</td> <td>399</td> <td>3\"/> <tr> <td>3994</td> <td>ETR</td> <td>-</td> <td>WD.</td> <td>J2</td> <td>PTD.</td> <td>-</td> <td>3991</td> <td>3\"/> <tr> <td>3995</td> <td>ETR</td> <td>-</td> <td>WD.</td> <td>J2</td> <td>PTD.</td> <td>-</td> <td>3992</td> <td>3\"/> <tr> <td>3997</td> <td>ETR</td> <td>-</td> <td>WD.</td> <td>J2</td> <td>PTD.</td> <td>-</td> <td>3993</td> <td>3\"/> <tr> <td>3998</td> <td>ETR</td> <td>-</td> <td>WD.</td> <td>J2</td> <td>PTD.</td> <td>-</td> <td>3994</td> <td>3\"/> <tr> <td>3999</td> <td>ETR</td> <td>-</td> <td>WD.</td> <td>J2</td> <td>PTD.</td> <td>-</td> <td>3995</td> <td>3\"/> <tr> <td>3999</td> <td>ETR</td> <td>-</td> <td>WD.</td> <td>J2</td> <td>PTD.</td> <td>-</td> <td>3997</td> <td>3\"/> </td></tr></td></tr></td></tr></td></tr></td></tr></td></tr></td></tr></td></tr></td></tr></td></tr></td></tr></td></tr></td></tr></td></tr></td></tr></td></tr></td></tr></td></tr></td></tr></td></tr></td></tr></td></tr></td></td></tr></td></tr></td></td></tr></td></td></tr></td></td></tr></td></td></tr></td></td></tr></td></td></tr></td></td></tr></td></td></tr></td></tr></td></tr> | 374B | ETR | - | WD. | J2 | PTD. | - | 372 | 3\"/> <tr> <td>374C</td> <td>ETR</td> <td>-</td> <td>WD.</td> <td>J2</td> <td>PTD.</td> <td>-</td> <td>373A</td> <td>3\"/> <tr> <td>375</td> <td>B</td> <td>1 <td>WD</td> <td>J1</td> <td>PTD.</td> <td>-</td>
<td>374B</td> <td>3\"/> <tr> <td>376</td> <td>B</td> <td>1 <td>WD</td> <td>J1</td> <td>PTD.</td> <td>-</td> <td>374C</td> <td>3\"/> <tr> <td>377</td> <td>B</td> <td>1 <td>WD</td> <td>J1</td> <td>PTD.</td> <td>-</td> <td>375</td> <td>3\"/> <tr> <td>377A</td> <td>B</td> <td>1 <td>WD</td> <td>J1</td> <td>PTD.</td> <td>-</td> <td>376</td> <td>3\"/> <tr> <td>378</td> <td>B</td> <td>1 <td>WD</td> <td>J1</td> <td>PTD.</td> <td>-</td> <td>377</td> <td>3\"/> <tr> <td>379</td> <td>B</td> <td>1 <td>WD</td> <td>J1</td> <td>PTD.</td> <td>-</td> <td>377A</td> <td>3\"/> <tr> <td>380A</td> <td>B</td> <td>1 <td>WD</td> <td>J1</td> <td>PTD.</td> <td>-</td> <td>378</td> <td>3\"/> <tr> <td>380B</td> <td>B</td> <td>1 <td>WD</td> <td>J1</td> <td>PTD.</td> <td>-</td> <td>379</td> <td>3\"/> <tr> <td>382</td> <td>ETR</td> <td>-</td> <td>WD.</td> <td>J2</td> <td>PTD.</td> <td>-</td> <td>380A</td> <td>3\"/> <tr> <td>382A</td> <td>D</td> <td>6 <td>ALUM.</td> <td>ANODIZE D</td> <td>-</td> <td>-</td> <td>380B</td> <td>3\"/> <tr> <td>385</td> <td>ETR</td> <td>-</td> <td>WD.</td> <td>J2</td> <td>PTD.</td> <td>-</td> <td>382</td> <td>3\"/> <tr> <td>386</td> <td>ETR</td> <td>-</td> <td>WD.</td> <td>J2</td> <td>PTD.</td> <td>-</td> <td>382A</td> <td>3\"/> <tr> <td>387</td> <td>ETR</td> <td>-</td> <td>WD.</td> <td>J2</td> <td>PTD.</td> <td>-</td> <td>385</td> <td>3\"/> <tr> <td>388</td> <td>ETR</td> <td>-</td> <td>WD.</td> <td>J2</td> <td>PTD.</td> <td>-</td> <td>386</td> <td>3\"/> <tr> <td>389</td> <td>ETR</td> <td>-</td> <td>WD.</td> <td>J2</td> <td>PTD.</td> <td>-</td> <td>387</td> <td>3\"/> <tr> <td>391</td> <td>ETR</td> <td>-</td> <td>WD.</td> <td>J2</td> <td>PTD.</td> <td>-</td> <td>388</td> <td>3\"/> <tr> <td>391A</td> <td>ETR</td> <td>-</td> <td>WD.</td> <td>J2</td> <td>PTD.</td> <td>-</td> <td>389</td> <td>3\"/> <tr> <td>391B</td> <td>ETR</td> <td>-</td> <td>WD.</td> <td>J2</td> <td>PTD.</td> <td>-</td> <td>391</td> <td>3\"/> <tr> <td>394</td> <td>ETR</td> <td>-</td> <td>WD.</td> <td>J2</td> <td>PTD.</td> <td>-</td> <td>391A</td> <td>3\"/> <tr> <td>395</td> <td>ETR</td> <td>-</td> <td>WD.</td> <td>J2</td> <td>PTD.</td> <td>-</td> <td>391B</td> <td>3\"/> <tr> <td>396</td> <td>ETR</td> <td>-</td> <td>WD.</td> <td>J2</td> <td>PTD.</td> <td>-</td> <td>394</td> <td>3\"/> <tr> <td>398</td> <td>ETR</td> <td>-</td> <td>WD.</td> <td>J2</td> <td>PTD.</td> <td>-</td> <td>395</td> <td>3\"/> <tr> <td>399</td> <td>ETR</td> <td>-</td> <td>WD.</td> <td>J2</td> <td>PTD.</td> <td>-</td> <td>396</td> <td>3\"/> <tr> <td>3991</td> <td>ETR</td> <td>-</td> <td>WD.</td> <td>J2</td> <td>PTD.</td> <td>-</td> <td>398</td> <td>3\"/> <tr> <td>3992</td> <td>A</td> <td>3\"/> <tr> <td>3993</td> <td>ETR</td> <td>-</td> <td>WD.</td> <td>J2</td> <td>PTD.</td> <td>-</td> <td>399</td> <td>3\"/> <tr> <td>3994</td> <td>ETR</td> <td>-</td> <td>WD.</td> <td>J2</td> <td>PTD.</td> <td>-</td> <td>3991</td> <td>3\"/> <tr> <td>3995</td> <td>ETR</td> <td>-</td> <td>WD.</td> <td>J2</td> <td>PTD.</td> <td>-</td> <td>3992</td> <td>3\"/> <tr> <td>3997</td> <td>ETR</td> <td>-</td> <td>WD.</td> <td>J2</td> <td>PTD.</td> <td>-</td> <td>3993</td> <td>3\"/> <tr> <td>3998</td> <td>ETR</td> <td>-</td> <td>WD.</td> <td>J2</td> <td>PTD.</td> <td>-</td> <td>3994</td> <td>3\"/> <tr> <td>3999</td> <td>ETR</td> <td>-</td> <td>WD.</td> <td>J2</td> <td>PTD.</td> <td>-</td> <td>3995</td> <td>3\"/> <tr> <td>3999</td> <td>ETR</td> <td>-</td> <td>WD.</td> <td>J2</td> <td>PTD.</td> <td>-</td> <td>3997</td> <td>3\"/> </td></tr></td></tr></td></tr></td></tr></td></tr></td></tr></td></tr></td></tr></td></tr></td></tr></td></tr></td></tr></td></tr></td></tr></td></tr></td></tr></td></tr></td></tr></td></tr></td></tr></td></tr></td></tr></td></td></tr></td></tr></td></td></tr></td></td></tr></td></td></tr></td></td></tr></td></td></tr></td></td></tr></td></td></tr></td></td></tr></td></tr> | 374C | ETR | - | WD. | J2 | PTD. | - | 373A | 3\"/> <tr> <td>375</td> <td>B</td> <td>1 <td>WD</td> <td>J1</td> <td>PTD.</td> <td>-</td> <td>374B</td> <td>3\"/> <tr> <td>376</td> <td>B</td> <td>1 <td>WD</td> <td>J1</td> <td>PTD.</td> <td>-</td> <td>374C</td> <td>3\"/> <tr> <td>377</td> <td>B</td> <td>1 <td>WD</td> <td>J1</td> <td>PTD.</td> <td>-</td> <td>375</td> <td>3\"/> <tr> <td>377A</td> <td>B</td> <td>1 <td>WD</td> <td>J1</td> <td>PTD.</td> <td>-</td> <td>376</td> <td>3\"/>
<tr> <td>378</td> <td>B</td> <td>1 <td>WD</td> <td>J1</td> <td>PTD.</td> <td>-</td> <td>377</td> <td>3\"/> <tr> <td>379</td> <td>B</td> <td>1 <td>WD</td> <td>J1</td> <td>PTD.</td> <td>-</td> <td>377A</td> <td>3\"/> <tr> <td>380A</td> <td>B</td> <td>1 <td>WD</td> <td>J1</td> <td>PTD.</td> <td>-</td> <td>378</td> <td>3\"/> <tr> <td>380B</td> <td>B</td> <td>1 <td>WD</td> <td>J1</td> <td>PTD.</td> <td>-</td> <td>379</td> <td>3\"/> <tr> <td>382</td> <td>ETR</td> <td>-</td> <td>WD.</td> <td>J2</td> <td>PTD.</td> <td>-</td> <td>380A</td> <td>3\"/> <tr> <td>382A</td> <td>D</td> <td>6 <td>ALUM.</td> <td>ANODIZE D</td> <td>-</td> <td>-</td> <td>380B</td> <td>3\"/> <tr> <td>385</td> <td>ETR</td> <td>-</td> <td>WD.</td> <td>J2</td> <td>PTD.</td> <td>-</td> <td>382</td> <td>3\"/> <tr> <td>386</td> <td>ETR</td> <td>-</td> <td>WD.</td> <td>J2</td> <td>PTD.</td> <td>-</td> <td>382A</td> <td>3\"/> <tr> <td>387</td> <td>ETR</td> <td>-</td> <td>WD.</td> <td>J2</td> <td>PTD.</td> <td>-</td> <td>385</td> <td>3\"/> <tr> <td>388</td> <td>ETR</td> <td>-</td> <td>WD.</td> <td>J2</td> <td>PTD.</td> <td>-</td> <td>386</td> <td>3\"/> <tr> <td>389</td> <td>ETR</td> <td>-</td> <td>WD.</td> <td>J2</td> <td>PTD.</td> <td>-</td> <td>387</td> <td>3\"/> <tr> <td>391</td> <td>ETR</td> <td>-</td> <td>WD.</td> <td>J2</td> <td>PTD.</td> <td>-</td> <td>388</td> <td>3\"/> <tr> <td>391A</td> <td>ETR</td> <td>-</td> <td>WD.</td> <td>J2</td> <td>PTD.</td> <td>-</td> <td>389</td> <td>3\"/> <tr> <td>391B</td> <td>ETR</td> <td>-</td> <td>WD.</td> <td>J2</td> <td>PTD.</td> <td>-</td> <td>391</td> <td>3\"/> <tr> <td>394</td> <td>ETR</td> <td>-</td> <td>WD.</td> <td>J2</td> <td>PTD.</td> <td>-</td> <td>391A</td> <td>3\"/> <tr> <td>395</td> <td>ETR</td> <td>-</td> <td>WD.</td> <td>J2</td> <td>PTD.</td> <td>-</td> <td>391B</td> <td>3\"/> <tr> <td>396</td> <td>ETR</td> <td>-</td> <td>WD.</td> <td>J2</td> <td>PTD.</td> <td>-</td> <td>394</td> <td>3\"/> <tr> <td>398</td> <td>ETR</td> <td>-</td> <td>WD.</td> <td>J2</td> <td>PTD.</td> <td>-</td> <td>395</td> <td>3\"/> <tr> <td>399</td> <td>ETR</td> <td>-</td> <td>WD.</td> <td>J2</td> <td>PTD.</td> <td>-</td> <td>396</td> <td>3\"/> <tr> <td>3991</td> <td>ETR</td> <td>-</td> <td>WD.</td> <td>J2</td> <td>PTD.</td> <td>-</td> <td>398</td> <td>3\"/> <tr> <td>3992</td> <td>A</td> <td>3\"/> <tr> <td>3993</td> <td>ETR</td> <td>-</td> <td>WD.</td> <td>J2</td> <td>PTD.</td> <td>-</td> <td>399</td> <td>3\"/> <tr> <td>3994</td> <td>ETR</td> <td>-</td> <td>WD.</td> <td>J2</td> <td>PTD.</td> <td>-</td> <td>3991</td> <td>3\"/> <tr> <td>3995</td> <td>ETR</td> <td>-</td> <td>WD.</td> <td>J2</td> <td>PTD.</td> <td>-</td> <td>3992</td> <td>3\"/> <tr> <td>3997</td> <td>ETR</td> <td>-</td> <td>WD.</td> <td>J2</td> <td>PTD.</td> <td>-</td> <td>3993</td> <td>3\"/> <tr> <td>3998</td> <td>ETR</td> <td>-</td> <td>WD.</td> <td>J2</td> <td>PTD.</td> <td>-</td> <td>3994</td> <td>3\"/> <tr> <td>3999</td> <td>ETR</td> <td>-</td> <td>WD.</td> <td>J2</td> <td>PTD.</td> <td>-</td> <td>3995</td> <td>3\"/> <tr> <td>3999</td> <td>ETR</td> <td>-</td> <td>WD.</td> <td>J2</td> <td>PTD.</td> <td>-</td> <td>3997</td> <td>3\"/> </td></tr></td></tr></td></tr></td></tr></td></tr></td></tr></td></tr></td></tr></td></tr></td></tr></td></tr></td></tr></td></tr></td></tr></td></tr></td></tr></td></tr></td></tr></td></tr></td></tr></td></tr></td></tr></td></td></tr></td></tr></td></td></tr></td></td></tr></td></td></tr></td></td></tr></td></td></tr></td></td></tr></td></td></tr></td></td></tr> | 375 | B | 1 <td>WD</td> <td>J1</td> <td>PTD.</td> <td>-</td> <td>374B</td> <td>3\"/> <tr> <td>376</td> <td>B</td> <td>1 <td>WD</td> <td>J1</td> <td>PTD.</td> <td>-</td> <td>374C</td> <td>3\"/> <tr> <td>377</td> <td>B</td> <td>1 <td>WD</td> <td>J1</td> <td>PTD.</td> <td>-</td> <td>375</td> <td>3\"/> <tr> <td>377A</td> <td>B</td> <td>1 <td>WD</td> <td>J1</td> <td>PTD.</td> <td>-</td> <td>376</td> <td>3\"/> <tr> <td>378</td> <td>B</td> <td>1 <td>WD</td> <td>J1</td> <td>PTD.</td> <td>-</td> <td>377</td> <td>3\"/> <tr> <td>379</td> <td>B</td> <td>1 <td>WD</td> <td>J1</td> <td>PTD.</td> <td>-</td> <td>377A</td> <td>3\"/> <tr> <td>380A</td> <td>B</td> <td>1 <td>WD</td> <td>J1</td> <td>PTD.</td> <td>-</td> <td>378</td> <td>3\"/> <tr> <td>380B</td> <td>B</td> <td>1 <td>WD</td> <td>J1</td> <td>PTD.</td> <td>-</td> <td>379</td> <td>3\"/> <tr> <td>382</td> <td>ETR</td> <td>-</td> <td>WD.</td> <td>J2</td> <td>PTD.</td> <td>-</td> <td>380A</td> <td>3\"/> <tr> <td>382A</td> <td>D</td> <td>6 <td>ALUM.</td> <td>ANODIZE D</td> <td>-</td> <td>-</td> <td>380B</td> <td>3\"/> <tr> <td>385</td> <td>ETR</td> <td>-</td> <td>WD.</td> <td>J2</td> <td>PTD.</td> <td>-</td> <td>382</td> <td>3\"/> <tr> <td>386</td> <td>ETR</td> <td>-</td> <td>WD.</td> <td>J2</td> <td>PTD.</td> <td>-</td> <td>382A</td> <td>3\"/> <tr> <td>387</td> <td>ETR</td> <td>-</td> <td>WD.</td> <td>J2</td> <td>PTD.</td> <td>-</td> <td>385</td> <td>3\"/> <tr> <td>388</td> <td>ETR</td> <td>-</td> <td>WD.</td> <td>J2</td> <td>PTD.</td> <td>-</td> <td>386</td> <td>3\"/> <tr> <td>389</td> <td>ETR</td> <td>-</td> <td>WD.</td> <td>J2</td> <td>PTD.</td> <td>-</td> <td>387</td> <td>3\"/> <tr> <td>391</td> <td>ETR</td> <td>-</td> <td>WD.</td> <td>J2</td> <td>PTD.</td> <td>-</td> <td>388</td> <td>3\"/> <tr> <td>391A</td> <td>ETR</td> <td>-</td> <td>WD.</td> <td>J2</td> <td>PTD.</td> <td>-</td> <td>389</td> <td>3\"/> <tr> <td>391B</td> <td>ETR</td> <td>-</td> <td>WD.</td> <td>J2</td> <td>PTD.</td> <td>-</td> <td>391</td> <td>3\"/> <tr> <td>394</td> <td>ETR</td> <td>-</td> <td>WD.</td> <td>J2</td> <td>PTD.</td> <td>-</td> <td>391A</td> <td>3\"/> <tr> <td>395</td> <td>ETR</td> <td>-</td> <td>WD.</td> <td>J2</td> <td>PTD.</td> <td>-</td> <td>391B</td> <td>3\"/> <tr> <td>396</td> <td>ETR</td> <td>-</td> <td>WD.</td> <td>J2</td> <td>PTD.</td> <td>-</td> <td>394</td> <td>3\"/> <tr> <td>398</td> <td>ETR</td> <td>-</td> <td>WD.</td> <td>J2</td> <td>PTD.</td> <td>-</td> <td>395</td> <td>3\"/> <tr> <td>399</td> <td>ETR</td> <td>-</td> <td>WD.</td> <td>J2</td> <td>PTD.</td> <td>-</td> <td>396</td> <td>3\"/> <tr> <td>3991</td> <td>ETR</td> <td>-</td> <td>WD.</td> <td>J2</td> <td>PTD.</td> <td>-</td> <td>398</td> <td>3\"/> <tr> <td>3992</td> <td>A</td> <td>3\"/> <tr> <td>3993</td> <td>ETR</td> <td>-</td> <td>WD.</td> <td>J2</td> <td>PTD.</td> <td>-</td> <td>399</td> <td>3\"/> <tr> <td>3994</td> <td>ETR</td> <td>-</td> <td>WD.</td> <td>J2</td> <td>PTD.</td> <td>-</td> <td>3991</td> <td>3\"/> <tr> <td>3995</td> <td>ETR</td> <td>-</td> <td>WD.</td> <td>J2</td> <td>PTD.</td> <td>-</td> <td>3992</td> <td>3\"/> <tr> <td>3997</td> <td>ETR</td> <td>-</td> <td>WD.</td> <td>J2</td> <td>PTD.</td> <td>-</td> <td>3993</td> <td>3\"/> <tr> <td>3998</td> <td>ETR</td> <td>-</td> <td>WD.</td> <td>J2</td> <td>PTD.</td> <td>-</td> <td>3994</td> <td>3\"/> <tr> <td>3999</td> <td>ETR</td> <td>-</td> <td>WD.</td> <td>J2</td> <td>PTD.</td> <td>-</td> <td>3995</td> <td>3\"/> <tr> <td>3999</td> <td>ETR</td> <td>-</td> <td>WD.</td> <td>J2</td> <td>PTD.</td> <td>-</td> <td>3997</td> <td>3\"/> </td></tr></td></tr></td></tr></td></tr></td></tr></td></tr></td></tr></td></tr></td></tr></td></tr></td></tr></td></tr></td></tr></td></tr></td></tr></td></tr></td></tr></td></tr></td></tr></td></tr></td></tr></td></tr></td></td></tr></td></tr></td></td></tr></td></td></tr></td></td></tr></td></td></tr></td></td></tr></td></td></tr></td></td></tr></td> | WD | J1 | PTD. | - | 374B | 3\"/> <tr> <td>376</td> <td>B</td> <td>1 <td>WD</td> <td>J1</td> <td>PTD.</td> <td>-</td> <td>374C</td> <td>3\"/> <tr> <td>377</td> <td>B</td> <td>1 <td>WD</td> <td>J1</td> <td>PTD.</td> <td>-</td> <td>375</td> <td>3\"/> <tr> <td>377A</td> <td>B</td> <td>1 <td>WD</td> <td>J1</td> <td>PTD.</td> <td>-</td> <td>376</td> <td>3\"/> <tr> <td>378</td> <td>B</td> <td>1 <td>WD</td> <td>J1</td> <td>PTD.</td> <td>-</td> <td>377</td> <td>3\"/> <tr> <td>379</td> <td>B</td> <td>1 <td>WD</td> <td>J1</td> <td>PTD.</td> <td>-</td> <td>377A</td> <td>3\"/> <tr> <td>380A</td> <td>B</td> <td>1 <td>WD</td> <td>J1</td> <td>PTD.</td> <td>-</td> <td>378</td> <td>3\"/> <tr> <td>380B</td> <td>B</td> <td>1 <td>WD</td> <td>J1</td> <td>PTD.</td> <td>-</td> <td>379</td> <td>3\"/> <tr> <td>382</td> <td>ETR</td> <td>-</td> <td>WD.</td> <td>J2</td> <td>PTD.</td> <td>-</td> <td>380A</td> <td>3\"/> <tr> <td>382A</td> <td>D</td> <td>6
<td>ALUM.</td> <td>ANODIZE D</td> <td>-</td> <td>-</td> <td>380B</td> <td>3\"/> <tr> <td>385</td> <td>ETR</td> <td>-</td> <td>WD.</td> <td>J2</td> <td>PTD.</td> <td>-</td> <td>382</td> <td>3\"/> <tr> <td>386</td> <td>ETR</td> <td>-</td> <td>WD.</td> <td>J2</td> <td>PTD.</td> <td>-</td> <td>382A</td> <td>3\"/> <tr> <td>387</td> <td>ETR</td> <td>-</td> <td>WD.</td> <td>J2</td> <td>PTD.</td> <td>-</td> <td>385</td> <td>3\"/> <tr> <td>388</td> <td>ETR</td> <td>-</td> <td>WD.</td> <td>J2</td> <td>PTD.</td> <td>-</td> <td>386</td> <td>3\"/> <tr> <td>389</td> <td>ETR</td> <td>-</td> <td>WD.</td> <td>J2</td> <td>PTD.</td> <td>-</td> <td>387</td> <td>3\"/> <tr> <td>391</td> <td>ETR</td> <td>-</td> <td>WD.</td> <td>J2</td> <td>PTD.</td> <td>-</td> <td>388</td> <td>3\"/> <tr> <td>391A</td> <td>ETR</td> <td>-</td> <td>WD.</td> <td>J2</td> <td>PTD.</td> <td>-</td> <td>389</td> <td>3\"/> <tr> <td>391B</td> <td>ETR</td> <td>-</td> <td>WD.</td> <td>J2</td> <td>PTD.</td> <td>-</td> <td>391</td> <td>3\"/> <tr> <td>394</td> <td>ETR</td> <td>-</td> <td>WD.</td> <td>J2</td> <td>PTD.</td> <td>-</td> <td>391A</td> <td>3\"/> <tr> <td>395</td> <td>ETR</td> <td>-</td> <td>WD.</td> <td>J2</td> <td>PTD.</td> <td>-</td> <td>391B</td> <td>3\"/> <tr> <td>396</td> <td>ETR</td> <td>-</td> <td>WD.</td> <td>J2</td> <td>PTD.</td> <td>-</td> <td>394</td> <td>3\"/> <tr> <td>398</td> <td>ETR</td> <td>-</td> <td>WD.</td> <td>J2</td> <td>PTD.</td> <td>-</td> <td>395</td> <td>3\"/> <tr> <td>399</td> <td>ETR</td> <td>-</td> <td>WD.</td> <td>J2</td> <td>PTD.</td> <td>-</td> <td>396</td> <td>3\"/> <tr> <td>3991</td> <td>ETR</td> <td>-</td> <td>WD.</td> <td>J2</td> <td>PTD.</td> <td>-</td> <td>398</td> <td>3\"/> <tr> <td>3992</td> <td>A</td> <td>3\"/> <tr> <td>3993</td> <td>ETR</td> <td>-</td> <td>WD.</td> <td>J2</td> <td>PTD.</td> <td>-</td> <td>399</td> <td>3\"/> <tr> <td>3994</td> <td>ETR</td> <td>-</td> <td>WD.</td> <td>J2</td> <td>PTD.</td> <td>-</td> <td>3991</td> <td>3\"/> <tr> <td>3995</td> <td>ETR</td> <td>-</td> <td>WD.</td> <td>J2</td> <td>PTD.</td> <td>-</td> <td>3992</td> <td>3\"/> <tr> <td>3997</td> <td>ETR</td> <td>-</td> <td>WD.</td> <td>J2</td> <td>PTD.</td> <td>-</td> <td>3993</td> <td>3\"/> <tr> <td>3998</td> <td>ETR</td> <td>-</td> <td>WD.</td> <td>J2</td> <td>PTD.</td> <td>-</td> <td>3994</td> <td>3\"/> <tr> <td>3999</td> <td>ETR</td> <td>-</td> <td>WD.</td> <td>J2</td> <td>PTD.</td> <td>-</td> <td>3995</td> <td>3\"/> <tr> <td>3999</td> <td>ETR</td> <td>-</td> <td>WD.</td> <td>J2</td> <td>PTD.</td> <td>-</td> <td>3997</td> <td>3\"/> </td></tr></td></tr></td></tr></td></tr></td></tr></td></tr></td></tr></td></tr></td></tr></td></tr></td></tr></td></tr></td></tr></td></tr></td></tr></td></tr></td></tr></td></tr></td></tr></td></tr></td></tr></td></tr></td></td></tr></td></tr></td></td></tr></td></td></tr></td></td></tr></td></td></tr></td></td></tr></td></td></tr></td></td></tr> | 376 | B | 1 <td>WD</td> <td>J1</td> <td>PTD.</td> <td>-</td> <td>374C</td> <td>3\"/> <tr> <td>377</td> <td>B</td> <td>1 <td>WD</td> <td>J1</td> <td>PTD.</td> <td>-</td> <td>375</td> <td>3\"/> <tr> <td>377A</td> <td>B</td> <td>1 <td>WD</td> <td>J1</td> <td>PTD.</td> <td>-</td> <td>376</td> <td>3\"/> <tr> <td>378</td> <td>B</td> <td>1 <td>WD</td> <td>J1</td> <td>PTD.</td> <td>-</td> <td>377</td> <td>3\"/> <tr> <td>379</td> <td>B</td> <td>1 <td>WD</td> <td>J1</td> <td>PTD.</td> <td>-</td> <td>377A</td> <td>3\"/> <tr> <td>380A</td> <td>B</td> <td>1 <td>WD</td> <td>J1</td> <td>PTD.</td> <td>-</td> <td>378</td> <td>3\"/> <tr> <td>380B</td> <td>B</td> <td>1 <td>WD</td> <td>J1</td> <td>PTD.</td> <td>-</td> <td>379</td> <td>3\"/> <tr> <td>382</td> <td>ETR</td> <td>-</td> <td>WD.</td> <td>J2</td> <td>PTD.</td> <td>-</td> <td>380A</td> <td>3\"/> <tr> <td>382A</td> <td>D</td> <td>6 <td>ALUM.</td> <td>ANODIZE D</td> <td>-</td> <td>-</td> <td>380B</td> <td>3\"/> <tr> <td>385</td> <td>ETR</td> <td>-</td> <td>WD.</td> <td>J2</td> <td>PTD.</td> <td>-</td> <td>382</td> <td>3\"/> <tr> <td>386</td> <td>ETR</td> <td>-</td> <td>WD.</td> <td>J2</td> <td>PTD.</td> <td>-</td> <td>382A</td> <td>3\"/> <tr> <td>387</td> <td>ETR</td> <td>-</td> <td>WD.</td> <td>J2</td> <td>PTD.</td> <td>-</td> <td>385</td> <td>3\"/> <tr> <td>388</td> <td>ETR</td> <td>-</td> <td>WD.</td> <td>J2</td> <td>PTD.</td> <td>-</td> <td>386</td> <td>3\"/> <tr> <td>389</td> <td>ETR</td> <td>-</td> <td>WD.</td> <td>J2</td> <td>PTD.</td> <td>-</td> <td>387</td> <td>3\"/> <tr> <td>391</td> <td>ETR</td> <td>-</td> <td>WD.</td> <td>J2</td> <td>PTD.</td> <td>-</td> <td>388</td> <td>3\"/> <tr> <td>391A</td> <td>ETR</td> <td>-</td> <td>WD.</td> <td>J2</td> <td>PTD.</td> <td>-</td> <td>389</td> <td>3\"/> <tr> <td>391B</td> <td>ETR</td> <td>-</td> <td>WD.</td> <td>J2</td> <td>PTD.</td> <td>-</td> <td>391</td> <td>3\"/> <tr> <td>394</td> <td>ETR</td> <td>-</td> <td>WD.</td> <td>J2</td> <td>PTD.</td> <td>-</td> <td>391A</td> <td>3\"/> <tr> <td>395</td> <td>ETR</td> <td>-</td> <td>WD.</td> <td>J2</td> <td>PTD.</td> <td>-</td> <td>391B</td> <td>3\"/> <tr> <td>396</td> <td>ETR</td> <td>-</td> <td>WD.</td> <td>J2</td> <td>PTD.</td> <td>-</td> <td>394</td> <td>3\"/> <tr> <td>398</td> <td>ETR</td> <td>-</td> <td>WD.</td> <td>J2</td> <td>PTD.</td> <td>-</td> <td>395</td> <td>3\"/> <tr> <td>399</td> <td>ETR</td> <td>-</td> <td>WD.</td> <td>J2</td> <td>PTD.</td> <td>-</td> <td>396</td> <td>3\"/> <tr> <td>3991</td> <td>ETR</td> <td>-</td> <td>WD.</td> <td>J2</td> <td>PTD.</td> <td>-</td> <td>398</td> <td>3\"/> <tr> <td>3992</td> <td>A</td> <td>3\"/> <tr> <td>3993</td> <td>ETR</td> <td>-</td> <td>WD.</td> <td>J2</td> <td>PTD.</td> <td>-</td> <td>399</td> <td>3\"/> <tr> <td>3994</td> <td>ETR</td> <td>-</td> <td>WD.</td> <td>J2</td> <td>PTD.</td> <td>-</td> <td>3991</td> <td>3\"/> <tr> <td>3995</td> <td>ETR</td> <td>-</td> <td>WD.</td> <td>J2</td> <td>PTD.</td> <td>-</td> <td>3992</td> <td>3\"/> <tr> <td>3997</td> <td>ETR</td> <td>-</td> <td>WD.</td> <td>J2</td> <td>PTD.</td> <td>-</td> <td>3993</td> <td>3\"/> <tr> <td>3998</td> <td>ETR</td> <td>-</td> <td>WD.</td> <td>J2</td> <td>PTD.</td> <td>-</td> <td>3994</td> <td>3\"/> <tr> <td>3999</td> <td>ETR</td> <td>-</td> <td>WD.</td> <td>J2</td> <td>PTD.</td> <td>-</td> <td>3995</td> <td>3\"/> <tr> <td>3999</td> <td>ETR</td> <td>-</td> <td>WD.</td> <td>J2</td> <td>PTD.</td> <td>-</td> <td>3997</td> <td>3\"/> </td></tr></td></tr></td></tr></td></tr></td></tr></td></tr></td></tr></td></tr></td></tr></td></tr></td></tr></td></tr></td></tr></td></tr></td></tr></td></tr></td></tr></td></tr></td></tr></td></tr></td></tr></td></tr></td></td></tr></td></tr></td></td></tr></td></td></tr></td></td></tr></td></td></tr></td></td></tr></td></td></tr></td> | WD | J1 | PTD.
 | - | 374C | 3\"/> <tr> <td>377</td> <td>B</td> <td>1 <td>WD</td> <td>J1</td> <td>PTD.</td> <td>-</td> <td>375</td> <td>3\"/> <tr> <td>377A</td> <td>B</td> <td>1 <td>WD</td> <td>J1</td> <td>PTD.</td> <td>-</td> <td>376</td> <td>3\"/> <tr> <td>378</td> <td>B</td> <td>1 <td>WD</td> <td>J1</td> <td>PTD.</td> <td>-</td> <td>377</td> <td>3\"/> <tr> <td>379</td> <td>B</td> <td>1 <td>WD</td> <td>J1</td> <td>PTD.</td> <td>-</td> <td>377A</td> <td>3\"/> <tr> <td>380A</td> <td>B</td> <td>1 <td>WD</td> <td>J1</td> <td>PTD.</td> <td>-</td> <td>378</td> <td>3\"/> <tr> <td>380B</td> <td>B</td> <td>1 <td>WD</td> <td>J1</td> <td>PTD.</td> <td>-</td> <td>379</td> <td>3\"/> <tr> <td>382</td> <td>ETR</td> <td>-</td> <td>WD.</td> <td>J2</td> <td>PTD.</td> <td>-</td> <td>380A</td> <td>3\"/> <tr> <td>382A</td> <td>D</td> <td>6 <td>ALUM.</td> <td>ANODIZE D</td> <td>-</td> <td>-</td> <td>380B</td> <td>3\"/> <tr> <td>385</td> <td>ETR</td> <td>-</td> <td>WD.</td> <td>J2</td> <td>PTD.</td> <td>-</td> <td>382</td> <td>3\"/> <tr> <td>386</td> <td>ETR</td> <td>-</td> <td>WD.</td> <td>J2</td> <td>PTD.</td> <td>-</td> <td>382A</td> <td>3\"/> <tr> <td>387</td> <td>ETR</td> <td>-</td> <td>WD.</td> <td>J2</td> <td>PTD.</td> <td>-</td> <td>385</td> <td>3\"/> <tr> <td>388</td> <td>ETR</td> <td>-</td> <td>WD.</td> <td>J2</td> <td>PTD.</td> <td>-</td> <td>386</td> <td>3\"/> <tr> <td>389</td> <td>ETR</td> <td>-</td> <td>WD.</td> <td>J2</td> <td>PTD.</td> <td>-</td> <td>387</td> <td>3\"/> <tr> <td>391</td> <td>ETR</td> <td>-</td> <td>WD.</td> <td>J2</td> <td>PTD.</td> <td>-</td> <td>388</td> <td>3\"/> <tr> <td>391A</td> <td>ETR</td> <td>-</td> <td>WD.</td> <td>J2</td> <td>PTD.</td> <td>-</td> <td>389</td> <td>3\"/> <tr> <td>391B</td> <td>ETR</td> <td>-</td> <td>WD.</td> <td>J2</td> <td>PTD.</td> <td>-</td> <td>391</td> <td>3\"/> <tr> <td>394</td> <td>ETR</td> <td>-</td> <td>WD.</td> <td>J2</td> <td>PTD.</td> <td>-</td> <td>391A</td> <td>3\"/> <tr> <td>395</td> <td>ETR</td> <td>-</td> <td>WD.</td> <td>J2</td> <td>PTD.</td> <td>-</td> <td>391B</td> <td>3\"/> <tr> <td>396</td> <td>ETR</td> <td>-</td> <td>WD.</td> <td>J2</td> <td>PTD.</td> <td>-</td> <td>394</td> <td>3\"/> <tr> <td>398</td> <td>ETR</td> <td>-</td> <td>WD.</td> <td>J2</td> <td>PTD.</td> <td>-</td> <td>395</td> <td>3\"/> <tr> <td>399</td> <td>ETR</td> <td>-</td> <td>WD.</td> <td>J2</td> <td>PTD.</td> <td>-</td> <td>396</td> <td>3\"/> <tr> <td>3991</td> <td>ETR</td> <td>-</td> <td>WD.</td> <td>J2</td> <td>PTD.</td> <td>-</td> <td>398</td> <td>3\"/> <tr> <td>3992</td> <td>A</td> <td>3\"/> <tr> <td>3993</td> <td>ETR</td> <td>-</td> <td>WD.</td> <td>J2</td> <td>PTD.</td> <td>-</td> <td>399</td> <td>3\"/> <tr> <td>3994</td> <td>ETR</td> <td>-</td> <td>WD.</td> <td>J2</td> <td>PTD.</td> <td>-</td> <td>3991</td> <td>3\"/> <tr> <td>3995</td> <td>ETR</td> <td>-</td> <td>WD.</td> <td>J2</td> <td>PTD.</td> <td>-</td> <td>3992</td> <td>3\"/> <tr> <td>3997</td> <td>ETR</td> <td>-</td> <td>WD.</td> <td>J2</td> <td>PTD.</td> <td>-</td> <td>3993</td> <td>3\"/> <tr> <td>3998</td> <td>ETR</td> <td>-</td> <td>WD.</td> <td>J2</td> <td>PTD.</td> <td>-</td> <td>3994</td> <td>3\"/> <tr> <td>3999</td> <td>ETR</td> <td>-</td> <td>WD.</td> <td>J2</td> <td>PTD.</td> <td>-</td> <td>3995</td> <td>3\"/> <tr> <td>3999</td> <td>ETR</td> <td>-</td> <td>WD.</td> <td>J2</td> <td>PTD.</td> <td>-</td> <td>3997</td> <td>3\"/> </td></tr></td></tr></td></tr></td></tr></td></tr></td></tr></td></tr></td></tr></td></tr></td></tr></td></tr></td></tr></td></tr></td></tr></td></tr></td></tr></td></tr></td></tr></td></tr></td></tr></td></tr></td></tr></td></td></tr></td></tr></td></td></tr></td></td></tr></td></td></tr></td></td></tr></td></td></tr></td></td></tr> | 377 | B | 1 <td>WD</td> <td>J1</td> <td>PTD.</td> <td>-</td> <td>375</td> <td>3\"/> <tr> <td>377A</td> <td>B</td> <td>1 <td>WD</td> <td>J1</td> <td>PTD.</td> <td>-</td> <td>376</td> <td>3\"/> <tr> <td>378</td> <td>B</td> <td>1 <td>WD</td> <td>J1</td> <td>PTD.</td> <td>-</td> <td>377</td> <td>3\"/> <tr> <td>379</td> <td>B</td> <td>1 <td>WD</td> <td>J1</td> <td>PTD.</td> <td>-</td> <td>377A</td> <td>3\"/> <tr> <td>380A</td> <td>B</td> <td>1 <td>WD</td> <td>J1</td> <td>PTD.</td> <td>-</td> <td>378</td> <td>3\"/> <tr> <td>380B</td> <td>B</td> <td>1 <td>WD</td> <td>J1</td> <td>PTD.</td> <td>-</td> <td>379</td> <td>3\"/> <tr> <td>382</td> <td>ETR</td> <td>-</td> <td>WD.</td> <td>J2</td> <td>PTD.</td> <td>-</td> <td>380A</td> <td>3\"/> <tr> <td>382A</td> <td>D</td> <td>6 <td>ALUM.</td> <td>ANODIZE D</td> <td>-</td> <td>-</td> <td>380B</td> <td>3\"/> <tr> <td>385</td> <td>ETR</td> <td>-</td> <td>WD.</td> <td>J2</td> <td>PTD.</td> <td>-</td> <td>382</td> <td>3\"/> <tr> <td>386</td> <td>ETR</td> <td>-</td> <td>WD.</td> <td>J2</td> <td>PTD.</td> <td>-</td> <td>382A</td> <td>3\"/> <tr> <td>387</td> <td>ETR</td> <td>-</td> <td>WD.</td> <td>J2</td> <td>PTD.</td> <td>-</td> <td>385</td> <td>3\"/> <tr> <td>388</td> <td>ETR</td> <td>-</td> <td>WD.</td> <td>J2</td> <td>PTD.</td> <td>-</td> <td>386</td> <td>3\"/> <tr> <td>389</td> <td>ETR</td> <td>-</td> <td>WD.</td> <td>J2</td> <td>PTD.</td> <td>-</td> <td>387</td> <td>3\"/> <tr> <td>391</td> <td>ETR</td> <td>-</td> <td>WD.</td> <td>J2</td> <td>PTD.</td> <td>-</td> <td>388</td> <td>3\"/> <tr> <td>391A</td> <td>ETR</td> <td>-</td> <td>WD.</td> <td>J2</td> <td>PTD.</td> <td>-</td> <td>389</td> <td>3\"/> <tr> <td>391B</td> <td>ETR</td> <td>-</td> <td>WD.</td> <td>J2</td> <td>PTD.</td> <td>-</td> <td>391</td> <td>3\"/> <tr> <td>394</td> <td>ETR</td> <td>-</td> <td>WD.</td> <td>J2</td> <td>PTD.</td> <td>-</td> <td>391A</td> <td>3\"/> <tr> <td>395</td> <td>ETR</td> <td>-</td> <td>WD.</td> <td>J2</td> <td>PTD.</td> <td>-</td> <td>391B</td> <td>3\"/> <tr> <td>396</td> <td>ETR</td> <td>-</td> <td>WD.</td> <td>J2</td> <td>PTD.</td> <td>-</td> <td>394</td> <td>3\"/> <tr> <td>398</td> <td>ETR</td> <td>-</td> <td>WD.</td> <td>J2</td> <td>PTD.</td> <td>-</td> <td>395</td> <td>3\"/> <tr> <td>399</td> <td>ETR</td> <td>-</td> <td>WD.</td> <td>J2</td> <td>PTD.</td> <td>-</td> <td>396</td> <td>3\"/> <tr> <td>3991</td> <td>ETR</td> <td>-</td> <td>WD.</td> <td>J2</td> <td>PTD.</td> <td>-</td> <td>398</td> <td>3\"/> <tr> <td>3992</td> <td>A</td> <td>3\"/> <tr> <td>3993</td> <td>ETR</td> <td>-</td> <td>WD.</td> <td>J2</td> <td>PTD.</td> <td>-</td>
<td>399</td> <td>3\"/> <tr> <td>3994</td> <td>ETR</td> <td>-</td> <td>WD.</td> <td>J2</td> <td>PTD.</td> <td>-</td> <td>3991</td> <td>3\"/> <tr> <td>3995</td> <td>ETR</td> <td>-</td> <td>WD.</td> <td>J2</td> <td>PTD.</td> <td>-</td> <td>3992</td> <td>3\"/> <tr> <td>3997</td> <td>ETR</td> <td>-</td> <td>WD.</td> <td>J2</td> <td>PTD.</td> <td>-</td> <td>3993</td> <td>3\"/> <tr> <td>3998</td> <td>ETR</td> <td>-</td> <td>WD.</td> <td>J2</td> <td>PTD.</td> <td>-</td> <td>3994</td> <td>3\"/> <tr> <td>3999</td> <td>ETR</td> <td>-</td> <td>WD.</td> <td>J2</td> <td>PTD.</td> <td>-</td> <td>3995</td> <td>3\"/> <tr> <td>3999</td> <td>ETR</td> <td>-</td> <td>WD.</td> <td>J2</td> <td>PTD.</td> <td>-</td> <td>3997</td> <td>3\"/> </td></tr></td></tr></td></tr></td></tr></td></tr></td></tr></td></tr></td></tr></td></tr></td></tr></td></tr></td></tr></td></tr></td></tr></td></tr></td></tr></td></tr></td></tr></td></tr></td></tr></td></tr></td></tr></td></td></tr></td></tr></td></td></tr></td></td></tr></td></td></tr></td></td></tr></td></td></tr></td> | WD | J1 | PTD. | - | 375 | 3\"/> <tr> <td>377A</td> <td>B</td> <td>1 <td>WD</td> <td>J1</td> <td>PTD.</td> <td>-</td> <td>376</td> <td>3\"/> <tr> <td>378</td> <td>B</td> <td>1 <td>WD</td> <td>J1</td> <td>PTD.</td> <td>-</td> <td>377</td> <td>3\"/> <tr> <td>379</td> <td>B</td> <td>1 <td>WD</td> <td>J1</td> <td>PTD.</td> <td>-</td> <td>377A</td> <td>3\"/> <tr> <td>380A</td> <td>B</td> <td>1 <td>WD</td> <td>J1</td> <td>PTD.</td> <td>-</td> <td>378</td> <td>3\"/> <tr> <td>380B</td> <td>B</td> <td>1 <td>WD</td> <td>J1</td> <td>PTD.</td> <td>-</td> <td>379</td> <td>3\"/> <tr> <td>382</td> <td>ETR</td> <td>-</td> <td>WD.</td> <td>J2</td> <td>PTD.</td> <td>-</td> <td>380A</td> <td>3\"/> <tr> <td>382A</td> <td>D</td> <td>6 <td>ALUM.</td> <td>ANODIZE D</td> <td>-</td> <td>-</td> <td>380B</td> <td>3\"/> <tr> <td>385</td> <td>ETR</td> <td>-</td> <td>WD.</td> <td>J2</td> <td>PTD.</td> <td>-</td> <td>382</td> <td>3\"/> <tr> <td>386</td> <td>ETR</td> <td>-</td> <td>WD.</td> <td>J2</td> <td>PTD.</td> <td>-</td> <td>382A</td> <td>3\"/> <tr> <td>387</td> <td>ETR</td> <td>-</td> <td>WD.</td> <td>J2</td> <td>PTD.</td> <td>-</td> <td>385</td> <td>3\"/> <tr> <td>388</td> <td>ETR</td> <td>-</td> <td>WD.</td> <td>J2</td> <td>PTD.</td> <td>-</td> <td>386</td> <td>3\"/> <tr> <td>389</td> <td>ETR</td> <td>-</td> <td>WD.</td> <td>J2</td> <td>PTD.</td> <td>-</td> <td>387</td> <td>3\"/> <tr> <td>391</td> <td>ETR</td> <td>-</td> <td>WD.</td> <td>J2</td> <td>PTD.</td> <td>-</td> <td>388</td> <td>3\"/> <tr> <td>391A</td> <td>ETR</td> <td>-</td> <td>WD.</td> <td>J2</td> <td>PTD.</td> <td>-</td> <td>389</td> <td>3\"/> <tr> <td>391B</td> <td>ETR</td> <td>-</td> <td>WD.</td> <td>J2</td> <td>PTD.</td> <td>-</td> <td>391</td> <td>3\"/> <tr> <td>394</td> <td>ETR</td> <td>-</td> <td>WD.</td> <td>J2</td> <td>PTD.</td> <td>-</td> <td>391A</td> <td>3\"/> <tr> <td>395</td> <td>ETR</td> <td>-</td> <td>WD.</td> <td>J2</td> <td>PTD.</td> <td>-</td> <td>391B</td> <td>3\"/> <tr> <td>396</td> <td>ETR</td> <td>-</td> <td>WD.</td> <td>J2</td> <td>PTD.</td> <td>-</td> <td>394</td> <td>3\"/> <tr> <td>398</td> <td>ETR</td> <td>-</td> <td>WD.</td> <td>J2</td> <td>PTD.</td> <td>-</td> <td>395</td> <td>3\"/> <tr> <td>399</td> <td>ETR</td> <td>-</td> <td>WD.</td> <td>J2</td> <td>PTD.</td> <td>-</td> <td>396</td> <td>3\"/> <tr> <td>3991</td> <td>ETR</td> <td>-</td> <td>WD.</td> <td>J2</td> <td>PTD.</td> <td>-</td> <td>398</td> <td>3\"/> <tr> <td>3992</td> <td>A</td> <td>3\"/> <tr> <td>3993</td> <td>ETR</td> <td>-</td> <td>WD.</td> <td>J2</td> <td>PTD.</td> <td>-</td> <td>399</td> <td>3\"/> <tr> <td>3994</td> <td>ETR</td> <td>-</td> <td>WD.</td> <td>J2</td> <td>PTD.</td> <td>-</td> <td>3991</td> <td>3\"/> <tr> <td>3995</td> <td>ETR</td> <td>-</td> <td>WD.</td> <td>J2</td> <td>PTD.</td> <td>-</td> <td>3992</td> <td>3\"/> <tr> <td>3997</td> <td>ETR</td> <td>-</td> <td>WD.</td> <td>J2</td> <td>PTD.</td> <td>-</td> <td>3993</td> <td>3\"/> <tr> <td>3998</td> <td>ETR</td> <td>-</td> <td>WD.</td> <td>J2</td> <td>PTD.</td> <td>-</td> <td>3994</td> <td>3\"/> <tr> <td>3999</td> <td>ETR</td> <td>-</td> <td>WD.</td> <td>J2</td> <td>PTD.</td> <td>-</td> <td>3995</td> <td>3\"/> <tr> <td>3999</td> <td>ETR</td> <td>-</td> <td>WD.</td> <td>J2</td> <td>PTD.</td> <td>-</td> <td>3997</td> <td>3\"/> </td></tr></td></tr></td></tr></td></tr></td></tr></td></tr></td></tr></td></tr></td></tr></td></tr></td></tr></td></tr></td></tr></td></tr></td></tr></td></tr></td></tr></td></tr></td></tr></td></tr></td></tr></td></tr></td></td></tr></td></tr></td></td></tr></td></td></tr></td></td></tr></td></td></tr></td></td></tr> | 377A | B | 1 <td>WD</td> <td>J1</td> <td>PTD.</td> <td>-</td> <td>376</td> <td>3\"/> <tr> <td>378</td> <td>B</td> <td>1 <td>WD</td> <td>J1</td> <td>PTD.</td> <td>-</td> <td>377</td> <td>3\"/> <tr> <td>379</td> <td>B</td> <td>1 <td>WD</td> <td>J1</td> <td>PTD.</td> <td>-</td> <td>377A</td> <td>3\"/> <tr> <td>380A</td> <td>B</td> <td>1 <td>WD</td> <td>J1</td> <td>PTD.</td> <td>-</td> <td>378</td> <td>3\"/> <tr> <td>380B</td> <td>B</td> <td>1 <td>WD</td> <td>J1</td> <td>PTD.</td> <td>-</td> <td>379</td> <td>3\"/> <tr> <td>382</td> <td>ETR</td> <td>-</td> <td>WD.</td> <td>J2</td> <td>PTD.</td> <td>-</td> <td>380A</td> <td>3\"/> <tr> <td>382A</td> <td>D</td> <td>6 <td>ALUM.</td> <td>ANODIZE D</td> <td>-</td> <td>-</td> <td>380B</td> <td>3\"/> <tr> <td>385</td> <td>ETR</td> <td>-</td> <td>WD.</td> <td>J2</td> <td>PTD.</td> <td>-</td> <td>382</td> <td>3\"/> <tr> <td>386</td> <td>ETR</td> <td>-</td> <td>WD.</td> <td>J2</td> <td>PTD.</td> <td>-</td> <td>382A</td> <td>3\"/> <tr> <td>387</td> <td>ETR</td> <td>-</td> <td>WD.</td> <td>J2</td> <td>PTD.</td> <td>-</td> <td>385</td> <td>3\"/> <tr> <td>388</td> <td>ETR</td> <td>-</td> <td>WD.</td> <td>J2</td> <td>PTD.</td> <td>-</td> <td>386</td> <td>3\"/> <tr> <td>389</td> <td>ETR</td> <td>-</td> <td>WD.</td> <td>J2</td> <td>PTD.</td> <td>-</td> <td>387</td> <td>3\"/> <tr> <td>391</td> <td>ETR</td> <td>-</td> <td>WD.</td> <td>J2</td> <td>PTD.</td> <td>-</td> <td>388</td> <td>3\"/> <tr> <td>391A</td> <td>ETR</td> <td>-</td> <td>WD.</td> <td>J2</td> <td>PTD.</td> <td>-</td> <td>389</td> <td>3\"/> <tr> <td>391B</td> <td>ETR</td> <td>-</td> <td>WD.</td> <td>J2</td> <td>PTD.</td> <td>-</td> <td>391</td> <td>3\"/> <tr> <td>394</td> <td>ETR</td> <td>-</td> <td>WD.</td> <td>J2</td> <td>PTD.</td> <td>-</td> <td>391A</td> <td>3\"/> <tr> <td>395</td> <td>ETR</td> <td>-</td> <td>WD.</td> <td>J2</td> <td>PTD.</td> <td>-</td> <td>391B</td> <td>3\"/> <tr> <td>396</td> <td>ETR</td> <td>-</td> <td>WD.</td> <td>J2</td> <td>PTD.</td> <td>-</td> <td>394</td> <td>3\"/> <tr> <td>398</td> <td>ETR</td> <td>-</td> <td>WD.</td> <td>J2</td> <td>PTD.</td> <td>-</td> <td>395</td> <td>3\"/> <tr> <td>399</td> <td>ETR</td> <td>-</td> <td>WD.</td> <td>J2</td> <td>PTD.</td> <td>-</td> <td>396</td> <td>3\"/> <tr> <td>3991</td> <td>ETR</td> <td>-</td> <td>WD.</td> <td>J2</td> <td>PTD.</td> <td>-</td> <td>398</td> <td>3\"/> <tr> <td>3992</td> <td>A</td> <td>3\"/> <tr> <td>3993</td> <td>ETR</td> <td>-</td> <td>WD.</td> <td>J2</td> <td>PTD.</td> <td>-</td> <td>399</td> <td>3\"/> <tr> <td>3994</td> <td>ETR</td> <td>-</td> <td>WD.</td> <td>J2</td> <td>PTD.</td> <td>-</td> <td>3991</td> <td>3\"/> <tr> <td>3995</td> <td>ETR</td> <td>-</td> <td>WD.</td> <td>J2</td> <td>PTD.</td> <td>-</td> <td>3992</td> <td>3\"/> <tr> <td>3997</td> <td>ETR</td> <td>-</td> <td>WD.</td> <td>J2</td> <td>PTD.</td> <td>-</td> <td>3993</td> <td>3\"/> <tr> <td>3998</td> <td>ETR</td> <td>-</td> <td>WD.</td> <td>J2</td> <td>PTD.</td> <td>-</td> <td>3994</td> <td>3\"/> <tr> <td>3999</td> <td>ETR</td> <td>-</td> <td>WD.</td> <td>J2</td> <td>PTD.</td> <td>-</td> <td>3995</td> <td>3\"/> <tr> <td>3999</td> <td>ETR</td> <td>-</td> <td>WD.</td> <td>J2</td> <td>PTD.</td> <td>-</td> <td>3997</td> <td>3\"/> </td></tr></td></tr></td></tr></td></tr></td></tr></td></tr></td></tr></td></tr></td></tr></td></tr></td></tr></td></tr></td></tr></td></tr></td></tr></td></tr></td></tr></td></tr></td></tr></td></tr></td></tr></td></tr></td></td></tr></td></tr></td></td></tr></td></td></tr></td></td></tr></td></td></tr></td>
 | WD | J1 | PTD. | - | 376 | 3\"/> <tr> <td>378</td> <td>B</td> <td>1 <td>WD</td> <td>J1</td> <td>PTD.</td> <td>-</td> <td>377</td> <td>3\"/> <tr> <td>379</td> <td>B</td> <td>1 <td>WD</td> <td>J1</td> <td>PTD.</td> <td>-</td> <td>377A</td> <td>3\"/> <tr> <td>380A</td> <td>B</td> <td>1 <td>WD</td> <td>J1</td> <td>PTD.</td> <td>-</td> <td>378</td> <td>3\"/> <tr> <td>380B</td> <td>B</td> <td>1 <td>WD</td> <td>J1</td> <td>PTD.</td> <td>-</td> <td>379</td> <td>3\"/> <tr> <td>382</td> <td>ETR</td> <td>-</td> <td>WD.</td> <td>J2</td> <td>PTD.</td> <td>-</td> <td>380A</td> <td>3\"/> <tr> <td>382A</td> <td>D</td> <td>6 <td>ALUM.</td> <td>ANODIZE D</td> <td>-</td> <td>-</td> <td>380B</td> <td>3\"/> <tr> <td>385</td> <td>ETR</td> <td>-</td> <td>WD.</td> <td>J2</td> <td>PTD.</td> <td>-</td> <td>382</td> <td>3\"/> <tr> <td>386</td> <td>ETR</td> <td>-</td> <td>WD.</td> <td>J2</td> <td>PTD.</td> <td>-</td> <td>382A</td> <td>3\"/> <tr> <td>387</td> <td>ETR</td> <td>-</td> <td>WD.</td> <td>J2</td> <td>PTD.</td> <td>-</td> <td>385</td> <td>3\"/> <tr> <td>388</td> <td>ETR</td> <td>-</td> <td>WD.</td> <td>J2</td> <td>PTD.</td> <td>-</td> <td>386</td> <td>3\"/> <tr> <td>389</td> <td>ETR</td> <td>-</td> <td>WD.</td> <td>J2</td> <td>PTD.</td> <td>-</td> <td>387</td> <td>3\"/> <tr> <td>391</td> <td>ETR</td> <td>-</td> <td>WD.</td> <td>J2</td> <td>PTD.</td> <td>-</td> <td>388</td> <td>3\"/> <tr> <td>391A</td> <td>ETR</td> <td>-</td> <td>WD.</td> <td>J2</td> <td>PTD.</td> <td>-</td> <td>389</td> <td>3\"/> <tr> <td>391B</td> <td>ETR</td> <td>-</td> <td>WD.</td> <td>J2</td> <td>PTD.</td> <td>-</td> <td>391</td> <td>3\"/> <tr> <td>394</td> <td>ETR</td> <td>-</td> <td>WD.</td> <td>J2</td> <td>PTD.</td> <td>-</td> <td>391A</td> <td>3\"/> <tr> <td>395</td> <td>ETR</td> <td>-</td> <td>WD.</td> <td>J2</td> <td>PTD.</td> <td>-</td> <td>391B</td> <td>3\"/> <tr> <td>396</td> <td>ETR</td> <td>-</td> <td>WD.</td> <td>J2</td> <td>PTD.</td> <td>-</td> <td>394</td> <td>3\"/> <tr> <td>398</td> <td>ETR</td> <td>-</td> <td>WD.</td> <td>J2</td> <td>PTD.</td> <td>-</td> <td>395</td> <td>3\"/> <tr> <td>399</td> <td>ETR</td> <td>-</td> <td>WD.</td> <td>J2</td> <td>PTD.</td> <td>-</td> <td>396</td> <td>3\"/> <tr> <td>3991</td> <td>ETR</td> <td>-</td> <td>WD.</td> <td>J2</td> <td>PTD.</td> <td>-</td> <td>398</td> <td>3\"/> <tr> <td>3992</td> <td>A</td> <td>3\"/> <tr> <td>3993</td> <td>ETR</td> <td>-</td> <td>WD.</td> <td>J2</td> <td>PTD.</td> <td>-</td> <td>399</td> <td>3\"/> <tr> <td>3994</td> <td>ETR</td> <td>-</td> <td>WD.</td> <td>J2</td> <td>PTD.</td> <td>-</td> <td>3991</td> <td>3\"/> <tr> <td>3995</td> <td>ETR</td> <td>-</td> <td>WD.</td> <td>J2</td> <td>PTD.</td> <td>-</td> <td>3992</td> <td>3\"/> <tr> <td>3997</td> <td>ETR</td> <td>-</td> <td>WD.</td> <td>J2</td> <td>PTD.</td> <td>-</td> <td>3993</td> <td>3\"/> <tr> <td>3998</td> <td>ETR</td> <td>-</td> <td>WD.</td> <td>J2</td> <td>PTD.</td> <td>-</td> <td>3994</td> <td>3\"/> <tr> <td>3999</td> <td>ETR</td> <td>-</td> <td>WD.</td> <td>J2</td> <td>PTD.</td> <td>-</td> <td>3995</td> <td>3\"/> <tr> <td>3999</td> <td>ETR</td> <td>-</td> <td>WD.</td> <td>J2</td> <td>PTD.</td> <td>-</td> <td>3997</td> <td>3\"/> </td></tr></td></tr></td></tr></td></tr></td></tr></td></tr></td></tr></td></tr></td></tr></td></tr></td></tr></td></tr></td></tr></td></tr></td></tr></td></tr></td></tr></td></tr></td></tr></td></tr></td></tr></td></tr></td></td></tr></td></tr></td></td></tr></td></td></tr></td></td></tr></td></td></tr> | 378 | B | 1 <td>WD</td> <td>J1</td> <td>PTD.</td> <td>-</td> <td>377</td> <td>3\"/> <tr> <td>379</td> <td>B</td> <td>1 <td>WD</td> <td>J1</td> <td>PTD.</td> <td>-</td> <td>377A</td> <td>3\"/> <tr> <td>380A</td> <td>B</td> <td>1 <td>WD</td> <td>J1</td> <td>PTD.</td> <td>-</td> <td>378</td> <td>3\"/> <tr> <td>380B</td> <td>B</td> <td>1 <td>WD</td> <td>J1</td> <td>PTD.</td> <td>-</td> <td>379</td> <td>3\"/> <tr> <td>382</td> <td>ETR</td> <td>-</td> <td>WD.</td> <td>J2</td> <td>PTD.</td> <td>-</td> <td>380A</td> <td>3\"/> <tr> <td>382A</td> <td>D</td> <td>6 <td>ALUM.</td> <td>ANODIZE D</td> <td>-</td> <td>-</td> <td>380B</td> <td>3\"/> <tr> <td>385</td> <td>ETR</td> <td>-</td> <td>WD.</td> <td>J2</td> <td>PTD.</td> <td>-</td> <td>382</td> <td>3\"/> <tr> <td>386</td> <td>ETR</td> <td>-</td> <td>WD.</td> <td>J2</td> <td>PTD.</td> <td>-</td> <td>382A</td> <td>3\"/> <tr> <td>387</td> <td>ETR</td> <td>-</td> <td>WD.</td> <td>J2</td> <td>PTD.</td> <td>-</td> <td>385</td> <td>3\"/> <tr> <td>388</td> <td>ETR</td> <td>-</td> <td>WD.</td> <td>J2</td> <td>PTD.</td> <td>-</td> <td>386</td> <td>3\"/> <tr> <td>389</td> <td>ETR</td> <td>-</td> <td>WD.</td> <td>J2</td> <td>PTD.</td> <td>-</td> <td>387</td> <td>3\"/> <tr> <td>391</td> <td>ETR</td> <td>-</td> <td>WD.</td> <td>J2</td> <td>PTD.</td> <td>-</td> <td>388</td> <td>3\"/> <tr> <td>391A</td> <td>ETR</td> <td>-</td> <td>WD.</td> <td>J2</td> <td>PTD.</td> <td>-</td> <td>389</td> <td>3\"/> <tr> <td>391B</td> <td>ETR</td> <td>-</td> <td>WD.</td> <td>J2</td> <td>PTD.</td> <td>-</td> <td>391</td> <td>3\"/> <tr> <td>394</td> <td>ETR</td> <td>-</td> <td>WD.</td> <td>J2</td> <td>PTD.</td> <td>-</td> <td>391A</td> <td>3\"/> <tr> <td>395</td> <td>ETR</td> <td>-</td> <td>WD.</td> <td>J2</td> <td>PTD.</td> <td>-</td> <td>391B</td> <td>3\"/> <tr> <td>396</td> <td>ETR</td> <td>-</td> <td>WD.</td> <td>J2</td> <td>PTD.</td> <td>-</td> <td>394</td> <td>3\"/> <tr> <td>398</td> <td>ETR</td> <td>-</td> <td>WD.</td> <td>J2</td> <td>PTD.</td> <td>-</td> <td>395</td> <td>3\"/> <tr> <td>399</td> <td>ETR</td> <td>-</td> <td>WD.</td> <td>J2</td> <td>PTD.</td> <td>-</td> <td>396</td> <td>3\"/> <tr> <td>3991</td> <td>ETR</td> <td>-</td> <td>WD.</td> <td>J2</td> <td>PTD.</td> <td>-</td> <td>398</td> <td>3\"/> <tr> <td>3992</td> <td>A</td> <td>3\"/> <tr> <td>3993</td> <td>ETR</td> <td>-</td> <td>WD.</td> <td>J2</td> <td>PTD.</td> <td>-</td> <td>399</td> <td>3\"/> <tr> <td>3994</td> <td>ETR</td> <td>-</td> <td>WD.</td> <td>J2</td> <td>PTD.</td> <td>-</td> <td>3991</td> <td>3\"/> <tr> <td>3995</td> <td>ETR</td> <td>-</td> <td>WD.</td> <td>J2</td> <td>PTD.</td> <td>-</td> <td>3992</td> <td>3\"/> <tr> <td>3997</td> <td>ETR</td> <td>-</td> <td>WD.</td> <td>J2</td> <td>PTD.</td> <td>-</td> <td>3993</td> <td>3\"/> <tr> <td>3998</td> <td>ETR</td> <td>-</td> <td>WD.</td> <td>J2</td> <td>PTD.</td> <td>-</td> <td>3994</td> <td>3\"/> <tr> <td>3999</td> <td>ETR</td> <td>-</td> <td>WD.</td> <td>J2</td> <td>PTD.</td> <td>-</td> <td>3995</td> <td>3\"/> <tr> <td>3999</td> <td>ETR</td> <td>-</td> <td>WD.</td> <td>J2</td> <td>PTD.</td> <td>-</td> <td>3997</td> <td>3\"/> </td></tr></td></tr></td></tr></td></tr></td></tr></td></tr></td></tr></td></tr></td></tr></td></tr></td></tr></td></tr></td></tr></td></tr></td></tr></td></tr></td></tr></td></tr></td></tr></td></tr></td></tr></td></tr></td></td></tr></td></tr></td></td></tr></td></td></tr></td></td></tr></td> | WD | J1 | PTD. | - | 377 | 3\"/> <tr> <td>379</td> <td>B</td> <td>1 <td>WD</td> <td>J1</td> <td>PTD.</td> <td>-</td> <td>377A</td> <td>3\"/> <tr> <td>380A</td> <td>B</td> <td>1 <td>WD</td> <td>J1</td> <td>PTD.</td> <td>-</td> <td>378</td> <td>3\"/> <tr> <td>380B</td> <td>B</td> <td>1 <td>WD</td> <td>J1</td> <td>PTD.</td> <td>-</td> <td>379</td> <td>3\"/> <tr> <td>382</td> <td>ETR</td> <td>-</td> <td>WD.</td> <td>J2</td> <td>PTD.</td> <td>-</td> <td>380A</td> <td>3\"/> <tr> <td>382A</td> <td>D</td> <td>6 <td>ALUM.</td> <td>ANODIZE D</td> <td>-</td> <td>-</td> <td>380B</td> <td>3\"/> <tr> <td>385</td> <td>ETR</td> <td>-</td> <td>WD.</td> <td>J2</td> <td>PTD.</td> <td>-</td> <td>382</td> <td>3\"/> <tr> <td>386</td> <td>ETR</td> <td>-</td> <td>WD.</td> <td>J2</td> <td>PTD.</td> <td>-</td> <td>382A</td> <td>3\"/> <tr> <td>387</td> <td>ETR</td> <td>-</td> <td>WD.</td> <td>J2</td> <td>PTD.</td> <td>-</td> <td>385</td> <td>3\"/> <tr> <td>388</td> <td>ETR</td> <td>-</td> <td>WD.</td> <td>J2</td>
<td>PTD.</td> <td>-</td> <td>386</td> <td>3\"/> <tr> <td>389</td> <td>ETR</td> <td>-</td> <td>WD.</td> <td>J2</td> <td>PTD.</td> <td>-</td> <td>387</td> <td>3\"/> <tr> <td>391</td> <td>ETR</td> <td>-</td> <td>WD.</td> <td>J2</td> <td>PTD.</td> <td>-</td> <td>388</td> <td>3\"/> <tr> <td>391A</td> <td>ETR</td> <td>-</td> <td>WD.</td> <td>J2</td> <td>PTD.</td> <td>-</td> <td>389</td> <td>3\"/> <tr> <td>391B</td> <td>ETR</td> <td>-</td> <td>WD.</td> <td>J2</td> <td>PTD.</td> <td>-</td> <td>391</td> <td>3\"/> <tr> <td>394</td> <td>ETR</td> <td>-</td> <td>WD.</td> <td>J2</td> <td>PTD.</td> <td>-</td> <td>391A</td> <td>3\"/> <tr> <td>395</td> <td>ETR</td> <td>-</td> <td>WD.</td> <td>J2</td> <td>PTD.</td> <td>-</td> <td>391B</td> <td>3\"/> <tr> <td>396</td> <td>ETR</td> <td>-</td> <td>WD.</td> <td>J2</td> <td>PTD.</td> <td>-</td> <td>394</td> <td>3\"/> <tr> <td>398</td> <td>ETR</td> <td>-</td> <td>WD.</td> <td>J2</td> <td>PTD.</td> <td>-</td> <td>395</td> <td>3\"/> <tr> <td>399</td> <td>ETR</td> <td>-</td> <td>WD.</td> <td>J2</td> <td>PTD.</td> <td>-</td> <td>396</td> <td>3\"/> <tr> <td>3991</td> <td>ETR</td> <td>-</td> <td>WD.</td> <td>J2</td> <td>PTD.</td> <td>-</td> <td>398</td> <td>3\"/> <tr> <td>3992</td> <td>A</td> <td>3\"/> <tr> <td>3993</td> <td>ETR</td> <td>-</td> <td>WD.</td> <td>J2</td> <td>PTD.</td> <td>-</td> <td>399</td> <td>3\"/> <tr> <td>3994</td> <td>ETR</td> <td>-</td> <td>WD.</td> <td>J2</td> <td>PTD.</td> <td>-</td> <td>3991</td> <td>3\"/> <tr> <td>3995</td> <td>ETR</td> <td>-</td> <td>WD.</td> <td>J2</td> <td>PTD.</td> <td>-</td> <td>3992</td> <td>3\"/> <tr> <td>3997</td> <td>ETR</td> <td>-</td> <td>WD.</td> <td>J2</td> <td>PTD.</td> <td>-</td> <td>3993</td> <td>3\"/> <tr> <td>3998</td> <td>ETR</td> <td>-</td> <td>WD.</td> <td>J2</td> <td>PTD.</td> <td>-</td> <td>3994</td> <td>3\"/> <tr> <td>3999</td> <td>ETR</td> <td>-</td> <td>WD.</td> <td>J2</td> <td>PTD.</td> <td>-</td> <td>3995</td> <td>3\"/> <tr> <td>3999</td> <td>ETR</td> <td>-</td> <td>WD.</td> <td>J2</td> <td>PTD.</td> <td>-</td> <td>3997</td> <td>3\"/> </td></tr></td></tr></td></tr></td></tr></td></tr></td></tr></td></tr></td></tr></td></tr></td></tr></td></tr></td></tr></td></tr></td></tr></td></tr></td></tr></td></tr></td></tr></td></tr></td></tr></td></tr></td></tr></td></td></tr></td></tr></td></td></tr></td></td></tr></td></td></tr> | 379 | B | 1 <td>WD</td> <td>J1</td> <td>PTD.</td> <td>-</td> <td>377A</td> <td>3\"/> <tr> <td>380A</td> <td>B</td> <td>1 <td>WD</td> <td>J1</td> <td>PTD.</td> <td>-</td> <td>378</td> <td>3\"/> <tr> <td>380B</td> <td>B</td> <td>1 <td>WD</td> <td>J1</td> <td>PTD.</td> <td>-</td> <td>379</td> <td>3\"/> <tr> <td>382</td> <td>ETR</td> <td>-</td> <td>WD.</td> <td>J2</td> <td>PTD.</td> <td>-</td> <td>380A</td> <td>3\"/> <tr> <td>382A</td> <td>D</td> <td>6 <td>ALUM.</td> <td>ANODIZE D</td> <td>-</td> <td>-</td> <td>380B</td> <td>3\"/> <tr> <td>385</td> <td>ETR</td> <td>-</td> <td>WD.</td> <td>J2</td> <td>PTD.</td> <td>-</td> <td>382</td> <td>3\"/> <tr> <td>386</td> <td>ETR</td> <td>-</td> <td>WD.</td> <td>J2</td> <td>PTD.</td> <td>-</td> <td>382A</td> <td>3\"/> <tr> <td>387</td> <td>ETR</td> <td>-</td> <td>WD.</td> <td>J2</td> <td>PTD.</td> <td>-</td> <td>385</td> <td>3\"/> <tr> <td>388</td> <td>ETR</td> <td>-</td> <td>WD.</td> <td>J2</td> <td>PTD.</td> <td>-</td> <td>386</td> <td>3\"/> <tr> <td>389</td> <td>ETR</td> <td>-</td> <td>WD.</td> <td>J2</td> <td>PTD.</td> <td>-</td> <td>387</td> <td>3\"/> <tr> <td>391</td> <td>ETR</td> <td>-</td> <td>WD.</td> <td>J2</td> <td>PTD.</td> <td>-</td> <td>388</td> <td>3\"/> <tr> <td>391A</td> <td>ETR</td> <td>-</td> <td>WD.</td> <td>J2</td> <td>PTD.</td> <td>-</td> <td>389</td> <td>3\"/> <tr> <td>391B</td> <td>ETR</td> <td>-</td> <td>WD.</td> <td>J2</td> <td>PTD.</td> <td>-</td> <td>391</td> <td>3\"/> <tr> <td>394</td> <td>ETR</td> <td>-</td> <td>WD.</td> <td>J2</td> <td>PTD.</td> <td>-</td> <td>391A</td> <td>3\"/> <tr> <td>395</td> <td>ETR</td> <td>-</td> <td>WD.</td> <td>J2</td> <td>PTD.</td> <td>-</td> <td>391B</td> <td>3\"/> <tr> <td>396</td> <td>ETR</td> <td>-</td> <td>WD.</td> <td>J2</td> <td>PTD.</td> <td>-</td> <td>394</td> <td>3\"/> <tr> <td>398</td> <td>ETR</td> <td>-</td> <td>WD.</td> <td>J2</td> <td>PTD.</td> <td>-</td> <td>395</td> <td>3\"/> <tr> <td>399</td> <td>ETR</td> <td>-</td> <td>WD.</td> <td>J2</td> <td>PTD.</td> <td>-</td> <td>396</td> <td>3\"/> <tr> <td>3991</td> <td>ETR</td> <td>-</td> <td>WD.</td> <td>J2</td> <td>PTD.</td> <td>-</td> <td>398</td> <td>3\"/> <tr> <td>3992</td> <td>A</td> <td>3\"/> <tr> <td>3993</td> <td>ETR</td> <td>-</td> <td>WD.</td> <td>J2</td> <td>PTD.</td> <td>-</td> <td>399</td> <td>3\"/> <tr> <td>3994</td> <td>ETR</td> <td>-</td> <td>WD.</td> <td>J2</td> <td>PTD.</td> <td>-</td> <td>3991</td> <td>3\"/> <tr> <td>3995</td> <td>ETR</td> <td>-</td> <td>WD.</td> <td>J2</td> <td>PTD.</td> <td>-</td> <td>3992</td> <td>3\"/> <tr> <td>3997</td> <td>ETR</td> <td>-</td> <td>WD.</td> <td>J2</td> <td>PTD.</td> <td>-</td> <td>3993</td> <td>3\"/> <tr> <td>3998</td> <td>ETR</td> <td>-</td> <td>WD.</td> <td>J2</td> <td>PTD.</td> <td>-</td> <td>3994</td> <td>3\"/> <tr> <td>3999</td> <td>ETR</td> <td>-</td> <td>WD.</td> <td>J2</td> <td>PTD.</td> <td>-</td> <td>3995</td> <td>3\"/> <tr> <td>3999</td> <td>ETR</td> <td>-</td> <td>WD.</td> <td>J2</td> <td>PTD.</td> <td>-</td> <td>3997</td> <td>3\"/> </td></tr></td></tr></td></tr></td></tr></td></tr></td></tr></td></tr></td></tr></td></tr></td></tr></td></tr></td></tr></td></tr></td></tr></td></tr></td></tr></td></tr></td></tr></td></tr></td></tr></td></tr></td></tr></td></td></tr></td></tr></td></td></tr></td></td></tr></td> | WD | J1 | PTD.
 | - | 377A | 3\"/> <tr> <td>380A</td> <td>B</td> <td>1 <td>WD</td> <td>J1</td> <td>PTD.</td> <td>-</td> <td>378</td> <td>3\"/> <tr> <td>380B</td> <td>B</td> <td>1 <td>WD</td> <td>J1</td> <td>PTD.</td> <td>-</td> <td>379</td> <td>3\"/> <tr> <td>382</td> <td>ETR</td> <td>-</td> <td>WD.</td> <td>J2</td> <td>PTD.</td> <td>-</td> <td>380A</td> <td>3\"/> <tr> <td>382A</td> <td>D</td> <td>6 <td>ALUM.</td> <td>ANODIZE D</td> <td>-</td> <td>-</td> <td>380B</td> <td>3\"/> <tr> <td>385</td> <td>ETR</td> <td>-</td> <td>WD.</td> <td>J2</td> <td>PTD.</td> <td>-</td> <td>382</td> <td>3\"/> <tr> <td>386</td> <td>ETR</td> <td>-</td> <td>WD.</td> <td>J2</td> <td>PTD.</td> <td>-</td> <td>382A</td> <td>3\"/> <tr> <td>387</td> <td>ETR</td> <td>-</td> <td>WD.</td> <td>J2</td> <td>PTD.</td> <td>-</td> <td>385</td> <td>3\"/> <tr> <td>388</td> <td>ETR</td> <td>-</td> <td>WD.</td> <td>J2</td> <td>PTD.</td> <td>-</td> <td>386</td> <td>3\"/> <tr> <td>389</td> <td>ETR</td> <td>-</td> <td>WD.</td> <td>J2</td> <td>PTD.</td> <td>-</td> <td>387</td> <td>3\"/> <tr> <td>391</td> <td>ETR</td> <td>-</td> <td>WD.</td> <td>J2</td> <td>PTD.</td> <td>-</td> <td>388</td> <td>3\"/> <tr> <td>391A</td> <td>ETR</td> <td>-</td> <td>WD.</td> <td>J2</td> <td>PTD.</td> <td>-</td> <td>389</td> <td>3\"/> <tr> <td>391B</td> <td>ETR</td> <td>-</td> <td>WD.</td> <td>J2</td> <td>PTD.</td> <td>-</td> <td>391</td> <td>3\"/> <tr> <td>394</td> <td>ETR</td> <td>-</td> <td>WD.</td> <td>J2</td> <td>PTD.</td> <td>-</td> <td>391A</td> <td>3\"/> <tr> <td>395</td> <td>ETR</td> <td>-</td> <td>WD.</td> <td>J2</td> <td>PTD.</td> <td>-</td> <td>391B</td> <td>3\"/> <tr> <td>396</td> <td>ETR</td> <td>-</td> <td>WD.</td> <td>J2</td> <td>PTD.</td> <td>-</td> <td>394</td> <td>3\"/> <tr> <td>398</td> <td>ETR</td> <td>-</td> <td>WD.</td> <td>J2</td> <td>PTD.</td> <td>-</td> <td>395</td> <td>3\"/> <tr> <td>399</td> <td>ETR</td> <td>-</td> <td>WD.</td> <td>J2</td> <td>PTD.</td> <td>-</td> <td>396</td> <td>3\"/> <tr> <td>3991</td> <td>ETR</td> <td>-</td> <td>WD.</td> <td>J2</td> <td>PTD.</td> <td>-</td> <td>398</td> <td>3\"/> <tr> <td>3992</td> <td>A</td> <td>3\"/> <tr> <td>3993</td> <td>ETR</td> <td>-</td> <td>WD.</td> <td>J2</td> <td>PTD.</td> <td>-</td> <td>399</td> <td>3\"/> <tr> <td>3994</td> <td>ETR</td> <td>-</td> <td>WD.</td> <td>J2</td> <td>PTD.</td> <td>-</td> <td>3991</td> <td>3\"/> <tr> <td>3995</td> <td>ETR</td> <td>-</td> <td>WD.</td> <td>J2</td> <td>PTD.</td> <td>-</td> <td>3992</td> <td>3\"/> <tr> <td>3997</td> <td>ETR</td> <td>-</td> <td>WD.</td> <td>J2</td> <td>PTD.</td> <td>-</td> <td>3993</td> <td>3\"/> <tr> <td>3998</td> <td>ETR</td> <td>-</td> <td>WD.</td> <td>J2</td> <td>PTD.</td> <td>-</td> <td>3994</td> <td>3\"/> <tr> <td>3999</td> <td>ETR</td> <td>-</td> <td>WD.</td> <td>J2</td> <td>PTD.</td> <td>-</td> <td>3995</td> <td>3\"/> <tr> <td>3999</td> <td>ETR</td> <td>-</td> <td>WD.</td> <td>J2</td> <td>PTD.</td> <td>-</td> <td>3997</td> <td>3\"/> </td></tr></td></tr></td></tr></td></tr></td></tr></td></tr></td></tr></td></tr></td></tr></td></tr></td></tr></td></tr></td></tr></td></tr></td></tr></td></tr></td></tr></td></tr></td></tr></td></tr></td></tr></td></tr></td></td></tr></td></tr></td></td></tr></td></td></tr> | 380A | B | 1 <td>WD</td> <td>J1</td> <td>PTD.</td> <td>-</td> <td>378</td> <td>3\"/> <tr> <td>380B</td> <td>B</td> <td>1 <td>WD</td> <td>J1</td> <td>PTD.</td> <td>-</td> <td>379</td> <td>3\"/> <tr> <td>382</td> <td>ETR</td> <td>-</td> <td>WD.</td> <td>J2</td> <td>PTD.</td> <td>-</td> <td>380A</td> <td>3\"/> <tr> <td>382A</td> <td>D</td> <td>6 <td>ALUM.</td> <td>ANODIZE D</td> <td>-</td> <td>-</td> <td>380B</td> <td>3\"/> <tr> <td>385</td> <td>ETR</td> <td>-</td> <td>WD.</td> <td>J2</td> <td>PTD.</td> <td>-</td> <td>382</td> <td>3\"/> <tr> <td>386</td> <td>ETR</td> <td>-</td> <td>WD.</td> <td>J2</td> <td>PTD.</td> <td>-</td> <td>382A</td> <td>3\"/> <tr> <td>387</td> <td>ETR</td> <td>-</td> <td>WD.</td> <td>J2</td> <td>PTD.</td> <td>-</td> <td>385</td> <td>3\"/> <tr> <td>388</td> <td>ETR</td> <td>-</td> <td>WD.</td> <td>J2</td> <td>PTD.</td> <td>-</td> <td>386</td> <td>3\"/> <tr> <td>389</td> <td>ETR</td> <td>-</td> <td>WD.</td> <td>J2</td> <td>PTD.</td> <td>-</td> <td>387</td> <td>3\"/> <tr> <td>391</td> <td>ETR</td> <td>-</td> <td>WD.</td> <td>J2</td> <td>PTD.</td> <td>-</td> <td>388</td> <td>3\"/> <tr> <td>391A</td> <td>ETR</td> <td>-</td> <td>WD.</td> <td>J2</td> <td>PTD.</td> <td>-</td> <td>389</td> <td>3\"/> <tr> <td>391B</td> <td>ETR</td> <td>-</td> <td>WD.</td> <td>J2</td> <td>PTD.</td> <td>-</td> <td>391</td> <td>3\"/> <tr> <td>394</td> <td>ETR</td> <td>-</td> <td>WD.</td> <td>J2</td> <td>PTD.</td> <td>-</td> <td>391A</td> <td>3\"/> <tr> <td>395</td> <td>ETR</td> <td>-</td> <td>WD.</td> <td>J2</td> <td>PTD.</td> <td>-</td> <td>391B</td> <td>3\"/> <tr> <td>396</td> <td>ETR</td> <td>-</td> <td>WD.</td> <td>J2</td> <td>PTD.</td> <td>-</td> <td>394</td> <td>3\"/> <tr> <td>398</td> <td>ETR</td> <td>-</td> <td>WD.</td> <td>J2</td> <td>PTD.</td> <td>-</td> <td>395</td> <td>3\"/> <tr> <td>399</td> <td>ETR</td> <td>-</td> <td>WD.</td> <td>J2</td> <td>PTD.</td> <td>-</td> <td>396</td> <td>3\"/> <tr> <td>3991</td> <td>ETR</td> <td>-</td> <td>WD.</td> <td>J2</td> <td>PTD.</td> <td>-</td> <td>398</td> <td>3\"/> <tr> <td>3992</td> <td>A</td> <td>3\"/> <tr> <td>3993</td> <td>ETR</td> <td>-</td> <td>WD.</td> <td>J2</td> <td>PTD.</td> <td>-</td> <td>399</td> <td>3\"/> <tr> <td>3994</td> <td>ETR</td> <td>-</td> <td>WD.</td> <td>J2</td> <td>PTD.</td> <td>-</td> <td>3991</td> <td>3\"/> <tr> <td>3995</td> <td>ETR</td> <td>-</td> <td>WD.</td> <td>J2</td> <td>PTD.</td> <td>-</td> <td>3992</td> <td>3\"/> <tr> <td>3997</td> <td>ETR</td> <td>-</td> <td>WD.</td> <td>J2</td> <td>PTD.</td> <td>-</td> <td>3993</td> <td>3\"/> <tr> <td>3998</td> <td>ETR</td> <td>-</td> <td>WD.</td> <td>J2</td> <td>PTD.</td> <td>-</td> <td>3994</td> <td>3\"/> <tr> <td>3999</td> <td>ETR</td> <td>-</td> <td>WD.</td> <td>J2</td> <td>PTD.</td> <td>-</td> <td>3995</td> <td>3\"/> <tr> <td>3999</td> <td>ETR</td> <td>-</td> <td>WD.</td> <td>J2</td> <td>PTD.</td> <td>-</td> <td>3997</td> <td>3\"/> </td></tr></td></tr></td></tr></td></tr></td></tr></td></tr></td></tr></td></tr></td></tr></td></tr></td></tr></td></tr></td></tr></td></tr></td></tr></td></tr></td></tr></td></tr></td></tr></td></tr></td></tr></td></tr></td></td></tr></td></tr></td></td></tr></td> | WD | J1 | PTD.
 | - | 378 | 3\"/> <tr> <td>380B</td> <td>B</td> <td>1 <td>WD</td> <td>J1</td> <td>PTD.</td> <td>-</td> <td>379</td> <td>3\"/> <tr> <td>382</td> <td>ETR</td> <td>-</td> <td>WD.</td> <td>J2</td> <td>PTD.</td> <td>-</td> <td>380A</td> <td>3\"/> <tr> <td>382A</td> <td>D</td> <td>6 <td>ALUM.</td> <td>ANODIZE D</td> <td>-</td> <td>-</td> <td>380B</td> <td>3\"/> <tr> <td>385</td> <td>ETR</td> <td>-</td> <td>WD.</td> <td>J2</td> <td>PTD.</td> <td>-</td> <td>382</td> <td>3\"/> <tr> <td>386</td> <td>ETR</td> <td>-</td> <td>WD.</td> <td>J2</td> <td>PTD.</td> <td>-</td> <td>382A</td> <td>3\"/> <tr> <td>387</td> <td>ETR</td> <td>-</td> <td>WD.</td> <td>J2</td> <td>PTD.</td> <td>-</td> <td>385</td> <td>3\"/> <tr> <td>388</td> <td>ETR</td> <td>-</td> <td>WD.</td> <td>J2</td> <td>PTD.</td> <td>-</td> <td>386</td> <td>3\"/> <tr> <td>389</td> <td>ETR</td> <td>-</td> <td>WD.</td> <td>J2</td> <td>PTD.</td> <td>-</td> <td>387</td> <td>3\"/> <tr> <td>391</td> <td>ETR</td> <td>-</td> <td>WD.</td> <td>J2</td> <td>PTD.</td> <td>-</td> <td>388</td> <td>3\"/> <tr> <td>391A</td> <td>ETR</td> <td>-</td> <td>WD.</td> <td>J2</td> <td>PTD.</td> <td>-</td> <td>389</td> <td>3\"/> <tr> <td>391B</td> <td>ETR</td> <td>-</td> <td>WD.</td> <td>J2</td> <td>PTD.</td> <td>-</td> <td>391</td> <td>3\"/> <tr> <td>394</td> <td>ETR</td> <td>-</td> <td>WD.</td> <td>J2</td> <td>PTD.</td> <td>-</td> <td>391A</td> <td>3\"/> <tr> <td>395</td> <td>ETR</td> <td>-</td> <td>WD.</td> <td>J2</td> <td>PTD.</td> <td>-</td> <td>391B</td> <td>3\"/> <tr> <td>396</td> <td>ETR</td> <td>-</td> <td>WD.</td> <td>J2</td> <td>PTD.</td> <td>-</td> <td>394</td> <td>3\"/> <tr> <td>398</td> <td>ETR</td> <td>-</td> <td>WD.</td> <td>J2</td> <td>PTD.</td> <td>-</td> <td>395</td> <td>3\"/> <tr> <td>399</td> <td>ETR</td> <td>-</td> <td>WD.</td> <td>J2</td> <td>PTD.</td> <td>-</td> <td>396</td> <td>3\"/> <tr> <td>3991</td> <td>ETR</td> <td>-</td> <td>WD.</td> <td>J2</td> <td>PTD.</td> <td>-</td> <td>398</td> <td>3\"/> <tr> <td>3992</td> <td>A</td> <td>3\"/> <tr> <td>3993</td> <td>ETR</td> <td>-</td> <td>WD.</td> <td>J2</td> <td>PTD.</td> <td>-</td> <td>399</td> <td>3\"/> <tr> <td>3994</td> <td>ETR</td> <td>-</td> <td>WD.</td> <td>J2</td> <td>PTD.</td> <td>-</td> <td>3991</td> <td>3\"/> <tr> <td>3995</td> <td>ETR</td> <td>-</td> <td>WD.</td> <td>J2</td> <td>PTD.</td> <td>-</td> <td>3992</td> <td>3\"/> <tr> <td>3997</td> <td>ETR</td> <td>-</td> <td>WD.</td> <td>J2</td> <td>PTD.</td> <td>-</td> <td>3993</td> <td>3\"/> <tr> <td>3998</td> <td>ETR</td> <td>-</td> <td>WD.</td> <td>J2</td> <td>PTD.</td> <td>-</td> <td>3994</td> <td>3\"/> <tr> <td>3999</td> <td>ETR</td> <td>-</td> <td>WD.</td> <td>J2</td> <td>PTD.</td> <td>-</td> <td>3995</td> <td>3\"/> <tr> <td>3999</td> <td>ETR</td> <td>-</td> <td>WD.</td> <td>J2</td> <td>PTD.</td> <td>-</td> <td>3997</td> <td>3\"/> </td></tr></td></tr></td></tr></td></tr></td></tr></td></tr></td></tr></td></tr></td></tr></td></tr></td></tr></td></tr></td></tr></td></tr></td></tr></td></tr></td></tr></td></tr></td></tr></td></tr></td></tr></td></tr></td></td></tr></td></tr></td></td></tr> | 380B | B | 1 <td>WD</td> <td>J1</td> <td>PTD.</td> <td>-</td> <td>379</td> <td>3\"/> <tr> <td>382</td> <td>ETR</td> <td>-</td> <td>WD.</td> <td>J2</td> <td>PTD.</td> <td>-</td> <td>380A</td> <td>3\"/> <tr> <td>382A</td> <td>D</td> <td>6 <td>ALUM.</td> <td>ANODIZE D</td> <td>-</td> <td>-</td> <td>380B</td> <td>3\"/> <tr> <td>385</td> <td>ETR</td> <td>-</td> <td>WD.</td> <td>J2</td> <td>PTD.</td> <td>-</td> <td>382</td> <td>3\"/> <tr> <td>386</td> <td>ETR</td> <td>-</td> <td>WD.</td> <td>J2</td> <td>PTD.</td> <td>-</td> <td>382A</td> <td>3\"/> <tr> <td>387</td> <td>ETR</td> <td>-</td> <td>WD.</td> <td>J2</td> <td>PTD.</td> <td>-</td> <td>385</td> <td>3\"/> <tr> <td>388</td> <td>ETR</td> <td>-</td> <td>WD.</td> <td>J2</td> <td>PTD.</td> <td>-</td> <td>386</td> <td>3\"/> <tr> <td>389</td> <td>ETR</td> <td>-</td> <td>WD.</td> <td>J2</td> <td>PTD.</td> <td>-</td> <td>387</td> <td>3\"/> <tr> <td>391</td> <td>ETR</td> <td>-</td> <td>WD.</td> <td>J2</td> <td>PTD.</td> <td>-</td> <td>388</td> <td>3\"/> <tr> <td>391A</td> <td>ETR</td> <td>-</td> <td>WD.</td> <td>J2</td> <td>PTD.</td> <td>-</td> <td>389</td> <td>3\"/> <tr> <td>391B</td> <td>ETR</td> <td>-</td> <td>WD.</td> <td>J2</td> <td>PTD.</td> <td>-</td> <td>391</td> <td>3\"/> <tr> <td>394</td> <td>ETR</td> <td>-</td> <td>WD.</td> <td>J2</td> <td>PTD.</td> <td>-</td> <td>391A</td> <td>3\"/> <tr> <td>395</td> <td>ETR</td> <td>-</td> <td>WD.</td> <td>J2</td> <td>PTD.</td> <td>-</td> <td>391B</td> <td>3\"/> <tr> <td>396</td> <td>ETR</td> <td>-</td> <td>WD.</td> <td>J2</td> <td>PTD.</td> <td>-</td> <td>394</td> <td>3\"/> <tr> <td>398</td> <td>ETR</td> <td>-</td> <td>WD.</td> <td>J2</td> <td>PTD.</td> <td>-</td> <td>395</td> <td>3\"/> <tr> <td>399</td> <td>ETR</td> <td>-</td> <td>WD.</td> <td>J2</td> <td>PTD.</td> <td>-</td> <td>396</td> <td>3\"/> <tr> <td>3991</td> <td>ETR</td> <td>-</td> <td>WD.</td> <td>J2</td> <td>PTD.</td> <td>-</td> <td>398</td> <td>3\"/> <tr> <td>3992</td> <td>A</td> <td>3\"/> <tr> <td>3993</td> <td>ETR</td> <td>-</td> <td>WD.</td> <td>J2</td> <td>PTD.</td> <td>-</td> <td>399</td> <td>3\"/> <tr> <td>3994</td> <td>ETR</td> <td>-</td> <td>WD.</td> <td>J2</td> <td>PTD.</td> <td>-</td> <td>3991</td> <td>3\"/> <tr> <td>3995</td> <td>ETR</td> <td>-</td> <td>WD.</td> <td>J2</td> <td>PTD.</td> <td>-</td> <td>3992</td> <td>3\"/> <tr> <td>3997</td> <td>ETR</td> <td>-</td> <td>WD.</td> <td>J2</td> <td>PTD.</td> <td>-</td> <td>3993</td> <td>3\"/> <tr> <td>3998</td> <td>ETR</td> <td>-</td> <td>WD.</td> <td>J2</td> <td>PTD.</td> <td>-</td> <td>3994</td> <td>3\"/> <tr> <td>3999</td> <td>ETR</td> <td>-</td> <td>WD.</td> <td>J2</td> <td>PTD.</td> <td>-</td> <td>3995</td> <td>3\"/> <tr> <td>3999</td> <td>ETR</td> <td>-</td> <td>WD.</td> <td>J2</td> <td>PTD.</td> <td>-</td> <td>3997</td> <td>3\"/> </td></tr></td></tr></td></tr></td></tr></td></tr></td></tr></td></tr></td></tr></td></tr></td></tr></td></tr></td></tr></td></tr></td></tr></td></tr></td></tr></td></tr></td></tr></td></tr></td></tr></td></tr></td></tr></td></td></tr></td></tr></td>
 | WD | J1 | PTD. | - | 379 | 3\"/> <tr> <td>382</td> <td>ETR</td> <td>-</td> <td>WD.</td> <td>J2</td> <td>PTD.</td> <td>-</td> <td>380A</td> <td>3\"/> <tr> <td>382A</td> <td>D</td> <td>6 <td>ALUM.</td> <td>ANODIZE D</td> <td>-</td> <td>-</td> <td>380B</td> <td>3\"/> <tr> <td>385</td> <td>ETR</td> <td>-</td> <td>WD.</td> <td>J2</td> <td>PTD.</td> <td>-</td> <td>382</td> <td>3\"/> <tr> <td>386</td> <td>ETR</td> <td>-</td> <td>WD.</td> <td>J2</td> <td>PTD.</td> <td>-</td> <td>382A</td> <td>3\"/> <tr> <td>387</td> <td>ETR</td> <td>-</td> <td>WD.</td> <td>J2</td> <td>PTD.</td> <td>-</td> <td>385</td> <td>3\"/> <tr> <td>388</td> <td>ETR</td> <td>-</td> <td>WD.</td> <td>J2</td> <td>PTD.</td> <td>-</td> <td>386</td> <td>3\"/> <tr> <td>389</td> <td>ETR</td> <td>-</td> <td>WD.</td> <td>J2</td> <td>PTD.</td> <td>-</td> <td>387</td> <td>3\"/> <tr> <td>391</td> <td>ETR</td> <td>-</td> <td>WD.</td> <td>J2</td> <td>PTD.</td> <td>-</td> <td>388</td> <td>3\"/> <tr> <td>391A</td> <td>ETR</td> <td>-</td> <td>WD.</td> <td>J2</td> <td>PTD.</td> <td>-</td> <td>389</td> <td>3\"/> <tr> <td>391B</td> <td>ETR</td> <td>-</td> <td>WD.</td> <td>J2</td> <td>PTD.</td> <td>-</td> <td>391</td> <td>3\"/> <tr> <td>394</td> <td>ETR</td> <td>-</td> <td>WD.</td> <td>J2</td> <td>PTD.</td> <td>-</td> <td>391A</td> <td>3\"/> <tr> <td>395</td> <td>ETR</td> <td>-</td> <td>WD.</td> <td>J2</td> <td>PTD.</td> <td>-</td> <td>391B</td> <td>3\"/> <tr> <td>396</td> <td>ETR</td> <td>-</td> <td>WD.</td> <td>J2</td> <td>PTD.</td> <td>-</td> <td>394</td> <td>3\"/> <tr> <td>398</td> <td>ETR</td> <td>-</td> <td>WD.</td> <td>J2</td> <td>PTD.</td> <td>-</td> <td>395</td> <td>3\"/> <tr> <td>399</td> <td>ETR</td> <td>-</td> <td>WD.</td> <td>J2</td> <td>PTD.</td> <td>-</td> <td>396</td> <td>3\"/> <tr> <td>3991</td> <td>ETR</td> <td>-</td> <td>WD.</td> <td>J2</td> <td>PTD.</td> <td>-</td> <td>398</td> <td>3\"/> <tr> <td>3992</td> <td>A</td> <td>3\"/> <tr> <td>3993</td> <td>ETR</td> <td>-</td> <td>WD.</td> <td>J2</td> <td>PTD.</td> <td>-</td> <td>399</td> <td>3\"/> <tr> <td>3994</td> <td>ETR</td> <td>-</td> <td>WD.</td> <td>J2</td> <td>PTD.</td> <td>-</td> <td>3991</td> <td>3\"/> <tr> <td>3995</td> <td>ETR</td> <td>-</td> <td>WD.</td> <td>J2</td> <td>PTD.</td> <td>-</td> <td>3992</td> <td>3\"/> <tr> <td>3997</td> <td>ETR</td> <td>-</td> <td>WD.</td> <td>J2</td> <td>PTD.</td> <td>-</td> <td>3993</td> <td>3\"/> <tr> <td>3998</td> <td>ETR</td> <td>-</td> <td>WD.</td> <td>J2</td> <td>PTD.</td> <td>-</td> <td>3994</td> <td>3\"/> <tr> <td>3999</td> <td>ETR</td> <td>-</td> <td>WD.</td> <td>J2</td> <td>PTD.</td> <td>-</td> <td>3995</td> <td>3\"/> <tr> <td>3999</td> <td>ETR</td> <td>-</td> <td>WD.</td> <td>J2</td> <td>PTD.</td> <td>-</td> <td>3997</td> <td>3\"/> </td></tr></td></tr></td></tr></td></tr></td></tr></td></tr></td></tr></td></tr></td></tr></td></tr></td></tr></td></tr></td></tr></td></tr></td></tr></td></tr></td></tr></td></tr></td></tr></td></tr></td></tr></td></tr></td></td></tr></td></tr> | 382 | ETR | -
 | WD. | J2 | PTD. | - | 380A | 3\"/> <tr> <td>382A</td> <td>D</td> <td>6 <td>ALUM.</td> <td>ANODIZE D</td> <td>-</td> <td>-</td> <td>380B</td> <td>3\"/> <tr> <td>385</td> <td>ETR</td> <td>-</td> <td>WD.</td> <td>J2</td> <td>PTD.</td> <td>-</td> <td>382</td> <td>3\"/> <tr> <td>386</td> <td>ETR</td> <td>-</td> <td>WD.</td> <td>J2</td> <td>PTD.</td> <td>-</td> <td>382A</td> <td>3\"/> <tr> <td>387</td> <td>ETR</td> <td>-</td> <td>WD.</td> <td>J2</td> <td>PTD.</td> <td>-</td> <td>385</td> <td>3\"/> <tr> <td>388</td> <td>ETR</td> <td>-</td> <td>WD.</td> <td>J2</td> <td>PTD.</td> <td>-</td> <td>386</td> <td>3\"/> <tr> <td>389</td> <td>ETR</td> <td>-</td> <td>WD.</td> <td>J2</td> <td>PTD.</td> <td>-</td> <td>387</td> <td>3\"/> <tr> <td>391</td> <td>ETR</td> <td>-</td> <td>WD.</td> <td>J2</td> <td>PTD.</td> <td>-</td> <td>388</td> <td>3\"/> <tr> <td>391A</td> <td>ETR</td> <td>-</td> <td>WD.</td> <td>J2</td> <td>PTD.</td> <td>-</td> <td>389</td> <td>3\"/> <tr> <td>391B</td> <td>ETR</td> <td>-</td> <td>WD.</td> <td>J2</td> <td>PTD.</td> <td>-</td> <td>391</td> <td>3\"/> <tr> <td>394</td> <td>ETR</td> <td>-</td> <td>WD.</td> <td>J2</td> <td>PTD.</td> <td>-</td> <td>391A</td> <td>3\"/> <tr> <td>395</td> <td>ETR</td> <td>-</td> <td>WD.</td> <td>J2</td> <td>PTD.</td> <td>-</td> <td>391B</td> <td>3\"/> <tr> <td>396</td> <td>ETR</td> <td>-</td> <td>WD.</td> <td>J2</td> <td>PTD.</td> <td>-</td> <td>394</td> <td>3\"/> <tr> <td>398</td> <td>ETR</td> <td>-</td> <td>WD.</td> <td>J2</td> <td>PTD.</td> <td>-</td> <td>395</td> <td>3\"/> <tr> <td>399</td> <td>ETR</td> <td>-</td> <td>WD.</td> <td>J2</td> <td>PTD.</td> <td>-</td> <td>396</td> <td>3\"/> <tr> <td>3991</td> <td>ETR</td> <td>-</td> <td>WD.</td> <td>J2</td> <td>PTD.</td> <td>-</td> <td>398</td> <td>3\"/> <tr> <td>3992</td> <td>A</td> <td>3\"/> <tr> <td>3993</td> <td>ETR</td> <td>-</td> <td>WD.</td> <td>J2</td> <td>PTD.</td> <td>-</td> <td>399</td> <td>3\"/> <tr> <td>3994</td> <td>ETR</td> <td>-</td> <td>WD.</td> <td>J2</td> <td>PTD.</td> <td>-</td> <td>3991</td> <td>3\"/> <tr> <td>3995</td> <td>ETR</td> <td>-</td> <td>WD.</td> <td>J2</td> <td>PTD.</td> <td>-</td> <td>3992</td> <td>3\"/> <tr> <td>3997</td> <td>ETR</td> <td>-</td> <td>WD.</td> <td>J2</td> <td>PTD.</td> <td>-</td> <td>3993</td> <td>3\"/> <tr> <td>3998</td> <td>ETR</td> <td>-</td> <td>WD.</td> <td>J2</td> <td>PTD.</td> <td>-</td> <td>3994</td> <td>3\"/> <tr> <td>3999</td> <td>ETR</td> <td>-</td> <td>WD.</td> <td>J2</td> <td>PTD.</td> <td>-</td> <td>3995</td> <td>3\"/> <tr> <td>3999</td> <td>ETR</td> <td>-</td> <td>WD.</td> <td>J2</td> <td>PTD.</td> <td>-</td> <td>3997</td> <td>3\"/> </td></tr></td></tr></td></tr></td></tr></td></tr></td></tr></td></tr></td></tr></td></tr></td></tr></td></tr></td></tr></td></tr></td></tr></td></tr></td></tr></td></tr></td></tr></td></tr></td></tr></td></tr></td></tr></td></td></tr> | 382A | D | 6 <td>ALUM.</td> <td>ANODIZE D</td> <td>-</td> <td>-</td> <td>380B</td> <td>3\"/> <tr> <td>385</td> <td>ETR</td> <td>-</td> <td>WD.</td> <td>J2</td> <td>PTD.</td> <td>-</td> <td>382</td> <td>3\"/> <tr> <td>386</td> <td>ETR</td> <td>-</td> <td>WD.</td> <td>J2</td> <td>PTD.</td> <td>-</td> <td>382A</td> <td>3\"/> <tr> <td>387</td> <td>ETR</td> <td>-</td> <td>WD.</td> <td>J2</td> <td>PTD.</td> <td>-</td> <td>385</td> <td>3\"/> <tr> <td>388</td> <td>ETR</td> <td>-</td> <td>WD.</td> <td>J2</td> <td>PTD.</td> <td>-</td> <td>386</td> <td>3\"/> <tr> <td>389</td> <td>ETR</td> <td>-</td> <td>WD.</td> <td>J2</td> <td>PTD.</td> <td>-</td> <td>387</td> <td>3\"/> <tr> <td>391</td> <td>ETR</td> <td>-</td> <td>WD.</td> <td>J2</td> <td>PTD.</td> <td>-</td> <td>388</td> <td>3\"/> <tr> <td>391A</td> <td>ETR</td> <td>-</td> <td>WD.</td> <td>J2</td>
<td>PTD.</td> <td>-</td> <td>389</td> <td>3\"/> <tr> <td>391B</td> <td>ETR</td> <td>-</td> <td>WD.</td> <td>J2</td> <td>PTD.</td> <td>-</td> <td>391</td> <td>3\"/> <tr> <td>394</td> <td>ETR</td> <td>-</td> <td>WD.</td> <td>J2</td> <td>PTD.</td> <td>-</td> <td>391A</td> <td>3\"/> <tr> <td>395</td> <td>ETR</td> <td>-</td> <td>WD.</td> <td>J2</td> <td>PTD.</td> <td>-</td> <td>391B</td> <td>3\"/> <tr> <td>396</td> <td>ETR</td> <td>-</td> <td>WD.</td> <td>J2</td> <td>PTD.</td> <td>-</td> <td>394</td> <td>3\"/> <tr> <td>398</td> <td>ETR</td> <td>-</td> <td>WD.</td> <td>J2</td> <td>PTD.</td> <td>-</td> <td>395</td> <td>3\"/> <tr> <td>399</td> <td>ETR</td> <td>-</td> <td>WD.</td> <td>J2</td> <td>PTD.</td> <td>-</td> <td>396</td> <td>3\"/> <tr> <td>3991</td> <td>ETR</td> <td>-</td> <td>WD.</td> <td>J2</td> <td>PTD.</td> <td>-</td> <td>398</td> <td>3\"/> <tr> <td>3992</td> <td>A</td> <td>3\"/> <tr> <td>3993</td> <td>ETR</td> <td>-</td> <td>WD.</td> <td>J2</td> <td>PTD.</td> <td>-</td> <td>399</td> <td>3\"/> <tr> <td>3994</td> <td>ETR</td> <td>-</td> <td>WD.</td> <td>J2</td> <td>PTD.</td> <td>-</td> <td>3991</td> <td>3\"/> <tr> <td>3995</td> <td>ETR</td> <td>-</td> <td>WD.</td> <td>J2</td> <td>PTD.</td> <td>-</td> <td>3992</td> <td>3\"/> <tr> <td>3997</td> <td>ETR</td> <td>-</td> <td>WD.</td> <td>J2</td> <td>PTD.</td> <td>-</td> <td>3993</td> <td>3\"/> <tr> <td>3998</td> <td>ETR</td> <td>-</td> <td>WD.</td> <td>J2</td> <td>PTD.</td> <td>-</td> <td>3994</td> <td>3\"/> <tr> <td>3999</td> <td>ETR</td> <td>-</td> <td>WD.</td> <td>J2</td> <td>PTD.</td> <td>-</td> <td>3995</td> <td>3\"/> <tr> <td>3999</td> <td>ETR</td> <td>-</td> <td>WD.</td> <td>J2</td> <td>PTD.</td> <td>-</td> <td>3997</td> <td>3\"/> </td></tr></td></tr></td></tr></td></tr></td></tr></td></tr></td></tr></td></tr></td></tr></td></tr></td></tr></td></tr></td></tr></td></tr></td></tr></td></tr></td></tr></td></tr></td></tr></td></tr></td></tr></td></tr></td> | ALUM. | ANODIZE D | - | - | 380B | 3\"/> <tr> <td>385</td> <td>ETR</td> <td>-</td> <td>WD.</td> <td>J2</td> <td>PTD.</td> <td>-</td> <td>382</td> <td>3\"/> <tr> <td>386</td> <td>ETR</td> <td>-</td> <td>WD.</td> <td>J2</td> <td>PTD.</td> <td>-</td> <td>382A</td> <td>3\"/> <tr> <td>387</td> <td>ETR</td> <td>-</td> <td>WD.</td> <td>J2</td> <td>PTD.</td> <td>-</td> <td>385</td> <td>3\"/> <tr> <td>388</td> <td>ETR</td> <td>-</td> <td>WD.</td> <td>J2</td> <td>PTD.</td> <td>-</td> <td>386</td> <td>3\"/> <tr> <td>389</td> <td>ETR</td> <td>-</td> <td>WD.</td> <td>J2</td> <td>PTD.</td> <td>-</td> <td>387</td> <td>3\"/> <tr> <td>391</td> <td>ETR</td> <td>-</td> <td>WD.</td> <td>J2</td> <td>PTD.</td> <td>-</td> <td>388</td> <td>3\"/> <tr> <td>391A</td> <td>ETR</td> <td>-</td> <td>WD.</td> <td>J2</td> <td>PTD.</td> <td>-</td> <td>389</td> <td>3\"/> <tr> <td>391B</td> <td>ETR</td> <td>-</td> <td>WD.</td> <td>J2</td> <td>PTD.</td> <td>-</td> <td>391</td> <td>3\"/> <tr> <td>394</td> <td>ETR</td> <td>-</td> <td>WD.</td> <td>J2</td> <td>PTD.</td> <td>-</td> <td>391A</td> <td>3\"/> <tr> <td>395</td> <td>ETR</td> <td>-</td> <td>WD.</td> <td>J2</td> <td>PTD.</td> <td>-</td> <td>391B</td> <td>3\"/> <tr> <td>396</td> <td>ETR</td> <td>-</td> <td>WD.</td> <td>J2</td> <td>PTD.</td> <td>-</td> <td>394</td> <td>3\"/> <tr> <td>398</td> <td>ETR</td> <td>-</td> <td>WD.</td> <td>J2</td> <td>PTD.</td> <td>-</td> <td>395</td> <td>3\"/> <tr> <td>399</td> <td>ETR</td> <td>-</td> <td>WD.</td> <td>J2</td> <td>PTD.</td> <td>-</td> <td>396</td> <td>3\"/> <tr> <td>3991</td> <td>ETR</td> <td>-</td> <td>WD.</td> <td>J2</td> <td>PTD.</td> <td>-</td> <td>398</td> <td>3\"/> <tr> <td>3992</td> <td>A</td> <td>3\"/> <tr> <td>3993</td> <td>ETR</td> <td>-</td> <td>WD.</td> <td>J2</td> <td>PTD.</td> <td>-</td> <td>399</td> <td>3\"/> <tr> <td>3994</td> <td>ETR</td> <td>-</td> <td>WD.</td> <td>J2</td> <td>PTD.</td> <td>-</td> <td>3991</td> <td>3\"/> <tr> <td>3995</td> <td>ETR</td> <td>-</td> <td>WD.</td> <td>J2</td> <td>PTD.</td> <td>-</td> <td>3992</td> <td>3\"/> <tr> <td>3997</td> <td>ETR</td> <td>-</td> <td>WD.</td> <td>J2</td> <td>PTD.</td> <td>-</td> <td>3993</td> <td>3\"/> <tr> <td>3998</td> <td>ETR</td> <td>-</td> <td>WD.</td> <td>J2</td> <td>PTD.</td> <td>-</td> <td>3994</td> <td>3\"/> <tr> <td>3999</td> <td>ETR</td> <td>-</td> <td>WD.</td> <td>J2</td> <td>PTD.</td> <td>-</td> <td>3995</td> <td>3\"/> <tr> <td>3999</td> <td>ETR</td> <td>-</td> <td>WD.</td> <td>J2</td> <td>PTD.</td> <td>-</td> <td>3997</td> <td>3\"/> </td></tr></td></tr></td></tr></td></tr></td></tr></td></tr></td></tr></td></tr></td></tr></td></tr></td></tr></td></tr></td></tr></td></tr></td></tr></td></tr></td></tr></td></tr></td></tr></td></tr></td></tr></td></tr> | 385 | ETR | -
 | WD. | J2 | PTD. | - | 382 | 3\"/> <tr> <td>386</td> <td>ETR</td> <td>-</td> <td>WD.</td> <td>J2</td> <td>PTD.</td> <td>-</td> <td>382A</td> <td>3\"/> <tr> <td>387</td> <td>ETR</td> <td>-</td> <td>WD.</td> <td>J2</td> <td>PTD.</td> <td>-</td> <td>385</td> <td>3\"/> <tr> <td>388</td> <td>ETR</td> <td>-</td> <td>WD.</td> <td>J2</td> <td>PTD.</td> <td>-</td> <td>386</td> <td>3\"/> <tr> <td>389</td> <td>ETR</td> <td>-</td> <td>WD.</td> <td>J2</td> <td>PTD.</td> <td>-</td> <td>387</td> <td>3\"/> <tr> <td>391</td> <td>ETR</td> <td>-</td> <td>WD.</td> <td>J2</td> <td>PTD.</td> <td>-</td> <td>388</td> <td>3\"/> <tr> <td>391A</td> <td>ETR</td> <td>-</td> <td>WD.</td> <td>J2</td> <td>PTD.</td> <td>-</td> <td>389</td> <td>3\"/> <tr> <td>391B</td> <td>ETR</td> <td>-</td> <td>WD.</td> <td>J2</td> <td>PTD.</td> <td>-</td> <td>391</td> <td>3\"/> <tr> <td>394</td> <td>ETR</td> <td>-</td> <td>WD.</td> <td>J2</td> <td>PTD.</td> <td>-</td> <td>391A</td> <td>3\"/> <tr> <td>395</td> <td>ETR</td> <td>-</td> <td>WD.</td> <td>J2</td> <td>PTD.</td> <td>-</td> <td>391B</td> <td>3\"/> <tr> <td>396</td> <td>ETR</td> <td>-</td> <td>WD.</td> <td>J2</td> <td>PTD.</td> <td>-</td> <td>394</td> <td>3\"/> <tr> <td>398</td> <td>ETR</td> <td>-</td> <td>WD.</td> <td>J2</td> <td>PTD.</td> <td>-</td> <td>395</td> <td>3\"/> <tr> <td>399</td> <td>ETR</td> <td>-</td> <td>WD.</td> <td>J2</td> <td>PTD.</td> <td>-</td> <td>396</td> <td>3\"/> <tr> <td>3991</td> <td>ETR</td> <td>-</td> <td>WD.</td> <td>J2</td> <td>PTD.</td> <td>-</td> <td>398</td> <td>3\"/> <tr> <td>3992</td> <td>A</td> <td>3\"/> <tr> <td>3993</td> <td>ETR</td> <td>-</td> <td>WD.</td> <td>J2</td> <td>PTD.</td> <td>-</td> <td>399</td> <td>3\"/> <tr> <td>3994</td> <td>ETR</td> <td>-</td> <td>WD.</td> <td>J2</td> <td>PTD.</td> <td>-</td> <td>3991</td> <td>3\"/> <tr> <td>3995</td> <td>ETR</td> <td>-</td> <td>WD.</td> <td>J2</td> <td>PTD.</td> <td>-</td> <td>3992</td> <td>3\"/> <tr> <td>3997</td> <td>ETR</td> <td>-</td> <td>WD.</td> <td>J2</td> <td>PTD.</td> <td>-</td> <td>3993</td> <td>3\"/> <tr> <td>3998</td> <td>ETR</td> <td>-</td> <td>WD.</td> <td>J2</td> <td>PTD.</td> <td>-</td> <td>3994</td> <td>3\"/> <tr> <td>3999</td> <td>ETR</td> <td>-</td> <td>WD.</td> <td>J2</td> <td>PTD.</td> <td>-</td> <td>3995</td> <td>3\"/> <tr> <td>3999</td> <td>ETR</td> <td>-</td> <td>WD.</td> <td>J2</td> <td>PTD.</td> <td>-</td> <td>3997</td> <td>3\"/> </td></tr></td></tr></td></tr></td></tr></td></tr></td></tr></td></tr></td></tr></td></tr></td></tr></td></tr></td></tr></td></tr></td></tr></td></tr></td></tr></td></tr></td></tr></td></tr></td></tr></td></tr> | 386 | ETR | -
 | WD. | J2 | PTD. | - | 382A | 3\"/> <tr> <td>387</td> <td>ETR</td> <td>-</td> <td>WD.</td> <td>J2</td> <td>PTD.</td> <td>-</td> <td>385</td> <td>3\"/> <tr> <td>388</td> <td>ETR</td> <td>-</td> <td>WD.</td> <td>J2</td> <td>PTD.</td> <td>-</td> <td>386</td> <td>3\"/> <tr> <td>389</td> <td>ETR</td> <td>-</td> <td>WD.</td> <td>J2</td> <td>PTD.</td> <td>-</td> <td>387</td> <td>3\"/> <tr> <td>391</td> <td>ETR</td> <td>-</td> <td>WD.</td> <td>J2</td> <td>PTD.</td> <td>-</td> <td>388</td> <td>3\"/> <tr> <td>391A</td> <td>ETR</td> <td>-</td> <td>WD.</td> <td>J2</td> <td>PTD.</td> <td>-</td> <td>389</td> <td>3\"/> <tr> <td>391B</td> <td>ETR</td> <td>-</td> <td>WD.</td> <td>J2</td> <td>PTD.</td> <td>-</td> <td>391</td> <td>3\"/> <tr> <td>394</td> <td>ETR</td> <td>-</td> <td>WD.</td> <td>J2</td> <td>PTD.</td> <td>-</td> <td>391A</td> <td>3\"/> <tr> <td>395</td> <td>ETR</td> <td>-</td> <td>WD.</td> <td>J2</td> <td>PTD.</td> <td>-</td> <td>391B</td> <td>3\"/> <tr> <td>396</td> <td>ETR</td> <td>-</td> <td>WD.</td> <td>J2</td> <td>PTD.</td> <td>-</td> <td>394</td> <td>3\"/> <tr> <td>398</td> <td>ETR</td> <td>-</td> <td>WD.</td> <td>J2</td> <td>PTD.</td> <td>-</td> <td>395</td> <td>3\"/> <tr> <td>399</td> <td>ETR</td> <td>-</td> <td>WD.</td> <td>J2</td> <td>PTD.</td> <td>-</td> <td>396</td> <td>3\"/> <tr> <td>3991</td> <td>ETR</td> <td>-</td> <td>WD.</td> <td>J2</td> <td>PTD.</td> <td>-</td> <td>398</td> <td>3\"/> <tr> <td>3992</td> <td>A</td> <td>3\"/> <tr> <td>3993</td> <td>ETR</td> <td>-</td> <td>WD.</td> <td>J2</td> <td>PTD.</td> <td>-</td> <td>399</td> <td>3\"/> <tr> <td>3994</td> <td>ETR</td> <td>-</td> <td>WD.</td> <td>J2</td> <td>PTD.</td> <td>-</td> <td>3991</td> <td>3\"/> <tr> <td>3995</td> <td>ETR</td> <td>-</td> <td>WD.</td> <td>J2</td> <td>PTD.</td> <td>-</td> <td>3992</td> <td>3\"/> <tr> <td>3997</td> <td>ETR</td> <td>-</td> <td>WD.</td> <td>J2</td> <td>PTD.</td> <td>-</td> <td>3993</td> <td>3\"/> <tr> <td>3998</td> <td>ETR</td> <td>-</td> <td>WD.</td> <td>J2</td> <td>PTD.</td> <td>-</td> <td>3994</td> <td>3\"/> <tr> <td>3999</td> <td>ETR</td> <td>-</td> <td>WD.</td> <td>J2</td> <td>PTD.</td> <td>-</td> <td>3995</td> <td>3\"/> <tr> <td>3999</td> <td>ETR</td> <td>-</td> <td>WD.</td> <td>J2</td> <td>PTD.</td> <td>-</td> <td>3997</td> <td>3\"/> </td></tr></td></tr></td></tr></td></tr></td></tr></td></tr></td></tr></td></tr></td></tr></td></tr></td></tr></td></tr></td></tr></td></tr></td></tr></td></tr></td></tr></td></tr></td></tr></td></tr> | 387 | ETR | -
 | WD. | J2 | PTD. | - | 385 | 3\"/> <tr> <td>388</td> <td>ETR</td> <td>-</td> <td>WD.</td> <td>J2</td> <td>PTD.</td> <td>-</td> <td>386</td> <td>3\"/> <tr> <td>389</td> <td>ETR</td> <td>-</td> <td>WD.</td> <td>J2</td> <td>PTD.</td> <td>-</td> <td>387</td> <td>3\"/> <tr> <td>391</td> <td>ETR</td> <td>-</td> <td>WD.</td> <td>J2</td> <td>PTD.</td> <td>-</td> <td>388</td> <td>3\"/> <tr> <td>391A</td> <td>ETR</td> <td>-</td> <td>WD.</td> <td>J2</td> <td>PTD.</td> <td>-</td> <td>389</td> <td>3\"/> <tr> <td>391B</td> <td>ETR</td> <td>-</td> <td>WD.</td> <td>J2</td> <td>PTD.</td> <td>-</td> <td>391</td> <td>3\"/> <tr> <td>394</td> <td>ETR</td> <td>-</td> <td>WD.</td> <td>J2</td> <td>PTD.</td> <td>-</td> <td>391A</td> <td>3\"/> <tr> <td>395</td> <td>ETR</td> <td>-</td> <td>WD.</td> <td>J2</td> <td>PTD.</td> <td>-</td> <td>391B</td> <td>3\"/> <tr> <td>396</td> <td>ETR</td> <td>-</td> <td>WD.</td> <td>J2</td> <td>PTD.</td> <td>-</td> <td>394</td> <td>3\"/> <tr> <td>398</td> <td>ETR</td> <td>-</td> <td>WD.</td> <td>J2</td> <td>PTD.</td> <td>-</td> <td>395</td> <td>3\"/> <tr> <td>399</td> <td>ETR</td> <td>-</td> <td>WD.</td> <td>J2</td> <td>PTD.</td> <td>-</td> <td>396</td> <td>3\"/> <tr> <td>3991</td> <td>ETR</td> <td>-</td> <td>WD.</td> <td>J2</td> <td>PTD.</td> <td>-</td> <td>398</td> <td>3\"/> <tr> <td>3992</td> <td>A</td> <td>3\"/> <tr> <td>3993</td> <td>ETR</td> <td>-</td> <td>WD.</td> <td>J2</td> <td>PTD.</td> <td>-</td> <td>399</td> <td>3\"/> <tr> <td>3994</td> <td>ETR</td> <td>-</td> <td>WD.</td> <td>J2</td> <td>PTD.</td> <td>-</td> <td>3991</td> <td>3\"/> <tr> <td>3995</td> <td>ETR</td> <td>-</td> <td>WD.</td> <td>J2</td> <td>PTD.</td> <td>-</td> <td>3992</td> <td>3\"/> <tr> <td>3997</td> <td>ETR</td> <td>-</td> <td>WD.</td> <td>J2</td> <td>PTD.</td> <td>-</td> <td>3993</td> <td>3\"/> <tr> <td>3998</td> <td>ETR</td> <td>-</td> <td>WD.</td> <td>J2</td> <td>PTD.</td> <td>-</td> <td>3994</td> <td>3\"/> <tr> <td>3999</td> <td>ETR</td> <td>-</td> <td>WD.</td> <td>J2</td> <td>PTD.</td> <td>-</td> <td>3995</td> <td>3\"/> <tr> <td>3999</td> <td>ETR</td> <td>-</td> <td>WD.</td> <td>J2</td> <td>PTD.</td> <td>-</td> <td>3997</td> <td>3\"/> </td></tr></td></tr></td></tr></td></tr></td></tr></td></tr></td></tr></td></tr></td></tr></td></tr></td></tr></td></tr></td></tr></td></tr></td></tr></td></tr></td></tr></td></tr></td></tr> | 388 | ETR | -
 | WD. | J2 | PTD. | - | 386 | 3\"/> <tr> <td>389</td> <td>ETR</td> <td>-</td> <td>WD.</td> <td>J2</td> <td>PTD.</td> <td>-</td> <td>387</td> <td>3\"/> <tr> <td>391</td> <td>ETR</td> <td>-</td> <td>WD.</td> <td>J2</td> <td>PTD.</td> <td>-</td> <td>388</td> <td>3\"/> <tr> <td>391A</td> <td>ETR</td> <td>-</td> <td>WD.</td> <td>J2</td> <td>PTD.</td> <td>-</td> <td>389</td> <td>3\"/> <tr> <td>391B</td> <td>ETR</td> <td>-</td> <td>WD.</td> <td>J2</td> <td>PTD.</td> <td>-</td> <td>391</td> <td>3\"/> <tr> <td>394</td> <td>ETR</td> <td>-</td> <td>WD.</td> <td>J2</td> <td>PTD.</td> <td>-</td> <td>391A</td> <td>3\"/> <tr> <td>395</td> <td>ETR</td> <td>-</td> <td>WD.</td> <td>J2</td> <td>PTD.</td> <td>-</td> <td>391B</td> <td>3\"/> <tr> <td>396</td> <td>ETR</td> <td>-</td> <td>WD.</td> <td>J2</td> <td>PTD.</td> <td>-</td> <td>394</td> <td>3\"/> <tr> <td>398</td> <td>ETR</td> <td>-</td> <td>WD.</td> <td>J2</td> <td>PTD.</td> <td>-</td> <td>395</td> <td>3\"/> <tr> <td>399</td> <td>ETR</td> <td>-</td> <td>WD.</td> <td>J2</td> <td>PTD.</td> <td>-</td> <td>396</td> <td>3\"/> <tr> <td>3991</td> <td>ETR</td> <td>-</td> <td>WD.</td> <td>J2</td> <td>PTD.</td> <td>-</td> <td>398</td> <td>3\"/> <tr> <td>3992</td> <td>A</td> <td>3\"/> <tr> <td>3993</td> <td>ETR</td> <td>-</td> <td>WD.</td> <td>J2</td> <td>PTD.</td> <td>-</td> <td>399</td> <td>3\"/> <tr> <td>3994</td> <td>ETR</td> <td>-</td> <td>WD.</td> <td>J2</td> <td>PTD.</td> <td>-</td> <td>3991</td> <td>3\"/> <tr> <td>3995</td> <td>ETR</td> <td>-</td> <td>WD.</td> <td>J2</td> <td>PTD.</td> <td>-</td> <td>3992</td> <td>3\"/> <tr> <td>3997</td> <td>ETR</td> <td>-</td> <td>WD.</td> <td>J2</td> <td>PTD.</td> <td>-</td> <td>3993</td> <td>3\"/> <tr> <td>3998</td> <td>ETR</td> <td>-</td> <td>WD.</td> <td>J2</td> <td>PTD.</td> <td>-</td> <td>3994</td> <td>3\"/> <tr> <td>3999</td> <td>ETR</td> <td>-</td> <td>WD.</td> <td>J2</td> <td>PTD.</td> <td>-</td> <td>3995</td> <td>3\"/> <tr> <td>3999</td> <td>ETR</td> <td>-</td> <td>WD.</td> <td>J2</td> <td>PTD.</td> <td>-</td> <td>3997</td> <td>3\"/> </td></tr></td></tr></td></tr></td></tr></td></tr></td></tr></td></tr></td></tr></td></tr></td></tr></td></tr></td></tr></td></tr></td></tr></td></tr></td></tr></td></tr></td></tr> | 389 | ETR | - | WD. | J2 | PTD.
 | - | 387 | 3\"/> <tr> <td>391</td> <td>ETR</td> <td>-</td> <td>WD.</td> <td>J2</td> <td>PTD.</td> <td>-</td> <td>388</td> <td>3\"/> <tr> <td>391A</td> <td>ETR</td> <td>-</td> <td>WD.</td> <td>J2</td> <td>PTD.</td> <td>-</td> <td>389</td> <td>3\"/> <tr> <td>391B</td> <td>ETR</td> <td>-</td> <td>WD.</td> <td>J2</td> <td>PTD.</td> <td>-</td> <td>391</td> <td>3\"/> <tr> <td>394</td> <td>ETR</td> <td>-</td> <td>WD.</td> <td>J2</td> <td>PTD.</td> <td>-</td> <td>391A</td> <td>3\"/> <tr> <td>395</td> <td>ETR</td> <td>-</td> <td>WD.</td> <td>J2</td> <td>PTD.</td> <td>-</td> <td>391B</td> <td>3\"/> <tr> <td>396</td> <td>ETR</td> <td>-</td> <td>WD.</td> <td>J2</td> <td>PTD.</td> <td>-</td> <td>394</td> <td>3\"/> <tr> <td>398</td> <td>ETR</td> <td>-</td> <td>WD.</td> <td>J2</td> <td>PTD.</td> <td>-</td> <td>395</td> <td>3\"/> <tr> <td>399</td> <td>ETR</td> <td>-</td> <td>WD.</td> <td>J2</td> <td>PTD.</td> <td>-</td> <td>396</td> <td>3\"/> <tr> <td>3991</td> <td>ETR</td> <td>-</td> <td>WD.</td> <td>J2</td> <td>PTD.</td> <td>-</td> <td>398</td> <td>3\"/> <tr> <td>3992</td> <td>A</td> <td>3\"/> <tr> <td>3993</td> <td>ETR</td> <td>-</td> <td>WD.</td> <td>J2</td> <td>PTD.</td> <td>-</td> <td>399</td> <td>3\"/> <tr> <td>3994</td> <td>ETR</td> <td>-</td> <td>WD.</td> <td>J2</td> <td>PTD.</td> <td>-</td> <td>3991</td> <td>3\"/> <tr> <td>3995</td> <td>ETR</td> <td>-</td> <td>WD.</td> <td>J2</td> <td>PTD.</td> <td>-</td> <td>3992</td> <td>3\"/> <tr> <td>3997</td> <td>ETR</td> <td>-</td> <td>WD.</td> <td>J2</td> <td>PTD.</td> <td>-</td> <td>3993</td> <td>3\"/> <tr> <td>3998</td> <td>ETR</td> <td>-</td> <td>WD.</td> <td>J2</td> <td>PTD.</td> <td>-</td> <td>3994</td> <td>3\"/> <tr> <td>3999</td> <td>ETR</td> <td>-</td> <td>WD.</td> <td>J2</td> <td>PTD.</td> <td>-</td> <td>3995</td> <td>3\"/> <tr> <td>3999</td> <td>ETR</td> <td>-</td> <td>WD.</td> <td>J2</td> <td>PTD.</td> <td>-</td> <td>3997</td> <td>3\"/> </td></tr></td></tr></td></tr></td></tr></td></tr></td></tr></td></tr></td></tr></td></tr></td></tr></td></tr></td></tr></td></tr></td></tr></td></tr></td></tr></td></tr> | 391 | ETR | - | WD. | J2 | PTD. | - | 388 | 3\"/> <tr> <td>391A</td> <td>ETR</td> <td>-</td> <td>WD.</td> <td>J2</td> <td>PTD.</td> <td>-</td> <td>389</td> <td>3\"/> <tr> <td>391B</td> <td>ETR</td> <td>-</td> <td>WD.</td> <td>J2</td> <td>PTD.</td> <td>-</td> <td>391</td> <td>3\"/> <tr> <td>394</td> <td>ETR</td> <td>-</td> <td>WD.</td> <td>J2</td> <td>PTD.</td> <td>-</td> <td>391A</td> <td>3\"/> <tr> <td>395</td> <td>ETR</td> <td>-</td> <td>WD.</td> <td>J2</td> <td>PTD.</td> <td>-</td> <td>391B</td> <td>3\"/> <tr> <td>396</td> <td>ETR</td> <td>-</td> <td>WD.</td> <td>J2</td> <td>PTD.</td> <td>-</td> <td>394</td> <td>3\"/> <tr> <td>398</td> <td>ETR</td> <td>-</td> <td>WD.</td> <td>J2</td> <td>PTD.</td> <td>-</td> <td>395</td> <td>3\"/> <tr> <td>399</td> <td>ETR</td> <td>-</td> <td>WD.</td> <td>J2</td> <td>PTD.</td> <td>-</td> <td>396</td> <td>3\"/> <tr> <td>3991</td> <td>ETR</td> <td>-</td> <td>WD.</td> <td>J2</td> <td>PTD.</td> <td>-</td> <td>398</td> <td>3\"/> <tr> <td>3992</td> <td>A</td> <td>3\"/> <tr> <td>3993</td> <td>ETR</td> <td>-</td> <td>WD.</td> <td>J2</td> <td>PTD.</td> <td>-</td> <td>399</td> <td>3\"/> <tr> <td>3994</td> <td>ETR</td> <td>-</td> <td>WD.</td> <td>J2</td> <td>PTD.</td> <td>-</td> <td>3991</td> <td>3\"/> <tr> <td>3995</td> <td>ETR</td> <td>-</td> <td>WD.</td> <td>J2</td> <td>PTD.</td> <td>-</td> <td>3992</td> <td>3\"/> <tr> <td>3997</td> <td>ETR</td> <td>-</td> <td>WD.</td> <td>J2</td> <td>PTD.</td> <td>-</td> <td>3993</td> <td>3\"/> <tr> <td>3998</td> <td>ETR</td> <td>-</td> <td>WD.</td> <td>J2</td> <td>PTD.</td> <td>-</td> <td>3994</td> <td>3\"/> <tr> <td>3999</td> <td>ETR</td> <td>-</td> <td>WD.</td> <td>J2</td> <td>PTD.</td> <td>-</td> <td>3995</td> <td>3\"/> <tr> <td>3999</td> <td>ETR</td> <td>-</td> <td>WD.</td> <td>J2</td> <td>PTD.</td> <td>-</td> <td>3997</td> <td>3\"/> </td></tr></td></tr></td></tr></td></tr></td></tr></td></tr></td></tr></td></tr></td></tr></td></tr></td></tr></td></tr></td></tr></td></tr></td></tr></td></tr> | 391A | ETR | -
 | WD. | J2 | PTD. | - | 389 | 3\"/> <tr> <td>391B</td> <td>ETR</td> <td>-</td> <td>WD.</td> <td>J2</td> <td>PTD.</td> <td>-</td> <td>391</td> <td>3\"/> <tr> <td>394</td> <td>ETR</td> <td>-</td> <td>WD.</td> <td>J2</td> <td>PTD.</td> <td>-</td> <td>391A</td> <td>3\"/> <tr> <td>395</td> <td>ETR</td> <td>-</td> <td>WD.</td> <td>J2</td> <td>PTD.</td> <td>-</td> <td>391B</td> <td>3\"/> <tr> <td>396</td> <td>ETR</td> <td>-</td> <td>WD.</td> <td>J2</td> <td>PTD.</td> <td>-</td> <td>394</td> <td>3\"/> <tr> <td>398</td> <td>ETR</td> <td>-</td> <td>WD.</td> <td>J2</td> <td>PTD.</td> <td>-</td> <td>395</td> <td>3\"/> <tr> <td>399</td> <td>ETR</td> <td>-</td> <td>WD.</td> <td>J2</td> <td>PTD.</td> <td>-</td> <td>396</td> <td>3\"/> <tr> <td>3991</td> <td>ETR</td> <td>-</td> <td>WD.</td> <td>J2</td> <td>PTD.</td> <td>-</td> <td>398</td> <td>3\"/> <tr> <td>3992</td> <td>A</td> <td>3\"/> <tr> <td>3993</td> <td>ETR</td> <td>-</td> <td>WD.</td> <td>J2</td> <td>PTD.</td> <td>-</td> <td>399</td> <td>3\"/> <tr> <td>3994</td> <td>ETR</td> <td>-</td> <td>WD.</td> <td>J2</td> <td>PTD.</td> <td>-</td> <td>3991</td> <td>3\"/> <tr> <td>3995</td> <td>ETR</td> <td>-</td> <td>WD.</td> <td>J2</td> <td>PTD.</td> <td>-</td> <td>3992</td> <td>3\"/> <tr> <td>3997</td> <td>ETR</td> <td>-</td> <td>WD.</td> <td>J2</td> <td>PTD.</td> <td>-</td> <td>3993</td> <td>3\"/> <tr> <td>3998</td> <td>ETR</td> <td>-</td> <td>WD.</td> <td>J2</td> <td>PTD.</td> <td>-</td> <td>3994</td> <td>3\"/> <tr> <td>3999</td> <td>ETR</td> <td>-</td> <td>WD.</td> <td>J2</td> <td>PTD.</td> <td>-</td> <td>3995</td> <td>3\"/> <tr> <td>3999</td> <td>ETR</td> <td>-</td> <td>WD.</td> <td>J2</td> <td>PTD.</td> <td>-</td> <td>3997</td> <td>3\"/> </td></tr></td></tr></td></tr></td></tr></td></tr></td></tr></td></tr></td></tr></td></tr></td></tr></td></tr></td></tr></td></tr></td></tr></td></tr> | 391B | ETR | - | WD. | J2 | PTD. | - | 391 | 3\"/> <tr> <td>394</td> <td>ETR</td> <td>-</td> <td>WD.</td> <td>J2</td> <td>PTD.</td> <td>-</td> <td>391A</td> <td>3\"/> <tr> <td>395</td> <td>ETR</td> <td>-</td> <td>WD.</td> <td>J2</td> <td>PTD.</td> <td>-</td> <td>391B</td> <td>3\"/> <tr> <td>396</td> <td>ETR</td> <td>-</td> <td>WD.</td> <td>J2</td> <td>PTD.</td> <td>-</td> <td>394</td> <td>3\"/> <tr> <td>398</td> <td>ETR</td> <td>-</td> <td>WD.</td> <td>J2</td> <td>PTD.</td> <td>-</td> <td>395</td> <td>3\"/> <tr> <td>399</td> <td>ETR</td> <td>-</td> <td>WD.</td> <td>J2</td> <td>PTD.</td> <td>-</td> <td>396</td> <td>3\"/> <tr> <td>3991</td> <td>ETR</td> <td>-</td> <td>WD.</td> <td>J2</td> <td>PTD.</td> <td>-</td> <td>398</td> <td>3\"/> <tr> <td>3992</td> <td>A</td> <td>3\"/> <tr> <td>3993</td> <td>ETR</td> <td>-</td> <td>WD.</td> <td>J2</td> <td>PTD.</td> <td>-</td> <td>399</td> <td>3\"/> <tr> <td>3994</td> <td>ETR</td> <td>-</td> <td>WD.</td> <td>J2</td> <td>PTD.</td> <td>-</td> <td>3991</td> <td>3\"/> <tr> <td>3995</td> <td>ETR</td> <td>-</td> <td>WD.</td> <td>J2</td> <td>PTD.</td> <td>-</td> <td>3992</td> <td>3\"/> <tr> <td>3997</td> <td>ETR</td> <td>-</td> <td>WD.</td> <td>J2</td> <td>PTD.</td> <td>-</td> <td>3993</td> <td>3\"/> <tr> <td>3998</td> <td>ETR</td> <td>-</td> <td>WD.</td> <td>J2</td> <td>PTD.</td> <td>-</td> <td>3994</td> <td>3\"/> <tr> <td>3999</td> <td>ETR</td> <td>-</td> <td>WD.</td> <td>J2</td> <td>PTD.</td> <td>-</td> <td>3995</td> <td>3\"/> <tr> <td>3999</td> <td>ETR</td> <td>-</td> <td>WD.</td> <td>J2</td> <td>PTD.</td> <td>-</td> <td>3997</td> <td>3\"/> </td></tr></td></tr></td></tr></td></tr></td></tr></td></tr></td></tr></td></tr></td></tr></td></tr></td></tr></td></tr></td></tr></td></tr> | 394 | ETR | -
 | WD. | J2 | PTD. | - | 391A | 3\"/> <tr> <td>395</td> <td>ETR</td> <td>-</td> <td>WD.</td> <td>J2</td> <td>PTD.</td> <td>-</td> <td>391B</td> <td>3\"/> <tr> <td>396</td> <td>ETR</td> <td>-</td> <td>WD.</td> <td>J2</td> <td>PTD.</td> <td>-</td> <td>394</td> <td>3\"/> <tr> <td>398</td> <td>ETR</td> <td>-</td> <td>WD.</td> <td>J2</td> <td>PTD.</td> <td>-</td> <td>395</td> <td>3\"/> <tr> <td>399</td> <td>ETR</td> <td>-</td> <td>WD.</td> <td>J2</td> <td>PTD.</td> <td>-</td> <td>396</td> <td>3\"/> <tr> <td>3991</td> <td>ETR</td> <td>-</td> <td>WD.</td> <td>J2</td> <td>PTD.</td> <td>-</td> <td>398</td> <td>3\"/> <tr> <td>3992</td> <td>A</td> <td>3\"/> <tr> <td>3993</td> <td>ETR</td> <td>-</td> <td>WD.</td> <td>J2</td> <td>PTD.</td> <td>-</td> <td>399</td> <td>3\"/> <tr> <td>3994</td> <td>ETR</td> <td>-</td> <td>WD.</td> <td>J2</td> <td>PTD.</td> <td>-</td> <td>3991</td> <td>3\"/> <tr> <td>3995</td> <td>ETR</td> <td>-</td> <td>WD.</td> <td>J2</td> <td>PTD.</td> <td>-</td> <td>3992</td> <td>3\"/> <tr> <td>3997</td> <td>ETR</td> <td>-</td> <td>WD.</td> <td>J2</td> <td>PTD.</td> <td>-</td> <td>3993</td> <td>3\"/> <tr> <td>3998</td> <td>ETR</td> <td>-</td> <td>WD.</td> <td>J2</td> <td>PTD.</td> <td>-</td> <td>3994</td> <td>3\"/> <tr> <td>3999</td> <td>ETR</td> <td>-</td> <td>WD.</td> <td>J2</td> <td>PTD.</td> <td>-</td> <td>3995</td> <td>3\"/> <tr> <td>3999</td> <td>ETR</td> <td>-</td> <td>WD.</td> <td>J2</td> <td>PTD.</td> <td>-</td> <td>3997</td> <td>3\"/> </td></tr></td></tr></td></tr></td></tr></td></tr></td></tr></td></tr></td></tr></td></tr></td></tr></td></tr></td></tr></td></tr> | 395 | ETR | - | WD. | J2 | PTD. | - | 391B | 3\"/> <tr> <td>396</td> <td>ETR</td> <td>-</td> <td>WD.</td> <td>J2</td> <td>PTD.</td> <td>-</td> <td>394</td> <td>3\"/> <tr> <td>398</td> <td>ETR</td> <td>-</td> <td>WD.</td> <td>J2</td> <td>PTD.</td> <td>-</td> <td>395</td> <td>3\"/> <tr> <td>399</td> <td>ETR</td> <td>-</td> <td>WD.</td> <td>J2</td> <td>PTD.</td> <td>-</td> <td>396</td> <td>3\"/> <tr> <td>3991</td> <td>ETR</td> <td>-</td> <td>WD.</td> <td>J2</td> <td>PTD.</td> <td>-</td> <td>398</td> <td>3\"/> <tr> <td>3992</td> <td>A</td> <td>3\"/> <tr> <td>3993</td> <td>ETR</td> <td>-</td> <td>WD.</td> <td>J2</td> <td>PTD.</td> <td>-</td> <td>399</td> <td>3\"/> <tr> <td>3994</td> <td>ETR</td> <td>-</td> <td>WD.</td> <td>J2</td> <td>PTD.</td> <td>-</td> <td>3991</td> <td>3\"/> <tr> <td>3995</td> <td>ETR</td> <td>-</td> <td>WD.</td> <td>J2</td> <td>PTD.</td> <td>-</td> <td>3992</td> <td>3\"/> <tr> <td>3997</td> <td>ETR</td> <td>-</td> <td>WD.</td> <td>J2</td> <td>PTD.</td> <td>-</td> <td>3993</td> <td>3\"/> <tr> <td>3998</td> <td>ETR</td> <td>-</td> <td>WD.</td> <td>J2</td> <td>PTD.</td> <td>-</td> <td>3994</td> <td>3\"/> <tr> <td>3999</td> <td>ETR</td> <td>-</td> <td>WD.</td> <td>J2</td> <td>PTD.</td> <td>-</td> <td>3995</td> <td>3\"/> <tr> <td>3999</td> <td>ETR</td> <td>-</td> <td>WD.</td> <td>J2</td> <td>PTD.</td> <td>-</td> <td>3997</td> <td>3\"/> </td></tr></td></tr></td></tr></td></tr></td></tr></td></tr></td></tr></td></tr></td></tr></td></tr></td></tr></td></tr> | 396 | ETR | -
 | WD. | J2 | PTD. | - | 394 | 3\"/> <tr> <td>398</td> <td>ETR</td> <td>-</td> <td>WD.</td> <td>J2</td> <td>PTD.</td> <td>-</td> <td>395</td> <td>3\"/> <tr> <td>399</td> <td>ETR</td> <td>-</td> <td>WD.</td> <td>J2</td> <td>PTD.</td> <td>-</td> <td>396</td> <td>3\"/> <tr> <td>3991</td> <td>ETR</td> <td>-</td> <td>WD.</td> <td>J2</td> <td>PTD.</td> <td>-</td> <td>398</td> <td>3\"/> <tr> <td>3992</td> <td>A</td> <td>3\"/> <tr> <td>3993</td> <td>ETR</td> <td>-</td> <td>WD.</td> <td>J2</td> <td>PTD.</td> <td>-</td> <td>399</td> <td>3\"/> <tr> <td>3994</td> <td>ETR</td> <td>-</td> <td>WD.</td> <td>J2</td> <td>PTD.</td> <td>-</td> <td>3991</td> <td>3\"/> <tr> <td>3995</td> <td>ETR</td> <td>-</td> <td>WD.</td> <td>J2</td> <td>PTD.</td> <td>-</td> <td>3992</td> <td>3\"/> <tr> <td>3997</td> <td>ETR</td> <td>-</td> <td>WD.</td> <td>J2</td> <td>PTD.</td> <td>-</td> <td>3993</td> <td>3\"/> <tr> <td>3998</td> <td>ETR</td> <td>-</td> <td>WD.</td> <td>J2</td> <td>PTD.</td> <td>-</td> <td>3994</td> <td>3\"/> <tr> <td>3999</td> <td>ETR</td> <td>-</td> <td>WD.</td> <td>J2</td> <td>PTD.</td> <td>-</td> <td>3995</td> <td>3\"/> <tr> <td>3999</td> <td>ETR</td> <td>-</td> <td>WD.</td> <td>J2</td> <td>PTD.</td> <td>-</td> <td>3997</td> <td>3\"/> </td></tr></td></tr></td></tr></td></tr></td></tr></td></tr></td></tr></td></tr></td></tr></td></tr></td></tr> | 398 | ETR | - | WD. | J2 | PTD. | - | 395 | 3\"/> <tr> <td>399</td> <td>ETR</td> <td>-</td> <td>WD.</td> <td>J2</td> <td>PTD.</td> <td>-</td> <td>396</td> <td>3\"/> <tr> <td>3991</td> <td>ETR</td> <td>-</td> <td>WD.</td> <td>J2</td> <td>PTD.</td> <td>-</td> <td>398</td> <td>3\"/> <tr> <td>3992</td> <td>A</td> <td>3\"/> <tr> <td>3993</td> <td>ETR</td> <td>-</td> <td>WD.</td> <td>J2</td> <td>PTD.</td> <td>-</td> <td>399</td> <td>3\"/> <tr> <td>3994</td> <td>ETR</td> <td>-</td> <td>WD.</td> <td>J2</td> <td>PTD.</td> <td>-</td> <td>3991</td> <td>3\"/> <tr> <td>3995</td> <td>ETR</td> <td>-</td> <td>WD.</td> <td>J2</td> <td>PTD.</td> <td>-</td> <td>3992</td> <td>3\"/> <tr> <td>3997</td> <td>ETR</td> <td>-</td> <td>WD.</td> <td>J2</td> <td>PTD.</td> <td>-</td> <td>3993</td> <td>3\"/> <tr> <td>3998</td> <td>ETR</td> <td>-</td> <td>WD.</td> <td>J2</td> <td>PTD.</td> <td>-</td> <td>3994</td> <td>3\"/> <tr> <td>3999</td> <td>ETR</td> <td>-</td> <td>WD.</td> <td>J2</td> <td>PTD.</td> <td>-</td> <td>3995</td> <td>3\"/> <tr> <td>3999</td> <td>ETR</td> <td>-</td> <td>WD.</td> <td>J2</td> <td>PTD.</td> <td>-</td> <td>3997</td> <td>3\"/> </td></tr></td></tr></td></tr></td></tr></td></tr></td></tr></td></tr></td></tr></td></tr></td></tr> | 399 | ETR | - | WD. | J2 | PTD. | - | 396 | 3\"/> <tr> <td>3991</td> <td>ETR</td> <td>-</td> <td>WD.</td> <td>J2</td> <td>PTD.</td> <td>-</td> <td>398</td> <td>3\"/> <tr> <td>3992</td> <td>A</td> <td>3\"/> <tr> <td>3993</td> <td>ETR</td> <td>-</td> <td>WD.</td> <td>J2</td> <td>PTD.</td> <td>-</td> <td>399</td> <td>3\"/> <tr> <td>3994</td> <td>ETR</td> <td>-</td> <td>WD.</td> <td>J2</td> <td>PTD.</td> <td>-</td> <td>3991</td> <td>3\"/> <tr> <td>3995</td> <td>ETR</td> <td>-</td> <td>WD.</td> <td>J2</td> <td>PTD.</td> <td>-</td> <td>3992</td> <td>3\"/> <tr> <td>3997</td> <td>ETR</td> <td>-</td> <td>WD.</td> <td>J2</td> <td>PTD.</td> <td>-</td> <td>3993</td> <td>3\"/> <tr> <td>3998</td> <td>ETR</td> <td>-</td> <td>WD.</td> <td>J2</td> <td>PTD.</td> <td>-</td> <td>3994</td> <td>3\"/> <tr> <td>3999</td> <td>ETR</td> <td>-</td> <td>WD.</td> <td>J2</td> <td>PTD.</td> <td>-</td> <td>3995</td> <td>3\"/> <tr> <td>3999</td> <td>ETR</td> <td>-</td> <td>WD.</td> <td>J2</td> <td>PTD.</td> <td>-</td> <td>3997</td> <td>3\"/> </td></tr></td></tr></td></tr></td></tr></td></tr></td></tr></td></tr></td></tr></td></tr>
 | 3991 | ETR | - | WD. | J2 | PTD. | - | 398 | 3\"/> <tr> <td>3992</td> <td>A</td> <td>3\"/> <tr> <td>3993</td> <td>ETR</td> <td>-</td> <td>WD.</td> <td>J2</td> <td>PTD.</td> <td>-</td> <td>399</td> <td>3\"/> <tr> <td>3994</td> <td>ETR</td> <td>-</td> <td>WD.</td> <td>J2</td> <td>PTD.</td> <td>-</td> <td>3991</td> <td>3\"/> <tr> <td>3995</td> <td>ETR</td> <td>-</td> <td>WD.</td> <td>J2</td> <td>PTD.</td> <td>-</td> <td>3992</td> <td>3\"/> <tr> <td>3997</td> <td>ETR</td> <td>-</td> <td>WD.</td> <td>J2</td> <td>PTD.</td> <td>-</td> <td>3993</td> <td>3\"/> <tr> <td>3998</td> <td>ETR</td> <td>-</td> <td>WD.</td> <td>J2</td> <td>PTD.</td> <td>-</td> <td>3994</td> <td>3\"/> <tr> <td>3999</td> <td>ETR</td> <td>-</td> <td>WD.</td> <td>J2</td> <td>PTD.</td> <td>-</td> <td>3995</td> <td>3\"/> <tr> <td>3999</td> <td>ETR</td> <td>-</td> <td>WD.</td> <td>J2</td> <td>PTD.</td> <td>-</td> <td>3997</td> <td>3\"/> </td></tr></td></tr></td></tr></td></tr></td></tr></td></tr></td></tr></td></tr> | 3992 | A | 3\"/> <tr> <td>3993</td> <td>ETR</td> <td>-</td> <td>WD.</td> <td>J2</td> <td>PTD.</td> <td>-</td> <td>399</td> <td>3\"/> <tr> <td>3994</td> <td>ETR</td> <td>-</td> <td>WD.</td> <td>J2</td> <td>PTD.</td> <td>-</td> <td>3991</td> <td>3\"/> <tr> <td>3995</td> <td>ETR</td> <td>-</td> <td>WD.</td> <td>J2</td> <td>PTD.</td> <td>-</td> <td>3992</td> <td>3\"/> <tr> <td>3997</td> <td>ETR</td> <td>-</td> <td>WD.</td> <td>J2</td> <td>PTD.</td> <td>-</td> <td>3993</td> <td>3\"/> <tr> <td>3998</td> <td>ETR</td> <td>-</td> <td>WD.</td> <td>J2</td> <td>PTD.</td> <td>-</td> <td>3994</td> <td>3\"/> <tr> <td>3999</td> <td>ETR</td> <td>-</td> <td>WD.</td> <td>J2</td> <td>PTD.</td> <td>-</td> <td>3995</td> <td>3\"/> <tr> <td>3999</td> <td>ETR</td> <td>-</td> <td>WD.</td> <td>J2</td> <td>PTD.</td> <td>-</td> <td>3997</td> <td>3\"/> </td></tr></td></tr></td></tr></td></tr></td></tr></td></tr></td></tr> | 3993 | ETR | - | WD. | J2 | PTD. | - | 399 | 3\"/> <tr> <td>3994</td> <td>ETR</td> <td>-</td> <td>WD.</td> <td>J2</td> <td>PTD.</td> <td>-</td> <td>3991</td> <td>3\"/> <tr> <td>3995</td> <td>ETR</td> <td>-</td> <td>WD.</td> <td>J2</td> <td>PTD.</td> <td>-</td> <td>3992</td> <td>3\"/> <tr> <td>3997</td> <td>ETR</td> <td>-</td> <td>WD.</td> <td>J2</td> <td>PTD.</td> <td>-</td> <td>3993</td> <td>3\"/> <tr> <td>3998</td> <td>ETR</td> <td>-</td> <td>WD.</td> <td>J2</td> <td>PTD.</td> <td>-</td> <td>3994</td> <td>3\"/> <tr> <td>3999</td> <td>ETR</td> <td>-</td> <td>WD.</td> <td>J2</td> <td>PTD.</td> <td>-</td> <td>3995</td> <td>3\"/> <tr> <td>3999</td> <td>ETR</td> <td>-</td> <td>WD.</td> <td>J2</td> <td>PTD.</td> <td>-</td> <td>3997</td> <td>3\"/> </td></tr></td></tr></td></tr></td></tr></td></tr></td></tr> | 3994 | ETR | - | WD. | J2 | PTD.
 | - | 3991 | 3\"/> <tr> <td>3995</td> <td>ETR</td> <td>-</td> <td>WD.</td> <td>J2</td> <td>PTD.</td> <td>-</td> <td>3992</td> <td>3\"/> <tr> <td>3997</td> <td>ETR</td> <td>-</td> <td>WD.</td> <td>J2</td> <td>PTD.</td> <td>-</td> <td>3993</td> <td>3\"/> <tr> <td>3998</td> <td>ETR</td> <td>-</td> <td>WD.</td> <td>J2</td> <td>PTD.</td> <td>-</td> <td>3994</td> <td>3\"/> <tr> <td>3999</td> <td>ETR</td> <td>-</td> <td>WD.</td> <td>J2</td> <td>PTD.</td> <td>-</td> <td>3995</td> <td>3\"/> <tr> <td>3999</td> <td>ETR</td> <td>-</td> <td>WD.</td> <td>J2</td> <td>PTD.</td> <td>-</td> <td>3997</td> <td>3\"/> </td></tr></td></tr></td></tr></td></tr></td></tr> | 3995 | ETR | - | WD. | J2 | PTD. | - | 3992 | 3\"/> <tr> <td>3997</td> <td>ETR</td> <td>-</td> <td>WD.</td> <td>J2</td> <td>PTD.</td> <td>-</td> <td>3993</td> <td>3\"/> <tr> <td>3998</td> <td>ETR</td> <td>-</td> <td>WD.</td> <td>J2</td> <td>PTD.</td> <td>-</td> <td>3994</td> <td>3\"/> <tr> <td>3999</td> <td>ETR</td> <td>-</td> <td>WD.</td> <td>J2</td> <td>PTD.</td> <td>-</td> <td>3995</td> <td>3\"/> <tr> <td>3999</td> <td>ETR</td> <td>-</td> <td>WD.</td> <td>J2</td> <td>PTD.</td> <td>-</td> <td>3997</td> <td>3\"/> </td></tr></td></tr></td></tr></td></tr> | 3997 | ETR | - | WD. | J2 | PTD. | - | 3993 | 3\"/> <tr> <td>3998</td> <td>ETR</td> <td>-</td> <td>WD.</td> <td>J2</td> <td>PTD.</td> <td>-</td> <td>3994</td> <td>3\"/> <tr> <td>3999</td> <td>ETR</td> <td>-</td> <td>WD.</td> <td>J2</td> <td>PTD.</td> <td>-</td> <td>3995</td> <td>3\"/> <tr> <td>3999</td> <td>ETR</td> <td>-</td> <td>WD.</td> <td>J2</td> <td>PTD.</td> <td>-</td> <td>3997</td> <td>3\"/> </td></tr></td></tr></td></tr> | 3998 | ETR | - | WD. | J2 | PTD. | - | 3994 | 3\"/> <tr> <td>3999</td> <td>ETR</td> <td>-</td> <td>WD.</td> <td>J2</td> <td>PTD.</td> <td>-</td> <td>3995</td> <td>3\"/> <tr> <td>3999</td> <td>ETR</td> <td>-</td> <td>WD.</td> <td>J2</td> <td>PTD.</td> <td>-</td> <td>3997</td> <td>3\"/> </td></tr></td></tr> | 3999 | ETR | - | WD. | J2 | PTD. | - | 3995 | 3\"/> <tr> <td>3999</td> <td>ETR</td> <td>-</td> <td>WD.</td> <td>J2</td> <td>PTD.</td> <td>-</td> <td>3997</td> <td>3\"/> </td></tr>
 | 3999 | ETR | - | WD. | J2 | PTD. | - | 3997 | 3\"/> | | | | | | | | | | | | | | | | | | | | | | | | | | | | | | | | | | | | | | | | | | | | | | | | |
| 360 | ETR | - | WD. | J2 | PTD. | - | 358 | 3\"/> <tr> <td>361A</td> <td>ETR</td> <td>-</td> <td>WD.</td> <td>J2</td> <td>PTD.</td> <td>-</td> <td>359</td> <td>3\"/> <tr> <td>362</td> <td>ETR</td> <td>-</td> <td>WD.</td> <td>J2</td> <td>PTD.</td> <td>-</td> <td>360</td> <td>3\"/> <tr> <td>363</td> <td>ETR</td> <td>-</td> <td>WD.</td> <td>J2</td> <td>PTD.</td> <td>-</td> <td>361A</td> <td>3\"/> <tr> <td>364A</td> <td>ETR</td> <td>-</td> <td>WD.</td> <td>J2</td> <td>PTD.</td> <td>-</td> <td>362</td> <td>3\"/> <tr> <td>365</td> <td>ETR</td> <td>-</td> <td>WD.</td> <td>J2</td> <td>PTD.</td> <td>-</td> <td>363</td> <td>3\"/> <tr> <td>366</td> <td>ETR</td> <td>-</td> <td>WD.</td> <td>J2</td> <td>PTD.</td> <td>-</td> <td>364A</td> <td>3\"/> <tr> <td>367</td> <td>B</td> <td>2 <td>HM</td> <td>J1</td> <td>PTD.</td> <td>1 HR.</td> <td>365</td> <td>3\"/> <tr> <td>368</td> <td>ETR</td> <td>-</td> <td>WD.</td> <td>J2</td> <td>PTD.</td> <td>-</td> <td>366</td> <td>3\"/> <tr> <td>369</td> <td>ETR</td> <td>-</td> <td>WD.</td> <td>J2</td> <td>PTD.</td> <td>-</td> <td>367</td> <td>3\"/> <tr> <td>370</td> <td>ETR</td> <td>-</td> <td>WD.</td> <td>J2</td> <td>PTD.</td> <td>-</td> <td>368</td> <td>3\"/> <tr> <td>371</td> <td>ETR</td> <td>-</td> <td>WD.</td> <td>J2</td> <td>PTD.</td> <td>-</td> <td>369</td> <td>3\"/> <tr> <td>372</td> <td>B</td> <td>2 <td>HM</td> <td>J1</td> <td>PTD.</td> <td>1 HR.</td> <td>370</td> <td>3\"/> <tr> <td>373A</td> <td>ETR</td> <td>-</td> <td>WD.</td> <td>J2</td> <td>PTD.</td> <td>-</td> <td>371</td> <td>3\"/> <tr> <td>374B</td> <td>ETR</td> <td>-</td> <td>WD.</td> <td>J2</td> <td>PTD.</td> <td>-</td> <td>372</td> <td>3\"/> <tr> <td>374C</td> <td>ETR</td> <td>-</td> <td>WD.</td> <td>J2</td> <td>PTD.</td> <td>-</td> <td>373A</td> <td>3\"/> <tr> <td>375</td> <td>B</td> <td>1 <td>WD</td> <td>J1</td> <td>PTD.</td> <td>-</td> <td>374B</td> <td>3\"/> <tr> <td>376</td> <td>B</td> <td>1 <td>WD</td> <td>J1</td> <td>PTD.</td> <td>-</td> <td>374C</td> <td>3\"/> <tr> <td>377</td> <td>B</td> <td>1 <td>WD</td> <td>J1</td> <td>PTD.</td> <td>-</td> <td>375</td> <td>3\"/> <tr> <td>377A</td> <td>B</td> <td>1 <td>WD</td> <td>J1</td> <td>PTD.</td> <td>-</td> <td>376</td> <td>3\"/> <tr> <td>378</td> <td>B</td> <td>1 <td>WD</td> <td>J1</td> <td>PTD.</td> <td>-</td> <td>377</td> <td>3\"/> <tr> <td>379</td> <td>B</td> <td>1 <td>WD</td> <td>J1</td> <td>PTD.</td> <td>-</td> <td>377A</td> <td>3\"/> <tr> <td>380A</td> <td>B</td> <td>1 <td>WD</td> <td>J1</td> <td>PTD.</td> <td>-</td> <td>378</td> <td>3\"/> <tr> <td>380B</td> <td>B</td> <td>1 <td>WD</td> <td>J1</td> <td>PTD.</td> <td>-</td> <td>379</td> <td>3\"/> <tr> <td>382</td> <td>ETR</td> <td>-</td> <td>WD.</td> <td>J2</td> <td>PTD.</td> <td>-</td> <td>380A</td> <td>3\"/> <tr> <td>382A</td> <td>D</td> <td>6 <td>ALUM.</td> <td>ANODIZE D</td> <td>-</td> <td>-</td> <td>380B</td> <td>3\"/> <tr> <td>385</td> <td>ETR</td> <td>-</td> <td>WD.</td> <td>J2</td>
<td>PTD.</td> <td>-</td> <td>382</td> <td>3\"/> <tr> <td>386</td> <td>ETR</td> <td>-</td> <td>WD.</td> <td>J2</td> <td>PTD.</td> <td>-</td> <td>382A</td> <td>3\"/> <tr> <td>387</td> <td>ETR</td> <td>-</td> <td>WD.</td> <td>J2</td> <td>PTD.</td> <td>-</td> <td>385</td> <td>3\"/> <tr> <td>388</td> <td>ETR</td> <td>-</td> <td>WD.</td> <td>J2</td> <td>PTD.</td> <td>-</td> <td>386</td> <td>3\"/> <tr> <td>389</td> <td>ETR</td> <td>-</td> <td>WD.</td> <td>J2</td> <td>PTD.</td> <td>-</td> <td>387</td> <td>3\"/> <tr> <td>391</td> <td>ETR</td> <td>-</td> <td>WD.</td> <td>J2</td> <td>PTD.</td> <td>-</td> <td>388</td> <td>3\"/> <tr> <td>391A</td> <td>ETR</td> <td>-</td> <td>WD.</td> <td>J2</td> <td>PTD.</td> <td>-</td> <td>389</td> <td>3\"/> <tr> <td>391B</td> <td>ETR</td> <td>-</td> <td>WD.</td> <td>J2</td> <td>PTD.</td> <td>-</td> <td>391</td> <td>3\"/> <tr> <td>394</td> <td>ETR</td> <td>-</td> <td>WD.</td> <td>J2</td> <td>PTD.</td> <td>-</td> <td>391A</td> <td>3\"/> <tr> <td>395</td> <td>ETR</td> <td>-</td> <td>WD.</td> <td>J2</td> <td>PTD.</td> <td>-</td> <td>391B</td> <td>3\"/> <tr> <td>396</td> <td>ETR</td> <td>-</td> <td>WD.</td> <td>J2</td> <td>PTD.</td> <td>-</td> <td>394</td> <td>3\"/> <tr> <td>398</td> <td>ETR</td> <td>-</td> <td>WD.</td> <td>J2</td> <td>PTD.</td> <td>-</td> <td>395</td> <td>3\"/> <tr> <td>399</td> <td>ETR</td> <td>-</td> <td>WD.</td> <td>J2</td> <td>PTD.</td> <td>-</td> <td>396</td> <td>3\"/> <tr> <td>3991</td> <td>ETR</td> <td>-</td> <td>WD.</td> <td>J2</td> <td>PTD.</td> <td>-</td> <td>398</td> <td>3\"/> <tr> <td>3992</td> <td>A</td> <td>3\"/> <tr> <td>3993</td> <td>ETR</td> <td>-</td> <td>WD.</td> <td>J2</td> <td>PTD.</td> <td>-</td> <td>399</td> <td>3\"/> <tr> <td>3994</td> <td>ETR</td> <td>-</td> <td>WD.</td> <td>J2</td> <td>PTD.</td> <td>-</td> <td>3991</td> <td>3\"/> <tr> <td>3995</td> <td>ETR</td> <td>-</td> <td>WD.</td> <td>J2</td> <td>PTD.</td> <td>-</td> <td>3992</td> <td>3\"/> <tr> <td>3997</td> <td>ETR</td> <td>-</td> <td>WD.</td> <td>J2</td> <td>PTD.</td> <td>-</td> <td>3993</td> <td>3\"/> <tr> <td>3998</td> <td>ETR</td> <td>-</td> <td>WD.</td> <td>J2</td> <td>PTD.</td> <td>-</td> <td>3994</td> <td>3\"/> <tr> <td>3999</td> <td>ETR</td> <td>-</td> <td>WD.</td> <td>J2</td> <td>PTD.</td> <td>-</td> <td>3995</td> <td>3\"/> <tr> <td>3999</td> <td>ETR</td> <td>-</td> <td>WD.</td> <td>J2</td> <td>PTD.</td> <td>-</td> <td>3997</td> <td>3\"/> </td></tr></td></tr></td></tr></td></tr></td></tr></td></tr></td></tr></td></tr></td></tr></td></tr></td></tr></td></tr></td></tr></td></tr></td></tr></td></tr></td></tr></td></tr></td></tr></td></tr></td></tr></td></tr></td></td></tr></td></tr></td></td></tr></td></td></tr></td></td></tr></td></td></tr></td></td></tr></td></td></tr></td></td></tr></td></td></tr></td></tr></td></tr></td></tr></td></td></tr></td></tr></td></tr></td></tr></td></tr></td></td></tr></td></tr></td></tr></td></tr></td></tr></td></tr></td></tr> | 361A | ETR | -
 | WD. | J2 | PTD. | - | 359 | 3\"/> <tr> <td>362</td> <td>ETR</td> <td>-</td> <td>WD.</td> <td>J2</td> <td>PTD.</td> <td>-</td> <td>360</td> <td>3\"/> <tr> <td>363</td> <td>ETR</td> <td>-</td> <td>WD.</td> <td>J2</td> <td>PTD.</td> <td>-</td> <td>361A</td> <td>3\"/> <tr> <td>364A</td> <td>ETR</td> <td>-</td> <td>WD.</td> <td>J2</td> <td>PTD.</td> <td>-</td> <td>362</td> <td>3\"/> <tr> <td>365</td> <td>ETR</td> <td>-</td> <td>WD.</td> <td>J2</td> <td>PTD.</td> <td>-</td> <td>363</td> <td>3\"/> <tr> <td>366</td> <td>ETR</td> <td>-</td> <td>WD.</td> <td>J2</td> <td>PTD.</td> <td>-</td> <td>364A</td> <td>3\"/> <tr> <td>367</td> <td>B</td> <td>2 <td>HM</td> <td>J1</td> <td>PTD.</td> <td>1 HR.</td> <td>365</td> <td>3\"/> <tr> <td>368</td> <td>ETR</td> <td>-</td> <td>WD.</td> <td>J2</td> <td>PTD.</td> <td>-</td> <td>366</td> <td>3\"/> <tr> <td>369</td> <td>ETR</td> <td>-</td> <td>WD.</td> <td>J2</td> <td>PTD.</td> <td>-</td> <td>367</td> <td>3\"/> <tr> <td>370</td> <td>ETR</td> <td>-</td> <td>WD.</td> <td>J2</td> <td>PTD.</td> <td>-</td> <td>368</td> <td>3\"/> <tr> <td>371</td> <td>ETR</td> <td>-</td> <td>WD.</td> <td>J2</td> <td>PTD.</td> <td>-</td> <td>369</td> <td>3\"/> <tr> <td>372</td> <td>B</td> <td>2 <td>HM</td> <td>J1</td> <td>PTD.</td> <td>1 HR.</td> <td>370</td> <td>3\"/> <tr> <td>373A</td> <td>ETR</td> <td>-</td> <td>WD.</td> <td>J2</td> <td>PTD.</td> <td>-</td> <td>371</td> <td>3\"/> <tr> <td>374B</td> <td>ETR</td> <td>-</td> <td>WD.</td> <td>J2</td> <td>PTD.</td> <td>-</td> <td>372</td> <td>3\"/> <tr> <td>374C</td> <td>ETR</td> <td>-</td> <td>WD.</td> <td>J2</td> <td>PTD.</td> <td>-</td> <td>373A</td> <td>3\"/> <tr> <td>375</td> <td>B</td> <td>1 <td>WD</td> <td>J1</td> <td>PTD.</td> <td>-</td> <td>374B</td> <td>3\"/> <tr> <td>376</td> <td>B</td> <td>1 <td>WD</td> <td>J1</td> <td>PTD.</td> <td>-</td> <td>374C</td> <td>3\"/> <tr> <td>377</td> <td>B</td> <td>1 <td>WD</td> <td>J1</td> <td>PTD.</td> <td>-</td> <td>375</td> <td>3\"/> <tr> <td>377A</td> <td>B</td> <td>1 <td>WD</td> <td>J1</td> <td>PTD.</td> <td>-</td> <td>376</td> <td>3\"/> <tr> <td>378</td> <td>B</td> <td>1 <td>WD</td> <td>J1</td> <td>PTD.</td> <td>-</td> <td>377</td> <td>3\"/> <tr> <td>379</td> <td>B</td> <td>1 <td>WD</td> <td>J1</td> <td>PTD.</td> <td>-</td> <td>377A</td> <td>3\"/> <tr> <td>380A</td> <td>B</td> <td>1 <td>WD</td> <td>J1</td> <td>PTD.</td> <td>-</td> <td>378</td> <td>3\"/> <tr> <td>380B</td> <td>B</td> <td>1 <td>WD</td> <td>J1</td> <td>PTD.</td> <td>-</td> <td>379</td> <td>3\"/> <tr> <td>382</td> <td>ETR</td> <td>-</td> <td>WD.</td> <td>J2</td> <td>PTD.</td> <td>-</td> <td>380A</td> <td>3\"/> <tr> <td>382A</td> <td>D</td> <td>6 <td>ALUM.</td> <td>ANODIZE D</td> <td>-</td> <td>-</td> <td>380B</td> <td>3\"/> <tr> <td>385</td> <td>ETR</td> <td>-</td> <td>WD.</td> <td>J2</td> <td>PTD.</td> <td>-</td> <td>382</td> <td>3\"/> <tr> <td>386</td> <td>ETR</td> <td>-</td> <td>WD.</td> <td>J2</td> <td>PTD.</td> <td>-</td> <td>382A</td> <td>3\"/> <tr> <td>387</td> <td>ETR</td> <td>-</td> <td>WD.</td> <td>J2</td> <td>PTD.</td> <td>-</td> <td>385</td> <td>3\"/> <tr> <td>388</td> <td>ETR</td> <td>-</td> <td>WD.</td> <td>J2</td> <td>PTD.</td> <td>-</td> <td>386</td> <td>3\"/> <tr> <td>389</td> <td>ETR</td> <td>-</td> <td>WD.</td> <td>J2</td> <td>PTD.</td> <td>-</td> <td>387</td> <td>3\"/> <tr> <td>391</td> <td>ETR</td> <td>-</td> <td>WD.</td> <td>J2</td> <td>PTD.</td> <td>-</td> <td>388</td> <td>3\"/> <tr> <td>391A</td> <td>ETR</td> <td>-</td> <td>WD.</td> <td>J2</td> <td>PTD.</td> <td>-</td> <td>389</td> <td>3\"/> <tr> <td>391B</td> <td>ETR</td> <td>-</td> <td>WD.</td> <td>J2</td> <td>PTD.</td> <td>-</td> <td>391</td> <td>3\"/> <tr> <td>394</td> <td>ETR</td> <td>-</td> <td>WD.</td> <td>J2</td> <td>PTD.</td> <td>-</td> <td>391A</td> <td>3\"/> <tr> <td>395</td> <td>ETR</td> <td>-</td> <td>WD.</td> <td>J2</td> <td>PTD.</td> <td>-</td> <td>391B</td> <td>3\"/> <tr> <td>396</td> <td>ETR</td> <td>-</td> <td>WD.</td> <td>J2</td> <td>PTD.</td> <td>-</td> <td>394</td> <td>3\"/> <tr> <td>398</td> <td>ETR</td> <td>-</td> <td>WD.</td> <td>J2</td> <td>PTD.</td> <td>-</td> <td>395</td> <td>3\"/> <tr> <td>399</td> <td>ETR</td> <td>-</td> <td>WD.</td> <td>J2</td> <td>PTD.</td> <td>-</td> <td>396</td> <td>3\"/> <tr> <td>3991</td> <td>ETR</td> <td>-</td> <td>WD.</td> <td>J2</td> <td>PTD.</td> <td>-</td> <td>398</td> <td>3\"/> <tr> <td>3992</td> <td>A</td> <td>3\"/> <tr> <td>3993</td> <td>ETR</td> <td>-</td> <td>WD.</td> <td>J2</td> <td>PTD.</td> <td>-</td> <td>399</td> <td>3\"/> <tr> <td>3994</td> <td>ETR</td> <td>-</td> <td>WD.</td> <td>J2</td> <td>PTD.</td> <td>-</td> <td>3991</td> <td>3\"/> <tr> <td>3995</td> <td>ETR</td> <td>-</td> <td>WD.</td> <td>J2</td> <td>PTD.</td> <td>-</td> <td>3992</td> <td>3\"/> <tr> <td>3997</td> <td>ETR</td> <td>-</td> <td>WD.</td> <td>J2</td> <td>PTD.</td> <td>-</td> <td>3993</td> <td>3\"/> <tr> <td>3998</td> <td>ETR</td> <td>-</td> <td>WD.</td> <td>J2</td> <td>PTD.</td> <td>-</td> <td>3994</td> <td>3\"/> <tr> <td>3999</td> <td>ETR</td> <td>-</td> <td>WD.</td> <td>J2</td> <td>PTD.</td> <td>-</td> <td>3995</td> <td>3\"/> <tr> <td>3999</td> <td>ETR</td> <td>-</td> <td>WD.</td> <td>J2</td> <td>PTD.</td> <td>-</td> <td>3997</td> <td>3\"/> </td></tr></td></tr></td></tr></td></tr></td></tr></td></tr></td></tr></td></tr></td></tr></td></tr></td></tr></td></tr></td></tr></td></tr></td></tr></td></tr></td></tr></td></tr></td></tr></td></tr></td></tr></td></tr></td></td></tr></td></tr></td></td></tr></td></td></tr></td></td></tr></td></td></tr></td></td></tr></td></td></tr></td></td></tr></td></td></tr></td></tr></td></tr></td></tr></td></td></tr></td></tr></td></tr></td></tr></td></tr></td></td></tr></td></tr></td></tr></td></tr></td></tr></td></tr> | 362 | ETR | -
 | WD. | J2 | PTD. | - | 360 | 3\"/> <tr> <td>363</td> <td>ETR</td> <td>-</td> <td>WD.</td> <td>J2</td> <td>PTD.</td> <td>-</td> <td>361A</td> <td>3\"/> <tr> <td>364A</td> <td>ETR</td> <td>-</td> <td>WD.</td> <td>J2</td> <td>PTD.</td> <td>-</td> <td>362</td> <td>3\"/> <tr> <td>365</td> <td>ETR</td> <td>-</td> <td>WD.</td> <td>J2</td> <td>PTD.</td> <td>-</td> <td>363</td> <td>3\"/> <tr> <td>366</td> <td>ETR</td> <td>-</td> <td>WD.</td> <td>J2</td> <td>PTD.</td> <td>-</td> <td>364A</td> <td>3\"/> <tr> <td>367</td> <td>B</td> <td>2 <td>HM</td> <td>J1</td> <td>PTD.</td> <td>1 HR.</td> <td>365</td> <td>3\"/> <tr> <td>368</td> <td>ETR</td> <td>-</td> <td>WD.</td> <td>J2</td> <td>PTD.</td> <td>-</td> <td>366</td> <td>3\"/> <tr> <td>369</td> <td>ETR</td> <td>-</td> <td>WD.</td> <td>J2</td> <td>PTD.</td> <td>-</td> <td>367</td> <td>3\"/> <tr> <td>370</td> <td>ETR</td> <td>-</td> <td>WD.</td> <td>J2</td> <td>PTD.</td> <td>-</td> <td>368</td> <td>3\"/> <tr> <td>371</td> <td>ETR</td> <td>-</td> <td>WD.</td> <td>J2</td> <td>PTD.</td> <td>-</td> <td>369</td> <td>3\"/> <tr> <td>372</td> <td>B</td> <td>2 <td>HM</td> <td>J1</td> <td>PTD.</td> <td>1 HR.</td> <td>370</td> <td>3\"/> <tr> <td>373A</td> <td>ETR</td> <td>-</td> <td>WD.</td> <td>J2</td> <td>PTD.</td> <td>-</td> <td>371</td> <td>3\"/> <tr> <td>374B</td> <td>ETR</td> <td>-</td> <td>WD.</td> <td>J2</td> <td>PTD.</td> <td>-</td> <td>372</td> <td>3\"/> <tr> <td>374C</td> <td>ETR</td> <td>-</td> <td>WD.</td> <td>J2</td> <td>PTD.</td> <td>-</td> <td>373A</td> <td>3\"/> <tr> <td>375</td> <td>B</td> <td>1 <td>WD</td> <td>J1</td> <td>PTD.</td> <td>-</td> <td>374B</td> <td>3\"/> <tr> <td>376</td> <td>B</td> <td>1 <td>WD</td> <td>J1</td> <td>PTD.</td> <td>-</td> <td>374C</td> <td>3\"/> <tr> <td>377</td> <td>B</td> <td>1 <td>WD</td> <td>J1</td> <td>PTD.</td> <td>-</td> <td>375</td> <td>3\"/> <tr> <td>377A</td> <td>B</td> <td>1 <td>WD</td> <td>J1</td> <td>PTD.</td> <td>-</td> <td>376</td> <td>3\"/> <tr> <td>378</td> <td>B</td> <td>1 <td>WD</td> <td>J1</td> <td>PTD.</td> <td>-</td> <td>377</td> <td>3\"/> <tr> <td>379</td> <td>B</td> <td>1 <td>WD</td> <td>J1</td> <td>PTD.</td> <td>-</td> <td>377A</td> <td>3\"/> <tr> <td>380A</td> <td>B</td> <td>1 <td>WD</td> <td>J1</td> <td>PTD.</td> <td>-</td> <td>378</td> <td>3\"/> <tr> <td>380B</td> <td>B</td> <td>1 <td>WD</td> <td>J1</td> <td>PTD.</td> <td>-</td> <td>379</td> <td>3\"/> <tr> <td>382</td> <td>ETR</td> <td>-</td> <td>WD.</td> <td>J2</td> <td>PTD.</td> <td>-</td> <td>380A</td> <td>3\"/> <tr> <td>382A</td> <td>D</td> <td>6 <td>ALUM.</td> <td>ANODIZE D</td> <td>-</td> <td>-</td> <td>380B</td> <td>3\"/> <tr> <td>385</td> <td>ETR</td> <td>-</td> <td>WD.</td> <td>J2</td> <td>PTD.</td> <td>-</td> <td>382</td> <td>3\"/> <tr> <td>386</td> <td>ETR</td> <td>-</td> <td>WD.</td> <td>J2</td> <td>PTD.</td> <td>-</td> <td>382A</td> <td>3\"/> <tr> <td>387</td> <td>ETR</td> <td>-</td> <td>WD.</td> <td>J2</td> <td>PTD.</td> <td>-</td> <td>385</td> <td>3\"/> <tr> <td>388</td> <td>ETR</td> <td>-</td> <td>WD.</td> <td>J2</td> <td>PTD.</td> <td>-</td> <td>386</td> <td>3\"/> <tr> <td>389</td> <td>ETR</td> <td>-</td> <td>WD.</td> <td>J2</td> <td>PTD.</td> <td>-</td> <td>387</td> <td>3\"/> <tr> <td>391</td> <td>ETR</td> <td>-</td> <td>WD.</td> <td>J2</td> <td>PTD.</td> <td>-</td> <td>388</td> <td>3\"/> <tr> <td>391A</td> <td>ETR</td> <td>-</td> <td>WD.</td> <td>J2</td> <td>PTD.</td> <td>-</td> <td>389</td> <td>3\"/> <tr> <td>391B</td> <td>ETR</td> <td>-</td> <td>WD.</td> <td>J2</td> <td>PTD.</td> <td>-</td> <td>391</td> <td>3\"/> <tr> <td>394</td> <td>ETR</td> <td>-</td> <td>WD.</td> <td>J2</td> <td>PTD.</td> <td>-</td> <td>391A</td> <td>3\"/> <tr> <td>395</td> <td>ETR</td> <td>-</td> <td>WD.</td> <td>J2</td> <td>PTD.</td> <td>-</td> <td>391B</td> <td>3\"/> <tr> <td>396</td> <td>ETR</td> <td>-</td> <td>WD.</td> <td>J2</td> <td>PTD.</td> <td>-</td> <td>394</td> <td>3\"/> <tr> <td>398</td> <td>ETR</td> <td>-</td> <td>WD.</td> <td>J2</td> <td>PTD.</td> <td>-</td> <td>395</td> <td>3\"/> <tr> <td>399</td> <td>ETR</td> <td>-</td> <td>WD.</td> <td>J2</td> <td>PTD.</td> <td>-</td> <td>396</td> <td>3\"/> <tr> <td>3991</td> <td>ETR</td> <td>-</td> <td>WD.</td> <td>J2</td> <td>PTD.</td> <td>-</td> <td>398</td> <td>3\"/> <tr> <td>3992</td> <td>A</td> <td>3\"/> <tr> <td>3993</td> <td>ETR</td> <td>-</td> <td>WD.</td> <td>J2</td> <td>PTD.</td> <td>-</td> <td>399</td> <td>3\"/> <tr> <td>3994</td> <td>ETR</td> <td>-</td> <td>WD.</td> <td>J2</td> <td>PTD.</td> <td>-</td> <td>3991</td> <td>3\"/> <tr> <td>3995</td> <td>ETR</td> <td>-</td> <td>WD.</td> <td>J2</td> <td>PTD.</td> <td>-</td> <td>3992</td> <td>3\"/> <tr> <td>3997</td> <td>ETR</td> <td>-</td> <td>WD.</td> <td>J2</td> <td>PTD.</td> <td>-</td> <td>3993</td> <td>3\"/> <tr> <td>3998</td> <td>ETR</td> <td>-</td> <td>WD.</td> <td>J2</td> <td>PTD.</td> <td>-</td> <td>3994</td> <td>3\"/> <tr> <td>3999</td> <td>ETR</td> <td>-</td> <td>WD.</td> <td>J2</td> <td>PTD.</td> <td>-</td> <td>3995</td> <td>3\"/> <tr> <td>3999</td> <td>ETR</td> <td>-</td> <td>WD.</td> <td>J2</td> <td>PTD.</td> <td>-</td> <td>3997</td> <td>3\"/> </td></tr></td></tr></td></tr></td></tr></td></tr></td></tr></td></tr></td></tr></td></tr></td></tr></td></tr></td></tr></td></tr></td></tr></td></tr></td></tr></td></tr></td></tr></td></tr></td></tr></td></tr></td></tr></td></td></tr></td></tr></td></td></tr></td></td></tr></td></td></tr></td></td></tr></td></td></tr></td></td></tr></td></td></tr></td></td></tr></td></tr></td></tr></td></tr></td></td></tr></td></tr></td></tr></td></tr></td></tr></td></td></tr></td></tr></td></tr></td></tr></td></tr>
 | 363 | ETR | - | WD. | J2 | PTD. | - | 361A | 3\"/> <tr> <td>364A</td> <td>ETR</td> <td>-</td> <td>WD.</td> <td>J2</td> <td>PTD.</td> <td>-</td> <td>362</td> <td>3\"/> <tr> <td>365</td> <td>ETR</td> <td>-</td> <td>WD.</td> <td>J2</td> <td>PTD.</td> <td>-</td> <td>363</td> <td>3\"/> <tr> <td>366</td> <td>ETR</td> <td>-</td> <td>WD.</td> <td>J2</td> <td>PTD.</td> <td>-</td> <td>364A</td> <td>3\"/> <tr> <td>367</td> <td>B</td> <td>2 <td>HM</td> <td>J1</td> <td>PTD.</td> <td>1 HR.</td> <td>365</td> <td>3\"/> <tr> <td>368</td> <td>ETR</td> <td>-</td> <td>WD.</td> <td>J2</td> <td>PTD.</td> <td>-</td> <td>366</td> <td>3\"/> <tr> <td>369</td> <td>ETR</td> <td>-</td> <td>WD.</td> <td>J2</td> <td>PTD.</td> <td>-</td> <td>367</td> <td>3\"/> <tr> <td>370</td> <td>ETR</td> <td>-</td> <td>WD.</td> <td>J2</td> <td>PTD.</td> <td>-</td> <td>368</td> <td>3\"/> <tr> <td>371</td> <td>ETR</td> <td>-</td> <td>WD.</td> <td>J2</td> <td>PTD.</td> <td>-</td> <td>369</td> <td>3\"/> <tr> <td>372</td> <td>B</td> <td>2 <td>HM</td> <td>J1</td> <td>PTD.</td> <td>1 HR.</td> <td>370</td> <td>3\"/> <tr> <td>373A</td> <td>ETR</td> <td>-</td> <td>WD.</td> <td>J2</td> <td>PTD.</td> <td>-</td> <td>371</td> <td>3\"/> <tr> <td>374B</td> <td>ETR</td> <td>-</td> <td>WD.</td> <td>J2</td> <td>PTD.</td> <td>-</td> <td>372</td> <td>3\"/> <tr> <td>374C</td> <td>ETR</td> <td>-</td> <td>WD.</td> <td>J2</td> <td>PTD.</td> <td>-</td> <td>373A</td> <td>3\"/> <tr> <td>375</td> <td>B</td> <td>1 <td>WD</td> <td>J1</td> <td>PTD.</td> <td>-</td> <td>374B</td> <td>3\"/> <tr> <td>376</td> <td>B</td> <td>1 <td>WD</td> <td>J1</td> <td>PTD.</td> <td>-</td> <td>374C</td> <td>3\"/> <tr> <td>377</td> <td>B</td> <td>1 <td>WD</td> <td>J1</td> <td>PTD.</td> <td>-</td> <td>375</td> <td>3\"/> <tr> <td>377A</td> <td>B</td> <td>1 <td>WD</td> <td>J1</td> <td>PTD.</td> <td>-</td> <td>376</td> <td>3\"/> <tr> <td>378</td> <td>B</td> <td>1 <td>WD</td> <td>J1</td> <td>PTD.</td> <td>-</td> <td>377</td> <td>3\"/> <tr> <td>379</td> <td>B</td> <td>1 <td>WD</td> <td>J1</td> <td>PTD.</td> <td>-</td> <td>377A</td> <td>3\"/> <tr> <td>380A</td> <td>B</td> <td>1 <td>WD</td> <td>J1</td> <td>PTD.</td> <td>-</td> <td>378</td> <td>3\"/> <tr> <td>380B</td> <td>B</td> <td>1 <td>WD</td> <td>J1</td> <td>PTD.</td> <td>-</td> <td>379</td> <td>3\"/> <tr> <td>382</td> <td>ETR</td> <td>-</td> <td>WD.</td> <td>J2</td> <td>PTD.</td> <td>-</td> <td>380A</td> <td>3\"/> <tr> <td>382A</td> <td>D</td> <td>6 <td>ALUM.</td> <td>ANODIZE D</td> <td>-</td> <td>-</td> <td>380B</td> <td>3\"/> <tr> <td>385</td> <td>ETR</td> <td>-</td> <td>WD.</td> <td>J2</td> <td>PTD.</td> <td>-</td> <td>382</td> <td>3\"/> <tr> <td>386</td> <td>ETR</td> <td>-</td> <td>WD.</td> <td>J2</td> <td>PTD.</td> <td>-</td> <td>382A</td> <td>3\"/> <tr> <td>387</td> <td>ETR</td> <td>-</td>
<td>WD.</td> <td>J2</td> <td>PTD.</td> <td>-</td> <td>385</td> <td>3\"/> <tr> <td>388</td> <td>ETR</td> <td>-</td> <td>WD.</td> <td>J2</td> <td>PTD.</td> <td>-</td> <td>386</td> <td>3\"/> <tr> <td>389</td> <td>ETR</td> <td>-</td> <td>WD.</td> <td>J2</td> <td>PTD.</td> <td>-</td> <td>387</td> <td>3\"/> <tr> <td>391</td> <td>ETR</td> <td>-</td> <td>WD.</td> <td>J2</td> <td>PTD.</td> <td>-</td> <td>388</td> <td>3\"/> <tr> <td>391A</td> <td>ETR</td> <td>-</td> <td>WD.</td> <td>J2</td> <td>PTD.</td> <td>-</td> <td>389</td> <td>3\"/> <tr> <td>391B</td> <td>ETR</td> <td>-</td> <td>WD.</td> <td>J2</td> <td>PTD.</td> <td>-</td> <td>391</td> <td>3\"/> <tr> <td>394</td> <td>ETR</td> <td>-</td> <td>WD.</td> <td>J2</td> <td>PTD.</td> <td>-</td> <td>391A</td> <td>3\"/> <tr> <td>395</td> <td>ETR</td> <td>-</td> <td>WD.</td> <td>J2</td> <td>PTD.</td> <td>-</td> <td>391B</td> <td>3\"/> <tr> <td>396</td> <td>ETR</td> <td>-</td> <td>WD.</td> <td>J2</td> <td>PTD.</td> <td>-</td> <td>394</td> <td>3\"/> <tr> <td>398</td> <td>ETR</td> <td>-</td> <td>WD.</td> <td>J2</td> <td>PTD.</td> <td>-</td> <td>395</td> <td>3\"/> <tr> <td>399</td> <td>ETR</td> <td>-</td> <td>WD.</td> <td>J2</td> <td>PTD.</td> <td>-</td> <td>396</td> <td>3\"/> <tr> <td>3991</td> <td>ETR</td> <td>-</td> <td>WD.</td> <td>J2</td> <td>PTD.</td> <td>-</td> <td>398</td> <td>3\"/> <tr> <td>3992</td> <td>A</td> <td>3\"/> <tr> <td>3993</td> <td>ETR</td> <td>-</td> <td>WD.</td> <td>J2</td> <td>PTD.</td> <td>-</td> <td>399</td> <td>3\"/> <tr> <td>3994</td> <td>ETR</td> <td>-</td> <td>WD.</td> <td>J2</td> <td>PTD.</td> <td>-</td> <td>3991</td> <td>3\"/> <tr> <td>3995</td> <td>ETR</td> <td>-</td> <td>WD.</td> <td>J2</td> <td>PTD.</td> <td>-</td> <td>3992</td> <td>3\"/> <tr> <td>3997</td> <td>ETR</td> <td>-</td> <td>WD.</td> <td>J2</td> <td>PTD.</td> <td>-</td> <td>3993</td> <td>3\"/> <tr> <td>3998</td> <td>ETR</td> <td>-</td> <td>WD.</td> <td>J2</td> <td>PTD.</td> <td>-</td> <td>3994</td> <td>3\"/> <tr> <td>3999</td> <td>ETR</td> <td>-</td> <td>WD.</td> <td>J2</td> <td>PTD.</td> <td>-</td> <td>3995</td> <td>3\"/> <tr> <td>3999</td> <td>ETR</td> <td>-</td> <td>WD.</td> <td>J2</td> <td>PTD.</td> <td>-</td> <td>3997</td> <td>3\"/> </td></tr></td></tr></td></tr></td></tr></td></tr></td></tr></td></tr></td></tr></td></tr></td></tr></td></tr></td></tr></td></tr></td></tr></td></tr></td></tr></td></tr></td></tr></td></tr></td></tr></td></tr></td></tr></td></td></tr></td></tr></td></td></tr></td></td></tr></td></td></tr></td></td></tr></td></td></tr></td></td></tr></td></td></tr></td></td></tr></td></tr></td></tr></td></tr></td></td></tr></td></tr></td></tr></td></tr></td></tr></td></td></tr></td></tr></td></tr></td></tr> | 364A | ETR | - | WD. | J2 | PTD. |
- | 362 | 3\"/> <tr> <td>365</td> <td>ETR</td> <td>-</td> <td>WD.</td> <td>J2</td> <td>PTD.</td> <td>-</td> <td>363</td> <td>3\"/> <tr> <td>366</td> <td>ETR</td> <td>-</td> <td>WD.</td> <td>J2</td> <td>PTD.</td> <td>-</td> <td>364A</td> <td>3\"/> <tr> <td>367</td> <td>B</td> <td>2 <td>HM</td> <td>J1</td> <td>PTD.</td> <td>1 HR.</td> <td>365</td> <td>3\"/> <tr> <td>368</td> <td>ETR</td> <td>-</td> <td>WD.</td> <td>J2</td> <td>PTD.</td> <td>-</td> <td>366</td> <td>3\"/> <tr> <td>369</td> <td>ETR</td> <td>-</td> <td>WD.</td> <td>J2</td> <td>PTD.</td> <td>-</td> <td>367</td> <td>3\"/> <tr> <td>370</td> <td>ETR</td> <td>-</td> <td>WD.</td> <td>J2</td> <td>PTD.</td> <td>-</td> <td>368</td> <td>3\"/> <tr> <td>371</td> <td>ETR</td> <td>-</td> <td>WD.</td> <td>J2</td> <td>PTD.</td> <td>-</td> <td>369</td> <td>3\"/> <tr> <td>372</td> <td>B</td> <td>2 <td>HM</td> <td>J1</td> <td>PTD.</td> <td>1 HR.</td> <td>370</td> <td>3\"/> <tr> <td>373A</td> <td>ETR</td> <td>-</td> <td>WD.</td> <td>J2</td> <td>PTD.</td> <td>-</td> <td>371</td> <td>3\"/> <tr> <td>374B</td> <td>ETR</td> <td>-</td> <td>WD.</td> <td>J2</td> <td>PTD.</td> <td>-</td> <td>372</td> <td>3\"/> <tr> <td>374C</td> <td>ETR</td> <td>-</td> <td>WD.</td> <td>J2</td> <td>PTD.</td> <td>-</td> <td>373A</td> <td>3\"/> <tr> <td>375</td> <td>B</td> <td>1 <td>WD</td> <td>J1</td> <td>PTD.</td> <td>-</td> <td>374B</td> <td>3\"/> <tr> <td>376</td> <td>B</td> <td>1 <td>WD</td> <td>J1</td> <td>PTD.</td> <td>-</td> <td>374C</td> <td>3\"/> <tr> <td>377</td> <td>B</td> <td>1 <td>WD</td> <td>J1</td> <td>PTD.</td> <td>-</td> <td>375</td> <td>3\"/> <tr> <td>377A</td> <td>B</td> <td>1 <td>WD</td> <td>J1</td> <td>PTD.</td> <td>-</td> <td>376</td> <td>3\"/> <tr> <td>378</td> <td>B</td> <td>1 <td>WD</td> <td>J1</td> <td>PTD.</td> <td>-</td> <td>377</td> <td>3\"/> <tr> <td>379</td> <td>B</td> <td>1 <td>WD</td> <td>J1</td> <td>PTD.</td> <td>-</td> <td>377A</td> <td>3\"/> <tr> <td>380A</td> <td>B</td> <td>1 <td>WD</td> <td>J1</td> <td>PTD.</td> <td>-</td> <td>378</td> <td>3\"/> <tr> <td>380B</td> <td>B</td> <td>1 <td>WD</td> <td>J1</td> <td>PTD.</td> <td>-</td> <td>379</td> <td>3\"/> <tr> <td>382</td> <td>ETR</td> <td>-</td> <td>WD.</td> <td>J2</td> <td>PTD.</td> <td>-</td> <td>380A</td> <td>3\"/> <tr> <td>382A</td> <td>D</td> <td>6 <td>ALUM.</td> <td>ANODIZE D</td> <td>-</td> <td>-</td> <td>380B</td> <td>3\"/> <tr> <td>385</td> <td>ETR</td> <td>-</td> <td>WD.</td> <td>J2</td> <td>PTD.</td> <td>-</td> <td>382</td> <td>3\"/> <tr> <td>386</td> <td>ETR</td> <td>-</td> <td>WD.</td> <td>J2</td> <td>PTD.</td> <td>-</td> <td>382A</td> <td>3\"/> <tr> <td>387</td> <td>ETR</td> <td>-</td> <td>WD.</td> <td>J2</td> <td>PTD.</td> <td>-</td> <td>385</td> <td>3\"/> <tr> <td>388</td> <td>ETR</td> <td>-</td> <td>WD.</td> <td>J2</td> <td>PTD.</td> <td>-</td> <td>386</td> <td>3\"/> <tr> <td>389</td> <td>ETR</td> <td>-</td> <td>WD.</td> <td>J2</td> <td>PTD.</td> <td>-</td> <td>387</td> <td>3\"/> <tr> <td>391</td> <td>ETR</td> <td>-</td> <td>WD.</td> <td>J2</td> <td>PTD.</td> <td>-</td> <td>388</td> <td>3\"/> <tr> <td>391A</td> <td>ETR</td> <td>-</td> <td>WD.</td> <td>J2</td> <td>PTD.</td> <td>-</td> <td>389</td> <td>3\"/> <tr> <td>391B</td> <td>ETR</td> <td>-</td> <td>WD.</td> <td>J2</td> <td>PTD.</td> <td>-</td> <td>391</td> <td>3\"/> <tr> <td>394</td> <td>ETR</td> <td>-</td> <td>WD.</td> <td>J2</td> <td>PTD.</td> <td>-</td> <td>391A</td> <td>3\"/> <tr> <td>395</td> <td>ETR</td> <td>-</td> <td>WD.</td> <td>J2</td> <td>PTD.</td> <td>-</td> <td>391B</td> <td>3\"/> <tr> <td>396</td> <td>ETR</td> <td>-</td> <td>WD.</td> <td>J2</td> <td>PTD.</td> <td>-</td> <td>394</td> <td>3\"/> <tr> <td>398</td> <td>ETR</td> <td>-</td> <td>WD.</td> <td>J2</td> <td>PTD.</td> <td>-</td> <td>395</td> <td>3\"/> <tr> <td>399</td> <td>ETR</td> <td>-</td> <td>WD.</td> <td>J2</td> <td>PTD.</td> <td>-</td> <td>396</td> <td>3\"/> <tr> <td>3991</td> <td>ETR</td> <td>-</td> <td>WD.</td> <td>J2</td> <td>PTD.</td> <td>-</td> <td>398</td> <td>3\"/> <tr> <td>3992</td> <td>A</td> <td>3\"/> <tr> <td>3993</td> <td>ETR</td> <td>-</td> <td>WD.</td> <td>J2</td> <td>PTD.</td> <td>-</td> <td>399</td> <td>3\"/> <tr> <td>3994</td> <td>ETR</td> <td>-</td> <td>WD.</td> <td>J2</td> <td>PTD.</td> <td>-</td> <td>3991</td> <td>3\"/> <tr> <td>3995</td> <td>ETR</td> <td>-</td> <td>WD.</td> <td>J2</td> <td>PTD.</td> <td>-</td> <td>3992</td> <td>3\"/> <tr> <td>3997</td> <td>ETR</td> <td>-</td> <td>WD.</td> <td>J2</td> <td>PTD.</td> <td>-</td> <td>3993</td> <td>3\"/> <tr> <td>3998</td> <td>ETR</td> <td>-</td> <td>WD.</td> <td>J2</td> <td>PTD.</td> <td>-</td> <td>3994</td> <td>3\"/> <tr> <td>3999</td> <td>ETR</td> <td>-</td> <td>WD.</td> <td>J2</td> <td>PTD.</td> <td>-</td> <td>3995</td> <td>3\"/> <tr> <td>3999</td> <td>ETR</td> <td>-</td> <td>WD.</td> <td>J2</td> <td>PTD.</td> <td>-</td> <td>3997</td> <td>3\"/> </td></tr></td></tr></td></tr></td></tr></td></tr></td></tr></td></tr></td></tr></td></tr></td></tr></td></tr></td></tr></td></tr></td></tr></td></tr></td></tr></td></tr></td></tr></td></tr></td></tr></td></tr></td></tr></td></td></tr></td></tr></td></td></tr></td></td></tr></td></td></tr></td></td></tr></td></td></tr></td></td></tr></td></td></tr></td></td></tr></td></tr></td></tr></td></tr></td></td></tr></td></tr></td></tr></td></tr></td></tr></td></td></tr></td></tr></td></tr> | 365 | ETR | -
 | WD. | J2 | PTD. | - | 363 | 3\"/> <tr> <td>366</td> <td>ETR</td> <td>-</td> <td>WD.</td> <td>J2</td> <td>PTD.</td> <td>-</td> <td>364A</td> <td>3\"/> <tr> <td>367</td> <td>B</td> <td>2 <td>HM</td> <td>J1</td> <td>PTD.</td> <td>1 HR.</td> <td>365</td> <td>3\"/> <tr> <td>368</td> <td>ETR</td> <td>-</td> <td>WD.</td> <td>J2</td> <td>PTD.</td> <td>-</td> <td>366</td> <td>3\"/> <tr> <td>369</td> <td>ETR</td> <td>-</td> <td>WD.</td> <td>J2</td> <td>PTD.</td> <td>-</td> <td>367</td> <td>3\"/> <tr> <td>370</td> <td>ETR</td> <td>-</td> <td>WD.</td> <td>J2</td> <td>PTD.</td> <td>-</td> <td>368</td> <td>3\"/> <tr> <td>371</td> <td>ETR</td> <td>-</td> <td>WD.</td> <td>J2</td> <td>PTD.</td> <td>-</td> <td>369</td> <td>3\"/> <tr> <td>372</td> <td>B</td> <td>2 <td>HM</td> <td>J1</td> <td>PTD.</td> <td>1 HR.</td> <td>370</td> <td>3\"/> <tr> <td>373A</td> <td>ETR</td> <td>-</td> <td>WD.</td> <td>J2</td> <td>PTD.</td> <td>-</td> <td>371</td> <td>3\"/> <tr> <td>374B</td> <td>ETR</td> <td>-</td> <td>WD.</td> <td>J2</td> <td>PTD.</td> <td>-</td> <td>372</td> <td>3\"/> <tr> <td>374C</td> <td>ETR</td> <td>-</td> <td>WD.</td> <td>J2</td> <td>PTD.</td> <td>-</td> <td>373A</td> <td>3\"/> <tr> <td>375</td> <td>B</td> <td>1 <td>WD</td> <td>J1</td> <td>PTD.</td> <td>-</td> <td>374B</td> <td>3\"/> <tr> <td>376</td> <td>B</td> <td>1 <td>WD</td> <td>J1</td> <td>PTD.</td> <td>-</td> <td>374C</td> <td>3\"/> <tr> <td>377</td> <td>B</td> <td>1 <td>WD</td> <td>J1</td> <td>PTD.</td> <td>-</td> <td>375</td> <td>3\"/> <tr> <td>377A</td> <td>B</td> <td>1 <td>WD</td> <td>J1</td> <td>PTD.</td> <td>-</td> <td>376</td> <td>3\"/> <tr> <td>378</td> <td>B</td> <td>1 <td>WD</td> <td>J1</td> <td>PTD.</td> <td>-</td> <td>377</td> <td>3\"/> <tr> <td>379</td> <td>B</td> <td>1 <td>WD</td> <td>J1</td> <td>PTD.</td> <td>-</td> <td>377A</td> <td>3\"/> <tr> <td>380A</td> <td>B</td> <td>1 <td>WD</td> <td>J1</td> <td>PTD.</td> <td>-</td> <td>378</td> <td>3\"/> <tr> <td>380B</td> <td>B</td> <td>1 <td>WD</td> <td>J1</td> <td>PTD.</td> <td>-</td> <td>379</td> <td>3\"/> <tr> <td>382</td> <td>ETR</td> <td>-</td> <td>WD.</td> <td>J2</td> <td>PTD.</td> <td>-</td> <td>380A</td> <td>3\"/> <tr> <td>382A</td> <td>D</td> <td>6 <td>ALUM.</td> <td>ANODIZE D</td> <td>-</td> <td>-</td> <td>380B</td> <td>3\"/> <tr> <td>385</td> <td>ETR</td> <td>-</td> <td>WD.</td> <td>J2</td> <td>PTD.</td> <td>-</td> <td>382</td> <td>3\"/> <tr> <td>386</td> <td>ETR</td> <td>-</td> <td>WD.</td> <td>J2</td> <td>PTD.</td> <td>-</td> <td>382A</td> <td>3\"/> <tr> <td>387</td> <td>ETR</td> <td>-</td> <td>WD.</td> <td>J2</td> <td>PTD.</td> <td>-</td> <td>385</td> <td>3\"/> <tr> <td>388</td> <td>ETR</td> <td>-</td> <td>WD.</td> <td>J2</td> <td>PTD.</td> <td>-</td> <td>386</td> <td>3\"/> <tr> <td>389</td> <td>ETR</td> <td>-</td> <td>WD.</td> <td>J2</td> <td>PTD.</td> <td>-</td> <td>387</td> <td>3\"/> <tr> <td>391</td> <td>ETR</td> <td>-</td> <td>WD.</td> <td>J2</td> <td>PTD.</td> <td>-</td> <td>388</td> <td>3\"/> <tr> <td>391A</td> <td>ETR</td> <td>-</td> <td>WD.</td> <td>J2</td> <td>PTD.</td> <td>-</td> <td>389</td> <td>3\"/> <tr> <td>391B</td> <td>ETR</td> <td>-</td> <td>WD.</td> <td>J2</td> <td>PTD.</td> <td>-</td> <td>391</td> <td>3\"/> <tr> <td>394</td> <td>ETR</td> <td>-</td> <td>WD.</td> <td>J2</td> <td>PTD.</td> <td>-</td> <td>391A</td> <td>3\"/> <tr> <td>395</td> <td>ETR</td> <td>-</td> <td>WD.</td> <td>J2</td> <td>PTD.</td> <td>-</td> <td>391B</td> <td>3\"/> <tr> <td>396</td> <td>ETR</td> <td>-</td> <td>WD.</td> <td>J2</td> <td>PTD.</td> <td>-</td> <td>394</td> <td>3\"/> <tr> <td>398</td> <td>ETR</td> <td>-</td> <td>WD.</td> <td>J2</td> <td>PTD.</td> <td>-</td> <td>395</td> <td>3\"/> <tr> <td>399</td> <td>ETR</td> <td>-</td> <td>WD.</td> <td>J2</td> <td>PTD.</td> <td>-</td> <td>396</td> <td>3\"/> <tr> <td>3991</td> <td>ETR</td> <td>-</td> <td>WD.</td> <td>J2</td> <td>PTD.</td> <td>-</td> <td>398</td> <td>3\"/> <tr> <td>3992</td> <td>A</td> <td>3\"/> <tr> <td>3993</td> <td>ETR</td> <td>-</td> <td>WD.</td> <td>J2</td> <td>PTD.</td> <td>-</td> <td>399</td> <td>3\"/> <tr> <td>3994</td> <td>ETR</td> <td>-</td> <td>WD.</td> <td>J2</td> <td>PTD.</td> <td>-</td> <td>3991</td> <td>3\"/> <tr> <td>3995</td> <td>ETR</td> <td>-</td> <td>WD.</td> <td>J2</td> <td>PTD.</td> <td>-</td> <td>3992</td> <td>3\"/> <tr> <td>3997</td> <td>ETR</td> <td>-</td> <td>WD.</td> <td>J2</td> <td>PTD.</td> <td>-</td> <td>3993</td> <td>3\"/> <tr> <td>3998</td> <td>ETR</td> <td>-</td> <td>WD.</td> <td>J2</td> <td>PTD.</td> <td>-</td> <td>3994</td> <td>3\"/> <tr> <td>3999</td> <td>ETR</td> <td>-</td> <td>WD.</td> <td>J2</td> <td>PTD.</td> <td>-</td> <td>3995</td> <td>3\"/> <tr> <td>3999</td> <td>ETR</td> <td>-</td> <td>WD.</td> <td>J2</td> <td>PTD.</td> <td>-</td> <td>3997</td> <td>3\"/> </td></tr></td></tr></td></tr></td></tr></td></tr></td></tr></td></tr></td></tr></td></tr></td></tr></td></tr></td></tr></td></tr></td></tr></td></tr></td></tr></td></tr></td></tr></td></tr></td></tr></td></tr></td></tr></td></td></tr></td></tr></td></td></tr></td></td></tr></td></td></tr></td></td></tr></td></td></tr></td></td></tr></td></td></tr></td></td></tr></td></tr></td></tr></td></tr></td></td></tr></td></tr></td></tr></td></tr></td></tr></td></td></tr></td></tr> | 366 | ETR | -
 | WD. | J2 | PTD. | - | 364A | 3\"/> <tr> <td>367</td> <td>B</td> <td>2 <td>HM</td> <td>J1</td> <td>PTD.</td> <td>1 HR.</td> <td>365</td> <td>3\"/> <tr> <td>368</td> <td>ETR</td> <td>-</td> <td>WD.</td> <td>J2</td> <td>PTD.</td> <td>-</td> <td>366</td> <td>3\"/> <tr> <td>369</td> <td>ETR</td> <td>-</td> <td>WD.</td> <td>J2</td> <td>PTD.</td> <td>-</td> <td>367</td> <td>3\"/> <tr> <td>370</td> <td>ETR</td> <td>-</td> <td>WD.</td> <td>J2</td> <td>PTD.</td> <td>-</td> <td>368</td> <td>3\"/> <tr> <td>371</td> <td>ETR</td> <td>-</td> <td>WD.</td> <td>J2</td> <td>PTD.</td> <td>-</td> <td>369</td> <td>3\"/> <tr> <td>372</td> <td>B</td> <td>2 <td>HM</td> <td>J1</td> <td>PTD.</td> <td>1 HR.</td> <td>370</td> <td>3\"/> <tr> <td>373A</td> <td>ETR</td> <td>-</td> <td>WD.</td> <td>J2</td> <td>PTD.</td> <td>-</td> <td>371</td> <td>3\"/> <tr> <td>374B</td> <td>ETR</td> <td>-</td> <td>WD.</td> <td>J2</td> <td>PTD.</td> <td>-</td> <td>372</td> <td>3\"/> <tr> <td>374C</td> <td>ETR</td> <td>-</td> <td>WD.</td> <td>J2</td> <td>PTD.</td> <td>-</td> <td>373A</td> <td>3\"/> <tr> <td>375</td> <td>B</td> <td>1 <td>WD</td> <td>J1</td> <td>PTD.</td> <td>-</td> <td>374B</td> <td>3\"/> <tr> <td>376</td> <td>B</td> <td>1 <td>WD</td> <td>J1</td> <td>PTD.</td> <td>-</td> <td>374C</td> <td>3\"/> <tr> <td>377</td> <td>B</td> <td>1 <td>WD</td> <td>J1</td> <td>PTD.</td> <td>-</td> <td>375</td> <td>3\"/> <tr> <td>377A</td> <td>B</td> <td>1 <td>WD</td> <td>J1</td> <td>PTD.</td> <td>-</td> <td>376</td> <td>3\"/> <tr> <td>378</td> <td>B</td> <td>1 <td>WD</td> <td>J1</td> <td>PTD.</td> <td>-</td> <td>377</td> <td>3\"/> <tr> <td>379</td> <td>B</td> <td>1 <td>WD</td> <td>J1</td> <td>PTD.</td> <td>-</td> <td>377A</td> <td>3\"/> <tr> <td>380A</td> <td>B</td> <td>1 <td>WD</td> <td>J1</td> <td>PTD.</td> <td>-</td> <td>378</td> <td>3\"/> <tr> <td>380B</td> <td>B</td> <td>1 <td>WD</td> <td>J1</td> <td>PTD.</td> <td>-</td> <td>379</td> <td>3\"/> <tr> <td>382</td> <td>ETR</td> <td>-</td> <td>WD.</td> <td>J2</td> <td>PTD.</td> <td>-</td> <td>380A</td> <td>3\"/> <tr> <td>382A</td> <td>D</td> <td>6 <td>ALUM.</td> <td>ANODIZE D</td> <td>-</td> <td>-</td> <td>380B</td> <td>3\"/> <tr> <td>385</td> <td>ETR</td> <td>-</td> <td>WD.</td> <td>J2</td> <td>PTD.</td> <td>-</td> <td>382</td> <td>3\"/> <tr> <td>386</td> <td>ETR</td> <td>-</td> <td>WD.</td> <td>J2</td> <td>PTD.</td> <td>-</td> <td>382A</td> <td>3\"/> <tr> <td>387</td> <td>ETR</td> <td>-</td> <td>WD.</td> <td>J2</td> <td>PTD.</td> <td>-</td> <td>385</td> <td>3\"/> <tr> <td>388</td> <td>ETR</td> <td>-</td> <td>WD.</td> <td>J2</td> <td>PTD.</td> <td>-</td> <td>386</td> <td>3\"/> <tr> <td>389</td> <td>ETR</td> <td>-</td> <td>WD.</td> <td>J2</td> <td>PTD.</td> <td>-</td> <td>387</td> <td>3\"/> <tr> <td>391</td> <td>ETR</td> <td>-</td> <td>WD.</td> <td>J2</td> <td>PTD.</td> <td>-</td> <td>388</td> <td>3\"/> <tr> <td>391A</td> <td>ETR</td> <td>-</td> <td>WD.</td> <td>J2</td> <td>PTD.</td> <td>-</td> <td>389</td> <td>3\"/> <tr> <td>391B</td> <td>ETR</td> <td>-</td> <td>WD.</td> <td>J2</td> <td>PTD.</td> <td>-</td> <td>391</td> <td>3\"/> <tr> <td>394</td> <td>ETR</td> <td>-</td> <td>WD.</td> <td>J2</td> <td>PTD.</td> <td>-</td> <td>391A</td> <td>3\"/> <tr> <td>395</td> <td>ETR</td> <td>-</td> <td>WD.</td> <td>J2</td> <td>PTD.</td> <td>-</td> <td>391B</td> <td>3\"/> <tr> <td>396</td> <td>ETR</td> <td>-</td> <td>WD.</td> <td>J2</td> <td>PTD.</td> <td>-</td> <td>394</td> <td>3\"/> <tr> <td>398</td> <td>ETR</td> <td>-</td> <td>WD.</td> <td>J2</td> <td>PTD.</td> <td>-</td> <td>395</td> <td>3\"/> <tr> <td>399</td> <td>ETR</td> <td>-</td> <td>WD.</td> <td>J2</td> <td>PTD.</td> <td>-</td> <td>396</td> <td>3\"/> <tr> <td>3991</td> <td>ETR</td> <td>-</td> <td>WD.</td> <td>J2</td> <td>PTD.</td> <td>-</td> <td>398</td> <td>3\"/> <tr> <td>3992</td> <td>A</td> <td>3\"/> <tr> <td>3993</td> <td>ETR</td> <td>-</td> <td>WD.</td> <td>J2</td> <td>PTD.</td> <td>-</td> <td>399</td> <td>3\"/> <tr> <td>3994</td> <td>ETR</td> <td>-</td> <td>WD.</td> <td>J2</td> <td>PTD.</td> <td>-</td> <td>3991</td> <td>3\"/> <tr> <td>3995</td> <td>ETR</td> <td>-</td> <td>WD.</td> <td>J2</td> <td>PTD.</td> <td>-</td> <td>3992</td> <td>3\"/> <tr> <td>3997</td> <td>ETR</td> <td>-</td> <td>WD.</td> <td>J2</td> <td>PTD.</td> <td>-</td> <td>3993</td> <td>3\"/> <tr> <td>3998</td> <td>ETR</td> <td>-</td> <td>WD.</td> <td>J2</td> <td>PTD.</td> <td>-</td> <td>3994</td> <td>3\"/> <tr> <td>3999</td> <td>ETR</td> <td>-</td> <td>WD.</td> <td>J2</td> <td>PTD.</td> <td>-</td> <td>3995</td> <td>3\"/> <tr> <td>3999</td> <td>ETR</td> <td>-</td> <td>WD.</td> <td>J2</td> <td>PTD.</td> <td>-</td> <td>3997</td> <td>3\"/>
</td></tr></td></tr></td></tr></td></tr></td></tr></td></tr></td></tr></td></tr></td></tr></td></tr></td></tr></td></tr></td></tr></td></tr></td></tr></td></tr></td></tr></td></tr></td></tr></td></tr></td></tr></td></tr></td></td></tr></td></tr></td></td></tr></td></td></tr></td></td></tr></td></td></tr></td></td></tr></td></td></tr></td></td></tr></td></td></tr></td></tr></td></tr></td></tr></td></td></tr></td></tr></td></tr></td></tr></td></tr></td></td></tr> | 367 | B | 2 <td>HM</td> <td>J1</td> <td>PTD.</td> <td>1 HR.</td> <td>365</td> <td>3\"/> <tr> <td>368</td> <td>ETR</td> <td>-</td> <td>WD.</td> <td>J2</td> <td>PTD.</td> <td>-</td> <td>366</td> <td>3\"/> <tr> <td>369</td> <td>ETR</td> <td>-</td> <td>WD.</td> <td>J2</td> <td>PTD.</td> <td>-</td> <td>367</td> <td>3\"/> <tr> <td>370</td> <td>ETR</td> <td>-</td> <td>WD.</td> <td>J2</td> <td>PTD.</td> <td>-</td> <td>368</td> <td>3\"/> <tr> <td>371</td> <td>ETR</td> <td>-</td> <td>WD.</td> <td>J2</td> <td>PTD.</td> <td>-</td> <td>369</td> <td>3\"/> <tr> <td>372</td> <td>B</td> <td>2 <td>HM</td> <td>J1</td> <td>PTD.</td> <td>1 HR.</td> <td>370</td> <td>3\"/> <tr> <td>373A</td> <td>ETR</td> <td>-</td> <td>WD.</td> <td>J2</td> <td>PTD.</td> <td>-</td> <td>371</td> <td>3\"/> <tr> <td>374B</td> <td>ETR</td> <td>-</td> <td>WD.</td> <td>J2</td> <td>PTD.</td> <td>-</td> <td>372</td> <td>3\"/> <tr> <td>374C</td> <td>ETR</td> <td>-</td> <td>WD.</td> <td>J2</td> <td>PTD.</td> <td>-</td> <td>373A</td> <td>3\"/> <tr> <td>375</td> <td>B</td> <td>1 <td>WD</td> <td>J1</td> <td>PTD.</td> <td>-</td> <td>374B</td> <td>3\"/> <tr> <td>376</td> <td>B</td> <td>1 <td>WD</td> <td>J1</td> <td>PTD.</td> <td>-</td> <td>374C</td> <td>3\"/> <tr> <td>377</td> <td>B</td> <td>1 <td>WD</td> <td>J1</td> <td>PTD.</td> <td>-</td> <td>375</td> <td>3\"/> <tr> <td>377A</td> <td>B</td> <td>1 <td>WD</td> <td>J1</td> <td>PTD.</td> <td>-</td> <td>376</td> <td>3\"/> <tr> <td>378</td> <td>B</td> <td>1 <td>WD</td> <td>J1</td> <td>PTD.</td> <td>-</td> <td>377</td> <td>3\"/> <tr> <td>379</td> <td>B</td> <td>1 <td>WD</td> <td>J1</td> <td>PTD.</td> <td>-</td> <td>377A</td> <td>3\"/> <tr> <td>380A</td> <td>B</td> <td>1 <td>WD</td> <td>J1</td> <td>PTD.</td> <td>-</td> <td>378</td> <td>3\"/> <tr> <td>380B</td> <td>B</td> <td>1 <td>WD</td> <td>J1</td> <td>PTD.</td> <td>-</td> <td>379</td> <td>3\"/> <tr> <td>382</td> <td>ETR</td> <td>-</td> <td>WD.</td> <td>J2</td> <td>PTD.</td> <td>-</td> <td>380A</td> <td>3\"/> <tr> <td>382A</td> <td>D</td> <td>6 <td>ALUM.</td> <td>ANODIZE D</td> <td>-</td> <td>-</td> <td>380B</td> <td>3\"/> <tr> <td>385</td> <td>ETR</td> <td>-</td> <td>WD.</td> <td>J2</td> <td>PTD.</td> <td>-</td> <td>382</td> <td>3\"/> <tr> <td>386</td> <td>ETR</td> <td>-</td> <td>WD.</td> <td>J2</td> <td>PTD.</td> <td>-</td> <td>382A</td> <td>3\"/> <tr> <td>387</td> <td>ETR</td> <td>-</td> <td>WD.</td> <td>J2</td> <td>PTD.</td> <td>-</td> <td>385</td> <td>3\"/> <tr> <td>388</td> <td>ETR</td> <td>-</td> <td>WD.</td> <td>J2</td> <td>PTD.</td> <td>-</td> <td>386</td> <td>3\"/> <tr> <td>389</td> <td>ETR</td> <td>-</td> <td>WD.</td> <td>J2</td> <td>PTD.</td> <td>-</td> <td>387</td> <td>3\"/> <tr> <td>391</td> <td>ETR</td> <td>-</td> <td>WD.</td> <td>J2</td> <td>PTD.</td> <td>-</td> <td>388</td> <td>3\"/> <tr> <td>391A</td> <td>ETR</td> <td>-</td> <td>WD.</td> <td>J2</td> <td>PTD.</td> <td>-</td> <td>389</td> <td>3\"/> <tr> <td>391B</td> <td>ETR</td> <td>-</td> <td>WD.</td> <td>J2</td> <td>PTD.</td> <td>-</td> <td>391</td> <td>3\"/> <tr> <td>394</td> <td>ETR</td> <td>-</td> <td>WD.</td> <td>J2</td> <td>PTD.</td> <td>-</td> <td>391A</td> <td>3\"/> <tr> <td>395</td> <td>ETR</td> <td>-</td> <td>WD.</td> <td>J2</td> <td>PTD.</td> <td>-</td> <td>391B</td> <td>3\"/> <tr> <td>396</td> <td>ETR</td> <td>-</td> <td>WD.</td> <td>J2</td> <td>PTD.</td> <td>-</td> <td>394</td> <td>3\"/> <tr> <td>398</td> <td>ETR</td> <td>-</td> <td>WD.</td> <td>J2</td> <td>PTD.</td> <td>-</td> <td>395</td> <td>3\"/> <tr> <td>399</td> <td>ETR</td> <td>-</td> <td>WD.</td> <td>J2</td> <td>PTD.</td> <td>-</td> <td>396</td> <td>3\"/> <tr> <td>3991</td> <td>ETR</td> <td>-</td> <td>WD.</td> <td>J2</td> <td>PTD.</td> <td>-</td> <td>398</td> <td>3\"/> <tr> <td>3992</td> <td>A</td> <td>3\"/> <tr> <td>3993</td> <td>ETR</td> <td>-</td> <td>WD.</td> <td>J2</td> <td>PTD.</td> <td>-</td> <td>399</td> <td>3\"/> <tr> <td>3994</td> <td>ETR</td> <td>-</td> <td>WD.</td> <td>J2</td> <td>PTD.</td> <td>-</td> <td>3991</td> <td>3\"/> <tr> <td>3995</td> <td>ETR</td> <td>-</td> <td>WD.</td> <td>J2</td> <td>PTD.</td> <td>-</td> <td>3992</td> <td>3\"/> <tr> <td>3997</td> <td>ETR</td> <td>-</td> <td>WD.</td> <td>J2</td> <td>PTD.</td> <td>-</td> <td>3993</td> <td>3\"/> <tr> <td>3998</td> <td>ETR</td> <td>-</td> <td>WD.</td> <td>J2</td> <td>PTD.</td> <td>-</td> <td>3994</td> <td>3\"/> <tr> <td>3999</td> <td>ETR</td> <td>-</td> <td>WD.</td> <td>J2</td> <td>PTD.</td> <td>-</td> <td>3995</td> <td>3\"/> <tr> <td>3999</td> <td>ETR</td> <td>-</td> <td>WD.</td> <td>J2</td> <td>PTD.</td> <td>-</td> <td>3997</td> <td>3\"/> </td></tr></td></tr></td></tr></td></tr></td></tr></td></tr></td></tr></td></tr></td></tr></td></tr></td></tr></td></tr></td></tr></td></tr></td></tr></td></tr></td></tr></td></tr></td></tr></td></tr></td></tr></td></tr></td></td></tr></td></tr></td></td></tr></td></td></tr></td></td></tr></td></td></tr></td></td></tr></td></td></tr></td></td></tr></td></td></tr></td></tr></td></tr></td></tr></td></td></tr></td></tr></td></tr></td></tr></td></tr></td> | HM | J1 | PTD. | 1 HR. | 365 | 3\"/> <tr> <td>368</td> <td>ETR</td> <td>-</td> <td>WD.</td> <td>J2</td> <td>PTD.</td> <td>-</td> <td>366</td> <td>3\"/> <tr> <td>369</td> <td>ETR</td> <td>-</td> <td>WD.</td> <td>J2</td> <td>PTD.</td> <td>-</td> <td>367</td> <td>3\"/> <tr> <td>370</td> <td>ETR</td> <td>-</td> <td>WD.</td> <td>J2</td> <td>PTD.</td> <td>-</td> <td>368</td> <td>3\"/> <tr> <td>371</td> <td>ETR</td> <td>-</td> <td>WD.</td> <td>J2</td> <td>PTD.</td> <td>-</td> <td>369</td> <td>3\"/> <tr> <td>372</td> <td>B</td> <td>2 <td>HM</td> <td>J1</td> <td>PTD.</td> <td>1 HR.</td> <td>370</td> <td>3\"/> <tr> <td>373A</td> <td>ETR</td> <td>-</td> <td>WD.</td> <td>J2</td> <td>PTD.</td> <td>-</td> <td>371</td> <td>3\"/> <tr> <td>374B</td> <td>ETR</td> <td>-</td> <td>WD.</td> <td>J2</td> <td>PTD.</td> <td>-</td> <td>372</td> <td>3\"/> <tr> <td>374C</td> <td>ETR</td> <td>-</td> <td>WD.</td> <td>J2</td> <td>PTD.</td> <td>-</td> <td>373A</td> <td>3\"/> <tr> <td>375</td> <td>B</td> <td>1 <td>WD</td> <td>J1</td> <td>PTD.</td> <td>-</td> <td>374B</td> <td>3\"/> <tr> <td>376</td> <td>B</td> <td>1 <td>WD</td> <td>J1</td> <td>PTD.</td> <td>-</td> <td>374C</td> <td>3\"/> <tr> <td>377</td> <td>B</td> <td>1 <td>WD</td> <td>J1</td> <td>PTD.</td> <td>-</td> <td>375</td> <td>3\"/> <tr> <td>377A</td> <td>B</td> <td>1 <td>WD</td> <td>J1</td> <td>PTD.</td> <td>-</td> <td>376</td> <td>3\"/> <tr> <td>378</td> <td>B</td> <td>1 <td>WD</td> <td>J1</td> <td>PTD.</td> <td>-</td> <td>377</td> <td>3\"/> <tr> <td>379</td> <td>B</td> <td>1 <td>WD</td> <td>J1</td> <td>PTD.</td> <td>-</td> <td>377A</td> <td>3\"/> <tr> <td>380A</td> <td>B</td> <td>1 <td>WD</td> <td>J1</td> <td>PTD.</td> <td>-</td> <td>378</td> <td>3\"/> <tr> <td>380B</td> <td>B</td> <td>1 <td>WD</td> <td>J1</td> <td>PTD.</td> <td>-</td> <td>379</td> <td>3\"/> <tr> <td>382</td> <td>ETR</td> <td>-</td> <td>WD.</td> <td>J2</td> <td>PTD.</td> <td>-</td> <td>380A</td> <td>3\"/> <tr> <td>382A</td> <td>D</td> <td>6 <td>ALUM.</td> <td>ANODIZE D</td> <td>-</td> <td>-</td> <td>380B</td> <td>3\"/> <tr> <td>385</td> <td>ETR</td> <td>-</td> <td>WD.</td> <td>J2</td> <td>PTD.</td> <td>-</td> <td>382</td> <td>3\"/> <tr> <td>386</td> <td>ETR</td> <td>-</td> <td>WD.</td> <td>J2</td> <td>PTD.</td> <td>-</td> <td>382A</td> <td>3\"/> <tr> <td>387</td> <td>ETR</td> <td>-</td> <td>WD.</td> <td>J2</td> <td>PTD.</td> <td>-</td> <td>385</td> <td>3\"/> <tr> <td>388</td> <td>ETR</td> <td>-</td> <td>WD.</td> <td>J2</td> <td>PTD.</td> <td>-</td> <td>386</td> <td>3\"/> <tr> <td>389</td> <td>ETR</td> <td>-</td> <td>WD.</td> <td>J2</td> <td>PTD.</td> <td>-</td> <td>387</td>
<td>3\"/> <tr> <td>391</td> <td>ETR</td> <td>-</td> <td>WD.</td> <td>J2</td> <td>PTD.</td> <td>-</td> <td>388</td> <td>3\"/> <tr> <td>391A</td> <td>ETR</td> <td>-</td> <td>WD.</td> <td>J2</td> <td>PTD.</td> <td>-</td> <td>389</td> <td>3\"/> <tr> <td>391B</td> <td>ETR</td> <td>-</td> <td>WD.</td> <td>J2</td> <td>PTD.</td> <td>-</td> <td>391</td> <td>3\"/> <tr> <td>394</td> <td>ETR</td> <td>-</td> <td>WD.</td> <td>J2</td> <td>PTD.</td> <td>-</td> <td>391A</td> <td>3\"/> <tr> <td>395</td> <td>ETR</td> <td>-</td> <td>WD.</td> <td>J2</td> <td>PTD.</td> <td>-</td> <td>391B</td> <td>3\"/> <tr> <td>396</td> <td>ETR</td> <td>-</td> <td>WD.</td> <td>J2</td> <td>PTD.</td> <td>-</td> <td>394</td> <td>3\"/> <tr> <td>398</td> <td>ETR</td> <td>-</td> <td>WD.</td> <td>J2</td> <td>PTD.</td> <td>-</td> <td>395</td> <td>3\"/> <tr> <td>399</td> <td>ETR</td> <td>-</td> <td>WD.</td> <td>J2</td> <td>PTD.</td> <td>-</td> <td>396</td> <td>3\"/> <tr> <td>3991</td> <td>ETR</td> <td>-</td> <td>WD.</td> <td>J2</td> <td>PTD.</td> <td>-</td> <td>398</td> <td>3\"/> <tr> <td>3992</td> <td>A</td> <td>3\"/> <tr> <td>3993</td> <td>ETR</td> <td>-</td> <td>WD.</td> <td>J2</td> <td>PTD.</td> <td>-</td> <td>399</td> <td>3\"/> <tr> <td>3994</td> <td>ETR</td> <td>-</td> <td>WD.</td> <td>J2</td> <td>PTD.</td> <td>-</td> <td>3991</td> <td>3\"/> <tr> <td>3995</td> <td>ETR</td> <td>-</td> <td>WD.</td> <td>J2</td> <td>PTD.</td> <td>-</td> <td>3992</td> <td>3\"/> <tr> <td>3997</td> <td>ETR</td> <td>-</td> <td>WD.</td> <td>J2</td> <td>PTD.</td> <td>-</td> <td>3993</td> <td>3\"/> <tr> <td>3998</td> <td>ETR</td> <td>-</td> <td>WD.</td> <td>J2</td> <td>PTD.</td> <td>-</td> <td>3994</td> <td>3\"/> <tr> <td>3999</td> <td>ETR</td> <td>-</td> <td>WD.</td> <td>J2</td> <td>PTD.</td> <td>-</td> <td>3995</td> <td>3\"/> <tr> <td>3999</td> <td>ETR</td> <td>-</td> <td>WD.</td> <td>J2</td> <td>PTD.</td> <td>-</td> <td>3997</td> <td>3\"/> </td></tr></td></tr></td></tr></td></tr></td></tr></td></tr></td></tr></td></tr></td></tr></td></tr></td></tr></td></tr></td></tr></td></tr></td></tr></td></tr></td></tr></td></tr></td></tr></td></tr></td></tr></td></tr></td></td></tr></td></tr></td></td></tr></td></td></tr></td></td></tr></td></td></tr></td></td></tr></td></td></tr></td></td></tr></td></td></tr></td></tr></td></tr></td></tr></td></td></tr></td></tr></td></tr></td></tr></td></tr> | 368 | ETR | - | WD. | J2 | PTD. | - | 366 | 3\"/> <tr> <td>369</td> <td>ETR</td> <td>-</td> <td>WD.</td> <td>J2</td> <td>PTD.</td> <td>-</td> <td>367</td> <td>3\"/> <tr> <td>370</td> <td>ETR</td> <td>-</td> <td>WD.</td> <td>J2</td> <td>PTD.</td> <td>-</td> <td>368</td> <td>3\"/> <tr> <td>371</td> <td>ETR</td> <td>-</td> <td>WD.</td> <td>J2</td> <td>PTD.</td> <td>-</td> <td>369</td> <td>3\"/> <tr> <td>372</td> <td>B</td> <td>2 <td>HM</td> <td>J1</td> <td>PTD.</td> <td>1 HR.</td> <td>370</td> <td>3\"/> <tr> <td>373A</td> <td>ETR</td> <td>-</td> <td>WD.</td> <td>J2</td> <td>PTD.</td> <td>-</td> <td>371</td> <td>3\"/> <tr> <td>374B</td> <td>ETR</td> <td>-</td> <td>WD.</td> <td>J2</td> <td>PTD.</td> <td>-</td> <td>372</td> <td>3\"/> <tr> <td>374C</td> <td>ETR</td> <td>-</td> <td>WD.</td> <td>J2</td> <td>PTD.</td> <td>-</td> <td>373A</td> <td>3\"/> <tr>
<td>375</td> <td>B</td> <td>1 <td>WD</td> <td>J1</td> <td>PTD.</td> <td>-</td> <td>374B</td> <td>3\"/> <tr> <td>376</td> <td>B</td> <td>1 <td>WD</td> <td>J1</td> <td>PTD.</td> <td>-</td> <td>374C</td> <td>3\"/> <tr> <td>377</td> <td>B</td> <td>1 <td>WD</td> <td>J1</td> <td>PTD.</td> <td>-</td> <td>375</td> <td>3\"/> <tr> <td>377A</td> <td>B</td> <td>1 <td>WD</td> <td>J1</td> <td>PTD.</td> <td>-</td> <td>376</td> <td>3\"/> <tr> <td>378</td> <td>B</td> <td>1 <td>WD</td> <td>J1</td> <td>PTD.</td> <td>-</td> <td>377</td> <td>3\"/> <tr> <td>379</td> <td>B</td> <td>1 <td>WD</td> <td>J1</td> <td>PTD.</td> <td>-</td> <td>377A</td> <td>3\"/> <tr> <td>380A</td> <td>B</td> <td>1 <td>WD</td> <td>J1</td> <td>PTD.</td> <td>-</td> <td>378</td> <td>3\"/> <tr> <td>380B</td> <td>B</td> <td>1 <td>WD</td> <td>J1</td> <td>PTD.</td> <td>-</td> <td>379</td> <td>3\"/> <tr> <td>382</td> <td>ETR</td> <td>-</td> <td>WD.</td> <td>J2</td> <td>PTD.</td> <td>-</td> <td>380A</td> <td>3\"/> <tr> <td>382A</td> <td>D</td> <td>6 <td>ALUM.</td> <td>ANODIZE D</td> <td>-</td> <td>-</td> <td>380B</td> <td>3\"/> <tr> <td>385</td> <td>ETR</td> <td>-</td> <td>WD.</td> <td>J2</td> <td>PTD.</td> <td>-</td> <td>382</td> <td>3\"/> <tr> <td>386</td> <td>ETR</td> <td>-</td> <td>WD.</td> <td>J2</td> <td>PTD.</td> <td>-</td> <td>382A</td> <td>3\"/> <tr> <td>387</td> <td>ETR</td> <td>-</td> <td>WD.</td> <td>J2</td> <td>PTD.</td> <td>-</td> <td>385</td> <td>3\"/> <tr> <td>388</td> <td>ETR</td> <td>-</td> <td>WD.</td> <td>J2</td> <td>PTD.</td> <td>-</td> <td>386</td> <td>3\"/> <tr> <td>389</td> <td>ETR</td> <td>-</td> <td>WD.</td> <td>J2</td> <td>PTD.</td> <td>-</td> <td>387</td> <td>3\"/> <tr> <td>391</td> <td>ETR</td> <td>-</td> <td>WD.</td> <td>J2</td> <td>PTD.</td> <td>-</td> <td>388</td> <td>3\"/> <tr> <td>391A</td> <td>ETR</td> <td>-</td> <td>WD.</td> <td>J2</td> <td>PTD.</td> <td>-</td> <td>389</td> <td>3\"/> <tr> <td>391B</td> <td>ETR</td> <td>-</td> <td>WD.</td> <td>J2</td> <td>PTD.</td> <td>-</td> <td>391</td> <td>3\"/> <tr> <td>394</td> <td>ETR</td> <td>-</td> <td>WD.</td> <td>J2</td> <td>PTD.</td> <td>-</td> <td>391A</td> <td>3\"/> <tr> <td>395</td> <td>ETR</td> <td>-</td> <td>WD.</td> <td>J2</td> <td>PTD.</td> <td>-</td> <td>391B</td> <td>3\"/> <tr> <td>396</td> <td>ETR</td> <td>-</td> <td>WD.</td> <td>J2</td> <td>PTD.</td> <td>-</td> <td>394</td> <td>3\"/> <tr> <td>398</td> <td>ETR</td> <td>-</td> <td>WD.</td> <td>J2</td> <td>PTD.</td> <td>-</td> <td>395</td> <td>3\"/> <tr> <td>399</td> <td>ETR</td> <td>-</td> <td>WD.</td> <td>J2</td> <td>PTD.</td> <td>-</td> <td>396</td> <td>3\"/> <tr> <td>3991</td> <td>ETR</td> <td>-</td> <td>WD.</td> <td>J2</td> <td>PTD.</td> <td>-</td> <td>398</td> <td>3\"/> <tr> <td>3992</td> <td>A</td> <td>3\"/> <tr> <td>3993</td> <td>ETR</td> <td>-</td> <td>WD.</td> <td>J2</td> <td>PTD.</td> <td>-</td> <td>399</td> <td>3\"/> <tr> <td>3994</td> <td>ETR</td> <td>-</td> <td>WD.</td> <td>J2</td> <td>PTD.</td> <td>-</td> <td>3991</td> <td>3\"/> <tr> <td>3995</td> <td>ETR</td> <td>-</td> <td>WD.</td> <td>J2</td> <td>PTD.</td> <td>-</td> <td>3992</td> <td>3\"/> <tr> <td>3997</td> <td>ETR</td> <td>-</td> <td>WD.</td> <td>J2</td> <td>PTD.</td> <td>-</td> <td>3993</td> <td>3\"/> <tr> <td>3998</td> <td>ETR</td> <td>-</td> <td>WD.</td> <td>J2</td> <td>PTD.</td> <td>-</td> <td>3994</td> <td>3\"/> <tr> <td>3999</td> <td>ETR</td> <td>-</td> <td>WD.</td> <td>J2</td> <td>PTD.</td> <td>-</td> <td>3995</td> <td>3\"/> <tr> <td>3999</td> <td>ETR</td> <td>-</td> <td>WD.</td> <td>J2</td> <td>PTD.</td> <td>-</td> <td>3997</td> <td>3\"/> </td></tr></td></tr></td></tr></td></tr></td></tr></td></tr></td></tr></td></tr></td></tr></td></tr></td></tr></td></tr></td></tr></td></tr></td></tr></td></tr></td></tr></td></tr></td></tr></td></tr></td></tr></td></tr></td></td></tr></td></tr></td></td></tr></td></td></tr></td></td></tr></td></td></tr></td></td></tr></td></td></tr></td></td></tr></td></td></tr></td></tr></td></tr></td></tr></td></td></tr></td></tr></td></tr></td></tr> | 369 | ETR | -
 | WD. | J2 | PTD. | - | 367 | 3\"/> <tr> <td>370</td> <td>ETR</td> <td>-</td> <td>WD.</td> <td>J2</td> <td>PTD.</td> <td>-</td> <td>368</td> <td>3\"/> <tr> <td>371</td> <td>ETR</td> <td>-</td> <td>WD.</td> <td>J2</td> <td>PTD.</td> <td>-</td> <td>369</td> <td>3\"/> <tr> <td>372</td> <td>B</td> <td>2 <td>HM</td> <td>J1</td> <td>PTD.</td> <td>1 HR.</td> <td>370</td> <td>3\"/> <tr> <td>373A</td> <td>ETR</td> <td>-</td> <td>WD.</td> <td>J2</td> <td>PTD.</td> <td>-</td> <td>371</td> <td>3\"/> <tr> <td>374B</td> <td>ETR</td> <td>-</td> <td>WD.</td> <td>J2</td> <td>PTD.</td> <td>-</td> <td>372</td> <td>3\"/> <tr> <td>374C</td> <td>ETR</td> <td>-</td> <td>WD.</td> <td>J2</td> <td>PTD.</td> <td>-</td> <td>373A</td> <td>3\"/> <tr> <td>375</td> <td>B</td> <td>1 <td>WD</td> <td>J1</td> <td>PTD.</td> <td>-</td> <td>374B</td> <td>3\"/> <tr> <td>376</td> <td>B</td> <td>1 <td>WD</td> <td>J1</td> <td>PTD.</td> <td>-</td> <td>374C</td> <td>3\"/> <tr> <td>377</td> <td>B</td> <td>1 <td>WD</td> <td>J1</td> <td>PTD.</td> <td>-</td> <td>375</td> <td>3\"/> <tr> <td>377A</td> <td>B</td> <td>1 <td>WD</td> <td>J1</td> <td>PTD.</td> <td>-</td> <td>376</td> <td>3\"/> <tr> <td>378</td> <td>B</td> <td>1 <td>WD</td> <td>J1</td> <td>PTD.</td> <td>-</td> <td>377</td> <td>3\"/> <tr> <td>379</td> <td>B</td> <td>1 <td>WD</td> <td>J1</td> <td>PTD.</td> <td>-</td> <td>377A</td> <td>3\"/> <tr> <td>380A</td> <td>B</td> <td>1 <td>WD</td> <td>J1</td> <td>PTD.</td> <td>-</td> <td>378</td> <td>3\"/> <tr> <td>380B</td> <td>B</td> <td>1 <td>WD</td> <td>J1</td> <td>PTD.</td> <td>-</td> <td>379</td> <td>3\"/> <tr> <td>382</td> <td>ETR</td> <td>-</td> <td>WD.</td> <td>J2</td> <td>PTD.</td> <td>-</td> <td>380A</td> <td>3\"/> <tr> <td>382A</td> <td>D</td> <td>6 <td>ALUM.</td> <td>ANODIZE D</td> <td>-</td> <td>-</td> <td>380B</td> <td>3\"/> <tr> <td>385</td> <td>ETR</td> <td>-</td> <td>WD.</td> <td>J2</td> <td>PTD.</td> <td>-</td> <td>382</td> <td>3\"/> <tr> <td>386</td> <td>ETR</td> <td>-</td> <td>WD.</td> <td>J2</td> <td>PTD.</td> <td>-</td> <td>382A</td> <td>3\"/> <tr> <td>387</td> <td>ETR</td> <td>-</td> <td>WD.</td> <td>J2</td> <td>PTD.</td> <td>-</td> <td>385</td> <td>3\"/> <tr> <td>388</td> <td>ETR</td> <td>-</td> <td>WD.</td> <td>J2</td> <td>PTD.</td> <td>-</td> <td>386</td> <td>3\"/> <tr> <td>389</td> <td>ETR</td> <td>-</td> <td>WD.</td> <td>J2</td> <td>PTD.</td> <td>-</td> <td>387</td> <td>3\"/> <tr> <td>391</td> <td>ETR</td> <td>-</td> <td>WD.</td> <td>J2</td> <td>PTD.</td> <td>-</td> <td>388</td> <td>3\"/> <tr> <td>391A</td> <td>ETR</td> <td>-</td> <td>WD.</td> <td>J2</td> <td>PTD.</td> <td>-</td> <td>389</td> <td>3\"/> <tr> <td>391B</td> <td>ETR</td> <td>-</td> <td>WD.</td> <td>J2</td> <td>PTD.</td> <td>-</td> <td>391</td> <td>3\"/> <tr> <td>394</td> <td>ETR</td> <td>-</td> <td>WD.</td> <td>J2</td> <td>PTD.</td> <td>-</td> <td>391A</td> <td>3\"/> <tr> <td>395</td> <td>ETR</td> <td>-</td> <td>WD.</td> <td>J2</td> <td>PTD.</td> <td>-</td> <td>391B</td> <td>3\"/> <tr> <td>396</td> <td>ETR</td> <td>-</td> <td>WD.</td> <td>J2</td> <td>PTD.</td> <td>-</td> <td>394</td> <td>3\"/> <tr> <td>398</td> <td>ETR</td> <td>-</td> <td>WD.</td> <td>J2</td> <td>PTD.</td> <td>-</td> <td>395</td> <td>3\"/> <tr> <td>399</td> <td>ETR</td> <td>-</td> <td>WD.</td> <td>J2</td> <td>PTD.</td> <td>-</td> <td>396</td> <td>3\"/> <tr> <td>3991</td> <td>ETR</td> <td>-</td> <td>WD.</td> <td>J2</td> <td>PTD.</td> <td>-</td> <td>398</td> <td>3\"/> <tr> <td>3992</td> <td>A</td> <td>3\"/> <tr> <td>3993</td> <td>ETR</td> <td>-</td> <td>WD.</td> <td>J2</td> <td>PTD.</td> <td>-</td> <td>399</td> <td>3\"/> <tr> <td>3994</td> <td>ETR</td> <td>-</td> <td>WD.</td> <td>J2</td> <td>PTD.</td> <td>-</td> <td>3991</td> <td>3\"/> <tr> <td>3995</td> <td>ETR</td> <td>-</td> <td>WD.</td> <td>J2</td> <td>PTD.</td> <td>-</td> <td>3992</td> <td>3\"/> <tr> <td>3997</td> <td>ETR</td> <td>-</td> <td>WD.</td> <td>J2</td> <td>PTD.</td> <td>-</td> <td>3993</td> <td>3\"/> <tr> <td>3998</td> <td>ETR</td> <td>-</td> <td>WD.</td> <td>J2</td> <td>PTD.</td> <td>-</td> <td>3994</td> <td>3\"/> <tr> <td>3999</td> <td>ETR</td> <td>-</td> <td>WD.</td> <td>J2</td> <td>PTD.</td> <td>-</td> <td>3995</td> <td>3\"/> <tr> <td>3999</td> <td>ETR</td> <td>-</td> <td>WD.</td> <td>J2</td> <td>PTD.</td> <td>-</td> <td>3997</td> <td>3\"/> </td></tr></td></tr></td></tr></td></tr></td></tr></td></tr></td></tr></td></tr></td></tr></td></tr></td></tr></td></tr></td></tr></td></tr></td></tr></td></tr></td></tr></td></tr></td></tr></td></tr></td></tr></td></tr></td></td></tr></td></tr></td></td></tr></td></td></tr></td></td></tr></td></td></tr></td></td></tr></td></td></tr></td></td></tr></td></td></tr></td></tr></td></tr></td></tr></td></td></tr></td></tr></td></tr> | 370 | ETR | -
 | WD. | J2 | PTD. | - | 368 | 3\"/> <tr> <td>371</td> <td>ETR</td> <td>-</td> <td>WD.</td> <td>J2</td> <td>PTD.</td> <td>-</td> <td>369</td> <td>3\"/> <tr> <td>372</td> <td>B</td> <td>2 <td>HM</td> <td>J1</td> <td>PTD.</td> <td>1 HR.</td> <td>370</td> <td>3\"/> <tr> <td>373A</td> <td>ETR</td> <td>-</td> <td>WD.</td> <td>J2</td> <td>PTD.</td> <td>-</td> <td>371</td> <td>3\"/> <tr> <td>374B</td> <td>ETR</td> <td>-</td> <td>WD.</td> <td>J2</td> <td>PTD.</td> <td>-</td> <td>372</td> <td>3\"/> <tr> <td>374C</td> <td>ETR</td> <td>-</td> <td>WD.</td> <td>J2</td> <td>PTD.</td> <td>-</td> <td>373A</td> <td>3\"/> <tr> <td>375</td> <td>B</td> <td>1 <td>WD</td> <td>J1</td> <td>PTD.</td> <td>-</td> <td>374B</td> <td>3\"/> <tr> <td>376</td> <td>B</td> <td>1 <td>WD</td> <td>J1</td> <td>PTD.</td> <td>-</td> <td>374C</td> <td>3\"/> <tr> <td>377</td> <td>B</td> <td>1 <td>WD</td> <td>J1</td> <td>PTD.</td> <td>-</td> <td>375</td> <td>3\"/> <tr> <td>377A</td> <td>B</td> <td>1 <td>WD</td> <td>J1</td> <td>PTD.</td> <td>-</td> <td>376</td> <td>3\"/> <tr> <td>378</td> <td>B</td> <td>1 <td>WD</td> <td>J1</td> <td>PTD.</td> <td>-</td> <td>377</td> <td>3\"/> <tr> <td>379</td> <td>B</td> <td>1 <td>WD</td> <td>J1</td> <td>PTD.</td> <td>-</td> <td>377A</td> <td>3\"/> <tr> <td>380A</td> <td>B</td> <td>1 <td>WD</td> <td>J1</td> <td>PTD.</td> <td>-</td> <td>378</td> <td>3\"/> <tr> <td>380B</td> <td>B</td> <td>1 <td>WD</td> <td>J1</td> <td>PTD.</td> <td>-</td> <td>379</td> <td>3\"/> <tr> <td>382</td> <td>ETR</td> <td>-</td> <td>WD.</td> <td>J2</td> <td>PTD.</td> <td>-</td> <td>380A</td> <td>3\"/> <tr> <td>382A</td> <td>D</td> <td>6 <td>ALUM.</td> <td>ANODIZE D</td> <td>-</td> <td>-</td> <td>380B</td> <td>3\"/> <tr> <td>385</td> <td>ETR</td> <td>-</td> <td>WD.</td> <td>J2</td> <td>PTD.</td> <td>-</td> <td>382</td> <td>3\"/> <tr> <td>386</td> <td>ETR</td> <td>-</td> <td>WD.</td> <td>J2</td> <td>PTD.</td> <td>-</td> <td>382A</td> <td>3\"/> <tr> <td>387</td> <td>ETR</td> <td>-</td> <td>WD.</td> <td>J2</td> <td>PTD.</td> <td>-</td> <td>385</td> <td>3\"/> <tr> <td>388</td> <td>ETR</td> <td>-</td> <td>WD.</td> <td>J2</td> <td>PTD.</td> <td>-</td> <td>386</td> <td>3\"/> <tr> <td>389</td> <td>ETR</td> <td>-</td> <td>WD.</td> <td>J2</td> <td>PTD.</td> <td>-</td> <td>387</td> <td>3\"/> <tr> <td>391</td> <td>ETR</td> <td>-</td> <td>WD.</td> <td>J2</td> <td>PTD.</td> <td>-</td> <td>388</td> <td>3\"/> <tr> <td>391A</td> <td>ETR</td> <td>-</td> <td>WD.</td> <td>J2</td> <td>PTD.</td> <td>-</td> <td>389</td> <td>3\"/> <tr> <td>391B</td> <td>ETR</td> <td>-</td> <td>WD.</td> <td>J2</td> <td>PTD.</td> <td>-</td> <td>391</td> <td>3\"/> <tr> <td>394</td> <td>ETR</td> <td>-</td> <td>WD.</td> <td>J2</td> <td>PTD.</td> <td>-</td> <td>391A</td> <td>3\"/> <tr> <td>395</td> <td>ETR</td> <td>-</td> <td>WD.</td> <td>J2</td> <td>PTD.</td> <td>-</td> <td>391B</td> <td>3\"/> <tr> <td>396</td> <td>ETR</td> <td>-</td> <td>WD.</td> <td>J2</td> <td>PTD.</td> <td>-</td> <td>394</td> <td>3\"/> <tr> <td>398</td> <td>ETR</td> <td>-</td> <td>WD.</td> <td>J2</td> <td>PTD.</td> <td>-</td> <td>395</td> <td>3\"/> <tr> <td>399</td> <td>ETR</td> <td>-</td> <td>WD.</td> <td>J2</td> <td>PTD.</td> <td>-</td> <td>396</td> <td>3\"/> <tr> <td>3991</td> <td>ETR</td> <td>-</td> <td>WD.</td> <td>J2</td> <td>PTD.</td> <td>-</td> <td>398</td> <td>3\"/> <tr> <td>3992</td> <td>A</td> <td>3\"/> <tr> <td>3993</td> <td>ETR</td> <td>-</td> <td>WD.</td> <td>J2</td> <td>PTD.</td> <td>-</td> <td>399</td> <td>3\"/> <tr> <td>3994</td> <td>ETR</td> <td>-</td> <td>WD.</td> <td>J2</td> <td>PTD.</td> <td>-</td> <td>3991</td> <td>3\"/> <tr> <td>3995</td> <td>ETR</td> <td>-</td> <td>WD.</td> <td>J2</td> <td>PTD.</td> <td>-</td> <td>3992</td> <td>3\"/> <tr> <td>3997</td> <td>ETR</td> <td>-</td> <td>WD.</td> <td>J2</td> <td>PTD.</td> <td>-</td> <td>3993</td> <td>3\"/> <tr> <td>3998</td> <td>ETR</td> <td>-</td> <td>WD.</td> <td>J2</td> <td>PTD.</td> <td>-</td> <td>3994</td> <td>3\"/> <tr> <td>3999</td> <td>ETR</td> <td>-</td> <td>WD.</td> <td>J2</td> <td>PTD.</td> <td>-</td> <td>3995</td> <td>3\"/> <tr> <td>3999</td> <td>ETR</td> <td>-</td> <td>WD.</td> <td>J2</td> <td>PTD.</td> <td>-</td> <td>3997</td> <td>3\"/> </td></tr></td></tr></td></tr></td></tr></td></tr></td></tr></td></tr></td></tr></td></tr></td></tr></td></tr></td></tr></td></tr></td></tr></td></tr></td></tr></td></tr></td></tr></td></tr></td></tr></td></tr></td></tr></td></td></tr></td></tr></td></td></tr></td></td></tr></td></td></tr></td></td></tr></td></td></tr></td></td></tr></td></td></tr></td></td></tr></td></tr></td></tr></td></tr></td></td></tr></td></tr> | 371 | ETR | -
 | WD. | J2 | PTD. | - | 369 | 3\"/> <tr> <td>372</td> <td>B</td> <td>2 <td>HM</td> <td>J1</td> <td>PTD.</td> <td>1 HR.</td> <td>370</td> <td>3\"/> <tr> <td>373A</td> <td>ETR</td> <td>-</td> <td>WD.</td> <td>J2</td> <td>PTD.</td> <td>-</td> <td>371</td> <td>3\"/> <tr> <td>374B</td> <td>ETR</td> <td>-</td> <td>WD.</td> <td>J2</td> <td>PTD.</td> <td>-</td> <td>372</td> <td>3\"/> <tr> <td>374C</td> <td>ETR</td> <td>-</td> <td>WD.</td> <td>J2</td> <td>PTD.</td> <td>-</td> <td>373A</td> <td>3\"/> <tr> <td>375</td> <td>B</td> <td>1 <td>WD</td> <td>J1</td> <td>PTD.</td> <td>-</td> <td>374B</td> <td>3\"/> <tr> <td>376</td> <td>B</td> <td>1 <td>WD</td> <td>J1</td> <td>PTD.</td> <td>-</td> <td>374C</td> <td>3\"/> <tr> <td>377</td> <td>B</td> <td>1 <td>WD</td> <td>J1</td> <td>PTD.</td> <td>-</td> <td>375</td> <td>3\"/> <tr> <td>377A</td> <td>B</td> <td>1 <td>WD</td> <td>J1</td> <td>PTD.</td> <td>-</td> <td>376</td> <td>3\"/> <tr> <td>378</td> <td>B</td> <td>1 <td>WD</td> <td>J1</td> <td>PTD.</td> <td>-</td> <td>377</td> <td>3\"/> <tr> <td>379</td> <td>B</td> <td>1 <td>WD</td> <td>J1</td> <td>PTD.</td> <td>-</td> <td>377A</td> <td>3\"/> <tr> <td>380A</td> <td>B</td> <td>1 <td>WD</td> <td>J1</td> <td>PTD.</td> <td>-</td> <td>378</td> <td>3\"/> <tr> <td>380B</td> <td>B</td> <td>1 <td>WD</td> <td>J1</td> <td>PTD.</td> <td>-</td> <td>379</td> <td>3\"/> <tr> <td>382</td> <td>ETR</td> <td>-</td> <td>WD.</td> <td>J2</td> <td>PTD.</td> <td>-</td> <td>380A</td> <td>3\"/> <tr> <td>382A</td> <td>D</td> <td>6 <td>ALUM.</td> <td>ANODIZE D</td> <td>-</td> <td>-</td> <td>380B</td> <td>3\"/> <tr> <td>385</td> <td>ETR</td> <td>-</td> <td>WD.</td> <td>J2</td> <td>PTD.</td> <td>-</td> <td>382</td> <td>3\"/> <tr> <td>386</td> <td>ETR</td> <td>-</td> <td>WD.</td> <td>J2</td> <td>PTD.</td> <td>-</td> <td>382A</td> <td>3\"/> <tr> <td>387</td> <td>ETR</td> <td>-</td> <td>WD.</td> <td>J2</td> <td>PTD.</td> <td>-</td> <td>385</td> <td>3\"/> <tr> <td>388</td> <td>ETR</td> <td>-</td> <td>WD.</td> <td>J2</td> <td>PTD.</td> <td>-</td> <td>386</td> <td>3\"/> <tr> <td>389</td> <td>ETR</td> <td>-</td> <td>WD.</td> <td>J2</td> <td>PTD.</td> <td>-</td> <td>387</td> <td>3\"/> <tr> <td>391</td> <td>ETR</td> <td>-</td> <td>WD.</td> <td>J2</td> <td>PTD.</td> <td>-</td> <td>388</td> <td>3\"/> <tr> <td>391A</td> <td>ETR</td> <td>-</td> <td>WD.</td> <td>J2</td> <td>PTD.</td> <td>-</td> <td>389</td> <td>3\"/> <tr> <td>391B</td> <td>ETR</td> <td>-</td> <td>WD.</td> <td>J2</td> <td>PTD.</td> <td>-</td> <td>391</td> <td>3\"/> <tr> <td>394</td> <td>ETR</td> <td>-</td> <td>WD.</td> <td>J2</td> <td>PTD.</td> <td>-</td> <td>391A</td> <td>3\"/> <tr> <td>395</td> <td>ETR</td> <td>-</td> <td>WD.</td> <td>J2</td> <td>PTD.</td> <td>-</td> <td>391B</td> <td>3\"/> <tr> <td>396</td> <td>ETR</td> <td>-</td> <td>WD.</td> <td>J2</td> <td>PTD.</td> <td>-</td> <td>394</td> <td>3\"/> <tr> <td>398</td> <td>ETR</td> <td>-</td> <td>WD.</td> <td>J2</td> <td>PTD.</td> <td>-</td> <td>395</td> <td>3\"/> <tr> <td>399</td> <td>ETR</td> <td>-</td> <td>WD.</td> <td>J2</td> <td>PTD.</td> <td>-</td> <td>396</td> <td>3\"/> <tr> <td>3991</td> <td>ETR</td> <td>-</td> <td>WD.</td> <td>J2</td> <td>PTD.</td> <td>-</td> <td>398</td> <td>3\"/> <tr> <td>3992</td> <td>A</td> <td>3\"/> <tr> <td>3993</td> <td>ETR</td> <td>-</td> <td>WD.</td> <td>J2</td> <td>PTD.</td> <td>-</td> <td>399</td> <td>3\"/> <tr> <td>3994</td> <td>ETR</td> <td>-</td> <td>WD.</td> <td>J2</td> <td>PTD.</td> <td>-</td> <td>3991</td> <td>3\"/> <tr> <td>3995</td> <td>ETR</td> <td>-</td> <td>WD.</td> <td>J2</td> <td>PTD.</td> <td>-</td> <td>3992</td> <td>3\"/> <tr> <td>3997</td> <td>ETR</td> <td>-</td> <td>WD.</td> <td>J2</td> <td>PTD.</td> <td>-</td> <td>3993</td> <td>3\"/> <tr> <td>3998</td> <td>ETR</td> <td>-</td> <td>WD.</td> <td>J2</td> <td>PTD.</td> <td>-</td> <td>3994</td> <td>3\"/> <tr> <td>3999</td> <td>ETR</td> <td>-</td> <td>WD.</td> <td>J2</td> <td>PTD.</td> <td>-</td> <td>3995</td> <td>3\"/> <tr> <td>3999</td> <td>ETR</td> <td>-</td> <td>WD.</td> <td>J2</td> <td>PTD.</td> <td>-</td> <td>3997</td> <td>3\"/> </td></tr></td></tr></td></tr></td></tr></td></tr></td></tr></td></tr></td></tr></td></tr></td></tr></td></tr></td></tr></td></tr></td></tr></td></tr></td></tr></td></tr></td></tr></td></tr></td></tr></td></tr></td></tr></td></td></tr></td></tr></td></td></tr></td></td></tr></td></td></tr></td></td></tr></td></td></tr></td></td></tr></td></td></tr></td></td></tr></td></tr></td></tr></td></tr></td></td></tr> | 372 | B | 2 <td>HM</td> <td>J1</td> <td>PTD.</td> <td>1 HR.</td> <td>370</td> <td>3\"/> <tr> <td>373A</td> <td>ETR</td> <td>-</td> <td>WD.</td> <td>J2</td> <td>PTD.</td> <td>-</td> <td>371</td> <td>3\"/> <tr> <td>374B</td> <td>ETR</td> <td>-</td> <td>WD.</td> <td>J2</td> <td>PTD.</td> <td>-</td> <td>372</td> <td>3\"/> <tr> <td>374C</td> <td>ETR</td> <td>-</td> <td>WD.</td> <td>J2</td> <td>PTD.</td> <td>-</td> <td>373A</td> <td>3\"/> <tr> <td>375</td> <td>B</td> <td>1 <td>WD</td> <td>J1</td> <td>PTD.</td> <td>-</td> <td>374B</td> <td>3\"/> <tr> <td>376</td> <td>B</td> <td>1 <td>WD</td> <td>J1</td> <td>PTD.</td> <td>-</td> <td>374C</td> <td>3\"/> <tr> <td>377</td> <td>B</td> <td>1 <td>WD</td> <td>J1</td> <td>PTD.</td> <td>-</td> <td>375</td> <td>3\"/> <tr> <td>377A</td> <td>B</td> <td>1 <td>WD</td> <td>J1</td> <td>PTD.</td> <td>-</td> <td>376</td> <td>3\"/> <tr> <td>378</td> <td>B</td> <td>1 <td>WD</td> <td>J1</td> <td>PTD.</td> <td>-</td> <td>377</td> <td>3\"/> <tr> <td>379</td> <td>B</td> <td>1 <td>WD</td> <td>J1</td> <td>PTD.</td> <td>-</td> <td>377A</td> <td>3\"/> <tr> <td>380A</td> <td>B</td> <td>1 <td>WD</td> <td>J1</td> <td>PTD.</td> <td>-</td> <td>378</td> <td>3\"/> <tr> <td>380B</td> <td>B</td> <td>1 <td>WD</td> <td>J1</td> <td>PTD.</td> <td>-</td> <td>379</td> <td>3\"/> <tr> <td>382</td> <td>ETR</td> <td>-</td> <td>WD.</td> <td>J2</td> <td>PTD.</td> <td>-</td> <td>380A</td> <td>3\"/> <tr> <td>382A</td> <td>D</td> <td>6 <td>ALUM.</td> <td>ANODIZE D</td>
<td>-</td> <td>-</td> <td>380B</td> <td>3\"/> <tr> <td>385</td> <td>ETR</td> <td>-</td> <td>WD.</td> <td>J2</td> <td>PTD.</td> <td>-</td> <td>382</td> <td>3\"/> <tr> <td>386</td> <td>ETR</td> <td>-</td> <td>WD.</td> <td>J2</td> <td>PTD.</td> <td>-</td> <td>382A</td> <td>3\"/> <tr> <td>387</td> <td>ETR</td> <td>-</td> <td>WD.</td> <td>J2</td> <td>PTD.</td> <td>-</td> <td>385</td> <td>3\"/> <tr> <td>388</td> <td>ETR</td> <td>-</td> <td>WD.</td> <td>J2</td> <td>PTD.</td> <td>-</td> <td>386</td> <td>3\"/> <tr> <td>389</td> <td>ETR</td> <td>-</td> <td>WD.</td> <td>J2</td> <td>PTD.</td> <td>-</td> <td>387</td> <td>3\"/> <tr> <td>391</td> <td>ETR</td> <td>-</td> <td>WD.</td> <td>J2</td> <td>PTD.</td> <td>-</td> <td>388</td> <td>3\"/> <tr> <td>391A</td> <td>ETR</td> <td>-</td> <td>WD.</td> <td>J2</td> <td>PTD.</td> <td>-</td> <td>389</td> <td>3\"/> <tr> <td>391B</td> <td>ETR</td> <td>-</td> <td>WD.</td> <td>J2</td> <td>PTD.</td> <td>-</td> <td>391</td> <td>3\"/> <tr> <td>394</td> <td>ETR</td> <td>-</td> <td>WD.</td> <td>J2</td> <td>PTD.</td> <td>-</td> <td>391A</td> <td>3\"/> <tr> <td>395</td> <td>ETR</td> <td>-</td> <td>WD.</td> <td>J2</td> <td>PTD.</td> <td>-</td> <td>391B</td> <td>3\"/> <tr> <td>396</td> <td>ETR</td> <td>-</td> <td>WD.</td> <td>J2</td> <td>PTD.</td> <td>-</td> <td>394</td> <td>3\"/> <tr> <td>398</td> <td>ETR</td> <td>-</td> <td>WD.</td> <td>J2</td> <td>PTD.</td> <td>-</td> <td>395</td> <td>3\"/> <tr> <td>399</td> <td>ETR</td> <td>-</td> <td>WD.</td> <td>J2</td> <td>PTD.</td> <td>-</td> <td>396</td> <td>3\"/> <tr> <td>3991</td> <td>ETR</td> <td>-</td> <td>WD.</td> <td>J2</td> <td>PTD.</td> <td>-</td> <td>398</td> <td>3\"/> <tr> <td>3992</td> <td>A</td> <td>3\"/> <tr> <td>3993</td> <td>ETR</td> <td>-</td> <td>WD.</td> <td>J2</td> <td>PTD.</td> <td>-</td> <td>399</td> <td>3\"/> <tr> <td>3994</td> <td>ETR</td> <td>-</td> <td>WD.</td> <td>J2</td> <td>PTD.</td> <td>-</td> <td>3991</td> <td>3\"/> <tr> <td>3995</td> <td>ETR</td> <td>-</td> <td>WD.</td> <td>J2</td> <td>PTD.</td> <td>-</td> <td>3992</td> <td>3\"/> <tr> <td>3997</td> <td>ETR</td> <td>-</td> <td>WD.</td> <td>J2</td> <td>PTD.</td> <td>-</td> <td>3993</td> <td>3\"/> <tr> <td>3998</td> <td>ETR</td> <td>-</td> <td>WD.</td> <td>J2</td> <td>PTD.</td> <td>-</td> <td>3994</td> <td>3\"/> <tr> <td>3999</td> <td>ETR</td> <td>-</td> <td>WD.</td> <td>J2</td> <td>PTD.</td> <td>-</td> <td>3995</td> <td>3\"/> <tr> <td>3999</td> <td>ETR</td> <td>-</td> <td>WD.</td> <td>J2</td> <td>PTD.</td> <td>-</td> <td>3997</td> <td>3\"/> </td></tr></td></tr></td></tr></td></tr></td></tr></td></tr></td></tr></td></tr></td></tr></td></tr></td></tr></td></tr></td></tr></td></tr></td></tr></td></tr></td></tr></td></tr></td></tr></td></tr></td></tr></td></tr></td></td></tr></td></tr></td></td></tr></td></td></tr></td></td></tr></td></td></tr></td></td></tr></td></td></tr></td></td></tr></td></td></tr></td></tr></td></tr></td></tr></td> | HM | J1 | PTD. | 1 HR. | 370 | 3\"/> <tr> <td>373A</td> <td>ETR</td> <td>-</td> <td>WD.</td> <td>J2</td> <td>PTD.</td> <td>-</td> <td>371</td> <td>3\"/> <tr> <td>374B</td> <td>ETR</td> <td>-</td> <td>WD.</td> <td>J2</td> <td>PTD.</td> <td>-</td> <td>372</td> <td>3\"/> <tr> <td>374C</td> <td>ETR</td> <td>-</td> <td>WD.</td> <td>J2</td> <td>PTD.</td> <td>-</td> <td>373A</td> <td>3\"/> <tr> <td>375</td> <td>B</td> <td>1 <td>WD</td> <td>J1</td> <td>PTD.</td> <td>-</td> <td>374B</td> <td>3\"/> <tr> <td>376</td> <td>B</td> <td>1 <td>WD</td> <td>J1</td> <td>PTD.</td> <td>-</td> <td>374C</td> <td>3\"/> <tr> <td>377</td> <td>B</td> <td>1 <td>WD</td> <td>J1</td> <td>PTD.</td> <td>-</td> <td>375</td> <td>3\"/> <tr> <td>377A</td> <td>B</td> <td>1 <td>WD</td> <td>J1</td> <td>PTD.</td> <td>-</td> <td>376</td> <td>3\"/> <tr> <td>378</td> <td>B</td> <td>1 <td>WD</td> <td>J1</td> <td>PTD.</td> <td>-</td> <td>377</td> <td>3\"/> <tr> <td>379</td> <td>B</td> <td>1 <td>WD</td> <td>J1</td> <td>PTD.</td> <td>-</td> <td>377A</td> <td>3\"/> <tr> <td>380A</td> <td>B</td> <td>1 <td>WD</td> <td>J1</td> <td>PTD.</td> <td>-</td> <td>378</td> <td>3\"/> <tr> <td>380B</td> <td>B</td> <td>1 <td>WD</td> <td>J1</td> <td>PTD.</td> <td>-</td> <td>379</td> <td>3\"/> <tr> <td>382</td> <td>ETR</td> <td>-</td> <td>WD.</td> <td>J2</td> <td>PTD.</td> <td>-</td> <td>380A</td> <td>3\"/> <tr> <td>382A</td> <td>D</td> <td>6 <td>ALUM.</td> <td>ANODIZE D</td> <td>-</td> <td>-</td> <td>380B</td> <td>3\"/> <tr> <td>385</td> <td>ETR</td> <td>-</td> <td>WD.</td> <td>J2</td> <td>PTD.</td> <td>-</td> <td>382</td> <td>3\"/> <tr> <td>386</td> <td>ETR</td> <td>-</td> <td>WD.</td> <td>J2</td> <td>PTD.</td> <td>-</td> <td>382A</td> <td>3\"/> <tr> <td>387</td> <td>ETR</td> <td>-</td> <td>WD.</td> <td>J2</td> <td>PTD.</td> <td>-</td> <td>385</td> <td>3\"/> <tr> <td>388</td> <td>ETR</td> <td>-</td> <td>WD.</td> <td>J2</td> <td>PTD.</td> <td>-</td> <td>386</td> <td>3\"/> <tr> <td>389</td> <td>ETR</td> <td>-</td> <td>WD.</td> <td>J2</td> <td>PTD.</td> <td>-</td> <td>387</td> <td>3\"/> <tr> <td>391</td> <td>ETR</td> <td>-</td> <td>WD.</td> <td>J2</td> <td>PTD.</td> <td>-</td> <td>388</td> <td>3\"/> <tr> <td>391A</td> <td>ETR</td> <td>-</td> <td>WD.</td> <td>J2</td> <td>PTD.</td> <td>-</td> <td>389</td> <td>3\"/> <tr> <td>391B</td> <td>ETR</td> <td>-</td> <td>WD.</td> <td>J2</td> <td>PTD.</td> <td>-</td> <td>391</td> <td>3\"/> <tr> <td>394</td> <td>ETR</td> <td>-</td> <td>WD.</td> <td>J2</td> <td>PTD.</td> <td>-</td> <td>391A</td> <td>3\"/> <tr> <td>395</td> <td>ETR</td> <td>-</td> <td>WD.</td> <td>J2</td> <td>PTD.</td> <td>-</td> <td>391B</td> <td>3\"/> <tr> <td>396</td> <td>ETR</td> <td>-</td> <td>WD.</td> <td>J2</td> <td>PTD.</td> <td>-</td> <td>394</td> <td>3\"/> <tr> <td>398</td> <td>ETR</td> <td>-</td> <td>WD.</td> <td>J2</td> <td>PTD.</td> <td>-</td> <td>395</td> <td>3\"/> <tr> <td>399</td> <td>ETR</td> <td>-</td> <td>WD.</td> <td>J2</td> <td>PTD.</td> <td>-</td> <td>396</td> <td>3\"/> <tr> <td>3991</td> <td>ETR</td> <td>-</td> <td>WD.</td> <td>J2</td> <td>PTD.</td> <td>-</td> <td>398</td> <td>3\"/> <tr> <td>3992</td> <td>A</td> <td>3\"/> <tr> <td>3993</td> <td>ETR</td> <td>-</td> <td>WD.</td> <td>J2</td> <td>PTD.</td> <td>-</td> <td>399</td> <td>3\"/> <tr> <td>3994</td> <td>ETR</td> <td>-</td> <td>WD.</td> <td>J2</td> <td>PTD.</td> <td>-</td> <td>3991</td> <td>3\"/> <tr> <td>3995</td> <td>ETR</td> <td>-</td> <td>WD.</td> <td>J2</td> <td>PTD.</td> <td>-</td> <td>3992</td> <td>3\"/> <tr> <td>3997</td> <td>ETR</td> <td>-</td> <td>WD.</td> <td>J2</td> <td>PTD.</td> <td>-</td> <td>3993</td> <td>3\"/> <tr> <td>3998</td> <td>ETR</td> <td>-</td> <td>WD.</td> <td>J2</td> <td>PTD.</td> <td>-</td> <td>3994</td> <td>3\"/> <tr> <td>3999</td> <td>ETR</td> <td>-</td> <td>WD.</td> <td>J2</td> <td>PTD.</td> <td>-</td> <td>3995</td> <td>3\"/> <tr> <td>3999</td> <td>ETR</td> <td>-</td> <td>WD.</td> <td>J2</td> <td>PTD.</td> <td>-</td> <td>3997</td> <td>3\"/> </td></tr></td></tr></td></tr></td></tr></td></tr></td></tr></td></tr></td></tr></td></tr></td></tr></td></tr></td></tr></td></tr></td></tr></td></tr></td></tr></td></tr></td></tr></td></tr></td></tr></td></tr></td></tr></td></td></tr></td></tr></td></td></tr></td></td></tr></td></td></tr></td></td></tr></td></td></tr></td></td></tr></td></td></tr></td></td></tr></td></tr></td></tr></td></tr> | 373A | ETR | -
 | WD. | J2 | PTD. | - | 371 | 3\"/> <tr> <td>374B</td> <td>ETR</td> <td>-</td> <td>WD.</td> <td>J2</td> <td>PTD.</td> <td>-</td> <td>372</td> <td>3\"/> <tr> <td>374C</td> <td>ETR</td> <td>-</td> <td>WD.</td> <td>J2</td> <td>PTD.</td> <td>-</td> <td>373A</td> <td>3\"/> <tr> <td>375</td> <td>B</td> <td>1 <td>WD</td> <td>J1</td> <td>PTD.</td> <td>-</td> <td>374B</td> <td>3\"/> <tr> <td>376</td> <td>B</td> <td>1
<td>WD</td> <td>J1</td> <td>PTD.</td> <td>-</td> <td>374C</td> <td>3\"/> <tr> <td>377</td> <td>B</td> <td>1 <td>WD</td> <td>J1</td> <td>PTD.</td> <td>-</td> <td>375</td> <td>3\"/> <tr> <td>377A</td> <td>B</td> <td>1 <td>WD</td> <td>J1</td> <td>PTD.</td> <td>-</td> <td>376</td> <td>3\"/> <tr> <td>378</td> <td>B</td> <td>1 <td>WD</td> <td>J1</td> <td>PTD.</td> <td>-</td> <td>377</td> <td>3\"/> <tr> <td>379</td> <td>B</td> <td>1 <td>WD</td> <td>J1</td> <td>PTD.</td> <td>-</td> <td>377A</td> <td>3\"/> <tr> <td>380A</td> <td>B</td> <td>1 <td>WD</td> <td>J1</td> <td>PTD.</td> <td>-</td> <td>378</td> <td>3\"/> <tr> <td>380B</td> <td>B</td> <td>1 <td>WD</td> <td>J1</td> <td>PTD.</td> <td>-</td> <td>379</td> <td>3\"/> <tr> <td>382</td> <td>ETR</td> <td>-</td> <td>WD.</td> <td>J2</td> <td>PTD.</td> <td>-</td> <td>380A</td> <td>3\"/> <tr> <td>382A</td> <td>D</td> <td>6 <td>ALUM.</td> <td>ANODIZE D</td> <td>-</td> <td>-</td> <td>380B</td> <td>3\"/> <tr> <td>385</td> <td>ETR</td> <td>-</td> <td>WD.</td> <td>J2</td> <td>PTD.</td> <td>-</td> <td>382</td> <td>3\"/> <tr> <td>386</td> <td>ETR</td> <td>-</td> <td>WD.</td> <td>J2</td> <td>PTD.</td> <td>-</td> <td>382A</td> <td>3\"/> <tr> <td>387</td> <td>ETR</td> <td>-</td> <td>WD.</td> <td>J2</td> <td>PTD.</td> <td>-</td> <td>385</td> <td>3\"/> <tr> <td>388</td> <td>ETR</td> <td>-</td> <td>WD.</td> <td>J2</td> <td>PTD.</td> <td>-</td> <td>386</td> <td>3\"/> <tr> <td>389</td> <td>ETR</td> <td>-</td> <td>WD.</td> <td>J2</td> <td>PTD.</td> <td>-</td> <td>387</td> <td>3\"/> <tr> <td>391</td> <td>ETR</td> <td>-</td> <td>WD.</td> <td>J2</td> <td>PTD.</td> <td>-</td> <td>388</td> <td>3\"/> <tr> <td>391A</td> <td>ETR</td> <td>-</td> <td>WD.</td> <td>J2</td> <td>PTD.</td> <td>-</td> <td>389</td> <td>3\"/> <tr> <td>391B</td> <td>ETR</td> <td>-</td> <td>WD.</td> <td>J2</td> <td>PTD.</td> <td>-</td> <td>391</td> <td>3\"/> <tr> <td>394</td> <td>ETR</td> <td>-</td> <td>WD.</td> <td>J2</td> <td>PTD.</td> <td>-</td> <td>391A</td> <td>3\"/> <tr> <td>395</td> <td>ETR</td> <td>-</td> <td>WD.</td> <td>J2</td> <td>PTD.</td> <td>-</td> <td>391B</td> <td>3\"/> <tr> <td>396</td> <td>ETR</td> <td>-</td> <td>WD.</td> <td>J2</td> <td>PTD.</td> <td>-</td> <td>394</td> <td>3\"/> <tr> <td>398</td> <td>ETR</td> <td>-</td> <td>WD.</td> <td>J2</td> <td>PTD.</td> <td>-</td> <td>395</td> <td>3\"/> <tr> <td>399</td> <td>ETR</td> <td>-</td> <td>WD.</td> <td>J2</td> <td>PTD.</td> <td>-</td> <td>396</td> <td>3\"/> <tr> <td>3991</td> <td>ETR</td> <td>-</td> <td>WD.</td> <td>J2</td> <td>PTD.</td> <td>-</td> <td>398</td> <td>3\"/> <tr> <td>3992</td> <td>A</td> <td>3\"/> <tr> <td>3993</td> <td>ETR</td> <td>-</td> <td>WD.</td> <td>J2</td> <td>PTD.</td> <td>-</td> <td>399</td> <td>3\"/> <tr> <td>3994</td> <td>ETR</td> <td>-</td> <td>WD.</td> <td>J2</td> <td>PTD.</td> <td>-</td> <td>3991</td> <td>3\"/> <tr> <td>3995</td> <td>ETR</td> <td>-</td> <td>WD.</td> <td>J2</td> <td>PTD.</td> <td>-</td> <td>3992</td> <td>3\"/> <tr> <td>3997</td> <td>ETR</td> <td>-</td> <td>WD.</td> <td>J2</td> <td>PTD.</td> <td>-</td> <td>3993</td> <td>3\"/> <tr> <td>3998</td> <td>ETR</td> <td>-</td> <td>WD.</td> <td>J2</td> <td>PTD.</td> <td>-</td> <td>3994</td> <td>3\"/> <tr> <td>3999</td> <td>ETR</td> <td>-</td> <td>WD.</td> <td>J2</td> <td>PTD.</td> <td>-</td> <td>3995</td> <td>3\"/> <tr> <td>3999</td> <td>ETR</td> <td>-</td> <td>WD.</td> <td>J2</td> <td>PTD.</td> <td>-</td> <td>3997</td> <td>3\"/> </td></tr></td></tr></td></tr></td></tr></td></tr></td></tr></td></tr></td></tr></td></tr></td></tr></td></tr></td></tr></td></tr></td></tr></td></tr></td></tr></td></tr></td></tr></td></tr></td></tr></td></tr></td></tr></td></td></tr></td></tr></td></td></tr></td></td></tr></td></td></tr></td></td></tr></td></td></tr></td></td></tr></td></td></tr></td></td></tr></td></tr></td></tr> | 374B | ETR | - | WD. | J2 | PTD. | - | 372 | 3\"/> <tr> <td>374C</td> <td>ETR</td> <td>-</td> <td>WD.</td> <td>J2</td> <td>PTD.</td> <td>-</td> <td>373A</td>
<td>3\"/> <tr> <td>375</td> <td>B</td> <td>1 <td>WD</td> <td>J1</td> <td>PTD.</td> <td>-</td> <td>374B</td> <td>3\"/> <tr> <td>376</td> <td>B</td> <td>1 <td>WD</td> <td>J1</td> <td>PTD.</td> <td>-</td> <td>374C</td> <td>3\"/> <tr> <td>377</td> <td>B</td> <td>1 <td>WD</td> <td>J1</td> <td>PTD.</td> <td>-</td> <td>375</td> <td>3\"/> <tr> <td>377A</td> <td>B</td> <td>1 <td>WD</td> <td>J1</td> <td>PTD.</td> <td>-</td> <td>376</td> <td>3\"/> <tr> <td>378</td> <td>B</td> <td>1 <td>WD</td> <td>J1</td> <td>PTD.</td> <td>-</td> <td>377</td> <td>3\"/> <tr> <td>379</td> <td>B</td> <td>1 <td>WD</td> <td>J1</td> <td>PTD.</td> <td>-</td> <td>377A</td> <td>3\"/> <tr> <td>380A</td> <td>B</td> <td>1 <td>WD</td> <td>J1</td> <td>PTD.</td> <td>-</td> <td>378</td> <td>3\"/> <tr> <td>380B</td> <td>B</td> <td>1 <td>WD</td> <td>J1</td> <td>PTD.</td> <td>-</td> <td>379</td> <td>3\"/> <tr> <td>382</td> <td>ETR</td> <td>-</td> <td>WD.</td> <td>J2</td> <td>PTD.</td> <td>-</td> <td>380A</td> <td>3\"/> <tr> <td>382A</td> <td>D</td> <td>6 <td>ALUM.</td> <td>ANODIZE D</td> <td>-</td> <td>-</td> <td>380B</td> <td>3\"/> <tr> <td>385</td> <td>ETR</td> <td>-</td> <td>WD.</td> <td>J2</td> <td>PTD.</td> <td>-</td> <td>382</td> <td>3\"/> <tr> <td>386</td> <td>ETR</td> <td>-</td> <td>WD.</td> <td>J2</td> <td>PTD.</td> <td>-</td> <td>382A</td> <td>3\"/> <tr> <td>387</td> <td>ETR</td> <td>-</td> <td>WD.</td> <td>J2</td> <td>PTD.</td> <td>-</td> <td>385</td> <td>3\"/> <tr> <td>388</td> <td>ETR</td> <td>-</td> <td>WD.</td> <td>J2</td> <td>PTD.</td> <td>-</td> <td>386</td> <td>3\"/> <tr> <td>389</td> <td>ETR</td> <td>-</td> <td>WD.</td> <td>J2</td> <td>PTD.</td> <td>-</td> <td>387</td> <td>3\"/> <tr> <td>391</td> <td>ETR</td> <td>-</td> <td>WD.</td> <td>J2</td> <td>PTD.</td> <td>-</td> <td>388</td> <td>3\"/> <tr> <td>391A</td> <td>ETR</td> <td>-</td> <td>WD.</td> <td>J2</td> <td>PTD.</td> <td>-</td> <td>389</td> <td>3\"/> <tr> <td>391B</td> <td>ETR</td> <td>-</td> <td>WD.</td> <td>J2</td> <td>PTD.</td> <td>-</td> <td>391</td> <td>3\"/> <tr> <td>394</td> <td>ETR</td> <td>-</td> <td>WD.</td> <td>J2</td> <td>PTD.</td> <td>-</td> <td>391A</td> <td>3\"/> <tr> <td>395</td> <td>ETR</td> <td>-</td> <td>WD.</td> <td>J2</td> <td>PTD.</td> <td>-</td> <td>391B</td> <td>3\"/> <tr> <td>396</td> <td>ETR</td> <td>-</td> <td>WD.</td> <td>J2</td> <td>PTD.</td> <td>-</td> <td>394</td> <td>3\"/> <tr> <td>398</td> <td>ETR</td> <td>-</td> <td>WD.</td> <td>J2</td> <td>PTD.</td> <td>-</td> <td>395</td> <td>3\"/> <tr> <td>399</td> <td>ETR</td> <td>-</td> <td>WD.</td> <td>J2</td> <td>PTD.</td> <td>-</td> <td>396</td> <td>3\"/> <tr> <td>3991</td> <td>ETR</td> <td>-</td> <td>WD.</td> <td>J2</td> <td>PTD.</td> <td>-</td> <td>398</td> <td>3\"/> <tr> <td>3992</td> <td>A</td> <td>3\"/> <tr> <td>3993</td> <td>ETR</td> <td>-</td> <td>WD.</td> <td>J2</td> <td>PTD.</td> <td>-</td> <td>399</td> <td>3\"/> <tr> <td>3994</td> <td>ETR</td> <td>-</td> <td>WD.</td> <td>J2</td> <td>PTD.</td> <td>-</td> <td>3991</td> <td>3\"/> <tr> <td>3995</td> <td>ETR</td> <td>-</td> <td>WD.</td> <td>J2</td> <td>PTD.</td> <td>-</td> <td>3992</td> <td>3\"/> <tr> <td>3997</td> <td>ETR</td> <td>-</td> <td>WD.</td> <td>J2</td> <td>PTD.</td> <td>-</td> <td>3993</td> <td>3\"/> <tr> <td>3998</td> <td>ETR</td> <td>-</td> <td>WD.</td> <td>J2</td> <td>PTD.</td> <td>-</td> <td>3994</td> <td>3\"/> <tr> <td>3999</td> <td>ETR</td> <td>-</td> <td>WD.</td> <td>J2</td> <td>PTD.</td> <td>-</td> <td>3995</td> <td>3\"/> <tr> <td>3999</td> <td>ETR</td> <td>-</td> <td>WD.</td> <td>J2</td> <td>PTD.</td> <td>-</td> <td>3997</td> <td>3\"/> </td></tr></td></tr></td></tr></td></tr></td></tr></td></tr></td></tr></td></tr></td></tr></td></tr></td></tr></td></tr></td></tr></td></tr></td></tr></td></tr></td></tr></td></tr></td></tr></td></tr></td></tr></td></tr></td></td></tr></td></tr></td></td></tr></td></td></tr></td></td></tr></td></td></tr></td></td></tr></td></td></tr></td></td></tr></td></td></tr></td></tr> | 374C | ETR | - | WD. | J2 | PTD. | - | 373A | 3\"/> <tr> <td>375</td> <td>B</td> <td>1 <td>WD</td> <td>J1</td> <td>PTD.</td> <td>-</td>
<td>374B</td> <td>3\"/> <tr> <td>376</td> <td>B</td> <td>1 <td>WD</td> <td>J1</td> <td>PTD.</td> <td>-</td> <td>374C</td> <td>3\"/> <tr> <td>377</td> <td>B</td> <td>1 <td>WD</td> <td>J1</td> <td>PTD.</td> <td>-</td> <td>375</td> <td>3\"/> <tr> <td>377A</td> <td>B</td> <td>1 <td>WD</td> <td>J1</td> <td>PTD.</td> <td>-</td> <td>376</td> <td>3\"/> <tr> <td>378</td> <td>B</td> <td>1 <td>WD</td> <td>J1</td> <td>PTD.</td> <td>-</td> <td>377</td> <td>3\"/> <tr> <td>379</td> <td>B</td> <td>1 <td>WD</td> <td>J1</td> <td>PTD.</td> <td>-</td> <td>377A</td> <td>3\"/> <tr> <td>380A</td> <td>B</td> <td>1 <td>WD</td> <td>J1</td> <td>PTD.</td> <td>-</td> <td>378</td> <td>3\"/> <tr> <td>380B</td> <td>B</td> <td>1 <td>WD</td> <td>J1</td> <td>PTD.</td> <td>-</td> <td>379</td> <td>3\"/> <tr> <td>382</td> <td>ETR</td> <td>-</td> <td>WD.</td> <td>J2</td> <td>PTD.</td> <td>-</td> <td>380A</td> <td>3\"/> <tr> <td>382A</td> <td>D</td> <td>6 <td>ALUM.</td> <td>ANODIZE D</td> <td>-</td> <td>-</td> <td>380B</td> <td>3\"/> <tr> <td>385</td> <td>ETR</td> <td>-</td> <td>WD.</td> <td>J2</td> <td>PTD.</td> <td>-</td> <td>382</td> <td>3\"/> <tr> <td>386</td> <td>ETR</td> <td>-</td> <td>WD.</td> <td>J2</td> <td>PTD.</td> <td>-</td> <td>382A</td> <td>3\"/> <tr> <td>387</td> <td>ETR</td> <td>-</td> <td>WD.</td> <td>J2</td> <td>PTD.</td> <td>-</td> <td>385</td> <td>3\"/> <tr> <td>388</td> <td>ETR</td> <td>-</td> <td>WD.</td> <td>J2</td> <td>PTD.</td> <td>-</td> <td>386</td> <td>3\"/> <tr> <td>389</td> <td>ETR</td> <td>-</td> <td>WD.</td> <td>J2</td> <td>PTD.</td> <td>-</td> <td>387</td> <td>3\"/> <tr> <td>391</td> <td>ETR</td> <td>-</td> <td>WD.</td> <td>J2</td> <td>PTD.</td> <td>-</td> <td>388</td> <td>3\"/> <tr> <td>391A</td> <td>ETR</td> <td>-</td> <td>WD.</td> <td>J2</td> <td>PTD.</td> <td>-</td> <td>389</td> <td>3\"/> <tr> <td>391B</td> <td>ETR</td> <td>-</td> <td>WD.</td> <td>J2</td> <td>PTD.</td> <td>-</td> <td>391</td> <td>3\"/> <tr> <td>394</td> <td>ETR</td> <td>-</td> <td>WD.</td> <td>J2</td> <td>PTD.</td> <td>-</td> <td>391A</td> <td>3\"/> <tr> <td>395</td> <td>ETR</td> <td>-</td> <td>WD.</td> <td>J2</td> <td>PTD.</td> <td>-</td> <td>391B</td> <td>3\"/> <tr> <td>396</td> <td>ETR</td> <td>-</td> <td>WD.</td> <td>J2</td> <td>PTD.</td> <td>-</td> <td>394</td> <td>3\"/> <tr> <td>398</td> <td>ETR</td> <td>-</td> <td>WD.</td> <td>J2</td> <td>PTD.</td> <td>-</td> <td>395</td> <td>3\"/> <tr> <td>399</td> <td>ETR</td> <td>-</td> <td>WD.</td> <td>J2</td> <td>PTD.</td> <td>-</td> <td>396</td> <td>3\"/> <tr> <td>3991</td> <td>ETR</td> <td>-</td> <td>WD.</td> <td>J2</td> <td>PTD.</td> <td>-</td> <td>398</td> <td>3\"/> <tr> <td>3992</td> <td>A</td> <td>3\"/> <tr> <td>3993</td> <td>ETR</td> <td>-</td> <td>WD.</td> <td>J2</td> <td>PTD.</td> <td>-</td> <td>399</td> <td>3\"/> <tr> <td>3994</td> <td>ETR</td> <td>-</td> <td>WD.</td> <td>J2</td> <td>PTD.</td> <td>-</td> <td>3991</td> <td>3\"/> <tr> <td>3995</td> <td>ETR</td> <td>-</td> <td>WD.</td> <td>J2</td> <td>PTD.</td> <td>-</td> <td>3992</td> <td>3\"/> <tr> <td>3997</td> <td>ETR</td> <td>-</td> <td>WD.</td> <td>J2</td> <td>PTD.</td> <td>-</td> <td>3993</td> <td>3\"/> <tr> <td>3998</td> <td>ETR</td> <td>-</td> <td>WD.</td> <td>J2</td> <td>PTD.</td> <td>-</td> <td>3994</td> <td>3\"/> <tr> <td>3999</td> <td>ETR</td> <td>-</td> <td>WD.</td> <td>J2</td> <td>PTD.</td> <td>-</td> <td>3995</td> <td>3\"/> <tr> <td>3999</td> <td>ETR</td> <td>-</td> <td>WD.</td> <td>J2</td> <td>PTD.</td> <td>-</td> <td>3997</td> <td>3\"/> </td></tr></td></tr></td></tr></td></tr></td></tr></td></tr></td></tr></td></tr></td></tr></td></tr></td></tr></td></tr></td></tr></td></tr></td></tr></td></tr></td></tr></td></tr></td></tr></td></tr></td></tr></td></tr></td></td></tr></td></tr></td></td></tr></td></td></tr></td></td></tr></td></td></tr></td></td></tr></td></td></tr></td></td></tr></td></td></tr> | 375 | B | 1 <td>WD</td> <td>J1</td> <td>PTD.</td> <td>-</td> <td>374B</td> <td>3\"/> <tr> <td>376</td> <td>B</td> <td>1 <td>WD</td> <td>J1</td> <td>PTD.</td> <td>-</td> <td>374C</td> <td>3\"/> <tr> <td>377</td> <td>B</td> <td>1 <td>WD</td> <td>J1</td> <td>PTD.</td> <td>-</td> <td>375</td> <td>3\"/> <tr> <td>377A</td> <td>B</td> <td>1 <td>WD</td> <td>J1</td> <td>PTD.</td> <td>-</td> <td>376</td> <td>3\"/> <tr> <td>378</td> <td>B</td> <td>1 <td>WD</td> <td>J1</td> <td>PTD.</td> <td>-</td> <td>377</td> <td>3\"/> <tr> <td>379</td> <td>B</td> <td>1 <td>WD</td> <td>J1</td> <td>PTD.</td> <td>-</td> <td>377A</td> <td>3\"/> <tr> <td>380A</td> <td>B</td> <td>1 <td>WD</td> <td>J1</td> <td>PTD.</td> <td>-</td> <td>378</td> <td>3\"/> <tr> <td>380B</td> <td>B</td> <td>1 <td>WD</td> <td>J1</td> <td>PTD.</td> <td>-</td> <td>379</td> <td>3\"/> <tr> <td>382</td> <td>ETR</td> <td>-</td> <td>WD.</td> <td>J2</td> <td>PTD.</td> <td>-</td> <td>380A</td> <td>3\"/> <tr> <td>382A</td> <td>D</td> <td>6 <td>ALUM.</td> <td>ANODIZE D</td> <td>-</td> <td>-</td> <td>380B</td> <td>3\"/> <tr> <td>385</td> <td>ETR</td> <td>-</td> <td>WD.</td> <td>J2</td> <td>PTD.</td> <td>-</td> <td>382</td> <td>3\"/> <tr> <td>386</td> <td>ETR</td> <td>-</td> <td>WD.</td> <td>J2</td> <td>PTD.</td> <td>-</td> <td>382A</td> <td>3\"/> <tr> <td>387</td> <td>ETR</td> <td>-</td> <td>WD.</td> <td>J2</td> <td>PTD.</td> <td>-</td> <td>385</td> <td>3\"/> <tr> <td>388</td> <td>ETR</td> <td>-</td> <td>WD.</td> <td>J2</td> <td>PTD.</td> <td>-</td> <td>386</td> <td>3\"/> <tr> <td>389</td> <td>ETR</td> <td>-</td> <td>WD.</td> <td>J2</td> <td>PTD.</td> <td>-</td> <td>387</td> <td>3\"/> <tr> <td>391</td> <td>ETR</td> <td>-</td> <td>WD.</td> <td>J2</td> <td>PTD.</td> <td>-</td> <td>388</td> <td>3\"/> <tr> <td>391A</td> <td>ETR</td> <td>-</td> <td>WD.</td> <td>J2</td> <td>PTD.</td> <td>-</td> <td>389</td> <td>3\"/> <tr> <td>391B</td> <td>ETR</td> <td>-</td> <td>WD.</td> <td>J2</td> <td>PTD.</td> <td>-</td> <td>391</td> <td>3\"/> <tr> <td>394</td> <td>ETR</td> <td>-</td> <td>WD.</td> <td>J2</td> <td>PTD.</td> <td>-</td> <td>391A</td> <td>3\"/> <tr> <td>395</td> <td>ETR</td> <td>-</td> <td>WD.</td> <td>J2</td> <td>PTD.</td> <td>-</td> <td>391B</td> <td>3\"/> <tr> <td>396</td> <td>ETR</td> <td>-</td> <td>WD.</td> <td>J2</td> <td>PTD.</td> <td>-</td> <td>394</td> <td>3\"/> <tr> <td>398</td> <td>ETR</td> <td>-</td> <td>WD.</td> <td>J2</td> <td>PTD.</td> <td>-</td> <td>395</td> <td>3\"/> <tr> <td>399</td> <td>ETR</td> <td>-</td> <td>WD.</td> <td>J2</td> <td>PTD.</td> <td>-</td> <td>396</td> <td>3\"/> <tr> <td>3991</td> <td>ETR</td> <td>-</td> <td>WD.</td> <td>J2</td> <td>PTD.</td> <td>-</td> <td>398</td> <td>3\"/> <tr> <td>3992</td> <td>A</td> <td>3\"/> <tr> <td>3993</td> <td>ETR</td> <td>-</td> <td>WD.</td> <td>J2</td> <td>PTD.</td> <td>-</td> <td>399</td> <td>3\"/> <tr> <td>3994</td> <td>ETR</td> <td>-</td> <td>WD.</td> <td>J2</td> <td>PTD.</td> <td>-</td> <td>3991</td> <td>3\"/> <tr> <td>3995</td> <td>ETR</td> <td>-</td> <td>WD.</td> <td>J2</td> <td>PTD.</td> <td>-</td> <td>3992</td> <td>3\"/> <tr> <td>3997</td> <td>ETR</td> <td>-</td> <td>WD.</td> <td>J2</td> <td>PTD.</td> <td>-</td> <td>3993</td> <td>3\"/> <tr> <td>3998</td> <td>ETR</td> <td>-</td> <td>WD.</td> <td>J2</td> <td>PTD.</td> <td>-</td> <td>3994</td> <td>3\"/> <tr> <td>3999</td> <td>ETR</td> <td>-</td> <td>WD.</td> <td>J2</td> <td>PTD.</td> <td>-</td> <td>3995</td> <td>3\"/> <tr> <td>3999</td> <td>ETR</td> <td>-</td> <td>WD.</td> <td>J2</td> <td>PTD.</td> <td>-</td> <td>3997</td> <td>3\"/> </td></tr></td></tr></td></tr></td></tr></td></tr></td></tr></td></tr></td></tr></td></tr></td></tr></td></tr></td></tr></td></tr></td></tr></td></tr></td></tr></td></tr></td></tr></td></tr></td></tr></td></tr></td></tr></td></td></tr></td></tr></td></td></tr></td></td></tr></td></td></tr></td></td></tr></td></td></tr></td></td></tr></td></td></tr></td> | WD | J1 | PTD. | - | 374B | 3\"/> <tr> <td>376</td> <td>B</td> <td>1 <td>WD</td> <td>J1</td> <td>PTD.</td> <td>-</td> <td>374C</td> <td>3\"/> <tr> <td>377</td> <td>B</td> <td>1 <td>WD</td> <td>J1</td> <td>PTD.</td> <td>-</td> <td>375</td> <td>3\"/> <tr> <td>377A</td> <td>B</td> <td>1 <td>WD</td> <td>J1</td> <td>PTD.</td> <td>-</td> <td>376</td>
<td>3\"/> <tr> <td>378</td> <td>B</td> <td>1 <td>WD</td> <td>J1</td> <td>PTD.</td> <td>-</td> <td>377</td> <td>3\"/> <tr> <td>379</td> <td>B</td> <td>1 <td>WD</td> <td>J1</td> <td>PTD.</td> <td>-</td> <td>377A</td> <td>3\"/> <tr> <td>380A</td> <td>B</td> <td>1 <td>WD</td> <td>J1</td> <td>PTD.</td> <td>-</td> <td>378</td> <td>3\"/> <tr> <td>380B</td> <td>B</td> <td>1 <td>WD</td> <td>J1</td> <td>PTD.</td> <td>-</td> <td>379</td> <td>3\"/> <tr> <td>382</td> <td>ETR</td> <td>-</td> <td>WD.</td> <td>J2</td> <td>PTD.</td> <td>-</td> <td>380A</td> <td>3\"/> <tr> <td>382A</td> <td>D</td> <td>6 <td>ALUM.</td> <td>ANODIZE D</td> <td>-</td> <td>-</td> <td>380B</td> <td>3\"/> <tr> <td>385</td> <td>ETR</td> <td>-</td> <td>WD.</td> <td>J2</td> <td>PTD.</td> <td>-</td> <td>382</td> <td>3\"/> <tr> <td>386</td> <td>ETR</td> <td>-</td> <td>WD.</td> <td>J2</td> <td>PTD.</td> <td>-</td> <td>382A</td> <td>3\"/> <tr> <td>387</td> <td>ETR</td> <td>-</td> <td>WD.</td> <td>J2</td> <td>PTD.</td> <td>-</td> <td>385</td> <td>3\"/> <tr> <td>388</td> <td>ETR</td> <td>-</td> <td>WD.</td> <td>J2</td> <td>PTD.</td> <td>-</td> <td>386</td> <td>3\"/> <tr> <td>389</td> <td>ETR</td> <td>-</td> <td>WD.</td> <td>J2</td> <td>PTD.</td> <td>-</td> <td>387</td> <td>3\"/> <tr> <td>391</td> <td>ETR</td> <td>-</td> <td>WD.</td> <td>J2</td> <td>PTD.</td> <td>-</td> <td>388</td> <td>3\"/> <tr> <td>391A</td> <td>ETR</td> <td>-</td> <td>WD.</td> <td>J2</td> <td>PTD.</td> <td>-</td> <td>389</td> <td>3\"/> <tr> <td>391B</td> <td>ETR</td> <td>-</td> <td>WD.</td> <td>J2</td> <td>PTD.</td> <td>-</td> <td>391</td> <td>3\"/> <tr> <td>394</td> <td>ETR</td> <td>-</td> <td>WD.</td> <td>J2</td> <td>PTD.</td> <td>-</td> <td>391A</td> <td>3\"/> <tr> <td>395</td> <td>ETR</td> <td>-</td> <td>WD.</td> <td>J2</td> <td>PTD.</td> <td>-</td> <td>391B</td> <td>3\"/> <tr> <td>396</td> <td>ETR</td> <td>-</td> <td>WD.</td> <td>J2</td> <td>PTD.</td> <td>-</td> <td>394</td> <td>3\"/> <tr> <td>398</td> <td>ETR</td> <td>-</td> <td>WD.</td> <td>J2</td> <td>PTD.</td> <td>-</td> <td>395</td> <td>3\"/> <tr> <td>399</td> <td>ETR</td> <td>-</td> <td>WD.</td> <td>J2</td> <td>PTD.</td> <td>-</td> <td>396</td> <td>3\"/> <tr> <td>3991</td> <td>ETR</td> <td>-</td> <td>WD.</td> <td>J2</td> <td>PTD.</td> <td>-</td> <td>398</td> <td>3\"/> <tr> <td>3992</td> <td>A</td> <td>3\"/> <tr> <td>3993</td> <td>ETR</td> <td>-</td> <td>WD.</td> <td>J2</td> <td>PTD.</td> <td>-</td> <td>399</td> <td>3\"/> <tr> <td>3994</td> <td>ETR</td> <td>-</td> <td>WD.</td> <td>J2</td> <td>PTD.</td> <td>-</td> <td>3991</td> <td>3\"/> <tr> <td>3995</td> <td>ETR</td> <td>-</td> <td>WD.</td> <td>J2</td> <td>PTD.</td> <td>-</td> <td>3992</td> <td>3\"/> <tr> <td>3997</td> <td>ETR</td> <td>-</td> <td>WD.</td> <td>J2</td> <td>PTD.</td> <td>-</td> <td>3993</td> <td>3\"/> <tr> <td>3998</td> <td>ETR</td> <td>-</td> <td>WD.</td> <td>J2</td> <td>PTD.</td> <td>-</td> <td>3994</td> <td>3\"/> <tr> <td>3999</td> <td>ETR</td> <td>-</td> <td>WD.</td> <td>J2</td> <td>PTD.</td> <td>-</td> <td>3995</td> <td>3\"/> <tr> <td>3999</td> <td>ETR</td> <td>-</td> <td>WD.</td> <td>J2</td> <td>PTD.</td> <td>-</td> <td>3997</td> <td>3\"/> </td></tr></td></tr></td></tr></td></tr></td></tr></td></tr></td></tr></td></tr></td></tr></td></tr></td></tr></td></tr></td></tr></td></tr></td></tr></td></tr></td></tr></td></tr></td></tr></td></tr></td></tr></td></tr></td></td></tr></td></tr></td></td></tr></td></td></tr></td></td></tr></td></td></tr></td></td></tr></td></td></tr></td></td></tr> | 376 | B | 1 <td>WD</td> <td>J1</td> <td>PTD.</td> <td>-</td> <td>374C</td> <td>3\"/> <tr> <td>377</td> <td>B</td> <td>1 <td>WD</td> <td>J1</td> <td>PTD.</td> <td>-</td> <td>375</td> <td>3\"/> <tr> <td>377A</td> <td>B</td> <td>1 <td>WD</td> <td>J1</td> <td>PTD.</td> <td>-</td> <td>376</td> <td>3\"/> <tr> <td>378</td> <td>B</td> <td>1 <td>WD</td> <td>J1</td> <td>PTD.</td> <td>-</td> <td>377</td> <td>3\"/> <tr> <td>379</td> <td>B</td> <td>1 <td>WD</td> <td>J1</td> <td>PTD.</td> <td>-</td> <td>377A</td> <td>3\"/> <tr> <td>380A</td> <td>B</td> <td>1 <td>WD</td> <td>J1</td> <td>PTD.</td> <td>-</td> <td>378</td> <td>3\"/> <tr> <td>380B</td> <td>B</td> <td>1 <td>WD</td> <td>J1</td> <td>PTD.</td> <td>-</td> <td>379</td> <td>3\"/> <tr> <td>382</td> <td>ETR</td> <td>-</td> <td>WD.</td> <td>J2</td> <td>PTD.</td> <td>-</td> <td>380A</td> <td>3\"/> <tr> <td>382A</td> <td>D</td> <td>6 <td>ALUM.</td> <td>ANODIZE D</td> <td>-</td> <td>-</td> <td>380B</td> <td>3\"/> <tr> <td>385</td> <td>ETR</td> <td>-</td> <td>WD.</td> <td>J2</td> <td>PTD.</td> <td>-</td> <td>382</td> <td>3\"/> <tr> <td>386</td> <td>ETR</td> <td>-</td> <td>WD.</td> <td>J2</td> <td>PTD.</td> <td>-</td> <td>382A</td> <td>3\"/> <tr> <td>387</td> <td>ETR</td> <td>-</td> <td>WD.</td> <td>J2</td> <td>PTD.</td> <td>-</td> <td>385</td> <td>3\"/> <tr> <td>388</td> <td>ETR</td> <td>-</td> <td>WD.</td> <td>J2</td> <td>PTD.</td> <td>-</td> <td>386</td> <td>3\"/> <tr> <td>389</td> <td>ETR</td> <td>-</td> <td>WD.</td> <td>J2</td> <td>PTD.</td> <td>-</td> <td>387</td> <td>3\"/> <tr> <td>391</td> <td>ETR</td> <td>-</td> <td>WD.</td> <td>J2</td> <td>PTD.</td> <td>-</td> <td>388</td> <td>3\"/> <tr> <td>391A</td> <td>ETR</td> <td>-</td> <td>WD.</td> <td>J2</td> <td>PTD.</td> <td>-</td> <td>389</td> <td>3\"/> <tr> <td>391B</td> <td>ETR</td> <td>-</td> <td>WD.</td> <td>J2</td> <td>PTD.</td> <td>-</td> <td>391</td> <td>3\"/> <tr> <td>394</td> <td>ETR</td> <td>-</td> <td>WD.</td> <td>J2</td> <td>PTD.</td> <td>-</td> <td>391A</td> <td>3\"/> <tr> <td>395</td> <td>ETR</td> <td>-</td> <td>WD.</td> <td>J2</td> <td>PTD.</td> <td>-</td> <td>391B</td> <td>3\"/> <tr> <td>396</td> <td>ETR</td> <td>-</td> <td>WD.</td> <td>J2</td> <td>PTD.</td> <td>-</td> <td>394</td> <td>3\"/> <tr> <td>398</td> <td>ETR</td> <td>-</td> <td>WD.</td> <td>J2</td> <td>PTD.</td> <td>-</td> <td>395</td> <td>3\"/> <tr> <td>399</td> <td>ETR</td> <td>-</td> <td>WD.</td> <td>J2</td> <td>PTD.</td> <td>-</td> <td>396</td> <td>3\"/> <tr> <td>3991</td> <td>ETR</td> <td>-</td> <td>WD.</td> <td>J2</td> <td>PTD.</td> <td>-</td> <td>398</td> <td>3\"/> <tr> <td>3992</td> <td>A</td> <td>3\"/> <tr> <td>3993</td> <td>ETR</td> <td>-</td> <td>WD.</td> <td>J2</td> <td>PTD.</td> <td>-</td> <td>399</td> <td>3\"/> <tr> <td>3994</td> <td>ETR</td> <td>-</td> <td>WD.</td> <td>J2</td> <td>PTD.</td> <td>-</td> <td>3991</td> <td>3\"/> <tr> <td>3995</td> <td>ETR</td> <td>-</td> <td>WD.</td> <td>J2</td> <td>PTD.</td> <td>-</td> <td>3992</td> <td>3\"/> <tr> <td>3997</td> <td>ETR</td> <td>-</td> <td>WD.</td> <td>J2</td> <td>PTD.</td> <td>-</td> <td>3993</td> <td>3\"/> <tr> <td>3998</td> <td>ETR</td> <td>-</td> <td>WD.</td> <td>J2</td> <td>PTD.</td> <td>-</td> <td>3994</td> <td>3\"/> <tr> <td>3999</td> <td>ETR</td> <td>-</td> <td>WD.</td> <td>J2</td> <td>PTD.</td> <td>-</td> <td>3995</td> <td>3\"/> <tr> <td>3999</td> <td>ETR</td> <td>-</td> <td>WD.</td> <td>J2</td> <td>PTD.</td> <td>-</td> <td>3997</td> <td>3\"/> </td></tr></td></tr></td></tr></td></tr></td></tr></td></tr></td></tr></td></tr></td></tr></td></tr></td></tr></td></tr></td></tr></td></tr></td></tr></td></tr></td></tr></td></tr></td></tr></td></tr></td></tr></td></tr></td></td></tr></td></tr></td></td></tr></td></td></tr></td></td></tr></td></td></tr></td></td></tr></td></td></tr></td> | WD | J1 | PTD. | - | 374C | 3\"/> <tr> <td>377</td> <td>B</td> <td>1 <td>WD</td> <td>J1</td> <td>PTD.</td> <td>-</td> <td>375</td> <td>3\"/> <tr> <td>377A</td> <td>B</td> <td>1 <td>WD</td> <td>J1</td> <td>PTD.</td> <td>-</td> <td>376</td> <td>3\"/> <tr> <td>378</td> <td>B</td> <td>1 <td>WD</td> <td>J1</td> <td>PTD.</td> <td>-</td> <td>377</td> <td>3\"/> <tr> <td>379</td> <td>B</td> <td>1 <td>WD</td> <td>J1</td> <td>PTD.</td> <td>-</td> <td>377A</td> <td>3\"/> <tr> <td>380A</td> <td>B</td> <td>1 <td>WD</td> <td>J1</td> <td>PTD.</td> <td>-</td> <td>378</td> <td>3\"/> <tr> <td>380B</td> <td>B</td> <td>1 <td>WD</td> <td>J1</td> <td>PTD.</td> <td>-</td> <td>379</td> <td>3\"/> <tr> <td>382</td> <td>ETR</td> <td>-</td> <td>WD.</td> <td>J2</td> <td>PTD.</td> <td>-</td> <td>380A</td> <td>3\"/> <tr> <td>382A</td> <td>D</td>
<td>6 <td>ALUM.</td> <td>ANODIZE D</td> <td>-</td> <td>-</td> <td>380B</td> <td>3\"/> <tr> <td>385</td> <td>ETR</td> <td>-</td> <td>WD.</td> <td>J2</td> <td>PTD.</td> <td>-</td> <td>382</td> <td>3\"/> <tr> <td>386</td> <td>ETR</td> <td>-</td> <td>WD.</td> <td>J2</td> <td>PTD.</td> <td>-</td> <td>382A</td> <td>3\"/> <tr> <td>387</td> <td>ETR</td> <td>-</td> <td>WD.</td> <td>J2</td> <td>PTD.</td> <td>-</td> <td>385</td> <td>3\"/> <tr> <td>388</td> <td>ETR</td> <td>-</td> <td>WD.</td> <td>J2</td> <td>PTD.</td> <td>-</td> <td>386</td> <td>3\"/> <tr> <td>389</td> <td>ETR</td> <td>-</td> <td>WD.</td> <td>J2</td> <td>PTD.</td> <td>-</td> <td>387</td> <td>3\"/> <tr> <td>391</td> <td>ETR</td> <td>-</td> <td>WD.</td> <td>J2</td> <td>PTD.</td> <td>-</td> <td>388</td> <td>3\"/> <tr> <td>391A</td> <td>ETR</td> <td>-</td> <td>WD.</td> <td>J2</td> <td>PTD.</td> <td>-</td> <td>389</td> <td>3\"/> <tr> <td>391B</td> <td>ETR</td> <td>-</td> <td>WD.</td> <td>J2</td> <td>PTD.</td> <td>-</td> <td>391</td> <td>3\"/> <tr> <td>394</td> <td>ETR</td> <td>-</td> <td>WD.</td> <td>J2</td> <td>PTD.</td> <td>-</td> <td>391A</td> <td>3\"/> <tr> <td>395</td> <td>ETR</td> <td>-</td> <td>WD.</td> <td>J2</td> <td>PTD.</td> <td>-</td> <td>391B</td> <td>3\"/> <tr> <td>396</td> <td>ETR</td> <td>-</td> <td>WD.</td> <td>J2</td> <td>PTD.</td> <td>-</td> <td>394</td> <td>3\"/> <tr> <td>398</td> <td>ETR</td> <td>-</td> <td>WD.</td> <td>J2</td> <td>PTD.</td> <td>-</td> <td>395</td> <td>3\"/> <tr> <td>399</td> <td>ETR</td> <td>-</td> <td>WD.</td> <td>J2</td> <td>PTD.</td> <td>-</td> <td>396</td> <td>3\"/> <tr> <td>3991</td> <td>ETR</td> <td>-</td> <td>WD.</td> <td>J2</td> <td>PTD.</td> <td>-</td> <td>398</td> <td>3\"/> <tr> <td>3992</td> <td>A</td> <td>3\"/> <tr> <td>3993</td> <td>ETR</td> <td>-</td> <td>WD.</td> <td>J2</td> <td>PTD.</td> <td>-</td> <td>399</td> <td>3\"/> <tr> <td>3994</td> <td>ETR</td> <td>-</td> <td>WD.</td> <td>J2</td> <td>PTD.</td> <td>-</td> <td>3991</td> <td>3\"/> <tr> <td>3995</td> <td>ETR</td> <td>-</td> <td>WD.</td> <td>J2</td> <td>PTD.</td> <td>-</td> <td>3992</td> <td>3\"/> <tr> <td>3997</td> <td>ETR</td> <td>-</td> <td>WD.</td> <td>J2</td> <td>PTD.</td> <td>-</td> <td>3993</td> <td>3\"/> <tr> <td>3998</td> <td>ETR</td> <td>-</td> <td>WD.</td> <td>J2</td> <td>PTD.</td> <td>-</td> <td>3994</td> <td>3\"/> <tr> <td>3999</td> <td>ETR</td> <td>-</td> <td>WD.</td> <td>J2</td> <td>PTD.</td> <td>-</td> <td>3995</td> <td>3\"/> <tr> <td>3999</td> <td>ETR</td> <td>-</td> <td>WD.</td> <td>J2</td> <td>PTD.</td> <td>-</td> <td>3997</td> <td>3\"/> </td></tr></td></tr></td></tr></td></tr></td></tr></td></tr></td></tr></td></tr></td></tr></td></tr></td></tr></td></tr></td></tr></td></tr></td></tr></td></tr></td></tr></td></tr></td></tr></td></tr></td></tr></td></tr></td></td></tr></td></tr></td></td></tr></td></td></tr></td></td></tr></td></td></tr></td></td></tr></td></td></tr> | 377 | B | 1 <td>WD</td> <td>J1</td> <td>PTD.</td> <td>-</td> <td>375</td> <td>3\"/> <tr> <td>377A</td> <td>B</td> <td>1 <td>WD</td> <td>J1</td> <td>PTD.</td> <td>-</td> <td>376</td> <td>3\"/> <tr> <td>378</td> <td>B</td> <td>1 <td>WD</td> <td>J1</td> <td>PTD.</td> <td>-</td> <td>377</td> <td>3\"/> <tr> <td>379</td> <td>B</td> <td>1 <td>WD</td> <td>J1</td> <td>PTD.</td> <td>-</td> <td>377A</td> <td>3\"/> <tr> <td>380A</td> <td>B</td> <td>1 <td>WD</td> <td>J1</td> <td>PTD.</td> <td>-</td> <td>378</td> <td>3\"/> <tr> <td>380B</td> <td>B</td> <td>1 <td>WD</td> <td>J1</td> <td>PTD.</td> <td>-</td> <td>379</td> <td>3\"/> <tr> <td>382</td> <td>ETR</td> <td>-</td> <td>WD.</td> <td>J2</td> <td>PTD.</td> <td>-</td> <td>380A</td> <td>3\"/> <tr> <td>382A</td> <td>D</td> <td>6 <td>ALUM.</td> <td>ANODIZE D</td> <td>-</td> <td>-</td> <td>380B</td> <td>3\"/> <tr> <td>385</td> <td>ETR</td> <td>-</td> <td>WD.</td> <td>J2</td> <td>PTD.</td> <td>-</td> <td>382</td> <td>3\"/> <tr> <td>386</td> <td>ETR</td> <td>-</td> <td>WD.</td> <td>J2</td> <td>PTD.</td> <td>-</td> <td>382A</td> <td>3\"/> <tr> <td>387</td> <td>ETR</td> <td>-</td> <td>WD.</td> <td>J2</td> <td>PTD.</td> <td>-</td> <td>385</td> <td>3\"/> <tr> <td>388</td> <td>ETR</td> <td>-</td> <td>WD.</td> <td>J2</td> <td>PTD.</td> <td>-</td> <td>386</td> <td>3\"/> <tr> <td>389</td> <td>ETR</td> <td>-</td> <td>WD.</td> <td>J2</td> <td>PTD.</td> <td>-</td> <td>387</td> <td>3\"/> <tr> <td>391</td> <td>ETR</td> <td>-</td> <td>WD.</td> <td>J2</td> <td>PTD.</td> <td>-</td> <td>388</td> <td>3\"/> <tr> <td>391A</td> <td>ETR</td> <td>-</td> <td>WD.</td> <td>J2</td> <td>PTD.</td> <td>-</td> <td>389</td> <td>3\"/> <tr> <td>391B</td> <td>ETR</td> <td>-</td> <td>WD.</td> <td>J2</td> <td>PTD.</td> <td>-</td> <td>391</td> <td>3\"/> <tr> <td>394</td> <td>ETR</td> <td>-</td> <td>WD.</td> <td>J2</td> <td>PTD.</td> <td>-</td> <td>391A</td> <td>3\"/> <tr> <td>395</td> <td>ETR</td> <td>-</td> <td>WD.</td> <td>J2</td> <td>PTD.</td> <td>-</td> <td>391B</td> <td>3\"/> <tr> <td>396</td> <td>ETR</td> <td>-</td> <td>WD.</td> <td>J2</td> <td>PTD.</td> <td>-</td> <td>394</td> <td>3\"/> <tr> <td>398</td> <td>ETR</td> <td>-</td> <td>WD.</td> <td>J2</td> <td>PTD.</td> <td>-</td> <td>395</td> <td>3\"/> <tr> <td>399</td> <td>ETR</td> <td>-</td> <td>WD.</td> <td>J2</td> <td>PTD.</td> <td>-</td> <td>396</td> <td>3\"/> <tr> <td>3991</td> <td>ETR</td> <td>-</td> <td>WD.</td> <td>J2</td> <td>PTD.</td> <td>-</td> <td>398</td> <td>3\"/> <tr> <td>3992</td> <td>A</td> <td>3\"/> <tr> <td>3993</td> <td>ETR</td> <td>-</td> <td>WD.</td> <td>J2</td> <td>PTD.</td> <td>-</td> <td>399</td> <td>3\"/> <tr> <td>3994</td> <td>ETR</td> <td>-</td> <td>WD.</td> <td>J2</td> <td>PTD.</td> <td>-</td> <td>3991</td> <td>3\"/> <tr> <td>3995</td> <td>ETR</td> <td>-</td> <td>WD.</td> <td>J2</td> <td>PTD.</td> <td>-</td> <td>3992</td> <td>3\"/> <tr> <td>3997</td> <td>ETR</td> <td>-</td> <td>WD.</td> <td>J2</td> <td>PTD.</td> <td>-</td> <td>3993</td> <td>3\"/> <tr> <td>3998</td> <td>ETR</td> <td>-</td> <td>WD.</td> <td>J2</td> <td>PTD.</td> <td>-</td> <td>3994</td> <td>3\"/> <tr> <td>3999</td> <td>ETR</td> <td>-</td> <td>WD.</td> <td>J2</td> <td>PTD.</td> <td>-</td> <td>3995</td> <td>3\"/> <tr> <td>3999</td> <td>ETR</td> <td>-</td> <td>WD.</td> <td>J2</td> <td>PTD.</td> <td>-</td> <td>3997</td> <td>3\"/> </td></tr></td></tr></td></tr></td></tr></td></tr></td></tr></td></tr></td></tr></td></tr></td></tr></td></tr></td></tr></td></tr></td></tr></td></tr></td></tr></td></tr></td></tr></td></tr></td></tr></td></tr></td></tr></td></td></tr></td></tr></td></td></tr></td></td></tr></td></td></tr></td></td></tr></td></td></tr></td> | WD | J1 | PTD.
 | - | 375 | 3\"/> <tr> <td>377A</td> <td>B</td> <td>1 <td>WD</td> <td>J1</td> <td>PTD.</td> <td>-</td> <td>376</td> <td>3\"/> <tr> <td>378</td> <td>B</td> <td>1 <td>WD</td> <td>J1</td> <td>PTD.</td> <td>-</td> <td>377</td> <td>3\"/> <tr> <td>379</td> <td>B</td> <td>1 <td>WD</td> <td>J1</td> <td>PTD.</td> <td>-</td> <td>377A</td> <td>3\"/> <tr> <td>380A</td> <td>B</td> <td>1 <td>WD</td> <td>J1</td> <td>PTD.</td> <td>-</td> <td>378</td> <td>3\"/> <tr> <td>380B</td> <td>B</td> <td>1 <td>WD</td> <td>J1</td> <td>PTD.</td> <td>-</td> <td>379</td> <td>3\"/> <tr> <td>382</td> <td>ETR</td> <td>-</td> <td>WD.</td> <td>J2</td> <td>PTD.</td> <td>-</td> <td>380A</td> <td>3\"/> <tr> <td>382A</td> <td>D</td> <td>6 <td>ALUM.</td> <td>ANODIZE D</td> <td>-</td> <td>-</td> <td>380B</td> <td>3\"/> <tr> <td>385</td> <td>ETR</td> <td>-</td> <td>WD.</td> <td>J2</td> <td>PTD.</td> <td>-</td> <td>382</td> <td>3\"/> <tr> <td>386</td> <td>ETR</td> <td>-</td> <td>WD.</td> <td>J2</td> <td>PTD.</td> <td>-</td> <td>382A</td> <td>3\"/> <tr> <td>387</td> <td>ETR</td> <td>-</td> <td>WD.</td> <td>J2</td> <td>PTD.</td> <td>-</td> <td>385</td> <td>3\"/> <tr> <td>388</td> <td>ETR</td> <td>-</td> <td>WD.</td> <td>J2</td> <td>PTD.</td> <td>-</td> <td>386</td> <td>3\"/> <tr> <td>389</td> <td>ETR</td> <td>-</td> <td>WD.</td> <td>J2</td> <td>PTD.</td> <td>-</td> <td>387</td> <td>3\"/> <tr> <td>391</td> <td>ETR</td> <td>-</td> <td>WD.</td> <td>J2</td> <td>PTD.</td> <td>-</td> <td>388</td> <td>3\"/> <tr> <td>391A</td> <td>ETR</td> <td>-</td> <td>WD.</td> <td>J2</td> <td>PTD.</td> <td>-</td> <td>389</td> <td>3\"/> <tr> <td>391B</td> <td>ETR</td> <td>-</td> <td>WD.</td> <td>J2</td> <td>PTD.</td> <td>-</td> <td>391</td> <td>3\"/> <tr> <td>394</td> <td>ETR</td> <td>-</td> <td>WD.</td> <td>J2</td> <td>PTD.</td> <td>-</td> <td>391A</td> <td>3\"/> <tr> <td>395</td> <td>ETR</td> <td>-</td> <td>WD.</td> <td>J2</td> <td>PTD.</td> <td>-</td> <td>391B</td> <td>3\"/> <tr> <td>396</td> <td>ETR</td> <td>-</td> <td>WD.</td> <td>J2</td> <td>PTD.</td> <td>-</td> <td>394</td> <td>3\"/> <tr> <td>398</td> <td>ETR</td> <td>-</td> <td>WD.</td> <td>J2</td> <td>PTD.</td> <td>-</td> <td>395</td> <td>3\"/> <tr> <td>399</td> <td>ETR</td> <td>-</td> <td>WD.</td> <td>J2</td> <td>PTD.</td> <td>-</td> <td>396</td> <td>3\"/> <tr> <td>3991</td> <td>ETR</td> <td>-</td> <td>WD.</td> <td>J2</td> <td>PTD.</td> <td>-</td> <td>398</td> <td>3\"/> <tr> <td>3992</td> <td>A</td> <td>3\"/> <tr> <td>3993</td> <td>ETR</td> <td>-</td> <td>WD.</td> <td>J2</td> <td>PTD.</td> <td>-</td> <td>399</td> <td>3\"/> <tr> <td>3994</td> <td>ETR</td> <td>-</td> <td>WD.</td> <td>J2</td> <td>PTD.</td> <td>-</td> <td>3991</td> <td>3\"/> <tr> <td>3995</td> <td>ETR</td> <td>-</td> <td>WD.</td> <td>J2</td> <td>PTD.</td> <td>-</td> <td>3992</td> <td>3\"/> <tr> <td>3997</td> <td>ETR</td> <td>-</td> <td>WD.</td> <td>J2</td> <td>PTD.</td> <td>-</td> <td>3993</td> <td>3\"/> <tr> <td>3998</td> <td>ETR</td> <td>-</td> <td>WD.</td> <td>J2</td> <td>PTD.</td> <td>-</td> <td>3994</td> <td>3\"/> <tr> <td>3999</td> <td>ETR</td> <td>-</td> <td>WD.</td> <td>J2</td> <td>PTD.</td> <td>-</td> <td>3995</td> <td>3\"/> <tr> <td>3999</td> <td>ETR</td> <td>-</td> <td>WD.</td> <td>J2</td> <td>PTD.</td> <td>-</td> <td>3997</td> <td>3\"/> </td></tr></td></tr></td></tr></td></tr></td></tr></td></tr></td></tr></td></tr></td></tr></td></tr></td></tr></td></tr></td></tr></td></tr></td></tr></td></tr></td></tr></td></tr></td></tr></td></tr></td></tr></td></tr></td></td></tr></td></tr></td></td></tr></td></td></tr></td></td></tr></td></td></tr></td></td></tr> | 377A | B | 1 <td>WD</td> <td>J1</td> <td>PTD.</td> <td>-</td> <td>376</td> <td>3\"/> <tr> <td>378</td> <td>B</td> <td>1 <td>WD</td> <td>J1</td> <td>PTD.</td> <td>-</td> <td>377</td> <td>3\"/> <tr> <td>379</td> <td>B</td> <td>1 <td>WD</td> <td>J1</td> <td>PTD.</td> <td>-</td> <td>377A</td> <td>3\"/> <tr> <td>380A</td> <td>B</td> <td>1 <td>WD</td> <td>J1</td> <td>PTD.</td> <td>-</td> <td>378</td> <td>3\"/> <tr> <td>380B</td> <td>B</td> <td>1 <td>WD</td> <td>J1</td> <td>PTD.</td> <td>-</td> <td>379</td> <td>3\"/> <tr> <td>382</td> <td>ETR</td> <td>-</td> <td>WD.</td> <td>J2</td> <td>PTD.</td> <td>-</td> <td>380A</td> <td>3\"/> <tr> <td>382A</td> <td>D</td> <td>6 <td>ALUM.</td> <td>ANODIZE D</td> <td>-</td> <td>-</td> <td>380B</td> <td>3\"/> <tr> <td>385</td> <td>ETR</td> <td>-</td> <td>WD.</td> <td>J2</td> <td>PTD.</td> <td>-</td> <td>382</td> <td>3\"/> <tr> <td>386</td> <td>ETR</td> <td>-</td> <td>WD.</td> <td>J2</td> <td>PTD.</td> <td>-</td> <td>382A</td> <td>3\"/> <tr> <td>387</td> <td>ETR</td> <td>-</td> <td>WD.</td> <td>J2</td> <td>PTD.</td> <td>-</td> <td>385</td> <td>3\"/> <tr> <td>388</td> <td>ETR</td> <td>-</td> <td>WD.</td> <td>J2</td> <td>PTD.</td> <td>-</td> <td>386</td> <td>3\"/> <tr> <td>389</td> <td>ETR</td> <td>-</td> <td>WD.</td> <td>J2</td> <td>PTD.</td> <td>-</td> <td>387</td> <td>3\"/> <tr> <td>391</td> <td>ETR</td> <td>-</td> <td>WD.</td> <td>J2</td> <td>PTD.</td> <td>-</td> <td>388</td> <td>3\"/> <tr> <td>391A</td> <td>ETR</td> <td>-</td> <td>WD.</td> <td>J2</td> <td>PTD.</td> <td>-</td> <td>389</td> <td>3\"/> <tr> <td>391B</td> <td>ETR</td> <td>-</td> <td>WD.</td> <td>J2</td> <td>PTD.</td> <td>-</td> <td>391</td> <td>3\"/> <tr> <td>394</td> <td>ETR</td> <td>-</td> <td>WD.</td> <td>J2</td> <td>PTD.</td> <td>-</td> <td>391A</td> <td>3\"/> <tr> <td>395</td> <td>ETR</td> <td>-</td> <td>WD.</td> <td>J2</td> <td>PTD.</td> <td>-</td> <td>391B</td> <td>3\"/> <tr> <td>396</td> <td>ETR</td> <td>-</td> <td>WD.</td> <td>J2</td> <td>PTD.</td> <td>-</td> <td>394</td> <td>3\"/> <tr> <td>398</td> <td>ETR</td> <td>-</td> <td>WD.</td> <td>J2</td> <td>PTD.</td> <td>-</td> <td>395</td> <td>3\"/> <tr> <td>399</td> <td>ETR</td> <td>-</td> <td>WD.</td> <td>J2</td> <td>PTD.</td> <td>-</td> <td>396</td> <td>3\"/> <tr> <td>3991</td> <td>ETR</td> <td>-</td> <td>WD.</td> <td>J2</td> <td>PTD.</td> <td>-</td> <td>398</td> <td>3\"/> <tr> <td>3992</td> <td>A</td> <td>3\"/> <tr> <td>3993</td> <td>ETR</td> <td>-</td> <td>WD.</td> <td>J2</td> <td>PTD.</td>
<td>-</td> <td>399</td> <td>3\"/> <tr> <td>3994</td> <td>ETR</td> <td>-</td> <td>WD.</td> <td>J2</td> <td>PTD.</td> <td>-</td> <td>3991</td> <td>3\"/> <tr> <td>3995</td> <td>ETR</td> <td>-</td> <td>WD.</td> <td>J2</td> <td>PTD.</td> <td>-</td> <td>3992</td> <td>3\"/> <tr> <td>3997</td> <td>ETR</td> <td>-</td> <td>WD.</td> <td>J2</td> <td>PTD.</td> <td>-</td> <td>3993</td> <td>3\"/> <tr> <td>3998</td> <td>ETR</td> <td>-</td> <td>WD.</td> <td>J2</td> <td>PTD.</td> <td>-</td> <td>3994</td> <td>3\"/> <tr> <td>3999</td> <td>ETR</td> <td>-</td> <td>WD.</td> <td>J2</td> <td>PTD.</td> <td>-</td> <td>3995</td> <td>3\"/> <tr> <td>3999</td> <td>ETR</td> <td>-</td> <td>WD.</td> <td>J2</td> <td>PTD.</td> <td>-</td> <td>3997</td> <td>3\"/> </td></tr></td></tr></td></tr></td></tr></td></tr></td></tr></td></tr></td></tr></td></tr></td></tr></td></tr></td></tr></td></tr></td></tr></td></tr></td></tr></td></tr></td></tr></td></tr></td></tr></td></tr></td></tr></td></td></tr></td></tr></td></td></tr></td></td></tr></td></td></tr></td></td></tr></td> | WD | J1 | PTD. | - | 376 | 3\"/> <tr> <td>378</td> <td>B</td> <td>1 <td>WD</td> <td>J1</td> <td>PTD.</td> <td>-</td> <td>377</td> <td>3\"/> <tr> <td>379</td> <td>B</td> <td>1 <td>WD</td> <td>J1</td> <td>PTD.</td> <td>-</td> <td>377A</td> <td>3\"/> <tr> <td>380A</td> <td>B</td> <td>1 <td>WD</td> <td>J1</td> <td>PTD.</td> <td>-</td> <td>378</td> <td>3\"/> <tr> <td>380B</td> <td>B</td> <td>1 <td>WD</td> <td>J1</td> <td>PTD.</td> <td>-</td> <td>379</td> <td>3\"/> <tr> <td>382</td> <td>ETR</td> <td>-</td> <td>WD.</td> <td>J2</td> <td>PTD.</td> <td>-</td> <td>380A</td> <td>3\"/> <tr> <td>382A</td> <td>D</td> <td>6 <td>ALUM.</td> <td>ANODIZE D</td> <td>-</td> <td>-</td> <td>380B</td> <td>3\"/> <tr> <td>385</td> <td>ETR</td> <td>-</td> <td>WD.</td> <td>J2</td> <td>PTD.</td> <td>-</td> <td>382</td> <td>3\"/> <tr> <td>386</td> <td>ETR</td> <td>-</td> <td>WD.</td> <td>J2</td> <td>PTD.</td> <td>-</td> <td>382A</td> <td>3\"/> <tr> <td>387</td> <td>ETR</td> <td>-</td> <td>WD.</td> <td>J2</td> <td>PTD.</td> <td>-</td> <td>385</td> <td>3\"/> <tr> <td>388</td> <td>ETR</td> <td>-</td> <td>WD.</td> <td>J2</td> <td>PTD.</td> <td>-</td> <td>386</td> <td>3\"/> <tr> <td>389</td> <td>ETR</td> <td>-</td> <td>WD.</td> <td>J2</td> <td>PTD.</td> <td>-</td> <td>387</td> <td>3\"/> <tr> <td>391</td> <td>ETR</td> <td>-</td> <td>WD.</td> <td>J2</td> <td>PTD.</td> <td>-</td> <td>388</td> <td>3\"/> <tr> <td>391A</td> <td>ETR</td> <td>-</td> <td>WD.</td> <td>J2</td> <td>PTD.</td> <td>-</td> <td>389</td> <td>3\"/> <tr> <td>391B</td> <td>ETR</td> <td>-</td> <td>WD.</td> <td>J2</td> <td>PTD.</td> <td>-</td> <td>391</td> <td>3\"/> <tr> <td>394</td> <td>ETR</td> <td>-</td> <td>WD.</td> <td>J2</td> <td>PTD.</td> <td>-</td> <td>391A</td> <td>3\"/> <tr> <td>395</td> <td>ETR</td> <td>-</td> <td>WD.</td> <td>J2</td> <td>PTD.</td> <td>-</td> <td>391B</td> <td>3\"/> <tr> <td>396</td> <td>ETR</td> <td>-</td> <td>WD.</td> <td>J2</td> <td>PTD.</td> <td>-</td> <td>394</td> <td>3\"/> <tr> <td>398</td> <td>ETR</td> <td>-</td> <td>WD.</td> <td>J2</td> <td>PTD.</td> <td>-</td> <td>395</td> <td>3\"/> <tr> <td>399</td> <td>ETR</td> <td>-</td> <td>WD.</td> <td>J2</td> <td>PTD.</td> <td>-</td> <td>396</td> <td>3\"/> <tr> <td>3991</td> <td>ETR</td> <td>-</td> <td>WD.</td> <td>J2</td> <td>PTD.</td> <td>-</td> <td>398</td> <td>3\"/> <tr> <td>3992</td> <td>A</td> <td>3\"/> <tr> <td>3993</td> <td>ETR</td> <td>-</td> <td>WD.</td> <td>J2</td> <td>PTD.</td> <td>-</td> <td>399</td> <td>3\"/> <tr> <td>3994</td> <td>ETR</td> <td>-</td> <td>WD.</td> <td>J2</td> <td>PTD.</td> <td>-</td> <td>3991</td> <td>3\"/> <tr> <td>3995</td> <td>ETR</td> <td>-</td> <td>WD.</td> <td>J2</td> <td>PTD.</td> <td>-</td> <td>3992</td> <td>3\"/> <tr> <td>3997</td> <td>ETR</td> <td>-</td> <td>WD.</td> <td>J2</td> <td>PTD.</td> <td>-</td> <td>3993</td> <td>3\"/> <tr> <td>3998</td> <td>ETR</td> <td>-</td> <td>WD.</td> <td>J2</td> <td>PTD.</td> <td>-</td> <td>3994</td> <td>3\"/> <tr> <td>3999</td> <td>ETR</td> <td>-</td> <td>WD.</td> <td>J2</td> <td>PTD.</td> <td>-</td> <td>3995</td> <td>3\"/> <tr> <td>3999</td> <td>ETR</td> <td>-</td> <td>WD.</td> <td>J2</td> <td>PTD.</td> <td>-</td> <td>3997</td> <td>3\"/> </td></tr></td></tr></td></tr></td></tr></td></tr></td></tr></td></tr></td></tr></td></tr></td></tr></td></tr></td></tr></td></tr></td></tr></td></tr></td></tr></td></tr></td></tr></td></tr></td></tr></td></tr></td></tr></td></td></tr></td></tr></td></td></tr></td></td></tr></td></td></tr></td></td></tr> | 378 | B | 1 <td>WD</td> <td>J1</td> <td>PTD.</td> <td>-</td> <td>377</td> <td>3\"/> <tr> <td>379</td> <td>B</td> <td>1 <td>WD</td> <td>J1</td> <td>PTD.</td> <td>-</td> <td>377A</td> <td>3\"/> <tr> <td>380A</td> <td>B</td> <td>1 <td>WD</td> <td>J1</td> <td>PTD.</td> <td>-</td> <td>378</td> <td>3\"/> <tr> <td>380B</td> <td>B</td> <td>1 <td>WD</td> <td>J1</td> <td>PTD.</td> <td>-</td> <td>379</td> <td>3\"/> <tr> <td>382</td> <td>ETR</td> <td>-</td> <td>WD.</td> <td>J2</td> <td>PTD.</td> <td>-</td> <td>380A</td> <td>3\"/> <tr> <td>382A</td> <td>D</td> <td>6 <td>ALUM.</td> <td>ANODIZE D</td> <td>-</td> <td>-</td> <td>380B</td> <td>3\"/> <tr> <td>385</td> <td>ETR</td> <td>-</td> <td>WD.</td> <td>J2</td> <td>PTD.</td> <td>-</td> <td>382</td> <td>3\"/> <tr> <td>386</td> <td>ETR</td> <td>-</td> <td>WD.</td> <td>J2</td> <td>PTD.</td> <td>-</td> <td>382A</td> <td>3\"/> <tr> <td>387</td> <td>ETR</td> <td>-</td> <td>WD.</td> <td>J2</td> <td>PTD.</td> <td>-</td> <td>385</td> <td>3\"/> <tr> <td>388</td> <td>ETR</td> <td>-</td> <td>WD.</td> <td>J2</td> <td>PTD.</td> <td>-</td> <td>386</td> <td>3\"/> <tr> <td>389</td> <td>ETR</td> <td>-</td> <td>WD.</td> <td>J2</td> <td>PTD.</td> <td>-</td> <td>387</td> <td>3\"/> <tr> <td>391</td> <td>ETR</td> <td>-</td> <td>WD.</td> <td>J2</td> <td>PTD.</td> <td>-</td> <td>388</td> <td>3\"/> <tr> <td>391A</td> <td>ETR</td> <td>-</td> <td>WD.</td> <td>J2</td> <td>PTD.</td> <td>-</td> <td>389</td> <td>3\"/> <tr> <td>391B</td> <td>ETR</td> <td>-</td> <td>WD.</td> <td>J2</td> <td>PTD.</td> <td>-</td> <td>391</td> <td>3\"/> <tr> <td>394</td> <td>ETR</td> <td>-</td> <td>WD.</td> <td>J2</td> <td>PTD.</td> <td>-</td> <td>391A</td> <td>3\"/> <tr> <td>395</td> <td>ETR</td> <td>-</td> <td>WD.</td> <td>J2</td> <td>PTD.</td> <td>-</td> <td>391B</td> <td>3\"/> <tr> <td>396</td> <td>ETR</td> <td>-</td> <td>WD.</td> <td>J2</td> <td>PTD.</td> <td>-</td> <td>394</td> <td>3\"/> <tr> <td>398</td> <td>ETR</td> <td>-</td> <td>WD.</td> <td>J2</td> <td>PTD.</td> <td>-</td> <td>395</td> <td>3\"/> <tr> <td>399</td> <td>ETR</td> <td>-</td> <td>WD.</td> <td>J2</td> <td>PTD.</td> <td>-</td> <td>396</td> <td>3\"/> <tr> <td>3991</td> <td>ETR</td> <td>-</td> <td>WD.</td> <td>J2</td> <td>PTD.</td> <td>-</td> <td>398</td> <td>3\"/> <tr> <td>3992</td> <td>A</td> <td>3\"/> <tr> <td>3993</td> <td>ETR</td> <td>-</td> <td>WD.</td> <td>J2</td> <td>PTD.</td> <td>-</td> <td>399</td> <td>3\"/> <tr> <td>3994</td> <td>ETR</td> <td>-</td> <td>WD.</td> <td>J2</td> <td>PTD.</td> <td>-</td> <td>3991</td> <td>3\"/> <tr> <td>3995</td> <td>ETR</td> <td>-</td> <td>WD.</td> <td>J2</td> <td>PTD.</td> <td>-</td> <td>3992</td> <td>3\"/> <tr> <td>3997</td> <td>ETR</td> <td>-</td> <td>WD.</td> <td>J2</td> <td>PTD.</td> <td>-</td> <td>3993</td> <td>3\"/> <tr> <td>3998</td> <td>ETR</td> <td>-</td> <td>WD.</td> <td>J2</td> <td>PTD.</td> <td>-</td> <td>3994</td> <td>3\"/> <tr> <td>3999</td> <td>ETR</td> <td>-</td> <td>WD.</td> <td>J2</td> <td>PTD.</td> <td>-</td> <td>3995</td> <td>3\"/> <tr> <td>3999</td> <td>ETR</td> <td>-</td> <td>WD.</td> <td>J2</td> <td>PTD.</td> <td>-</td> <td>3997</td> <td>3\"/> </td></tr></td></tr></td></tr></td></tr></td></tr></td></tr></td></tr></td></tr></td></tr></td></tr></td></tr></td></tr></td></tr></td></tr></td></tr></td></tr></td></tr></td></tr></td></tr></td></tr></td></tr></td></tr></td></td></tr></td></tr></td></td></tr></td></td></tr></td></td></tr></td>
 | WD | J1 | PTD. | - | 377 | 3\"/> <tr> <td>379</td> <td>B</td> <td>1 <td>WD</td> <td>J1</td> <td>PTD.</td> <td>-</td> <td>377A</td> <td>3\"/> <tr> <td>380A</td> <td>B</td> <td>1 <td>WD</td> <td>J1</td> <td>PTD.</td> <td>-</td> <td>378</td> <td>3\"/> <tr> <td>380B</td> <td>B</td> <td>1 <td>WD</td> <td>J1</td> <td>PTD.</td> <td>-</td> <td>379</td> <td>3\"/> <tr> <td>382</td> <td>ETR</td> <td>-</td> <td>WD.</td> <td>J2</td> <td>PTD.</td> <td>-</td> <td>380A</td> <td>3\"/> <tr> <td>382A</td> <td>D</td> <td>6 <td>ALUM.</td> <td>ANODIZE D</td> <td>-</td> <td>-</td> <td>380B</td> <td>3\"/> <tr> <td>385</td> <td>ETR</td> <td>-</td> <td>WD.</td> <td>J2</td> <td>PTD.</td> <td>-</td> <td>382</td> <td>3\"/> <tr> <td>386</td> <td>ETR</td> <td>-</td> <td>WD.</td> <td>J2</td> <td>PTD.</td> <td>-</td> <td>382A</td> <td>3\"/> <tr> <td>387</td> <td>ETR</td> <td>-</td> <td>WD.</td> <td>J2</td> <td>PTD.</td> <td>-</td> <td>385</td> <td>3\"/> <tr> <td>388</td> <td>ETR</td> <td>-</td> <td>WD.</td> <td>J2</td> <td>PTD.</td> <td>-</td> <td>386</td> <td>3\"/> <tr> <td>389</td> <td>ETR</td> <td>-</td> <td>WD.</td> <td>J2</td> <td>PTD.</td> <td>-</td> <td>387</td> <td>3\"/> <tr> <td>391</td> <td>ETR</td> <td>-</td> <td>WD.</td> <td>J2</td> <td>PTD.</td> <td>-</td> <td>388</td> <td>3\"/> <tr> <td>391A</td> <td>ETR</td> <td>-</td> <td>WD.</td> <td>J2</td> <td>PTD.</td> <td>-</td> <td>389</td> <td>3\"/> <tr> <td>391B</td> <td>ETR</td> <td>-</td> <td>WD.</td> <td>J2</td> <td>PTD.</td> <td>-</td> <td>391</td> <td>3\"/> <tr> <td>394</td> <td>ETR</td> <td>-</td> <td>WD.</td> <td>J2</td> <td>PTD.</td> <td>-</td> <td>391A</td> <td>3\"/> <tr> <td>395</td> <td>ETR</td> <td>-</td> <td>WD.</td> <td>J2</td> <td>PTD.</td> <td>-</td> <td>391B</td> <td>3\"/> <tr> <td>396</td> <td>ETR</td> <td>-</td> <td>WD.</td> <td>J2</td> <td>PTD.</td> <td>-</td> <td>394</td> <td>3\"/> <tr> <td>398</td> <td>ETR</td> <td>-</td> <td>WD.</td> <td>J2</td> <td>PTD.</td> <td>-</td> <td>395</td> <td>3\"/> <tr> <td>399</td> <td>ETR</td> <td>-</td> <td>WD.</td> <td>J2</td> <td>PTD.</td> <td>-</td> <td>396</td> <td>3\"/> <tr> <td>3991</td> <td>ETR</td> <td>-</td> <td>WD.</td> <td>J2</td> <td>PTD.</td> <td>-</td> <td>398</td> <td>3\"/> <tr> <td>3992</td> <td>A</td> <td>3\"/> <tr> <td>3993</td> <td>ETR</td> <td>-</td> <td>WD.</td> <td>J2</td> <td>PTD.</td> <td>-</td> <td>399</td> <td>3\"/> <tr> <td>3994</td> <td>ETR</td> <td>-</td> <td>WD.</td> <td>J2</td> <td>PTD.</td> <td>-</td> <td>3991</td> <td>3\"/> <tr> <td>3995</td> <td>ETR</td> <td>-</td> <td>WD.</td> <td>J2</td> <td>PTD.</td> <td>-</td> <td>3992</td> <td>3\"/> <tr> <td>3997</td> <td>ETR</td> <td>-</td> <td>WD.</td> <td>J2</td> <td>PTD.</td> <td>-</td> <td>3993</td> <td>3\"/> <tr> <td>3998</td> <td>ETR</td> <td>-</td> <td>WD.</td> <td>J2</td> <td>PTD.</td> <td>-</td> <td>3994</td> <td>3\"/> <tr> <td>3999</td> <td>ETR</td> <td>-</td> <td>WD.</td> <td>J2</td> <td>PTD.</td> <td>-</td> <td>3995</td> <td>3\"/> <tr> <td>3999</td> <td>ETR</td> <td>-</td> <td>WD.</td> <td>J2</td> <td>PTD.</td> <td>-</td> <td>3997</td> <td>3\"/> </td></tr></td></tr></td></tr></td></tr></td></tr></td></tr></td></tr></td></tr></td></tr></td></tr></td></tr></td></tr></td></tr></td></tr></td></tr></td></tr></td></tr></td></tr></td></tr></td></tr></td></tr></td></tr></td></td></tr></td></tr></td></td></tr></td></td></tr></td></td></tr> | 379 | B | 1 <td>WD</td> <td>J1</td> <td>PTD.</td> <td>-</td> <td>377A</td> <td>3\"/> <tr> <td>380A</td> <td>B</td> <td>1 <td>WD</td> <td>J1</td> <td>PTD.</td> <td>-</td> <td>378</td> <td>3\"/> <tr> <td>380B</td> <td>B</td> <td>1 <td>WD</td> <td>J1</td> <td>PTD.</td> <td>-</td> <td>379</td> <td>3\"/> <tr> <td>382</td> <td>ETR</td> <td>-</td> <td>WD.</td> <td>J2</td> <td>PTD.</td> <td>-</td> <td>380A</td> <td>3\"/> <tr> <td>382A</td> <td>D</td> <td>6 <td>ALUM.</td> <td>ANODIZE D</td> <td>-</td> <td>-</td> <td>380B</td> <td>3\"/> <tr> <td>385</td> <td>ETR</td> <td>-</td> <td>WD.</td> <td>J2</td> <td>PTD.</td> <td>-</td> <td>382</td> <td>3\"/> <tr> <td>386</td> <td>ETR</td> <td>-</td> <td>WD.</td> <td>J2</td> <td>PTD.</td> <td>-</td> <td>382A</td> <td>3\"/> <tr> <td>387</td> <td>ETR</td> <td>-</td> <td>WD.</td> <td>J2</td> <td>PTD.</td> <td>-</td> <td>385</td> <td>3\"/> <tr> <td>388</td> <td>ETR</td> <td>-</td> <td>WD.</td> <td>J2</td> <td>PTD.</td> <td>-</td> <td>386</td> <td>3\"/> <tr> <td>389</td> <td>ETR</td> <td>-</td> <td>WD.</td> <td>J2</td> <td>PTD.</td> <td>-</td> <td>387</td> <td>3\"/> <tr> <td>391</td> <td>ETR</td> <td>-</td> <td>WD.</td> <td>J2</td> <td>PTD.</td> <td>-</td> <td>388</td> <td>3\"/> <tr> <td>391A</td> <td>ETR</td> <td>-</td> <td>WD.</td> <td>J2</td> <td>PTD.</td> <td>-</td> <td>389</td> <td>3\"/> <tr> <td>391B</td> <td>ETR</td> <td>-</td> <td>WD.</td> <td>J2</td> <td>PTD.</td> <td>-</td> <td>391</td> <td>3\"/> <tr> <td>394</td> <td>ETR</td> <td>-</td> <td>WD.</td> <td>J2</td> <td>PTD.</td> <td>-</td> <td>391A</td> <td>3\"/> <tr> <td>395</td> <td>ETR</td> <td>-</td> <td>WD.</td> <td>J2</td> <td>PTD.</td> <td>-</td> <td>391B</td> <td>3\"/> <tr> <td>396</td> <td>ETR</td> <td>-</td> <td>WD.</td> <td>J2</td> <td>PTD.</td> <td>-</td> <td>394</td> <td>3\"/> <tr> <td>398</td> <td>ETR</td> <td>-</td> <td>WD.</td> <td>J2</td> <td>PTD.</td> <td>-</td> <td>395</td> <td>3\"/> <tr> <td>399</td> <td>ETR</td> <td>-</td> <td>WD.</td> <td>J2</td> <td>PTD.</td> <td>-</td> <td>396</td> <td>3\"/> <tr> <td>3991</td> <td>ETR</td> <td>-</td> <td>WD.</td> <td>J2</td> <td>PTD.</td> <td>-</td> <td>398</td> <td>3\"/> <tr> <td>3992</td> <td>A</td> <td>3\"/> <tr> <td>3993</td> <td>ETR</td> <td>-</td> <td>WD.</td> <td>J2</td> <td>PTD.</td> <td>-</td> <td>399</td> <td>3\"/> <tr> <td>3994</td> <td>ETR</td> <td>-</td> <td>WD.</td> <td>J2</td> <td>PTD.</td> <td>-</td> <td>3991</td> <td>3\"/> <tr> <td>3995</td> <td>ETR</td> <td>-</td> <td>WD.</td> <td>J2</td> <td>PTD.</td> <td>-</td> <td>3992</td> <td>3\"/> <tr> <td>3997</td> <td>ETR</td> <td>-</td> <td>WD.</td> <td>J2</td> <td>PTD.</td> <td>-</td> <td>3993</td> <td>3\"/> <tr> <td>3998</td> <td>ETR</td> <td>-</td> <td>WD.</td> <td>J2</td> <td>PTD.</td> <td>-</td> <td>3994</td> <td>3\"/> <tr> <td>3999</td> <td>ETR</td> <td>-</td> <td>WD.</td> <td>J2</td> <td>PTD.</td> <td>-</td> <td>3995</td> <td>3\"/> <tr> <td>3999</td> <td>ETR</td> <td>-</td> <td>WD.</td> <td>J2</td> <td>PTD.</td> <td>-</td> <td>3997</td> <td>3\"/> </td></tr></td></tr></td></tr></td></tr></td></tr></td></tr></td></tr></td></tr></td></tr></td></tr></td></tr></td></tr></td></tr></td></tr></td></tr></td></tr></td></tr></td></tr></td></tr></td></tr></td></tr></td></tr></td></td></tr></td></tr></td></td></tr></td></td></tr></td> | WD | J1 | PTD. | - | 377A | 3\"/> <tr> <td>380A</td> <td>B</td> <td>1 <td>WD</td> <td>J1</td> <td>PTD.</td> <td>-</td> <td>378</td> <td>3\"/> <tr> <td>380B</td> <td>B</td> <td>1 <td>WD</td> <td>J1</td> <td>PTD.</td> <td>-</td> <td>379</td> <td>3\"/> <tr> <td>382</td> <td>ETR</td> <td>-</td> <td>WD.</td> <td>J2</td> <td>PTD.</td> <td>-</td> <td>380A</td> <td>3\"/> <tr> <td>382A</td> <td>D</td> <td>6 <td>ALUM.</td> <td>ANODIZE D</td> <td>-</td> <td>-</td> <td>380B</td> <td>3\"/> <tr> <td>385</td> <td>ETR</td> <td>-</td> <td>WD.</td> <td>J2</td> <td>PTD.</td> <td>-</td> <td>382</td> <td>3\"/> <tr> <td>386</td> <td>ETR</td> <td>-</td> <td>WD.</td> <td>J2</td> <td>PTD.</td> <td>-</td> <td>382A</td> <td>3\"/> <tr> <td>387</td> <td>ETR</td> <td>-</td> <td>WD.</td> <td>J2</td> <td>PTD.</td> <td>-</td> <td>385</td> <td>3\"/> <tr> <td>388</td> <td>ETR</td> <td>-</td> <td>WD.</td>
<td>J2</td> <td>PTD.</td> <td>-</td> <td>386</td> <td>3\"/> <tr> <td>389</td> <td>ETR</td> <td>-</td> <td>WD.</td> <td>J2</td> <td>PTD.</td> <td>-</td> <td>387</td> <td>3\"/> <tr> <td>391</td> <td>ETR</td> <td>-</td> <td>WD.</td> <td>J2</td> <td>PTD.</td> <td>-</td> <td>388</td> <td>3\"/> <tr> <td>391A</td> <td>ETR</td> <td>-</td> <td>WD.</td> <td>J2</td> <td>PTD.</td> <td>-</td> <td>389</td> <td>3\"/> <tr> <td>391B</td> <td>ETR</td> <td>-</td> <td>WD.</td> <td>J2</td> <td>PTD.</td> <td>-</td> <td>391</td> <td>3\"/> <tr> <td>394</td> <td>ETR</td> <td>-</td> <td>WD.</td> <td>J2</td> <td>PTD.</td> <td>-</td> <td>391A</td> <td>3\"/> <tr> <td>395</td> <td>ETR</td> <td>-</td> <td>WD.</td> <td>J2</td> <td>PTD.</td> <td>-</td> <td>391B</td> <td>3\"/> <tr> <td>396</td> <td>ETR</td> <td>-</td> <td>WD.</td> <td>J2</td> <td>PTD.</td> <td>-</td> <td>394</td> <td>3\"/> <tr> <td>398</td> <td>ETR</td> <td>-</td> <td>WD.</td> <td>J2</td> <td>PTD.</td> <td>-</td> <td>395</td> <td>3\"/> <tr> <td>399</td> <td>ETR</td> <td>-</td> <td>WD.</td> <td>J2</td> <td>PTD.</td> <td>-</td> <td>396</td> <td>3\"/> <tr> <td>3991</td> <td>ETR</td> <td>-</td> <td>WD.</td> <td>J2</td> <td>PTD.</td> <td>-</td> <td>398</td> <td>3\"/> <tr> <td>3992</td> <td>A</td> <td>3\"/> <tr> <td>3993</td> <td>ETR</td> <td>-</td> <td>WD.</td> <td>J2</td> <td>PTD.</td> <td>-</td> <td>399</td> <td>3\"/> <tr> <td>3994</td> <td>ETR</td> <td>-</td> <td>WD.</td> <td>J2</td> <td>PTD.</td> <td>-</td> <td>3991</td> <td>3\"/> <tr> <td>3995</td> <td>ETR</td> <td>-</td> <td>WD.</td> <td>J2</td> <td>PTD.</td> <td>-</td> <td>3992</td> <td>3\"/> <tr> <td>3997</td> <td>ETR</td> <td>-</td> <td>WD.</td> <td>J2</td> <td>PTD.</td> <td>-</td> <td>3993</td> <td>3\"/> <tr> <td>3998</td> <td>ETR</td> <td>-</td> <td>WD.</td> <td>J2</td> <td>PTD.</td> <td>-</td> <td>3994</td> <td>3\"/> <tr> <td>3999</td> <td>ETR</td> <td>-</td> <td>WD.</td> <td>J2</td> <td>PTD.</td> <td>-</td> <td>3995</td> <td>3\"/> <tr> <td>3999</td> <td>ETR</td> <td>-</td> <td>WD.</td> <td>J2</td> <td>PTD.</td> <td>-</td> <td>3997</td> <td>3\"/> </td></tr></td></tr></td></tr></td></tr></td></tr></td></tr></td></tr></td></tr></td></tr></td></tr></td></tr></td></tr></td></tr></td></tr></td></tr></td></tr></td></tr></td></tr></td></tr></td></tr></td></tr></td></tr></td></td></tr></td></tr></td></td></tr></td></td></tr> | 380A | B | 1 <td>WD</td> <td>J1</td> <td>PTD.</td> <td>-</td> <td>378</td> <td>3\"/> <tr> <td>380B</td> <td>B</td> <td>1 <td>WD</td> <td>J1</td> <td>PTD.</td> <td>-</td> <td>379</td> <td>3\"/> <tr> <td>382</td> <td>ETR</td> <td>-</td> <td>WD.</td> <td>J2</td> <td>PTD.</td> <td>-</td> <td>380A</td> <td>3\"/> <tr> <td>382A</td> <td>D</td> <td>6 <td>ALUM.</td> <td>ANODIZE D</td> <td>-</td> <td>-</td> <td>380B</td> <td>3\"/> <tr> <td>385</td> <td>ETR</td> <td>-</td> <td>WD.</td> <td>J2</td> <td>PTD.</td> <td>-</td> <td>382</td> <td>3\"/> <tr> <td>386</td> <td>ETR</td> <td>-</td> <td>WD.</td> <td>J2</td> <td>PTD.</td> <td>-</td> <td>382A</td> <td>3\"/> <tr> <td>387</td> <td>ETR</td> <td>-</td> <td>WD.</td> <td>J2</td> <td>PTD.</td> <td>-</td> <td>385</td> <td>3\"/> <tr> <td>388</td> <td>ETR</td> <td>-</td> <td>WD.</td> <td>J2</td> <td>PTD.</td> <td>-</td> <td>386</td> <td>3\"/> <tr> <td>389</td> <td>ETR</td> <td>-</td> <td>WD.</td> <td>J2</td> <td>PTD.</td> <td>-</td> <td>387</td> <td>3\"/> <tr> <td>391</td> <td>ETR</td> <td>-</td> <td>WD.</td> <td>J2</td> <td>PTD.</td> <td>-</td> <td>388</td> <td>3\"/> <tr> <td>391A</td> <td>ETR</td> <td>-</td> <td>WD.</td> <td>J2</td> <td>PTD.</td> <td>-</td> <td>389</td> <td>3\"/> <tr> <td>391B</td> <td>ETR</td> <td>-</td> <td>WD.</td> <td>J2</td> <td>PTD.</td> <td>-</td> <td>391</td> <td>3\"/> <tr> <td>394</td> <td>ETR</td> <td>-</td> <td>WD.</td> <td>J2</td> <td>PTD.</td> <td>-</td> <td>391A</td> <td>3\"/> <tr> <td>395</td> <td>ETR</td> <td>-</td> <td>WD.</td> <td>J2</td> <td>PTD.</td> <td>-</td> <td>391B</td> <td>3\"/> <tr> <td>396</td> <td>ETR</td> <td>-</td> <td>WD.</td> <td>J2</td> <td>PTD.</td> <td>-</td> <td>394</td> <td>3\"/> <tr> <td>398</td> <td>ETR</td> <td>-</td> <td>WD.</td> <td>J2</td> <td>PTD.</td> <td>-</td> <td>395</td> <td>3\"/> <tr> <td>399</td> <td>ETR</td> <td>-</td> <td>WD.</td> <td>J2</td> <td>PTD.</td> <td>-</td> <td>396</td> <td>3\"/> <tr> <td>3991</td> <td>ETR</td> <td>-</td> <td>WD.</td> <td>J2</td> <td>PTD.</td> <td>-</td> <td>398</td> <td>3\"/> <tr> <td>3992</td> <td>A</td> <td>3\"/> <tr> <td>3993</td> <td>ETR</td> <td>-</td> <td>WD.</td> <td>J2</td> <td>PTD.</td> <td>-</td> <td>399</td> <td>3\"/> <tr> <td>3994</td> <td>ETR</td> <td>-</td> <td>WD.</td> <td>J2</td> <td>PTD.</td> <td>-</td> <td>3991</td> <td>3\"/> <tr> <td>3995</td> <td>ETR</td> <td>-</td> <td>WD.</td> <td>J2</td> <td>PTD.</td> <td>-</td> <td>3992</td> <td>3\"/> <tr> <td>3997</td> <td>ETR</td> <td>-</td> <td>WD.</td> <td>J2</td> <td>PTD.</td> <td>-</td> <td>3993</td> <td>3\"/> <tr> <td>3998</td> <td>ETR</td> <td>-</td> <td>WD.</td> <td>J2</td> <td>PTD.</td> <td>-</td> <td>3994</td> <td>3\"/> <tr> <td>3999</td> <td>ETR</td> <td>-</td> <td>WD.</td> <td>J2</td> <td>PTD.</td> <td>-</td> <td>3995</td> <td>3\"/> <tr> <td>3999</td> <td>ETR</td> <td>-</td> <td>WD.</td> <td>J2</td> <td>PTD.</td> <td>-</td> <td>3997</td> <td>3\"/> </td></tr></td></tr></td></tr></td></tr></td></tr></td></tr></td></tr></td></tr></td></tr></td></tr></td></tr></td></tr></td></tr></td></tr></td></tr></td></tr></td></tr></td></tr></td></tr></td></tr></td></tr></td></tr></td></td></tr></td></tr></td></td></tr></td> | WD | J1 | PTD.
 | - | 378 | 3\"/> <tr> <td>380B</td> <td>B</td> <td>1 <td>WD</td> <td>J1</td> <td>PTD.</td> <td>-</td> <td>379</td> <td>3\"/> <tr> <td>382</td> <td>ETR</td> <td>-</td> <td>WD.</td> <td>J2</td> <td>PTD.</td> <td>-</td> <td>380A</td> <td>3\"/> <tr> <td>382A</td> <td>D</td> <td>6 <td>ALUM.</td> <td>ANODIZE D</td> <td>-</td> <td>-</td> <td>380B</td> <td>3\"/> <tr> <td>385</td> <td>ETR</td> <td>-</td> <td>WD.</td> <td>J2</td> <td>PTD.</td> <td>-</td> <td>382</td> <td>3\"/> <tr> <td>386</td> <td>ETR</td> <td>-</td> <td>WD.</td> <td>J2</td> <td>PTD.</td> <td>-</td> <td>382A</td> <td>3\"/> <tr> <td>387</td> <td>ETR</td> <td>-</td> <td>WD.</td> <td>J2</td> <td>PTD.</td> <td>-</td> <td>385</td> <td>3\"/> <tr> <td>388</td> <td>ETR</td> <td>-</td> <td>WD.</td> <td>J2</td> <td>PTD.</td> <td>-</td> <td>386</td> <td>3\"/> <tr> <td>389</td> <td>ETR</td> <td>-</td> <td>WD.</td> <td>J2</td> <td>PTD.</td> <td>-</td> <td>387</td> <td>3\"/> <tr> <td>391</td> <td>ETR</td> <td>-</td> <td>WD.</td> <td>J2</td> <td>PTD.</td> <td>-</td> <td>388</td> <td>3\"/> <tr> <td>391A</td> <td>ETR</td> <td>-</td> <td>WD.</td> <td>J2</td> <td>PTD.</td> <td>-</td> <td>389</td> <td>3\"/> <tr> <td>391B</td> <td>ETR</td> <td>-</td> <td>WD.</td> <td>J2</td> <td>PTD.</td> <td>-</td> <td>391</td> <td>3\"/> <tr> <td>394</td> <td>ETR</td> <td>-</td> <td>WD.</td> <td>J2</td> <td>PTD.</td> <td>-</td> <td>391A</td> <td>3\"/> <tr> <td>395</td> <td>ETR</td> <td>-</td> <td>WD.</td> <td>J2</td> <td>PTD.</td> <td>-</td> <td>391B</td> <td>3\"/> <tr> <td>396</td> <td>ETR</td> <td>-</td> <td>WD.</td> <td>J2</td> <td>PTD.</td> <td>-</td> <td>394</td> <td>3\"/> <tr> <td>398</td> <td>ETR</td> <td>-</td> <td>WD.</td> <td>J2</td> <td>PTD.</td> <td>-</td> <td>395</td> <td>3\"/> <tr> <td>399</td> <td>ETR</td> <td>-</td> <td>WD.</td> <td>J2</td> <td>PTD.</td> <td>-</td> <td>396</td> <td>3\"/> <tr> <td>3991</td> <td>ETR</td> <td>-</td> <td>WD.</td> <td>J2</td> <td>PTD.</td> <td>-</td> <td>398</td> <td>3\"/> <tr> <td>3992</td> <td>A</td> <td>3\"/> <tr> <td>3993</td> <td>ETR</td> <td>-</td> <td>WD.</td> <td>J2</td> <td>PTD.</td> <td>-</td> <td>399</td> <td>3\"/> <tr> <td>3994</td> <td>ETR</td> <td>-</td> <td>WD.</td> <td>J2</td> <td>PTD.</td> <td>-</td> <td>3991</td> <td>3\"/> <tr> <td>3995</td> <td>ETR</td> <td>-</td> <td>WD.</td> <td>J2</td> <td>PTD.</td> <td>-</td> <td>3992</td> <td>3\"/> <tr> <td>3997</td> <td>ETR</td> <td>-</td> <td>WD.</td> <td>J2</td> <td>PTD.</td> <td>-</td> <td>3993</td> <td>3\"/> <tr> <td>3998</td> <td>ETR</td> <td>-</td> <td>WD.</td> <td>J2</td> <td>PTD.</td> <td>-</td> <td>3994</td> <td>3\"/> <tr> <td>3999</td> <td>ETR</td> <td>-</td> <td>WD.</td> <td>J2</td> <td>PTD.</td> <td>-</td> <td>3995</td> <td>3\"/> <tr> <td>3999</td> <td>ETR</td> <td>-</td> <td>WD.</td> <td>J2</td> <td>PTD.</td> <td>-</td> <td>3997</td> <td>3\"/> </td></tr></td></tr></td></tr></td></tr></td></tr></td></tr></td></tr></td></tr></td></tr></td></tr></td></tr></td></tr></td></tr></td></tr></td></tr></td></tr></td></tr></td></tr></td></tr></td></tr></td></tr></td></tr></td></td></tr></td></tr></td></td></tr> | 380B | B | 1 <td>WD</td> <td>J1</td> <td>PTD.</td> <td>-</td> <td>379</td> <td>3\"/> <tr> <td>382</td> <td>ETR</td> <td>-</td> <td>WD.</td> <td>J2</td> <td>PTD.</td> <td>-</td> <td>380A</td> <td>3\"/> <tr> <td>382A</td> <td>D</td> <td>6 <td>ALUM.</td> <td>ANODIZE D</td> <td>-</td> <td>-</td> <td>380B</td> <td>3\"/> <tr> <td>385</td> <td>ETR</td> <td>-</td> <td>WD.</td> <td>J2</td> <td>PTD.</td> <td>-</td> <td>382</td> <td>3\"/> <tr> <td>386</td> <td>ETR</td> <td>-</td> <td>WD.</td> <td>J2</td> <td>PTD.</td> <td>-</td> <td>382A</td> <td>3\"/> <tr> <td>387</td> <td>ETR</td> <td>-</td> <td>WD.</td> <td>J2</td> <td>PTD.</td> <td>-</td> <td>385</td> <td>3\"/> <tr> <td>388</td> <td>ETR</td> <td>-</td> <td>WD.</td> <td>J2</td> <td>PTD.</td> <td>-</td> <td>386</td> <td>3\"/> <tr> <td>389</td> <td>ETR</td> <td>-</td> <td>WD.</td> <td>J2</td> <td>PTD.</td> <td>-</td> <td>387</td> <td>3\"/> <tr> <td>391</td> <td>ETR</td> <td>-</td> <td>WD.</td> <td>J2</td> <td>PTD.</td> <td>-</td> <td>388</td> <td>3\"/> <tr> <td>391A</td> <td>ETR</td> <td>-</td> <td>WD.</td> <td>J2</td> <td>PTD.</td> <td>-</td> <td>389</td> <td>3\"/> <tr> <td>391B</td> <td>ETR</td> <td>-</td> <td>WD.</td> <td>J2</td> <td>PTD.</td> <td>-</td> <td>391</td> <td>3\"/> <tr> <td>394</td> <td>ETR</td> <td>-</td> <td>WD.</td> <td>J2</td> <td>PTD.</td> <td>-</td> <td>391A</td> <td>3\"/> <tr> <td>395</td> <td>ETR</td> <td>-</td> <td>WD.</td> <td>J2</td> <td>PTD.</td> <td>-</td> <td>391B</td> <td>3\"/> <tr> <td>396</td> <td>ETR</td> <td>-</td> <td>WD.</td> <td>J2</td> <td>PTD.</td> <td>-</td> <td>394</td> <td>3\"/> <tr> <td>398</td> <td>ETR</td> <td>-</td> <td>WD.</td> <td>J2</td> <td>PTD.</td> <td>-</td> <td>395</td> <td>3\"/> <tr> <td>399</td> <td>ETR</td> <td>-</td> <td>WD.</td> <td>J2</td> <td>PTD.</td> <td>-</td> <td>396</td> <td>3\"/> <tr> <td>3991</td> <td>ETR</td> <td>-</td> <td>WD.</td> <td>J2</td> <td>PTD.</td> <td>-</td> <td>398</td> <td>3\"/> <tr> <td>3992</td> <td>A</td> <td>3\"/> <tr> <td>3993</td> <td>ETR</td> <td>-</td> <td>WD.</td> <td>J2</td> <td>PTD.</td> <td>-</td> <td>399</td> <td>3\"/> <tr> <td>3994</td> <td>ETR</td> <td>-</td> <td>WD.</td> <td>J2</td> <td>PTD.</td> <td>-</td> <td>3991</td> <td>3\"/> <tr> <td>3995</td> <td>ETR</td> <td>-</td> <td>WD.</td> <td>J2</td> <td>PTD.</td> <td>-</td> <td>3992</td> <td>3\"/> <tr> <td>3997</td> <td>ETR</td> <td>-</td> <td>WD.</td> <td>J2</td> <td>PTD.</td> <td>-</td> <td>3993</td> <td>3\"/> <tr> <td>3998</td> <td>ETR</td> <td>-</td> <td>WD.</td> <td>J2</td> <td>PTD.</td> <td>-</td> <td>3994</td> <td>3\"/> <tr> <td>3999</td> <td>ETR</td> <td>-</td> <td>WD.</td> <td>J2</td> <td>PTD.</td> <td>-</td> <td>3995</td> <td>3\"/> <tr> <td>3999</td> <td>ETR</td> <td>-</td> <td>WD.</td> <td>J2</td> <td>PTD.</td> <td>-</td> <td>3997</td> <td>3\"/> </td></tr></td></tr></td></tr></td></tr></td></tr></td></tr></td></tr></td></tr></td></tr></td></tr></td></tr></td></tr></td></tr></td></tr></td></tr></td></tr></td></tr></td></tr></td></tr></td></tr></td></tr></td></tr></td></td></tr></td></tr></td> | WD | J1 | PTD.
 | - | 379 | 3\"/> <tr> <td>382</td> <td>ETR</td> <td>-</td> <td>WD.</td> <td>J2</td> <td>PTD.</td> <td>-</td> <td>380A</td> <td>3\"/> <tr> <td>382A</td> <td>D</td> <td>6 <td>ALUM.</td> <td>ANODIZE D</td> <td>-</td> <td>-</td> <td>380B</td> <td>3\"/> <tr> <td>385</td> <td>ETR</td> <td>-</td> <td>WD.</td> <td>J2</td> <td>PTD.</td> <td>-</td> <td>382</td> <td>3\"/> <tr> <td>386</td> <td>ETR</td> <td>-</td> <td>WD.</td> <td>J2</td> <td>PTD.</td> <td>-</td> <td>382A</td> <td>3\"/> <tr> <td>387</td> <td>ETR</td> <td>-</td> <td>WD.</td> <td>J2</td> <td>PTD.</td> <td>-</td> <td>385</td> <td>3\"/> <tr> <td>388</td> <td>ETR</td> <td>-</td> <td>WD.</td> <td>J2</td> <td>PTD.</td> <td>-</td> <td>386</td> <td>3\"/> <tr> <td>389</td> <td>ETR</td> <td>-</td> <td>WD.</td> <td>J2</td> <td>PTD.</td> <td>-</td> <td>387</td> <td>3\"/> <tr> <td>391</td> <td>ETR</td> <td>-</td> <td>WD.</td> <td>J2</td> <td>PTD.</td> <td>-</td> <td>388</td> <td>3\"/> <tr> <td>391A</td> <td>ETR</td> <td>-</td> <td>WD.</td> <td>J2</td> <td>PTD.</td> <td>-</td> <td>389</td> <td>3\"/> <tr> <td>391B</td> <td>ETR</td> <td>-</td> <td>WD.</td> <td>J2</td> <td>PTD.</td> <td>-</td> <td>391</td> <td>3\"/> <tr> <td>394</td> <td>ETR</td> <td>-</td> <td>WD.</td> <td>J2</td> <td>PTD.</td> <td>-</td> <td>391A</td> <td>3\"/> <tr> <td>395</td> <td>ETR</td> <td>-</td> <td>WD.</td> <td>J2</td> <td>PTD.</td> <td>-</td> <td>391B</td> <td>3\"/> <tr> <td>396</td> <td>ETR</td> <td>-</td> <td>WD.</td> <td>J2</td> <td>PTD.</td> <td>-</td> <td>394</td> <td>3\"/> <tr> <td>398</td> <td>ETR</td> <td>-</td> <td>WD.</td> <td>J2</td> <td>PTD.</td> <td>-</td> <td>395</td> <td>3\"/> <tr> <td>399</td> <td>ETR</td> <td>-</td> <td>WD.</td> <td>J2</td> <td>PTD.</td> <td>-</td> <td>396</td> <td>3\"/> <tr> <td>3991</td> <td>ETR</td> <td>-</td> <td>WD.</td> <td>J2</td> <td>PTD.</td> <td>-</td> <td>398</td> <td>3\"/> <tr> <td>3992</td> <td>A</td> <td>3\"/> <tr> <td>3993</td> <td>ETR</td> <td>-</td> <td>WD.</td> <td>J2</td> <td>PTD.</td> <td>-</td> <td>399</td> <td>3\"/> <tr> <td>3994</td> <td>ETR</td> <td>-</td> <td>WD.</td> <td>J2</td> <td>PTD.</td> <td>-</td> <td>3991</td> <td>3\"/> <tr> <td>3995</td> <td>ETR</td> <td>-</td> <td>WD.</td> <td>J2</td> <td>PTD.</td> <td>-</td> <td>3992</td> <td>3\"/> <tr> <td>3997</td> <td>ETR</td> <td>-</td> <td>WD.</td> <td>J2</td> <td>PTD.</td> <td>-</td> <td>3993</td> <td>3\"/> <tr> <td>3998</td> <td>ETR</td> <td>-</td> <td>WD.</td> <td>J2</td> <td>PTD.</td> <td>-</td> <td>3994</td> <td>3\"/> <tr> <td>3999</td> <td>ETR</td> <td>-</td> <td>WD.</td> <td>J2</td> <td>PTD.</td> <td>-</td> <td>3995</td> <td>3\"/> <tr> <td>3999</td> <td>ETR</td> <td>-</td> <td>WD.</td> <td>J2</td> <td>PTD.</td> <td>-</td> <td>3997</td> <td>3\"/> </td></tr></td></tr></td></tr></td></tr></td></tr></td></tr></td></tr></td></tr></td></tr></td></tr></td></tr></td></tr></td></tr></td></tr></td></tr></td></tr></td></tr></td></tr></td></tr></td></tr></td></tr></td></tr></td></td></tr></td></tr> | 382 | ETR | -
 | WD. | J2 | PTD. | - | 380A | 3\"/> <tr> <td>382A</td> <td>D</td> <td>6 <td>ALUM.</td> <td>ANODIZE D</td> <td>-</td> <td>-</td> <td>380B</td> <td>3\"/> <tr> <td>385</td> <td>ETR</td> <td>-</td> <td>WD.</td> <td>J2</td> <td>PTD.</td> <td>-</td> <td>382</td> <td>3\"/> <tr> <td>386</td> <td>ETR</td> <td>-</td> <td>WD.</td> <td>J2</td> <td>PTD.</td> <td>-</td> <td>382A</td> <td>3\"/> <tr> <td>387</td> <td>ETR</td> <td>-</td> <td>WD.</td> <td>J2</td> <td>PTD.</td> <td>-</td> <td>385</td> <td>3\"/> <tr> <td>388</td> <td>ETR</td> <td>-</td> <td>WD.</td> <td>J2</td> <td>PTD.</td> <td>-</td> <td>386</td> <td>3\"/> <tr> <td>389</td> <td>ETR</td> <td>-</td> <td>WD.</td> <td>J2</td> <td>PTD.</td> <td>-</td> <td>387</td> <td>3\"/> <tr> <td>391</td> <td>ETR</td> <td>-</td> <td>WD.</td> <td>J2</td> <td>PTD.</td> <td>-</td> <td>388</td> <td>3\"/> <tr> <td>391A</td> <td>ETR</td> <td>-</td> <td>WD.</td> <td>J2</td> <td>PTD.</td> <td>-</td> <td>389</td> <td>3\"/> <tr> <td>391B</td> <td>ETR</td> <td>-</td> <td>WD.</td> <td>J2</td> <td>PTD.</td> <td>-</td> <td>391</td> <td>3\"/> <tr> <td>394</td> <td>ETR</td> <td>-</td> <td>WD.</td> <td>J2</td> <td>PTD.</td> <td>-</td> <td>391A</td> <td>3\"/> <tr> <td>395</td> <td>ETR</td> <td>-</td> <td>WD.</td> <td>J2</td> <td>PTD.</td> <td>-</td> <td>391B</td> <td>3\"/> <tr> <td>396</td> <td>ETR</td> <td>-</td> <td>WD.</td> <td>J2</td> <td>PTD.</td> <td>-</td> <td>394</td> <td>3\"/> <tr> <td>398</td> <td>ETR</td> <td>-</td> <td>WD.</td> <td>J2</td> <td>PTD.</td> <td>-</td> <td>395</td> <td>3\"/> <tr> <td>399</td> <td>ETR</td> <td>-</td> <td>WD.</td> <td>J2</td> <td>PTD.</td> <td>-</td> <td>396</td> <td>3\"/> <tr> <td>3991</td> <td>ETR</td> <td>-</td> <td>WD.</td> <td>J2</td> <td>PTD.</td> <td>-</td> <td>398</td> <td>3\"/> <tr> <td>3992</td> <td>A</td> <td>3\"/> <tr> <td>3993</td> <td>ETR</td> <td>-</td> <td>WD.</td> <td>J2</td> <td>PTD.</td> <td>-</td> <td>399</td> <td>3\"/> <tr> <td>3994</td> <td>ETR</td> <td>-</td> <td>WD.</td> <td>J2</td> <td>PTD.</td> <td>-</td> <td>3991</td> <td>3\"/> <tr> <td>3995</td> <td>ETR</td> <td>-</td> <td>WD.</td> <td>J2</td> <td>PTD.</td> <td>-</td> <td>3992</td> <td>3\"/> <tr> <td>3997</td> <td>ETR</td> <td>-</td> <td>WD.</td> <td>J2</td> <td>PTD.</td> <td>-</td> <td>3993</td> <td>3\"/> <tr> <td>3998</td> <td>ETR</td> <td>-</td> <td>WD.</td> <td>J2</td> <td>PTD.</td> <td>-</td> <td>3994</td> <td>3\"/> <tr> <td>3999</td> <td>ETR</td> <td>-</td> <td>WD.</td> <td>J2</td> <td>PTD.</td> <td>-</td> <td>3995</td> <td>3\"/> <tr> <td>3999</td> <td>ETR</td> <td>-</td> <td>WD.</td> <td>J2</td> <td>PTD.</td> <td>-</td> <td>3997</td> <td>3\"/> </td></tr></td></tr></td></tr></td></tr></td></tr></td></tr></td></tr></td></tr></td></tr></td></tr></td></tr></td></tr></td></tr></td></tr></td></tr></td></tr></td></tr></td></tr></td></tr></td></tr></td></tr></td></tr></td></td></tr> | 382A | D | 6 <td>ALUM.</td> <td>ANODIZE D</td> <td>-</td> <td>-</td> <td>380B</td> <td>3\"/> <tr> <td>385</td> <td>ETR</td> <td>-</td> <td>WD.</td> <td>J2</td> <td>PTD.</td> <td>-</td> <td>382</td> <td>3\"/> <tr> <td>386</td> <td>ETR</td> <td>-</td> <td>WD.</td> <td>J2</td> <td>PTD.</td> <td>-</td> <td>382A</td> <td>3\"/> <tr> <td>387</td> <td>ETR</td> <td>-</td> <td>WD.</td> <td>J2</td> <td>PTD.</td> <td>-</td> <td>385</td> <td>3\"/> <tr> <td>388</td> <td>ETR</td> <td>-</td> <td>WD.</td> <td>J2</td> <td>PTD.</td> <td>-</td> <td>386</td> <td>3\"/> <tr> <td>389</td> <td>ETR</td> <td>-</td> <td>WD.</td> <td>J2</td> <td>PTD.</td> <td>-</td> <td>387</td> <td>3\"/> <tr> <td>391</td> <td>ETR</td> <td>-</td> <td>WD.</td> <td>J2</td> <td>PTD.</td> <td>-</td> <td>388</td> <td>3\"/> <tr> <td>391A</td> <td>ETR</td> <td>-</td> <td>WD.</td> <td>J2</td> <td>PTD.</td> <td>-</td> <td>389</td> <td>3\"/> <tr> <td>391B</td> <td>ETR</td> <td>-</td> <td>WD.</td> <td>J2</td> <td>PTD.</td> <td>-</td> <td>391</td> <td>3\"/> <tr> <td>394</td> <td>ETR</td> <td>-</td> <td>WD.</td> <td>J2</td> <td>PTD.</td> <td>-</td> <td>391A</td> <td>3\"/> <tr> <td>395</td> <td>ETR</td> <td>-</td> <td>WD.</td> <td>J2</td> <td>PTD.</td> <td>-</td> <td>391B</td> <td>3\"/> <tr> <td>396</td> <td>ETR</td> <td>-</td> <td>WD.</td> <td>J2</td> <td>PTD.</td> <td>-</td> <td>394</td> <td>3\"/> <tr> <td>398</td> <td>ETR</td> <td>-</td> <td>WD.</td> <td>J2</td> <td>PTD.</td> <td>-</td> <td>395</td> <td>3\"/> <tr> <td>399</td> <td>ETR</td> <td>-</td> <td>WD.</td> <td>J2</td> <td>PTD.</td> <td>-</td> <td>396</td> <td>3\"/> <tr> <td>3991</td> <td>ETR</td> <td>-</td>
<td>WD.</td> <td>J2</td> <td>PTD.</td> <td>-</td> <td>398</td> <td>3\"/> <tr> <td>3992</td> <td>A</td> <td>3\"/> <tr> <td>3993</td> <td>ETR</td> <td>-</td> <td>WD.</td> <td>J2</td> <td>PTD.</td> <td>-</td> <td>399</td> <td>3\"/> <tr> <td>3994</td> <td>ETR</td> <td>-</td> <td>WD.</td> <td>J2</td> <td>PTD.</td> <td>-</td> <td>3991</td> <td>3\"/> <tr> <td>3995</td> <td>ETR</td> <td>-</td> <td>WD.</td> <td>J2</td> <td>PTD.</td> <td>-</td> <td>3992</td> <td>3\"/> <tr> <td>3997</td> <td>ETR</td> <td>-</td> <td>WD.</td> <td>J2</td> <td>PTD.</td> <td>-</td> <td>3993</td> <td>3\"/> <tr> <td>3998</td> <td>ETR</td> <td>-</td> <td>WD.</td> <td>J2</td> <td>PTD.</td> <td>-</td> <td>3994</td> <td>3\"/> <tr> <td>3999</td> <td>ETR</td> <td>-</td> <td>WD.</td> <td>J2</td> <td>PTD.</td> <td>-</td> <td>3995</td> <td>3\"/> <tr> <td>3999</td> <td>ETR</td> <td>-</td> <td>WD.</td> <td>J2</td> <td>PTD.</td> <td>-</td> <td>3997</td> <td>3\"/> </td></tr></td></tr></td></tr></td></tr></td></tr></td></tr></td></tr></td></tr></td></tr></td></tr></td></tr></td></tr></td></tr></td></tr></td></tr></td></tr></td></tr></td></tr></td></tr></td></tr></td></tr></td></tr></td> | ALUM. | ANODIZE D | - | - | 380B | 3\"/> <tr> <td>385</td> <td>ETR</td> <td>-</td> <td>WD.</td> <td>J2</td> <td>PTD.</td> <td>-</td> <td>382</td> <td>3\"/> <tr> <td>386</td> <td>ETR</td> <td>-</td> <td>WD.</td> <td>J2</td> <td>PTD.</td> <td>-</td> <td>382A</td> <td>3\"/> <tr> <td>387</td> <td>ETR</td> <td>-</td> <td>WD.</td> <td>J2</td> <td>PTD.</td> <td>-</td> <td>385</td> <td>3\"/> <tr> <td>388</td> <td>ETR</td> <td>-</td> <td>WD.</td> <td>J2</td> <td>PTD.</td> <td>-</td> <td>386</td> <td>3\"/> <tr> <td>389</td> <td>ETR</td> <td>-</td> <td>WD.</td> <td>J2</td> <td>PTD.</td> <td>-</td> <td>387</td> <td>3\"/> <tr> <td>391</td> <td>ETR</td> <td>-</td> <td>WD.</td> <td>J2</td> <td>PTD.</td> <td>-</td> <td>388</td> <td>3\"/> <tr> <td>391A</td> <td>ETR</td> <td>-</td> <td>WD.</td> <td>J2</td> <td>PTD.</td> <td>-</td> <td>389</td> <td>3\"/> <tr> <td>391B</td> <td>ETR</td> <td>-</td> <td>WD.</td> <td>J2</td> <td>PTD.</td> <td>-</td> <td>391</td> <td>3\"/> <tr> <td>394</td> <td>ETR</td> <td>-</td> <td>WD.</td> <td>J2</td> <td>PTD.</td> <td>-</td> <td>391A</td> <td>3\"/> <tr> <td>395</td> <td>ETR</td> <td>-</td> <td>WD.</td> <td>J2</td> <td>PTD.</td> <td>-</td> <td>391B</td> <td>3\"/> <tr> <td>396</td> <td>ETR</td> <td>-</td> <td>WD.</td> <td>J2</td> <td>PTD.</td> <td>-</td> <td>394</td> <td>3\"/> <tr> <td>398</td> <td>ETR</td> <td>-</td> <td>WD.</td> <td>J2</td> <td>PTD.</td> <td>-</td> <td>395</td> <td>3\"/> <tr> <td>399</td> <td>ETR</td> <td>-</td> <td>WD.</td> <td>J2</td> <td>PTD.</td> <td>-</td> <td>396</td> <td>3\"/> <tr> <td>3991</td> <td>ETR</td> <td>-</td> <td>WD.</td> <td>J2</td> <td>PTD.</td> <td>-</td> <td>398</td> <td>3\"/> <tr> <td>3992</td> <td>A</td> <td>3\"/> <tr> <td>3993</td> <td>ETR</td> <td>-</td> <td>WD.</td> <td>J2</td> <td>PTD.</td> <td>-</td> <td>399</td> <td>3\"/> <tr> <td>3994</td> <td>ETR</td> <td>-</td> <td>WD.</td> <td>J2</td> <td>PTD.</td> <td>-</td> <td>3991</td> <td>3\"/> <tr> <td>3995</td> <td>ETR</td> <td>-</td> <td>WD.</td> <td>J2</td> <td>PTD.</td> <td>-</td> <td>3992</td> <td>3\"/> <tr> <td>3997</td> <td>ETR</td> <td>-</td> <td>WD.</td> <td>J2</td> <td>PTD.</td> <td>-</td> <td>3993</td> <td>3\"/> <tr> <td>3998</td> <td>ETR</td> <td>-</td> <td>WD.</td> <td>J2</td> <td>PTD.</td> <td>-</td> <td>3994</td> <td>3\"/> <tr> <td>3999</td> <td>ETR</td> <td>-</td> <td>WD.</td> <td>J2</td> <td>PTD.</td> <td>-</td> <td>3995</td> <td>3\"/> <tr> <td>3999</td> <td>ETR</td> <td>-</td> <td>WD.</td> <td>J2</td> <td>PTD.</td> <td>-</td> <td>3997</td> <td>3\"/> </td></tr></td></tr></td></tr></td></tr></td></tr></td></tr></td></tr></td></tr></td></tr></td></tr></td></tr></td></tr></td></tr></td></tr></td></tr></td></tr></td></tr></td></tr></td></tr></td></tr></td></tr></td></tr> | 385 | ETR | -
 | WD. | J2 | PTD. | - | 382 | 3\"/> <tr> <td>386</td> <td>ETR</td> <td>-</td> <td>WD.</td> <td>J2</td> <td>PTD.</td> <td>-</td> <td>382A</td> <td>3\"/> <tr> <td>387</td> <td>ETR</td> <td>-</td> <td>WD.</td> <td>J2</td> <td>PTD.</td> <td>-</td> <td>385</td> <td>3\"/> <tr> <td>388</td> <td>ETR</td> <td>-</td> <td>WD.</td> <td>J2</td> <td>PTD.</td> <td>-</td> <td>386</td> <td>3\"/> <tr> <td>389</td> <td>ETR</td> <td>-</td> <td>WD.</td> <td>J2</td> <td>PTD.</td> <td>-</td> <td>387</td> <td>3\"/> <tr> <td>391</td> <td>ETR</td> <td>-</td> <td>WD.</td> <td>J2</td> <td>PTD.</td> <td>-</td> <td>388</td> <td>3\"/> <tr> <td>391A</td> <td>ETR</td> <td>-</td> <td>WD.</td> <td>J2</td> <td>PTD.</td> <td>-</td> <td>389</td> <td>3\"/> <tr> <td>391B</td> <td>ETR</td> <td>-</td> <td>WD.</td> <td>J2</td> <td>PTD.</td> <td>-</td> <td>391</td> <td>3\"/> <tr> <td>394</td> <td>ETR</td> <td>-</td> <td>WD.</td> <td>J2</td> <td>PTD.</td> <td>-</td> <td>391A</td> <td>3\"/> <tr> <td>395</td> <td>ETR</td> <td>-</td> <td>WD.</td> <td>J2</td> <td>PTD.</td> <td>-</td> <td>391B</td> <td>3\"/> <tr> <td>396</td> <td>ETR</td> <td>-</td> <td>WD.</td> <td>J2</td> <td>PTD.</td> <td>-</td> <td>394</td> <td>3\"/> <tr> <td>398</td> <td>ETR</td> <td>-</td> <td>WD.</td> <td>J2</td> <td>PTD.</td> <td>-</td> <td>395</td> <td>3\"/> <tr> <td>399</td> <td>ETR</td> <td>-</td> <td>WD.</td> <td>J2</td> <td>PTD.</td> <td>-</td> <td>396</td> <td>3\"/> <tr> <td>3991</td> <td>ETR</td> <td>-</td> <td>WD.</td> <td>J2</td> <td>PTD.</td> <td>-</td> <td>398</td> <td>3\"/> <tr> <td>3992</td> <td>A</td> <td>3\"/> <tr> <td>3993</td> <td>ETR</td> <td>-</td> <td>WD.</td> <td>J2</td> <td>PTD.</td> <td>-</td> <td>399</td> <td>3\"/> <tr> <td>3994</td> <td>ETR</td> <td>-</td> <td>WD.</td> <td>J2</td> <td>PTD.</td> <td>-</td> <td>3991</td> <td>3\"/> <tr> <td>3995</td> <td>ETR</td> <td>-</td> <td>WD.</td> <td>J2</td> <td>PTD.</td> <td>-</td> <td>3992</td> <td>3\"/> <tr> <td>3997</td> <td>ETR</td> <td>-</td> <td>WD.</td> <td>J2</td> <td>PTD.</td> <td>-</td> <td>3993</td> <td>3\"/> <tr> <td>3998</td> <td>ETR</td> <td>-</td> <td>WD.</td> <td>J2</td> <td>PTD.</td> <td>-</td> <td>3994</td> <td>3\"/> <tr> <td>3999</td> <td>ETR</td> <td>-</td> <td>WD.</td> <td>J2</td> <td>PTD.</td> <td>-</td> <td>3995</td> <td>3\"/> <tr> <td>3999</td> <td>ETR</td> <td>-</td> <td>WD.</td> <td>J2</td> <td>PTD.</td> <td>-</td> <td>3997</td> <td>3\"/> </td></tr></td></tr></td></tr></td></tr></td></tr></td></tr></td></tr></td></tr></td></tr></td></tr></td></tr></td></tr></td></tr></td></tr></td></tr></td></tr></td></tr></td></tr></td></tr></td></tr></td></tr> | 386 | ETR | -
 | WD. | J2 | PTD. | - | 382A | 3\"/> <tr> <td>387</td> <td>ETR</td> <td>-</td> <td>WD.</td> <td>J2</td> <td>PTD.</td> <td>-</td> <td>385</td> <td>3\"/> <tr> <td>388</td> <td>ETR</td> <td>-</td> <td>WD.</td> <td>J2</td> <td>PTD.</td> <td>-</td> <td>386</td> <td>3\"/> <tr> <td>389</td> <td>ETR</td> <td>-</td> <td>WD.</td> <td>J2</td> <td>PTD.</td> <td>-</td> <td>387</td> <td>3\"/> <tr> <td>391</td> <td>ETR</td> <td>-</td> <td>WD.</td> <td>J2</td> <td>PTD.</td> <td>-</td> <td>388</td> <td>3\"/> <tr> <td>391A</td> <td>ETR</td> <td>-</td> <td>WD.</td> <td>J2</td> <td>PTD.</td> <td>-</td> <td>389</td> <td>3\"/> <tr> <td>391B</td> <td>ETR</td> <td>-</td> <td>WD.</td> <td>J2</td> <td>PTD.</td> <td>-</td> <td>391</td> <td>3\"/> <tr> <td>394</td> <td>ETR</td> <td>-</td> <td>WD.</td> <td>J2</td> <td>PTD.</td> <td>-</td> <td>391A</td> <td>3\"/> <tr> <td>395</td> <td>ETR</td> <td>-</td> <td>WD.</td> <td>J2</td> <td>PTD.</td> <td>-</td> <td>391B</td> <td>3\"/> <tr> <td>396</td> <td>ETR</td> <td>-</td> <td>WD.</td> <td>J2</td> <td>PTD.</td> <td>-</td> <td>394</td> <td>3\"/> <tr> <td>398</td> <td>ETR</td> <td>-</td> <td>WD.</td> <td>J2</td> <td>PTD.</td> <td>-</td> <td>395</td> <td>3\"/> <tr> <td>399</td> <td>ETR</td> <td>-</td> <td>WD.</td> <td>J2</td> <td>PTD.</td> <td>-</td> <td>396</td> <td>3\"/> <tr> <td>3991</td> <td>ETR</td> <td>-</td> <td>WD.</td> <td>J2</td> <td>PTD.</td> <td>-</td> <td>398</td> <td>3\"/> <tr> <td>3992</td> <td>A</td> <td>3\"/> <tr> <td>3993</td> <td>ETR</td> <td>-</td> <td>WD.</td> <td>J2</td> <td>PTD.</td> <td>-</td> <td>399</td> <td>3\"/> <tr> <td>3994</td> <td>ETR</td> <td>-</td> <td>WD.</td> <td>J2</td> <td>PTD.</td> <td>-</td> <td>3991</td> <td>3\"/> <tr> <td>3995</td> <td>ETR</td> <td>-</td> <td>WD.</td> <td>J2</td> <td>PTD.</td> <td>-</td> <td>3992</td> <td>3\"/> <tr> <td>3997</td> <td>ETR</td> <td>-</td> <td>WD.</td> <td>J2</td> <td>PTD.</td> <td>-</td> <td>3993</td> <td>3\"/> <tr> <td>3998</td> <td>ETR</td> <td>-</td> <td>WD.</td> <td>J2</td> <td>PTD.</td> <td>-</td> <td>3994</td> <td>3\"/> <tr> <td>3999</td> <td>ETR</td> <td>-</td> <td>WD.</td> <td>J2</td> <td>PTD.</td> <td>-</td> <td>3995</td> <td>3\"/> <tr> <td>3999</td> <td>ETR</td> <td>-</td> <td>WD.</td> <td>J2</td> <td>PTD.</td> <td>-</td> <td>3997</td> <td>3\"/> </td></tr></td></tr></td></tr></td></tr></td></tr></td></tr></td></tr></td></tr></td></tr></td></tr></td></tr></td></tr></td></tr></td></tr></td></tr></td></tr></td></tr></td></tr></td></tr></td></tr> |
387 | ETR | - | WD. | J2 | PTD. | - | 385 | 3\"/> <tr> <td>388</td> <td>ETR</td> <td>-</td> <td>WD.</td> <td>J2</td> <td>PTD.</td> <td>-</td> <td>386</td> <td>3\"/> <tr> <td>389</td> <td>ETR</td> <td>-</td> <td>WD.</td> <td>J2</td> <td>PTD.</td> <td>-</td> <td>387</td> <td>3\"/> <tr> <td>391</td> <td>ETR</td> <td>-</td> <td>WD.</td> <td>J2</td> <td>PTD.</td> <td>-</td> <td>388</td> <td>3\"/> <tr> <td>391A</td> <td>ETR</td> <td>-</td> <td>WD.</td> <td>J2</td> <td>PTD.</td> <td>-</td> <td>389</td> <td>3\"/> <tr> <td>391B</td> <td>ETR</td> <td>-</td> <td>WD.</td> <td>J2</td> <td>PTD.</td> <td>-</td> <td>391</td> <td>3\"/> <tr> <td>394</td> <td>ETR</td> <td>-</td> <td>WD.</td> <td>J2</td> <td>PTD.</td> <td>-</td> <td>391A</td> <td>3\"/> <tr> <td>395</td> <td>ETR</td> <td>-</td> <td>WD.</td> <td>J2</td> <td>PTD.</td> <td>-</td> <td>391B</td> <td>3\"/> <tr> <td>396</td> <td>ETR</td> <td>-</td> <td>WD.</td> <td>J2</td> <td>PTD.</td> <td>-</td> <td>394</td> <td>3\"/> <tr> <td>398</td> <td>ETR</td> <td>-</td> <td>WD.</td> <td>J2</td> <td>PTD.</td> <td>-</td> <td>395</td> <td>3\"/> <tr> <td>399</td> <td>ETR</td> <td>-</td> <td>WD.</td> <td>J2</td> <td>PTD.</td> <td>-</td> <td>396</td> <td>3\"/> <tr> <td>3991</td> <td>ETR</td> <td>-</td> <td>WD.</td> <td>J2</td> <td>PTD.</td> <td>-</td> <td>398</td> <td>3\"/> <tr> <td>3992</td> <td>A</td> <td>3\"/> <tr> <td>3993</td> <td>ETR</td> <td>-</td> <td>WD.</td> <td>J2</td> <td>PTD.</td> <td>-</td> <td>399</td> <td>3\"/> <tr> <td>3994</td> <td>ETR</td> <td>-</td> <td>WD.</td> <td>J2</td> <td>PTD.</td> <td>-</td> <td>3991</td> <td>3\"/> <tr> <td>3995</td> <td>ETR</td> <td>-</td> <td>WD.</td> <td>J2</td> <td>PTD.</td> <td>-</td> <td>3992</td> <td>3\"/> <tr> <td>3997</td> <td>ETR</td> <td>-</td> <td>WD.</td> <td>J2</td> <td>PTD.</td> <td>-</td> <td>3993</td> <td>3\"/> <tr> <td>3998</td> <td>ETR</td> <td>-</td> <td>WD.</td> <td>J2</td> <td>PTD.</td> <td>-</td> <td>3994</td> <td>3\"/> <tr> <td>3999</td> <td>ETR</td> <td>-</td> <td>WD.</td> <td>J2</td> <td>PTD.</td> <td>-</td> <td>3995</td> <td>3\"/> <tr> <td>3999</td> <td>ETR</td> <td>-</td> <td>WD.</td> <td>J2</td> <td>PTD.</td> <td>-</td> <td>3997</td> <td>3\"/> </td></tr></td></tr></td></tr></td></tr></td></tr></td></tr></td></tr></td></tr></td></tr></td></tr></td></tr></td></tr></td></tr></td></tr></td></tr></td></tr></td></tr></td></tr></td></tr> | 388 | ETR | -
 | WD. | J2 | PTD. | - | 386 | 3\"/> <tr> <td>389</td> <td>ETR</td> <td>-</td> <td>WD.</td> <td>J2</td> <td>PTD.</td> <td>-</td> <td>387</td> <td>3\"/> <tr> <td>391</td> <td>ETR</td> <td>-</td> <td>WD.</td> <td>J2</td> <td>PTD.</td> <td>-</td> <td>388</td> <td>3\"/> <tr> <td>391A</td> <td>ETR</td> <td>-</td> <td>WD.</td> <td>J2</td> <td>PTD.</td> <td>-</td> <td>389</td> <td>3\"/> <tr> <td>391B</td> <td>ETR</td> <td>-</td> <td>WD.</td> <td>J2</td> <td>PTD.</td> <td>-</td> <td>391</td> <td>3\"/> <tr> <td>394</td> <td>ETR</td> <td>-</td> <td>WD.</td> <td>J2</td> <td>PTD.</td> <td>-</td> <td>391A</td> <td>3\"/> <tr> <td>395</td> <td>ETR</td> <td>-</td> <td>WD.</td> <td>J2</td> <td>PTD.</td> <td>-</td> <td>391B</td> <td>3\"/> <tr> <td>396</td> <td>ETR</td> <td>-</td> <td>WD.</td> <td>J2</td> <td>PTD.</td> <td>-</td> <td>394</td> <td>3\"/> <tr> <td>398</td> <td>ETR</td> <td>-</td> <td>WD.</td> <td>J2</td> <td>PTD.</td> <td>-</td> <td>395</td> <td>3\"/> <tr> <td>399</td> <td>ETR</td> <td>-</td> <td>WD.</td> <td>J2</td> <td>PTD.</td> <td>-</td> <td>396</td> <td>3\"/> <tr> <td>3991</td> <td>ETR</td> <td>-</td> <td>WD.</td> <td>J2</td> <td>PTD.</td> <td>-</td> <td>398</td> <td>3\"/> <tr> <td>3992</td> <td>A</td> <td>3\"/> <tr> <td>3993</td> <td>ETR</td> <td>-</td> <td>WD.</td> <td>J2</td> <td>PTD.</td> <td>-</td> <td>399</td> <td>3\"/> <tr> <td>3994</td> <td>ETR</td> <td>-</td> <td>WD.</td> <td>J2</td> <td>PTD.</td> <td>-</td> <td>3991</td> <td>3\"/> <tr> <td>3995</td> <td>ETR</td> <td>-</td> <td>WD.</td> <td>J2</td> <td>PTD.</td> <td>-</td> <td>3992</td> <td>3\"/> <tr> <td>3997</td> <td>ETR</td> <td>-</td> <td>WD.</td> <td>J2</td> <td>PTD.</td> <td>-</td> <td>3993</td> <td>3\"/> <tr> <td>3998</td> <td>ETR</td> <td>-</td> <td>WD.</td> <td>J2</td> <td>PTD.</td> <td>-</td> <td>3994</td> <td>3\"/> <tr> <td>3999</td> <td>ETR</td> <td>-</td> <td>WD.</td> <td>J2</td> <td>PTD.</td> <td>-</td> <td>3995</td> <td>3\"/> <tr> <td>3999</td> <td>ETR</td> <td>-</td> <td>WD.</td> <td>J2</td> <td>PTD.</td> <td>-</td> <td>3997</td> <td>3\"/> </td></tr></td></tr></td></tr></td></tr></td></tr></td></tr></td></tr></td></tr></td></tr></td></tr></td></tr></td></tr></td></tr></td></tr></td></tr></td></tr></td></tr></td></tr> | 389 | ETR | -
 | WD. | J2 | PTD. | - | 387 | 3\"/> <tr> <td>391</td> <td>ETR</td> <td>-</td> <td>WD.</td> <td>J2</td> <td>PTD.</td> <td>-</td> <td>388</td> <td>3\"/> <tr> <td>391A</td> <td>ETR</td> <td>-</td> <td>WD.</td> <td>J2</td> <td>PTD.</td> <td>-</td> <td>389</td> <td>3\"/> <tr> <td>391B</td> <td>ETR</td> <td>-</td> <td>WD.</td> <td>J2</td> <td>PTD.</td> <td>-</td> <td>391</td> <td>3\"/> <tr> <td>394</td> <td>ETR</td> <td>-</td> <td>WD.</td> <td>J2</td> <td>PTD.</td> <td>-</td> <td>391A</td> <td>3\"/> <tr> <td>395</td> <td>ETR</td> <td>-</td> <td>WD.</td> <td>J2</td> <td>PTD.</td> <td>-</td> <td>391B</td> <td>3\"/> <tr> <td>396</td> <td>ETR</td> <td>-</td> <td>WD.</td> <td>J2</td> <td>PTD.</td> <td>-</td> <td>394</td> <td>3\"/> <tr> <td>398</td> <td>ETR</td> <td>-</td> <td>WD.</td> <td>J2</td> <td>PTD.</td> <td>-</td> <td>395</td> <td>3\"/> <tr> <td>399</td> <td>ETR</td> <td>-</td> <td>WD.</td> <td>J2</td> <td>PTD.</td> <td>-</td> <td>396</td> <td>3\"/> <tr> <td>3991</td> <td>ETR</td> <td>-</td> <td>WD.</td> <td>J2</td> <td>PTD.</td> <td>-</td> <td>398</td> <td>3\"/> <tr> <td>3992</td> <td>A</td> <td>3\"/> <tr> <td>3993</td> <td>ETR</td> <td>-</td> <td>WD.</td> <td>J2</td> <td>PTD.</td> <td>-</td> <td>399</td> <td>3\"/> <tr> <td>3994</td> <td>ETR</td> <td>-</td> <td>WD.</td> <td>J2</td> <td>PTD.</td> <td>-</td> <td>3991</td> <td>3\"/> <tr> <td>3995</td> <td>ETR</td> <td>-</td> <td>WD.</td> <td>J2</td> <td>PTD.</td> <td>-</td> <td>3992</td> <td>3\"/> <tr> <td>3997</td> <td>ETR</td> <td>-</td> <td>WD.</td> <td>J2</td> <td>PTD.</td> <td>-</td> <td>3993</td> <td>3\"/> <tr> <td>3998</td> <td>ETR</td> <td>-</td> <td>WD.</td> <td>J2</td> <td>PTD.</td> <td>-</td> <td>3994</td> <td>3\"/> <tr> <td>3999</td> <td>ETR</td> <td>-</td> <td>WD.</td> <td>J2</td> <td>PTD.</td> <td>-</td> <td>3995</td> <td>3\"/> <tr> <td>3999</td> <td>ETR</td> <td>-</td> <td>WD.</td> <td>J2</td> <td>PTD.</td> <td>-</td> <td>3997</td> <td>3\"/> </td></tr></td></tr></td></tr></td></tr></td></tr></td></tr></td></tr></td></tr></td></tr></td></tr></td></tr></td></tr></td></tr></td></tr></td></tr></td></tr></td></tr> | 391 | ETR | - | WD. | J2 | PTD.
 | - | 388 | 3\"/> <tr> <td>391A</td> <td>ETR</td> <td>-</td> <td>WD.</td> <td>J2</td> <td>PTD.</td> <td>-</td> <td>389</td> <td>3\"/> <tr> <td>391B</td> <td>ETR</td> <td>-</td> <td>WD.</td> <td>J2</td> <td>PTD.</td> <td>-</td> <td>391</td> <td>3\"/> <tr> <td>394</td> <td>ETR</td> <td>-</td> <td>WD.</td> <td>J2</td> <td>PTD.</td> <td>-</td> <td>391A</td> <td>3\"/> <tr> <td>395</td> <td>ETR</td> <td>-</td> <td>WD.</td> <td>J2</td> <td>PTD.</td> <td>-</td> <td>391B</td> <td>3\"/> <tr> <td>396</td> <td>ETR</td> <td>-</td> <td>WD.</td> <td>J2</td> <td>PTD.</td> <td>-</td> <td>394</td> <td>3\"/> <tr> <td>398</td> <td>ETR</td> <td>-</td> <td>WD.</td> <td>J2</td> <td>PTD.</td> <td>-</td> <td>395</td> <td>3\"/> <tr> <td>399</td> <td>ETR</td> <td>-</td> <td>WD.</td> <td>J2</td> <td>PTD.</td> <td>-</td> <td>396</td> <td>3\"/> <tr> <td>3991</td> <td>ETR</td> <td>-</td> <td>WD.</td> <td>J2</td> <td>PTD.</td> <td>-</td> <td>398</td> <td>3\"/> <tr> <td>3992</td> <td>A</td> <td>3\"/> <tr> <td>3993</td> <td>ETR</td> <td>-</td> <td>WD.</td> <td>J2</td> <td>PTD.</td> <td>-</td> <td>399</td> <td>3\"/> <tr> <td>3994</td> <td>ETR</td> <td>-</td> <td>WD.</td> <td>J2</td> <td>PTD.</td> <td>-</td> <td>3991</td> <td>3\"/> <tr> <td>3995</td> <td>ETR</td> <td>-</td> <td>WD.</td> <td>J2</td> <td>PTD.</td> <td>-</td> <td>3992</td> <td>3\"/> <tr> <td>3997</td> <td>ETR</td> <td>-</td> <td>WD.</td> <td>J2</td> <td>PTD.</td> <td>-</td> <td>3993</td> <td>3\"/> <tr> <td>3998</td> <td>ETR</td> <td>-</td> <td>WD.</td> <td>J2</td> <td>PTD.</td> <td>-</td> <td>3994</td> <td>3\"/> <tr> <td>3999</td> <td>ETR</td> <td>-</td> <td>WD.</td> <td>J2</td> <td>PTD.</td> <td>-</td> <td>3995</td> <td>3\"/> <tr> <td>3999</td> <td>ETR</td> <td>-</td> <td>WD.</td> <td>J2</td> <td>PTD.</td> <td>-</td> <td>3997</td> <td>3\"/> </td></tr></td></tr></td></tr></td></tr></td></tr></td></tr></td></tr></td></tr></td></tr></td></tr></td></tr></td></tr></td></tr></td></tr></td></tr></td></tr> | 391A | ETR | - | WD. | J2 | PTD. | - | 389 | 3\"/> <tr> <td>391B</td> <td>ETR</td> <td>-</td> <td>WD.</td> <td>J2</td> <td>PTD.</td> <td>-</td> <td>391</td> <td>3\"/> <tr> <td>394</td> <td>ETR</td> <td>-</td> <td>WD.</td> <td>J2</td> <td>PTD.</td> <td>-</td> <td>391A</td> <td>3\"/> <tr> <td>395</td> <td>ETR</td> <td>-</td> <td>WD.</td> <td>J2</td> <td>PTD.</td> <td>-</td> <td>391B</td> <td>3\"/> <tr> <td>396</td> <td>ETR</td> <td>-</td> <td>WD.</td> <td>J2</td> <td>PTD.</td> <td>-</td> <td>394</td> <td>3\"/> <tr> <td>398</td> <td>ETR</td> <td>-</td> <td>WD.</td> <td>J2</td> <td>PTD.</td> <td>-</td> <td>395</td> <td>3\"/> <tr> <td>399</td> <td>ETR</td> <td>-</td> <td>WD.</td> <td>J2</td> <td>PTD.</td> <td>-</td> <td>396</td> <td>3\"/> <tr> <td>3991</td> <td>ETR</td> <td>-</td> <td>WD.</td> <td>J2</td> <td>PTD.</td> <td>-</td> <td>398</td> <td>3\"/> <tr> <td>3992</td> <td>A</td> <td>3\"/> <tr> <td>3993</td> <td>ETR</td> <td>-</td> <td>WD.</td> <td>J2</td> <td>PTD.</td> <td>-</td> <td>399</td> <td>3\"/> <tr> <td>3994</td> <td>ETR</td> <td>-</td> <td>WD.</td> <td>J2</td> <td>PTD.</td> <td>-</td> <td>3991</td> <td>3\"/> <tr> <td>3995</td> <td>ETR</td> <td>-</td> <td>WD.</td> <td>J2</td> <td>PTD.</td> <td>-</td> <td>3992</td> <td>3\"/> <tr> <td>3997</td> <td>ETR</td> <td>-</td> <td>WD.</td> <td>J2</td> <td>PTD.</td> <td>-</td> <td>3993</td> <td>3\"/> <tr> <td>3998</td> <td>ETR</td> <td>-</td> <td>WD.</td> <td>J2</td> <td>PTD.</td> <td>-</td> <td>3994</td> <td>3\"/> <tr> <td>3999</td> <td>ETR</td> <td>-</td> <td>WD.</td> <td>J2</td> <td>PTD.</td> <td>-</td> <td>3995</td> <td>3\"/> <tr> <td>3999</td> <td>ETR</td> <td>-</td> <td>WD.</td> <td>J2</td> <td>PTD.</td> <td>-</td> <td>3997</td> <td>3\"/> </td></tr></td></tr></td></tr></td></tr></td></tr></td></tr></td></tr></td></tr></td></tr></td></tr></td></tr></td></tr></td></tr></td></tr></td></tr> | 391B | ETR | -
 | WD. | J2 | PTD. | - | 391 | 3\"/> <tr> <td>394</td> <td>ETR</td> <td>-</td> <td>WD.</td> <td>J2</td> <td>PTD.</td> <td>-</td> <td>391A</td> <td>3\"/> <tr> <td>395</td> <td>ETR</td> <td>-</td> <td>WD.</td> <td>J2</td> <td>PTD.</td> <td>-</td> <td>391B</td> <td>3\"/> <tr> <td>396</td> <td>ETR</td> <td>-</td> <td>WD.</td> <td>J2</td> <td>PTD.</td> <td>-</td> <td>394</td> <td>3\"/> <tr> <td>398</td> <td>ETR</td> <td>-</td> <td>WD.</td> <td>J2</td> <td>PTD.</td> <td>-</td> <td>395</td> <td>3\"/> <tr> <td>399</td> <td>ETR</td> <td>-</td> <td>WD.</td> <td>J2</td> <td>PTD.</td> <td>-</td> <td>396</td> <td>3\"/> <tr> <td>3991</td> <td>ETR</td> <td>-</td> <td>WD.</td> <td>J2</td> <td>PTD.</td> <td>-</td> <td>398</td> <td>3\"/> <tr> <td>3992</td> <td>A</td> <td>3\"/> <tr> <td>3993</td> <td>ETR</td> <td>-</td> <td>WD.</td> <td>J2</td> <td>PTD.</td> <td>-</td> <td>399</td> <td>3\"/> <tr> <td>3994</td> <td>ETR</td> <td>-</td> <td>WD.</td> <td>J2</td> <td>PTD.</td> <td>-</td> <td>3991</td> <td>3\"/> <tr> <td>3995</td> <td>ETR</td> <td>-</td> <td>WD.</td> <td>J2</td> <td>PTD.</td> <td>-</td> <td>3992</td> <td>3\"/> <tr> <td>3997</td> <td>ETR</td> <td>-</td> <td>WD.</td> <td>J2</td> <td>PTD.</td> <td>-</td> <td>3993</td> <td>3\"/> <tr> <td>3998</td> <td>ETR</td> <td>-</td> <td>WD.</td> <td>J2</td> <td>PTD.</td> <td>-</td> <td>3994</td> <td>3\"/> <tr> <td>3999</td> <td>ETR</td> <td>-</td> <td>WD.</td> <td>J2</td> <td>PTD.</td> <td>-</td> <td>3995</td> <td>3\"/> <tr> <td>3999</td> <td>ETR</td> <td>-</td> <td>WD.</td> <td>J2</td> <td>PTD.</td> <td>-</td> <td>3997</td> <td>3\"/> </td></tr></td></tr></td></tr></td></tr></td></tr></td></tr></td></tr></td></tr></td></tr></td></tr></td></tr></td></tr></td></tr></td></tr> | 394 | ETR | - | WD. | J2 | PTD. | - | 391A | 3\"/> <tr> <td>395</td> <td>ETR</td> <td>-</td> <td>WD.</td> <td>J2</td> <td>PTD.</td> <td>-</td> <td>391B</td> <td>3\"/> <tr> <td>396</td> <td>ETR</td> <td>-</td> <td>WD.</td> <td>J2</td> <td>PTD.</td> <td>-</td> <td>394</td> <td>3\"/> <tr> <td>398</td> <td>ETR</td> <td>-</td> <td>WD.</td> <td>J2</td> <td>PTD.</td> <td>-</td> <td>395</td> <td>3\"/> <tr> <td>399</td> <td>ETR</td> <td>-</td> <td>WD.</td> <td>J2</td> <td>PTD.</td> <td>-</td> <td>396</td> <td>3\"/> <tr> <td>3991</td> <td>ETR</td> <td>-</td> <td>WD.</td> <td>J2</td> <td>PTD.</td> <td>-</td> <td>398</td> <td>3\"/> <tr> <td>3992</td> <td>A</td> <td>3\"/> <tr> <td>3993</td> <td>ETR</td> <td>-</td> <td>WD.</td> <td>J2</td> <td>PTD.</td> <td>-</td> <td>399</td> <td>3\"/> <tr> <td>3994</td> <td>ETR</td> <td>-</td> <td>WD.</td> <td>J2</td> <td>PTD.</td> <td>-</td> <td>3991</td> <td>3\"/> <tr> <td>3995</td> <td>ETR</td> <td>-</td> <td>WD.</td> <td>J2</td> <td>PTD.</td> <td>-</td> <td>3992</td> <td>3\"/> <tr> <td>3997</td> <td>ETR</td> <td>-</td> <td>WD.</td> <td>J2</td> <td>PTD.</td> <td>-</td> <td>3993</td> <td>3\"/> <tr> <td>3998</td> <td>ETR</td> <td>-</td> <td>WD.</td> <td>J2</td> <td>PTD.</td> <td>-</td> <td>3994</td> <td>3\"/> <tr> <td>3999</td> <td>ETR</td> <td>-</td> <td>WD.</td> <td>J2</td> <td>PTD.</td> <td>-</td> <td>3995</td> <td>3\"/> <tr> <td>3999</td> <td>ETR</td> <td>-</td> <td>WD.</td> <td>J2</td> <td>PTD.</td> <td>-</td> <td>3997</td> <td>3\"/> </td></tr></td></tr></td></tr></td></tr></td></tr></td></tr></td></tr></td></tr></td></tr></td></tr></td></tr></td></tr></td></tr> | 395 | ETR | -
 | WD. | J2 | PTD. | - | 391B | 3\"/> <tr> <td>396</td> <td>ETR</td> <td>-</td> <td>WD.</td> <td>J2</td> <td>PTD.</td> <td>-</td> <td>394</td> <td>3\"/> <tr> <td>398</td> <td>ETR</td> <td>-</td> <td>WD.</td> <td>J2</td> <td>PTD.</td> <td>-</td> <td>395</td> <td>3\"/> <tr> <td>399</td> <td>ETR</td> <td>-</td> <td>WD.</td> <td>J2</td> <td>PTD.</td> <td>-</td> <td>396</td> <td>3\"/> <tr> <td>3991</td> <td>ETR</td> <td>-</td> <td>WD.</td> <td>J2</td> <td>PTD.</td> <td>-</td> <td>398</td> <td>3\"/> <tr> <td>3992</td> <td>A</td> <td>3\"/> <tr> <td>3993</td> <td>ETR</td> <td>-</td> <td>WD.</td> <td>J2</td> <td>PTD.</td> <td>-</td> <td>399</td> <td>3\"/> <tr> <td>3994</td> <td>ETR</td> <td>-</td> <td>WD.</td> <td>J2</td> <td>PTD.</td> <td>-</td> <td>3991</td> <td>3\"/> <tr> <td>3995</td> <td>ETR</td> <td>-</td> <td>WD.</td> <td>J2</td> <td>PTD.</td> <td>-</td> <td>3992</td> <td>3\"/> <tr> <td>3997</td> <td>ETR</td> <td>-</td> <td>WD.</td> <td>J2</td> <td>PTD.</td> <td>-</td> <td>3993</td> <td>3\"/> <tr> <td>3998</td> <td>ETR</td> <td>-</td> <td>WD.</td> <td>J2</td> <td>PTD.</td> <td>-</td> <td>3994</td> <td>3\"/> <tr> <td>3999</td> <td>ETR</td> <td>-</td> <td>WD.</td> <td>J2</td> <td>PTD.</td> <td>-</td> <td>3995</td> <td>3\"/> <tr> <td>3999</td> <td>ETR</td> <td>-</td> <td>WD.</td> <td>J2</td> <td>PTD.</td> <td>-</td> <td>3997</td> <td>3\"/> </td></tr></td></tr></td></tr></td></tr></td></tr></td></tr></td></tr></td></tr></td></tr></td></tr></td></tr></td></tr> | 396 | ETR | - | WD. | J2 | PTD. | - | 394 | 3\"/> <tr> <td>398</td> <td>ETR</td> <td>-</td> <td>WD.</td> <td>J2</td> <td>PTD.</td> <td>-</td> <td>395</td> <td>3\"/> <tr> <td>399</td> <td>ETR</td> <td>-</td> <td>WD.</td> <td>J2</td> <td>PTD.</td> <td>-</td> <td>396</td> <td>3\"/> <tr> <td>3991</td> <td>ETR</td> <td>-</td> <td>WD.</td> <td>J2</td> <td>PTD.</td> <td>-</td> <td>398</td> <td>3\"/> <tr> <td>3992</td> <td>A</td> <td>3\"/> <tr> <td>3993</td> <td>ETR</td> <td>-</td> <td>WD.</td> <td>J2</td> <td>PTD.</td> <td>-</td> <td>399</td> <td>3\"/> <tr> <td>3994</td> <td>ETR</td> <td>-</td> <td>WD.</td> <td>J2</td> <td>PTD.</td> <td>-</td> <td>3991</td> <td>3\"/> <tr> <td>3995</td> <td>ETR</td> <td>-</td> <td>WD.</td> <td>J2</td> <td>PTD.</td> <td>-</td> <td>3992</td> <td>3\"/> <tr> <td>3997</td> <td>ETR</td> <td>-</td> <td>WD.</td> <td>J2</td> <td>PTD.</td> <td>-</td> <td>3993</td> <td>3\"/> <tr> <td>3998</td> <td>ETR</td> <td>-</td> <td>WD.</td> <td>J2</td> <td>PTD.</td> <td>-</td> <td>3994</td> <td>3\"/> <tr> <td>3999</td> <td>ETR</td> <td>-</td> <td>WD.</td> <td>J2</td> <td>PTD.</td> <td>-</td> <td>3995</td> <td>3\"/> <tr> <td>3999</td> <td>ETR</td> <td>-</td> <td>WD.</td> <td>J2</td> <td>PTD.</td> <td>-</td> <td>3997</td> <td>3\"/> </td></tr></td></tr></td></tr></td></tr></td></tr></td></tr></td></tr></td></tr></td></tr></td></tr></td></tr> | 398 | ETR | -
 | WD. | J2 | PTD. | - | 395 | 3\"/> <tr> <td>399</td> <td>ETR</td> <td>-</td> <td>WD.</td> <td>J2</td> <td>PTD.</td> <td>-</td> <td>396</td> <td>3\"/> <tr> <td>3991</td> <td>ETR</td> <td>-</td> <td>WD.</td> <td>J2</td> <td>PTD.</td> <td>-</td> <td>398</td> <td>3\"/> <tr> <td>3992</td> <td>A</td> <td>3\"/> <tr> <td>3993</td> <td>ETR</td> <td>-</td> <td>WD.</td> <td>J2</td> <td>PTD.</td> <td>-</td> <td>399</td> <td>3\"/> <tr> <td>3994</td> <td>ETR</td> <td>-</td> <td>WD.</td> <td>J2</td> <td>PTD.</td> <td>-</td> <td>3991</td> <td>3\"/> <tr> <td>3995</td> <td>ETR</td> <td>-</td> <td>WD.</td> <td>J2</td> <td>PTD.</td> <td>-</td> <td>3992</td> <td>3\"/> <tr> <td>3997</td> <td>ETR</td> <td>-</td> <td>WD.</td> <td>J2</td> <td>PTD.</td> <td>-</td> <td>3993</td> <td>3\"/> <tr> <td>3998</td> <td>ETR</td> <td>-</td> <td>WD.</td> <td>J2</td> <td>PTD.</td> <td>-</td> <td>3994</td> <td>3\"/> <tr> <td>3999</td> <td>ETR</td> <td>-</td> <td>WD.</td> <td>J2</td> <td>PTD.</td> <td>-</td> <td>3995</td> <td>3\"/> <tr> <td>3999</td> <td>ETR</td> <td>-</td> <td>WD.</td> <td>J2</td> <td>PTD.</td> <td>-</td> <td>3997</td> <td>3\"/> </td></tr></td></tr></td></tr></td></tr></td></tr></td></tr></td></tr></td></tr></td></tr></td></tr> | 399 | ETR | - | WD. | J2 | PTD. | - | 396 | 3\"/> <tr> <td>3991</td> <td>ETR</td> <td>-</td> <td>WD.</td> <td>J2</td> <td>PTD.</td> <td>-</td> <td>398</td> <td>3\"/> <tr> <td>3992</td> <td>A</td> <td>3\"/> <tr> <td>3993</td> <td>ETR</td> <td>-</td> <td>WD.</td> <td>J2</td> <td>PTD.</td> <td>-</td> <td>399</td> <td>3\"/> <tr> <td>3994</td> <td>ETR</td> <td>-</td> <td>WD.</td> <td>J2</td> <td>PTD.</td> <td>-</td> <td>3991</td> <td>3\"/> <tr> <td>3995</td> <td>ETR</td> <td>-</td> <td>WD.</td> <td>J2</td> <td>PTD.</td> <td>-</td> <td>3992</td> <td>3\"/> <tr> <td>3997</td> <td>ETR</td> <td>-</td> <td>WD.</td> <td>J2</td> <td>PTD.</td> <td>-</td> <td>3993</td> <td>3\"/> <tr> <td>3998</td> <td>ETR</td> <td>-</td> <td>WD.</td> <td>J2</td> <td>PTD.</td> <td>-</td> <td>3994</td> <td>3\"/> <tr> <td>3999</td> <td>ETR</td> <td>-</td> <td>WD.</td> <td>J2</td> <td>PTD.</td> <td>-</td> <td>3995</td> <td>3\"/> <tr> <td>3999</td> <td>ETR</td> <td>-</td> <td>WD.</td> <td>J2</td> <td>PTD.</td> <td>-</td> <td>3997</td> <td>3\"/> </td></tr></td></tr></td></tr></td></tr></td></tr></td></tr></td></tr></td></tr></td></tr> | 3991 | ETR | - | WD. | J2 | PTD. | - | 398 | 3\"/> <tr> <td>3992</td> <td>A</td> <td>3\"/> <tr> <td>3993</td> <td>ETR</td> <td>-</td> <td>WD.</td> <td>J2</td> <td>PTD.</td> <td>-</td> <td>399</td> <td>3\"/> <tr> <td>3994</td> <td>ETR</td> <td>-</td> <td>WD.</td> <td>J2</td> <td>PTD.</td> <td>-</td> <td>3991</td> <td>3\"/> <tr> <td>3995</td> <td>ETR</td> <td>-</td> <td>WD.</td> <td>J2</td> <td>PTD.</td> <td>-</td> <td>3992</td> <td>3\"/> <tr> <td>3997</td> <td>ETR</td> <td>-</td> <td>WD.</td> <td>J2</td> <td>PTD.</td> <td>-</td> <td>3993</td> <td>3\"/> <tr> <td>3998</td> <td>ETR</td> <td>-</td> <td>WD.</td> <td>J2</td> <td>PTD.</td> <td>-</td> <td>3994</td> <td>3\"/> <tr> <td>3999</td> <td>ETR</td> <td>-</td> <td>WD.</td> <td>J2</td> <td>PTD.</td> <td>-</td> <td>3995</td> <td>3\"/> <tr> <td>3999</td> <td>ETR</td> <td>-</td> <td>WD.</td> <td>J2</td> <td>PTD.</td> <td>-</td> <td>3997</td> <td>3\"/> </td></tr></td></tr></td></tr></td></tr></td></tr></td></tr></td></tr></td></tr>
 | 3992 | A | 3\"/> <tr> <td>3993</td> <td>ETR</td> <td>-</td> <td>WD.</td> <td>J2</td> <td>PTD.</td> <td>-</td> <td>399</td> <td>3\"/> <tr> <td>3994</td> <td>ETR</td> <td>-</td> <td>WD.</td> <td>J2</td> <td>PTD.</td> <td>-</td> <td>3991</td> <td>3\"/> <tr> <td>3995</td> <td>ETR</td> <td>-</td> <td>WD.</td> <td>J2</td> <td>PTD.</td> <td>-</td> <td>3992</td> <td>3\"/> <tr> <td>3997</td> <td>ETR</td> <td>-</td> <td>WD.</td> <td>J2</td> <td>PTD.</td> <td>-</td> <td>3993</td> <td>3\"/> <tr> <td>3998</td> <td>ETR</td> <td>-</td> <td>WD.</td> <td>J2</td> <td>PTD.</td> <td>-</td> <td>3994</td> <td>3\"/> <tr> <td>3999</td> <td>ETR</td> <td>-</td> <td>WD.</td> <td>J2</td> <td>PTD.</td> <td>-</td> <td>3995</td> <td>3\"/> <tr> <td>3999</td> <td>ETR</td> <td>-</td> <td>WD.</td> <td>J2</td> <td>PTD.</td> <td>-</td> <td>3997</td> <td>3\"/> </td></tr></td></tr></td></tr></td></tr></td></tr></td></tr></td></tr> | 3993 | ETR | - | WD. | J2 | PTD. | - | 399 | 3\"/> <tr> <td>3994</td> <td>ETR</td> <td>-</td> <td>WD.</td> <td>J2</td> <td>PTD.</td> <td>-</td> <td>3991</td> <td>3\"/> <tr> <td>3995</td> <td>ETR</td> <td>-</td> <td>WD.</td> <td>J2</td> <td>PTD.</td> <td>-</td> <td>3992</td> <td>3\"/> <tr> <td>3997</td> <td>ETR</td> <td>-</td> <td>WD.</td> <td>J2</td> <td>PTD.</td> <td>-</td> <td>3993</td> <td>3\"/> <tr> <td>3998</td> <td>ETR</td> <td>-</td> <td>WD.</td> <td>J2</td> <td>PTD.</td> <td>-</td> <td>3994</td> <td>3\"/> <tr> <td>3999</td> <td>ETR</td> <td>-</td> <td>WD.</td> <td>J2</td> <td>PTD.</td> <td>-</td> <td>3995</td> <td>3\"/> <tr> <td>3999</td> <td>ETR</td> <td>-</td> <td>WD.</td> <td>J2</td> <td>PTD.</td> <td>-</td> <td>3997</td> <td>3\"/> </td></tr></td></tr></td></tr></td></tr></td></tr></td></tr> | 3994 | ETR | - | WD. | J2 | PTD. | - | 3991 | 3\"/> <tr> <td>3995</td> <td>ETR</td> <td>-</td> <td>WD.</td> <td>J2</td> <td>PTD.</td> <td>-</td> <td>3992</td> <td>3\"/> <tr> <td>3997</td> <td>ETR</td> <td>-</td> <td>WD.</td> <td>J2</td> <td>PTD.</td> <td>-</td> <td>3993</td> <td>3\"/> <tr> <td>3998</td> <td>ETR</td> <td>-</td> <td>WD.</td> <td>J2</td> <td>PTD.</td> <td>-</td> <td>3994</td> <td>3\"/> <tr> <td>3999</td> <td>ETR</td> <td>-</td> <td>WD.</td> <td>J2</td> <td>PTD.</td> <td>-</td> <td>3995</td> <td>3\"/> <tr> <td>3999</td> <td>ETR</td> <td>-</td> <td>WD.</td> <td>J2</td> <td>PTD.</td> <td>-</td> <td>3997</td> <td>3\"/> </td></tr></td></tr></td></tr></td></tr></td></tr> | 3995 | ETR | - | WD. | J2 | PTD.
 | - | 3992 | 3\"/> <tr> <td>3997</td> <td>ETR</td> <td>-</td> <td>WD.</td> <td>J2</td> <td>PTD.</td> <td>-</td> <td>3993</td> <td>3\"/> <tr> <td>3998</td> <td>ETR</td> <td>-</td> <td>WD.</td> <td>J2</td> <td>PTD.</td> <td>-</td> <td>3994</td> <td>3\"/> <tr> <td>3999</td> <td>ETR</td> <td>-</td> <td>WD.</td> <td>J2</td> <td>PTD.</td> <td>-</td> <td>3995</td> <td>3\"/> <tr> <td>3999</td> <td>ETR</td> <td>-</td> <td>WD.</td> <td>J2</td> <td>PTD.</td> <td>-</td> <td>3997</td> <td>3\"/> </td></tr></td></tr></td></tr></td></tr> | 3997 | ETR | - | WD. | J2 | PTD. | - | 3993 | 3\"/> <tr> <td>3998</td> <td>ETR</td> <td>-</td> <td>WD.</td> <td>J2</td> <td>PTD.</td> <td>-</td> <td>3994</td> <td>3\"/> <tr> <td>3999</td> <td>ETR</td> <td>-</td> <td>WD.</td> <td>J2</td> <td>PTD.</td> <td>-</td> <td>3995</td> <td>3\"/> <tr> <td>3999</td> <td>ETR</td> <td>-</td> <td>WD.</td> <td>J2</td> <td>PTD.</td> <td>-</td> <td>3997</td> <td>3\"/> </td></tr></td></tr></td></tr> | 3998 | ETR | - | WD. | J2 | PTD. | - | 3994 | 3\"/> <tr> <td>3999</td> <td>ETR</td> <td>-</td> <td>WD.</td> <td>J2</td> <td>PTD.</td> <td>-</td> <td>3995</td> <td>3\"/> <tr> <td>3999</td> <td>ETR</td> <td>-</td> <td>WD.</td> <td>J2</td> <td>PTD.</td> <td>-</td> <td>3997</td> <td>3\"/> </td></tr></td></tr> | 3999 | ETR | - | WD. | J2 | PTD. | - | 3995 | 3\"/> <tr> <td>3999</td> <td>ETR</td> <td>-</td> <td>WD.</td> <td>J2</td> <td>PTD.</td> <td>-</td> <td>3997</td> <td>3\"/> </td></tr> | 3999 | ETR | - | WD. | J2 | PTD. | - | 3997 | 3\"/>
 | | | | | | | | | | | | | | | | | | | | | | | | | | | | | | | | | | | | | | | | | | | | | | | | | | | | | | | | | |
| 361A | ETR | - | WD. | J2 | PTD. | - | 359 | 3\"/> <tr> <td>362</td> <td>ETR</td> <td>-</td> <td>WD.</td> <td>J2</td> <td>PTD.</td> <td>-</td> <td>360</td> <td>3\"/> <tr> <td>363</td> <td>ETR</td> <td>-</td> <td>WD.</td> <td>J2</td> <td>PTD.</td> <td>-</td> <td>361A</td> <td>3\"/> <tr> <td>364A</td> <td>ETR</td> <td>-</td> <td>WD.</td> <td>J2</td> <td>PTD.</td> <td>-</td> <td>362</td> <td>3\"/> <tr> <td>365</td> <td>ETR</td> <td>-</td> <td>WD.</td> <td>J2</td> <td>PTD.</td> <td>-</td> <td>363</td> <td>3\"/> <tr> <td>366</td> <td>ETR</td> <td>-</td> <td>WD.</td> <td>J2</td> <td>PTD.</td> <td>-</td> <td>364A</td> <td>3\"/> <tr> <td>367</td> <td>B</td> <td>2 <td>HM</td> <td>J1</td> <td>PTD.</td> <td>1 HR.</td> <td>365</td> <td>3\"/> <tr> <td>368</td> <td>ETR</td> <td>-</td> <td>WD.</td> <td>J2</td> <td>PTD.</td> <td>-</td> <td>366</td> <td>3\"/> <tr> <td>369</td> <td>ETR</td> <td>-</td> <td>WD.</td> <td>J2</td> <td>PTD.</td> <td>-</td> <td>367</td> <td>3\"/> <tr> <td>370</td> <td>ETR</td> <td>-</td> <td>WD.</td> <td>J2</td> <td>PTD.</td> <td>-</td> <td>368</td> <td>3\"/> <tr> <td>371</td> <td>ETR</td> <td>-</td> <td>WD.</td> <td>J2</td> <td>PTD.</td> <td>-</td> <td>369</td> <td>3\"/> <tr> <td>372</td> <td>B</td> <td>2 <td>HM</td> <td>J1</td> <td>PTD.</td> <td>1 HR.</td> <td>370</td> <td>3\"/> <tr> <td>373A</td> <td>ETR</td> <td>-</td> <td>WD.</td> <td>J2</td> <td>PTD.</td> <td>-</td> <td>371</td> <td>3\"/> <tr> <td>374B</td> <td>ETR</td> <td>-</td> <td>WD.</td> <td>J2</td> <td>PTD.</td> <td>-</td> <td>372</td> <td>3\"/> <tr> <td>374C</td> <td>ETR</td> <td>-</td> <td>WD.</td> <td>J2</td> <td>PTD.</td> <td>-</td> <td>373A</td> <td>3\"/> <tr> <td>375</td> <td>B</td> <td>1 <td>WD</td> <td>J1</td> <td>PTD.</td> <td>-</td> <td>374B</td> <td>3\"/> <tr> <td>376</td> <td>B</td> <td>1 <td>WD</td> <td>J1</td> <td>PTD.</td> <td>-</td> <td>374C</td> <td>3\"/> <tr> <td>377</td> <td>B</td> <td>1 <td>WD</td> <td>J1</td> <td>PTD.</td> <td>-</td> <td>375</td> <td>3\"/> <tr> <td>377A</td> <td>B</td> <td>1 <td>WD</td> <td>J1</td> <td>PTD.</td> <td>-</td> <td>376</td> <td>3\"/> <tr> <td>378</td> <td>B</td> <td>1 <td>WD</td> <td>J1</td> <td>PTD.</td> <td>-</td> <td>377</td> <td>3\"/> <tr> <td>379</td> <td>B</td> <td>1 <td>WD</td> <td>J1</td> <td>PTD.</td> <td>-</td> <td>377A</td> <td>3\"/> <tr> <td>380A</td> <td>B</td> <td>1 <td>WD</td> <td>J1</td> <td>PTD.</td> <td>-</td> <td>378</td> <td>3\"/> <tr> <td>380B</td> <td>B</td> <td>1 <td>WD</td> <td>J1</td> <td>PTD.</td> <td>-</td> <td>379</td> <td>3\"/> <tr> <td>382</td> <td>ETR</td> <td>-</td> <td>WD.</td> <td>J2</td> <td>PTD.</td> <td>-</td> <td>380A</td> <td>3\"/> <tr> <td>382A</td> <td>D</td> <td>6 <td>ALUM.</td> <td>ANODIZE D</td> <td>-</td> <td>-</td> <td>380B</td> <td>3\"/> <tr> <td>385</td> <td>ETR</td> <td>-</td> <td>WD.</td> <td>J2</td> <td>PTD.</td> <td>-</td> <td>382</td> <td>3\"/> <tr> <td>386</td> <td>ETR</td> <td>-</td> <td>WD.</td> <td>J2</td>
<td>PTD.</td> <td>-</td> <td>382A</td> <td>3\"/> <tr> <td>387</td> <td>ETR</td> <td>-</td> <td>WD.</td> <td>J2</td> <td>PTD.</td> <td>-</td> <td>385</td> <td>3\"/> <tr> <td>388</td> <td>ETR</td> <td>-</td> <td>WD.</td> <td>J2</td> <td>PTD.</td> <td>-</td> <td>386</td> <td>3\"/> <tr> <td>389</td> <td>ETR</td> <td>-</td> <td>WD.</td> <td>J2</td> <td>PTD.</td> <td>-</td> <td>387</td> <td>3\"/> <tr> <td>391</td> <td>ETR</td> <td>-</td> <td>WD.</td> <td>J2</td> <td>PTD.</td> <td>-</td> <td>388</td> <td>3\"/> <tr> <td>391A</td> <td>ETR</td> <td>-</td> <td>WD.</td> <td>J2</td> <td>PTD.</td> <td>-</td> <td>389</td> <td>3\"/> <tr> <td>391B</td> <td>ETR</td> <td>-</td> <td>WD.</td> <td>J2</td> <td>PTD.</td> <td>-</td> <td>391</td> <td>3\"/> <tr> <td>394</td> <td>ETR</td> <td>-</td> <td>WD.</td> <td>J2</td> <td>PTD.</td> <td>-</td> <td>391A</td> <td>3\"/> <tr> <td>395</td> <td>ETR</td> <td>-</td> <td>WD.</td> <td>J2</td> <td>PTD.</td> <td>-</td> <td>391B</td> <td>3\"/> <tr> <td>396</td> <td>ETR</td> <td>-</td> <td>WD.</td> <td>J2</td> <td>PTD.</td> <td>-</td> <td>394</td> <td>3\"/> <tr> <td>398</td> <td>ETR</td> <td>-</td> <td>WD.</td> <td>J2</td> <td>PTD.</td> <td>-</td> <td>395</td> <td>3\"/> <tr> <td>399</td> <td>ETR</td> <td>-</td> <td>WD.</td> <td>J2</td> <td>PTD.</td> <td>-</td> <td>396</td> <td>3\"/> <tr> <td>3991</td> <td>ETR</td> <td>-</td> <td>WD.</td> <td>J2</td> <td>PTD.</td> <td>-</td> <td>398</td> <td>3\"/> <tr> <td>3992</td> <td>A</td> <td>3\"/> <tr> <td>3993</td> <td>ETR</td> <td>-</td> <td>WD.</td> <td>J2</td> <td>PTD.</td> <td>-</td> <td>399</td> <td>3\"/> <tr> <td>3994</td> <td>ETR</td> <td>-</td> <td>WD.</td> <td>J2</td> <td>PTD.</td> <td>-</td> <td>3991</td> <td>3\"/> <tr> <td>3995</td> <td>ETR</td> <td>-</td> <td>WD.</td> <td>J2</td> <td>PTD.</td> <td>-</td> <td>3992</td> <td>3\"/> <tr> <td>3997</td> <td>ETR</td> <td>-</td> <td>WD.</td> <td>J2</td> <td>PTD.</td> <td>-</td> <td>3993</td> <td>3\"/> <tr> <td>3998</td> <td>ETR</td> <td>-</td> <td>WD.</td> <td>J2</td> <td>PTD.</td> <td>-</td> <td>3994</td> <td>3\"/> <tr> <td>3999</td> <td>ETR</td> <td>-</td> <td>WD.</td> <td>J2</td> <td>PTD.</td> <td>-</td> <td>3995</td> <td>3\"/> <tr> <td>3999</td> <td>ETR</td> <td>-</td> <td>WD.</td> <td>J2</td> <td>PTD.</td> <td>-</td> <td>3997</td> <td>3\"/> </td></tr></td></tr></td></tr></td></tr></td></tr></td></tr></td></tr></td></tr></td></tr></td></tr></td></tr></td></tr></td></tr></td></tr></td></tr></td></tr></td></tr></td></tr></td></tr></td></tr></td></tr></td></tr></td></td></tr></td></tr></td></td></tr></td></td></tr></td></td></tr></td></td></tr></td></td></tr></td></td></tr></td></td></tr></td></td></tr></td></tr></td></tr></td></tr></td></td></tr></td></tr></td></tr></td></tr></td></tr></td></td></tr></td></tr></td></tr></td></tr></td></tr></td></tr> | 362 | ETR | -
 | WD. | J2 | PTD. | - | 360 | 3\"/> <tr> <td>363</td> <td>ETR</td> <td>-</td> <td>WD.</td> <td>J2</td> <td>PTD.</td> <td>-</td> <td>361A</td> <td>3\"/> <tr> <td>364A</td> <td>ETR</td> <td>-</td> <td>WD.</td> <td>J2</td> <td>PTD.</td> <td>-</td> <td>362</td> <td>3\"/> <tr> <td>365</td> <td>ETR</td> <td>-</td> <td>WD.</td> <td>J2</td> <td>PTD.</td> <td>-</td> <td>363</td> <td>3\"/> <tr> <td>366</td> <td>ETR</td> <td>-</td> <td>WD.</td> <td>J2</td> <td>PTD.</td> <td>-</td> <td>364A</td> <td>3\"/> <tr> <td>367</td> <td>B</td> <td>2 <td>HM</td> <td>J1</td> <td>PTD.</td> <td>1 HR.</td> <td>365</td> <td>3\"/> <tr> <td>368</td> <td>ETR</td> <td>-</td> <td>WD.</td> <td>J2</td> <td>PTD.</td> <td>-</td> <td>366</td> <td>3\"/> <tr> <td>369</td> <td>ETR</td> <td>-</td> <td>WD.</td> <td>J2</td> <td>PTD.</td> <td>-</td> <td>367</td> <td>3\"/> <tr> <td>370</td> <td>ETR</td> <td>-</td> <td>WD.</td> <td>J2</td> <td>PTD.</td> <td>-</td> <td>368</td> <td>3\"/> <tr> <td>371</td> <td>ETR</td> <td>-</td> <td>WD.</td> <td>J2</td> <td>PTD.</td> <td>-</td> <td>369</td> <td>3\"/> <tr> <td>372</td> <td>B</td> <td>2 <td>HM</td> <td>J1</td> <td>PTD.</td> <td>1 HR.</td> <td>370</td> <td>3\"/> <tr> <td>373A</td> <td>ETR</td> <td>-</td> <td>WD.</td> <td>J2</td> <td>PTD.</td> <td>-</td> <td>371</td> <td>3\"/> <tr> <td>374B</td> <td>ETR</td> <td>-</td> <td>WD.</td> <td>J2</td> <td>PTD.</td> <td>-</td> <td>372</td> <td>3\"/> <tr> <td>374C</td> <td>ETR</td> <td>-</td> <td>WD.</td> <td>J2</td> <td>PTD.</td> <td>-</td> <td>373A</td> <td>3\"/> <tr> <td>375</td> <td>B</td> <td>1 <td>WD</td> <td>J1</td> <td>PTD.</td> <td>-</td> <td>374B</td> <td>3\"/> <tr> <td>376</td> <td>B</td> <td>1 <td>WD</td> <td>J1</td> <td>PTD.</td> <td>-</td> <td>374C</td> <td>3\"/> <tr> <td>377</td> <td>B</td> <td>1 <td>WD</td> <td>J1</td> <td>PTD.</td> <td>-</td> <td>375</td> <td>3\"/> <tr> <td>377A</td> <td>B</td> <td>1 <td>WD</td> <td>J1</td> <td>PTD.</td> <td>-</td> <td>376</td> <td>3\"/> <tr> <td>378</td> <td>B</td> <td>1 <td>WD</td> <td>J1</td> <td>PTD.</td> <td>-</td> <td>377</td> <td>3\"/> <tr> <td>379</td> <td>B</td> <td>1 <td>WD</td> <td>J1</td> <td>PTD.</td> <td>-</td> <td>377A</td> <td>3\"/> <tr> <td>380A</td> <td>B</td> <td>1 <td>WD</td> <td>J1</td> <td>PTD.</td> <td>-</td> <td>378</td> <td>3\"/> <tr> <td>380B</td> <td>B</td> <td>1 <td>WD</td> <td>J1</td> <td>PTD.</td> <td>-</td> <td>379</td> <td>3\"/> <tr> <td>382</td> <td>ETR</td> <td>-</td> <td>WD.</td> <td>J2</td> <td>PTD.</td> <td>-</td> <td>380A</td> <td>3\"/> <tr> <td>382A</td> <td>D</td> <td>6 <td>ALUM.</td> <td>ANODIZE D</td> <td>-</td> <td>-</td> <td>380B</td> <td>3\"/> <tr> <td>385</td> <td>ETR</td> <td>-</td> <td>WD.</td> <td>J2</td> <td>PTD.</td> <td>-</td> <td>382</td> <td>3\"/> <tr> <td>386</td> <td>ETR</td> <td>-</td> <td>WD.</td> <td>J2</td> <td>PTD.</td> <td>-</td> <td>382A</td> <td>3\"/> <tr> <td>387</td> <td>ETR</td> <td>-</td> <td>WD.</td> <td>J2</td> <td>PTD.</td> <td>-</td> <td>385</td> <td>3\"/> <tr> <td>388</td> <td>ETR</td> <td>-</td> <td>WD.</td> <td>J2</td> <td>PTD.</td> <td>-</td> <td>386</td> <td>3\"/> <tr> <td>389</td> <td>ETR</td> <td>-</td> <td>WD.</td> <td>J2</td> <td>PTD.</td> <td>-</td> <td>387</td> <td>3\"/> <tr> <td>391</td> <td>ETR</td> <td>-</td> <td>WD.</td> <td>J2</td> <td>PTD.</td> <td>-</td> <td>388</td> <td>3\"/> <tr> <td>391A</td> <td>ETR</td> <td>-</td> <td>WD.</td> <td>J2</td> <td>PTD.</td> <td>-</td> <td>389</td> <td>3\"/> <tr> <td>391B</td> <td>ETR</td> <td>-</td> <td>WD.</td> <td>J2</td> <td>PTD.</td> <td>-</td> <td>391</td> <td>3\"/> <tr> <td>394</td> <td>ETR</td> <td>-</td> <td>WD.</td> <td>J2</td> <td>PTD.</td> <td>-</td> <td>391A</td> <td>3\"/> <tr> <td>395</td> <td>ETR</td> <td>-</td> <td>WD.</td> <td>J2</td> <td>PTD.</td> <td>-</td> <td>391B</td> <td>3\"/> <tr> <td>396</td> <td>ETR</td> <td>-</td> <td>WD.</td> <td>J2</td> <td>PTD.</td> <td>-</td> <td>394</td> <td>3\"/> <tr> <td>398</td> <td>ETR</td> <td>-</td> <td>WD.</td> <td>J2</td> <td>PTD.</td> <td>-</td> <td>395</td> <td>3\"/> <tr> <td>399</td> <td>ETR</td> <td>-</td> <td>WD.</td> <td>J2</td> <td>PTD.</td> <td>-</td> <td>396</td> <td>3\"/> <tr> <td>3991</td> <td>ETR</td> <td>-</td> <td>WD.</td> <td>J2</td> <td>PTD.</td> <td>-</td> <td>398</td> <td>3\"/> <tr> <td>3992</td> <td>A</td> <td>3\"/> <tr> <td>3993</td> <td>ETR</td> <td>-</td> <td>WD.</td> <td>J2</td> <td>PTD.</td> <td>-</td> <td>399</td> <td>3\"/> <tr> <td>3994</td> <td>ETR</td> <td>-</td> <td>WD.</td> <td>J2</td> <td>PTD.</td> <td>-</td> <td>3991</td> <td>3\"/> <tr> <td>3995</td> <td>ETR</td> <td>-</td> <td>WD.</td> <td>J2</td> <td>PTD.</td> <td>-</td> <td>3992</td> <td>3\"/> <tr> <td>3997</td> <td>ETR</td> <td>-</td> <td>WD.</td> <td>J2</td> <td>PTD.</td> <td>-</td> <td>3993</td> <td>3\"/> <tr> <td>3998</td> <td>ETR</td> <td>-</td> <td>WD.</td> <td>J2</td> <td>PTD.</td> <td>-</td> <td>3994</td> <td>3\"/> <tr> <td>3999</td> <td>ETR</td> <td>-</td> <td>WD.</td> <td>J2</td> <td>PTD.</td> <td>-</td> <td>3995</td> <td>3\"/> <tr> <td>3999</td> <td>ETR</td> <td>-</td> <td>WD.</td> <td>J2</td> <td>PTD.</td> <td>-</td> <td>3997</td> <td>3\"/> </td></tr></td></tr></td></tr></td></tr></td></tr></td></tr></td></tr></td></tr></td></tr></td></tr></td></tr></td></tr></td></tr></td></tr></td></tr></td></tr></td></tr></td></tr></td></tr></td></tr></td></tr></td></tr></td></td></tr></td></tr></td></td></tr></td></td></tr></td></td></tr></td></td></tr></td></td></tr></td></td></tr></td></td></tr></td></td></tr></td></tr></td></tr></td></tr></td></td></tr></td></tr></td></tr></td></tr></td></tr></td></td></tr></td></tr></td></tr></td></tr></td></tr> | 363 | ETR | -
 | WD. | J2 | PTD. | - | 361A | 3\"/> <tr> <td>364A</td> <td>ETR</td> <td>-</td> <td>WD.</td> <td>J2</td> <td>PTD.</td> <td>-</td> <td>362</td> <td>3\"/> <tr> <td>365</td> <td>ETR</td> <td>-</td> <td>WD.</td> <td>J2</td> <td>PTD.</td> <td>-</td> <td>363</td> <td>3\"/> <tr> <td>366</td> <td>ETR</td> <td>-</td> <td>WD.</td> <td>J2</td> <td>PTD.</td> <td>-</td> <td>364A</td> <td>3\"/> <tr> <td>367</td> <td>B</td> <td>2 <td>HM</td> <td>J1</td> <td>PTD.</td> <td>1 HR.</td> <td>365</td> <td>3\"/> <tr> <td>368</td> <td>ETR</td> <td>-</td> <td>WD.</td> <td>J2</td> <td>PTD.</td> <td>-</td> <td>366</td> <td>3\"/> <tr> <td>369</td> <td>ETR</td> <td>-</td> <td>WD.</td> <td>J2</td> <td>PTD.</td> <td>-</td> <td>367</td> <td>3\"/> <tr> <td>370</td> <td>ETR</td> <td>-</td> <td>WD.</td> <td>J2</td> <td>PTD.</td> <td>-</td> <td>368</td> <td>3\"/> <tr> <td>371</td> <td>ETR</td> <td>-</td> <td>WD.</td> <td>J2</td> <td>PTD.</td> <td>-</td> <td>369</td> <td>3\"/> <tr> <td>372</td> <td>B</td> <td>2 <td>HM</td> <td>J1</td> <td>PTD.</td> <td>1 HR.</td> <td>370</td> <td>3\"/> <tr> <td>373A</td> <td>ETR</td> <td>-</td> <td>WD.</td> <td>J2</td> <td>PTD.</td> <td>-</td> <td>371</td> <td>3\"/> <tr> <td>374B</td> <td>ETR</td> <td>-</td> <td>WD.</td> <td>J2</td> <td>PTD.</td> <td>-</td> <td>372</td> <td>3\"/> <tr> <td>374C</td> <td>ETR</td> <td>-</td> <td>WD.</td> <td>J2</td> <td>PTD.</td> <td>-</td> <td>373A</td> <td>3\"/> <tr> <td>375</td> <td>B</td> <td>1 <td>WD</td> <td>J1</td> <td>PTD.</td> <td>-</td> <td>374B</td> <td>3\"/> <tr> <td>376</td> <td>B</td> <td>1 <td>WD</td> <td>J1</td> <td>PTD.</td> <td>-</td> <td>374C</td> <td>3\"/> <tr> <td>377</td> <td>B</td> <td>1 <td>WD</td> <td>J1</td> <td>PTD.</td> <td>-</td> <td>375</td> <td>3\"/> <tr> <td>377A</td> <td>B</td> <td>1 <td>WD</td> <td>J1</td> <td>PTD.</td> <td>-</td> <td>376</td> <td>3\"/> <tr> <td>378</td> <td>B</td> <td>1 <td>WD</td> <td>J1</td> <td>PTD.</td> <td>-</td> <td>377</td> <td>3\"/> <tr> <td>379</td> <td>B</td> <td>1 <td>WD</td> <td>J1</td> <td>PTD.</td> <td>-</td> <td>377A</td> <td>3\"/> <tr> <td>380A</td> <td>B</td> <td>1 <td>WD</td> <td>J1</td> <td>PTD.</td> <td>-</td> <td>378</td> <td>3\"/> <tr> <td>380B</td> <td>B</td> <td>1 <td>WD</td> <td>J1</td> <td>PTD.</td> <td>-</td> <td>379</td> <td>3\"/> <tr> <td>382</td> <td>ETR</td> <td>-</td> <td>WD.</td> <td>J2</td> <td>PTD.</td> <td>-</td> <td>380A</td> <td>3\"/> <tr> <td>382A</td> <td>D</td> <td>6 <td>ALUM.</td> <td>ANODIZE D</td> <td>-</td> <td>-</td> <td>380B</td> <td>3\"/> <tr> <td>385</td> <td>ETR</td> <td>-</td> <td>WD.</td> <td>J2</td> <td>PTD.</td> <td>-</td> <td>382</td> <td>3\"/> <tr> <td>386</td> <td>ETR</td> <td>-</td> <td>WD.</td> <td>J2</td> <td>PTD.</td> <td>-</td> <td>382A</td> <td>3\"/> <tr> <td>387</td> <td>ETR</td> <td>-</td> <td>WD.</td> <td>J2</td> <td>PTD.</td> <td>-</td> <td>385</td> <td>3\"/> <tr> <td>388</td> <td>ETR</td> <td>-</td> <td>WD.</td> <td>J2</td> <td>PTD.</td> <td>-</td> <td>386</td> <td>3\"/> <tr> <td>389</td> <td>ETR</td> <td>-</td> <td>WD.</td> <td>J2</td> <td>PTD.</td> <td>-</td> <td>387</td> <td>3\"/> <tr> <td>391</td> <td>ETR</td> <td>-</td> <td>WD.</td> <td>J2</td> <td>PTD.</td> <td>-</td> <td>388</td> <td>3\"/> <tr> <td>391A</td> <td>ETR</td> <td>-</td> <td>WD.</td> <td>J2</td> <td>PTD.</td> <td>-</td> <td>389</td> <td>3\"/> <tr> <td>391B</td> <td>ETR</td> <td>-</td> <td>WD.</td> <td>J2</td> <td>PTD.</td> <td>-</td> <td>391</td> <td>3\"/> <tr> <td>394</td> <td>ETR</td> <td>-</td> <td>WD.</td> <td>J2</td> <td>PTD.</td> <td>-</td> <td>391A</td> <td>3\"/> <tr> <td>395</td> <td>ETR</td> <td>-</td> <td>WD.</td> <td>J2</td> <td>PTD.</td> <td>-</td> <td>391B</td> <td>3\"/> <tr> <td>396</td> <td>ETR</td> <td>-</td> <td>WD.</td> <td>J2</td> <td>PTD.</td> <td>-</td> <td>394</td> <td>3\"/> <tr> <td>398</td> <td>ETR</td> <td>-</td> <td>WD.</td> <td>J2</td> <td>PTD.</td> <td>-</td> <td>395</td> <td>3\"/> <tr> <td>399</td> <td>ETR</td> <td>-</td> <td>WD.</td> <td>J2</td> <td>PTD.</td> <td>-</td> <td>396</td> <td>3\"/> <tr> <td>3991</td> <td>ETR</td> <td>-</td> <td>WD.</td> <td>J2</td> <td>PTD.</td> <td>-</td> <td>398</td> <td>3\"/> <tr> <td>3992</td> <td>A</td> <td>3\"/> <tr> <td>3993</td> <td>ETR</td> <td>-</td> <td>WD.</td> <td>J2</td> <td>PTD.</td> <td>-</td> <td>399</td> <td>3\"/> <tr> <td>3994</td> <td>ETR</td> <td>-</td> <td>WD.</td> <td>J2</td> <td>PTD.</td> <td>-</td> <td>3991</td> <td>3\"/> <tr> <td>3995</td> <td>ETR</td> <td>-</td> <td>WD.</td> <td>J2</td> <td>PTD.</td> <td>-</td> <td>3992</td> <td>3\"/> <tr> <td>3997</td> <td>ETR</td> <td>-</td> <td>WD.</td> <td>J2</td> <td>PTD.</td> <td>-</td> <td>3993</td> <td>3\"/> <tr> <td>3998</td> <td>ETR</td> <td>-</td> <td>WD.</td> <td>J2</td> <td>PTD.</td> <td>-</td> <td>3994</td> <td>3\"/> <tr> <td>3999</td> <td>ETR</td> <td>-</td> <td>WD.</td> <td>J2</td> <td>PTD.</td> <td>-</td> <td>3995</td> <td>3\"/> <tr> <td>3999</td> <td>ETR</td> <td>-</td> <td>WD.</td> <td>J2</td> <td>PTD.</td> <td>-</td> <td>3997</td> <td>3\"/> </td></tr></td></tr></td></tr></td></tr></td></tr></td></tr></td></tr></td></tr></td></tr></td></tr></td></tr></td></tr></td></tr></td></tr></td></tr></td></tr></td></tr></td></tr></td></tr></td></tr></td></tr></td></tr></td></td></tr></td></tr></td></td></tr></td></td></tr></td></td></tr></td></td></tr></td></td></tr></td></td></tr></td></td></tr></td></td></tr></td></tr></td></tr></td></tr></td></td></tr></td></tr></td></tr></td></tr></td></tr></td></td></tr></td></tr></td></tr></td></tr>
 | 364A | ETR | - | WD. | J2 | PTD. | - | 362 | 3\"/> <tr> <td>365</td> <td>ETR</td> <td>-</td> <td>WD.</td> <td>J2</td> <td>PTD.</td> <td>-</td> <td>363</td> <td>3\"/> <tr> <td>366</td> <td>ETR</td> <td>-</td> <td>WD.</td> <td>J2</td> <td>PTD.</td> <td>-</td> <td>364A</td> <td>3\"/> <tr> <td>367</td> <td>B</td> <td>2 <td>HM</td> <td>J1</td> <td>PTD.</td> <td>1 HR.</td> <td>365</td> <td>3\"/> <tr> <td>368</td> <td>ETR</td> <td>-</td> <td>WD.</td> <td>J2</td> <td>PTD.</td> <td>-</td> <td>366</td> <td>3\"/> <tr> <td>369</td> <td>ETR</td> <td>-</td> <td>WD.</td> <td>J2</td> <td>PTD.</td> <td>-</td> <td>367</td> <td>3\"/> <tr> <td>370</td> <td>ETR</td> <td>-</td> <td>WD.</td> <td>J2</td> <td>PTD.</td> <td>-</td> <td>368</td> <td>3\"/> <tr> <td>371</td> <td>ETR</td> <td>-</td> <td>WD.</td> <td>J2</td> <td>PTD.</td> <td>-</td> <td>369</td> <td>3\"/> <tr> <td>372</td> <td>B</td> <td>2 <td>HM</td> <td>J1</td> <td>PTD.</td> <td>1 HR.</td> <td>370</td> <td>3\"/> <tr> <td>373A</td> <td>ETR</td> <td>-</td> <td>WD.</td> <td>J2</td> <td>PTD.</td> <td>-</td> <td>371</td> <td>3\"/> <tr> <td>374B</td> <td>ETR</td> <td>-</td> <td>WD.</td> <td>J2</td> <td>PTD.</td> <td>-</td> <td>372</td> <td>3\"/> <tr> <td>374C</td> <td>ETR</td> <td>-</td> <td>WD.</td> <td>J2</td> <td>PTD.</td> <td>-</td> <td>373A</td> <td>3\"/> <tr> <td>375</td> <td>B</td> <td>1 <td>WD</td> <td>J1</td> <td>PTD.</td> <td>-</td> <td>374B</td> <td>3\"/> <tr> <td>376</td> <td>B</td> <td>1 <td>WD</td> <td>J1</td> <td>PTD.</td> <td>-</td> <td>374C</td> <td>3\"/> <tr> <td>377</td> <td>B</td> <td>1 <td>WD</td> <td>J1</td> <td>PTD.</td> <td>-</td> <td>375</td> <td>3\"/> <tr> <td>377A</td> <td>B</td> <td>1 <td>WD</td> <td>J1</td> <td>PTD.</td> <td>-</td> <td>376</td> <td>3\"/> <tr> <td>378</td> <td>B</td> <td>1 <td>WD</td> <td>J1</td> <td>PTD.</td> <td>-</td> <td>377</td> <td>3\"/> <tr> <td>379</td> <td>B</td> <td>1 <td>WD</td> <td>J1</td> <td>PTD.</td> <td>-</td> <td>377A</td> <td>3\"/> <tr> <td>380A</td> <td>B</td> <td>1 <td>WD</td> <td>J1</td> <td>PTD.</td> <td>-</td> <td>378</td> <td>3\"/> <tr> <td>380B</td> <td>B</td> <td>1 <td>WD</td> <td>J1</td> <td>PTD.</td> <td>-</td> <td>379</td> <td>3\"/> <tr> <td>382</td> <td>ETR</td> <td>-</td> <td>WD.</td> <td>J2</td> <td>PTD.</td> <td>-</td> <td>380A</td> <td>3\"/> <tr> <td>382A</td> <td>D</td> <td>6 <td>ALUM.</td> <td>ANODIZE D</td> <td>-</td> <td>-</td> <td>380B</td> <td>3\"/> <tr> <td>385</td> <td>ETR</td> <td>-</td> <td>WD.</td> <td>J2</td> <td>PTD.</td> <td>-</td> <td>382</td> <td>3\"/> <tr> <td>386</td> <td>ETR</td> <td>-</td> <td>WD.</td> <td>J2</td> <td>PTD.</td> <td>-</td> <td>382A</td> <td>3\"/> <tr> <td>387</td> <td>ETR</td> <td>-</td> <td>WD.</td> <td>J2</td> <td>PTD.</td> <td>-</td> <td>385</td> <td>3\"/> <tr> <td>388</td> <td>ETR</td> <td>-</td>
<td>WD.</td> <td>J2</td> <td>PTD.</td> <td>-</td> <td>386</td> <td>3\"/> <tr> <td>389</td> <td>ETR</td> <td>-</td> <td>WD.</td> <td>J2</td> <td>PTD.</td> <td>-</td> <td>387</td> <td>3\"/> <tr> <td>391</td> <td>ETR</td> <td>-</td> <td>WD.</td> <td>J2</td> <td>PTD.</td> <td>-</td> <td>388</td> <td>3\"/> <tr> <td>391A</td> <td>ETR</td> <td>-</td> <td>WD.</td> <td>J2</td> <td>PTD.</td> <td>-</td> <td>389</td> <td>3\"/> <tr> <td>391B</td> <td>ETR</td> <td>-</td> <td>WD.</td> <td>J2</td> <td>PTD.</td> <td>-</td> <td>391</td> <td>3\"/> <tr> <td>394</td> <td>ETR</td> <td>-</td> <td>WD.</td> <td>J2</td> <td>PTD.</td> <td>-</td> <td>391A</td> <td>3\"/> <tr> <td>395</td> <td>ETR</td> <td>-</td> <td>WD.</td> <td>J2</td> <td>PTD.</td> <td>-</td> <td>391B</td> <td>3\"/> <tr> <td>396</td> <td>ETR</td> <td>-</td> <td>WD.</td> <td>J2</td> <td>PTD.</td> <td>-</td> <td>394</td> <td>3\"/> <tr> <td>398</td> <td>ETR</td> <td>-</td> <td>WD.</td> <td>J2</td> <td>PTD.</td> <td>-</td> <td>395</td> <td>3\"/> <tr> <td>399</td> <td>ETR</td> <td>-</td> <td>WD.</td> <td>J2</td> <td>PTD.</td> <td>-</td> <td>396</td> <td>3\"/> <tr> <td>3991</td> <td>ETR</td> <td>-</td> <td>WD.</td> <td>J2</td> <td>PTD.</td> <td>-</td> <td>398</td> <td>3\"/> <tr> <td>3992</td> <td>A</td> <td>3\"/> <tr> <td>3993</td> <td>ETR</td> <td>-</td> <td>WD.</td> <td>J2</td> <td>PTD.</td> <td>-</td> <td>399</td> <td>3\"/> <tr> <td>3994</td> <td>ETR</td> <td>-</td> <td>WD.</td> <td>J2</td> <td>PTD.</td> <td>-</td> <td>3991</td> <td>3\"/> <tr> <td>3995</td> <td>ETR</td> <td>-</td> <td>WD.</td> <td>J2</td> <td>PTD.</td> <td>-</td> <td>3992</td> <td>3\"/> <tr> <td>3997</td> <td>ETR</td> <td>-</td> <td>WD.</td> <td>J2</td> <td>PTD.</td> <td>-</td> <td>3993</td> <td>3\"/> <tr> <td>3998</td> <td>ETR</td> <td>-</td> <td>WD.</td> <td>J2</td> <td>PTD.</td> <td>-</td> <td>3994</td> <td>3\"/> <tr> <td>3999</td> <td>ETR</td> <td>-</td> <td>WD.</td> <td>J2</td> <td>PTD.</td> <td>-</td> <td>3995</td> <td>3\"/> <tr> <td>3999</td> <td>ETR</td> <td>-</td> <td>WD.</td> <td>J2</td> <td>PTD.</td> <td>-</td> <td>3997</td> <td>3\"/> </td></tr></td></tr></td></tr></td></tr></td></tr></td></tr></td></tr></td></tr></td></tr></td></tr></td></tr></td></tr></td></tr></td></tr></td></tr></td></tr></td></tr></td></tr></td></tr></td></tr></td></tr></td></tr></td></td></tr></td></tr></td></td></tr></td></td></tr></td></td></tr></td></td></tr></td></td></tr></td></td></tr></td></td></tr></td></td></tr></td></tr></td></tr></td></tr></td></td></tr></td></tr></td></tr></td></tr></td></tr></td></td></tr></td></tr></td></tr> | 365 | ETR | - | WD. | J2 | PTD.
 - | 363 | 3\"/> <tr> <td>366</td> <td>ETR</td> <td>-</td> <td>WD.</td> <td>J2</td> <td>PTD.</td> <td>-</td> <td>364A</td> <td>3\"/> <tr> <td>367</td> <td>B</td> <td>2 <td>HM</td> <td>J1</td> <td>PTD.</td> <td>1 HR.</td> <td>365</td> <td>3\"/> <tr> <td>368</td> <td>ETR</td> <td>-</td> <td>WD.</td> <td>J2</td> <td>PTD.</td> <td>-</td> <td>366</td> <td>3\"/> <tr> <td>369</td> <td>ETR</td> <td>-</td> <td>WD.</td> <td>J2</td> <td>PTD.</td> <td>-</td> <td>367</td> <td>3\"/> <tr> <td>370</td> <td>ETR</td> <td>-</td> <td>WD.</td> <td>J2</td> <td>PTD.</td> <td>-</td> <td>368</td> <td>3\"/> <tr> <td>371</td> <td>ETR</td> <td>-</td> <td>WD.</td> <td>J2</td> <td>PTD.</td> <td>-</td> <td>369</td> <td>3\"/> <tr> <td>372</td> <td>B</td> <td>2 <td>HM</td> <td>J1</td> <td>PTD.</td> <td>1 HR.</td> <td>370</td> <td>3\"/> <tr> <td>373A</td> <td>ETR</td> <td>-</td> <td>WD.</td> <td>J2</td> <td>PTD.</td> <td>-</td> <td>371</td> <td>3\"/> <tr> <td>374B</td> <td>ETR</td> <td>-</td> <td>WD.</td> <td>J2</td> <td>PTD.</td> <td>-</td> <td>372</td> <td>3\"/> <tr> <td>374C</td> <td>ETR</td> <td>-</td> <td>WD.</td> <td>J2</td> <td>PTD.</td> <td>-</td> <td>373A</td> <td>3\"/> <tr> <td>375</td> <td>B</td> <td>1 <td>WD</td> <td>J1</td> <td>PTD.</td> <td>-</td> <td>374B</td> <td>3\"/> <tr> <td>376</td> <td>B</td> <td>1 <td>WD</td> <td>J1</td> <td>PTD.</td> <td>-</td> <td>374C</td> <td>3\"/> <tr> <td>377</td> <td>B</td> <td>1 <td>WD</td> <td>J1</td> <td>PTD.</td> <td>-</td> <td>375</td> <td>3\"/> <tr> <td>377A</td> <td>B</td> <td>1 <td>WD</td> <td>J1</td> <td>PTD.</td> <td>-</td> <td>376</td> <td>3\"/> <tr> <td>378</td> <td>B</td> <td>1 <td>WD</td> <td>J1</td> <td>PTD.</td> <td>-</td> <td>377</td> <td>3\"/> <tr> <td>379</td> <td>B</td> <td>1 <td>WD</td> <td>J1</td> <td>PTD.</td> <td>-</td> <td>377A</td> <td>3\"/> <tr> <td>380A</td> <td>B</td> <td>1 <td>WD</td> <td>J1</td> <td>PTD.</td> <td>-</td> <td>378</td> <td>3\"/> <tr> <td>380B</td> <td>B</td> <td>1 <td>WD</td> <td>J1</td> <td>PTD.</td> <td>-</td> <td>379</td> <td>3\"/> <tr> <td>382</td> <td>ETR</td> <td>-</td> <td>WD.</td> <td>J2</td> <td>PTD.</td> <td>-</td> <td>380A</td> <td>3\"/> <tr> <td>382A</td> <td>D</td> <td>6 <td>ALUM.</td> <td>ANODIZE D</td> <td>-</td> <td>-</td> <td>380B</td> <td>3\"/> <tr> <td>385</td> <td>ETR</td> <td>-</td> <td>WD.</td> <td>J2</td> <td>PTD.</td> <td>-</td> <td>382</td> <td>3\"/> <tr> <td>386</td> <td>ETR</td> <td>-</td> <td>WD.</td> <td>J2</td> <td>PTD.</td> <td>-</td> <td>382A</td> <td>3\"/> <tr> <td>387</td> <td>ETR</td> <td>-</td> <td>WD.</td> <td>J2</td> <td>PTD.</td> <td>-</td> <td>385</td> <td>3\"/> <tr> <td>388</td> <td>ETR</td> <td>-</td> <td>WD.</td> <td>J2</td> <td>PTD.</td> <td>-</td> <td>386</td> <td>3\"/> <tr> <td>389</td> <td>ETR</td> <td>-</td> <td>WD.</td> <td>J2</td> <td>PTD.</td> <td>-</td> <td>387</td> <td>3\"/> <tr> <td>391</td> <td>ETR</td> <td>-</td> <td>WD.</td> <td>J2</td> <td>PTD.</td> <td>-</td> <td>388</td> <td>3\"/> <tr> <td>391A</td> <td>ETR</td> <td>-</td> <td>WD.</td> <td>J2</td> <td>PTD.</td> <td>-</td> <td>389</td> <td>3\"/> <tr> <td>391B</td> <td>ETR</td> <td>-</td> <td>WD.</td> <td>J2</td> <td>PTD.</td> <td>-</td> <td>391</td> <td>3\"/> <tr> <td>394</td> <td>ETR</td> <td>-</td> <td>WD.</td> <td>J2</td> <td>PTD.</td> <td>-</td> <td>391A</td> <td>3\"/> <tr> <td>395</td> <td>ETR</td> <td>-</td> <td>WD.</td> <td>J2</td> <td>PTD.</td> <td>-</td> <td>391B</td> <td>3\"/> <tr> <td>396</td> <td>ETR</td> <td>-</td> <td>WD.</td> <td>J2</td> <td>PTD.</td> <td>-</td> <td>394</td> <td>3\"/> <tr> <td>398</td> <td>ETR</td> <td>-</td> <td>WD.</td> <td>J2</td> <td>PTD.</td> <td>-</td> <td>395</td> <td>3\"/> <tr> <td>399</td> <td>ETR</td> <td>-</td> <td>WD.</td> <td>J2</td> <td>PTD.</td> <td>-</td> <td>396</td> <td>3\"/> <tr> <td>3991</td> <td>ETR</td> <td>-</td> <td>WD.</td> <td>J2</td> <td>PTD.</td> <td>-</td> <td>398</td> <td>3\"/> <tr> <td>3992</td> <td>A</td> <td>3\"/> <tr> <td>3993</td> <td>ETR</td> <td>-</td> <td>WD.</td> <td>J2</td> <td>PTD.</td> <td>-</td> <td>399</td> <td>3\"/> <tr> <td>3994</td> <td>ETR</td> <td>-</td> <td>WD.</td> <td>J2</td> <td>PTD.</td> <td>-</td> <td>3991</td> <td>3\"/> <tr> <td>3995</td> <td>ETR</td> <td>-</td> <td>WD.</td> <td>J2</td> <td>PTD.</td> <td>-</td> <td>3992</td> <td>3\"/> <tr> <td>3997</td> <td>ETR</td> <td>-</td> <td>WD.</td> <td>J2</td> <td>PTD.</td> <td>-</td> <td>3993</td> <td>3\"/> <tr> <td>3998</td> <td>ETR</td> <td>-</td> <td>WD.</td> <td>J2</td> <td>PTD.</td> <td>-</td> <td>3994</td> <td>3\"/> <tr> <td>3999</td> <td>ETR</td> <td>-</td> <td>WD.</td> <td>J2</td> <td>PTD.</td> <td>-</td> <td>3995</td> <td>3\"/> <tr> <td>3999</td> <td>ETR</td> <td>-</td> <td>WD.</td> <td>J2</td> <td>PTD.</td> <td>-</td> <td>3997</td> <td>3\"/> </td></tr></td></tr></td></tr></td></tr></td></tr></td></tr></td></tr></td></tr></td></tr></td></tr></td></tr></td></tr></td></tr></td></tr></td></tr></td></tr></td></tr></td></tr></td></tr></td></tr></td></tr></td></tr></td></td></tr></td></tr></td></td></tr></td></td></tr></td></td></tr></td></td></tr></td></td></tr></td></td></tr></td></td></tr></td></td></tr></td></tr></td></tr></td></tr></td></td></tr></td></tr></td></tr></td></tr></td></tr></td></td></tr></td></tr> | 366 | ETR | -
 | WD. | J2 | PTD. | - | 364A | 3\"/> <tr> <td>367</td> <td>B</td> <td>2 <td>HM</td> <td>J1</td> <td>PTD.</td> <td>1 HR.</td> <td>365</td> <td>3\"/> <tr> <td>368</td> <td>ETR</td> <td>-</td> <td>WD.</td> <td>J2</td> <td>PTD.</td> <td>-</td> <td>366</td> <td>3\"/> <tr> <td>369</td> <td>ETR</td> <td>-</td> <td>WD.</td> <td>J2</td> <td>PTD.</td> <td>-</td> <td>367</td> <td>3\"/> <tr> <td>370</td> <td>ETR</td> <td>-</td> <td>WD.</td> <td>J2</td> <td>PTD.</td> <td>-</td> <td>368</td> <td>3\"/> <tr> <td>371</td> <td>ETR</td> <td>-</td> <td>WD.</td> <td>J2</td> <td>PTD.</td> <td>-</td> <td>369</td> <td>3\"/> <tr> <td>372</td> <td>B</td> <td>2 <td>HM</td> <td>J1</td> <td>PTD.</td> <td>1 HR.</td> <td>370</td> <td>3\"/> <tr> <td>373A</td> <td>ETR</td> <td>-</td> <td>WD.</td> <td>J2</td> <td>PTD.</td> <td>-</td> <td>371</td> <td>3\"/> <tr> <td>374B</td> <td>ETR</td> <td>-</td> <td>WD.</td> <td>J2</td> <td>PTD.</td> <td>-</td> <td>372</td> <td>3\"/> <tr> <td>374C</td> <td>ETR</td> <td>-</td> <td>WD.</td> <td>J2</td> <td>PTD.</td> <td>-</td> <td>373A</td> <td>3\"/> <tr> <td>375</td> <td>B</td> <td>1 <td>WD</td> <td>J1</td> <td>PTD.</td> <td>-</td> <td>374B</td> <td>3\"/> <tr> <td>376</td> <td>B</td> <td>1 <td>WD</td> <td>J1</td> <td>PTD.</td> <td>-</td> <td>374C</td> <td>3\"/> <tr> <td>377</td> <td>B</td> <td>1 <td>WD</td> <td>J1</td> <td>PTD.</td> <td>-</td> <td>375</td> <td>3\"/> <tr> <td>377A</td> <td>B</td> <td>1 <td>WD</td> <td>J1</td> <td>PTD.</td> <td>-</td> <td>376</td> <td>3\"/> <tr> <td>378</td> <td>B</td> <td>1 <td>WD</td> <td>J1</td> <td>PTD.</td> <td>-</td> <td>377</td> <td>3\"/> <tr> <td>379</td> <td>B</td> <td>1 <td>WD</td> <td>J1</td> <td>PTD.</td> <td>-</td> <td>377A</td> <td>3\"/> <tr> <td>380A</td> <td>B</td> <td>1 <td>WD</td> <td>J1</td> <td>PTD.</td> <td>-</td> <td>378</td> <td>3\"/> <tr> <td>380B</td> <td>B</td> <td>1 <td>WD</td> <td>J1</td> <td>PTD.</td> <td>-</td> <td>379</td> <td>3\"/> <tr> <td>382</td> <td>ETR</td> <td>-</td> <td>WD.</td> <td>J2</td> <td>PTD.</td> <td>-</td> <td>380A</td> <td>3\"/> <tr> <td>382A</td> <td>D</td> <td>6 <td>ALUM.</td> <td>ANODIZE D</td> <td>-</td> <td>-</td> <td>380B</td> <td>3\"/> <tr> <td>385</td> <td>ETR</td> <td>-</td> <td>WD.</td> <td>J2</td> <td>PTD.</td> <td>-</td> <td>382</td> <td>3\"/> <tr> <td>386</td> <td>ETR</td> <td>-</td> <td>WD.</td> <td>J2</td> <td>PTD.</td> <td>-</td> <td>382A</td> <td>3\"/> <tr> <td>387</td> <td>ETR</td> <td>-</td> <td>WD.</td> <td>J2</td> <td>PTD.</td> <td>-</td> <td>385</td> <td>3\"/> <tr> <td>388</td> <td>ETR</td> <td>-</td> <td>WD.</td> <td>J2</td> <td>PTD.</td> <td>-</td> <td>386</td> <td>3\"/> <tr> <td>389</td> <td>ETR</td> <td>-</td> <td>WD.</td> <td>J2</td> <td>PTD.</td> <td>-</td> <td>387</td> <td>3\"/> <tr> <td>391</td> <td>ETR</td> <td>-</td> <td>WD.</td> <td>J2</td> <td>PTD.</td> <td>-</td> <td>388</td> <td>3\"/> <tr> <td>391A</td> <td>ETR</td> <td>-</td> <td>WD.</td> <td>J2</td> <td>PTD.</td> <td>-</td> <td>389</td> <td>3\"/> <tr> <td>391B</td> <td>ETR</td> <td>-</td> <td>WD.</td> <td>J2</td> <td>PTD.</td> <td>-</td> <td>391</td> <td>3\"/> <tr> <td>394</td> <td>ETR</td> <td>-</td> <td>WD.</td> <td>J2</td> <td>PTD.</td> <td>-</td> <td>391A</td> <td>3\"/> <tr> <td>395</td> <td>ETR</td> <td>-</td> <td>WD.</td> <td>J2</td> <td>PTD.</td> <td>-</td> <td>391B</td> <td>3\"/> <tr> <td>396</td> <td>ETR</td> <td>-</td> <td>WD.</td> <td>J2</td> <td>PTD.</td> <td>-</td> <td>394</td> <td>3\"/> <tr> <td>398</td> <td>ETR</td> <td>-</td> <td>WD.</td> <td>J2</td> <td>PTD.</td> <td>-</td> <td>395</td> <td>3\"/> <tr> <td>399</td> <td>ETR</td> <td>-</td> <td>WD.</td> <td>J2</td> <td>PTD.</td> <td>-</td> <td>396</td> <td>3\"/> <tr> <td>3991</td> <td>ETR</td> <td>-</td> <td>WD.</td> <td>J2</td> <td>PTD.</td> <td>-</td> <td>398</td> <td>3\"/> <tr> <td>3992</td> <td>A</td> <td>3\"/> <tr> <td>3993</td> <td>ETR</td> <td>-</td> <td>WD.</td> <td>J2</td> <td>PTD.</td> <td>-</td> <td>399</td> <td>3\"/> <tr> <td>3994</td> <td>ETR</td> <td>-</td> <td>WD.</td> <td>J2</td> <td>PTD.</td> <td>-</td> <td>3991</td> <td>3\"/> <tr> <td>3995</td> <td>ETR</td> <td>-</td> <td>WD.</td> <td>J2</td> <td>PTD.</td> <td>-</td> <td>3992</td> <td>3\"/> <tr> <td>3997</td> <td>ETR</td> <td>-</td> <td>WD.</td> <td>J2</td> <td>PTD.</td> <td>-</td> <td>3993</td> <td>3\"/> <tr> <td>3998</td> <td>ETR</td> <td>-</td> <td>WD.</td> <td>J2</td> <td>PTD.</td> <td>-</td> <td>3994</td> <td>3\"/> <tr> <td>3999</td> <td>ETR</td> <td>-</td> <td>WD.</td> <td>J2</td> <td>PTD.</td> <td>-</td> <td>3995</td> <td>3\"/> <tr> <td>3999</td> <td>ETR</td> <td>-</td> <td>WD.</td> <td>J2</td> <td>PTD.</td> <td>-</td> <td>3997</td> <td>3\"/> </td></tr></td></tr></td></tr></td></tr></td></tr></td></tr></td></tr></td></tr></td></tr></td></tr></td></tr></td></tr></td></tr></td></tr></td></tr></td></tr></td></tr></td></tr></td></tr></td></tr></td></tr></td></tr></td></td></tr></td></tr></td></td></tr></td></td></tr></td></td></tr></td></td></tr></td></td></tr></td></td></tr></td></td></tr></td></td></tr></td></tr></td></tr></td></tr></td></td></tr></td></tr></td></tr></td></tr></td></tr></td></td></tr> | 367 | B | 2 <td>HM</td> <td>J1</td> <td>PTD.</td> <td>1 HR.</td> <td>365</td> <td>3\"/> <tr> <td>368</td> <td>ETR</td> <td>-</td> <td>WD.</td> <td>J2</td> <td>PTD.</td> <td>-</td> <td>366</td> <td>3\"/> <tr> <td>369</td> <td>ETR</td> <td>-</td> <td>WD.</td> <td>J2</td> <td>PTD.</td> <td>-</td> <td>367</td> <td>3\"/> <tr> <td>370</td> <td>ETR</td> <td>-</td> <td>WD.</td> <td>J2</td> <td>PTD.</td> <td>-</td> <td>368</td> <td>3\"/> <tr> <td>371</td> <td>ETR</td> <td>-</td> <td>WD.</td> <td>J2</td> <td>PTD.</td> <td>-</td> <td>369</td> <td>3\"/> <tr> <td>372</td> <td>B</td> <td>2 <td>HM</td> <td>J1</td> <td>PTD.</td> <td>1 HR.</td> <td>370</td> <td>3\"/> <tr> <td>373A</td> <td>ETR</td> <td>-</td> <td>WD.</td> <td>J2</td> <td>PTD.</td> <td>-</td> <td>371</td> <td>3\"/> <tr> <td>374B</td> <td>ETR</td> <td>-</td> <td>WD.</td> <td>J2</td> <td>PTD.</td> <td>-</td> <td>372</td> <td>3\"/> <tr> <td>374C</td> <td>ETR</td> <td>-</td> <td>WD.</td> <td>J2</td> <td>PTD.</td> <td>-</td> <td>373A</td> <td>3\"/> <tr> <td>375</td> <td>B</td> <td>1 <td>WD</td> <td>J1</td> <td>PTD.</td> <td>-</td> <td>374B</td> <td>3\"/> <tr> <td>376</td> <td>B</td> <td>1 <td>WD</td> <td>J1</td> <td>PTD.</td>
<td>-</td> <td>374C</td> <td>3\"/> <tr> <td>377</td> <td>B</td> <td>1 <td>WD</td> <td>J1</td> <td>PTD.</td> <td>-</td> <td>375</td> <td>3\"/> <tr> <td>377A</td> <td>B</td> <td>1 <td>WD</td> <td>J1</td> <td>PTD.</td> <td>-</td> <td>376</td> <td>3\"/> <tr> <td>378</td> <td>B</td> <td>1 <td>WD</td> <td>J1</td> <td>PTD.</td> <td>-</td> <td>377</td> <td>3\"/> <tr> <td>379</td> <td>B</td> <td>1 <td>WD</td> <td>J1</td> <td>PTD.</td> <td>-</td> <td>377A</td> <td>3\"/> <tr> <td>380A</td> <td>B</td> <td>1 <td>WD</td> <td>J1</td> <td>PTD.</td> <td>-</td> <td>378</td> <td>3\"/> <tr> <td>380B</td> <td>B</td> <td>1 <td>WD</td> <td>J1</td> <td>PTD.</td> <td>-</td> <td>379</td> <td>3\"/> <tr> <td>382</td> <td>ETR</td> <td>-</td> <td>WD.</td> <td>J2</td> <td>PTD.</td> <td>-</td> <td>380A</td> <td>3\"/> <tr> <td>382A</td> <td>D</td> <td>6 <td>ALUM.</td> <td>ANODIZE D</td> <td>-</td> <td>-</td> <td>380B</td> <td>3\"/> <tr> <td>385</td> <td>ETR</td> <td>-</td> <td>WD.</td> <td>J2</td> <td>PTD.</td> <td>-</td> <td>382</td> <td>3\"/> <tr> <td>386</td> <td>ETR</td> <td>-</td> <td>WD.</td> <td>J2</td> <td>PTD.</td> <td>-</td> <td>382A</td> <td>3\"/> <tr> <td>387</td> <td>ETR</td> <td>-</td> <td>WD.</td> <td>J2</td> <td>PTD.</td> <td>-</td> <td>385</td> <td>3\"/> <tr> <td>388</td> <td>ETR</td> <td>-</td> <td>WD.</td> <td>J2</td> <td>PTD.</td> <td>-</td> <td>386</td> <td>3\"/> <tr> <td>389</td> <td>ETR</td> <td>-</td> <td>WD.</td> <td>J2</td> <td>PTD.</td> <td>-</td> <td>387</td> <td>3\"/> <tr> <td>391</td> <td>ETR</td> <td>-</td> <td>WD.</td> <td>J2</td> <td>PTD.</td> <td>-</td> <td>388</td> <td>3\"/> <tr> <td>391A</td> <td>ETR</td> <td>-</td> <td>WD.</td> <td>J2</td> <td>PTD.</td> <td>-</td> <td>389</td> <td>3\"/> <tr> <td>391B</td> <td>ETR</td> <td>-</td> <td>WD.</td> <td>J2</td> <td>PTD.</td> <td>-</td> <td>391</td> <td>3\"/> <tr> <td>394</td> <td>ETR</td> <td>-</td> <td>WD.</td> <td>J2</td> <td>PTD.</td> <td>-</td> <td>391A</td> <td>3\"/> <tr> <td>395</td> <td>ETR</td> <td>-</td> <td>WD.</td> <td>J2</td> <td>PTD.</td> <td>-</td> <td>391B</td> <td>3\"/> <tr> <td>396</td> <td>ETR</td> <td>-</td> <td>WD.</td> <td>J2</td> <td>PTD.</td> <td>-</td> <td>394</td> <td>3\"/> <tr> <td>398</td> <td>ETR</td> <td>-</td> <td>WD.</td> <td>J2</td> <td>PTD.</td> <td>-</td> <td>395</td> <td>3\"/> <tr> <td>399</td> <td>ETR</td> <td>-</td> <td>WD.</td> <td>J2</td> <td>PTD.</td> <td>-</td> <td>396</td> <td>3\"/> <tr> <td>3991</td> <td>ETR</td> <td>-</td> <td>WD.</td> <td>J2</td> <td>PTD.</td> <td>-</td> <td>398</td> <td>3\"/> <tr> <td>3992</td> <td>A</td> <td>3\"/> <tr> <td>3993</td> <td>ETR</td> <td>-</td> <td>WD.</td> <td>J2</td> <td>PTD.</td> <td>-</td> <td>399</td> <td>3\"/> <tr> <td>3994</td> <td>ETR</td> <td>-</td> <td>WD.</td> <td>J2</td> <td>PTD.</td> <td>-</td> <td>3991</td> <td>3\"/> <tr> <td>3995</td> <td>ETR</td> <td>-</td> <td>WD.</td> <td>J2</td> <td>PTD.</td> <td>-</td> <td>3992</td> <td>3\"/> <tr> <td>3997</td> <td>ETR</td> <td>-</td> <td>WD.</td> <td>J2</td> <td>PTD.</td> <td>-</td> <td>3993</td> <td>3\"/> <tr> <td>3998</td> <td>ETR</td> <td>-</td> <td>WD.</td> <td>J2</td> <td>PTD.</td> <td>-</td> <td>3994</td> <td>3\"/> <tr> <td>3999</td> <td>ETR</td> <td>-</td> <td>WD.</td> <td>J2</td> <td>PTD.</td> <td>-</td> <td>3995</td> <td>3\"/> <tr> <td>3999</td> <td>ETR</td> <td>-</td> <td>WD.</td> <td>J2</td> <td>PTD.</td> <td>-</td> <td>3997</td> <td>3\"/> </td></tr></td></tr></td></tr></td></tr></td></tr></td></tr></td></tr></td></tr></td></tr></td></tr></td></tr></td></tr></td></tr></td></tr></td></tr></td></tr></td></tr></td></tr></td></tr></td></tr></td></tr></td></tr></td></td></tr></td></tr></td></td></tr></td></td></tr></td></td></tr></td></td></tr></td></td></tr></td></td></tr></td></td></tr></td></td></tr></td></tr></td></tr></td></tr></td></td></tr></td></tr></td></tr></td></tr></td></tr></td> | HM | J1 | PTD. | 1 HR. | 365 | 3\"/> <tr> <td>368</td> <td>ETR</td> <td>-</td> <td>WD.</td> <td>J2</td> <td>PTD.</td> <td>-</td> <td>366</td> <td>3\"/> <tr> <td>369</td> <td>ETR</td> <td>-</td> <td>WD.</td> <td>J2</td> <td>PTD.</td> <td>-</td> <td>367</td> <td>3\"/> <tr> <td>370</td> <td>ETR</td> <td>-</td> <td>WD.</td> <td>J2</td> <td>PTD.</td> <td>-</td> <td>368</td> <td>3\"/> <tr> <td>371</td> <td>ETR</td> <td>-</td> <td>WD.</td> <td>J2</td> <td>PTD.</td> <td>-</td> <td>369</td> <td>3\"/> <tr> <td>372</td> <td>B</td> <td>2 <td>HM</td> <td>J1</td> <td>PTD.</td> <td>1 HR.</td> <td>370</td> <td>3\"/> <tr> <td>373A</td> <td>ETR</td> <td>-</td> <td>WD.</td> <td>J2</td> <td>PTD.</td> <td>-</td> <td>371</td> <td>3\"/> <tr> <td>374B</td> <td>ETR</td> <td>-</td> <td>WD.</td> <td>J2</td> <td>PTD.</td> <td>-</td> <td>372</td> <td>3\"/> <tr> <td>374C</td> <td>ETR</td> <td>-</td> <td>WD.</td> <td>J2</td> <td>PTD.</td> <td>-</td> <td>373A</td> <td>3\"/> <tr> <td>375</td> <td>B</td> <td>1 <td>WD</td> <td>J1</td> <td>PTD.</td> <td>-</td> <td>374B</td> <td>3\"/> <tr> <td>376</td> <td>B</td> <td>1 <td>WD</td> <td>J1</td> <td>PTD.</td> <td>-</td> <td>374C</td> <td>3\"/> <tr> <td>377</td> <td>B</td> <td>1 <td>WD</td> <td>J1</td> <td>PTD.</td> <td>-</td> <td>375</td> <td>3\"/> <tr> <td>377A</td> <td>B</td> <td>1 <td>WD</td> <td>J1</td> <td>PTD.</td> <td>-</td> <td>376</td> <td>3\"/> <tr> <td>378</td> <td>B</td> <td>1 <td>WD</td> <td>J1</td> <td>PTD.</td> <td>-</td> <td>377</td> <td>3\"/> <tr> <td>379</td> <td>B</td> <td>1 <td>WD</td> <td>J1</td> <td>PTD.</td> <td>-</td> <td>377A</td> <td>3\"/> <tr> <td>380A</td> <td>B</td> <td>1 <td>WD</td> <td>J1</td> <td>PTD.</td> <td>-</td> <td>378</td> <td>3\"/> <tr> <td>380B</td> <td>B</td> <td>1 <td>WD</td> <td>J1</td> <td>PTD.</td> <td>-</td> <td>379</td> <td>3\"/> <tr> <td>382</td> <td>ETR</td> <td>-</td> <td>WD.</td> <td>J2</td> <td>PTD.</td> <td>-</td> <td>380A</td> <td>3\"/> <tr> <td>382A</td> <td>D</td> <td>6 <td>ALUM.</td> <td>ANODIZE D</td> <td>-</td> <td>-</td> <td>380B</td> <td>3\"/> <tr> <td>385</td> <td>ETR</td> <td>-</td> <td>WD.</td> <td>J2</td> <td>PTD.</td> <td>-</td> <td>382</td> <td>3\"/> <tr> <td>386</td> <td>ETR</td> <td>-</td> <td>WD.</td> <td>J2</td> <td>PTD.</td> <td>-</td> <td>382A</td> <td>3\"/> <tr> <td>387</td> <td>ETR</td> <td>-</td> <td>WD.</td> <td>J2</td> <td>PTD.</td> <td>-</td> <td>385</td> <td>3\"/> <tr> <td>388</td> <td>ETR</td> <td>-</td> <td>WD.</td> <td>J2</td> <td>PTD.</td> <td>-</td> <td>386</td> <td>3\"/> <tr> <td>389</td> <td>ETR</td> <td>-</td> <td>WD.</td> <td>J2</td> <td>PTD.</td> <td>-</td> <td>387</td> <td>3\"/> <tr> <td>391</td> <td>ETR</td> <td>-</td> <td>WD.</td> <td>J2</td> <td>PTD.</td> <td>-</td> <td>388</td> <td>3\"/> <tr> <td>391A</td> <td>ETR</td> <td>-</td> <td>WD.</td> <td>J2</td> <td>PTD.</td> <td>-</td> <td>389</td> <td>3\"/> <tr> <td>391B</td> <td>ETR</td> <td>-</td> <td>WD.</td> <td>J2</td> <td>PTD.</td> <td>-</td> <td>391</td> <td>3\"/> <tr> <td>394</td> <td>ETR</td> <td>-</td> <td>WD.</td> <td>J2</td> <td>PTD.</td> <td>-</td> <td>391A</td> <td>3\"/> <tr> <td>395</td> <td>ETR</td> <td>-</td> <td>WD.</td> <td>J2</td> <td>PTD.</td> <td>-</td> <td>391B</td> <td>3\"/> <tr> <td>396</td> <td>ETR</td> <td>-</td> <td>WD.</td> <td>J2</td> <td>PTD.</td> <td>-</td> <td>394</td> <td>3\"/> <tr> <td>398</td> <td>ETR</td> <td>-</td> <td>WD.</td> <td>J2</td> <td>PTD.</td> <td>-</td> <td>395</td> <td>3\"/> <tr> <td>399</td> <td>ETR</td> <td>-</td> <td>WD.</td> <td>J2</td> <td>PTD.</td> <td>-</td> <td>396</td> <td>3\"/> <tr> <td>3991</td> <td>ETR</td> <td>-</td> <td>WD.</td> <td>J2</td> <td>PTD.</td> <td>-</td> <td>398</td> <td>3\"/> <tr> <td>3992</td> <td>A</td> <td>3\"/> <tr> <td>3993</td> <td>ETR</td> <td>-</td> <td>WD.</td> <td>J2</td> <td>PTD.</td> <td>-</td> <td>399</td> <td>3\"/> <tr> <td>3994</td> <td>ETR</td> <td>-</td> <td>WD.</td> <td>J2</td> <td>PTD.</td> <td>-</td> <td>3991</td> <td>3\"/> <tr> <td>3995</td> <td>ETR</td> <td>-</td> <td>WD.</td> <td>J2</td> <td>PTD.</td> <td>-</td> <td>3992</td> <td>3\"/> <tr> <td>3997</td> <td>ETR</td> <td>-</td> <td>WD.</td> <td>J2</td> <td>PTD.</td> <td>-</td> <td>3993</td> <td>3\"/> <tr> <td>3998</td> <td>ETR</td> <td>-</td> <td>WD.</td> <td>J2</td> <td>PTD.</td> <td>-</td> <td>3994</td> <td>3\"/> <tr> <td>3999</td> <td>ETR</td> <td>-</td> <td>WD.</td> <td>J2</td> <td>PTD.</td> <td>-</td> <td>3995</td> <td>3\"/> <tr> <td>3999</td> <td>ETR</td> <td>-</td> <td>WD.</td> <td>J2</td> <td>PTD.</td> <td>-</td> <td>3997</td> <td>3\"/>
</td></tr></td></tr></td></tr></td></tr></td></tr></td></tr></td></tr></td></tr></td></tr></td></tr></td></tr></td></tr></td></tr></td></tr></td></tr></td></tr></td></tr></td></tr></td></tr></td></tr></td></tr></td></tr></td></td></tr></td></tr></td></td></tr></td></td></tr></td></td></tr></td></td></tr></td></td></tr></td></td></tr></td></td></tr></td></td></tr></td></tr></td></tr></td></tr></td></td></tr></td></tr></td></tr></td></tr></td></tr> | 368 | ETR | - | WD. | J2 | PTD. | - | 366 | 3\"/> <tr> <td>369</td> <td>ETR</td> <td>-</td> <td>WD.</td> <td>J2</td> <td>PTD.</td> <td>-</td> <td>367</td> <td>3\"/> <tr> <td>370</td> <td>ETR</td> <td>-</td> <td>WD.</td> <td>J2</td> <td>PTD.</td> <td>-</td> <td>368</td> <td>3\"/> <tr> <td>371</td> <td>ETR</td> <td>-</td> <td>WD.</td> <td>J2</td> <td>PTD.</td> <td>-</td> <td>369</td> <td>3\"/> <tr> <td>372</td> <td>B</td> <td>2 <td>HM</td> <td>J1</td> <td>PTD.</td> <td>1 HR.</td> <td>370</td> <td>3\"/> <tr> <td>373A</td> <td>ETR</td> <td>-</td> <td>WD.</td> <td>J2</td> <td>PTD.</td> <td>-</td> <td>371</td> <td>3\"/> <tr> <td>374B</td> <td>ETR</td> <td>-</td> <td>WD.</td> <td>J2</td> <td>PTD.</td> <td>-</td> <td>372</td> <td>3\"/> <tr> <td>374C</td> <td>ETR</td> <td>-</td> <td>WD.</td> <td>J2</td> <td>PTD.</td> <td>-</td> <td>373A</td> <td>3\"/> <tr> <td>375</td> <td>B</td> <td>1 <td>WD</td> <td>J1</td> <td>PTD.</td> <td>-</td> <td>374B</td> <td>3\"/> <tr> <td>376</td> <td>B</td> <td>1 <td>WD</td> <td>J1</td> <td>PTD.</td> <td>-</td> <td>374C</td> <td>3\"/> <tr> <td>377</td> <td>B</td> <td>1 <td>WD</td> <td>J1</td> <td>PTD.</td> <td>-</td> <td>375</td> <td>3\"/> <tr> <td>377A</td> <td>B</td> <td>1 <td>WD</td> <td>J1</td> <td>PTD.</td> <td>-</td> <td>376</td> <td>3\"/> <tr> <td>378</td> <td>B</td> <td>1 <td>WD</td> <td>J1</td> <td>PTD.</td> <td>-</td> <td>377</td> <td>3\"/> <tr> <td>379</td> <td>B</td> <td>1 <td>WD</td> <td>J1</td> <td>PTD.</td> <td>-</td> <td>377A</td> <td>3\"/> <tr> <td>380A</td> <td>B</td> <td>1 <td>WD</td> <td>J1</td> <td>PTD.</td> <td>-</td> <td>378</td> <td>3\"/> <tr> <td>380B</td> <td>B</td> <td>1 <td>WD</td> <td>J1</td> <td>PTD.</td> <td>-</td> <td>379</td> <td>3\"/> <tr> <td>382</td> <td>ETR</td> <td>-</td> <td>WD.</td> <td>J2</td> <td>PTD.</td> <td>-</td> <td>380A</td> <td>3\"/> <tr> <td>382A</td> <td>D</td> <td>6 <td>ALUM.</td> <td>ANODIZE D</td> <td>-</td> <td>-</td> <td>380B</td> <td>3\"/> <tr> <td>385</td> <td>ETR</td> <td>-</td> <td>WD.</td> <td>J2</td> <td>PTD.</td> <td>-</td> <td>382</td> <td>3\"/> <tr> <td>386</td> <td>ETR</td> <td>-</td> <td>WD.</td> <td>J2</td> <td>PTD.</td> <td>-</td> <td>382A</td> <td>3\"/> <tr> <td>387</td> <td>ETR</td> <td>-</td> <td>WD.</td> <td>J2</td> <td>PTD.</td> <td>-</td> <td>385</td> <td>3\"/> <tr> <td>388</td> <td>ETR</td> <td>-</td> <td>WD.</td> <td>J2</td> <td>PTD.</td> <td>-</td> <td>386</td> <td>3\"/> <tr> <td>389</td> <td>ETR</td> <td>-</td> <td>WD.</td> <td>J2</td> <td>PTD.</td> <td>-</td> <td>387</td>
<td>3\"/> <tr> <td>391</td> <td>ETR</td> <td>-</td> <td>WD.</td> <td>J2</td> <td>PTD.</td> <td>-</td> <td>388</td> <td>3\"/> <tr> <td>391A</td> <td>ETR</td> <td>-</td> <td>WD.</td> <td>J2</td> <td>PTD.</td> <td>-</td> <td>389</td> <td>3\"/> <tr> <td>391B</td> <td>ETR</td> <td>-</td> <td>WD.</td> <td>J2</td> <td>PTD.</td> <td>-</td> <td>391</td> <td>3\"/> <tr> <td>394</td> <td>ETR</td> <td>-</td> <td>WD.</td> <td>J2</td> <td>PTD.</td> <td>-</td> <td>391A</td> <td>3\"/> <tr> <td>395</td> <td>ETR</td> <td>-</td> <td>WD.</td> <td>J2</td> <td>PTD.</td> <td>-</td> <td>391B</td> <td>3\"/> <tr> <td>396</td> <td>ETR</td> <td>-</td> <td>WD.</td> <td>J2</td> <td>PTD.</td> <td>-</td> <td>394</td> <td>3\"/> <tr> <td>398</td> <td>ETR</td> <td>-</td> <td>WD.</td> <td>J2</td> <td>PTD.</td> <td>-</td> <td>395</td> <td>3\"/> <tr> <td>399</td> <td>ETR</td> <td>-</td> <td>WD.</td> <td>J2</td> <td>PTD.</td> <td>-</td> <td>396</td> <td>3\"/> <tr> <td>3991</td> <td>ETR</td> <td>-</td> <td>WD.</td> <td>J2</td> <td>PTD.</td> <td>-</td> <td>398</td> <td>3\"/> <tr> <td>3992</td> <td>A</td> <td>3\"/> <tr> <td>3993</td> <td>ETR</td> <td>-</td> <td>WD.</td> <td>J2</td> <td>PTD.</td> <td>-</td> <td>399</td> <td>3\"/> <tr> <td>3994</td> <td>ETR</td> <td>-</td> <td>WD.</td> <td>J2</td> <td>PTD.</td> <td>-</td> <td>3991</td> <td>3\"/> <tr> <td>3995</td> <td>ETR</td> <td>-</td> <td>WD.</td> <td>J2</td> <td>PTD.</td> <td>-</td> <td>3992</td> <td>3\"/> <tr> <td>3997</td> <td>ETR</td> <td>-</td> <td>WD.</td> <td>J2</td> <td>PTD.</td> <td>-</td> <td>3993</td> <td>3\"/> <tr> <td>3998</td> <td>ETR</td> <td>-</td> <td>WD.</td> <td>J2</td> <td>PTD.</td> <td>-</td> <td>3994</td> <td>3\"/> <tr> <td>3999</td> <td>ETR</td> <td>-</td> <td>WD.</td> <td>J2</td> <td>PTD.</td> <td>-</td> <td>3995</td> <td>3\"/> <tr> <td>3999</td> <td>ETR</td> <td>-</td> <td>WD.</td> <td>J2</td> <td>PTD.</td> <td>-</td> <td>3997</td> <td>3\"/> </td></tr></td></tr></td></tr></td></tr></td></tr></td></tr></td></tr></td></tr></td></tr></td></tr></td></tr></td></tr></td></tr></td></tr></td></tr></td></tr></td></tr></td></tr></td></tr></td></tr></td></tr></td></tr></td></td></tr></td></tr></td></td></tr></td></td></tr></td></td></tr></td></td></tr></td></td></tr></td></td></tr></td></td></tr></td></td></tr></td></tr></td></tr></td></tr></td></td></tr></td></tr></td></tr></td></tr> | 369 | ETR | - | WD. | J2 | PTD. | - | 367 | 3\"/> <tr> <td>370</td> <td>ETR</td> <td>-</td> <td>WD.</td> <td>J2</td> <td>PTD.</td> <td>-</td> <td>368</td> <td>3\"/> <tr> <td>371</td> <td>ETR</td> <td>-</td> <td>WD.</td> <td>J2</td> <td>PTD.</td> <td>-</td> <td>369</td> <td>3\"/> <tr> <td>372</td> <td>B</td> <td>2 <td>HM</td> <td>J1</td> <td>PTD.</td> <td>1 HR.</td> <td>370</td> <td>3\"/> <tr> <td>373A</td> <td>ETR</td> <td>-</td> <td>WD.</td> <td>J2</td> <td>PTD.</td> <td>-</td> <td>371</td> <td>3\"/> <tr> <td>374B</td> <td>ETR</td> <td>-</td> <td>WD.</td> <td>J2</td> <td>PTD.</td> <td>-</td> <td>372</td> <td>3\"/> <tr> <td>374C</td> <td>ETR</td> <td>-</td> <td>WD.</td> <td>J2</td> <td>PTD.</td> <td>-</td> <td>373A</td> <td>3\"/> <tr>
<td>375</td> <td>B</td> <td>1 <td>WD</td> <td>J1</td> <td>PTD.</td> <td>-</td> <td>374B</td> <td>3\"/> <tr> <td>376</td> <td>B</td> <td>1 <td>WD</td> <td>J1</td> <td>PTD.</td> <td>-</td> <td>374C</td> <td>3\"/> <tr> <td>377</td> <td>B</td> <td>1 <td>WD</td> <td>J1</td> <td>PTD.</td> <td>-</td> <td>375</td> <td>3\"/> <tr> <td>377A</td> <td>B</td> <td>1 <td>WD</td> <td>J1</td> <td>PTD.</td> <td>-</td> <td>376</td> <td>3\"/> <tr> <td>378</td> <td>B</td> <td>1 <td>WD</td> <td>J1</td> <td>PTD.</td> <td>-</td> <td>377</td> <td>3\"/> <tr> <td>379</td> <td>B</td> <td>1 <td>WD</td> <td>J1</td> <td>PTD.</td> <td>-</td> <td>377A</td> <td>3\"/> <tr> <td>380A</td> <td>B</td> <td>1 <td>WD</td> <td>J1</td> <td>PTD.</td> <td>-</td> <td>378</td> <td>3\"/> <tr> <td>380B</td> <td>B</td> <td>1 <td>WD</td> <td>J1</td> <td>PTD.</td> <td>-</td> <td>379</td> <td>3\"/> <tr> <td>382</td> <td>ETR</td> <td>-</td> <td>WD.</td> <td>J2</td> <td>PTD.</td> <td>-</td> <td>380A</td> <td>3\"/> <tr> <td>382A</td> <td>D</td> <td>6 <td>ALUM.</td> <td>ANODIZE D</td> <td>-</td> <td>-</td> <td>380B</td> <td>3\"/> <tr> <td>385</td> <td>ETR</td> <td>-</td> <td>WD.</td> <td>J2</td> <td>PTD.</td> <td>-</td> <td>382</td> <td>3\"/> <tr> <td>386</td> <td>ETR</td> <td>-</td> <td>WD.</td> <td>J2</td> <td>PTD.</td> <td>-</td> <td>382A</td> <td>3\"/> <tr> <td>387</td> <td>ETR</td> <td>-</td> <td>WD.</td> <td>J2</td> <td>PTD.</td> <td>-</td> <td>385</td> <td>3\"/> <tr> <td>388</td> <td>ETR</td> <td>-</td> <td>WD.</td> <td>J2</td> <td>PTD.</td> <td>-</td> <td>386</td> <td>3\"/> <tr> <td>389</td> <td>ETR</td> <td>-</td> <td>WD.</td> <td>J2</td> <td>PTD.</td> <td>-</td> <td>387</td> <td>3\"/> <tr> <td>391</td> <td>ETR</td> <td>-</td> <td>WD.</td> <td>J2</td> <td>PTD.</td> <td>-</td> <td>388</td> <td>3\"/> <tr> <td>391A</td> <td>ETR</td> <td>-</td> <td>WD.</td> <td>J2</td> <td>PTD.</td> <td>-</td> <td>389</td> <td>3\"/> <tr> <td>391B</td> <td>ETR</td> <td>-</td> <td>WD.</td> <td>J2</td> <td>PTD.</td> <td>-</td> <td>391</td> <td>3\"/> <tr> <td>394</td> <td>ETR</td> <td>-</td> <td>WD.</td> <td>J2</td> <td>PTD.</td> <td>-</td> <td>391A</td> <td>3\"/> <tr> <td>395</td> <td>ETR</td> <td>-</td> <td>WD.</td> <td>J2</td> <td>PTD.</td> <td>-</td> <td>391B</td> <td>3\"/> <tr> <td>396</td> <td>ETR</td> <td>-</td> <td>WD.</td> <td>J2</td> <td>PTD.</td> <td>-</td> <td>394</td> <td>3\"/> <tr> <td>398</td> <td>ETR</td> <td>-</td> <td>WD.</td> <td>J2</td> <td>PTD.</td> <td>-</td> <td>395</td> <td>3\"/> <tr> <td>399</td> <td>ETR</td> <td>-</td> <td>WD.</td> <td>J2</td> <td>PTD.</td> <td>-</td> <td>396</td> <td>3\"/> <tr> <td>3991</td> <td>ETR</td> <td>-</td> <td>WD.</td> <td>J2</td> <td>PTD.</td> <td>-</td> <td>398</td> <td>3\"/> <tr> <td>3992</td> <td>A</td> <td>3\"/> <tr> <td>3993</td> <td>ETR</td> <td>-</td> <td>WD.</td> <td>J2</td> <td>PTD.</td> <td>-</td> <td>399</td> <td>3\"/> <tr> <td>3994</td> <td>ETR</td> <td>-</td> <td>WD.</td> <td>J2</td> <td>PTD.</td> <td>-</td> <td>3991</td> <td>3\"/> <tr> <td>3995</td> <td>ETR</td> <td>-</td> <td>WD.</td> <td>J2</td> <td>PTD.</td> <td>-</td> <td>3992</td> <td>3\"/> <tr> <td>3997</td> <td>ETR</td> <td>-</td> <td>WD.</td> <td>J2</td> <td>PTD.</td> <td>-</td> <td>3993</td> <td>3\"/> <tr> <td>3998</td> <td>ETR</td> <td>-</td> <td>WD.</td> <td>J2</td> <td>PTD.</td> <td>-</td> <td>3994</td> <td>3\"/> <tr> <td>3999</td> <td>ETR</td> <td>-</td> <td>WD.</td> <td>J2</td> <td>PTD.</td> <td>-</td> <td>3995</td> <td>3\"/> <tr> <td>3999</td> <td>ETR</td> <td>-</td> <td>WD.</td> <td>J2</td> <td>PTD.</td> <td>-</td> <td>3997</td> <td>3\"/> </td></tr></td></tr></td></tr></td></tr></td></tr></td></tr></td></tr></td></tr></td></tr></td></tr></td></tr></td></tr></td></tr></td></tr></td></tr></td></tr></td></tr></td></tr></td></tr></td></tr></td></tr></td></tr></td></td></tr></td></tr></td></td></tr></td></td></tr></td></td></tr></td></td></tr></td></td></tr></td></td></tr></td></td></tr></td></td></tr></td></tr></td></tr></td></tr></td></td></tr></td></tr></td></tr> | 370 | ETR | -
 | WD. | J2 | PTD. | - | 368 | 3\"/> <tr> <td>371</td> <td>ETR</td> <td>-</td> <td>WD.</td> <td>J2</td> <td>PTD.</td> <td>-</td> <td>369</td> <td>3\"/> <tr> <td>372</td> <td>B</td> <td>2 <td>HM</td> <td>J1</td> <td>PTD.</td> <td>1 HR.</td> <td>370</td> <td>3\"/> <tr> <td>373A</td> <td>ETR</td> <td>-</td> <td>WD.</td> <td>J2</td> <td>PTD.</td> <td>-</td> <td>371</td> <td>3\"/> <tr> <td>374B</td> <td>ETR</td> <td>-</td> <td>WD.</td> <td>J2</td> <td>PTD.</td> <td>-</td> <td>372</td> <td>3\"/> <tr> <td>374C</td> <td>ETR</td> <td>-</td> <td>WD.</td> <td>J2</td> <td>PTD.</td> <td>-</td> <td>373A</td> <td>3\"/> <tr> <td>375</td> <td>B</td> <td>1 <td>WD</td> <td>J1</td> <td>PTD.</td> <td>-</td> <td>374B</td> <td>3\"/> <tr> <td>376</td> <td>B</td> <td>1 <td>WD</td> <td>J1</td> <td>PTD.</td> <td>-</td> <td>374C</td> <td>3\"/> <tr> <td>377</td> <td>B</td> <td>1 <td>WD</td> <td>J1</td> <td>PTD.</td> <td>-</td> <td>375</td> <td>3\"/> <tr> <td>377A</td> <td>B</td> <td>1 <td>WD</td> <td>J1</td> <td>PTD.</td> <td>-</td> <td>376</td> <td>3\"/> <tr> <td>378</td> <td>B</td> <td>1 <td>WD</td> <td>J1</td> <td>PTD.</td> <td>-</td> <td>377</td> <td>3\"/> <tr> <td>379</td> <td>B</td> <td>1 <td>WD</td> <td>J1</td> <td>PTD.</td> <td>-</td> <td>377A</td> <td>3\"/> <tr> <td>380A</td> <td>B</td> <td>1 <td>WD</td> <td>J1</td> <td>PTD.</td> <td>-</td> <td>378</td> <td>3\"/> <tr> <td>380B</td> <td>B</td> <td>1 <td>WD</td> <td>J1</td> <td>PTD.</td> <td>-</td> <td>379</td> <td>3\"/> <tr> <td>382</td> <td>ETR</td> <td>-</td> <td>WD.</td> <td>J2</td> <td>PTD.</td> <td>-</td> <td>380A</td> <td>3\"/> <tr> <td>382A</td> <td>D</td> <td>6 <td>ALUM.</td> <td>ANODIZE D</td> <td>-</td> <td>-</td> <td>380B</td> <td>3\"/> <tr> <td>385</td> <td>ETR</td> <td>-</td> <td>WD.</td> <td>J2</td> <td>PTD.</td> <td>-</td> <td>382</td> <td>3\"/> <tr> <td>386</td> <td>ETR</td> <td>-</td> <td>WD.</td> <td>J2</td> <td>PTD.</td> <td>-</td> <td>382A</td> <td>3\"/> <tr> <td>387</td> <td>ETR</td> <td>-</td> <td>WD.</td> <td>J2</td> <td>PTD.</td> <td>-</td> <td>385</td> <td>3\"/> <tr> <td>388</td> <td>ETR</td> <td>-</td> <td>WD.</td> <td>J2</td> <td>PTD.</td> <td>-</td> <td>386</td> <td>3\"/> <tr> <td>389</td> <td>ETR</td> <td>-</td> <td>WD.</td> <td>J2</td> <td>PTD.</td> <td>-</td> <td>387</td> <td>3\"/> <tr> <td>391</td> <td>ETR</td> <td>-</td> <td>WD.</td> <td>J2</td> <td>PTD.</td> <td>-</td> <td>388</td> <td>3\"/> <tr> <td>391A</td> <td>ETR</td> <td>-</td> <td>WD.</td> <td>J2</td> <td>PTD.</td> <td>-</td> <td>389</td> <td>3\"/> <tr> <td>391B</td> <td>ETR</td> <td>-</td> <td>WD.</td> <td>J2</td> <td>PTD.</td> <td>-</td> <td>391</td> <td>3\"/> <tr> <td>394</td> <td>ETR</td> <td>-</td> <td>WD.</td> <td>J2</td> <td>PTD.</td> <td>-</td> <td>391A</td> <td>3\"/> <tr> <td>395</td> <td>ETR</td> <td>-</td> <td>WD.</td> <td>J2</td> <td>PTD.</td> <td>-</td> <td>391B</td> <td>3\"/> <tr> <td>396</td> <td>ETR</td> <td>-</td> <td>WD.</td> <td>J2</td> <td>PTD.</td> <td>-</td> <td>394</td> <td>3\"/> <tr> <td>398</td> <td>ETR</td> <td>-</td> <td>WD.</td> <td>J2</td> <td>PTD.</td> <td>-</td> <td>395</td> <td>3\"/> <tr> <td>399</td> <td>ETR</td> <td>-</td> <td>WD.</td> <td>J2</td> <td>PTD.</td> <td>-</td> <td>396</td> <td>3\"/> <tr> <td>3991</td> <td>ETR</td> <td>-</td> <td>WD.</td> <td>J2</td> <td>PTD.</td> <td>-</td> <td>398</td> <td>3\"/> <tr> <td>3992</td> <td>A</td> <td>3\"/> <tr> <td>3993</td> <td>ETR</td> <td>-</td> <td>WD.</td> <td>J2</td> <td>PTD.</td> <td>-</td> <td>399</td> <td>3\"/> <tr> <td>3994</td> <td>ETR</td> <td>-</td> <td>WD.</td> <td>J2</td> <td>PTD.</td> <td>-</td> <td>3991</td> <td>3\"/> <tr> <td>3995</td> <td>ETR</td> <td>-</td> <td>WD.</td> <td>J2</td> <td>PTD.</td> <td>-</td> <td>3992</td> <td>3\"/> <tr> <td>3997</td> <td>ETR</td> <td>-</td> <td>WD.</td> <td>J2</td> <td>PTD.</td> <td>-</td> <td>3993</td> <td>3\"/> <tr> <td>3998</td> <td>ETR</td> <td>-</td> <td>WD.</td> <td>J2</td> <td>PTD.</td> <td>-</td> <td>3994</td> <td>3\"/> <tr> <td>3999</td> <td>ETR</td> <td>-</td> <td>WD.</td> <td>J2</td> <td>PTD.</td> <td>-</td> <td>3995</td> <td>3\"/> <tr> <td>3999</td> <td>ETR</td> <td>-</td> <td>WD.</td> <td>J2</td> <td>PTD.</td> <td>-</td> <td>3997</td> <td>3\"/> </td></tr></td></tr></td></tr></td></tr></td></tr></td></tr></td></tr></td></tr></td></tr></td></tr></td></tr></td></tr></td></tr></td></tr></td></tr></td></tr></td></tr></td></tr></td></tr></td></tr></td></tr></td></tr></td></td></tr></td></tr></td></td></tr></td></td></tr></td></td></tr></td></td></tr></td></td></tr></td></td></tr></td></td></tr></td></td></tr></td></tr></td></tr></td></tr></td></td></tr></td></tr> | 371 | ETR | -
 | WD. | J2 | PTD. | - | 369 | 3\"/> <tr> <td>372</td> <td>B</td> <td>2 <td>HM</td> <td>J1</td> <td>PTD.</td> <td>1 HR.</td> <td>370</td> <td>3\"/> <tr> <td>373A</td> <td>ETR</td> <td>-</td> <td>WD.</td> <td>J2</td> <td>PTD.</td> <td>-</td> <td>371</td> <td>3\"/> <tr> <td>374B</td> <td>ETR</td> <td>-</td> <td>WD.</td> <td>J2</td> <td>PTD.</td> <td>-</td> <td>372</td> <td>3\"/> <tr> <td>374C</td> <td>ETR</td> <td>-</td> <td>WD.</td> <td>J2</td> <td>PTD.</td> <td>-</td> <td>373A</td> <td>3\"/> <tr> <td>375</td> <td>B</td> <td>1 <td>WD</td> <td>J1</td> <td>PTD.</td> <td>-</td> <td>374B</td> <td>3\"/> <tr> <td>376</td> <td>B</td> <td>1 <td>WD</td> <td>J1</td> <td>PTD.</td> <td>-</td> <td>374C</td> <td>3\"/> <tr> <td>377</td> <td>B</td> <td>1 <td>WD</td> <td>J1</td> <td>PTD.</td> <td>-</td> <td>375</td> <td>3\"/> <tr> <td>377A</td> <td>B</td> <td>1 <td>WD</td> <td>J1</td> <td>PTD.</td> <td>-</td> <td>376</td> <td>3\"/> <tr> <td>378</td> <td>B</td> <td>1 <td>WD</td> <td>J1</td> <td>PTD.</td> <td>-</td> <td>377</td> <td>3\"/> <tr> <td>379</td> <td>B</td> <td>1 <td>WD</td> <td>J1</td> <td>PTD.</td> <td>-</td> <td>377A</td> <td>3\"/> <tr> <td>380A</td> <td>B</td> <td>1 <td>WD</td> <td>J1</td> <td>PTD.</td> <td>-</td> <td>378</td> <td>3\"/> <tr> <td>380B</td> <td>B</td> <td>1 <td>WD</td> <td>J1</td> <td>PTD.</td> <td>-</td> <td>379</td> <td>3\"/> <tr> <td>382</td> <td>ETR</td> <td>-</td> <td>WD.</td> <td>J2</td> <td>PTD.</td> <td>-</td> <td>380A</td> <td>3\"/> <tr> <td>382A</td> <td>D</td> <td>6 <td>ALUM.</td> <td>ANODIZE D</td> <td>-</td> <td>-</td> <td>380B</td> <td>3\"/> <tr> <td>385</td> <td>ETR</td> <td>-</td> <td>WD.</td> <td>J2</td> <td>PTD.</td> <td>-</td> <td>382</td> <td>3\"/> <tr> <td>386</td> <td>ETR</td> <td>-</td> <td>WD.</td> <td>J2</td> <td>PTD.</td> <td>-</td> <td>382A</td> <td>3\"/> <tr> <td>387</td> <td>ETR</td> <td>-</td> <td>WD.</td> <td>J2</td> <td>PTD.</td> <td>-</td> <td>385</td> <td>3\"/> <tr> <td>388</td> <td>ETR</td> <td>-</td> <td>WD.</td> <td>J2</td> <td>PTD.</td> <td>-</td> <td>386</td> <td>3\"/> <tr> <td>389</td> <td>ETR</td> <td>-</td> <td>WD.</td> <td>J2</td> <td>PTD.</td> <td>-</td> <td>387</td> <td>3\"/> <tr> <td>391</td> <td>ETR</td> <td>-</td> <td>WD.</td> <td>J2</td> <td>PTD.</td> <td>-</td> <td>388</td> <td>3\"/> <tr> <td>391A</td> <td>ETR</td> <td>-</td> <td>WD.</td> <td>J2</td> <td>PTD.</td> <td>-</td> <td>389</td> <td>3\"/> <tr> <td>391B</td> <td>ETR</td> <td>-</td> <td>WD.</td> <td>J2</td> <td>PTD.</td> <td>-</td> <td>391</td> <td>3\"/> <tr> <td>394</td> <td>ETR</td> <td>-</td> <td>WD.</td> <td>J2</td> <td>PTD.</td> <td>-</td> <td>391A</td> <td>3\"/> <tr> <td>395</td> <td>ETR</td> <td>-</td> <td>WD.</td> <td>J2</td> <td>PTD.</td> <td>-</td> <td>391B</td> <td>3\"/> <tr> <td>396</td> <td>ETR</td> <td>-</td> <td>WD.</td> <td>J2</td> <td>PTD.</td> <td>-</td> <td>394</td> <td>3\"/> <tr> <td>398</td> <td>ETR</td> <td>-</td> <td>WD.</td> <td>J2</td> <td>PTD.</td> <td>-</td> <td>395</td> <td>3\"/> <tr> <td>399</td> <td>ETR</td> <td>-</td> <td>WD.</td> <td>J2</td> <td>PTD.</td> <td>-</td> <td>396</td> <td>3\"/> <tr> <td>3991</td> <td>ETR</td> <td>-</td> <td>WD.</td> <td>J2</td> <td>PTD.</td> <td>-</td> <td>398</td> <td>3\"/> <tr> <td>3992</td> <td>A</td> <td>3\"/> <tr> <td>3993</td> <td>ETR</td> <td>-</td> <td>WD.</td> <td>J2</td> <td>PTD.</td> <td>-</td> <td>399</td> <td>3\"/> <tr> <td>3994</td> <td>ETR</td> <td>-</td> <td>WD.</td> <td>J2</td> <td>PTD.</td> <td>-</td> <td>3991</td> <td>3\"/> <tr> <td>3995</td> <td>ETR</td> <td>-</td> <td>WD.</td> <td>J2</td> <td>PTD.</td> <td>-</td> <td>3992</td> <td>3\"/> <tr> <td>3997</td> <td>ETR</td> <td>-</td> <td>WD.</td> <td>J2</td> <td>PTD.</td> <td>-</td> <td>3993</td> <td>3\"/> <tr> <td>3998</td> <td>ETR</td> <td>-</td> <td>WD.</td> <td>J2</td> <td>PTD.</td> <td>-</td> <td>3994</td> <td>3\"/> <tr> <td>3999</td> <td>ETR</td> <td>-</td> <td>WD.</td> <td>J2</td> <td>PTD.</td> <td>-</td> <td>3995</td> <td>3\"/> <tr> <td>3999</td> <td>ETR</td> <td>-</td> <td>WD.</td> <td>J2</td> <td>PTD.</td> <td>-</td> <td>3997</td> <td>3\"/> </td></tr></td></tr></td></tr></td></tr></td></tr></td></tr></td></tr></td></tr></td></tr></td></tr></td></tr></td></tr></td></tr></td></tr></td></tr></td></tr></td></tr></td></tr></td></tr></td></tr></td></tr></td></tr></td></td></tr></td></tr></td></td></tr></td></td></tr></td></td></tr></td></td></tr></td></td></tr></td></td></tr></td></td></tr></td></td></tr></td></tr></td></tr></td></tr></td></td></tr> | 372 | B | 2 <td>HM</td> <td>J1</td> <td>PTD.</td> <td>1 HR.</td> <td>370</td> <td>3\"/> <tr> <td>373A</td> <td>ETR</td> <td>-</td> <td>WD.</td> <td>J2</td> <td>PTD.</td> <td>-</td> <td>371</td> <td>3\"/> <tr> <td>374B</td> <td>ETR</td> <td>-</td> <td>WD.</td> <td>J2</td> <td>PTD.</td> <td>-</td> <td>372</td> <td>3\"/> <tr> <td>374C</td> <td>ETR</td> <td>-</td> <td>WD.</td> <td>J2</td> <td>PTD.</td> <td>-</td> <td>373A</td> <td>3\"/> <tr> <td>375</td> <td>B</td> <td>1 <td>WD</td> <td>J1</td> <td>PTD.</td> <td>-</td> <td>374B</td> <td>3\"/> <tr> <td>376</td> <td>B</td> <td>1 <td>WD</td> <td>J1</td> <td>PTD.</td> <td>-</td> <td>374C</td> <td>3\"/> <tr> <td>377</td> <td>B</td> <td>1 <td>WD</td> <td>J1</td> <td>PTD.</td> <td>-</td> <td>375</td> <td>3\"/> <tr> <td>377A</td> <td>B</td> <td>1 <td>WD</td> <td>J1</td> <td>PTD.</td> <td>-</td> <td>376</td> <td>3\"/> <tr> <td>378</td> <td>B</td> <td>1 <td>WD</td> <td>J1</td> <td>PTD.</td> <td>-</td> <td>377</td> <td>3\"/> <tr> <td>379</td> <td>B</td> <td>1 <td>WD</td> <td>J1</td> <td>PTD.</td> <td>-</td> <td>377A</td> <td>3\"/> <tr> <td>380A</td> <td>B</td> <td>1 <td>WD</td> <td>J1</td> <td>PTD.</td> <td>-</td> <td>378</td> <td>3\"/> <tr> <td>380B</td> <td>B</td> <td>1 <td>WD</td> <td>J1</td> <td>PTD.</td> <td>-</td> <td>379</td> <td>3\"/> <tr> <td>382</td> <td>ETR</td> <td>-</td> <td>WD.</td> <td>J2</td> <td>PTD.</td> <td>-</td> <td>380A</td> <td>3\"/> <tr> <td>382A</td> <td>D</td> <td>6 <td>ALUM.</td> <td>ANODIZE D</td> <td>-</td> <td>-</td> <td>380B</td> <td>3\"/> <tr> <td>385</td> <td>ETR</td> <td>-</td> <td>WD.</td> <td>J2</td> <td>PTD.</td> <td>-</td> <td>382</td> <td>3\"/> <tr> <td>386</td> <td>ETR</td> <td>-</td> <td>WD.</td> <td>J2</td> <td>PTD.</td> <td>-</td> <td>382A</td> <td>3\"/> <tr> <td>387</td> <td>ETR</td> <td>-</td> <td>WD.</td> <td>J2</td> <td>PTD.</td> <td>-</td> <td>385</td> <td>3\"/> <tr> <td>388</td> <td>ETR</td> <td>-</td> <td>WD.</td> <td>J2</td> <td>PTD.</td> <td>-</td> <td>386</td> <td>3\"/> <tr> <td>389</td> <td>ETR</td> <td>-</td> <td>WD.</td> <td>J2</td> <td>PTD.</td> <td>-</td> <td>387</td> <td>3\"/> <tr> <td>391</td> <td>ETR</td> <td>-</td> <td>WD.</td> <td>J2</td> <td>PTD.</td> <td>-</td> <td>388</td> <td>3\"/> <tr> <td>391A</td> <td>ETR</td>
<td>-</td> <td>WD.</td> <td>J2</td> <td>PTD.</td> <td>-</td> <td>389</td> <td>3\"/> <tr> <td>391B</td> <td>ETR</td> <td>-</td> <td>WD.</td> <td>J2</td> <td>PTD.</td> <td>-</td> <td>391</td> <td>3\"/> <tr> <td>394</td> <td>ETR</td> <td>-</td> <td>WD.</td> <td>J2</td> <td>PTD.</td> <td>-</td> <td>391A</td> <td>3\"/> <tr> <td>395</td> <td>ETR</td> <td>-</td> <td>WD.</td> <td>J2</td> <td>PTD.</td> <td>-</td> <td>391B</td> <td>3\"/> <tr> <td>396</td> <td>ETR</td> <td>-</td> <td>WD.</td> <td>J2</td> <td>PTD.</td> <td>-</td> <td>394</td> <td>3\"/> <tr> <td>398</td> <td>ETR</td> <td>-</td> <td>WD.</td> <td>J2</td> <td>PTD.</td> <td>-</td> <td>395</td> <td>3\"/> <tr> <td>399</td> <td>ETR</td> <td>-</td> <td>WD.</td> <td>J2</td> <td>PTD.</td> <td>-</td> <td>396</td> <td>3\"/> <tr> <td>3991</td> <td>ETR</td> <td>-</td> <td>WD.</td> <td>J2</td> <td>PTD.</td> <td>-</td> <td>398</td> <td>3\"/> <tr> <td>3992</td> <td>A</td> <td>3\"/> <tr> <td>3993</td> <td>ETR</td> <td>-</td> <td>WD.</td> <td>J2</td> <td>PTD.</td> <td>-</td> <td>399</td> <td>3\"/> <tr> <td>3994</td> <td>ETR</td> <td>-</td> <td>WD.</td> <td>J2</td> <td>PTD.</td> <td>-</td> <td>3991</td> <td>3\"/> <tr> <td>3995</td> <td>ETR</td> <td>-</td> <td>WD.</td> <td>J2</td> <td>PTD.</td> <td>-</td> <td>3992</td> <td>3\"/> <tr> <td>3997</td> <td>ETR</td> <td>-</td> <td>WD.</td> <td>J2</td> <td>PTD.</td> <td>-</td> <td>3993</td> <td>3\"/> <tr> <td>3998</td> <td>ETR</td> <td>-</td> <td>WD.</td> <td>J2</td> <td>PTD.</td> <td>-</td> <td>3994</td> <td>3\"/> <tr> <td>3999</td> <td>ETR</td> <td>-</td> <td>WD.</td> <td>J2</td> <td>PTD.</td> <td>-</td> <td>3995</td> <td>3\"/> <tr> <td>3999</td> <td>ETR</td> <td>-</td> <td>WD.</td> <td>J2</td> <td>PTD.</td> <td>-</td> <td>3997</td> <td>3\"/> </td></tr></td></tr></td></tr></td></tr></td></tr></td></tr></td></tr></td></tr></td></tr></td></tr></td></tr></td></tr></td></tr></td></tr></td></tr></td></tr></td></tr></td></tr></td></tr></td></tr></td></tr></td></tr></td></td></tr></td></tr></td></td></tr></td></td></tr></td></td></tr></td></td></tr></td></td></tr></td></td></tr></td></td></tr></td></td></tr></td></tr></td></tr></td></tr></td> | HM | J1 | PTD. | 1 HR. | 370 | 3\"/> <tr> <td>373A</td> <td>ETR</td> <td>-</td> <td>WD.</td> <td>J2</td> <td>PTD.</td> <td>-</td> <td>371</td> <td>3\"/> <tr> <td>374B</td> <td>ETR</td> <td>-</td> <td>WD.</td> <td>J2</td> <td>PTD.</td> <td>-</td> <td>372</td> <td>3\"/> <tr> <td>374C</td> <td>ETR</td> <td>-</td> <td>WD.</td> <td>J2</td> <td>PTD.</td> <td>-</td> <td>373A</td> <td>3\"/> <tr> <td>375</td> <td>B</td> <td>1 <td>WD</td> <td>J1</td> <td>PTD.</td> <td>-</td> <td>374B</td> <td>3\"/> <tr> <td>376</td> <td>B</td> <td>1 <td>WD</td> <td>J1</td> <td>PTD.</td> <td>-</td> <td>374C</td> <td>3\"/> <tr> <td>377</td> <td>B</td> <td>1 <td>WD</td> <td>J1</td> <td>PTD.</td> <td>-</td> <td>375</td> <td>3\"/> <tr> <td>377A</td> <td>B</td> <td>1 <td>WD</td> <td>J1</td> <td>PTD.</td> <td>-</td> <td>376</td> <td>3\"/> <tr> <td>378</td> <td>B</td> <td>1 <td>WD</td> <td>J1</td> <td>PTD.</td> <td>-</td> <td>377</td> <td>3\"/> <tr> <td>379</td> <td>B</td> <td>1 <td>WD</td> <td>J1</td> <td>PTD.</td> <td>-</td> <td>377A</td> <td>3\"/> <tr> <td>380A</td> <td>B</td> <td>1 <td>WD</td> <td>J1</td> <td>PTD.</td> <td>-</td> <td>378</td> <td>3\"/> <tr> <td>380B</td> <td>B</td> <td>1 <td>WD</td> <td>J1</td> <td>PTD.</td> <td>-</td> <td>379</td> <td>3\"/> <tr> <td>382</td> <td>ETR</td> <td>-</td> <td>WD.</td> <td>J2</td> <td>PTD.</td> <td>-</td> <td>380A</td> <td>3\"/> <tr> <td>382A</td> <td>D</td> <td>6 <td>ALUM.</td> <td>ANODIZE D</td> <td>-</td> <td>-</td> <td>380B</td> <td>3\"/> <tr> <td>385</td> <td>ETR</td> <td>-</td> <td>WD.</td> <td>J2</td> <td>PTD.</td> <td>-</td> <td>382</td> <td>3\"/> <tr> <td>386</td> <td>ETR</td> <td>-</td> <td>WD.</td> <td>J2</td> <td>PTD.</td> <td>-</td> <td>382A</td> <td>3\"/> <tr> <td>387</td> <td>ETR</td> <td>-</td> <td>WD.</td> <td>J2</td> <td>PTD.</td> <td>-</td> <td>385</td> <td>3\"/> <tr> <td>388</td> <td>ETR</td> <td>-</td> <td>WD.</td> <td>J2</td> <td>PTD.</td> <td>-</td> <td>386</td> <td>3\"/> <tr> <td>389</td> <td>ETR</td> <td>-</td> <td>WD.</td> <td>J2</td> <td>PTD.</td> <td>-</td> <td>387</td> <td>3\"/> <tr> <td>391</td> <td>ETR</td> <td>-</td> <td>WD.</td> <td>J2</td> <td>PTD.</td> <td>-</td> <td>388</td> <td>3\"/> <tr> <td>391A</td> <td>ETR</td> <td>-</td> <td>WD.</td> <td>J2</td> <td>PTD.</td> <td>-</td> <td>389</td> <td>3\"/> <tr> <td>391B</td> <td>ETR</td> <td>-</td> <td>WD.</td> <td>J2</td> <td>PTD.</td> <td>-</td> <td>391</td> <td>3\"/> <tr> <td>394</td> <td>ETR</td> <td>-</td> <td>WD.</td> <td>J2</td> <td>PTD.</td> <td>-</td> <td>391A</td> <td>3\"/> <tr> <td>395</td> <td>ETR</td> <td>-</td> <td>WD.</td> <td>J2</td> <td>PTD.</td> <td>-</td> <td>391B</td> <td>3\"/> <tr> <td>396</td> <td>ETR</td> <td>-</td> <td>WD.</td> <td>J2</td> <td>PTD.</td> <td>-</td> <td>394</td> <td>3\"/> <tr> <td>398</td> <td>ETR</td> <td>-</td> <td>WD.</td> <td>J2</td> <td>PTD.</td> <td>-</td> <td>395</td> <td>3\"/> <tr> <td>399</td> <td>ETR</td> <td>-</td> <td>WD.</td> <td>J2</td> <td>PTD.</td> <td>-</td> <td>396</td> <td>3\"/> <tr> <td>3991</td> <td>ETR</td> <td>-</td> <td>WD.</td> <td>J2</td> <td>PTD.</td> <td>-</td> <td>398</td> <td>3\"/> <tr> <td>3992</td> <td>A</td> <td>3\"/> <tr> <td>3993</td> <td>ETR</td> <td>-</td> <td>WD.</td> <td>J2</td> <td>PTD.</td> <td>-</td> <td>399</td> <td>3\"/> <tr> <td>3994</td> <td>ETR</td> <td>-</td> <td>WD.</td> <td>J2</td> <td>PTD.</td> <td>-</td> <td>3991</td> <td>3\"/> <tr> <td>3995</td> <td>ETR</td> <td>-</td> <td>WD.</td> <td>J2</td> <td>PTD.</td> <td>-</td> <td>3992</td> <td>3\"/> <tr> <td>3997</td> <td>ETR</td> <td>-</td> <td>WD.</td> <td>J2</td> <td>PTD.</td> <td>-</td> <td>3993</td> <td>3\"/> <tr> <td>3998</td> <td>ETR</td> <td>-</td> <td>WD.</td> <td>J2</td> <td>PTD.</td> <td>-</td> <td>3994</td> <td>3\"/> <tr> <td>3999</td> <td>ETR</td> <td>-</td> <td>WD.</td> <td>J2</td> <td>PTD.</td> <td>-</td> <td>3995</td> <td>3\"/> <tr> <td>3999</td> <td>ETR</td> <td>-</td> <td>WD.</td> <td>J2</td> <td>PTD.</td> <td>-</td> <td>3997</td> <td>3\"/> </td></tr></td></tr></td></tr></td></tr></td></tr></td></tr></td></tr></td></tr></td></tr></td></tr></td></tr></td></tr></td></tr></td></tr></td></tr></td></tr></td></tr></td></tr></td></tr></td></tr></td></tr></td></tr></td></td></tr></td></tr></td></td></tr></td></td></tr></td></td></tr></td></td></tr></td></td></tr></td></td></tr></td></td></tr></td></td></tr></td></tr></td></tr></td></tr> | 373A | ETR | -
 | WD. | J2 | PTD. | - | 371 | 3\"/> <tr> <td>374B</td> <td>ETR</td> <td>-</td> <td>WD.</td> <td>J2</td> <td>PTD.</td> <td>-</td> <td>372</td> <td>3\"/> <tr> <td>374C</td> <td>ETR</td> <td>-</td> <td>WD.</td> <td>J2</td> <td>PTD.</td> <td>-</td> <td>373A</td> <td>3\"/> <tr> <td>375</td> <td>B</td> <td>1 <td>WD</td> <td>J1</td> <td>PTD.</td> <td>-</td> <td>374B</td> <td>3\"/> <tr> <td>376</td> <td>B</td> <td>1 <td>WD</td> <td>J1</td> <td>PTD.</td> <td>-</td> <td>374C</td> <td>3\"/> <tr> <td>377</td> <td>B</td> <td>1 <td>WD</td> <td>J1</td> <td>PTD.</td> <td>-</td> <td>375</td> <td>3\"/> <tr> <td>377A</td> <td>B</td> <td>1 <td>WD</td> <td>J1</td> <td>PTD.</td> <td>-</td> <td>376</td> <td>3\"/> <tr> <td>378</td> <td>B</td> <td>1 <td>WD</td> <td>J1</td> <td>PTD.</td> <td>-</td> <td>377</td> <td>3\"/> <tr> <td>379</td> <td>B</td> <td>1 <td>WD</td> <td>J1</td> <td>PTD.</td> <td>-</td> <td>377A</td> <td>3\"/> <tr> <td>380A</td> <td>B</td> <td>1 <td>WD</td> <td>J1</td> <td>PTD.</td> <td>-</td> <td>378</td> <td>3\"/> <tr> <td>380B</td> <td>B</td> <td>1 <td>WD</td> <td>J1</td> <td>PTD.</td> <td>-</td> <td>379</td> <td>3\"/> <tr> <td>382</td> <td>ETR</td> <td>-</td> <td>WD.</td> <td>J2</td> <td>PTD.</td> <td>-</td> <td>380A</td> <td>3\"/> <tr> <td>382A</td> <td>D</td> <td>6 <td>ALUM.</td> <td>ANODIZE D</td> <td>-</td> <td>-</td> <td>380B</td> <td>3\"/> <tr> <td>385</td> <td>ETR</td> <td>-</td> <td>WD.</td> <td>J2</td> <td>PTD.</td> <td>-</td> <td>382</td> <td>3\"/> <tr> <td>386</td> <td>ETR</td> <td>-</td> <td>WD.</td> <td>J2</td> <td>PTD.</td> <td>-</td> <td>382A</td> <td>3\"/> <tr> <td>387</td> <td>ETR</td> <td>-</td> <td>WD.</td> <td>J2</td> <td>PTD.</td> <td>-</td> <td>385</td> <td>3\"/> <tr> <td>388</td> <td>ETR</td> <td>-</td> <td>WD.</td> <td>J2</td> <td>PTD.</td> <td>-</td> <td>386</td> <td>3\"/> <tr> <td>389</td> <td>ETR</td> <td>-</td> <td>WD.</td> <td>J2</td> <td>PTD.</td> <td>-</td> <td>387</td> <td>3\"/> <tr> <td>391</td> <td>ETR</td> <td>-</td> <td>WD.</td> <td>J2</td> <td>PTD.</td> <td>-</td> <td>388</td> <td>3\"/> <tr> <td>391A</td> <td>ETR</td> <td>-</td> <td>WD.</td> <td>J2</td> <td>PTD.</td> <td>-</td> <td>389</td> <td>3\"/> <tr> <td>391B</td> <td>ETR</td> <td>-</td> <td>WD.</td> <td>J2</td> <td>PTD.</td> <td>-</td> <td>391</td> <td>3\"/> <tr> <td>394</td> <td>ETR</td> <td>-</td> <td>WD.</td> <td>J2</td> <td>PTD.</td> <td>-</td> <td>391A</td> <td>3\"/> <tr> <td>395</td> <td>ETR</td> <td>-</td> <td>WD.</td> <td>J2</td> <td>PTD.</td> <td>-</td> <td>391B</td> <td>3\"/> <tr> <td>396</td> <td>ETR</td> <td>-</td> <td>WD.</td> <td>J2</td> <td>PTD.</td> <td>-</td> <td>394</td> <td>3\"/> <tr> <td>398</td> <td>ETR</td> <td>-</td> <td>WD.</td> <td>J2</td> <td>PTD.</td> <td>-</td> <td>395</td> <td>3\"/> <tr> <td>399</td> <td>ETR</td> <td>-</td> <td>WD.</td> <td>J2</td> <td>PTD.</td> <td>-</td> <td>396</td> <td>3\"/> <tr> <td>3991</td> <td>ETR</td> <td>-</td> <td>WD.</td> <td>J2</td> <td>PTD.</td> <td>-</td> <td>398</td> <td>3\"/> <tr> <td>3992</td> <td>A</td> <td>3\"/> <tr> <td>3993</td> <td>ETR</td> <td>-</td> <td>WD.</td> <td>J2</td> <td>PTD.</td> <td>-</td> <td>399</td> <td>3\"/> <tr> <td>3994</td> <td>ETR</td> <td>-</td> <td>WD.</td> <td>J2</td> <td>PTD.</td> <td>-</td> <td>3991</td> <td>3\"/> <tr> <td>3995</td> <td>ETR</td> <td>-</td> <td>WD.</td> <td>J2</td> <td>PTD.</td> <td>-</td> <td>3992</td> <td>3\"/> <tr> <td>3997</td> <td>ETR</td> <td>-</td> <td>WD.</td> <td>J2</td> <td>PTD.</td> <td>-</td> <td>3993</td> <td>3\"/> <tr> <td>3998</td> <td>ETR</td> <td>-</td> <td>WD.</td> <td>J2</td> <td>PTD.</td> <td>-</td> <td>3994</td> <td>3\"/> <tr> <td>3999</td> <td>ETR</td> <td>-</td> <td>WD.</td> <td>J2</td> <td>PTD.</td> <td>-</td> <td>3995</td> <td>3\"/> <tr> <td>3999</td> <td>ETR</td> <td>-</td> <td>WD.</td> <td>J2</td> <td>PTD.</td> <td>-</td> <td>3997</td> <td>3\"/> </td></tr></td></tr></td></tr></td></tr></td></tr></td></tr></td></tr></td></tr></td></tr></td></tr></td></tr></td></tr></td></tr></td></tr></td></tr></td></tr></td></tr></td></tr></td></tr></td></tr></td></tr></td></tr></td></td></tr></td></tr></td></td></tr></td></td></tr></td></td></tr></td></td></tr></td></td></tr></td></td></tr></td></td></tr></td></td></tr></td></tr></td></tr> | 374B | ETR | -
 | WD. | J2 | PTD. | - | 372 | 3\"/> <tr> <td>374C</td> <td>ETR</td> <td>-</td> <td>WD.</td> <td>J2</td> <td>PTD.</td> <td>-</td> <td>373A</td> <td>3\"/> <tr> <td>375</td> <td>B</td> <td>1 <td>WD</td> <td>J1</td> <td>PTD.</td> <td>-</td> <td>374B</td> <td>3\"/> <tr> <td>376</td> <td>B</td> <td>1
<td>WD</td> <td>J1</td> <td>PTD.</td> <td>-</td> <td>374C</td> <td>3\"/> <tr> <td>377</td> <td>B</td> <td>1 <td>WD</td> <td>J1</td> <td>PTD.</td> <td>-</td> <td>375</td> <td>3\"/> <tr> <td>377A</td> <td>B</td> <td>1 <td>WD</td> <td>J1</td> <td>PTD.</td> <td>-</td> <td>376</td> <td>3\"/> <tr> <td>378</td> <td>B</td> <td>1 <td>WD</td> <td>J1</td> <td>PTD.</td> <td>-</td> <td>377</td> <td>3\"/> <tr> <td>379</td> <td>B</td> <td>1 <td>WD</td> <td>J1</td> <td>PTD.</td> <td>-</td> <td>377A</td> <td>3\"/> <tr> <td>380A</td> <td>B</td> <td>1 <td>WD</td> <td>J1</td> <td>PTD.</td> <td>-</td> <td>378</td> <td>3\"/> <tr> <td>380B</td> <td>B</td> <td>1 <td>WD</td> <td>J1</td> <td>PTD.</td> <td>-</td> <td>379</td> <td>3\"/> <tr> <td>382</td> <td>ETR</td> <td>-</td> <td>WD.</td> <td>J2</td> <td>PTD.</td> <td>-</td> <td>380A</td> <td>3\"/> <tr> <td>382A</td> <td>D</td> <td>6 <td>ALUM.</td> <td>ANODIZE D</td> <td>-</td> <td>-</td> <td>380B</td> <td>3\"/> <tr> <td>385</td> <td>ETR</td> <td>-</td> <td>WD.</td> <td>J2</td> <td>PTD.</td> <td>-</td> <td>382</td> <td>3\"/> <tr> <td>386</td> <td>ETR</td> <td>-</td> <td>WD.</td> <td>J2</td> <td>PTD.</td> <td>-</td> <td>382A</td> <td>3\"/> <tr> <td>387</td> <td>ETR</td> <td>-</td> <td>WD.</td> <td>J2</td> <td>PTD.</td> <td>-</td> <td>385</td> <td>3\"/> <tr> <td>388</td> <td>ETR</td> <td>-</td> <td>WD.</td> <td>J2</td> <td>PTD.</td> <td>-</td> <td>386</td> <td>3\"/> <tr> <td>389</td> <td>ETR</td> <td>-</td> <td>WD.</td> <td>J2</td> <td>PTD.</td> <td>-</td> <td>387</td> <td>3\"/> <tr> <td>391</td> <td>ETR</td> <td>-</td> <td>WD.</td> <td>J2</td> <td>PTD.</td> <td>-</td> <td>388</td> <td>3\"/> <tr> <td>391A</td> <td>ETR</td> <td>-</td> <td>WD.</td> <td>J2</td> <td>PTD.</td> <td>-</td> <td>389</td> <td>3\"/> <tr> <td>391B</td> <td>ETR</td> <td>-</td> <td>WD.</td> <td>J2</td> <td>PTD.</td> <td>-</td> <td>391</td> <td>3\"/> <tr> <td>394</td> <td>ETR</td> <td>-</td> <td>WD.</td> <td>J2</td> <td>PTD.</td> <td>-</td> <td>391A</td> <td>3\"/> <tr> <td>395</td> <td>ETR</td> <td>-</td> <td>WD.</td> <td>J2</td> <td>PTD.</td> <td>-</td> <td>391B</td> <td>3\"/> <tr> <td>396</td> <td>ETR</td> <td>-</td> <td>WD.</td> <td>J2</td> <td>PTD.</td> <td>-</td> <td>394</td> <td>3\"/> <tr> <td>398</td> <td>ETR</td> <td>-</td> <td>WD.</td> <td>J2</td> <td>PTD.</td> <td>-</td> <td>395</td> <td>3\"/> <tr> <td>399</td> <td>ETR</td> <td>-</td> <td>WD.</td> <td>J2</td> <td>PTD.</td> <td>-</td> <td>396</td> <td>3\"/> <tr> <td>3991</td> <td>ETR</td> <td>-</td> <td>WD.</td> <td>J2</td> <td>PTD.</td> <td>-</td> <td>398</td> <td>3\"/> <tr> <td>3992</td> <td>A</td> <td>3\"/> <tr> <td>3993</td> <td>ETR</td> <td>-</td> <td>WD.</td> <td>J2</td> <td>PTD.</td> <td>-</td> <td>399</td> <td>3\"/> <tr> <td>3994</td> <td>ETR</td> <td>-</td> <td>WD.</td> <td>J2</td> <td>PTD.</td> <td>-</td> <td>3991</td> <td>3\"/> <tr> <td>3995</td> <td>ETR</td> <td>-</td> <td>WD.</td> <td>J2</td> <td>PTD.</td> <td>-</td> <td>3992</td> <td>3\"/> <tr> <td>3997</td> <td>ETR</td> <td>-</td> <td>WD.</td> <td>J2</td> <td>PTD.</td> <td>-</td> <td>3993</td> <td>3\"/> <tr> <td>3998</td> <td>ETR</td> <td>-</td> <td>WD.</td> <td>J2</td> <td>PTD.</td> <td>-</td> <td>3994</td> <td>3\"/> <tr> <td>3999</td> <td>ETR</td> <td>-</td> <td>WD.</td> <td>J2</td> <td>PTD.</td> <td>-</td> <td>3995</td> <td>3\"/> <tr> <td>3999</td> <td>ETR</td> <td>-</td> <td>WD.</td> <td>J2</td> <td>PTD.</td> <td>-</td> <td>3997</td> <td>3\"/> </td></tr></td></tr></td></tr></td></tr></td></tr></td></tr></td></tr></td></tr></td></tr></td></tr></td></tr></td></tr></td></tr></td></tr></td></tr></td></tr></td></tr></td></tr></td></tr></td></tr></td></tr></td></tr></td></td></tr></td></tr></td></td></tr></td></td></tr></td></td></tr></td></td></tr></td></td></tr></td></td></tr></td></td></tr></td></td></tr></td></tr> | 374C | ETR | - | WD. | J2 | PTD. | - | 373A |
3\"/> <tr> <td>375</td> <td>B</td> <td>1 <td>WD</td> <td>J1</td> <td>PTD.</td> <td>-</td> <td>374B</td> <td>3\"/> <tr> <td>376</td> <td>B</td> <td>1 <td>WD</td> <td>J1</td> <td>PTD.</td> <td>-</td> <td>374C</td> <td>3\"/> <tr> <td>377</td> <td>B</td> <td>1 <td>WD</td> <td>J1</td> <td>PTD.</td> <td>-</td> <td>375</td> <td>3\"/> <tr> <td>377A</td> <td>B</td> <td>1 <td>WD</td> <td>J1</td> <td>PTD.</td> <td>-</td> <td>376</td> <td>3\"/> <tr> <td>378</td> <td>B</td> <td>1 <td>WD</td> <td>J1</td> <td>PTD.</td> <td>-</td> <td>377</td> <td>3\"/> <tr> <td>379</td> <td>B</td> <td>1 <td>WD</td> <td>J1</td> <td>PTD.</td> <td>-</td> <td>377A</td> <td>3\"/> <tr> <td>380A</td> <td>B</td> <td>1 <td>WD</td> <td>J1</td> <td>PTD.</td> <td>-</td> <td>378</td> <td>3\"/> <tr> <td>380B</td> <td>B</td> <td>1 <td>WD</td> <td>J1</td> <td>PTD.</td> <td>-</td> <td>379</td> <td>3\"/> <tr> <td>382</td> <td>ETR</td> <td>-</td> <td>WD.</td> <td>J2</td> <td>PTD.</td> <td>-</td> <td>380A</td> <td>3\"/> <tr> <td>382A</td> <td>D</td> <td>6 <td>ALUM.</td> <td>ANODIZE D</td> <td>-</td> <td>-</td> <td>380B</td> <td>3\"/> <tr> <td>385</td> <td>ETR</td> <td>-</td> <td>WD.</td> <td>J2</td> <td>PTD.</td> <td>-</td> <td>382</td> <td>3\"/> <tr> <td>386</td> <td>ETR</td> <td>-</td> <td>WD.</td> <td>J2</td> <td>PTD.</td> <td>-</td> <td>382A</td> <td>3\"/> <tr> <td>387</td> <td>ETR</td> <td>-</td> <td>WD.</td> <td>J2</td> <td>PTD.</td> <td>-</td> <td>385</td> <td>3\"/> <tr> <td>388</td> <td>ETR</td> <td>-</td> <td>WD.</td> <td>J2</td> <td>PTD.</td> <td>-</td> <td>386</td> <td>3\"/> <tr> <td>389</td> <td>ETR</td> <td>-</td> <td>WD.</td> <td>J2</td> <td>PTD.</td> <td>-</td> <td>387</td> <td>3\"/> <tr> <td>391</td> <td>ETR</td> <td>-</td> <td>WD.</td> <td>J2</td> <td>PTD.</td> <td>-</td> <td>388</td> <td>3\"/> <tr> <td>391A</td> <td>ETR</td> <td>-</td> <td>WD.</td> <td>J2</td> <td>PTD.</td> <td>-</td> <td>389</td> <td>3\"/> <tr> <td>391B</td> <td>ETR</td> <td>-</td> <td>WD.</td> <td>J2</td> <td>PTD.</td> <td>-</td> <td>391</td> <td>3\"/> <tr> <td>394</td> <td>ETR</td> <td>-</td> <td>WD.</td> <td>J2</td> <td>PTD.</td> <td>-</td> <td>391A</td> <td>3\"/> <tr> <td>395</td> <td>ETR</td> <td>-</td> <td>WD.</td> <td>J2</td> <td>PTD.</td> <td>-</td> <td>391B</td> <td>3\"/> <tr> <td>396</td> <td>ETR</td> <td>-</td> <td>WD.</td> <td>J2</td> <td>PTD.</td> <td>-</td> <td>394</td> <td>3\"/> <tr> <td>398</td> <td>ETR</td> <td>-</td> <td>WD.</td> <td>J2</td> <td>PTD.</td> <td>-</td> <td>395</td> <td>3\"/> <tr> <td>399</td> <td>ETR</td> <td>-</td> <td>WD.</td> <td>J2</td> <td>PTD.</td> <td>-</td> <td>396</td> <td>3\"/> <tr> <td>3991</td> <td>ETR</td> <td>-</td> <td>WD.</td> <td>J2</td> <td>PTD.</td> <td>-</td> <td>398</td> <td>3\"/> <tr> <td>3992</td> <td>A</td> <td>3\"/> <tr> <td>3993</td> <td>ETR</td> <td>-</td> <td>WD.</td> <td>J2</td> <td>PTD.</td> <td>-</td> <td>399</td> <td>3\"/> <tr> <td>3994</td> <td>ETR</td> <td>-</td> <td>WD.</td> <td>J2</td> <td>PTD.</td> <td>-</td> <td>3991</td> <td>3\"/> <tr> <td>3995</td> <td>ETR</td> <td>-</td> <td>WD.</td> <td>J2</td> <td>PTD.</td> <td>-</td> <td>3992</td> <td>3\"/> <tr> <td>3997</td> <td>ETR</td> <td>-</td> <td>WD.</td> <td>J2</td> <td>PTD.</td> <td>-</td> <td>3993</td> <td>3\"/> <tr> <td>3998</td> <td>ETR</td> <td>-</td> <td>WD.</td> <td>J2</td> <td>PTD.</td> <td>-</td> <td>3994</td> <td>3\"/> <tr> <td>3999</td> <td>ETR</td> <td>-</td> <td>WD.</td> <td>J2</td> <td>PTD.</td> <td>-</td> <td>3995</td> <td>3\"/> <tr> <td>3999</td> <td>ETR</td> <td>-</td> <td>WD.</td> <td>J2</td> <td>PTD.</td> <td>-</td> <td>3997</td> <td>3\"/> </td></tr></td></tr></td></tr></td></tr></td></tr></td></tr></td></tr></td></tr></td></tr></td></tr></td></tr></td></tr></td></tr></td></tr></td></tr></td></tr></td></tr></td></tr></td></tr></td></tr></td></tr></td></tr></td></td></tr></td></tr></td></td></tr></td></td></tr></td></td></tr></td></td></tr></td></td></tr></td></td></tr></td></td></tr></td></td></tr> | 375 | B | 1 <td>WD</td> <td>J1</td> <td>PTD.</td> <td>-</td> <td>374B</td> <td>3\"/> <tr> <td>376</td> <td>B</td> <td>1 <td>WD</td> <td>J1</td> <td>PTD.</td> <td>-</td> <td>374C</td> <td>3\"/> <tr> <td>377</td> <td>B</td> <td>1 <td>WD</td> <td>J1</td> <td>PTD.</td> <td>-</td> <td>375</td> <td>3\"/> <tr> <td>377A</td> <td>B</td> <td>1 <td>WD</td> <td>J1</td> <td>PTD.</td> <td>-</td> <td>376</td> <td>3\"/> <tr> <td>378</td> <td>B</td> <td>1 <td>WD</td> <td>J1</td> <td>PTD.</td> <td>-</td> <td>377</td> <td>3\"/> <tr> <td>379</td> <td>B</td> <td>1 <td>WD</td> <td>J1</td> <td>PTD.</td> <td>-</td> <td>377A</td> <td>3\"/> <tr> <td>380A</td> <td>B</td> <td>1 <td>WD</td> <td>J1</td> <td>PTD.</td> <td>-</td> <td>378</td> <td>3\"/> <tr> <td>380B</td> <td>B</td> <td>1 <td>WD</td> <td>J1</td> <td>PTD.</td> <td>-</td> <td>379</td> <td>3\"/> <tr> <td>382</td> <td>ETR</td> <td>-</td> <td>WD.</td> <td>J2</td> <td>PTD.</td> <td>-</td> <td>380A</td> <td>3\"/> <tr> <td>382A</td> <td>D</td> <td>6 <td>ALUM.</td> <td>ANODIZE D</td> <td>-</td> <td>-</td> <td>380B</td> <td>3\"/> <tr> <td>385</td> <td>ETR</td> <td>-</td> <td>WD.</td> <td>J2</td> <td>PTD.</td> <td>-</td> <td>382</td> <td>3\"/> <tr> <td>386</td> <td>ETR</td> <td>-</td> <td>WD.</td> <td>J2</td> <td>PTD.</td> <td>-</td> <td>382A</td> <td>3\"/> <tr> <td>387</td> <td>ETR</td> <td>-</td> <td>WD.</td> <td>J2</td> <td>PTD.</td> <td>-</td> <td>385</td> <td>3\"/> <tr> <td>388</td> <td>ETR</td> <td>-</td> <td>WD.</td> <td>J2</td> <td>PTD.</td> <td>-</td> <td>386</td> <td>3\"/> <tr> <td>389</td> <td>ETR</td> <td>-</td> <td>WD.</td> <td>J2</td> <td>PTD.</td> <td>-</td> <td>387</td> <td>3\"/> <tr> <td>391</td> <td>ETR</td> <td>-</td> <td>WD.</td> <td>J2</td> <td>PTD.</td> <td>-</td> <td>388</td> <td>3\"/> <tr> <td>391A</td> <td>ETR</td> <td>-</td> <td>WD.</td> <td>J2</td> <td>PTD.</td> <td>-</td> <td>389</td> <td>3\"/> <tr> <td>391B</td> <td>ETR</td> <td>-</td> <td>WD.</td> <td>J2</td> <td>PTD.</td> <td>-</td> <td>391</td> <td>3\"/> <tr> <td>394</td> <td>ETR</td> <td>-</td> <td>WD.</td> <td>J2</td> <td>PTD.</td> <td>-</td> <td>391A</td> <td>3\"/> <tr> <td>395</td> <td>ETR</td> <td>-</td> <td>WD.</td> <td>J2</td> <td>PTD.</td> <td>-</td> <td>391B</td> <td>3\"/> <tr> <td>396</td> <td>ETR</td> <td>-</td> <td>WD.</td> <td>J2</td> <td>PTD.</td> <td>-</td> <td>394</td> <td>3\"/> <tr> <td>398</td> <td>ETR</td> <td>-</td> <td>WD.</td> <td>J2</td> <td>PTD.</td> <td>-</td> <td>395</td> <td>3\"/> <tr> <td>399</td> <td>ETR</td> <td>-</td> <td>WD.</td> <td>J2</td> <td>PTD.</td> <td>-</td> <td>396</td> <td>3\"/> <tr> <td>3991</td> <td>ETR</td> <td>-</td> <td>WD.</td> <td>J2</td> <td>PTD.</td> <td>-</td> <td>398</td> <td>3\"/> <tr> <td>3992</td> <td>A</td> <td>3\"/> <tr> <td>3993</td> <td>ETR</td> <td>-</td> <td>WD.</td> <td>J2</td> <td>PTD.</td> <td>-</td> <td>399</td> <td>3\"/> <tr> <td>3994</td> <td>ETR</td> <td>-</td> <td>WD.</td> <td>J2</td> <td>PTD.</td> <td>-</td> <td>3991</td> <td>3\"/> <tr> <td>3995</td> <td>ETR</td> <td>-</td> <td>WD.</td> <td>J2</td> <td>PTD.</td> <td>-</td> <td>3992</td> <td>3\"/> <tr> <td>3997</td> <td>ETR</td> <td>-</td> <td>WD.</td> <td>J2</td> <td>PTD.</td> <td>-</td> <td>3993</td> <td>3\"/> <tr> <td>3998</td> <td>ETR</td> <td>-</td> <td>WD.</td> <td>J2</td> <td>PTD.</td> <td>-</td> <td>3994</td> <td>3\"/> <tr> <td>3999</td> <td>ETR</td> <td>-</td> <td>WD.</td> <td>J2</td> <td>PTD.</td> <td>-</td> <td>3995</td> <td>3\"/> <tr> <td>3999</td> <td>ETR</td> <td>-</td> <td>WD.</td> <td>J2</td> <td>PTD.</td> <td>-</td> <td>3997</td> <td>3\"/> </td></tr></td></tr></td></tr></td></tr></td></tr></td></tr></td></tr></td></tr></td></tr></td></tr></td></tr></td></tr></td></tr></td></tr></td></tr></td></tr></td></tr></td></tr></td></tr></td></tr></td></tr></td></tr></td></td></tr></td></tr></td></td></tr></td></td></tr></td></td></tr></td></td></tr></td></td></tr></td></td></tr></td></td></tr></td> | WD | J1 | PTD. |
- | 374B | 3\"/> <tr> <td>376</td> <td>B</td> <td>1 <td>WD</td> <td>J1</td> <td>PTD.</td> <td>-</td> <td>374C</td> <td>3\"/> <tr> <td>377</td> <td>B</td> <td>1 <td>WD</td> <td>J1</td> <td>PTD.</td> <td>-</td> <td>375</td> <td>3\"/> <tr> <td>377A</td> <td>B</td> <td>1 <td>WD</td> <td>J1</td> <td>PTD.</td> <td>-</td> <td>376</td> <td>3\"/> <tr> <td>378</td> <td>B</td> <td>1 <td>WD</td> <td>J1</td> <td>PTD.</td> <td>-</td> <td>377</td> <td>3\"/> <tr> <td>379</td> <td>B</td> <td>1 <td>WD</td> <td>J1</td> <td>PTD.</td> <td>-</td> <td>377A</td> <td>3\"/> <tr> <td>380A</td> <td>B</td> <td>1 <td>WD</td> <td>J1</td> <td>PTD.</td> <td>-</td> <td>378</td> <td>3\"/> <tr> <td>380B</td> <td>B</td> <td>1 <td>WD</td> <td>J1</td> <td>PTD.</td> <td>-</td> <td>379</td> <td>3\"/> <tr> <td>382</td> <td>ETR</td> <td>-</td> <td>WD.</td> <td>J2</td> <td>PTD.</td> <td>-</td> <td>380A</td> <td>3\"/> <tr> <td>382A</td> <td>D</td> <td>6 <td>ALUM.</td> <td>ANODIZE D</td> <td>-</td> <td>-</td> <td>380B</td> <td>3\"/> <tr> <td>385</td> <td>ETR</td> <td>-</td> <td>WD.</td> <td>J2</td> <td>PTD.</td> <td>-</td> <td>382</td> <td>3\"/> <tr> <td>386</td> <td>ETR</td> <td>-</td> <td>WD.</td> <td>J2</td> <td>PTD.</td> <td>-</td> <td>382A</td> <td>3\"/> <tr> <td>387</td> <td>ETR</td> <td>-</td> <td>WD.</td> <td>J2</td> <td>PTD.</td> <td>-</td> <td>385</td> <td>3\"/> <tr> <td>388</td> <td>ETR</td> <td>-</td> <td>WD.</td> <td>J2</td> <td>PTD.</td> <td>-</td> <td>386</td> <td>3\"/> <tr> <td>389</td> <td>ETR</td> <td>-</td> <td>WD.</td> <td>J2</td> <td>PTD.</td> <td>-</td> <td>387</td> <td>3\"/> <tr> <td>391</td> <td>ETR</td> <td>-</td> <td>WD.</td> <td>J2</td> <td>PTD.</td> <td>-</td> <td>388</td> <td>3\"/> <tr> <td>391A</td> <td>ETR</td> <td>-</td> <td>WD.</td> <td>J2</td> <td>PTD.</td> <td>-</td> <td>389</td> <td>3\"/> <tr> <td>391B</td> <td>ETR</td> <td>-</td> <td>WD.</td> <td>J2</td> <td>PTD.</td> <td>-</td> <td>391</td> <td>3\"/> <tr> <td>394</td> <td>ETR</td> <td>-</td> <td>WD.</td> <td>J2</td> <td>PTD.</td> <td>-</td> <td>391A</td> <td>3\"/> <tr> <td>395</td> <td>ETR</td> <td>-</td> <td>WD.</td> <td>J2</td> <td>PTD.</td> <td>-</td> <td>391B</td> <td>3\"/> <tr> <td>396</td> <td>ETR</td> <td>-</td> <td>WD.</td> <td>J2</td> <td>PTD.</td> <td>-</td> <td>394</td> <td>3\"/> <tr> <td>398</td> <td>ETR</td> <td>-</td> <td>WD.</td> <td>J2</td> <td>PTD.</td> <td>-</td> <td>395</td> <td>3\"/> <tr> <td>399</td> <td>ETR</td> <td>-</td> <td>WD.</td> <td>J2</td> <td>PTD.</td> <td>-</td> <td>396</td> <td>3\"/> <tr> <td>3991</td> <td>ETR</td> <td>-</td> <td>WD.</td> <td>J2</td> <td>PTD.</td> <td>-</td> <td>398</td> <td>3\"/> <tr> <td>3992</td> <td>A</td> <td>3\"/> <tr> <td>3993</td> <td>ETR</td> <td>-</td> <td>WD.</td> <td>J2</td> <td>PTD.</td> <td>-</td> <td>399</td> <td>3\"/> <tr> <td>3994</td> <td>ETR</td> <td>-</td> <td>WD.</td> <td>J2</td> <td>PTD.</td> <td>-</td> <td>3991</td> <td>3\"/> <tr> <td>3995</td> <td>ETR</td> <td>-</td> <td>WD.</td> <td>J2</td> <td>PTD.</td> <td>-</td> <td>3992</td> <td>3\"/> <tr> <td>3997</td> <td>ETR</td> <td>-</td> <td>WD.</td> <td>J2</td> <td>PTD.</td> <td>-</td> <td>3993</td> <td>3\"/> <tr> <td>3998</td> <td>ETR</td> <td>-</td> <td>WD.</td> <td>J2</td> <td>PTD.</td> <td>-</td> <td>3994</td> <td>3\"/> <tr> <td>3999</td> <td>ETR</td> <td>-</td> <td>WD.</td> <td>J2</td> <td>PTD.</td> <td>-</td> <td>3995</td> <td>3\"/> <tr> <td>3999</td> <td>ETR</td> <td>-</td> <td>WD.</td> <td>J2</td> <td>PTD.</td> <td>-</td> <td>3997</td> <td>3\"/> </td></tr></td></tr></td></tr></td></tr></td></tr></td></tr></td></tr></td></tr></td></tr></td></tr></td></tr></td></tr></td></tr></td></tr></td></tr></td></tr></td></tr></td></tr></td></tr></td></tr></td></tr></td></tr></td></td></tr></td></tr></td></td></tr></td></td></tr></td></td></tr></td></td></tr></td></td></tr></td></td></tr></td></td></tr> | 376 | B | 1 <td>WD</td> <td>J1</td> <td>PTD.</td> <td>-</td> <td>374C</td> <td>3\"/> <tr> <td>377</td> <td>B</td> <td>1 <td>WD</td> <td>J1</td> <td>PTD.</td> <td>-</td> <td>375</td> <td>3\"/> <tr> <td>377A</td> <td>B</td> <td>1 <td>WD</td> <td>J1</td> <td>PTD.</td> <td>-</td> <td>376</td> <td>3\"/> <tr> <td>378</td> <td>B</td> <td>1 <td>WD</td> <td>J1</td> <td>PTD.</td> <td>-</td> <td>377</td> <td>3\"/> <tr> <td>379</td> <td>B</td> <td>1 <td>WD</td> <td>J1</td> <td>PTD.</td> <td>-</td> <td>377A</td> <td>3\"/> <tr> <td>380A</td> <td>B</td> <td>1 <td>WD</td> <td>J1</td> <td>PTD.</td> <td>-</td> <td>378</td> <td>3\"/> <tr> <td>380B</td> <td>B</td> <td>1 <td>WD</td> <td>J1</td> <td>PTD.</td> <td>-</td> <td>379</td> <td>3\"/> <tr> <td>382</td> <td>ETR</td> <td>-</td> <td>WD.</td> <td>J2</td> <td>PTD.</td> <td>-</td> <td>380A</td> <td>3\"/> <tr> <td>382A</td> <td>D</td> <td>6 <td>ALUM.</td> <td>ANODIZE D</td> <td>-</td> <td>-</td> <td>380B</td> <td>3\"/> <tr> <td>385</td> <td>ETR</td> <td>-</td> <td>WD.</td> <td>J2</td> <td>PTD.</td> <td>-</td> <td>382</td> <td>3\"/> <tr> <td>386</td> <td>ETR</td> <td>-</td> <td>WD.</td> <td>J2</td> <td>PTD.</td> <td>-</td> <td>382A</td> <td>3\"/> <tr> <td>387</td> <td>ETR</td> <td>-</td> <td>WD.</td> <td>J2</td> <td>PTD.</td> <td>-</td> <td>385</td> <td>3\"/> <tr> <td>388</td> <td>ETR</td> <td>-</td> <td>WD.</td> <td>J2</td> <td>PTD.</td> <td>-</td> <td>386</td> <td>3\"/> <tr> <td>389</td> <td>ETR</td> <td>-</td> <td>WD.</td> <td>J2</td> <td>PTD.</td> <td>-</td> <td>387</td> <td>3\"/> <tr> <td>391</td> <td>ETR</td> <td>-</td> <td>WD.</td> <td>J2</td> <td>PTD.</td> <td>-</td> <td>388</td> <td>3\"/> <tr> <td>391A</td> <td>ETR</td> <td>-</td> <td>WD.</td> <td>J2</td> <td>PTD.</td> <td>-</td> <td>389</td> <td>3\"/> <tr> <td>391B</td> <td>ETR</td> <td>-</td> <td>WD.</td> <td>J2</td> <td>PTD.</td> <td>-</td> <td>391</td> <td>3\"/> <tr> <td>394</td> <td>ETR</td> <td>-</td> <td>WD.</td> <td>J2</td> <td>PTD.</td> <td>-</td> <td>391A</td> <td>3\"/> <tr> <td>395</td> <td>ETR</td> <td>-</td> <td>WD.</td> <td>J2</td> <td>PTD.</td> <td>-</td> <td>391B</td> <td>3\"/> <tr> <td>396</td> <td>ETR</td> <td>-</td> <td>WD.</td> <td>J2</td> <td>PTD.</td> <td>-</td> <td>394</td> <td>3\"/> <tr> <td>398</td> <td>ETR</td> <td>-</td> <td>WD.</td> <td>J2</td> <td>PTD.</td> <td>-</td> <td>395</td> <td>3\"/> <tr> <td>399</td> <td>ETR</td> <td>-</td> <td>WD.</td> <td>J2</td> <td>PTD.</td> <td>-</td> <td>396</td> <td>3\"/> <tr> <td>3991</td> <td>ETR</td> <td>-</td> <td>WD.</td> <td>J2</td> <td>PTD.</td> <td>-</td> <td>398</td> <td>3\"/> <tr> <td>3992</td> <td>A</td> <td>3\"/> <tr> <td>3993</td> <td>ETR</td> <td>-</td> <td>WD.</td> <td>J2</td> <td>PTD.</td> <td>-</td> <td>399</td> <td>3\"/> <tr> <td>3994</td> <td>ETR</td> <td>-</td> <td>WD.</td> <td>J2</td> <td>PTD.</td> <td>-</td> <td>3991</td> <td>3\"/> <tr> <td>3995</td> <td>ETR</td> <td>-</td> <td>WD.</td> <td>J2</td> <td>PTD.</td> <td>-</td> <td>3992</td> <td>3\"/> <tr> <td>3997</td> <td>ETR</td> <td>-</td> <td>WD.</td> <td>J2</td> <td>PTD.</td> <td>-</td> <td>3993</td> <td>3\"/> <tr> <td>3998</td> <td>ETR</td> <td>-</td> <td>WD.</td> <td>J2</td> <td>PTD.</td> <td>-</td> <td>3994</td> <td>3\"/> <tr> <td>3999</td> <td>ETR</td> <td>-</td> <td>WD.</td> <td>J2</td> <td>PTD.</td> <td>-</td> <td>3995</td> <td>3\"/> <tr> <td>3999</td> <td>ETR</td> <td>-</td> <td>WD.</td> <td>J2</td> <td>PTD.</td> <td>-</td> <td>3997</td> <td>3\"/> </td></tr></td></tr></td></tr></td></tr></td></tr></td></tr></td></tr></td></tr></td></tr></td></tr></td></tr></td></tr></td></tr></td></tr></td></tr></td></tr></td></tr></td></tr></td></tr></td></tr></td></tr></td></tr></td></td></tr></td></tr></td></td></tr></td></td></tr></td></td></tr></td></td></tr></td></td></tr></td></td></tr></td> | WD | J1 | PTD. | - | 374C | 3\"/> <tr> <td>377</td> <td>B</td> <td>1 <td>WD</td> <td>J1</td> <td>PTD.</td> <td>-</td> <td>375</td> <td>3\"/> <tr> <td>377A</td> <td>B</td> <td>1 <td>WD</td> <td>J1</td> <td>PTD.</td> <td>-</td> <td>376</td> <td>3\"/>
<tr> <td>378</td> <td>B</td> <td>1 <td>WD</td> <td>J1</td> <td>PTD.</td> <td>-</td> <td>377</td> <td>3\"/> <tr> <td>379</td> <td>B</td> <td>1 <td>WD</td> <td>J1</td> <td>PTD.</td> <td>-</td> <td>377A</td> <td>3\"/> <tr> <td>380A</td> <td>B</td> <td>1 <td>WD</td> <td>J1</td> <td>PTD.</td> <td>-</td> <td>378</td> <td>3\"/> <tr> <td>380B</td> <td>B</td> <td>1 <td>WD</td> <td>J1</td> <td>PTD.</td> <td>-</td> <td>379</td> <td>3\"/> <tr> <td>382</td> <td>ETR</td> <td>-</td> <td>WD.</td> <td>J2</td> <td>PTD.</td> <td>-</td> <td>380A</td> <td>3\"/> <tr> <td>382A</td> <td>D</td> <td>6 <td>ALUM.</td> <td>ANODIZE D</td> <td>-</td> <td>-</td> <td>380B</td> <td>3\"/> <tr> <td>385</td> <td>ETR</td> <td>-</td> <td>WD.</td> <td>J2</td> <td>PTD.</td> <td>-</td> <td>382</td> <td>3\"/> <tr> <td>386</td> <td>ETR</td> <td>-</td> <td>WD.</td> <td>J2</td> <td>PTD.</td> <td>-</td> <td>382A</td> <td>3\"/> <tr> <td>387</td> <td>ETR</td> <td>-</td> <td>WD.</td> <td>J2</td> <td>PTD.</td> <td>-</td> <td>385</td> <td>3\"/> <tr> <td>388</td> <td>ETR</td> <td>-</td> <td>WD.</td> <td>J2</td> <td>PTD.</td> <td>-</td> <td>386</td> <td>3\"/> <tr> <td>389</td> <td>ETR</td> <td>-</td> <td>WD.</td> <td>J2</td> <td>PTD.</td> <td>-</td> <td>387</td> <td>3\"/> <tr> <td>391</td> <td>ETR</td> <td>-</td> <td>WD.</td> <td>J2</td> <td>PTD.</td> <td>-</td> <td>388</td> <td>3\"/> <tr> <td>391A</td> <td>ETR</td> <td>-</td> <td>WD.</td> <td>J2</td> <td>PTD.</td> <td>-</td> <td>389</td> <td>3\"/> <tr> <td>391B</td> <td>ETR</td> <td>-</td> <td>WD.</td> <td>J2</td> <td>PTD.</td> <td>-</td> <td>391</td> <td>3\"/> <tr> <td>394</td> <td>ETR</td> <td>-</td> <td>WD.</td> <td>J2</td> <td>PTD.</td> <td>-</td> <td>391A</td> <td>3\"/> <tr> <td>395</td> <td>ETR</td> <td>-</td> <td>WD.</td> <td>J2</td> <td>PTD.</td> <td>-</td> <td>391B</td> <td>3\"/> <tr> <td>396</td> <td>ETR</td> <td>-</td> <td>WD.</td> <td>J2</td> <td>PTD.</td> <td>-</td> <td>394</td> <td>3\"/> <tr> <td>398</td> <td>ETR</td> <td>-</td> <td>WD.</td> <td>J2</td> <td>PTD.</td> <td>-</td> <td>395</td> <td>3\"/> <tr> <td>399</td> <td>ETR</td> <td>-</td> <td>WD.</td> <td>J2</td> <td>PTD.</td> <td>-</td> <td>396</td> <td>3\"/> <tr> <td>3991</td> <td>ETR</td> <td>-</td> <td>WD.</td> <td>J2</td> <td>PTD.</td> <td>-</td> <td>398</td> <td>3\"/> <tr> <td>3992</td> <td>A</td> <td>3\"/> <tr> <td>3993</td> <td>ETR</td> <td>-</td> <td>WD.</td> <td>J2</td> <td>PTD.</td> <td>-</td> <td>399</td> <td>3\"/> <tr> <td>3994</td> <td>ETR</td> <td>-</td> <td>WD.</td> <td>J2</td> <td>PTD.</td> <td>-</td> <td>3991</td> <td>3\"/> <tr> <td>3995</td> <td>ETR</td> <td>-</td> <td>WD.</td> <td>J2</td> <td>PTD.</td> <td>-</td> <td>3992</td> <td>3\"/> <tr> <td>3997</td> <td>ETR</td> <td>-</td> <td>WD.</td> <td>J2</td> <td>PTD.</td> <td>-</td> <td>3993</td> <td>3\"/> <tr> <td>3998</td> <td>ETR</td> <td>-</td> <td>WD.</td> <td>J2</td> <td>PTD.</td> <td>-</td> <td>3994</td> <td>3\"/> <tr> <td>3999</td> <td>ETR</td> <td>-</td> <td>WD.</td> <td>J2</td> <td>PTD.</td> <td>-</td> <td>3995</td> <td>3\"/> <tr> <td>3999</td> <td>ETR</td> <td>-</td> <td>WD.</td> <td>J2</td> <td>PTD.</td> <td>-</td> <td>3997</td> <td>3\"/> </td></tr></td></tr></td></tr></td></tr></td></tr></td></tr></td></tr></td></tr></td></tr></td></tr></td></tr></td></tr></td></tr></td></tr></td></tr></td></tr></td></tr></td></tr></td></tr></td></tr></td></tr></td></tr></td></td></tr></td></tr></td></td></tr></td></td></tr></td></td></tr></td></td></tr></td></td></tr></td></td></tr> | 377 | B | 1 <td>WD</td> <td>J1</td> <td>PTD.</td> <td>-</td> <td>375</td> <td>3\"/> <tr> <td>377A</td> <td>B</td> <td>1 <td>WD</td> <td>J1</td> <td>PTD.</td> <td>-</td> <td>376</td> <td>3\"/> <tr> <td>378</td> <td>B</td> <td>1 <td>WD</td> <td>J1</td> <td>PTD.</td> <td>-</td> <td>377</td> <td>3\"/> <tr> <td>379</td> <td>B</td> <td>1 <td>WD</td> <td>J1</td> <td>PTD.</td> <td>-</td> <td>377A</td> <td>3\"/> <tr> <td>380A</td> <td>B</td> <td>1 <td>WD</td> <td>J1</td> <td>PTD.</td> <td>-</td> <td>378</td> <td>3\"/> <tr> <td>380B</td> <td>B</td> <td>1 <td>WD</td> <td>J1</td> <td>PTD.</td> <td>-</td> <td>379</td> <td>3\"/> <tr> <td>382</td> <td>ETR</td> <td>-</td> <td>WD.</td> <td>J2</td> <td>PTD.</td> <td>-</td> <td>380A</td> <td>3\"/> <tr> <td>382A</td> <td>D</td> <td>6 <td>ALUM.</td> <td>ANODIZE D</td> <td>-</td> <td>-</td> <td>380B</td> <td>3\"/> <tr> <td>385</td> <td>ETR</td> <td>-</td> <td>WD.</td> <td>J2</td> <td>PTD.</td> <td>-</td> <td>382</td> <td>3\"/> <tr> <td>386</td> <td>ETR</td> <td>-</td> <td>WD.</td> <td>J2</td> <td>PTD.</td> <td>-</td> <td>382A</td> <td>3\"/> <tr> <td>387</td> <td>ETR</td> <td>-</td> <td>WD.</td> <td>J2</td> <td>PTD.</td> <td>-</td> <td>385</td> <td>3\"/> <tr> <td>388</td> <td>ETR</td> <td>-</td> <td>WD.</td> <td>J2</td> <td>PTD.</td> <td>-</td> <td>386</td> <td>3\"/> <tr> <td>389</td> <td>ETR</td> <td>-</td> <td>WD.</td> <td>J2</td> <td>PTD.</td> <td>-</td> <td>387</td> <td>3\"/> <tr> <td>391</td> <td>ETR</td> <td>-</td> <td>WD.</td> <td>J2</td> <td>PTD.</td> <td>-</td> <td>388</td> <td>3\"/> <tr> <td>391A</td> <td>ETR</td> <td>-</td> <td>WD.</td> <td>J2</td> <td>PTD.</td> <td>-</td> <td>389</td> <td>3\"/> <tr> <td>391B</td> <td>ETR</td> <td>-</td> <td>WD.</td> <td>J2</td> <td>PTD.</td> <td>-</td> <td>391</td> <td>3\"/> <tr> <td>394</td> <td>ETR</td> <td>-</td> <td>WD.</td> <td>J2</td> <td>PTD.</td> <td>-</td> <td>391A</td> <td>3\"/> <tr> <td>395</td> <td>ETR</td> <td>-</td> <td>WD.</td> <td>J2</td> <td>PTD.</td> <td>-</td> <td>391B</td> <td>3\"/> <tr> <td>396</td> <td>ETR</td> <td>-</td> <td>WD.</td> <td>J2</td> <td>PTD.</td> <td>-</td> <td>394</td> <td>3\"/> <tr> <td>398</td> <td>ETR</td> <td>-</td> <td>WD.</td> <td>J2</td> <td>PTD.</td> <td>-</td> <td>395</td> <td>3\"/> <tr> <td>399</td> <td>ETR</td> <td>-</td> <td>WD.</td> <td>J2</td> <td>PTD.</td> <td>-</td> <td>396</td> <td>3\"/> <tr> <td>3991</td> <td>ETR</td> <td>-</td> <td>WD.</td> <td>J2</td> <td>PTD.</td> <td>-</td> <td>398</td> <td>3\"/> <tr> <td>3992</td> <td>A</td> <td>3\"/> <tr> <td>3993</td> <td>ETR</td> <td>-</td> <td>WD.</td> <td>J2</td> <td>PTD.</td> <td>-</td> <td>399</td> <td>3\"/> <tr> <td>3994</td> <td>ETR</td> <td>-</td> <td>WD.</td> <td>J2</td> <td>PTD.</td> <td>-</td> <td>3991</td> <td>3\"/> <tr> <td>3995</td> <td>ETR</td> <td>-</td> <td>WD.</td> <td>J2</td> <td>PTD.</td> <td>-</td> <td>3992</td> <td>3\"/> <tr> <td>3997</td> <td>ETR</td> <td>-</td> <td>WD.</td> <td>J2</td> <td>PTD.</td> <td>-</td> <td>3993</td> <td>3\"/> <tr> <td>3998</td> <td>ETR</td> <td>-</td> <td>WD.</td> <td>J2</td> <td>PTD.</td> <td>-</td> <td>3994</td> <td>3\"/> <tr> <td>3999</td> <td>ETR</td> <td>-</td> <td>WD.</td> <td>J2</td> <td>PTD.</td> <td>-</td> <td>3995</td> <td>3\"/> <tr> <td>3999</td> <td>ETR</td> <td>-</td> <td>WD.</td> <td>J2</td> <td>PTD.</td> <td>-</td> <td>3997</td> <td>3\"/> </td></tr></td></tr></td></tr></td></tr></td></tr></td></tr></td></tr></td></tr></td></tr></td></tr></td></tr></td></tr></td></tr></td></tr></td></tr></td></tr></td></tr></td></tr></td></tr></td></tr></td></tr></td></tr></td></td></tr></td></tr></td></td></tr></td></td></tr></td></td></tr></td></td></tr></td></td></tr></td> | WD | J1 | PTD. | - | 375 | 3\"/> <tr> <td>377A</td> <td>B</td> <td>1 <td>WD</td> <td>J1</td> <td>PTD.</td> <td>-</td> <td>376</td> <td>3\"/> <tr> <td>378</td> <td>B</td> <td>1 <td>WD</td> <td>J1</td> <td>PTD.</td> <td>-</td> <td>377</td> <td>3\"/> <tr> <td>379</td> <td>B</td> <td>1 <td>WD</td> <td>J1</td> <td>PTD.</td> <td>-</td> <td>377A</td> <td>3\"/> <tr> <td>380A</td> <td>B</td> <td>1 <td>WD</td> <td>J1</td> <td>PTD.</td> <td>-</td> <td>378</td> <td>3\"/> <tr> <td>380B</td> <td>B</td> <td>1 <td>WD</td> <td>J1</td> <td>PTD.</td> <td>-</td> <td>379</td> <td>3\"/> <tr> <td>382</td> <td>ETR</td> <td>-</td> <td>WD.</td> <td>J2</td> <td>PTD.</td> <td>-</td> <td>380A</td> <td>3\"/> <tr> <td>382A</td> <td>D</td> <td>6
<td>ALUM.</td> <td>ANODIZE D</td> <td>-</td> <td>-</td> <td>380B</td> <td>3\"/> <tr> <td>385</td> <td>ETR</td> <td>-</td> <td>WD.</td> <td>J2</td> <td>PTD.</td> <td>-</td> <td>382</td> <td>3\"/> <tr> <td>386</td> <td>ETR</td> <td>-</td> <td>WD.</td> <td>J2</td> <td>PTD.</td> <td>-</td> <td>382A</td> <td>3\"/> <tr> <td>387</td> <td>ETR</td> <td>-</td> <td>WD.</td> <td>J2</td> <td>PTD.</td> <td>-</td> <td>385</td> <td>3\"/> <tr> <td>388</td> <td>ETR</td> <td>-</td> <td>WD.</td> <td>J2</td> <td>PTD.</td> <td>-</td> <td>386</td> <td>3\"/> <tr> <td>389</td> <td>ETR</td> <td>-</td> <td>WD.</td> <td>J2</td> <td>PTD.</td> <td>-</td> <td>387</td> <td>3\"/> <tr> <td>391</td> <td>ETR</td> <td>-</td> <td>WD.</td> <td>J2</td> <td>PTD.</td> <td>-</td> <td>388</td> <td>3\"/> <tr> <td>391A</td> <td>ETR</td> <td>-</td> <td>WD.</td> <td>J2</td> <td>PTD.</td> <td>-</td> <td>389</td> <td>3\"/> <tr> <td>391B</td> <td>ETR</td> <td>-</td> <td>WD.</td> <td>J2</td> <td>PTD.</td> <td>-</td> <td>391</td> <td>3\"/> <tr> <td>394</td> <td>ETR</td> <td>-</td> <td>WD.</td> <td>J2</td> <td>PTD.</td> <td>-</td> <td>391A</td> <td>3\"/> <tr> <td>395</td> <td>ETR</td> <td>-</td> <td>WD.</td> <td>J2</td> <td>PTD.</td> <td>-</td> <td>391B</td> <td>3\"/> <tr> <td>396</td> <td>ETR</td> <td>-</td> <td>WD.</td> <td>J2</td> <td>PTD.</td> <td>-</td> <td>394</td> <td>3\"/> <tr> <td>398</td> <td>ETR</td> <td>-</td> <td>WD.</td> <td>J2</td> <td>PTD.</td> <td>-</td> <td>395</td> <td>3\"/> <tr> <td>399</td> <td>ETR</td> <td>-</td> <td>WD.</td> <td>J2</td> <td>PTD.</td> <td>-</td> <td>396</td> <td>3\"/> <tr> <td>3991</td> <td>ETR</td> <td>-</td> <td>WD.</td> <td>J2</td> <td>PTD.</td> <td>-</td> <td>398</td> <td>3\"/> <tr> <td>3992</td> <td>A</td> <td>3\"/> <tr> <td>3993</td> <td>ETR</td> <td>-</td> <td>WD.</td> <td>J2</td> <td>PTD.</td> <td>-</td> <td>399</td> <td>3\"/> <tr> <td>3994</td> <td>ETR</td> <td>-</td> <td>WD.</td> <td>J2</td> <td>PTD.</td> <td>-</td> <td>3991</td> <td>3\"/> <tr> <td>3995</td> <td>ETR</td> <td>-</td> <td>WD.</td> <td>J2</td> <td>PTD.</td> <td>-</td> <td>3992</td> <td>3\"/> <tr> <td>3997</td> <td>ETR</td> <td>-</td> <td>WD.</td> <td>J2</td> <td>PTD.</td> <td>-</td> <td>3993</td> <td>3\"/> <tr> <td>3998</td> <td>ETR</td> <td>-</td> <td>WD.</td> <td>J2</td> <td>PTD.</td> <td>-</td> <td>3994</td> <td>3\"/> <tr> <td>3999</td> <td>ETR</td> <td>-</td> <td>WD.</td> <td>J2</td> <td>PTD.</td> <td>-</td> <td>3995</td> <td>3\"/> <tr> <td>3999</td> <td>ETR</td> <td>-</td> <td>WD.</td> <td>J2</td> <td>PTD.</td> <td>-</td> <td>3997</td> <td>3\"/> </td></tr></td></tr></td></tr></td></tr></td></tr></td></tr></td></tr></td></tr></td></tr></td></tr></td></tr></td></tr></td></tr></td></tr></td></tr></td></tr></td></tr></td></tr></td></tr></td></tr></td></tr></td></tr></td></td></tr></td></tr></td></td></tr></td></td></tr></td></td></tr></td></td></tr></td></td></tr> | 377A | B | 1 <td>WD</td> <td>J1</td> <td>PTD.</td> <td>-</td> <td>376</td> <td>3\"/> <tr> <td>378</td> <td>B</td> <td>1 <td>WD</td> <td>J1</td> <td>PTD.</td> <td>-</td> <td>377</td> <td>3\"/> <tr> <td>379</td> <td>B</td> <td>1 <td>WD</td> <td>J1</td> <td>PTD.</td> <td>-</td> <td>377A</td> <td>3\"/> <tr> <td>380A</td> <td>B</td> <td>1 <td>WD</td> <td>J1</td> <td>PTD.</td> <td>-</td> <td>378</td> <td>3\"/> <tr> <td>380B</td> <td>B</td> <td>1 <td>WD</td> <td>J1</td> <td>PTD.</td> <td>-</td> <td>379</td> <td>3\"/> <tr> <td>382</td> <td>ETR</td> <td>-</td> <td>WD.</td> <td>J2</td> <td>PTD.</td> <td>-</td> <td>380A</td> <td>3\"/> <tr> <td>382A</td> <td>D</td> <td>6 <td>ALUM.</td> <td>ANODIZE D</td> <td>-</td> <td>-</td> <td>380B</td> <td>3\"/> <tr> <td>385</td> <td>ETR</td> <td>-</td> <td>WD.</td> <td>J2</td> <td>PTD.</td> <td>-</td> <td>382</td> <td>3\"/> <tr> <td>386</td> <td>ETR</td> <td>-</td> <td>WD.</td> <td>J2</td> <td>PTD.</td> <td>-</td> <td>382A</td> <td>3\"/> <tr> <td>387</td> <td>ETR</td> <td>-</td> <td>WD.</td> <td>J2</td> <td>PTD.</td> <td>-</td> <td>385</td> <td>3\"/> <tr> <td>388</td> <td>ETR</td> <td>-</td> <td>WD.</td> <td>J2</td> <td>PTD.</td> <td>-</td> <td>386</td> <td>3\"/> <tr> <td>389</td> <td>ETR</td> <td>-</td> <td>WD.</td> <td>J2</td> <td>PTD.</td> <td>-</td> <td>387</td> <td>3\"/> <tr> <td>391</td> <td>ETR</td> <td>-</td> <td>WD.</td> <td>J2</td> <td>PTD.</td> <td>-</td> <td>388</td> <td>3\"/> <tr> <td>391A</td> <td>ETR</td> <td>-</td> <td>WD.</td> <td>J2</td> <td>PTD.</td> <td>-</td> <td>389</td> <td>3\"/> <tr> <td>391B</td> <td>ETR</td> <td>-</td> <td>WD.</td> <td>J2</td> <td>PTD.</td> <td>-</td> <td>391</td> <td>3\"/> <tr> <td>394</td> <td>ETR</td> <td>-</td> <td>WD.</td> <td>J2</td> <td>PTD.</td> <td>-</td> <td>391A</td> <td>3\"/> <tr> <td>395</td> <td>ETR</td> <td>-</td> <td>WD.</td> <td>J2</td> <td>PTD.</td> <td>-</td> <td>391B</td> <td>3\"/> <tr> <td>396</td> <td>ETR</td> <td>-</td> <td>WD.</td> <td>J2</td> <td>PTD.</td> <td>-</td> <td>394</td> <td>3\"/> <tr> <td>398</td> <td>ETR</td> <td>-</td> <td>WD.</td> <td>J2</td> <td>PTD.</td> <td>-</td> <td>395</td> <td>3\"/> <tr> <td>399</td> <td>ETR</td> <td>-</td> <td>WD.</td> <td>J2</td> <td>PTD.</td> <td>-</td> <td>396</td> <td>3\"/> <tr> <td>3991</td> <td>ETR</td> <td>-</td> <td>WD.</td> <td>J2</td> <td>PTD.</td> <td>-</td> <td>398</td> <td>3\"/> <tr> <td>3992</td> <td>A</td> <td>3\"/> <tr> <td>3993</td> <td>ETR</td> <td>-</td> <td>WD.</td> <td>J2</td> <td>PTD.</td> <td>-</td> <td>399</td> <td>3\"/> <tr> <td>3994</td> <td>ETR</td> <td>-</td> <td>WD.</td> <td>J2</td> <td>PTD.</td> <td>-</td> <td>3991</td> <td>3\"/> <tr> <td>3995</td> <td>ETR</td> <td>-</td> <td>WD.</td> <td>J2</td> <td>PTD.</td> <td>-</td> <td>3992</td> <td>3\"/> <tr> <td>3997</td> <td>ETR</td> <td>-</td> <td>WD.</td> <td>J2</td> <td>PTD.</td> <td>-</td> <td>3993</td> <td>3\"/> <tr> <td>3998</td> <td>ETR</td> <td>-</td> <td>WD.</td> <td>J2</td> <td>PTD.</td> <td>-</td> <td>3994</td> <td>3\"/> <tr> <td>3999</td> <td>ETR</td> <td>-</td> <td>WD.</td> <td>J2</td> <td>PTD.</td> <td>-</td> <td>3995</td> <td>3\"/> <tr> <td>3999</td> <td>ETR</td> <td>-</td> <td>WD.</td> <td>J2</td> <td>PTD.</td> <td>-</td> <td>3997</td> <td>3\"/> </td></tr></td></tr></td></tr></td></tr></td></tr></td></tr></td></tr></td></tr></td></tr></td></tr></td></tr></td></tr></td></tr></td></tr></td></tr></td></tr></td></tr></td></tr></td></tr></td></tr></td></tr></td></tr></td></td></tr></td></tr></td></td></tr></td></td></tr></td></td></tr></td></td></tr></td> | WD | J1 | PTD.
 | - | 376 | 3\"/> <tr> <td>378</td> <td>B</td> <td>1 <td>WD</td> <td>J1</td> <td>PTD.</td> <td>-</td> <td>377</td> <td>3\"/> <tr> <td>379</td> <td>B</td> <td>1 <td>WD</td> <td>J1</td> <td>PTD.</td> <td>-</td> <td>377A</td> <td>3\"/> <tr> <td>380A</td> <td>B</td> <td>1 <td>WD</td> <td>J1</td> <td>PTD.</td> <td>-</td> <td>378</td> <td>3\"/> <tr> <td>380B</td> <td>B</td> <td>1 <td>WD</td> <td>J1</td> <td>PTD.</td> <td>-</td> <td>379</td> <td>3\"/> <tr> <td>382</td> <td>ETR</td> <td>-</td> <td>WD.</td> <td>J2</td> <td>PTD.</td> <td>-</td> <td>380A</td> <td>3\"/> <tr> <td>382A</td> <td>D</td> <td>6 <td>ALUM.</td> <td>ANODIZE D</td> <td>-</td> <td>-</td> <td>380B</td> <td>3\"/> <tr> <td>385</td> <td>ETR</td> <td>-</td> <td>WD.</td> <td>J2</td> <td>PTD.</td> <td>-</td> <td>382</td> <td>3\"/> <tr> <td>386</td> <td>ETR</td> <td>-</td> <td>WD.</td> <td>J2</td> <td>PTD.</td> <td>-</td> <td>382A</td> <td>3\"/> <tr> <td>387</td> <td>ETR</td> <td>-</td> <td>WD.</td> <td>J2</td> <td>PTD.</td> <td>-</td> <td>385</td> <td>3\"/> <tr> <td>388</td> <td>ETR</td> <td>-</td> <td>WD.</td> <td>J2</td> <td>PTD.</td> <td>-</td> <td>386</td> <td>3\"/> <tr> <td>389</td> <td>ETR</td> <td>-</td> <td>WD.</td> <td>J2</td> <td>PTD.</td> <td>-</td> <td>387</td> <td>3\"/> <tr> <td>391</td> <td>ETR</td> <td>-</td> <td>WD.</td> <td>J2</td> <td>PTD.</td> <td>-</td> <td>388</td> <td>3\"/> <tr> <td>391A</td> <td>ETR</td> <td>-</td> <td>WD.</td> <td>J2</td> <td>PTD.</td> <td>-</td> <td>389</td> <td>3\"/> <tr> <td>391B</td> <td>ETR</td> <td>-</td> <td>WD.</td> <td>J2</td> <td>PTD.</td> <td>-</td> <td>391</td> <td>3\"/> <tr> <td>394</td> <td>ETR</td> <td>-</td> <td>WD.</td> <td>J2</td> <td>PTD.</td> <td>-</td> <td>391A</td> <td>3\"/> <tr> <td>395</td> <td>ETR</td> <td>-</td> <td>WD.</td> <td>J2</td> <td>PTD.</td> <td>-</td> <td>391B</td> <td>3\"/> <tr> <td>396</td> <td>ETR</td> <td>-</td> <td>WD.</td> <td>J2</td> <td>PTD.</td> <td>-</td> <td>394</td> <td>3\"/> <tr> <td>398</td> <td>ETR</td> <td>-</td> <td>WD.</td> <td>J2</td> <td>PTD.</td> <td>-</td> <td>395</td> <td>3\"/> <tr> <td>399</td> <td>ETR</td> <td>-</td> <td>WD.</td> <td>J2</td> <td>PTD.</td> <td>-</td> <td>396</td> <td>3\"/> <tr> <td>3991</td> <td>ETR</td> <td>-</td> <td>WD.</td> <td>J2</td> <td>PTD.</td> <td>-</td> <td>398</td> <td>3\"/> <tr> <td>3992</td> <td>A</td> <td>3\"/> <tr> <td>3993</td> <td>ETR</td> <td>-</td> <td>WD.</td> <td>J2</td> <td>PTD.</td> <td>-</td> <td>399</td> <td>3\"/> <tr> <td>3994</td> <td>ETR</td> <td>-</td> <td>WD.</td> <td>J2</td> <td>PTD.</td> <td>-</td> <td>3991</td> <td>3\"/> <tr> <td>3995</td> <td>ETR</td> <td>-</td> <td>WD.</td> <td>J2</td> <td>PTD.</td> <td>-</td> <td>3992</td> <td>3\"/> <tr> <td>3997</td> <td>ETR</td> <td>-</td> <td>WD.</td> <td>J2</td> <td>PTD.</td> <td>-</td> <td>3993</td> <td>3\"/> <tr> <td>3998</td> <td>ETR</td> <td>-</td> <td>WD.</td> <td>J2</td> <td>PTD.</td> <td>-</td> <td>3994</td> <td>3\"/> <tr> <td>3999</td> <td>ETR</td> <td>-</td> <td>WD.</td> <td>J2</td> <td>PTD.</td> <td>-</td> <td>3995</td> <td>3\"/> <tr> <td>3999</td> <td>ETR</td> <td>-</td> <td>WD.</td> <td>J2</td> <td>PTD.</td> <td>-</td> <td>3997</td> <td>3\"/> </td></tr></td></tr></td></tr></td></tr></td></tr></td></tr></td></tr></td></tr></td></tr></td></tr></td></tr></td></tr></td></tr></td></tr></td></tr></td></tr></td></tr></td></tr></td></tr></td></tr></td></tr></td></tr></td></td></tr></td></tr></td></td></tr></td></td></tr></td></td></tr></td></td></tr> | 378 | B | 1 <td>WD</td> <td>J1</td> <td>PTD.</td> <td>-</td> <td>377</td> <td>3\"/> <tr> <td>379</td> <td>B</td> <td>1 <td>WD</td> <td>J1</td> <td>PTD.</td> <td>-</td> <td>377A</td> <td>3\"/> <tr> <td>380A</td> <td>B</td> <td>1 <td>WD</td> <td>J1</td> <td>PTD.</td> <td>-</td> <td>378</td> <td>3\"/> <tr> <td>380B</td> <td>B</td> <td>1 <td>WD</td> <td>J1</td> <td>PTD.</td> <td>-</td> <td>379</td> <td>3\"/> <tr> <td>382</td> <td>ETR</td> <td>-</td> <td>WD.</td> <td>J2</td> <td>PTD.</td> <td>-</td> <td>380A</td> <td>3\"/> <tr> <td>382A</td> <td>D</td> <td>6 <td>ALUM.</td> <td>ANODIZE D</td> <td>-</td> <td>-</td> <td>380B</td> <td>3\"/> <tr> <td>385</td> <td>ETR</td> <td>-</td> <td>WD.</td> <td>J2</td> <td>PTD.</td> <td>-</td> <td>382</td> <td>3\"/> <tr> <td>386</td> <td>ETR</td> <td>-</td> <td>WD.</td> <td>J2</td> <td>PTD.</td> <td>-</td> <td>382A</td> <td>3\"/> <tr> <td>387</td> <td>ETR</td> <td>-</td> <td>WD.</td> <td>J2</td> <td>PTD.</td> <td>-</td> <td>385</td> <td>3\"/> <tr> <td>388</td> <td>ETR</td> <td>-</td> <td>WD.</td> <td>J2</td> <td>PTD.</td> <td>-</td> <td>386</td> <td>3\"/> <tr> <td>389</td> <td>ETR</td> <td>-</td> <td>WD.</td> <td>J2</td> <td>PTD.</td> <td>-</td> <td>387</td> <td>3\"/> <tr> <td>391</td> <td>ETR</td> <td>-</td> <td>WD.</td> <td>J2</td> <td>PTD.</td> <td>-</td> <td>388</td> <td>3\"/> <tr> <td>391A</td> <td>ETR</td> <td>-</td> <td>WD.</td> <td>J2</td> <td>PTD.</td> <td>-</td> <td>389</td> <td>3\"/> <tr> <td>391B</td> <td>ETR</td> <td>-</td> <td>WD.</td> <td>J2</td> <td>PTD.</td> <td>-</td> <td>391</td> <td>3\"/> <tr> <td>394</td> <td>ETR</td> <td>-</td> <td>WD.</td> <td>J2</td> <td>PTD.</td> <td>-</td> <td>391A</td> <td>3\"/> <tr> <td>395</td> <td>ETR</td> <td>-</td> <td>WD.</td> <td>J2</td> <td>PTD.</td> <td>-</td> <td>391B</td> <td>3\"/> <tr> <td>396</td> <td>ETR</td> <td>-</td> <td>WD.</td> <td>J2</td> <td>PTD.</td> <td>-</td> <td>394</td> <td>3\"/> <tr> <td>398</td> <td>ETR</td> <td>-</td> <td>WD.</td> <td>J2</td> <td>PTD.</td> <td>-</td> <td>395</td> <td>3\"/> <tr> <td>399</td> <td>ETR</td> <td>-</td> <td>WD.</td> <td>J2</td> <td>PTD.</td> <td>-</td> <td>396</td> <td>3\"/> <tr> <td>3991</td> <td>ETR</td> <td>-</td> <td>WD.</td> <td>J2</td> <td>PTD.</td> <td>-</td> <td>398</td> <td>3\"/> <tr> <td>3992</td> <td>A</td> <td>3\"/> <tr> <td>3993</td> <td>ETR</td> <td>-</td> <td>WD.</td> <td>J2</td> <td>PTD.</td> <td>-</td>
<td>399</td> <td>3\"/> <tr> <td>3994</td> <td>ETR</td> <td>-</td> <td>WD.</td> <td>J2</td> <td>PTD.</td> <td>-</td> <td>3991</td> <td>3\"/> <tr> <td>3995</td> <td>ETR</td> <td>-</td> <td>WD.</td> <td>J2</td> <td>PTD.</td> <td>-</td> <td>3992</td> <td>3\"/> <tr> <td>3997</td> <td>ETR</td> <td>-</td> <td>WD.</td> <td>J2</td> <td>PTD.</td> <td>-</td> <td>3993</td> <td>3\"/> <tr> <td>3998</td> <td>ETR</td> <td>-</td> <td>WD.</td> <td>J2</td> <td>PTD.</td> <td>-</td> <td>3994</td> <td>3\"/> <tr> <td>3999</td> <td>ETR</td> <td>-</td> <td>WD.</td> <td>J2</td> <td>PTD.</td> <td>-</td> <td>3995</td> <td>3\"/> <tr> <td>3999</td> <td>ETR</td> <td>-</td> <td>WD.</td> <td>J2</td> <td>PTD.</td> <td>-</td> <td>3997</td> <td>3\"/> </td></tr></td></tr></td></tr></td></tr></td></tr></td></tr></td></tr></td></tr></td></tr></td></tr></td></tr></td></tr></td></tr></td></tr></td></tr></td></tr></td></tr></td></tr></td></tr></td></tr></td></tr></td></tr></td></td></tr></td></tr></td></td></tr></td></td></tr></td></td></tr></td> | WD | J1 | PTD. | - | 377 | 3\"/> <tr> <td>379</td> <td>B</td> <td>1 <td>WD</td> <td>J1</td> <td>PTD.</td> <td>-</td> <td>377A</td> <td>3\"/> <tr> <td>380A</td> <td>B</td> <td>1 <td>WD</td> <td>J1</td> <td>PTD.</td> <td>-</td> <td>378</td> <td>3\"/> <tr> <td>380B</td> <td>B</td> <td>1 <td>WD</td> <td>J1</td> <td>PTD.</td> <td>-</td> <td>379</td> <td>3\"/> <tr> <td>382</td> <td>ETR</td> <td>-</td> <td>WD.</td> <td>J2</td> <td>PTD.</td> <td>-</td> <td>380A</td> <td>3\"/> <tr> <td>382A</td> <td>D</td> <td>6 <td>ALUM.</td> <td>ANODIZE D</td> <td>-</td> <td>-</td> <td>380B</td> <td>3\"/> <tr> <td>385</td> <td>ETR</td> <td>-</td> <td>WD.</td> <td>J2</td> <td>PTD.</td> <td>-</td> <td>382</td> <td>3\"/> <tr> <td>386</td> <td>ETR</td> <td>-</td> <td>WD.</td> <td>J2</td> <td>PTD.</td> <td>-</td> <td>382A</td> <td>3\"/> <tr> <td>387</td> <td>ETR</td> <td>-</td> <td>WD.</td> <td>J2</td> <td>PTD.</td> <td>-</td> <td>385</td> <td>3\"/> <tr> <td>388</td> <td>ETR</td> <td>-</td> <td>WD.</td> <td>J2</td> <td>PTD.</td> <td>-</td> <td>386</td> <td>3\"/> <tr> <td>389</td> <td>ETR</td> <td>-</td> <td>WD.</td> <td>J2</td> <td>PTD.</td> <td>-</td> <td>387</td> <td>3\"/> <tr> <td>391</td> <td>ETR</td> <td>-</td> <td>WD.</td> <td>J2</td> <td>PTD.</td> <td>-</td> <td>388</td> <td>3\"/> <tr> <td>391A</td> <td>ETR</td> <td>-</td> <td>WD.</td> <td>J2</td> <td>PTD.</td> <td>-</td> <td>389</td> <td>3\"/> <tr> <td>391B</td> <td>ETR</td> <td>-</td> <td>WD.</td> <td>J2</td> <td>PTD.</td> <td>-</td> <td>391</td> <td>3\"/> <tr> <td>394</td> <td>ETR</td> <td>-</td> <td>WD.</td> <td>J2</td> <td>PTD.</td> <td>-</td> <td>391A</td> <td>3\"/> <tr> <td>395</td> <td>ETR</td> <td>-</td> <td>WD.</td> <td>J2</td> <td>PTD.</td> <td>-</td> <td>391B</td> <td>3\"/> <tr> <td>396</td> <td>ETR</td> <td>-</td> <td>WD.</td> <td>J2</td> <td>PTD.</td> <td>-</td> <td>394</td> <td>3\"/> <tr> <td>398</td> <td>ETR</td> <td>-</td> <td>WD.</td> <td>J2</td> <td>PTD.</td> <td>-</td> <td>395</td> <td>3\"/> <tr> <td>399</td> <td>ETR</td> <td>-</td> <td>WD.</td> <td>J2</td> <td>PTD.</td> <td>-</td> <td>396</td> <td>3\"/> <tr> <td>3991</td> <td>ETR</td> <td>-</td> <td>WD.</td> <td>J2</td> <td>PTD.</td> <td>-</td> <td>398</td> <td>3\"/> <tr> <td>3992</td> <td>A</td> <td>3\"/> <tr> <td>3993</td> <td>ETR</td> <td>-</td> <td>WD.</td> <td>J2</td> <td>PTD.</td> <td>-</td> <td>399</td> <td>3\"/> <tr> <td>3994</td> <td>ETR</td> <td>-</td> <td>WD.</td> <td>J2</td> <td>PTD.</td> <td>-</td> <td>3991</td> <td>3\"/> <tr> <td>3995</td> <td>ETR</td> <td>-</td> <td>WD.</td> <td>J2</td> <td>PTD.</td> <td>-</td> <td>3992</td> <td>3\"/> <tr> <td>3997</td> <td>ETR</td> <td>-</td> <td>WD.</td> <td>J2</td> <td>PTD.</td> <td>-</td> <td>3993</td> <td>3\"/> <tr> <td>3998</td> <td>ETR</td> <td>-</td> <td>WD.</td> <td>J2</td> <td>PTD.</td> <td>-</td> <td>3994</td> <td>3\"/> <tr> <td>3999</td> <td>ETR</td> <td>-</td> <td>WD.</td> <td>J2</td> <td>PTD.</td> <td>-</td> <td>3995</td> <td>3\"/> <tr> <td>3999</td> <td>ETR</td> <td>-</td> <td>WD.</td> <td>J2</td> <td>PTD.</td> <td>-</td> <td>3997</td> <td>3\"/> </td></tr></td></tr></td></tr></td></tr></td></tr></td></tr></td></tr></td></tr></td></tr></td></tr></td></tr></td></tr></td></tr></td></tr></td></tr></td></tr></td></tr></td></tr></td></tr></td></tr></td></tr></td></tr></td></td></tr></td></tr></td></td></tr></td></td></tr></td></td></tr> | 379 | B | 1 <td>WD</td> <td>J1</td> <td>PTD.</td> <td>-</td> <td>377A</td> <td>3\"/> <tr> <td>380A</td> <td>B</td> <td>1 <td>WD</td> <td>J1</td> <td>PTD.</td> <td>-</td> <td>378</td> <td>3\"/> <tr> <td>380B</td> <td>B</td> <td>1 <td>WD</td> <td>J1</td> <td>PTD.</td> <td>-</td> <td>379</td> <td>3\"/> <tr> <td>382</td> <td>ETR</td> <td>-</td> <td>WD.</td> <td>J2</td> <td>PTD.</td> <td>-</td> <td>380A</td> <td>3\"/> <tr> <td>382A</td> <td>D</td> <td>6 <td>ALUM.</td> <td>ANODIZE D</td> <td>-</td> <td>-</td> <td>380B</td> <td>3\"/> <tr> <td>385</td> <td>ETR</td> <td>-</td> <td>WD.</td> <td>J2</td> <td>PTD.</td> <td>-</td> <td>382</td> <td>3\"/> <tr> <td>386</td> <td>ETR</td> <td>-</td> <td>WD.</td> <td>J2</td> <td>PTD.</td> <td>-</td> <td>382A</td> <td>3\"/> <tr> <td>387</td> <td>ETR</td> <td>-</td> <td>WD.</td> <td>J2</td> <td>PTD.</td> <td>-</td> <td>385</td> <td>3\"/> <tr> <td>388</td> <td>ETR</td> <td>-</td> <td>WD.</td> <td>J2</td> <td>PTD.</td> <td>-</td> <td>386</td> <td>3\"/> <tr> <td>389</td> <td>ETR</td> <td>-</td> <td>WD.</td> <td>J2</td> <td>PTD.</td> <td>-</td> <td>387</td> <td>3\"/> <tr> <td>391</td> <td>ETR</td> <td>-</td> <td>WD.</td> <td>J2</td> <td>PTD.</td> <td>-</td> <td>388</td> <td>3\"/> <tr> <td>391A</td> <td>ETR</td> <td>-</td> <td>WD.</td> <td>J2</td> <td>PTD.</td> <td>-</td> <td>389</td> <td>3\"/> <tr> <td>391B</td> <td>ETR</td> <td>-</td> <td>WD.</td> <td>J2</td> <td>PTD.</td> <td>-</td> <td>391</td> <td>3\"/> <tr> <td>394</td> <td>ETR</td> <td>-</td> <td>WD.</td> <td>J2</td> <td>PTD.</td> <td>-</td> <td>391A</td> <td>3\"/> <tr> <td>395</td> <td>ETR</td> <td>-</td> <td>WD.</td> <td>J2</td> <td>PTD.</td> <td>-</td> <td>391B</td> <td>3\"/> <tr> <td>396</td> <td>ETR</td> <td>-</td> <td>WD.</td> <td>J2</td> <td>PTD.</td> <td>-</td> <td>394</td> <td>3\"/> <tr> <td>398</td> <td>ETR</td> <td>-</td> <td>WD.</td> <td>J2</td> <td>PTD.</td> <td>-</td> <td>395</td> <td>3\"/> <tr> <td>399</td> <td>ETR</td> <td>-</td> <td>WD.</td> <td>J2</td> <td>PTD.</td> <td>-</td> <td>396</td> <td>3\"/> <tr> <td>3991</td> <td>ETR</td> <td>-</td> <td>WD.</td> <td>J2</td> <td>PTD.</td> <td>-</td> <td>398</td> <td>3\"/> <tr> <td>3992</td> <td>A</td> <td>3\"/> <tr> <td>3993</td> <td>ETR</td> <td>-</td> <td>WD.</td> <td>J2</td> <td>PTD.</td> <td>-</td> <td>399</td> <td>3\"/> <tr> <td>3994</td> <td>ETR</td> <td>-</td> <td>WD.</td> <td>J2</td> <td>PTD.</td> <td>-</td> <td>3991</td> <td>3\"/> <tr> <td>3995</td> <td>ETR</td> <td>-</td> <td>WD.</td> <td>J2</td> <td>PTD.</td> <td>-</td> <td>3992</td> <td>3\"/> <tr> <td>3997</td> <td>ETR</td> <td>-</td> <td>WD.</td> <td>J2</td> <td>PTD.</td> <td>-</td> <td>3993</td> <td>3\"/> <tr> <td>3998</td> <td>ETR</td> <td>-</td> <td>WD.</td> <td>J2</td> <td>PTD.</td> <td>-</td> <td>3994</td> <td>3\"/> <tr> <td>3999</td> <td>ETR</td> <td>-</td> <td>WD.</td> <td>J2</td> <td>PTD.</td> <td>-</td> <td>3995</td> <td>3\"/> <tr> <td>3999</td> <td>ETR</td> <td>-</td> <td>WD.</td> <td>J2</td> <td>PTD.</td> <td>-</td> <td>3997</td> <td>3\"/> </td></tr></td></tr></td></tr></td></tr></td></tr></td></tr></td></tr></td></tr></td></tr></td></tr></td></tr></td></tr></td></tr></td></tr></td></tr></td></tr></td></tr></td></tr></td></tr></td></tr></td></tr></td></tr></td></td></tr></td></tr></td></td></tr></td></td></tr></td>
 | WD | J1 | PTD. | - | 377A | 3\"/> <tr> <td>380A</td> <td>B</td> <td>1 <td>WD</td> <td>J1</td> <td>PTD.</td> <td>-</td> <td>378</td> <td>3\"/> <tr> <td>380B</td> <td>B</td> <td>1 <td>WD</td> <td>J1</td> <td>PTD.</td> <td>-</td> <td>379</td> <td>3\"/> <tr> <td>382</td> <td>ETR</td> <td>-</td> <td>WD.</td> <td>J2</td> <td>PTD.</td> <td>-</td> <td>380A</td> <td>3\"/> <tr> <td>382A</td> <td>D</td> <td>6 <td>ALUM.</td> <td>ANODIZE D</td> <td>-</td> <td>-</td> <td>380B</td> <td>3\"/> <tr> <td>385</td> <td>ETR</td> <td>-</td> <td>WD.</td> <td>J2</td> <td>PTD.</td> <td>-</td> <td>382</td> <td>3\"/> <tr> <td>386</td> <td>ETR</td> <td>-</td> <td>WD.</td> <td>J2</td> <td>PTD.</td> <td>-</td> <td>382A</td> <td>3\"/> <tr> <td>387</td> <td>ETR</td> <td>-</td> <td>WD.</td> <td>J2</td> <td>PTD.</td> <td>-</td> <td>385</td> <td>3\"/> <tr> <td>388</td> <td>ETR</td> <td>-</td> <td>WD.</td> <td>J2</td> <td>PTD.</td> <td>-</td> <td>386</td> <td>3\"/> <tr> <td>389</td> <td>ETR</td> <td>-</td> <td>WD.</td> <td>J2</td> <td>PTD.</td> <td>-</td> <td>387</td> <td>3\"/> <tr> <td>391</td> <td>ETR</td> <td>-</td> <td>WD.</td> <td>J2</td> <td>PTD.</td> <td>-</td> <td>388</td> <td>3\"/> <tr> <td>391A</td> <td>ETR</td> <td>-</td> <td>WD.</td> <td>J2</td> <td>PTD.</td> <td>-</td> <td>389</td> <td>3\"/> <tr> <td>391B</td> <td>ETR</td> <td>-</td> <td>WD.</td> <td>J2</td> <td>PTD.</td> <td>-</td> <td>391</td> <td>3\"/> <tr> <td>394</td> <td>ETR</td> <td>-</td> <td>WD.</td> <td>J2</td> <td>PTD.</td> <td>-</td> <td>391A</td> <td>3\"/> <tr> <td>395</td> <td>ETR</td> <td>-</td> <td>WD.</td> <td>J2</td> <td>PTD.</td> <td>-</td> <td>391B</td> <td>3\"/> <tr> <td>396</td> <td>ETR</td> <td>-</td> <td>WD.</td> <td>J2</td> <td>PTD.</td> <td>-</td> <td>394</td> <td>3\"/> <tr> <td>398</td> <td>ETR</td> <td>-</td> <td>WD.</td> <td>J2</td> <td>PTD.</td> <td>-</td> <td>395</td> <td>3\"/> <tr> <td>399</td> <td>ETR</td> <td>-</td> <td>WD.</td> <td>J2</td> <td>PTD.</td> <td>-</td> <td>396</td> <td>3\"/> <tr> <td>3991</td> <td>ETR</td> <td>-</td> <td>WD.</td> <td>J2</td> <td>PTD.</td> <td>-</td> <td>398</td> <td>3\"/> <tr> <td>3992</td> <td>A</td> <td>3\"/> <tr> <td>3993</td> <td>ETR</td> <td>-</td> <td>WD.</td> <td>J2</td> <td>PTD.</td> <td>-</td> <td>399</td> <td>3\"/> <tr> <td>3994</td> <td>ETR</td> <td>-</td> <td>WD.</td> <td>J2</td> <td>PTD.</td> <td>-</td> <td>3991</td> <td>3\"/> <tr> <td>3995</td> <td>ETR</td> <td>-</td> <td>WD.</td> <td>J2</td> <td>PTD.</td> <td>-</td> <td>3992</td> <td>3\"/> <tr> <td>3997</td> <td>ETR</td> <td>-</td> <td>WD.</td> <td>J2</td> <td>PTD.</td> <td>-</td> <td>3993</td> <td>3\"/> <tr> <td>3998</td> <td>ETR</td> <td>-</td> <td>WD.</td> <td>J2</td> <td>PTD.</td> <td>-</td> <td>3994</td> <td>3\"/> <tr> <td>3999</td> <td>ETR</td> <td>-</td> <td>WD.</td> <td>J2</td> <td>PTD.</td> <td>-</td> <td>3995</td> <td>3\"/> <tr> <td>3999</td> <td>ETR</td> <td>-</td> <td>WD.</td> <td>J2</td> <td>PTD.</td> <td>-</td> <td>3997</td> <td>3\"/> </td></tr></td></tr></td></tr></td></tr></td></tr></td></tr></td></tr></td></tr></td></tr></td></tr></td></tr></td></tr></td></tr></td></tr></td></tr></td></tr></td></tr></td></tr></td></tr></td></tr></td></tr></td></tr></td></td></tr></td></tr></td></td></tr></td></td></tr> | 380A | B | 1 <td>WD</td> <td>J1</td> <td>PTD.</td> <td>-</td> <td>378</td> <td>3\"/> <tr> <td>380B</td> <td>B</td> <td>1 <td>WD</td> <td>J1</td> <td>PTD.</td> <td>-</td> <td>379</td> <td>3\"/> <tr> <td>382</td> <td>ETR</td> <td>-</td> <td>WD.</td> <td>J2</td> <td>PTD.</td> <td>-</td> <td>380A</td> <td>3\"/> <tr> <td>382A</td> <td>D</td> <td>6 <td>ALUM.</td> <td>ANODIZE D</td> <td>-</td> <td>-</td> <td>380B</td> <td>3\"/> <tr> <td>385</td> <td>ETR</td> <td>-</td> <td>WD.</td> <td>J2</td> <td>PTD.</td> <td>-</td> <td>382</td> <td>3\"/> <tr> <td>386</td> <td>ETR</td> <td>-</td> <td>WD.</td> <td>J2</td> <td>PTD.</td> <td>-</td> <td>382A</td> <td>3\"/> <tr> <td>387</td> <td>ETR</td> <td>-</td> <td>WD.</td> <td>J2</td> <td>PTD.</td> <td>-</td> <td>385</td> <td>3\"/> <tr> <td>388</td> <td>ETR</td> <td>-</td> <td>WD.</td> <td>J2</td> <td>PTD.</td> <td>-</td> <td>386</td> <td>3\"/> <tr> <td>389</td> <td>ETR</td> <td>-</td> <td>WD.</td> <td>J2</td> <td>PTD.</td> <td>-</td> <td>387</td> <td>3\"/> <tr> <td>391</td> <td>ETR</td> <td>-</td> <td>WD.</td> <td>J2</td> <td>PTD.</td> <td>-</td> <td>388</td> <td>3\"/> <tr> <td>391A</td> <td>ETR</td> <td>-</td> <td>WD.</td> <td>J2</td> <td>PTD.</td> <td>-</td> <td>389</td> <td>3\"/> <tr> <td>391B</td> <td>ETR</td> <td>-</td> <td>WD.</td> <td>J2</td> <td>PTD.</td> <td>-</td> <td>391</td> <td>3\"/> <tr> <td>394</td> <td>ETR</td> <td>-</td> <td>WD.</td> <td>J2</td> <td>PTD.</td> <td>-</td> <td>391A</td> <td>3\"/> <tr> <td>395</td> <td>ETR</td> <td>-</td> <td>WD.</td> <td>J2</td> <td>PTD.</td> <td>-</td> <td>391B</td> <td>3\"/> <tr> <td>396</td> <td>ETR</td> <td>-</td> <td>WD.</td> <td>J2</td> <td>PTD.</td> <td>-</td> <td>394</td> <td>3\"/> <tr> <td>398</td> <td>ETR</td> <td>-</td> <td>WD.</td> <td>J2</td> <td>PTD.</td> <td>-</td> <td>395</td> <td>3\"/> <tr> <td>399</td> <td>ETR</td> <td>-</td> <td>WD.</td> <td>J2</td> <td>PTD.</td> <td>-</td> <td>396</td> <td>3\"/> <tr> <td>3991</td> <td>ETR</td> <td>-</td> <td>WD.</td> <td>J2</td> <td>PTD.</td> <td>-</td> <td>398</td> <td>3\"/> <tr> <td>3992</td> <td>A</td> <td>3\"/> <tr> <td>3993</td> <td>ETR</td> <td>-</td> <td>WD.</td> <td>J2</td> <td>PTD.</td> <td>-</td> <td>399</td> <td>3\"/> <tr> <td>3994</td> <td>ETR</td> <td>-</td> <td>WD.</td> <td>J2</td> <td>PTD.</td> <td>-</td> <td>3991</td> <td>3\"/> <tr> <td>3995</td> <td>ETR</td> <td>-</td> <td>WD.</td> <td>J2</td> <td>PTD.</td> <td>-</td> <td>3992</td> <td>3\"/> <tr> <td>3997</td> <td>ETR</td> <td>-</td> <td>WD.</td> <td>J2</td> <td>PTD.</td> <td>-</td> <td>3993</td> <td>3\"/> <tr> <td>3998</td> <td>ETR</td> <td>-</td> <td>WD.</td> <td>J2</td> <td>PTD.</td> <td>-</td> <td>3994</td> <td>3\"/> <tr> <td>3999</td> <td>ETR</td> <td>-</td> <td>WD.</td> <td>J2</td> <td>PTD.</td> <td>-</td> <td>3995</td> <td>3\"/> <tr> <td>3999</td> <td>ETR</td> <td>-</td> <td>WD.</td> <td>J2</td> <td>PTD.</td> <td>-</td> <td>3997</td> <td>3\"/> </td></tr></td></tr></td></tr></td></tr></td></tr></td></tr></td></tr></td></tr></td></tr></td></tr></td></tr></td></tr></td></tr></td></tr></td></tr></td></tr></td></tr></td></tr></td></tr></td></tr></td></tr></td></tr></td></td></tr></td></tr></td></td></tr></td> | WD | J1 | PTD. | - | 378 | 3\"/> <tr> <td>380B</td> <td>B</td> <td>1 <td>WD</td> <td>J1</td> <td>PTD.</td> <td>-</td> <td>379</td> <td>3\"/> <tr> <td>382</td> <td>ETR</td> <td>-</td> <td>WD.</td> <td>J2</td> <td>PTD.</td> <td>-</td> <td>380A</td> <td>3\"/> <tr> <td>382A</td> <td>D</td> <td>6 <td>ALUM.</td> <td>ANODIZE D</td> <td>-</td> <td>-</td> <td>380B</td> <td>3\"/> <tr> <td>385</td> <td>ETR</td> <td>-</td> <td>WD.</td> <td>J2</td> <td>PTD.</td> <td>-</td> <td>382</td> <td>3\"/> <tr> <td>386</td> <td>ETR</td> <td>-</td> <td>WD.</td> <td>J2</td> <td>PTD.</td> <td>-</td> <td>382A</td> <td>3\"/> <tr> <td>387</td> <td>ETR</td> <td>-</td> <td>WD.</td> <td>J2</td> <td>PTD.</td> <td>-</td> <td>385</td> <td>3\"/> <tr> <td>388</td> <td>ETR</td> <td>-</td> <td>WD.</td> <td>J2</td>
<td>PTD.</td> <td>-</td> <td>386</td> <td>3\"/> <tr> <td>389</td> <td>ETR</td> <td>-</td> <td>WD.</td> <td>J2</td> <td>PTD.</td> <td>-</td> <td>387</td> <td>3\"/> <tr> <td>391</td> <td>ETR</td> <td>-</td> <td>WD.</td> <td>J2</td> <td>PTD.</td> <td>-</td> <td>388</td> <td>3\"/> <tr> <td>391A</td> <td>ETR</td> <td>-</td> <td>WD.</td> <td>J2</td> <td>PTD.</td> <td>-</td> <td>389</td> <td>3\"/> <tr> <td>391B</td> <td>ETR</td> <td>-</td> <td>WD.</td> <td>J2</td> <td>PTD.</td> <td>-</td> <td>391</td> <td>3\"/> <tr> <td>394</td> <td>ETR</td> <td>-</td> <td>WD.</td> <td>J2</td> <td>PTD.</td> <td>-</td> <td>391A</td> <td>3\"/> <tr> <td>395</td> <td>ETR</td> <td>-</td> <td>WD.</td> <td>J2</td> <td>PTD.</td> <td>-</td> <td>391B</td> <td>3\"/> <tr> <td>396</td> <td>ETR</td> <td>-</td> <td>WD.</td> <td>J2</td> <td>PTD.</td> <td>-</td> <td>394</td> <td>3\"/> <tr> <td>398</td> <td>ETR</td> <td>-</td> <td>WD.</td> <td>J2</td> <td>PTD.</td> <td>-</td> <td>395</td> <td>3\"/> <tr> <td>399</td> <td>ETR</td> <td>-</td> <td>WD.</td> <td>J2</td> <td>PTD.</td> <td>-</td> <td>396</td> <td>3\"/> <tr> <td>3991</td> <td>ETR</td> <td>-</td> <td>WD.</td> <td>J2</td> <td>PTD.</td> <td>-</td> <td>398</td> <td>3\"/> <tr> <td>3992</td> <td>A</td> <td>3\"/> <tr> <td>3993</td> <td>ETR</td> <td>-</td> <td>WD.</td> <td>J2</td> <td>PTD.</td> <td>-</td> <td>399</td> <td>3\"/> <tr> <td>3994</td> <td>ETR</td> <td>-</td> <td>WD.</td> <td>J2</td> <td>PTD.</td> <td>-</td> <td>3991</td> <td>3\"/> <tr> <td>3995</td> <td>ETR</td> <td>-</td> <td>WD.</td> <td>J2</td> <td>PTD.</td> <td>-</td> <td>3992</td> <td>3\"/> <tr> <td>3997</td> <td>ETR</td> <td>-</td> <td>WD.</td> <td>J2</td> <td>PTD.</td> <td>-</td> <td>3993</td> <td>3\"/> <tr> <td>3998</td> <td>ETR</td> <td>-</td> <td>WD.</td> <td>J2</td> <td>PTD.</td> <td>-</td> <td>3994</td> <td>3\"/> <tr> <td>3999</td> <td>ETR</td> <td>-</td> <td>WD.</td> <td>J2</td> <td>PTD.</td> <td>-</td> <td>3995</td> <td>3\"/> <tr> <td>3999</td> <td>ETR</td> <td>-</td> <td>WD.</td> <td>J2</td> <td>PTD.</td> <td>-</td> <td>3997</td> <td>3\"/> </td></tr></td></tr></td></tr></td></tr></td></tr></td></tr></td></tr></td></tr></td></tr></td></tr></td></tr></td></tr></td></tr></td></tr></td></tr></td></tr></td></tr></td></tr></td></tr></td></tr></td></tr></td></tr></td></td></tr></td></tr></td></td></tr> | 380B | B | 1 <td>WD</td> <td>J1</td> <td>PTD.</td> <td>-</td> <td>379</td> <td>3\"/> <tr> <td>382</td> <td>ETR</td> <td>-</td> <td>WD.</td> <td>J2</td> <td>PTD.</td> <td>-</td> <td>380A</td> <td>3\"/> <tr> <td>382A</td> <td>D</td> <td>6 <td>ALUM.</td> <td>ANODIZE D</td> <td>-</td> <td>-</td> <td>380B</td> <td>3\"/> <tr> <td>385</td> <td>ETR</td> <td>-</td> <td>WD.</td> <td>J2</td> <td>PTD.</td> <td>-</td> <td>382</td> <td>3\"/> <tr> <td>386</td> <td>ETR</td> <td>-</td> <td>WD.</td> <td>J2</td> <td>PTD.</td> <td>-</td> <td>382A</td> <td>3\"/> <tr> <td>387</td> <td>ETR</td> <td>-</td> <td>WD.</td> <td>J2</td> <td>PTD.</td> <td>-</td> <td>385</td> <td>3\"/> <tr> <td>388</td> <td>ETR</td> <td>-</td> <td>WD.</td> <td>J2</td> <td>PTD.</td> <td>-</td> <td>386</td> <td>3\"/> <tr> <td>389</td> <td>ETR</td> <td>-</td> <td>WD.</td> <td>J2</td> <td>PTD.</td> <td>-</td> <td>387</td> <td>3\"/> <tr> <td>391</td> <td>ETR</td> <td>-</td> <td>WD.</td> <td>J2</td> <td>PTD.</td> <td>-</td> <td>388</td> <td>3\"/> <tr> <td>391A</td> <td>ETR</td> <td>-</td> <td>WD.</td> <td>J2</td> <td>PTD.</td> <td>-</td> <td>389</td> <td>3\"/> <tr> <td>391B</td> <td>ETR</td> <td>-</td> <td>WD.</td> <td>J2</td> <td>PTD.</td> <td>-</td> <td>391</td> <td>3\"/> <tr> <td>394</td> <td>ETR</td> <td>-</td> <td>WD.</td> <td>J2</td> <td>PTD.</td> <td>-</td> <td>391A</td> <td>3\"/> <tr> <td>395</td> <td>ETR</td> <td>-</td> <td>WD.</td> <td>J2</td> <td>PTD.</td> <td>-</td> <td>391B</td> <td>3\"/> <tr> <td>396</td> <td>ETR</td> <td>-</td> <td>WD.</td> <td>J2</td> <td>PTD.</td> <td>-</td> <td>394</td> <td>3\"/> <tr> <td>398</td> <td>ETR</td> <td>-</td> <td>WD.</td> <td>J2</td> <td>PTD.</td> <td>-</td> <td>395</td> <td>3\"/> <tr> <td>399</td> <td>ETR</td> <td>-</td> <td>WD.</td> <td>J2</td> <td>PTD.</td> <td>-</td> <td>396</td> <td>3\"/> <tr> <td>3991</td> <td>ETR</td> <td>-</td> <td>WD.</td> <td>J2</td> <td>PTD.</td> <td>-</td> <td>398</td> <td>3\"/> <tr> <td>3992</td> <td>A</td> <td>3\"/> <tr> <td>3993</td> <td>ETR</td> <td>-</td> <td>WD.</td> <td>J2</td> <td>PTD.</td> <td>-</td> <td>399</td> <td>3\"/> <tr> <td>3994</td> <td>ETR</td> <td>-</td> <td>WD.</td> <td>J2</td> <td>PTD.</td> <td>-</td> <td>3991</td> <td>3\"/> <tr> <td>3995</td> <td>ETR</td> <td>-</td> <td>WD.</td> <td>J2</td> <td>PTD.</td> <td>-</td> <td>3992</td> <td>3\"/> <tr> <td>3997</td> <td>ETR</td> <td>-</td> <td>WD.</td> <td>J2</td> <td>PTD.</td> <td>-</td> <td>3993</td> <td>3\"/> <tr> <td>3998</td> <td>ETR</td> <td>-</td> <td>WD.</td> <td>J2</td> <td>PTD.</td> <td>-</td> <td>3994</td> <td>3\"/> <tr> <td>3999</td> <td>ETR</td> <td>-</td> <td>WD.</td> <td>J2</td> <td>PTD.</td> <td>-</td> <td>3995</td> <td>3\"/> <tr> <td>3999</td> <td>ETR</td> <td>-</td> <td>WD.</td> <td>J2</td> <td>PTD.</td> <td>-</td> <td>3997</td> <td>3\"/> </td></tr></td></tr></td></tr></td></tr></td></tr></td></tr></td></tr></td></tr></td></tr></td></tr></td></tr></td></tr></td></tr></td></tr></td></tr></td></tr></td></tr></td></tr></td></tr></td></tr></td></tr></td></tr></td></td></tr></td></tr></td> | WD | J1 | PTD.
 | - | 379 | 3\"/> <tr> <td>382</td> <td>ETR</td> <td>-</td> <td>WD.</td> <td>J2</td> <td>PTD.</td> <td>-</td> <td>380A</td> <td>3\"/> <tr> <td>382A</td> <td>D</td> <td>6 <td>ALUM.</td> <td>ANODIZE D</td> <td>-</td> <td>-</td> <td>380B</td> <td>3\"/> <tr> <td>385</td> <td>ETR</td> <td>-</td> <td>WD.</td> <td>J2</td> <td>PTD.</td> <td>-</td> <td>382</td> <td>3\"/> <tr> <td>386</td> <td>ETR</td> <td>-</td> <td>WD.</td> <td>J2</td> <td>PTD.</td> <td>-</td> <td>382A</td> <td>3\"/> <tr> <td>387</td> <td>ETR</td> <td>-</td> <td>WD.</td> <td>J2</td> <td>PTD.</td> <td>-</td> <td>385</td> <td>3\"/> <tr> <td>388</td> <td>ETR</td> <td>-</td> <td>WD.</td> <td>J2</td> <td>PTD.</td> <td>-</td> <td>386</td> <td>3\"/> <tr> <td>389</td> <td>ETR</td> <td>-</td> <td>WD.</td> <td>J2</td> <td>PTD.</td> <td>-</td> <td>387</td> <td>3\"/> <tr> <td>391</td> <td>ETR</td> <td>-</td> <td>WD.</td> <td>J2</td> <td>PTD.</td> <td>-</td> <td>388</td> <td>3\"/> <tr> <td>391A</td> <td>ETR</td> <td>-</td> <td>WD.</td> <td>J2</td> <td>PTD.</td> <td>-</td> <td>389</td> <td>3\"/> <tr> <td>391B</td> <td>ETR</td> <td>-</td> <td>WD.</td> <td>J2</td> <td>PTD.</td> <td>-</td> <td>391</td> <td>3\"/> <tr> <td>394</td> <td>ETR</td> <td>-</td> <td>WD.</td> <td>J2</td> <td>PTD.</td> <td>-</td> <td>391A</td> <td>3\"/> <tr> <td>395</td> <td>ETR</td> <td>-</td> <td>WD.</td> <td>J2</td> <td>PTD.</td> <td>-</td> <td>391B</td> <td>3\"/> <tr> <td>396</td> <td>ETR</td> <td>-</td> <td>WD.</td> <td>J2</td> <td>PTD.</td> <td>-</td> <td>394</td> <td>3\"/> <tr> <td>398</td> <td>ETR</td> <td>-</td> <td>WD.</td> <td>J2</td> <td>PTD.</td> <td>-</td> <td>395</td> <td>3\"/> <tr> <td>399</td> <td>ETR</td> <td>-</td> <td>WD.</td> <td>J2</td> <td>PTD.</td> <td>-</td> <td>396</td> <td>3\"/> <tr> <td>3991</td> <td>ETR</td> <td>-</td> <td>WD.</td> <td>J2</td> <td>PTD.</td> <td>-</td> <td>398</td> <td>3\"/> <tr> <td>3992</td> <td>A</td> <td>3\"/> <tr> <td>3993</td> <td>ETR</td> <td>-</td> <td>WD.</td> <td>J2</td> <td>PTD.</td> <td>-</td> <td>399</td> <td>3\"/> <tr> <td>3994</td> <td>ETR</td> <td>-</td> <td>WD.</td> <td>J2</td> <td>PTD.</td> <td>-</td> <td>3991</td> <td>3\"/> <tr> <td>3995</td> <td>ETR</td> <td>-</td> <td>WD.</td> <td>J2</td> <td>PTD.</td> <td>-</td> <td>3992</td> <td>3\"/> <tr> <td>3997</td> <td>ETR</td> <td>-</td> <td>WD.</td> <td>J2</td> <td>PTD.</td> <td>-</td> <td>3993</td> <td>3\"/> <tr> <td>3998</td> <td>ETR</td> <td>-</td> <td>WD.</td> <td>J2</td> <td>PTD.</td> <td>-</td> <td>3994</td> <td>3\"/> <tr> <td>3999</td> <td>ETR</td> <td>-</td> <td>WD.</td> <td>J2</td> <td>PTD.</td> <td>-</td> <td>3995</td> <td>3\"/> <tr> <td>3999</td> <td>ETR</td> <td>-</td> <td>WD.</td> <td>J2</td> <td>PTD.</td> <td>-</td> <td>3997</td> <td>3\"/> </td></tr></td></tr></td></tr></td></tr></td></tr></td></tr></td></tr></td></tr></td></tr></td></tr></td></tr></td></tr></td></tr></td></tr></td></tr></td></tr></td></tr></td></tr></td></tr></td></tr></td></tr></td></tr></td></td></tr></td></tr> | 382 | ETR | - | WD. | J2 | PTD.
 | - | 380A | 3\"/> <tr> <td>382A</td> <td>D</td> <td>6 <td>ALUM.</td> <td>ANODIZE D</td> <td>-</td> <td>-</td> <td>380B</td> <td>3\"/> <tr> <td>385</td> <td>ETR</td> <td>-</td> <td>WD.</td> <td>J2</td> <td>PTD.</td> <td>-</td> <td>382</td> <td>3\"/> <tr> <td>386</td> <td>ETR</td> <td>-</td> <td>WD.</td> <td>J2</td> <td>PTD.</td> <td>-</td> <td>382A</td> <td>3\"/> <tr> <td>387</td> <td>ETR</td> <td>-</td> <td>WD.</td> <td>J2</td> <td>PTD.</td> <td>-</td> <td>385</td> <td>3\"/> <tr> <td>388</td> <td>ETR</td> <td>-</td> <td>WD.</td> <td>J2</td> <td>PTD.</td> <td>-</td> <td>386</td> <td>3\"/> <tr> <td>389</td> <td>ETR</td> <td>-</td> <td>WD.</td> <td>J2</td> <td>PTD.</td> <td>-</td> <td>387</td> <td>3\"/> <tr> <td>391</td> <td>ETR</td> <td>-</td> <td>WD.</td> <td>J2</td> <td>PTD.</td> <td>-</td> <td>388</td> <td>3\"/> <tr> <td>391A</td> <td>ETR</td> <td>-</td> <td>WD.</td> <td>J2</td> <td>PTD.</td> <td>-</td> <td>389</td> <td>3\"/> <tr> <td>391B</td> <td>ETR</td> <td>-</td> <td>WD.</td> <td>J2</td> <td>PTD.</td> <td>-</td> <td>391</td> <td>3\"/> <tr> <td>394</td> <td>ETR</td> <td>-</td> <td>WD.</td> <td>J2</td> <td>PTD.</td> <td>-</td> <td>391A</td> <td>3\"/> <tr> <td>395</td> <td>ETR</td> <td>-</td> <td>WD.</td> <td>J2</td> <td>PTD.</td> <td>-</td> <td>391B</td> <td>3\"/> <tr> <td>396</td> <td>ETR</td> <td>-</td> <td>WD.</td> <td>J2</td> <td>PTD.</td> <td>-</td> <td>394</td> <td>3\"/> <tr> <td>398</td> <td>ETR</td> <td>-</td> <td>WD.</td> <td>J2</td> <td>PTD.</td> <td>-</td> <td>395</td> <td>3\"/> <tr> <td>399</td> <td>ETR</td> <td>-</td> <td>WD.</td> <td>J2</td> <td>PTD.</td> <td>-</td> <td>396</td> <td>3\"/> <tr> <td>3991</td> <td>ETR</td> <td>-</td> <td>WD.</td> <td>J2</td> <td>PTD.</td> <td>-</td> <td>398</td> <td>3\"/> <tr> <td>3992</td> <td>A</td> <td>3\"/> <tr> <td>3993</td> <td>ETR</td> <td>-</td> <td>WD.</td> <td>J2</td> <td>PTD.</td> <td>-</td> <td>399</td> <td>3\"/> <tr> <td>3994</td> <td>ETR</td> <td>-</td> <td>WD.</td> <td>J2</td> <td>PTD.</td> <td>-</td> <td>3991</td> <td>3\"/> <tr> <td>3995</td> <td>ETR</td> <td>-</td> <td>WD.</td> <td>J2</td> <td>PTD.</td> <td>-</td> <td>3992</td> <td>3\"/> <tr> <td>3997</td> <td>ETR</td> <td>-</td> <td>WD.</td> <td>J2</td> <td>PTD.</td> <td>-</td> <td>3993</td> <td>3\"/> <tr> <td>3998</td> <td>ETR</td> <td>-</td> <td>WD.</td> <td>J2</td> <td>PTD.</td> <td>-</td> <td>3994</td> <td>3\"/> <tr> <td>3999</td> <td>ETR</td> <td>-</td> <td>WD.</td> <td>J2</td> <td>PTD.</td> <td>-</td> <td>3995</td> <td>3\"/> <tr> <td>3999</td> <td>ETR</td> <td>-</td> <td>WD.</td> <td>J2</td> <td>PTD.</td> <td>-</td> <td>3997</td> <td>3\"/> </td></tr></td></tr></td></tr></td></tr></td></tr></td></tr></td></tr></td></tr></td></tr></td></tr></td></tr></td></tr></td></tr></td></tr></td></tr></td></tr></td></tr></td></tr></td></tr></td></tr></td></tr></td></tr></td></td></tr> | 382A | D | 6 <td>ALUM.</td> <td>ANODIZE D</td> <td>-</td> <td>-</td> <td>380B</td> <td>3\"/> <tr> <td>385</td> <td>ETR</td> <td>-</td> <td>WD.</td> <td>J2</td> <td>PTD.</td> <td>-</td> <td>382</td> <td>3\"/> <tr> <td>386</td> <td>ETR</td> <td>-</td> <td>WD.</td> <td>J2</td> <td>PTD.</td> <td>-</td> <td>382A</td> <td>3\"/> <tr> <td>387</td> <td>ETR</td> <td>-</td> <td>WD.</td> <td>J2</td> <td>PTD.</td> <td>-</td> <td>385</td> <td>3\"/> <tr> <td>388</td> <td>ETR</td> <td>-</td> <td>WD.</td> <td>J2</td> <td>PTD.</td> <td>-</td> <td>386</td> <td>3\"/> <tr> <td>389</td> <td>ETR</td> <td>-</td> <td>WD.</td> <td>J2</td> <td>PTD.</td> <td>-</td> <td>387</td> <td>3\"/> <tr> <td>391</td> <td>ETR</td> <td>-</td> <td>WD.</td> <td>J2</td> <td>PTD.</td> <td>-</td> <td>388</td> <td>3\"/> <tr> <td>391A</td> <td>ETR</td> <td>-</td> <td>WD.</td> <td>J2</td> <td>PTD.</td> <td>-</td> <td>389</td> <td>3\"/> <tr> <td>391B</td> <td>ETR</td> <td>-</td> <td>WD.</td> <td>J2</td> <td>PTD.</td> <td>-</td> <td>391</td> <td>3\"/> <tr> <td>394</td> <td>ETR</td> <td>-</td> <td>WD.</td> <td>J2</td> <td>PTD.</td> <td>-</td> <td>391A</td> <td>3\"/> <tr> <td>395</td> <td>ETR</td> <td>-</td> <td>WD.</td> <td>J2</td> <td>PTD.</td> <td>-</td> <td>391B</td> <td>3\"/> <tr> <td>396</td> <td>ETR</td> <td>-</td> <td>WD.</td> <td>J2</td> <td>PTD.</td> <td>-</td> <td>394</td> <td>3\"/> <tr> <td>398</td> <td>ETR</td> <td>-</td> <td>WD.</td> <td>J2</td> <td>PTD.</td> <td>-</td> <td>395</td> <td>3\"/> <tr> <td>399</td> <td>ETR</td> <td>-</td> <td>WD.</td> <td>J2</td> <td>PTD.</td> <td>-</td> <td>396</td> <td>3\"/> <tr> <td>3991</td> <td>ETR</td> <td>-</td> <td>WD.</td> <td>J2</td> <td>PTD.</td> <td>-</td> <td>398</td> <td>3\"/> <tr> <td>3992</td> <td>A</td> <td>3\"/> <tr> <td>3993</td> <td>ETR</td> <td>-</td> <td>WD.</td> <td>J2</td> <td>PTD.</td> <td>-</td> <td>399</td> <td>3\"/> <tr> <td>3994</td> <td>ETR</td> <td>-</td> <td>WD.</td> <td>J2</td> <td>PTD.</td> <td>-</td> <td>3991</td> <td>3\"/> <tr> <td>3995</td> <td>ETR</td> <td>-</td> <td>WD.</td> <td>J2</td> <td>PTD.</td> <td>-</td> <td>3992</td> <td>3\"/> <tr> <td>3997</td> <td>ETR</td> <td>-</td> <td>WD.</td> <td>J2</td> <td>PTD.</td> <td>-</td> <td>3993</td> <td>3\"/> <tr> <td>3998</td> <td>ETR</td> <td>-</td> <td>WD.</td> <td>J2</td> <td>PTD.</td> <td>-</td> <td>3994</td> <td>3\"/> <tr> <td>3999</td> <td>ETR</td> <td>-</td> <td>WD.</td> <td>J2</td> <td>PTD.</td> <td>-</td> <td>3995</td> <td>3\"/> <tr> <td>3999</td> <td>ETR</td> <td>-</td> <td>WD.</td> <td>J2</td> <td>PTD.</td> <td>-</td> <td>3997</td> <td>3\"/> </td></tr></td></tr></td></tr></td></tr></td></tr></td></tr></td></tr></td></tr></td></tr></td></tr></td></tr></td></tr></td></tr></td></tr></td></tr></td></tr></td></tr></td></tr></td></tr></td></tr></td></tr></td></tr></td>
 | ALUM. | ANODIZE D | - | - | 380B | 3\"/> <tr> <td>385</td> <td>ETR</td> <td>-</td> <td>WD.</td> <td>J2</td> <td>PTD.</td> <td>-</td> <td>382</td> <td>3\"/> <tr> <td>386</td> <td>ETR</td> <td>-</td> <td>WD.</td> <td>J2</td> <td>PTD.</td> <td>-</td> <td>382A</td> <td>3\"/> <tr> <td>387</td> <td>ETR</td> <td>-</td> <td>WD.</td> <td>J2</td> <td>PTD.</td> <td>-</td> <td>385</td> <td>3\"/> <tr> <td>388</td> <td>ETR</td> <td>-</td> <td>WD.</td> <td>J2</td> <td>PTD.</td> <td>-</td> <td>386</td> <td>3\"/> <tr> <td>389</td> <td>ETR</td> <td>-</td> <td>WD.</td> <td>J2</td> <td>PTD.</td> <td>-</td> <td>387</td> <td>3\"/> <tr> <td>391</td> <td>ETR</td> <td>-</td> <td>WD.</td> <td>J2</td> <td>PTD.</td> <td>-</td> <td>388</td> <td>3\"/> <tr> <td>391A</td> <td>ETR</td> <td>-</td> <td>WD.</td> <td>J2</td> <td>PTD.</td> <td>-</td> <td>389</td> <td>3\"/> <tr> <td>391B</td> <td>ETR</td> <td>-</td> <td>WD.</td> <td>J2</td> <td>PTD.</td> <td>-</td> <td>391</td> <td>3\"/> <tr> <td>394</td> <td>ETR</td> <td>-</td> <td>WD.</td> <td>J2</td> <td>PTD.</td> <td>-</td> <td>391A</td> <td>3\"/> <tr> <td>395</td> <td>ETR</td> <td>-</td> <td>WD.</td> <td>J2</td> <td>PTD.</td> <td>-</td> <td>391B</td> <td>3\"/> <tr> <td>396</td> <td>ETR</td> <td>-</td> <td>WD.</td> <td>J2</td> <td>PTD.</td> <td>-</td> <td>394</td> <td>3\"/> <tr> <td>398</td> <td>ETR</td> <td>-</td> <td>WD.</td> <td>J2</td> <td>PTD.</td> <td>-</td> <td>395</td> <td>3\"/> <tr> <td>399</td> <td>ETR</td> <td>-</td> <td>WD.</td> <td>J2</td> <td>PTD.</td> <td>-</td> <td>396</td> <td>3\"/> <tr> <td>3991</td> <td>ETR</td> <td>-</td> <td>WD.</td> <td>J2</td> <td>PTD.</td> <td>-</td> <td>398</td> <td>3\"/> <tr> <td>3992</td> <td>A</td> <td>3\"/> <tr> <td>3993</td> <td>ETR</td> <td>-</td> <td>WD.</td> <td>J2</td> <td>PTD.</td> <td>-</td> <td>399</td> <td>3\"/> <tr> <td>3994</td> <td>ETR</td> <td>-</td> <td>WD.</td> <td>J2</td> <td>PTD.</td> <td>-</td> <td>3991</td> <td>3\"/> <tr> <td>3995</td> <td>ETR</td> <td>-</td> <td>WD.</td> <td>J2</td> <td>PTD.</td> <td>-</td> <td>3992</td> <td>3\"/> <tr> <td>3997</td> <td>ETR</td> <td>-</td> <td>WD.</td> <td>J2</td> <td>PTD.</td> <td>-</td> <td>3993</td> <td>3\"/> <tr> <td>3998</td> <td>ETR</td> <td>-</td> <td>WD.</td> <td>J2</td> <td>PTD.</td> <td>-</td> <td>3994</td> <td>3\"/> <tr> <td>3999</td> <td>ETR</td> <td>-</td> <td>WD.</td> <td>J2</td> <td>PTD.</td> <td>-</td> <td>3995</td> <td>3\"/> <tr> <td>3999</td> <td>ETR</td> <td>-</td> <td>WD.</td> <td>J2</td> <td>PTD.</td> <td>-</td> <td>3997</td> <td>3\"/> </td></tr></td></tr></td></tr></td></tr></td></tr></td></tr></td></tr></td></tr></td></tr></td></tr></td></tr></td></tr></td></tr></td></tr></td></tr></td></tr></td></tr></td></tr></td></tr></td></tr></td></tr></td></tr> | 385 | ETR | -
 | WD. | J2 | PTD. | - | 382 | 3\"/> <tr> <td>386</td> <td>ETR</td> <td>-</td> <td>WD.</td> <td>J2</td> <td>PTD.</td> <td>-</td> <td>382A</td> <td>3\"/> <tr> <td>387</td> <td>ETR</td> <td>-</td> <td>WD.</td> <td>J2</td> <td>PTD.</td> <td>-</td> <td>385</td> <td>3\"/> <tr> <td>388</td> <td>ETR</td> <td>-</td> <td>WD.</td> <td>J2</td> <td>PTD.</td> <td>-</td> <td>386</td> <td>3\"/> <tr> <td>389</td> <td>ETR</td> <td>-</td> <td>WD.</td> <td>J2</td> <td>PTD.</td> <td>-</td> <td>387</td> <td>3\"/> <tr> <td>391</td> <td>ETR</td> <td>-</td> <td>WD.</td> <td>J2</td> <td>PTD.</td> <td>-</td> <td>388</td> <td>3\"/> <tr> <td>391A</td> <td>ETR</td> <td>-</td> <td>WD.</td> <td>J2</td> <td>PTD.</td> <td>-</td> <td>389</td> <td>3\"/> <tr> <td>391B</td> <td>ETR</td> <td>-</td> <td>WD.</td> <td>J2</td> <td>PTD.</td> <td>-</td> <td>391</td> <td>3\"/> <tr> <td>394</td> <td>ETR</td> <td>-</td> <td>WD.</td> <td>J2</td> <td>PTD.</td> <td>-</td> <td>391A</td> <td>3\"/> <tr> <td>395</td> <td>ETR</td> <td>-</td> <td>WD.</td> <td>J2</td> <td>PTD.</td> <td>-</td> <td>391B</td> <td>3\"/> <tr> <td>396</td> <td>ETR</td> <td>-</td> <td>WD.</td> <td>J2</td> <td>PTD.</td> <td>-</td> <td>394</td> <td>3\"/> <tr> <td>398</td> <td>ETR</td> <td>-</td> <td>WD.</td> <td>J2</td> <td>PTD.</td> <td>-</td> <td>395</td> <td>3\"/> <tr> <td>399</td> <td>ETR</td> <td>-</td> <td>WD.</td> <td>J2</td> <td>PTD.</td> <td>-</td> <td>396</td> <td>3\"/> <tr> <td>3991</td> <td>ETR</td> <td>-</td> <td>WD.</td> <td>J2</td> <td>PTD.</td> <td>-</td> <td>398</td> <td>3\"/> <tr> <td>3992</td> <td>A</td> <td>3\"/> <tr> <td>3993</td> <td>ETR</td> <td>-</td> <td>WD.</td> <td>J2</td> <td>PTD.</td> <td>-</td> <td>399</td> <td>3\"/> <tr> <td>3994</td> <td>ETR</td> <td>-</td> <td>WD.</td> <td>J2</td> <td>PTD.</td> <td>-</td> <td>3991</td> <td>3\"/> <tr> <td>3995</td> <td>ETR</td> <td>-</td> <td>WD.</td> <td>J2</td> <td>PTD.</td> <td>-</td> <td>3992</td> <td>3\"/> <tr> <td>3997</td> <td>ETR</td> <td>-</td> <td>WD.</td> <td>J2</td> <td>PTD.</td> <td>-</td> <td>3993</td> <td>3\"/> <tr> <td>3998</td> <td>ETR</td> <td>-</td> <td>WD.</td> <td>J2</td> <td>PTD.</td> <td>-</td> <td>3994</td> <td>3\"/> <tr> <td>3999</td> <td>ETR</td> <td>-</td> <td>WD.</td> <td>J2</td> <td>PTD.</td> <td>-</td> <td>3995</td> <td>3\"/> <tr> <td>3999</td> <td>ETR</td> <td>-</td> <td>WD.</td> <td>J2</td> <td>PTD.</td> <td>-</td> <td>3997</td> <td>3\"/> </td></tr></td></tr></td></tr></td></tr></td></tr></td></tr></td></tr></td></tr></td></tr></td></tr></td></tr></td></tr></td></tr></td></tr></td></tr></td></tr></td></tr></td></tr></td></tr></td></tr></td></tr> | 386 | ETR | -
 | WD. | J2 | PTD. | - | 382A | 3\"/> <tr> <td>387</td> <td>ETR</td> <td>-</td> <td>WD.</td> <td>J2</td> <td>PTD.</td> <td>-</td> <td>385</td> <td>3\"/> <tr> <td>388</td> <td>ETR</td> <td>-</td> <td>WD.</td> <td>J2</td> <td>PTD.</td> <td>-</td> <td>386</td> <td>3\"/> <tr> <td>389</td> <td>ETR</td> <td>-</td> <td>WD.</td> <td>J2</td> <td>PTD.</td> <td>-</td> <td>387</td> <td>3\"/> <tr> <td>391</td> <td>ETR</td> <td>-</td> <td>WD.</td> <td>J2</td> <td>PTD.</td> <td>-</td> <td>388</td> <td>3\"/> <tr> <td>391A</td> <td>ETR</td> <td>-</td> <td>WD.</td> <td>J2</td> <td>PTD.</td> <td>-</td> <td>389</td> <td>3\"/> <tr> <td>391B</td> <td>ETR</td> <td>-</td> <td>WD.</td> <td>J2</td> <td>PTD.</td> <td>-</td> <td>391</td> <td>3\"/> <tr> <td>394</td> <td>ETR</td> <td>-</td> <td>WD.</td> <td>J2</td> <td>PTD.</td> <td>-</td> <td>391A</td> <td>3\"/> <tr> <td>395</td> <td>ETR</td> <td>-</td> <td>WD.</td> <td>J2</td> <td>PTD.</td> <td>-</td> <td>391B</td> <td>3\"/> <tr> <td>396</td> <td>ETR</td> <td>-</td> <td>WD.</td> <td>J2</td> <td>PTD.</td> <td>-</td> <td>394</td> <td>3\"/> <tr> <td>398</td> <td>ETR</td> <td>-</td> <td>WD.</td> <td>J2</td> <td>PTD.</td> <td>-</td> <td>395</td> <td>3\"/> <tr> <td>399</td> <td>ETR</td> <td>-</td> <td>WD.</td> <td>J2</td> <td>PTD.</td> <td>-</td> <td>396</td> <td>3\"/> <tr> <td>3991</td> <td>ETR</td> <td>-</td> <td>WD.</td> <td>J2</td> <td>PTD.</td> <td>-</td> <td>398</td> <td>3\"/> <tr> <td>3992</td> <td>A</td> <td>3\"/> <tr> <td>3993</td> <td>ETR</td> <td>-</td> <td>WD.</td> <td>J2</td> <td>PTD.</td> <td>-</td> <td>399</td> <td>3\"/> <tr> <td>3994</td> <td>ETR</td> <td>-</td> <td>WD.</td> <td>J2</td> <td>PTD.</td> <td>-</td> <td>3991</td> <td>3\"/> <tr> <td>3995</td> <td>ETR</td> <td>-</td> <td>WD.</td> <td>J2</td> <td>PTD.</td> <td>-</td> <td>3992</td> <td>3\"/> <tr> <td>3997</td> <td>ETR</td> <td>-</td> <td>WD.</td> <td>J2</td> <td>PTD.</td> <td>-</td> <td>3993</td> <td>3\"/> <tr> <td>3998</td> <td>ETR</td> <td>-</td> <td>WD.</td> <td>J2</td> <td>PTD.</td> <td>-</td> <td>3994</td> <td>3\"/> <tr> <td>3999</td> <td>ETR</td> <td>-</td> <td>WD.</td> <td>J2</td> <td>PTD.</td> <td>-</td> <td>3995</td> <td>3\"/> <tr> <td>3999</td> <td>ETR</td> <td>-</td> <td>WD.</td> <td>J2</td> <td>PTD.</td> <td>-</td> <td>3997</td> <td>3\"/> </td></tr></td></tr></td></tr></td></tr></td></tr></td></tr></td></tr></td></tr></td></tr></td></tr></td></tr></td></tr></td></tr></td></tr></td></tr></td></tr></td></tr></td></tr></td></tr></td></tr> | 387 | ETR | -
 | WD. | J2 | PTD. | - | 385 | 3\"/> <tr> <td>388</td> <td>ETR</td> <td>-</td> <td>WD.</td> <td>J2</td> <td>PTD.</td> <td>-</td> <td>386</td> <td>3\"/> <tr> <td>389</td> <td>ETR</td> <td>-</td> <td>WD.</td> <td>J2</td> <td>PTD.</td> <td>-</td> <td>387</td> <td>3\"/> <tr> <td>391</td> <td>ETR</td> <td>-</td> <td>WD.</td> <td>J2</td> <td>PTD.</td> <td>-</td> <td>388</td> <td>3\"/> <tr> <td>391A</td> <td>ETR</td> <td>-</td> <td>WD.</td> <td>J2</td> <td>PTD.</td> <td>-</td> <td>389</td> <td>3\"/> <tr> <td>391B</td> <td>ETR</td> <td>-</td> <td>WD.</td> <td>J2</td> <td>PTD.</td> <td>-</td> <td>391</td> <td>3\"/> <tr> <td>394</td> <td>ETR</td> <td>-</td> <td>WD.</td> <td>J2</td> <td>PTD.</td> <td>-</td> <td>391A</td> <td>3\"/> <tr> <td>395</td> <td>ETR</td> <td>-</td> <td>WD.</td> <td>J2</td> <td>PTD.</td> <td>-</td> <td>391B</td> <td>3\"/> <tr> <td>396</td> <td>ETR</td> <td>-</td> <td>WD.</td> <td>J2</td> <td>PTD.</td> <td>-</td> <td>394</td> <td>3\"/> <tr> <td>398</td> <td>ETR</td> <td>-</td> <td>WD.</td> <td>J2</td> <td>PTD.</td> <td>-</td> <td>395</td> <td>3\"/> <tr> <td>399</td> <td>ETR</td> <td>-</td> <td>WD.</td> <td>J2</td> <td>PTD.</td> <td>-</td> <td>396</td> <td>3\"/> <tr> <td>3991</td> <td>ETR</td> <td>-</td> <td>WD.</td> <td>J2</td> <td>PTD.</td> <td>-</td> <td>398</td> <td>3\"/> <tr> <td>3992</td> <td>A</td> <td>3\"/> <tr> <td>3993</td> <td>ETR</td> <td>-</td> <td>WD.</td> <td>J2</td> <td>PTD.</td> <td>-</td> <td>399</td> <td>3\"/> <tr> <td>3994</td> <td>ETR</td> <td>-</td> <td>WD.</td> <td>J2</td> <td>PTD.</td> <td>-</td> <td>3991</td> <td>3\"/> <tr> <td>3995</td> <td>ETR</td> <td>-</td> <td>WD.</td> <td>J2</td> <td>PTD.</td> <td>-</td> <td>3992</td> <td>3\"/> <tr> <td>3997</td> <td>ETR</td> <td>-</td> <td>WD.</td> <td>J2</td> <td>PTD.</td> <td>-</td> <td>3993</td> <td>3\"/> <tr> <td>3998</td> <td>ETR</td> <td>-</td> <td>WD.</td> <td>J2</td> <td>PTD.</td> <td>-</td> <td>3994</td> <td>3\"/> <tr> <td>3999</td> <td>ETR</td> <td>-</td> <td>WD.</td> <td>J2</td> <td>PTD.</td> <td>-</td> <td>3995</td> <td>3\"/> <tr> <td>3999</td> <td>ETR</td> <td>-</td> <td>WD.</td> <td>J2</td> <td>PTD.</td> <td>-</td> <td>3997</td> <td>3\"/> </td></tr></td></tr></td></tr></td></tr></td></tr></td></tr></td></tr></td></tr></td></tr></td></tr></td></tr></td></tr></td></tr></td></tr></td></tr></td></tr></td></tr></td></tr></td></tr>
 | 388 | ETR | - | WD. | J2 | PTD. | - | 386 | 3\"/> <tr> <td>389</td> <td>ETR</td> <td>-</td> <td>WD.</td> <td>J2</td> <td>PTD.</td> <td>-</td> <td>387</td> <td>3\"/> <tr> <td>391</td> <td>ETR</td> <td>-</td> <td>WD.</td> <td>J2</td> <td>PTD.</td> <td>-</td> <td>388</td> <td>3\"/> <tr> <td>391A</td> <td>ETR</td> <td>-</td> <td>WD.</td> <td>J2</td> <td>PTD.</td> <td>-</td> <td>389</td> <td>3\"/> <tr> <td>391B</td> <td>ETR</td> <td>-</td> <td>WD.</td> <td>J2</td> <td>PTD.</td> <td>-</td> <td>391</td> <td>3\"/> <tr> <td>394</td> <td>ETR</td> <td>-</td> <td>WD.</td> <td>J2</td> <td>PTD.</td> <td>-</td> <td>391A</td> <td>3\"/> <tr> <td>395</td> <td>ETR</td> <td>-</td> <td>WD.</td> <td>J2</td> <td>PTD.</td> <td>-</td> <td>391B</td> <td>3\"/> <tr> <td>396</td> <td>ETR</td> <td>-</td> <td>WD.</td> <td>J2</td> <td>PTD.</td> <td>-</td> <td>394</td> <td>3\"/> <tr> <td>398</td> <td>ETR</td> <td>-</td> <td>WD.</td> <td>J2</td> <td>PTD.</td> <td>-</td> <td>395</td> <td>3\"/> <tr> <td>399</td> <td>ETR</td> <td>-</td> <td>WD.</td> <td>J2</td> <td>PTD.</td> <td>-</td> <td>396</td> <td>3\"/> <tr> <td>3991</td> <td>ETR</td> <td>-</td> <td>WD.</td> <td>J2</td> <td>PTD.</td> <td>-</td> <td>398</td> <td>3\"/> <tr> <td>3992</td> <td>A</td> <td>3\"/> <tr> <td>3993</td> <td>ETR</td> <td>-</td> <td>WD.</td> <td>J2</td> <td>PTD.</td> <td>-</td> <td>399</td> <td>3\"/> <tr> <td>3994</td> <td>ETR</td> <td>-</td> <td>WD.</td> <td>J2</td> <td>PTD.</td> <td>-</td> <td>3991</td> <td>3\"/> <tr> <td>3995</td> <td>ETR</td> <td>-</td> <td>WD.</td> <td>J2</td> <td>PTD.</td> <td>-</td> <td>3992</td> <td>3\"/> <tr> <td>3997</td> <td>ETR</td> <td>-</td> <td>WD.</td> <td>J2</td> <td>PTD.</td> <td>-</td> <td>3993</td> <td>3\"/> <tr> <td>3998</td> <td>ETR</td> <td>-</td> <td>WD.</td> <td>J2</td> <td>PTD.</td> <td>-</td> <td>3994</td> <td>3\"/> <tr> <td>3999</td> <td>ETR</td> <td>-</td> <td>WD.</td> <td>J2</td> <td>PTD.</td> <td>-</td> <td>3995</td> <td>3\"/> <tr> <td>3999</td> <td>ETR</td> <td>-</td> <td>WD.</td> <td>J2</td> <td>PTD.</td> <td>-</td> <td>3997</td> <td>3\"/> </td></tr></td></tr></td></tr></td></tr></td></tr></td></tr></td></tr></td></tr></td></tr></td></tr></td></tr></td></tr></td></tr></td></tr></td></tr></td></tr></td></tr></td></tr> | 389 | ETR | -
 | WD. | J2 | PTD. | - | 387 | 3\"/> <tr> <td>391</td> <td>ETR</td> <td>-</td> <td>WD.</td> <td>J2</td> <td>PTD.</td> <td>-</td> <td>388</td> <td>3\"/> <tr> <td>391A</td> <td>ETR</td> <td>-</td> <td>WD.</td> <td>J2</td> <td>PTD.</td> <td>-</td> <td>389</td> <td>3\"/> <tr> <td>391B</td> <td>ETR</td> <td>-</td> <td>WD.</td> <td>J2</td> <td>PTD.</td> <td>-</td> <td>391</td> <td>3\"/> <tr> <td>394</td> <td>ETR</td> <td>-</td> <td>WD.</td> <td>J2</td> <td>PTD.</td> <td>-</td> <td>391A</td> <td>3\"/> <tr> <td>395</td> <td>ETR</td> <td>-</td> <td>WD.</td> <td>J2</td> <td>PTD.</td> <td>-</td> <td>391B</td> <td>3\"/> <tr> <td>396</td> <td>ETR</td> <td>-</td> <td>WD.</td> <td>J2</td> <td>PTD.</td> <td>-</td> <td>394</td> <td>3\"/> <tr> <td>398</td> <td>ETR</td> <td>-</td> <td>WD.</td> <td>J2</td> <td>PTD.</td> <td>-</td> <td>395</td> <td>3\"/> <tr> <td>399</td> <td>ETR</td> <td>-</td> <td>WD.</td> <td>J2</td> <td>PTD.</td> <td>-</td> <td>396</td> <td>3\"/> <tr> <td>3991</td> <td>ETR</td> <td>-</td> <td>WD.</td> <td>J2</td> <td>PTD.</td> <td>-</td> <td>398</td> <td>3\"/> <tr> <td>3992</td> <td>A</td> <td>3\"/> <tr> <td>3993</td> <td>ETR</td> <td>-</td> <td>WD.</td> <td>J2</td> <td>PTD.</td> <td>-</td> <td>399</td> <td>3\"/> <tr> <td>3994</td> <td>ETR</td> <td>-</td> <td>WD.</td> <td>J2</td> <td>PTD.</td> <td>-</td> <td>3991</td> <td>3\"/> <tr> <td>3995</td> <td>ETR</td> <td>-</td> <td>WD.</td> <td>J2</td> <td>PTD.</td> <td>-</td> <td>3992</td> <td>3\"/> <tr> <td>3997</td> <td>ETR</td> <td>-</td> <td>WD.</td> <td>J2</td> <td>PTD.</td> <td>-</td> <td>3993</td> <td>3\"/> <tr> <td>3998</td> <td>ETR</td> <td>-</td> <td>WD.</td> <td>J2</td> <td>PTD.</td> <td>-</td> <td>3994</td> <td>3\"/> <tr> <td>3999</td> <td>ETR</td> <td>-</td> <td>WD.</td> <td>J2</td> <td>PTD.</td> <td>-</td> <td>3995</td> <td>3\"/> <tr> <td>3999</td> <td>ETR</td> <td>-</td> <td>WD.</td> <td>J2</td> <td>PTD.</td> <td>-</td> <td>3997</td> <td>3\"/> </td></tr></td></tr></td></tr></td></tr></td></tr></td></tr></td></tr></td></tr></td></tr></td></tr></td></tr></td></tr></td></tr></td></tr></td></tr></td></tr></td></tr> | 391 | ETR | -
 | WD. | J2 | PTD. | - | 388 | 3\"/> <tr> <td>391A</td> <td>ETR</td> <td>-</td> <td>WD.</td> <td>J2</td> <td>PTD.</td> <td>-</td> <td>389</td> <td>3\"/> <tr> <td>391B</td> <td>ETR</td> <td>-</td> <td>WD.</td> <td>J2</td> <td>PTD.</td> <td>-</td> <td>391</td> <td>3\"/> <tr> <td>394</td> <td>ETR</td> <td>-</td> <td>WD.</td> <td>J2</td> <td>PTD.</td> <td>-</td> <td>391A</td> <td>3\"/> <tr> <td>395</td> <td>ETR</td> <td>-</td> <td>WD.</td> <td>J2</td> <td>PTD.</td> <td>-</td> <td>391B</td> <td>3\"/> <tr> <td>396</td> <td>ETR</td> <td>-</td> <td>WD.</td> <td>J2</td> <td>PTD.</td> <td>-</td> <td>394</td> <td>3\"/> <tr> <td>398</td> <td>ETR</td> <td>-</td> <td>WD.</td> <td>J2</td> <td>PTD.</td> <td>-</td> <td>395</td> <td>3\"/> <tr> <td>399</td> <td>ETR</td> <td>-</td> <td>WD.</td> <td>J2</td> <td>PTD.</td> <td>-</td> <td>396</td> <td>3\"/> <tr> <td>3991</td> <td>ETR</td> <td>-</td> <td>WD.</td> <td>J2</td> <td>PTD.</td> <td>-</td> <td>398</td> <td>3\"/> <tr> <td>3992</td> <td>A</td> <td>3\"/> <tr> <td>3993</td> <td>ETR</td> <td>-</td> <td>WD.</td> <td>J2</td> <td>PTD.</td> <td>-</td> <td>399</td> <td>3\"/> <tr> <td>3994</td> <td>ETR</td> <td>-</td> <td>WD.</td> <td>J2</td> <td>PTD.</td> <td>-</td> <td>3991</td> <td>3\"/> <tr> <td>3995</td> <td>ETR</td> <td>-</td> <td>WD.</td> <td>J2</td> <td>PTD.</td> <td>-</td> <td>3992</td> <td>3\"/> <tr> <td>3997</td> <td>ETR</td> <td>-</td> <td>WD.</td> <td>J2</td> <td>PTD.</td> <td>-</td> <td>3993</td> <td>3\"/> <tr> <td>3998</td> <td>ETR</td> <td>-</td> <td>WD.</td> <td>J2</td> <td>PTD.</td> <td>-</td> <td>3994</td> <td>3\"/> <tr> <td>3999</td> <td>ETR</td> <td>-</td> <td>WD.</td> <td>J2</td> <td>PTD.</td> <td>-</td> <td>3995</td> <td>3\"/> <tr> <td>3999</td> <td>ETR</td> <td>-</td> <td>WD.</td> <td>J2</td> <td>PTD.</td> <td>-</td> <td>3997</td> <td>3\"/> </td></tr></td></tr></td></tr></td></tr></td></tr></td></tr></td></tr></td></tr></td></tr></td></tr></td></tr></td></tr></td></tr></td></tr></td></tr></td></tr> | 391A | ETR | - | WD. | J2 | PTD.
 | - | 389 | 3\"/> <tr> <td>391B</td> <td>ETR</td> <td>-</td> <td>WD.</td> <td>J2</td> <td>PTD.</td> <td>-</td> <td>391</td> <td>3\"/> <tr> <td>394</td> <td>ETR</td> <td>-</td> <td>WD.</td> <td>J2</td> <td>PTD.</td> <td>-</td> <td>391A</td> <td>3\"/> <tr> <td>395</td> <td>ETR</td> <td>-</td> <td>WD.</td> <td>J2</td> <td>PTD.</td> <td>-</td> <td>391B</td> <td>3\"/> <tr> <td>396</td> <td>ETR</td> <td>-</td> <td>WD.</td> <td>J2</td> <td>PTD.</td> <td>-</td> <td>394</td> <td>3\"/> <tr> <td>398</td> <td>ETR</td> <td>-</td> <td>WD.</td> <td>J2</td> <td>PTD.</td> <td>-</td> <td>395</td> <td>3\"/> <tr> <td>399</td> <td>ETR</td> <td>-</td> <td>WD.</td> <td>J2</td> <td>PTD.</td> <td>-</td> <td>396</td> <td>3\"/> <tr> <td>3991</td> <td>ETR</td> <td>-</td> <td>WD.</td> <td>J2</td> <td>PTD.</td> <td>-</td> <td>398</td> <td>3\"/> <tr> <td>3992</td> <td>A</td> <td>3\"/> <tr> <td>3993</td> <td>ETR</td> <td>-</td> <td>WD.</td> <td>J2</td> <td>PTD.</td> <td>-</td> <td>399</td> <td>3\"/> <tr> <td>3994</td> <td>ETR</td> <td>-</td> <td>WD.</td> <td>J2</td> <td>PTD.</td> <td>-</td> <td>3991</td> <td>3\"/> <tr> <td>3995</td> <td>ETR</td> <td>-</td> <td>WD.</td> <td>J2</td> <td>PTD.</td> <td>-</td> <td>3992</td> <td>3\"/> <tr> <td>3997</td> <td>ETR</td> <td>-</td> <td>WD.</td> <td>J2</td> <td>PTD.</td> <td>-</td> <td>3993</td> <td>3\"/> <tr> <td>3998</td> <td>ETR</td> <td>-</td> <td>WD.</td> <td>J2</td> <td>PTD.</td> <td>-</td> <td>3994</td> <td>3\"/> <tr> <td>3999</td> <td>ETR</td> <td>-</td> <td>WD.</td> <td>J2</td> <td>PTD.</td> <td>-</td> <td>3995</td> <td>3\"/> <tr> <td>3999</td> <td>ETR</td> <td>-</td> <td>WD.</td> <td>J2</td> <td>PTD.</td> <td>-</td> <td>3997</td> <td>3\"/> </td></tr></td></tr></td></tr></td></tr></td></tr></td></tr></td></tr></td></tr></td></tr></td></tr></td></tr></td></tr></td></tr></td></tr></td></tr> | 391B | ETR | - | WD. | J2 | PTD. | - | 391 | 3\"/> <tr> <td>394</td> <td>ETR</td> <td>-</td> <td>WD.</td> <td>J2</td> <td>PTD.</td> <td>-</td> <td>391A</td> <td>3\"/> <tr> <td>395</td> <td>ETR</td> <td>-</td> <td>WD.</td> <td>J2</td> <td>PTD.</td> <td>-</td> <td>391B</td> <td>3\"/> <tr> <td>396</td> <td>ETR</td> <td>-</td> <td>WD.</td> <td>J2</td> <td>PTD.</td> <td>-</td> <td>394</td> <td>3\"/> <tr> <td>398</td> <td>ETR</td> <td>-</td> <td>WD.</td> <td>J2</td> <td>PTD.</td> <td>-</td> <td>395</td> <td>3\"/> <tr> <td>399</td> <td>ETR</td> <td>-</td> <td>WD.</td> <td>J2</td> <td>PTD.</td> <td>-</td> <td>396</td> <td>3\"/> <tr> <td>3991</td> <td>ETR</td> <td>-</td> <td>WD.</td> <td>J2</td> <td>PTD.</td> <td>-</td> <td>398</td> <td>3\"/> <tr> <td>3992</td> <td>A</td> <td>3\"/> <tr> <td>3993</td> <td>ETR</td> <td>-</td> <td>WD.</td> <td>J2</td> <td>PTD.</td> <td>-</td> <td>399</td> <td>3\"/> <tr> <td>3994</td> <td>ETR</td> <td>-</td> <td>WD.</td> <td>J2</td> <td>PTD.</td> <td>-</td> <td>3991</td> <td>3\"/> <tr> <td>3995</td> <td>ETR</td> <td>-</td> <td>WD.</td> <td>J2</td> <td>PTD.</td> <td>-</td> <td>3992</td> <td>3\"/> <tr> <td>3997</td> <td>ETR</td> <td>-</td> <td>WD.</td> <td>J2</td> <td>PTD.</td> <td>-</td> <td>3993</td> <td>3\"/> <tr> <td>3998</td> <td>ETR</td> <td>-</td> <td>WD.</td> <td>J2</td> <td>PTD.</td> <td>-</td> <td>3994</td> <td>3\"/> <tr> <td>3999</td> <td>ETR</td> <td>-</td> <td>WD.</td> <td>J2</td> <td>PTD.</td> <td>-</td> <td>3995</td> <td>3\"/> <tr> <td>3999</td> <td>ETR</td> <td>-</td> <td>WD.</td> <td>J2</td> <td>PTD.</td> <td>-</td> <td>3997</td> <td>3\"/> </td></tr></td></tr></td></tr></td></tr></td></tr></td></tr></td></tr></td></tr></td></tr></td></tr></td></tr></td></tr></td></tr></td></tr> | 394 | ETR | -
 | WD. | J2 | PTD. | - | 391A | 3\"/> <tr> <td>395</td> <td>ETR</td> <td>-</td> <td>WD.</td> <td>J2</td> <td>PTD.</td> <td>-</td> <td>391B</td> <td>3\"/> <tr> <td>396</td> <td>ETR</td> <td>-</td> <td>WD.</td> <td>J2</td> <td>PTD.</td> <td>-</td> <td>394</td> <td>3\"/> <tr> <td>398</td> <td>ETR</td> <td>-</td> <td>WD.</td> <td>J2</td> <td>PTD.</td> <td>-</td> <td>395</td> <td>3\"/> <tr> <td>399</td> <td>ETR</td> <td>-</td> <td>WD.</td> <td>J2</td> <td>PTD.</td> <td>-</td> <td>396</td> <td>3\"/> <tr> <td>3991</td> <td>ETR</td> <td>-</td> <td>WD.</td> <td>J2</td> <td>PTD.</td> <td>-</td> <td>398</td> <td>3\"/> <tr> <td>3992</td> <td>A</td> <td>3\"/> <tr> <td>3993</td> <td>ETR</td> <td>-</td> <td>WD.</td> <td>J2</td> <td>PTD.</td> <td>-</td> <td>399</td> <td>3\"/> <tr> <td>3994</td> <td>ETR</td> <td>-</td> <td>WD.</td> <td>J2</td> <td>PTD.</td> <td>-</td> <td>3991</td> <td>3\"/> <tr> <td>3995</td> <td>ETR</td> <td>-</td> <td>WD.</td> <td>J2</td> <td>PTD.</td> <td>-</td> <td>3992</td> <td>3\"/> <tr> <td>3997</td> <td>ETR</td> <td>-</td> <td>WD.</td> <td>J2</td> <td>PTD.</td> <td>-</td> <td>3993</td> <td>3\"/> <tr> <td>3998</td> <td>ETR</td> <td>-</td> <td>WD.</td> <td>J2</td> <td>PTD.</td> <td>-</td> <td>3994</td> <td>3\"/> <tr> <td>3999</td> <td>ETR</td> <td>-</td> <td>WD.</td> <td>J2</td> <td>PTD.</td> <td>-</td> <td>3995</td> <td>3\"/> <tr> <td>3999</td> <td>ETR</td> <td>-</td> <td>WD.</td> <td>J2</td> <td>PTD.</td> <td>-</td> <td>3997</td> <td>3\"/> </td></tr></td></tr></td></tr></td></tr></td></tr></td></tr></td></tr></td></tr></td></tr></td></tr></td></tr></td></tr></td></tr> | 395 | ETR | - | WD. | J2 | PTD. | - | 391B | 3\"/> <tr> <td>396</td> <td>ETR</td> <td>-</td> <td>WD.</td> <td>J2</td> <td>PTD.</td> <td>-</td> <td>394</td> <td>3\"/> <tr> <td>398</td> <td>ETR</td> <td>-</td> <td>WD.</td> <td>J2</td> <td>PTD.</td> <td>-</td> <td>395</td> <td>3\"/> <tr> <td>399</td> <td>ETR</td> <td>-</td> <td>WD.</td> <td>J2</td> <td>PTD.</td> <td>-</td> <td>396</td> <td>3\"/> <tr> <td>3991</td> <td>ETR</td> <td>-</td> <td>WD.</td> <td>J2</td> <td>PTD.</td> <td>-</td> <td>398</td> <td>3\"/> <tr> <td>3992</td> <td>A</td> <td>3\"/> <tr> <td>3993</td> <td>ETR</td> <td>-</td> <td>WD.</td> <td>J2</td> <td>PTD.</td> <td>-</td> <td>399</td> <td>3\"/> <tr> <td>3994</td> <td>ETR</td> <td>-</td> <td>WD.</td> <td>J2</td> <td>PTD.</td> <td>-</td> <td>3991</td> <td>3\"/> <tr> <td>3995</td> <td>ETR</td> <td>-</td> <td>WD.</td> <td>J2</td> <td>PTD.</td> <td>-</td> <td>3992</td> <td>3\"/> <tr> <td>3997</td> <td>ETR</td> <td>-</td> <td>WD.</td> <td>J2</td> <td>PTD.</td> <td>-</td> <td>3993</td> <td>3\"/> <tr> <td>3998</td> <td>ETR</td> <td>-</td> <td>WD.</td> <td>J2</td> <td>PTD.</td> <td>-</td> <td>3994</td> <td>3\"/> <tr> <td>3999</td> <td>ETR</td> <td>-</td> <td>WD.</td> <td>J2</td> <td>PTD.</td> <td>-</td> <td>3995</td> <td>3\"/> <tr> <td>3999</td> <td>ETR</td> <td>-</td> <td>WD.</td> <td>J2</td> <td>PTD.</td> <td>-</td> <td>3997</td> <td>3\"/> </td></tr></td></tr></td></tr></td></tr></td></tr></td></tr></td></tr></td></tr></td></tr></td></tr></td></tr></td></tr> | 396 | ETR | -
 | WD. | J2 | PTD. | - | 394 | 3\"/> <tr> <td>398</td> <td>ETR</td> <td>-</td> <td>WD.</td> <td>J2</td> <td>PTD.</td> <td>-</td> <td>395</td> <td>3\"/> <tr> <td>399</td> <td>ETR</td> <td>-</td> <td>WD.</td> <td>J2</td> <td>PTD.</td> <td>-</td> <td>396</td> <td>3\"/> <tr> <td>3991</td> <td>ETR</td> <td>-</td> <td>WD.</td> <td>J2</td> <td>PTD.</td> <td>-</td> <td>398</td> <td>3\"/> <tr> <td>3992</td> <td>A</td> <td>3\"/> <tr> <td>3993</td> <td>ETR</td> <td>-</td> <td>WD.</td> <td>J2</td> <td>PTD.</td> <td>-</td> <td>399</td> <td>3\"/> <tr> <td>3994</td> <td>ETR</td> <td>-</td> <td>WD.</td> <td>J2</td> <td>PTD.</td> <td>-</td> <td>3991</td> <td>3\"/> <tr> <td>3995</td> <td>ETR</td> <td>-</td> <td>WD.</td> <td>J2</td> <td>PTD.</td> <td>-</td> <td>3992</td> <td>3\"/> <tr> <td>3997</td> <td>ETR</td> <td>-</td> <td>WD.</td> <td>J2</td> <td>PTD.</td> <td>-</td> <td>3993</td> <td>3\"/> <tr> <td>3998</td> <td>ETR</td> <td>-</td> <td>WD.</td> <td>J2</td> <td>PTD.</td> <td>-</td> <td>3994</td> <td>3\"/> <tr> <td>3999</td> <td>ETR</td> <td>-</td> <td>WD.</td> <td>J2</td> <td>PTD.</td> <td>-</td> <td>3995</td> <td>3\"/> <tr> <td>3999</td> <td>ETR</td> <td>-</td> <td>WD.</td> <td>J2</td> <td>PTD.</td> <td>-</td> <td>3997</td> <td>3\"/> </td></tr></td></tr></td></tr></td></tr></td></tr></td></tr></td></tr></td></tr></td></tr></td></tr></td></tr> | 398 | ETR | - | WD. | J2 | PTD. | - | 395 | 3\"/> <tr> <td>399</td> <td>ETR</td> <td>-</td> <td>WD.</td> <td>J2</td> <td>PTD.</td> <td>-</td> <td>396</td> <td>3\"/> <tr> <td>3991</td> <td>ETR</td> <td>-</td> <td>WD.</td> <td>J2</td> <td>PTD.</td> <td>-</td> <td>398</td> <td>3\"/> <tr> <td>3992</td> <td>A</td> <td>3\"/> <tr> <td>3993</td> <td>ETR</td> <td>-</td> <td>WD.</td> <td>J2</td> <td>PTD.</td> <td>-</td> <td>399</td> <td>3\"/> <tr> <td>3994</td> <td>ETR</td> <td>-</td> <td>WD.</td> <td>J2</td> <td>PTD.</td> <td>-</td> <td>3991</td> <td>3\"/> <tr> <td>3995</td> <td>ETR</td> <td>-</td> <td>WD.</td> <td>J2</td> <td>PTD.</td> <td>-</td> <td>3992</td> <td>3\"/> <tr> <td>3997</td> <td>ETR</td> <td>-</td> <td>WD.</td> <td>J2</td> <td>PTD.</td> <td>-</td> <td>3993</td> <td>3\"/> <tr> <td>3998</td> <td>ETR</td> <td>-</td> <td>WD.</td> <td>J2</td> <td>PTD.</td> <td>-</td> <td>3994</td> <td>3\"/> <tr> <td>3999</td> <td>ETR</td> <td>-</td> <td>WD.</td> <td>J2</td> <td>PTD.</td> <td>-</td> <td>3995</td> <td>3\"/> <tr> <td>3999</td> <td>ETR</td> <td>-</td> <td>WD.</td> <td>J2</td> <td>PTD.</td> <td>-</td> <td>3997</td> <td>3\"/> </td></tr></td></tr></td></tr></td></tr></td></tr></td></tr></td></tr></td></tr></td></tr></td></tr> | 399 | ETR | -
 | WD. | J2 | PTD. | - | 396 | 3\"/> <tr> <td>3991</td> <td>ETR</td> <td>-</td> <td>WD.</td> <td>J2</td> <td>PTD.</td> <td>-</td> <td>398</td> <td>3\"/> <tr> <td>3992</td> <td>A</td> <td>3\"/> <tr> <td>3993</td> <td>ETR</td> <td>-</td> <td>WD.</td> <td>J2</td> <td>PTD.</td> <td>-</td> <td>399</td> <td>3\"/> <tr> <td>3994</td> <td>ETR</td> <td>-</td> <td>WD.</td> <td>J2</td> <td>PTD.</td> <td>-</td> <td>3991</td> <td>3\"/> <tr> <td>3995</td> <td>ETR</td> <td>-</td> <td>WD.</td> <td>J2</td> <td>PTD.</td> <td>-</td> <td>3992</td> <td>3\"/> <tr> <td>3997</td> <td>ETR</td> <td>-</td> <td>WD.</td> <td>J2</td> <td>PTD.</td> <td>-</td> <td>3993</td> <td>3\"/> <tr> <td>3998</td> <td>ETR</td> <td>-</td> <td>WD.</td> <td>J2</td> <td>PTD.</td> <td>-</td> <td>3994</td> <td>3\"/> <tr> <td>3999</td> <td>ETR</td> <td>-</td> <td>WD.</td> <td>J2</td> <td>PTD.</td> <td>-</td> <td>3995</td> <td>3\"/> <tr> <td>3999</td> <td>ETR</td> <td>-</td> <td>WD.</td> <td>J2</td> <td>PTD.</td> <td>-</td> <td>3997</td> <td>3\"/> </td></tr></td></tr></td></tr></td></tr></td></tr></td></tr></td></tr></td></tr></td></tr> | 3991 | ETR | - | WD. | J2 | PTD. | - | 398 | 3\"/> <tr> <td>3992</td> <td>A</td> <td>3\"/> <tr> <td>3993</td> <td>ETR</td> <td>-</td> <td>WD.</td> <td>J2</td> <td>PTD.</td> <td>-</td> <td>399</td> <td>3\"/> <tr> <td>3994</td> <td>ETR</td> <td>-</td> <td>WD.</td> <td>J2</td> <td>PTD.</td> <td>-</td> <td>3991</td> <td>3\"/> <tr> <td>3995</td> <td>ETR</td> <td>-</td> <td>WD.</td> <td>J2</td> <td>PTD.</td> <td>-</td> <td>3992</td> <td>3\"/> <tr> <td>3997</td> <td>ETR</td> <td>-</td> <td>WD.</td> <td>J2</td> <td>PTD.</td> <td>-</td> <td>3993</td> <td>3\"/> <tr> <td>3998</td> <td>ETR</td> <td>-</td> <td>WD.</td> <td>J2</td> <td>PTD.</td> <td>-</td> <td>3994</td> <td>3\"/> <tr> <td>3999</td> <td>ETR</td> <td>-</td> <td>WD.</td> <td>J2</td> <td>PTD.</td> <td>-</td> <td>3995</td> <td>3\"/> <tr> <td>3999</td> <td>ETR</td> <td>-</td> <td>WD.</td> <td>J2</td> <td>PTD.</td> <td>-</td> <td>3997</td> <td>3\"/> </td></tr></td></tr></td></tr></td></tr></td></tr></td></tr></td></tr></td></tr> | 3992 | A | 3\"/> <tr> <td>3993</td> <td>ETR</td> <td>-</td> <td>WD.</td> <td>J2</td> <td>PTD.</td> <td>-</td> <td>399</td> <td>3\"/> <tr> <td>3994</td> <td>ETR</td> <td>-</td> <td>WD.</td> <td>J2</td> <td>PTD.</td> <td>-</td> <td>3991</td> <td>3\"/> <tr> <td>3995</td> <td>ETR</td> <td>-</td> <td>WD.</td> <td>J2</td> <td>PTD.</td> <td>-</td> <td>3992</td> <td>3\"/> <tr> <td>3997</td> <td>ETR</td> <td>-</td> <td>WD.</td> <td>J2</td> <td>PTD.</td> <td>-</td> <td>3993</td> <td>3\"/> <tr> <td>3998</td> <td>ETR</td> <td>-</td> <td>WD.</td> <td>J2</td> <td>PTD.</td> <td>-</td> <td>3994</td> <td>3\"/> <tr> <td>3999</td> <td>ETR</td> <td>-</td> <td>WD.</td> <td>J2</td> <td>PTD.</td> <td>-</td> <td>3995</td> <td>3\"/> <tr> <td>3999</td> <td>ETR</td> <td>-</td> <td>WD.</td> <td>J2</td> <td>PTD.</td> <td>-</td> <td>3997</td> <td>3\"/> </td></tr></td></tr></td></tr></td></tr></td></tr></td></tr></td></tr> | 3993 | ETR | - | WD. | J2 | PTD.
 | - | 399 | 3\"/> <tr> <td>3994</td> <td>ETR</td> <td>-</td> <td>WD.</td> <td>J2</td> <td>PTD.</td> <td>-</td> <td>3991</td> <td>3\"/> <tr> <td>3995</td> <td>ETR</td> <td>-</td> <td>WD.</td> <td>J2</td> <td>PTD.</td> <td>-</td> <td>3992</td> <td>3\"/> <tr> <td>3997</td> <td>ETR</td> <td>-</td> <td>WD.</td> <td>J2</td> <td>PTD.</td> <td>-</td> <td>3993</td> <td>3\"/> <tr> <td>3998</td> <td>ETR</td> <td>-</td> <td>WD.</td> <td>J2</td> <td>PTD.</td> <td>-</td> <td>3994</td> <td>3\"/> <tr> <td>3999</td> <td>ETR</td> <td>-</td> <td>WD.</td> <td>J2</td> <td>PTD.</td> <td>-</td> <td>3995</td> <td>3\"/> <tr> <td>3999</td> <td>ETR</td> <td>-</td> <td>WD.</td> <td>J2</td> <td>PTD.</td> <td>-</td> <td>3997</td> <td>3\"/> </td></tr></td></tr></td></tr></td></tr></td></tr></td></tr> | 3994 | ETR | - | WD. | J2 | PTD. | - | 3991 | 3\"/> <tr> <td>3995</td> <td>ETR</td> <td>-</td> <td>WD.</td> <td>J2</td> <td>PTD.</td> <td>-</td> <td>3992</td> <td>3\"/> <tr> <td>3997</td> <td>ETR</td> <td>-</td> <td>WD.</td> <td>J2</td> <td>PTD.</td> <td>-</td> <td>3993</td> <td>3\"/> <tr> <td>3998</td> <td>ETR</td> <td>-</td> <td>WD.</td> <td>J2</td> <td>PTD.</td> <td>-</td> <td>3994</td> <td>3\"/> <tr> <td>3999</td> <td>ETR</td> <td>-</td> <td>WD.</td> <td>J2</td> <td>PTD.</td> <td>-</td> <td>3995</td> <td>3\"/> <tr> <td>3999</td> <td>ETR</td> <td>-</td> <td>WD.</td> <td>J2</td> <td>PTD.</td> <td>-</td> <td>3997</td> <td>3\"/> </td></tr></td></tr></td></tr></td></tr></td></tr> | 3995 | ETR | - | WD. | J2 | PTD. | - | 3992 | 3\"/> <tr> <td>3997</td> <td>ETR</td> <td>-</td> <td>WD.</td> <td>J2</td> <td>PTD.</td> <td>-</td> <td>3993</td> <td>3\"/> <tr> <td>3998</td> <td>ETR</td> <td>-</td> <td>WD.</td> <td>J2</td> <td>PTD.</td> <td>-</td> <td>3994</td> <td>3\"/> <tr> <td>3999</td> <td>ETR</td> <td>-</td> <td>WD.</td> <td>J2</td> <td>PTD.</td> <td>-</td> <td>3995</td> <td>3\"/> <tr> <td>3999</td> <td>ETR</td> <td>-</td> <td>WD.</td> <td>J2</td> <td>PTD.</td> <td>-</td> <td>3997</td> <td>3\"/> </td></tr></td></tr></td></tr></td></tr> | 3997 | ETR | - | WD. | J2 | PTD.
 | - | 3993 | 3\"/> <tr> <td>3998</td> <td>ETR</td> <td>-</td> <td>WD.</td> <td>J2</td> <td>PTD.</td> <td>-</td> <td>3994</td> <td>3\"/> <tr> <td>3999</td> <td>ETR</td> <td>-</td> <td>WD.</td> <td>J2</td> <td>PTD.</td> <td>-</td> <td>3995</td> <td>3\"/> <tr> <td>3999</td> <td>ETR</td> <td>-</td> <td>WD.</td> <td>J2</td> <td>PTD.</td> <td>-</td> <td>3997</td> <td>3\"/> </td></tr></td></tr></td></tr> | 3998 | ETR | - | WD. | J2 | PTD. | - | 3994 | 3\"/> <tr> <td>3999</td> <td>ETR</td> <td>-</td> <td>WD.</td> <td>J2</td> <td>PTD.</td> <td>-</td> <td>3995</td> <td>3\"/> <tr> <td>3999</td> <td>ETR</td> <td>-</td> <td>WD.</td> <td>J2</td> <td>PTD.</td> <td>-</td> <td>3997</td> <td>3\"/> </td></tr></td></tr> | 3999 | ETR | - | WD. | J2 | PTD. | - | 3995 | 3\"/> <tr> <td>3999</td> <td>ETR</td> <td>-</td> <td>WD.</td> <td>J2</td> <td>PTD.</td> <td>-</td> <td>3997</td> <td>3\"/> </td></tr> | 3999 | ETR | - | WD. | J2 | PTD. | - | 3997 | 3\"/> | | | | | | | | |
 | | | | | | | | | | | | | | | | | | | | | | | | | | | | | | | | | | | | | | | | | | | | | | | | | | | | | | | | | |
| 362 | ETR | - | WD. | J2 | PTD. | - | 360 | 3\"/> <tr> <td>363</td> <td>ETR</td> <td>-</td> <td>WD.</td> <td>J2</td> <td>PTD.</td> <td>-</td> <td>361A</td> <td>3\"/> <tr> <td>364A</td> <td>ETR</td> <td>-</td> <td>WD.</td> <td>J2</td> <td>PTD.</td> <td>-</td> <td>362</td> <td>3\"/> <tr> <td>365</td> <td>ETR</td> <td>-</td> <td>WD.</td> <td>J2</td> <td>PTD.</td> <td>-</td> <td>363</td> <td>3\"/> <tr> <td>366</td> <td>ETR</td> <td>-</td> <td>WD.</td> <td>J2</td> <td>PTD.</td> <td>-</td> <td>364A</td> <td>3\"/> <tr> <td>367</td> <td>B</td> <td>2 <td>HM</td> <td>J1</td> <td>PTD.</td> <td>1 HR.</td> <td>365</td> <td>3\"/> <tr> <td>368</td> <td>ETR</td> <td>-</td> <td>WD.</td> <td>J2</td> <td>PTD.</td> <td>-</td> <td>366</td> <td>3\"/> <tr> <td>369</td> <td>ETR</td> <td>-</td> <td>WD.</td> <td>J2</td> <td>PTD.</td> <td>-</td> <td>367</td> <td>3\"/> <tr> <td>370</td> <td>ETR</td> <td>-</td> <td>WD.</td> <td>J2</td> <td>PTD.</td> <td>-</td> <td>368</td> <td>3\"/> <tr> <td>371</td> <td>ETR</td> <td>-</td> <td>WD.</td> <td>J2</td> <td>PTD.</td> <td>-</td> <td>369</td> <td>3\"/> <tr> <td>372</td> <td>B</td> <td>2 <td>HM</td> <td>J1</td> <td>PTD.</td> <td>1 HR.</td> <td>370</td> <td>3\"/> <tr> <td>373A</td> <td>ETR</td> <td>-</td> <td>WD.</td> <td>J2</td> <td>PTD.</td> <td>-</td> <td>371</td> <td>3\"/> <tr> <td>374B</td> <td>ETR</td> <td>-</td> <td>WD.</td> <td>J2</td> <td>PTD.</td> <td>-</td> <td>372</td> <td>3\"/> <tr> <td>374C</td> <td>ETR</td> <td>-</td> <td>WD.</td> <td>J2</td> <td>PTD.</td> <td>-</td> <td>373A</td> <td>3\"/> <tr> <td>375</td> <td>B</td> <td>1 <td>WD</td> <td>J1</td> <td>PTD.</td> <td>-</td> <td>374B</td> <td>3\"/> <tr> <td>376</td> <td>B</td> <td>1 <td>WD</td> <td>J1</td> <td>PTD.</td> <td>-</td> <td>374C</td> <td>3\"/> <tr> <td>377</td> <td>B</td> <td>1 <td>WD</td> <td>J1</td> <td>PTD.</td> <td>-</td> <td>375</td> <td>3\"/> <tr> <td>377A</td> <td>B</td> <td>1 <td>WD</td> <td>J1</td> <td>PTD.</td> <td>-</td> <td>376</td> <td>3\"/> <tr> <td>378</td> <td>B</td> <td>1 <td>WD</td> <td>J1</td> <td>PTD.</td> <td>-</td> <td>377</td> <td>3\"/> <tr> <td>379</td> <td>B</td> <td>1 <td>WD</td> <td>J1</td> <td>PTD.</td> <td>-</td> <td>377A</td> <td>3\"/> <tr> <td>380A</td> <td>B</td> <td>1 <td>WD</td> <td>J1</td> <td>PTD.</td> <td>-</td> <td>378</td> <td>3\"/> <tr> <td>380B</td> <td>B</td> <td>1 <td>WD</td> <td>J1</td> <td>PTD.</td> <td>-</td> <td>379</td> <td>3\"/> <tr> <td>382</td> <td>ETR</td> <td>-</td> <td>WD.</td> <td>J2</td> <td>PTD.</td> <td>-</td> <td>380A</td> <td>3\"/> <tr> <td>382A</td> <td>D</td> <td>6 <td>ALUM.</td> <td>ANODIZE D</td> <td>-</td> <td>-</td> <td>380B</td> <td>3\"/> <tr> <td>385</td> <td>ETR</td> <td>-</td> <td>WD.</td> <td>J2</td> <td>PTD.</td> <td>-</td> <td>382</td> <td>3\"/> <tr> <td>386</td> <td>ETR</td> <td>-</td> <td>WD.</td> <td>J2</td> <td>PTD.</td> <td>-</td> <td>382A</td> <td>3\"/> <tr> <td>387</td> <td>ETR</td> <td>-</td> <td>WD.</td> <td>J2</td>
<td>PTD.</td> <td>-</td> <td>385</td> <td>3\"/> <tr> <td>388</td> <td>ETR</td> <td>-</td> <td>WD.</td> <td>J2</td> <td>PTD.</td> <td>-</td> <td>386</td> <td>3\"/> <tr> <td>389</td> <td>ETR</td> <td>-</td> <td>WD.</td> <td>J2</td> <td>PTD.</td> <td>-</td> <td>387</td> <td>3\"/> <tr> <td>391</td> <td>ETR</td> <td>-</td> <td>WD.</td> <td>J2</td> <td>PTD.</td> <td>-</td> <td>388</td> <td>3\"/> <tr> <td>391A</td> <td>ETR</td> <td>-</td> <td>WD.</td> <td>J2</td> <td>PTD.</td> <td>-</td> <td>389</td> <td>3\"/> <tr> <td>391B</td> <td>ETR</td> <td>-</td> <td>WD.</td> <td>J2</td> <td>PTD.</td> <td>-</td> <td>391</td> <td>3\"/> <tr> <td>394</td> <td>ETR</td> <td>-</td> <td>WD.</td> <td>J2</td> <td>PTD.</td> <td>-</td> <td>391A</td> <td>3\"/> <tr> <td>395</td> <td>ETR</td> <td>-</td> <td>WD.</td> <td>J2</td> <td>PTD.</td> <td>-</td> <td>391B</td> <td>3\"/> <tr> <td>396</td> <td>ETR</td> <td>-</td> <td>WD.</td> <td>J2</td> <td>PTD.</td> <td>-</td> <td>394</td> <td>3\"/> <tr> <td>398</td> <td>ETR</td> <td>-</td> <td>WD.</td> <td>J2</td> <td>PTD.</td> <td>-</td> <td>395</td> <td>3\"/> <tr> <td>399</td> <td>ETR</td> <td>-</td> <td>WD.</td> <td>J2</td> <td>PTD.</td> <td>-</td> <td>396</td> <td>3\"/> <tr> <td>3991</td> <td>ETR</td> <td>-</td> <td>WD.</td> <td>J2</td> <td>PTD.</td> <td>-</td> <td>398</td> <td>3\"/> <tr> <td>3992</td> <td>A</td> <td>3\"/> <tr> <td>3993</td> <td>ETR</td> <td>-</td> <td>WD.</td> <td>J2</td> <td>PTD.</td> <td>-</td> <td>399</td> <td>3\"/> <tr> <td>3994</td> <td>ETR</td> <td>-</td> <td>WD.</td> <td>J2</td> <td>PTD.</td> <td>-</td> <td>3991</td> <td>3\"/> <tr> <td>3995</td> <td>ETR</td> <td>-</td> <td>WD.</td> <td>J2</td> <td>PTD.</td> <td>-</td> <td>3992</td> <td>3\"/> <tr> <td>3997</td> <td>ETR</td> <td>-</td> <td>WD.</td> <td>J2</td> <td>PTD.</td> <td>-</td> <td>3993</td> <td>3\"/> <tr> <td>3998</td> <td>ETR</td> <td>-</td> <td>WD.</td> <td>J2</td> <td>PTD.</td> <td>-</td> <td>3994</td> <td>3\"/> <tr> <td>3999</td> <td>ETR</td> <td>-</td> <td>WD.</td> <td>J2</td> <td>PTD.</td> <td>-</td> <td>3995</td> <td>3\"/> <tr> <td>3999</td> <td>ETR</td> <td>-</td> <td>WD.</td> <td>J2</td> <td>PTD.</td> <td>-</td> <td>3997</td> <td>3\"/> </td></tr></td></tr></td></tr></td></tr></td></tr></td></tr></td></tr></td></tr></td></tr></td></tr></td></tr></td></tr></td></tr></td></tr></td></tr></td></tr></td></tr></td></tr></td></tr></td></tr></td></tr></td></tr></td></td></tr></td></tr></td></td></tr></td></td></tr></td></td></tr></td></td></tr></td></td></tr></td></td></tr></td></td></tr></td></td></tr></td></tr></td></tr></td></tr></td></td></tr></td></tr></td></tr></td></tr></td></tr></td></td></tr></td></tr></td></tr></td></tr></td></tr> | 363 | ETR | -
 | WD. | J2 | PTD. | - | 361A | 3\"/> <tr> <td>364A</td> <td>ETR</td> <td>-</td> <td>WD.</td> <td>J2</td> <td>PTD.</td> <td>-</td> <td>362</td> <td>3\"/> <tr> <td>365</td> <td>ETR</td> <td>-</td> <td>WD.</td> <td>J2</td> <td>PTD.</td> <td>-</td> <td>363</td> <td>3\"/> <tr> <td>366</td> <td>ETR</td> <td>-</td> <td>WD.</td> <td>J2</td> <td>PTD.</td> <td>-</td> <td>364A</td> <td>3\"/> <tr> <td>367</td> <td>B</td> <td>2 <td>HM</td> <td>J1</td> <td>PTD.</td> <td>1 HR.</td> <td>365</td> <td>3\"/> <tr> <td>368</td> <td>ETR</td> <td>-</td> <td>WD.</td> <td>J2</td> <td>PTD.</td> <td>-</td> <td>366</td> <td>3\"/> <tr> <td>369</td> <td>ETR</td> <td>-</td> <td>WD.</td> <td>J2</td> <td>PTD.</td> <td>-</td> <td>367</td> <td>3\"/> <tr> <td>370</td> <td>ETR</td> <td>-</td> <td>WD.</td> <td>J2</td> <td>PTD.</td> <td>-</td> <td>368</td> <td>3\"/> <tr> <td>371</td> <td>ETR</td> <td>-</td> <td>WD.</td> <td>J2</td> <td>PTD.</td> <td>-</td> <td>369</td> <td>3\"/> <tr> <td>372</td> <td>B</td> <td>2 <td>HM</td> <td>J1</td> <td>PTD.</td> <td>1 HR.</td> <td>370</td> <td>3\"/> <tr> <td>373A</td> <td>ETR</td> <td>-</td> <td>WD.</td> <td>J2</td> <td>PTD.</td> <td>-</td> <td>371</td> <td>3\"/> <tr> <td>374B</td> <td>ETR</td> <td>-</td> <td>WD.</td> <td>J2</td> <td>PTD.</td> <td>-</td> <td>372</td> <td>3\"/> <tr> <td>374C</td> <td>ETR</td> <td>-</td> <td>WD.</td> <td>J2</td> <td>PTD.</td> <td>-</td> <td>373A</td> <td>3\"/> <tr> <td>375</td> <td>B</td> <td>1 <td>WD</td> <td>J1</td> <td>PTD.</td> <td>-</td> <td>374B</td> <td>3\"/> <tr> <td>376</td> <td>B</td> <td>1 <td>WD</td> <td>J1</td> <td>PTD.</td> <td>-</td> <td>374C</td> <td>3\"/> <tr> <td>377</td> <td>B</td> <td>1 <td>WD</td> <td>J1</td> <td>PTD.</td> <td>-</td> <td>375</td> <td>3\"/> <tr> <td>377A</td> <td>B</td> <td>1 <td>WD</td> <td>J1</td> <td>PTD.</td> <td>-</td> <td>376</td> <td>3\"/> <tr> <td>378</td> <td>B</td> <td>1 <td>WD</td> <td>J1</td> <td>PTD.</td> <td>-</td> <td>377</td> <td>3\"/> <tr> <td>379</td> <td>B</td> <td>1 <td>WD</td> <td>J1</td> <td>PTD.</td> <td>-</td> <td>377A</td> <td>3\"/> <tr> <td>380A</td> <td>B</td> <td>1 <td>WD</td> <td>J1</td> <td>PTD.</td> <td>-</td> <td>378</td> <td>3\"/> <tr> <td>380B</td> <td>B</td> <td>1 <td>WD</td> <td>J1</td> <td>PTD.</td> <td>-</td> <td>379</td> <td>3\"/> <tr> <td>382</td> <td>ETR</td> <td>-</td> <td>WD.</td> <td>J2</td> <td>PTD.</td> <td>-</td> <td>380A</td> <td>3\"/> <tr> <td>382A</td> <td>D</td> <td>6 <td>ALUM.</td> <td>ANODIZE D</td> <td>-</td> <td>-</td> <td>380B</td> <td>3\"/> <tr> <td>385</td> <td>ETR</td> <td>-</td> <td>WD.</td> <td>J2</td> <td>PTD.</td> <td>-</td> <td>382</td> <td>3\"/> <tr> <td>386</td> <td>ETR</td> <td>-</td> <td>WD.</td> <td>J2</td> <td>PTD.</td> <td>-</td> <td>382A</td> <td>3\"/> <tr> <td>387</td> <td>ETR</td> <td>-</td> <td>WD.</td> <td>J2</td> <td>PTD.</td> <td>-</td> <td>385</td> <td>3\"/> <tr> <td>388</td> <td>ETR</td> <td>-</td> <td>WD.</td> <td>J2</td> <td>PTD.</td> <td>-</td> <td>386</td> <td>3\"/> <tr> <td>389</td> <td>ETR</td> <td>-</td> <td>WD.</td> <td>J2</td> <td>PTD.</td> <td>-</td> <td>387</td> <td>3\"/> <tr> <td>391</td> <td>ETR</td> <td>-</td> <td>WD.</td> <td>J2</td> <td>PTD.</td> <td>-</td> <td>388</td> <td>3\"/> <tr> <td>391A</td> <td>ETR</td> <td>-</td> <td>WD.</td> <td>J2</td> <td>PTD.</td> <td>-</td> <td>389</td> <td>3\"/> <tr> <td>391B</td> <td>ETR</td> <td>-</td> <td>WD.</td> <td>J2</td> <td>PTD.</td> <td>-</td> <td>391</td> <td>3\"/> <tr> <td>394</td> <td>ETR</td> <td>-</td> <td>WD.</td> <td>J2</td> <td>PTD.</td> <td>-</td> <td>391A</td> <td>3\"/> <tr> <td>395</td> <td>ETR</td> <td>-</td> <td>WD.</td> <td>J2</td> <td>PTD.</td> <td>-</td> <td>391B</td> <td>3\"/> <tr> <td>396</td> <td>ETR</td> <td>-</td> <td>WD.</td> <td>J2</td> <td>PTD.</td> <td>-</td> <td>394</td> <td>3\"/> <tr> <td>398</td> <td>ETR</td> <td>-</td> <td>WD.</td> <td>J2</td> <td>PTD.</td> <td>-</td> <td>395</td> <td>3\"/> <tr> <td>399</td> <td>ETR</td> <td>-</td> <td>WD.</td> <td>J2</td> <td>PTD.</td> <td>-</td> <td>396</td> <td>3\"/> <tr> <td>3991</td> <td>ETR</td> <td>-</td> <td>WD.</td> <td>J2</td> <td>PTD.</td> <td>-</td> <td>398</td> <td>3\"/> <tr> <td>3992</td> <td>A</td> <td>3\"/> <tr> <td>3993</td> <td>ETR</td> <td>-</td> <td>WD.</td> <td>J2</td> <td>PTD.</td> <td>-</td> <td>399</td> <td>3\"/> <tr> <td>3994</td> <td>ETR</td> <td>-</td> <td>WD.</td> <td>J2</td> <td>PTD.</td> <td>-</td> <td>3991</td> <td>3\"/> <tr> <td>3995</td> <td>ETR</td> <td>-</td> <td>WD.</td> <td>J2</td> <td>PTD.</td> <td>-</td> <td>3992</td> <td>3\"/> <tr> <td>3997</td> <td>ETR</td> <td>-</td> <td>WD.</td> <td>J2</td> <td>PTD.</td> <td>-</td> <td>3993</td> <td>3\"/> <tr> <td>3998</td> <td>ETR</td> <td>-</td> <td>WD.</td> <td>J2</td> <td>PTD.</td> <td>-</td> <td>3994</td> <td>3\"/> <tr> <td>3999</td> <td>ETR</td> <td>-</td> <td>WD.</td> <td>J2</td> <td>PTD.</td> <td>-</td> <td>3995</td> <td>3\"/> <tr> <td>3999</td> <td>ETR</td> <td>-</td> <td>WD.</td> <td>J2</td> <td>PTD.</td> <td>-</td> <td>3997</td> <td>3\"/> </td></tr></td></tr></td></tr></td></tr></td></tr></td></tr></td></tr></td></tr></td></tr></td></tr></td></tr></td></tr></td></tr></td></tr></td></tr></td></tr></td></tr></td></tr></td></tr></td></tr></td></tr></td></tr></td></td></tr></td></tr></td></td></tr></td></td></tr></td></td></tr></td></td></tr></td></td></tr></td></td></tr></td></td></tr></td></td></tr></td></tr></td></tr></td></tr></td></td></tr></td></tr></td></tr></td></tr></td></tr></td></td></tr></td></tr></td></tr></td></tr> | 364A | ETR | -
 | WD. | J2 | PTD. | - | 362 | 3\"/> <tr> <td>365</td> <td>ETR</td> <td>-</td> <td>WD.</td> <td>J2</td> <td>PTD.</td> <td>-</td> <td>363</td> <td>3\"/> <tr> <td>366</td> <td>ETR</td> <td>-</td> <td>WD.</td> <td>J2</td> <td>PTD.</td> <td>-</td> <td>364A</td> <td>3\"/> <tr> <td>367</td> <td>B</td> <td>2 <td>HM</td> <td>J1</td> <td>PTD.</td> <td>1 HR.</td> <td>365</td> <td>3\"/> <tr> <td>368</td> <td>ETR</td> <td>-</td> <td>WD.</td> <td>J2</td> <td>PTD.</td> <td>-</td> <td>366</td> <td>3\"/> <tr> <td>369</td> <td>ETR</td> <td>-</td> <td>WD.</td> <td>J2</td> <td>PTD.</td> <td>-</td> <td>367</td> <td>3\"/> <tr> <td>370</td> <td>ETR</td> <td>-</td> <td>WD.</td> <td>J2</td> <td>PTD.</td> <td>-</td> <td>368</td> <td>3\"/> <tr> <td>371</td> <td>ETR</td> <td>-</td> <td>WD.</td> <td>J2</td> <td>PTD.</td> <td>-</td> <td>369</td> <td>3\"/> <tr> <td>372</td> <td>B</td> <td>2 <td>HM</td> <td>J1</td> <td>PTD.</td> <td>1 HR.</td> <td>370</td> <td>3\"/> <tr> <td>373A</td> <td>ETR</td> <td>-</td> <td>WD.</td> <td>J2</td> <td>PTD.</td> <td>-</td> <td>371</td> <td>3\"/> <tr> <td>374B</td> <td>ETR</td> <td>-</td> <td>WD.</td> <td>J2</td> <td>PTD.</td> <td>-</td> <td>372</td> <td>3\"/> <tr> <td>374C</td> <td>ETR</td> <td>-</td> <td>WD.</td> <td>J2</td> <td>PTD.</td> <td>-</td> <td>373A</td> <td>3\"/> <tr> <td>375</td> <td>B</td> <td>1 <td>WD</td> <td>J1</td> <td>PTD.</td> <td>-</td> <td>374B</td> <td>3\"/> <tr> <td>376</td> <td>B</td> <td>1 <td>WD</td> <td>J1</td> <td>PTD.</td> <td>-</td> <td>374C</td> <td>3\"/> <tr> <td>377</td> <td>B</td> <td>1 <td>WD</td> <td>J1</td> <td>PTD.</td> <td>-</td> <td>375</td> <td>3\"/> <tr> <td>377A</td> <td>B</td> <td>1 <td>WD</td> <td>J1</td> <td>PTD.</td> <td>-</td> <td>376</td> <td>3\"/> <tr> <td>378</td> <td>B</td> <td>1 <td>WD</td> <td>J1</td> <td>PTD.</td> <td>-</td> <td>377</td> <td>3\"/> <tr> <td>379</td> <td>B</td> <td>1 <td>WD</td> <td>J1</td> <td>PTD.</td> <td>-</td> <td>377A</td> <td>3\"/> <tr> <td>380A</td> <td>B</td> <td>1 <td>WD</td> <td>J1</td> <td>PTD.</td> <td>-</td> <td>378</td> <td>3\"/> <tr> <td>380B</td> <td>B</td> <td>1 <td>WD</td> <td>J1</td> <td>PTD.</td> <td>-</td> <td>379</td> <td>3\"/> <tr> <td>382</td> <td>ETR</td> <td>-</td> <td>WD.</td> <td>J2</td> <td>PTD.</td> <td>-</td> <td>380A</td> <td>3\"/> <tr> <td>382A</td> <td>D</td> <td>6 <td>ALUM.</td> <td>ANODIZE D</td> <td>-</td> <td>-</td> <td>380B</td> <td>3\"/> <tr> <td>385</td> <td>ETR</td> <td>-</td> <td>WD.</td> <td>J2</td> <td>PTD.</td> <td>-</td> <td>382</td> <td>3\"/> <tr> <td>386</td> <td>ETR</td> <td>-</td> <td>WD.</td> <td>J2</td> <td>PTD.</td> <td>-</td> <td>382A</td> <td>3\"/> <tr> <td>387</td> <td>ETR</td> <td>-</td> <td>WD.</td> <td>J2</td> <td>PTD.</td> <td>-</td> <td>385</td> <td>3\"/> <tr> <td>388</td> <td>ETR</td> <td>-</td> <td>WD.</td> <td>J2</td> <td>PTD.</td> <td>-</td> <td>386</td> <td>3\"/> <tr> <td>389</td> <td>ETR</td> <td>-</td> <td>WD.</td> <td>J2</td> <td>PTD.</td> <td>-</td> <td>387</td> <td>3\"/> <tr> <td>391</td> <td>ETR</td> <td>-</td> <td>WD.</td> <td>J2</td> <td>PTD.</td> <td>-</td> <td>388</td> <td>3\"/> <tr> <td>391A</td> <td>ETR</td> <td>-</td> <td>WD.</td> <td>J2</td> <td>PTD.</td> <td>-</td> <td>389</td> <td>3\"/> <tr> <td>391B</td> <td>ETR</td> <td>-</td> <td>WD.</td> <td>J2</td> <td>PTD.</td> <td>-</td> <td>391</td> <td>3\"/> <tr> <td>394</td> <td>ETR</td> <td>-</td> <td>WD.</td> <td>J2</td> <td>PTD.</td> <td>-</td> <td>391A</td> <td>3\"/> <tr> <td>395</td> <td>ETR</td> <td>-</td> <td>WD.</td> <td>J2</td> <td>PTD.</td> <td>-</td> <td>391B</td> <td>3\"/> <tr> <td>396</td> <td>ETR</td> <td>-</td> <td>WD.</td> <td>J2</td> <td>PTD.</td> <td>-</td> <td>394</td> <td>3\"/> <tr> <td>398</td> <td>ETR</td> <td>-</td> <td>WD.</td> <td>J2</td> <td>PTD.</td> <td>-</td> <td>395</td> <td>3\"/> <tr> <td>399</td> <td>ETR</td> <td>-</td> <td>WD.</td> <td>J2</td> <td>PTD.</td> <td>-</td> <td>396</td> <td>3\"/> <tr> <td>3991</td> <td>ETR</td> <td>-</td> <td>WD.</td> <td>J2</td> <td>PTD.</td> <td>-</td> <td>398</td> <td>3\"/> <tr> <td>3992</td> <td>A</td> <td>3\"/> <tr> <td>3993</td> <td>ETR</td> <td>-</td> <td>WD.</td> <td>J2</td> <td>PTD.</td> <td>-</td> <td>399</td> <td>3\"/> <tr> <td>3994</td> <td>ETR</td> <td>-</td> <td>WD.</td> <td>J2</td> <td>PTD.</td> <td>-</td> <td>3991</td> <td>3\"/> <tr> <td>3995</td> <td>ETR</td> <td>-</td> <td>WD.</td> <td>J2</td> <td>PTD.</td> <td>-</td> <td>3992</td> <td>3\"/> <tr> <td>3997</td> <td>ETR</td> <td>-</td> <td>WD.</td> <td>J2</td> <td>PTD.</td> <td>-</td> <td>3993</td> <td>3\"/> <tr> <td>3998</td> <td>ETR</td> <td>-</td> <td>WD.</td> <td>J2</td> <td>PTD.</td> <td>-</td> <td>3994</td> <td>3\"/> <tr> <td>3999</td> <td>ETR</td> <td>-</td> <td>WD.</td> <td>J2</td> <td>PTD.</td> <td>-</td> <td>3995</td> <td>3\"/> <tr> <td>3999</td> <td>ETR</td> <td>-</td> <td>WD.</td> <td>J2</td> <td>PTD.</td> <td>-</td> <td>3997</td> <td>3\"/> </td></tr></td></tr></td></tr></td></tr></td></tr></td></tr></td></tr></td></tr></td></tr></td></tr></td></tr></td></tr></td></tr></td></tr></td></tr></td></tr></td></tr></td></tr></td></tr></td></tr></td></tr></td></tr></td></td></tr></td></tr></td></td></tr></td></td></tr></td></td></tr></td></td></tr></td></td></tr></td></td></tr></td></td></tr></td></td></tr></td></tr></td></tr></td></tr></td></td></tr></td></tr></td></tr></td></tr></td></tr></td></td></tr></td></tr></td></tr>
 | 365 | ETR | - | WD. | J2 | PTD. | - | 363 | 3\"/> <tr> <td>366</td> <td>ETR</td> <td>-</td> <td>WD.</td> <td>J2</td> <td>PTD.</td> <td>-</td> <td>364A</td> <td>3\"/> <tr> <td>367</td> <td>B</td> <td>2 <td>HM</td> <td>J1</td> <td>PTD.</td> <td>1 HR.</td> <td>365</td> <td>3\"/> <tr> <td>368</td> <td>ETR</td> <td>-</td> <td>WD.</td> <td>J2</td> <td>PTD.</td> <td>-</td> <td>366</td> <td>3\"/> <tr> <td>369</td> <td>ETR</td> <td>-</td> <td>WD.</td> <td>J2</td> <td>PTD.</td> <td>-</td> <td>367</td> <td>3\"/> <tr> <td>370</td> <td>ETR</td> <td>-</td> <td>WD.</td> <td>J2</td> <td>PTD.</td> <td>-</td> <td>368</td> <td>3\"/> <tr> <td>371</td> <td>ETR</td> <td>-</td> <td>WD.</td> <td>J2</td> <td>PTD.</td> <td>-</td> <td>369</td> <td>3\"/> <tr> <td>372</td> <td>B</td> <td>2 <td>HM</td> <td>J1</td> <td>PTD.</td> <td>1 HR.</td> <td>370</td> <td>3\"/> <tr> <td>373A</td> <td>ETR</td> <td>-</td> <td>WD.</td> <td>J2</td> <td>PTD.</td> <td>-</td> <td>371</td> <td>3\"/> <tr> <td>374B</td> <td>ETR</td> <td>-</td> <td>WD.</td> <td>J2</td> <td>PTD.</td> <td>-</td> <td>372</td> <td>3\"/> <tr> <td>374C</td> <td>ETR</td> <td>-</td> <td>WD.</td> <td>J2</td> <td>PTD.</td> <td>-</td> <td>373A</td> <td>3\"/> <tr> <td>375</td> <td>B</td> <td>1 <td>WD</td> <td>J1</td> <td>PTD.</td> <td>-</td> <td>374B</td> <td>3\"/> <tr> <td>376</td> <td>B</td> <td>1 <td>WD</td> <td>J1</td> <td>PTD.</td> <td>-</td> <td>374C</td> <td>3\"/> <tr> <td>377</td> <td>B</td> <td>1 <td>WD</td> <td>J1</td> <td>PTD.</td> <td>-</td> <td>375</td> <td>3\"/> <tr> <td>377A</td> <td>B</td> <td>1 <td>WD</td> <td>J1</td> <td>PTD.</td> <td>-</td> <td>376</td> <td>3\"/> <tr> <td>378</td> <td>B</td> <td>1 <td>WD</td> <td>J1</td> <td>PTD.</td> <td>-</td> <td>377</td> <td>3\"/> <tr> <td>379</td> <td>B</td> <td>1 <td>WD</td> <td>J1</td> <td>PTD.</td> <td>-</td> <td>377A</td> <td>3\"/> <tr> <td>380A</td> <td>B</td> <td>1 <td>WD</td> <td>J1</td> <td>PTD.</td> <td>-</td> <td>378</td> <td>3\"/> <tr> <td>380B</td> <td>B</td> <td>1 <td>WD</td> <td>J1</td> <td>PTD.</td> <td>-</td> <td>379</td> <td>3\"/> <tr> <td>382</td> <td>ETR</td> <td>-</td> <td>WD.</td> <td>J2</td> <td>PTD.</td> <td>-</td> <td>380A</td> <td>3\"/> <tr> <td>382A</td> <td>D</td> <td>6 <td>ALUM.</td> <td>ANODIZE D</td> <td>-</td> <td>-</td> <td>380B</td> <td>3\"/> <tr> <td>385</td> <td>ETR</td> <td>-</td> <td>WD.</td> <td>J2</td> <td>PTD.</td> <td>-</td> <td>382</td> <td>3\"/> <tr> <td>386</td> <td>ETR</td> <td>-</td> <td>WD.</td> <td>J2</td> <td>PTD.</td> <td>-</td> <td>382A</td> <td>3\"/> <tr> <td>387</td> <td>ETR</td> <td>-</td> <td>WD.</td> <td>J2</td> <td>PTD.</td> <td>-</td> <td>385</td> <td>3\"/> <tr> <td>388</td> <td>ETR</td> <td>-</td> <td>WD.</td> <td>J2</td> <td>PTD.</td> <td>-</td> <td>386</td> <td>3\"/> <tr> <td>389</td> <td>ETR</td> <td>-</td>
<td>WD.</td> <td>J2</td> <td>PTD.</td> <td>-</td> <td>387</td> <td>3\"/> <tr> <td>391</td> <td>ETR</td> <td>-</td> <td>WD.</td> <td>J2</td> <td>PTD.</td> <td>-</td> <td>388</td> <td>3\"/> <tr> <td>391A</td> <td>ETR</td> <td>-</td> <td>WD.</td> <td>J2</td> <td>PTD.</td> <td>-</td> <td>389</td> <td>3\"/> <tr> <td>391B</td> <td>ETR</td> <td>-</td> <td>WD.</td> <td>J2</td> <td>PTD.</td> <td>-</td> <td>391</td> <td>3\"/> <tr> <td>394</td> <td>ETR</td> <td>-</td> <td>WD.</td> <td>J2</td> <td>PTD.</td> <td>-</td> <td>391A</td> <td>3\"/> <tr> <td>395</td> <td>ETR</td> <td>-</td> <td>WD.</td> <td>J2</td> <td>PTD.</td> <td>-</td> <td>391B</td> <td>3\"/> <tr> <td>396</td> <td>ETR</td> <td>-</td> <td>WD.</td> <td>J2</td> <td>PTD.</td> <td>-</td> <td>394</td> <td>3\"/> <tr> <td>398</td> <td>ETR</td> <td>-</td> <td>WD.</td> <td>J2</td> <td>PTD.</td> <td>-</td> <td>395</td> <td>3\"/> <tr> <td>399</td> <td>ETR</td> <td>-</td> <td>WD.</td> <td>J2</td> <td>PTD.</td> <td>-</td> <td>396</td> <td>3\"/> <tr> <td>3991</td> <td>ETR</td> <td>-</td> <td>WD.</td> <td>J2</td> <td>PTD.</td> <td>-</td> <td>398</td> <td>3\"/> <tr> <td>3992</td> <td>A</td> <td>3\"/> <tr> <td>3993</td> <td>ETR</td> <td>-</td> <td>WD.</td> <td>J2</td> <td>PTD.</td> <td>-</td> <td>399</td> <td>3\"/> <tr> <td>3994</td> <td>ETR</td> <td>-</td> <td>WD.</td> <td>J2</td> <td>PTD.</td> <td>-</td> <td>3991</td> <td>3\"/> <tr> <td>3995</td> <td>ETR</td> <td>-</td> <td>WD.</td> <td>J2</td> <td>PTD.</td> <td>-</td> <td>3992</td> <td>3\"/> <tr> <td>3997</td> <td>ETR</td> <td>-</td> <td>WD.</td> <td>J2</td> <td>PTD.</td> <td>-</td> <td>3993</td> <td>3\"/> <tr> <td>3998</td> <td>ETR</td> <td>-</td> <td>WD.</td> <td>J2</td> <td>PTD.</td> <td>-</td> <td>3994</td> <td>3\"/> <tr> <td>3999</td> <td>ETR</td> <td>-</td> <td>WD.</td> <td>J2</td> <td>PTD.</td> <td>-</td> <td>3995</td> <td>3\"/> <tr> <td>3999</td> <td>ETR</td> <td>-</td> <td>WD.</td> <td>J2</td> <td>PTD.</td> <td>-</td> <td>3997</td> <td>3\"/> </td></tr></td></tr></td></tr></td></tr></td></tr></td></tr></td></tr></td></tr></td></tr></td></tr></td></tr></td></tr></td></tr></td></tr></td></tr></td></tr></td></tr></td></tr></td></tr></td></tr></td></tr></td></tr></td></td></tr></td></tr></td></td></tr></td></td></tr></td></td></tr></td></td></tr></td></td></tr></td></td></tr></td></td></tr></td></td></tr></td></tr></td></tr></td></tr></td></td></tr></td></tr></td></tr></td></tr></td></tr></td></td></tr></td></tr> | 366 | ETR | - | WD. | J2 | PTD.
 - | 364A | 3\"/> <tr> <td>367</td> <td>B</td> <td>2 <td>HM</td> <td>J1</td> <td>PTD.</td> <td>1 HR.</td> <td>365</td> <td>3\"/> <tr> <td>368</td> <td>ETR</td> <td>-</td> <td>WD.</td> <td>J2</td> <td>PTD.</td> <td>-</td> <td>366</td> <td>3\"/> <tr> <td>369</td> <td>ETR</td> <td>-</td> <td>WD.</td> <td>J2</td> <td>PTD.</td> <td>-</td> <td>367</td> <td>3\"/> <tr> <td>370</td> <td>ETR</td> <td>-</td> <td>WD.</td> <td>J2</td> <td>PTD.</td> <td>-</td> <td>368</td> <td>3\"/> <tr> <td>371</td> <td>ETR</td> <td>-</td> <td>WD.</td> <td>J2</td> <td>PTD.</td> <td>-</td> <td>369</td> <td>3\"/> <tr> <td>372</td> <td>B</td> <td>2 <td>HM</td> <td>J1</td> <td>PTD.</td> <td>1 HR.</td> <td>370</td> <td>3\"/> <tr> <td>373A</td> <td>ETR</td> <td>-</td> <td>WD.</td> <td>J2</td> <td>PTD.</td> <td>-</td> <td>371</td> <td>3\"/> <tr> <td>374B</td> <td>ETR</td> <td>-</td> <td>WD.</td> <td>J2</td> <td>PTD.</td> <td>-</td> <td>372</td> <td>3\"/> <tr> <td>374C</td> <td>ETR</td> <td>-</td> <td>WD.</td> <td>J2</td> <td>PTD.</td> <td>-</td> <td>373A</td> <td>3\"/> <tr> <td>375</td> <td>B</td> <td>1 <td>WD</td> <td>J1</td> <td>PTD.</td> <td>-</td> <td>374B</td> <td>3\"/> <tr> <td>376</td> <td>B</td> <td>1 <td>WD</td> <td>J1</td> <td>PTD.</td> <td>-</td> <td>374C</td> <td>3\"/> <tr> <td>377</td> <td>B</td> <td>1 <td>WD</td> <td>J1</td> <td>PTD.</td> <td>-</td> <td>375</td> <td>3\"/> <tr> <td>377A</td> <td>B</td> <td>1 <td>WD</td> <td>J1</td> <td>PTD.</td> <td>-</td> <td>376</td> <td>3\"/> <tr> <td>378</td> <td>B</td> <td>1 <td>WD</td> <td>J1</td> <td>PTD.</td> <td>-</td> <td>377</td> <td>3\"/> <tr> <td>379</td> <td>B</td> <td>1 <td>WD</td> <td>J1</td> <td>PTD.</td> <td>-</td> <td>377A</td> <td>3\"/> <tr> <td>380A</td> <td>B</td> <td>1 <td>WD</td> <td>J1</td> <td>PTD.</td> <td>-</td> <td>378</td> <td>3\"/> <tr> <td>380B</td> <td>B</td> <td>1 <td>WD</td> <td>J1</td> <td>PTD.</td> <td>-</td> <td>379</td> <td>3\"/> <tr> <td>382</td> <td>ETR</td> <td>-</td> <td>WD.</td> <td>J2</td> <td>PTD.</td> <td>-</td> <td>380A</td> <td>3\"/> <tr> <td>382A</td> <td>D</td> <td>6 <td>ALUM.</td> <td>ANODIZE D</td> <td>-</td> <td>-</td> <td>380B</td> <td>3\"/> <tr> <td>385</td> <td>ETR</td> <td>-</td> <td>WD.</td> <td>J2</td> <td>PTD.</td> <td>-</td> <td>382</td> <td>3\"/> <tr> <td>386</td> <td>ETR</td> <td>-</td> <td>WD.</td> <td>J2</td> <td>PTD.</td> <td>-</td> <td>382A</td> <td>3\"/> <tr> <td>387</td> <td>ETR</td> <td>-</td> <td>WD.</td> <td>J2</td> <td>PTD.</td> <td>-</td> <td>385</td> <td>3\"/> <tr> <td>388</td> <td>ETR</td> <td>-</td> <td>WD.</td> <td>J2</td> <td>PTD.</td> <td>-</td> <td>386</td> <td>3\"/> <tr> <td>389</td> <td>ETR</td> <td>-</td> <td>WD.</td> <td>J2</td> <td>PTD.</td> <td>-</td> <td>387</td> <td>3\"/> <tr> <td>391</td> <td>ETR</td> <td>-</td> <td>WD.</td> <td>J2</td> <td>PTD.</td> <td>-</td> <td>388</td> <td>3\"/> <tr> <td>391A</td> <td>ETR</td> <td>-</td> <td>WD.</td> <td>J2</td> <td>PTD.</td> <td>-</td> <td>389</td> <td>3\"/> <tr> <td>391B</td> <td>ETR</td> <td>-</td> <td>WD.</td> <td>J2</td> <td>PTD.</td> <td>-</td> <td>391</td> <td>3\"/> <tr> <td>394</td> <td>ETR</td> <td>-</td> <td>WD.</td> <td>J2</td> <td>PTD.</td> <td>-</td> <td>391A</td> <td>3\"/> <tr> <td>395</td> <td>ETR</td> <td>-</td> <td>WD.</td> <td>J2</td> <td>PTD.</td> <td>-</td> <td>391B</td> <td>3\"/> <tr> <td>396</td> <td>ETR</td> <td>-</td> <td>WD.</td> <td>J2</td> <td>PTD.</td> <td>-</td> <td>394</td> <td>3\"/> <tr> <td>398</td> <td>ETR</td> <td>-</td> <td>WD.</td> <td>J2</td> <td>PTD.</td> <td>-</td> <td>395</td> <td>3\"/> <tr> <td>399</td> <td>ETR</td> <td>-</td> <td>WD.</td> <td>J2</td> <td>PTD.</td> <td>-</td> <td>396</td> <td>3\"/> <tr> <td>3991</td> <td>ETR</td> <td>-</td> <td>WD.</td> <td>J2</td> <td>PTD.</td> <td>-</td> <td>398</td> <td>3\"/> <tr> <td>3992</td> <td>A</td> <td>3\"/> <tr> <td>3993</td> <td>ETR</td> <td>-</td> <td>WD.</td> <td>J2</td> <td>PTD.</td> <td>-</td> <td>399</td> <td>3\"/> <tr> <td>3994</td> <td>ETR</td> <td>-</td> <td>WD.</td> <td>J2</td> <td>PTD.</td> <td>-</td> <td>3991</td> <td>3\"/> <tr> <td>3995</td> <td>ETR</td> <td>-</td> <td>WD.</td> <td>J2</td> <td>PTD.</td> <td>-</td> <td>3992</td> <td>3\"/> <tr> <td>3997</td> <td>ETR</td> <td>-</td> <td>WD.</td> <td>J2</td> <td>PTD.</td> <td>-</td> <td>3993</td> <td>3\"/> <tr> <td>3998</td> <td>ETR</td> <td>-</td> <td>WD.</td> <td>J2</td> <td>PTD.</td> <td>-</td> <td>3994</td> <td>3\"/> <tr> <td>3999</td> <td>ETR</td> <td>-</td> <td>WD.</td> <td>J2</td> <td>PTD.</td> <td>-</td> <td>3995</td> <td>3\"/> <tr> <td>3999</td> <td>ETR</td> <td>-</td> <td>WD.</td> <td>J2</td> <td>PTD.</td> <td>-</td> <td>3997</td> <td>3\"/> </td></tr></td></tr></td></tr></td></tr></td></tr></td></tr></td></tr></td></tr></td></tr></td></tr></td></tr></td></tr></td></tr></td></tr></td></tr></td></tr></td></tr></td></tr></td></tr></td></tr></td></tr></td></tr></td></td></tr></td></tr></td></td></tr></td></td></tr></td></td></tr></td></td></tr></td></td></tr></td></td></tr></td></td></tr></td></td></tr></td></tr></td></tr></td></tr></td></td></tr></td></tr></td></tr></td></tr></td></tr></td></td></tr> | 367 | B | 2 <td>HM</td> <td>J1</td> <td>PTD.</td> <td>1 HR.</td> <td>365</td> <td>3\"/> <tr> <td>368</td> <td>ETR</td> <td>-</td> <td>WD.</td> <td>J2</td> <td>PTD.</td> <td>-</td> <td>366</td> <td>3\"/> <tr> <td>369</td> <td>ETR</td> <td>-</td> <td>WD.</td> <td>J2</td> <td>PTD.</td> <td>-</td> <td>367</td> <td>3\"/> <tr> <td>370</td> <td>ETR</td> <td>-</td> <td>WD.</td> <td>J2</td> <td>PTD.</td> <td>-</td> <td>368</td> <td>3\"/> <tr> <td>371</td> <td>ETR</td> <td>-</td> <td>WD.</td> <td>J2</td> <td>PTD.</td> <td>-</td> <td>369</td> <td>3\"/> <tr> <td>372</td> <td>B</td> <td>2 <td>HM</td> <td>J1</td> <td>PTD.</td> <td>1 HR.</td> <td>370</td> <td>3\"/> <tr> <td>373A</td> <td>ETR</td> <td>-</td> <td>WD.</td> <td>J2</td> <td>PTD.</td> <td>-</td> <td>371</td> <td>3\"/> <tr> <td>374B</td> <td>ETR</td> <td>-</td> <td>WD.</td> <td>J2</td> <td>PTD.</td> <td>-</td> <td>372</td> <td>3\"/> <tr> <td>374C</td> <td>ETR</td> <td>-</td> <td>WD.</td> <td>J2</td> <td>PTD.</td> <td>-</td> <td>373A</td> <td>3\"/> <tr> <td>375</td> <td>B</td> <td>1 <td>WD</td> <td>J1</td> <td>PTD.</td> <td>-</td> <td>374B</td> <td>3\"/> <tr> <td>376</td> <td>B</td> <td>1 <td>WD</td> <td>J1</td> <td>PTD.</td> <td>-</td> <td>374C</td> <td>3\"/> <tr> <td>377</td> <td>B</td> <td>1 <td>WD</td> <td>J1</td> <td>PTD.</td> <td>-</td> <td>375</td> <td>3\"/> <tr> <td>377A</td> <td>B</td> <td>1 <td>WD</td> <td>J1</td> <td>PTD.</td> <td>-</td> <td>376</td> <td>3\"/> <tr> <td>378</td> <td>B</td> <td>1 <td>WD</td> <td>J1</td> <td>PTD.</td> <td>-</td> <td>377</td> <td>3\"/> <tr> <td>379</td> <td>B</td> <td>1 <td>WD</td> <td>J1</td> <td>PTD.</td> <td>-</td> <td>377A</td> <td>3\"/> <tr> <td>380A</td> <td>B</td> <td>1 <td>WD</td> <td>J1</td> <td>PTD.</td> <td>-</td> <td>378</td> <td>3\"/> <tr> <td>380B</td> <td>B</td> <td>1 <td>WD</td> <td>J1</td> <td>PTD.</td> <td>-</td> <td>379</td> <td>3\"/> <tr> <td>382</td> <td>ETR</td> <td>-</td> <td>WD.</td> <td>J2</td> <td>PTD.</td> <td>-</td> <td>380A</td> <td>3\"/> <tr> <td>382A</td> <td>D</td> <td>6 <td>ALUM.</td> <td>ANODIZE D</td> <td>-</td> <td>-</td> <td>380B</td> <td>3\"/> <tr> <td>385</td> <td>ETR</td> <td>-</td> <td>WD.</td> <td>J2</td> <td>PTD.</td> <td>-</td> <td>382</td> <td>3\"/> <tr> <td>386</td> <td>ETR</td> <td>-</td> <td>WD.</td> <td>J2</td> <td>PTD.</td> <td>-</td> <td>382A</td> <td>3\"/> <tr> <td>387</td> <td>ETR</td> <td>-</td> <td>WD.</td> <td>J2</td> <td>PTD.</td> <td>-</td> <td>385</td> <td>3\"/> <tr> <td>388</td> <td>ETR</td> <td>-</td> <td>WD.</td> <td>J2</td> <td>PTD.</td> <td>-</td> <td>386</td> <td>3\"/> <tr> <td>389</td> <td>ETR</td> <td>-</td> <td>WD.</td> <td>J2</td> <td>PTD.</td> <td>-</td> <td>387</td> <td>3\"/> <tr> <td>391</td> <td>ETR</td> <td>-</td> <td>WD.</td> <td>J2</td> <td>PTD.</td> <td>-</td> <td>388</td> <td>3\"/> <tr> <td>391A</td> <td>ETR</td> <td>-</td> <td>WD.</td> <td>J2</td> <td>PTD.</td> <td>-</td> <td>389</td> <td>3\"/> <tr> <td>391B</td> <td>ETR</td> <td>-</td> <td>WD.</td> <td>J2</td> <td>PTD.</td> <td>-</td> <td>391</td> <td>3\"/> <tr> <td>394</td> <td>ETR</td> <td>-</td> <td>WD.</td> <td>J2</td> <td>PTD.</td> <td>-</td> <td>391A</td> <td>3\"/> <tr> <td>395</td> <td>ETR</td> <td>-</td> <td>WD.</td> <td>J2</td> <td>PTD.</td> <td>-</td> <td>391B</td> <td>3\"/> <tr> <td>396</td> <td>ETR</td> <td>-</td> <td>WD.</td> <td>J2</td> <td>PTD.</td> <td>-</td> <td>394</td> <td>3\"/> <tr> <td>398</td> <td>ETR</td> <td>-</td> <td>WD.</td> <td>J2</td> <td>PTD.</td> <td>-</td> <td>395</td> <td>3\"/> <tr> <td>399</td> <td>ETR</td> <td>-</td> <td>WD.</td> <td>J2</td> <td>PTD.</td> <td>-</td>
<td>396</td> <td>3\"/> <tr> <td>3991</td> <td>ETR</td> <td>-</td> <td>WD.</td> <td>J2</td> <td>PTD.</td> <td>-</td> <td>398</td> <td>3\"/> <tr> <td>3992</td> <td>A</td> <td>3\"/> <tr> <td>3993</td> <td>ETR</td> <td>-</td> <td>WD.</td> <td>J2</td> <td>PTD.</td> <td>-</td> <td>399</td> <td>3\"/> <tr> <td>3994</td> <td>ETR</td> <td>-</td> <td>WD.</td> <td>J2</td> <td>PTD.</td> <td>-</td> <td>3991</td> <td>3\"/> <tr> <td>3995</td> <td>ETR</td> <td>-</td> <td>WD.</td> <td>J2</td> <td>PTD.</td> <td>-</td> <td>3992</td> <td>3\"/> <tr> <td>3997</td> <td>ETR</td> <td>-</td> <td>WD.</td> <td>J2</td> <td>PTD.</td> <td>-</td> <td>3993</td> <td>3\"/> <tr> <td>3998</td> <td>ETR</td> <td>-</td> <td>WD.</td> <td>J2</td> <td>PTD.</td> <td>-</td> <td>3994</td> <td>3\"/> <tr> <td>3999</td> <td>ETR</td> <td>-</td> <td>WD.</td> <td>J2</td> <td>PTD.</td> <td>-</td> <td>3995</td> <td>3\"/> <tr> <td>3999</td> <td>ETR</td> <td>-</td> <td>WD.</td> <td>J2</td> <td>PTD.</td> <td>-</td> <td>3997</td> <td>3\"/> </td></tr></td></tr></td></tr></td></tr></td></tr></td></tr></td></tr></td></tr></td></tr></td></tr></td></tr></td></tr></td></tr></td></tr></td></tr></td></tr></td></tr></td></tr></td></tr></td></tr></td></tr></td></tr></td></td></tr></td></tr></td></td></tr></td></td></tr></td></td></tr></td></td></tr></td></td></tr></td></td></tr></td></td></tr></td></td></tr></td></tr></td></tr></td></tr></td></td></tr></td></tr></td></tr></td></tr></td></tr></td> | HM | J1 | PTD. | 1 HR. | 365 | 3\"/> <tr> <td>368</td> <td>ETR</td> <td>-</td> <td>WD.</td> <td>J2</td> <td>PTD.</td> <td>-</td> <td>366</td> <td>3\"/> <tr> <td>369</td> <td>ETR</td> <td>-</td> <td>WD.</td> <td>J2</td> <td>PTD.</td> <td>-</td> <td>367</td> <td>3\"/> <tr> <td>370</td> <td>ETR</td> <td>-</td> <td>WD.</td> <td>J2</td> <td>PTD.</td> <td>-</td> <td>368</td> <td>3\"/> <tr> <td>371</td> <td>ETR</td> <td>-</td> <td>WD.</td> <td>J2</td> <td>PTD.</td> <td>-</td> <td>369</td> <td>3\"/> <tr> <td>372</td> <td>B</td> <td>2 <td>HM</td> <td>J1</td> <td>PTD.</td> <td>1 HR.</td> <td>370</td> <td>3\"/> <tr> <td>373A</td> <td>ETR</td> <td>-</td> <td>WD.</td> <td>J2</td> <td>PTD.</td> <td>-</td> <td>371</td> <td>3\"/> <tr> <td>374B</td> <td>ETR</td> <td>-</td> <td>WD.</td> <td>J2</td> <td>PTD.</td> <td>-</td> <td>372</td> <td>3\"/> <tr> <td>374C</td> <td>ETR</td> <td>-</td> <td>WD.</td> <td>J2</td> <td>PTD.</td> <td>-</td> <td>373A</td> <td>3\"/> <tr> <td>375</td> <td>B</td> <td>1 <td>WD</td> <td>J1</td> <td>PTD.</td> <td>-</td> <td>374B</td> <td>3\"/> <tr> <td>376</td> <td>B</td> <td>1 <td>WD</td> <td>J1</td> <td>PTD.</td> <td>-</td> <td>374C</td> <td>3\"/> <tr> <td>377</td> <td>B</td> <td>1 <td>WD</td> <td>J1</td> <td>PTD.</td> <td>-</td> <td>375</td> <td>3\"/> <tr> <td>377A</td> <td>B</td> <td>1 <td>WD</td> <td>J1</td> <td>PTD.</td> <td>-</td> <td>376</td> <td>3\"/> <tr> <td>378</td> <td>B</td> <td>1 <td>WD</td> <td>J1</td> <td>PTD.</td> <td>-</td> <td>377</td> <td>3\"/> <tr> <td>379</td> <td>B</td> <td>1 <td>WD</td> <td>J1</td> <td>PTD.</td> <td>-</td> <td>377A</td> <td>3\"/> <tr> <td>380A</td> <td>B</td> <td>1 <td>WD</td> <td>J1</td> <td>PTD.</td> <td>-</td> <td>378</td> <td>3\"/> <tr> <td>380B</td> <td>B</td> <td>1 <td>WD</td> <td>J1</td> <td>PTD.</td> <td>-</td> <td>379</td> <td>3\"/> <tr> <td>382</td> <td>ETR</td> <td>-</td> <td>WD.</td> <td>J2</td> <td>PTD.</td> <td>-</td> <td>380A</td> <td>3\"/> <tr> <td>382A</td> <td>D</td> <td>6 <td>ALUM.</td> <td>ANODIZE D</td> <td>-</td> <td>-</td> <td>380B</td> <td>3\"/> <tr> <td>385</td> <td>ETR</td> <td>-</td> <td>WD.</td> <td>J2</td> <td>PTD.</td> <td>-</td> <td>382</td> <td>3\"/> <tr> <td>386</td> <td>ETR</td> <td>-</td> <td>WD.</td> <td>J2</td> <td>PTD.</td> <td>-</td> <td>382A</td> <td>3\"/> <tr> <td>387</td> <td>ETR</td> <td>-</td> <td>WD.</td> <td>J2</td> <td>PTD.</td> <td>-</td> <td>385</td> <td>3\"/> <tr> <td>388</td> <td>ETR</td> <td>-</td> <td>WD.</td> <td>J2</td> <td>PTD.</td> <td>-</td> <td>386</td> <td>3\"/> <tr> <td>389</td> <td>ETR</td> <td>-</td> <td>WD.</td> <td>J2</td> <td>PTD.</td> <td>-</td> <td>387</td> <td>3\"/> <tr> <td>391</td> <td>ETR</td> <td>-</td> <td>WD.</td> <td>J2</td> <td>PTD.</td> <td>-</td> <td>388</td> <td>3\"/> <tr> <td>391A</td> <td>ETR</td> <td>-</td> <td>WD.</td> <td>J2</td> <td>PTD.</td> <td>-</td> <td>389</td> <td>3\"/> <tr> <td>391B</td> <td>ETR</td> <td>-</td> <td>WD.</td> <td>J2</td> <td>PTD.</td> <td>-</td> <td>391</td> <td>3\"/> <tr> <td>394</td> <td>ETR</td> <td>-</td> <td>WD.</td> <td>J2</td> <td>PTD.</td> <td>-</td> <td>391A</td> <td>3\"/> <tr> <td>395</td> <td>ETR</td> <td>-</td> <td>WD.</td> <td>J2</td> <td>PTD.</td> <td>-</td> <td>391B</td> <td>3\"/> <tr> <td>396</td> <td>ETR</td> <td>-</td> <td>WD.</td> <td>J2</td> <td>PTD.</td> <td>-</td> <td>394</td> <td>3\"/> <tr> <td>398</td> <td>ETR</td> <td>-</td> <td>WD.</td> <td>J2</td> <td>PTD.</td> <td>-</td> <td>395</td> <td>3\"/> <tr> <td>399</td> <td>ETR</td> <td>-</td> <td>WD.</td> <td>J2</td> <td>PTD.</td> <td>-</td> <td>396</td> <td>3\"/> <tr> <td>3991</td> <td>ETR</td> <td>-</td> <td>WD.</td> <td>J2</td> <td>PTD.</td> <td>-</td> <td>398</td> <td>3\"/> <tr> <td>3992</td> <td>A</td> <td>3\"/> <tr> <td>3993</td> <td>ETR</td> <td>-</td> <td>WD.</td> <td>J2</td> <td>PTD.</td> <td>-</td> <td>399</td> <td>3\"/> <tr> <td>3994</td> <td>ETR</td> <td>-</td> <td>WD.</td> <td>J2</td> <td>PTD.</td> <td>-</td> <td>3991</td> <td>3\"/> <tr> <td>3995</td> <td>ETR</td> <td>-</td> <td>WD.</td> <td>J2</td> <td>PTD.</td> <td>-</td> <td>3992</td> <td>3\"/> <tr> <td>3997</td> <td>ETR</td> <td>-</td> <td>WD.</td> <td>J2</td> <td>PTD.</td> <td>-</td> <td>3993</td> <td>3\"/> <tr> <td>3998</td> <td>ETR</td> <td>-</td> <td>WD.</td> <td>J2</td> <td>PTD.</td> <td>-</td> <td>3994</td> <td>3\"/> <tr> <td>3999</td> <td>ETR</td> <td>-</td> <td>WD.</td> <td>J2</td> <td>PTD.</td> <td>-</td> <td>3995</td> <td>3\"/> <tr> <td>3999</td> <td>ETR</td> <td>-</td> <td>WD.</td> <td>J2</td> <td>PTD.</td> <td>-</td> <td>3997</td> <td>3\"/> </td></tr></td></tr></td></tr></td></tr></td></tr></td></tr></td></tr></td></tr></td></tr></td></tr></td></tr></td></tr></td></tr></td></tr></td></tr></td></tr></td></tr></td></tr></td></tr></td></tr></td></tr></td></tr></td></td></tr></td></tr></td></td></tr></td></td></tr></td></td></tr></td></td></tr></td></td></tr></td></td></tr></td></td></tr></td></td></tr></td></tr></td></tr></td></tr></td></td></tr></td></tr></td></tr></td></tr></td></tr> | 368 | ETR | -
 | WD. | J2 | PTD. | - | 366 | 3\"/> <tr> <td>369</td> <td>ETR</td> <td>-</td> <td>WD.</td> <td>J2</td> <td>PTD.</td> <td>-</td> <td>367</td> <td>3\"/> <tr> <td>370</td> <td>ETR</td> <td>-</td> <td>WD.</td> <td>J2</td> <td>PTD.</td> <td>-</td> <td>368</td> <td>3\"/> <tr> <td>371</td> <td>ETR</td> <td>-</td> <td>WD.</td> <td>J2</td> <td>PTD.</td> <td>-</td> <td>369</td> <td>3\"/> <tr> <td>372</td> <td>B</td> <td>2 <td>HM</td> <td>J1</td> <td>PTD.</td> <td>1 HR.</td> <td>370</td> <td>3\"/> <tr> <td>373A</td> <td>ETR</td> <td>-</td> <td>WD.</td> <td>J2</td> <td>PTD.</td> <td>-</td> <td>371</td> <td>3\"/> <tr> <td>374B</td> <td>ETR</td> <td>-</td> <td>WD.</td> <td>J2</td> <td>PTD.</td> <td>-</td> <td>372</td> <td>3\"/> <tr> <td>374C</td> <td>ETR</td> <td>-</td> <td>WD.</td> <td>J2</td> <td>PTD.</td> <td>-</td> <td>373A</td> <td>3\"/> <tr> <td>375</td> <td>B</td> <td>1 <td>WD</td> <td>J1</td> <td>PTD.</td> <td>-</td> <td>374B</td> <td>3\"/> <tr> <td>376</td> <td>B</td> <td>1 <td>WD</td> <td>J1</td> <td>PTD.</td> <td>-</td> <td>374C</td> <td>3\"/> <tr> <td>377</td> <td>B</td> <td>1 <td>WD</td> <td>J1</td> <td>PTD.</td> <td>-</td> <td>375</td> <td>3\"/> <tr> <td>377A</td> <td>B</td> <td>1 <td>WD</td> <td>J1</td> <td>PTD.</td> <td>-</td> <td>376</td> <td>3\"/> <tr> <td>378</td> <td>B</td> <td>1 <td>WD</td> <td>J1</td> <td>PTD.</td> <td>-</td> <td>377</td> <td>3\"/> <tr> <td>379</td> <td>B</td> <td>1 <td>WD</td> <td>J1</td> <td>PTD.</td> <td>-</td> <td>377A</td> <td>3\"/> <tr> <td>380A</td> <td>B</td> <td>1 <td>WD</td> <td>J1</td> <td>PTD.</td> <td>-</td> <td>378</td> <td>3\"/> <tr> <td>380B</td> <td>B</td> <td>1 <td>WD</td> <td>J1</td> <td>PTD.</td> <td>-</td> <td>379</td> <td>3\"/> <tr> <td>382</td> <td>ETR</td> <td>-</td> <td>WD.</td> <td>J2</td> <td>PTD.</td> <td>-</td> <td>380A</td> <td>3\"/> <tr> <td>382A</td> <td>D</td> <td>6 <td>ALUM.</td> <td>ANODIZE D</td> <td>-</td> <td>-</td> <td>380B</td> <td>3\"/> <tr> <td>385</td> <td>ETR</td> <td>-</td> <td>WD.</td> <td>J2</td> <td>PTD.</td> <td>-</td> <td>382</td> <td>3\"/> <tr> <td>386</td> <td>ETR</td> <td>-</td> <td>WD.</td> <td>J2</td> <td>PTD.</td> <td>-</td> <td>382A</td> <td>3\"/> <tr> <td>387</td> <td>ETR</td> <td>-</td> <td>WD.</td> <td>J2</td> <td>PTD.</td> <td>-</td> <td>385</td> <td>3\"/> <tr> <td>388</td> <td>ETR</td> <td>-</td> <td>WD.</td> <td>J2</td> <td>PTD.</td> <td>-</td> <td>386</td> <td>3\"/> <tr> <td>389</td> <td>ETR</td> <td>-</td> <td>WD.</td> <td>J2</td> <td>PTD.</td> <td>-</td> <td>387</td> <td>3\"/> <tr> <td>391</td> <td>ETR</td> <td>-</td> <td>WD.</td> <td>J2</td> <td>PTD.</td> <td>-</td> <td>388</td> <td>3\"/> <tr> <td>391A</td> <td>ETR</td> <td>-</td> <td>WD.</td> <td>J2</td> <td>PTD.</td> <td>-</td> <td>389</td> <td>3\"/> <tr> <td>391B</td> <td>ETR</td> <td>-</td> <td>WD.</td> <td>J2</td> <td>PTD.</td> <td>-</td> <td>391</td> <td>3\"/> <tr> <td>394</td> <td>ETR</td> <td>-</td> <td>WD.</td> <td>J2</td> <td>PTD.</td> <td>-</td> <td>391A</td> <td>3\"/> <tr> <td>395</td> <td>ETR</td> <td>-</td> <td>WD.</td> <td>J2</td> <td>PTD.</td> <td>-</td> <td>391B</td> <td>3\"/> <tr> <td>396</td> <td>ETR</td> <td>-</td> <td>WD.</td> <td>J2</td> <td>PTD.</td> <td>-</td> <td>394</td> <td>3\"/> <tr> <td>398</td> <td>ETR</td> <td>-</td> <td>WD.</td> <td>J2</td> <td>PTD.</td> <td>-</td> <td>395</td> <td>3\"/> <tr> <td>399</td> <td>ETR</td> <td>-</td> <td>WD.</td> <td>J2</td> <td>PTD.</td> <td>-</td> <td>396</td> <td>3\"/> <tr> <td>3991</td> <td>ETR</td> <td>-</td> <td>WD.</td> <td>J2</td> <td>PTD.</td> <td>-</td> <td>398</td> <td>3\"/> <tr> <td>3992</td> <td>A</td> <td>3\"/> <tr> <td>3993</td> <td>ETR</td> <td>-</td> <td>WD.</td> <td>J2</td> <td>PTD.</td> <td>-</td> <td>399</td> <td>3\"/> <tr> <td>3994</td> <td>ETR</td> <td>-</td> <td>WD.</td> <td>J2</td> <td>PTD.</td> <td>-</td> <td>3991</td> <td>3\"/> <tr> <td>3995</td> <td>ETR</td> <td>-</td> <td>WD.</td> <td>J2</td> <td>PTD.</td> <td>-</td> <td>3992</td> <td>3\"/> <tr> <td>3997</td> <td>ETR</td> <td>-</td> <td>WD.</td> <td>J2</td> <td>PTD.</td> <td>-</td> <td>3993</td> <td>3\"/> <tr> <td>3998</td> <td>ETR</td> <td>-</td> <td>WD.</td> <td>J2</td> <td>PTD.</td> <td>-</td> <td>3994</td> <td>3\"/> <tr> <td>3999</td> <td>ETR</td> <td>-</td> <td>WD.</td> <td>J2</td> <td>PTD.</td> <td>-</td> <td>3995</td> <td>3\"/> <tr> <td>3999</td> <td>ETR</td> <td>-</td> <td>WD.</td> <td>J2</td> <td>PTD.</td> <td>-</td> <td>3997</td> <td>3\"/> </td></tr></td></tr></td></tr></td></tr></td></tr></td></tr></td></tr></td></tr></td></tr></td></tr></td></tr></td></tr></td></tr></td></tr></td></tr></td></tr></td></tr></td></tr></td></tr></td></tr></td></tr></td></tr></td></td></tr></td></tr></td></td></tr></td></td></tr></td></td></tr></td></td></tr></td></td></tr></td></td></tr></td></td></tr></td></td></tr></td></tr></td></tr></td></tr></td></td></tr></td></tr></td></tr></td></tr>
 | 369 | ETR | - | WD. | J2 | PTD. | - | 367 | 3\"/> <tr> <td>370</td> <td>ETR</td> <td>-</td> <td>WD.</td> <td>J2</td> <td>PTD.</td> <td>-</td> <td>368</td> <td>3\"/> <tr> <td>371</td> <td>ETR</td> <td>-</td> <td>WD.</td> <td>J2</td> <td>PTD.</td> <td>-</td> <td>369</td> <td>3\"/> <tr> <td>372</td> <td>B</td> <td>2 <td>HM</td> <td>J1</td> <td>PTD.</td> <td>1 HR.</td> <td>370</td> <td>3\"/> <tr> <td>373A</td> <td>ETR</td> <td>-</td> <td>WD.</td> <td>J2</td> <td>PTD.</td> <td>-</td> <td>371</td> <td>3\"/> <tr> <td>374B</td> <td>ETR</td> <td>-</td> <td>WD.</td> <td>J2</td> <td>PTD.</td> <td>-</td> <td>372</td> <td>3\"/> <tr> <td>374C</td> <td>ETR</td> <td>-</td> <td>WD.</td> <td>J2</td> <td>PTD.</td> <td>-</td> <td>373A</td> <td>3\"/> <tr> <td>375</td> <td>B</td> <td>1 <td>WD</td> <td>J1</td> <td>PTD.</td> <td>-</td> <td>374B</td> <td>3\"/> <tr> <td>376</td> <td>B</td> <td>1 <td>WD</td> <td>J1</td> <td>PTD.</td> <td>-</td> <td>374C</td> <td>3\"/> <tr> <td>377</td> <td>B</td> <td>1 <td>WD</td> <td>J1</td> <td>PTD.</td> <td>-</td> <td>375</td> <td>3\"/> <tr> <td>377A</td> <td>B</td> <td>1 <td>WD</td> <td>J1</td> <td>PTD.</td> <td>-</td> <td>376</td> <td>3\"/> <tr> <td>378</td> <td>B</td> <td>1 <td>WD</td> <td>J1</td> <td>PTD.</td> <td>-</td> <td>377</td> <td>3\"/> <tr> <td>379</td> <td>B</td> <td>1 <td>WD</td> <td>J1</td> <td>PTD.</td> <td>-</td> <td>377A</td> <td>3\"/> <tr> <td>380A</td> <td>B</td> <td>1 <td>WD</td> <td>J1</td> <td>PTD.</td> <td>-</td> <td>378</td> <td>3\"/> <tr> <td>380B</td> <td>B</td> <td>1 <td>WD</td> <td>J1</td> <td>PTD.</td> <td>-</td> <td>379</td> <td>3\"/> <tr> <td>382</td> <td>ETR</td> <td>-</td> <td>WD.</td> <td>J2</td> <td>PTD.</td> <td>-</td> <td>380A</td> <td>3\"/> <tr> <td>382A</td> <td>D</td> <td>6 <td>ALUM.</td> <td>ANODIZE D</td> <td>-</td> <td>-</td> <td>380B</td> <td>3\"/> <tr> <td>385</td> <td>ETR</td> <td>-</td> <td>WD.</td> <td>J2</td> <td>PTD.</td> <td>-</td> <td>382</td> <td>3\"/> <tr> <td>386</td> <td>ETR</td> <td>-</td> <td>WD.</td> <td>J2</td> <td>PTD.</td> <td>-</td> <td>382A</td> <td>3\"/> <tr> <td>387</td> <td>ETR</td> <td>-</td> <td>WD.</td> <td>J2</td> <td>PTD.</td> <td>-</td> <td>385</td> <td>3\"/> <tr> <td>388</td> <td>ETR</td> <td>-</td> <td>WD.</td> <td>J2</td> <td>PTD.</td> <td>-</td> <td>386</td> <td>3\"/> <tr> <td>389</td> <td>ETR</td> <td>-</td> <td>WD.</td> <td>J2</td> <td>PTD.</td> <td>-</td> <td>387</td> <td>3\"/> <tr> <td>391</td> <td>ETR</td> <td>-</td> <td>WD.</td> <td>J2</td> <td>PTD.</td> <td>-</td> <td>388</td> <td>3\"/> <tr> <td>391A</td> <td>ETR</td> <td>-</td> <td>WD.</td> <td>J2</td> <td>PTD.</td> <td>-</td> <td>389</td> <td>3\"/> <tr> <td>391B</td> <td>ETR</td> <td>-</td> <td>WD.</td> <td>J2</td> <td>PTD.</td> <td>-</td> <td>391</td> <td>3\"/> <tr> <td>394</td> <td>ETR</td> <td>-</td> <td>WD.</td> <td>J2</td> <td>PTD.</td> <td>-</td> <td>391A</td> <td>3\"/> <tr>
<td>395</td> <td>ETR</td> <td>-</td> <td>WD.</td> <td>J2</td> <td>PTD.</td> <td>-</td> <td>391B</td> <td>3\"/> <tr> <td>396</td> <td>ETR</td> <td>-</td> <td>WD.</td> <td>J2</td> <td>PTD.</td> <td>-</td> <td>394</td> <td>3\"/> <tr> <td>398</td> <td>ETR</td> <td>-</td> <td>WD.</td> <td>J2</td> <td>PTD.</td> <td>-</td> <td>395</td> <td>3\"/> <tr> <td>399</td> <td>ETR</td> <td>-</td> <td>WD.</td> <td>J2</td> <td>PTD.</td> <td>-</td> <td>396</td> <td>3\"/> <tr> <td>3991</td> <td>ETR</td> <td>-</td> <td>WD.</td> <td>J2</td> <td>PTD.</td> <td>-</td> <td>398</td> <td>3\"/> <tr> <td>3992</td> <td>A</td> <td>3\"/> <tr> <td>3993</td> <td>ETR</td> <td>-</td> <td>WD.</td> <td>J2</td> <td>PTD.</td> <td>-</td> <td>399</td> <td>3\"/> <tr> <td>3994</td> <td>ETR</td> <td>-</td> <td>WD.</td> <td>J2</td> <td>PTD.</td> <td>-</td> <td>3991</td> <td>3\"/> <tr> <td>3995</td> <td>ETR</td> <td>-</td> <td>WD.</td> <td>J2</td> <td>PTD.</td> <td>-</td> <td>3992</td> <td>3\"/> <tr> <td>3997</td> <td>ETR</td> <td>-</td> <td>WD.</td> <td>J2</td> <td>PTD.</td> <td>-</td> <td>3993</td> <td>3\"/> <tr> <td>3998</td> <td>ETR</td> <td>-</td> <td>WD.</td> <td>J2</td> <td>PTD.</td> <td>-</td> <td>3994</td> <td>3\"/> <tr> <td>3999</td> <td>ETR</td> <td>-</td> <td>WD.</td> <td>J2</td> <td>PTD.</td> <td>-</td> <td>3995</td> <td>3\"/> <tr> <td>3999</td> <td>ETR</td> <td>-</td> <td>WD.</td> <td>J2</td> <td>PTD.</td> <td>-</td> <td>3997</td> <td>3\"/> </td></tr></td></tr></td></tr></td></tr></td></tr></td></tr></td></tr></td></tr></td></tr></td></tr></td></tr></td></tr></td></tr></td></tr></td></tr></td></tr></td></tr></td></tr></td></tr></td></tr></td></tr></td></tr></td></td></tr></td></tr></td></td></tr></td></td></tr></td></td></tr></td></td></tr></td></td></tr></td></td></tr></td></td></tr></td></td></tr></td></tr></td></tr></td></tr></td></td></tr></td></tr></td></tr> | 370 | ETR | - | WD. | J2 | PTD. | - | 368 | 3\"/> <tr> <td>371</td> <td>ETR</td> <td>-</td> <td>WD.</td> <td>J2</td> <td>PTD.</td> <td>-</td> <td>369</td> <td>3\"/> <tr> <td>372</td> <td>B</td> <td>2 <td>HM</td> <td>J1</td> <td>PTD.</td> <td>1 HR.</td> <td>370</td> <td>3\"/> <tr> <td>373A</td> <td>ETR</td> <td>-</td> <td>WD.</td> <td>J2</td> <td>PTD.</td> <td>-</td> <td>371</td> <td>3\"/> <tr> <td>374B</td> <td>ETR</td> <td>-</td> <td>WD.</td> <td>J2</td> <td>PTD.</td> <td>-</td> <td>372</td> <td>3\"/> <tr> <td>374C</td> <td>ETR</td> <td>-</td> <td>WD.</td> <td>J2</td> <td>PTD.</td> <td>-</td> <td>373A</td> <td>3\"/> <tr> <td>375</td> <td>B</td> <td>1 <td>WD</td> <td>J1</td> <td>PTD.</td> <td>-</td> <td>374B</td> <td>3\"/> <tr> <td>376</td> <td>B</td> <td>1 <td>WD</td> <td>J1</td> <td>PTD.</td> <td>-</td> <td>374C</td> <td>3\"/> <tr> <td>377</td> <td>B</td> <td>1 <td>WD</td> <td>J1</td> <td>PTD.</td> <td>-</td> <td>375</td> <td>3\"/> <tr> <td>377A</td> <td>B</td> <td>1 <td>WD</td> <td>J1</td> <td>PTD.</td> <td>-</td> <td>376</td> <td>3\"/> <tr> <td>378</td> <td>B</td> <td>1 <td>WD</td>
<td>J1</td> <td>PTD.</td> <td>-</td> <td>377</td> <td>3\"/> <tr> <td>379</td> <td>B</td> <td>1 <td>WD</td> <td>J1</td> <td>PTD.</td> <td>-</td> <td>377A</td> <td>3\"/> <tr> <td>380A</td> <td>B</td> <td>1 <td>WD</td> <td>J1</td> <td>PTD.</td> <td>-</td> <td>378</td> <td>3\"/> <tr> <td>380B</td> <td>B</td> <td>1 <td>WD</td> <td>J1</td> <td>PTD.</td> <td>-</td> <td>379</td> <td>3\"/> <tr> <td>382</td> <td>ETR</td> <td>-</td> <td>WD.</td> <td>J2</td> <td>PTD.</td> <td>-</td> <td>380A</td> <td>3\"/> <tr> <td>382A</td> <td>D</td> <td>6 <td>ALUM.</td> <td>ANODIZE D</td> <td>-</td> <td>-</td> <td>380B</td> <td>3\"/> <tr> <td>385</td> <td>ETR</td> <td>-</td> <td>WD.</td> <td>J2</td> <td>PTD.</td> <td>-</td> <td>382</td> <td>3\"/> <tr> <td>386</td> <td>ETR</td> <td>-</td> <td>WD.</td> <td>J2</td> <td>PTD.</td> <td>-</td> <td>382A</td> <td>3\"/> <tr> <td>387</td> <td>ETR</td> <td>-</td> <td>WD.</td> <td>J2</td> <td>PTD.</td> <td>-</td> <td>385</td> <td>3\"/> <tr> <td>388</td> <td>ETR</td> <td>-</td> <td>WD.</td> <td>J2</td> <td>PTD.</td> <td>-</td> <td>386</td> <td>3\"/> <tr> <td>389</td> <td>ETR</td> <td>-</td> <td>WD.</td> <td>J2</td> <td>PTD.</td> <td>-</td> <td>387</td> <td>3\"/> <tr> <td>391</td> <td>ETR</td> <td>-</td> <td>WD.</td> <td>J2</td> <td>PTD.</td> <td>-</td> <td>388</td> <td>3\"/> <tr> <td>391A</td> <td>ETR</td> <td>-</td> <td>WD.</td> <td>J2</td> <td>PTD.</td> <td>-</td> <td>389</td> <td>3\"/> <tr> <td>391B</td> <td>ETR</td> <td>-</td> <td>WD.</td> <td>J2</td> <td>PTD.</td> <td>-</td> <td>391</td> <td>3\"/> <tr> <td>394</td> <td>ETR</td> <td>-</td> <td>WD.</td> <td>J2</td> <td>PTD.</td> <td>-</td> <td>391A</td> <td>3\"/> <tr> <td>395</td> <td>ETR</td> <td>-</td> <td>WD.</td> <td>J2</td> <td>PTD.</td> <td>-</td> <td>391B</td> <td>3\"/> <tr> <td>396</td> <td>ETR</td> <td>-</td> <td>WD.</td> <td>J2</td> <td>PTD.</td> <td>-</td> <td>394</td> <td>3\"/> <tr> <td>398</td> <td>ETR</td> <td>-</td> <td>WD.</td> <td>J2</td> <td>PTD.</td> <td>-</td> <td>395</td> <td>3\"/> <tr> <td>399</td> <td>ETR</td> <td>-</td> <td>WD.</td> <td>J2</td> <td>PTD.</td> <td>-</td> <td>396</td> <td>3\"/> <tr> <td>3991</td> <td>ETR</td> <td>-</td> <td>WD.</td> <td>J2</td> <td>PTD.</td> <td>-</td> <td>398</td> <td>3\"/> <tr> <td>3992</td> <td>A</td> <td>3\"/> <tr> <td>3993</td> <td>ETR</td> <td>-</td> <td>WD.</td> <td>J2</td> <td>PTD.</td> <td>-</td> <td>399</td> <td>3\"/> <tr> <td>3994</td> <td>ETR</td> <td>-</td> <td>WD.</td> <td>J2</td> <td>PTD.</td> <td>-</td> <td>3991</td> <td>3\"/> <tr> <td>3995</td> <td>ETR</td> <td>-</td> <td>WD.</td> <td>J2</td> <td>PTD.</td> <td>-</td> <td>3992</td> <td>3\"/> <tr> <td>3997</td> <td>ETR</td> <td>-</td> <td>WD.</td> <td>J2</td> <td>PTD.</td> <td>-</td> <td>3993</td> <td>3\"/> <tr> <td>3998</td> <td>ETR</td> <td>-</td> <td>WD.</td> <td>J2</td> <td>PTD.</td> <td>-</td> <td>3994</td> <td>3\"/> <tr> <td>3999</td> <td>ETR</td> <td>-</td> <td>WD.</td> <td>J2</td> <td>PTD.</td> <td>-</td> <td>3995</td> <td>3\"/> <tr> <td>3999</td> <td>ETR</td> <td>-</td> <td>WD.</td> <td>J2</td> <td>PTD.</td> <td>-</td> <td>3997</td> <td>3\"/> </td></tr></td></tr></td></tr></td></tr></td></tr></td></tr></td></tr></td></tr></td></tr></td></tr></td></tr></td></tr></td></tr></td></tr></td></tr></td></tr></td></tr></td></tr></td></tr></td></tr></td></tr></td></tr></td></td></tr></td></tr></td></td></tr></td></td></tr></td></td></tr></td></td></tr></td></td></tr></td></td></tr></td></td></tr></td></td></tr></td></tr></td></tr></td></tr></td></td></tr></td></tr> | 371 | ETR | -
 | WD. | J2 | PTD. | - | 369 | 3\"/> <tr> <td>372</td> <td>B</td> <td>2 <td>HM</td> <td>J1</td> <td>PTD.</td> <td>1 HR.</td> <td>370</td> <td>3\"/> <tr> <td>373A</td> <td>ETR</td> <td>-</td> <td>WD.</td> <td>J2</td> <td>PTD.</td> <td>-</td> <td>371</td> <td>3\"/> <tr> <td>374B</td> <td>ETR</td> <td>-</td> <td>WD.</td> <td>J2</td> <td>PTD.</td> <td>-</td> <td>372</td> <td>3\"/> <tr> <td>374C</td> <td>ETR</td> <td>-</td> <td>WD.</td> <td>J2</td> <td>PTD.</td> <td>-</td> <td>373A</td> <td>3\"/> <tr> <td>375</td> <td>B</td> <td>1 <td>WD</td> <td>J1</td> <td>PTD.</td> <td>-</td> <td>374B</td> <td>3\"/> <tr> <td>376</td> <td>B</td> <td>1 <td>WD</td> <td>J1</td> <td>PTD.</td> <td>-</td> <td>374C</td> <td>3\"/> <tr> <td>377</td> <td>B</td> <td>1 <td>WD</td> <td>J1</td> <td>PTD.</td> <td>-</td> <td>375</td> <td>3\"/> <tr> <td>377A</td> <td>B</td> <td>1 <td>WD</td> <td>J1</td> <td>PTD.</td> <td>-</td> <td>376</td> <td>3\"/> <tr> <td>378</td> <td>B</td> <td>1 <td>WD</td> <td>J1</td> <td>PTD.</td> <td>-</td> <td>377</td> <td>3\"/> <tr> <td>379</td> <td>B</td> <td>1 <td>WD</td> <td>J1</td> <td>PTD.</td> <td>-</td> <td>377A</td> <td>3\"/> <tr> <td>380A</td> <td>B</td> <td>1 <td>WD</td> <td>J1</td> <td>PTD.</td> <td>-</td> <td>378</td> <td>3\"/> <tr> <td>380B</td> <td>B</td> <td>1 <td>WD</td> <td>J1</td> <td>PTD.</td> <td>-</td> <td>379</td> <td>3\"/> <tr> <td>382</td> <td>ETR</td> <td>-</td> <td>WD.</td> <td>J2</td> <td>PTD.</td> <td>-</td> <td>380A</td> <td>3\"/> <tr> <td>382A</td> <td>D</td> <td>6 <td>ALUM.</td> <td>ANODIZE D</td> <td>-</td> <td>-</td> <td>380B</td> <td>3\"/> <tr> <td>385</td> <td>ETR</td> <td>-</td> <td>WD.</td> <td>J2</td> <td>PTD.</td> <td>-</td> <td>382</td> <td>3\"/> <tr> <td>386</td> <td>ETR</td> <td>-</td> <td>WD.</td> <td>J2</td> <td>PTD.</td> <td>-</td> <td>382A</td> <td>3\"/> <tr> <td>387</td> <td>ETR</td> <td>-</td> <td>WD.</td> <td>J2</td> <td>PTD.</td> <td>-</td> <td>385</td> <td>3\"/> <tr> <td>388</td> <td>ETR</td> <td>-</td> <td>WD.</td> <td>J2</td> <td>PTD.</td> <td>-</td> <td>386</td> <td>3\"/> <tr> <td>389</td> <td>ETR</td> <td>-</td> <td>WD.</td> <td>J2</td> <td>PTD.</td> <td>-</td> <td>387</td> <td>3\"/> <tr> <td>391</td> <td>ETR</td> <td>-</td> <td>WD.</td> <td>J2</td> <td>PTD.</td> <td>-</td> <td>388</td> <td>3\"/> <tr> <td>391A</td> <td>ETR</td> <td>-</td> <td>WD.</td> <td>J2</td> <td>PTD.</td> <td>-</td> <td>389</td> <td>3\"/> <tr> <td>391B</td> <td>ETR</td> <td>-</td> <td>WD.</td> <td>J2</td> <td>PTD.</td> <td>-</td> <td>391</td> <td>3\"/> <tr> <td>394</td> <td>ETR</td> <td>-</td> <td>WD.</td> <td>J2</td> <td>PTD.</td> <td>-</td> <td>391A</td> <td>3\"/> <tr> <td>395</td> <td>ETR</td> <td>-</td> <td>WD.</td> <td>J2</td> <td>PTD.</td> <td>-</td> <td>391B</td> <td>3\"/> <tr> <td>396</td> <td>ETR</td> <td>-</td> <td>WD.</td> <td>J2</td> <td>PTD.</td> <td>-</td> <td>394</td> <td>3\"/> <tr> <td>398</td> <td>ETR</td> <td>-</td> <td>WD.</td> <td>J2</td> <td>PTD.</td> <td>-</td> <td>395</td> <td>3\"/> <tr> <td>399</td> <td>ETR</td> <td>-</td> <td>WD.</td> <td>J2</td> <td>PTD.</td> <td>-</td> <td>396</td> <td>3\"/> <tr> <td>3991</td> <td>ETR</td> <td>-</td> <td>WD.</td> <td>J2</td> <td>PTD.</td> <td>-</td> <td>398</td> <td>3\"/> <tr> <td>3992</td> <td>A</td> <td>3\"/> <tr> <td>3993</td> <td>ETR</td> <td>-</td> <td>WD.</td> <td>J2</td> <td>PTD.</td> <td>-</td> <td>399</td> <td>3\"/> <tr> <td>3994</td> <td>ETR</td> <td>-</td> <td>WD.</td> <td>J2</td> <td>PTD.</td> <td>-</td> <td>3991</td> <td>3\"/> <tr> <td>3995</td> <td>ETR</td> <td>-</td> <td>WD.</td> <td>J2</td> <td>PTD.</td> <td>-</td> <td>3992</td> <td>3\"/> <tr> <td>3997</td> <td>ETR</td> <td>-</td> <td>WD.</td> <td>J2</td> <td>PTD.</td> <td>-</td> <td>3993</td> <td>3\"/> <tr> <td>3998</td> <td>ETR</td> <td>-</td> <td>WD.</td> <td>J2</td> <td>PTD.</td> <td>-</td> <td>3994</td> <td>3\"/> <tr> <td>3999</td> <td>ETR</td> <td>-</td> <td>WD.</td> <td>J2</td> <td>PTD.</td> <td>-</td> <td>3995</td> <td>3\"/> <tr> <td>3999</td> <td>ETR</td> <td>-</td> <td>WD.</td> <td>J2</td> <td>PTD.</td> <td>-</td> <td>3997</td> <td>3\"/> </td></tr></td></tr></td></tr></td></tr></td></tr></td></tr></td></tr></td></tr></td></tr></td></tr></td></tr></td></tr></td></tr></td></tr></td></tr></td></tr></td></tr></td></tr></td></tr></td></tr></td></tr></td></tr></td></td></tr></td></tr></td></td></tr></td></td></tr></td></td></tr></td></td></tr></td></td></tr></td></td></tr></td></td></tr></td></td></tr></td></tr></td></tr></td></tr></td></td></tr> | 372 | B | 2 <td>HM</td> <td>J1</td> <td>PTD.</td> <td>1 HR.</td> <td>370</td> <td>3\"/> <tr> <td>373A</td> <td>ETR</td> <td>-</td> <td>WD.</td> <td>J2</td> <td>PTD.</td> <td>-</td> <td>371</td> <td>3\"/> <tr> <td>374B</td> <td>ETR</td> <td>-</td> <td>WD.</td> <td>J2</td> <td>PTD.</td> <td>-</td> <td>372</td> <td>3\"/> <tr> <td>374C</td> <td>ETR</td> <td>-</td> <td>WD.</td> <td>J2</td> <td>PTD.</td> <td>-</td> <td>373A</td> <td>3\"/> <tr> <td>375</td> <td>B</td> <td>1 <td>WD</td> <td>J1</td> <td>PTD.</td> <td>-</td> <td>374B</td> <td>3\"/> <tr> <td>376</td> <td>B</td> <td>1 <td>WD</td> <td>J1</td> <td>PTD.</td> <td>-</td> <td>374C</td> <td>3\"/> <tr> <td>377</td> <td>B</td> <td>1 <td>WD</td> <td>J1</td> <td>PTD.</td> <td>-</td> <td>375</td> <td>3\"/> <tr> <td>377A</td> <td>B</td> <td>1 <td>WD</td> <td>J1</td> <td>PTD.</td> <td>-</td> <td>376</td> <td>3\"/> <tr> <td>378</td> <td>B</td> <td>1 <td>WD</td> <td>J1</td> <td>PTD.</td> <td>-</td> <td>377</td> <td>3\"/> <tr> <td>379</td> <td>B</td> <td>1 <td>WD</td> <td>J1</td> <td>PTD.</td> <td>-</td> <td>377A</td> <td>3\"/> <tr> <td>380A</td> <td>B</td> <td>1 <td>WD</td> <td>J1</td> <td>PTD.</td> <td>-</td> <td>378</td> <td>3\"/> <tr> <td>380B</td> <td>B</td> <td>1 <td>WD</td> <td>J1</td> <td>PTD.</td> <td>-</td> <td>379</td> <td>3\"/> <tr> <td>382</td> <td>ETR</td> <td>-</td> <td>WD.</td> <td>J2</td> <td>PTD.</td> <td>-</td> <td>380A</td> <td>3\"/> <tr> <td>382A</td> <td>D</td> <td>6 <td>ALUM.</td> <td>ANODIZE D</td> <td>-</td> <td>-</td> <td>380B</td> <td>3\"/> <tr> <td>385</td> <td>ETR</td> <td>-</td> <td>WD.</td> <td>J2</td> <td>PTD.</td> <td>-</td> <td>382</td> <td>3\"/> <tr> <td>386</td> <td>ETR</td> <td>-</td> <td>WD.</td> <td>J2</td> <td>PTD.</td> <td>-</td> <td>382A</td> <td>3\"/> <tr> <td>387</td> <td>ETR</td> <td>-</td> <td>WD.</td> <td>J2</td> <td>PTD.</td> <td>-</td> <td>385</td> <td>3\"/> <tr> <td>388</td> <td>ETR</td> <td>-</td> <td>WD.</td> <td>J2</td> <td>PTD.</td> <td>-</td> <td>386</td> <td>3\"/> <tr> <td>389</td> <td>ETR</td> <td>-</td> <td>WD.</td> <td>J2</td> <td>PTD.</td> <td>-</td> <td>387</td> <td>3\"/> <tr> <td>391</td> <td>ETR</td> <td>-</td> <td>WD.</td> <td>J2</td> <td>PTD.</td> <td>-</td> <td>388</td> <td>3\"/> <tr> <td>391A</td> <td>ETR</td> <td>-</td> <td>WD.</td> <td>J2</td> <td>PTD.</td> <td>-</td> <td>389</td> <td>3\"/> <tr> <td>391B</td> <td>ETR</td> <td>-</td> <td>WD.</td> <td>J2</td> <td>PTD.</td> <td>-</td> <td>391</td> <td>3\"/> <tr> <td>394</td> <td>ETR</td> <td>-</td> <td>WD.</td> <td>J2</td> <td>PTD.</td> <td>-</td> <td>391A</td> <td>3\"/> <tr> <td>395</td> <td>ETR</td> <td>-</td> <td>WD.</td> <td>J2</td> <td>PTD.</td> <td>-</td> <td>391B</td> <td>3\"/> <tr> <td>396</td> <td>ETR</td> <td>-</td> <td>WD.</td> <td>J2</td> <td>PTD.</td> <td>-</td> <td>394</td> <td>3\"/> <tr> <td>398</td> <td>ETR</td> <td>-</td> <td>WD.</td> <td>J2</td> <td>PTD.</td> <td>-</td> <td>395</td> <td>3\"/> <tr> <td>399</td> <td>ETR</td> <td>-</td> <td>WD.</td> <td>J2</td> <td>PTD.</td> <td>-</td> <td>396</td> <td>3\"/> <tr> <td>3991</td> <td>ETR</td> <td>-</td> <td>WD.</td> <td>J2</td> <td>PTD.</td> <td>-</td> <td>398</td> <td>3\"/> <tr> <td>3992</td> <td>A</td> <td>3\"/> <tr> <td>3993</td> <td>ETR</td> <td>-</td> <td>WD.</td> <td>J2</td> <td>PTD.</td> <td>-</td> <td>399</td> <td>3\"/> <tr> <td>3994</td> <td>ETR</td> <td>-</td> <td>WD.</td> <td>J2</td> <td>PTD.</td> <td>-</td> <td>3991</td> <td>3\"/> <tr> <td>3995</td> <td>ETR</td> <td>-</td> <td>WD.</td> <td>J2</td> <td>PTD.</td> <td>-</td> <td>3992</td> <td>3\"/> <tr> <td>3997</td> <td>ETR</td> <td>-</td> <td>WD.</td> <td>J2</td> <td>PTD.</td> <td>-</td> <td>3993</td> <td>3\"/> <tr> <td>3998</td> <td>ETR</td> <td>-</td> <td>WD.</td> <td>J2</td> <td>PTD.</td> <td>-</td> <td>3994</td>
<td>3\"/> <tr> <td>3999</td> <td>ETR</td> <td>-</td> <td>WD.</td> <td>J2</td> <td>PTD.</td> <td>-</td> <td>3995</td> <td>3\"/> <tr> <td>3999</td> <td>ETR</td> <td>-</td> <td>WD.</td> <td>J2</td> <td>PTD.</td> <td>-</td> <td>3997</td> <td>3\"/> </td></tr></td></tr></td></tr></td></tr></td></tr></td></tr></td></tr></td></tr></td></tr></td></tr></td></tr></td></tr></td></tr></td></tr></td></tr></td></tr></td></tr></td></tr></td></tr></td></tr></td></tr></td></tr></td></td></tr></td></tr></td></td></tr></td></td></tr></td></td></tr></td></td></tr></td></td></tr></td></td></tr></td></td></tr></td></td></tr></td></tr></td></tr></td></tr></td> | HM | J1 | PTD. | 1 HR. | 370 | 3\"/> <tr> <td>373A</td> <td>ETR</td> <td>-</td> <td>WD.</td> <td>J2</td> <td>PTD.</td> <td>-</td> <td>371</td> <td>3\"/> <tr> <td>374B</td> <td>ETR</td> <td>-</td> <td>WD.</td> <td>J2</td> <td>PTD.</td> <td>-</td> <td>372</td> <td>3\"/> <tr> <td>374C</td> <td>ETR</td> <td>-</td> <td>WD.</td> <td>J2</td> <td>PTD.</td> <td>-</td> <td>373A</td> <td>3\"/> <tr> <td>375</td> <td>B</td> <td>1 <td>WD</td> <td>J1</td> <td>PTD.</td> <td>-</td> <td>374B</td> <td>3\"/> <tr> <td>376</td> <td>B</td> <td>1 <td>WD</td> <td>J1</td> <td>PTD.</td> <td>-</td> <td>374C</td> <td>3\"/> <tr> <td>377</td> <td>B</td> <td>1 <td>WD</td> <td>J1</td> <td>PTD.</td> <td>-</td> <td>375</td> <td>3\"/> <tr> <td>377A</td> <td>B</td> <td>1 <td>WD</td> <td>J1</td> <td>PTD.</td> <td>-</td> <td>376</td> <td>3\"/> <tr> <td>378</td> <td>B</td> <td>1 <td>WD</td> <td>J1</td> <td>PTD.</td> <td>-</td> <td>377</td> <td>3\"/> <tr> <td>379</td> <td>B</td> <td>1 <td>WD</td> <td>J1</td> <td>PTD.</td> <td>-</td> <td>377A</td> <td>3\"/> <tr> <td>380A</td> <td>B</td> <td>1 <td>WD</td> <td>J1</td> <td>PTD.</td> <td>-</td> <td>378</td> <td>3\"/> <tr> <td>380B</td> <td>B</td> <td>1 <td>WD</td> <td>J1</td> <td>PTD.</td> <td>-</td> <td>379</td> <td>3\"/> <tr> <td>382</td> <td>ETR</td> <td>-</td> <td>WD.</td> <td>J2</td> <td>PTD.</td> <td>-</td> <td>380A</td> <td>3\"/> <tr> <td>382A</td> <td>D</td> <td>6 <td>ALUM.</td> <td>ANODIZE D</td> <td>-</td> <td>-</td> <td>380B</td> <td>3\"/> <tr> <td>385</td> <td>ETR</td> <td>-</td> <td>WD.</td> <td>J2</td> <td>PTD.</td> <td>-</td> <td>382</td> <td>3\"/> <tr> <td>386</td> <td>ETR</td> <td>-</td> <td>WD.</td> <td>J2</td> <td>PTD.</td> <td>-</td> <td>382A</td> <td>3\"/> <tr> <td>387</td> <td>ETR</td> <td>-</td> <td>WD.</td> <td>J2</td> <td>PTD.</td> <td>-</td> <td>385</td> <td>3\"/> <tr> <td>388</td> <td>ETR</td> <td>-</td> <td>WD.</td> <td>J2</td> <td>PTD.</td> <td>-</td> <td>386</td> <td>3\"/> <tr> <td>389</td> <td>ETR</td> <td>-</td> <td>WD.</td> <td>J2</td> <td>PTD.</td> <td>-</td> <td>387</td> <td>3\"/> <tr> <td>391</td> <td>ETR</td> <td>-</td> <td>WD.</td> <td>J2</td> <td>PTD.</td> <td>-</td> <td>388</td> <td>3\"/> <tr> <td>391A</td> <td>ETR</td> <td>-</td> <td>WD.</td> <td>J2</td> <td>PTD.</td> <td>-</td> <td>389</td> <td>3\"/> <tr> <td>391B</td> <td>ETR</td> <td>-</td> <td>WD.</td> <td>J2</td> <td>PTD.</td> <td>-</td> <td>391</td> <td>3\"/> <tr> <td>394</td> <td>ETR</td> <td>-</td> <td>WD.</td> <td>J2</td> <td>PTD.</td> <td>-</td> <td>391A</td> <td>3\"/> <tr> <td>395</td> <td>ETR</td> <td>-</td> <td>WD.</td> <td>J2</td> <td>PTD.</td> <td>-</td> <td>391B</td> <td>3\"/> <tr> <td>396</td> <td>ETR</td> <td>-</td> <td>WD.</td> <td>J2</td> <td>PTD.</td> <td>-</td> <td>394</td> <td>3\"/> <tr> <td>398</td> <td>ETR</td> <td>-</td> <td>WD.</td> <td>J2</td> <td>PTD.</td> <td>-</td> <td>395</td> <td>3\"/> <tr> <td>399</td> <td>ETR</td> <td>-</td> <td>WD.</td> <td>J2</td> <td>PTD.</td> <td>-</td> <td>396</td> <td>3\"/> <tr> <td>3991</td> <td>ETR</td> <td>-</td> <td>WD.</td> <td>J2</td> <td>PTD.</td> <td>-</td> <td>398</td> <td>3\"/> <tr> <td>3992</td> <td>A</td> <td>3\"/> <tr> <td>3993</td> <td>ETR</td> <td>-</td> <td>WD.</td> <td>J2</td> <td>PTD.</td> <td>-</td> <td>399</td> <td>3\"/> <tr> <td>3994</td> <td>ETR</td> <td>-</td> <td>WD.</td> <td>J2</td> <td>PTD.</td> <td>-</td> <td>3991</td> <td>3\"/> <tr> <td>3995</td> <td>ETR</td> <td>-</td> <td>WD.</td> <td>J2</td> <td>PTD.</td> <td>-</td> <td>3992</td> <td>3\"/> <tr> <td>3997</td> <td>ETR</td> <td>-</td> <td>WD.</td> <td>J2</td> <td>PTD.</td> <td>-</td> <td>3993</td> <td>3\"/> <tr> <td>3998</td> <td>ETR</td> <td>-</td> <td>WD.</td> <td>J2</td> <td>PTD.</td> <td>-</td> <td>3994</td> <td>3\"/> <tr> <td>3999</td> <td>ETR</td> <td>-</td> <td>WD.</td> <td>J2</td> <td>PTD.</td> <td>-</td> <td>3995</td> <td>3\"/> <tr> <td>3999</td> <td>ETR</td> <td>-</td> <td>WD.</td> <td>J2</td> <td>PTD.</td> <td>-</td> <td>3997</td> <td>3\"/> </td></tr></td></tr></td></tr></td></tr></td></tr></td></tr></td></tr></td></tr></td></tr></td></tr></td></tr></td></tr></td></tr></td></tr></td></tr></td></tr></td></tr></td></tr></td></tr></td></tr></td></tr></td></tr></td></td></tr></td></tr></td></td></tr></td></td></tr></td></td></tr></td></td></tr></td></td></tr></td></td></tr></td></td></tr></td></td></tr></td></tr></td></tr></td></tr> | 373A | ETR | -
 | WD. | J2 | PTD. | - | 371 | 3\"/> <tr> <td>374B</td> <td>ETR</td> <td>-</td> <td>WD.</td> <td>J2</td> <td>PTD.</td> <td>-</td> <td>372</td> <td>3\"/> <tr> <td>374C</td> <td>ETR</td> <td>-</td> <td>WD.</td> <td>J2</td> <td>PTD.</td> <td>-</td> <td>373A</td> <td>3\"/> <tr> <td>375</td> <td>B</td> <td>1 <td>WD</td> <td>J1</td> <td>PTD.</td> <td>-</td> <td>374B</td> <td>3\"/> <tr> <td>376</td> <td>B</td> <td>1 <td>WD</td> <td>J1</td> <td>PTD.</td> <td>-</td> <td>374C</td> <td>3\"/> <tr> <td>377</td> <td>B</td> <td>1 <td>WD</td> <td>J1</td> <td>PTD.</td> <td>-</td> <td>375</td> <td>3\"/> <tr> <td>377A</td> <td>B</td> <td>1 <td>WD</td> <td>J1</td> <td>PTD.</td> <td>-</td> <td>376</td> <td>3\"/> <tr> <td>378</td> <td>B</td> <td>1 <td>WD</td> <td>J1</td> <td>PTD.</td> <td>-</td> <td>377</td> <td>3\"/> <tr> <td>379</td> <td>B</td> <td>1 <td>WD</td> <td>J1</td> <td>PTD.</td> <td>-</td> <td>377A</td> <td>3\"/> <tr> <td>380A</td> <td>B</td> <td>1 <td>WD</td> <td>J1</td> <td>PTD.</td> <td>-</td> <td>378</td> <td>3\"/> <tr> <td>380B</td> <td>B</td> <td>1 <td>WD</td> <td>J1</td> <td>PTD.</td> <td>-</td> <td>379</td> <td>3\"/> <tr> <td>382</td> <td>ETR</td> <td>-</td> <td>WD.</td> <td>J2</td> <td>PTD.</td> <td>-</td> <td>380A</td> <td>3\"/> <tr> <td>382A</td> <td>D</td> <td>6 <td>ALUM.</td> <td>ANODIZE D</td> <td>-</td> <td>-</td> <td>380B</td> <td>3\"/> <tr> <td>385</td> <td>ETR</td> <td>-</td> <td>WD.</td> <td>J2</td> <td>PTD.</td> <td>-</td> <td>382</td> <td>3\"/> <tr> <td>386</td> <td>ETR</td> <td>-</td> <td>WD.</td> <td>J2</td> <td>PTD.</td> <td>-</td> <td>382A</td> <td>3\"/> <tr> <td>387</td> <td>ETR</td> <td>-</td> <td>WD.</td> <td>J2</td> <td>PTD.</td> <td>-</td> <td>385</td> <td>3\"/> <tr> <td>388</td> <td>ETR</td> <td>-</td> <td>WD.</td> <td>J2</td> <td>PTD.</td> <td>-</td> <td>386</td> <td>3\"/> <tr> <td>389</td> <td>ETR</td> <td>-</td> <td>WD.</td> <td>J2</td> <td>PTD.</td> <td>-</td> <td>387</td> <td>3\"/> <tr> <td>391</td> <td>ETR</td> <td>-</td> <td>WD.</td> <td>J2</td> <td>PTD.</td> <td>-</td> <td>388</td> <td>3\"/> <tr> <td>391A</td> <td>ETR</td> <td>-</td> <td>WD.</td> <td>J2</td> <td>PTD.</td> <td>-</td> <td>389</td> <td>3\"/> <tr> <td>391B</td> <td>ETR</td> <td>-</td> <td>WD.</td> <td>J2</td> <td>PTD.</td> <td>-</td> <td>391</td> <td>3\"/> <tr> <td>394</td> <td>ETR</td> <td>-</td> <td>WD.</td> <td>J2</td> <td>PTD.</td> <td>-</td> <td>391A</td> <td>3\"/> <tr> <td>395</td> <td>ETR</td> <td>-</td> <td>WD.</td> <td>J2</td> <td>PTD.</td> <td>-</td> <td>391B</td> <td>3\"/> <tr> <td>396</td> <td>ETR</td> <td>-</td> <td>WD.</td> <td>J2</td> <td>PTD.</td> <td>-</td> <td>394</td> <td>3\"/> <tr> <td>398</td> <td>ETR</td> <td>-</td> <td>WD.</td> <td>J2</td> <td>PTD.</td> <td>-</td> <td>395</td> <td>3\"/> <tr> <td>399</td> <td>ETR</td> <td>-</td> <td>WD.</td> <td>J2</td> <td>PTD.</td> <td>-</td> <td>396</td> <td>3\"/> <tr> <td>3991</td> <td>ETR</td> <td>-</td> <td>WD.</td> <td>J2</td> <td>PTD.</td> <td>-</td> <td>398</td> <td>3\"/> <tr> <td>3992</td> <td>A</td> <td>3\"/> <tr> <td>3993</td> <td>ETR</td> <td>-</td> <td>WD.</td> <td>J2</td> <td>PTD.</td> <td>-</td> <td>399</td> <td>3\"/> <tr> <td>3994</td> <td>ETR</td> <td>-</td> <td>WD.</td> <td>J2</td> <td>PTD.</td> <td>-</td> <td>3991</td> <td>3\"/> <tr> <td>3995</td> <td>ETR</td> <td>-</td> <td>WD.</td> <td>J2</td> <td>PTD.</td> <td>-</td> <td>3992</td> <td>3\"/> <tr> <td>3997</td> <td>ETR</td> <td>-</td> <td>WD.</td> <td>J2</td> <td>PTD.</td> <td>-</td> <td>3993</td> <td>3\"/> <tr> <td>3998</td> <td>ETR</td> <td>-</td> <td>WD.</td> <td>J2</td> <td>PTD.</td> <td>-</td> <td>3994</td> <td>3\"/> <tr> <td>3999</td> <td>ETR</td> <td>-</td> <td>WD.</td> <td>J2</td> <td>PTD.</td> <td>-</td> <td>3995</td> <td>3\"/> <tr> <td>3999</td> <td>ETR</td> <td>-</td> <td>WD.</td> <td>J2</td> <td>PTD.</td> <td>-</td> <td>3997</td> <td>3\"/> </td></tr></td></tr></td></tr></td></tr></td></tr></td></tr></td></tr></td></tr></td></tr></td></tr></td></tr></td></tr></td></tr></td></tr></td></tr></td></tr></td></tr></td></tr></td></tr></td></tr></td></tr></td></tr></td></td></tr></td></tr></td></td></tr></td></td></tr></td></td></tr></td></td></tr></td></td></tr></td></td></tr></td></td></tr></td></td></tr></td></tr></td></tr> | 374B | ETR | -
 | WD. | J2 | PTD. | - | 372 | 3\"/> <tr> <td>374C</td> <td>ETR</td> <td>-</td> <td>WD.</td> <td>J2</td> <td>PTD.</td> <td>-</td> <td>373A</td> <td>3\"/> <tr> <td>375</td> <td>B</td> <td>1 <td>WD</td> <td>J1</td> <td>PTD.</td> <td>-</td> <td>374B</td> <td>3\"/> <tr> <td>376</td> <td>B</td> <td>1 <td>WD</td> <td>J1</td> <td>PTD.</td> <td>-</td> <td>374C</td> <td>3\"/> <tr> <td>377</td> <td>B</td> <td>1 <td>WD</td> <td>J1</td> <td>PTD.</td> <td>-</td> <td>375</td> <td>3\"/> <tr> <td>377A</td> <td>B</td> <td>1 <td>WD</td> <td>J1</td> <td>PTD.</td> <td>-</td> <td>376</td> <td>3\"/> <tr> <td>378</td> <td>B</td> <td>1 <td>WD</td> <td>J1</td> <td>PTD.</td> <td>-</td> <td>377</td> <td>3\"/> <tr> <td>379</td> <td>B</td> <td>1 <td>WD</td> <td>J1</td> <td>PTD.</td> <td>-</td> <td>377A</td> <td>3\"/> <tr> <td>380A</td> <td>B</td> <td>1 <td>WD</td> <td>J1</td> <td>PTD.</td> <td>-</td> <td>378</td> <td>3\"/> <tr> <td>380B</td> <td>B</td> <td>1 <td>WD</td> <td>J1</td> <td>PTD.</td> <td>-</td> <td>379</td> <td>3\"/> <tr> <td>382</td> <td>ETR</td> <td>-</td> <td>WD.</td> <td>J2</td> <td>PTD.</td> <td>-</td> <td>380A</td> <td>3\"/> <tr> <td>382A</td> <td>D</td> <td>6 <td>ALUM.</td> <td>ANODIZE D</td> <td>-</td> <td>-</td> <td>380B</td> <td>3\"/> <tr> <td>385</td> <td>ETR</td> <td>-</td> <td>WD.</td> <td>J2</td> <td>PTD.</td> <td>-</td> <td>382</td> <td>3\"/> <tr> <td>386</td> <td>ETR</td> <td>-</td> <td>WD.</td> <td>J2</td> <td>PTD.</td> <td>-</td> <td>382A</td> <td>3\"/> <tr> <td>387</td> <td>ETR</td> <td>-</td> <td>WD.</td> <td>J2</td> <td>PTD.</td> <td>-</td> <td>385</td> <td>3\"/> <tr> <td>388</td> <td>ETR</td> <td>-</td> <td>WD.</td> <td>J2</td> <td>PTD.</td> <td>-</td> <td>386</td> <td>3\"/> <tr> <td>389</td> <td>ETR</td> <td>-</td> <td>WD.</td> <td>J2</td> <td>PTD.</td> <td>-</td> <td>387</td> <td>3\"/> <tr> <td>391</td> <td>ETR</td> <td>-</td> <td>WD.</td> <td>J2</td> <td>PTD.</td> <td>-</td> <td>388</td> <td>3\"/> <tr> <td>391A</td> <td>ETR</td> <td>-</td> <td>WD.</td> <td>J2</td> <td>PTD.</td> <td>-</td> <td>389</td> <td>3\"/> <tr> <td>391B</td> <td>ETR</td> <td>-</td> <td>WD.</td> <td>J2</td> <td>PTD.</td> <td>-</td> <td>391</td> <td>3\"/> <tr> <td>394</td> <td>ETR</td> <td>-</td> <td>WD.</td> <td>J2</td> <td>PTD.</td> <td>-</td> <td>391A</td> <td>3\"/> <tr> <td>395</td> <td>ETR</td> <td>-</td> <td>WD.</td> <td>J2</td> <td>PTD.</td> <td>-</td> <td>391B</td> <td>3\"/> <tr> <td>396</td> <td>ETR</td> <td>-</td> <td>WD.</td> <td>J2</td> <td>PTD.</td> <td>-</td> <td>394</td> <td>3\"/> <tr> <td>398</td> <td>ETR</td> <td>-</td> <td>WD.</td> <td>J2</td> <td>PTD.</td> <td>-</td> <td>395</td> <td>3\"/> <tr> <td>399</td> <td>ETR</td> <td>-</td> <td>WD.</td> <td>J2</td> <td>PTD.</td> <td>-</td> <td>396</td> <td>3\"/> <tr> <td>3991</td> <td>ETR</td> <td>-</td> <td>WD.</td> <td>J2</td> <td>PTD.</td> <td>-</td> <td>398</td> <td>3\"/> <tr> <td>3992</td> <td>A</td> <td>3\"/> <tr> <td>3993</td> <td>ETR</td> <td>-</td> <td>WD.</td> <td>J2</td> <td>PTD.</td> <td>-</td> <td>399</td> <td>3\"/> <tr> <td>3994</td> <td>ETR</td> <td>-</td> <td>WD.</td> <td>J2</td> <td>PTD.</td> <td>-</td> <td>3991</td> <td>3\"/> <tr> <td>3995</td> <td>ETR</td> <td>-</td> <td>WD.</td> <td>J2</td> <td>PTD.</td> <td>-</td> <td>3992</td> <td>3\"/> <tr> <td>3997</td> <td>ETR</td> <td>-</td> <td>WD.</td> <td>J2</td> <td>PTD.</td> <td>-</td> <td>3993</td> <td>3\"/> <tr> <td>3998</td> <td>ETR</td> <td>-</td> <td>WD.</td> <td>J2</td> <td>PTD.</td> <td>-</td> <td>3994</td> <td>3\"/> <tr> <td>3999</td> <td>ETR</td> <td>-</td> <td>WD.</td> <td>J2</td> <td>PTD.</td> <td>-</td> <td>3995</td> <td>3\"/> <tr> <td>3999</td> <td>ETR</td> <td>-</td> <td>WD.</td> <td>J2</td> <td>PTD.</td> <td>-</td> <td>3997</td> <td>3\"/> </td></tr></td></tr></td></tr></td></tr></td></tr></td></tr></td></tr></td></tr></td></tr></td></tr></td></tr></td></tr></td></tr></td></tr></td></tr></td></tr></td></tr></td></tr></td></tr></td></tr></td></tr></td></tr></td></td></tr></td></tr></td></td></tr></td></td></tr></td></td></tr></td></td></tr></td></td></tr></td></td></tr></td></td></tr></td></td></tr></td></tr> | 374C | ETR | -
 | WD. | J2 | PTD. | - | 373A | 3\"/> <tr> <td>375</td> <td>B</td> <td>1 <td>WD</td> <td>J1</td> <td>PTD.</td> <td>-</td> <td>374B</td> <td>3\"/> <tr> <td>376</td> <td>B</td> <td>1 <td>WD</td> <td>J1</td> <td>PTD.</td> <td>-</td> <td>374C</td> <td>3\"/> <tr> <td>377</td> <td>B</td> <td>1 <td>WD</td> <td>J1</td> <td>PTD.</td> <td>-</td> <td>375</td> <td>3\"/> <tr> <td>377A</td> <td>B</td> <td>1 <td>WD</td> <td>J1</td> <td>PTD.</td> <td>-</td> <td>376</td> <td>3\"/> <tr> <td>378</td> <td>B</td> <td>1 <td>WD</td> <td>J1</td> <td>PTD.</td> <td>-</td> <td>377</td> <td>3\"/> <tr> <td>379</td> <td>B</td> <td>1 <td>WD</td> <td>J1</td> <td>PTD.</td> <td>-</td>
<td>377A</td> <td>3\"/> <tr> <td>380A</td> <td>B</td> <td>1 <td>WD</td> <td>J1</td> <td>PTD.</td> <td>-</td> <td>378</td> <td>3\"/> <tr> <td>380B</td> <td>B</td> <td>1 <td>WD</td> <td>J1</td> <td>PTD.</td> <td>-</td> <td>379</td> <td>3\"/> <tr> <td>382</td> <td>ETR</td> <td>-</td> <td>WD.</td> <td>J2</td> <td>PTD.</td> <td>-</td> <td>380A</td> <td>3\"/> <tr> <td>382A</td> <td>D</td> <td>6 <td>ALUM.</td> <td>ANODIZE D</td> <td>-</td> <td>-</td> <td>380B</td> <td>3\"/> <tr> <td>385</td> <td>ETR</td> <td>-</td> <td>WD.</td> <td>J2</td> <td>PTD.</td> <td>-</td> <td>382</td> <td>3\"/> <tr> <td>386</td> <td>ETR</td> <td>-</td> <td>WD.</td> <td>J2</td> <td>PTD.</td> <td>-</td> <td>382A</td> <td>3\"/> <tr> <td>387</td> <td>ETR</td> <td>-</td> <td>WD.</td> <td>J2</td> <td>PTD.</td> <td>-</td> <td>385</td> <td>3\"/> <tr> <td>388</td> <td>ETR</td> <td>-</td> <td>WD.</td> <td>J2</td> <td>PTD.</td> <td>-</td> <td>386</td> <td>3\"/> <tr> <td>389</td> <td>ETR</td> <td>-</td> <td>WD.</td> <td>J2</td> <td>PTD.</td> <td>-</td> <td>387</td> <td>3\"/> <tr> <td>391</td> <td>ETR</td> <td>-</td> <td>WD.</td> <td>J2</td> <td>PTD.</td> <td>-</td> <td>388</td> <td>3\"/> <tr> <td>391A</td> <td>ETR</td> <td>-</td> <td>WD.</td> <td>J2</td> <td>PTD.</td> <td>-</td> <td>389</td> <td>3\"/> <tr> <td>391B</td> <td>ETR</td> <td>-</td> <td>WD.</td> <td>J2</td> <td>PTD.</td> <td>-</td> <td>391</td> <td>3\"/> <tr> <td>394</td> <td>ETR</td> <td>-</td> <td>WD.</td> <td>J2</td> <td>PTD.</td> <td>-</td> <td>391A</td> <td>3\"/> <tr> <td>395</td> <td>ETR</td> <td>-</td> <td>WD.</td> <td>J2</td> <td>PTD.</td> <td>-</td> <td>391B</td> <td>3\"/> <tr> <td>396</td> <td>ETR</td> <td>-</td> <td>WD.</td> <td>J2</td> <td>PTD.</td> <td>-</td> <td>394</td> <td>3\"/> <tr> <td>398</td> <td>ETR</td> <td>-</td> <td>WD.</td> <td>J2</td> <td>PTD.</td> <td>-</td> <td>395</td> <td>3\"/> <tr> <td>399</td> <td>ETR</td> <td>-</td> <td>WD.</td> <td>J2</td> <td>PTD.</td> <td>-</td> <td>396</td> <td>3\"/> <tr> <td>3991</td> <td>ETR</td> <td>-</td> <td>WD.</td> <td>J2</td> <td>PTD.</td> <td>-</td> <td>398</td> <td>3\"/> <tr> <td>3992</td> <td>A</td> <td>3\"/> <tr> <td>3993</td> <td>ETR</td> <td>-</td> <td>WD.</td> <td>J2</td> <td>PTD.</td> <td>-</td> <td>399</td> <td>3\"/> <tr> <td>3994</td> <td>ETR</td> <td>-</td> <td>WD.</td> <td>J2</td> <td>PTD.</td> <td>-</td> <td>3991</td> <td>3\"/> <tr> <td>3995</td> <td>ETR</td> <td>-</td> <td>WD.</td> <td>J2</td> <td>PTD.</td> <td>-</td> <td>3992</td> <td>3\"/> <tr> <td>3997</td> <td>ETR</td> <td>-</td> <td>WD.</td> <td>J2</td> <td>PTD.</td> <td>-</td> <td>3993</td> <td>3\"/> <tr> <td>3998</td> <td>ETR</td> <td>-</td> <td>WD.</td> <td>J2</td> <td>PTD.</td> <td>-</td> <td>3994</td> <td>3\"/> <tr> <td>3999</td> <td>ETR</td> <td>-</td> <td>WD.</td> <td>J2</td> <td>PTD.</td> <td>-</td> <td>3995</td> <td>3\"/> <tr> <td>3999</td> <td>ETR</td> <td>-</td> <td>WD.</td> <td>J2</td> <td>PTD.</td> <td>-</td> <td>3997</td> <td>3\"/> </td></tr></td></tr></td></tr></td></tr></td></tr></td></tr></td></tr></td></tr></td></tr></td></tr></td></tr></td></tr></td></tr></td></tr></td></tr></td></tr></td></tr></td></tr></td></tr></td></tr></td></tr></td></tr></td></td></tr></td></tr></td></td></tr></td></td></tr></td></td></tr></td></td></tr></td></td></tr></td></td></tr></td></td></tr></td></td></tr> | 375 | B | 1 <td>WD</td> <td>J1</td> <td>PTD.</td> <td>-</td> <td>374B</td> <td>3\"/> <tr> <td>376</td> <td>B</td> <td>1 <td>WD</td> <td>J1</td> <td>PTD.</td> <td>-</td> <td>374C</td> <td>3\"/> <tr> <td>377</td> <td>B</td> <td>1 <td>WD</td> <td>J1</td> <td>PTD.</td> <td>-</td> <td>375</td> <td>3\"/> <tr> <td>377A</td> <td>B</td> <td>1 <td>WD</td> <td>J1</td> <td>PTD.</td> <td>-</td> <td>376</td> <td>3\"/> <tr> <td>378</td> <td>B</td> <td>1 <td>WD</td> <td>J1</td> <td>PTD.</td> <td>-</td> <td>377</td> <td>3\"/> <tr> <td>379</td> <td>B</td> <td>1 <td>WD</td> <td>J1</td> <td>PTD.</td> <td>-</td> <td>377A</td> <td>3\"/> <tr> <td>380A</td> <td>B</td> <td>1 <td>WD</td> <td>J1</td> <td>PTD.</td> <td>-</td> <td>378</td> <td>3\"/> <tr> <td>380B</td> <td>B</td> <td>1 <td>WD</td> <td>J1</td> <td>PTD.</td> <td>-</td> <td>379</td> <td>3\"/> <tr> <td>382</td> <td>ETR</td> <td>-</td> <td>WD.</td> <td>J2</td> <td>PTD.</td> <td>-</td> <td>380A</td> <td>3\"/> <tr> <td>382A</td> <td>D</td> <td>6 <td>ALUM.</td> <td>ANODIZE D</td> <td>-</td> <td>-</td> <td>380B</td> <td>3\"/> <tr> <td>385</td> <td>ETR</td> <td>-</td> <td>WD.</td> <td>J2</td> <td>PTD.</td> <td>-</td> <td>382</td> <td>3\"/> <tr> <td>386</td> <td>ETR</td> <td>-</td> <td>WD.</td> <td>J2</td> <td>PTD.</td> <td>-</td> <td>382A</td> <td>3\"/> <tr> <td>387</td> <td>ETR</td> <td>-</td> <td>WD.</td> <td>J2</td> <td>PTD.</td> <td>-</td> <td>385</td> <td>3\"/> <tr> <td>388</td> <td>ETR</td> <td>-</td> <td>WD.</td> <td>J2</td> <td>PTD.</td> <td>-</td> <td>386</td> <td>3\"/> <tr> <td>389</td> <td>ETR</td> <td>-</td> <td>WD.</td> <td>J2</td> <td>PTD.</td> <td>-</td> <td>387</td> <td>3\"/> <tr> <td>391</td> <td>ETR</td> <td>-</td> <td>WD.</td> <td>J2</td> <td>PTD.</td> <td>-</td> <td>388</td> <td>3\"/> <tr> <td>391A</td> <td>ETR</td> <td>-</td> <td>WD.</td> <td>J2</td> <td>PTD.</td> <td>-</td> <td>389</td> <td>3\"/> <tr> <td>391B</td> <td>ETR</td> <td>-</td> <td>WD.</td> <td>J2</td> <td>PTD.</td> <td>-</td> <td>391</td> <td>3\"/> <tr> <td>394</td> <td>ETR</td> <td>-</td> <td>WD.</td> <td>J2</td> <td>PTD.</td> <td>-</td> <td>391A</td> <td>3\"/> <tr> <td>395</td> <td>ETR</td> <td>-</td> <td>WD.</td> <td>J2</td> <td>PTD.</td> <td>-</td> <td>391B</td> <td>3\"/> <tr> <td>396</td> <td>ETR</td> <td>-</td> <td>WD.</td> <td>J2</td> <td>PTD.</td> <td>-</td> <td>394</td> <td>3\"/> <tr> <td>398</td> <td>ETR</td> <td>-</td> <td>WD.</td> <td>J2</td> <td>PTD.</td> <td>-</td> <td>395</td> <td>3\"/> <tr> <td>399</td> <td>ETR</td> <td>-</td> <td>WD.</td> <td>J2</td> <td>PTD.</td> <td>-</td> <td>396</td> <td>3\"/> <tr> <td>3991</td> <td>ETR</td> <td>-</td> <td>WD.</td> <td>J2</td> <td>PTD.</td> <td>-</td> <td>398</td> <td>3\"/> <tr> <td>3992</td> <td>A</td> <td>3\"/> <tr> <td>3993</td> <td>ETR</td> <td>-</td> <td>WD.</td> <td>J2</td> <td>PTD.</td> <td>-</td> <td>399</td> <td>3\"/> <tr> <td>3994</td> <td>ETR</td> <td>-</td> <td>WD.</td> <td>J2</td> <td>PTD.</td> <td>-</td> <td>3991</td> <td>3\"/> <tr> <td>3995</td> <td>ETR</td> <td>-</td> <td>WD.</td> <td>J2</td> <td>PTD.</td> <td>-</td> <td>3992</td> <td>3\"/> <tr> <td>3997</td> <td>ETR</td> <td>-</td> <td>WD.</td> <td>J2</td> <td>PTD.</td> <td>-</td> <td>3993</td> <td>3\"/> <tr> <td>3998</td> <td>ETR</td> <td>-</td> <td>WD.</td> <td>J2</td> <td>PTD.</td> <td>-</td> <td>3994</td> <td>3\"/> <tr> <td>3999</td> <td>ETR</td> <td>-</td> <td>WD.</td> <td>J2</td> <td>PTD.</td> <td>-</td> <td>3995</td> <td>3\"/> <tr> <td>3999</td> <td>ETR</td> <td>-</td> <td>WD.</td> <td>J2</td> <td>PTD.</td> <td>-</td> <td>3997</td> <td>3\"/> </td></tr></td></tr></td></tr></td></tr></td></tr></td></tr></td></tr></td></tr></td></tr></td></tr></td></tr></td></tr></td></tr></td></tr></td></tr></td></tr></td></tr></td></tr></td></tr></td></tr></td></tr></td></tr></td></td></tr></td></tr></td></td></tr></td></td></tr></td></td></tr></td></td></tr></td></td></tr></td></td></tr></td></td></tr></td> | WD | J1 | PTD. | - | 374B | 3\"/> <tr> <td>376</td> <td>B</td> <td>1 <td>WD</td> <td>J1</td> <td>PTD.</td> <td>-</td> <td>374C</td> <td>3\"/> <tr> <td>377</td> <td>B</td> <td>1 <td>WD</td> <td>J1</td> <td>PTD.</td> <td>-</td> <td>375</td> <td>3\"/> <tr> <td>377A</td> <td>B</td> <td>1 <td>WD</td> <td>J1</td> <td>PTD.</td> <td>-</td> <td>376</td> <td>3\"/> <tr> <td>378</td> <td>B</td>
<td>1 <td>WD</td> <td>J1</td> <td>PTD.</td> <td>-</td> <td>377</td> <td>3\"/> <tr> <td>379</td> <td>B</td> <td>1 <td>WD</td> <td>J1</td> <td>PTD.</td> <td>-</td> <td>377A</td> <td>3\"/> <tr> <td>380A</td> <td>B</td> <td>1 <td>WD</td> <td>J1</td> <td>PTD.</td> <td>-</td> <td>378</td> <td>3\"/> <tr> <td>380B</td> <td>B</td> <td>1 <td>WD</td> <td>J1</td> <td>PTD.</td> <td>-</td> <td>379</td> <td>3\"/> <tr> <td>382</td> <td>ETR</td> <td>-</td> <td>WD.</td> <td>J2</td> <td>PTD.</td> <td>-</td> <td>380A</td> <td>3\"/> <tr> <td>382A</td> <td>D</td> <td>6 <td>ALUM.</td> <td>ANODIZE D</td> <td>-</td> <td>-</td> <td>380B</td> <td>3\"/> <tr> <td>385</td> <td>ETR</td> <td>-</td> <td>WD.</td> <td>J2</td> <td>PTD.</td> <td>-</td> <td>382</td> <td>3\"/> <tr> <td>386</td> <td>ETR</td> <td>-</td> <td>WD.</td> <td>J2</td> <td>PTD.</td> <td>-</td> <td>382A</td> <td>3\"/> <tr> <td>387</td> <td>ETR</td> <td>-</td> <td>WD.</td> <td>J2</td> <td>PTD.</td> <td>-</td> <td>385</td> <td>3\"/> <tr> <td>388</td> <td>ETR</td> <td>-</td> <td>WD.</td> <td>J2</td> <td>PTD.</td> <td>-</td> <td>386</td> <td>3\"/> <tr> <td>389</td> <td>ETR</td> <td>-</td> <td>WD.</td> <td>J2</td> <td>PTD.</td> <td>-</td> <td>387</td> <td>3\"/> <tr> <td>391</td> <td>ETR</td> <td>-</td> <td>WD.</td> <td>J2</td> <td>PTD.</td> <td>-</td> <td>388</td> <td>3\"/> <tr> <td>391A</td> <td>ETR</td> <td>-</td> <td>WD.</td> <td>J2</td> <td>PTD.</td> <td>-</td> <td>389</td> <td>3\"/> <tr> <td>391B</td> <td>ETR</td> <td>-</td> <td>WD.</td> <td>J2</td> <td>PTD.</td> <td>-</td> <td>391</td> <td>3\"/> <tr> <td>394</td> <td>ETR</td> <td>-</td> <td>WD.</td> <td>J2</td> <td>PTD.</td> <td>-</td> <td>391A</td> <td>3\"/> <tr> <td>395</td> <td>ETR</td> <td>-</td> <td>WD.</td> <td>J2</td> <td>PTD.</td> <td>-</td> <td>391B</td> <td>3\"/> <tr> <td>396</td> <td>ETR</td> <td>-</td> <td>WD.</td> <td>J2</td> <td>PTD.</td> <td>-</td> <td>394</td> <td>3\"/> <tr> <td>398</td> <td>ETR</td> <td>-</td> <td>WD.</td> <td>J2</td> <td>PTD.</td> <td>-</td> <td>395</td> <td>3\"/> <tr> <td>399</td> <td>ETR</td> <td>-</td> <td>WD.</td> <td>J2</td> <td>PTD.</td> <td>-</td> <td>396</td> <td>3\"/> <tr> <td>3991</td> <td>ETR</td> <td>-</td> <td>WD.</td> <td>J2</td> <td>PTD.</td> <td>-</td> <td>398</td> <td>3\"/> <tr> <td>3992</td> <td>A</td> <td>3\"/> <tr> <td>3993</td> <td>ETR</td> <td>-</td> <td>WD.</td> <td>J2</td> <td>PTD.</td> <td>-</td> <td>399</td> <td>3\"/> <tr> <td>3994</td> <td>ETR</td> <td>-</td> <td>WD.</td> <td>J2</td> <td>PTD.</td> <td>-</td> <td>3991</td> <td>3\"/> <tr> <td>3995</td> <td>ETR</td> <td>-</td> <td>WD.</td> <td>J2</td> <td>PTD.</td> <td>-</td> <td>3992</td> <td>3\"/> <tr> <td>3997</td> <td>ETR</td> <td>-</td> <td>WD.</td> <td>J2</td> <td>PTD.</td> <td>-</td> <td>3993</td> <td>3\"/> <tr> <td>3998</td> <td>ETR</td> <td>-</td> <td>WD.</td> <td>J2</td> <td>PTD.</td> <td>-</td> <td>3994</td> <td>3\"/> <tr> <td>3999</td> <td>ETR</td> <td>-</td> <td>WD.</td> <td>J2</td> <td>PTD.</td> <td>-</td> <td>3995</td> <td>3\"/> <tr> <td>3999</td> <td>ETR</td> <td>-</td> <td>WD.</td> <td>J2</td> <td>PTD.</td> <td>-</td> <td>3997</td> <td>3\"/> </td></tr></td></tr></td></tr></td></tr></td></tr></td></tr></td></tr></td></tr></td></tr></td></tr></td></tr></td></tr></td></tr></td></tr></td></tr></td></tr></td></tr></td></tr></td></tr></td></tr></td></tr></td></tr></td></td></tr></td></tr></td></td></tr></td></td></tr></td></td></tr></td></td></tr></td></td></tr></td></td></tr></td></td></tr> | 376 | B | 1 <td>WD</td> <td>J1</td> <td>PTD.</td> <td>-</td> <td>374C</td> <td>3\"/> <tr> <td>377</td> <td>B</td> <td>1 <td>WD</td> <td>J1</td> <td>PTD.</td> <td>-</td> <td>375</td> <td>3\"/> <tr> <td>377A</td> <td>B</td> <td>1 <td>WD</td> <td>J1</td> <td>PTD.</td> <td>-</td> <td>376</td> <td>3\"/> <tr> <td>378</td> <td>B</td> <td>1 <td>WD</td> <td>J1</td> <td>PTD.</td> <td>-</td> <td>377</td> <td>3\"/> <tr> <td>379</td> <td>B</td> <td>1 <td>WD</td> <td>J1</td> <td>PTD.</td> <td>-</td> <td>377A</td> <td>3\"/> <tr> <td>380A</td> <td>B</td> <td>1 <td>WD</td> <td>J1</td> <td>PTD.</td> <td>-</td> <td>378</td> <td>3\"/> <tr> <td>380B</td> <td>B</td> <td>1 <td>WD</td> <td>J1</td> <td>PTD.</td> <td>-</td> <td>379</td> <td>3\"/> <tr> <td>382</td> <td>ETR</td> <td>-</td> <td>WD.</td> <td>J2</td> <td>PTD.</td> <td>-</td> <td>380A</td> <td>3\"/> <tr> <td>382A</td> <td>D</td> <td>6 <td>ALUM.</td> <td>ANODIZE D</td> <td>-</td> <td>-</td> <td>380B</td> <td>3\"/> <tr> <td>385</td> <td>ETR</td> <td>-</td> <td>WD.</td> <td>J2</td> <td>PTD.</td> <td>-</td> <td>382</td> <td>3\"/> <tr> <td>386</td> <td>ETR</td> <td>-</td> <td>WD.</td> <td>J2</td> <td>PTD.</td> <td>-</td> <td>382A</td> <td>3\"/> <tr> <td>387</td> <td>ETR</td> <td>-</td> <td>WD.</td> <td>J2</td> <td>PTD.</td> <td>-</td> <td>385</td> <td>3\"/> <tr> <td>388</td> <td>ETR</td> <td>-</td> <td>WD.</td> <td>J2</td> <td>PTD.</td> <td>-</td> <td>386</td> <td>3\"/> <tr> <td>389</td> <td>ETR</td> <td>-</td> <td>WD.</td> <td>J2</td> <td>PTD.</td> <td>-</td> <td>387</td> <td>3\"/> <tr> <td>391</td> <td>ETR</td> <td>-</td> <td>WD.</td> <td>J2</td> <td>PTD.</td> <td>-</td> <td>388</td> <td>3\"/> <tr> <td>391A</td> <td>ETR</td> <td>-</td> <td>WD.</td> <td>J2</td> <td>PTD.</td> <td>-</td> <td>389</td> <td>3\"/> <tr> <td>391B</td> <td>ETR</td> <td>-</td> <td>WD.</td> <td>J2</td> <td>PTD.</td> <td>-</td> <td>391</td> <td>3\"/> <tr> <td>394</td> <td>ETR</td> <td>-</td> <td>WD.</td> <td>J2</td> <td>PTD.</td> <td>-</td> <td>391A</td> <td>3\"/> <tr> <td>395</td> <td>ETR</td> <td>-</td> <td>WD.</td> <td>J2</td> <td>PTD.</td> <td>-</td> <td>391B</td> <td>3\"/> <tr> <td>396</td> <td>ETR</td> <td>-</td> <td>WD.</td> <td>J2</td> <td>PTD.</td> <td>-</td> <td>394</td> <td>3\"/> <tr> <td>398</td> <td>ETR</td> <td>-</td> <td>WD.</td> <td>J2</td> <td>PTD.</td> <td>-</td> <td>395</td> <td>3\"/> <tr> <td>399</td> <td>ETR</td> <td>-</td> <td>WD.</td> <td>J2</td> <td>PTD.</td> <td>-</td> <td>396</td> <td>3\"/> <tr> <td>3991</td> <td>ETR</td> <td>-</td> <td>WD.</td> <td>J2</td> <td>PTD.</td> <td>-</td> <td>398</td> <td>3\"/> <tr> <td>3992</td> <td>A</td> <td>3\"/> <tr> <td>3993</td> <td>ETR</td> <td>-</td> <td>WD.</td> <td>J2</td> <td>PTD.</td> <td>-</td> <td>399</td> <td>3\"/> <tr> <td>3994</td> <td>ETR</td> <td>-</td> <td>WD.</td> <td>J2</td> <td>PTD.</td> <td>-</td> <td>3991</td> <td>3\"/> <tr> <td>3995</td> <td>ETR</td> <td>-</td> <td>WD.</td> <td>J2</td> <td>PTD.</td> <td>-</td> <td>3992</td> <td>3\"/> <tr> <td>3997</td> <td>ETR</td> <td>-</td> <td>WD.</td> <td>J2</td> <td>PTD.</td> <td>-</td> <td>3993</td> <td>3\"/> <tr> <td>3998</td> <td>ETR</td> <td>-</td> <td>WD.</td> <td>J2</td> <td>PTD.</td> <td>-</td> <td>3994</td> <td>3\"/> <tr> <td>3999</td> <td>ETR</td> <td>-</td> <td>WD.</td> <td>J2</td> <td>PTD.</td> <td>-</td> <td>3995</td> <td>3\"/> <tr> <td>3999</td> <td>ETR</td> <td>-</td> <td>WD.</td> <td>J2</td> <td>PTD.</td> <td>-</td> <td>3997</td> <td>3\"/> </td></tr></td></tr></td></tr></td></tr></td></tr></td></tr></td></tr></td></tr></td></tr></td></tr></td></tr></td></tr></td></tr></td></tr></td></tr></td></tr></td></tr></td></tr></td></tr></td></tr></td></tr></td></tr></td></td></tr></td></tr></td></td></tr></td></td></tr></td></td></tr></td></td></tr></td></td></tr></td></td></tr></td> | WD | J1 | PTD. | - | 374C | 3\"/> <tr> <td>377</td> <td>B</td> <td>1 <td>WD</td> <td>J1</td> <td>PTD.</td> <td>-</td> <td>375</td> <td>3\"/> <tr> <td>377A</td> <td>B</td> <td>1 <td>WD</td> <td>J1</td> <td>PTD.</td> <td>-</td> <td>376</td> <td>3\"/> <tr> <td>378</td> <td>B</td> <td>1 <td>WD</td> <td>J1</td> <td>PTD.</td> <td>-</td> <td>377</td> <td>3\"/> <tr>
<td>379</td> <td>B</td> <td>1 <td>WD</td> <td>J1</td> <td>PTD.</td> <td>-</td> <td>377A</td> <td>3\"/> <tr> <td>380A</td> <td>B</td> <td>1 <td>WD</td> <td>J1</td> <td>PTD.</td> <td>-</td> <td>378</td> <td>3\"/> <tr> <td>380B</td> <td>B</td> <td>1 <td>WD</td> <td>J1</td> <td>PTD.</td> <td>-</td> <td>379</td> <td>3\"/> <tr> <td>382</td> <td>ETR</td> <td>-</td> <td>WD.</td> <td>J2</td> <td>PTD.</td> <td>-</td> <td>380A</td> <td>3\"/> <tr> <td>382A</td> <td>D</td> <td>6 <td>ALUM.</td> <td>ANODIZE D</td> <td>-</td> <td>-</td> <td>380B</td> <td>3\"/> <tr> <td>385</td> <td>ETR</td> <td>-</td> <td>WD.</td> <td>J2</td> <td>PTD.</td> <td>-</td> <td>382</td> <td>3\"/> <tr> <td>386</td> <td>ETR</td> <td>-</td> <td>WD.</td> <td>J2</td> <td>PTD.</td> <td>-</td> <td>382A</td> <td>3\"/> <tr> <td>387</td> <td>ETR</td> <td>-</td> <td>WD.</td> <td>J2</td> <td>PTD.</td> <td>-</td> <td>385</td> <td>3\"/> <tr> <td>388</td> <td>ETR</td> <td>-</td> <td>WD.</td> <td>J2</td> <td>PTD.</td> <td>-</td> <td>386</td> <td>3\"/> <tr> <td>389</td> <td>ETR</td> <td>-</td> <td>WD.</td> <td>J2</td> <td>PTD.</td> <td>-</td> <td>387</td> <td>3\"/> <tr> <td>391</td> <td>ETR</td> <td>-</td> <td>WD.</td> <td>J2</td> <td>PTD.</td> <td>-</td> <td>388</td> <td>3\"/> <tr> <td>391A</td> <td>ETR</td> <td>-</td> <td>WD.</td> <td>J2</td> <td>PTD.</td> <td>-</td> <td>389</td> <td>3\"/> <tr> <td>391B</td> <td>ETR</td> <td>-</td> <td>WD.</td> <td>J2</td> <td>PTD.</td> <td>-</td> <td>391</td> <td>3\"/> <tr> <td>394</td> <td>ETR</td> <td>-</td> <td>WD.</td> <td>J2</td> <td>PTD.</td> <td>-</td> <td>391A</td> <td>3\"/> <tr> <td>395</td> <td>ETR</td> <td>-</td> <td>WD.</td> <td>J2</td> <td>PTD.</td> <td>-</td> <td>391B</td> <td>3\"/> <tr> <td>396</td> <td>ETR</td> <td>-</td> <td>WD.</td> <td>J2</td> <td>PTD.</td> <td>-</td> <td>394</td> <td>3\"/> <tr> <td>398</td> <td>ETR</td> <td>-</td> <td>WD.</td> <td>J2</td> <td>PTD.</td> <td>-</td> <td>395</td> <td>3\"/> <tr> <td>399</td> <td>ETR</td> <td>-</td> <td>WD.</td> <td>J2</td> <td>PTD.</td> <td>-</td> <td>396</td> <td>3\"/> <tr> <td>3991</td> <td>ETR</td> <td>-</td> <td>WD.</td> <td>J2</td> <td>PTD.</td> <td>-</td> <td>398</td> <td>3\"/> <tr> <td>3992</td> <td>A</td> <td>3\"/> <tr> <td>3993</td> <td>ETR</td> <td>-</td> <td>WD.</td> <td>J2</td> <td>PTD.</td> <td>-</td> <td>399</td> <td>3\"/> <tr> <td>3994</td> <td>ETR</td> <td>-</td> <td>WD.</td> <td>J2</td> <td>PTD.</td> <td>-</td> <td>3991</td> <td>3\"/> <tr> <td>3995</td> <td>ETR</td> <td>-</td> <td>WD.</td> <td>J2</td> <td>PTD.</td> <td>-</td> <td>3992</td> <td>3\"/> <tr> <td>3997</td> <td>ETR</td> <td>-</td> <td>WD.</td> <td>J2</td> <td>PTD.</td> <td>-</td> <td>3993</td> <td>3\"/> <tr> <td>3998</td> <td>ETR</td> <td>-</td> <td>WD.</td> <td>J2</td> <td>PTD.</td> <td>-</td> <td>3994</td> <td>3\"/> <tr> <td>3999</td> <td>ETR</td> <td>-</td> <td>WD.</td> <td>J2</td> <td>PTD.</td> <td>-</td> <td>3995</td> <td>3\"/> <tr> <td>3999</td> <td>ETR</td> <td>-</td> <td>WD.</td> <td>J2</td> <td>PTD.</td> <td>-</td> <td>3997</td> <td>3\"/> </td></tr></td></tr></td></tr></td></tr></td></tr></td></tr></td></tr></td></tr></td></tr></td></tr></td></tr></td></tr></td></tr></td></tr></td></tr></td></tr></td></tr></td></tr></td></tr></td></tr></td></tr></td></tr></td></td></tr></td></tr></td></td></tr></td></td></tr></td></td></tr></td></td></tr></td></td></tr></td></td></tr> | 377 | B | 1 <td>WD</td> <td>J1</td> <td>PTD.</td> <td>-</td> <td>375</td> <td>3\"/> <tr> <td>377A</td> <td>B</td> <td>1 <td>WD</td> <td>J1</td> <td>PTD.</td> <td>-</td> <td>376</td> <td>3\"/> <tr> <td>378</td> <td>B</td> <td>1 <td>WD</td> <td>J1</td> <td>PTD.</td> <td>-</td> <td>377</td> <td>3\"/> <tr> <td>379</td> <td>B</td> <td>1 <td>WD</td> <td>J1</td> <td>PTD.</td> <td>-</td> <td>377A</td> <td>3\"/> <tr> <td>380A</td> <td>B</td> <td>1 <td>WD</td> <td>J1</td> <td>PTD.</td> <td>-</td> <td>378</td> <td>3\"/> <tr> <td>380B</td> <td>B</td> <td>1 <td>WD</td> <td>J1</td> <td>PTD.</td> <td>-</td> <td>379</td> <td>3\"/> <tr> <td>382</td> <td>ETR</td> <td>-</td> <td>WD.</td> <td>J2</td> <td>PTD.</td> <td>-</td> <td>380A</td> <td>3\"/> <tr> <td>382A</td> <td>D</td> <td>6 <td>ALUM.</td> <td>ANODIZE D</td> <td>-</td> <td>-</td> <td>380B</td> <td>3\"/> <tr> <td>385</td> <td>ETR</td> <td>-</td> <td>WD.</td> <td>J2</td> <td>PTD.</td> <td>-</td> <td>382</td> <td>3\"/> <tr> <td>386</td> <td>ETR</td> <td>-</td> <td>WD.</td> <td>J2</td> <td>PTD.</td> <td>-</td> <td>382A</td> <td>3\"/> <tr> <td>387</td> <td>ETR</td> <td>-</td> <td>WD.</td> <td>J2</td> <td>PTD.</td> <td>-</td> <td>385</td> <td>3\"/> <tr> <td>388</td> <td>ETR</td> <td>-</td> <td>WD.</td> <td>J2</td> <td>PTD.</td> <td>-</td> <td>386</td> <td>3\"/> <tr> <td>389</td> <td>ETR</td> <td>-</td> <td>WD.</td> <td>J2</td> <td>PTD.</td> <td>-</td> <td>387</td> <td>3\"/> <tr> <td>391</td> <td>ETR</td> <td>-</td> <td>WD.</td> <td>J2</td> <td>PTD.</td> <td>-</td> <td>388</td> <td>3\"/> <tr> <td>391A</td> <td>ETR</td> <td>-</td> <td>WD.</td> <td>J2</td> <td>PTD.</td> <td>-</td> <td>389</td> <td>3\"/> <tr> <td>391B</td> <td>ETR</td> <td>-</td> <td>WD.</td> <td>J2</td> <td>PTD.</td> <td>-</td> <td>391</td> <td>3\"/> <tr> <td>394</td> <td>ETR</td> <td>-</td> <td>WD.</td> <td>J2</td> <td>PTD.</td> <td>-</td> <td>391A</td> <td>3\"/> <tr> <td>395</td> <td>ETR</td> <td>-</td> <td>WD.</td> <td>J2</td> <td>PTD.</td> <td>-</td> <td>391B</td> <td>3\"/> <tr> <td>396</td> <td>ETR</td> <td>-</td> <td>WD.</td> <td>J2</td> <td>PTD.</td> <td>-</td> <td>394</td> <td>3\"/> <tr> <td>398</td> <td>ETR</td> <td>-</td> <td>WD.</td> <td>J2</td> <td>PTD.</td> <td>-</td> <td>395</td> <td>3\"/> <tr> <td>399</td> <td>ETR</td> <td>-</td> <td>WD.</td> <td>J2</td> <td>PTD.</td> <td>-</td> <td>396</td> <td>3\"/> <tr> <td>3991</td> <td>ETR</td> <td>-</td> <td>WD.</td> <td>J2</td> <td>PTD.</td> <td>-</td> <td>398</td> <td>3\"/> <tr> <td>3992</td> <td>A</td> <td>3\"/> <tr> <td>3993</td> <td>ETR</td> <td>-</td> <td>WD.</td> <td>J2</td> <td>PTD.</td> <td>-</td> <td>399</td> <td>3\"/> <tr> <td>3994</td> <td>ETR</td> <td>-</td> <td>WD.</td> <td>J2</td> <td>PTD.</td> <td>-</td> <td>3991</td> <td>3\"/> <tr> <td>3995</td> <td>ETR</td> <td>-</td> <td>WD.</td> <td>J2</td> <td>PTD.</td> <td>-</td> <td>3992</td> <td>3\"/> <tr> <td>3997</td> <td>ETR</td> <td>-</td> <td>WD.</td> <td>J2</td> <td>PTD.</td> <td>-</td> <td>3993</td> <td>3\"/> <tr> <td>3998</td> <td>ETR</td> <td>-</td> <td>WD.</td> <td>J2</td> <td>PTD.</td> <td>-</td> <td>3994</td> <td>3\"/> <tr> <td>3999</td> <td>ETR</td> <td>-</td> <td>WD.</td> <td>J2</td> <td>PTD.</td> <td>-</td> <td>3995</td> <td>3\"/> <tr> <td>3999</td> <td>ETR</td> <td>-</td> <td>WD.</td> <td>J2</td> <td>PTD.</td> <td>-</td> <td>3997</td> <td>3\"/> </td></tr></td></tr></td></tr></td></tr></td></tr></td></tr></td></tr></td></tr></td></tr></td></tr></td></tr></td></tr></td></tr></td></tr></td></tr></td></tr></td></tr></td></tr></td></tr></td></tr></td></tr></td></tr></td></td></tr></td></tr></td></td></tr></td></td></tr></td></td></tr></td></td></tr></td></td></tr></td> | WD | J1 | PTD. | - | 375 | 3\"/> <tr> <td>377A</td> <td>B</td> <td>1 <td>WD</td> <td>J1</td> <td>PTD.</td> <td>-</td> <td>376</td> <td>3\"/> <tr> <td>378</td> <td>B</td> <td>1 <td>WD</td> <td>J1</td> <td>PTD.</td> <td>-</td> <td>377</td> <td>3\"/> <tr> <td>379</td> <td>B</td> <td>1 <td>WD</td> <td>J1</td> <td>PTD.</td> <td>-</td> <td>377A</td> <td>3\"/> <tr> <td>380A</td> <td>B</td> <td>1 <td>WD</td> <td>J1</td> <td>PTD.</td> <td>-</td> <td>378</td> <td>3\"/> <tr> <td>380B</td> <td>B</td> <td>1 <td>WD</td> <td>J1</td> <td>PTD.</td> <td>-</td> <td>379</td> <td>3\"/> <tr> <td>382</td>
<td>ETR</td> <td>-</td> <td>WD.</td> <td>J2</td> <td>PTD.</td> <td>-</td> <td>380A</td> <td>3\"/> <tr> <td>382A</td> <td>D</td> <td>6 <td>ALUM.</td> <td>ANODIZE D</td> <td>-</td> <td>-</td> <td>380B</td> <td>3\"/> <tr> <td>385</td> <td>ETR</td> <td>-</td> <td>WD.</td> <td>J2</td> <td>PTD.</td> <td>-</td> <td>382</td> <td>3\"/> <tr> <td>386</td> <td>ETR</td> <td>-</td> <td>WD.</td> <td>J2</td> <td>PTD.</td> <td>-</td> <td>382A</td> <td>3\"/> <tr> <td>387</td> <td>ETR</td> <td>-</td> <td>WD.</td> <td>J2</td> <td>PTD.</td> <td>-</td> <td>385</td> <td>3\"/> <tr> <td>388</td> <td>ETR</td> <td>-</td> <td>WD.</td> <td>J2</td> <td>PTD.</td> <td>-</td> <td>386</td> <td>3\"/> <tr> <td>389</td> <td>ETR</td> <td>-</td> <td>WD.</td> <td>J2</td> <td>PTD.</td> <td>-</td> <td>387</td> <td>3\"/> <tr> <td>391</td> <td>ETR</td> <td>-</td> <td>WD.</td> <td>J2</td> <td>PTD.</td> <td>-</td> <td>388</td> <td>3\"/> <tr> <td>391A</td> <td>ETR</td> <td>-</td> <td>WD.</td> <td>J2</td> <td>PTD.</td> <td>-</td> <td>389</td> <td>3\"/> <tr> <td>391B</td> <td>ETR</td> <td>-</td> <td>WD.</td> <td>J2</td> <td>PTD.</td> <td>-</td> <td>391</td> <td>3\"/> <tr> <td>394</td> <td>ETR</td> <td>-</td> <td>WD.</td> <td>J2</td> <td>PTD.</td> <td>-</td> <td>391A</td> <td>3\"/> <tr> <td>395</td> <td>ETR</td> <td>-</td> <td>WD.</td> <td>J2</td> <td>PTD.</td> <td>-</td> <td>391B</td> <td>3\"/> <tr> <td>396</td> <td>ETR</td> <td>-</td> <td>WD.</td> <td>J2</td> <td>PTD.</td> <td>-</td> <td>394</td> <td>3\"/> <tr> <td>398</td> <td>ETR</td> <td>-</td> <td>WD.</td> <td>J2</td> <td>PTD.</td> <td>-</td> <td>395</td> <td>3\"/> <tr> <td>399</td> <td>ETR</td> <td>-</td> <td>WD.</td> <td>J2</td> <td>PTD.</td> <td>-</td> <td>396</td> <td>3\"/> <tr> <td>3991</td> <td>ETR</td> <td>-</td> <td>WD.</td> <td>J2</td> <td>PTD.</td> <td>-</td> <td>398</td> <td>3\"/> <tr> <td>3992</td> <td>A</td> <td>3\"/> <tr> <td>3993</td> <td>ETR</td> <td>-</td> <td>WD.</td> <td>J2</td> <td>PTD.</td> <td>-</td> <td>399</td> <td>3\"/> <tr> <td>3994</td> <td>ETR</td> <td>-</td> <td>WD.</td> <td>J2</td> <td>PTD.</td> <td>-</td> <td>3991</td> <td>3\"/> <tr> <td>3995</td> <td>ETR</td> <td>-</td> <td>WD.</td> <td>J2</td> <td>PTD.</td> <td>-</td> <td>3992</td> <td>3\"/> <tr> <td>3997</td> <td>ETR</td> <td>-</td> <td>WD.</td> <td>J2</td> <td>PTD.</td> <td>-</td> <td>3993</td> <td>3\"/> <tr> <td>3998</td> <td>ETR</td> <td>-</td> <td>WD.</td> <td>J2</td> <td>PTD.</td> <td>-</td> <td>3994</td> <td>3\"/> <tr> <td>3999</td> <td>ETR</td> <td>-</td> <td>WD.</td> <td>J2</td> <td>PTD.</td> <td>-</td> <td>3995</td> <td>3\"/> <tr> <td>3999</td> <td>ETR</td> <td>-</td> <td>WD.</td> <td>J2</td> <td>PTD.</td> <td>-</td> <td>3997</td> <td>3\"/> </td></tr></td></tr></td></tr></td></tr></td></tr></td></tr></td></tr></td></tr></td></tr></td></tr></td></tr></td></tr></td></tr></td></tr></td></tr></td></tr></td></tr></td></tr></td></tr></td></tr></td></tr></td></tr></td></td></tr></td></tr></td></td></tr></td></td></tr></td></td></tr></td></td></tr></td></td></tr> | 377A | B | 1 <td>WD</td> <td>J1</td> <td>PTD.</td> <td>-</td> <td>376</td> <td>3\"/> <tr> <td>378</td> <td>B</td> <td>1 <td>WD</td> <td>J1</td> <td>PTD.</td> <td>-</td> <td>377</td> <td>3\"/> <tr> <td>379</td> <td>B</td> <td>1 <td>WD</td> <td>J1</td> <td>PTD.</td> <td>-</td> <td>377A</td> <td>3\"/> <tr> <td>380A</td> <td>B</td> <td>1 <td>WD</td> <td>J1</td> <td>PTD.</td> <td>-</td> <td>378</td> <td>3\"/> <tr> <td>380B</td> <td>B</td> <td>1 <td>WD</td> <td>J1</td> <td>PTD.</td> <td>-</td> <td>379</td> <td>3\"/> <tr> <td>382</td> <td>ETR</td> <td>-</td> <td>WD.</td> <td>J2</td> <td>PTD.</td> <td>-</td> <td>380A</td> <td>3\"/> <tr> <td>382A</td> <td>D</td> <td>6 <td>ALUM.</td> <td>ANODIZE D</td> <td>-</td> <td>-</td> <td>380B</td> <td>3\"/> <tr> <td>385</td> <td>ETR</td> <td>-</td> <td>WD.</td> <td>J2</td> <td>PTD.</td> <td>-</td> <td>382</td> <td>3\"/> <tr> <td>386</td> <td>ETR</td> <td>-</td> <td>WD.</td> <td>J2</td> <td>PTD.</td> <td>-</td> <td>382A</td> <td>3\"/> <tr> <td>387</td> <td>ETR</td> <td>-</td> <td>WD.</td> <td>J2</td> <td>PTD.</td> <td>-</td> <td>385</td> <td>3\"/> <tr> <td>388</td> <td>ETR</td> <td>-</td> <td>WD.</td> <td>J2</td> <td>PTD.</td> <td>-</td> <td>386</td> <td>3\"/> <tr> <td>389</td> <td>ETR</td> <td>-</td> <td>WD.</td> <td>J2</td> <td>PTD.</td> <td>-</td> <td>387</td> <td>3\"/> <tr> <td>391</td> <td>ETR</td> <td>-</td> <td>WD.</td> <td>J2</td> <td>PTD.</td> <td>-</td> <td>388</td> <td>3\"/> <tr> <td>391A</td> <td>ETR</td> <td>-</td> <td>WD.</td> <td>J2</td> <td>PTD.</td> <td>-</td> <td>389</td> <td>3\"/> <tr> <td>391B</td> <td>ETR</td> <td>-</td> <td>WD.</td> <td>J2</td> <td>PTD.</td> <td>-</td> <td>391</td> <td>3\"/> <tr> <td>394</td> <td>ETR</td> <td>-</td> <td>WD.</td> <td>J2</td> <td>PTD.</td> <td>-</td> <td>391A</td> <td>3\"/> <tr> <td>395</td> <td>ETR</td> <td>-</td> <td>WD.</td> <td>J2</td> <td>PTD.</td> <td>-</td> <td>391B</td> <td>3\"/> <tr> <td>396</td> <td>ETR</td> <td>-</td> <td>WD.</td> <td>J2</td> <td>PTD.</td> <td>-</td> <td>394</td> <td>3\"/> <tr> <td>398</td> <td>ETR</td> <td>-</td> <td>WD.</td> <td>J2</td> <td>PTD.</td> <td>-</td> <td>395</td> <td>3\"/> <tr> <td>399</td> <td>ETR</td> <td>-</td> <td>WD.</td> <td>J2</td> <td>PTD.</td> <td>-</td> <td>396</td> <td>3\"/> <tr> <td>3991</td> <td>ETR</td> <td>-</td> <td>WD.</td> <td>J2</td> <td>PTD.</td> <td>-</td> <td>398</td> <td>3\"/> <tr> <td>3992</td> <td>A</td> <td>3\"/> <tr> <td>3993</td> <td>ETR</td> <td>-</td> <td>WD.</td> <td>J2</td> <td>PTD.</td> <td>-</td> <td>399</td> <td>3\"/> <tr> <td>3994</td> <td>ETR</td> <td>-</td> <td>WD.</td> <td>J2</td> <td>PTD.</td> <td>-</td> <td>3991</td> <td>3\"/> <tr> <td>3995</td> <td>ETR</td> <td>-</td> <td>WD.</td> <td>J2</td> <td>PTD.</td> <td>-</td> <td>3992</td> <td>3\"/> <tr> <td>3997</td> <td>ETR</td> <td>-</td> <td>WD.</td> <td>J2</td> <td>PTD.</td> <td>-</td> <td>3993</td> <td>3\"/> <tr> <td>3998</td> <td>ETR</td> <td>-</td> <td>WD.</td> <td>J2</td> <td>PTD.</td> <td>-</td> <td>3994</td> <td>3\"/> <tr> <td>3999</td> <td>ETR</td> <td>-</td> <td>WD.</td> <td>J2</td> <td>PTD.</td> <td>-</td> <td>3995</td> <td>3\"/> <tr> <td>3999</td> <td>ETR</td> <td>-</td> <td>WD.</td> <td>J2</td> <td>PTD.</td> <td>-</td> <td>3997</td> <td>3\"/> </td></tr></td></tr></td></tr></td></tr></td></tr></td></tr></td></tr></td></tr></td></tr></td></tr></td></tr></td></tr></td></tr></td></tr></td></tr></td></tr></td></tr></td></tr></td></tr></td></tr></td></tr></td></tr></td></td></tr></td></tr></td></td></tr></td></td></tr></td></td></tr></td></td></tr></td> | WD | J1 | PTD. | - | 376 | 3\"/> <tr> <td>378</td> <td>B</td> <td>1 <td>WD</td> <td>J1</td> <td>PTD.</td> <td>-</td> <td>377</td> <td>3\"/> <tr> <td>379</td> <td>B</td> <td>1 <td>WD</td> <td>J1</td> <td>PTD.</td> <td>-</td> <td>377A</td> <td>3\"/> <tr> <td>380A</td> <td>B</td> <td>1 <td>WD</td> <td>J1</td> <td>PTD.</td> <td>-</td> <td>378</td> <td>3\"/> <tr> <td>380B</td> <td>B</td> <td>1 <td>WD</td> <td>J1</td> <td>PTD.</td> <td>-</td> <td>379</td> <td>3\"/> <tr> <td>382</td> <td>ETR</td> <td>-</td> <td>WD.</td> <td>J2</td> <td>PTD.</td> <td>-</td> <td>380A</td> <td>3\"/> <tr> <td>382A</td> <td>D</td> <td>6 <td>ALUM.</td> <td>ANODIZE D</td> <td>-</td> <td>-</td> <td>380B</td> <td>3\"/> <tr> <td>385</td> <td>ETR</td> <td>-</td> <td>WD.</td> <td>J2</td> <td>PTD.</td> <td>-</td> <td>382</td> <td>3\"/> <tr> <td>386</td> <td>ETR</td> <td>-</td> <td>WD.</td> <td>J2</td> <td>PTD.</td> <td>-</td> <td>382A</td> <td>3\"/> <tr> <td>387</td> <td>ETR</td> <td>-</td> <td>WD.</td> <td>J2</td> <td>PTD.</td> <td>-</td> <td>385</td> <td>3\"/> <tr> <td>388</td> <td>ETR</td>
<td>-</td> <td>WD.</td> <td>J2</td> <td>PTD.</td> <td>-</td> <td>386</td> <td>3\"/> <tr> <td>389</td> <td>ETR</td> <td>-</td> <td>WD.</td> <td>J2</td> <td>PTD.</td> <td>-</td> <td>387</td> <td>3\"/> <tr> <td>391</td> <td>ETR</td> <td>-</td> <td>WD.</td> <td>J2</td> <td>PTD.</td> <td>-</td> <td>388</td> <td>3\"/> <tr> <td>391A</td> <td>ETR</td> <td>-</td> <td>WD.</td> <td>J2</td> <td>PTD.</td> <td>-</td> <td>389</td> <td>3\"/> <tr> <td>391B</td> <td>ETR</td> <td>-</td> <td>WD.</td> <td>J2</td> <td>PTD.</td> <td>-</td> <td>391</td> <td>3\"/> <tr> <td>394</td> <td>ETR</td> <td>-</td> <td>WD.</td> <td>J2</td> <td>PTD.</td> <td>-</td> <td>391A</td> <td>3\"/> <tr> <td>395</td> <td>ETR</td> <td>-</td> <td>WD.</td> <td>J2</td> <td>PTD.</td> <td>-</td> <td>391B</td> <td>3\"/> <tr> <td>396</td> <td>ETR</td> <td>-</td> <td>WD.</td> <td>J2</td> <td>PTD.</td> <td>-</td> <td>394</td> <td>3\"/> <tr> <td>398</td> <td>ETR</td> <td>-</td> <td>WD.</td> <td>J2</td> <td>PTD.</td> <td>-</td> <td>395</td> <td>3\"/> <tr> <td>399</td> <td>ETR</td> <td>-</td> <td>WD.</td> <td>J2</td> <td>PTD.</td> <td>-</td> <td>396</td> <td>3\"/> <tr> <td>3991</td> <td>ETR</td> <td>-</td> <td>WD.</td> <td>J2</td> <td>PTD.</td> <td>-</td> <td>398</td> <td>3\"/> <tr> <td>3992</td> <td>A</td> <td>3\"/> <tr> <td>3993</td> <td>ETR</td> <td>-</td> <td>WD.</td> <td>J2</td> <td>PTD.</td> <td>-</td> <td>399</td> <td>3\"/> <tr> <td>3994</td> <td>ETR</td> <td>-</td> <td>WD.</td> <td>J2</td> <td>PTD.</td> <td>-</td> <td>3991</td> <td>3\"/> <tr> <td>3995</td> <td>ETR</td> <td>-</td> <td>WD.</td> <td>J2</td> <td>PTD.</td> <td>-</td> <td>3992</td> <td>3\"/> <tr> <td>3997</td> <td>ETR</td> <td>-</td> <td>WD.</td> <td>J2</td> <td>PTD.</td> <td>-</td> <td>3993</td> <td>3\"/> <tr> <td>3998</td> <td>ETR</td> <td>-</td> <td>WD.</td> <td>J2</td> <td>PTD.</td> <td>-</td> <td>3994</td> <td>3\"/> <tr> <td>3999</td> <td>ETR</td> <td>-</td> <td>WD.</td> <td>J2</td> <td>PTD.</td> <td>-</td> <td>3995</td> <td>3\"/> <tr> <td>3999</td> <td>ETR</td> <td>-</td> <td>WD.</td> <td>J2</td> <td>PTD.</td> <td>-</td> <td>3997</td> <td>3\"/> </td></tr></td></tr></td></tr></td></tr></td></tr></td></tr></td></tr></td></tr></td></tr></td></tr></td></tr></td></tr></td></tr></td></tr></td></tr></td></tr></td></tr></td></tr></td></tr></td></tr></td></tr></td></tr></td></td></tr></td></tr></td></td></tr></td></td></tr></td></td></tr></td></td></tr> | 378 | B | 1 <td>WD</td> <td>J1</td> <td>PTD.</td> <td>-</td> <td>377</td> <td>3\"/> <tr> <td>379</td> <td>B</td> <td>1 <td>WD</td> <td>J1</td> <td>PTD.</td> <td>-</td> <td>377A</td> <td>3\"/> <tr> <td>380A</td> <td>B</td> <td>1 <td>WD</td> <td>J1</td> <td>PTD.</td> <td>-</td> <td>378</td> <td>3\"/> <tr> <td>380B</td> <td>B</td> <td>1 <td>WD</td> <td>J1</td> <td>PTD.</td> <td>-</td> <td>379</td> <td>3\"/> <tr> <td>382</td> <td>ETR</td> <td>-</td> <td>WD.</td> <td>J2</td> <td>PTD.</td> <td>-</td> <td>380A</td> <td>3\"/> <tr> <td>382A</td> <td>D</td> <td>6 <td>ALUM.</td> <td>ANODIZE D</td> <td>-</td> <td>-</td> <td>380B</td> <td>3\"/> <tr> <td>385</td> <td>ETR</td> <td>-</td> <td>WD.</td> <td>J2</td> <td>PTD.</td> <td>-</td> <td>382</td> <td>3\"/> <tr> <td>386</td> <td>ETR</td> <td>-</td> <td>WD.</td> <td>J2</td> <td>PTD.</td> <td>-</td> <td>382A</td> <td>3\"/> <tr> <td>387</td> <td>ETR</td> <td>-</td> <td>WD.</td> <td>J2</td> <td>PTD.</td> <td>-</td> <td>385</td> <td>3\"/> <tr> <td>388</td> <td>ETR</td> <td>-</td> <td>WD.</td> <td>J2</td> <td>PTD.</td> <td>-</td> <td>386</td> <td>3\"/> <tr> <td>389</td> <td>ETR</td> <td>-</td> <td>WD.</td> <td>J2</td> <td>PTD.</td> <td>-</td> <td>387</td> <td>3\"/> <tr> <td>391</td> <td>ETR</td> <td>-</td> <td>WD.</td> <td>J2</td> <td>PTD.</td> <td>-</td> <td>388</td> <td>3\"/> <tr> <td>391A</td> <td>ETR</td> <td>-</td> <td>WD.</td> <td>J2</td> <td>PTD.</td> <td>-</td> <td>389</td> <td>3\"/> <tr> <td>391B</td> <td>ETR</td> <td>-</td> <td>WD.</td> <td>J2</td> <td>PTD.</td> <td>-</td> <td>391</td> <td>3\"/> <tr> <td>394</td> <td>ETR</td> <td>-</td> <td>WD.</td> <td>J2</td> <td>PTD.</td> <td>-</td> <td>391A</td> <td>3\"/> <tr> <td>395</td> <td>ETR</td> <td>-</td> <td>WD.</td> <td>J2</td> <td>PTD.</td> <td>-</td> <td>391B</td> <td>3\"/> <tr> <td>396</td> <td>ETR</td> <td>-</td> <td>WD.</td> <td>J2</td> <td>PTD.</td> <td>-</td> <td>394</td> <td>3\"/> <tr> <td>398</td> <td>ETR</td> <td>-</td> <td>WD.</td> <td>J2</td> <td>PTD.</td> <td>-</td> <td>395</td> <td>3\"/> <tr> <td>399</td> <td>ETR</td> <td>-</td> <td>WD.</td> <td>J2</td> <td>PTD.</td> <td>-</td> <td>396</td> <td>3\"/> <tr> <td>3991</td> <td>ETR</td> <td>-</td> <td>WD.</td> <td>J2</td> <td>PTD.</td> <td>-</td> <td>398</td> <td>3\"/> <tr> <td>3992</td> <td>A</td> <td>3\"/> <tr> <td>3993</td> <td>ETR</td> <td>-</td> <td>WD.</td> <td>J2</td> <td>PTD.</td> <td>-</td> <td>399</td> <td>3\"/> <tr> <td>3994</td> <td>ETR</td> <td>-</td> <td>WD.</td> <td>J2</td> <td>PTD.</td> <td>-</td> <td>3991</td> <td>3\"/> <tr> <td>3995</td> <td>ETR</td> <td>-</td> <td>WD.</td> <td>J2</td> <td>PTD.</td> <td>-</td> <td>3992</td> <td>3\"/> <tr> <td>3997</td> <td>ETR</td> <td>-</td> <td>WD.</td> <td>J2</td> <td>PTD.</td> <td>-</td> <td>3993</td> <td>3\"/> <tr> <td>3998</td> <td>ETR</td> <td>-</td> <td>WD.</td> <td>J2</td> <td>PTD.</td> <td>-</td> <td>3994</td> <td>3\"/> <tr> <td>3999</td> <td>ETR</td> <td>-</td> <td>WD.</td> <td>J2</td> <td>PTD.</td> <td>-</td> <td>3995</td> <td>3\"/> <tr> <td>3999</td> <td>ETR</td> <td>-</td> <td>WD.</td> <td>J2</td> <td>PTD.</td> <td>-</td> <td>3997</td> <td>3\"/> </td></tr></td></tr></td></tr></td></tr></td></tr></td></tr></td></tr></td></tr></td></tr></td></tr></td></tr></td></tr></td></tr></td></tr></td></tr></td></tr></td></tr></td></tr></td></tr></td></tr></td></tr></td></tr></td></td></tr></td></tr></td></td></tr></td></td></tr></td></td></tr></td> | WD | J1 | PTD.
 | - | 377 | 3\"/> <tr> <td>379</td> <td>B</td> <td>1 <td>WD</td> <td>J1</td> <td>PTD.</td> <td>-</td> <td>377A</td> <td>3\"/> <tr> <td>380A</td> <td>B</td> <td>1 <td>WD</td> <td>J1</td> <td>PTD.</td> <td>-</td> <td>378</td> <td>3\"/> <tr> <td>380B</td> <td>B</td> <td>1 <td>WD</td> <td>J1</td> <td>PTD.</td> <td>-</td> <td>379</td> <td>3\"/> <tr> <td>382</td> <td>ETR</td> <td>-</td> <td>WD.</td> <td>J2</td> <td>PTD.</td> <td>-</td> <td>380A</td> <td>3\"/> <tr> <td>382A</td> <td>D</td> <td>6 <td>ALUM.</td> <td>ANODIZE D</td> <td>-</td> <td>-</td> <td>380B</td> <td>3\"/> <tr> <td>385</td> <td>ETR</td> <td>-</td> <td>WD.</td> <td>J2</td> <td>PTD.</td> <td>-</td> <td>382</td> <td>3\"/> <tr> <td>386</td> <td>ETR</td> <td>-</td> <td>WD.</td> <td>J2</td> <td>PTD.</td> <td>-</td> <td>382A</td> <td>3\"/> <tr> <td>387</td> <td>ETR</td> <td>-</td> <td>WD.</td> <td>J2</td> <td>PTD.</td> <td>-</td> <td>385</td> <td>3\"/> <tr> <td>388</td> <td>ETR</td> <td>-</td> <td>WD.</td> <td>J2</td> <td>PTD.</td> <td>-</td> <td>386</td> <td>3\"/> <tr> <td>389</td> <td>ETR</td> <td>-</td> <td>WD.</td> <td>J2</td> <td>PTD.</td> <td>-</td> <td>387</td> <td>3\"/> <tr> <td>391</td> <td>ETR</td> <td>-</td> <td>WD.</td> <td>J2</td> <td>PTD.</td> <td>-</td> <td>388</td> <td>3\"/> <tr> <td>391A</td> <td>ETR</td> <td>-</td> <td>WD.</td> <td>J2</td> <td>PTD.</td> <td>-</td> <td>389</td> <td>3\"/> <tr> <td>391B</td> <td>ETR</td> <td>-</td> <td>WD.</td> <td>J2</td> <td>PTD.</td> <td>-</td> <td>391</td> <td>3\"/> <tr> <td>394</td> <td>ETR</td> <td>-</td> <td>WD.</td> <td>J2</td> <td>PTD.</td> <td>-</td> <td>391A</td> <td>3\"/> <tr> <td>395</td> <td>ETR</td> <td>-</td> <td>WD.</td> <td>J2</td> <td>PTD.</td> <td>-</td> <td>391B</td> <td>3\"/> <tr> <td>396</td> <td>ETR</td> <td>-</td> <td>WD.</td> <td>J2</td> <td>PTD.</td> <td>-</td> <td>394</td> <td>3\"/> <tr> <td>398</td> <td>ETR</td> <td>-</td> <td>WD.</td> <td>J2</td> <td>PTD.</td> <td>-</td> <td>395</td> <td>3\"/> <tr> <td>399</td> <td>ETR</td> <td>-</td> <td>WD.</td> <td>J2</td> <td>PTD.</td> <td>-</td> <td>396</td> <td>3\"/> <tr> <td>3991</td> <td>ETR</td> <td>-</td> <td>WD.</td> <td>J2</td> <td>PTD.</td> <td>-</td> <td>398</td> <td>3\"/> <tr> <td>3992</td> <td>A</td> <td>3\"/> <tr> <td>3993</td> <td>ETR</td> <td>-</td> <td>WD.</td> <td>J2</td> <td>PTD.</td> <td>-</td> <td>399</td> <td>3\"/> <tr> <td>3994</td> <td>ETR</td> <td>-</td> <td>WD.</td> <td>J2</td> <td>PTD.</td> <td>-</td> <td>3991</td> <td>3\"/> <tr> <td>3995</td> <td>ETR</td> <td>-</td> <td>WD.</td> <td>J2</td> <td>PTD.</td> <td>-</td> <td>3992</td> <td>3\"/> <tr> <td>3997</td> <td>ETR</td> <td>-</td> <td>WD.</td> <td>J2</td> <td>PTD.</td> <td>-</td> <td>3993</td> <td>3\"/> <tr> <td>3998</td> <td>ETR</td> <td>-</td> <td>WD.</td> <td>J2</td> <td>PTD.</td> <td>-</td> <td>3994</td> <td>3\"/> <tr> <td>3999</td> <td>ETR</td> <td>-</td> <td>WD.</td> <td>J2</td> <td>PTD.</td> <td>-</td> <td>3995</td> <td>3\"/> <tr> <td>3999</td> <td>ETR</td> <td>-</td> <td>WD.</td> <td>J2</td> <td>PTD.</td> <td>-</td> <td>3997</td> <td>3\"/> </td></tr></td></tr></td></tr></td></tr></td></tr></td></tr></td></tr></td></tr></td></tr></td></tr></td></tr></td></tr></td></tr></td></tr></td></tr></td></tr></td></tr></td></tr></td></tr></td></tr></td></tr></td></tr></td></td></tr></td></tr></td></td></tr></td></td></tr></td></td></tr> | 379 | B | 1 <td>WD</td> <td>J1</td> <td>PTD.</td> <td>-</td> <td>377A</td> <td>3\"/> <tr> <td>380A</td> <td>B</td> <td>1 <td>WD</td> <td>J1</td> <td>PTD.</td> <td>-</td> <td>378</td> <td>3\"/> <tr> <td>380B</td> <td>B</td> <td>1 <td>WD</td> <td>J1</td> <td>PTD.</td> <td>-</td> <td>379</td> <td>3\"/> <tr> <td>382</td> <td>ETR</td> <td>-</td> <td>WD.</td> <td>J2</td> <td>PTD.</td> <td>-</td> <td>380A</td> <td>3\"/> <tr> <td>382A</td> <td>D</td> <td>6 <td>ALUM.</td> <td>ANODIZE D</td> <td>-</td> <td>-</td> <td>380B</td> <td>3\"/> <tr> <td>385</td> <td>ETR</td> <td>-</td> <td>WD.</td> <td>J2</td> <td>PTD.</td> <td>-</td> <td>382</td> <td>3\"/> <tr> <td>386</td> <td>ETR</td> <td>-</td> <td>WD.</td> <td>J2</td> <td>PTD.</td> <td>-</td> <td>382A</td> <td>3\"/> <tr> <td>387</td> <td>ETR</td> <td>-</td> <td>WD.</td> <td>J2</td> <td>PTD.</td> <td>-</td> <td>385</td> <td>3\"/> <tr> <td>388</td> <td>ETR</td> <td>-</td> <td>WD.</td> <td>J2</td> <td>PTD.</td> <td>-</td> <td>386</td> <td>3\"/> <tr> <td>389</td> <td>ETR</td> <td>-</td> <td>WD.</td> <td>J2</td> <td>PTD.</td> <td>-</td> <td>387</td> <td>3\"/> <tr> <td>391</td> <td>ETR</td> <td>-</td> <td>WD.</td> <td>J2</td> <td>PTD.</td> <td>-</td> <td>388</td> <td>3\"/> <tr> <td>391A</td> <td>ETR</td> <td>-</td> <td>WD.</td> <td>J2</td> <td>PTD.</td> <td>-</td> <td>389</td> <td>3\"/> <tr> <td>391B</td> <td>ETR</td> <td>-</td> <td>WD.</td> <td>J2</td> <td>PTD.</td> <td>-</td> <td>391</td> <td>3\"/> <tr> <td>394</td> <td>ETR</td> <td>-</td> <td>WD.</td> <td>J2</td> <td>PTD.</td> <td>-</td> <td>391A</td> <td>3\"/> <tr> <td>395</td> <td>ETR</td> <td>-</td> <td>WD.</td> <td>J2</td> <td>PTD.</td> <td>-</td> <td>391B</td> <td>3\"/> <tr> <td>396</td> <td>ETR</td> <td>-</td> <td>WD.</td> <td>J2</td> <td>PTD.</td> <td>-</td> <td>394</td> <td>3\"/> <tr> <td>398</td> <td>ETR</td> <td>-</td> <td>WD.</td> <td>J2</td> <td>PTD.</td> <td>-</td> <td>395</td> <td>3\"/> <tr> <td>399</td> <td>ETR</td> <td>-</td> <td>WD.</td> <td>J2</td> <td>PTD.</td> <td>-</td> <td>396</td> <td>3\"/> <tr> <td>3991</td> <td>ETR</td> <td>-</td> <td>WD.</td> <td>J2</td> <td>PTD.</td> <td>-</td> <td>398</td> <td>3\"/> <tr> <td>3992</td> <td>A</td> <td>3\"/> <tr> <td>3993</td> <td>ETR</td> <td>-</td> <td>WD.</td> <td>J2</td> <td>PTD.</td> <td>-</td> <td>399</td> <td>3\"/> <tr> <td>3994</td> <td>ETR</td> <td>-</td> <td>WD.</td> <td>J2</td> <td>PTD.</td> <td>-</td> <td>3991</td> <td>3\"/> <tr> <td>3995</td> <td>ETR</td> <td>-</td> <td>WD.</td> <td>J2</td> <td>PTD.</td> <td>-</td> <td>3992</td> <td>3\"/> <tr> <td>3997</td> <td>ETR</td> <td>-</td> <td>WD.</td> <td>J2</td> <td>PTD.</td> <td>-</td> <td>3993</td> <td>3\"/> <tr> <td>3998</td> <td>ETR</td> <td>-</td> <td>WD.</td> <td>J2</td> <td>PTD.</td>
<td>-</td> <td>3994</td> <td>3\"/> <tr> <td>3999</td> <td>ETR</td> <td>-</td> <td>WD.</td> <td>J2</td> <td>PTD.</td> <td>-</td> <td>3995</td> <td>3\"/> <tr> <td>3999</td> <td>ETR</td> <td>-</td> <td>WD.</td> <td>J2</td> <td>PTD.</td> <td>-</td> <td>3997</td> <td>3\"/> </td></tr></td></tr></td></tr></td></tr></td></tr></td></tr></td></tr></td></tr></td></tr></td></tr></td></tr></td></tr></td></tr></td></tr></td></tr></td></tr></td></tr></td></tr></td></tr></td></tr></td></tr></td></tr></td></td></tr></td></tr></td></td></tr></td></td></tr></td> | WD | J1 | PTD. | - | 377A | 3\"/> <tr> <td>380A</td> <td>B</td> <td>1 <td>WD</td> <td>J1</td> <td>PTD.</td> <td>-</td> <td>378</td> <td>3\"/> <tr> <td>380B</td> <td>B</td> <td>1 <td>WD</td> <td>J1</td> <td>PTD.</td> <td>-</td> <td>379</td> <td>3\"/> <tr> <td>382</td> <td>ETR</td> <td>-</td> <td>WD.</td> <td>J2</td> <td>PTD.</td> <td>-</td> <td>380A</td> <td>3\"/> <tr> <td>382A</td> <td>D</td> <td>6 <td>ALUM.</td> <td>ANODIZE D</td> <td>-</td> <td>-</td> <td>380B</td> <td>3\"/> <tr> <td>385</td> <td>ETR</td> <td>-</td> <td>WD.</td> <td>J2</td> <td>PTD.</td> <td>-</td> <td>382</td> <td>3\"/> <tr> <td>386</td> <td>ETR</td> <td>-</td> <td>WD.</td> <td>J2</td> <td>PTD.</td> <td>-</td> <td>382A</td> <td>3\"/> <tr> <td>387</td> <td>ETR</td> <td>-</td> <td>WD.</td> <td>J2</td> <td>PTD.</td> <td>-</td> <td>385</td> <td>3\"/> <tr> <td>388</td> <td>ETR</td> <td>-</td> <td>WD.</td> <td>J2</td> <td>PTD.</td> <td>-</td> <td>386</td> <td>3\"/> <tr> <td>389</td> <td>ETR</td> <td>-</td> <td>WD.</td> <td>J2</td> <td>PTD.</td> <td>-</td> <td>387</td> <td>3\"/> <tr> <td>391</td> <td>ETR</td> <td>-</td> <td>WD.</td> <td>J2</td> <td>PTD.</td> <td>-</td> <td>388</td> <td>3\"/> <tr> <td>391A</td> <td>ETR</td> <td>-</td> <td>WD.</td> <td>J2</td> <td>PTD.</td> <td>-</td> <td>389</td> <td>3\"/> <tr> <td>391B</td> <td>ETR</td> <td>-</td> <td>WD.</td> <td>J2</td> <td>PTD.</td> <td>-</td> <td>391</td> <td>3\"/> <tr> <td>394</td> <td>ETR</td> <td>-</td> <td>WD.</td> <td>J2</td> <td>PTD.</td> <td>-</td> <td>391A</td> <td>3\"/> <tr> <td>395</td> <td>ETR</td> <td>-</td> <td>WD.</td> <td>J2</td> <td>PTD.</td> <td>-</td> <td>391B</td> <td>3\"/> <tr> <td>396</td> <td>ETR</td> <td>-</td> <td>WD.</td> <td>J2</td> <td>PTD.</td> <td>-</td> <td>394</td> <td>3\"/> <tr> <td>398</td> <td>ETR</td> <td>-</td> <td>WD.</td> <td>J2</td> <td>PTD.</td> <td>-</td> <td>395</td> <td>3\"/> <tr> <td>399</td> <td>ETR</td> <td>-</td> <td>WD.</td> <td>J2</td> <td>PTD.</td> <td>-</td> <td>396</td> <td>3\"/> <tr> <td>3991</td> <td>ETR</td> <td>-</td> <td>WD.</td> <td>J2</td> <td>PTD.</td> <td>-</td> <td>398</td> <td>3\"/> <tr> <td>3992</td> <td>A</td> <td>3\"/> <tr> <td>3993</td> <td>ETR</td> <td>-</td> <td>WD.</td> <td>J2</td> <td>PTD.</td> <td>-</td> <td>399</td> <td>3\"/> <tr> <td>3994</td> <td>ETR</td> <td>-</td> <td>WD.</td> <td>J2</td> <td>PTD.</td> <td>-</td> <td>3991</td> <td>3\"/> <tr> <td>3995</td> <td>ETR</td> <td>-</td> <td>WD.</td> <td>J2</td> <td>PTD.</td> <td>-</td> <td>3992</td> <td>3\"/> <tr> <td>3997</td> <td>ETR</td> <td>-</td> <td>WD.</td> <td>J2</td> <td>PTD.</td> <td>-</td> <td>3993</td> <td>3\"/> <tr> <td>3998</td> <td>ETR</td> <td>-</td> <td>WD.</td> <td>J2</td> <td>PTD.</td> <td>-</td> <td>3994</td> <td>3\"/> <tr> <td>3999</td> <td>ETR</td> <td>-</td> <td>WD.</td> <td>J2</td> <td>PTD.</td> <td>-</td> <td>3995</td> <td>3\"/> <tr> <td>3999</td> <td>ETR</td> <td>-</td> <td>WD.</td> <td>J2</td> <td>PTD.</td> <td>-</td> <td>3997</td> <td>3\"/> </td></tr></td></tr></td></tr></td></tr></td></tr></td></tr></td></tr></td></tr></td></tr></td></tr></td></tr></td></tr></td></tr></td></tr></td></tr></td></tr></td></tr></td></tr></td></tr></td></tr></td></tr></td></tr></td></td></tr></td></tr></td></td></tr></td></td></tr> | 380A | B | 1 <td>WD</td> <td>J1</td> <td>PTD.</td> <td>-</td> <td>378</td> <td>3\"/> <tr> <td>380B</td> <td>B</td> <td>1 <td>WD</td> <td>J1</td> <td>PTD.</td> <td>-</td> <td>379</td> <td>3\"/> <tr> <td>382</td> <td>ETR</td> <td>-</td> <td>WD.</td> <td>J2</td> <td>PTD.</td> <td>-</td> <td>380A</td> <td>3\"/> <tr> <td>382A</td> <td>D</td> <td>6 <td>ALUM.</td> <td>ANODIZE D</td> <td>-</td> <td>-</td> <td>380B</td> <td>3\"/> <tr> <td>385</td> <td>ETR</td> <td>-</td> <td>WD.</td> <td>J2</td> <td>PTD.</td> <td>-</td> <td>382</td> <td>3\"/> <tr> <td>386</td> <td>ETR</td> <td>-</td> <td>WD.</td> <td>J2</td> <td>PTD.</td> <td>-</td> <td>382A</td> <td>3\"/> <tr> <td>387</td> <td>ETR</td> <td>-</td> <td>WD.</td> <td>J2</td> <td>PTD.</td> <td>-</td> <td>385</td> <td>3\"/> <tr> <td>388</td> <td>ETR</td> <td>-</td> <td>WD.</td> <td>J2</td> <td>PTD.</td> <td>-</td> <td>386</td> <td>3\"/> <tr> <td>389</td> <td>ETR</td> <td>-</td> <td>WD.</td> <td>J2</td> <td>PTD.</td> <td>-</td> <td>387</td> <td>3\"/> <tr> <td>391</td> <td>ETR</td> <td>-</td> <td>WD.</td> <td>J2</td> <td>PTD.</td> <td>-</td> <td>388</td> <td>3\"/> <tr> <td>391A</td> <td>ETR</td> <td>-</td> <td>WD.</td> <td>J2</td> <td>PTD.</td> <td>-</td> <td>389</td> <td>3\"/> <tr> <td>391B</td> <td>ETR</td> <td>-</td> <td>WD.</td> <td>J2</td> <td>PTD.</td> <td>-</td> <td>391</td> <td>3\"/> <tr> <td>394</td> <td>ETR</td> <td>-</td> <td>WD.</td> <td>J2</td> <td>PTD.</td> <td>-</td> <td>391A</td> <td>3\"/> <tr> <td>395</td> <td>ETR</td> <td>-</td> <td>WD.</td> <td>J2</td> <td>PTD.</td> <td>-</td> <td>391B</td> <td>3\"/> <tr> <td>396</td> <td>ETR</td> <td>-</td> <td>WD.</td> <td>J2</td> <td>PTD.</td> <td>-</td> <td>394</td> <td>3\"/> <tr> <td>398</td> <td>ETR</td> <td>-</td> <td>WD.</td> <td>J2</td> <td>PTD.</td> <td>-</td> <td>395</td> <td>3\"/> <tr> <td>399</td> <td>ETR</td> <td>-</td> <td>WD.</td> <td>J2</td> <td>PTD.</td> <td>-</td> <td>396</td> <td>3\"/> <tr> <td>3991</td> <td>ETR</td> <td>-</td> <td>WD.</td> <td>J2</td> <td>PTD.</td> <td>-</td> <td>398</td> <td>3\"/> <tr> <td>3992</td> <td>A</td> <td>3\"/> <tr> <td>3993</td> <td>ETR</td> <td>-</td> <td>WD.</td> <td>J2</td> <td>PTD.</td> <td>-</td> <td>399</td> <td>3\"/> <tr> <td>3994</td> <td>ETR</td> <td>-</td> <td>WD.</td> <td>J2</td> <td>PTD.</td> <td>-</td> <td>3991</td> <td>3\"/> <tr> <td>3995</td> <td>ETR</td> <td>-</td> <td>WD.</td> <td>J2</td> <td>PTD.</td> <td>-</td> <td>3992</td> <td>3\"/> <tr> <td>3997</td> <td>ETR</td> <td>-</td> <td>WD.</td> <td>J2</td> <td>PTD.</td> <td>-</td> <td>3993</td> <td>3\"/> <tr> <td>3998</td> <td>ETR</td> <td>-</td> <td>WD.</td> <td>J2</td> <td>PTD.</td> <td>-</td> <td>3994</td> <td>3\"/> <tr> <td>3999</td> <td>ETR</td> <td>-</td> <td>WD.</td> <td>J2</td> <td>PTD.</td> <td>-</td> <td>3995</td> <td>3\"/> <tr> <td>3999</td> <td>ETR</td> <td>-</td> <td>WD.</td> <td>J2</td> <td>PTD.</td> <td>-</td> <td>3997</td> <td>3\"/> </td></tr></td></tr></td></tr></td></tr></td></tr></td></tr></td></tr></td></tr></td></tr></td></tr></td></tr></td></tr></td></tr></td></tr></td></tr></td></tr></td></tr></td></tr></td></tr></td></tr></td></tr></td></tr></td></td></tr></td></tr></td></td></tr></td>
 | WD | J1 | PTD. | - | 378 | 3\"/> <tr> <td>380B</td> <td>B</td> <td>1 <td>WD</td> <td>J1</td> <td>PTD.</td> <td>-</td> <td>379</td> <td>3\"/> <tr> <td>382</td> <td>ETR</td> <td>-</td> <td>WD.</td> <td>J2</td> <td>PTD.</td> <td>-</td> <td>380A</td> <td>3\"/> <tr> <td>382A</td> <td>D</td> <td>6 <td>ALUM.</td> <td>ANODIZE D</td> <td>-</td> <td>-</td> <td>380B</td> <td>3\"/> <tr> <td>385</td> <td>ETR</td> <td>-</td> <td>WD.</td> <td>J2</td> <td>PTD.</td> <td>-</td> <td>382</td> <td>3\"/> <tr> <td>386</td> <td>ETR</td> <td>-</td> <td>WD.</td> <td>J2</td> <td>PTD.</td> <td>-</td> <td>382A</td> <td>3\"/> <tr> <td>387</td> <td>ETR</td> <td>-</td> <td>WD.</td> <td>J2</td> <td>PTD.</td> <td>-</td> <td>385</td> <td>3\"/> <tr> <td>388</td> <td>ETR</td> <td>-</td> <td>WD.</td> <td>J2</td> <td>PTD.</td> <td>-</td> <td>386</td> <td>3\"/> <tr> <td>389</td> <td>ETR</td> <td>-</td> <td>WD.</td> <td>J2</td> <td>PTD.</td> <td>-</td> <td>387</td> <td>3\"/> <tr> <td>391</td> <td>ETR</td> <td>-</td> <td>WD.</td> <td>J2</td> <td>PTD.</td> <td>-</td> <td>388</td> <td>3\"/> <tr> <td>391A</td> <td>ETR</td> <td>-</td> <td>WD.</td> <td>J2</td> <td>PTD.</td> <td>-</td> <td>389</td> <td>3\"/> <tr> <td>391B</td> <td>ETR</td> <td>-</td> <td>WD.</td> <td>J2</td> <td>PTD.</td> <td>-</td> <td>391</td> <td>3\"/> <tr> <td>394</td> <td>ETR</td> <td>-</td> <td>WD.</td> <td>J2</td> <td>PTD.</td> <td>-</td> <td>391A</td> <td>3\"/> <tr> <td>395</td> <td>ETR</td> <td>-</td> <td>WD.</td> <td>J2</td> <td>PTD.</td> <td>-</td> <td>391B</td> <td>3\"/> <tr> <td>396</td> <td>ETR</td> <td>-</td> <td>WD.</td> <td>J2</td> <td>PTD.</td> <td>-</td> <td>394</td> <td>3\"/> <tr> <td>398</td> <td>ETR</td> <td>-</td> <td>WD.</td> <td>J2</td> <td>PTD.</td> <td>-</td> <td>395</td> <td>3\"/> <tr> <td>399</td> <td>ETR</td> <td>-</td> <td>WD.</td> <td>J2</td> <td>PTD.</td> <td>-</td> <td>396</td> <td>3\"/> <tr> <td>3991</td> <td>ETR</td> <td>-</td> <td>WD.</td> <td>J2</td> <td>PTD.</td> <td>-</td> <td>398</td> <td>3\"/> <tr> <td>3992</td> <td>A</td> <td>3\"/> <tr> <td>3993</td> <td>ETR</td> <td>-</td> <td>WD.</td> <td>J2</td> <td>PTD.</td> <td>-</td> <td>399</td> <td>3\"/> <tr> <td>3994</td> <td>ETR</td> <td>-</td> <td>WD.</td> <td>J2</td> <td>PTD.</td> <td>-</td> <td>3991</td> <td>3\"/> <tr> <td>3995</td> <td>ETR</td> <td>-</td> <td>WD.</td> <td>J2</td> <td>PTD.</td> <td>-</td> <td>3992</td> <td>3\"/> <tr> <td>3997</td> <td>ETR</td> <td>-</td> <td>WD.</td> <td>J2</td> <td>PTD.</td> <td>-</td> <td>3993</td> <td>3\"/> <tr> <td>3998</td> <td>ETR</td> <td>-</td> <td>WD.</td> <td>J2</td> <td>PTD.</td> <td>-</td> <td>3994</td> <td>3\"/> <tr> <td>3999</td> <td>ETR</td> <td>-</td> <td>WD.</td> <td>J2</td> <td>PTD.</td> <td>-</td> <td>3995</td> <td>3\"/> <tr> <td>3999</td> <td>ETR</td> <td>-</td> <td>WD.</td> <td>J2</td> <td>PTD.</td> <td>-</td> <td>3997</td> <td>3\"/> </td></tr></td></tr></td></tr></td></tr></td></tr></td></tr></td></tr></td></tr></td></tr></td></tr></td></tr></td></tr></td></tr></td></tr></td></tr></td></tr></td></tr></td></tr></td></tr></td></tr></td></tr></td></tr></td></td></tr></td></tr></td></td></tr> | 380B | B | 1 <td>WD</td> <td>J1</td> <td>PTD.</td> <td>-</td> <td>379</td> <td>3\"/> <tr> <td>382</td> <td>ETR</td> <td>-</td> <td>WD.</td> <td>J2</td> <td>PTD.</td> <td>-</td> <td>380A</td> <td>3\"/> <tr> <td>382A</td> <td>D</td> <td>6 <td>ALUM.</td> <td>ANODIZE D</td> <td>-</td> <td>-</td> <td>380B</td> <td>3\"/> <tr> <td>385</td> <td>ETR</td> <td>-</td> <td>WD.</td> <td>J2</td> <td>PTD.</td> <td>-</td> <td>382</td> <td>3\"/> <tr> <td>386</td> <td>ETR</td> <td>-</td> <td>WD.</td> <td>J2</td> <td>PTD.</td> <td>-</td> <td>382A</td> <td>3\"/> <tr> <td>387</td> <td>ETR</td> <td>-</td> <td>WD.</td> <td>J2</td> <td>PTD.</td> <td>-</td> <td>385</td> <td>3\"/> <tr> <td>388</td> <td>ETR</td> <td>-</td> <td>WD.</td> <td>J2</td> <td>PTD.</td> <td>-</td> <td>386</td> <td>3\"/> <tr> <td>389</td> <td>ETR</td> <td>-</td> <td>WD.</td> <td>J2</td> <td>PTD.</td> <td>-</td> <td>387</td> <td>3\"/> <tr> <td>391</td> <td>ETR</td> <td>-</td> <td>WD.</td> <td>J2</td> <td>PTD.</td> <td>-</td> <td>388</td> <td>3\"/> <tr> <td>391A</td> <td>ETR</td> <td>-</td> <td>WD.</td> <td>J2</td> <td>PTD.</td> <td>-</td> <td>389</td> <td>3\"/> <tr> <td>391B</td> <td>ETR</td> <td>-</td> <td>WD.</td> <td>J2</td> <td>PTD.</td> <td>-</td> <td>391</td> <td>3\"/> <tr> <td>394</td> <td>ETR</td> <td>-</td> <td>WD.</td> <td>J2</td> <td>PTD.</td> <td>-</td> <td>391A</td> <td>3\"/> <tr> <td>395</td> <td>ETR</td> <td>-</td> <td>WD.</td> <td>J2</td> <td>PTD.</td> <td>-</td> <td>391B</td> <td>3\"/> <tr> <td>396</td> <td>ETR</td> <td>-</td> <td>WD.</td> <td>J2</td> <td>PTD.</td> <td>-</td> <td>394</td> <td>3\"/> <tr> <td>398</td> <td>ETR</td> <td>-</td> <td>WD.</td> <td>J2</td> <td>PTD.</td> <td>-</td> <td>395</td> <td>3\"/> <tr> <td>399</td> <td>ETR</td> <td>-</td> <td>WD.</td> <td>J2</td> <td>PTD.</td> <td>-</td> <td>396</td> <td>3\"/> <tr> <td>3991</td> <td>ETR</td> <td>-</td> <td>WD.</td> <td>J2</td> <td>PTD.</td> <td>-</td> <td>398</td> <td>3\"/> <tr> <td>3992</td> <td>A</td> <td>3\"/> <tr> <td>3993</td> <td>ETR</td> <td>-</td> <td>WD.</td> <td>J2</td> <td>PTD.</td> <td>-</td> <td>399</td> <td>3\"/> <tr> <td>3994</td> <td>ETR</td> <td>-</td> <td>WD.</td> <td>J2</td> <td>PTD.</td> <td>-</td> <td>3991</td> <td>3\"/> <tr> <td>3995</td> <td>ETR</td> <td>-</td> <td>WD.</td> <td>J2</td> <td>PTD.</td> <td>-</td> <td>3992</td> <td>3\"/> <tr> <td>3997</td> <td>ETR</td> <td>-</td> <td>WD.</td> <td>J2</td> <td>PTD.</td> <td>-</td> <td>3993</td> <td>3\"/> <tr> <td>3998</td> <td>ETR</td> <td>-</td> <td>WD.</td> <td>J2</td> <td>PTD.</td> <td>-</td> <td>3994</td> <td>3\"/> <tr> <td>3999</td> <td>ETR</td> <td>-</td> <td>WD.</td> <td>J2</td> <td>PTD.</td> <td>-</td> <td>3995</td> <td>3\"/> <tr> <td>3999</td> <td>ETR</td> <td>-</td> <td>WD.</td> <td>J2</td> <td>PTD.</td> <td>-</td> <td>3997</td> <td>3\"/> </td></tr></td></tr></td></tr></td></tr></td></tr></td></tr></td></tr></td></tr></td></tr></td></tr></td></tr></td></tr></td></tr></td></tr></td></tr></td></tr></td></tr></td></tr></td></tr></td></tr></td></tr></td></tr></td></td></tr></td></tr></td> | WD | J1 | PTD. | - | 379 | 3\"/> <tr> <td>382</td> <td>ETR</td> <td>-</td> <td>WD.</td> <td>J2</td> <td>PTD.</td> <td>-</td> <td>380A</td> <td>3\"/> <tr> <td>382A</td> <td>D</td> <td>6 <td>ALUM.</td> <td>ANODIZE D</td> <td>-</td> <td>-</td> <td>380B</td> <td>3\"/> <tr> <td>385</td> <td>ETR</td> <td>-</td> <td>WD.</td> <td>J2</td> <td>PTD.</td> <td>-</td> <td>382</td> <td>3\"/> <tr> <td>386</td> <td>ETR</td> <td>-</td> <td>WD.</td> <td>J2</td> <td>PTD.</td> <td>-</td> <td>382A</td> <td>3\"/> <tr> <td>387</td> <td>ETR</td> <td>-</td> <td>WD.</td> <td>J2</td> <td>PTD.</td> <td>-</td> <td>385</td> <td>3\"/> <tr> <td>388</td> <td>ETR</td> <td>-</td> <td>WD.</td> <td>J2</td> <td>PTD.</td> <td>-</td> <td>386</td> <td>3\"/> <tr> <td>389</td> <td>ETR</td> <td>-</td> <td>WD.</td> <td>J2</td> <td>PTD.</td> <td>-</td> <td>387</td> <td>3\"/> <tr> <td>391</td> <td>ETR</td> <td>-</td> <td>WD.</td> <td>J2</td> <td>PTD.</td> <td>-</td> <td>388</td> <td>3\"/> <tr> <td>391A</td> <td>ETR</td> <td>-</td> <td>WD.</td> <td>J2</td> <td>PTD.</td> <td>-</td> <td>389</td> <td>3\"/> <tr> <td>391B</td> <td>ETR</td> <td>-</td> <td>WD.</td>
<td>J2</td> <td>PTD.</td> <td>-</td> <td>391</td> <td>3\"/> <tr> <td>394</td> <td>ETR</td> <td>-</td> <td>WD.</td> <td>J2</td> <td>PTD.</td> <td>-</td> <td>391A</td> <td>3\"/> <tr> <td>395</td> <td>ETR</td> <td>-</td> <td>WD.</td> <td>J2</td> <td>PTD.</td> <td>-</td> <td>391B</td> <td>3\"/> <tr> <td>396</td> <td>ETR</td> <td>-</td> <td>WD.</td> <td>J2</td> <td>PTD.</td> <td>-</td> <td>394</td> <td>3\"/> <tr> <td>398</td> <td>ETR</td> <td>-</td> <td>WD.</td> <td>J2</td> <td>PTD.</td> <td>-</td> <td>395</td> <td>3\"/> <tr> <td>399</td> <td>ETR</td> <td>-</td> <td>WD.</td> <td>J2</td> <td>PTD.</td> <td>-</td> <td>396</td> <td>3\"/> <tr> <td>3991</td> <td>ETR</td> <td>-</td> <td>WD.</td> <td>J2</td> <td>PTD.</td> <td>-</td> <td>398</td> <td>3\"/> <tr> <td>3992</td> <td>A</td> <td>3\"/> <tr> <td>3993</td> <td>ETR</td> <td>-</td> <td>WD.</td> <td>J2</td> <td>PTD.</td> <td>-</td> <td>399</td> <td>3\"/> <tr> <td>3994</td> <td>ETR</td> <td>-</td> <td>WD.</td> <td>J2</td> <td>PTD.</td> <td>-</td> <td>3991</td> <td>3\"/> <tr> <td>3995</td> <td>ETR</td> <td>-</td> <td>WD.</td> <td>J2</td> <td>PTD.</td> <td>-</td> <td>3992</td> <td>3\"/> <tr> <td>3997</td> <td>ETR</td> <td>-</td> <td>WD.</td> <td>J2</td> <td>PTD.</td> <td>-</td> <td>3993</td> <td>3\"/> <tr> <td>3998</td> <td>ETR</td> <td>-</td> <td>WD.</td> <td>J2</td> <td>PTD.</td> <td>-</td> <td>3994</td> <td>3\"/> <tr> <td>3999</td> <td>ETR</td> <td>-</td> <td>WD.</td> <td>J2</td> <td>PTD.</td> <td>-</td> <td>3995</td> <td>3\"/> <tr> <td>3999</td> <td>ETR</td> <td>-</td> <td>WD.</td> <td>J2</td> <td>PTD.</td> <td>-</td> <td>3997</td> <td>3\"/> </td></tr></td></tr></td></tr></td></tr></td></tr></td></tr></td></tr></td></tr></td></tr></td></tr></td></tr></td></tr></td></tr></td></tr></td></tr></td></tr></td></tr></td></tr></td></tr></td></tr></td></tr></td></tr></td></td></tr></td></tr> | 382 | ETR | - | WD. | J2 | PTD.
 | - | 380A | 3\"/> <tr> <td>382A</td> <td>D</td> <td>6 <td>ALUM.</td> <td>ANODIZE D</td> <td>-</td> <td>-</td> <td>380B</td> <td>3\"/> <tr> <td>385</td> <td>ETR</td> <td>-</td> <td>WD.</td> <td>J2</td> <td>PTD.</td> <td>-</td> <td>382</td> <td>3\"/> <tr> <td>386</td> <td>ETR</td> <td>-</td> <td>WD.</td> <td>J2</td> <td>PTD.</td> <td>-</td> <td>382A</td> <td>3\"/> <tr> <td>387</td> <td>ETR</td> <td>-</td> <td>WD.</td> <td>J2</td> <td>PTD.</td> <td>-</td> <td>385</td> <td>3\"/> <tr> <td>388</td> <td>ETR</td> <td>-</td> <td>WD.</td> <td>J2</td> <td>PTD.</td> <td>-</td> <td>386</td> <td>3\"/> <tr> <td>389</td> <td>ETR</td> <td>-</td> <td>WD.</td> <td>J2</td> <td>PTD.</td> <td>-</td> <td>387</td> <td>3\"/> <tr> <td>391</td> <td>ETR</td> <td>-</td> <td>WD.</td> <td>J2</td> <td>PTD.</td> <td>-</td> <td>388</td> <td>3\"/> <tr> <td>391A</td> <td>ETR</td> <td>-</td> <td>WD.</td> <td>J2</td> <td>PTD.</td> <td>-</td> <td>389</td> <td>3\"/> <tr> <td>391B</td> <td>ETR</td> <td>-</td> <td>WD.</td> <td>J2</td> <td>PTD.</td> <td>-</td> <td>391</td> <td>3\"/> <tr> <td>394</td> <td>ETR</td> <td>-</td> <td>WD.</td> <td>J2</td> <td>PTD.</td> <td>-</td> <td>391A</td> <td>3\"/> <tr> <td>395</td> <td>ETR</td> <td>-</td> <td>WD.</td> <td>J2</td> <td>PTD.</td> <td>-</td> <td>391B</td> <td>3\"/> <tr> <td>396</td> <td>ETR</td> <td>-</td> <td>WD.</td> <td>J2</td> <td>PTD.</td> <td>-</td> <td>394</td> <td>3\"/> <tr> <td>398</td> <td>ETR</td> <td>-</td> <td>WD.</td> <td>J2</td> <td>PTD.</td> <td>-</td> <td>395</td> <td>3\"/> <tr> <td>399</td> <td>ETR</td> <td>-</td> <td>WD.</td> <td>J2</td> <td>PTD.</td> <td>-</td> <td>396</td> <td>3\"/> <tr> <td>3991</td> <td>ETR</td> <td>-</td> <td>WD.</td> <td>J2</td> <td>PTD.</td> <td>-</td> <td>398</td> <td>3\"/> <tr> <td>3992</td> <td>A</td> <td>3\"/> <tr> <td>3993</td> <td>ETR</td> <td>-</td> <td>WD.</td> <td>J2</td> <td>PTD.</td> <td>-</td> <td>399</td> <td>3\"/> <tr> <td>3994</td> <td>ETR</td> <td>-</td> <td>WD.</td> <td>J2</td> <td>PTD.</td> <td>-</td> <td>3991</td> <td>3\"/> <tr> <td>3995</td> <td>ETR</td> <td>-</td> <td>WD.</td> <td>J2</td> <td>PTD.</td> <td>-</td> <td>3992</td> <td>3\"/> <tr> <td>3997</td> <td>ETR</td> <td>-</td> <td>WD.</td> <td>J2</td> <td>PTD.</td> <td>-</td> <td>3993</td> <td>3\"/> <tr> <td>3998</td> <td>ETR</td> <td>-</td> <td>WD.</td> <td>J2</td> <td>PTD.</td> <td>-</td> <td>3994</td> <td>3\"/> <tr> <td>3999</td> <td>ETR</td> <td>-</td> <td>WD.</td> <td>J2</td> <td>PTD.</td> <td>-</td> <td>3995</td> <td>3\"/> <tr> <td>3999</td> <td>ETR</td> <td>-</td> <td>WD.</td> <td>J2</td> <td>PTD.</td> <td>-</td> <td>3997</td> <td>3\"/> </td></tr></td></tr></td></tr></td></tr></td></tr></td></tr></td></tr></td></tr></td></tr></td></tr></td></tr></td></tr></td></tr></td></tr></td></tr></td></tr></td></tr></td></tr></td></tr></td></tr></td></tr></td></tr></td></td></tr> | 382A | D | 6 <td>ALUM.</td> <td>ANODIZE D</td> <td>-</td> <td>-</td> <td>380B</td> <td>3\"/> <tr> <td>385</td> <td>ETR</td> <td>-</td> <td>WD.</td> <td>J2</td> <td>PTD.</td> <td>-</td> <td>382</td> <td>3\"/> <tr> <td>386</td> <td>ETR</td> <td>-</td> <td>WD.</td> <td>J2</td> <td>PTD.</td> <td>-</td> <td>382A</td> <td>3\"/> <tr> <td>387</td> <td>ETR</td> <td>-</td> <td>WD.</td> <td>J2</td> <td>PTD.</td> <td>-</td> <td>385</td> <td>3\"/> <tr> <td>388</td> <td>ETR</td> <td>-</td> <td>WD.</td> <td>J2</td> <td>PTD.</td> <td>-</td> <td>386</td> <td>3\"/> <tr> <td>389</td> <td>ETR</td> <td>-</td> <td>WD.</td> <td>J2</td> <td>PTD.</td> <td>-</td> <td>387</td> <td>3\"/> <tr> <td>391</td> <td>ETR</td> <td>-</td> <td>WD.</td> <td>J2</td> <td>PTD.</td> <td>-</td> <td>388</td> <td>3\"/> <tr> <td>391A</td> <td>ETR</td> <td>-</td> <td>WD.</td> <td>J2</td> <td>PTD.</td> <td>-</td> <td>389</td> <td>3\"/> <tr> <td>391B</td> <td>ETR</td> <td>-</td> <td>WD.</td> <td>J2</td> <td>PTD.</td> <td>-</td> <td>391</td> <td>3\"/> <tr> <td>394</td> <td>ETR</td> <td>-</td> <td>WD.</td> <td>J2</td> <td>PTD.</td> <td>-</td> <td>391A</td> <td>3\"/> <tr> <td>395</td> <td>ETR</td> <td>-</td> <td>WD.</td> <td>J2</td> <td>PTD.</td> <td>-</td> <td>391B</td> <td>3\"/> <tr> <td>396</td> <td>ETR</td> <td>-</td> <td>WD.</td> <td>J2</td> <td>PTD.</td> <td>-</td> <td>394</td> <td>3\"/> <tr> <td>398</td> <td>ETR</td> <td>-</td> <td>WD.</td> <td>J2</td> <td>PTD.</td> <td>-</td> <td>395</td> <td>3\"/> <tr> <td>399</td> <td>ETR</td> <td>-</td> <td>WD.</td> <td>J2</td> <td>PTD.</td> <td>-</td> <td>396</td> <td>3\"/> <tr> <td>3991</td> <td>ETR</td> <td>-</td> <td>WD.</td> <td>J2</td> <td>PTD.</td> <td>-</td> <td>398</td> <td>3\"/> <tr> <td>3992</td> <td>A</td> <td>3\"/> <tr> <td>3993</td> <td>ETR</td> <td>-</td> <td>WD.</td> <td>J2</td> <td>PTD.</td> <td>-</td> <td>399</td> <td>3\"/> <tr> <td>3994</td> <td>ETR</td> <td>-</td> <td>WD.</td> <td>J2</td> <td>PTD.</td> <td>-</td> <td>3991</td> <td>3\"/> <tr> <td>3995</td> <td>ETR</td> <td>-</td> <td>WD.</td> <td>J2</td> <td>PTD.</td> <td>-</td> <td>3992</td> <td>3\"/> <tr> <td>3997</td> <td>ETR</td> <td>-</td> <td>WD.</td> <td>J2</td> <td>PTD.</td> <td>-</td> <td>3993</td> <td>3\"/> <tr> <td>3998</td> <td>ETR</td> <td>-</td> <td>WD.</td> <td>J2</td> <td>PTD.</td> <td>-</td> <td>3994</td> <td>3\"/> <tr> <td>3999</td> <td>ETR</td> <td>-</td> <td>WD.</td> <td>J2</td> <td>PTD.</td> <td>-</td> <td>3995</td> <td>3\"/> <tr> <td>3999</td> <td>ETR</td> <td>-</td> <td>WD.</td> <td>J2</td> <td>PTD.</td> <td>-</td> <td>3997</td> <td>3\"/> </td></tr></td></tr></td></tr></td></tr></td></tr></td></tr></td></tr></td></tr></td></tr></td></tr></td></tr></td></tr></td></tr></td></tr></td></tr></td></tr></td></tr></td></tr></td></tr></td></tr></td></tr></td></tr></td> | ALUM. | ANODIZE D | -
 | - | 380B | 3\"/> <tr> <td>385</td> <td>ETR</td> <td>-</td> <td>WD.</td> <td>J2</td> <td>PTD.</td> <td>-</td> <td>382</td> <td>3\"/> <tr> <td>386</td> <td>ETR</td> <td>-</td> <td>WD.</td> <td>J2</td> <td>PTD.</td> <td>-</td> <td>382A</td> <td>3\"/> <tr> <td>387</td> <td>ETR</td> <td>-</td> <td>WD.</td> <td>J2</td> <td>PTD.</td> <td>-</td> <td>385</td> <td>3\"/> <tr> <td>388</td> <td>ETR</td> <td>-</td> <td>WD.</td> <td>J2</td> <td>PTD.</td> <td>-</td> <td>386</td> <td>3\"/> <tr> <td>389</td> <td>ETR</td> <td>-</td> <td>WD.</td> <td>J2</td> <td>PTD.</td> <td>-</td> <td>387</td> <td>3\"/> <tr> <td>391</td> <td>ETR</td> <td>-</td> <td>WD.</td> <td>J2</td> <td>PTD.</td> <td>-</td> <td>388</td> <td>3\"/> <tr> <td>391A</td> <td>ETR</td> <td>-</td> <td>WD.</td> <td>J2</td> <td>PTD.</td> <td>-</td> <td>389</td> <td>3\"/> <tr> <td>391B</td> <td>ETR</td> <td>-</td> <td>WD.</td> <td>J2</td> <td>PTD.</td> <td>-</td> <td>391</td> <td>3\"/> <tr> <td>394</td> <td>ETR</td> <td>-</td> <td>WD.</td> <td>J2</td> <td>PTD.</td> <td>-</td> <td>391A</td> <td>3\"/> <tr> <td>395</td> <td>ETR</td> <td>-</td> <td>WD.</td> <td>J2</td> <td>PTD.</td> <td>-</td> <td>391B</td> <td>3\"/> <tr> <td>396</td> <td>ETR</td> <td>-</td> <td>WD.</td> <td>J2</td> <td>PTD.</td> <td>-</td> <td>394</td> <td>3\"/> <tr> <td>398</td> <td>ETR</td> <td>-</td> <td>WD.</td> <td>J2</td> <td>PTD.</td> <td>-</td> <td>395</td> <td>3\"/> <tr> <td>399</td> <td>ETR</td> <td>-</td> <td>WD.</td> <td>J2</td> <td>PTD.</td> <td>-</td> <td>396</td> <td>3\"/> <tr> <td>3991</td> <td>ETR</td> <td>-</td> <td>WD.</td> <td>J2</td> <td>PTD.</td> <td>-</td> <td>398</td> <td>3\"/> <tr> <td>3992</td> <td>A</td> <td>3\"/> <tr> <td>3993</td> <td>ETR</td> <td>-</td> <td>WD.</td> <td>J2</td> <td>PTD.</td> <td>-</td> <td>399</td> <td>3\"/> <tr> <td>3994</td> <td>ETR</td> <td>-</td> <td>WD.</td> <td>J2</td> <td>PTD.</td> <td>-</td> <td>3991</td> <td>3\"/> <tr> <td>3995</td> <td>ETR</td> <td>-</td> <td>WD.</td> <td>J2</td> <td>PTD.</td> <td>-</td> <td>3992</td> <td>3\"/> <tr> <td>3997</td> <td>ETR</td> <td>-</td> <td>WD.</td> <td>J2</td> <td>PTD.</td> <td>-</td> <td>3993</td> <td>3\"/> <tr> <td>3998</td> <td>ETR</td> <td>-</td> <td>WD.</td> <td>J2</td> <td>PTD.</td> <td>-</td> <td>3994</td> <td>3\"/> <tr> <td>3999</td> <td>ETR</td> <td>-</td> <td>WD.</td> <td>J2</td> <td>PTD.</td> <td>-</td> <td>3995</td> <td>3\"/> <tr> <td>3999</td> <td>ETR</td> <td>-</td> <td>WD.</td> <td>J2</td> <td>PTD.</td> <td>-</td> <td>3997</td> <td>3\"/> </td></tr></td></tr></td></tr></td></tr></td></tr></td></tr></td></tr></td></tr></td></tr></td></tr></td></tr></td></tr></td></tr></td></tr></td></tr></td></tr></td></tr></td></tr></td></tr></td></tr></td></tr></td></tr> | 385 | ETR | -
 | WD. | J2 | PTD. | - | 382 | 3\"/> <tr> <td>386</td> <td>ETR</td> <td>-</td> <td>WD.</td> <td>J2</td> <td>PTD.</td> <td>-</td> <td>382A</td> <td>3\"/> <tr> <td>387</td> <td>ETR</td> <td>-</td> <td>WD.</td> <td>J2</td> <td>PTD.</td> <td>-</td> <td>385</td> <td>3\"/> <tr> <td>388</td> <td>ETR</td> <td>-</td> <td>WD.</td> <td>J2</td> <td>PTD.</td> <td>-</td> <td>386</td> <td>3\"/> <tr> <td>389</td> <td>ETR</td> <td>-</td> <td>WD.</td> <td>J2</td> <td>PTD.</td> <td>-</td> <td>387</td> <td>3\"/> <tr> <td>391</td> <td>ETR</td> <td>-</td> <td>WD.</td> <td>J2</td> <td>PTD.</td> <td>-</td> <td>388</td> <td>3\"/> <tr> <td>391A</td> <td>ETR</td> <td>-</td> <td>WD.</td> <td>J2</td> <td>PTD.</td> <td>-</td> <td>389</td> <td>3\"/> <tr> <td>391B</td> <td>ETR</td> <td>-</td> <td>WD.</td> <td>J2</td> <td>PTD.</td> <td>-</td> <td>391</td> <td>3\"/> <tr> <td>394</td> <td>ETR</td> <td>-</td> <td>WD.</td> <td>J2</td> <td>PTD.</td> <td>-</td> <td>391A</td> <td>3\"/> <tr> <td>395</td> <td>ETR</td> <td>-</td> <td>WD.</td> <td>J2</td> <td>PTD.</td> <td>-</td> <td>391B</td> <td>3\"/> <tr> <td>396</td> <td>ETR</td> <td>-</td> <td>WD.</td> <td>J2</td> <td>PTD.</td> <td>-</td> <td>394</td> <td>3\"/> <tr> <td>398</td> <td>ETR</td> <td>-</td> <td>WD.</td> <td>J2</td> <td>PTD.</td> <td>-</td> <td>395</td> <td>3\"/> <tr> <td>399</td> <td>ETR</td> <td>-</td> <td>WD.</td> <td>J2</td> <td>PTD.</td> <td>-</td> <td>396</td> <td>3\"/> <tr> <td>3991</td> <td>ETR</td> <td>-</td> <td>WD.</td> <td>J2</td> <td>PTD.</td> <td>-</td> <td>398</td> <td>3\"/> <tr> <td>3992</td> <td>A</td> <td>3\"/> <tr> <td>3993</td> <td>ETR</td> <td>-</td> <td>WD.</td> <td>J2</td> <td>PTD.</td> <td>-</td> <td>399</td> <td>3\"/> <tr> <td>3994</td> <td>ETR</td> <td>-</td> <td>WD.</td> <td>J2</td> <td>PTD.</td> <td>-</td> <td>3991</td> <td>3\"/> <tr> <td>3995</td> <td>ETR</td> <td>-</td> <td>WD.</td> <td>J2</td> <td>PTD.</td> <td>-</td> <td>3992</td> <td>3\"/> <tr> <td>3997</td> <td>ETR</td> <td>-</td> <td>WD.</td> <td>J2</td> <td>PTD.</td> <td>-</td> <td>3993</td> <td>3\"/> <tr> <td>3998</td> <td>ETR</td> <td>-</td> <td>WD.</td> <td>J2</td> <td>PTD.</td> <td>-</td> <td>3994</td> <td>3\"/> <tr> <td>3999</td> <td>ETR</td> <td>-</td> <td>WD.</td> <td>J2</td> <td>PTD.</td> <td>-</td> <td>3995</td> <td>3\"/> <tr> <td>3999</td> <td>ETR</td> <td>-</td> <td>WD.</td> <td>J2</td> <td>PTD.</td> <td>-</td> <td>3997</td> <td>3\"/> </td></tr></td></tr></td></tr></td></tr></td></tr></td></tr></td></tr></td></tr></td></tr></td></tr></td></tr></td></tr></td></tr></td></tr></td></tr></td></tr></td></tr></td></tr></td></tr></td></tr></td></tr> | 386 | ETR | -
 | WD. | J2 | PTD. | - | 382A | 3\"/> <tr> <td>387</td> <td>ETR</td> <td>-</td> <td>WD.</td> <td>J2</td> <td>PTD.</td> <td>-</td> <td>385</td> <td>3\"/> <tr> <td>388</td> <td>ETR</td> <td>-</td> <td>WD.</td> <td>J2</td> <td>PTD.</td> <td>-</td> <td>386</td> <td>3\"/> <tr> <td>389</td> <td>ETR</td> <td>-</td> <td>WD.</td> <td>J2</td> <td>PTD.</td> <td>-</td> <td>387</td> <td>3\"/> <tr> <td>391</td> <td>ETR</td> <td>-</td> <td>WD.</td> <td>J2</td> <td>PTD.</td> <td>-</td> <td>388</td> <td>3\"/> <tr> <td>391A</td> <td>ETR</td> <td>-</td> <td>WD.</td> <td>J2</td> <td>PTD.</td> <td>-</td> <td>389</td> <td>3\"/> <tr> <td>391B</td> <td>ETR</td> <td>-</td> <td>WD.</td> <td>J2</td> <td>PTD.</td> <td>-</td> <td>391</td> <td>3\"/> <tr> <td>394</td> <td>ETR</td> <td>-</td> <td>WD.</td> <td>J2</td> <td>PTD.</td> <td>-</td> <td>391A</td> <td>3\"/> <tr> <td>395</td> <td>ETR</td> <td>-</td> <td>WD.</td> <td>J2</td> <td>PTD.</td> <td>-</td> <td>391B</td> <td>3\"/> <tr> <td>396</td> <td>ETR</td> <td>-</td> <td>WD.</td> <td>J2</td> <td>PTD.</td> <td>-</td> <td>394</td> <td>3\"/> <tr> <td>398</td> <td>ETR</td> <td>-</td> <td>WD.</td> <td>J2</td> <td>PTD.</td> <td>-</td> <td>395</td> <td>3\"/> <tr> <td>399</td> <td>ETR</td> <td>-</td> <td>WD.</td> <td>J2</td> <td>PTD.</td> <td>-</td> <td>396</td> <td>3\"/> <tr> <td>3991</td> <td>ETR</td> <td>-</td> <td>WD.</td> <td>J2</td> <td>PTD.</td> <td>-</td> <td>398</td> <td>3\"/> <tr> <td>3992</td> <td>A</td> <td>3\"/> <tr> <td>3993</td> <td>ETR</td> <td>-</td> <td>WD.</td> <td>J2</td> <td>PTD.</td> <td>-</td> <td>399</td> <td>3\"/> <tr> <td>3994</td> <td>ETR</td> <td>-</td> <td>WD.</td> <td>J2</td> <td>PTD.</td> <td>-</td> <td>3991</td> <td>3\"/> <tr> <td>3995</td> <td>ETR</td> <td>-</td> <td>WD.</td> <td>J2</td> <td>PTD.</td> <td>-</td> <td>3992</td> <td>3\"/> <tr> <td>3997</td> <td>ETR</td> <td>-</td> <td>WD.</td> <td>J2</td> <td>PTD.</td> <td>-</td> <td>3993</td> <td>3\"/> <tr> <td>3998</td> <td>ETR</td> <td>-</td> <td>WD.</td> <td>J2</td> <td>PTD.</td> <td>-</td> <td>3994</td> <td>3\"/> <tr> <td>3999</td> <td>ETR</td> <td>-</td> <td>WD.</td> <td>J2</td> <td>PTD.</td> <td>-</td> <td>3995</td> <td>3\"/> <tr> <td>3999</td> <td>ETR</td> <td>-</td> <td>WD.</td> <td>J2</td> <td>PTD.</td> <td>-</td> <td>3997</td> <td>3\"/> </td></tr></td></tr></td></tr></td></tr></td></tr></td></tr></td></tr></td></tr></td></tr></td></tr></td></tr></td></tr></td></tr></td></tr></td></tr></td></tr></td></tr></td></tr></td></tr></td></tr> | 387 | ETR | -
 | WD. | J2 | PTD. | - | 385 | 3\"/> <tr> <td>388</td> <td>ETR</td> <td>-</td> <td>WD.</td> <td>J2</td> <td>PTD.</td> <td>-</td> <td>386</td> <td>3\"/> <tr> <td>389</td> <td>ETR</td> <td>-</td> <td>WD.</td> <td>J2</td> <td>PTD.</td> <td>-</td> <td>387</td> <td>3\"/> <tr> <td>391</td> <td>ETR</td> <td>-</td> <td>WD.</td> <td>J2</td> <td>PTD.</td> <td>-</td> <td>388</td> <td>3\"/> <tr> <td>391A</td> <td>ETR</td> <td>-</td> <td>WD.</td> <td>J2</td> <td>PTD.</td> <td>-</td> <td>389</td> <td>3\"/> <tr> <td>391B</td> <td>ETR</td> <td>-</td> <td>WD.</td> <td>J2</td> <td>PTD.</td> <td>-</td> <td>391</td> <td>3\"/> <tr> <td>394</td> <td>ETR</td> <td>-</td> <td>WD.</td> <td>J2</td> <td>PTD.</td> <td>-</td> <td>391A</td> <td>3\"/> <tr> <td>395</td> <td>ETR</td> <td>-</td> <td>WD.</td> <td>J2</td> <td>PTD.</td> <td>-</td> <td>391B</td> <td>3\"/> <tr> <td>396</td> <td>ETR</td> <td>-</td> <td>WD.</td> <td>J2</td> <td>PTD.</td> <td>-</td> <td>394</td> <td>3\"/> <tr> <td>398</td> <td>ETR</td> <td>-</td> <td>WD.</td> <td>J2</td> <td>PTD.</td> <td>-</td> <td>395</td> <td>3\"/> <tr> <td>399</td> <td>ETR</td> <td>-</td> <td>WD.</td> <td>J2</td> <td>PTD.</td> <td>-</td> <td>396</td> <td>3\"/> <tr> <td>3991</td> <td>ETR</td> <td>-</td> <td>WD.</td> <td>J2</td> <td>PTD.</td> <td>-</td> <td>398</td> <td>3\"/> <tr> <td>3992</td> <td>A</td> <td>3\"/> <tr> <td>3993</td> <td>ETR</td> <td>-</td> <td>WD.</td> <td>J2</td> <td>PTD.</td> <td>-</td> <td>399</td> <td>3\"/> <tr> <td>3994</td> <td>ETR</td> <td>-</td> <td>WD.</td> <td>J2</td> <td>PTD.</td> <td>-</td> <td>3991</td> <td>3\"/> <tr> <td>3995</td> <td>ETR</td> <td>-</td> <td>WD.</td> <td>J2</td> <td>PTD.</td> <td>-</td> <td>3992</td> <td>3\"/> <tr> <td>3997</td> <td>ETR</td> <td>-</td> <td>WD.</td> <td>J2</td> <td>PTD.</td> <td>-</td> <td>3993</td> <td>3\"/> <tr> <td>3998</td> <td>ETR</td> <td>-</td> <td>WD.</td> <td>J2</td> <td>PTD.</td> <td>-</td> <td>3994</td> <td>3\"/> <tr> <td>3999</td> <td>ETR</td> <td>-</td> <td>WD.</td> <td>J2</td> <td>PTD.</td> <td>-</td> <td>3995</td> <td>3\"/> <tr> <td>3999</td> <td>ETR</td> <td>-</td> <td>WD.</td> <td>J2</td> <td>PTD.</td> <td>-</td> <td>3997</td> <td>3\"/> </td></tr></td></tr></td></tr></td></tr></td></tr></td></tr></td></tr></td></tr></td></tr></td></tr></td></tr></td></tr></td></tr></td></tr></td></tr></td></tr></td></tr></td></tr></td></tr> | 388 | ETR | -
 | WD. | J2 | PTD. | - | 386 | 3\"/> <tr> <td>389</td> <td>ETR</td> <td>-</td> <td>WD.</td> <td>J2</td> <td>PTD.</td> <td>-</td> <td>387</td> <td>3\"/> <tr> <td>391</td> <td>ETR</td> <td>-</td> <td>WD.</td> <td>J2</td> <td>PTD.</td> <td>-</td> <td>388</td> <td>3\"/> <tr> <td>391A</td> <td>ETR</td> <td>-</td> <td>WD.</td> <td>J2</td> <td>PTD.</td> <td>-</td> <td>389</td> <td>3\"/> <tr> <td>391B</td> <td>ETR</td> <td>-</td> <td>WD.</td> <td>J2</td> <td>PTD.</td> <td>-</td> <td>391</td> <td>3\"/> <tr> <td>394</td> <td>ETR</td> <td>-</td> <td>WD.</td> <td>J2</td> <td>PTD.</td> <td>-</td> <td>391A</td> <td>3\"/> <tr> <td>395</td> <td>ETR</td> <td>-</td> <td>WD.</td> <td>J2</td> <td>PTD.</td> <td>-</td> <td>391B</td> <td>3\"/> <tr> <td>396</td> <td>ETR</td> <td>-</td> <td>WD.</td> <td>J2</td> <td>PTD.</td> <td>-</td> <td>394</td> <td>3\"/> <tr> <td>398</td> <td>ETR</td> <td>-</td> <td>WD.</td> <td>J2</td> <td>PTD.</td> <td>-</td> <td>395</td> <td>3\"/> <tr> <td>399</td> <td>ETR</td> <td>-</td> <td>WD.</td> <td>J2</td> <td>PTD.</td> <td>-</td> <td>396</td> <td>3\"/> <tr> <td>3991</td> <td>ETR</td> <td>-</td> <td>WD.</td> <td>J2</td> <td>PTD.</td> <td>-</td> <td>398</td> <td>3\"/> <tr> <td>3992</td> <td>A</td> <td>3\"/> <tr> <td>3993</td> <td>ETR</td> <td>-</td> <td>WD.</td> <td>J2</td> <td>PTD.</td> <td>-</td> <td>399</td> <td>3\"/> <tr> <td>3994</td> <td>ETR</td> <td>-</td> <td>WD.</td> <td>J2</td> <td>PTD.</td> <td>-</td> <td>3991</td> <td>3\"/> <tr> <td>3995</td> <td>ETR</td> <td>-</td> <td>WD.</td> <td>J2</td> <td>PTD.</td> <td>-</td> <td>3992</td> <td>3\"/> <tr> <td>3997</td> <td>ETR</td> <td>-</td> <td>WD.</td> <td>J2</td> <td>PTD.</td> <td>-</td> <td>3993</td> <td>3\"/> <tr> <td>3998</td> <td>ETR</td> <td>-</td> <td>WD.</td> <td>J2</td> <td>PTD.</td> <td>-</td> <td>3994</td> <td>3\"/> <tr> <td>3999</td> <td>ETR</td> <td>-</td> <td>WD.</td> <td>J2</td> <td>PTD.</td> <td>-</td> <td>3995</td> <td>3\"/> <tr> <td>3999</td> <td>ETR</td> <td>-</td> <td>WD.</td> <td>J2</td> <td>PTD.</td> <td>-</td> <td>3997</td> <td>3\"/> </td></tr></td></tr></td></tr></td></tr></td></tr></td></tr></td></tr></td></tr></td></tr></td></tr></td></tr></td></tr></td></tr></td></tr></td></tr></td></tr></td></tr></td></tr> | 389 | ETR | -
 | WD. | J2 | PTD. | - | 387 | 3\"/> <tr> <td>391</td> <td>ETR</td> <td>-</td> <td>WD.</td> <td>J2</td> <td>PTD.</td> <td>-</td> <td>388</td> <td>3\"/> <tr> <td>391A</td> <td>ETR</td> <td>-</td> <td>WD.</td> <td>J2</td> <td>PTD.</td> <td>-</td> <td>389</td> <td>3\"/> <tr> <td>391B</td> <td>ETR</td> <td>-</td> <td>WD.</td> <td>J2</td> <td>PTD.</td> <td>-</td> <td>391</td> <td>3\"/> <tr> <td>394</td> <td>ETR</td> <td>-</td> <td>WD.</td> <td>J2</td> <td>PTD.</td> <td>-</td> <td>391A</td> <td>3\"/> <tr> <td>395</td> <td>ETR</td> <td>-</td> <td>WD.</td> <td>J2</td> <td>PTD.</td> <td>-</td> <td>391B</td> <td>3\"/> <tr> <td>396</td> <td>ETR</td> <td>-</td> <td>WD.</td> <td>J2</td> <td>PTD.</td> <td>-</td> <td>394</td> <td>3\"/> <tr> <td>398</td> <td>ETR</td> <td>-</td> <td>WD.</td> <td>J2</td> <td>PTD.</td> <td>-</td> <td>395</td> <td>3\"/> <tr> <td>399</td> <td>ETR</td> <td>-</td> <td>WD.</td> <td>J2</td> <td>PTD.</td> <td>-</td> <td>396</td> <td>3\"/> <tr> <td>3991</td> <td>ETR</td> <td>-</td> <td>WD.</td> <td>J2</td> <td>PTD.</td> <td>-</td> <td>398</td> <td>3\"/> <tr> <td>3992</td> <td>A</td> <td>3\"/> <tr> <td>3993</td> <td>ETR</td> <td>-</td> <td>WD.</td> <td>J2</td> <td>PTD.</td> <td>-</td> <td>399</td> <td>3\"/> <tr> <td>3994</td> <td>ETR</td> <td>-</td> <td>WD.</td> <td>J2</td> <td>PTD.</td> <td>-</td> <td>3991</td> <td>3\"/> <tr> <td>3995</td> <td>ETR</td> <td>-</td> <td>WD.</td> <td>J2</td> <td>PTD.</td> <td>-</td> <td>3992</td> <td>3\"/> <tr> <td>3997</td> <td>ETR</td> <td>-</td> <td>WD.</td> <td>J2</td> <td>PTD.</td> <td>-</td> <td>3993</td> <td>3\"/> <tr> <td>3998</td> <td>ETR</td> <td>-</td> <td>WD.</td> <td>J2</td> <td>PTD.</td> <td>-</td> <td>3994</td> <td>3\"/> <tr> <td>3999</td> <td>ETR</td> <td>-</td> <td>WD.</td> <td>J2</td> <td>PTD.</td> <td>-</td> <td>3995</td> <td>3\"/> <tr> <td>3999</td> <td>ETR</td> <td>-</td> <td>WD.</td> <td>J2</td> <td>PTD.</td> <td>-</td> <td>3997</td> <td>3\"/> </td></tr></td></tr></td></tr></td></tr></td></tr></td></tr></td></tr></td></tr></td></tr></td></tr></td></tr></td></tr></td></tr></td></tr></td></tr></td></tr></td></tr> | 391 | ETR | -
 | WD. | J2 | PTD. | - | 388 | 3\"/> <tr> <td>391A</td> <td>ETR</td> <td>-</td> <td>WD.</td> <td>J2</td> <td>PTD.</td> <td>-</td> <td>389</td> <td>3\"/> <tr> <td>391B</td> <td>ETR</td> <td>-</td> <td>WD.</td> <td>J2</td> <td>PTD.</td> <td>-</td> <td>391</td> <td>3\"/> <tr> <td>394</td> <td>ETR</td> <td>-</td> <td>WD.</td> <td>J2</td> <td>PTD.</td> <td>-</td> <td>391A</td> <td>3\"/> <tr> <td>395</td> <td>ETR</td> <td>-</td> <td>WD.</td> <td>J2</td> <td>PTD.</td> <td>-</td> <td>391B</td> <td>3\"/> <tr> <td>396</td> <td>ETR</td> <td>-</td> <td>WD.</td> <td>J2</td> <td>PTD.</td> <td>-</td> <td>394</td> <td>3\"/> <tr> <td>398</td> <td>ETR</td> <td>-</td> <td>WD.</td> <td>J2</td> <td>PTD.</td> <td>-</td> <td>395</td> <td>3\"/> <tr> <td>399</td> <td>ETR</td> <td>-</td> <td>WD.</td> <td>J2</td> <td>PTD.</td> <td>-</td> <td>396</td> <td>3\"/> <tr> <td>3991</td> <td>ETR</td> <td>-</td> <td>WD.</td> <td>J2</td> <td>PTD.</td> <td>-</td> <td>398</td> <td>3\"/> <tr> <td>3992</td> <td>A</td> <td>3\"/> <tr> <td>3993</td> <td>ETR</td> <td>-</td> <td>WD.</td> <td>J2</td> <td>PTD.</td> <td>-</td> <td>399</td> <td>3\"/> <tr> <td>3994</td> <td>ETR</td> <td>-</td> <td>WD.</td> <td>J2</td> <td>PTD.</td> <td>-</td> <td>3991</td> <td>3\"/> <tr> <td>3995</td> <td>ETR</td> <td>-</td> <td>WD.</td> <td>J2</td> <td>PTD.</td> <td>-</td> <td>3992</td> <td>3\"/> <tr> <td>3997</td> <td>ETR</td> <td>-</td> <td>WD.</td> <td>J2</td> <td>PTD.</td> <td>-</td> <td>3993</td> <td>3\"/> <tr> <td>3998</td> <td>ETR</td> <td>-</td> <td>WD.</td> <td>J2</td> <td>PTD.</td> <td>-</td> <td>3994</td> <td>3\"/> <tr> <td>3999</td> <td>ETR</td> <td>-</td> <td>WD.</td> <td>J2</td> <td>PTD.</td> <td>-</td> <td>3995</td> <td>3\"/> <tr> <td>3999</td> <td>ETR</td> <td>-</td> <td>WD.</td> <td>J2</td> <td>PTD.</td> <td>-</td> <td>3997</td> <td>3\"/> </td></tr></td></tr></td></tr></td></tr></td></tr></td></tr></td></tr></td></tr></td></tr></td></tr></td></tr></td></tr></td></tr></td></tr></td></tr></td></tr> | 391A | ETR | -
 | WD. | J2 | PTD. | - | 389 | 3\"/> <tr> <td>391B</td> <td>ETR</td> <td>-</td> <td>WD.</td> <td>J2</td> <td>PTD.</td> <td>-</td> <td>391</td> <td>3\"/> <tr> <td>394</td> <td>ETR</td> <td>-</td> <td>WD.</td> <td>J2</td> <td>PTD.</td> <td>-</td> <td>391A</td> <td>3\"/> <tr> <td>395</td> <td>ETR</td> <td>-</td> <td>WD.</td> <td>J2</td> <td>PTD.</td> <td>-</td> <td>391B</td> <td>3\"/> <tr> <td>396</td> <td>ETR</td> <td>-</td> <td>WD.</td> <td>J2</td> <td>PTD.</td> <td>-</td> <td>394</td> <td>3\"/> <tr> <td>398</td> <td>ETR</td> <td>-</td> <td>WD.</td> <td>J2</td> <td>PTD.</td> <td>-</td> <td>395</td> <td>3\"/> <tr> <td>399</td> <td>ETR</td> <td>-</td> <td>WD.</td> <td>J2</td> <td>PTD.</td> <td>-</td> <td>396</td> <td>3\"/> <tr> <td>3991</td> <td>ETR</td> <td>-</td> <td>WD.</td> <td>J2</td> <td>PTD.</td> <td>-</td> <td>398</td> <td>3\"/> <tr> <td>3992</td> <td>A</td> <td>3\"/> <tr> <td>3993</td> <td>ETR</td> <td>-</td> <td>WD.</td> <td>J2</td> <td>PTD.</td> <td>-</td> <td>399</td> <td>3\"/> <tr> <td>3994</td> <td>ETR</td> <td>-</td> <td>WD.</td> <td>J2</td> <td>PTD.</td> <td>-</td> <td>3991</td> <td>3\"/> <tr> <td>3995</td> <td>ETR</td> <td>-</td> <td>WD.</td> <td>J2</td> <td>PTD.</td> <td>-</td> <td>3992</td> <td>3\"/> <tr> <td>3997</td> <td>ETR</td> <td>-</td> <td>WD.</td> <td>J2</td> <td>PTD.</td> <td>-</td> <td>3993</td> <td>3\"/> <tr> <td>3998</td> <td>ETR</td> <td>-</td> <td>WD.</td> <td>J2</td> <td>PTD.</td> <td>-</td> <td>3994</td> <td>3\"/> <tr> <td>3999</td> <td>ETR</td> <td>-</td> <td>WD.</td> <td>J2</td> <td>PTD.</td> <td>-</td> <td>3995</td> <td>3\"/> <tr> <td>3999</td> <td>ETR</td> <td>-</td> <td>WD.</td> <td>J2</td> <td>PTD.</td> <td>-</td> <td>3997</td> <td>3\"/> </td></tr></td></tr></td></tr></td></tr></td></tr></td></tr></td></tr></td></tr></td></tr></td></tr></td></tr></td></tr></td></tr></td></tr></td></tr> | 391B | ETR | - | WD. | J2 | PTD.
 | - | 391 | 3\"/> <tr> <td>394</td> <td>ETR</td> <td>-</td> <td>WD.</td> <td>J2</td> <td>PTD.</td> <td>-</td> <td>391A</td> <td>3\"/> <tr> <td>395</td> <td>ETR</td> <td>-</td> <td>WD.</td> <td>J2</td> <td>PTD.</td> <td>-</td> <td>391B</td> <td>3\"/> <tr> <td>396</td> <td>ETR</td> <td>-</td> <td>WD.</td> <td>J2</td> <td>PTD.</td> <td>-</td> <td>394</td> <td>3\"/> <tr> <td>398</td> <td>ETR</td> <td>-</td> <td>WD.</td> <td>J2</td> <td>PTD.</td> <td>-</td> <td>395</td> <td>3\"/> <tr> <td>399</td> <td>ETR</td> <td>-</td> <td>WD.</td> <td>J2</td> <td>PTD.</td> <td>-</td> <td>396</td> <td>3\"/> <tr> <td>3991</td> <td>ETR</td> <td>-</td> <td>WD.</td> <td>J2</td> <td>PTD.</td> <td>-</td> <td>398</td> <td>3\"/> <tr> <td>3992</td> <td>A</td> <td>3\"/> <tr> <td>3993</td> <td>ETR</td> <td>-</td> <td>WD.</td> <td>J2</td> <td>PTD.</td> <td>-</td> <td>399</td> <td>3\"/> <tr> <td>3994</td> <td>ETR</td> <td>-</td> <td>WD.</td> <td>J2</td> <td>PTD.</td> <td>-</td> <td>3991</td> <td>3\"/> <tr> <td>3995</td> <td>ETR</td> <td>-</td> <td>WD.</td> <td>J2</td> <td>PTD.</td> <td>-</td> <td>3992</td> <td>3\"/> <tr> <td>3997</td> <td>ETR</td> <td>-</td> <td>WD.</td> <td>J2</td> <td>PTD.</td> <td>-</td> <td>3993</td> <td>3\"/> <tr> <td>3998</td> <td>ETR</td> <td>-</td> <td>WD.</td> <td>J2</td> <td>PTD.</td> <td>-</td> <td>3994</td> <td>3\"/> <tr> <td>3999</td> <td>ETR</td> <td>-</td> <td>WD.</td> <td>J2</td> <td>PTD.</td> <td>-</td> <td>3995</td> <td>3\"/> <tr> <td>3999</td> <td>ETR</td> <td>-</td> <td>WD.</td> <td>J2</td> <td>PTD.</td> <td>-</td> <td>3997</td> <td>3\"/> </td></tr></td></tr></td></tr></td></tr></td></tr></td></tr></td></tr></td></tr></td></tr></td></tr></td></tr></td></tr></td></tr></td></tr> | 394 | ETR | - | WD. | J2 | PTD. | - | 391A | 3\"/> <tr> <td>395</td> <td>ETR</td> <td>-</td> <td>WD.</td> <td>J2</td> <td>PTD.</td> <td>-</td> <td>391B</td> <td>3\"/> <tr> <td>396</td> <td>ETR</td> <td>-</td> <td>WD.</td> <td>J2</td> <td>PTD.</td> <td>-</td> <td>394</td> <td>3\"/> <tr> <td>398</td> <td>ETR</td> <td>-</td> <td>WD.</td> <td>J2</td> <td>PTD.</td> <td>-</td> <td>395</td> <td>3\"/> <tr> <td>399</td> <td>ETR</td> <td>-</td> <td>WD.</td> <td>J2</td> <td>PTD.</td> <td>-</td> <td>396</td> <td>3\"/> <tr> <td>3991</td> <td>ETR</td> <td>-</td> <td>WD.</td> <td>J2</td> <td>PTD.</td> <td>-</td> <td>398</td> <td>3\"/> <tr> <td>3992</td> <td>A</td> <td>3\"/> <tr> <td>3993</td> <td>ETR</td> <td>-</td> <td>WD.</td> <td>J2</td> <td>PTD.</td> <td>-</td> <td>399</td> <td>3\"/> <tr> <td>3994</td> <td>ETR</td> <td>-</td> <td>WD.</td> <td>J2</td> <td>PTD.</td> <td>-</td> <td>3991</td> <td>3\"/> <tr> <td>3995</td> <td>ETR</td> <td>-</td> <td>WD.</td> <td>J2</td> <td>PTD.</td> <td>-</td> <td>3992</td> <td>3\"/> <tr> <td>3997</td> <td>ETR</td> <td>-</td> <td>WD.</td> <td>J2</td> <td>PTD.</td> <td>-</td> <td>3993</td> <td>3\"/> <tr> <td>3998</td> <td>ETR</td> <td>-</td> <td>WD.</td> <td>J2</td> <td>PTD.</td> <td>-</td> <td>3994</td> <td>3\"/> <tr> <td>3999</td> <td>ETR</td> <td>-</td> <td>WD.</td> <td>J2</td> <td>PTD.</td> <td>-</td> <td>3995</td> <td>3\"/> <tr> <td>3999</td> <td>ETR</td> <td>-</td> <td>WD.</td> <td>J2</td> <td>PTD.</td> <td>-</td> <td>3997</td> <td>3\"/> </td></tr></td></tr></td></tr></td></tr></td></tr></td></tr></td></tr></td></tr></td></tr></td></tr></td></tr></td></tr></td></tr> | 395 | ETR | -
 | WD. | J2 | PTD. | - | 391B | 3\"/> <tr> <td>396</td> <td>ETR</td> <td>-</td> <td>WD.</td> <td>J2</td> <td>PTD.</td> <td>-</td> <td>394</td> <td>3\"/> <tr> <td>398</td> <td>ETR</td> <td>-</td> <td>WD.</td> <td>J2</td> <td>PTD.</td> <td>-</td> <td>395</td> <td>3\"/> <tr> <td>399</td> <td>ETR</td> <td>-</td> <td>WD.</td> <td>J2</td> <td>PTD.</td> <td>-</td> <td>396</td> <td>3\"/> <tr> <td>3991</td> <td>ETR</td> <td>-</td> <td>WD.</td> <td>J2</td> <td>PTD.</td> <td>-</td> <td>398</td> <td>3\"/> <tr> <td>3992</td> <td>A</td> <td>3\"/> <tr> <td>3993</td> <td>ETR</td> <td>-</td> <td>WD.</td> <td>J2</td> <td>PTD.</td> <td>-</td> <td>399</td> <td>3\"/> <tr> <td>3994</td> <td>ETR</td> <td>-</td> <td>WD.</td> <td>J2</td> <td>PTD.</td> <td>-</td> <td>3991</td> <td>3\"/> <tr> <td>3995</td> <td>ETR</td> <td>-</td> <td>WD.</td> <td>J2</td> <td>PTD.</td> <td>-</td> <td>3992</td> <td>3\"/> <tr> <td>3997</td> <td>ETR</td> <td>-</td> <td>WD.</td> <td>J2</td> <td>PTD.</td> <td>-</td> <td>3993</td> <td>3\"/> <tr> <td>3998</td> <td>ETR</td> <td>-</td> <td>WD.</td> <td>J2</td> <td>PTD.</td> <td>-</td> <td>3994</td> <td>3\"/> <tr> <td>3999</td> <td>ETR</td> <td>-</td> <td>WD.</td> <td>J2</td> <td>PTD.</td> <td>-</td> <td>3995</td> <td>3\"/> <tr> <td>3999</td> <td>ETR</td> <td>-</td> <td>WD.</td> <td>J2</td> <td>PTD.</td> <td>-</td> <td>3997</td> <td>3\"/> </td></tr></td></tr></td></tr></td></tr></td></tr></td></tr></td></tr></td></tr></td></tr></td></tr></td></tr></td></tr> | 396 | ETR | - | WD. | J2 | PTD. | - | 394 | 3\"/> <tr> <td>398</td> <td>ETR</td> <td>-</td> <td>WD.</td> <td>J2</td> <td>PTD.</td> <td>-</td> <td>395</td> <td>3\"/> <tr> <td>399</td> <td>ETR</td> <td>-</td> <td>WD.</td> <td>J2</td> <td>PTD.</td> <td>-</td> <td>396</td> <td>3\"/> <tr> <td>3991</td> <td>ETR</td> <td>-</td> <td>WD.</td> <td>J2</td> <td>PTD.</td> <td>-</td> <td>398</td> <td>3\"/> <tr> <td>3992</td> <td>A</td> <td>3\"/> <tr> <td>3993</td> <td>ETR</td> <td>-</td> <td>WD.</td> <td>J2</td> <td>PTD.</td> <td>-</td> <td>399</td> <td>3\"/> <tr> <td>3994</td> <td>ETR</td> <td>-</td> <td>WD.</td> <td>J2</td> <td>PTD.</td> <td>-</td> <td>3991</td> <td>3\"/> <tr> <td>3995</td> <td>ETR</td> <td>-</td> <td>WD.</td> <td>J2</td> <td>PTD.</td> <td>-</td> <td>3992</td> <td>3\"/> <tr> <td>3997</td> <td>ETR</td> <td>-</td> <td>WD.</td> <td>J2</td> <td>PTD.</td> <td>-</td> <td>3993</td> <td>3\"/> <tr> <td>3998</td> <td>ETR</td> <td>-</td> <td>WD.</td> <td>J2</td> <td>PTD.</td> <td>-</td> <td>3994</td> <td>3\"/> <tr> <td>3999</td> <td>ETR</td> <td>-</td> <td>WD.</td> <td>J2</td> <td>PTD.</td> <td>-</td> <td>3995</td> <td>3\"/> <tr> <td>3999</td> <td>ETR</td> <td>-</td> <td>WD.</td> <td>J2</td> <td>PTD.</td> <td>-</td> <td>3997</td> <td>3\"/> </td></tr></td></tr></td></tr></td></tr></td></tr></td></tr></td></tr></td></tr></td></tr></td></tr></td></tr> | 398 | ETR | -
 | WD. | J2 | PTD. | - | 395 | 3\"/> <tr> <td>399</td> <td>ETR</td> <td>-</td> <td>WD.</td> <td>J2</td> <td>PTD.</td> <td>-</td> <td>396</td> <td>3\"/> <tr> <td>3991</td> <td>ETR</td> <td>-</td> <td>WD.</td> <td>J2</td> <td>PTD.</td> <td>-</td> <td>398</td> <td>3\"/> <tr> <td>3992</td> <td>A</td> <td>3\"/> <tr> <td>3993</td> <td>ETR</td> <td>-</td> <td>WD.</td> <td>J2</td> <td>PTD.</td> <td>-</td> <td>399</td> <td>3\"/> <tr> <td>3994</td> <td>ETR</td> <td>-</td> <td>WD.</td> <td>J2</td> <td>PTD.</td> <td>-</td> <td>3991</td> <td>3\"/> <tr> <td>3995</td> <td>ETR</td> <td>-</td> <td>WD.</td> <td>J2</td> <td>PTD.</td> <td>-</td> <td>3992</td> <td>3\"/> <tr> <td>3997</td> <td>ETR</td> <td>-</td> <td>WD.</td> <td>J2</td> <td>PTD.</td> <td>-</td> <td>3993</td> <td>3\"/> <tr> <td>3998</td> <td>ETR</td> <td>-</td> <td>WD.</td> <td>J2</td> <td>PTD.</td> <td>-</td> <td>3994</td> <td>3\"/> <tr> <td>3999</td> <td>ETR</td> <td>-</td> <td>WD.</td> <td>J2</td> <td>PTD.</td> <td>-</td> <td>3995</td> <td>3\"/> <tr> <td>3999</td> <td>ETR</td> <td>-</td> <td>WD.</td> <td>J2</td> <td>PTD.</td> <td>-</td> <td>3997</td> <td>3\"/> </td></tr></td></tr></td></tr></td></tr></td></tr></td></tr></td></tr></td></tr></td></tr></td></tr> | 399 | ETR | - | WD. | J2 | PTD. | - | 396 | 3\"/> <tr> <td>3991</td> <td>ETR</td> <td>-</td> <td>WD.</td> <td>J2</td> <td>PTD.</td> <td>-</td> <td>398</td> <td>3\"/> <tr> <td>3992</td> <td>A</td> <td>3\"/> <tr> <td>3993</td> <td>ETR</td> <td>-</td> <td>WD.</td> <td>J2</td> <td>PTD.</td> <td>-</td> <td>399</td> <td>3\"/> <tr> <td>3994</td> <td>ETR</td> <td>-</td> <td>WD.</td> <td>J2</td> <td>PTD.</td> <td>-</td> <td>3991</td> <td>3\"/> <tr> <td>3995</td> <td>ETR</td> <td>-</td> <td>WD.</td> <td>J2</td> <td>PTD.</td> <td>-</td> <td>3992</td> <td>3\"/> <tr> <td>3997</td> <td>ETR</td> <td>-</td> <td>WD.</td> <td>J2</td> <td>PTD.</td> <td>-</td> <td>3993</td> <td>3\"/> <tr> <td>3998</td> <td>ETR</td> <td>-</td> <td>WD.</td> <td>J2</td> <td>PTD.</td> <td>-</td> <td>3994</td> <td>3\"/> <tr> <td>3999</td> <td>ETR</td> <td>-</td> <td>WD.</td> <td>J2</td> <td>PTD.</td> <td>-</td> <td>3995</td> <td>3\"/> <tr> <td>3999</td> <td>ETR</td> <td>-</td> <td>WD.</td> <td>J2</td> <td>PTD.</td> <td>-</td> <td>3997</td> <td>3\"/> </td></tr></td></tr></td></tr></td></tr></td></tr></td></tr></td></tr></td></tr></td></tr> | 3991 | ETR | -
 | WD. | J2 | PTD. | - | 398 | 3\"/> <tr> <td>3992</td> <td>A</td> <td>3\"/> <tr> <td>3993</td> <td>ETR</td> <td>-</td> <td>WD.</td> <td>J2</td> <td>PTD.</td> <td>-</td> <td>399</td> <td>3\"/> <tr> <td>3994</td> <td>ETR</td> <td>-</td> <td>WD.</td> <td>J2</td> <td>PTD.</td> <td>-</td> <td>3991</td> <td>3\"/> <tr> <td>3995</td> <td>ETR</td> <td>-</td> <td>WD.</td> <td>J2</td> <td>PTD.</td> <td>-</td> <td>3992</td> <td>3\"/> <tr> <td>3997</td> <td>ETR</td> <td>-</td> <td>WD.</td> <td>J2</td> <td>PTD.</td> <td>-</td> <td>3993</td> <td>3\"/> <tr> <td>3998</td> <td>ETR</td> <td>-</td> <td>WD.</td> <td>J2</td> <td>PTD.</td> <td>-</td> <td>3994</td> <td>3\"/> <tr> <td>3999</td> <td>ETR</td> <td>-</td> <td>WD.</td> <td>J2</td> <td>PTD.</td> <td>-</td> <td>3995</td> <td>3\"/> <tr> <td>3999</td> <td>ETR</td> <td>-</td> <td>WD.</td> <td>J2</td> <td>PTD.</td> <td>-</td> <td>3997</td> <td>3\"/> </td></tr></td></tr></td></tr></td></tr></td></tr></td></tr></td></tr></td></tr> | 3992 | A | 3\"/> <tr> <td>3993</td> <td>ETR</td> <td>-</td> <td>WD.</td> <td>J2</td> <td>PTD.</td> <td>-</td> <td>399</td> <td>3\"/> <tr> <td>3994</td> <td>ETR</td> <td>-</td> <td>WD.</td> <td>J2</td> <td>PTD.</td> <td>-</td> <td>3991</td> <td>3\"/> <tr> <td>3995</td> <td>ETR</td> <td>-</td> <td>WD.</td> <td>J2</td> <td>PTD.</td> <td>-</td> <td>3992</td> <td>3\"/> <tr> <td>3997</td> <td>ETR</td> <td>-</td> <td>WD.</td> <td>J2</td> <td>PTD.</td> <td>-</td> <td>3993</td> <td>3\"/> <tr> <td>3998</td> <td>ETR</td> <td>-</td> <td>WD.</td> <td>J2</td> <td>PTD.</td> <td>-</td> <td>3994</td> <td>3\"/> <tr> <td>3999</td> <td>ETR</td> <td>-</td> <td>WD.</td> <td>J2</td> <td>PTD.</td> <td>-</td> <td>3995</td> <td>3\"/> <tr> <td>3999</td> <td>ETR</td> <td>-</td> <td>WD.</td> <td>J2</td> <td>PTD.</td> <td>-</td> <td>3997</td> <td>3\"/> </td></tr></td></tr></td></tr></td></tr></td></tr></td></tr></td></tr> | 3993 | ETR | - | WD. | J2 | PTD. | - | 399 | 3\"/> <tr> <td>3994</td> <td>ETR</td> <td>-</td> <td>WD.</td> <td>J2</td> <td>PTD.</td> <td>-</td> <td>3991</td> <td>3\"/> <tr> <td>3995</td> <td>ETR</td> <td>-</td> <td>WD.</td> <td>J2</td> <td>PTD.</td> <td>-</td> <td>3992</td> <td>3\"/> <tr> <td>3997</td> <td>ETR</td> <td>-</td> <td>WD.</td> <td>J2</td> <td>PTD.</td> <td>-</td> <td>3993</td> <td>3\"/> <tr> <td>3998</td> <td>ETR</td> <td>-</td> <td>WD.</td> <td>J2</td> <td>PTD.</td> <td>-</td> <td>3994</td> <td>3\"/> <tr> <td>3999</td> <td>ETR</td> <td>-</td> <td>WD.</td> <td>J2</td> <td>PTD.</td> <td>-</td> <td>3995</td> <td>3\"/> <tr> <td>3999</td> <td>ETR</td> <td>-</td> <td>WD.</td> <td>J2</td> <td>PTD.</td> <td>-</td> <td>3997</td> <td>3\"/> </td></tr></td></tr></td></tr></td></tr></td></tr></td></tr> | 3994 | ETR | - | WD. | J2 | PTD.
 | - | 3991 | 3\"/> <tr> <td>3995</td> <td>ETR</td> <td>-</td> <td>WD.</td> <td>J2</td> <td>PTD.</td> <td>-</td> <td>3992</td> <td>3\"/> <tr> <td>3997</td> <td>ETR</td> <td>-</td> <td>WD.</td> <td>J2</td> <td>PTD.</td> <td>-</td> <td>3993</td> <td>3\"/> <tr> <td>3998</td> <td>ETR</td> <td>-</td> <td>WD.</td> <td>J2</td> <td>PTD.</td> <td>-</td> <td>3994</td> <td>3\"/> <tr> <td>3999</td> <td>ETR</td> <td>-</td> <td>WD.</td> <td>J2</td> <td>PTD.</td> <td>-</td> <td>3995</td> <td>3\"/> <tr> <td>3999</td> <td>ETR</td> <td>-</td> <td>WD.</td> <td>J2</td> <td>PTD.</td> <td>-</td> <td>3997</td> <td>3\"/> </td></tr></td></tr></td></tr></td></tr></td></tr> | 3995 | ETR | - | WD. | J2 | PTD. | - | 3992 | 3\"/> <tr> <td>3997</td> <td>ETR</td> <td>-</td> <td>WD.</td> <td>J2</td> <td>PTD.</td> <td>-</td> <td>3993</td> <td>3\"/> <tr> <td>3998</td> <td>ETR</td> <td>-</td> <td>WD.</td> <td>J2</td> <td>PTD.</td> <td>-</td> <td>3994</td> <td>3\"/> <tr> <td>3999</td> <td>ETR</td> <td>-</td> <td>WD.</td> <td>J2</td> <td>PTD.</td> <td>-</td> <td>3995</td> <td>3\"/> <tr> <td>3999</td> <td>ETR</td> <td>-</td> <td>WD.</td> <td>J2</td> <td>PTD.</td> <td>-</td> <td>3997</td> <td>3\"/> </td></tr></td></tr></td></tr></td></tr> | 3997 | ETR | - | WD. | J2 | PTD. | - | 3993 | 3\"/> <tr> <td>3998</td> <td>ETR</td> <td>-</td> <td>WD.</td> <td>J2</td> <td>PTD.</td> <td>-</td> <td>3994</td> <td>3\"/> <tr> <td>3999</td> <td>ETR</td> <td>-</td> <td>WD.</td> <td>J2</td> <td>PTD.</td> <td>-</td> <td>3995</td> <td>3\"/> <tr> <td>3999</td> <td>ETR</td> <td>-</td> <td>WD.</td> <td>J2</td> <td>PTD.</td> <td>-</td> <td>3997</td> <td>3\"/> </td></tr></td></tr></td></tr> | 3998 | ETR | - | WD. | J2 | PTD. | - | 3994 | 3\"/> <tr> <td>3999</td> <td>ETR</td> <td>-</td>
<td>WD.</td> <td>J2</td> <td>PTD.</td> <td>-</td> <td>3995</td> <td>3\"/> <tr> <td>3999</td> <td>ETR</td> <td>-</td> <td>WD.</td> <td>J2</td> <td>PTD.</td> <td>-</td> <td>3997</td> <td>3\"/> </td></tr></td></tr> | 3999 | ETR | - | WD. | J2 | PTD. | - | 3995 | 3\"/> <tr> <td>3999</td> <td>ETR</td> <td>-</td> <td>WD.</td> <td>J2</td> <td>PTD.</td> <td>-</td> <td>3997</td> <td>3\"/> </td></tr> | 3999 | ETR | - | WD. | J2 | PTD. | - | 3997 | 3\"/> | | | | | | | | | | | | | | | | | | | | |
 | | | | | | | | | | | | | | | | | | | | | | | | | | | | | | | | | | | | | | | | | | | | | | | | | | | | | | |
| 363 | ETR | - | WD. | J2 | PTD. | - | 361A | 3\"/> <tr> <td>364A</td> <td>ETR</td> <td>-</td> <td>WD.</td> <td>J2</td> <td>PTD.</td> <td>-</td> <td>362</td> <td>3\"/> <tr> <td>365</td> <td>ETR</td> <td>-</td> <td>WD.</td> <td>J2</td> <td>PTD.</td> <td>-</td> <td>363</td> <td>3\"/> <tr> <td>366</td> <td>ETR</td> <td>-</td> <td>WD.</td> <td>J2</td> <td>PTD.</td> <td>-</td> <td>364A</td> <td>3\"/> <tr> <td>367</td> <td>B</td> <td>2 <td>HM</td> <td>J1</td> <td>PTD.</td> <td>1 HR.</td> <td>365</td> <td>3\"/> <tr> <td>368</td> <td>ETR</td> <td>-</td> <td>WD.</td> <td>J2</td> <td>PTD.</td> <td>-</td> <td>366</td> <td>3\"/> <tr> <td>369</td> <td>ETR</td> <td>-</td> <td>WD.</td> <td>J2</td> <td>PTD.</td> <td>-</td> <td>367</td> <td>3\"/> <tr> <td>370</td> <td>ETR</td> <td>-</td> <td>WD.</td> <td>J2</td> <td>PTD.</td> <td>-</td> <td>368</td> <td>3\"/> <tr> <td>371</td> <td>ETR</td> <td>-</td> <td>WD.</td> <td>J2</td> <td>PTD.</td> <td>-</td> <td>369</td> <td>3\"/> <tr> <td>372</td> <td>B</td> <td>2 <td>HM</td> <td>J1</td> <td>PTD.</td> <td>1 HR.</td> <td>370</td> <td>3\"/> <tr> <td>373A</td> <td>ETR</td> <td>-</td> <td>WD.</td> <td>J2</td> <td>PTD.</td> <td>-</td> <td>371</td> <td>3\"/> <tr> <td>374B</td> <td>ETR</td> <td>-</td> <td>WD.</td> <td>J2</td> <td>PTD.</td> <td>-</td> <td>372</td> <td>3\"/> <tr> <td>374C</td> <td>ETR</td> <td>-</td> <td>WD.</td> <td>J2</td> <td>PTD.</td> <td>-</td> <td>373A</td> <td>3\"/> <tr> <td>375</td> <td>B</td> <td>1 <td>WD</td> <td>J1</td> <td>PTD.</td> <td>-</td> <td>374B</td> <td>3\"/> <tr> <td>376</td> <td>B</td> <td>1 <td>WD</td> <td>J1</td> <td>PTD.</td> <td>-</td> <td>374C</td> <td>3\"/> <tr> <td>377</td> <td>B</td> <td>1 <td>WD</td> <td>J1</td> <td>PTD.</td> <td>-</td> <td>375</td> <td>3\"/> <tr> <td>377A</td> <td>B</td> <td>1 <td>WD</td> <td>J1</td> <td>PTD.</td> <td>-</td> <td>376</td> <td>3\"/> <tr> <td>378</td> <td>B</td> <td>1 <td>WD</td> <td>J1</td> <td>PTD.</td> <td>-</td> <td>377</td> <td>3\"/> <tr> <td>379</td> <td>B</td> <td>1 <td>WD</td> <td>J1</td> <td>PTD.</td> <td>-</td> <td>377A</td> <td>3\"/> <tr> <td>380A</td> <td>B</td> <td>1 <td>WD</td> <td>J1</td> <td>PTD.</td> <td>-</td> <td>378</td> <td>3\"/> <tr> <td>380B</td> <td>B</td> <td>1 <td>WD</td> <td>J1</td> <td>PTD.</td> <td>-</td> <td>379</td> <td>3\"/> <tr> <td>382</td> <td>ETR</td> <td>-</td> <td>WD.</td> <td>J2</td> <td>PTD.</td> <td>-</td> <td>380A</td> <td>3\"/> <tr> <td>382A</td> <td>D</td> <td>6 <td>ALUM.</td> <td>ANODIZE D</td> <td>-</td> <td>-</td> <td>380B</td> <td>3\"/> <tr> <td>385</td> <td>ETR</td> <td>-</td> <td>WD.</td> <td>J2</td> <td>PTD.</td> <td>-</td> <td>382</td> <td>3\"/> <tr> <td>386</td> <td>ETR</td> <td>-</td> <td>WD.</td> <td>J2</td> <td>PTD.</td> <td>-</td> <td>382A</td> <td>3\"/> <tr> <td>387</td> <td>ETR</td> <td>-</td> <td>WD.</td> <td>J2</td> <td>PTD.</td> <td>-</td> <td>385</td> <td>3\"/> <tr> <td>388</td> <td>ETR</td> <td>-</td> <td>WD.</td> <td>J2</td>
<td>PTD.</td> <td>-</td> <td>386</td> <td>3\"/> <tr> <td>389</td> <td>ETR</td> <td>-</td> <td>WD.</td> <td>J2</td> <td>PTD.</td> <td>-</td> <td>387</td> <td>3\"/> <tr> <td>391</td> <td>ETR</td> <td>-</td> <td>WD.</td> <td>J2</td> <td>PTD.</td> <td>-</td> <td>388</td> <td>3\"/> <tr> <td>391A</td> <td>ETR</td> <td>-</td> <td>WD.</td> <td>J2</td> <td>PTD.</td> <td>-</td> <td>389</td> <td>3\"/> <tr> <td>391B</td> <td>ETR</td> <td>-</td> <td>WD.</td> <td>J2</td> <td>PTD.</td> <td>-</td> <td>391</td> <td>3\"/> <tr> <td>394</td> <td>ETR</td> <td>-</td> <td>WD.</td> <td>J2</td> <td>PTD.</td> <td>-</td> <td>391A</td> <td>3\"/> <tr> <td>395</td> <td>ETR</td> <td>-</td> <td>WD.</td> <td>J2</td> <td>PTD.</td> <td>-</td> <td>391B</td> <td>3\"/> <tr> <td>396</td> <td>ETR</td> <td>-</td> <td>WD.</td> <td>J2</td> <td>PTD.</td> <td>-</td> <td>394</td> <td>3\"/> <tr> <td>398</td> <td>ETR</td> <td>-</td> <td>WD.</td> <td>J2</td> <td>PTD.</td> <td>-</td> <td>395</td> <td>3\"/> <tr> <td>399</td> <td>ETR</td> <td>-</td> <td>WD.</td> <td>J2</td> <td>PTD.</td> <td>-</td> <td>396</td> <td>3\"/> <tr> <td>3991</td> <td>ETR</td> <td>-</td> <td>WD.</td> <td>J2</td> <td>PTD.</td> <td>-</td> <td>398</td> <td>3\"/> <tr> <td>3992</td> <td>A</td> <td>3\"/> <tr> <td>3993</td> <td>ETR</td> <td>-</td> <td>WD.</td> <td>J2</td> <td>PTD.</td> <td>-</td> <td>399</td> <td>3\"/> <tr> <td>3994</td> <td>ETR</td> <td>-</td> <td>WD.</td> <td>J2</td> <td>PTD.</td> <td>-</td> <td>3991</td> <td>3\"/> <tr> <td>3995</td> <td>ETR</td> <td>-</td> <td>WD.</td> <td>J2</td> <td>PTD.</td> <td>-</td> <td>3992</td> <td>3\"/> <tr> <td>3997</td> <td>ETR</td> <td>-</td> <td>WD.</td> <td>J2</td> <td>PTD.</td> <td>-</td> <td>3993</td> <td>3\"/> <tr> <td>3998</td> <td>ETR</td> <td>-</td> <td>WD.</td> <td>J2</td> <td>PTD.</td> <td>-</td> <td>3994</td> <td>3\"/> <tr> <td>3999</td> <td>ETR</td> <td>-</td> <td>WD.</td> <td>J2</td> <td>PTD.</td> <td>-</td> <td>3995</td> <td>3\"/> <tr> <td>3999</td> <td>ETR</td> <td>-</td> <td>WD.</td> <td>J2</td> <td>PTD.</td> <td>-</td> <td>3997</td> <td>3\"/> </td></tr></td></tr></td></tr></td></tr></td></tr></td></tr></td></tr></td></tr></td></tr></td></tr></td></tr></td></tr></td></tr></td></tr></td></tr></td></tr></td></tr></td></tr></td></tr></td></tr></td></tr></td></tr></td></td></tr></td></tr></td></td></tr></td></td></tr></td></td></tr></td></td></tr></td></td></tr></td></td></tr></td></td></tr></td></td></tr></td></tr></td></tr></td></tr></td></td></tr></td></tr></td></tr></td></tr></td></tr></td></td></tr></td></tr></td></tr></td></tr> | 364A | ETR | -
 | WD. | J2 | PTD. | - | 362 | 3\"/> <tr> <td>365</td> <td>ETR</td> <td>-</td> <td>WD.</td> <td>J2</td> <td>PTD.</td> <td>-</td> <td>363</td> <td>3\"/> <tr> <td>366</td> <td>ETR</td> <td>-</td> <td>WD.</td> <td>J2</td> <td>PTD.</td> <td>-</td> <td>364A</td> <td>3\"/> <tr> <td>367</td> <td>B</td> <td>2 <td>HM</td> <td>J1</td> <td>PTD.</td> <td>1 HR.</td> <td>365</td> <td>3\"/> <tr> <td>368</td> <td>ETR</td> <td>-</td> <td>WD.</td> <td>J2</td> <td>PTD.</td> <td>-</td> <td>366</td> <td>3\"/> <tr> <td>369</td> <td>ETR</td> <td>-</td> <td>WD.</td> <td>J2</td> <td>PTD.</td> <td>-</td> <td>367</td> <td>3\"/> <tr> <td>370</td> <td>ETR</td> <td>-</td> <td>WD.</td> <td>J2</td> <td>PTD.</td> <td>-</td> <td>368</td> <td>3\"/> <tr> <td>371</td> <td>ETR</td> <td>-</td> <td>WD.</td> <td>J2</td> <td>PTD.</td> <td>-</td> <td>369</td> <td>3\"/> <tr> <td>372</td> <td>B</td> <td>2 <td>HM</td> <td>J1</td> <td>PTD.</td> <td>1 HR.</td> <td>370</td> <td>3\"/> <tr> <td>373A</td> <td>ETR</td> <td>-</td> <td>WD.</td> <td>J2</td> <td>PTD.</td> <td>-</td> <td>371</td> <td>3\"/> <tr> <td>374B</td> <td>ETR</td> <td>-</td> <td>WD.</td> <td>J2</td> <td>PTD.</td> <td>-</td> <td>372</td> <td>3\"/> <tr> <td>374C</td> <td>ETR</td> <td>-</td> <td>WD.</td> <td>J2</td> <td>PTD.</td> <td>-</td> <td>373A</td> <td>3\"/> <tr> <td>375</td> <td>B</td> <td>1 <td>WD</td> <td>J1</td> <td>PTD.</td> <td>-</td> <td>374B</td> <td>3\"/> <tr> <td>376</td> <td>B</td> <td>1 <td>WD</td> <td>J1</td> <td>PTD.</td> <td>-</td> <td>374C</td> <td>3\"/> <tr> <td>377</td> <td>B</td> <td>1 <td>WD</td> <td>J1</td> <td>PTD.</td> <td>-</td> <td>375</td> <td>3\"/> <tr> <td>377A</td> <td>B</td> <td>1 <td>WD</td> <td>J1</td> <td>PTD.</td> <td>-</td> <td>376</td> <td>3\"/> <tr> <td>378</td> <td>B</td> <td>1 <td>WD</td> <td>J1</td> <td>PTD.</td> <td>-</td> <td>377</td> <td>3\"/> <tr> <td>379</td> <td>B</td> <td>1 <td>WD</td> <td>J1</td> <td>PTD.</td> <td>-</td> <td>377A</td> <td>3\"/> <tr> <td>380A</td> <td>B</td> <td>1 <td>WD</td> <td>J1</td> <td>PTD.</td> <td>-</td> <td>378</td> <td>3\"/> <tr> <td>380B</td> <td>B</td> <td>1 <td>WD</td> <td>J1</td> <td>PTD.</td> <td>-</td> <td>379</td> <td>3\"/> <tr> <td>382</td> <td>ETR</td> <td>-</td> <td>WD.</td> <td>J2</td> <td>PTD.</td> <td>-</td> <td>380A</td> <td>3\"/> <tr> <td>382A</td> <td>D</td> <td>6 <td>ALUM.</td> <td>ANODIZE D</td> <td>-</td> <td>-</td> <td>380B</td> <td>3\"/> <tr> <td>385</td> <td>ETR</td> <td>-</td> <td>WD.</td> <td>J2</td> <td>PTD.</td> <td>-</td> <td>382</td> <td>3\"/> <tr> <td>386</td> <td>ETR</td> <td>-</td> <td>WD.</td> <td>J2</td> <td>PTD.</td> <td>-</td> <td>382A</td> <td>3\"/> <tr> <td>387</td> <td>ETR</td> <td>-</td> <td>WD.</td> <td>J2</td> <td>PTD.</td> <td>-</td> <td>385</td> <td>3\"/> <tr> <td>388</td> <td>ETR</td> <td>-</td> <td>WD.</td> <td>J2</td> <td>PTD.</td> <td>-</td> <td>386</td> <td>3\"/> <tr> <td>389</td> <td>ETR</td> <td>-</td> <td>WD.</td> <td>J2</td> <td>PTD.</td> <td>-</td> <td>387</td> <td>3\"/> <tr> <td>391</td> <td>ETR</td> <td>-</td> <td>WD.</td> <td>J2</td> <td>PTD.</td> <td>-</td> <td>388</td> <td>3\"/> <tr> <td>391A</td> <td>ETR</td> <td>-</td> <td>WD.</td> <td>J2</td> <td>PTD.</td> <td>-</td> <td>389</td> <td>3\"/> <tr> <td>391B</td> <td>ETR</td> <td>-</td> <td>WD.</td> <td>J2</td> <td>PTD.</td> <td>-</td> <td>391</td> <td>3\"/> <tr> <td>394</td> <td>ETR</td> <td>-</td> <td>WD.</td> <td>J2</td> <td>PTD.</td> <td>-</td> <td>391A</td> <td>3\"/> <tr> <td>395</td> <td>ETR</td> <td>-</td> <td>WD.</td> <td>J2</td> <td>PTD.</td> <td>-</td> <td>391B</td> <td>3\"/> <tr> <td>396</td> <td>ETR</td> <td>-</td> <td>WD.</td> <td>J2</td> <td>PTD.</td> <td>-</td> <td>394</td> <td>3\"/> <tr> <td>398</td> <td>ETR</td> <td>-</td> <td>WD.</td> <td>J2</td> <td>PTD.</td> <td>-</td> <td>395</td> <td>3\"/> <tr> <td>399</td> <td>ETR</td> <td>-</td> <td>WD.</td> <td>J2</td> <td>PTD.</td> <td>-</td> <td>396</td> <td>3\"/> <tr> <td>3991</td> <td>ETR</td> <td>-</td> <td>WD.</td> <td>J2</td> <td>PTD.</td> <td>-</td> <td>398</td> <td>3\"/> <tr> <td>3992</td> <td>A</td> <td>3\"/> <tr> <td>3993</td> <td>ETR</td> <td>-</td> <td>WD.</td> <td>J2</td> <td>PTD.</td> <td>-</td> <td>399</td> <td>3\"/> <tr> <td>3994</td> <td>ETR</td> <td>-</td> <td>WD.</td> <td>J2</td> <td>PTD.</td> <td>-</td> <td>3991</td> <td>3\"/> <tr> <td>3995</td> <td>ETR</td> <td>-</td> <td>WD.</td> <td>J2</td> <td>PTD.</td> <td>-</td> <td>3992</td> <td>3\"/> <tr> <td>3997</td> <td>ETR</td> <td>-</td> <td>WD.</td> <td>J2</td> <td>PTD.</td> <td>-</td> <td>3993</td> <td>3\"/> <tr> <td>3998</td> <td>ETR</td> <td>-</td> <td>WD.</td> <td>J2</td> <td>PTD.</td> <td>-</td> <td>3994</td> <td>3\"/> <tr> <td>3999</td> <td>ETR</td> <td>-</td> <td>WD.</td> <td>J2</td> <td>PTD.</td> <td>-</td> <td>3995</td> <td>3\"/> <tr> <td>3999</td> <td>ETR</td> <td>-</td> <td>WD.</td> <td>J2</td> <td>PTD.</td> <td>-</td> <td>3997</td> <td>3\"/> </td></tr></td></tr></td></tr></td></tr></td></tr></td></tr></td></tr></td></tr></td></tr></td></tr></td></tr></td></tr></td></tr></td></tr></td></tr></td></tr></td></tr></td></tr></td></tr></td></tr></td></tr></td></tr></td></td></tr></td></tr></td></td></tr></td></td></tr></td></td></tr></td></td></tr></td></td></tr></td></td></tr></td></td></tr></td></td></tr></td></tr></td></tr></td></tr></td></td></tr></td></tr></td></tr></td></tr></td></tr></td></td></tr></td></tr></td></tr> | 365 | ETR | -
 | WD. | J2 | PTD. | - | 363 | 3\"/> <tr> <td>366</td> <td>ETR</td> <td>-</td> <td>WD.</td> <td>J2</td> <td>PTD.</td> <td>-</td> <td>364A</td> <td>3\"/> <tr> <td>367</td> <td>B</td> <td>2 <td>HM</td> <td>J1</td> <td>PTD.</td> <td>1 HR.</td> <td>365</td> <td>3\"/> <tr> <td>368</td> <td>ETR</td> <td>-</td> <td>WD.</td> <td>J2</td> <td>PTD.</td> <td>-</td> <td>366</td> <td>3\"/> <tr> <td>369</td> <td>ETR</td> <td>-</td> <td>WD.</td> <td>J2</td> <td>PTD.</td> <td>-</td> <td>367</td> <td>3\"/> <tr> <td>370</td> <td>ETR</td> <td>-</td> <td>WD.</td> <td>J2</td> <td>PTD.</td> <td>-</td> <td>368</td> <td>3\"/> <tr> <td>371</td> <td>ETR</td> <td>-</td> <td>WD.</td> <td>J2</td> <td>PTD.</td> <td>-</td> <td>369</td> <td>3\"/> <tr> <td>372</td> <td>B</td> <td>2 <td>HM</td> <td>J1</td> <td>PTD.</td> <td>1 HR.</td> <td>370</td> <td>3\"/> <tr> <td>373A</td> <td>ETR</td> <td>-</td> <td>WD.</td> <td>J2</td> <td>PTD.</td> <td>-</td> <td>371</td> <td>3\"/> <tr> <td>374B</td> <td>ETR</td> <td>-</td> <td>WD.</td> <td>J2</td> <td>PTD.</td> <td>-</td> <td>372</td> <td>3\"/> <tr> <td>374C</td> <td>ETR</td> <td>-</td> <td>WD.</td> <td>J2</td> <td>PTD.</td> <td>-</td> <td>373A</td> <td>3\"/> <tr> <td>375</td> <td>B</td> <td>1 <td>WD</td> <td>J1</td> <td>PTD.</td> <td>-</td> <td>374B</td> <td>3\"/> <tr> <td>376</td> <td>B</td> <td>1 <td>WD</td> <td>J1</td> <td>PTD.</td> <td>-</td> <td>374C</td> <td>3\"/> <tr> <td>377</td> <td>B</td> <td>1 <td>WD</td> <td>J1</td> <td>PTD.</td> <td>-</td> <td>375</td> <td>3\"/> <tr> <td>377A</td> <td>B</td> <td>1 <td>WD</td> <td>J1</td> <td>PTD.</td> <td>-</td> <td>376</td> <td>3\"/> <tr> <td>378</td> <td>B</td> <td>1 <td>WD</td> <td>J1</td> <td>PTD.</td> <td>-</td> <td>377</td> <td>3\"/> <tr> <td>379</td> <td>B</td> <td>1 <td>WD</td> <td>J1</td> <td>PTD.</td> <td>-</td> <td>377A</td> <td>3\"/> <tr> <td>380A</td> <td>B</td> <td>1 <td>WD</td> <td>J1</td> <td>PTD.</td> <td>-</td> <td>378</td> <td>3\"/> <tr> <td>380B</td> <td>B</td> <td>1 <td>WD</td> <td>J1</td> <td>PTD.</td> <td>-</td> <td>379</td> <td>3\"/> <tr> <td>382</td> <td>ETR</td> <td>-</td> <td>WD.</td> <td>J2</td> <td>PTD.</td> <td>-</td> <td>380A</td> <td>3\"/> <tr> <td>382A</td> <td>D</td> <td>6 <td>ALUM.</td> <td>ANODIZE D</td> <td>-</td> <td>-</td> <td>380B</td> <td>3\"/> <tr> <td>385</td> <td>ETR</td> <td>-</td> <td>WD.</td> <td>J2</td> <td>PTD.</td> <td>-</td> <td>382</td> <td>3\"/> <tr> <td>386</td> <td>ETR</td> <td>-</td> <td>WD.</td> <td>J2</td> <td>PTD.</td> <td>-</td> <td>382A</td> <td>3\"/> <tr> <td>387</td> <td>ETR</td> <td>-</td> <td>WD.</td> <td>J2</td> <td>PTD.</td> <td>-</td> <td>385</td> <td>3\"/> <tr> <td>388</td> <td>ETR</td> <td>-</td> <td>WD.</td> <td>J2</td> <td>PTD.</td> <td>-</td> <td>386</td> <td>3\"/> <tr> <td>389</td> <td>ETR</td> <td>-</td> <td>WD.</td> <td>J2</td> <td>PTD.</td> <td>-</td> <td>387</td> <td>3\"/> <tr> <td>391</td> <td>ETR</td> <td>-</td> <td>WD.</td> <td>J2</td> <td>PTD.</td> <td>-</td> <td>388</td> <td>3\"/> <tr> <td>391A</td> <td>ETR</td> <td>-</td> <td>WD.</td> <td>J2</td> <td>PTD.</td> <td>-</td> <td>389</td> <td>3\"/> <tr> <td>391B</td> <td>ETR</td> <td>-</td> <td>WD.</td> <td>J2</td> <td>PTD.</td> <td>-</td> <td>391</td> <td>3\"/> <tr> <td>394</td> <td>ETR</td> <td>-</td> <td>WD.</td> <td>J2</td> <td>PTD.</td> <td>-</td> <td>391A</td> <td>3\"/> <tr> <td>395</td> <td>ETR</td> <td>-</td> <td>WD.</td> <td>J2</td> <td>PTD.</td> <td>-</td> <td>391B</td> <td>3\"/> <tr> <td>396</td> <td>ETR</td> <td>-</td> <td>WD.</td> <td>J2</td> <td>PTD.</td> <td>-</td> <td>394</td> <td>3\"/> <tr> <td>398</td> <td>ETR</td> <td>-</td> <td>WD.</td> <td>J2</td> <td>PTD.</td> <td>-</td> <td>395</td> <td>3\"/> <tr> <td>399</td> <td>ETR</td> <td>-</td> <td>WD.</td> <td>J2</td> <td>PTD.</td> <td>-</td> <td>396</td> <td>3\"/> <tr> <td>3991</td> <td>ETR</td> <td>-</td> <td>WD.</td> <td>J2</td> <td>PTD.</td> <td>-</td> <td>398</td> <td>3\"/> <tr> <td>3992</td> <td>A</td> <td>3\"/> <tr> <td>3993</td> <td>ETR</td> <td>-</td> <td>WD.</td> <td>J2</td> <td>PTD.</td> <td>-</td> <td>399</td> <td>3\"/> <tr> <td>3994</td> <td>ETR</td> <td>-</td> <td>WD.</td> <td>J2</td> <td>PTD.</td> <td>-</td> <td>3991</td> <td>3\"/> <tr> <td>3995</td> <td>ETR</td> <td>-</td> <td>WD.</td> <td>J2</td> <td>PTD.</td> <td>-</td> <td>3992</td> <td>3\"/> <tr> <td>3997</td> <td>ETR</td> <td>-</td> <td>WD.</td> <td>J2</td> <td>PTD.</td> <td>-</td> <td>3993</td> <td>3\"/> <tr> <td>3998</td> <td>ETR</td> <td>-</td> <td>WD.</td> <td>J2</td> <td>PTD.</td> <td>-</td> <td>3994</td> <td>3\"/> <tr> <td>3999</td> <td>ETR</td> <td>-</td> <td>WD.</td> <td>J2</td> <td>PTD.</td> <td>-</td> <td>3995</td> <td>3\"/> <tr> <td>3999</td> <td>ETR</td> <td>-</td> <td>WD.</td> <td>J2</td> <td>PTD.</td> <td>-</td> <td>3997</td> <td>3\"/> </td></tr></td></tr></td></tr></td></tr></td></tr></td></tr></td></tr></td></tr></td></tr></td></tr></td></tr></td></tr></td></tr></td></tr></td></tr></td></tr></td></tr></td></tr></td></tr></td></tr></td></tr></td></tr></td></td></tr></td></tr></td></td></tr></td></td></tr></td></td></tr></td></td></tr></td></td></tr></td></td></tr></td></td></tr></td></td></tr></td></tr></td></tr></td></tr></td></td></tr></td></tr></td></tr></td></tr></td></tr></td></td></tr></td></tr>
 | 366 | ETR | - | WD. | J2 | PTD. | - | 364A | 3\"/> <tr> <td>367</td> <td>B</td> <td>2 <td>HM</td> <td>J1</td> <td>PTD.</td> <td>1 HR.</td> <td>365</td> <td>3\"/> <tr> <td>368</td> <td>ETR</td> <td>-</td> <td>WD.</td> <td>J2</td> <td>PTD.</td> <td>-</td> <td>366</td> <td>3\"/> <tr> <td>369</td> <td>ETR</td> <td>-</td> <td>WD.</td> <td>J2</td> <td>PTD.</td> <td>-</td> <td>367</td> <td>3\"/> <tr> <td>370</td> <td>ETR</td> <td>-</td> <td>WD.</td> <td>J2</td> <td>PTD.</td> <td>-</td> <td>368</td> <td>3\"/> <tr> <td>371</td> <td>ETR</td> <td>-</td> <td>WD.</td> <td>J2</td> <td>PTD.</td> <td>-</td> <td>369</td> <td>3\"/> <tr> <td>372</td> <td>B</td> <td>2 <td>HM</td> <td>J1</td> <td>PTD.</td> <td>1 HR.</td> <td>370</td> <td>3\"/> <tr> <td>373A</td> <td>ETR</td> <td>-</td> <td>WD.</td> <td>J2</td> <td>PTD.</td> <td>-</td> <td>371</td> <td>3\"/> <tr> <td>374B</td> <td>ETR</td> <td>-</td> <td>WD.</td> <td>J2</td> <td>PTD.</td> <td>-</td> <td>372</td> <td>3\"/> <tr> <td>374C</td> <td>ETR</td> <td>-</td> <td>WD.</td> <td>J2</td> <td>PTD.</td> <td>-</td> <td>373A</td> <td>3\"/> <tr> <td>375</td> <td>B</td> <td>1 <td>WD</td> <td>J1</td> <td>PTD.</td> <td>-</td> <td>374B</td> <td>3\"/> <tr> <td>376</td> <td>B</td> <td>1 <td>WD</td> <td>J1</td> <td>PTD.</td> <td>-</td> <td>374C</td> <td>3\"/> <tr> <td>377</td> <td>B</td> <td>1 <td>WD</td> <td>J1</td> <td>PTD.</td> <td>-</td> <td>375</td> <td>3\"/> <tr> <td>377A</td> <td>B</td> <td>1 <td>WD</td> <td>J1</td> <td>PTD.</td> <td>-</td> <td>376</td> <td>3\"/> <tr> <td>378</td> <td>B</td> <td>1 <td>WD</td> <td>J1</td> <td>PTD.</td> <td>-</td> <td>377</td> <td>3\"/> <tr> <td>379</td> <td>B</td> <td>1 <td>WD</td> <td>J1</td> <td>PTD.</td> <td>-</td> <td>377A</td> <td>3\"/> <tr> <td>380A</td> <td>B</td> <td>1 <td>WD</td> <td>J1</td> <td>PTD.</td> <td>-</td> <td>378</td> <td>3\"/> <tr> <td>380B</td> <td>B</td> <td>1 <td>WD</td> <td>J1</td> <td>PTD.</td> <td>-</td> <td>379</td> <td>3\"/> <tr> <td>382</td> <td>ETR</td> <td>-</td> <td>WD.</td> <td>J2</td> <td>PTD.</td> <td>-</td> <td>380A</td> <td>3\"/> <tr> <td>382A</td> <td>D</td> <td>6 <td>ALUM.</td> <td>ANODIZE D</td> <td>-</td> <td>-</td> <td>380B</td> <td>3\"/> <tr> <td>385</td> <td>ETR</td> <td>-</td> <td>WD.</td> <td>J2</td> <td>PTD.</td> <td>-</td> <td>382</td> <td>3\"/> <tr> <td>386</td> <td>ETR</td> <td>-</td> <td>WD.</td> <td>J2</td> <td>PTD.</td> <td>-</td> <td>382A</td> <td>3\"/> <tr> <td>387</td> <td>ETR</td> <td>-</td> <td>WD.</td> <td>J2</td> <td>PTD.</td> <td>-</td> <td>385</td> <td>3\"/> <tr> <td>388</td> <td>ETR</td> <td>-</td> <td>WD.</td> <td>J2</td> <td>PTD.</td> <td>-</td> <td>386</td> <td>3\"/> <tr> <td>389</td> <td>ETR</td> <td>-</td> <td>WD.</td> <td>J2</td> <td>PTD.</td> <td>-</td> <td>387</td> <td>3\"/> <tr> <td>391</td> <td>ETR</td> <td>-</td>
<td>WD.</td> <td>J2</td> <td>PTD.</td> <td>-</td> <td>388</td> <td>3\"/> <tr> <td>391A</td> <td>ETR</td> <td>-</td> <td>WD.</td> <td>J2</td> <td>PTD.</td> <td>-</td> <td>389</td> <td>3\"/> <tr> <td>391B</td> <td>ETR</td> <td>-</td> <td>WD.</td> <td>J2</td> <td>PTD.</td> <td>-</td> <td>391</td> <td>3\"/> <tr> <td>394</td> <td>ETR</td> <td>-</td> <td>WD.</td> <td>J2</td> <td>PTD.</td> <td>-</td> <td>391A</td> <td>3\"/> <tr> <td>395</td> <td>ETR</td> <td>-</td> <td>WD.</td> <td>J2</td> <td>PTD.</td> <td>-</td> <td>391B</td> <td>3\"/> <tr> <td>396</td> <td>ETR</td> <td>-</td> <td>WD.</td> <td>J2</td> <td>PTD.</td> <td>-</td> <td>394</td> <td>3\"/> <tr> <td>398</td> <td>ETR</td> <td>-</td> <td>WD.</td> <td>J2</td> <td>PTD.</td> <td>-</td> <td>395</td> <td>3\"/> <tr> <td>399</td> <td>ETR</td> <td>-</td> <td>WD.</td> <td>J2</td> <td>PTD.</td> <td>-</td> <td>396</td> <td>3\"/> <tr> <td>3991</td> <td>ETR</td> <td>-</td> <td>WD.</td> <td>J2</td> <td>PTD.</td> <td>-</td> <td>398</td> <td>3\"/> <tr> <td>3992</td> <td>A</td> <td>3\"/> <tr> <td>3993</td> <td>ETR</td> <td>-</td> <td>WD.</td> <td>J2</td> <td>PTD.</td> <td>-</td> <td>399</td> <td>3\"/> <tr> <td>3994</td> <td>ETR</td> <td>-</td> <td>WD.</td> <td>J2</td> <td>PTD.</td> <td>-</td> <td>3991</td> <td>3\"/> <tr> <td>3995</td> <td>ETR</td> <td>-</td> <td>WD.</td> <td>J2</td> <td>PTD.</td> <td>-</td> <td>3992</td> <td>3\"/> <tr> <td>3997</td> <td>ETR</td> <td>-</td> <td>WD.</td> <td>J2</td> <td>PTD.</td> <td>-</td> <td>3993</td> <td>3\"/> <tr> <td>3998</td> <td>ETR</td> <td>-</td> <td>WD.</td> <td>J2</td> <td>PTD.</td> <td>-</td> <td>3994</td> <td>3\"/> <tr> <td>3999</td> <td>ETR</td> <td>-</td> <td>WD.</td> <td>J2</td> <td>PTD.</td> <td>-</td> <td>3995</td> <td>3\"/> <tr> <td>3999</td> <td>ETR</td> <td>-</td> <td>WD.</td> <td>J2</td> <td>PTD.</td> <td>-</td> <td>3997</td> <td>3\"/> </td></tr></td></tr></td></tr></td></tr></td></tr></td></tr></td></tr></td></tr></td></tr></td></tr></td></tr></td></tr></td></tr></td></tr></td></tr></td></tr></td></tr></td></tr></td></tr></td></tr></td></tr></td></tr></td></td></tr></td></tr></td></td></tr></td></td></tr></td></td></tr></td></td></tr></td></td></tr></td></td></tr></td></td></tr></td></td></tr></td></tr></td></tr></td></tr></td></td></tr></td></tr></td></tr></td></tr></td></tr></td></td></tr> | 367 | B | 2 <td>HM</td> <td>J1</td> <td>PTD.</td> <td>1 HR.</td> <td>365</td> <td>3\"/> <tr> <td>368</td> <td>ETR</td> <td>-</td> <td>WD.</td> <td>J2</td> <td>PTD.</td> <td>-</td> <td>366</td> <td>3\"/> <tr> <td>369</td> <td>ETR</td> <td>-</td> <td>WD.</td> <td>J2</td> <td>PTD.</td> <td>-</td> <td>367</td> <td>3\"/> <tr> <td>370</td> <td>ETR</td> <td>-</td> <td>WD.</td> <td>J2</td> <td>PTD.</td> <td>-</td> <td>368</td> <td>3\"/> <tr> <td>371</td> <td>ETR</td> <td>-</td> <td>WD.</td> <td>J2</td> <td>PTD.</td> <td>-</td> <td>369</td> <td>3\"/> <tr> <td>372</td> <td>B</td> <td>2 <td>HM</td> <td>J1</td> <td>PTD.</td> <td>1 HR.</td> <td>370</td> <td>3\"/> <tr> <td>373A</td> <td>ETR</td> <td>-</td> <td>WD.</td> <td>J2</td> <td>PTD.</td> <td>-</td> <td>371</td> <td>3\"/> <tr> <td>374B</td> <td>ETR</td> <td>-</td> <td>WD.</td> <td>J2</td> <td>PTD.</td> <td>-</td> <td>372</td> <td>3\"/> <tr> <td>374C</td> <td>ETR</td> <td>-</td> <td>WD.</td> <td>J2</td> <td>PTD.</td> <td>-</td> <td>373A</td> <td>3\"/> <tr> <td>375</td> <td>B</td> <td>1 <td>WD</td> <td>J1</td> <td>PTD.</td> <td>-</td> <td>374B</td> <td>3\"/> <tr> <td>376</td> <td>B</td> <td>1 <td>WD</td> <td>J1</td> <td>PTD.</td> <td>-</td> <td>374C</td> <td>3\"/> <tr> <td>377</td> <td>B</td> <td>1 <td>WD</td> <td>J1</td> <td>PTD.</td> <td>-</td> <td>375</td> <td>3\"/> <tr> <td>377A</td> <td>B</td> <td>1 <td>WD</td> <td>J1</td> <td>PTD.</td> <td>-</td> <td>376</td> <td>3\"/> <tr> <td>378</td> <td>B</td> <td>1 <td>WD</td> <td>J1</td> <td>PTD.</td> <td>-</td> <td>377</td> <td>3\"/> <tr> <td>379</td> <td>B</td> <td>1 <td>WD</td> <td>J1</td> <td>PTD.</td> <td>-</td> <td>377A</td> <td>3\"/> <tr> <td>380A</td> <td>B</td> <td>1 <td>WD</td> <td>J1</td> <td>PTD.</td> <td>-</td> <td>378</td> <td>3\"/> <tr> <td>380B</td> <td>B</td> <td>1 <td>WD</td> <td>J1</td> <td>PTD.</td> <td>-</td> <td>379</td> <td>3\"/> <tr> <td>382</td> <td>ETR</td> <td>-</td> <td>WD.</td> <td>J2</td> <td>PTD.</td> <td>-</td> <td>380A</td> <td>3\"/> <tr> <td>382A</td> <td>D</td> <td>6 <td>ALUM.</td> <td>ANODIZE D</td> <td>-</td> <td>-</td> <td>380B</td> <td>3\"/> <tr> <td>385</td> <td>ETR</td> <td>-</td> <td>WD.</td> <td>J2</td> <td>PTD.</td> <td>-</td> <td>382</td> <td>3\"/> <tr> <td>386</td> <td>ETR</td> <td>-</td> <td>WD.</td> <td>J2</td> <td>PTD.</td> <td>-</td> <td>382A</td> <td>3\"/> <tr> <td>387</td> <td>ETR</td> <td>-</td> <td>WD.</td> <td>J2</td> <td>PTD.</td> <td>-</td> <td>385</td> <td>3\"/> <tr> <td>388</td> <td>ETR</td> <td>-</td> <td>WD.</td> <td>J2</td> <td>PTD.</td> <td>-</td> <td>386</td> <td>3\"/> <tr> <td>389</td> <td>ETR</td> <td>-</td> <td>WD.</td> <td>J2</td> <td>PTD.</td> <td>-</td> <td>387</td> <td>3\"/> <tr> <td>391</td> <td>ETR</td> <td>-</td> <td>WD.</td> <td>J2</td> <td>PTD.</td> <td>-</td> <td>388</td> <td>3\"/> <tr> <td>391A</td> <td>ETR</td> <td>-</td> <td>WD.</td> <td>J2</td> <td>PTD.</td> <td>-</td> <td>389</td> <td>3\"/> <tr> <td>391B</td> <td>ETR</td> <td>-</td> <td>WD.</td> <td>J2</td> <td>PTD.</td> <td>-</td> <td>391</td> <td>3\"/> <tr> <td>394</td> <td>ETR</td> <td>-</td> <td>WD.</td> <td>J2</td> <td>PTD.</td> <td>-</td> <td>391A</td> <td>3\"/> <tr> <td>395</td> <td>ETR</td> <td>-</td> <td>WD.</td> <td>J2</td> <td>PTD.</td> <td>-</td> <td>391B</td> <td>3\"/> <tr> <td>396</td> <td>ETR</td> <td>-</td> <td>WD.</td> <td>J2</td> <td>PTD.</td> <td>-</td> <td>394</td> <td>3\"/> <tr> <td>398</td> <td>ETR</td> <td>-</td> <td>WD.</td> <td>J2</td> <td>PTD.</td> <td>-</td> <td>395</td> <td>3\"/> <tr> <td>399</td> <td>ETR</td> <td>-</td> <td>WD.</td> <td>J2</td> <td>PTD.</td> <td>-</td> <td>396</td> <td>3\"/> <tr> <td>3991</td> <td>ETR</td> <td>-</td> <td>WD.</td> <td>J2</td> <td>PTD.</td> <td>-</td> <td>398</td> <td>3\"/> <tr> <td>3992</td> <td>A</td> <td>3\"/> <tr> <td>3993</td> <td>ETR</td> <td>-</td> <td>WD.</td> <td>J2</td> <td>PTD.</td> <td>-</td> <td>399</td> <td>3\"/> <tr> <td>3994</td> <td>ETR</td> <td>-</td> <td>WD.</td> <td>J2</td> <td>PTD.</td> <td>-</td> <td>3991</td> <td>3\"/> <tr> <td>3995</td> <td>ETR</td> <td>-</td> <td>WD.</td> <td>J2</td> <td>PTD.</td> <td>-</td> <td>3992</td> <td>3\"/> <tr> <td>3997</td> <td>ETR</td> <td>-</td> <td>WD.</td> <td>J2</td> <td>PTD.</td> <td>-</td> <td>3993</td> <td>3\"/> <tr> <td>3998</td> <td>ETR</td> <td>-</td> <td>WD.</td> <td>J2</td> <td>PTD.</td> <td>-</td> <td>3994</td> <td>3\"/> <tr> <td>3999</td> <td>ETR</td> <td>-</td> <td>WD.</td> <td>J2</td> <td>PTD.</td> <td>-</td> <td>3995</td> <td>3\"/> <tr> <td>3999</td> <td>ETR</td> <td>-</td> <td>WD.</td> <td>J2</td> <td>PTD.</td> <td>-</td> <td>3997</td> <td>3\"/> </td></tr></td></tr></td></tr></td></tr></td></tr></td></tr></td></tr></td></tr></td></tr></td></tr></td></tr></td></tr></td></tr></td></tr></td></tr></td></tr></td></tr></td></tr></td></tr></td></tr></td></tr></td></tr></td></td></tr></td></tr></td></td></tr></td></td></tr></td></td></tr></td></td></tr></td></td></tr></td></td></tr></td></td></tr></td></td></tr></td></tr></td></tr></td></tr></td></td></tr></td></tr></td></tr></td></tr></td></tr></td> | HM | J1 | PTD.
| 1 HR. | 365 | 3\"/> <tr> <td>368</td> <td>ETR</td> <td>-</td> <td>WD.</td> <td>J2</td> <td>PTD.</td> <td>-</td> <td>366</td> <td>3\"/> <tr> <td>369</td> <td>ETR</td> <td>-</td> <td>WD.</td> <td>J2</td> <td>PTD.</td> <td>-</td> <td>367</td> <td>3\"/> <tr> <td>370</td> <td>ETR</td> <td>-</td> <td>WD.</td> <td>J2</td> <td>PTD.</td> <td>-</td> <td>368</td> <td>3\"/> <tr> <td>371</td> <td>ETR</td> <td>-</td> <td>WD.</td> <td>J2</td> <td>PTD.</td> <td>-</td> <td>369</td> <td>3\"/> <tr> <td>372</td> <td>B</td> <td>2 <td>HM</td> <td>J1</td> <td>PTD.</td> <td>1 HR.</td> <td>370</td> <td>3\"/> <tr> <td>373A</td> <td>ETR</td> <td>-</td> <td>WD.</td> <td>J2</td> <td>PTD.</td> <td>-</td> <td>371</td> <td>3\"/> <tr> <td>374B</td> <td>ETR</td> <td>-</td> <td>WD.</td> <td>J2</td> <td>PTD.</td> <td>-</td> <td>372</td> <td>3\"/> <tr> <td>374C</td> <td>ETR</td> <td>-</td> <td>WD.</td> <td>J2</td> <td>PTD.</td> <td>-</td> <td>373A</td> <td>3\"/> <tr> <td>375</td> <td>B</td> <td>1 <td>WD</td> <td>J1</td> <td>PTD.</td> <td>-</td> <td>374B</td> <td>3\"/> <tr> <td>376</td> <td>B</td> <td>1 <td>WD</td> <td>J1</td> <td>PTD.</td> <td>-</td> <td>374C</td> <td>3\"/> <tr> <td>377</td> <td>B</td> <td>1 <td>WD</td> <td>J1</td> <td>PTD.</td> <td>-</td> <td>375</td> <td>3\"/> <tr> <td>377A</td> <td>B</td> <td>1 <td>WD</td> <td>J1</td> <td>PTD.</td> <td>-</td> <td>376</td> <td>3\"/> <tr> <td>378</td> <td>B</td> <td>1 <td>WD</td> <td>J1</td> <td>PTD.</td> <td>-</td> <td>377</td> <td>3\"/> <tr> <td>379</td> <td>B</td> <td>1 <td>WD</td> <td>J1</td> <td>PTD.</td> <td>-</td> <td>377A</td> <td>3\"/> <tr> <td>380A</td> <td>B</td> <td>1 <td>WD</td> <td>J1</td> <td>PTD.</td> <td>-</td> <td>378</td> <td>3\"/> <tr> <td>380B</td> <td>B</td> <td>1 <td>WD</td> <td>J1</td> <td>PTD.</td> <td>-</td> <td>379</td> <td>3\"/> <tr> <td>382</td> <td>ETR</td> <td>-</td> <td>WD.</td> <td>J2</td> <td>PTD.</td> <td>-</td> <td>380A</td> <td>3\"/> <tr> <td>382A</td> <td>D</td> <td>6 <td>ALUM.</td> <td>ANODIZE D</td> <td>-</td> <td>-</td> <td>380B</td> <td>3\"/> <tr> <td>385</td> <td>ETR</td> <td>-</td> <td>WD.</td> <td>J2</td> <td>PTD.</td> <td>-</td> <td>382</td> <td>3\"/> <tr> <td>386</td> <td>ETR</td> <td>-</td> <td>WD.</td> <td>J2</td> <td>PTD.</td> <td>-</td> <td>382A</td> <td>3\"/> <tr> <td>387</td> <td>ETR</td> <td>-</td> <td>WD.</td> <td>J2</td> <td>PTD.</td> <td>-</td> <td>385</td> <td>3\"/> <tr> <td>388</td> <td>ETR</td> <td>-</td> <td>WD.</td> <td>J2</td> <td>PTD.</td> <td>-</td> <td>386</td> <td>3\"/> <tr> <td>389</td> <td>ETR</td> <td>-</td> <td>WD.</td> <td>J2</td> <td>PTD.</td> <td>-</td> <td>387</td> <td>3\"/> <tr> <td>391</td> <td>ETR</td> <td>-</td> <td>WD.</td> <td>J2</td> <td>PTD.</td> <td>-</td> <td>388</td> <td>3\"/> <tr> <td>391A</td> <td>ETR</td> <td>-</td> <td>WD.</td> <td>J2</td> <td>PTD.</td> <td>-</td> <td>389</td> <td>3\"/> <tr> <td>391B</td> <td>ETR</td> <td>-</td> <td>WD.</td> <td>J2</td> <td>PTD.</td> <td>-</td> <td>391</td> <td>3\"/> <tr> <td>394</td> <td>ETR</td> <td>-</td> <td>WD.</td> <td>J2</td> <td>PTD.</td> <td>-</td> <td>391A</td> <td>3\"/> <tr> <td>395</td> <td>ETR</td> <td>-</td> <td>WD.</td> <td>J2</td> <td>PTD.</td> <td>-</td> <td>391B</td> <td>3\"/> <tr> <td>396</td> <td>ETR</td> <td>-</td> <td>WD.</td> <td>J2</td> <td>PTD.</td> <td>-</td> <td>394</td> <td>3\"/> <tr> <td>398</td> <td>ETR</td> <td>-</td> <td>WD.</td> <td>J2</td> <td>PTD.</td> <td>-</td> <td>395</td> <td>3\"/> <tr> <td>399</td> <td>ETR</td> <td>-</td> <td>WD.</td> <td>J2</td> <td>PTD.</td> <td>-</td> <td>396</td> <td>3\"/> <tr> <td>3991</td> <td>ETR</td> <td>-</td> <td>WD.</td> <td>J2</td> <td>PTD.</td> <td>-</td> <td>398</td> <td>3\"/> <tr> <td>3992</td> <td>A</td> <td>3\"/> <tr> <td>3993</td> <td>ETR</td> <td>-</td> <td>WD.</td> <td>J2</td> <td>PTD.</td> <td>-</td> <td>399</td> <td>3\"/> <tr> <td>3994</td> <td>ETR</td> <td>-</td> <td>WD.</td> <td>J2</td> <td>PTD.</td> <td>-</td> <td>3991</td> <td>3\"/> <tr> <td>3995</td> <td>ETR</td> <td>-</td> <td>WD.</td> <td>J2</td> <td>PTD.</td> <td>-</td> <td>3992</td> <td>3\"/> <tr> <td>3997</td> <td>ETR</td> <td>-</td> <td>WD.</td> <td>J2</td> <td>PTD.</td> <td>-</td> <td>3993</td> <td>3\"/> <tr> <td>3998</td> <td>ETR</td> <td>-</td> <td>WD.</td> <td>J2</td> <td>PTD.</td> <td>-</td> <td>3994</td> <td>3\"/> <tr> <td>3999</td> <td>ETR</td> <td>-</td> <td>WD.</td> <td>J2</td> <td>PTD.</td> <td>-</td> <td>3995</td> <td>3\"/> <tr> <td>3999</td> <td>ETR</td> <td>-</td> <td>WD.</td> <td>J2</td> <td>PTD.</td> <td>-</td> <td>3997</td> <td>3\"/> </td></tr></td></tr></td></tr></td></tr></td></tr></td></tr></td></tr></td></tr></td></tr></td></tr></td></tr></td></tr></td></tr></td></tr></td></tr></td></tr></td></tr></td></tr></td></tr></td></tr></td></tr></td></tr></td></td></tr></td></tr></td></td></tr></td></td></tr></td></td></tr></td></td></tr></td></td></tr></td></td></tr></td></td></tr></td></td></tr></td></tr></td></tr></td></tr></td></td></tr></td></tr></td></tr></td></tr></td></tr> | 368 | ETR | -
 | WD. | J2 | PTD. | - | 366 | 3\"/> <tr> <td>369</td> <td>ETR</td> <td>-</td> <td>WD.</td> <td>J2</td> <td>PTD.</td> <td>-</td> <td>367</td> <td>3\"/> <tr> <td>370</td> <td>ETR</td> <td>-</td> <td>WD.</td> <td>J2</td> <td>PTD.</td> <td>-</td> <td>368</td> <td>3\"/> <tr> <td>371</td> <td>ETR</td> <td>-</td> <td>WD.</td> <td>J2</td> <td>PTD.</td> <td>-</td> <td>369</td> <td>3\"/> <tr> <td>372</td> <td>B</td> <td>2 <td>HM</td> <td>J1</td> <td>PTD.</td> <td>1 HR.</td> <td>370</td> <td>3\"/> <tr> <td>373A</td> <td>ETR</td> <td>-</td> <td>WD.</td> <td>J2</td> <td>PTD.</td> <td>-</td> <td>371</td> <td>3\"/> <tr> <td>374B</td> <td>ETR</td> <td>-</td> <td>WD.</td> <td>J2</td> <td>PTD.</td> <td>-</td> <td>372</td> <td>3\"/> <tr> <td>374C</td> <td>ETR</td> <td>-</td> <td>WD.</td> <td>J2</td> <td>PTD.</td> <td>-</td> <td>373A</td> <td>3\"/> <tr> <td>375</td> <td>B</td> <td>1 <td>WD</td> <td>J1</td> <td>PTD.</td> <td>-</td> <td>374B</td> <td>3\"/> <tr> <td>376</td> <td>B</td> <td>1 <td>WD</td> <td>J1</td> <td>PTD.</td> <td>-</td> <td>374C</td> <td>3\"/> <tr> <td>377</td> <td>B</td> <td>1 <td>WD</td> <td>J1</td> <td>PTD.</td> <td>-</td> <td>375</td> <td>3\"/> <tr> <td>377A</td> <td>B</td> <td>1 <td>WD</td> <td>J1</td> <td>PTD.</td> <td>-</td> <td>376</td> <td>3\"/> <tr> <td>378</td> <td>B</td> <td>1 <td>WD</td> <td>J1</td> <td>PTD.</td> <td>-</td> <td>377</td> <td>3\"/> <tr> <td>379</td> <td>B</td> <td>1 <td>WD</td> <td>J1</td> <td>PTD.</td> <td>-</td> <td>377A</td> <td>3\"/> <tr> <td>380A</td> <td>B</td> <td>1 <td>WD</td> <td>J1</td> <td>PTD.</td> <td>-</td> <td>378</td> <td>3\"/> <tr> <td>380B</td> <td>B</td> <td>1 <td>WD</td> <td>J1</td> <td>PTD.</td> <td>-</td> <td>379</td> <td>3\"/> <tr> <td>382</td> <td>ETR</td> <td>-</td> <td>WD.</td> <td>J2</td> <td>PTD.</td> <td>-</td> <td>380A</td> <td>3\"/> <tr> <td>382A</td> <td>D</td> <td>6 <td>ALUM.</td> <td>ANODIZE D</td> <td>-</td> <td>-</td> <td>380B</td> <td>3\"/> <tr> <td>385</td> <td>ETR</td> <td>-</td> <td>WD.</td> <td>J2</td> <td>PTD.</td> <td>-</td> <td>382</td> <td>3\"/> <tr> <td>386</td> <td>ETR</td> <td>-</td> <td>WD.</td> <td>J2</td> <td>PTD.</td> <td>-</td> <td>382A</td> <td>3\"/> <tr> <td>387</td> <td>ETR</td> <td>-</td> <td>WD.</td> <td>J2</td> <td>PTD.</td> <td>-</td> <td>385</td> <td>3\"/> <tr> <td>388</td> <td>ETR</td> <td>-</td> <td>WD.</td> <td>J2</td> <td>PTD.</td> <td>-</td> <td>386</td> <td>3\"/> <tr> <td>389</td> <td>ETR</td> <td>-</td> <td>WD.</td> <td>J2</td> <td>PTD.</td> <td>-</td> <td>387</td> <td>3\"/> <tr> <td>391</td> <td>ETR</td> <td>-</td> <td>WD.</td> <td>J2</td> <td>PTD.</td> <td>-</td> <td>388</td> <td>3\"/> <tr> <td>391A</td> <td>ETR</td> <td>-</td> <td>WD.</td> <td>J2</td> <td>PTD.</td> <td>-</td> <td>389</td> <td>3\"/> <tr> <td>391B</td> <td>ETR</td> <td>-</td> <td>WD.</td> <td>J2</td> <td>PTD.</td> <td>-</td> <td>391</td> <td>3\"/> <tr> <td>394</td> <td>ETR</td> <td>-</td> <td>WD.</td> <td>J2</td> <td>PTD.</td> <td>-</td> <td>391A</td> <td>3\"/> <tr> <td>395</td> <td>ETR</td> <td>-</td> <td>WD.</td> <td>J2</td> <td>PTD.</td> <td>-</td> <td>391B</td> <td>3\"/> <tr> <td>396</td> <td>ETR</td> <td>-</td> <td>WD.</td> <td>J2</td> <td>PTD.</td> <td>-</td> <td>394</td> <td>3\"/> <tr> <td>398</td> <td>ETR</td> <td>-</td> <td>WD.</td> <td>J2</td> <td>PTD.</td> <td>-</td> <td>395</td> <td>3\"/> <tr> <td>399</td> <td>ETR</td> <td>-</td> <td>WD.</td> <td>J2</td> <td>PTD.</td> <td>-</td> <td>396</td> <td>3\"/> <tr> <td>3991</td> <td>ETR</td> <td>-</td> <td>WD.</td> <td>J2</td> <td>PTD.</td> <td>-</td> <td>398</td> <td>3\"/> <tr> <td>3992</td> <td>A</td> <td>3\"/> <tr> <td>3993</td> <td>ETR</td> <td>-</td> <td>WD.</td> <td>J2</td> <td>PTD.</td> <td>-</td> <td>399</td> <td>3\"/> <tr> <td>3994</td> <td>ETR</td> <td>-</td> <td>WD.</td> <td>J2</td> <td>PTD.</td> <td>-</td> <td>3991</td> <td>3\"/> <tr> <td>3995</td> <td>ETR</td> <td>-</td> <td>WD.</td> <td>J2</td> <td>PTD.</td> <td>-</td> <td>3992</td> <td>3\"/> <tr> <td>3997</td> <td>ETR</td> <td>-</td> <td>WD.</td> <td>J2</td> <td>PTD.</td> <td>-</td> <td>3993</td> <td>3\"/> <tr> <td>3998</td> <td>ETR</td> <td>-</td> <td>WD.</td> <td>J2</td> <td>PTD.</td> <td>-</td> <td>3994</td> <td>3\"/> <tr> <td>3999</td> <td>ETR</td> <td>-</td> <td>WD.</td> <td>J2</td> <td>PTD.</td> <td>-</td> <td>3995</td> <td>3\"/> <tr> <td>3999</td> <td>ETR</td> <td>-</td> <td>WD.</td> <td>J2</td> <td>PTD.</td> <td>-</td> <td>3997</td> <td>3\"/> </td></tr></td></tr></td></tr></td></tr></td></tr></td></tr></td></tr></td></tr></td></tr></td></tr></td></tr></td></tr></td></tr></td></tr></td></tr></td></tr></td></tr></td></tr></td></tr></td></tr></td></tr></td></tr></td></td></tr></td></tr></td></td></tr></td></td></tr></td></td></tr></td></td></tr></td></td></tr></td></td></tr></td></td></tr></td></td></tr></td></tr></td></tr></td></tr></td></td></tr></td></tr></td></tr></td></tr> | 369 | ETR | -
 | WD. | J2 | PTD. | - | 367 | 3\"/> <tr> <td>370</td> <td>ETR</td> <td>-</td> <td>WD.</td> <td>J2</td> <td>PTD.</td> <td>-</td> <td>368</td> <td>3\"/> <tr> <td>371</td> <td>ETR</td> <td>-</td> <td>WD.</td> <td>J2</td> <td>PTD.</td> <td>-</td> <td>369</td> <td>3\"/> <tr> <td>372</td> <td>B</td> <td>2 <td>HM</td> <td>J1</td> <td>PTD.</td> <td>1 HR.</td> <td>370</td> <td>3\"/> <tr> <td>373A</td> <td>ETR</td> <td>-</td> <td>WD.</td> <td>J2</td> <td>PTD.</td> <td>-</td> <td>371</td> <td>3\"/> <tr> <td>374B</td> <td>ETR</td> <td>-</td> <td>WD.</td> <td>J2</td> <td>PTD.</td> <td>-</td> <td>372</td> <td>3\"/> <tr> <td>374C</td> <td>ETR</td> <td>-</td> <td>WD.</td> <td>J2</td> <td>PTD.</td> <td>-</td> <td>373A</td> <td>3\"/> <tr> <td>375</td> <td>B</td> <td>1 <td>WD</td> <td>J1</td> <td>PTD.</td> <td>-</td> <td>374B</td> <td>3\"/> <tr> <td>376</td> <td>B</td> <td>1 <td>WD</td> <td>J1</td> <td>PTD.</td> <td>-</td> <td>374C</td> <td>3\"/> <tr> <td>377</td> <td>B</td> <td>1 <td>WD</td> <td>J1</td> <td>PTD.</td> <td>-</td> <td>375</td> <td>3\"/> <tr> <td>377A</td> <td>B</td> <td>1 <td>WD</td> <td>J1</td> <td>PTD.</td> <td>-</td> <td>376</td> <td>3\"/> <tr> <td>378</td> <td>B</td> <td>1 <td>WD</td> <td>J1</td> <td>PTD.</td> <td>-</td> <td>377</td> <td>3\"/> <tr> <td>379</td> <td>B</td> <td>1 <td>WD</td> <td>J1</td> <td>PTD.</td> <td>-</td> <td>377A</td> <td>3\"/> <tr> <td>380A</td> <td>B</td> <td>1 <td>WD</td> <td>J1</td> <td>PTD.</td> <td>-</td> <td>378</td> <td>3\"/> <tr> <td>380B</td> <td>B</td> <td>1 <td>WD</td> <td>J1</td> <td>PTD.</td> <td>-</td> <td>379</td> <td>3\"/> <tr> <td>382</td> <td>ETR</td> <td>-</td> <td>WD.</td> <td>J2</td> <td>PTD.</td> <td>-</td> <td>380A</td> <td>3\"/> <tr> <td>382A</td> <td>D</td> <td>6 <td>ALUM.</td> <td>ANODIZE D</td> <td>-</td> <td>-</td> <td>380B</td> <td>3\"/> <tr> <td>385</td> <td>ETR</td> <td>-</td> <td>WD.</td> <td>J2</td> <td>PTD.</td> <td>-</td> <td>382</td> <td>3\"/> <tr> <td>386</td> <td>ETR</td> <td>-</td> <td>WD.</td> <td>J2</td> <td>PTD.</td> <td>-</td> <td>382A</td> <td>3\"/> <tr> <td>387</td> <td>ETR</td> <td>-</td> <td>WD.</td> <td>J2</td> <td>PTD.</td> <td>-</td> <td>385</td> <td>3\"/> <tr> <td>388</td> <td>ETR</td> <td>-</td> <td>WD.</td> <td>J2</td> <td>PTD.</td> <td>-</td> <td>386</td> <td>3\"/> <tr> <td>389</td> <td>ETR</td> <td>-</td> <td>WD.</td> <td>J2</td> <td>PTD.</td> <td>-</td> <td>387</td> <td>3\"/> <tr> <td>391</td> <td>ETR</td> <td>-</td> <td>WD.</td> <td>J2</td> <td>PTD.</td> <td>-</td> <td>388</td> <td>3\"/> <tr> <td>391A</td> <td>ETR</td> <td>-</td> <td>WD.</td> <td>J2</td> <td>PTD.</td> <td>-</td> <td>389</td> <td>3\"/> <tr> <td>391B</td> <td>ETR</td> <td>-</td> <td>WD.</td> <td>J2</td> <td>PTD.</td> <td>-</td> <td>391</td> <td>3\"/> <tr> <td>394</td> <td>ETR</td> <td>-</td> <td>WD.</td> <td>J2</td> <td>PTD.</td> <td>-</td> <td>391A</td> <td>3\"/> <tr> <td>395</td> <td>ETR</td> <td>-</td> <td>WD.</td> <td>J2</td> <td>PTD.</td> <td>-</td> <td>391B</td> <td>3\"/> <tr> <td>396</td> <td>ETR</td> <td>-</td> <td>WD.</td> <td>J2</td> <td>PTD.</td> <td>-</td> <td>394</td> <td>3\"/> <tr> <td>398</td> <td>ETR</td> <td>-</td> <td>WD.</td> <td>J2</td> <td>PTD.</td> <td>-</td> <td>395</td> <td>3\"/> <tr> <td>399</td> <td>ETR</td> <td>-</td> <td>WD.</td> <td>J2</td> <td>PTD.</td> <td>-</td> <td>396</td> <td>3\"/> <tr> <td>3991</td> <td>ETR</td> <td>-</td> <td>WD.</td> <td>J2</td> <td>PTD.</td> <td>-</td> <td>398</td> <td>3\"/> <tr> <td>3992</td> <td>A</td> <td>3\"/> <tr> <td>3993</td> <td>ETR</td> <td>-</td> <td>WD.</td> <td>J2</td> <td>PTD.</td> <td>-</td> <td>399</td> <td>3\"/> <tr> <td>3994</td> <td>ETR</td> <td>-</td> <td>WD.</td> <td>J2</td> <td>PTD.</td> <td>-</td> <td>3991</td> <td>3\"/> <tr> <td>3995</td> <td>ETR</td> <td>-</td> <td>WD.</td> <td>J2</td> <td>PTD.</td> <td>-</td> <td>3992</td> <td>3\"/> <tr> <td>3997</td> <td>ETR</td> <td>-</td> <td>WD.</td> <td>J2</td> <td>PTD.</td> <td>-</td> <td>3993</td> <td>3\"/> <tr> <td>3998</td> <td>ETR</td> <td>-</td> <td>WD.</td> <td>J2</td> <td>PTD.</td> <td>-</td> <td>3994</td> <td>3\"/> <tr> <td>3999</td> <td>ETR</td> <td>-</td> <td>WD.</td> <td>J2</td> <td>PTD.</td> <td>-</td> <td>3995</td> <td>3\"/> <tr> <td>3999</td> <td>ETR</td> <td>-</td> <td>WD.</td> <td>J2</td> <td>PTD.</td> <td>-</td> <td>3997</td> <td>3\"/> </td></tr></td></tr></td></tr></td></tr></td></tr></td></tr></td></tr></td></tr></td></tr></td></tr></td></tr></td></tr></td></tr></td></tr></td></tr></td></tr></td></tr></td></tr></td></tr></td></tr></td></tr></td></tr></td></td></tr></td></tr></td></td></tr></td></td></tr></td></td></tr></td></td></tr></td></td></tr></td></td></tr></td></td></tr></td></td></tr></td></tr></td></tr></td></tr></td></td></tr></td></tr></td></tr>
 | 370 | ETR | - | WD. | J2 | PTD. | - | 368 | 3\"/> <tr> <td>371</td> <td>ETR</td> <td>-</td> <td>WD.</td> <td>J2</td> <td>PTD.</td> <td>-</td> <td>369</td> <td>3\"/> <tr> <td>372</td> <td>B</td> <td>2 <td>HM</td> <td>J1</td> <td>PTD.</td> <td>1 HR.</td> <td>370</td> <td>3\"/> <tr> <td>373A</td> <td>ETR</td> <td>-</td> <td>WD.</td> <td>J2</td> <td>PTD.</td> <td>-</td> <td>371</td> <td>3\"/> <tr> <td>374B</td> <td>ETR</td> <td>-</td> <td>WD.</td> <td>J2</td> <td>PTD.</td> <td>-</td> <td>372</td> <td>3\"/> <tr> <td>374C</td> <td>ETR</td> <td>-</td> <td>WD.</td> <td>J2</td> <td>PTD.</td> <td>-</td> <td>373A</td> <td>3\"/> <tr> <td>375</td> <td>B</td> <td>1 <td>WD</td> <td>J1</td> <td>PTD.</td> <td>-</td> <td>374B</td> <td>3\"/> <tr> <td>376</td> <td>B</td> <td>1 <td>WD</td> <td>J1</td> <td>PTD.</td> <td>-</td> <td>374C</td> <td>3\"/> <tr> <td>377</td> <td>B</td> <td>1 <td>WD</td> <td>J1</td> <td>PTD.</td> <td>-</td> <td>375</td> <td>3\"/> <tr> <td>377A</td> <td>B</td> <td>1 <td>WD</td> <td>J1</td> <td>PTD.</td> <td>-</td> <td>376</td> <td>3\"/> <tr> <td>378</td> <td>B</td> <td>1 <td>WD</td> <td>J1</td> <td>PTD.</td> <td>-</td> <td>377</td> <td>3\"/> <tr> <td>379</td> <td>B</td> <td>1 <td>WD</td> <td>J1</td> <td>PTD.</td> <td>-</td> <td>377A</td> <td>3\"/> <tr> <td>380A</td> <td>B</td> <td>1 <td>WD</td> <td>J1</td> <td>PTD.</td> <td>-</td> <td>378</td> <td>3\"/> <tr> <td>380B</td> <td>B</td> <td>1 <td>WD</td> <td>J1</td> <td>PTD.</td> <td>-</td> <td>379</td> <td>3\"/> <tr> <td>382</td> <td>ETR</td> <td>-</td> <td>WD.</td> <td>J2</td> <td>PTD.</td> <td>-</td> <td>380A</td> <td>3\"/> <tr> <td>382A</td> <td>D</td> <td>6 <td>ALUM.</td> <td>ANODIZE D</td> <td>-</td> <td>-</td> <td>380B</td> <td>3\"/> <tr> <td>385</td> <td>ETR</td> <td>-</td> <td>WD.</td> <td>J2</td> <td>PTD.</td> <td>-</td> <td>382</td> <td>3\"/> <tr> <td>386</td> <td>ETR</td> <td>-</td> <td>WD.</td> <td>J2</td> <td>PTD.</td> <td>-</td> <td>382A</td> <td>3\"/> <tr> <td>387</td> <td>ETR</td> <td>-</td> <td>WD.</td> <td>J2</td> <td>PTD.</td> <td>-</td> <td>385</td> <td>3\"/> <tr> <td>388</td> <td>ETR</td> <td>-</td> <td>WD.</td> <td>J2</td> <td>PTD.</td> <td>-</td> <td>386</td> <td>3\"/> <tr> <td>389</td> <td>ETR</td> <td>-</td> <td>WD.</td> <td>J2</td> <td>PTD.</td> <td>-</td> <td>387</td> <td>3\"/> <tr> <td>391</td> <td>ETR</td> <td>-</td> <td>WD.</td> <td>J2</td> <td>PTD.</td> <td>-</td> <td>388</td> <td>3\"/> <tr> <td>391A</td> <td>ETR</td> <td>-</td> <td>WD.</td> <td>J2</td> <td>PTD.</td> <td>-</td> <td>389</td> <td>3\"/> <tr> <td>391B</td> <td>ETR</td> <td>-</td> <td>WD.</td> <td>J2</td> <td>PTD.</td> <td>-</td> <td>391</td> <td>3\"/> <tr> <td>394</td> <td>ETR</td> <td>-</td> <td>WD.</td> <td>J2</td> <td>PTD.</td> <td>-</td> <td>391A</td> <td>3\"/> <tr> <td>395</td> <td>ETR</td> <td>-</td> <td>WD.</td> <td>J2</td> <td>PTD.</td> <td>-</td> <td>391B</td> <td>3\"/> <tr>
<td>396</td> <td>ETR</td> <td>-</td> <td>WD.</td> <td>J2</td> <td>PTD.</td> <td>-</td> <td>394</td> <td>3\"/> <tr> <td>398</td> <td>ETR</td> <td>-</td> <td>WD.</td> <td>J2</td> <td>PTD.</td> <td>-</td> <td>395</td> <td>3\"/> <tr> <td>399</td> <td>ETR</td> <td>-</td> <td>WD.</td> <td>J2</td> <td>PTD.</td> <td>-</td> <td>396</td> <td>3\"/> <tr> <td>3991</td> <td>ETR</td> <td>-</td> <td>WD.</td> <td>J2</td> <td>PTD.</td> <td>-</td> <td>398</td> <td>3\"/> <tr> <td>3992</td> <td>A</td> <td>3\"/> <tr> <td>3993</td> <td>ETR</td> <td>-</td> <td>WD.</td> <td>J2</td> <td>PTD.</td> <td>-</td> <td>399</td> <td>3\"/> <tr> <td>3994</td> <td>ETR</td> <td>-</td> <td>WD.</td> <td>J2</td> <td>PTD.</td> <td>-</td> <td>3991</td> <td>3\"/> <tr> <td>3995</td> <td>ETR</td> <td>-</td> <td>WD.</td> <td>J2</td> <td>PTD.</td> <td>-</td> <td>3992</td> <td>3\"/> <tr> <td>3997</td> <td>ETR</td> <td>-</td> <td>WD.</td> <td>J2</td> <td>PTD.</td> <td>-</td> <td>3993</td> <td>3\"/> <tr> <td>3998</td> <td>ETR</td> <td>-</td> <td>WD.</td> <td>J2</td> <td>PTD.</td> <td>-</td> <td>3994</td> <td>3\"/> <tr> <td>3999</td> <td>ETR</td> <td>-</td> <td>WD.</td> <td>J2</td> <td>PTD.</td> <td>-</td> <td>3995</td> <td>3\"/> <tr> <td>3999</td> <td>ETR</td> <td>-</td> <td>WD.</td> <td>J2</td> <td>PTD.</td> <td>-</td> <td>3997</td> <td>3\"/> </td></tr></td></tr></td></tr></td></tr></td></tr></td></tr></td></tr></td></tr></td></tr></td></tr></td></tr></td></tr></td></tr></td></tr></td></tr></td></tr></td></tr></td></tr></td></tr></td></tr></td></tr></td></tr></td></td></tr></td></tr></td></td></tr></td></td></tr></td></td></tr></td></td></tr></td></td></tr></td></td></tr></td></td></tr></td></td></tr></td></tr></td></tr></td></tr></td></td></tr></td></tr> | 371 | ETR | - | WD. | J2 | PTD. | - | 369 | 3\"/> <tr> <td>372</td> <td>B</td> <td>2 <td>HM</td> <td>J1</td> <td>PTD.</td> <td>1 HR.</td> <td>370</td> <td>3\"/> <tr> <td>373A</td> <td>ETR</td> <td>-</td> <td>WD.</td> <td>J2</td> <td>PTD.</td> <td>-</td> <td>371</td> <td>3\"/> <tr> <td>374B</td> <td>ETR</td> <td>-</td> <td>WD.</td> <td>J2</td> <td>PTD.</td> <td>-</td> <td>372</td> <td>3\"/> <tr> <td>374C</td> <td>ETR</td> <td>-</td> <td>WD.</td> <td>J2</td> <td>PTD.</td> <td>-</td> <td>373A</td> <td>3\"/> <tr> <td>375</td> <td>B</td> <td>1 <td>WD</td> <td>J1</td> <td>PTD.</td> <td>-</td> <td>374B</td> <td>3\"/> <tr> <td>376</td> <td>B</td> <td>1 <td>WD</td> <td>J1</td> <td>PTD.</td> <td>-</td> <td>374C</td> <td>3\"/> <tr> <td>377</td> <td>B</td> <td>1 <td>WD</td> <td>J1</td> <td>PTD.</td> <td>-</td> <td>375</td> <td>3\"/> <tr> <td>377A</td> <td>B</td> <td>1 <td>WD</td> <td>J1</td> <td>PTD.</td> <td>-</td> <td>376</td> <td>3\"/> <tr> <td>378</td> <td>B</td> <td>1 <td>WD</td> <td>J1</td> <td>PTD.</td> <td>-</td> <td>377</td> <td>3\"/> <tr> <td>379</td> <td>B</td> <td>1 <td>WD</td> <td>J1</td>
<td>PTD.</td> <td>-</td> <td>377A</td> <td>3\"/> <tr> <td>380A</td> <td>B</td> <td>1 <td>WD</td> <td>J1</td> <td>PTD.</td> <td>-</td> <td>378</td> <td>3\"/> <tr> <td>380B</td> <td>B</td> <td>1 <td>WD</td> <td>J1</td> <td>PTD.</td> <td>-</td> <td>379</td> <td>3\"/> <tr> <td>382</td> <td>ETR</td> <td>-</td> <td>WD.</td> <td>J2</td> <td>PTD.</td> <td>-</td> <td>380A</td> <td>3\"/> <tr> <td>382A</td> <td>D</td> <td>6 <td>ALUM.</td> <td>ANODIZE D</td> <td>-</td> <td>-</td> <td>380B</td> <td>3\"/> <tr> <td>385</td> <td>ETR</td> <td>-</td> <td>WD.</td> <td>J2</td> <td>PTD.</td> <td>-</td> <td>382</td> <td>3\"/> <tr> <td>386</td> <td>ETR</td> <td>-</td> <td>WD.</td> <td>J2</td> <td>PTD.</td> <td>-</td> <td>382A</td> <td>3\"/> <tr> <td>387</td> <td>ETR</td> <td>-</td> <td>WD.</td> <td>J2</td> <td>PTD.</td> <td>-</td> <td>385</td> <td>3\"/> <tr> <td>388</td> <td>ETR</td> <td>-</td> <td>WD.</td> <td>J2</td> <td>PTD.</td> <td>-</td> <td>386</td> <td>3\"/> <tr> <td>389</td> <td>ETR</td> <td>-</td> <td>WD.</td> <td>J2</td> <td>PTD.</td> <td>-</td> <td>387</td> <td>3\"/> <tr> <td>391</td> <td>ETR</td> <td>-</td> <td>WD.</td> <td>J2</td> <td>PTD.</td> <td>-</td> <td>388</td> <td>3\"/> <tr> <td>391A</td> <td>ETR</td> <td>-</td> <td>WD.</td> <td>J2</td> <td>PTD.</td> <td>-</td> <td>389</td> <td>3\"/> <tr> <td>391B</td> <td>ETR</td> <td>-</td> <td>WD.</td> <td>J2</td> <td>PTD.</td> <td>-</td> <td>391</td> <td>3\"/> <tr> <td>394</td> <td>ETR</td> <td>-</td> <td>WD.</td> <td>J2</td> <td>PTD.</td> <td>-</td> <td>391A</td> <td>3\"/> <tr> <td>395</td> <td>ETR</td> <td>-</td> <td>WD.</td> <td>J2</td> <td>PTD.</td> <td>-</td> <td>391B</td> <td>3\"/> <tr> <td>396</td> <td>ETR</td> <td>-</td> <td>WD.</td> <td>J2</td> <td>PTD.</td> <td>-</td> <td>394</td> <td>3\"/> <tr> <td>398</td> <td>ETR</td> <td>-</td> <td>WD.</td> <td>J2</td> <td>PTD.</td> <td>-</td> <td>395</td> <td>3\"/> <tr> <td>399</td> <td>ETR</td> <td>-</td> <td>WD.</td> <td>J2</td> <td>PTD.</td> <td>-</td> <td>396</td> <td>3\"/> <tr> <td>3991</td> <td>ETR</td> <td>-</td> <td>WD.</td> <td>J2</td> <td>PTD.</td> <td>-</td> <td>398</td> <td>3\"/> <tr> <td>3992</td> <td>A</td> <td>3\"/> <tr> <td>3993</td> <td>ETR</td> <td>-</td> <td>WD.</td> <td>J2</td> <td>PTD.</td> <td>-</td> <td>399</td> <td>3\"/> <tr> <td>3994</td> <td>ETR</td> <td>-</td> <td>WD.</td> <td>J2</td> <td>PTD.</td> <td>-</td> <td>3991</td> <td>3\"/> <tr> <td>3995</td> <td>ETR</td> <td>-</td> <td>WD.</td> <td>J2</td> <td>PTD.</td> <td>-</td> <td>3992</td> <td>3\"/> <tr> <td>3997</td> <td>ETR</td> <td>-</td> <td>WD.</td> <td>J2</td> <td>PTD.</td> <td>-</td> <td>3993</td> <td>3\"/> <tr> <td>3998</td> <td>ETR</td> <td>-</td> <td>WD.</td> <td>J2</td> <td>PTD.</td> <td>-</td> <td>3994</td> <td>3\"/> <tr> <td>3999</td> <td>ETR</td> <td>-</td> <td>WD.</td> <td>J2</td> <td>PTD.</td> <td>-</td> <td>3995</td> <td>3\"/> <tr> <td>3999</td> <td>ETR</td> <td>-</td> <td>WD.</td> <td>J2</td> <td>PTD.</td> <td>-</td> <td>3997</td> <td>3\"/> </td></tr></td></tr></td></tr></td></tr></td></tr></td></tr></td></tr></td></tr></td></tr></td></tr></td></tr></td></tr></td></tr></td></tr></td></tr></td></tr></td></tr></td></tr></td></tr></td></tr></td></tr></td></tr></td></td></tr></td></tr></td></td></tr></td></td></tr></td></td></tr></td></td></tr></td></td></tr></td></td></tr></td></td></tr></td></td></tr></td></tr></td></tr></td></tr></td></td></tr> | 372 | B | 2 <td>HM</td> <td>J1</td> <td>PTD.</td> <td>1 HR.</td> <td>370</td> <td>3\"/> <tr> <td>373A</td> <td>ETR</td> <td>-</td> <td>WD.</td> <td>J2</td> <td>PTD.</td> <td>-</td> <td>371</td> <td>3\"/> <tr> <td>374B</td> <td>ETR</td> <td>-</td> <td>WD.</td> <td>J2</td> <td>PTD.</td> <td>-</td> <td>372</td> <td>3\"/> <tr> <td>374C</td> <td>ETR</td> <td>-</td> <td>WD.</td> <td>J2</td> <td>PTD.</td> <td>-</td> <td>373A</td> <td>3\"/> <tr> <td>375</td> <td>B</td> <td>1 <td>WD</td> <td>J1</td> <td>PTD.</td> <td>-</td> <td>374B</td> <td>3\"/> <tr> <td>376</td> <td>B</td> <td>1 <td>WD</td> <td>J1</td> <td>PTD.</td> <td>-</td> <td>374C</td> <td>3\"/> <tr> <td>377</td> <td>B</td> <td>1 <td>WD</td> <td>J1</td> <td>PTD.</td> <td>-</td> <td>375</td> <td>3\"/> <tr> <td>377A</td> <td>B</td> <td>1 <td>WD</td> <td>J1</td> <td>PTD.</td> <td>-</td> <td>376</td> <td>3\"/> <tr> <td>378</td> <td>B</td> <td>1 <td>WD</td> <td>J1</td> <td>PTD.</td> <td>-</td> <td>377</td> <td>3\"/> <tr> <td>379</td> <td>B</td> <td>1 <td>WD</td> <td>J1</td> <td>PTD.</td> <td>-</td> <td>377A</td> <td>3\"/> <tr> <td>380A</td> <td>B</td> <td>1 <td>WD</td> <td>J1</td> <td>PTD.</td> <td>-</td> <td>378</td> <td>3\"/> <tr> <td>380B</td> <td>B</td> <td>1 <td>WD</td> <td>J1</td> <td>PTD.</td> <td>-</td> <td>379</td> <td>3\"/> <tr> <td>382</td> <td>ETR</td> <td>-</td> <td>WD.</td> <td>J2</td> <td>PTD.</td> <td>-</td> <td>380A</td> <td>3\"/> <tr> <td>382A</td> <td>D</td> <td>6 <td>ALUM.</td> <td>ANODIZE D</td> <td>-</td> <td>-</td> <td>380B</td> <td>3\"/> <tr> <td>385</td> <td>ETR</td> <td>-</td> <td>WD.</td> <td>J2</td> <td>PTD.</td> <td>-</td> <td>382</td> <td>3\"/> <tr> <td>386</td> <td>ETR</td> <td>-</td> <td>WD.</td> <td>J2</td> <td>PTD.</td> <td>-</td> <td>382A</td> <td>3\"/> <tr> <td>387</td> <td>ETR</td> <td>-</td> <td>WD.</td> <td>J2</td> <td>PTD.</td> <td>-</td> <td>385</td> <td>3\"/> <tr> <td>388</td> <td>ETR</td> <td>-</td> <td>WD.</td> <td>J2</td> <td>PTD.</td> <td>-</td> <td>386</td> <td>3\"/> <tr> <td>389</td> <td>ETR</td> <td>-</td> <td>WD.</td> <td>J2</td> <td>PTD.</td> <td>-</td> <td>387</td> <td>3\"/> <tr> <td>391</td> <td>ETR</td> <td>-</td> <td>WD.</td> <td>J2</td> <td>PTD.</td> <td>-</td> <td>388</td> <td>3\"/> <tr> <td>391A</td> <td>ETR</td> <td>-</td> <td>WD.</td> <td>J2</td> <td>PTD.</td> <td>-</td> <td>389</td> <td>3\"/> <tr> <td>391B</td> <td>ETR</td> <td>-</td> <td>WD.</td> <td>J2</td> <td>PTD.</td> <td>-</td> <td>391</td> <td>3\"/> <tr> <td>394</td> <td>ETR</td> <td>-</td> <td>WD.</td> <td>J2</td> <td>PTD.</td> <td>-</td> <td>391A</td> <td>3\"/> <tr> <td>395</td> <td>ETR</td> <td>-</td> <td>WD.</td> <td>J2</td> <td>PTD.</td> <td>-</td> <td>391B</td> <td>3\"/> <tr> <td>396</td> <td>ETR</td> <td>-</td> <td>WD.</td> <td>J2</td> <td>PTD.</td> <td>-</td> <td>394</td> <td>3\"/> <tr> <td>398</td> <td>ETR</td> <td>-</td> <td>WD.</td> <td>J2</td> <td>PTD.</td> <td>-</td> <td>395</td> <td>3\"/> <tr> <td>399</td> <td>ETR</td> <td>-</td> <td>WD.</td> <td>J2</td> <td>PTD.</td> <td>-</td> <td>396</td> <td>3\"/> <tr> <td>3991</td> <td>ETR</td> <td>-</td> <td>WD.</td> <td>J2</td> <td>PTD.</td> <td>-</td> <td>398</td> <td>3\"/> <tr> <td>3992</td> <td>A</td> <td>3\"/> <tr> <td>3993</td> <td>ETR</td> <td>-</td> <td>WD.</td> <td>J2</td> <td>PTD.</td> <td>-</td> <td>399</td> <td>3\"/> <tr> <td>3994</td> <td>ETR</td> <td>-</td> <td>WD.</td> <td>J2</td> <td>PTD.</td> <td>-</td> <td>3991</td> <td>3\"/> <tr> <td>3995</td> <td>ETR</td> <td>-</td> <td>WD.</td> <td>J2</td> <td>PTD.</td> <td>-</td> <td>3992</td> <td>3\"/> <tr> <td>3997</td> <td>ETR</td> <td>-</td> <td>WD.</td> <td>J2</td> <td>PTD.</td> <td>-</td> <td>3993</td> <td>3\"/> <tr> <td>3998</td> <td>ETR</td> <td>-</td> <td>WD.</td> <td>J2</td> <td>PTD.</td> <td>-</td> <td>3994</td> <td>3\"/> <tr> <td>3999</td> <td>ETR</td> <td>-</td> <td>WD.</td> <td>J2</td> <td>PTD.</td> <td>-</td> <td>3995</td> <td>3\"/> <tr> <td>3999</td> <td>ETR</td> <td>-</td> <td>WD.</td> <td>J2</td> <td>PTD.</td> <td>-</td> <td>3997</td> <td>3\"/> </td></tr></td></tr></td></tr></td></tr></td></tr></td></tr></td></tr></td></tr></td></tr></td></tr></td></tr></td></tr></td></tr></td></tr></td></tr></td></tr></td></tr></td></tr></td></tr></td></tr></td></tr></td></tr></td></td></tr></td></tr></td></td></tr></td></td></tr></td></td></tr></td></td></tr></td></td></tr></td></td></tr></td></td></tr></td></td></tr></td></tr></td></tr></td></tr></td>
 | HM | J1 | PTD. | 1 HR. | 370 | 3\"/> <tr> <td>373A</td> <td>ETR</td> <td>-</td> <td>WD.</td> <td>J2</td> <td>PTD.</td> <td>-</td> <td>371</td> <td>3\"/> <tr> <td>374B</td> <td>ETR</td> <td>-</td> <td>WD.</td> <td>J2</td> <td>PTD.</td> <td>-</td> <td>372</td> <td>3\"/> <tr> <td>374C</td> <td>ETR</td> <td>-</td> <td>WD.</td> <td>J2</td> <td>PTD.</td> <td>-</td> <td>373A</td> <td>3\"/> <tr> <td>375</td> <td>B</td> <td>1 <td>WD</td> <td>J1</td> <td>PTD.</td> <td>-</td> <td>374B</td> <td>3\"/> <tr> <td>376</td> <td>B</td> <td>1 <td>WD</td> <td>J1</td> <td>PTD.</td> <td>-</td> <td>374C</td> <td>3\"/> <tr> <td>377</td> <td>B</td> <td>1 <td>WD</td> <td>J1</td> <td>PTD.</td> <td>-</td> <td>375</td> <td>3\"/> <tr> <td>377A</td> <td>B</td> <td>1 <td>WD</td> <td>J1</td> <td>PTD.</td> <td>-</td> <td>376</td> <td>3\"/> <tr> <td>378</td> <td>B</td> <td>1 <td>WD</td> <td>J1</td> <td>PTD.</td> <td>-</td> <td>377</td> <td>3\"/> <tr> <td>379</td> <td>B</td> <td>1 <td>WD</td> <td>J1</td> <td>PTD.</td> <td>-</td> <td>377A</td> <td>3\"/> <tr> <td>380A</td> <td>B</td> <td>1 <td>WD</td> <td>J1</td> <td>PTD.</td> <td>-</td> <td>378</td> <td>3\"/> <tr> <td>380B</td> <td>B</td> <td>1 <td>WD</td> <td>J1</td> <td>PTD.</td> <td>-</td> <td>379</td> <td>3\"/> <tr> <td>382</td> <td>ETR</td> <td>-</td> <td>WD.</td> <td>J2</td> <td>PTD.</td> <td>-</td> <td>380A</td> <td>3\"/> <tr> <td>382A</td> <td>D</td> <td>6 <td>ALUM.</td> <td>ANODIZE D</td> <td>-</td> <td>-</td> <td>380B</td> <td>3\"/> <tr> <td>385</td> <td>ETR</td> <td>-</td> <td>WD.</td> <td>J2</td> <td>PTD.</td> <td>-</td> <td>382</td> <td>3\"/> <tr> <td>386</td> <td>ETR</td> <td>-</td> <td>WD.</td> <td>J2</td> <td>PTD.</td> <td>-</td> <td>382A</td> <td>3\"/> <tr> <td>387</td> <td>ETR</td> <td>-</td> <td>WD.</td> <td>J2</td> <td>PTD.</td> <td>-</td> <td>385</td> <td>3\"/> <tr> <td>388</td> <td>ETR</td> <td>-</td> <td>WD.</td> <td>J2</td> <td>PTD.</td> <td>-</td> <td>386</td> <td>3\"/> <tr> <td>389</td> <td>ETR</td> <td>-</td> <td>WD.</td> <td>J2</td> <td>PTD.</td> <td>-</td> <td>387</td> <td>3\"/> <tr> <td>391</td> <td>ETR</td> <td>-</td> <td>WD.</td> <td>J2</td> <td>PTD.</td> <td>-</td> <td>388</td> <td>3\"/> <tr> <td>391A</td> <td>ETR</td> <td>-</td> <td>WD.</td> <td>J2</td> <td>PTD.</td> <td>-</td> <td>389</td> <td>3\"/> <tr> <td>391B</td> <td>ETR</td> <td>-</td> <td>WD.</td> <td>J2</td> <td>PTD.</td> <td>-</td> <td>391</td> <td>3\"/> <tr> <td>394</td> <td>ETR</td> <td>-</td> <td>WD.</td> <td>J2</td> <td>PTD.</td> <td>-</td> <td>391A</td> <td>3\"/> <tr> <td>395</td> <td>ETR</td> <td>-</td> <td>WD.</td> <td>J2</td> <td>PTD.</td> <td>-</td> <td>391B</td> <td>3\"/> <tr> <td>396</td> <td>ETR</td> <td>-</td> <td>WD.</td> <td>J2</td> <td>PTD.</td> <td>-</td> <td>394</td> <td>3\"/> <tr> <td>398</td> <td>ETR</td> <td>-</td> <td>WD.</td> <td>J2</td> <td>PTD.</td> <td>-</td> <td>395</td> <td>3\"/> <tr> <td>399</td> <td>ETR</td> <td>-</td> <td>WD.</td> <td>J2</td> <td>PTD.</td> <td>-</td> <td>396</td> <td>3\"/> <tr> <td>3991</td> <td>ETR</td> <td>-</td> <td>WD.</td> <td>J2</td> <td>PTD.</td> <td>-</td> <td>398</td> <td>3\"/> <tr> <td>3992</td> <td>A</td> <td>3\"/> <tr> <td>3993</td> <td>ETR</td> <td>-</td> <td>WD.</td> <td>J2</td> <td>PTD.</td> <td>-</td> <td>399</td> <td>3\"/> <tr> <td>3994</td> <td>ETR</td> <td>-</td> <td>WD.</td> <td>J2</td> <td>PTD.</td> <td>-</td> <td>3991</td> <td>3\"/> <tr> <td>3995</td> <td>ETR</td> <td>-</td> <td>WD.</td> <td>J2</td> <td>PTD.</td> <td>-</td> <td>3992</td> <td>3\"/> <tr> <td>3997</td> <td>ETR</td> <td>-</td> <td>WD.</td> <td>J2</td> <td>PTD.</td> <td>-</td> <td>3993</td> <td>3\"/> <tr> <td>3998</td> <td>ETR</td> <td>-</td> <td>WD.</td> <td>J2</td> <td>PTD.</td> <td>-</td> <td>3994</td> <td>3\"/> <tr> <td>3999</td> <td>ETR</td> <td>-</td> <td>WD.</td> <td>J2</td> <td>PTD.</td> <td>-</td> <td>3995</td> <td>3\"/> <tr> <td>3999</td> <td>ETR</td> <td>-</td> <td>WD.</td> <td>J2</td> <td>PTD.</td> <td>-</td> <td>3997</td> <td>3\"/> </td></tr></td></tr></td></tr></td></tr></td></tr></td></tr></td></tr></td></tr></td></tr></td></tr></td></tr></td></tr></td></tr></td></tr></td></tr></td></tr></td></tr></td></tr></td></tr></td></tr></td></tr></td></tr></td></td></tr></td></tr></td></td></tr></td></td></tr></td></td></tr></td></td></tr></td></td></tr></td></td></tr></td></td></tr></td></td></tr></td></tr></td></tr></td></tr> | 373A | ETR | -
 | WD. | J2 | PTD. | - | 371 | 3\"/> <tr> <td>374B</td> <td>ETR</td> <td>-</td> <td>WD.</td> <td>J2</td> <td>PTD.</td> <td>-</td> <td>372</td> <td>3\"/> <tr> <td>374C</td> <td>ETR</td> <td>-</td> <td>WD.</td> <td>J2</td> <td>PTD.</td> <td>-</td> <td>373A</td> <td>3\"/> <tr> <td>375</td> <td>B</td> <td>1 <td>WD</td> <td>J1</td> <td>PTD.</td> <td>-</td> <td>374B</td> <td>3\"/> <tr> <td>376</td> <td>B</td> <td>1 <td>WD</td> <td>J1</td> <td>PTD.</td> <td>-</td> <td>374C</td> <td>3\"/> <tr> <td>377</td> <td>B</td> <td>1 <td>WD</td> <td>J1</td> <td>PTD.</td> <td>-</td> <td>375</td> <td>3\"/> <tr> <td>377A</td> <td>B</td> <td>1 <td>WD</td> <td>J1</td> <td>PTD.</td> <td>-</td> <td>376</td> <td>3\"/> <tr> <td>378</td> <td>B</td> <td>1 <td>WD</td> <td>J1</td> <td>PTD.</td> <td>-</td> <td>377</td> <td>3\"/> <tr> <td>379</td> <td>B</td> <td>1 <td>WD</td> <td>J1</td> <td>PTD.</td> <td>-</td> <td>377A</td> <td>3\"/> <tr> <td>380A</td> <td>B</td> <td>1 <td>WD</td> <td>J1</td> <td>PTD.</td> <td>-</td> <td>378</td> <td>3\"/> <tr> <td>380B</td> <td>B</td> <td>1 <td>WD</td> <td>J1</td> <td>PTD.</td> <td>-</td> <td>379</td> <td>3\"/> <tr> <td>382</td> <td>ETR</td> <td>-</td> <td>WD.</td> <td>J2</td> <td>PTD.</td> <td>-</td> <td>380A</td> <td>3\"/> <tr> <td>382A</td> <td>D</td> <td>6 <td>ALUM.</td> <td>ANODIZE D</td> <td>-</td> <td>-</td> <td>380B</td> <td>3\"/> <tr> <td>385</td> <td>ETR</td> <td>-</td> <td>WD.</td> <td>J2</td> <td>PTD.</td> <td>-</td> <td>382</td> <td>3\"/> <tr> <td>386</td> <td>ETR</td> <td>-</td> <td>WD.</td> <td>J2</td> <td>PTD.</td> <td>-</td> <td>382A</td> <td>3\"/> <tr> <td>387</td> <td>ETR</td> <td>-</td> <td>WD.</td> <td>J2</td> <td>PTD.</td> <td>-</td> <td>385</td> <td>3\"/> <tr> <td>388</td> <td>ETR</td> <td>-</td> <td>WD.</td> <td>J2</td> <td>PTD.</td> <td>-</td> <td>386</td> <td>3\"/> <tr> <td>389</td> <td>ETR</td> <td>-</td> <td>WD.</td> <td>J2</td> <td>PTD.</td> <td>-</td> <td>387</td> <td>3\"/> <tr> <td>391</td> <td>ETR</td> <td>-</td> <td>WD.</td> <td>J2</td> <td>PTD.</td> <td>-</td> <td>388</td> <td>3\"/> <tr> <td>391A</td> <td>ETR</td> <td>-</td> <td>WD.</td> <td>J2</td> <td>PTD.</td> <td>-</td> <td>389</td> <td>3\"/> <tr> <td>391B</td> <td>ETR</td> <td>-</td> <td>WD.</td> <td>J2</td> <td>PTD.</td> <td>-</td> <td>391</td> <td>3\"/> <tr> <td>394</td> <td>ETR</td> <td>-</td> <td>WD.</td> <td>J2</td> <td>PTD.</td> <td>-</td> <td>391A</td> <td>3\"/> <tr> <td>395</td> <td>ETR</td> <td>-</td> <td>WD.</td> <td>J2</td> <td>PTD.</td> <td>-</td> <td>391B</td> <td>3\"/> <tr> <td>396</td> <td>ETR</td> <td>-</td> <td>WD.</td> <td>J2</td> <td>PTD.</td> <td>-</td> <td>394</td> <td>3\"/> <tr> <td>398</td> <td>ETR</td> <td>-</td> <td>WD.</td> <td>J2</td> <td>PTD.</td> <td>-</td> <td>395</td> <td>3\"/> <tr> <td>399</td> <td>ETR</td> <td>-</td> <td>WD.</td> <td>J2</td> <td>PTD.</td> <td>-</td> <td>396</td> <td>3\"/> <tr> <td>3991</td> <td>ETR</td> <td>-</td> <td>WD.</td> <td>J2</td> <td>PTD.</td> <td>-</td> <td>398</td> <td>3\"/> <tr> <td>3992</td> <td>A</td> <td>3\"/> <tr> <td>3993</td> <td>ETR</td> <td>-</td> <td>WD.</td> <td>J2</td> <td>PTD.</td> <td>-</td> <td>399</td> <td>3\"/> <tr> <td>3994</td> <td>ETR</td> <td>-</td> <td>WD.</td> <td>J2</td> <td>PTD.</td> <td>-</td> <td>3991</td> <td>3\"/> <tr> <td>3995</td> <td>ETR</td> <td>-</td> <td>WD.</td> <td>J2</td> <td>PTD.</td> <td>-</td> <td>3992</td> <td>3\"/> <tr> <td>3997</td> <td>ETR</td> <td>-</td> <td>WD.</td> <td>J2</td> <td>PTD.</td> <td>-</td> <td>3993</td> <td>3\"/> <tr> <td>3998</td> <td>ETR</td> <td>-</td> <td>WD.</td> <td>J2</td> <td>PTD.</td> <td>-</td> <td>3994</td> <td>3\"/> <tr> <td>3999</td> <td>ETR</td> <td>-</td> <td>WD.</td> <td>J2</td> <td>PTD.</td> <td>-</td> <td>3995</td> <td>3\"/> <tr> <td>3999</td> <td>ETR</td> <td>-</td> <td>WD.</td> <td>J2</td> <td>PTD.</td> <td>-</td> <td>3997</td> <td>3\"/> </td></tr></td></tr></td></tr></td></tr></td></tr></td></tr></td></tr></td></tr></td></tr></td></tr></td></tr></td></tr></td></tr></td></tr></td></tr></td></tr></td></tr></td></tr></td></tr></td></tr></td></tr></td></tr></td></td></tr></td></tr></td></td></tr></td></td></tr></td></td></tr></td></td></tr></td></td></tr></td></td></tr></td></td></tr></td></td></tr></td></tr></td></tr> | 374B | ETR | -
 | WD. | J2 | PTD. | - | 372 | 3\"/> <tr> <td>374C</td> <td>ETR</td> <td>-</td> <td>WD.</td> <td>J2</td> <td>PTD.</td> <td>-</td> <td>373A</td> <td>3\"/> <tr> <td>375</td> <td>B</td> <td>1 <td>WD</td> <td>J1</td> <td>PTD.</td> <td>-</td> <td>374B</td> <td>3\"/> <tr> <td>376</td> <td>B</td> <td>1 <td>WD</td> <td>J1</td> <td>PTD.</td> <td>-</td> <td>374C</td> <td>3\"/> <tr> <td>377</td> <td>B</td> <td>1 <td>WD</td> <td>J1</td> <td>PTD.</td> <td>-</td> <td>375</td> <td>3\"/> <tr> <td>377A</td> <td>B</td> <td>1 <td>WD</td> <td>J1</td> <td>PTD.</td> <td>-</td> <td>376</td> <td>3\"/> <tr> <td>378</td> <td>B</td> <td>1 <td>WD</td> <td>J1</td> <td>PTD.</td> <td>-</td> <td>377</td> <td>3\"/> <tr> <td>379</td> <td>B</td> <td>1 <td>WD</td> <td>J1</td> <td>PTD.</td> <td>-</td> <td>377A</td> <td>3\"/> <tr> <td>380A</td> <td>B</td> <td>1 <td>WD</td> <td>J1</td> <td>PTD.</td> <td>-</td> <td>378</td> <td>3\"/> <tr> <td>380B</td> <td>B</td> <td>1 <td>WD</td> <td>J1</td> <td>PTD.</td> <td>-</td> <td>379</td> <td>3\"/> <tr> <td>382</td> <td>ETR</td> <td>-</td> <td>WD.</td> <td>J2</td> <td>PTD.</td> <td>-</td> <td>380A</td> <td>3\"/> <tr> <td>382A</td> <td>D</td> <td>6 <td>ALUM.</td> <td>ANODIZE D</td> <td>-</td> <td>-</td> <td>380B</td> <td>3\"/> <tr> <td>385</td> <td>ETR</td> <td>-</td> <td>WD.</td> <td>J2</td> <td>PTD.</td> <td>-</td> <td>382</td> <td>3\"/> <tr> <td>386</td> <td>ETR</td> <td>-</td> <td>WD.</td> <td>J2</td> <td>PTD.</td> <td>-</td> <td>382A</td> <td>3\"/> <tr> <td>387</td> <td>ETR</td> <td>-</td> <td>WD.</td> <td>J2</td> <td>PTD.</td> <td>-</td> <td>385</td> <td>3\"/> <tr> <td>388</td> <td>ETR</td> <td>-</td> <td>WD.</td> <td>J2</td> <td>PTD.</td> <td>-</td> <td>386</td> <td>3\"/> <tr> <td>389</td> <td>ETR</td> <td>-</td> <td>WD.</td> <td>J2</td> <td>PTD.</td> <td>-</td> <td>387</td> <td>3\"/> <tr> <td>391</td> <td>ETR</td> <td>-</td> <td>WD.</td> <td>J2</td> <td>PTD.</td> <td>-</td> <td>388</td> <td>3\"/> <tr> <td>391A</td> <td>ETR</td> <td>-</td> <td>WD.</td> <td>J2</td> <td>PTD.</td> <td>-</td> <td>389</td> <td>3\"/> <tr> <td>391B</td> <td>ETR</td> <td>-</td> <td>WD.</td> <td>J2</td> <td>PTD.</td> <td>-</td> <td>391</td> <td>3\"/> <tr> <td>394</td> <td>ETR</td> <td>-</td> <td>WD.</td> <td>J2</td> <td>PTD.</td> <td>-</td> <td>391A</td> <td>3\"/> <tr> <td>395</td> <td>ETR</td> <td>-</td> <td>WD.</td> <td>J2</td> <td>PTD.</td> <td>-</td> <td>391B</td> <td>3\"/> <tr> <td>396</td> <td>ETR</td> <td>-</td> <td>WD.</td> <td>J2</td> <td>PTD.</td> <td>-</td> <td>394</td> <td>3\"/> <tr> <td>398</td> <td>ETR</td> <td>-</td> <td>WD.</td> <td>J2</td> <td>PTD.</td> <td>-</td> <td>395</td> <td>3\"/> <tr> <td>399</td> <td>ETR</td> <td>-</td> <td>WD.</td> <td>J2</td> <td>PTD.</td> <td>-</td> <td>396</td> <td>3\"/> <tr> <td>3991</td> <td>ETR</td> <td>-</td> <td>WD.</td> <td>J2</td> <td>PTD.</td> <td>-</td> <td>398</td> <td>3\"/> <tr> <td>3992</td> <td>A</td> <td>3\"/> <tr> <td>3993</td> <td>ETR</td> <td>-</td> <td>WD.</td> <td>J2</td> <td>PTD.</td> <td>-</td> <td>399</td> <td>3\"/> <tr> <td>3994</td> <td>ETR</td> <td>-</td> <td>WD.</td> <td>J2</td> <td>PTD.</td> <td>-</td> <td>3991</td> <td>3\"/> <tr> <td>3995</td> <td>ETR</td> <td>-</td> <td>WD.</td> <td>J2</td> <td>PTD.</td> <td>-</td> <td>3992</td> <td>3\"/> <tr> <td>3997</td> <td>ETR</td> <td>-</td> <td>WD.</td> <td>J2</td> <td>PTD.</td> <td>-</td> <td>3993</td> <td>3\"/> <tr> <td>3998</td> <td>ETR</td> <td>-</td> <td>WD.</td> <td>J2</td> <td>PTD.</td> <td>-</td> <td>3994</td> <td>3\"/> <tr> <td>3999</td> <td>ETR</td> <td>-</td> <td>WD.</td> <td>J2</td> <td>PTD.</td> <td>-</td> <td>3995</td> <td>3\"/> <tr> <td>3999</td> <td>ETR</td> <td>-</td> <td>WD.</td> <td>J2</td> <td>PTD.</td> <td>-</td> <td>3997</td> <td>3\"/> </td></tr></td></tr></td></tr></td></tr></td></tr></td></tr></td></tr></td></tr></td></tr></td></tr></td></tr></td></tr></td></tr></td></tr></td></tr></td></tr></td></tr></td></tr></td></tr></td></tr></td></tr></td></tr></td></td></tr></td></tr></td></td></tr></td></td></tr></td></td></tr></td></td></tr></td></td></tr></td></td></tr></td></td></tr></td></td></tr></td></tr> | 374C | ETR | -
 | WD. | J2 | PTD. | - | 373A | 3\"/> <tr> <td>375</td> <td>B</td> <td>1 <td>WD</td> <td>J1</td> <td>PTD.</td> <td>-</td> <td>374B</td> <td>3\"/> <tr> <td>376</td> <td>B</td> <td>1 <td>WD</td> <td>J1</td> <td>PTD.</td> <td>-</td> <td>374C</td> <td>3\"/> <tr> <td>377</td> <td>B</td> <td>1 <td>WD</td> <td>J1</td> <td>PTD.</td> <td>-</td> <td>375</td> <td>3\"/> <tr> <td>377A</td> <td>B</td> <td>1 <td>WD</td> <td>J1</td> <td>PTD.</td> <td>-</td> <td>376</td> <td>3\"/> <tr> <td>378</td> <td>B</td> <td>1 <td>WD</td> <td>J1</td> <td>PTD.</td> <td>-</td> <td>377</td> <td>3\"/> <tr> <td>379</td> <td>B</td> <td>1 <td>WD</td> <td>J1</td> <td>PTD.</td> <td>-</td> <td>377A</td> <td>3\"/> <tr> <td>380A</td> <td>B</td> <td>1 <td>WD</td> <td>J1</td> <td>PTD.</td> <td>-</td> <td>378</td> <td>3\"/> <tr> <td>380B</td> <td>B</td> <td>1 <td>WD</td> <td>J1</td> <td>PTD.</td> <td>-</td> <td>379</td> <td>3\"/> <tr> <td>382</td> <td>ETR</td> <td>-</td> <td>WD.</td> <td>J2</td> <td>PTD.</td> <td>-</td> <td>380A</td> <td>3\"/> <tr> <td>382A</td> <td>D</td> <td>6 <td>ALUM.</td> <td>ANODIZE D</td> <td>-</td> <td>-</td> <td>380B</td> <td>3\"/> <tr> <td>385</td> <td>ETR</td> <td>-</td> <td>WD.</td> <td>J2</td> <td>PTD.</td> <td>-</td> <td>382</td> <td>3\"/> <tr> <td>386</td> <td>ETR</td> <td>-</td> <td>WD.</td> <td>J2</td> <td>PTD.</td> <td>-</td> <td>382A</td> <td>3\"/> <tr> <td>387</td> <td>ETR</td> <td>-</td> <td>WD.</td> <td>J2</td> <td>PTD.</td> <td>-</td> <td>385</td> <td>3\"/> <tr> <td>388</td> <td>ETR</td> <td>-</td> <td>WD.</td> <td>J2</td> <td>PTD.</td> <td>-</td> <td>386</td> <td>3\"/> <tr> <td>389</td> <td>ETR</td> <td>-</td> <td>WD.</td> <td>J2</td> <td>PTD.</td> <td>-</td> <td>387</td> <td>3\"/> <tr> <td>391</td> <td>ETR</td> <td>-</td> <td>WD.</td> <td>J2</td> <td>PTD.</td> <td>-</td> <td>388</td> <td>3\"/> <tr> <td>391A</td> <td>ETR</td> <td>-</td> <td>WD.</td> <td>J2</td> <td>PTD.</td> <td>-</td> <td>389</td> <td>3\"/> <tr> <td>391B</td> <td>ETR</td> <td>-</td> <td>WD.</td> <td>J2</td> <td>PTD.</td> <td>-</td> <td>391</td> <td>3\"/> <tr> <td>394</td> <td>ETR</td> <td>-</td> <td>WD.</td> <td>J2</td> <td>PTD.</td> <td>-</td> <td>391A</td> <td>3\"/> <tr> <td>395</td> <td>ETR</td> <td>-</td> <td>WD.</td> <td>J2</td> <td>PTD.</td> <td>-</td> <td>391B</td> <td>3\"/> <tr> <td>396</td> <td>ETR</td> <td>-</td> <td>WD.</td> <td>J2</td> <td>PTD.</td> <td>-</td> <td>394</td> <td>3\"/> <tr> <td>398</td> <td>ETR</td> <td>-</td> <td>WD.</td> <td>J2</td> <td>PTD.</td> <td>-</td> <td>395</td> <td>3\"/> <tr> <td>399</td> <td>ETR</td> <td>-</td> <td>WD.</td> <td>J2</td> <td>PTD.</td> <td>-</td> <td>396</td> <td>3\"/> <tr> <td>3991</td> <td>ETR</td> <td>-</td> <td>WD.</td> <td>J2</td> <td>PTD.</td> <td>-</td> <td>398</td> <td>3\"/> <tr> <td>3992</td> <td>A</td> <td>3\"/> <tr> <td>3993</td> <td>ETR</td> <td>-</td> <td>WD.</td> <td>J2</td> <td>PTD.</td> <td>-</td> <td>399</td> <td>3\"/> <tr> <td>3994</td> <td>ETR</td> <td>-</td> <td>WD.</td> <td>J2</td> <td>PTD.</td> <td>-</td> <td>3991</td> <td>3\"/> <tr> <td>3995</td> <td>ETR</td> <td>-</td> <td>WD.</td> <td>J2</td> <td>PTD.</td> <td>-</td> <td>3992</td> <td>3\"/> <tr> <td>3997</td> <td>ETR</td> <td>-</td> <td>WD.</td> <td>J2</td> <td>PTD.</td> <td>-</td> <td>3993</td> <td>3\"/> <tr> <td>3998</td> <td>ETR</td> <td>-</td> <td>WD.</td> <td>J2</td> <td>PTD.</td> <td>-</td> <td>3994</td> <td>3\"/> <tr> <td>3999</td> <td>ETR</td> <td>-</td> <td>WD.</td> <td>J2</td> <td>PTD.</td> <td>-</td> <td>3995</td> <td>3\"/> <tr> <td>3999</td> <td>ETR</td> <td>-</td> <td>WD.</td> <td>J2</td> <td>PTD.</td> <td>-</td> <td>3997</td> <td>3\"/> </td></tr></td></tr></td></tr></td></tr></td></tr></td></tr></td></tr></td></tr></td></tr></td></tr></td></tr></td></tr></td></tr></td></tr></td></tr></td></tr></td></tr></td></tr></td></tr></td></tr></td></tr></td></tr></td></td></tr></td></tr></td></td></tr></td></td></tr></td></td></tr></td></td></tr></td></td></tr></td></td></tr></td></td></tr></td></td></tr> | 375 | B | 1 <td>WD</td> <td>J1</td> <td>PTD.</td> <td>-</td> <td>374B</td> <td>3\"/> <tr> <td>376</td> <td>B</td> <td>1 <td>WD</td> <td>J1</td> <td>PTD.</td> <td>-</td> <td>374C</td> <td>3\"/> <tr> <td>377</td> <td>B</td> <td>1 <td>WD</td> <td>J1</td> <td>PTD.</td> <td>-</td> <td>375</td> <td>3\"/> <tr> <td>377A</td> <td>B</td> <td>1 <td>WD</td> <td>J1</td> <td>PTD.</td> <td>-</td> <td>376</td> <td>3\"/> <tr> <td>378</td> <td>B</td> <td>1 <td>WD</td> <td>J1</td> <td>PTD.</td> <td>-</td> <td>377</td> <td>3\"/> <tr> <td>379</td> <td>B</td> <td>1 <td>WD</td> <td>J1</td> <td>PTD.</td> <td>-</td> <td>377A</td> <td>3\"/> <tr> <td>380A</td> <td>B</td> <td>1 <td>WD</td> <td>J1</td> <td>PTD.</td> <td>-</td> <td>378</td> <td>3\"/> <tr> <td>380B</td> <td>B</td> <td>1 <td>WD</td> <td>J1</td> <td>PTD.</td> <td>-</td> <td>379</td> <td>3\"/> <tr> <td>382</td> <td>ETR</td> <td>-</td> <td>WD.</td> <td>J2</td> <td>PTD.</td> <td>-</td> <td>380A</td> <td>3\"/> <tr> <td>382A</td> <td>D</td> <td>6 <td>ALUM.</td> <td>ANODIZE D</td> <td>-</td> <td>-</td> <td>380B</td> <td>3\"/> <tr> <td>385</td>
<td>ETR</td> <td>-</td> <td>WD.</td> <td>J2</td> <td>PTD.</td> <td>-</td> <td>382</td> <td>3\"/> <tr> <td>386</td> <td>ETR</td> <td>-</td> <td>WD.</td> <td>J2</td> <td>PTD.</td> <td>-</td> <td>382A</td> <td>3\"/> <tr> <td>387</td> <td>ETR</td> <td>-</td> <td>WD.</td> <td>J2</td> <td>PTD.</td> <td>-</td> <td>385</td> <td>3\"/> <tr> <td>388</td> <td>ETR</td> <td>-</td> <td>WD.</td> <td>J2</td> <td>PTD.</td> <td>-</td> <td>386</td> <td>3\"/> <tr> <td>389</td> <td>ETR</td> <td>-</td> <td>WD.</td> <td>J2</td> <td>PTD.</td> <td>-</td> <td>387</td> <td>3\"/> <tr> <td>391</td> <td>ETR</td> <td>-</td> <td>WD.</td> <td>J2</td> <td>PTD.</td> <td>-</td> <td>388</td> <td>3\"/> <tr> <td>391A</td> <td>ETR</td> <td>-</td> <td>WD.</td> <td>J2</td> <td>PTD.</td> <td>-</td> <td>389</td> <td>3\"/> <tr> <td>391B</td> <td>ETR</td> <td>-</td> <td>WD.</td> <td>J2</td> <td>PTD.</td> <td>-</td> <td>391</td> <td>3\"/> <tr> <td>394</td> <td>ETR</td> <td>-</td> <td>WD.</td> <td>J2</td> <td>PTD.</td> <td>-</td> <td>391A</td> <td>3\"/> <tr> <td>395</td> <td>ETR</td> <td>-</td> <td>WD.</td> <td>J2</td> <td>PTD.</td> <td>-</td> <td>391B</td> <td>3\"/> <tr> <td>396</td> <td>ETR</td> <td>-</td> <td>WD.</td> <td>J2</td> <td>PTD.</td> <td>-</td> <td>394</td> <td>3\"/> <tr> <td>398</td> <td>ETR</td> <td>-</td> <td>WD.</td> <td>J2</td> <td>PTD.</td> <td>-</td> <td>395</td> <td>3\"/> <tr> <td>399</td> <td>ETR</td> <td>-</td> <td>WD.</td> <td>J2</td> <td>PTD.</td> <td>-</td> <td>396</td> <td>3\"/> <tr> <td>3991</td> <td>ETR</td> <td>-</td> <td>WD.</td> <td>J2</td> <td>PTD.</td> <td>-</td> <td>398</td> <td>3\"/> <tr> <td>3992</td> <td>A</td> <td>3\"/> <tr> <td>3993</td> <td>ETR</td> <td>-</td> <td>WD.</td> <td>J2</td> <td>PTD.</td> <td>-</td> <td>399</td> <td>3\"/> <tr> <td>3994</td> <td>ETR</td> <td>-</td> <td>WD.</td> <td>J2</td> <td>PTD.</td> <td>-</td> <td>3991</td> <td>3\"/> <tr> <td>3995</td> <td>ETR</td> <td>-</td> <td>WD.</td> <td>J2</td> <td>PTD.</td> <td>-</td> <td>3992</td> <td>3\"/> <tr> <td>3997</td> <td>ETR</td> <td>-</td> <td>WD.</td> <td>J2</td> <td>PTD.</td> <td>-</td> <td>3993</td> <td>3\"/> <tr> <td>3998</td> <td>ETR</td> <td>-</td> <td>WD.</td> <td>J2</td> <td>PTD.</td> <td>-</td> <td>3994</td> <td>3\"/> <tr> <td>3999</td> <td>ETR</td> <td>-</td> <td>WD.</td> <td>J2</td> <td>PTD.</td> <td>-</td> <td>3995</td> <td>3\"/> <tr> <td>3999</td> <td>ETR</td> <td>-</td> <td>WD.</td> <td>J2</td> <td>PTD.</td> <td>-</td> <td>3997</td> <td>3\"/> </td></tr></td></tr></td></tr></td></tr></td></tr></td></tr></td></tr></td></tr></td></tr></td></tr></td></tr></td></tr></td></tr></td></tr></td></tr></td></tr></td></tr></td></tr></td></tr></td></tr></td></tr></td></tr></td></td></tr></td></tr></td></td></tr></td></td></tr></td></td></tr></td></td></tr></td></td></tr></td></td></tr></td></td></tr></td> | WD | J1 | PTD. | - | 374B | 3\"/> <tr> <td>376</td> <td>B</td> <td>1 <td>WD</td> <td>J1</td> <td>PTD.</td> <td>-</td> <td>374C</td> <td>3\"/> <tr> <td>377</td> <td>B</td> <td>1 <td>WD</td> <td>J1</td> <td>PTD.</td> <td>-</td> <td>375</td> <td>3\"/> <tr> <td>377A</td> <td>B</td> <td>1 <td>WD</td> <td>J1</td> <td>PTD.</td> <td>-</td> <td>376</td> <td>3\"/> <tr> <td>378</td> <td>B</td> <td>1 <td>WD</td> <td>J1</td> <td>PTD.</td> <td>-</td> <td>377</td> <td>3\"/> <tr> <td>379</td> <td>B</td> <td>1 <td>WD</td> <td>J1</td> <td>PTD.</td> <td>-</td> <td>377A</td> <td>3\"/> <tr> <td>380A</td> <td>B</td> <td>1 <td>WD</td> <td>J1</td> <td>PTD.</td> <td>-</td>
<td>378</td> <td>3\"/> <tr> <td>380B</td> <td>B</td> <td>1 <td>WD</td> <td>J1</td> <td>PTD.</td> <td>-</td> <td>379</td> <td>3\"/> <tr> <td>382</td> <td>ETR</td> <td>-</td> <td>WD.</td> <td>J2</td> <td>PTD.</td> <td>-</td> <td>380A</td> <td>3\"/> <tr> <td>382A</td> <td>D</td> <td>6 <td>ALUM.</td> <td>ANODIZE D</td> <td>-</td> <td>-</td> <td>380B</td> <td>3\"/> <tr> <td>385</td> <td>ETR</td> <td>-</td> <td>WD.</td> <td>J2</td> <td>PTD.</td> <td>-</td> <td>382</td> <td>3\"/> <tr> <td>386</td> <td>ETR</td> <td>-</td> <td>WD.</td> <td>J2</td> <td>PTD.</td> <td>-</td> <td>382A</td> <td>3\"/> <tr> <td>387</td> <td>ETR</td> <td>-</td> <td>WD.</td> <td>J2</td> <td>PTD.</td> <td>-</td> <td>385</td> <td>3\"/> <tr> <td>388</td> <td>ETR</td> <td>-</td> <td>WD.</td> <td>J2</td> <td>PTD.</td> <td>-</td> <td>386</td> <td>3\"/> <tr> <td>389</td> <td>ETR</td> <td>-</td> <td>WD.</td> <td>J2</td> <td>PTD.</td> <td>-</td> <td>387</td> <td>3\"/> <tr> <td>391</td> <td>ETR</td> <td>-</td> <td>WD.</td> <td>J2</td> <td>PTD.</td> <td>-</td> <td>388</td> <td>3\"/> <tr> <td>391A</td> <td>ETR</td> <td>-</td> <td>WD.</td> <td>J2</td> <td>PTD.</td> <td>-</td> <td>389</td> <td>3\"/> <tr> <td>391B</td> <td>ETR</td> <td>-</td> <td>WD.</td> <td>J2</td> <td>PTD.</td> <td>-</td> <td>391</td> <td>3\"/> <tr> <td>394</td> <td>ETR</td> <td>-</td> <td>WD.</td> <td>J2</td> <td>PTD.</td> <td>-</td> <td>391A</td> <td>3\"/> <tr> <td>395</td> <td>ETR</td> <td>-</td> <td>WD.</td> <td>J2</td> <td>PTD.</td> <td>-</td> <td>391B</td> <td>3\"/> <tr> <td>396</td> <td>ETR</td> <td>-</td> <td>WD.</td> <td>J2</td> <td>PTD.</td> <td>-</td> <td>394</td> <td>3\"/> <tr> <td>398</td> <td>ETR</td> <td>-</td> <td>WD.</td> <td>J2</td> <td>PTD.</td> <td>-</td> <td>395</td> <td>3\"/> <tr> <td>399</td> <td>ETR</td> <td>-</td> <td>WD.</td> <td>J2</td> <td>PTD.</td> <td>-</td> <td>396</td> <td>3\"/> <tr> <td>3991</td> <td>ETR</td> <td>-</td> <td>WD.</td> <td>J2</td> <td>PTD.</td> <td>-</td> <td>398</td> <td>3\"/> <tr> <td>3992</td> <td>A</td> <td>3\"/> <tr> <td>3993</td> <td>ETR</td> <td>-</td> <td>WD.</td> <td>J2</td> <td>PTD.</td> <td>-</td> <td>399</td> <td>3\"/> <tr> <td>3994</td> <td>ETR</td> <td>-</td> <td>WD.</td> <td>J2</td> <td>PTD.</td> <td>-</td> <td>3991</td> <td>3\"/> <tr> <td>3995</td> <td>ETR</td> <td>-</td> <td>WD.</td> <td>J2</td> <td>PTD.</td> <td>-</td> <td>3992</td> <td>3\"/> <tr> <td>3997</td> <td>ETR</td> <td>-</td> <td>WD.</td> <td>J2</td> <td>PTD.</td> <td>-</td> <td>3993</td> <td>3\"/> <tr> <td>3998</td> <td>ETR</td> <td>-</td> <td>WD.</td> <td>J2</td> <td>PTD.</td> <td>-</td> <td>3994</td> <td>3\"/> <tr> <td>3999</td> <td>ETR</td> <td>-</td> <td>WD.</td> <td>J2</td> <td>PTD.</td> <td>-</td> <td>3995</td> <td>3\"/> <tr> <td>3999</td> <td>ETR</td> <td>-</td> <td>WD.</td> <td>J2</td> <td>PTD.</td> <td>-</td> <td>3997</td> <td>3\"/> </td></tr></td></tr></td></tr></td></tr></td></tr></td></tr></td></tr></td></tr></td></tr></td></tr></td></tr></td></tr></td></tr></td></tr></td></tr></td></tr></td></tr></td></tr></td></tr></td></tr></td></tr></td></tr></td></td></tr></td></tr></td></td></tr></td></td></tr></td></td></tr></td></td></tr></td></td></tr></td></td></tr></td></td></tr> | 376 | B | 1 <td>WD</td> <td>J1</td> <td>PTD.</td> <td>-</td> <td>374C</td> <td>3\"/> <tr> <td>377</td> <td>B</td> <td>1 <td>WD</td> <td>J1</td> <td>PTD.</td> <td>-</td> <td>375</td> <td>3\"/> <tr> <td>377A</td> <td>B</td> <td>1 <td>WD</td> <td>J1</td> <td>PTD.</td> <td>-</td> <td>376</td> <td>3\"/> <tr> <td>378</td> <td>B</td> <td>1 <td>WD</td> <td>J1</td> <td>PTD.</td> <td>-</td> <td>377</td> <td>3\"/> <tr> <td>379</td> <td>B</td> <td>1 <td>WD</td> <td>J1</td> <td>PTD.</td> <td>-</td> <td>377A</td> <td>3\"/> <tr> <td>380A</td> <td>B</td> <td>1 <td>WD</td> <td>J1</td> <td>PTD.</td> <td>-</td> <td>378</td> <td>3\"/> <tr> <td>380B</td> <td>B</td> <td>1 <td>WD</td> <td>J1</td> <td>PTD.</td> <td>-</td> <td>379</td> <td>3\"/> <tr> <td>382</td> <td>ETR</td> <td>-</td> <td>WD.</td> <td>J2</td> <td>PTD.</td> <td>-</td> <td>380A</td> <td>3\"/> <tr> <td>382A</td> <td>D</td> <td>6 <td>ALUM.</td> <td>ANODIZE D</td> <td>-</td> <td>-</td> <td>380B</td> <td>3\"/> <tr> <td>385</td> <td>ETR</td> <td>-</td> <td>WD.</td> <td>J2</td> <td>PTD.</td> <td>-</td> <td>382</td> <td>3\"/> <tr> <td>386</td> <td>ETR</td> <td>-</td> <td>WD.</td> <td>J2</td> <td>PTD.</td> <td>-</td> <td>382A</td> <td>3\"/> <tr> <td>387</td> <td>ETR</td> <td>-</td> <td>WD.</td> <td>J2</td> <td>PTD.</td> <td>-</td> <td>385</td> <td>3\"/> <tr> <td>388</td> <td>ETR</td> <td>-</td> <td>WD.</td> <td>J2</td> <td>PTD.</td> <td>-</td> <td>386</td> <td>3\"/> <tr> <td>389</td> <td>ETR</td> <td>-</td> <td>WD.</td> <td>J2</td> <td>PTD.</td> <td>-</td> <td>387</td> <td>3\"/> <tr> <td>391</td> <td>ETR</td> <td>-</td> <td>WD.</td> <td>J2</td> <td>PTD.</td> <td>-</td> <td>388</td> <td>3\"/> <tr> <td>391A</td> <td>ETR</td> <td>-</td> <td>WD.</td> <td>J2</td> <td>PTD.</td> <td>-</td> <td>389</td> <td>3\"/> <tr> <td>391B</td> <td>ETR</td> <td>-</td> <td>WD.</td> <td>J2</td> <td>PTD.</td> <td>-</td> <td>391</td> <td>3\"/> <tr> <td>394</td> <td>ETR</td> <td>-</td> <td>WD.</td> <td>J2</td> <td>PTD.</td> <td>-</td> <td>391A</td> <td>3\"/> <tr> <td>395</td> <td>ETR</td> <td>-</td> <td>WD.</td> <td>J2</td> <td>PTD.</td> <td>-</td> <td>391B</td> <td>3\"/> <tr> <td>396</td> <td>ETR</td> <td>-</td> <td>WD.</td> <td>J2</td> <td>PTD.</td> <td>-</td> <td>394</td> <td>3\"/> <tr> <td>398</td> <td>ETR</td> <td>-</td> <td>WD.</td> <td>J2</td> <td>PTD.</td> <td>-</td> <td>395</td> <td>3\"/> <tr> <td>399</td> <td>ETR</td> <td>-</td> <td>WD.</td> <td>J2</td> <td>PTD.</td> <td>-</td> <td>396</td> <td>3\"/> <tr> <td>3991</td> <td>ETR</td> <td>-</td> <td>WD.</td> <td>J2</td> <td>PTD.</td> <td>-</td> <td>398</td> <td>3\"/> <tr> <td>3992</td> <td>A</td> <td>3\"/> <tr> <td>3993</td> <td>ETR</td> <td>-</td> <td>WD.</td> <td>J2</td> <td>PTD.</td> <td>-</td> <td>399</td> <td>3\"/> <tr> <td>3994</td> <td>ETR</td> <td>-</td> <td>WD.</td> <td>J2</td> <td>PTD.</td> <td>-</td> <td>3991</td> <td>3\"/> <tr> <td>3995</td> <td>ETR</td> <td>-</td> <td>WD.</td> <td>J2</td> <td>PTD.</td> <td>-</td> <td>3992</td> <td>3\"/> <tr> <td>3997</td> <td>ETR</td> <td>-</td> <td>WD.</td> <td>J2</td> <td>PTD.</td> <td>-</td> <td>3993</td> <td>3\"/> <tr> <td>3998</td> <td>ETR</td> <td>-</td> <td>WD.</td> <td>J2</td> <td>PTD.</td> <td>-</td> <td>3994</td> <td>3\"/> <tr> <td>3999</td> <td>ETR</td> <td>-</td> <td>WD.</td> <td>J2</td> <td>PTD.</td> <td>-</td> <td>3995</td> <td>3\"/> <tr> <td>3999</td> <td>ETR</td> <td>-</td> <td>WD.</td> <td>J2</td> <td>PTD.</td> <td>-</td> <td>3997</td> <td>3\"/> </td></tr></td></tr></td></tr></td></tr></td></tr></td></tr></td></tr></td></tr></td></tr></td></tr></td></tr></td></tr></td></tr></td></tr></td></tr></td></tr></td></tr></td></tr></td></tr></td></tr></td></tr></td></tr></td></td></tr></td></tr></td></td></tr></td></td></tr></td></td></tr></td></td></tr></td></td></tr></td></td></tr></td> | WD | J1 | PTD. | - | 374C | 3\"/> <tr> <td>377</td> <td>B</td> <td>1 <td>WD</td> <td>J1</td> <td>PTD.</td> <td>-</td> <td>375</td> <td>3\"/> <tr> <td>377A</td> <td>B</td> <td>1 <td>WD</td> <td>J1</td> <td>PTD.</td> <td>-</td> <td>376</td> <td>3\"/> <tr> <td>378</td> <td>B</td> <td>1 <td>WD</td> <td>J1</td> <td>PTD.</td> <td>-</td> <td>377</td> <td>3\"/> <tr> <td>379</td> <td>B</td> <td>1
<td>WD</td> <td>J1</td> <td>PTD.</td> <td>-</td> <td>377A</td> <td>3\"/> <tr> <td>380A</td> <td>B</td> <td>1 <td>WD</td> <td>J1</td> <td>PTD.</td> <td>-</td> <td>378</td> <td>3\"/> <tr> <td>380B</td> <td>B</td> <td>1 <td>WD</td> <td>J1</td> <td>PTD.</td> <td>-</td> <td>379</td> <td>3\"/> <tr> <td>382</td> <td>ETR</td> <td>-</td> <td>WD.</td> <td>J2</td> <td>PTD.</td> <td>-</td> <td>380A</td> <td>3\"/> <tr> <td>382A</td> <td>D</td> <td>6 <td>ALUM.</td> <td>ANODIZE D</td> <td>-</td> <td>-</td> <td>380B</td> <td>3\"/> <tr> <td>385</td> <td>ETR</td> <td>-</td> <td>WD.</td> <td>J2</td> <td>PTD.</td> <td>-</td> <td>382</td> <td>3\"/> <tr> <td>386</td> <td>ETR</td> <td>-</td> <td>WD.</td> <td>J2</td> <td>PTD.</td> <td>-</td> <td>382A</td> <td>3\"/> <tr> <td>387</td> <td>ETR</td> <td>-</td> <td>WD.</td> <td>J2</td> <td>PTD.</td> <td>-</td> <td>385</td> <td>3\"/> <tr> <td>388</td> <td>ETR</td> <td>-</td> <td>WD.</td> <td>J2</td> <td>PTD.</td> <td>-</td> <td>386</td> <td>3\"/> <tr> <td>389</td> <td>ETR</td> <td>-</td> <td>WD.</td> <td>J2</td> <td>PTD.</td> <td>-</td> <td>387</td> <td>3\"/> <tr> <td>391</td> <td>ETR</td> <td>-</td> <td>WD.</td> <td>J2</td> <td>PTD.</td> <td>-</td> <td>388</td> <td>3\"/> <tr> <td>391A</td> <td>ETR</td> <td>-</td> <td>WD.</td> <td>J2</td> <td>PTD.</td> <td>-</td> <td>389</td> <td>3\"/> <tr> <td>391B</td> <td>ETR</td> <td>-</td> <td>WD.</td> <td>J2</td> <td>PTD.</td> <td>-</td> <td>391</td> <td>3\"/> <tr> <td>394</td> <td>ETR</td> <td>-</td> <td>WD.</td> <td>J2</td> <td>PTD.</td> <td>-</td> <td>391A</td> <td>3\"/> <tr> <td>395</td> <td>ETR</td> <td>-</td> <td>WD.</td> <td>J2</td> <td>PTD.</td> <td>-</td> <td>391B</td> <td>3\"/> <tr> <td>396</td> <td>ETR</td> <td>-</td> <td>WD.</td> <td>J2</td> <td>PTD.</td> <td>-</td> <td>394</td> <td>3\"/> <tr> <td>398</td> <td>ETR</td> <td>-</td> <td>WD.</td> <td>J2</td> <td>PTD.</td> <td>-</td> <td>395</td> <td>3\"/> <tr> <td>399</td> <td>ETR</td> <td>-</td> <td>WD.</td> <td>J2</td> <td>PTD.</td> <td>-</td> <td>396</td> <td>3\"/> <tr> <td>3991</td> <td>ETR</td> <td>-</td> <td>WD.</td> <td>J2</td> <td>PTD.</td> <td>-</td> <td>398</td> <td>3\"/> <tr> <td>3992</td> <td>A</td> <td>3\"/> <tr> <td>3993</td> <td>ETR</td> <td>-</td> <td>WD.</td> <td>J2</td> <td>PTD.</td> <td>-</td> <td>399</td> <td>3\"/> <tr> <td>3994</td> <td>ETR</td> <td>-</td> <td>WD.</td> <td>J2</td> <td>PTD.</td> <td>-</td> <td>3991</td> <td>3\"/> <tr> <td>3995</td> <td>ETR</td> <td>-</td> <td>WD.</td> <td>J2</td> <td>PTD.</td> <td>-</td> <td>3992</td> <td>3\"/> <tr> <td>3997</td> <td>ETR</td> <td>-</td> <td>WD.</td> <td>J2</td> <td>PTD.</td> <td>-</td> <td>3993</td> <td>3\"/> <tr> <td>3998</td> <td>ETR</td> <td>-</td> <td>WD.</td> <td>J2</td> <td>PTD.</td> <td>-</td> <td>3994</td> <td>3\"/> <tr> <td>3999</td> <td>ETR</td> <td>-</td> <td>WD.</td> <td>J2</td> <td>PTD.</td> <td>-</td> <td>3995</td> <td>3\"/> <tr> <td>3999</td> <td>ETR</td> <td>-</td> <td>WD.</td> <td>J2</td> <td>PTD.</td> <td>-</td> <td>3997</td> <td>3\"/> </td></tr></td></tr></td></tr></td></tr></td></tr></td></tr></td></tr></td></tr></td></tr></td></tr></td></tr></td></tr></td></tr></td></tr></td></tr></td></tr></td></tr></td></tr></td></tr></td></tr></td></tr></td></tr></td></td></tr></td></tr></td></td></tr></td></td></tr></td></td></tr></td></td></tr></td></td></tr></td></td></tr> | 377 | B | 1 <td>WD</td> <td>J1</td> <td>PTD.</td> <td>-</td> <td>375</td> <td>3\"/> <tr> <td>377A</td> <td>B</td> <td>1 <td>WD</td> <td>J1</td> <td>PTD.</td> <td>-</td> <td>376</td> <td>3\"/> <tr> <td>378</td> <td>B</td> <td>1 <td>WD</td> <td>J1</td> <td>PTD.</td> <td>-</td> <td>377</td> <td>3\"/> <tr> <td>379</td> <td>B</td> <td>1 <td>WD</td> <td>J1</td> <td>PTD.</td> <td>-</td> <td>377A</td> <td>3\"/> <tr> <td>380A</td> <td>B</td> <td>1 <td>WD</td> <td>J1</td> <td>PTD.</td> <td>-</td> <td>378</td> <td>3\"/> <tr> <td>380B</td> <td>B</td> <td>1 <td>WD</td> <td>J1</td> <td>PTD.</td> <td>-</td> <td>379</td> <td>3\"/> <tr> <td>382</td> <td>ETR</td> <td>-</td> <td>WD.</td> <td>J2</td> <td>PTD.</td> <td>-</td> <td>380A</td> <td>3\"/> <tr> <td>382A</td> <td>D</td> <td>6 <td>ALUM.</td> <td>ANODIZE D</td> <td>-</td> <td>-</td> <td>380B</td> <td>3\"/> <tr> <td>385</td> <td>ETR</td> <td>-</td> <td>WD.</td> <td>J2</td> <td>PTD.</td> <td>-</td> <td>382</td> <td>3\"/> <tr> <td>386</td> <td>ETR</td> <td>-</td> <td>WD.</td> <td>J2</td> <td>PTD.</td> <td>-</td> <td>382A</td> <td>3\"/> <tr> <td>387</td> <td>ETR</td> <td>-</td> <td>WD.</td> <td>J2</td> <td>PTD.</td> <td>-</td> <td>385</td> <td>3\"/> <tr> <td>388</td> <td>ETR</td> <td>-</td> <td>WD.</td> <td>J2</td> <td>PTD.</td> <td>-</td> <td>386</td> <td>3\"/> <tr> <td>389</td> <td>ETR</td> <td>-</td> <td>WD.</td> <td>J2</td> <td>PTD.</td> <td>-</td> <td>387</td> <td>3\"/> <tr> <td>391</td> <td>ETR</td> <td>-</td> <td>WD.</td> <td>J2</td> <td>PTD.</td> <td>-</td> <td>388</td> <td>3\"/> <tr> <td>391A</td> <td>ETR</td> <td>-</td> <td>WD.</td> <td>J2</td> <td>PTD.</td> <td>-</td> <td>389</td> <td>3\"/> <tr> <td>391B</td> <td>ETR</td> <td>-</td> <td>WD.</td> <td>J2</td> <td>PTD.</td> <td>-</td> <td>391</td> <td>3\"/> <tr> <td>394</td> <td>ETR</td> <td>-</td> <td>WD.</td> <td>J2</td> <td>PTD.</td> <td>-</td> <td>391A</td> <td>3\"/> <tr> <td>395</td> <td>ETR</td> <td>-</td> <td>WD.</td> <td>J2</td> <td>PTD.</td> <td>-</td> <td>391B</td> <td>3\"/> <tr> <td>396</td> <td>ETR</td> <td>-</td> <td>WD.</td> <td>J2</td> <td>PTD.</td> <td>-</td> <td>394</td> <td>3\"/> <tr> <td>398</td> <td>ETR</td> <td>-</td> <td>WD.</td> <td>J2</td> <td>PTD.</td> <td>-</td> <td>395</td> <td>3\"/> <tr> <td>399</td> <td>ETR</td> <td>-</td> <td>WD.</td> <td>J2</td> <td>PTD.</td> <td>-</td> <td>396</td> <td>3\"/> <tr> <td>3991</td> <td>ETR</td> <td>-</td> <td>WD.</td> <td>J2</td> <td>PTD.</td> <td>-</td> <td>398</td> <td>3\"/> <tr> <td>3992</td> <td>A</td> <td>3\"/> <tr> <td>3993</td> <td>ETR</td> <td>-</td> <td>WD.</td> <td>J2</td> <td>PTD.</td> <td>-</td> <td>399</td> <td>3\"/> <tr> <td>3994</td> <td>ETR</td> <td>-</td> <td>WD.</td> <td>J2</td> <td>PTD.</td> <td>-</td> <td>3991</td> <td>3\"/> <tr> <td>3995</td> <td>ETR</td> <td>-</td> <td>WD.</td> <td>J2</td> <td>PTD.</td> <td>-</td> <td>3992</td> <td>3\"/> <tr> <td>3997</td> <td>ETR</td> <td>-</td> <td>WD.</td> <td>J2</td> <td>PTD.</td> <td>-</td> <td>3993</td> <td>3\"/> <tr> <td>3998</td> <td>ETR</td> <td>-</td> <td>WD.</td> <td>J2</td> <td>PTD.</td> <td>-</td> <td>3994</td> <td>3\"/> <tr> <td>3999</td> <td>ETR</td> <td>-</td> <td>WD.</td> <td>J2</td> <td>PTD.</td> <td>-</td> <td>3995</td> <td>3\"/> <tr> <td>3999</td> <td>ETR</td> <td>-</td> <td>WD.</td> <td>J2</td> <td>PTD.</td> <td>-</td> <td>3997</td> <td>3\"/> </td></tr></td></tr></td></tr></td></tr></td></tr></td></tr></td></tr></td></tr></td></tr></td></tr></td></tr></td></tr></td></tr></td></tr></td></tr></td></tr></td></tr></td></tr></td></tr></td></tr></td></tr></td></tr></td></td></tr></td></tr></td></td></tr></td></td></tr></td></td></tr></td></td></tr></td></td></tr></td> | WD | J1 | PTD. | - | 375 | 3\"/> <tr> <td>377A</td> <td>B</td> <td>1 <td>WD</td> <td>J1</td> <td>PTD.</td> <td>-</td> <td>376</td> <td>3\"/> <tr> <td>378</td> <td>B</td> <td>1 <td>WD</td> <td>J1</td> <td>PTD.</td> <td>-</td> <td>377</td> <td>3\"/> <tr> <td>379</td> <td>B</td> <td>1 <td>WD</td> <td>J1</td> <td>PTD.</td> <td>-</td> <td>377A</td> <td>3\"/> <tr> <td>380A</td>
<td>B</td> <td>1 <td>WD</td> <td>J1</td> <td>PTD.</td> <td>-</td> <td>378</td> <td>3\"/> <tr> <td>380B</td> <td>B</td> <td>1 <td>WD</td> <td>J1</td> <td>PTD.</td> <td>-</td> <td>379</td> <td>3\"/> <tr> <td>382</td> <td>ETR</td> <td>-</td> <td>WD.</td> <td>J2</td> <td>PTD.</td> <td>-</td> <td>380A</td> <td>3\"/> <tr> <td>382A</td> <td>D</td> <td>6 <td>ALUM.</td> <td>ANODIZE D</td> <td>-</td> <td>-</td> <td>380B</td> <td>3\"/> <tr> <td>385</td> <td>ETR</td> <td>-</td> <td>WD.</td> <td>J2</td> <td>PTD.</td> <td>-</td> <td>382</td> <td>3\"/> <tr> <td>386</td> <td>ETR</td> <td>-</td> <td>WD.</td> <td>J2</td> <td>PTD.</td> <td>-</td> <td>382A</td> <td>3\"/> <tr> <td>387</td> <td>ETR</td> <td>-</td> <td>WD.</td> <td>J2</td> <td>PTD.</td> <td>-</td> <td>385</td> <td>3\"/> <tr> <td>388</td> <td>ETR</td> <td>-</td> <td>WD.</td> <td>J2</td> <td>PTD.</td> <td>-</td> <td>386</td> <td>3\"/> <tr> <td>389</td> <td>ETR</td> <td>-</td> <td>WD.</td> <td>J2</td> <td>PTD.</td> <td>-</td> <td>387</td> <td>3\"/> <tr> <td>391</td> <td>ETR</td> <td>-</td> <td>WD.</td> <td>J2</td> <td>PTD.</td> <td>-</td> <td>388</td> <td>3\"/> <tr> <td>391A</td> <td>ETR</td> <td>-</td> <td>WD.</td> <td>J2</td> <td>PTD.</td> <td>-</td> <td>389</td> <td>3\"/> <tr> <td>391B</td> <td>ETR</td> <td>-</td> <td>WD.</td> <td>J2</td> <td>PTD.</td> <td>-</td> <td>391</td> <td>3\"/> <tr> <td>394</td> <td>ETR</td> <td>-</td> <td>WD.</td> <td>J2</td> <td>PTD.</td> <td>-</td> <td>391A</td> <td>3\"/> <tr> <td>395</td> <td>ETR</td> <td>-</td> <td>WD.</td> <td>J2</td> <td>PTD.</td> <td>-</td> <td>391B</td> <td>3\"/> <tr> <td>396</td> <td>ETR</td> <td>-</td> <td>WD.</td> <td>J2</td> <td>PTD.</td> <td>-</td> <td>394</td> <td>3\"/> <tr> <td>398</td> <td>ETR</td> <td>-</td> <td>WD.</td> <td>J2</td> <td>PTD.</td> <td>-</td> <td>395</td> <td>3\"/> <tr> <td>399</td> <td>ETR</td> <td>-</td> <td>WD.</td> <td>J2</td> <td>PTD.</td> <td>-</td> <td>396</td> <td>3\"/> <tr> <td>3991</td> <td>ETR</td> <td>-</td> <td>WD.</td> <td>J2</td> <td>PTD.</td> <td>-</td> <td>398</td> <td>3\"/> <tr> <td>3992</td> <td>A</td> <td>3\"/> <tr> <td>3993</td> <td>ETR</td> <td>-</td> <td>WD.</td> <td>J2</td> <td>PTD.</td> <td>-</td> <td>399</td> <td>3\"/> <tr> <td>3994</td> <td>ETR</td> <td>-</td> <td>WD.</td> <td>J2</td> <td>PTD.</td> <td>-</td> <td>3991</td> <td>3\"/> <tr> <td>3995</td> <td>ETR</td> <td>-</td> <td>WD.</td> <td>J2</td> <td>PTD.</td> <td>-</td> <td>3992</td> <td>3\"/> <tr> <td>3997</td> <td>ETR</td> <td>-</td> <td>WD.</td> <td>J2</td> <td>PTD.</td> <td>-</td> <td>3993</td> <td>3\"/> <tr> <td>3998</td> <td>ETR</td> <td>-</td> <td>WD.</td> <td>J2</td> <td>PTD.</td> <td>-</td> <td>3994</td> <td>3\"/> <tr> <td>3999</td> <td>ETR</td> <td>-</td> <td>WD.</td> <td>J2</td> <td>PTD.</td> <td>-</td> <td>3995</td> <td>3\"/> <tr> <td>3999</td> <td>ETR</td> <td>-</td> <td>WD.</td> <td>J2</td> <td>PTD.</td> <td>-</td> <td>3997</td> <td>3\"/> </td></tr></td></tr></td></tr></td></tr></td></tr></td></tr></td></tr></td></tr></td></tr></td></tr></td></tr></td></tr></td></tr></td></tr></td></tr></td></tr></td></tr></td></tr></td></tr></td></tr></td></tr></td></tr></td></td></tr></td></tr></td></td></tr></td></td></tr></td></td></tr></td></td></tr></td></td></tr> | 377A | B | 1 <td>WD</td> <td>J1</td> <td>PTD.</td> <td>-</td> <td>376</td> <td>3\"/> <tr> <td>378</td> <td>B</td> <td>1 <td>WD</td> <td>J1</td> <td>PTD.</td> <td>-</td> <td>377</td> <td>3\"/> <tr> <td>379</td> <td>B</td> <td>1 <td>WD</td> <td>J1</td> <td>PTD.</td> <td>-</td> <td>377A</td> <td>3\"/> <tr> <td>380A</td> <td>B</td> <td>1 <td>WD</td> <td>J1</td> <td>PTD.</td> <td>-</td> <td>378</td> <td>3\"/> <tr> <td>380B</td> <td>B</td> <td>1 <td>WD</td> <td>J1</td> <td>PTD.</td> <td>-</td> <td>379</td> <td>3\"/> <tr> <td>382</td> <td>ETR</td> <td>-</td> <td>WD.</td> <td>J2</td> <td>PTD.</td> <td>-</td> <td>380A</td> <td>3\"/> <tr> <td>382A</td> <td>D</td> <td>6 <td>ALUM.</td> <td>ANODIZE D</td> <td>-</td> <td>-</td> <td>380B</td> <td>3\"/> <tr> <td>385</td> <td>ETR</td> <td>-</td> <td>WD.</td> <td>J2</td> <td>PTD.</td> <td>-</td> <td>382</td> <td>3\"/> <tr> <td>386</td> <td>ETR</td> <td>-</td> <td>WD.</td> <td>J2</td> <td>PTD.</td> <td>-</td> <td>382A</td> <td>3\"/> <tr> <td>387</td> <td>ETR</td> <td>-</td> <td>WD.</td> <td>J2</td> <td>PTD.</td> <td>-</td> <td>385</td> <td>3\"/> <tr> <td>388</td> <td>ETR</td> <td>-</td> <td>WD.</td> <td>J2</td> <td>PTD.</td> <td>-</td> <td>386</td> <td>3\"/> <tr> <td>389</td> <td>ETR</td> <td>-</td> <td>WD.</td> <td>J2</td> <td>PTD.</td> <td>-</td> <td>387</td> <td>3\"/> <tr> <td>391</td> <td>ETR</td> <td>-</td> <td>WD.</td> <td>J2</td> <td>PTD.</td> <td>-</td> <td>388</td> <td>3\"/> <tr> <td>391A</td> <td>ETR</td> <td>-</td> <td>WD.</td> <td>J2</td> <td>PTD.</td> <td>-</td> <td>389</td> <td>3\"/> <tr> <td>391B</td> <td>ETR</td> <td>-</td> <td>WD.</td> <td>J2</td> <td>PTD.</td> <td>-</td> <td>391</td> <td>3\"/> <tr> <td>394</td> <td>ETR</td> <td>-</td> <td>WD.</td> <td>J2</td> <td>PTD.</td> <td>-</td> <td>391A</td> <td>3\"/> <tr> <td>395</td> <td>ETR</td> <td>-</td> <td>WD.</td> <td>J2</td> <td>PTD.</td> <td>-</td> <td>391B</td> <td>3\"/> <tr> <td>396</td> <td>ETR</td> <td>-</td> <td>WD.</td> <td>J2</td> <td>PTD.</td> <td>-</td> <td>394</td> <td>3\"/> <tr> <td>398</td> <td>ETR</td> <td>-</td> <td>WD.</td> <td>J2</td> <td>PTD.</td> <td>-</td> <td>395</td> <td>3\"/> <tr> <td>399</td> <td>ETR</td> <td>-</td> <td>WD.</td> <td>J2</td> <td>PTD.</td> <td>-</td> <td>396</td> <td>3\"/> <tr> <td>3991</td> <td>ETR</td> <td>-</td> <td>WD.</td> <td>J2</td> <td>PTD.</td> <td>-</td> <td>398</td> <td>3\"/> <tr> <td>3992</td> <td>A</td> <td>3\"/> <tr> <td>3993</td> <td>ETR</td> <td>-</td> <td>WD.</td> <td>J2</td> <td>PTD.</td> <td>-</td> <td>399</td> <td>3\"/> <tr> <td>3994</td> <td>ETR</td> <td>-</td> <td>WD.</td> <td>J2</td> <td>PTD.</td> <td>-</td> <td>3991</td> <td>3\"/> <tr> <td>3995</td> <td>ETR</td> <td>-</td> <td>WD.</td> <td>J2</td> <td>PTD.</td> <td>-</td> <td>3992</td> <td>3\"/> <tr> <td>3997</td> <td>ETR</td> <td>-</td> <td>WD.</td> <td>J2</td> <td>PTD.</td> <td>-</td> <td>3993</td> <td>3\"/> <tr> <td>3998</td> <td>ETR</td> <td>-</td> <td>WD.</td> <td>J2</td> <td>PTD.</td> <td>-</td> <td>3994</td> <td>3\"/> <tr> <td>3999</td> <td>ETR</td> <td>-</td> <td>WD.</td> <td>J2</td> <td>PTD.</td> <td>-</td> <td>3995</td> <td>3\"/> <tr> <td>3999</td> <td>ETR</td> <td>-</td> <td>WD.</td> <td>J2</td> <td>PTD.</td> <td>-</td> <td>3997</td> <td>3\"/> </td></tr></td></tr></td></tr></td></tr></td></tr></td></tr></td></tr></td></tr></td></tr></td></tr></td></tr></td></tr></td></tr></td></tr></td></tr></td></tr></td></tr></td></tr></td></tr></td></tr></td></tr></td></tr></td></td></tr></td></tr></td></td></tr></td></td></tr></td></td></tr></td></td></tr></td> | WD | J1 | PTD. | - | 376 | 3\"/> <tr> <td>378</td> <td>B</td> <td>1 <td>WD</td> <td>J1</td> <td>PTD.</td> <td>-</td> <td>377</td> <td>3\"/> <tr> <td>379</td> <td>B</td> <td>1 <td>WD</td> <td>J1</td> <td>PTD.</td> <td>-</td> <td>377A</td> <td>3\"/> <tr> <td>380A</td> <td>B</td> <td>1 <td>WD</td> <td>J1</td> <td>PTD.</td> <td>-</td> <td>378</td> <td>3\"/> <tr> <td>380B</td> <td>B</td> <td>1 <td>WD</td> <td>J1</td> <td>PTD.</td> <td>-</td> <td>379</td> <td>3\"/> <tr> <td>382</td> <td>ETR</td> <td>-</td> <td>WD.</td> <td>J2</td> <td>PTD.</td> <td>-</td> <td>380A</td> <td>3\"/> <tr> <td>382A</td> <td>D</td>
<td>6 <td>ALUM.</td> <td>ANODIZE D</td> <td>-</td> <td>-</td> <td>380B</td> <td>3\"/> <tr> <td>385</td> <td>ETR</td> <td>-</td> <td>WD.</td> <td>J2</td> <td>PTD.</td> <td>-</td> <td>382</td> <td>3\"/> <tr> <td>386</td> <td>ETR</td> <td>-</td> <td>WD.</td> <td>J2</td> <td>PTD.</td> <td>-</td> <td>382A</td> <td>3\"/> <tr> <td>387</td> <td>ETR</td> <td>-</td> <td>WD.</td> <td>J2</td> <td>PTD.</td> <td>-</td> <td>385</td> <td>3\"/> <tr> <td>388</td> <td>ETR</td> <td>-</td> <td>WD.</td> <td>J2</td> <td>PTD.</td> <td>-</td> <td>386</td> <td>3\"/> <tr> <td>389</td> <td>ETR</td> <td>-</td> <td>WD.</td> <td>J2</td> <td>PTD.</td> <td>-</td> <td>387</td> <td>3\"/> <tr> <td>391</td> <td>ETR</td> <td>-</td> <td>WD.</td> <td>J2</td> <td>PTD.</td> <td>-</td> <td>388</td> <td>3\"/> <tr> <td>391A</td> <td>ETR</td> <td>-</td> <td>WD.</td> <td>J2</td> <td>PTD.</td> <td>-</td> <td>389</td> <td>3\"/> <tr> <td>391B</td> <td>ETR</td> <td>-</td> <td>WD.</td> <td>J2</td> <td>PTD.</td> <td>-</td> <td>391</td> <td>3\"/> <tr> <td>394</td> <td>ETR</td> <td>-</td> <td>WD.</td> <td>J2</td> <td>PTD.</td> <td>-</td> <td>391A</td> <td>3\"/> <tr> <td>395</td> <td>ETR</td> <td>-</td> <td>WD.</td> <td>J2</td> <td>PTD.</td> <td>-</td> <td>391B</td> <td>3\"/> <tr> <td>396</td> <td>ETR</td> <td>-</td> <td>WD.</td> <td>J2</td> <td>PTD.</td> <td>-</td> <td>394</td> <td>3\"/> <tr> <td>398</td> <td>ETR</td> <td>-</td> <td>WD.</td> <td>J2</td> <td>PTD.</td> <td>-</td> <td>395</td> <td>3\"/> <tr> <td>399</td> <td>ETR</td> <td>-</td> <td>WD.</td> <td>J2</td> <td>PTD.</td> <td>-</td> <td>396</td> <td>3\"/> <tr> <td>3991</td> <td>ETR</td> <td>-</td> <td>WD.</td> <td>J2</td> <td>PTD.</td> <td>-</td> <td>398</td> <td>3\"/> <tr> <td>3992</td> <td>A</td> <td>3\"/> <tr> <td>3993</td> <td>ETR</td> <td>-</td> <td>WD.</td> <td>J2</td> <td>PTD.</td> <td>-</td> <td>399</td> <td>3\"/> <tr> <td>3994</td> <td>ETR</td> <td>-</td> <td>WD.</td> <td>J2</td> <td>PTD.</td> <td>-</td> <td>3991</td> <td>3\"/> <tr> <td>3995</td> <td>ETR</td> <td>-</td> <td>WD.</td> <td>J2</td> <td>PTD.</td> <td>-</td> <td>3992</td> <td>3\"/> <tr> <td>3997</td> <td>ETR</td> <td>-</td> <td>WD.</td> <td>J2</td> <td>PTD.</td> <td>-</td> <td>3993</td> <td>3\"/> <tr> <td>3998</td> <td>ETR</td> <td>-</td> <td>WD.</td> <td>J2</td> <td>PTD.</td> <td>-</td> <td>3994</td> <td>3\"/> <tr> <td>3999</td> <td>ETR</td> <td>-</td> <td>WD.</td> <td>J2</td> <td>PTD.</td> <td>-</td> <td>3995</td> <td>3\"/> <tr> <td>3999</td> <td>ETR</td> <td>-</td> <td>WD.</td> <td>J2</td> <td>PTD.</td> <td>-</td> <td>3997</td> <td>3\"/> </td></tr></td></tr></td></tr></td></tr></td></tr></td></tr></td></tr></td></tr></td></tr></td></tr></td></tr></td></tr></td></tr></td></tr></td></tr></td></tr></td></tr></td></tr></td></tr></td></tr></td></tr></td></tr></td></td></tr></td></tr></td></td></tr></td></td></tr></td></td></tr></td></td></tr> | 378 | B | 1 <td>WD</td> <td>J1</td> <td>PTD.</td> <td>-</td> <td>377</td> <td>3\"/> <tr> <td>379</td> <td>B</td> <td>1 <td>WD</td> <td>J1</td> <td>PTD.</td> <td>-</td> <td>377A</td> <td>3\"/> <tr> <td>380A</td> <td>B</td> <td>1 <td>WD</td> <td>J1</td> <td>PTD.</td> <td>-</td> <td>378</td> <td>3\"/> <tr> <td>380B</td> <td>B</td> <td>1 <td>WD</td> <td>J1</td> <td>PTD.</td> <td>-</td> <td>379</td> <td>3\"/> <tr> <td>382</td> <td>ETR</td> <td>-</td> <td>WD.</td> <td>J2</td> <td>PTD.</td> <td>-</td> <td>380A</td> <td>3\"/> <tr> <td>382A</td> <td>D</td> <td>6 <td>ALUM.</td> <td>ANODIZE D</td> <td>-</td> <td>-</td> <td>380B</td> <td>3\"/> <tr> <td>385</td> <td>ETR</td> <td>-</td> <td>WD.</td> <td>J2</td> <td>PTD.</td> <td>-</td> <td>382</td> <td>3\"/> <tr> <td>386</td> <td>ETR</td> <td>-</td> <td>WD.</td> <td>J2</td> <td>PTD.</td> <td>-</td> <td>382A</td> <td>3\"/> <tr> <td>387</td> <td>ETR</td> <td>-</td> <td>WD.</td> <td>J2</td> <td>PTD.</td> <td>-</td> <td>385</td> <td>3\"/> <tr> <td>388</td> <td>ETR</td> <td>-</td> <td>WD.</td> <td>J2</td> <td>PTD.</td> <td>-</td> <td>386</td> <td>3\"/> <tr> <td>389</td> <td>ETR</td> <td>-</td> <td>WD.</td> <td>J2</td> <td>PTD.</td> <td>-</td> <td>387</td> <td>3\"/> <tr> <td>391</td> <td>ETR</td> <td>-</td> <td>WD.</td> <td>J2</td> <td>PTD.</td> <td>-</td> <td>388</td> <td>3\"/> <tr> <td>391A</td> <td>ETR</td> <td>-</td> <td>WD.</td> <td>J2</td> <td>PTD.</td> <td>-</td> <td>389</td> <td>3\"/> <tr> <td>391B</td> <td>ETR</td> <td>-</td> <td>WD.</td> <td>J2</td> <td>PTD.</td> <td>-</td> <td>391</td> <td>3\"/> <tr> <td>394</td> <td>ETR</td> <td>-</td> <td>WD.</td> <td>J2</td> <td>PTD.</td> <td>-</td> <td>391A</td> <td>3\"/> <tr> <td>395</td> <td>ETR</td> <td>-</td> <td>WD.</td> <td>J2</td> <td>PTD.</td> <td>-</td> <td>391B</td> <td>3\"/> <tr> <td>396</td> <td>ETR</td> <td>-</td> <td>WD.</td> <td>J2</td> <td>PTD.</td> <td>-</td> <td>394</td> <td>3\"/> <tr> <td>398</td> <td>ETR</td> <td>-</td> <td>WD.</td> <td>J2</td> <td>PTD.</td> <td>-</td> <td>395</td> <td>3\"/> <tr> <td>399</td> <td>ETR</td> <td>-</td> <td>WD.</td> <td>J2</td> <td>PTD.</td> <td>-</td> <td>396</td> <td>3\"/> <tr> <td>3991</td> <td>ETR</td> <td>-</td> <td>WD.</td> <td>J2</td> <td>PTD.</td> <td>-</td> <td>398</td> <td>3\"/> <tr> <td>3992</td> <td>A</td> <td>3\"/> <tr> <td>3993</td> <td>ETR</td> <td>-</td> <td>WD.</td> <td>J2</td> <td>PTD.</td> <td>-</td> <td>399</td> <td>3\"/> <tr> <td>3994</td> <td>ETR</td> <td>-</td> <td>WD.</td> <td>J2</td> <td>PTD.</td> <td>-</td> <td>3991</td> <td>3\"/> <tr> <td>3995</td> <td>ETR</td> <td>-</td> <td>WD.</td> <td>J2</td> <td>PTD.</td> <td>-</td> <td>3992</td> <td>3\"/> <tr> <td>3997</td> <td>ETR</td> <td>-</td> <td>WD.</td> <td>J2</td> <td>PTD.</td> <td>-</td> <td>3993</td> <td>3\"/> <tr> <td>3998</td> <td>ETR</td> <td>-</td> <td>WD.</td> <td>J2</td> <td>PTD.</td> <td>-</td> <td>3994</td> <td>3\"/> <tr> <td>3999</td> <td>ETR</td> <td>-</td> <td>WD.</td> <td>J2</td> <td>PTD.</td> <td>-</td> <td>3995</td> <td>3\"/> <tr> <td>3999</td> <td>ETR</td> <td>-</td> <td>WD.</td> <td>J2</td> <td>PTD.</td> <td>-</td> <td>3997</td> <td>3\"/> </td></tr></td></tr></td></tr></td></tr></td></tr></td></tr></td></tr></td></tr></td></tr></td></tr></td></tr></td></tr></td></tr></td></tr></td></tr></td></tr></td></tr></td></tr></td></tr></td></tr></td></tr></td></tr></td></td></tr></td></tr></td></td></tr></td></td></tr></td></td></tr></td> | WD | J1 | PTD. | - | 377 | 3\"/> <tr> <td>379</td> <td>B</td> <td>1 <td>WD</td> <td>J1</td> <td>PTD.</td> <td>-</td> <td>377A</td> <td>3\"/> <tr> <td>380A</td> <td>B</td> <td>1 <td>WD</td> <td>J1</td> <td>PTD.</td> <td>-</td> <td>378</td> <td>3\"/> <tr> <td>380B</td> <td>B</td> <td>1 <td>WD</td> <td>J1</td> <td>PTD.</td> <td>-</td> <td>379</td> <td>3\"/> <tr> <td>382</td> <td>ETR</td> <td>-</td> <td>WD.</td> <td>J2</td> <td>PTD.</td> <td>-</td> <td>380A</td> <td>3\"/> <tr> <td>382A</td> <td>D</td> <td>6 <td>ALUM.</td> <td>ANODIZE D</td> <td>-</td> <td>-</td> <td>380B</td> <td>3\"/> <tr> <td>385</td> <td>ETR</td> <td>-</td> <td>WD.</td> <td>J2</td> <td>PTD.</td> <td>-</td> <td>382</td> <td>3\"/> <tr> <td>386</td> <td>ETR</td> <td>-</td> <td>WD.</td> <td>J2</td> <td>PTD.</td> <td>-</td> <td>382A</td> <td>3\"/> <tr> <td>387</td> <td>ETR</td> <td>-</td> <td>WD.</td> <td>J2</td> <td>PTD.</td> <td>-</td> <td>385</td> <td>3\"/> <tr> <td>388</td> <td>ETR</td> <td>-</td> <td>WD.</td> <td>J2</td> <td>PTD.</td> <td>-</td> <td>386</td> <td>3\"/> <tr> <td>389</td> <td>ETR</td> <td>-</td>
<td>WD.</td> <td>J2</td> <td>PTD.</td> <td>-</td> <td>387</td> <td>3\"/> <tr> <td>391</td> <td>ETR</td> <td>-</td> <td>WD.</td> <td>J2</td> <td>PTD.</td> <td>-</td> <td>388</td> <td>3\"/> <tr> <td>391A</td> <td>ETR</td> <td>-</td> <td>WD.</td> <td>J2</td> <td>PTD.</td> <td>-</td> <td>389</td> <td>3\"/> <tr> <td>391B</td> <td>ETR</td> <td>-</td> <td>WD.</td> <td>J2</td> <td>PTD.</td> <td>-</td> <td>391</td> <td>3\"/> <tr> <td>394</td> <td>ETR</td> <td>-</td> <td>WD.</td> <td>J2</td> <td>PTD.</td> <td>-</td> <td>391A</td> <td>3\"/> <tr> <td>395</td> <td>ETR</td> <td>-</td> <td>WD.</td> <td>J2</td> <td>PTD.</td> <td>-</td> <td>391B</td> <td>3\"/> <tr> <td>396</td> <td>ETR</td> <td>-</td> <td>WD.</td> <td>J2</td> <td>PTD.</td> <td>-</td> <td>394</td> <td>3\"/> <tr> <td>398</td> <td>ETR</td> <td>-</td> <td>WD.</td> <td>J2</td> <td>PTD.</td> <td>-</td> <td>395</td> <td>3\"/> <tr> <td>399</td> <td>ETR</td> <td>-</td> <td>WD.</td> <td>J2</td> <td>PTD.</td> <td>-</td> <td>396</td> <td>3\"/> <tr> <td>3991</td> <td>ETR</td> <td>-</td> <td>WD.</td> <td>J2</td> <td>PTD.</td> <td>-</td> <td>398</td> <td>3\"/> <tr> <td>3992</td> <td>A</td> <td>3\"/> <tr> <td>3993</td> <td>ETR</td> <td>-</td> <td>WD.</td> <td>J2</td> <td>PTD.</td> <td>-</td> <td>399</td> <td>3\"/> <tr> <td>3994</td> <td>ETR</td> <td>-</td> <td>WD.</td> <td>J2</td> <td>PTD.</td> <td>-</td> <td>3991</td> <td>3\"/> <tr> <td>3995</td> <td>ETR</td> <td>-</td> <td>WD.</td> <td>J2</td> <td>PTD.</td> <td>-</td> <td>3992</td> <td>3\"/> <tr> <td>3997</td> <td>ETR</td> <td>-</td> <td>WD.</td> <td>J2</td> <td>PTD.</td> <td>-</td> <td>3993</td> <td>3\"/> <tr> <td>3998</td> <td>ETR</td> <td>-</td> <td>WD.</td> <td>J2</td> <td>PTD.</td> <td>-</td> <td>3994</td> <td>3\"/> <tr> <td>3999</td> <td>ETR</td> <td>-</td> <td>WD.</td> <td>J2</td> <td>PTD.</td> <td>-</td> <td>3995</td> <td>3\"/> <tr> <td>3999</td> <td>ETR</td> <td>-</td> <td>WD.</td> <td>J2</td> <td>PTD.</td> <td>-</td> <td>3997</td> <td>3\"/> </td></tr></td></tr></td></tr></td></tr></td></tr></td></tr></td></tr></td></tr></td></tr></td></tr></td></tr></td></tr></td></tr></td></tr></td></tr></td></tr></td></tr></td></tr></td></tr></td></tr></td></tr></td></tr></td></td></tr></td></tr></td></td></tr></td></td></tr></td></td></tr> | 379 | B | 1 <td>WD</td> <td>J1</td> <td>PTD.</td> <td>-</td> <td>377A</td> <td>3\"/> <tr> <td>380A</td> <td>B</td> <td>1 <td>WD</td> <td>J1</td> <td>PTD.</td> <td>-</td> <td>378</td> <td>3\"/> <tr> <td>380B</td> <td>B</td> <td>1 <td>WD</td> <td>J1</td> <td>PTD.</td> <td>-</td> <td>379</td> <td>3\"/> <tr> <td>382</td> <td>ETR</td> <td>-</td> <td>WD.</td> <td>J2</td> <td>PTD.</td> <td>-</td> <td>380A</td> <td>3\"/> <tr> <td>382A</td> <td>D</td> <td>6 <td>ALUM.</td> <td>ANODIZE D</td> <td>-</td> <td>-</td> <td>380B</td> <td>3\"/> <tr> <td>385</td> <td>ETR</td> <td>-</td> <td>WD.</td> <td>J2</td> <td>PTD.</td> <td>-</td> <td>382</td> <td>3\"/> <tr> <td>386</td> <td>ETR</td> <td>-</td> <td>WD.</td> <td>J2</td> <td>PTD.</td> <td>-</td> <td>382A</td> <td>3\"/> <tr> <td>387</td> <td>ETR</td> <td>-</td> <td>WD.</td> <td>J2</td> <td>PTD.</td> <td>-</td> <td>385</td> <td>3\"/> <tr> <td>388</td> <td>ETR</td> <td>-</td> <td>WD.</td> <td>J2</td> <td>PTD.</td> <td>-</td> <td>386</td> <td>3\"/> <tr> <td>389</td> <td>ETR</td> <td>-</td> <td>WD.</td> <td>J2</td> <td>PTD.</td> <td>-</td> <td>387</td> <td>3\"/> <tr> <td>391</td> <td>ETR</td> <td>-</td> <td>WD.</td> <td>J2</td> <td>PTD.</td> <td>-</td> <td>388</td> <td>3\"/> <tr> <td>391A</td> <td>ETR</td> <td>-</td> <td>WD.</td> <td>J2</td> <td>PTD.</td> <td>-</td> <td>389</td> <td>3\"/> <tr> <td>391B</td> <td>ETR</td> <td>-</td> <td>WD.</td> <td>J2</td> <td>PTD.</td> <td>-</td> <td>391</td> <td>3\"/> <tr> <td>394</td> <td>ETR</td> <td>-</td> <td>WD.</td> <td>J2</td> <td>PTD.</td> <td>-</td> <td>391A</td> <td>3\"/> <tr> <td>395</td> <td>ETR</td> <td>-</td> <td>WD.</td> <td>J2</td> <td>PTD.</td> <td>-</td> <td>391B</td> <td>3\"/> <tr> <td>396</td> <td>ETR</td> <td>-</td> <td>WD.</td> <td>J2</td> <td>PTD.</td> <td>-</td> <td>394</td> <td>3\"/> <tr> <td>398</td> <td>ETR</td> <td>-</td> <td>WD.</td> <td>J2</td> <td>PTD.</td> <td>-</td> <td>395</td> <td>3\"/> <tr> <td>399</td> <td>ETR</td> <td>-</td> <td>WD.</td> <td>J2</td> <td>PTD.</td> <td>-</td> <td>396</td> <td>3\"/> <tr> <td>3991</td> <td>ETR</td> <td>-</td> <td>WD.</td> <td>J2</td> <td>PTD.</td> <td>-</td> <td>398</td> <td>3\"/> <tr> <td>3992</td> <td>A</td> <td>3\"/> <tr> <td>3993</td> <td>ETR</td> <td>-</td> <td>WD.</td> <td>J2</td> <td>PTD.</td> <td>-</td> <td>399</td> <td>3\"/> <tr> <td>3994</td> <td>ETR</td> <td>-</td> <td>WD.</td> <td>J2</td> <td>PTD.</td> <td>-</td> <td>3991</td> <td>3\"/> <tr> <td>3995</td> <td>ETR</td> <td>-</td> <td>WD.</td> <td>J2</td> <td>PTD.</td> <td>-</td> <td>3992</td> <td>3\"/> <tr> <td>3997</td> <td>ETR</td> <td>-</td> <td>WD.</td> <td>J2</td> <td>PTD.</td> <td>-</td> <td>3993</td> <td>3\"/> <tr> <td>3998</td> <td>ETR</td> <td>-</td> <td>WD.</td> <td>J2</td> <td>PTD.</td> <td>-</td> <td>3994</td> <td>3\"/> <tr> <td>3999</td> <td>ETR</td> <td>-</td> <td>WD.</td> <td>J2</td> <td>PTD.</td> <td>-</td> <td>3995</td> <td>3\"/> <tr> <td>3999</td> <td>ETR</td> <td>-</td> <td>WD.</td> <td>J2</td> <td>PTD.</td> <td>-</td> <td>3997</td> <td>3\"/> </td></tr></td></tr></td></tr></td></tr></td></tr></td></tr></td></tr></td></tr></td></tr></td></tr></td></tr></td></tr></td></tr></td></tr></td></tr></td></tr></td></tr></td></tr></td></tr></td></tr></td></tr></td></tr></td></td></tr></td></tr></td></td></tr></td></td></tr></td> | WD | J1 | PTD.
 | - | 377A | 3\"/> <tr> <td>380A</td> <td>B</td> <td>1 <td>WD</td> <td>J1</td> <td>PTD.</td> <td>-</td> <td>378</td> <td>3\"/> <tr> <td>380B</td> <td>B</td> <td>1 <td>WD</td> <td>J1</td> <td>PTD.</td> <td>-</td> <td>379</td> <td>3\"/> <tr> <td>382</td> <td>ETR</td> <td>-</td> <td>WD.</td> <td>J2</td> <td>PTD.</td> <td>-</td> <td>380A</td> <td>3\"/> <tr> <td>382A</td> <td>D</td> <td>6 <td>ALUM.</td> <td>ANODIZE D</td> <td>-</td> <td>-</td> <td>380B</td> <td>3\"/> <tr> <td>385</td> <td>ETR</td> <td>-</td> <td>WD.</td> <td>J2</td> <td>PTD.</td> <td>-</td> <td>382</td> <td>3\"/> <tr> <td>386</td> <td>ETR</td> <td>-</td> <td>WD.</td> <td>J2</td> <td>PTD.</td> <td>-</td> <td>382A</td> <td>3\"/> <tr> <td>387</td> <td>ETR</td> <td>-</td> <td>WD.</td> <td>J2</td> <td>PTD.</td> <td>-</td> <td>385</td> <td>3\"/> <tr> <td>388</td> <td>ETR</td> <td>-</td> <td>WD.</td> <td>J2</td> <td>PTD.</td> <td>-</td> <td>386</td> <td>3\"/> <tr> <td>389</td> <td>ETR</td> <td>-</td> <td>WD.</td> <td>J2</td> <td>PTD.</td> <td>-</td> <td>387</td> <td>3\"/> <tr> <td>391</td> <td>ETR</td> <td>-</td> <td>WD.</td> <td>J2</td> <td>PTD.</td> <td>-</td> <td>388</td> <td>3\"/> <tr> <td>391A</td> <td>ETR</td> <td>-</td> <td>WD.</td> <td>J2</td> <td>PTD.</td> <td>-</td> <td>389</td> <td>3\"/> <tr> <td>391B</td> <td>ETR</td> <td>-</td> <td>WD.</td> <td>J2</td> <td>PTD.</td> <td>-</td> <td>391</td> <td>3\"/> <tr> <td>394</td> <td>ETR</td> <td>-</td> <td>WD.</td> <td>J2</td> <td>PTD.</td> <td>-</td> <td>391A</td> <td>3\"/> <tr> <td>395</td> <td>ETR</td> <td>-</td> <td>WD.</td> <td>J2</td> <td>PTD.</td> <td>-</td> <td>391B</td> <td>3\"/> <tr> <td>396</td> <td>ETR</td> <td>-</td> <td>WD.</td> <td>J2</td> <td>PTD.</td> <td>-</td> <td>394</td> <td>3\"/> <tr> <td>398</td> <td>ETR</td> <td>-</td> <td>WD.</td> <td>J2</td> <td>PTD.</td> <td>-</td> <td>395</td> <td>3\"/> <tr> <td>399</td> <td>ETR</td> <td>-</td> <td>WD.</td> <td>J2</td> <td>PTD.</td> <td>-</td> <td>396</td> <td>3\"/> <tr> <td>3991</td> <td>ETR</td> <td>-</td> <td>WD.</td> <td>J2</td> <td>PTD.</td> <td>-</td> <td>398</td> <td>3\"/> <tr> <td>3992</td> <td>A</td> <td>3\"/> <tr> <td>3993</td> <td>ETR</td> <td>-</td> <td>WD.</td> <td>J2</td> <td>PTD.</td> <td>-</td> <td>399</td> <td>3\"/> <tr> <td>3994</td> <td>ETR</td> <td>-</td> <td>WD.</td> <td>J2</td> <td>PTD.</td> <td>-</td> <td>3991</td> <td>3\"/> <tr> <td>3995</td> <td>ETR</td> <td>-</td> <td>WD.</td> <td>J2</td> <td>PTD.</td> <td>-</td> <td>3992</td> <td>3\"/> <tr> <td>3997</td> <td>ETR</td> <td>-</td> <td>WD.</td> <td>J2</td> <td>PTD.</td> <td>-</td> <td>3993</td> <td>3\"/> <tr> <td>3998</td> <td>ETR</td> <td>-</td> <td>WD.</td> <td>J2</td> <td>PTD.</td> <td>-</td> <td>3994</td> <td>3\"/> <tr> <td>3999</td> <td>ETR</td> <td>-</td> <td>WD.</td> <td>J2</td> <td>PTD.</td> <td>-</td> <td>3995</td> <td>3\"/> <tr> <td>3999</td> <td>ETR</td> <td>-</td> <td>WD.</td> <td>J2</td> <td>PTD.</td> <td>-</td> <td>3997</td> <td>3\"/> </td></tr></td></tr></td></tr></td></tr></td></tr></td></tr></td></tr></td></tr></td></tr></td></tr></td></tr></td></tr></td></tr></td></tr></td></tr></td></tr></td></tr></td></tr></td></tr></td></tr></td></tr></td></tr></td></td></tr></td></tr></td></td></tr></td></td></tr> | 380A | B | 1 <td>WD</td> <td>J1</td> <td>PTD.</td> <td>-</td> <td>378</td> <td>3\"/> <tr> <td>380B</td> <td>B</td> <td>1 <td>WD</td> <td>J1</td> <td>PTD.</td> <td>-</td> <td>379</td> <td>3\"/> <tr> <td>382</td> <td>ETR</td> <td>-</td> <td>WD.</td> <td>J2</td> <td>PTD.</td> <td>-</td> <td>380A</td> <td>3\"/> <tr> <td>382A</td> <td>D</td> <td>6 <td>ALUM.</td> <td>ANODIZE D</td> <td>-</td> <td>-</td> <td>380B</td> <td>3\"/> <tr> <td>385</td> <td>ETR</td> <td>-</td> <td>WD.</td> <td>J2</td> <td>PTD.</td> <td>-</td> <td>382</td> <td>3\"/> <tr> <td>386</td> <td>ETR</td> <td>-</td> <td>WD.</td> <td>J2</td> <td>PTD.</td> <td>-</td> <td>382A</td> <td>3\"/> <tr> <td>387</td> <td>ETR</td> <td>-</td> <td>WD.</td> <td>J2</td> <td>PTD.</td> <td>-</td> <td>385</td> <td>3\"/> <tr> <td>388</td> <td>ETR</td> <td>-</td> <td>WD.</td> <td>J2</td> <td>PTD.</td> <td>-</td> <td>386</td> <td>3\"/> <tr> <td>389</td> <td>ETR</td> <td>-</td> <td>WD.</td> <td>J2</td> <td>PTD.</td> <td>-</td> <td>387</td> <td>3\"/> <tr> <td>391</td> <td>ETR</td> <td>-</td> <td>WD.</td> <td>J2</td> <td>PTD.</td> <td>-</td> <td>388</td> <td>3\"/> <tr> <td>391A</td> <td>ETR</td> <td>-</td> <td>WD.</td> <td>J2</td> <td>PTD.</td> <td>-</td> <td>389</td> <td>3\"/> <tr> <td>391B</td> <td>ETR</td> <td>-</td> <td>WD.</td> <td>J2</td> <td>PTD.</td> <td>-</td> <td>391</td> <td>3\"/> <tr> <td>394</td> <td>ETR</td> <td>-</td> <td>WD.</td> <td>J2</td> <td>PTD.</td> <td>-</td> <td>391A</td> <td>3\"/> <tr> <td>395</td> <td>ETR</td> <td>-</td> <td>WD.</td> <td>J2</td> <td>PTD.</td> <td>-</td> <td>391B</td> <td>3\"/> <tr> <td>396</td> <td>ETR</td> <td>-</td> <td>WD.</td> <td>J2</td> <td>PTD.</td> <td>-</td> <td>394</td> <td>3\"/> <tr> <td>398</td> <td>ETR</td> <td>-</td> <td>WD.</td> <td>J2</td> <td>PTD.</td> <td>-</td> <td>395</td> <td>3\"/> <tr> <td>399</td> <td>ETR</td> <td>-</td> <td>WD.</td> <td>J2</td> <td>PTD.</td> <td>-</td> <td>396</td> <td>3\"/> <tr> <td>3991</td> <td>ETR</td> <td>-</td> <td>WD.</td> <td>J2</td> <td>PTD.</td> <td>-</td> <td>398</td> <td>3\"/> <tr> <td>3992</td> <td>A</td> <td>3\"/> <tr> <td>3993</td> <td>ETR</td> <td>-</td> <td>WD.</td> <td>J2</td> <td>PTD.</td> <td>-</td> <td>399</td> <td>3\"/> <tr> <td>3994</td> <td>ETR</td> <td>-</td> <td>WD.</td> <td>J2</td> <td>PTD.</td> <td>-</td> <td>3991</td> <td>3\"/> <tr> <td>3995</td> <td>ETR</td> <td>-</td> <td>WD.</td> <td>J2</td> <td>PTD.</td> <td>-</td> <td>3992</td> <td>3\"/> <tr> <td>3997</td> <td>ETR</td> <td>-</td> <td>WD.</td> <td>J2</td> <td>PTD.</td> <td>-</td> <td>3993</td> <td>3\"/> <tr> <td>3998</td> <td>ETR</td> <td>-</td> <td>WD.</td> <td>J2</td> <td>PTD.</td> <td>-</td> <td>3994</td> <td>3\"/> <tr> <td>3999</td> <td>ETR</td> <td>-</td> <td>WD.</td> <td>J2</td> <td>PTD.</td> <td>-</td>
<td>3995</td> <td>3\"/> <tr> <td>3999</td> <td>ETR</td> <td>-</td> <td>WD.</td> <td>J2</td> <td>PTD.</td> <td>-</td> <td>3997</td> <td>3\"/> </td></tr></td></tr></td></tr></td></tr></td></tr></td></tr></td></tr></td></tr></td></tr></td></tr></td></tr></td></tr></td></tr></td></tr></td></tr></td></tr></td></tr></td></tr></td></tr></td></tr></td></tr></td></tr></td></td></tr></td></tr></td></td></tr></td> | WD | J1 | PTD. | - | 378 | 3\"/> <tr> <td>380B</td> <td>B</td> <td>1 <td>WD</td> <td>J1</td> <td>PTD.</td> <td>-</td> <td>379</td> <td>3\"/> <tr> <td>382</td> <td>ETR</td> <td>-</td> <td>WD.</td> <td>J2</td> <td>PTD.</td> <td>-</td> <td>380A</td> <td>3\"/> <tr> <td>382A</td> <td>D</td> <td>6 <td>ALUM.</td> <td>ANODIZE D</td> <td>-</td> <td>-</td> <td>380B</td> <td>3\"/> <tr> <td>385</td> <td>ETR</td> <td>-</td> <td>WD.</td> <td>J2</td> <td>PTD.</td> <td>-</td> <td>382</td> <td>3\"/> <tr> <td>386</td> <td>ETR</td> <td>-</td> <td>WD.</td> <td>J2</td> <td>PTD.</td> <td>-</td> <td>382A</td> <td>3\"/> <tr> <td>387</td> <td>ETR</td> <td>-</td> <td>WD.</td> <td>J2</td> <td>PTD.</td> <td>-</td> <td>385</td> <td>3\"/> <tr> <td>388</td> <td>ETR</td> <td>-</td> <td>WD.</td> <td>J2</td> <td>PTD.</td> <td>-</td> <td>386</td> <td>3\"/> <tr> <td>389</td> <td>ETR</td> <td>-</td> <td>WD.</td> <td>J2</td> <td>PTD.</td> <td>-</td> <td>387</td> <td>3\"/> <tr> <td>391</td> <td>ETR</td> <td>-</td> <td>WD.</td> <td>J2</td> <td>PTD.</td> <td>-</td> <td>388</td> <td>3\"/> <tr> <td>391A</td> <td>ETR</td> <td>-</td> <td>WD.</td> <td>J2</td> <td>PTD.</td> <td>-</td> <td>389</td> <td>3\"/> <tr> <td>391B</td> <td>ETR</td> <td>-</td> <td>WD.</td> <td>J2</td> <td>PTD.</td> <td>-</td> <td>391</td> <td>3\"/> <tr> <td>394</td> <td>ETR</td> <td>-</td> <td>WD.</td> <td>J2</td> <td>PTD.</td> <td>-</td> <td>391A</td> <td>3\"/> <tr> <td>395</td> <td>ETR</td> <td>-</td> <td>WD.</td> <td>J2</td> <td>PTD.</td> <td>-</td> <td>391B</td> <td>3\"/> <tr> <td>396</td> <td>ETR</td> <td>-</td> <td>WD.</td> <td>J2</td> <td>PTD.</td> <td>-</td> <td>394</td> <td>3\"/> <tr> <td>398</td> <td>ETR</td> <td>-</td> <td>WD.</td> <td>J2</td> <td>PTD.</td> <td>-</td> <td>395</td> <td>3\"/> <tr> <td>399</td> <td>ETR</td> <td>-</td> <td>WD.</td> <td>J2</td> <td>PTD.</td> <td>-</td> <td>396</td> <td>3\"/> <tr> <td>3991</td> <td>ETR</td> <td>-</td> <td>WD.</td> <td>J2</td> <td>PTD.</td> <td>-</td> <td>398</td> <td>3\"/> <tr> <td>3992</td> <td>A</td> <td>3\"/> <tr> <td>3993</td> <td>ETR</td> <td>-</td> <td>WD.</td> <td>J2</td> <td>PTD.</td> <td>-</td> <td>399</td> <td>3\"/> <tr> <td>3994</td> <td>ETR</td> <td>-</td> <td>WD.</td> <td>J2</td> <td>PTD.</td> <td>-</td> <td>3991</td> <td>3\"/> <tr> <td>3995</td> <td>ETR</td> <td>-</td> <td>WD.</td> <td>J2</td> <td>PTD.</td> <td>-</td> <td>3992</td> <td>3\"/> <tr> <td>3997</td> <td>ETR</td> <td>-</td> <td>WD.</td> <td>J2</td> <td>PTD.</td> <td>-</td> <td>3993</td> <td>3\"/> <tr> <td>3998</td> <td>ETR</td> <td>-</td> <td>WD.</td> <td>J2</td> <td>PTD.</td> <td>-</td> <td>3994</td> <td>3\"/> <tr> <td>3999</td> <td>ETR</td> <td>-</td> <td>WD.</td> <td>J2</td> <td>PTD.</td> <td>-</td> <td>3995</td> <td>3\"/> <tr> <td>3999</td> <td>ETR</td> <td>-</td> <td>WD.</td> <td>J2</td> <td>PTD.</td> <td>-</td> <td>3997</td> <td>3\"/> </td></tr></td></tr></td></tr></td></tr></td></tr></td></tr></td></tr></td></tr></td></tr></td></tr></td></tr></td></tr></td></tr></td></tr></td></tr></td></tr></td></tr></td></tr></td></tr></td></tr></td></tr></td></tr></td></td></tr></td></tr></td></td></tr> | 380B | B | 1 <td>WD</td> <td>J1</td> <td>PTD.</td> <td>-</td> <td>379</td> <td>3\"/> <tr> <td>382</td> <td>ETR</td> <td>-</td> <td>WD.</td> <td>J2</td> <td>PTD.</td> <td>-</td> <td>380A</td> <td>3\"/> <tr> <td>382A</td> <td>D</td> <td>6 <td>ALUM.</td> <td>ANODIZE D</td> <td>-</td> <td>-</td> <td>380B</td> <td>3\"/> <tr> <td>385</td> <td>ETR</td> <td>-</td> <td>WD.</td> <td>J2</td> <td>PTD.</td> <td>-</td> <td>382</td> <td>3\"/> <tr> <td>386</td> <td>ETR</td> <td>-</td> <td>WD.</td> <td>J2</td> <td>PTD.</td> <td>-</td> <td>382A</td> <td>3\"/> <tr> <td>387</td> <td>ETR</td> <td>-</td> <td>WD.</td> <td>J2</td> <td>PTD.</td> <td>-</td> <td>385</td> <td>3\"/> <tr> <td>388</td> <td>ETR</td> <td>-</td> <td>WD.</td> <td>J2</td> <td>PTD.</td> <td>-</td> <td>386</td> <td>3\"/> <tr> <td>389</td> <td>ETR</td> <td>-</td> <td>WD.</td> <td>J2</td> <td>PTD.</td> <td>-</td> <td>387</td> <td>3\"/> <tr> <td>391</td> <td>ETR</td> <td>-</td> <td>WD.</td> <td>J2</td> <td>PTD.</td> <td>-</td> <td>388</td> <td>3\"/> <tr> <td>391A</td> <td>ETR</td> <td>-</td> <td>WD.</td> <td>J2</td> <td>PTD.</td> <td>-</td> <td>389</td> <td>3\"/> <tr> <td>391B</td> <td>ETR</td> <td>-</td> <td>WD.</td> <td>J2</td> <td>PTD.</td> <td>-</td> <td>391</td> <td>3\"/> <tr> <td>394</td> <td>ETR</td> <td>-</td> <td>WD.</td> <td>J2</td> <td>PTD.</td> <td>-</td> <td>391A</td> <td>3\"/> <tr> <td>395</td> <td>ETR</td> <td>-</td> <td>WD.</td> <td>J2</td> <td>PTD.</td> <td>-</td> <td>391B</td> <td>3\"/> <tr> <td>396</td> <td>ETR</td> <td>-</td> <td>WD.</td> <td>J2</td> <td>PTD.</td> <td>-</td> <td>394</td> <td>3\"/> <tr> <td>398</td> <td>ETR</td> <td>-</td> <td>WD.</td> <td>J2</td> <td>PTD.</td> <td>-</td> <td>395</td> <td>3\"/> <tr> <td>399</td> <td>ETR</td> <td>-</td> <td>WD.</td> <td>J2</td> <td>PTD.</td> <td>-</td> <td>396</td> <td>3\"/> <tr> <td>3991</td> <td>ETR</td> <td>-</td> <td>WD.</td> <td>J2</td> <td>PTD.</td> <td>-</td> <td>398</td> <td>3\"/> <tr> <td>3992</td> <td>A</td> <td>3\"/> <tr> <td>3993</td> <td>ETR</td> <td>-</td> <td>WD.</td> <td>J2</td> <td>PTD.</td> <td>-</td> <td>399</td> <td>3\"/> <tr> <td>3994</td> <td>ETR</td> <td>-</td> <td>WD.</td> <td>J2</td> <td>PTD.</td> <td>-</td> <td>3991</td> <td>3\"/> <tr> <td>3995</td> <td>ETR</td> <td>-</td> <td>WD.</td> <td>J2</td> <td>PTD.</td> <td>-</td> <td>3992</td> <td>3\"/> <tr> <td>3997</td> <td>ETR</td> <td>-</td> <td>WD.</td> <td>J2</td> <td>PTD.</td> <td>-</td> <td>3993</td> <td>3\"/> <tr> <td>3998</td> <td>ETR</td> <td>-</td> <td>WD.</td> <td>J2</td> <td>PTD.</td> <td>-</td> <td>3994</td> <td>3\"/> <tr> <td>3999</td> <td>ETR</td> <td>-</td> <td>WD.</td> <td>J2</td> <td>PTD.</td> <td>-</td> <td>3995</td> <td>3\"/> <tr> <td>3999</td> <td>ETR</td> <td>-</td> <td>WD.</td> <td>J2</td> <td>PTD.</td> <td>-</td> <td>3997</td> <td>3\"/> </td></tr></td></tr></td></tr></td></tr></td></tr></td></tr></td></tr></td></tr></td></tr></td></tr></td></tr></td></tr></td></tr></td></tr></td></tr></td></tr></td></tr></td></tr></td></tr></td></tr></td></tr></td></tr></td></td></tr></td></tr></td>
 | WD | J1 | PTD. | - | 379 | 3\"/> <tr> <td>382</td> <td>ETR</td> <td>-</td> <td>WD.</td> <td>J2</td> <td>PTD.</td> <td>-</td> <td>380A</td> <td>3\"/> <tr> <td>382A</td> <td>D</td> <td>6 <td>ALUM.</td> <td>ANODIZE D</td> <td>-</td> <td>-</td> <td>380B</td> <td>3\"/> <tr> <td>385</td> <td>ETR</td> <td>-</td> <td>WD.</td> <td>J2</td> <td>PTD.</td> <td>-</td> <td>382</td> <td>3\"/> <tr> <td>386</td> <td>ETR</td> <td>-</td> <td>WD.</td> <td>J2</td> <td>PTD.</td> <td>-</td> <td>382A</td> <td>3\"/> <tr> <td>387</td> <td>ETR</td> <td>-</td> <td>WD.</td> <td>J2</td> <td>PTD.</td> <td>-</td> <td>385</td> <td>3\"/> <tr> <td>388</td> <td>ETR</td> <td>-</td> <td>WD.</td> <td>J2</td> <td>PTD.</td> <td>-</td> <td>386</td> <td>3\"/> <tr> <td>389</td> <td>ETR</td> <td>-</td> <td>WD.</td> <td>J2</td> <td>PTD.</td> <td>-</td> <td>387</td> <td>3\"/> <tr> <td>391</td> <td>ETR</td> <td>-</td> <td>WD.</td> <td>J2</td> <td>PTD.</td> <td>-</td> <td>388</td> <td>3\"/> <tr> <td>391A</td> <td>ETR</td> <td>-</td> <td>WD.</td> <td>J2</td> <td>PTD.</td> <td>-</td> <td>389</td> <td>3\"/> <tr> <td>391B</td> <td>ETR</td> <td>-</td> <td>WD.</td> <td>J2</td> <td>PTD.</td> <td>-</td> <td>391</td> <td>3\"/> <tr> <td>394</td> <td>ETR</td> <td>-</td> <td>WD.</td> <td>J2</td> <td>PTD.</td> <td>-</td> <td>391A</td> <td>3\"/> <tr> <td>395</td> <td>ETR</td> <td>-</td> <td>WD.</td> <td>J2</td> <td>PTD.</td> <td>-</td> <td>391B</td> <td>3\"/> <tr> <td>396</td> <td>ETR</td> <td>-</td> <td>WD.</td> <td>J2</td> <td>PTD.</td> <td>-</td> <td>394</td> <td>3\"/> <tr> <td>398</td> <td>ETR</td> <td>-</td> <td>WD.</td> <td>J2</td> <td>PTD.</td> <td>-</td> <td>395</td> <td>3\"/> <tr> <td>399</td> <td>ETR</td> <td>-</td> <td>WD.</td> <td>J2</td> <td>PTD.</td> <td>-</td> <td>396</td> <td>3\"/> <tr> <td>3991</td> <td>ETR</td> <td>-</td> <td>WD.</td> <td>J2</td> <td>PTD.</td> <td>-</td> <td>398</td> <td>3\"/> <tr> <td>3992</td> <td>A</td> <td>3\"/> <tr> <td>3993</td> <td>ETR</td> <td>-</td> <td>WD.</td> <td>J2</td> <td>PTD.</td> <td>-</td> <td>399</td> <td>3\"/> <tr> <td>3994</td> <td>ETR</td> <td>-</td> <td>WD.</td> <td>J2</td> <td>PTD.</td> <td>-</td> <td>3991</td> <td>3\"/> <tr> <td>3995</td> <td>ETR</td> <td>-</td> <td>WD.</td> <td>J2</td> <td>PTD.</td> <td>-</td> <td>3992</td> <td>3\"/> <tr> <td>3997</td> <td>ETR</td> <td>-</td> <td>WD.</td> <td>J2</td> <td>PTD.</td> <td>-</td> <td>3993</td> <td>3\"/> <tr> <td>3998</td> <td>ETR</td> <td>-</td> <td>WD.</td> <td>J2</td> <td>PTD.</td> <td>-</td> <td>3994</td> <td>3\"/> <tr> <td>3999</td> <td>ETR</td> <td>-</td> <td>WD.</td> <td>J2</td> <td>PTD.</td> <td>-</td> <td>3995</td> <td>3\"/> <tr> <td>3999</td> <td>ETR</td> <td>-</td> <td>WD.</td> <td>J2</td> <td>PTD.</td> <td>-</td> <td>3997</td> <td>3\"/> </td></tr></td></tr></td></tr></td></tr></td></tr></td></tr></td></tr></td></tr></td></tr></td></tr></td></tr></td></tr></td></tr></td></tr></td></tr></td></tr></td></tr></td></tr></td></tr></td></tr></td></tr></td></tr></td></td></tr></td></tr> | 382 | ETR | - | WD. | J2 | PTD. | - | 380A | 3\"/> <tr> <td>382A</td> <td>D</td> <td>6 <td>ALUM.</td> <td>ANODIZE D</td> <td>-</td> <td>-</td> <td>380B</td> <td>3\"/> <tr> <td>385</td> <td>ETR</td> <td>-</td> <td>WD.</td> <td>J2</td> <td>PTD.</td> <td>-</td> <td>382</td> <td>3\"/> <tr> <td>386</td> <td>ETR</td> <td>-</td> <td>WD.</td> <td>J2</td> <td>PTD.</td> <td>-</td> <td>382A</td> <td>3\"/> <tr> <td>387</td> <td>ETR</td> <td>-</td> <td>WD.</td> <td>J2</td> <td>PTD.</td> <td>-</td> <td>385</td> <td>3\"/> <tr> <td>388</td> <td>ETR</td> <td>-</td> <td>WD.</td> <td>J2</td> <td>PTD.</td> <td>-</td> <td>386</td> <td>3\"/> <tr> <td>389</td> <td>ETR</td> <td>-</td> <td>WD.</td> <td>J2</td> <td>PTD.</td> <td>-</td> <td>387</td> <td>3\"/> <tr> <td>391</td> <td>ETR</td> <td>-</td> <td>WD.</td> <td>J2</td> <td>PTD.</td> <td>-</td> <td>388</td> <td>3\"/> <tr> <td>391A</td> <td>ETR</td> <td>-</td> <td>WD.</td> <td>J2</td> <td>PTD.</td> <td>-</td> <td>389</td> <td>3\"/> <tr> <td>391B</td> <td>ETR</td> <td>-</td> <td>WD.</td> <td>J2</td> <td>PTD.</td> <td>-</td> <td>391</td> <td>3\"/> <tr> <td>394</td> <td>ETR</td> <td>-</td> <td>WD.</td> <td>J2</td> <td>PTD.</td>
<td>-</td> <td>391A</td> <td>3\"/> <tr> <td>395</td> <td>ETR</td> <td>-</td> <td>WD.</td> <td>J2</td> <td>PTD.</td> <td>-</td> <td>391B</td> <td>3\"/> <tr> <td>396</td> <td>ETR</td> <td>-</td> <td>WD.</td> <td>J2</td> <td>PTD.</td> <td>-</td> <td>394</td> <td>3\"/> <tr> <td>398</td> <td>ETR</td> <td>-</td> <td>WD.</td> <td>J2</td> <td>PTD.</td> <td>-</td> <td>395</td> <td>3\"/> <tr> <td>399</td> <td>ETR</td> <td>-</td> <td>WD.</td> <td>J2</td> <td>PTD.</td> <td>-</td> <td>396</td> <td>3\"/> <tr> <td>3991</td> <td>ETR</td> <td>-</td> <td>WD.</td> <td>J2</td> <td>PTD.</td> <td>-</td> <td>398</td> <td>3\"/> <tr> <td>3992</td> <td>A</td> <td>3\"/> <tr> <td>3993</td> <td>ETR</td> <td>-</td> <td>WD.</td> <td>J2</td> <td>PTD.</td> <td>-</td> <td>399</td> <td>3\"/> <tr> <td>3994</td> <td>ETR</td> <td>-</td> <td>WD.</td> <td>J2</td> <td>PTD.</td> <td>-</td> <td>3991</td> <td>3\"/> <tr> <td>3995</td> <td>ETR</td> <td>-</td> <td>WD.</td> <td>J2</td> <td>PTD.</td> <td>-</td> <td>3992</td> <td>3\"/> <tr> <td>3997</td> <td>ETR</td> <td>-</td> <td>WD.</td> <td>J2</td> <td>PTD.</td> <td>-</td> <td>3993</td> <td>3\"/> <tr> <td>3998</td> <td>ETR</td> <td>-</td> <td>WD.</td> <td>J2</td> <td>PTD.</td> <td>-</td> <td>3994</td> <td>3\"/> <tr> <td>3999</td> <td>ETR</td> <td>-</td> <td>WD.</td> <td>J2</td> <td>PTD.</td> <td>-</td> <td>3995</td> <td>3\"/> <tr> <td>3999</td> <td>ETR</td> <td>-</td> <td>WD.</td> <td>J2</td> <td>PTD.</td> <td>-</td> <td>3997</td> <td>3\"/> </td></tr></td></tr></td></tr></td></tr></td></tr></td></tr></td></tr></td></tr></td></tr></td></tr></td></tr></td></tr></td></tr></td></tr></td></tr></td></tr></td></tr></td></tr></td></tr></td></tr></td></tr></td></tr></td></td></tr> | 382A | D | 6 <td>ALUM.</td> <td>ANODIZE D</td> <td>-</td> <td>-</td> <td>380B</td> <td>3\"/> <tr> <td>385</td> <td>ETR</td> <td>-</td> <td>WD.</td> <td>J2</td> <td>PTD.</td> <td>-</td> <td>382</td> <td>3\"/> <tr> <td>386</td> <td>ETR</td> <td>-</td> <td>WD.</td> <td>J2</td> <td>PTD.</td> <td>-</td> <td>382A</td> <td>3\"/> <tr> <td>387</td> <td>ETR</td> <td>-</td> <td>WD.</td> <td>J2</td> <td>PTD.</td> <td>-</td> <td>385</td> <td>3\"/> <tr> <td>388</td> <td>ETR</td> <td>-</td> <td>WD.</td> <td>J2</td> <td>PTD.</td> <td>-</td> <td>386</td> <td>3\"/> <tr> <td>389</td> <td>ETR</td> <td>-</td> <td>WD.</td> <td>J2</td> <td>PTD.</td> <td>-</td> <td>387</td> <td>3\"/> <tr> <td>391</td> <td>ETR</td> <td>-</td> <td>WD.</td> <td>J2</td> <td>PTD.</td> <td>-</td> <td>388</td> <td>3\"/> <tr> <td>391A</td> <td>ETR</td> <td>-</td> <td>WD.</td> <td>J2</td> <td>PTD.</td> <td>-</td> <td>389</td> <td>3\"/> <tr> <td>391B</td> <td>ETR</td> <td>-</td> <td>WD.</td> <td>J2</td> <td>PTD.</td> <td>-</td> <td>391</td> <td>3\"/> <tr> <td>394</td> <td>ETR</td> <td>-</td> <td>WD.</td> <td>J2</td> <td>PTD.</td> <td>-</td> <td>391A</td> <td>3\"/> <tr> <td>395</td> <td>ETR</td> <td>-</td> <td>WD.</td> <td>J2</td> <td>PTD.</td> <td>-</td> <td>391B</td> <td>3\"/> <tr> <td>396</td> <td>ETR</td> <td>-</td> <td>WD.</td> <td>J2</td> <td>PTD.</td> <td>-</td> <td>394</td> <td>3\"/> <tr> <td>398</td> <td>ETR</td> <td>-</td> <td>WD.</td> <td>J2</td> <td>PTD.</td> <td>-</td> <td>395</td> <td>3\"/> <tr> <td>399</td> <td>ETR</td> <td>-</td> <td>WD.</td> <td>J2</td> <td>PTD.</td> <td>-</td> <td>396</td> <td>3\"/> <tr> <td>3991</td> <td>ETR</td> <td>-</td> <td>WD.</td> <td>J2</td> <td>PTD.</td> <td>-</td> <td>398</td> <td>3\"/> <tr> <td>3992</td> <td>A</td> <td>3\"/> <tr> <td>3993</td> <td>ETR</td> <td>-</td> <td>WD.</td> <td>J2</td> <td>PTD.</td> <td>-</td> <td>399</td> <td>3\"/> <tr> <td>3994</td> <td>ETR</td> <td>-</td> <td>WD.</td> <td>J2</td> <td>PTD.</td> <td>-</td> <td>3991</td> <td>3\"/> <tr> <td>3995</td> <td>ETR</td> <td>-</td> <td>WD.</td> <td>J2</td> <td>PTD.</td> <td>-</td> <td>3992</td> <td>3\"/> <tr> <td>3997</td> <td>ETR</td> <td>-</td> <td>WD.</td> <td>J2</td> <td>PTD.</td> <td>-</td> <td>3993</td> <td>3\"/> <tr> <td>3998</td> <td>ETR</td> <td>-</td> <td>WD.</td> <td>J2</td> <td>PTD.</td> <td>-</td> <td>3994</td> <td>3\"/> <tr> <td>3999</td> <td>ETR</td> <td>-</td> <td>WD.</td> <td>J2</td> <td>PTD.</td> <td>-</td> <td>3995</td> <td>3\"/> <tr> <td>3999</td> <td>ETR</td> <td>-</td> <td>WD.</td> <td>J2</td> <td>PTD.</td> <td>-</td> <td>3997</td> <td>3\"/> </td></tr></td></tr></td></tr></td></tr></td></tr></td></tr></td></tr></td></tr></td></tr></td></tr></td></tr></td></tr></td></tr></td></tr></td></tr></td></tr></td></tr></td></tr></td></tr></td></tr></td></tr></td></tr></td> | ALUM. | ANODIZE D | -
 | - | 380B | 3\"/> <tr> <td>385</td> <td>ETR</td> <td>-</td> <td>WD.</td> <td>J2</td> <td>PTD.</td> <td>-</td> <td>382</td> <td>3\"/> <tr> <td>386</td> <td>ETR</td> <td>-</td> <td>WD.</td> <td>J2</td> <td>PTD.</td> <td>-</td> <td>382A</td> <td>3\"/> <tr> <td>387</td> <td>ETR</td> <td>-</td> <td>WD.</td> <td>J2</td> <td>PTD.</td> <td>-</td> <td>385</td> <td>3\"/> <tr> <td>388</td> <td>ETR</td> <td>-</td> <td>WD.</td> <td>J2</td> <td>PTD.</td> <td>-</td> <td>386</td> <td>3\"/> <tr> <td>389</td> <td>ETR</td> <td>-</td> <td>WD.</td> <td>J2</td> <td>PTD.</td> <td>-</td> <td>387</td> <td>3\"/> <tr> <td>391</td> <td>ETR</td> <td>-</td> <td>WD.</td> <td>J2</td> <td>PTD.</td> <td>-</td> <td>388</td> <td>3\"/> <tr> <td>391A</td> <td>ETR</td> <td>-</td> <td>WD.</td> <td>J2</td> <td>PTD.</td> <td>-</td> <td>389</td> <td>3\"/> <tr> <td>391B</td> <td>ETR</td> <td>-</td> <td>WD.</td> <td>J2</td> <td>PTD.</td> <td>-</td> <td>391</td> <td>3\"/> <tr> <td>394</td> <td>ETR</td> <td>-</td> <td>WD.</td> <td>J2</td> <td>PTD.</td> <td>-</td> <td>391A</td> <td>3\"/> <tr> <td>395</td> <td>ETR</td> <td>-</td> <td>WD.</td> <td>J2</td> <td>PTD.</td> <td>-</td> <td>391B</td> <td>3\"/> <tr> <td>396</td> <td>ETR</td> <td>-</td> <td>WD.</td> <td>J2</td> <td>PTD.</td> <td>-</td> <td>394</td> <td>3\"/> <tr> <td>398</td> <td>ETR</td> <td>-</td> <td>WD.</td> <td>J2</td> <td>PTD.</td> <td>-</td> <td>395</td> <td>3\"/> <tr> <td>399</td> <td>ETR</td> <td>-</td> <td>WD.</td> <td>J2</td> <td>PTD.</td> <td>-</td> <td>396</td> <td>3\"/> <tr> <td>3991</td> <td>ETR</td> <td>-</td> <td>WD.</td> <td>J2</td> <td>PTD.</td> <td>-</td> <td>398</td> <td>3\"/> <tr> <td>3992</td> <td>A</td> <td>3\"/> <tr> <td>3993</td> <td>ETR</td> <td>-</td> <td>WD.</td> <td>J2</td> <td>PTD.</td> <td>-</td> <td>399</td> <td>3\"/> <tr> <td>3994</td> <td>ETR</td> <td>-</td> <td>WD.</td> <td>J2</td> <td>PTD.</td> <td>-</td> <td>3991</td> <td>3\"/> <tr> <td>3995</td> <td>ETR</td> <td>-</td> <td>WD.</td> <td>J2</td> <td>PTD.</td> <td>-</td> <td>3992</td> <td>3\"/> <tr> <td>3997</td> <td>ETR</td> <td>-</td> <td>WD.</td> <td>J2</td> <td>PTD.</td> <td>-</td> <td>3993</td> <td>3\"/> <tr> <td>3998</td> <td>ETR</td> <td>-</td> <td>WD.</td> <td>J2</td> <td>PTD.</td> <td>-</td> <td>3994</td> <td>3\"/> <tr> <td>3999</td> <td>ETR</td> <td>-</td> <td>WD.</td> <td>J2</td> <td>PTD.</td> <td>-</td> <td>3995</td> <td>3\"/> <tr> <td>3999</td> <td>ETR</td> <td>-</td> <td>WD.</td> <td>J2</td> <td>PTD.</td> <td>-</td> <td>3997</td> <td>3\"/> </td></tr></td></tr></td></tr></td></tr></td></tr></td></tr></td></tr></td></tr></td></tr></td></tr></td></tr></td></tr></td></tr></td></tr></td></tr></td></tr></td></tr></td></tr></td></tr></td></tr></td></tr></td></tr> | 385 | ETR | - | WD. | J2 | PTD.
 | - | 382 | 3\"/> <tr> <td>386</td> <td>ETR</td> <td>-</td> <td>WD.</td> <td>J2</td> <td>PTD.</td> <td>-</td> <td>382A</td> <td>3\"/> <tr> <td>387</td> <td>ETR</td> <td>-</td> <td>WD.</td> <td>J2</td> <td>PTD.</td> <td>-</td> <td>385</td> <td>3\"/> <tr> <td>388</td> <td>ETR</td> <td>-</td> <td>WD.</td> <td>J2</td> <td>PTD.</td> <td>-</td> <td>386</td> <td>3\"/> <tr> <td>389</td> <td>ETR</td> <td>-</td> <td>WD.</td> <td>J2</td> <td>PTD.</td> <td>-</td> <td>387</td> <td>3\"/> <tr> <td>391</td> <td>ETR</td> <td>-</td> <td>WD.</td> <td>J2</td> <td>PTD.</td> <td>-</td> <td>388</td> <td>3\"/> <tr> <td>391A</td> <td>ETR</td> <td>-</td> <td>WD.</td> <td>J2</td> <td>PTD.</td> <td>-</td> <td>389</td> <td>3\"/> <tr> <td>391B</td> <td>ETR</td> <td>-</td> <td>WD.</td> <td>J2</td> <td>PTD.</td> <td>-</td> <td>391</td> <td>3\"/> <tr> <td>394</td> <td>ETR</td> <td>-</td> <td>WD.</td> <td>J2</td> <td>PTD.</td> <td>-</td> <td>391A</td> <td>3\"/> <tr> <td>395</td> <td>ETR</td> <td>-</td> <td>WD.</td> <td>J2</td> <td>PTD.</td> <td>-</td> <td>391B</td> <td>3\"/> <tr> <td>396</td> <td>ETR</td> <td>-</td> <td>WD.</td> <td>J2</td> <td>PTD.</td> <td>-</td> <td>394</td> <td>3\"/> <tr> <td>398</td> <td>ETR</td> <td>-</td> <td>WD.</td> <td>J2</td> <td>PTD.</td> <td>-</td> <td>395</td> <td>3\"/> <tr> <td>399</td> <td>ETR</td> <td>-</td> <td>WD.</td> <td>J2</td> <td>PTD.</td> <td>-</td> <td>396</td> <td>3\"/> <tr> <td>3991</td> <td>ETR</td> <td>-</td> <td>WD.</td> <td>J2</td> <td>PTD.</td> <td>-</td> <td>398</td> <td>3\"/> <tr> <td>3992</td> <td>A</td> <td>3\"/> <tr> <td>3993</td> <td>ETR</td> <td>-</td> <td>WD.</td> <td>J2</td> <td>PTD.</td> <td>-</td> <td>399</td> <td>3\"/> <tr> <td>3994</td> <td>ETR</td> <td>-</td> <td>WD.</td> <td>J2</td> <td>PTD.</td> <td>-</td> <td>3991</td> <td>3\"/> <tr> <td>3995</td> <td>ETR</td> <td>-</td> <td>WD.</td> <td>J2</td> <td>PTD.</td> <td>-</td> <td>3992</td> <td>3\"/> <tr> <td>3997</td> <td>ETR</td> <td>-</td> <td>WD.</td> <td>J2</td> <td>PTD.</td> <td>-</td> <td>3993</td> <td>3\"/> <tr> <td>3998</td> <td>ETR</td> <td>-</td> <td>WD.</td> <td>J2</td> <td>PTD.</td> <td>-</td> <td>3994</td> <td>3\"/> <tr> <td>3999</td> <td>ETR</td> <td>-</td> <td>WD.</td> <td>J2</td> <td>PTD.</td> <td>-</td> <td>3995</td> <td>3\"/> <tr> <td>3999</td> <td>ETR</td> <td>-</td> <td>WD.</td> <td>J2</td> <td>PTD.</td> <td>-</td> <td>3997</td> <td>3\"/> </td></tr></td></tr></td></tr></td></tr></td></tr></td></tr></td></tr></td></tr></td></tr></td></tr></td></tr></td></tr></td></tr></td></tr></td></tr></td></tr></td></tr></td></tr></td></tr></td></tr></td></tr> | 386 | ETR | -
 | WD. | J2 | PTD. | - | 382A | 3\"/> <tr> <td>387</td> <td>ETR</td> <td>-</td> <td>WD.</td> <td>J2</td> <td>PTD.</td> <td>-</td> <td>385</td> <td>3\"/> <tr> <td>388</td> <td>ETR</td> <td>-</td> <td>WD.</td> <td>J2</td> <td>PTD.</td> <td>-</td> <td>386</td> <td>3\"/> <tr> <td>389</td> <td>ETR</td> <td>-</td> <td>WD.</td> <td>J2</td> <td>PTD.</td> <td>-</td> <td>387</td> <td>3\"/> <tr> <td>391</td> <td>ETR</td> <td>-</td> <td>WD.</td> <td>J2</td> <td>PTD.</td> <td>-</td> <td>388</td> <td>3\"/> <tr> <td>391A</td> <td>ETR</td> <td>-</td> <td>WD.</td> <td>J2</td> <td>PTD.</td> <td>-</td> <td>389</td> <td>3\"/> <tr> <td>391B</td> <td>ETR</td> <td>-</td> <td>WD.</td> <td>J2</td> <td>PTD.</td> <td>-</td> <td>391</td> <td>3\"/> <tr> <td>394</td> <td>ETR</td> <td>-</td> <td>WD.</td> <td>J2</td> <td>PTD.</td> <td>-</td> <td>391A</td> <td>3\"/> <tr> <td>395</td> <td>ETR</td> <td>-</td> <td>WD.</td> <td>J2</td> <td>PTD.</td> <td>-</td> <td>391B</td> <td>3\"/> <tr> <td>396</td> <td>ETR</td> <td>-</td> <td>WD.</td> <td>J2</td> <td>PTD.</td> <td>-</td> <td>394</td> <td>3\"/> <tr> <td>398</td> <td>ETR</td> <td>-</td> <td>WD.</td> <td>J2</td> <td>PTD.</td> <td>-</td> <td>395</td> <td>3\"/> <tr> <td>399</td> <td>ETR</td> <td>-</td> <td>WD.</td> <td>J2</td> <td>PTD.</td> <td>-</td> <td>396</td> <td>3\"/> <tr> <td>3991</td> <td>ETR</td> <td>-</td> <td>WD.</td> <td>J2</td> <td>PTD.</td> <td>-</td> <td>398</td> <td>3\"/> <tr> <td>3992</td> <td>A</td> <td>3\"/> <tr> <td>3993</td> <td>ETR</td> <td>-</td> <td>WD.</td> <td>J2</td> <td>PTD.</td> <td>-</td> <td>399</td> <td>3\"/> <tr> <td>3994</td> <td>ETR</td> <td>-</td> <td>WD.</td> <td>J2</td> <td>PTD.</td> <td>-</td> <td>3991</td> <td>3\"/> <tr> <td>3995</td> <td>ETR</td> <td>-</td> <td>WD.</td> <td>J2</td> <td>PTD.</td> <td>-</td> <td>3992</td> <td>3\"/> <tr> <td>3997</td> <td>ETR</td> <td>-</td> <td>WD.</td> <td>J2</td> <td>PTD.</td> <td>-</td> <td>3993</td> <td>3\"/> <tr> <td>3998</td> <td>ETR</td> <td>-</td> <td>WD.</td> <td>J2</td> <td>PTD.</td> <td>-</td> <td>3994</td> <td>3\"/> <tr> <td>3999</td> <td>ETR</td> <td>-</td> <td>WD.</td> <td>J2</td> <td>PTD.</td> <td>-</td> <td>3995</td> <td>3\"/> <tr> <td>3999</td> <td>ETR</td> <td>-</td> <td>WD.</td> <td>J2</td> <td>PTD.</td> <td>-</td> <td>3997</td> <td>3\"/> </td></tr></td></tr></td></tr></td></tr></td></tr></td></tr></td></tr></td></tr></td></tr></td></tr></td></tr></td></tr></td></tr></td></tr></td></tr></td></tr></td></tr></td></tr></td></tr></td></tr> | 387 | ETR | -
 | WD. | J2 | PTD. | - | 385 | 3\"/> <tr> <td>388</td> <td>ETR</td> <td>-</td> <td>WD.</td> <td>J2</td> <td>PTD.</td> <td>-</td> <td>386</td> <td>3\"/> <tr> <td>389</td> <td>ETR</td> <td>-</td> <td>WD.</td> <td>J2</td> <td>PTD.</td> <td>-</td> <td>387</td> <td>3\"/> <tr> <td>391</td> <td>ETR</td> <td>-</td> <td>WD.</td> <td>J2</td> <td>PTD.</td> <td>-</td> <td>388</td> <td>3\"/> <tr> <td>391A</td> <td>ETR</td> <td>-</td> <td>WD.</td> <td>J2</td> <td>PTD.</td> <td>-</td> <td>389</td> <td>3\"/> <tr> <td>391B</td> <td>ETR</td> <td>-</td> <td>WD.</td> <td>J2</td> <td>PTD.</td> <td>-</td> <td>391</td> <td>3\"/> <tr> <td>394</td> <td>ETR</td> <td>-</td> <td>WD.</td> <td>J2</td> <td>PTD.</td> <td>-</td> <td>391A</td> <td>3\"/> <tr> <td>395</td> <td>ETR</td> <td>-</td> <td>WD.</td> <td>J2</td> <td>PTD.</td> <td>-</td> <td>391B</td> <td>3\"/> <tr> <td>396</td> <td>ETR</td> <td>-</td> <td>WD.</td> <td>J2</td> <td>PTD.</td> <td>-</td> <td>394</td> <td>3\"/> <tr> <td>398</td> <td>ETR</td> <td>-</td> <td>WD.</td> <td>J2</td> <td>PTD.</td> <td>-</td> <td>395</td> <td>3\"/> <tr> <td>399</td> <td>ETR</td> <td>-</td> <td>WD.</td> <td>J2</td> <td>PTD.</td> <td>-</td> <td>396</td> <td>3\"/> <tr> <td>3991</td> <td>ETR</td> <td>-</td> <td>WD.</td> <td>J2</td> <td>PTD.</td> <td>-</td> <td>398</td> <td>3\"/> <tr> <td>3992</td> <td>A</td> <td>3\"/> <tr> <td>3993</td> <td>ETR</td> <td>-</td> <td>WD.</td> <td>J2</td> <td>PTD.</td> <td>-</td> <td>399</td> <td>3\"/> <tr> <td>3994</td> <td>ETR</td> <td>-</td> <td>WD.</td> <td>J2</td> <td>PTD.</td> <td>-</td> <td>3991</td> <td>3\"/> <tr> <td>3995</td> <td>ETR</td> <td>-</td> <td>WD.</td> <td>J2</td> <td>PTD.</td> <td>-</td> <td>3992</td> <td>3\"/> <tr> <td>3997</td> <td>ETR</td> <td>-</td> <td>WD.</td> <td>J2</td> <td>PTD.</td> <td>-</td> <td>3993</td> <td>3\"/> <tr> <td>3998</td> <td>ETR</td> <td>-</td> <td>WD.</td> <td>J2</td> <td>PTD.</td> <td>-</td> <td>3994</td> <td>3\"/> <tr> <td>3999</td> <td>ETR</td> <td>-</td> <td>WD.</td> <td>J2</td> <td>PTD.</td> <td>-</td> <td>3995</td> <td>3\"/> <tr> <td>3999</td> <td>ETR</td> <td>-</td> <td>WD.</td> <td>J2</td> <td>PTD.</td> <td>-</td> <td>3997</td> <td>3\"/> </td></tr></td></tr></td></tr></td></tr></td></tr></td></tr></td></tr></td></tr></td></tr></td></tr></td></tr></td></tr></td></tr></td></tr></td></tr></td></tr></td></tr></td></tr></td></tr> | 388 | ETR | -
 | WD. | J2 | PTD. | - | 386 | 3\"/> <tr> <td>389</td> <td>ETR</td> <td>-</td> <td>WD.</td> <td>J2</td> <td>PTD.</td> <td>-</td> <td>387</td> <td>3\"/> <tr> <td>391</td> <td>ETR</td> <td>-</td> <td>WD.</td> <td>J2</td> <td>PTD.</td> <td>-</td> <td>388</td> <td>3\"/> <tr> <td>391A</td> <td>ETR</td> <td>-</td> <td>WD.</td> <td>J2</td> <td>PTD.</td> <td>-</td> <td>389</td> <td>3\"/> <tr> <td>391B</td> <td>ETR</td> <td>-</td> <td>WD.</td> <td>J2</td> <td>PTD.</td> <td>-</td> <td>391</td> <td>3\"/> <tr> <td>394</td> <td>ETR</td> <td>-</td> <td>WD.</td> <td>J2</td> <td>PTD.</td> <td>-</td> <td>391A</td> <td>3\"/> <tr> <td>395</td> <td>ETR</td> <td>-</td> <td>WD.</td> <td>J2</td> <td>PTD.</td> <td>-</td> <td>391B</td> <td>3\"/> <tr> <td>396</td> <td>ETR</td> <td>-</td> <td>WD.</td> <td>J2</td> <td>PTD.</td> <td>-</td> <td>394</td> <td>3\"/> <tr> <td>398</td> <td>ETR</td> <td>-</td> <td>WD.</td> <td>J2</td> <td>PTD.</td> <td>-</td> <td>395</td> <td>3\"/> <tr> <td>399</td> <td>ETR</td> <td>-</td> <td>WD.</td> <td>J2</td> <td>PTD.</td> <td>-</td> <td>396</td> <td>3\"/> <tr> <td>3991</td> <td>ETR</td> <td>-</td> <td>WD.</td> <td>J2</td> <td>PTD.</td> <td>-</td> <td>398</td> <td>3\"/> <tr> <td>3992</td> <td>A</td> <td>3\"/> <tr> <td>3993</td> <td>ETR</td> <td>-</td> <td>WD.</td> <td>J2</td> <td>PTD.</td> <td>-</td> <td>399</td> <td>3\"/> <tr> <td>3994</td> <td>ETR</td> <td>-</td> <td>WD.</td> <td>J2</td> <td>PTD.</td> <td>-</td> <td>3991</td> <td>3\"/> <tr> <td>3995</td> <td>ETR</td> <td>-</td> <td>WD.</td> <td>J2</td> <td>PTD.</td> <td>-</td> <td>3992</td> <td>3\"/> <tr> <td>3997</td> <td>ETR</td> <td>-</td> <td>WD.</td> <td>J2</td> <td>PTD.</td> <td>-</td> <td>3993</td> <td>3\"/> <tr> <td>3998</td> <td>ETR</td> <td>-</td> <td>WD.</td> <td>J2</td> <td>PTD.</td> <td>-</td> <td>3994</td> <td>3\"/> <tr> <td>3999</td> <td>ETR</td> <td>-</td> <td>WD.</td> <td>J2</td> <td>PTD.</td> <td>-</td> <td>3995</td> <td>3\"/> <tr> <td>3999</td> <td>ETR</td> <td>-</td> <td>WD.</td> <td>J2</td> <td>PTD.</td> <td>-</td> <td>3997</td> <td>3\"/> </td></tr></td></tr></td></tr></td></tr></td></tr></td></tr></td></tr></td></tr></td></tr></td></tr></td></tr></td></tr></td></tr></td></tr></td></tr></td></tr></td></tr></td></tr> | 389 | ETR | -
 | WD. | J2 | PTD. | - | 387 | 3\"/> <tr> <td>391</td> <td>ETR</td> <td>-</td> <td>WD.</td> <td>J2</td> <td>PTD.</td> <td>-</td> <td>388</td> <td>3\"/> <tr> <td>391A</td> <td>ETR</td> <td>-</td> <td>WD.</td> <td>J2</td> <td>PTD.</td> <td>-</td> <td>389</td> <td>3\"/> <tr> <td>391B</td> <td>ETR</td> <td>-</td> <td>WD.</td> <td>J2</td> <td>PTD.</td> <td>-</td> <td>391</td> <td>3\"/> <tr> <td>394</td> <td>ETR</td> <td>-</td> <td>WD.</td> <td>J2</td> <td>PTD.</td> <td>-</td> <td>391A</td> <td>3\"/> <tr> <td>395</td> <td>ETR</td> <td>-</td> <td>WD.</td> <td>J2</td> <td>PTD.</td> <td>-</td> <td>391B</td> <td>3\"/> <tr> <td>396</td> <td>ETR</td> <td>-</td> <td>WD.</td> <td>J2</td> <td>PTD.</td> <td>-</td> <td>394</td> <td>3\"/> <tr> <td>398</td> <td>ETR</td> <td>-</td> <td>WD.</td> <td>J2</td> <td>PTD.</td> <td>-</td> <td>395</td> <td>3\"/> <tr> <td>399</td> <td>ETR</td> <td>-</td> <td>WD.</td> <td>J2</td> <td>PTD.</td> <td>-</td> <td>396</td> <td>3\"/> <tr> <td>3991</td> <td>ETR</td> <td>-</td> <td>WD.</td> <td>J2</td> <td>PTD.</td> <td>-</td> <td>398</td> <td>3\"/> <tr> <td>3992</td> <td>A</td> <td>3\"/> <tr> <td>3993</td> <td>ETR</td> <td>-</td> <td>WD.</td> <td>J2</td> <td>PTD.</td> <td>-</td> <td>399</td> <td>3\"/> <tr> <td>3994</td> <td>ETR</td> <td>-</td> <td>WD.</td> <td>J2</td> <td>PTD.</td> <td>-</td> <td>3991</td> <td>3\"/> <tr> <td>3995</td> <td>ETR</td> <td>-</td> <td>WD.</td> <td>J2</td> <td>PTD.</td> <td>-</td> <td>3992</td> <td>3\"/> <tr> <td>3997</td> <td>ETR</td> <td>-</td> <td>WD.</td> <td>J2</td> <td>PTD.</td> <td>-</td> <td>3993</td> <td>3\"/> <tr> <td>3998</td> <td>ETR</td> <td>-</td> <td>WD.</td> <td>J2</td> <td>PTD.</td> <td>-</td> <td>3994</td> <td>3\"/> <tr> <td>3999</td> <td>ETR</td> <td>-</td> <td>WD.</td> <td>J2</td> <td>PTD.</td> <td>-</td> <td>3995</td> <td>3\"/> <tr> <td>3999</td> <td>ETR</td> <td>-</td> <td>WD.</td> <td>J2</td> <td>PTD.</td> <td>-</td> <td>3997</td> <td>3\"/> </td></tr></td></tr></td></tr></td></tr></td></tr></td></tr></td></tr></td></tr></td></tr></td></tr></td></tr></td></tr></td></tr></td></tr></td></tr></td></tr></td></tr> | 391 | ETR | -
 | WD. | J2 | PTD. | - | 388 | 3\"/> <tr> <td>391A</td> <td>ETR</td> <td>-</td> <td>WD.</td> <td>J2</td> <td>PTD.</td> <td>-</td> <td>389</td> <td>3\"/> <tr> <td>391B</td> <td>ETR</td> <td>-</td> <td>WD.</td> <td>J2</td> <td>PTD.</td> <td>-</td> <td>391</td> <td>3\"/> <tr> <td>394</td> <td>ETR</td> <td>-</td> <td>WD.</td> <td>J2</td> <td>PTD.</td> <td>-</td> <td>391A</td> <td>3\"/> <tr> <td>395</td> <td>ETR</td> <td>-</td> <td>WD.</td> <td>J2</td> <td>PTD.</td> <td>-</td> <td>391B</td> <td>3\"/> <tr> <td>396</td> <td>ETR</td> <td>-</td> <td>WD.</td> <td>J2</td> <td>PTD.</td> <td>-</td> <td>394</td> <td>3\"/> <tr> <td>398</td> <td>ETR</td> <td>-</td> <td>WD.</td> <td>J2</td> <td>PTD.</td> <td>-</td> <td>395</td> <td>3\"/> <tr> <td>399</td> <td>ETR</td> <td>-</td> <td>WD.</td> <td>J2</td> <td>PTD.</td> <td>-</td> <td>396</td> <td>3\"/> <tr> <td>3991</td> <td>ETR</td> <td>-</td> <td>WD.</td> <td>J2</td> <td>PTD.</td> <td>-</td> <td>398</td> <td>3\"/> <tr> <td>3992</td> <td>A</td> <td>3\"/> <tr> <td>3993</td> <td>ETR</td> <td>-</td> <td>WD.</td> <td>J2</td> <td>PTD.</td> <td>-</td> <td>399</td> <td>3\"/> <tr> <td>3994</td> <td>ETR</td> <td>-</td> <td>WD.</td> <td>J2</td> <td>PTD.</td> <td>-</td> <td>3991</td> <td>3\"/> <tr> <td>3995</td> <td>ETR</td> <td>-</td> <td>WD.</td> <td>J2</td> <td>PTD.</td> <td>-</td> <td>3992</td> <td>3\"/> <tr> <td>3997</td> <td>ETR</td> <td>-</td> <td>WD.</td> <td>J2</td> <td>PTD.</td> <td>-</td> <td>3993</td> <td>3\"/> <tr> <td>3998</td> <td>ETR</td> <td>-</td> <td>WD.</td> <td>J2</td> <td>PTD.</td> <td>-</td> <td>3994</td> <td>3\"/> <tr> <td>3999</td> <td>ETR</td> <td>-</td> <td>WD.</td> <td>J2</td> <td>PTD.</td> <td>-</td> <td>3995</td> <td>3\"/> <tr> <td>3999</td> <td>ETR</td> <td>-</td> <td>WD.</td> <td>J2</td> <td>PTD.</td> <td>-</td> <td>3997</td> <td>3\"/> </td></tr></td></tr></td></tr></td></tr></td></tr></td></tr></td></tr></td></tr></td></tr></td></tr></td></tr></td></tr></td></tr></td></tr></td></tr></td></tr> | 391A | ETR | -
 | WD. | J2 | PTD. | - | 389 | 3\"/> <tr> <td>391B</td> <td>ETR</td> <td>-</td> <td>WD.</td> <td>J2</td> <td>PTD.</td> <td>-</td> <td>391</td> <td>3\"/> <tr> <td>394</td> <td>ETR</td> <td>-</td> <td>WD.</td> <td>J2</td> <td>PTD.</td> <td>-</td> <td>391A</td> <td>3\"/> <tr> <td>395</td> <td>ETR</td> <td>-</td> <td>WD.</td> <td>J2</td> <td>PTD.</td> <td>-</td> <td>391B</td> <td>3\"/> <tr> <td>396</td> <td>ETR</td> <td>-</td> <td>WD.</td> <td>J2</td> <td>PTD.</td> <td>-</td> <td>394</td> <td>3\"/> <tr> <td>398</td> <td>ETR</td> <td>-</td> <td>WD.</td> <td>J2</td> <td>PTD.</td> <td>-</td> <td>395</td> <td>3\"/> <tr> <td>399</td> <td>ETR</td> <td>-</td> <td>WD.</td> <td>J2</td> <td>PTD.</td> <td>-</td> <td>396</td> <td>3\"/> <tr> <td>3991</td> <td>ETR</td> <td>-</td> <td>WD.</td> <td>J2</td> <td>PTD.</td> <td>-</td> <td>398</td> <td>3\"/> <tr> <td>3992</td> <td>A</td> <td>3\"/> <tr> <td>3993</td> <td>ETR</td> <td>-</td> <td>WD.</td> <td>J2</td> <td>PTD.</td> <td>-</td> <td>399</td> <td>3\"/> <tr> <td>3994</td> <td>ETR</td> <td>-</td> <td>WD.</td> <td>J2</td> <td>PTD.</td> <td>-</td> <td>3991</td> <td>3\"/> <tr> <td>3995</td> <td>ETR</td> <td>-</td> <td>WD.</td> <td>J2</td> <td>PTD.</td> <td>-</td> <td>3992</td> <td>3\"/> <tr> <td>3997</td> <td>ETR</td> <td>-</td> <td>WD.</td> <td>J2</td> <td>PTD.</td> <td>-</td> <td>3993</td> <td>3\"/> <tr> <td>3998</td> <td>ETR</td> <td>-</td> <td>WD.</td> <td>J2</td> <td>PTD.</td> <td>-</td> <td>3994</td> <td>3\"/> <tr> <td>3999</td> <td>ETR</td> <td>-</td> <td>WD.</td> <td>J2</td> <td>PTD.</td> <td>-</td> <td>3995</td> <td>3\"/> <tr> <td>3999</td> <td>ETR</td> <td>-</td> <td>WD.</td> <td>J2</td> <td>PTD.</td> <td>-</td> <td>3997</td> <td>3\"/> </td></tr></td></tr></td></tr></td></tr></td></tr></td></tr></td></tr></td></tr></td></tr></td></tr></td></tr></td></tr></td></tr></td></tr></td></tr> | 391B | ETR | -
 | WD. | J2 | PTD. | - | 391 | 3\"/> <tr> <td>394</td> <td>ETR</td> <td>-</td> <td>WD.</td> <td>J2</td> <td>PTD.</td> <td>-</td> <td>391A</td> <td>3\"/> <tr> <td>395</td> <td>ETR</td> <td>-</td> <td>WD.</td> <td>J2</td> <td>PTD.</td> <td>-</td> <td>391B</td> <td>3\"/> <tr> <td>396</td> <td>ETR</td> <td>-</td> <td>WD.</td> <td>J2</td> <td>PTD.</td> <td>-</td> <td>394</td> <td>3\"/> <tr> <td>398</td> <td>ETR</td> <td>-</td> <td>WD.</td> <td>J2</td> <td>PTD.</td> <td>-</td> <td>395</td> <td>3\"/> <tr> <td>399</td> <td>ETR</td> <td>-</td> <td>WD.</td> <td>J2</td> <td>PTD.</td> <td>-</td> <td>396</td> <td>3\"/> <tr> <td>3991</td> <td>ETR</td> <td>-</td> <td>WD.</td> <td>J2</td> <td>PTD.</td> <td>-</td> <td>398</td> <td>3\"/> <tr> <td>3992</td> <td>A</td> <td>3\"/> <tr> <td>3993</td> <td>ETR</td> <td>-</td> <td>WD.</td> <td>J2</td> <td>PTD.</td> <td>-</td> <td>399</td> <td>3\"/> <tr> <td>3994</td> <td>ETR</td> <td>-</td> <td>WD.</td> <td>J2</td> <td>PTD.</td> <td>-</td> <td>3991</td> <td>3\"/> <tr> <td>3995</td> <td>ETR</td> <td>-</td> <td>WD.</td> <td>J2</td> <td>PTD.</td> <td>-</td> <td>3992</td> <td>3\"/> <tr> <td>3997</td> <td>ETR</td> <td>-</td> <td>WD.</td> <td>J2</td> <td>PTD.</td> <td>-</td> <td>3993</td> <td>3\"/> <tr> <td>3998</td> <td>ETR</td> <td>-</td> <td>WD.</td> <td>J2</td> <td>PTD.</td> <td>-</td> <td>3994</td> <td>3\"/> <tr> <td>3999</td> <td>ETR</td> <td>-</td> <td>WD.</td> <td>J2</td> <td>PTD.</td> <td>-</td> <td>3995</td> <td>3\"/> <tr> <td>3999</td> <td>ETR</td> <td>-</td> <td>WD.</td> <td>J2</td> <td>PTD.</td> <td>-</td> <td>3997</td> <td>3\"/> </td></tr></td></tr></td></tr></td></tr></td></tr></td></tr></td></tr></td></tr></td></tr></td></tr></td></tr></td></tr></td></tr></td></tr> | 394 | ETR | - | WD. | J2 | PTD.
 | - | 391A | 3\"/> <tr> <td>395</td> <td>ETR</td> <td>-</td> <td>WD.</td> <td>J2</td> <td>PTD.</td> <td>-</td> <td>391B</td> <td>3\"/> <tr> <td>396</td> <td>ETR</td> <td>-</td> <td>WD.</td> <td>J2</td> <td>PTD.</td> <td>-</td> <td>394</td> <td>3\"/> <tr> <td>398</td> <td>ETR</td> <td>-</td> <td>WD.</td> <td>J2</td> <td>PTD.</td> <td>-</td> <td>395</td> <td>3\"/> <tr> <td>399</td> <td>ETR</td> <td>-</td> <td>WD.</td> <td>J2</td> <td>PTD.</td> <td>-</td> <td>396</td> <td>3\"/> <tr> <td>3991</td> <td>ETR</td> <td>-</td> <td>WD.</td> <td>J2</td> <td>PTD.</td> <td>-</td> <td>398</td> <td>3\"/> <tr> <td>3992</td> <td>A</td> <td>3\"/> <tr> <td>3993</td> <td>ETR</td> <td>-</td> <td>WD.</td> <td>J2</td> <td>PTD.</td> <td>-</td> <td>399</td> <td>3\"/> <tr> <td>3994</td> <td>ETR</td> <td>-</td> <td>WD.</td> <td>J2</td> <td>PTD.</td> <td>-</td> <td>3991</td> <td>3\"/> <tr> <td>3995</td> <td>ETR</td> <td>-</td> <td>WD.</td> <td>J2</td> <td>PTD.</td> <td>-</td> <td>3992</td> <td>3\"/> <tr> <td>3997</td> <td>ETR</td> <td>-</td> <td>WD.</td> <td>J2</td> <td>PTD.</td> <td>-</td> <td>3993</td> <td>3\"/> <tr> <td>3998</td> <td>ETR</td> <td>-</td> <td>WD.</td> <td>J2</td> <td>PTD.</td> <td>-</td> <td>3994</td> <td>3\"/> <tr> <td>3999</td> <td>ETR</td> <td>-</td> <td>WD.</td> <td>J2</td> <td>PTD.</td> <td>-</td> <td>3995</td> <td>3\"/> <tr> <td>3999</td> <td>ETR</td> <td>-</td> <td>WD.</td> <td>J2</td> <td>PTD.</td> <td>-</td> <td>3997</td> <td>3\"/> </td></tr></td></tr></td></tr></td></tr></td></tr></td></tr></td></tr></td></tr></td></tr></td></tr></td></tr></td></tr></td></tr> | 395 | ETR | - | WD. | J2 | PTD. | - | 391B | 3\"/> <tr> <td>396</td> <td>ETR</td> <td>-</td> <td>WD.</td> <td>J2</td> <td>PTD.</td> <td>-</td> <td>394</td> <td>3\"/> <tr> <td>398</td> <td>ETR</td> <td>-</td> <td>WD.</td> <td>J2</td> <td>PTD.</td> <td>-</td> <td>395</td> <td>3\"/> <tr> <td>399</td> <td>ETR</td> <td>-</td> <td>WD.</td> <td>J2</td> <td>PTD.</td> <td>-</td> <td>396</td> <td>3\"/> <tr> <td>3991</td> <td>ETR</td> <td>-</td> <td>WD.</td> <td>J2</td> <td>PTD.</td> <td>-</td> <td>398</td> <td>3\"/> <tr> <td>3992</td> <td>A</td> <td>3\"/> <tr> <td>3993</td> <td>ETR</td> <td>-</td> <td>WD.</td> <td>J2</td> <td>PTD.</td> <td>-</td> <td>399</td> <td>3\"/> <tr> <td>3994</td> <td>ETR</td> <td>-</td> <td>WD.</td> <td>J2</td> <td>PTD.</td> <td>-</td> <td>3991</td> <td>3\"/> <tr> <td>3995</td> <td>ETR</td> <td>-</td> <td>WD.</td> <td>J2</td> <td>PTD.</td> <td>-</td> <td>3992</td> <td>3\"/> <tr> <td>3997</td> <td>ETR</td> <td>-</td> <td>WD.</td> <td>J2</td> <td>PTD.</td> <td>-</td> <td>3993</td> <td>3\"/> <tr> <td>3998</td> <td>ETR</td> <td>-</td> <td>WD.</td> <td>J2</td> <td>PTD.</td> <td>-</td> <td>3994</td> <td>3\"/> <tr> <td>3999</td> <td>ETR</td> <td>-</td> <td>WD.</td> <td>J2</td> <td>PTD.</td> <td>-</td> <td>3995</td> <td>3\"/> <tr> <td>3999</td> <td>ETR</td> <td>-</td> <td>WD.</td> <td>J2</td> <td>PTD.</td> <td>-</td> <td>3997</td> <td>3\"/> </td></tr></td></tr></td></tr></td></tr></td></tr></td></tr></td></tr></td></tr></td></tr></td></tr></td></tr></td></tr> | 396 | ETR | -
 | WD. | J2 | PTD. | - | 394 | 3\"/> <tr> <td>398</td> <td>ETR</td> <td>-</td> <td>WD.</td> <td>J2</td> <td>PTD.</td> <td>-</td> <td>395</td> <td>3\"/> <tr> <td>399</td> <td>ETR</td> <td>-</td> <td>WD.</td> <td>J2</td> <td>PTD.</td> <td>-</td> <td>396</td> <td>3\"/> <tr> <td>3991</td> <td>ETR</td> <td>-</td> <td>WD.</td> <td>J2</td> <td>PTD.</td> <td>-</td> <td>398</td> <td>3\"/> <tr> <td>3992</td> <td>A</td> <td>3\"/> <tr> <td>3993</td> <td>ETR</td> <td>-</td> <td>WD.</td> <td>J2</td> <td>PTD.</td> <td>-</td> <td>399</td> <td>3\"/> <tr> <td>3994</td> <td>ETR</td> <td>-</td> <td>WD.</td> <td>J2</td> <td>PTD.</td> <td>-</td> <td>3991</td> <td>3\"/> <tr> <td>3995</td> <td>ETR</td> <td>-</td> <td>WD.</td> <td>J2</td> <td>PTD.</td> <td>-</td> <td>3992</td> <td>3\"/> <tr> <td>3997</td> <td>ETR</td> <td>-</td> <td>WD.</td> <td>J2</td> <td>PTD.</td> <td>-</td> <td>3993</td> <td>3\"/> <tr> <td>3998</td> <td>ETR</td> <td>-</td> <td>WD.</td> <td>J2</td> <td>PTD.</td> <td>-</td> <td>3994</td> <td>3\"/> <tr> <td>3999</td> <td>ETR</td> <td>-</td> <td>WD.</td> <td>J2</td> <td>PTD.</td> <td>-</td> <td>3995</td> <td>3\"/> <tr> <td>3999</td> <td>ETR</td> <td>-</td> <td>WD.</td> <td>J2</td> <td>PTD.</td> <td>-</td> <td>3997</td> <td>3\"/> </td></tr></td></tr></td></tr></td></tr></td></tr></td></tr></td></tr></td></tr></td></tr></td></tr></td></tr> | 398 | ETR | - | WD. | J2 | PTD. | - | 395 | 3\"/> <tr> <td>399</td> <td>ETR</td> <td>-</td> <td>WD.</td> <td>J2</td> <td>PTD.</td> <td>-</td> <td>396</td> <td>3\"/> <tr> <td>3991</td> <td>ETR</td> <td>-</td> <td>WD.</td> <td>J2</td> <td>PTD.</td> <td>-</td> <td>398</td> <td>3\"/> <tr> <td>3992</td> <td>A</td> <td>3\"/> <tr> <td>3993</td> <td>ETR</td> <td>-</td> <td>WD.</td> <td>J2</td> <td>PTD.</td> <td>-</td> <td>399</td> <td>3\"/> <tr> <td>3994</td> <td>ETR</td> <td>-</td> <td>WD.</td> <td>J2</td> <td>PTD.</td> <td>-</td> <td>3991</td> <td>3\"/> <tr> <td>3995</td> <td>ETR</td> <td>-</td> <td>WD.</td> <td>J2</td> <td>PTD.</td> <td>-</td> <td>3992</td> <td>3\"/> <tr> <td>3997</td> <td>ETR</td> <td>-</td> <td>WD.</td> <td>J2</td> <td>PTD.</td> <td>-</td> <td>3993</td> <td>3\"/> <tr> <td>3998</td> <td>ETR</td> <td>-</td> <td>WD.</td> <td>J2</td> <td>PTD.</td> <td>-</td> <td>3994</td> <td>3\"/> <tr> <td>3999</td> <td>ETR</td> <td>-</td> <td>WD.</td> <td>J2</td> <td>PTD.</td> <td>-</td> <td>3995</td> <td>3\"/> <tr> <td>3999</td> <td>ETR</td> <td>-</td> <td>WD.</td> <td>J2</td> <td>PTD.</td> <td>-</td> <td>3997</td> <td>3\"/> </td></tr></td></tr></td></tr></td></tr></td></tr></td></tr></td></tr></td></tr></td></tr></td></tr> | 399 | ETR | -
 | WD. | J2 | PTD. | - | 396 | 3\"/> <tr> <td>3991</td> <td>ETR</td> <td>-</td> <td>WD.</td> <td>J2</td> <td>PTD.</td> <td>-</td> <td>398</td> <td>3\"/> <tr> <td>3992</td> <td>A</td> <td>3\"/> <tr> <td>3993</td> <td>ETR</td> <td>-</td> <td>WD.</td> <td>J2</td> <td>PTD.</td> <td>-</td> <td>399</td> <td>3\"/> <tr> <td>3994</td> <td>ETR</td> <td>-</td> <td>WD.</td> <td>J2</td> <td>PTD.</td> <td>-</td> <td>3991</td> <td>3\"/> <tr> <td>3995</td> <td>ETR</td> <td>-</td> <td>WD.</td> <td>J2</td> <td>PTD.</td> <td>-</td> <td>3992</td> <td>3\"/> <tr> <td>3997</td> <td>ETR</td> <td>-</td> <td>WD.</td> <td>J2</td> <td>PTD.</td> <td>-</td> <td>3993</td> <td>3\"/> <tr> <td>3998</td> <td>ETR</td> <td>-</td> <td>WD.</td> <td>J2</td> <td>PTD.</td> <td>-</td> <td>3994</td> <td>3\"/> <tr> <td>3999</td> <td>ETR</td> <td>-</td> <td>WD.</td> <td>J2</td> <td>PTD.</td> <td>-</td> <td>3995</td> <td>3\"/> <tr> <td>3999</td> <td>ETR</td> <td>-</td> <td>WD.</td> <td>J2</td> <td>PTD.</td> <td>-</td> <td>3997</td> <td>3\"/> </td></tr></td></tr></td></tr></td></tr></td></tr></td></tr></td></tr></td></tr></td></tr> | 3991 | ETR | - | WD. | J2 | PTD. | - | 398 | 3\"/> <tr> <td>3992</td> <td>A</td> <td>3\"/> <tr> <td>3993</td> <td>ETR</td> <td>-</td> <td>WD.</td> <td>J2</td> <td>PTD.</td> <td>-</td> <td>399</td> <td>3\"/> <tr> <td>3994</td> <td>ETR</td> <td>-</td> <td>WD.</td> <td>J2</td> <td>PTD.</td> <td>-</td> <td>3991</td> <td>3\"/> <tr> <td>3995</td> <td>ETR</td> <td>-</td> <td>WD.</td> <td>J2</td> <td>PTD.</td> <td>-</td> <td>3992</td> <td>3\"/> <tr> <td>3997</td> <td>ETR</td> <td>-</td> <td>WD.</td> <td>J2</td> <td>PTD.</td> <td>-</td> <td>3993</td> <td>3\"/> <tr> <td>3998</td> <td>ETR</td> <td>-</td> <td>WD.</td> <td>J2</td> <td>PTD.</td> <td>-</td> <td>3994</td> <td>3\"/> <tr> <td>3999</td> <td>ETR</td> <td>-</td> <td>WD.</td> <td>J2</td> <td>PTD.</td> <td>-</td> <td>3995</td> <td>3\"/> <tr> <td>3999</td> <td>ETR</td> <td>-</td> <td>WD.</td> <td>J2</td> <td>PTD.</td> <td>-</td> <td>3997</td> <td>3\"/> </td></tr></td></tr></td></tr></td></tr></td></tr></td></tr></td></tr></td></tr> | 3992 | A | 3\"/> <tr> <td>3993</td> <td>ETR</td> <td>-</td> <td>WD.</td> <td>J2</td> <td>PTD.</td> <td>-</td> <td>399</td> <td>3\"/> <tr> <td>3994</td> <td>ETR</td> <td>-</td> <td>WD.</td> <td>J2</td> <td>PTD.</td> <td>-</td> <td>3991</td> <td>3\"/> <tr> <td>3995</td> <td>ETR</td> <td>-</td> <td>WD.</td> <td>J2</td> <td>PTD.</td> <td>-</td> <td>3992</td> <td>3\"/> <tr> <td>3997</td> <td>ETR</td> <td>-</td> <td>WD.</td> <td>J2</td> <td>PTD.</td> <td>-</td> <td>3993</td> <td>3\"/> <tr> <td>3998</td> <td>ETR</td> <td>-</td> <td>WD.</td> <td>J2</td> <td>PTD.</td> <td>-</td> <td>3994</td> <td>3\"/> <tr> <td>3999</td> <td>ETR</td> <td>-</td> <td>WD.</td> <td>J2</td> <td>PTD.</td> <td>-</td> <td>3995</td> <td>3\"/> <tr> <td>3999</td> <td>ETR</td> <td>-</td> <td>WD.</td> <td>J2</td> <td>PTD.</td> <td>-</td> <td>3997</td> <td>3\"/> </td></tr></td></tr></td></tr></td></tr></td></tr></td></tr></td></tr>
 | 3993 | ETR | - | WD. | J2 | PTD. | - | 399 | 3\"/> <tr> <td>3994</td> <td>ETR</td> <td>-</td> <td>WD.</td> <td>J2</td> <td>PTD.</td> <td>-</td> <td>3991</td> <td>3\"/> <tr> <td>3995</td> <td>ETR</td> <td>-</td> <td>WD.</td> <td>J2</td> <td>PTD.</td> <td>-</td> <td>3992</td> <td>3\"/> <tr> <td>3997</td> <td>ETR</td> <td>-</td> <td>WD.</td> <td>J2</td> <td>PTD.</td> <td>-</td> <td>3993</td> <td>3\"/> <tr> <td>3998</td> <td>ETR</td> <td>-</td> <td>WD.</td> <td>J2</td> <td>PTD.</td> <td>-</td> <td>3994</td> <td>3\"/> <tr> <td>3999</td> <td>ETR</td> <td>-</td> <td>WD.</td> <td>J2</td> <td>PTD.</td> <td>-</td> <td>3995</td> <td>3\"/> <tr> <td>3999</td> <td>ETR</td> <td>-</td> <td>WD.</td> <td>J2</td> <td>PTD.</td> <td>-</td> <td>3997</td> <td>3\"/> </td></tr></td></tr></td></tr></td></tr></td></tr></td></tr> | 3994 | ETR | - | WD. | J2 | PTD. | - | 3991 | 3\"/> <tr> <td>3995</td> <td>ETR</td> <td>-</td> <td>WD.</td> <td>J2</td> <td>PTD.</td> <td>-</td> <td>3992</td> <td>3\"/> <tr> <td>3997</td> <td>ETR</td> <td>-</td> <td>WD.</td> <td>J2</td> <td>PTD.</td> <td>-</td> <td>3993</td> <td>3\"/> <tr> <td>3998</td> <td>ETR</td> <td>-</td> <td>WD.</td> <td>J2</td> <td>PTD.</td> <td>-</td> <td>3994</td> <td>3\"/> <tr> <td>3999</td> <td>ETR</td> <td>-</td> <td>WD.</td> <td>J2</td> <td>PTD.</td> <td>-</td> <td>3995</td> <td>3\"/> <tr> <td>3999</td> <td>ETR</td> <td>-</td> <td>WD.</td> <td>J2</td> <td>PTD.</td> <td>-</td> <td>3997</td> <td>3\"/> </td></tr></td></tr></td></tr></td></tr></td></tr> | 3995 | ETR | - | WD. | J2 | PTD.
 | - | 3992 | 3\"/> <tr> <td>3997</td> <td>ETR</td> <td>-</td> <td>WD.</td> <td>J2</td> <td>PTD.</td> <td>-</td> <td>3993</td> <td>3\"/> <tr> <td>3998</td> <td>ETR</td> <td>-</td> <td>WD.</td> <td>J2</td> <td>PTD.</td> <td>-</td> <td>3994</td> <td>3\"/> <tr> <td>3999</td> <td>ETR</td> <td>-</td> <td>WD.</td> <td>J2</td> <td>PTD.</td> <td>-</td> <td>3995</td> <td>3\"/> <tr> <td>3999</td> <td>ETR</td> <td>-</td> <td>WD.</td> <td>J2</td> <td>PTD.</td> <td>-</td> <td>3997</td> <td>3\"/> </td></tr></td></tr></td></tr></td></tr> | 3997 | ETR | - | WD. | J2 | PTD. | - | 3993 | 3\"/> <tr> <td>3998</td> <td>ETR</td> <td>-</td> <td>WD.</td> <td>J2</td> <td>PTD.</td> <td>-</td> <td>3994</td> <td>3\"/> <tr> <td>3999</td> <td>ETR</td> <td>-</td> <td>WD.</td> <td>J2</td> <td>PTD.</td> <td>-</td> <td>3995</td> <td>3\"/> <tr> <td>3999</td> <td>ETR</td> <td>-</td> <td>WD.</td> <td>J2</td> <td>PTD.</td> <td>-</td> <td>3997</td> <td>3\"/> </td></tr></td></tr></td></tr> | 3998 | ETR | - | WD. | J2 | PTD. | - | 3994 | 3\"/> <tr> <td>3999</td> <td>ETR</td> <td>-</td> <td>WD.</td> <td>J2</td> <td>PTD.</td> <td>-</td> <td>3995</td> <td>3\"/> <tr> <td>3999</td> <td>ETR</td> <td>-</td> <td>WD.</td> <td>J2</td> <td>PTD.</td> <td>-</td> <td>3997</td> <td>3\"/> </td></tr></td></tr> | 3999 | ETR | - | WD. | J2 | PTD. | - | 3995 | 3\"/> <tr> <td>3999</td> <td>ETR</td> <td>-</td> <td>WD.</td> <td>J2</td>
<td>PTD.</td> <td>-</td> <td>3997</td> <td>3\"/> </td></tr> | 3999 | ETR | - | WD. | J2 | PTD. | - | 3997 | 3\"/> | | | | | | | | | | | | | | | | | | | | | | | | | | | | | |
 | | | | | | | | | | | | | | | | | | | | | | | | | | | | | | | | | | | | | | | | | | | | | | | | | | | | | | |
| 364A | ETR | - | WD. | J2 | PTD. | - | 362 | 3\"/> <tr> <td>365</td> <td>ETR</td> <td>-</td> <td>WD.</td> <td>J2</td> <td>PTD.</td> <td>-</td> <td>363</td> <td>3\"/> <tr> <td>366</td> <td>ETR</td> <td>-</td> <td>WD.</td> <td>J2</td> <td>PTD.</td> <td>-</td> <td>364A</td> <td>3\"/> <tr> <td>367</td> <td>B</td> <td>2 <td>HM</td> <td>J1</td> <td>PTD.</td> <td>1 HR.</td> <td>365</td> <td>3\"/> <tr> <td>368</td> <td>ETR</td> <td>-</td> <td>WD.</td> <td>J2</td> <td>PTD.</td> <td>-</td> <td>366</td> <td>3\"/> <tr> <td>369</td> <td>ETR</td> <td>-</td> <td>WD.</td> <td>J2</td> <td>PTD.</td> <td>-</td> <td>367</td> <td>3\"/> <tr> <td>370</td> <td>ETR</td> <td>-</td> <td>WD.</td> <td>J2</td> <td>PTD.</td> <td>-</td> <td>368</td> <td>3\"/> <tr> <td>371</td> <td>ETR</td> <td>-</td> <td>WD.</td> <td>J2</td> <td>PTD.</td> <td>-</td> <td>369</td> <td>3\"/> <tr> <td>372</td> <td>B</td> <td>2 <td>HM</td> <td>J1</td> <td>PTD.</td> <td>1 HR.</td> <td>370</td> <td>3\"/> <tr> <td>373A</td> <td>ETR</td> <td>-</td> <td>WD.</td> <td>J2</td> <td>PTD.</td> <td>-</td> <td>371</td> <td>3\"/> <tr> <td>374B</td> <td>ETR</td> <td>-</td> <td>WD.</td> <td>J2</td> <td>PTD.</td> <td>-</td> <td>372</td> <td>3\"/> <tr> <td>374C</td> <td>ETR</td> <td>-</td> <td>WD.</td> <td>J2</td> <td>PTD.</td> <td>-</td> <td>373A</td> <td>3\"/> <tr> <td>375</td> <td>B</td> <td>1 <td>WD</td> <td>J1</td> <td>PTD.</td> <td>-</td> <td>374B</td> <td>3\"/> <tr> <td>376</td> <td>B</td> <td>1 <td>WD</td> <td>J1</td> <td>PTD.</td> <td>-</td> <td>374C</td> <td>3\"/> <tr> <td>377</td> <td>B</td> <td>1 <td>WD</td> <td>J1</td> <td>PTD.</td> <td>-</td> <td>375</td> <td>3\"/> <tr> <td>377A</td> <td>B</td> <td>1 <td>WD</td> <td>J1</td> <td>PTD.</td> <td>-</td> <td>376</td> <td>3\"/> <tr> <td>378</td> <td>B</td> <td>1 <td>WD</td> <td>J1</td> <td>PTD.</td> <td>-</td> <td>377</td> <td>3\"/> <tr> <td>379</td> <td>B</td> <td>1 <td>WD</td> <td>J1</td> <td>PTD.</td> <td>-</td> <td>377A</td> <td>3\"/> <tr> <td>380A</td> <td>B</td> <td>1 <td>WD</td> <td>J1</td> <td>PTD.</td> <td>-</td> <td>378</td> <td>3\"/> <tr> <td>380B</td> <td>B</td> <td>1 <td>WD</td> <td>J1</td> <td>PTD.</td> <td>-</td> <td>379</td> <td>3\"/> <tr> <td>382</td> <td>ETR</td> <td>-</td> <td>WD.</td> <td>J2</td> <td>PTD.</td> <td>-</td> <td>380A</td> <td>3\"/> <tr> <td>382A</td> <td>D</td> <td>6 <td>ALUM.</td> <td>ANODIZE D</td> <td>-</td> <td>-</td> <td>380B</td> <td>3\"/> <tr> <td>385</td> <td>ETR</td> <td>-</td> <td>WD.</td> <td>J2</td> <td>PTD.</td> <td>-</td> <td>382</td> <td>3\"/> <tr> <td>386</td> <td>ETR</td> <td>-</td> <td>WD.</td> <td>J2</td> <td>PTD.</td> <td>-</td> <td>382A</td> <td>3\"/> <tr> <td>387</td> <td>ETR</td> <td>-</td> <td>WD.</td> <td>J2</td> <td>PTD.</td> <td>-</td> <td>385</td> <td>3\"/> <tr> <td>388</td> <td>ETR</td> <td>-</td> <td>WD.</td> <td>J2</td> <td>PTD.</td> <td>-</td> <td>386</td> <td>3\"/> <tr> <td>389</td> <td>ETR</td> <td>-</td> <td>WD.</td> <td>J2</td>
<td>PTD.</td> <td>-</td> <td>387</td> <td>3\"/> <tr> <td>391</td> <td>ETR</td> <td>-</td> <td>WD.</td> <td>J2</td> <td>PTD.</td> <td>-</td> <td>388</td> <td>3\"/> <tr> <td>391A</td> <td>ETR</td> <td>-</td> <td>WD.</td> <td>J2</td> <td>PTD.</td> <td>-</td> <td>389</td> <td>3\"/> <tr> <td>391B</td> <td>ETR</td> <td>-</td> <td>WD.</td> <td>J2</td> <td>PTD.</td> <td>-</td> <td>391</td> <td>3\"/> <tr> <td>394</td> <td>ETR</td> <td>-</td> <td>WD.</td> <td>J2</td> <td>PTD.</td> <td>-</td> <td>391A</td> <td>3\"/> <tr> <td>395</td> <td>ETR</td> <td>-</td> <td>WD.</td> <td>J2</td> <td>PTD.</td> <td>-</td> <td>391B</td> <td>3\"/> <tr> <td>396</td> <td>ETR</td> <td>-</td> <td>WD.</td> <td>J2</td> <td>PTD.</td> <td>-</td> <td>394</td> <td>3\"/> <tr> <td>398</td> <td>ETR</td> <td>-</td> <td>WD.</td> <td>J2</td> <td>PTD.</td> <td>-</td> <td>395</td> <td>3\"/> <tr> <td>399</td> <td>ETR</td> <td>-</td> <td>WD.</td> <td>J2</td> <td>PTD.</td> <td>-</td> <td>396</td> <td>3\"/> <tr> <td>3991</td> <td>ETR</td> <td>-</td> <td>WD.</td> <td>J2</td> <td>PTD.</td> <td>-</td> <td>398</td> <td>3\"/> <tr> <td>3992</td> <td>A</td> <td>3\"/> <tr> <td>3993</td> <td>ETR</td> <td>-</td> <td>WD.</td> <td>J2</td> <td>PTD.</td> <td>-</td> <td>399</td> <td>3\"/> <tr> <td>3994</td> <td>ETR</td> <td>-</td> <td>WD.</td> <td>J2</td> <td>PTD.</td> <td>-</td> <td>3991</td> <td>3\"/> <tr> <td>3995</td> <td>ETR</td> <td>-</td> <td>WD.</td> <td>J2</td> <td>PTD.</td> <td>-</td> <td>3992</td> <td>3\"/> <tr> <td>3997</td> <td>ETR</td> <td>-</td> <td>WD.</td> <td>J2</td> <td>PTD.</td> <td>-</td> <td>3993</td> <td>3\"/> <tr> <td>3998</td> <td>ETR</td> <td>-</td> <td>WD.</td> <td>J2</td> <td>PTD.</td> <td>-</td> <td>3994</td> <td>3\"/> <tr> <td>3999</td> <td>ETR</td> <td>-</td> <td>WD.</td> <td>J2</td> <td>PTD.</td> <td>-</td> <td>3995</td> <td>3\"/> <tr> <td>3999</td> <td>ETR</td> <td>-</td> <td>WD.</td> <td>J2</td> <td>PTD.</td> <td>-</td> <td>3997</td> <td>3\"/> </td></tr></td></tr></td></tr></td></tr></td></tr></td></tr></td></tr></td></tr></td></tr></td></tr></td></tr></td></tr></td></tr></td></tr></td></tr></td></tr></td></tr></td></tr></td></tr></td></tr></td></tr></td></tr></td></td></tr></td></tr></td></td></tr></td></td></tr></td></td></tr></td></td></tr></td></td></tr></td></td></tr></td></td></tr></td></td></tr></td></tr></td></tr></td></tr></td></td></tr></td></tr></td></tr></td></tr></td></tr></td></td></tr></td></tr></td></tr> | 365 | ETR | -
 | WD. | J2 | PTD. | - | 363 | 3\"/> <tr> <td>366</td> <td>ETR</td> <td>-</td> <td>WD.</td> <td>J2</td> <td>PTD.</td> <td>-</td> <td>364A</td> <td>3\"/> <tr> <td>367</td> <td>B</td> <td>2 <td>HM</td> <td>J1</td> <td>PTD.</td> <td>1 HR.</td> <td>365</td> <td>3\"/> <tr> <td>368</td> <td>ETR</td> <td>-</td> <td>WD.</td> <td>J2</td> <td>PTD.</td> <td>-</td> <td>366</td> <td>3\"/> <tr> <td>369</td> <td>ETR</td> <td>-</td> <td>WD.</td> <td>J2</td> <td>PTD.</td> <td>-</td> <td>367</td> <td>3\"/> <tr> <td>370</td> <td>ETR</td> <td>-</td> <td>WD.</td> <td>J2</td> <td>PTD.</td> <td>-</td> <td>368</td> <td>3\"/> <tr> <td>371</td> <td>ETR</td> <td>-</td> <td>WD.</td> <td>J2</td> <td>PTD.</td> <td>-</td> <td>369</td> <td>3\"/> <tr> <td>372</td> <td>B</td> <td>2 <td>HM</td> <td>J1</td> <td>PTD.</td> <td>1 HR.</td> <td>370</td> <td>3\"/> <tr> <td>373A</td> <td>ETR</td> <td>-</td> <td>WD.</td> <td>J2</td> <td>PTD.</td> <td>-</td> <td>371</td> <td>3\"/> <tr> <td>374B</td> <td>ETR</td> <td>-</td> <td>WD.</td> <td>J2</td> <td>PTD.</td> <td>-</td> <td>372</td> <td>3\"/> <tr> <td>374C</td> <td>ETR</td> <td>-</td> <td>WD.</td> <td>J2</td> <td>PTD.</td> <td>-</td> <td>373A</td> <td>3\"/> <tr> <td>375</td> <td>B</td> <td>1 <td>WD</td> <td>J1</td> <td>PTD.</td> <td>-</td> <td>374B</td> <td>3\"/> <tr> <td>376</td> <td>B</td> <td>1 <td>WD</td> <td>J1</td> <td>PTD.</td> <td>-</td> <td>374C</td> <td>3\"/> <tr> <td>377</td> <td>B</td> <td>1 <td>WD</td> <td>J1</td> <td>PTD.</td> <td>-</td> <td>375</td> <td>3\"/> <tr> <td>377A</td> <td>B</td> <td>1 <td>WD</td> <td>J1</td> <td>PTD.</td> <td>-</td> <td>376</td> <td>3\"/> <tr> <td>378</td> <td>B</td> <td>1 <td>WD</td> <td>J1</td> <td>PTD.</td> <td>-</td> <td>377</td> <td>3\"/> <tr> <td>379</td> <td>B</td> <td>1 <td>WD</td> <td>J1</td> <td>PTD.</td> <td>-</td> <td>377A</td> <td>3\"/> <tr> <td>380A</td> <td>B</td> <td>1 <td>WD</td> <td>J1</td> <td>PTD.</td> <td>-</td> <td>378</td> <td>3\"/> <tr> <td>380B</td> <td>B</td> <td>1 <td>WD</td> <td>J1</td> <td>PTD.</td> <td>-</td> <td>379</td> <td>3\"/> <tr> <td>382</td> <td>ETR</td> <td>-</td> <td>WD.</td> <td>J2</td> <td>PTD.</td> <td>-</td> <td>380A</td> <td>3\"/> <tr> <td>382A</td> <td>D</td> <td>6 <td>ALUM.</td> <td>ANODIZE D</td> <td>-</td> <td>-</td> <td>380B</td> <td>3\"/> <tr> <td>385</td> <td>ETR</td> <td>-</td> <td>WD.</td> <td>J2</td> <td>PTD.</td> <td>-</td> <td>382</td> <td>3\"/> <tr> <td>386</td> <td>ETR</td> <td>-</td> <td>WD.</td> <td>J2</td> <td>PTD.</td> <td>-</td> <td>382A</td> <td>3\"/> <tr> <td>387</td> <td>ETR</td> <td>-</td> <td>WD.</td> <td>J2</td> <td>PTD.</td> <td>-</td> <td>385</td> <td>3\"/> <tr> <td>388</td> <td>ETR</td> <td>-</td> <td>WD.</td> <td>J2</td> <td>PTD.</td> <td>-</td> <td>386</td> <td>3\"/> <tr> <td>389</td> <td>ETR</td> <td>-</td> <td>WD.</td> <td>J2</td> <td>PTD.</td> <td>-</td> <td>387</td> <td>3\"/> <tr> <td>391</td> <td>ETR</td> <td>-</td> <td>WD.</td> <td>J2</td> <td>PTD.</td> <td>-</td> <td>388</td> <td>3\"/> <tr> <td>391A</td> <td>ETR</td> <td>-</td> <td>WD.</td> <td>J2</td> <td>PTD.</td> <td>-</td> <td>389</td> <td>3\"/> <tr> <td>391B</td> <td>ETR</td> <td>-</td> <td>WD.</td> <td>J2</td> <td>PTD.</td> <td>-</td> <td>391</td> <td>3\"/> <tr> <td>394</td> <td>ETR</td> <td>-</td> <td>WD.</td> <td>J2</td> <td>PTD.</td> <td>-</td> <td>391A</td> <td>3\"/> <tr> <td>395</td> <td>ETR</td> <td>-</td> <td>WD.</td> <td>J2</td> <td>PTD.</td> <td>-</td> <td>391B</td> <td>3\"/> <tr> <td>396</td> <td>ETR</td> <td>-</td> <td>WD.</td> <td>J2</td> <td>PTD.</td> <td>-</td> <td>394</td> <td>3\"/> <tr> <td>398</td> <td>ETR</td> <td>-</td> <td>WD.</td> <td>J2</td> <td>PTD.</td> <td>-</td> <td>395</td> <td>3\"/> <tr> <td>399</td> <td>ETR</td> <td>-</td> <td>WD.</td> <td>J2</td> <td>PTD.</td> <td>-</td> <td>396</td> <td>3\"/> <tr> <td>3991</td> <td>ETR</td> <td>-</td> <td>WD.</td> <td>J2</td> <td>PTD.</td> <td>-</td> <td>398</td> <td>3\"/> <tr> <td>3992</td> <td>A</td> <td>3\"/> <tr> <td>3993</td> <td>ETR</td> <td>-</td> <td>WD.</td> <td>J2</td> <td>PTD.</td> <td>-</td> <td>399</td> <td>3\"/> <tr> <td>3994</td> <td>ETR</td> <td>-</td> <td>WD.</td> <td>J2</td> <td>PTD.</td> <td>-</td> <td>3991</td> <td>3\"/> <tr> <td>3995</td> <td>ETR</td> <td>-</td> <td>WD.</td> <td>J2</td> <td>PTD.</td> <td>-</td> <td>3992</td> <td>3\"/> <tr> <td>3997</td> <td>ETR</td> <td>-</td> <td>WD.</td> <td>J2</td> <td>PTD.</td> <td>-</td> <td>3993</td> <td>3\"/> <tr> <td>3998</td> <td>ETR</td> <td>-</td> <td>WD.</td> <td>J2</td> <td>PTD.</td> <td>-</td> <td>3994</td> <td>3\"/> <tr> <td>3999</td> <td>ETR</td> <td>-</td> <td>WD.</td> <td>J2</td> <td>PTD.</td> <td>-</td> <td>3995</td> <td>3\"/> <tr> <td>3999</td> <td>ETR</td> <td>-</td> <td>WD.</td> <td>J2</td> <td>PTD.</td> <td>-</td> <td>3997</td> <td>3\"/> </td></tr></td></tr></td></tr></td></tr></td></tr></td></tr></td></tr></td></tr></td></tr></td></tr></td></tr></td></tr></td></tr></td></tr></td></tr></td></tr></td></tr></td></tr></td></tr></td></tr></td></tr></td></tr></td></td></tr></td></tr></td></td></tr></td></td></tr></td></td></tr></td></td></tr></td></td></tr></td></td></tr></td></td></tr></td></td></tr></td></tr></td></tr></td></tr></td></td></tr></td></tr></td></tr></td></tr></td></tr></td></td></tr></td></tr> | 366 | ETR | -
 | WD. | J2 | PTD. | - | 364A | 3\"/> <tr> <td>367</td> <td>B</td> <td>2 <td>HM</td> <td>J1</td> <td>PTD.</td> <td>1 HR.</td> <td>365</td> <td>3\"/> <tr> <td>368</td> <td>ETR</td> <td>-</td> <td>WD.</td> <td>J2</td> <td>PTD.</td> <td>-</td> <td>366</td> <td>3\"/> <tr> <td>369</td> <td>ETR</td> <td>-</td> <td>WD.</td> <td>J2</td> <td>PTD.</td> <td>-</td> <td>367</td> <td>3\"/> <tr> <td>370</td> <td>ETR</td> <td>-</td> <td>WD.</td> <td>J2</td> <td>PTD.</td> <td>-</td> <td>368</td> <td>3\"/> <tr> <td>371</td> <td>ETR</td> <td>-</td> <td>WD.</td> <td>J2</td> <td>PTD.</td> <td>-</td> <td>369</td> <td>3\"/> <tr> <td>372</td> <td>B</td> <td>2 <td>HM</td> <td>J1</td> <td>PTD.</td> <td>1 HR.</td> <td>370</td> <td>3\"/> <tr> <td>373A</td> <td>ETR</td> <td>-</td> <td>WD.</td> <td>J2</td> <td>PTD.</td> <td>-</td> <td>371</td> <td>3\"/> <tr> <td>374B</td> <td>ETR</td> <td>-</td> <td>WD.</td> <td>J2</td> <td>PTD.</td> <td>-</td> <td>372</td> <td>3\"/> <tr> <td>374C</td> <td>ETR</td> <td>-</td> <td>WD.</td> <td>J2</td> <td>PTD.</td> <td>-</td> <td>373A</td> <td>3\"/> <tr> <td>375</td> <td>B</td> <td>1 <td>WD</td> <td>J1</td> <td>PTD.</td> <td>-</td> <td>374B</td> <td>3\"/> <tr> <td>376</td> <td>B</td> <td>1 <td>WD</td> <td>J1</td> <td>PTD.</td> <td>-</td> <td>374C</td> <td>3\"/> <tr> <td>377</td> <td>B</td> <td>1 <td>WD</td> <td>J1</td> <td>PTD.</td> <td>-</td> <td>375</td> <td>3\"/> <tr> <td>377A</td> <td>B</td> <td>1 <td>WD</td> <td>J1</td> <td>PTD.</td> <td>-</td> <td>376</td> <td>3\"/> <tr> <td>378</td> <td>B</td> <td>1 <td>WD</td> <td>J1</td> <td>PTD.</td> <td>-</td> <td>377</td> <td>3\"/> <tr> <td>379</td> <td>B</td> <td>1 <td>WD</td> <td>J1</td> <td>PTD.</td> <td>-</td> <td>377A</td> <td>3\"/> <tr> <td>380A</td> <td>B</td> <td>1 <td>WD</td> <td>J1</td> <td>PTD.</td> <td>-</td> <td>378</td> <td>3\"/> <tr> <td>380B</td> <td>B</td> <td>1 <td>WD</td> <td>J1</td> <td>PTD.</td> <td>-</td> <td>379</td> <td>3\"/> <tr> <td>382</td> <td>ETR</td> <td>-</td> <td>WD.</td> <td>J2</td> <td>PTD.</td> <td>-</td> <td>380A</td> <td>3\"/> <tr> <td>382A</td> <td>D</td> <td>6 <td>ALUM.</td> <td>ANODIZE D</td> <td>-</td> <td>-</td> <td>380B</td> <td>3\"/> <tr> <td>385</td> <td>ETR</td> <td>-</td> <td>WD.</td> <td>J2</td> <td>PTD.</td> <td>-</td> <td>382</td> <td>3\"/> <tr> <td>386</td> <td>ETR</td> <td>-</td> <td>WD.</td> <td>J2</td> <td>PTD.</td> <td>-</td> <td>382A</td> <td>3\"/> <tr> <td>387</td> <td>ETR</td> <td>-</td> <td>WD.</td> <td>J2</td> <td>PTD.</td> <td>-</td> <td>385</td> <td>3\"/> <tr> <td>388</td> <td>ETR</td> <td>-</td> <td>WD.</td> <td>J2</td> <td>PTD.</td> <td>-</td> <td>386</td> <td>3\"/> <tr> <td>389</td> <td>ETR</td> <td>-</td> <td>WD.</td> <td>J2</td> <td>PTD.</td> <td>-</td> <td>387</td> <td>3\"/> <tr> <td>391</td> <td>ETR</td> <td>-</td> <td>WD.</td> <td>J2</td> <td>PTD.</td> <td>-</td> <td>388</td> <td>3\"/> <tr> <td>391A</td> <td>ETR</td> <td>-</td> <td>WD.</td> <td>J2</td> <td>PTD.</td> <td>-</td> <td>389</td> <td>3\"/> <tr> <td>391B</td> <td>ETR</td> <td>-</td> <td>WD.</td> <td>J2</td> <td>PTD.</td> <td>-</td> <td>391</td> <td>3\"/> <tr> <td>394</td> <td>ETR</td> <td>-</td> <td>WD.</td> <td>J2</td> <td>PTD.</td> <td>-</td> <td>391A</td> <td>3\"/> <tr> <td>395</td> <td>ETR</td> <td>-</td> <td>WD.</td> <td>J2</td> <td>PTD.</td> <td>-</td> <td>391B</td> <td>3\"/> <tr> <td>396</td> <td>ETR</td> <td>-</td> <td>WD.</td> <td>J2</td> <td>PTD.</td> <td>-</td> <td>394</td> <td>3\"/> <tr> <td>398</td> <td>ETR</td> <td>-</td> <td>WD.</td> <td>J2</td> <td>PTD.</td> <td>-</td> <td>395</td> <td>3\"/> <tr> <td>399</td> <td>ETR</td> <td>-</td> <td>WD.</td> <td>J2</td> <td>PTD.</td> <td>-</td> <td>396</td> <td>3\"/> <tr> <td>3991</td> <td>ETR</td> <td>-</td> <td>WD.</td> <td>J2</td> <td>PTD.</td> <td>-</td> <td>398</td> <td>3\"/> <tr> <td>3992</td> <td>A</td> <td>3\"/> <tr> <td>3993</td> <td>ETR</td> <td>-</td> <td>WD.</td> <td>J2</td> <td>PTD.</td> <td>-</td> <td>399</td> <td>3\"/> <tr> <td>3994</td> <td>ETR</td> <td>-</td> <td>WD.</td> <td>J2</td> <td>PTD.</td> <td>-</td> <td>3991</td> <td>3\"/> <tr> <td>3995</td> <td>ETR</td> <td>-</td> <td>WD.</td> <td>J2</td> <td>PTD.</td> <td>-</td> <td>3992</td> <td>3\"/> <tr> <td>3997</td> <td>ETR</td> <td>-</td> <td>WD.</td> <td>J2</td> <td>PTD.</td> <td>-</td> <td>3993</td> <td>3\"/> <tr> <td>3998</td> <td>ETR</td> <td>-</td> <td>WD.</td> <td>J2</td> <td>PTD.</td> <td>-</td> <td>3994</td> <td>3\"/> <tr> <td>3999</td> <td>ETR</td> <td>-</td> <td>WD.</td> <td>J2</td> <td>PTD.</td> <td>-</td> <td>3995</td> <td>3\"/> <tr> <td>3999</td> <td>ETR</td> <td>-</td> <td>WD.</td> <td>J2</td> <td>PTD.</td> <td>-</td> <td>3997</td> <td>3\"/> </td></tr></td></tr></td></tr></td></tr></td></tr></td></tr></td></tr></td></tr></td></tr></td></tr></td></tr></td></tr></td></tr></td></tr></td></tr></td></tr></td></tr></td></tr></td></tr></td></tr></td></tr></td></tr></td></td></tr></td></tr></td></td></tr></td></td></tr></td></td></tr></td></td></tr></td></td></tr></td></td></tr></td></td></tr></td></td></tr></td></tr></td></tr></td></tr></td></td></tr></td></tr></td></tr></td></tr></td></tr></td></td></tr>
 | 367 | B | 2 <td>HM</td> <td>J1</td> <td>PTD.</td> <td>1 HR.</td> <td>365</td> <td>3\"/> <tr> <td>368</td> <td>ETR</td> <td>-</td> <td>WD.</td> <td>J2</td> <td>PTD.</td> <td>-</td> <td>366</td> <td>3\"/> <tr> <td>369</td> <td>ETR</td> <td>-</td> <td>WD.</td> <td>J2</td> <td>PTD.</td> <td>-</td> <td>367</td> <td>3\"/> <tr> <td>370</td> <td>ETR</td> <td>-</td> <td>WD.</td> <td>J2</td> <td>PTD.</td> <td>-</td> <td>368</td> <td>3\"/> <tr> <td>371</td> <td>ETR</td> <td>-</td> <td>WD.</td> <td>J2</td> <td>PTD.</td> <td>-</td> <td>369</td> <td>3\"/> <tr> <td>372</td> <td>B</td> <td>2 <td>HM</td> <td>J1</td> <td>PTD.</td> <td>1 HR.</td> <td>370</td> <td>3\"/> <tr> <td>373A</td> <td>ETR</td> <td>-</td> <td>WD.</td> <td>J2</td> <td>PTD.</td> <td>-</td> <td>371</td> <td>3\"/> <tr> <td>374B</td> <td>ETR</td> <td>-</td> <td>WD.</td> <td>J2</td> <td>PTD.</td> <td>-</td> <td>372</td> <td>3\"/> <tr> <td>374C</td> <td>ETR</td> <td>-</td> <td>WD.</td> <td>J2</td> <td>PTD.</td> <td>-</td> <td>373A</td> <td>3\"/> <tr> <td>375</td> <td>B</td> <td>1 <td>WD</td> <td>J1</td> <td>PTD.</td> <td>-</td> <td>374B</td> <td>3\"/> <tr> <td>376</td> <td>B</td> <td>1 <td>WD</td> <td>J1</td> <td>PTD.</td> <td>-</td> <td>374C</td> <td>3\"/> <tr> <td>377</td> <td>B</td> <td>1 <td>WD</td> <td>J1</td> <td>PTD.</td> <td>-</td> <td>375</td> <td>3\"/> <tr> <td>377A</td> <td>B</td> <td>1 <td>WD</td> <td>J1</td> <td>PTD.</td> <td>-</td> <td>376</td> <td>3\"/> <tr> <td>378</td> <td>B</td> <td>1 <td>WD</td> <td>J1</td> <td>PTD.</td> <td>-</td> <td>377</td> <td>3\"/> <tr> <td>379</td> <td>B</td> <td>1 <td>WD</td> <td>J1</td> <td>PTD.</td> <td>-</td> <td>377A</td> <td>3\"/> <tr> <td>380A</td> <td>B</td> <td>1 <td>WD</td> <td>J1</td> <td>PTD.</td> <td>-</td> <td>378</td> <td>3\"/> <tr> <td>380B</td> <td>B</td> <td>1 <td>WD</td> <td>J1</td> <td>PTD.</td> <td>-</td> <td>379</td> <td>3\"/> <tr> <td>382</td> <td>ETR</td> <td>-</td> <td>WD.</td> <td>J2</td> <td>PTD.</td> <td>-</td> <td>380A</td> <td>3\"/> <tr> <td>382A</td> <td>D</td> <td>6 <td>ALUM.</td> <td>ANODIZE D</td> <td>-</td> <td>-</td> <td>380B</td> <td>3\"/> <tr> <td>385</td> <td>ETR</td> <td>-</td> <td>WD.</td> <td>J2</td> <td>PTD.</td> <td>-</td> <td>382</td> <td>3\"/> <tr> <td>386</td> <td>ETR</td> <td>-</td> <td>WD.</td> <td>J2</td> <td>PTD.</td> <td>-</td> <td>382A</td> <td>3\"/> <tr> <td>387</td> <td>ETR</td> <td>-</td> <td>WD.</td> <td>J2</td> <td>PTD.</td> <td>-</td> <td>385</td> <td>3\"/> <tr> <td>388</td> <td>ETR</td> <td>-</td> <td>WD.</td> <td>J2</td> <td>PTD.</td> <td>-</td> <td>386</td> <td>3\"/> <tr> <td>389</td> <td>ETR</td> <td>-</td> <td>WD.</td> <td>J2</td> <td>PTD.</td> <td>-</td> <td>387</td> <td>3\"/> <tr> <td>391</td> <td>ETR</td> <td>-</td> <td>WD.</td> <td>J2</td> <td>PTD.</td> <td>-</td> <td>388</td> <td>3\"/> <tr> <td>391A</td> <td>ETR</td> <td>-</td> <td>WD.</td> <td>J2</td> <td>PTD.</td> <td>-</td> <td>389</td> <td>3\"/> <tr> <td>391B</td> <td>ETR</td> <td>-</td> <td>WD.</td> <td>J2</td> <td>PTD.</td> <td>-</td> <td>391</td> <td>3\"/> <tr> <td>394</td> <td>ETR</td> <td>-</td> <td>WD.</td> <td>J2</td> <td>PTD.</td> <td>-</td> <td>391A</td> <td>3\"/> <tr> <td>395</td> <td>ETR</td> <td>-</td> <td>WD.</td> <td>J2</td> <td>PTD.</td> <td>-</td> <td>391B</td> <td>3\"/> <tr> <td>396</td> <td>ETR</td> <td>-</td> <td>WD.</td> <td>J2</td> <td>PTD.</td> <td>-</td> <td>394</td> <td>3\"/> <tr> <td>398</td> <td>ETR</td> <td>-</td> <td>WD.</td> <td>J2</td> <td>PTD.</td> <td>-</td> <td>395</td> <td>3\"/> <tr> <td>399</td> <td>ETR</td> <td>-</td> <td>WD.</td> <td>J2</td> <td>PTD.</td> <td>-</td> <td>396</td> <td>3\"/> <tr> <td>3991</td> <td>ETR</td> <td>-</td> <td>WD.</td> <td>J2</td> <td>PTD.</td> <td>-</td> <td>398</td> <td>3\"/> <tr> <td>3992</td> <td>A</td> <td>3\"/> <tr> <td>3993</td> <td>ETR</td> <td>-</td> <td>WD.</td> <td>J2</td> <td>PTD.</td> <td>-</td> <td>399</td> <td>3\"/> <tr> <td>3994</td> <td>ETR</td> <td>-</td> <td>WD.</td> <td>J2</td> <td>PTD.</td> <td>-</td> <td>3991</td> <td>3\"/> <tr> <td>3995</td> <td>ETR</td> <td>-</td> <td>WD.</td> <td>J2</td> <td>PTD.</td> <td>-</td> <td>3992</td> <td>3\"/> <tr> <td>3997</td> <td>ETR</td> <td>-</td> <td>WD.</td> <td>J2</td> <td>PTD.</td> <td>-</td> <td>3993</td> <td>3\"/> <tr> <td>3998</td> <td>ETR</td> <td>-</td> <td>WD.</td> <td>J2</td> <td>PTD.</td> <td>-</td> <td>3994</td> <td>3\"/> <tr> <td>3999</td> <td>ETR</td> <td>-</td> <td>WD.</td> <td>J2</td> <td>PTD.</td> <td>-</td> <td>3995</td> <td>3\"/> <tr> <td>3999</td> <td>ETR</td> <td>-</td> <td>WD.</td> <td>J2</td> <td>PTD.</td> <td>-</td> <td>3997</td> <td>3\"/> </td></tr></td></tr></td></tr></td></tr></td></tr></td></tr></td></tr></td></tr></td></tr></td></tr></td></tr></td></tr></td></tr></td></tr></td></tr></td></tr></td></tr></td></tr></td></tr></td></tr></td></tr></td></tr></td></td></tr></td></tr></td></td></tr></td></td></tr></td></td></tr></td></td></tr></td></td></tr></td></td></tr></td></td></tr></td></td></tr></td></tr></td></tr></td></tr></td></td></tr></td></tr></td></tr></td></tr></td></tr></td> | HM | J1 | PTD. | 1 HR. | 365 | 3\"/> <tr> <td>368</td> <td>ETR</td> <td>-</td> <td>WD.</td> <td>J2</td> <td>PTD.</td> <td>-</td> <td>366</td> <td>3\"/> <tr> <td>369</td> <td>ETR</td> <td>-</td> <td>WD.</td> <td>J2</td> <td>PTD.</td> <td>-</td> <td>367</td> <td>3\"/> <tr> <td>370</td> <td>ETR</td> <td>-</td> <td>WD.</td> <td>J2</td> <td>PTD.</td> <td>-</td> <td>368</td> <td>3\"/> <tr> <td>371</td> <td>ETR</td> <td>-</td> <td>WD.</td> <td>J2</td> <td>PTD.</td> <td>-</td> <td>369</td> <td>3\"/> <tr> <td>372</td> <td>B</td> <td>2 <td>HM</td> <td>J1</td> <td>PTD.</td> <td>1 HR.</td> <td>370</td> <td>3\"/> <tr> <td>373A</td> <td>ETR</td> <td>-</td> <td>WD.</td> <td>J2</td> <td>PTD.</td> <td>-</td> <td>371</td> <td>3\"/> <tr> <td>374B</td> <td>ETR</td> <td>-</td> <td>WD.</td> <td>J2</td> <td>PTD.</td> <td>-</td> <td>372</td> <td>3\"/> <tr> <td>374C</td> <td>ETR</td> <td>-</td> <td>WD.</td> <td>J2</td> <td>PTD.</td> <td>-</td> <td>373A</td> <td>3\"/> <tr> <td>375</td> <td>B</td> <td>1 <td>WD</td> <td>J1</td> <td>PTD.</td> <td>-</td> <td>374B</td> <td>3\"/> <tr> <td>376</td> <td>B</td> <td>1 <td>WD</td> <td>J1</td> <td>PTD.</td> <td>-</td> <td>374C</td> <td>3\"/> <tr> <td>377</td> <td>B</td> <td>1 <td>WD</td> <td>J1</td> <td>PTD.</td> <td>-</td> <td>375</td> <td>3\"/> <tr> <td>377A</td> <td>B</td> <td>1 <td>WD</td> <td>J1</td> <td>PTD.</td> <td>-</td> <td>376</td> <td>3\"/> <tr> <td>378</td> <td>B</td> <td>1 <td>WD</td> <td>J1</td> <td>PTD.</td> <td>-</td> <td>377</td> <td>3\"/> <tr> <td>379</td> <td>B</td> <td>1 <td>WD</td> <td>J1</td> <td>PTD.</td> <td>-</td> <td>377A</td> <td>3\"/> <tr> <td>380A</td> <td>B</td> <td>1 <td>WD</td> <td>J1</td> <td>PTD.</td> <td>-</td> <td>378</td> <td>3\"/> <tr> <td>380B</td> <td>B</td> <td>1 <td>WD</td> <td>J1</td> <td>PTD.</td> <td>-</td> <td>379</td> <td>3\"/> <tr> <td>382</td> <td>ETR</td> <td>-</td> <td>WD.</td> <td>J2</td> <td>PTD.</td> <td>-</td> <td>380A</td> <td>3\"/> <tr> <td>382A</td> <td>D</td> <td>6 <td>ALUM.</td> <td>ANODIZE D</td> <td>-</td> <td>-</td> <td>380B</td> <td>3\"/> <tr> <td>385</td> <td>ETR</td> <td>-</td> <td>WD.</td> <td>J2</td> <td>PTD.</td> <td>-</td> <td>382</td> <td>3\"/> <tr> <td>386</td> <td>ETR</td> <td>-</td> <td>WD.</td> <td>J2</td> <td>PTD.</td> <td>-</td> <td>382A</td> <td>3\"/> <tr> <td>387</td> <td>ETR</td> <td>-</td> <td>WD.</td> <td>J2</td> <td>PTD.</td> <td>-</td> <td>385</td> <td>3\"/> <tr> <td>388</td> <td>ETR</td> <td>-</td> <td>WD.</td> <td>J2</td> <td>PTD.</td> <td>-</td> <td>386</td> <td>3\"/> <tr> <td>389</td> <td>ETR</td> <td>-</td> <td>WD.</td> <td>J2</td> <td>PTD.</td> <td>-</td> <td>387</td> <td>3\"/> <tr> <td>391</td> <td>ETR</td> <td>-</td> <td>WD.</td> <td>J2</td> <td>PTD.</td> <td>-</td> <td>388</td> <td>3\"/> <tr> <td>391A</td> <td>ETR</td> <td>-</td>
<td>WD.</td> <td>J2</td> <td>PTD.</td> <td>-</td> <td>389</td> <td>3\"/> <tr> <td>391B</td> <td>ETR</td> <td>-</td> <td>WD.</td> <td>J2</td> <td>PTD.</td> <td>-</td> <td>391</td> <td>3\"/> <tr> <td>394</td> <td>ETR</td> <td>-</td> <td>WD.</td> <td>J2</td> <td>PTD.</td> <td>-</td> <td>391A</td> <td>3\"/> <tr> <td>395</td> <td>ETR</td> <td>-</td> <td>WD.</td> <td>J2</td> <td>PTD.</td> <td>-</td> <td>391B</td> <td>3\"/> <tr> <td>396</td> <td>ETR</td> <td>-</td> <td>WD.</td> <td>J2</td> <td>PTD.</td> <td>-</td> <td>394</td> <td>3\"/> <tr> <td>398</td> <td>ETR</td> <td>-</td> <td>WD.</td> <td>J2</td> <td>PTD.</td> <td>-</td> <td>395</td> <td>3\"/> <tr> <td>399</td> <td>ETR</td> <td>-</td> <td>WD.</td> <td>J2</td> <td>PTD.</td> <td>-</td> <td>396</td> <td>3\"/> <tr> <td>3991</td> <td>ETR</td> <td>-</td> <td>WD.</td> <td>J2</td> <td>PTD.</td> <td>-</td> <td>398</td> <td>3\"/> <tr> <td>3992</td> <td>A</td> <td>3\"/> <tr> <td>3993</td> <td>ETR</td> <td>-</td> <td>WD.</td> <td>J2</td> <td>PTD.</td> <td>-</td> <td>399</td> <td>3\"/> <tr> <td>3994</td> <td>ETR</td> <td>-</td> <td>WD.</td> <td>J2</td> <td>PTD.</td> <td>-</td> <td>3991</td> <td>3\"/> <tr> <td>3995</td> <td>ETR</td> <td>-</td> <td>WD.</td> <td>J2</td> <td>PTD.</td> <td>-</td> <td>3992</td> <td>3\"/> <tr> <td>3997</td> <td>ETR</td> <td>-</td> <td>WD.</td> <td>J2</td> <td>PTD.</td> <td>-</td> <td>3993</td> <td>3\"/> <tr> <td>3998</td> <td>ETR</td> <td>-</td> <td>WD.</td> <td>J2</td> <td>PTD.</td> <td>-</td> <td>3994</td> <td>3\"/> <tr> <td>3999</td> <td>ETR</td> <td>-</td> <td>WD.</td> <td>J2</td> <td>PTD.</td> <td>-</td> <td>3995</td> <td>3\"/> <tr> <td>3999</td> <td>ETR</td> <td>-</td> <td>WD.</td> <td>J2</td> <td>PTD.</td> <td>-</td> <td>3997</td> <td>3\"/> </td></tr></td></tr></td></tr></td></tr></td></tr></td></tr></td></tr></td></tr></td></tr></td></tr></td></tr></td></tr></td></tr></td></tr></td></tr></td></tr></td></tr></td></tr></td></tr></td></tr></td></tr></td></tr></td></td></tr></td></tr></td></td></tr></td></td></tr></td></td></tr></td></td></tr></td></td></tr></td></td></tr></td></td></tr></td></td></tr></td></tr></td></tr></td></tr></td></td></tr></td></tr></td></tr></td></tr></td></tr> | 368 | ETR | - | WD. | J2 | PTD. | -
 | 366 | 3\"/> <tr> <td>369</td> <td>ETR</td> <td>-</td> <td>WD.</td> <td>J2</td> <td>PTD.</td> <td>-</td> <td>367</td> <td>3\"/> <tr> <td>370</td> <td>ETR</td> <td>-</td> <td>WD.</td> <td>J2</td> <td>PTD.</td> <td>-</td> <td>368</td> <td>3\"/> <tr> <td>371</td> <td>ETR</td> <td>-</td> <td>WD.</td> <td>J2</td> <td>PTD.</td> <td>-</td> <td>369</td> <td>3\"/> <tr> <td>372</td> <td>B</td> <td>2 <td>HM</td> <td>J1</td> <td>PTD.</td> <td>1 HR.</td> <td>370</td> <td>3\"/> <tr> <td>373A</td> <td>ETR</td> <td>-</td> <td>WD.</td> <td>J2</td> <td>PTD.</td> <td>-</td> <td>371</td> <td>3\"/> <tr> <td>374B</td> <td>ETR</td> <td>-</td> <td>WD.</td> <td>J2</td> <td>PTD.</td> <td>-</td> <td>372</td> <td>3\"/> <tr> <td>374C</td> <td>ETR</td> <td>-</td> <td>WD.</td> <td>J2</td> <td>PTD.</td> <td>-</td> <td>373A</td> <td>3\"/> <tr> <td>375</td> <td>B</td> <td>1 <td>WD</td> <td>J1</td> <td>PTD.</td> <td>-</td> <td>374B</td> <td>3\"/> <tr> <td>376</td> <td>B</td> <td>1 <td>WD</td> <td>J1</td> <td>PTD.</td> <td>-</td> <td>374C</td> <td>3\"/> <tr> <td>377</td> <td>B</td> <td>1 <td>WD</td> <td>J1</td> <td>PTD.</td> <td>-</td> <td>375</td> <td>3\"/> <tr> <td>377A</td> <td>B</td> <td>1 <td>WD</td> <td>J1</td> <td>PTD.</td> <td>-</td> <td>376</td> <td>3\"/> <tr> <td>378</td> <td>B</td> <td>1 <td>WD</td> <td>J1</td> <td>PTD.</td> <td>-</td> <td>377</td> <td>3\"/> <tr> <td>379</td> <td>B</td> <td>1 <td>WD</td> <td>J1</td> <td>PTD.</td> <td>-</td> <td>377A</td> <td>3\"/> <tr> <td>380A</td> <td>B</td> <td>1 <td>WD</td> <td>J1</td> <td>PTD.</td> <td>-</td> <td>378</td> <td>3\"/> <tr> <td>380B</td> <td>B</td> <td>1 <td>WD</td> <td>J1</td> <td>PTD.</td> <td>-</td> <td>379</td> <td>3\"/> <tr> <td>382</td> <td>ETR</td> <td>-</td> <td>WD.</td> <td>J2</td> <td>PTD.</td> <td>-</td> <td>380A</td> <td>3\"/> <tr> <td>382A</td> <td>D</td> <td>6 <td>ALUM.</td> <td>ANODIZE D</td> <td>-</td> <td>-</td> <td>380B</td> <td>3\"/> <tr> <td>385</td> <td>ETR</td> <td>-</td> <td>WD.</td> <td>J2</td> <td>PTD.</td> <td>-</td> <td>382</td> <td>3\"/> <tr> <td>386</td> <td>ETR</td> <td>-</td> <td>WD.</td> <td>J2</td> <td>PTD.</td> <td>-</td> <td>382A</td> <td>3\"/> <tr> <td>387</td> <td>ETR</td> <td>-</td> <td>WD.</td> <td>J2</td> <td>PTD.</td> <td>-</td> <td>385</td> <td>3\"/> <tr> <td>388</td> <td>ETR</td> <td>-</td> <td>WD.</td> <td>J2</td> <td>PTD.</td> <td>-</td> <td>386</td> <td>3\"/> <tr> <td>389</td> <td>ETR</td> <td>-</td> <td>WD.</td> <td>J2</td> <td>PTD.</td> <td>-</td> <td>387</td> <td>3\"/> <tr> <td>391</td> <td>ETR</td> <td>-</td> <td>WD.</td> <td>J2</td> <td>PTD.</td> <td>-</td> <td>388</td> <td>3\"/> <tr> <td>391A</td> <td>ETR</td> <td>-</td> <td>WD.</td> <td>J2</td> <td>PTD.</td> <td>-</td> <td>389</td> <td>3\"/> <tr> <td>391B</td> <td>ETR</td> <td>-</td> <td>WD.</td> <td>J2</td> <td>PTD.</td> <td>-</td> <td>391</td> <td>3\"/> <tr> <td>394</td> <td>ETR</td> <td>-</td> <td>WD.</td> <td>J2</td> <td>PTD.</td> <td>-</td> <td>391A</td> <td>3\"/> <tr> <td>395</td> <td>ETR</td> <td>-</td> <td>WD.</td> <td>J2</td> <td>PTD.</td> <td>-</td> <td>391B</td> <td>3\"/> <tr> <td>396</td> <td>ETR</td> <td>-</td> <td>WD.</td> <td>J2</td> <td>PTD.</td> <td>-</td> <td>394</td> <td>3\"/> <tr> <td>398</td> <td>ETR</td> <td>-</td> <td>WD.</td> <td>J2</td> <td>PTD.</td> <td>-</td> <td>395</td> <td>3\"/> <tr> <td>399</td> <td>ETR</td> <td>-</td> <td>WD.</td> <td>J2</td> <td>PTD.</td> <td>-</td> <td>396</td> <td>3\"/> <tr> <td>3991</td> <td>ETR</td> <td>-</td> <td>WD.</td> <td>J2</td> <td>PTD.</td> <td>-</td> <td>398</td> <td>3\"/> <tr> <td>3992</td> <td>A</td> <td>3\"/> <tr> <td>3993</td> <td>ETR</td> <td>-</td> <td>WD.</td> <td>J2</td> <td>PTD.</td> <td>-</td> <td>399</td> <td>3\"/> <tr> <td>3994</td> <td>ETR</td> <td>-</td> <td>WD.</td> <td>J2</td> <td>PTD.</td> <td>-</td> <td>3991</td> <td>3\"/> <tr> <td>3995</td> <td>ETR</td> <td>-</td> <td>WD.</td> <td>J2</td> <td>PTD.</td> <td>-</td> <td>3992</td> <td>3\"/> <tr> <td>3997</td> <td>ETR</td> <td>-</td> <td>WD.</td> <td>J2</td> <td>PTD.</td> <td>-</td> <td>3993</td> <td>3\"/> <tr> <td>3998</td> <td>ETR</td> <td>-</td> <td>WD.</td> <td>J2</td> <td>PTD.</td> <td>-</td> <td>3994</td> <td>3\"/> <tr> <td>3999</td> <td>ETR</td> <td>-</td> <td>WD.</td> <td>J2</td> <td>PTD.</td> <td>-</td> <td>3995</td> <td>3\"/> <tr> <td>3999</td> <td>ETR</td> <td>-</td> <td>WD.</td> <td>J2</td> <td>PTD.</td> <td>-</td> <td>3997</td> <td>3\"/> </td></tr></td></tr></td></tr></td></tr></td></tr></td></tr></td></tr></td></tr></td></tr></td></tr></td></tr></td></tr></td></tr></td></tr></td></tr></td></tr></td></tr></td></tr></td></tr></td></tr></td></tr></td></tr></td></td></tr></td></tr></td></td></tr></td></td></tr></td></td></tr></td></td></tr></td></td></tr></td></td></tr></td></td></tr></td></td></tr></td></tr></td></tr></td></tr></td></td></tr></td></tr></td></tr></td></tr> | 369 | ETR | -
 | WD. | J2 | PTD. | - | 367 | 3\"/> <tr> <td>370</td> <td>ETR</td> <td>-</td> <td>WD.</td> <td>J2</td> <td>PTD.</td> <td>-</td> <td>368</td> <td>3\"/> <tr> <td>371</td> <td>ETR</td> <td>-</td> <td>WD.</td> <td>J2</td> <td>PTD.</td> <td>-</td> <td>369</td> <td>3\"/> <tr> <td>372</td> <td>B</td> <td>2 <td>HM</td> <td>J1</td> <td>PTD.</td> <td>1 HR.</td> <td>370</td> <td>3\"/> <tr> <td>373A</td> <td>ETR</td> <td>-</td> <td>WD.</td> <td>J2</td> <td>PTD.</td> <td>-</td> <td>371</td> <td>3\"/> <tr> <td>374B</td> <td>ETR</td> <td>-</td> <td>WD.</td> <td>J2</td> <td>PTD.</td> <td>-</td> <td>372</td> <td>3\"/> <tr> <td>374C</td> <td>ETR</td> <td>-</td> <td>WD.</td> <td>J2</td> <td>PTD.</td> <td>-</td> <td>373A</td> <td>3\"/> <tr> <td>375</td> <td>B</td> <td>1 <td>WD</td> <td>J1</td> <td>PTD.</td> <td>-</td> <td>374B</td> <td>3\"/> <tr> <td>376</td> <td>B</td> <td>1 <td>WD</td> <td>J1</td> <td>PTD.</td> <td>-</td> <td>374C</td> <td>3\"/> <tr> <td>377</td> <td>B</td> <td>1 <td>WD</td> <td>J1</td> <td>PTD.</td> <td>-</td> <td>375</td> <td>3\"/> <tr> <td>377A</td> <td>B</td> <td>1 <td>WD</td> <td>J1</td> <td>PTD.</td> <td>-</td> <td>376</td> <td>3\"/> <tr> <td>378</td> <td>B</td> <td>1 <td>WD</td> <td>J1</td> <td>PTD.</td> <td>-</td> <td>377</td> <td>3\"/> <tr> <td>379</td> <td>B</td> <td>1 <td>WD</td> <td>J1</td> <td>PTD.</td> <td>-</td> <td>377A</td> <td>3\"/> <tr> <td>380A</td> <td>B</td> <td>1 <td>WD</td> <td>J1</td> <td>PTD.</td> <td>-</td> <td>378</td> <td>3\"/> <tr> <td>380B</td> <td>B</td> <td>1 <td>WD</td> <td>J1</td> <td>PTD.</td> <td>-</td> <td>379</td> <td>3\"/> <tr> <td>382</td> <td>ETR</td> <td>-</td> <td>WD.</td> <td>J2</td> <td>PTD.</td> <td>-</td> <td>380A</td> <td>3\"/> <tr> <td>382A</td> <td>D</td> <td>6 <td>ALUM.</td> <td>ANODIZE D</td> <td>-</td> <td>-</td> <td>380B</td> <td>3\"/> <tr> <td>385</td> <td>ETR</td> <td>-</td> <td>WD.</td> <td>J2</td> <td>PTD.</td> <td>-</td> <td>382</td> <td>3\"/> <tr> <td>386</td> <td>ETR</td> <td>-</td> <td>WD.</td> <td>J2</td> <td>PTD.</td> <td>-</td> <td>382A</td> <td>3\"/> <tr> <td>387</td> <td>ETR</td> <td>-</td> <td>WD.</td> <td>J2</td> <td>PTD.</td> <td>-</td> <td>385</td> <td>3\"/> <tr> <td>388</td> <td>ETR</td> <td>-</td> <td>WD.</td> <td>J2</td> <td>PTD.</td> <td>-</td> <td>386</td> <td>3\"/> <tr> <td>389</td> <td>ETR</td> <td>-</td> <td>WD.</td> <td>J2</td> <td>PTD.</td> <td>-</td> <td>387</td> <td>3\"/> <tr> <td>391</td> <td>ETR</td> <td>-</td> <td>WD.</td> <td>J2</td> <td>PTD.</td> <td>-</td> <td>388</td> <td>3\"/> <tr> <td>391A</td> <td>ETR</td> <td>-</td> <td>WD.</td> <td>J2</td> <td>PTD.</td> <td>-</td> <td>389</td> <td>3\"/> <tr> <td>391B</td> <td>ETR</td> <td>-</td> <td>WD.</td> <td>J2</td> <td>PTD.</td> <td>-</td> <td>391</td> <td>3\"/> <tr> <td>394</td> <td>ETR</td> <td>-</td> <td>WD.</td> <td>J2</td> <td>PTD.</td> <td>-</td> <td>391A</td> <td>3\"/> <tr> <td>395</td> <td>ETR</td> <td>-</td> <td>WD.</td> <td>J2</td> <td>PTD.</td> <td>-</td> <td>391B</td> <td>3\"/> <tr> <td>396</td> <td>ETR</td> <td>-</td> <td>WD.</td> <td>J2</td> <td>PTD.</td> <td>-</td> <td>394</td> <td>3\"/> <tr> <td>398</td> <td>ETR</td> <td>-</td> <td>WD.</td> <td>J2</td> <td>PTD.</td> <td>-</td> <td>395</td> <td>3\"/> <tr> <td>399</td> <td>ETR</td> <td>-</td> <td>WD.</td> <td>J2</td> <td>PTD.</td> <td>-</td> <td>396</td> <td>3\"/> <tr> <td>3991</td> <td>ETR</td> <td>-</td> <td>WD.</td> <td>J2</td> <td>PTD.</td> <td>-</td> <td>398</td> <td>3\"/> <tr> <td>3992</td> <td>A</td> <td>3\"/> <tr> <td>3993</td> <td>ETR</td> <td>-</td> <td>WD.</td> <td>J2</td> <td>PTD.</td> <td>-</td> <td>399</td> <td>3\"/> <tr> <td>3994</td> <td>ETR</td> <td>-</td> <td>WD.</td> <td>J2</td> <td>PTD.</td> <td>-</td> <td>3991</td> <td>3\"/> <tr> <td>3995</td> <td>ETR</td> <td>-</td> <td>WD.</td> <td>J2</td> <td>PTD.</td> <td>-</td> <td>3992</td> <td>3\"/> <tr> <td>3997</td> <td>ETR</td> <td>-</td> <td>WD.</td> <td>J2</td> <td>PTD.</td> <td>-</td> <td>3993</td> <td>3\"/> <tr> <td>3998</td> <td>ETR</td> <td>-</td> <td>WD.</td> <td>J2</td> <td>PTD.</td> <td>-</td> <td>3994</td> <td>3\"/> <tr> <td>3999</td> <td>ETR</td> <td>-</td> <td>WD.</td> <td>J2</td> <td>PTD.</td> <td>-</td> <td>3995</td> <td>3\"/> <tr> <td>3999</td> <td>ETR</td> <td>-</td> <td>WD.</td> <td>J2</td> <td>PTD.</td> <td>-</td> <td>3997</td> <td>3\"/> </td></tr></td></tr></td></tr></td></tr></td></tr></td></tr></td></tr></td></tr></td></tr></td></tr></td></tr></td></tr></td></tr></td></tr></td></tr></td></tr></td></tr></td></tr></td></tr></td></tr></td></tr></td></tr></td></td></tr></td></tr></td></td></tr></td></td></tr></td></td></tr></td></td></tr></td></td></tr></td></td></tr></td></td></tr></td></td></tr></td></tr></td></tr></td></tr></td></td></tr></td></tr></td></tr> | 370 | ETR | -
 | WD. | J2 | PTD. | - | 368 | 3\"/> <tr> <td>371</td> <td>ETR</td> <td>-</td> <td>WD.</td> <td>J2</td> <td>PTD.</td> <td>-</td> <td>369</td> <td>3\"/> <tr> <td>372</td> <td>B</td> <td>2 <td>HM</td> <td>J1</td> <td>PTD.</td> <td>1 HR.</td> <td>370</td> <td>3\"/> <tr> <td>373A</td> <td>ETR</td> <td>-</td> <td>WD.</td> <td>J2</td> <td>PTD.</td> <td>-</td> <td>371</td> <td>3\"/> <tr> <td>374B</td> <td>ETR</td> <td>-</td> <td>WD.</td> <td>J2</td> <td>PTD.</td> <td>-</td> <td>372</td> <td>3\"/> <tr> <td>374C</td> <td>ETR</td> <td>-</td> <td>WD.</td> <td>J2</td> <td>PTD.</td> <td>-</td> <td>373A</td> <td>3\"/> <tr> <td>375</td> <td>B</td> <td>1 <td>WD</td> <td>J1</td> <td>PTD.</td> <td>-</td> <td>374B</td> <td>3\"/> <tr> <td>376</td> <td>B</td> <td>1 <td>WD</td> <td>J1</td> <td>PTD.</td> <td>-</td> <td>374C</td> <td>3\"/> <tr> <td>377</td> <td>B</td> <td>1 <td>WD</td> <td>J1</td> <td>PTD.</td> <td>-</td> <td>375</td> <td>3\"/> <tr> <td>377A</td> <td>B</td> <td>1 <td>WD</td> <td>J1</td> <td>PTD.</td> <td>-</td> <td>376</td> <td>3\"/> <tr> <td>378</td> <td>B</td> <td>1 <td>WD</td> <td>J1</td> <td>PTD.</td> <td>-</td> <td>377</td> <td>3\"/> <tr> <td>379</td> <td>B</td> <td>1 <td>WD</td> <td>J1</td> <td>PTD.</td> <td>-</td> <td>377A</td> <td>3\"/> <tr> <td>380A</td> <td>B</td> <td>1 <td>WD</td> <td>J1</td> <td>PTD.</td> <td>-</td> <td>378</td> <td>3\"/> <tr> <td>380B</td> <td>B</td> <td>1 <td>WD</td> <td>J1</td> <td>PTD.</td> <td>-</td> <td>379</td> <td>3\"/> <tr> <td>382</td> <td>ETR</td> <td>-</td> <td>WD.</td> <td>J2</td> <td>PTD.</td> <td>-</td> <td>380A</td> <td>3\"/> <tr> <td>382A</td> <td>D</td> <td>6 <td>ALUM.</td> <td>ANODIZE D</td> <td>-</td> <td>-</td> <td>380B</td> <td>3\"/> <tr> <td>385</td> <td>ETR</td> <td>-</td> <td>WD.</td> <td>J2</td> <td>PTD.</td> <td>-</td> <td>382</td> <td>3\"/> <tr> <td>386</td> <td>ETR</td> <td>-</td> <td>WD.</td> <td>J2</td> <td>PTD.</td> <td>-</td> <td>382A</td> <td>3\"/> <tr> <td>387</td> <td>ETR</td> <td>-</td> <td>WD.</td> <td>J2</td> <td>PTD.</td> <td>-</td> <td>385</td> <td>3\"/> <tr> <td>388</td> <td>ETR</td> <td>-</td> <td>WD.</td> <td>J2</td> <td>PTD.</td> <td>-</td> <td>386</td> <td>3\"/> <tr> <td>389</td> <td>ETR</td> <td>-</td> <td>WD.</td> <td>J2</td> <td>PTD.</td> <td>-</td> <td>387</td> <td>3\"/> <tr> <td>391</td> <td>ETR</td> <td>-</td> <td>WD.</td> <td>J2</td> <td>PTD.</td> <td>-</td> <td>388</td> <td>3\"/> <tr> <td>391A</td> <td>ETR</td> <td>-</td> <td>WD.</td> <td>J2</td> <td>PTD.</td> <td>-</td> <td>389</td> <td>3\"/> <tr> <td>391B</td> <td>ETR</td> <td>-</td> <td>WD.</td> <td>J2</td> <td>PTD.</td> <td>-</td> <td>391</td> <td>3\"/> <tr> <td>394</td> <td>ETR</td> <td>-</td> <td>WD.</td> <td>J2</td> <td>PTD.</td> <td>-</td> <td>391A</td> <td>3\"/> <tr> <td>395</td> <td>ETR</td> <td>-</td> <td>WD.</td> <td>J2</td> <td>PTD.</td> <td>-</td> <td>391B</td> <td>3\"/> <tr> <td>396</td> <td>ETR</td> <td>-</td> <td>WD.</td> <td>J2</td> <td>PTD.</td> <td>-</td> <td>394</td> <td>3\"/> <tr> <td>398</td> <td>ETR</td> <td>-</td> <td>WD.</td> <td>J2</td> <td>PTD.</td> <td>-</td> <td>395</td> <td>3\"/> <tr> <td>399</td> <td>ETR</td> <td>-</td> <td>WD.</td> <td>J2</td> <td>PTD.</td> <td>-</td> <td>396</td> <td>3\"/> <tr> <td>3991</td> <td>ETR</td> <td>-</td> <td>WD.</td> <td>J2</td> <td>PTD.</td> <td>-</td> <td>398</td> <td>3\"/> <tr> <td>3992</td> <td>A</td> <td>3\"/> <tr> <td>3993</td> <td>ETR</td> <td>-</td> <td>WD.</td> <td>J2</td> <td>PTD.</td> <td>-</td> <td>399</td> <td>3\"/> <tr> <td>3994</td> <td>ETR</td> <td>-</td> <td>WD.</td> <td>J2</td> <td>PTD.</td> <td>-</td> <td>3991</td> <td>3\"/> <tr> <td>3995</td> <td>ETR</td> <td>-</td> <td>WD.</td> <td>J2</td> <td>PTD.</td> <td>-</td> <td>3992</td> <td>3\"/> <tr> <td>3997</td> <td>ETR</td> <td>-</td> <td>WD.</td> <td>J2</td> <td>PTD.</td> <td>-</td> <td>3993</td> <td>3\"/> <tr> <td>3998</td> <td>ETR</td> <td>-</td> <td>WD.</td> <td>J2</td> <td>PTD.</td> <td>-</td> <td>3994</td> <td>3\"/> <tr> <td>3999</td> <td>ETR</td> <td>-</td> <td>WD.</td> <td>J2</td> <td>PTD.</td> <td>-</td> <td>3995</td> <td>3\"/> <tr> <td>3999</td> <td>ETR</td> <td>-</td> <td>WD.</td> <td>J2</td> <td>PTD.</td> <td>-</td> <td>3997</td> <td>3\"/> </td></tr></td></tr></td></tr></td></tr></td></tr></td></tr></td></tr></td></tr></td></tr></td></tr></td></tr></td></tr></td></tr></td></tr></td></tr></td></tr></td></tr></td></tr></td></tr></td></tr></td></tr></td></tr></td></td></tr></td></tr></td></td></tr></td></td></tr></td></td></tr></td></td></tr></td></td></tr></td></td></tr></td></td></tr></td></td></tr></td></tr></td></tr></td></tr></td></td></tr></td></tr>
 | 371 | ETR | - | WD. | J2 | PTD. | - | 369 | 3\"/> <tr> <td>372</td> <td>B</td> <td>2 <td>HM</td> <td>J1</td> <td>PTD.</td> <td>1 HR.</td> <td>370</td> <td>3\"/> <tr> <td>373A</td> <td>ETR</td> <td>-</td> <td>WD.</td> <td>J2</td> <td>PTD.</td> <td>-</td> <td>371</td> <td>3\"/> <tr> <td>374B</td> <td>ETR</td> <td>-</td> <td>WD.</td> <td>J2</td> <td>PTD.</td> <td>-</td> <td>372</td> <td>3\"/> <tr> <td>374C</td> <td>ETR</td> <td>-</td> <td>WD.</td> <td>J2</td> <td>PTD.</td> <td>-</td> <td>373A</td> <td>3\"/> <tr> <td>375</td> <td>B</td> <td>1 <td>WD</td> <td>J1</td> <td>PTD.</td> <td>-</td> <td>374B</td> <td>3\"/> <tr> <td>376</td> <td>B</td> <td>1 <td>WD</td> <td>J1</td> <td>PTD.</td> <td>-</td> <td>374C</td> <td>3\"/> <tr> <td>377</td> <td>B</td> <td>1 <td>WD</td> <td>J1</td> <td>PTD.</td> <td>-</td> <td>375</td> <td>3\"/> <tr> <td>377A</td> <td>B</td> <td>1 <td>WD</td> <td>J1</td> <td>PTD.</td> <td>-</td> <td>376</td> <td>3\"/> <tr> <td>378</td> <td>B</td> <td>1 <td>WD</td> <td>J1</td> <td>PTD.</td> <td>-</td> <td>377</td> <td>3\"/> <tr> <td>379</td> <td>B</td> <td>1 <td>WD</td> <td>J1</td> <td>PTD.</td> <td>-</td> <td>377A</td> <td>3\"/> <tr> <td>380A</td> <td>B</td> <td>1 <td>WD</td> <td>J1</td> <td>PTD.</td> <td>-</td> <td>378</td> <td>3\"/> <tr> <td>380B</td> <td>B</td> <td>1 <td>WD</td> <td>J1</td> <td>PTD.</td> <td>-</td> <td>379</td> <td>3\"/> <tr> <td>382</td> <td>ETR</td> <td>-</td> <td>WD.</td> <td>J2</td> <td>PTD.</td> <td>-</td> <td>380A</td> <td>3\"/> <tr> <td>382A</td> <td>D</td> <td>6 <td>ALUM.</td> <td>ANODIZE D</td> <td>-</td> <td>-</td> <td>380B</td> <td>3\"/> <tr> <td>385</td> <td>ETR</td> <td>-</td> <td>WD.</td> <td>J2</td> <td>PTD.</td> <td>-</td> <td>382</td> <td>3\"/> <tr> <td>386</td> <td>ETR</td> <td>-</td> <td>WD.</td> <td>J2</td> <td>PTD.</td> <td>-</td> <td>382A</td> <td>3\"/> <tr> <td>387</td> <td>ETR</td> <td>-</td> <td>WD.</td> <td>J2</td> <td>PTD.</td> <td>-</td> <td>385</td> <td>3\"/> <tr> <td>388</td> <td>ETR</td> <td>-</td> <td>WD.</td> <td>J2</td> <td>PTD.</td> <td>-</td> <td>386</td> <td>3\"/> <tr> <td>389</td> <td>ETR</td> <td>-</td> <td>WD.</td> <td>J2</td> <td>PTD.</td> <td>-</td> <td>387</td> <td>3\"/> <tr> <td>391</td> <td>ETR</td> <td>-</td> <td>WD.</td> <td>J2</td> <td>PTD.</td> <td>-</td> <td>388</td> <td>3\"/> <tr> <td>391A</td> <td>ETR</td> <td>-</td> <td>WD.</td> <td>J2</td> <td>PTD.</td> <td>-</td> <td>389</td> <td>3\"/> <tr> <td>391B</td> <td>ETR</td> <td>-</td> <td>WD.</td> <td>J2</td> <td>PTD.</td> <td>-</td> <td>391</td> <td>3\"/> <tr> <td>394</td> <td>ETR</td> <td>-</td> <td>WD.</td> <td>J2</td> <td>PTD.</td> <td>-</td> <td>391A</td> <td>3\"/> <tr> <td>395</td> <td>ETR</td> <td>-</td> <td>WD.</td> <td>J2</td> <td>PTD.</td> <td>-</td> <td>391B</td> <td>3\"/> <tr> <td>396</td> <td>ETR</td> <td>-</td> <td>WD.</td> <td>J2</td> <td>PTD.</td> <td>-</td> <td>394</td> <td>3\"/> <tr> <td>398</td>
<td>ETR</td> <td>-</td> <td>WD.</td> <td>J2</td> <td>PTD.</td> <td>-</td> <td>395</td> <td>3\"/> <tr> <td>399</td> <td>ETR</td> <td>-</td> <td>WD.</td> <td>J2</td> <td>PTD.</td> <td>-</td> <td>396</td> <td>3\"/> <tr> <td>3991</td> <td>ETR</td> <td>-</td> <td>WD.</td> <td>J2</td> <td>PTD.</td> <td>-</td> <td>398</td> <td>3\"/> <tr> <td>3992</td> <td>A</td> <td>3\"/> <tr> <td>3993</td> <td>ETR</td> <td>-</td> <td>WD.</td> <td>J2</td> <td>PTD.</td> <td>-</td> <td>399</td> <td>3\"/> <tr> <td>3994</td> <td>ETR</td> <td>-</td> <td>WD.</td> <td>J2</td> <td>PTD.</td> <td>-</td> <td>3991</td> <td>3\"/> <tr> <td>3995</td> <td>ETR</td> <td>-</td> <td>WD.</td> <td>J2</td> <td>PTD.</td> <td>-</td> <td>3992</td> <td>3\"/> <tr> <td>3997</td> <td>ETR</td> <td>-</td> <td>WD.</td> <td>J2</td> <td>PTD.</td> <td>-</td> <td>3993</td> <td>3\"/> <tr> <td>3998</td> <td>ETR</td> <td>-</td> <td>WD.</td> <td>J2</td> <td>PTD.</td> <td>-</td> <td>3994</td> <td>3\"/> <tr> <td>3999</td> <td>ETR</td> <td>-</td> <td>WD.</td> <td>J2</td> <td>PTD.</td> <td>-</td> <td>3995</td> <td>3\"/> <tr> <td>3999</td> <td>ETR</td> <td>-</td> <td>WD.</td> <td>J2</td> <td>PTD.</td> <td>-</td> <td>3997</td> <td>3\"/> </td></tr></td></tr></td></tr></td></tr></td></tr></td></tr></td></tr></td></tr></td></tr></td></tr></td></tr></td></tr></td></tr></td></tr></td></tr></td></tr></td></tr></td></tr></td></tr></td></tr></td></tr></td></tr></td></td></tr></td></tr></td></td></tr></td></td></tr></td></td></tr></td></td></tr></td></td></tr></td></td></tr></td></td></tr></td></td></tr></td></tr></td></tr></td></tr></td></td></tr> | 372 | B | 2 <td>HM</td> <td>J1</td> <td>PTD.</td> <td>1 HR.</td> <td>370</td> <td>3\"/> <tr> <td>373A</td> <td>ETR</td> <td>-</td> <td>WD.</td> <td>J2</td> <td>PTD.</td> <td>-</td> <td>371</td> <td>3\"/> <tr> <td>374B</td> <td>ETR</td> <td>-</td> <td>WD.</td> <td>J2</td> <td>PTD.</td> <td>-</td> <td>372</td> <td>3\"/> <tr> <td>374C</td> <td>ETR</td> <td>-</td> <td>WD.</td> <td>J2</td> <td>PTD.</td> <td>-</td> <td>373A</td> <td>3\"/> <tr> <td>375</td> <td>B</td> <td>1 <td>WD</td> <td>J1</td> <td>PTD.</td> <td>-</td> <td>374B</td> <td>3\"/> <tr> <td>376</td> <td>B</td> <td>1 <td>WD</td> <td>J1</td> <td>PTD.</td> <td>-</td> <td>374C</td> <td>3\"/> <tr> <td>377</td> <td>B</td> <td>1 <td>WD</td> <td>J1</td> <td>PTD.</td> <td>-</td> <td>375</td> <td>3\"/> <tr> <td>377A</td> <td>B</td> <td>1 <td>WD</td> <td>J1</td> <td>PTD.</td> <td>-</td> <td>376</td> <td>3\"/> <tr> <td>378</td> <td>B</td> <td>1 <td>WD</td> <td>J1</td> <td>PTD.</td> <td>-</td> <td>377</td> <td>3\"/> <tr> <td>379</td> <td>B</td> <td>1 <td>WD</td> <td>J1</td> <td>PTD.</td> <td>-</td> <td>377A</td> <td>3\"/> <tr> <td>380A</td> <td>B</td> <td>1 <td>WD</td> <td>J1</td> <td>PTD.</td> <td>-</td> <td>378</td> <td>3\"/> <tr> <td>380B</td> <td>B</td> <td>1 <td>WD</td> <td>J1</td> <td>PTD.</td> <td>-</td> <td>379</td> <td>3\"/> <tr> <td>382</td> <td>ETR</td> <td>-</td> <td>WD.</td> <td>J2</td> <td>PTD.</td> <td>-</td> <td>380A</td> <td>3\"/> <tr> <td>382A</td> <td>D</td> <td>6 <td>ALUM.</td> <td>ANODIZE D</td> <td>-</td> <td>-</td> <td>380B</td> <td>3\"/> <tr> <td>385</td> <td>ETR</td> <td>-</td> <td>WD.</td> <td>J2</td> <td>PTD.</td> <td>-</td> <td>382</td> <td>3\"/> <tr> <td>386</td> <td>ETR</td> <td>-</td> <td>WD.</td> <td>J2</td> <td>PTD.</td> <td>-</td> <td>382A</td> <td>3\"/> <tr> <td>387</td> <td>ETR</td> <td>-</td> <td>WD.</td> <td>J2</td> <td>PTD.</td> <td>-</td> <td>385</td> <td>3\"/> <tr> <td>388</td> <td>ETR</td> <td>-</td> <td>WD.</td> <td>J2</td> <td>PTD.</td> <td>-</td> <td>386</td> <td>3\"/> <tr> <td>389</td> <td>ETR</td> <td>-</td> <td>WD.</td> <td>J2</td> <td>PTD.</td> <td>-</td> <td>387</td> <td>3\"/> <tr> <td>391</td> <td>ETR</td> <td>-</td> <td>WD.</td> <td>J2</td> <td>PTD.</td> <td>-</td> <td>388</td> <td>3\"/> <tr> <td>391A</td> <td>ETR</td> <td>-</td> <td>WD.</td> <td>J2</td> <td>PTD.</td> <td>-</td> <td>389</td> <td>3\"/> <tr> <td>391B</td> <td>ETR</td> <td>-</td> <td>WD.</td> <td>J2</td> <td>PTD.</td> <td>-</td> <td>391</td> <td>3\"/> <tr> <td>394</td> <td>ETR</td> <td>-</td> <td>WD.</td> <td>J2</td> <td>PTD.</td> <td>-</td> <td>391A</td> <td>3\"/> <tr> <td>395</td> <td>ETR</td> <td>-</td> <td>WD.</td> <td>J2</td> <td>PTD.</td> <td>-</td> <td>391B</td> <td>3\"/> <tr> <td>396</td> <td>ETR</td> <td>-</td> <td>WD.</td> <td>J2</td> <td>PTD.</td> <td>-</td> <td>394</td> <td>3\"/> <tr> <td>398</td> <td>ETR</td> <td>-</td> <td>WD.</td> <td>J2</td> <td>PTD.</td> <td>-</td> <td>395</td> <td>3\"/> <tr> <td>399</td> <td>ETR</td> <td>-</td> <td>WD.</td> <td>J2</td> <td>PTD.</td> <td>-</td> <td>396</td> <td>3\"/> <tr> <td>3991</td> <td>ETR</td> <td>-</td> <td>WD.</td> <td>J2</td> <td>PTD.</td> <td>-</td> <td>398</td> <td>3\"/> <tr> <td>3992</td> <td>A</td> <td>3\"/> <tr> <td>3993</td> <td>ETR</td> <td>-</td> <td>WD.</td> <td>J2</td> <td>PTD.</td> <td>-</td> <td>399</td> <td>3\"/> <tr> <td>3994</td> <td>ETR</td> <td>-</td> <td>WD.</td> <td>J2</td> <td>PTD.</td> <td>-</td> <td>3991</td> <td>3\"/> <tr> <td>3995</td> <td>ETR</td> <td>-</td> <td>WD.</td> <td>J2</td> <td>PTD.</td> <td>-</td> <td>3992</td> <td>3\"/> <tr> <td>3997</td> <td>ETR</td> <td>-</td> <td>WD.</td> <td>J2</td> <td>PTD.</td> <td>-</td> <td>3993</td> <td>3\"/> <tr> <td>3998</td> <td>ETR</td> <td>-</td> <td>WD.</td> <td>J2</td> <td>PTD.</td> <td>-</td> <td>3994</td> <td>3\"/> <tr> <td>3999</td> <td>ETR</td> <td>-</td> <td>WD.</td> <td>J2</td> <td>PTD.</td> <td>-</td> <td>3995</td> <td>3\"/> <tr> <td>3999</td> <td>ETR</td> <td>-</td> <td>WD.</td> <td>J2</td> <td>PTD.</td> <td>-</td> <td>3997</td> <td>3\"/> </td></tr></td></tr></td></tr></td></tr></td></tr></td></tr></td></tr></td></tr></td></tr></td></tr></td></tr></td></tr></td></tr></td></tr></td></tr></td></tr></td></tr></td></tr></td></tr></td></tr></td></tr></td></tr></td></td></tr></td></tr></td></td></tr></td></td></tr></td></td></tr></td></td></tr></td></td></tr></td></td></tr></td></td></tr></td></td></tr></td></tr></td></tr></td></tr></td> | HM | J1 | PTD. | 1 HR. | 370 | 3\"/> <tr> <td>373A</td> <td>ETR</td> <td>-</td> <td>WD.</td> <td>J2</td> <td>PTD.</td> <td>-</td> <td>371</td> <td>3\"/> <tr> <td>374B</td> <td>ETR</td> <td>-</td> <td>WD.</td> <td>J2</td> <td>PTD.</td> <td>-</td> <td>372</td> <td>3\"/> <tr> <td>374C</td> <td>ETR</td> <td>-</td> <td>WD.</td> <td>J2</td> <td>PTD.</td> <td>-</td> <td>373A</td> <td>3\"/> <tr> <td>375</td> <td>B</td> <td>1 <td>WD</td> <td>J1</td> <td>PTD.</td> <td>-</td> <td>374B</td> <td>3\"/> <tr> <td>376</td> <td>B</td> <td>1 <td>WD</td> <td>J1</td> <td>PTD.</td> <td>-</td> <td>374C</td> <td>3\"/> <tr> <td>377</td> <td>B</td> <td>1 <td>WD</td> <td>J1</td> <td>PTD.</td> <td>-</td> <td>375</td> <td>3\"/> <tr> <td>377A</td> <td>B</td> <td>1 <td>WD</td> <td>J1</td> <td>PTD.</td> <td>-</td> <td>376</td> <td>3\"/> <tr> <td>378</td> <td>B</td> <td>1 <td>WD</td> <td>J1</td> <td>PTD.</td> <td>-</td> <td>377</td> <td>3\"/> <tr> <td>379</td> <td>B</td> <td>1 <td>WD</td> <td>J1</td> <td>PTD.</td> <td>-</td> <td>377A</td> <td>3\"/> <tr> <td>380A</td> <td>B</td> <td>1 <td>WD</td> <td>J1</td> <td>PTD.</td>
<td>-</td> <td>378</td> <td>3\"/> <tr> <td>380B</td> <td>B</td> <td>1 <td>WD</td> <td>J1</td> <td>PTD.</td> <td>-</td> <td>379</td> <td>3\"/> <tr> <td>382</td> <td>ETR</td> <td>-</td> <td>WD.</td> <td>J2</td> <td>PTD.</td> <td>-</td> <td>380A</td> <td>3\"/> <tr> <td>382A</td> <td>D</td> <td>6 <td>ALUM.</td> <td>ANODIZE D</td> <td>-</td> <td>-</td> <td>380B</td> <td>3\"/> <tr> <td>385</td> <td>ETR</td> <td>-</td> <td>WD.</td> <td>J2</td> <td>PTD.</td> <td>-</td> <td>382</td> <td>3\"/> <tr> <td>386</td> <td>ETR</td> <td>-</td> <td>WD.</td> <td>J2</td> <td>PTD.</td> <td>-</td> <td>382A</td> <td>3\"/> <tr> <td>387</td> <td>ETR</td> <td>-</td> <td>WD.</td> <td>J2</td> <td>PTD.</td> <td>-</td> <td>385</td> <td>3\"/> <tr> <td>388</td> <td>ETR</td> <td>-</td> <td>WD.</td> <td>J2</td> <td>PTD.</td> <td>-</td> <td>386</td> <td>3\"/> <tr> <td>389</td> <td>ETR</td> <td>-</td> <td>WD.</td> <td>J2</td> <td>PTD.</td> <td>-</td> <td>387</td> <td>3\"/> <tr> <td>391</td> <td>ETR</td> <td>-</td> <td>WD.</td> <td>J2</td> <td>PTD.</td> <td>-</td> <td>388</td> <td>3\"/> <tr> <td>391A</td> <td>ETR</td> <td>-</td> <td>WD.</td> <td>J2</td> <td>PTD.</td> <td>-</td> <td>389</td> <td>3\"/> <tr> <td>391B</td> <td>ETR</td> <td>-</td> <td>WD.</td> <td>J2</td> <td>PTD.</td> <td>-</td> <td>391</td> <td>3\"/> <tr> <td>394</td> <td>ETR</td> <td>-</td> <td>WD.</td> <td>J2</td> <td>PTD.</td> <td>-</td> <td>391A</td> <td>3\"/> <tr> <td>395</td> <td>ETR</td> <td>-</td> <td>WD.</td> <td>J2</td> <td>PTD.</td> <td>-</td> <td>391B</td> <td>3\"/> <tr> <td>396</td> <td>ETR</td> <td>-</td> <td>WD.</td> <td>J2</td> <td>PTD.</td> <td>-</td> <td>394</td> <td>3\"/> <tr> <td>398</td> <td>ETR</td> <td>-</td> <td>WD.</td> <td>J2</td> <td>PTD.</td> <td>-</td> <td>395</td> <td>3\"/> <tr> <td>399</td> <td>ETR</td> <td>-</td> <td>WD.</td> <td>J2</td> <td>PTD.</td> <td>-</td> <td>396</td> <td>3\"/> <tr> <td>3991</td> <td>ETR</td> <td>-</td> <td>WD.</td> <td>J2</td> <td>PTD.</td> <td>-</td> <td>398</td> <td>3\"/> <tr> <td>3992</td> <td>A</td> <td>3\"/> <tr> <td>3993</td> <td>ETR</td> <td>-</td> <td>WD.</td> <td>J2</td> <td>PTD.</td> <td>-</td> <td>399</td> <td>3\"/> <tr> <td>3994</td> <td>ETR</td> <td>-</td> <td>WD.</td> <td>J2</td> <td>PTD.</td> <td>-</td> <td>3991</td> <td>3\"/> <tr> <td>3995</td> <td>ETR</td> <td>-</td> <td>WD.</td> <td>J2</td> <td>PTD.</td> <td>-</td> <td>3992</td> <td>3\"/> <tr> <td>3997</td> <td>ETR</td> <td>-</td> <td>WD.</td> <td>J2</td> <td>PTD.</td> <td>-</td> <td>3993</td> <td>3\"/> <tr> <td>3998</td> <td>ETR</td> <td>-</td> <td>WD.</td> <td>J2</td> <td>PTD.</td> <td>-</td> <td>3994</td> <td>3\"/> <tr> <td>3999</td> <td>ETR</td> <td>-</td> <td>WD.</td> <td>J2</td> <td>PTD.</td> <td>-</td> <td>3995</td> <td>3\"/> <tr> <td>3999</td> <td>ETR</td> <td>-</td> <td>WD.</td> <td>J2</td> <td>PTD.</td> <td>-</td> <td>3997</td> <td>3\"/> </td></tr></td></tr></td></tr></td></tr></td></tr></td></tr></td></tr></td></tr></td></tr></td></tr></td></tr></td></tr></td></tr></td></tr></td></tr></td></tr></td></tr></td></tr></td></tr></td></tr></td></tr></td></tr></td></td></tr></td></tr></td></td></tr></td></td></tr></td></td></tr></td></td></tr></td></td></tr></td></td></tr></td></td></tr></td></td></tr></td></tr></td></tr></td></tr> | 373A | ETR | -
 | WD. | J2 | PTD. | - | 371 | 3\"/> <tr> <td>374B</td> <td>ETR</td> <td>-</td> <td>WD.</td> <td>J2</td> <td>PTD.</td> <td>-</td> <td>372</td> <td>3\"/> <tr> <td>374C</td> <td>ETR</td> <td>-</td> <td>WD.</td> <td>J2</td> <td>PTD.</td> <td>-</td> <td>373A</td> <td>3\"/> <tr> <td>375</td> <td>B</td> <td>1 <td>WD</td> <td>J1</td> <td>PTD.</td> <td>-</td> <td>374B</td> <td>3\"/> <tr> <td>376</td> <td>B</td> <td>1 <td>WD</td> <td>J1</td> <td>PTD.</td> <td>-</td> <td>374C</td> <td>3\"/> <tr> <td>377</td> <td>B</td> <td>1 <td>WD</td> <td>J1</td> <td>PTD.</td> <td>-</td> <td>375</td> <td>3\"/> <tr> <td>377A</td> <td>B</td> <td>1 <td>WD</td> <td>J1</td> <td>PTD.</td> <td>-</td> <td>376</td> <td>3\"/> <tr> <td>378</td> <td>B</td> <td>1 <td>WD</td> <td>J1</td> <td>PTD.</td> <td>-</td> <td>377</td> <td>3\"/> <tr> <td>379</td> <td>B</td> <td>1 <td>WD</td> <td>J1</td> <td>PTD.</td> <td>-</td> <td>377A</td> <td>3\"/> <tr> <td>380A</td> <td>B</td> <td>1 <td>WD</td> <td>J1</td> <td>PTD.</td> <td>-</td> <td>378</td> <td>3\"/> <tr> <td>380B</td> <td>B</td> <td>1 <td>WD</td> <td>J1</td> <td>PTD.</td> <td>-</td> <td>379</td> <td>3\"/> <tr> <td>382</td> <td>ETR</td> <td>-</td> <td>WD.</td> <td>J2</td> <td>PTD.</td> <td>-</td> <td>380A</td> <td>3\"/> <tr> <td>382A</td> <td>D</td> <td>6 <td>ALUM.</td> <td>ANODIZE D</td> <td>-</td> <td>-</td> <td>380B</td> <td>3\"/> <tr> <td>385</td> <td>ETR</td> <td>-</td> <td>WD.</td> <td>J2</td> <td>PTD.</td> <td>-</td> <td>382</td> <td>3\"/> <tr> <td>386</td> <td>ETR</td> <td>-</td> <td>WD.</td> <td>J2</td> <td>PTD.</td> <td>-</td> <td>382A</td> <td>3\"/> <tr> <td>387</td> <td>ETR</td> <td>-</td> <td>WD.</td> <td>J2</td> <td>PTD.</td> <td>-</td> <td>385</td> <td>3\"/> <tr> <td>388</td> <td>ETR</td> <td>-</td> <td>WD.</td> <td>J2</td> <td>PTD.</td> <td>-</td> <td>386</td> <td>3\"/> <tr> <td>389</td> <td>ETR</td> <td>-</td> <td>WD.</td> <td>J2</td> <td>PTD.</td> <td>-</td> <td>387</td> <td>3\"/> <tr> <td>391</td> <td>ETR</td> <td>-</td> <td>WD.</td> <td>J2</td> <td>PTD.</td> <td>-</td> <td>388</td> <td>3\"/> <tr> <td>391A</td> <td>ETR</td> <td>-</td> <td>WD.</td> <td>J2</td> <td>PTD.</td> <td>-</td> <td>389</td> <td>3\"/> <tr> <td>391B</td> <td>ETR</td> <td>-</td> <td>WD.</td> <td>J2</td> <td>PTD.</td> <td>-</td> <td>391</td> <td>3\"/> <tr> <td>394</td> <td>ETR</td> <td>-</td> <td>WD.</td> <td>J2</td> <td>PTD.</td> <td>-</td> <td>391A</td> <td>3\"/> <tr> <td>395</td> <td>ETR</td> <td>-</td> <td>WD.</td> <td>J2</td> <td>PTD.</td> <td>-</td> <td>391B</td> <td>3\"/> <tr> <td>396</td> <td>ETR</td> <td>-</td> <td>WD.</td> <td>J2</td> <td>PTD.</td> <td>-</td> <td>394</td> <td>3\"/> <tr> <td>398</td> <td>ETR</td> <td>-</td> <td>WD.</td> <td>J2</td> <td>PTD.</td> <td>-</td> <td>395</td> <td>3\"/> <tr> <td>399</td> <td>ETR</td> <td>-</td> <td>WD.</td> <td>J2</td> <td>PTD.</td> <td>-</td> <td>396</td> <td>3\"/> <tr> <td>3991</td> <td>ETR</td> <td>-</td> <td>WD.</td> <td>J2</td> <td>PTD.</td> <td>-</td> <td>398</td> <td>3\"/> <tr> <td>3992</td> <td>A</td> <td>3\"/> <tr> <td>3993</td> <td>ETR</td> <td>-</td> <td>WD.</td> <td>J2</td> <td>PTD.</td> <td>-</td> <td>399</td> <td>3\"/> <tr> <td>3994</td> <td>ETR</td> <td>-</td> <td>WD.</td> <td>J2</td> <td>PTD.</td> <td>-</td> <td>3991</td> <td>3\"/> <tr> <td>3995</td> <td>ETR</td> <td>-</td> <td>WD.</td> <td>J2</td> <td>PTD.</td> <td>-</td> <td>3992</td> <td>3\"/> <tr> <td>3997</td> <td>ETR</td> <td>-</td> <td>WD.</td> <td>J2</td> <td>PTD.</td> <td>-</td> <td>3993</td> <td>3\"/> <tr> <td>3998</td> <td>ETR</td> <td>-</td> <td>WD.</td> <td>J2</td> <td>PTD.</td> <td>-</td> <td>3994</td> <td>3\"/> <tr> <td>3999</td> <td>ETR</td> <td>-</td> <td>WD.</td> <td>J2</td> <td>PTD.</td> <td>-</td> <td>3995</td> <td>3\"/> <tr> <td>3999</td> <td>ETR</td> <td>-</td> <td>WD.</td> <td>J2</td> <td>PTD.</td> <td>-</td> <td>3997</td> <td>3\"/> </td></tr></td></tr></td></tr></td></tr></td></tr></td></tr></td></tr></td></tr></td></tr></td></tr></td></tr></td></tr></td></tr></td></tr></td></tr></td></tr></td></tr></td></tr></td></tr></td></tr></td></tr></td></tr></td></td></tr></td></tr></td></td></tr></td></td></tr></td></td></tr></td></td></tr></td></td></tr></td></td></tr></td></td></tr></td></td></tr></td></tr></td></tr> | 374B | ETR | -
 | WD. | J2 | PTD. | - | 372 | 3\"/> <tr> <td>374C</td> <td>ETR</td> <td>-</td> <td>WD.</td> <td>J2</td> <td>PTD.</td> <td>-</td> <td>373A</td> <td>3\"/> <tr> <td>375</td> <td>B</td> <td>1 <td>WD</td> <td>J1</td> <td>PTD.</td> <td>-</td> <td>374B</td> <td>3\"/> <tr> <td>376</td> <td>B</td> <td>1 <td>WD</td> <td>J1</td> <td>PTD.</td> <td>-</td> <td>374C</td> <td>3\"/> <tr> <td>377</td> <td>B</td> <td>1 <td>WD</td> <td>J1</td> <td>PTD.</td> <td>-</td> <td>375</td> <td>3\"/> <tr> <td>377A</td> <td>B</td> <td>1 <td>WD</td> <td>J1</td> <td>PTD.</td> <td>-</td> <td>376</td> <td>3\"/> <tr> <td>378</td> <td>B</td> <td>1 <td>WD</td> <td>J1</td> <td>PTD.</td> <td>-</td> <td>377</td> <td>3\"/> <tr> <td>379</td> <td>B</td> <td>1 <td>WD</td> <td>J1</td> <td>PTD.</td> <td>-</td> <td>377A</td> <td>3\"/> <tr> <td>380A</td> <td>B</td> <td>1 <td>WD</td> <td>J1</td> <td>PTD.</td> <td>-</td> <td>378</td> <td>3\"/> <tr> <td>380B</td> <td>B</td> <td>1 <td>WD</td> <td>J1</td> <td>PTD.</td> <td>-</td> <td>379</td> <td>3\"/> <tr> <td>382</td> <td>ETR</td> <td>-</td> <td>WD.</td> <td>J2</td> <td>PTD.</td> <td>-</td> <td>380A</td> <td>3\"/> <tr> <td>382A</td> <td>D</td> <td>6 <td>ALUM.</td> <td>ANODIZE D</td> <td>-</td> <td>-</td> <td>380B</td> <td>3\"/> <tr> <td>385</td> <td>ETR</td> <td>-</td> <td>WD.</td> <td>J2</td> <td>PTD.</td> <td>-</td> <td>382</td> <td>3\"/> <tr> <td>386</td> <td>ETR</td> <td>-</td> <td>WD.</td> <td>J2</td> <td>PTD.</td> <td>-</td> <td>382A</td> <td>3\"/> <tr> <td>387</td> <td>ETR</td> <td>-</td> <td>WD.</td> <td>J2</td> <td>PTD.</td> <td>-</td> <td>385</td> <td>3\"/> <tr> <td>388</td> <td>ETR</td> <td>-</td> <td>WD.</td> <td>J2</td> <td>PTD.</td> <td>-</td> <td>386</td> <td>3\"/> <tr> <td>389</td> <td>ETR</td> <td>-</td> <td>WD.</td> <td>J2</td> <td>PTD.</td> <td>-</td> <td>387</td> <td>3\"/> <tr> <td>391</td> <td>ETR</td> <td>-</td> <td>WD.</td> <td>J2</td> <td>PTD.</td> <td>-</td> <td>388</td> <td>3\"/> <tr> <td>391A</td> <td>ETR</td> <td>-</td> <td>WD.</td> <td>J2</td> <td>PTD.</td> <td>-</td> <td>389</td> <td>3\"/> <tr> <td>391B</td> <td>ETR</td> <td>-</td> <td>WD.</td> <td>J2</td> <td>PTD.</td> <td>-</td> <td>391</td> <td>3\"/> <tr> <td>394</td> <td>ETR</td> <td>-</td> <td>WD.</td> <td>J2</td> <td>PTD.</td> <td>-</td> <td>391A</td> <td>3\"/> <tr> <td>395</td> <td>ETR</td> <td>-</td> <td>WD.</td> <td>J2</td> <td>PTD.</td> <td>-</td> <td>391B</td> <td>3\"/> <tr> <td>396</td> <td>ETR</td> <td>-</td> <td>WD.</td> <td>J2</td> <td>PTD.</td> <td>-</td> <td>394</td> <td>3\"/> <tr> <td>398</td> <td>ETR</td> <td>-</td> <td>WD.</td> <td>J2</td> <td>PTD.</td> <td>-</td> <td>395</td> <td>3\"/> <tr> <td>399</td> <td>ETR</td> <td>-</td> <td>WD.</td> <td>J2</td> <td>PTD.</td> <td>-</td> <td>396</td> <td>3\"/> <tr> <td>3991</td> <td>ETR</td> <td>-</td> <td>WD.</td> <td>J2</td> <td>PTD.</td> <td>-</td> <td>398</td> <td>3\"/> <tr> <td>3992</td> <td>A</td> <td>3\"/> <tr> <td>3993</td> <td>ETR</td> <td>-</td> <td>WD.</td> <td>J2</td> <td>PTD.</td> <td>-</td> <td>399</td> <td>3\"/> <tr> <td>3994</td> <td>ETR</td> <td>-</td> <td>WD.</td> <td>J2</td> <td>PTD.</td> <td>-</td> <td>3991</td> <td>3\"/> <tr> <td>3995</td> <td>ETR</td> <td>-</td> <td>WD.</td> <td>J2</td> <td>PTD.</td> <td>-</td> <td>3992</td> <td>3\"/> <tr> <td>3997</td> <td>ETR</td> <td>-</td> <td>WD.</td> <td>J2</td> <td>PTD.</td> <td>-</td> <td>3993</td> <td>3\"/> <tr> <td>3998</td> <td>ETR</td> <td>-</td> <td>WD.</td> <td>J2</td> <td>PTD.</td> <td>-</td> <td>3994</td> <td>3\"/> <tr> <td>3999</td> <td>ETR</td> <td>-</td> <td>WD.</td> <td>J2</td> <td>PTD.</td> <td>-</td> <td>3995</td> <td>3\"/> <tr> <td>3999</td> <td>ETR</td> <td>-</td> <td>WD.</td> <td>J2</td> <td>PTD.</td> <td>-</td> <td>3997</td> <td>3\"/> </td></tr></td></tr></td></tr></td></tr></td></tr></td></tr></td></tr></td></tr></td></tr></td></tr></td></tr></td></tr></td></tr></td></tr></td></tr></td></tr></td></tr></td></tr></td></tr></td></tr></td></tr></td></tr></td></td></tr></td></tr></td></td></tr></td></td></tr></td></td></tr></td></td></tr></td></td></tr></td></td></tr></td></td></tr></td></td></tr></td></tr> | 374C | ETR | -
 | WD. | J2 | PTD. | - | 373A | 3\"/> <tr> <td>375</td> <td>B</td> <td>1 <td>WD</td> <td>J1</td> <td>PTD.</td> <td>-</td> <td>374B</td> <td>3\"/> <tr> <td>376</td> <td>B</td> <td>1 <td>WD</td> <td>J1</td> <td>PTD.</td> <td>-</td> <td>374C</td> <td>3\"/> <tr> <td>377</td> <td>B</td> <td>1 <td>WD</td> <td>J1</td> <td>PTD.</td> <td>-</td> <td>375</td> <td>3\"/> <tr> <td>377A</td> <td>B</td> <td>1 <td>WD</td> <td>J1</td> <td>PTD.</td> <td>-</td> <td>376</td> <td>3\"/> <tr> <td>378</td> <td>B</td> <td>1 <td>WD</td> <td>J1</td> <td>PTD.</td> <td>-</td> <td>377</td> <td>3\"/> <tr> <td>379</td> <td>B</td> <td>1 <td>WD</td> <td>J1</td> <td>PTD.</td> <td>-</td> <td>377A</td> <td>3\"/> <tr> <td>380A</td> <td>B</td> <td>1 <td>WD</td> <td>J1</td> <td>PTD.</td> <td>-</td> <td>378</td> <td>3\"/> <tr> <td>380B</td> <td>B</td> <td>1 <td>WD</td> <td>J1</td> <td>PTD.</td> <td>-</td> <td>379</td> <td>3\"/> <tr> <td>382</td> <td>ETR</td> <td>-</td> <td>WD.</td> <td>J2</td> <td>PTD.</td> <td>-</td> <td>380A</td> <td>3\"/> <tr> <td>382A</td> <td>D</td> <td>6 <td>ALUM.</td> <td>ANODIZE D</td> <td>-</td> <td>-</td> <td>380B</td> <td>3\"/> <tr> <td>385</td> <td>ETR</td> <td>-</td> <td>WD.</td> <td>J2</td> <td>PTD.</td> <td>-</td> <td>382</td> <td>3\"/> <tr> <td>386</td> <td>ETR</td> <td>-</td> <td>WD.</td> <td>J2</td> <td>PTD.</td> <td>-</td> <td>382A</td> <td>3\"/> <tr> <td>387</td> <td>ETR</td> <td>-</td> <td>WD.</td> <td>J2</td> <td>PTD.</td> <td>-</td> <td>385</td> <td>3\"/> <tr> <td>388</td> <td>ETR</td> <td>-</td> <td>WD.</td> <td>J2</td> <td>PTD.</td> <td>-</td> <td>386</td> <td>3\"/> <tr> <td>389</td> <td>ETR</td> <td>-</td> <td>WD.</td> <td>J2</td> <td>PTD.</td> <td>-</td> <td>387</td> <td>3\"/> <tr> <td>391</td> <td>ETR</td> <td>-</td> <td>WD.</td> <td>J2</td> <td>PTD.</td> <td>-</td> <td>388</td> <td>3\"/> <tr> <td>391A</td> <td>ETR</td> <td>-</td> <td>WD.</td> <td>J2</td> <td>PTD.</td> <td>-</td> <td>389</td> <td>3\"/> <tr> <td>391B</td> <td>ETR</td> <td>-</td> <td>WD.</td> <td>J2</td> <td>PTD.</td> <td>-</td> <td>391</td> <td>3\"/> <tr> <td>394</td> <td>ETR</td> <td>-</td> <td>WD.</td> <td>J2</td> <td>PTD.</td> <td>-</td> <td>391A</td> <td>3\"/> <tr> <td>395</td> <td>ETR</td> <td>-</td> <td>WD.</td> <td>J2</td> <td>PTD.</td> <td>-</td> <td>391B</td> <td>3\"/> <tr> <td>396</td> <td>ETR</td> <td>-</td> <td>WD.</td> <td>J2</td> <td>PTD.</td> <td>-</td> <td>394</td> <td>3\"/> <tr> <td>398</td> <td>ETR</td> <td>-</td> <td>WD.</td> <td>J2</td> <td>PTD.</td> <td>-</td> <td>395</td> <td>3\"/> <tr> <td>399</td> <td>ETR</td> <td>-</td> <td>WD.</td> <td>J2</td> <td>PTD.</td> <td>-</td> <td>396</td> <td>3\"/> <tr> <td>3991</td> <td>ETR</td> <td>-</td> <td>WD.</td> <td>J2</td> <td>PTD.</td> <td>-</td> <td>398</td> <td>3\"/> <tr> <td>3992</td> <td>A</td> <td>3\"/> <tr> <td>3993</td> <td>ETR</td> <td>-</td> <td>WD.</td> <td>J2</td> <td>PTD.</td> <td>-</td> <td>399</td> <td>3\"/> <tr> <td>3994</td> <td>ETR</td> <td>-</td> <td>WD.</td> <td>J2</td> <td>PTD.</td> <td>-</td> <td>3991</td> <td>3\"/> <tr> <td>3995</td> <td>ETR</td> <td>-</td> <td>WD.</td> <td>J2</td> <td>PTD.</td> <td>-</td> <td>3992</td> <td>3\"/> <tr> <td>3997</td> <td>ETR</td> <td>-</td> <td>WD.</td> <td>J2</td> <td>PTD.</td> <td>-</td> <td>3993</td> <td>3\"/> <tr> <td>3998</td> <td>ETR</td> <td>-</td> <td>WD.</td> <td>J2</td> <td>PTD.</td> <td>-</td> <td>3994</td> <td>3\"/> <tr> <td>3999</td> <td>ETR</td> <td>-</td> <td>WD.</td> <td>J2</td> <td>PTD.</td> <td>-</td> <td>3995</td> <td>3\"/> <tr> <td>3999</td> <td>ETR</td> <td>-</td> <td>WD.</td> <td>J2</td> <td>PTD.</td> <td>-</td> <td>3997</td> <td>3\"/> </td></tr></td></tr></td></tr></td></tr></td></tr></td></tr></td></tr></td></tr></td></tr></td></tr></td></tr></td></tr></td></tr></td></tr></td></tr></td></tr></td></tr></td></tr></td></tr></td></tr></td></tr></td></tr></td></td></tr></td></tr></td></td></tr></td></td></tr></td></td></tr></td></td></tr></td></td></tr></td></td></tr></td></td></tr></td></td></tr> | 375 | B | 1 <td>WD</td> <td>J1</td> <td>PTD.</td> <td>-</td> <td>374B</td> <td>3\"/> <tr> <td>376</td> <td>B</td> <td>1 <td>WD</td> <td>J1</td> <td>PTD.</td> <td>-</td> <td>374C</td> <td>3\"/> <tr> <td>377</td> <td>B</td> <td>1 <td>WD</td> <td>J1</td> <td>PTD.</td> <td>-</td> <td>375</td> <td>3\"/> <tr> <td>377A</td> <td>B</td> <td>1 <td>WD</td> <td>J1</td> <td>PTD.</td> <td>-</td> <td>376</td> <td>3\"/> <tr> <td>378</td> <td>B</td> <td>1 <td>WD</td> <td>J1</td> <td>PTD.</td> <td>-</td> <td>377</td> <td>3\"/> <tr> <td>379</td> <td>B</td> <td>1 <td>WD</td> <td>J1</td> <td>PTD.</td> <td>-</td> <td>377A</td> <td>3\"/> <tr> <td>380A</td> <td>B</td> <td>1 <td>WD</td> <td>J1</td> <td>PTD.</td> <td>-</td> <td>378</td> <td>3\"/> <tr> <td>380B</td> <td>B</td> <td>1 <td>WD</td> <td>J1</td> <td>PTD.</td> <td>-</td> <td>379</td> <td>3\"/> <tr> <td>382</td> <td>ETR</td> <td>-</td> <td>WD.</td> <td>J2</td> <td>PTD.</td> <td>-</td> <td>380A</td> <td>3\"/> <tr> <td>382A</td> <td>D</td> <td>6 <td>ALUM.</td> <td>ANODIZE D</td> <td>-</td> <td>-</td> <td>380B</td> <td>3\"/> <tr> <td>385</td> <td>ETR</td> <td>-</td> <td>WD.</td> <td>J2</td> <td>PTD.</td> <td>-</td> <td>382</td> <td>3\"/> <tr> <td>386</td> <td>ETR</td> <td>-</td> <td>WD.</td> <td>J2</td> <td>PTD.</td> <td>-</td> <td>382A</td> <td>3\"/> <tr> <td>387</td> <td>ETR</td> <td>-</td> <td>WD.</td> <td>J2</td> <td>PTD.</td> <td>-</td> <td>385</td> <td>3\"/> <tr> <td>388</td> <td>ETR</td> <td>-</td> <td>WD.</td> <td>J2</td> <td>PTD.</td> <td>-</td> <td>386</td> <td>3\"/> <tr> <td>389</td> <td>ETR</td> <td>-</td> <td>WD.</td> <td>J2</td> <td>PTD.</td> <td>-</td> <td>387</td> <td>3\"/> <tr> <td>391</td> <td>ETR</td> <td>-</td> <td>WD.</td> <td>J2</td> <td>PTD.</td> <td>-</td>
<td>388</td> <td>3\"/> <tr> <td>391A</td> <td>ETR</td> <td>-</td> <td>WD.</td> <td>J2</td> <td>PTD.</td> <td>-</td> <td>389</td> <td>3\"/> <tr> <td>391B</td> <td>ETR</td> <td>-</td> <td>WD.</td> <td>J2</td> <td>PTD.</td> <td>-</td> <td>391</td> <td>3\"/> <tr> <td>394</td> <td>ETR</td> <td>-</td> <td>WD.</td> <td>J2</td> <td>PTD.</td> <td>-</td> <td>391A</td> <td>3\"/> <tr> <td>395</td> <td>ETR</td> <td>-</td> <td>WD.</td> <td>J2</td> <td>PTD.</td> <td>-</td> <td>391B</td> <td>3\"/> <tr> <td>396</td> <td>ETR</td> <td>-</td> <td>WD.</td> <td>J2</td> <td>PTD.</td> <td>-</td> <td>394</td> <td>3\"/> <tr> <td>398</td> <td>ETR</td> <td>-</td> <td>WD.</td> <td>J2</td> <td>PTD.</td> <td>-</td> <td>395</td> <td>3\"/> <tr> <td>399</td> <td>ETR</td> <td>-</td> <td>WD.</td> <td>J2</td> <td>PTD.</td> <td>-</td> <td>396</td> <td>3\"/> <tr> <td>3991</td> <td>ETR</td> <td>-</td> <td>WD.</td> <td>J2</td> <td>PTD.</td> <td>-</td> <td>398</td> <td>3\"/> <tr> <td>3992</td> <td>A</td> <td>3\"/> <tr> <td>3993</td> <td>ETR</td> <td>-</td> <td>WD.</td> <td>J2</td> <td>PTD.</td> <td>-</td> <td>399</td> <td>3\"/> <tr> <td>3994</td> <td>ETR</td> <td>-</td> <td>WD.</td> <td>J2</td> <td>PTD.</td> <td>-</td> <td>3991</td> <td>3\"/> <tr> <td>3995</td> <td>ETR</td> <td>-</td> <td>WD.</td> <td>J2</td> <td>PTD.</td> <td>-</td> <td>3992</td> <td>3\"/> <tr> <td>3997</td> <td>ETR</td> <td>-</td> <td>WD.</td> <td>J2</td> <td>PTD.</td> <td>-</td> <td>3993</td> <td>3\"/> <tr> <td>3998</td> <td>ETR</td> <td>-</td> <td>WD.</td> <td>J2</td> <td>PTD.</td> <td>-</td> <td>3994</td> <td>3\"/> <tr> <td>3999</td> <td>ETR</td> <td>-</td> <td>WD.</td> <td>J2</td> <td>PTD.</td> <td>-</td> <td>3995</td> <td>3\"/> <tr> <td>3999</td> <td>ETR</td> <td>-</td> <td>WD.</td> <td>J2</td> <td>PTD.</td> <td>-</td> <td>3997</td> <td>3\"/> </td></tr></td></tr></td></tr></td></tr></td></tr></td></tr></td></tr></td></tr></td></tr></td></tr></td></tr></td></tr></td></tr></td></tr></td></tr></td></tr></td></tr></td></tr></td></tr></td></tr></td></tr></td></tr></td></td></tr></td></tr></td></td></tr></td></td></tr></td></td></tr></td></td></tr></td></td></tr></td></td></tr></td></td></tr></td> | WD | J1 | PTD. | - | 374B | 3\"/> <tr> <td>376</td> <td>B</td> <td>1 <td>WD</td> <td>J1</td> <td>PTD.</td> <td>-</td> <td>374C</td> <td>3\"/> <tr> <td>377</td> <td>B</td> <td>1 <td>WD</td> <td>J1</td> <td>PTD.</td> <td>-</td> <td>375</td> <td>3\"/> <tr> <td>377A</td> <td>B</td> <td>1 <td>WD</td> <td>J1</td> <td>PTD.</td> <td>-</td> <td>376</td> <td>3\"/> <tr> <td>378</td> <td>B</td> <td>1 <td>WD</td> <td>J1</td> <td>PTD.</td> <td>-</td> <td>377</td> <td>3\"/> <tr> <td>379</td> <td>B</td> <td>1 <td>WD</td> <td>J1</td> <td>PTD.</td> <td>-</td> <td>377A</td> <td>3\"/> <tr> <td>380A</td> <td>B</td> <td>1 <td>WD</td> <td>J1</td> <td>PTD.</td> <td>-</td> <td>378</td> <td>3\"/> <tr> <td>380B</td> <td>B</td> <td>1 <td>WD</td> <td>J1</td> <td>PTD.</td> <td>-</td> <td>379</td> <td>3\"/> <tr> <td>382</td> <td>ETR</td> <td>-</td> <td>WD.</td> <td>J2</td> <td>PTD.</td> <td>-</td> <td>380A</td> <td>3\"/> <tr> <td>382A</td> <td>D</td> <td>6 <td>ALUM.</td> <td>ANODIZE D</td> <td>-</td> <td>-</td> <td>380B</td> <td>3\"/> <tr> <td>385</td> <td>ETR</td> <td>-</td> <td>WD.</td> <td>J2</td> <td>PTD.</td> <td>-</td> <td>382</td> <td>3\"/> <tr> <td>386</td> <td>ETR</td> <td>-</td> <td>WD.</td> <td>J2</td> <td>PTD.</td> <td>-</td> <td>382A</td> <td>3\"/> <tr> <td>387</td> <td>ETR</td> <td>-</td> <td>WD.</td> <td>J2</td> <td>PTD.</td> <td>-</td> <td>385</td> <td>3\"/> <tr> <td>388</td> <td>ETR</td> <td>-</td> <td>WD.</td> <td>J2</td> <td>PTD.</td> <td>-</td> <td>386</td> <td>3\"/> <tr> <td>389</td> <td>ETR</td> <td>-</td> <td>WD.</td> <td>J2</td> <td>PTD.</td> <td>-</td> <td>387</td> <td>3\"/> <tr> <td>391</td> <td>ETR</td> <td>-</td> <td>WD.</td> <td>J2</td> <td>PTD.</td> <td>-</td> <td>388</td> <td>3\"/> <tr> <td>391A</td> <td>ETR</td> <td>-</td> <td>WD.</td> <td>J2</td> <td>PTD.</td> <td>-</td> <td>389</td> <td>3\"/> <tr> <td>391B</td> <td>ETR</td> <td>-</td> <td>WD.</td> <td>J2</td> <td>PTD.</td> <td>-</td> <td>391</td> <td>3\"/> <tr> <td>394</td> <td>ETR</td> <td>-</td> <td>WD.</td> <td>J2</td> <td>PTD.</td> <td>-</td> <td>391A</td> <td>3\"/> <tr> <td>395</td> <td>ETR</td> <td>-</td> <td>WD.</td> <td>J2</td> <td>PTD.</td> <td>-</td> <td>391B</td> <td>3\"/> <tr> <td>396</td> <td>ETR</td> <td>-</td> <td>WD.</td> <td>J2</td> <td>PTD.</td> <td>-</td> <td>394</td> <td>3\"/> <tr> <td>398</td> <td>ETR</td> <td>-</td> <td>WD.</td> <td>J2</td> <td>PTD.</td> <td>-</td> <td>395</td> <td>3\"/> <tr> <td>399</td> <td>ETR</td> <td>-</td> <td>WD.</td> <td>J2</td> <td>PTD.</td> <td>-</td> <td>396</td> <td>3\"/> <tr> <td>3991</td> <td>ETR</td> <td>-</td> <td>WD.</td> <td>J2</td> <td>PTD.</td> <td>-</td> <td>398</td> <td>3\"/> <tr> <td>3992</td> <td>A</td> <td>3\"/> <tr> <td>3993</td> <td>ETR</td> <td>-</td> <td>WD.</td> <td>J2</td> <td>PTD.</td> <td>-</td> <td>399</td> <td>3\"/> <tr> <td>3994</td> <td>ETR</td> <td>-</td> <td>WD.</td> <td>J2</td> <td>PTD.</td> <td>-</td> <td>3991</td> <td>3\"/> <tr> <td>3995</td> <td>ETR</td> <td>-</td> <td>WD.</td> <td>J2</td> <td>PTD.</td> <td>-</td> <td>3992</td> <td>3\"/> <tr> <td>3997</td> <td>ETR</td> <td>-</td> <td>WD.</td> <td>J2</td> <td>PTD.</td> <td>-</td> <td>3993</td> <td>3\"/> <tr> <td>3998</td> <td>ETR</td> <td>-</td> <td>WD.</td> <td>J2</td> <td>PTD.</td> <td>-</td> <td>3994</td> <td>3\"/> <tr> <td>3999</td> <td>ETR</td> <td>-</td> <td>WD.</td> <td>J2</td> <td>PTD.</td> <td>-</td> <td>3995</td> <td>3\"/> <tr> <td>3999</td> <td>ETR</td> <td>-</td> <td>WD.</td> <td>J2</td> <td>PTD.</td> <td>-</td> <td>3997</td> <td>3\"/> </td></tr></td></tr></td></tr></td></tr></td></tr></td></tr></td></tr></td></tr></td></tr></td></tr></td></tr></td></tr></td></tr></td></tr></td></tr></td></tr></td></tr></td></tr></td></tr></td></tr></td></tr></td></tr></td></td></tr></td></tr></td></td></tr></td></td></tr></td></td></tr></td></td></tr></td></td></tr></td></td></tr></td></td></tr> | 376 | B | 1 <td>WD</td> <td>J1</td> <td>PTD.</td> <td>-</td> <td>374C</td> <td>3\"/> <tr> <td>377</td> <td>B</td> <td>1 <td>WD</td> <td>J1</td> <td>PTD.</td> <td>-</td> <td>375</td> <td>3\"/> <tr> <td>377A</td> <td>B</td> <td>1 <td>WD</td> <td>J1</td> <td>PTD.</td> <td>-</td> <td>376</td> <td>3\"/> <tr> <td>378</td> <td>B</td> <td>1 <td>WD</td> <td>J1</td> <td>PTD.</td> <td>-</td> <td>377</td> <td>3\"/> <tr> <td>379</td> <td>B</td> <td>1 <td>WD</td> <td>J1</td> <td>PTD.</td> <td>-</td> <td>377A</td> <td>3\"/> <tr> <td>380A</td> <td>B</td> <td>1 <td>WD</td> <td>J1</td> <td>PTD.</td> <td>-</td> <td>378</td> <td>3\"/> <tr> <td>380B</td> <td>B</td> <td>1 <td>WD</td> <td>J1</td> <td>PTD.</td> <td>-</td> <td>379</td> <td>3\"/> <tr> <td>382</td> <td>ETR</td> <td>-</td> <td>WD.</td> <td>J2</td> <td>PTD.</td> <td>-</td> <td>380A</td> <td>3\"/> <tr> <td>382A</td> <td>D</td> <td>6 <td>ALUM.</td> <td>ANODIZE D</td> <td>-</td> <td>-</td> <td>380B</td> <td>3\"/> <tr> <td>385</td> <td>ETR</td> <td>-</td> <td>WD.</td> <td>J2</td> <td>PTD.</td> <td>-</td> <td>382</td> <td>3\"/> <tr> <td>386</td>
<td>ETR</td> <td>-</td> <td>WD.</td> <td>J2</td> <td>PTD.</td> <td>-</td> <td>382A</td> <td>3\"/> <tr> <td>387</td> <td>ETR</td> <td>-</td> <td>WD.</td> <td>J2</td> <td>PTD.</td> <td>-</td> <td>385</td> <td>3\"/> <tr> <td>388</td> <td>ETR</td> <td>-</td> <td>WD.</td> <td>J2</td> <td>PTD.</td> <td>-</td> <td>386</td> <td>3\"/> <tr> <td>389</td> <td>ETR</td> <td>-</td> <td>WD.</td> <td>J2</td> <td>PTD.</td> <td>-</td> <td>387</td> <td>3\"/> <tr> <td>391</td> <td>ETR</td> <td>-</td> <td>WD.</td> <td>J2</td> <td>PTD.</td> <td>-</td> <td>388</td> <td>3\"/> <tr> <td>391A</td> <td>ETR</td> <td>-</td> <td>WD.</td> <td>J2</td> <td>PTD.</td> <td>-</td> <td>389</td> <td>3\"/> <tr> <td>391B</td> <td>ETR</td> <td>-</td> <td>WD.</td> <td>J2</td> <td>PTD.</td> <td>-</td> <td>391</td> <td>3\"/> <tr> <td>394</td> <td>ETR</td> <td>-</td> <td>WD.</td> <td>J2</td> <td>PTD.</td> <td>-</td> <td>391A</td> <td>3\"/> <tr> <td>395</td> <td>ETR</td> <td>-</td> <td>WD.</td> <td>J2</td> <td>PTD.</td> <td>-</td> <td>391B</td> <td>3\"/> <tr> <td>396</td> <td>ETR</td> <td>-</td> <td>WD.</td> <td>J2</td> <td>PTD.</td> <td>-</td> <td>394</td> <td>3\"/> <tr> <td>398</td> <td>ETR</td> <td>-</td> <td>WD.</td> <td>J2</td> <td>PTD.</td> <td>-</td> <td>395</td> <td>3\"/> <tr> <td>399</td> <td>ETR</td> <td>-</td> <td>WD.</td> <td>J2</td> <td>PTD.</td> <td>-</td> <td>396</td> <td>3\"/> <tr> <td>3991</td> <td>ETR</td> <td>-</td> <td>WD.</td> <td>J2</td> <td>PTD.</td> <td>-</td> <td>398</td> <td>3\"/> <tr> <td>3992</td> <td>A</td> <td>3\"/> <tr> <td>3993</td> <td>ETR</td> <td>-</td> <td>WD.</td> <td>J2</td> <td>PTD.</td> <td>-</td> <td>399</td> <td>3\"/> <tr> <td>3994</td> <td>ETR</td> <td>-</td> <td>WD.</td> <td>J2</td> <td>PTD.</td> <td>-</td> <td>3991</td> <td>3\"/> <tr> <td>3995</td> <td>ETR</td> <td>-</td> <td>WD.</td> <td>J2</td> <td>PTD.</td> <td>-</td> <td>3992</td> <td>3\"/> <tr> <td>3997</td> <td>ETR</td> <td>-</td> <td>WD.</td> <td>J2</td> <td>PTD.</td> <td>-</td> <td>3993</td> <td>3\"/> <tr> <td>3998</td> <td>ETR</td> <td>-</td> <td>WD.</td> <td>J2</td> <td>PTD.</td> <td>-</td> <td>3994</td> <td>3\"/> <tr> <td>3999</td> <td>ETR</td> <td>-</td> <td>WD.</td> <td>J2</td> <td>PTD.</td> <td>-</td> <td>3995</td> <td>3\"/> <tr> <td>3999</td> <td>ETR</td> <td>-</td> <td>WD.</td> <td>J2</td> <td>PTD.</td> <td>-</td> <td>3997</td> <td>3\"/> </td></tr></td></tr></td></tr></td></tr></td></tr></td></tr></td></tr></td></tr></td></tr></td></tr></td></tr></td></tr></td></tr></td></tr></td></tr></td></tr></td></tr></td></tr></td></tr></td></tr></td></tr></td></tr></td></td></tr></td></tr></td></td></tr></td></td></tr></td></td></tr></td></td></tr></td></td></tr></td></td></tr></td> | WD | J1 | PTD. | - | 374C | 3\"/> <tr> <td>377</td> <td>B</td> <td>1 <td>WD</td> <td>J1</td> <td>PTD.</td> <td>-</td> <td>375</td> <td>3\"/> <tr> <td>377A</td> <td>B</td> <td>1 <td>WD</td> <td>J1</td> <td>PTD.</td> <td>-</td> <td>376</td> <td>3\"/> <tr> <td>378</td> <td>B</td> <td>1 <td>WD</td> <td>J1</td> <td>PTD.</td> <td>-</td> <td>377</td> <td>3\"/> <tr> <td>379</td> <td>B</td> <td>1 <td>WD</td> <td>J1</td> <td>PTD.</td> <td>-</td> <td>377A</td> <td>3\"/> <tr> <td>380A</td> <td>B</td> <td>1 <td>WD</td> <td>J1</td> <td>PTD.</td> <td>-</td> <td>378</td> <td>3\"/> <tr> <td>380B</td> <td>B</td> <td>1 <td>WD</td> <td>J1</td> <td>PTD.</td> <td>-</td> <td>379</td>
<td>3\"/> <tr> <td>382</td> <td>ETR</td> <td>-</td> <td>WD.</td> <td>J2</td> <td>PTD.</td> <td>-</td> <td>380A</td> <td>3\"/> <tr> <td>382A</td> <td>D</td> <td>6 <td>ALUM.</td> <td>ANODIZE D</td> <td>-</td> <td>-</td> <td>380B</td> <td>3\"/> <tr> <td>385</td> <td>ETR</td> <td>-</td> <td>WD.</td> <td>J2</td> <td>PTD.</td> <td>-</td> <td>382</td> <td>3\"/> <tr> <td>386</td> <td>ETR</td> <td>-</td> <td>WD.</td> <td>J2</td> <td>PTD.</td> <td>-</td> <td>382A</td> <td>3\"/> <tr> <td>387</td> <td>ETR</td> <td>-</td> <td>WD.</td> <td>J2</td> <td>PTD.</td> <td>-</td> <td>385</td> <td>3\"/> <tr> <td>388</td> <td>ETR</td> <td>-</td> <td>WD.</td> <td>J2</td> <td>PTD.</td> <td>-</td> <td>386</td> <td>3\"/> <tr> <td>389</td> <td>ETR</td> <td>-</td> <td>WD.</td> <td>J2</td> <td>PTD.</td> <td>-</td> <td>387</td> <td>3\"/> <tr> <td>391</td> <td>ETR</td> <td>-</td> <td>WD.</td> <td>J2</td> <td>PTD.</td> <td>-</td> <td>388</td> <td>3\"/> <tr> <td>391A</td> <td>ETR</td> <td>-</td> <td>WD.</td> <td>J2</td> <td>PTD.</td> <td>-</td> <td>389</td> <td>3\"/> <tr> <td>391B</td> <td>ETR</td> <td>-</td> <td>WD.</td> <td>J2</td> <td>PTD.</td> <td>-</td> <td>391</td> <td>3\"/> <tr> <td>394</td> <td>ETR</td> <td>-</td> <td>WD.</td> <td>J2</td> <td>PTD.</td> <td>-</td> <td>391A</td> <td>3\"/> <tr> <td>395</td> <td>ETR</td> <td>-</td> <td>WD.</td> <td>J2</td> <td>PTD.</td> <td>-</td> <td>391B</td> <td>3\"/> <tr> <td>396</td> <td>ETR</td> <td>-</td> <td>WD.</td> <td>J2</td> <td>PTD.</td> <td>-</td> <td>394</td> <td>3\"/> <tr> <td>398</td> <td>ETR</td> <td>-</td> <td>WD.</td> <td>J2</td> <td>PTD.</td> <td>-</td> <td>395</td> <td>3\"/> <tr> <td>399</td> <td>ETR</td> <td>-</td> <td>WD.</td> <td>J2</td> <td>PTD.</td> <td>-</td> <td>396</td> <td>3\"/> <tr> <td>3991</td> <td>ETR</td> <td>-</td> <td>WD.</td> <td>J2</td> <td>PTD.</td> <td>-</td> <td>398</td> <td>3\"/> <tr> <td>3992</td> <td>A</td> <td>3\"/> <tr> <td>3993</td> <td>ETR</td> <td>-</td> <td>WD.</td> <td>J2</td> <td>PTD.</td> <td>-</td> <td>399</td> <td>3\"/> <tr> <td>3994</td> <td>ETR</td> <td>-</td> <td>WD.</td> <td>J2</td> <td>PTD.</td> <td>-</td> <td>3991</td> <td>3\"/> <tr> <td>3995</td> <td>ETR</td> <td>-</td> <td>WD.</td> <td>J2</td> <td>PTD.</td> <td>-</td> <td>3992</td> <td>3\"/> <tr> <td>3997</td> <td>ETR</td> <td>-</td> <td>WD.</td> <td>J2</td> <td>PTD.</td> <td>-</td> <td>3993</td> <td>3\"/> <tr> <td>3998</td> <td>ETR</td> <td>-</td> <td>WD.</td> <td>J2</td> <td>PTD.</td> <td>-</td> <td>3994</td> <td>3\"/> <tr> <td>3999</td> <td>ETR</td> <td>-</td> <td>WD.</td> <td>J2</td> <td>PTD.</td> <td>-</td> <td>3995</td> <td>3\"/> <tr> <td>3999</td> <td>ETR</td> <td>-</td> <td>WD.</td> <td>J2</td> <td>PTD.</td> <td>-</td> <td>3997</td> <td>3\"/> </td></tr></td></tr></td></tr></td></tr></td></tr></td></tr></td></tr></td></tr></td></tr></td></tr></td></tr></td></tr></td></tr></td></tr></td></tr></td></tr></td></tr></td></tr></td></tr></td></tr></td></tr></td></tr></td></td></tr></td></tr></td></td></tr></td></td></tr></td></td></tr></td></td></tr></td></td></tr></td></td></tr> | 377 | B | 1 <td>WD</td> <td>J1</td> <td>PTD.</td> <td>-</td> <td>375</td> <td>3\"/> <tr> <td>377A</td> <td>B</td> <td>1 <td>WD</td> <td>J1</td> <td>PTD.</td> <td>-</td> <td>376</td> <td>3\"/> <tr> <td>378</td> <td>B</td> <td>1 <td>WD</td> <td>J1</td> <td>PTD.</td> <td>-</td> <td>377</td> <td>3\"/> <tr> <td>379</td> <td>B</td> <td>1 <td>WD</td> <td>J1</td> <td>PTD.</td> <td>-</td> <td>377A</td> <td>3\"/> <tr> <td>380A</td> <td>B</td> <td>1 <td>WD</td> <td>J1</td> <td>PTD.</td> <td>-</td> <td>378</td> <td>3\"/> <tr> <td>380B</td> <td>B</td> <td>1 <td>WD</td> <td>J1</td> <td>PTD.</td> <td>-</td> <td>379</td> <td>3\"/> <tr> <td>382</td> <td>ETR</td> <td>-</td> <td>WD.</td> <td>J2</td> <td>PTD.</td> <td>-</td> <td>380A</td> <td>3\"/> <tr> <td>382A</td> <td>D</td> <td>6 <td>ALUM.</td> <td>ANODIZE D</td> <td>-</td> <td>-</td> <td>380B</td> <td>3\"/> <tr> <td>385</td> <td>ETR</td> <td>-</td> <td>WD.</td> <td>J2</td> <td>PTD.</td> <td>-</td> <td>382</td> <td>3\"/> <tr> <td>386</td> <td>ETR</td> <td>-</td> <td>WD.</td> <td>J2</td> <td>PTD.</td> <td>-</td> <td>382A</td> <td>3\"/> <tr> <td>387</td> <td>ETR</td> <td>-</td> <td>WD.</td> <td>J2</td> <td>PTD.</td> <td>-</td> <td>385</td> <td>3\"/> <tr> <td>388</td> <td>ETR</td> <td>-</td> <td>WD.</td> <td>J2</td> <td>PTD.</td> <td>-</td> <td>386</td> <td>3\"/> <tr> <td>389</td> <td>ETR</td> <td>-</td> <td>WD.</td> <td>J2</td> <td>PTD.</td> <td>-</td> <td>387</td> <td>3\"/> <tr> <td>391</td> <td>ETR</td> <td>-</td> <td>WD.</td> <td>J2</td> <td>PTD.</td> <td>-</td> <td>388</td> <td>3\"/> <tr> <td>391A</td> <td>ETR</td> <td>-</td> <td>WD.</td> <td>J2</td> <td>PTD.</td> <td>-</td> <td>389</td> <td>3\"/> <tr> <td>391B</td> <td>ETR</td> <td>-</td> <td>WD.</td> <td>J2</td> <td>PTD.</td> <td>-</td> <td>391</td> <td>3\"/> <tr> <td>394</td> <td>ETR</td> <td>-</td> <td>WD.</td> <td>J2</td> <td>PTD.</td> <td>-</td> <td>391A</td> <td>3\"/> <tr> <td>395</td> <td>ETR</td> <td>-</td> <td>WD.</td> <td>J2</td> <td>PTD.</td> <td>-</td> <td>391B</td> <td>3\"/> <tr> <td>396</td> <td>ETR</td> <td>-</td> <td>WD.</td> <td>J2</td> <td>PTD.</td> <td>-</td> <td>394</td> <td>3\"/> <tr> <td>398</td> <td>ETR</td> <td>-</td> <td>WD.</td> <td>J2</td> <td>PTD.</td> <td>-</td> <td>395</td> <td>3\"/> <tr> <td>399</td> <td>ETR</td> <td>-</td> <td>WD.</td> <td>J2</td> <td>PTD.</td> <td>-</td> <td>396</td> <td>3\"/> <tr> <td>3991</td> <td>ETR</td> <td>-</td> <td>WD.</td> <td>J2</td> <td>PTD.</td> <td>-</td> <td>398</td> <td>3\"/> <tr> <td>3992</td> <td>A</td> <td>3\"/> <tr> <td>3993</td> <td>ETR</td> <td>-</td> <td>WD.</td> <td>J2</td> <td>PTD.</td> <td>-</td> <td>399</td> <td>3\"/> <tr> <td>3994</td> <td>ETR</td> <td>-</td> <td>WD.</td> <td>J2</td> <td>PTD.</td> <td>-</td> <td>3991</td> <td>3\"/> <tr> <td>3995</td> <td>ETR</td> <td>-</td> <td>WD.</td> <td>J2</td> <td>PTD.</td> <td>-</td> <td>3992</td> <td>3\"/> <tr> <td>3997</td> <td>ETR</td> <td>-</td> <td>WD.</td> <td>J2</td> <td>PTD.</td> <td>-</td> <td>3993</td> <td>3\"/> <tr> <td>3998</td> <td>ETR</td> <td>-</td> <td>WD.</td> <td>J2</td> <td>PTD.</td> <td>-</td> <td>3994</td> <td>3\"/> <tr> <td>3999</td> <td>ETR</td> <td>-</td> <td>WD.</td> <td>J2</td> <td>PTD.</td> <td>-</td> <td>3995</td> <td>3\"/> <tr> <td>3999</td> <td>ETR</td> <td>-</td> <td>WD.</td> <td>J2</td> <td>PTD.</td> <td>-</td> <td>3997</td> <td>3\"/> </td></tr></td></tr></td></tr></td></tr></td></tr></td></tr></td></tr></td></tr></td></tr></td></tr></td></tr></td></tr></td></tr></td></tr></td></tr></td></tr></td></tr></td></tr></td></tr></td></tr></td></tr></td></tr></td></td></tr></td></tr></td></td></tr></td></td></tr></td></td></tr></td></td></tr></td></td></tr></td> | WD | J1 | PTD. | - | 375 | 3\"/> <tr> <td>377A</td> <td>B</td> <td>1 <td>WD</td> <td>J1</td> <td>PTD.</td> <td>-</td> <td>376</td> <td>3\"/> <tr> <td>378</td> <td>B</td> <td>1 <td>WD</td> <td>J1</td> <td>PTD.</td> <td>-</td> <td>377</td> <td>3\"/> <tr> <td>379</td> <td>B</td> <td>1 <td>WD</td> <td>J1</td> <td>PTD.</td> <td>-</td> <td>377A</td> <td>3\"/> <tr> <td>380A</td> <td>B</td> <td>1 <td>WD</td>
<td>J1</td> <td>PTD.</td> <td>-</td> <td>378</td> <td>3\"/> <tr> <td>380B</td> <td>B</td> <td>1 <td>WD</td> <td>J1</td> <td>PTD.</td> <td>-</td> <td>379</td> <td>3\"/> <tr> <td>382</td> <td>ETR</td> <td>-</td> <td>WD.</td> <td>J2</td> <td>PTD.</td> <td>-</td> <td>380A</td> <td>3\"/> <tr> <td>382A</td> <td>D</td> <td>6 <td>ALUM.</td> <td>ANODIZE D</td> <td>-</td> <td>-</td> <td>380B</td> <td>3\"/> <tr> <td>385</td> <td>ETR</td> <td>-</td> <td>WD.</td> <td>J2</td> <td>PTD.</td> <td>-</td> <td>382</td> <td>3\"/> <tr> <td>386</td> <td>ETR</td> <td>-</td> <td>WD.</td> <td>J2</td> <td>PTD.</td> <td>-</td> <td>382A</td> <td>3\"/> <tr> <td>387</td> <td>ETR</td> <td>-</td> <td>WD.</td> <td>J2</td> <td>PTD.</td> <td>-</td> <td>385</td> <td>3\"/> <tr> <td>388</td> <td>ETR</td> <td>-</td> <td>WD.</td> <td>J2</td> <td>PTD.</td> <td>-</td> <td>386</td> <td>3\"/> <tr> <td>389</td> <td>ETR</td> <td>-</td> <td>WD.</td> <td>J2</td> <td>PTD.</td> <td>-</td> <td>387</td> <td>3\"/> <tr> <td>391</td> <td>ETR</td> <td>-</td> <td>WD.</td> <td>J2</td> <td>PTD.</td> <td>-</td> <td>388</td> <td>3\"/> <tr> <td>391A</td> <td>ETR</td> <td>-</td> <td>WD.</td> <td>J2</td> <td>PTD.</td> <td>-</td> <td>389</td> <td>3\"/> <tr> <td>391B</td> <td>ETR</td> <td>-</td> <td>WD.</td> <td>J2</td> <td>PTD.</td> <td>-</td> <td>391</td> <td>3\"/> <tr> <td>394</td> <td>ETR</td> <td>-</td> <td>WD.</td> <td>J2</td> <td>PTD.</td> <td>-</td> <td>391A</td> <td>3\"/> <tr> <td>395</td> <td>ETR</td> <td>-</td> <td>WD.</td> <td>J2</td> <td>PTD.</td> <td>-</td> <td>391B</td> <td>3\"/> <tr> <td>396</td> <td>ETR</td> <td>-</td> <td>WD.</td> <td>J2</td> <td>PTD.</td> <td>-</td> <td>394</td> <td>3\"/> <tr> <td>398</td> <td>ETR</td> <td>-</td> <td>WD.</td> <td>J2</td> <td>PTD.</td> <td>-</td> <td>395</td> <td>3\"/> <tr> <td>399</td> <td>ETR</td> <td>-</td> <td>WD.</td> <td>J2</td> <td>PTD.</td> <td>-</td> <td>396</td> <td>3\"/> <tr> <td>3991</td> <td>ETR</td> <td>-</td> <td>WD.</td> <td>J2</td> <td>PTD.</td> <td>-</td> <td>398</td> <td>3\"/> <tr> <td>3992</td> <td>A</td> <td>3\"/> <tr> <td>3993</td> <td>ETR</td> <td>-</td> <td>WD.</td> <td>J2</td> <td>PTD.</td> <td>-</td> <td>399</td> <td>3\"/> <tr> <td>3994</td> <td>ETR</td> <td>-</td> <td>WD.</td> <td>J2</td> <td>PTD.</td> <td>-</td> <td>3991</td> <td>3\"/> <tr> <td>3995</td> <td>ETR</td> <td>-</td> <td>WD.</td> <td>J2</td> <td>PTD.</td> <td>-</td> <td>3992</td> <td>3\"/> <tr> <td>3997</td> <td>ETR</td> <td>-</td> <td>WD.</td> <td>J2</td> <td>PTD.</td> <td>-</td> <td>3993</td> <td>3\"/> <tr> <td>3998</td> <td>ETR</td> <td>-</td> <td>WD.</td> <td>J2</td> <td>PTD.</td> <td>-</td> <td>3994</td> <td>3\"/> <tr> <td>3999</td> <td>ETR</td> <td>-</td> <td>WD.</td> <td>J2</td> <td>PTD.</td> <td>-</td> <td>3995</td> <td>3\"/> <tr> <td>3999</td> <td>ETR</td> <td>-</td> <td>WD.</td> <td>J2</td> <td>PTD.</td> <td>-</td> <td>3997</td> <td>3\"/> </td></tr></td></tr></td></tr></td></tr></td></tr></td></tr></td></tr></td></tr></td></tr></td></tr></td></tr></td></tr></td></tr></td></tr></td></tr></td></tr></td></tr></td></tr></td></tr></td></tr></td></tr></td></tr></td></td></tr></td></tr></td></td></tr></td></td></tr></td></td></tr></td></td></tr></td></td></tr> | 377A | B | 1 <td>WD</td> <td>J1</td> <td>PTD.</td> <td>-</td> <td>376</td> <td>3\"/> <tr> <td>378</td> <td>B</td> <td>1 <td>WD</td> <td>J1</td> <td>PTD.</td> <td>-</td> <td>377</td> <td>3\"/> <tr> <td>379</td> <td>B</td> <td>1 <td>WD</td> <td>J1</td> <td>PTD.</td> <td>-</td> <td>377A</td> <td>3\"/> <tr> <td>380A</td> <td>B</td> <td>1 <td>WD</td> <td>J1</td> <td>PTD.</td> <td>-</td> <td>378</td> <td>3\"/> <tr> <td>380B</td> <td>B</td> <td>1 <td>WD</td> <td>J1</td> <td>PTD.</td> <td>-</td> <td>379</td> <td>3\"/> <tr> <td>382</td> <td>ETR</td> <td>-</td> <td>WD.</td> <td>J2</td> <td>PTD.</td> <td>-</td> <td>380A</td> <td>3\"/> <tr> <td>382A</td> <td>D</td> <td>6 <td>ALUM.</td> <td>ANODIZE D</td> <td>-</td> <td>-</td> <td>380B</td> <td>3\"/> <tr> <td>385</td> <td>ETR</td> <td>-</td> <td>WD.</td> <td>J2</td> <td>PTD.</td> <td>-</td> <td>382</td> <td>3\"/> <tr> <td>386</td> <td>ETR</td> <td>-</td> <td>WD.</td> <td>J2</td> <td>PTD.</td> <td>-</td> <td>382A</td> <td>3\"/> <tr> <td>387</td> <td>ETR</td> <td>-</td> <td>WD.</td> <td>J2</td> <td>PTD.</td> <td>-</td> <td>385</td> <td>3\"/> <tr> <td>388</td> <td>ETR</td> <td>-</td> <td>WD.</td> <td>J2</td> <td>PTD.</td> <td>-</td> <td>386</td> <td>3\"/> <tr> <td>389</td> <td>ETR</td> <td>-</td> <td>WD.</td> <td>J2</td> <td>PTD.</td> <td>-</td> <td>387</td> <td>3\"/> <tr> <td>391</td> <td>ETR</td> <td>-</td> <td>WD.</td> <td>J2</td> <td>PTD.</td> <td>-</td> <td>388</td> <td>3\"/> <tr> <td>391A</td> <td>ETR</td> <td>-</td> <td>WD.</td> <td>J2</td> <td>PTD.</td> <td>-</td> <td>389</td> <td>3\"/> <tr> <td>391B</td> <td>ETR</td> <td>-</td> <td>WD.</td> <td>J2</td> <td>PTD.</td> <td>-</td> <td>391</td> <td>3\"/> <tr> <td>394</td> <td>ETR</td> <td>-</td> <td>WD.</td> <td>J2</td> <td>PTD.</td> <td>-</td> <td>391A</td> <td>3\"/> <tr> <td>395</td> <td>ETR</td> <td>-</td> <td>WD.</td> <td>J2</td> <td>PTD.</td> <td>-</td> <td>391B</td> <td>3\"/> <tr> <td>396</td> <td>ETR</td> <td>-</td> <td>WD.</td> <td>J2</td> <td>PTD.</td> <td>-</td> <td>394</td> <td>3\"/> <tr> <td>398</td> <td>ETR</td> <td>-</td> <td>WD.</td> <td>J2</td> <td>PTD.</td> <td>-</td> <td>395</td> <td>3\"/> <tr> <td>399</td> <td>ETR</td> <td>-</td> <td>WD.</td> <td>J2</td> <td>PTD.</td> <td>-</td> <td>396</td> <td>3\"/> <tr> <td>3991</td> <td>ETR</td> <td>-</td> <td>WD.</td> <td>J2</td> <td>PTD.</td> <td>-</td> <td>398</td> <td>3\"/> <tr> <td>3992</td> <td>A</td> <td>3\"/> <tr> <td>3993</td> <td>ETR</td> <td>-</td> <td>WD.</td> <td>J2</td> <td>PTD.</td> <td>-</td> <td>399</td> <td>3\"/> <tr> <td>3994</td> <td>ETR</td> <td>-</td> <td>WD.</td> <td>J2</td> <td>PTD.</td> <td>-</td> <td>3991</td> <td>3\"/> <tr> <td>3995</td> <td>ETR</td> <td>-</td> <td>WD.</td> <td>J2</td> <td>PTD.</td> <td>-</td> <td>3992</td> <td>3\"/> <tr> <td>3997</td> <td>ETR</td> <td>-</td> <td>WD.</td> <td>J2</td> <td>PTD.</td> <td>-</td> <td>3993</td> <td>3\"/> <tr> <td>3998</td> <td>ETR</td> <td>-</td> <td>WD.</td> <td>J2</td> <td>PTD.</td> <td>-</td> <td>3994</td> <td>3\"/> <tr> <td>3999</td> <td>ETR</td> <td>-</td> <td>WD.</td> <td>J2</td> <td>PTD.</td> <td>-</td> <td>3995</td> <td>3\"/> <tr> <td>3999</td> <td>ETR</td> <td>-</td> <td>WD.</td> <td>J2</td> <td>PTD.</td> <td>-</td> <td>3997</td> <td>3\"/> </td></tr></td></tr></td></tr></td></tr></td></tr></td></tr></td></tr></td></tr></td></tr></td></tr></td></tr></td></tr></td></tr></td></tr></td></tr></td></tr></td></tr></td></tr></td></tr></td></tr></td></tr></td></tr></td></td></tr></td></tr></td></td></tr></td></td></tr></td></td></tr></td></td></tr></td> | WD | J1 | PTD. | - | 376 | 3\"/> <tr> <td>378</td> <td>B</td> <td>1 <td>WD</td> <td>J1</td> <td>PTD.</td> <td>-</td> <td>377</td> <td>3\"/> <tr> <td>379</td> <td>B</td> <td>1 <td>WD</td> <td>J1</td> <td>PTD.</td> <td>-</td> <td>377A</td> <td>3\"/> <tr> <td>380A</td> <td>B</td> <td>1 <td>WD</td> <td>J1</td> <td>PTD.</td> <td>-</td> <td>378</td> <td>3\"/> <tr> <td>380B</td> <td>B</td>
<td>1 <td>WD</td> <td>J1</td> <td>PTD.</td> <td>-</td> <td>379</td> <td>3\"/> <tr> <td>382</td> <td>ETR</td> <td>-</td> <td>WD.</td> <td>J2</td> <td>PTD.</td> <td>-</td> <td>380A</td> <td>3\"/> <tr> <td>382A</td> <td>D</td> <td>6 <td>ALUM.</td> <td>ANODIZE D</td> <td>-</td> <td>-</td> <td>380B</td> <td>3\"/> <tr> <td>385</td> <td>ETR</td> <td>-</td> <td>WD.</td> <td>J2</td> <td>PTD.</td> <td>-</td> <td>382</td> <td>3\"/> <tr> <td>386</td> <td>ETR</td> <td>-</td> <td>WD.</td> <td>J2</td> <td>PTD.</td> <td>-</td> <td>382A</td> <td>3\"/> <tr> <td>387</td> <td>ETR</td> <td>-</td> <td>WD.</td> <td>J2</td> <td>PTD.</td> <td>-</td> <td>385</td> <td>3\"/> <tr> <td>388</td> <td>ETR</td> <td>-</td> <td>WD.</td> <td>J2</td> <td>PTD.</td> <td>-</td> <td>386</td> <td>3\"/> <tr> <td>389</td> <td>ETR</td> <td>-</td> <td>WD.</td> <td>J2</td> <td>PTD.</td> <td>-</td> <td>387</td> <td>3\"/> <tr> <td>391</td> <td>ETR</td> <td>-</td> <td>WD.</td> <td>J2</td> <td>PTD.</td> <td>-</td> <td>388</td> <td>3\"/> <tr> <td>391A</td> <td>ETR</td> <td>-</td> <td>WD.</td> <td>J2</td> <td>PTD.</td> <td>-</td> <td>389</td> <td>3\"/> <tr> <td>391B</td> <td>ETR</td> <td>-</td> <td>WD.</td> <td>J2</td> <td>PTD.</td> <td>-</td> <td>391</td> <td>3\"/> <tr> <td>394</td> <td>ETR</td> <td>-</td> <td>WD.</td> <td>J2</td> <td>PTD.</td> <td>-</td> <td>391A</td> <td>3\"/> <tr> <td>395</td> <td>ETR</td> <td>-</td> <td>WD.</td> <td>J2</td> <td>PTD.</td> <td>-</td> <td>391B</td> <td>3\"/> <tr> <td>396</td> <td>ETR</td> <td>-</td> <td>WD.</td> <td>J2</td> <td>PTD.</td> <td>-</td> <td>394</td> <td>3\"/> <tr> <td>398</td> <td>ETR</td> <td>-</td> <td>WD.</td> <td>J2</td> <td>PTD.</td> <td>-</td> <td>395</td> <td>3\"/> <tr> <td>399</td> <td>ETR</td> <td>-</td> <td>WD.</td> <td>J2</td> <td>PTD.</td> <td>-</td> <td>396</td> <td>3\"/> <tr> <td>3991</td> <td>ETR</td> <td>-</td> <td>WD.</td> <td>J2</td> <td>PTD.</td> <td>-</td> <td>398</td> <td>3\"/> <tr> <td>3992</td> <td>A</td> <td>3\"/> <tr> <td>3993</td> <td>ETR</td> <td>-</td> <td>WD.</td> <td>J2</td> <td>PTD.</td> <td>-</td> <td>399</td> <td>3\"/> <tr> <td>3994</td> <td>ETR</td> <td>-</td> <td>WD.</td> <td>J2</td> <td>PTD.</td> <td>-</td> <td>3991</td> <td>3\"/> <tr> <td>3995</td> <td>ETR</td> <td>-</td> <td>WD.</td> <td>J2</td> <td>PTD.</td> <td>-</td> <td>3992</td> <td>3\"/> <tr> <td>3997</td> <td>ETR</td> <td>-</td> <td>WD.</td> <td>J2</td> <td>PTD.</td> <td>-</td> <td>3993</td> <td>3\"/> <tr> <td>3998</td> <td>ETR</td> <td>-</td> <td>WD.</td> <td>J2</td> <td>PTD.</td> <td>-</td> <td>3994</td> <td>3\"/> <tr> <td>3999</td> <td>ETR</td> <td>-</td> <td>WD.</td> <td>J2</td> <td>PTD.</td> <td>-</td> <td>3995</td> <td>3\"/> <tr> <td>3999</td> <td>ETR</td> <td>-</td> <td>WD.</td> <td>J2</td> <td>PTD.</td> <td>-</td> <td>3997</td> <td>3\"/> </td></tr></td></tr></td></tr></td></tr></td></tr></td></tr></td></tr></td></tr></td></tr></td></tr></td></tr></td></tr></td></tr></td></tr></td></tr></td></tr></td></tr></td></tr></td></tr></td></tr></td></tr></td></tr></td></td></tr></td></tr></td></td></tr></td></td></tr></td></td></tr></td></td></tr> | 378 | B | 1 <td>WD</td> <td>J1</td> <td>PTD.</td> <td>-</td> <td>377</td> <td>3\"/> <tr> <td>379</td> <td>B</td> <td>1 <td>WD</td> <td>J1</td> <td>PTD.</td> <td>-</td> <td>377A</td> <td>3\"/> <tr> <td>380A</td> <td>B</td> <td>1 <td>WD</td> <td>J1</td> <td>PTD.</td> <td>-</td> <td>378</td> <td>3\"/> <tr> <td>380B</td> <td>B</td> <td>1 <td>WD</td> <td>J1</td> <td>PTD.</td> <td>-</td> <td>379</td> <td>3\"/> <tr> <td>382</td> <td>ETR</td> <td>-</td> <td>WD.</td> <td>J2</td> <td>PTD.</td> <td>-</td> <td>380A</td> <td>3\"/> <tr> <td>382A</td> <td>D</td> <td>6 <td>ALUM.</td> <td>ANODIZE D</td> <td>-</td> <td>-</td> <td>380B</td> <td>3\"/> <tr> <td>385</td> <td>ETR</td> <td>-</td> <td>WD.</td> <td>J2</td> <td>PTD.</td> <td>-</td> <td>382</td> <td>3\"/> <tr> <td>386</td> <td>ETR</td> <td>-</td> <td>WD.</td> <td>J2</td> <td>PTD.</td> <td>-</td> <td>382A</td> <td>3\"/> <tr> <td>387</td> <td>ETR</td> <td>-</td> <td>WD.</td> <td>J2</td> <td>PTD.</td> <td>-</td> <td>385</td> <td>3\"/> <tr> <td>388</td> <td>ETR</td> <td>-</td> <td>WD.</td> <td>J2</td> <td>PTD.</td> <td>-</td> <td>386</td> <td>3\"/> <tr> <td>389</td> <td>ETR</td> <td>-</td> <td>WD.</td> <td>J2</td> <td>PTD.</td> <td>-</td> <td>387</td> <td>3\"/> <tr> <td>391</td> <td>ETR</td> <td>-</td> <td>WD.</td> <td>J2</td> <td>PTD.</td> <td>-</td> <td>388</td> <td>3\"/> <tr> <td>391A</td> <td>ETR</td> <td>-</td> <td>WD.</td> <td>J2</td> <td>PTD.</td> <td>-</td> <td>389</td> <td>3\"/> <tr> <td>391B</td> <td>ETR</td> <td>-</td> <td>WD.</td> <td>J2</td> <td>PTD.</td> <td>-</td> <td>391</td> <td>3\"/> <tr> <td>394</td> <td>ETR</td> <td>-</td> <td>WD.</td> <td>J2</td> <td>PTD.</td> <td>-</td> <td>391A</td> <td>3\"/> <tr> <td>395</td> <td>ETR</td> <td>-</td> <td>WD.</td> <td>J2</td> <td>PTD.</td> <td>-</td> <td>391B</td> <td>3\"/> <tr> <td>396</td> <td>ETR</td> <td>-</td> <td>WD.</td> <td>J2</td> <td>PTD.</td> <td>-</td> <td>394</td> <td>3\"/> <tr> <td>398</td> <td>ETR</td> <td>-</td> <td>WD.</td> <td>J2</td> <td>PTD.</td> <td>-</td> <td>395</td> <td>3\"/> <tr> <td>399</td> <td>ETR</td> <td>-</td> <td>WD.</td> <td>J2</td> <td>PTD.</td> <td>-</td> <td>396</td> <td>3\"/> <tr> <td>3991</td> <td>ETR</td> <td>-</td> <td>WD.</td> <td>J2</td> <td>PTD.</td> <td>-</td> <td>398</td> <td>3\"/> <tr> <td>3992</td> <td>A</td> <td>3\"/> <tr> <td>3993</td> <td>ETR</td> <td>-</td> <td>WD.</td> <td>J2</td> <td>PTD.</td> <td>-</td> <td>399</td> <td>3\"/> <tr> <td>3994</td> <td>ETR</td> <td>-</td> <td>WD.</td> <td>J2</td> <td>PTD.</td> <td>-</td> <td>3991</td> <td>3\"/> <tr> <td>3995</td> <td>ETR</td> <td>-</td> <td>WD.</td> <td>J2</td> <td>PTD.</td> <td>-</td> <td>3992</td> <td>3\"/> <tr> <td>3997</td> <td>ETR</td> <td>-</td> <td>WD.</td> <td>J2</td> <td>PTD.</td> <td>-</td> <td>3993</td> <td>3\"/> <tr> <td>3998</td> <td>ETR</td> <td>-</td> <td>WD.</td> <td>J2</td> <td>PTD.</td> <td>-</td> <td>3994</td> <td>3\"/> <tr> <td>3999</td> <td>ETR</td> <td>-</td> <td>WD.</td> <td>J2</td> <td>PTD.</td> <td>-</td> <td>3995</td> <td>3\"/> <tr> <td>3999</td> <td>ETR</td> <td>-</td> <td>WD.</td> <td>J2</td> <td>PTD.</td> <td>-</td> <td>3997</td> <td>3\"/> </td></tr></td></tr></td></tr></td></tr></td></tr></td></tr></td></tr></td></tr></td></tr></td></tr></td></tr></td></tr></td></tr></td></tr></td></tr></td></tr></td></tr></td></tr></td></tr></td></tr></td></tr></td></tr></td></td></tr></td></tr></td></td></tr></td></td></tr></td></td></tr></td> | WD | J1 | PTD. | - | 377 | 3\"/> <tr> <td>379</td> <td>B</td> <td>1 <td>WD</td> <td>J1</td> <td>PTD.</td> <td>-</td> <td>377A</td> <td>3\"/> <tr> <td>380A</td> <td>B</td> <td>1 <td>WD</td> <td>J1</td> <td>PTD.</td> <td>-</td> <td>378</td> <td>3\"/> <tr> <td>380B</td> <td>B</td> <td>1 <td>WD</td> <td>J1</td> <td>PTD.</td> <td>-</td> <td>379</td> <td>3\"/> <tr> <td>382</td> <td>ETR</td> <td>-</td> <td>WD.</td> <td>J2</td> <td>PTD.</td> <td>-</td> <td>380A</td> <td>3\"/> <tr> <td>382A</td> <td>D</td> <td>6 <td>ALUM.</td> <td>ANODIZE D</td> <td>-</td> <td>-</td> <td>380B</td> <td>3\"/> <tr> <td>385</td> <td>ETR</td>
<td>-</td> <td>WD.</td> <td>J2</td> <td>PTD.</td> <td>-</td> <td>382</td> <td>3\"/> <tr> <td>386</td> <td>ETR</td> <td>-</td> <td>WD.</td> <td>J2</td> <td>PTD.</td> <td>-</td> <td>382A</td> <td>3\"/> <tr> <td>387</td> <td>ETR</td> <td>-</td> <td>WD.</td> <td>J2</td> <td>PTD.</td> <td>-</td> <td>385</td> <td>3\"/> <tr> <td>388</td> <td>ETR</td> <td>-</td> <td>WD.</td> <td>J2</td> <td>PTD.</td> <td>-</td> <td>386</td> <td>3\"/> <tr> <td>389</td> <td>ETR</td> <td>-</td> <td>WD.</td> <td>J2</td> <td>PTD.</td> <td>-</td> <td>387</td> <td>3\"/> <tr> <td>391</td> <td>ETR</td> <td>-</td> <td>WD.</td> <td>J2</td> <td>PTD.</td> <td>-</td> <td>388</td> <td>3\"/> <tr> <td>391A</td> <td>ETR</td> <td>-</td> <td>WD.</td> <td>J2</td> <td>PTD.</td> <td>-</td> <td>389</td> <td>3\"/> <tr> <td>391B</td> <td>ETR</td> <td>-</td> <td>WD.</td> <td>J2</td> <td>PTD.</td> <td>-</td> <td>391</td> <td>3\"/> <tr> <td>394</td> <td>ETR</td> <td>-</td> <td>WD.</td> <td>J2</td> <td>PTD.</td> <td>-</td> <td>391A</td> <td>3\"/> <tr> <td>395</td> <td>ETR</td> <td>-</td> <td>WD.</td> <td>J2</td> <td>PTD.</td> <td>-</td> <td>391B</td> <td>3\"/> <tr> <td>396</td> <td>ETR</td> <td>-</td> <td>WD.</td> <td>J2</td> <td>PTD.</td> <td>-</td> <td>394</td> <td>3\"/> <tr> <td>398</td> <td>ETR</td> <td>-</td> <td>WD.</td> <td>J2</td> <td>PTD.</td> <td>-</td> <td>395</td> <td>3\"/> <tr> <td>399</td> <td>ETR</td> <td>-</td> <td>WD.</td> <td>J2</td> <td>PTD.</td> <td>-</td> <td>396</td> <td>3\"/> <tr> <td>3991</td> <td>ETR</td> <td>-</td> <td>WD.</td> <td>J2</td> <td>PTD.</td> <td>-</td> <td>398</td> <td>3\"/> <tr> <td>3992</td> <td>A</td> <td>3\"/> <tr> <td>3993</td> <td>ETR</td> <td>-</td> <td>WD.</td> <td>J2</td> <td>PTD.</td> <td>-</td> <td>399</td> <td>3\"/> <tr> <td>3994</td> <td>ETR</td> <td>-</td> <td>WD.</td> <td>J2</td> <td>PTD.</td> <td>-</td> <td>3991</td> <td>3\"/> <tr> <td>3995</td> <td>ETR</td> <td>-</td> <td>WD.</td> <td>J2</td> <td>PTD.</td> <td>-</td> <td>3992</td> <td>3\"/> <tr> <td>3997</td> <td>ETR</td> <td>-</td> <td>WD.</td> <td>J2</td> <td>PTD.</td> <td>-</td> <td>3993</td> <td>3\"/> <tr> <td>3998</td> <td>ETR</td> <td>-</td> <td>WD.</td> <td>J2</td> <td>PTD.</td> <td>-</td> <td>3994</td> <td>3\"/> <tr> <td>3999</td> <td>ETR</td> <td>-</td> <td>WD.</td> <td>J2</td> <td>PTD.</td> <td>-</td> <td>3995</td> <td>3\"/> <tr> <td>3999</td> <td>ETR</td> <td>-</td> <td>WD.</td> <td>J2</td> <td>PTD.</td> <td>-</td> <td>3997</td> <td>3\"/> </td></tr></td></tr></td></tr></td></tr></td></tr></td></tr></td></tr></td></tr></td></tr></td></tr></td></tr></td></tr></td></tr></td></tr></td></tr></td></tr></td></tr></td></tr></td></tr></td></tr></td></tr></td></tr></td></td></tr></td></tr></td></td></tr></td></td></tr></td></td></tr> | 379 | B | 1 <td>WD</td> <td>J1</td> <td>PTD.</td> <td>-</td> <td>377A</td> <td>3\"/> <tr> <td>380A</td> <td>B</td> <td>1 <td>WD</td> <td>J1</td> <td>PTD.</td> <td>-</td> <td>378</td> <td>3\"/> <tr> <td>380B</td> <td>B</td> <td>1 <td>WD</td> <td>J1</td> <td>PTD.</td> <td>-</td> <td>379</td> <td>3\"/> <tr> <td>382</td> <td>ETR</td> <td>-</td> <td>WD.</td> <td>J2</td> <td>PTD.</td> <td>-</td> <td>380A</td> <td>3\"/> <tr> <td>382A</td> <td>D</td> <td>6 <td>ALUM.</td> <td>ANODIZE D</td> <td>-</td> <td>-</td> <td>380B</td> <td>3\"/> <tr> <td>385</td> <td>ETR</td> <td>-</td> <td>WD.</td> <td>J2</td> <td>PTD.</td> <td>-</td> <td>382</td> <td>3\"/> <tr> <td>386</td> <td>ETR</td> <td>-</td> <td>WD.</td> <td>J2</td> <td>PTD.</td> <td>-</td> <td>382A</td> <td>3\"/> <tr> <td>387</td> <td>ETR</td> <td>-</td> <td>WD.</td> <td>J2</td> <td>PTD.</td> <td>-</td> <td>385</td> <td>3\"/> <tr> <td>388</td> <td>ETR</td> <td>-</td> <td>WD.</td> <td>J2</td> <td>PTD.</td> <td>-</td> <td>386</td> <td>3\"/> <tr> <td>389</td> <td>ETR</td> <td>-</td> <td>WD.</td> <td>J2</td> <td>PTD.</td> <td>-</td> <td>387</td> <td>3\"/> <tr> <td>391</td> <td>ETR</td> <td>-</td> <td>WD.</td> <td>J2</td> <td>PTD.</td> <td>-</td> <td>388</td> <td>3\"/> <tr> <td>391A</td> <td>ETR</td> <td>-</td> <td>WD.</td> <td>J2</td> <td>PTD.</td> <td>-</td> <td>389</td> <td>3\"/> <tr> <td>391B</td> <td>ETR</td> <td>-</td> <td>WD.</td> <td>J2</td> <td>PTD.</td> <td>-</td> <td>391</td> <td>3\"/> <tr> <td>394</td> <td>ETR</td> <td>-</td> <td>WD.</td> <td>J2</td> <td>PTD.</td> <td>-</td> <td>391A</td> <td>3\"/> <tr> <td>395</td> <td>ETR</td> <td>-</td> <td>WD.</td> <td>J2</td> <td>PTD.</td> <td>-</td> <td>391B</td> <td>3\"/> <tr> <td>396</td> <td>ETR</td> <td>-</td> <td>WD.</td> <td>J2</td> <td>PTD.</td> <td>-</td> <td>394</td> <td>3\"/> <tr> <td>398</td> <td>ETR</td> <td>-</td> <td>WD.</td> <td>J2</td> <td>PTD.</td> <td>-</td> <td>395</td> <td>3\"/> <tr> <td>399</td> <td>ETR</td> <td>-</td> <td>WD.</td> <td>J2</td> <td>PTD.</td> <td>-</td> <td>396</td> <td>3\"/> <tr> <td>3991</td> <td>ETR</td> <td>-</td> <td>WD.</td> <td>J2</td> <td>PTD.</td> <td>-</td> <td>398</td> <td>3\"/> <tr> <td>3992</td> <td>A</td> <td>3\"/> <tr> <td>3993</td> <td>ETR</td> <td>-</td> <td>WD.</td> <td>J2</td> <td>PTD.</td> <td>-</td> <td>399</td> <td>3\"/> <tr> <td>3994</td> <td>ETR</td> <td>-</td> <td>WD.</td> <td>J2</td> <td>PTD.</td> <td>-</td> <td>3991</td> <td>3\"/> <tr> <td>3995</td> <td>ETR</td> <td>-</td> <td>WD.</td> <td>J2</td> <td>PTD.</td> <td>-</td> <td>3992</td> <td>3\"/> <tr> <td>3997</td> <td>ETR</td> <td>-</td> <td>WD.</td> <td>J2</td> <td>PTD.</td> <td>-</td> <td>3993</td> <td>3\"/> <tr> <td>3998</td> <td>ETR</td> <td>-</td> <td>WD.</td> <td>J2</td> <td>PTD.</td> <td>-</td> <td>3994</td> <td>3\"/> <tr> <td>3999</td> <td>ETR</td> <td>-</td> <td>WD.</td> <td>J2</td> <td>PTD.</td> <td>-</td> <td>3995</td> <td>3\"/> <tr> <td>3999</td> <td>ETR</td> <td>-</td> <td>WD.</td> <td>J2</td> <td>PTD.</td> <td>-</td> <td>3997</td> <td>3\"/> </td></tr></td></tr></td></tr></td></tr></td></tr></td></tr></td></tr></td></tr></td></tr></td></tr></td></tr></td></tr></td></tr></td></tr></td></tr></td></tr></td></tr></td></tr></td></tr></td></tr></td></tr></td></tr></td></td></tr></td></tr></td></td></tr></td></td></tr></td> | WD | J1 | PTD. | - | 377A | 3\"/> <tr> <td>380A</td> <td>B</td> <td>1 <td>WD</td> <td>J1</td> <td>PTD.</td> <td>-</td> <td>378</td> <td>3\"/> <tr> <td>380B</td> <td>B</td> <td>1 <td>WD</td> <td>J1</td> <td>PTD.</td> <td>-</td> <td>379</td> <td>3\"/> <tr> <td>382</td> <td>ETR</td> <td>-</td> <td>WD.</td> <td>J2</td> <td>PTD.</td> <td>-</td> <td>380A</td> <td>3\"/> <tr> <td>382A</td> <td>D</td> <td>6 <td>ALUM.</td> <td>ANODIZE D</td> <td>-</td> <td>-</td> <td>380B</td> <td>3\"/> <tr> <td>385</td> <td>ETR</td> <td>-</td> <td>WD.</td> <td>J2</td> <td>PTD.</td> <td>-</td> <td>382</td> <td>3\"/> <tr> <td>386</td> <td>ETR</td> <td>-</td> <td>WD.</td> <td>J2</td> <td>PTD.</td> <td>-</td> <td>382A</td> <td>3\"/> <tr> <td>387</td> <td>ETR</td> <td>-</td> <td>WD.</td> <td>J2</td> <td>PTD.</td> <td>-</td> <td>385</td> <td>3\"/> <tr> <td>388</td> <td>ETR</td> <td>-</td> <td>WD.</td> <td>J2</td> <td>PTD.</td> <td>-</td> <td>386</td> <td>3\"/> <tr> <td>389</td> <td>ETR</td> <td>-</td> <td>WD.</td> <td>J2</td> <td>PTD.</td> <td>-</td> <td>387</td> <td>3\"/> <tr> <td>391</td> <td>ETR</td> <td>-</td>
<td>WD.</td> <td>J2</td> <td>PTD.</td> <td>-</td> <td>388</td> <td>3\"/> <tr> <td>391A</td> <td>ETR</td> <td>-</td> <td>WD.</td> <td>J2</td> <td>PTD.</td> <td>-</td> <td>389</td> <td>3\"/> <tr> <td>391B</td> <td>ETR</td> <td>-</td> <td>WD.</td> <td>J2</td> <td>PTD.</td> <td>-</td> <td>391</td> <td>3\"/> <tr> <td>394</td> <td>ETR</td> <td>-</td> <td>WD.</td> <td>J2</td> <td>PTD.</td> <td>-</td> <td>391A</td> <td>3\"/> <tr> <td>395</td> <td>ETR</td> <td>-</td> <td>WD.</td> <td>J2</td> <td>PTD.</td> <td>-</td> <td>391B</td> <td>3\"/> <tr> <td>396</td> <td>ETR</td> <td>-</td> <td>WD.</td> <td>J2</td> <td>PTD.</td> <td>-</td> <td>394</td> <td>3\"/> <tr> <td>398</td> <td>ETR</td> <td>-</td> <td>WD.</td> <td>J2</td> <td>PTD.</td> <td>-</td> <td>395</td> <td>3\"/> <tr> <td>399</td> <td>ETR</td> <td>-</td> <td>WD.</td> <td>J2</td> <td>PTD.</td> <td>-</td> <td>396</td> <td>3\"/> <tr> <td>3991</td> <td>ETR</td> <td>-</td> <td>WD.</td> <td>J2</td> <td>PTD.</td> <td>-</td> <td>398</td> <td>3\"/> <tr> <td>3992</td> <td>A</td> <td>3\"/> <tr> <td>3993</td> <td>ETR</td> <td>-</td> <td>WD.</td> <td>J2</td> <td>PTD.</td> <td>-</td> <td>399</td> <td>3\"/> <tr> <td>3994</td> <td>ETR</td> <td>-</td> <td>WD.</td> <td>J2</td> <td>PTD.</td> <td>-</td> <td>3991</td> <td>3\"/> <tr> <td>3995</td> <td>ETR</td> <td>-</td> <td>WD.</td> <td>J2</td> <td>PTD.</td> <td>-</td> <td>3992</td> <td>3\"/> <tr> <td>3997</td> <td>ETR</td> <td>-</td> <td>WD.</td> <td>J2</td> <td>PTD.</td> <td>-</td> <td>3993</td> <td>3\"/> <tr> <td>3998</td> <td>ETR</td> <td>-</td> <td>WD.</td> <td>J2</td> <td>PTD.</td> <td>-</td> <td>3994</td> <td>3\"/> <tr> <td>3999</td> <td>ETR</td> <td>-</td> <td>WD.</td> <td>J2</td> <td>PTD.</td> <td>-</td> <td>3995</td> <td>3\"/> <tr> <td>3999</td> <td>ETR</td> <td>-</td> <td>WD.</td> <td>J2</td> <td>PTD.</td> <td>-</td> <td>3997</td> <td>3\"/> </td></tr></td></tr></td></tr></td></tr></td></tr></td></tr></td></tr></td></tr></td></tr></td></tr></td></tr></td></tr></td></tr></td></tr></td></tr></td></tr></td></tr></td></tr></td></tr></td></tr></td></tr></td></tr></td></td></tr></td></tr></td></td></tr></td></td></tr> | 380A | B | 1 <td>WD</td> <td>J1</td> <td>PTD.</td> <td>-</td> <td>378</td> <td>3\"/> <tr> <td>380B</td> <td>B</td> <td>1 <td>WD</td> <td>J1</td> <td>PTD.</td> <td>-</td> <td>379</td> <td>3\"/> <tr> <td>382</td> <td>ETR</td> <td>-</td> <td>WD.</td> <td>J2</td> <td>PTD.</td> <td>-</td> <td>380A</td> <td>3\"/> <tr> <td>382A</td> <td>D</td> <td>6 <td>ALUM.</td> <td>ANODIZE D</td> <td>-</td> <td>-</td> <td>380B</td> <td>3\"/> <tr> <td>385</td> <td>ETR</td> <td>-</td> <td>WD.</td> <td>J2</td> <td>PTD.</td> <td>-</td> <td>382</td> <td>3\"/> <tr> <td>386</td> <td>ETR</td> <td>-</td> <td>WD.</td> <td>J2</td> <td>PTD.</td> <td>-</td> <td>382A</td> <td>3\"/> <tr> <td>387</td> <td>ETR</td> <td>-</td> <td>WD.</td> <td>J2</td> <td>PTD.</td> <td>-</td> <td>385</td> <td>3\"/> <tr> <td>388</td> <td>ETR</td> <td>-</td> <td>WD.</td> <td>J2</td> <td>PTD.</td> <td>-</td> <td>386</td> <td>3\"/> <tr> <td>389</td> <td>ETR</td> <td>-</td> <td>WD.</td> <td>J2</td> <td>PTD.</td> <td>-</td> <td>387</td> <td>3\"/> <tr> <td>391</td> <td>ETR</td> <td>-</td> <td>WD.</td> <td>J2</td> <td>PTD.</td> <td>-</td> <td>388</td> <td>3\"/> <tr> <td>391A</td> <td>ETR</td> <td>-</td> <td>WD.</td> <td>J2</td> <td>PTD.</td> <td>-</td> <td>389</td> <td>3\"/> <tr> <td>391B</td> <td>ETR</td> <td>-</td> <td>WD.</td> <td>J2</td> <td>PTD.</td> <td>-</td> <td>391</td> <td>3\"/> <tr> <td>394</td> <td>ETR</td> <td>-</td> <td>WD.</td> <td>J2</td> <td>PTD.</td> <td>-</td> <td>391A</td> <td>3\"/> <tr> <td>395</td> <td>ETR</td> <td>-</td> <td>WD.</td> <td>J2</td> <td>PTD.</td> <td>-</td> <td>391B</td> <td>3\"/> <tr> <td>396</td> <td>ETR</td> <td>-</td> <td>WD.</td> <td>J2</td> <td>PTD.</td> <td>-</td> <td>394</td> <td>3\"/> <tr> <td>398</td> <td>ETR</td> <td>-</td> <td>WD.</td> <td>J2</td> <td>PTD.</td> <td>-</td> <td>395</td> <td>3\"/> <tr> <td>399</td> <td>ETR</td> <td>-</td> <td>WD.</td> <td>J2</td> <td>PTD.</td> <td>-</td> <td>396</td> <td>3\"/> <tr> <td>3991</td> <td>ETR</td> <td>-</td> <td>WD.</td> <td>J2</td> <td>PTD.</td> <td>-</td> <td>398</td> <td>3\"/> <tr> <td>3992</td> <td>A</td> <td>3\"/> <tr> <td>3993</td> <td>ETR</td> <td>-</td> <td>WD.</td> <td>J2</td> <td>PTD.</td> <td>-</td> <td>399</td> <td>3\"/> <tr> <td>3994</td> <td>ETR</td> <td>-</td> <td>WD.</td> <td>J2</td> <td>PTD.</td> <td>-</td> <td>3991</td> <td>3\"/> <tr> <td>3995</td> <td>ETR</td> <td>-</td> <td>WD.</td> <td>J2</td> <td>PTD.</td> <td>-</td> <td>3992</td> <td>3\"/> <tr> <td>3997</td> <td>ETR</td> <td>-</td> <td>WD.</td> <td>J2</td> <td>PTD.</td> <td>-</td> <td>3993</td> <td>3\"/> <tr> <td>3998</td> <td>ETR</td> <td>-</td> <td>WD.</td> <td>J2</td> <td>PTD.</td> <td>-</td> <td>3994</td> <td>3\"/> <tr> <td>3999</td> <td>ETR</td> <td>-</td> <td>WD.</td> <td>J2</td> <td>PTD.</td> <td>-</td> <td>3995</td> <td>3\"/> <tr> <td>3999</td> <td>ETR</td> <td>-</td> <td>WD.</td> <td>J2</td> <td>PTD.</td> <td>-</td> <td>3997</td> <td>3\"/> </td></tr></td></tr></td></tr></td></tr></td></tr></td></tr></td></tr></td></tr></td></tr></td></tr></td></tr></td></tr></td></tr></td></tr></td></tr></td></tr></td></tr></td></tr></td></tr></td></tr></td></tr></td></tr></td></td></tr></td></tr></td></td></tr></td> | WD | J1 | PTD.
 | - | 378 | 3\"/> <tr> <td>380B</td> <td>B</td> <td>1 <td>WD</td> <td>J1</td> <td>PTD.</td> <td>-</td> <td>379</td> <td>3\"/> <tr> <td>382</td> <td>ETR</td> <td>-</td> <td>WD.</td> <td>J2</td> <td>PTD.</td> <td>-</td> <td>380A</td> <td>3\"/> <tr> <td>382A</td> <td>D</td> <td>6 <td>ALUM.</td> <td>ANODIZE D</td> <td>-</td> <td>-</td> <td>380B</td> <td>3\"/> <tr> <td>385</td> <td>ETR</td> <td>-</td> <td>WD.</td> <td>J2</td> <td>PTD.</td> <td>-</td> <td>382</td> <td>3\"/> <tr> <td>386</td> <td>ETR</td> <td>-</td> <td>WD.</td> <td>J2</td> <td>PTD.</td> <td>-</td> <td>382A</td> <td>3\"/> <tr> <td>387</td> <td>ETR</td> <td>-</td> <td>WD.</td> <td>J2</td> <td>PTD.</td> <td>-</td> <td>385</td> <td>3\"/> <tr> <td>388</td> <td>ETR</td> <td>-</td> <td>WD.</td> <td>J2</td> <td>PTD.</td> <td>-</td> <td>386</td> <td>3\"/> <tr> <td>389</td> <td>ETR</td> <td>-</td> <td>WD.</td> <td>J2</td> <td>PTD.</td> <td>-</td> <td>387</td> <td>3\"/> <tr> <td>391</td> <td>ETR</td> <td>-</td> <td>WD.</td> <td>J2</td> <td>PTD.</td> <td>-</td> <td>388</td> <td>3\"/> <tr> <td>391A</td> <td>ETR</td> <td>-</td> <td>WD.</td> <td>J2</td> <td>PTD.</td> <td>-</td> <td>389</td> <td>3\"/> <tr> <td>391B</td> <td>ETR</td> <td>-</td> <td>WD.</td> <td>J2</td> <td>PTD.</td> <td>-</td> <td>391</td> <td>3\"/> <tr> <td>394</td> <td>ETR</td> <td>-</td> <td>WD.</td> <td>J2</td> <td>PTD.</td> <td>-</td> <td>391A</td> <td>3\"/> <tr> <td>395</td> <td>ETR</td> <td>-</td> <td>WD.</td> <td>J2</td> <td>PTD.</td> <td>-</td> <td>391B</td> <td>3\"/> <tr> <td>396</td> <td>ETR</td> <td>-</td> <td>WD.</td> <td>J2</td> <td>PTD.</td> <td>-</td> <td>394</td> <td>3\"/> <tr> <td>398</td> <td>ETR</td> <td>-</td> <td>WD.</td> <td>J2</td> <td>PTD.</td> <td>-</td> <td>395</td> <td>3\"/> <tr> <td>399</td> <td>ETR</td> <td>-</td> <td>WD.</td> <td>J2</td> <td>PTD.</td> <td>-</td> <td>396</td> <td>3\"/> <tr> <td>3991</td> <td>ETR</td> <td>-</td> <td>WD.</td> <td>J2</td> <td>PTD.</td> <td>-</td> <td>398</td> <td>3\"/> <tr> <td>3992</td> <td>A</td> <td>3\"/> <tr> <td>3993</td> <td>ETR</td> <td>-</td> <td>WD.</td> <td>J2</td> <td>PTD.</td> <td>-</td> <td>399</td> <td>3\"/> <tr> <td>3994</td> <td>ETR</td> <td>-</td> <td>WD.</td> <td>J2</td> <td>PTD.</td> <td>-</td> <td>3991</td> <td>3\"/> <tr> <td>3995</td> <td>ETR</td> <td>-</td> <td>WD.</td> <td>J2</td> <td>PTD.</td> <td>-</td> <td>3992</td> <td>3\"/> <tr> <td>3997</td> <td>ETR</td> <td>-</td> <td>WD.</td> <td>J2</td> <td>PTD.</td> <td>-</td> <td>3993</td> <td>3\"/> <tr> <td>3998</td> <td>ETR</td> <td>-</td> <td>WD.</td> <td>J2</td> <td>PTD.</td> <td>-</td> <td>3994</td> <td>3\"/> <tr> <td>3999</td> <td>ETR</td> <td>-</td> <td>WD.</td> <td>J2</td> <td>PTD.</td> <td>-</td> <td>3995</td> <td>3\"/> <tr> <td>3999</td> <td>ETR</td> <td>-</td> <td>WD.</td> <td>J2</td> <td>PTD.</td> <td>-</td> <td>3997</td> <td>3\"/> </td></tr></td></tr></td></tr></td></tr></td></tr></td></tr></td></tr></td></tr></td></tr></td></tr></td></tr></td></tr></td></tr></td></tr></td></tr></td></tr></td></tr></td></tr></td></tr></td></tr></td></tr></td></tr></td></td></tr></td></tr></td></td></tr> | 380B | B | 1 <td>WD</td> <td>J1</td> <td>PTD.</td> <td>-</td> <td>379</td> <td>3\"/> <tr> <td>382</td> <td>ETR</td> <td>-</td> <td>WD.</td> <td>J2</td> <td>PTD.</td> <td>-</td> <td>380A</td> <td>3\"/> <tr> <td>382A</td> <td>D</td> <td>6 <td>ALUM.</td> <td>ANODIZE D</td> <td>-</td> <td>-</td> <td>380B</td> <td>3\"/> <tr> <td>385</td> <td>ETR</td> <td>-</td> <td>WD.</td> <td>J2</td> <td>PTD.</td> <td>-</td> <td>382</td> <td>3\"/> <tr> <td>386</td> <td>ETR</td> <td>-</td> <td>WD.</td> <td>J2</td> <td>PTD.</td> <td>-</td> <td>382A</td> <td>3\"/> <tr> <td>387</td> <td>ETR</td> <td>-</td> <td>WD.</td> <td>J2</td> <td>PTD.</td> <td>-</td> <td>385</td> <td>3\"/> <tr> <td>388</td> <td>ETR</td> <td>-</td> <td>WD.</td> <td>J2</td> <td>PTD.</td> <td>-</td> <td>386</td> <td>3\"/> <tr> <td>389</td> <td>ETR</td> <td>-</td> <td>WD.</td> <td>J2</td> <td>PTD.</td> <td>-</td> <td>387</td> <td>3\"/> <tr> <td>391</td> <td>ETR</td> <td>-</td> <td>WD.</td> <td>J2</td> <td>PTD.</td> <td>-</td> <td>388</td> <td>3\"/> <tr> <td>391A</td> <td>ETR</td> <td>-</td> <td>WD.</td> <td>J2</td> <td>PTD.</td> <td>-</td> <td>389</td> <td>3\"/> <tr> <td>391B</td> <td>ETR</td> <td>-</td> <td>WD.</td> <td>J2</td> <td>PTD.</td> <td>-</td> <td>391</td> <td>3\"/> <tr> <td>394</td> <td>ETR</td> <td>-</td> <td>WD.</td> <td>J2</td> <td>PTD.</td> <td>-</td> <td>391A</td> <td>3\"/> <tr> <td>395</td> <td>ETR</td> <td>-</td> <td>WD.</td> <td>J2</td> <td>PTD.</td> <td>-</td> <td>391B</td> <td>3\"/> <tr> <td>396</td> <td>ETR</td> <td>-</td> <td>WD.</td> <td>J2</td> <td>PTD.</td> <td>-</td> <td>394</td> <td>3\"/> <tr> <td>398</td> <td>ETR</td> <td>-</td> <td>WD.</td> <td>J2</td> <td>PTD.</td> <td>-</td> <td>395</td> <td>3\"/> <tr> <td>399</td> <td>ETR</td> <td>-</td> <td>WD.</td> <td>J2</td> <td>PTD.</td> <td>-</td> <td>396</td> <td>3\"/> <tr> <td>3991</td> <td>ETR</td> <td>-</td> <td>WD.</td> <td>J2</td> <td>PTD.</td> <td>-</td> <td>398</td> <td>3\"/> <tr> <td>3992</td> <td>A</td> <td>3\"/> <tr> <td>3993</td> <td>ETR</td> <td>-</td> <td>WD.</td> <td>J2</td> <td>PTD.</td> <td>-</td> <td>399</td> <td>3\"/> <tr> <td>3994</td> <td>ETR</td> <td>-</td> <td>WD.</td> <td>J2</td> <td>PTD.</td> <td>-</td> <td>3991</td> <td>3\"/> <tr> <td>3995</td> <td>ETR</td> <td>-</td> <td>WD.</td> <td>J2</td> <td>PTD.</td> <td>-</td> <td>3992</td> <td>3\"/> <tr> <td>3997</td> <td>ETR</td> <td>-</td> <td>WD.</td> <td>J2</td> <td>PTD.</td> <td>-</td> <td>3993</td> <td>3\"/> <tr> <td>3998</td> <td>ETR</td> <td>-</td> <td>WD.</td> <td>J2</td> <td>PTD.</td> <td>-</td> <td>3994</td> <td>3\"/> <tr> <td>3999</td> <td>ETR</td> <td>-</td> <td>WD.</td> <td>J2</td> <td>PTD.</td> <td>-</td> <td>3995</td> <td>3\"/> <tr> <td>3999</td> <td>ETR</td> <td>-</td> <td>WD.</td> <td>J2</td> <td>PTD.</td> <td>-</td>
<td>3997</td> <td>3\"/> </td></tr></td></tr></td></tr></td></tr></td></tr></td></tr></td></tr></td></tr></td></tr></td></tr></td></tr></td></tr></td></tr></td></tr></td></tr></td></tr></td></tr></td></tr></td></tr></td></tr></td></tr></td></tr></td></td></tr></td></tr></td> | WD | J1 | PTD. | - | 379 | 3\"/> <tr> <td>382</td> <td>ETR</td> <td>-</td> <td>WD.</td> <td>J2</td> <td>PTD.</td> <td>-</td> <td>380A</td> <td>3\"/> <tr> <td>382A</td> <td>D</td> <td>6 <td>ALUM.</td> <td>ANODIZE D</td> <td>-</td> <td>-</td> <td>380B</td> <td>3\"/> <tr> <td>385</td> <td>ETR</td> <td>-</td> <td>WD.</td> <td>J2</td> <td>PTD.</td> <td>-</td> <td>382</td> <td>3\"/> <tr> <td>386</td> <td>ETR</td> <td>-</td> <td>WD.</td> <td>J2</td> <td>PTD.</td> <td>-</td> <td>382A</td> <td>3\"/> <tr> <td>387</td> <td>ETR</td> <td>-</td> <td>WD.</td> <td>J2</td> <td>PTD.</td> <td>-</td> <td>385</td> <td>3\"/> <tr> <td>388</td> <td>ETR</td> <td>-</td> <td>WD.</td> <td>J2</td> <td>PTD.</td> <td>-</td> <td>386</td> <td>3\"/> <tr> <td>389</td> <td>ETR</td> <td>-</td> <td>WD.</td> <td>J2</td> <td>PTD.</td> <td>-</td> <td>387</td> <td>3\"/> <tr> <td>391</td> <td>ETR</td> <td>-</td> <td>WD.</td> <td>J2</td> <td>PTD.</td> <td>-</td> <td>388</td> <td>3\"/> <tr> <td>391A</td> <td>ETR</td> <td>-</td> <td>WD.</td> <td>J2</td> <td>PTD.</td> <td>-</td> <td>389</td> <td>3\"/> <tr> <td>391B</td> <td>ETR</td> <td>-</td> <td>WD.</td> <td>J2</td> <td>PTD.</td> <td>-</td> <td>391</td> <td>3\"/> <tr> <td>394</td> <td>ETR</td> <td>-</td> <td>WD.</td> <td>J2</td> <td>PTD.</td> <td>-</td> <td>391A</td> <td>3\"/> <tr> <td>395</td> <td>ETR</td> <td>-</td> <td>WD.</td> <td>J2</td> <td>PTD.</td> <td>-</td> <td>391B</td> <td>3\"/> <tr> <td>396</td> <td>ETR</td> <td>-</td> <td>WD.</td> <td>J2</td> <td>PTD.</td> <td>-</td> <td>394</td> <td>3\"/> <tr> <td>398</td> <td>ETR</td> <td>-</td> <td>WD.</td> <td>J2</td> <td>PTD.</td> <td>-</td> <td>395</td> <td>3\"/> <tr> <td>399</td> <td>ETR</td> <td>-</td> <td>WD.</td> <td>J2</td> <td>PTD.</td> <td>-</td> <td>396</td> <td>3\"/> <tr> <td>3991</td> <td>ETR</td> <td>-</td> <td>WD.</td> <td>J2</td> <td>PTD.</td> <td>-</td> <td>398</td> <td>3\"/> <tr> <td>3992</td> <td>A</td> <td>3\"/> <tr> <td>3993</td> <td>ETR</td> <td>-</td> <td>WD.</td> <td>J2</td> <td>PTD.</td> <td>-</td> <td>399</td> <td>3\"/> <tr> <td>3994</td> <td>ETR</td> <td>-</td> <td>WD.</td> <td>J2</td> <td>PTD.</td> <td>-</td> <td>3991</td> <td>3\"/> <tr> <td>3995</td> <td>ETR</td> <td>-</td> <td>WD.</td> <td>J2</td> <td>PTD.</td> <td>-</td> <td>3992</td> <td>3\"/> <tr> <td>3997</td> <td>ETR</td> <td>-</td> <td>WD.</td> <td>J2</td> <td>PTD.</td> <td>-</td> <td>3993</td> <td>3\"/> <tr> <td>3998</td> <td>ETR</td> <td>-</td> <td>WD.</td> <td>J2</td> <td>PTD.</td> <td>-</td> <td>3994</td> <td>3\"/> <tr> <td>3999</td> <td>ETR</td> <td>-</td> <td>WD.</td> <td>J2</td> <td>PTD.</td> <td>-</td> <td>3995</td> <td>3\"/> <tr> <td>3999</td> <td>ETR</td> <td>-</td> <td>WD.</td> <td>J2</td> <td>PTD.</td> <td>-</td> <td>3997</td> <td>3\"/> </td></tr></td></tr></td></tr></td></tr></td></tr></td></tr></td></tr></td></tr></td></tr></td></tr></td></tr></td></tr></td></tr></td></tr></td></tr></td></tr></td></tr></td></tr></td></tr></td></tr></td></tr></td></tr></td></td></tr></td></tr> | 382 | ETR | -
 | WD. | J2 | PTD. | - | 380A | 3\"/> <tr> <td>382A</td> <td>D</td> <td>6 <td>ALUM.</td> <td>ANODIZE D</td> <td>-</td> <td>-</td> <td>380B</td> <td>3\"/> <tr> <td>385</td> <td>ETR</td> <td>-</td> <td>WD.</td> <td>J2</td> <td>PTD.</td> <td>-</td> <td>382</td> <td>3\"/> <tr> <td>386</td> <td>ETR</td> <td>-</td> <td>WD.</td> <td>J2</td> <td>PTD.</td> <td>-</td> <td>382A</td> <td>3\"/> <tr> <td>387</td> <td>ETR</td> <td>-</td> <td>WD.</td> <td>J2</td> <td>PTD.</td> <td>-</td> <td>385</td> <td>3\"/> <tr> <td>388</td> <td>ETR</td> <td>-</td> <td>WD.</td> <td>J2</td> <td>PTD.</td> <td>-</td> <td>386</td> <td>3\"/> <tr> <td>389</td> <td>ETR</td> <td>-</td> <td>WD.</td> <td>J2</td> <td>PTD.</td> <td>-</td> <td>387</td> <td>3\"/> <tr> <td>391</td> <td>ETR</td> <td>-</td> <td>WD.</td> <td>J2</td> <td>PTD.</td> <td>-</td> <td>388</td> <td>3\"/> <tr> <td>391A</td> <td>ETR</td> <td>-</td> <td>WD.</td> <td>J2</td> <td>PTD.</td> <td>-</td> <td>389</td> <td>3\"/> <tr> <td>391B</td> <td>ETR</td> <td>-</td> <td>WD.</td> <td>J2</td> <td>PTD.</td> <td>-</td> <td>391</td> <td>3\"/> <tr> <td>394</td> <td>ETR</td> <td>-</td> <td>WD.</td> <td>J2</td> <td>PTD.</td> <td>-</td> <td>391A</td> <td>3\"/> <tr> <td>395</td> <td>ETR</td> <td>-</td> <td>WD.</td> <td>J2</td> <td>PTD.</td> <td>-</td> <td>391B</td> <td>3\"/> <tr> <td>396</td> <td>ETR</td> <td>-</td> <td>WD.</td> <td>J2</td> <td>PTD.</td> <td>-</td> <td>394</td> <td>3\"/> <tr> <td>398</td> <td>ETR</td> <td>-</td> <td>WD.</td> <td>J2</td> <td>PTD.</td> <td>-</td> <td>395</td> <td>3\"/> <tr> <td>399</td> <td>ETR</td> <td>-</td> <td>WD.</td> <td>J2</td> <td>PTD.</td> <td>-</td> <td>396</td> <td>3\"/> <tr> <td>3991</td> <td>ETR</td> <td>-</td> <td>WD.</td> <td>J2</td> <td>PTD.</td> <td>-</td> <td>398</td> <td>3\"/> <tr> <td>3992</td> <td>A</td> <td>3\"/> <tr> <td>3993</td> <td>ETR</td> <td>-</td> <td>WD.</td> <td>J2</td> <td>PTD.</td> <td>-</td> <td>399</td> <td>3\"/> <tr> <td>3994</td> <td>ETR</td> <td>-</td> <td>WD.</td> <td>J2</td> <td>PTD.</td> <td>-</td> <td>3991</td> <td>3\"/> <tr> <td>3995</td> <td>ETR</td> <td>-</td> <td>WD.</td> <td>J2</td> <td>PTD.</td> <td>-</td> <td>3992</td> <td>3\"/> <tr> <td>3997</td> <td>ETR</td> <td>-</td> <td>WD.</td> <td>J2</td> <td>PTD.</td> <td>-</td> <td>3993</td> <td>3\"/> <tr> <td>3998</td> <td>ETR</td> <td>-</td> <td>WD.</td> <td>J2</td> <td>PTD.</td> <td>-</td> <td>3994</td> <td>3\"/> <tr> <td>3999</td> <td>ETR</td> <td>-</td> <td>WD.</td> <td>J2</td> <td>PTD.</td> <td>-</td> <td>3995</td> <td>3\"/> <tr> <td>3999</td> <td>ETR</td> <td>-</td> <td>WD.</td> <td>J2</td> <td>PTD.</td> <td>-</td> <td>3997</td> <td>3\"/> </td></tr></td></tr></td></tr></td></tr></td></tr></td></tr></td></tr></td></tr></td></tr></td></tr></td></tr></td></tr></td></tr></td></tr></td></tr></td></tr></td></tr></td></tr></td></tr></td></tr></td></tr></td></tr></td></td></tr> | 382A | D | 6 <td>ALUM.</td> <td>ANODIZE D</td> <td>-</td> <td>-</td> <td>380B</td> <td>3\"/> <tr> <td>385</td> <td>ETR</td> <td>-</td> <td>WD.</td> <td>J2</td> <td>PTD.</td> <td>-</td> <td>382</td> <td>3\"/> <tr> <td>386</td> <td>ETR</td> <td>-</td> <td>WD.</td> <td>J2</td> <td>PTD.</td> <td>-</td> <td>382A</td> <td>3\"/> <tr> <td>387</td> <td>ETR</td> <td>-</td> <td>WD.</td> <td>J2</td> <td>PTD.</td> <td>-</td> <td>385</td> <td>3\"/> <tr> <td>388</td> <td>ETR</td> <td>-</td> <td>WD.</td> <td>J2</td> <td>PTD.</td> <td>-</td> <td>386</td> <td>3\"/> <tr> <td>389</td> <td>ETR</td> <td>-</td> <td>WD.</td> <td>J2</td> <td>PTD.</td> <td>-</td> <td>387</td> <td>3\"/> <tr> <td>391</td> <td>ETR</td> <td>-</td> <td>WD.</td> <td>J2</td> <td>PTD.</td> <td>-</td> <td>388</td> <td>3\"/> <tr> <td>391A</td> <td>ETR</td> <td>-</td> <td>WD.</td> <td>J2</td> <td>PTD.</td> <td>-</td> <td>389</td> <td>3\"/> <tr> <td>391B</td> <td>ETR</td> <td>-</td> <td>WD.</td> <td>J2</td> <td>PTD.</td> <td>-</td> <td>391</td> <td>3\"/> <tr> <td>394</td> <td>ETR</td> <td>-</td> <td>WD.</td> <td>J2</td> <td>PTD.</td> <td>-</td> <td>391A</td> <td>3\"/> <tr> <td>395</td> <td>ETR</td> <td>-</td> <td>WD.</td> <td>J2</td> <td>PTD.</td> <td>-</td> <td>391B</td> <td>3\"/> <tr> <td>396</td> <td>ETR</td> <td>-</td> <td>WD.</td> <td>J2</td> <td>PTD.</td> <td>-</td> <td>394</td> <td>3\"/> <tr> <td>398</td> <td>ETR</td> <td>-</td> <td>WD.</td> <td>J2</td> <td>PTD.</td> <td>-</td> <td>395</td> <td>3\"/> <tr> <td>399</td> <td>ETR</td> <td>-</td> <td>WD.</td> <td>J2</td> <td>PTD.</td> <td>-</td> <td>396</td> <td>3\"/> <tr> <td>3991</td> <td>ETR</td> <td>-</td> <td>WD.</td> <td>J2</td> <td>PTD.</td> <td>-</td> <td>398</td> <td>3\"/> <tr> <td>3992</td> <td>A</td> <td>3\"/> <tr> <td>3993</td> <td>ETR</td> <td>-</td> <td>WD.</td> <td>J2</td> <td>PTD.</td> <td>-</td> <td>399</td> <td>3\"/> <tr> <td>3994</td> <td>ETR</td> <td>-</td> <td>WD.</td> <td>J2</td> <td>PTD.</td> <td>-</td> <td>3991</td> <td>3\"/> <tr> <td>3995</td> <td>ETR</td> <td>-</td> <td>WD.</td> <td>J2</td> <td>PTD.</td> <td>-</td> <td>3992</td> <td>3\"/> <tr> <td>3997</td> <td>ETR</td> <td>-</td> <td>WD.</td> <td>J2</td> <td>PTD.</td> <td>-</td> <td>3993</td> <td>3\"/> <tr> <td>3998</td> <td>ETR</td> <td>-</td> <td>WD.</td> <td>J2</td> <td>PTD.</td> <td>-</td> <td>3994</td> <td>3\"/> <tr> <td>3999</td> <td>ETR</td> <td>-</td> <td>WD.</td> <td>J2</td> <td>PTD.</td> <td>-</td> <td>3995</td> <td>3\"/> <tr> <td>3999</td> <td>ETR</td> <td>-</td> <td>WD.</td> <td>J2</td> <td>PTD.</td> <td>-</td> <td>3997</td> <td>3\"/> </td></tr></td></tr></td></tr></td></tr></td></tr></td></tr></td></tr></td></tr></td></tr></td></tr></td></tr></td></tr></td></tr></td></tr></td></tr></td></tr></td></tr></td></tr></td></tr></td></tr></td></tr></td></tr></td> | ALUM. | ANODIZE D | - | - | 380B | 3\"/> <tr> <td>385</td> <td>ETR</td> <td>-</td> <td>WD.</td> <td>J2</td> <td>PTD.</td> <td>-</td> <td>382</td> <td>3\"/> <tr> <td>386</td> <td>ETR</td> <td>-</td> <td>WD.</td> <td>J2</td> <td>PTD.</td> <td>-</td> <td>382A</td> <td>3\"/> <tr> <td>387</td> <td>ETR</td> <td>-</td> <td>WD.</td> <td>J2</td> <td>PTD.</td> <td>-</td> <td>385</td> <td>3\"/> <tr> <td>388</td> <td>ETR</td> <td>-</td> <td>WD.</td> <td>J2</td> <td>PTD.</td> <td>-</td> <td>386</td> <td>3\"/> <tr> <td>389</td> <td>ETR</td> <td>-</td> <td>WD.</td> <td>J2</td> <td>PTD.</td> <td>-</td> <td>387</td> <td>3\"/> <tr> <td>391</td> <td>ETR</td> <td>-</td> <td>WD.</td> <td>J2</td> <td>PTD.</td> <td>-</td> <td>388</td> <td>3\"/> <tr> <td>391A</td> <td>ETR</td> <td>-</td> <td>WD.</td> <td>J2</td> <td>PTD.</td> <td>-</td> <td>389</td> <td>3\"/> <tr> <td>391B</td> <td>ETR</td> <td>-</td> <td>WD.</td> <td>J2</td> <td>PTD.</td> <td>-</td> <td>391</td> <td>3\"/> <tr> <td>394</td> <td>ETR</td> <td>-</td> <td>WD.</td> <td>J2</td> <td>PTD.</td> <td>-</td> <td>391A</td> <td>3\"/> <tr> <td>395</td> <td>ETR</td> <td>-</td> <td>WD.</td> <td>J2</td> <td>PTD.</td> <td>-</td>
<td>391B</td> <td>3\"/> <tr> <td>396</td> <td>ETR</td> <td>-</td> <td>WD.</td> <td>J2</td> <td>PTD.</td> <td>-</td> <td>394</td> <td>3\"/> <tr> <td>398</td> <td>ETR</td> <td>-</td> <td>WD.</td> <td>J2</td> <td>PTD.</td> <td>-</td> <td>395</td> <td>3\"/> <tr> <td>399</td> <td>ETR</td> <td>-</td> <td>WD.</td> <td>J2</td> <td>PTD.</td> <td>-</td> <td>396</td> <td>3\"/> <tr> <td>3991</td> <td>ETR</td> <td>-</td> <td>WD.</td> <td>J2</td> <td>PTD.</td> <td>-</td> <td>398</td> <td>3\"/> <tr> <td>3992</td> <td>A</td> <td>3\"/> <tr> <td>3993</td> <td>ETR</td> <td>-</td> <td>WD.</td> <td>J2</td> <td>PTD.</td> <td>-</td> <td>399</td> <td>3\"/> <tr> <td>3994</td> <td>ETR</td> <td>-</td> <td>WD.</td> <td>J2</td> <td>PTD.</td> <td>-</td> <td>3991</td> <td>3\"/> <tr> <td>3995</td> <td>ETR</td> <td>-</td> <td>WD.</td> <td>J2</td> <td>PTD.</td> <td>-</td> <td>3992</td> <td>3\"/> <tr> <td>3997</td> <td>ETR</td> <td>-</td> <td>WD.</td> <td>J2</td> <td>PTD.</td> <td>-</td> <td>3993</td> <td>3\"/> <tr> <td>3998</td> <td>ETR</td> <td>-</td> <td>WD.</td> <td>J2</td> <td>PTD.</td> <td>-</td> <td>3994</td> <td>3\"/> <tr> <td>3999</td> <td>ETR</td> <td>-</td> <td>WD.</td> <td>J2</td> <td>PTD.</td> <td>-</td> <td>3995</td> <td>3\"/> <tr> <td>3999</td> <td>ETR</td> <td>-</td> <td>WD.</td> <td>J2</td> <td>PTD.</td> <td>-</td> <td>3997</td> <td>3\"/> </td></tr></td></tr></td></tr></td></tr></td></tr></td></tr></td></tr></td></tr></td></tr></td></tr></td></tr></td></tr></td></tr></td></tr></td></tr></td></tr></td></tr></td></tr></td></tr></td></tr></td></tr></td></tr> | 385 | ETR | - | WD. | J2 | PTD.
 | - | 382 | 3\"/> <tr> <td>386</td> <td>ETR</td> <td>-</td> <td>WD.</td> <td>J2</td> <td>PTD.</td> <td>-</td> <td>382A</td> <td>3\"/> <tr> <td>387</td> <td>ETR</td> <td>-</td> <td>WD.</td> <td>J2</td> <td>PTD.</td> <td>-</td> <td>385</td> <td>3\"/> <tr> <td>388</td> <td>ETR</td> <td>-</td> <td>WD.</td> <td>J2</td> <td>PTD.</td> <td>-</td> <td>386</td> <td>3\"/> <tr> <td>389</td> <td>ETR</td> <td>-</td> <td>WD.</td> <td>J2</td> <td>PTD.</td> <td>-</td> <td>387</td> <td>3\"/> <tr> <td>391</td> <td>ETR</td> <td>-</td> <td>WD.</td> <td>J2</td> <td>PTD.</td> <td>-</td> <td>388</td> <td>3\"/> <tr> <td>391A</td> <td>ETR</td> <td>-</td> <td>WD.</td> <td>J2</td> <td>PTD.</td> <td>-</td> <td>389</td> <td>3\"/> <tr> <td>391B</td> <td>ETR</td> <td>-</td> <td>WD.</td> <td>J2</td> <td>PTD.</td> <td>-</td> <td>391</td> <td>3\"/> <tr> <td>394</td> <td>ETR</td> <td>-</td> <td>WD.</td> <td>J2</td> <td>PTD.</td> <td>-</td> <td>391A</td> <td>3\"/> <tr> <td>395</td> <td>ETR</td> <td>-</td> <td>WD.</td> <td>J2</td> <td>PTD.</td> <td>-</td> <td>391B</td> <td>3\"/> <tr> <td>396</td> <td>ETR</td> <td>-</td> <td>WD.</td> <td>J2</td> <td>PTD.</td> <td>-</td> <td>394</td> <td>3\"/> <tr> <td>398</td> <td>ETR</td> <td>-</td> <td>WD.</td> <td>J2</td> <td>PTD.</td> <td>-</td> <td>395</td> <td>3\"/> <tr> <td>399</td> <td>ETR</td> <td>-</td> <td>WD.</td> <td>J2</td> <td>PTD.</td> <td>-</td> <td>396</td> <td>3\"/> <tr> <td>3991</td> <td>ETR</td> <td>-</td> <td>WD.</td> <td>J2</td> <td>PTD.</td> <td>-</td> <td>398</td> <td>3\"/> <tr> <td>3992</td> <td>A</td> <td>3\"/> <tr> <td>3993</td> <td>ETR</td> <td>-</td> <td>WD.</td> <td>J2</td> <td>PTD.</td> <td>-</td> <td>399</td> <td>3\"/> <tr> <td>3994</td> <td>ETR</td> <td>-</td> <td>WD.</td> <td>J2</td> <td>PTD.</td> <td>-</td> <td>3991</td> <td>3\"/> <tr> <td>3995</td> <td>ETR</td> <td>-</td> <td>WD.</td> <td>J2</td> <td>PTD.</td> <td>-</td> <td>3992</td> <td>3\"/> <tr> <td>3997</td> <td>ETR</td> <td>-</td> <td>WD.</td> <td>J2</td> <td>PTD.</td> <td>-</td> <td>3993</td> <td>3\"/> <tr> <td>3998</td> <td>ETR</td> <td>-</td> <td>WD.</td> <td>J2</td> <td>PTD.</td> <td>-</td> <td>3994</td> <td>3\"/> <tr> <td>3999</td> <td>ETR</td> <td>-</td> <td>WD.</td> <td>J2</td> <td>PTD.</td> <td>-</td> <td>3995</td> <td>3\"/> <tr> <td>3999</td> <td>ETR</td> <td>-</td> <td>WD.</td> <td>J2</td> <td>PTD.</td> <td>-</td> <td>3997</td> <td>3\"/> </td></tr></td></tr></td></tr></td></tr></td></tr></td></tr></td></tr></td></tr></td></tr></td></tr></td></tr></td></tr></td></tr></td></tr></td></tr></td></tr></td></tr></td></tr></td></tr></td></tr></td></tr> | 386 | ETR | - | WD. | J2 | PTD.
 | - | 382A | 3\"/> <tr> <td>387</td> <td>ETR</td> <td>-</td> <td>WD.</td> <td>J2</td> <td>PTD.</td> <td>-</td> <td>385</td> <td>3\"/> <tr> <td>388</td> <td>ETR</td> <td>-</td> <td>WD.</td> <td>J2</td> <td>PTD.</td> <td>-</td> <td>386</td> <td>3\"/> <tr> <td>389</td> <td>ETR</td> <td>-</td> <td>WD.</td> <td>J2</td> <td>PTD.</td> <td>-</td> <td>387</td> <td>3\"/> <tr> <td>391</td> <td>ETR</td> <td>-</td> <td>WD.</td> <td>J2</td> <td>PTD.</td> <td>-</td> <td>388</td> <td>3\"/> <tr> <td>391A</td> <td>ETR</td> <td>-</td> <td>WD.</td> <td>J2</td> <td>PTD.</td> <td>-</td> <td>389</td> <td>3\"/> <tr> <td>391B</td> <td>ETR</td> <td>-</td> <td>WD.</td> <td>J2</td> <td>PTD.</td> <td>-</td> <td>391</td> <td>3\"/> <tr> <td>394</td> <td>ETR</td> <td>-</td> <td>WD.</td> <td>J2</td> <td>PTD.</td> <td>-</td> <td>391A</td> <td>3\"/> <tr> <td>395</td> <td>ETR</td> <td>-</td> <td>WD.</td> <td>J2</td> <td>PTD.</td> <td>-</td> <td>391B</td> <td>3\"/> <tr> <td>396</td> <td>ETR</td> <td>-</td> <td>WD.</td> <td>J2</td> <td>PTD.</td> <td>-</td> <td>394</td> <td>3\"/> <tr> <td>398</td> <td>ETR</td> <td>-</td> <td>WD.</td> <td>J2</td> <td>PTD.</td> <td>-</td> <td>395</td> <td>3\"/> <tr> <td>399</td> <td>ETR</td> <td>-</td> <td>WD.</td> <td>J2</td> <td>PTD.</td> <td>-</td> <td>396</td> <td>3\"/> <tr> <td>3991</td> <td>ETR</td> <td>-</td> <td>WD.</td> <td>J2</td> <td>PTD.</td> <td>-</td> <td>398</td> <td>3\"/> <tr> <td>3992</td> <td>A</td> <td>3\"/> <tr> <td>3993</td> <td>ETR</td> <td>-</td> <td>WD.</td> <td>J2</td> <td>PTD.</td> <td>-</td> <td>399</td> <td>3\"/> <tr> <td>3994</td> <td>ETR</td> <td>-</td> <td>WD.</td> <td>J2</td> <td>PTD.</td> <td>-</td> <td>3991</td> <td>3\"/> <tr> <td>3995</td> <td>ETR</td> <td>-</td> <td>WD.</td> <td>J2</td> <td>PTD.</td> <td>-</td> <td>3992</td> <td>3\"/> <tr> <td>3997</td> <td>ETR</td> <td>-</td> <td>WD.</td> <td>J2</td> <td>PTD.</td> <td>-</td> <td>3993</td> <td>3\"/> <tr> <td>3998</td> <td>ETR</td> <td>-</td> <td>WD.</td> <td>J2</td> <td>PTD.</td> <td>-</td> <td>3994</td> <td>3\"/> <tr> <td>3999</td> <td>ETR</td> <td>-</td> <td>WD.</td> <td>J2</td> <td>PTD.</td> <td>-</td> <td>3995</td> <td>3\"/> <tr> <td>3999</td> <td>ETR</td> <td>-</td> <td>WD.</td> <td>J2</td> <td>PTD.</td> <td>-</td> <td>3997</td> <td>3\"/> </td></tr></td></tr></td></tr></td></tr></td></tr></td></tr></td></tr></td></tr></td></tr></td></tr></td></tr></td></tr></td></tr></td></tr></td></tr></td></tr></td></tr></td></tr></td></tr></td></tr> | 387 | ETR | -
 | WD. | J2 | PTD. | - | 385 | 3\"/> <tr> <td>388</td> <td>ETR</td> <td>-</td> <td>WD.</td> <td>J2</td> <td>PTD.</td> <td>-</td> <td>386</td> <td>3\"/> <tr> <td>389</td> <td>ETR</td> <td>-</td> <td>WD.</td> <td>J2</td> <td>PTD.</td> <td>-</td> <td>387</td> <td>3\"/> <tr> <td>391</td> <td>ETR</td> <td>-</td> <td>WD.</td> <td>J2</td> <td>PTD.</td> <td>-</td> <td>388</td> <td>3\"/> <tr> <td>391A</td> <td>ETR</td> <td>-</td> <td>WD.</td> <td>J2</td> <td>PTD.</td> <td>-</td> <td>389</td> <td>3\"/> <tr> <td>391B</td> <td>ETR</td> <td>-</td> <td>WD.</td> <td>J2</td> <td>PTD.</td> <td>-</td> <td>391</td> <td>3\"/> <tr> <td>394</td> <td>ETR</td> <td>-</td> <td>WD.</td> <td>J2</td> <td>PTD.</td> <td>-</td> <td>391A</td> <td>3\"/> <tr> <td>395</td> <td>ETR</td> <td>-</td> <td>WD.</td> <td>J2</td> <td>PTD.</td> <td>-</td> <td>391B</td> <td>3\"/> <tr> <td>396</td> <td>ETR</td> <td>-</td> <td>WD.</td> <td>J2</td> <td>PTD.</td> <td>-</td> <td>394</td> <td>3\"/> <tr> <td>398</td> <td>ETR</td> <td>-</td> <td>WD.</td> <td>J2</td> <td>PTD.</td> <td>-</td> <td>395</td> <td>3\"/> <tr> <td>399</td> <td>ETR</td> <td>-</td> <td>WD.</td> <td>J2</td> <td>PTD.</td> <td>-</td> <td>396</td> <td>3\"/> <tr> <td>3991</td> <td>ETR</td> <td>-</td> <td>WD.</td> <td>J2</td> <td>PTD.</td> <td>-</td> <td>398</td> <td>3\"/> <tr> <td>3992</td> <td>A</td> <td>3\"/> <tr> <td>3993</td> <td>ETR</td> <td>-</td> <td>WD.</td> <td>J2</td> <td>PTD.</td> <td>-</td> <td>399</td> <td>3\"/> <tr> <td>3994</td> <td>ETR</td> <td>-</td> <td>WD.</td> <td>J2</td> <td>PTD.</td> <td>-</td> <td>3991</td> <td>3\"/> <tr> <td>3995</td> <td>ETR</td> <td>-</td> <td>WD.</td> <td>J2</td> <td>PTD.</td> <td>-</td> <td>3992</td> <td>3\"/> <tr> <td>3997</td> <td>ETR</td> <td>-</td> <td>WD.</td> <td>J2</td> <td>PTD.</td> <td>-</td> <td>3993</td> <td>3\"/> <tr> <td>3998</td> <td>ETR</td> <td>-</td> <td>WD.</td> <td>J2</td> <td>PTD.</td> <td>-</td> <td>3994</td> <td>3\"/> <tr> <td>3999</td> <td>ETR</td> <td>-</td> <td>WD.</td> <td>J2</td> <td>PTD.</td> <td>-</td> <td>3995</td> <td>3\"/> <tr> <td>3999</td> <td>ETR</td> <td>-</td> <td>WD.</td> <td>J2</td> <td>PTD.</td> <td>-</td> <td>3997</td> <td>3\"/> </td></tr></td></tr></td></tr></td></tr></td></tr></td></tr></td></tr></td></tr></td></tr></td></tr></td></tr></td></tr></td></tr></td></tr></td></tr></td></tr></td></tr></td></tr></td></tr> | 388 | ETR | -
 | WD. | J2 | PTD. | - | 386 | 3\"/> <tr> <td>389</td> <td>ETR</td> <td>-</td> <td>WD.</td> <td>J2</td> <td>PTD.</td> <td>-</td> <td>387</td> <td>3\"/> <tr> <td>391</td> <td>ETR</td> <td>-</td> <td>WD.</td> <td>J2</td> <td>PTD.</td> <td>-</td> <td>388</td> <td>3\"/> <tr> <td>391A</td> <td>ETR</td> <td>-</td> <td>WD.</td> <td>J2</td> <td>PTD.</td> <td>-</td> <td>389</td> <td>3\"/> <tr> <td>391B</td> <td>ETR</td> <td>-</td> <td>WD.</td> <td>J2</td> <td>PTD.</td> <td>-</td> <td>391</td> <td>3\"/> <tr> <td>394</td> <td>ETR</td> <td>-</td> <td>WD.</td> <td>J2</td> <td>PTD.</td> <td>-</td> <td>391A</td> <td>3\"/> <tr> <td>395</td> <td>ETR</td> <td>-</td> <td>WD.</td> <td>J2</td> <td>PTD.</td> <td>-</td> <td>391B</td> <td>3\"/> <tr> <td>396</td> <td>ETR</td> <td>-</td> <td>WD.</td> <td>J2</td> <td>PTD.</td> <td>-</td> <td>394</td> <td>3\"/> <tr> <td>398</td> <td>ETR</td> <td>-</td> <td>WD.</td> <td>J2</td> <td>PTD.</td> <td>-</td> <td>395</td> <td>3\"/> <tr> <td>399</td> <td>ETR</td> <td>-</td> <td>WD.</td> <td>J2</td> <td>PTD.</td> <td>-</td> <td>396</td> <td>3\"/> <tr> <td>3991</td> <td>ETR</td> <td>-</td> <td>WD.</td> <td>J2</td> <td>PTD.</td> <td>-</td> <td>398</td> <td>3\"/> <tr> <td>3992</td> <td>A</td> <td>3\"/> <tr> <td>3993</td> <td>ETR</td> <td>-</td> <td>WD.</td> <td>J2</td> <td>PTD.</td> <td>-</td> <td>399</td> <td>3\"/> <tr> <td>3994</td> <td>ETR</td> <td>-</td> <td>WD.</td> <td>J2</td> <td>PTD.</td> <td>-</td> <td>3991</td> <td>3\"/> <tr> <td>3995</td> <td>ETR</td> <td>-</td> <td>WD.</td> <td>J2</td> <td>PTD.</td> <td>-</td> <td>3992</td> <td>3\"/> <tr> <td>3997</td> <td>ETR</td> <td>-</td> <td>WD.</td> <td>J2</td> <td>PTD.</td> <td>-</td> <td>3993</td> <td>3\"/> <tr> <td>3998</td> <td>ETR</td> <td>-</td> <td>WD.</td> <td>J2</td> <td>PTD.</td> <td>-</td> <td>3994</td> <td>3\"/> <tr> <td>3999</td> <td>ETR</td> <td>-</td> <td>WD.</td> <td>J2</td> <td>PTD.</td> <td>-</td> <td>3995</td> <td>3\"/> <tr> <td>3999</td> <td>ETR</td> <td>-</td> <td>WD.</td> <td>J2</td> <td>PTD.</td> <td>-</td> <td>3997</td> <td>3\"/> </td></tr></td></tr></td></tr></td></tr></td></tr></td></tr></td></tr></td></tr></td></tr></td></tr></td></tr></td></tr></td></tr></td></tr></td></tr></td></tr></td></tr></td></tr> | 389 | ETR | -
 | WD. | J2 | PTD. | - | 387 | 3\"/> <tr> <td>391</td> <td>ETR</td> <td>-</td> <td>WD.</td> <td>J2</td> <td>PTD.</td> <td>-</td> <td>388</td> <td>3\"/> <tr> <td>391A</td> <td>ETR</td> <td>-</td> <td>WD.</td> <td>J2</td> <td>PTD.</td> <td>-</td> <td>389</td> <td>3\"/> <tr> <td>391B</td> <td>ETR</td> <td>-</td> <td>WD.</td> <td>J2</td> <td>PTD.</td> <td>-</td> <td>391</td> <td>3\"/> <tr> <td>394</td> <td>ETR</td> <td>-</td> <td>WD.</td> <td>J2</td> <td>PTD.</td> <td>-</td> <td>391A</td> <td>3\"/> <tr> <td>395</td> <td>ETR</td> <td>-</td> <td>WD.</td> <td>J2</td> <td>PTD.</td> <td>-</td> <td>391B</td> <td>3\"/> <tr> <td>396</td> <td>ETR</td> <td>-</td> <td>WD.</td> <td>J2</td> <td>PTD.</td> <td>-</td> <td>394</td> <td>3\"/> <tr> <td>398</td> <td>ETR</td> <td>-</td> <td>WD.</td> <td>J2</td> <td>PTD.</td> <td>-</td> <td>395</td> <td>3\"/> <tr> <td>399</td> <td>ETR</td> <td>-</td> <td>WD.</td> <td>J2</td> <td>PTD.</td> <td>-</td> <td>396</td> <td>3\"/> <tr> <td>3991</td> <td>ETR</td> <td>-</td> <td>WD.</td> <td>J2</td> <td>PTD.</td> <td>-</td> <td>398</td> <td>3\"/> <tr> <td>3992</td> <td>A</td> <td>3\"/> <tr> <td>3993</td> <td>ETR</td> <td>-</td> <td>WD.</td> <td>J2</td> <td>PTD.</td> <td>-</td> <td>399</td> <td>3\"/> <tr> <td>3994</td> <td>ETR</td> <td>-</td> <td>WD.</td> <td>J2</td> <td>PTD.</td> <td>-</td> <td>3991</td> <td>3\"/> <tr> <td>3995</td> <td>ETR</td> <td>-</td> <td>WD.</td> <td>J2</td> <td>PTD.</td> <td>-</td> <td>3992</td> <td>3\"/> <tr> <td>3997</td> <td>ETR</td> <td>-</td> <td>WD.</td> <td>J2</td> <td>PTD.</td> <td>-</td> <td>3993</td> <td>3\"/> <tr> <td>3998</td> <td>ETR</td> <td>-</td> <td>WD.</td> <td>J2</td> <td>PTD.</td> <td>-</td> <td>3994</td> <td>3\"/> <tr> <td>3999</td> <td>ETR</td> <td>-</td> <td>WD.</td> <td>J2</td> <td>PTD.</td> <td>-</td> <td>3995</td> <td>3\"/> <tr> <td>3999</td> <td>ETR</td> <td>-</td> <td>WD.</td> <td>J2</td> <td>PTD.</td> <td>-</td> <td>3997</td> <td>3\"/> </td></tr></td></tr></td></tr></td></tr></td></tr></td></tr></td></tr></td></tr></td></tr></td></tr></td></tr></td></tr></td></tr></td></tr></td></tr></td></tr></td></tr> | 391 | ETR | -
 | WD. | J2 | PTD. | - | 388 | 3\"/> <tr> <td>391A</td> <td>ETR</td> <td>-</td> <td>WD.</td> <td>J2</td> <td>PTD.</td> <td>-</td> <td>389</td> <td>3\"/> <tr> <td>391B</td> <td>ETR</td> <td>-</td> <td>WD.</td> <td>J2</td> <td>PTD.</td> <td>-</td> <td>391</td> <td>3\"/> <tr> <td>394</td> <td>ETR</td> <td>-</td> <td>WD.</td> <td>J2</td> <td>PTD.</td> <td>-</td> <td>391A</td> <td>3\"/> <tr> <td>395</td> <td>ETR</td> <td>-</td> <td>WD.</td> <td>J2</td> <td>PTD.</td> <td>-</td> <td>391B</td> <td>3\"/> <tr> <td>396</td> <td>ETR</td> <td>-</td> <td>WD.</td> <td>J2</td> <td>PTD.</td> <td>-</td> <td>394</td> <td>3\"/> <tr> <td>398</td> <td>ETR</td> <td>-</td> <td>WD.</td> <td>J2</td> <td>PTD.</td> <td>-</td> <td>395</td> <td>3\"/> <tr> <td>399</td> <td>ETR</td> <td>-</td> <td>WD.</td> <td>J2</td> <td>PTD.</td> <td>-</td> <td>396</td> <td>3\"/> <tr> <td>3991</td> <td>ETR</td> <td>-</td> <td>WD.</td> <td>J2</td> <td>PTD.</td> <td>-</td> <td>398</td> <td>3\"/> <tr> <td>3992</td> <td>A</td> <td>3\"/> <tr> <td>3993</td> <td>ETR</td> <td>-</td> <td>WD.</td> <td>J2</td> <td>PTD.</td> <td>-</td> <td>399</td> <td>3\"/> <tr> <td>3994</td> <td>ETR</td> <td>-</td> <td>WD.</td> <td>J2</td> <td>PTD.</td> <td>-</td> <td>3991</td> <td>3\"/> <tr> <td>3995</td> <td>ETR</td> <td>-</td> <td>WD.</td> <td>J2</td> <td>PTD.</td> <td>-</td> <td>3992</td> <td>3\"/> <tr> <td>3997</td> <td>ETR</td> <td>-</td> <td>WD.</td> <td>J2</td> <td>PTD.</td> <td>-</td> <td>3993</td> <td>3\"/> <tr> <td>3998</td> <td>ETR</td> <td>-</td> <td>WD.</td> <td>J2</td> <td>PTD.</td> <td>-</td> <td>3994</td> <td>3\"/> <tr> <td>3999</td> <td>ETR</td> <td>-</td> <td>WD.</td> <td>J2</td> <td>PTD.</td> <td>-</td> <td>3995</td> <td>3\"/> <tr> <td>3999</td> <td>ETR</td> <td>-</td> <td>WD.</td> <td>J2</td> <td>PTD.</td> <td>-</td> <td>3997</td> <td>3\"/> </td></tr></td></tr></td></tr></td></tr></td></tr></td></tr></td></tr></td></tr></td></tr></td></tr></td></tr></td></tr></td></tr></td></tr></td></tr></td></tr> | 391A | ETR | -
 | WD. | J2 | PTD. | - | 389 | 3\"/> <tr> <td>391B</td> <td>ETR</td> <td>-</td> <td>WD.</td> <td>J2</td> <td>PTD.</td> <td>-</td> <td>391</td> <td>3\"/> <tr> <td>394</td> <td>ETR</td> <td>-</td> <td>WD.</td> <td>J2</td> <td>PTD.</td> <td>-</td> <td>391A</td> <td>3\"/> <tr> <td>395</td> <td>ETR</td> <td>-</td> <td>WD.</td> <td>J2</td> <td>PTD.</td> <td>-</td> <td>391B</td> <td>3\"/> <tr> <td>396</td> <td>ETR</td> <td>-</td> <td>WD.</td> <td>J2</td> <td>PTD.</td> <td>-</td> <td>394</td> <td>3\"/> <tr> <td>398</td> <td>ETR</td> <td>-</td> <td>WD.</td> <td>J2</td> <td>PTD.</td> <td>-</td> <td>395</td> <td>3\"/> <tr> <td>399</td> <td>ETR</td> <td>-</td> <td>WD.</td> <td>J2</td> <td>PTD.</td> <td>-</td> <td>396</td> <td>3\"/> <tr> <td>3991</td> <td>ETR</td> <td>-</td> <td>WD.</td> <td>J2</td> <td>PTD.</td> <td>-</td> <td>398</td> <td>3\"/> <tr> <td>3992</td> <td>A</td> <td>3\"/> <tr> <td>3993</td> <td>ETR</td> <td>-</td> <td>WD.</td> <td>J2</td> <td>PTD.</td> <td>-</td> <td>399</td> <td>3\"/> <tr> <td>3994</td> <td>ETR</td> <td>-</td> <td>WD.</td> <td>J2</td> <td>PTD.</td> <td>-</td> <td>3991</td> <td>3\"/> <tr> <td>3995</td> <td>ETR</td> <td>-</td> <td>WD.</td> <td>J2</td> <td>PTD.</td> <td>-</td> <td>3992</td> <td>3\"/> <tr> <td>3997</td> <td>ETR</td> <td>-</td> <td>WD.</td> <td>J2</td> <td>PTD.</td> <td>-</td> <td>3993</td> <td>3\"/> <tr> <td>3998</td> <td>ETR</td> <td>-</td> <td>WD.</td> <td>J2</td> <td>PTD.</td> <td>-</td> <td>3994</td> <td>3\"/> <tr> <td>3999</td> <td>ETR</td> <td>-</td> <td>WD.</td> <td>J2</td> <td>PTD.</td> <td>-</td> <td>3995</td> <td>3\"/> <tr> <td>3999</td> <td>ETR</td> <td>-</td> <td>WD.</td> <td>J2</td> <td>PTD.</td> <td>-</td> <td>3997</td> <td>3\"/> </td></tr></td></tr></td></tr></td></tr></td></tr></td></tr></td></tr></td></tr></td></tr></td></tr></td></tr></td></tr></td></tr></td></tr></td></tr> | 391B | ETR | -
 | WD. | J2 | PTD. | - | 391 | 3\"/> <tr> <td>394</td> <td>ETR</td> <td>-</td> <td>WD.</td> <td>J2</td> <td>PTD.</td> <td>-</td> <td>391A</td> <td>3\"/> <tr> <td>395</td> <td>ETR</td> <td>-</td> <td>WD.</td> <td>J2</td> <td>PTD.</td> <td>-</td> <td>391B</td> <td>3\"/> <tr> <td>396</td> <td>ETR</td> <td>-</td> <td>WD.</td> <td>J2</td> <td>PTD.</td> <td>-</td> <td>394</td> <td>3\"/> <tr> <td>398</td> <td>ETR</td> <td>-</td> <td>WD.</td> <td>J2</td> <td>PTD.</td> <td>-</td> <td>395</td> <td>3\"/> <tr> <td>399</td> <td>ETR</td> <td>-</td> <td>WD.</td> <td>J2</td> <td>PTD.</td> <td>-</td> <td>396</td> <td>3\"/> <tr> <td>3991</td> <td>ETR</td> <td>-</td> <td>WD.</td> <td>J2</td> <td>PTD.</td> <td>-</td> <td>398</td> <td>3\"/> <tr> <td>3992</td> <td>A</td> <td>3\"/> <tr> <td>3993</td> <td>ETR</td> <td>-</td> <td>WD.</td> <td>J2</td> <td>PTD.</td> <td>-</td> <td>399</td> <td>3\"/> <tr> <td>3994</td> <td>ETR</td> <td>-</td> <td>WD.</td> <td>J2</td> <td>PTD.</td> <td>-</td> <td>3991</td> <td>3\"/> <tr> <td>3995</td> <td>ETR</td> <td>-</td> <td>WD.</td> <td>J2</td> <td>PTD.</td> <td>-</td> <td>3992</td> <td>3\"/> <tr> <td>3997</td> <td>ETR</td> <td>-</td> <td>WD.</td> <td>J2</td> <td>PTD.</td> <td>-</td> <td>3993</td> <td>3\"/> <tr> <td>3998</td> <td>ETR</td> <td>-</td> <td>WD.</td> <td>J2</td> <td>PTD.</td> <td>-</td> <td>3994</td> <td>3\"/> <tr> <td>3999</td> <td>ETR</td> <td>-</td> <td>WD.</td> <td>J2</td> <td>PTD.</td> <td>-</td> <td>3995</td> <td>3\"/> <tr> <td>3999</td> <td>ETR</td> <td>-</td> <td>WD.</td> <td>J2</td> <td>PTD.</td> <td>-</td> <td>3997</td> <td>3\"/> </td></tr></td></tr></td></tr></td></tr></td></tr></td></tr></td></tr></td></tr></td></tr></td></tr></td></tr></td></tr></td></tr></td></tr> | 394 | ETR | -
 | WD. | J2 | PTD. | - | 391A | 3\"/> <tr> <td>395</td> <td>ETR</td> <td>-</td> <td>WD.</td> <td>J2</td> <td>PTD.</td> <td>-</td> <td>391B</td> <td>3\"/> <tr> <td>396</td> <td>ETR</td> <td>-</td> <td>WD.</td> <td>J2</td> <td>PTD.</td> <td>-</td> <td>394</td> <td>3\"/> <tr> <td>398</td> <td>ETR</td> <td>-</td> <td>WD.</td> <td>J2</td> <td>PTD.</td> <td>-</td> <td>395</td> <td>3\"/> <tr> <td>399</td> <td>ETR</td> <td>-</td> <td>WD.</td> <td>J2</td> <td>PTD.</td> <td>-</td> <td>396</td> <td>3\"/> <tr> <td>3991</td> <td>ETR</td> <td>-</td> <td>WD.</td> <td>J2</td> <td>PTD.</td> <td>-</td> <td>398</td> <td>3\"/> <tr> <td>3992</td> <td>A</td> <td>3\"/> <tr> <td>3993</td> <td>ETR</td> <td>-</td> <td>WD.</td> <td>J2</td> <td>PTD.</td> <td>-</td> <td>399</td> <td>3\"/> <tr> <td>3994</td> <td>ETR</td> <td>-</td> <td>WD.</td> <td>J2</td> <td>PTD.</td> <td>-</td> <td>3991</td> <td>3\"/> <tr> <td>3995</td> <td>ETR</td> <td>-</td> <td>WD.</td> <td>J2</td> <td>PTD.</td> <td>-</td> <td>3992</td> <td>3\"/> <tr> <td>3997</td> <td>ETR</td> <td>-</td> <td>WD.</td> <td>J2</td> <td>PTD.</td> <td>-</td> <td>3993</td> <td>3\"/> <tr> <td>3998</td> <td>ETR</td> <td>-</td> <td>WD.</td> <td>J2</td> <td>PTD.</td> <td>-</td> <td>3994</td> <td>3\"/> <tr> <td>3999</td> <td>ETR</td> <td>-</td> <td>WD.</td> <td>J2</td> <td>PTD.</td> <td>-</td> <td>3995</td> <td>3\"/> <tr> <td>3999</td> <td>ETR</td> <td>-</td> <td>WD.</td> <td>J2</td> <td>PTD.</td> <td>-</td> <td>3997</td> <td>3\"/> </td></tr></td></tr></td></tr></td></tr></td></tr></td></tr></td></tr></td></tr></td></tr></td></tr></td></tr></td></tr></td></tr> | 395 | ETR | - | WD. | J2 | PTD.
 | - | 391B | 3\"/> <tr> <td>396</td> <td>ETR</td> <td>-</td> <td>WD.</td> <td>J2</td> <td>PTD.</td> <td>-</td> <td>394</td> <td>3\"/> <tr> <td>398</td> <td>ETR</td> <td>-</td> <td>WD.</td> <td>J2</td> <td>PTD.</td> <td>-</td> <td>395</td> <td>3\"/> <tr> <td>399</td> <td>ETR</td> <td>-</td> <td>WD.</td> <td>J2</td> <td>PTD.</td> <td>-</td> <td>396</td> <td>3\"/> <tr> <td>3991</td> <td>ETR</td> <td>-</td> <td>WD.</td> <td>J2</td> <td>PTD.</td> <td>-</td> <td>398</td> <td>3\"/> <tr> <td>3992</td> <td>A</td> <td>3\"/> <tr> <td>3993</td> <td>ETR</td> <td>-</td> <td>WD.</td> <td>J2</td> <td>PTD.</td> <td>-</td> <td>399</td> <td>3\"/> <tr> <td>3994</td> <td>ETR</td> <td>-</td> <td>WD.</td> <td>J2</td> <td>PTD.</td> <td>-</td> <td>3991</td> <td>3\"/> <tr> <td>3995</td> <td>ETR</td> <td>-</td> <td>WD.</td> <td>J2</td> <td>PTD.</td> <td>-</td> <td>3992</td> <td>3\"/> <tr> <td>3997</td> <td>ETR</td> <td>-</td> <td>WD.</td> <td>J2</td> <td>PTD.</td> <td>-</td> <td>3993</td> <td>3\"/> <tr> <td>3998</td> <td>ETR</td> <td>-</td> <td>WD.</td> <td>J2</td> <td>PTD.</td> <td>-</td> <td>3994</td> <td>3\"/> <tr> <td>3999</td> <td>ETR</td> <td>-</td> <td>WD.</td> <td>J2</td> <td>PTD.</td> <td>-</td> <td>3995</td> <td>3\"/> <tr> <td>3999</td> <td>ETR</td> <td>-</td> <td>WD.</td> <td>J2</td> <td>PTD.</td> <td>-</td> <td>3997</td> <td>3\"/> </td></tr></td></tr></td></tr></td></tr></td></tr></td></tr></td></tr></td></tr></td></tr></td></tr></td></tr></td></tr> | 396 | ETR | - | WD. | J2 | PTD. | - | 394 | 3\"/> <tr> <td>398</td> <td>ETR</td> <td>-</td> <td>WD.</td> <td>J2</td> <td>PTD.</td> <td>-</td> <td>395</td> <td>3\"/> <tr> <td>399</td> <td>ETR</td> <td>-</td> <td>WD.</td> <td>J2</td> <td>PTD.</td> <td>-</td> <td>396</td> <td>3\"/> <tr> <td>3991</td> <td>ETR</td> <td>-</td> <td>WD.</td> <td>J2</td> <td>PTD.</td> <td>-</td> <td>398</td> <td>3\"/> <tr> <td>3992</td> <td>A</td> <td>3\"/> <tr> <td>3993</td> <td>ETR</td> <td>-</td> <td>WD.</td> <td>J2</td> <td>PTD.</td> <td>-</td> <td>399</td> <td>3\"/> <tr> <td>3994</td> <td>ETR</td> <td>-</td> <td>WD.</td> <td>J2</td> <td>PTD.</td> <td>-</td> <td>3991</td> <td>3\"/> <tr> <td>3995</td> <td>ETR</td> <td>-</td> <td>WD.</td> <td>J2</td> <td>PTD.</td> <td>-</td> <td>3992</td> <td>3\"/> <tr> <td>3997</td> <td>ETR</td> <td>-</td> <td>WD.</td> <td>J2</td> <td>PTD.</td> <td>-</td> <td>3993</td> <td>3\"/> <tr> <td>3998</td> <td>ETR</td> <td>-</td> <td>WD.</td> <td>J2</td> <td>PTD.</td> <td>-</td> <td>3994</td> <td>3\"/> <tr> <td>3999</td> <td>ETR</td> <td>-</td> <td>WD.</td> <td>J2</td> <td>PTD.</td> <td>-</td> <td>3995</td> <td>3\"/> <tr> <td>3999</td> <td>ETR</td> <td>-</td> <td>WD.</td> <td>J2</td> <td>PTD.</td> <td>-</td> <td>3997</td> <td>3\"/> </td></tr></td></tr></td></tr></td></tr></td></tr></td></tr></td></tr></td></tr></td></tr></td></tr></td></tr> | 398 | ETR | -
 | WD. | J2 | PTD. | - | 395 | 3\"/> <tr> <td>399</td> <td>ETR</td> <td>-</td> <td>WD.</td> <td>J2</td> <td>PTD.</td> <td>-</td> <td>396</td> <td>3\"/> <tr> <td>3991</td> <td>ETR</td> <td>-</td> <td>WD.</td> <td>J2</td> <td>PTD.</td> <td>-</td> <td>398</td> <td>3\"/> <tr> <td>3992</td> <td>A</td> <td>3\"/> <tr> <td>3993</td> <td>ETR</td> <td>-</td> <td>WD.</td> <td>J2</td> <td>PTD.</td> <td>-</td> <td>399</td> <td>3\"/> <tr> <td>3994</td> <td>ETR</td> <td>-</td> <td>WD.</td> <td>J2</td> <td>PTD.</td> <td>-</td> <td>3991</td> <td>3\"/> <tr> <td>3995</td> <td>ETR</td> <td>-</td> <td>WD.</td> <td>J2</td> <td>PTD.</td> <td>-</td> <td>3992</td> <td>3\"/> <tr> <td>3997</td> <td>ETR</td> <td>-</td> <td>WD.</td> <td>J2</td> <td>PTD.</td> <td>-</td> <td>3993</td> <td>3\"/> <tr> <td>3998</td> <td>ETR</td> <td>-</td> <td>WD.</td> <td>J2</td> <td>PTD.</td> <td>-</td> <td>3994</td> <td>3\"/> <tr> <td>3999</td> <td>ETR</td> <td>-</td> <td>WD.</td> <td>J2</td> <td>PTD.</td> <td>-</td> <td>3995</td> <td>3\"/> <tr> <td>3999</td> <td>ETR</td> <td>-</td> <td>WD.</td> <td>J2</td> <td>PTD.</td> <td>-</td> <td>3997</td> <td>3\"/> </td></tr></td></tr></td></tr></td></tr></td></tr></td></tr></td></tr></td></tr></td></tr></td></tr> | 399 | ETR | - | WD. | J2 | PTD. | - | 396 | 3\"/> <tr> <td>3991</td> <td>ETR</td> <td>-</td> <td>WD.</td> <td>J2</td> <td>PTD.</td> <td>-</td> <td>398</td> <td>3\"/> <tr> <td>3992</td> <td>A</td> <td>3\"/> <tr> <td>3993</td> <td>ETR</td> <td>-</td> <td>WD.</td> <td>J2</td> <td>PTD.</td> <td>-</td> <td>399</td> <td>3\"/> <tr> <td>3994</td> <td>ETR</td> <td>-</td> <td>WD.</td> <td>J2</td> <td>PTD.</td> <td>-</td> <td>3991</td> <td>3\"/> <tr> <td>3995</td> <td>ETR</td> <td>-</td> <td>WD.</td> <td>J2</td> <td>PTD.</td> <td>-</td> <td>3992</td> <td>3\"/> <tr> <td>3997</td> <td>ETR</td> <td>-</td> <td>WD.</td> <td>J2</td> <td>PTD.</td> <td>-</td> <td>3993</td> <td>3\"/> <tr> <td>3998</td> <td>ETR</td> <td>-</td> <td>WD.</td> <td>J2</td> <td>PTD.</td> <td>-</td> <td>3994</td> <td>3\"/> <tr> <td>3999</td> <td>ETR</td> <td>-</td> <td>WD.</td> <td>J2</td> <td>PTD.</td> <td>-</td> <td>3995</td> <td>3\"/> <tr> <td>3999</td> <td>ETR</td> <td>-</td> <td>WD.</td> <td>J2</td> <td>PTD.</td> <td>-</td> <td>3997</td> <td>3\"/> </td></tr></td></tr></td></tr></td></tr></td></tr></td></tr></td></tr></td></tr></td></tr> | 3991 | ETR | -
 | WD. | J2 | PTD. | - | 398 | 3\"/> <tr> <td>3992</td> <td>A</td> <td>3\"/> <tr> <td>3993</td> <td>ETR</td> <td>-</td> <td>WD.</td> <td>J2</td> <td>PTD.</td> <td>-</td> <td>399</td> <td>3\"/> <tr> <td>3994</td> <td>ETR</td> <td>-</td> <td>WD.</td> <td>J2</td> <td>PTD.</td> <td>-</td> <td>3991</td> <td>3\"/> <tr> <td>3995</td> <td>ETR</td> <td>-</td> <td>WD.</td> <td>J2</td> <td>PTD.</td> <td>-</td> <td>3992</td> <td>3\"/> <tr> <td>3997</td> <td>ETR</td> <td>-</td> <td>WD.</td> <td>J2</td> <td>PTD.</td> <td>-</td> <td>3993</td> <td>3\"/> <tr> <td>3998</td> <td>ETR</td> <td>-</td> <td>WD.</td> <td>J2</td> <td>PTD.</td> <td>-</td> <td>3994</td> <td>3\"/> <tr> <td>3999</td> <td>ETR</td> <td>-</td> <td>WD.</td> <td>J2</td> <td>PTD.</td> <td>-</td> <td>3995</td> <td>3\"/> <tr> <td>3999</td> <td>ETR</td> <td>-</td> <td>WD.</td> <td>J2</td> <td>PTD.</td> <td>-</td> <td>3997</td> <td>3\"/> </td></tr></td></tr></td></tr></td></tr></td></tr></td></tr></td></tr></td></tr> | 3992 | A | 3\"/> <tr> <td>3993</td> <td>ETR</td> <td>-</td> <td>WD.</td> <td>J2</td> <td>PTD.</td> <td>-</td> <td>399</td> <td>3\"/> <tr> <td>3994</td> <td>ETR</td> <td>-</td> <td>WD.</td> <td>J2</td> <td>PTD.</td> <td>-</td> <td>3991</td> <td>3\"/> <tr> <td>3995</td> <td>ETR</td> <td>-</td> <td>WD.</td> <td>J2</td> <td>PTD.</td> <td>-</td> <td>3992</td> <td>3\"/> <tr> <td>3997</td> <td>ETR</td> <td>-</td> <td>WD.</td> <td>J2</td> <td>PTD.</td> <td>-</td> <td>3993</td> <td>3\"/> <tr> <td>3998</td> <td>ETR</td> <td>-</td> <td>WD.</td> <td>J2</td> <td>PTD.</td> <td>-</td> <td>3994</td> <td>3\"/> <tr> <td>3999</td> <td>ETR</td> <td>-</td> <td>WD.</td> <td>J2</td> <td>PTD.</td> <td>-</td> <td>3995</td> <td>3\"/> <tr> <td>3999</td> <td>ETR</td> <td>-</td> <td>WD.</td> <td>J2</td> <td>PTD.</td> <td>-</td> <td>3997</td> <td>3\"/> </td></tr></td></tr></td></tr></td></tr></td></tr></td></tr></td></tr> | 3993 | ETR | - | WD. | J2 | PTD. | - | 399 | 3\"/> <tr> <td>3994</td> <td>ETR</td> <td>-</td> <td>WD.</td> <td>J2</td> <td>PTD.</td> <td>-</td> <td>3991</td> <td>3\"/> <tr> <td>3995</td> <td>ETR</td> <td>-</td> <td>WD.</td> <td>J2</td> <td>PTD.</td> <td>-</td> <td>3992</td> <td>3\"/> <tr> <td>3997</td> <td>ETR</td> <td>-</td> <td>WD.</td> <td>J2</td> <td>PTD.</td> <td>-</td> <td>3993</td> <td>3\"/> <tr> <td>3998</td> <td>ETR</td> <td>-</td> <td>WD.</td> <td>J2</td> <td>PTD.</td> <td>-</td> <td>3994</td> <td>3\"/> <tr> <td>3999</td> <td>ETR</td> <td>-</td> <td>WD.</td> <td>J2</td> <td>PTD.</td> <td>-</td> <td>3995</td> <td>3\"/> <tr> <td>3999</td> <td>ETR</td> <td>-</td> <td>WD.</td> <td>J2</td> <td>PTD.</td> <td>-</td> <td>3997</td> <td>3\"/> </td></tr></td></tr></td></tr></td></tr></td></tr></td></tr>
 | 3994 | ETR | - | WD. | J2 | PTD. | - | 3991 | 3\"/> <tr> <td>3995</td> <td>ETR</td> <td>-</td> <td>WD.</td> <td>J2</td> <td>PTD.</td> <td>-</td> <td>3992</td> <td>3\"/> <tr> <td>3997</td> <td>ETR</td> <td>-</td> <td>WD.</td> <td>J2</td> <td>PTD.</td> <td>-</td> <td>3993</td> <td>3\"/> <tr> <td>3998</td> <td>ETR</td> <td>-</td> <td>WD.</td> <td>J2</td> <td>PTD.</td> <td>-</td> <td>3994</td> <td>3\"/> <tr> <td>3999</td> <td>ETR</td> <td>-</td> <td>WD.</td> <td>J2</td> <td>PTD.</td> <td>-</td> <td>3995</td> <td>3\"/> <tr> <td>3999</td> <td>ETR</td> <td>-</td> <td>WD.</td> <td>J2</td> <td>PTD.</td> <td>-</td> <td>3997</td> <td>3\"/> </td></tr></td></tr></td></tr></td></tr></td></tr> | 3995 | ETR | - | WD. | J2 | PTD. | - | 3992 | 3\"/> <tr> <td>3997</td> <td>ETR</td> <td>-</td> <td>WD.</td> <td>J2</td> <td>PTD.</td> <td>-</td> <td>3993</td> <td>3\"/> <tr> <td>3998</td> <td>ETR</td> <td>-</td> <td>WD.</td> <td>J2</td> <td>PTD.</td> <td>-</td> <td>3994</td> <td>3\"/> <tr> <td>3999</td> <td>ETR</td> <td>-</td> <td>WD.</td> <td>J2</td> <td>PTD.</td> <td>-</td> <td>3995</td> <td>3\"/> <tr> <td>3999</td> <td>ETR</td> <td>-</td> <td>WD.</td> <td>J2</td> <td>PTD.</td> <td>-</td> <td>3997</td> <td>3\"/> </td></tr></td></tr></td></tr></td></tr> | 3997 | ETR | - | WD. | J2 | PTD.
 | - | 3993 | 3\"/> <tr> <td>3998</td> <td>ETR</td> <td>-</td> <td>WD.</td> <td>J2</td> <td>PTD.</td> <td>-</td> <td>3994</td> <td>3\"/> <tr> <td>3999</td> <td>ETR</td> <td>-</td> <td>WD.</td> <td>J2</td> <td>PTD.</td> <td>-</td> <td>3995</td> <td>3\"/> <tr> <td>3999</td> <td>ETR</td> <td>-</td> <td>WD.</td> <td>J2</td> <td>PTD.</td> <td>-</td> <td>3997</td> <td>3\"/> </td></tr></td></tr></td></tr> | 3998 | ETR | - | WD. | J2 | PTD. | - | 3994 | 3\"/> <tr> <td>3999</td> <td>ETR</td> <td>-</td> <td>WD.</td> <td>J2</td> <td>PTD.</td> <td>-</td> <td>3995</td> <td>3\"/> <tr> <td>3999</td> <td>ETR</td> <td>-</td> <td>WD.</td> <td>J2</td> <td>PTD.</td> <td>-</td> <td>3997</td> <td>3\"/> </td></tr></td></tr> | 3999 | ETR | - | WD. | J2 | PTD. | - | 3995 | 3\"/> <tr> <td>3999</td> <td>ETR</td> <td>-</td> <td>WD.</td> <td>J2</td> <td>PTD.</td> <td>-</td> <td>3997</td> <td>3\"/> </td></tr> | 3999 | ETR | - | WD. | J2 | PTD. | - | 3997 | 3\"/>
 | | | | | | | | | | | | | | | | | | | | | | | | | | | | | | | | | | | | | | |
 | | | | | | | | | | | | | | | | | | | | | | | | | | | | | | | | | | | | | | | | | | | | | | | | | | | | | | |
| 365 | ETR | - | WD. | J2 | PTD. | - | 363 | 3\"/> <tr> <td>366</td> <td>ETR</td> <td>-</td> <td>WD.</td> <td>J2</td> <td>PTD.</td> <td>-</td> <td>364A</td> <td>3\"/> <tr> <td>367</td> <td>B</td> <td>2 <td>HM</td> <td>J1</td> <td>PTD.</td> <td>1 HR.</td> <td>365</td> <td>3\"/> <tr> <td>368</td> <td>ETR</td> <td>-</td> <td>WD.</td> <td>J2</td> <td>PTD.</td> <td>-</td> <td>366</td> <td>3\"/> <tr> <td>369</td> <td>ETR</td> <td>-</td> <td>WD.</td> <td>J2</td> <td>PTD.</td> <td>-</td> <td>367</td> <td>3\"/> <tr> <td>370</td> <td>ETR</td> <td>-</td> <td>WD.</td> <td>J2</td> <td>PTD.</td> <td>-</td> <td>368</td> <td>3\"/> <tr> <td>371</td> <td>ETR</td> <td>-</td> <td>WD.</td> <td>J2</td> <td>PTD.</td> <td>-</td> <td>369</td> <td>3\"/> <tr> <td>372</td> <td>B</td> <td>2 <td>HM</td> <td>J1</td> <td>PTD.</td> <td>1 HR.</td> <td>370</td> <td>3\"/> <tr> <td>373A</td> <td>ETR</td> <td>-</td> <td>WD.</td> <td>J2</td> <td>PTD.</td> <td>-</td> <td>371</td> <td>3\"/> <tr> <td>374B</td> <td>ETR</td> <td>-</td> <td>WD.</td> <td>J2</td> <td>PTD.</td> <td>-</td> <td>372</td> <td>3\"/> <tr> <td>374C</td> <td>ETR</td> <td>-</td> <td>WD.</td> <td>J2</td> <td>PTD.</td> <td>-</td> <td>373A</td> <td>3\"/> <tr> <td>375</td> <td>B</td> <td>1 <td>WD</td> <td>J1</td> <td>PTD.</td> <td>-</td> <td>374B</td> <td>3\"/> <tr> <td>376</td> <td>B</td> <td>1 <td>WD</td> <td>J1</td> <td>PTD.</td> <td>-</td> <td>374C</td> <td>3\"/> <tr> <td>377</td> <td>B</td> <td>1 <td>WD</td> <td>J1</td> <td>PTD.</td> <td>-</td> <td>375</td> <td>3\"/> <tr> <td>377A</td> <td>B</td> <td>1 <td>WD</td> <td>J1</td> <td>PTD.</td> <td>-</td> <td>376</td> <td>3\"/> <tr> <td>378</td> <td>B</td> <td>1 <td>WD</td> <td>J1</td> <td>PTD.</td> <td>-</td> <td>377</td> <td>3\"/> <tr> <td>379</td> <td>B</td> <td>1 <td>WD</td> <td>J1</td> <td>PTD.</td> <td>-</td> <td>377A</td> <td>3\"/> <tr> <td>380A</td> <td>B</td> <td>1 <td>WD</td> <td>J1</td> <td>PTD.</td> <td>-</td> <td>378</td> <td>3\"/> <tr> <td>380B</td> <td>B</td> <td>1 <td>WD</td> <td>J1</td> <td>PTD.</td> <td>-</td> <td>379</td> <td>3\"/> <tr> <td>382</td> <td>ETR</td> <td>-</td> <td>WD.</td> <td>J2</td> <td>PTD.</td> <td>-</td> <td>380A</td> <td>3\"/> <tr> <td>382A</td> <td>D</td> <td>6 <td>ALUM.</td> <td>ANODIZE D</td> <td>-</td> <td>-</td> <td>380B</td> <td>3\"/> <tr> <td>385</td> <td>ETR</td> <td>-</td> <td>WD.</td> <td>J2</td> <td>PTD.</td> <td>-</td> <td>382</td> <td>3\"/> <tr> <td>386</td> <td>ETR</td> <td>-</td> <td>WD.</td> <td>J2</td> <td>PTD.</td> <td>-</td> <td>382A</td> <td>3\"/> <tr> <td>387</td> <td>ETR</td> <td>-</td> <td>WD.</td> <td>J2</td> <td>PTD.</td> <td>-</td> <td>385</td> <td>3\"/> <tr> <td>388</td> <td>ETR</td> <td>-</td> <td>WD.</td> <td>J2</td> <td>PTD.</td> <td>-</td> <td>386</td> <td>3\"/> <tr> <td>389</td> <td>ETR</td> <td>-</td> <td>WD.</td> <td>J2</td> <td>PTD.</td> <td>-</td> <td>387</td> <td>3\"/> <tr> <td>391</td> <td>ETR</td> <td>-</td> <td>WD.</td> <td>J2</td>
<td>PTD.</td> <td>-</td> <td>388</td> <td>3\"/> <tr> <td>391A</td> <td>ETR</td> <td>-</td> <td>WD.</td> <td>J2</td> <td>PTD.</td> <td>-</td> <td>389</td> <td>3\"/> <tr> <td>391B</td> <td>ETR</td> <td>-</td> <td>WD.</td> <td>J2</td> <td>PTD.</td> <td>-</td> <td>391</td> <td>3\"/> <tr> <td>394</td> <td>ETR</td> <td>-</td> <td>WD.</td> <td>J2</td> <td>PTD.</td> <td>-</td> <td>391A</td> <td>3\"/> <tr> <td>395</td> <td>ETR</td> <td>-</td> <td>WD.</td> <td>J2</td> <td>PTD.</td> <td>-</td> <td>391B</td> <td>3\"/> <tr> <td>396</td> <td>ETR</td> <td>-</td> <td>WD.</td> <td>J2</td> <td>PTD.</td> <td>-</td> <td>394</td> <td>3\"/> <tr> <td>398</td> <td>ETR</td> <td>-</td> <td>WD.</td> <td>J2</td> <td>PTD.</td> <td>-</td> <td>395</td> <td>3\"/> <tr> <td>399</td> <td>ETR</td> <td>-</td> <td>WD.</td> <td>J2</td> <td>PTD.</td> <td>-</td> <td>396</td> <td>3\"/> <tr> <td>3991</td> <td>ETR</td> <td>-</td> <td>WD.</td> <td>J2</td> <td>PTD.</td> <td>-</td> <td>398</td> <td>3\"/> <tr> <td>3992</td> <td>A</td> <td>3\"/> <tr> <td>3993</td> <td>ETR</td> <td>-</td> <td>WD.</td> <td>J2</td> <td>PTD.</td> <td>-</td> <td>399</td> <td>3\"/> <tr> <td>3994</td> <td>ETR</td> <td>-</td> <td>WD.</td> <td>J2</td> <td>PTD.</td> <td>-</td> <td>3991</td> <td>3\"/> <tr> <td>3995</td> <td>ETR</td> <td>-</td> <td>WD.</td> <td>J2</td> <td>PTD.</td> <td>-</td> <td>3992</td> <td>3\"/> <tr> <td>3997</td> <td>ETR</td> <td>-</td> <td>WD.</td> <td>J2</td> <td>PTD.</td> <td>-</td> <td>3993</td> <td>3\"/> <tr> <td>3998</td> <td>ETR</td> <td>-</td> <td>WD.</td> <td>J2</td> <td>PTD.</td> <td>-</td> <td>3994</td> <td>3\"/> <tr> <td>3999</td> <td>ETR</td> <td>-</td> <td>WD.</td> <td>J2</td> <td>PTD.</td> <td>-</td> <td>3995</td> <td>3\"/> <tr> <td>3999</td> <td>ETR</td> <td>-</td> <td>WD.</td> <td>J2</td> <td>PTD.</td> <td>-</td> <td>3997</td> <td>3\"/> </td></tr></td></tr></td></tr></td></tr></td></tr></td></tr></td></tr></td></tr></td></tr></td></tr></td></tr></td></tr></td></tr></td></tr></td></tr></td></tr></td></tr></td></tr></td></tr></td></tr></td></tr></td></tr></td></td></tr></td></tr></td></td></tr></td></td></tr></td></td></tr></td></td></tr></td></td></tr></td></td></tr></td></td></tr></td></td></tr></td></tr></td></tr></td></tr></td></td></tr></td></tr></td></tr></td></tr></td></tr></td></td></tr></td></tr> | 366 | ETR | -
 | WD. | J2 | PTD. | - | 364A | 3\"/> <tr> <td>367</td> <td>B</td> <td>2 <td>HM</td> <td>J1</td> <td>PTD.</td> <td>1 HR.</td> <td>365</td> <td>3\"/> <tr> <td>368</td> <td>ETR</td> <td>-</td> <td>WD.</td> <td>J2</td> <td>PTD.</td> <td>-</td> <td>366</td> <td>3\"/> <tr> <td>369</td> <td>ETR</td> <td>-</td> <td>WD.</td> <td>J2</td> <td>PTD.</td> <td>-</td> <td>367</td> <td>3\"/> <tr> <td>370</td> <td>ETR</td> <td>-</td> <td>WD.</td> <td>J2</td> <td>PTD.</td> <td>-</td> <td>368</td> <td>3\"/> <tr> <td>371</td> <td>ETR</td> <td>-</td> <td>WD.</td> <td>J2</td> <td>PTD.</td> <td>-</td> <td>369</td> <td>3\"/> <tr> <td>372</td> <td>B</td> <td>2 <td>HM</td> <td>J1</td> <td>PTD.</td> <td>1 HR.</td> <td>370</td> <td>3\"/> <tr> <td>373A</td> <td>ETR</td> <td>-</td> <td>WD.</td> <td>J2</td> <td>PTD.</td> <td>-</td> <td>371</td> <td>3\"/> <tr> <td>374B</td> <td>ETR</td> <td>-</td> <td>WD.</td> <td>J2</td> <td>PTD.</td> <td>-</td> <td>372</td> <td>3\"/> <tr> <td>374C</td> <td>ETR</td> <td>-</td> <td>WD.</td> <td>J2</td> <td>PTD.</td> <td>-</td> <td>373A</td> <td>3\"/> <tr> <td>375</td> <td>B</td> <td>1 <td>WD</td> <td>J1</td> <td>PTD.</td> <td>-</td> <td>374B</td> <td>3\"/> <tr> <td>376</td> <td>B</td> <td>1 <td>WD</td> <td>J1</td> <td>PTD.</td> <td>-</td> <td>374C</td> <td>3\"/> <tr> <td>377</td> <td>B</td> <td>1 <td>WD</td> <td>J1</td> <td>PTD.</td> <td>-</td> <td>375</td> <td>3\"/> <tr> <td>377A</td> <td>B</td> <td>1 <td>WD</td> <td>J1</td> <td>PTD.</td> <td>-</td> <td>376</td> <td>3\"/> <tr> <td>378</td> <td>B</td> <td>1 <td>WD</td> <td>J1</td> <td>PTD.</td> <td>-</td> <td>377</td> <td>3\"/> <tr> <td>379</td> <td>B</td> <td>1 <td>WD</td> <td>J1</td> <td>PTD.</td> <td>-</td> <td>377A</td> <td>3\"/> <tr> <td>380A</td> <td>B</td> <td>1 <td>WD</td> <td>J1</td> <td>PTD.</td> <td>-</td> <td>378</td> <td>3\"/> <tr> <td>380B</td> <td>B</td> <td>1 <td>WD</td> <td>J1</td> <td>PTD.</td> <td>-</td> <td>379</td> <td>3\"/> <tr> <td>382</td> <td>ETR</td> <td>-</td> <td>WD.</td> <td>J2</td> <td>PTD.</td> <td>-</td> <td>380A</td> <td>3\"/> <tr> <td>382A</td> <td>D</td> <td>6 <td>ALUM.</td> <td>ANODIZE D</td> <td>-</td> <td>-</td> <td>380B</td> <td>3\"/> <tr> <td>385</td> <td>ETR</td> <td>-</td> <td>WD.</td> <td>J2</td> <td>PTD.</td> <td>-</td> <td>382</td> <td>3\"/> <tr> <td>386</td> <td>ETR</td> <td>-</td> <td>WD.</td> <td>J2</td> <td>PTD.</td> <td>-</td> <td>382A</td> <td>3\"/> <tr> <td>387</td> <td>ETR</td> <td>-</td> <td>WD.</td> <td>J2</td> <td>PTD.</td> <td>-</td> <td>385</td> <td>3\"/> <tr> <td>388</td> <td>ETR</td> <td>-</td> <td>WD.</td> <td>J2</td> <td>PTD.</td> <td>-</td> <td>386</td> <td>3\"/> <tr> <td>389</td> <td>ETR</td> <td>-</td> <td>WD.</td> <td>J2</td> <td>PTD.</td> <td>-</td> <td>387</td> <td>3\"/> <tr> <td>391</td> <td>ETR</td> <td>-</td> <td>WD.</td> <td>J2</td> <td>PTD.</td> <td>-</td> <td>388</td> <td>3\"/> <tr> <td>391A</td> <td>ETR</td> <td>-</td> <td>WD.</td> <td>J2</td> <td>PTD.</td> <td>-</td> <td>389</td> <td>3\"/> <tr> <td>391B</td> <td>ETR</td> <td>-</td> <td>WD.</td> <td>J2</td> <td>PTD.</td> <td>-</td> <td>391</td> <td>3\"/> <tr> <td>394</td> <td>ETR</td> <td>-</td> <td>WD.</td> <td>J2</td> <td>PTD.</td> <td>-</td> <td>391A</td> <td>3\"/> <tr> <td>395</td> <td>ETR</td> <td>-</td> <td>WD.</td> <td>J2</td> <td>PTD.</td> <td>-</td> <td>391B</td> <td>3\"/> <tr> <td>396</td> <td>ETR</td> <td>-</td> <td>WD.</td> <td>J2</td> <td>PTD.</td> <td>-</td> <td>394</td> <td>3\"/> <tr> <td>398</td> <td>ETR</td> <td>-</td> <td>WD.</td> <td>J2</td> <td>PTD.</td> <td>-</td> <td>395</td> <td>3\"/> <tr> <td>399</td> <td>ETR</td> <td>-</td> <td>WD.</td> <td>J2</td> <td>PTD.</td> <td>-</td> <td>396</td> <td>3\"/> <tr> <td>3991</td> <td>ETR</td> <td>-</td> <td>WD.</td> <td>J2</td> <td>PTD.</td> <td>-</td> <td>398</td> <td>3\"/> <tr> <td>3992</td> <td>A</td> <td>3\"/> <tr> <td>3993</td> <td>ETR</td> <td>-</td> <td>WD.</td> <td>J2</td> <td>PTD.</td> <td>-</td> <td>399</td> <td>3\"/> <tr> <td>3994</td> <td>ETR</td> <td>-</td> <td>WD.</td> <td>J2</td> <td>PTD.</td> <td>-</td> <td>3991</td> <td>3\"/> <tr> <td>3995</td> <td>ETR</td> <td>-</td> <td>WD.</td> <td>J2</td> <td>PTD.</td> <td>-</td> <td>3992</td> <td>3\"/> <tr> <td>3997</td> <td>ETR</td> <td>-</td> <td>WD.</td> <td>J2</td> <td>PTD.</td> <td>-</td> <td>3993</td> <td>3\"/> <tr> <td>3998</td> <td>ETR</td> <td>-</td> <td>WD.</td> <td>J2</td> <td>PTD.</td> <td>-</td> <td>3994</td> <td>3\"/> <tr> <td>3999</td> <td>ETR</td> <td>-</td> <td>WD.</td> <td>J2</td> <td>PTD.</td> <td>-</td> <td>3995</td> <td>3\"/> <tr> <td>3999</td> <td>ETR</td> <td>-</td> <td>WD.</td> <td>J2</td> <td>PTD.</td> <td>-</td> <td>3997</td> <td>3\"/> </td></tr></td></tr></td></tr></td></tr></td></tr></td></tr></td></tr></td></tr></td></tr></td></tr></td></tr></td></tr></td></tr></td></tr></td></tr></td></tr></td></tr></td></tr></td></tr></td></tr></td></tr></td></tr></td></td></tr></td></tr></td></td></tr></td></td></tr></td></td></tr></td></td></tr></td></td></tr></td></td></tr></td></td></tr></td></td></tr></td></tr></td></tr></td></tr></td></td></tr></td></tr></td></tr></td></tr></td></tr></td></td></tr> | 367 | B | 2 <td>HM</td> <td>J1</td> <td>PTD.</td> <td>1 HR.</td> <td>365</td> <td>3\"/> <tr> <td>368</td> <td>ETR</td> <td>-</td> <td>WD.</td> <td>J2</td> <td>PTD.</td> <td>-</td> <td>366</td> <td>3\"/> <tr> <td>369</td> <td>ETR</td> <td>-</td> <td>WD.</td> <td>J2</td> <td>PTD.</td> <td>-</td> <td>367</td> <td>3\"/> <tr> <td>370</td> <td>ETR</td> <td>-</td> <td>WD.</td> <td>J2</td> <td>PTD.</td> <td>-</td> <td>368</td> <td>3\"/> <tr> <td>371</td> <td>ETR</td> <td>-</td> <td>WD.</td> <td>J2</td> <td>PTD.</td> <td>-</td> <td>369</td> <td>3\"/> <tr> <td>372</td> <td>B</td> <td>2 <td>HM</td> <td>J1</td> <td>PTD.</td> <td>1 HR.</td> <td>370</td> <td>3\"/> <tr> <td>373A</td> <td>ETR</td> <td>-</td> <td>WD.</td> <td>J2</td> <td>PTD.</td> <td>-</td> <td>371</td> <td>3\"/> <tr> <td>374B</td> <td>ETR</td> <td>-</td> <td>WD.</td> <td>J2</td> <td>PTD.</td> <td>-</td> <td>372</td> <td>3\"/> <tr> <td>374C</td> <td>ETR</td> <td>-</td> <td>WD.</td> <td>J2</td> <td>PTD.</td> <td>-</td> <td>373A</td> <td>3\"/> <tr> <td>375</td> <td>B</td> <td>1 <td>WD</td> <td>J1</td> <td>PTD.</td> <td>-</td> <td>374B</td> <td>3\"/> <tr> <td>376</td> <td>B</td> <td>1 <td>WD</td> <td>J1</td> <td>PTD.</td> <td>-</td> <td>374C</td> <td>3\"/> <tr> <td>377</td> <td>B</td> <td>1 <td>WD</td> <td>J1</td> <td>PTD.</td> <td>-</td> <td>375</td> <td>3\"/> <tr> <td>377A</td> <td>B</td> <td>1 <td>WD</td> <td>J1</td> <td>PTD.</td> <td>-</td> <td>376</td> <td>3\"/> <tr> <td>378</td> <td>B</td> <td>1 <td>WD</td> <td>J1</td> <td>PTD.</td> <td>-</td> <td>377</td> <td>3\"/> <tr> <td>379</td> <td>B</td> <td>1 <td>WD</td> <td>J1</td> <td>PTD.</td> <td>-</td> <td>377A</td> <td>3\"/> <tr> <td>380A</td> <td>B</td> <td>1 <td>WD</td> <td>J1</td> <td>PTD.</td> <td>-</td> <td>378</td> <td>3\"/> <tr> <td>380B</td> <td>B</td> <td>1 <td>WD</td> <td>J1</td> <td>PTD.</td> <td>-</td> <td>379</td> <td>3\"/> <tr> <td>382</td> <td>ETR</td> <td>-</td> <td>WD.</td> <td>J2</td> <td>PTD.</td> <td>-</td> <td>380A</td> <td>3\"/> <tr> <td>382A</td> <td>D</td> <td>6 <td>ALUM.</td> <td>ANODIZE D</td> <td>-</td> <td>-</td> <td>380B</td> <td>3\"/> <tr> <td>385</td> <td>ETR</td> <td>-</td> <td>WD.</td> <td>J2</td> <td>PTD.</td> <td>-</td> <td>382</td> <td>3\"/> <tr> <td>386</td> <td>ETR</td> <td>-</td> <td>WD.</td> <td>J2</td> <td>PTD.</td> <td>-</td> <td>382A</td> <td>3\"/> <tr> <td>387</td> <td>ETR</td> <td>-</td> <td>WD.</td> <td>J2</td> <td>PTD.</td> <td>-</td> <td>385</td> <td>3\"/> <tr> <td>388</td> <td>ETR</td> <td>-</td> <td>WD.</td> <td>J2</td> <td>PTD.</td> <td>-</td> <td>386</td> <td>3\"/> <tr> <td>389</td>
<td>ETR</td> <td>-</td> <td>WD.</td> <td>J2</td> <td>PTD.</td> <td>-</td> <td>387</td> <td>3\"/> <tr> <td>391</td> <td>ETR</td> <td>-</td> <td>WD.</td> <td>J2</td> <td>PTD.</td> <td>-</td> <td>388</td> <td>3\"/> <tr> <td>391A</td> <td>ETR</td> <td>-</td> <td>WD.</td> <td>J2</td> <td>PTD.</td> <td>-</td> <td>389</td> <td>3\"/> <tr> <td>391B</td> <td>ETR</td> <td>-</td> <td>WD.</td> <td>J2</td> <td>PTD.</td> <td>-</td> <td>391</td> <td>3\"/> <tr> <td>394</td> <td>ETR</td> <td>-</td> <td>WD.</td> <td>J2</td> <td>PTD.</td> <td>-</td> <td>391A</td> <td>3\"/> <tr> <td>395</td> <td>ETR</td> <td>-</td> <td>WD.</td> <td>J2</td> <td>PTD.</td> <td>-</td> <td>391B</td> <td>3\"/> <tr> <td>396</td> <td>ETR</td> <td>-</td> <td>WD.</td> <td>J2</td> <td>PTD.</td> <td>-</td> <td>394</td> <td>3\"/> <tr> <td>398</td> <td>ETR</td> <td>-</td> <td>WD.</td> <td>J2</td> <td>PTD.</td> <td>-</td> <td>395</td> <td>3\"/> <tr> <td>399</td> <td>ETR</td> <td>-</td> <td>WD.</td> <td>J2</td> <td>PTD.</td> <td>-</td> <td>396</td> <td>3\"/> <tr> <td>3991</td> <td>ETR</td> <td>-</td> <td>WD.</td> <td>J2</td> <td>PTD.</td> <td>-</td> <td>398</td> <td>3\"/> <tr> <td>3992</td> <td>A</td> <td>3\"/> <tr> <td>3993</td> <td>ETR</td> <td>-</td> <td>WD.</td> <td>J2</td> <td>PTD.</td> <td>-</td> <td>399</td> <td>3\"/> <tr> <td>3994</td> <td>ETR</td> <td>-</td> <td>WD.</td> <td>J2</td> <td>PTD.</td> <td>-</td> <td>3991</td> <td>3\"/> <tr> <td>3995</td> <td>ETR</td> <td>-</td> <td>WD.</td> <td>J2</td> <td>PTD.</td> <td>-</td> <td>3992</td> <td>3\"/> <tr> <td>3997</td> <td>ETR</td> <td>-</td> <td>WD.</td> <td>J2</td> <td>PTD.</td> <td>-</td> <td>3993</td> <td>3\"/> <tr> <td>3998</td> <td>ETR</td> <td>-</td> <td>WD.</td> <td>J2</td> <td>PTD.</td> <td>-</td> <td>3994</td> <td>3\"/> <tr> <td>3999</td> <td>ETR</td> <td>-</td> <td>WD.</td> <td>J2</td> <td>PTD.</td> <td>-</td> <td>3995</td> <td>3\"/> <tr> <td>3999</td> <td>ETR</td> <td>-</td> <td>WD.</td> <td>J2</td> <td>PTD.</td> <td>-</td> <td>3997</td> <td>3\"/> </td></tr></td></tr></td></tr></td></tr></td></tr></td></tr></td></tr></td></tr></td></tr></td></tr></td></tr></td></tr></td></tr></td></tr></td></tr></td></tr></td></tr></td></tr></td></tr></td></tr></td></tr></td></tr></td></td></tr></td></tr></td></td></tr></td></td></tr></td></td></tr></td></td></tr></td></td></tr></td></td></tr></td></td></tr></td></td></tr></td></tr></td></tr></td></tr></td></td></tr></td></tr></td></tr></td></tr></td></tr></td> | HM | J1 | PTD. | 1 HR. | 365 | 3\"/> <tr> <td>368</td> <td>ETR</td> <td>-</td> <td>WD.</td> <td>J2</td> <td>PTD.</td> <td>-</td> <td>366</td> <td>3\"/> <tr> <td>369</td> <td>ETR</td> <td>-</td> <td>WD.</td> <td>J2</td> <td>PTD.</td> <td>-</td> <td>367</td> <td>3\"/> <tr> <td>370</td> <td>ETR</td> <td>-</td> <td>WD.</td> <td>J2</td> <td>PTD.</td> <td>-</td> <td>368</td> <td>3\"/> <tr> <td>371</td> <td>ETR</td> <td>-</td> <td>WD.</td> <td>J2</td> <td>PTD.</td> <td>-</td> <td>369</td> <td>3\"/> <tr> <td>372</td> <td>B</td> <td>2 <td>HM</td> <td>J1</td> <td>PTD.</td> <td>1 HR.</td> <td>370</td> <td>3\"/> <tr> <td>373A</td> <td>ETR</td> <td>-</td> <td>WD.</td> <td>J2</td> <td>PTD.</td> <td>-</td> <td>371</td> <td>3\"/> <tr> <td>374B</td> <td>ETR</td> <td>-</td> <td>WD.</td> <td>J2</td> <td>PTD.</td> <td>-</td> <td>372</td> <td>3\"/> <tr> <td>374C</td> <td>ETR</td> <td>-</td> <td>WD.</td> <td>J2</td> <td>PTD.</td> <td>-</td> <td>373A</td> <td>3\"/> <tr> <td>375</td> <td>B</td> <td>1 <td>WD</td> <td>J1</td> <td>PTD.</td> <td>-</td> <td>374B</td> <td>3\"/> <tr> <td>376</td> <td>B</td> <td>1 <td>WD</td> <td>J1</td> <td>PTD.</td> <td>-</td> <td>374C</td> <td>3\"/> <tr> <td>377</td> <td>B</td> <td>1 <td>WD</td> <td>J1</td> <td>PTD.</td> <td>-</td> <td>375</td> <td>3\"/> <tr> <td>377A</td> <td>B</td> <td>1 <td>WD</td> <td>J1</td> <td>PTD.</td> <td>-</td> <td>376</td> <td>3\"/> <tr> <td>378</td> <td>B</td> <td>1 <td>WD</td> <td>J1</td> <td>PTD.</td> <td>-</td> <td>377</td> <td>3\"/> <tr> <td>379</td> <td>B</td> <td>1 <td>WD</td> <td>J1</td> <td>PTD.</td> <td>-</td> <td>377A</td> <td>3\"/> <tr> <td>380A</td> <td>B</td> <td>1 <td>WD</td> <td>J1</td> <td>PTD.</td> <td>-</td> <td>378</td> <td>3\"/> <tr> <td>380B</td> <td>B</td> <td>1 <td>WD</td> <td>J1</td> <td>PTD.</td> <td>-</td> <td>379</td> <td>3\"/> <tr> <td>382</td> <td>ETR</td> <td>-</td> <td>WD.</td> <td>J2</td> <td>PTD.</td> <td>-</td> <td>380A</td> <td>3\"/> <tr> <td>382A</td> <td>D</td> <td>6 <td>ALUM.</td> <td>ANODIZE D</td> <td>-</td> <td>-</td> <td>380B</td> <td>3\"/> <tr> <td>385</td> <td>ETR</td> <td>-</td> <td>WD.</td> <td>J2</td> <td>PTD.</td> <td>-</td> <td>382</td> <td>3\"/> <tr> <td>386</td> <td>ETR</td> <td>-</td> <td>WD.</td> <td>J2</td> <td>PTD.</td> <td>-</td> <td>382A</td> <td>3\"/> <tr> <td>387</td> <td>ETR</td> <td>-</td> <td>WD.</td> <td>J2</td> <td>PTD.</td> <td>-</td> <td>385</td> <td>3\"/> <tr> <td>388</td> <td>ETR</td> <td>-</td> <td>WD.</td> <td>J2</td> <td>PTD.</td> <td>-</td> <td>386</td> <td>3\"/> <tr> <td>389</td> <td>ETR</td> <td>-</td> <td>WD.</td> <td>J2</td> <td>PTD.</td> <td>-</td> <td>387</td> <td>3\"/> <tr> <td>391</td> <td>ETR</td> <td>-</td> <td>WD.</td> <td>J2</td> <td>PTD.</td> <td>-</td> <td>388</td> <td>3\"/> <tr> <td>391A</td> <td>ETR</td> <td>-</td> <td>WD.</td> <td>J2</td> <td>PTD.</td> <td>-</td> <td>389</td> <td>3\"/> <tr> <td>391B</td> <td>ETR</td> <td>-</td> <td>WD.</td> <td>J2</td> <td>PTD.</td> <td>-</td> <td>391</td> <td>3\"/> <tr> <td>394</td> <td>ETR</td> <td>-</td> <td>WD.</td> <td>J2</td> <td>PTD.</td> <td>-</td> <td>391A</td> <td>3\"/> <tr> <td>395</td> <td>ETR</td> <td>-</td> <td>WD.</td> <td>J2</td> <td>PTD.</td> <td>-</td> <td>391B</td> <td>3\"/> <tr> <td>396</td> <td>ETR</td> <td>-</td> <td>WD.</td> <td>J2</td> <td>PTD.</td> <td>-</td> <td>394</td> <td>3\"/> <tr> <td>398</td> <td>ETR</td> <td>-</td> <td>WD.</td> <td>J2</td> <td>PTD.</td> <td>-</td> <td>395</td> <td>3\"/> <tr> <td>399</td> <td>ETR</td> <td>-</td> <td>WD.</td> <td>J2</td> <td>PTD.</td> <td>-</td> <td>396</td> <td>3\"/> <tr> <td>3991</td> <td>ETR</td> <td>-</td> <td>WD.</td> <td>J2</td> <td>PTD.</td> <td>-</td> <td>398</td> <td>3\"/> <tr> <td>3992</td> <td>A</td> <td>3\"/> <tr> <td>3993</td> <td>ETR</td> <td>-</td> <td>WD.</td> <td>J2</td> <td>PTD.</td> <td>-</td> <td>399</td> <td>3\"/> <tr> <td>3994</td> <td>ETR</td> <td>-</td> <td>WD.</td> <td>J2</td> <td>PTD.</td> <td>-</td> <td>3991</td> <td>3\"/> <tr> <td>3995</td> <td>ETR</td> <td>-</td> <td>WD.</td> <td>J2</td> <td>PTD.</td> <td>-</td> <td>3992</td> <td>3\"/> <tr> <td>3997</td> <td>ETR</td> <td>-</td> <td>WD.</td> <td>J2</td> <td>PTD.</td> <td>-</td> <td>3993</td> <td>3\"/> <tr> <td>3998</td> <td>ETR</td> <td>-</td> <td>WD.</td> <td>J2</td> <td>PTD.</td> <td>-</td> <td>3994</td> <td>3\"/> <tr> <td>3999</td> <td>ETR</td> <td>-</td> <td>WD.</td> <td>J2</td> <td>PTD.</td> <td>-</td> <td>3995</td> <td>3\"/> <tr> <td>3999</td> <td>ETR</td> <td>-</td> <td>WD.</td> <td>J2</td> <td>PTD.</td> <td>-</td> <td>3997</td> <td>3\"/> </td></tr></td></tr></td></tr></td></tr></td></tr></td></tr></td></tr></td></tr></td></tr></td></tr></td></tr></td></tr></td></tr></td></tr></td></tr></td></tr></td></tr></td></tr></td></tr></td></tr></td></tr></td></tr></td></td></tr></td></tr></td></td></tr></td></td></tr></td></td></tr></td></td></tr></td></td></tr></td></td></tr></td></td></tr></td></td></tr></td></tr></td></tr></td></tr></td></td></tr></td></tr></td></tr></td></tr></td></tr>
 | 368 | ETR | - | WD. | J2 | PTD. | - | 366 | 3\"/> <tr> <td>369</td> <td>ETR</td> <td>-</td> <td>WD.</td> <td>J2</td> <td>PTD.</td> <td>-</td> <td>367</td> <td>3\"/> <tr> <td>370</td> <td>ETR</td> <td>-</td> <td>WD.</td> <td>J2</td> <td>PTD.</td> <td>-</td> <td>368</td> <td>3\"/> <tr> <td>371</td> <td>ETR</td> <td>-</td> <td>WD.</td> <td>J2</td> <td>PTD.</td> <td>-</td> <td>369</td> <td>3\"/> <tr> <td>372</td> <td>B</td> <td>2 <td>HM</td> <td>J1</td> <td>PTD.</td> <td>1 HR.</td> <td>370</td> <td>3\"/> <tr> <td>373A</td> <td>ETR</td> <td>-</td> <td>WD.</td> <td>J2</td> <td>PTD.</td> <td>-</td> <td>371</td> <td>3\"/> <tr> <td>374B</td> <td>ETR</td> <td>-</td> <td>WD.</td> <td>J2</td> <td>PTD.</td> <td>-</td> <td>372</td> <td>3\"/> <tr> <td>374C</td> <td>ETR</td> <td>-</td> <td>WD.</td> <td>J2</td> <td>PTD.</td> <td>-</td> <td>373A</td> <td>3\"/> <tr> <td>375</td> <td>B</td> <td>1 <td>WD</td> <td>J1</td> <td>PTD.</td> <td>-</td> <td>374B</td> <td>3\"/> <tr> <td>376</td> <td>B</td> <td>1 <td>WD</td> <td>J1</td> <td>PTD.</td> <td>-</td> <td>374C</td> <td>3\"/> <tr> <td>377</td> <td>B</td> <td>1 <td>WD</td> <td>J1</td> <td>PTD.</td> <td>-</td> <td>375</td> <td>3\"/> <tr> <td>377A</td> <td>B</td> <td>1 <td>WD</td> <td>J1</td> <td>PTD.</td> <td>-</td> <td>376</td> <td>3\"/> <tr> <td>378</td> <td>B</td> <td>1 <td>WD</td> <td>J1</td> <td>PTD.</td> <td>-</td> <td>377</td> <td>3\"/> <tr> <td>379</td> <td>B</td> <td>1 <td>WD</td> <td>J1</td> <td>PTD.</td> <td>-</td> <td>377A</td> <td>3\"/> <tr> <td>380A</td> <td>B</td> <td>1 <td>WD</td> <td>J1</td> <td>PTD.</td> <td>-</td> <td>378</td> <td>3\"/> <tr> <td>380B</td> <td>B</td> <td>1 <td>WD</td> <td>J1</td> <td>PTD.</td> <td>-</td> <td>379</td> <td>3\"/> <tr> <td>382</td> <td>ETR</td> <td>-</td> <td>WD.</td> <td>J2</td> <td>PTD.</td> <td>-</td> <td>380A</td> <td>3\"/> <tr> <td>382A</td> <td>D</td> <td>6 <td>ALUM.</td> <td>ANODIZE D</td> <td>-</td> <td>-</td> <td>380B</td> <td>3\"/> <tr> <td>385</td> <td>ETR</td> <td>-</td> <td>WD.</td> <td>J2</td> <td>PTD.</td> <td>-</td> <td>382</td> <td>3\"/> <tr> <td>386</td> <td>ETR</td> <td>-</td> <td>WD.</td> <td>J2</td> <td>PTD.</td> <td>-</td> <td>382A</td> <td>3\"/> <tr> <td>387</td> <td>ETR</td> <td>-</td> <td>WD.</td> <td>J2</td> <td>PTD.</td> <td>-</td> <td>385</td> <td>3\"/> <tr> <td>388</td> <td>ETR</td> <td>-</td> <td>WD.</td> <td>J2</td> <td>PTD.</td> <td>-</td> <td>386</td> <td>3\"/> <tr> <td>389</td> <td>ETR</td> <td>-</td> <td>WD.</td> <td>J2</td> <td>PTD.</td> <td>-</td> <td>387</td> <td>3\"/> <tr> <td>391</td> <td>ETR</td> <td>-</td> <td>WD.</td> <td>J2</td> <td>PTD.</td> <td>-</td> <td>388</td> <td>3\"/> <tr> <td>391A</td> <td>ETR</td> <td>-</td> <td>WD.</td> <td>J2</td> <td>PTD.</td> <td>-</td> <td>389</td> <td>3\"/> <tr> <td>391B</td> <td>ETR</td>
<td>-</td> <td>WD.</td> <td>J2</td> <td>PTD.</td> <td>-</td> <td>391</td> <td>3\"/> <tr> <td>394</td> <td>ETR</td> <td>-</td> <td>WD.</td> <td>J2</td> <td>PTD.</td> <td>-</td> <td>391A</td> <td>3\"/> <tr> <td>395</td> <td>ETR</td> <td>-</td> <td>WD.</td> <td>J2</td> <td>PTD.</td> <td>-</td> <td>391B</td> <td>3\"/> <tr> <td>396</td> <td>ETR</td> <td>-</td> <td>WD.</td> <td>J2</td> <td>PTD.</td> <td>-</td> <td>394</td> <td>3\"/> <tr> <td>398</td> <td>ETR</td> <td>-</td> <td>WD.</td> <td>J2</td> <td>PTD.</td> <td>-</td> <td>395</td> <td>3\"/> <tr> <td>399</td> <td>ETR</td> <td>-</td> <td>WD.</td> <td>J2</td> <td>PTD.</td> <td>-</td> <td>396</td> <td>3\"/> <tr> <td>3991</td> <td>ETR</td> <td>-</td> <td>WD.</td> <td>J2</td> <td>PTD.</td> <td>-</td> <td>398</td> <td>3\"/> <tr> <td>3992</td> <td>A</td> <td>3\"/> <tr> <td>3993</td> <td>ETR</td> <td>-</td> <td>WD.</td> <td>J2</td> <td>PTD.</td> <td>-</td> <td>399</td> <td>3\"/> <tr> <td>3994</td> <td>ETR</td> <td>-</td> <td>WD.</td> <td>J2</td> <td>PTD.</td> <td>-</td> <td>3991</td> <td>3\"/> <tr> <td>3995</td> <td>ETR</td> <td>-</td> <td>WD.</td> <td>J2</td> <td>PTD.</td> <td>-</td> <td>3992</td> <td>3\"/> <tr> <td>3997</td> <td>ETR</td> <td>-</td> <td>WD.</td> <td>J2</td> <td>PTD.</td> <td>-</td> <td>3993</td> <td>3\"/> <tr> <td>3998</td> <td>ETR</td> <td>-</td> <td>WD.</td> <td>J2</td> <td>PTD.</td> <td>-</td> <td>3994</td> <td>3\"/> <tr> <td>3999</td> <td>ETR</td> <td>-</td> <td>WD.</td> <td>J2</td> <td>PTD.</td> <td>-</td> <td>3995</td> <td>3\"/> <tr> <td>3999</td> <td>ETR</td> <td>-</td> <td>WD.</td> <td>J2</td> <td>PTD.</td> <td>-</td> <td>3997</td> <td>3\"/> </td></tr></td></tr></td></tr></td></tr></td></tr></td></tr></td></tr></td></tr></td></tr></td></tr></td></tr></td></tr></td></tr></td></tr></td></tr></td></tr></td></tr></td></tr></td></tr></td></tr></td></tr></td></tr></td></td></tr></td></tr></td></td></tr></td></td></tr></td></td></tr></td></td></tr></td></td></tr></td></td></tr></td></td></tr></td></td></tr></td></tr></td></tr></td></tr></td></td></tr></td></tr></td></tr></td></tr> | 369 | ETR | - | WD. | J2 |
PTD. | - | 367 | 3\"/> <tr> <td>370</td> <td>ETR</td> <td>-</td> <td>WD.</td> <td>J2</td> <td>PTD.</td> <td>-</td> <td>368</td> <td>3\"/> <tr> <td>371</td> <td>ETR</td> <td>-</td> <td>WD.</td> <td>J2</td> <td>PTD.</td> <td>-</td> <td>369</td> <td>3\"/> <tr> <td>372</td> <td>B</td> <td>2 <td>HM</td> <td>J1</td> <td>PTD.</td> <td>1 HR.</td> <td>370</td> <td>3\"/> <tr> <td>373A</td> <td>ETR</td> <td>-</td> <td>WD.</td> <td>J2</td> <td>PTD.</td> <td>-</td> <td>371</td> <td>3\"/> <tr> <td>374B</td> <td>ETR</td> <td>-</td> <td>WD.</td> <td>J2</td> <td>PTD.</td> <td>-</td> <td>372</td> <td>3\"/> <tr> <td>374C</td> <td>ETR</td> <td>-</td> <td>WD.</td> <td>J2</td> <td>PTD.</td> <td>-</td> <td>373A</td> <td>3\"/> <tr> <td>375</td> <td>B</td> <td>1 <td>WD</td> <td>J1</td> <td>PTD.</td> <td>-</td> <td>374B</td> <td>3\"/> <tr> <td>376</td> <td>B</td> <td>1 <td>WD</td> <td>J1</td> <td>PTD.</td> <td>-</td> <td>374C</td> <td>3\"/> <tr> <td>377</td> <td>B</td> <td>1 <td>WD</td> <td>J1</td> <td>PTD.</td> <td>-</td> <td>375</td> <td>3\"/> <tr> <td>377A</td> <td>B</td> <td>1 <td>WD</td> <td>J1</td> <td>PTD.</td> <td>-</td> <td>376</td> <td>3\"/> <tr> <td>378</td> <td>B</td> <td>1 <td>WD</td> <td>J1</td> <td>PTD.</td> <td>-</td> <td>377</td> <td>3\"/> <tr> <td>379</td> <td>B</td> <td>1 <td>WD</td> <td>J1</td> <td>PTD.</td> <td>-</td> <td>377A</td> <td>3\"/> <tr> <td>380A</td> <td>B</td> <td>1 <td>WD</td> <td>J1</td> <td>PTD.</td> <td>-</td> <td>378</td> <td>3\"/> <tr> <td>380B</td> <td>B</td> <td>1 <td>WD</td> <td>J1</td> <td>PTD.</td> <td>-</td> <td>379</td> <td>3\"/> <tr> <td>382</td> <td>ETR</td> <td>-</td> <td>WD.</td> <td>J2</td> <td>PTD.</td> <td>-</td> <td>380A</td> <td>3\"/> <tr> <td>382A</td> <td>D</td> <td>6 <td>ALUM.</td> <td>ANODIZE D</td> <td>-</td> <td>-</td> <td>380B</td> <td>3\"/> <tr> <td>385</td> <td>ETR</td> <td>-</td> <td>WD.</td> <td>J2</td> <td>PTD.</td> <td>-</td> <td>382</td> <td>3\"/> <tr> <td>386</td> <td>ETR</td> <td>-</td> <td>WD.</td> <td>J2</td> <td>PTD.</td> <td>-</td> <td>382A</td> <td>3\"/> <tr> <td>387</td> <td>ETR</td> <td>-</td> <td>WD.</td> <td>J2</td> <td>PTD.</td> <td>-</td> <td>385</td> <td>3\"/> <tr> <td>388</td> <td>ETR</td> <td>-</td> <td>WD.</td> <td>J2</td> <td>PTD.</td> <td>-</td> <td>386</td> <td>3\"/> <tr> <td>389</td> <td>ETR</td> <td>-</td> <td>WD.</td> <td>J2</td> <td>PTD.</td> <td>-</td> <td>387</td> <td>3\"/> <tr> <td>391</td> <td>ETR</td> <td>-</td> <td>WD.</td> <td>J2</td> <td>PTD.</td> <td>-</td> <td>388</td> <td>3\"/> <tr> <td>391A</td> <td>ETR</td> <td>-</td> <td>WD.</td> <td>J2</td> <td>PTD.</td> <td>-</td> <td>389</td> <td>3\"/> <tr> <td>391B</td> <td>ETR</td> <td>-</td> <td>WD.</td> <td>J2</td> <td>PTD.</td> <td>-</td> <td>391</td> <td>3\"/> <tr> <td>394</td> <td>ETR</td> <td>-</td> <td>WD.</td> <td>J2</td> <td>PTD.</td> <td>-</td> <td>391A</td> <td>3\"/> <tr> <td>395</td> <td>ETR</td> <td>-</td> <td>WD.</td> <td>J2</td> <td>PTD.</td> <td>-</td> <td>391B</td> <td>3\"/> <tr> <td>396</td> <td>ETR</td> <td>-</td> <td>WD.</td> <td>J2</td> <td>PTD.</td> <td>-</td> <td>394</td> <td>3\"/> <tr> <td>398</td> <td>ETR</td> <td>-</td> <td>WD.</td> <td>J2</td> <td>PTD.</td> <td>-</td> <td>395</td> <td>3\"/> <tr> <td>399</td> <td>ETR</td> <td>-</td> <td>WD.</td> <td>J2</td> <td>PTD.</td> <td>-</td> <td>396</td> <td>3\"/> <tr> <td>3991</td> <td>ETR</td> <td>-</td> <td>WD.</td> <td>J2</td> <td>PTD.</td> <td>-</td> <td>398</td> <td>3\"/> <tr> <td>3992</td> <td>A</td> <td>3\"/> <tr> <td>3993</td> <td>ETR</td> <td>-</td> <td>WD.</td> <td>J2</td> <td>PTD.</td> <td>-</td> <td>399</td> <td>3\"/> <tr> <td>3994</td> <td>ETR</td> <td>-</td> <td>WD.</td> <td>J2</td> <td>PTD.</td> <td>-</td> <td>3991</td> <td>3\"/> <tr> <td>3995</td> <td>ETR</td> <td>-</td> <td>WD.</td> <td>J2</td> <td>PTD.</td> <td>-</td> <td>3992</td> <td>3\"/> <tr> <td>3997</td> <td>ETR</td> <td>-</td> <td>WD.</td> <td>J2</td> <td>PTD.</td> <td>-</td> <td>3993</td> <td>3\"/> <tr> <td>3998</td> <td>ETR</td> <td>-</td> <td>WD.</td> <td>J2</td> <td>PTD.</td> <td>-</td> <td>3994</td> <td>3\"/> <tr> <td>3999</td> <td>ETR</td> <td>-</td> <td>WD.</td> <td>J2</td> <td>PTD.</td> <td>-</td> <td>3995</td> <td>3\"/> <tr> <td>3999</td> <td>ETR</td> <td>-</td> <td>WD.</td> <td>J2</td> <td>PTD.</td> <td>-</td> <td>3997</td> <td>3\"/> </td></tr></td></tr></td></tr></td></tr></td></tr></td></tr></td></tr></td></tr></td></tr></td></tr></td></tr></td></tr></td></tr></td></tr></td></tr></td></tr></td></tr></td></tr></td></tr></td></tr></td></tr></td></tr></td></td></tr></td></tr></td></td></tr></td></td></tr></td></td></tr></td></td></tr></td></td></tr></td></td></tr></td></td></tr></td></td></tr></td></tr></td></tr></td></tr></td></td></tr></td></tr></td></tr> | 370 | ETR | -
 | WD. | J2 | PTD. | - | 368 | 3\"/> <tr> <td>371</td> <td>ETR</td> <td>-</td> <td>WD.</td> <td>J2</td> <td>PTD.</td> <td>-</td> <td>369</td> <td>3\"/> <tr> <td>372</td> <td>B</td> <td>2 <td>HM</td> <td>J1</td> <td>PTD.</td> <td>1 HR.</td> <td>370</td> <td>3\"/> <tr> <td>373A</td> <td>ETR</td> <td>-</td> <td>WD.</td> <td>J2</td> <td>PTD.</td> <td>-</td> <td>371</td> <td>3\"/> <tr> <td>374B</td> <td>ETR</td> <td>-</td> <td>WD.</td> <td>J2</td> <td>PTD.</td> <td>-</td> <td>372</td> <td>3\"/> <tr> <td>374C</td> <td>ETR</td> <td>-</td> <td>WD.</td> <td>J2</td> <td>PTD.</td> <td>-</td> <td>373A</td> <td>3\"/> <tr> <td>375</td> <td>B</td> <td>1 <td>WD</td> <td>J1</td> <td>PTD.</td> <td>-</td> <td>374B</td> <td>3\"/> <tr> <td>376</td> <td>B</td> <td>1 <td>WD</td> <td>J1</td> <td>PTD.</td> <td>-</td> <td>374C</td> <td>3\"/> <tr> <td>377</td> <td>B</td> <td>1 <td>WD</td> <td>J1</td> <td>PTD.</td> <td>-</td> <td>375</td> <td>3\"/> <tr> <td>377A</td> <td>B</td> <td>1 <td>WD</td> <td>J1</td> <td>PTD.</td> <td>-</td> <td>376</td> <td>3\"/> <tr> <td>378</td> <td>B</td> <td>1 <td>WD</td> <td>J1</td> <td>PTD.</td> <td>-</td> <td>377</td> <td>3\"/> <tr> <td>379</td> <td>B</td> <td>1 <td>WD</td> <td>J1</td> <td>PTD.</td> <td>-</td> <td>377A</td> <td>3\"/> <tr> <td>380A</td> <td>B</td> <td>1 <td>WD</td> <td>J1</td> <td>PTD.</td> <td>-</td> <td>378</td> <td>3\"/> <tr> <td>380B</td> <td>B</td> <td>1 <td>WD</td> <td>J1</td> <td>PTD.</td> <td>-</td> <td>379</td> <td>3\"/> <tr> <td>382</td> <td>ETR</td> <td>-</td> <td>WD.</td> <td>J2</td> <td>PTD.</td> <td>-</td> <td>380A</td> <td>3\"/> <tr> <td>382A</td> <td>D</td> <td>6 <td>ALUM.</td> <td>ANODIZE D</td> <td>-</td> <td>-</td> <td>380B</td> <td>3\"/> <tr> <td>385</td> <td>ETR</td> <td>-</td> <td>WD.</td> <td>J2</td> <td>PTD.</td> <td>-</td> <td>382</td> <td>3\"/> <tr> <td>386</td> <td>ETR</td> <td>-</td> <td>WD.</td> <td>J2</td> <td>PTD.</td> <td>-</td> <td>382A</td> <td>3\"/> <tr> <td>387</td> <td>ETR</td> <td>-</td> <td>WD.</td> <td>J2</td> <td>PTD.</td> <td>-</td> <td>385</td> <td>3\"/> <tr> <td>388</td> <td>ETR</td> <td>-</td> <td>WD.</td> <td>J2</td> <td>PTD.</td> <td>-</td> <td>386</td> <td>3\"/> <tr> <td>389</td> <td>ETR</td> <td>-</td> <td>WD.</td> <td>J2</td> <td>PTD.</td> <td>-</td> <td>387</td> <td>3\"/> <tr> <td>391</td> <td>ETR</td> <td>-</td> <td>WD.</td> <td>J2</td> <td>PTD.</td> <td>-</td> <td>388</td> <td>3\"/> <tr> <td>391A</td> <td>ETR</td> <td>-</td> <td>WD.</td> <td>J2</td> <td>PTD.</td> <td>-</td> <td>389</td> <td>3\"/> <tr> <td>391B</td> <td>ETR</td> <td>-</td> <td>WD.</td> <td>J2</td> <td>PTD.</td> <td>-</td> <td>391</td> <td>3\"/> <tr> <td>394</td> <td>ETR</td> <td>-</td> <td>WD.</td> <td>J2</td> <td>PTD.</td> <td>-</td> <td>391A</td> <td>3\"/> <tr> <td>395</td> <td>ETR</td> <td>-</td> <td>WD.</td> <td>J2</td> <td>PTD.</td> <td>-</td> <td>391B</td> <td>3\"/> <tr> <td>396</td> <td>ETR</td> <td>-</td> <td>WD.</td> <td>J2</td> <td>PTD.</td> <td>-</td> <td>394</td> <td>3\"/> <tr> <td>398</td> <td>ETR</td> <td>-</td> <td>WD.</td> <td>J2</td> <td>PTD.</td> <td>-</td> <td>395</td> <td>3\"/> <tr> <td>399</td> <td>ETR</td> <td>-</td> <td>WD.</td> <td>J2</td> <td>PTD.</td> <td>-</td> <td>396</td> <td>3\"/> <tr> <td>3991</td> <td>ETR</td> <td>-</td> <td>WD.</td> <td>J2</td> <td>PTD.</td> <td>-</td> <td>398</td> <td>3\"/> <tr> <td>3992</td> <td>A</td> <td>3\"/> <tr> <td>3993</td> <td>ETR</td> <td>-</td> <td>WD.</td> <td>J2</td> <td>PTD.</td> <td>-</td> <td>399</td> <td>3\"/> <tr> <td>3994</td> <td>ETR</td> <td>-</td> <td>WD.</td> <td>J2</td> <td>PTD.</td> <td>-</td> <td>3991</td> <td>3\"/> <tr> <td>3995</td> <td>ETR</td> <td>-</td> <td>WD.</td> <td>J2</td> <td>PTD.</td> <td>-</td> <td>3992</td> <td>3\"/> <tr> <td>3997</td> <td>ETR</td> <td>-</td> <td>WD.</td> <td>J2</td> <td>PTD.</td> <td>-</td> <td>3993</td> <td>3\"/> <tr> <td>3998</td> <td>ETR</td> <td>-</td> <td>WD.</td> <td>J2</td> <td>PTD.</td> <td>-</td> <td>3994</td> <td>3\"/> <tr> <td>3999</td> <td>ETR</td> <td>-</td> <td>WD.</td> <td>J2</td> <td>PTD.</td> <td>-</td> <td>3995</td> <td>3\"/> <tr> <td>3999</td> <td>ETR</td> <td>-</td> <td>WD.</td> <td>J2</td> <td>PTD.</td> <td>-</td> <td>3997</td> <td>3\"/> </td></tr></td></tr></td></tr></td></tr></td></tr></td></tr></td></tr></td></tr></td></tr></td></tr></td></tr></td></tr></td></tr></td></tr></td></tr></td></tr></td></tr></td></tr></td></tr></td></tr></td></tr></td></tr></td></td></tr></td></tr></td></td></tr></td></td></tr></td></td></tr></td></td></tr></td></td></tr></td></td></tr></td></td></tr></td></td></tr></td></tr></td></tr></td></tr></td></td></tr></td></tr> | 371 | ETR | -
 | WD. | J2 | PTD. | - | 369 | 3\"/> <tr> <td>372</td> <td>B</td> <td>2 <td>HM</td> <td>J1</td> <td>PTD.</td> <td>1 HR.</td> <td>370</td> <td>3\"/> <tr> <td>373A</td> <td>ETR</td> <td>-</td> <td>WD.</td> <td>J2</td> <td>PTD.</td> <td>-</td> <td>371</td> <td>3\"/> <tr> <td>374B</td> <td>ETR</td> <td>-</td> <td>WD.</td> <td>J2</td> <td>PTD.</td> <td>-</td> <td>372</td> <td>3\"/> <tr> <td>374C</td> <td>ETR</td> <td>-</td> <td>WD.</td> <td>J2</td> <td>PTD.</td> <td>-</td> <td>373A</td> <td>3\"/> <tr> <td>375</td> <td>B</td> <td>1 <td>WD</td> <td>J1</td> <td>PTD.</td> <td>-</td> <td>374B</td> <td>3\"/> <tr> <td>376</td> <td>B</td> <td>1 <td>WD</td> <td>J1</td> <td>PTD.</td> <td>-</td> <td>374C</td> <td>3\"/> <tr> <td>377</td> <td>B</td> <td>1 <td>WD</td> <td>J1</td> <td>PTD.</td> <td>-</td> <td>375</td> <td>3\"/> <tr> <td>377A</td> <td>B</td> <td>1 <td>WD</td> <td>J1</td> <td>PTD.</td> <td>-</td> <td>376</td> <td>3\"/> <tr> <td>378</td> <td>B</td> <td>1 <td>WD</td> <td>J1</td> <td>PTD.</td> <td>-</td> <td>377</td> <td>3\"/> <tr> <td>379</td> <td>B</td> <td>1 <td>WD</td> <td>J1</td> <td>PTD.</td> <td>-</td> <td>377A</td> <td>3\"/> <tr> <td>380A</td> <td>B</td> <td>1 <td>WD</td> <td>J1</td> <td>PTD.</td> <td>-</td> <td>378</td> <td>3\"/> <tr> <td>380B</td> <td>B</td> <td>1 <td>WD</td> <td>J1</td> <td>PTD.</td> <td>-</td> <td>379</td> <td>3\"/> <tr> <td>382</td> <td>ETR</td> <td>-</td> <td>WD.</td> <td>J2</td> <td>PTD.</td> <td>-</td> <td>380A</td> <td>3\"/> <tr> <td>382A</td> <td>D</td> <td>6 <td>ALUM.</td> <td>ANODIZE D</td> <td>-</td> <td>-</td> <td>380B</td> <td>3\"/> <tr> <td>385</td> <td>ETR</td> <td>-</td> <td>WD.</td> <td>J2</td> <td>PTD.</td> <td>-</td> <td>382</td> <td>3\"/> <tr> <td>386</td> <td>ETR</td> <td>-</td> <td>WD.</td> <td>J2</td> <td>PTD.</td> <td>-</td> <td>382A</td> <td>3\"/> <tr> <td>387</td> <td>ETR</td> <td>-</td> <td>WD.</td> <td>J2</td> <td>PTD.</td> <td>-</td> <td>385</td> <td>3\"/> <tr> <td>388</td> <td>ETR</td> <td>-</td> <td>WD.</td> <td>J2</td> <td>PTD.</td> <td>-</td> <td>386</td> <td>3\"/> <tr> <td>389</td> <td>ETR</td> <td>-</td> <td>WD.</td> <td>J2</td> <td>PTD.</td> <td>-</td> <td>387</td> <td>3\"/> <tr> <td>391</td> <td>ETR</td> <td>-</td> <td>WD.</td> <td>J2</td> <td>PTD.</td> <td>-</td> <td>388</td> <td>3\"/> <tr> <td>391A</td> <td>ETR</td> <td>-</td> <td>WD.</td> <td>J2</td> <td>PTD.</td> <td>-</td> <td>389</td> <td>3\"/> <tr> <td>391B</td> <td>ETR</td> <td>-</td> <td>WD.</td> <td>J2</td> <td>PTD.</td> <td>-</td> <td>391</td> <td>3\"/> <tr> <td>394</td> <td>ETR</td> <td>-</td> <td>WD.</td> <td>J2</td> <td>PTD.</td> <td>-</td> <td>391A</td> <td>3\"/> <tr> <td>395</td> <td>ETR</td> <td>-</td> <td>WD.</td> <td>J2</td> <td>PTD.</td> <td>-</td> <td>391B</td> <td>3\"/> <tr> <td>396</td> <td>ETR</td> <td>-</td> <td>WD.</td> <td>J2</td> <td>PTD.</td> <td>-</td> <td>394</td> <td>3\"/> <tr> <td>398</td> <td>ETR</td> <td>-</td> <td>WD.</td> <td>J2</td> <td>PTD.</td> <td>-</td> <td>395</td> <td>3\"/> <tr> <td>399</td> <td>ETR</td> <td>-</td> <td>WD.</td> <td>J2</td> <td>PTD.</td> <td>-</td> <td>396</td> <td>3\"/> <tr> <td>3991</td> <td>ETR</td> <td>-</td> <td>WD.</td> <td>J2</td> <td>PTD.</td> <td>-</td> <td>398</td> <td>3\"/> <tr> <td>3992</td> <td>A</td> <td>3\"/> <tr> <td>3993</td> <td>ETR</td> <td>-</td> <td>WD.</td> <td>J2</td> <td>PTD.</td> <td>-</td> <td>399</td> <td>3\"/> <tr> <td>3994</td> <td>ETR</td> <td>-</td> <td>WD.</td> <td>J2</td> <td>PTD.</td> <td>-</td> <td>3991</td> <td>3\"/> <tr> <td>3995</td> <td>ETR</td> <td>-</td> <td>WD.</td> <td>J2</td> <td>PTD.</td> <td>-</td> <td>3992</td> <td>3\"/> <tr> <td>3997</td> <td>ETR</td> <td>-</td> <td>WD.</td> <td>J2</td> <td>PTD.</td> <td>-</td> <td>3993</td> <td>3\"/> <tr> <td>3998</td> <td>ETR</td> <td>-</td> <td>WD.</td> <td>J2</td> <td>PTD.</td> <td>-</td> <td>3994</td> <td>3\"/> <tr> <td>3999</td> <td>ETR</td> <td>-</td> <td>WD.</td> <td>J2</td> <td>PTD.</td> <td>-</td> <td>3995</td> <td>3\"/> <tr> <td>3999</td> <td>ETR</td> <td>-</td> <td>WD.</td> <td>J2</td> <td>PTD.</td> <td>-</td> <td>3997</td> <td>3\"/> </td></tr></td></tr></td></tr></td></tr></td></tr></td></tr></td></tr></td></tr></td></tr></td></tr></td></tr></td></tr></td></tr></td></tr></td></tr></td></tr></td></tr></td></tr></td></tr></td></tr></td></tr></td></tr></td></td></tr></td></tr></td></td></tr></td></td></tr></td></td></tr></td></td></tr></td></td></tr></td></td></tr></td></td></tr></td></td></tr></td></tr></td></tr></td></tr></td></td></tr>
 | 372 | B | 2 <td>HM</td> <td>J1</td> <td>PTD.</td> <td>1 HR.</td> <td>370</td> <td>3\"/> <tr> <td>373A</td> <td>ETR</td> <td>-</td> <td>WD.</td> <td>J2</td> <td>PTD.</td> <td>-</td> <td>371</td> <td>3\"/> <tr> <td>374B</td> <td>ETR</td> <td>-</td> <td>WD.</td> <td>J2</td> <td>PTD.</td> <td>-</td> <td>372</td> <td>3\"/> <tr> <td>374C</td> <td>ETR</td> <td>-</td> <td>WD.</td> <td>J2</td> <td>PTD.</td> <td>-</td> <td>373A</td> <td>3\"/> <tr> <td>375</td> <td>B</td> <td>1 <td>WD</td> <td>J1</td> <td>PTD.</td> <td>-</td> <td>374B</td> <td>3\"/> <tr> <td>376</td> <td>B</td> <td>1 <td>WD</td> <td>J1</td> <td>PTD.</td> <td>-</td> <td>374C</td> <td>3\"/> <tr> <td>377</td> <td>B</td> <td>1 <td>WD</td> <td>J1</td> <td>PTD.</td> <td>-</td> <td>375</td> <td>3\"/> <tr> <td>377A</td> <td>B</td> <td>1 <td>WD</td> <td>J1</td> <td>PTD.</td> <td>-</td> <td>376</td> <td>3\"/> <tr> <td>378</td> <td>B</td> <td>1 <td>WD</td> <td>J1</td> <td>PTD.</td> <td>-</td> <td>377</td> <td>3\"/> <tr> <td>379</td> <td>B</td> <td>1 <td>WD</td> <td>J1</td> <td>PTD.</td> <td>-</td> <td>377A</td> <td>3\"/> <tr> <td>380A</td> <td>B</td> <td>1 <td>WD</td> <td>J1</td> <td>PTD.</td> <td>-</td> <td>378</td> <td>3\"/> <tr> <td>380B</td> <td>B</td> <td>1 <td>WD</td> <td>J1</td> <td>PTD.</td> <td>-</td> <td>379</td> <td>3\"/> <tr> <td>382</td> <td>ETR</td> <td>-</td> <td>WD.</td> <td>J2</td> <td>PTD.</td> <td>-</td> <td>380A</td> <td>3\"/> <tr> <td>382A</td> <td>D</td> <td>6 <td>ALUM.</td> <td>ANODIZE D</td> <td>-</td> <td>-</td> <td>380B</td> <td>3\"/> <tr> <td>385</td> <td>ETR</td> <td>-</td> <td>WD.</td> <td>J2</td> <td>PTD.</td> <td>-</td> <td>382</td> <td>3\"/> <tr> <td>386</td> <td>ETR</td> <td>-</td> <td>WD.</td> <td>J2</td> <td>PTD.</td> <td>-</td> <td>382A</td> <td>3\"/> <tr> <td>387</td> <td>ETR</td> <td>-</td> <td>WD.</td> <td>J2</td> <td>PTD.</td> <td>-</td> <td>385</td> <td>3\"/> <tr> <td>388</td> <td>ETR</td> <td>-</td> <td>WD.</td> <td>J2</td> <td>PTD.</td> <td>-</td> <td>386</td> <td>3\"/> <tr> <td>389</td> <td>ETR</td> <td>-</td> <td>WD.</td> <td>J2</td> <td>PTD.</td> <td>-</td> <td>387</td> <td>3\"/> <tr> <td>391</td> <td>ETR</td> <td>-</td> <td>WD.</td> <td>J2</td> <td>PTD.</td> <td>-</td> <td>388</td> <td>3\"/> <tr> <td>391A</td> <td>ETR</td> <td>-</td> <td>WD.</td> <td>J2</td> <td>PTD.</td> <td>-</td> <td>389</td> <td>3\"/> <tr> <td>391B</td> <td>ETR</td> <td>-</td> <td>WD.</td> <td>J2</td> <td>PTD.</td> <td>-</td> <td>391</td> <td>3\"/> <tr> <td>394</td> <td>ETR</td> <td>-</td> <td>WD.</td> <td>J2</td> <td>PTD.</td> <td>-</td> <td>391A</td> <td>3\"/> <tr> <td>395</td> <td>ETR</td> <td>-</td> <td>WD.</td> <td>J2</td> <td>PTD.</td> <td>-</td> <td>391B</td> <td>3\"/> <tr> <td>396</td> <td>ETR</td> <td>-</td> <td>WD.</td> <td>J2</td> <td>PTD.</td> <td>-</td> <td>394</td> <td>3\"/> <tr> <td>398</td> <td>ETR</td> <td>-</td> <td>WD.</td> <td>J2</td> <td>PTD.</td> <td>-</td> <td>395</td> <td>3\"/> <tr> <td>399</td> <td>ETR</td> <td>-</td> <td>WD.</td> <td>J2</td> <td>PTD.</td> <td>-</td> <td>396</td> <td>3\"/> <tr> <td>3991</td> <td>ETR</td> <td>-</td> <td>WD.</td> <td>J2</td> <td>PTD.</td> <td>-</td> <td>398</td> <td>3\"/> <tr> <td>3992</td> <td>A</td> <td>3\"/> <tr> <td>3993</td> <td>ETR</td> <td>-</td> <td>WD.</td> <td>J2</td> <td>PTD.</td> <td>-</td> <td>399</td> <td>3\"/> <tr> <td>3994</td> <td>ETR</td> <td>-</td> <td>WD.</td> <td>J2</td> <td>PTD.</td> <td>-</td> <td>3991</td> <td>3\"/> <tr> <td>3995</td> <td>ETR</td> <td>-</td> <td>WD.</td> <td>J2</td> <td>PTD.</td> <td>-</td> <td>3992</td> <td>3\"/> <tr> <td>3997</td> <td>ETR</td> <td>-</td> <td>WD.</td> <td>J2</td> <td>PTD.</td> <td>-</td> <td>3993</td> <td>3\"/> <tr> <td>3998</td> <td>ETR</td> <td>-</td> <td>WD.</td> <td>J2</td> <td>PTD.</td> <td>-</td> <td>3994</td> <td>3\"/> <tr> <td>3999</td> <td>ETR</td> <td>-</td> <td>WD.</td> <td>J2</td> <td>PTD.</td> <td>-</td> <td>3995</td> <td>3\"/> <tr> <td>3999</td> <td>ETR</td> <td>-</td> <td>WD.</td> <td>J2</td> <td>PTD.</td> <td>-</td> <td>3997</td> <td>3\"/> </td></tr></td></tr></td></tr></td></tr></td></tr></td></tr></td></tr></td></tr></td></tr></td></tr></td></tr></td></tr></td></tr></td></tr></td></tr></td></tr></td></tr></td></tr></td></tr></td></tr></td></tr></td></tr></td></td></tr></td></tr></td></td></tr></td></td></tr></td></td></tr></td></td></tr></td></td></tr></td></td></tr></td></td></tr></td></td></tr></td></tr></td></tr></td></tr></td> | HM | J1 | PTD. | 1 HR. | 370 | 3\"/> <tr> <td>373A</td> <td>ETR</td> <td>-</td> <td>WD.</td> <td>J2</td> <td>PTD.</td> <td>-</td> <td>371</td> <td>3\"/> <tr> <td>374B</td> <td>ETR</td> <td>-</td> <td>WD.</td> <td>J2</td> <td>PTD.</td> <td>-</td> <td>372</td> <td>3\"/> <tr> <td>374C</td> <td>ETR</td> <td>-</td> <td>WD.</td> <td>J2</td> <td>PTD.</td> <td>-</td> <td>373A</td> <td>3\"/> <tr> <td>375</td> <td>B</td> <td>1 <td>WD</td> <td>J1</td> <td>PTD.</td> <td>-</td> <td>374B</td> <td>3\"/> <tr> <td>376</td> <td>B</td> <td>1 <td>WD</td> <td>J1</td> <td>PTD.</td> <td>-</td> <td>374C</td> <td>3\"/> <tr> <td>377</td> <td>B</td> <td>1 <td>WD</td> <td>J1</td> <td>PTD.</td> <td>-</td> <td>375</td> <td>3\"/> <tr> <td>377A</td> <td>B</td> <td>1 <td>WD</td> <td>J1</td> <td>PTD.</td> <td>-</td> <td>376</td> <td>3\"/> <tr> <td>378</td> <td>B</td> <td>1 <td>WD</td> <td>J1</td> <td>PTD.</td> <td>-</td> <td>377</td> <td>3\"/> <tr> <td>379</td> <td>B</td> <td>1 <td>WD</td> <td>J1</td> <td>PTD.</td> <td>-</td> <td>377A</td> <td>3\"/> <tr> <td>380A</td> <td>B</td> <td>1 <td>WD</td> <td>J1</td> <td>PTD.</td> <td>-</td> <td>378</td> <td>3\"/> <tr> <td>380B</td> <td>B</td> <td>1 <td>WD</td> <td>J1</td> <td>PTD.</td> <td>-</td> <td>379</td> <td>3\"/> <tr> <td>382</td> <td>ETR</td> <td>-</td> <td>WD.</td> <td>J2</td> <td>PTD.</td> <td>-</td> <td>380A</td> <td>3\"/> <tr> <td>382A</td> <td>D</td> <td>6 <td>ALUM.</td> <td>ANODIZE D</td> <td>-</td> <td>-</td> <td>380B</td> <td>3\"/> <tr> <td>385</td> <td>ETR</td> <td>-</td> <td>WD.</td> <td>J2</td> <td>PTD.</td> <td>-</td> <td>382</td> <td>3\"/> <tr> <td>386</td> <td>ETR</td> <td>-</td> <td>WD.</td> <td>J2</td> <td>PTD.</td> <td>-</td> <td>382A</td> <td>3\"/> <tr> <td>387</td> <td>ETR</td> <td>-</td> <td>WD.</td> <td>J2</td> <td>PTD.</td> <td>-</td> <td>385</td> <td>3\"/> <tr> <td>388</td> <td>ETR</td> <td>-</td> <td>WD.</td> <td>J2</td> <td>PTD.</td> <td>-</td> <td>386</td> <td>3\"/> <tr> <td>389</td> <td>ETR</td> <td>-</td> <td>WD.</td> <td>J2</td> <td>PTD.</td> <td>-</td> <td>387</td> <td>3\"/> <tr> <td>391</td> <td>ETR</td> <td>-</td> <td>WD.</td> <td>J2</td> <td>PTD.</td> <td>-</td> <td>388</td> <td>3\"/> <tr> <td>391A</td> <td>ETR</td> <td>-</td> <td>WD.</td> <td>J2</td> <td>PTD.</td> <td>-</td> <td>389</td> <td>3\"/> <tr> <td>391B</td> <td>ETR</td> <td>-</td> <td>WD.</td> <td>J2</td> <td>PTD.</td> <td>-</td> <td>391</td> <td>3\"/> <tr> <td>394</td> <td>ETR</td> <td>-</td> <td>WD.</td> <td>J2</td> <td>PTD.</td> <td>-</td> <td>391A</td> <td>3\"/> <tr> <td>395</td> <td>ETR</td> <td>-</td> <td>WD.</td> <td>J2</td> <td>PTD.</td> <td>-</td> <td>391B</td> <td>3\"/> <tr> <td>396</td> <td>ETR</td> <td>-</td> <td>WD.</td> <td>J2</td> <td>PTD.</td> <td>-</td> <td>394</td> <td>3\"/> <tr> <td>398</td> <td>ETR</td> <td>-</td> <td>WD.</td> <td>J2</td> <td>PTD.</td> <td>-</td> <td>395</td> <td>3\"/> <tr>
<td>399</td> <td>ETR</td> <td>-</td> <td>WD.</td> <td>J2</td> <td>PTD.</td> <td>-</td> <td>396</td> <td>3\"/> <tr> <td>3991</td> <td>ETR</td> <td>-</td> <td>WD.</td> <td>J2</td> <td>PTD.</td> <td>-</td> <td>398</td> <td>3\"/> <tr> <td>3992</td> <td>A</td> <td>3\"/> <tr> <td>3993</td> <td>ETR</td> <td>-</td> <td>WD.</td> <td>J2</td> <td>PTD.</td> <td>-</td> <td>399</td> <td>3\"/> <tr> <td>3994</td> <td>ETR</td> <td>-</td> <td>WD.</td> <td>J2</td> <td>PTD.</td> <td>-</td> <td>3991</td> <td>3\"/> <tr> <td>3995</td> <td>ETR</td> <td>-</td> <td>WD.</td> <td>J2</td> <td>PTD.</td> <td>-</td> <td>3992</td> <td>3\"/> <tr> <td>3997</td> <td>ETR</td> <td>-</td> <td>WD.</td> <td>J2</td> <td>PTD.</td> <td>-</td> <td>3993</td> <td>3\"/> <tr> <td>3998</td> <td>ETR</td> <td>-</td> <td>WD.</td> <td>J2</td> <td>PTD.</td> <td>-</td> <td>3994</td> <td>3\"/> <tr> <td>3999</td> <td>ETR</td> <td>-</td> <td>WD.</td> <td>J2</td> <td>PTD.</td> <td>-</td> <td>3995</td> <td>3\"/> <tr> <td>3999</td> <td>ETR</td> <td>-</td> <td>WD.</td> <td>J2</td> <td>PTD.</td> <td>-</td> <td>3997</td> <td>3\"/> </td></tr></td></tr></td></tr></td></tr></td></tr></td></tr></td></tr></td></tr></td></tr></td></tr></td></tr></td></tr></td></tr></td></tr></td></tr></td></tr></td></tr></td></tr></td></tr></td></tr></td></tr></td></tr></td></td></tr></td></tr></td></td></tr></td></td></tr></td></td></tr></td></td></tr></td></td></tr></td></td></tr></td></td></tr></td></td></tr></td></tr></td></tr></td></tr> | 373A | ETR | - | WD. | J2 | PTD. | - | 371 | 3\"/> <tr> <td>374B</td> <td>ETR</td> <td>-</td> <td>WD.</td> <td>J2</td> <td>PTD.</td> <td>-</td> <td>372</td> <td>3\"/> <tr> <td>374C</td> <td>ETR</td> <td>-</td> <td>WD.</td> <td>J2</td> <td>PTD.</td> <td>-</td> <td>373A</td> <td>3\"/> <tr> <td>375</td> <td>B</td> <td>1 <td>WD</td> <td>J1</td> <td>PTD.</td> <td>-</td> <td>374B</td> <td>3\"/> <tr> <td>376</td> <td>B</td> <td>1 <td>WD</td> <td>J1</td> <td>PTD.</td> <td>-</td> <td>374C</td> <td>3\"/> <tr> <td>377</td> <td>B</td> <td>1 <td>WD</td> <td>J1</td> <td>PTD.</td> <td>-</td> <td>375</td> <td>3\"/> <tr> <td>377A</td> <td>B</td> <td>1 <td>WD</td> <td>J1</td> <td>PTD.</td> <td>-</td> <td>376</td> <td>3\"/> <tr> <td>378</td> <td>B</td> <td>1 <td>WD</td> <td>J1</td> <td>PTD.</td> <td>-</td> <td>377</td> <td>3\"/> <tr> <td>379</td> <td>B</td> <td>1 <td>WD</td> <td>J1</td> <td>PTD.</td> <td>-</td> <td>377A</td> <td>3\"/> <tr> <td>380A</td> <td>B</td> <td>1 <td>WD</td> <td>J1</td> <td>PTD.</td> <td>-</td> <td>378</td> <td>3\"/> <tr> <td>380B</td> <td>B</td> <td>1 <td>WD</td> <td>J1</td> <td>PTD.</td>
<td>-</td> <td>379</td> <td>3\"/> <tr> <td>382</td> <td>ETR</td> <td>-</td> <td>WD.</td> <td>J2</td> <td>PTD.</td> <td>-</td> <td>380A</td> <td>3\"/> <tr> <td>382A</td> <td>D</td> <td>6 <td>ALUM.</td> <td>ANODIZE D</td> <td>-</td> <td>-</td> <td>380B</td> <td>3\"/> <tr> <td>385</td> <td>ETR</td> <td>-</td> <td>WD.</td> <td>J2</td> <td>PTD.</td> <td>-</td> <td>382</td> <td>3\"/> <tr> <td>386</td> <td>ETR</td> <td>-</td> <td>WD.</td> <td>J2</td> <td>PTD.</td> <td>-</td> <td>382A</td> <td>3\"/> <tr> <td>387</td> <td>ETR</td> <td>-</td> <td>WD.</td> <td>J2</td> <td>PTD.</td> <td>-</td> <td>385</td> <td>3\"/> <tr> <td>388</td> <td>ETR</td> <td>-</td> <td>WD.</td> <td>J2</td> <td>PTD.</td> <td>-</td> <td>386</td> <td>3\"/> <tr> <td>389</td> <td>ETR</td> <td>-</td> <td>WD.</td> <td>J2</td> <td>PTD.</td> <td>-</td> <td>387</td> <td>3\"/> <tr> <td>391</td> <td>ETR</td> <td>-</td> <td>WD.</td> <td>J2</td> <td>PTD.</td> <td>-</td> <td>388</td> <td>3\"/> <tr> <td>391A</td> <td>ETR</td> <td>-</td> <td>WD.</td> <td>J2</td> <td>PTD.</td> <td>-</td> <td>389</td> <td>3\"/> <tr> <td>391B</td> <td>ETR</td> <td>-</td> <td>WD.</td> <td>J2</td> <td>PTD.</td> <td>-</td> <td>391</td> <td>3\"/> <tr> <td>394</td> <td>ETR</td> <td>-</td> <td>WD.</td> <td>J2</td> <td>PTD.</td> <td>-</td> <td>391A</td> <td>3\"/> <tr> <td>395</td> <td>ETR</td> <td>-</td> <td>WD.</td> <td>J2</td> <td>PTD.</td> <td>-</td> <td>391B</td> <td>3\"/> <tr> <td>396</td> <td>ETR</td> <td>-</td> <td>WD.</td> <td>J2</td> <td>PTD.</td> <td>-</td> <td>394</td> <td>3\"/> <tr> <td>398</td> <td>ETR</td> <td>-</td> <td>WD.</td> <td>J2</td> <td>PTD.</td> <td>-</td> <td>395</td> <td>3\"/> <tr> <td>399</td> <td>ETR</td> <td>-</td> <td>WD.</td> <td>J2</td> <td>PTD.</td> <td>-</td> <td>396</td> <td>3\"/> <tr> <td>3991</td> <td>ETR</td> <td>-</td> <td>WD.</td> <td>J2</td> <td>PTD.</td> <td>-</td> <td>398</td> <td>3\"/> <tr> <td>3992</td> <td>A</td> <td>3\"/> <tr> <td>3993</td> <td>ETR</td> <td>-</td> <td>WD.</td> <td>J2</td> <td>PTD.</td> <td>-</td> <td>399</td> <td>3\"/> <tr> <td>3994</td> <td>ETR</td> <td>-</td> <td>WD.</td> <td>J2</td> <td>PTD.</td> <td>-</td> <td>3991</td> <td>3\"/> <tr> <td>3995</td> <td>ETR</td> <td>-</td> <td>WD.</td> <td>J2</td> <td>PTD.</td> <td>-</td> <td>3992</td> <td>3\"/> <tr> <td>3997</td> <td>ETR</td> <td>-</td> <td>WD.</td> <td>J2</td> <td>PTD.</td> <td>-</td> <td>3993</td> <td>3\"/> <tr> <td>3998</td> <td>ETR</td> <td>-</td> <td>WD.</td> <td>J2</td> <td>PTD.</td> <td>-</td> <td>3994</td> <td>3\"/> <tr> <td>3999</td> <td>ETR</td> <td>-</td> <td>WD.</td> <td>J2</td> <td>PTD.</td> <td>-</td> <td>3995</td> <td>3\"/> <tr> <td>3999</td> <td>ETR</td> <td>-</td> <td>WD.</td> <td>J2</td> <td>PTD.</td> <td>-</td> <td>3997</td> <td>3\"/> </td></tr></td></tr></td></tr></td></tr></td></tr></td></tr></td></tr></td></tr></td></tr></td></tr></td></tr></td></tr></td></tr></td></tr></td></tr></td></tr></td></tr></td></tr></td></tr></td></tr></td></tr></td></tr></td></td></tr></td></tr></td></td></tr></td></td></tr></td></td></tr></td></td></tr></td></td></tr></td></td></tr></td></td></tr></td></td></tr></td></tr></td></tr> | 374B | ETR | -
 | WD. | J2 | PTD. | - | 372 | 3\"/> <tr> <td>374C</td> <td>ETR</td> <td>-</td> <td>WD.</td> <td>J2</td> <td>PTD.</td> <td>-</td> <td>373A</td> <td>3\"/> <tr> <td>375</td> <td>B</td> <td>1 <td>WD</td> <td>J1</td> <td>PTD.</td> <td>-</td> <td>374B</td> <td>3\"/> <tr> <td>376</td> <td>B</td> <td>1 <td>WD</td> <td>J1</td> <td>PTD.</td> <td>-</td> <td>374C</td> <td>3\"/> <tr> <td>377</td> <td>B</td> <td>1 <td>WD</td> <td>J1</td> <td>PTD.</td> <td>-</td> <td>375</td> <td>3\"/> <tr> <td>377A</td> <td>B</td> <td>1 <td>WD</td> <td>J1</td> <td>PTD.</td> <td>-</td> <td>376</td> <td>3\"/> <tr> <td>378</td> <td>B</td> <td>1 <td>WD</td> <td>J1</td> <td>PTD.</td> <td>-</td> <td>377</td> <td>3\"/> <tr> <td>379</td> <td>B</td> <td>1 <td>WD</td> <td>J1</td> <td>PTD.</td> <td>-</td> <td>377A</td> <td>3\"/> <tr> <td>380A</td> <td>B</td> <td>1 <td>WD</td> <td>J1</td> <td>PTD.</td> <td>-</td> <td>378</td> <td>3\"/> <tr> <td>380B</td> <td>B</td> <td>1 <td>WD</td> <td>J1</td> <td>PTD.</td> <td>-</td> <td>379</td> <td>3\"/> <tr> <td>382</td> <td>ETR</td> <td>-</td> <td>WD.</td> <td>J2</td> <td>PTD.</td> <td>-</td> <td>380A</td> <td>3\"/> <tr> <td>382A</td> <td>D</td> <td>6 <td>ALUM.</td> <td>ANODIZE D</td> <td>-</td> <td>-</td> <td>380B</td> <td>3\"/> <tr> <td>385</td> <td>ETR</td> <td>-</td> <td>WD.</td> <td>J2</td> <td>PTD.</td> <td>-</td> <td>382</td> <td>3\"/> <tr> <td>386</td> <td>ETR</td> <td>-</td> <td>WD.</td> <td>J2</td> <td>PTD.</td> <td>-</td> <td>382A</td> <td>3\"/> <tr> <td>387</td> <td>ETR</td> <td>-</td> <td>WD.</td> <td>J2</td> <td>PTD.</td> <td>-</td> <td>385</td> <td>3\"/> <tr> <td>388</td> <td>ETR</td> <td>-</td> <td>WD.</td> <td>J2</td> <td>PTD.</td> <td>-</td> <td>386</td> <td>3\"/> <tr> <td>389</td> <td>ETR</td> <td>-</td> <td>WD.</td> <td>J2</td> <td>PTD.</td> <td>-</td> <td>387</td> <td>3\"/> <tr> <td>391</td> <td>ETR</td> <td>-</td> <td>WD.</td> <td>J2</td> <td>PTD.</td> <td>-</td> <td>388</td> <td>3\"/> <tr> <td>391A</td> <td>ETR</td> <td>-</td> <td>WD.</td> <td>J2</td> <td>PTD.</td> <td>-</td> <td>389</td> <td>3\"/> <tr> <td>391B</td> <td>ETR</td> <td>-</td> <td>WD.</td> <td>J2</td> <td>PTD.</td> <td>-</td> <td>391</td> <td>3\"/> <tr> <td>394</td> <td>ETR</td> <td>-</td> <td>WD.</td> <td>J2</td> <td>PTD.</td> <td>-</td> <td>391A</td> <td>3\"/> <tr> <td>395</td> <td>ETR</td> <td>-</td> <td>WD.</td> <td>J2</td> <td>PTD.</td> <td>-</td> <td>391B</td> <td>3\"/> <tr> <td>396</td> <td>ETR</td> <td>-</td> <td>WD.</td> <td>J2</td> <td>PTD.</td> <td>-</td> <td>394</td> <td>3\"/> <tr> <td>398</td> <td>ETR</td> <td>-</td> <td>WD.</td> <td>J2</td> <td>PTD.</td> <td>-</td> <td>395</td> <td>3\"/> <tr> <td>399</td> <td>ETR</td> <td>-</td> <td>WD.</td> <td>J2</td> <td>PTD.</td> <td>-</td> <td>396</td> <td>3\"/> <tr> <td>3991</td> <td>ETR</td> <td>-</td> <td>WD.</td> <td>J2</td> <td>PTD.</td> <td>-</td> <td>398</td> <td>3\"/> <tr> <td>3992</td> <td>A</td> <td>3\"/> <tr> <td>3993</td> <td>ETR</td> <td>-</td> <td>WD.</td> <td>J2</td> <td>PTD.</td> <td>-</td> <td>399</td> <td>3\"/> <tr> <td>3994</td> <td>ETR</td> <td>-</td> <td>WD.</td> <td>J2</td> <td>PTD.</td> <td>-</td> <td>3991</td> <td>3\"/> <tr> <td>3995</td> <td>ETR</td> <td>-</td> <td>WD.</td> <td>J2</td> <td>PTD.</td> <td>-</td> <td>3992</td> <td>3\"/> <tr> <td>3997</td> <td>ETR</td> <td>-</td> <td>WD.</td> <td>J2</td> <td>PTD.</td> <td>-</td> <td>3993</td> <td>3\"/> <tr> <td>3998</td> <td>ETR</td> <td>-</td> <td>WD.</td> <td>J2</td> <td>PTD.</td> <td>-</td> <td>3994</td> <td>3\"/> <tr> <td>3999</td> <td>ETR</td> <td>-</td> <td>WD.</td> <td>J2</td> <td>PTD.</td> <td>-</td> <td>3995</td> <td>3\"/> <tr> <td>3999</td> <td>ETR</td> <td>-</td> <td>WD.</td> <td>J2</td> <td>PTD.</td> <td>-</td> <td>3997</td> <td>3\"/> </td></tr></td></tr></td></tr></td></tr></td></tr></td></tr></td></tr></td></tr></td></tr></td></tr></td></tr></td></tr></td></tr></td></tr></td></tr></td></tr></td></tr></td></tr></td></tr></td></tr></td></tr></td></tr></td></td></tr></td></tr></td></td></tr></td></td></tr></td></td></tr></td></td></tr></td></td></tr></td></td></tr></td></td></tr></td></td></tr></td></tr> | 374C | ETR | -
 | WD. | J2 | PTD. | - | 373A | 3\"/> <tr> <td>375</td> <td>B</td> <td>1 <td>WD</td> <td>J1</td> <td>PTD.</td> <td>-</td> <td>374B</td> <td>3\"/> <tr> <td>376</td> <td>B</td> <td>1 <td>WD</td> <td>J1</td> <td>PTD.</td> <td>-</td> <td>374C</td> <td>3\"/> <tr> <td>377</td> <td>B</td> <td>1 <td>WD</td> <td>J1</td> <td>PTD.</td> <td>-</td> <td>375</td> <td>3\"/> <tr> <td>377A</td> <td>B</td> <td>1 <td>WD</td> <td>J1</td> <td>PTD.</td> <td>-</td> <td>376</td> <td>3\"/> <tr> <td>378</td> <td>B</td> <td>1 <td>WD</td> <td>J1</td> <td>PTD.</td> <td>-</td> <td>377</td> <td>3\"/> <tr> <td>379</td> <td>B</td> <td>1 <td>WD</td> <td>J1</td> <td>PTD.</td> <td>-</td> <td>377A</td> <td>3\"/> <tr> <td>380A</td> <td>B</td> <td>1 <td>WD</td> <td>J1</td> <td>PTD.</td> <td>-</td> <td>378</td> <td>3\"/> <tr> <td>380B</td> <td>B</td> <td>1 <td>WD</td> <td>J1</td> <td>PTD.</td> <td>-</td> <td>379</td> <td>3\"/> <tr> <td>382</td> <td>ETR</td> <td>-</td> <td>WD.</td> <td>J2</td> <td>PTD.</td> <td>-</td> <td>380A</td> <td>3\"/> <tr> <td>382A</td> <td>D</td> <td>6 <td>ALUM.</td> <td>ANODIZE D</td> <td>-</td> <td>-</td> <td>380B</td> <td>3\"/> <tr> <td>385</td> <td>ETR</td> <td>-</td> <td>WD.</td> <td>J2</td> <td>PTD.</td> <td>-</td> <td>382</td> <td>3\"/> <tr> <td>386</td> <td>ETR</td> <td>-</td> <td>WD.</td> <td>J2</td> <td>PTD.</td> <td>-</td> <td>382A</td> <td>3\"/> <tr> <td>387</td> <td>ETR</td> <td>-</td> <td>WD.</td> <td>J2</td> <td>PTD.</td> <td>-</td> <td>385</td> <td>3\"/> <tr> <td>388</td> <td>ETR</td> <td>-</td> <td>WD.</td> <td>J2</td> <td>PTD.</td> <td>-</td> <td>386</td> <td>3\"/> <tr> <td>389</td> <td>ETR</td> <td>-</td> <td>WD.</td> <td>J2</td> <td>PTD.</td> <td>-</td> <td>387</td> <td>3\"/> <tr> <td>391</td> <td>ETR</td> <td>-</td> <td>WD.</td> <td>J2</td> <td>PTD.</td> <td>-</td> <td>388</td> <td>3\"/> <tr> <td>391A</td> <td>ETR</td> <td>-</td> <td>WD.</td> <td>J2</td> <td>PTD.</td> <td>-</td> <td>389</td> <td>3\"/> <tr> <td>391B</td> <td>ETR</td> <td>-</td> <td>WD.</td> <td>J2</td> <td>PTD.</td> <td>-</td> <td>391</td> <td>3\"/> <tr> <td>394</td> <td>ETR</td> <td>-</td> <td>WD.</td> <td>J2</td> <td>PTD.</td> <td>-</td> <td>391A</td> <td>3\"/> <tr> <td>395</td> <td>ETR</td> <td>-</td> <td>WD.</td> <td>J2</td> <td>PTD.</td> <td>-</td> <td>391B</td> <td>3\"/> <tr> <td>396</td> <td>ETR</td> <td>-</td> <td>WD.</td> <td>J2</td> <td>PTD.</td> <td>-</td> <td>394</td> <td>3\"/> <tr> <td>398</td> <td>ETR</td> <td>-</td> <td>WD.</td> <td>J2</td> <td>PTD.</td> <td>-</td> <td>395</td> <td>3\"/> <tr> <td>399</td> <td>ETR</td> <td>-</td> <td>WD.</td> <td>J2</td> <td>PTD.</td> <td>-</td> <td>396</td> <td>3\"/> <tr> <td>3991</td> <td>ETR</td> <td>-</td> <td>WD.</td> <td>J2</td> <td>PTD.</td> <td>-</td> <td>398</td> <td>3\"/> <tr> <td>3992</td> <td>A</td> <td>3\"/> <tr> <td>3993</td> <td>ETR</td> <td>-</td> <td>WD.</td> <td>J2</td> <td>PTD.</td> <td>-</td> <td>399</td> <td>3\"/> <tr> <td>3994</td> <td>ETR</td> <td>-</td> <td>WD.</td> <td>J2</td> <td>PTD.</td> <td>-</td> <td>3991</td> <td>3\"/> <tr> <td>3995</td> <td>ETR</td> <td>-</td> <td>WD.</td> <td>J2</td> <td>PTD.</td> <td>-</td> <td>3992</td> <td>3\"/> <tr> <td>3997</td> <td>ETR</td> <td>-</td> <td>WD.</td> <td>J2</td> <td>PTD.</td> <td>-</td> <td>3993</td> <td>3\"/> <tr> <td>3998</td> <td>ETR</td> <td>-</td> <td>WD.</td> <td>J2</td> <td>PTD.</td> <td>-</td> <td>3994</td> <td>3\"/> <tr> <td>3999</td> <td>ETR</td> <td>-</td> <td>WD.</td> <td>J2</td> <td>PTD.</td> <td>-</td> <td>3995</td> <td>3\"/> <tr> <td>3999</td> <td>ETR</td> <td>-</td> <td>WD.</td> <td>J2</td> <td>PTD.</td> <td>-</td> <td>3997</td> <td>3\"/> </td></tr></td></tr></td></tr></td></tr></td></tr></td></tr></td></tr></td></tr></td></tr></td></tr></td></tr></td></tr></td></tr></td></tr></td></tr></td></tr></td></tr></td></tr></td></tr></td></tr></td></tr></td></tr></td></td></tr></td></tr></td></td></tr></td></td></tr></td></td></tr></td></td></tr></td></td></tr></td></td></tr></td></td></tr></td></td></tr> | 375 | B | 1 <td>WD</td> <td>J1</td> <td>PTD.</td> <td>-</td> <td>374B</td> <td>3\"/> <tr> <td>376</td> <td>B</td> <td>1 <td>WD</td> <td>J1</td> <td>PTD.</td> <td>-</td> <td>374C</td> <td>3\"/> <tr> <td>377</td> <td>B</td> <td>1 <td>WD</td> <td>J1</td> <td>PTD.</td> <td>-</td> <td>375</td> <td>3\"/> <tr> <td>377A</td> <td>B</td> <td>1 <td>WD</td> <td>J1</td> <td>PTD.</td> <td>-</td> <td>376</td> <td>3\"/> <tr> <td>378</td> <td>B</td> <td>1 <td>WD</td> <td>J1</td> <td>PTD.</td> <td>-</td> <td>377</td> <td>3\"/> <tr> <td>379</td> <td>B</td> <td>1 <td>WD</td> <td>J1</td> <td>PTD.</td> <td>-</td> <td>377A</td> <td>3\"/> <tr> <td>380A</td> <td>B</td> <td>1 <td>WD</td> <td>J1</td> <td>PTD.</td> <td>-</td> <td>378</td> <td>3\"/> <tr> <td>380B</td> <td>B</td> <td>1 <td>WD</td> <td>J1</td> <td>PTD.</td> <td>-</td> <td>379</td> <td>3\"/> <tr> <td>382</td> <td>ETR</td> <td>-</td> <td>WD.</td> <td>J2</td> <td>PTD.</td> <td>-</td> <td>380A</td> <td>3\"/> <tr> <td>382A</td> <td>D</td> <td>6 <td>ALUM.</td> <td>ANODIZE D</td> <td>-</td> <td>-</td> <td>380B</td> <td>3\"/> <tr> <td>385</td> <td>ETR</td> <td>-</td> <td>WD.</td> <td>J2</td> <td>PTD.</td> <td>-</td> <td>382</td> <td>3\"/> <tr> <td>386</td> <td>ETR</td> <td>-</td> <td>WD.</td> <td>J2</td> <td>PTD.</td> <td>-</td> <td>382A</td> <td>3\"/> <tr> <td>387</td> <td>ETR</td> <td>-</td> <td>WD.</td> <td>J2</td> <td>PTD.</td> <td>-</td> <td>385</td> <td>3\"/> <tr> <td>388</td> <td>ETR</td> <td>-</td> <td>WD.</td> <td>J2</td> <td>PTD.</td> <td>-</td> <td>386</td> <td>3\"/> <tr> <td>389</td> <td>ETR</td> <td>-</td> <td>WD.</td> <td>J2</td> <td>PTD.</td> <td>-</td> <td>387</td> <td>3\"/> <tr> <td>391</td> <td>ETR</td> <td>-</td> <td>WD.</td> <td>J2</td> <td>PTD.</td> <td>-</td> <td>388</td> <td>3\"/> <tr> <td>391A</td> <td>ETR</td> <td>-</td> <td>WD.</td> <td>J2</td> <td>PTD.</td> <td>-</td> <td>389</td> <td>3\"/> <tr> <td>391B</td> <td>ETR</td> <td>-</td> <td>WD.</td> <td>J2</td> <td>PTD.</td> <td>-</td> <td>391</td> <td>3\"/> <tr> <td>394</td> <td>ETR</td> <td>-</td> <td>WD.</td> <td>J2</td> <td>PTD.</td> <td>-</td> <td>391A</td> <td>3\"/> <tr> <td>395</td> <td>ETR</td> <td>-</td> <td>WD.</td> <td>J2</td> <td>PTD.</td> <td>-</td> <td>391B</td> <td>3\"/> <tr> <td>396</td> <td>ETR</td> <td>-</td> <td>WD.</td> <td>J2</td> <td>PTD.</td> <td>-</td> <td>394</td> <td>3\"/> <tr> <td>398</td> <td>ETR</td> <td>-</td> <td>WD.</td> <td>J2</td> <td>PTD.</td> <td>-</td> <td>395</td> <td>3\"/> <tr> <td>399</td> <td>ETR</td> <td>-</td> <td>WD.</td> <td>J2</td> <td>PTD.</td> <td>-</td> <td>396</td> <td>3\"/> <tr> <td>3991</td> <td>ETR</td> <td>-</td> <td>WD.</td>
<td>J2</td> <td>PTD.</td> <td>-</td> <td>398</td> <td>3\"/> <tr> <td>3992</td> <td>A</td> <td>3\"/> <tr> <td>3993</td> <td>ETR</td> <td>-</td> <td>WD.</td> <td>J2</td> <td>PTD.</td> <td>-</td> <td>399</td> <td>3\"/> <tr> <td>3994</td> <td>ETR</td> <td>-</td> <td>WD.</td> <td>J2</td> <td>PTD.</td> <td>-</td> <td>3991</td> <td>3\"/> <tr> <td>3995</td> <td>ETR</td> <td>-</td> <td>WD.</td> <td>J2</td> <td>PTD.</td> <td>-</td> <td>3992</td> <td>3\"/> <tr> <td>3997</td> <td>ETR</td> <td>-</td> <td>WD.</td> <td>J2</td> <td>PTD.</td> <td>-</td> <td>3993</td> <td>3\"/> <tr> <td>3998</td> <td>ETR</td> <td>-</td> <td>WD.</td> <td>J2</td> <td>PTD.</td> <td>-</td> <td>3994</td> <td>3\"/> <tr> <td>3999</td> <td>ETR</td> <td>-</td> <td>WD.</td> <td>J2</td> <td>PTD.</td> <td>-</td> <td>3995</td> <td>3\"/> <tr> <td>3999</td> <td>ETR</td> <td>-</td> <td>WD.</td> <td>J2</td> <td>PTD.</td> <td>-</td> <td>3997</td> <td>3\"/> </td></tr></td></tr></td></tr></td></tr></td></tr></td></tr></td></tr></td></tr></td></tr></td></tr></td></tr></td></tr></td></tr></td></tr></td></tr></td></tr></td></tr></td></tr></td></tr></td></tr></td></tr></td></tr></td></td></tr></td></tr></td></td></tr></td></td></tr></td></td></tr></td></td></tr></td></td></tr></td></td></tr></td></td></tr></td> | WD | J1 | PTD. | - | 374B | 3\"/> <tr> <td>376</td> <td>B</td> <td>1 <td>WD</td> <td>J1</td> <td>PTD.</td> <td>-</td> <td>374C</td> <td>3\"/> <tr> <td>377</td> <td>B</td> <td>1 <td>WD</td> <td>J1</td> <td>PTD.</td> <td>-</td> <td>375</td> <td>3\"/> <tr> <td>377A</td> <td>B</td> <td>1 <td>WD</td> <td>J1</td> <td>PTD.</td> <td>-</td> <td>376</td> <td>3\"/> <tr> <td>378</td> <td>B</td> <td>1 <td>WD</td> <td>J1</td> <td>PTD.</td> <td>-</td> <td>377</td> <td>3\"/> <tr> <td>379</td> <td>B</td> <td>1 <td>WD</td> <td>J1</td> <td>PTD.</td> <td>-</td> <td>377A</td> <td>3\"/> <tr> <td>380A</td> <td>B</td> <td>1 <td>WD</td> <td>J1</td> <td>PTD.</td> <td>-</td> <td>378</td> <td>3\"/> <tr> <td>380B</td> <td>B</td> <td>1 <td>WD</td> <td>J1</td> <td>PTD.</td> <td>-</td> <td>379</td> <td>3\"/> <tr> <td>382</td> <td>ETR</td> <td>-</td> <td>WD.</td> <td>J2</td> <td>PTD.</td> <td>-</td> <td>380A</td> <td>3\"/> <tr> <td>382A</td> <td>D</td> <td>6 <td>ALUM.</td> <td>ANODIZE D</td> <td>-</td> <td>-</td> <td>380B</td> <td>3\"/> <tr> <td>385</td> <td>ETR</td> <td>-</td> <td>WD.</td> <td>J2</td> <td>PTD.</td> <td>-</td> <td>382</td> <td>3\"/> <tr> <td>386</td> <td>ETR</td> <td>-</td> <td>WD.</td> <td>J2</td> <td>PTD.</td> <td>-</td> <td>382A</td> <td>3\"/> <tr> <td>387</td> <td>ETR</td> <td>-</td> <td>WD.</td> <td>J2</td> <td>PTD.</td> <td>-</td> <td>385</td> <td>3\"/> <tr> <td>388</td> <td>ETR</td> <td>-</td> <td>WD.</td> <td>J2</td> <td>PTD.</td> <td>-</td> <td>386</td> <td>3\"/> <tr> <td>389</td> <td>ETR</td> <td>-</td> <td>WD.</td> <td>J2</td> <td>PTD.</td> <td>-</td> <td>387</td> <td>3\"/> <tr> <td>391</td> <td>ETR</td> <td>-</td> <td>WD.</td> <td>J2</td> <td>PTD.</td> <td>-</td> <td>388</td> <td>3\"/> <tr> <td>391A</td> <td>ETR</td> <td>-</td> <td>WD.</td> <td>J2</td> <td>PTD.</td> <td>-</td> <td>389</td> <td>3\"/> <tr> <td>391B</td> <td>ETR</td> <td>-</td> <td>WD.</td> <td>J2</td> <td>PTD.</td> <td>-</td> <td>391</td> <td>3\"/> <tr> <td>394</td> <td>ETR</td> <td>-</td> <td>WD.</td> <td>J2</td> <td>PTD.</td> <td>-</td> <td>391A</td> <td>3\"/> <tr> <td>395</td> <td>ETR</td> <td>-</td> <td>WD.</td> <td>J2</td> <td>PTD.</td> <td>-</td> <td>391B</td> <td>3\"/> <tr> <td>396</td> <td>ETR</td> <td>-</td> <td>WD.</td> <td>J2</td> <td>PTD.</td> <td>-</td> <td>394</td> <td>3\"/> <tr> <td>398</td> <td>ETR</td> <td>-</td> <td>WD.</td> <td>J2</td> <td>PTD.</td> <td>-</td> <td>395</td> <td>3\"/> <tr> <td>399</td> <td>ETR</td> <td>-</td> <td>WD.</td> <td>J2</td> <td>PTD.</td> <td>-</td> <td>396</td> <td>3\"/> <tr> <td>3991</td> <td>ETR</td> <td>-</td> <td>WD.</td> <td>J2</td> <td>PTD.</td> <td>-</td> <td>398</td> <td>3\"/> <tr> <td>3992</td> <td>A</td> <td>3\"/> <tr> <td>3993</td> <td>ETR</td> <td>-</td> <td>WD.</td> <td>J2</td> <td>PTD.</td> <td>-</td> <td>399</td> <td>3\"/> <tr> <td>3994</td> <td>ETR</td> <td>-</td> <td>WD.</td> <td>J2</td> <td>PTD.</td> <td>-</td> <td>3991</td> <td>3\"/> <tr> <td>3995</td> <td>ETR</td> <td>-</td> <td>WD.</td> <td>J2</td> <td>PTD.</td> <td>-</td> <td>3992</td> <td>3\"/> <tr> <td>3997</td> <td>ETR</td> <td>-</td> <td>WD.</td> <td>J2</td> <td>PTD.</td> <td>-</td> <td>3993</td> <td>3\"/> <tr> <td>3998</td> <td>ETR</td> <td>-</td> <td>WD.</td> <td>J2</td> <td>PTD.</td> <td>-</td> <td>3994</td> <td>3\"/> <tr> <td>3999</td> <td>ETR</td> <td>-</td> <td>WD.</td> <td>J2</td> <td>PTD.</td> <td>-</td> <td>3995</td> <td>3\"/> <tr> <td>3999</td> <td>ETR</td> <td>-</td> <td>WD.</td> <td>J2</td> <td>PTD.</td> <td>-</td> <td>3997</td> <td>3\"/> </td></tr></td></tr></td></tr></td></tr></td></tr></td></tr></td></tr></td></tr></td></tr></td></tr></td></tr></td></tr></td></tr></td></tr></td></tr></td></tr></td></tr></td></tr></td></tr></td></tr></td></tr></td></tr></td></td></tr></td></tr></td></td></tr></td></td></tr></td></td></tr></td></td></tr></td></td></tr></td></td></tr></td></td></tr> | 376 | B | 1 <td>WD</td> <td>J1</td> <td>PTD.</td> <td>-</td> <td>374C</td> <td>3\"/> <tr> <td>377</td> <td>B</td> <td>1 <td>WD</td> <td>J1</td> <td>PTD.</td> <td>-</td> <td>375</td> <td>3\"/> <tr> <td>377A</td> <td>B</td> <td>1 <td>WD</td> <td>J1</td> <td>PTD.</td> <td>-</td> <td>376</td> <td>3\"/> <tr> <td>378</td> <td>B</td> <td>1 <td>WD</td> <td>J1</td> <td>PTD.</td> <td>-</td> <td>377</td> <td>3\"/> <tr> <td>379</td> <td>B</td> <td>1 <td>WD</td> <td>J1</td> <td>PTD.</td> <td>-</td> <td>377A</td> <td>3\"/> <tr> <td>380A</td> <td>B</td> <td>1 <td>WD</td> <td>J1</td> <td>PTD.</td> <td>-</td> <td>378</td> <td>3\"/> <tr> <td>380B</td> <td>B</td> <td>1 <td>WD</td> <td>J1</td> <td>PTD.</td> <td>-</td> <td>379</td> <td>3\"/> <tr> <td>382</td> <td>ETR</td> <td>-</td> <td>WD.</td> <td>J2</td> <td>PTD.</td> <td>-</td> <td>380A</td> <td>3\"/> <tr> <td>382A</td> <td>D</td> <td>6 <td>ALUM.</td> <td>ANODIZE D</td> <td>-</td> <td>-</td> <td>380B</td> <td>3\"/> <tr> <td>385</td> <td>ETR</td> <td>-</td> <td>WD.</td> <td>J2</td> <td>PTD.</td> <td>-</td> <td>382</td> <td>3\"/> <tr> <td>386</td> <td>ETR</td> <td>-</td> <td>WD.</td> <td>J2</td> <td>PTD.</td> <td>-</td> <td>382A</td> <td>3\"/> <tr> <td>387</td> <td>ETR</td> <td>-</td> <td>WD.</td> <td>J2</td> <td>PTD.</td> <td>-</td> <td>385</td> <td>3\"/> <tr> <td>388</td> <td>ETR</td> <td>-</td> <td>WD.</td> <td>J2</td> <td>PTD.</td> <td>-</td> <td>386</td> <td>3\"/> <tr> <td>389</td> <td>ETR</td> <td>-</td> <td>WD.</td> <td>J2</td> <td>PTD.</td> <td>-</td> <td>387</td> <td>3\"/> <tr> <td>391</td> <td>ETR</td> <td>-</td> <td>WD.</td> <td>J2</td> <td>PTD.</td> <td>-</td> <td>388</td> <td>3\"/> <tr> <td>391A</td> <td>ETR</td> <td>-</td> <td>WD.</td> <td>J2</td> <td>PTD.</td>
<td>-</td> <td>389</td> <td>3\"/> <tr> <td>391B</td> <td>ETR</td> <td>-</td> <td>WD.</td> <td>J2</td> <td>PTD.</td> <td>-</td> <td>391</td> <td>3\"/> <tr> <td>394</td> <td>ETR</td> <td>-</td> <td>WD.</td> <td>J2</td> <td>PTD.</td> <td>-</td> <td>391A</td> <td>3\"/> <tr> <td>395</td> <td>ETR</td> <td>-</td> <td>WD.</td> <td>J2</td> <td>PTD.</td> <td>-</td> <td>391B</td> <td>3\"/> <tr> <td>396</td> <td>ETR</td> <td>-</td> <td>WD.</td> <td>J2</td> <td>PTD.</td> <td>-</td> <td>394</td> <td>3\"/> <tr> <td>398</td> <td>ETR</td> <td>-</td> <td>WD.</td> <td>J2</td> <td>PTD.</td> <td>-</td> <td>395</td> <td>3\"/> <tr> <td>399</td> <td>ETR</td> <td>-</td> <td>WD.</td> <td>J2</td> <td>PTD.</td> <td>-</td> <td>396</td> <td>3\"/> <tr> <td>3991</td> <td>ETR</td> <td>-</td> <td>WD.</td> <td>J2</td> <td>PTD.</td> <td>-</td> <td>398</td> <td>3\"/> <tr> <td>3992</td> <td>A</td> <td>3\"/> <tr> <td>3993</td> <td>ETR</td> <td>-</td> <td>WD.</td> <td>J2</td> <td>PTD.</td> <td>-</td> <td>399</td> <td>3\"/> <tr> <td>3994</td> <td>ETR</td> <td>-</td> <td>WD.</td> <td>J2</td> <td>PTD.</td> <td>-</td> <td>3991</td> <td>3\"/> <tr> <td>3995</td> <td>ETR</td> <td>-</td> <td>WD.</td> <td>J2</td> <td>PTD.</td> <td>-</td> <td>3992</td> <td>3\"/> <tr> <td>3997</td> <td>ETR</td> <td>-</td> <td>WD.</td> <td>J2</td> <td>PTD.</td> <td>-</td> <td>3993</td> <td>3\"/> <tr> <td>3998</td> <td>ETR</td> <td>-</td> <td>WD.</td> <td>J2</td> <td>PTD.</td> <td>-</td> <td>3994</td> <td>3\"/> <tr> <td>3999</td> <td>ETR</td> <td>-</td> <td>WD.</td> <td>J2</td> <td>PTD.</td> <td>-</td> <td>3995</td> <td>3\"/> <tr> <td>3999</td> <td>ETR</td> <td>-</td> <td>WD.</td> <td>J2</td> <td>PTD.</td> <td>-</td> <td>3997</td> <td>3\"/> </td></tr></td></tr></td></tr></td></tr></td></tr></td></tr></td></tr></td></tr></td></tr></td></tr></td></tr></td></tr></td></tr></td></tr></td></tr></td></tr></td></tr></td></tr></td></tr></td></tr></td></tr></td></tr></td></td></tr></td></tr></td></td></tr></td></td></tr></td></td></tr></td></td></tr></td></td></tr></td></td></tr></td> | WD | J1 | PTD. | - | 374C | 3\"/> <tr> <td>377</td> <td>B</td> <td>1 <td>WD</td> <td>J1</td> <td>PTD.</td> <td>-</td> <td>375</td> <td>3\"/> <tr> <td>377A</td> <td>B</td> <td>1 <td>WD</td> <td>J1</td> <td>PTD.</td> <td>-</td> <td>376</td> <td>3\"/> <tr> <td>378</td> <td>B</td> <td>1 <td>WD</td> <td>J1</td> <td>PTD.</td> <td>-</td> <td>377</td> <td>3\"/> <tr> <td>379</td> <td>B</td> <td>1 <td>WD</td> <td>J1</td> <td>PTD.</td> <td>-</td> <td>377A</td> <td>3\"/> <tr> <td>380A</td> <td>B</td> <td>1 <td>WD</td> <td>J1</td> <td>PTD.</td> <td>-</td> <td>378</td> <td>3\"/> <tr> <td>380B</td> <td>B</td> <td>1 <td>WD</td> <td>J1</td> <td>PTD.</td> <td>-</td> <td>379</td> <td>3\"/> <tr> <td>382</td> <td>ETR</td> <td>-</td> <td>WD.</td> <td>J2</td> <td>PTD.</td> <td>-</td> <td>380A</td> <td>3\"/> <tr> <td>382A</td> <td>D</td> <td>6 <td>ALUM.</td> <td>ANODIZE D</td> <td>-</td> <td>-</td> <td>380B</td> <td>3\"/> <tr> <td>385</td> <td>ETR</td> <td>-</td> <td>WD.</td> <td>J2</td> <td>PTD.</td> <td>-</td> <td>382</td> <td>3\"/> <tr> <td>386</td> <td>ETR</td> <td>-</td> <td>WD.</td> <td>J2</td> <td>PTD.</td> <td>-</td> <td>382A</td> <td>3\"/> <tr> <td>387</td> <td>ETR</td> <td>-</td> <td>WD.</td> <td>J2</td> <td>PTD.</td> <td>-</td> <td>385</td> <td>3\"/> <tr> <td>388</td> <td>ETR</td> <td>-</td> <td>WD.</td> <td>J2</td> <td>PTD.</td> <td>-</td> <td>386</td> <td>3\"/> <tr> <td>389</td> <td>ETR</td> <td>-</td> <td>WD.</td> <td>J2</td> <td>PTD.</td> <td>-</td> <td>387</td> <td>3\"/> <tr> <td>391</td> <td>ETR</td> <td>-</td> <td>WD.</td> <td>J2</td> <td>PTD.</td> <td>-</td> <td>388</td> <td>3\"/> <tr> <td>391A</td> <td>ETR</td> <td>-</td> <td>WD.</td> <td>J2</td> <td>PTD.</td> <td>-</td> <td>389</td> <td>3\"/> <tr> <td>391B</td> <td>ETR</td> <td>-</td> <td>WD.</td> <td>J2</td> <td>PTD.</td> <td>-</td> <td>391</td> <td>3\"/> <tr> <td>394</td> <td>ETR</td> <td>-</td> <td>WD.</td> <td>J2</td> <td>PTD.</td> <td>-</td> <td>391A</td> <td>3\"/> <tr> <td>395</td> <td>ETR</td> <td>-</td> <td>WD.</td> <td>J2</td> <td>PTD.</td> <td>-</td> <td>391B</td> <td>3\"/> <tr> <td>396</td> <td>ETR</td> <td>-</td> <td>WD.</td> <td>J2</td> <td>PTD.</td> <td>-</td> <td>394</td> <td>3\"/> <tr> <td>398</td> <td>ETR</td> <td>-</td> <td>WD.</td> <td>J2</td> <td>PTD.</td> <td>-</td> <td>395</td> <td>3\"/> <tr> <td>399</td> <td>ETR</td> <td>-</td> <td>WD.</td> <td>J2</td> <td>PTD.</td> <td>-</td> <td>396</td> <td>3\"/> <tr> <td>3991</td> <td>ETR</td> <td>-</td> <td>WD.</td> <td>J2</td> <td>PTD.</td> <td>-</td> <td>398</td> <td>3\"/> <tr> <td>3992</td> <td>A</td> <td>3\"/> <tr> <td>3993</td> <td>ETR</td> <td>-</td> <td>WD.</td> <td>J2</td> <td>PTD.</td> <td>-</td> <td>399</td> <td>3\"/> <tr> <td>3994</td> <td>ETR</td> <td>-</td> <td>WD.</td> <td>J2</td> <td>PTD.</td> <td>-</td> <td>3991</td> <td>3\"/> <tr> <td>3995</td> <td>ETR</td> <td>-</td> <td>WD.</td> <td>J2</td> <td>PTD.</td> <td>-</td> <td>3992</td> <td>3\"/> <tr> <td>3997</td> <td>ETR</td> <td>-</td> <td>WD.</td> <td>J2</td> <td>PTD.</td> <td>-</td> <td>3993</td> <td>3\"/> <tr> <td>3998</td> <td>ETR</td> <td>-</td> <td>WD.</td> <td>J2</td> <td>PTD.</td> <td>-</td> <td>3994</td> <td>3\"/> <tr> <td>3999</td> <td>ETR</td> <td>-</td> <td>WD.</td> <td>J2</td> <td>PTD.</td> <td>-</td> <td>3995</td> <td>3\"/> <tr> <td>3999</td> <td>ETR</td> <td>-</td> <td>WD.</td> <td>J2</td> <td>PTD.</td> <td>-</td> <td>3997</td> <td>3\"/> </td></tr></td></tr></td></tr></td></tr></td></tr></td></tr></td></tr></td></tr></td></tr></td></tr></td></tr></td></tr></td></tr></td></tr></td></tr></td></tr></td></tr></td></tr></td></tr></td></tr></td></tr></td></tr></td></td></tr></td></tr></td></td></tr></td></td></tr></td></td></tr></td></td></tr></td></td></tr></td></td></tr> | 377 | B | 1 <td>WD</td> <td>J1</td> <td>PTD.</td> <td>-</td> <td>375</td> <td>3\"/> <tr> <td>377A</td> <td>B</td> <td>1 <td>WD</td> <td>J1</td> <td>PTD.</td> <td>-</td> <td>376</td> <td>3\"/> <tr> <td>378</td> <td>B</td> <td>1 <td>WD</td> <td>J1</td> <td>PTD.</td> <td>-</td> <td>377</td> <td>3\"/> <tr> <td>379</td> <td>B</td> <td>1 <td>WD</td> <td>J1</td> <td>PTD.</td> <td>-</td> <td>377A</td> <td>3\"/> <tr> <td>380A</td> <td>B</td> <td>1 <td>WD</td> <td>J1</td> <td>PTD.</td> <td>-</td> <td>378</td> <td>3\"/> <tr> <td>380B</td> <td>B</td> <td>1 <td>WD</td> <td>J1</td> <td>PTD.</td> <td>-</td> <td>379</td> <td>3\"/> <tr> <td>382</td> <td>ETR</td> <td>-</td> <td>WD.</td> <td>J2</td> <td>PTD.</td> <td>-</td> <td>380A</td> <td>3\"/> <tr> <td>382A</td> <td>D</td> <td>6 <td>ALUM.</td> <td>ANODIZE D</td> <td>-</td> <td>-</td> <td>380B</td> <td>3\"/> <tr> <td>385</td> <td>ETR</td> <td>-</td> <td>WD.</td> <td>J2</td> <td>PTD.</td> <td>-</td> <td>382</td> <td>3\"/> <tr> <td>386</td> <td>ETR</td> <td>-</td> <td>WD.</td> <td>J2</td> <td>PTD.</td> <td>-</td> <td>382A</td> <td>3\"/> <tr>
<td>387</td> <td>ETR</td> <td>-</td> <td>WD.</td> <td>J2</td> <td>PTD.</td> <td>-</td> <td>385</td> <td>3\"/> <tr> <td>388</td> <td>ETR</td> <td>-</td> <td>WD.</td> <td>J2</td> <td>PTD.</td> <td>-</td> <td>386</td> <td>3\"/> <tr> <td>389</td> <td>ETR</td> <td>-</td> <td>WD.</td> <td>J2</td> <td>PTD.</td> <td>-</td> <td>387</td> <td>3\"/> <tr> <td>391</td> <td>ETR</td> <td>-</td> <td>WD.</td> <td>J2</td> <td>PTD.</td> <td>-</td> <td>388</td> <td>3\"/> <tr> <td>391A</td> <td>ETR</td> <td>-</td> <td>WD.</td> <td>J2</td> <td>PTD.</td> <td>-</td> <td>389</td> <td>3\"/> <tr> <td>391B</td> <td>ETR</td> <td>-</td> <td>WD.</td> <td>J2</td> <td>PTD.</td> <td>-</td> <td>391</td> <td>3\"/> <tr> <td>394</td> <td>ETR</td> <td>-</td> <td>WD.</td> <td>J2</td> <td>PTD.</td> <td>-</td> <td>391A</td> <td>3\"/> <tr> <td>395</td> <td>ETR</td> <td>-</td> <td>WD.</td> <td>J2</td> <td>PTD.</td> <td>-</td> <td>391B</td> <td>3\"/> <tr> <td>396</td> <td>ETR</td> <td>-</td> <td>WD.</td> <td>J2</td> <td>PTD.</td> <td>-</td> <td>394</td> <td>3\"/> <tr> <td>398</td> <td>ETR</td> <td>-</td> <td>WD.</td> <td>J2</td> <td>PTD.</td> <td>-</td> <td>395</td> <td>3\"/> <tr> <td>399</td> <td>ETR</td> <td>-</td> <td>WD.</td> <td>J2</td> <td>PTD.</td> <td>-</td> <td>396</td> <td>3\"/> <tr> <td>3991</td> <td>ETR</td> <td>-</td> <td>WD.</td> <td>J2</td> <td>PTD.</td> <td>-</td> <td>398</td> <td>3\"/> <tr> <td>3992</td> <td>A</td> <td>3\"/> <tr> <td>3993</td> <td>ETR</td> <td>-</td> <td>WD.</td> <td>J2</td> <td>PTD.</td> <td>-</td> <td>399</td> <td>3\"/> <tr> <td>3994</td> <td>ETR</td> <td>-</td> <td>WD.</td> <td>J2</td> <td>PTD.</td> <td>-</td> <td>3991</td> <td>3\"/> <tr> <td>3995</td> <td>ETR</td> <td>-</td> <td>WD.</td> <td>J2</td> <td>PTD.</td> <td>-</td> <td>3992</td> <td>3\"/> <tr> <td>3997</td> <td>ETR</td> <td>-</td> <td>WD.</td> <td>J2</td> <td>PTD.</td> <td>-</td> <td>3993</td> <td>3\"/> <tr> <td>3998</td> <td>ETR</td> <td>-</td> <td>WD.</td> <td>J2</td> <td>PTD.</td> <td>-</td> <td>3994</td> <td>3\"/> <tr> <td>3999</td> <td>ETR</td> <td>-</td> <td>WD.</td> <td>J2</td> <td>PTD.</td> <td>-</td> <td>3995</td> <td>3\"/> <tr> <td>3999</td> <td>ETR</td> <td>-</td> <td>WD.</td> <td>J2</td> <td>PTD.</td> <td>-</td> <td>3997</td> <td>3\"/> </td></tr></td></tr></td></tr></td></tr></td></tr></td></tr></td></tr></td></tr></td></tr></td></tr></td></tr></td></tr></td></tr></td></tr></td></tr></td></tr></td></tr></td></tr></td></tr></td></tr></td></tr></td></tr></td></td></tr></td></tr></td></td></tr></td></td></tr></td></td></tr></td></td></tr></td></td></tr></td> | WD | J1 | PTD. | - | 375 | 3\"/> <tr> <td>377A</td> <td>B</td> <td>1 <td>WD</td> <td>J1</td> <td>PTD.</td> <td>-</td> <td>376</td> <td>3\"/> <tr> <td>378</td> <td>B</td> <td>1 <td>WD</td> <td>J1</td> <td>PTD.</td> <td>-</td> <td>377</td> <td>3\"/> <tr> <td>379</td> <td>B</td> <td>1 <td>WD</td> <td>J1</td> <td>PTD.</td> <td>-</td> <td>377A</td> <td>3\"/> <tr> <td>380A</td> <td>B</td> <td>1 <td>WD</td> <td>J1</td> <td>PTD.</td> <td>-</td> <td>378</td> <td>3\"/> <tr> <td>380B</td> <td>B</td> <td>1 <td>WD</td> <td>J1</td> <td>PTD.</td> <td>-</td> <td>379</td> <td>3\"/> <tr> <td>382</td> <td>ETR</td> <td>-</td> <td>WD.</td> <td>J2</td> <td>PTD.</td> <td>-</td>
<td>380A</td> <td>3\"/> <tr> <td>382A</td> <td>D</td> <td>6 <td>ALUM.</td> <td>ANODIZE D</td> <td>-</td> <td>-</td> <td>380B</td> <td>3\"/> <tr> <td>385</td> <td>ETR</td> <td>-</td> <td>WD.</td> <td>J2</td> <td>PTD.</td> <td>-</td> <td>382</td> <td>3\"/> <tr> <td>386</td> <td>ETR</td> <td>-</td> <td>WD.</td> <td>J2</td> <td>PTD.</td> <td>-</td> <td>382A</td> <td>3\"/> <tr> <td>387</td> <td>ETR</td> <td>-</td> <td>WD.</td> <td>J2</td> <td>PTD.</td> <td>-</td> <td>385</td> <td>3\"/> <tr> <td>388</td> <td>ETR</td> <td>-</td> <td>WD.</td> <td>J2</td> <td>PTD.</td> <td>-</td> <td>386</td> <td>3\"/> <tr> <td>389</td> <td>ETR</td> <td>-</td> <td>WD.</td> <td>J2</td> <td>PTD.</td> <td>-</td> <td>387</td> <td>3\"/> <tr> <td>391</td> <td>ETR</td> <td>-</td> <td>WD.</td> <td>J2</td> <td>PTD.</td> <td>-</td> <td>388</td> <td>3\"/> <tr> <td>391A</td> <td>ETR</td> <td>-</td> <td>WD.</td> <td>J2</td> <td>PTD.</td> <td>-</td> <td>389</td> <td>3\"/> <tr> <td>391B</td> <td>ETR</td> <td>-</td> <td>WD.</td> <td>J2</td> <td>PTD.</td> <td>-</td> <td>391</td> <td>3\"/> <tr> <td>394</td> <td>ETR</td> <td>-</td> <td>WD.</td> <td>J2</td> <td>PTD.</td> <td>-</td> <td>391A</td> <td>3\"/> <tr> <td>395</td> <td>ETR</td> <td>-</td> <td>WD.</td> <td>J2</td> <td>PTD.</td> <td>-</td> <td>391B</td> <td>3\"/> <tr> <td>396</td> <td>ETR</td> <td>-</td> <td>WD.</td> <td>J2</td> <td>PTD.</td> <td>-</td> <td>394</td> <td>3\"/> <tr> <td>398</td> <td>ETR</td> <td>-</td> <td>WD.</td> <td>J2</td> <td>PTD.</td> <td>-</td> <td>395</td> <td>3\"/> <tr> <td>399</td> <td>ETR</td> <td>-</td> <td>WD.</td> <td>J2</td> <td>PTD.</td> <td>-</td> <td>396</td> <td>3\"/> <tr> <td>3991</td> <td>ETR</td> <td>-</td> <td>WD.</td> <td>J2</td> <td>PTD.</td> <td>-</td> <td>398</td> <td>3\"/> <tr> <td>3992</td> <td>A</td> <td>3\"/> <tr> <td>3993</td> <td>ETR</td> <td>-</td> <td>WD.</td> <td>J2</td> <td>PTD.</td> <td>-</td> <td>399</td> <td>3\"/> <tr> <td>3994</td> <td>ETR</td> <td>-</td> <td>WD.</td> <td>J2</td> <td>PTD.</td> <td>-</td> <td>3991</td> <td>3\"/> <tr> <td>3995</td> <td>ETR</td> <td>-</td> <td>WD.</td> <td>J2</td> <td>PTD.</td> <td>-</td> <td>3992</td> <td>3\"/> <tr> <td>3997</td> <td>ETR</td> <td>-</td> <td>WD.</td> <td>J2</td> <td>PTD.</td> <td>-</td> <td>3993</td> <td>3\"/> <tr> <td>3998</td> <td>ETR</td> <td>-</td> <td>WD.</td> <td>J2</td> <td>PTD.</td> <td>-</td> <td>3994</td> <td>3\"/> <tr> <td>3999</td> <td>ETR</td> <td>-</td> <td>WD.</td> <td>J2</td> <td>PTD.</td> <td>-</td> <td>3995</td> <td>3\"/> <tr> <td>3999</td> <td>ETR</td> <td>-</td> <td>WD.</td> <td>J2</td> <td>PTD.</td> <td>-</td> <td>3997</td> <td>3\"/> </td></tr></td></tr></td></tr></td></tr></td></tr></td></tr></td></tr></td></tr></td></tr></td></tr></td></tr></td></tr></td></tr></td></tr></td></tr></td></tr></td></tr></td></tr></td></tr></td></tr></td></tr></td></tr></td></td></tr></td></tr></td></td></tr></td></td></tr></td></td></tr></td></td></tr></td></td></tr> | 377A | B | 1 <td>WD</td> <td>J1</td> <td>PTD.</td> <td>-</td> <td>376</td> <td>3\"/> <tr> <td>378</td> <td>B</td> <td>1 <td>WD</td> <td>J1</td> <td>PTD.</td> <td>-</td> <td>377</td> <td>3\"/> <tr> <td>379</td> <td>B</td> <td>1 <td>WD</td> <td>J1</td> <td>PTD.</td> <td>-</td> <td>377A</td> <td>3\"/> <tr> <td>380A</td> <td>B</td> <td>1 <td>WD</td> <td>J1</td> <td>PTD.</td> <td>-</td> <td>378</td> <td>3\"/> <tr> <td>380B</td> <td>B</td> <td>1 <td>WD</td> <td>J1</td> <td>PTD.</td> <td>-</td> <td>379</td> <td>3\"/> <tr> <td>382</td> <td>ETR</td> <td>-</td> <td>WD.</td> <td>J2</td> <td>PTD.</td> <td>-</td> <td>380A</td> <td>3\"/> <tr> <td>382A</td> <td>D</td> <td>6 <td>ALUM.</td> <td>ANODIZE D</td> <td>-</td> <td>-</td> <td>380B</td> <td>3\"/> <tr> <td>385</td> <td>ETR</td> <td>-</td> <td>WD.</td> <td>J2</td> <td>PTD.</td> <td>-</td> <td>382</td> <td>3\"/> <tr> <td>386</td> <td>ETR</td> <td>-</td> <td>WD.</td> <td>J2</td> <td>PTD.</td> <td>-</td> <td>382A</td> <td>3\"/> <tr> <td>387</td> <td>ETR</td> <td>-</td> <td>WD.</td> <td>J2</td> <td>PTD.</td> <td>-</td> <td>385</td> <td>3\"/> <tr> <td>388</td> <td>ETR</td> <td>-</td> <td>WD.</td> <td>J2</td> <td>PTD.</td> <td>-</td> <td>386</td> <td>3\"/> <tr> <td>389</td> <td>ETR</td> <td>-</td> <td>WD.</td> <td>J2</td> <td>PTD.</td> <td>-</td> <td>387</td> <td>3\"/> <tr> <td>391</td> <td>ETR</td> <td>-</td> <td>WD.</td> <td>J2</td> <td>PTD.</td> <td>-</td> <td>388</td> <td>3\"/> <tr> <td>391A</td> <td>ETR</td> <td>-</td> <td>WD.</td> <td>J2</td> <td>PTD.</td> <td>-</td> <td>389</td> <td>3\"/> <tr> <td>391B</td> <td>ETR</td> <td>-</td> <td>WD.</td> <td>J2</td> <td>PTD.</td> <td>-</td> <td>391</td> <td>3\"/> <tr> <td>394</td> <td>ETR</td> <td>-</td> <td>WD.</td> <td>J2</td> <td>PTD.</td> <td>-</td> <td>391A</td> <td>3\"/> <tr> <td>395</td> <td>ETR</td> <td>-</td> <td>WD.</td> <td>J2</td> <td>PTD.</td> <td>-</td> <td>391B</td> <td>3\"/> <tr> <td>396</td> <td>ETR</td> <td>-</td> <td>WD.</td> <td>J2</td> <td>PTD.</td> <td>-</td> <td>394</td> <td>3\"/> <tr> <td>398</td> <td>ETR</td> <td>-</td> <td>WD.</td> <td>J2</td> <td>PTD.</td> <td>-</td> <td>395</td> <td>3\"/> <tr> <td>399</td> <td>ETR</td> <td>-</td> <td>WD.</td> <td>J2</td> <td>PTD.</td> <td>-</td> <td>396</td> <td>3\"/> <tr> <td>3991</td> <td>ETR</td> <td>-</td> <td>WD.</td> <td>J2</td> <td>PTD.</td> <td>-</td> <td>398</td> <td>3\"/> <tr> <td>3992</td> <td>A</td> <td>3\"/> <tr> <td>3993</td> <td>ETR</td> <td>-</td> <td>WD.</td> <td>J2</td> <td>PTD.</td> <td>-</td> <td>399</td> <td>3\"/> <tr> <td>3994</td> <td>ETR</td> <td>-</td> <td>WD.</td> <td>J2</td> <td>PTD.</td> <td>-</td> <td>3991</td> <td>3\"/> <tr> <td>3995</td> <td>ETR</td> <td>-</td> <td>WD.</td> <td>J2</td> <td>PTD.</td> <td>-</td> <td>3992</td> <td>3\"/> <tr> <td>3997</td> <td>ETR</td> <td>-</td> <td>WD.</td> <td>J2</td> <td>PTD.</td> <td>-</td> <td>3993</td> <td>3\"/> <tr> <td>3998</td> <td>ETR</td> <td>-</td> <td>WD.</td> <td>J2</td> <td>PTD.</td> <td>-</td> <td>3994</td> <td>3\"/> <tr> <td>3999</td> <td>ETR</td> <td>-</td> <td>WD.</td> <td>J2</td> <td>PTD.</td> <td>-</td> <td>3995</td> <td>3\"/> <tr> <td>3999</td> <td>ETR</td> <td>-</td> <td>WD.</td> <td>J2</td> <td>PTD.</td> <td>-</td> <td>3997</td> <td>3\"/> </td></tr></td></tr></td></tr></td></tr></td></tr></td></tr></td></tr></td></tr></td></tr></td></tr></td></tr></td></tr></td></tr></td></tr></td></tr></td></tr></td></tr></td></tr></td></tr></td></tr></td></tr></td></tr></td></td></tr></td></tr></td></td></tr></td></td></tr></td></td></tr></td></td></tr></td> | WD | J1 | PTD. | - | 376 | 3\"/> <tr> <td>378</td> <td>B</td> <td>1 <td>WD</td> <td>J1</td> <td>PTD.</td> <td>-</td> <td>377</td> <td>3\"/> <tr> <td>379</td> <td>B</td> <td>1 <td>WD</td> <td>J1</td> <td>PTD.</td> <td>-</td> <td>377A</td> <td>3\"/> <tr> <td>380A</td> <td>B</td> <td>1 <td>WD</td> <td>J1</td> <td>PTD.</td> <td>-</td> <td>378</td> <td>3\"/> <tr> <td>380B</td> <td>B</td> <td>1
<td>WD</td> <td>J1</td> <td>PTD.</td> <td>-</td> <td>379</td> <td>3\"/> <tr> <td>382</td> <td>ETR</td> <td>-</td> <td>WD.</td> <td>J2</td> <td>PTD.</td> <td>-</td> <td>380A</td> <td>3\"/> <tr> <td>382A</td> <td>D</td> <td>6 <td>ALUM.</td> <td>ANODIZE D</td> <td>-</td> <td>-</td> <td>380B</td> <td>3\"/> <tr> <td>385</td> <td>ETR</td> <td>-</td> <td>WD.</td> <td>J2</td> <td>PTD.</td> <td>-</td> <td>382</td> <td>3\"/> <tr> <td>386</td> <td>ETR</td> <td>-</td> <td>WD.</td> <td>J2</td> <td>PTD.</td> <td>-</td> <td>382A</td> <td>3\"/> <tr> <td>387</td> <td>ETR</td> <td>-</td> <td>WD.</td> <td>J2</td> <td>PTD.</td> <td>-</td> <td>385</td> <td>3\"/> <tr> <td>388</td> <td>ETR</td> <td>-</td> <td>WD.</td> <td>J2</td> <td>PTD.</td> <td>-</td> <td>386</td> <td>3\"/> <tr> <td>389</td> <td>ETR</td> <td>-</td> <td>WD.</td> <td>J2</td> <td>PTD.</td> <td>-</td> <td>387</td> <td>3\"/> <tr> <td>391</td> <td>ETR</td> <td>-</td> <td>WD.</td> <td>J2</td> <td>PTD.</td> <td>-</td> <td>388</td> <td>3\"/> <tr> <td>391A</td> <td>ETR</td> <td>-</td> <td>WD.</td> <td>J2</td> <td>PTD.</td> <td>-</td> <td>389</td> <td>3\"/> <tr> <td>391B</td> <td>ETR</td> <td>-</td> <td>WD.</td> <td>J2</td> <td>PTD.</td> <td>-</td> <td>391</td> <td>3\"/> <tr> <td>394</td> <td>ETR</td> <td>-</td> <td>WD.</td> <td>J2</td> <td>PTD.</td> <td>-</td> <td>391A</td> <td>3\"/> <tr> <td>395</td> <td>ETR</td> <td>-</td> <td>WD.</td> <td>J2</td> <td>PTD.</td> <td>-</td> <td>391B</td> <td>3\"/> <tr> <td>396</td> <td>ETR</td> <td>-</td> <td>WD.</td> <td>J2</td> <td>PTD.</td> <td>-</td> <td>394</td> <td>3\"/> <tr> <td>398</td> <td>ETR</td> <td>-</td> <td>WD.</td> <td>J2</td> <td>PTD.</td> <td>-</td> <td>395</td> <td>3\"/> <tr> <td>399</td> <td>ETR</td> <td>-</td> <td>WD.</td> <td>J2</td> <td>PTD.</td> <td>-</td> <td>396</td> <td>3\"/> <tr> <td>3991</td> <td>ETR</td> <td>-</td> <td>WD.</td> <td>J2</td> <td>PTD.</td> <td>-</td> <td>398</td> <td>3\"/> <tr> <td>3992</td> <td>A</td> <td>3\"/> <tr> <td>3993</td> <td>ETR</td> <td>-</td> <td>WD.</td> <td>J2</td> <td>PTD.</td> <td>-</td> <td>399</td> <td>3\"/> <tr> <td>3994</td> <td>ETR</td> <td>-</td> <td>WD.</td> <td>J2</td> <td>PTD.</td> <td>-</td> <td>3991</td> <td>3\"/> <tr> <td>3995</td> <td>ETR</td> <td>-</td> <td>WD.</td> <td>J2</td> <td>PTD.</td> <td>-</td> <td>3992</td> <td>3\"/> <tr> <td>3997</td> <td>ETR</td> <td>-</td> <td>WD.</td> <td>J2</td> <td>PTD.</td> <td>-</td> <td>3993</td> <td>3\"/> <tr> <td>3998</td> <td>ETR</td> <td>-</td> <td>WD.</td> <td>J2</td> <td>PTD.</td> <td>-</td> <td>3994</td> <td>3\"/> <tr> <td>3999</td> <td>ETR</td> <td>-</td> <td>WD.</td> <td>J2</td> <td>PTD.</td> <td>-</td> <td>3995</td> <td>3\"/> <tr> <td>3999</td> <td>ETR</td> <td>-</td> <td>WD.</td> <td>J2</td> <td>PTD.</td> <td>-</td> <td>3997</td> <td>3\"/> </td></tr></td></tr></td></tr></td></tr></td></tr></td></tr></td></tr></td></tr></td></tr></td></tr></td></tr></td></tr></td></tr></td></tr></td></tr></td></tr></td></tr></td></tr></td></tr></td></tr></td></tr></td></tr></td></td></tr></td></tr></td></td></tr></td></td></tr></td></td></tr></td></td></tr> | 378 | B | 1 <td>WD</td> <td>J1</td> <td>PTD.</td> <td>-</td> <td>377</td> <td>3\"/> <tr> <td>379</td> <td>B</td> <td>1 <td>WD</td> <td>J1</td> <td>PTD.</td> <td>-</td> <td>377A</td> <td>3\"/> <tr> <td>380A</td> <td>B</td> <td>1 <td>WD</td> <td>J1</td> <td>PTD.</td> <td>-</td> <td>378</td> <td>3\"/> <tr> <td>380B</td> <td>B</td> <td>1 <td>WD</td> <td>J1</td> <td>PTD.</td> <td>-</td> <td>379</td> <td>3\"/> <tr> <td>382</td> <td>ETR</td> <td>-</td> <td>WD.</td> <td>J2</td> <td>PTD.</td> <td>-</td> <td>380A</td> <td>3\"/> <tr> <td>382A</td> <td>D</td> <td>6 <td>ALUM.</td> <td>ANODIZE D</td> <td>-</td> <td>-</td> <td>380B</td> <td>3\"/> <tr> <td>385</td> <td>ETR</td> <td>-</td> <td>WD.</td> <td>J2</td> <td>PTD.</td> <td>-</td> <td>382</td> <td>3\"/> <tr> <td>386</td> <td>ETR</td> <td>-</td> <td>WD.</td> <td>J2</td> <td>PTD.</td> <td>-</td> <td>382A</td> <td>3\"/> <tr> <td>387</td> <td>ETR</td> <td>-</td> <td>WD.</td> <td>J2</td> <td>PTD.</td> <td>-</td> <td>385</td> <td>3\"/> <tr> <td>388</td> <td>ETR</td> <td>-</td> <td>WD.</td> <td>J2</td> <td>PTD.</td> <td>-</td> <td>386</td> <td>3\"/> <tr> <td>389</td> <td>ETR</td> <td>-</td> <td>WD.</td> <td>J2</td> <td>PTD.</td> <td>-</td> <td>387</td> <td>3\"/> <tr> <td>391</td> <td>ETR</td> <td>-</td> <td>WD.</td> <td>J2</td> <td>PTD.</td> <td>-</td> <td>388</td> <td>3\"/> <tr> <td>391A</td> <td>ETR</td> <td>-</td> <td>WD.</td> <td>J2</td> <td>PTD.</td> <td>-</td> <td>389</td> <td>3\"/> <tr> <td>391B</td> <td>ETR</td> <td>-</td> <td>WD.</td> <td>J2</td> <td>PTD.</td> <td>-</td> <td>391</td> <td>3\"/> <tr> <td>394</td> <td>ETR</td> <td>-</td> <td>WD.</td> <td>J2</td> <td>PTD.</td> <td>-</td> <td>391A</td> <td>3\"/> <tr> <td>395</td> <td>ETR</td> <td>-</td> <td>WD.</td> <td>J2</td> <td>PTD.</td> <td>-</td> <td>391B</td> <td>3\"/> <tr> <td>396</td> <td>ETR</td> <td>-</td> <td>WD.</td> <td>J2</td> <td>PTD.</td> <td>-</td> <td>394</td> <td>3\"/> <tr> <td>398</td> <td>ETR</td> <td>-</td> <td>WD.</td> <td>J2</td> <td>PTD.</td> <td>-</td> <td>395</td> <td>3\"/> <tr> <td>399</td> <td>ETR</td> <td>-</td> <td>WD.</td> <td>J2</td> <td>PTD.</td> <td>-</td> <td>396</td> <td>3\"/> <tr> <td>3991</td> <td>ETR</td> <td>-</td> <td>WD.</td> <td>J2</td> <td>PTD.</td> <td>-</td> <td>398</td> <td>3\"/> <tr> <td>3992</td> <td>A</td> <td>3\"/> <tr> <td>3993</td> <td>ETR</td> <td>-</td> <td>WD.</td> <td>J2</td> <td>PTD.</td> <td>-</td> <td>399</td> <td>3\"/> <tr> <td>3994</td> <td>ETR</td> <td>-</td> <td>WD.</td> <td>J2</td> <td>PTD.</td> <td>-</td> <td>3991</td> <td>3\"/> <tr> <td>3995</td> <td>ETR</td> <td>-</td> <td>WD.</td> <td>J2</td> <td>PTD.</td> <td>-</td> <td>3992</td> <td>3\"/> <tr> <td>3997</td> <td>ETR</td> <td>-</td> <td>WD.</td> <td>J2</td> <td>PTD.</td> <td>-</td> <td>3993</td> <td>3\"/> <tr> <td>3998</td> <td>ETR</td> <td>-</td> <td>WD.</td> <td>J2</td> <td>PTD.</td> <td>-</td> <td>3994</td> <td>3\"/> <tr> <td>3999</td> <td>ETR</td> <td>-</td> <td>WD.</td> <td>J2</td> <td>PTD.</td> <td>-</td> <td>3995</td> <td>3\"/> <tr> <td>3999</td> <td>ETR</td> <td>-</td> <td>WD.</td> <td>J2</td> <td>PTD.</td> <td>-</td> <td>3997</td> <td>3\"/> </td></tr></td></tr></td></tr></td></tr></td></tr></td></tr></td></tr></td></tr></td></tr></td></tr></td></tr></td></tr></td></tr></td></tr></td></tr></td></tr></td></tr></td></tr></td></tr></td></tr></td></tr></td></tr></td></td></tr></td></tr></td></td></tr></td></td></tr></td></td></tr></td> | WD | J1 | PTD. | - | 377 | 3\"/> <tr> <td>379</td> <td>B</td> <td>1 <td>WD</td> <td>J1</td> <td>PTD.</td> <td>-</td> <td>377A</td> <td>3\"/> <tr> <td>380A</td> <td>B</td> <td>1 <td>WD</td> <td>J1</td> <td>PTD.</td> <td>-</td> <td>378</td> <td>3\"/> <tr> <td>380B</td> <td>B</td> <td>1 <td>WD</td> <td>J1</td> <td>PTD.</td> <td>-</td> <td>379</td> <td>3\"/> <tr> <td>382</td>
<td>ETR</td> <td>-</td> <td>WD.</td> <td>J2</td> <td>PTD.</td> <td>-</td> <td>380A</td> <td>3\"/> <tr> <td>382A</td> <td>D</td> <td>6 <td>ALUM.</td> <td>ANODIZE D</td> <td>-</td> <td>-</td> <td>380B</td> <td>3\"/> <tr> <td>385</td> <td>ETR</td> <td>-</td> <td>WD.</td> <td>J2</td> <td>PTD.</td> <td>-</td> <td>382</td> <td>3\"/> <tr> <td>386</td> <td>ETR</td> <td>-</td> <td>WD.</td> <td>J2</td> <td>PTD.</td> <td>-</td> <td>382A</td> <td>3\"/> <tr> <td>387</td> <td>ETR</td> <td>-</td> <td>WD.</td> <td>J2</td> <td>PTD.</td> <td>-</td> <td>385</td> <td>3\"/> <tr> <td>388</td> <td>ETR</td> <td>-</td> <td>WD.</td> <td>J2</td> <td>PTD.</td> <td>-</td> <td>386</td> <td>3\"/> <tr> <td>389</td> <td>ETR</td> <td>-</td> <td>WD.</td> <td>J2</td> <td>PTD.</td> <td>-</td> <td>387</td> <td>3\"/> <tr> <td>391</td> <td>ETR</td> <td>-</td> <td>WD.</td> <td>J2</td> <td>PTD.</td> <td>-</td> <td>388</td> <td>3\"/> <tr> <td>391A</td> <td>ETR</td> <td>-</td> <td>WD.</td> <td>J2</td> <td>PTD.</td> <td>-</td> <td>389</td> <td>3\"/> <tr> <td>391B</td> <td>ETR</td> <td>-</td> <td>WD.</td> <td>J2</td> <td>PTD.</td> <td>-</td> <td>391</td> <td>3\"/> <tr> <td>394</td> <td>ETR</td> <td>-</td> <td>WD.</td> <td>J2</td> <td>PTD.</td> <td>-</td> <td>391A</td> <td>3\"/> <tr> <td>395</td> <td>ETR</td> <td>-</td> <td>WD.</td> <td>J2</td> <td>PTD.</td> <td>-</td> <td>391B</td> <td>3\"/> <tr> <td>396</td> <td>ETR</td> <td>-</td> <td>WD.</td> <td>J2</td> <td>PTD.</td> <td>-</td> <td>394</td> <td>3\"/> <tr> <td>398</td> <td>ETR</td> <td>-</td> <td>WD.</td> <td>J2</td> <td>PTD.</td> <td>-</td> <td>395</td> <td>3\"/> <tr> <td>399</td> <td>ETR</td> <td>-</td> <td>WD.</td> <td>J2</td> <td>PTD.</td> <td>-</td> <td>396</td> <td>3\"/> <tr> <td>3991</td> <td>ETR</td> <td>-</td> <td>WD.</td> <td>J2</td> <td>PTD.</td> <td>-</td> <td>398</td> <td>3\"/> <tr> <td>3992</td> <td>A</td> <td>3\"/> <tr> <td>3993</td> <td>ETR</td> <td>-</td> <td>WD.</td> <td>J2</td> <td>PTD.</td> <td>-</td> <td>399</td> <td>3\"/> <tr> <td>3994</td> <td>ETR</td> <td>-</td> <td>WD.</td> <td>J2</td> <td>PTD.</td> <td>-</td> <td>3991</td> <td>3\"/> <tr> <td>3995</td> <td>ETR</td> <td>-</td> <td>WD.</td> <td>J2</td> <td>PTD.</td> <td>-</td> <td>3992</td> <td>3\"/> <tr> <td>3997</td> <td>ETR</td> <td>-</td> <td>WD.</td> <td>J2</td> <td>PTD.</td> <td>-</td> <td>3993</td> <td>3\"/> <tr> <td>3998</td> <td>ETR</td> <td>-</td> <td>WD.</td> <td>J2</td> <td>PTD.</td> <td>-</td> <td>3994</td> <td>3\"/> <tr> <td>3999</td> <td>ETR</td> <td>-</td> <td>WD.</td> <td>J2</td> <td>PTD.</td> <td>-</td> <td>3995</td> <td>3\"/> <tr> <td>3999</td> <td>ETR</td> <td>-</td> <td>WD.</td> <td>J2</td> <td>PTD.</td> <td>-</td> <td>3997</td> <td>3\"/> </td></tr></td></tr></td></tr></td></tr></td></tr></td></tr></td></tr></td></tr></td></tr></td></tr></td></tr></td></tr></td></tr></td></tr></td></tr></td></tr></td></tr></td></tr></td></tr></td></tr></td></tr></td></tr></td></td></tr></td></tr></td></td></tr></td></td></tr></td></td></tr> | 379 | B | 1 <td>WD</td> <td>J1</td> <td>PTD.</td> <td>-</td> <td>377A</td> <td>3\"/> <tr> <td>380A</td> <td>B</td> <td>1 <td>WD</td> <td>J1</td> <td>PTD.</td> <td>-</td> <td>378</td> <td>3\"/> <tr> <td>380B</td> <td>B</td> <td>1 <td>WD</td> <td>J1</td> <td>PTD.</td> <td>-</td> <td>379</td> <td>3\"/> <tr> <td>382</td> <td>ETR</td> <td>-</td> <td>WD.</td> <td>J2</td> <td>PTD.</td> <td>-</td> <td>380A</td> <td>3\"/> <tr> <td>382A</td> <td>D</td> <td>6 <td>ALUM.</td> <td>ANODIZE D</td> <td>-</td> <td>-</td> <td>380B</td> <td>3\"/> <tr> <td>385</td> <td>ETR</td> <td>-</td> <td>WD.</td> <td>J2</td> <td>PTD.</td> <td>-</td> <td>382</td> <td>3\"/> <tr> <td>386</td> <td>ETR</td> <td>-</td> <td>WD.</td> <td>J2</td> <td>PTD.</td> <td>-</td> <td>382A</td> <td>3\"/> <tr> <td>387</td> <td>ETR</td> <td>-</td> <td>WD.</td> <td>J2</td> <td>PTD.</td> <td>-</td> <td>385</td> <td>3\"/> <tr> <td>388</td> <td>ETR</td> <td>-</td> <td>WD.</td> <td>J2</td> <td>PTD.</td> <td>-</td> <td>386</td> <td>3\"/> <tr> <td>389</td> <td>ETR</td> <td>-</td> <td>WD.</td> <td>J2</td> <td>PTD.</td> <td>-</td> <td>387</td> <td>3\"/> <tr> <td>391</td> <td>ETR</td> <td>-</td> <td>WD.</td> <td>J2</td> <td>PTD.</td> <td>-</td> <td>388</td> <td>3\"/> <tr> <td>391A</td> <td>ETR</td> <td>-</td> <td>WD.</td> <td>J2</td> <td>PTD.</td> <td>-</td> <td>389</td> <td>3\"/> <tr> <td>391B</td> <td>ETR</td> <td>-</td> <td>WD.</td> <td>J2</td> <td>PTD.</td> <td>-</td> <td>391</td> <td>3\"/> <tr> <td>394</td> <td>ETR</td> <td>-</td> <td>WD.</td> <td>J2</td> <td>PTD.</td> <td>-</td> <td>391A</td> <td>3\"/> <tr> <td>395</td> <td>ETR</td> <td>-</td> <td>WD.</td> <td>J2</td> <td>PTD.</td> <td>-</td> <td>391B</td> <td>3\"/> <tr> <td>396</td> <td>ETR</td> <td>-</td> <td>WD.</td> <td>J2</td> <td>PTD.</td> <td>-</td> <td>394</td> <td>3\"/> <tr> <td>398</td> <td>ETR</td> <td>-</td> <td>WD.</td> <td>J2</td> <td>PTD.</td> <td>-</td> <td>395</td> <td>3\"/> <tr> <td>399</td> <td>ETR</td> <td>-</td> <td>WD.</td> <td>J2</td> <td>PTD.</td> <td>-</td> <td>396</td> <td>3\"/> <tr> <td>3991</td> <td>ETR</td> <td>-</td> <td>WD.</td> <td>J2</td> <td>PTD.</td> <td>-</td> <td>398</td> <td>3\"/> <tr> <td>3992</td> <td>A</td> <td>3\"/> <tr> <td>3993</td> <td>ETR</td> <td>-</td> <td>WD.</td> <td>J2</td> <td>PTD.</td> <td>-</td> <td>399</td> <td>3\"/> <tr> <td>3994</td> <td>ETR</td> <td>-</td> <td>WD.</td> <td>J2</td> <td>PTD.</td> <td>-</td> <td>3991</td> <td>3\"/> <tr> <td>3995</td> <td>ETR</td> <td>-</td> <td>WD.</td> <td>J2</td> <td>PTD.</td> <td>-</td> <td>3992</td> <td>3\"/> <tr> <td>3997</td> <td>ETR</td> <td>-</td> <td>WD.</td> <td>J2</td> <td>PTD.</td> <td>-</td> <td>3993</td> <td>3\"/> <tr> <td>3998</td> <td>ETR</td> <td>-</td> <td>WD.</td> <td>J2</td> <td>PTD.</td> <td>-</td> <td>3994</td> <td>3\"/> <tr> <td>3999</td> <td>ETR</td> <td>-</td> <td>WD.</td> <td>J2</td> <td>PTD.</td> <td>-</td> <td>3995</td> <td>3\"/> <tr> <td>3999</td> <td>ETR</td> <td>-</td> <td>WD.</td> <td>J2</td> <td>PTD.</td> <td>-</td> <td>3997</td> <td>3\"/> </td></tr></td></tr></td></tr></td></tr></td></tr></td></tr></td></tr></td></tr></td></tr></td></tr></td></tr></td></tr></td></tr></td></tr></td></tr></td></tr></td></tr></td></tr></td></tr></td></tr></td></tr></td></tr></td></td></tr></td></tr></td></td></tr></td></td></tr></td> | WD | J1 | PTD. | - | 377A | 3\"/> <tr> <td>380A</td> <td>B</td> <td>1 <td>WD</td> <td>J1</td> <td>PTD.</td> <td>-</td> <td>378</td> <td>3\"/> <tr> <td>380B</td> <td>B</td> <td>1 <td>WD</td> <td>J1</td> <td>PTD.</td> <td>-</td> <td>379</td> <td>3\"/> <tr> <td>382</td> <td>ETR</td> <td>-</td> <td>WD.</td> <td>J2</td> <td>PTD.</td> <td>-</td> <td>380A</td> <td>3\"/> <tr> <td>382A</td> <td>D</td> <td>6 <td>ALUM.</td> <td>ANODIZE D</td> <td>-</td> <td>-</td> <td>380B</td> <td>3\"/> <tr> <td>385</td> <td>ETR</td> <td>-</td> <td>WD.</td> <td>J2</td> <td>PTD.</td> <td>-</td> <td>382</td> <td>3\"/> <tr>
<td>386</td> <td>ETR</td> <td>-</td> <td>WD.</td> <td>J2</td> <td>PTD.</td> <td>-</td> <td>382A</td> <td>3\"/> <tr> <td>387</td> <td>ETR</td> <td>-</td> <td>WD.</td> <td>J2</td> <td>PTD.</td> <td>-</td> <td>385</td> <td>3\"/> <tr> <td>388</td> <td>ETR</td> <td>-</td> <td>WD.</td> <td>J2</td> <td>PTD.</td> <td>-</td> <td>386</td> <td>3\"/> <tr> <td>389</td> <td>ETR</td> <td>-</td> <td>WD.</td> <td>J2</td> <td>PTD.</td> <td>-</td> <td>387</td> <td>3\"/> <tr> <td>391</td> <td>ETR</td> <td>-</td> <td>WD.</td> <td>J2</td> <td>PTD.</td> <td>-</td> <td>388</td> <td>3\"/> <tr> <td>391A</td> <td>ETR</td> <td>-</td> <td>WD.</td> <td>J2</td> <td>PTD.</td> <td>-</td> <td>389</td> <td>3\"/> <tr> <td>391B</td> <td>ETR</td> <td>-</td> <td>WD.</td> <td>J2</td> <td>PTD.</td> <td>-</td> <td>391</td> <td>3\"/> <tr> <td>394</td> <td>ETR</td> <td>-</td> <td>WD.</td> <td>J2</td> <td>PTD.</td> <td>-</td> <td>391A</td> <td>3\"/> <tr> <td>395</td> <td>ETR</td> <td>-</td> <td>WD.</td> <td>J2</td> <td>PTD.</td> <td>-</td> <td>391B</td> <td>3\"/> <tr> <td>396</td> <td>ETR</td> <td>-</td> <td>WD.</td> <td>J2</td> <td>PTD.</td> <td>-</td> <td>394</td> <td>3\"/> <tr> <td>398</td> <td>ETR</td> <td>-</td> <td>WD.</td> <td>J2</td> <td>PTD.</td> <td>-</td> <td>395</td> <td>3\"/> <tr> <td>399</td> <td>ETR</td> <td>-</td> <td>WD.</td> <td>J2</td> <td>PTD.</td> <td>-</td> <td>396</td> <td>3\"/> <tr> <td>3991</td> <td>ETR</td> <td>-</td> <td>WD.</td> <td>J2</td> <td>PTD.</td> <td>-</td> <td>398</td> <td>3\"/> <tr> <td>3992</td> <td>A</td> <td>3\"/> <tr> <td>3993</td> <td>ETR</td> <td>-</td> <td>WD.</td> <td>J2</td> <td>PTD.</td> <td>-</td> <td>399</td> <td>3\"/> <tr> <td>3994</td> <td>ETR</td> <td>-</td> <td>WD.</td> <td>J2</td> <td>PTD.</td> <td>-</td> <td>3991</td> <td>3\"/> <tr> <td>3995</td> <td>ETR</td> <td>-</td> <td>WD.</td> <td>J2</td> <td>PTD.</td> <td>-</td> <td>3992</td> <td>3\"/> <tr> <td>3997</td> <td>ETR</td> <td>-</td> <td>WD.</td> <td>J2</td> <td>PTD.</td> <td>-</td> <td>3993</td> <td>3\"/> <tr> <td>3998</td> <td>ETR</td> <td>-</td> <td>WD.</td> <td>J2</td> <td>PTD.</td> <td>-</td> <td>3994</td> <td>3\"/> <tr> <td>3999</td> <td>ETR</td> <td>-</td> <td>WD.</td> <td>J2</td> <td>PTD.</td> <td>-</td> <td>3995</td> <td>3\"/> <tr> <td>3999</td> <td>ETR</td> <td>-</td> <td>WD.</td> <td>J2</td> <td>PTD.</td> <td>-</td> <td>3997</td> <td>3\"/> </td></tr></td></tr></td></tr></td></tr></td></tr></td></tr></td></tr></td></tr></td></tr></td></tr></td></tr></td></tr></td></tr></td></tr></td></tr></td></tr></td></tr></td></tr></td></tr></td></tr></td></tr></td></tr></td></td></tr></td></tr></td></td></tr></td></td></tr> | 380A | B | 1 <td>WD</td> <td>J1</td> <td>PTD.</td> <td>-</td> <td>378</td> <td>3\"/> <tr> <td>380B</td> <td>B</td> <td>1 <td>WD</td> <td>J1</td> <td>PTD.</td> <td>-</td> <td>379</td> <td>3\"/> <tr> <td>382</td> <td>ETR</td> <td>-</td> <td>WD.</td> <td>J2</td> <td>PTD.</td> <td>-</td> <td>380A</td> <td>3\"/> <tr> <td>382A</td> <td>D</td> <td>6 <td>ALUM.</td> <td>ANODIZE D</td> <td>-</td> <td>-</td> <td>380B</td> <td>3\"/> <tr> <td>385</td> <td>ETR</td> <td>-</td> <td>WD.</td> <td>J2</td> <td>PTD.</td> <td>-</td> <td>382</td> <td>3\"/> <tr> <td>386</td> <td>ETR</td> <td>-</td> <td>WD.</td> <td>J2</td> <td>PTD.</td> <td>-</td> <td>382A</td> <td>3\"/> <tr> <td>387</td> <td>ETR</td> <td>-</td> <td>WD.</td> <td>J2</td> <td>PTD.</td> <td>-</td> <td>385</td> <td>3\"/> <tr> <td>388</td> <td>ETR</td> <td>-</td> <td>WD.</td> <td>J2</td> <td>PTD.</td> <td>-</td> <td>386</td> <td>3\"/> <tr> <td>389</td> <td>ETR</td> <td>-</td> <td>WD.</td> <td>J2</td> <td>PTD.</td> <td>-</td> <td>387</td> <td>3\"/> <tr> <td>391</td> <td>ETR</td> <td>-</td> <td>WD.</td> <td>J2</td> <td>PTD.</td> <td>-</td> <td>388</td> <td>3\"/> <tr> <td>391A</td> <td>ETR</td> <td>-</td> <td>WD.</td> <td>J2</td> <td>PTD.</td> <td>-</td> <td>389</td> <td>3\"/> <tr> <td>391B</td> <td>ETR</td> <td>-</td> <td>WD.</td> <td>J2</td> <td>PTD.</td> <td>-</td> <td>391</td> <td>3\"/> <tr> <td>394</td> <td>ETR</td> <td>-</td> <td>WD.</td> <td>J2</td> <td>PTD.</td> <td>-</td> <td>391A</td> <td>3\"/> <tr> <td>395</td> <td>ETR</td> <td>-</td> <td>WD.</td> <td>J2</td> <td>PTD.</td> <td>-</td> <td>391B</td> <td>3\"/> <tr> <td>396</td> <td>ETR</td> <td>-</td> <td>WD.</td> <td>J2</td> <td>PTD.</td> <td>-</td> <td>394</td> <td>3\"/> <tr> <td>398</td> <td>ETR</td> <td>-</td> <td>WD.</td> <td>J2</td> <td>PTD.</td> <td>-</td> <td>395</td> <td>3\"/> <tr> <td>399</td> <td>ETR</td> <td>-</td> <td>WD.</td> <td>J2</td> <td>PTD.</td> <td>-</td> <td>396</td> <td>3\"/> <tr> <td>3991</td> <td>ETR</td> <td>-</td> <td>WD.</td> <td>J2</td> <td>PTD.</td> <td>-</td> <td>398</td> <td>3\"/> <tr> <td>3992</td> <td>A</td> <td>3\"/> <tr> <td>3993</td> <td>ETR</td> <td>-</td> <td>WD.</td> <td>J2</td> <td>PTD.</td> <td>-</td> <td>399</td> <td>3\"/> <tr> <td>3994</td> <td>ETR</td> <td>-</td> <td>WD.</td> <td>J2</td> <td>PTD.</td> <td>-</td> <td>3991</td> <td>3\"/> <tr> <td>3995</td> <td>ETR</td> <td>-</td> <td>WD.</td> <td>J2</td> <td>PTD.</td> <td>-</td> <td>3992</td> <td>3\"/> <tr> <td>3997</td> <td>ETR</td> <td>-</td> <td>WD.</td> <td>J2</td> <td>PTD.</td> <td>-</td> <td>3993</td> <td>3\"/> <tr> <td>3998</td> <td>ETR</td> <td>-</td> <td>WD.</td> <td>J2</td> <td>PTD.</td> <td>-</td> <td>3994</td> <td>3\"/> <tr> <td>3999</td> <td>ETR</td> <td>-</td> <td>WD.</td> <td>J2</td> <td>PTD.</td> <td>-</td> <td>3995</td> <td>3\"/> <tr> <td>3999</td> <td>ETR</td> <td>-</td> <td>WD.</td> <td>J2</td> <td>PTD.</td> <td>-</td> <td>3997</td> <td>3\"/> </td></tr></td></tr></td></tr></td></tr></td></tr></td></tr></td></tr></td></tr></td></tr></td></tr></td></tr></td></tr></td></tr></td></tr></td></tr></td></tr></td></tr></td></tr></td></tr></td></tr></td></tr></td></tr></td></td></tr></td></tr></td></td></tr></td> | WD | J1 | PTD. | - | 378 | 3\"/> <tr> <td>380B</td> <td>B</td> <td>1 <td>WD</td> <td>J1</td> <td>PTD.</td> <td>-</td> <td>379</td> <td>3\"/> <tr> <td>382</td> <td>ETR</td> <td>-</td> <td>WD.</td> <td>J2</td> <td>PTD.</td> <td>-</td> <td>380A</td> <td>3\"/> <tr> <td>382A</td> <td>D</td> <td>6 <td>ALUM.</td> <td>ANODIZE D</td> <td>-</td> <td>-</td> <td>380B</td> <td>3\"/> <tr> <td>385</td> <td>ETR</td> <td>-</td> <td>WD.</td> <td>J2</td> <td>PTD.</td> <td>-</td> <td>382</td> <td>3\"/> <tr> <td>386</td> <td>ETR</td> <td>-</td> <td>WD.</td> <td>J2</td> <td>PTD.</td> <td>-</td> <td>382A</td> <td>3\"/> <tr> <td>387</td> <td>ETR</td> <td>-</td> <td>WD.</td> <td>J2</td> <td>PTD.</td> <td>-</td> <td>385</td> <td>3\"/> <tr> <td>388</td> <td>ETR</td> <td>-</td> <td>WD.</td> <td>J2</td> <td>PTD.</td> <td>-</td> <td>386</td> <td>3\"/> <tr> <td>389</td> <td>ETR</td> <td>-</td> <td>WD.</td> <td>J2</td> <td>PTD.</td> <td>-</td> <td>387</td> <td>3\"/> <tr> <td>391</td> <td>ETR</td> <td>-</td> <td>WD.</td> <td>J2</td> <td>PTD.</td> <td>-</td> <td>388</td> <td>3\"/> <tr> <td>391A</td>
<td>ETR</td> <td>-</td> <td>WD.</td> <td>J2</td> <td>PTD.</td> <td>-</td> <td>389</td> <td>3\"/> <tr> <td>391B</td> <td>ETR</td> <td>-</td> <td>WD.</td> <td>J2</td> <td>PTD.</td> <td>-</td> <td>391</td> <td>3\"/> <tr> <td>394</td> <td>ETR</td> <td>-</td> <td>WD.</td> <td>J2</td> <td>PTD.</td> <td>-</td> <td>391A</td> <td>3\"/> <tr> <td>395</td> <td>ETR</td> <td>-</td> <td>WD.</td> <td>J2</td> <td>PTD.</td> <td>-</td> <td>391B</td> <td>3\"/> <tr> <td>396</td> <td>ETR</td> <td>-</td> <td>WD.</td> <td>J2</td> <td>PTD.</td> <td>-</td> <td>394</td> <td>3\"/> <tr> <td>398</td> <td>ETR</td> <td>-</td> <td>WD.</td> <td>J2</td> <td>PTD.</td> <td>-</td> <td>395</td> <td>3\"/> <tr> <td>399</td> <td>ETR</td> <td>-</td> <td>WD.</td> <td>J2</td> <td>PTD.</td> <td>-</td> <td>396</td> <td>3\"/> <tr> <td>3991</td> <td>ETR</td> <td>-</td> <td>WD.</td> <td>J2</td> <td>PTD.</td> <td>-</td> <td>398</td> <td>3\"/> <tr> <td>3992</td> <td>A</td> <td>3\"/> <tr> <td>3993</td> <td>ETR</td> <td>-</td> <td>WD.</td> <td>J2</td> <td>PTD.</td> <td>-</td> <td>399</td> <td>3\"/> <tr> <td>3994</td> <td>ETR</td> <td>-</td> <td>WD.</td> <td>J2</td> <td>PTD.</td> <td>-</td> <td>3991</td> <td>3\"/> <tr> <td>3995</td> <td>ETR</td> <td>-</td> <td>WD.</td> <td>J2</td> <td>PTD.</td> <td>-</td> <td>3992</td> <td>3\"/> <tr> <td>3997</td> <td>ETR</td> <td>-</td> <td>WD.</td> <td>J2</td> <td>PTD.</td> <td>-</td> <td>3993</td> <td>3\"/> <tr> <td>3998</td> <td>ETR</td> <td>-</td> <td>WD.</td> <td>J2</td> <td>PTD.</td> <td>-</td> <td>3994</td> <td>3\"/> <tr> <td>3999</td> <td>ETR</td> <td>-</td> <td>WD.</td> <td>J2</td> <td>PTD.</td> <td>-</td> <td>3995</td> <td>3\"/> <tr> <td>3999</td> <td>ETR</td> <td>-</td> <td>WD.</td> <td>J2</td> <td>PTD.</td> <td>-</td> <td>3997</td> <td>3\"/> </td></tr></td></tr></td></tr></td></tr></td></tr></td></tr></td></tr></td></tr></td></tr></td></tr></td></tr></td></tr></td></tr></td></tr></td></tr></td></tr></td></tr></td></tr></td></tr></td></tr></td></tr></td></tr></td></td></tr></td></tr></td></td></tr> | 380B | B | 1 <td>WD</td> <td>J1</td> <td>PTD.</td> <td>-</td> <td>379</td> <td>3\"/> <tr> <td>382</td> <td>ETR</td> <td>-</td> <td>WD.</td> <td>J2</td> <td>PTD.</td> <td>-</td> <td>380A</td> <td>3\"/> <tr> <td>382A</td> <td>D</td> <td>6 <td>ALUM.</td> <td>ANODIZE D</td> <td>-</td> <td>-</td> <td>380B</td> <td>3\"/> <tr> <td>385</td> <td>ETR</td> <td>-</td> <td>WD.</td> <td>J2</td> <td>PTD.</td> <td>-</td> <td>382</td> <td>3\"/> <tr> <td>386</td> <td>ETR</td> <td>-</td> <td>WD.</td> <td>J2</td> <td>PTD.</td> <td>-</td> <td>382A</td> <td>3\"/> <tr> <td>387</td> <td>ETR</td> <td>-</td> <td>WD.</td> <td>J2</td> <td>PTD.</td> <td>-</td> <td>385</td> <td>3\"/> <tr> <td>388</td> <td>ETR</td> <td>-</td> <td>WD.</td> <td>J2</td> <td>PTD.</td> <td>-</td> <td>386</td> <td>3\"/> <tr> <td>389</td> <td>ETR</td> <td>-</td> <td>WD.</td> <td>J2</td> <td>PTD.</td> <td>-</td> <td>387</td> <td>3\"/> <tr> <td>391</td> <td>ETR</td> <td>-</td> <td>WD.</td> <td>J2</td> <td>PTD.</td> <td>-</td> <td>388</td> <td>3\"/> <tr> <td>391A</td> <td>ETR</td> <td>-</td> <td>WD.</td> <td>J2</td> <td>PTD.</td> <td>-</td> <td>389</td> <td>3\"/> <tr> <td>391B</td> <td>ETR</td> <td>-</td> <td>WD.</td> <td>J2</td> <td>PTD.</td> <td>-</td> <td>391</td> <td>3\"/> <tr> <td>394</td> <td>ETR</td> <td>-</td> <td>WD.</td> <td>J2</td> <td>PTD.</td> <td>-</td> <td>391A</td> <td>3\"/> <tr> <td>395</td> <td>ETR</td> <td>-</td> <td>WD.</td> <td>J2</td> <td>PTD.</td> <td>-</td> <td>391B</td> <td>3\"/> <tr> <td>396</td> <td>ETR</td> <td>-</td> <td>WD.</td> <td>J2</td> <td>PTD.</td> <td>-</td> <td>394</td> <td>3\"/> <tr> <td>398</td> <td>ETR</td> <td>-</td> <td>WD.</td> <td>J2</td> <td>PTD.</td> <td>-</td> <td>395</td> <td>3\"/> <tr> <td>399</td> <td>ETR</td> <td>-</td> <td>WD.</td> <td>J2</td> <td>PTD.</td> <td>-</td> <td>396</td> <td>3\"/> <tr> <td>3991</td> <td>ETR</td> <td>-</td> <td>WD.</td> <td>J2</td> <td>PTD.</td> <td>-</td> <td>398</td> <td>3\"/> <tr> <td>3992</td> <td>A</td> <td>3\"/> <tr> <td>3993</td> <td>ETR</td> <td>-</td> <td>WD.</td> <td>J2</td> <td>PTD.</td> <td>-</td> <td>399</td> <td>3\"/> <tr> <td>3994</td> <td>ETR</td> <td>-</td> <td>WD.</td> <td>J2</td> <td>PTD.</td> <td>-</td> <td>3991</td> <td>3\"/> <tr> <td>3995</td> <td>ETR</td> <td>-</td> <td>WD.</td> <td>J2</td> <td>PTD.</td> <td>-</td> <td>3992</td> <td>3\"/> <tr> <td>3997</td> <td>ETR</td> <td>-</td> <td>WD.</td> <td>J2</td> <td>PTD.</td> <td>-</td> <td>3993</td> <td>3\"/> <tr> <td>3998</td> <td>ETR</td> <td>-</td> <td>WD.</td> <td>J2</td> <td>PTD.</td> <td>-</td> <td>3994</td> <td>3\"/> <tr> <td>3999</td> <td>ETR</td> <td>-</td> <td>WD.</td> <td>J2</td> <td>PTD.</td> <td>-</td> <td>3995</td> <td>3\"/> <tr> <td>3999</td> <td>ETR</td> <td>-</td> <td>WD.</td> <td>J2</td> <td>PTD.</td> <td>-</td> <td>3997</td> <td>3\"/> </td></tr></td></tr></td></tr></td></tr></td></tr></td></tr></td></tr></td></tr></td></tr></td></tr></td></tr></td></tr></td></tr></td></tr></td></tr></td></tr></td></tr></td></tr></td></tr></td></tr></td></tr></td></tr></td></td></tr></td></tr></td> | WD | J1 | PTD.
 | - | 379 | 3\"/> <tr> <td>382</td> <td>ETR</td> <td>-</td> <td>WD.</td> <td>J2</td> <td>PTD.</td> <td>-</td> <td>380A</td> <td>3\"/> <tr> <td>382A</td> <td>D</td> <td>6 <td>ALUM.</td> <td>ANODIZE D</td> <td>-</td> <td>-</td> <td>380B</td> <td>3\"/> <tr> <td>385</td> <td>ETR</td> <td>-</td> <td>WD.</td> <td>J2</td> <td>PTD.</td> <td>-</td> <td>382</td> <td>3\"/> <tr> <td>386</td> <td>ETR</td> <td>-</td> <td>WD.</td> <td>J2</td> <td>PTD.</td> <td>-</td> <td>382A</td> <td>3\"/> <tr> <td>387</td> <td>ETR</td> <td>-</td> <td>WD.</td> <td>J2</td> <td>PTD.</td> <td>-</td> <td>385</td> <td>3\"/> <tr> <td>388</td> <td>ETR</td> <td>-</td> <td>WD.</td> <td>J2</td> <td>PTD.</td> <td>-</td> <td>386</td> <td>3\"/> <tr> <td>389</td> <td>ETR</td> <td>-</td> <td>WD.</td> <td>J2</td> <td>PTD.</td> <td>-</td> <td>387</td> <td>3\"/> <tr> <td>391</td> <td>ETR</td> <td>-</td> <td>WD.</td> <td>J2</td> <td>PTD.</td> <td>-</td> <td>388</td> <td>3\"/> <tr> <td>391A</td> <td>ETR</td> <td>-</td> <td>WD.</td> <td>J2</td> <td>PTD.</td> <td>-</td> <td>389</td> <td>3\"/> <tr> <td>391B</td> <td>ETR</td> <td>-</td> <td>WD.</td> <td>J2</td> <td>PTD.</td> <td>-</td> <td>391</td> <td>3\"/> <tr> <td>394</td> <td>ETR</td> <td>-</td> <td>WD.</td> <td>J2</td> <td>PTD.</td> <td>-</td> <td>391A</td> <td>3\"/> <tr> <td>395</td> <td>ETR</td> <td>-</td> <td>WD.</td> <td>J2</td> <td>PTD.</td> <td>-</td> <td>391B</td> <td>3\"/> <tr> <td>396</td> <td>ETR</td> <td>-</td> <td>WD.</td> <td>J2</td> <td>PTD.</td> <td>-</td> <td>394</td> <td>3\"/> <tr> <td>398</td> <td>ETR</td> <td>-</td> <td>WD.</td> <td>J2</td> <td>PTD.</td> <td>-</td> <td>395</td> <td>3\"/> <tr> <td>399</td> <td>ETR</td> <td>-</td> <td>WD.</td> <td>J2</td> <td>PTD.</td> <td>-</td> <td>396</td> <td>3\"/> <tr> <td>3991</td> <td>ETR</td> <td>-</td> <td>WD.</td> <td>J2</td> <td>PTD.</td> <td>-</td> <td>398</td> <td>3\"/> <tr> <td>3992</td> <td>A</td> <td>3\"/> <tr> <td>3993</td> <td>ETR</td> <td>-</td> <td>WD.</td> <td>J2</td> <td>PTD.</td> <td>-</td> <td>399</td> <td>3\"/> <tr> <td>3994</td> <td>ETR</td> <td>-</td> <td>WD.</td> <td>J2</td> <td>PTD.</td> <td>-</td> <td>3991</td> <td>3\"/> <tr> <td>3995</td> <td>ETR</td> <td>-</td> <td>WD.</td> <td>J2</td> <td>PTD.</td> <td>-</td> <td>3992</td> <td>3\"/> <tr> <td>3997</td> <td>ETR</td> <td>-</td> <td>WD.</td> <td>J2</td> <td>PTD.</td> <td>-</td> <td>3993</td> <td>3\"/> <tr> <td>3998</td> <td>ETR</td> <td>-</td> <td>WD.</td> <td>J2</td> <td>PTD.</td> <td>-</td> <td>3994</td> <td>3\"/> <tr> <td>3999</td> <td>ETR</td> <td>-</td> <td>WD.</td> <td>J2</td> <td>PTD.</td> <td>-</td> <td>3995</td> <td>3\"/> <tr> <td>3999</td> <td>ETR</td> <td>-</td> <td>WD.</td> <td>J2</td> <td>PTD.</td> <td>-</td> <td>3997</td> <td>3\"/> </td></tr></td></tr></td></tr></td></tr></td></tr></td></tr></td></tr></td></tr></td></tr></td></tr></td></tr></td></tr></td></tr></td></tr></td></tr></td></tr></td></tr></td></tr></td></tr></td></tr></td></tr></td></tr></td></td></tr></td></tr> | 382 | ETR | -
 | WD. | J2 | PTD. | - | 380A | 3\"/> <tr> <td>382A</td> <td>D</td> <td>6 <td>ALUM.</td> <td>ANODIZE D</td> <td>-</td> <td>-</td> <td>380B</td> <td>3\"/> <tr> <td>385</td> <td>ETR</td> <td>-</td> <td>WD.</td> <td>J2</td> <td>PTD.</td> <td>-</td> <td>382</td> <td>3\"/> <tr> <td>386</td> <td>ETR</td> <td>-</td> <td>WD.</td> <td>J2</td> <td>PTD.</td> <td>-</td> <td>382A</td> <td>3\"/> <tr> <td>387</td> <td>ETR</td> <td>-</td> <td>WD.</td> <td>J2</td> <td>PTD.</td> <td>-</td> <td>385</td> <td>3\"/> <tr> <td>388</td> <td>ETR</td> <td>-</td> <td>WD.</td> <td>J2</td> <td>PTD.</td> <td>-</td> <td>386</td> <td>3\"/> <tr> <td>389</td> <td>ETR</td> <td>-</td> <td>WD.</td> <td>J2</td> <td>PTD.</td> <td>-</td> <td>387</td> <td>3\"/> <tr> <td>391</td> <td>ETR</td> <td>-</td> <td>WD.</td> <td>J2</td> <td>PTD.</td> <td>-</td> <td>388</td> <td>3\"/> <tr> <td>391A</td> <td>ETR</td> <td>-</td> <td>WD.</td> <td>J2</td> <td>PTD.</td> <td>-</td> <td>389</td> <td>3\"/> <tr> <td>391B</td> <td>ETR</td> <td>-</td> <td>WD.</td> <td>J2</td> <td>PTD.</td> <td>-</td> <td>391</td> <td>3\"/> <tr> <td>394</td> <td>ETR</td> <td>-</td> <td>WD.</td> <td>J2</td> <td>PTD.</td> <td>-</td> <td>391A</td> <td>3\"/> <tr> <td>395</td> <td>ETR</td> <td>-</td> <td>WD.</td> <td>J2</td> <td>PTD.</td> <td>-</td> <td>391B</td> <td>3\"/> <tr> <td>396</td> <td>ETR</td> <td>-</td> <td>WD.</td> <td>J2</td> <td>PTD.</td> <td>-</td> <td>394</td> <td>3\"/> <tr> <td>398</td> <td>ETR</td> <td>-</td> <td>WD.</td> <td>J2</td> <td>PTD.</td> <td>-</td> <td>395</td> <td>3\"/> <tr> <td>399</td> <td>ETR</td> <td>-</td> <td>WD.</td> <td>J2</td> <td>PTD.</td> <td>-</td> <td>396</td> <td>3\"/> <tr> <td>3991</td> <td>ETR</td> <td>-</td> <td>WD.</td> <td>J2</td> <td>PTD.</td> <td>-</td> <td>398</td> <td>3\"/> <tr> <td>3992</td> <td>A</td> <td>3\"/> <tr> <td>3993</td> <td>ETR</td> <td>-</td> <td>WD.</td> <td>J2</td> <td>PTD.</td> <td>-</td> <td>399</td> <td>3\"/> <tr> <td>3994</td> <td>ETR</td> <td>-</td> <td>WD.</td> <td>J2</td> <td>PTD.</td> <td>-</td> <td>3991</td> <td>3\"/> <tr> <td>3995</td> <td>ETR</td> <td>-</td> <td>WD.</td> <td>J2</td> <td>PTD.</td> <td>-</td> <td>3992</td> <td>3\"/> <tr> <td>3997</td> <td>ETR</td> <td>-</td> <td>WD.</td> <td>J2</td> <td>PTD.</td> <td>-</td> <td>3993</td> <td>3\"/> <tr> <td>3998</td> <td>ETR</td> <td>-</td> <td>WD.</td> <td>J2</td> <td>PTD.</td> <td>-</td> <td>3994</td> <td>3\"/> <tr> <td>3999</td> <td>ETR</td> <td>-</td> <td>WD.</td> <td>J2</td> <td>PTD.</td> <td>-</td> <td>3995</td> <td>3\"/> <tr> <td>3999</td> <td>ETR</td> <td>-</td> <td>WD.</td> <td>J2</td> <td>PTD.</td> <td>-</td> <td>3997</td> <td>3\"/> </td></tr></td></tr></td></tr></td></tr></td></tr></td></tr></td></tr></td></tr></td></tr></td></tr></td></tr></td></tr></td></tr></td></tr></td></tr></td></tr></td></tr></td></tr></td></tr></td></tr></td></tr></td></tr></td></td></tr> | 382A | D | 6 <td>ALUM.</td> <td>ANODIZE D</td> <td>-</td> <td>-</td> <td>380B</td> <td>3\"/> <tr> <td>385</td> <td>ETR</td> <td>-</td> <td>WD.</td> <td>J2</td> <td>PTD.</td> <td>-</td> <td>382</td> <td>3\"/> <tr> <td>386</td> <td>ETR</td> <td>-</td> <td>WD.</td> <td>J2</td> <td>PTD.</td> <td>-</td> <td>382A</td> <td>3\"/> <tr> <td>387</td> <td>ETR</td> <td>-</td> <td>WD.</td> <td>J2</td> <td>PTD.</td> <td>-</td> <td>385</td> <td>3\"/> <tr> <td>388</td> <td>ETR</td> <td>-</td> <td>WD.</td> <td>J2</td> <td>PTD.</td> <td>-</td> <td>386</td> <td>3\"/> <tr> <td>389</td> <td>ETR</td> <td>-</td> <td>WD.</td> <td>J2</td> <td>PTD.</td> <td>-</td> <td>387</td> <td>3\"/> <tr> <td>391</td> <td>ETR</td> <td>-</td> <td>WD.</td> <td>J2</td> <td>PTD.</td> <td>-</td> <td>388</td> <td>3\"/> <tr> <td>391A</td> <td>ETR</td> <td>-</td> <td>WD.</td> <td>J2</td> <td>PTD.</td> <td>-</td> <td>389</td> <td>3\"/> <tr> <td>391B</td> <td>ETR</td> <td>-</td> <td>WD.</td> <td>J2</td> <td>PTD.</td> <td>-</td> <td>391</td> <td>3\"/> <tr> <td>394</td> <td>ETR</td> <td>-</td> <td>WD.</td> <td>J2</td> <td>PTD.</td> <td>-</td> <td>391A</td> <td>3\"/> <tr> <td>395</td> <td>ETR</td> <td>-</td> <td>WD.</td> <td>J2</td> <td>PTD.</td> <td>-</td> <td>391B</td> <td>3\"/> <tr> <td>396</td> <td>ETR</td> <td>-</td> <td>WD.</td> <td>J2</td> <td>PTD.</td> <td>-</td> <td>394</td> <td>3\"/> <tr> <td>398</td> <td>ETR</td> <td>-</td> <td>WD.</td> <td>J2</td> <td>PTD.</td> <td>-</td> <td>395</td> <td>3\"/> <tr> <td>399</td> <td>ETR</td> <td>-</td> <td>WD.</td> <td>J2</td> <td>PTD.</td> <td>-</td> <td>396</td> <td>3\"/> <tr> <td>3991</td> <td>ETR</td> <td>-</td> <td>WD.</td> <td>J2</td> <td>PTD.</td> <td>-</td> <td>398</td> <td>3\"/> <tr> <td>3992</td> <td>A</td> <td>3\"/> <tr> <td>3993</td> <td>ETR</td> <td>-</td> <td>WD.</td> <td>J2</td> <td>PTD.</td> <td>-</td> <td>399</td> <td>3\"/> <tr> <td>3994</td> <td>ETR</td> <td>-</td> <td>WD.</td> <td>J2</td> <td>PTD.</td> <td>-</td> <td>3991</td> <td>3\"/> <tr> <td>3995</td> <td>ETR</td> <td>-</td> <td>WD.</td> <td>J2</td> <td>PTD.</td> <td>-</td> <td>3992</td> <td>3\"/> <tr> <td>3997</td> <td>ETR</td> <td>-</td> <td>WD.</td> <td>J2</td> <td>PTD.</td> <td>-</td> <td>3993</td> <td>3\"/> <tr> <td>3998</td> <td>ETR</td> <td>-</td> <td>WD.</td> <td>J2</td> <td>PTD.</td> <td>-</td> <td>3994</td> <td>3\"/> <tr> <td>3999</td> <td>ETR</td> <td>-</td> <td>WD.</td> <td>J2</td> <td>PTD.</td> <td>-</td> <td>3995</td> <td>3\"/> <tr> <td>3999</td> <td>ETR</td> <td>-</td> <td>WD.</td> <td>J2</td> <td>PTD.</td> <td>-</td> <td>3997</td> <td>3\"/> </td></tr></td></tr></td></tr></td></tr></td></tr></td></tr></td></tr></td></tr></td></tr></td></tr></td></tr></td></tr></td></tr></td></tr></td></tr></td></tr></td></tr></td></tr></td></tr></td></tr></td></tr></td></tr></td>
 | ALUM. | ANODIZE D | - | - | 380B | 3\"/> <tr> <td>385</td> <td>ETR</td> <td>-</td> <td>WD.</td> <td>J2</td> <td>PTD.</td> <td>-</td> <td>382</td> <td>3\"/> <tr> <td>386</td> <td>ETR</td> <td>-</td> <td>WD.</td> <td>J2</td> <td>PTD.</td> <td>-</td> <td>382A</td> <td>3\"/> <tr> <td>387</td> <td>ETR</td> <td>-</td> <td>WD.</td> <td>J2</td> <td>PTD.</td> <td>-</td> <td>385</td> <td>3\"/> <tr> <td>388</td> <td>ETR</td> <td>-</td> <td>WD.</td> <td>J2</td> <td>PTD.</td> <td>-</td> <td>386</td> <td>3\"/> <tr> <td>389</td> <td>ETR</td> <td>-</td> <td>WD.</td> <td>J2</td> <td>PTD.</td> <td>-</td> <td>387</td> <td>3\"/> <tr> <td>391</td> <td>ETR</td> <td>-</td> <td>WD.</td> <td>J2</td> <td>PTD.</td> <td>-</td> <td>388</td> <td>3\"/> <tr> <td>391A</td> <td>ETR</td> <td>-</td> <td>WD.</td> <td>J2</td> <td>PTD.</td> <td>-</td> <td>389</td> <td>3\"/> <tr> <td>391B</td> <td>ETR</td> <td>-</td> <td>WD.</td> <td>J2</td> <td>PTD.</td> <td>-</td> <td>391</td> <td>3\"/> <tr> <td>394</td> <td>ETR</td> <td>-</td> <td>WD.</td> <td>J2</td> <td>PTD.</td> <td>-</td> <td>391A</td> <td>3\"/> <tr> <td>395</td> <td>ETR</td> <td>-</td> <td>WD.</td> <td>J2</td> <td>PTD.</td> <td>-</td> <td>391B</td> <td>3\"/> <tr> <td>396</td> <td>ETR</td> <td>-</td> <td>WD.</td> <td>J2</td> <td>PTD.</td> <td>-</td> <td>394</td> <td>3\"/> <tr> <td>398</td> <td>ETR</td> <td>-</td> <td>WD.</td> <td>J2</td> <td>PTD.</td> <td>-</td> <td>395</td> <td>3\"/> <tr> <td>399</td> <td>ETR</td> <td>-</td> <td>WD.</td> <td>J2</td> <td>PTD.</td> <td>-</td> <td>396</td> <td>3\"/> <tr> <td>3991</td> <td>ETR</td> <td>-</td> <td>WD.</td> <td>J2</td> <td>PTD.</td> <td>-</td> <td>398</td> <td>3\"/> <tr> <td>3992</td> <td>A</td> <td>3\"/> <tr> <td>3993</td> <td>ETR</td> <td>-</td> <td>WD.</td> <td>J2</td> <td>PTD.</td> <td>-</td> <td>399</td> <td>3\"/> <tr> <td>3994</td> <td>ETR</td> <td>-</td> <td>WD.</td> <td>J2</td> <td>PTD.</td> <td>-</td> <td>3991</td> <td>3\"/> <tr> <td>3995</td> <td>ETR</td> <td>-</td> <td>WD.</td> <td>J2</td> <td>PTD.</td> <td>-</td> <td>3992</td> <td>3\"/> <tr> <td>3997</td> <td>ETR</td> <td>-</td> <td>WD.</td> <td>J2</td> <td>PTD.</td> <td>-</td> <td>3993</td> <td>3\"/> <tr> <td>3998</td> <td>ETR</td> <td>-</td> <td>WD.</td> <td>J2</td> <td>PTD.</td> <td>-</td> <td>3994</td> <td>3\"/> <tr> <td>3999</td> <td>ETR</td> <td>-</td> <td>WD.</td> <td>J2</td> <td>PTD.</td> <td>-</td> <td>3995</td> <td>3\"/> <tr> <td>3999</td> <td>ETR</td> <td>-</td> <td>WD.</td> <td>J2</td> <td>PTD.</td> <td>-</td> <td>3997</td> <td>3\"/> </td></tr></td></tr></td></tr></td></tr></td></tr></td></tr></td></tr></td></tr></td></tr></td></tr></td></tr></td></tr></td></tr></td></tr></td></tr></td></tr></td></tr></td></tr></td></tr></td></tr></td></tr></td></tr> | 385 | ETR | - | WD. | J2 | PTD. | - | 382 | 3\"/> <tr> <td>386</td> <td>ETR</td> <td>-</td> <td>WD.</td> <td>J2</td> <td>PTD.</td> <td>-</td> <td>382A</td> <td>3\"/> <tr> <td>387</td> <td>ETR</td> <td>-</td> <td>WD.</td> <td>J2</td> <td>PTD.</td> <td>-</td> <td>385</td> <td>3\"/> <tr> <td>388</td> <td>ETR</td> <td>-</td> <td>WD.</td> <td>J2</td> <td>PTD.</td> <td>-</td> <td>386</td> <td>3\"/> <tr> <td>389</td> <td>ETR</td> <td>-</td> <td>WD.</td> <td>J2</td> <td>PTD.</td> <td>-</td> <td>387</td> <td>3\"/> <tr> <td>391</td> <td>ETR</td> <td>-</td> <td>WD.</td> <td>J2</td> <td>PTD.</td> <td>-</td> <td>388</td> <td>3\"/> <tr> <td>391A</td> <td>ETR</td> <td>-</td> <td>WD.</td> <td>J2</td> <td>PTD.</td> <td>-</td> <td>389</td> <td>3\"/> <tr> <td>391B</td> <td>ETR</td> <td>-</td> <td>WD.</td> <td>J2</td> <td>PTD.</td> <td>-</td> <td>391</td> <td>3\"/> <tr> <td>394</td> <td>ETR</td> <td>-</td> <td>WD.</td> <td>J2</td> <td>PTD.</td> <td>-</td> <td>391A</td> <td>3\"/> <tr> <td>395</td> <td>ETR</td> <td>-</td> <td>WD.</td> <td>J2</td> <td>PTD.</td> <td>-</td> <td>391B</td> <td>3\"/> <tr> <td>396</td> <td>ETR</td> <td>-</td> <td>WD.</td> <td>J2</td>
<td>PTD.</td> <td>-</td> <td>394</td> <td>3\"/> <tr> <td>398</td> <td>ETR</td> <td>-</td> <td>WD.</td> <td>J2</td> <td>PTD.</td> <td>-</td> <td>395</td> <td>3\"/> <tr> <td>399</td> <td>ETR</td> <td>-</td> <td>WD.</td> <td>J2</td> <td>PTD.</td> <td>-</td> <td>396</td> <td>3\"/> <tr> <td>3991</td> <td>ETR</td> <td>-</td> <td>WD.</td> <td>J2</td> <td>PTD.</td> <td>-</td> <td>398</td> <td>3\"/> <tr> <td>3992</td> <td>A</td> <td>3\"/> <tr> <td>3993</td> <td>ETR</td> <td>-</td> <td>WD.</td> <td>J2</td> <td>PTD.</td> <td>-</td> <td>399</td> <td>3\"/> <tr> <td>3994</td> <td>ETR</td> <td>-</td> <td>WD.</td> <td>J2</td> <td>PTD.</td> <td>-</td> <td>3991</td> <td>3\"/> <tr> <td>3995</td> <td>ETR</td> <td>-</td> <td>WD.</td> <td>J2</td> <td>PTD.</td> <td>-</td> <td>3992</td> <td>3\"/> <tr> <td>3997</td> <td>ETR</td> <td>-</td> <td>WD.</td> <td>J2</td> <td>PTD.</td> <td>-</td> <td>3993</td> <td>3\"/> <tr> <td>3998</td> <td>ETR</td> <td>-</td> <td>WD.</td> <td>J2</td> <td>PTD.</td> <td>-</td> <td>3994</td> <td>3\"/> <tr> <td>3999</td> <td>ETR</td> <td>-</td> <td>WD.</td> <td>J2</td> <td>PTD.</td> <td>-</td> <td>3995</td> <td>3\"/> <tr> <td>3999</td> <td>ETR</td> <td>-</td> <td>WD.</td> <td>J2</td> <td>PTD.</td> <td>-</td> <td>3997</td> <td>3\"/> </td></tr></td></tr></td></tr></td></tr></td></tr></td></tr></td></tr></td></tr></td></tr></td></tr></td></tr></td></tr></td></tr></td></tr></td></tr></td></tr></td></tr></td></tr></td></tr></td></tr></td></tr> | 386 | ETR | - | WD. | J2 | PTD.
 | - | 382A | 3\"/> <tr> <td>387</td> <td>ETR</td> <td>-</td> <td>WD.</td> <td>J2</td> <td>PTD.</td> <td>-</td> <td>385</td> <td>3\"/> <tr> <td>388</td> <td>ETR</td> <td>-</td> <td>WD.</td> <td>J2</td> <td>PTD.</td> <td>-</td> <td>386</td> <td>3\"/> <tr> <td>389</td> <td>ETR</td> <td>-</td> <td>WD.</td> <td>J2</td> <td>PTD.</td> <td>-</td> <td>387</td> <td>3\"/> <tr> <td>391</td> <td>ETR</td> <td>-</td> <td>WD.</td> <td>J2</td> <td>PTD.</td> <td>-</td> <td>388</td> <td>3\"/> <tr> <td>391A</td> <td>ETR</td> <td>-</td> <td>WD.</td> <td>J2</td> <td>PTD.</td> <td>-</td> <td>389</td> <td>3\"/> <tr> <td>391B</td> <td>ETR</td> <td>-</td> <td>WD.</td> <td>J2</td> <td>PTD.</td> <td>-</td> <td>391</td> <td>3\"/> <tr> <td>394</td> <td>ETR</td> <td>-</td> <td>WD.</td> <td>J2</td> <td>PTD.</td> <td>-</td> <td>391A</td> <td>3\"/> <tr> <td>395</td> <td>ETR</td> <td>-</td> <td>WD.</td> <td>J2</td> <td>PTD.</td> <td>-</td> <td>391B</td> <td>3\"/> <tr> <td>396</td> <td>ETR</td> <td>-</td> <td>WD.</td> <td>J2</td> <td>PTD.</td> <td>-</td> <td>394</td> <td>3\"/> <tr> <td>398</td> <td>ETR</td> <td>-</td> <td>WD.</td> <td>J2</td> <td>PTD.</td> <td>-</td> <td>395</td> <td>3\"/> <tr> <td>399</td> <td>ETR</td> <td>-</td> <td>WD.</td> <td>J2</td> <td>PTD.</td> <td>-</td> <td>396</td> <td>3\"/> <tr> <td>3991</td> <td>ETR</td> <td>-</td> <td>WD.</td> <td>J2</td> <td>PTD.</td> <td>-</td> <td>398</td> <td>3\"/> <tr> <td>3992</td> <td>A</td> <td>3\"/> <tr> <td>3993</td> <td>ETR</td> <td>-</td> <td>WD.</td> <td>J2</td> <td>PTD.</td> <td>-</td> <td>399</td> <td>3\"/> <tr> <td>3994</td> <td>ETR</td> <td>-</td> <td>WD.</td> <td>J2</td> <td>PTD.</td> <td>-</td> <td>3991</td> <td>3\"/> <tr> <td>3995</td> <td>ETR</td> <td>-</td> <td>WD.</td> <td>J2</td> <td>PTD.</td> <td>-</td> <td>3992</td> <td>3\"/> <tr> <td>3997</td> <td>ETR</td> <td>-</td> <td>WD.</td> <td>J2</td> <td>PTD.</td> <td>-</td> <td>3993</td> <td>3\"/> <tr> <td>3998</td> <td>ETR</td> <td>-</td> <td>WD.</td> <td>J2</td> <td>PTD.</td> <td>-</td> <td>3994</td> <td>3\"/> <tr> <td>3999</td> <td>ETR</td> <td>-</td> <td>WD.</td> <td>J2</td> <td>PTD.</td> <td>-</td> <td>3995</td> <td>3\"/> <tr> <td>3999</td> <td>ETR</td> <td>-</td> <td>WD.</td> <td>J2</td> <td>PTD.</td> <td>-</td> <td>3997</td> <td>3\"/> </td></tr></td></tr></td></tr></td></tr></td></tr></td></tr></td></tr></td></tr></td></tr></td></tr></td></tr></td></tr></td></tr></td></tr></td></tr></td></tr></td></tr></td></tr></td></tr></td></tr> | 387 | ETR | - | WD. | J2 | PTD.
 | - | 385 | 3\"/> <tr> <td>388</td> <td>ETR</td> <td>-</td> <td>WD.</td> <td>J2</td> <td>PTD.</td> <td>-</td> <td>386</td> <td>3\"/> <tr> <td>389</td> <td>ETR</td> <td>-</td> <td>WD.</td> <td>J2</td> <td>PTD.</td> <td>-</td> <td>387</td> <td>3\"/> <tr> <td>391</td> <td>ETR</td> <td>-</td> <td>WD.</td> <td>J2</td> <td>PTD.</td> <td>-</td> <td>388</td> <td>3\"/> <tr> <td>391A</td> <td>ETR</td> <td>-</td> <td>WD.</td> <td>J2</td> <td>PTD.</td> <td>-</td> <td>389</td> <td>3\"/> <tr> <td>391B</td> <td>ETR</td> <td>-</td> <td>WD.</td> <td>J2</td> <td>PTD.</td> <td>-</td> <td>391</td> <td>3\"/> <tr> <td>394</td> <td>ETR</td> <td>-</td> <td>WD.</td> <td>J2</td> <td>PTD.</td> <td>-</td> <td>391A</td> <td>3\"/> <tr> <td>395</td> <td>ETR</td> <td>-</td> <td>WD.</td> <td>J2</td> <td>PTD.</td> <td>-</td> <td>391B</td> <td>3\"/> <tr> <td>396</td> <td>ETR</td> <td>-</td> <td>WD.</td> <td>J2</td> <td>PTD.</td> <td>-</td> <td>394</td> <td>3\"/> <tr> <td>398</td> <td>ETR</td> <td>-</td> <td>WD.</td> <td>J2</td> <td>PTD.</td> <td>-</td> <td>395</td> <td>3\"/> <tr> <td>399</td> <td>ETR</td> <td>-</td> <td>WD.</td> <td>J2</td> <td>PTD.</td> <td>-</td> <td>396</td> <td>3\"/> <tr> <td>3991</td> <td>ETR</td> <td>-</td> <td>WD.</td> <td>J2</td> <td>PTD.</td> <td>-</td> <td>398</td> <td>3\"/> <tr> <td>3992</td> <td>A</td> <td>3\"/> <tr> <td>3993</td> <td>ETR</td> <td>-</td> <td>WD.</td> <td>J2</td> <td>PTD.</td> <td>-</td> <td>399</td> <td>3\"/> <tr> <td>3994</td> <td>ETR</td> <td>-</td> <td>WD.</td> <td>J2</td> <td>PTD.</td> <td>-</td> <td>3991</td> <td>3\"/> <tr> <td>3995</td> <td>ETR</td> <td>-</td> <td>WD.</td> <td>J2</td> <td>PTD.</td> <td>-</td> <td>3992</td> <td>3\"/> <tr> <td>3997</td> <td>ETR</td> <td>-</td> <td>WD.</td> <td>J2</td> <td>PTD.</td> <td>-</td> <td>3993</td> <td>3\"/> <tr> <td>3998</td> <td>ETR</td> <td>-</td> <td>WD.</td> <td>J2</td> <td>PTD.</td> <td>-</td> <td>3994</td> <td>3\"/> <tr> <td>3999</td> <td>ETR</td> <td>-</td> <td>WD.</td> <td>J2</td> <td>PTD.</td> <td>-</td> <td>3995</td> <td>3\"/> <tr> <td>3999</td> <td>ETR</td> <td>-</td> <td>WD.</td> <td>J2</td> <td>PTD.</td> <td>-</td> <td>3997</td> <td>3\"/> </td></tr></td></tr></td></tr></td></tr></td></tr></td></tr></td></tr></td></tr></td></tr></td></tr></td></tr></td></tr></td></tr></td></tr></td></tr></td></tr></td></tr></td></tr></td></tr> | 388 | ETR | -
 | WD. | J2 | PTD. | - | 386 | 3\"/> <tr> <td>389</td> <td>ETR</td> <td>-</td> <td>WD.</td> <td>J2</td> <td>PTD.</td> <td>-</td> <td>387</td> <td>3\"/> <tr> <td>391</td> <td>ETR</td> <td>-</td> <td>WD.</td> <td>J2</td> <td>PTD.</td> <td>-</td> <td>388</td> <td>3\"/> <tr> <td>391A</td> <td>ETR</td> <td>-</td> <td>WD.</td> <td>J2</td> <td>PTD.</td> <td>-</td> <td>389</td> <td>3\"/> <tr> <td>391B</td> <td>ETR</td> <td>-</td> <td>WD.</td> <td>J2</td> <td>PTD.</td> <td>-</td> <td>391</td> <td>3\"/> <tr> <td>394</td> <td>ETR</td> <td>-</td> <td>WD.</td> <td>J2</td> <td>PTD.</td> <td>-</td> <td>391A</td> <td>3\"/> <tr> <td>395</td> <td>ETR</td> <td>-</td> <td>WD.</td> <td>J2</td> <td>PTD.</td> <td>-</td> <td>391B</td> <td>3\"/> <tr> <td>396</td> <td>ETR</td> <td>-</td> <td>WD.</td> <td>J2</td> <td>PTD.</td> <td>-</td> <td>394</td> <td>3\"/> <tr> <td>398</td> <td>ETR</td> <td>-</td> <td>WD.</td> <td>J2</td> <td>PTD.</td> <td>-</td> <td>395</td> <td>3\"/> <tr> <td>399</td> <td>ETR</td> <td>-</td> <td>WD.</td> <td>J2</td> <td>PTD.</td> <td>-</td> <td>396</td> <td>3\"/> <tr> <td>3991</td> <td>ETR</td> <td>-</td> <td>WD.</td> <td>J2</td> <td>PTD.</td> <td>-</td> <td>398</td> <td>3\"/> <tr> <td>3992</td> <td>A</td> <td>3\"/> <tr> <td>3993</td> <td>ETR</td> <td>-</td> <td>WD.</td> <td>J2</td> <td>PTD.</td> <td>-</td> <td>399</td> <td>3\"/> <tr> <td>3994</td> <td>ETR</td> <td>-</td> <td>WD.</td> <td>J2</td> <td>PTD.</td> <td>-</td> <td>3991</td> <td>3\"/> <tr> <td>3995</td> <td>ETR</td> <td>-</td> <td>WD.</td> <td>J2</td> <td>PTD.</td> <td>-</td> <td>3992</td> <td>3\"/> <tr> <td>3997</td> <td>ETR</td> <td>-</td> <td>WD.</td> <td>J2</td> <td>PTD.</td> <td>-</td> <td>3993</td> <td>3\"/> <tr> <td>3998</td> <td>ETR</td> <td>-</td> <td>WD.</td> <td>J2</td> <td>PTD.</td> <td>-</td> <td>3994</td> <td>3\"/> <tr> <td>3999</td> <td>ETR</td> <td>-</td> <td>WD.</td> <td>J2</td> <td>PTD.</td> <td>-</td> <td>3995</td> <td>3\"/> <tr> <td>3999</td> <td>ETR</td> <td>-</td> <td>WD.</td> <td>J2</td> <td>PTD.</td> <td>-</td> <td>3997</td> <td>3\"/> </td></tr></td></tr></td></tr></td></tr></td></tr></td></tr></td></tr></td></tr></td></tr></td></tr></td></tr></td></tr></td></tr></td></tr></td></tr></td></tr></td></tr></td></tr> | 389 | ETR | -
 | WD. | J2 | PTD. | - | 387 | 3\"/> <tr> <td>391</td> <td>ETR</td> <td>-</td> <td>WD.</td> <td>J2</td> <td>PTD.</td> <td>-</td> <td>388</td> <td>3\"/> <tr> <td>391A</td> <td>ETR</td> <td>-</td> <td>WD.</td> <td>J2</td> <td>PTD.</td> <td>-</td> <td>389</td> <td>3\"/> <tr> <td>391B</td> <td>ETR</td> <td>-</td> <td>WD.</td> <td>J2</td> <td>PTD.</td> <td>-</td> <td>391</td> <td>3\"/> <tr> <td>394</td> <td>ETR</td> <td>-</td> <td>WD.</td> <td>J2</td> <td>PTD.</td> <td>-</td> <td>391A</td> <td>3\"/> <tr> <td>395</td> <td>ETR</td> <td>-</td> <td>WD.</td> <td>J2</td> <td>PTD.</td> <td>-</td> <td>391B</td> <td>3\"/> <tr> <td>396</td> <td>ETR</td> <td>-</td> <td>WD.</td> <td>J2</td> <td>PTD.</td> <td>-</td> <td>394</td> <td>3\"/> <tr> <td>398</td> <td>ETR</td> <td>-</td> <td>WD.</td> <td>J2</td> <td>PTD.</td> <td>-</td> <td>395</td> <td>3\"/> <tr> <td>399</td> <td>ETR</td> <td>-</td> <td>WD.</td> <td>J2</td> <td>PTD.</td> <td>-</td> <td>396</td> <td>3\"/> <tr> <td>3991</td> <td>ETR</td> <td>-</td> <td>WD.</td> <td>J2</td> <td>PTD.</td> <td>-</td> <td>398</td> <td>3\"/> <tr> <td>3992</td> <td>A</td> <td>3\"/> <tr> <td>3993</td> <td>ETR</td> <td>-</td> <td>WD.</td> <td>J2</td> <td>PTD.</td> <td>-</td> <td>399</td> <td>3\"/> <tr> <td>3994</td> <td>ETR</td> <td>-</td> <td>WD.</td> <td>J2</td> <td>PTD.</td> <td>-</td> <td>3991</td> <td>3\"/> <tr> <td>3995</td> <td>ETR</td> <td>-</td> <td>WD.</td> <td>J2</td> <td>PTD.</td> <td>-</td> <td>3992</td> <td>3\"/> <tr> <td>3997</td> <td>ETR</td> <td>-</td> <td>WD.</td> <td>J2</td> <td>PTD.</td> <td>-</td> <td>3993</td> <td>3\"/> <tr> <td>3998</td> <td>ETR</td> <td>-</td> <td>WD.</td> <td>J2</td> <td>PTD.</td> <td>-</td> <td>3994</td> <td>3\"/> <tr> <td>3999</td> <td>ETR</td> <td>-</td> <td>WD.</td> <td>J2</td> <td>PTD.</td> <td>-</td> <td>3995</td> <td>3\"/> <tr> <td>3999</td> <td>ETR</td> <td>-</td> <td>WD.</td> <td>J2</td> <td>PTD.</td> <td>-</td> <td>3997</td> <td>3\"/> </td></tr></td></tr></td></tr></td></tr></td></tr></td></tr></td></tr></td></tr></td></tr></td></tr></td></tr></td></tr></td></tr></td></tr></td></tr></td></tr></td></tr> | 391 | ETR | -
 | WD. | J2 | PTD. | - | 388 | 3\"/> <tr> <td>391A</td> <td>ETR</td> <td>-</td> <td>WD.</td> <td>J2</td> <td>PTD.</td> <td>-</td> <td>389</td> <td>3\"/> <tr> <td>391B</td> <td>ETR</td> <td>-</td> <td>WD.</td> <td>J2</td> <td>PTD.</td> <td>-</td> <td>391</td> <td>3\"/> <tr> <td>394</td> <td>ETR</td> <td>-</td> <td>WD.</td> <td>J2</td> <td>PTD.</td> <td>-</td> <td>391A</td> <td>3\"/> <tr> <td>395</td> <td>ETR</td> <td>-</td> <td>WD.</td> <td>J2</td> <td>PTD.</td> <td>-</td> <td>391B</td> <td>3\"/> <tr> <td>396</td> <td>ETR</td> <td>-</td> <td>WD.</td> <td>J2</td> <td>PTD.</td> <td>-</td> <td>394</td> <td>3\"/> <tr> <td>398</td> <td>ETR</td> <td>-</td> <td>WD.</td> <td>J2</td> <td>PTD.</td> <td>-</td> <td>395</td> <td>3\"/> <tr> <td>399</td> <td>ETR</td> <td>-</td> <td>WD.</td> <td>J2</td> <td>PTD.</td> <td>-</td> <td>396</td> <td>3\"/> <tr> <td>3991</td> <td>ETR</td> <td>-</td> <td>WD.</td> <td>J2</td> <td>PTD.</td> <td>-</td> <td>398</td> <td>3\"/> <tr> <td>3992</td> <td>A</td> <td>3\"/> <tr> <td>3993</td> <td>ETR</td> <td>-</td> <td>WD.</td> <td>J2</td> <td>PTD.</td> <td>-</td> <td>399</td> <td>3\"/> <tr> <td>3994</td> <td>ETR</td> <td>-</td> <td>WD.</td> <td>J2</td> <td>PTD.</td> <td>-</td> <td>3991</td> <td>3\"/> <tr> <td>3995</td> <td>ETR</td> <td>-</td> <td>WD.</td> <td>J2</td> <td>PTD.</td> <td>-</td> <td>3992</td> <td>3\"/> <tr> <td>3997</td> <td>ETR</td> <td>-</td> <td>WD.</td> <td>J2</td> <td>PTD.</td> <td>-</td> <td>3993</td> <td>3\"/> <tr> <td>3998</td> <td>ETR</td> <td>-</td> <td>WD.</td> <td>J2</td> <td>PTD.</td> <td>-</td> <td>3994</td> <td>3\"/> <tr> <td>3999</td> <td>ETR</td> <td>-</td> <td>WD.</td> <td>J2</td> <td>PTD.</td> <td>-</td> <td>3995</td> <td>3\"/> <tr> <td>3999</td> <td>ETR</td> <td>-</td> <td>WD.</td> <td>J2</td> <td>PTD.</td> <td>-</td> <td>3997</td> <td>3\"/> </td></tr></td></tr></td></tr></td></tr></td></tr></td></tr></td></tr></td></tr></td></tr></td></tr></td></tr></td></tr></td></tr></td></tr></td></tr></td></tr> | 391A | ETR | -
 | WD. | J2 | PTD. | - | 389 | 3\"/> <tr> <td>391B</td> <td>ETR</td> <td>-</td> <td>WD.</td> <td>J2</td> <td>PTD.</td> <td>-</td> <td>391</td> <td>3\"/> <tr> <td>394</td> <td>ETR</td> <td>-</td> <td>WD.</td> <td>J2</td> <td>PTD.</td> <td>-</td> <td>391A</td> <td>3\"/> <tr> <td>395</td> <td>ETR</td> <td>-</td> <td>WD.</td> <td>J2</td> <td>PTD.</td> <td>-</td> <td>391B</td> <td>3\"/> <tr> <td>396</td> <td>ETR</td> <td>-</td> <td>WD.</td> <td>J2</td> <td>PTD.</td> <td>-</td> <td>394</td> <td>3\"/> <tr> <td>398</td> <td>ETR</td> <td>-</td> <td>WD.</td> <td>J2</td> <td>PTD.</td> <td>-</td> <td>395</td> <td>3\"/> <tr> <td>399</td> <td>ETR</td> <td>-</td> <td>WD.</td> <td>J2</td> <td>PTD.</td> <td>-</td> <td>396</td> <td>3\"/> <tr> <td>3991</td> <td>ETR</td> <td>-</td> <td>WD.</td> <td>J2</td> <td>PTD.</td> <td>-</td> <td>398</td> <td>3\"/> <tr> <td>3992</td> <td>A</td> <td>3\"/> <tr> <td>3993</td> <td>ETR</td> <td>-</td> <td>WD.</td> <td>J2</td> <td>PTD.</td> <td>-</td> <td>399</td> <td>3\"/> <tr> <td>3994</td> <td>ETR</td> <td>-</td> <td>WD.</td> <td>J2</td> <td>PTD.</td> <td>-</td> <td>3991</td> <td>3\"/> <tr> <td>3995</td> <td>ETR</td> <td>-</td> <td>WD.</td> <td>J2</td> <td>PTD.</td> <td>-</td> <td>3992</td> <td>3\"/> <tr> <td>3997</td> <td>ETR</td> <td>-</td> <td>WD.</td> <td>J2</td> <td>PTD.</td> <td>-</td> <td>3993</td> <td>3\"/> <tr> <td>3998</td> <td>ETR</td> <td>-</td> <td>WD.</td> <td>J2</td> <td>PTD.</td> <td>-</td> <td>3994</td> <td>3\"/> <tr> <td>3999</td> <td>ETR</td> <td>-</td> <td>WD.</td> <td>J2</td> <td>PTD.</td> <td>-</td> <td>3995</td> <td>3\"/> <tr> <td>3999</td> <td>ETR</td> <td>-</td> <td>WD.</td> <td>J2</td> <td>PTD.</td> <td>-</td> <td>3997</td> <td>3\"/> </td></tr></td></tr></td></tr></td></tr></td></tr></td></tr></td></tr></td></tr></td></tr></td></tr></td></tr></td></tr></td></tr></td></tr></td></tr> | 391B | ETR | -
 | WD. | J2 | PTD. | - | 391 | 3\"/> <tr> <td>394</td> <td>ETR</td> <td>-</td> <td>WD.</td> <td>J2</td> <td>PTD.</td> <td>-</td> <td>391A</td> <td>3\"/> <tr> <td>395</td> <td>ETR</td> <td>-</td> <td>WD.</td> <td>J2</td> <td>PTD.</td> <td>-</td> <td>391B</td> <td>3\"/> <tr> <td>396</td> <td>ETR</td> <td>-</td> <td>WD.</td> <td>J2</td> <td>PTD.</td> <td>-</td> <td>394</td> <td>3\"/> <tr> <td>398</td> <td>ETR</td> <td>-</td> <td>WD.</td> <td>J2</td> <td>PTD.</td> <td>-</td> <td>395</td> <td>3\"/> <tr> <td>399</td> <td>ETR</td> <td>-</td> <td>WD.</td> <td>J2</td> <td>PTD.</td> <td>-</td> <td>396</td> <td>3\"/> <tr> <td>3991</td> <td>ETR</td> <td>-</td> <td>WD.</td> <td>J2</td> <td>PTD.</td> <td>-</td> <td>398</td> <td>3\"/> <tr> <td>3992</td> <td>A</td> <td>3\"/> <tr> <td>3993</td> <td>ETR</td> <td>-</td> <td>WD.</td> <td>J2</td> <td>PTD.</td> <td>-</td> <td>399</td> <td>3\"/> <tr> <td>3994</td> <td>ETR</td> <td>-</td> <td>WD.</td> <td>J2</td> <td>PTD.</td> <td>-</td> <td>3991</td> <td>3\"/> <tr> <td>3995</td> <td>ETR</td> <td>-</td> <td>WD.</td> <td>J2</td> <td>PTD.</td> <td>-</td> <td>3992</td> <td>3\"/> <tr> <td>3997</td> <td>ETR</td> <td>-</td> <td>WD.</td> <td>J2</td> <td>PTD.</td> <td>-</td> <td>3993</td> <td>3\"/> <tr> <td>3998</td> <td>ETR</td> <td>-</td> <td>WD.</td> <td>J2</td> <td>PTD.</td> <td>-</td> <td>3994</td> <td>3\"/> <tr> <td>3999</td> <td>ETR</td> <td>-</td> <td>WD.</td> <td>J2</td> <td>PTD.</td> <td>-</td> <td>3995</td> <td>3\"/> <tr> <td>3999</td> <td>ETR</td> <td>-</td> <td>WD.</td> <td>J2</td> <td>PTD.</td> <td>-</td> <td>3997</td> <td>3\"/> </td></tr></td></tr></td></tr></td></tr></td></tr></td></tr></td></tr></td></tr></td></tr></td></tr></td></tr></td></tr></td></tr></td></tr> | 394 | ETR | -
 | WD. | J2 | PTD. | - | 391A | 3\"/> <tr> <td>395</td> <td>ETR</td> <td>-</td> <td>WD.</td> <td>J2</td> <td>PTD.</td> <td>-</td> <td>391B</td> <td>3\"/> <tr> <td>396</td> <td>ETR</td> <td>-</td> <td>WD.</td> <td>J2</td> <td>PTD.</td> <td>-</td> <td>394</td> <td>3\"/> <tr> <td>398</td> <td>ETR</td> <td>-</td> <td>WD.</td> <td>J2</td> <td>PTD.</td> <td>-</td> <td>395</td> <td>3\"/> <tr> <td>399</td> <td>ETR</td> <td>-</td> <td>WD.</td> <td>J2</td> <td>PTD.</td> <td>-</td> <td>396</td> <td>3\"/> <tr> <td>3991</td> <td>ETR</td> <td>-</td> <td>WD.</td> <td>J2</td> <td>PTD.</td> <td>-</td> <td>398</td> <td>3\"/> <tr> <td>3992</td> <td>A</td> <td>3\"/> <tr> <td>3993</td> <td>ETR</td> <td>-</td> <td>WD.</td> <td>J2</td> <td>PTD.</td> <td>-</td> <td>399</td> <td>3\"/> <tr> <td>3994</td> <td>ETR</td> <td>-</td> <td>WD.</td> <td>J2</td> <td>PTD.</td> <td>-</td> <td>3991</td> <td>3\"/> <tr> <td>3995</td> <td>ETR</td> <td>-</td> <td>WD.</td> <td>J2</td> <td>PTD.</td> <td>-</td> <td>3992</td> <td>3\"/> <tr> <td>3997</td> <td>ETR</td> <td>-</td> <td>WD.</td> <td>J2</td> <td>PTD.</td> <td>-</td> <td>3993</td> <td>3\"/> <tr> <td>3998</td> <td>ETR</td> <td>-</td> <td>WD.</td> <td>J2</td> <td>PTD.</td> <td>-</td> <td>3994</td> <td>3\"/> <tr> <td>3999</td> <td>ETR</td> <td>-</td> <td>WD.</td> <td>J2</td> <td>PTD.</td> <td>-</td> <td>3995</td> <td>3\"/> <tr> <td>3999</td> <td>ETR</td> <td>-</td> <td>WD.</td> <td>J2</td> <td>PTD.</td> <td>-</td> <td>3997</td> <td>3\"/> </td></tr></td></tr></td></tr></td></tr></td></tr></td></tr></td></tr></td></tr></td></tr></td></tr></td></tr></td></tr></td></tr> | 395 | ETR | -
 | WD. | J2 | PTD. | - | 391B | 3\"/> <tr> <td>396</td> <td>ETR</td> <td>-</td> <td>WD.</td> <td>J2</td> <td>PTD.</td> <td>-</td> <td>394</td> <td>3\"/> <tr> <td>398</td> <td>ETR</td> <td>-</td> <td>WD.</td> <td>J2</td> <td>PTD.</td> <td>-</td> <td>395</td> <td>3\"/> <tr> <td>399</td> <td>ETR</td> <td>-</td> <td>WD.</td> <td>J2</td> <td>PTD.</td> <td>-</td> <td>396</td> <td>3\"/> <tr> <td>3991</td> <td>ETR</td> <td>-</td> <td>WD.</td> <td>J2</td> <td>PTD.</td> <td>-</td> <td>398</td> <td>3\"/> <tr> <td>3992</td> <td>A</td> <td>3\"/> <tr> <td>3993</td> <td>ETR</td> <td>-</td> <td>WD.</td> <td>J2</td> <td>PTD.</td> <td>-</td> <td>399</td> <td>3\"/> <tr> <td>3994</td> <td>ETR</td> <td>-</td> <td>WD.</td> <td>J2</td> <td>PTD.</td> <td>-</td> <td>3991</td> <td>3\"/> <tr> <td>3995</td> <td>ETR</td> <td>-</td> <td>WD.</td> <td>J2</td> <td>PTD.</td> <td>-</td> <td>3992</td> <td>3\"/> <tr> <td>3997</td> <td>ETR</td> <td>-</td> <td>WD.</td> <td>J2</td> <td>PTD.</td> <td>-</td> <td>3993</td> <td>3\"/> <tr> <td>3998</td> <td>ETR</td> <td>-</td> <td>WD.</td> <td>J2</td> <td>PTD.</td> <td>-</td> <td>3994</td> <td>3\"/> <tr> <td>3999</td> <td>ETR</td> <td>-</td> <td>WD.</td> <td>J2</td> <td>PTD.</td> <td>-</td> <td>3995</td> <td>3\"/> <tr> <td>3999</td> <td>ETR</td> <td>-</td> <td>WD.</td> <td>J2</td> <td>PTD.</td> <td>-</td> <td>3997</td> <td>3\"/> </td></tr></td></tr></td></tr></td></tr></td></tr></td></tr></td></tr></td></tr></td></tr></td></tr></td></tr></td></tr> | 396 | ETR | - | WD. | J2 | PTD.
 | - | 394 | 3\"/> <tr> <td>398</td> <td>ETR</td> <td>-</td> <td>WD.</td> <td>J2</td> <td>PTD.</td> <td>-</td> <td>395</td> <td>3\"/> <tr> <td>399</td> <td>ETR</td> <td>-</td> <td>WD.</td> <td>J2</td> <td>PTD.</td> <td>-</td> <td>396</td> <td>3\"/> <tr> <td>3991</td> <td>ETR</td> <td>-</td> <td>WD.</td> <td>J2</td> <td>PTD.</td> <td>-</td> <td>398</td> <td>3\"/> <tr> <td>3992</td> <td>A</td> <td>3\"/> <tr> <td>3993</td> <td>ETR</td> <td>-</td> <td>WD.</td> <td>J2</td> <td>PTD.</td> <td>-</td> <td>399</td> <td>3\"/> <tr> <td>3994</td> <td>ETR</td> <td>-</td> <td>WD.</td> <td>J2</td> <td>PTD.</td> <td>-</td> <td>3991</td> <td>3\"/> <tr> <td>3995</td> <td>ETR</td> <td>-</td> <td>WD.</td> <td>J2</td> <td>PTD.</td> <td>-</td> <td>3992</td> <td>3\"/> <tr> <td>3997</td> <td>ETR</td> <td>-</td> <td>WD.</td> <td>J2</td> <td>PTD.</td> <td>-</td> <td>3993</td> <td>3\"/> <tr> <td>3998</td> <td>ETR</td> <td>-</td> <td>WD.</td> <td>J2</td> <td>PTD.</td> <td>-</td> <td>3994</td> <td>3\"/> <tr> <td>3999</td> <td>ETR</td> <td>-</td> <td>WD.</td> <td>J2</td> <td>PTD.</td> <td>-</td> <td>3995</td> <td>3\"/> <tr> <td>3999</td> <td>ETR</td> <td>-</td> <td>WD.</td> <td>J2</td> <td>PTD.</td> <td>-</td> <td>3997</td> <td>3\"/> </td></tr></td></tr></td></tr></td></tr></td></tr></td></tr></td></tr></td></tr></td></tr></td></tr></td></tr> | 398 | ETR | - | WD. | J2 | PTD. | - | 395 | 3\"/> <tr> <td>399</td> <td>ETR</td> <td>-</td> <td>WD.</td> <td>J2</td> <td>PTD.</td> <td>-</td> <td>396</td> <td>3\"/> <tr> <td>3991</td> <td>ETR</td> <td>-</td> <td>WD.</td> <td>J2</td> <td>PTD.</td> <td>-</td> <td>398</td> <td>3\"/> <tr> <td>3992</td> <td>A</td> <td>3\"/> <tr> <td>3993</td> <td>ETR</td> <td>-</td> <td>WD.</td> <td>J2</td> <td>PTD.</td> <td>-</td> <td>399</td> <td>3\"/> <tr> <td>3994</td> <td>ETR</td> <td>-</td> <td>WD.</td> <td>J2</td> <td>PTD.</td> <td>-</td> <td>3991</td> <td>3\"/> <tr> <td>3995</td> <td>ETR</td> <td>-</td> <td>WD.</td> <td>J2</td> <td>PTD.</td> <td>-</td> <td>3992</td> <td>3\"/> <tr> <td>3997</td> <td>ETR</td> <td>-</td> <td>WD.</td> <td>J2</td> <td>PTD.</td> <td>-</td> <td>3993</td> <td>3\"/> <tr> <td>3998</td> <td>ETR</td> <td>-</td> <td>WD.</td> <td>J2</td> <td>PTD.</td> <td>-</td> <td>3994</td> <td>3\"/> <tr> <td>3999</td> <td>ETR</td> <td>-</td> <td>WD.</td> <td>J2</td> <td>PTD.</td> <td>-</td> <td>3995</td> <td>3\"/> <tr> <td>3999</td> <td>ETR</td> <td>-</td> <td>WD.</td> <td>J2</td> <td>PTD.</td> <td>-</td> <td>3997</td> <td>3\"/> </td></tr></td></tr></td></tr></td></tr></td></tr></td></tr></td></tr></td></tr></td></tr></td></tr> | 399 | ETR | -
 | WD. | J2 | PTD. | - | 396 | 3\"/> <tr> <td>3991</td> <td>ETR</td> <td>-</td> <td>WD.</td> <td>J2</td> <td>PTD.</td> <td>-</td> <td>398</td> <td>3\"/> <tr> <td>3992</td> <td>A</td> <td>3\"/> <tr> <td>3993</td> <td>ETR</td> <td>-</td> <td>WD.</td> <td>J2</td> <td>PTD.</td> <td>-</td> <td>399</td> <td>3\"/> <tr> <td>3994</td> <td>ETR</td> <td>-</td> <td>WD.</td> <td>J2</td> <td>PTD.</td> <td>-</td> <td>3991</td> <td>3\"/> <tr> <td>3995</td> <td>ETR</td> <td>-</td> <td>WD.</td> <td>J2</td> <td>PTD.</td> <td>-</td> <td>3992</td> <td>3\"/> <tr> <td>3997</td> <td>ETR</td> <td>-</td> <td>WD.</td> <td>J2</td> <td>PTD.</td> <td>-</td> <td>3993</td> <td>3\"/> <tr> <td>3998</td> <td>ETR</td> <td>-</td> <td>WD.</td> <td>J2</td> <td>PTD.</td> <td>-</td> <td>3994</td> <td>3\"/> <tr> <td>3999</td> <td>ETR</td> <td>-</td> <td>WD.</td> <td>J2</td> <td>PTD.</td> <td>-</td> <td>3995</td> <td>3\"/> <tr> <td>3999</td> <td>ETR</td> <td>-</td> <td>WD.</td> <td>J2</td> <td>PTD.</td> <td>-</td> <td>3997</td> <td>3\"/> </td></tr></td></tr></td></tr></td></tr></td></tr></td></tr></td></tr></td></tr></td></tr> | 3991 | ETR | - | WD. | J2 | PTD. | - | 398 | 3\"/> <tr> <td>3992</td> <td>A</td> <td>3\"/> <tr> <td>3993</td> <td>ETR</td> <td>-</td> <td>WD.</td> <td>J2</td> <td>PTD.</td> <td>-</td> <td>399</td> <td>3\"/> <tr> <td>3994</td> <td>ETR</td> <td>-</td> <td>WD.</td> <td>J2</td> <td>PTD.</td> <td>-</td> <td>3991</td> <td>3\"/> <tr> <td>3995</td> <td>ETR</td> <td>-</td> <td>WD.</td> <td>J2</td> <td>PTD.</td> <td>-</td> <td>3992</td> <td>3\"/> <tr> <td>3997</td> <td>ETR</td> <td>-</td> <td>WD.</td> <td>J2</td> <td>PTD.</td> <td>-</td> <td>3993</td> <td>3\"/> <tr> <td>3998</td> <td>ETR</td> <td>-</td> <td>WD.</td> <td>J2</td> <td>PTD.</td> <td>-</td> <td>3994</td> <td>3\"/> <tr> <td>3999</td> <td>ETR</td> <td>-</td> <td>WD.</td> <td>J2</td> <td>PTD.</td> <td>-</td> <td>3995</td> <td>3\"/> <tr> <td>3999</td> <td>ETR</td> <td>-</td> <td>WD.</td> <td>J2</td> <td>PTD.</td> <td>-</td> <td>3997</td> <td>3\"/> </td></tr></td></tr></td></tr></td></tr></td></tr></td></tr></td></tr></td></tr> | 3992 | A | 3\"/> <tr> <td>3993</td> <td>ETR</td> <td>-</td> <td>WD.</td> <td>J2</td> <td>PTD.</td> <td>-</td> <td>399</td> <td>3\"/> <tr> <td>3994</td> <td>ETR</td> <td>-</td> <td>WD.</td> <td>J2</td> <td>PTD.</td> <td>-</td> <td>3991</td> <td>3\"/> <tr> <td>3995</td> <td>ETR</td> <td>-</td> <td>WD.</td> <td>J2</td> <td>PTD.</td> <td>-</td> <td>3992</td> <td>3\"/> <tr> <td>3997</td> <td>ETR</td> <td>-</td> <td>WD.</td> <td>J2</td> <td>PTD.</td> <td>-</td> <td>3993</td> <td>3\"/> <tr> <td>3998</td> <td>ETR</td> <td>-</td> <td>WD.</td> <td>J2</td> <td>PTD.</td> <td>-</td> <td>3994</td> <td>3\"/> <tr>
<td>3999</td> <td>ETR</td> <td>-</td> <td>WD.</td> <td>J2</td> <td>PTD.</td> <td>-</td> <td>3995</td> <td>3\"/> <tr> <td>3999</td> <td>ETR</td> <td>-</td> <td>WD.</td> <td>J2</td> <td>PTD.</td> <td>-</td> <td>3997</td> <td>3\"/> </td></tr></td></tr></td></tr></td></tr></td></tr></td></tr></td></tr> | 3993 | ETR | - | WD. | J2 | PTD. | - | 399 | 3\"/> <tr> <td>3994</td> <td>ETR</td> <td>-</td> <td>WD.</td> <td>J2</td> <td>PTD.</td> <td>-</td> <td>3991</td> <td>3\"/> <tr> <td>3995</td> <td>ETR</td> <td>-</td> <td>WD.</td> <td>J2</td> <td>PTD.</td> <td>-</td> <td>3992</td> <td>3\"/> <tr> <td>3997</td> <td>ETR</td> <td>-</td> <td>WD.</td> <td>J2</td> <td>PTD.</td> <td>-</td> <td>3993</td> <td>3\"/> <tr> <td>3998</td> <td>ETR</td> <td>-</td> <td>WD.</td> <td>J2</td> <td>PTD.</td> <td>-</td> <td>3994</td> <td>3\"/> <tr> <td>3999</td> <td>ETR</td> <td>-</td> <td>WD.</td> <td>J2</td> <td>PTD.</td> <td>-</td> <td>3995</td> <td>3\"/> <tr> <td>3999</td> <td>ETR</td> <td>-</td> <td>WD.</td> <td>J2</td> <td>PTD.</td> <td>-</td> <td>3997</td> <td>3\"/> </td></tr></td></tr></td></tr></td></tr></td></tr></td></tr> | 3994 | ETR | - | WD. | J2 | PTD. | - | 3991 | 3\"/> <tr> <td>3995</td> <td>ETR</td> <td>-</td> <td>WD.</td> <td>J2</td> <td>PTD.</td> <td>-</td> <td>3992</td> <td>3\"/> <tr> <td>3997</td> <td>ETR</td> <td>-</td> <td>WD.</td> <td>J2</td> <td>PTD.</td> <td>-</td> <td>3993</td> <td>3\"/> <tr> <td>3998</td> <td>ETR</td> <td>-</td> <td>WD.</td> <td>J2</td> <td>PTD.</td> <td>-</td> <td>3994</td> <td>3\"/> <tr> <td>3999</td> <td>ETR</td> <td>-</td> <td>WD.</td> <td>J2</td> <td>PTD.</td> <td>-</td> <td>3995</td> <td>3\"/> <tr> <td>3999</td> <td>ETR</td> <td>-</td> <td>WD.</td> <td>J2</td> <td>PTD.</td> <td>-</td> <td>3997</td> <td>3\"/> </td></tr></td></tr></td></tr></td></tr></td></tr>
 | 3995 | ETR | - | WD. | J2 | PTD. | - | 3992 | 3\"/> <tr> <td>3997</td> <td>ETR</td> <td>-</td> <td>WD.</td> <td>J2</td> <td>PTD.</td> <td>-</td> <td>3993</td> <td>3\"/> <tr> <td>3998</td> <td>ETR</td> <td>-</td> <td>WD.</td> <td>J2</td> <td>PTD.</td> <td>-</td> <td>3994</td> <td>3\"/> <tr> <td>3999</td> <td>ETR</td> <td>-</td> <td>WD.</td> <td>J2</td> <td>PTD.</td> <td>-</td> <td>3995</td> <td>3\"/> <tr> <td>3999</td> <td>ETR</td> <td>-</td> <td>WD.</td> <td>J2</td> <td>PTD.</td> <td>-</td> <td>3997</td> <td>3\"/> </td></tr></td></tr></td></tr></td></tr> | 3997 | ETR | - | WD. | J2 | PTD. | - | 3993 | 3\"/> <tr> <td>3998</td> <td>ETR</td> <td>-</td> <td>WD.</td> <td>J2</td> <td>PTD.</td> <td>-</td> <td>3994</td> <td>3\"/> <tr> <td>3999</td> <td>ETR</td> <td>-</td> <td>WD.</td> <td>J2</td> <td>PTD.</td> <td>-</td> <td>3995</td> <td>3\"/> <tr> <td>3999</td> <td>ETR</td> <td>-</td> <td>WD.</td> <td>J2</td> <td>PTD.</td> <td>-</td> <td>3997</td> <td>3\"/> </td></tr></td></tr></td></tr> | 3998 | ETR | - | WD. | J2 | PTD.
 | - | 3994 | 3\"/> <tr> <td>3999</td> <td>ETR</td> <td>-</td> <td>WD.</td> <td>J2</td> <td>PTD.</td> <td>-</td> <td>3995</td> <td>3\"/> <tr> <td>3999</td> <td>ETR</td> <td>-</td> <td>WD.</td> <td>J2</td> <td>PTD.</td> <td>-</td> <td>3997</td> <td>3\"/> </td></tr></td></tr> | 3999 | ETR | - | WD. | J2 | PTD. | - | 3995 | 3\"/> <tr> <td>3999</td> <td>ETR</td> <td>-</td> <td>WD.</td> <td>J2</td> <td>PTD.</td> <td>-</td> <td>3997</td> <td>3\"/> </td></tr> | 3999 | ETR | - | WD. | J2 | PTD. | - | 3997 | 3\"/> | | | | | | | | | | | | | | | | | | | | | | | | | | | | | | | | | |
 | | | | | | | | | | | | | | | | | | | | | | | | | | | | | | | | | | | | | | |
 | | | | | | | | | | | | | | | | | | | | | | | | | | | | | | | | | | | | | | | | | | | | | | | | | | | | | | |
| 366 | ETR | - | WD. | J2 | PTD. | - | 364A | 3\"/> <tr> <td>367</td> <td>B</td> <td>2 <td>HM</td> <td>J1</td> <td>PTD.</td> <td>1 HR.</td> <td>365</td> <td>3\"/> <tr> <td>368</td> <td>ETR</td> <td>-</td> <td>WD.</td> <td>J2</td> <td>PTD.</td> <td>-</td> <td>366</td> <td>3\"/> <tr> <td>369</td> <td>ETR</td> <td>-</td> <td>WD.</td> <td>J2</td> <td>PTD.</td> <td>-</td> <td>367</td> <td>3\"/> <tr> <td>370</td> <td>ETR</td> <td>-</td> <td>WD.</td> <td>J2</td> <td>PTD.</td> <td>-</td> <td>368</td> <td>3\"/> <tr> <td>371</td> <td>ETR</td> <td>-</td> <td>WD.</td> <td>J2</td> <td>PTD.</td> <td>-</td> <td>369</td> <td>3\"/> <tr> <td>372</td> <td>B</td> <td>2 <td>HM</td> <td>J1</td> <td>PTD.</td> <td>1 HR.</td> <td>370</td> <td>3\"/> <tr> <td>373A</td> <td>ETR</td> <td>-</td> <td>WD.</td> <td>J2</td> <td>PTD.</td> <td>-</td> <td>371</td> <td>3\"/> <tr> <td>374B</td> <td>ETR</td> <td>-</td> <td>WD.</td> <td>J2</td> <td>PTD.</td> <td>-</td> <td>372</td> <td>3\"/> <tr> <td>374C</td> <td>ETR</td> <td>-</td> <td>WD.</td> <td>J2</td> <td>PTD.</td> <td>-</td> <td>373A</td> <td>3\"/> <tr> <td>375</td> <td>B</td> <td>1 <td>WD</td> <td>J1</td> <td>PTD.</td> <td>-</td> <td>374B</td> <td>3\"/> <tr> <td>376</td> <td>B</td> <td>1 <td>WD</td> <td>J1</td> <td>PTD.</td> <td>-</td> <td>374C</td> <td>3\"/> <tr> <td>377</td> <td>B</td> <td>1 <td>WD</td> <td>J1</td> <td>PTD.</td> <td>-</td> <td>375</td> <td>3\"/> <tr> <td>377A</td> <td>B</td> <td>1 <td>WD</td> <td>J1</td> <td>PTD.</td> <td>-</td> <td>376</td> <td>3\"/> <tr> <td>378</td> <td>B</td> <td>1 <td>WD</td> <td>J1</td> <td>PTD.</td> <td>-</td> <td>377</td> <td>3\"/> <tr> <td>379</td> <td>B</td> <td>1 <td>WD</td> <td>J1</td> <td>PTD.</td> <td>-</td> <td>377A</td> <td>3\"/> <tr> <td>380A</td> <td>B</td> <td>1 <td>WD</td> <td>J1</td> <td>PTD.</td> <td>-</td> <td>378</td> <td>3\"/> <tr> <td>380B</td> <td>B</td> <td>1 <td>WD</td> <td>J1</td> <td>PTD.</td> <td>-</td> <td>379</td> <td>3\"/> <tr> <td>382</td> <td>ETR</td> <td>-</td> <td>WD.</td> <td>J2</td> <td>PTD.</td> <td>-</td> <td>380A</td> <td>3\"/> <tr> <td>382A</td> <td>D</td> <td>6 <td>ALUM.</td> <td>ANODIZE D</td> <td>-</td> <td>-</td> <td>380B</td> <td>3\"/> <tr> <td>385</td> <td>ETR</td> <td>-</td> <td>WD.</td> <td>J2</td> <td>PTD.</td> <td>-</td> <td>382</td> <td>3\"/> <tr> <td>386</td> <td>ETR</td> <td>-</td> <td>WD.</td> <td>J2</td> <td>PTD.</td> <td>-</td> <td>382A</td> <td>3\"/> <tr> <td>387</td> <td>ETR</td> <td>-</td> <td>WD.</td> <td>J2</td> <td>PTD.</td> <td>-</td> <td>385</td> <td>3\"/> <tr> <td>388</td> <td>ETR</td> <td>-</td> <td>WD.</td> <td>J2</td> <td>PTD.</td> <td>-</td> <td>386</td> <td>3\"/> <tr> <td>389</td> <td>ETR</td> <td>-</td> <td>WD.</td> <td>J2</td> <td>PTD.</td> <td>-</td> <td>387</td> <td>3\"/> <tr> <td>391</td> <td>ETR</td> <td>-</td> <td>WD.</td> <td>J2</td> <td>PTD.</td> <td>-</td> <td>388</td> <td>3\"/> <tr> <td>391A</td> <td>ETR</td> <td>-</td> <td>WD.</td> <td>J2</td>
<td>PTD.</td> <td>-</td> <td>389</td> <td>3\"/> <tr> <td>391B</td> <td>ETR</td> <td>-</td> <td>WD.</td> <td>J2</td> <td>PTD.</td> <td>-</td> <td>391</td> <td>3\"/> <tr> <td>394</td> <td>ETR</td> <td>-</td> <td>WD.</td> <td>J2</td> <td>PTD.</td> <td>-</td> <td>391A</td> <td>3\"/> <tr> <td>395</td> <td>ETR</td> <td>-</td> <td>WD.</td> <td>J2</td> <td>PTD.</td> <td>-</td> <td>391B</td> <td>3\"/> <tr> <td>396</td> <td>ETR</td> <td>-</td> <td>WD.</td> <td>J2</td> <td>PTD.</td> <td>-</td> <td>394</td> <td>3\"/> <tr> <td>398</td> <td>ETR</td> <td>-</td> <td>WD.</td> <td>J2</td> <td>PTD.</td> <td>-</td> <td>395</td> <td>3\"/> <tr> <td>399</td> <td>ETR</td> <td>-</td> <td>WD.</td> <td>J2</td> <td>PTD.</td> <td>-</td> <td>396</td> <td>3\"/> <tr> <td>3991</td> <td>ETR</td> <td>-</td> <td>WD.</td> <td>J2</td> <td>PTD.</td> <td>-</td> <td>398</td> <td>3\"/> <tr> <td>3992</td> <td>A</td> <td>3\"/> <tr> <td>3993</td> <td>ETR</td> <td>-</td> <td>WD.</td> <td>J2</td> <td>PTD.</td> <td>-</td> <td>399</td> <td>3\"/> <tr> <td>3994</td> <td>ETR</td> <td>-</td> <td>WD.</td> <td>J2</td> <td>PTD.</td> <td>-</td> <td>3991</td> <td>3\"/> <tr> <td>3995</td> <td>ETR</td> <td>-</td> <td>WD.</td> <td>J2</td> <td>PTD.</td> <td>-</td> <td>3992</td> <td>3\"/> <tr> <td>3997</td> <td>ETR</td> <td>-</td> <td>WD.</td> <td>J2</td> <td>PTD.</td> <td>-</td> <td>3993</td> <td>3\"/> <tr> <td>3998</td> <td>ETR</td> <td>-</td> <td>WD.</td> <td>J2</td> <td>PTD.</td> <td>-</td> <td>3994</td> <td>3\"/> <tr> <td>3999</td> <td>ETR</td> <td>-</td> <td>WD.</td> <td>J2</td> <td>PTD.</td> <td>-</td> <td>3995</td> <td>3\"/> <tr> <td>3999</td> <td>ETR</td> <td>-</td> <td>WD.</td> <td>J2</td> <td>PTD.</td> <td>-</td> <td>3997</td> <td>3\"/> </td></tr></td></tr></td></tr></td></tr></td></tr></td></tr></td></tr></td></tr></td></tr></td></tr></td></tr></td></tr></td></tr></td></tr></td></tr></td></tr></td></tr></td></tr></td></tr></td></tr></td></tr></td></tr></td></td></tr></td></tr></td></td></tr></td></td></tr></td></td></tr></td></td></tr></td></td></tr></td></td></tr></td></td></tr></td></td></tr></td></tr></td></tr></td></tr></td></td></tr></td></tr></td></tr></td></tr></td></tr></td></td></tr> | 367 | B | 2 <td>HM</td> <td>J1</td> <td>PTD.</td> <td>1 HR.</td> <td>365</td> <td>3\"/> <tr> <td>368</td> <td>ETR</td> <td>-</td> <td>WD.</td> <td>J2</td> <td>PTD.</td> <td>-</td> <td>366</td> <td>3\"/> <tr> <td>369</td> <td>ETR</td> <td>-</td> <td>WD.</td> <td>J2</td> <td>PTD.</td> <td>-</td> <td>367</td> <td>3\"/> <tr> <td>370</td> <td>ETR</td> <td>-</td> <td>WD.</td> <td>J2</td> <td>PTD.</td> <td>-</td> <td>368</td> <td>3\"/> <tr> <td>371</td> <td>ETR</td> <td>-</td> <td>WD.</td> <td>J2</td> <td>PTD.</td> <td>-</td> <td>369</td> <td>3\"/> <tr> <td>372</td> <td>B</td> <td>2 <td>HM</td> <td>J1</td> <td>PTD.</td> <td>1 HR.</td> <td>370</td> <td>3\"/> <tr> <td>373A</td> <td>ETR</td> <td>-</td> <td>WD.</td> <td>J2</td> <td>PTD.</td> <td>-</td> <td>371</td> <td>3\"/> <tr> <td>374B</td> <td>ETR</td> <td>-</td> <td>WD.</td> <td>J2</td> <td>PTD.</td> <td>-</td> <td>372</td> <td>3\"/> <tr> <td>374C</td> <td>ETR</td> <td>-</td> <td>WD.</td> <td>J2</td> <td>PTD.</td> <td>-</td> <td>373A</td> <td>3\"/> <tr> <td>375</td> <td>B</td> <td>1 <td>WD</td> <td>J1</td> <td>PTD.</td> <td>-</td> <td>374B</td> <td>3\"/> <tr> <td>376</td> <td>B</td> <td>1 <td>WD</td> <td>J1</td> <td>PTD.</td> <td>-</td> <td>374C</td> <td>3\"/> <tr> <td>377</td> <td>B</td> <td>1 <td>WD</td> <td>J1</td> <td>PTD.</td> <td>-</td> <td>375</td> <td>3\"/> <tr> <td>377A</td> <td>B</td> <td>1 <td>WD</td> <td>J1</td> <td>PTD.</td> <td>-</td> <td>376</td> <td>3\"/> <tr> <td>378</td> <td>B</td> <td>1 <td>WD</td> <td>J1</td> <td>PTD.</td> <td>-</td> <td>377</td> <td>3\"/> <tr> <td>379</td> <td>B</td> <td>1 <td>WD</td> <td>J1</td> <td>PTD.</td> <td>-</td> <td>377A</td> <td>3\"/> <tr> <td>380A</td> <td>B</td> <td>1 <td>WD</td> <td>J1</td> <td>PTD.</td> <td>-</td> <td>378</td> <td>3\"/> <tr> <td>380B</td> <td>B</td> <td>1 <td>WD</td> <td>J1</td> <td>PTD.</td> <td>-</td> <td>379</td> <td>3\"/> <tr> <td>382</td> <td>ETR</td> <td>-</td> <td>WD.</td> <td>J2</td> <td>PTD.</td> <td>-</td> <td>380A</td> <td>3\"/> <tr> <td>382A</td> <td>D</td> <td>6 <td>ALUM.</td> <td>ANODIZE D</td> <td>-</td> <td>-</td> <td>380B</td> <td>3\"/> <tr> <td>385</td> <td>ETR</td> <td>-</td> <td>WD.</td> <td>J2</td> <td>PTD.</td> <td>-</td> <td>382</td> <td>3\"/> <tr> <td>386</td> <td>ETR</td> <td>-</td> <td>WD.</td> <td>J2</td> <td>PTD.</td> <td>-</td> <td>382A</td> <td>3\"/> <tr> <td>387</td> <td>ETR</td> <td>-</td> <td>WD.</td> <td>J2</td> <td>PTD.</td> <td>-</td> <td>385</td> <td>3\"/> <tr> <td>388</td> <td>ETR</td> <td>-</td> <td>WD.</td> <td>J2</td> <td>PTD.</td> <td>-</td> <td>386</td> <td>3\"/> <tr> <td>389</td> <td>ETR</td> <td>-</td> <td>WD.</td> <td>J2</td> <td>PTD.</td> <td>-</td> <td>387</td> <td>3\"/> <tr> <td>391</td> <td>ETR</td> <td>-</td> <td>WD.</td> <td>J2</td> <td>PTD.</td> <td>-</td> <td>388</td> <td>3\"/> <tr> <td>391A</td> <td>ETR</td> <td>-</td> <td>WD.</td> <td>J2</td> <td>PTD.</td> <td>-</td> <td>389</td> <td>3\"/> <tr> <td>391B</td> <td>ETR</td> <td>-</td> <td>WD.</td> <td>J2</td> <td>PTD.</td> <td>-</td> <td>391</td> <td>3\"/> <tr> <td>394</td> <td>ETR</td> <td>-</td> <td>WD.</td> <td>J2</td> <td>PTD.</td> <td>-</td> <td>391A</td> <td>3\"/> <tr> <td>395</td> <td>ETR</td> <td>-</td> <td>WD.</td> <td>J2</td> <td>PTD.</td> <td>-</td> <td>391B</td> <td>3\"/> <tr> <td>396</td> <td>ETR</td> <td>-</td> <td>WD.</td> <td>J2</td> <td>PTD.</td> <td>-</td> <td>394</td> <td>3\"/> <tr> <td>398</td> <td>ETR</td> <td>-</td> <td>WD.</td> <td>J2</td> <td>PTD.</td> <td>-</td> <td>395</td> <td>3\"/> <tr> <td>399</td> <td>ETR</td> <td>-</td> <td>WD.</td> <td>J2</td> <td>PTD.</td> <td>-</td> <td>396</td> <td>3\"/> <tr> <td>3991</td> <td>ETR</td> <td>-</td> <td>WD.</td> <td>J2</td> <td>PTD.</td> <td>-</td> <td>398</td> <td>3\"/> <tr> <td>3992</td> <td>A</td> <td>3\"/> <tr> <td>3993</td> <td>ETR</td> <td>-</td> <td>WD.</td> <td>J2</td> <td>PTD.</td> <td>-</td> <td>399</td> <td>3\"/> <tr> <td>3994</td> <td>ETR</td> <td>-</td> <td>WD.</td> <td>J2</td> <td>PTD.</td> <td>-</td> <td>3991</td> <td>3\"/> <tr> <td>3995</td> <td>ETR</td> <td>-</td> <td>WD.</td> <td>J2</td> <td>PTD.</td> <td>-</td> <td>3992</td> <td>3\"/> <tr> <td>3997</td> <td>ETR</td> <td>-</td> <td>WD.</td> <td>J2</td> <td>PTD.</td> <td>-</td> <td>3993</td> <td>3\"/> <tr> <td>3998</td> <td>ETR</td> <td>-</td> <td>WD.</td> <td>J2</td> <td>PTD.</td> <td>-</td> <td>3994</td> <td>3\"/> <tr> <td>3999</td> <td>ETR</td> <td>-</td> <td>WD.</td> <td>J2</td> <td>PTD.</td> <td>-</td> <td>3995</td> <td>3\"/> <tr> <td>3999</td> <td>ETR</td> <td>-</td> <td>WD.</td> <td>J2</td> <td>PTD.</td> <td>-</td> <td>3997</td> <td>3\"/> </td></tr></td></tr></td></tr></td></tr></td></tr></td></tr></td></tr></td></tr></td></tr></td></tr></td></tr></td></tr></td></tr></td></tr></td></tr></td></tr></td></tr></td></tr></td></tr></td></tr></td></tr></td></tr></td></td></tr></td></tr></td></td></tr></td></td></tr></td></td></tr></td></td></tr></td></td></tr></td></td></tr></td></td></tr></td></td></tr></td></tr></td></tr></td></tr></td></td></tr></td></tr></td></tr></td></tr></td></tr></td>
 | HM | J1 | PTD. | 1 HR. | 365 | 3\"/> <tr> <td>368</td> <td>ETR</td> <td>-</td> <td>WD.</td> <td>J2</td> <td>PTD.</td> <td>-</td> <td>366</td> <td>3\"/> <tr> <td>369</td> <td>ETR</td> <td>-</td> <td>WD.</td> <td>J2</td> <td>PTD.</td> <td>-</td> <td>367</td> <td>3\"/> <tr> <td>370</td> <td>ETR</td> <td>-</td> <td>WD.</td> <td>J2</td> <td>PTD.</td> <td>-</td> <td>368</td> <td>3\"/> <tr> <td>371</td> <td>ETR</td> <td>-</td> <td>WD.</td> <td>J2</td> <td>PTD.</td> <td>-</td> <td>369</td> <td>3\"/> <tr> <td>372</td> <td>B</td> <td>2 <td>HM</td> <td>J1</td> <td>PTD.</td> <td>1 HR.</td> <td>370</td> <td>3\"/> <tr> <td>373A</td> <td>ETR</td> <td>-</td> <td>WD.</td> <td>J2</td> <td>PTD.</td> <td>-</td> <td>371</td> <td>3\"/> <tr> <td>374B</td> <td>ETR</td> <td>-</td> <td>WD.</td> <td>J2</td> <td>PTD.</td> <td>-</td> <td>372</td> <td>3\"/> <tr> <td>374C</td> <td>ETR</td> <td>-</td> <td>WD.</td> <td>J2</td> <td>PTD.</td> <td>-</td> <td>373A</td> <td>3\"/> <tr> <td>375</td> <td>B</td> <td>1 <td>WD</td> <td>J1</td> <td>PTD.</td> <td>-</td> <td>374B</td> <td>3\"/> <tr> <td>376</td> <td>B</td> <td>1 <td>WD</td> <td>J1</td> <td>PTD.</td> <td>-</td> <td>374C</td> <td>3\"/> <tr> <td>377</td> <td>B</td> <td>1 <td>WD</td> <td>J1</td> <td>PTD.</td> <td>-</td> <td>375</td> <td>3\"/> <tr> <td>377A</td> <td>B</td> <td>1 <td>WD</td> <td>J1</td> <td>PTD.</td> <td>-</td> <td>376</td> <td>3\"/> <tr> <td>378</td> <td>B</td> <td>1 <td>WD</td> <td>J1</td> <td>PTD.</td> <td>-</td> <td>377</td> <td>3\"/> <tr> <td>379</td> <td>B</td> <td>1 <td>WD</td> <td>J1</td> <td>PTD.</td> <td>-</td> <td>377A</td> <td>3\"/> <tr> <td>380A</td> <td>B</td> <td>1 <td>WD</td> <td>J1</td> <td>PTD.</td> <td>-</td> <td>378</td> <td>3\"/> <tr> <td>380B</td> <td>B</td> <td>1 <td>WD</td> <td>J1</td> <td>PTD.</td> <td>-</td> <td>379</td> <td>3\"/> <tr> <td>382</td> <td>ETR</td> <td>-</td> <td>WD.</td> <td>J2</td> <td>PTD.</td> <td>-</td> <td>380A</td> <td>3\"/> <tr> <td>382A</td> <td>D</td> <td>6 <td>ALUM.</td> <td>ANODIZE D</td> <td>-</td> <td>-</td> <td>380B</td> <td>3\"/> <tr> <td>385</td> <td>ETR</td> <td>-</td> <td>WD.</td> <td>J2</td> <td>PTD.</td> <td>-</td> <td>382</td> <td>3\"/> <tr> <td>386</td> <td>ETR</td> <td>-</td> <td>WD.</td> <td>J2</td> <td>PTD.</td> <td>-</td> <td>382A</td> <td>3\"/> <tr> <td>387</td> <td>ETR</td> <td>-</td> <td>WD.</td> <td>J2</td> <td>PTD.</td> <td>-</td> <td>385</td> <td>3\"/> <tr> <td>388</td> <td>ETR</td> <td>-</td> <td>WD.</td> <td>J2</td> <td>PTD.</td> <td>-</td> <td>386</td> <td>3\"/> <tr> <td>389</td> <td>ETR</td> <td>-</td> <td>WD.</td> <td>J2</td> <td>PTD.</td> <td>-</td> <td>387</td> <td>3\"/> <tr> <td>391</td> <td>ETR</td> <td>-</td> <td>WD.</td> <td>J2</td> <td>PTD.</td> <td>-</td> <td>388</td> <td>3\"/> <tr> <td>391A</td> <td>ETR</td> <td>-</td> <td>WD.</td> <td>J2</td> <td>PTD.</td> <td>-</td> <td>389</td> <td>3\"/> <tr> <td>391B</td> <td>ETR</td> <td>-</td> <td>WD.</td> <td>J2</td> <td>PTD.</td> <td>-</td> <td>391</td> <td>3\"/> <tr> <td>394</td> <td>ETR</td> <td>-</td> <td>WD.</td> <td>J2</td> <td>PTD.</td> <td>-</td> <td>391A</td> <td>3\"/> <tr> <td>395</td> <td>ETR</td> <td>-</td> <td>WD.</td> <td>J2</td> <td>PTD.</td> <td>-</td> <td>391B</td> <td>3\"/> <tr> <td>396</td> <td>ETR</td> <td>-</td> <td>WD.</td> <td>J2</td> <td>PTD.</td> <td>-</td> <td>394</td> <td>3\"/> <tr> <td>398</td> <td>ETR</td> <td>-</td> <td>WD.</td> <td>J2</td> <td>PTD.</td> <td>-</td> <td>395</td> <td>3\"/> <tr> <td>399</td> <td>ETR</td> <td>-</td> <td>WD.</td> <td>J2</td> <td>PTD.</td> <td>-</td> <td>396</td> <td>3\"/> <tr> <td>3991</td> <td>ETR</td> <td>-</td> <td>WD.</td> <td>J2</td> <td>PTD.</td> <td>-</td> <td>398</td> <td>3\"/> <tr> <td>3992</td> <td>A</td> <td>3\"/> <tr> <td>3993</td> <td>ETR</td> <td>-</td> <td>WD.</td> <td>J2</td> <td>PTD.</td> <td>-</td> <td>399</td> <td>3\"/> <tr> <td>3994</td> <td>ETR</td> <td>-</td> <td>WD.</td> <td>J2</td> <td>PTD.</td> <td>-</td> <td>3991</td> <td>3\"/> <tr> <td>3995</td> <td>ETR</td> <td>-</td> <td>WD.</td> <td>J2</td> <td>PTD.</td> <td>-</td> <td>3992</td> <td>3\"/> <tr> <td>3997</td> <td>ETR</td> <td>-</td> <td>WD.</td> <td>J2</td> <td>PTD.</td> <td>-</td> <td>3993</td> <td>3\"/> <tr> <td>3998</td> <td>ETR</td> <td>-</td> <td>WD.</td> <td>J2</td> <td>PTD.</td> <td>-</td> <td>3994</td> <td>3\"/> <tr> <td>3999</td> <td>ETR</td> <td>-</td> <td>WD.</td> <td>J2</td> <td>PTD.</td> <td>-</td> <td>3995</td> <td>3\"/> <tr> <td>3999</td> <td>ETR</td> <td>-</td> <td>WD.</td> <td>J2</td> <td>PTD.</td> <td>-</td> <td>3997</td> <td>3\"/> </td></tr></td></tr></td></tr></td></tr></td></tr></td></tr></td></tr></td></tr></td></tr></td></tr></td></tr></td></tr></td></tr></td></tr></td></tr></td></tr></td></tr></td></tr></td></tr></td></tr></td></tr></td></tr></td></td></tr></td></tr></td></td></tr></td></td></tr></td></td></tr></td></td></tr></td></td></tr></td></td></tr></td></td></tr></td></td></tr></td></tr></td></tr></td></tr></td></td></tr></td></tr></td></tr></td></tr></td></tr> | 368 | ETR | -
 | WD. | J2 | PTD. | - | 366 | 3\"/> <tr> <td>369</td> <td>ETR</td> <td>-</td> <td>WD.</td> <td>J2</td> <td>PTD.</td> <td>-</td> <td>367</td> <td>3\"/> <tr> <td>370</td> <td>ETR</td> <td>-</td> <td>WD.</td> <td>J2</td> <td>PTD.</td> <td>-</td> <td>368</td> <td>3\"/> <tr> <td>371</td> <td>ETR</td> <td>-</td> <td>WD.</td> <td>J2</td> <td>PTD.</td> <td>-</td> <td>369</td> <td>3\"/> <tr> <td>372</td> <td>B</td> <td>2 <td>HM</td> <td>J1</td> <td>PTD.</td> <td>1 HR.</td> <td>370</td> <td>3\"/> <tr> <td>373A</td> <td>ETR</td> <td>-</td> <td>WD.</td> <td>J2</td> <td>PTD.</td> <td>-</td> <td>371</td> <td>3\"/> <tr> <td>374B</td> <td>ETR</td> <td>-</td> <td>WD.</td> <td>J2</td> <td>PTD.</td> <td>-</td> <td>372</td> <td>3\"/> <tr> <td>374C</td> <td>ETR</td> <td>-</td> <td>WD.</td> <td>J2</td> <td>PTD.</td> <td>-</td> <td>373A</td> <td>3\"/> <tr> <td>375</td> <td>B</td> <td>1 <td>WD</td> <td>J1</td> <td>PTD.</td> <td>-</td> <td>374B</td> <td>3\"/> <tr> <td>376</td> <td>B</td> <td>1 <td>WD</td> <td>J1</td> <td>PTD.</td> <td>-</td> <td>374C</td> <td>3\"/> <tr> <td>377</td> <td>B</td> <td>1 <td>WD</td> <td>J1</td> <td>PTD.</td> <td>-</td> <td>375</td> <td>3\"/> <tr> <td>377A</td> <td>B</td> <td>1 <td>WD</td> <td>J1</td> <td>PTD.</td> <td>-</td> <td>376</td> <td>3\"/> <tr> <td>378</td> <td>B</td> <td>1 <td>WD</td> <td>J1</td> <td>PTD.</td> <td>-</td> <td>377</td> <td>3\"/> <tr> <td>379</td> <td>B</td> <td>1 <td>WD</td> <td>J1</td> <td>PTD.</td> <td>-</td> <td>377A</td> <td>3\"/> <tr> <td>380A</td> <td>B</td> <td>1 <td>WD</td> <td>J1</td> <td>PTD.</td> <td>-</td> <td>378</td> <td>3\"/> <tr> <td>380B</td> <td>B</td> <td>1 <td>WD</td> <td>J1</td> <td>PTD.</td> <td>-</td> <td>379</td> <td>3\"/> <tr> <td>382</td> <td>ETR</td> <td>-</td> <td>WD.</td> <td>J2</td> <td>PTD.</td> <td>-</td> <td>380A</td> <td>3\"/> <tr> <td>382A</td> <td>D</td> <td>6 <td>ALUM.</td> <td>ANODIZE D</td> <td>-</td> <td>-</td> <td>380B</td> <td>3\"/> <tr> <td>385</td> <td>ETR</td> <td>-</td> <td>WD.</td> <td>J2</td> <td>PTD.</td> <td>-</td> <td>382</td> <td>3\"/> <tr> <td>386</td> <td>ETR</td> <td>-</td> <td>WD.</td> <td>J2</td> <td>PTD.</td> <td>-</td> <td>382A</td> <td>3\"/> <tr> <td>387</td> <td>ETR</td> <td>-</td> <td>WD.</td> <td>J2</td> <td>PTD.</td> <td>-</td> <td>385</td> <td>3\"/> <tr> <td>388</td> <td>ETR</td> <td>-</td> <td>WD.</td> <td>J2</td> <td>PTD.</td> <td>-</td> <td>386</td> <td>3\"/> <tr> <td>389</td> <td>ETR</td> <td>-</td> <td>WD.</td> <td>J2</td> <td>PTD.</td> <td>-</td> <td>387</td> <td>3\"/> <tr> <td>391</td> <td>ETR</td> <td>-</td> <td>WD.</td> <td>J2</td> <td>PTD.</td> <td>-</td> <td>388</td> <td>3\"/> <tr> <td>391A</td> <td>ETR</td> <td>-</td> <td>WD.</td> <td>J2</td> <td>PTD.</td> <td>-</td> <td>389</td> <td>3\"/> <tr> <td>391B</td> <td>ETR</td> <td>-</td> <td>WD.</td> <td>J2</td> <td>PTD.</td> <td>-</td> <td>391</td> <td>3\"/> <tr> <td>394</td> <td>ETR</td> <td>-</td> <td>WD.</td> <td>J2</td> <td>PTD.</td> <td>-</td> <td>391A</td> <td>3\"/> <tr> <td>395</td> <td>ETR</td> <td>-</td> <td>WD.</td> <td>J2</td> <td>PTD.</td> <td>-</td> <td>391B</td> <td>3\"/> <tr> <td>396</td> <td>ETR</td> <td>-</td> <td>WD.</td> <td>J2</td> <td>PTD.</td> <td>-</td> <td>394</td> <td>3\"/> <tr> <td>398</td> <td>ETR</td> <td>-</td> <td>WD.</td> <td>J2</td> <td>PTD.</td> <td>-</td> <td>395</td> <td>3\"/> <tr> <td>399</td> <td>ETR</td> <td>-</td> <td>WD.</td> <td>J2</td> <td>PTD.</td> <td>-</td> <td>396</td> <td>3\"/> <tr> <td>3991</td> <td>ETR</td> <td>-</td> <td>WD.</td> <td>J2</td> <td>PTD.</td> <td>-</td> <td>398</td> <td>3\"/> <tr> <td>3992</td> <td>A</td> <td>3\"/> <tr> <td>3993</td> <td>ETR</td> <td>-</td> <td>WD.</td> <td>J2</td> <td>PTD.</td> <td>-</td> <td>399</td> <td>3\"/> <tr> <td>3994</td> <td>ETR</td> <td>-</td> <td>WD.</td> <td>J2</td> <td>PTD.</td> <td>-</td> <td>3991</td> <td>3\"/> <tr> <td>3995</td> <td>ETR</td> <td>-</td> <td>WD.</td> <td>J2</td> <td>PTD.</td> <td>-</td> <td>3992</td> <td>3\"/> <tr> <td>3997</td> <td>ETR</td> <td>-</td> <td>WD.</td> <td>J2</td> <td>PTD.</td> <td>-</td> <td>3993</td> <td>3\"/> <tr> <td>3998</td> <td>ETR</td> <td>-</td> <td>WD.</td> <td>J2</td> <td>PTD.</td> <td>-</td> <td>3994</td> <td>3\"/> <tr> <td>3999</td> <td>ETR</td> <td>-</td> <td>WD.</td> <td>J2</td> <td>PTD.</td> <td>-</td> <td>3995</td> <td>3\"/> <tr> <td>3999</td> <td>ETR</td> <td>-</td> <td>WD.</td> <td>J2</td> <td>PTD.</td> <td>-</td> <td>3997</td> <td>3\"/> </td></tr></td></tr></td></tr></td></tr></td></tr></td></tr></td></tr></td></tr></td></tr></td></tr></td></tr></td></tr></td></tr></td></tr></td></tr></td></tr></td></tr></td></tr></td></tr></td></tr></td></tr></td></tr></td></td></tr></td></tr></td></td></tr></td></td></tr></td></td></tr></td></td></tr></td></td></tr></td></td></tr></td></td></tr></td></td></tr></td></tr></td></tr></td></tr></td></td></tr></td></tr></td></tr></td></tr>
 | 369 | ETR | - | WD. | J2 | PTD. | - | 367 | 3\"/> <tr> <td>370</td> <td>ETR</td> <td>-</td> <td>WD.</td> <td>J2</td> <td>PTD.</td> <td>-</td> <td>368</td> <td>3\"/> <tr> <td>371</td> <td>ETR</td> <td>-</td> <td>WD.</td> <td>J2</td> <td>PTD.</td> <td>-</td> <td>369</td> <td>3\"/> <tr> <td>372</td> <td>B</td> <td>2 <td>HM</td> <td>J1</td> <td>PTD.</td> <td>1 HR.</td> <td>370</td> <td>3\"/> <tr> <td>373A</td> <td>ETR</td> <td>-</td> <td>WD.</td> <td>J2</td> <td>PTD.</td> <td>-</td> <td>371</td> <td>3\"/> <tr> <td>374B</td> <td>ETR</td> <td>-</td> <td>WD.</td> <td>J2</td> <td>PTD.</td> <td>-</td> <td>372</td> <td>3\"/> <tr> <td>374C</td> <td>ETR</td> <td>-</td> <td>WD.</td> <td>J2</td> <td>PTD.</td> <td>-</td> <td>373A</td> <td>3\"/> <tr> <td>375</td> <td>B</td> <td>1 <td>WD</td> <td>J1</td> <td>PTD.</td> <td>-</td> <td>374B</td> <td>3\"/> <tr> <td>376</td> <td>B</td> <td>1 <td>WD</td> <td>J1</td> <td>PTD.</td> <td>-</td> <td>374C</td> <td>3\"/> <tr> <td>377</td> <td>B</td> <td>1 <td>WD</td> <td>J1</td> <td>PTD.</td> <td>-</td> <td>375</td> <td>3\"/> <tr> <td>377A</td> <td>B</td> <td>1 <td>WD</td> <td>J1</td> <td>PTD.</td> <td>-</td> <td>376</td> <td>3\"/> <tr> <td>378</td> <td>B</td> <td>1 <td>WD</td> <td>J1</td> <td>PTD.</td> <td>-</td> <td>377</td> <td>3\"/> <tr> <td>379</td> <td>B</td> <td>1 <td>WD</td> <td>J1</td> <td>PTD.</td> <td>-</td> <td>377A</td> <td>3\"/> <tr> <td>380A</td> <td>B</td> <td>1 <td>WD</td> <td>J1</td> <td>PTD.</td> <td>-</td> <td>378</td> <td>3\"/> <tr> <td>380B</td> <td>B</td> <td>1 <td>WD</td> <td>J1</td> <td>PTD.</td> <td>-</td> <td>379</td> <td>3\"/> <tr> <td>382</td> <td>ETR</td> <td>-</td> <td>WD.</td> <td>J2</td> <td>PTD.</td> <td>-</td> <td>380A</td> <td>3\"/> <tr> <td>382A</td> <td>D</td> <td>6 <td>ALUM.</td> <td>ANODIZE D</td> <td>-</td> <td>-</td> <td>380B</td> <td>3\"/> <tr> <td>385</td> <td>ETR</td> <td>-</td> <td>WD.</td> <td>J2</td> <td>PTD.</td> <td>-</td> <td>382</td> <td>3\"/> <tr> <td>386</td> <td>ETR</td> <td>-</td> <td>WD.</td> <td>J2</td> <td>PTD.</td> <td>-</td> <td>382A</td> <td>3\"/> <tr> <td>387</td> <td>ETR</td> <td>-</td> <td>WD.</td> <td>J2</td> <td>PTD.</td> <td>-</td> <td>385</td> <td>3\"/> <tr> <td>388</td> <td>ETR</td> <td>-</td> <td>WD.</td> <td>J2</td> <td>PTD.</td> <td>-</td> <td>386</td> <td>3\"/> <tr> <td>389</td> <td>ETR</td> <td>-</td> <td>WD.</td> <td>J2</td> <td>PTD.</td> <td>-</td> <td>387</td> <td>3\"/> <tr> <td>391</td> <td>ETR</td> <td>-</td> <td>WD.</td> <td>J2</td> <td>PTD.</td> <td>-</td> <td>388</td> <td>3\"/> <tr> <td>391A</td> <td>ETR</td> <td>-</td> <td>WD.</td> <td>J2</td> <td>PTD.</td> <td>-</td> <td>389</td> <td>3\"/> <tr> <td>391B</td> <td>ETR</td> <td>-</td> <td>WD.</td> <td>J2</td> <td>PTD.</td> <td>-</td> <td>391</td> <td>3\"/> <tr> <td>394</td> <td>ETR</td> <td>-</td>
<td>WD.</td> <td>J2</td> <td>PTD.</td> <td>-</td> <td>391A</td> <td>3\"/> <tr> <td>395</td> <td>ETR</td> <td>-</td> <td>WD.</td> <td>J2</td> <td>PTD.</td> <td>-</td> <td>391B</td> <td>3\"/> <tr> <td>396</td> <td>ETR</td> <td>-</td> <td>WD.</td> <td>J2</td> <td>PTD.</td> <td>-</td> <td>394</td> <td>3\"/> <tr> <td>398</td> <td>ETR</td> <td>-</td> <td>WD.</td> <td>J2</td> <td>PTD.</td> <td>-</td> <td>395</td> <td>3\"/> <tr> <td>399</td> <td>ETR</td> <td>-</td> <td>WD.</td> <td>J2</td> <td>PTD.</td> <td>-</td> <td>396</td> <td>3\"/> <tr> <td>3991</td> <td>ETR</td> <td>-</td> <td>WD.</td> <td>J2</td> <td>PTD.</td> <td>-</td> <td>398</td> <td>3\"/> <tr> <td>3992</td> <td>A</td> <td>3\"/> <tr> <td>3993</td> <td>ETR</td> <td>-</td> <td>WD.</td> <td>J2</td> <td>PTD.</td> <td>-</td> <td>399</td> <td>3\"/> <tr> <td>3994</td> <td>ETR</td> <td>-</td> <td>WD.</td> <td>J2</td> <td>PTD.</td> <td>-</td> <td>3991</td> <td>3\"/> <tr> <td>3995</td> <td>ETR</td> <td>-</td> <td>WD.</td> <td>J2</td> <td>PTD.</td> <td>-</td> <td>3992</td> <td>3\"/> <tr> <td>3997</td> <td>ETR</td> <td>-</td> <td>WD.</td> <td>J2</td> <td>PTD.</td> <td>-</td> <td>3993</td> <td>3\"/> <tr> <td>3998</td> <td>ETR</td> <td>-</td> <td>WD.</td> <td>J2</td> <td>PTD.</td> <td>-</td> <td>3994</td> <td>3\"/> <tr> <td>3999</td> <td>ETR</td> <td>-</td> <td>WD.</td> <td>J2</td> <td>PTD.</td> <td>-</td> <td>3995</td> <td>3\"/> <tr> <td>3999</td> <td>ETR</td> <td>-</td> <td>WD.</td> <td>J2</td> <td>PTD.</td> <td>-</td> <td>3997</td> <td>3\"/> </td></tr></td></tr></td></tr></td></tr></td></tr></td></tr></td></tr></td></tr></td></tr></td></tr></td></tr></td></tr></td></tr></td></tr></td></tr></td></tr></td></tr></td></tr></td></tr></td></tr></td></tr></td></tr></td></td></tr></td></tr></td></td></tr></td></td></tr></td></td></tr></td></td></tr></td></td></tr></td></td></tr></td></td></tr></td></td></tr></td></tr></td></tr></td></tr></td></td></tr></td></tr></td></tr> | 370 | ETR | - | WD. | J2 | PTD. | -
 | 368 | 3\"/> <tr> <td>371</td> <td>ETR</td> <td>-</td> <td>WD.</td> <td>J2</td> <td>PTD.</td> <td>-</td> <td>369</td> <td>3\"/> <tr> <td>372</td> <td>B</td> <td>2 <td>HM</td> <td>J1</td> <td>PTD.</td> <td>1 HR.</td> <td>370</td> <td>3\"/> <tr> <td>373A</td> <td>ETR</td> <td>-</td> <td>WD.</td> <td>J2</td> <td>PTD.</td> <td>-</td> <td>371</td> <td>3\"/> <tr> <td>374B</td> <td>ETR</td> <td>-</td> <td>WD.</td> <td>J2</td> <td>PTD.</td> <td>-</td> <td>372</td> <td>3\"/> <tr> <td>374C</td> <td>ETR</td> <td>-</td> <td>WD.</td> <td>J2</td> <td>PTD.</td> <td>-</td> <td>373A</td> <td>3\"/> <tr> <td>375</td> <td>B</td> <td>1 <td>WD</td> <td>J1</td> <td>PTD.</td> <td>-</td> <td>374B</td> <td>3\"/> <tr> <td>376</td> <td>B</td> <td>1 <td>WD</td> <td>J1</td> <td>PTD.</td> <td>-</td> <td>374C</td> <td>3\"/> <tr> <td>377</td> <td>B</td> <td>1 <td>WD</td> <td>J1</td> <td>PTD.</td> <td>-</td> <td>375</td> <td>3\"/> <tr> <td>377A</td> <td>B</td> <td>1 <td>WD</td> <td>J1</td> <td>PTD.</td> <td>-</td> <td>376</td> <td>3\"/> <tr> <td>378</td> <td>B</td> <td>1 <td>WD</td> <td>J1</td> <td>PTD.</td> <td>-</td> <td>377</td> <td>3\"/> <tr> <td>379</td> <td>B</td> <td>1 <td>WD</td> <td>J1</td> <td>PTD.</td> <td>-</td> <td>377A</td> <td>3\"/> <tr> <td>380A</td> <td>B</td> <td>1 <td>WD</td> <td>J1</td> <td>PTD.</td> <td>-</td> <td>378</td> <td>3\"/> <tr> <td>380B</td> <td>B</td> <td>1 <td>WD</td> <td>J1</td> <td>PTD.</td> <td>-</td> <td>379</td> <td>3\"/> <tr> <td>382</td> <td>ETR</td> <td>-</td> <td>WD.</td> <td>J2</td> <td>PTD.</td> <td>-</td> <td>380A</td> <td>3\"/> <tr> <td>382A</td> <td>D</td> <td>6 <td>ALUM.</td> <td>ANODIZE D</td> <td>-</td> <td>-</td> <td>380B</td> <td>3\"/> <tr> <td>385</td> <td>ETR</td> <td>-</td> <td>WD.</td> <td>J2</td> <td>PTD.</td> <td>-</td> <td>382</td> <td>3\"/> <tr> <td>386</td> <td>ETR</td> <td>-</td> <td>WD.</td> <td>J2</td> <td>PTD.</td> <td>-</td> <td>382A</td> <td>3\"/> <tr> <td>387</td> <td>ETR</td> <td>-</td> <td>WD.</td> <td>J2</td> <td>PTD.</td> <td>-</td> <td>385</td> <td>3\"/> <tr> <td>388</td> <td>ETR</td> <td>-</td> <td>WD.</td> <td>J2</td> <td>PTD.</td> <td>-</td> <td>386</td> <td>3\"/> <tr> <td>389</td> <td>ETR</td> <td>-</td> <td>WD.</td> <td>J2</td> <td>PTD.</td> <td>-</td> <td>387</td> <td>3\"/> <tr> <td>391</td> <td>ETR</td> <td>-</td> <td>WD.</td> <td>J2</td> <td>PTD.</td> <td>-</td> <td>388</td> <td>3\"/> <tr> <td>391A</td> <td>ETR</td> <td>-</td> <td>WD.</td> <td>J2</td> <td>PTD.</td> <td>-</td> <td>389</td> <td>3\"/> <tr> <td>391B</td> <td>ETR</td> <td>-</td> <td>WD.</td> <td>J2</td> <td>PTD.</td> <td>-</td> <td>391</td> <td>3\"/> <tr> <td>394</td> <td>ETR</td> <td>-</td> <td>WD.</td> <td>J2</td> <td>PTD.</td> <td>-</td> <td>391A</td> <td>3\"/> <tr> <td>395</td> <td>ETR</td> <td>-</td> <td>WD.</td> <td>J2</td> <td>PTD.</td> <td>-</td> <td>391B</td> <td>3\"/> <tr> <td>396</td> <td>ETR</td> <td>-</td> <td>WD.</td> <td>J2</td> <td>PTD.</td> <td>-</td> <td>394</td> <td>3\"/> <tr> <td>398</td> <td>ETR</td> <td>-</td> <td>WD.</td> <td>J2</td> <td>PTD.</td> <td>-</td> <td>395</td> <td>3\"/> <tr> <td>399</td> <td>ETR</td> <td>-</td> <td>WD.</td> <td>J2</td> <td>PTD.</td> <td>-</td> <td>396</td> <td>3\"/> <tr> <td>3991</td> <td>ETR</td> <td>-</td> <td>WD.</td> <td>J2</td> <td>PTD.</td> <td>-</td> <td>398</td> <td>3\"/> <tr> <td>3992</td> <td>A</td> <td>3\"/> <tr> <td>3993</td> <td>ETR</td> <td>-</td> <td>WD.</td> <td>J2</td> <td>PTD.</td> <td>-</td> <td>399</td> <td>3\"/> <tr> <td>3994</td> <td>ETR</td> <td>-</td> <td>WD.</td> <td>J2</td> <td>PTD.</td> <td>-</td> <td>3991</td> <td>3\"/> <tr> <td>3995</td> <td>ETR</td> <td>-</td> <td>WD.</td> <td>J2</td> <td>PTD.</td> <td>-</td> <td>3992</td> <td>3\"/> <tr> <td>3997</td> <td>ETR</td> <td>-</td> <td>WD.</td> <td>J2</td> <td>PTD.</td> <td>-</td> <td>3993</td> <td>3\"/> <tr> <td>3998</td> <td>ETR</td> <td>-</td> <td>WD.</td> <td>J2</td> <td>PTD.</td> <td>-</td> <td>3994</td> <td>3\"/> <tr> <td>3999</td> <td>ETR</td> <td>-</td> <td>WD.</td> <td>J2</td> <td>PTD.</td> <td>-</td> <td>3995</td> <td>3\"/> <tr> <td>3999</td> <td>ETR</td> <td>-</td> <td>WD.</td> <td>J2</td> <td>PTD.</td> <td>-</td> <td>3997</td> <td>3\"/> </td></tr></td></tr></td></tr></td></tr></td></tr></td></tr></td></tr></td></tr></td></tr></td></tr></td></tr></td></tr></td></tr></td></tr></td></tr></td></tr></td></tr></td></tr></td></tr></td></tr></td></tr></td></tr></td></td></tr></td></tr></td></td></tr></td></td></tr></td></td></tr></td></td></tr></td></td></tr></td></td></tr></td></td></tr></td></td></tr></td></tr></td></tr></td></tr></td></td></tr></td></tr> | 371 | ETR | -
 | WD. | J2 | PTD. | - | 369 | 3\"/> <tr> <td>372</td> <td>B</td> <td>2 <td>HM</td> <td>J1</td> <td>PTD.</td> <td>1 HR.</td> <td>370</td> <td>3\"/> <tr> <td>373A</td> <td>ETR</td> <td>-</td> <td>WD.</td> <td>J2</td> <td>PTD.</td> <td>-</td> <td>371</td> <td>3\"/> <tr> <td>374B</td> <td>ETR</td> <td>-</td> <td>WD.</td> <td>J2</td> <td>PTD.</td> <td>-</td> <td>372</td> <td>3\"/> <tr> <td>374C</td> <td>ETR</td> <td>-</td> <td>WD.</td> <td>J2</td> <td>PTD.</td> <td>-</td> <td>373A</td> <td>3\"/> <tr> <td>375</td> <td>B</td> <td>1 <td>WD</td> <td>J1</td> <td>PTD.</td> <td>-</td> <td>374B</td> <td>3\"/> <tr> <td>376</td> <td>B</td> <td>1 <td>WD</td> <td>J1</td> <td>PTD.</td> <td>-</td> <td>374C</td> <td>3\"/> <tr> <td>377</td> <td>B</td> <td>1 <td>WD</td> <td>J1</td> <td>PTD.</td> <td>-</td> <td>375</td> <td>3\"/> <tr> <td>377A</td> <td>B</td> <td>1 <td>WD</td> <td>J1</td> <td>PTD.</td> <td>-</td> <td>376</td> <td>3\"/> <tr> <td>378</td> <td>B</td> <td>1 <td>WD</td> <td>J1</td> <td>PTD.</td> <td>-</td> <td>377</td> <td>3\"/> <tr> <td>379</td> <td>B</td> <td>1 <td>WD</td> <td>J1</td> <td>PTD.</td> <td>-</td> <td>377A</td> <td>3\"/> <tr> <td>380A</td> <td>B</td> <td>1 <td>WD</td> <td>J1</td> <td>PTD.</td> <td>-</td> <td>378</td> <td>3\"/> <tr> <td>380B</td> <td>B</td> <td>1 <td>WD</td> <td>J1</td> <td>PTD.</td> <td>-</td> <td>379</td> <td>3\"/> <tr> <td>382</td> <td>ETR</td> <td>-</td> <td>WD.</td> <td>J2</td> <td>PTD.</td> <td>-</td> <td>380A</td> <td>3\"/> <tr> <td>382A</td> <td>D</td> <td>6 <td>ALUM.</td> <td>ANODIZE D</td> <td>-</td> <td>-</td> <td>380B</td> <td>3\"/> <tr> <td>385</td> <td>ETR</td> <td>-</td> <td>WD.</td> <td>J2</td> <td>PTD.</td> <td>-</td> <td>382</td> <td>3\"/> <tr> <td>386</td> <td>ETR</td> <td>-</td> <td>WD.</td> <td>J2</td> <td>PTD.</td> <td>-</td> <td>382A</td> <td>3\"/> <tr> <td>387</td> <td>ETR</td> <td>-</td> <td>WD.</td> <td>J2</td> <td>PTD.</td> <td>-</td> <td>385</td> <td>3\"/> <tr> <td>388</td> <td>ETR</td> <td>-</td> <td>WD.</td> <td>J2</td> <td>PTD.</td> <td>-</td> <td>386</td> <td>3\"/> <tr> <td>389</td> <td>ETR</td> <td>-</td> <td>WD.</td> <td>J2</td> <td>PTD.</td> <td>-</td> <td>387</td> <td>3\"/> <tr> <td>391</td> <td>ETR</td> <td>-</td> <td>WD.</td> <td>J2</td> <td>PTD.</td> <td>-</td> <td>388</td> <td>3\"/> <tr> <td>391A</td> <td>ETR</td> <td>-</td> <td>WD.</td> <td>J2</td> <td>PTD.</td> <td>-</td> <td>389</td> <td>3\"/> <tr> <td>391B</td> <td>ETR</td> <td>-</td> <td>WD.</td> <td>J2</td> <td>PTD.</td> <td>-</td> <td>391</td> <td>3\"/> <tr> <td>394</td> <td>ETR</td> <td>-</td> <td>WD.</td> <td>J2</td> <td>PTD.</td> <td>-</td> <td>391A</td> <td>3\"/> <tr> <td>395</td> <td>ETR</td> <td>-</td> <td>WD.</td> <td>J2</td> <td>PTD.</td> <td>-</td> <td>391B</td> <td>3\"/> <tr> <td>396</td> <td>ETR</td> <td>-</td> <td>WD.</td> <td>J2</td> <td>PTD.</td> <td>-</td> <td>394</td> <td>3\"/> <tr> <td>398</td> <td>ETR</td> <td>-</td> <td>WD.</td> <td>J2</td> <td>PTD.</td> <td>-</td> <td>395</td> <td>3\"/> <tr> <td>399</td> <td>ETR</td> <td>-</td> <td>WD.</td> <td>J2</td> <td>PTD.</td> <td>-</td> <td>396</td> <td>3\"/> <tr> <td>3991</td> <td>ETR</td> <td>-</td> <td>WD.</td> <td>J2</td> <td>PTD.</td> <td>-</td> <td>398</td> <td>3\"/> <tr> <td>3992</td> <td>A</td> <td>3\"/> <tr> <td>3993</td> <td>ETR</td> <td>-</td> <td>WD.</td> <td>J2</td> <td>PTD.</td> <td>-</td> <td>399</td> <td>3\"/> <tr> <td>3994</td> <td>ETR</td> <td>-</td> <td>WD.</td> <td>J2</td> <td>PTD.</td> <td>-</td> <td>3991</td> <td>3\"/> <tr> <td>3995</td> <td>ETR</td> <td>-</td> <td>WD.</td> <td>J2</td> <td>PTD.</td> <td>-</td> <td>3992</td> <td>3\"/> <tr> <td>3997</td> <td>ETR</td> <td>-</td> <td>WD.</td> <td>J2</td> <td>PTD.</td> <td>-</td> <td>3993</td> <td>3\"/> <tr> <td>3998</td> <td>ETR</td> <td>-</td> <td>WD.</td> <td>J2</td> <td>PTD.</td> <td>-</td> <td>3994</td> <td>3\"/> <tr> <td>3999</td> <td>ETR</td> <td>-</td> <td>WD.</td> <td>J2</td> <td>PTD.</td> <td>-</td> <td>3995</td> <td>3\"/> <tr> <td>3999</td> <td>ETR</td> <td>-</td> <td>WD.</td> <td>J2</td> <td>PTD.</td> <td>-</td> <td>3997</td> <td>3\"/> </td></tr></td></tr></td></tr></td></tr></td></tr></td></tr></td></tr></td></tr></td></tr></td></tr></td></tr></td></tr></td></tr></td></tr></td></tr></td></tr></td></tr></td></tr></td></tr></td></tr></td></tr></td></tr></td></td></tr></td></tr></td></td></tr></td></td></tr></td></td></tr></td></td></tr></td></td></tr></td></td></tr></td></td></tr></td></td></tr></td></tr></td></tr></td></tr></td></td></tr> | 372 | B | 2 <td>HM</td> <td>J1</td> <td>PTD.</td> <td>1 HR.</td> <td>370</td> <td>3\"/> <tr> <td>373A</td> <td>ETR</td> <td>-</td> <td>WD.</td> <td>J2</td> <td>PTD.</td> <td>-</td> <td>371</td> <td>3\"/> <tr> <td>374B</td> <td>ETR</td> <td>-</td> <td>WD.</td> <td>J2</td> <td>PTD.</td> <td>-</td> <td>372</td> <td>3\"/> <tr> <td>374C</td> <td>ETR</td> <td>-</td> <td>WD.</td> <td>J2</td> <td>PTD.</td> <td>-</td> <td>373A</td> <td>3\"/> <tr> <td>375</td> <td>B</td> <td>1 <td>WD</td> <td>J1</td> <td>PTD.</td> <td>-</td> <td>374B</td> <td>3\"/> <tr> <td>376</td> <td>B</td> <td>1 <td>WD</td> <td>J1</td> <td>PTD.</td> <td>-</td> <td>374C</td> <td>3\"/> <tr> <td>377</td> <td>B</td> <td>1 <td>WD</td> <td>J1</td> <td>PTD.</td> <td>-</td> <td>375</td> <td>3\"/> <tr> <td>377A</td> <td>B</td> <td>1 <td>WD</td> <td>J1</td> <td>PTD.</td> <td>-</td> <td>376</td> <td>3\"/> <tr> <td>378</td> <td>B</td> <td>1 <td>WD</td> <td>J1</td> <td>PTD.</td> <td>-</td> <td>377</td> <td>3\"/> <tr> <td>379</td> <td>B</td> <td>1 <td>WD</td> <td>J1</td> <td>PTD.</td> <td>-</td> <td>377A</td> <td>3\"/> <tr> <td>380A</td> <td>B</td> <td>1 <td>WD</td> <td>J1</td> <td>PTD.</td> <td>-</td> <td>378</td> <td>3\"/>
<tr> <td>380B</td> <td>B</td> <td>1 <td>WD</td> <td>J1</td> <td>PTD.</td> <td>-</td> <td>379</td> <td>3\"/> <tr> <td>382</td> <td>ETR</td> <td>-</td> <td>WD.</td> <td>J2</td> <td>PTD.</td> <td>-</td> <td>380A</td> <td>3\"/> <tr> <td>382A</td> <td>D</td> <td>6 <td>ALUM.</td> <td>ANODIZE D</td> <td>-</td> <td>-</td> <td>380B</td> <td>3\"/> <tr> <td>385</td> <td>ETR</td> <td>-</td> <td>WD.</td> <td>J2</td> <td>PTD.</td> <td>-</td> <td>382</td> <td>3\"/> <tr> <td>386</td> <td>ETR</td> <td>-</td> <td>WD.</td> <td>J2</td> <td>PTD.</td> <td>-</td> <td>382A</td> <td>3\"/> <tr> <td>387</td> <td>ETR</td> <td>-</td> <td>WD.</td> <td>J2</td> <td>PTD.</td> <td>-</td> <td>385</td> <td>3\"/> <tr> <td>388</td> <td>ETR</td> <td>-</td> <td>WD.</td> <td>J2</td> <td>PTD.</td> <td>-</td> <td>386</td> <td>3\"/> <tr> <td>389</td> <td>ETR</td> <td>-</td> <td>WD.</td> <td>J2</td> <td>PTD.</td> <td>-</td> <td>387</td> <td>3\"/> <tr> <td>391</td> <td>ETR</td> <td>-</td> <td>WD.</td> <td>J2</td> <td>PTD.</td> <td>-</td> <td>388</td> <td>3\"/> <tr> <td>391A</td> <td>ETR</td> <td>-</td> <td>WD.</td> <td>J2</td> <td>PTD.</td> <td>-</td> <td>389</td> <td>3\"/> <tr> <td>391B</td> <td>ETR</td> <td>-</td> <td>WD.</td> <td>J2</td> <td>PTD.</td> <td>-</td> <td>391</td> <td>3\"/> <tr> <td>394</td> <td>ETR</td> <td>-</td> <td>WD.</td> <td>J2</td> <td>PTD.</td> <td>-</td> <td>391A</td> <td>3\"/> <tr> <td>395</td> <td>ETR</td> <td>-</td> <td>WD.</td> <td>J2</td> <td>PTD.</td> <td>-</td> <td>391B</td> <td>3\"/> <tr> <td>396</td> <td>ETR</td> <td>-</td> <td>WD.</td> <td>J2</td> <td>PTD.</td> <td>-</td> <td>394</td> <td>3\"/> <tr> <td>398</td> <td>ETR</td> <td>-</td> <td>WD.</td> <td>J2</td> <td>PTD.</td> <td>-</td> <td>395</td> <td>3\"/> <tr> <td>399</td> <td>ETR</td> <td>-</td> <td>WD.</td> <td>J2</td> <td>PTD.</td> <td>-</td> <td>396</td> <td>3\"/> <tr> <td>3991</td> <td>ETR</td> <td>-</td> <td>WD.</td> <td>J2</td> <td>PTD.</td> <td>-</td> <td>398</td> <td>3\"/> <tr> <td>3992</td> <td>A</td> <td>3\"/> <tr> <td>3993</td> <td>ETR</td> <td>-</td> <td>WD.</td> <td>J2</td> <td>PTD.</td> <td>-</td> <td>399</td> <td>3\"/> <tr> <td>3994</td> <td>ETR</td> <td>-</td> <td>WD.</td> <td>J2</td> <td>PTD.</td> <td>-</td> <td>3991</td> <td>3\"/> <tr> <td>3995</td> <td>ETR</td> <td>-</td> <td>WD.</td> <td>J2</td> <td>PTD.</td> <td>-</td> <td>3992</td> <td>3\"/> <tr> <td>3997</td> <td>ETR</td> <td>-</td> <td>WD.</td> <td>J2</td> <td>PTD.</td> <td>-</td> <td>3993</td> <td>3\"/> <tr> <td>3998</td> <td>ETR</td> <td>-</td> <td>WD.</td> <td>J2</td> <td>PTD.</td> <td>-</td> <td>3994</td> <td>3\"/> <tr> <td>3999</td> <td>ETR</td> <td>-</td> <td>WD.</td> <td>J2</td> <td>PTD.</td> <td>-</td> <td>3995</td> <td>3\"/> <tr> <td>3999</td> <td>ETR</td> <td>-</td> <td>WD.</td> <td>J2</td> <td>PTD.</td> <td>-</td> <td>3997</td> <td>3\"/> </td></tr></td></tr></td></tr></td></tr></td></tr></td></tr></td></tr></td></tr></td></tr></td></tr></td></tr></td></tr></td></tr></td></tr></td></tr></td></tr></td></tr></td></tr></td></tr></td></tr></td></tr></td></tr></td></td></tr></td></tr></td></td></tr></td></td></tr></td></td></tr></td></td></tr></td></td></tr></td></td></tr></td></td></tr></td></td></tr></td></tr></td></tr></td></tr></td> | HM | J1 | PTD. | 1 HR. | 370 | 3\"/> <tr> <td>373A</td> <td>ETR</td> <td>-</td> <td>WD.</td> <td>J2</td> <td>PTD.</td> <td>-</td> <td>371</td> <td>3\"/> <tr> <td>374B</td> <td>ETR</td> <td>-</td> <td>WD.</td> <td>J2</td> <td>PTD.</td> <td>-</td> <td>372</td> <td>3\"/> <tr> <td>374C</td> <td>ETR</td> <td>-</td> <td>WD.</td> <td>J2</td> <td>PTD.</td> <td>-</td> <td>373A</td> <td>3\"/> <tr> <td>375</td> <td>B</td> <td>1 <td>WD</td> <td>J1</td> <td>PTD.</td> <td>-</td> <td>374B</td> <td>3\"/> <tr> <td>376</td> <td>B</td> <td>1 <td>WD</td> <td>J1</td> <td>PTD.</td> <td>-</td> <td>374C</td> <td>3\"/> <tr> <td>377</td> <td>B</td> <td>1 <td>WD</td> <td>J1</td> <td>PTD.</td> <td>-</td> <td>375</td> <td>3\"/> <tr> <td>377A</td> <td>B</td> <td>1 <td>WD</td> <td>J1</td> <td>PTD.</td> <td>-</td> <td>376</td> <td>3\"/> <tr> <td>378</td> <td>B</td> <td>1 <td>WD</td> <td>J1</td> <td>PTD.</td> <td>-</td> <td>377</td> <td>3\"/> <tr> <td>379</td> <td>B</td> <td>1 <td>WD</td> <td>J1</td> <td>PTD.</td> <td>-</td> <td>377A</td> <td>3\"/> <tr> <td>380A</td> <td>B</td> <td>1 <td>WD</td> <td>J1</td> <td>PTD.</td> <td>-</td> <td>378</td> <td>3\"/> <tr> <td>380B</td> <td>B</td> <td>1 <td>WD</td> <td>J1</td> <td>PTD.</td> <td>-</td> <td>379</td> <td>3\"/> <tr> <td>382</td> <td>ETR</td> <td>-</td> <td>WD.</td> <td>J2</td> <td>PTD.</td> <td>-</td> <td>380A</td> <td>3\"/> <tr> <td>382A</td> <td>D</td> <td>6 <td>ALUM.</td> <td>ANODIZE D</td> <td>-</td> <td>-</td> <td>380B</td> <td>3\"/> <tr> <td>385</td> <td>ETR</td> <td>-</td> <td>WD.</td> <td>J2</td> <td>PTD.</td> <td>-</td> <td>382</td> <td>3\"/> <tr> <td>386</td> <td>ETR</td> <td>-</td> <td>WD.</td> <td>J2</td> <td>PTD.</td> <td>-</td> <td>382A</td> <td>3\"/> <tr> <td>387</td> <td>ETR</td> <td>-</td> <td>WD.</td> <td>J2</td> <td>PTD.</td> <td>-</td> <td>385</td> <td>3\"/> <tr> <td>388</td> <td>ETR</td> <td>-</td> <td>WD.</td> <td>J2</td> <td>PTD.</td> <td>-</td> <td>386</td> <td>3\"/> <tr> <td>389</td> <td>ETR</td> <td>-</td> <td>WD.</td> <td>J2</td> <td>PTD.</td> <td>-</td> <td>387</td> <td>3\"/> <tr> <td>391</td> <td>ETR</td> <td>-</td> <td>WD.</td> <td>J2</td> <td>PTD.</td> <td>-</td> <td>388</td> <td>3\"/> <tr> <td>391A</td> <td>ETR</td> <td>-</td> <td>WD.</td> <td>J2</td> <td>PTD.</td> <td>-</td> <td>389</td> <td>3\"/> <tr> <td>391B</td> <td>ETR</td> <td>-</td> <td>WD.</td> <td>J2</td> <td>PTD.</td> <td>-</td> <td>391</td> <td>3\"/> <tr> <td>394</td> <td>ETR</td> <td>-</td> <td>WD.</td> <td>J2</td> <td>PTD.</td> <td>-</td> <td>391A</td> <td>3\"/> <tr> <td>395</td> <td>ETR</td> <td>-</td> <td>WD.</td> <td>J2</td> <td>PTD.</td> <td>-</td> <td>391B</td> <td>3\"/> <tr> <td>396</td> <td>ETR</td> <td>-</td> <td>WD.</td> <td>J2</td> <td>PTD.</td> <td>-</td> <td>394</td> <td>3\"/> <tr> <td>398</td> <td>ETR</td> <td>-</td> <td>WD.</td> <td>J2</td> <td>PTD.</td> <td>-</td> <td>395</td> <td>3\"/> <tr> <td>399</td> <td>ETR</td> <td>-</td> <td>WD.</td> <td>J2</td> <td>PTD.</td> <td>-</td> <td>396</td> <td>3\"/> <tr> <td>3991</td> <td>ETR</td> <td>-</td> <td>WD.</td> <td>J2</td> <td>PTD.</td> <td>-</td> <td>398</td> <td>3\"/> <tr> <td>3992</td> <td>A</td> <td>3\"/> <tr> <td>3993</td> <td>ETR</td> <td>-</td> <td>WD.</td> <td>J2</td> <td>PTD.</td> <td>-</td> <td>399</td> <td>3\"/> <tr> <td>3994</td> <td>ETR</td> <td>-</td> <td>WD.</td> <td>J2</td> <td>PTD.</td> <td>-</td> <td>3991</td> <td>3\"/> <tr> <td>3995</td> <td>ETR</td> <td>-</td> <td>WD.</td> <td>J2</td> <td>PTD.</td> <td>-</td> <td>3992</td> <td>3\"/> <tr> <td>3997</td> <td>ETR</td> <td>-</td> <td>WD.</td> <td>J2</td> <td>PTD.</td> <td>-</td> <td>3993</td> <td>3\"/> <tr> <td>3998</td> <td>ETR</td> <td>-</td> <td>WD.</td> <td>J2</td> <td>PTD.</td> <td>-</td> <td>3994</td> <td>3\"/> <tr> <td>3999</td> <td>ETR</td> <td>-</td> <td>WD.</td> <td>J2</td> <td>PTD.</td> <td>-</td> <td>3995</td> <td>3\"/> <tr> <td>3999</td> <td>ETR</td> <td>-</td> <td>WD.</td> <td>J2</td> <td>PTD.</td> <td>-</td> <td>3997</td> <td>3\"/> </td></tr></td></tr></td></tr></td></tr></td></tr></td></tr></td></tr></td></tr></td></tr></td></tr></td></tr></td></tr></td></tr></td></tr></td></tr></td></tr></td></tr></td></tr></td></tr></td></tr></td></tr></td></tr></td></td></tr></td></tr></td></td></tr></td></td></tr></td></td></tr></td></td></tr></td></td></tr></td></td></tr></td></td></tr></td></td></tr></td></tr></td></tr></td></tr>
 | 373A | ETR | - | WD. | J2 | PTD. | - | 371 | 3\"/> <tr> <td>374B</td> <td>ETR</td> <td>-</td> <td>WD.</td> <td>J2</td> <td>PTD.</td> <td>-</td> <td>372</td> <td>3\"/> <tr> <td>374C</td> <td>ETR</td> <td>-</td> <td>WD.</td> <td>J2</td> <td>PTD.</td> <td>-</td> <td>373A</td> <td>3\"/> <tr> <td>375</td> <td>B</td> <td>1 <td>WD</td> <td>J1</td> <td>PTD.</td> <td>-</td> <td>374B</td> <td>3\"/> <tr> <td>376</td> <td>B</td> <td>1 <td>WD</td> <td>J1</td> <td>PTD.</td> <td>-</td> <td>374C</td> <td>3\"/> <tr> <td>377</td> <td>B</td> <td>1 <td>WD</td> <td>J1</td> <td>PTD.</td> <td>-</td> <td>375</td> <td>3\"/> <tr> <td>377A</td> <td>B</td> <td>1 <td>WD</td> <td>J1</td> <td>PTD.</td> <td>-</td> <td>376</td> <td>3\"/> <tr> <td>378</td> <td>B</td> <td>1 <td>WD</td> <td>J1</td> <td>PTD.</td> <td>-</td> <td>377</td> <td>3\"/> <tr> <td>379</td> <td>B</td> <td>1 <td>WD</td> <td>J1</td> <td>PTD.</td> <td>-</td> <td>377A</td> <td>3\"/> <tr> <td>380A</td> <td>B</td> <td>1 <td>WD</td> <td>J1</td> <td>PTD.</td> <td>-</td> <td>378</td> <td>3\"/> <tr> <td>380B</td> <td>B</td> <td>1 <td>WD</td> <td>J1</td> <td>PTD.</td> <td>-</td> <td>379</td> <td>3\"/> <tr> <td>382</td> <td>ETR</td> <td>-</td> <td>WD.</td> <td>J2</td> <td>PTD.</td> <td>-</td> <td>380A</td> <td>3\"/> <tr> <td>382A</td> <td>D</td> <td>6 <td>ALUM.</td> <td>ANODIZE D</td> <td>-</td> <td>-</td> <td>380B</td> <td>3\"/> <tr> <td>385</td> <td>ETR</td> <td>-</td> <td>WD.</td> <td>J2</td> <td>PTD.</td> <td>-</td> <td>382</td> <td>3\"/> <tr> <td>386</td> <td>ETR</td> <td>-</td> <td>WD.</td> <td>J2</td> <td>PTD.</td> <td>-</td> <td>382A</td> <td>3\"/> <tr> <td>387</td> <td>ETR</td> <td>-</td> <td>WD.</td> <td>J2</td> <td>PTD.</td> <td>-</td> <td>385</td> <td>3\"/> <tr> <td>388</td> <td>ETR</td> <td>-</td> <td>WD.</td> <td>J2</td> <td>PTD.</td> <td>-</td> <td>386</td> <td>3\"/> <tr> <td>389</td> <td>ETR</td> <td>-</td> <td>WD.</td> <td>J2</td> <td>PTD.</td> <td>-</td> <td>387</td> <td>3\"/> <tr> <td>391</td> <td>ETR</td> <td>-</td> <td>WD.</td> <td>J2</td> <td>PTD.</td> <td>-</td> <td>388</td> <td>3\"/> <tr> <td>391A</td> <td>ETR</td> <td>-</td> <td>WD.</td> <td>J2</td> <td>PTD.</td> <td>-</td> <td>389</td> <td>3\"/> <tr> <td>391B</td> <td>ETR</td> <td>-</td> <td>WD.</td> <td>J2</td> <td>PTD.</td> <td>-</td> <td>391</td> <td>3\"/> <tr> <td>394</td> <td>ETR</td> <td>-</td> <td>WD.</td> <td>J2</td> <td>PTD.</td> <td>-</td> <td>391A</td> <td>3\"/> <tr> <td>395</td> <td>ETR</td> <td>-</td> <td>WD.</td> <td>J2</td> <td>PTD.</td> <td>-</td> <td>391B</td> <td>3\"/> <tr> <td>396</td> <td>ETR</td> <td>-</td> <td>WD.</td> <td>J2</td> <td>PTD.</td> <td>-</td> <td>394</td> <td>3\"/> <tr> <td>398</td> <td>ETR</td> <td>-</td> <td>WD.</td> <td>J2</td> <td>PTD.</td> <td>-</td> <td>395</td> <td>3\"/> <tr> <td>399</td> <td>ETR</td> <td>-</td> <td>WD.</td> <td>J2</td> <td>PTD.</td> <td>-</td> <td>396</td> <td>3\"/> <tr>
<td>3991</td> <td>ETR</td> <td>-</td> <td>WD.</td> <td>J2</td> <td>PTD.</td> <td>-</td> <td>398</td> <td>3\"/> <tr> <td>3992</td> <td>A</td> <td>3\"/> <tr> <td>3993</td> <td>ETR</td> <td>-</td> <td>WD.</td> <td>J2</td> <td>PTD.</td> <td>-</td> <td>399</td> <td>3\"/> <tr> <td>3994</td> <td>ETR</td> <td>-</td> <td>WD.</td> <td>J2</td> <td>PTD.</td> <td>-</td> <td>3991</td> <td>3\"/> <tr> <td>3995</td> <td>ETR</td> <td>-</td> <td>WD.</td> <td>J2</td> <td>PTD.</td> <td>-</td> <td>3992</td> <td>3\"/> <tr> <td>3997</td> <td>ETR</td> <td>-</td> <td>WD.</td> <td>J2</td> <td>PTD.</td> <td>-</td> <td>3993</td> <td>3\"/> <tr> <td>3998</td> <td>ETR</td> <td>-</td> <td>WD.</td> <td>J2</td> <td>PTD.</td> <td>-</td> <td>3994</td> <td>3\"/> <tr> <td>3999</td> <td>ETR</td> <td>-</td> <td>WD.</td> <td>J2</td> <td>PTD.</td> <td>-</td> <td>3995</td> <td>3\"/> <tr> <td>3999</td> <td>ETR</td> <td>-</td> <td>WD.</td> <td>J2</td> <td>PTD.</td> <td>-</td> <td>3997</td> <td>3\"/> </td></tr></td></tr></td></tr></td></tr></td></tr></td></tr></td></tr></td></tr></td></tr></td></tr></td></tr></td></tr></td></tr></td></tr></td></tr></td></tr></td></tr></td></tr></td></tr></td></tr></td></tr></td></tr></td></td></tr></td></tr></td></td></tr></td></td></tr></td></td></tr></td></td></tr></td></td></tr></td></td></tr></td></td></tr></td></td></tr></td></tr></td></tr> | 374B | ETR | - | WD. | J2 | PTD. | - | 372 | 3\"/> <tr> <td>374C</td> <td>ETR</td> <td>-</td> <td>WD.</td> <td>J2</td> <td>PTD.</td> <td>-</td> <td>373A</td> <td>3\"/> <tr> <td>375</td> <td>B</td> <td>1 <td>WD</td> <td>J1</td> <td>PTD.</td> <td>-</td> <td>374B</td> <td>3\"/> <tr> <td>376</td> <td>B</td> <td>1 <td>WD</td> <td>J1</td> <td>PTD.</td> <td>-</td> <td>374C</td> <td>3\"/> <tr> <td>377</td> <td>B</td> <td>1 <td>WD</td> <td>J1</td> <td>PTD.</td> <td>-</td> <td>375</td> <td>3\"/> <tr> <td>377A</td> <td>B</td> <td>1 <td>WD</td> <td>J1</td> <td>PTD.</td> <td>-</td> <td>376</td> <td>3\"/> <tr> <td>378</td> <td>B</td> <td>1 <td>WD</td> <td>J1</td> <td>PTD.</td> <td>-</td> <td>377</td> <td>3\"/> <tr> <td>379</td> <td>B</td> <td>1 <td>WD</td> <td>J1</td> <td>PTD.</td> <td>-</td> <td>377A</td> <td>3\"/> <tr> <td>380A</td> <td>B</td> <td>1 <td>WD</td> <td>J1</td> <td>PTD.</td> <td>-</td> <td>378</td> <td>3\"/> <tr> <td>380B</td> <td>B</td> <td>1 <td>WD</td> <td>J1</td> <td>PTD.</td> <td>-</td> <td>379</td> <td>3\"/> <tr> <td>382</td> <td>ETR</td> <td>-</td> <td>WD.</td> <td>J2</td> <td>PTD.</td>
<td>-</td> <td>380A</td> <td>3\"/> <tr> <td>382A</td> <td>D</td> <td>6 <td>ALUM.</td> <td>ANODIZE D</td> <td>-</td> <td>-</td> <td>380B</td> <td>3\"/> <tr> <td>385</td> <td>ETR</td> <td>-</td> <td>WD.</td> <td>J2</td> <td>PTD.</td> <td>-</td> <td>382</td> <td>3\"/> <tr> <td>386</td> <td>ETR</td> <td>-</td> <td>WD.</td> <td>J2</td> <td>PTD.</td> <td>-</td> <td>382A</td> <td>3\"/> <tr> <td>387</td> <td>ETR</td> <td>-</td> <td>WD.</td> <td>J2</td> <td>PTD.</td> <td>-</td> <td>385</td> <td>3\"/> <tr> <td>388</td> <td>ETR</td> <td>-</td> <td>WD.</td> <td>J2</td> <td>PTD.</td> <td>-</td> <td>386</td> <td>3\"/> <tr> <td>389</td> <td>ETR</td> <td>-</td> <td>WD.</td> <td>J2</td> <td>PTD.</td> <td>-</td> <td>387</td> <td>3\"/> <tr> <td>391</td> <td>ETR</td> <td>-</td> <td>WD.</td> <td>J2</td> <td>PTD.</td> <td>-</td> <td>388</td> <td>3\"/> <tr> <td>391A</td> <td>ETR</td> <td>-</td> <td>WD.</td> <td>J2</td> <td>PTD.</td> <td>-</td> <td>389</td> <td>3\"/> <tr> <td>391B</td> <td>ETR</td> <td>-</td> <td>WD.</td> <td>J2</td> <td>PTD.</td> <td>-</td> <td>391</td> <td>3\"/> <tr> <td>394</td> <td>ETR</td> <td>-</td> <td>WD.</td> <td>J2</td> <td>PTD.</td> <td>-</td> <td>391A</td> <td>3\"/> <tr> <td>395</td> <td>ETR</td> <td>-</td> <td>WD.</td> <td>J2</td> <td>PTD.</td> <td>-</td> <td>391B</td> <td>3\"/> <tr> <td>396</td> <td>ETR</td> <td>-</td> <td>WD.</td> <td>J2</td> <td>PTD.</td> <td>-</td> <td>394</td> <td>3\"/> <tr> <td>398</td> <td>ETR</td> <td>-</td> <td>WD.</td> <td>J2</td> <td>PTD.</td> <td>-</td> <td>395</td> <td>3\"/> <tr> <td>399</td> <td>ETR</td> <td>-</td> <td>WD.</td> <td>J2</td> <td>PTD.</td> <td>-</td> <td>396</td> <td>3\"/> <tr> <td>3991</td> <td>ETR</td> <td>-</td> <td>WD.</td> <td>J2</td> <td>PTD.</td> <td>-</td> <td>398</td> <td>3\"/> <tr> <td>3992</td> <td>A</td> <td>3\"/> <tr> <td>3993</td> <td>ETR</td> <td>-</td> <td>WD.</td> <td>J2</td> <td>PTD.</td> <td>-</td> <td>399</td> <td>3\"/> <tr> <td>3994</td> <td>ETR</td> <td>-</td> <td>WD.</td> <td>J2</td> <td>PTD.</td> <td>-</td> <td>3991</td> <td>3\"/> <tr> <td>3995</td> <td>ETR</td> <td>-</td> <td>WD.</td> <td>J2</td> <td>PTD.</td> <td>-</td> <td>3992</td> <td>3\"/> <tr> <td>3997</td> <td>ETR</td> <td>-</td> <td>WD.</td> <td>J2</td> <td>PTD.</td> <td>-</td> <td>3993</td> <td>3\"/> <tr> <td>3998</td> <td>ETR</td> <td>-</td> <td>WD.</td> <td>J2</td> <td>PTD.</td> <td>-</td> <td>3994</td> <td>3\"/> <tr> <td>3999</td> <td>ETR</td> <td>-</td> <td>WD.</td> <td>J2</td> <td>PTD.</td> <td>-</td> <td>3995</td> <td>3\"/> <tr> <td>3999</td> <td>ETR</td> <td>-</td> <td>WD.</td> <td>J2</td> <td>PTD.</td> <td>-</td> <td>3997</td> <td>3\"/> </td></tr></td></tr></td></tr></td></tr></td></tr></td></tr></td></tr></td></tr></td></tr></td></tr></td></tr></td></tr></td></tr></td></tr></td></tr></td></tr></td></tr></td></tr></td></tr></td></tr></td></tr></td></tr></td></td></tr></td></tr></td></td></tr></td></td></tr></td></td></tr></td></td></tr></td></td></tr></td></td></tr></td></td></tr></td></td></tr></td></tr> | 374C | ETR | -
 | WD. | J2 | PTD. | - | 373A | 3\"/> <tr> <td>375</td> <td>B</td> <td>1 <td>WD</td> <td>J1</td> <td>PTD.</td> <td>-</td> <td>374B</td> <td>3\"/> <tr> <td>376</td> <td>B</td> <td>1 <td>WD</td> <td>J1</td> <td>PTD.</td> <td>-</td> <td>374C</td> <td>3\"/> <tr> <td>377</td> <td>B</td> <td>1 <td>WD</td> <td>J1</td> <td>PTD.</td> <td>-</td> <td>375</td> <td>3\"/> <tr> <td>377A</td> <td>B</td> <td>1 <td>WD</td> <td>J1</td> <td>PTD.</td> <td>-</td> <td>376</td> <td>3\"/> <tr> <td>378</td> <td>B</td> <td>1 <td>WD</td> <td>J1</td> <td>PTD.</td> <td>-</td> <td>377</td> <td>3\"/> <tr> <td>379</td> <td>B</td> <td>1 <td>WD</td> <td>J1</td> <td>PTD.</td> <td>-</td> <td>377A</td> <td>3\"/> <tr> <td>380A</td> <td>B</td> <td>1 <td>WD</td> <td>J1</td> <td>PTD.</td> <td>-</td> <td>378</td> <td>3\"/> <tr> <td>380B</td> <td>B</td> <td>1 <td>WD</td> <td>J1</td> <td>PTD.</td> <td>-</td> <td>379</td> <td>3\"/> <tr> <td>382</td> <td>ETR</td> <td>-</td> <td>WD.</td> <td>J2</td> <td>PTD.</td> <td>-</td> <td>380A</td> <td>3\"/> <tr> <td>382A</td> <td>D</td> <td>6 <td>ALUM.</td> <td>ANODIZE D</td> <td>-</td> <td>-</td> <td>380B</td> <td>3\"/> <tr> <td>385</td> <td>ETR</td> <td>-</td> <td>WD.</td> <td>J2</td> <td>PTD.</td> <td>-</td> <td>382</td> <td>3\"/> <tr> <td>386</td> <td>ETR</td> <td>-</td> <td>WD.</td> <td>J2</td> <td>PTD.</td> <td>-</td> <td>382A</td> <td>3\"/> <tr> <td>387</td> <td>ETR</td> <td>-</td> <td>WD.</td> <td>J2</td> <td>PTD.</td> <td>-</td> <td>385</td> <td>3\"/> <tr> <td>388</td> <td>ETR</td> <td>-</td> <td>WD.</td> <td>J2</td> <td>PTD.</td> <td>-</td> <td>386</td> <td>3\"/> <tr> <td>389</td> <td>ETR</td> <td>-</td> <td>WD.</td> <td>J2</td> <td>PTD.</td> <td>-</td> <td>387</td> <td>3\"/> <tr> <td>391</td> <td>ETR</td> <td>-</td> <td>WD.</td> <td>J2</td> <td>PTD.</td> <td>-</td> <td>388</td> <td>3\"/> <tr> <td>391A</td> <td>ETR</td> <td>-</td> <td>WD.</td> <td>J2</td> <td>PTD.</td> <td>-</td> <td>389</td> <td>3\"/> <tr> <td>391B</td> <td>ETR</td> <td>-</td> <td>WD.</td> <td>J2</td> <td>PTD.</td> <td>-</td> <td>391</td> <td>3\"/> <tr> <td>394</td> <td>ETR</td> <td>-</td> <td>WD.</td> <td>J2</td> <td>PTD.</td> <td>-</td> <td>391A</td> <td>3\"/> <tr> <td>395</td> <td>ETR</td> <td>-</td> <td>WD.</td> <td>J2</td> <td>PTD.</td> <td>-</td> <td>391B</td> <td>3\"/> <tr> <td>396</td> <td>ETR</td> <td>-</td> <td>WD.</td> <td>J2</td> <td>PTD.</td> <td>-</td> <td>394</td> <td>3\"/> <tr> <td>398</td> <td>ETR</td> <td>-</td> <td>WD.</td> <td>J2</td> <td>PTD.</td> <td>-</td> <td>395</td> <td>3\"/> <tr> <td>399</td> <td>ETR</td> <td>-</td> <td>WD.</td> <td>J2</td> <td>PTD.</td> <td>-</td> <td>396</td> <td>3\"/> <tr> <td>3991</td> <td>ETR</td> <td>-</td> <td>WD.</td> <td>J2</td> <td>PTD.</td> <td>-</td> <td>398</td> <td>3\"/> <tr> <td>3992</td> <td>A</td> <td>3\"/> <tr> <td>3993</td> <td>ETR</td> <td>-</td> <td>WD.</td> <td>J2</td> <td>PTD.</td> <td>-</td> <td>399</td> <td>3\"/> <tr> <td>3994</td> <td>ETR</td> <td>-</td> <td>WD.</td> <td>J2</td> <td>PTD.</td> <td>-</td> <td>3991</td> <td>3\"/> <tr> <td>3995</td> <td>ETR</td> <td>-</td> <td>WD.</td> <td>J2</td> <td>PTD.</td> <td>-</td> <td>3992</td> <td>3\"/> <tr> <td>3997</td> <td>ETR</td> <td>-</td> <td>WD.</td> <td>J2</td> <td>PTD.</td> <td>-</td> <td>3993</td> <td>3\"/> <tr> <td>3998</td> <td>ETR</td> <td>-</td> <td>WD.</td> <td>J2</td> <td>PTD.</td> <td>-</td> <td>3994</td> <td>3\"/> <tr> <td>3999</td> <td>ETR</td> <td>-</td> <td>WD.</td> <td>J2</td> <td>PTD.</td> <td>-</td> <td>3995</td> <td>3\"/> <tr> <td>3999</td> <td>ETR</td> <td>-</td> <td>WD.</td> <td>J2</td> <td>PTD.</td> <td>-</td> <td>3997</td> <td>3\"/> </td></tr></td></tr></td></tr></td></tr></td></tr></td></tr></td></tr></td></tr></td></tr></td></tr></td></tr></td></tr></td></tr></td></tr></td></tr></td></tr></td></tr></td></tr></td></tr></td></tr></td></tr></td></tr></td></td></tr></td></tr></td></td></tr></td></td></tr></td></td></tr></td></td></tr></td></td></tr></td></td></tr></td></td></tr></td></td></tr> | 375 | B | 1 <td>WD</td> <td>J1</td> <td>PTD.</td> <td>-</td> <td>374B</td> <td>3\"/> <tr> <td>376</td> <td>B</td> <td>1 <td>WD</td> <td>J1</td> <td>PTD.</td> <td>-</td> <td>374C</td> <td>3\"/> <tr> <td>377</td> <td>B</td> <td>1 <td>WD</td> <td>J1</td> <td>PTD.</td> <td>-</td> <td>375</td> <td>3\"/> <tr> <td>377A</td> <td>B</td> <td>1 <td>WD</td> <td>J1</td> <td>PTD.</td> <td>-</td> <td>376</td> <td>3\"/> <tr> <td>378</td> <td>B</td> <td>1 <td>WD</td> <td>J1</td> <td>PTD.</td> <td>-</td> <td>377</td> <td>3\"/> <tr> <td>379</td> <td>B</td> <td>1 <td>WD</td> <td>J1</td> <td>PTD.</td> <td>-</td> <td>377A</td> <td>3\"/> <tr> <td>380A</td> <td>B</td> <td>1 <td>WD</td> <td>J1</td> <td>PTD.</td> <td>-</td> <td>378</td> <td>3\"/> <tr> <td>380B</td> <td>B</td> <td>1 <td>WD</td> <td>J1</td> <td>PTD.</td> <td>-</td> <td>379</td> <td>3\"/> <tr> <td>382</td> <td>ETR</td> <td>-</td> <td>WD.</td> <td>J2</td> <td>PTD.</td> <td>-</td> <td>380A</td> <td>3\"/> <tr> <td>382A</td> <td>D</td> <td>6 <td>ALUM.</td> <td>ANODIZE D</td> <td>-</td> <td>-</td> <td>380B</td> <td>3\"/> <tr> <td>385</td> <td>ETR</td> <td>-</td> <td>WD.</td> <td>J2</td> <td>PTD.</td> <td>-</td> <td>382</td> <td>3\"/> <tr> <td>386</td> <td>ETR</td> <td>-</td> <td>WD.</td> <td>J2</td> <td>PTD.</td> <td>-</td> <td>382A</td> <td>3\"/> <tr> <td>387</td> <td>ETR</td> <td>-</td> <td>WD.</td> <td>J2</td> <td>PTD.</td> <td>-</td> <td>385</td> <td>3\"/> <tr> <td>388</td> <td>ETR</td> <td>-</td> <td>WD.</td> <td>J2</td> <td>PTD.</td> <td>-</td> <td>386</td> <td>3\"/> <tr> <td>389</td> <td>ETR</td> <td>-</td> <td>WD.</td> <td>J2</td> <td>PTD.</td> <td>-</td> <td>387</td> <td>3\"/> <tr> <td>391</td> <td>ETR</td> <td>-</td> <td>WD.</td> <td>J2</td> <td>PTD.</td> <td>-</td> <td>388</td> <td>3\"/> <tr> <td>391A</td> <td>ETR</td> <td>-</td> <td>WD.</td> <td>J2</td> <td>PTD.</td> <td>-</td> <td>389</td> <td>3\"/> <tr> <td>391B</td> <td>ETR</td> <td>-</td> <td>WD.</td> <td>J2</td> <td>PTD.</td> <td>-</td> <td>391</td> <td>3\"/> <tr> <td>394</td> <td>ETR</td> <td>-</td> <td>WD.</td> <td>J2</td> <td>PTD.</td> <td>-</td> <td>391A</td> <td>3\"/> <tr> <td>395</td> <td>ETR</td> <td>-</td> <td>WD.</td> <td>J2</td> <td>PTD.</td> <td>-</td> <td>391B</td> <td>3\"/> <tr> <td>396</td> <td>ETR</td> <td>-</td> <td>WD.</td> <td>J2</td> <td>PTD.</td> <td>-</td> <td>394</td> <td>3\"/> <tr> <td>398</td> <td>ETR</td> <td>-</td> <td>WD.</td> <td>J2</td> <td>PTD.</td> <td>-</td> <td>395</td> <td>3\"/> <tr> <td>399</td> <td>ETR</td> <td>-</td> <td>WD.</td> <td>J2</td> <td>PTD.</td> <td>-</td> <td>396</td> <td>3\"/> <tr> <td>3991</td> <td>ETR</td> <td>-</td> <td>WD.</td> <td>J2</td> <td>PTD.</td> <td>-</td> <td>398</td> <td>3\"/> <tr> <td>3992</td> <td>A</td> <td>3\"/> <tr> <td>3993</td> <td>ETR</td> <td>-</td> <td>WD.</td> <td>J2</td> <td>PTD.</td> <td>-</td> <td>399</td> <td>3\"/> <tr> <td>3994</td> <td>ETR</td> <td>-</td> <td>WD.</td> <td>J2</td> <td>PTD.</td> <td>-</td> <td>3991</td> <td>3\"/> <tr> <td>3995</td> <td>ETR</td> <td>-</td> <td>WD.</td> <td>J2</td> <td>PTD.</td> <td>-</td> <td>3992</td> <td>3\"/> <tr> <td>3997</td> <td>ETR</td> <td>-</td> <td>WD.</td> <td>J2</td> <td>PTD.</td> <td>-</td> <td>3993</td> <td>3\"/> <tr> <td>3998</td> <td>ETR</td> <td>-</td> <td>WD.</td> <td>J2</td> <td>PTD.</td> <td>-</td> <td>3994</td> <td>3\"/> <tr> <td>3999</td> <td>ETR</td> <td>-</td> <td>WD.</td> <td>J2</td> <td>PTD.</td> <td>-</td> <td>3995</td> <td>3\"/> <tr> <td>3999</td> <td>ETR</td> <td>-</td> <td>WD.</td> <td>J2</td> <td>PTD.</td> <td>-</td> <td>3997</td> <td>3\"/>
</td></tr></td></tr></td></tr></td></tr></td></tr></td></tr></td></tr></td></tr></td></tr></td></tr></td></tr></td></tr></td></tr></td></tr></td></tr></td></tr></td></tr></td></tr></td></tr></td></tr></td></tr></td></tr></td></td></tr></td></tr></td></td></tr></td></td></tr></td></td></tr></td></td></tr></td></td></tr></td></td></tr></td></td></tr></td> | WD | J1 | PTD. | - | 374B | 3\"/> <tr> <td>376</td> <td>B</td> <td>1 <td>WD</td> <td>J1</td> <td>PTD.</td> <td>-</td> <td>374C</td> <td>3\"/> <tr> <td>377</td> <td>B</td> <td>1 <td>WD</td> <td>J1</td> <td>PTD.</td> <td>-</td> <td>375</td> <td>3\"/> <tr> <td>377A</td> <td>B</td> <td>1 <td>WD</td> <td>J1</td> <td>PTD.</td> <td>-</td> <td>376</td> <td>3\"/> <tr> <td>378</td> <td>B</td> <td>1 <td>WD</td> <td>J1</td> <td>PTD.</td> <td>-</td> <td>377</td> <td>3\"/> <tr> <td>379</td> <td>B</td> <td>1 <td>WD</td> <td>J1</td> <td>PTD.</td> <td>-</td> <td>377A</td> <td>3\"/> <tr> <td>380A</td> <td>B</td> <td>1 <td>WD</td> <td>J1</td> <td>PTD.</td> <td>-</td> <td>378</td> <td>3\"/> <tr> <td>380B</td> <td>B</td> <td>1 <td>WD</td> <td>J1</td> <td>PTD.</td> <td>-</td> <td>379</td> <td>3\"/> <tr> <td>382</td> <td>ETR</td> <td>-</td> <td>WD.</td> <td>J2</td> <td>PTD.</td> <td>-</td> <td>380A</td> <td>3\"/> <tr> <td>382A</td> <td>D</td> <td>6 <td>ALUM.</td> <td>ANODIZE D</td> <td>-</td> <td>-</td> <td>380B</td> <td>3\"/> <tr> <td>385</td> <td>ETR</td> <td>-</td> <td>WD.</td> <td>J2</td> <td>PTD.</td> <td>-</td> <td>382</td> <td>3\"/> <tr> <td>386</td> <td>ETR</td> <td>-</td> <td>WD.</td> <td>J2</td> <td>PTD.</td> <td>-</td> <td>382A</td> <td>3\"/> <tr> <td>387</td> <td>ETR</td> <td>-</td> <td>WD.</td> <td>J2</td> <td>PTD.</td> <td>-</td> <td>385</td> <td>3\"/> <tr> <td>388</td> <td>ETR</td> <td>-</td> <td>WD.</td> <td>J2</td> <td>PTD.</td> <td>-</td> <td>386</td> <td>3\"/> <tr> <td>389</td> <td>ETR</td> <td>-</td> <td>WD.</td> <td>J2</td> <td>PTD.</td> <td>-</td> <td>387</td> <td>3\"/> <tr> <td>391</td> <td>ETR</td> <td>-</td> <td>WD.</td> <td>J2</td> <td>PTD.</td> <td>-</td> <td>388</td> <td>3\"/> <tr> <td>391A</td> <td>ETR</td> <td>-</td> <td>WD.</td> <td>J2</td> <td>PTD.</td> <td>-</td> <td>389</td> <td>3\"/> <tr> <td>391B</td> <td>ETR</td> <td>-</td> <td>WD.</td> <td>J2</td> <td>PTD.</td> <td>-</td> <td>391</td> <td>3\"/> <tr> <td>394</td> <td>ETR</td> <td>-</td> <td>WD.</td> <td>J2</td> <td>PTD.</td> <td>-</td> <td>391A</td> <td>3\"/> <tr> <td>395</td> <td>ETR</td> <td>-</td> <td>WD.</td> <td>J2</td> <td>PTD.</td> <td>-</td> <td>391B</td> <td>3\"/> <tr> <td>396</td> <td>ETR</td> <td>-</td> <td>WD.</td> <td>J2</td> <td>PTD.</td> <td>-</td> <td>394</td> <td>3\"/> <tr> <td>398</td> <td>ETR</td> <td>-</td> <td>WD.</td> <td>J2</td> <td>PTD.</td> <td>-</td> <td>395</td> <td>3\"/> <tr> <td>399</td> <td>ETR</td> <td>-</td> <td>WD.</td> <td>J2</td> <td>PTD.</td> <td>-</td> <td>396</td> <td>3\"/> <tr> <td>3991</td> <td>ETR</td> <td>-</td> <td>WD.</td> <td>J2</td> <td>PTD.</td> <td>-</td> <td>398</td> <td>3\"/> <tr> <td>3992</td> <td>A</td> <td>3\"/> <tr> <td>3993</td> <td>ETR</td> <td>-</td> <td>WD.</td> <td>J2</td> <td>PTD.</td> <td>-</td> <td>399</td> <td>3\"/> <tr> <td>3994</td> <td>ETR</td> <td>-</td> <td>WD.</td> <td>J2</td> <td>PTD.</td> <td>-</td> <td>3991</td> <td>3\"/> <tr> <td>3995</td> <td>ETR</td> <td>-</td> <td>WD.</td> <td>J2</td> <td>PTD.</td> <td>-</td> <td>3992</td> <td>3\"/> <tr> <td>3997</td> <td>ETR</td> <td>-</td> <td>WD.</td> <td>J2</td> <td>PTD.</td> <td>-</td> <td>3993</td> <td>3\"/> <tr> <td>3998</td> <td>ETR</td> <td>-</td> <td>WD.</td> <td>J2</td> <td>PTD.</td> <td>-</td> <td>3994</td> <td>3\"/> <tr> <td>3999</td> <td>ETR</td> <td>-</td> <td>WD.</td> <td>J2</td> <td>PTD.</td> <td>-</td> <td>3995</td> <td>3\"/> <tr> <td>3999</td> <td>ETR</td> <td>-</td> <td>WD.</td> <td>J2</td> <td>PTD.</td> <td>-</td> <td>3997</td> <td>3\"/> </td></tr></td></tr></td></tr></td></tr></td></tr></td></tr></td></tr></td></tr></td></tr></td></tr></td></tr></td></tr></td></tr></td></tr></td></tr></td></tr></td></tr></td></tr></td></tr></td></tr></td></tr></td></tr></td></td></tr></td></tr></td></td></tr></td></td></tr></td></td></tr></td></td></tr></td></td></tr></td></td></tr></td></td></tr> | 376 | B | 1 <td>WD</td> <td>J1</td> <td>PTD.</td> <td>-</td> <td>374C</td> <td>3\"/> <tr> <td>377</td> <td>B</td> <td>1 <td>WD</td> <td>J1</td> <td>PTD.</td> <td>-</td> <td>375</td> <td>3\"/> <tr> <td>377A</td> <td>B</td> <td>1 <td>WD</td> <td>J1</td> <td>PTD.</td> <td>-</td> <td>376</td> <td>3\"/> <tr> <td>378</td> <td>B</td> <td>1 <td>WD</td> <td>J1</td> <td>PTD.</td> <td>-</td> <td>377</td> <td>3\"/> <tr> <td>379</td> <td>B</td> <td>1 <td>WD</td> <td>J1</td> <td>PTD.</td> <td>-</td> <td>377A</td> <td>3\"/> <tr> <td>380A</td> <td>B</td> <td>1 <td>WD</td> <td>J1</td> <td>PTD.</td> <td>-</td> <td>378</td> <td>3\"/> <tr> <td>380B</td> <td>B</td> <td>1 <td>WD</td> <td>J1</td> <td>PTD.</td> <td>-</td> <td>379</td> <td>3\"/> <tr> <td>382</td> <td>ETR</td> <td>-</td> <td>WD.</td> <td>J2</td> <td>PTD.</td> <td>-</td> <td>380A</td> <td>3\"/> <tr> <td>382A</td> <td>D</td> <td>6 <td>ALUM.</td> <td>ANODIZE D</td> <td>-</td> <td>-</td> <td>380B</td> <td>3\"/> <tr> <td>385</td> <td>ETR</td> <td>-</td> <td>WD.</td> <td>J2</td> <td>PTD.</td> <td>-</td> <td>382</td> <td>3\"/> <tr> <td>386</td> <td>ETR</td> <td>-</td> <td>WD.</td> <td>J2</td> <td>PTD.</td> <td>-</td> <td>382A</td> <td>3\"/> <tr> <td>387</td> <td>ETR</td> <td>-</td> <td>WD.</td> <td>J2</td> <td>PTD.</td> <td>-</td> <td>385</td> <td>3\"/> <tr> <td>388</td> <td>ETR</td> <td>-</td> <td>WD.</td> <td>J2</td> <td>PTD.</td> <td>-</td> <td>386</td> <td>3\"/> <tr> <td>389</td> <td>ETR</td> <td>-</td> <td>WD.</td> <td>J2</td> <td>PTD.</td> <td>-</td> <td>387</td> <td>3\"/> <tr> <td>391</td> <td>ETR</td> <td>-</td> <td>WD.</td> <td>J2</td> <td>PTD.</td> <td>-</td> <td>388</td> <td>3\"/> <tr> <td>391A</td> <td>ETR</td> <td>-</td> <td>WD.</td> <td>J2</td> <td>PTD.</td> <td>-</td> <td>389</td> <td>3\"/> <tr> <td>391B</td> <td>ETR</td> <td>-</td> <td>WD.</td> <td>J2</td> <td>PTD.</td> <td>-</td> <td>391</td> <td>3\"/> <tr> <td>394</td> <td>ETR</td> <td>-</td> <td>WD.</td> <td>J2</td> <td>PTD.</td> <td>-</td> <td>391A</td> <td>3\"/> <tr> <td>395</td> <td>ETR</td> <td>-</td> <td>WD.</td> <td>J2</td> <td>PTD.</td> <td>-</td> <td>391B</td> <td>3\"/> <tr> <td>396</td> <td>ETR</td> <td>-</td> <td>WD.</td> <td>J2</td> <td>PTD.</td> <td>-</td> <td>394</td> <td>3\"/> <tr> <td>398</td> <td>ETR</td> <td>-</td> <td>WD.</td> <td>J2</td> <td>PTD.</td> <td>-</td> <td>395</td> <td>3\"/> <tr> <td>399</td> <td>ETR</td> <td>-</td> <td>WD.</td>
<td>J2</td> <td>PTD.</td> <td>-</td> <td>396</td> <td>3\"/> <tr> <td>3991</td> <td>ETR</td> <td>-</td> <td>WD.</td> <td>J2</td> <td>PTD.</td> <td>-</td> <td>398</td> <td>3\"/> <tr> <td>3992</td> <td>A</td> <td>3\"/> <tr> <td>3993</td> <td>ETR</td> <td>-</td> <td>WD.</td> <td>J2</td> <td>PTD.</td> <td>-</td> <td>399</td> <td>3\"/> <tr> <td>3994</td> <td>ETR</td> <td>-</td> <td>WD.</td> <td>J2</td> <td>PTD.</td> <td>-</td> <td>3991</td> <td>3\"/> <tr> <td>3995</td> <td>ETR</td> <td>-</td> <td>WD.</td> <td>J2</td> <td>PTD.</td> <td>-</td> <td>3992</td> <td>3\"/> <tr> <td>3997</td> <td>ETR</td> <td>-</td> <td>WD.</td> <td>J2</td> <td>PTD.</td> <td>-</td> <td>3993</td> <td>3\"/> <tr> <td>3998</td> <td>ETR</td> <td>-</td> <td>WD.</td> <td>J2</td> <td>PTD.</td> <td>-</td> <td>3994</td> <td>3\"/> <tr> <td>3999</td> <td>ETR</td> <td>-</td> <td>WD.</td> <td>J2</td> <td>PTD.</td> <td>-</td> <td>3995</td> <td>3\"/> <tr> <td>3999</td> <td>ETR</td> <td>-</td> <td>WD.</td> <td>J2</td> <td>PTD.</td> <td>-</td> <td>3997</td> <td>3\"/> </td></tr></td></tr></td></tr></td></tr></td></tr></td></tr></td></tr></td></tr></td></tr></td></tr></td></tr></td></tr></td></tr></td></tr></td></tr></td></tr></td></tr></td></tr></td></tr></td></tr></td></tr></td></tr></td></td></tr></td></tr></td></td></tr></td></td></tr></td></td></tr></td></td></tr></td></td></tr></td></td></tr></td> | WD | J1 | PTD. | - | 374C | 3\"/> <tr> <td>377</td> <td>B</td> <td>1 <td>WD</td> <td>J1</td> <td>PTD.</td> <td>-</td> <td>375</td> <td>3\"/> <tr> <td>377A</td> <td>B</td> <td>1 <td>WD</td> <td>J1</td> <td>PTD.</td> <td>-</td> <td>376</td> <td>3\"/> <tr> <td>378</td> <td>B</td> <td>1 <td>WD</td> <td>J1</td> <td>PTD.</td> <td>-</td> <td>377</td> <td>3\"/> <tr> <td>379</td> <td>B</td> <td>1 <td>WD</td> <td>J1</td> <td>PTD.</td> <td>-</td> <td>377A</td> <td>3\"/> <tr> <td>380A</td> <td>B</td> <td>1 <td>WD</td> <td>J1</td> <td>PTD.</td> <td>-</td> <td>378</td> <td>3\"/> <tr> <td>380B</td> <td>B</td> <td>1 <td>WD</td> <td>J1</td> <td>PTD.</td> <td>-</td> <td>379</td> <td>3\"/> <tr> <td>382</td> <td>ETR</td> <td>-</td> <td>WD.</td> <td>J2</td> <td>PTD.</td> <td>-</td> <td>380A</td> <td>3\"/> <tr> <td>382A</td> <td>D</td> <td>6 <td>ALUM.</td> <td>ANODIZE D</td> <td>-</td> <td>-</td> <td>380B</td> <td>3\"/> <tr> <td>385</td> <td>ETR</td> <td>-</td> <td>WD.</td> <td>J2</td> <td>PTD.</td> <td>-</td> <td>382</td> <td>3\"/> <tr> <td>386</td> <td>ETR</td> <td>-</td> <td>WD.</td> <td>J2</td> <td>PTD.</td> <td>-</td> <td>382A</td> <td>3\"/> <tr> <td>387</td> <td>ETR</td> <td>-</td> <td>WD.</td> <td>J2</td> <td>PTD.</td> <td>-</td> <td>385</td> <td>3\"/> <tr> <td>388</td> <td>ETR</td> <td>-</td> <td>WD.</td> <td>J2</td> <td>PTD.</td> <td>-</td> <td>386</td> <td>3\"/> <tr> <td>389</td> <td>ETR</td> <td>-</td> <td>WD.</td> <td>J2</td> <td>PTD.</td> <td>-</td> <td>387</td> <td>3\"/> <tr> <td>391</td> <td>ETR</td> <td>-</td> <td>WD.</td> <td>J2</td> <td>PTD.</td> <td>-</td> <td>388</td> <td>3\"/> <tr> <td>391A</td> <td>ETR</td> <td>-</td> <td>WD.</td> <td>J2</td> <td>PTD.</td> <td>-</td> <td>389</td> <td>3\"/> <tr> <td>391B</td> <td>ETR</td> <td>-</td> <td>WD.</td> <td>J2</td> <td>PTD.</td> <td>-</td> <td>391</td> <td>3\"/> <tr> <td>394</td> <td>ETR</td> <td>-</td> <td>WD.</td> <td>J2</td> <td>PTD.</td> <td>-</td> <td>391A</td> <td>3\"/> <tr> <td>395</td> <td>ETR</td> <td>-</td> <td>WD.</td> <td>J2</td> <td>PTD.</td> <td>-</td> <td>391B</td> <td>3\"/> <tr> <td>396</td> <td>ETR</td> <td>-</td> <td>WD.</td> <td>J2</td> <td>PTD.</td> <td>-</td> <td>394</td> <td>3\"/> <tr> <td>398</td> <td>ETR</td> <td>-</td> <td>WD.</td> <td>J2</td> <td>PTD.</td> <td>-</td> <td>395</td> <td>3\"/> <tr> <td>399</td> <td>ETR</td> <td>-</td> <td>WD.</td> <td>J2</td> <td>PTD.</td> <td>-</td> <td>396</td> <td>3\"/> <tr> <td>3991</td> <td>ETR</td> <td>-</td> <td>WD.</td> <td>J2</td> <td>PTD.</td> <td>-</td> <td>398</td> <td>3\"/> <tr> <td>3992</td> <td>A</td> <td>3\"/> <tr> <td>3993</td> <td>ETR</td> <td>-</td> <td>WD.</td> <td>J2</td> <td>PTD.</td> <td>-</td> <td>399</td> <td>3\"/> <tr> <td>3994</td> <td>ETR</td> <td>-</td> <td>WD.</td> <td>J2</td> <td>PTD.</td> <td>-</td> <td>3991</td> <td>3\"/> <tr> <td>3995</td> <td>ETR</td> <td>-</td> <td>WD.</td> <td>J2</td> <td>PTD.</td> <td>-</td> <td>3992</td> <td>3\"/> <tr> <td>3997</td> <td>ETR</td> <td>-</td> <td>WD.</td> <td>J2</td> <td>PTD.</td> <td>-</td> <td>3993</td> <td>3\"/> <tr> <td>3998</td> <td>ETR</td> <td>-</td> <td>WD.</td> <td>J2</td> <td>PTD.</td> <td>-</td> <td>3994</td> <td>3\"/> <tr> <td>3999</td> <td>ETR</td> <td>-</td> <td>WD.</td> <td>J2</td> <td>PTD.</td> <td>-</td> <td>3995</td> <td>3\"/> <tr> <td>3999</td> <td>ETR</td> <td>-</td> <td>WD.</td> <td>J2</td> <td>PTD.</td> <td>-</td> <td>3997</td> <td>3\"/> </td></tr></td></tr></td></tr></td></tr></td></tr></td></tr></td></tr></td></tr></td></tr></td></tr></td></tr></td></tr></td></tr></td></tr></td></tr></td></tr></td></tr></td></tr></td></tr></td></tr></td></tr></td></tr></td></td></tr></td></tr></td></td></tr></td></td></tr></td></td></tr></td></td></tr></td></td></tr></td></td></tr> | 377 | B | 1 <td>WD</td> <td>J1</td> <td>PTD.</td> <td>-</td> <td>375</td> <td>3\"/> <tr> <td>377A</td> <td>B</td> <td>1 <td>WD</td> <td>J1</td> <td>PTD.</td> <td>-</td> <td>376</td> <td>3\"/> <tr> <td>378</td> <td>B</td> <td>1 <td>WD</td> <td>J1</td> <td>PTD.</td> <td>-</td> <td>377</td> <td>3\"/> <tr> <td>379</td> <td>B</td> <td>1 <td>WD</td> <td>J1</td> <td>PTD.</td> <td>-</td> <td>377A</td> <td>3\"/> <tr> <td>380A</td> <td>B</td> <td>1 <td>WD</td> <td>J1</td> <td>PTD.</td> <td>-</td> <td>378</td> <td>3\"/> <tr> <td>380B</td> <td>B</td> <td>1 <td>WD</td> <td>J1</td> <td>PTD.</td> <td>-</td> <td>379</td> <td>3\"/> <tr> <td>382</td> <td>ETR</td> <td>-</td> <td>WD.</td> <td>J2</td> <td>PTD.</td> <td>-</td> <td>380A</td> <td>3\"/> <tr> <td>382A</td> <td>D</td> <td>6 <td>ALUM.</td> <td>ANODIZE D</td> <td>-</td> <td>-</td> <td>380B</td> <td>3\"/> <tr> <td>385</td> <td>ETR</td> <td>-</td> <td>WD.</td> <td>J2</td> <td>PTD.</td> <td>-</td> <td>382</td> <td>3\"/> <tr> <td>386</td> <td>ETR</td> <td>-</td> <td>WD.</td> <td>J2</td> <td>PTD.</td> <td>-</td> <td>382A</td> <td>3\"/> <tr> <td>387</td> <td>ETR</td> <td>-</td> <td>WD.</td> <td>J2</td> <td>PTD.</td> <td>-</td> <td>385</td> <td>3\"/> <tr> <td>388</td> <td>ETR</td> <td>-</td> <td>WD.</td> <td>J2</td> <td>PTD.</td> <td>-</td> <td>386</td> <td>3\"/> <tr> <td>389</td> <td>ETR</td> <td>-</td> <td>WD.</td> <td>J2</td> <td>PTD.</td> <td>-</td> <td>387</td> <td>3\"/> <tr> <td>391</td> <td>ETR</td> <td>-</td> <td>WD.</td> <td>J2</td> <td>PTD.</td>
<td>-</td> <td>388</td> <td>3\"/> <tr> <td>391A</td> <td>ETR</td> <td>-</td> <td>WD.</td> <td>J2</td> <td>PTD.</td> <td>-</td> <td>389</td> <td>3\"/> <tr> <td>391B</td> <td>ETR</td> <td>-</td> <td>WD.</td> <td>J2</td> <td>PTD.</td> <td>-</td> <td>391</td> <td>3\"/> <tr> <td>394</td> <td>ETR</td> <td>-</td> <td>WD.</td> <td>J2</td> <td>PTD.</td> <td>-</td> <td>391A</td> <td>3\"/> <tr> <td>395</td> <td>ETR</td> <td>-</td> <td>WD.</td> <td>J2</td> <td>PTD.</td> <td>-</td> <td>391B</td> <td>3\"/> <tr> <td>396</td> <td>ETR</td> <td>-</td> <td>WD.</td> <td>J2</td> <td>PTD.</td> <td>-</td> <td>394</td> <td>3\"/> <tr> <td>398</td> <td>ETR</td> <td>-</td> <td>WD.</td> <td>J2</td> <td>PTD.</td> <td>-</td> <td>395</td> <td>3\"/> <tr> <td>399</td> <td>ETR</td> <td>-</td> <td>WD.</td> <td>J2</td> <td>PTD.</td> <td>-</td> <td>396</td> <td>3\"/> <tr> <td>3991</td> <td>ETR</td> <td>-</td> <td>WD.</td> <td>J2</td> <td>PTD.</td> <td>-</td> <td>398</td> <td>3\"/> <tr> <td>3992</td> <td>A</td> <td>3\"/> <tr> <td>3993</td> <td>ETR</td> <td>-</td> <td>WD.</td> <td>J2</td> <td>PTD.</td> <td>-</td> <td>399</td> <td>3\"/> <tr> <td>3994</td> <td>ETR</td> <td>-</td> <td>WD.</td> <td>J2</td> <td>PTD.</td> <td>-</td> <td>3991</td> <td>3\"/> <tr> <td>3995</td> <td>ETR</td> <td>-</td> <td>WD.</td> <td>J2</td> <td>PTD.</td> <td>-</td> <td>3992</td> <td>3\"/> <tr> <td>3997</td> <td>ETR</td> <td>-</td> <td>WD.</td> <td>J2</td> <td>PTD.</td> <td>-</td> <td>3993</td> <td>3\"/> <tr> <td>3998</td> <td>ETR</td> <td>-</td> <td>WD.</td> <td>J2</td> <td>PTD.</td> <td>-</td> <td>3994</td> <td>3\"/> <tr> <td>3999</td> <td>ETR</td> <td>-</td> <td>WD.</td> <td>J2</td> <td>PTD.</td> <td>-</td> <td>3995</td> <td>3\"/> <tr> <td>3999</td> <td>ETR</td> <td>-</td> <td>WD.</td> <td>J2</td> <td>PTD.</td> <td>-</td> <td>3997</td> <td>3\"/> </td></tr></td></tr></td></tr></td></tr></td></tr></td></tr></td></tr></td></tr></td></tr></td></tr></td></tr></td></tr></td></tr></td></tr></td></tr></td></tr></td></tr></td></tr></td></tr></td></tr></td></tr></td></tr></td></td></tr></td></tr></td></td></tr></td></td></tr></td></td></tr></td></td></tr></td></td></tr></td> | WD | J1 | PTD. | - | 375 | 3\"/> <tr> <td>377A</td> <td>B</td> <td>1 <td>WD</td> <td>J1</td> <td>PTD.</td> <td>-</td> <td>376</td> <td>3\"/> <tr> <td>378</td> <td>B</td> <td>1 <td>WD</td> <td>J1</td> <td>PTD.</td> <td>-</td> <td>377</td> <td>3\"/> <tr> <td>379</td> <td>B</td> <td>1 <td>WD</td> <td>J1</td> <td>PTD.</td> <td>-</td> <td>377A</td> <td>3\"/> <tr> <td>380A</td> <td>B</td> <td>1 <td>WD</td> <td>J1</td> <td>PTD.</td> <td>-</td> <td>378</td> <td>3\"/> <tr> <td>380B</td> <td>B</td> <td>1 <td>WD</td> <td>J1</td> <td>PTD.</td> <td>-</td> <td>379</td> <td>3\"/> <tr> <td>382</td> <td>ETR</td> <td>-</td> <td>WD.</td> <td>J2</td> <td>PTD.</td> <td>-</td> <td>380A</td> <td>3\"/> <tr> <td>382A</td> <td>D</td> <td>6 <td>ALUM.</td> <td>ANODIZE D</td> <td>-</td> <td>-</td> <td>380B</td> <td>3\"/> <tr> <td>385</td> <td>ETR</td> <td>-</td> <td>WD.</td> <td>J2</td> <td>PTD.</td> <td>-</td> <td>382</td> <td>3\"/> <tr> <td>386</td> <td>ETR</td> <td>-</td> <td>WD.</td> <td>J2</td> <td>PTD.</td> <td>-</td> <td>382A</td> <td>3\"/> <tr> <td>387</td> <td>ETR</td> <td>-</td> <td>WD.</td> <td>J2</td> <td>PTD.</td> <td>-</td> <td>385</td> <td>3\"/> <tr> <td>388</td> <td>ETR</td> <td>-</td> <td>WD.</td> <td>J2</td> <td>PTD.</td> <td>-</td> <td>386</td> <td>3\"/> <tr> <td>389</td> <td>ETR</td> <td>-</td> <td>WD.</td> <td>J2</td> <td>PTD.</td> <td>-</td> <td>387</td> <td>3\"/> <tr> <td>391</td> <td>ETR</td> <td>-</td> <td>WD.</td> <td>J2</td> <td>PTD.</td> <td>-</td> <td>388</td> <td>3\"/> <tr> <td>391A</td> <td>ETR</td> <td>-</td> <td>WD.</td> <td>J2</td> <td>PTD.</td> <td>-</td> <td>389</td> <td>3\"/> <tr> <td>391B</td> <td>ETR</td> <td>-</td> <td>WD.</td> <td>J2</td> <td>PTD.</td> <td>-</td> <td>391</td> <td>3\"/> <tr> <td>394</td> <td>ETR</td> <td>-</td> <td>WD.</td> <td>J2</td> <td>PTD.</td> <td>-</td> <td>391A</td> <td>3\"/> <tr> <td>395</td> <td>ETR</td> <td>-</td> <td>WD.</td> <td>J2</td> <td>PTD.</td> <td>-</td> <td>391B</td> <td>3\"/> <tr> <td>396</td> <td>ETR</td> <td>-</td> <td>WD.</td> <td>J2</td> <td>PTD.</td> <td>-</td> <td>394</td> <td>3\"/> <tr> <td>398</td> <td>ETR</td> <td>-</td> <td>WD.</td> <td>J2</td> <td>PTD.</td> <td>-</td> <td>395</td> <td>3\"/> <tr> <td>399</td> <td>ETR</td> <td>-</td> <td>WD.</td> <td>J2</td> <td>PTD.</td> <td>-</td> <td>396</td> <td>3\"/> <tr> <td>3991</td> <td>ETR</td> <td>-</td> <td>WD.</td> <td>J2</td> <td>PTD.</td> <td>-</td> <td>398</td> <td>3\"/> <tr> <td>3992</td> <td>A</td> <td>3\"/> <tr> <td>3993</td> <td>ETR</td> <td>-</td> <td>WD.</td> <td>J2</td> <td>PTD.</td> <td>-</td> <td>399</td> <td>3\"/> <tr> <td>3994</td> <td>ETR</td> <td>-</td> <td>WD.</td> <td>J2</td> <td>PTD.</td> <td>-</td> <td>3991</td> <td>3\"/> <tr> <td>3995</td> <td>ETR</td> <td>-</td> <td>WD.</td> <td>J2</td> <td>PTD.</td> <td>-</td> <td>3992</td> <td>3\"/> <tr> <td>3997</td> <td>ETR</td> <td>-</td> <td>WD.</td> <td>J2</td> <td>PTD.</td> <td>-</td> <td>3993</td> <td>3\"/> <tr> <td>3998</td> <td>ETR</td> <td>-</td> <td>WD.</td> <td>J2</td> <td>PTD.</td> <td>-</td> <td>3994</td> <td>3\"/> <tr> <td>3999</td> <td>ETR</td> <td>-</td> <td>WD.</td> <td>J2</td> <td>PTD.</td> <td>-</td> <td>3995</td> <td>3\"/> <tr> <td>3999</td> <td>ETR</td> <td>-</td> <td>WD.</td> <td>J2</td> <td>PTD.</td> <td>-</td> <td>3997</td> <td>3\"/> </td></tr></td></tr></td></tr></td></tr></td></tr></td></tr></td></tr></td></tr></td></tr></td></tr></td></tr></td></tr></td></tr></td></tr></td></tr></td></tr></td></tr></td></tr></td></tr></td></tr></td></tr></td></tr></td></td></tr></td></tr></td></td></tr></td></td></tr></td></td></tr></td></td></tr></td></td></tr> | 377A | B | 1 <td>WD</td> <td>J1</td> <td>PTD.</td> <td>-</td> <td>376</td> <td>3\"/> <tr> <td>378</td> <td>B</td> <td>1 <td>WD</td> <td>J1</td> <td>PTD.</td> <td>-</td> <td>377</td> <td>3\"/> <tr> <td>379</td> <td>B</td> <td>1 <td>WD</td> <td>J1</td> <td>PTD.</td> <td>-</td> <td>377A</td> <td>3\"/> <tr> <td>380A</td> <td>B</td> <td>1 <td>WD</td> <td>J1</td> <td>PTD.</td> <td>-</td> <td>378</td> <td>3\"/> <tr> <td>380B</td> <td>B</td> <td>1 <td>WD</td> <td>J1</td> <td>PTD.</td> <td>-</td> <td>379</td> <td>3\"/> <tr> <td>382</td> <td>ETR</td> <td>-</td> <td>WD.</td> <td>J2</td> <td>PTD.</td> <td>-</td> <td>380A</td> <td>3\"/> <tr> <td>382A</td> <td>D</td> <td>6 <td>ALUM.</td> <td>ANODIZE D</td> <td>-</td> <td>-</td> <td>380B</td> <td>3\"/> <tr> <td>385</td> <td>ETR</td> <td>-</td> <td>WD.</td> <td>J2</td> <td>PTD.</td> <td>-</td> <td>382</td> <td>3\"/> <tr>
<td>386</td> <td>ETR</td> <td>-</td> <td>WD.</td> <td>J2</td> <td>PTD.</td> <td>-</td> <td>382A</td> <td>3\"/> <tr> <td>387</td> <td>ETR</td> <td>-</td> <td>WD.</td> <td>J2</td> <td>PTD.</td> <td>-</td> <td>385</td> <td>3\"/> <tr> <td>388</td> <td>ETR</td> <td>-</td> <td>WD.</td> <td>J2</td> <td>PTD.</td> <td>-</td> <td>386</td> <td>3\"/> <tr> <td>389</td> <td>ETR</td> <td>-</td> <td>WD.</td> <td>J2</td> <td>PTD.</td> <td>-</td> <td>387</td> <td>3\"/> <tr> <td>391</td> <td>ETR</td> <td>-</td> <td>WD.</td> <td>J2</td> <td>PTD.</td> <td>-</td> <td>388</td> <td>3\"/> <tr> <td>391A</td> <td>ETR</td> <td>-</td> <td>WD.</td> <td>J2</td> <td>PTD.</td> <td>-</td> <td>389</td> <td>3\"/> <tr> <td>391B</td> <td>ETR</td> <td>-</td> <td>WD.</td> <td>J2</td> <td>PTD.</td> <td>-</td> <td>391</td> <td>3\"/> <tr> <td>394</td> <td>ETR</td> <td>-</td> <td>WD.</td> <td>J2</td> <td>PTD.</td> <td>-</td> <td>391A</td> <td>3\"/> <tr> <td>395</td> <td>ETR</td> <td>-</td> <td>WD.</td> <td>J2</td> <td>PTD.</td> <td>-</td> <td>391B</td> <td>3\"/> <tr> <td>396</td> <td>ETR</td> <td>-</td> <td>WD.</td> <td>J2</td> <td>PTD.</td> <td>-</td> <td>394</td> <td>3\"/> <tr> <td>398</td> <td>ETR</td> <td>-</td> <td>WD.</td> <td>J2</td> <td>PTD.</td> <td>-</td> <td>395</td> <td>3\"/> <tr> <td>399</td> <td>ETR</td> <td>-</td> <td>WD.</td> <td>J2</td> <td>PTD.</td> <td>-</td> <td>396</td> <td>3\"/> <tr> <td>3991</td> <td>ETR</td> <td>-</td> <td>WD.</td> <td>J2</td> <td>PTD.</td> <td>-</td> <td>398</td> <td>3\"/> <tr> <td>3992</td> <td>A</td> <td>3\"/> <tr> <td>3993</td> <td>ETR</td> <td>-</td> <td>WD.</td> <td>J2</td> <td>PTD.</td> <td>-</td> <td>399</td> <td>3\"/> <tr> <td>3994</td> <td>ETR</td> <td>-</td> <td>WD.</td> <td>J2</td> <td>PTD.</td> <td>-</td> <td>3991</td> <td>3\"/> <tr> <td>3995</td> <td>ETR</td> <td>-</td> <td>WD.</td> <td>J2</td> <td>PTD.</td> <td>-</td> <td>3992</td> <td>3\"/> <tr> <td>3997</td> <td>ETR</td> <td>-</td> <td>WD.</td> <td>J2</td> <td>PTD.</td> <td>-</td> <td>3993</td> <td>3\"/> <tr> <td>3998</td> <td>ETR</td> <td>-</td> <td>WD.</td> <td>J2</td> <td>PTD.</td> <td>-</td> <td>3994</td> <td>3\"/> <tr> <td>3999</td> <td>ETR</td> <td>-</td> <td>WD.</td> <td>J2</td> <td>PTD.</td> <td>-</td> <td>3995</td> <td>3\"/> <tr> <td>3999</td> <td>ETR</td> <td>-</td> <td>WD.</td> <td>J2</td> <td>PTD.</td> <td>-</td> <td>3997</td> <td>3\"/> </td></tr></td></tr></td></tr></td></tr></td></tr></td></tr></td></tr></td></tr></td></tr></td></tr></td></tr></td></tr></td></tr></td></tr></td></tr></td></tr></td></tr></td></tr></td></tr></td></tr></td></tr></td></tr></td></td></tr></td></tr></td></td></tr></td></td></tr></td></td></tr></td></td></tr></td> | WD | J1 | PTD. | - | 376 | 3\"/> <tr> <td>378</td> <td>B</td> <td>1 <td>WD</td> <td>J1</td> <td>PTD.</td> <td>-</td> <td>377</td> <td>3\"/> <tr> <td>379</td> <td>B</td> <td>1 <td>WD</td> <td>J1</td> <td>PTD.</td> <td>-</td> <td>377A</td> <td>3\"/> <tr> <td>380A</td> <td>B</td> <td>1 <td>WD</td> <td>J1</td> <td>PTD.</td> <td>-</td> <td>378</td> <td>3\"/> <tr> <td>380B</td> <td>B</td> <td>1 <td>WD</td> <td>J1</td> <td>PTD.</td> <td>-</td>
<td>379</td> <td>3\"/> <tr> <td>382</td> <td>ETR</td> <td>-</td> <td>WD.</td> <td>J2</td> <td>PTD.</td> <td>-</td> <td>380A</td> <td>3\"/> <tr> <td>382A</td> <td>D</td> <td>6 <td>ALUM.</td> <td>ANODIZE D</td> <td>-</td> <td>-</td> <td>380B</td> <td>3\"/> <tr> <td>385</td> <td>ETR</td> <td>-</td> <td>WD.</td> <td>J2</td> <td>PTD.</td> <td>-</td> <td>382</td> <td>3\"/> <tr> <td>386</td> <td>ETR</td> <td>-</td> <td>WD.</td> <td>J2</td> <td>PTD.</td> <td>-</td> <td>382A</td> <td>3\"/> <tr> <td>387</td> <td>ETR</td> <td>-</td> <td>WD.</td> <td>J2</td> <td>PTD.</td> <td>-</td> <td>385</td> <td>3\"/> <tr> <td>388</td> <td>ETR</td> <td>-</td> <td>WD.</td> <td>J2</td> <td>PTD.</td> <td>-</td> <td>386</td> <td>3\"/> <tr> <td>389</td> <td>ETR</td> <td>-</td> <td>WD.</td> <td>J2</td> <td>PTD.</td> <td>-</td> <td>387</td> <td>3\"/> <tr> <td>391</td> <td>ETR</td> <td>-</td> <td>WD.</td> <td>J2</td> <td>PTD.</td> <td>-</td> <td>388</td> <td>3\"/> <tr> <td>391A</td> <td>ETR</td> <td>-</td> <td>WD.</td> <td>J2</td> <td>PTD.</td> <td>-</td> <td>389</td> <td>3\"/> <tr> <td>391B</td> <td>ETR</td> <td>-</td> <td>WD.</td> <td>J2</td> <td>PTD.</td> <td>-</td> <td>391</td> <td>3\"/> <tr> <td>394</td> <td>ETR</td> <td>-</td> <td>WD.</td> <td>J2</td> <td>PTD.</td> <td>-</td> <td>391A</td> <td>3\"/> <tr> <td>395</td> <td>ETR</td> <td>-</td> <td>WD.</td> <td>J2</td> <td>PTD.</td> <td>-</td> <td>391B</td> <td>3\"/> <tr> <td>396</td> <td>ETR</td> <td>-</td> <td>WD.</td> <td>J2</td> <td>PTD.</td> <td>-</td> <td>394</td> <td>3\"/> <tr> <td>398</td> <td>ETR</td> <td>-</td> <td>WD.</td> <td>J2</td> <td>PTD.</td> <td>-</td> <td>395</td> <td>3\"/> <tr> <td>399</td> <td>ETR</td> <td>-</td> <td>WD.</td> <td>J2</td> <td>PTD.</td> <td>-</td> <td>396</td> <td>3\"/> <tr> <td>3991</td> <td>ETR</td> <td>-</td> <td>WD.</td> <td>J2</td> <td>PTD.</td> <td>-</td> <td>398</td> <td>3\"/> <tr> <td>3992</td> <td>A</td> <td>3\"/> <tr> <td>3993</td> <td>ETR</td> <td>-</td> <td>WD.</td> <td>J2</td> <td>PTD.</td> <td>-</td> <td>399</td> <td>3\"/> <tr> <td>3994</td> <td>ETR</td> <td>-</td> <td>WD.</td> <td>J2</td> <td>PTD.</td> <td>-</td> <td>3991</td> <td>3\"/> <tr> <td>3995</td> <td>ETR</td> <td>-</td> <td>WD.</td> <td>J2</td> <td>PTD.</td> <td>-</td> <td>3992</td> <td>3\"/> <tr> <td>3997</td> <td>ETR</td> <td>-</td> <td>WD.</td> <td>J2</td> <td>PTD.</td> <td>-</td> <td>3993</td> <td>3\"/> <tr> <td>3998</td> <td>ETR</td> <td>-</td> <td>WD.</td> <td>J2</td> <td>PTD.</td> <td>-</td> <td>3994</td> <td>3\"/> <tr> <td>3999</td> <td>ETR</td> <td>-</td> <td>WD.</td> <td>J2</td> <td>PTD.</td> <td>-</td> <td>3995</td> <td>3\"/> <tr> <td>3999</td> <td>ETR</td> <td>-</td> <td>WD.</td> <td>J2</td> <td>PTD.</td> <td>-</td> <td>3997</td> <td>3\"/> </td></tr></td></tr></td></tr></td></tr></td></tr></td></tr></td></tr></td></tr></td></tr></td></tr></td></tr></td></tr></td></tr></td></tr></td></tr></td></tr></td></tr></td></tr></td></tr></td></tr></td></tr></td></tr></td></td></tr></td></tr></td></td></tr></td></td></tr></td></td></tr></td></td></tr> | 378 | B | 1 <td>WD</td> <td>J1</td> <td>PTD.</td> <td>-</td> <td>377</td> <td>3\"/> <tr> <td>379</td> <td>B</td> <td>1 <td>WD</td> <td>J1</td> <td>PTD.</td> <td>-</td> <td>377A</td> <td>3\"/> <tr> <td>380A</td> <td>B</td> <td>1 <td>WD</td> <td>J1</td> <td>PTD.</td> <td>-</td> <td>378</td> <td>3\"/> <tr> <td>380B</td> <td>B</td> <td>1 <td>WD</td> <td>J1</td> <td>PTD.</td> <td>-</td> <td>379</td> <td>3\"/> <tr> <td>382</td> <td>ETR</td> <td>-</td> <td>WD.</td> <td>J2</td> <td>PTD.</td> <td>-</td> <td>380A</td> <td>3\"/> <tr> <td>382A</td> <td>D</td> <td>6 <td>ALUM.</td> <td>ANODIZE D</td> <td>-</td> <td>-</td> <td>380B</td> <td>3\"/> <tr> <td>385</td> <td>ETR</td> <td>-</td> <td>WD.</td> <td>J2</td> <td>PTD.</td> <td>-</td> <td>382</td> <td>3\"/> <tr> <td>386</td> <td>ETR</td> <td>-</td> <td>WD.</td> <td>J2</td> <td>PTD.</td> <td>-</td> <td>382A</td> <td>3\"/> <tr> <td>387</td> <td>ETR</td> <td>-</td> <td>WD.</td> <td>J2</td> <td>PTD.</td> <td>-</td> <td>385</td> <td>3\"/> <tr> <td>388</td> <td>ETR</td> <td>-</td> <td>WD.</td> <td>J2</td> <td>PTD.</td> <td>-</td> <td>386</td> <td>3\"/> <tr> <td>389</td> <td>ETR</td> <td>-</td> <td>WD.</td> <td>J2</td> <td>PTD.</td> <td>-</td> <td>387</td> <td>3\"/> <tr> <td>391</td> <td>ETR</td> <td>-</td> <td>WD.</td> <td>J2</td> <td>PTD.</td> <td>-</td> <td>388</td> <td>3\"/> <tr> <td>391A</td> <td>ETR</td> <td>-</td> <td>WD.</td> <td>J2</td> <td>PTD.</td> <td>-</td> <td>389</td> <td>3\"/> <tr> <td>391B</td> <td>ETR</td> <td>-</td> <td>WD.</td> <td>J2</td> <td>PTD.</td> <td>-</td> <td>391</td> <td>3\"/> <tr> <td>394</td> <td>ETR</td> <td>-</td> <td>WD.</td> <td>J2</td> <td>PTD.</td> <td>-</td> <td>391A</td> <td>3\"/> <tr> <td>395</td> <td>ETR</td> <td>-</td> <td>WD.</td> <td>J2</td> <td>PTD.</td> <td>-</td> <td>391B</td> <td>3\"/> <tr> <td>396</td> <td>ETR</td> <td>-</td> <td>WD.</td> <td>J2</td> <td>PTD.</td> <td>-</td> <td>394</td> <td>3\"/> <tr> <td>398</td> <td>ETR</td> <td>-</td> <td>WD.</td> <td>J2</td> <td>PTD.</td> <td>-</td> <td>395</td> <td>3\"/> <tr> <td>399</td> <td>ETR</td> <td>-</td> <td>WD.</td> <td>J2</td> <td>PTD.</td> <td>-</td> <td>396</td> <td>3\"/> <tr> <td>3991</td> <td>ETR</td> <td>-</td> <td>WD.</td> <td>J2</td> <td>PTD.</td> <td>-</td> <td>398</td> <td>3\"/> <tr> <td>3992</td> <td>A</td> <td>3\"/> <tr> <td>3993</td> <td>ETR</td> <td>-</td> <td>WD.</td> <td>J2</td> <td>PTD.</td> <td>-</td> <td>399</td> <td>3\"/> <tr> <td>3994</td> <td>ETR</td> <td>-</td> <td>WD.</td> <td>J2</td> <td>PTD.</td> <td>-</td> <td>3991</td> <td>3\"/> <tr> <td>3995</td> <td>ETR</td> <td>-</td> <td>WD.</td> <td>J2</td> <td>PTD.</td> <td>-</td> <td>3992</td> <td>3\"/> <tr> <td>3997</td> <td>ETR</td> <td>-</td> <td>WD.</td> <td>J2</td> <td>PTD.</td> <td>-</td> <td>3993</td> <td>3\"/> <tr> <td>3998</td> <td>ETR</td> <td>-</td> <td>WD.</td> <td>J2</td> <td>PTD.</td> <td>-</td> <td>3994</td> <td>3\"/> <tr> <td>3999</td> <td>ETR</td> <td>-</td> <td>WD.</td> <td>J2</td> <td>PTD.</td> <td>-</td> <td>3995</td> <td>3\"/> <tr> <td>3999</td> <td>ETR</td> <td>-</td> <td>WD.</td> <td>J2</td> <td>PTD.</td> <td>-</td> <td>3997</td> <td>3\"/> </td></tr></td></tr></td></tr></td></tr></td></tr></td></tr></td></tr></td></tr></td></tr></td></tr></td></tr></td></tr></td></tr></td></tr></td></tr></td></tr></td></tr></td></tr></td></tr></td></tr></td></tr></td></tr></td></td></tr></td></tr></td></td></tr></td></td></tr></td></td></tr></td> | WD | J1 | PTD. | - | 377 | 3\"/> <tr> <td>379</td> <td>B</td> <td>1 <td>WD</td> <td>J1</td> <td>PTD.</td> <td>-</td> <td>377A</td> <td>3\"/> <tr> <td>380A</td> <td>B</td>
<td>1 <td>WD</td> <td>J1</td> <td>PTD.</td> <td>-</td> <td>378</td> <td>3\"/> <tr> <td>380B</td> <td>B</td> <td>1 <td>WD</td> <td>J1</td> <td>PTD.</td> <td>-</td> <td>379</td> <td>3\"/> <tr> <td>382</td> <td>ETR</td> <td>-</td> <td>WD.</td> <td>J2</td> <td>PTD.</td> <td>-</td> <td>380A</td> <td>3\"/> <tr> <td>382A</td> <td>D</td> <td>6 <td>ALUM.</td> <td>ANODIZE D</td> <td>-</td> <td>-</td> <td>380B</td> <td>3\"/> <tr> <td>385</td> <td>ETR</td> <td>-</td> <td>WD.</td> <td>J2</td> <td>PTD.</td> <td>-</td> <td>382</td> <td>3\"/> <tr> <td>386</td> <td>ETR</td> <td>-</td> <td>WD.</td> <td>J2</td> <td>PTD.</td> <td>-</td> <td>382A</td> <td>3\"/> <tr> <td>387</td> <td>ETR</td> <td>-</td> <td>WD.</td> <td>J2</td> <td>PTD.</td> <td>-</td> <td>385</td> <td>3\"/> <tr> <td>388</td> <td>ETR</td> <td>-</td> <td>WD.</td> <td>J2</td> <td>PTD.</td> <td>-</td> <td>386</td> <td>3\"/> <tr> <td>389</td> <td>ETR</td> <td>-</td> <td>WD.</td> <td>J2</td> <td>PTD.</td> <td>-</td> <td>387</td> <td>3\"/> <tr> <td>391</td> <td>ETR</td> <td>-</td> <td>WD.</td> <td>J2</td> <td>PTD.</td> <td>-</td> <td>388</td> <td>3\"/> <tr> <td>391A</td> <td>ETR</td> <td>-</td> <td>WD.</td> <td>J2</td> <td>PTD.</td> <td>-</td> <td>389</td> <td>3\"/> <tr> <td>391B</td> <td>ETR</td> <td>-</td> <td>WD.</td> <td>J2</td> <td>PTD.</td> <td>-</td> <td>391</td> <td>3\"/> <tr> <td>394</td> <td>ETR</td> <td>-</td> <td>WD.</td> <td>J2</td> <td>PTD.</td> <td>-</td> <td>391A</td> <td>3\"/> <tr> <td>395</td> <td>ETR</td> <td>-</td> <td>WD.</td> <td>J2</td> <td>PTD.</td> <td>-</td> <td>391B</td> <td>3\"/> <tr> <td>396</td> <td>ETR</td> <td>-</td> <td>WD.</td> <td>J2</td> <td>PTD.</td> <td>-</td> <td>394</td> <td>3\"/> <tr> <td>398</td> <td>ETR</td> <td>-</td> <td>WD.</td> <td>J2</td> <td>PTD.</td> <td>-</td> <td>395</td> <td>3\"/> <tr> <td>399</td> <td>ETR</td> <td>-</td> <td>WD.</td> <td>J2</td> <td>PTD.</td> <td>-</td> <td>396</td> <td>3\"/> <tr> <td>3991</td> <td>ETR</td> <td>-</td> <td>WD.</td> <td>J2</td> <td>PTD.</td> <td>-</td> <td>398</td> <td>3\"/> <tr> <td>3992</td> <td>A</td> <td>3\"/> <tr> <td>3993</td> <td>ETR</td> <td>-</td> <td>WD.</td> <td>J2</td> <td>PTD.</td> <td>-</td> <td>399</td> <td>3\"/> <tr> <td>3994</td> <td>ETR</td> <td>-</td> <td>WD.</td> <td>J2</td> <td>PTD.</td> <td>-</td> <td>3991</td> <td>3\"/> <tr> <td>3995</td> <td>ETR</td> <td>-</td> <td>WD.</td> <td>J2</td> <td>PTD.</td> <td>-</td> <td>3992</td> <td>3\"/> <tr> <td>3997</td> <td>ETR</td> <td>-</td> <td>WD.</td> <td>J2</td> <td>PTD.</td> <td>-</td> <td>3993</td> <td>3\"/> <tr> <td>3998</td> <td>ETR</td> <td>-</td> <td>WD.</td> <td>J2</td> <td>PTD.</td> <td>-</td> <td>3994</td> <td>3\"/> <tr> <td>3999</td> <td>ETR</td> <td>-</td> <td>WD.</td> <td>J2</td> <td>PTD.</td> <td>-</td> <td>3995</td> <td>3\"/> <tr> <td>3999</td> <td>ETR</td> <td>-</td> <td>WD.</td> <td>J2</td> <td>PTD.</td> <td>-</td> <td>3997</td> <td>3\"/> </td></tr></td></tr></td></tr></td></tr></td></tr></td></tr></td></tr></td></tr></td></tr></td></tr></td></tr></td></tr></td></tr></td></tr></td></tr></td></tr></td></tr></td></tr></td></tr></td></tr></td></tr></td></tr></td></td></tr></td></tr></td></td></tr></td></td></tr></td></td></tr> | 379 | B | 1 <td>WD</td> <td>J1</td> <td>PTD.</td> <td>-</td> <td>377A</td> <td>3\"/> <tr> <td>380A</td> <td>B</td> <td>1 <td>WD</td> <td>J1</td> <td>PTD.</td> <td>-</td> <td>378</td> <td>3\"/> <tr> <td>380B</td> <td>B</td> <td>1 <td>WD</td> <td>J1</td> <td>PTD.</td> <td>-</td> <td>379</td> <td>3\"/> <tr> <td>382</td> <td>ETR</td> <td>-</td> <td>WD.</td> <td>J2</td> <td>PTD.</td> <td>-</td> <td>380A</td> <td>3\"/> <tr> <td>382A</td> <td>D</td> <td>6 <td>ALUM.</td> <td>ANODIZE D</td> <td>-</td> <td>-</td> <td>380B</td> <td>3\"/> <tr> <td>385</td> <td>ETR</td> <td>-</td> <td>WD.</td> <td>J2</td> <td>PTD.</td> <td>-</td> <td>382</td> <td>3\"/> <tr> <td>386</td> <td>ETR</td> <td>-</td> <td>WD.</td> <td>J2</td> <td>PTD.</td> <td>-</td> <td>382A</td> <td>3\"/> <tr> <td>387</td> <td>ETR</td> <td>-</td> <td>WD.</td> <td>J2</td> <td>PTD.</td> <td>-</td> <td>385</td> <td>3\"/> <tr> <td>388</td> <td>ETR</td> <td>-</td> <td>WD.</td> <td>J2</td> <td>PTD.</td> <td>-</td> <td>386</td> <td>3\"/> <tr> <td>389</td> <td>ETR</td> <td>-</td> <td>WD.</td> <td>J2</td> <td>PTD.</td> <td>-</td> <td>387</td> <td>3\"/> <tr> <td>391</td> <td>ETR</td> <td>-</td> <td>WD.</td> <td>J2</td> <td>PTD.</td> <td>-</td> <td>388</td> <td>3\"/> <tr> <td>391A</td> <td>ETR</td> <td>-</td> <td>WD.</td> <td>J2</td> <td>PTD.</td> <td>-</td> <td>389</td> <td>3\"/> <tr> <td>391B</td> <td>ETR</td> <td>-</td> <td>WD.</td> <td>J2</td> <td>PTD.</td> <td>-</td> <td>391</td> <td>3\"/> <tr> <td>394</td> <td>ETR</td> <td>-</td> <td>WD.</td> <td>J2</td> <td>PTD.</td> <td>-</td> <td>391A</td> <td>3\"/> <tr> <td>395</td> <td>ETR</td> <td>-</td> <td>WD.</td> <td>J2</td> <td>PTD.</td> <td>-</td> <td>391B</td> <td>3\"/> <tr> <td>396</td> <td>ETR</td> <td>-</td> <td>WD.</td> <td>J2</td> <td>PTD.</td> <td>-</td> <td>394</td> <td>3\"/> <tr> <td>398</td> <td>ETR</td> <td>-</td> <td>WD.</td> <td>J2</td> <td>PTD.</td> <td>-</td> <td>395</td> <td>3\"/> <tr> <td>399</td> <td>ETR</td> <td>-</td> <td>WD.</td> <td>J2</td> <td>PTD.</td> <td>-</td> <td>396</td> <td>3\"/> <tr> <td>3991</td> <td>ETR</td> <td>-</td> <td>WD.</td> <td>J2</td> <td>PTD.</td> <td>-</td> <td>398</td> <td>3\"/> <tr> <td>3992</td> <td>A</td> <td>3\"/> <tr> <td>3993</td> <td>ETR</td> <td>-</td> <td>WD.</td> <td>J2</td> <td>PTD.</td> <td>-</td> <td>399</td> <td>3\"/> <tr> <td>3994</td> <td>ETR</td> <td>-</td> <td>WD.</td> <td>J2</td> <td>PTD.</td> <td>-</td> <td>3991</td> <td>3\"/> <tr> <td>3995</td> <td>ETR</td> <td>-</td> <td>WD.</td> <td>J2</td> <td>PTD.</td> <td>-</td> <td>3992</td> <td>3\"/> <tr> <td>3997</td> <td>ETR</td> <td>-</td> <td>WD.</td> <td>J2</td> <td>PTD.</td> <td>-</td> <td>3993</td> <td>3\"/> <tr> <td>3998</td> <td>ETR</td> <td>-</td> <td>WD.</td> <td>J2</td> <td>PTD.</td> <td>-</td> <td>3994</td> <td>3\"/> <tr> <td>3999</td> <td>ETR</td> <td>-</td> <td>WD.</td> <td>J2</td> <td>PTD.</td> <td>-</td> <td>3995</td> <td>3\"/> <tr> <td>3999</td> <td>ETR</td> <td>-</td> <td>WD.</td> <td>J2</td> <td>PTD.</td> <td>-</td> <td>3997</td> <td>3\"/> </td></tr></td></tr></td></tr></td></tr></td></tr></td></tr></td></tr></td></tr></td></tr></td></tr></td></tr></td></tr></td></tr></td></tr></td></tr></td></tr></td></tr></td></tr></td></tr></td></tr></td></tr></td></tr></td></td></tr></td></tr></td></td></tr></td></td></tr></td> | WD | J1 | PTD. | - | 377A | 3\"/> <tr> <td>380A</td> <td>B</td> <td>1 <td>WD</td> <td>J1</td> <td>PTD.</td> <td>-</td> <td>378</td> <td>3\"/> <tr>
<td>380B</td> <td>B</td> <td>1 <td>WD</td> <td>J1</td> <td>PTD.</td> <td>-</td> <td>379</td> <td>3\"/> <tr> <td>382</td> <td>ETR</td> <td>-</td> <td>WD.</td> <td>J2</td> <td>PTD.</td> <td>-</td> <td>380A</td> <td>3\"/> <tr> <td>382A</td> <td>D</td> <td>6 <td>ALUM.</td> <td>ANODIZE D</td> <td>-</td> <td>-</td> <td>380B</td> <td>3\"/> <tr> <td>385</td> <td>ETR</td> <td>-</td> <td>WD.</td> <td>J2</td> <td>PTD.</td> <td>-</td> <td>382</td> <td>3\"/> <tr> <td>386</td> <td>ETR</td> <td>-</td> <td>WD.</td> <td>J2</td> <td>PTD.</td> <td>-</td> <td>382A</td> <td>3\"/> <tr> <td>387</td> <td>ETR</td> <td>-</td> <td>WD.</td> <td>J2</td> <td>PTD.</td> <td>-</td> <td>385</td> <td>3\"/> <tr> <td>388</td> <td>ETR</td> <td>-</td> <td>WD.</td> <td>J2</td> <td>PTD.</td> <td>-</td> <td>386</td> <td>3\"/> <tr> <td>389</td> <td>ETR</td> <td>-</td> <td>WD.</td> <td>J2</td> <td>PTD.</td> <td>-</td> <td>387</td> <td>3\"/> <tr> <td>391</td> <td>ETR</td> <td>-</td> <td>WD.</td> <td>J2</td> <td>PTD.</td> <td>-</td> <td>388</td> <td>3\"/> <tr> <td>391A</td> <td>ETR</td> <td>-</td> <td>WD.</td> <td>J2</td> <td>PTD.</td> <td>-</td> <td>389</td> <td>3\"/> <tr> <td>391B</td> <td>ETR</td> <td>-</td> <td>WD.</td> <td>J2</td> <td>PTD.</td> <td>-</td> <td>391</td> <td>3\"/> <tr> <td>394</td> <td>ETR</td> <td>-</td> <td>WD.</td> <td>J2</td> <td>PTD.</td> <td>-</td> <td>391A</td> <td>3\"/> <tr> <td>395</td> <td>ETR</td> <td>-</td> <td>WD.</td> <td>J2</td> <td>PTD.</td> <td>-</td> <td>391B</td> <td>3\"/> <tr> <td>396</td> <td>ETR</td> <td>-</td> <td>WD.</td> <td>J2</td> <td>PTD.</td> <td>-</td> <td>394</td> <td>3\"/> <tr> <td>398</td> <td>ETR</td> <td>-</td> <td>WD.</td> <td>J2</td> <td>PTD.</td> <td>-</td> <td>395</td> <td>3\"/> <tr> <td>399</td> <td>ETR</td> <td>-</td> <td>WD.</td> <td>J2</td> <td>PTD.</td> <td>-</td> <td>396</td> <td>3\"/> <tr> <td>3991</td> <td>ETR</td> <td>-</td> <td>WD.</td> <td>J2</td> <td>PTD.</td> <td>-</td> <td>398</td> <td>3\"/> <tr> <td>3992</td> <td>A</td> <td>3\"/> <tr> <td>3993</td> <td>ETR</td> <td>-</td> <td>WD.</td> <td>J2</td> <td>PTD.</td> <td>-</td> <td>399</td> <td>3\"/> <tr> <td>3994</td> <td>ETR</td> <td>-</td> <td>WD.</td> <td>J2</td> <td>PTD.</td> <td>-</td> <td>3991</td> <td>3\"/> <tr> <td>3995</td> <td>ETR</td> <td>-</td> <td>WD.</td> <td>J2</td> <td>PTD.</td> <td>-</td> <td>3992</td> <td>3\"/> <tr> <td>3997</td> <td>ETR</td> <td>-</td> <td>WD.</td> <td>J2</td> <td>PTD.</td> <td>-</td> <td>3993</td> <td>3\"/> <tr> <td>3998</td> <td>ETR</td> <td>-</td> <td>WD.</td> <td>J2</td> <td>PTD.</td> <td>-</td> <td>3994</td> <td>3\"/> <tr> <td>3999</td> <td>ETR</td> <td>-</td> <td>WD.</td> <td>J2</td> <td>PTD.</td> <td>-</td> <td>3995</td> <td>3\"/> <tr> <td>3999</td> <td>ETR</td> <td>-</td> <td>WD.</td> <td>J2</td> <td>PTD.</td> <td>-</td> <td>3997</td> <td>3\"/> </td></tr></td></tr></td></tr></td></tr></td></tr></td></tr></td></tr></td></tr></td></tr></td></tr></td></tr></td></tr></td></tr></td></tr></td></tr></td></tr></td></tr></td></tr></td></tr></td></tr></td></tr></td></tr></td></td></tr></td></tr></td></td></tr></td></td></tr> | 380A | B | 1 <td>WD</td> <td>J1</td> <td>PTD.</td> <td>-</td> <td>378</td> <td>3\"/> <tr> <td>380B</td> <td>B</td> <td>1 <td>WD</td> <td>J1</td> <td>PTD.</td> <td>-</td> <td>379</td> <td>3\"/> <tr> <td>382</td> <td>ETR</td> <td>-</td> <td>WD.</td> <td>J2</td> <td>PTD.</td> <td>-</td> <td>380A</td> <td>3\"/> <tr> <td>382A</td> <td>D</td> <td>6 <td>ALUM.</td> <td>ANODIZE D</td> <td>-</td> <td>-</td> <td>380B</td> <td>3\"/> <tr> <td>385</td> <td>ETR</td> <td>-</td> <td>WD.</td> <td>J2</td> <td>PTD.</td> <td>-</td> <td>382</td> <td>3\"/> <tr> <td>386</td> <td>ETR</td> <td>-</td> <td>WD.</td> <td>J2</td> <td>PTD.</td> <td>-</td> <td>382A</td> <td>3\"/> <tr> <td>387</td> <td>ETR</td> <td>-</td> <td>WD.</td> <td>J2</td> <td>PTD.</td> <td>-</td> <td>385</td> <td>3\"/> <tr> <td>388</td> <td>ETR</td> <td>-</td> <td>WD.</td> <td>J2</td> <td>PTD.</td> <td>-</td> <td>386</td> <td>3\"/> <tr> <td>389</td> <td>ETR</td> <td>-</td> <td>WD.</td> <td>J2</td> <td>PTD.</td> <td>-</td> <td>387</td> <td>3\"/> <tr> <td>391</td> <td>ETR</td> <td>-</td> <td>WD.</td> <td>J2</td> <td>PTD.</td> <td>-</td> <td>388</td> <td>3\"/> <tr> <td>391A</td> <td>ETR</td> <td>-</td> <td>WD.</td> <td>J2</td> <td>PTD.</td> <td>-</td> <td>389</td> <td>3\"/> <tr> <td>391B</td> <td>ETR</td> <td>-</td> <td>WD.</td> <td>J2</td> <td>PTD.</td> <td>-</td> <td>391</td> <td>3\"/> <tr> <td>394</td> <td>ETR</td> <td>-</td> <td>WD.</td> <td>J2</td> <td>PTD.</td> <td>-</td> <td>391A</td> <td>3\"/> <tr> <td>395</td> <td>ETR</td> <td>-</td> <td>WD.</td> <td>J2</td> <td>PTD.</td> <td>-</td> <td>391B</td> <td>3\"/> <tr> <td>396</td> <td>ETR</td> <td>-</td> <td>WD.</td> <td>J2</td> <td>PTD.</td> <td>-</td> <td>394</td> <td>3\"/> <tr> <td>398</td> <td>ETR</td> <td>-</td> <td>WD.</td> <td>J2</td> <td>PTD.</td> <td>-</td> <td>395</td> <td>3\"/> <tr> <td>399</td> <td>ETR</td> <td>-</td> <td>WD.</td> <td>J2</td> <td>PTD.</td> <td>-</td> <td>396</td> <td>3\"/> <tr> <td>3991</td> <td>ETR</td> <td>-</td> <td>WD.</td> <td>J2</td> <td>PTD.</td> <td>-</td> <td>398</td> <td>3\"/> <tr> <td>3992</td> <td>A</td> <td>3\"/> <tr> <td>3993</td> <td>ETR</td> <td>-</td> <td>WD.</td> <td>J2</td> <td>PTD.</td> <td>-</td> <td>399</td> <td>3\"/> <tr> <td>3994</td> <td>ETR</td> <td>-</td> <td>WD.</td> <td>J2</td> <td>PTD.</td> <td>-</td> <td>3991</td> <td>3\"/> <tr> <td>3995</td> <td>ETR</td> <td>-</td> <td>WD.</td> <td>J2</td> <td>PTD.</td> <td>-</td> <td>3992</td> <td>3\"/> <tr> <td>3997</td> <td>ETR</td> <td>-</td> <td>WD.</td> <td>J2</td> <td>PTD.</td> <td>-</td> <td>3993</td> <td>3\"/> <tr> <td>3998</td> <td>ETR</td> <td>-</td> <td>WD.</td> <td>J2</td> <td>PTD.</td> <td>-</td> <td>3994</td> <td>3\"/> <tr> <td>3999</td> <td>ETR</td> <td>-</td> <td>WD.</td> <td>J2</td> <td>PTD.</td> <td>-</td> <td>3995</td> <td>3\"/> <tr> <td>3999</td> <td>ETR</td> <td>-</td> <td>WD.</td> <td>J2</td> <td>PTD.</td> <td>-</td> <td>3997</td> <td>3\"/> </td></tr></td></tr></td></tr></td></tr></td></tr></td></tr></td></tr></td></tr></td></tr></td></tr></td></tr></td></tr></td></tr></td></tr></td></tr></td></tr></td></tr></td></tr></td></tr></td></tr></td></tr></td></tr></td></td></tr></td></tr></td></td></tr></td> | WD | J1 | PTD. | - | 378 | 3\"/> <tr> <td>380B</td> <td>B</td> <td>1 <td>WD</td> <td>J1</td> <td>PTD.</td> <td>-</td> <td>379</td> <td>3\"/> <tr> <td>382</td> <td>ETR</td> <td>-</td> <td>WD.</td> <td>J2</td> <td>PTD.</td> <td>-</td> <td>380A</td> <td>3\"/> <tr> <td>382A</td> <td>D</td> <td>6 <td>ALUM.</td> <td>ANODIZE D</td> <td>-</td> <td>-</td> <td>380B</td> <td>3\"/> <tr>
<td>385</td> <td>ETR</td> <td>-</td> <td>WD.</td> <td>J2</td> <td>PTD.</td> <td>-</td> <td>382</td> <td>3\"/> <tr> <td>386</td> <td>ETR</td> <td>-</td> <td>WD.</td> <td>J2</td> <td>PTD.</td> <td>-</td> <td>382A</td> <td>3\"/> <tr> <td>387</td> <td>ETR</td> <td>-</td> <td>WD.</td> <td>J2</td> <td>PTD.</td> <td>-</td> <td>385</td> <td>3\"/> <tr> <td>388</td> <td>ETR</td> <td>-</td> <td>WD.</td> <td>J2</td> <td>PTD.</td> <td>-</td> <td>386</td> <td>3\"/> <tr> <td>389</td> <td>ETR</td> <td>-</td> <td>WD.</td> <td>J2</td> <td>PTD.</td> <td>-</td> <td>387</td> <td>3\"/> <tr> <td>391</td> <td>ETR</td> <td>-</td> <td>WD.</td> <td>J2</td> <td>PTD.</td> <td>-</td> <td>388</td> <td>3\"/> <tr> <td>391A</td> <td>ETR</td> <td>-</td> <td>WD.</td> <td>J2</td> <td>PTD.</td> <td>-</td> <td>389</td> <td>3\"/> <tr> <td>391B</td> <td>ETR</td> <td>-</td> <td>WD.</td> <td>J2</td> <td>PTD.</td> <td>-</td> <td>391</td> <td>3\"/> <tr> <td>394</td> <td>ETR</td> <td>-</td> <td>WD.</td> <td>J2</td> <td>PTD.</td> <td>-</td> <td>391A</td> <td>3\"/> <tr> <td>395</td> <td>ETR</td> <td>-</td> <td>WD.</td> <td>J2</td> <td>PTD.</td> <td>-</td> <td>391B</td> <td>3\"/> <tr> <td>396</td> <td>ETR</td> <td>-</td> <td>WD.</td> <td>J2</td> <td>PTD.</td> <td>-</td> <td>394</td> <td>3\"/> <tr> <td>398</td> <td>ETR</td> <td>-</td> <td>WD.</td> <td>J2</td> <td>PTD.</td> <td>-</td> <td>395</td> <td>3\"/> <tr> <td>399</td> <td>ETR</td> <td>-</td> <td>WD.</td> <td>J2</td> <td>PTD.</td> <td>-</td> <td>396</td> <td>3\"/> <tr> <td>3991</td> <td>ETR</td> <td>-</td> <td>WD.</td> <td>J2</td> <td>PTD.</td> <td>-</td> <td>398</td> <td>3\"/> <tr> <td>3992</td> <td>A</td> <td>3\"/> <tr> <td>3993</td> <td>ETR</td> <td>-</td> <td>WD.</td> <td>J2</td> <td>PTD.</td> <td>-</td> <td>399</td> <td>3\"/> <tr> <td>3994</td> <td>ETR</td> <td>-</td> <td>WD.</td> <td>J2</td> <td>PTD.</td> <td>-</td> <td>3991</td> <td>3\"/> <tr> <td>3995</td> <td>ETR</td> <td>-</td> <td>WD.</td> <td>J2</td> <td>PTD.</td> <td>-</td> <td>3992</td> <td>3\"/> <tr> <td>3997</td> <td>ETR</td> <td>-</td> <td>WD.</td> <td>J2</td> <td>PTD.</td> <td>-</td> <td>3993</td> <td>3\"/> <tr> <td>3998</td> <td>ETR</td> <td>-</td> <td>WD.</td> <td>J2</td> <td>PTD.</td> <td>-</td> <td>3994</td> <td>3\"/> <tr> <td>3999</td> <td>ETR</td> <td>-</td> <td>WD.</td> <td>J2</td> <td>PTD.</td> <td>-</td> <td>3995</td> <td>3\"/> <tr> <td>3999</td> <td>ETR</td> <td>-</td> <td>WD.</td> <td>J2</td> <td>PTD.</td> <td>-</td> <td>3997</td> <td>3\"/> </td></tr></td></tr></td></tr></td></tr></td></tr></td></tr></td></tr></td></tr></td></tr></td></tr></td></tr></td></tr></td></tr></td></tr></td></tr></td></tr></td></tr></td></tr></td></tr></td></tr></td></tr></td></tr></td></td></tr></td></tr></td></td></tr> | 380B | B | 1 <td>WD</td> <td>J1</td> <td>PTD.</td> <td>-</td> <td>379</td> <td>3\"/> <tr> <td>382</td> <td>ETR</td> <td>-</td> <td>WD.</td> <td>J2</td> <td>PTD.</td> <td>-</td> <td>380A</td> <td>3\"/> <tr> <td>382A</td> <td>D</td> <td>6 <td>ALUM.</td> <td>ANODIZE D</td> <td>-</td> <td>-</td> <td>380B</td> <td>3\"/> <tr> <td>385</td> <td>ETR</td> <td>-</td> <td>WD.</td> <td>J2</td> <td>PTD.</td> <td>-</td> <td>382</td> <td>3\"/> <tr> <td>386</td> <td>ETR</td> <td>-</td> <td>WD.</td> <td>J2</td> <td>PTD.</td> <td>-</td> <td>382A</td> <td>3\"/> <tr> <td>387</td> <td>ETR</td> <td>-</td> <td>WD.</td> <td>J2</td> <td>PTD.</td> <td>-</td> <td>385</td> <td>3\"/> <tr> <td>388</td> <td>ETR</td> <td>-</td> <td>WD.</td> <td>J2</td> <td>PTD.</td> <td>-</td> <td>386</td> <td>3\"/> <tr> <td>389</td> <td>ETR</td> <td>-</td> <td>WD.</td> <td>J2</td> <td>PTD.</td> <td>-</td> <td>387</td> <td>3\"/> <tr> <td>391</td> <td>ETR</td> <td>-</td> <td>WD.</td> <td>J2</td> <td>PTD.</td> <td>-</td> <td>388</td> <td>3\"/> <tr> <td>391A</td> <td>ETR</td> <td>-</td> <td>WD.</td> <td>J2</td> <td>PTD.</td> <td>-</td> <td>389</td> <td>3\"/> <tr> <td>391B</td> <td>ETR</td> <td>-</td> <td>WD.</td> <td>J2</td> <td>PTD.</td> <td>-</td> <td>391</td> <td>3\"/> <tr> <td>394</td> <td>ETR</td> <td>-</td> <td>WD.</td> <td>J2</td> <td>PTD.</td> <td>-</td> <td>391A</td> <td>3\"/> <tr> <td>395</td> <td>ETR</td> <td>-</td> <td>WD.</td> <td>J2</td> <td>PTD.</td> <td>-</td> <td>391B</td> <td>3\"/> <tr> <td>396</td> <td>ETR</td> <td>-</td> <td>WD.</td> <td>J2</td> <td>PTD.</td> <td>-</td> <td>394</td> <td>3\"/> <tr> <td>398</td> <td>ETR</td> <td>-</td> <td>WD.</td> <td>J2</td> <td>PTD.</td> <td>-</td> <td>395</td> <td>3\"/> <tr> <td>399</td> <td>ETR</td> <td>-</td> <td>WD.</td> <td>J2</td> <td>PTD.</td> <td>-</td> <td>396</td> <td>3\"/> <tr> <td>3991</td> <td>ETR</td> <td>-</td> <td>WD.</td> <td>J2</td> <td>PTD.</td> <td>-</td> <td>398</td> <td>3\"/> <tr> <td>3992</td> <td>A</td> <td>3\"/> <tr> <td>3993</td> <td>ETR</td> <td>-</td> <td>WD.</td> <td>J2</td> <td>PTD.</td> <td>-</td> <td>399</td> <td>3\"/> <tr> <td>3994</td> <td>ETR</td> <td>-</td> <td>WD.</td> <td>J2</td> <td>PTD.</td> <td>-</td> <td>3991</td> <td>3\"/> <tr> <td>3995</td> <td>ETR</td> <td>-</td> <td>WD.</td> <td>J2</td> <td>PTD.</td> <td>-</td> <td>3992</td> <td>3\"/> <tr> <td>3997</td> <td>ETR</td> <td>-</td> <td>WD.</td> <td>J2</td> <td>PTD.</td> <td>-</td> <td>3993</td> <td>3\"/> <tr> <td>3998</td> <td>ETR</td> <td>-</td> <td>WD.</td> <td>J2</td> <td>PTD.</td> <td>-</td> <td>3994</td> <td>3\"/> <tr> <td>3999</td> <td>ETR</td> <td>-</td> <td>WD.</td> <td>J2</td> <td>PTD.</td> <td>-</td> <td>3995</td> <td>3\"/> <tr> <td>3999</td> <td>ETR</td> <td>-</td> <td>WD.</td> <td>J2</td> <td>PTD.</td> <td>-</td> <td>3997</td> <td>3\"/> </td></tr></td></tr></td></tr></td></tr></td></tr></td></tr></td></tr></td></tr></td></tr></td></tr></td></tr></td></tr></td></tr></td></tr></td></tr></td></tr></td></tr></td></tr></td></tr></td></tr></td></tr></td></tr></td></td></tr></td></tr></td> | WD | J1 | PTD. | - | 379 | 3\"/> <tr> <td>382</td> <td>ETR</td> <td>-</td> <td>WD.</td> <td>J2</td> <td>PTD.</td> <td>-</td> <td>380A</td> <td>3\"/> <tr> <td>382A</td> <td>D</td> <td>6 <td>ALUM.</td> <td>ANODIZE D</td> <td>-</td> <td>-</td> <td>380B</td> <td>3\"/> <tr> <td>385</td> <td>ETR</td> <td>-</td> <td>WD.</td> <td>J2</td> <td>PTD.</td> <td>-</td> <td>382</td> <td>3\"/> <tr> <td>386</td> <td>ETR</td> <td>-</td> <td>WD.</td> <td>J2</td> <td>PTD.</td> <td>-</td> <td>382A</td> <td>3\"/> <tr> <td>387</td> <td>ETR</td> <td>-</td> <td>WD.</td> <td>J2</td> <td>PTD.</td> <td>-</td> <td>385</td> <td>3\"/> <tr> <td>388</td> <td>ETR</td> <td>-</td> <td>WD.</td> <td>J2</td> <td>PTD.</td> <td>-</td> <td>386</td> <td>3\"/> <tr> <td>389</td> <td>ETR</td> <td>-</td> <td>WD.</td> <td>J2</td> <td>PTD.</td> <td>-</td> <td>387</td> <td>3\"/> <tr> <td>391</td>
<td>ETR</td> <td>-</td> <td>WD.</td> <td>J2</td> <td>PTD.</td> <td>-</td> <td>388</td> <td>3\"/> <tr> <td>391A</td> <td>ETR</td> <td>-</td> <td>WD.</td> <td>J2</td> <td>PTD.</td> <td>-</td> <td>389</td> <td>3\"/> <tr> <td>391B</td> <td>ETR</td> <td>-</td> <td>WD.</td> <td>J2</td> <td>PTD.</td> <td>-</td> <td>391</td> <td>3\"/> <tr> <td>394</td> <td>ETR</td> <td>-</td> <td>WD.</td> <td>J2</td> <td>PTD.</td> <td>-</td> <td>391A</td> <td>3\"/> <tr> <td>395</td> <td>ETR</td> <td>-</td> <td>WD.</td> <td>J2</td> <td>PTD.</td> <td>-</td> <td>391B</td> <td>3\"/> <tr> <td>396</td> <td>ETR</td> <td>-</td> <td>WD.</td> <td>J2</td> <td>PTD.</td> <td>-</td> <td>394</td> <td>3\"/> <tr> <td>398</td> <td>ETR</td> <td>-</td> <td>WD.</td> <td>J2</td> <td>PTD.</td> <td>-</td> <td>395</td> <td>3\"/> <tr> <td>399</td> <td>ETR</td> <td>-</td> <td>WD.</td> <td>J2</td> <td>PTD.</td> <td>-</td> <td>396</td> <td>3\"/> <tr> <td>3991</td> <td>ETR</td> <td>-</td> <td>WD.</td> <td>J2</td> <td>PTD.</td> <td>-</td> <td>398</td> <td>3\"/> <tr> <td>3992</td> <td>A</td> <td>3\"/> <tr> <td>3993</td> <td>ETR</td> <td>-</td> <td>WD.</td> <td>J2</td> <td>PTD.</td> <td>-</td> <td>399</td> <td>3\"/> <tr> <td>3994</td> <td>ETR</td> <td>-</td> <td>WD.</td> <td>J2</td> <td>PTD.</td> <td>-</td> <td>3991</td> <td>3\"/> <tr> <td>3995</td> <td>ETR</td> <td>-</td> <td>WD.</td> <td>J2</td> <td>PTD.</td> <td>-</td> <td>3992</td> <td>3\"/> <tr> <td>3997</td> <td>ETR</td> <td>-</td> <td>WD.</td> <td>J2</td> <td>PTD.</td> <td>-</td> <td>3993</td> <td>3\"/> <tr> <td>3998</td> <td>ETR</td> <td>-</td> <td>WD.</td> <td>J2</td> <td>PTD.</td> <td>-</td> <td>3994</td> <td>3\"/> <tr> <td>3999</td> <td>ETR</td> <td>-</td> <td>WD.</td> <td>J2</td> <td>PTD.</td> <td>-</td> <td>3995</td> <td>3\"/> <tr> <td>3999</td> <td>ETR</td> <td>-</td> <td>WD.</td> <td>J2</td> <td>PTD.</td> <td>-</td> <td>3997</td> <td>3\"/> </td></tr></td></tr></td></tr></td></tr></td></tr></td></tr></td></tr></td></tr></td></tr></td></tr></td></tr></td></tr></td></tr></td></tr></td></tr></td></tr></td></tr></td></tr></td></tr></td></tr></td></tr></td></tr></td></td></tr></td></tr> | 382 | ETR | - | WD. | J2 | PTD.
 | - | 380A | 3\"/> <tr> <td>382A</td> <td>D</td> <td>6 <td>ALUM.</td> <td>ANODIZE D</td> <td>-</td> <td>-</td> <td>380B</td> <td>3\"/> <tr> <td>385</td> <td>ETR</td> <td>-</td> <td>WD.</td> <td>J2</td> <td>PTD.</td> <td>-</td> <td>382</td> <td>3\"/> <tr> <td>386</td> <td>ETR</td> <td>-</td> <td>WD.</td> <td>J2</td> <td>PTD.</td> <td>-</td> <td>382A</td> <td>3\"/> <tr> <td>387</td> <td>ETR</td> <td>-</td> <td>WD.</td> <td>J2</td> <td>PTD.</td> <td>-</td> <td>385</td> <td>3\"/> <tr> <td>388</td> <td>ETR</td> <td>-</td> <td>WD.</td> <td>J2</td> <td>PTD.</td> <td>-</td> <td>386</td> <td>3\"/> <tr> <td>389</td> <td>ETR</td> <td>-</td> <td>WD.</td> <td>J2</td> <td>PTD.</td> <td>-</td> <td>387</td> <td>3\"/> <tr> <td>391</td> <td>ETR</td> <td>-</td> <td>WD.</td> <td>J2</td> <td>PTD.</td> <td>-</td> <td>388</td> <td>3\"/> <tr> <td>391A</td> <td>ETR</td> <td>-</td> <td>WD.</td> <td>J2</td> <td>PTD.</td> <td>-</td> <td>389</td> <td>3\"/> <tr> <td>391B</td> <td>ETR</td> <td>-</td> <td>WD.</td> <td>J2</td> <td>PTD.</td> <td>-</td> <td>391</td> <td>3\"/> <tr> <td>394</td> <td>ETR</td> <td>-</td> <td>WD.</td> <td>J2</td> <td>PTD.</td> <td>-</td> <td>391A</td> <td>3\"/> <tr> <td>395</td> <td>ETR</td> <td>-</td> <td>WD.</td> <td>J2</td> <td>PTD.</td> <td>-</td> <td>391B</td> <td>3\"/> <tr> <td>396</td> <td>ETR</td> <td>-</td> <td>WD.</td> <td>J2</td> <td>PTD.</td> <td>-</td> <td>394</td> <td>3\"/> <tr> <td>398</td> <td>ETR</td> <td>-</td> <td>WD.</td> <td>J2</td> <td>PTD.</td> <td>-</td> <td>395</td> <td>3\"/> <tr> <td>399</td> <td>ETR</td> <td>-</td> <td>WD.</td> <td>J2</td> <td>PTD.</td> <td>-</td> <td>396</td> <td>3\"/> <tr> <td>3991</td> <td>ETR</td> <td>-</td> <td>WD.</td> <td>J2</td> <td>PTD.</td> <td>-</td> <td>398</td> <td>3\"/> <tr> <td>3992</td> <td>A</td> <td>3\"/> <tr> <td>3993</td> <td>ETR</td> <td>-</td> <td>WD.</td> <td>J2</td> <td>PTD.</td> <td>-</td> <td>399</td> <td>3\"/> <tr> <td>3994</td> <td>ETR</td> <td>-</td> <td>WD.</td> <td>J2</td> <td>PTD.</td> <td>-</td> <td>3991</td> <td>3\"/> <tr> <td>3995</td> <td>ETR</td> <td>-</td> <td>WD.</td> <td>J2</td> <td>PTD.</td> <td>-</td> <td>3992</td> <td>3\"/> <tr> <td>3997</td> <td>ETR</td> <td>-</td> <td>WD.</td> <td>J2</td> <td>PTD.</td> <td>-</td> <td>3993</td> <td>3\"/> <tr> <td>3998</td> <td>ETR</td> <td>-</td> <td>WD.</td> <td>J2</td> <td>PTD.</td> <td>-</td> <td>3994</td> <td>3\"/> <tr> <td>3999</td> <td>ETR</td> <td>-</td> <td>WD.</td> <td>J2</td> <td>PTD.</td> <td>-</td> <td>3995</td> <td>3\"/> <tr> <td>3999</td> <td>ETR</td> <td>-</td> <td>WD.</td> <td>J2</td> <td>PTD.</td> <td>-</td> <td>3997</td> <td>3\"/> </td></tr></td></tr></td></tr></td></tr></td></tr></td></tr></td></tr></td></tr></td></tr></td></tr></td></tr></td></tr></td></tr></td></tr></td></tr></td></tr></td></tr></td></tr></td></tr></td></tr></td></tr></td></tr></td></td></tr> | 382A | D | 6 <td>ALUM.</td> <td>ANODIZE D</td> <td>-</td> <td>-</td> <td>380B</td> <td>3\"/> <tr> <td>385</td> <td>ETR</td> <td>-</td> <td>WD.</td> <td>J2</td> <td>PTD.</td> <td>-</td> <td>382</td> <td>3\"/> <tr> <td>386</td> <td>ETR</td> <td>-</td> <td>WD.</td> <td>J2</td> <td>PTD.</td> <td>-</td> <td>382A</td> <td>3\"/> <tr> <td>387</td> <td>ETR</td> <td>-</td> <td>WD.</td> <td>J2</td> <td>PTD.</td> <td>-</td> <td>385</td> <td>3\"/> <tr> <td>388</td> <td>ETR</td> <td>-</td> <td>WD.</td> <td>J2</td> <td>PTD.</td> <td>-</td> <td>386</td> <td>3\"/> <tr> <td>389</td> <td>ETR</td> <td>-</td> <td>WD.</td> <td>J2</td> <td>PTD.</td> <td>-</td> <td>387</td> <td>3\"/> <tr> <td>391</td> <td>ETR</td> <td>-</td> <td>WD.</td> <td>J2</td> <td>PTD.</td> <td>-</td> <td>388</td> <td>3\"/> <tr> <td>391A</td> <td>ETR</td> <td>-</td> <td>WD.</td> <td>J2</td> <td>PTD.</td> <td>-</td> <td>389</td> <td>3\"/> <tr> <td>391B</td> <td>ETR</td> <td>-</td> <td>WD.</td> <td>J2</td> <td>PTD.</td> <td>-</td> <td>391</td> <td>3\"/> <tr> <td>394</td> <td>ETR</td> <td>-</td> <td>WD.</td> <td>J2</td> <td>PTD.</td> <td>-</td> <td>391A</td> <td>3\"/> <tr> <td>395</td> <td>ETR</td> <td>-</td> <td>WD.</td> <td>J2</td> <td>PTD.</td> <td>-</td> <td>391B</td> <td>3\"/> <tr> <td>396</td> <td>ETR</td> <td>-</td> <td>WD.</td> <td>J2</td> <td>PTD.</td> <td>-</td> <td>394</td> <td>3\"/> <tr> <td>398</td> <td>ETR</td> <td>-</td> <td>WD.</td> <td>J2</td> <td>PTD.</td> <td>-</td> <td>395</td> <td>3\"/> <tr> <td>399</td> <td>ETR</td> <td>-</td> <td>WD.</td> <td>J2</td> <td>PTD.</td> <td>-</td> <td>396</td> <td>3\"/> <tr> <td>3991</td> <td>ETR</td> <td>-</td> <td>WD.</td> <td>J2</td> <td>PTD.</td> <td>-</td> <td>398</td> <td>3\"/> <tr> <td>3992</td> <td>A</td> <td>3\"/> <tr> <td>3993</td> <td>ETR</td> <td>-</td> <td>WD.</td> <td>J2</td> <td>PTD.</td> <td>-</td> <td>399</td> <td>3\"/> <tr> <td>3994</td> <td>ETR</td> <td>-</td> <td>WD.</td> <td>J2</td> <td>PTD.</td> <td>-</td> <td>3991</td> <td>3\"/> <tr> <td>3995</td> <td>ETR</td> <td>-</td> <td>WD.</td> <td>J2</td> <td>PTD.</td> <td>-</td> <td>3992</td> <td>3\"/> <tr> <td>3997</td> <td>ETR</td> <td>-</td> <td>WD.</td> <td>J2</td> <td>PTD.</td> <td>-</td> <td>3993</td> <td>3\"/> <tr> <td>3998</td> <td>ETR</td> <td>-</td> <td>WD.</td> <td>J2</td> <td>PTD.</td> <td>-</td> <td>3994</td> <td>3\"/> <tr> <td>3999</td> <td>ETR</td> <td>-</td> <td>WD.</td> <td>J2</td> <td>PTD.</td> <td>-</td> <td>3995</td> <td>3\"/> <tr> <td>3999</td> <td>ETR</td> <td>-</td> <td>WD.</td> <td>J2</td>
<td>PTD.</td> <td>-</td> <td>3997</td> <td>3\"/> </td></tr></td></tr></td></tr></td></tr></td></tr></td></tr></td></tr></td></tr></td></tr></td></tr></td></tr></td></tr></td></tr></td></tr></td></tr></td></tr></td></tr></td></tr></td></tr></td></tr></td></tr></td></tr></td> | ALUM. | ANODIZE D | - | - | 380B | 3\"/> <tr> <td>385</td> <td>ETR</td> <td>-</td> <td>WD.</td> <td>J2</td> <td>PTD.</td> <td>-</td> <td>382</td> <td>3\"/> <tr> <td>386</td> <td>ETR</td> <td>-</td> <td>WD.</td> <td>J2</td> <td>PTD.</td> <td>-</td> <td>382A</td> <td>3\"/> <tr> <td>387</td> <td>ETR</td> <td>-</td> <td>WD.</td> <td>J2</td> <td>PTD.</td> <td>-</td> <td>385</td> <td>3\"/> <tr> <td>388</td> <td>ETR</td> <td>-</td> <td>WD.</td> <td>J2</td> <td>PTD.</td> <td>-</td> <td>386</td> <td>3\"/> <tr> <td>389</td> <td>ETR</td> <td>-</td> <td>WD.</td> <td>J2</td> <td>PTD.</td> <td>-</td> <td>387</td> <td>3\"/> <tr> <td>391</td> <td>ETR</td> <td>-</td> <td>WD.</td> <td>J2</td> <td>PTD.</td> <td>-</td> <td>388</td> <td>3\"/> <tr> <td>391A</td> <td>ETR</td> <td>-</td> <td>WD.</td> <td>J2</td> <td>PTD.</td> <td>-</td> <td>389</td> <td>3\"/> <tr> <td>391B</td> <td>ETR</td> <td>-</td> <td>WD.</td> <td>J2</td> <td>PTD.</td> <td>-</td> <td>391</td> <td>3\"/> <tr> <td>394</td> <td>ETR</td> <td>-</td> <td>WD.</td> <td>J2</td> <td>PTD.</td> <td>-</td> <td>391A</td> <td>3\"/> <tr> <td>395</td> <td>ETR</td> <td>-</td> <td>WD.</td> <td>J2</td> <td>PTD.</td> <td>-</td> <td>391B</td> <td>3\"/> <tr> <td>396</td> <td>ETR</td> <td>-</td> <td>WD.</td> <td>J2</td> <td>PTD.</td> <td>-</td> <td>394</td> <td>3\"/> <tr> <td>398</td> <td>ETR</td> <td>-</td> <td>WD.</td> <td>J2</td> <td>PTD.</td> <td>-</td> <td>395</td> <td>3\"/> <tr> <td>399</td> <td>ETR</td> <td>-</td> <td>WD.</td> <td>J2</td> <td>PTD.</td> <td>-</td> <td>396</td> <td>3\"/> <tr> <td>3991</td> <td>ETR</td> <td>-</td> <td>WD.</td> <td>J2</td> <td>PTD.</td> <td>-</td> <td>398</td> <td>3\"/> <tr> <td>3992</td> <td>A</td> <td>3\"/> <tr> <td>3993</td> <td>ETR</td> <td>-</td> <td>WD.</td> <td>J2</td> <td>PTD.</td> <td>-</td> <td>399</td> <td>3\"/> <tr> <td>3994</td> <td>ETR</td> <td>-</td> <td>WD.</td> <td>J2</td> <td>PTD.</td> <td>-</td> <td>3991</td> <td>3\"/> <tr> <td>3995</td> <td>ETR</td> <td>-</td> <td>WD.</td> <td>J2</td> <td>PTD.</td> <td>-</td> <td>3992</td> <td>3\"/> <tr> <td>3997</td> <td>ETR</td> <td>-</td> <td>WD.</td> <td>J2</td> <td>PTD.</td> <td>-</td> <td>3993</td> <td>3\"/> <tr> <td>3998</td> <td>ETR</td> <td>-</td> <td>WD.</td> <td>J2</td> <td>PTD.</td> <td>-</td> <td>3994</td> <td>3\"/> <tr> <td>3999</td> <td>ETR</td> <td>-</td> <td>WD.</td> <td>J2</td> <td>PTD.</td> <td>-</td> <td>3995</td> <td>3\"/> <tr> <td>3999</td> <td>ETR</td> <td>-</td> <td>WD.</td> <td>J2</td> <td>PTD.</td> <td>-</td> <td>3997</td> <td>3\"/> </td></tr></td></tr></td></tr></td></tr></td></tr></td></tr></td></tr></td></tr></td></tr></td></tr></td></tr></td></tr></td></tr></td></tr></td></tr></td></tr></td></tr></td></tr></td></tr></td></tr></td></tr></td></tr> | 385 | ETR | -
 | WD. | J2 | PTD. | - | 382 | 3\"/> <tr> <td>386</td> <td>ETR</td> <td>-</td> <td>WD.</td> <td>J2</td> <td>PTD.</td> <td>-</td> <td>382A</td> <td>3\"/> <tr> <td>387</td> <td>ETR</td> <td>-</td> <td>WD.</td> <td>J2</td> <td>PTD.</td> <td>-</td> <td>385</td> <td>3\"/> <tr> <td>388</td> <td>ETR</td> <td>-</td> <td>WD.</td> <td>J2</td> <td>PTD.</td> <td>-</td> <td>386</td> <td>3\"/> <tr> <td>389</td> <td>ETR</td> <td>-</td> <td>WD.</td> <td>J2</td> <td>PTD.</td> <td>-</td> <td>387</td> <td>3\"/> <tr> <td>391</td> <td>ETR</td> <td>-</td> <td>WD.</td> <td>J2</td> <td>PTD.</td> <td>-</td> <td>388</td> <td>3\"/> <tr> <td>391A</td> <td>ETR</td> <td>-</td> <td>WD.</td> <td>J2</td> <td>PTD.</td> <td>-</td> <td>389</td> <td>3\"/> <tr> <td>391B</td> <td>ETR</td> <td>-</td> <td>WD.</td> <td>J2</td> <td>PTD.</td> <td>-</td> <td>391</td> <td>3\"/> <tr> <td>394</td> <td>ETR</td> <td>-</td> <td>WD.</td> <td>J2</td> <td>PTD.</td> <td>-</td> <td>391A</td> <td>3\"/> <tr> <td>395</td> <td>ETR</td> <td>-</td> <td>WD.</td> <td>J2</td> <td>PTD.</td> <td>-</td> <td>391B</td> <td>3\"/> <tr> <td>396</td> <td>ETR</td> <td>-</td> <td>WD.</td> <td>J2</td> <td>PTD.</td> <td>-</td> <td>394</td> <td>3\"/> <tr> <td>398</td> <td>ETR</td> <td>-</td> <td>WD.</td> <td>J2</td> <td>PTD.</td> <td>-</td> <td>395</td> <td>3\"/> <tr> <td>399</td> <td>ETR</td> <td>-</td> <td>WD.</td> <td>J2</td> <td>PTD.</td> <td>-</td> <td>396</td> <td>3\"/> <tr> <td>3991</td> <td>ETR</td> <td>-</td> <td>WD.</td> <td>J2</td> <td>PTD.</td> <td>-</td> <td>398</td> <td>3\"/> <tr> <td>3992</td> <td>A</td> <td>3\"/> <tr> <td>3993</td> <td>ETR</td> <td>-</td> <td>WD.</td> <td>J2</td> <td>PTD.</td> <td>-</td> <td>399</td> <td>3\"/> <tr> <td>3994</td> <td>ETR</td> <td>-</td> <td>WD.</td> <td>J2</td> <td>PTD.</td> <td>-</td> <td>3991</td> <td>3\"/> <tr> <td>3995</td> <td>ETR</td> <td>-</td> <td>WD.</td> <td>J2</td> <td>PTD.</td> <td>-</td> <td>3992</td> <td>3\"/> <tr> <td>3997</td> <td>ETR</td> <td>-</td> <td>WD.</td> <td>J2</td> <td>PTD.</td> <td>-</td> <td>3993</td> <td>3\"/> <tr> <td>3998</td> <td>ETR</td> <td>-</td> <td>WD.</td> <td>J2</td> <td>PTD.</td> <td>-</td> <td>3994</td> <td>3\"/> <tr> <td>3999</td> <td>ETR</td> <td>-</td> <td>WD.</td> <td>J2</td> <td>PTD.</td> <td>-</td> <td>3995</td> <td>3\"/> <tr> <td>3999</td> <td>ETR</td> <td>-</td> <td>WD.</td> <td>J2</td> <td>PTD.</td> <td>-</td> <td>3997</td> <td>3\"/> </td></tr></td></tr></td></tr></td></tr></td></tr></td></tr></td></tr></td></tr></td></tr></td></tr></td></tr></td></tr></td></tr></td></tr></td></tr></td></tr></td></tr></td></tr></td></tr></td></tr></td></tr> | 386 | ETR | - | WD. | J2 | PTD. | - | 382A | 3\"/> <tr> <td>387</td> <td>ETR</td> <td>-</td> <td>WD.</td> <td>J2</td> <td>PTD.</td> <td>-</td> <td>385</td> <td>3\"/> <tr> <td>388</td> <td>ETR</td> <td>-</td> <td>WD.</td> <td>J2</td> <td>PTD.</td> <td>-</td> <td>386</td> <td>3\"/> <tr> <td>389</td> <td>ETR</td> <td>-</td> <td>WD.</td> <td>J2</td> <td>PTD.</td> <td>-</td> <td>387</td> <td>3\"/> <tr> <td>391</td> <td>ETR</td> <td>-</td> <td>WD.</td> <td>J2</td> <td>PTD.</td> <td>-</td> <td>388</td> <td>3\"/> <tr> <td>391A</td> <td>ETR</td> <td>-</td> <td>WD.</td> <td>J2</td> <td>PTD.</td> <td>-</td> <td>389</td> <td>3\"/> <tr> <td>391B</td> <td>ETR</td> <td>-</td> <td>WD.</td> <td>J2</td> <td>PTD.</td> <td>-</td> <td>391</td> <td>3\"/> <tr> <td>394</td> <td>ETR</td> <td>-</td> <td>WD.</td> <td>J2</td> <td>PTD.</td> <td>-</td> <td>391A</td> <td>3\"/> <tr> <td>395</td> <td>ETR</td> <td>-</td> <td>WD.</td> <td>J2</td>
<td>PTD.</td> <td>-</td> <td>391B</td> <td>3\"/> <tr> <td>396</td> <td>ETR</td> <td>-</td> <td>WD.</td> <td>J2</td> <td>PTD.</td> <td>-</td> <td>394</td> <td>3\"/> <tr> <td>398</td> <td>ETR</td> <td>-</td> <td>WD.</td> <td>J2</td> <td>PTD.</td> <td>-</td> <td>395</td> <td>3\"/> <tr> <td>399</td> <td>ETR</td> <td>-</td> <td>WD.</td> <td>J2</td> <td>PTD.</td> <td>-</td> <td>396</td> <td>3\"/> <tr> <td>3991</td> <td>ETR</td> <td>-</td> <td>WD.</td> <td>J2</td> <td>PTD.</td> <td>-</td> <td>398</td> <td>3\"/> <tr> <td>3992</td> <td>A</td> <td>3\"/> <tr> <td>3993</td> <td>ETR</td> <td>-</td> <td>WD.</td> <td>J2</td> <td>PTD.</td> <td>-</td> <td>399</td> <td>3\"/> <tr> <td>3994</td> <td>ETR</td> <td>-</td> <td>WD.</td> <td>J2</td> <td>PTD.</td> <td>-</td> <td>3991</td> <td>3\"/> <tr> <td>3995</td> <td>ETR</td> <td>-</td> <td>WD.</td> <td>J2</td> <td>PTD.</td> <td>-</td> <td>3992</td> <td>3\"/> <tr> <td>3997</td> <td>ETR</td> <td>-</td> <td>WD.</td> <td>J2</td> <td>PTD.</td> <td>-</td> <td>3993</td> <td>3\"/> <tr> <td>3998</td> <td>ETR</td> <td>-</td> <td>WD.</td> <td>J2</td> <td>PTD.</td> <td>-</td> <td>3994</td> <td>3\"/> <tr> <td>3999</td> <td>ETR</td> <td>-</td> <td>WD.</td> <td>J2</td> <td>PTD.</td> <td>-</td> <td>3995</td> <td>3\"/> <tr> <td>3999</td> <td>ETR</td> <td>-</td> <td>WD.</td> <td>J2</td> <td>PTD.</td> <td>-</td> <td>3997</td> <td>3\"/> </td></tr></td></tr></td></tr></td></tr></td></tr></td></tr></td></tr></td></tr></td></tr></td></tr></td></tr></td></tr></td></tr></td></tr></td></tr></td></tr></td></tr></td></tr></td></tr></td></tr> | 387 | ETR | - | WD. | J2 | PTD.
 | - | 385 | 3\"/> <tr> <td>388</td> <td>ETR</td> <td>-</td> <td>WD.</td> <td>J2</td> <td>PTD.</td> <td>-</td> <td>386</td> <td>3\"/> <tr> <td>389</td> <td>ETR</td> <td>-</td> <td>WD.</td> <td>J2</td> <td>PTD.</td> <td>-</td> <td>387</td> <td>3\"/> <tr> <td>391</td> <td>ETR</td> <td>-</td> <td>WD.</td> <td>J2</td> <td>PTD.</td> <td>-</td> <td>388</td> <td>3\"/> <tr> <td>391A</td> <td>ETR</td> <td>-</td> <td>WD.</td> <td>J2</td> <td>PTD.</td> <td>-</td> <td>389</td> <td>3\"/> <tr> <td>391B</td> <td>ETR</td> <td>-</td> <td>WD.</td> <td>J2</td> <td>PTD.</td> <td>-</td> <td>391</td> <td>3\"/> <tr> <td>394</td> <td>ETR</td> <td>-</td> <td>WD.</td> <td>J2</td> <td>PTD.</td> <td>-</td> <td>391A</td> <td>3\"/> <tr> <td>395</td> <td>ETR</td> <td>-</td> <td>WD.</td> <td>J2</td> <td>PTD.</td> <td>-</td> <td>391B</td> <td>3\"/> <tr> <td>396</td> <td>ETR</td> <td>-</td> <td>WD.</td> <td>J2</td> <td>PTD.</td> <td>-</td> <td>394</td> <td>3\"/> <tr> <td>398</td> <td>ETR</td> <td>-</td> <td>WD.</td> <td>J2</td> <td>PTD.</td> <td>-</td> <td>395</td> <td>3\"/> <tr> <td>399</td> <td>ETR</td> <td>-</td> <td>WD.</td> <td>J2</td> <td>PTD.</td> <td>-</td> <td>396</td> <td>3\"/> <tr> <td>3991</td> <td>ETR</td> <td>-</td> <td>WD.</td> <td>J2</td> <td>PTD.</td> <td>-</td> <td>398</td> <td>3\"/> <tr> <td>3992</td> <td>A</td> <td>3\"/> <tr> <td>3993</td> <td>ETR</td> <td>-</td> <td>WD.</td> <td>J2</td> <td>PTD.</td> <td>-</td> <td>399</td> <td>3\"/> <tr> <td>3994</td> <td>ETR</td> <td>-</td> <td>WD.</td> <td>J2</td> <td>PTD.</td> <td>-</td> <td>3991</td> <td>3\"/> <tr> <td>3995</td> <td>ETR</td> <td>-</td> <td>WD.</td> <td>J2</td> <td>PTD.</td> <td>-</td> <td>3992</td> <td>3\"/> <tr> <td>3997</td> <td>ETR</td> <td>-</td> <td>WD.</td> <td>J2</td> <td>PTD.</td> <td>-</td> <td>3993</td> <td>3\"/> <tr> <td>3998</td> <td>ETR</td> <td>-</td> <td>WD.</td> <td>J2</td> <td>PTD.</td> <td>-</td> <td>3994</td> <td>3\"/> <tr> <td>3999</td> <td>ETR</td> <td>-</td> <td>WD.</td> <td>J2</td> <td>PTD.</td> <td>-</td> <td>3995</td> <td>3\"/> <tr> <td>3999</td> <td>ETR</td> <td>-</td> <td>WD.</td> <td>J2</td> <td>PTD.</td> <td>-</td> <td>3997</td> <td>3\"/> </td></tr></td></tr></td></tr></td></tr></td></tr></td></tr></td></tr></td></tr></td></tr></td></tr></td></tr></td></tr></td></tr></td></tr></td></tr></td></tr></td></tr></td></tr></td></tr> | 388 | ETR | - | WD. | J2 | PTD.
 | - | 386 | 3\"/> <tr> <td>389</td> <td>ETR</td> <td>-</td> <td>WD.</td> <td>J2</td> <td>PTD.</td> <td>-</td> <td>387</td> <td>3\"/> <tr> <td>391</td> <td>ETR</td> <td>-</td> <td>WD.</td> <td>J2</td> <td>PTD.</td> <td>-</td> <td>388</td> <td>3\"/> <tr> <td>391A</td> <td>ETR</td> <td>-</td> <td>WD.</td> <td>J2</td> <td>PTD.</td> <td>-</td> <td>389</td> <td>3\"/> <tr> <td>391B</td> <td>ETR</td> <td>-</td> <td>WD.</td> <td>J2</td> <td>PTD.</td> <td>-</td> <td>391</td> <td>3\"/> <tr> <td>394</td> <td>ETR</td> <td>-</td> <td>WD.</td> <td>J2</td> <td>PTD.</td> <td>-</td> <td>391A</td> <td>3\"/> <tr> <td>395</td> <td>ETR</td> <td>-</td> <td>WD.</td> <td>J2</td> <td>PTD.</td> <td>-</td> <td>391B</td> <td>3\"/> <tr> <td>396</td> <td>ETR</td> <td>-</td> <td>WD.</td> <td>J2</td> <td>PTD.</td> <td>-</td> <td>394</td> <td>3\"/> <tr> <td>398</td> <td>ETR</td> <td>-</td> <td>WD.</td> <td>J2</td> <td>PTD.</td> <td>-</td> <td>395</td> <td>3\"/> <tr> <td>399</td> <td>ETR</td> <td>-</td> <td>WD.</td> <td>J2</td> <td>PTD.</td> <td>-</td> <td>396</td> <td>3\"/> <tr> <td>3991</td> <td>ETR</td> <td>-</td> <td>WD.</td> <td>J2</td> <td>PTD.</td> <td>-</td> <td>398</td> <td>3\"/> <tr> <td>3992</td> <td>A</td> <td>3\"/> <tr> <td>3993</td> <td>ETR</td> <td>-</td> <td>WD.</td> <td>J2</td> <td>PTD.</td> <td>-</td> <td>399</td> <td>3\"/> <tr> <td>3994</td> <td>ETR</td> <td>-</td> <td>WD.</td> <td>J2</td> <td>PTD.</td> <td>-</td> <td>3991</td> <td>3\"/> <tr> <td>3995</td> <td>ETR</td> <td>-</td> <td>WD.</td> <td>J2</td> <td>PTD.</td> <td>-</td> <td>3992</td> <td>3\"/> <tr> <td>3997</td> <td>ETR</td> <td>-</td> <td>WD.</td> <td>J2</td> <td>PTD.</td> <td>-</td> <td>3993</td> <td>3\"/> <tr> <td>3998</td> <td>ETR</td> <td>-</td> <td>WD.</td> <td>J2</td> <td>PTD.</td> <td>-</td> <td>3994</td> <td>3\"/> <tr> <td>3999</td> <td>ETR</td> <td>-</td> <td>WD.</td> <td>J2</td> <td>PTD.</td> <td>-</td> <td>3995</td> <td>3\"/> <tr> <td>3999</td> <td>ETR</td> <td>-</td> <td>WD.</td> <td>J2</td> <td>PTD.</td> <td>-</td> <td>3997</td> <td>3\"/> </td></tr></td></tr></td></tr></td></tr></td></tr></td></tr></td></tr></td></tr></td></tr></td></tr></td></tr></td></tr></td></tr></td></tr></td></tr></td></tr></td></tr></td></tr> | 389 | ETR | -
 | WD. | J2 | PTD. | - | 387 | 3\"/> <tr> <td>391</td> <td>ETR</td> <td>-</td> <td>WD.</td> <td>J2</td> <td>PTD.</td> <td>-</td> <td>388</td> <td>3\"/> <tr> <td>391A</td> <td>ETR</td> <td>-</td> <td>WD.</td> <td>J2</td> <td>PTD.</td> <td>-</td> <td>389</td> <td>3\"/> <tr> <td>391B</td> <td>ETR</td> <td>-</td> <td>WD.</td> <td>J2</td> <td>PTD.</td> <td>-</td> <td>391</td> <td>3\"/> <tr> <td>394</td> <td>ETR</td> <td>-</td> <td>WD.</td> <td>J2</td> <td>PTD.</td> <td>-</td> <td>391A</td> <td>3\"/> <tr> <td>395</td> <td>ETR</td> <td>-</td> <td>WD.</td> <td>J2</td> <td>PTD.</td> <td>-</td> <td>391B</td> <td>3\"/> <tr> <td>396</td> <td>ETR</td> <td>-</td> <td>WD.</td> <td>J2</td> <td>PTD.</td> <td>-</td> <td>394</td> <td>3\"/> <tr> <td>398</td> <td>ETR</td> <td>-</td> <td>WD.</td> <td>J2</td> <td>PTD.</td> <td>-</td> <td>395</td> <td>3\"/> <tr> <td>399</td> <td>ETR</td> <td>-</td> <td>WD.</td> <td>J2</td> <td>PTD.</td> <td>-</td> <td>396</td> <td>3\"/> <tr> <td>3991</td> <td>ETR</td> <td>-</td> <td>WD.</td> <td>J2</td> <td>PTD.</td> <td>-</td> <td>398</td> <td>3\"/> <tr> <td>3992</td> <td>A</td> <td>3\"/> <tr> <td>3993</td> <td>ETR</td> <td>-</td> <td>WD.</td> <td>J2</td> <td>PTD.</td> <td>-</td> <td>399</td> <td>3\"/> <tr> <td>3994</td> <td>ETR</td> <td>-</td> <td>WD.</td> <td>J2</td> <td>PTD.</td> <td>-</td> <td>3991</td> <td>3\"/> <tr> <td>3995</td> <td>ETR</td> <td>-</td> <td>WD.</td> <td>J2</td> <td>PTD.</td> <td>-</td> <td>3992</td> <td>3\"/> <tr> <td>3997</td> <td>ETR</td> <td>-</td> <td>WD.</td> <td>J2</td> <td>PTD.</td> <td>-</td> <td>3993</td> <td>3\"/> <tr> <td>3998</td> <td>ETR</td> <td>-</td> <td>WD.</td> <td>J2</td> <td>PTD.</td> <td>-</td> <td>3994</td> <td>3\"/> <tr> <td>3999</td> <td>ETR</td> <td>-</td> <td>WD.</td> <td>J2</td> <td>PTD.</td> <td>-</td> <td>3995</td> <td>3\"/> <tr> <td>3999</td> <td>ETR</td> <td>-</td> <td>WD.</td> <td>J2</td> <td>PTD.</td> <td>-</td> <td>3997</td> <td>3\"/> </td></tr></td></tr></td></tr></td></tr></td></tr></td></tr></td></tr></td></tr></td></tr></td></tr></td></tr></td></tr></td></tr></td></tr></td></tr></td></tr></td></tr> | 391 | ETR | -
 | WD. | J2 | PTD. | - | 388 | 3\"/> <tr> <td>391A</td> <td>ETR</td> <td>-</td> <td>WD.</td> <td>J2</td> <td>PTD.</td> <td>-</td> <td>389</td> <td>3\"/> <tr> <td>391B</td> <td>ETR</td> <td>-</td> <td>WD.</td> <td>J2</td> <td>PTD.</td> <td>-</td> <td>391</td> <td>3\"/> <tr> <td>394</td> <td>ETR</td> <td>-</td> <td>WD.</td> <td>J2</td> <td>PTD.</td> <td>-</td> <td>391A</td> <td>3\"/> <tr> <td>395</td> <td>ETR</td> <td>-</td> <td>WD.</td> <td>J2</td> <td>PTD.</td> <td>-</td> <td>391B</td> <td>3\"/> <tr> <td>396</td> <td>ETR</td> <td>-</td> <td>WD.</td> <td>J2</td> <td>PTD.</td> <td>-</td> <td>394</td> <td>3\"/> <tr> <td>398</td> <td>ETR</td> <td>-</td> <td>WD.</td> <td>J2</td> <td>PTD.</td> <td>-</td> <td>395</td> <td>3\"/> <tr> <td>399</td> <td>ETR</td> <td>-</td> <td>WD.</td> <td>J2</td> <td>PTD.</td> <td>-</td> <td>396</td> <td>3\"/> <tr> <td>3991</td> <td>ETR</td> <td>-</td> <td>WD.</td> <td>J2</td> <td>PTD.</td> <td>-</td> <td>398</td> <td>3\"/> <tr> <td>3992</td> <td>A</td> <td>3\"/> <tr> <td>3993</td> <td>ETR</td> <td>-</td> <td>WD.</td> <td>J2</td> <td>PTD.</td> <td>-</td> <td>399</td> <td>3\"/> <tr> <td>3994</td> <td>ETR</td> <td>-</td> <td>WD.</td> <td>J2</td> <td>PTD.</td> <td>-</td> <td>3991</td> <td>3\"/> <tr> <td>3995</td> <td>ETR</td> <td>-</td> <td>WD.</td> <td>J2</td> <td>PTD.</td> <td>-</td> <td>3992</td> <td>3\"/> <tr> <td>3997</td> <td>ETR</td> <td>-</td> <td>WD.</td> <td>J2</td> <td>PTD.</td> <td>-</td> <td>3993</td> <td>3\"/> <tr> <td>3998</td> <td>ETR</td> <td>-</td> <td>WD.</td> <td>J2</td> <td>PTD.</td> <td>-</td> <td>3994</td> <td>3\"/> <tr> <td>3999</td> <td>ETR</td> <td>-</td> <td>WD.</td> <td>J2</td> <td>PTD.</td> <td>-</td> <td>3995</td> <td>3\"/> <tr> <td>3999</td> <td>ETR</td> <td>-</td> <td>WD.</td> <td>J2</td> <td>PTD.</td> <td>-</td> <td>3997</td> <td>3\"/> </td></tr></td></tr></td></tr></td></tr></td></tr></td></tr></td></tr></td></tr></td></tr></td></tr></td></tr></td></tr></td></tr></td></tr></td></tr></td></tr> | 391A | ETR | -
 | WD. | J2 | PTD. | - | 389 | 3\"/> <tr> <td>391B</td> <td>ETR</td> <td>-</td> <td>WD.</td> <td>J2</td> <td>PTD.</td> <td>-</td> <td>391</td> <td>3\"/> <tr> <td>394</td> <td>ETR</td> <td>-</td> <td>WD.</td> <td>J2</td> <td>PTD.</td> <td>-</td> <td>391A</td> <td>3\"/> <tr> <td>395</td> <td>ETR</td> <td>-</td> <td>WD.</td> <td>J2</td> <td>PTD.</td> <td>-</td> <td>391B</td> <td>3\"/> <tr> <td>396</td> <td>ETR</td> <td>-</td> <td>WD.</td> <td>J2</td> <td>PTD.</td> <td>-</td> <td>394</td> <td>3\"/> <tr> <td>398</td> <td>ETR</td> <td>-</td> <td>WD.</td> <td>J2</td> <td>PTD.</td> <td>-</td> <td>395</td> <td>3\"/> <tr> <td>399</td> <td>ETR</td> <td>-</td> <td>WD.</td> <td>J2</td> <td>PTD.</td> <td>-</td> <td>396</td> <td>3\"/> <tr> <td>3991</td> <td>ETR</td> <td>-</td> <td>WD.</td> <td>J2</td> <td>PTD.</td> <td>-</td> <td>398</td> <td>3\"/> <tr> <td>3992</td> <td>A</td> <td>3\"/> <tr> <td>3993</td> <td>ETR</td> <td>-</td> <td>WD.</td> <td>J2</td> <td>PTD.</td> <td>-</td> <td>399</td> <td>3\"/> <tr> <td>3994</td> <td>ETR</td> <td>-</td> <td>WD.</td> <td>J2</td> <td>PTD.</td> <td>-</td> <td>3991</td> <td>3\"/> <tr> <td>3995</td> <td>ETR</td> <td>-</td> <td>WD.</td> <td>J2</td> <td>PTD.</td> <td>-</td> <td>3992</td> <td>3\"/> <tr> <td>3997</td> <td>ETR</td> <td>-</td> <td>WD.</td> <td>J2</td> <td>PTD.</td> <td>-</td> <td>3993</td> <td>3\"/> <tr> <td>3998</td> <td>ETR</td> <td>-</td> <td>WD.</td> <td>J2</td> <td>PTD.</td> <td>-</td> <td>3994</td> <td>3\"/> <tr> <td>3999</td> <td>ETR</td> <td>-</td> <td>WD.</td> <td>J2</td> <td>PTD.</td> <td>-</td> <td>3995</td> <td>3\"/> <tr> <td>3999</td> <td>ETR</td> <td>-</td> <td>WD.</td> <td>J2</td> <td>PTD.</td> <td>-</td> <td>3997</td> <td>3\"/> </td></tr></td></tr></td></tr></td></tr></td></tr></td></tr></td></tr></td></tr></td></tr></td></tr></td></tr></td></tr></td></tr></td></tr></td></tr> | 391B | ETR | -
 | WD. | J2 | PTD. | - | 391 | 3\"/> <tr> <td>394</td> <td>ETR</td> <td>-</td> <td>WD.</td> <td>J2</td> <td>PTD.</td> <td>-</td> <td>391A</td> <td>3\"/> <tr> <td>395</td> <td>ETR</td> <td>-</td> <td>WD.</td> <td>J2</td> <td>PTD.</td> <td>-</td> <td>391B</td> <td>3\"/> <tr> <td>396</td> <td>ETR</td> <td>-</td> <td>WD.</td> <td>J2</td> <td>PTD.</td> <td>-</td> <td>394</td> <td>3\"/> <tr> <td>398</td> <td>ETR</td> <td>-</td> <td>WD.</td> <td>J2</td> <td>PTD.</td> <td>-</td> <td>395</td> <td>3\"/> <tr> <td>399</td> <td>ETR</td> <td>-</td> <td>WD.</td> <td>J2</td> <td>PTD.</td> <td>-</td> <td>396</td> <td>3\"/> <tr> <td>3991</td> <td>ETR</td> <td>-</td> <td>WD.</td> <td>J2</td> <td>PTD.</td> <td>-</td> <td>398</td> <td>3\"/> <tr> <td>3992</td> <td>A</td> <td>3\"/> <tr> <td>3993</td> <td>ETR</td> <td>-</td> <td>WD.</td> <td>J2</td> <td>PTD.</td> <td>-</td> <td>399</td> <td>3\"/> <tr> <td>3994</td> <td>ETR</td> <td>-</td> <td>WD.</td> <td>J2</td> <td>PTD.</td> <td>-</td> <td>3991</td> <td>3\"/> <tr> <td>3995</td> <td>ETR</td> <td>-</td> <td>WD.</td> <td>J2</td> <td>PTD.</td> <td>-</td> <td>3992</td> <td>3\"/> <tr> <td>3997</td> <td>ETR</td> <td>-</td> <td>WD.</td> <td>J2</td> <td>PTD.</td> <td>-</td> <td>3993</td> <td>3\"/> <tr> <td>3998</td> <td>ETR</td> <td>-</td> <td>WD.</td> <td>J2</td> <td>PTD.</td> <td>-</td> <td>3994</td> <td>3\"/> <tr> <td>3999</td> <td>ETR</td> <td>-</td> <td>WD.</td> <td>J2</td> <td>PTD.</td> <td>-</td> <td>3995</td> <td>3\"/> <tr> <td>3999</td> <td>ETR</td> <td>-</td> <td>WD.</td> <td>J2</td> <td>PTD.</td> <td>-</td> <td>3997</td> <td>3\"/> </td></tr></td></tr></td></tr></td></tr></td></tr></td></tr></td></tr></td></tr></td></tr></td></tr></td></tr></td></tr></td></tr></td></tr> | 394 | ETR | -
 | WD. | J2 | PTD. | - | 391A | 3\"/> <tr> <td>395</td> <td>ETR</td> <td>-</td> <td>WD.</td> <td>J2</td> <td>PTD.</td> <td>-</td> <td>391B</td> <td>3\"/> <tr> <td>396</td> <td>ETR</td> <td>-</td> <td>WD.</td> <td>J2</td> <td>PTD.</td> <td>-</td> <td>394</td> <td>3\"/> <tr> <td>398</td> <td>ETR</td> <td>-</td> <td>WD.</td> <td>J2</td> <td>PTD.</td> <td>-</td> <td>395</td> <td>3\"/> <tr> <td>399</td> <td>ETR</td> <td>-</td> <td>WD.</td> <td>J2</td> <td>PTD.</td> <td>-</td> <td>396</td> <td>3\"/> <tr> <td>3991</td> <td>ETR</td> <td>-</td> <td>WD.</td> <td>J2</td> <td>PTD.</td> <td>-</td> <td>398</td> <td>3\"/> <tr> <td>3992</td> <td>A</td> <td>3\"/> <tr> <td>3993</td> <td>ETR</td> <td>-</td> <td>WD.</td> <td>J2</td> <td>PTD.</td> <td>-</td> <td>399</td> <td>3\"/> <tr> <td>3994</td> <td>ETR</td> <td>-</td> <td>WD.</td> <td>J2</td> <td>PTD.</td> <td>-</td> <td>3991</td> <td>3\"/> <tr> <td>3995</td> <td>ETR</td> <td>-</td> <td>WD.</td> <td>J2</td> <td>PTD.</td> <td>-</td> <td>3992</td> <td>3\"/> <tr> <td>3997</td> <td>ETR</td> <td>-</td> <td>WD.</td> <td>J2</td> <td>PTD.</td> <td>-</td> <td>3993</td> <td>3\"/> <tr> <td>3998</td> <td>ETR</td> <td>-</td> <td>WD.</td> <td>J2</td> <td>PTD.</td> <td>-</td> <td>3994</td> <td>3\"/> <tr> <td>3999</td> <td>ETR</td> <td>-</td> <td>WD.</td> <td>J2</td> <td>PTD.</td> <td>-</td> <td>3995</td> <td>3\"/> <tr> <td>3999</td> <td>ETR</td> <td>-</td> <td>WD.</td> <td>J2</td> <td>PTD.</td> <td>-</td> <td>3997</td> <td>3\"/> </td></tr></td></tr></td></tr></td></tr></td></tr></td></tr></td></tr></td></tr></td></tr></td></tr></td></tr></td></tr></td></tr> | 395 | ETR | -
 | WD. | J2 | PTD. | - | 391B | 3\"/> <tr> <td>396</td> <td>ETR</td> <td>-</td> <td>WD.</td> <td>J2</td> <td>PTD.</td> <td>-</td> <td>394</td> <td>3\"/> <tr> <td>398</td> <td>ETR</td> <td>-</td> <td>WD.</td> <td>J2</td> <td>PTD.</td> <td>-</td> <td>395</td> <td>3\"/> <tr> <td>399</td> <td>ETR</td> <td>-</td> <td>WD.</td> <td>J2</td> <td>PTD.</td> <td>-</td> <td>396</td> <td>3\"/> <tr> <td>3991</td> <td>ETR</td> <td>-</td> <td>WD.</td> <td>J2</td> <td>PTD.</td> <td>-</td> <td>398</td> <td>3\"/> <tr> <td>3992</td> <td>A</td> <td>3\"/> <tr> <td>3993</td> <td>ETR</td> <td>-</td> <td>WD.</td> <td>J2</td> <td>PTD.</td> <td>-</td> <td>399</td> <td>3\"/> <tr> <td>3994</td> <td>ETR</td> <td>-</td> <td>WD.</td> <td>J2</td> <td>PTD.</td> <td>-</td> <td>3991</td> <td>3\"/> <tr> <td>3995</td> <td>ETR</td> <td>-</td> <td>WD.</td> <td>J2</td> <td>PTD.</td> <td>-</td> <td>3992</td> <td>3\"/> <tr> <td>3997</td> <td>ETR</td> <td>-</td> <td>WD.</td> <td>J2</td> <td>PTD.</td> <td>-</td> <td>3993</td> <td>3\"/> <tr> <td>3998</td> <td>ETR</td> <td>-</td> <td>WD.</td> <td>J2</td> <td>PTD.</td> <td>-</td> <td>3994</td> <td>3\"/> <tr> <td>3999</td> <td>ETR</td> <td>-</td> <td>WD.</td> <td>J2</td> <td>PTD.</td> <td>-</td> <td>3995</td> <td>3\"/> <tr> <td>3999</td> <td>ETR</td> <td>-</td> <td>WD.</td> <td>J2</td> <td>PTD.</td> <td>-</td> <td>3997</td> <td>3\"/> </td></tr></td></tr></td></tr></td></tr></td></tr></td></tr></td></tr></td></tr></td></tr></td></tr></td></tr></td></tr> | 396 | ETR | -
 | WD. | J2 | PTD. | - | 394 | 3\"/> <tr> <td>398</td> <td>ETR</td> <td>-</td> <td>WD.</td> <td>J2</td> <td>PTD.</td> <td>-</td> <td>395</td> <td>3\"/> <tr> <td>399</td> <td>ETR</td> <td>-</td> <td>WD.</td> <td>J2</td> <td>PTD.</td> <td>-</td> <td>396</td> <td>3\"/> <tr> <td>3991</td> <td>ETR</td> <td>-</td> <td>WD.</td> <td>J2</td> <td>PTD.</td> <td>-</td> <td>398</td> <td>3\"/> <tr> <td>3992</td> <td>A</td> <td>3\"/> <tr> <td>3993</td> <td>ETR</td> <td>-</td> <td>WD.</td> <td>J2</td> <td>PTD.</td> <td>-</td> <td>399</td> <td>3\"/> <tr> <td>3994</td> <td>ETR</td> <td>-</td> <td>WD.</td> <td>J2</td> <td>PTD.</td> <td>-</td> <td>3991</td> <td>3\"/> <tr> <td>3995</td> <td>ETR</td> <td>-</td> <td>WD.</td> <td>J2</td> <td>PTD.</td> <td>-</td> <td>3992</td> <td>3\"/> <tr> <td>3997</td> <td>ETR</td> <td>-</td> <td>WD.</td> <td>J2</td> <td>PTD.</td> <td>-</td> <td>3993</td> <td>3\"/> <tr> <td>3998</td> <td>ETR</td> <td>-</td> <td>WD.</td> <td>J2</td> <td>PTD.</td> <td>-</td> <td>3994</td> <td>3\"/> <tr> <td>3999</td> <td>ETR</td> <td>-</td> <td>WD.</td> <td>J2</td> <td>PTD.</td> <td>-</td> <td>3995</td> <td>3\"/> <tr> <td>3999</td> <td>ETR</td> <td>-</td> <td>WD.</td> <td>J2</td> <td>PTD.</td> <td>-</td> <td>3997</td> <td>3\"/> </td></tr></td></tr></td></tr></td></tr></td></tr></td></tr></td></tr></td></tr></td></tr></td></tr></td></tr> | 398 | ETR | - | WD. | J2 | PTD.
 | - | 395 | 3\"/> <tr> <td>399</td> <td>ETR</td> <td>-</td> <td>WD.</td> <td>J2</td> <td>PTD.</td> <td>-</td> <td>396</td> <td>3\"/> <tr> <td>3991</td> <td>ETR</td> <td>-</td> <td>WD.</td> <td>J2</td> <td>PTD.</td> <td>-</td> <td>398</td> <td>3\"/> <tr> <td>3992</td> <td>A</td> <td>3\"/> <tr> <td>3993</td> <td>ETR</td> <td>-</td> <td>WD.</td> <td>J2</td> <td>PTD.</td> <td>-</td> <td>399</td> <td>3\"/> <tr> <td>3994</td> <td>ETR</td> <td>-</td> <td>WD.</td> <td>J2</td> <td>PTD.</td> <td>-</td> <td>3991</td> <td>3\"/> <tr> <td>3995</td> <td>ETR</td> <td>-</td> <td>WD.</td> <td>J2</td> <td>PTD.</td> <td>-</td> <td>3992</td> <td>3\"/> <tr> <td>3997</td> <td>ETR</td> <td>-</td> <td>WD.</td> <td>J2</td> <td>PTD.</td> <td>-</td> <td>3993</td> <td>3\"/> <tr> <td>3998</td> <td>ETR</td> <td>-</td> <td>WD.</td> <td>J2</td> <td>PTD.</td> <td>-</td> <td>3994</td> <td>3\"/> <tr> <td>3999</td> <td>ETR</td> <td>-</td> <td>WD.</td> <td>J2</td> <td>PTD.</td> <td>-</td> <td>3995</td> <td>3\"/> <tr> <td>3999</td> <td>ETR</td> <td>-</td> <td>WD.</td> <td>J2</td> <td>PTD.</td> <td>-</td> <td>3997</td> <td>3\"/> </td></tr></td></tr></td></tr></td></tr></td></tr></td></tr></td></tr></td></tr></td></tr></td></tr> | 399 | ETR | - | WD. | J2 | PTD. | - | 396 | 3\"/> <tr> <td>3991</td> <td>ETR</td> <td>-</td> <td>WD.</td> <td>J2</td> <td>PTD.</td> <td>-</td> <td>398</td> <td>3\"/> <tr> <td>3992</td> <td>A</td> <td>3\"/> <tr> <td>3993</td> <td>ETR</td> <td>-</td> <td>WD.</td> <td>J2</td> <td>PTD.</td> <td>-</td> <td>399</td> <td>3\"/> <tr> <td>3994</td> <td>ETR</td> <td>-</td> <td>WD.</td> <td>J2</td> <td>PTD.</td> <td>-</td> <td>3991</td> <td>3\"/> <tr> <td>3995</td> <td>ETR</td> <td>-</td> <td>WD.</td> <td>J2</td> <td>PTD.</td> <td>-</td> <td>3992</td> <td>3\"/> <tr> <td>3997</td> <td>ETR</td> <td>-</td> <td>WD.</td> <td>J2</td> <td>PTD.</td> <td>-</td> <td>3993</td> <td>3\"/> <tr> <td>3998</td> <td>ETR</td> <td>-</td> <td>WD.</td> <td>J2</td> <td>PTD.</td> <td>-</td> <td>3994</td> <td>3\"/> <tr> <td>3999</td> <td>ETR</td> <td>-</td> <td>WD.</td> <td>J2</td> <td>PTD.</td> <td>-</td> <td>3995</td> <td>3\"/> <tr> <td>3999</td> <td>ETR</td> <td>-</td> <td>WD.</td> <td>J2</td> <td>PTD.</td> <td>-</td> <td>3997</td> <td>3\"/> </td></tr></td></tr></td></tr></td></tr></td></tr></td></tr></td></tr></td></tr></td></tr> | 3991 | ETR | -
 | WD. | J2 | PTD. | - | 398 | 3\"/> <tr> <td>3992</td> <td>A</td> <td>3\"/> <tr> <td>3993</td> <td>ETR</td> <td>-</td> <td>WD.</td> <td>J2</td> <td>PTD.</td> <td>-</td> <td>399</td> <td>3\"/> <tr> <td>3994</td> <td>ETR</td> <td>-</td> <td>WD.</td> <td>J2</td> <td>PTD.</td> <td>-</td> <td>3991</td> <td>3\"/> <tr> <td>3995</td> <td>ETR</td> <td>-</td> <td>WD.</td> <td>J2</td> <td>PTD.</td> <td>-</td> <td>3992</td> <td>3\"/> <tr> <td>3997</td> <td>ETR</td> <td>-</td> <td>WD.</td> <td>J2</td> <td>PTD.</td> <td>-</td> <td>3993</td> <td>3\"/> <tr> <td>3998</td> <td>ETR</td> <td>-</td> <td>WD.</td> <td>J2</td> <td>PTD.</td> <td>-</td> <td>3994</td> <td>3\"/> <tr> <td>3999</td> <td>ETR</td> <td>-</td> <td>WD.</td> <td>J2</td> <td>PTD.</td> <td>-</td> <td>3995</td> <td>3\"/> <tr> <td>3999</td> <td>ETR</td> <td>-</td> <td>WD.</td> <td>J2</td> <td>PTD.</td> <td>-</td> <td>3997</td> <td>3\"/> </td></tr></td></tr></td></tr></td></tr></td></tr></td></tr></td></tr></td></tr> | 3992 | A | 3\"/> <tr> <td>3993</td> <td>ETR</td> <td>-</td> <td>WD.</td> <td>J2</td> <td>PTD.</td> <td>-</td> <td>399</td> <td>3\"/> <tr> <td>3994</td> <td>ETR</td> <td>-</td> <td>WD.</td> <td>J2</td> <td>PTD.</td> <td>-</td> <td>3991</td> <td>3\"/> <tr> <td>3995</td> <td>ETR</td> <td>-</td> <td>WD.</td> <td>J2</td> <td>PTD.</td> <td>-</td> <td>3992</td> <td>3\"/> <tr> <td>3997</td> <td>ETR</td> <td>-</td> <td>WD.</td> <td>J2</td> <td>PTD.</td> <td>-</td> <td>3993</td> <td>3\"/> <tr> <td>3998</td> <td>ETR</td> <td>-</td> <td>WD.</td> <td>J2</td> <td>PTD.</td> <td>-</td> <td>3994</td> <td>3\"/> <tr> <td>3999</td> <td>ETR</td> <td>-</td> <td>WD.</td> <td>J2</td> <td>PTD.</td> <td>-</td> <td>3995</td> <td>3\"/> <tr> <td>3999</td> <td>ETR</td> <td>-</td> <td>WD.</td> <td>J2</td> <td>PTD.</td> <td>-</td> <td>3997</td> <td>3\"/> </td></tr></td></tr></td></tr></td></tr></td></tr></td></tr></td></tr> | 3993 | ETR | - | WD. | J2 | PTD. | - | 399 | 3\"/> <tr> <td>3994</td> <td>ETR</td> <td>-</td> <td>WD.</td> <td>J2</td> <td>PTD.</td> <td>-</td> <td>3991</td> <td>3\"/> <tr> <td>3995</td> <td>ETR</td> <td>-</td> <td>WD.</td> <td>J2</td> <td>PTD.</td> <td>-</td> <td>3992</td> <td>3\"/> <tr> <td>3997</td> <td>ETR</td> <td>-</td> <td>WD.</td> <td>J2</td> <td>PTD.</td> <td>-</td> <td>3993</td> <td>3\"/> <tr>
<td>3998</td> <td>ETR</td> <td>-</td> <td>WD.</td> <td>J2</td> <td>PTD.</td> <td>-</td> <td>3994</td> <td>3\"/> <tr> <td>3999</td> <td>ETR</td> <td>-</td> <td>WD.</td> <td>J2</td> <td>PTD.</td> <td>-</td> <td>3995</td> <td>3\"/> <tr> <td>3999</td> <td>ETR</td> <td>-</td> <td>WD.</td> <td>J2</td> <td>PTD.</td> <td>-</td> <td>3997</td> <td>3\"/> </td></tr></td></tr></td></tr></td></tr></td></tr></td></tr> | 3994 | ETR | - | WD. | J2 | PTD. | - | 3991 | 3\"/> <tr> <td>3995</td> <td>ETR</td> <td>-</td> <td>WD.</td> <td>J2</td> <td>PTD.</td> <td>-</td> <td>3992</td> <td>3\"/> <tr> <td>3997</td> <td>ETR</td> <td>-</td> <td>WD.</td> <td>J2</td> <td>PTD.</td> <td>-</td> <td>3993</td> <td>3\"/> <tr> <td>3998</td> <td>ETR</td> <td>-</td> <td>WD.</td> <td>J2</td> <td>PTD.</td> <td>-</td> <td>3994</td> <td>3\"/> <tr> <td>3999</td> <td>ETR</td> <td>-</td> <td>WD.</td> <td>J2</td> <td>PTD.</td> <td>-</td> <td>3995</td> <td>3\"/> <tr> <td>3999</td> <td>ETR</td> <td>-</td> <td>WD.</td> <td>J2</td> <td>PTD.</td> <td>-</td> <td>3997</td> <td>3\"/> </td></tr></td></tr></td></tr></td></tr></td></tr> | 3995 | ETR | - | WD. | J2 | PTD. | - | 3992 | 3\"/> <tr> <td>3997</td> <td>ETR</td> <td>-</td> <td>WD.</td> <td>J2</td> <td>PTD.</td> <td>-</td> <td>3993</td> <td>3\"/> <tr> <td>3998</td> <td>ETR</td> <td>-</td> <td>WD.</td> <td>J2</td> <td>PTD.</td> <td>-</td> <td>3994</td> <td>3\"/> <tr> <td>3999</td> <td>ETR</td> <td>-</td> <td>WD.</td> <td>J2</td> <td>PTD.</td> <td>-</td> <td>3995</td> <td>3\"/> <tr> <td>3999</td> <td>ETR</td> <td>-</td> <td>WD.</td> <td>J2</td> <td>PTD.</td> <td>-</td> <td>3997</td> <td>3\"/> </td></tr></td></tr></td></tr></td></tr>
 | 3997 | ETR | - | WD. | J2 | PTD. | - | 3993 | 3\"/> <tr> <td>3998</td> <td>ETR</td> <td>-</td> <td>WD.</td> <td>J2</td> <td>PTD.</td> <td>-</td> <td>3994</td> <td>3\"/> <tr> <td>3999</td> <td>ETR</td> <td>-</td> <td>WD.</td> <td>J2</td> <td>PTD.</td> <td>-</td> <td>3995</td> <td>3\"/> <tr> <td>3999</td> <td>ETR</td> <td>-</td> <td>WD.</td> <td>J2</td> <td>PTD.</td> <td>-</td> <td>3997</td> <td>3\"/> </td></tr></td></tr></td></tr> | 3998 | ETR | - | WD. | J2 | PTD. | - | 3994 | 3\"/> <tr> <td>3999</td> <td>ETR</td> <td>-</td> <td>WD.</td> <td>J2</td> <td>PTD.</td> <td>-</td> <td>3995</td> <td>3\"/> <tr> <td>3999</td> <td>ETR</td> <td>-</td> <td>WD.</td> <td>J2</td> <td>PTD.</td> <td>-</td> <td>3997</td> <td>3\"/> </td></tr></td></tr> | 3999 | ETR | - | WD. | J2 | PTD.
 | - | 3995 | 3\"/> <tr> <td>3999</td> <td>ETR</td> <td>-</td> <td>WD.</td> <td>J2</td> <td>PTD.</td> <td>-</td> <td>3997</td> <td>3\"/> </td></tr> | 3999 | ETR | - | WD. | J2 | PTD. | - | 3997 | 3\"/> | | | | | | | | | | | | | | | | | | | | | | | | | | | | | | | | | | | | | | | | | | | | | |
 | | | | | | | | | | | | | | | | | | | | | | | | | | | | | | | | | | | | | | |
 | | | | | | | | | | | | | | | | | | | | | | | | | | | | | | | | | | | | | | | | | | | | | | | | | | | | | | | | | |
| 367 | B | 2 <td>HM</td> <td>J1</td> <td>PTD.</td> <td>1 HR.</td> <td>365</td> <td>3\"/> <tr> <td>368</td> <td>ETR</td> <td>-</td> <td>WD.</td> <td>J2</td> <td>PTD.</td> <td>-</td> <td>366</td> <td>3\"/> <tr> <td>369</td> <td>ETR</td> <td>-</td> <td>WD.</td> <td>J2</td> <td>PTD.</td> <td>-</td> <td>367</td> <td>3\"/> <tr> <td>370</td> <td>ETR</td> <td>-</td> <td>WD.</td> <td>J2</td> <td>PTD.</td> <td>-</td> <td>368</td> <td>3\"/> <tr> <td>371</td> <td>ETR</td> <td>-</td> <td>WD.</td> <td>J2</td> <td>PTD.</td> <td>-</td> <td>369</td> <td>3\"/> <tr> <td>372</td> <td>B</td> <td>2 <td>HM</td> <td>J1</td> <td>PTD.</td> <td>1 HR.</td> <td>370</td> <td>3\"/> <tr> <td>373A</td> <td>ETR</td> <td>-</td> <td>WD.</td> <td>J2</td> <td>PTD.</td> <td>-</td> <td>371</td> <td>3\"/> <tr> <td>374B</td> <td>ETR</td> <td>-</td> <td>WD.</td> <td>J2</td> <td>PTD.</td> <td>-</td> <td>372</td> <td>3\"/> <tr> <td>374C</td> <td>ETR</td> <td>-</td> <td>WD.</td> <td>J2</td> <td>PTD.</td> <td>-</td> <td>373A</td> <td>3\"/> <tr> <td>375</td> <td>B</td> <td>1 <td>WD</td> <td>J1</td> <td>PTD.</td> <td>-</td> <td>374B</td> <td>3\"/> <tr> <td>376</td> <td>B</td> <td>1 <td>WD</td> <td>J1</td> <td>PTD.</td> <td>-</td> <td>374C</td> <td>3\"/> <tr> <td>377</td> <td>B</td> <td>1 <td>WD</td> <td>J1</td> <td>PTD.</td> <td>-</td> <td>375</td> <td>3\"/> <tr> <td>377A</td> <td>B</td> <td>1 <td>WD</td> <td>J1</td> <td>PTD.</td> <td>-</td> <td>376</td> <td>3\"/> <tr> <td>378</td> <td>B</td> <td>1 <td>WD</td> <td>J1</td> <td>PTD.</td> <td>-</td> <td>377</td> <td>3\"/> <tr> <td>379</td> <td>B</td> <td>1 <td>WD</td> <td>J1</td> <td>PTD.</td> <td>-</td> <td>377A</td> <td>3\"/> <tr> <td>380A</td> <td>B</td> <td>1 <td>WD</td> <td>J1</td> <td>PTD.</td> <td>-</td> <td>378</td> <td>3\"/> <tr> <td>380B</td> <td>B</td> <td>1 <td>WD</td> <td>J1</td> <td>PTD.</td> <td>-</td> <td>379</td> <td>3\"/> <tr> <td>382</td> <td>ETR</td> <td>-</td> <td>WD.</td> <td>J2</td> <td>PTD.</td> <td>-</td> <td>380A</td> <td>3\"/> <tr> <td>382A</td> <td>D</td> <td>6 <td>ALUM.</td> <td>ANODIZE D</td> <td>-</td> <td>-</td> <td>380B</td> <td>3\"/> <tr> <td>385</td> <td>ETR</td> <td>-</td> <td>WD.</td> <td>J2</td> <td>PTD.</td> <td>-</td> <td>382</td> <td>3\"/> <tr> <td>386</td> <td>ETR</td> <td>-</td> <td>WD.</td> <td>J2</td> <td>PTD.</td> <td>-</td> <td>382A</td> <td>3\"/> <tr> <td>387</td> <td>ETR</td> <td>-</td> <td>WD.</td> <td>J2</td> <td>PTD.</td> <td>-</td> <td>385</td> <td>3\"/> <tr> <td>388</td> <td>ETR</td> <td>-</td> <td>WD.</td> <td>J2</td> <td>PTD.</td> <td>-</td> <td>386</td> <td>3\"/> <tr> <td>389</td> <td>ETR</td> <td>-</td> <td>WD.</td> <td>J2</td> <td>PTD.</td> <td>-</td> <td>387</td> <td>3\"/> <tr> <td>391</td> <td>ETR</td> <td>-</td> <td>WD.</td> <td>J2</td> <td>PTD.</td> <td>-</td> <td>388</td> <td>3\"/> <tr> <td>391A</td> <td>ETR</td> <td>-</td> <td>WD.</td> <td>J2</td> <td>PTD.</td> <td>-</td> <td>389</td> <td>3\"/> <tr> <td>391B</td> <td>ETR</td> <td>-</td> <td>WD.</td> <td>J2</td> <td>PTD.</td> <td>-</td> <td>391</td> <td>3\"/> <tr> <td>394</td> <td>ETR</td> <td>-</td> <td>WD.</td> <td>J2</td> <td>PTD.</td> <td>-</td> <td>391A</td> <td>3\"/> <tr> <td>395</td> <td>ETR</td> <td>-</td> <td>WD.</td> <td>J2</td> <td>PTD.</td> <td>-</td> <td>391B</td> <td>3\"/> <tr> <td>396</td> <td>ETR</td> <td>-</td> <td>WD.</td> <td>J2</td> <td>PTD.</td> <td>-</td> <td>394</td> <td>3\"/> <tr> <td>398</td> <td>ETR</td> <td>-</td> <td>WD.</td> <td>J2</td> <td>PTD.</td> <td>-</td> <td>395</td> <td>3\"/> <tr> <td>399</td> <td>ETR</td> <td>-</td> <td>WD.</td> <td>J2</td> <td>PTD.</td> <td>-</td> <td>396</td> <td>3\"/> <tr> <td>3991</td> <td>ETR</td> <td>-</td> <td>WD.</td> <td>J2</td> <td>PTD.</td> <td>-</td> <td>398</td> <td>3\"/> <tr> <td>3992</td> <td>A</td> <td>3\"/> <tr> <td>3993</td> <td>ETR</td> <td>-</td> <td>WD.</td> <td>J2</td> <td>PTD.</td> <td>-</td> <td>399</td> <td>3\"/> <tr> <td>3994</td> <td>ETR</td> <td>-</td> <td>WD.</td> <td>J2</td> <td>PTD.</td> <td>-</td> <td>3991</td> <td>3\"/> <tr> <td>3995</td> <td>ETR</td> <td>-</td> <td>WD.</td> <td>J2</td> <td>PTD.</td> <td>-</td> <td>3992</td> <td>3\"/> <tr> <td>3997</td> <td>ETR</td> <td>-</td> <td>WD.</td> <td>J2</td> <td>PTD.</td> <td>-</td> <td>3993</td> <td>3\"/> <tr> <td>3998</td> <td>ETR</td> <td>-</td> <td>WD.</td> <td>J2</td> <td>PTD.</td> <td>-</td> <td>3994</td> <td>3\"/> <tr> <td>3999</td> <td>ETR</td> <td>-</td> <td>WD.</td> <td>J2</td> <td>PTD.</td> <td>-</td> <td>3995</td> <td>3\"/> <tr> <td>3999</td> <td>ETR</td> <td>-</td> <td>WD.</td> <td>J2</td> <td>PTD.</td> <td>-</td> <td>3997</td> <td>3\"/> </td></tr></td></tr></td></tr></td></tr></td></tr></td></tr></td></tr></td></tr></td></tr></td></tr></td></tr></td></tr></td></tr></td></tr></td></tr></td></tr></td></tr></td></tr></td></tr></td></tr></td></tr></td></tr></td></td></tr></td></tr></td></td></tr></td></td></tr></td></td></tr></td></td></tr></td></td></tr></td></td></tr></td></td></tr></td></td></tr></td></tr></td></tr></td></tr></td></td></tr></td></tr></td></tr></td></tr></td></tr></td> | HM | J1 | PTD. | 1 HR. | 365 | 3\"/> <tr> <td>368</td> <td>ETR</td> <td>-</td> <td>WD.</td> <td>J2</td> <td>PTD.</td> <td>-</td> <td>366</td> <td>3\"/> <tr> <td>369</td> <td>ETR</td> <td>-</td> <td>WD.</td> <td>J2</td> <td>PTD.</td> <td>-</td> <td>367</td> <td>3\"/> <tr> <td>370</td> <td>ETR</td> <td>-</td> <td>WD.</td> <td>J2</td> <td>PTD.</td> <td>-</td> <td>368</td> <td>3\"/> <tr> <td>371</td> <td>ETR</td> <td>-</td> <td>WD.</td> <td>J2</td> <td>PTD.</td> <td>-</td> <td>369</td> <td>3\"/> <tr> <td>372</td> <td>B</td> <td>2 <td>HM</td> <td>J1</td> <td>PTD.</td> <td>1 HR.</td> <td>370</td> <td>3\"/> <tr> <td>373A</td> <td>ETR</td> <td>-</td> <td>WD.</td> <td>J2</td> <td>PTD.</td> <td>-</td> <td>371</td> <td>3\"/> <tr> <td>374B</td> <td>ETR</td> <td>-</td> <td>WD.</td> <td>J2</td> <td>PTD.</td> <td>-</td> <td>372</td> <td>3\"/> <tr> <td>374C</td> <td>ETR</td> <td>-</td> <td>WD.</td> <td>J2</td> <td>PTD.</td> <td>-</td> <td>373A</td> <td>3\"/> <tr> <td>375</td> <td>B</td> <td>1 <td>WD</td> <td>J1</td> <td>PTD.</td> <td>-</td> <td>374B</td> <td>3\"/> <tr> <td>376</td> <td>B</td> <td>1 <td>WD</td> <td>J1</td> <td>PTD.</td> <td>-</td> <td>374C</td> <td>3\"/> <tr> <td>377</td> <td>B</td> <td>1 <td>WD</td> <td>J1</td> <td>PTD.</td> <td>-</td> <td>375</td> <td>3\"/> <tr> <td>377A</td> <td>B</td> <td>1 <td>WD</td> <td>J1</td> <td>PTD.</td> <td>-</td> <td>376</td> <td>3\"/> <tr> <td>378</td> <td>B</td> <td>1 <td>WD</td> <td>J1</td> <td>PTD.</td> <td>-</td> <td>377</td> <td>3\"/> <tr> <td>379</td> <td>B</td> <td>1 <td>WD</td> <td>J1</td> <td>PTD.</td> <td>-</td> <td>377A</td> <td>3\"/> <tr> <td>380A</td> <td>B</td> <td>1 <td>WD</td> <td>J1</td> <td>PTD.</td> <td>-</td> <td>378</td> <td>3\"/> <tr> <td>380B</td> <td>B</td> <td>1 <td>WD</td> <td>J1</td> <td>PTD.</td> <td>-</td> <td>379</td> <td>3\"/> <tr> <td>382</td> <td>ETR</td> <td>-</td> <td>WD.</td> <td>J2</td> <td>PTD.</td> <td>-</td> <td>380A</td> <td>3\"/> <tr> <td>382A</td> <td>D</td> <td>6 <td>ALUM.</td> <td>ANODIZE D</td> <td>-</td> <td>-</td> <td>380B</td> <td>3\"/> <tr> <td>385</td> <td>ETR</td> <td>-</td> <td>WD.</td> <td>J2</td> <td>PTD.</td> <td>-</td> <td>382</td> <td>3\"/> <tr> <td>386</td> <td>ETR</td> <td>-</td> <td>WD.</td> <td>J2</td> <td>PTD.</td> <td>-</td> <td>382A</td> <td>3\"/> <tr> <td>387</td> <td>ETR</td> <td>-</td> <td>WD.</td> <td>J2</td> <td>PTD.</td> <td>-</td> <td>385</td> <td>3\"/> <tr> <td>388</td> <td>ETR</td> <td>-</td> <td>WD.</td> <td>J2</td> <td>PTD.</td> <td>-</td> <td>386</td> <td>3\"/> <tr> <td>389</td> <td>ETR</td> <td>-</td> <td>WD.</td> <td>J2</td> <td>PTD.</td> <td>-</td> <td>387</td> <td>3\"/> <tr> <td>391</td> <td>ETR</td> <td>-</td> <td>WD.</td> <td>J2</td> <td>PTD.</td> <td>-</td> <td>388</td> <td>3\"/> <tr> <td>391A</td> <td>ETR</td> <td>-</td> <td>WD.</td> <td>J2</td> <td>PTD.</td> <td>-</td> <td>389</td> <td>3\"/> <tr> <td>391B</td> <td>ETR</td> <td>-</td> <td>WD.</td> <td>J2</td>
<td>PTD.</td> <td>-</td> <td>391</td> <td>3\"/> <tr> <td>394</td> <td>ETR</td> <td>-</td> <td>WD.</td> <td>J2</td> <td>PTD.</td> <td>-</td> <td>391A</td> <td>3\"/> <tr> <td>395</td> <td>ETR</td> <td>-</td> <td>WD.</td> <td>J2</td> <td>PTD.</td> <td>-</td> <td>391B</td> <td>3\"/> <tr> <td>396</td> <td>ETR</td> <td>-</td> <td>WD.</td> <td>J2</td> <td>PTD.</td> <td>-</td> <td>394</td> <td>3\"/> <tr> <td>398</td> <td>ETR</td> <td>-</td> <td>WD.</td> <td>J2</td> <td>PTD.</td> <td>-</td> <td>395</td> <td>3\"/> <tr> <td>399</td> <td>ETR</td> <td>-</td> <td>WD.</td> <td>J2</td> <td>PTD.</td> <td>-</td> <td>396</td> <td>3\"/> <tr> <td>3991</td> <td>ETR</td> <td>-</td> <td>WD.</td> <td>J2</td> <td>PTD.</td> <td>-</td> <td>398</td> <td>3\"/> <tr> <td>3992</td> <td>A</td> <td>3\"/> <tr> <td>3993</td> <td>ETR</td> <td>-</td> <td>WD.</td> <td>J2</td> <td>PTD.</td> <td>-</td> <td>399</td> <td>3\"/> <tr> <td>3994</td> <td>ETR</td> <td>-</td> <td>WD.</td> <td>J2</td> <td>PTD.</td> <td>-</td> <td>3991</td> <td>3\"/> <tr> <td>3995</td> <td>ETR</td> <td>-</td> <td>WD.</td> <td>J2</td> <td>PTD.</td> <td>-</td> <td>3992</td> <td>3\"/> <tr> <td>3997</td> <td>ETR</td> <td>-</td> <td>WD.</td> <td>J2</td> <td>PTD.</td> <td>-</td> <td>3993</td> <td>3\"/> <tr> <td>3998</td> <td>ETR</td> <td>-</td> <td>WD.</td> <td>J2</td> <td>PTD.</td> <td>-</td> <td>3994</td> <td>3\"/> <tr> <td>3999</td> <td>ETR</td> <td>-</td> <td>WD.</td> <td>J2</td> <td>PTD.</td> <td>-</td> <td>3995</td> <td>3\"/> <tr> <td>3999</td> <td>ETR</td> <td>-</td> <td>WD.</td> <td>J2</td> <td>PTD.</td> <td>-</td> <td>3997</td> <td>3\"/> </td></tr></td></tr></td></tr></td></tr></td></tr></td></tr></td></tr></td></tr></td></tr></td></tr></td></tr></td></tr></td></tr></td></tr></td></tr></td></tr></td></tr></td></tr></td></tr></td></tr></td></tr></td></tr></td></td></tr></td></tr></td></td></tr></td></td></tr></td></td></tr></td></td></tr></td></td></tr></td></td></tr></td></td></tr></td></td></tr></td></tr></td></tr></td></tr></td></td></tr></td></tr></td></tr></td></tr></td></tr> | 368 | ETR | -
 | WD. | J2 | PTD. | - | 366 | 3\"/> <tr> <td>369</td> <td>ETR</td> <td>-</td> <td>WD.</td> <td>J2</td> <td>PTD.</td> <td>-</td> <td>367</td> <td>3\"/> <tr> <td>370</td> <td>ETR</td> <td>-</td> <td>WD.</td> <td>J2</td> <td>PTD.</td> <td>-</td> <td>368</td> <td>3\"/> <tr> <td>371</td> <td>ETR</td> <td>-</td> <td>WD.</td> <td>J2</td> <td>PTD.</td> <td>-</td> <td>369</td> <td>3\"/> <tr> <td>372</td> <td>B</td> <td>2 <td>HM</td> <td>J1</td> <td>PTD.</td> <td>1 HR.</td> <td>370</td> <td>3\"/> <tr> <td>373A</td> <td>ETR</td> <td>-</td> <td>WD.</td> <td>J2</td> <td>PTD.</td> <td>-</td> <td>371</td> <td>3\"/> <tr> <td>374B</td> <td>ETR</td> <td>-</td> <td>WD.</td> <td>J2</td> <td>PTD.</td> <td>-</td> <td>372</td> <td>3\"/> <tr> <td>374C</td> <td>ETR</td> <td>-</td> <td>WD.</td> <td>J2</td> <td>PTD.</td> <td>-</td> <td>373A</td> <td>3\"/> <tr> <td>375</td> <td>B</td> <td>1 <td>WD</td> <td>J1</td> <td>PTD.</td> <td>-</td> <td>374B</td> <td>3\"/> <tr> <td>376</td> <td>B</td> <td>1 <td>WD</td> <td>J1</td> <td>PTD.</td> <td>-</td> <td>374C</td> <td>3\"/> <tr> <td>377</td> <td>B</td> <td>1 <td>WD</td> <td>J1</td> <td>PTD.</td> <td>-</td> <td>375</td> <td>3\"/> <tr> <td>377A</td> <td>B</td> <td>1 <td>WD</td> <td>J1</td> <td>PTD.</td> <td>-</td> <td>376</td> <td>3\"/> <tr> <td>378</td> <td>B</td> <td>1 <td>WD</td> <td>J1</td> <td>PTD.</td> <td>-</td> <td>377</td> <td>3\"/> <tr> <td>379</td> <td>B</td> <td>1 <td>WD</td> <td>J1</td> <td>PTD.</td> <td>-</td> <td>377A</td> <td>3\"/> <tr> <td>380A</td> <td>B</td> <td>1 <td>WD</td> <td>J1</td> <td>PTD.</td> <td>-</td> <td>378</td> <td>3\"/> <tr> <td>380B</td> <td>B</td> <td>1 <td>WD</td> <td>J1</td> <td>PTD.</td> <td>-</td> <td>379</td> <td>3\"/> <tr> <td>382</td> <td>ETR</td> <td>-</td> <td>WD.</td> <td>J2</td> <td>PTD.</td> <td>-</td> <td>380A</td> <td>3\"/> <tr> <td>382A</td> <td>D</td> <td>6 <td>ALUM.</td> <td>ANODIZE D</td> <td>-</td> <td>-</td> <td>380B</td> <td>3\"/> <tr> <td>385</td> <td>ETR</td> <td>-</td> <td>WD.</td> <td>J2</td> <td>PTD.</td> <td>-</td> <td>382</td> <td>3\"/> <tr> <td>386</td> <td>ETR</td> <td>-</td> <td>WD.</td> <td>J2</td> <td>PTD.</td> <td>-</td> <td>382A</td> <td>3\"/> <tr> <td>387</td> <td>ETR</td> <td>-</td> <td>WD.</td> <td>J2</td> <td>PTD.</td> <td>-</td> <td>385</td> <td>3\"/> <tr> <td>388</td> <td>ETR</td> <td>-</td> <td>WD.</td> <td>J2</td> <td>PTD.</td> <td>-</td> <td>386</td> <td>3\"/> <tr> <td>389</td> <td>ETR</td> <td>-</td> <td>WD.</td> <td>J2</td> <td>PTD.</td> <td>-</td> <td>387</td> <td>3\"/> <tr> <td>391</td> <td>ETR</td> <td>-</td> <td>WD.</td> <td>J2</td> <td>PTD.</td> <td>-</td> <td>388</td> <td>3\"/> <tr> <td>391A</td> <td>ETR</td> <td>-</td> <td>WD.</td> <td>J2</td> <td>PTD.</td> <td>-</td> <td>389</td> <td>3\"/> <tr> <td>391B</td> <td>ETR</td> <td>-</td> <td>WD.</td> <td>J2</td> <td>PTD.</td> <td>-</td> <td>391</td> <td>3\"/> <tr> <td>394</td> <td>ETR</td> <td>-</td> <td>WD.</td> <td>J2</td> <td>PTD.</td> <td>-</td> <td>391A</td> <td>3\"/> <tr> <td>395</td> <td>ETR</td> <td>-</td> <td>WD.</td> <td>J2</td> <td>PTD.</td> <td>-</td> <td>391B</td> <td>3\"/> <tr> <td>396</td> <td>ETR</td> <td>-</td> <td>WD.</td> <td>J2</td> <td>PTD.</td> <td>-</td> <td>394</td> <td>3\"/> <tr> <td>398</td> <td>ETR</td> <td>-</td> <td>WD.</td> <td>J2</td> <td>PTD.</td> <td>-</td> <td>395</td> <td>3\"/> <tr> <td>399</td> <td>ETR</td> <td>-</td> <td>WD.</td> <td>J2</td> <td>PTD.</td> <td>-</td> <td>396</td> <td>3\"/> <tr> <td>3991</td> <td>ETR</td> <td>-</td> <td>WD.</td> <td>J2</td> <td>PTD.</td> <td>-</td> <td>398</td> <td>3\"/> <tr> <td>3992</td> <td>A</td> <td>3\"/> <tr> <td>3993</td> <td>ETR</td> <td>-</td> <td>WD.</td> <td>J2</td> <td>PTD.</td> <td>-</td> <td>399</td> <td>3\"/> <tr> <td>3994</td> <td>ETR</td> <td>-</td> <td>WD.</td> <td>J2</td> <td>PTD.</td> <td>-</td> <td>3991</td> <td>3\"/> <tr> <td>3995</td> <td>ETR</td> <td>-</td> <td>WD.</td> <td>J2</td> <td>PTD.</td> <td>-</td> <td>3992</td> <td>3\"/> <tr> <td>3997</td> <td>ETR</td> <td>-</td> <td>WD.</td> <td>J2</td> <td>PTD.</td> <td>-</td> <td>3993</td> <td>3\"/> <tr> <td>3998</td> <td>ETR</td> <td>-</td> <td>WD.</td> <td>J2</td> <td>PTD.</td> <td>-</td> <td>3994</td> <td>3\"/> <tr> <td>3999</td> <td>ETR</td> <td>-</td> <td>WD.</td> <td>J2</td> <td>PTD.</td> <td>-</td> <td>3995</td> <td>3\"/> <tr> <td>3999</td> <td>ETR</td> <td>-</td> <td>WD.</td> <td>J2</td> <td>PTD.</td> <td>-</td> <td>3997</td> <td>3\"/> </td></tr></td></tr></td></tr></td></tr></td></tr></td></tr></td></tr></td></tr></td></tr></td></tr></td></tr></td></tr></td></tr></td></tr></td></tr></td></tr></td></tr></td></tr></td></tr></td></tr></td></tr></td></tr></td></td></tr></td></tr></td></td></tr></td></td></tr></td></td></tr></td></td></tr></td></td></tr></td></td></tr></td></td></tr></td></td></tr></td></tr></td></tr></td></tr></td></td></tr></td></tr></td></tr></td></tr> | 369 | ETR | -
 | WD. | J2 | PTD. | - | 367 | 3\"/> <tr> <td>370</td> <td>ETR</td> <td>-</td> <td>WD.</td> <td>J2</td> <td>PTD.</td> <td>-</td> <td>368</td> <td>3\"/> <tr> <td>371</td> <td>ETR</td> <td>-</td> <td>WD.</td> <td>J2</td> <td>PTD.</td> <td>-</td> <td>369</td> <td>3\"/> <tr> <td>372</td> <td>B</td> <td>2 <td>HM</td> <td>J1</td> <td>PTD.</td> <td>1 HR.</td> <td>370</td> <td>3\"/> <tr> <td>373A</td> <td>ETR</td> <td>-</td> <td>WD.</td> <td>J2</td> <td>PTD.</td> <td>-</td> <td>371</td> <td>3\"/> <tr> <td>374B</td> <td>ETR</td> <td>-</td> <td>WD.</td> <td>J2</td> <td>PTD.</td> <td>-</td> <td>372</td> <td>3\"/> <tr> <td>374C</td> <td>ETR</td> <td>-</td> <td>WD.</td> <td>J2</td> <td>PTD.</td> <td>-</td> <td>373A</td> <td>3\"/> <tr> <td>375</td> <td>B</td> <td>1 <td>WD</td> <td>J1</td> <td>PTD.</td> <td>-</td> <td>374B</td> <td>3\"/> <tr> <td>376</td> <td>B</td> <td>1 <td>WD</td> <td>J1</td> <td>PTD.</td> <td>-</td> <td>374C</td> <td>3\"/> <tr> <td>377</td> <td>B</td> <td>1 <td>WD</td> <td>J1</td> <td>PTD.</td> <td>-</td> <td>375</td> <td>3\"/> <tr> <td>377A</td> <td>B</td> <td>1 <td>WD</td> <td>J1</td> <td>PTD.</td> <td>-</td> <td>376</td> <td>3\"/> <tr> <td>378</td> <td>B</td> <td>1 <td>WD</td> <td>J1</td> <td>PTD.</td> <td>-</td> <td>377</td> <td>3\"/> <tr> <td>379</td> <td>B</td> <td>1 <td>WD</td> <td>J1</td> <td>PTD.</td> <td>-</td> <td>377A</td> <td>3\"/> <tr> <td>380A</td> <td>B</td> <td>1 <td>WD</td> <td>J1</td> <td>PTD.</td> <td>-</td> <td>378</td> <td>3\"/> <tr> <td>380B</td> <td>B</td> <td>1 <td>WD</td> <td>J1</td> <td>PTD.</td> <td>-</td> <td>379</td> <td>3\"/> <tr> <td>382</td> <td>ETR</td> <td>-</td> <td>WD.</td> <td>J2</td> <td>PTD.</td> <td>-</td> <td>380A</td> <td>3\"/> <tr> <td>382A</td> <td>D</td> <td>6 <td>ALUM.</td> <td>ANODIZE D</td> <td>-</td> <td>-</td> <td>380B</td> <td>3\"/> <tr> <td>385</td> <td>ETR</td> <td>-</td> <td>WD.</td> <td>J2</td> <td>PTD.</td> <td>-</td> <td>382</td> <td>3\"/> <tr> <td>386</td> <td>ETR</td> <td>-</td> <td>WD.</td> <td>J2</td> <td>PTD.</td> <td>-</td> <td>382A</td> <td>3\"/> <tr> <td>387</td> <td>ETR</td> <td>-</td> <td>WD.</td> <td>J2</td> <td>PTD.</td> <td>-</td> <td>385</td> <td>3\"/> <tr> <td>388</td> <td>ETR</td> <td>-</td> <td>WD.</td> <td>J2</td> <td>PTD.</td> <td>-</td> <td>386</td> <td>3\"/> <tr> <td>389</td> <td>ETR</td> <td>-</td> <td>WD.</td> <td>J2</td> <td>PTD.</td> <td>-</td> <td>387</td> <td>3\"/> <tr> <td>391</td> <td>ETR</td> <td>-</td> <td>WD.</td> <td>J2</td> <td>PTD.</td> <td>-</td> <td>388</td> <td>3\"/> <tr> <td>391A</td> <td>ETR</td> <td>-</td> <td>WD.</td> <td>J2</td> <td>PTD.</td> <td>-</td> <td>389</td> <td>3\"/> <tr> <td>391B</td> <td>ETR</td> <td>-</td> <td>WD.</td> <td>J2</td> <td>PTD.</td> <td>-</td> <td>391</td> <td>3\"/> <tr> <td>394</td> <td>ETR</td> <td>-</td> <td>WD.</td> <td>J2</td> <td>PTD.</td> <td>-</td> <td>391A</td> <td>3\"/> <tr> <td>395</td> <td>ETR</td> <td>-</td> <td>WD.</td> <td>J2</td> <td>PTD.</td> <td>-</td> <td>391B</td> <td>3\"/> <tr> <td>396</td> <td>ETR</td> <td>-</td> <td>WD.</td> <td>J2</td> <td>PTD.</td> <td>-</td> <td>394</td> <td>3\"/> <tr> <td>398</td> <td>ETR</td> <td>-</td> <td>WD.</td> <td>J2</td> <td>PTD.</td> <td>-</td> <td>395</td> <td>3\"/> <tr> <td>399</td> <td>ETR</td> <td>-</td> <td>WD.</td> <td>J2</td> <td>PTD.</td> <td>-</td> <td>396</td> <td>3\"/> <tr> <td>3991</td> <td>ETR</td> <td>-</td> <td>WD.</td> <td>J2</td> <td>PTD.</td> <td>-</td> <td>398</td> <td>3\"/> <tr> <td>3992</td> <td>A</td> <td>3\"/> <tr> <td>3993</td> <td>ETR</td> <td>-</td> <td>WD.</td> <td>J2</td> <td>PTD.</td> <td>-</td> <td>399</td> <td>3\"/> <tr> <td>3994</td> <td>ETR</td> <td>-</td> <td>WD.</td> <td>J2</td> <td>PTD.</td> <td>-</td> <td>3991</td> <td>3\"/> <tr> <td>3995</td> <td>ETR</td> <td>-</td> <td>WD.</td> <td>J2</td> <td>PTD.</td> <td>-</td> <td>3992</td> <td>3\"/> <tr> <td>3997</td> <td>ETR</td> <td>-</td> <td>WD.</td> <td>J2</td> <td>PTD.</td> <td>-</td> <td>3993</td> <td>3\"/> <tr> <td>3998</td> <td>ETR</td> <td>-</td> <td>WD.</td> <td>J2</td> <td>PTD.</td> <td>-</td> <td>3994</td> <td>3\"/> <tr> <td>3999</td> <td>ETR</td> <td>-</td> <td>WD.</td> <td>J2</td> <td>PTD.</td> <td>-</td> <td>3995</td> <td>3\"/> <tr> <td>3999</td> <td>ETR</td> <td>-</td> <td>WD.</td> <td>J2</td> <td>PTD.</td> <td>-</td> <td>3997</td> <td>3\"/> </td></tr></td></tr></td></tr></td></tr></td></tr></td></tr></td></tr></td></tr></td></tr></td></tr></td></tr></td></tr></td></tr></td></tr></td></tr></td></tr></td></tr></td></tr></td></tr></td></tr></td></tr></td></tr></td></td></tr></td></tr></td></td></tr></td></td></tr></td></td></tr></td></td></tr></td></td></tr></td></td></tr></td></td></tr></td></td></tr></td></tr></td></tr></td></tr></td></td></tr></td></tr></td></tr>
 | 370 | ETR | - | WD. | J2 | PTD. | - | 368 | 3\"/> <tr> <td>371</td> <td>ETR</td> <td>-</td> <td>WD.</td> <td>J2</td> <td>PTD.</td> <td>-</td> <td>369</td> <td>3\"/> <tr> <td>372</td> <td>B</td> <td>2 <td>HM</td> <td>J1</td> <td>PTD.</td> <td>1 HR.</td> <td>370</td> <td>3\"/> <tr> <td>373A</td> <td>ETR</td> <td>-</td> <td>WD.</td> <td>J2</td> <td>PTD.</td> <td>-</td> <td>371</td> <td>3\"/> <tr> <td>374B</td> <td>ETR</td> <td>-</td> <td>WD.</td> <td>J2</td> <td>PTD.</td> <td>-</td> <td>372</td> <td>3\"/> <tr> <td>374C</td> <td>ETR</td> <td>-</td> <td>WD.</td> <td>J2</td> <td>PTD.</td> <td>-</td> <td>373A</td> <td>3\"/> <tr> <td>375</td> <td>B</td> <td>1 <td>WD</td> <td>J1</td> <td>PTD.</td> <td>-</td> <td>374B</td> <td>3\"/> <tr> <td>376</td> <td>B</td> <td>1 <td>WD</td> <td>J1</td> <td>PTD.</td> <td>-</td> <td>374C</td> <td>3\"/> <tr> <td>377</td> <td>B</td> <td>1 <td>WD</td> <td>J1</td> <td>PTD.</td> <td>-</td> <td>375</td> <td>3\"/> <tr> <td>377A</td> <td>B</td> <td>1 <td>WD</td> <td>J1</td> <td>PTD.</td> <td>-</td> <td>376</td> <td>3\"/> <tr> <td>378</td> <td>B</td> <td>1 <td>WD</td> <td>J1</td> <td>PTD.</td> <td>-</td> <td>377</td> <td>3\"/> <tr> <td>379</td> <td>B</td> <td>1 <td>WD</td> <td>J1</td> <td>PTD.</td> <td>-</td> <td>377A</td> <td>3\"/> <tr> <td>380A</td> <td>B</td> <td>1 <td>WD</td> <td>J1</td> <td>PTD.</td> <td>-</td> <td>378</td> <td>3\"/> <tr> <td>380B</td> <td>B</td> <td>1 <td>WD</td> <td>J1</td> <td>PTD.</td> <td>-</td> <td>379</td> <td>3\"/> <tr> <td>382</td> <td>ETR</td> <td>-</td> <td>WD.</td> <td>J2</td> <td>PTD.</td> <td>-</td> <td>380A</td> <td>3\"/> <tr> <td>382A</td> <td>D</td> <td>6 <td>ALUM.</td> <td>ANODIZE D</td> <td>-</td> <td>-</td> <td>380B</td> <td>3\"/> <tr> <td>385</td> <td>ETR</td> <td>-</td> <td>WD.</td> <td>J2</td> <td>PTD.</td> <td>-</td> <td>382</td> <td>3\"/> <tr> <td>386</td> <td>ETR</td> <td>-</td> <td>WD.</td> <td>J2</td> <td>PTD.</td> <td>-</td> <td>382A</td> <td>3\"/> <tr> <td>387</td> <td>ETR</td> <td>-</td> <td>WD.</td> <td>J2</td> <td>PTD.</td> <td>-</td> <td>385</td> <td>3\"/> <tr> <td>388</td> <td>ETR</td> <td>-</td> <td>WD.</td> <td>J2</td> <td>PTD.</td> <td>-</td> <td>386</td> <td>3\"/> <tr> <td>389</td> <td>ETR</td> <td>-</td> <td>WD.</td> <td>J2</td> <td>PTD.</td> <td>-</td> <td>387</td> <td>3\"/> <tr> <td>391</td> <td>ETR</td> <td>-</td> <td>WD.</td> <td>J2</td> <td>PTD.</td> <td>-</td> <td>388</td> <td>3\"/> <tr> <td>391A</td> <td>ETR</td> <td>-</td> <td>WD.</td> <td>J2</td> <td>PTD.</td> <td>-</td> <td>389</td> <td>3\"/> <tr> <td>391B</td> <td>ETR</td> <td>-</td> <td>WD.</td> <td>J2</td> <td>PTD.</td> <td>-</td> <td>391</td> <td>3\"/> <tr> <td>394</td> <td>ETR</td> <td>-</td> <td>WD.</td> <td>J2</td> <td>PTD.</td> <td>-</td> <td>391A</td> <td>3\"/> <tr> <td>395</td> <td>ETR</td> <td>-</td>
<td>WD.</td> <td>J2</td> <td>PTD.</td> <td>-</td> <td>391B</td> <td>3\"/> <tr> <td>396</td> <td>ETR</td> <td>-</td> <td>WD.</td> <td>J2</td> <td>PTD.</td> <td>-</td> <td>394</td> <td>3\"/> <tr> <td>398</td> <td>ETR</td> <td>-</td> <td>WD.</td> <td>J2</td> <td>PTD.</td> <td>-</td> <td>395</td> <td>3\"/> <tr> <td>399</td> <td>ETR</td> <td>-</td> <td>WD.</td> <td>J2</td> <td>PTD.</td> <td>-</td> <td>396</td> <td>3\"/> <tr> <td>3991</td> <td>ETR</td> <td>-</td> <td>WD.</td> <td>J2</td> <td>PTD.</td> <td>-</td> <td>398</td> <td>3\"/> <tr> <td>3992</td> <td>A</td> <td>3\"/> <tr> <td>3993</td> <td>ETR</td> <td>-</td> <td>WD.</td> <td>J2</td> <td>PTD.</td> <td>-</td> <td>399</td> <td>3\"/> <tr> <td>3994</td> <td>ETR</td> <td>-</td> <td>WD.</td> <td>J2</td> <td>PTD.</td> <td>-</td> <td>3991</td> <td>3\"/> <tr> <td>3995</td> <td>ETR</td> <td>-</td> <td>WD.</td> <td>J2</td> <td>PTD.</td> <td>-</td> <td>3992</td> <td>3\"/> <tr> <td>3997</td> <td>ETR</td> <td>-</td> <td>WD.</td> <td>J2</td> <td>PTD.</td> <td>-</td> <td>3993</td> <td>3\"/> <tr> <td>3998</td> <td>ETR</td> <td>-</td> <td>WD.</td> <td>J2</td> <td>PTD.</td> <td>-</td> <td>3994</td> <td>3\"/> <tr> <td>3999</td> <td>ETR</td> <td>-</td> <td>WD.</td> <td>J2</td> <td>PTD.</td> <td>-</td> <td>3995</td> <td>3\"/> <tr> <td>3999</td> <td>ETR</td> <td>-</td> <td>WD.</td> <td>J2</td> <td>PTD.</td> <td>-</td> <td>3997</td> <td>3\"/> </td></tr></td></tr></td></tr></td></tr></td></tr></td></tr></td></tr></td></tr></td></tr></td></tr></td></tr></td></tr></td></tr></td></tr></td></tr></td></tr></td></tr></td></tr></td></tr></td></tr></td></tr></td></tr></td></td></tr></td></tr></td></td></tr></td></td></tr></td></td></tr></td></td></tr></td></td></tr></td></td></tr></td></td></tr></td></td></tr></td></tr></td></tr></td></tr></td></td></tr></td></tr> | 371 | ETR | - | WD. | J2 | PTD. | -
 | 369 | 3\"/> <tr> <td>372</td> <td>B</td> <td>2 <td>HM</td> <td>J1</td> <td>PTD.</td> <td>1 HR.</td> <td>370</td> <td>3\"/> <tr> <td>373A</td> <td>ETR</td> <td>-</td> <td>WD.</td> <td>J2</td> <td>PTD.</td> <td>-</td> <td>371</td> <td>3\"/> <tr> <td>374B</td> <td>ETR</td> <td>-</td> <td>WD.</td> <td>J2</td> <td>PTD.</td> <td>-</td> <td>372</td> <td>3\"/> <tr> <td>374C</td> <td>ETR</td> <td>-</td> <td>WD.</td> <td>J2</td> <td>PTD.</td> <td>-</td> <td>373A</td> <td>3\"/> <tr> <td>375</td> <td>B</td> <td>1 <td>WD</td> <td>J1</td> <td>PTD.</td> <td>-</td> <td>374B</td> <td>3\"/> <tr> <td>376</td> <td>B</td> <td>1 <td>WD</td> <td>J1</td> <td>PTD.</td> <td>-</td> <td>374C</td> <td>3\"/> <tr> <td>377</td> <td>B</td> <td>1 <td>WD</td> <td>J1</td> <td>PTD.</td> <td>-</td> <td>375</td> <td>3\"/> <tr> <td>377A</td> <td>B</td> <td>1 <td>WD</td> <td>J1</td> <td>PTD.</td> <td>-</td> <td>376</td> <td>3\"/> <tr> <td>378</td> <td>B</td> <td>1 <td>WD</td> <td>J1</td> <td>PTD.</td> <td>-</td> <td>377</td> <td>3\"/> <tr> <td>379</td> <td>B</td> <td>1 <td>WD</td> <td>J1</td> <td>PTD.</td> <td>-</td> <td>377A</td> <td>3\"/> <tr> <td>380A</td> <td>B</td> <td>1 <td>WD</td> <td>J1</td> <td>PTD.</td> <td>-</td> <td>378</td> <td>3\"/> <tr> <td>380B</td> <td>B</td> <td>1 <td>WD</td> <td>J1</td> <td>PTD.</td> <td>-</td> <td>379</td> <td>3\"/> <tr> <td>382</td> <td>ETR</td> <td>-</td> <td>WD.</td> <td>J2</td> <td>PTD.</td> <td>-</td> <td>380A</td> <td>3\"/> <tr> <td>382A</td> <td>D</td> <td>6 <td>ALUM.</td> <td>ANODIZE D</td> <td>-</td> <td>-</td> <td>380B</td> <td>3\"/> <tr> <td>385</td> <td>ETR</td> <td>-</td> <td>WD.</td> <td>J2</td> <td>PTD.</td> <td>-</td> <td>382</td> <td>3\"/> <tr> <td>386</td> <td>ETR</td> <td>-</td> <td>WD.</td> <td>J2</td> <td>PTD.</td> <td>-</td> <td>382A</td> <td>3\"/> <tr> <td>387</td> <td>ETR</td> <td>-</td> <td>WD.</td> <td>J2</td> <td>PTD.</td> <td>-</td> <td>385</td> <td>3\"/> <tr> <td>388</td> <td>ETR</td> <td>-</td> <td>WD.</td> <td>J2</td> <td>PTD.</td> <td>-</td> <td>386</td> <td>3\"/> <tr> <td>389</td> <td>ETR</td> <td>-</td> <td>WD.</td> <td>J2</td> <td>PTD.</td> <td>-</td> <td>387</td> <td>3\"/> <tr> <td>391</td> <td>ETR</td> <td>-</td> <td>WD.</td> <td>J2</td> <td>PTD.</td> <td>-</td> <td>388</td> <td>3\"/> <tr> <td>391A</td> <td>ETR</td> <td>-</td> <td>WD.</td> <td>J2</td> <td>PTD.</td> <td>-</td> <td>389</td> <td>3\"/> <tr> <td>391B</td> <td>ETR</td> <td>-</td> <td>WD.</td> <td>J2</td> <td>PTD.</td> <td>-</td> <td>391</td> <td>3\"/> <tr> <td>394</td> <td>ETR</td> <td>-</td> <td>WD.</td> <td>J2</td> <td>PTD.</td> <td>-</td> <td>391A</td> <td>3\"/> <tr> <td>395</td> <td>ETR</td> <td>-</td> <td>WD.</td> <td>J2</td> <td>PTD.</td> <td>-</td> <td>391B</td> <td>3\"/> <tr> <td>396</td> <td>ETR</td> <td>-</td> <td>WD.</td> <td>J2</td> <td>PTD.</td> <td>-</td> <td>394</td> <td>3\"/> <tr> <td>398</td> <td>ETR</td> <td>-</td> <td>WD.</td> <td>J2</td> <td>PTD.</td> <td>-</td> <td>395</td> <td>3\"/> <tr> <td>399</td> <td>ETR</td> <td>-</td> <td>WD.</td> <td>J2</td> <td>PTD.</td> <td>-</td> <td>396</td> <td>3\"/> <tr> <td>3991</td> <td>ETR</td> <td>-</td> <td>WD.</td> <td>J2</td> <td>PTD.</td> <td>-</td> <td>398</td> <td>3\"/> <tr> <td>3992</td> <td>A</td> <td>3\"/> <tr> <td>3993</td> <td>ETR</td> <td>-</td> <td>WD.</td> <td>J2</td> <td>PTD.</td> <td>-</td> <td>399</td> <td>3\"/> <tr> <td>3994</td> <td>ETR</td> <td>-</td> <td>WD.</td> <td>J2</td> <td>PTD.</td> <td>-</td> <td>3991</td> <td>3\"/> <tr> <td>3995</td> <td>ETR</td> <td>-</td> <td>WD.</td> <td>J2</td> <td>PTD.</td> <td>-</td> <td>3992</td> <td>3\"/> <tr> <td>3997</td> <td>ETR</td> <td>-</td> <td>WD.</td> <td>J2</td> <td>PTD.</td> <td>-</td> <td>3993</td> <td>3\"/> <tr> <td>3998</td> <td>ETR</td> <td>-</td> <td>WD.</td> <td>J2</td> <td>PTD.</td> <td>-</td> <td>3994</td> <td>3\"/> <tr> <td>3999</td> <td>ETR</td> <td>-</td> <td>WD.</td> <td>J2</td> <td>PTD.</td> <td>-</td> <td>3995</td> <td>3\"/> <tr> <td>3999</td> <td>ETR</td> <td>-</td> <td>WD.</td> <td>J2</td> <td>PTD.</td> <td>-</td> <td>3997</td> <td>3\"/> </td></tr></td></tr></td></tr></td></tr></td></tr></td></tr></td></tr></td></tr></td></tr></td></tr></td></tr></td></tr></td></tr></td></tr></td></tr></td></tr></td></tr></td></tr></td></tr></td></tr></td></tr></td></tr></td></td></tr></td></tr></td></td></tr></td></td></tr></td></td></tr></td></td></tr></td></td></tr></td></td></tr></td></td></tr></td></td></tr></td></tr></td></tr></td></tr></td></td></tr> | 372 | B | 2 <td>HM</td> <td>J1</td> <td>PTD.</td> <td>1 HR.</td> <td>370</td> <td>3\"/> <tr> <td>373A</td> <td>ETR</td> <td>-</td> <td>WD.</td> <td>J2</td> <td>PTD.</td> <td>-</td> <td>371</td> <td>3\"/> <tr> <td>374B</td> <td>ETR</td> <td>-</td> <td>WD.</td> <td>J2</td> <td>PTD.</td> <td>-</td> <td>372</td> <td>3\"/> <tr> <td>374C</td> <td>ETR</td> <td>-</td> <td>WD.</td> <td>J2</td> <td>PTD.</td> <td>-</td> <td>373A</td> <td>3\"/> <tr> <td>375</td> <td>B</td> <td>1 <td>WD</td> <td>J1</td> <td>PTD.</td> <td>-</td> <td>374B</td> <td>3\"/> <tr> <td>376</td> <td>B</td> <td>1 <td>WD</td> <td>J1</td> <td>PTD.</td> <td>-</td> <td>374C</td> <td>3\"/> <tr> <td>377</td> <td>B</td> <td>1 <td>WD</td> <td>J1</td> <td>PTD.</td> <td>-</td> <td>375</td> <td>3\"/> <tr> <td>377A</td> <td>B</td> <td>1 <td>WD</td> <td>J1</td> <td>PTD.</td> <td>-</td> <td>376</td> <td>3\"/> <tr> <td>378</td> <td>B</td> <td>1 <td>WD</td> <td>J1</td> <td>PTD.</td> <td>-</td> <td>377</td> <td>3\"/> <tr> <td>379</td> <td>B</td> <td>1 <td>WD</td> <td>J1</td> <td>PTD.</td> <td>-</td> <td>377A</td> <td>3\"/> <tr> <td>380A</td> <td>B</td> <td>1 <td>WD</td> <td>J1</td> <td>PTD.</td> <td>-</td> <td>378</td> <td>3\"/> <tr> <td>380B</td> <td>B</td> <td>1 <td>WD</td> <td>J1</td> <td>PTD.</td> <td>-</td> <td>379</td> <td>3\"/> <tr> <td>382</td> <td>ETR</td> <td>-</td> <td>WD.</td> <td>J2</td> <td>PTD.</td> <td>-</td> <td>380A</td> <td>3\"/> <tr> <td>382A</td> <td>D</td> <td>6 <td>ALUM.</td> <td>ANODIZE D</td> <td>-</td> <td>-</td> <td>380B</td> <td>3\"/> <tr> <td>385</td> <td>ETR</td> <td>-</td> <td>WD.</td> <td>J2</td> <td>PTD.</td> <td>-</td> <td>382</td> <td>3\"/> <tr> <td>386</td> <td>ETR</td> <td>-</td> <td>WD.</td> <td>J2</td> <td>PTD.</td> <td>-</td> <td>382A</td> <td>3\"/> <tr> <td>387</td> <td>ETR</td> <td>-</td> <td>WD.</td> <td>J2</td> <td>PTD.</td> <td>-</td> <td>385</td> <td>3\"/> <tr> <td>388</td> <td>ETR</td> <td>-</td> <td>WD.</td> <td>J2</td> <td>PTD.</td> <td>-</td> <td>386</td> <td>3\"/> <tr> <td>389</td> <td>ETR</td> <td>-</td> <td>WD.</td> <td>J2</td> <td>PTD.</td> <td>-</td> <td>387</td> <td>3\"/> <tr> <td>391</td> <td>ETR</td> <td>-</td> <td>WD.</td> <td>J2</td> <td>PTD.</td> <td>-</td> <td>388</td> <td>3\"/> <tr> <td>391A</td> <td>ETR</td> <td>-</td> <td>WD.</td> <td>J2</td> <td>PTD.</td> <td>-</td> <td>389</td> <td>3\"/> <tr> <td>391B</td> <td>ETR</td> <td>-</td> <td>WD.</td> <td>J2</td> <td>PTD.</td> <td>-</td> <td>391</td> <td>3\"/> <tr> <td>394</td> <td>ETR</td> <td>-</td> <td>WD.</td> <td>J2</td> <td>PTD.</td> <td>-</td> <td>391A</td> <td>3\"/> <tr> <td>395</td> <td>ETR</td> <td>-</td> <td>WD.</td> <td>J2</td> <td>PTD.</td> <td>-</td> <td>391B</td> <td>3\"/> <tr> <td>396</td> <td>ETR</td> <td>-</td> <td>WD.</td> <td>J2</td> <td>PTD.</td> <td>-</td> <td>394</td> <td>3\"/> <tr> <td>398</td> <td>ETR</td> <td>-</td> <td>WD.</td> <td>J2</td> <td>PTD.</td> <td>-</td> <td>395</td> <td>3\"/> <tr> <td>399</td> <td>ETR</td> <td>-</td> <td>WD.</td> <td>J2</td> <td>PTD.</td> <td>-</td> <td>396</td> <td>3\"/> <tr> <td>3991</td> <td>ETR</td> <td>-</td> <td>WD.</td> <td>J2</td> <td>PTD.</td> <td>-</td> <td>398</td> <td>3\"/> <tr> <td>3992</td> <td>A</td> <td>3\"/> <tr> <td>3993</td> <td>ETR</td> <td>-</td> <td>WD.</td> <td>J2</td> <td>PTD.</td> <td>-</td> <td>399</td> <td>3\"/> <tr> <td>3994</td> <td>ETR</td> <td>-</td> <td>WD.</td> <td>J2</td> <td>PTD.</td> <td>-</td> <td>3991</td> <td>3\"/> <tr> <td>3995</td> <td>ETR</td> <td>-</td> <td>WD.</td> <td>J2</td> <td>PTD.</td> <td>-</td> <td>3992</td> <td>3\"/> <tr> <td>3997</td> <td>ETR</td> <td>-</td>
<td>WD.</td> <td>J2</td> <td>PTD.</td> <td>-</td> <td>3993</td> <td>3\"/> <tr> <td>3998</td> <td>ETR</td> <td>-</td> <td>WD.</td> <td>J2</td> <td>PTD.</td> <td>-</td> <td>3994</td> <td>3\"/> <tr> <td>3999</td> <td>ETR</td> <td>-</td> <td>WD.</td> <td>J2</td> <td>PTD.</td> <td>-</td> <td>3995</td> <td>3\"/> <tr> <td>3999</td> <td>ETR</td> <td>-</td> <td>WD.</td> <td>J2</td> <td>PTD.</td> <td>-</td> <td>3997</td> <td>3\"/> </td></tr></td></tr></td></tr></td></tr></td></tr></td></tr></td></tr></td></tr></td></tr></td></tr></td></tr></td></tr></td></tr></td></tr></td></tr></td></tr></td></tr></td></tr></td></tr></td></tr></td></tr></td></tr></td></td></tr></td></tr></td></td></tr></td></td></tr></td></td></tr></td></td></tr></td></td></tr></td></td></tr></td></td></tr></td></td></tr></td></tr></td></tr></td></tr></td> | HM | J1 | PTD. | 1 HR. | 370 | 3\"/> <tr> <td>373A</td> <td>ETR</td> <td>-</td> <td>WD.</td> <td>J2</td> <td>PTD.</td> <td>-</td> <td>371</td> <td>3\"/> <tr> <td>374B</td> <td>ETR</td> <td>-</td> <td>WD.</td> <td>J2</td> <td>PTD.</td> <td>-</td> <td>372</td> <td>3\"/> <tr> <td>374C</td> <td>ETR</td> <td>-</td> <td>WD.</td> <td>J2</td> <td>PTD.</td> <td>-</td> <td>373A</td> <td>3\"/> <tr> <td>375</td> <td>B</td> <td>1 <td>WD</td> <td>J1</td> <td>PTD.</td> <td>-</td> <td>374B</td> <td>3\"/> <tr> <td>376</td> <td>B</td> <td>1 <td>WD</td> <td>J1</td> <td>PTD.</td> <td>-</td> <td>374C</td> <td>3\"/> <tr> <td>377</td> <td>B</td> <td>1 <td>WD</td> <td>J1</td> <td>PTD.</td> <td>-</td> <td>375</td> <td>3\"/> <tr> <td>377A</td> <td>B</td> <td>1 <td>WD</td> <td>J1</td> <td>PTD.</td> <td>-</td> <td>376</td> <td>3\"/> <tr> <td>378</td> <td>B</td> <td>1 <td>WD</td> <td>J1</td> <td>PTD.</td> <td>-</td> <td>377</td> <td>3\"/> <tr> <td>379</td> <td>B</td> <td>1 <td>WD</td> <td>J1</td> <td>PTD.</td> <td>-</td> <td>377A</td> <td>3\"/> <tr> <td>380A</td> <td>B</td> <td>1 <td>WD</td> <td>J1</td> <td>PTD.</td> <td>-</td> <td>378</td> <td>3\"/> <tr> <td>380B</td> <td>B</td> <td>1 <td>WD</td> <td>J1</td> <td>PTD.</td> <td>-</td> <td>379</td> <td>3\"/> <tr> <td>382</td> <td>ETR</td> <td>-</td> <td>WD.</td> <td>J2</td> <td>PTD.</td> <td>-</td> <td>380A</td> <td>3\"/> <tr> <td>382A</td> <td>D</td> <td>6 <td>ALUM.</td> <td>ANODIZE D</td> <td>-</td> <td>-</td> <td>380B</td> <td>3\"/> <tr> <td>385</td> <td>ETR</td> <td>-</td> <td>WD.</td> <td>J2</td> <td>PTD.</td> <td>-</td> <td>382</td> <td>3\"/> <tr> <td>386</td> <td>ETR</td> <td>-</td> <td>WD.</td> <td>J2</td> <td>PTD.</td> <td>-</td> <td>382A</td> <td>3\"/> <tr> <td>387</td> <td>ETR</td> <td>-</td> <td>WD.</td> <td>J2</td> <td>PTD.</td> <td>-</td> <td>385</td> <td>3\"/> <tr> <td>388</td> <td>ETR</td> <td>-</td> <td>WD.</td> <td>J2</td> <td>PTD.</td> <td>-</td> <td>386</td> <td>3\"/> <tr> <td>389</td> <td>ETR</td> <td>-</td> <td>WD.</td> <td>J2</td> <td>PTD.</td> <td>-</td> <td>387</td> <td>3\"/> <tr> <td>391</td> <td>ETR</td> <td>-</td> <td>WD.</td> <td>J2</td> <td>PTD.</td> <td>-</td> <td>388</td> <td>3\"/> <tr> <td>391A</td> <td>ETR</td> <td>-</td> <td>WD.</td> <td>J2</td> <td>PTD.</td> <td>-</td> <td>389</td> <td>3\"/> <tr> <td>391B</td> <td>ETR</td> <td>-</td> <td>WD.</td> <td>J2</td> <td>PTD.</td> <td>-</td> <td>391</td> <td>3\"/> <tr> <td>394</td> <td>ETR</td> <td>-</td> <td>WD.</td> <td>J2</td> <td>PTD.</td> <td>-</td> <td>391A</td> <td>3\"/> <tr> <td>395</td> <td>ETR</td> <td>-</td> <td>WD.</td> <td>J2</td> <td>PTD.</td> <td>-</td> <td>391B</td> <td>3\"/> <tr> <td>396</td> <td>ETR</td> <td>-</td> <td>WD.</td> <td>J2</td> <td>PTD.</td> <td>-</td> <td>394</td> <td>3\"/> <tr> <td>398</td> <td>ETR</td> <td>-</td> <td>WD.</td> <td>J2</td> <td>PTD.</td> <td>-</td> <td>395</td> <td>3\"/> <tr> <td>399</td> <td>ETR</td> <td>-</td> <td>WD.</td> <td>J2</td> <td>PTD.</td> <td>-</td> <td>396</td> <td>3\"/> <tr> <td>3991</td> <td>ETR</td> <td>-</td> <td>WD.</td> <td>J2</td> <td>PTD.</td> <td>-</td> <td>398</td> <td>3\"/> <tr> <td>3992</td> <td>A</td> <td>3\"/> <tr> <td>3993</td> <td>ETR</td> <td>-</td> <td>WD.</td> <td>J2</td> <td>PTD.</td> <td>-</td> <td>399</td> <td>3\"/> <tr> <td>3994</td> <td>ETR</td> <td>-</td> <td>WD.</td> <td>J2</td> <td>PTD.</td> <td>-</td> <td>3991</td> <td>3\"/> <tr> <td>3995</td> <td>ETR</td> <td>-</td> <td>WD.</td> <td>J2</td> <td>PTD.</td> <td>-</td> <td>3992</td> <td>3\"/> <tr> <td>3997</td> <td>ETR</td> <td>-</td> <td>WD.</td> <td>J2</td> <td>PTD.</td> <td>-</td> <td>3993</td> <td>3\"/> <tr> <td>3998</td> <td>ETR</td> <td>-</td> <td>WD.</td> <td>J2</td> <td>PTD.</td> <td>-</td> <td>3994</td> <td>3\"/> <tr> <td>3999</td> <td>ETR</td> <td>-</td> <td>WD.</td> <td>J2</td> <td>PTD.</td> <td>-</td> <td>3995</td> <td>3\"/> <tr> <td>3999</td> <td>ETR</td> <td>-</td> <td>WD.</td> <td>J2</td> <td>PTD.</td> <td>-</td> <td>3997</td> <td>3\"/> </td></tr></td></tr></td></tr></td></tr></td></tr></td></tr></td></tr></td></tr></td></tr></td></tr></td></tr></td></tr></td></tr></td></tr></td></tr></td></tr></td></tr></td></tr></td></tr></td></tr></td></tr></td></tr></td></td></tr></td></tr></td></td></tr></td></td></tr></td></td></tr></td></td></tr></td></td></tr></td></td></tr></td></td></tr></td></td></tr></td></tr></td></tr></td></tr> | 373A | ETR | -
 | WD. | J2 | PTD. | - | 371 | 3\"/> <tr> <td>374B</td> <td>ETR</td> <td>-</td> <td>WD.</td> <td>J2</td> <td>PTD.</td> <td>-</td> <td>372</td> <td>3\"/> <tr> <td>374C</td> <td>ETR</td> <td>-</td> <td>WD.</td> <td>J2</td> <td>PTD.</td> <td>-</td> <td>373A</td> <td>3\"/> <tr> <td>375</td> <td>B</td> <td>1 <td>WD</td> <td>J1</td> <td>PTD.</td> <td>-</td> <td>374B</td> <td>3\"/> <tr> <td>376</td> <td>B</td> <td>1 <td>WD</td> <td>J1</td> <td>PTD.</td> <td>-</td> <td>374C</td> <td>3\"/> <tr> <td>377</td> <td>B</td> <td>1 <td>WD</td> <td>J1</td> <td>PTD.</td> <td>-</td> <td>375</td> <td>3\"/> <tr> <td>377A</td> <td>B</td> <td>1 <td>WD</td> <td>J1</td> <td>PTD.</td> <td>-</td> <td>376</td> <td>3\"/> <tr> <td>378</td> <td>B</td> <td>1 <td>WD</td> <td>J1</td> <td>PTD.</td> <td>-</td> <td>377</td> <td>3\"/> <tr> <td>379</td> <td>B</td> <td>1 <td>WD</td> <td>J1</td> <td>PTD.</td> <td>-</td> <td>377A</td> <td>3\"/> <tr> <td>380A</td> <td>B</td> <td>1 <td>WD</td> <td>J1</td> <td>PTD.</td> <td>-</td> <td>378</td> <td>3\"/> <tr> <td>380B</td> <td>B</td> <td>1 <td>WD</td> <td>J1</td> <td>PTD.</td> <td>-</td> <td>379</td> <td>3\"/> <tr> <td>382</td> <td>ETR</td> <td>-</td> <td>WD.</td> <td>J2</td> <td>PTD.</td> <td>-</td> <td>380A</td> <td>3\"/> <tr> <td>382A</td> <td>D</td> <td>6 <td>ALUM.</td> <td>ANODIZE D</td> <td>-</td> <td>-</td> <td>380B</td> <td>3\"/> <tr> <td>385</td> <td>ETR</td> <td>-</td> <td>WD.</td> <td>J2</td> <td>PTD.</td> <td>-</td> <td>382</td> <td>3\"/> <tr> <td>386</td> <td>ETR</td> <td>-</td> <td>WD.</td> <td>J2</td> <td>PTD.</td> <td>-</td> <td>382A</td> <td>3\"/> <tr> <td>387</td> <td>ETR</td> <td>-</td> <td>WD.</td> <td>J2</td> <td>PTD.</td> <td>-</td> <td>385</td> <td>3\"/> <tr> <td>388</td> <td>ETR</td> <td>-</td> <td>WD.</td> <td>J2</td> <td>PTD.</td> <td>-</td> <td>386</td> <td>3\"/> <tr> <td>389</td> <td>ETR</td> <td>-</td> <td>WD.</td> <td>J2</td> <td>PTD.</td> <td>-</td> <td>387</td> <td>3\"/> <tr> <td>391</td> <td>ETR</td> <td>-</td> <td>WD.</td> <td>J2</td> <td>PTD.</td> <td>-</td> <td>388</td> <td>3\"/> <tr> <td>391A</td> <td>ETR</td> <td>-</td> <td>WD.</td> <td>J2</td> <td>PTD.</td> <td>-</td> <td>389</td> <td>3\"/> <tr> <td>391B</td> <td>ETR</td> <td>-</td> <td>WD.</td> <td>J2</td> <td>PTD.</td> <td>-</td> <td>391</td> <td>3\"/> <tr> <td>394</td> <td>ETR</td> <td>-</td> <td>WD.</td> <td>J2</td> <td>PTD.</td> <td>-</td> <td>391A</td> <td>3\"/> <tr> <td>395</td> <td>ETR</td> <td>-</td> <td>WD.</td> <td>J2</td> <td>PTD.</td> <td>-</td> <td>391B</td> <td>3\"/> <tr> <td>396</td> <td>ETR</td> <td>-</td> <td>WD.</td> <td>J2</td> <td>PTD.</td> <td>-</td> <td>394</td> <td>3\"/> <tr> <td>398</td> <td>ETR</td> <td>-</td> <td>WD.</td> <td>J2</td> <td>PTD.</td> <td>-</td> <td>395</td> <td>3\"/> <tr> <td>399</td> <td>ETR</td> <td>-</td> <td>WD.</td> <td>J2</td> <td>PTD.</td> <td>-</td> <td>396</td> <td>3\"/> <tr> <td>3991</td> <td>ETR</td> <td>-</td> <td>WD.</td> <td>J2</td> <td>PTD.</td> <td>-</td> <td>398</td> <td>3\"/> <tr> <td>3992</td> <td>A</td> <td>3\"/> <tr> <td>3993</td> <td>ETR</td> <td>-</td> <td>WD.</td> <td>J2</td> <td>PTD.</td> <td>-</td> <td>399</td> <td>3\"/> <tr> <td>3994</td> <td>ETR</td> <td>-</td> <td>WD.</td> <td>J2</td> <td>PTD.</td> <td>-</td> <td>3991</td> <td>3\"/> <tr> <td>3995</td> <td>ETR</td> <td>-</td> <td>WD.</td> <td>J2</td> <td>PTD.</td> <td>-</td> <td>3992</td> <td>3\"/> <tr> <td>3997</td> <td>ETR</td> <td>-</td> <td>WD.</td> <td>J2</td> <td>PTD.</td> <td>-</td> <td>3993</td> <td>3\"/> <tr> <td>3998</td> <td>ETR</td> <td>-</td> <td>WD.</td> <td>J2</td> <td>PTD.</td> <td>-</td> <td>3994</td> <td>3\"/> <tr> <td>3999</td> <td>ETR</td> <td>-</td> <td>WD.</td> <td>J2</td> <td>PTD.</td> <td>-</td> <td>3995</td> <td>3\"/> <tr> <td>3999</td> <td>ETR</td> <td>-</td> <td>WD.</td> <td>J2</td> <td>PTD.</td> <td>-</td> <td>3997</td> <td>3\"/> </td></tr></td></tr></td></tr></td></tr></td></tr></td></tr></td></tr></td></tr></td></tr></td></tr></td></tr></td></tr></td></tr></td></tr></td></tr></td></tr></td></tr></td></tr></td></tr></td></tr></td></tr></td></tr></td></td></tr></td></tr></td></td></tr></td></td></tr></td></td></tr></td></td></tr></td></td></tr></td></td></tr></td></td></tr></td></td></tr></td></tr></td></tr>
 | 374B | ETR | - | WD. | J2 | PTD. | - | 372 | 3\"/> <tr> <td>374C</td> <td>ETR</td> <td>-</td> <td>WD.</td> <td>J2</td> <td>PTD.</td> <td>-</td> <td>373A</td> <td>3\"/> <tr> <td>375</td> <td>B</td> <td>1 <td>WD</td> <td>J1</td> <td>PTD.</td> <td>-</td> <td>374B</td> <td>3\"/> <tr> <td>376</td> <td>B</td> <td>1 <td>WD</td> <td>J1</td> <td>PTD.</td> <td>-</td> <td>374C</td> <td>3\"/> <tr> <td>377</td> <td>B</td> <td>1 <td>WD</td> <td>J1</td> <td>PTD.</td> <td>-</td> <td>375</td> <td>3\"/> <tr> <td>377A</td> <td>B</td> <td>1 <td>WD</td> <td>J1</td> <td>PTD.</td> <td>-</td> <td>376</td> <td>3\"/> <tr> <td>378</td> <td>B</td> <td>1 <td>WD</td> <td>J1</td> <td>PTD.</td> <td>-</td> <td>377</td> <td>3\"/> <tr> <td>379</td> <td>B</td> <td>1 <td>WD</td> <td>J1</td> <td>PTD.</td> <td>-</td> <td>377A</td> <td>3\"/> <tr> <td>380A</td> <td>B</td> <td>1 <td>WD</td> <td>J1</td> <td>PTD.</td> <td>-</td> <td>378</td> <td>3\"/> <tr> <td>380B</td> <td>B</td> <td>1 <td>WD</td> <td>J1</td> <td>PTD.</td> <td>-</td> <td>379</td> <td>3\"/> <tr> <td>382</td> <td>ETR</td> <td>-</td> <td>WD.</td> <td>J2</td> <td>PTD.</td> <td>-</td> <td>380A</td> <td>3\"/> <tr> <td>382A</td> <td>D</td> <td>6 <td>ALUM.</td> <td>ANODIZE D</td> <td>-</td> <td>-</td> <td>380B</td> <td>3\"/> <tr> <td>385</td> <td>ETR</td> <td>-</td> <td>WD.</td> <td>J2</td> <td>PTD.</td> <td>-</td> <td>382</td> <td>3\"/> <tr> <td>386</td> <td>ETR</td> <td>-</td> <td>WD.</td> <td>J2</td> <td>PTD.</td> <td>-</td> <td>382A</td> <td>3\"/> <tr> <td>387</td> <td>ETR</td> <td>-</td> <td>WD.</td> <td>J2</td> <td>PTD.</td> <td>-</td> <td>385</td> <td>3\"/> <tr> <td>388</td> <td>ETR</td> <td>-</td> <td>WD.</td> <td>J2</td> <td>PTD.</td> <td>-</td> <td>386</td> <td>3\"/> <tr> <td>389</td> <td>ETR</td> <td>-</td> <td>WD.</td> <td>J2</td> <td>PTD.</td> <td>-</td> <td>387</td> <td>3\"/> <tr> <td>391</td> <td>ETR</td> <td>-</td> <td>WD.</td> <td>J2</td> <td>PTD.</td> <td>-</td> <td>388</td> <td>3\"/> <tr> <td>391A</td> <td>ETR</td> <td>-</td> <td>WD.</td> <td>J2</td> <td>PTD.</td> <td>-</td> <td>389</td> <td>3\"/> <tr> <td>391B</td> <td>ETR</td> <td>-</td> <td>WD.</td> <td>J2</td> <td>PTD.</td> <td>-</td> <td>391</td> <td>3\"/> <tr> <td>394</td> <td>ETR</td> <td>-</td> <td>WD.</td> <td>J2</td> <td>PTD.</td> <td>-</td> <td>391A</td> <td>3\"/> <tr> <td>395</td> <td>ETR</td> <td>-</td> <td>WD.</td> <td>J2</td> <td>PTD.</td> <td>-</td> <td>391B</td> <td>3\"/> <tr> <td>396</td> <td>ETR</td> <td>-</td> <td>WD.</td> <td>J2</td> <td>PTD.</td> <td>-</td> <td>394</td> <td>3\"/> <tr> <td>398</td> <td>ETR</td> <td>-</td> <td>WD.</td> <td>J2</td> <td>PTD.</td> <td>-</td> <td>395</td> <td>3\"/> <tr> <td>399</td> <td>ETR</td> <td>-</td> <td>WD.</td> <td>J2</td> <td>PTD.</td> <td>-</td> <td>396</td> <td>3\"/> <tr> <td>3991</td> <td>ETR</td> <td>-</td> <td>WD.</td> <td>J2</td> <td>PTD.</td> <td>-</td> <td>398</td> <td>3\"/> <tr>
<td>3992</td> <td>A</td> <td>3\"/> <tr> <td>3993</td> <td>ETR</td> <td>-</td> <td>WD.</td> <td>J2</td> <td>PTD.</td> <td>-</td> <td>399</td> <td>3\"/> <tr> <td>3994</td> <td>ETR</td> <td>-</td> <td>WD.</td> <td>J2</td> <td>PTD.</td> <td>-</td> <td>3991</td> <td>3\"/> <tr> <td>3995</td> <td>ETR</td> <td>-</td> <td>WD.</td> <td>J2</td> <td>PTD.</td> <td>-</td> <td>3992</td> <td>3\"/> <tr> <td>3997</td> <td>ETR</td> <td>-</td> <td>WD.</td> <td>J2</td> <td>PTD.</td> <td>-</td> <td>3993</td> <td>3\"/> <tr> <td>3998</td> <td>ETR</td> <td>-</td> <td>WD.</td> <td>J2</td> <td>PTD.</td> <td>-</td> <td>3994</td> <td>3\"/> <tr> <td>3999</td> <td>ETR</td> <td>-</td> <td>WD.</td> <td>J2</td> <td>PTD.</td> <td>-</td> <td>3995</td> <td>3\"/> <tr> <td>3999</td> <td>ETR</td> <td>-</td> <td>WD.</td> <td>J2</td> <td>PTD.</td> <td>-</td> <td>3997</td> <td>3\"/> </td></tr></td></tr></td></tr></td></tr></td></tr></td></tr></td></tr></td></tr></td></tr></td></tr></td></tr></td></tr></td></tr></td></tr></td></tr></td></tr></td></tr></td></tr></td></tr></td></tr></td></tr></td></tr></td></td></tr></td></tr></td></td></tr></td></td></tr></td></td></tr></td></td></tr></td></td></tr></td></td></tr></td></td></tr></td></td></tr></td></tr> | 374C | ETR | - | WD. | J2 | PTD. | - | 373A | 3\"/> <tr> <td>375</td> <td>B</td> <td>1 <td>WD</td> <td>J1</td> <td>PTD.</td> <td>-</td> <td>374B</td> <td>3\"/> <tr> <td>376</td> <td>B</td> <td>1 <td>WD</td> <td>J1</td> <td>PTD.</td> <td>-</td> <td>374C</td> <td>3\"/> <tr> <td>377</td> <td>B</td> <td>1 <td>WD</td> <td>J1</td> <td>PTD.</td> <td>-</td> <td>375</td> <td>3\"/> <tr> <td>377A</td> <td>B</td> <td>1 <td>WD</td> <td>J1</td> <td>PTD.</td> <td>-</td> <td>376</td> <td>3\"/> <tr> <td>378</td> <td>B</td> <td>1 <td>WD</td> <td>J1</td> <td>PTD.</td> <td>-</td> <td>377</td> <td>3\"/> <tr> <td>379</td> <td>B</td> <td>1 <td>WD</td> <td>J1</td> <td>PTD.</td> <td>-</td> <td>377A</td> <td>3\"/> <tr> <td>380A</td> <td>B</td> <td>1 <td>WD</td> <td>J1</td> <td>PTD.</td> <td>-</td> <td>378</td> <td>3\"/> <tr> <td>380B</td> <td>B</td> <td>1 <td>WD</td> <td>J1</td> <td>PTD.</td> <td>-</td> <td>379</td> <td>3\"/> <tr> <td>382</td> <td>ETR</td> <td>-</td> <td>WD.</td> <td>J2</td> <td>PTD.</td> <td>-</td> <td>380A</td> <td>3\"/> <tr> <td>382A</td> <td>D</td> <td>6 <td>ALUM.</td> <td>ANODIZE D</td> <td>-</td>
<td>-</td> <td>380B</td> <td>3\"/> <tr> <td>385</td> <td>ETR</td> <td>-</td> <td>WD.</td> <td>J2</td> <td>PTD.</td> <td>-</td> <td>382</td> <td>3\"/> <tr> <td>386</td> <td>ETR</td> <td>-</td> <td>WD.</td> <td>J2</td> <td>PTD.</td> <td>-</td> <td>382A</td> <td>3\"/> <tr> <td>387</td> <td>ETR</td> <td>-</td> <td>WD.</td> <td>J2</td> <td>PTD.</td> <td>-</td> <td>385</td> <td>3\"/> <tr> <td>388</td> <td>ETR</td> <td>-</td> <td>WD.</td> <td>J2</td> <td>PTD.</td> <td>-</td> <td>386</td> <td>3\"/> <tr> <td>389</td> <td>ETR</td> <td>-</td> <td>WD.</td> <td>J2</td> <td>PTD.</td> <td>-</td> <td>387</td> <td>3\"/> <tr> <td>391</td> <td>ETR</td> <td>-</td> <td>WD.</td> <td>J2</td> <td>PTD.</td> <td>-</td> <td>388</td> <td>3\"/> <tr> <td>391A</td> <td>ETR</td> <td>-</td> <td>WD.</td> <td>J2</td> <td>PTD.</td> <td>-</td> <td>389</td> <td>3\"/> <tr> <td>391B</td> <td>ETR</td> <td>-</td> <td>WD.</td> <td>J2</td> <td>PTD.</td> <td>-</td> <td>391</td> <td>3\"/> <tr> <td>394</td> <td>ETR</td> <td>-</td> <td>WD.</td> <td>J2</td> <td>PTD.</td> <td>-</td> <td>391A</td> <td>3\"/> <tr> <td>395</td> <td>ETR</td> <td>-</td> <td>WD.</td> <td>J2</td> <td>PTD.</td> <td>-</td> <td>391B</td> <td>3\"/> <tr> <td>396</td> <td>ETR</td> <td>-</td> <td>WD.</td> <td>J2</td> <td>PTD.</td> <td>-</td> <td>394</td> <td>3\"/> <tr> <td>398</td> <td>ETR</td> <td>-</td> <td>WD.</td> <td>J2</td> <td>PTD.</td> <td>-</td> <td>395</td> <td>3\"/> <tr> <td>399</td> <td>ETR</td> <td>-</td> <td>WD.</td> <td>J2</td> <td>PTD.</td> <td>-</td> <td>396</td> <td>3\"/> <tr> <td>3991</td> <td>ETR</td> <td>-</td> <td>WD.</td> <td>J2</td> <td>PTD.</td> <td>-</td> <td>398</td> <td>3\"/> <tr> <td>3992</td> <td>A</td> <td>3\"/> <tr> <td>3993</td> <td>ETR</td> <td>-</td> <td>WD.</td> <td>J2</td> <td>PTD.</td> <td>-</td> <td>399</td> <td>3\"/> <tr> <td>3994</td> <td>ETR</td> <td>-</td> <td>WD.</td> <td>J2</td> <td>PTD.</td> <td>-</td> <td>3991</td> <td>3\"/> <tr> <td>3995</td> <td>ETR</td> <td>-</td> <td>WD.</td> <td>J2</td> <td>PTD.</td> <td>-</td> <td>3992</td> <td>3\"/> <tr> <td>3997</td> <td>ETR</td> <td>-</td> <td>WD.</td> <td>J2</td> <td>PTD.</td> <td>-</td> <td>3993</td> <td>3\"/> <tr> <td>3998</td> <td>ETR</td> <td>-</td> <td>WD.</td> <td>J2</td> <td>PTD.</td> <td>-</td> <td>3994</td> <td>3\"/> <tr> <td>3999</td> <td>ETR</td> <td>-</td> <td>WD.</td> <td>J2</td> <td>PTD.</td> <td>-</td> <td>3995</td> <td>3\"/> <tr> <td>3999</td> <td>ETR</td> <td>-</td> <td>WD.</td> <td>J2</td> <td>PTD.</td> <td>-</td> <td>3997</td> <td>3\"/> </td></tr></td></tr></td></tr></td></tr></td></tr></td></tr></td></tr></td></tr></td></tr></td></tr></td></tr></td></tr></td></tr></td></tr></td></tr></td></tr></td></tr></td></tr></td></tr></td></tr></td></tr></td></tr></td></td></tr></td></tr></td></td></tr></td></td></tr></td></td></tr></td></td></tr></td></td></tr></td></td></tr></td></td></tr></td></td></tr> | 375 | B | 1 <td>WD</td> <td>J1</td> <td>PTD.</td> <td>-</td> <td>374B</td> <td>3\"/> <tr> <td>376</td> <td>B</td> <td>1 <td>WD</td> <td>J1</td> <td>PTD.</td> <td>-</td> <td>374C</td> <td>3\"/> <tr> <td>377</td> <td>B</td> <td>1 <td>WD</td> <td>J1</td> <td>PTD.</td> <td>-</td> <td>375</td> <td>3\"/> <tr> <td>377A</td> <td>B</td> <td>1 <td>WD</td> <td>J1</td> <td>PTD.</td> <td>-</td> <td>376</td> <td>3\"/> <tr> <td>378</td> <td>B</td> <td>1 <td>WD</td> <td>J1</td> <td>PTD.</td> <td>-</td> <td>377</td> <td>3\"/> <tr> <td>379</td> <td>B</td> <td>1 <td>WD</td> <td>J1</td> <td>PTD.</td> <td>-</td> <td>377A</td> <td>3\"/> <tr> <td>380A</td> <td>B</td> <td>1 <td>WD</td> <td>J1</td> <td>PTD.</td> <td>-</td> <td>378</td> <td>3\"/> <tr> <td>380B</td> <td>B</td> <td>1 <td>WD</td> <td>J1</td> <td>PTD.</td> <td>-</td> <td>379</td> <td>3\"/> <tr> <td>382</td> <td>ETR</td> <td>-</td> <td>WD.</td> <td>J2</td> <td>PTD.</td> <td>-</td> <td>380A</td> <td>3\"/> <tr> <td>382A</td> <td>D</td> <td>6 <td>ALUM.</td> <td>ANODIZE D</td> <td>-</td> <td>-</td> <td>380B</td> <td>3\"/> <tr> <td>385</td> <td>ETR</td> <td>-</td> <td>WD.</td> <td>J2</td> <td>PTD.</td> <td>-</td> <td>382</td> <td>3\"/> <tr> <td>386</td> <td>ETR</td> <td>-</td> <td>WD.</td> <td>J2</td> <td>PTD.</td> <td>-</td> <td>382A</td> <td>3\"/> <tr> <td>387</td> <td>ETR</td> <td>-</td> <td>WD.</td> <td>J2</td> <td>PTD.</td> <td>-</td> <td>385</td> <td>3\"/> <tr> <td>388</td> <td>ETR</td> <td>-</td> <td>WD.</td> <td>J2</td> <td>PTD.</td> <td>-</td> <td>386</td> <td>3\"/> <tr> <td>389</td> <td>ETR</td> <td>-</td> <td>WD.</td> <td>J2</td> <td>PTD.</td> <td>-</td> <td>387</td> <td>3\"/> <tr> <td>391</td> <td>ETR</td> <td>-</td> <td>WD.</td> <td>J2</td> <td>PTD.</td> <td>-</td> <td>388</td> <td>3\"/> <tr> <td>391A</td> <td>ETR</td> <td>-</td> <td>WD.</td> <td>J2</td> <td>PTD.</td> <td>-</td> <td>389</td> <td>3\"/> <tr> <td>391B</td> <td>ETR</td> <td>-</td> <td>WD.</td> <td>J2</td> <td>PTD.</td> <td>-</td> <td>391</td> <td>3\"/> <tr> <td>394</td> <td>ETR</td> <td>-</td> <td>WD.</td> <td>J2</td> <td>PTD.</td> <td>-</td> <td>391A</td> <td>3\"/> <tr> <td>395</td> <td>ETR</td> <td>-</td> <td>WD.</td> <td>J2</td> <td>PTD.</td> <td>-</td> <td>391B</td> <td>3\"/> <tr> <td>396</td> <td>ETR</td> <td>-</td> <td>WD.</td> <td>J2</td> <td>PTD.</td> <td>-</td> <td>394</td> <td>3\"/> <tr> <td>398</td> <td>ETR</td> <td>-</td> <td>WD.</td> <td>J2</td> <td>PTD.</td> <td>-</td> <td>395</td> <td>3\"/> <tr> <td>399</td> <td>ETR</td> <td>-</td> <td>WD.</td> <td>J2</td> <td>PTD.</td> <td>-</td> <td>396</td> <td>3\"/> <tr> <td>3991</td> <td>ETR</td> <td>-</td> <td>WD.</td> <td>J2</td> <td>PTD.</td> <td>-</td> <td>398</td> <td>3\"/> <tr> <td>3992</td> <td>A</td> <td>3\"/> <tr> <td>3993</td> <td>ETR</td> <td>-</td> <td>WD.</td> <td>J2</td> <td>PTD.</td> <td>-</td> <td>399</td> <td>3\"/> <tr> <td>3994</td> <td>ETR</td> <td>-</td> <td>WD.</td> <td>J2</td> <td>PTD.</td> <td>-</td> <td>3991</td> <td>3\"/> <tr> <td>3995</td> <td>ETR</td> <td>-</td> <td>WD.</td> <td>J2</td> <td>PTD.</td> <td>-</td> <td>3992</td> <td>3\"/> <tr> <td>3997</td> <td>ETR</td> <td>-</td> <td>WD.</td> <td>J2</td> <td>PTD.</td> <td>-</td> <td>3993</td> <td>3\"/> <tr> <td>3998</td> <td>ETR</td> <td>-</td> <td>WD.</td> <td>J2</td> <td>PTD.</td> <td>-</td> <td>3994</td> <td>3\"/> <tr> <td>3999</td> <td>ETR</td> <td>-</td> <td>WD.</td> <td>J2</td> <td>PTD.</td> <td>-</td> <td>3995</td> <td>3\"/> <tr> <td>3999</td> <td>ETR</td> <td>-</td> <td>WD.</td> <td>J2</td> <td>PTD.</td> <td>-</td> <td>3997</td> <td>3\"/> </td></tr></td></tr></td></tr></td></tr></td></tr></td></tr></td></tr></td></tr></td></tr></td></tr></td></tr></td></tr></td></tr></td></tr></td></tr></td></tr></td></tr></td></tr></td></tr></td></tr></td></tr></td></tr></td></td></tr></td></tr></td></td></tr></td></td></tr></td></td></tr></td></td></tr></td></td></tr></td></td></tr></td></td></tr></td>
 | WD | J1 | PTD. | - | 374B | 3\"/> <tr> <td>376</td> <td>B</td> <td>1 <td>WD</td> <td>J1</td> <td>PTD.</td> <td>-</td> <td>374C</td> <td>3\"/> <tr> <td>377</td> <td>B</td> <td>1 <td>WD</td> <td>J1</td> <td>PTD.</td> <td>-</td> <td>375</td> <td>3\"/> <tr> <td>377A</td> <td>B</td> <td>1 <td>WD</td> <td>J1</td> <td>PTD.</td> <td>-</td> <td>376</td> <td>3\"/> <tr> <td>378</td> <td>B</td> <td>1 <td>WD</td> <td>J1</td> <td>PTD.</td> <td>-</td> <td>377</td> <td>3\"/> <tr> <td>379</td> <td>B</td> <td>1 <td>WD</td> <td>J1</td> <td>PTD.</td> <td>-</td> <td>377A</td> <td>3\"/> <tr> <td>380A</td> <td>B</td> <td>1 <td>WD</td> <td>J1</td> <td>PTD.</td> <td>-</td> <td>378</td> <td>3\"/> <tr> <td>380B</td> <td>B</td> <td>1 <td>WD</td> <td>J1</td> <td>PTD.</td> <td>-</td> <td>379</td> <td>3\"/> <tr> <td>382</td> <td>ETR</td> <td>-</td> <td>WD.</td> <td>J2</td> <td>PTD.</td> <td>-</td> <td>380A</td> <td>3\"/> <tr> <td>382A</td> <td>D</td> <td>6 <td>ALUM.</td> <td>ANODIZE D</td> <td>-</td> <td>-</td> <td>380B</td> <td>3\"/> <tr> <td>385</td> <td>ETR</td> <td>-</td> <td>WD.</td> <td>J2</td> <td>PTD.</td> <td>-</td> <td>382</td> <td>3\"/> <tr> <td>386</td> <td>ETR</td> <td>-</td> <td>WD.</td> <td>J2</td> <td>PTD.</td> <td>-</td> <td>382A</td> <td>3\"/> <tr> <td>387</td> <td>ETR</td> <td>-</td> <td>WD.</td> <td>J2</td> <td>PTD.</td> <td>-</td> <td>385</td> <td>3\"/> <tr> <td>388</td> <td>ETR</td> <td>-</td> <td>WD.</td> <td>J2</td> <td>PTD.</td> <td>-</td> <td>386</td> <td>3\"/> <tr> <td>389</td> <td>ETR</td> <td>-</td> <td>WD.</td> <td>J2</td> <td>PTD.</td> <td>-</td> <td>387</td> <td>3\"/> <tr> <td>391</td> <td>ETR</td> <td>-</td> <td>WD.</td> <td>J2</td> <td>PTD.</td> <td>-</td> <td>388</td> <td>3\"/> <tr> <td>391A</td> <td>ETR</td> <td>-</td> <td>WD.</td> <td>J2</td> <td>PTD.</td> <td>-</td> <td>389</td> <td>3\"/> <tr> <td>391B</td> <td>ETR</td> <td>-</td> <td>WD.</td> <td>J2</td> <td>PTD.</td> <td>-</td> <td>391</td> <td>3\"/> <tr> <td>394</td> <td>ETR</td> <td>-</td> <td>WD.</td> <td>J2</td> <td>PTD.</td> <td>-</td> <td>391A</td> <td>3\"/> <tr> <td>395</td> <td>ETR</td> <td>-</td> <td>WD.</td> <td>J2</td> <td>PTD.</td> <td>-</td> <td>391B</td> <td>3\"/> <tr> <td>396</td> <td>ETR</td> <td>-</td> <td>WD.</td> <td>J2</td> <td>PTD.</td> <td>-</td> <td>394</td> <td>3\"/> <tr> <td>398</td> <td>ETR</td> <td>-</td> <td>WD.</td> <td>J2</td> <td>PTD.</td> <td>-</td> <td>395</td> <td>3\"/> <tr> <td>399</td> <td>ETR</td> <td>-</td> <td>WD.</td> <td>J2</td> <td>PTD.</td> <td>-</td> <td>396</td> <td>3\"/> <tr> <td>3991</td> <td>ETR</td> <td>-</td> <td>WD.</td> <td>J2</td> <td>PTD.</td> <td>-</td> <td>398</td> <td>3\"/> <tr> <td>3992</td> <td>A</td> <td>3\"/> <tr> <td>3993</td> <td>ETR</td> <td>-</td> <td>WD.</td> <td>J2</td> <td>PTD.</td> <td>-</td> <td>399</td> <td>3\"/> <tr> <td>3994</td> <td>ETR</td> <td>-</td> <td>WD.</td> <td>J2</td> <td>PTD.</td> <td>-</td> <td>3991</td> <td>3\"/> <tr> <td>3995</td> <td>ETR</td> <td>-</td> <td>WD.</td> <td>J2</td> <td>PTD.</td> <td>-</td> <td>3992</td> <td>3\"/> <tr> <td>3997</td> <td>ETR</td> <td>-</td> <td>WD.</td> <td>J2</td> <td>PTD.</td> <td>-</td> <td>3993</td> <td>3\"/> <tr> <td>3998</td> <td>ETR</td> <td>-</td> <td>WD.</td> <td>J2</td> <td>PTD.</td> <td>-</td> <td>3994</td> <td>3\"/> <tr> <td>3999</td> <td>ETR</td> <td>-</td> <td>WD.</td> <td>J2</td> <td>PTD.</td> <td>-</td> <td>3995</td> <td>3\"/> <tr> <td>3999</td> <td>ETR</td> <td>-</td> <td>WD.</td> <td>J2</td> <td>PTD.</td> <td>-</td> <td>3997</td> <td>3\"/> </td></tr></td></tr></td></tr></td></tr></td></tr></td></tr></td></tr></td></tr></td></tr></td></tr></td></tr></td></tr></td></tr></td></tr></td></tr></td></tr></td></tr></td></tr></td></tr></td></tr></td></tr></td></tr></td></td></tr></td></tr></td></td></tr></td></td></tr></td></td></tr></td></td></tr></td></td></tr></td></td></tr></td></td></tr> | 376 | B | 1 <td>WD</td> <td>J1</td> <td>PTD.</td> <td>-</td> <td>374C</td> <td>3\"/> <tr> <td>377</td> <td>B</td> <td>1 <td>WD</td> <td>J1</td> <td>PTD.</td> <td>-</td> <td>375</td> <td>3\"/> <tr> <td>377A</td> <td>B</td> <td>1 <td>WD</td> <td>J1</td> <td>PTD.</td> <td>-</td> <td>376</td> <td>3\"/> <tr> <td>378</td> <td>B</td> <td>1 <td>WD</td> <td>J1</td> <td>PTD.</td> <td>-</td> <td>377</td> <td>3\"/> <tr> <td>379</td> <td>B</td> <td>1 <td>WD</td> <td>J1</td> <td>PTD.</td> <td>-</td> <td>377A</td> <td>3\"/> <tr> <td>380A</td> <td>B</td> <td>1 <td>WD</td> <td>J1</td> <td>PTD.</td> <td>-</td> <td>378</td> <td>3\"/> <tr> <td>380B</td> <td>B</td> <td>1 <td>WD</td> <td>J1</td> <td>PTD.</td> <td>-</td> <td>379</td> <td>3\"/> <tr> <td>382</td> <td>ETR</td> <td>-</td> <td>WD.</td> <td>J2</td> <td>PTD.</td> <td>-</td> <td>380A</td> <td>3\"/> <tr> <td>382A</td> <td>D</td> <td>6 <td>ALUM.</td> <td>ANODIZE D</td> <td>-</td> <td>-</td> <td>380B</td> <td>3\"/> <tr> <td>385</td> <td>ETR</td> <td>-</td> <td>WD.</td> <td>J2</td> <td>PTD.</td> <td>-</td> <td>382</td> <td>3\"/> <tr> <td>386</td> <td>ETR</td> <td>-</td> <td>WD.</td> <td>J2</td> <td>PTD.</td> <td>-</td> <td>382A</td> <td>3\"/> <tr> <td>387</td> <td>ETR</td> <td>-</td> <td>WD.</td> <td>J2</td> <td>PTD.</td> <td>-</td> <td>385</td> <td>3\"/> <tr> <td>388</td> <td>ETR</td> <td>-</td> <td>WD.</td> <td>J2</td> <td>PTD.</td> <td>-</td> <td>386</td> <td>3\"/> <tr> <td>389</td> <td>ETR</td> <td>-</td> <td>WD.</td> <td>J2</td> <td>PTD.</td> <td>-</td> <td>387</td> <td>3\"/> <tr> <td>391</td> <td>ETR</td> <td>-</td> <td>WD.</td> <td>J2</td> <td>PTD.</td> <td>-</td> <td>388</td> <td>3\"/> <tr> <td>391A</td> <td>ETR</td> <td>-</td> <td>WD.</td> <td>J2</td> <td>PTD.</td> <td>-</td> <td>389</td> <td>3\"/> <tr> <td>391B</td> <td>ETR</td> <td>-</td> <td>WD.</td> <td>J2</td> <td>PTD.</td> <td>-</td> <td>391</td> <td>3\"/> <tr> <td>394</td> <td>ETR</td> <td>-</td> <td>WD.</td> <td>J2</td> <td>PTD.</td> <td>-</td> <td>391A</td> <td>3\"/> <tr> <td>395</td> <td>ETR</td> <td>-</td> <td>WD.</td> <td>J2</td> <td>PTD.</td> <td>-</td> <td>391B</td> <td>3\"/> <tr> <td>396</td> <td>ETR</td> <td>-</td> <td>WD.</td> <td>J2</td> <td>PTD.</td> <td>-</td> <td>394</td> <td>3\"/> <tr> <td>398</td> <td>ETR</td> <td>-</td> <td>WD.</td> <td>J2</td> <td>PTD.</td> <td>-</td> <td>395</td> <td>3\"/> <tr> <td>399</td> <td>ETR</td> <td>-</td> <td>WD.</td> <td>J2</td> <td>PTD.</td> <td>-</td> <td>396</td> <td>3\"/> <tr> <td>3991</td> <td>ETR</td> <td>-</td> <td>WD.</td> <td>J2</td> <td>PTD.</td> <td>-</td> <td>398</td> <td>3\"/> <tr> <td>3992</td> <td>A</td> <td>3\"/> <tr> <td>3993</td> <td>ETR</td> <td>-</td> <td>WD.</td> <td>J2</td> <td>PTD.</td> <td>-</td> <td>399</td> <td>3\"/> <tr> <td>3994</td> <td>ETR</td> <td>-</td> <td>WD.</td> <td>J2</td> <td>PTD.</td> <td>-</td> <td>3991</td> <td>3\"/> <tr> <td>3995</td> <td>ETR</td> <td>-</td> <td>WD.</td> <td>J2</td> <td>PTD.</td> <td>-</td> <td>3992</td> <td>3\"/> <tr> <td>3997</td> <td>ETR</td> <td>-</td> <td>WD.</td> <td>J2</td> <td>PTD.</td> <td>-</td> <td>3993</td> <td>3\"/> <tr> <td>3998</td> <td>ETR</td> <td>-</td> <td>WD.</td> <td>J2</td> <td>PTD.</td> <td>-</td> <td>3994</td> <td>3\"/> <tr> <td>3999</td> <td>ETR</td> <td>-</td> <td>WD.</td> <td>J2</td> <td>PTD.</td> <td>-</td> <td>3995</td> <td>3\"/> <tr> <td>3999</td> <td>ETR</td> <td>-</td> <td>WD.</td> <td>J2</td> <td>PTD.</td> <td>-</td> <td>3997</td> <td>3\"/>
</td></tr></td></tr></td></tr></td></tr></td></tr></td></tr></td></tr></td></tr></td></tr></td></tr></td></tr></td></tr></td></tr></td></tr></td></tr></td></tr></td></tr></td></tr></td></tr></td></tr></td></tr></td></tr></td></td></tr></td></tr></td></td></tr></td></td></tr></td></td></tr></td></td></tr></td></td></tr></td></td></tr></td> | WD | J1 | PTD. | - | 374C | 3\"/> <tr> <td>377</td> <td>B</td> <td>1 <td>WD</td> <td>J1</td> <td>PTD.</td> <td>-</td> <td>375</td> <td>3\"/> <tr> <td>377A</td> <td>B</td> <td>1 <td>WD</td> <td>J1</td> <td>PTD.</td> <td>-</td> <td>376</td> <td>3\"/> <tr> <td>378</td> <td>B</td> <td>1 <td>WD</td> <td>J1</td> <td>PTD.</td> <td>-</td> <td>377</td> <td>3\"/> <tr> <td>379</td> <td>B</td> <td>1 <td>WD</td> <td>J1</td> <td>PTD.</td> <td>-</td> <td>377A</td> <td>3\"/> <tr> <td>380A</td> <td>B</td> <td>1 <td>WD</td> <td>J1</td> <td>PTD.</td> <td>-</td> <td>378</td> <td>3\"/> <tr> <td>380B</td> <td>B</td> <td>1 <td>WD</td> <td>J1</td> <td>PTD.</td> <td>-</td> <td>379</td> <td>3\"/> <tr> <td>382</td> <td>ETR</td> <td>-</td> <td>WD.</td> <td>J2</td> <td>PTD.</td> <td>-</td> <td>380A</td> <td>3\"/> <tr> <td>382A</td> <td>D</td> <td>6 <td>ALUM.</td> <td>ANODIZE D</td> <td>-</td> <td>-</td> <td>380B</td> <td>3\"/> <tr> <td>385</td> <td>ETR</td> <td>-</td> <td>WD.</td> <td>J2</td> <td>PTD.</td> <td>-</td> <td>382</td> <td>3\"/> <tr> <td>386</td> <td>ETR</td> <td>-</td> <td>WD.</td> <td>J2</td> <td>PTD.</td> <td>-</td> <td>382A</td> <td>3\"/> <tr> <td>387</td> <td>ETR</td> <td>-</td> <td>WD.</td> <td>J2</td> <td>PTD.</td> <td>-</td> <td>385</td> <td>3\"/> <tr> <td>388</td> <td>ETR</td> <td>-</td> <td>WD.</td> <td>J2</td> <td>PTD.</td> <td>-</td> <td>386</td> <td>3\"/> <tr> <td>389</td> <td>ETR</td> <td>-</td> <td>WD.</td> <td>J2</td> <td>PTD.</td> <td>-</td> <td>387</td> <td>3\"/> <tr> <td>391</td> <td>ETR</td> <td>-</td> <td>WD.</td> <td>J2</td> <td>PTD.</td> <td>-</td> <td>388</td> <td>3\"/> <tr> <td>391A</td> <td>ETR</td> <td>-</td> <td>WD.</td> <td>J2</td> <td>PTD.</td> <td>-</td> <td>389</td> <td>3\"/> <tr> <td>391B</td> <td>ETR</td> <td>-</td> <td>WD.</td> <td>J2</td> <td>PTD.</td> <td>-</td> <td>391</td> <td>3\"/> <tr> <td>394</td> <td>ETR</td> <td>-</td> <td>WD.</td> <td>J2</td> <td>PTD.</td> <td>-</td> <td>391A</td> <td>3\"/> <tr> <td>395</td> <td>ETR</td> <td>-</td> <td>WD.</td> <td>J2</td> <td>PTD.</td> <td>-</td> <td>391B</td> <td>3\"/> <tr> <td>396</td> <td>ETR</td> <td>-</td> <td>WD.</td> <td>J2</td> <td>PTD.</td> <td>-</td> <td>394</td> <td>3\"/> <tr> <td>398</td> <td>ETR</td> <td>-</td> <td>WD.</td> <td>J2</td> <td>PTD.</td> <td>-</td> <td>395</td> <td>3\"/> <tr> <td>399</td> <td>ETR</td> <td>-</td> <td>WD.</td> <td>J2</td> <td>PTD.</td> <td>-</td> <td>396</td> <td>3\"/> <tr> <td>3991</td> <td>ETR</td> <td>-</td> <td>WD.</td> <td>J2</td> <td>PTD.</td> <td>-</td> <td>398</td> <td>3\"/> <tr> <td>3992</td> <td>A</td> <td>3\"/> <tr> <td>3993</td> <td>ETR</td> <td>-</td> <td>WD.</td> <td>J2</td> <td>PTD.</td> <td>-</td> <td>399</td> <td>3\"/> <tr> <td>3994</td> <td>ETR</td> <td>-</td> <td>WD.</td> <td>J2</td> <td>PTD.</td> <td>-</td> <td>3991</td> <td>3\"/> <tr> <td>3995</td> <td>ETR</td> <td>-</td> <td>WD.</td> <td>J2</td> <td>PTD.</td> <td>-</td> <td>3992</td> <td>3\"/> <tr> <td>3997</td> <td>ETR</td> <td>-</td> <td>WD.</td> <td>J2</td> <td>PTD.</td> <td>-</td> <td>3993</td> <td>3\"/> <tr> <td>3998</td> <td>ETR</td> <td>-</td> <td>WD.</td> <td>J2</td> <td>PTD.</td> <td>-</td> <td>3994</td> <td>3\"/> <tr> <td>3999</td> <td>ETR</td> <td>-</td> <td>WD.</td> <td>J2</td> <td>PTD.</td> <td>-</td> <td>3995</td> <td>3\"/> <tr> <td>3999</td> <td>ETR</td> <td>-</td> <td>WD.</td> <td>J2</td> <td>PTD.</td> <td>-</td> <td>3997</td> <td>3\"/> </td></tr></td></tr></td></tr></td></tr></td></tr></td></tr></td></tr></td></tr></td></tr></td></tr></td></tr></td></tr></td></tr></td></tr></td></tr></td></tr></td></tr></td></tr></td></tr></td></tr></td></tr></td></tr></td></td></tr></td></tr></td></td></tr></td></td></tr></td></td></tr></td></td></tr></td></td></tr></td></td></tr> | 377 | B | 1 <td>WD</td> <td>J1</td> <td>PTD.</td> <td>-</td> <td>375</td> <td>3\"/> <tr> <td>377A</td> <td>B</td> <td>1 <td>WD</td> <td>J1</td> <td>PTD.</td> <td>-</td> <td>376</td> <td>3\"/> <tr> <td>378</td> <td>B</td> <td>1 <td>WD</td> <td>J1</td> <td>PTD.</td> <td>-</td> <td>377</td> <td>3\"/> <tr> <td>379</td> <td>B</td> <td>1 <td>WD</td> <td>J1</td> <td>PTD.</td> <td>-</td> <td>377A</td> <td>3\"/> <tr> <td>380A</td> <td>B</td> <td>1 <td>WD</td> <td>J1</td> <td>PTD.</td> <td>-</td> <td>378</td> <td>3\"/> <tr> <td>380B</td> <td>B</td> <td>1 <td>WD</td> <td>J1</td> <td>PTD.</td> <td>-</td> <td>379</td> <td>3\"/> <tr> <td>382</td> <td>ETR</td> <td>-</td> <td>WD.</td> <td>J2</td> <td>PTD.</td> <td>-</td> <td>380A</td> <td>3\"/> <tr> <td>382A</td> <td>D</td> <td>6 <td>ALUM.</td> <td>ANODIZE D</td> <td>-</td> <td>-</td> <td>380B</td> <td>3\"/> <tr> <td>385</td> <td>ETR</td> <td>-</td> <td>WD.</td> <td>J2</td> <td>PTD.</td> <td>-</td> <td>382</td> <td>3\"/> <tr> <td>386</td> <td>ETR</td> <td>-</td> <td>WD.</td> <td>J2</td> <td>PTD.</td> <td>-</td> <td>382A</td> <td>3\"/> <tr> <td>387</td> <td>ETR</td> <td>-</td> <td>WD.</td> <td>J2</td> <td>PTD.</td> <td>-</td> <td>385</td> <td>3\"/> <tr> <td>388</td> <td>ETR</td> <td>-</td> <td>WD.</td> <td>J2</td> <td>PTD.</td> <td>-</td> <td>386</td> <td>3\"/> <tr> <td>389</td> <td>ETR</td> <td>-</td> <td>WD.</td> <td>J2</td> <td>PTD.</td> <td>-</td> <td>387</td> <td>3\"/> <tr> <td>391</td> <td>ETR</td> <td>-</td> <td>WD.</td> <td>J2</td> <td>PTD.</td> <td>-</td> <td>388</td> <td>3\"/> <tr> <td>391A</td> <td>ETR</td> <td>-</td> <td>WD.</td> <td>J2</td> <td>PTD.</td> <td>-</td> <td>389</td> <td>3\"/> <tr> <td>391B</td> <td>ETR</td> <td>-</td> <td>WD.</td> <td>J2</td> <td>PTD.</td> <td>-</td> <td>391</td> <td>3\"/> <tr> <td>394</td> <td>ETR</td> <td>-</td> <td>WD.</td> <td>J2</td> <td>PTD.</td> <td>-</td> <td>391A</td> <td>3\"/> <tr> <td>395</td> <td>ETR</td> <td>-</td> <td>WD.</td> <td>J2</td> <td>PTD.</td> <td>-</td> <td>391B</td> <td>3\"/> <tr> <td>396</td> <td>ETR</td> <td>-</td> <td>WD.</td> <td>J2</td> <td>PTD.</td> <td>-</td> <td>394</td> <td>3\"/> <tr> <td>398</td> <td>ETR</td> <td>-</td> <td>WD.</td> <td>J2</td> <td>PTD.</td> <td>-</td> <td>395</td> <td>3\"/> <tr> <td>399</td> <td>ETR</td> <td>-</td> <td>WD.</td>
<td>J2</td> <td>PTD.</td> <td>-</td> <td>396</td> <td>3\"/> <tr> <td>3991</td> <td>ETR</td> <td>-</td> <td>WD.</td> <td>J2</td> <td>PTD.</td> <td>-</td> <td>398</td> <td>3\"/> <tr> <td>3992</td> <td>A</td> <td>3\"/> <tr> <td>3993</td> <td>ETR</td> <td>-</td> <td>WD.</td> <td>J2</td> <td>PTD.</td> <td>-</td> <td>399</td> <td>3\"/> <tr> <td>3994</td> <td>ETR</td> <td>-</td> <td>WD.</td> <td>J2</td> <td>PTD.</td> <td>-</td> <td>3991</td> <td>3\"/> <tr> <td>3995</td> <td>ETR</td> <td>-</td> <td>WD.</td> <td>J2</td> <td>PTD.</td> <td>-</td> <td>3992</td> <td>3\"/> <tr> <td>3997</td> <td>ETR</td> <td>-</td> <td>WD.</td> <td>J2</td> <td>PTD.</td> <td>-</td> <td>3993</td> <td>3\"/> <tr> <td>3998</td> <td>ETR</td> <td>-</td> <td>WD.</td> <td>J2</td> <td>PTD.</td> <td>-</td> <td>3994</td> <td>3\"/> <tr> <td>3999</td> <td>ETR</td> <td>-</td> <td>WD.</td> <td>J2</td> <td>PTD.</td> <td>-</td> <td>3995</td> <td>3\"/> <tr> <td>3999</td> <td>ETR</td> <td>-</td> <td>WD.</td> <td>J2</td> <td>PTD.</td> <td>-</td> <td>3997</td> <td>3\"/> </td></tr></td></tr></td></tr></td></tr></td></tr></td></tr></td></tr></td></tr></td></tr></td></tr></td></tr></td></tr></td></tr></td></tr></td></tr></td></tr></td></tr></td></tr></td></tr></td></tr></td></tr></td></tr></td></td></tr></td></tr></td></td></tr></td></td></tr></td></td></tr></td></td></tr></td></td></tr></td> | WD | J1 | PTD. | - | 375 | 3\"/> <tr> <td>377A</td> <td>B</td> <td>1 <td>WD</td> <td>J1</td> <td>PTD.</td> <td>-</td> <td>376</td> <td>3\"/> <tr> <td>378</td> <td>B</td> <td>1 <td>WD</td> <td>J1</td> <td>PTD.</td> <td>-</td> <td>377</td> <td>3\"/> <tr> <td>379</td> <td>B</td> <td>1 <td>WD</td> <td>J1</td> <td>PTD.</td> <td>-</td> <td>377A</td> <td>3\"/> <tr> <td>380A</td> <td>B</td> <td>1 <td>WD</td> <td>J1</td> <td>PTD.</td> <td>-</td> <td>378</td> <td>3\"/> <tr> <td>380B</td> <td>B</td> <td>1 <td>WD</td> <td>J1</td> <td>PTD.</td> <td>-</td> <td>379</td> <td>3\"/> <tr> <td>382</td> <td>ETR</td> <td>-</td> <td>WD.</td> <td>J2</td> <td>PTD.</td> <td>-</td> <td>380A</td> <td>3\"/> <tr> <td>382A</td> <td>D</td> <td>6 <td>ALUM.</td> <td>ANODIZE D</td> <td>-</td> <td>-</td> <td>380B</td> <td>3\"/> <tr> <td>385</td> <td>ETR</td> <td>-</td> <td>WD.</td> <td>J2</td> <td>PTD.</td> <td>-</td> <td>382</td> <td>3\"/> <tr> <td>386</td> <td>ETR</td> <td>-</td> <td>WD.</td> <td>J2</td> <td>PTD.</td> <td>-</td> <td>382A</td> <td>3\"/> <tr> <td>387</td> <td>ETR</td> <td>-</td> <td>WD.</td> <td>J2</td> <td>PTD.</td> <td>-</td> <td>385</td> <td>3\"/> <tr> <td>388</td> <td>ETR</td> <td>-</td> <td>WD.</td> <td>J2</td> <td>PTD.</td> <td>-</td> <td>386</td> <td>3\"/> <tr> <td>389</td> <td>ETR</td> <td>-</td> <td>WD.</td> <td>J2</td> <td>PTD.</td> <td>-</td> <td>387</td> <td>3\"/> <tr> <td>391</td> <td>ETR</td> <td>-</td> <td>WD.</td> <td>J2</td> <td>PTD.</td> <td>-</td> <td>388</td> <td>3\"/> <tr> <td>391A</td> <td>ETR</td> <td>-</td> <td>WD.</td> <td>J2</td> <td>PTD.</td> <td>-</td> <td>389</td> <td>3\"/> <tr> <td>391B</td> <td>ETR</td> <td>-</td> <td>WD.</td> <td>J2</td> <td>PTD.</td> <td>-</td> <td>391</td> <td>3\"/> <tr> <td>394</td> <td>ETR</td> <td>-</td> <td>WD.</td> <td>J2</td> <td>PTD.</td> <td>-</td> <td>391A</td> <td>3\"/> <tr> <td>395</td> <td>ETR</td> <td>-</td> <td>WD.</td> <td>J2</td> <td>PTD.</td> <td>-</td> <td>391B</td> <td>3\"/> <tr> <td>396</td> <td>ETR</td> <td>-</td> <td>WD.</td> <td>J2</td> <td>PTD.</td> <td>-</td> <td>394</td> <td>3\"/> <tr> <td>398</td> <td>ETR</td> <td>-</td> <td>WD.</td> <td>J2</td> <td>PTD.</td> <td>-</td> <td>395</td> <td>3\"/> <tr> <td>399</td> <td>ETR</td> <td>-</td> <td>WD.</td> <td>J2</td> <td>PTD.</td> <td>-</td> <td>396</td> <td>3\"/> <tr> <td>3991</td> <td>ETR</td> <td>-</td> <td>WD.</td> <td>J2</td> <td>PTD.</td> <td>-</td> <td>398</td> <td>3\"/> <tr> <td>3992</td> <td>A</td> <td>3\"/> <tr> <td>3993</td> <td>ETR</td> <td>-</td> <td>WD.</td> <td>J2</td> <td>PTD.</td> <td>-</td> <td>399</td> <td>3\"/> <tr> <td>3994</td> <td>ETR</td> <td>-</td> <td>WD.</td> <td>J2</td> <td>PTD.</td> <td>-</td> <td>3991</td> <td>3\"/> <tr> <td>3995</td> <td>ETR</td> <td>-</td> <td>WD.</td> <td>J2</td> <td>PTD.</td> <td>-</td> <td>3992</td> <td>3\"/> <tr> <td>3997</td> <td>ETR</td> <td>-</td> <td>WD.</td> <td>J2</td> <td>PTD.</td> <td>-</td> <td>3993</td> <td>3\"/> <tr> <td>3998</td> <td>ETR</td> <td>-</td> <td>WD.</td> <td>J2</td> <td>PTD.</td> <td>-</td> <td>3994</td> <td>3\"/> <tr> <td>3999</td> <td>ETR</td> <td>-</td> <td>WD.</td> <td>J2</td> <td>PTD.</td> <td>-</td> <td>3995</td> <td>3\"/> <tr> <td>3999</td> <td>ETR</td> <td>-</td> <td>WD.</td> <td>J2</td> <td>PTD.</td> <td>-</td> <td>3997</td> <td>3\"/> </td></tr></td></tr></td></tr></td></tr></td></tr></td></tr></td></tr></td></tr></td></tr></td></tr></td></tr></td></tr></td></tr></td></tr></td></tr></td></tr></td></tr></td></tr></td></tr></td></tr></td></tr></td></tr></td></td></tr></td></tr></td></td></tr></td></td></tr></td></td></tr></td></td></tr></td></td></tr> | 377A | B | 1 <td>WD</td> <td>J1</td> <td>PTD.</td> <td>-</td> <td>376</td> <td>3\"/> <tr> <td>378</td> <td>B</td> <td>1 <td>WD</td> <td>J1</td> <td>PTD.</td> <td>-</td> <td>377</td> <td>3\"/> <tr> <td>379</td> <td>B</td> <td>1 <td>WD</td> <td>J1</td> <td>PTD.</td> <td>-</td> <td>377A</td> <td>3\"/> <tr> <td>380A</td> <td>B</td> <td>1 <td>WD</td> <td>J1</td> <td>PTD.</td> <td>-</td> <td>378</td> <td>3\"/> <tr> <td>380B</td> <td>B</td> <td>1 <td>WD</td> <td>J1</td> <td>PTD.</td> <td>-</td> <td>379</td> <td>3\"/> <tr> <td>382</td> <td>ETR</td> <td>-</td> <td>WD.</td> <td>J2</td> <td>PTD.</td> <td>-</td> <td>380A</td> <td>3\"/> <tr> <td>382A</td> <td>D</td> <td>6 <td>ALUM.</td> <td>ANODIZE D</td> <td>-</td> <td>-</td> <td>380B</td> <td>3\"/> <tr> <td>385</td> <td>ETR</td> <td>-</td> <td>WD.</td> <td>J2</td> <td>PTD.</td> <td>-</td> <td>382</td> <td>3\"/> <tr> <td>386</td> <td>ETR</td> <td>-</td> <td>WD.</td> <td>J2</td> <td>PTD.</td> <td>-</td> <td>382A</td> <td>3\"/> <tr> <td>387</td> <td>ETR</td> <td>-</td> <td>WD.</td> <td>J2</td> <td>PTD.</td> <td>-</td> <td>385</td> <td>3\"/> <tr> <td>388</td> <td>ETR</td> <td>-</td> <td>WD.</td> <td>J2</td> <td>PTD.</td> <td>-</td> <td>386</td> <td>3\"/> <tr> <td>389</td> <td>ETR</td> <td>-</td> <td>WD.</td> <td>J2</td> <td>PTD.</td> <td>-</td> <td>387</td> <td>3\"/> <tr> <td>391</td> <td>ETR</td> <td>-</td> <td>WD.</td> <td>J2</td> <td>PTD.</td>
<td>-</td> <td>388</td> <td>3\"/> <tr> <td>391A</td> <td>ETR</td> <td>-</td> <td>WD.</td> <td>J2</td> <td>PTD.</td> <td>-</td> <td>389</td> <td>3\"/> <tr> <td>391B</td> <td>ETR</td> <td>-</td> <td>WD.</td> <td>J2</td> <td>PTD.</td> <td>-</td> <td>391</td> <td>3\"/> <tr> <td>394</td> <td>ETR</td> <td>-</td> <td>WD.</td> <td>J2</td> <td>PTD.</td> <td>-</td> <td>391A</td> <td>3\"/> <tr> <td>395</td> <td>ETR</td> <td>-</td> <td>WD.</td> <td>J2</td> <td>PTD.</td> <td>-</td> <td>391B</td> <td>3\"/> <tr> <td>396</td> <td>ETR</td> <td>-</td> <td>WD.</td> <td>J2</td> <td>PTD.</td> <td>-</td> <td>394</td> <td>3\"/> <tr> <td>398</td> <td>ETR</td> <td>-</td> <td>WD.</td> <td>J2</td> <td>PTD.</td> <td>-</td> <td>395</td> <td>3\"/> <tr> <td>399</td> <td>ETR</td> <td>-</td> <td>WD.</td> <td>J2</td> <td>PTD.</td> <td>-</td> <td>396</td> <td>3\"/> <tr> <td>3991</td> <td>ETR</td> <td>-</td> <td>WD.</td> <td>J2</td> <td>PTD.</td> <td>-</td> <td>398</td> <td>3\"/> <tr> <td>3992</td> <td>A</td> <td>3\"/> <tr> <td>3993</td> <td>ETR</td> <td>-</td> <td>WD.</td> <td>J2</td> <td>PTD.</td> <td>-</td> <td>399</td> <td>3\"/> <tr> <td>3994</td> <td>ETR</td> <td>-</td> <td>WD.</td> <td>J2</td> <td>PTD.</td> <td>-</td> <td>3991</td> <td>3\"/> <tr> <td>3995</td> <td>ETR</td> <td>-</td> <td>WD.</td> <td>J2</td> <td>PTD.</td> <td>-</td> <td>3992</td> <td>3\"/> <tr> <td>3997</td> <td>ETR</td> <td>-</td> <td>WD.</td> <td>J2</td> <td>PTD.</td> <td>-</td> <td>3993</td> <td>3\"/> <tr> <td>3998</td> <td>ETR</td> <td>-</td> <td>WD.</td> <td>J2</td> <td>PTD.</td> <td>-</td> <td>3994</td> <td>3\"/> <tr> <td>3999</td> <td>ETR</td> <td>-</td> <td>WD.</td> <td>J2</td> <td>PTD.</td> <td>-</td> <td>3995</td> <td>3\"/> <tr> <td>3999</td> <td>ETR</td> <td>-</td> <td>WD.</td> <td>J2</td> <td>PTD.</td> <td>-</td> <td>3997</td> <td>3\"/> </td></tr></td></tr></td></tr></td></tr></td></tr></td></tr></td></tr></td></tr></td></tr></td></tr></td></tr></td></tr></td></tr></td></tr></td></tr></td></tr></td></tr></td></tr></td></tr></td></tr></td></tr></td></tr></td></td></tr></td></tr></td></td></tr></td></td></tr></td></td></tr></td></td></tr></td> | WD | J1 | PTD. | - | 376 | 3\"/> <tr> <td>378</td> <td>B</td> <td>1 <td>WD</td> <td>J1</td> <td>PTD.</td> <td>-</td> <td>377</td> <td>3\"/> <tr> <td>379</td> <td>B</td> <td>1 <td>WD</td> <td>J1</td> <td>PTD.</td> <td>-</td> <td>377A</td> <td>3\"/> <tr> <td>380A</td> <td>B</td> <td>1 <td>WD</td> <td>J1</td> <td>PTD.</td> <td>-</td> <td>378</td> <td>3\"/> <tr> <td>380B</td> <td>B</td> <td>1 <td>WD</td> <td>J1</td> <td>PTD.</td> <td>-</td> <td>379</td> <td>3\"/> <tr> <td>382</td> <td>ETR</td> <td>-</td> <td>WD.</td> <td>J2</td> <td>PTD.</td> <td>-</td> <td>380A</td> <td>3\"/> <tr> <td>382A</td> <td>D</td> <td>6 <td>ALUM.</td> <td>ANODIZE D</td> <td>-</td> <td>-</td> <td>380B</td> <td>3\"/> <tr> <td>385</td> <td>ETR</td> <td>-</td> <td>WD.</td> <td>J2</td> <td>PTD.</td> <td>-</td> <td>382</td> <td>3\"/> <tr> <td>386</td> <td>ETR</td> <td>-</td> <td>WD.</td> <td>J2</td> <td>PTD.</td> <td>-</td> <td>382A</td> <td>3\"/> <tr> <td>387</td> <td>ETR</td> <td>-</td> <td>WD.</td> <td>J2</td> <td>PTD.</td> <td>-</td> <td>385</td> <td>3\"/> <tr> <td>388</td> <td>ETR</td> <td>-</td> <td>WD.</td> <td>J2</td> <td>PTD.</td> <td>-</td> <td>386</td> <td>3\"/> <tr> <td>389</td> <td>ETR</td> <td>-</td> <td>WD.</td> <td>J2</td> <td>PTD.</td> <td>-</td> <td>387</td> <td>3\"/> <tr> <td>391</td> <td>ETR</td> <td>-</td> <td>WD.</td> <td>J2</td> <td>PTD.</td> <td>-</td> <td>388</td> <td>3\"/> <tr> <td>391A</td> <td>ETR</td> <td>-</td> <td>WD.</td> <td>J2</td> <td>PTD.</td> <td>-</td> <td>389</td> <td>3\"/> <tr> <td>391B</td> <td>ETR</td> <td>-</td> <td>WD.</td> <td>J2</td> <td>PTD.</td> <td>-</td> <td>391</td> <td>3\"/> <tr> <td>394</td> <td>ETR</td> <td>-</td> <td>WD.</td> <td>J2</td> <td>PTD.</td> <td>-</td> <td>391A</td> <td>3\"/> <tr> <td>395</td> <td>ETR</td> <td>-</td> <td>WD.</td> <td>J2</td> <td>PTD.</td> <td>-</td> <td>391B</td> <td>3\"/> <tr> <td>396</td> <td>ETR</td> <td>-</td> <td>WD.</td> <td>J2</td> <td>PTD.</td> <td>-</td> <td>394</td> <td>3\"/> <tr> <td>398</td> <td>ETR</td> <td>-</td> <td>WD.</td> <td>J2</td> <td>PTD.</td> <td>-</td> <td>395</td> <td>3\"/> <tr> <td>399</td> <td>ETR</td> <td>-</td> <td>WD.</td> <td>J2</td> <td>PTD.</td> <td>-</td> <td>396</td> <td>3\"/> <tr> <td>3991</td> <td>ETR</td> <td>-</td> <td>WD.</td> <td>J2</td> <td>PTD.</td> <td>-</td> <td>398</td> <td>3\"/> <tr> <td>3992</td> <td>A</td> <td>3\"/> <tr> <td>3993</td> <td>ETR</td> <td>-</td> <td>WD.</td> <td>J2</td> <td>PTD.</td> <td>-</td> <td>399</td> <td>3\"/> <tr> <td>3994</td> <td>ETR</td> <td>-</td> <td>WD.</td> <td>J2</td> <td>PTD.</td> <td>-</td> <td>3991</td> <td>3\"/> <tr> <td>3995</td> <td>ETR</td> <td>-</td> <td>WD.</td> <td>J2</td> <td>PTD.</td> <td>-</td> <td>3992</td> <td>3\"/> <tr> <td>3997</td> <td>ETR</td> <td>-</td> <td>WD.</td> <td>J2</td> <td>PTD.</td> <td>-</td> <td>3993</td> <td>3\"/> <tr> <td>3998</td> <td>ETR</td> <td>-</td> <td>WD.</td> <td>J2</td> <td>PTD.</td> <td>-</td> <td>3994</td> <td>3\"/> <tr> <td>3999</td> <td>ETR</td> <td>-</td> <td>WD.</td> <td>J2</td> <td>PTD.</td> <td>-</td> <td>3995</td> <td>3\"/> <tr> <td>3999</td> <td>ETR</td> <td>-</td> <td>WD.</td> <td>J2</td> <td>PTD.</td> <td>-</td> <td>3997</td> <td>3\"/> </td></tr></td></tr></td></tr></td></tr></td></tr></td></tr></td></tr></td></tr></td></tr></td></tr></td></tr></td></tr></td></tr></td></tr></td></tr></td></tr></td></tr></td></tr></td></tr></td></tr></td></tr></td></tr></td></td></tr></td></tr></td></td></tr></td></td></tr></td></td></tr></td></td></tr> | 378 | B | 1 <td>WD</td> <td>J1</td> <td>PTD.</td> <td>-</td> <td>377</td> <td>3\"/> <tr> <td>379</td> <td>B</td> <td>1 <td>WD</td> <td>J1</td> <td>PTD.</td> <td>-</td> <td>377A</td> <td>3\"/> <tr> <td>380A</td> <td>B</td> <td>1 <td>WD</td> <td>J1</td> <td>PTD.</td> <td>-</td> <td>378</td> <td>3\"/> <tr> <td>380B</td> <td>B</td> <td>1 <td>WD</td> <td>J1</td> <td>PTD.</td> <td>-</td> <td>379</td> <td>3\"/> <tr> <td>382</td> <td>ETR</td> <td>-</td> <td>WD.</td> <td>J2</td> <td>PTD.</td> <td>-</td> <td>380A</td> <td>3\"/> <tr> <td>382A</td> <td>D</td> <td>6 <td>ALUM.</td> <td>ANODIZE D</td> <td>-</td> <td>-</td> <td>380B</td> <td>3\"/> <tr> <td>385</td> <td>ETR</td> <td>-</td> <td>WD.</td> <td>J2</td> <td>PTD.</td> <td>-</td> <td>382</td> <td>3\"/> <tr>
<td>386</td> <td>ETR</td> <td>-</td> <td>WD.</td> <td>J2</td> <td>PTD.</td> <td>-</td> <td>382A</td> <td>3\"/> <tr> <td>387</td> <td>ETR</td> <td>-</td> <td>WD.</td> <td>J2</td> <td>PTD.</td> <td>-</td> <td>385</td> <td>3\"/> <tr> <td>388</td> <td>ETR</td> <td>-</td> <td>WD.</td> <td>J2</td> <td>PTD.</td> <td>-</td> <td>386</td> <td>3\"/> <tr> <td>389</td> <td>ETR</td> <td>-</td> <td>WD.</td> <td>J2</td> <td>PTD.</td> <td>-</td> <td>387</td> <td>3\"/> <tr> <td>391</td> <td>ETR</td> <td>-</td> <td>WD.</td> <td>J2</td> <td>PTD.</td> <td>-</td> <td>388</td> <td>3\"/> <tr> <td>391A</td> <td>ETR</td> <td>-</td> <td>WD.</td> <td>J2</td> <td>PTD.</td> <td>-</td> <td>389</td> <td>3\"/> <tr> <td>391B</td> <td>ETR</td> <td>-</td> <td>WD.</td> <td>J2</td> <td>PTD.</td> <td>-</td> <td>391</td> <td>3\"/> <tr> <td>394</td> <td>ETR</td> <td>-</td> <td>WD.</td> <td>J2</td> <td>PTD.</td> <td>-</td> <td>391A</td> <td>3\"/> <tr> <td>395</td> <td>ETR</td> <td>-</td> <td>WD.</td> <td>J2</td> <td>PTD.</td> <td>-</td> <td>391B</td> <td>3\"/> <tr> <td>396</td> <td>ETR</td> <td>-</td> <td>WD.</td> <td>J2</td> <td>PTD.</td> <td>-</td> <td>394</td> <td>3\"/> <tr> <td>398</td> <td>ETR</td> <td>-</td> <td>WD.</td> <td>J2</td> <td>PTD.</td> <td>-</td> <td>395</td> <td>3\"/> <tr> <td>399</td> <td>ETR</td> <td>-</td> <td>WD.</td> <td>J2</td> <td>PTD.</td> <td>-</td> <td>396</td> <td>3\"/> <tr> <td>3991</td> <td>ETR</td> <td>-</td> <td>WD.</td> <td>J2</td> <td>PTD.</td> <td>-</td> <td>398</td> <td>3\"/> <tr> <td>3992</td> <td>A</td> <td>3\"/> <tr> <td>3993</td> <td>ETR</td> <td>-</td> <td>WD.</td> <td>J2</td> <td>PTD.</td> <td>-</td> <td>399</td> <td>3\"/> <tr> <td>3994</td> <td>ETR</td> <td>-</td> <td>WD.</td> <td>J2</td> <td>PTD.</td> <td>-</td> <td>3991</td> <td>3\"/> <tr> <td>3995</td> <td>ETR</td> <td>-</td> <td>WD.</td> <td>J2</td> <td>PTD.</td> <td>-</td> <td>3992</td> <td>3\"/> <tr> <td>3997</td> <td>ETR</td> <td>-</td> <td>WD.</td> <td>J2</td> <td>PTD.</td> <td>-</td> <td>3993</td> <td>3\"/> <tr> <td>3998</td> <td>ETR</td> <td>-</td> <td>WD.</td> <td>J2</td> <td>PTD.</td> <td>-</td> <td>3994</td> <td>3\"/> <tr> <td>3999</td> <td>ETR</td> <td>-</td> <td>WD.</td> <td>J2</td> <td>PTD.</td> <td>-</td> <td>3995</td> <td>3\"/> <tr> <td>3999</td> <td>ETR</td> <td>-</td> <td>WD.</td> <td>J2</td> <td>PTD.</td> <td>-</td> <td>3997</td> <td>3\"/> </td></tr></td></tr></td></tr></td></tr></td></tr></td></tr></td></tr></td></tr></td></tr></td></tr></td></tr></td></tr></td></tr></td></tr></td></tr></td></tr></td></tr></td></tr></td></tr></td></tr></td></tr></td></tr></td></td></tr></td></tr></td></td></tr></td></td></tr></td></td></tr></td> | WD | J1 | PTD. | - | 377 | 3\"/> <tr> <td>379</td> <td>B</td> <td>1 <td>WD</td> <td>J1</td> <td>PTD.</td> <td>-</td> <td>377A</td> <td>3\"/> <tr> <td>380A</td> <td>B</td> <td>1 <td>WD</td> <td>J1</td> <td>PTD.</td> <td>-</td> <td>378</td> <td>3\"/> <tr> <td>380B</td> <td>B</td> <td>1 <td>WD</td> <td>J1</td> <td>PTD.</td> <td>-</td>
<td>379</td> <td>3\"/> <tr> <td>382</td> <td>ETR</td> <td>-</td> <td>WD.</td> <td>J2</td> <td>PTD.</td> <td>-</td> <td>380A</td> <td>3\"/> <tr> <td>382A</td> <td>D</td> <td>6 <td>ALUM.</td> <td>ANODIZE D</td> <td>-</td> <td>-</td> <td>380B</td> <td>3\"/> <tr> <td>385</td> <td>ETR</td> <td>-</td> <td>WD.</td> <td>J2</td> <td>PTD.</td> <td>-</td> <td>382</td> <td>3\"/> <tr> <td>386</td> <td>ETR</td> <td>-</td> <td>WD.</td> <td>J2</td> <td>PTD.</td> <td>-</td> <td>382A</td> <td>3\"/> <tr> <td>387</td> <td>ETR</td> <td>-</td> <td>WD.</td> <td>J2</td> <td>PTD.</td> <td>-</td> <td>385</td> <td>3\"/> <tr> <td>388</td> <td>ETR</td> <td>-</td> <td>WD.</td> <td>J2</td> <td>PTD.</td> <td>-</td> <td>386</td> <td>3\"/> <tr> <td>389</td> <td>ETR</td> <td>-</td> <td>WD.</td> <td>J2</td> <td>PTD.</td> <td>-</td> <td>387</td> <td>3\"/> <tr> <td>391</td> <td>ETR</td> <td>-</td> <td>WD.</td> <td>J2</td> <td>PTD.</td> <td>-</td> <td>388</td> <td>3\"/> <tr> <td>391A</td> <td>ETR</td> <td>-</td> <td>WD.</td> <td>J2</td> <td>PTD.</td> <td>-</td> <td>389</td> <td>3\"/> <tr> <td>391B</td> <td>ETR</td> <td>-</td> <td>WD.</td> <td>J2</td> <td>PTD.</td> <td>-</td> <td>391</td> <td>3\"/> <tr> <td>394</td> <td>ETR</td> <td>-</td> <td>WD.</td> <td>J2</td> <td>PTD.</td> <td>-</td> <td>391A</td> <td>3\"/> <tr> <td>395</td> <td>ETR</td> <td>-</td> <td>WD.</td> <td>J2</td> <td>PTD.</td> <td>-</td> <td>391B</td> <td>3\"/> <tr> <td>396</td> <td>ETR</td> <td>-</td> <td>WD.</td> <td>J2</td> <td>PTD.</td> <td>-</td> <td>394</td> <td>3\"/> <tr> <td>398</td> <td>ETR</td> <td>-</td> <td>WD.</td> <td>J2</td> <td>PTD.</td> <td>-</td> <td>395</td> <td>3\"/> <tr> <td>399</td> <td>ETR</td> <td>-</td> <td>WD.</td> <td>J2</td> <td>PTD.</td> <td>-</td> <td>396</td> <td>3\"/> <tr> <td>3991</td> <td>ETR</td> <td>-</td> <td>WD.</td> <td>J2</td> <td>PTD.</td> <td>-</td> <td>398</td> <td>3\"/> <tr> <td>3992</td> <td>A</td> <td>3\"/> <tr> <td>3993</td> <td>ETR</td> <td>-</td> <td>WD.</td> <td>J2</td> <td>PTD.</td> <td>-</td> <td>399</td> <td>3\"/> <tr> <td>3994</td> <td>ETR</td> <td>-</td> <td>WD.</td> <td>J2</td> <td>PTD.</td> <td>-</td> <td>3991</td> <td>3\"/> <tr> <td>3995</td> <td>ETR</td> <td>-</td> <td>WD.</td> <td>J2</td> <td>PTD.</td> <td>-</td> <td>3992</td> <td>3\"/> <tr> <td>3997</td> <td>ETR</td> <td>-</td> <td>WD.</td> <td>J2</td> <td>PTD.</td> <td>-</td> <td>3993</td> <td>3\"/> <tr> <td>3998</td> <td>ETR</td> <td>-</td> <td>WD.</td> <td>J2</td> <td>PTD.</td> <td>-</td> <td>3994</td> <td>3\"/> <tr> <td>3999</td> <td>ETR</td> <td>-</td> <td>WD.</td> <td>J2</td> <td>PTD.</td> <td>-</td> <td>3995</td> <td>3\"/> <tr> <td>3999</td> <td>ETR</td> <td>-</td> <td>WD.</td> <td>J2</td> <td>PTD.</td> <td>-</td> <td>3997</td> <td>3\"/> </td></tr></td></tr></td></tr></td></tr></td></tr></td></tr></td></tr></td></tr></td></tr></td></tr></td></tr></td></tr></td></tr></td></tr></td></tr></td></tr></td></tr></td></tr></td></tr></td></tr></td></tr></td></tr></td></td></tr></td></tr></td></td></tr></td></td></tr></td></td></tr> | 379 | B | 1 <td>WD</td> <td>J1</td> <td>PTD.</td> <td>-</td> <td>377A</td> <td>3\"/> <tr> <td>380A</td> <td>B</td> <td>1 <td>WD</td> <td>J1</td> <td>PTD.</td> <td>-</td> <td>378</td> <td>3\"/> <tr> <td>380B</td> <td>B</td> <td>1 <td>WD</td> <td>J1</td> <td>PTD.</td> <td>-</td> <td>379</td> <td>3\"/> <tr> <td>382</td> <td>ETR</td> <td>-</td> <td>WD.</td> <td>J2</td> <td>PTD.</td> <td>-</td> <td>380A</td> <td>3\"/> <tr> <td>382A</td> <td>D</td> <td>6 <td>ALUM.</td> <td>ANODIZE D</td> <td>-</td> <td>-</td> <td>380B</td> <td>3\"/> <tr> <td>385</td> <td>ETR</td> <td>-</td> <td>WD.</td> <td>J2</td> <td>PTD.</td> <td>-</td> <td>382</td> <td>3\"/> <tr> <td>386</td> <td>ETR</td> <td>-</td> <td>WD.</td> <td>J2</td> <td>PTD.</td> <td>-</td> <td>382A</td> <td>3\"/> <tr> <td>387</td> <td>ETR</td> <td>-</td> <td>WD.</td> <td>J2</td> <td>PTD.</td> <td>-</td> <td>385</td> <td>3\"/> <tr> <td>388</td> <td>ETR</td> <td>-</td> <td>WD.</td> <td>J2</td> <td>PTD.</td> <td>-</td> <td>386</td> <td>3\"/> <tr> <td>389</td> <td>ETR</td> <td>-</td> <td>WD.</td> <td>J2</td> <td>PTD.</td> <td>-</td> <td>387</td> <td>3\"/> <tr> <td>391</td> <td>ETR</td> <td>-</td> <td>WD.</td> <td>J2</td> <td>PTD.</td> <td>-</td> <td>388</td> <td>3\"/> <tr> <td>391A</td> <td>ETR</td> <td>-</td> <td>WD.</td> <td>J2</td> <td>PTD.</td> <td>-</td> <td>389</td> <td>3\"/> <tr> <td>391B</td> <td>ETR</td> <td>-</td> <td>WD.</td> <td>J2</td> <td>PTD.</td> <td>-</td> <td>391</td> <td>3\"/> <tr> <td>394</td> <td>ETR</td> <td>-</td> <td>WD.</td> <td>J2</td> <td>PTD.</td> <td>-</td> <td>391A</td> <td>3\"/> <tr> <td>395</td> <td>ETR</td> <td>-</td> <td>WD.</td> <td>J2</td> <td>PTD.</td> <td>-</td> <td>391B</td> <td>3\"/> <tr> <td>396</td> <td>ETR</td> <td>-</td> <td>WD.</td> <td>J2</td> <td>PTD.</td> <td>-</td> <td>394</td> <td>3\"/> <tr> <td>398</td> <td>ETR</td> <td>-</td> <td>WD.</td> <td>J2</td> <td>PTD.</td> <td>-</td> <td>395</td> <td>3\"/> <tr> <td>399</td> <td>ETR</td> <td>-</td> <td>WD.</td> <td>J2</td> <td>PTD.</td> <td>-</td> <td>396</td> <td>3\"/> <tr> <td>3991</td> <td>ETR</td> <td>-</td> <td>WD.</td> <td>J2</td> <td>PTD.</td> <td>-</td> <td>398</td> <td>3\"/> <tr> <td>3992</td> <td>A</td> <td>3\"/> <tr> <td>3993</td> <td>ETR</td> <td>-</td> <td>WD.</td> <td>J2</td> <td>PTD.</td> <td>-</td> <td>399</td> <td>3\"/> <tr> <td>3994</td> <td>ETR</td> <td>-</td> <td>WD.</td> <td>J2</td> <td>PTD.</td> <td>-</td> <td>3991</td> <td>3\"/> <tr> <td>3995</td> <td>ETR</td> <td>-</td> <td>WD.</td> <td>J2</td> <td>PTD.</td> <td>-</td> <td>3992</td> <td>3\"/> <tr> <td>3997</td> <td>ETR</td> <td>-</td> <td>WD.</td> <td>J2</td> <td>PTD.</td> <td>-</td> <td>3993</td> <td>3\"/> <tr> <td>3998</td> <td>ETR</td> <td>-</td> <td>WD.</td> <td>J2</td> <td>PTD.</td> <td>-</td> <td>3994</td> <td>3\"/> <tr> <td>3999</td> <td>ETR</td> <td>-</td> <td>WD.</td> <td>J2</td> <td>PTD.</td> <td>-</td> <td>3995</td> <td>3\"/> <tr> <td>3999</td> <td>ETR</td> <td>-</td> <td>WD.</td> <td>J2</td> <td>PTD.</td> <td>-</td> <td>3997</td> <td>3\"/> </td></tr></td></tr></td></tr></td></tr></td></tr></td></tr></td></tr></td></tr></td></tr></td></tr></td></tr></td></tr></td></tr></td></tr></td></tr></td></tr></td></tr></td></tr></td></tr></td></tr></td></tr></td></tr></td></td></tr></td></tr></td></td></tr></td></td></tr></td> | WD | J1 | PTD. | - | 377A | 3\"/> <tr> <td>380A</td> <td>B</td> <td>1
<td>WD</td> <td>J1</td> <td>PTD.</td> <td>-</td> <td>378</td> <td>3\"/> <tr> <td>380B</td> <td>B</td> <td>1 <td>WD</td> <td>J1</td> <td>PTD.</td> <td>-</td> <td>379</td> <td>3\"/> <tr> <td>382</td> <td>ETR</td> <td>-</td> <td>WD.</td> <td>J2</td> <td>PTD.</td> <td>-</td> <td>380A</td> <td>3\"/> <tr> <td>382A</td> <td>D</td> <td>6 <td>ALUM.</td> <td>ANODIZE D</td> <td>-</td> <td>-</td> <td>380B</td> <td>3\"/> <tr> <td>385</td> <td>ETR</td> <td>-</td> <td>WD.</td> <td>J2</td> <td>PTD.</td> <td>-</td> <td>382</td> <td>3\"/> <tr> <td>386</td> <td>ETR</td> <td>-</td> <td>WD.</td> <td>J2</td> <td>PTD.</td> <td>-</td> <td>382A</td> <td>3\"/> <tr> <td>387</td> <td>ETR</td> <td>-</td> <td>WD.</td> <td>J2</td> <td>PTD.</td> <td>-</td> <td>385</td> <td>3\"/> <tr> <td>388</td> <td>ETR</td> <td>-</td> <td>WD.</td> <td>J2</td> <td>PTD.</td> <td>-</td> <td>386</td> <td>3\"/> <tr> <td>389</td> <td>ETR</td> <td>-</td> <td>WD.</td> <td>J2</td> <td>PTD.</td> <td>-</td> <td>387</td> <td>3\"/> <tr> <td>391</td> <td>ETR</td> <td>-</td> <td>WD.</td> <td>J2</td> <td>PTD.</td> <td>-</td> <td>388</td> <td>3\"/> <tr> <td>391A</td> <td>ETR</td> <td>-</td> <td>WD.</td> <td>J2</td> <td>PTD.</td> <td>-</td> <td>389</td> <td>3\"/> <tr> <td>391B</td> <td>ETR</td> <td>-</td> <td>WD.</td> <td>J2</td> <td>PTD.</td> <td>-</td> <td>391</td> <td>3\"/> <tr> <td>394</td> <td>ETR</td> <td>-</td> <td>WD.</td> <td>J2</td> <td>PTD.</td> <td>-</td> <td>391A</td> <td>3\"/> <tr> <td>395</td> <td>ETR</td> <td>-</td> <td>WD.</td> <td>J2</td> <td>PTD.</td> <td>-</td> <td>391B</td> <td>3\"/> <tr> <td>396</td> <td>ETR</td> <td>-</td> <td>WD.</td> <td>J2</td> <td>PTD.</td> <td>-</td> <td>394</td> <td>3\"/> <tr> <td>398</td> <td>ETR</td> <td>-</td> <td>WD.</td> <td>J2</td> <td>PTD.</td> <td>-</td> <td>395</td> <td>3\"/> <tr> <td>399</td> <td>ETR</td> <td>-</td> <td>WD.</td> <td>J2</td> <td>PTD.</td> <td>-</td> <td>396</td> <td>3\"/> <tr> <td>3991</td> <td>ETR</td> <td>-</td> <td>WD.</td> <td>J2</td> <td>PTD.</td> <td>-</td> <td>398</td> <td>3\"/> <tr> <td>3992</td> <td>A</td> <td>3\"/> <tr> <td>3993</td> <td>ETR</td> <td>-</td> <td>WD.</td> <td>J2</td> <td>PTD.</td> <td>-</td> <td>399</td> <td>3\"/> <tr> <td>3994</td> <td>ETR</td> <td>-</td> <td>WD.</td> <td>J2</td> <td>PTD.</td> <td>-</td> <td>3991</td> <td>3\"/> <tr> <td>3995</td> <td>ETR</td> <td>-</td> <td>WD.</td> <td>J2</td> <td>PTD.</td> <td>-</td> <td>3992</td> <td>3\"/> <tr> <td>3997</td> <td>ETR</td> <td>-</td> <td>WD.</td> <td>J2</td> <td>PTD.</td> <td>-</td> <td>3993</td> <td>3\"/> <tr> <td>3998</td> <td>ETR</td> <td>-</td> <td>WD.</td> <td>J2</td> <td>PTD.</td> <td>-</td> <td>3994</td> <td>3\"/> <tr> <td>3999</td> <td>ETR</td> <td>-</td> <td>WD.</td> <td>J2</td> <td>PTD.</td> <td>-</td> <td>3995</td> <td>3\"/> <tr> <td>3999</td> <td>ETR</td> <td>-</td> <td>WD.</td> <td>J2</td> <td>PTD.</td> <td>-</td> <td>3997</td> <td>3\"/> </td></tr></td></tr></td></tr></td></tr></td></tr></td></tr></td></tr></td></tr></td></tr></td></tr></td></tr></td></tr></td></tr></td></tr></td></tr></td></tr></td></tr></td></tr></td></tr></td></tr></td></tr></td></tr></td></td></tr></td></tr></td></td></tr></td></td></tr> | 380A | B | 1 <td>WD</td> <td>J1</td> <td>PTD.</td> <td>-</td> <td>378</td> <td>3\"/> <tr> <td>380B</td> <td>B</td> <td>1 <td>WD</td> <td>J1</td> <td>PTD.</td> <td>-</td> <td>379</td> <td>3\"/> <tr> <td>382</td> <td>ETR</td> <td>-</td> <td>WD.</td> <td>J2</td> <td>PTD.</td> <td>-</td> <td>380A</td> <td>3\"/> <tr> <td>382A</td> <td>D</td> <td>6 <td>ALUM.</td> <td>ANODIZE D</td> <td>-</td> <td>-</td> <td>380B</td> <td>3\"/> <tr> <td>385</td> <td>ETR</td> <td>-</td> <td>WD.</td> <td>J2</td> <td>PTD.</td> <td>-</td> <td>382</td> <td>3\"/> <tr> <td>386</td> <td>ETR</td> <td>-</td> <td>WD.</td> <td>J2</td> <td>PTD.</td> <td>-</td> <td>382A</td> <td>3\"/> <tr> <td>387</td> <td>ETR</td> <td>-</td> <td>WD.</td> <td>J2</td> <td>PTD.</td> <td>-</td> <td>385</td> <td>3\"/> <tr> <td>388</td> <td>ETR</td> <td>-</td> <td>WD.</td> <td>J2</td> <td>PTD.</td> <td>-</td> <td>386</td> <td>3\"/> <tr> <td>389</td> <td>ETR</td> <td>-</td> <td>WD.</td> <td>J2</td> <td>PTD.</td> <td>-</td> <td>387</td> <td>3\"/> <tr> <td>391</td> <td>ETR</td> <td>-</td> <td>WD.</td> <td>J2</td> <td>PTD.</td> <td>-</td> <td>388</td> <td>3\"/> <tr> <td>391A</td> <td>ETR</td> <td>-</td> <td>WD.</td> <td>J2</td> <td>PTD.</td> <td>-</td> <td>389</td> <td>3\"/> <tr> <td>391B</td> <td>ETR</td> <td>-</td> <td>WD.</td> <td>J2</td> <td>PTD.</td> <td>-</td> <td>391</td> <td>3\"/> <tr> <td>394</td> <td>ETR</td> <td>-</td> <td>WD.</td> <td>J2</td> <td>PTD.</td> <td>-</td> <td>391A</td> <td>3\"/> <tr> <td>395</td> <td>ETR</td> <td>-</td> <td>WD.</td> <td>J2</td> <td>PTD.</td> <td>-</td> <td>391B</td> <td>3\"/> <tr> <td>396</td> <td>ETR</td> <td>-</td> <td>WD.</td> <td>J2</td> <td>PTD.</td> <td>-</td> <td>394</td> <td>3\"/> <tr> <td>398</td> <td>ETR</td> <td>-</td> <td>WD.</td> <td>J2</td> <td>PTD.</td> <td>-</td> <td>395</td> <td>3\"/> <tr> <td>399</td> <td>ETR</td> <td>-</td> <td>WD.</td> <td>J2</td> <td>PTD.</td> <td>-</td> <td>396</td> <td>3\"/> <tr> <td>3991</td> <td>ETR</td> <td>-</td> <td>WD.</td> <td>J2</td> <td>PTD.</td> <td>-</td> <td>398</td> <td>3\"/> <tr> <td>3992</td> <td>A</td> <td>3\"/> <tr> <td>3993</td> <td>ETR</td> <td>-</td> <td>WD.</td> <td>J2</td> <td>PTD.</td> <td>-</td> <td>399</td> <td>3\"/> <tr> <td>3994</td> <td>ETR</td> <td>-</td> <td>WD.</td> <td>J2</td> <td>PTD.</td> <td>-</td> <td>3991</td> <td>3\"/> <tr> <td>3995</td> <td>ETR</td> <td>-</td> <td>WD.</td> <td>J2</td> <td>PTD.</td> <td>-</td> <td>3992</td> <td>3\"/> <tr> <td>3997</td> <td>ETR</td> <td>-</td> <td>WD.</td> <td>J2</td> <td>PTD.</td> <td>-</td> <td>3993</td> <td>3\"/> <tr> <td>3998</td> <td>ETR</td> <td>-</td> <td>WD.</td> <td>J2</td> <td>PTD.</td> <td>-</td> <td>3994</td> <td>3\"/> <tr> <td>3999</td> <td>ETR</td> <td>-</td> <td>WD.</td> <td>J2</td> <td>PTD.</td> <td>-</td> <td>3995</td> <td>3\"/> <tr> <td>3999</td> <td>ETR</td> <td>-</td> <td>WD.</td> <td>J2</td> <td>PTD.</td> <td>-</td> <td>3997</td> <td>3\"/> </td></tr></td></tr></td></tr></td></tr></td></tr></td></tr></td></tr></td></tr></td></tr></td></tr></td></tr></td></tr></td></tr></td></tr></td></tr></td></tr></td></tr></td></tr></td></tr></td></tr></td></tr></td></tr></td></td></tr></td></tr></td></td></tr></td> | WD | J1 | PTD. | - | 378 | 3\"/> <tr> <td>380B</td>
<td>B</td> <td>1 <td>WD</td> <td>J1</td> <td>PTD.</td> <td>-</td> <td>379</td> <td>3\"/> <tr> <td>382</td> <td>ETR</td> <td>-</td> <td>WD.</td> <td>J2</td> <td>PTD.</td> <td>-</td> <td>380A</td> <td>3\"/> <tr> <td>382A</td> <td>D</td> <td>6 <td>ALUM.</td> <td>ANODIZE D</td> <td>-</td> <td>-</td> <td>380B</td> <td>3\"/> <tr> <td>385</td> <td>ETR</td> <td>-</td> <td>WD.</td> <td>J2</td> <td>PTD.</td> <td>-</td> <td>382</td> <td>3\"/> <tr> <td>386</td> <td>ETR</td> <td>-</td> <td>WD.</td> <td>J2</td> <td>PTD.</td> <td>-</td> <td>382A</td> <td>3\"/> <tr> <td>387</td> <td>ETR</td> <td>-</td> <td>WD.</td> <td>J2</td> <td>PTD.</td> <td>-</td> <td>385</td> <td>3\"/> <tr> <td>388</td> <td>ETR</td> <td>-</td> <td>WD.</td> <td>J2</td> <td>PTD.</td> <td>-</td> <td>386</td> <td>3\"/> <tr> <td>389</td> <td>ETR</td> <td>-</td> <td>WD.</td> <td>J2</td> <td>PTD.</td> <td>-</td> <td>387</td> <td>3\"/> <tr> <td>391</td> <td>ETR</td> <td>-</td> <td>WD.</td> <td>J2</td> <td>PTD.</td> <td>-</td> <td>388</td> <td>3\"/> <tr> <td>391A</td> <td>ETR</td> <td>-</td> <td>WD.</td> <td>J2</td> <td>PTD.</td> <td>-</td> <td>389</td> <td>3\"/> <tr> <td>391B</td> <td>ETR</td> <td>-</td> <td>WD.</td> <td>J2</td> <td>PTD.</td> <td>-</td> <td>391</td> <td>3\"/> <tr> <td>394</td> <td>ETR</td> <td>-</td> <td>WD.</td> <td>J2</td> <td>PTD.</td> <td>-</td> <td>391A</td> <td>3\"/> <tr> <td>395</td> <td>ETR</td> <td>-</td> <td>WD.</td> <td>J2</td> <td>PTD.</td> <td>-</td> <td>391B</td> <td>3\"/> <tr> <td>396</td> <td>ETR</td> <td>-</td> <td>WD.</td> <td>J2</td> <td>PTD.</td> <td>-</td> <td>394</td> <td>3\"/> <tr> <td>398</td> <td>ETR</td> <td>-</td> <td>WD.</td> <td>J2</td> <td>PTD.</td> <td>-</td> <td>395</td> <td>3\"/> <tr> <td>399</td> <td>ETR</td> <td>-</td> <td>WD.</td> <td>J2</td> <td>PTD.</td> <td>-</td> <td>396</td> <td>3\"/> <tr> <td>3991</td> <td>ETR</td> <td>-</td> <td>WD.</td> <td>J2</td> <td>PTD.</td> <td>-</td> <td>398</td> <td>3\"/> <tr> <td>3992</td> <td>A</td> <td>3\"/> <tr> <td>3993</td> <td>ETR</td> <td>-</td> <td>WD.</td> <td>J2</td> <td>PTD.</td> <td>-</td> <td>399</td> <td>3\"/> <tr> <td>3994</td> <td>ETR</td> <td>-</td> <td>WD.</td> <td>J2</td> <td>PTD.</td> <td>-</td> <td>3991</td> <td>3\"/> <tr> <td>3995</td> <td>ETR</td> <td>-</td> <td>WD.</td> <td>J2</td> <td>PTD.</td> <td>-</td> <td>3992</td> <td>3\"/> <tr> <td>3997</td> <td>ETR</td> <td>-</td> <td>WD.</td> <td>J2</td> <td>PTD.</td> <td>-</td> <td>3993</td> <td>3\"/> <tr> <td>3998</td> <td>ETR</td> <td>-</td> <td>WD.</td> <td>J2</td> <td>PTD.</td> <td>-</td> <td>3994</td> <td>3\"/> <tr> <td>3999</td> <td>ETR</td> <td>-</td> <td>WD.</td> <td>J2</td> <td>PTD.</td> <td>-</td> <td>3995</td> <td>3\"/> <tr> <td>3999</td> <td>ETR</td> <td>-</td> <td>WD.</td> <td>J2</td> <td>PTD.</td> <td>-</td> <td>3997</td> <td>3\"/> </td></tr></td></tr></td></tr></td></tr></td></tr></td></tr></td></tr></td></tr></td></tr></td></tr></td></tr></td></tr></td></tr></td></tr></td></tr></td></tr></td></tr></td></tr></td></tr></td></tr></td></tr></td></tr></td></td></tr></td></tr></td></td></tr> | 380B | B | 1 <td>WD</td> <td>J1</td> <td>PTD.</td> <td>-</td> <td>379</td> <td>3\"/> <tr> <td>382</td> <td>ETR</td> <td>-</td> <td>WD.</td> <td>J2</td> <td>PTD.</td> <td>-</td> <td>380A</td> <td>3\"/> <tr> <td>382A</td> <td>D</td> <td>6 <td>ALUM.</td> <td>ANODIZE D</td> <td>-</td> <td>-</td> <td>380B</td> <td>3\"/> <tr> <td>385</td> <td>ETR</td> <td>-</td> <td>WD.</td> <td>J2</td> <td>PTD.</td> <td>-</td> <td>382</td> <td>3\"/> <tr> <td>386</td> <td>ETR</td> <td>-</td> <td>WD.</td> <td>J2</td> <td>PTD.</td> <td>-</td> <td>382A</td> <td>3\"/> <tr> <td>387</td> <td>ETR</td> <td>-</td> <td>WD.</td> <td>J2</td> <td>PTD.</td> <td>-</td> <td>385</td> <td>3\"/> <tr> <td>388</td> <td>ETR</td> <td>-</td> <td>WD.</td> <td>J2</td> <td>PTD.</td> <td>-</td> <td>386</td> <td>3\"/> <tr> <td>389</td> <td>ETR</td> <td>-</td> <td>WD.</td> <td>J2</td> <td>PTD.</td> <td>-</td> <td>387</td> <td>3\"/> <tr> <td>391</td> <td>ETR</td> <td>-</td> <td>WD.</td> <td>J2</td> <td>PTD.</td> <td>-</td> <td>388</td> <td>3\"/> <tr> <td>391A</td> <td>ETR</td> <td>-</td> <td>WD.</td> <td>J2</td> <td>PTD.</td> <td>-</td> <td>389</td> <td>3\"/> <tr> <td>391B</td> <td>ETR</td> <td>-</td> <td>WD.</td> <td>J2</td> <td>PTD.</td> <td>-</td> <td>391</td> <td>3\"/> <tr> <td>394</td> <td>ETR</td> <td>-</td> <td>WD.</td> <td>J2</td> <td>PTD.</td> <td>-</td> <td>391A</td> <td>3\"/> <tr> <td>395</td> <td>ETR</td> <td>-</td> <td>WD.</td> <td>J2</td> <td>PTD.</td> <td>-</td> <td>391B</td> <td>3\"/> <tr> <td>396</td> <td>ETR</td> <td>-</td> <td>WD.</td> <td>J2</td> <td>PTD.</td> <td>-</td> <td>394</td> <td>3\"/> <tr> <td>398</td> <td>ETR</td> <td>-</td> <td>WD.</td> <td>J2</td> <td>PTD.</td> <td>-</td> <td>395</td> <td>3\"/> <tr> <td>399</td> <td>ETR</td> <td>-</td> <td>WD.</td> <td>J2</td> <td>PTD.</td> <td>-</td> <td>396</td> <td>3\"/> <tr> <td>3991</td> <td>ETR</td> <td>-</td> <td>WD.</td> <td>J2</td> <td>PTD.</td> <td>-</td> <td>398</td> <td>3\"/> <tr> <td>3992</td> <td>A</td> <td>3\"/> <tr> <td>3993</td> <td>ETR</td> <td>-</td> <td>WD.</td> <td>J2</td> <td>PTD.</td> <td>-</td> <td>399</td> <td>3\"/> <tr> <td>3994</td> <td>ETR</td> <td>-</td> <td>WD.</td> <td>J2</td> <td>PTD.</td> <td>-</td> <td>3991</td> <td>3\"/> <tr> <td>3995</td> <td>ETR</td> <td>-</td> <td>WD.</td> <td>J2</td> <td>PTD.</td> <td>-</td> <td>3992</td> <td>3\"/> <tr> <td>3997</td> <td>ETR</td> <td>-</td> <td>WD.</td> <td>J2</td> <td>PTD.</td> <td>-</td> <td>3993</td> <td>3\"/> <tr> <td>3998</td> <td>ETR</td> <td>-</td> <td>WD.</td> <td>J2</td> <td>PTD.</td> <td>-</td> <td>3994</td> <td>3\"/> <tr> <td>3999</td> <td>ETR</td> <td>-</td> <td>WD.</td> <td>J2</td> <td>PTD.</td> <td>-</td> <td>3995</td> <td>3\"/> <tr> <td>3999</td> <td>ETR</td> <td>-</td> <td>WD.</td> <td>J2</td> <td>PTD.</td> <td>-</td> <td>3997</td> <td>3\"/> </td></tr></td></tr></td></tr></td></tr></td></tr></td></tr></td></tr></td></tr></td></tr></td></tr></td></tr></td></tr></td></tr></td></tr></td></tr></td></tr></td></tr></td></tr></td></tr></td></tr></td></tr></td></tr></td></td></tr></td></tr></td> | WD | J1 | PTD. | - | 379 | 3\"/> <tr> <td>382</td> <td>ETR</td> <td>-</td> <td>WD.</td> <td>J2</td> <td>PTD.</td> <td>-</td> <td>380A</td> <td>3\"/> <tr> <td>382A</td> <td>D</td> <td>6 <td>ALUM.</td> <td>ANODIZE D</td> <td>-</td> <td>-</td> <td>380B</td> <td>3\"/> <tr> <td>385</td>
<td>ETR</td> <td>-</td> <td>WD.</td> <td>J2</td> <td>PTD.</td> <td>-</td> <td>382</td> <td>3\"/> <tr> <td>386</td> <td>ETR</td> <td>-</td> <td>WD.</td> <td>J2</td> <td>PTD.</td> <td>-</td> <td>382A</td> <td>3\"/> <tr> <td>387</td> <td>ETR</td> <td>-</td> <td>WD.</td> <td>J2</td> <td>PTD.</td> <td>-</td> <td>385</td> <td>3\"/> <tr> <td>388</td> <td>ETR</td> <td>-</td> <td>WD.</td> <td>J2</td> <td>PTD.</td> <td>-</td> <td>386</td> <td>3\"/> <tr> <td>389</td> <td>ETR</td> <td>-</td> <td>WD.</td> <td>J2</td> <td>PTD.</td> <td>-</td> <td>387</td> <td>3\"/> <tr> <td>391</td> <td>ETR</td> <td>-</td> <td>WD.</td> <td>J2</td> <td>PTD.</td> <td>-</td> <td>388</td> <td>3\"/> <tr> <td>391A</td> <td>ETR</td> <td>-</td> <td>WD.</td> <td>J2</td> <td>PTD.</td> <td>-</td> <td>389</td> <td>3\"/> <tr> <td>391B</td> <td>ETR</td> <td>-</td> <td>WD.</td> <td>J2</td> <td>PTD.</td> <td>-</td> <td>391</td> <td>3\"/> <tr> <td>394</td> <td>ETR</td> <td>-</td> <td>WD.</td> <td>J2</td> <td>PTD.</td> <td>-</td> <td>391A</td> <td>3\"/> <tr> <td>395</td> <td>ETR</td> <td>-</td> <td>WD.</td> <td>J2</td> <td>PTD.</td> <td>-</td> <td>391B</td> <td>3\"/> <tr> <td>396</td> <td>ETR</td> <td>-</td> <td>WD.</td> <td>J2</td> <td>PTD.</td> <td>-</td> <td>394</td> <td>3\"/> <tr> <td>398</td> <td>ETR</td> <td>-</td> <td>WD.</td> <td>J2</td> <td>PTD.</td> <td>-</td> <td>395</td> <td>3\"/> <tr> <td>399</td> <td>ETR</td> <td>-</td> <td>WD.</td> <td>J2</td> <td>PTD.</td> <td>-</td> <td>396</td> <td>3\"/> <tr> <td>3991</td> <td>ETR</td> <td>-</td> <td>WD.</td> <td>J2</td> <td>PTD.</td> <td>-</td> <td>398</td> <td>3\"/> <tr> <td>3992</td> <td>A</td> <td>3\"/> <tr> <td>3993</td> <td>ETR</td> <td>-</td> <td>WD.</td> <td>J2</td> <td>PTD.</td> <td>-</td> <td>399</td> <td>3\"/> <tr> <td>3994</td> <td>ETR</td> <td>-</td> <td>WD.</td> <td>J2</td> <td>PTD.</td> <td>-</td> <td>3991</td> <td>3\"/> <tr> <td>3995</td> <td>ETR</td> <td>-</td> <td>WD.</td> <td>J2</td> <td>PTD.</td> <td>-</td> <td>3992</td> <td>3\"/> <tr> <td>3997</td> <td>ETR</td> <td>-</td> <td>WD.</td> <td>J2</td> <td>PTD.</td> <td>-</td> <td>3993</td> <td>3\"/> <tr> <td>3998</td> <td>ETR</td> <td>-</td> <td>WD.</td> <td>J2</td> <td>PTD.</td> <td>-</td> <td>3994</td> <td>3\"/> <tr> <td>3999</td> <td>ETR</td> <td>-</td> <td>WD.</td> <td>J2</td> <td>PTD.</td> <td>-</td> <td>3995</td> <td>3\"/> <tr> <td>3999</td> <td>ETR</td> <td>-</td> <td>WD.</td> <td>J2</td> <td>PTD.</td> <td>-</td> <td>3997</td> <td>3\"/> </td></tr></td></tr></td></tr></td></tr></td></tr></td></tr></td></tr></td></tr></td></tr></td></tr></td></tr></td></tr></td></tr></td></tr></td></tr></td></tr></td></tr></td></tr></td></tr></td></tr></td></tr></td></tr></td></td></tr></td></tr> | 382 | ETR | - | WD. | J2 | PTD. | - | 380A | 3\"/> <tr> <td>382A</td> <td>D</td> <td>6 <td>ALUM.</td> <td>ANODIZE D</td> <td>-</td> <td>-</td> <td>380B</td> <td>3\"/> <tr> <td>385</td> <td>ETR</td> <td>-</td> <td>WD.</td> <td>J2</td> <td>PTD.</td> <td>-</td> <td>382</td> <td>3\"/> <tr> <td>386</td> <td>ETR</td> <td>-</td> <td>WD.</td> <td>J2</td> <td>PTD.</td> <td>-</td> <td>382A</td> <td>3\"/> <tr> <td>387</td> <td>ETR</td> <td>-</td> <td>WD.</td> <td>J2</td> <td>PTD.</td> <td>-</td> <td>385</td> <td>3\"/> <tr> <td>388</td> <td>ETR</td> <td>-</td> <td>WD.</td> <td>J2</td> <td>PTD.</td> <td>-</td> <td>386</td> <td>3\"/> <tr> <td>389</td> <td>ETR</td> <td>-</td> <td>WD.</td> <td>J2</td> <td>PTD.</td> <td>-</td> <td>387</td> <td>3\"/> <tr> <td>391</td> <td>ETR</td> <td>-</td>
<td>WD.</td> <td>J2</td> <td>PTD.</td> <td>-</td> <td>388</td> <td>3\"/> <tr> <td>391A</td> <td>ETR</td> <td>-</td> <td>WD.</td> <td>J2</td> <td>PTD.</td> <td>-</td> <td>389</td> <td>3\"/> <tr> <td>391B</td> <td>ETR</td> <td>-</td> <td>WD.</td> <td>J2</td> <td>PTD.</td> <td>-</td> <td>391</td> <td>3\"/> <tr> <td>394</td> <td>ETR</td> <td>-</td> <td>WD.</td> <td>J2</td> <td>PTD.</td> <td>-</td> <td>391A</td> <td>3\"/> <tr> <td>395</td> <td>ETR</td> <td>-</td> <td>WD.</td> <td>J2</td> <td>PTD.</td> <td>-</td> <td>391B</td> <td>3\"/> <tr> <td>396</td> <td>ETR</td> <td>-</td> <td>WD.</td> <td>J2</td> <td>PTD.</td> <td>-</td> <td>394</td> <td>3\"/> <tr> <td>398</td> <td>ETR</td> <td>-</td> <td>WD.</td> <td>J2</td> <td>PTD.</td> <td>-</td> <td>395</td> <td>3\"/> <tr> <td>399</td> <td>ETR</td> <td>-</td> <td>WD.</td> <td>J2</td> <td>PTD.</td> <td>-</td> <td>396</td> <td>3\"/> <tr> <td>3991</td> <td>ETR</td> <td>-</td> <td>WD.</td> <td>J2</td> <td>PTD.</td> <td>-</td> <td>398</td> <td>3\"/> <tr> <td>3992</td> <td>A</td> <td>3\"/> <tr> <td>3993</td> <td>ETR</td> <td>-</td> <td>WD.</td> <td>J2</td> <td>PTD.</td> <td>-</td> <td>399</td> <td>3\"/> <tr> <td>3994</td> <td>ETR</td> <td>-</td> <td>WD.</td> <td>J2</td> <td>PTD.</td> <td>-</td> <td>3991</td> <td>3\"/> <tr> <td>3995</td> <td>ETR</td> <td>-</td> <td>WD.</td> <td>J2</td> <td>PTD.</td> <td>-</td> <td>3992</td> <td>3\"/> <tr> <td>3997</td> <td>ETR</td> <td>-</td> <td>WD.</td> <td>J2</td> <td>PTD.</td> <td>-</td> <td>3993</td> <td>3\"/> <tr> <td>3998</td> <td>ETR</td> <td>-</td> <td>WD.</td> <td>J2</td> <td>PTD.</td> <td>-</td> <td>3994</td> <td>3\"/> <tr> <td>3999</td> <td>ETR</td> <td>-</td> <td>WD.</td> <td>J2</td> <td>PTD.</td> <td>-</td> <td>3995</td> <td>3\"/> <tr> <td>3999</td> <td>ETR</td> <td>-</td> <td>WD.</td> <td>J2</td> <td>PTD.</td> <td>-</td> <td>3997</td> <td>3\"/> </td></tr></td></tr></td></tr></td></tr></td></tr></td></tr></td></tr></td></tr></td></tr></td></tr></td></tr></td></tr></td></tr></td></tr></td></tr></td></tr></td></tr></td></tr></td></tr></td></tr></td></tr></td></tr></td></td></tr> | 382A | D | 6 <td>ALUM.</td> <td>ANODIZE D</td> <td>-</td> <td>-</td> <td>380B</td> <td>3\"/> <tr> <td>385</td> <td>ETR</td> <td>-</td> <td>WD.</td> <td>J2</td> <td>PTD.</td> <td>-</td> <td>382</td> <td>3\"/> <tr> <td>386</td> <td>ETR</td> <td>-</td> <td>WD.</td> <td>J2</td> <td>PTD.</td> <td>-</td> <td>382A</td> <td>3\"/> <tr> <td>387</td> <td>ETR</td> <td>-</td> <td>WD.</td> <td>J2</td> <td>PTD.</td> <td>-</td> <td>385</td> <td>3\"/> <tr> <td>388</td> <td>ETR</td> <td>-</td> <td>WD.</td> <td>J2</td> <td>PTD.</td> <td>-</td> <td>386</td> <td>3\"/> <tr> <td>389</td> <td>ETR</td> <td>-</td> <td>WD.</td> <td>J2</td> <td>PTD.</td> <td>-</td> <td>387</td> <td>3\"/> <tr> <td>391</td> <td>ETR</td> <td>-</td> <td>WD.</td> <td>J2</td> <td>PTD.</td> <td>-</td> <td>388</td> <td>3\"/> <tr> <td>391A</td> <td>ETR</td> <td>-</td> <td>WD.</td> <td>J2</td> <td>PTD.</td> <td>-</td> <td>389</td> <td>3\"/> <tr> <td>391B</td> <td>ETR</td> <td>-</td> <td>WD.</td> <td>J2</td> <td>PTD.</td> <td>-</td> <td>391</td> <td>3\"/> <tr> <td>394</td> <td>ETR</td> <td>-</td> <td>WD.</td> <td>J2</td> <td>PTD.</td> <td>-</td> <td>391A</td> <td>3\"/> <tr> <td>395</td> <td>ETR</td> <td>-</td> <td>WD.</td> <td>J2</td> <td>PTD.</td> <td>-</td> <td>391B</td> <td>3\"/> <tr> <td>396</td> <td>ETR</td> <td>-</td> <td>WD.</td> <td>J2</td> <td>PTD.</td> <td>-</td> <td>394</td> <td>3\"/> <tr> <td>398</td> <td>ETR</td> <td>-</td> <td>WD.</td> <td>J2</td> <td>PTD.</td> <td>-</td> <td>395</td> <td>3\"/> <tr> <td>399</td> <td>ETR</td> <td>-</td> <td>WD.</td> <td>J2</td> <td>PTD.</td> <td>-</td> <td>396</td> <td>3\"/> <tr> <td>3991</td> <td>ETR</td> <td>-</td> <td>WD.</td> <td>J2</td> <td>PTD.</td> <td>-</td> <td>398</td> <td>3\"/> <tr> <td>3992</td> <td>A</td> <td>3\"/> <tr> <td>3993</td> <td>ETR</td> <td>-</td> <td>WD.</td> <td>J2</td> <td>PTD.</td> <td>-</td> <td>399</td> <td>3\"/> <tr> <td>3994</td> <td>ETR</td> <td>-</td> <td>WD.</td> <td>J2</td> <td>PTD.</td> <td>-</td> <td>3991</td> <td>3\"/> <tr> <td>3995</td> <td>ETR</td> <td>-</td> <td>WD.</td> <td>J2</td> <td>PTD.</td> <td>-</td> <td>3992</td> <td>3\"/> <tr> <td>3997</td> <td>ETR</td> <td>-</td> <td>WD.</td> <td>J2</td> <td>PTD.</td> <td>-</td> <td>3993</td> <td>3\"/> <tr> <td>3998</td> <td>ETR</td> <td>-</td> <td>WD.</td> <td>J2</td> <td>PTD.</td> <td>-</td> <td>3994</td> <td>3\"/> <tr> <td>3999</td> <td>ETR</td> <td>-</td> <td>WD.</td> <td>J2</td> <td>PTD.</td> <td>-</td> <td>3995</td> <td>3\"/> <tr> <td>3999</td> <td>ETR</td> <td>-</td> <td>WD.</td> <td>J2</td> <td>PTD.</td> <td>-</td> <td>3997</td> <td>3\"/> </td></tr></td></tr></td></tr></td></tr></td></tr></td></tr></td></tr></td></tr></td></tr></td></tr></td></tr></td></tr></td></tr></td></tr></td></tr></td></tr></td></tr></td></tr></td></tr></td></tr></td></tr></td></tr></td> | ALUM. | ANODIZE D | -
 | - | 380B | 3\"/> <tr> <td>385</td> <td>ETR</td> <td>-</td> <td>WD.</td> <td>J2</td> <td>PTD.</td> <td>-</td> <td>382</td> <td>3\"/> <tr> <td>386</td> <td>ETR</td> <td>-</td> <td>WD.</td> <td>J2</td> <td>PTD.</td> <td>-</td> <td>382A</td> <td>3\"/> <tr> <td>387</td> <td>ETR</td> <td>-</td> <td>WD.</td> <td>J2</td> <td>PTD.</td> <td>-</td> <td>385</td> <td>3\"/> <tr> <td>388</td> <td>ETR</td> <td>-</td> <td>WD.</td> <td>J2</td> <td>PTD.</td> <td>-</td> <td>386</td> <td>3\"/> <tr> <td>389</td> <td>ETR</td> <td>-</td> <td>WD.</td> <td>J2</td> <td>PTD.</td> <td>-</td> <td>387</td> <td>3\"/> <tr> <td>391</td> <td>ETR</td> <td>-</td> <td>WD.</td> <td>J2</td> <td>PTD.</td> <td>-</td> <td>388</td> <td>3\"/> <tr> <td>391A</td> <td>ETR</td> <td>-</td> <td>WD.</td> <td>J2</td> <td>PTD.</td> <td>-</td> <td>389</td> <td>3\"/> <tr> <td>391B</td> <td>ETR</td> <td>-</td> <td>WD.</td> <td>J2</td> <td>PTD.</td> <td>-</td> <td>391</td> <td>3\"/> <tr> <td>394</td> <td>ETR</td> <td>-</td> <td>WD.</td> <td>J2</td> <td>PTD.</td> <td>-</td> <td>391A</td> <td>3\"/> <tr> <td>395</td> <td>ETR</td> <td>-</td> <td>WD.</td> <td>J2</td> <td>PTD.</td> <td>-</td> <td>391B</td> <td>3\"/> <tr> <td>396</td> <td>ETR</td> <td>-</td> <td>WD.</td> <td>J2</td> <td>PTD.</td> <td>-</td> <td>394</td> <td>3\"/> <tr> <td>398</td> <td>ETR</td> <td>-</td> <td>WD.</td> <td>J2</td> <td>PTD.</td> <td>-</td> <td>395</td> <td>3\"/> <tr> <td>399</td> <td>ETR</td> <td>-</td> <td>WD.</td> <td>J2</td> <td>PTD.</td> <td>-</td> <td>396</td> <td>3\"/> <tr> <td>3991</td> <td>ETR</td> <td>-</td> <td>WD.</td> <td>J2</td> <td>PTD.</td> <td>-</td> <td>398</td> <td>3\"/> <tr> <td>3992</td> <td>A</td> <td>3\"/> <tr> <td>3993</td> <td>ETR</td> <td>-</td> <td>WD.</td> <td>J2</td> <td>PTD.</td> <td>-</td> <td>399</td> <td>3\"/> <tr> <td>3994</td> <td>ETR</td> <td>-</td> <td>WD.</td> <td>J2</td> <td>PTD.</td> <td>-</td> <td>3991</td> <td>3\"/> <tr> <td>3995</td> <td>ETR</td> <td>-</td> <td>WD.</td> <td>J2</td> <td>PTD.</td> <td>-</td> <td>3992</td> <td>3\"/> <tr> <td>3997</td> <td>ETR</td> <td>-</td> <td>WD.</td> <td>J2</td> <td>PTD.</td> <td>-</td> <td>3993</td> <td>3\"/> <tr> <td>3998</td> <td>ETR</td> <td>-</td> <td>WD.</td> <td>J2</td> <td>PTD.</td> <td>-</td> <td>3994</td> <td>3\"/> <tr> <td>3999</td> <td>ETR</td> <td>-</td> <td>WD.</td> <td>J2</td> <td>PTD.</td> <td>-</td> <td>3995</td> <td>3\"/> <tr> <td>3999</td> <td>ETR</td> <td>-</td> <td>WD.</td> <td>J2</td> <td>PTD.</td> <td>-</td> <td>3997</td> <td>3\"/> </td></tr></td></tr></td></tr></td></tr></td></tr></td></tr></td></tr></td></tr></td></tr></td></tr></td></tr></td></tr></td></tr></td></tr></td></tr></td></tr></td></tr></td></tr></td></tr></td></tr></td></tr></td></tr> | 385 | ETR | -
 | WD. | J2 | PTD. | - | 382 | 3\"/> <tr> <td>386</td> <td>ETR</td> <td>-</td> <td>WD.</td> <td>J2</td> <td>PTD.</td> <td>-</td> <td>382A</td> <td>3\"/> <tr> <td>387</td> <td>ETR</td> <td>-</td> <td>WD.</td> <td>J2</td> <td>PTD.</td> <td>-</td> <td>385</td> <td>3\"/> <tr> <td>388</td> <td>ETR</td> <td>-</td> <td>WD.</td> <td>J2</td> <td>PTD.</td> <td>-</td> <td>386</td> <td>3\"/> <tr> <td>389</td> <td>ETR</td> <td>-</td> <td>WD.</td> <td>J2</td> <td>PTD.</td> <td>-</td> <td>387</td> <td>3\"/> <tr> <td>391</td> <td>ETR</td> <td>-</td> <td>WD.</td> <td>J2</td> <td>PTD.</td> <td>-</td> <td>388</td> <td>3\"/> <tr> <td>391A</td> <td>ETR</td> <td>-</td> <td>WD.</td> <td>J2</td> <td>PTD.</td> <td>-</td> <td>389</td> <td>3\"/> <tr> <td>391B</td> <td>ETR</td> <td>-</td> <td>WD.</td> <td>J2</td> <td>PTD.</td> <td>-</td> <td>391</td> <td>3\"/> <tr> <td>394</td> <td>ETR</td> <td>-</td> <td>WD.</td> <td>J2</td> <td>PTD.</td> <td>-</td> <td>391A</td> <td>3\"/> <tr> <td>395</td> <td>ETR</td> <td>-</td> <td>WD.</td> <td>J2</td> <td>PTD.</td> <td>-</td> <td>391B</td> <td>3\"/> <tr> <td>396</td> <td>ETR</td> <td>-</td> <td>WD.</td> <td>J2</td> <td>PTD.</td> <td>-</td> <td>394</td> <td>3\"/> <tr> <td>398</td> <td>ETR</td> <td>-</td> <td>WD.</td> <td>J2</td> <td>PTD.</td> <td>-</td> <td>395</td> <td>3\"/> <tr> <td>399</td> <td>ETR</td> <td>-</td> <td>WD.</td> <td>J2</td> <td>PTD.</td> <td>-</td> <td>396</td> <td>3\"/> <tr> <td>3991</td> <td>ETR</td> <td>-</td> <td>WD.</td> <td>J2</td> <td>PTD.</td> <td>-</td> <td>398</td> <td>3\"/> <tr> <td>3992</td> <td>A</td> <td>3\"/> <tr> <td>3993</td> <td>ETR</td> <td>-</td> <td>WD.</td> <td>J2</td> <td>PTD.</td> <td>-</td> <td>399</td> <td>3\"/> <tr> <td>3994</td> <td>ETR</td> <td>-</td> <td>WD.</td> <td>J2</td> <td>PTD.</td> <td>-</td> <td>3991</td> <td>3\"/> <tr> <td>3995</td> <td>ETR</td> <td>-</td> <td>WD.</td> <td>J2</td> <td>PTD.</td> <td>-</td> <td>3992</td> <td>3\"/> <tr> <td>3997</td> <td>ETR</td> <td>-</td> <td>WD.</td> <td>J2</td> <td>PTD.</td> <td>-</td> <td>3993</td> <td>3\"/> <tr> <td>3998</td> <td>ETR</td> <td>-</td> <td>WD.</td> <td>J2</td> <td>PTD.</td> <td>-</td> <td>3994</td> <td>3\"/> <tr> <td>3999</td> <td>ETR</td> <td>-</td> <td>WD.</td> <td>J2</td> <td>PTD.</td> <td>-</td> <td>3995</td> <td>3\"/> <tr> <td>3999</td> <td>ETR</td> <td>-</td> <td>WD.</td> <td>J2</td> <td>PTD.</td> <td>-</td> <td>3997</td> <td>3\"/> </td></tr></td></tr></td></tr></td></tr></td></tr></td></tr></td></tr></td></tr></td></tr></td></tr></td></tr></td></tr></td></tr></td></tr></td></tr></td></tr></td></tr></td></tr></td></tr></td></tr></td></tr> | 386 | ETR | -
 | WD. | J2 | PTD. | - | 382A | 3\"/> <tr> <td>387</td> <td>ETR</td> <td>-</td> <td>WD.</td> <td>J2</td> <td>PTD.</td> <td>-</td> <td>385</td> <td>3\"/> <tr> <td>388</td> <td>ETR</td> <td>-</td> <td>WD.</td> <td>J2</td> <td>PTD.</td> <td>-</td> <td>386</td> <td>3\"/> <tr> <td>389</td> <td>ETR</td> <td>-</td> <td>WD.</td> <td>J2</td> <td>PTD.</td> <td>-</td> <td>387</td> <td>3\"/> <tr> <td>391</td> <td>ETR</td> <td>-</td> <td>WD.</td> <td>J2</td> <td>PTD.</td> <td>-</td> <td>388</td> <td>3\"/> <tr> <td>391A</td> <td>ETR</td> <td>-</td> <td>WD.</td> <td>J2</td> <td>PTD.</td> <td>-</td> <td>389</td> <td>3\"/> <tr> <td>391B</td> <td>ETR</td> <td>-</td> <td>WD.</td> <td>J2</td> <td>PTD.</td> <td>-</td> <td>391</td> <td>3\"/> <tr> <td>394</td> <td>ETR</td> <td>-</td> <td>WD.</td> <td>J2</td> <td>PTD.</td> <td>-</td> <td>391A</td> <td>3\"/> <tr> <td>395</td> <td>ETR</td> <td>-</td> <td>WD.</td> <td>J2</td> <td>PTD.</td> <td>-</td> <td>391B</td> <td>3\"/> <tr> <td>396</td> <td>ETR</td> <td>-</td> <td>WD.</td> <td>J2</td> <td>PTD.</td> <td>-</td> <td>394</td> <td>3\"/> <tr> <td>398</td> <td>ETR</td> <td>-</td> <td>WD.</td> <td>J2</td> <td>PTD.</td> <td>-</td> <td>395</td> <td>3\"/> <tr> <td>399</td> <td>ETR</td> <td>-</td> <td>WD.</td> <td>J2</td> <td>PTD.</td> <td>-</td> <td>396</td> <td>3\"/> <tr> <td>3991</td> <td>ETR</td> <td>-</td> <td>WD.</td> <td>J2</td> <td>PTD.</td> <td>-</td> <td>398</td> <td>3\"/> <tr> <td>3992</td> <td>A</td> <td>3\"/> <tr> <td>3993</td> <td>ETR</td> <td>-</td> <td>WD.</td> <td>J2</td> <td>PTD.</td> <td>-</td> <td>399</td> <td>3\"/> <tr> <td>3994</td> <td>ETR</td> <td>-</td> <td>WD.</td> <td>J2</td> <td>PTD.</td> <td>-</td> <td>3991</td> <td>3\"/> <tr> <td>3995</td> <td>ETR</td> <td>-</td> <td>WD.</td> <td>J2</td> <td>PTD.</td> <td>-</td> <td>3992</td> <td>3\"/> <tr> <td>3997</td> <td>ETR</td> <td>-</td> <td>WD.</td> <td>J2</td> <td>PTD.</td> <td>-</td> <td>3993</td> <td>3\"/> <tr> <td>3998</td> <td>ETR</td> <td>-</td> <td>WD.</td> <td>J2</td> <td>PTD.</td> <td>-</td> <td>3994</td> <td>3\"/> <tr> <td>3999</td> <td>ETR</td> <td>-</td> <td>WD.</td> <td>J2</td> <td>PTD.</td> <td>-</td> <td>3995</td> <td>3\"/> <tr> <td>3999</td> <td>ETR</td> <td>-</td> <td>WD.</td> <td>J2</td> <td>PTD.</td> <td>-</td> <td>3997</td> <td>3\"/> </td></tr></td></tr></td></tr></td></tr></td></tr></td></tr></td></tr></td></tr></td></tr></td></tr></td></tr></td></tr></td></tr></td></tr></td></tr></td></tr></td></tr></td></tr></td></tr></td></tr> | 387 | ETR | - | WD. | J2 | PTD. | - | 385 | 3\"/> <tr> <td>388</td> <td>ETR</td> <td>-</td> <td>WD.</td> <td>J2</td> <td>PTD.</td> <td>-</td> <td>386</td> <td>3\"/> <tr> <td>389</td> <td>ETR</td> <td>-</td> <td>WD.</td> <td>J2</td> <td>PTD.</td> <td>-</td> <td>387</td> <td>3\"/> <tr> <td>391</td> <td>ETR</td> <td>-</td> <td>WD.</td> <td>J2</td> <td>PTD.</td> <td>-</td> <td>388</td> <td>3\"/> <tr> <td>391A</td> <td>ETR</td> <td>-</td> <td>WD.</td> <td>J2</td> <td>PTD.</td> <td>-</td> <td>389</td> <td>3\"/> <tr> <td>391B</td> <td>ETR</td> <td>-</td> <td>WD.</td> <td>J2</td> <td>PTD.</td> <td>-</td> <td>391</td> <td>3\"/> <tr> <td>394</td> <td>ETR</td> <td>-</td> <td>WD.</td> <td>J2</td> <td>PTD.</td> <td>-</td> <td>391A</td> <td>3\"/> <tr> <td>395</td> <td>ETR</td> <td>-</td> <td>WD.</td> <td>J2</td> <td>PTD.</td> <td>-</td> <td>391B</td>
<td>3\"/> <tr> <td>396</td> <td>ETR</td> <td>-</td> <td>WD.</td> <td>J2</td> <td>PTD.</td> <td>-</td> <td>394</td> <td>3\"/> <tr> <td>398</td> <td>ETR</td> <td>-</td> <td>WD.</td> <td>J2</td> <td>PTD.</td> <td>-</td> <td>395</td> <td>3\"/> <tr> <td>399</td> <td>ETR</td> <td>-</td> <td>WD.</td> <td>J2</td> <td>PTD.</td> <td>-</td> <td>396</td> <td>3\"/> <tr> <td>3991</td> <td>ETR</td> <td>-</td> <td>WD.</td> <td>J2</td> <td>PTD.</td> <td>-</td> <td>398</td> <td>3\"/> <tr> <td>3992</td> <td>A</td> <td>3\"/> <tr> <td>3993</td> <td>ETR</td> <td>-</td> <td>WD.</td> <td>J2</td> <td>PTD.</td> <td>-</td> <td>399</td> <td>3\"/> <tr> <td>3994</td> <td>ETR</td> <td>-</td> <td>WD.</td> <td>J2</td> <td>PTD.</td> <td>-</td> <td>3991</td> <td>3\"/> <tr> <td>3995</td> <td>ETR</td> <td>-</td> <td>WD.</td> <td>J2</td> <td>PTD.</td> <td>-</td> <td>3992</td> <td>3\"/> <tr> <td>3997</td> <td>ETR</td> <td>-</td> <td>WD.</td> <td>J2</td> <td>PTD.</td> <td>-</td> <td>3993</td> <td>3\"/> <tr> <td>3998</td> <td>ETR</td> <td>-</td> <td>WD.</td> <td>J2</td> <td>PTD.</td> <td>-</td> <td>3994</td> <td>3\"/> <tr> <td>3999</td> <td>ETR</td> <td>-</td> <td>WD.</td> <td>J2</td> <td>PTD.</td> <td>-</td> <td>3995</td> <td>3\"/> <tr> <td>3999</td> <td>ETR</td> <td>-</td> <td>WD.</td> <td>J2</td> <td>PTD.</td> <td>-</td> <td>3997</td> <td>3\"/> </td></tr></td></tr></td></tr></td></tr></td></tr></td></tr></td></tr></td></tr></td></tr></td></tr></td></tr></td></tr></td></tr></td></tr></td></tr></td></tr></td></tr></td></tr></td></tr> | 388 | ETR | - | WD. | J2 | PTD.
 | - | 386 | 3\"/> <tr> <td>389</td> <td>ETR</td> <td>-</td> <td>WD.</td> <td>J2</td> <td>PTD.</td> <td>-</td> <td>387</td> <td>3\"/> <tr> <td>391</td> <td>ETR</td> <td>-</td> <td>WD.</td> <td>J2</td> <td>PTD.</td> <td>-</td> <td>388</td> <td>3\"/> <tr> <td>391A</td> <td>ETR</td> <td>-</td> <td>WD.</td> <td>J2</td> <td>PTD.</td> <td>-</td> <td>389</td> <td>3\"/> <tr> <td>391B</td> <td>ETR</td> <td>-</td> <td>WD.</td> <td>J2</td> <td>PTD.</td> <td>-</td> <td>391</td> <td>3\"/> <tr> <td>394</td> <td>ETR</td> <td>-</td> <td>WD.</td> <td>J2</td> <td>PTD.</td> <td>-</td> <td>391A</td> <td>3\"/> <tr> <td>395</td> <td>ETR</td> <td>-</td> <td>WD.</td> <td>J2</td> <td>PTD.</td> <td>-</td> <td>391B</td> <td>3\"/> <tr> <td>396</td> <td>ETR</td> <td>-</td> <td>WD.</td> <td>J2</td> <td>PTD.</td> <td>-</td> <td>394</td> <td>3\"/> <tr> <td>398</td> <td>ETR</td> <td>-</td> <td>WD.</td> <td>J2</td> <td>PTD.</td> <td>-</td> <td>395</td> <td>3\"/> <tr> <td>399</td> <td>ETR</td> <td>-</td> <td>WD.</td> <td>J2</td> <td>PTD.</td> <td>-</td> <td>396</td> <td>3\"/> <tr> <td>3991</td> <td>ETR</td> <td>-</td> <td>WD.</td> <td>J2</td> <td>PTD.</td> <td>-</td> <td>398</td> <td>3\"/> <tr> <td>3992</td> <td>A</td> <td>3\"/> <tr> <td>3993</td> <td>ETR</td> <td>-</td> <td>WD.</td> <td>J2</td> <td>PTD.</td> <td>-</td> <td>399</td> <td>3\"/> <tr> <td>3994</td> <td>ETR</td> <td>-</td> <td>WD.</td> <td>J2</td> <td>PTD.</td> <td>-</td> <td>3991</td> <td>3\"/> <tr> <td>3995</td> <td>ETR</td> <td>-</td> <td>WD.</td> <td>J2</td> <td>PTD.</td> <td>-</td> <td>3992</td> <td>3\"/> <tr> <td>3997</td> <td>ETR</td> <td>-</td> <td>WD.</td> <td>J2</td> <td>PTD.</td> <td>-</td> <td>3993</td> <td>3\"/> <tr> <td>3998</td> <td>ETR</td> <td>-</td> <td>WD.</td> <td>J2</td> <td>PTD.</td> <td>-</td> <td>3994</td> <td>3\"/> <tr> <td>3999</td> <td>ETR</td> <td>-</td> <td>WD.</td> <td>J2</td> <td>PTD.</td> <td>-</td> <td>3995</td> <td>3\"/> <tr> <td>3999</td> <td>ETR</td> <td>-</td> <td>WD.</td> <td>J2</td> <td>PTD.</td> <td>-</td> <td>3997</td> <td>3\"/> </td></tr></td></tr></td></tr></td></tr></td></tr></td></tr></td></tr></td></tr></td></tr></td></tr></td></tr></td></tr></td></tr></td></tr></td></tr></td></tr></td></tr></td></tr> | 389 | ETR | - | WD. | J2 | PTD.
 | - | 387 | 3\"/> <tr> <td>391</td> <td>ETR</td> <td>-</td> <td>WD.</td> <td>J2</td> <td>PTD.</td> <td>-</td> <td>388</td> <td>3\"/> <tr> <td>391A</td> <td>ETR</td> <td>-</td> <td>WD.</td> <td>J2</td> <td>PTD.</td> <td>-</td> <td>389</td> <td>3\"/> <tr> <td>391B</td> <td>ETR</td> <td>-</td> <td>WD.</td> <td>J2</td> <td>PTD.</td> <td>-</td> <td>391</td> <td>3\"/> <tr> <td>394</td> <td>ETR</td> <td>-</td> <td>WD.</td> <td>J2</td> <td>PTD.</td> <td>-</td> <td>391A</td> <td>3\"/> <tr> <td>395</td> <td>ETR</td> <td>-</td> <td>WD.</td> <td>J2</td> <td>PTD.</td> <td>-</td> <td>391B</td> <td>3\"/> <tr> <td>396</td> <td>ETR</td> <td>-</td> <td>WD.</td> <td>J2</td> <td>PTD.</td> <td>-</td> <td>394</td> <td>3\"/> <tr> <td>398</td> <td>ETR</td> <td>-</td> <td>WD.</td> <td>J2</td> <td>PTD.</td> <td>-</td> <td>395</td> <td>3\"/> <tr> <td>399</td> <td>ETR</td> <td>-</td> <td>WD.</td> <td>J2</td> <td>PTD.</td> <td>-</td> <td>396</td> <td>3\"/> <tr> <td>3991</td> <td>ETR</td> <td>-</td> <td>WD.</td> <td>J2</td> <td>PTD.</td> <td>-</td> <td>398</td> <td>3\"/> <tr> <td>3992</td> <td>A</td> <td>3\"/> <tr> <td>3993</td> <td>ETR</td> <td>-</td> <td>WD.</td> <td>J2</td> <td>PTD.</td> <td>-</td> <td>399</td> <td>3\"/> <tr> <td>3994</td> <td>ETR</td> <td>-</td> <td>WD.</td> <td>J2</td> <td>PTD.</td> <td>-</td> <td>3991</td> <td>3\"/> <tr> <td>3995</td> <td>ETR</td> <td>-</td> <td>WD.</td> <td>J2</td> <td>PTD.</td> <td>-</td> <td>3992</td> <td>3\"/> <tr> <td>3997</td> <td>ETR</td> <td>-</td> <td>WD.</td> <td>J2</td> <td>PTD.</td> <td>-</td> <td>3993</td> <td>3\"/> <tr> <td>3998</td> <td>ETR</td> <td>-</td> <td>WD.</td> <td>J2</td> <td>PTD.</td> <td>-</td> <td>3994</td> <td>3\"/> <tr> <td>3999</td> <td>ETR</td> <td>-</td> <td>WD.</td> <td>J2</td> <td>PTD.</td> <td>-</td> <td>3995</td> <td>3\"/> <tr> <td>3999</td> <td>ETR</td> <td>-</td> <td>WD.</td> <td>J2</td> <td>PTD.</td> <td>-</td> <td>3997</td> <td>3\"/> </td></tr></td></tr></td></tr></td></tr></td></tr></td></tr></td></tr></td></tr></td></tr></td></tr></td></tr></td></tr></td></tr></td></tr></td></tr></td></tr></td></tr> | 391 | ETR | -
 | WD. | J2 | PTD. | - | 388 | 3\"/> <tr> <td>391A</td> <td>ETR</td> <td>-</td> <td>WD.</td> <td>J2</td> <td>PTD.</td> <td>-</td> <td>389</td> <td>3\"/> <tr> <td>391B</td> <td>ETR</td> <td>-</td> <td>WD.</td> <td>J2</td> <td>PTD.</td> <td>-</td> <td>391</td> <td>3\"/> <tr> <td>394</td> <td>ETR</td> <td>-</td> <td>WD.</td> <td>J2</td> <td>PTD.</td> <td>-</td> <td>391A</td> <td>3\"/> <tr> <td>395</td> <td>ETR</td> <td>-</td> <td>WD.</td> <td>J2</td> <td>PTD.</td> <td>-</td> <td>391B</td> <td>3\"/> <tr> <td>396</td> <td>ETR</td> <td>-</td> <td>WD.</td> <td>J2</td> <td>PTD.</td> <td>-</td> <td>394</td> <td>3\"/> <tr> <td>398</td> <td>ETR</td> <td>-</td> <td>WD.</td> <td>J2</td> <td>PTD.</td> <td>-</td> <td>395</td> <td>3\"/> <tr> <td>399</td> <td>ETR</td> <td>-</td> <td>WD.</td> <td>J2</td> <td>PTD.</td> <td>-</td> <td>396</td> <td>3\"/> <tr> <td>3991</td> <td>ETR</td> <td>-</td> <td>WD.</td> <td>J2</td> <td>PTD.</td> <td>-</td> <td>398</td> <td>3\"/> <tr> <td>3992</td> <td>A</td> <td>3\"/> <tr> <td>3993</td> <td>ETR</td> <td>-</td> <td>WD.</td> <td>J2</td> <td>PTD.</td> <td>-</td> <td>399</td> <td>3\"/> <tr> <td>3994</td> <td>ETR</td> <td>-</td> <td>WD.</td> <td>J2</td> <td>PTD.</td> <td>-</td> <td>3991</td> <td>3\"/> <tr> <td>3995</td> <td>ETR</td> <td>-</td> <td>WD.</td> <td>J2</td> <td>PTD.</td> <td>-</td> <td>3992</td> <td>3\"/> <tr> <td>3997</td> <td>ETR</td> <td>-</td> <td>WD.</td> <td>J2</td> <td>PTD.</td> <td>-</td> <td>3993</td> <td>3\"/> <tr> <td>3998</td> <td>ETR</td> <td>-</td> <td>WD.</td> <td>J2</td> <td>PTD.</td> <td>-</td> <td>3994</td> <td>3\"/> <tr> <td>3999</td> <td>ETR</td> <td>-</td> <td>WD.</td> <td>J2</td> <td>PTD.</td> <td>-</td> <td>3995</td> <td>3\"/> <tr> <td>3999</td> <td>ETR</td> <td>-</td> <td>WD.</td> <td>J2</td> <td>PTD.</td> <td>-</td> <td>3997</td> <td>3\"/> </td></tr></td></tr></td></tr></td></tr></td></tr></td></tr></td></tr></td></tr></td></tr></td></tr></td></tr></td></tr></td></tr></td></tr></td></tr></td></tr> | 391A | ETR | -
 | WD. | J2 | PTD. | - | 389 | 3\"/> <tr> <td>391B</td> <td>ETR</td> <td>-</td> <td>WD.</td> <td>J2</td> <td>PTD.</td> <td>-</td> <td>391</td> <td>3\"/> <tr> <td>394</td> <td>ETR</td> <td>-</td> <td>WD.</td> <td>J2</td> <td>PTD.</td> <td>-</td> <td>391A</td> <td>3\"/> <tr> <td>395</td> <td>ETR</td> <td>-</td> <td>WD.</td> <td>J2</td> <td>PTD.</td> <td>-</td> <td>391B</td> <td>3\"/> <tr> <td>396</td> <td>ETR</td> <td>-</td> <td>WD.</td> <td>J2</td> <td>PTD.</td> <td>-</td> <td>394</td> <td>3\"/> <tr> <td>398</td> <td>ETR</td> <td>-</td> <td>WD.</td> <td>J2</td> <td>PTD.</td> <td>-</td> <td>395</td> <td>3\"/> <tr> <td>399</td> <td>ETR</td> <td>-</td> <td>WD.</td> <td>J2</td> <td>PTD.</td> <td>-</td> <td>396</td> <td>3\"/> <tr> <td>3991</td> <td>ETR</td> <td>-</td> <td>WD.</td> <td>J2</td> <td>PTD.</td> <td>-</td> <td>398</td> <td>3\"/> <tr> <td>3992</td> <td>A</td> <td>3\"/> <tr> <td>3993</td> <td>ETR</td> <td>-</td> <td>WD.</td> <td>J2</td> <td>PTD.</td> <td>-</td> <td>399</td> <td>3\"/> <tr> <td>3994</td> <td>ETR</td> <td>-</td> <td>WD.</td> <td>J2</td> <td>PTD.</td> <td>-</td> <td>3991</td> <td>3\"/> <tr> <td>3995</td> <td>ETR</td> <td>-</td> <td>WD.</td> <td>J2</td> <td>PTD.</td> <td>-</td> <td>3992</td> <td>3\"/> <tr> <td>3997</td> <td>ETR</td> <td>-</td> <td>WD.</td> <td>J2</td> <td>PTD.</td> <td>-</td> <td>3993</td> <td>3\"/> <tr> <td>3998</td> <td>ETR</td> <td>-</td> <td>WD.</td> <td>J2</td> <td>PTD.</td> <td>-</td> <td>3994</td> <td>3\"/> <tr> <td>3999</td> <td>ETR</td> <td>-</td> <td>WD.</td> <td>J2</td> <td>PTD.</td> <td>-</td> <td>3995</td> <td>3\"/> <tr> <td>3999</td> <td>ETR</td> <td>-</td> <td>WD.</td> <td>J2</td> <td>PTD.</td> <td>-</td> <td>3997</td> <td>3\"/> </td></tr></td></tr></td></tr></td></tr></td></tr></td></tr></td></tr></td></tr></td></tr></td></tr></td></tr></td></tr></td></tr></td></tr></td></tr> | 391B | ETR | -
 | WD. | J2 | PTD. | - | 391 | 3\"/> <tr> <td>394</td> <td>ETR</td> <td>-</td> <td>WD.</td> <td>J2</td> <td>PTD.</td> <td>-</td> <td>391A</td> <td>3\"/> <tr> <td>395</td> <td>ETR</td> <td>-</td> <td>WD.</td> <td>J2</td> <td>PTD.</td> <td>-</td> <td>391B</td> <td>3\"/> <tr> <td>396</td> <td>ETR</td> <td>-</td> <td>WD.</td> <td>J2</td> <td>PTD.</td> <td>-</td> <td>394</td> <td>3\"/> <tr> <td>398</td> <td>ETR</td> <td>-</td> <td>WD.</td> <td>J2</td> <td>PTD.</td> <td>-</td> <td>395</td> <td>3\"/> <tr> <td>399</td> <td>ETR</td> <td>-</td> <td>WD.</td> <td>J2</td> <td>PTD.</td> <td>-</td> <td>396</td> <td>3\"/> <tr> <td>3991</td> <td>ETR</td> <td>-</td> <td>WD.</td> <td>J2</td> <td>PTD.</td> <td>-</td> <td>398</td> <td>3\"/> <tr> <td>3992</td> <td>A</td> <td>3\"/> <tr> <td>3993</td> <td>ETR</td> <td>-</td> <td>WD.</td> <td>J2</td> <td>PTD.</td> <td>-</td> <td>399</td> <td>3\"/> <tr> <td>3994</td> <td>ETR</td> <td>-</td> <td>WD.</td> <td>J2</td> <td>PTD.</td> <td>-</td> <td>3991</td> <td>3\"/> <tr> <td>3995</td> <td>ETR</td> <td>-</td> <td>WD.</td> <td>J2</td> <td>PTD.</td> <td>-</td> <td>3992</td> <td>3\"/> <tr> <td>3997</td> <td>ETR</td> <td>-</td> <td>WD.</td> <td>J2</td> <td>PTD.</td> <td>-</td> <td>3993</td> <td>3\"/> <tr> <td>3998</td> <td>ETR</td> <td>-</td> <td>WD.</td> <td>J2</td> <td>PTD.</td> <td>-</td> <td>3994</td> <td>3\"/> <tr> <td>3999</td> <td>ETR</td> <td>-</td> <td>WD.</td> <td>J2</td> <td>PTD.</td> <td>-</td> <td>3995</td> <td>3\"/> <tr> <td>3999</td> <td>ETR</td> <td>-</td> <td>WD.</td> <td>J2</td> <td>PTD.</td> <td>-</td> <td>3997</td> <td>3\"/> </td></tr></td></tr></td></tr></td></tr></td></tr></td></tr></td></tr></td></tr></td></tr></td></tr></td></tr></td></tr></td></tr></td></tr> | 394 | ETR | -
 | WD. | J2 | PTD. | - | 391A | 3\"/> <tr> <td>395</td> <td>ETR</td> <td>-</td> <td>WD.</td> <td>J2</td> <td>PTD.</td> <td>-</td> <td>391B</td> <td>3\"/> <tr> <td>396</td> <td>ETR</td> <td>-</td> <td>WD.</td> <td>J2</td> <td>PTD.</td> <td>-</td> <td>394</td> <td>3\"/> <tr> <td>398</td> <td>ETR</td> <td>-</td> <td>WD.</td> <td>J2</td> <td>PTD.</td> <td>-</td> <td>395</td> <td>3\"/> <tr> <td>399</td> <td>ETR</td> <td>-</td> <td>WD.</td> <td>J2</td> <td>PTD.</td> <td>-</td> <td>396</td> <td>3\"/> <tr> <td>3991</td> <td>ETR</td> <td>-</td> <td>WD.</td> <td>J2</td> <td>PTD.</td> <td>-</td> <td>398</td> <td>3\"/> <tr> <td>3992</td> <td>A</td> <td>3\"/> <tr> <td>3993</td> <td>ETR</td> <td>-</td> <td>WD.</td> <td>J2</td> <td>PTD.</td> <td>-</td> <td>399</td> <td>3\"/> <tr> <td>3994</td> <td>ETR</td> <td>-</td> <td>WD.</td> <td>J2</td> <td>PTD.</td> <td>-</td> <td>3991</td> <td>3\"/> <tr> <td>3995</td> <td>ETR</td> <td>-</td> <td>WD.</td> <td>J2</td> <td>PTD.</td> <td>-</td> <td>3992</td> <td>3\"/> <tr> <td>3997</td> <td>ETR</td> <td>-</td> <td>WD.</td> <td>J2</td> <td>PTD.</td> <td>-</td> <td>3993</td> <td>3\"/> <tr> <td>3998</td> <td>ETR</td> <td>-</td> <td>WD.</td> <td>J2</td> <td>PTD.</td> <td>-</td> <td>3994</td> <td>3\"/> <tr> <td>3999</td> <td>ETR</td> <td>-</td> <td>WD.</td> <td>J2</td> <td>PTD.</td> <td>-</td> <td>3995</td> <td>3\"/> <tr> <td>3999</td> <td>ETR</td> <td>-</td> <td>WD.</td> <td>J2</td> <td>PTD.</td> <td>-</td> <td>3997</td> <td>3\"/> </td></tr></td></tr></td></tr></td></tr></td></tr></td></tr></td></tr></td></tr></td></tr></td></tr></td></tr></td></tr></td></tr>
 | 395 | ETR | - | WD. | J2 | PTD. | - | 391B | 3\"/> <tr> <td>396</td> <td>ETR</td> <td>-</td> <td>WD.</td> <td>J2</td> <td>PTD.</td> <td>-</td> <td>394</td> <td>3\"/> <tr> <td>398</td> <td>ETR</td> <td>-</td> <td>WD.</td> <td>J2</td> <td>PTD.</td> <td>-</td> <td>395</td> <td>3\"/> <tr> <td>399</td> <td>ETR</td> <td>-</td> <td>WD.</td> <td>J2</td> <td>PTD.</td> <td>-</td> <td>396</td> <td>3\"/> <tr> <td>3991</td> <td>ETR</td> <td>-</td> <td>WD.</td> <td>J2</td> <td>PTD.</td> <td>-</td> <td>398</td> <td>3\"/> <tr> <td>3992</td> <td>A</td> <td>3\"/> <tr> <td>3993</td> <td>ETR</td> <td>-</td> <td>WD.</td> <td>J2</td> <td>PTD.</td> <td>-</td> <td>399</td> <td>3\"/> <tr> <td>3994</td> <td>ETR</td> <td>-</td> <td>WD.</td> <td>J2</td> <td>PTD.</td> <td>-</td> <td>3991</td> <td>3\"/> <tr> <td>3995</td> <td>ETR</td> <td>-</td> <td>WD.</td> <td>J2</td> <td>PTD.</td> <td>-</td> <td>3992</td> <td>3\"/> <tr> <td>3997</td> <td>ETR</td> <td>-</td> <td>WD.</td> <td>J2</td> <td>PTD.</td> <td>-</td> <td>3993</td> <td>3\"/> <tr> <td>3998</td> <td>ETR</td> <td>-</td> <td>WD.</td> <td>J2</td> <td>PTD.</td> <td>-</td> <td>3994</td> <td>3\"/> <tr> <td>3999</td> <td>ETR</td> <td>-</td> <td>WD.</td> <td>J2</td> <td>PTD.</td> <td>-</td> <td>3995</td> <td>3\"/> <tr> <td>3999</td> <td>ETR</td> <td>-</td> <td>WD.</td> <td>J2</td> <td>PTD.</td> <td>-</td> <td>3997</td> <td>3\"/> </td></tr></td></tr></td></tr></td></tr></td></tr></td></tr></td></tr></td></tr></td></tr></td></tr></td></tr></td></tr> | 396 | ETR | -
 | WD. | J2 | PTD. | - | 394 | 3\"/> <tr> <td>398</td> <td>ETR</td> <td>-</td> <td>WD.</td> <td>J2</td> <td>PTD.</td> <td>-</td> <td>395</td> <td>3\"/> <tr> <td>399</td> <td>ETR</td> <td>-</td> <td>WD.</td> <td>J2</td> <td>PTD.</td> <td>-</td> <td>396</td> <td>3\"/> <tr> <td>3991</td> <td>ETR</td> <td>-</td> <td>WD.</td> <td>J2</td> <td>PTD.</td> <td>-</td> <td>398</td> <td>3\"/> <tr> <td>3992</td> <td>A</td> <td>3\"/> <tr> <td>3993</td> <td>ETR</td> <td>-</td> <td>WD.</td> <td>J2</td> <td>PTD.</td> <td>-</td> <td>399</td> <td>3\"/> <tr> <td>3994</td> <td>ETR</td> <td>-</td> <td>WD.</td> <td>J2</td> <td>PTD.</td> <td>-</td> <td>3991</td> <td>3\"/> <tr> <td>3995</td> <td>ETR</td> <td>-</td> <td>WD.</td> <td>J2</td> <td>PTD.</td> <td>-</td> <td>3992</td> <td>3\"/> <tr> <td>3997</td> <td>ETR</td> <td>-</td> <td>WD.</td> <td>J2</td> <td>PTD.</td> <td>-</td> <td>3993</td> <td>3\"/> <tr> <td>3998</td> <td>ETR</td> <td>-</td> <td>WD.</td> <td>J2</td> <td>PTD.</td> <td>-</td> <td>3994</td> <td>3\"/> <tr> <td>3999</td> <td>ETR</td> <td>-</td> <td>WD.</td> <td>J2</td> <td>PTD.</td> <td>-</td> <td>3995</td> <td>3\"/> <tr> <td>3999</td> <td>ETR</td> <td>-</td> <td>WD.</td> <td>J2</td> <td>PTD.</td> <td>-</td> <td>3997</td> <td>3\"/> </td></tr></td></tr></td></tr></td></tr></td></tr></td></tr></td></tr></td></tr></td></tr></td></tr></td></tr> | 398 | ETR | -
 | WD. | J2 | PTD. | - | 395 | 3\"/> <tr> <td>399</td> <td>ETR</td> <td>-</td> <td>WD.</td> <td>J2</td> <td>PTD.</td> <td>-</td> <td>396</td> <td>3\"/> <tr> <td>3991</td> <td>ETR</td> <td>-</td> <td>WD.</td> <td>J2</td> <td>PTD.</td> <td>-</td> <td>398</td> <td>3\"/> <tr> <td>3992</td> <td>A</td> <td>3\"/> <tr> <td>3993</td> <td>ETR</td> <td>-</td> <td>WD.</td> <td>J2</td> <td>PTD.</td> <td>-</td> <td>399</td> <td>3\"/> <tr> <td>3994</td> <td>ETR</td> <td>-</td> <td>WD.</td> <td>J2</td> <td>PTD.</td> <td>-</td> <td>3991</td> <td>3\"/> <tr> <td>3995</td> <td>ETR</td> <td>-</td> <td>WD.</td> <td>J2</td> <td>PTD.</td> <td>-</td> <td>3992</td> <td>3\"/> <tr> <td>3997</td> <td>ETR</td> <td>-</td> <td>WD.</td> <td>J2</td> <td>PTD.</td> <td>-</td> <td>3993</td> <td>3\"/> <tr> <td>3998</td> <td>ETR</td> <td>-</td> <td>WD.</td> <td>J2</td> <td>PTD.</td> <td>-</td> <td>3994</td> <td>3\"/> <tr> <td>3999</td> <td>ETR</td> <td>-</td> <td>WD.</td> <td>J2</td> <td>PTD.</td> <td>-</td> <td>3995</td> <td>3\"/> <tr> <td>3999</td> <td>ETR</td> <td>-</td> <td>WD.</td> <td>J2</td> <td>PTD.</td> <td>-</td> <td>3997</td> <td>3\"/> </td></tr></td></tr></td></tr></td></tr></td></tr></td></tr></td></tr></td></tr></td></tr></td></tr> | 399 | ETR | - | WD. | J2 | PTD.
 | - | 396 | 3\"/> <tr> <td>3991</td> <td>ETR</td> <td>-</td> <td>WD.</td> <td>J2</td> <td>PTD.</td> <td>-</td> <td>398</td> <td>3\"/> <tr> <td>3992</td> <td>A</td> <td>3\"/> <tr> <td>3993</td> <td>ETR</td> <td>-</td> <td>WD.</td> <td>J2</td> <td>PTD.</td> <td>-</td> <td>399</td> <td>3\"/> <tr> <td>3994</td> <td>ETR</td> <td>-</td> <td>WD.</td> <td>J2</td> <td>PTD.</td> <td>-</td> <td>3991</td> <td>3\"/> <tr> <td>3995</td> <td>ETR</td> <td>-</td> <td>WD.</td> <td>J2</td> <td>PTD.</td> <td>-</td> <td>3992</td> <td>3\"/> <tr> <td>3997</td> <td>ETR</td> <td>-</td> <td>WD.</td> <td>J2</td> <td>PTD.</td> <td>-</td> <td>3993</td> <td>3\"/> <tr> <td>3998</td> <td>ETR</td> <td>-</td> <td>WD.</td> <td>J2</td> <td>PTD.</td> <td>-</td> <td>3994</td> <td>3\"/> <tr> <td>3999</td> <td>ETR</td> <td>-</td> <td>WD.</td> <td>J2</td> <td>PTD.</td> <td>-</td> <td>3995</td> <td>3\"/> <tr> <td>3999</td> <td>ETR</td> <td>-</td> <td>WD.</td> <td>J2</td> <td>PTD.</td> <td>-</td> <td>3997</td> <td>3\"/> </td></tr></td></tr></td></tr></td></tr></td></tr></td></tr></td></tr></td></tr></td></tr> | 3991 | ETR | - | WD. | J2 | PTD. | - | 398 | 3\"/> <tr> <td>3992</td> <td>A</td> <td>3\"/> <tr> <td>3993</td> <td>ETR</td> <td>-</td> <td>WD.</td> <td>J2</td> <td>PTD.</td> <td>-</td> <td>399</td> <td>3\"/> <tr> <td>3994</td> <td>ETR</td> <td>-</td> <td>WD.</td> <td>J2</td> <td>PTD.</td> <td>-</td> <td>3991</td> <td>3\"/> <tr> <td>3995</td> <td>ETR</td> <td>-</td> <td>WD.</td> <td>J2</td> <td>PTD.</td> <td>-</td> <td>3992</td> <td>3\"/> <tr> <td>3997</td> <td>ETR</td> <td>-</td> <td>WD.</td> <td>J2</td> <td>PTD.</td> <td>-</td> <td>3993</td> <td>3\"/> <tr> <td>3998</td> <td>ETR</td> <td>-</td> <td>WD.</td> <td>J2</td> <td>PTD.</td> <td>-</td> <td>3994</td> <td>3\"/> <tr> <td>3999</td> <td>ETR</td> <td>-</td> <td>WD.</td> <td>J2</td> <td>PTD.</td> <td>-</td> <td>3995</td> <td>3\"/> <tr> <td>3999</td> <td>ETR</td> <td>-</td> <td>WD.</td> <td>J2</td> <td>PTD.</td> <td>-</td> <td>3997</td> <td>3\"/> </td></tr></td></tr></td></tr></td></tr></td></tr></td></tr></td></tr></td></tr> | 3992 | A | 3\"/> <tr> <td>3993</td> <td>ETR</td> <td>-</td> <td>WD.</td> <td>J2</td> <td>PTD.</td> <td>-</td> <td>399</td> <td>3\"/> <tr> <td>3994</td> <td>ETR</td> <td>-</td> <td>WD.</td> <td>J2</td> <td>PTD.</td> <td>-</td> <td>3991</td> <td>3\"/> <tr> <td>3995</td> <td>ETR</td> <td>-</td> <td>WD.</td> <td>J2</td> <td>PTD.</td> <td>-</td> <td>3992</td> <td>3\"/> <tr> <td>3997</td> <td>ETR</td> <td>-</td> <td>WD.</td> <td>J2</td> <td>PTD.</td> <td>-</td> <td>3993</td> <td>3\"/> <tr> <td>3998</td> <td>ETR</td>
<td>-</td> <td>WD.</td> <td>J2</td> <td>PTD.</td> <td>-</td> <td>3994</td> <td>3\"/> <tr> <td>3999</td> <td>ETR</td> <td>-</td> <td>WD.</td> <td>J2</td> <td>PTD.</td> <td>-</td> <td>3995</td> <td>3\"/> <tr> <td>3999</td> <td>ETR</td> <td>-</td> <td>WD.</td> <td>J2</td> <td>PTD.</td> <td>-</td> <td>3997</td> <td>3\"/> </td></tr></td></tr></td></tr></td></tr></td></tr></td></tr></td></tr> | 3993 | ETR | - | WD. | J2 | PTD. | - | 399 | 3\"/> <tr> <td>3994</td> <td>ETR</td> <td>-</td> <td>WD.</td> <td>J2</td> <td>PTD.</td> <td>-</td> <td>3991</td> <td>3\"/> <tr> <td>3995</td> <td>ETR</td> <td>-</td> <td>WD.</td> <td>J2</td> <td>PTD.</td> <td>-</td> <td>3992</td> <td>3\"/> <tr> <td>3997</td> <td>ETR</td> <td>-</td> <td>WD.</td> <td>J2</td> <td>PTD.</td> <td>-</td> <td>3993</td> <td>3\"/> <tr> <td>3998</td> <td>ETR</td> <td>-</td> <td>WD.</td> <td>J2</td> <td>PTD.</td> <td>-</td> <td>3994</td> <td>3\"/> <tr> <td>3999</td> <td>ETR</td> <td>-</td> <td>WD.</td> <td>J2</td> <td>PTD.</td> <td>-</td> <td>3995</td> <td>3\"/> <tr> <td>3999</td> <td>ETR</td> <td>-</td> <td>WD.</td> <td>J2</td> <td>PTD.</td> <td>-</td> <td>3997</td> <td>3\"/> </td></tr></td></tr></td></tr></td></tr></td></tr></td></tr> | 3994 | ETR | - | WD. | J2 | PTD. | - | 3991 | 3\"/> <tr> <td>3995</td> <td>ETR</td> <td>-</td> <td>WD.</td> <td>J2</td> <td>PTD.</td> <td>-</td> <td>3992</td> <td>3\"/> <tr> <td>3997</td> <td>ETR</td> <td>-</td> <td>WD.</td> <td>J2</td> <td>PTD.</td> <td>-</td> <td>3993</td> <td>3\"/> <tr> <td>3998</td> <td>ETR</td> <td>-</td>
<td>WD.</td> <td>J2</td> <td>PTD.</td> <td>-</td> <td>3994</td> <td>3\"/> <tr> <td>3999</td> <td>ETR</td> <td>-</td> <td>WD.</td> <td>J2</td> <td>PTD.</td> <td>-</td> <td>3995</td> <td>3\"/> <tr> <td>3999</td> <td>ETR</td> <td>-</td> <td>WD.</td> <td>J2</td> <td>PTD.</td> <td>-</td> <td>3997</td> <td>3\"/> </td></tr></td></tr></td></tr></td></tr></td></tr> | 3995 | ETR | - | WD. | J2 | PTD. | - | 3992 | 3\"/> <tr> <td>3997</td> <td>ETR</td> <td>-</td> <td>WD.</td> <td>J2</td> <td>PTD.</td> <td>-</td> <td>3993</td> <td>3\"/> <tr> <td>3998</td> <td>ETR</td> <td>-</td> <td>WD.</td> <td>J2</td> <td>PTD.</td> <td>-</td> <td>3994</td> <td>3\"/> <tr> <td>3999</td> <td>ETR</td> <td>-</td> <td>WD.</td> <td>J2</td> <td>PTD.</td> <td>-</td> <td>3995</td> <td>3\"/> <tr> <td>3999</td> <td>ETR</td> <td>-</td> <td>WD.</td> <td>J2</td> <td>PTD.</td> <td>-</td> <td>3997</td> <td>3\"/> </td></tr></td></tr></td></tr></td></tr> | 3997 | ETR | - | WD. | J2 | PTD. | - | 3993 | 3\"/> <tr> <td>3998</td> <td>ETR</td> <td>-</td> <td>WD.</td> <td>J2</td> <td>PTD.</td> <td>-</td> <td>3994</td> <td>3\"/> <tr> <td>3999</td> <td>ETR</td> <td>-</td> <td>WD.</td> <td>J2</td> <td>PTD.</td> <td>-</td> <td>3995</td> <td>3\"/> <tr> <td>3999</td> <td>ETR</td> <td>-</td> <td>WD.</td> <td>J2</td> <td>PTD.</td> <td>-</td> <td>3997</td> <td>3\"/> </td></tr></td></tr></td></tr>
 | 3998 | ETR | - | WD. | J2 | PTD. | - | 3994 | 3\"/> <tr> <td>3999</td> <td>ETR</td> <td>-</td> <td>WD.</td> <td>J2</td> <td>PTD.</td> <td>-</td> <td>3995</td> <td>3\"/> <tr> <td>3999</td> <td>ETR</td> <td>-</td> <td>WD.</td> <td>J2</td> <td>PTD.</td> <td>-</td> <td>3997</td> <td>3\"/> </td></tr></td></tr> | 3999 | ETR | - | WD. | J2 | PTD. | - | 3995 | 3\"/> <tr> <td>3999</td> <td>ETR</td> <td>-</td> <td>WD.</td> <td>J2</td> <td>PTD.</td> <td>-</td> <td>3997</td> <td>3\"/> </td></tr> | 3999 | ETR | - | WD. | J2 | PTD.
 | - | 3997 | 3\"/> | | | | | | | | | | | | | | | | | | | | | | | | | | | | | | | | | | | | | | | | | | | | | | | | | | | | | | |
 | | | | | | | | | | | | | | | | | | | | | | | | | | | | | | | | | | | | | | |
 | | | | | | | | | | | | | | | | | | | | | | | | | | | | | | | | | | | | | | | | | | | | | | | | | | | | | | | | | |
| 368 | ETR | - | WD. | J2 | PTD. | - | 366 | 3\"/> <tr> <td>369</td> <td>ETR</td> <td>-</td> <td>WD.</td> <td>J2</td> <td>PTD.</td> <td>-</td> <td>367</td> <td>3\"/> <tr> <td>370</td> <td>ETR</td> <td>-</td> <td>WD.</td> <td>J2</td> <td>PTD.</td> <td>-</td> <td>368</td> <td>3\"/> <tr> <td>371</td> <td>ETR</td> <td>-</td> <td>WD.</td> <td>J2</td> <td>PTD.</td> <td>-</td> <td>369</td> <td>3\"/> <tr> <td>372</td> <td>B</td> <td>2 <td>HM</td> <td>J1</td> <td>PTD.</td> <td>1 HR.</td> <td>370</td> <td>3\"/> <tr> <td>373A</td> <td>ETR</td> <td>-</td> <td>WD.</td> <td>J2</td> <td>PTD.</td> <td>-</td> <td>371</td> <td>3\"/> <tr> <td>374B</td> <td>ETR</td> <td>-</td> <td>WD.</td> <td>J2</td> <td>PTD.</td> <td>-</td> <td>372</td> <td>3\"/> <tr> <td>374C</td> <td>ETR</td> <td>-</td> <td>WD.</td> <td>J2</td> <td>PTD.</td> <td>-</td> <td>373A</td> <td>3\"/> <tr> <td>375</td> <td>B</td> <td>1 <td>WD</td> <td>J1</td> <td>PTD.</td> <td>-</td> <td>374B</td> <td>3\"/> <tr> <td>376</td> <td>B</td> <td>1 <td>WD</td> <td>J1</td> <td>PTD.</td> <td>-</td> <td>374C</td> <td>3\"/> <tr> <td>377</td> <td>B</td> <td>1 <td>WD</td> <td>J1</td> <td>PTD.</td> <td>-</td> <td>375</td> <td>3\"/> <tr> <td>377A</td> <td>B</td> <td>1 <td>WD</td> <td>J1</td> <td>PTD.</td> <td>-</td> <td>376</td> <td>3\"/> <tr> <td>378</td> <td>B</td> <td>1 <td>WD</td> <td>J1</td> <td>PTD.</td> <td>-</td> <td>377</td> <td>3\"/> <tr> <td>379</td> <td>B</td> <td>1 <td>WD</td> <td>J1</td> <td>PTD.</td> <td>-</td> <td>377A</td> <td>3\"/> <tr> <td>380A</td> <td>B</td> <td>1 <td>WD</td> <td>J1</td> <td>PTD.</td> <td>-</td> <td>378</td> <td>3\"/> <tr> <td>380B</td> <td>B</td> <td>1 <td>WD</td> <td>J1</td> <td>PTD.</td> <td>-</td> <td>379</td> <td>3\"/> <tr> <td>382</td> <td>ETR</td> <td>-</td> <td>WD.</td> <td>J2</td> <td>PTD.</td> <td>-</td> <td>380A</td> <td>3\"/> <tr> <td>382A</td> <td>D</td> <td>6 <td>ALUM.</td> <td>ANODIZE D</td> <td>-</td> <td>-</td> <td>380B</td> <td>3\"/> <tr> <td>385</td> <td>ETR</td> <td>-</td> <td>WD.</td> <td>J2</td> <td>PTD.</td> <td>-</td> <td>382</td> <td>3\"/> <tr> <td>386</td> <td>ETR</td> <td>-</td> <td>WD.</td> <td>J2</td> <td>PTD.</td> <td>-</td> <td>382A</td> <td>3\"/> <tr> <td>387</td> <td>ETR</td> <td>-</td> <td>WD.</td> <td>J2</td> <td>PTD.</td> <td>-</td> <td>385</td> <td>3\"/> <tr> <td>388</td> <td>ETR</td> <td>-</td> <td>WD.</td> <td>J2</td> <td>PTD.</td> <td>-</td> <td>386</td> <td>3\"/> <tr> <td>389</td> <td>ETR</td> <td>-</td> <td>WD.</td> <td>J2</td> <td>PTD.</td> <td>-</td> <td>387</td> <td>3\"/> <tr> <td>391</td> <td>ETR</td> <td>-</td> <td>WD.</td> <td>J2</td> <td>PTD.</td> <td>-</td> <td>388</td> <td>3\"/> <tr> <td>391A</td> <td>ETR</td> <td>-</td> <td>WD.</td> <td>J2</td> <td>PTD.</td> <td>-</td> <td>389</td> <td>3\"/> <tr> <td>391B</td> <td>ETR</td> <td>-</td> <td>WD.</td> <td>J2</td> <td>PTD.</td> <td>-</td> <td>391</td> <td>3\"/> <tr> <td>394</td> <td>ETR</td> <td>-</td> <td>WD.</td> <td>J2</td>
<td>PTD.</td> <td>-</td> <td>391A</td> <td>3\"/> <tr> <td>395</td> <td>ETR</td> <td>-</td> <td>WD.</td> <td>J2</td> <td>PTD.</td> <td>-</td> <td>391B</td> <td>3\"/> <tr> <td>396</td> <td>ETR</td> <td>-</td> <td>WD.</td> <td>J2</td> <td>PTD.</td> <td>-</td> <td>394</td> <td>3\"/> <tr> <td>398</td> <td>ETR</td> <td>-</td> <td>WD.</td> <td>J2</td> <td>PTD.</td> <td>-</td> <td>395</td> <td>3\"/> <tr> <td>399</td> <td>ETR</td> <td>-</td> <td>WD.</td> <td>J2</td> <td>PTD.</td> <td>-</td> <td>396</td> <td>3\"/> <tr> <td>3991</td> <td>ETR</td> <td>-</td> <td>WD.</td> <td>J2</td> <td>PTD.</td> <td>-</td> <td>398</td> <td>3\"/> <tr> <td>3992</td> <td>A</td> <td>3\"/> <tr> <td>3993</td> <td>ETR</td> <td>-</td> <td>WD.</td> <td>J2</td> <td>PTD.</td> <td>-</td> <td>399</td> <td>3\"/> <tr> <td>3994</td> <td>ETR</td> <td>-</td> <td>WD.</td> <td>J2</td> <td>PTD.</td> <td>-</td> <td>3991</td> <td>3\"/> <tr> <td>3995</td> <td>ETR</td> <td>-</td> <td>WD.</td> <td>J2</td> <td>PTD.</td> <td>-</td> <td>3992</td> <td>3\"/> <tr> <td>3997</td> <td>ETR</td> <td>-</td> <td>WD.</td> <td>J2</td> <td>PTD.</td> <td>-</td> <td>3993</td> <td>3\"/> <tr> <td>3998</td> <td>ETR</td> <td>-</td> <td>WD.</td> <td>J2</td> <td>PTD.</td> <td>-</td> <td>3994</td> <td>3\"/> <tr> <td>3999</td> <td>ETR</td> <td>-</td> <td>WD.</td> <td>J2</td> <td>PTD.</td> <td>-</td> <td>3995</td> <td>3\"/> <tr> <td>3999</td> <td>ETR</td> <td>-</td> <td>WD.</td> <td>J2</td> <td>PTD.</td> <td>-</td> <td>3997</td> <td>3\"/> </td></tr></td></tr></td></tr></td></tr></td></tr></td></tr></td></tr></td></tr></td></tr></td></tr></td></tr></td></tr></td></tr></td></tr></td></tr></td></tr></td></tr></td></tr></td></tr></td></tr></td></tr></td></tr></td></td></tr></td></tr></td></td></tr></td></td></tr></td></td></tr></td></td></tr></td></td></tr></td></td></tr></td></td></tr></td></td></tr></td></tr></td></tr></td></tr></td></td></tr></td></tr></td></tr></td></tr> | 369 | ETR | -
 | WD. | J2 | PTD. | - | 367 | 3\"/> <tr> <td>370</td> <td>ETR</td> <td>-</td> <td>WD.</td> <td>J2</td> <td>PTD.</td> <td>-</td> <td>368</td> <td>3\"/> <tr> <td>371</td> <td>ETR</td> <td>-</td> <td>WD.</td> <td>J2</td> <td>PTD.</td> <td>-</td> <td>369</td> <td>3\"/> <tr> <td>372</td> <td>B</td> <td>2 <td>HM</td> <td>J1</td> <td>PTD.</td> <td>1 HR.</td> <td>370</td> <td>3\"/> <tr> <td>373A</td> <td>ETR</td> <td>-</td> <td>WD.</td> <td>J2</td> <td>PTD.</td> <td>-</td> <td>371</td> <td>3\"/> <tr> <td>374B</td> <td>ETR</td> <td>-</td> <td>WD.</td> <td>J2</td> <td>PTD.</td> <td>-</td> <td>372</td> <td>3\"/> <tr> <td>374C</td> <td>ETR</td> <td>-</td> <td>WD.</td> <td>J2</td> <td>PTD.</td> <td>-</td> <td>373A</td> <td>3\"/> <tr> <td>375</td> <td>B</td> <td>1 <td>WD</td> <td>J1</td> <td>PTD.</td> <td>-</td> <td>374B</td> <td>3\"/> <tr> <td>376</td> <td>B</td> <td>1 <td>WD</td> <td>J1</td> <td>PTD.</td> <td>-</td> <td>374C</td> <td>3\"/> <tr> <td>377</td> <td>B</td> <td>1 <td>WD</td> <td>J1</td> <td>PTD.</td> <td>-</td> <td>375</td> <td>3\"/> <tr> <td>377A</td> <td>B</td> <td>1 <td>WD</td> <td>J1</td> <td>PTD.</td> <td>-</td> <td>376</td> <td>3\"/> <tr> <td>378</td> <td>B</td> <td>1 <td>WD</td> <td>J1</td> <td>PTD.</td> <td>-</td> <td>377</td> <td>3\"/> <tr> <td>379</td> <td>B</td> <td>1 <td>WD</td> <td>J1</td> <td>PTD.</td> <td>-</td> <td>377A</td> <td>3\"/> <tr> <td>380A</td> <td>B</td> <td>1 <td>WD</td> <td>J1</td> <td>PTD.</td> <td>-</td> <td>378</td> <td>3\"/> <tr> <td>380B</td> <td>B</td> <td>1 <td>WD</td> <td>J1</td> <td>PTD.</td> <td>-</td> <td>379</td> <td>3\"/> <tr> <td>382</td> <td>ETR</td> <td>-</td> <td>WD.</td> <td>J2</td> <td>PTD.</td> <td>-</td> <td>380A</td> <td>3\"/> <tr> <td>382A</td> <td>D</td> <td>6 <td>ALUM.</td> <td>ANODIZE D</td> <td>-</td> <td>-</td> <td>380B</td> <td>3\"/> <tr> <td>385</td> <td>ETR</td> <td>-</td> <td>WD.</td> <td>J2</td> <td>PTD.</td> <td>-</td> <td>382</td> <td>3\"/> <tr> <td>386</td> <td>ETR</td> <td>-</td> <td>WD.</td> <td>J2</td> <td>PTD.</td> <td>-</td> <td>382A</td> <td>3\"/> <tr> <td>387</td> <td>ETR</td> <td>-</td> <td>WD.</td> <td>J2</td> <td>PTD.</td> <td>-</td> <td>385</td> <td>3\"/> <tr> <td>388</td> <td>ETR</td> <td>-</td> <td>WD.</td> <td>J2</td> <td>PTD.</td> <td>-</td> <td>386</td> <td>3\"/> <tr> <td>389</td> <td>ETR</td> <td>-</td> <td>WD.</td> <td>J2</td> <td>PTD.</td> <td>-</td> <td>387</td> <td>3\"/> <tr> <td>391</td> <td>ETR</td> <td>-</td> <td>WD.</td> <td>J2</td> <td>PTD.</td> <td>-</td> <td>388</td> <td>3\"/> <tr> <td>391A</td> <td>ETR</td> <td>-</td> <td>WD.</td> <td>J2</td> <td>PTD.</td> <td>-</td> <td>389</td> <td>3\"/> <tr> <td>391B</td> <td>ETR</td> <td>-</td> <td>WD.</td> <td>J2</td> <td>PTD.</td> <td>-</td> <td>391</td> <td>3\"/> <tr> <td>394</td> <td>ETR</td> <td>-</td> <td>WD.</td> <td>J2</td> <td>PTD.</td> <td>-</td> <td>391A</td> <td>3\"/> <tr> <td>395</td> <td>ETR</td> <td>-</td> <td>WD.</td> <td>J2</td> <td>PTD.</td> <td>-</td> <td>391B</td> <td>3\"/> <tr> <td>396</td> <td>ETR</td> <td>-</td> <td>WD.</td> <td>J2</td> <td>PTD.</td> <td>-</td> <td>394</td> <td>3\"/> <tr> <td>398</td> <td>ETR</td> <td>-</td> <td>WD.</td> <td>J2</td> <td>PTD.</td> <td>-</td> <td>395</td> <td>3\"/> <tr> <td>399</td> <td>ETR</td> <td>-</td> <td>WD.</td> <td>J2</td> <td>PTD.</td> <td>-</td> <td>396</td> <td>3\"/> <tr> <td>3991</td> <td>ETR</td> <td>-</td> <td>WD.</td> <td>J2</td> <td>PTD.</td> <td>-</td> <td>398</td> <td>3\"/> <tr> <td>3992</td> <td>A</td> <td>3\"/> <tr> <td>3993</td> <td>ETR</td> <td>-</td> <td>WD.</td> <td>J2</td> <td>PTD.</td> <td>-</td> <td>399</td> <td>3\"/> <tr> <td>3994</td> <td>ETR</td> <td>-</td> <td>WD.</td> <td>J2</td> <td>PTD.</td> <td>-</td> <td>3991</td> <td>3\"/> <tr> <td>3995</td> <td>ETR</td> <td>-</td> <td>WD.</td> <td>J2</td> <td>PTD.</td> <td>-</td> <td>3992</td> <td>3\"/> <tr> <td>3997</td> <td>ETR</td> <td>-</td> <td>WD.</td> <td>J2</td> <td>PTD.</td> <td>-</td> <td>3993</td> <td>3\"/> <tr> <td>3998</td> <td>ETR</td> <td>-</td> <td>WD.</td> <td>J2</td> <td>PTD.</td> <td>-</td> <td>3994</td> <td>3\"/> <tr> <td>3999</td> <td>ETR</td> <td>-</td> <td>WD.</td> <td>J2</td> <td>PTD.</td> <td>-</td> <td>3995</td> <td>3\"/> <tr> <td>3999</td> <td>ETR</td> <td>-</td> <td>WD.</td> <td>J2</td> <td>PTD.</td> <td>-</td> <td>3997</td> <td>3\"/> </td></tr></td></tr></td></tr></td></tr></td></tr></td></tr></td></tr></td></tr></td></tr></td></tr></td></tr></td></tr></td></tr></td></tr></td></tr></td></tr></td></tr></td></tr></td></tr></td></tr></td></tr></td></tr></td></td></tr></td></tr></td></td></tr></td></td></tr></td></td></tr></td></td></tr></td></td></tr></td></td></tr></td></td></tr></td></td></tr></td></tr></td></tr></td></tr></td></td></tr></td></tr></td></tr> | 370 | ETR | -
 | WD. | J2 | PTD. | - | 368 | 3\"/> <tr> <td>371</td> <td>ETR</td> <td>-</td> <td>WD.</td> <td>J2</td> <td>PTD.</td> <td>-</td> <td>369</td> <td>3\"/> <tr> <td>372</td> <td>B</td> <td>2 <td>HM</td> <td>J1</td> <td>PTD.</td> <td>1 HR.</td> <td>370</td> <td>3\"/> <tr> <td>373A</td> <td>ETR</td> <td>-</td> <td>WD.</td> <td>J2</td> <td>PTD.</td> <td>-</td> <td>371</td> <td>3\"/> <tr> <td>374B</td> <td>ETR</td> <td>-</td> <td>WD.</td> <td>J2</td> <td>PTD.</td> <td>-</td> <td>372</td> <td>3\"/> <tr> <td>374C</td> <td>ETR</td> <td>-</td> <td>WD.</td> <td>J2</td> <td>PTD.</td> <td>-</td> <td>373A</td> <td>3\"/> <tr> <td>375</td> <td>B</td> <td>1 <td>WD</td> <td>J1</td> <td>PTD.</td> <td>-</td> <td>374B</td> <td>3\"/> <tr> <td>376</td> <td>B</td> <td>1 <td>WD</td> <td>J1</td> <td>PTD.</td> <td>-</td> <td>374C</td> <td>3\"/> <tr> <td>377</td> <td>B</td> <td>1 <td>WD</td> <td>J1</td> <td>PTD.</td> <td>-</td> <td>375</td> <td>3\"/> <tr> <td>377A</td> <td>B</td> <td>1 <td>WD</td> <td>J1</td> <td>PTD.</td> <td>-</td> <td>376</td> <td>3\"/> <tr> <td>378</td> <td>B</td> <td>1 <td>WD</td> <td>J1</td> <td>PTD.</td> <td>-</td> <td>377</td> <td>3\"/> <tr> <td>379</td> <td>B</td> <td>1 <td>WD</td> <td>J1</td> <td>PTD.</td> <td>-</td> <td>377A</td> <td>3\"/> <tr> <td>380A</td> <td>B</td> <td>1 <td>WD</td> <td>J1</td> <td>PTD.</td> <td>-</td> <td>378</td> <td>3\"/> <tr> <td>380B</td> <td>B</td> <td>1 <td>WD</td> <td>J1</td> <td>PTD.</td> <td>-</td> <td>379</td> <td>3\"/> <tr> <td>382</td> <td>ETR</td> <td>-</td> <td>WD.</td> <td>J2</td> <td>PTD.</td> <td>-</td> <td>380A</td> <td>3\"/> <tr> <td>382A</td> <td>D</td> <td>6 <td>ALUM.</td> <td>ANODIZE D</td> <td>-</td> <td>-</td> <td>380B</td> <td>3\"/> <tr> <td>385</td> <td>ETR</td> <td>-</td> <td>WD.</td> <td>J2</td> <td>PTD.</td> <td>-</td> <td>382</td> <td>3\"/> <tr> <td>386</td> <td>ETR</td> <td>-</td> <td>WD.</td> <td>J2</td> <td>PTD.</td> <td>-</td> <td>382A</td> <td>3\"/> <tr> <td>387</td> <td>ETR</td> <td>-</td> <td>WD.</td> <td>J2</td> <td>PTD.</td> <td>-</td> <td>385</td> <td>3\"/> <tr> <td>388</td> <td>ETR</td> <td>-</td> <td>WD.</td> <td>J2</td> <td>PTD.</td> <td>-</td> <td>386</td> <td>3\"/> <tr> <td>389</td> <td>ETR</td> <td>-</td> <td>WD.</td> <td>J2</td> <td>PTD.</td> <td>-</td> <td>387</td> <td>3\"/> <tr> <td>391</td> <td>ETR</td> <td>-</td> <td>WD.</td> <td>J2</td> <td>PTD.</td> <td>-</td> <td>388</td> <td>3\"/> <tr> <td>391A</td> <td>ETR</td> <td>-</td> <td>WD.</td> <td>J2</td> <td>PTD.</td> <td>-</td> <td>389</td> <td>3\"/> <tr> <td>391B</td> <td>ETR</td> <td>-</td> <td>WD.</td> <td>J2</td> <td>PTD.</td> <td>-</td> <td>391</td> <td>3\"/> <tr> <td>394</td> <td>ETR</td> <td>-</td> <td>WD.</td> <td>J2</td> <td>PTD.</td> <td>-</td> <td>391A</td> <td>3\"/> <tr> <td>395</td> <td>ETR</td> <td>-</td> <td>WD.</td> <td>J2</td> <td>PTD.</td> <td>-</td> <td>391B</td> <td>3\"/> <tr> <td>396</td> <td>ETR</td> <td>-</td> <td>WD.</td> <td>J2</td> <td>PTD.</td> <td>-</td> <td>394</td> <td>3\"/> <tr> <td>398</td> <td>ETR</td> <td>-</td> <td>WD.</td> <td>J2</td> <td>PTD.</td> <td>-</td> <td>395</td> <td>3\"/> <tr> <td>399</td> <td>ETR</td> <td>-</td> <td>WD.</td> <td>J2</td> <td>PTD.</td> <td>-</td> <td>396</td> <td>3\"/> <tr> <td>3991</td> <td>ETR</td> <td>-</td> <td>WD.</td> <td>J2</td> <td>PTD.</td> <td>-</td> <td>398</td> <td>3\"/> <tr> <td>3992</td> <td>A</td> <td>3\"/> <tr> <td>3993</td> <td>ETR</td> <td>-</td> <td>WD.</td> <td>J2</td> <td>PTD.</td> <td>-</td> <td>399</td> <td>3\"/> <tr> <td>3994</td> <td>ETR</td> <td>-</td> <td>WD.</td> <td>J2</td> <td>PTD.</td> <td>-</td> <td>3991</td> <td>3\"/> <tr> <td>3995</td> <td>ETR</td> <td>-</td> <td>WD.</td> <td>J2</td> <td>PTD.</td> <td>-</td> <td>3992</td> <td>3\"/> <tr> <td>3997</td> <td>ETR</td> <td>-</td> <td>WD.</td> <td>J2</td> <td>PTD.</td> <td>-</td> <td>3993</td> <td>3\"/> <tr> <td>3998</td> <td>ETR</td> <td>-</td> <td>WD.</td> <td>J2</td> <td>PTD.</td> <td>-</td> <td>3994</td> <td>3\"/> <tr> <td>3999</td> <td>ETR</td> <td>-</td> <td>WD.</td> <td>J2</td> <td>PTD.</td> <td>-</td> <td>3995</td> <td>3\"/> <tr> <td>3999</td> <td>ETR</td> <td>-</td> <td>WD.</td> <td>J2</td> <td>PTD.</td> <td>-</td> <td>3997</td> <td>3\"/> </td></tr></td></tr></td></tr></td></tr></td></tr></td></tr></td></tr></td></tr></td></tr></td></tr></td></tr></td></tr></td></tr></td></tr></td></tr></td></tr></td></tr></td></tr></td></tr></td></tr></td></tr></td></tr></td></td></tr></td></tr></td></td></tr></td></td></tr></td></td></tr></td></td></tr></td></td></tr></td></td></tr></td></td></tr></td></td></tr></td></tr></td></tr></td></tr></td></td></tr></td></tr>
 | 371 | ETR | - | WD. | J2 | PTD. | - | 369 | 3\"/> <tr> <td>372</td> <td>B</td> <td>2 <td>HM</td> <td>J1</td> <td>PTD.</td> <td>1 HR.</td> <td>370</td> <td>3\"/> <tr> <td>373A</td> <td>ETR</td> <td>-</td> <td>WD.</td> <td>J2</td> <td>PTD.</td> <td>-</td> <td>371</td> <td>3\"/> <tr> <td>374B</td> <td>ETR</td> <td>-</td> <td>WD.</td> <td>J2</td> <td>PTD.</td> <td>-</td> <td>372</td> <td>3\"/> <tr> <td>374C</td> <td>ETR</td> <td>-</td> <td>WD.</td> <td>J2</td> <td>PTD.</td> <td>-</td> <td>373A</td> <td>3\"/> <tr> <td>375</td> <td>B</td> <td>1 <td>WD</td> <td>J1</td> <td>PTD.</td> <td>-</td> <td>374B</td> <td>3\"/> <tr> <td>376</td> <td>B</td> <td>1 <td>WD</td> <td>J1</td> <td>PTD.</td> <td>-</td> <td>374C</td> <td>3\"/> <tr> <td>377</td> <td>B</td> <td>1 <td>WD</td> <td>J1</td> <td>PTD.</td> <td>-</td> <td>375</td> <td>3\"/> <tr> <td>377A</td> <td>B</td> <td>1 <td>WD</td> <td>J1</td> <td>PTD.</td> <td>-</td> <td>376</td> <td>3\"/> <tr> <td>378</td> <td>B</td> <td>1 <td>WD</td> <td>J1</td> <td>PTD.</td> <td>-</td> <td>377</td> <td>3\"/> <tr> <td>379</td> <td>B</td> <td>1 <td>WD</td> <td>J1</td> <td>PTD.</td> <td>-</td> <td>377A</td> <td>3\"/> <tr> <td>380A</td> <td>B</td> <td>1 <td>WD</td> <td>J1</td> <td>PTD.</td> <td>-</td> <td>378</td> <td>3\"/> <tr> <td>380B</td> <td>B</td> <td>1 <td>WD</td> <td>J1</td> <td>PTD.</td> <td>-</td> <td>379</td> <td>3\"/> <tr> <td>382</td> <td>ETR</td> <td>-</td> <td>WD.</td> <td>J2</td> <td>PTD.</td> <td>-</td> <td>380A</td> <td>3\"/> <tr> <td>382A</td> <td>D</td> <td>6 <td>ALUM.</td> <td>ANODIZE D</td> <td>-</td> <td>-</td> <td>380B</td> <td>3\"/> <tr> <td>385</td> <td>ETR</td> <td>-</td> <td>WD.</td> <td>J2</td> <td>PTD.</td> <td>-</td> <td>382</td> <td>3\"/> <tr> <td>386</td> <td>ETR</td> <td>-</td> <td>WD.</td> <td>J2</td> <td>PTD.</td> <td>-</td> <td>382A</td> <td>3\"/> <tr> <td>387</td> <td>ETR</td> <td>-</td> <td>WD.</td> <td>J2</td> <td>PTD.</td> <td>-</td> <td>385</td> <td>3\"/> <tr> <td>388</td> <td>ETR</td> <td>-</td> <td>WD.</td> <td>J2</td> <td>PTD.</td> <td>-</td> <td>386</td> <td>3\"/> <tr> <td>389</td> <td>ETR</td> <td>-</td> <td>WD.</td> <td>J2</td> <td>PTD.</td> <td>-</td> <td>387</td> <td>3\"/> <tr> <td>391</td> <td>ETR</td> <td>-</td> <td>WD.</td> <td>J2</td> <td>PTD.</td> <td>-</td> <td>388</td> <td>3\"/> <tr> <td>391A</td> <td>ETR</td> <td>-</td> <td>WD.</td> <td>J2</td> <td>PTD.</td> <td>-</td> <td>389</td> <td>3\"/> <tr> <td>391B</td> <td>ETR</td> <td>-</td> <td>WD.</td> <td>J2</td> <td>PTD.</td> <td>-</td> <td>391</td> <td>3\"/> <tr> <td>394</td> <td>ETR</td> <td>-</td> <td>WD.</td> <td>J2</td> <td>PTD.</td> <td>-</td> <td>391A</td> <td>3\"/> <tr> <td>395</td> <td>ETR</td> <td>-</td> <td>WD.</td> <td>J2</td> <td>PTD.</td> <td>-</td> <td>391B</td> <td>3\"/> <tr> <td>396</td> <td>ETR</td> <td>-</td>
<td>WD.</td> <td>J2</td> <td>PTD.</td> <td>-</td> <td>394</td> <td>3\"/> <tr> <td>398</td> <td>ETR</td> <td>-</td> <td>WD.</td> <td>J2</td> <td>PTD.</td> <td>-</td> <td>395</td> <td>3\"/> <tr> <td>399</td> <td>ETR</td> <td>-</td> <td>WD.</td> <td>J2</td> <td>PTD.</td> <td>-</td> <td>396</td> <td>3\"/> <tr> <td>3991</td> <td>ETR</td> <td>-</td> <td>WD.</td> <td>J2</td> <td>PTD.</td> <td>-</td> <td>398</td> <td>3\"/> <tr> <td>3992</td> <td>A</td> <td>3\"/> <tr> <td>3993</td> <td>ETR</td> <td>-</td> <td>WD.</td> <td>J2</td> <td>PTD.</td> <td>-</td> <td>399</td> <td>3\"/> <tr> <td>3994</td> <td>ETR</td> <td>-</td> <td>WD.</td> <td>J2</td> <td>PTD.</td> <td>-</td> <td>3991</td> <td>3\"/> <tr> <td>3995</td> <td>ETR</td> <td>-</td> <td>WD.</td> <td>J2</td> <td>PTD.</td> <td>-</td> <td>3992</td> <td>3\"/> <tr> <td>3997</td> <td>ETR</td> <td>-</td> <td>WD.</td> <td>J2</td> <td>PTD.</td> <td>-</td> <td>3993</td> <td>3\"/> <tr> <td>3998</td> <td>ETR</td> <td>-</td> <td>WD.</td> <td>J2</td> <td>PTD.</td> <td>-</td> <td>3994</td> <td>3\"/> <tr> <td>3999</td> <td>ETR</td> <td>-</td> <td>WD.</td> <td>J2</td> <td>PTD.</td> <td>-</td> <td>3995</td> <td>3\"/> <tr> <td>3999</td> <td>ETR</td> <td>-</td> <td>WD.</td> <td>J2</td> <td>PTD.</td> <td>-</td> <td>3997</td> <td>3\"/> </td></tr></td></tr></td></tr></td></tr></td></tr></td></tr></td></tr></td></tr></td></tr></td></tr></td></tr></td></tr></td></tr></td></tr></td></tr></td></tr></td></tr></td></tr></td></tr></td></tr></td></tr></td></tr></td></td></tr></td></tr></td></td></tr></td></td></tr></td></td></tr></td></td></tr></td></td></tr></td></td></tr></td></td></tr></td></td></tr></td></tr></td></tr></td></tr></td></td></tr> | 372 | B | 2 <td>HM</td> <td>J1</td> <td>PTD.</td> <td>1 HR.</td> <td>370</td> <td>3\"/> <tr> <td>373A</td> <td>ETR</td> <td>-</td> <td>WD.</td> <td>J2</td> <td>PTD.</td> <td>-</td> <td>371</td> <td>3\"/> <tr> <td>374B</td> <td>ETR</td> <td>-</td> <td>WD.</td> <td>J2</td> <td>PTD.</td> <td>-</td> <td>372</td> <td>3\"/> <tr> <td>374C</td> <td>ETR</td> <td>-</td> <td>WD.</td> <td>J2</td> <td>PTD.</td> <td>-</td> <td>373A</td> <td>3\"/> <tr> <td>375</td> <td>B</td> <td>1 <td>WD</td> <td>J1</td> <td>PTD.</td> <td>-</td> <td>374B</td> <td>3\"/> <tr> <td>376</td> <td>B</td> <td>1 <td>WD</td> <td>J1</td> <td>PTD.</td> <td>-</td> <td>374C</td> <td>3\"/> <tr> <td>377</td> <td>B</td> <td>1 <td>WD</td> <td>J1</td> <td>PTD.</td> <td>-</td> <td>375</td> <td>3\"/> <tr> <td>377A</td> <td>B</td> <td>1 <td>WD</td> <td>J1</td> <td>PTD.</td> <td>-</td> <td>376</td> <td>3\"/> <tr> <td>378</td> <td>B</td> <td>1 <td>WD</td> <td>J1</td> <td>PTD.</td> <td>-</td> <td>377</td> <td>3\"/> <tr> <td>379</td> <td>B</td> <td>1 <td>WD</td> <td>J1</td> <td>PTD.</td> <td>-</td> <td>377A</td> <td>3\"/> <tr> <td>380A</td> <td>B</td> <td>1 <td>WD</td> <td>J1</td> <td>PTD.</td> <td>-</td> <td>378</td> <td>3\"/> <tr> <td>380B</td> <td>B</td> <td>1 <td>WD</td> <td>J1</td> <td>PTD.</td> <td>-</td> <td>379</td> <td>3\"/> <tr> <td>382</td> <td>ETR</td> <td>-</td> <td>WD.</td> <td>J2</td> <td>PTD.</td> <td>-</td> <td>380A</td> <td>3\"/> <tr> <td>382A</td> <td>D</td> <td>6 <td>ALUM.</td> <td>ANODIZE D</td> <td>-</td> <td>-</td> <td>380B</td> <td>3\"/> <tr> <td>385</td> <td>ETR</td> <td>-</td> <td>WD.</td> <td>J2</td> <td>PTD.</td> <td>-</td> <td>382</td> <td>3\"/> <tr> <td>386</td> <td>ETR</td> <td>-</td> <td>WD.</td> <td>J2</td> <td>PTD.</td> <td>-</td> <td>382A</td> <td>3\"/> <tr> <td>387</td> <td>ETR</td> <td>-</td> <td>WD.</td> <td>J2</td> <td>PTD.</td> <td>-</td> <td>385</td> <td>3\"/> <tr> <td>388</td> <td>ETR</td> <td>-</td> <td>WD.</td> <td>J2</td> <td>PTD.</td> <td>-</td> <td>386</td> <td>3\"/> <tr> <td>389</td> <td>ETR</td> <td>-</td> <td>WD.</td> <td>J2</td> <td>PTD.</td> <td>-</td> <td>387</td> <td>3\"/> <tr> <td>391</td> <td>ETR</td> <td>-</td> <td>WD.</td> <td>J2</td> <td>PTD.</td> <td>-</td> <td>388</td> <td>3\"/> <tr> <td>391A</td> <td>ETR</td> <td>-</td> <td>WD.</td> <td>J2</td> <td>PTD.</td> <td>-</td> <td>389</td> <td>3\"/> <tr> <td>391B</td> <td>ETR</td> <td>-</td> <td>WD.</td> <td>J2</td> <td>PTD.</td> <td>-</td> <td>391</td> <td>3\"/> <tr> <td>394</td> <td>ETR</td> <td>-</td> <td>WD.</td> <td>J2</td> <td>PTD.</td> <td>-</td> <td>391A</td> <td>3\"/> <tr> <td>395</td> <td>ETR</td> <td>-</td> <td>WD.</td> <td>J2</td> <td>PTD.</td> <td>-</td> <td>391B</td> <td>3\"/> <tr> <td>396</td> <td>ETR</td> <td>-</td> <td>WD.</td> <td>J2</td> <td>PTD.</td> <td>-</td> <td>394</td> <td>3\"/> <tr> <td>398</td> <td>ETR</td> <td>-</td> <td>WD.</td> <td>J2</td> <td>PTD.</td> <td>-</td> <td>395</td> <td>3\"/> <tr> <td>399</td> <td>ETR</td> <td>-</td> <td>WD.</td> <td>J2</td> <td>PTD.</td> <td>-</td> <td>396</td> <td>3\"/> <tr> <td>3991</td> <td>ETR</td> <td>-</td> <td>WD.</td> <td>J2</td> <td>PTD.</td> <td>-</td> <td>398</td> <td>3\"/> <tr> <td>3992</td> <td>A</td> <td>3\"/> <tr> <td>3993</td> <td>ETR</td> <td>-</td> <td>WD.</td> <td>J2</td> <td>PTD.</td> <td>-</td> <td>399</td> <td>3\"/> <tr> <td>3994</td> <td>ETR</td> <td>-</td> <td>WD.</td> <td>J2</td> <td>PTD.</td> <td>-</td> <td>3991</td> <td>3\"/> <tr> <td>3995</td> <td>ETR</td> <td>-</td> <td>WD.</td> <td>J2</td> <td>PTD.</td> <td>-</td> <td>3992</td> <td>3\"/> <tr> <td>3997</td> <td>ETR</td> <td>-</td> <td>WD.</td> <td>J2</td> <td>PTD.</td> <td>-</td> <td>3993</td> <td>3\"/> <tr> <td>3998</td> <td>ETR</td> <td>-</td> <td>WD.</td> <td>J2</td> <td>PTD.</td> <td>-</td> <td>3994</td> <td>3\"/> <tr> <td>3999</td> <td>ETR</td> <td>-</td> <td>WD.</td> <td>J2</td> <td>PTD.</td> <td>-</td> <td>3995</td> <td>3\"/> <tr> <td>3999</td> <td>ETR</td> <td>-</td> <td>WD.</td> <td>J2</td> <td>PTD.</td> <td>-</td> <td>3997</td> <td>3\"/> </td></tr></td></tr></td></tr></td></tr></td></tr></td></tr></td></tr></td></tr></td></tr></td></tr></td></tr></td></tr></td></tr></td></tr></td></tr></td></tr></td></tr></td></tr></td></tr></td></tr></td></tr></td></tr></td></td></tr></td></tr></td></td></tr></td></td></tr></td></td></tr></td></td></tr></td></td></tr></td></td></tr></td></td></tr></td></td></tr></td></tr></td></tr></td></tr></td> | HM | J1 | PTD. | 1 HR.
| 370 | 3\"/> <tr> <td>373A</td> <td>ETR</td> <td>-</td> <td>WD.</td> <td>J2</td> <td>PTD.</td> <td>-</td> <td>371</td> <td>3\"/> <tr> <td>374B</td> <td>ETR</td> <td>-</td> <td>WD.</td> <td>J2</td> <td>PTD.</td> <td>-</td> <td>372</td> <td>3\"/> <tr> <td>374C</td> <td>ETR</td> <td>-</td> <td>WD.</td> <td>J2</td> <td>PTD.</td> <td>-</td> <td>373A</td> <td>3\"/> <tr> <td>375</td> <td>B</td> <td>1 <td>WD</td> <td>J1</td> <td>PTD.</td> <td>-</td> <td>374B</td> <td>3\"/> <tr> <td>376</td> <td>B</td> <td>1 <td>WD</td> <td>J1</td> <td>PTD.</td> <td>-</td> <td>374C</td> <td>3\"/> <tr> <td>377</td> <td>B</td> <td>1 <td>WD</td> <td>J1</td> <td>PTD.</td> <td>-</td> <td>375</td> <td>3\"/> <tr> <td>377A</td> <td>B</td> <td>1 <td>WD</td> <td>J1</td> <td>PTD.</td> <td>-</td> <td>376</td> <td>3\"/> <tr> <td>378</td> <td>B</td> <td>1 <td>WD</td> <td>J1</td> <td>PTD.</td> <td>-</td> <td>377</td> <td>3\"/> <tr> <td>379</td> <td>B</td> <td>1 <td>WD</td> <td>J1</td> <td>PTD.</td> <td>-</td> <td>377A</td> <td>3\"/> <tr> <td>380A</td> <td>B</td> <td>1 <td>WD</td> <td>J1</td> <td>PTD.</td> <td>-</td> <td>378</td> <td>3\"/> <tr> <td>380B</td> <td>B</td> <td>1 <td>WD</td> <td>J1</td> <td>PTD.</td> <td>-</td> <td>379</td> <td>3\"/> <tr> <td>382</td> <td>ETR</td> <td>-</td> <td>WD.</td> <td>J2</td> <td>PTD.</td> <td>-</td> <td>380A</td> <td>3\"/> <tr> <td>382A</td> <td>D</td> <td>6 <td>ALUM.</td> <td>ANODIZE D</td> <td>-</td> <td>-</td> <td>380B</td> <td>3\"/> <tr> <td>385</td> <td>ETR</td> <td>-</td> <td>WD.</td> <td>J2</td> <td>PTD.</td> <td>-</td> <td>382</td> <td>3\"/> <tr> <td>386</td> <td>ETR</td> <td>-</td> <td>WD.</td> <td>J2</td> <td>PTD.</td> <td>-</td> <td>382A</td> <td>3\"/> <tr> <td>387</td> <td>ETR</td> <td>-</td> <td>WD.</td> <td>J2</td> <td>PTD.</td> <td>-</td> <td>385</td> <td>3\"/> <tr> <td>388</td> <td>ETR</td> <td>-</td> <td>WD.</td> <td>J2</td> <td>PTD.</td> <td>-</td> <td>386</td> <td>3\"/> <tr> <td>389</td> <td>ETR</td> <td>-</td> <td>WD.</td> <td>J2</td> <td>PTD.</td> <td>-</td> <td>387</td> <td>3\"/> <tr> <td>391</td> <td>ETR</td> <td>-</td> <td>WD.</td> <td>J2</td> <td>PTD.</td> <td>-</td> <td>388</td> <td>3\"/> <tr> <td>391A</td> <td>ETR</td> <td>-</td> <td>WD.</td> <td>J2</td> <td>PTD.</td> <td>-</td> <td>389</td> <td>3\"/> <tr> <td>391B</td> <td>ETR</td> <td>-</td> <td>WD.</td> <td>J2</td> <td>PTD.</td> <td>-</td> <td>391</td> <td>3\"/> <tr> <td>394</td> <td>ETR</td> <td>-</td> <td>WD.</td> <td>J2</td> <td>PTD.</td> <td>-</td> <td>391A</td> <td>3\"/> <tr> <td>395</td> <td>ETR</td> <td>-</td> <td>WD.</td> <td>J2</td> <td>PTD.</td> <td>-</td> <td>391B</td> <td>3\"/> <tr> <td>396</td> <td>ETR</td> <td>-</td> <td>WD.</td> <td>J2</td> <td>PTD.</td> <td>-</td> <td>394</td> <td>3\"/> <tr> <td>398</td> <td>ETR</td> <td>-</td> <td>WD.</td> <td>J2</td> <td>PTD.</td> <td>-</td> <td>395</td> <td>3\"/> <tr> <td>399</td> <td>ETR</td> <td>-</td> <td>WD.</td> <td>J2</td> <td>PTD.</td> <td>-</td> <td>396</td> <td>3\"/> <tr> <td>3991</td> <td>ETR</td> <td>-</td> <td>WD.</td> <td>J2</td> <td>PTD.</td> <td>-</td> <td>398</td> <td>3\"/> <tr> <td>3992</td> <td>A</td> <td>3\"/> <tr> <td>3993</td> <td>ETR</td> <td>-</td> <td>WD.</td> <td>J2</td> <td>PTD.</td> <td>-</td> <td>399</td> <td>3\"/> <tr> <td>3994</td> <td>ETR</td> <td>-</td> <td>WD.</td> <td>J2</td> <td>PTD.</td> <td>-</td> <td>3991</td> <td>3\"/> <tr> <td>3995</td> <td>ETR</td> <td>-</td> <td>WD.</td> <td>J2</td> <td>PTD.</td> <td>-</td> <td>3992</td> <td>3\"/> <tr> <td>3997</td> <td>ETR</td> <td>-</td> <td>WD.</td> <td>J2</td> <td>PTD.</td> <td>-</td> <td>3993</td> <td>3\"/> <tr> <td>3998</td> <td>ETR</td> <td>-</td> <td>WD.</td> <td>J2</td> <td>PTD.</td> <td>-</td> <td>3994</td> <td>3\"/> <tr> <td>3999</td> <td>ETR</td> <td>-</td> <td>WD.</td> <td>J2</td> <td>PTD.</td> <td>-</td> <td>3995</td> <td>3\"/> <tr> <td>3999</td> <td>ETR</td> <td>-</td> <td>WD.</td> <td>J2</td> <td>PTD.</td> <td>-</td> <td>3997</td> <td>3\"/> </td></tr></td></tr></td></tr></td></tr></td></tr></td></tr></td></tr></td></tr></td></tr></td></tr></td></tr></td></tr></td></tr></td></tr></td></tr></td></tr></td></tr></td></tr></td></tr></td></tr></td></tr></td></tr></td></td></tr></td></tr></td></td></tr></td></td></tr></td></td></tr></td></td></tr></td></td></tr></td></td></tr></td></td></tr></td></td></tr></td></tr></td></tr></td></tr> | 373A | ETR | -
 | WD. | J2 | PTD. | - | 371 | 3\"/> <tr> <td>374B</td> <td>ETR</td> <td>-</td> <td>WD.</td> <td>J2</td> <td>PTD.</td> <td>-</td> <td>372</td> <td>3\"/> <tr> <td>374C</td> <td>ETR</td> <td>-</td> <td>WD.</td> <td>J2</td> <td>PTD.</td> <td>-</td> <td>373A</td> <td>3\"/> <tr> <td>375</td> <td>B</td> <td>1 <td>WD</td> <td>J1</td> <td>PTD.</td> <td>-</td> <td>374B</td> <td>3\"/> <tr> <td>376</td> <td>B</td> <td>1 <td>WD</td> <td>J1</td> <td>PTD.</td> <td>-</td> <td>374C</td> <td>3\"/> <tr> <td>377</td> <td>B</td> <td>1 <td>WD</td> <td>J1</td> <td>PTD.</td> <td>-</td> <td>375</td> <td>3\"/> <tr> <td>377A</td> <td>B</td> <td>1 <td>WD</td> <td>J1</td> <td>PTD.</td> <td>-</td> <td>376</td> <td>3\"/> <tr> <td>378</td> <td>B</td> <td>1 <td>WD</td> <td>J1</td> <td>PTD.</td> <td>-</td> <td>377</td> <td>3\"/> <tr> <td>379</td> <td>B</td> <td>1 <td>WD</td> <td>J1</td> <td>PTD.</td> <td>-</td> <td>377A</td> <td>3\"/> <tr> <td>380A</td> <td>B</td> <td>1 <td>WD</td> <td>J1</td> <td>PTD.</td> <td>-</td> <td>378</td> <td>3\"/> <tr> <td>380B</td> <td>B</td> <td>1 <td>WD</td> <td>J1</td> <td>PTD.</td> <td>-</td> <td>379</td> <td>3\"/> <tr> <td>382</td> <td>ETR</td> <td>-</td> <td>WD.</td> <td>J2</td> <td>PTD.</td> <td>-</td> <td>380A</td> <td>3\"/> <tr> <td>382A</td> <td>D</td> <td>6 <td>ALUM.</td> <td>ANODIZE D</td> <td>-</td> <td>-</td> <td>380B</td> <td>3\"/> <tr> <td>385</td> <td>ETR</td> <td>-</td> <td>WD.</td> <td>J2</td> <td>PTD.</td> <td>-</td> <td>382</td> <td>3\"/> <tr> <td>386</td> <td>ETR</td> <td>-</td> <td>WD.</td> <td>J2</td> <td>PTD.</td> <td>-</td> <td>382A</td> <td>3\"/> <tr> <td>387</td> <td>ETR</td> <td>-</td> <td>WD.</td> <td>J2</td> <td>PTD.</td> <td>-</td> <td>385</td> <td>3\"/> <tr> <td>388</td> <td>ETR</td> <td>-</td> <td>WD.</td> <td>J2</td> <td>PTD.</td> <td>-</td> <td>386</td> <td>3\"/> <tr> <td>389</td> <td>ETR</td> <td>-</td> <td>WD.</td> <td>J2</td> <td>PTD.</td> <td>-</td> <td>387</td> <td>3\"/> <tr> <td>391</td> <td>ETR</td> <td>-</td> <td>WD.</td> <td>J2</td> <td>PTD.</td> <td>-</td> <td>388</td> <td>3\"/> <tr> <td>391A</td> <td>ETR</td> <td>-</td> <td>WD.</td> <td>J2</td> <td>PTD.</td> <td>-</td> <td>389</td> <td>3\"/> <tr> <td>391B</td> <td>ETR</td> <td>-</td> <td>WD.</td> <td>J2</td> <td>PTD.</td> <td>-</td> <td>391</td> <td>3\"/> <tr> <td>394</td> <td>ETR</td> <td>-</td> <td>WD.</td> <td>J2</td> <td>PTD.</td> <td>-</td> <td>391A</td> <td>3\"/> <tr> <td>395</td> <td>ETR</td> <td>-</td> <td>WD.</td> <td>J2</td> <td>PTD.</td> <td>-</td> <td>391B</td> <td>3\"/> <tr> <td>396</td> <td>ETR</td> <td>-</td> <td>WD.</td> <td>J2</td> <td>PTD.</td> <td>-</td> <td>394</td> <td>3\"/> <tr> <td>398</td> <td>ETR</td> <td>-</td> <td>WD.</td> <td>J2</td> <td>PTD.</td> <td>-</td> <td>395</td> <td>3\"/> <tr> <td>399</td> <td>ETR</td> <td>-</td> <td>WD.</td> <td>J2</td> <td>PTD.</td> <td>-</td> <td>396</td> <td>3\"/> <tr> <td>3991</td> <td>ETR</td> <td>-</td> <td>WD.</td> <td>J2</td> <td>PTD.</td> <td>-</td> <td>398</td> <td>3\"/> <tr> <td>3992</td> <td>A</td> <td>3\"/> <tr> <td>3993</td> <td>ETR</td> <td>-</td> <td>WD.</td> <td>J2</td> <td>PTD.</td> <td>-</td> <td>399</td> <td>3\"/> <tr> <td>3994</td> <td>ETR</td> <td>-</td> <td>WD.</td> <td>J2</td> <td>PTD.</td> <td>-</td> <td>3991</td> <td>3\"/> <tr> <td>3995</td> <td>ETR</td> <td>-</td> <td>WD.</td> <td>J2</td> <td>PTD.</td> <td>-</td> <td>3992</td> <td>3\"/> <tr> <td>3997</td> <td>ETR</td> <td>-</td> <td>WD.</td> <td>J2</td> <td>PTD.</td> <td>-</td> <td>3993</td> <td>3\"/> <tr> <td>3998</td> <td>ETR</td> <td>-</td> <td>WD.</td> <td>J2</td> <td>PTD.</td> <td>-</td> <td>3994</td> <td>3\"/> <tr> <td>3999</td> <td>ETR</td> <td>-</td> <td>WD.</td> <td>J2</td> <td>PTD.</td> <td>-</td> <td>3995</td> <td>3\"/> <tr> <td>3999</td> <td>ETR</td> <td>-</td> <td>WD.</td> <td>J2</td> <td>PTD.</td> <td>-</td> <td>3997</td> <td>3\"/> </td></tr></td></tr></td></tr></td></tr></td></tr></td></tr></td></tr></td></tr></td></tr></td></tr></td></tr></td></tr></td></tr></td></tr></td></tr></td></tr></td></tr></td></tr></td></tr></td></tr></td></tr></td></tr></td></td></tr></td></tr></td></td></tr></td></td></tr></td></td></tr></td></td></tr></td></td></tr></td></td></tr></td></td></tr></td></td></tr></td></tr></td></tr> | 374B | ETR | -
 | WD. | J2 | PTD. | - | 372 | 3\"/> <tr> <td>374C</td> <td>ETR</td> <td>-</td> <td>WD.</td> <td>J2</td> <td>PTD.</td> <td>-</td> <td>373A</td> <td>3\"/> <tr> <td>375</td> <td>B</td> <td>1 <td>WD</td> <td>J1</td> <td>PTD.</td> <td>-</td> <td>374B</td> <td>3\"/> <tr> <td>376</td> <td>B</td> <td>1 <td>WD</td> <td>J1</td> <td>PTD.</td> <td>-</td> <td>374C</td> <td>3\"/> <tr> <td>377</td> <td>B</td> <td>1 <td>WD</td> <td>J1</td> <td>PTD.</td> <td>-</td> <td>375</td> <td>3\"/> <tr> <td>377A</td> <td>B</td> <td>1 <td>WD</td> <td>J1</td> <td>PTD.</td> <td>-</td> <td>376</td> <td>3\"/> <tr> <td>378</td> <td>B</td> <td>1 <td>WD</td> <td>J1</td> <td>PTD.</td> <td>-</td> <td>377</td> <td>3\"/> <tr> <td>379</td> <td>B</td> <td>1 <td>WD</td> <td>J1</td> <td>PTD.</td> <td>-</td> <td>377A</td> <td>3\"/> <tr> <td>380A</td> <td>B</td> <td>1 <td>WD</td> <td>J1</td> <td>PTD.</td> <td>-</td> <td>378</td> <td>3\"/> <tr> <td>380B</td> <td>B</td> <td>1 <td>WD</td> <td>J1</td> <td>PTD.</td> <td>-</td> <td>379</td> <td>3\"/> <tr> <td>382</td> <td>ETR</td> <td>-</td> <td>WD.</td> <td>J2</td> <td>PTD.</td> <td>-</td> <td>380A</td> <td>3\"/> <tr> <td>382A</td> <td>D</td> <td>6 <td>ALUM.</td> <td>ANODIZE D</td> <td>-</td> <td>-</td> <td>380B</td> <td>3\"/> <tr> <td>385</td> <td>ETR</td> <td>-</td> <td>WD.</td> <td>J2</td> <td>PTD.</td> <td>-</td> <td>382</td> <td>3\"/> <tr> <td>386</td> <td>ETR</td> <td>-</td> <td>WD.</td> <td>J2</td> <td>PTD.</td> <td>-</td> <td>382A</td> <td>3\"/> <tr> <td>387</td> <td>ETR</td> <td>-</td> <td>WD.</td> <td>J2</td> <td>PTD.</td> <td>-</td> <td>385</td> <td>3\"/> <tr> <td>388</td> <td>ETR</td> <td>-</td> <td>WD.</td> <td>J2</td> <td>PTD.</td> <td>-</td> <td>386</td> <td>3\"/> <tr> <td>389</td> <td>ETR</td> <td>-</td> <td>WD.</td> <td>J2</td> <td>PTD.</td> <td>-</td> <td>387</td> <td>3\"/> <tr> <td>391</td> <td>ETR</td> <td>-</td> <td>WD.</td> <td>J2</td> <td>PTD.</td> <td>-</td> <td>388</td> <td>3\"/> <tr> <td>391A</td> <td>ETR</td> <td>-</td> <td>WD.</td> <td>J2</td> <td>PTD.</td> <td>-</td> <td>389</td> <td>3\"/> <tr> <td>391B</td> <td>ETR</td> <td>-</td> <td>WD.</td> <td>J2</td> <td>PTD.</td> <td>-</td> <td>391</td> <td>3\"/> <tr> <td>394</td> <td>ETR</td> <td>-</td> <td>WD.</td> <td>J2</td> <td>PTD.</td> <td>-</td> <td>391A</td> <td>3\"/> <tr> <td>395</td> <td>ETR</td> <td>-</td> <td>WD.</td> <td>J2</td> <td>PTD.</td> <td>-</td> <td>391B</td> <td>3\"/> <tr> <td>396</td> <td>ETR</td> <td>-</td> <td>WD.</td> <td>J2</td> <td>PTD.</td> <td>-</td> <td>394</td> <td>3\"/> <tr> <td>398</td> <td>ETR</td> <td>-</td> <td>WD.</td> <td>J2</td> <td>PTD.</td> <td>-</td> <td>395</td> <td>3\"/> <tr> <td>399</td> <td>ETR</td> <td>-</td> <td>WD.</td> <td>J2</td> <td>PTD.</td> <td>-</td> <td>396</td> <td>3\"/> <tr> <td>3991</td> <td>ETR</td> <td>-</td> <td>WD.</td> <td>J2</td> <td>PTD.</td> <td>-</td> <td>398</td> <td>3\"/> <tr> <td>3992</td> <td>A</td> <td>3\"/> <tr> <td>3993</td> <td>ETR</td> <td>-</td> <td>WD.</td> <td>J2</td> <td>PTD.</td> <td>-</td> <td>399</td> <td>3\"/> <tr> <td>3994</td> <td>ETR</td> <td>-</td> <td>WD.</td> <td>J2</td> <td>PTD.</td> <td>-</td> <td>3991</td> <td>3\"/> <tr> <td>3995</td> <td>ETR</td> <td>-</td> <td>WD.</td> <td>J2</td> <td>PTD.</td> <td>-</td> <td>3992</td> <td>3\"/> <tr> <td>3997</td> <td>ETR</td> <td>-</td> <td>WD.</td> <td>J2</td> <td>PTD.</td> <td>-</td> <td>3993</td> <td>3\"/> <tr> <td>3998</td> <td>ETR</td> <td>-</td> <td>WD.</td> <td>J2</td> <td>PTD.</td> <td>-</td> <td>3994</td> <td>3\"/> <tr> <td>3999</td> <td>ETR</td> <td>-</td> <td>WD.</td> <td>J2</td> <td>PTD.</td> <td>-</td> <td>3995</td> <td>3\"/> <tr> <td>3999</td> <td>ETR</td> <td>-</td> <td>WD.</td> <td>J2</td> <td>PTD.</td> <td>-</td> <td>3997</td> <td>3\"/> </td></tr></td></tr></td></tr></td></tr></td></tr></td></tr></td></tr></td></tr></td></tr></td></tr></td></tr></td></tr></td></tr></td></tr></td></tr></td></tr></td></tr></td></tr></td></tr></td></tr></td></tr></td></tr></td></td></tr></td></tr></td></td></tr></td></td></tr></td></td></tr></td></td></tr></td></td></tr></td></td></tr></td></td></tr></td></td></tr></td></tr>
 | 374C | ETR | - | WD. | J2 | PTD. | - | 373A | 3\"/> <tr> <td>375</td> <td>B</td> <td>1 <td>WD</td> <td>J1</td> <td>PTD.</td> <td>-</td> <td>374B</td> <td>3\"/> <tr> <td>376</td> <td>B</td> <td>1 <td>WD</td> <td>J1</td> <td>PTD.</td> <td>-</td> <td>374C</td> <td>3\"/> <tr> <td>377</td> <td>B</td> <td>1 <td>WD</td> <td>J1</td> <td>PTD.</td> <td>-</td> <td>375</td> <td>3\"/> <tr> <td>377A</td> <td>B</td> <td>1 <td>WD</td> <td>J1</td> <td>PTD.</td> <td>-</td> <td>376</td> <td>3\"/> <tr> <td>378</td> <td>B</td> <td>1 <td>WD</td> <td>J1</td> <td>PTD.</td> <td>-</td> <td>377</td> <td>3\"/> <tr> <td>379</td> <td>B</td> <td>1 <td>WD</td> <td>J1</td> <td>PTD.</td> <td>-</td> <td>377A</td> <td>3\"/> <tr> <td>380A</td> <td>B</td> <td>1 <td>WD</td> <td>J1</td> <td>PTD.</td> <td>-</td> <td>378</td> <td>3\"/> <tr> <td>380B</td> <td>B</td> <td>1 <td>WD</td> <td>J1</td> <td>PTD.</td> <td>-</td> <td>379</td> <td>3\"/> <tr> <td>382</td> <td>ETR</td> <td>-</td> <td>WD.</td> <td>J2</td> <td>PTD.</td> <td>-</td> <td>380A</td> <td>3\"/> <tr> <td>382A</td> <td>D</td> <td>6 <td>ALUM.</td> <td>ANODIZE D</td> <td>-</td> <td>-</td> <td>380B</td> <td>3\"/> <tr> <td>385</td> <td>ETR</td> <td>-</td> <td>WD.</td> <td>J2</td> <td>PTD.</td> <td>-</td> <td>382</td> <td>3\"/> <tr> <td>386</td> <td>ETR</td> <td>-</td> <td>WD.</td> <td>J2</td> <td>PTD.</td> <td>-</td> <td>382A</td> <td>3\"/> <tr> <td>387</td> <td>ETR</td> <td>-</td> <td>WD.</td> <td>J2</td> <td>PTD.</td> <td>-</td> <td>385</td> <td>3\"/> <tr> <td>388</td> <td>ETR</td> <td>-</td> <td>WD.</td> <td>J2</td> <td>PTD.</td> <td>-</td> <td>386</td> <td>3\"/> <tr> <td>389</td> <td>ETR</td> <td>-</td> <td>WD.</td> <td>J2</td> <td>PTD.</td> <td>-</td> <td>387</td> <td>3\"/> <tr> <td>391</td> <td>ETR</td> <td>-</td> <td>WD.</td> <td>J2</td> <td>PTD.</td> <td>-</td> <td>388</td> <td>3\"/> <tr> <td>391A</td> <td>ETR</td> <td>-</td> <td>WD.</td> <td>J2</td> <td>PTD.</td> <td>-</td> <td>389</td> <td>3\"/> <tr> <td>391B</td> <td>ETR</td> <td>-</td> <td>WD.</td> <td>J2</td> <td>PTD.</td> <td>-</td> <td>391</td> <td>3\"/> <tr> <td>394</td> <td>ETR</td> <td>-</td> <td>WD.</td> <td>J2</td> <td>PTD.</td> <td>-</td> <td>391A</td> <td>3\"/> <tr> <td>395</td> <td>ETR</td> <td>-</td> <td>WD.</td> <td>J2</td> <td>PTD.</td> <td>-</td> <td>391B</td> <td>3\"/> <tr> <td>396</td> <td>ETR</td> <td>-</td> <td>WD.</td> <td>J2</td> <td>PTD.</td> <td>-</td> <td>394</td> <td>3\"/> <tr> <td>398</td> <td>ETR</td> <td>-</td> <td>WD.</td> <td>J2</td> <td>PTD.</td> <td>-</td> <td>395</td> <td>3\"/> <tr> <td>399</td> <td>ETR</td> <td>-</td> <td>WD.</td> <td>J2</td> <td>PTD.</td> <td>-</td> <td>396</td> <td>3\"/> <tr> <td>3991</td> <td>ETR</td> <td>-</td> <td>WD.</td> <td>J2</td> <td>PTD.</td> <td>-</td> <td>398</td> <td>3\"/> <tr> <td>3992</td> <td>A</td> <td>3\"/> <tr> <td>3993</td> <td>ETR</td> <td>-</td> <td>WD.</td> <td>J2</td> <td>PTD.</td> <td>-</td>
<td>399</td> <td>3\"/> <tr> <td>3994</td> <td>ETR</td> <td>-</td> <td>WD.</td> <td>J2</td> <td>PTD.</td> <td>-</td> <td>3991</td> <td>3\"/> <tr> <td>3995</td> <td>ETR</td> <td>-</td> <td>WD.</td> <td>J2</td> <td>PTD.</td> <td>-</td> <td>3992</td> <td>3\"/> <tr> <td>3997</td> <td>ETR</td> <td>-</td> <td>WD.</td> <td>J2</td> <td>PTD.</td> <td>-</td> <td>3993</td> <td>3\"/> <tr> <td>3998</td> <td>ETR</td> <td>-</td> <td>WD.</td> <td>J2</td> <td>PTD.</td> <td>-</td> <td>3994</td> <td>3\"/> <tr> <td>3999</td> <td>ETR</td> <td>-</td> <td>WD.</td> <td>J2</td> <td>PTD.</td> <td>-</td> <td>3995</td> <td>3\"/> <tr> <td>3999</td> <td>ETR</td> <td>-</td> <td>WD.</td> <td>J2</td> <td>PTD.</td> <td>-</td> <td>3997</td> <td>3\"/> </td></tr></td></tr></td></tr></td></tr></td></tr></td></tr></td></tr></td></tr></td></tr></td></tr></td></tr></td></tr></td></tr></td></tr></td></tr></td></tr></td></tr></td></tr></td></tr></td></tr></td></tr></td></tr></td></td></tr></td></tr></td></td></tr></td></td></tr></td></td></tr></td></td></tr></td></td></tr></td></td></tr></td></td></tr></td></td></tr> | 375 | B | 1 <td>WD</td> <td>J1</td> <td>PTD.</td> <td>-</td> <td>374B</td> <td>3\"/> <tr> <td>376</td> <td>B</td> <td>1 <td>WD</td> <td>J1</td> <td>PTD.</td> <td>-</td> <td>374C</td> <td>3\"/> <tr> <td>377</td> <td>B</td> <td>1 <td>WD</td> <td>J1</td> <td>PTD.</td> <td>-</td> <td>375</td> <td>3\"/> <tr> <td>377A</td> <td>B</td> <td>1 <td>WD</td> <td>J1</td> <td>PTD.</td> <td>-</td> <td>376</td> <td>3\"/> <tr> <td>378</td> <td>B</td> <td>1 <td>WD</td> <td>J1</td> <td>PTD.</td> <td>-</td> <td>377</td> <td>3\"/> <tr> <td>379</td> <td>B</td> <td>1 <td>WD</td> <td>J1</td> <td>PTD.</td> <td>-</td> <td>377A</td> <td>3\"/> <tr> <td>380A</td> <td>B</td> <td>1 <td>WD</td> <td>J1</td> <td>PTD.</td> <td>-</td> <td>378</td> <td>3\"/> <tr> <td>380B</td> <td>B</td> <td>1 <td>WD</td> <td>J1</td> <td>PTD.</td> <td>-</td> <td>379</td> <td>3\"/> <tr> <td>382</td> <td>ETR</td> <td>-</td> <td>WD.</td> <td>J2</td> <td>PTD.</td> <td>-</td> <td>380A</td> <td>3\"/> <tr> <td>382A</td> <td>D</td> <td>6 <td>ALUM.</td> <td>ANODIZE D</td> <td>-</td> <td>-</td> <td>380B</td> <td>3\"/> <tr> <td>385</td> <td>ETR</td> <td>-</td> <td>WD.</td> <td>J2</td> <td>PTD.</td> <td>-</td> <td>382</td> <td>3\"/> <tr> <td>386</td> <td>ETR</td> <td>-</td> <td>WD.</td> <td>J2</td> <td>PTD.</td> <td>-</td> <td>382A</td> <td>3\"/> <tr> <td>387</td> <td>ETR</td> <td>-</td> <td>WD.</td> <td>J2</td> <td>PTD.</td> <td>-</td> <td>385</td> <td>3\"/> <tr> <td>388</td> <td>ETR</td> <td>-</td> <td>WD.</td> <td>J2</td> <td>PTD.</td> <td>-</td> <td>386</td> <td>3\"/> <tr> <td>389</td> <td>ETR</td> <td>-</td> <td>WD.</td> <td>J2</td> <td>PTD.</td> <td>-</td> <td>387</td> <td>3\"/> <tr> <td>391</td> <td>ETR</td> <td>-</td> <td>WD.</td> <td>J2</td> <td>PTD.</td> <td>-</td> <td>388</td> <td>3\"/> <tr> <td>391A</td> <td>ETR</td> <td>-</td> <td>WD.</td> <td>J2</td> <td>PTD.</td> <td>-</td> <td>389</td> <td>3\"/> <tr> <td>391B</td> <td>ETR</td> <td>-</td> <td>WD.</td> <td>J2</td> <td>PTD.</td> <td>-</td> <td>391</td> <td>3\"/> <tr> <td>394</td> <td>ETR</td> <td>-</td> <td>WD.</td> <td>J2</td> <td>PTD.</td> <td>-</td> <td>391A</td> <td>3\"/> <tr> <td>395</td> <td>ETR</td> <td>-</td> <td>WD.</td> <td>J2</td> <td>PTD.</td> <td>-</td> <td>391B</td> <td>3\"/> <tr> <td>396</td> <td>ETR</td> <td>-</td> <td>WD.</td> <td>J2</td> <td>PTD.</td> <td>-</td> <td>394</td> <td>3\"/> <tr> <td>398</td> <td>ETR</td> <td>-</td> <td>WD.</td> <td>J2</td> <td>PTD.</td> <td>-</td> <td>395</td> <td>3\"/> <tr> <td>399</td> <td>ETR</td> <td>-</td> <td>WD.</td> <td>J2</td> <td>PTD.</td> <td>-</td> <td>396</td> <td>3\"/> <tr> <td>3991</td> <td>ETR</td> <td>-</td> <td>WD.</td> <td>J2</td> <td>PTD.</td> <td>-</td> <td>398</td> <td>3\"/> <tr> <td>3992</td> <td>A</td> <td>3\"/> <tr> <td>3993</td> <td>ETR</td> <td>-</td> <td>WD.</td> <td>J2</td> <td>PTD.</td> <td>-</td> <td>399</td> <td>3\"/> <tr> <td>3994</td> <td>ETR</td> <td>-</td> <td>WD.</td> <td>J2</td> <td>PTD.</td> <td>-</td> <td>3991</td> <td>3\"/> <tr> <td>3995</td> <td>ETR</td> <td>-</td> <td>WD.</td> <td>J2</td> <td>PTD.</td> <td>-</td> <td>3992</td> <td>3\"/> <tr> <td>3997</td> <td>ETR</td> <td>-</td> <td>WD.</td> <td>J2</td> <td>PTD.</td> <td>-</td> <td>3993</td> <td>3\"/> <tr> <td>3998</td> <td>ETR</td> <td>-</td> <td>WD.</td> <td>J2</td> <td>PTD.</td> <td>-</td> <td>3994</td> <td>3\"/> <tr> <td>3999</td> <td>ETR</td> <td>-</td> <td>WD.</td> <td>J2</td> <td>PTD.</td> <td>-</td> <td>3995</td> <td>3\"/> <tr> <td>3999</td> <td>ETR</td> <td>-</td> <td>WD.</td> <td>J2</td> <td>PTD.</td> <td>-</td> <td>3997</td> <td>3\"/> </td></tr></td></tr></td></tr></td></tr></td></tr></td></tr></td></tr></td></tr></td></tr></td></tr></td></tr></td></tr></td></tr></td></tr></td></tr></td></tr></td></tr></td></tr></td></tr></td></tr></td></tr></td></tr></td></td></tr></td></tr></td></td></tr></td></td></tr></td></td></tr></td></td></tr></td></td></tr></td></td></tr></td></td></tr></td> | WD | J1 | PTD. | - | 374B | 3\"/> <tr> <td>376</td> <td>B</td> <td>1 <td>WD</td> <td>J1</td> <td>PTD.</td> <td>-</td> <td>374C</td> <td>3\"/> <tr> <td>377</td> <td>B</td> <td>1 <td>WD</td> <td>J1</td> <td>PTD.</td> <td>-</td> <td>375</td> <td>3\"/> <tr> <td>377A</td> <td>B</td> <td>1 <td>WD</td> <td>J1</td> <td>PTD.</td> <td>-</td> <td>376</td> <td>3\"/> <tr> <td>378</td> <td>B</td> <td>1 <td>WD</td> <td>J1</td> <td>PTD.</td> <td>-</td> <td>377</td> <td>3\"/> <tr> <td>379</td> <td>B</td> <td>1 <td>WD</td> <td>J1</td> <td>PTD.</td> <td>-</td> <td>377A</td> <td>3\"/> <tr> <td>380A</td> <td>B</td> <td>1 <td>WD</td> <td>J1</td> <td>PTD.</td> <td>-</td> <td>378</td> <td>3\"/> <tr> <td>380B</td> <td>B</td> <td>1 <td>WD</td> <td>J1</td> <td>PTD.</td> <td>-</td> <td>379</td> <td>3\"/> <tr> <td>382</td> <td>ETR</td> <td>-</td> <td>WD.</td> <td>J2</td> <td>PTD.</td> <td>-</td> <td>380A</td> <td>3\"/> <tr> <td>382A</td> <td>D</td> <td>6 <td>ALUM.</td> <td>ANODIZE D</td> <td>-</td> <td>-</td> <td>380B</td> <td>3\"/> <tr> <td>385</td> <td>ETR</td> <td>-</td> <td>WD.</td> <td>J2</td> <td>PTD.</td> <td>-</td>
<td>382</td> <td>3\"/> <tr> <td>386</td> <td>ETR</td> <td>-</td> <td>WD.</td> <td>J2</td> <td>PTD.</td> <td>-</td> <td>382A</td> <td>3\"/> <tr> <td>387</td> <td>ETR</td> <td>-</td> <td>WD.</td> <td>J2</td> <td>PTD.</td> <td>-</td> <td>385</td> <td>3\"/> <tr> <td>388</td> <td>ETR</td> <td>-</td> <td>WD.</td> <td>J2</td> <td>PTD.</td> <td>-</td> <td>386</td> <td>3\"/> <tr> <td>389</td> <td>ETR</td> <td>-</td> <td>WD.</td> <td>J2</td> <td>PTD.</td> <td>-</td> <td>387</td> <td>3\"/> <tr> <td>391</td> <td>ETR</td> <td>-</td> <td>WD.</td> <td>J2</td> <td>PTD.</td> <td>-</td> <td>388</td> <td>3\"/> <tr> <td>391A</td> <td>ETR</td> <td>-</td> <td>WD.</td> <td>J2</td> <td>PTD.</td> <td>-</td> <td>389</td> <td>3\"/> <tr> <td>391B</td> <td>ETR</td> <td>-</td> <td>WD.</td> <td>J2</td> <td>PTD.</td> <td>-</td> <td>391</td> <td>3\"/> <tr> <td>394</td> <td>ETR</td> <td>-</td> <td>WD.</td> <td>J2</td> <td>PTD.</td> <td>-</td> <td>391A</td> <td>3\"/> <tr> <td>395</td> <td>ETR</td> <td>-</td> <td>WD.</td> <td>J2</td> <td>PTD.</td> <td>-</td> <td>391B</td> <td>3\"/> <tr> <td>396</td> <td>ETR</td> <td>-</td> <td>WD.</td> <td>J2</td> <td>PTD.</td> <td>-</td> <td>394</td> <td>3\"/> <tr> <td>398</td> <td>ETR</td> <td>-</td> <td>WD.</td> <td>J2</td> <td>PTD.</td> <td>-</td> <td>395</td> <td>3\"/> <tr> <td>399</td> <td>ETR</td> <td>-</td> <td>WD.</td> <td>J2</td> <td>PTD.</td> <td>-</td> <td>396</td> <td>3\"/> <tr> <td>3991</td> <td>ETR</td> <td>-</td> <td>WD.</td> <td>J2</td> <td>PTD.</td> <td>-</td> <td>398</td> <td>3\"/> <tr> <td>3992</td> <td>A</td> <td>3\"/> <tr> <td>3993</td> <td>ETR</td> <td>-</td> <td>WD.</td> <td>J2</td> <td>PTD.</td> <td>-</td> <td>399</td> <td>3\"/> <tr> <td>3994</td> <td>ETR</td> <td>-</td> <td>WD.</td> <td>J2</td> <td>PTD.</td> <td>-</td> <td>3991</td> <td>3\"/> <tr> <td>3995</td> <td>ETR</td> <td>-</td> <td>WD.</td> <td>J2</td> <td>PTD.</td> <td>-</td> <td>3992</td> <td>3\"/> <tr> <td>3997</td> <td>ETR</td> <td>-</td> <td>WD.</td> <td>J2</td> <td>PTD.</td> <td>-</td> <td>3993</td> <td>3\"/> <tr> <td>3998</td> <td>ETR</td> <td>-</td> <td>WD.</td> <td>J2</td> <td>PTD.</td> <td>-</td> <td>3994</td> <td>3\"/> <tr> <td>3999</td> <td>ETR</td> <td>-</td> <td>WD.</td> <td>J2</td> <td>PTD.</td> <td>-</td> <td>3995</td> <td>3\"/> <tr> <td>3999</td> <td>ETR</td> <td>-</td> <td>WD.</td> <td>J2</td> <td>PTD.</td> <td>-</td> <td>3997</td> <td>3\"/> </td></tr></td></tr></td></tr></td></tr></td></tr></td></tr></td></tr></td></tr></td></tr></td></tr></td></tr></td></tr></td></tr></td></tr></td></tr></td></tr></td></tr></td></tr></td></tr></td></tr></td></tr></td></tr></td></td></tr></td></tr></td></td></tr></td></td></tr></td></td></tr></td></td></tr></td></td></tr></td></td></tr></td></td></tr> | 376 | B | 1 <td>WD</td> <td>J1</td> <td>PTD.</td> <td>-</td> <td>374C</td> <td>3\"/> <tr> <td>377</td> <td>B</td> <td>1 <td>WD</td> <td>J1</td> <td>PTD.</td> <td>-</td> <td>375</td> <td>3\"/> <tr> <td>377A</td> <td>B</td> <td>1 <td>WD</td> <td>J1</td> <td>PTD.</td> <td>-</td> <td>376</td> <td>3\"/> <tr> <td>378</td> <td>B</td> <td>1 <td>WD</td> <td>J1</td> <td>PTD.</td> <td>-</td> <td>377</td> <td>3\"/> <tr> <td>379</td> <td>B</td> <td>1 <td>WD</td> <td>J1</td> <td>PTD.</td> <td>-</td> <td>377A</td> <td>3\"/> <tr> <td>380A</td> <td>B</td> <td>1 <td>WD</td> <td>J1</td> <td>PTD.</td> <td>-</td> <td>378</td> <td>3\"/> <tr> <td>380B</td> <td>B</td> <td>1 <td>WD</td> <td>J1</td> <td>PTD.</td> <td>-</td> <td>379</td> <td>3\"/> <tr> <td>382</td> <td>ETR</td> <td>-</td> <td>WD.</td> <td>J2</td> <td>PTD.</td> <td>-</td> <td>380A</td> <td>3\"/> <tr> <td>382A</td> <td>D</td> <td>6 <td>ALUM.</td> <td>ANODIZE D</td> <td>-</td> <td>-</td> <td>380B</td> <td>3\"/> <tr> <td>385</td> <td>ETR</td> <td>-</td> <td>WD.</td> <td>J2</td> <td>PTD.</td> <td>-</td> <td>382</td> <td>3\"/> <tr> <td>386</td> <td>ETR</td> <td>-</td> <td>WD.</td> <td>J2</td> <td>PTD.</td> <td>-</td> <td>382A</td> <td>3\"/> <tr> <td>387</td> <td>ETR</td> <td>-</td> <td>WD.</td> <td>J2</td> <td>PTD.</td> <td>-</td> <td>385</td> <td>3\"/> <tr> <td>388</td> <td>ETR</td> <td>-</td> <td>WD.</td> <td>J2</td> <td>PTD.</td> <td>-</td> <td>386</td> <td>3\"/> <tr> <td>389</td> <td>ETR</td> <td>-</td> <td>WD.</td> <td>J2</td> <td>PTD.</td> <td>-</td> <td>387</td> <td>3\"/> <tr> <td>391</td> <td>ETR</td> <td>-</td> <td>WD.</td> <td>J2</td> <td>PTD.</td> <td>-</td> <td>388</td> <td>3\"/> <tr> <td>391A</td> <td>ETR</td> <td>-</td> <td>WD.</td> <td>J2</td> <td>PTD.</td> <td>-</td> <td>389</td> <td>3\"/> <tr> <td>391B</td> <td>ETR</td> <td>-</td> <td>WD.</td> <td>J2</td> <td>PTD.</td> <td>-</td> <td>391</td> <td>3\"/> <tr> <td>394</td> <td>ETR</td> <td>-</td> <td>WD.</td> <td>J2</td> <td>PTD.</td> <td>-</td> <td>391A</td> <td>3\"/> <tr> <td>395</td> <td>ETR</td> <td>-</td> <td>WD.</td> <td>J2</td> <td>PTD.</td> <td>-</td> <td>391B</td> <td>3\"/> <tr> <td>396</td> <td>ETR</td> <td>-</td> <td>WD.</td> <td>J2</td> <td>PTD.</td> <td>-</td> <td>394</td> <td>3\"/> <tr> <td>398</td> <td>ETR</td> <td>-</td> <td>WD.</td> <td>J2</td> <td>PTD.</td> <td>-</td> <td>395</td> <td>3\"/> <tr> <td>399</td> <td>ETR</td> <td>-</td> <td>WD.</td> <td>J2</td> <td>PTD.</td> <td>-</td> <td>396</td> <td>3\"/> <tr> <td>3991</td> <td>ETR</td> <td>-</td> <td>WD.</td> <td>J2</td> <td>PTD.</td> <td>-</td> <td>398</td> <td>3\"/> <tr> <td>3992</td> <td>A</td> <td>3\"/> <tr> <td>3993</td> <td>ETR</td> <td>-</td> <td>WD.</td> <td>J2</td> <td>PTD.</td> <td>-</td> <td>399</td> <td>3\"/> <tr> <td>3994</td> <td>ETR</td> <td>-</td> <td>WD.</td> <td>J2</td> <td>PTD.</td> <td>-</td> <td>3991</td> <td>3\"/> <tr> <td>3995</td> <td>ETR</td> <td>-</td> <td>WD.</td> <td>J2</td> <td>PTD.</td> <td>-</td> <td>3992</td> <td>3\"/> <tr> <td>3997</td> <td>ETR</td> <td>-</td> <td>WD.</td> <td>J2</td> <td>PTD.</td> <td>-</td> <td>3993</td> <td>3\"/> <tr> <td>3998</td> <td>ETR</td> <td>-</td> <td>WD.</td> <td>J2</td> <td>PTD.</td> <td>-</td> <td>3994</td> <td>3\"/> <tr> <td>3999</td> <td>ETR</td> <td>-</td> <td>WD.</td> <td>J2</td> <td>PTD.</td> <td>-</td> <td>3995</td> <td>3\"/> <tr> <td>3999</td> <td>ETR</td> <td>-</td> <td>WD.</td> <td>J2</td> <td>PTD.</td> <td>-</td> <td>3997</td> <td>3\"/> </td></tr></td></tr></td></tr></td></tr></td></tr></td></tr></td></tr></td></tr></td></tr></td></tr></td></tr></td></tr></td></tr></td></tr></td></tr></td></tr></td></tr></td></tr></td></tr></td></tr></td></tr></td></tr></td></td></tr></td></tr></td></td></tr></td></td></tr></td></td></tr></td></td></tr></td></td></tr></td></td></tr></td>
 | WD | J1 | PTD. | - | 374C | 3\"/> <tr> <td>377</td> <td>B</td> <td>1 <td>WD</td> <td>J1</td> <td>PTD.</td> <td>-</td> <td>375</td> <td>3\"/> <tr> <td>377A</td> <td>B</td> <td>1 <td>WD</td> <td>J1</td> <td>PTD.</td> <td>-</td> <td>376</td> <td>3\"/> <tr> <td>378</td> <td>B</td> <td>1 <td>WD</td> <td>J1</td> <td>PTD.</td> <td>-</td> <td>377</td> <td>3\"/> <tr> <td>379</td> <td>B</td> <td>1 <td>WD</td> <td>J1</td> <td>PTD.</td> <td>-</td> <td>377A</td> <td>3\"/> <tr> <td>380A</td> <td>B</td> <td>1 <td>WD</td> <td>J1</td> <td>PTD.</td> <td>-</td> <td>378</td> <td>3\"/> <tr> <td>380B</td> <td>B</td> <td>1 <td>WD</td> <td>J1</td> <td>PTD.</td> <td>-</td> <td>379</td> <td>3\"/> <tr> <td>382</td> <td>ETR</td> <td>-</td> <td>WD.</td> <td>J2</td> <td>PTD.</td> <td>-</td> <td>380A</td> <td>3\"/> <tr> <td>382A</td> <td>D</td> <td>6 <td>ALUM.</td> <td>ANODIZE D</td> <td>-</td> <td>-</td> <td>380B</td> <td>3\"/> <tr> <td>385</td> <td>ETR</td> <td>-</td> <td>WD.</td> <td>J2</td> <td>PTD.</td> <td>-</td> <td>382</td> <td>3\"/> <tr> <td>386</td> <td>ETR</td> <td>-</td> <td>WD.</td> <td>J2</td> <td>PTD.</td> <td>-</td> <td>382A</td> <td>3\"/> <tr> <td>387</td> <td>ETR</td> <td>-</td> <td>WD.</td> <td>J2</td> <td>PTD.</td> <td>-</td> <td>385</td> <td>3\"/> <tr> <td>388</td> <td>ETR</td> <td>-</td> <td>WD.</td> <td>J2</td> <td>PTD.</td> <td>-</td> <td>386</td> <td>3\"/> <tr> <td>389</td> <td>ETR</td> <td>-</td> <td>WD.</td> <td>J2</td> <td>PTD.</td> <td>-</td> <td>387</td> <td>3\"/> <tr> <td>391</td> <td>ETR</td> <td>-</td> <td>WD.</td> <td>J2</td> <td>PTD.</td> <td>-</td> <td>388</td> <td>3\"/> <tr> <td>391A</td> <td>ETR</td> <td>-</td> <td>WD.</td> <td>J2</td> <td>PTD.</td> <td>-</td> <td>389</td> <td>3\"/> <tr> <td>391B</td> <td>ETR</td> <td>-</td> <td>WD.</td> <td>J2</td> <td>PTD.</td> <td>-</td> <td>391</td> <td>3\"/> <tr> <td>394</td> <td>ETR</td> <td>-</td> <td>WD.</td> <td>J2</td> <td>PTD.</td> <td>-</td> <td>391A</td> <td>3\"/> <tr> <td>395</td> <td>ETR</td> <td>-</td> <td>WD.</td> <td>J2</td> <td>PTD.</td> <td>-</td> <td>391B</td> <td>3\"/> <tr> <td>396</td> <td>ETR</td> <td>-</td> <td>WD.</td> <td>J2</td> <td>PTD.</td> <td>-</td> <td>394</td> <td>3\"/> <tr> <td>398</td> <td>ETR</td> <td>-</td> <td>WD.</td> <td>J2</td> <td>PTD.</td> <td>-</td> <td>395</td> <td>3\"/> <tr> <td>399</td> <td>ETR</td> <td>-</td> <td>WD.</td> <td>J2</td> <td>PTD.</td> <td>-</td> <td>396</td> <td>3\"/> <tr> <td>3991</td> <td>ETR</td> <td>-</td> <td>WD.</td> <td>J2</td> <td>PTD.</td> <td>-</td> <td>398</td> <td>3\"/> <tr> <td>3992</td> <td>A</td> <td>3\"/> <tr> <td>3993</td> <td>ETR</td> <td>-</td> <td>WD.</td> <td>J2</td> <td>PTD.</td> <td>-</td> <td>399</td> <td>3\"/> <tr> <td>3994</td> <td>ETR</td> <td>-</td> <td>WD.</td> <td>J2</td> <td>PTD.</td> <td>-</td> <td>3991</td> <td>3\"/> <tr> <td>3995</td> <td>ETR</td> <td>-</td> <td>WD.</td> <td>J2</td> <td>PTD.</td> <td>-</td> <td>3992</td> <td>3\"/> <tr> <td>3997</td> <td>ETR</td> <td>-</td> <td>WD.</td> <td>J2</td> <td>PTD.</td> <td>-</td> <td>3993</td> <td>3\"/> <tr> <td>3998</td> <td>ETR</td> <td>-</td> <td>WD.</td> <td>J2</td> <td>PTD.</td> <td>-</td> <td>3994</td> <td>3\"/> <tr> <td>3999</td> <td>ETR</td> <td>-</td> <td>WD.</td> <td>J2</td> <td>PTD.</td> <td>-</td> <td>3995</td> <td>3\"/> <tr> <td>3999</td> <td>ETR</td> <td>-</td> <td>WD.</td> <td>J2</td> <td>PTD.</td> <td>-</td> <td>3997</td> <td>3\"/> </td></tr></td></tr></td></tr></td></tr></td></tr></td></tr></td></tr></td></tr></td></tr></td></tr></td></tr></td></tr></td></tr></td></tr></td></tr></td></tr></td></tr></td></tr></td></tr></td></tr></td></tr></td></tr></td></td></tr></td></tr></td></td></tr></td></td></tr></td></td></tr></td></td></tr></td></td></tr></td></td></tr> | 377 | B | 1 <td>WD</td> <td>J1</td> <td>PTD.</td> <td>-</td> <td>375</td> <td>3\"/> <tr> <td>377A</td> <td>B</td> <td>1 <td>WD</td> <td>J1</td> <td>PTD.</td> <td>-</td> <td>376</td> <td>3\"/> <tr> <td>378</td> <td>B</td> <td>1 <td>WD</td> <td>J1</td> <td>PTD.</td> <td>-</td> <td>377</td> <td>3\"/> <tr> <td>379</td> <td>B</td> <td>1 <td>WD</td> <td>J1</td> <td>PTD.</td> <td>-</td> <td>377A</td> <td>3\"/> <tr> <td>380A</td> <td>B</td> <td>1 <td>WD</td> <td>J1</td> <td>PTD.</td> <td>-</td> <td>378</td> <td>3\"/> <tr> <td>380B</td> <td>B</td> <td>1 <td>WD</td> <td>J1</td> <td>PTD.</td> <td>-</td> <td>379</td> <td>3\"/> <tr> <td>382</td> <td>ETR</td> <td>-</td> <td>WD.</td> <td>J2</td> <td>PTD.</td> <td>-</td> <td>380A</td> <td>3\"/> <tr> <td>382A</td> <td>D</td> <td>6 <td>ALUM.</td> <td>ANODIZE D</td> <td>-</td> <td>-</td> <td>380B</td> <td>3\"/> <tr> <td>385</td> <td>ETR</td> <td>-</td> <td>WD.</td> <td>J2</td> <td>PTD.</td> <td>-</td> <td>382</td> <td>3\"/> <tr> <td>386</td> <td>ETR</td> <td>-</td> <td>WD.</td> <td>J2</td> <td>PTD.</td> <td>-</td> <td>382A</td> <td>3\"/> <tr> <td>387</td> <td>ETR</td> <td>-</td> <td>WD.</td> <td>J2</td> <td>PTD.</td> <td>-</td> <td>385</td> <td>3\"/> <tr> <td>388</td> <td>ETR</td> <td>-</td> <td>WD.</td> <td>J2</td> <td>PTD.</td> <td>-</td> <td>386</td> <td>3\"/> <tr> <td>389</td> <td>ETR</td> <td>-</td> <td>WD.</td> <td>J2</td> <td>PTD.</td> <td>-</td> <td>387</td> <td>3\"/> <tr> <td>391</td> <td>ETR</td> <td>-</td> <td>WD.</td> <td>J2</td> <td>PTD.</td> <td>-</td> <td>388</td> <td>3\"/> <tr> <td>391A</td> <td>ETR</td> <td>-</td> <td>WD.</td> <td>J2</td> <td>PTD.</td> <td>-</td> <td>389</td> <td>3\"/> <tr> <td>391B</td> <td>ETR</td> <td>-</td> <td>WD.</td> <td>J2</td> <td>PTD.</td> <td>-</td> <td>391</td> <td>3\"/> <tr> <td>394</td> <td>ETR</td> <td>-</td> <td>WD.</td> <td>J2</td> <td>PTD.</td> <td>-</td> <td>391A</td> <td>3\"/> <tr> <td>395</td> <td>ETR</td> <td>-</td> <td>WD.</td> <td>J2</td> <td>PTD.</td> <td>-</td> <td>391B</td> <td>3\"/> <tr> <td>396</td> <td>ETR</td> <td>-</td> <td>WD.</td> <td>J2</td> <td>PTD.</td> <td>-</td> <td>394</td> <td>3\"/> <tr> <td>398</td> <td>ETR</td> <td>-</td> <td>WD.</td> <td>J2</td> <td>PTD.</td> <td>-</td> <td>395</td> <td>3\"/> <tr> <td>399</td> <td>ETR</td> <td>-</td> <td>WD.</td> <td>J2</td> <td>PTD.</td> <td>-</td> <td>396</td> <td>3\"/> <tr> <td>3991</td> <td>ETR</td> <td>-</td> <td>WD.</td> <td>J2</td> <td>PTD.</td> <td>-</td> <td>398</td> <td>3\"/> <tr> <td>3992</td> <td>A</td> <td>3\"/> <tr> <td>3993</td> <td>ETR</td> <td>-</td> <td>WD.</td> <td>J2</td> <td>PTD.</td> <td>-</td> <td>399</td> <td>3\"/> <tr> <td>3994</td> <td>ETR</td> <td>-</td> <td>WD.</td> <td>J2</td> <td>PTD.</td> <td>-</td> <td>3991</td> <td>3\"/> <tr> <td>3995</td> <td>ETR</td> <td>-</td> <td>WD.</td> <td>J2</td> <td>PTD.</td> <td>-</td> <td>3992</td> <td>3\"/> <tr> <td>3997</td> <td>ETR</td> <td>-</td> <td>WD.</td> <td>J2</td> <td>PTD.</td> <td>-</td> <td>3993</td> <td>3\"/> <tr> <td>3998</td> <td>ETR</td> <td>-</td> <td>WD.</td> <td>J2</td> <td>PTD.</td> <td>-</td> <td>3994</td> <td>3\"/> <tr> <td>3999</td> <td>ETR</td> <td>-</td> <td>WD.</td> <td>J2</td> <td>PTD.</td> <td>-</td> <td>3995</td> <td>3\"/> <tr> <td>3999</td> <td>ETR</td> <td>-</td> <td>WD.</td> <td>J2</td> <td>PTD.</td> <td>-</td> <td>3997</td> <td>3\"/> </td></tr></td></tr></td></tr></td></tr></td></tr></td></tr></td></tr></td></tr></td></tr></td></tr></td></tr></td></tr></td></tr></td></tr></td></tr></td></tr></td></tr></td></tr></td></tr></td></tr></td></tr></td></tr></td></td></tr></td></tr></td></td></tr></td></td></tr></td></td></tr></td></td></tr></td></td></tr></td>
 | WD | J1 | PTD. | - | 375 | 3\"/> <tr> <td>377A</td> <td>B</td> <td>1 <td>WD</td> <td>J1</td> <td>PTD.</td> <td>-</td> <td>376</td> <td>3\"/> <tr> <td>378</td> <td>B</td> <td>1 <td>WD</td> <td>J1</td> <td>PTD.</td> <td>-</td> <td>377</td> <td>3\"/> <tr> <td>379</td> <td>B</td> <td>1 <td>WD</td> <td>J1</td> <td>PTD.</td> <td>-</td> <td>377A</td> <td>3\"/> <tr> <td>380A</td> <td>B</td> <td>1 <td>WD</td> <td>J1</td> <td>PTD.</td> <td>-</td> <td>378</td> <td>3\"/> <tr> <td>380B</td> <td>B</td> <td>1 <td>WD</td> <td>J1</td> <td>PTD.</td> <td>-</td> <td>379</td> <td>3\"/> <tr> <td>382</td> <td>ETR</td> <td>-</td> <td>WD.</td> <td>J2</td> <td>PTD.</td> <td>-</td> <td>380A</td> <td>3\"/> <tr> <td>382A</td> <td>D</td> <td>6 <td>ALUM.</td> <td>ANODIZE D</td> <td>-</td> <td>-</td> <td>380B</td> <td>3\"/> <tr> <td>385</td> <td>ETR</td> <td>-</td> <td>WD.</td> <td>J2</td> <td>PTD.</td> <td>-</td> <td>382</td> <td>3\"/> <tr> <td>386</td> <td>ETR</td> <td>-</td> <td>WD.</td> <td>J2</td> <td>PTD.</td> <td>-</td> <td>382A</td> <td>3\"/> <tr> <td>387</td> <td>ETR</td> <td>-</td> <td>WD.</td> <td>J2</td> <td>PTD.</td> <td>-</td> <td>385</td> <td>3\"/> <tr> <td>388</td> <td>ETR</td> <td>-</td> <td>WD.</td> <td>J2</td> <td>PTD.</td> <td>-</td> <td>386</td> <td>3\"/> <tr> <td>389</td> <td>ETR</td> <td>-</td> <td>WD.</td> <td>J2</td> <td>PTD.</td> <td>-</td> <td>387</td> <td>3\"/> <tr> <td>391</td> <td>ETR</td> <td>-</td> <td>WD.</td> <td>J2</td> <td>PTD.</td> <td>-</td> <td>388</td> <td>3\"/> <tr> <td>391A</td> <td>ETR</td> <td>-</td> <td>WD.</td> <td>J2</td> <td>PTD.</td> <td>-</td> <td>389</td> <td>3\"/> <tr> <td>391B</td> <td>ETR</td> <td>-</td> <td>WD.</td> <td>J2</td> <td>PTD.</td> <td>-</td> <td>391</td> <td>3\"/> <tr> <td>394</td> <td>ETR</td> <td>-</td> <td>WD.</td> <td>J2</td> <td>PTD.</td> <td>-</td> <td>391A</td> <td>3\"/> <tr> <td>395</td> <td>ETR</td> <td>-</td> <td>WD.</td> <td>J2</td> <td>PTD.</td> <td>-</td> <td>391B</td> <td>3\"/> <tr> <td>396</td> <td>ETR</td> <td>-</td> <td>WD.</td> <td>J2</td> <td>PTD.</td> <td>-</td> <td>394</td> <td>3\"/> <tr> <td>398</td> <td>ETR</td> <td>-</td> <td>WD.</td> <td>J2</td> <td>PTD.</td> <td>-</td> <td>395</td> <td>3\"/> <tr> <td>399</td> <td>ETR</td> <td>-</td> <td>WD.</td> <td>J2</td> <td>PTD.</td> <td>-</td> <td>396</td> <td>3\"/> <tr> <td>3991</td> <td>ETR</td> <td>-</td> <td>WD.</td> <td>J2</td> <td>PTD.</td> <td>-</td> <td>398</td> <td>3\"/> <tr> <td>3992</td> <td>A</td> <td>3\"/> <tr> <td>3993</td> <td>ETR</td> <td>-</td> <td>WD.</td> <td>J2</td> <td>PTD.</td> <td>-</td> <td>399</td> <td>3\"/> <tr> <td>3994</td> <td>ETR</td> <td>-</td> <td>WD.</td> <td>J2</td> <td>PTD.</td> <td>-</td> <td>3991</td> <td>3\"/> <tr> <td>3995</td> <td>ETR</td> <td>-</td> <td>WD.</td> <td>J2</td> <td>PTD.</td> <td>-</td> <td>3992</td> <td>3\"/> <tr> <td>3997</td> <td>ETR</td> <td>-</td> <td>WD.</td> <td>J2</td> <td>PTD.</td> <td>-</td> <td>3993</td> <td>3\"/> <tr> <td>3998</td> <td>ETR</td> <td>-</td> <td>WD.</td> <td>J2</td> <td>PTD.</td> <td>-</td> <td>3994</td> <td>3\"/> <tr> <td>3999</td> <td>ETR</td> <td>-</td> <td>WD.</td> <td>J2</td> <td>PTD.</td> <td>-</td> <td>3995</td> <td>3\"/> <tr> <td>3999</td> <td>ETR</td> <td>-</td> <td>WD.</td> <td>J2</td> <td>PTD.</td> <td>-</td> <td>3997</td> <td>3\"/> </td></tr></td></tr></td></tr></td></tr></td></tr></td></tr></td></tr></td></tr></td></tr></td></tr></td></tr></td></tr></td></tr></td></tr></td></tr></td></tr></td></tr></td></tr></td></tr></td></tr></td></tr></td></tr></td></td></tr></td></tr></td></td></tr></td></td></tr></td></td></tr></td></td></tr></td></td></tr> | 377A | B | 1 <td>WD</td> <td>J1</td> <td>PTD.</td> <td>-</td> <td>376</td> <td>3\"/> <tr> <td>378</td> <td>B</td> <td>1 <td>WD</td> <td>J1</td> <td>PTD.</td> <td>-</td> <td>377</td> <td>3\"/> <tr> <td>379</td> <td>B</td> <td>1 <td>WD</td> <td>J1</td> <td>PTD.</td> <td>-</td> <td>377A</td> <td>3\"/> <tr> <td>380A</td> <td>B</td> <td>1 <td>WD</td> <td>J1</td> <td>PTD.</td> <td>-</td> <td>378</td> <td>3\"/> <tr> <td>380B</td> <td>B</td> <td>1 <td>WD</td> <td>J1</td> <td>PTD.</td> <td>-</td> <td>379</td> <td>3\"/> <tr> <td>382</td> <td>ETR</td> <td>-</td> <td>WD.</td> <td>J2</td> <td>PTD.</td> <td>-</td> <td>380A</td> <td>3\"/> <tr> <td>382A</td> <td>D</td> <td>6 <td>ALUM.</td> <td>ANODIZE D</td> <td>-</td> <td>-</td> <td>380B</td> <td>3\"/> <tr> <td>385</td> <td>ETR</td> <td>-</td> <td>WD.</td> <td>J2</td> <td>PTD.</td> <td>-</td> <td>382</td> <td>3\"/> <tr> <td>386</td> <td>ETR</td> <td>-</td> <td>WD.</td> <td>J2</td> <td>PTD.</td> <td>-</td> <td>382A</td> <td>3\"/> <tr> <td>387</td> <td>ETR</td> <td>-</td> <td>WD.</td> <td>J2</td> <td>PTD.</td> <td>-</td> <td>385</td> <td>3\"/> <tr> <td>388</td> <td>ETR</td> <td>-</td> <td>WD.</td> <td>J2</td> <td>PTD.</td> <td>-</td> <td>386</td> <td>3\"/> <tr> <td>389</td> <td>ETR</td> <td>-</td> <td>WD.</td> <td>J2</td> <td>PTD.</td> <td>-</td> <td>387</td> <td>3\"/> <tr> <td>391</td> <td>ETR</td> <td>-</td> <td>WD.</td> <td>J2</td> <td>PTD.</td> <td>-</td> <td>388</td> <td>3\"/> <tr> <td>391A</td> <td>ETR</td> <td>-</td> <td>WD.</td> <td>J2</td> <td>PTD.</td> <td>-</td> <td>389</td> <td>3\"/> <tr> <td>391B</td> <td>ETR</td> <td>-</td> <td>WD.</td> <td>J2</td> <td>PTD.</td> <td>-</td> <td>391</td> <td>3\"/> <tr> <td>394</td> <td>ETR</td> <td>-</td> <td>WD.</td> <td>J2</td> <td>PTD.</td> <td>-</td> <td>391A</td> <td>3\"/> <tr> <td>395</td> <td>ETR</td> <td>-</td> <td>WD.</td> <td>J2</td> <td>PTD.</td> <td>-</td> <td>391B</td> <td>3\"/> <tr> <td>396</td> <td>ETR</td> <td>-</td> <td>WD.</td> <td>J2</td> <td>PTD.</td> <td>-</td> <td>394</td> <td>3\"/> <tr> <td>398</td> <td>ETR</td> <td>-</td> <td>WD.</td> <td>J2</td> <td>PTD.</td> <td>-</td> <td>395</td> <td>3\"/> <tr> <td>399</td> <td>ETR</td> <td>-</td> <td>WD.</td> <td>J2</td> <td>PTD.</td> <td>-</td> <td>396</td> <td>3\"/> <tr> <td>3991</td> <td>ETR</td> <td>-</td> <td>WD.</td> <td>J2</td> <td>PTD.</td> <td>-</td> <td>398</td> <td>3\"/> <tr> <td>3992</td> <td>A</td> <td>3\"/> <tr> <td>3993</td> <td>ETR</td> <td>-</td> <td>WD.</td> <td>J2</td> <td>PTD.</td> <td>-</td> <td>399</td> <td>3\"/> <tr> <td>3994</td> <td>ETR</td> <td>-</td> <td>WD.</td> <td>J2</td> <td>PTD.</td> <td>-</td> <td>3991</td> <td>3\"/> <tr>
<td>3995</td> <td>ETR</td> <td>-</td> <td>WD.</td> <td>J2</td> <td>PTD.</td> <td>-</td> <td>3992</td> <td>3\"/> <tr> <td>3997</td> <td>ETR</td> <td>-</td> <td>WD.</td> <td>J2</td> <td>PTD.</td> <td>-</td> <td>3993</td> <td>3\"/> <tr> <td>3998</td> <td>ETR</td> <td>-</td> <td>WD.</td> <td>J2</td> <td>PTD.</td> <td>-</td> <td>3994</td> <td>3\"/> <tr> <td>3999</td> <td>ETR</td> <td>-</td> <td>WD.</td> <td>J2</td> <td>PTD.</td> <td>-</td> <td>3995</td> <td>3\"/> <tr> <td>3999</td> <td>ETR</td> <td>-</td> <td>WD.</td> <td>J2</td> <td>PTD.</td> <td>-</td> <td>3997</td> <td>3\"/> </td></tr></td></tr></td></tr></td></tr></td></tr></td></tr></td></tr></td></tr></td></tr></td></tr></td></tr></td></tr></td></tr></td></tr></td></tr></td></tr></td></tr></td></tr></td></tr></td></tr></td></tr></td></tr></td></td></tr></td></tr></td></td></tr></td></td></tr></td></td></tr></td></td></tr></td> | WD | J1 | PTD. | - | 376 | 3\"/> <tr> <td>378</td> <td>B</td> <td>1 <td>WD</td> <td>J1</td> <td>PTD.</td> <td>-</td> <td>377</td> <td>3\"/> <tr> <td>379</td> <td>B</td> <td>1 <td>WD</td> <td>J1</td> <td>PTD.</td> <td>-</td> <td>377A</td> <td>3\"/> <tr> <td>380A</td> <td>B</td> <td>1 <td>WD</td> <td>J1</td> <td>PTD.</td> <td>-</td> <td>378</td> <td>3\"/> <tr> <td>380B</td> <td>B</td> <td>1 <td>WD</td> <td>J1</td> <td>PTD.</td> <td>-</td> <td>379</td> <td>3\"/> <tr> <td>382</td> <td>ETR</td> <td>-</td> <td>WD.</td> <td>J2</td> <td>PTD.</td> <td>-</td> <td>380A</td> <td>3\"/> <tr> <td>382A</td> <td>D</td> <td>6 <td>ALUM.</td> <td>ANODIZE D</td> <td>-</td> <td>-</td> <td>380B</td> <td>3\"/> <tr> <td>385</td> <td>ETR</td> <td>-</td> <td>WD.</td> <td>J2</td> <td>PTD.</td> <td>-</td> <td>382</td> <td>3\"/> <tr> <td>386</td> <td>ETR</td> <td>-</td> <td>WD.</td> <td>J2</td> <td>PTD.</td> <td>-</td> <td>382A</td> <td>3\"/> <tr> <td>387</td> <td>ETR</td> <td>-</td> <td>WD.</td> <td>J2</td> <td>PTD.</td> <td>-</td> <td>385</td> <td>3\"/> <tr> <td>388</td> <td>ETR</td> <td>-</td> <td>WD.</td> <td>J2</td> <td>PTD.</td> <td>-</td> <td>386</td> <td>3\"/> <tr> <td>389</td> <td>ETR</td> <td>-</td> <td>WD.</td> <td>J2</td> <td>PTD.</td> <td>-</td> <td>387</td> <td>3\"/> <tr> <td>391</td> <td>ETR</td> <td>-</td> <td>WD.</td> <td>J2</td> <td>PTD.</td> <td>-</td> <td>388</td> <td>3\"/> <tr> <td>391A</td> <td>ETR</td> <td>-</td> <td>WD.</td> <td>J2</td> <td>PTD.</td> <td>-</td> <td>389</td> <td>3\"/> <tr> <td>391B</td> <td>ETR</td> <td>-</td> <td>WD.</td> <td>J2</td> <td>PTD.</td> <td>-</td> <td>391</td> <td>3\"/> <tr> <td>394</td> <td>ETR</td> <td>-</td> <td>WD.</td> <td>J2</td> <td>PTD.</td> <td>-</td> <td>391A</td> <td>3\"/> <tr> <td>395</td> <td>ETR</td> <td>-</td> <td>WD.</td> <td>J2</td> <td>PTD.</td> <td>-</td> <td>391B</td> <td>3\"/> <tr> <td>396</td> <td>ETR</td> <td>-</td> <td>WD.</td> <td>J2</td> <td>PTD.</td> <td>-</td> <td>394</td> <td>3\"/> <tr> <td>398</td> <td>ETR</td> <td>-</td> <td>WD.</td> <td>J2</td> <td>PTD.</td> <td>-</td> <td>395</td> <td>3\"/> <tr> <td>399</td> <td>ETR</td> <td>-</td> <td>WD.</td> <td>J2</td> <td>PTD.</td> <td>-</td> <td>396</td> <td>3\"/> <tr> <td>3991</td> <td>ETR</td> <td>-</td> <td>WD.</td> <td>J2</td> <td>PTD.</td> <td>-</td> <td>398</td> <td>3\"/> <tr> <td>3992</td> <td>A</td> <td>3\"/> <tr> <td>3993</td> <td>ETR</td> <td>-</td> <td>WD.</td> <td>J2</td> <td>PTD.</td> <td>-</td> <td>399</td> <td>3\"/> <tr> <td>3994</td> <td>ETR</td> <td>-</td> <td>WD.</td> <td>J2</td> <td>PTD.</td> <td>-</td> <td>3991</td> <td>3\"/> <tr> <td>3995</td> <td>ETR</td> <td>-</td> <td>WD.</td> <td>J2</td> <td>PTD.</td> <td>-</td> <td>3992</td> <td>3\"/> <tr> <td>3997</td> <td>ETR</td> <td>-</td> <td>WD.</td> <td>J2</td> <td>PTD.</td> <td>-</td> <td>3993</td> <td>3\"/> <tr> <td>3998</td> <td>ETR</td> <td>-</td> <td>WD.</td> <td>J2</td> <td>PTD.</td> <td>-</td> <td>3994</td> <td>3\"/> <tr> <td>3999</td> <td>ETR</td> <td>-</td> <td>WD.</td> <td>J2</td> <td>PTD.</td> <td>-</td> <td>3995</td> <td>3\"/> <tr> <td>3999</td> <td>ETR</td> <td>-</td> <td>WD.</td> <td>J2</td> <td>PTD.</td> <td>-</td> <td>3997</td> <td>3\"/> </td></tr></td></tr></td></tr></td></tr></td></tr></td></tr></td></tr></td></tr></td></tr></td></tr></td></tr></td></tr></td></tr></td></tr></td></tr></td></tr></td></tr></td></tr></td></tr></td></tr></td></tr></td></tr></td></td></tr></td></tr></td></td></tr></td></td></tr></td></td></tr></td></td></tr> | 378 | B | 1 <td>WD</td> <td>J1</td> <td>PTD.</td> <td>-</td> <td>377</td> <td>3\"/> <tr> <td>379</td> <td>B</td> <td>1 <td>WD</td> <td>J1</td> <td>PTD.</td> <td>-</td> <td>377A</td> <td>3\"/> <tr> <td>380A</td> <td>B</td> <td>1 <td>WD</td> <td>J1</td> <td>PTD.</td> <td>-</td> <td>378</td> <td>3\"/> <tr> <td>380B</td> <td>B</td> <td>1 <td>WD</td> <td>J1</td> <td>PTD.</td> <td>-</td> <td>379</td> <td>3\"/> <tr> <td>382</td> <td>ETR</td> <td>-</td> <td>WD.</td> <td>J2</td> <td>PTD.</td> <td>-</td> <td>380A</td> <td>3\"/> <tr> <td>382A</td> <td>D</td> <td>6 <td>ALUM.</td> <td>ANODIZE D</td> <td>-</td> <td>-</td> <td>380B</td> <td>3\"/> <tr> <td>385</td> <td>ETR</td> <td>-</td> <td>WD.</td> <td>J2</td> <td>PTD.</td> <td>-</td> <td>382</td> <td>3\"/> <tr> <td>386</td> <td>ETR</td> <td>-</td> <td>WD.</td> <td>J2</td> <td>PTD.</td> <td>-</td> <td>382A</td> <td>3\"/> <tr> <td>387</td> <td>ETR</td> <td>-</td> <td>WD.</td> <td>J2</td> <td>PTD.</td> <td>-</td> <td>385</td> <td>3\"/> <tr> <td>388</td> <td>ETR</td> <td>-</td> <td>WD.</td> <td>J2</td> <td>PTD.</td> <td>-</td> <td>386</td> <td>3\"/> <tr> <td>389</td> <td>ETR</td> <td>-</td> <td>WD.</td> <td>J2</td> <td>PTD.</td> <td>-</td> <td>387</td> <td>3\"/> <tr> <td>391</td> <td>ETR</td> <td>-</td> <td>WD.</td> <td>J2</td> <td>PTD.</td> <td>-</td> <td>388</td> <td>3\"/> <tr> <td>391A</td> <td>ETR</td> <td>-</td> <td>WD.</td> <td>J2</td> <td>PTD.</td> <td>-</td> <td>389</td> <td>3\"/> <tr> <td>391B</td> <td>ETR</td> <td>-</td> <td>WD.</td> <td>J2</td> <td>PTD.</td> <td>-</td> <td>391</td> <td>3\"/> <tr> <td>394</td> <td>ETR</td> <td>-</td> <td>WD.</td> <td>J2</td> <td>PTD.</td> <td>-</td> <td>391A</td> <td>3\"/> <tr> <td>395</td> <td>ETR</td> <td>-</td> <td>WD.</td> <td>J2</td>
<td>PTD.</td> <td>-</td> <td>391B</td> <td>3\"/> <tr> <td>396</td> <td>ETR</td> <td>-</td> <td>WD.</td> <td>J2</td> <td>PTD.</td> <td>-</td> <td>394</td> <td>3\"/> <tr> <td>398</td> <td>ETR</td> <td>-</td> <td>WD.</td> <td>J2</td> <td>PTD.</td> <td>-</td> <td>395</td> <td>3\"/> <tr> <td>399</td> <td>ETR</td> <td>-</td> <td>WD.</td> <td>J2</td> <td>PTD.</td> <td>-</td> <td>396</td> <td>3\"/> <tr> <td>3991</td> <td>ETR</td> <td>-</td> <td>WD.</td> <td>J2</td> <td>PTD.</td> <td>-</td> <td>398</td> <td>3\"/> <tr> <td>3992</td> <td>A</td> <td>3\"/> <tr> <td>3993</td> <td>ETR</td> <td>-</td> <td>WD.</td> <td>J2</td> <td>PTD.</td> <td>-</td> <td>399</td> <td>3\"/> <tr> <td>3994</td> <td>ETR</td> <td>-</td> <td>WD.</td> <td>J2</td> <td>PTD.</td> <td>-</td> <td>3991</td> <td>3\"/> <tr> <td>3995</td> <td>ETR</td> <td>-</td> <td>WD.</td> <td>J2</td> <td>PTD.</td> <td>-</td> <td>3992</td> <td>3\"/> <tr> <td>3997</td> <td>ETR</td> <td>-</td> <td>WD.</td> <td>J2</td> <td>PTD.</td> <td>-</td> <td>3993</td> <td>3\"/> <tr> <td>3998</td> <td>ETR</td> <td>-</td> <td>WD.</td> <td>J2</td> <td>PTD.</td> <td>-</td> <td>3994</td> <td>3\"/> <tr> <td>3999</td> <td>ETR</td> <td>-</td> <td>WD.</td> <td>J2</td> <td>PTD.</td> <td>-</td> <td>3995</td> <td>3\"/> <tr> <td>3999</td> <td>ETR</td> <td>-</td> <td>WD.</td> <td>J2</td> <td>PTD.</td> <td>-</td> <td>3997</td> <td>3\"/> </td></tr></td></tr></td></tr></td></tr></td></tr></td></tr></td></tr></td></tr></td></tr></td></tr></td></tr></td></tr></td></tr></td></tr></td></tr></td></tr></td></tr></td></tr></td></tr></td></tr></td></tr></td></tr></td></td></tr></td></tr></td></td></tr></td></td></tr></td></td></tr></td> | WD | J1 | PTD. | - | 377 | 3\"/> <tr> <td>379</td> <td>B</td> <td>1 <td>WD</td> <td>J1</td> <td>PTD.</td> <td>-</td> <td>377A</td> <td>3\"/> <tr> <td>380A</td> <td>B</td> <td>1 <td>WD</td> <td>J1</td> <td>PTD.</td> <td>-</td> <td>378</td> <td>3\"/> <tr> <td>380B</td> <td>B</td> <td>1 <td>WD</td> <td>J1</td> <td>PTD.</td> <td>-</td> <td>379</td> <td>3\"/> <tr> <td>382</td> <td>ETR</td> <td>-</td> <td>WD.</td> <td>J2</td> <td>PTD.</td> <td>-</td> <td>380A</td> <td>3\"/> <tr> <td>382A</td> <td>D</td> <td>6 <td>ALUM.</td> <td>ANODIZE D</td> <td>-</td> <td>-</td> <td>380B</td> <td>3\"/> <tr> <td>385</td> <td>ETR</td> <td>-</td> <td>WD.</td> <td>J2</td> <td>PTD.</td> <td>-</td> <td>382</td> <td>3\"/> <tr> <td>386</td> <td>ETR</td> <td>-</td> <td>WD.</td> <td>J2</td> <td>PTD.</td> <td>-</td> <td>382A</td> <td>3\"/> <tr> <td>387</td> <td>ETR</td> <td>-</td> <td>WD.</td> <td>J2</td> <td>PTD.</td> <td>-</td> <td>385</td> <td>3\"/> <tr> <td>388</td> <td>ETR</td> <td>-</td> <td>WD.</td> <td>J2</td> <td>PTD.</td> <td>-</td> <td>386</td> <td>3\"/> <tr> <td>389</td> <td>ETR</td> <td>-</td> <td>WD.</td> <td>J2</td> <td>PTD.</td> <td>-</td> <td>387</td> <td>3\"/> <tr> <td>391</td> <td>ETR</td> <td>-</td> <td>WD.</td> <td>J2</td> <td>PTD.</td> <td>-</td> <td>388</td> <td>3\"/> <tr> <td>391A</td> <td>ETR</td> <td>-</td> <td>WD.</td> <td>J2</td> <td>PTD.</td> <td>-</td> <td>389</td> <td>3\"/> <tr> <td>391B</td> <td>ETR</td> <td>-</td> <td>WD.</td> <td>J2</td> <td>PTD.</td> <td>-</td> <td>391</td> <td>3\"/> <tr> <td>394</td> <td>ETR</td> <td>-</td> <td>WD.</td> <td>J2</td> <td>PTD.</td> <td>-</td> <td>391A</td> <td>3\"/> <tr> <td>395</td> <td>ETR</td> <td>-</td> <td>WD.</td> <td>J2</td> <td>PTD.</td> <td>-</td> <td>391B</td> <td>3\"/> <tr> <td>396</td> <td>ETR</td> <td>-</td> <td>WD.</td> <td>J2</td> <td>PTD.</td> <td>-</td> <td>394</td> <td>3\"/> <tr> <td>398</td> <td>ETR</td> <td>-</td> <td>WD.</td> <td>J2</td> <td>PTD.</td> <td>-</td> <td>395</td> <td>3\"/> <tr> <td>399</td> <td>ETR</td> <td>-</td> <td>WD.</td> <td>J2</td> <td>PTD.</td> <td>-</td> <td>396</td> <td>3\"/> <tr> <td>3991</td> <td>ETR</td> <td>-</td> <td>WD.</td> <td>J2</td> <td>PTD.</td> <td>-</td> <td>398</td> <td>3\"/> <tr> <td>3992</td> <td>A</td> <td>3\"/> <tr> <td>3993</td> <td>ETR</td> <td>-</td> <td>WD.</td> <td>J2</td> <td>PTD.</td> <td>-</td> <td>399</td> <td>3\"/> <tr> <td>3994</td> <td>ETR</td> <td>-</td> <td>WD.</td> <td>J2</td> <td>PTD.</td> <td>-</td> <td>3991</td> <td>3\"/> <tr> <td>3995</td> <td>ETR</td> <td>-</td> <td>WD.</td> <td>J2</td> <td>PTD.</td> <td>-</td> <td>3992</td> <td>3\"/> <tr> <td>3997</td> <td>ETR</td> <td>-</td> <td>WD.</td> <td>J2</td> <td>PTD.</td> <td>-</td> <td>3993</td> <td>3\"/> <tr> <td>3998</td> <td>ETR</td> <td>-</td> <td>WD.</td> <td>J2</td> <td>PTD.</td> <td>-</td> <td>3994</td> <td>3\"/> <tr> <td>3999</td> <td>ETR</td> <td>-</td> <td>WD.</td> <td>J2</td> <td>PTD.</td> <td>-</td> <td>3995</td> <td>3\"/> <tr> <td>3999</td> <td>ETR</td> <td>-</td> <td>WD.</td> <td>J2</td> <td>PTD.</td> <td>-</td> <td>3997</td> <td>3\"/> </td></tr></td></tr></td></tr></td></tr></td></tr></td></tr></td></tr></td></tr></td></tr></td></tr></td></tr></td></tr></td></tr></td></tr></td></tr></td></tr></td></tr></td></tr></td></tr></td></tr></td></tr></td></tr></td></td></tr></td></tr></td></td></tr></td></td></tr></td></td></tr> | 379 | B | 1 <td>WD</td> <td>J1</td> <td>PTD.</td> <td>-</td> <td>377A</td> <td>3\"/> <tr> <td>380A</td> <td>B</td> <td>1 <td>WD</td> <td>J1</td> <td>PTD.</td> <td>-</td> <td>378</td> <td>3\"/> <tr> <td>380B</td> <td>B</td> <td>1 <td>WD</td> <td>J1</td> <td>PTD.</td> <td>-</td> <td>379</td> <td>3\"/> <tr> <td>382</td> <td>ETR</td> <td>-</td> <td>WD.</td> <td>J2</td> <td>PTD.</td> <td>-</td> <td>380A</td> <td>3\"/> <tr> <td>382A</td> <td>D</td> <td>6 <td>ALUM.</td> <td>ANODIZE D</td> <td>-</td> <td>-</td> <td>380B</td> <td>3\"/> <tr> <td>385</td> <td>ETR</td> <td>-</td> <td>WD.</td> <td>J2</td> <td>PTD.</td> <td>-</td> <td>382</td> <td>3\"/> <tr> <td>386</td> <td>ETR</td> <td>-</td> <td>WD.</td> <td>J2</td> <td>PTD.</td> <td>-</td> <td>382A</td> <td>3\"/> <tr> <td>387</td> <td>ETR</td> <td>-</td> <td>WD.</td> <td>J2</td> <td>PTD.</td> <td>-</td> <td>385</td> <td>3\"/> <tr> <td>388</td> <td>ETR</td> <td>-</td> <td>WD.</td> <td>J2</td> <td>PTD.</td> <td>-</td> <td>386</td> <td>3\"/> <tr> <td>389</td> <td>ETR</td> <td>-</td> <td>WD.</td> <td>J2</td> <td>PTD.</td> <td>-</td> <td>387</td>
<td>3\"/> <tr> <td>391</td> <td>ETR</td> <td>-</td> <td>WD.</td> <td>J2</td> <td>PTD.</td> <td>-</td> <td>388</td> <td>3\"/> <tr> <td>391A</td> <td>ETR</td> <td>-</td> <td>WD.</td> <td>J2</td> <td>PTD.</td> <td>-</td> <td>389</td> <td>3\"/> <tr> <td>391B</td> <td>ETR</td> <td>-</td> <td>WD.</td> <td>J2</td> <td>PTD.</td> <td>-</td> <td>391</td> <td>3\"/> <tr> <td>394</td> <td>ETR</td> <td>-</td> <td>WD.</td> <td>J2</td> <td>PTD.</td> <td>-</td> <td>391A</td> <td>3\"/> <tr> <td>395</td> <td>ETR</td> <td>-</td> <td>WD.</td> <td>J2</td> <td>PTD.</td> <td>-</td> <td>391B</td> <td>3\"/> <tr> <td>396</td> <td>ETR</td> <td>-</td> <td>WD.</td> <td>J2</td> <td>PTD.</td> <td>-</td> <td>394</td> <td>3\"/> <tr> <td>398</td> <td>ETR</td> <td>-</td> <td>WD.</td> <td>J2</td> <td>PTD.</td> <td>-</td> <td>395</td> <td>3\"/> <tr> <td>399</td> <td>ETR</td> <td>-</td> <td>WD.</td> <td>J2</td> <td>PTD.</td> <td>-</td> <td>396</td> <td>3\"/> <tr> <td>3991</td> <td>ETR</td> <td>-</td> <td>WD.</td> <td>J2</td> <td>PTD.</td> <td>-</td> <td>398</td> <td>3\"/> <tr> <td>3992</td> <td>A</td> <td>3\"/> <tr> <td>3993</td> <td>ETR</td> <td>-</td> <td>WD.</td> <td>J2</td> <td>PTD.</td> <td>-</td> <td>399</td> <td>3\"/> <tr> <td>3994</td> <td>ETR</td> <td>-</td> <td>WD.</td> <td>J2</td> <td>PTD.</td> <td>-</td> <td>3991</td> <td>3\"/> <tr> <td>3995</td> <td>ETR</td> <td>-</td> <td>WD.</td> <td>J2</td> <td>PTD.</td> <td>-</td> <td>3992</td> <td>3\"/> <tr> <td>3997</td> <td>ETR</td> <td>-</td> <td>WD.</td> <td>J2</td> <td>PTD.</td> <td>-</td> <td>3993</td> <td>3\"/> <tr> <td>3998</td> <td>ETR</td> <td>-</td> <td>WD.</td> <td>J2</td> <td>PTD.</td> <td>-</td> <td>3994</td> <td>3\"/> <tr> <td>3999</td> <td>ETR</td> <td>-</td> <td>WD.</td> <td>J2</td> <td>PTD.</td> <td>-</td> <td>3995</td> <td>3\"/> <tr> <td>3999</td> <td>ETR</td> <td>-</td> <td>WD.</td> <td>J2</td> <td>PTD.</td> <td>-</td> <td>3997</td> <td>3\"/> </td></tr></td></tr></td></tr></td></tr></td></tr></td></tr></td></tr></td></tr></td></tr></td></tr></td></tr></td></tr></td></tr></td></tr></td></tr></td></tr></td></tr></td></tr></td></tr></td></tr></td></tr></td></tr></td></td></tr></td></tr></td></td></tr></td></td></tr></td> | WD | J1 | PTD. | - | 377A | 3\"/> <tr> <td>380A</td> <td>B</td> <td>1 <td>WD</td> <td>J1</td> <td>PTD.</td> <td>-</td> <td>378</td> <td>3\"/> <tr> <td>380B</td> <td>B</td> <td>1 <td>WD</td> <td>J1</td> <td>PTD.</td> <td>-</td> <td>379</td> <td>3\"/> <tr> <td>382</td> <td>ETR</td> <td>-</td> <td>WD.</td> <td>J2</td> <td>PTD.</td> <td>-</td> <td>380A</td> <td>3\"/> <tr> <td>382A</td> <td>D</td> <td>6 <td>ALUM.</td> <td>ANODIZE D</td> <td>-</td> <td>-</td> <td>380B</td> <td>3\"/> <tr> <td>385</td> <td>ETR</td> <td>-</td> <td>WD.</td> <td>J2</td> <td>PTD.</td> <td>-</td> <td>382</td> <td>3\"/> <tr> <td>386</td> <td>ETR</td> <td>-</td> <td>WD.</td> <td>J2</td>
<td>PTD.</td> <td>-</td> <td>382A</td> <td>3\"/> <tr> <td>387</td> <td>ETR</td> <td>-</td> <td>WD.</td> <td>J2</td> <td>PTD.</td> <td>-</td> <td>385</td> <td>3\"/> <tr> <td>388</td> <td>ETR</td> <td>-</td> <td>WD.</td> <td>J2</td> <td>PTD.</td> <td>-</td> <td>386</td> <td>3\"/> <tr> <td>389</td> <td>ETR</td> <td>-</td> <td>WD.</td> <td>J2</td> <td>PTD.</td> <td>-</td> <td>387</td> <td>3\"/> <tr> <td>391</td> <td>ETR</td> <td>-</td> <td>WD.</td> <td>J2</td> <td>PTD.</td> <td>-</td> <td>388</td> <td>3\"/> <tr> <td>391A</td> <td>ETR</td> <td>-</td> <td>WD.</td> <td>J2</td> <td>PTD.</td> <td>-</td> <td>389</td> <td>3\"/> <tr> <td>391B</td> <td>ETR</td> <td>-</td> <td>WD.</td> <td>J2</td> <td>PTD.</td> <td>-</td> <td>391</td> <td>3\"/> <tr> <td>394</td> <td>ETR</td> <td>-</td> <td>WD.</td> <td>J2</td> <td>PTD.</td> <td>-</td> <td>391A</td> <td>3\"/> <tr> <td>395</td> <td>ETR</td> <td>-</td> <td>WD.</td> <td>J2</td> <td>PTD.</td> <td>-</td> <td>391B</td> <td>3\"/> <tr> <td>396</td> <td>ETR</td> <td>-</td> <td>WD.</td> <td>J2</td> <td>PTD.</td> <td>-</td> <td>394</td> <td>3\"/> <tr> <td>398</td> <td>ETR</td> <td>-</td> <td>WD.</td> <td>J2</td> <td>PTD.</td> <td>-</td> <td>395</td> <td>3\"/> <tr> <td>399</td> <td>ETR</td> <td>-</td> <td>WD.</td> <td>J2</td> <td>PTD.</td> <td>-</td> <td>396</td> <td>3\"/> <tr> <td>3991</td> <td>ETR</td> <td>-</td> <td>WD.</td> <td>J2</td> <td>PTD.</td> <td>-</td> <td>398</td> <td>3\"/> <tr> <td>3992</td> <td>A</td> <td>3\"/> <tr> <td>3993</td> <td>ETR</td> <td>-</td> <td>WD.</td> <td>J2</td> <td>PTD.</td> <td>-</td> <td>399</td> <td>3\"/> <tr> <td>3994</td> <td>ETR</td> <td>-</td> <td>WD.</td> <td>J2</td> <td>PTD.</td> <td>-</td> <td>3991</td> <td>3\"/> <tr> <td>3995</td> <td>ETR</td> <td>-</td> <td>WD.</td> <td>J2</td> <td>PTD.</td> <td>-</td> <td>3992</td> <td>3\"/> <tr> <td>3997</td> <td>ETR</td> <td>-</td> <td>WD.</td> <td>J2</td> <td>PTD.</td> <td>-</td> <td>3993</td> <td>3\"/> <tr> <td>3998</td> <td>ETR</td> <td>-</td> <td>WD.</td> <td>J2</td> <td>PTD.</td> <td>-</td> <td>3994</td> <td>3\"/> <tr> <td>3999</td> <td>ETR</td> <td>-</td> <td>WD.</td> <td>J2</td> <td>PTD.</td> <td>-</td> <td>3995</td> <td>3\"/> <tr> <td>3999</td> <td>ETR</td> <td>-</td> <td>WD.</td> <td>J2</td> <td>PTD.</td> <td>-</td> <td>3997</td> <td>3\"/> </td></tr></td></tr></td></tr></td></tr></td></tr></td></tr></td></tr></td></tr></td></tr></td></tr></td></tr></td></tr></td></tr></td></tr></td></tr></td></tr></td></tr></td></tr></td></tr></td></tr></td></tr></td></tr></td></td></tr></td></tr></td></td></tr></td></td></tr> | 380A | B | 1 <td>WD</td> <td>J1</td> <td>PTD.</td> <td>-</td> <td>378</td> <td>3\"/> <tr> <td>380B</td> <td>B</td> <td>1 <td>WD</td> <td>J1</td> <td>PTD.</td> <td>-</td> <td>379</td> <td>3\"/> <tr> <td>382</td> <td>ETR</td> <td>-</td> <td>WD.</td> <td>J2</td> <td>PTD.</td> <td>-</td> <td>380A</td> <td>3\"/> <tr> <td>382A</td> <td>D</td> <td>6 <td>ALUM.</td> <td>ANODIZE D</td> <td>-</td> <td>-</td> <td>380B</td> <td>3\"/> <tr> <td>385</td> <td>ETR</td> <td>-</td> <td>WD.</td> <td>J2</td> <td>PTD.</td> <td>-</td> <td>382</td> <td>3\"/> <tr> <td>386</td> <td>ETR</td> <td>-</td> <td>WD.</td> <td>J2</td> <td>PTD.</td> <td>-</td> <td>382A</td> <td>3\"/> <tr> <td>387</td> <td>ETR</td> <td>-</td> <td>WD.</td> <td>J2</td> <td>PTD.</td> <td>-</td> <td>385</td> <td>3\"/> <tr> <td>388</td> <td>ETR</td> <td>-</td> <td>WD.</td> <td>J2</td> <td>PTD.</td> <td>-</td> <td>386</td> <td>3\"/> <tr> <td>389</td> <td>ETR</td> <td>-</td> <td>WD.</td> <td>J2</td> <td>PTD.</td> <td>-</td> <td>387</td> <td>3\"/> <tr> <td>391</td> <td>ETR</td> <td>-</td> <td>WD.</td> <td>J2</td> <td>PTD.</td> <td>-</td> <td>388</td> <td>3\"/> <tr> <td>391A</td> <td>ETR</td> <td>-</td> <td>WD.</td> <td>J2</td> <td>PTD.</td> <td>-</td> <td>389</td> <td>3\"/> <tr> <td>391B</td> <td>ETR</td> <td>-</td> <td>WD.</td> <td>J2</td> <td>PTD.</td> <td>-</td> <td>391</td> <td>3\"/> <tr> <td>394</td> <td>ETR</td> <td>-</td> <td>WD.</td> <td>J2</td> <td>PTD.</td> <td>-</td> <td>391A</td> <td>3\"/> <tr> <td>395</td> <td>ETR</td> <td>-</td> <td>WD.</td> <td>J2</td> <td>PTD.</td> <td>-</td> <td>391B</td> <td>3\"/> <tr> <td>396</td> <td>ETR</td> <td>-</td> <td>WD.</td> <td>J2</td> <td>PTD.</td> <td>-</td> <td>394</td> <td>3\"/> <tr> <td>398</td> <td>ETR</td> <td>-</td> <td>WD.</td> <td>J2</td> <td>PTD.</td> <td>-</td> <td>395</td> <td>3\"/> <tr> <td>399</td> <td>ETR</td> <td>-</td> <td>WD.</td> <td>J2</td> <td>PTD.</td> <td>-</td> <td>396</td> <td>3\"/> <tr> <td>3991</td> <td>ETR</td> <td>-</td> <td>WD.</td> <td>J2</td> <td>PTD.</td> <td>-</td> <td>398</td> <td>3\"/> <tr> <td>3992</td> <td>A</td> <td>3\"/> <tr> <td>3993</td> <td>ETR</td> <td>-</td> <td>WD.</td> <td>J2</td> <td>PTD.</td> <td>-</td> <td>399</td> <td>3\"/> <tr> <td>3994</td> <td>ETR</td> <td>-</td> <td>WD.</td> <td>J2</td> <td>PTD.</td> <td>-</td> <td>3991</td> <td>3\"/> <tr> <td>3995</td> <td>ETR</td> <td>-</td> <td>WD.</td> <td>J2</td> <td>PTD.</td> <td>-</td> <td>3992</td> <td>3\"/> <tr> <td>3997</td> <td>ETR</td> <td>-</td> <td>WD.</td> <td>J2</td> <td>PTD.</td> <td>-</td> <td>3993</td> <td>3\"/> <tr> <td>3998</td> <td>ETR</td> <td>-</td> <td>WD.</td> <td>J2</td> <td>PTD.</td> <td>-</td> <td>3994</td> <td>3\"/> <tr> <td>3999</td> <td>ETR</td> <td>-</td> <td>WD.</td> <td>J2</td> <td>PTD.</td> <td>-</td> <td>3995</td> <td>3\"/> <tr> <td>3999</td> <td>ETR</td> <td>-</td> <td>WD.</td> <td>J2</td> <td>PTD.</td> <td>-</td> <td>3997</td> <td>3\"/> </td></tr></td></tr></td></tr></td></tr></td></tr></td></tr></td></tr></td></tr></td></tr></td></tr></td></tr></td></tr></td></tr></td></tr></td></tr></td></tr></td></tr></td></tr></td></tr></td></tr></td></tr></td></tr></td></td></tr></td></tr></td></td></tr></td> | WD | J1 | PTD. | - | 378 | 3\"/> <tr> <td>380B</td> <td>B</td> <td>1 <td>WD</td> <td>J1</td> <td>PTD.</td> <td>-</td> <td>379</td> <td>3\"/> <tr> <td>382</td> <td>ETR</td> <td>-</td> <td>WD.</td> <td>J2</td> <td>PTD.</td> <td>-</td> <td>380A</td> <td>3\"/> <tr> <td>382A</td> <td>D</td> <td>6 <td>ALUM.</td> <td>ANODIZE D</td> <td>-</td> <td>-</td> <td>380B</td> <td>3\"/> <tr> <td>385</td>
<td>ETR</td> <td>-</td> <td>WD.</td> <td>J2</td> <td>PTD.</td> <td>-</td> <td>382</td> <td>3\"/> <tr> <td>386</td> <td>ETR</td> <td>-</td> <td>WD.</td> <td>J2</td> <td>PTD.</td> <td>-</td> <td>382A</td> <td>3\"/> <tr> <td>387</td> <td>ETR</td> <td>-</td> <td>WD.</td> <td>J2</td> <td>PTD.</td> <td>-</td> <td>385</td> <td>3\"/> <tr> <td>388</td> <td>ETR</td> <td>-</td> <td>WD.</td> <td>J2</td> <td>PTD.</td> <td>-</td> <td>386</td> <td>3\"/> <tr> <td>389</td> <td>ETR</td> <td>-</td> <td>WD.</td> <td>J2</td> <td>PTD.</td> <td>-</td> <td>387</td> <td>3\"/> <tr> <td>391</td> <td>ETR</td> <td>-</td> <td>WD.</td> <td>J2</td> <td>PTD.</td> <td>-</td> <td>388</td> <td>3\"/> <tr> <td>391A</td> <td>ETR</td> <td>-</td> <td>WD.</td> <td>J2</td> <td>PTD.</td> <td>-</td> <td>389</td> <td>3\"/> <tr> <td>391B</td> <td>ETR</td> <td>-</td> <td>WD.</td> <td>J2</td> <td>PTD.</td> <td>-</td> <td>391</td> <td>3\"/> <tr> <td>394</td> <td>ETR</td> <td>-</td> <td>WD.</td> <td>J2</td> <td>PTD.</td> <td>-</td> <td>391A</td> <td>3\"/> <tr> <td>395</td> <td>ETR</td> <td>-</td> <td>WD.</td> <td>J2</td> <td>PTD.</td> <td>-</td> <td>391B</td> <td>3\"/> <tr> <td>396</td> <td>ETR</td> <td>-</td> <td>WD.</td> <td>J2</td> <td>PTD.</td> <td>-</td> <td>394</td> <td>3\"/> <tr> <td>398</td> <td>ETR</td> <td>-</td> <td>WD.</td> <td>J2</td> <td>PTD.</td> <td>-</td> <td>395</td> <td>3\"/> <tr> <td>399</td> <td>ETR</td> <td>-</td> <td>WD.</td> <td>J2</td> <td>PTD.</td> <td>-</td> <td>396</td> <td>3\"/> <tr> <td>3991</td> <td>ETR</td> <td>-</td> <td>WD.</td> <td>J2</td> <td>PTD.</td> <td>-</td> <td>398</td> <td>3\"/> <tr> <td>3992</td> <td>A</td> <td>3\"/> <tr> <td>3993</td> <td>ETR</td> <td>-</td> <td>WD.</td> <td>J2</td> <td>PTD.</td> <td>-</td> <td>399</td> <td>3\"/> <tr> <td>3994</td> <td>ETR</td> <td>-</td> <td>WD.</td> <td>J2</td> <td>PTD.</td> <td>-</td> <td>3991</td> <td>3\"/> <tr> <td>3995</td> <td>ETR</td> <td>-</td> <td>WD.</td> <td>J2</td> <td>PTD.</td> <td>-</td> <td>3992</td> <td>3\"/> <tr> <td>3997</td> <td>ETR</td> <td>-</td> <td>WD.</td> <td>J2</td> <td>PTD.</td> <td>-</td> <td>3993</td> <td>3\"/> <tr> <td>3998</td> <td>ETR</td> <td>-</td> <td>WD.</td> <td>J2</td> <td>PTD.</td> <td>-</td> <td>3994</td> <td>3\"/> <tr> <td>3999</td> <td>ETR</td> <td>-</td> <td>WD.</td> <td>J2</td> <td>PTD.</td> <td>-</td> <td>3995</td> <td>3\"/> <tr> <td>3999</td> <td>ETR</td> <td>-</td> <td>WD.</td> <td>J2</td> <td>PTD.</td> <td>-</td> <td>3997</td> <td>3\"/> </td></tr></td></tr></td></tr></td></tr></td></tr></td></tr></td></tr></td></tr></td></tr></td></tr></td></tr></td></tr></td></tr></td></tr></td></tr></td></tr></td></tr></td></tr></td></tr></td></tr></td></tr></td></tr></td></td></tr></td></tr></td></td></tr> | 380B | B | 1 <td>WD</td> <td>J1</td> <td>PTD.</td> <td>-</td> <td>379</td> <td>3\"/> <tr> <td>382</td> <td>ETR</td> <td>-</td> <td>WD.</td> <td>J2</td> <td>PTD.</td> <td>-</td> <td>380A</td> <td>3\"/> <tr> <td>382A</td> <td>D</td> <td>6 <td>ALUM.</td> <td>ANODIZE D</td> <td>-</td> <td>-</td> <td>380B</td> <td>3\"/> <tr> <td>385</td> <td>ETR</td> <td>-</td> <td>WD.</td> <td>J2</td> <td>PTD.</td> <td>-</td> <td>382</td> <td>3\"/> <tr> <td>386</td> <td>ETR</td> <td>-</td> <td>WD.</td> <td>J2</td> <td>PTD.</td> <td>-</td> <td>382A</td> <td>3\"/> <tr> <td>387</td> <td>ETR</td> <td>-</td> <td>WD.</td> <td>J2</td> <td>PTD.</td> <td>-</td> <td>385</td> <td>3\"/> <tr> <td>388</td> <td>ETR</td> <td>-</td> <td>WD.</td> <td>J2</td> <td>PTD.</td> <td>-</td> <td>386</td> <td>3\"/> <tr> <td>389</td> <td>ETR</td> <td>-</td> <td>WD.</td> <td>J2</td> <td>PTD.</td> <td>-</td> <td>387</td> <td>3\"/> <tr> <td>391</td> <td>ETR</td> <td>-</td> <td>WD.</td> <td>J2</td> <td>PTD.</td> <td>-</td> <td>388</td> <td>3\"/> <tr> <td>391A</td> <td>ETR</td> <td>-</td> <td>WD.</td> <td>J2</td> <td>PTD.</td> <td>-</td> <td>389</td> <td>3\"/> <tr> <td>391B</td> <td>ETR</td> <td>-</td> <td>WD.</td> <td>J2</td> <td>PTD.</td> <td>-</td> <td>391</td> <td>3\"/> <tr> <td>394</td> <td>ETR</td> <td>-</td> <td>WD.</td> <td>J2</td> <td>PTD.</td> <td>-</td> <td>391A</td> <td>3\"/> <tr> <td>395</td> <td>ETR</td> <td>-</td> <td>WD.</td> <td>J2</td> <td>PTD.</td> <td>-</td> <td>391B</td> <td>3\"/> <tr> <td>396</td> <td>ETR</td> <td>-</td> <td>WD.</td> <td>J2</td> <td>PTD.</td> <td>-</td> <td>394</td> <td>3\"/> <tr> <td>398</td> <td>ETR</td> <td>-</td> <td>WD.</td> <td>J2</td> <td>PTD.</td> <td>-</td> <td>395</td> <td>3\"/> <tr> <td>399</td> <td>ETR</td> <td>-</td> <td>WD.</td> <td>J2</td> <td>PTD.</td> <td>-</td> <td>396</td> <td>3\"/> <tr> <td>3991</td> <td>ETR</td> <td>-</td> <td>WD.</td> <td>J2</td> <td>PTD.</td> <td>-</td> <td>398</td> <td>3\"/> <tr> <td>3992</td> <td>A</td> <td>3\"/> <tr> <td>3993</td> <td>ETR</td> <td>-</td> <td>WD.</td> <td>J2</td> <td>PTD.</td> <td>-</td> <td>399</td> <td>3\"/> <tr> <td>3994</td> <td>ETR</td> <td>-</td> <td>WD.</td> <td>J2</td> <td>PTD.</td> <td>-</td> <td>3991</td> <td>3\"/> <tr> <td>3995</td> <td>ETR</td> <td>-</td> <td>WD.</td> <td>J2</td> <td>PTD.</td> <td>-</td> <td>3992</td> <td>3\"/> <tr> <td>3997</td> <td>ETR</td> <td>-</td> <td>WD.</td> <td>J2</td> <td>PTD.</td> <td>-</td> <td>3993</td> <td>3\"/> <tr> <td>3998</td> <td>ETR</td> <td>-</td> <td>WD.</td> <td>J2</td> <td>PTD.</td> <td>-</td> <td>3994</td> <td>3\"/> <tr> <td>3999</td> <td>ETR</td> <td>-</td> <td>WD.</td> <td>J2</td> <td>PTD.</td> <td>-</td> <td>3995</td> <td>3\"/> <tr> <td>3999</td> <td>ETR</td> <td>-</td> <td>WD.</td> <td>J2</td> <td>PTD.</td> <td>-</td> <td>3997</td> <td>3\"/> </td></tr></td></tr></td></tr></td></tr></td></tr></td></tr></td></tr></td></tr></td></tr></td></tr></td></tr></td></tr></td></tr></td></tr></td></tr></td></tr></td></tr></td></tr></td></tr></td></tr></td></tr></td></tr></td></td></tr></td></tr></td> | WD | J1 | PTD. | - | 379 | 3\"/> <tr> <td>382</td> <td>ETR</td> <td>-</td> <td>WD.</td> <td>J2</td> <td>PTD.</td> <td>-</td> <td>380A</td> <td>3\"/> <tr> <td>382A</td> <td>D</td> <td>6 <td>ALUM.</td> <td>ANODIZE D</td> <td>-</td> <td>-</td> <td>380B</td> <td>3\"/> <tr> <td>385</td> <td>ETR</td> <td>-</td> <td>WD.</td> <td>J2</td> <td>PTD.</td> <td>-</td> <td>382</td>
<td>3\"/> <tr> <td>386</td> <td>ETR</td> <td>-</td> <td>WD.</td> <td>J2</td> <td>PTD.</td> <td>-</td> <td>382A</td> <td>3\"/> <tr> <td>387</td> <td>ETR</td> <td>-</td> <td>WD.</td> <td>J2</td> <td>PTD.</td> <td>-</td> <td>385</td> <td>3\"/> <tr> <td>388</td> <td>ETR</td> <td>-</td> <td>WD.</td> <td>J2</td> <td>PTD.</td> <td>-</td> <td>386</td> <td>3\"/> <tr> <td>389</td> <td>ETR</td> <td>-</td> <td>WD.</td> <td>J2</td> <td>PTD.</td> <td>-</td> <td>387</td> <td>3\"/> <tr> <td>391</td> <td>ETR</td> <td>-</td> <td>WD.</td> <td>J2</td> <td>PTD.</td> <td>-</td> <td>388</td> <td>3\"/> <tr> <td>391A</td> <td>ETR</td> <td>-</td> <td>WD.</td> <td>J2</td> <td>PTD.</td> <td>-</td> <td>389</td> <td>3\"/> <tr> <td>391B</td> <td>ETR</td> <td>-</td> <td>WD.</td> <td>J2</td> <td>PTD.</td> <td>-</td> <td>391</td> <td>3\"/> <tr> <td>394</td> <td>ETR</td> <td>-</td> <td>WD.</td> <td>J2</td> <td>PTD.</td> <td>-</td> <td>391A</td> <td>3\"/> <tr> <td>395</td> <td>ETR</td> <td>-</td> <td>WD.</td> <td>J2</td> <td>PTD.</td> <td>-</td> <td>391B</td> <td>3\"/> <tr> <td>396</td> <td>ETR</td> <td>-</td> <td>WD.</td> <td>J2</td> <td>PTD.</td> <td>-</td> <td>394</td> <td>3\"/> <tr> <td>398</td> <td>ETR</td> <td>-</td> <td>WD.</td> <td>J2</td> <td>PTD.</td> <td>-</td> <td>395</td> <td>3\"/> <tr> <td>399</td> <td>ETR</td> <td>-</td> <td>WD.</td> <td>J2</td> <td>PTD.</td> <td>-</td> <td>396</td> <td>3\"/> <tr> <td>3991</td> <td>ETR</td> <td>-</td> <td>WD.</td> <td>J2</td> <td>PTD.</td> <td>-</td> <td>398</td> <td>3\"/> <tr> <td>3992</td> <td>A</td> <td>3\"/> <tr> <td>3993</td> <td>ETR</td> <td>-</td> <td>WD.</td> <td>J2</td> <td>PTD.</td> <td>-</td> <td>399</td> <td>3\"/> <tr> <td>3994</td> <td>ETR</td> <td>-</td> <td>WD.</td> <td>J2</td> <td>PTD.</td> <td>-</td> <td>3991</td> <td>3\"/> <tr> <td>3995</td> <td>ETR</td> <td>-</td> <td>WD.</td> <td>J2</td> <td>PTD.</td> <td>-</td> <td>3992</td> <td>3\"/> <tr> <td>3997</td> <td>ETR</td> <td>-</td> <td>WD.</td> <td>J2</td> <td>PTD.</td> <td>-</td> <td>3993</td> <td>3\"/> <tr> <td>3998</td> <td>ETR</td> <td>-</td> <td>WD.</td> <td>J2</td> <td>PTD.</td> <td>-</td> <td>3994</td> <td>3\"/> <tr> <td>3999</td> <td>ETR</td> <td>-</td> <td>WD.</td> <td>J2</td> <td>PTD.</td> <td>-</td> <td>3995</td> <td>3\"/> <tr> <td>3999</td> <td>ETR</td> <td>-</td> <td>WD.</td> <td>J2</td> <td>PTD.</td> <td>-</td> <td>3997</td> <td>3\"/> </td></tr></td></tr></td></tr></td></tr></td></tr></td></tr></td></tr></td></tr></td></tr></td></tr></td></tr></td></tr></td></tr></td></tr></td></tr></td></tr></td></tr></td></tr></td></tr></td></tr></td></tr></td></tr></td></td></tr></td></tr> | 382 | ETR | - | WD. | J2 | PTD. | - | 380A | 3\"/> <tr> <td>382A</td> <td>D</td> <td>6 <td>ALUM.</td> <td>ANODIZE D</td> <td>-</td> <td>-</td> <td>380B</td> <td>3\"/> <tr> <td>385</td> <td>ETR</td> <td>-</td> <td>WD.</td> <td>J2</td> <td>PTD.</td> <td>-</td> <td>382</td> <td>3\"/> <tr> <td>386</td> <td>ETR</td> <td>-</td> <td>WD.</td> <td>J2</td> <td>PTD.</td> <td>-</td> <td>382A</td> <td>3\"/> <tr> <td>387</td> <td>ETR</td> <td>-</td> <td>WD.</td> <td>J2</td> <td>PTD.</td> <td>-</td> <td>385</td> <td>3\"/> <tr> <td>388</td> <td>ETR</td> <td>-</td> <td>WD.</td> <td>J2</td> <td>PTD.</td> <td>-</td> <td>386</td>
<td>3\"/> <tr> <td>389</td> <td>ETR</td> <td>-</td> <td>WD.</td> <td>J2</td> <td>PTD.</td> <td>-</td> <td>387</td> <td>3\"/> <tr> <td>391</td> <td>ETR</td> <td>-</td> <td>WD.</td> <td>J2</td> <td>PTD.</td> <td>-</td> <td>388</td> <td>3\"/> <tr> <td>391A</td> <td>ETR</td> <td>-</td> <td>WD.</td> <td>J2</td> <td>PTD.</td> <td>-</td> <td>389</td> <td>3\"/> <tr> <td>391B</td> <td>ETR</td> <td>-</td> <td>WD.</td> <td>J2</td> <td>PTD.</td> <td>-</td> <td>391</td> <td>3\"/> <tr> <td>394</td> <td>ETR</td> <td>-</td> <td>WD.</td> <td>J2</td> <td>PTD.</td> <td>-</td> <td>391A</td> <td>3\"/> <tr> <td>395</td> <td>ETR</td> <td>-</td> <td>WD.</td> <td>J2</td> <td>PTD.</td> <td>-</td> <td>391B</td> <td>3\"/> <tr> <td>396</td> <td>ETR</td> <td>-</td> <td>WD.</td> <td>J2</td> <td>PTD.</td> <td>-</td> <td>394</td> <td>3\"/> <tr> <td>398</td> <td>ETR</td> <td>-</td> <td>WD.</td> <td>J2</td> <td>PTD.</td> <td>-</td> <td>395</td> <td>3\"/> <tr> <td>399</td> <td>ETR</td> <td>-</td> <td>WD.</td> <td>J2</td> <td>PTD.</td> <td>-</td> <td>396</td> <td>3\"/> <tr> <td>3991</td> <td>ETR</td> <td>-</td> <td>WD.</td> <td>J2</td> <td>PTD.</td> <td>-</td> <td>398</td> <td>3\"/> <tr> <td>3992</td> <td>A</td> <td>3\"/> <tr> <td>3993</td> <td>ETR</td> <td>-</td> <td>WD.</td> <td>J2</td> <td>PTD.</td> <td>-</td> <td>399</td> <td>3\"/> <tr> <td>3994</td> <td>ETR</td> <td>-</td> <td>WD.</td> <td>J2</td> <td>PTD.</td> <td>-</td> <td>3991</td> <td>3\"/> <tr> <td>3995</td> <td>ETR</td> <td>-</td> <td>WD.</td> <td>J2</td> <td>PTD.</td> <td>-</td> <td>3992</td> <td>3\"/> <tr> <td>3997</td> <td>ETR</td> <td>-</td> <td>WD.</td> <td>J2</td> <td>PTD.</td> <td>-</td> <td>3993</td> <td>3\"/> <tr> <td>3998</td> <td>ETR</td> <td>-</td> <td>WD.</td> <td>J2</td> <td>PTD.</td> <td>-</td> <td>3994</td> <td>3\"/> <tr> <td>3999</td> <td>ETR</td> <td>-</td> <td>WD.</td> <td>J2</td> <td>PTD.</td> <td>-</td> <td>3995</td> <td>3\"/> <tr> <td>3999</td> <td>ETR</td> <td>-</td> <td>WD.</td> <td>J2</td> <td>PTD.</td> <td>-</td> <td>3997</td> <td>3\"/> </td></tr></td></tr></td></tr></td></tr></td></tr></td></tr></td></tr></td></tr></td></tr></td></tr></td></tr></td></tr></td></tr></td></tr></td></tr></td></tr></td></tr></td></tr></td></tr></td></tr></td></tr></td></tr></td></td></tr> | 382A | D | 6 <td>ALUM.</td> <td>ANODIZE D</td> <td>-</td> <td>-</td> <td>380B</td> <td>3\"/> <tr> <td>385</td> <td>ETR</td> <td>-</td> <td>WD.</td> <td>J2</td> <td>PTD.</td> <td>-</td> <td>382</td> <td>3\"/> <tr> <td>386</td> <td>ETR</td> <td>-</td> <td>WD.</td> <td>J2</td> <td>PTD.</td> <td>-</td> <td>382A</td> <td>3\"/> <tr> <td>387</td> <td>ETR</td> <td>-</td> <td>WD.</td> <td>J2</td> <td>PTD.</td> <td>-</td> <td>385</td> <td>3\"/> <tr> <td>388</td> <td>ETR</td> <td>-</td> <td>WD.</td> <td>J2</td> <td>PTD.</td> <td>-</td> <td>386</td> <td>3\"/> <tr> <td>389</td> <td>ETR</td> <td>-</td> <td>WD.</td> <td>J2</td> <td>PTD.</td> <td>-</td> <td>387</td> <td>3\"/> <tr> <td>391</td> <td>ETR</td> <td>-</td> <td>WD.</td> <td>J2</td> <td>PTD.</td> <td>-</td> <td>388</td> <td>3\"/> <tr> <td>391A</td> <td>ETR</td> <td>-</td> <td>WD.</td> <td>J2</td> <td>PTD.</td> <td>-</td> <td>389</td> <td>3\"/> <tr> <td>391B</td> <td>ETR</td> <td>-</td> <td>WD.</td> <td>J2</td> <td>PTD.</td> <td>-</td> <td>391</td> <td>3\"/> <tr> <td>394</td> <td>ETR</td> <td>-</td> <td>WD.</td> <td>J2</td> <td>PTD.</td> <td>-</td> <td>391A</td> <td>3\"/> <tr> <td>395</td> <td>ETR</td> <td>-</td> <td>WD.</td> <td>J2</td> <td>PTD.</td> <td>-</td> <td>391B</td> <td>3\"/> <tr> <td>396</td> <td>ETR</td> <td>-</td> <td>WD.</td> <td>J2</td> <td>PTD.</td> <td>-</td> <td>394</td> <td>3\"/> <tr> <td>398</td> <td>ETR</td> <td>-</td> <td>WD.</td> <td>J2</td> <td>PTD.</td> <td>-</td> <td>395</td> <td>3\"/> <tr> <td>399</td> <td>ETR</td> <td>-</td> <td>WD.</td> <td>J2</td> <td>PTD.</td> <td>-</td> <td>396</td> <td>3\"/> <tr> <td>3991</td> <td>ETR</td> <td>-</td> <td>WD.</td> <td>J2</td> <td>PTD.</td> <td>-</td> <td>398</td> <td>3\"/> <tr> <td>3992</td> <td>A</td> <td>3\"/> <tr> <td>3993</td> <td>ETR</td> <td>-</td> <td>WD.</td> <td>J2</td> <td>PTD.</td> <td>-</td> <td>399</td> <td>3\"/> <tr> <td>3994</td> <td>ETR</td> <td>-</td> <td>WD.</td> <td>J2</td> <td>PTD.</td> <td>-</td> <td>3991</td> <td>3\"/> <tr> <td>3995</td> <td>ETR</td> <td>-</td> <td>WD.</td> <td>J2</td> <td>PTD.</td> <td>-</td> <td>3992</td> <td>3\"/> <tr> <td>3997</td> <td>ETR</td> <td>-</td> <td>WD.</td> <td>J2</td> <td>PTD.</td> <td>-</td> <td>3993</td> <td>3\"/> <tr> <td>3998</td> <td>ETR</td> <td>-</td> <td>WD.</td> <td>J2</td> <td>PTD.</td> <td>-</td> <td>3994</td> <td>3\"/> <tr> <td>3999</td> <td>ETR</td> <td>-</td> <td>WD.</td> <td>J2</td> <td>PTD.</td> <td>-</td> <td>3995</td> <td>3\"/> <tr> <td>3999</td> <td>ETR</td> <td>-</td> <td>WD.</td> <td>J2</td> <td>PTD.</td> <td>-</td> <td>3997</td> <td>3\"/> </td></tr></td></tr></td></tr></td></tr></td></tr></td></tr></td></tr></td></tr></td></tr></td></tr></td></tr></td></tr></td></tr></td></tr></td></tr></td></tr></td></tr></td></tr></td></tr></td></tr></td></tr></td></tr></td> | ALUM. | ANODIZE D | - | - | 380B | 3\"/> <tr> <td>385</td> <td>ETR</td> <td>-</td> <td>WD.</td> <td>J2</td> <td>PTD.</td> <td>-</td> <td>382</td> <td>3\"/> <tr> <td>386</td> <td>ETR</td> <td>-</td> <td>WD.</td> <td>J2</td> <td>PTD.</td> <td>-</td> <td>382A</td> <td>3\"/> <tr> <td>387</td> <td>ETR</td> <td>-</td> <td>WD.</td> <td>J2</td> <td>PTD.</td> <td>-</td> <td>385</td> <td>3\"/> <tr> <td>388</td> <td>ETR</td> <td>-</td> <td>WD.</td> <td>J2</td> <td>PTD.</td> <td>-</td> <td>386</td> <td>3\"/> <tr> <td>389</td> <td>ETR</td> <td>-</td> <td>WD.</td> <td>J2</td> <td>PTD.</td> <td>-</td> <td>387</td> <td>3\"/> <tr> <td>391</td> <td>ETR</td> <td>-</td> <td>WD.</td> <td>J2</td> <td>PTD.</td> <td>-</td> <td>388</td> <td>3\"/> <tr> <td>391A</td> <td>ETR</td> <td>-</td> <td>WD.</td> <td>J2</td> <td>PTD.</td> <td>-</td> <td>389</td> <td>3\"/> <tr> <td>391B</td> <td>ETR</td> <td>-</td> <td>WD.</td> <td>J2</td> <td>PTD.</td> <td>-</td> <td>391</td> <td>3\"/> <tr> <td>394</td> <td>ETR</td> <td>-</td> <td>WD.</td> <td>J2</td> <td>PTD.</td> <td>-</td> <td>391A</td> <td>3\"/> <tr>
<td>395</td> <td>ETR</td> <td>-</td> <td>WD.</td> <td>J2</td> <td>PTD.</td> <td>-</td> <td>391B</td> <td>3\"/> <tr> <td>396</td> <td>ETR</td> <td>-</td> <td>WD.</td> <td>J2</td> <td>PTD.</td> <td>-</td> <td>394</td> <td>3\"/> <tr> <td>398</td> <td>ETR</td> <td>-</td> <td>WD.</td> <td>J2</td> <td>PTD.</td> <td>-</td> <td>395</td> <td>3\"/> <tr> <td>399</td> <td>ETR</td> <td>-</td> <td>WD.</td> <td>J2</td> <td>PTD.</td> <td>-</td> <td>396</td> <td>3\"/> <tr> <td>3991</td> <td>ETR</td> <td>-</td> <td>WD.</td> <td>J2</td> <td>PTD.</td> <td>-</td> <td>398</td> <td>3\"/> <tr> <td>3992</td> <td>A</td> <td>3\"/> <tr> <td>3993</td> <td>ETR</td> <td>-</td> <td>WD.</td> <td>J2</td> <td>PTD.</td> <td>-</td> <td>399</td> <td>3\"/> <tr> <td>3994</td> <td>ETR</td> <td>-</td> <td>WD.</td> <td>J2</td> <td>PTD.</td> <td>-</td> <td>3991</td> <td>3\"/> <tr> <td>3995</td> <td>ETR</td> <td>-</td> <td>WD.</td> <td>J2</td> <td>PTD.</td> <td>-</td> <td>3992</td> <td>3\"/> <tr> <td>3997</td> <td>ETR</td> <td>-</td> <td>WD.</td> <td>J2</td> <td>PTD.</td> <td>-</td> <td>3993</td> <td>3\"/> <tr> <td>3998</td> <td>ETR</td> <td>-</td> <td>WD.</td> <td>J2</td> <td>PTD.</td> <td>-</td> <td>3994</td> <td>3\"/> <tr> <td>3999</td> <td>ETR</td> <td>-</td> <td>WD.</td> <td>J2</td> <td>PTD.</td> <td>-</td> <td>3995</td> <td>3\"/> <tr> <td>3999</td> <td>ETR</td> <td>-</td> <td>WD.</td> <td>J2</td> <td>PTD.</td> <td>-</td> <td>3997</td> <td>3\"/> </td></tr></td></tr></td></tr></td></tr></td></tr></td></tr></td></tr></td></tr></td></tr></td></tr></td></tr></td></tr></td></tr></td></tr></td></tr></td></tr></td></tr></td></tr></td></tr></td></tr></td></tr></td></tr> | 385 | ETR | - | WD. | J2 | PTD.
 | - | 382 | 3\"/> <tr> <td>386</td> <td>ETR</td> <td>-</td> <td>WD.</td> <td>J2</td> <td>PTD.</td> <td>-</td> <td>382A</td> <td>3\"/> <tr> <td>387</td> <td>ETR</td> <td>-</td> <td>WD.</td> <td>J2</td> <td>PTD.</td> <td>-</td> <td>385</td> <td>3\"/> <tr> <td>388</td> <td>ETR</td> <td>-</td> <td>WD.</td> <td>J2</td> <td>PTD.</td> <td>-</td> <td>386</td> <td>3\"/> <tr> <td>389</td> <td>ETR</td> <td>-</td> <td>WD.</td> <td>J2</td> <td>PTD.</td> <td>-</td> <td>387</td> <td>3\"/> <tr> <td>391</td> <td>ETR</td> <td>-</td> <td>WD.</td> <td>J2</td> <td>PTD.</td> <td>-</td> <td>388</td> <td>3\"/> <tr> <td>391A</td> <td>ETR</td> <td>-</td> <td>WD.</td> <td>J2</td> <td>PTD.</td> <td>-</td> <td>389</td> <td>3\"/> <tr> <td>391B</td> <td>ETR</td> <td>-</td> <td>WD.</td> <td>J2</td> <td>PTD.</td> <td>-</td> <td>391</td> <td>3\"/> <tr> <td>394</td> <td>ETR</td> <td>-</td> <td>WD.</td> <td>J2</td> <td>PTD.</td> <td>-</td> <td>391A</td> <td>3\"/> <tr> <td>395</td> <td>ETR</td> <td>-</td> <td>WD.</td> <td>J2</td> <td>PTD.</td> <td>-</td> <td>391B</td> <td>3\"/> <tr> <td>396</td> <td>ETR</td> <td>-</td> <td>WD.</td> <td>J2</td> <td>PTD.</td> <td>-</td> <td>394</td> <td>3\"/> <tr> <td>398</td> <td>ETR</td> <td>-</td> <td>WD.</td> <td>J2</td> <td>PTD.</td> <td>-</td> <td>395</td> <td>3\"/> <tr> <td>399</td> <td>ETR</td> <td>-</td> <td>WD.</td> <td>J2</td> <td>PTD.</td> <td>-</td> <td>396</td> <td>3\"/> <tr> <td>3991</td> <td>ETR</td> <td>-</td> <td>WD.</td> <td>J2</td> <td>PTD.</td> <td>-</td> <td>398</td> <td>3\"/> <tr> <td>3992</td> <td>A</td> <td>3\"/> <tr> <td>3993</td> <td>ETR</td> <td>-</td> <td>WD.</td> <td>J2</td> <td>PTD.</td> <td>-</td> <td>399</td> <td>3\"/> <tr> <td>3994</td> <td>ETR</td> <td>-</td> <td>WD.</td> <td>J2</td> <td>PTD.</td> <td>-</td> <td>3991</td> <td>3\"/> <tr> <td>3995</td> <td>ETR</td> <td>-</td> <td>WD.</td> <td>J2</td> <td>PTD.</td> <td>-</td> <td>3992</td> <td>3\"/> <tr> <td>3997</td> <td>ETR</td> <td>-</td> <td>WD.</td> <td>J2</td> <td>PTD.</td> <td>-</td> <td>3993</td> <td>3\"/> <tr> <td>3998</td> <td>ETR</td> <td>-</td> <td>WD.</td> <td>J2</td> <td>PTD.</td> <td>-</td> <td>3994</td> <td>3\"/> <tr> <td>3999</td> <td>ETR</td> <td>-</td> <td>WD.</td> <td>J2</td> <td>PTD.</td> <td>-</td> <td>3995</td> <td>3\"/> <tr> <td>3999</td> <td>ETR</td> <td>-</td> <td>WD.</td> <td>J2</td> <td>PTD.</td> <td>-</td> <td>3997</td> <td>3\"/> </td></tr></td></tr></td></tr></td></tr></td></tr></td></tr></td></tr></td></tr></td></tr></td></tr></td></tr></td></tr></td></tr></td></tr></td></tr></td></tr></td></tr></td></tr></td></tr></td></tr></td></tr> | 386 | ETR | -
 | WD. | J2 | PTD. | - | 382A | 3\"/> <tr> <td>387</td> <td>ETR</td> <td>-</td> <td>WD.</td> <td>J2</td> <td>PTD.</td> <td>-</td> <td>385</td> <td>3\"/> <tr> <td>388</td> <td>ETR</td> <td>-</td> <td>WD.</td> <td>J2</td> <td>PTD.</td> <td>-</td> <td>386</td> <td>3\"/> <tr> <td>389</td> <td>ETR</td> <td>-</td> <td>WD.</td> <td>J2</td> <td>PTD.</td> <td>-</td> <td>387</td> <td>3\"/> <tr> <td>391</td> <td>ETR</td> <td>-</td> <td>WD.</td> <td>J2</td> <td>PTD.</td> <td>-</td> <td>388</td> <td>3\"/> <tr> <td>391A</td> <td>ETR</td> <td>-</td> <td>WD.</td> <td>J2</td> <td>PTD.</td> <td>-</td> <td>389</td> <td>3\"/> <tr> <td>391B</td> <td>ETR</td> <td>-</td> <td>WD.</td> <td>J2</td> <td>PTD.</td> <td>-</td> <td>391</td> <td>3\"/> <tr> <td>394</td> <td>ETR</td> <td>-</td> <td>WD.</td> <td>J2</td> <td>PTD.</td> <td>-</td> <td>391A</td> <td>3\"/> <tr> <td>395</td> <td>ETR</td> <td>-</td> <td>WD.</td> <td>J2</td> <td>PTD.</td> <td>-</td> <td>391B</td> <td>3\"/> <tr> <td>396</td> <td>ETR</td> <td>-</td> <td>WD.</td> <td>J2</td> <td>PTD.</td> <td>-</td> <td>394</td> <td>3\"/> <tr> <td>398</td> <td>ETR</td> <td>-</td> <td>WD.</td> <td>J2</td> <td>PTD.</td> <td>-</td> <td>395</td> <td>3\"/> <tr> <td>399</td> <td>ETR</td> <td>-</td> <td>WD.</td> <td>J2</td> <td>PTD.</td> <td>-</td> <td>396</td> <td>3\"/> <tr> <td>3991</td> <td>ETR</td> <td>-</td> <td>WD.</td> <td>J2</td> <td>PTD.</td> <td>-</td> <td>398</td> <td>3\"/> <tr> <td>3992</td> <td>A</td> <td>3\"/> <tr> <td>3993</td> <td>ETR</td> <td>-</td> <td>WD.</td> <td>J2</td> <td>PTD.</td> <td>-</td> <td>399</td> <td>3\"/> <tr> <td>3994</td> <td>ETR</td> <td>-</td> <td>WD.</td> <td>J2</td> <td>PTD.</td> <td>-</td> <td>3991</td> <td>3\"/> <tr> <td>3995</td> <td>ETR</td> <td>-</td> <td>WD.</td> <td>J2</td> <td>PTD.</td> <td>-</td> <td>3992</td> <td>3\"/> <tr> <td>3997</td> <td>ETR</td> <td>-</td> <td>WD.</td> <td>J2</td> <td>PTD.</td> <td>-</td> <td>3993</td> <td>3\"/> <tr> <td>3998</td> <td>ETR</td> <td>-</td> <td>WD.</td> <td>J2</td> <td>PTD.</td> <td>-</td> <td>3994</td> <td>3\"/> <tr> <td>3999</td> <td>ETR</td> <td>-</td> <td>WD.</td> <td>J2</td> <td>PTD.</td> <td>-</td> <td>3995</td> <td>3\"/> <tr> <td>3999</td> <td>ETR</td> <td>-</td> <td>WD.</td> <td>J2</td> <td>PTD.</td> <td>-</td> <td>3997</td> <td>3\"/> </td></tr></td></tr></td></tr></td></tr></td></tr></td></tr></td></tr></td></tr></td></tr></td></tr></td></tr></td></tr></td></tr></td></tr></td></tr></td></tr></td></tr></td></tr></td></tr></td></tr> | 387 | ETR | -
 | WD. | J2 | PTD. | - | 385 | 3\"/> <tr> <td>388</td> <td>ETR</td> <td>-</td> <td>WD.</td> <td>J2</td> <td>PTD.</td> <td>-</td> <td>386</td> <td>3\"/> <tr> <td>389</td> <td>ETR</td> <td>-</td> <td>WD.</td> <td>J2</td> <td>PTD.</td> <td>-</td> <td>387</td> <td>3\"/> <tr> <td>391</td> <td>ETR</td> <td>-</td> <td>WD.</td> <td>J2</td> <td>PTD.</td> <td>-</td> <td>388</td> <td>3\"/> <tr> <td>391A</td> <td>ETR</td> <td>-</td> <td>WD.</td> <td>J2</td> <td>PTD.</td> <td>-</td> <td>389</td> <td>3\"/> <tr> <td>391B</td> <td>ETR</td> <td>-</td> <td>WD.</td> <td>J2</td> <td>PTD.</td> <td>-</td> <td>391</td> <td>3\"/> <tr> <td>394</td> <td>ETR</td> <td>-</td> <td>WD.</td> <td>J2</td> <td>PTD.</td> <td>-</td> <td>391A</td> <td>3\"/> <tr> <td>395</td> <td>ETR</td> <td>-</td> <td>WD.</td> <td>J2</td> <td>PTD.</td> <td>-</td> <td>391B</td> <td>3\"/> <tr> <td>396</td> <td>ETR</td> <td>-</td> <td>WD.</td> <td>J2</td> <td>PTD.</td> <td>-</td> <td>394</td> <td>3\"/> <tr> <td>398</td> <td>ETR</td> <td>-</td> <td>WD.</td> <td>J2</td> <td>PTD.</td> <td>-</td> <td>395</td> <td>3\"/> <tr> <td>399</td> <td>ETR</td> <td>-</td> <td>WD.</td> <td>J2</td> <td>PTD.</td> <td>-</td> <td>396</td> <td>3\"/> <tr> <td>3991</td> <td>ETR</td> <td>-</td> <td>WD.</td> <td>J2</td> <td>PTD.</td> <td>-</td> <td>398</td> <td>3\"/> <tr> <td>3992</td> <td>A</td> <td>3\"/> <tr> <td>3993</td> <td>ETR</td> <td>-</td> <td>WD.</td> <td>J2</td> <td>PTD.</td> <td>-</td> <td>399</td> <td>3\"/> <tr> <td>3994</td> <td>ETR</td> <td>-</td> <td>WD.</td> <td>J2</td> <td>PTD.</td> <td>-</td> <td>3991</td> <td>3\"/> <tr> <td>3995</td> <td>ETR</td> <td>-</td> <td>WD.</td> <td>J2</td> <td>PTD.</td> <td>-</td> <td>3992</td> <td>3\"/> <tr> <td>3997</td> <td>ETR</td> <td>-</td> <td>WD.</td> <td>J2</td> <td>PTD.</td> <td>-</td> <td>3993</td> <td>3\"/> <tr> <td>3998</td> <td>ETR</td> <td>-</td> <td>WD.</td> <td>J2</td> <td>PTD.</td> <td>-</td> <td>3994</td> <td>3\"/> <tr> <td>3999</td> <td>ETR</td> <td>-</td> <td>WD.</td> <td>J2</td> <td>PTD.</td> <td>-</td> <td>3995</td> <td>3\"/> <tr> <td>3999</td> <td>ETR</td> <td>-</td> <td>WD.</td> <td>J2</td> <td>PTD.</td> <td>-</td> <td>3997</td> <td>3\"/> </td></tr></td></tr></td></tr></td></tr></td></tr></td></tr></td></tr></td></tr></td></tr></td></tr></td></tr></td></tr></td></tr></td></tr></td></tr></td></tr></td></tr></td></tr></td></tr> | 388 | ETR | - | WD. | J2 | PTD. | - | 386 | 3\"/> <tr> <td>389</td> <td>ETR</td> <td>-</td> <td>WD.</td> <td>J2</td> <td>PTD.</td> <td>-</td> <td>387</td> <td>3\"/> <tr> <td>391</td> <td>ETR</td> <td>-</td> <td>WD.</td> <td>J2</td> <td>PTD.</td> <td>-</td> <td>388</td> <td>3\"/> <tr> <td>391A</td> <td>ETR</td> <td>-</td> <td>WD.</td> <td>J2</td> <td>PTD.</td> <td>-</td> <td>389</td> <td>3\"/> <tr> <td>391B</td> <td>ETR</td> <td>-</td> <td>WD.</td> <td>J2</td> <td>PTD.</td> <td>-</td> <td>391</td> <td>3\"/> <tr> <td>394</td> <td>ETR</td> <td>-</td> <td>WD.</td> <td>J2</td> <td>PTD.</td> <td>-</td> <td>391A</td> <td>3\"/> <tr> <td>395</td> <td>ETR</td> <td>-</td> <td>WD.</td> <td>J2</td> <td>PTD.</td> <td>-</td> <td>391B</td> <td>3\"/> <tr> <td>396</td> <td>ETR</td> <td>-</td> <td>WD.</td> <td>J2</td> <td>PTD.</td> <td>-</td> <td>394</td> <td>3\"/> <tr> <td>398</td> <td>ETR</td> <td>-</td> <td>WD.</td> <td>J2</td> <td>PTD.</td> <td>-</td> <td>395</td> <td>3\"/> <tr> <td>399</td> <td>ETR</td> <td>-</td> <td>WD.</td> <td>J2</td> <td>PTD.</td> <td>-</td> <td>396</td> <td>3\"/> <tr> <td>3991</td> <td>ETR</td> <td>-</td> <td>WD.</td> <td>J2</td>
<td>PTD.</td> <td>-</td> <td>398</td> <td>3\"/> <tr> <td>3992</td> <td>A</td> <td>3\"/> <tr> <td>3993</td> <td>ETR</td> <td>-</td> <td>WD.</td> <td>J2</td> <td>PTD.</td> <td>-</td> <td>399</td> <td>3\"/> <tr> <td>3994</td> <td>ETR</td> <td>-</td> <td>WD.</td> <td>J2</td> <td>PTD.</td> <td>-</td> <td>3991</td> <td>3\"/> <tr> <td>3995</td> <td>ETR</td> <td>-</td> <td>WD.</td> <td>J2</td> <td>PTD.</td> <td>-</td> <td>3992</td> <td>3\"/> <tr> <td>3997</td> <td>ETR</td> <td>-</td> <td>WD.</td> <td>J2</td> <td>PTD.</td> <td>-</td> <td>3993</td> <td>3\"/> <tr> <td>3998</td> <td>ETR</td> <td>-</td> <td>WD.</td> <td>J2</td> <td>PTD.</td> <td>-</td> <td>3994</td> <td>3\"/> <tr> <td>3999</td> <td>ETR</td> <td>-</td> <td>WD.</td> <td>J2</td> <td>PTD.</td> <td>-</td> <td>3995</td> <td>3\"/> <tr> <td>3999</td> <td>ETR</td> <td>-</td> <td>WD.</td> <td>J2</td> <td>PTD.</td> <td>-</td> <td>3997</td> <td>3\"/> </td></tr></td></tr></td></tr></td></tr></td></tr></td></tr></td></tr></td></tr></td></tr></td></tr></td></tr></td></tr></td></tr></td></tr></td></tr></td></tr></td></tr></td></tr> | 389 | ETR | - | WD. | J2 | PTD.
 | - | 387 | 3\"/> <tr> <td>391</td> <td>ETR</td> <td>-</td> <td>WD.</td> <td>J2</td> <td>PTD.</td> <td>-</td> <td>388</td> <td>3\"/> <tr> <td>391A</td> <td>ETR</td> <td>-</td> <td>WD.</td> <td>J2</td> <td>PTD.</td> <td>-</td> <td>389</td> <td>3\"/> <tr> <td>391B</td> <td>ETR</td> <td>-</td> <td>WD.</td> <td>J2</td> <td>PTD.</td> <td>-</td> <td>391</td> <td>3\"/> <tr> <td>394</td> <td>ETR</td> <td>-</td> <td>WD.</td> <td>J2</td> <td>PTD.</td> <td>-</td> <td>391A</td> <td>3\"/> <tr> <td>395</td> <td>ETR</td> <td>-</td> <td>WD.</td> <td>J2</td> <td>PTD.</td> <td>-</td> <td>391B</td> <td>3\"/> <tr> <td>396</td> <td>ETR</td> <td>-</td> <td>WD.</td> <td>J2</td> <td>PTD.</td> <td>-</td> <td>394</td> <td>3\"/> <tr> <td>398</td> <td>ETR</td> <td>-</td> <td>WD.</td> <td>J2</td> <td>PTD.</td> <td>-</td> <td>395</td> <td>3\"/> <tr> <td>399</td> <td>ETR</td> <td>-</td> <td>WD.</td> <td>J2</td> <td>PTD.</td> <td>-</td> <td>396</td> <td>3\"/> <tr> <td>3991</td> <td>ETR</td> <td>-</td> <td>WD.</td> <td>J2</td> <td>PTD.</td> <td>-</td> <td>398</td> <td>3\"/> <tr> <td>3992</td> <td>A</td> <td>3\"/> <tr> <td>3993</td> <td>ETR</td> <td>-</td> <td>WD.</td> <td>J2</td> <td>PTD.</td> <td>-</td> <td>399</td> <td>3\"/> <tr> <td>3994</td> <td>ETR</td> <td>-</td> <td>WD.</td> <td>J2</td> <td>PTD.</td> <td>-</td> <td>3991</td> <td>3\"/> <tr> <td>3995</td> <td>ETR</td> <td>-</td> <td>WD.</td> <td>J2</td> <td>PTD.</td> <td>-</td> <td>3992</td> <td>3\"/> <tr> <td>3997</td> <td>ETR</td> <td>-</td> <td>WD.</td> <td>J2</td> <td>PTD.</td> <td>-</td> <td>3993</td> <td>3\"/> <tr> <td>3998</td> <td>ETR</td> <td>-</td> <td>WD.</td> <td>J2</td> <td>PTD.</td> <td>-</td> <td>3994</td> <td>3\"/> <tr> <td>3999</td> <td>ETR</td> <td>-</td> <td>WD.</td> <td>J2</td> <td>PTD.</td> <td>-</td> <td>3995</td> <td>3\"/> <tr> <td>3999</td> <td>ETR</td> <td>-</td> <td>WD.</td> <td>J2</td> <td>PTD.</td> <td>-</td> <td>3997</td> <td>3\"/> </td></tr></td></tr></td></tr></td></tr></td></tr></td></tr></td></tr></td></tr></td></tr></td></tr></td></tr></td></tr></td></tr></td></tr></td></tr></td></tr></td></tr> | 391 | ETR | - | WD. | J2 | PTD.
 | - | 388 | 3\"/> <tr> <td>391A</td> <td>ETR</td> <td>-</td> <td>WD.</td> <td>J2</td> <td>PTD.</td> <td>-</td> <td>389</td> <td>3\"/> <tr> <td>391B</td> <td>ETR</td> <td>-</td> <td>WD.</td> <td>J2</td> <td>PTD.</td> <td>-</td> <td>391</td> <td>3\"/> <tr> <td>394</td> <td>ETR</td> <td>-</td> <td>WD.</td> <td>J2</td> <td>PTD.</td> <td>-</td> <td>391A</td> <td>3\"/> <tr> <td>395</td> <td>ETR</td> <td>-</td> <td>WD.</td> <td>J2</td> <td>PTD.</td> <td>-</td> <td>391B</td> <td>3\"/> <tr> <td>396</td> <td>ETR</td> <td>-</td> <td>WD.</td> <td>J2</td> <td>PTD.</td> <td>-</td> <td>394</td> <td>3\"/> <tr> <td>398</td> <td>ETR</td> <td>-</td> <td>WD.</td> <td>J2</td> <td>PTD.</td> <td>-</td> <td>395</td> <td>3\"/> <tr> <td>399</td> <td>ETR</td> <td>-</td> <td>WD.</td> <td>J2</td> <td>PTD.</td> <td>-</td> <td>396</td> <td>3\"/> <tr> <td>3991</td> <td>ETR</td> <td>-</td> <td>WD.</td> <td>J2</td> <td>PTD.</td> <td>-</td> <td>398</td> <td>3\"/> <tr> <td>3992</td> <td>A</td> <td>3\"/> <tr> <td>3993</td> <td>ETR</td> <td>-</td> <td>WD.</td> <td>J2</td> <td>PTD.</td> <td>-</td> <td>399</td> <td>3\"/> <tr> <td>3994</td> <td>ETR</td> <td>-</td> <td>WD.</td> <td>J2</td> <td>PTD.</td> <td>-</td> <td>3991</td> <td>3\"/> <tr> <td>3995</td> <td>ETR</td> <td>-</td> <td>WD.</td> <td>J2</td> <td>PTD.</td> <td>-</td> <td>3992</td> <td>3\"/> <tr> <td>3997</td> <td>ETR</td> <td>-</td> <td>WD.</td> <td>J2</td> <td>PTD.</td> <td>-</td> <td>3993</td> <td>3\"/> <tr> <td>3998</td> <td>ETR</td> <td>-</td> <td>WD.</td> <td>J2</td> <td>PTD.</td> <td>-</td> <td>3994</td> <td>3\"/> <tr> <td>3999</td> <td>ETR</td> <td>-</td> <td>WD.</td> <td>J2</td> <td>PTD.</td> <td>-</td> <td>3995</td> <td>3\"/> <tr> <td>3999</td> <td>ETR</td> <td>-</td> <td>WD.</td> <td>J2</td> <td>PTD.</td> <td>-</td> <td>3997</td> <td>3\"/> </td></tr></td></tr></td></tr></td></tr></td></tr></td></tr></td></tr></td></tr></td></tr></td></tr></td></tr></td></tr></td></tr></td></tr></td></tr></td></tr> | 391A | ETR | -
 | WD. | J2 | PTD. | - | 389 | 3\"/> <tr> <td>391B</td> <td>ETR</td> <td>-</td> <td>WD.</td> <td>J2</td> <td>PTD.</td> <td>-</td> <td>391</td> <td>3\"/> <tr> <td>394</td> <td>ETR</td> <td>-</td> <td>WD.</td> <td>J2</td> <td>PTD.</td> <td>-</td> <td>391A</td> <td>3\"/> <tr> <td>395</td> <td>ETR</td> <td>-</td> <td>WD.</td> <td>J2</td> <td>PTD.</td> <td>-</td> <td>391B</td> <td>3\"/> <tr> <td>396</td> <td>ETR</td> <td>-</td> <td>WD.</td> <td>J2</td> <td>PTD.</td> <td>-</td> <td>394</td> <td>3\"/> <tr> <td>398</td> <td>ETR</td> <td>-</td> <td>WD.</td> <td>J2</td> <td>PTD.</td> <td>-</td> <td>395</td> <td>3\"/> <tr> <td>399</td> <td>ETR</td> <td>-</td> <td>WD.</td> <td>J2</td> <td>PTD.</td> <td>-</td> <td>396</td> <td>3\"/> <tr> <td>3991</td> <td>ETR</td> <td>-</td> <td>WD.</td> <td>J2</td> <td>PTD.</td> <td>-</td> <td>398</td> <td>3\"/> <tr> <td>3992</td> <td>A</td> <td>3\"/> <tr> <td>3993</td> <td>ETR</td> <td>-</td> <td>WD.</td> <td>J2</td> <td>PTD.</td> <td>-</td> <td>399</td> <td>3\"/> <tr> <td>3994</td> <td>ETR</td> <td>-</td> <td>WD.</td> <td>J2</td> <td>PTD.</td> <td>-</td> <td>3991</td> <td>3\"/> <tr> <td>3995</td> <td>ETR</td> <td>-</td> <td>WD.</td> <td>J2</td> <td>PTD.</td> <td>-</td> <td>3992</td> <td>3\"/> <tr> <td>3997</td> <td>ETR</td> <td>-</td> <td>WD.</td> <td>J2</td> <td>PTD.</td> <td>-</td> <td>3993</td> <td>3\"/> <tr> <td>3998</td> <td>ETR</td> <td>-</td> <td>WD.</td> <td>J2</td> <td>PTD.</td> <td>-</td> <td>3994</td> <td>3\"/> <tr> <td>3999</td> <td>ETR</td> <td>-</td> <td>WD.</td> <td>J2</td> <td>PTD.</td> <td>-</td> <td>3995</td> <td>3\"/> <tr> <td>3999</td> <td>ETR</td> <td>-</td> <td>WD.</td> <td>J2</td> <td>PTD.</td> <td>-</td> <td>3997</td> <td>3\"/> </td></tr></td></tr></td></tr></td></tr></td></tr></td></tr></td></tr></td></tr></td></tr></td></tr></td></tr></td></tr></td></tr></td></tr></td></tr> | 391B | ETR | -
 | WD. | J2 | PTD. | - | 391 | 3\"/> <tr> <td>394</td> <td>ETR</td> <td>-</td> <td>WD.</td> <td>J2</td> <td>PTD.</td> <td>-</td> <td>391A</td> <td>3\"/> <tr> <td>395</td> <td>ETR</td> <td>-</td> <td>WD.</td> <td>J2</td> <td>PTD.</td> <td>-</td> <td>391B</td> <td>3\"/> <tr> <td>396</td> <td>ETR</td> <td>-</td> <td>WD.</td> <td>J2</td> <td>PTD.</td> <td>-</td> <td>394</td> <td>3\"/> <tr> <td>398</td> <td>ETR</td> <td>-</td> <td>WD.</td> <td>J2</td> <td>PTD.</td> <td>-</td> <td>395</td> <td>3\"/> <tr> <td>399</td> <td>ETR</td> <td>-</td> <td>WD.</td> <td>J2</td> <td>PTD.</td> <td>-</td> <td>396</td> <td>3\"/> <tr> <td>3991</td> <td>ETR</td> <td>-</td> <td>WD.</td> <td>J2</td> <td>PTD.</td> <td>-</td> <td>398</td> <td>3\"/> <tr> <td>3992</td> <td>A</td> <td>3\"/> <tr> <td>3993</td> <td>ETR</td> <td>-</td> <td>WD.</td> <td>J2</td> <td>PTD.</td> <td>-</td> <td>399</td> <td>3\"/> <tr> <td>3994</td> <td>ETR</td> <td>-</td> <td>WD.</td> <td>J2</td> <td>PTD.</td> <td>-</td> <td>3991</td> <td>3\"/> <tr> <td>3995</td> <td>ETR</td> <td>-</td> <td>WD.</td> <td>J2</td> <td>PTD.</td> <td>-</td> <td>3992</td> <td>3\"/> <tr> <td>3997</td> <td>ETR</td> <td>-</td> <td>WD.</td> <td>J2</td> <td>PTD.</td> <td>-</td> <td>3993</td> <td>3\"/> <tr> <td>3998</td> <td>ETR</td> <td>-</td> <td>WD.</td> <td>J2</td> <td>PTD.</td> <td>-</td> <td>3994</td> <td>3\"/> <tr> <td>3999</td> <td>ETR</td> <td>-</td> <td>WD.</td> <td>J2</td> <td>PTD.</td> <td>-</td> <td>3995</td> <td>3\"/> <tr> <td>3999</td> <td>ETR</td> <td>-</td> <td>WD.</td> <td>J2</td> <td>PTD.</td> <td>-</td> <td>3997</td> <td>3\"/> </td></tr></td></tr></td></tr></td></tr></td></tr></td></tr></td></tr></td></tr></td></tr></td></tr></td></tr></td></tr></td></tr></td></tr> | 394 | ETR | -
 | WD. | J2 | PTD. | - | 391A | 3\"/> <tr> <td>395</td> <td>ETR</td> <td>-</td> <td>WD.</td> <td>J2</td> <td>PTD.</td> <td>-</td> <td>391B</td> <td>3\"/> <tr> <td>396</td> <td>ETR</td> <td>-</td> <td>WD.</td> <td>J2</td> <td>PTD.</td> <td>-</td> <td>394</td> <td>3\"/> <tr> <td>398</td> <td>ETR</td> <td>-</td> <td>WD.</td> <td>J2</td> <td>PTD.</td> <td>-</td> <td>395</td> <td>3\"/> <tr> <td>399</td> <td>ETR</td> <td>-</td> <td>WD.</td> <td>J2</td> <td>PTD.</td> <td>-</td> <td>396</td> <td>3\"/> <tr> <td>3991</td> <td>ETR</td> <td>-</td> <td>WD.</td> <td>J2</td> <td>PTD.</td> <td>-</td> <td>398</td> <td>3\"/> <tr> <td>3992</td> <td>A</td> <td>3\"/> <tr> <td>3993</td> <td>ETR</td> <td>-</td> <td>WD.</td> <td>J2</td> <td>PTD.</td> <td>-</td> <td>399</td> <td>3\"/> <tr> <td>3994</td> <td>ETR</td> <td>-</td> <td>WD.</td> <td>J2</td> <td>PTD.</td> <td>-</td> <td>3991</td> <td>3\"/> <tr> <td>3995</td> <td>ETR</td> <td>-</td> <td>WD.</td> <td>J2</td> <td>PTD.</td> <td>-</td> <td>3992</td> <td>3\"/> <tr> <td>3997</td> <td>ETR</td> <td>-</td> <td>WD.</td> <td>J2</td> <td>PTD.</td> <td>-</td> <td>3993</td> <td>3\"/> <tr> <td>3998</td> <td>ETR</td> <td>-</td> <td>WD.</td> <td>J2</td> <td>PTD.</td> <td>-</td> <td>3994</td> <td>3\"/> <tr> <td>3999</td> <td>ETR</td> <td>-</td> <td>WD.</td> <td>J2</td> <td>PTD.</td> <td>-</td> <td>3995</td> <td>3\"/> <tr> <td>3999</td> <td>ETR</td> <td>-</td> <td>WD.</td> <td>J2</td> <td>PTD.</td> <td>-</td> <td>3997</td> <td>3\"/> </td></tr></td></tr></td></tr></td></tr></td></tr></td></tr></td></tr></td></tr></td></tr></td></tr></td></tr></td></tr></td></tr> | 395 | ETR | -
 | WD. | J2 | PTD. | - | 391B | 3\"/> <tr> <td>396</td> <td>ETR</td> <td>-</td> <td>WD.</td> <td>J2</td> <td>PTD.</td> <td>-</td> <td>394</td> <td>3\"/> <tr> <td>398</td> <td>ETR</td> <td>-</td> <td>WD.</td> <td>J2</td> <td>PTD.</td> <td>-</td> <td>395</td> <td>3\"/> <tr> <td>399</td> <td>ETR</td> <td>-</td> <td>WD.</td> <td>J2</td> <td>PTD.</td> <td>-</td> <td>396</td> <td>3\"/> <tr> <td>3991</td> <td>ETR</td> <td>-</td> <td>WD.</td> <td>J2</td> <td>PTD.</td> <td>-</td> <td>398</td> <td>3\"/> <tr> <td>3992</td> <td>A</td> <td>3\"/> <tr> <td>3993</td> <td>ETR</td> <td>-</td> <td>WD.</td> <td>J2</td> <td>PTD.</td> <td>-</td> <td>399</td> <td>3\"/> <tr> <td>3994</td> <td>ETR</td> <td>-</td> <td>WD.</td> <td>J2</td> <td>PTD.</td> <td>-</td> <td>3991</td> <td>3\"/> <tr> <td>3995</td> <td>ETR</td> <td>-</td> <td>WD.</td> <td>J2</td> <td>PTD.</td> <td>-</td> <td>3992</td> <td>3\"/> <tr> <td>3997</td> <td>ETR</td> <td>-</td> <td>WD.</td> <td>J2</td> <td>PTD.</td> <td>-</td> <td>3993</td> <td>3\"/> <tr> <td>3998</td> <td>ETR</td> <td>-</td> <td>WD.</td> <td>J2</td> <td>PTD.</td> <td>-</td> <td>3994</td> <td>3\"/> <tr> <td>3999</td> <td>ETR</td> <td>-</td> <td>WD.</td> <td>J2</td> <td>PTD.</td> <td>-</td> <td>3995</td> <td>3\"/> <tr> <td>3999</td> <td>ETR</td> <td>-</td> <td>WD.</td> <td>J2</td> <td>PTD.</td> <td>-</td> <td>3997</td> <td>3\"/> </td></tr></td></tr></td></tr></td></tr></td></tr></td></tr></td></tr></td></tr></td></tr></td></tr></td></tr></td></tr> | 396 | ETR | -
 | WD. | J2 | PTD. | - | 394 | 3\"/> <tr> <td>398</td> <td>ETR</td> <td>-</td> <td>WD.</td> <td>J2</td> <td>PTD.</td> <td>-</td> <td>395</td> <td>3\"/> <tr> <td>399</td> <td>ETR</td> <td>-</td> <td>WD.</td> <td>J2</td> <td>PTD.</td> <td>-</td> <td>396</td> <td>3\"/> <tr> <td>3991</td> <td>ETR</td> <td>-</td> <td>WD.</td> <td>J2</td> <td>PTD.</td> <td>-</td> <td>398</td> <td>3\"/> <tr> <td>3992</td> <td>A</td> <td>3\"/> <tr> <td>3993</td> <td>ETR</td> <td>-</td> <td>WD.</td> <td>J2</td> <td>PTD.</td> <td>-</td> <td>399</td> <td>3\"/> <tr> <td>3994</td> <td>ETR</td> <td>-</td> <td>WD.</td> <td>J2</td> <td>PTD.</td> <td>-</td> <td>3991</td> <td>3\"/> <tr> <td>3995</td> <td>ETR</td> <td>-</td> <td>WD.</td> <td>J2</td> <td>PTD.</td> <td>-</td> <td>3992</td> <td>3\"/> <tr> <td>3997</td> <td>ETR</td> <td>-</td> <td>WD.</td> <td>J2</td> <td>PTD.</td> <td>-</td> <td>3993</td> <td>3\"/> <tr> <td>3998</td> <td>ETR</td> <td>-</td> <td>WD.</td> <td>J2</td> <td>PTD.</td> <td>-</td> <td>3994</td> <td>3\"/> <tr> <td>3999</td> <td>ETR</td> <td>-</td> <td>WD.</td> <td>J2</td> <td>PTD.</td> <td>-</td> <td>3995</td> <td>3\"/> <tr> <td>3999</td> <td>ETR</td> <td>-</td> <td>WD.</td> <td>J2</td> <td>PTD.</td> <td>-</td> <td>3997</td> <td>3\"/> </td></tr></td></tr></td></tr></td></tr></td></tr></td></tr></td></tr></td></tr></td></tr></td></tr></td></tr> | 398 | ETR | -
 | WD. | J2 | PTD. | - | 395 | 3\"/> <tr> <td>399</td> <td>ETR</td> <td>-</td> <td>WD.</td> <td>J2</td> <td>PTD.</td> <td>-</td> <td>396</td> <td>3\"/> <tr> <td>3991</td> <td>ETR</td> <td>-</td> <td>WD.</td> <td>J2</td> <td>PTD.</td> <td>-</td> <td>398</td> <td>3\"/> <tr> <td>3992</td> <td>A</td> <td>3\"/> <tr> <td>3993</td> <td>ETR</td> <td>-</td> <td>WD.</td> <td>J2</td> <td>PTD.</td> <td>-</td> <td>399</td> <td>3\"/> <tr> <td>3994</td> <td>ETR</td> <td>-</td> <td>WD.</td> <td>J2</td> <td>PTD.</td> <td>-</td> <td>3991</td> <td>3\"/> <tr> <td>3995</td> <td>ETR</td> <td>-</td> <td>WD.</td> <td>J2</td> <td>PTD.</td> <td>-</td> <td>3992</td> <td>3\"/> <tr> <td>3997</td> <td>ETR</td> <td>-</td> <td>WD.</td> <td>J2</td> <td>PTD.</td> <td>-</td> <td>3993</td> <td>3\"/> <tr> <td>3998</td> <td>ETR</td> <td>-</td> <td>WD.</td> <td>J2</td> <td>PTD.</td> <td>-</td> <td>3994</td> <td>3\"/> <tr> <td>3999</td> <td>ETR</td> <td>-</td> <td>WD.</td> <td>J2</td> <td>PTD.</td> <td>-</td> <td>3995</td> <td>3\"/> <tr> <td>3999</td> <td>ETR</td> <td>-</td> <td>WD.</td> <td>J2</td> <td>PTD.</td> <td>-</td> <td>3997</td> <td>3\"/> </td></tr></td></tr></td></tr></td></tr></td></tr></td></tr></td></tr></td></tr></td></tr></td></tr> | 399 | ETR | -
 | WD. | J2 | PTD. | - | 396 | 3\"/> <tr> <td>3991</td> <td>ETR</td> <td>-</td> <td>WD.</td> <td>J2</td> <td>PTD.</td> <td>-</td> <td>398</td> <td>3\"/> <tr> <td>3992</td> <td>A</td> <td>3\"/> <tr> <td>3993</td> <td>ETR</td> <td>-</td> <td>WD.</td> <td>J2</td> <td>PTD.</td> <td>-</td> <td>399</td> <td>3\"/> <tr> <td>3994</td> <td>ETR</td> <td>-</td> <td>WD.</td> <td>J2</td> <td>PTD.</td> <td>-</td> <td>3991</td> <td>3\"/> <tr> <td>3995</td> <td>ETR</td> <td>-</td> <td>WD.</td> <td>J2</td> <td>PTD.</td> <td>-</td> <td>3992</td> <td>3\"/> <tr> <td>3997</td> <td>ETR</td> <td>-</td> <td>WD.</td> <td>J2</td> <td>PTD.</td> <td>-</td> <td>3993</td> <td>3\"/> <tr> <td>3998</td> <td>ETR</td> <td>-</td> <td>WD.</td> <td>J2</td> <td>PTD.</td> <td>-</td> <td>3994</td> <td>3\"/> <tr> <td>3999</td> <td>ETR</td> <td>-</td> <td>WD.</td> <td>J2</td> <td>PTD.</td> <td>-</td> <td>3995</td> <td>3\"/> <tr> <td>3999</td> <td>ETR</td> <td>-</td> <td>WD.</td> <td>J2</td> <td>PTD.</td> <td>-</td> <td>3997</td> <td>3\"/> </td></tr></td></tr></td></tr></td></tr></td></tr></td></tr></td></tr></td></tr></td></tr> | 3991 | ETR | - | WD. | J2 | PTD.
 | - | 398 | 3\"/> <tr> <td>3992</td> <td>A</td> <td>3\"/> <tr> <td>3993</td> <td>ETR</td> <td>-</td> <td>WD.</td> <td>J2</td> <td>PTD.</td> <td>-</td> <td>399</td> <td>3\"/> <tr> <td>3994</td> <td>ETR</td> <td>-</td> <td>WD.</td> <td>J2</td> <td>PTD.</td> <td>-</td> <td>3991</td> <td>3\"/> <tr> <td>3995</td> <td>ETR</td> <td>-</td> <td>WD.</td> <td>J2</td> <td>PTD.</td> <td>-</td> <td>3992</td> <td>3\"/> <tr> <td>3997</td> <td>ETR</td> <td>-</td> <td>WD.</td> <td>J2</td> <td>PTD.</td> <td>-</td> <td>3993</td> <td>3\"/> <tr> <td>3998</td> <td>ETR</td> <td>-</td> <td>WD.</td> <td>J2</td> <td>PTD.</td> <td>-</td> <td>3994</td> <td>3\"/> <tr> <td>3999</td> <td>ETR</td> <td>-</td> <td>WD.</td> <td>J2</td> <td>PTD.</td> <td>-</td> <td>3995</td> <td>3\"/> <tr> <td>3999</td> <td>ETR</td> <td>-</td> <td>WD.</td> <td>J2</td> <td>PTD.</td> <td>-</td> <td>3997</td> <td>3\"/> </td></tr></td></tr></td></tr></td></tr></td></tr></td></tr></td></tr></td></tr> | 3992 | A | 3\"/> <tr> <td>3993</td> <td>ETR</td> <td>-</td> <td>WD.</td> <td>J2</td> <td>PTD.</td> <td>-</td> <td>399</td> <td>3\"/> <tr> <td>3994</td> <td>ETR</td> <td>-</td> <td>WD.</td> <td>J2</td> <td>PTD.</td> <td>-</td> <td>3991</td> <td>3\"/> <tr> <td>3995</td> <td>ETR</td> <td>-</td> <td>WD.</td> <td>J2</td> <td>PTD.</td> <td>-</td> <td>3992</td> <td>3\"/> <tr> <td>3997</td> <td>ETR</td> <td>-</td> <td>WD.</td> <td>J2</td> <td>PTD.</td> <td>-</td> <td>3993</td> <td>3\"/> <tr> <td>3998</td> <td>ETR</td> <td>-</td> <td>WD.</td> <td>J2</td> <td>PTD.</td> <td>-</td> <td>3994</td> <td>3\"/> <tr> <td>3999</td> <td>ETR</td> <td>-</td> <td>WD.</td> <td>J2</td> <td>PTD.</td> <td>-</td> <td>3995</td> <td>3\"/> <tr> <td>3999</td> <td>ETR</td> <td>-</td> <td>WD.</td> <td>J2</td> <td>PTD.</td> <td>-</td> <td>3997</td> <td>3\"/> </td></tr></td></tr></td></tr></td></tr></td></tr></td></tr></td></tr> | 3993 | ETR | - | WD. | J2 | PTD. | - | 399 | 3\"/> <tr> <td>3994</td> <td>ETR</td> <td>-</td> <td>WD.</td> <td>J2</td> <td>PTD.</td> <td>-</td> <td>3991</td> <td>3\"/> <tr> <td>3995</td> <td>ETR</td> <td>-</td> <td>WD.</td> <td>J2</td> <td>PTD.</td> <td>-</td> <td>3992</td> <td>3\"/> <tr> <td>3997</td> <td>ETR</td> <td>-</td> <td>WD.</td> <td>J2</td> <td>PTD.</td> <td>-</td> <td>3993</td> <td>3\"/> <tr> <td>3998</td> <td>ETR</td> <td>-</td> <td>WD.</td> <td>J2</td> <td>PTD.</td> <td>-</td> <td>3994</td> <td>3\"/> <tr> <td>3999</td> <td>ETR</td> <td>-</td> <td>WD.</td> <td>J2</td> <td>PTD.</td> <td>-</td> <td>3995</td> <td>3\"/> <tr> <td>3999</td> <td>ETR</td> <td>-</td> <td>WD.</td> <td>J2</td> <td>PTD.</td> <td>-</td> <td>3997</td> <td>3\"/> </td></tr></td></tr></td></tr></td></tr></td></tr></td></tr>
 | 3994 | ETR | - | WD. | J2 | PTD. | - | 3991 | 3\"/> <tr> <td>3995</td> <td>ETR</td> <td>-</td> <td>WD.</td> <td>J2</td> <td>PTD.</td> <td>-</td> <td>3992</td> <td>3\"/> <tr> <td>3997</td> <td>ETR</td> <td>-</td> <td>WD.</td> <td>J2</td> <td>PTD.</td> <td>-</td> <td>3993</td> <td>3\"/> <tr> <td>3998</td> <td>ETR</td> <td>-</td> <td>WD.</td> <td>J2</td> <td>PTD.</td> <td>-</td> <td>3994</td> <td>3\"/> <tr> <td>3999</td> <td>ETR</td> <td>-</td> <td>WD.</td> <td>J2</td> <td>PTD.</td> <td>-</td> <td>3995</td> <td>3\"/> <tr> <td>3999</td> <td>ETR</td> <td>-</td> <td>WD.</td> <td>J2</td> <td>PTD.</td> <td>-</td> <td>3997</td> <td>3\"/> </td></tr></td></tr></td></tr></td></tr></td></tr> | 3995 | ETR | - | WD. | J2 | PTD. | - | 3992 | 3\"/> <tr> <td>3997</td> <td>ETR</td> <td>-</td> <td>WD.</td> <td>J2</td> <td>PTD.</td> <td>-</td> <td>3993</td> <td>3\"/> <tr> <td>3998</td> <td>ETR</td> <td>-</td> <td>WD.</td> <td>J2</td> <td>PTD.</td> <td>-</td> <td>3994</td> <td>3\"/> <tr> <td>3999</td> <td>ETR</td> <td>-</td> <td>WD.</td> <td>J2</td> <td>PTD.</td> <td>-</td> <td>3995</td> <td>3\"/> <tr> <td>3999</td> <td>ETR</td> <td>-</td> <td>WD.</td> <td>J2</td> <td>PTD.</td> <td>-</td> <td>3997</td> <td>3\"/> </td></tr></td></tr></td></tr></td></tr>
 | 3997 | ETR | - | WD. | J2 | PTD. | - | 3993 | 3\"/> <tr> <td>3998</td> <td>ETR</td> <td>-</td> <td>WD.</td> <td>J2</td> <td>PTD.</td> <td>-</td> <td>3994</td> <td>3\"/> <tr> <td>3999</td> <td>ETR</td> <td>-</td> <td>WD.</td> <td>J2</td> <td>PTD.</td> <td>-</td> <td>3995</td> <td>3\"/> <tr> <td>3999</td> <td>ETR</td> <td>-</td> <td>WD.</td> <td>J2</td> <td>PTD.</td> <td>-</td> <td>3997</td> <td>3\"/> </td></tr></td></tr></td></tr> | 3998 | ETR | - | WD. | J2 | PTD. | - | 3994 | 3\"/> <tr> <td>3999</td> <td>ETR</td> <td>-</td> <td>WD.</td> <td>J2</td> <td>PTD.</td> <td>-</td> <td>3995</td> <td>3\"/> <tr> <td>3999</td> <td>ETR</td> <td>-</td> <td>WD.</td> <td>J2</td> <td>PTD.</td> <td>-</td> <td>3997</td> <td>3\"/> </td></tr></td></tr>
 | 3999 | ETR | - | WD. | J2 | PTD. | - | 3995 | 3\"/> <tr> <td>3999</td> <td>ETR</td> <td>-</td> <td>WD.</td> <td>J2</td> <td>PTD.</td> <td>-</td> <td>3997</td> <td>3\"/> </td></tr> | 3999 | ETR | - | WD. | J2 | PTD. | - | 3997 | 3\"/> | | | | | | | | | | | | | | | | | | | | | | | | | | | | | | | | | | | | |
 | | | | | | | | | | | | | | | | | | | | | | | | | | | | | |
 | | | | | | | | | | | | | | | | | | | | | | | | | | | | | | | | | | | | | | |
 | | | | | | | | | | | | | | | | | | | | | | | | | | | | | | | | | | | | | | | | | | | | | | | | | | | | | | |
| 369 | ETR | - | WD. | J2 | PTD. | - | 367 | 3\"/> <tr> <td>370</td> <td>ETR</td> <td>-</td> <td>WD.</td> <td>J2</td> <td>PTD.</td> <td>-</td> <td>368</td> <td>3\"/> <tr> <td>371</td> <td>ETR</td> <td>-</td> <td>WD.</td> <td>J2</td> <td>PTD.</td> <td>-</td> <td>369</td> <td>3\"/> <tr> <td>372</td> <td>B</td> <td>2 <td>HM</td> <td>J1</td> <td>PTD.</td> <td>1 HR.</td> <td>370</td> <td>3\"/> <tr> <td>373A</td> <td>ETR</td> <td>-</td> <td>WD.</td> <td>J2</td> <td>PTD.</td> <td>-</td> <td>371</td> <td>3\"/> <tr> <td>374B</td> <td>ETR</td> <td>-</td> <td>WD.</td> <td>J2</td> <td>PTD.</td> <td>-</td> <td>372</td> <td>3\"/> <tr> <td>374C</td> <td>ETR</td> <td>-</td> <td>WD.</td> <td>J2</td> <td>PTD.</td> <td>-</td> <td>373A</td> <td>3\"/> <tr> <td>375</td> <td>B</td> <td>1 <td>WD</td> <td>J1</td> <td>PTD.</td> <td>-</td> <td>374B</td> <td>3\"/> <tr> <td>376</td> <td>B</td> <td>1 <td>WD</td> <td>J1</td> <td>PTD.</td> <td>-</td> <td>374C</td> <td>3\"/> <tr> <td>377</td> <td>B</td> <td>1 <td>WD</td> <td>J1</td> <td>PTD.</td> <td>-</td> <td>375</td> <td>3\"/> <tr> <td>377A</td> <td>B</td> <td>1 <td>WD</td> <td>J1</td> <td>PTD.</td> <td>-</td> <td>376</td> <td>3\"/> <tr> <td>378</td> <td>B</td> <td>1 <td>WD</td> <td>J1</td> <td>PTD.</td> <td>-</td> <td>377</td> <td>3\"/> <tr> <td>379</td> <td>B</td> <td>1 <td>WD</td> <td>J1</td> <td>PTD.</td> <td>-</td> <td>377A</td> <td>3\"/> <tr> <td>380A</td> <td>B</td> <td>1 <td>WD</td> <td>J1</td> <td>PTD.</td> <td>-</td> <td>378</td> <td>3\"/> <tr> <td>380B</td> <td>B</td> <td>1 <td>WD</td> <td>J1</td> <td>PTD.</td> <td>-</td> <td>379</td> <td>3\"/> <tr> <td>382</td> <td>ETR</td> <td>-</td> <td>WD.</td> <td>J2</td> <td>PTD.</td> <td>-</td> <td>380A</td> <td>3\"/> <tr> <td>382A</td> <td>D</td> <td>6 <td>ALUM.</td> <td>ANODIZE D</td> <td>-</td> <td>-</td> <td>380B</td> <td>3\"/> <tr> <td>385</td> <td>ETR</td> <td>-</td> <td>WD.</td> <td>J2</td> <td>PTD.</td> <td>-</td> <td>382</td> <td>3\"/> <tr> <td>386</td> <td>ETR</td> <td>-</td> <td>WD.</td> <td>J2</td> <td>PTD.</td> <td>-</td> <td>382A</td> <td>3\"/> <tr> <td>387</td> <td>ETR</td> <td>-</td> <td>WD.</td> <td>J2</td> <td>PTD.</td> <td>-</td> <td>385</td> <td>3\"/> <tr> <td>388</td> <td>ETR</td> <td>-</td> <td>WD.</td> <td>J2</td> <td>PTD.</td> <td>-</td> <td>386</td> <td>3\"/> <tr> <td>389</td> <td>ETR</td> <td>-</td> <td>WD.</td> <td>J2</td> <td>PTD.</td> <td>-</td> <td>387</td> <td>3\"/> <tr> <td>391</td> <td>ETR</td> <td>-</td> <td>WD.</td> <td>J2</td> <td>PTD.</td> <td>-</td> <td>388</td> <td>3\"/> <tr> <td>391A</td> <td>ETR</td> <td>-</td> <td>WD.</td> <td>J2</td> <td>PTD.</td> <td>-</td> <td>389</td> <td>3\"/> <tr> <td>391B</td> <td>ETR</td> <td>-</td> <td>WD.</td> <td>J2</td> <td>PTD.</td> <td>-</td> <td>391</td> <td>3\"/> <tr> <td>394</td> <td>ETR</td> <td>-</td> <td>WD.</td> <td>J2</td> <td>PTD.</td> <td>-</td> <td>391A</td> <td>3\"/> <tr> <td>395</td> <td>ETR</td> <td>-</td> <td>WD.</td> <td>J2</td>
<td>PTD.</td> <td>-</td> <td>391B</td> <td>3\"/> <tr> <td>396</td> <td>ETR</td> <td>-</td> <td>WD.</td> <td>J2</td> <td>PTD.</td> <td>-</td> <td>394</td> <td>3\"/> <tr> <td>398</td> <td>ETR</td> <td>-</td> <td>WD.</td> <td>J2</td> <td>PTD.</td> <td>-</td> <td>395</td> <td>3\"/> <tr> <td>399</td> <td>ETR</td> <td>-</td> <td>WD.</td> <td>J2</td> <td>PTD.</td> <td>-</td> <td>396</td> <td>3\"/> <tr> <td>3991</td> <td>ETR</td> <td>-</td> <td>WD.</td> <td>J2</td> <td>PTD.</td> <td>-</td> <td>398</td> <td>3\"/> <tr> <td>3992</td> <td>A</td> <td>3\"/> <tr> <td>3993</td> <td>ETR</td> <td>-</td> <td>WD.</td> <td>J2</td> <td>PTD.</td> <td>-</td> <td>399</td> <td>3\"/> <tr> <td>3994</td> <td>ETR</td> <td>-</td> <td>WD.</td> <td>J2</td> <td>PTD.</td> <td>-</td> <td>3991</td> <td>3\"/> <tr> <td>3995</td> <td>ETR</td> <td>-</td> <td>WD.</td> <td>J2</td> <td>PTD.</td> <td>-</td> <td>3992</td> <td>3\"/> <tr> <td>3997</td> <td>ETR</td> <td>-</td> <td>WD.</td> <td>J2</td> <td>PTD.</td> <td>-</td> <td>3993</td> <td>3\"/> <tr> <td>3998</td> <td>ETR</td> <td>-</td> <td>WD.</td> <td>J2</td> <td>PTD.</td> <td>-</td> <td>3994</td> <td>3\"/> <tr> <td>3999</td> <td>ETR</td> <td>-</td> <td>WD.</td> <td>J2</td> <td>PTD.</td> <td>-</td> <td>3995</td> <td>3\"/> <tr> <td>3999</td> <td>ETR</td> <td>-</td> <td>WD.</td> <td>J2</td> <td>PTD.</td> <td>-</td> <td>3997</td> <td>3\"/> </td></tr></td></tr></td></tr></td></tr></td></tr></td></tr></td></tr></td></tr></td></tr></td></tr></td></tr></td></tr></td></tr></td></tr></td></tr></td></tr></td></tr></td></tr></td></tr></td></tr></td></tr></td></tr></td></td></tr></td></tr></td></td></tr></td></td></tr></td></td></tr></td></td></tr></td></td></tr></td></td></tr></td></td></tr></td></td></tr></td></tr></td></tr></td></tr></td></td></tr></td></tr></td></tr> | 370 | ETR | -
 | WD. | J2 | PTD. | - | 368 | 3\"/> <tr> <td>371</td> <td>ETR</td> <td>-</td> <td>WD.</td> <td>J2</td> <td>PTD.</td> <td>-</td> <td>369</td> <td>3\"/> <tr> <td>372</td> <td>B</td> <td>2 <td>HM</td> <td>J1</td> <td>PTD.</td> <td>1 HR.</td> <td>370</td> <td>3\"/> <tr> <td>373A</td> <td>ETR</td> <td>-</td> <td>WD.</td> <td>J2</td> <td>PTD.</td> <td>-</td> <td>371</td> <td>3\"/> <tr> <td>374B</td> <td>ETR</td> <td>-</td> <td>WD.</td> <td>J2</td> <td>PTD.</td> <td>-</td> <td>372</td> <td>3\"/> <tr> <td>374C</td> <td>ETR</td> <td>-</td> <td>WD.</td> <td>J2</td> <td>PTD.</td> <td>-</td> <td>373A</td> <td>3\"/> <tr> <td>375</td> <td>B</td> <td>1 <td>WD</td> <td>J1</td> <td>PTD.</td> <td>-</td> <td>374B</td> <td>3\"/> <tr> <td>376</td> <td>B</td> <td>1 <td>WD</td> <td>J1</td> <td>PTD.</td> <td>-</td> <td>374C</td> <td>3\"/> <tr> <td>377</td> <td>B</td> <td>1 <td>WD</td> <td>J1</td> <td>PTD.</td> <td>-</td> <td>375</td> <td>3\"/> <tr> <td>377A</td> <td>B</td> <td>1 <td>WD</td> <td>J1</td> <td>PTD.</td> <td>-</td> <td>376</td> <td>3\"/> <tr> <td>378</td> <td>B</td> <td>1 <td>WD</td> <td>J1</td> <td>PTD.</td> <td>-</td> <td>377</td> <td>3\"/> <tr> <td>379</td> <td>B</td> <td>1 <td>WD</td> <td>J1</td> <td>PTD.</td> <td>-</td> <td>377A</td> <td>3\"/> <tr> <td>380A</td> <td>B</td> <td>1 <td>WD</td> <td>J1</td> <td>PTD.</td> <td>-</td> <td>378</td> <td>3\"/> <tr> <td>380B</td> <td>B</td> <td>1 <td>WD</td> <td>J1</td> <td>PTD.</td> <td>-</td> <td>379</td> <td>3\"/> <tr> <td>382</td> <td>ETR</td> <td>-</td> <td>WD.</td> <td>J2</td> <td>PTD.</td> <td>-</td> <td>380A</td> <td>3\"/> <tr> <td>382A</td> <td>D</td> <td>6 <td>ALUM.</td> <td>ANODIZE D</td> <td>-</td> <td>-</td> <td>380B</td> <td>3\"/> <tr> <td>385</td> <td>ETR</td> <td>-</td> <td>WD.</td> <td>J2</td> <td>PTD.</td> <td>-</td> <td>382</td> <td>3\"/> <tr> <td>386</td> <td>ETR</td> <td>-</td> <td>WD.</td> <td>J2</td> <td>PTD.</td> <td>-</td> <td>382A</td> <td>3\"/> <tr> <td>387</td> <td>ETR</td> <td>-</td> <td>WD.</td> <td>J2</td> <td>PTD.</td> <td>-</td> <td>385</td> <td>3\"/> <tr> <td>388</td> <td>ETR</td> <td>-</td> <td>WD.</td> <td>J2</td> <td>PTD.</td> <td>-</td> <td>386</td> <td>3\"/> <tr> <td>389</td> <td>ETR</td> <td>-</td> <td>WD.</td> <td>J2</td> <td>PTD.</td> <td>-</td> <td>387</td> <td>3\"/> <tr> <td>391</td> <td>ETR</td> <td>-</td> <td>WD.</td> <td>J2</td> <td>PTD.</td> <td>-</td> <td>388</td> <td>3\"/> <tr> <td>391A</td> <td>ETR</td> <td>-</td> <td>WD.</td> <td>J2</td> <td>PTD.</td> <td>-</td> <td>389</td> <td>3\"/> <tr> <td>391B</td> <td>ETR</td> <td>-</td> <td>WD.</td> <td>J2</td> <td>PTD.</td> <td>-</td> <td>391</td> <td>3\"/> <tr> <td>394</td> <td>ETR</td> <td>-</td> <td>WD.</td> <td>J2</td> <td>PTD.</td> <td>-</td> <td>391A</td> <td>3\"/> <tr> <td>395</td> <td>ETR</td> <td>-</td> <td>WD.</td> <td>J2</td> <td>PTD.</td> <td>-</td> <td>391B</td> <td>3\"/> <tr> <td>396</td> <td>ETR</td> <td>-</td> <td>WD.</td> <td>J2</td> <td>PTD.</td> <td>-</td> <td>394</td> <td>3\"/> <tr> <td>398</td> <td>ETR</td> <td>-</td> <td>WD.</td> <td>J2</td> <td>PTD.</td> <td>-</td> <td>395</td> <td>3\"/> <tr> <td>399</td> <td>ETR</td> <td>-</td> <td>WD.</td> <td>J2</td> <td>PTD.</td> <td>-</td> <td>396</td> <td>3\"/> <tr> <td>3991</td> <td>ETR</td> <td>-</td> <td>WD.</td> <td>J2</td> <td>PTD.</td> <td>-</td> <td>398</td> <td>3\"/> <tr> <td>3992</td> <td>A</td> <td>3\"/> <tr> <td>3993</td> <td>ETR</td> <td>-</td> <td>WD.</td> <td>J2</td> <td>PTD.</td> <td>-</td> <td>399</td> <td>3\"/> <tr> <td>3994</td> <td>ETR</td> <td>-</td> <td>WD.</td> <td>J2</td> <td>PTD.</td> <td>-</td> <td>3991</td> <td>3\"/> <tr> <td>3995</td> <td>ETR</td> <td>-</td> <td>WD.</td> <td>J2</td> <td>PTD.</td> <td>-</td> <td>3992</td> <td>3\"/> <tr> <td>3997</td> <td>ETR</td> <td>-</td> <td>WD.</td> <td>J2</td> <td>PTD.</td> <td>-</td> <td>3993</td> <td>3\"/> <tr> <td>3998</td> <td>ETR</td> <td>-</td> <td>WD.</td> <td>J2</td> <td>PTD.</td> <td>-</td> <td>3994</td> <td>3\"/> <tr> <td>3999</td> <td>ETR</td> <td>-</td> <td>WD.</td> <td>J2</td> <td>PTD.</td> <td>-</td> <td>3995</td> <td>3\"/> <tr> <td>3999</td> <td>ETR</td> <td>-</td> <td>WD.</td> <td>J2</td> <td>PTD.</td> <td>-</td> <td>3997</td> <td>3\"/> </td></tr></td></tr></td></tr></td></tr></td></tr></td></tr></td></tr></td></tr></td></tr></td></tr></td></tr></td></tr></td></tr></td></tr></td></tr></td></tr></td></tr></td></tr></td></tr></td></tr></td></tr></td></tr></td></td></tr></td></tr></td></td></tr></td></td></tr></td></td></tr></td></td></tr></td></td></tr></td></td></tr></td></td></tr></td></td></tr></td></tr></td></tr></td></tr></td></td></tr></td></tr> | 371 | ETR | -
 | WD. | J2 | PTD. | - | 369 | 3\"/> <tr> <td>372</td> <td>B</td> <td>2 <td>HM</td> <td>J1</td> <td>PTD.</td> <td>1 HR.</td> <td>370</td> <td>3\"/> <tr> <td>373A</td> <td>ETR</td> <td>-</td> <td>WD.</td> <td>J2</td> <td>PTD.</td> <td>-</td> <td>371</td> <td>3\"/> <tr> <td>374B</td> <td>ETR</td> <td>-</td> <td>WD.</td> <td>J2</td> <td>PTD.</td> <td>-</td> <td>372</td> <td>3\"/> <tr> <td>374C</td> <td>ETR</td> <td>-</td> <td>WD.</td> <td>J2</td> <td>PTD.</td> <td>-</td> <td>373A</td> <td>3\"/> <tr> <td>375</td> <td>B</td> <td>1 <td>WD</td> <td>J1</td> <td>PTD.</td> <td>-</td> <td>374B</td> <td>3\"/> <tr> <td>376</td> <td>B</td> <td>1 <td>WD</td> <td>J1</td> <td>PTD.</td> <td>-</td> <td>374C</td> <td>3\"/> <tr> <td>377</td> <td>B</td> <td>1 <td>WD</td> <td>J1</td> <td>PTD.</td> <td>-</td> <td>375</td> <td>3\"/> <tr> <td>377A</td> <td>B</td> <td>1 <td>WD</td> <td>J1</td> <td>PTD.</td> <td>-</td> <td>376</td> <td>3\"/> <tr> <td>378</td> <td>B</td> <td>1 <td>WD</td> <td>J1</td> <td>PTD.</td> <td>-</td> <td>377</td> <td>3\"/> <tr> <td>379</td> <td>B</td> <td>1 <td>WD</td> <td>J1</td> <td>PTD.</td> <td>-</td> <td>377A</td> <td>3\"/> <tr> <td>380A</td> <td>B</td> <td>1 <td>WD</td> <td>J1</td> <td>PTD.</td> <td>-</td> <td>378</td> <td>3\"/> <tr> <td>380B</td> <td>B</td> <td>1 <td>WD</td> <td>J1</td> <td>PTD.</td> <td>-</td> <td>379</td> <td>3\"/> <tr> <td>382</td> <td>ETR</td> <td>-</td> <td>WD.</td> <td>J2</td> <td>PTD.</td> <td>-</td> <td>380A</td> <td>3\"/> <tr> <td>382A</td> <td>D</td> <td>6 <td>ALUM.</td> <td>ANODIZE D</td> <td>-</td> <td>-</td> <td>380B</td> <td>3\"/> <tr> <td>385</td> <td>ETR</td> <td>-</td> <td>WD.</td> <td>J2</td> <td>PTD.</td> <td>-</td> <td>382</td> <td>3\"/> <tr> <td>386</td> <td>ETR</td> <td>-</td> <td>WD.</td> <td>J2</td> <td>PTD.</td> <td>-</td> <td>382A</td> <td>3\"/> <tr> <td>387</td> <td>ETR</td> <td>-</td> <td>WD.</td> <td>J2</td> <td>PTD.</td> <td>-</td> <td>385</td> <td>3\"/> <tr> <td>388</td> <td>ETR</td> <td>-</td> <td>WD.</td> <td>J2</td> <td>PTD.</td> <td>-</td> <td>386</td> <td>3\"/> <tr> <td>389</td> <td>ETR</td> <td>-</td> <td>WD.</td> <td>J2</td> <td>PTD.</td> <td>-</td> <td>387</td> <td>3\"/> <tr> <td>391</td> <td>ETR</td> <td>-</td> <td>WD.</td> <td>J2</td> <td>PTD.</td> <td>-</td> <td>388</td> <td>3\"/> <tr> <td>391A</td> <td>ETR</td> <td>-</td> <td>WD.</td> <td>J2</td> <td>PTD.</td> <td>-</td> <td>389</td> <td>3\"/> <tr> <td>391B</td> <td>ETR</td> <td>-</td> <td>WD.</td> <td>J2</td> <td>PTD.</td> <td>-</td> <td>391</td> <td>3\"/> <tr> <td>394</td> <td>ETR</td> <td>-</td> <td>WD.</td> <td>J2</td> <td>PTD.</td> <td>-</td> <td>391A</td> <td>3\"/> <tr> <td>395</td> <td>ETR</td> <td>-</td> <td>WD.</td> <td>J2</td> <td>PTD.</td> <td>-</td> <td>391B</td> <td>3\"/> <tr> <td>396</td> <td>ETR</td> <td>-</td> <td>WD.</td> <td>J2</td> <td>PTD.</td> <td>-</td> <td>394</td> <td>3\"/> <tr> <td>398</td> <td>ETR</td> <td>-</td> <td>WD.</td> <td>J2</td> <td>PTD.</td> <td>-</td> <td>395</td> <td>3\"/> <tr> <td>399</td> <td>ETR</td> <td>-</td> <td>WD.</td> <td>J2</td> <td>PTD.</td> <td>-</td> <td>396</td> <td>3\"/> <tr> <td>3991</td> <td>ETR</td> <td>-</td> <td>WD.</td> <td>J2</td> <td>PTD.</td> <td>-</td> <td>398</td> <td>3\"/> <tr> <td>3992</td> <td>A</td> <td>3\"/> <tr> <td>3993</td> <td>ETR</td> <td>-</td> <td>WD.</td> <td>J2</td> <td>PTD.</td> <td>-</td> <td>399</td> <td>3\"/> <tr> <td>3994</td> <td>ETR</td> <td>-</td> <td>WD.</td> <td>J2</td> <td>PTD.</td> <td>-</td> <td>3991</td> <td>3\"/> <tr> <td>3995</td> <td>ETR</td> <td>-</td> <td>WD.</td> <td>J2</td> <td>PTD.</td> <td>-</td> <td>3992</td> <td>3\"/> <tr> <td>3997</td> <td>ETR</td> <td>-</td> <td>WD.</td> <td>J2</td> <td>PTD.</td> <td>-</td> <td>3993</td> <td>3\"/> <tr> <td>3998</td> <td>ETR</td> <td>-</td> <td>WD.</td> <td>J2</td> <td>PTD.</td> <td>-</td> <td>3994</td> <td>3\"/> <tr> <td>3999</td> <td>ETR</td> <td>-</td> <td>WD.</td> <td>J2</td> <td>PTD.</td> <td>-</td> <td>3995</td> <td>3\"/> <tr> <td>3999</td> <td>ETR</td> <td>-</td> <td>WD.</td> <td>J2</td> <td>PTD.</td> <td>-</td> <td>3997</td> <td>3\"/> </td></tr></td></tr></td></tr></td></tr></td></tr></td></tr></td></tr></td></tr></td></tr></td></tr></td></tr></td></tr></td></tr></td></tr></td></tr></td></tr></td></tr></td></tr></td></tr></td></tr></td></tr></td></tr></td></td></tr></td></tr></td></td></tr></td></td></tr></td></td></tr></td></td></tr></td></td></tr></td></td></tr></td></td></tr></td></td></tr></td></tr></td></tr></td></tr></td></td></tr>
 | 372 | B | 2 <td>HM</td> <td>J1</td> <td>PTD.</td> <td>1 HR.</td> <td>370</td> <td>3\"/> <tr> <td>373A</td> <td>ETR</td> <td>-</td> <td>WD.</td> <td>J2</td> <td>PTD.</td> <td>-</td> <td>371</td> <td>3\"/> <tr> <td>374B</td> <td>ETR</td> <td>-</td> <td>WD.</td> <td>J2</td> <td>PTD.</td> <td>-</td> <td>372</td> <td>3\"/> <tr> <td>374C</td> <td>ETR</td> <td>-</td> <td>WD.</td> <td>J2</td> <td>PTD.</td> <td>-</td> <td>373A</td> <td>3\"/> <tr> <td>375</td> <td>B</td> <td>1 <td>WD</td> <td>J1</td> <td>PTD.</td> <td>-</td> <td>374B</td> <td>3\"/> <tr> <td>376</td> <td>B</td> <td>1 <td>WD</td> <td>J1</td> <td>PTD.</td> <td>-</td> <td>374C</td> <td>3\"/> <tr> <td>377</td> <td>B</td> <td>1 <td>WD</td> <td>J1</td> <td>PTD.</td> <td>-</td> <td>375</td> <td>3\"/> <tr> <td>377A</td> <td>B</td> <td>1 <td>WD</td> <td>J1</td> <td>PTD.</td> <td>-</td> <td>376</td> <td>3\"/> <tr> <td>378</td> <td>B</td> <td>1 <td>WD</td> <td>J1</td> <td>PTD.</td> <td>-</td> <td>377</td> <td>3\"/> <tr> <td>379</td> <td>B</td> <td>1 <td>WD</td> <td>J1</td> <td>PTD.</td> <td>-</td> <td>377A</td> <td>3\"/> <tr> <td>380A</td> <td>B</td> <td>1 <td>WD</td> <td>J1</td> <td>PTD.</td> <td>-</td> <td>378</td> <td>3\"/> <tr> <td>380B</td> <td>B</td> <td>1 <td>WD</td> <td>J1</td> <td>PTD.</td> <td>-</td> <td>379</td> <td>3\"/> <tr> <td>382</td> <td>ETR</td> <td>-</td> <td>WD.</td> <td>J2</td> <td>PTD.</td> <td>-</td> <td>380A</td> <td>3\"/> <tr> <td>382A</td> <td>D</td> <td>6 <td>ALUM.</td> <td>ANODIZE D</td> <td>-</td> <td>-</td> <td>380B</td> <td>3\"/> <tr> <td>385</td> <td>ETR</td> <td>-</td> <td>WD.</td> <td>J2</td> <td>PTD.</td> <td>-</td> <td>382</td> <td>3\"/> <tr> <td>386</td> <td>ETR</td> <td>-</td> <td>WD.</td> <td>J2</td> <td>PTD.</td> <td>-</td> <td>382A</td> <td>3\"/> <tr> <td>387</td> <td>ETR</td> <td>-</td> <td>WD.</td> <td>J2</td> <td>PTD.</td> <td>-</td> <td>385</td> <td>3\"/> <tr> <td>388</td> <td>ETR</td> <td>-</td> <td>WD.</td> <td>J2</td> <td>PTD.</td> <td>-</td> <td>386</td> <td>3\"/> <tr> <td>389</td> <td>ETR</td> <td>-</td> <td>WD.</td> <td>J2</td> <td>PTD.</td> <td>-</td> <td>387</td> <td>3\"/> <tr> <td>391</td> <td>ETR</td> <td>-</td> <td>WD.</td> <td>J2</td> <td>PTD.</td> <td>-</td> <td>388</td> <td>3\"/> <tr> <td>391A</td> <td>ETR</td> <td>-</td> <td>WD.</td> <td>J2</td> <td>PTD.</td> <td>-</td> <td>389</td> <td>3\"/> <tr> <td>391B</td> <td>ETR</td> <td>-</td> <td>WD.</td> <td>J2</td> <td>PTD.</td> <td>-</td> <td>391</td> <td>3\"/> <tr> <td>394</td> <td>ETR</td> <td>-</td> <td>WD.</td> <td>J2</td> <td>PTD.</td> <td>-</td> <td>391A</td> <td>3\"/> <tr> <td>395</td> <td>ETR</td> <td>-</td> <td>WD.</td> <td>J2</td> <td>PTD.</td> <td>-</td> <td>391B</td> <td>3\"/> <tr> <td>396</td> <td>ETR</td> <td>-</td> <td>WD.</td> <td>J2</td> <td>PTD.</td> <td>-</td> <td>394</td> <td>3\"/> <tr> <td>398</td> <td>ETR</td> <td>-</td> <td>WD.</td> <td>J2</td> <td>PTD.</td> <td>-</td> <td>395</td> <td>3\"/> <tr> <td>399</td> <td>ETR</td> <td>-</td> <td>WD.</td> <td>J2</td> <td>PTD.</td> <td>-</td> <td>396</td> <td>3\"/> <tr> <td>3991</td> <td>ETR</td> <td>-</td> <td>WD.</td> <td>J2</td> <td>PTD.</td> <td>-</td> <td>398</td> <td>3\"/> <tr> <td>3992</td> <td>A</td> <td>3\"/> <tr> <td>3993</td> <td>ETR</td> <td>-</td> <td>WD.</td> <td>J2</td> <td>PTD.</td> <td>-</td> <td>399</td> <td>3\"/> <tr> <td>3994</td> <td>ETR</td> <td>-</td> <td>WD.</td> <td>J2</td> <td>PTD.</td> <td>-</td> <td>3991</td> <td>3\"/> <tr> <td>3995</td> <td>ETR</td> <td>-</td> <td>WD.</td> <td>J2</td> <td>PTD.</td> <td>-</td> <td>3992</td> <td>3\"/> <tr> <td>3997</td> <td>ETR</td> <td>-</td> <td>WD.</td> <td>J2</td> <td>PTD.</td> <td>-</td> <td>3993</td> <td>3\"/> <tr> <td>3998</td> <td>ETR</td> <td>-</td> <td>WD.</td> <td>J2</td> <td>PTD.</td> <td>-</td> <td>3994</td> <td>3\"/> <tr> <td>3999</td> <td>ETR</td> <td>-</td> <td>WD.</td> <td>J2</td> <td>PTD.</td> <td>-</td> <td>3995</td> <td>3\"/> <tr> <td>3999</td> <td>ETR</td> <td>-</td> <td>WD.</td> <td>J2</td> <td>PTD.</td> <td>-</td> <td>3997</td> <td>3\"/> </td></tr></td></tr></td></tr></td></tr></td></tr></td></tr></td></tr></td></tr></td></tr></td></tr></td></tr></td></tr></td></tr></td></tr></td></tr></td></tr></td></tr></td></tr></td></tr></td></tr></td></tr></td></tr></td></td></tr></td></tr></td></td></tr></td></td></tr></td></td></tr></td></td></tr></td></td></tr></td></td></tr></td></td></tr></td></td></tr></td></tr></td></tr></td></tr></td> | HM | J1 | PTD. | 1 HR. | 370 | 3\"/> <tr> <td>373A</td> <td>ETR</td> <td>-</td> <td>WD.</td> <td>J2</td> <td>PTD.</td> <td>-</td> <td>371</td> <td>3\"/> <tr> <td>374B</td> <td>ETR</td> <td>-</td> <td>WD.</td> <td>J2</td> <td>PTD.</td> <td>-</td> <td>372</td> <td>3\"/> <tr> <td>374C</td> <td>ETR</td> <td>-</td> <td>WD.</td> <td>J2</td> <td>PTD.</td> <td>-</td> <td>373A</td> <td>3\"/> <tr> <td>375</td> <td>B</td> <td>1 <td>WD</td> <td>J1</td> <td>PTD.</td> <td>-</td> <td>374B</td> <td>3\"/> <tr> <td>376</td> <td>B</td> <td>1 <td>WD</td> <td>J1</td> <td>PTD.</td> <td>-</td> <td>374C</td> <td>3\"/> <tr> <td>377</td> <td>B</td> <td>1 <td>WD</td> <td>J1</td> <td>PTD.</td> <td>-</td> <td>375</td> <td>3\"/> <tr> <td>377A</td> <td>B</td> <td>1 <td>WD</td> <td>J1</td> <td>PTD.</td> <td>-</td> <td>376</td> <td>3\"/> <tr> <td>378</td> <td>B</td> <td>1 <td>WD</td> <td>J1</td> <td>PTD.</td> <td>-</td> <td>377</td> <td>3\"/> <tr> <td>379</td> <td>B</td> <td>1 <td>WD</td> <td>J1</td> <td>PTD.</td> <td>-</td> <td>377A</td> <td>3\"/> <tr> <td>380A</td> <td>B</td> <td>1 <td>WD</td> <td>J1</td> <td>PTD.</td> <td>-</td> <td>378</td> <td>3\"/> <tr> <td>380B</td> <td>B</td> <td>1 <td>WD</td> <td>J1</td> <td>PTD.</td> <td>-</td> <td>379</td> <td>3\"/> <tr> <td>382</td> <td>ETR</td> <td>-</td> <td>WD.</td> <td>J2</td> <td>PTD.</td> <td>-</td> <td>380A</td> <td>3\"/> <tr> <td>382A</td> <td>D</td> <td>6 <td>ALUM.</td> <td>ANODIZE D</td> <td>-</td> <td>-</td> <td>380B</td> <td>3\"/> <tr> <td>385</td> <td>ETR</td> <td>-</td> <td>WD.</td> <td>J2</td> <td>PTD.</td> <td>-</td> <td>382</td> <td>3\"/> <tr> <td>386</td> <td>ETR</td> <td>-</td> <td>WD.</td> <td>J2</td> <td>PTD.</td> <td>-</td> <td>382A</td> <td>3\"/> <tr> <td>387</td> <td>ETR</td> <td>-</td> <td>WD.</td> <td>J2</td> <td>PTD.</td> <td>-</td> <td>385</td> <td>3\"/> <tr> <td>388</td> <td>ETR</td> <td>-</td> <td>WD.</td> <td>J2</td> <td>PTD.</td> <td>-</td> <td>386</td> <td>3\"/> <tr> <td>389</td> <td>ETR</td> <td>-</td> <td>WD.</td> <td>J2</td> <td>PTD.</td> <td>-</td> <td>387</td> <td>3\"/> <tr> <td>391</td> <td>ETR</td> <td>-</td> <td>WD.</td> <td>J2</td> <td>PTD.</td> <td>-</td> <td>388</td> <td>3\"/> <tr> <td>391A</td> <td>ETR</td> <td>-</td> <td>WD.</td> <td>J2</td> <td>PTD.</td> <td>-</td> <td>389</td> <td>3\"/> <tr> <td>391B</td> <td>ETR</td> <td>-</td> <td>WD.</td> <td>J2</td> <td>PTD.</td> <td>-</td> <td>391</td> <td>3\"/> <tr> <td>394</td> <td>ETR</td> <td>-</td> <td>WD.</td> <td>J2</td> <td>PTD.</td> <td>-</td> <td>391A</td> <td>3\"/> <tr> <td>395</td> <td>ETR</td> <td>-</td> <td>WD.</td> <td>J2</td> <td>PTD.</td> <td>-</td> <td>391B</td> <td>3\"/> <tr> <td>396</td> <td>ETR</td> <td>-</td> <td>WD.</td> <td>J2</td> <td>PTD.</td> <td>-</td> <td>394</td> <td>3\"/> <tr> <td>398</td> <td>ETR</td> <td>-</td>
<td>WD.</td> <td>J2</td> <td>PTD.</td> <td>-</td> <td>395</td> <td>3\"/> <tr> <td>399</td> <td>ETR</td> <td>-</td> <td>WD.</td> <td>J2</td> <td>PTD.</td> <td>-</td> <td>396</td> <td>3\"/> <tr> <td>3991</td> <td>ETR</td> <td>-</td> <td>WD.</td> <td>J2</td> <td>PTD.</td> <td>-</td> <td>398</td> <td>3\"/> <tr> <td>3992</td> <td>A</td> <td>3\"/> <tr> <td>3993</td> <td>ETR</td> <td>-</td> <td>WD.</td> <td>J2</td> <td>PTD.</td> <td>-</td> <td>399</td> <td>3\"/> <tr> <td>3994</td> <td>ETR</td> <td>-</td> <td>WD.</td> <td>J2</td> <td>PTD.</td> <td>-</td> <td>3991</td> <td>3\"/> <tr> <td>3995</td> <td>ETR</td> <td>-</td> <td>WD.</td> <td>J2</td> <td>PTD.</td> <td>-</td> <td>3992</td> <td>3\"/> <tr> <td>3997</td> <td>ETR</td> <td>-</td> <td>WD.</td> <td>J2</td> <td>PTD.</td> <td>-</td> <td>3993</td> <td>3\"/> <tr> <td>3998</td> <td>ETR</td> <td>-</td> <td>WD.</td> <td>J2</td> <td>PTD.</td> <td>-</td> <td>3994</td> <td>3\"/> <tr> <td>3999</td> <td>ETR</td> <td>-</td> <td>WD.</td> <td>J2</td> <td>PTD.</td> <td>-</td> <td>3995</td> <td>3\"/> <tr> <td>3999</td> <td>ETR</td> <td>-</td> <td>WD.</td> <td>J2</td> <td>PTD.</td> <td>-</td> <td>3997</td> <td>3\"/> </td></tr></td></tr></td></tr></td></tr></td></tr></td></tr></td></tr></td></tr></td></tr></td></tr></td></tr></td></tr></td></tr></td></tr></td></tr></td></tr></td></tr></td></tr></td></tr></td></tr></td></tr></td></tr></td></td></tr></td></tr></td></td></tr></td></td></tr></td></td></tr></td></td></tr></td></td></tr></td></td></tr></td></td></tr></td></td></tr></td></tr></td></tr></td></tr> | 373A | ETR | - | WD. | J2 | PTD. | - |
371 | 3\"/> <tr> <td>374B</td> <td>ETR</td> <td>-</td> <td>WD.</td> <td>J2</td> <td>PTD.</td> <td>-</td> <td>372</td> <td>3\"/> <tr> <td>374C</td> <td>ETR</td> <td>-</td> <td>WD.</td> <td>J2</td> <td>PTD.</td> <td>-</td> <td>373A</td> <td>3\"/> <tr> <td>375</td> <td>B</td> <td>1 <td>WD</td> <td>J1</td> <td>PTD.</td> <td>-</td> <td>374B</td> <td>3\"/> <tr> <td>376</td> <td>B</td> <td>1 <td>WD</td> <td>J1</td> <td>PTD.</td> <td>-</td> <td>374C</td> <td>3\"/> <tr> <td>377</td> <td>B</td> <td>1 <td>WD</td> <td>J1</td> <td>PTD.</td> <td>-</td> <td>375</td> <td>3\"/> <tr> <td>377A</td> <td>B</td> <td>1 <td>WD</td> <td>J1</td> <td>PTD.</td> <td>-</td> <td>376</td> <td>3\"/> <tr> <td>378</td> <td>B</td> <td>1 <td>WD</td> <td>J1</td> <td>PTD.</td> <td>-</td> <td>377</td> <td>3\"/> <tr> <td>379</td> <td>B</td> <td>1 <td>WD</td> <td>J1</td> <td>PTD.</td> <td>-</td> <td>377A</td> <td>3\"/> <tr> <td>380A</td> <td>B</td> <td>1 <td>WD</td> <td>J1</td> <td>PTD.</td> <td>-</td> <td>378</td> <td>3\"/> <tr> <td>380B</td> <td>B</td> <td>1 <td>WD</td> <td>J1</td> <td>PTD.</td> <td>-</td> <td>379</td> <td>3\"/> <tr> <td>382</td> <td>ETR</td> <td>-</td> <td>WD.</td> <td>J2</td> <td>PTD.</td> <td>-</td> <td>380A</td> <td>3\"/> <tr> <td>382A</td> <td>D</td> <td>6 <td>ALUM.</td> <td>ANODIZE D</td> <td>-</td> <td>-</td> <td>380B</td> <td>3\"/> <tr> <td>385</td> <td>ETR</td> <td>-</td> <td>WD.</td> <td>J2</td> <td>PTD.</td> <td>-</td> <td>382</td> <td>3\"/> <tr> <td>386</td> <td>ETR</td> <td>-</td> <td>WD.</td> <td>J2</td> <td>PTD.</td> <td>-</td> <td>382A</td> <td>3\"/> <tr> <td>387</td> <td>ETR</td> <td>-</td> <td>WD.</td> <td>J2</td> <td>PTD.</td> <td>-</td> <td>385</td> <td>3\"/> <tr> <td>388</td> <td>ETR</td> <td>-</td> <td>WD.</td> <td>J2</td> <td>PTD.</td> <td>-</td> <td>386</td> <td>3\"/> <tr> <td>389</td> <td>ETR</td> <td>-</td> <td>WD.</td> <td>J2</td> <td>PTD.</td> <td>-</td> <td>387</td> <td>3\"/> <tr> <td>391</td> <td>ETR</td> <td>-</td> <td>WD.</td> <td>J2</td> <td>PTD.</td> <td>-</td> <td>388</td> <td>3\"/> <tr> <td>391A</td> <td>ETR</td> <td>-</td> <td>WD.</td> <td>J2</td> <td>PTD.</td> <td>-</td> <td>389</td> <td>3\"/> <tr> <td>391B</td> <td>ETR</td> <td>-</td> <td>WD.</td> <td>J2</td> <td>PTD.</td> <td>-</td> <td>391</td> <td>3\"/> <tr> <td>394</td> <td>ETR</td> <td>-</td> <td>WD.</td> <td>J2</td> <td>PTD.</td> <td>-</td> <td>391A</td> <td>3\"/> <tr> <td>395</td> <td>ETR</td> <td>-</td> <td>WD.</td> <td>J2</td> <td>PTD.</td> <td>-</td> <td>391B</td> <td>3\"/> <tr> <td>396</td> <td>ETR</td> <td>-</td> <td>WD.</td> <td>J2</td> <td>PTD.</td> <td>-</td> <td>394</td> <td>3\"/> <tr> <td>398</td> <td>ETR</td> <td>-</td> <td>WD.</td> <td>J2</td> <td>PTD.</td> <td>-</td> <td>395</td> <td>3\"/> <tr> <td>399</td> <td>ETR</td> <td>-</td> <td>WD.</td> <td>J2</td> <td>PTD.</td> <td>-</td> <td>396</td> <td>3\"/> <tr> <td>3991</td> <td>ETR</td> <td>-</td> <td>WD.</td> <td>J2</td> <td>PTD.</td> <td>-</td> <td>398</td> <td>3\"/> <tr> <td>3992</td> <td>A</td> <td>3\"/> <tr> <td>3993</td> <td>ETR</td> <td>-</td> <td>WD.</td> <td>J2</td> <td>PTD.</td> <td>-</td> <td>399</td> <td>3\"/> <tr> <td>3994</td> <td>ETR</td> <td>-</td> <td>WD.</td> <td>J2</td> <td>PTD.</td> <td>-</td> <td>3991</td> <td>3\"/> <tr> <td>3995</td> <td>ETR</td> <td>-</td> <td>WD.</td> <td>J2</td> <td>PTD.</td> <td>-</td> <td>3992</td> <td>3\"/> <tr> <td>3997</td> <td>ETR</td> <td>-</td> <td>WD.</td> <td>J2</td> <td>PTD.</td> <td>-</td> <td>3993</td> <td>3\"/> <tr> <td>3998</td> <td>ETR</td> <td>-</td> <td>WD.</td> <td>J2</td> <td>PTD.</td> <td>-</td> <td>3994</td> <td>3\"/> <tr> <td>3999</td> <td>ETR</td> <td>-</td> <td>WD.</td> <td>J2</td> <td>PTD.</td> <td>-</td> <td>3995</td> <td>3\"/> <tr> <td>3999</td> <td>ETR</td> <td>-</td> <td>WD.</td> <td>J2</td> <td>PTD.</td> <td>-</td> <td>3997</td> <td>3\"/> </td></tr></td></tr></td></tr></td></tr></td></tr></td></tr></td></tr></td></tr></td></tr></td></tr></td></tr></td></tr></td></tr></td></tr></td></tr></td></tr></td></tr></td></tr></td></tr></td></tr></td></tr></td></tr></td></td></tr></td></tr></td></td></tr></td></td></tr></td></td></tr></td></td></tr></td></td></tr></td></td></tr></td></td></tr></td></td></tr></td></tr></td></tr> | 374B | ETR | -
 | WD. | J2 | PTD. | - | 372 | 3\"/> <tr> <td>374C</td> <td>ETR</td> <td>-</td> <td>WD.</td> <td>J2</td> <td>PTD.</td> <td>-</td> <td>373A</td> <td>3\"/> <tr> <td>375</td> <td>B</td> <td>1 <td>WD</td> <td>J1</td> <td>PTD.</td> <td>-</td> <td>374B</td> <td>3\"/> <tr> <td>376</td> <td>B</td> <td>1 <td>WD</td> <td>J1</td> <td>PTD.</td> <td>-</td> <td>374C</td> <td>3\"/> <tr> <td>377</td> <td>B</td> <td>1 <td>WD</td> <td>J1</td> <td>PTD.</td> <td>-</td> <td>375</td> <td>3\"/> <tr> <td>377A</td> <td>B</td> <td>1 <td>WD</td> <td>J1</td> <td>PTD.</td> <td>-</td> <td>376</td> <td>3\"/> <tr> <td>378</td> <td>B</td> <td>1 <td>WD</td> <td>J1</td> <td>PTD.</td> <td>-</td> <td>377</td> <td>3\"/> <tr> <td>379</td> <td>B</td> <td>1 <td>WD</td> <td>J1</td> <td>PTD.</td> <td>-</td> <td>377A</td> <td>3\"/> <tr> <td>380A</td> <td>B</td> <td>1 <td>WD</td> <td>J1</td> <td>PTD.</td> <td>-</td> <td>378</td> <td>3\"/> <tr> <td>380B</td> <td>B</td> <td>1 <td>WD</td> <td>J1</td> <td>PTD.</td> <td>-</td> <td>379</td> <td>3\"/> <tr> <td>382</td> <td>ETR</td> <td>-</td> <td>WD.</td> <td>J2</td> <td>PTD.</td> <td>-</td> <td>380A</td> <td>3\"/> <tr> <td>382A</td> <td>D</td> <td>6 <td>ALUM.</td> <td>ANODIZE D</td> <td>-</td> <td>-</td> <td>380B</td> <td>3\"/> <tr> <td>385</td> <td>ETR</td> <td>-</td> <td>WD.</td> <td>J2</td> <td>PTD.</td> <td>-</td> <td>382</td> <td>3\"/> <tr> <td>386</td> <td>ETR</td> <td>-</td> <td>WD.</td> <td>J2</td> <td>PTD.</td> <td>-</td> <td>382A</td> <td>3\"/> <tr> <td>387</td> <td>ETR</td> <td>-</td> <td>WD.</td> <td>J2</td> <td>PTD.</td> <td>-</td> <td>385</td> <td>3\"/> <tr> <td>388</td> <td>ETR</td> <td>-</td> <td>WD.</td> <td>J2</td> <td>PTD.</td> <td>-</td> <td>386</td> <td>3\"/> <tr> <td>389</td> <td>ETR</td> <td>-</td> <td>WD.</td> <td>J2</td> <td>PTD.</td> <td>-</td> <td>387</td> <td>3\"/> <tr> <td>391</td> <td>ETR</td> <td>-</td> <td>WD.</td> <td>J2</td> <td>PTD.</td> <td>-</td> <td>388</td> <td>3\"/> <tr> <td>391A</td> <td>ETR</td> <td>-</td> <td>WD.</td> <td>J2</td> <td>PTD.</td> <td>-</td> <td>389</td> <td>3\"/> <tr> <td>391B</td> <td>ETR</td> <td>-</td> <td>WD.</td> <td>J2</td> <td>PTD.</td> <td>-</td> <td>391</td> <td>3\"/> <tr> <td>394</td> <td>ETR</td> <td>-</td> <td>WD.</td> <td>J2</td> <td>PTD.</td> <td>-</td> <td>391A</td> <td>3\"/> <tr> <td>395</td> <td>ETR</td> <td>-</td> <td>WD.</td> <td>J2</td> <td>PTD.</td> <td>-</td> <td>391B</td> <td>3\"/> <tr> <td>396</td> <td>ETR</td> <td>-</td> <td>WD.</td> <td>J2</td> <td>PTD.</td> <td>-</td> <td>394</td> <td>3\"/> <tr> <td>398</td> <td>ETR</td> <td>-</td> <td>WD.</td> <td>J2</td> <td>PTD.</td> <td>-</td> <td>395</td> <td>3\"/> <tr> <td>399</td> <td>ETR</td> <td>-</td> <td>WD.</td> <td>J2</td> <td>PTD.</td> <td>-</td> <td>396</td> <td>3\"/> <tr> <td>3991</td> <td>ETR</td> <td>-</td> <td>WD.</td> <td>J2</td> <td>PTD.</td> <td>-</td> <td>398</td> <td>3\"/> <tr> <td>3992</td> <td>A</td> <td>3\"/> <tr> <td>3993</td> <td>ETR</td> <td>-</td> <td>WD.</td> <td>J2</td> <td>PTD.</td> <td>-</td> <td>399</td> <td>3\"/> <tr> <td>3994</td> <td>ETR</td> <td>-</td> <td>WD.</td> <td>J2</td> <td>PTD.</td> <td>-</td> <td>3991</td> <td>3\"/> <tr> <td>3995</td> <td>ETR</td> <td>-</td> <td>WD.</td> <td>J2</td> <td>PTD.</td> <td>-</td> <td>3992</td> <td>3\"/> <tr> <td>3997</td> <td>ETR</td> <td>-</td> <td>WD.</td> <td>J2</td> <td>PTD.</td> <td>-</td> <td>3993</td> <td>3\"/> <tr> <td>3998</td> <td>ETR</td> <td>-</td> <td>WD.</td> <td>J2</td> <td>PTD.</td> <td>-</td> <td>3994</td> <td>3\"/> <tr> <td>3999</td> <td>ETR</td> <td>-</td> <td>WD.</td> <td>J2</td> <td>PTD.</td> <td>-</td> <td>3995</td> <td>3\"/> <tr> <td>3999</td> <td>ETR</td> <td>-</td> <td>WD.</td> <td>J2</td> <td>PTD.</td> <td>-</td> <td>3997</td> <td>3\"/> </td></tr></td></tr></td></tr></td></tr></td></tr></td></tr></td></tr></td></tr></td></tr></td></tr></td></tr></td></tr></td></tr></td></tr></td></tr></td></tr></td></tr></td></tr></td></tr></td></tr></td></tr></td></tr></td></td></tr></td></tr></td></td></tr></td></td></tr></td></td></tr></td></td></tr></td></td></tr></td></td></tr></td></td></tr></td></td></tr></td></tr> | 374C | ETR | -
 | WD. | J2 | PTD. | - | 373A | 3\"/> <tr> <td>375</td> <td>B</td> <td>1 <td>WD</td> <td>J1</td> <td>PTD.</td> <td>-</td> <td>374B</td> <td>3\"/> <tr> <td>376</td> <td>B</td> <td>1 <td>WD</td> <td>J1</td> <td>PTD.</td> <td>-</td> <td>374C</td> <td>3\"/> <tr> <td>377</td> <td>B</td> <td>1 <td>WD</td> <td>J1</td> <td>PTD.</td> <td>-</td> <td>375</td> <td>3\"/> <tr> <td>377A</td> <td>B</td> <td>1 <td>WD</td> <td>J1</td> <td>PTD.</td> <td>-</td> <td>376</td> <td>3\"/> <tr> <td>378</td> <td>B</td> <td>1 <td>WD</td> <td>J1</td> <td>PTD.</td> <td>-</td> <td>377</td> <td>3\"/> <tr> <td>379</td> <td>B</td> <td>1 <td>WD</td> <td>J1</td> <td>PTD.</td> <td>-</td> <td>377A</td> <td>3\"/> <tr> <td>380A</td> <td>B</td> <td>1 <td>WD</td> <td>J1</td> <td>PTD.</td> <td>-</td> <td>378</td> <td>3\"/> <tr> <td>380B</td> <td>B</td> <td>1 <td>WD</td> <td>J1</td> <td>PTD.</td> <td>-</td> <td>379</td> <td>3\"/> <tr> <td>382</td> <td>ETR</td> <td>-</td> <td>WD.</td> <td>J2</td> <td>PTD.</td> <td>-</td> <td>380A</td> <td>3\"/> <tr> <td>382A</td> <td>D</td> <td>6 <td>ALUM.</td> <td>ANODIZE D</td> <td>-</td> <td>-</td> <td>380B</td> <td>3\"/> <tr> <td>385</td> <td>ETR</td> <td>-</td> <td>WD.</td> <td>J2</td> <td>PTD.</td> <td>-</td> <td>382</td> <td>3\"/> <tr> <td>386</td> <td>ETR</td> <td>-</td> <td>WD.</td> <td>J2</td> <td>PTD.</td> <td>-</td> <td>382A</td> <td>3\"/> <tr> <td>387</td> <td>ETR</td> <td>-</td> <td>WD.</td> <td>J2</td> <td>PTD.</td> <td>-</td> <td>385</td> <td>3\"/> <tr> <td>388</td> <td>ETR</td> <td>-</td> <td>WD.</td> <td>J2</td> <td>PTD.</td> <td>-</td> <td>386</td> <td>3\"/> <tr> <td>389</td> <td>ETR</td> <td>-</td> <td>WD.</td> <td>J2</td> <td>PTD.</td> <td>-</td> <td>387</td> <td>3\"/> <tr> <td>391</td> <td>ETR</td> <td>-</td> <td>WD.</td> <td>J2</td> <td>PTD.</td> <td>-</td> <td>388</td> <td>3\"/> <tr> <td>391A</td> <td>ETR</td> <td>-</td> <td>WD.</td> <td>J2</td> <td>PTD.</td> <td>-</td> <td>389</td> <td>3\"/> <tr> <td>391B</td> <td>ETR</td> <td>-</td> <td>WD.</td> <td>J2</td> <td>PTD.</td> <td>-</td> <td>391</td> <td>3\"/> <tr> <td>394</td> <td>ETR</td> <td>-</td> <td>WD.</td> <td>J2</td> <td>PTD.</td> <td>-</td> <td>391A</td> <td>3\"/> <tr> <td>395</td> <td>ETR</td> <td>-</td> <td>WD.</td> <td>J2</td> <td>PTD.</td> <td>-</td> <td>391B</td> <td>3\"/> <tr> <td>396</td> <td>ETR</td> <td>-</td> <td>WD.</td> <td>J2</td> <td>PTD.</td> <td>-</td> <td>394</td> <td>3\"/> <tr> <td>398</td> <td>ETR</td> <td>-</td> <td>WD.</td> <td>J2</td> <td>PTD.</td> <td>-</td> <td>395</td> <td>3\"/> <tr> <td>399</td> <td>ETR</td> <td>-</td> <td>WD.</td> <td>J2</td> <td>PTD.</td> <td>-</td> <td>396</td> <td>3\"/> <tr> <td>3991</td> <td>ETR</td> <td>-</td> <td>WD.</td> <td>J2</td> <td>PTD.</td> <td>-</td> <td>398</td> <td>3\"/> <tr> <td>3992</td> <td>A</td> <td>3\"/> <tr> <td>3993</td> <td>ETR</td> <td>-</td> <td>WD.</td> <td>J2</td> <td>PTD.</td> <td>-</td> <td>399</td> <td>3\"/> <tr> <td>3994</td> <td>ETR</td> <td>-</td> <td>WD.</td> <td>J2</td> <td>PTD.</td> <td>-</td> <td>3991</td> <td>3\"/> <tr> <td>3995</td> <td>ETR</td> <td>-</td> <td>WD.</td> <td>J2</td> <td>PTD.</td> <td>-</td> <td>3992</td> <td>3\"/> <tr> <td>3997</td> <td>ETR</td> <td>-</td> <td>WD.</td> <td>J2</td> <td>PTD.</td> <td>-</td> <td>3993</td> <td>3\"/> <tr> <td>3998</td> <td>ETR</td> <td>-</td> <td>WD.</td> <td>J2</td> <td>PTD.</td> <td>-</td> <td>3994</td> <td>3\"/> <tr> <td>3999</td> <td>ETR</td> <td>-</td> <td>WD.</td> <td>J2</td> <td>PTD.</td> <td>-</td> <td>3995</td> <td>3\"/> <tr> <td>3999</td> <td>ETR</td> <td>-</td> <td>WD.</td> <td>J2</td> <td>PTD.</td> <td>-</td> <td>3997</td> <td>3\"/> </td></tr></td></tr></td></tr></td></tr></td></tr></td></tr></td></tr></td></tr></td></tr></td></tr></td></tr></td></tr></td></tr></td></tr></td></tr></td></tr></td></tr></td></tr></td></tr></td></tr></td></tr></td></tr></td></td></tr></td></tr></td></td></tr></td></td></tr></td></td></tr></td></td></tr></td></td></tr></td></td></tr></td></td></tr></td></td></tr>
 | 375 | B | 1 <td>WD</td> <td>J1</td> <td>PTD.</td> <td>-</td> <td>374B</td> <td>3\"/> <tr> <td>376</td> <td>B</td> <td>1 <td>WD</td> <td>J1</td> <td>PTD.</td> <td>-</td> <td>374C</td> <td>3\"/> <tr> <td>377</td> <td>B</td> <td>1 <td>WD</td> <td>J1</td> <td>PTD.</td> <td>-</td> <td>375</td> <td>3\"/> <tr> <td>377A</td> <td>B</td> <td>1 <td>WD</td> <td>J1</td> <td>PTD.</td> <td>-</td> <td>376</td> <td>3\"/> <tr> <td>378</td> <td>B</td> <td>1 <td>WD</td> <td>J1</td> <td>PTD.</td> <td>-</td> <td>377</td> <td>3\"/> <tr> <td>379</td> <td>B</td> <td>1 <td>WD</td> <td>J1</td> <td>PTD.</td> <td>-</td> <td>377A</td> <td>3\"/> <tr> <td>380A</td> <td>B</td> <td>1 <td>WD</td> <td>J1</td> <td>PTD.</td> <td>-</td> <td>378</td> <td>3\"/> <tr> <td>380B</td> <td>B</td> <td>1 <td>WD</td> <td>J1</td> <td>PTD.</td> <td>-</td> <td>379</td> <td>3\"/> <tr> <td>382</td> <td>ETR</td> <td>-</td> <td>WD.</td> <td>J2</td> <td>PTD.</td> <td>-</td> <td>380A</td> <td>3\"/> <tr> <td>382A</td> <td>D</td> <td>6 <td>ALUM.</td> <td>ANODIZE D</td> <td>-</td> <td>-</td> <td>380B</td> <td>3\"/> <tr> <td>385</td> <td>ETR</td> <td>-</td> <td>WD.</td> <td>J2</td> <td>PTD.</td> <td>-</td> <td>382</td> <td>3\"/> <tr> <td>386</td> <td>ETR</td> <td>-</td> <td>WD.</td> <td>J2</td> <td>PTD.</td> <td>-</td> <td>382A</td> <td>3\"/> <tr> <td>387</td> <td>ETR</td> <td>-</td> <td>WD.</td> <td>J2</td> <td>PTD.</td> <td>-</td> <td>385</td> <td>3\"/> <tr> <td>388</td> <td>ETR</td> <td>-</td> <td>WD.</td> <td>J2</td> <td>PTD.</td> <td>-</td> <td>386</td> <td>3\"/> <tr> <td>389</td> <td>ETR</td> <td>-</td> <td>WD.</td> <td>J2</td> <td>PTD.</td> <td>-</td> <td>387</td> <td>3\"/> <tr> <td>391</td> <td>ETR</td> <td>-</td> <td>WD.</td> <td>J2</td> <td>PTD.</td> <td>-</td> <td>388</td> <td>3\"/> <tr> <td>391A</td> <td>ETR</td> <td>-</td> <td>WD.</td> <td>J2</td> <td>PTD.</td> <td>-</td> <td>389</td> <td>3\"/> <tr> <td>391B</td> <td>ETR</td> <td>-</td> <td>WD.</td> <td>J2</td> <td>PTD.</td> <td>-</td> <td>391</td> <td>3\"/> <tr> <td>394</td> <td>ETR</td> <td>-</td> <td>WD.</td> <td>J2</td> <td>PTD.</td> <td>-</td> <td>391A</td> <td>3\"/> <tr> <td>395</td> <td>ETR</td> <td>-</td> <td>WD.</td> <td>J2</td> <td>PTD.</td> <td>-</td> <td>391B</td> <td>3\"/> <tr> <td>396</td> <td>ETR</td> <td>-</td> <td>WD.</td> <td>J2</td> <td>PTD.</td> <td>-</td> <td>394</td> <td>3\"/> <tr> <td>398</td> <td>ETR</td> <td>-</td> <td>WD.</td> <td>J2</td> <td>PTD.</td> <td>-</td> <td>395</td> <td>3\"/> <tr> <td>399</td> <td>ETR</td> <td>-</td> <td>WD.</td> <td>J2</td> <td>PTD.</td> <td>-</td> <td>396</td> <td>3\"/> <tr> <td>3991</td> <td>ETR</td> <td>-</td> <td>WD.</td> <td>J2</td> <td>PTD.</td> <td>-</td> <td>398</td> <td>3\"/> <tr> <td>3992</td> <td>A</td> <td>3\"/> <tr> <td>3993</td> <td>ETR</td> <td>-</td> <td>WD.</td> <td>J2</td> <td>PTD.</td> <td>-</td> <td>399</td> <td>3\"/> <tr> <td>3994</td> <td>ETR</td> <td>-</td> <td>WD.</td> <td>J2</td> <td>PTD.</td> <td>-</td> <td>3991</td> <td>3\"/> <tr> <td>3995</td> <td>ETR</td> <td>-</td> <td>WD.</td> <td>J2</td> <td>PTD.</td> <td>-</td> <td>3992</td> <td>3\"/> <tr> <td>3997</td> <td>ETR</td> <td>-</td> <td>WD.</td> <td>J2</td> <td>PTD.</td> <td>-</td> <td>3993</td> <td>3\"/> <tr> <td>3998</td> <td>ETR</td> <td>-</td> <td>WD.</td> <td>J2</td> <td>PTD.</td> <td>-</td> <td>3994</td> <td>3\"/> <tr> <td>3999</td> <td>ETR</td> <td>-</td> <td>WD.</td> <td>J2</td> <td>PTD.</td> <td>-</td> <td>3995</td> <td>3\"/> <tr> <td>3999</td> <td>ETR</td> <td>-</td> <td>WD.</td> <td>J2</td> <td>PTD.</td> <td>-</td> <td>3997</td> <td>3\"/> </td></tr></td></tr></td></tr></td></tr></td></tr></td></tr></td></tr></td></tr></td></tr></td></tr></td></tr></td></tr></td></tr></td></tr></td></tr></td></tr></td></tr></td></tr></td></tr></td></tr></td></tr></td></tr></td></td></tr></td></tr></td></td></tr></td></td></tr></td></td></tr></td></td></tr></td></td></tr></td></td></tr></td></td></tr></td> | WD | J1 | PTD. | - | 374B | 3\"/> <tr> <td>376</td> <td>B</td> <td>1 <td>WD</td> <td>J1</td> <td>PTD.</td> <td>-</td> <td>374C</td> <td>3\"/> <tr> <td>377</td> <td>B</td> <td>1 <td>WD</td> <td>J1</td> <td>PTD.</td> <td>-</td> <td>375</td> <td>3\"/> <tr> <td>377A</td> <td>B</td> <td>1 <td>WD</td> <td>J1</td> <td>PTD.</td> <td>-</td> <td>376</td> <td>3\"/> <tr> <td>378</td> <td>B</td> <td>1 <td>WD</td> <td>J1</td> <td>PTD.</td> <td>-</td> <td>377</td> <td>3\"/> <tr> <td>379</td> <td>B</td> <td>1 <td>WD</td> <td>J1</td> <td>PTD.</td> <td>-</td> <td>377A</td> <td>3\"/> <tr> <td>380A</td> <td>B</td> <td>1 <td>WD</td> <td>J1</td> <td>PTD.</td> <td>-</td> <td>378</td> <td>3\"/> <tr> <td>380B</td> <td>B</td> <td>1 <td>WD</td> <td>J1</td> <td>PTD.</td> <td>-</td> <td>379</td> <td>3\"/> <tr> <td>382</td> <td>ETR</td> <td>-</td> <td>WD.</td> <td>J2</td> <td>PTD.</td> <td>-</td> <td>380A</td> <td>3\"/> <tr> <td>382A</td> <td>D</td> <td>6 <td>ALUM.</td> <td>ANODIZE D</td> <td>-</td> <td>-</td> <td>380B</td> <td>3\"/> <tr> <td>385</td> <td>ETR</td> <td>-</td> <td>WD.</td> <td>J2</td> <td>PTD.</td> <td>-</td> <td>382</td> <td>3\"/> <tr> <td>386</td> <td>ETR</td> <td>-</td> <td>WD.</td> <td>J2</td> <td>PTD.</td> <td>-</td> <td>382A</td> <td>3\"/> <tr> <td>387</td> <td>ETR</td> <td>-</td> <td>WD.</td> <td>J2</td> <td>PTD.</td> <td>-</td> <td>385</td> <td>3\"/> <tr> <td>388</td> <td>ETR</td> <td>-</td> <td>WD.</td> <td>J2</td> <td>PTD.</td> <td>-</td> <td>386</td> <td>3\"/> <tr> <td>389</td> <td>ETR</td> <td>-</td> <td>WD.</td> <td>J2</td> <td>PTD.</td> <td>-</td> <td>387</td> <td>3\"/> <tr> <td>391</td> <td>ETR</td> <td>-</td> <td>WD.</td> <td>J2</td> <td>PTD.</td> <td>-</td> <td>388</td> <td>3\"/> <tr> <td>391A</td> <td>ETR</td> <td>-</td> <td>WD.</td> <td>J2</td> <td>PTD.</td> <td>-</td> <td>389</td> <td>3\"/> <tr> <td>391B</td> <td>ETR</td> <td>-</td> <td>WD.</td> <td>J2</td> <td>PTD.</td> <td>-</td> <td>391</td> <td>3\"/> <tr> <td>394</td> <td>ETR</td> <td>-</td> <td>WD.</td> <td>J2</td> <td>PTD.</td> <td>-</td> <td>391A</td> <td>3\"/> <tr> <td>395</td> <td>ETR</td> <td>-</td> <td>WD.</td> <td>J2</td> <td>PTD.</td> <td>-</td> <td>391B</td> <td>3\"/> <tr> <td>396</td> <td>ETR</td> <td>-</td> <td>WD.</td> <td>J2</td> <td>PTD.</td> <td>-</td> <td>394</td> <td>3\"/> <tr> <td>398</td> <td>ETR</td> <td>-</td> <td>WD.</td> <td>J2</td> <td>PTD.</td> <td>-</td> <td>395</td> <td>3\"/> <tr> <td>399</td> <td>ETR</td> <td>-</td> <td>WD.</td> <td>J2</td> <td>PTD.</td> <td>-</td> <td>396</td> <td>3\"/> <tr> <td>3991</td> <td>ETR</td> <td>-</td> <td>WD.</td> <td>J2</td> <td>PTD.</td> <td>-</td> <td>398</td> <td>3\"/> <tr> <td>3992</td> <td>A</td> <td>3\"/> <tr> <td>3993</td> <td>ETR</td> <td>-</td> <td>WD.</td> <td>J2</td> <td>PTD.</td> <td>-</td> <td>399</td> <td>3\"/> <tr> <td>3994</td> <td>ETR</td> <td>-</td> <td>WD.</td> <td>J2</td> <td>PTD.</td>
<td>-</td> <td>3991</td> <td>3\"/> <tr> <td>3995</td> <td>ETR</td> <td>-</td> <td>WD.</td> <td>J2</td> <td>PTD.</td> <td>-</td> <td>3992</td> <td>3\"/> <tr> <td>3997</td> <td>ETR</td> <td>-</td> <td>WD.</td> <td>J2</td> <td>PTD.</td> <td>-</td> <td>3993</td> <td>3\"/> <tr> <td>3998</td> <td>ETR</td> <td>-</td> <td>WD.</td> <td>J2</td> <td>PTD.</td> <td>-</td> <td>3994</td> <td>3\"/> <tr> <td>3999</td> <td>ETR</td> <td>-</td> <td>WD.</td> <td>J2</td> <td>PTD.</td> <td>-</td> <td>3995</td> <td>3\"/> <tr> <td>3999</td> <td>ETR</td> <td>-</td> <td>WD.</td> <td>J2</td> <td>PTD.</td> <td>-</td> <td>3997</td> <td>3\"/> </td></tr></td></tr></td></tr></td></tr></td></tr></td></tr></td></tr></td></tr></td></tr></td></tr></td></tr></td></tr></td></tr></td></tr></td></tr></td></tr></td></tr></td></tr></td></tr></td></tr></td></tr></td></tr></td></td></tr></td></tr></td></td></tr></td></td></tr></td></td></tr></td></td></tr></td></td></tr></td></td></tr></td></td></tr> | 376 | B | 1 <td>WD</td> <td>J1</td> <td>PTD.</td> <td>-</td> <td>374C</td> <td>3\"/> <tr> <td>377</td> <td>B</td> <td>1 <td>WD</td> <td>J1</td> <td>PTD.</td> <td>-</td> <td>375</td> <td>3\"/> <tr> <td>377A</td> <td>B</td> <td>1 <td>WD</td> <td>J1</td> <td>PTD.</td> <td>-</td> <td>376</td> <td>3\"/> <tr> <td>378</td> <td>B</td> <td>1 <td>WD</td> <td>J1</td> <td>PTD.</td> <td>-</td> <td>377</td> <td>3\"/> <tr> <td>379</td> <td>B</td> <td>1 <td>WD</td> <td>J1</td> <td>PTD.</td> <td>-</td> <td>377A</td> <td>3\"/> <tr> <td>380A</td> <td>B</td> <td>1 <td>WD</td> <td>J1</td> <td>PTD.</td> <td>-</td> <td>378</td> <td>3\"/> <tr> <td>380B</td> <td>B</td> <td>1 <td>WD</td> <td>J1</td> <td>PTD.</td> <td>-</td> <td>379</td> <td>3\"/> <tr> <td>382</td> <td>ETR</td> <td>-</td> <td>WD.</td> <td>J2</td> <td>PTD.</td> <td>-</td> <td>380A</td> <td>3\"/> <tr> <td>382A</td> <td>D</td> <td>6 <td>ALUM.</td> <td>ANODIZE D</td> <td>-</td> <td>-</td> <td>380B</td> <td>3\"/> <tr> <td>385</td> <td>ETR</td> <td>-</td> <td>WD.</td> <td>J2</td> <td>PTD.</td> <td>-</td> <td>382</td> <td>3\"/> <tr> <td>386</td> <td>ETR</td> <td>-</td> <td>WD.</td> <td>J2</td> <td>PTD.</td> <td>-</td> <td>382A</td> <td>3\"/> <tr> <td>387</td> <td>ETR</td> <td>-</td> <td>WD.</td> <td>J2</td> <td>PTD.</td> <td>-</td> <td>385</td> <td>3\"/> <tr> <td>388</td> <td>ETR</td> <td>-</td> <td>WD.</td> <td>J2</td> <td>PTD.</td> <td>-</td> <td>386</td> <td>3\"/> <tr> <td>389</td> <td>ETR</td> <td>-</td> <td>WD.</td> <td>J2</td> <td>PTD.</td> <td>-</td> <td>387</td> <td>3\"/> <tr> <td>391</td> <td>ETR</td> <td>-</td> <td>WD.</td> <td>J2</td> <td>PTD.</td> <td>-</td> <td>388</td> <td>3\"/> <tr> <td>391A</td> <td>ETR</td> <td>-</td> <td>WD.</td> <td>J2</td> <td>PTD.</td> <td>-</td> <td>389</td> <td>3\"/> <tr> <td>391B</td> <td>ETR</td> <td>-</td> <td>WD.</td> <td>J2</td> <td>PTD.</td> <td>-</td> <td>391</td> <td>3\"/> <tr> <td>394</td> <td>ETR</td> <td>-</td> <td>WD.</td> <td>J2</td> <td>PTD.</td> <td>-</td> <td>391A</td> <td>3\"/> <tr> <td>395</td> <td>ETR</td> <td>-</td> <td>WD.</td> <td>J2</td> <td>PTD.</td> <td>-</td> <td>391B</td> <td>3\"/> <tr> <td>396</td> <td>ETR</td> <td>-</td> <td>WD.</td> <td>J2</td> <td>PTD.</td> <td>-</td> <td>394</td> <td>3\"/> <tr> <td>398</td> <td>ETR</td> <td>-</td> <td>WD.</td> <td>J2</td> <td>PTD.</td> <td>-</td> <td>395</td> <td>3\"/> <tr> <td>399</td> <td>ETR</td> <td>-</td> <td>WD.</td> <td>J2</td> <td>PTD.</td> <td>-</td> <td>396</td> <td>3\"/> <tr> <td>3991</td> <td>ETR</td> <td>-</td> <td>WD.</td> <td>J2</td> <td>PTD.</td> <td>-</td> <td>398</td> <td>3\"/> <tr> <td>3992</td> <td>A</td> <td>3\"/> <tr> <td>3993</td> <td>ETR</td> <td>-</td> <td>WD.</td> <td>J2</td> <td>PTD.</td> <td>-</td> <td>399</td> <td>3\"/> <tr> <td>3994</td> <td>ETR</td> <td>-</td> <td>WD.</td> <td>J2</td> <td>PTD.</td> <td>-</td> <td>3991</td> <td>3\"/> <tr> <td>3995</td> <td>ETR</td> <td>-</td> <td>WD.</td> <td>J2</td> <td>PTD.</td> <td>-</td> <td>3992</td> <td>3\"/> <tr> <td>3997</td> <td>ETR</td> <td>-</td> <td>WD.</td> <td>J2</td> <td>PTD.</td> <td>-</td> <td>3993</td> <td>3\"/> <tr> <td>3998</td> <td>ETR</td> <td>-</td> <td>WD.</td> <td>J2</td> <td>PTD.</td> <td>-</td> <td>3994</td> <td>3\"/> <tr> <td>3999</td> <td>ETR</td> <td>-</td> <td>WD.</td> <td>J2</td> <td>PTD.</td> <td>-</td> <td>3995</td> <td>3\"/> <tr> <td>3999</td> <td>ETR</td> <td>-</td> <td>WD.</td> <td>J2</td> <td>PTD.</td> <td>-</td> <td>3997</td> <td>3\"/> </td></tr></td></tr></td></tr></td></tr></td></tr></td></tr></td></tr></td></tr></td></tr></td></tr></td></tr></td></tr></td></tr></td></tr></td></tr></td></tr></td></tr></td></tr></td></tr></td></tr></td></tr></td></tr></td></td></tr></td></tr></td></td></tr></td></td></tr></td></td></tr></td></td></tr></td></td></tr></td></td></tr></td> | WD | J1 | PTD. | - | 374C | 3\"/> <tr> <td>377</td> <td>B</td> <td>1 <td>WD</td> <td>J1</td> <td>PTD.</td> <td>-</td> <td>375</td> <td>3\"/> <tr> <td>377A</td> <td>B</td> <td>1 <td>WD</td> <td>J1</td> <td>PTD.</td> <td>-</td> <td>376</td> <td>3\"/> <tr> <td>378</td> <td>B</td> <td>1 <td>WD</td> <td>J1</td> <td>PTD.</td> <td>-</td> <td>377</td> <td>3\"/> <tr> <td>379</td> <td>B</td> <td>1 <td>WD</td> <td>J1</td> <td>PTD.</td> <td>-</td> <td>377A</td> <td>3\"/> <tr> <td>380A</td> <td>B</td> <td>1 <td>WD</td> <td>J1</td> <td>PTD.</td> <td>-</td> <td>378</td> <td>3\"/> <tr> <td>380B</td> <td>B</td> <td>1 <td>WD</td> <td>J1</td> <td>PTD.</td> <td>-</td> <td>379</td> <td>3\"/> <tr> <td>382</td> <td>ETR</td> <td>-</td> <td>WD.</td> <td>J2</td> <td>PTD.</td> <td>-</td> <td>380A</td> <td>3\"/> <tr> <td>382A</td> <td>D</td> <td>6 <td>ALUM.</td> <td>ANODIZE D</td> <td>-</td> <td>-</td> <td>380B</td> <td>3\"/> <tr> <td>385</td> <td>ETR</td> <td>-</td> <td>WD.</td> <td>J2</td> <td>PTD.</td> <td>-</td> <td>382</td> <td>3\"/> <tr> <td>386</td> <td>ETR</td> <td>-</td> <td>WD.</td> <td>J2</td> <td>PTD.</td>
<td>-</td> <td>382A</td> <td>3\"/> <tr> <td>387</td> <td>ETR</td> <td>-</td> <td>WD.</td> <td>J2</td> <td>PTD.</td> <td>-</td> <td>385</td> <td>3\"/> <tr> <td>388</td> <td>ETR</td> <td>-</td> <td>WD.</td> <td>J2</td> <td>PTD.</td> <td>-</td> <td>386</td> <td>3\"/> <tr> <td>389</td> <td>ETR</td> <td>-</td> <td>WD.</td> <td>J2</td> <td>PTD.</td> <td>-</td> <td>387</td> <td>3\"/> <tr> <td>391</td> <td>ETR</td> <td>-</td> <td>WD.</td> <td>J2</td> <td>PTD.</td> <td>-</td> <td>388</td> <td>3\"/> <tr> <td>391A</td> <td>ETR</td> <td>-</td> <td>WD.</td> <td>J2</td> <td>PTD.</td> <td>-</td> <td>389</td> <td>3\"/> <tr> <td>391B</td> <td>ETR</td> <td>-</td> <td>WD.</td> <td>J2</td> <td>PTD.</td> <td>-</td> <td>391</td> <td>3\"/> <tr> <td>394</td> <td>ETR</td> <td>-</td> <td>WD.</td> <td>J2</td> <td>PTD.</td> <td>-</td> <td>391A</td> <td>3\"/> <tr> <td>395</td> <td>ETR</td> <td>-</td> <td>WD.</td> <td>J2</td> <td>PTD.</td> <td>-</td> <td>391B</td> <td>3\"/> <tr> <td>396</td> <td>ETR</td> <td>-</td> <td>WD.</td> <td>J2</td> <td>PTD.</td> <td>-</td> <td>394</td> <td>3\"/> <tr> <td>398</td> <td>ETR</td> <td>-</td> <td>WD.</td> <td>J2</td> <td>PTD.</td> <td>-</td> <td>395</td> <td>3\"/> <tr> <td>399</td> <td>ETR</td> <td>-</td> <td>WD.</td> <td>J2</td> <td>PTD.</td> <td>-</td> <td>396</td> <td>3\"/> <tr> <td>3991</td> <td>ETR</td> <td>-</td> <td>WD.</td> <td>J2</td> <td>PTD.</td> <td>-</td> <td>398</td> <td>3\"/> <tr> <td>3992</td> <td>A</td> <td>3\"/> <tr> <td>3993</td> <td>ETR</td> <td>-</td> <td>WD.</td> <td>J2</td> <td>PTD.</td> <td>-</td> <td>399</td> <td>3\"/> <tr> <td>3994</td> <td>ETR</td> <td>-</td> <td>WD.</td> <td>J2</td> <td>PTD.</td> <td>-</td> <td>3991</td> <td>3\"/> <tr> <td>3995</td> <td>ETR</td> <td>-</td> <td>WD.</td> <td>J2</td> <td>PTD.</td> <td>-</td> <td>3992</td> <td>3\"/> <tr> <td>3997</td> <td>ETR</td> <td>-</td> <td>WD.</td> <td>J2</td> <td>PTD.</td> <td>-</td> <td>3993</td> <td>3\"/> <tr> <td>3998</td> <td>ETR</td> <td>-</td> <td>WD.</td> <td>J2</td> <td>PTD.</td> <td>-</td> <td>3994</td> <td>3\"/> <tr> <td>3999</td> <td>ETR</td> <td>-</td> <td>WD.</td> <td>J2</td> <td>PTD.</td> <td>-</td> <td>3995</td> <td>3\"/> <tr> <td>3999</td> <td>ETR</td> <td>-</td> <td>WD.</td> <td>J2</td> <td>PTD.</td> <td>-</td> <td>3997</td> <td>3\"/> </td></tr></td></tr></td></tr></td></tr></td></tr></td></tr></td></tr></td></tr></td></tr></td></tr></td></tr></td></tr></td></tr></td></tr></td></tr></td></tr></td></tr></td></tr></td></tr></td></tr></td></tr></td></tr></td></td></tr></td></tr></td></td></tr></td></td></tr></td></td></tr></td></td></tr></td></td></tr></td></td></tr> | 377 | B | 1 <td>WD</td> <td>J1</td> <td>PTD.</td> <td>-</td> <td>375</td> <td>3\"/> <tr> <td>377A</td> <td>B</td> <td>1 <td>WD</td> <td>J1</td> <td>PTD.</td> <td>-</td> <td>376</td> <td>3\"/> <tr> <td>378</td> <td>B</td> <td>1 <td>WD</td> <td>J1</td> <td>PTD.</td> <td>-</td> <td>377</td> <td>3\"/> <tr> <td>379</td> <td>B</td> <td>1 <td>WD</td> <td>J1</td> <td>PTD.</td> <td>-</td> <td>377A</td> <td>3\"/> <tr> <td>380A</td> <td>B</td> <td>1 <td>WD</td> <td>J1</td> <td>PTD.</td> <td>-</td> <td>378</td> <td>3\"/> <tr> <td>380B</td> <td>B</td> <td>1 <td>WD</td> <td>J1</td> <td>PTD.</td> <td>-</td> <td>379</td> <td>3\"/> <tr> <td>382</td> <td>ETR</td> <td>-</td> <td>WD.</td> <td>J2</td> <td>PTD.</td> <td>-</td> <td>380A</td> <td>3\"/> <tr> <td>382A</td> <td>D</td> <td>6 <td>ALUM.</td> <td>ANODIZE D</td> <td>-</td> <td>-</td> <td>380B</td> <td>3\"/> <tr> <td>385</td> <td>ETR</td> <td>-</td> <td>WD.</td> <td>J2</td> <td>PTD.</td> <td>-</td> <td>382</td> <td>3\"/> <tr> <td>386</td> <td>ETR</td> <td>-</td> <td>WD.</td> <td>J2</td> <td>PTD.</td> <td>-</td> <td>382A</td> <td>3\"/> <tr> <td>387</td> <td>ETR</td> <td>-</td> <td>WD.</td> <td>J2</td> <td>PTD.</td> <td>-</td> <td>385</td> <td>3\"/> <tr> <td>388</td> <td>ETR</td> <td>-</td> <td>WD.</td> <td>J2</td> <td>PTD.</td> <td>-</td> <td>386</td> <td>3\"/> <tr> <td>389</td> <td>ETR</td> <td>-</td> <td>WD.</td> <td>J2</td> <td>PTD.</td> <td>-</td> <td>387</td> <td>3\"/> <tr> <td>391</td> <td>ETR</td> <td>-</td> <td>WD.</td> <td>J2</td> <td>PTD.</td> <td>-</td> <td>388</td> <td>3\"/> <tr> <td>391A</td> <td>ETR</td> <td>-</td> <td>WD.</td> <td>J2</td> <td>PTD.</td> <td>-</td> <td>389</td> <td>3\"/> <tr> <td>391B</td> <td>ETR</td> <td>-</td> <td>WD.</td> <td>J2</td> <td>PTD.</td> <td>-</td> <td>391</td> <td>3\"/> <tr> <td>394</td> <td>ETR</td> <td>-</td> <td>WD.</td> <td>J2</td> <td>PTD.</td> <td>-</td> <td>391A</td> <td>3\"/> <tr> <td>395</td> <td>ETR</td> <td>-</td> <td>WD.</td> <td>J2</td> <td>PTD.</td> <td>-</td> <td>391B</td> <td>3\"/> <tr> <td>396</td> <td>ETR</td> <td>-</td> <td>WD.</td> <td>J2</td> <td>PTD.</td> <td>-</td> <td>394</td> <td>3\"/> <tr> <td>398</td> <td>ETR</td> <td>-</td> <td>WD.</td> <td>J2</td> <td>PTD.</td> <td>-</td> <td>395</td> <td>3\"/> <tr> <td>399</td> <td>ETR</td> <td>-</td> <td>WD.</td> <td>J2</td> <td>PTD.</td> <td>-</td> <td>396</td> <td>3\"/> <tr> <td>3991</td> <td>ETR</td> <td>-</td> <td>WD.</td> <td>J2</td> <td>PTD.</td> <td>-</td> <td>398</td> <td>3\"/> <tr> <td>3992</td> <td>A</td> <td>3\"/> <tr> <td>3993</td> <td>ETR</td> <td>-</td> <td>WD.</td> <td>J2</td> <td>PTD.</td> <td>-</td> <td>399</td> <td>3\"/> <tr> <td>3994</td> <td>ETR</td> <td>-</td> <td>WD.</td> <td>J2</td> <td>PTD.</td> <td>-</td> <td>3991</td> <td>3\"/> <tr> <td>3995</td> <td>ETR</td> <td>-</td> <td>WD.</td> <td>J2</td> <td>PTD.</td> <td>-</td> <td>3992</td> <td>3\"/> <tr> <td>3997</td> <td>ETR</td> <td>-</td> <td>WD.</td> <td>J2</td> <td>PTD.</td> <td>-</td> <td>3993</td> <td>3\"/> <tr> <td>3998</td> <td>ETR</td> <td>-</td> <td>WD.</td> <td>J2</td> <td>PTD.</td> <td>-</td> <td>3994</td> <td>3\"/> <tr> <td>3999</td> <td>ETR</td> <td>-</td> <td>WD.</td> <td>J2</td> <td>PTD.</td> <td>-</td> <td>3995</td> <td>3\"/> <tr> <td>3999</td> <td>ETR</td> <td>-</td> <td>WD.</td> <td>J2</td> <td>PTD.</td> <td>-</td> <td>3997</td> <td>3\"/> </td></tr></td></tr></td></tr></td></tr></td></tr></td></tr></td></tr></td></tr></td></tr></td></tr></td></tr></td></tr></td></tr></td></tr></td></tr></td></tr></td></tr></td></tr></td></tr></td></tr></td></tr></td></tr></td></td></tr></td></tr></td></td></tr></td></td></tr></td></td></tr></td></td></tr></td></td></tr></td>
 | WD | J1 | PTD. | - | 375 | 3\"/> <tr> <td>377A</td> <td>B</td> <td>1 <td>WD</td> <td>J1</td> <td>PTD.</td> <td>-</td> <td>376</td> <td>3\"/> <tr> <td>378</td> <td>B</td> <td>1 <td>WD</td> <td>J1</td> <td>PTD.</td> <td>-</td> <td>377</td> <td>3\"/> <tr> <td>379</td> <td>B</td> <td>1 <td>WD</td> <td>J1</td> <td>PTD.</td> <td>-</td> <td>377A</td> <td>3\"/> <tr> <td>380A</td> <td>B</td> <td>1 <td>WD</td> <td>J1</td> <td>PTD.</td> <td>-</td> <td>378</td> <td>3\"/> <tr> <td>380B</td> <td>B</td> <td>1 <td>WD</td> <td>J1</td> <td>PTD.</td> <td>-</td> <td>379</td> <td>3\"/> <tr> <td>382</td> <td>ETR</td> <td>-</td> <td>WD.</td> <td>J2</td> <td>PTD.</td> <td>-</td> <td>380A</td> <td>3\"/> <tr> <td>382A</td> <td>D</td> <td>6 <td>ALUM.</td> <td>ANODIZE D</td> <td>-</td> <td>-</td> <td>380B</td> <td>3\"/> <tr> <td>385</td> <td>ETR</td> <td>-</td> <td>WD.</td> <td>J2</td> <td>PTD.</td> <td>-</td> <td>382</td> <td>3\"/> <tr> <td>386</td> <td>ETR</td> <td>-</td> <td>WD.</td> <td>J2</td> <td>PTD.</td> <td>-</td> <td>382A</td> <td>3\"/> <tr> <td>387</td> <td>ETR</td> <td>-</td> <td>WD.</td> <td>J2</td> <td>PTD.</td> <td>-</td> <td>385</td> <td>3\"/> <tr> <td>388</td> <td>ETR</td> <td>-</td> <td>WD.</td> <td>J2</td> <td>PTD.</td> <td>-</td> <td>386</td> <td>3\"/> <tr> <td>389</td> <td>ETR</td> <td>-</td> <td>WD.</td> <td>J2</td> <td>PTD.</td> <td>-</td> <td>387</td> <td>3\"/> <tr> <td>391</td> <td>ETR</td> <td>-</td> <td>WD.</td> <td>J2</td> <td>PTD.</td> <td>-</td> <td>388</td> <td>3\"/> <tr> <td>391A</td> <td>ETR</td> <td>-</td> <td>WD.</td> <td>J2</td> <td>PTD.</td> <td>-</td> <td>389</td> <td>3\"/> <tr> <td>391B</td> <td>ETR</td> <td>-</td> <td>WD.</td> <td>J2</td> <td>PTD.</td> <td>-</td> <td>391</td> <td>3\"/> <tr> <td>394</td> <td>ETR</td> <td>-</td> <td>WD.</td> <td>J2</td> <td>PTD.</td> <td>-</td> <td>391A</td> <td>3\"/> <tr> <td>395</td> <td>ETR</td> <td>-</td> <td>WD.</td> <td>J2</td> <td>PTD.</td> <td>-</td> <td>391B</td> <td>3\"/> <tr> <td>396</td> <td>ETR</td> <td>-</td> <td>WD.</td> <td>J2</td> <td>PTD.</td> <td>-</td> <td>394</td> <td>3\"/> <tr> <td>398</td> <td>ETR</td> <td>-</td> <td>WD.</td> <td>J2</td> <td>PTD.</td> <td>-</td> <td>395</td> <td>3\"/> <tr> <td>399</td> <td>ETR</td> <td>-</td> <td>WD.</td> <td>J2</td> <td>PTD.</td> <td>-</td> <td>396</td> <td>3\"/> <tr> <td>3991</td> <td>ETR</td> <td>-</td> <td>WD.</td> <td>J2</td> <td>PTD.</td> <td>-</td> <td>398</td> <td>3\"/> <tr> <td>3992</td> <td>A</td> <td>3\"/> <tr> <td>3993</td> <td>ETR</td> <td>-</td> <td>WD.</td> <td>J2</td> <td>PTD.</td> <td>-</td> <td>399</td> <td>3\"/> <tr> <td>3994</td> <td>ETR</td> <td>-</td> <td>WD.</td> <td>J2</td> <td>PTD.</td> <td>-</td> <td>3991</td> <td>3\"/> <tr> <td>3995</td> <td>ETR</td> <td>-</td> <td>WD.</td> <td>J2</td> <td>PTD.</td> <td>-</td> <td>3992</td> <td>3\"/> <tr> <td>3997</td> <td>ETR</td> <td>-</td> <td>WD.</td> <td>J2</td> <td>PTD.</td> <td>-</td> <td>3993</td> <td>3\"/> <tr> <td>3998</td> <td>ETR</td> <td>-</td> <td>WD.</td> <td>J2</td> <td>PTD.</td> <td>-</td> <td>3994</td> <td>3\"/> <tr> <td>3999</td> <td>ETR</td> <td>-</td> <td>WD.</td> <td>J2</td> <td>PTD.</td> <td>-</td> <td>3995</td> <td>3\"/> <tr> <td>3999</td> <td>ETR</td> <td>-</td> <td>WD.</td> <td>J2</td> <td>PTD.</td> <td>-</td> <td>3997</td> <td>3\"/> </td></tr></td></tr></td></tr></td></tr></td></tr></td></tr></td></tr></td></tr></td></tr></td></tr></td></tr></td></tr></td></tr></td></tr></td></tr></td></tr></td></tr></td></tr></td></tr></td></tr></td></tr></td></tr></td></td></tr></td></tr></td></td></tr></td></td></tr></td></td></tr></td></td></tr></td></td></tr> | 377A | B | 1 <td>WD</td> <td>J1</td> <td>PTD.</td> <td>-</td> <td>376</td> <td>3\"/> <tr> <td>378</td> <td>B</td> <td>1 <td>WD</td> <td>J1</td> <td>PTD.</td> <td>-</td> <td>377</td> <td>3\"/> <tr> <td>379</td> <td>B</td> <td>1 <td>WD</td> <td>J1</td> <td>PTD.</td> <td>-</td> <td>377A</td> <td>3\"/> <tr> <td>380A</td> <td>B</td> <td>1 <td>WD</td> <td>J1</td> <td>PTD.</td> <td>-</td> <td>378</td> <td>3\"/> <tr> <td>380B</td> <td>B</td> <td>1 <td>WD</td> <td>J1</td> <td>PTD.</td> <td>-</td> <td>379</td> <td>3\"/> <tr> <td>382</td> <td>ETR</td> <td>-</td> <td>WD.</td> <td>J2</td> <td>PTD.</td> <td>-</td> <td>380A</td> <td>3\"/> <tr> <td>382A</td> <td>D</td> <td>6 <td>ALUM.</td> <td>ANODIZE D</td> <td>-</td> <td>-</td> <td>380B</td> <td>3\"/> <tr> <td>385</td> <td>ETR</td> <td>-</td> <td>WD.</td> <td>J2</td> <td>PTD.</td> <td>-</td> <td>382</td> <td>3\"/> <tr> <td>386</td> <td>ETR</td> <td>-</td> <td>WD.</td> <td>J2</td> <td>PTD.</td> <td>-</td> <td>382A</td> <td>3\"/> <tr> <td>387</td> <td>ETR</td> <td>-</td> <td>WD.</td> <td>J2</td> <td>PTD.</td> <td>-</td> <td>385</td> <td>3\"/> <tr> <td>388</td> <td>ETR</td> <td>-</td> <td>WD.</td> <td>J2</td> <td>PTD.</td> <td>-</td> <td>386</td> <td>3\"/> <tr> <td>389</td> <td>ETR</td> <td>-</td> <td>WD.</td> <td>J2</td> <td>PTD.</td> <td>-</td> <td>387</td> <td>3\"/> <tr> <td>391</td> <td>ETR</td> <td>-</td> <td>WD.</td> <td>J2</td> <td>PTD.</td> <td>-</td> <td>388</td> <td>3\"/> <tr> <td>391A</td> <td>ETR</td> <td>-</td> <td>WD.</td> <td>J2</td> <td>PTD.</td> <td>-</td> <td>389</td> <td>3\"/> <tr> <td>391B</td> <td>ETR</td> <td>-</td> <td>WD.</td> <td>J2</td> <td>PTD.</td> <td>-</td> <td>391</td> <td>3\"/> <tr> <td>394</td> <td>ETR</td> <td>-</td> <td>WD.</td> <td>J2</td> <td>PTD.</td> <td>-</td> <td>391A</td> <td>3\"/> <tr> <td>395</td> <td>ETR</td> <td>-</td> <td>WD.</td> <td>J2</td> <td>PTD.</td> <td>-</td> <td>391B</td> <td>3\"/> <tr> <td>396</td> <td>ETR</td> <td>-</td> <td>WD.</td> <td>J2</td> <td>PTD.</td> <td>-</td> <td>394</td> <td>3\"/> <tr> <td>398</td> <td>ETR</td> <td>-</td> <td>WD.</td> <td>J2</td> <td>PTD.</td> <td>-</td> <td>395</td> <td>3\"/> <tr> <td>399</td> <td>ETR</td> <td>-</td> <td>WD.</td> <td>J2</td> <td>PTD.</td> <td>-</td> <td>396</td> <td>3\"/> <tr> <td>3991</td> <td>ETR</td> <td>-</td> <td>WD.</td> <td>J2</td> <td>PTD.</td> <td>-</td> <td>398</td> <td>3\"/> <tr> <td>3992</td> <td>A</td> <td>3\"/> <tr> <td>3993</td> <td>ETR</td> <td>-</td> <td>WD.</td> <td>J2</td> <td>PTD.</td> <td>-</td> <td>399</td> <td>3\"/> <tr> <td>3994</td> <td>ETR</td> <td>-</td> <td>WD.</td> <td>J2</td> <td>PTD.</td> <td>-</td> <td>3991</td> <td>3\"/> <tr> <td>3995</td> <td>ETR</td> <td>-</td> <td>WD.</td> <td>J2</td> <td>PTD.</td> <td>-</td> <td>3992</td> <td>3\"/> <tr> <td>3997</td> <td>ETR</td> <td>-</td> <td>WD.</td> <td>J2</td> <td>PTD.</td> <td>-</td> <td>3993</td> <td>3\"/> <tr> <td>3998</td> <td>ETR</td> <td>-</td> <td>WD.</td> <td>J2</td> <td>PTD.</td> <td>-</td> <td>3994</td> <td>3\"/> <tr> <td>3999</td> <td>ETR</td> <td>-</td> <td>WD.</td> <td>J2</td> <td>PTD.</td> <td>-</td> <td>3995</td> <td>3\"/> <tr> <td>3999</td> <td>ETR</td> <td>-</td> <td>WD.</td> <td>J2</td> <td>PTD.</td> <td>-</td> <td>3997</td> <td>3\"/> </td></tr></td></tr></td></tr></td></tr></td></tr></td></tr></td></tr></td></tr></td></tr></td></tr></td></tr></td></tr></td></tr></td></tr></td></tr></td></tr></td></tr></td></tr></td></tr></td></tr></td></tr></td></tr></td></td></tr></td></tr></td></td></tr></td></td></tr></td></td></tr></td></td></tr></td>
 | WD | J1 | PTD. | - | 376 | 3\"/> <tr> <td>378</td> <td>B</td> <td>1 <td>WD</td> <td>J1</td> <td>PTD.</td> <td>-</td> <td>377</td> <td>3\"/> <tr> <td>379</td> <td>B</td> <td>1 <td>WD</td> <td>J1</td> <td>PTD.</td> <td>-</td> <td>377A</td> <td>3\"/> <tr> <td>380A</td> <td>B</td> <td>1 <td>WD</td> <td>J1</td> <td>PTD.</td> <td>-</td> <td>378</td> <td>3\"/> <tr> <td>380B</td> <td>B</td> <td>1 <td>WD</td> <td>J1</td> <td>PTD.</td> <td>-</td> <td>379</td> <td>3\"/> <tr> <td>382</td> <td>ETR</td> <td>-</td> <td>WD.</td> <td>J2</td> <td>PTD.</td> <td>-</td> <td>380A</td> <td>3\"/> <tr> <td>382A</td> <td>D</td> <td>6 <td>ALUM.</td> <td>ANODIZE D</td> <td>-</td> <td>-</td> <td>380B</td> <td>3\"/> <tr> <td>385</td> <td>ETR</td> <td>-</td> <td>WD.</td> <td>J2</td> <td>PTD.</td> <td>-</td> <td>382</td> <td>3\"/> <tr> <td>386</td> <td>ETR</td> <td>-</td> <td>WD.</td> <td>J2</td> <td>PTD.</td> <td>-</td> <td>382A</td> <td>3\"/> <tr> <td>387</td> <td>ETR</td> <td>-</td> <td>WD.</td> <td>J2</td> <td>PTD.</td> <td>-</td> <td>385</td> <td>3\"/> <tr> <td>388</td> <td>ETR</td> <td>-</td> <td>WD.</td> <td>J2</td> <td>PTD.</td> <td>-</td> <td>386</td> <td>3\"/> <tr> <td>389</td> <td>ETR</td> <td>-</td> <td>WD.</td> <td>J2</td> <td>PTD.</td> <td>-</td> <td>387</td> <td>3\"/> <tr> <td>391</td> <td>ETR</td> <td>-</td> <td>WD.</td> <td>J2</td> <td>PTD.</td> <td>-</td> <td>388</td> <td>3\"/> <tr> <td>391A</td> <td>ETR</td> <td>-</td> <td>WD.</td> <td>J2</td> <td>PTD.</td> <td>-</td> <td>389</td> <td>3\"/> <tr> <td>391B</td> <td>ETR</td> <td>-</td> <td>WD.</td> <td>J2</td> <td>PTD.</td> <td>-</td> <td>391</td> <td>3\"/> <tr> <td>394</td> <td>ETR</td> <td>-</td> <td>WD.</td> <td>J2</td> <td>PTD.</td> <td>-</td> <td>391A</td> <td>3\"/> <tr> <td>395</td> <td>ETR</td> <td>-</td> <td>WD.</td> <td>J2</td> <td>PTD.</td> <td>-</td> <td>391B</td> <td>3\"/> <tr> <td>396</td> <td>ETR</td> <td>-</td> <td>WD.</td> <td>J2</td> <td>PTD.</td> <td>-</td> <td>394</td> <td>3\"/> <tr> <td>398</td> <td>ETR</td> <td>-</td> <td>WD.</td> <td>J2</td> <td>PTD.</td> <td>-</td> <td>395</td> <td>3\"/> <tr> <td>399</td> <td>ETR</td> <td>-</td> <td>WD.</td> <td>J2</td> <td>PTD.</td> <td>-</td> <td>396</td> <td>3\"/> <tr> <td>3991</td> <td>ETR</td> <td>-</td> <td>WD.</td> <td>J2</td> <td>PTD.</td> <td>-</td> <td>398</td> <td>3\"/> <tr> <td>3992</td> <td>A</td> <td>3\"/> <tr> <td>3993</td> <td>ETR</td> <td>-</td> <td>WD.</td> <td>J2</td> <td>PTD.</td> <td>-</td> <td>399</td> <td>3\"/> <tr> <td>3994</td> <td>ETR</td> <td>-</td> <td>WD.</td> <td>J2</td> <td>PTD.</td> <td>-</td> <td>3991</td> <td>3\"/> <tr> <td>3995</td> <td>ETR</td> <td>-</td> <td>WD.</td> <td>J2</td> <td>PTD.</td> <td>-</td> <td>3992</td> <td>3\"/> <tr> <td>3997</td> <td>ETR</td> <td>-</td> <td>WD.</td> <td>J2</td> <td>PTD.</td> <td>-</td> <td>3993</td> <td>3\"/> <tr> <td>3998</td> <td>ETR</td> <td>-</td> <td>WD.</td> <td>J2</td> <td>PTD.</td> <td>-</td> <td>3994</td> <td>3\"/> <tr> <td>3999</td> <td>ETR</td> <td>-</td> <td>WD.</td> <td>J2</td> <td>PTD.</td> <td>-</td> <td>3995</td> <td>3\"/> <tr> <td>3999</td> <td>ETR</td> <td>-</td> <td>WD.</td> <td>J2</td> <td>PTD.</td> <td>-</td> <td>3997</td> <td>3\"/> </td></tr></td></tr></td></tr></td></tr></td></tr></td></tr></td></tr></td></tr></td></tr></td></tr></td></tr></td></tr></td></tr></td></tr></td></tr></td></tr></td></tr></td></tr></td></tr></td></tr></td></tr></td></tr></td></td></tr></td></tr></td></td></tr></td></td></tr></td></td></tr></td></td></tr> | 378 | B | 1 <td>WD</td> <td>J1</td> <td>PTD.</td> <td>-</td> <td>377</td> <td>3\"/> <tr> <td>379</td> <td>B</td> <td>1 <td>WD</td> <td>J1</td> <td>PTD.</td> <td>-</td> <td>377A</td> <td>3\"/> <tr> <td>380A</td> <td>B</td> <td>1 <td>WD</td> <td>J1</td> <td>PTD.</td> <td>-</td> <td>378</td> <td>3\"/> <tr> <td>380B</td> <td>B</td> <td>1 <td>WD</td> <td>J1</td> <td>PTD.</td> <td>-</td> <td>379</td> <td>3\"/> <tr> <td>382</td> <td>ETR</td> <td>-</td> <td>WD.</td> <td>J2</td> <td>PTD.</td> <td>-</td> <td>380A</td> <td>3\"/> <tr> <td>382A</td> <td>D</td> <td>6 <td>ALUM.</td> <td>ANODIZE D</td> <td>-</td> <td>-</td> <td>380B</td> <td>3\"/> <tr> <td>385</td> <td>ETR</td> <td>-</td> <td>WD.</td> <td>J2</td> <td>PTD.</td> <td>-</td> <td>382</td> <td>3\"/> <tr> <td>386</td> <td>ETR</td> <td>-</td> <td>WD.</td> <td>J2</td> <td>PTD.</td> <td>-</td> <td>382A</td> <td>3\"/> <tr> <td>387</td> <td>ETR</td> <td>-</td> <td>WD.</td> <td>J2</td> <td>PTD.</td> <td>-</td> <td>385</td> <td>3\"/> <tr> <td>388</td> <td>ETR</td> <td>-</td> <td>WD.</td> <td>J2</td> <td>PTD.</td> <td>-</td> <td>386</td> <td>3\"/> <tr> <td>389</td> <td>ETR</td> <td>-</td> <td>WD.</td> <td>J2</td> <td>PTD.</td> <td>-</td> <td>387</td> <td>3\"/> <tr> <td>391</td> <td>ETR</td> <td>-</td> <td>WD.</td> <td>J2</td> <td>PTD.</td> <td>-</td> <td>388</td> <td>3\"/> <tr> <td>391A</td> <td>ETR</td> <td>-</td> <td>WD.</td> <td>J2</td> <td>PTD.</td> <td>-</td> <td>389</td> <td>3\"/> <tr> <td>391B</td> <td>ETR</td> <td>-</td> <td>WD.</td> <td>J2</td> <td>PTD.</td> <td>-</td> <td>391</td> <td>3\"/> <tr> <td>394</td> <td>ETR</td> <td>-</td> <td>WD.</td> <td>J2</td> <td>PTD.</td> <td>-</td> <td>391A</td> <td>3\"/> <tr> <td>395</td> <td>ETR</td> <td>-</td> <td>WD.</td> <td>J2</td> <td>PTD.</td> <td>-</td> <td>391B</td> <td>3\"/> <tr> <td>396</td> <td>ETR</td> <td>-</td> <td>WD.</td> <td>J2</td> <td>PTD.</td> <td>-</td> <td>394</td> <td>3\"/> <tr> <td>398</td> <td>ETR</td> <td>-</td> <td>WD.</td> <td>J2</td> <td>PTD.</td> <td>-</td> <td>395</td> <td>3\"/> <tr> <td>399</td> <td>ETR</td> <td>-</td> <td>WD.</td> <td>J2</td> <td>PTD.</td> <td>-</td> <td>396</td> <td>3\"/> <tr> <td>3991</td> <td>ETR</td> <td>-</td> <td>WD.</td> <td>J2</td> <td>PTD.</td> <td>-</td> <td>398</td> <td>3\"/> <tr> <td>3992</td> <td>A</td> <td>3\"/> <tr> <td>3993</td> <td>ETR</td> <td>-</td> <td>WD.</td> <td>J2</td> <td>PTD.</td> <td>-</td> <td>399</td> <td>3\"/> <tr> <td>3994</td> <td>ETR</td> <td>-</td> <td>WD.</td> <td>J2</td> <td>PTD.</td> <td>-</td> <td>3991</td> <td>3\"/> <tr> <td>3995</td> <td>ETR</td> <td>-</td> <td>WD.</td> <td>J2</td> <td>PTD.</td> <td>-</td> <td>3992</td>
<td>3\"/> <tr> <td>3997</td> <td>ETR</td> <td>-</td> <td>WD.</td> <td>J2</td> <td>PTD.</td> <td>-</td> <td>3993</td> <td>3\"/> <tr> <td>3998</td> <td>ETR</td> <td>-</td> <td>WD.</td> <td>J2</td> <td>PTD.</td> <td>-</td> <td>3994</td> <td>3\"/> <tr> <td>3999</td> <td>ETR</td> <td>-</td> <td>WD.</td> <td>J2</td> <td>PTD.</td> <td>-</td> <td>3995</td> <td>3\"/> <tr> <td>3999</td> <td>ETR</td> <td>-</td> <td>WD.</td> <td>J2</td> <td>PTD.</td> <td>-</td> <td>3997</td> <td>3\"/> </td></tr></td></tr></td></tr></td></tr></td></tr></td></tr></td></tr></td></tr></td></tr></td></tr></td></tr></td></tr></td></tr></td></tr></td></tr></td></tr></td></tr></td></tr></td></tr></td></tr></td></tr></td></tr></td></td></tr></td></tr></td></td></tr></td></td></tr></td></td></tr></td> | WD | J1 | PTD. | - | 377 | 3\"/> <tr> <td>379</td> <td>B</td> <td>1 <td>WD</td> <td>J1</td> <td>PTD.</td> <td>-</td> <td>377A</td> <td>3\"/> <tr> <td>380A</td> <td>B</td> <td>1 <td>WD</td> <td>J1</td> <td>PTD.</td> <td>-</td> <td>378</td> <td>3\"/> <tr> <td>380B</td> <td>B</td> <td>1 <td>WD</td> <td>J1</td> <td>PTD.</td> <td>-</td> <td>379</td> <td>3\"/> <tr> <td>382</td> <td>ETR</td> <td>-</td> <td>WD.</td> <td>J2</td> <td>PTD.</td> <td>-</td> <td>380A</td> <td>3\"/> <tr> <td>382A</td> <td>D</td> <td>6 <td>ALUM.</td> <td>ANODIZE D</td> <td>-</td> <td>-</td> <td>380B</td> <td>3\"/> <tr> <td>385</td> <td>ETR</td> <td>-</td> <td>WD.</td> <td>J2</td> <td>PTD.</td> <td>-</td> <td>382</td> <td>3\"/> <tr> <td>386</td> <td>ETR</td> <td>-</td> <td>WD.</td> <td>J2</td> <td>PTD.</td> <td>-</td> <td>382A</td> <td>3\"/> <tr> <td>387</td> <td>ETR</td> <td>-</td> <td>WD.</td> <td>J2</td> <td>PTD.</td> <td>-</td> <td>385</td> <td>3\"/> <tr> <td>388</td> <td>ETR</td> <td>-</td> <td>WD.</td> <td>J2</td> <td>PTD.</td> <td>-</td> <td>386</td> <td>3\"/> <tr> <td>389</td> <td>ETR</td> <td>-</td> <td>WD.</td> <td>J2</td> <td>PTD.</td> <td>-</td> <td>387</td> <td>3\"/> <tr> <td>391</td> <td>ETR</td> <td>-</td> <td>WD.</td> <td>J2</td> <td>PTD.</td> <td>-</td> <td>388</td> <td>3\"/> <tr> <td>391A</td> <td>ETR</td> <td>-</td> <td>WD.</td> <td>J2</td> <td>PTD.</td> <td>-</td> <td>389</td> <td>3\"/> <tr> <td>391B</td> <td>ETR</td> <td>-</td> <td>WD.</td> <td>J2</td> <td>PTD.</td> <td>-</td> <td>391</td> <td>3\"/> <tr> <td>394</td> <td>ETR</td> <td>-</td> <td>WD.</td> <td>J2</td> <td>PTD.</td> <td>-</td> <td>391A</td> <td>3\"/> <tr> <td>395</td> <td>ETR</td> <td>-</td> <td>WD.</td> <td>J2</td> <td>PTD.</td> <td>-</td> <td>391B</td> <td>3\"/> <tr> <td>396</td> <td>ETR</td> <td>-</td> <td>WD.</td> <td>J2</td> <td>PTD.</td> <td>-</td> <td>394</td> <td>3\"/> <tr> <td>398</td> <td>ETR</td> <td>-</td> <td>WD.</td> <td>J2</td> <td>PTD.</td> <td>-</td> <td>395</td> <td>3\"/> <tr> <td>399</td> <td>ETR</td> <td>-</td> <td>WD.</td> <td>J2</td> <td>PTD.</td> <td>-</td> <td>396</td> <td>3\"/> <tr> <td>3991</td> <td>ETR</td> <td>-</td> <td>WD.</td> <td>J2</td> <td>PTD.</td> <td>-</td> <td>398</td> <td>3\"/> <tr> <td>3992</td> <td>A</td> <td>3\"/> <tr> <td>3993</td> <td>ETR</td> <td>-</td> <td>WD.</td> <td>J2</td> <td>PTD.</td> <td>-</td> <td>399</td> <td>3\"/> <tr> <td>3994</td> <td>ETR</td> <td>-</td> <td>WD.</td> <td>J2</td> <td>PTD.</td> <td>-</td> <td>3991</td> <td>3\"/> <tr> <td>3995</td> <td>ETR</td> <td>-</td> <td>WD.</td> <td>J2</td> <td>PTD.</td> <td>-</td> <td>3992</td> <td>3\"/> <tr> <td>3997</td> <td>ETR</td> <td>-</td> <td>WD.</td> <td>J2</td> <td>PTD.</td> <td>-</td> <td>3993</td> <td>3\"/> <tr> <td>3998</td> <td>ETR</td> <td>-</td> <td>WD.</td> <td>J2</td> <td>PTD.</td> <td>-</td> <td>3994</td> <td>3\"/> <tr> <td>3999</td> <td>ETR</td> <td>-</td> <td>WD.</td> <td>J2</td> <td>PTD.</td> <td>-</td> <td>3995</td> <td>3\"/> <tr> <td>3999</td> <td>ETR</td> <td>-</td> <td>WD.</td> <td>J2</td> <td>PTD.</td> <td>-</td> <td>3997</td> <td>3\"/> </td></tr></td></tr></td></tr></td></tr></td></tr></td></tr></td></tr></td></tr></td></tr></td></tr></td></tr></td></tr></td></tr></td></tr></td></tr></td></tr></td></tr></td></tr></td></tr></td></tr></td></tr></td></tr></td></td></tr></td></tr></td></td></tr></td></td></tr></td></td></tr> | 379 | B | 1 <td>WD</td> <td>J1</td> <td>PTD.</td> <td>-</td> <td>377A</td> <td>3\"/> <tr> <td>380A</td> <td>B</td> <td>1 <td>WD</td> <td>J1</td> <td>PTD.</td> <td>-</td> <td>378</td> <td>3\"/> <tr> <td>380B</td> <td>B</td> <td>1 <td>WD</td> <td>J1</td> <td>PTD.</td> <td>-</td> <td>379</td> <td>3\"/> <tr> <td>382</td> <td>ETR</td> <td>-</td> <td>WD.</td> <td>J2</td> <td>PTD.</td> <td>-</td> <td>380A</td> <td>3\"/> <tr> <td>382A</td> <td>D</td> <td>6 <td>ALUM.</td> <td>ANODIZE D</td> <td>-</td> <td>-</td> <td>380B</td> <td>3\"/> <tr> <td>385</td> <td>ETR</td> <td>-</td> <td>WD.</td> <td>J2</td> <td>PTD.</td> <td>-</td> <td>382</td> <td>3\"/> <tr> <td>386</td> <td>ETR</td> <td>-</td> <td>WD.</td> <td>J2</td> <td>PTD.</td> <td>-</td> <td>382A</td> <td>3\"/> <tr> <td>387</td> <td>ETR</td> <td>-</td> <td>WD.</td> <td>J2</td> <td>PTD.</td> <td>-</td> <td>385</td> <td>3\"/> <tr> <td>388</td> <td>ETR</td> <td>-</td> <td>WD.</td> <td>J2</td> <td>PTD.</td> <td>-</td> <td>386</td> <td>3\"/> <tr> <td>389</td> <td>ETR</td> <td>-</td> <td>WD.</td> <td>J2</td> <td>PTD.</td> <td>-</td> <td>387</td> <td>3\"/> <tr> <td>391</td> <td>ETR</td> <td>-</td> <td>WD.</td> <td>J2</td> <td>PTD.</td> <td>-</td> <td>388</td> <td>3\"/> <tr> <td>391A</td> <td>ETR</td> <td>-</td> <td>WD.</td> <td>J2</td> <td>PTD.</td> <td>-</td> <td>389</td> <td>3\"/> <tr> <td>391B</td> <td>ETR</td> <td>-</td> <td>WD.</td> <td>J2</td> <td>PTD.</td> <td>-</td> <td>391</td> <td>3\"/> <tr> <td>394</td> <td>ETR</td> <td>-</td> <td>WD.</td> <td>J2</td> <td>PTD.</td> <td>-</td> <td>391A</td> <td>3\"/> <tr> <td>395</td> <td>ETR</td> <td>-</td> <td>WD.</td> <td>J2</td> <td>PTD.</td> <td>-</td> <td>391B</td> <td>3\"/> <tr> <td>396</td> <td>ETR</td> <td>-</td> <td>WD.</td>
<td>J2</td> <td>PTD.</td> <td>-</td> <td>394</td> <td>3\"/> <tr> <td>398</td> <td>ETR</td> <td>-</td> <td>WD.</td> <td>J2</td> <td>PTD.</td> <td>-</td> <td>395</td> <td>3\"/> <tr> <td>399</td> <td>ETR</td> <td>-</td> <td>WD.</td> <td>J2</td> <td>PTD.</td> <td>-</td> <td>396</td> <td>3\"/> <tr> <td>3991</td> <td>ETR</td> <td>-</td> <td>WD.</td> <td>J2</td> <td>PTD.</td> <td>-</td> <td>398</td> <td>3\"/> <tr> <td>3992</td> <td>A</td> <td>3\"/> <tr> <td>3993</td> <td>ETR</td> <td>-</td> <td>WD.</td> <td>J2</td> <td>PTD.</td> <td>-</td> <td>399</td> <td>3\"/> <tr> <td>3994</td> <td>ETR</td> <td>-</td> <td>WD.</td> <td>J2</td> <td>PTD.</td> <td>-</td> <td>3991</td> <td>3\"/> <tr> <td>3995</td> <td>ETR</td> <td>-</td> <td>WD.</td> <td>J2</td> <td>PTD.</td> <td>-</td> <td>3992</td> <td>3\"/> <tr> <td>3997</td> <td>ETR</td> <td>-</td> <td>WD.</td> <td>J2</td> <td>PTD.</td> <td>-</td> <td>3993</td> <td>3\"/> <tr> <td>3998</td> <td>ETR</td> <td>-</td> <td>WD.</td> <td>J2</td> <td>PTD.</td> <td>-</td> <td>3994</td> <td>3\"/> <tr> <td>3999</td> <td>ETR</td> <td>-</td> <td>WD.</td> <td>J2</td> <td>PTD.</td> <td>-</td> <td>3995</td> <td>3\"/> <tr> <td>3999</td> <td>ETR</td> <td>-</td> <td>WD.</td> <td>J2</td> <td>PTD.</td> <td>-</td> <td>3997</td> <td>3\"/> </td></tr></td></tr></td></tr></td></tr></td></tr></td></tr></td></tr></td></tr></td></tr></td></tr></td></tr></td></tr></td></tr></td></tr></td></tr></td></tr></td></tr></td></tr></td></tr></td></tr></td></tr></td></tr></td></td></tr></td></tr></td></td></tr></td></td></tr></td> | WD | J1 | PTD. | - | 377A | 3\"/> <tr> <td>380A</td> <td>B</td> <td>1 <td>WD</td> <td>J1</td> <td>PTD.</td> <td>-</td> <td>378</td> <td>3\"/> <tr> <td>380B</td> <td>B</td> <td>1 <td>WD</td> <td>J1</td> <td>PTD.</td> <td>-</td> <td>379</td> <td>3\"/> <tr> <td>382</td> <td>ETR</td> <td>-</td> <td>WD.</td> <td>J2</td> <td>PTD.</td> <td>-</td> <td>380A</td> <td>3\"/> <tr> <td>382A</td> <td>D</td> <td>6 <td>ALUM.</td> <td>ANODIZE D</td> <td>-</td> <td>-</td> <td>380B</td> <td>3\"/> <tr> <td>385</td> <td>ETR</td> <td>-</td> <td>WD.</td> <td>J2</td> <td>PTD.</td> <td>-</td> <td>382</td> <td>3\"/> <tr> <td>386</td> <td>ETR</td> <td>-</td> <td>WD.</td> <td>J2</td> <td>PTD.</td> <td>-</td> <td>382A</td> <td>3\"/> <tr> <td>387</td> <td>ETR</td> <td>-</td> <td>WD.</td> <td>J2</td> <td>PTD.</td> <td>-</td> <td>385</td> <td>3\"/> <tr> <td>388</td> <td>ETR</td> <td>-</td> <td>WD.</td> <td>J2</td> <td>PTD.</td> <td>-</td> <td>386</td> <td>3\"/> <tr> <td>389</td> <td>ETR</td> <td>-</td> <td>WD.</td> <td>J2</td> <td>PTD.</td> <td>-</td> <td>387</td> <td>3\"/> <tr> <td>391</td> <td>ETR</td> <td>-</td> <td>WD.</td> <td>J2</td> <td>PTD.</td> <td>-</td> <td>388</td> <td>3\"/> <tr> <td>391A</td> <td>ETR</td> <td>-</td> <td>WD.</td> <td>J2</td> <td>PTD.</td> <td>-</td> <td>389</td> <td>3\"/> <tr> <td>391B</td> <td>ETR</td> <td>-</td> <td>WD.</td> <td>J2</td> <td>PTD.</td> <td>-</td> <td>391</td> <td>3\"/> <tr> <td>394</td> <td>ETR</td> <td>-</td> <td>WD.</td> <td>J2</td> <td>PTD.</td> <td>-</td> <td>391A</td> <td>3\"/> <tr> <td>395</td> <td>ETR</td> <td>-</td> <td>WD.</td> <td>J2</td> <td>PTD.</td> <td>-</td> <td>391B</td> <td>3\"/> <tr> <td>396</td> <td>ETR</td> <td>-</td> <td>WD.</td> <td>J2</td> <td>PTD.</td> <td>-</td> <td>394</td> <td>3\"/> <tr> <td>398</td> <td>ETR</td> <td>-</td> <td>WD.</td> <td>J2</td> <td>PTD.</td> <td>-</td> <td>395</td> <td>3\"/> <tr> <td>399</td> <td>ETR</td> <td>-</td> <td>WD.</td> <td>J2</td> <td>PTD.</td> <td>-</td> <td>396</td> <td>3\"/> <tr> <td>3991</td> <td>ETR</td> <td>-</td> <td>WD.</td> <td>J2</td> <td>PTD.</td> <td>-</td> <td>398</td> <td>3\"/> <tr> <td>3992</td> <td>A</td> <td>3\"/> <tr> <td>3993</td> <td>ETR</td> <td>-</td> <td>WD.</td> <td>J2</td> <td>PTD.</td> <td>-</td> <td>399</td> <td>3\"/> <tr> <td>3994</td> <td>ETR</td> <td>-</td> <td>WD.</td> <td>J2</td> <td>PTD.</td> <td>-</td> <td>3991</td> <td>3\"/> <tr> <td>3995</td> <td>ETR</td> <td>-</td> <td>WD.</td> <td>J2</td> <td>PTD.</td> <td>-</td> <td>3992</td> <td>3\"/> <tr> <td>3997</td> <td>ETR</td> <td>-</td> <td>WD.</td> <td>J2</td> <td>PTD.</td> <td>-</td> <td>3993</td> <td>3\"/> <tr> <td>3998</td> <td>ETR</td> <td>-</td> <td>WD.</td> <td>J2</td> <td>PTD.</td> <td>-</td> <td>3994</td> <td>3\"/> <tr> <td>3999</td> <td>ETR</td> <td>-</td> <td>WD.</td> <td>J2</td> <td>PTD.</td> <td>-</td> <td>3995</td> <td>3\"/> <tr> <td>3999</td> <td>ETR</td> <td>-</td> <td>WD.</td> <td>J2</td> <td>PTD.</td> <td>-</td> <td>3997</td> <td>3\"/> </td></tr></td></tr></td></tr></td></tr></td></tr></td></tr></td></tr></td></tr></td></tr></td></tr></td></tr></td></tr></td></tr></td></tr></td></tr></td></tr></td></tr></td></tr></td></tr></td></tr></td></tr></td></tr></td></td></tr></td></tr></td></td></tr></td></td></tr> | 380A | B | 1 <td>WD</td> <td>J1</td> <td>PTD.</td> <td>-</td> <td>378</td> <td>3\"/> <tr> <td>380B</td> <td>B</td> <td>1 <td>WD</td> <td>J1</td> <td>PTD.</td> <td>-</td> <td>379</td> <td>3\"/> <tr> <td>382</td> <td>ETR</td> <td>-</td> <td>WD.</td> <td>J2</td> <td>PTD.</td> <td>-</td> <td>380A</td> <td>3\"/> <tr> <td>382A</td> <td>D</td> <td>6 <td>ALUM.</td> <td>ANODIZE D</td> <td>-</td> <td>-</td> <td>380B</td> <td>3\"/> <tr> <td>385</td> <td>ETR</td> <td>-</td> <td>WD.</td> <td>J2</td> <td>PTD.</td> <td>-</td> <td>382</td> <td>3\"/> <tr> <td>386</td> <td>ETR</td> <td>-</td> <td>WD.</td> <td>J2</td> <td>PTD.</td> <td>-</td> <td>382A</td> <td>3\"/> <tr> <td>387</td> <td>ETR</td> <td>-</td> <td>WD.</td> <td>J2</td> <td>PTD.</td> <td>-</td> <td>385</td> <td>3\"/> <tr> <td>388</td> <td>ETR</td> <td>-</td> <td>WD.</td> <td>J2</td> <td>PTD.</td> <td>-</td> <td>386</td> <td>3\"/> <tr> <td>389</td> <td>ETR</td> <td>-</td> <td>WD.</td> <td>J2</td> <td>PTD.</td> <td>-</td> <td>387</td> <td>3\"/> <tr> <td>391</td> <td>ETR</td> <td>-</td> <td>WD.</td> <td>J2</td> <td>PTD.</td> <td>-</td> <td>388</td>
<td>3\"/> <tr> <td>391A</td> <td>ETR</td> <td>-</td> <td>WD.</td> <td>J2</td> <td>PTD.</td> <td>-</td> <td>389</td> <td>3\"/> <tr> <td>391B</td> <td>ETR</td> <td>-</td> <td>WD.</td> <td>J2</td> <td>PTD.</td> <td>-</td> <td>391</td> <td>3\"/> <tr> <td>394</td> <td>ETR</td> <td>-</td> <td>WD.</td> <td>J2</td> <td>PTD.</td> <td>-</td> <td>391A</td> <td>3\"/> <tr> <td>395</td> <td>ETR</td> <td>-</td> <td>WD.</td> <td>J2</td> <td>PTD.</td> <td>-</td> <td>391B</td> <td>3\"/> <tr> <td>396</td> <td>ETR</td> <td>-</td> <td>WD.</td> <td>J2</td> <td>PTD.</td> <td>-</td> <td>394</td> <td>3\"/> <tr> <td>398</td> <td>ETR</td> <td>-</td> <td>WD.</td> <td>J2</td> <td>PTD.</td> <td>-</td> <td>395</td> <td>3\"/> <tr> <td>399</td> <td>ETR</td> <td>-</td> <td>WD.</td> <td>J2</td> <td>PTD.</td> <td>-</td> <td>396</td> <td>3\"/> <tr> <td>3991</td> <td>ETR</td> <td>-</td> <td>WD.</td> <td>J2</td> <td>PTD.</td> <td>-</td> <td>398</td> <td>3\"/> <tr> <td>3992</td> <td>A</td> <td>3\"/> <tr> <td>3993</td> <td>ETR</td> <td>-</td> <td>WD.</td> <td>J2</td> <td>PTD.</td> <td>-</td> <td>399</td> <td>3\"/> <tr> <td>3994</td> <td>ETR</td> <td>-</td> <td>WD.</td> <td>J2</td> <td>PTD.</td> <td>-</td> <td>3991</td> <td>3\"/> <tr> <td>3995</td> <td>ETR</td> <td>-</td> <td>WD.</td> <td>J2</td> <td>PTD.</td> <td>-</td> <td>3992</td> <td>3\"/> <tr> <td>3997</td> <td>ETR</td> <td>-</td> <td>WD.</td> <td>J2</td> <td>PTD.</td> <td>-</td> <td>3993</td> <td>3\"/> <tr> <td>3998</td> <td>ETR</td> <td>-</td> <td>WD.</td> <td>J2</td> <td>PTD.</td> <td>-</td> <td>3994</td> <td>3\"/> <tr> <td>3999</td> <td>ETR</td> <td>-</td> <td>WD.</td> <td>J2</td> <td>PTD.</td> <td>-</td> <td>3995</td> <td>3\"/> <tr> <td>3999</td> <td>ETR</td> <td>-</td> <td>WD.</td> <td>J2</td> <td>PTD.</td> <td>-</td> <td>3997</td> <td>3\"/> </td></tr></td></tr></td></tr></td></tr></td></tr></td></tr></td></tr></td></tr></td></tr></td></tr></td></tr></td></tr></td></tr></td></tr></td></tr></td></tr></td></tr></td></tr></td></tr></td></tr></td></tr></td></tr></td></td></tr></td></tr></td></td></tr></td> | WD | J1 | PTD. | - | 378 | 3\"/> <tr> <td>380B</td> <td>B</td> <td>1 <td>WD</td> <td>J1</td> <td>PTD.</td> <td>-</td> <td>379</td> <td>3\"/> <tr> <td>382</td> <td>ETR</td> <td>-</td> <td>WD.</td> <td>J2</td> <td>PTD.</td> <td>-</td> <td>380A</td> <td>3\"/> <tr> <td>382A</td> <td>D</td> <td>6 <td>ALUM.</td> <td>ANODIZE D</td> <td>-</td> <td>-</td> <td>380B</td> <td>3\"/> <tr> <td>385</td> <td>ETR</td> <td>-</td> <td>WD.</td> <td>J2</td> <td>PTD.</td> <td>-</td> <td>382</td> <td>3\"/> <tr> <td>386</td> <td>ETR</td> <td>-</td> <td>WD.</td> <td>J2</td> <td>PTD.</td> <td>-</td> <td>382A</td> <td>3\"/> <tr> <td>387</td> <td>ETR</td> <td>-</td> <td>WD.</td> <td>J2</td>
<td>PTD.</td> <td>-</td> <td>385</td> <td>3\"/> <tr> <td>388</td> <td>ETR</td> <td>-</td> <td>WD.</td> <td>J2</td> <td>PTD.</td> <td>-</td> <td>386</td> <td>3\"/> <tr> <td>389</td> <td>ETR</td> <td>-</td> <td>WD.</td> <td>J2</td> <td>PTD.</td> <td>-</td> <td>387</td> <td>3\"/> <tr> <td>391</td> <td>ETR</td> <td>-</td> <td>WD.</td> <td>J2</td> <td>PTD.</td> <td>-</td> <td>388</td> <td>3\"/> <tr> <td>391A</td> <td>ETR</td> <td>-</td> <td>WD.</td> <td>J2</td> <td>PTD.</td> <td>-</td> <td>389</td> <td>3\"/> <tr> <td>391B</td> <td>ETR</td> <td>-</td> <td>WD.</td> <td>J2</td> <td>PTD.</td> <td>-</td> <td>391</td> <td>3\"/> <tr> <td>394</td> <td>ETR</td> <td>-</td> <td>WD.</td> <td>J2</td> <td>PTD.</td> <td>-</td> <td>391A</td> <td>3\"/> <tr> <td>395</td> <td>ETR</td> <td>-</td> <td>WD.</td> <td>J2</td> <td>PTD.</td> <td>-</td> <td>391B</td> <td>3\"/> <tr> <td>396</td> <td>ETR</td> <td>-</td> <td>WD.</td> <td>J2</td> <td>PTD.</td> <td>-</td> <td>394</td> <td>3\"/> <tr> <td>398</td> <td>ETR</td> <td>-</td> <td>WD.</td> <td>J2</td> <td>PTD.</td> <td>-</td> <td>395</td> <td>3\"/> <tr> <td>399</td> <td>ETR</td> <td>-</td> <td>WD.</td> <td>J2</td> <td>PTD.</td> <td>-</td> <td>396</td> <td>3\"/> <tr> <td>3991</td> <td>ETR</td> <td>-</td> <td>WD.</td> <td>J2</td> <td>PTD.</td> <td>-</td> <td>398</td> <td>3\"/> <tr> <td>3992</td> <td>A</td> <td>3\"/> <tr> <td>3993</td> <td>ETR</td> <td>-</td> <td>WD.</td> <td>J2</td> <td>PTD.</td> <td>-</td> <td>399</td> <td>3\"/> <tr> <td>3994</td> <td>ETR</td> <td>-</td> <td>WD.</td> <td>J2</td> <td>PTD.</td> <td>-</td> <td>3991</td> <td>3\"/> <tr> <td>3995</td> <td>ETR</td> <td>-</td> <td>WD.</td> <td>J2</td> <td>PTD.</td> <td>-</td> <td>3992</td> <td>3\"/> <tr> <td>3997</td> <td>ETR</td> <td>-</td> <td>WD.</td> <td>J2</td> <td>PTD.</td> <td>-</td> <td>3993</td> <td>3\"/> <tr> <td>3998</td> <td>ETR</td> <td>-</td> <td>WD.</td> <td>J2</td> <td>PTD.</td> <td>-</td> <td>3994</td> <td>3\"/> <tr> <td>3999</td> <td>ETR</td> <td>-</td> <td>WD.</td> <td>J2</td> <td>PTD.</td> <td>-</td> <td>3995</td> <td>3\"/> <tr> <td>3999</td> <td>ETR</td> <td>-</td> <td>WD.</td> <td>J2</td> <td>PTD.</td> <td>-</td> <td>3997</td> <td>3\"/> </td></tr></td></tr></td></tr></td></tr></td></tr></td></tr></td></tr></td></tr></td></tr></td></tr></td></tr></td></tr></td></tr></td></tr></td></tr></td></tr></td></tr></td></tr></td></tr></td></tr></td></tr></td></tr></td></td></tr></td></tr></td></td></tr> | 380B | B | 1 <td>WD</td> <td>J1</td> <td>PTD.</td> <td>-</td> <td>379</td> <td>3\"/> <tr> <td>382</td> <td>ETR</td> <td>-</td> <td>WD.</td> <td>J2</td> <td>PTD.</td> <td>-</td> <td>380A</td> <td>3\"/> <tr> <td>382A</td> <td>D</td> <td>6 <td>ALUM.</td> <td>ANODIZE D</td> <td>-</td> <td>-</td> <td>380B</td> <td>3\"/> <tr> <td>385</td> <td>ETR</td> <td>-</td> <td>WD.</td> <td>J2</td> <td>PTD.</td> <td>-</td> <td>382</td> <td>3\"/> <tr> <td>386</td> <td>ETR</td> <td>-</td> <td>WD.</td> <td>J2</td> <td>PTD.</td> <td>-</td> <td>382A</td> <td>3\"/> <tr> <td>387</td> <td>ETR</td> <td>-</td> <td>WD.</td> <td>J2</td> <td>PTD.</td> <td>-</td> <td>385</td> <td>3\"/> <tr> <td>388</td> <td>ETR</td> <td>-</td> <td>WD.</td> <td>J2</td> <td>PTD.</td> <td>-</td> <td>386</td> <td>3\"/> <tr> <td>389</td> <td>ETR</td> <td>-</td> <td>WD.</td> <td>J2</td> <td>PTD.</td> <td>-</td> <td>387</td> <td>3\"/> <tr> <td>391</td> <td>ETR</td> <td>-</td> <td>WD.</td> <td>J2</td> <td>PTD.</td> <td>-</td> <td>388</td> <td>3\"/> <tr> <td>391A</td> <td>ETR</td> <td>-</td> <td>WD.</td> <td>J2</td> <td>PTD.</td> <td>-</td> <td>389</td> <td>3\"/> <tr> <td>391B</td> <td>ETR</td> <td>-</td> <td>WD.</td> <td>J2</td> <td>PTD.</td> <td>-</td> <td>391</td> <td>3\"/> <tr> <td>394</td> <td>ETR</td> <td>-</td> <td>WD.</td> <td>J2</td> <td>PTD.</td> <td>-</td> <td>391A</td> <td>3\"/> <tr> <td>395</td> <td>ETR</td> <td>-</td> <td>WD.</td> <td>J2</td> <td>PTD.</td> <td>-</td> <td>391B</td> <td>3\"/> <tr> <td>396</td> <td>ETR</td> <td>-</td> <td>WD.</td> <td>J2</td> <td>PTD.</td> <td>-</td> <td>394</td> <td>3\"/> <tr> <td>398</td> <td>ETR</td> <td>-</td> <td>WD.</td> <td>J2</td> <td>PTD.</td> <td>-</td> <td>395</td> <td>3\"/> <tr> <td>399</td> <td>ETR</td> <td>-</td> <td>WD.</td> <td>J2</td> <td>PTD.</td> <td>-</td> <td>396</td> <td>3\"/> <tr> <td>3991</td> <td>ETR</td> <td>-</td> <td>WD.</td> <td>J2</td> <td>PTD.</td> <td>-</td> <td>398</td> <td>3\"/> <tr> <td>3992</td> <td>A</td> <td>3\"/> <tr> <td>3993</td> <td>ETR</td> <td>-</td> <td>WD.</td> <td>J2</td> <td>PTD.</td> <td>-</td> <td>399</td> <td>3\"/> <tr> <td>3994</td> <td>ETR</td> <td>-</td> <td>WD.</td> <td>J2</td> <td>PTD.</td> <td>-</td> <td>3991</td> <td>3\"/> <tr> <td>3995</td> <td>ETR</td> <td>-</td> <td>WD.</td> <td>J2</td> <td>PTD.</td> <td>-</td> <td>3992</td> <td>3\"/> <tr> <td>3997</td> <td>ETR</td> <td>-</td> <td>WD.</td> <td>J2</td> <td>PTD.</td> <td>-</td> <td>3993</td> <td>3\"/> <tr> <td>3998</td> <td>ETR</td> <td>-</td> <td>WD.</td> <td>J2</td> <td>PTD.</td> <td>-</td> <td>3994</td> <td>3\"/> <tr> <td>3999</td> <td>ETR</td> <td>-</td> <td>WD.</td> <td>J2</td> <td>PTD.</td> <td>-</td> <td>3995</td> <td>3\"/> <tr> <td>3999</td> <td>ETR</td> <td>-</td> <td>WD.</td> <td>J2</td> <td>PTD.</td> <td>-</td> <td>3997</td> <td>3\"/> </td></tr></td></tr></td></tr></td></tr></td></tr></td></tr></td></tr></td></tr></td></tr></td></tr></td></tr></td></tr></td></tr></td></tr></td></tr></td></tr></td></tr></td></tr></td></tr></td></tr></td></tr></td></tr></td></td></tr></td></tr></td> | WD | J1 | PTD. | - | 379 | 3\"/> <tr> <td>382</td> <td>ETR</td> <td>-</td> <td>WD.</td> <td>J2</td> <td>PTD.</td> <td>-</td> <td>380A</td> <td>3\"/> <tr> <td>382A</td> <td>D</td> <td>6 <td>ALUM.</td> <td>ANODIZE D</td> <td>-</td> <td>-</td> <td>380B</td> <td>3\"/> <tr> <td>385</td> <td>ETR</td> <td>-</td> <td>WD.</td> <td>J2</td> <td>PTD.</td> <td>-</td> <td>382</td> <td>3\"/> <tr> <td>386</td>
<td>ETR</td> <td>-</td> <td>WD.</td> <td>J2</td> <td>PTD.</td> <td>-</td> <td>382A</td> <td>3\"/> <tr> <td>387</td> <td>ETR</td> <td>-</td> <td>WD.</td> <td>J2</td> <td>PTD.</td> <td>-</td> <td>385</td> <td>3\"/> <tr> <td>388</td> <td>ETR</td> <td>-</td> <td>WD.</td> <td>J2</td> <td>PTD.</td> <td>-</td> <td>386</td> <td>3\"/> <tr> <td>389</td> <td>ETR</td> <td>-</td> <td>WD.</td> <td>J2</td> <td>PTD.</td> <td>-</td> <td>387</td> <td>3\"/> <tr> <td>391</td> <td>ETR</td> <td>-</td> <td>WD.</td> <td>J2</td> <td>PTD.</td> <td>-</td> <td>388</td> <td>3\"/> <tr> <td>391A</td> <td>ETR</td> <td>-</td> <td>WD.</td> <td>J2</td> <td>PTD.</td> <td>-</td> <td>389</td> <td>3\"/> <tr> <td>391B</td> <td>ETR</td> <td>-</td> <td>WD.</td> <td>J2</td> <td>PTD.</td> <td>-</td> <td>391</td> <td>3\"/> <tr> <td>394</td> <td>ETR</td> <td>-</td> <td>WD.</td> <td>J2</td> <td>PTD.</td> <td>-</td> <td>391A</td> <td>3\"/> <tr> <td>395</td> <td>ETR</td> <td>-</td> <td>WD.</td> <td>J2</td> <td>PTD.</td> <td>-</td> <td>391B</td> <td>3\"/> <tr> <td>396</td> <td>ETR</td> <td>-</td> <td>WD.</td> <td>J2</td> <td>PTD.</td> <td>-</td> <td>394</td> <td>3\"/> <tr> <td>398</td> <td>ETR</td> <td>-</td> <td>WD.</td> <td>J2</td> <td>PTD.</td> <td>-</td> <td>395</td> <td>3\"/> <tr> <td>399</td> <td>ETR</td> <td>-</td> <td>WD.</td> <td>J2</td> <td>PTD.</td> <td>-</td> <td>396</td> <td>3\"/> <tr> <td>3991</td> <td>ETR</td> <td>-</td> <td>WD.</td> <td>J2</td> <td>PTD.</td> <td>-</td> <td>398</td> <td>3\"/> <tr> <td>3992</td> <td>A</td> <td>3\"/> <tr> <td>3993</td> <td>ETR</td> <td>-</td> <td>WD.</td> <td>J2</td> <td>PTD.</td> <td>-</td> <td>399</td> <td>3\"/> <tr> <td>3994</td> <td>ETR</td> <td>-</td> <td>WD.</td> <td>J2</td> <td>PTD.</td> <td>-</td> <td>3991</td> <td>3\"/> <tr> <td>3995</td> <td>ETR</td> <td>-</td> <td>WD.</td> <td>J2</td> <td>PTD.</td> <td>-</td> <td>3992</td> <td>3\"/> <tr> <td>3997</td> <td>ETR</td> <td>-</td> <td>WD.</td> <td>J2</td> <td>PTD.</td> <td>-</td> <td>3993</td> <td>3\"/> <tr> <td>3998</td> <td>ETR</td> <td>-</td> <td>WD.</td> <td>J2</td> <td>PTD.</td> <td>-</td> <td>3994</td> <td>3\"/> <tr> <td>3999</td> <td>ETR</td> <td>-</td> <td>WD.</td> <td>J2</td> <td>PTD.</td> <td>-</td> <td>3995</td> <td>3\"/> <tr> <td>3999</td> <td>ETR</td> <td>-</td> <td>WD.</td> <td>J2</td> <td>PTD.</td> <td>-</td> <td>3997</td> <td>3\"/> </td></tr></td></tr></td></tr></td></tr></td></tr></td></tr></td></tr></td></tr></td></tr></td></tr></td></tr></td></tr></td></tr></td></tr></td></tr></td></tr></td></tr></td></tr></td></tr></td></tr></td></tr></td></tr></td></td></tr></td></tr> | 382 | ETR | - | WD. | J2 | PTD. | - | 380A | 3\"/> <tr> <td>382A</td> <td>D</td> <td>6 <td>ALUM.</td> <td>ANODIZE D</td> <td>-</td> <td>-</td> <td>380B</td> <td>3\"/> <tr> <td>385</td> <td>ETR</td> <td>-</td> <td>WD.</td> <td>J2</td> <td>PTD.</td> <td>-</td> <td>382</td> <td>3\"/> <tr> <td>386</td> <td>ETR</td> <td>-</td> <td>WD.</td> <td>J2</td> <td>PTD.</td> <td>-</td> <td>382A</td> <td>3\"/>
<tr> <td>387</td> <td>ETR</td> <td>-</td> <td>WD.</td> <td>J2</td> <td>PTD.</td> <td>-</td> <td>385</td> <td>3\"/> <tr> <td>388</td> <td>ETR</td> <td>-</td> <td>WD.</td> <td>J2</td> <td>PTD.</td> <td>-</td> <td>386</td> <td>3\"/> <tr> <td>389</td> <td>ETR</td> <td>-</td> <td>WD.</td> <td>J2</td> <td>PTD.</td> <td>-</td> <td>387</td> <td>3\"/> <tr> <td>391</td> <td>ETR</td> <td>-</td> <td>WD.</td> <td>J2</td> <td>PTD.</td> <td>-</td> <td>388</td> <td>3\"/> <tr> <td>391A</td> <td>ETR</td> <td>-</td> <td>WD.</td> <td>J2</td> <td>PTD.</td> <td>-</td> <td>389</td> <td>3\"/> <tr> <td>391B</td> <td>ETR</td> <td>-</td> <td>WD.</td> <td>J2</td> <td>PTD.</td> <td>-</td> <td>391</td> <td>3\"/> <tr> <td>394</td> <td>ETR</td> <td>-</td> <td>WD.</td> <td>J2</td> <td>PTD.</td> <td>-</td> <td>391A</td> <td>3\"/> <tr> <td>395</td> <td>ETR</td> <td>-</td> <td>WD.</td> <td>J2</td> <td>PTD.</td> <td>-</td> <td>391B</td> <td>3\"/> <tr> <td>396</td> <td>ETR</td> <td>-</td> <td>WD.</td> <td>J2</td> <td>PTD.</td> <td>-</td> <td>394</td> <td>3\"/> <tr> <td>398</td> <td>ETR</td> <td>-</td> <td>WD.</td> <td>J2</td> <td>PTD.</td> <td>-</td> <td>395</td> <td>3\"/> <tr> <td>399</td> <td>ETR</td> <td>-</td> <td>WD.</td> <td>J2</td> <td>PTD.</td> <td>-</td> <td>396</td> <td>3\"/> <tr> <td>3991</td> <td>ETR</td> <td>-</td> <td>WD.</td> <td>J2</td> <td>PTD.</td> <td>-</td> <td>398</td> <td>3\"/> <tr> <td>3992</td> <td>A</td> <td>3\"/> <tr> <td>3993</td> <td>ETR</td> <td>-</td> <td>WD.</td> <td>J2</td> <td>PTD.</td> <td>-</td> <td>399</td> <td>3\"/> <tr> <td>3994</td> <td>ETR</td> <td>-</td> <td>WD.</td> <td>J2</td> <td>PTD.</td> <td>-</td> <td>3991</td> <td>3\"/> <tr> <td>3995</td> <td>ETR</td> <td>-</td> <td>WD.</td> <td>J2</td> <td>PTD.</td> <td>-</td> <td>3992</td> <td>3\"/> <tr> <td>3997</td> <td>ETR</td> <td>-</td> <td>WD.</td> <td>J2</td> <td>PTD.</td> <td>-</td> <td>3993</td> <td>3\"/> <tr> <td>3998</td> <td>ETR</td> <td>-</td> <td>WD.</td> <td>J2</td> <td>PTD.</td> <td>-</td> <td>3994</td> <td>3\"/> <tr> <td>3999</td> <td>ETR</td> <td>-</td> <td>WD.</td> <td>J2</td> <td>PTD.</td> <td>-</td> <td>3995</td> <td>3\"/> <tr> <td>3999</td> <td>ETR</td> <td>-</td> <td>WD.</td> <td>J2</td> <td>PTD.</td> <td>-</td> <td>3997</td> <td>3\"/> </td></tr></td></tr></td></tr></td></tr></td></tr></td></tr></td></tr></td></tr></td></tr></td></tr></td></tr></td></tr></td></tr></td></tr></td></tr></td></tr></td></tr></td></tr></td></tr></td></tr></td></tr></td></tr></td></td></tr> | 382A | D | 6 <td>ALUM.</td> <td>ANODIZE D</td> <td>-</td> <td>-</td> <td>380B</td> <td>3\"/> <tr> <td>385</td> <td>ETR</td> <td>-</td> <td>WD.</td> <td>J2</td> <td>PTD.</td> <td>-</td> <td>382</td> <td>3\"/> <tr> <td>386</td> <td>ETR</td> <td>-</td> <td>WD.</td> <td>J2</td> <td>PTD.</td> <td>-</td> <td>382A</td> <td>3\"/> <tr> <td>387</td> <td>ETR</td> <td>-</td> <td>WD.</td> <td>J2</td> <td>PTD.</td> <td>-</td> <td>385</td> <td>3\"/> <tr> <td>388</td> <td>ETR</td> <td>-</td> <td>WD.</td> <td>J2</td> <td>PTD.</td> <td>-</td> <td>386</td> <td>3\"/> <tr> <td>389</td> <td>ETR</td> <td>-</td> <td>WD.</td> <td>J2</td> <td>PTD.</td> <td>-</td> <td>387</td> <td>3\"/> <tr> <td>391</td> <td>ETR</td> <td>-</td> <td>WD.</td> <td>J2</td> <td>PTD.</td> <td>-</td> <td>388</td> <td>3\"/> <tr> <td>391A</td> <td>ETR</td> <td>-</td> <td>WD.</td> <td>J2</td> <td>PTD.</td> <td>-</td> <td>389</td> <td>3\"/> <tr> <td>391B</td> <td>ETR</td> <td>-</td> <td>WD.</td> <td>J2</td> <td>PTD.</td> <td>-</td> <td>391</td> <td>3\"/> <tr> <td>394</td> <td>ETR</td> <td>-</td> <td>WD.</td> <td>J2</td> <td>PTD.</td> <td>-</td> <td>391A</td> <td>3\"/> <tr> <td>395</td> <td>ETR</td> <td>-</td> <td>WD.</td> <td>J2</td> <td>PTD.</td> <td>-</td> <td>391B</td> <td>3\"/> <tr> <td>396</td> <td>ETR</td> <td>-</td> <td>WD.</td> <td>J2</td> <td>PTD.</td> <td>-</td> <td>394</td> <td>3\"/> <tr> <td>398</td> <td>ETR</td> <td>-</td> <td>WD.</td> <td>J2</td> <td>PTD.</td> <td>-</td> <td>395</td> <td>3\"/> <tr> <td>399</td> <td>ETR</td> <td>-</td> <td>WD.</td> <td>J2</td> <td>PTD.</td> <td>-</td> <td>396</td> <td>3\"/> <tr> <td>3991</td> <td>ETR</td> <td>-</td> <td>WD.</td> <td>J2</td> <td>PTD.</td> <td>-</td> <td>398</td> <td>3\"/> <tr> <td>3992</td> <td>A</td> <td>3\"/> <tr> <td>3993</td> <td>ETR</td> <td>-</td> <td>WD.</td> <td>J2</td> <td>PTD.</td> <td>-</td> <td>399</td> <td>3\"/> <tr> <td>3994</td> <td>ETR</td> <td>-</td> <td>WD.</td> <td>J2</td> <td>PTD.</td> <td>-</td> <td>3991</td> <td>3\"/> <tr> <td>3995</td> <td>ETR</td> <td>-</td> <td>WD.</td> <td>J2</td> <td>PTD.</td> <td>-</td> <td>3992</td> <td>3\"/> <tr> <td>3997</td> <td>ETR</td> <td>-</td> <td>WD.</td> <td>J2</td> <td>PTD.</td> <td>-</td> <td>3993</td> <td>3\"/> <tr> <td>3998</td> <td>ETR</td> <td>-</td> <td>WD.</td> <td>J2</td> <td>PTD.</td> <td>-</td> <td>3994</td> <td>3\"/> <tr> <td>3999</td> <td>ETR</td> <td>-</td> <td>WD.</td> <td>J2</td> <td>PTD.</td> <td>-</td> <td>3995</td> <td>3\"/> <tr> <td>3999</td> <td>ETR</td> <td>-</td> <td>WD.</td> <td>J2</td> <td>PTD.</td> <td>-</td> <td>3997</td> <td>3\"/> </td></tr></td></tr></td></tr></td></tr></td></tr></td></tr></td></tr></td></tr></td></tr></td></tr></td></tr></td></tr></td></tr></td></tr></td></tr></td></tr></td></tr></td></tr></td></tr></td></tr></td></tr></td></tr></td> | ALUM. | ANODIZE D | - | - | 380B | 3\"/> <tr> <td>385</td> <td>ETR</td> <td>-</td> <td>WD.</td> <td>J2</td> <td>PTD.</td> <td>-</td> <td>382</td> <td>3\"/> <tr> <td>386</td> <td>ETR</td> <td>-</td> <td>WD.</td> <td>J2</td> <td>PTD.</td> <td>-</td> <td>382A</td> <td>3\"/> <tr> <td>387</td> <td>ETR</td> <td>-</td> <td>WD.</td> <td>J2</td> <td>PTD.</td> <td>-</td> <td>385</td> <td>3\"/> <tr> <td>388</td> <td>ETR</td> <td>-</td> <td>WD.</td> <td>J2</td> <td>PTD.</td> <td>-</td> <td>386</td> <td>3\"/> <tr> <td>389</td> <td>ETR</td> <td>-</td> <td>WD.</td> <td>J2</td> <td>PTD.</td> <td>-</td> <td>387</td> <td>3\"/> <tr>
<td>391</td> <td>ETR</td> <td>-</td> <td>WD.</td> <td>J2</td> <td>PTD.</td> <td>-</td> <td>388</td> <td>3\"/> <tr> <td>391A</td> <td>ETR</td> <td>-</td> <td>WD.</td> <td>J2</td> <td>PTD.</td> <td>-</td> <td>389</td> <td>3\"/> <tr> <td>391B</td> <td>ETR</td> <td>-</td> <td>WD.</td> <td>J2</td> <td>PTD.</td> <td>-</td> <td>391</td> <td>3\"/> <tr> <td>394</td> <td>ETR</td> <td>-</td> <td>WD.</td> <td>J2</td> <td>PTD.</td> <td>-</td> <td>391A</td> <td>3\"/> <tr> <td>395</td> <td>ETR</td> <td>-</td> <td>WD.</td> <td>J2</td> <td>PTD.</td> <td>-</td> <td>391B</td> <td>3\"/> <tr> <td>396</td> <td>ETR</td> <td>-</td> <td>WD.</td> <td>J2</td> <td>PTD.</td> <td>-</td> <td>394</td> <td>3\"/> <tr> <td>398</td> <td>ETR</td> <td>-</td> <td>WD.</td> <td>J2</td> <td>PTD.</td> <td>-</td> <td>395</td> <td>3\"/> <tr> <td>399</td> <td>ETR</td> <td>-</td> <td>WD.</td> <td>J2</td> <td>PTD.</td> <td>-</td> <td>396</td> <td>3\"/> <tr> <td>3991</td> <td>ETR</td> <td>-</td> <td>WD.</td> <td>J2</td> <td>PTD.</td> <td>-</td> <td>398</td> <td>3\"/> <tr> <td>3992</td> <td>A</td> <td>3\"/> <tr> <td>3993</td> <td>ETR</td> <td>-</td> <td>WD.</td> <td>J2</td> <td>PTD.</td> <td>-</td> <td>399</td> <td>3\"/> <tr> <td>3994</td> <td>ETR</td> <td>-</td> <td>WD.</td> <td>J2</td> <td>PTD.</td> <td>-</td> <td>3991</td> <td>3\"/> <tr> <td>3995</td> <td>ETR</td> <td>-</td> <td>WD.</td> <td>J2</td> <td>PTD.</td> <td>-</td> <td>3992</td> <td>3\"/> <tr> <td>3997</td> <td>ETR</td> <td>-</td> <td>WD.</td> <td>J2</td> <td>PTD.</td> <td>-</td> <td>3993</td> <td>3\"/> <tr> <td>3998</td> <td>ETR</td> <td>-</td> <td>WD.</td> <td>J2</td> <td>PTD.</td> <td>-</td> <td>3994</td> <td>3\"/> <tr> <td>3999</td> <td>ETR</td> <td>-</td> <td>WD.</td> <td>J2</td> <td>PTD.</td> <td>-</td> <td>3995</td> <td>3\"/> <tr> <td>3999</td> <td>ETR</td> <td>-</td> <td>WD.</td> <td>J2</td> <td>PTD.</td> <td>-</td> <td>3997</td> <td>3\"/> </td></tr></td></tr></td></tr></td></tr></td></tr></td></tr></td></tr></td></tr></td></tr></td></tr></td></tr></td></tr></td></tr></td></tr></td></tr></td></tr></td></tr></td></tr></td></tr></td></tr></td></tr></td></tr> | 385 | ETR | - | WD. | J2 | PTD. | - | 382 | 3\"/> <tr> <td>386</td> <td>ETR</td> <td>-</td> <td>WD.</td> <td>J2</td> <td>PTD.</td> <td>-</td> <td>382A</td> <td>3\"/> <tr> <td>387</td> <td>ETR</td> <td>-</td> <td>WD.</td> <td>J2</td> <td>PTD.</td> <td>-</td> <td>385</td> <td>3\"/> <tr> <td>388</td> <td>ETR</td> <td>-</td> <td>WD.</td> <td>J2</td> <td>PTD.</td> <td>-</td> <td>386</td> <td>3\"/> <tr> <td>389</td> <td>ETR</td> <td>-</td> <td>WD.</td> <td>J2</td> <td>PTD.</td> <td>-</td> <td>387</td> <td>3\"/> <tr> <td>391</td> <td>ETR</td> <td>-</td> <td>WD.</td> <td>J2</td> <td>PTD.</td> <td>-</td> <td>388</td> <td>3\"/> <tr> <td>391A</td> <td>ETR</td> <td>-</td> <td>WD.</td> <td>J2</td> <td>PTD.</td> <td>-</td> <td>389</td> <td>3\"/> <tr> <td>391B</td> <td>ETR</td> <td>-</td> <td>WD.</td> <td>J2</td> <td>PTD.</td> <td>-</td> <td>391</td> <td>3\"/> <tr> <td>394</td> <td>ETR</td> <td>-</td> <td>WD.</td> <td>J2</td> <td>PTD.</td> <td>-</td> <td>391A</td> <td>3\"/> <tr> <td>395</td> <td>ETR</td> <td>-</td> <td>WD.</td> <td>J2</td> <td>PTD.</td> <td>-</td> <td>391B</td> <td>3\"/> <tr> <td>396</td>
<td>ETR</td> <td>-</td> <td>WD.</td> <td>J2</td> <td>PTD.</td> <td>-</td> <td>394</td> <td>3\"/> <tr> <td>398</td> <td>ETR</td> <td>-</td> <td>WD.</td> <td>J2</td> <td>PTD.</td> <td>-</td> <td>395</td> <td>3\"/> <tr> <td>399</td> <td>ETR</td> <td>-</td> <td>WD.</td> <td>J2</td> <td>PTD.</td> <td>-</td> <td>396</td> <td>3\"/> <tr> <td>3991</td> <td>ETR</td> <td>-</td> <td>WD.</td> <td>J2</td> <td>PTD.</td> <td>-</td> <td>398</td> <td>3\"/> <tr> <td>3992</td> <td>A</td> <td>3\"/> <tr> <td>3993</td> <td>ETR</td> <td>-</td> <td>WD.</td> <td>J2</td> <td>PTD.</td> <td>-</td> <td>399</td> <td>3\"/> <tr> <td>3994</td> <td>ETR</td> <td>-</td> <td>WD.</td> <td>J2</td> <td>PTD.</td> <td>-</td> <td>3991</td> <td>3\"/> <tr> <td>3995</td> <td>ETR</td> <td>-</td> <td>WD.</td> <td>J2</td> <td>PTD.</td> <td>-</td> <td>3992</td> <td>3\"/> <tr> <td>3997</td> <td>ETR</td> <td>-</td> <td>WD.</td> <td>J2</td> <td>PTD.</td> <td>-</td> <td>3993</td> <td>3\"/> <tr> <td>3998</td> <td>ETR</td> <td>-</td> <td>WD.</td> <td>J2</td> <td>PTD.</td> <td>-</td> <td>3994</td> <td>3\"/> <tr> <td>3999</td> <td>ETR</td> <td>-</td> <td>WD.</td> <td>J2</td> <td>PTD.</td> <td>-</td> <td>3995</td> <td>3\"/> <tr> <td>3999</td> <td>ETR</td> <td>-</td> <td>WD.</td> <td>J2</td> <td>PTD.</td> <td>-</td> <td>3997</td> <td>3\"/> </td></tr></td></tr></td></tr></td></tr></td></tr></td></tr></td></tr></td></tr></td></tr></td></tr></td></tr></td></tr></td></tr></td></tr></td></tr></td></tr></td></tr></td></tr></td></tr></td></tr></td></tr> | 386 | ETR | - | WD. | J2 | PTD.
 | - | 382A | 3\"/> <tr> <td>387</td> <td>ETR</td> <td>-</td> <td>WD.</td> <td>J2</td> <td>PTD.</td> <td>-</td> <td>385</td> <td>3\"/> <tr> <td>388</td> <td>ETR</td> <td>-</td> <td>WD.</td> <td>J2</td> <td>PTD.</td> <td>-</td> <td>386</td> <td>3\"/> <tr> <td>389</td> <td>ETR</td> <td>-</td> <td>WD.</td> <td>J2</td> <td>PTD.</td> <td>-</td> <td>387</td> <td>3\"/> <tr> <td>391</td> <td>ETR</td> <td>-</td> <td>WD.</td> <td>J2</td> <td>PTD.</td> <td>-</td> <td>388</td> <td>3\"/> <tr> <td>391A</td> <td>ETR</td> <td>-</td> <td>WD.</td> <td>J2</td> <td>PTD.</td> <td>-</td> <td>389</td> <td>3\"/> <tr> <td>391B</td> <td>ETR</td> <td>-</td> <td>WD.</td> <td>J2</td> <td>PTD.</td> <td>-</td> <td>391</td> <td>3\"/> <tr> <td>394</td> <td>ETR</td> <td>-</td> <td>WD.</td> <td>J2</td> <td>PTD.</td> <td>-</td> <td>391A</td> <td>3\"/> <tr> <td>395</td> <td>ETR</td> <td>-</td> <td>WD.</td> <td>J2</td> <td>PTD.</td> <td>-</td> <td>391B</td> <td>3\"/> <tr> <td>396</td> <td>ETR</td> <td>-</td> <td>WD.</td> <td>J2</td> <td>PTD.</td> <td>-</td> <td>394</td> <td>3\"/> <tr> <td>398</td> <td>ETR</td> <td>-</td> <td>WD.</td> <td>J2</td> <td>PTD.</td> <td>-</td> <td>395</td> <td>3\"/> <tr> <td>399</td> <td>ETR</td> <td>-</td> <td>WD.</td> <td>J2</td> <td>PTD.</td> <td>-</td> <td>396</td> <td>3\"/> <tr> <td>3991</td> <td>ETR</td> <td>-</td> <td>WD.</td> <td>J2</td> <td>PTD.</td> <td>-</td> <td>398</td> <td>3\"/> <tr> <td>3992</td> <td>A</td> <td>3\"/> <tr> <td>3993</td> <td>ETR</td> <td>-</td> <td>WD.</td> <td>J2</td> <td>PTD.</td> <td>-</td> <td>399</td> <td>3\"/> <tr> <td>3994</td> <td>ETR</td> <td>-</td> <td>WD.</td> <td>J2</td> <td>PTD.</td> <td>-</td> <td>3991</td> <td>3\"/> <tr> <td>3995</td> <td>ETR</td> <td>-</td> <td>WD.</td> <td>J2</td> <td>PTD.</td> <td>-</td> <td>3992</td> <td>3\"/> <tr> <td>3997</td> <td>ETR</td> <td>-</td> <td>WD.</td> <td>J2</td> <td>PTD.</td> <td>-</td> <td>3993</td> <td>3\"/> <tr> <td>3998</td> <td>ETR</td> <td>-</td> <td>WD.</td> <td>J2</td> <td>PTD.</td> <td>-</td> <td>3994</td> <td>3\"/> <tr> <td>3999</td> <td>ETR</td> <td>-</td> <td>WD.</td> <td>J2</td> <td>PTD.</td> <td>-</td> <td>3995</td> <td>3\"/> <tr> <td>3999</td> <td>ETR</td> <td>-</td> <td>WD.</td> <td>J2</td> <td>PTD.</td> <td>-</td> <td>3997</td> <td>3\"/> </td></tr></td></tr></td></tr></td></tr></td></tr></td></tr></td></tr></td></tr></td></tr></td></tr></td></tr></td></tr></td></tr></td></tr></td></tr></td></tr></td></tr></td></tr></td></tr></td></tr> | 387 | ETR | -
 | WD. | J2 | PTD. | - | 385 | 3\"/> <tr> <td>388</td> <td>ETR</td> <td>-</td> <td>WD.</td> <td>J2</td> <td>PTD.</td> <td>-</td> <td>386</td> <td>3\"/> <tr> <td>389</td> <td>ETR</td> <td>-</td> <td>WD.</td> <td>J2</td> <td>PTD.</td> <td>-</td> <td>387</td> <td>3\"/> <tr> <td>391</td> <td>ETR</td> <td>-</td> <td>WD.</td> <td>J2</td> <td>PTD.</td> <td>-</td> <td>388</td> <td>3\"/> <tr> <td>391A</td> <td>ETR</td> <td>-</td> <td>WD.</td> <td>J2</td> <td>PTD.</td> <td>-</td> <td>389</td> <td>3\"/> <tr> <td>391B</td> <td>ETR</td> <td>-</td> <td>WD.</td> <td>J2</td> <td>PTD.</td> <td>-</td> <td>391</td> <td>3\"/> <tr> <td>394</td> <td>ETR</td> <td>-</td> <td>WD.</td> <td>J2</td> <td>PTD.</td> <td>-</td> <td>391A</td> <td>3\"/> <tr> <td>395</td> <td>ETR</td> <td>-</td> <td>WD.</td> <td>J2</td> <td>PTD.</td> <td>-</td> <td>391B</td> <td>3\"/> <tr> <td>396</td> <td>ETR</td> <td>-</td> <td>WD.</td> <td>J2</td> <td>PTD.</td> <td>-</td> <td>394</td> <td>3\"/> <tr> <td>398</td> <td>ETR</td> <td>-</td> <td>WD.</td> <td>J2</td> <td>PTD.</td> <td>-</td> <td>395</td> <td>3\"/> <tr> <td>399</td> <td>ETR</td> <td>-</td> <td>WD.</td> <td>J2</td> <td>PTD.</td> <td>-</td> <td>396</td> <td>3\"/> <tr> <td>3991</td> <td>ETR</td> <td>-</td> <td>WD.</td> <td>J2</td> <td>PTD.</td> <td>-</td> <td>398</td> <td>3\"/> <tr> <td>3992</td> <td>A</td> <td>3\"/> <tr> <td>3993</td> <td>ETR</td> <td>-</td> <td>WD.</td> <td>J2</td> <td>PTD.</td> <td>-</td> <td>399</td> <td>3\"/> <tr> <td>3994</td> <td>ETR</td> <td>-</td> <td>WD.</td> <td>J2</td> <td>PTD.</td> <td>-</td> <td>3991</td> <td>3\"/> <tr> <td>3995</td> <td>ETR</td> <td>-</td> <td>WD.</td> <td>J2</td> <td>PTD.</td> <td>-</td> <td>3992</td> <td>3\"/> <tr> <td>3997</td> <td>ETR</td> <td>-</td> <td>WD.</td> <td>J2</td> <td>PTD.</td> <td>-</td> <td>3993</td> <td>3\"/> <tr> <td>3998</td> <td>ETR</td> <td>-</td> <td>WD.</td> <td>J2</td> <td>PTD.</td> <td>-</td> <td>3994</td> <td>3\"/> <tr> <td>3999</td> <td>ETR</td> <td>-</td> <td>WD.</td> <td>J2</td> <td>PTD.</td> <td>-</td> <td>3995</td> <td>3\"/> <tr> <td>3999</td> <td>ETR</td> <td>-</td> <td>WD.</td> <td>J2</td> <td>PTD.</td> <td>-</td> <td>3997</td> <td>3\"/> </td></tr></td></tr></td></tr></td></tr></td></tr></td></tr></td></tr></td></tr></td></tr></td></tr></td></tr></td></tr></td></tr></td></tr></td></tr></td></tr></td></tr></td></tr></td></tr> | 388 | ETR | -
 | WD. | J2 | PTD. | - | 386 | 3\"/> <tr> <td>389</td> <td>ETR</td> <td>-</td> <td>WD.</td> <td>J2</td> <td>PTD.</td> <td>-</td> <td>387</td> <td>3\"/> <tr> <td>391</td> <td>ETR</td> <td>-</td> <td>WD.</td> <td>J2</td> <td>PTD.</td> <td>-</td> <td>388</td> <td>3\"/> <tr> <td>391A</td> <td>ETR</td> <td>-</td> <td>WD.</td> <td>J2</td> <td>PTD.</td> <td>-</td> <td>389</td> <td>3\"/> <tr> <td>391B</td> <td>ETR</td> <td>-</td> <td>WD.</td> <td>J2</td> <td>PTD.</td> <td>-</td> <td>391</td> <td>3\"/> <tr> <td>394</td> <td>ETR</td> <td>-</td> <td>WD.</td> <td>J2</td> <td>PTD.</td> <td>-</td> <td>391A</td> <td>3\"/> <tr> <td>395</td> <td>ETR</td> <td>-</td> <td>WD.</td> <td>J2</td> <td>PTD.</td> <td>-</td> <td>391B</td> <td>3\"/> <tr> <td>396</td> <td>ETR</td> <td>-</td> <td>WD.</td> <td>J2</td> <td>PTD.</td> <td>-</td> <td>394</td> <td>3\"/> <tr> <td>398</td> <td>ETR</td> <td>-</td> <td>WD.</td> <td>J2</td> <td>PTD.</td> <td>-</td> <td>395</td> <td>3\"/> <tr> <td>399</td> <td>ETR</td> <td>-</td> <td>WD.</td> <td>J2</td> <td>PTD.</td> <td>-</td> <td>396</td> <td>3\"/> <tr> <td>3991</td> <td>ETR</td> <td>-</td> <td>WD.</td> <td>J2</td> <td>PTD.</td> <td>-</td> <td>398</td> <td>3\"/> <tr> <td>3992</td> <td>A</td> <td>3\"/> <tr> <td>3993</td> <td>ETR</td> <td>-</td> <td>WD.</td> <td>J2</td> <td>PTD.</td> <td>-</td> <td>399</td> <td>3\"/> <tr> <td>3994</td> <td>ETR</td> <td>-</td> <td>WD.</td> <td>J2</td> <td>PTD.</td> <td>-</td> <td>3991</td> <td>3\"/> <tr> <td>3995</td> <td>ETR</td> <td>-</td> <td>WD.</td> <td>J2</td> <td>PTD.</td> <td>-</td> <td>3992</td> <td>3\"/> <tr> <td>3997</td> <td>ETR</td> <td>-</td> <td>WD.</td> <td>J2</td> <td>PTD.</td> <td>-</td> <td>3993</td> <td>3\"/> <tr> <td>3998</td> <td>ETR</td> <td>-</td> <td>WD.</td> <td>J2</td> <td>PTD.</td> <td>-</td> <td>3994</td> <td>3\"/> <tr> <td>3999</td> <td>ETR</td> <td>-</td> <td>WD.</td> <td>J2</td> <td>PTD.</td> <td>-</td> <td>3995</td> <td>3\"/> <tr> <td>3999</td> <td>ETR</td> <td>-</td> <td>WD.</td> <td>J2</td> <td>PTD.</td> <td>-</td> <td>3997</td> <td>3\"/> </td></tr></td></tr></td></tr></td></tr></td></tr></td></tr></td></tr></td></tr></td></tr></td></tr></td></tr></td></tr></td></tr></td></tr></td></tr></td></tr></td></tr></td></tr> | 389 | ETR | - | WD. | J2 | PTD. | - | 387 | 3\"/> <tr> <td>391</td> <td>ETR</td> <td>-</td> <td>WD.</td> <td>J2</td> <td>PTD.</td> <td>-</td> <td>388</td> <td>3\"/> <tr> <td>391A</td> <td>ETR</td> <td>-</td> <td>WD.</td> <td>J2</td> <td>PTD.</td> <td>-</td> <td>389</td> <td>3\"/> <tr> <td>391B</td> <td>ETR</td> <td>-</td> <td>WD.</td> <td>J2</td> <td>PTD.</td> <td>-</td> <td>391</td> <td>3\"/> <tr> <td>394</td> <td>ETR</td> <td>-</td> <td>WD.</td> <td>J2</td> <td>PTD.</td> <td>-</td> <td>391A</td> <td>3\"/> <tr> <td>395</td> <td>ETR</td> <td>-</td> <td>WD.</td> <td>J2</td> <td>PTD.</td> <td>-</td> <td>391B</td> <td>3\"/> <tr> <td>396</td> <td>ETR</td> <td>-</td> <td>WD.</td> <td>J2</td> <td>PTD.</td> <td>-</td> <td>394</td> <td>3\"/> <tr> <td>398</td> <td>ETR</td> <td>-</td> <td>WD.</td> <td>J2</td> <td>PTD.</td> <td>-</td> <td>395</td> <td>3\"/> <tr> <td>399</td> <td>ETR</td> <td>-</td> <td>WD.</td> <td>J2</td> <td>PTD.</td> <td>-</td> <td>396</td> <td>3\"/> <tr> <td>3991</td> <td>ETR</td> <td>-</td> <td>WD.</td> <td>J2</td> <td>PTD.</td> <td>-</td> <td>398</td> <td>3\"/> <tr> <td>3992</td> <td>A</td> <td>3\"/> <tr> <td>3993</td> <td>ETR</td> <td>-</td>
<td>WD.</td> <td>J2</td> <td>PTD.</td> <td>-</td> <td>399</td> <td>3\"/> <tr> <td>3994</td> <td>ETR</td> <td>-</td> <td>WD.</td> <td>J2</td> <td>PTD.</td> <td>-</td> <td>3991</td> <td>3\"/> <tr> <td>3995</td> <td>ETR</td> <td>-</td> <td>WD.</td> <td>J2</td> <td>PTD.</td> <td>-</td> <td>3992</td> <td>3\"/> <tr> <td>3997</td> <td>ETR</td> <td>-</td> <td>WD.</td> <td>J2</td> <td>PTD.</td> <td>-</td> <td>3993</td> <td>3\"/> <tr> <td>3998</td> <td>ETR</td> <td>-</td> <td>WD.</td> <td>J2</td> <td>PTD.</td> <td>-</td> <td>3994</td> <td>3\"/> <tr> <td>3999</td> <td>ETR</td> <td>-</td> <td>WD.</td> <td>J2</td> <td>PTD.</td> <td>-</td> <td>3995</td> <td>3\"/> <tr> <td>3999</td> <td>ETR</td> <td>-</td> <td>WD.</td> <td>J2</td> <td>PTD.</td> <td>-</td> <td>3997</td> <td>3\"/> </td></tr></td></tr></td></tr></td></tr></td></tr></td></tr></td></tr></td></tr></td></tr></td></tr></td></tr></td></tr></td></tr></td></tr></td></tr></td></tr></td></tr> | 391 | ETR | - | WD. | J2 | PTD.
 | - | 388 | 3\"/> <tr> <td>391A</td> <td>ETR</td> <td>-</td> <td>WD.</td> <td>J2</td> <td>PTD.</td> <td>-</td> <td>389</td> <td>3\"/> <tr> <td>391B</td> <td>ETR</td> <td>-</td> <td>WD.</td> <td>J2</td> <td>PTD.</td> <td>-</td> <td>391</td> <td>3\"/> <tr> <td>394</td> <td>ETR</td> <td>-</td> <td>WD.</td> <td>J2</td> <td>PTD.</td> <td>-</td> <td>391A</td> <td>3\"/> <tr> <td>395</td> <td>ETR</td> <td>-</td> <td>WD.</td> <td>J2</td> <td>PTD.</td> <td>-</td> <td>391B</td> <td>3\"/> <tr> <td>396</td> <td>ETR</td> <td>-</td> <td>WD.</td> <td>J2</td> <td>PTD.</td> <td>-</td> <td>394</td> <td>3\"/> <tr> <td>398</td> <td>ETR</td> <td>-</td> <td>WD.</td> <td>J2</td> <td>PTD.</td> <td>-</td> <td>395</td> <td>3\"/> <tr> <td>399</td> <td>ETR</td> <td>-</td> <td>WD.</td> <td>J2</td> <td>PTD.</td> <td>-</td> <td>396</td> <td>3\"/> <tr> <td>3991</td> <td>ETR</td> <td>-</td> <td>WD.</td> <td>J2</td> <td>PTD.</td> <td>-</td> <td>398</td> <td>3\"/> <tr> <td>3992</td> <td>A</td> <td>3\"/> <tr> <td>3993</td> <td>ETR</td> <td>-</td> <td>WD.</td> <td>J2</td> <td>PTD.</td> <td>-</td> <td>399</td> <td>3\"/> <tr> <td>3994</td> <td>ETR</td> <td>-</td> <td>WD.</td> <td>J2</td> <td>PTD.</td> <td>-</td> <td>3991</td> <td>3\"/> <tr> <td>3995</td> <td>ETR</td> <td>-</td> <td>WD.</td> <td>J2</td> <td>PTD.</td> <td>-</td> <td>3992</td> <td>3\"/> <tr> <td>3997</td> <td>ETR</td> <td>-</td> <td>WD.</td> <td>J2</td> <td>PTD.</td> <td>-</td> <td>3993</td> <td>3\"/> <tr> <td>3998</td> <td>ETR</td> <td>-</td> <td>WD.</td> <td>J2</td> <td>PTD.</td> <td>-</td> <td>3994</td> <td>3\"/> <tr> <td>3999</td> <td>ETR</td> <td>-</td> <td>WD.</td> <td>J2</td> <td>PTD.</td> <td>-</td> <td>3995</td> <td>3\"/> <tr> <td>3999</td> <td>ETR</td> <td>-</td> <td>WD.</td> <td>J2</td> <td>PTD.</td> <td>-</td> <td>3997</td> <td>3\"/> </td></tr></td></tr></td></tr></td></tr></td></tr></td></tr></td></tr></td></tr></td></tr></td></tr></td></tr></td></tr></td></tr></td></tr></td></tr></td></tr> | 391A | ETR | - | WD. | J2 | PTD.
 | - | 389 | 3\"/> <tr> <td>391B</td> <td>ETR</td> <td>-</td> <td>WD.</td> <td>J2</td> <td>PTD.</td> <td>-</td> <td>391</td> <td>3\"/> <tr> <td>394</td> <td>ETR</td> <td>-</td> <td>WD.</td> <td>J2</td> <td>PTD.</td> <td>-</td> <td>391A</td> <td>3\"/> <tr> <td>395</td> <td>ETR</td> <td>-</td> <td>WD.</td> <td>J2</td> <td>PTD.</td> <td>-</td> <td>391B</td> <td>3\"/> <tr> <td>396</td> <td>ETR</td> <td>-</td> <td>WD.</td> <td>J2</td> <td>PTD.</td> <td>-</td> <td>394</td> <td>3\"/> <tr> <td>398</td> <td>ETR</td> <td>-</td> <td>WD.</td> <td>J2</td> <td>PTD.</td> <td>-</td> <td>395</td> <td>3\"/> <tr> <td>399</td> <td>ETR</td> <td>-</td> <td>WD.</td> <td>J2</td> <td>PTD.</td> <td>-</td> <td>396</td> <td>3\"/> <tr> <td>3991</td> <td>ETR</td> <td>-</td> <td>WD.</td> <td>J2</td> <td>PTD.</td> <td>-</td> <td>398</td> <td>3\"/> <tr> <td>3992</td> <td>A</td> <td>3\"/> <tr> <td>3993</td> <td>ETR</td> <td>-</td> <td>WD.</td> <td>J2</td> <td>PTD.</td> <td>-</td> <td>399</td> <td>3\"/> <tr> <td>3994</td> <td>ETR</td> <td>-</td> <td>WD.</td> <td>J2</td> <td>PTD.</td> <td>-</td> <td>3991</td> <td>3\"/> <tr> <td>3995</td> <td>ETR</td> <td>-</td> <td>WD.</td> <td>J2</td> <td>PTD.</td> <td>-</td> <td>3992</td> <td>3\"/> <tr> <td>3997</td> <td>ETR</td> <td>-</td> <td>WD.</td> <td>J2</td> <td>PTD.</td> <td>-</td> <td>3993</td> <td>3\"/> <tr> <td>3998</td> <td>ETR</td> <td>-</td> <td>WD.</td> <td>J2</td> <td>PTD.</td> <td>-</td> <td>3994</td> <td>3\"/> <tr> <td>3999</td> <td>ETR</td> <td>-</td> <td>WD.</td> <td>J2</td> <td>PTD.</td> <td>-</td> <td>3995</td> <td>3\"/> <tr> <td>3999</td> <td>ETR</td> <td>-</td> <td>WD.</td> <td>J2</td> <td>PTD.</td> <td>-</td> <td>3997</td> <td>3\"/> </td></tr></td></tr></td></tr></td></tr></td></tr></td></tr></td></tr></td></tr></td></tr></td></tr></td></tr></td></tr></td></tr></td></tr></td></tr> | 391B | ETR | -
 | WD. | J2 | PTD. | - | 391 | 3\"/> <tr> <td>394</td> <td>ETR</td> <td>-</td> <td>WD.</td> <td>J2</td> <td>PTD.</td> <td>-</td> <td>391A</td> <td>3\"/> <tr> <td>395</td> <td>ETR</td> <td>-</td> <td>WD.</td> <td>J2</td> <td>PTD.</td> <td>-</td> <td>391B</td> <td>3\"/> <tr> <td>396</td> <td>ETR</td> <td>-</td> <td>WD.</td> <td>J2</td> <td>PTD.</td> <td>-</td> <td>394</td> <td>3\"/> <tr> <td>398</td> <td>ETR</td> <td>-</td> <td>WD.</td> <td>J2</td> <td>PTD.</td> <td>-</td> <td>395</td> <td>3\"/> <tr> <td>399</td> <td>ETR</td> <td>-</td> <td>WD.</td> <td>J2</td> <td>PTD.</td> <td>-</td> <td>396</td> <td>3\"/> <tr> <td>3991</td> <td>ETR</td> <td>-</td> <td>WD.</td> <td>J2</td> <td>PTD.</td> <td>-</td> <td>398</td> <td>3\"/> <tr> <td>3992</td> <td>A</td> <td>3\"/> <tr> <td>3993</td> <td>ETR</td> <td>-</td> <td>WD.</td> <td>J2</td> <td>PTD.</td> <td>-</td> <td>399</td> <td>3\"/> <tr> <td>3994</td> <td>ETR</td> <td>-</td> <td>WD.</td> <td>J2</td> <td>PTD.</td> <td>-</td> <td>3991</td> <td>3\"/> <tr> <td>3995</td> <td>ETR</td> <td>-</td> <td>WD.</td> <td>J2</td> <td>PTD.</td> <td>-</td> <td>3992</td> <td>3\"/> <tr> <td>3997</td> <td>ETR</td> <td>-</td> <td>WD.</td> <td>J2</td> <td>PTD.</td> <td>-</td> <td>3993</td> <td>3\"/> <tr> <td>3998</td> <td>ETR</td> <td>-</td> <td>WD.</td> <td>J2</td> <td>PTD.</td> <td>-</td> <td>3994</td> <td>3\"/> <tr> <td>3999</td> <td>ETR</td> <td>-</td> <td>WD.</td> <td>J2</td> <td>PTD.</td> <td>-</td> <td>3995</td> <td>3\"/> <tr> <td>3999</td> <td>ETR</td> <td>-</td> <td>WD.</td> <td>J2</td> <td>PTD.</td> <td>-</td> <td>3997</td> <td>3\"/> </td></tr></td></tr></td></tr></td></tr></td></tr></td></tr></td></tr></td></tr></td></tr></td></tr></td></tr></td></tr></td></tr></td></tr> | 394 | ETR | -
 | WD. | J2 | PTD. | - | 391A | 3\"/> <tr> <td>395</td> <td>ETR</td> <td>-</td> <td>WD.</td> <td>J2</td> <td>PTD.</td> <td>-</td> <td>391B</td> <td>3\"/> <tr> <td>396</td> <td>ETR</td> <td>-</td> <td>WD.</td> <td>J2</td> <td>PTD.</td> <td>-</td> <td>394</td> <td>3\"/> <tr> <td>398</td> <td>ETR</td> <td>-</td> <td>WD.</td> <td>J2</td> <td>PTD.</td> <td>-</td> <td>395</td> <td>3\"/> <tr> <td>399</td> <td>ETR</td> <td>-</td> <td>WD.</td> <td>J2</td> <td>PTD.</td> <td>-</td> <td>396</td> <td>3\"/> <tr> <td>3991</td> <td>ETR</td> <td>-</td> <td>WD.</td> <td>J2</td> <td>PTD.</td> <td>-</td> <td>398</td> <td>3\"/> <tr> <td>3992</td> <td>A</td> <td>3\"/> <tr> <td>3993</td> <td>ETR</td> <td>-</td> <td>WD.</td> <td>J2</td> <td>PTD.</td> <td>-</td> <td>399</td> <td>3\"/> <tr> <td>3994</td> <td>ETR</td> <td>-</td> <td>WD.</td> <td>J2</td> <td>PTD.</td> <td>-</td> <td>3991</td> <td>3\"/> <tr> <td>3995</td> <td>ETR</td> <td>-</td> <td>WD.</td> <td>J2</td> <td>PTD.</td> <td>-</td> <td>3992</td> <td>3\"/> <tr> <td>3997</td> <td>ETR</td> <td>-</td> <td>WD.</td> <td>J2</td> <td>PTD.</td> <td>-</td> <td>3993</td> <td>3\"/> <tr> <td>3998</td> <td>ETR</td> <td>-</td> <td>WD.</td> <td>J2</td> <td>PTD.</td> <td>-</td> <td>3994</td> <td>3\"/> <tr> <td>3999</td> <td>ETR</td> <td>-</td> <td>WD.</td> <td>J2</td> <td>PTD.</td> <td>-</td> <td>3995</td> <td>3\"/> <tr> <td>3999</td> <td>ETR</td> <td>-</td> <td>WD.</td> <td>J2</td> <td>PTD.</td> <td>-</td> <td>3997</td> <td>3\"/> </td></tr></td></tr></td></tr></td></tr></td></tr></td></tr></td></tr></td></tr></td></tr></td></tr></td></tr></td></tr></td></tr> | 395 | ETR | -
 | WD. | J2 | PTD. | - | 391B | 3\"/> <tr> <td>396</td> <td>ETR</td> <td>-</td> <td>WD.</td> <td>J2</td> <td>PTD.</td> <td>-</td> <td>394</td> <td>3\"/> <tr> <td>398</td> <td>ETR</td> <td>-</td> <td>WD.</td> <td>J2</td> <td>PTD.</td> <td>-</td> <td>395</td> <td>3\"/> <tr> <td>399</td> <td>ETR</td> <td>-</td> <td>WD.</td> <td>J2</td> <td>PTD.</td> <td>-</td> <td>396</td> <td>3\"/> <tr> <td>3991</td> <td>ETR</td> <td>-</td> <td>WD.</td> <td>J2</td> <td>PTD.</td> <td>-</td> <td>398</td> <td>3\"/> <tr> <td>3992</td> <td>A</td> <td>3\"/> <tr> <td>3993</td> <td>ETR</td> <td>-</td> <td>WD.</td> <td>J2</td> <td>PTD.</td> <td>-</td> <td>399</td> <td>3\"/> <tr> <td>3994</td> <td>ETR</td> <td>-</td> <td>WD.</td> <td>J2</td> <td>PTD.</td> <td>-</td> <td>3991</td> <td>3\"/> <tr> <td>3995</td> <td>ETR</td> <td>-</td> <td>WD.</td> <td>J2</td> <td>PTD.</td> <td>-</td> <td>3992</td> <td>3\"/> <tr> <td>3997</td> <td>ETR</td> <td>-</td> <td>WD.</td> <td>J2</td> <td>PTD.</td> <td>-</td> <td>3993</td> <td>3\"/> <tr> <td>3998</td> <td>ETR</td> <td>-</td> <td>WD.</td> <td>J2</td> <td>PTD.</td> <td>-</td> <td>3994</td> <td>3\"/> <tr> <td>3999</td> <td>ETR</td> <td>-</td> <td>WD.</td> <td>J2</td> <td>PTD.</td> <td>-</td> <td>3995</td> <td>3\"/> <tr> <td>3999</td> <td>ETR</td> <td>-</td> <td>WD.</td> <td>J2</td> <td>PTD.</td> <td>-</td> <td>3997</td> <td>3\"/> </td></tr></td></tr></td></tr></td></tr></td></tr></td></tr></td></tr></td></tr></td></tr></td></tr></td></tr></td></tr> | 396 | ETR | -
 | WD. | J2 | PTD. | - | 394 | 3\"/> <tr> <td>398</td> <td>ETR</td> <td>-</td> <td>WD.</td> <td>J2</td> <td>PTD.</td> <td>-</td> <td>395</td> <td>3\"/> <tr> <td>399</td> <td>ETR</td> <td>-</td> <td>WD.</td> <td>J2</td> <td>PTD.</td> <td>-</td> <td>396</td> <td>3\"/> <tr> <td>3991</td> <td>ETR</td> <td>-</td> <td>WD.</td> <td>J2</td> <td>PTD.</td> <td>-</td> <td>398</td> <td>3\"/> <tr> <td>3992</td> <td>A</td> <td>3\"/> <tr> <td>3993</td> <td>ETR</td> <td>-</td> <td>WD.</td> <td>J2</td> <td>PTD.</td> <td>-</td> <td>399</td> <td>3\"/> <tr> <td>3994</td> <td>ETR</td> <td>-</td> <td>WD.</td> <td>J2</td> <td>PTD.</td> <td>-</td> <td>3991</td> <td>3\"/> <tr> <td>3995</td> <td>ETR</td> <td>-</td> <td>WD.</td> <td>J2</td> <td>PTD.</td> <td>-</td> <td>3992</td> <td>3\"/> <tr> <td>3997</td> <td>ETR</td> <td>-</td> <td>WD.</td> <td>J2</td> <td>PTD.</td> <td>-</td> <td>3993</td> <td>3\"/> <tr> <td>3998</td> <td>ETR</td> <td>-</td> <td>WD.</td> <td>J2</td> <td>PTD.</td> <td>-</td> <td>3994</td> <td>3\"/> <tr> <td>3999</td> <td>ETR</td> <td>-</td> <td>WD.</td> <td>J2</td> <td>PTD.</td> <td>-</td> <td>3995</td> <td>3\"/> <tr> <td>3999</td> <td>ETR</td> <td>-</td> <td>WD.</td> <td>J2</td> <td>PTD.</td> <td>-</td> <td>3997</td> <td>3\"/> </td></tr></td></tr></td></tr></td></tr></td></tr></td></tr></td></tr></td></tr></td></tr></td></tr></td></tr> | 398 | ETR | -
 | WD. | J2 | PTD. | - | 395 | 3\"/> <tr> <td>399</td> <td>ETR</td> <td>-</td> <td>WD.</td> <td>J2</td> <td>PTD.</td> <td>-</td> <td>396</td> <td>3\"/> <tr> <td>3991</td> <td>ETR</td> <td>-</td> <td>WD.</td> <td>J2</td> <td>PTD.</td> <td>-</td> <td>398</td> <td>3\"/> <tr> <td>3992</td> <td>A</td> <td>3\"/> <tr> <td>3993</td> <td>ETR</td> <td>-</td> <td>WD.</td> <td>J2</td> <td>PTD.</td> <td>-</td> <td>399</td> <td>3\"/> <tr> <td>3994</td> <td>ETR</td> <td>-</td> <td>WD.</td> <td>J2</td> <td>PTD.</td> <td>-</td> <td>3991</td> <td>3\"/> <tr> <td>3995</td> <td>ETR</td> <td>-</td> <td>WD.</td> <td>J2</td> <td>PTD.</td> <td>-</td> <td>3992</td> <td>3\"/> <tr> <td>3997</td> <td>ETR</td> <td>-</td> <td>WD.</td> <td>J2</td> <td>PTD.</td> <td>-</td> <td>3993</td> <td>3\"/> <tr> <td>3998</td> <td>ETR</td> <td>-</td> <td>WD.</td> <td>J2</td> <td>PTD.</td> <td>-</td> <td>3994</td> <td>3\"/> <tr> <td>3999</td> <td>ETR</td> <td>-</td> <td>WD.</td> <td>J2</td> <td>PTD.</td> <td>-</td> <td>3995</td> <td>3\"/> <tr> <td>3999</td> <td>ETR</td> <td>-</td> <td>WD.</td> <td>J2</td> <td>PTD.</td> <td>-</td> <td>3997</td> <td>3\"/> </td></tr></td></tr></td></tr></td></tr></td></tr></td></tr></td></tr></td></tr></td></tr></td></tr> | 399 | ETR | -
 | WD. | J2 | PTD. | - | 396 | 3\"/> <tr> <td>3991</td> <td>ETR</td> <td>-</td> <td>WD.</td> <td>J2</td> <td>PTD.</td> <td>-</td> <td>398</td> <td>3\"/> <tr> <td>3992</td> <td>A</td> <td>3\"/> <tr> <td>3993</td> <td>ETR</td> <td>-</td> <td>WD.</td> <td>J2</td> <td>PTD.</td> <td>-</td> <td>399</td> <td>3\"/> <tr> <td>3994</td> <td>ETR</td> <td>-</td> <td>WD.</td> <td>J2</td> <td>PTD.</td> <td>-</td> <td>3991</td> <td>3\"/> <tr> <td>3995</td> <td>ETR</td> <td>-</td> <td>WD.</td> <td>J2</td> <td>PTD.</td> <td>-</td> <td>3992</td> <td>3\"/> <tr> <td>3997</td> <td>ETR</td> <td>-</td> <td>WD.</td> <td>J2</td> <td>PTD.</td> <td>-</td> <td>3993</td> <td>3\"/> <tr> <td>3998</td> <td>ETR</td> <td>-</td> <td>WD.</td> <td>J2</td> <td>PTD.</td> <td>-</td> <td>3994</td> <td>3\"/> <tr> <td>3999</td> <td>ETR</td> <td>-</td> <td>WD.</td> <td>J2</td> <td>PTD.</td> <td>-</td> <td>3995</td> <td>3\"/> <tr> <td>3999</td> <td>ETR</td> <td>-</td> <td>WD.</td> <td>J2</td> <td>PTD.</td> <td>-</td> <td>3997</td> <td>3\"/> </td></tr></td></tr></td></tr></td></tr></td></tr></td></tr></td></tr></td></tr></td></tr> | 3991 | ETR | -
 | WD. | J2 | PTD. | - | 398 | 3\"/> <tr> <td>3992</td> <td>A</td> <td>3\"/> <tr> <td>3993</td> <td>ETR</td> <td>-</td> <td>WD.</td> <td>J2</td> <td>PTD.</td> <td>-</td> <td>399</td> <td>3\"/> <tr> <td>3994</td> <td>ETR</td> <td>-</td> <td>WD.</td> <td>J2</td> <td>PTD.</td> <td>-</td> <td>3991</td> <td>3\"/> <tr> <td>3995</td> <td>ETR</td> <td>-</td> <td>WD.</td> <td>J2</td> <td>PTD.</td> <td>-</td> <td>3992</td> <td>3\"/> <tr> <td>3997</td> <td>ETR</td> <td>-</td> <td>WD.</td> <td>J2</td> <td>PTD.</td> <td>-</td> <td>3993</td> <td>3\"/> <tr> <td>3998</td> <td>ETR</td> <td>-</td> <td>WD.</td> <td>J2</td> <td>PTD.</td> <td>-</td> <td>3994</td> <td>3\"/> <tr> <td>3999</td> <td>ETR</td> <td>-</td> <td>WD.</td> <td>J2</td> <td>PTD.</td> <td>-</td> <td>3995</td> <td>3\"/> <tr> <td>3999</td> <td>ETR</td> <td>-</td> <td>WD.</td> <td>J2</td> <td>PTD.</td> <td>-</td> <td>3997</td> <td>3\"/> </td></tr></td></tr></td></tr></td></tr></td></tr></td></tr></td></tr></td></tr> | 3992 | A | 3\"/> <tr> <td>3993</td> <td>ETR</td> <td>-</td> <td>WD.</td> <td>J2</td> <td>PTD.</td> <td>-</td> <td>399</td> <td>3\"/> <tr> <td>3994</td> <td>ETR</td> <td>-</td> <td>WD.</td> <td>J2</td> <td>PTD.</td> <td>-</td> <td>3991</td> <td>3\"/> <tr> <td>3995</td> <td>ETR</td> <td>-</td> <td>WD.</td> <td>J2</td> <td>PTD.</td> <td>-</td> <td>3992</td> <td>3\"/> <tr> <td>3997</td> <td>ETR</td> <td>-</td> <td>WD.</td> <td>J2</td> <td>PTD.</td> <td>-</td> <td>3993</td> <td>3\"/> <tr> <td>3998</td> <td>ETR</td> <td>-</td> <td>WD.</td> <td>J2</td> <td>PTD.</td> <td>-</td> <td>3994</td> <td>3\"/> <tr> <td>3999</td> <td>ETR</td> <td>-</td> <td>WD.</td> <td>J2</td> <td>PTD.</td> <td>-</td> <td>3995</td> <td>3\"/> <tr> <td>3999</td> <td>ETR</td> <td>-</td> <td>WD.</td> <td>J2</td> <td>PTD.</td> <td>-</td> <td>3997</td> <td>3\"/> </td></tr></td></tr></td></tr></td></tr></td></tr></td></tr></td></tr> | 3993 | ETR | -
 | WD. | J2 | PTD. | - | 399 | 3\"/> <tr> <td>3994</td> <td>ETR</td> <td>-</td> <td>WD.</td> <td>J2</td> <td>PTD.</td> <td>-</td> <td>3991</td> <td>3\"/> <tr> <td>3995</td> <td>ETR</td> <td>-</td> <td>WD.</td> <td>J2</td> <td>PTD.</td> <td>-</td> <td>3992</td> <td>3\"/> <tr> <td>3997</td> <td>ETR</td> <td>-</td> <td>WD.</td> <td>J2</td> <td>PTD.</td> <td>-</td> <td>3993</td> <td>3\"/> <tr> <td>3998</td> <td>ETR</td> <td>-</td> <td>WD.</td> <td>J2</td> <td>PTD.</td> <td>-</td> <td>3994</td> <td>3\"/> <tr> <td>3999</td> <td>ETR</td> <td>-</td> <td>WD.</td> <td>J2</td> <td>PTD.</td> <td>-</td> <td>3995</td> <td>3\"/> <tr> <td>3999</td> <td>ETR</td> <td>-</td> <td>WD.</td> <td>J2</td> <td>PTD.</td> <td>-</td> <td>3997</td> <td>3\"/> </td></tr></td></tr></td></tr></td></tr></td></tr></td></tr> | 3994 | ETR | - | WD. | J2 | PTD. | - | 3991 | 3\"/> <tr> <td>3995</td> <td>ETR</td> <td>-</td> <td>WD.</td> <td>J2</td> <td>PTD.</td> <td>-</td> <td>3992</td> <td>3\"/> <tr> <td>3997</td> <td>ETR</td> <td>-</td> <td>WD.</td> <td>J2</td> <td>PTD.</td> <td>-</td> <td>3993</td> <td>3\"/> <tr> <td>3998</td> <td>ETR</td> <td>-</td> <td>WD.</td> <td>J2</td> <td>PTD.</td> <td>-</td> <td>3994</td> <td>3\"/> <tr> <td>3999</td> <td>ETR</td> <td>-</td> <td>WD.</td> <td>J2</td> <td>PTD.</td> <td>-</td> <td>3995</td> <td>3\"/> <tr> <td>3999</td> <td>ETR</td> <td>-</td> <td>WD.</td> <td>J2</td> <td>PTD.</td> <td>-</td> <td>3997</td> <td>3\"/> </td></tr></td></tr></td></tr></td></tr></td></tr>
 | 3995 | ETR | - | WD. | J2 | PTD. | - | 3992 | 3\"/> <tr> <td>3997</td> <td>ETR</td> <td>-</td> <td>WD.</td> <td>J2</td> <td>PTD.</td> <td>-</td> <td>3993</td> <td>3\"/> <tr> <td>3998</td> <td>ETR</td> <td>-</td> <td>WD.</td> <td>J2</td> <td>PTD.</td> <td>-</td> <td>3994</td> <td>3\"/> <tr> <td>3999</td> <td>ETR</td> <td>-</td> <td>WD.</td> <td>J2</td> <td>PTD.</td> <td>-</td> <td>3995</td> <td>3\"/> <tr> <td>3999</td> <td>ETR</td> <td>-</td> <td>WD.</td> <td>J2</td> <td>PTD.</td> <td>-</td> <td>3997</td> <td>3\"/> </td></tr></td></tr></td></tr></td></tr> | 3997 | ETR | - | WD. | J2 | PTD. | - | 3993 | 3\"/> <tr> <td>3998</td> <td>ETR</td> <td>-</td> <td>WD.</td> <td>J2</td> <td>PTD.</td> <td>-</td> <td>3994</td> <td>3\"/> <tr> <td>3999</td> <td>ETR</td> <td>-</td> <td>WD.</td> <td>J2</td> <td>PTD.</td> <td>-</td> <td>3995</td> <td>3\"/> <tr> <td>3999</td> <td>ETR</td> <td>-</td> <td>WD.</td> <td>J2</td> <td>PTD.</td> <td>-</td> <td>3997</td> <td>3\"/> </td></tr></td></tr></td></tr>
 | 3998 | ETR | - | WD. | J2 | PTD. | - | 3994 | 3\"/> <tr> <td>3999</td> <td>ETR</td> <td>-</td> <td>WD.</td> <td>J2</td> <td>PTD.</td> <td>-</td> <td>3995</td> <td>3\"/> <tr> <td>3999</td> <td>ETR</td> <td>-</td> <td>WD.</td> <td>J2</td> <td>PTD.</td> <td>-</td> <td>3997</td> <td>3\"/> </td></tr></td></tr> | 3999 | ETR | - | WD. | J2 | PTD. | - | 3995 | 3\"/> <tr> <td>3999</td> <td>ETR</td> <td>-</td> <td>WD.</td> <td>J2</td> <td>PTD.</td> <td>-</td> <td>3997</td> <td>3\"/> </td></tr>
 | 3999 | ETR | - | WD. | J2 | PTD. | - | 3997 | 3\"/> | | | | | | | | | | | | | | | | | | | | | | | | | | | | | | | | | | | | | | | | | | | | | |
 | | | | | | | | | | | | | | | | | | | | | | | | | | | | | |
 | | | | | | | | | | | | | | | | | | | | | | | | | | | | | | | | | | | | | | |
 | | | | | | | | | | | | | | | | | | | | | | | | | | | | | | | | | | | | | | | | | | | | | | | | | | | | | | |
| 370 | ETR | - | WD. | J2 | PTD. | - | 368 | 3\"/> <tr> <td>371</td> <td>ETR</td> <td>-</td> <td>WD.</td> <td>J2</td> <td>PTD.</td> <td>-</td> <td>369</td> <td>3\"/> <tr> <td>372</td> <td>B</td> <td>2 <td>HM</td> <td>J1</td> <td>PTD.</td> <td>1 HR.</td> <td>370</td> <td>3\"/> <tr> <td>373A</td> <td>ETR</td> <td>-</td> <td>WD.</td> <td>J2</td> <td>PTD.</td> <td>-</td> <td>371</td> <td>3\"/> <tr> <td>374B</td> <td>ETR</td> <td>-</td> <td>WD.</td> <td>J2</td> <td>PTD.</td> <td>-</td> <td>372</td> <td>3\"/> <tr> <td>374C</td> <td>ETR</td> <td>-</td> <td>WD.</td> <td>J2</td> <td>PTD.</td> <td>-</td> <td>373A</td> <td>3\"/> <tr> <td>375</td> <td>B</td> <td>1 <td>WD</td> <td>J1</td> <td>PTD.</td> <td>-</td> <td>374B</td> <td>3\"/> <tr> <td>376</td> <td>B</td> <td>1 <td>WD</td> <td>J1</td> <td>PTD.</td> <td>-</td> <td>374C</td> <td>3\"/> <tr> <td>377</td> <td>B</td> <td>1 <td>WD</td> <td>J1</td> <td>PTD.</td> <td>-</td> <td>375</td> <td>3\"/> <tr> <td>377A</td> <td>B</td> <td>1 <td>WD</td> <td>J1</td> <td>PTD.</td> <td>-</td> <td>376</td> <td>3\"/> <tr> <td>378</td> <td>B</td> <td>1 <td>WD</td> <td>J1</td> <td>PTD.</td> <td>-</td> <td>377</td> <td>3\"/> <tr> <td>379</td> <td>B</td> <td>1 <td>WD</td> <td>J1</td> <td>PTD.</td> <td>-</td> <td>377A</td> <td>3\"/> <tr> <td>380A</td> <td>B</td> <td>1 <td>WD</td> <td>J1</td> <td>PTD.</td> <td>-</td> <td>378</td> <td>3\"/> <tr> <td>380B</td> <td>B</td> <td>1 <td>WD</td> <td>J1</td> <td>PTD.</td> <td>-</td> <td>379</td> <td>3\"/> <tr> <td>382</td> <td>ETR</td> <td>-</td> <td>WD.</td> <td>J2</td> <td>PTD.</td> <td>-</td> <td>380A</td> <td>3\"/> <tr> <td>382A</td> <td>D</td> <td>6 <td>ALUM.</td> <td>ANODIZE D</td> <td>-</td> <td>-</td> <td>380B</td> <td>3\"/> <tr> <td>385</td> <td>ETR</td> <td>-</td> <td>WD.</td> <td>J2</td> <td>PTD.</td> <td>-</td> <td>382</td> <td>3\"/> <tr> <td>386</td> <td>ETR</td> <td>-</td> <td>WD.</td> <td>J2</td> <td>PTD.</td> <td>-</td> <td>382A</td> <td>3\"/> <tr> <td>387</td> <td>ETR</td> <td>-</td> <td>WD.</td> <td>J2</td> <td>PTD.</td> <td>-</td> <td>385</td> <td>3\"/> <tr> <td>388</td> <td>ETR</td> <td>-</td> <td>WD.</td> <td>J2</td> <td>PTD.</td> <td>-</td> <td>386</td> <td>3\"/> <tr> <td>389</td> <td>ETR</td> <td>-</td> <td>WD.</td> <td>J2</td> <td>PTD.</td> <td>-</td> <td>387</td> <td>3\"/> <tr> <td>391</td> <td>ETR</td> <td>-</td> <td>WD.</td> <td>J2</td> <td>PTD.</td> <td>-</td> <td>388</td> <td>3\"/> <tr> <td>391A</td> <td>ETR</td> <td>-</td> <td>WD.</td> <td>J2</td> <td>PTD.</td> <td>-</td> <td>389</td> <td>3\"/> <tr> <td>391B</td> <td>ETR</td> <td>-</td> <td>WD.</td> <td>J2</td> <td>PTD.</td> <td>-</td> <td>391</td> <td>3\"/> <tr> <td>394</td> <td>ETR</td> <td>-</td> <td>WD.</td> <td>J2</td> <td>PTD.</td> <td>-</td> <td>391A</td> <td>3\"/> <tr> <td>395</td> <td>ETR</td> <td>-</td> <td>WD.</td> <td>J2</td> <td>PTD.</td> <td>-</td> <td>391B</td> <td>3\"/> <tr> <td>396</td> <td>ETR</td> <td>-</td> <td>WD.</td> <td>J2</td>
<td>PTD.</td> <td>-</td> <td>394</td> <td>3\"/> <tr> <td>398</td> <td>ETR</td> <td>-</td> <td>WD.</td> <td>J2</td> <td>PTD.</td> <td>-</td> <td>395</td> <td>3\"/> <tr> <td>399</td> <td>ETR</td> <td>-</td> <td>WD.</td> <td>J2</td> <td>PTD.</td> <td>-</td> <td>396</td> <td>3\"/> <tr> <td>3991</td> <td>ETR</td> <td>-</td> <td>WD.</td> <td>J2</td> <td>PTD.</td> <td>-</td> <td>398</td> <td>3\"/> <tr> <td>3992</td> <td>A</td> <td>3\"/> <tr> <td>3993</td> <td>ETR</td> <td>-</td> <td>WD.</td> <td>J2</td> <td>PTD.</td> <td>-</td> <td>399</td> <td>3\"/> <tr> <td>3994</td> <td>ETR</td> <td>-</td> <td>WD.</td> <td>J2</td> <td>PTD.</td> <td>-</td> <td>3991</td> <td>3\"/> <tr> <td>3995</td> <td>ETR</td> <td>-</td> <td>WD.</td> <td>J2</td> <td>PTD.</td> <td>-</td> <td>3992</td> <td>3\"/> <tr> <td>3997</td> <td>ETR</td> <td>-</td> <td>WD.</td> <td>J2</td> <td>PTD.</td> <td>-</td> <td>3993</td> <td>3\"/> <tr> <td>3998</td> <td>ETR</td> <td>-</td> <td>WD.</td> <td>J2</td> <td>PTD.</td> <td>-</td> <td>3994</td> <td>3\"/> <tr> <td>3999</td> <td>ETR</td> <td>-</td> <td>WD.</td> <td>J2</td> <td>PTD.</td> <td>-</td> <td>3995</td> <td>3\"/> <tr> <td>3999</td> <td>ETR</td> <td>-</td> <td>WD.</td> <td>J2</td> <td>PTD.</td> <td>-</td> <td>3997</td> <td>3\"/> </td></tr></td></tr></td></tr></td></tr></td></tr></td></tr></td></tr></td></tr></td></tr></td></tr></td></tr></td></tr></td></tr></td></tr></td></tr></td></tr></td></tr></td></tr></td></tr></td></tr></td></tr></td></tr></td></td></tr></td></tr></td></td></tr></td></td></tr></td></td></tr></td></td></tr></td></td></tr></td></td></tr></td></td></tr></td></td></tr></td></tr></td></tr></td></tr></td></td></tr></td></tr> | 371 | ETR | -
 | WD. | J2 | PTD. | - | 369 | 3\"/> <tr> <td>372</td> <td>B</td> <td>2 <td>HM</td> <td>J1</td> <td>PTD.</td> <td>1 HR.</td> <td>370</td> <td>3\"/> <tr> <td>373A</td> <td>ETR</td> <td>-</td> <td>WD.</td> <td>J2</td> <td>PTD.</td> <td>-</td> <td>371</td> <td>3\"/> <tr> <td>374B</td> <td>ETR</td> <td>-</td> <td>WD.</td> <td>J2</td> <td>PTD.</td> <td>-</td> <td>372</td> <td>3\"/> <tr> <td>374C</td> <td>ETR</td> <td>-</td> <td>WD.</td> <td>J2</td> <td>PTD.</td> <td>-</td> <td>373A</td> <td>3\"/> <tr> <td>375</td> <td>B</td> <td>1 <td>WD</td> <td>J1</td> <td>PTD.</td> <td>-</td> <td>374B</td> <td>3\"/> <tr> <td>376</td> <td>B</td> <td>1 <td>WD</td> <td>J1</td> <td>PTD.</td> <td>-</td> <td>374C</td> <td>3\"/> <tr> <td>377</td> <td>B</td> <td>1 <td>WD</td> <td>J1</td> <td>PTD.</td> <td>-</td> <td>375</td> <td>3\"/> <tr> <td>377A</td> <td>B</td> <td>1 <td>WD</td> <td>J1</td> <td>PTD.</td> <td>-</td> <td>376</td> <td>3\"/> <tr> <td>378</td> <td>B</td> <td>1 <td>WD</td> <td>J1</td> <td>PTD.</td> <td>-</td> <td>377</td> <td>3\"/> <tr> <td>379</td> <td>B</td> <td>1 <td>WD</td> <td>J1</td> <td>PTD.</td> <td>-</td> <td>377A</td> <td>3\"/> <tr> <td>380A</td> <td>B</td> <td>1 <td>WD</td> <td>J1</td> <td>PTD.</td> <td>-</td> <td>378</td> <td>3\"/> <tr> <td>380B</td> <td>B</td> <td>1 <td>WD</td> <td>J1</td> <td>PTD.</td> <td>-</td> <td>379</td> <td>3\"/> <tr> <td>382</td> <td>ETR</td> <td>-</td> <td>WD.</td> <td>J2</td> <td>PTD.</td> <td>-</td> <td>380A</td> <td>3\"/> <tr> <td>382A</td> <td>D</td> <td>6 <td>ALUM.</td> <td>ANODIZE D</td> <td>-</td> <td>-</td> <td>380B</td> <td>3\"/> <tr> <td>385</td> <td>ETR</td> <td>-</td> <td>WD.</td> <td>J2</td> <td>PTD.</td> <td>-</td> <td>382</td> <td>3\"/> <tr> <td>386</td> <td>ETR</td> <td>-</td> <td>WD.</td> <td>J2</td> <td>PTD.</td> <td>-</td> <td>382A</td> <td>3\"/> <tr> <td>387</td> <td>ETR</td> <td>-</td> <td>WD.</td> <td>J2</td> <td>PTD.</td> <td>-</td> <td>385</td> <td>3\"/> <tr> <td>388</td> <td>ETR</td> <td>-</td> <td>WD.</td> <td>J2</td> <td>PTD.</td> <td>-</td> <td>386</td> <td>3\"/> <tr> <td>389</td> <td>ETR</td> <td>-</td> <td>WD.</td> <td>J2</td> <td>PTD.</td> <td>-</td> <td>387</td> <td>3\"/> <tr> <td>391</td> <td>ETR</td> <td>-</td> <td>WD.</td> <td>J2</td> <td>PTD.</td> <td>-</td> <td>388</td> <td>3\"/> <tr> <td>391A</td> <td>ETR</td> <td>-</td> <td>WD.</td> <td>J2</td> <td>PTD.</td> <td>-</td> <td>389</td> <td>3\"/> <tr> <td>391B</td> <td>ETR</td> <td>-</td> <td>WD.</td> <td>J2</td> <td>PTD.</td> <td>-</td> <td>391</td> <td>3\"/> <tr> <td>394</td> <td>ETR</td> <td>-</td> <td>WD.</td> <td>J2</td> <td>PTD.</td> <td>-</td> <td>391A</td> <td>3\"/> <tr> <td>395</td> <td>ETR</td> <td>-</td> <td>WD.</td> <td>J2</td> <td>PTD.</td> <td>-</td> <td>391B</td> <td>3\"/> <tr> <td>396</td> <td>ETR</td> <td>-</td> <td>WD.</td> <td>J2</td> <td>PTD.</td> <td>-</td> <td>394</td> <td>3\"/> <tr> <td>398</td> <td>ETR</td> <td>-</td> <td>WD.</td> <td>J2</td> <td>PTD.</td> <td>-</td> <td>395</td> <td>3\"/> <tr> <td>399</td> <td>ETR</td> <td>-</td> <td>WD.</td> <td>J2</td> <td>PTD.</td> <td>-</td> <td>396</td> <td>3\"/> <tr> <td>3991</td> <td>ETR</td> <td>-</td> <td>WD.</td> <td>J2</td> <td>PTD.</td> <td>-</td> <td>398</td> <td>3\"/> <tr> <td>3992</td> <td>A</td> <td>3\"/> <tr> <td>3993</td> <td>ETR</td> <td>-</td> <td>WD.</td> <td>J2</td> <td>PTD.</td> <td>-</td> <td>399</td> <td>3\"/> <tr> <td>3994</td> <td>ETR</td> <td>-</td> <td>WD.</td> <td>J2</td> <td>PTD.</td> <td>-</td> <td>3991</td> <td>3\"/> <tr> <td>3995</td> <td>ETR</td> <td>-</td> <td>WD.</td> <td>J2</td> <td>PTD.</td> <td>-</td> <td>3992</td> <td>3\"/> <tr> <td>3997</td> <td>ETR</td> <td>-</td> <td>WD.</td> <td>J2</td> <td>PTD.</td> <td>-</td> <td>3993</td> <td>3\"/> <tr> <td>3998</td> <td>ETR</td> <td>-</td> <td>WD.</td> <td>J2</td> <td>PTD.</td> <td>-</td> <td>3994</td> <td>3\"/> <tr> <td>3999</td> <td>ETR</td> <td>-</td> <td>WD.</td> <td>J2</td> <td>PTD.</td> <td>-</td> <td>3995</td> <td>3\"/> <tr> <td>3999</td> <td>ETR</td> <td>-</td> <td>WD.</td> <td>J2</td> <td>PTD.</td> <td>-</td> <td>3997</td> <td>3\"/> </td></tr></td></tr></td></tr></td></tr></td></tr></td></tr></td></tr></td></tr></td></tr></td></tr></td></tr></td></tr></td></tr></td></tr></td></tr></td></tr></td></tr></td></tr></td></tr></td></tr></td></tr></td></tr></td></td></tr></td></tr></td></td></tr></td></td></tr></td></td></tr></td></td></tr></td></td></tr></td></td></tr></td></td></tr></td></td></tr></td></tr></td></tr></td></tr></td></td></tr> | 372 | B | 2 <td>HM</td> <td>J1</td> <td>PTD.</td> <td>1 HR.</td> <td>370</td> <td>3\"/> <tr> <td>373A</td> <td>ETR</td> <td>-</td> <td>WD.</td> <td>J2</td> <td>PTD.</td> <td>-</td> <td>371</td> <td>3\"/> <tr> <td>374B</td> <td>ETR</td> <td>-</td> <td>WD.</td> <td>J2</td> <td>PTD.</td> <td>-</td> <td>372</td> <td>3\"/> <tr> <td>374C</td> <td>ETR</td> <td>-</td> <td>WD.</td> <td>J2</td> <td>PTD.</td> <td>-</td> <td>373A</td> <td>3\"/> <tr> <td>375</td> <td>B</td> <td>1 <td>WD</td> <td>J1</td> <td>PTD.</td> <td>-</td> <td>374B</td> <td>3\"/> <tr> <td>376</td> <td>B</td> <td>1 <td>WD</td> <td>J1</td> <td>PTD.</td> <td>-</td> <td>374C</td> <td>3\"/> <tr> <td>377</td> <td>B</td> <td>1 <td>WD</td> <td>J1</td> <td>PTD.</td> <td>-</td> <td>375</td> <td>3\"/> <tr> <td>377A</td> <td>B</td> <td>1 <td>WD</td> <td>J1</td> <td>PTD.</td> <td>-</td> <td>376</td> <td>3\"/> <tr> <td>378</td> <td>B</td> <td>1 <td>WD</td> <td>J1</td> <td>PTD.</td> <td>-</td> <td>377</td> <td>3\"/> <tr> <td>379</td> <td>B</td> <td>1 <td>WD</td> <td>J1</td> <td>PTD.</td> <td>-</td> <td>377A</td> <td>3\"/> <tr> <td>380A</td> <td>B</td> <td>1 <td>WD</td> <td>J1</td> <td>PTD.</td> <td>-</td> <td>378</td> <td>3\"/> <tr> <td>380B</td> <td>B</td> <td>1 <td>WD</td> <td>J1</td> <td>PTD.</td> <td>-</td> <td>379</td> <td>3\"/> <tr> <td>382</td> <td>ETR</td> <td>-</td> <td>WD.</td> <td>J2</td> <td>PTD.</td> <td>-</td> <td>380A</td> <td>3\"/> <tr> <td>382A</td> <td>D</td> <td>6 <td>ALUM.</td> <td>ANODIZE D</td> <td>-</td> <td>-</td> <td>380B</td> <td>3\"/> <tr> <td>385</td> <td>ETR</td> <td>-</td> <td>WD.</td> <td>J2</td> <td>PTD.</td> <td>-</td> <td>382</td> <td>3\"/> <tr> <td>386</td> <td>ETR</td> <td>-</td> <td>WD.</td> <td>J2</td> <td>PTD.</td> <td>-</td> <td>382A</td> <td>3\"/> <tr> <td>387</td> <td>ETR</td> <td>-</td> <td>WD.</td> <td>J2</td> <td>PTD.</td> <td>-</td> <td>385</td> <td>3\"/> <tr> <td>388</td> <td>ETR</td> <td>-</td> <td>WD.</td> <td>J2</td> <td>PTD.</td> <td>-</td> <td>386</td> <td>3\"/> <tr> <td>389</td> <td>ETR</td> <td>-</td> <td>WD.</td> <td>J2</td> <td>PTD.</td> <td>-</td> <td>387</td> <td>3\"/> <tr> <td>391</td> <td>ETR</td> <td>-</td> <td>WD.</td> <td>J2</td> <td>PTD.</td> <td>-</td> <td>388</td> <td>3\"/> <tr> <td>391A</td> <td>ETR</td> <td>-</td> <td>WD.</td> <td>J2</td> <td>PTD.</td> <td>-</td> <td>389</td> <td>3\"/> <tr> <td>391B</td> <td>ETR</td> <td>-</td> <td>WD.</td> <td>J2</td> <td>PTD.</td> <td>-</td> <td>391</td> <td>3\"/> <tr> <td>394</td> <td>ETR</td> <td>-</td> <td>WD.</td> <td>J2</td> <td>PTD.</td> <td>-</td> <td>391A</td> <td>3\"/> <tr> <td>395</td>
<td>ETR</td> <td>-</td> <td>WD.</td> <td>J2</td> <td>PTD.</td> <td>-</td> <td>391B</td> <td>3\"/> <tr> <td>396</td> <td>ETR</td> <td>-</td> <td>WD.</td> <td>J2</td> <td>PTD.</td> <td>-</td> <td>394</td> <td>3\"/> <tr> <td>398</td> <td>ETR</td> <td>-</td> <td>WD.</td> <td>J2</td> <td>PTD.</td> <td>-</td> <td>395</td> <td>3\"/> <tr> <td>399</td> <td>ETR</td> <td>-</td> <td>WD.</td> <td>J2</td> <td>PTD.</td> <td>-</td> <td>396</td> <td>3\"/> <tr> <td>3991</td> <td>ETR</td> <td>-</td> <td>WD.</td> <td>J2</td> <td>PTD.</td> <td>-</td> <td>398</td> <td>3\"/> <tr> <td>3992</td> <td>A</td> <td>3\"/> <tr> <td>3993</td> <td>ETR</td> <td>-</td> <td>WD.</td> <td>J2</td> <td>PTD.</td> <td>-</td> <td>399</td> <td>3\"/> <tr> <td>3994</td> <td>ETR</td> <td>-</td> <td>WD.</td> <td>J2</td> <td>PTD.</td> <td>-</td> <td>3991</td> <td>3\"/> <tr> <td>3995</td> <td>ETR</td> <td>-</td> <td>WD.</td> <td>J2</td> <td>PTD.</td> <td>-</td> <td>3992</td> <td>3\"/> <tr> <td>3997</td> <td>ETR</td> <td>-</td> <td>WD.</td> <td>J2</td> <td>PTD.</td> <td>-</td> <td>3993</td> <td>3\"/> <tr> <td>3998</td> <td>ETR</td> <td>-</td> <td>WD.</td> <td>J2</td> <td>PTD.</td> <td>-</td> <td>3994</td> <td>3\"/> <tr> <td>3999</td> <td>ETR</td> <td>-</td> <td>WD.</td> <td>J2</td> <td>PTD.</td> <td>-</td> <td>3995</td> <td>3\"/> <tr> <td>3999</td> <td>ETR</td> <td>-</td> <td>WD.</td> <td>J2</td> <td>PTD.</td> <td>-</td> <td>3997</td> <td>3\"/> </td></tr></td></tr></td></tr></td></tr></td></tr></td></tr></td></tr></td></tr></td></tr></td></tr></td></tr></td></tr></td></tr></td></tr></td></tr></td></tr></td></tr></td></tr></td></tr></td></tr></td></tr></td></tr></td></td></tr></td></tr></td></td></tr></td></td></tr></td></td></tr></td></td></tr></td></td></tr></td></td></tr></td></td></tr></td></td></tr></td></tr></td></tr></td></tr></td> | HM | J1 | PTD. | 1 HR. | 370 | 3\"/> <tr> <td>373A</td> <td>ETR</td> <td>-</td> <td>WD.</td> <td>J2</td> <td>PTD.</td> <td>-</td> <td>371</td> <td>3\"/> <tr> <td>374B</td> <td>ETR</td> <td>-</td> <td>WD.</td> <td>J2</td> <td>PTD.</td> <td>-</td> <td>372</td> <td>3\"/> <tr> <td>374C</td> <td>ETR</td> <td>-</td> <td>WD.</td> <td>J2</td> <td>PTD.</td> <td>-</td> <td>373A</td> <td>3\"/> <tr> <td>375</td> <td>B</td> <td>1 <td>WD</td> <td>J1</td> <td>PTD.</td> <td>-</td> <td>374B</td> <td>3\"/> <tr> <td>376</td> <td>B</td> <td>1 <td>WD</td> <td>J1</td> <td>PTD.</td> <td>-</td> <td>374C</td> <td>3\"/> <tr> <td>377</td> <td>B</td> <td>1 <td>WD</td> <td>J1</td> <td>PTD.</td> <td>-</td> <td>375</td> <td>3\"/> <tr> <td>377A</td> <td>B</td> <td>1 <td>WD</td> <td>J1</td> <td>PTD.</td> <td>-</td> <td>376</td> <td>3\"/> <tr> <td>378</td> <td>B</td> <td>1 <td>WD</td> <td>J1</td> <td>PTD.</td> <td>-</td> <td>377</td> <td>3\"/> <tr> <td>379</td> <td>B</td> <td>1 <td>WD</td> <td>J1</td> <td>PTD.</td> <td>-</td> <td>377A</td> <td>3\"/> <tr> <td>380A</td> <td>B</td> <td>1 <td>WD</td> <td>J1</td> <td>PTD.</td> <td>-</td> <td>378</td> <td>3\"/> <tr> <td>380B</td> <td>B</td> <td>1 <td>WD</td> <td>J1</td> <td>PTD.</td> <td>-</td> <td>379</td> <td>3\"/> <tr> <td>382</td> <td>ETR</td> <td>-</td> <td>WD.</td> <td>J2</td> <td>PTD.</td> <td>-</td> <td>380A</td> <td>3\"/> <tr> <td>382A</td> <td>D</td> <td>6 <td>ALUM.</td> <td>ANODIZE D</td> <td>-</td> <td>-</td> <td>380B</td> <td>3\"/> <tr> <td>385</td> <td>ETR</td> <td>-</td> <td>WD.</td> <td>J2</td> <td>PTD.</td> <td>-</td> <td>382</td> <td>3\"/> <tr> <td>386</td> <td>ETR</td> <td>-</td> <td>WD.</td> <td>J2</td> <td>PTD.</td> <td>-</td> <td>382A</td> <td>3\"/> <tr> <td>387</td> <td>ETR</td> <td>-</td> <td>WD.</td> <td>J2</td> <td>PTD.</td> <td>-</td> <td>385</td> <td>3\"/> <tr> <td>388</td> <td>ETR</td> <td>-</td> <td>WD.</td> <td>J2</td> <td>PTD.</td> <td>-</td> <td>386</td> <td>3\"/> <tr> <td>389</td> <td>ETR</td> <td>-</td> <td>WD.</td> <td>J2</td> <td>PTD.</td> <td>-</td> <td>387</td> <td>3\"/> <tr> <td>391</td> <td>ETR</td> <td>-</td> <td>WD.</td> <td>J2</td> <td>PTD.</td> <td>-</td> <td>388</td> <td>3\"/> <tr> <td>391A</td> <td>ETR</td> <td>-</td> <td>WD.</td> <td>J2</td> <td>PTD.</td> <td>-</td> <td>389</td> <td>3\"/> <tr> <td>391B</td> <td>ETR</td> <td>-</td> <td>WD.</td> <td>J2</td> <td>PTD.</td> <td>-</td> <td>391</td> <td>3\"/> <tr> <td>394</td> <td>ETR</td> <td>-</td> <td>WD.</td> <td>J2</td> <td>PTD.</td> <td>-</td> <td>391A</td> <td>3\"/> <tr> <td>395</td> <td>ETR</td> <td>-</td> <td>WD.</td> <td>J2</td> <td>PTD.</td> <td>-</td> <td>391B</td> <td>3\"/> <tr> <td>396</td> <td>ETR</td> <td>-</td> <td>WD.</td> <td>J2</td> <td>PTD.</td> <td>-</td> <td>394</td> <td>3\"/> <tr> <td>398</td> <td>ETR</td> <td>-</td> <td>WD.</td> <td>J2</td> <td>PTD.</td> <td>-</td> <td>395</td> <td>3\"/> <tr> <td>399</td> <td>ETR</td> <td>-</td> <td>WD.</td> <td>J2</td> <td>PTD.</td> <td>-</td> <td>396</td> <td>3\"/> <tr> <td>3991</td> <td>ETR</td> <td>-</td> <td>WD.</td> <td>J2</td> <td>PTD.</td> <td>-</td> <td>398</td> <td>3\"/> <tr> <td>3992</td> <td>A</td> <td>3\"/> <tr> <td>3993</td> <td>ETR</td> <td>-</td> <td>WD.</td> <td>J2</td> <td>PTD.</td> <td>-</td> <td>399</td> <td>3\"/> <tr> <td>3994</td> <td>ETR</td> <td>-</td> <td>WD.</td> <td>J2</td> <td>PTD.</td> <td>-</td> <td>3991</td> <td>3\"/> <tr> <td>3995</td> <td>ETR</td> <td>-</td> <td>WD.</td> <td>J2</td> <td>PTD.</td> <td>-</td> <td>3992</td> <td>3\"/> <tr> <td>3997</td> <td>ETR</td> <td>-</td> <td>WD.</td> <td>J2</td> <td>PTD.</td> <td>-</td> <td>3993</td> <td>3\"/> <tr> <td>3998</td> <td>ETR</td> <td>-</td> <td>WD.</td> <td>J2</td> <td>PTD.</td> <td>-</td> <td>3994</td> <td>3\"/> <tr> <td>3999</td> <td>ETR</td> <td>-</td> <td>WD.</td> <td>J2</td> <td>PTD.</td> <td>-</td> <td>3995</td> <td>3\"/> <tr> <td>3999</td> <td>ETR</td> <td>-</td> <td>WD.</td> <td>J2</td> <td>PTD.</td> <td>-</td> <td>3997</td> <td>3\"/> </td></tr></td></tr></td></tr></td></tr></td></tr></td></tr></td></tr></td></tr></td></tr></td></tr></td></tr></td></tr></td></tr></td></tr></td></tr></td></tr></td></tr></td></tr></td></tr></td></tr></td></tr></td></tr></td></td></tr></td></tr></td></td></tr></td></td></tr></td></td></tr></td></td></tr></td></td></tr></td></td></tr></td></td></tr></td></td></tr></td></tr></td></tr></td></tr>
 | 373A | ETR | - | WD. | J2 | PTD. | - | 371 | 3\"/> <tr> <td>374B</td> <td>ETR</td> <td>-</td> <td>WD.</td> <td>J2</td> <td>PTD.</td> <td>-</td> <td>372</td> <td>3\"/> <tr> <td>374C</td> <td>ETR</td> <td>-</td> <td>WD.</td> <td>J2</td> <td>PTD.</td> <td>-</td> <td>373A</td> <td>3\"/> <tr> <td>375</td> <td>B</td> <td>1 <td>WD</td> <td>J1</td> <td>PTD.</td> <td>-</td> <td>374B</td> <td>3\"/> <tr> <td>376</td> <td>B</td> <td>1 <td>WD</td> <td>J1</td> <td>PTD.</td> <td>-</td> <td>374C</td> <td>3\"/> <tr> <td>377</td> <td>B</td> <td>1 <td>WD</td> <td>J1</td> <td>PTD.</td> <td>-</td> <td>375</td> <td>3\"/> <tr> <td>377A</td> <td>B</td> <td>1 <td>WD</td> <td>J1</td> <td>PTD.</td> <td>-</td> <td>376</td> <td>3\"/> <tr> <td>378</td> <td>B</td> <td>1 <td>WD</td> <td>J1</td> <td>PTD.</td> <td>-</td> <td>377</td> <td>3\"/> <tr> <td>379</td> <td>B</td> <td>1 <td>WD</td> <td>J1</td> <td>PTD.</td> <td>-</td> <td>377A</td> <td>3\"/> <tr> <td>380A</td> <td>B</td> <td>1 <td>WD</td> <td>J1</td> <td>PTD.</td> <td>-</td> <td>378</td> <td>3\"/> <tr> <td>380B</td> <td>B</td> <td>1 <td>WD</td> <td>J1</td> <td>PTD.</td> <td>-</td> <td>379</td> <td>3\"/> <tr> <td>382</td> <td>ETR</td> <td>-</td> <td>WD.</td> <td>J2</td> <td>PTD.</td> <td>-</td> <td>380A</td> <td>3\"/> <tr> <td>382A</td> <td>D</td> <td>6 <td>ALUM.</td> <td>ANODIZE D</td> <td>-</td> <td>-</td> <td>380B</td> <td>3\"/> <tr> <td>385</td> <td>ETR</td> <td>-</td> <td>WD.</td> <td>J2</td> <td>PTD.</td> <td>-</td> <td>382</td> <td>3\"/> <tr> <td>386</td> <td>ETR</td> <td>-</td> <td>WD.</td> <td>J2</td> <td>PTD.</td> <td>-</td> <td>382A</td> <td>3\"/> <tr> <td>387</td> <td>ETR</td> <td>-</td> <td>WD.</td> <td>J2</td> <td>PTD.</td> <td>-</td> <td>385</td> <td>3\"/> <tr> <td>388</td> <td>ETR</td> <td>-</td> <td>WD.</td> <td>J2</td> <td>PTD.</td> <td>-</td> <td>386</td> <td>3\"/> <tr> <td>389</td> <td>ETR</td> <td>-</td> <td>WD.</td> <td>J2</td> <td>PTD.</td> <td>-</td> <td>387</td> <td>3\"/> <tr> <td>391</td> <td>ETR</td> <td>-</td> <td>WD.</td> <td>J2</td> <td>PTD.</td> <td>-</td> <td>388</td> <td>3\"/> <tr> <td>391A</td> <td>ETR</td> <td>-</td> <td>WD.</td> <td>J2</td> <td>PTD.</td> <td>-</td> <td>389</td> <td>3\"/> <tr> <td>391B</td> <td>ETR</td> <td>-</td> <td>WD.</td> <td>J2</td> <td>PTD.</td> <td>-</td> <td>391</td> <td>3\"/> <tr> <td>394</td> <td>ETR</td> <td>-</td> <td>WD.</td> <td>J2</td> <td>PTD.</td> <td>-</td> <td>391A</td> <td>3\"/> <tr> <td>395</td> <td>ETR</td> <td>-</td> <td>WD.</td> <td>J2</td> <td>PTD.</td> <td>-</td> <td>391B</td> <td>3\"/> <tr> <td>396</td> <td>ETR</td> <td>-</td> <td>WD.</td> <td>J2</td> <td>PTD.</td> <td>-</td> <td>394</td> <td>3\"/> <tr> <td>398</td> <td>ETR</td> <td>-</td> <td>WD.</td> <td>J2</td> <td>PTD.</td> <td>-</td> <td>395</td> <td>3\"/> <tr> <td>399</td> <td>ETR</td>
<td>-</td> <td>WD.</td> <td>J2</td> <td>PTD.</td> <td>-</td> <td>396</td> <td>3\"/> <tr> <td>3991</td> <td>ETR</td> <td>-</td> <td>WD.</td> <td>J2</td> <td>PTD.</td> <td>-</td> <td>398</td> <td>3\"/> <tr> <td>3992</td> <td>A</td> <td>3\"/> <tr> <td>3993</td> <td>ETR</td> <td>-</td> <td>WD.</td> <td>J2</td> <td>PTD.</td> <td>-</td> <td>399</td> <td>3\"/> <tr> <td>3994</td> <td>ETR</td> <td>-</td> <td>WD.</td> <td>J2</td> <td>PTD.</td> <td>-</td> <td>3991</td> <td>3\"/> <tr> <td>3995</td> <td>ETR</td> <td>-</td> <td>WD.</td> <td>J2</td> <td>PTD.</td> <td>-</td> <td>3992</td> <td>3\"/> <tr> <td>3997</td> <td>ETR</td> <td>-</td> <td>WD.</td> <td>J2</td> <td>PTD.</td> <td>-</td> <td>3993</td> <td>3\"/> <tr> <td>3998</td> <td>ETR</td> <td>-</td> <td>WD.</td> <td>J2</td> <td>PTD.</td> <td>-</td> <td>3994</td> <td>3\"/> <tr> <td>3999</td> <td>ETR</td> <td>-</td> <td>WD.</td> <td>J2</td> <td>PTD.</td> <td>-</td> <td>3995</td> <td>3\"/> <tr> <td>3999</td> <td>ETR</td> <td>-</td> <td>WD.</td> <td>J2</td> <td>PTD.</td> <td>-</td> <td>3997</td> <td>3\"/> </td></tr></td></tr></td></tr></td></tr></td></tr></td></tr></td></tr></td></tr></td></tr></td></tr></td></tr></td></tr></td></tr></td></tr></td></tr></td></tr></td></tr></td></tr></td></tr></td></tr></td></tr></td></tr></td></td></tr></td></tr></td></td></tr></td></td></tr></td></td></tr></td></td></tr></td></td></tr></td></td></tr></td></td></tr></td></td></tr></td></tr></td></tr> | 374B | ETR | - | WD. | J2 | PTD.
| - | 372 | 3\"/> <tr> <td>374C</td> <td>ETR</td> <td>-</td> <td>WD.</td> <td>J2</td> <td>PTD.</td> <td>-</td> <td>373A</td> <td>3\"/> <tr> <td>375</td> <td>B</td> <td>1 <td>WD</td> <td>J1</td> <td>PTD.</td> <td>-</td> <td>374B</td> <td>3\"/> <tr> <td>376</td> <td>B</td> <td>1 <td>WD</td> <td>J1</td> <td>PTD.</td> <td>-</td> <td>374C</td> <td>3\"/> <tr> <td>377</td> <td>B</td> <td>1 <td>WD</td> <td>J1</td> <td>PTD.</td> <td>-</td> <td>375</td> <td>3\"/> <tr> <td>377A</td> <td>B</td> <td>1 <td>WD</td> <td>J1</td> <td>PTD.</td> <td>-</td> <td>376</td> <td>3\"/> <tr> <td>378</td> <td>B</td> <td>1 <td>WD</td> <td>J1</td> <td>PTD.</td> <td>-</td> <td>377</td> <td>3\"/> <tr> <td>379</td> <td>B</td> <td>1 <td>WD</td> <td>J1</td> <td>PTD.</td> <td>-</td> <td>377A</td> <td>3\"/> <tr> <td>380A</td> <td>B</td> <td>1 <td>WD</td> <td>J1</td> <td>PTD.</td> <td>-</td> <td>378</td> <td>3\"/> <tr> <td>380B</td> <td>B</td> <td>1 <td>WD</td> <td>J1</td> <td>PTD.</td> <td>-</td> <td>379</td> <td>3\"/> <tr> <td>382</td> <td>ETR</td> <td>-</td> <td>WD.</td> <td>J2</td> <td>PTD.</td> <td>-</td> <td>380A</td> <td>3\"/> <tr> <td>382A</td> <td>D</td> <td>6 <td>ALUM.</td> <td>ANODIZE D</td> <td>-</td> <td>-</td> <td>380B</td> <td>3\"/> <tr> <td>385</td> <td>ETR</td> <td>-</td> <td>WD.</td> <td>J2</td> <td>PTD.</td> <td>-</td> <td>382</td> <td>3\"/> <tr> <td>386</td> <td>ETR</td> <td>-</td> <td>WD.</td> <td>J2</td> <td>PTD.</td> <td>-</td> <td>382A</td> <td>3\"/> <tr> <td>387</td> <td>ETR</td> <td>-</td> <td>WD.</td> <td>J2</td> <td>PTD.</td> <td>-</td> <td>385</td> <td>3\"/> <tr> <td>388</td> <td>ETR</td> <td>-</td> <td>WD.</td> <td>J2</td> <td>PTD.</td> <td>-</td> <td>386</td> <td>3\"/> <tr> <td>389</td> <td>ETR</td> <td>-</td> <td>WD.</td> <td>J2</td> <td>PTD.</td> <td>-</td> <td>387</td> <td>3\"/> <tr> <td>391</td> <td>ETR</td> <td>-</td> <td>WD.</td> <td>J2</td> <td>PTD.</td> <td>-</td> <td>388</td> <td>3\"/> <tr> <td>391A</td> <td>ETR</td> <td>-</td> <td>WD.</td> <td>J2</td> <td>PTD.</td> <td>-</td> <td>389</td> <td>3\"/> <tr> <td>391B</td> <td>ETR</td> <td>-</td> <td>WD.</td> <td>J2</td> <td>PTD.</td> <td>-</td> <td>391</td> <td>3\"/> <tr> <td>394</td> <td>ETR</td> <td>-</td> <td>WD.</td> <td>J2</td> <td>PTD.</td> <td>-</td> <td>391A</td> <td>3\"/> <tr> <td>395</td> <td>ETR</td> <td>-</td> <td>WD.</td> <td>J2</td> <td>PTD.</td> <td>-</td> <td>391B</td> <td>3\"/> <tr> <td>396</td> <td>ETR</td> <td>-</td> <td>WD.</td> <td>J2</td> <td>PTD.</td> <td>-</td> <td>394</td> <td>3\"/> <tr> <td>398</td> <td>ETR</td> <td>-</td> <td>WD.</td> <td>J2</td> <td>PTD.</td> <td>-</td> <td>395</td> <td>3\"/> <tr> <td>399</td> <td>ETR</td> <td>-</td> <td>WD.</td> <td>J2</td> <td>PTD.</td> <td>-</td> <td>396</td> <td>3\"/> <tr> <td>3991</td> <td>ETR</td> <td>-</td> <td>WD.</td> <td>J2</td> <td>PTD.</td> <td>-</td> <td>398</td> <td>3\"/> <tr> <td>3992</td> <td>A</td> <td>3\"/> <tr> <td>3993</td> <td>ETR</td> <td>-</td> <td>WD.</td> <td>J2</td> <td>PTD.</td> <td>-</td> <td>399</td> <td>3\"/> <tr> <td>3994</td> <td>ETR</td> <td>-</td> <td>WD.</td> <td>J2</td> <td>PTD.</td> <td>-</td> <td>3991</td> <td>3\"/> <tr> <td>3995</td> <td>ETR</td> <td>-</td> <td>WD.</td> <td>J2</td> <td>PTD.</td> <td>-</td> <td>3992</td> <td>3\"/> <tr> <td>3997</td> <td>ETR</td> <td>-</td> <td>WD.</td> <td>J2</td> <td>PTD.</td> <td>-</td> <td>3993</td> <td>3\"/> <tr> <td>3998</td> <td>ETR</td> <td>-</td> <td>WD.</td> <td>J2</td> <td>PTD.</td> <td>-</td> <td>3994</td> <td>3\"/> <tr> <td>3999</td> <td>ETR</td> <td>-</td> <td>WD.</td> <td>J2</td> <td>PTD.</td> <td>-</td> <td>3995</td> <td>3\"/> <tr> <td>3999</td> <td>ETR</td> <td>-</td> <td>WD.</td> <td>J2</td> <td>PTD.</td> <td>-</td> <td>3997</td> <td>3\"/> </td></tr></td></tr></td></tr></td></tr></td></tr></td></tr></td></tr></td></tr></td></tr></td></tr></td></tr></td></tr></td></tr></td></tr></td></tr></td></tr></td></tr></td></tr></td></tr></td></tr></td></tr></td></tr></td></td></tr></td></tr></td></td></tr></td></td></tr></td></td></tr></td></td></tr></td></td></tr></td></td></tr></td></td></tr></td></td></tr></td></tr> | 374C | ETR | -
 | WD. | J2 | PTD. | - | 373A | 3\"/> <tr> <td>375</td> <td>B</td> <td>1 <td>WD</td> <td>J1</td> <td>PTD.</td> <td>-</td> <td>374B</td> <td>3\"/> <tr> <td>376</td> <td>B</td> <td>1 <td>WD</td> <td>J1</td> <td>PTD.</td> <td>-</td> <td>374C</td> <td>3\"/> <tr> <td>377</td> <td>B</td> <td>1 <td>WD</td> <td>J1</td> <td>PTD.</td> <td>-</td> <td>375</td> <td>3\"/> <tr> <td>377A</td> <td>B</td> <td>1 <td>WD</td> <td>J1</td> <td>PTD.</td> <td>-</td> <td>376</td> <td>3\"/> <tr> <td>378</td> <td>B</td> <td>1 <td>WD</td> <td>J1</td> <td>PTD.</td> <td>-</td> <td>377</td> <td>3\"/> <tr> <td>379</td> <td>B</td> <td>1 <td>WD</td> <td>J1</td> <td>PTD.</td> <td>-</td> <td>377A</td> <td>3\"/> <tr> <td>380A</td> <td>B</td> <td>1 <td>WD</td> <td>J1</td> <td>PTD.</td> <td>-</td> <td>378</td> <td>3\"/> <tr> <td>380B</td> <td>B</td> <td>1 <td>WD</td> <td>J1</td> <td>PTD.</td> <td>-</td> <td>379</td> <td>3\"/> <tr> <td>382</td> <td>ETR</td> <td>-</td> <td>WD.</td> <td>J2</td> <td>PTD.</td> <td>-</td> <td>380A</td> <td>3\"/> <tr> <td>382A</td> <td>D</td> <td>6 <td>ALUM.</td> <td>ANODIZE D</td> <td>-</td> <td>-</td> <td>380B</td> <td>3\"/> <tr> <td>385</td> <td>ETR</td> <td>-</td> <td>WD.</td> <td>J2</td> <td>PTD.</td> <td>-</td> <td>382</td> <td>3\"/> <tr> <td>386</td> <td>ETR</td> <td>-</td> <td>WD.</td> <td>J2</td> <td>PTD.</td> <td>-</td> <td>382A</td> <td>3\"/> <tr> <td>387</td> <td>ETR</td> <td>-</td> <td>WD.</td> <td>J2</td> <td>PTD.</td> <td>-</td> <td>385</td> <td>3\"/> <tr> <td>388</td> <td>ETR</td> <td>-</td> <td>WD.</td> <td>J2</td> <td>PTD.</td> <td>-</td> <td>386</td> <td>3\"/> <tr> <td>389</td> <td>ETR</td> <td>-</td> <td>WD.</td> <td>J2</td> <td>PTD.</td> <td>-</td> <td>387</td> <td>3\"/> <tr> <td>391</td> <td>ETR</td> <td>-</td> <td>WD.</td> <td>J2</td> <td>PTD.</td> <td>-</td> <td>388</td> <td>3\"/> <tr> <td>391A</td> <td>ETR</td> <td>-</td> <td>WD.</td> <td>J2</td> <td>PTD.</td> <td>-</td> <td>389</td> <td>3\"/> <tr> <td>391B</td> <td>ETR</td> <td>-</td> <td>WD.</td> <td>J2</td> <td>PTD.</td> <td>-</td> <td>391</td> <td>3\"/> <tr> <td>394</td> <td>ETR</td> <td>-</td> <td>WD.</td> <td>J2</td> <td>PTD.</td> <td>-</td> <td>391A</td> <td>3\"/> <tr> <td>395</td> <td>ETR</td> <td>-</td> <td>WD.</td> <td>J2</td> <td>PTD.</td> <td>-</td> <td>391B</td> <td>3\"/> <tr> <td>396</td> <td>ETR</td> <td>-</td> <td>WD.</td> <td>J2</td> <td>PTD.</td> <td>-</td> <td>394</td> <td>3\"/> <tr> <td>398</td> <td>ETR</td> <td>-</td> <td>WD.</td> <td>J2</td> <td>PTD.</td> <td>-</td> <td>395</td> <td>3\"/> <tr> <td>399</td> <td>ETR</td> <td>-</td> <td>WD.</td> <td>J2</td> <td>PTD.</td> <td>-</td> <td>396</td> <td>3\"/> <tr> <td>3991</td> <td>ETR</td> <td>-</td> <td>WD.</td> <td>J2</td> <td>PTD.</td> <td>-</td> <td>398</td> <td>3\"/> <tr> <td>3992</td> <td>A</td> <td>3\"/> <tr> <td>3993</td> <td>ETR</td> <td>-</td> <td>WD.</td> <td>J2</td> <td>PTD.</td> <td>-</td> <td>399</td> <td>3\"/> <tr> <td>3994</td> <td>ETR</td> <td>-</td> <td>WD.</td> <td>J2</td> <td>PTD.</td> <td>-</td> <td>3991</td> <td>3\"/> <tr> <td>3995</td> <td>ETR</td> <td>-</td> <td>WD.</td> <td>J2</td> <td>PTD.</td> <td>-</td> <td>3992</td> <td>3\"/> <tr> <td>3997</td> <td>ETR</td> <td>-</td> <td>WD.</td> <td>J2</td> <td>PTD.</td> <td>-</td> <td>3993</td> <td>3\"/> <tr> <td>3998</td> <td>ETR</td> <td>-</td> <td>WD.</td> <td>J2</td> <td>PTD.</td> <td>-</td> <td>3994</td> <td>3\"/> <tr> <td>3999</td> <td>ETR</td> <td>-</td> <td>WD.</td> <td>J2</td> <td>PTD.</td> <td>-</td> <td>3995</td> <td>3\"/> <tr> <td>3999</td> <td>ETR</td> <td>-</td> <td>WD.</td> <td>J2</td> <td>PTD.</td> <td>-</td> <td>3997</td> <td>3\"/> </td></tr></td></tr></td></tr></td></tr></td></tr></td></tr></td></tr></td></tr></td></tr></td></tr></td></tr></td></tr></td></tr></td></tr></td></tr></td></tr></td></tr></td></tr></td></tr></td></tr></td></tr></td></tr></td></td></tr></td></tr></td></td></tr></td></td></tr></td></td></tr></td></td></tr></td></td></tr></td></td></tr></td></td></tr></td></td></tr> | 375 | B | 1 <td>WD</td> <td>J1</td> <td>PTD.</td> <td>-</td> <td>374B</td> <td>3\"/> <tr> <td>376</td> <td>B</td> <td>1 <td>WD</td> <td>J1</td> <td>PTD.</td> <td>-</td> <td>374C</td> <td>3\"/> <tr> <td>377</td> <td>B</td> <td>1 <td>WD</td> <td>J1</td> <td>PTD.</td> <td>-</td> <td>375</td> <td>3\"/> <tr> <td>377A</td> <td>B</td> <td>1 <td>WD</td> <td>J1</td> <td>PTD.</td> <td>-</td> <td>376</td> <td>3\"/> <tr> <td>378</td> <td>B</td> <td>1 <td>WD</td> <td>J1</td> <td>PTD.</td> <td>-</td> <td>377</td> <td>3\"/> <tr> <td>379</td> <td>B</td> <td>1 <td>WD</td> <td>J1</td> <td>PTD.</td> <td>-</td> <td>377A</td> <td>3\"/> <tr> <td>380A</td> <td>B</td> <td>1 <td>WD</td> <td>J1</td> <td>PTD.</td> <td>-</td> <td>378</td> <td>3\"/> <tr> <td>380B</td> <td>B</td> <td>1 <td>WD</td> <td>J1</td> <td>PTD.</td> <td>-</td> <td>379</td> <td>3\"/> <tr> <td>382</td> <td>ETR</td> <td>-</td> <td>WD.</td> <td>J2</td> <td>PTD.</td> <td>-</td> <td>380A</td> <td>3\"/> <tr> <td>382A</td> <td>D</td> <td>6 <td>ALUM.</td> <td>ANODIZE D</td> <td>-</td> <td>-</td> <td>380B</td> <td>3\"/> <tr> <td>385</td> <td>ETR</td> <td>-</td> <td>WD.</td> <td>J2</td> <td>PTD.</td> <td>-</td> <td>382</td> <td>3\"/>
<tr> <td>386</td> <td>ETR</td> <td>-</td> <td>WD.</td> <td>J2</td> <td>PTD.</td> <td>-</td> <td>382A</td> <td>3\"/> <tr> <td>387</td> <td>ETR</td> <td>-</td> <td>WD.</td> <td>J2</td> <td>PTD.</td> <td>-</td> <td>385</td> <td>3\"/> <tr> <td>388</td> <td>ETR</td> <td>-</td> <td>WD.</td> <td>J2</td> <td>PTD.</td> <td>-</td> <td>386</td> <td>3\"/> <tr> <td>389</td> <td>ETR</td> <td>-</td> <td>WD.</td> <td>J2</td> <td>PTD.</td> <td>-</td> <td>387</td> <td>3\"/> <tr> <td>391</td> <td>ETR</td> <td>-</td> <td>WD.</td> <td>J2</td> <td>PTD.</td> <td>-</td> <td>388</td> <td>3\"/> <tr> <td>391A</td> <td>ETR</td> <td>-</td> <td>WD.</td> <td>J2</td> <td>PTD.</td> <td>-</td> <td>389</td> <td>3\"/> <tr> <td>391B</td> <td>ETR</td> <td>-</td> <td>WD.</td> <td>J2</td> <td>PTD.</td> <td>-</td> <td>391</td> <td>3\"/> <tr> <td>394</td> <td>ETR</td> <td>-</td> <td>WD.</td> <td>J2</td> <td>PTD.</td> <td>-</td> <td>391A</td> <td>3\"/> <tr> <td>395</td> <td>ETR</td> <td>-</td> <td>WD.</td> <td>J2</td> <td>PTD.</td> <td>-</td> <td>391B</td> <td>3\"/> <tr> <td>396</td> <td>ETR</td> <td>-</td> <td>WD.</td> <td>J2</td> <td>PTD.</td> <td>-</td> <td>394</td> <td>3\"/> <tr> <td>398</td> <td>ETR</td> <td>-</td> <td>WD.</td> <td>J2</td> <td>PTD.</td> <td>-</td> <td>395</td> <td>3\"/> <tr> <td>399</td> <td>ETR</td> <td>-</td> <td>WD.</td> <td>J2</td> <td>PTD.</td> <td>-</td> <td>396</td> <td>3\"/> <tr> <td>3991</td> <td>ETR</td> <td>-</td> <td>WD.</td> <td>J2</td> <td>PTD.</td> <td>-</td> <td>398</td> <td>3\"/> <tr> <td>3992</td> <td>A</td> <td>3\"/> <tr> <td>3993</td> <td>ETR</td> <td>-</td> <td>WD.</td> <td>J2</td> <td>PTD.</td> <td>-</td> <td>399</td> <td>3\"/> <tr> <td>3994</td> <td>ETR</td> <td>-</td> <td>WD.</td> <td>J2</td> <td>PTD.</td> <td>-</td> <td>3991</td> <td>3\"/> <tr> <td>3995</td> <td>ETR</td> <td>-</td> <td>WD.</td> <td>J2</td> <td>PTD.</td> <td>-</td> <td>3992</td> <td>3\"/> <tr> <td>3997</td> <td>ETR</td> <td>-</td> <td>WD.</td> <td>J2</td> <td>PTD.</td> <td>-</td> <td>3993</td> <td>3\"/> <tr> <td>3998</td> <td>ETR</td> <td>-</td> <td>WD.</td> <td>J2</td> <td>PTD.</td> <td>-</td> <td>3994</td> <td>3\"/> <tr> <td>3999</td> <td>ETR</td> <td>-</td> <td>WD.</td> <td>J2</td> <td>PTD.</td> <td>-</td> <td>3995</td> <td>3\"/> <tr> <td>3999</td> <td>ETR</td> <td>-</td> <td>WD.</td> <td>J2</td> <td>PTD.</td> <td>-</td> <td>3997</td> <td>3\"/> </td></tr></td></tr></td></tr></td></tr></td></tr></td></tr></td></tr></td></tr></td></tr></td></tr></td></tr></td></tr></td></tr></td></tr></td></tr></td></tr></td></tr></td></tr></td></tr></td></tr></td></tr></td></tr></td></td></tr></td></tr></td></td></tr></td></td></tr></td></td></tr></td></td></tr></td></td></tr></td></td></tr></td></td></tr></td> | WD | J1 | PTD. | - | 374B | 3\"/> <tr> <td>376</td> <td>B</td> <td>1 <td>WD</td> <td>J1</td> <td>PTD.</td> <td>-</td> <td>374C</td> <td>3\"/> <tr> <td>377</td> <td>B</td> <td>1 <td>WD</td> <td>J1</td> <td>PTD.</td> <td>-</td> <td>375</td> <td>3\"/> <tr> <td>377A</td> <td>B</td> <td>1 <td>WD</td> <td>J1</td> <td>PTD.</td> <td>-</td> <td>376</td> <td>3\"/> <tr> <td>378</td> <td>B</td> <td>1 <td>WD</td> <td>J1</td> <td>PTD.</td> <td>-</td> <td>377</td> <td>3\"/> <tr> <td>379</td> <td>B</td> <td>1 <td>WD</td> <td>J1</td> <td>PTD.</td> <td>-</td> <td>377A</td> <td>3\"/> <tr> <td>380A</td> <td>B</td> <td>1 <td>WD</td> <td>J1</td> <td>PTD.</td> <td>-</td> <td>378</td> <td>3\"/> <tr> <td>380B</td> <td>B</td> <td>1 <td>WD</td> <td>J1</td> <td>PTD.</td> <td>-</td> <td>379</td> <td>3\"/> <tr> <td>382</td> <td>ETR</td> <td>-</td> <td>WD.</td> <td>J2</td> <td>PTD.</td> <td>-</td> <td>380A</td> <td>3\"/> <tr> <td>382A</td> <td>D</td> <td>6 <td>ALUM.</td> <td>ANODIZE D</td> <td>-</td> <td>-</td> <td>380B</td> <td>3\"/> <tr> <td>385</td> <td>ETR</td> <td>-</td> <td>WD.</td> <td>J2</td> <td>PTD.</td> <td>-</td> <td>382</td> <td>3\"/> <tr> <td>386</td> <td>ETR</td> <td>-</td> <td>WD.</td> <td>J2</td> <td>PTD.</td> <td>-</td> <td>382A</td> <td>3\"/> <tr> <td>387</td> <td>ETR</td> <td>-</td> <td>WD.</td> <td>J2</td> <td>PTD.</td> <td>-</td> <td>385</td> <td>3\"/> <tr> <td>388</td> <td>ETR</td> <td>-</td> <td>WD.</td> <td>J2</td> <td>PTD.</td> <td>-</td> <td>386</td> <td>3\"/> <tr> <td>389</td> <td>ETR</td> <td>-</td> <td>WD.</td> <td>J2</td> <td>PTD.</td> <td>-</td> <td>387</td> <td>3\"/> <tr> <td>391</td> <td>ETR</td> <td>-</td> <td>WD.</td> <td>J2</td> <td>PTD.</td> <td>-</td> <td>388</td> <td>3\"/> <tr> <td>391A</td> <td>ETR</td> <td>-</td> <td>WD.</td> <td>J2</td> <td>PTD.</td> <td>-</td> <td>389</td> <td>3\"/> <tr> <td>391B</td> <td>ETR</td> <td>-</td> <td>WD.</td> <td>J2</td> <td>PTD.</td> <td>-</td> <td>391</td> <td>3\"/> <tr> <td>394</td> <td>ETR</td> <td>-</td> <td>WD.</td> <td>J2</td> <td>PTD.</td> <td>-</td> <td>391A</td> <td>3\"/> <tr> <td>395</td> <td>ETR</td> <td>-</td> <td>WD.</td> <td>J2</td> <td>PTD.</td> <td>-</td> <td>391B</td> <td>3\"/> <tr> <td>396</td> <td>ETR</td> <td>-</td> <td>WD.</td> <td>J2</td> <td>PTD.</td> <td>-</td> <td>394</td> <td>3\"/> <tr> <td>398</td> <td>ETR</td> <td>-</td> <td>WD.</td> <td>J2</td> <td>PTD.</td> <td>-</td> <td>395</td> <td>3\"/> <tr> <td>399</td> <td>ETR</td> <td>-</td> <td>WD.</td> <td>J2</td> <td>PTD.</td> <td>-</td> <td>396</td> <td>3\"/> <tr> <td>3991</td> <td>ETR</td> <td>-</td> <td>WD.</td> <td>J2</td> <td>PTD.</td> <td>-</td> <td>398</td> <td>3\"/> <tr> <td>3992</td> <td>A</td> <td>3\"/> <tr> <td>3993</td> <td>ETR</td> <td>-</td> <td>WD.</td> <td>J2</td> <td>PTD.</td> <td>-</td> <td>399</td> <td>3\"/> <tr> <td>3994</td> <td>ETR</td> <td>-</td> <td>WD.</td> <td>J2</td> <td>PTD.</td> <td>-</td> <td>3991</td> <td>3\"/> <tr> <td>3995</td> <td>ETR</td> <td>-</td> <td>WD.</td> <td>J2</td> <td>PTD.</td> <td>-</td> <td>3992</td> <td>3\"/> <tr> <td>3997</td> <td>ETR</td> <td>-</td> <td>WD.</td> <td>J2</td> <td>PTD.</td> <td>-</td> <td>3993</td> <td>3\"/> <tr> <td>3998</td> <td>ETR</td> <td>-</td> <td>WD.</td> <td>J2</td> <td>PTD.</td> <td>-</td> <td>3994</td> <td>3\"/> <tr> <td>3999</td> <td>ETR</td> <td>-</td> <td>WD.</td> <td>J2</td> <td>PTD.</td> <td>-</td> <td>3995</td> <td>3\"/> <tr> <td>3999</td> <td>ETR</td> <td>-</td> <td>WD.</td> <td>J2</td> <td>PTD.</td> <td>-</td> <td>3997</td> <td>3\"/> </td></tr></td></tr></td></tr></td></tr></td></tr></td></tr></td></tr></td></tr></td></tr></td></tr></td></tr></td></tr></td></tr></td></tr></td></tr></td></tr></td></tr></td></tr></td></tr></td></tr></td></tr></td></tr></td></td></tr></td></tr></td></td></tr></td></td></tr></td></td></tr></td></td></tr></td></td></tr></td></td></tr></td></td></tr>
 | 376 | B | 1 <td>WD</td> <td>J1</td> <td>PTD.</td> <td>-</td> <td>374C</td> <td>3\"/> <tr> <td>377</td> <td>B</td> <td>1 <td>WD</td> <td>J1</td> <td>PTD.</td> <td>-</td> <td>375</td> <td>3\"/> <tr> <td>377A</td> <td>B</td> <td>1 <td>WD</td> <td>J1</td> <td>PTD.</td> <td>-</td> <td>376</td> <td>3\"/> <tr> <td>378</td> <td>B</td> <td>1 <td>WD</td> <td>J1</td> <td>PTD.</td> <td>-</td> <td>377</td> <td>3\"/> <tr> <td>379</td> <td>B</td> <td>1 <td>WD</td> <td>J1</td> <td>PTD.</td> <td>-</td> <td>377A</td> <td>3\"/> <tr> <td>380A</td> <td>B</td> <td>1 <td>WD</td> <td>J1</td> <td>PTD.</td> <td>-</td> <td>378</td> <td>3\"/> <tr> <td>380B</td> <td>B</td> <td>1 <td>WD</td> <td>J1</td> <td>PTD.</td> <td>-</td> <td>379</td> <td>3\"/> <tr> <td>382</td> <td>ETR</td> <td>-</td> <td>WD.</td> <td>J2</td> <td>PTD.</td> <td>-</td> <td>380A</td> <td>3\"/> <tr> <td>382A</td> <td>D</td> <td>6 <td>ALUM.</td> <td>ANODIZE D</td> <td>-</td> <td>-</td> <td>380B</td> <td>3\"/> <tr> <td>385</td> <td>ETR</td> <td>-</td> <td>WD.</td> <td>J2</td> <td>PTD.</td> <td>-</td> <td>382</td> <td>3\"/> <tr> <td>386</td> <td>ETR</td> <td>-</td> <td>WD.</td> <td>J2</td> <td>PTD.</td> <td>-</td> <td>382A</td> <td>3\"/> <tr> <td>387</td> <td>ETR</td> <td>-</td> <td>WD.</td> <td>J2</td> <td>PTD.</td> <td>-</td> <td>385</td> <td>3\"/> <tr> <td>388</td> <td>ETR</td> <td>-</td> <td>WD.</td> <td>J2</td> <td>PTD.</td> <td>-</td> <td>386</td> <td>3\"/> <tr> <td>389</td> <td>ETR</td> <td>-</td> <td>WD.</td> <td>J2</td> <td>PTD.</td> <td>-</td> <td>387</td> <td>3\"/> <tr> <td>391</td> <td>ETR</td> <td>-</td> <td>WD.</td> <td>J2</td> <td>PTD.</td> <td>-</td> <td>388</td> <td>3\"/> <tr> <td>391A</td> <td>ETR</td> <td>-</td> <td>WD.</td> <td>J2</td> <td>PTD.</td> <td>-</td> <td>389</td> <td>3\"/> <tr> <td>391B</td> <td>ETR</td> <td>-</td> <td>WD.</td> <td>J2</td> <td>PTD.</td> <td>-</td> <td>391</td> <td>3\"/> <tr> <td>394</td> <td>ETR</td> <td>-</td> <td>WD.</td> <td>J2</td> <td>PTD.</td> <td>-</td> <td>391A</td> <td>3\"/> <tr> <td>395</td> <td>ETR</td> <td>-</td> <td>WD.</td> <td>J2</td> <td>PTD.</td> <td>-</td> <td>391B</td> <td>3\"/> <tr> <td>396</td> <td>ETR</td> <td>-</td> <td>WD.</td> <td>J2</td> <td>PTD.</td> <td>-</td> <td>394</td> <td>3\"/> <tr> <td>398</td> <td>ETR</td> <td>-</td> <td>WD.</td> <td>J2</td> <td>PTD.</td> <td>-</td> <td>395</td> <td>3\"/> <tr> <td>399</td> <td>ETR</td> <td>-</td> <td>WD.</td> <td>J2</td> <td>PTD.</td> <td>-</td> <td>396</td> <td>3\"/> <tr> <td>3991</td> <td>ETR</td> <td>-</td> <td>WD.</td> <td>J2</td> <td>PTD.</td> <td>-</td> <td>398</td> <td>3\"/> <tr> <td>3992</td> <td>A</td> <td>3\"/> <tr> <td>3993</td> <td>ETR</td> <td>-</td> <td>WD.</td> <td>J2</td> <td>PTD.</td> <td>-</td> <td>399</td> <td>3\"/> <tr> <td>3994</td> <td>ETR</td> <td>-</td> <td>WD.</td> <td>J2</td> <td>PTD.</td> <td>-</td> <td>3991</td> <td>3\"/> <tr> <td>3995</td> <td>ETR</td> <td>-</td> <td>WD.</td> <td>J2</td> <td>PTD.</td> <td>-</td> <td>3992</td> <td>3\"/> <tr> <td>3997</td> <td>ETR</td> <td>-</td> <td>WD.</td> <td>J2</td> <td>PTD.</td> <td>-</td> <td>3993</td> <td>3\"/> <tr> <td>3998</td> <td>ETR</td> <td>-</td> <td>WD.</td> <td>J2</td> <td>PTD.</td> <td>-</td> <td>3994</td> <td>3\"/> <tr> <td>3999</td> <td>ETR</td> <td>-</td> <td>WD.</td> <td>J2</td> <td>PTD.</td> <td>-</td> <td>3995</td> <td>3\"/> <tr> <td>3999</td> <td>ETR</td> <td>-</td> <td>WD.</td> <td>J2</td> <td>PTD.</td> <td>-</td> <td>3997</td> <td>3\"/> </td></tr></td></tr></td></tr></td></tr></td></tr></td></tr></td></tr></td></tr></td></tr></td></tr></td></tr></td></tr></td></tr></td></tr></td></tr></td></tr></td></tr></td></tr></td></tr></td></tr></td></tr></td></tr></td></td></tr></td></tr></td></td></tr></td></td></tr></td></td></tr></td></td></tr></td></td></tr></td></td></tr></td> | WD | J1 | PTD. | - | 374C | 3\"/> <tr> <td>377</td> <td>B</td> <td>1 <td>WD</td> <td>J1</td> <td>PTD.</td> <td>-</td> <td>375</td> <td>3\"/> <tr> <td>377A</td> <td>B</td> <td>1 <td>WD</td> <td>J1</td> <td>PTD.</td> <td>-</td> <td>376</td> <td>3\"/> <tr> <td>378</td> <td>B</td> <td>1 <td>WD</td> <td>J1</td> <td>PTD.</td> <td>-</td> <td>377</td> <td>3\"/> <tr> <td>379</td> <td>B</td> <td>1 <td>WD</td> <td>J1</td> <td>PTD.</td> <td>-</td> <td>377A</td> <td>3\"/> <tr> <td>380A</td> <td>B</td> <td>1 <td>WD</td> <td>J1</td> <td>PTD.</td> <td>-</td> <td>378</td> <td>3\"/> <tr> <td>380B</td> <td>B</td> <td>1 <td>WD</td> <td>J1</td> <td>PTD.</td> <td>-</td> <td>379</td> <td>3\"/> <tr> <td>382</td> <td>ETR</td> <td>-</td> <td>WD.</td> <td>J2</td> <td>PTD.</td> <td>-</td> <td>380A</td> <td>3\"/> <tr> <td>382A</td> <td>D</td> <td>6 <td>ALUM.</td> <td>ANODIZE D</td> <td>-</td> <td>-</td> <td>380B</td> <td>3\"/> <tr> <td>385</td> <td>ETR</td> <td>-</td> <td>WD.</td> <td>J2</td> <td>PTD.</td> <td>-</td> <td>382</td> <td>3\"/> <tr> <td>386</td> <td>ETR</td> <td>-</td> <td>WD.</td> <td>J2</td> <td>PTD.</td> <td>-</td> <td>382A</td> <td>3\"/> <tr> <td>387</td> <td>ETR</td> <td>-</td> <td>WD.</td> <td>J2</td> <td>PTD.</td> <td>-</td> <td>385</td> <td>3\"/> <tr> <td>388</td> <td>ETR</td> <td>-</td> <td>WD.</td> <td>J2</td> <td>PTD.</td> <td>-</td> <td>386</td> <td>3\"/> <tr> <td>389</td> <td>ETR</td> <td>-</td> <td>WD.</td> <td>J2</td> <td>PTD.</td> <td>-</td> <td>387</td> <td>3\"/> <tr> <td>391</td> <td>ETR</td> <td>-</td> <td>WD.</td> <td>J2</td> <td>PTD.</td> <td>-</td> <td>388</td> <td>3\"/> <tr> <td>391A</td> <td>ETR</td> <td>-</td> <td>WD.</td> <td>J2</td> <td>PTD.</td> <td>-</td> <td>389</td> <td>3\"/> <tr> <td>391B</td> <td>ETR</td> <td>-</td> <td>WD.</td> <td>J2</td> <td>PTD.</td> <td>-</td> <td>391</td> <td>3\"/> <tr> <td>394</td> <td>ETR</td> <td>-</td> <td>WD.</td> <td>J2</td> <td>PTD.</td> <td>-</td> <td>391A</td> <td>3\"/> <tr> <td>395</td> <td>ETR</td> <td>-</td> <td>WD.</td> <td>J2</td> <td>PTD.</td> <td>-</td> <td>391B</td> <td>3\"/> <tr> <td>396</td> <td>ETR</td> <td>-</td> <td>WD.</td> <td>J2</td> <td>PTD.</td> <td>-</td> <td>394</td> <td>3\"/> <tr> <td>398</td> <td>ETR</td> <td>-</td> <td>WD.</td> <td>J2</td> <td>PTD.</td> <td>-</td> <td>395</td> <td>3\"/> <tr> <td>399</td> <td>ETR</td> <td>-</td> <td>WD.</td> <td>J2</td> <td>PTD.</td> <td>-</td> <td>396</td> <td>3\"/> <tr> <td>3991</td> <td>ETR</td> <td>-</td> <td>WD.</td> <td>J2</td> <td>PTD.</td> <td>-</td> <td>398</td> <td>3\"/> <tr> <td>3992</td> <td>A</td> <td>3\"/> <tr> <td>3993</td> <td>ETR</td> <td>-</td> <td>WD.</td> <td>J2</td> <td>PTD.</td> <td>-</td> <td>399</td> <td>3\"/> <tr> <td>3994</td> <td>ETR</td> <td>-</td> <td>WD.</td> <td>J2</td> <td>PTD.</td> <td>-</td> <td>3991</td> <td>3\"/> <tr> <td>3995</td> <td>ETR</td> <td>-</td> <td>WD.</td> <td>J2</td>
<td>PTD.</td> <td>-</td> <td>3992</td> <td>3\"/> <tr> <td>3997</td> <td>ETR</td> <td>-</td> <td>WD.</td> <td>J2</td> <td>PTD.</td> <td>-</td> <td>3993</td> <td>3\"/> <tr> <td>3998</td> <td>ETR</td> <td>-</td> <td>WD.</td> <td>J2</td> <td>PTD.</td> <td>-</td> <td>3994</td> <td>3\"/> <tr> <td>3999</td> <td>ETR</td> <td>-</td> <td>WD.</td> <td>J2</td> <td>PTD.</td> <td>-</td> <td>3995</td> <td>3\"/> <tr> <td>3999</td> <td>ETR</td> <td>-</td> <td>WD.</td> <td>J2</td> <td>PTD.</td> <td>-</td> <td>3997</td> <td>3\"/> </td></tr></td></tr></td></tr></td></tr></td></tr></td></tr></td></tr></td></tr></td></tr></td></tr></td></tr></td></tr></td></tr></td></tr></td></tr></td></tr></td></tr></td></tr></td></tr></td></tr></td></tr></td></tr></td></td></tr></td></tr></td></td></tr></td></td></tr></td></td></tr></td></td></tr></td></td></tr></td></td></tr> | 377 | B | 1 <td>WD</td> <td>J1</td> <td>PTD.</td> <td>-</td> <td>375</td> <td>3\"/> <tr> <td>377A</td> <td>B</td> <td>1 <td>WD</td> <td>J1</td> <td>PTD.</td> <td>-</td> <td>376</td> <td>3\"/> <tr> <td>378</td> <td>B</td> <td>1 <td>WD</td> <td>J1</td> <td>PTD.</td> <td>-</td> <td>377</td> <td>3\"/> <tr> <td>379</td> <td>B</td> <td>1 <td>WD</td> <td>J1</td> <td>PTD.</td> <td>-</td> <td>377A</td> <td>3\"/> <tr> <td>380A</td> <td>B</td> <td>1 <td>WD</td> <td>J1</td> <td>PTD.</td> <td>-</td> <td>378</td> <td>3\"/> <tr> <td>380B</td> <td>B</td> <td>1 <td>WD</td> <td>J1</td> <td>PTD.</td> <td>-</td> <td>379</td> <td>3\"/> <tr> <td>382</td> <td>ETR</td> <td>-</td> <td>WD.</td> <td>J2</td> <td>PTD.</td> <td>-</td> <td>380A</td> <td>3\"/> <tr> <td>382A</td> <td>D</td> <td>6 <td>ALUM.</td> <td>ANODIZE D</td> <td>-</td> <td>-</td> <td>380B</td> <td>3\"/> <tr> <td>385</td> <td>ETR</td> <td>-</td> <td>WD.</td> <td>J2</td> <td>PTD.</td> <td>-</td> <td>382</td> <td>3\"/> <tr> <td>386</td> <td>ETR</td> <td>-</td> <td>WD.</td> <td>J2</td> <td>PTD.</td> <td>-</td> <td>382A</td> <td>3\"/> <tr> <td>387</td> <td>ETR</td> <td>-</td> <td>WD.</td> <td>J2</td> <td>PTD.</td> <td>-</td> <td>385</td> <td>3\"/> <tr> <td>388</td> <td>ETR</td> <td>-</td> <td>WD.</td> <td>J2</td> <td>PTD.</td> <td>-</td> <td>386</td> <td>3\"/> <tr> <td>389</td> <td>ETR</td> <td>-</td> <td>WD.</td> <td>J2</td> <td>PTD.</td> <td>-</td> <td>387</td> <td>3\"/> <tr> <td>391</td> <td>ETR</td> <td>-</td> <td>WD.</td> <td>J2</td> <td>PTD.</td> <td>-</td> <td>388</td> <td>3\"/> <tr> <td>391A</td> <td>ETR</td> <td>-</td> <td>WD.</td> <td>J2</td> <td>PTD.</td> <td>-</td> <td>389</td> <td>3\"/> <tr> <td>391B</td> <td>ETR</td> <td>-</td> <td>WD.</td> <td>J2</td> <td>PTD.</td> <td>-</td> <td>391</td> <td>3\"/> <tr> <td>394</td> <td>ETR</td> <td>-</td> <td>WD.</td> <td>J2</td> <td>PTD.</td> <td>-</td> <td>391A</td> <td>3\"/> <tr> <td>395</td> <td>ETR</td> <td>-</td> <td>WD.</td> <td>J2</td> <td>PTD.</td> <td>-</td> <td>391B</td> <td>3\"/> <tr> <td>396</td> <td>ETR</td> <td>-</td> <td>WD.</td> <td>J2</td> <td>PTD.</td> <td>-</td> <td>394</td> <td>3\"/> <tr> <td>398</td> <td>ETR</td> <td>-</td> <td>WD.</td> <td>J2</td> <td>PTD.</td> <td>-</td> <td>395</td> <td>3\"/> <tr> <td>399</td> <td>ETR</td> <td>-</td> <td>WD.</td> <td>J2</td> <td>PTD.</td> <td>-</td> <td>396</td> <td>3\"/> <tr> <td>3991</td> <td>ETR</td> <td>-</td> <td>WD.</td> <td>J2</td> <td>PTD.</td> <td>-</td> <td>398</td> <td>3\"/> <tr> <td>3992</td> <td>A</td> <td>3\"/> <tr> <td>3993</td> <td>ETR</td> <td>-</td> <td>WD.</td> <td>J2</td> <td>PTD.</td> <td>-</td> <td>399</td> <td>3\"/> <tr> <td>3994</td> <td>ETR</td> <td>-</td> <td>WD.</td> <td>J2</td> <td>PTD.</td> <td>-</td> <td>3991</td> <td>3\"/> <tr> <td>3995</td> <td>ETR</td> <td>-</td> <td>WD.</td> <td>J2</td> <td>PTD.</td> <td>-</td> <td>3992</td> <td>3\"/> <tr> <td>3997</td> <td>ETR</td> <td>-</td> <td>WD.</td> <td>J2</td> <td>PTD.</td> <td>-</td> <td>3993</td> <td>3\"/> <tr> <td>3998</td> <td>ETR</td> <td>-</td> <td>WD.</td> <td>J2</td> <td>PTD.</td> <td>-</td> <td>3994</td> <td>3\"/> <tr> <td>3999</td> <td>ETR</td> <td>-</td> <td>WD.</td> <td>J2</td> <td>PTD.</td> <td>-</td> <td>3995</td> <td>3\"/> <tr> <td>3999</td> <td>ETR</td> <td>-</td> <td>WD.</td> <td>J2</td> <td>PTD.</td> <td>-</td> <td>3997</td> <td>3\"/> </td></tr></td></tr></td></tr></td></tr></td></tr></td></tr></td></tr></td></tr></td></tr></td></tr></td></tr></td></tr></td></tr></td></tr></td></tr></td></tr></td></tr></td></tr></td></tr></td></tr></td></tr></td></tr></td></td></tr></td></tr></td></td></tr></td></td></tr></td></td></tr></td></td></tr></td></td></tr></td> | WD | J1 | PTD. | - | 375 | 3\"/> <tr> <td>377A</td> <td>B</td> <td>1 <td>WD</td> <td>J1</td> <td>PTD.</td> <td>-</td> <td>376</td> <td>3\"/> <tr> <td>378</td> <td>B</td> <td>1 <td>WD</td> <td>J1</td> <td>PTD.</td> <td>-</td> <td>377</td> <td>3\"/> <tr> <td>379</td> <td>B</td> <td>1 <td>WD</td> <td>J1</td> <td>PTD.</td> <td>-</td> <td>377A</td> <td>3\"/> <tr> <td>380A</td> <td>B</td> <td>1 <td>WD</td> <td>J1</td> <td>PTD.</td> <td>-</td> <td>378</td> <td>3\"/> <tr> <td>380B</td> <td>B</td> <td>1 <td>WD</td> <td>J1</td> <td>PTD.</td> <td>-</td> <td>379</td> <td>3\"/> <tr> <td>382</td> <td>ETR</td> <td>-</td> <td>WD.</td> <td>J2</td> <td>PTD.</td> <td>-</td> <td>380A</td> <td>3\"/> <tr> <td>382A</td> <td>D</td> <td>6 <td>ALUM.</td> <td>ANODIZE D</td> <td>-</td> <td>-</td> <td>380B</td> <td>3\"/> <tr> <td>385</td> <td>ETR</td> <td>-</td> <td>WD.</td> <td>J2</td> <td>PTD.</td> <td>-</td> <td>382</td> <td>3\"/> <tr> <td>386</td> <td>ETR</td> <td>-</td> <td>WD.</td> <td>J2</td> <td>PTD.</td> <td>-</td> <td>382A</td> <td>3\"/> <tr> <td>387</td> <td>ETR</td> <td>-</td> <td>WD.</td> <td>J2</td>
<td>PTD.</td> <td>-</td> <td>385</td> <td>3\"/> <tr> <td>388</td> <td>ETR</td> <td>-</td> <td>WD.</td> <td>J2</td> <td>PTD.</td> <td>-</td> <td>386</td> <td>3\"/> <tr> <td>389</td> <td>ETR</td> <td>-</td> <td>WD.</td> <td>J2</td> <td>PTD.</td> <td>-</td> <td>387</td> <td>3\"/> <tr> <td>391</td> <td>ETR</td> <td>-</td> <td>WD.</td> <td>J2</td> <td>PTD.</td> <td>-</td> <td>388</td> <td>3\"/> <tr> <td>391A</td> <td>ETR</td> <td>-</td> <td>WD.</td> <td>J2</td> <td>PTD.</td> <td>-</td> <td>389</td> <td>3\"/> <tr> <td>391B</td> <td>ETR</td> <td>-</td> <td>WD.</td> <td>J2</td> <td>PTD.</td> <td>-</td> <td>391</td> <td>3\"/> <tr> <td>394</td> <td>ETR</td> <td>-</td> <td>WD.</td> <td>J2</td> <td>PTD.</td> <td>-</td> <td>391A</td> <td>3\"/> <tr> <td>395</td> <td>ETR</td> <td>-</td> <td>WD.</td> <td>J2</td> <td>PTD.</td> <td>-</td> <td>391B</td> <td>3\"/> <tr> <td>396</td> <td>ETR</td> <td>-</td> <td>WD.</td> <td>J2</td> <td>PTD.</td> <td>-</td> <td>394</td> <td>3\"/> <tr> <td>398</td> <td>ETR</td> <td>-</td> <td>WD.</td> <td>J2</td> <td>PTD.</td> <td>-</td> <td>395</td> <td>3\"/> <tr> <td>399</td> <td>ETR</td> <td>-</td> <td>WD.</td> <td>J2</td> <td>PTD.</td> <td>-</td> <td>396</td> <td>3\"/> <tr> <td>3991</td> <td>ETR</td> <td>-</td> <td>WD.</td> <td>J2</td> <td>PTD.</td> <td>-</td> <td>398</td> <td>3\"/> <tr> <td>3992</td> <td>A</td> <td>3\"/> <tr> <td>3993</td> <td>ETR</td> <td>-</td> <td>WD.</td> <td>J2</td> <td>PTD.</td> <td>-</td> <td>399</td> <td>3\"/> <tr> <td>3994</td> <td>ETR</td> <td>-</td> <td>WD.</td> <td>J2</td> <td>PTD.</td> <td>-</td> <td>3991</td> <td>3\"/> <tr> <td>3995</td> <td>ETR</td> <td>-</td> <td>WD.</td> <td>J2</td> <td>PTD.</td> <td>-</td> <td>3992</td> <td>3\"/> <tr> <td>3997</td> <td>ETR</td> <td>-</td> <td>WD.</td> <td>J2</td> <td>PTD.</td> <td>-</td> <td>3993</td> <td>3\"/> <tr> <td>3998</td> <td>ETR</td> <td>-</td> <td>WD.</td> <td>J2</td> <td>PTD.</td> <td>-</td> <td>3994</td> <td>3\"/> <tr> <td>3999</td> <td>ETR</td> <td>-</td> <td>WD.</td> <td>J2</td> <td>PTD.</td> <td>-</td> <td>3995</td> <td>3\"/> <tr> <td>3999</td> <td>ETR</td> <td>-</td> <td>WD.</td> <td>J2</td> <td>PTD.</td> <td>-</td> <td>3997</td> <td>3\"/> </td></tr></td></tr></td></tr></td></tr></td></tr></td></tr></td></tr></td></tr></td></tr></td></tr></td></tr></td></tr></td></tr></td></tr></td></tr></td></tr></td></tr></td></tr></td></tr></td></tr></td></tr></td></tr></td></td></tr></td></tr></td></td></tr></td></td></tr></td></td></tr></td></td></tr></td></td></tr> | 377A | B | 1 <td>WD</td> <td>J1</td> <td>PTD.</td> <td>-</td> <td>376</td> <td>3\"/> <tr> <td>378</td> <td>B</td> <td>1 <td>WD</td> <td>J1</td> <td>PTD.</td> <td>-</td> <td>377</td> <td>3\"/> <tr> <td>379</td> <td>B</td> <td>1 <td>WD</td> <td>J1</td> <td>PTD.</td> <td>-</td> <td>377A</td> <td>3\"/> <tr> <td>380A</td> <td>B</td> <td>1 <td>WD</td> <td>J1</td> <td>PTD.</td> <td>-</td> <td>378</td> <td>3\"/> <tr> <td>380B</td> <td>B</td> <td>1 <td>WD</td> <td>J1</td> <td>PTD.</td> <td>-</td> <td>379</td> <td>3\"/> <tr> <td>382</td> <td>ETR</td> <td>-</td> <td>WD.</td> <td>J2</td> <td>PTD.</td> <td>-</td> <td>380A</td> <td>3\"/> <tr> <td>382A</td> <td>D</td> <td>6 <td>ALUM.</td> <td>ANODIZE D</td> <td>-</td> <td>-</td> <td>380B</td> <td>3\"/> <tr> <td>385</td> <td>ETR</td> <td>-</td> <td>WD.</td> <td>J2</td> <td>PTD.</td> <td>-</td> <td>382</td> <td>3\"/> <tr> <td>386</td> <td>ETR</td> <td>-</td> <td>WD.</td> <td>J2</td> <td>PTD.</td> <td>-</td> <td>382A</td> <td>3\"/> <tr> <td>387</td> <td>ETR</td> <td>-</td> <td>WD.</td> <td>J2</td> <td>PTD.</td> <td>-</td> <td>385</td> <td>3\"/> <tr> <td>388</td> <td>ETR</td> <td>-</td> <td>WD.</td> <td>J2</td> <td>PTD.</td> <td>-</td> <td>386</td> <td>3\"/> <tr> <td>389</td> <td>ETR</td> <td>-</td> <td>WD.</td> <td>J2</td> <td>PTD.</td> <td>-</td> <td>387</td> <td>3\"/> <tr> <td>391</td> <td>ETR</td> <td>-</td> <td>WD.</td> <td>J2</td> <td>PTD.</td> <td>-</td> <td>388</td> <td>3\"/> <tr> <td>391A</td> <td>ETR</td> <td>-</td> <td>WD.</td> <td>J2</td> <td>PTD.</td> <td>-</td> <td>389</td> <td>3\"/> <tr> <td>391B</td> <td>ETR</td> <td>-</td> <td>WD.</td> <td>J2</td> <td>PTD.</td> <td>-</td> <td>391</td> <td>3\"/> <tr> <td>394</td> <td>ETR</td> <td>-</td> <td>WD.</td> <td>J2</td> <td>PTD.</td> <td>-</td> <td>391A</td> <td>3\"/> <tr> <td>395</td> <td>ETR</td> <td>-</td> <td>WD.</td> <td>J2</td> <td>PTD.</td> <td>-</td> <td>391B</td> <td>3\"/> <tr> <td>396</td> <td>ETR</td> <td>-</td> <td>WD.</td> <td>J2</td> <td>PTD.</td> <td>-</td> <td>394</td> <td>3\"/> <tr> <td>398</td> <td>ETR</td> <td>-</td> <td>WD.</td> <td>J2</td> <td>PTD.</td> <td>-</td> <td>395</td> <td>3\"/> <tr> <td>399</td> <td>ETR</td> <td>-</td> <td>WD.</td> <td>J2</td> <td>PTD.</td> <td>-</td> <td>396</td> <td>3\"/> <tr> <td>3991</td> <td>ETR</td> <td>-</td> <td>WD.</td> <td>J2</td> <td>PTD.</td> <td>-</td> <td>398</td> <td>3\"/> <tr> <td>3992</td> <td>A</td> <td>3\"/> <tr> <td>3993</td> <td>ETR</td> <td>-</td> <td>WD.</td> <td>J2</td> <td>PTD.</td> <td>-</td> <td>399</td> <td>3\"/> <tr> <td>3994</td> <td>ETR</td> <td>-</td> <td>WD.</td> <td>J2</td> <td>PTD.</td> <td>-</td> <td>3991</td> <td>3\"/> <tr> <td>3995</td> <td>ETR</td> <td>-</td> <td>WD.</td> <td>J2</td> <td>PTD.</td> <td>-</td> <td>3992</td> <td>3\"/> <tr> <td>3997</td> <td>ETR</td> <td>-</td> <td>WD.</td> <td>J2</td> <td>PTD.</td> <td>-</td> <td>3993</td> <td>3\"/> <tr> <td>3998</td> <td>ETR</td> <td>-</td> <td>WD.</td> <td>J2</td> <td>PTD.</td> <td>-</td> <td>3994</td> <td>3\"/> <tr> <td>3999</td> <td>ETR</td> <td>-</td> <td>WD.</td> <td>J2</td> <td>PTD.</td> <td>-</td> <td>3995</td> <td>3\"/> <tr> <td>3999</td> <td>ETR</td> <td>-</td> <td>WD.</td> <td>J2</td> <td>PTD.</td> <td>-</td> <td>3997</td> <td>3\"/> </td></tr></td></tr></td></tr></td></tr></td></tr></td></tr></td></tr></td></tr></td></tr></td></tr></td></tr></td></tr></td></tr></td></tr></td></tr></td></tr></td></tr></td></tr></td></tr></td></tr></td></tr></td></tr></td></td></tr></td></tr></td></td></tr></td></td></tr></td></td></tr></td></td></tr></td>
 | WD | J1 | PTD. | - | 376 | 3\"/> <tr> <td>378</td> <td>B</td> <td>1 <td>WD</td> <td>J1</td> <td>PTD.</td> <td>-</td> <td>377</td> <td>3\"/> <tr> <td>379</td> <td>B</td> <td>1 <td>WD</td> <td>J1</td> <td>PTD.</td> <td>-</td> <td>377A</td> <td>3\"/> <tr> <td>380A</td> <td>B</td> <td>1 <td>WD</td> <td>J1</td> <td>PTD.</td> <td>-</td> <td>378</td> <td>3\"/> <tr> <td>380B</td> <td>B</td> <td>1 <td>WD</td> <td>J1</td> <td>PTD.</td> <td>-</td> <td>379</td> <td>3\"/> <tr> <td>382</td> <td>ETR</td> <td>-</td> <td>WD.</td> <td>J2</td> <td>PTD.</td> <td>-</td> <td>380A</td> <td>3\"/> <tr> <td>382A</td> <td>D</td> <td>6 <td>ALUM.</td> <td>ANODIZE D</td> <td>-</td> <td>-</td> <td>380B</td> <td>3\"/> <tr> <td>385</td> <td>ETR</td> <td>-</td> <td>WD.</td> <td>J2</td> <td>PTD.</td> <td>-</td> <td>382</td> <td>3\"/> <tr> <td>386</td> <td>ETR</td> <td>-</td> <td>WD.</td> <td>J2</td> <td>PTD.</td> <td>-</td> <td>382A</td> <td>3\"/> <tr> <td>387</td> <td>ETR</td> <td>-</td> <td>WD.</td> <td>J2</td> <td>PTD.</td> <td>-</td> <td>385</td> <td>3\"/> <tr> <td>388</td> <td>ETR</td> <td>-</td> <td>WD.</td> <td>J2</td> <td>PTD.</td> <td>-</td> <td>386</td> <td>3\"/> <tr> <td>389</td> <td>ETR</td> <td>-</td> <td>WD.</td> <td>J2</td> <td>PTD.</td> <td>-</td> <td>387</td> <td>3\"/> <tr> <td>391</td> <td>ETR</td> <td>-</td> <td>WD.</td> <td>J2</td> <td>PTD.</td> <td>-</td> <td>388</td> <td>3\"/> <tr> <td>391A</td> <td>ETR</td> <td>-</td> <td>WD.</td> <td>J2</td> <td>PTD.</td> <td>-</td> <td>389</td> <td>3\"/> <tr> <td>391B</td> <td>ETR</td> <td>-</td> <td>WD.</td> <td>J2</td> <td>PTD.</td> <td>-</td> <td>391</td> <td>3\"/> <tr> <td>394</td> <td>ETR</td> <td>-</td> <td>WD.</td> <td>J2</td> <td>PTD.</td> <td>-</td> <td>391A</td> <td>3\"/> <tr> <td>395</td> <td>ETR</td> <td>-</td> <td>WD.</td> <td>J2</td> <td>PTD.</td> <td>-</td> <td>391B</td> <td>3\"/> <tr> <td>396</td> <td>ETR</td> <td>-</td> <td>WD.</td> <td>J2</td> <td>PTD.</td> <td>-</td> <td>394</td> <td>3\"/> <tr> <td>398</td> <td>ETR</td> <td>-</td> <td>WD.</td> <td>J2</td> <td>PTD.</td> <td>-</td> <td>395</td> <td>3\"/> <tr> <td>399</td> <td>ETR</td> <td>-</td> <td>WD.</td> <td>J2</td> <td>PTD.</td> <td>-</td> <td>396</td> <td>3\"/> <tr> <td>3991</td> <td>ETR</td> <td>-</td> <td>WD.</td> <td>J2</td> <td>PTD.</td> <td>-</td> <td>398</td> <td>3\"/> <tr> <td>3992</td> <td>A</td> <td>3\"/> <tr> <td>3993</td> <td>ETR</td> <td>-</td> <td>WD.</td> <td>J2</td> <td>PTD.</td> <td>-</td> <td>399</td> <td>3\"/> <tr> <td>3994</td> <td>ETR</td> <td>-</td> <td>WD.</td> <td>J2</td> <td>PTD.</td> <td>-</td> <td>3991</td> <td>3\"/> <tr> <td>3995</td> <td>ETR</td> <td>-</td> <td>WD.</td> <td>J2</td> <td>PTD.</td> <td>-</td> <td>3992</td> <td>3\"/> <tr> <td>3997</td> <td>ETR</td> <td>-</td> <td>WD.</td> <td>J2</td> <td>PTD.</td> <td>-</td> <td>3993</td> <td>3\"/> <tr> <td>3998</td> <td>ETR</td> <td>-</td> <td>WD.</td> <td>J2</td> <td>PTD.</td> <td>-</td> <td>3994</td> <td>3\"/> <tr> <td>3999</td> <td>ETR</td> <td>-</td> <td>WD.</td> <td>J2</td> <td>PTD.</td> <td>-</td> <td>3995</td> <td>3\"/> <tr> <td>3999</td> <td>ETR</td> <td>-</td> <td>WD.</td> <td>J2</td> <td>PTD.</td> <td>-</td> <td>3997</td> <td>3\"/> </td></tr></td></tr></td></tr></td></tr></td></tr></td></tr></td></tr></td></tr></td></tr></td></tr></td></tr></td></tr></td></tr></td></tr></td></tr></td></tr></td></tr></td></tr></td></tr></td></tr></td></tr></td></tr></td></td></tr></td></tr></td></td></tr></td></td></tr></td></td></tr></td></td></tr> | 378 | B | 1 <td>WD</td> <td>J1</td> <td>PTD.</td> <td>-</td> <td>377</td> <td>3\"/> <tr> <td>379</td> <td>B</td> <td>1 <td>WD</td> <td>J1</td> <td>PTD.</td> <td>-</td> <td>377A</td> <td>3\"/> <tr> <td>380A</td> <td>B</td> <td>1 <td>WD</td> <td>J1</td> <td>PTD.</td> <td>-</td> <td>378</td> <td>3\"/> <tr> <td>380B</td> <td>B</td> <td>1 <td>WD</td> <td>J1</td> <td>PTD.</td> <td>-</td> <td>379</td> <td>3\"/> <tr> <td>382</td> <td>ETR</td> <td>-</td> <td>WD.</td> <td>J2</td> <td>PTD.</td> <td>-</td> <td>380A</td> <td>3\"/> <tr> <td>382A</td> <td>D</td> <td>6 <td>ALUM.</td> <td>ANODIZE D</td> <td>-</td> <td>-</td> <td>380B</td> <td>3\"/> <tr> <td>385</td> <td>ETR</td> <td>-</td> <td>WD.</td> <td>J2</td> <td>PTD.</td> <td>-</td> <td>382</td> <td>3\"/> <tr> <td>386</td> <td>ETR</td> <td>-</td> <td>WD.</td> <td>J2</td> <td>PTD.</td> <td>-</td> <td>382A</td> <td>3\"/> <tr> <td>387</td> <td>ETR</td> <td>-</td> <td>WD.</td> <td>J2</td> <td>PTD.</td> <td>-</td> <td>385</td> <td>3\"/> <tr> <td>388</td> <td>ETR</td> <td>-</td> <td>WD.</td> <td>J2</td> <td>PTD.</td> <td>-</td> <td>386</td> <td>3\"/> <tr> <td>389</td> <td>ETR</td> <td>-</td> <td>WD.</td> <td>J2</td> <td>PTD.</td> <td>-</td> <td>387</td> <td>3\"/> <tr> <td>391</td> <td>ETR</td> <td>-</td> <td>WD.</td> <td>J2</td> <td>PTD.</td> <td>-</td> <td>388</td> <td>3\"/> <tr> <td>391A</td> <td>ETR</td> <td>-</td> <td>WD.</td> <td>J2</td> <td>PTD.</td> <td>-</td> <td>389</td> <td>3\"/> <tr> <td>391B</td> <td>ETR</td> <td>-</td> <td>WD.</td> <td>J2</td> <td>PTD.</td> <td>-</td> <td>391</td> <td>3\"/> <tr> <td>394</td> <td>ETR</td> <td>-</td> <td>WD.</td> <td>J2</td> <td>PTD.</td> <td>-</td> <td>391A</td> <td>3\"/> <tr> <td>395</td> <td>ETR</td> <td>-</td> <td>WD.</td> <td>J2</td> <td>PTD.</td> <td>-</td> <td>391B</td> <td>3\"/> <tr> <td>396</td> <td>ETR</td> <td>-</td> <td>WD.</td> <td>J2</td> <td>PTD.</td> <td>-</td> <td>394</td> <td>3\"/> <tr> <td>398</td> <td>ETR</td> <td>-</td> <td>WD.</td> <td>J2</td> <td>PTD.</td> <td>-</td> <td>395</td> <td>3\"/> <tr> <td>399</td> <td>ETR</td> <td>-</td> <td>WD.</td> <td>J2</td> <td>PTD.</td> <td>-</td> <td>396</td> <td>3\"/> <tr> <td>3991</td> <td>ETR</td> <td>-</td> <td>WD.</td> <td>J2</td> <td>PTD.</td> <td>-</td> <td>398</td> <td>3\"/> <tr> <td>3992</td> <td>A</td> <td>3\"/> <tr> <td>3993</td> <td>ETR</td> <td>-</td> <td>WD.</td> <td>J2</td> <td>PTD.</td> <td>-</td> <td>399</td> <td>3\"/> <tr> <td>3994</td> <td>ETR</td> <td>-</td> <td>WD.</td> <td>J2</td> <td>PTD.</td> <td>-</td> <td>3991</td> <td>3\"/> <tr> <td>3995</td> <td>ETR</td> <td>-</td> <td>WD.</td> <td>J2</td> <td>PTD.</td> <td>-</td> <td>3992</td> <td>3\"/> <tr> <td>3997</td> <td>ETR</td> <td>-</td> <td>WD.</td> <td>J2</td> <td>PTD.</td> <td>-</td> <td>3993</td> <td>3\"/> <tr> <td>3998</td> <td>ETR</td> <td>-</td> <td>WD.</td> <td>J2</td> <td>PTD.</td> <td>-</td> <td>3994</td> <td>3\"/> <tr> <td>3999</td> <td>ETR</td> <td>-</td> <td>WD.</td> <td>J2</td> <td>PTD.</td> <td>-</td> <td>3995</td> <td>3\"/> <tr> <td>3999</td> <td>ETR</td> <td>-</td> <td>WD.</td> <td>J2</td> <td>PTD.</td> <td>-</td> <td>3997</td> <td>3\"/> </td></tr></td></tr></td></tr></td></tr></td></tr></td></tr></td></tr></td></tr></td></tr></td></tr></td></tr></td></tr></td></tr></td></tr></td></tr></td></tr></td></tr></td></tr></td></tr></td></tr></td></tr></td></tr></td></td></tr></td></tr></td></td></tr></td></td></tr></td></td></tr></td>
 | WD | J1 | PTD. | - | 377 | 3\"/> <tr> <td>379</td> <td>B</td> <td>1 <td>WD</td> <td>J1</td> <td>PTD.</td> <td>-</td> <td>377A</td> <td>3\"/> <tr> <td>380A</td> <td>B</td> <td>1 <td>WD</td> <td>J1</td> <td>PTD.</td> <td>-</td> <td>378</td> <td>3\"/> <tr> <td>380B</td> <td>B</td> <td>1 <td>WD</td> <td>J1</td> <td>PTD.</td> <td>-</td> <td>379</td> <td>3\"/> <tr> <td>382</td> <td>ETR</td> <td>-</td> <td>WD.</td> <td>J2</td> <td>PTD.</td> <td>-</td> <td>380A</td> <td>3\"/> <tr> <td>382A</td> <td>D</td> <td>6 <td>ALUM.</td> <td>ANODIZE D</td> <td>-</td> <td>-</td> <td>380B</td> <td>3\"/> <tr> <td>385</td> <td>ETR</td> <td>-</td> <td>WD.</td> <td>J2</td> <td>PTD.</td> <td>-</td> <td>382</td> <td>3\"/> <tr> <td>386</td> <td>ETR</td> <td>-</td> <td>WD.</td> <td>J2</td> <td>PTD.</td> <td>-</td> <td>382A</td> <td>3\"/> <tr> <td>387</td> <td>ETR</td> <td>-</td> <td>WD.</td> <td>J2</td> <td>PTD.</td> <td>-</td> <td>385</td> <td>3\"/> <tr> <td>388</td> <td>ETR</td> <td>-</td> <td>WD.</td> <td>J2</td> <td>PTD.</td> <td>-</td> <td>386</td> <td>3\"/> <tr> <td>389</td> <td>ETR</td> <td>-</td> <td>WD.</td> <td>J2</td> <td>PTD.</td> <td>-</td> <td>387</td> <td>3\"/> <tr> <td>391</td> <td>ETR</td> <td>-</td> <td>WD.</td> <td>J2</td> <td>PTD.</td> <td>-</td> <td>388</td> <td>3\"/> <tr> <td>391A</td> <td>ETR</td> <td>-</td> <td>WD.</td> <td>J2</td> <td>PTD.</td> <td>-</td> <td>389</td> <td>3\"/> <tr> <td>391B</td> <td>ETR</td> <td>-</td> <td>WD.</td> <td>J2</td> <td>PTD.</td> <td>-</td> <td>391</td> <td>3\"/> <tr> <td>394</td> <td>ETR</td> <td>-</td> <td>WD.</td> <td>J2</td> <td>PTD.</td> <td>-</td> <td>391A</td> <td>3\"/> <tr> <td>395</td> <td>ETR</td> <td>-</td> <td>WD.</td> <td>J2</td> <td>PTD.</td> <td>-</td> <td>391B</td> <td>3\"/> <tr> <td>396</td> <td>ETR</td> <td>-</td> <td>WD.</td> <td>J2</td> <td>PTD.</td> <td>-</td> <td>394</td> <td>3\"/> <tr> <td>398</td> <td>ETR</td> <td>-</td> <td>WD.</td> <td>J2</td> <td>PTD.</td> <td>-</td> <td>395</td> <td>3\"/> <tr> <td>399</td> <td>ETR</td> <td>-</td> <td>WD.</td> <td>J2</td> <td>PTD.</td> <td>-</td> <td>396</td> <td>3\"/> <tr> <td>3991</td> <td>ETR</td> <td>-</td> <td>WD.</td> <td>J2</td> <td>PTD.</td> <td>-</td> <td>398</td> <td>3\"/> <tr> <td>3992</td> <td>A</td> <td>3\"/> <tr> <td>3993</td> <td>ETR</td> <td>-</td> <td>WD.</td> <td>J2</td> <td>PTD.</td> <td>-</td> <td>399</td> <td>3\"/> <tr> <td>3994</td> <td>ETR</td> <td>-</td> <td>WD.</td> <td>J2</td> <td>PTD.</td> <td>-</td> <td>3991</td> <td>3\"/> <tr> <td>3995</td> <td>ETR</td> <td>-</td> <td>WD.</td> <td>J2</td> <td>PTD.</td> <td>-</td> <td>3992</td> <td>3\"/> <tr> <td>3997</td> <td>ETR</td> <td>-</td> <td>WD.</td> <td>J2</td> <td>PTD.</td> <td>-</td> <td>3993</td> <td>3\"/> <tr> <td>3998</td> <td>ETR</td> <td>-</td> <td>WD.</td> <td>J2</td> <td>PTD.</td> <td>-</td> <td>3994</td> <td>3\"/> <tr> <td>3999</td> <td>ETR</td> <td>-</td> <td>WD.</td> <td>J2</td> <td>PTD.</td> <td>-</td> <td>3995</td> <td>3\"/> <tr> <td>3999</td> <td>ETR</td> <td>-</td> <td>WD.</td> <td>J2</td> <td>PTD.</td> <td>-</td> <td>3997</td> <td>3\"/> </td></tr></td></tr></td></tr></td></tr></td></tr></td></tr></td></tr></td></tr></td></tr></td></tr></td></tr></td></tr></td></tr></td></tr></td></tr></td></tr></td></tr></td></tr></td></tr></td></tr></td></tr></td></tr></td></td></tr></td></tr></td></td></tr></td></td></tr></td></td></tr> | 379 | B | 1 <td>WD</td> <td>J1</td> <td>PTD.</td> <td>-</td> <td>377A</td> <td>3\"/> <tr> <td>380A</td> <td>B</td> <td>1 <td>WD</td> <td>J1</td> <td>PTD.</td> <td>-</td> <td>378</td> <td>3\"/> <tr> <td>380B</td> <td>B</td> <td>1 <td>WD</td> <td>J1</td> <td>PTD.</td> <td>-</td> <td>379</td> <td>3\"/> <tr> <td>382</td> <td>ETR</td> <td>-</td> <td>WD.</td> <td>J2</td> <td>PTD.</td> <td>-</td> <td>380A</td> <td>3\"/> <tr> <td>382A</td> <td>D</td> <td>6 <td>ALUM.</td> <td>ANODIZE D</td> <td>-</td> <td>-</td> <td>380B</td> <td>3\"/> <tr> <td>385</td> <td>ETR</td> <td>-</td> <td>WD.</td> <td>J2</td> <td>PTD.</td> <td>-</td> <td>382</td> <td>3\"/> <tr> <td>386</td> <td>ETR</td> <td>-</td> <td>WD.</td> <td>J2</td> <td>PTD.</td> <td>-</td> <td>382A</td> <td>3\"/> <tr> <td>387</td> <td>ETR</td> <td>-</td> <td>WD.</td> <td>J2</td> <td>PTD.</td> <td>-</td> <td>385</td> <td>3\"/> <tr> <td>388</td> <td>ETR</td> <td>-</td> <td>WD.</td> <td>J2</td> <td>PTD.</td> <td>-</td> <td>386</td> <td>3\"/> <tr> <td>389</td> <td>ETR</td> <td>-</td> <td>WD.</td> <td>J2</td> <td>PTD.</td> <td>-</td> <td>387</td> <td>3\"/> <tr> <td>391</td> <td>ETR</td> <td>-</td> <td>WD.</td> <td>J2</td> <td>PTD.</td> <td>-</td> <td>388</td> <td>3\"/> <tr> <td>391A</td> <td>ETR</td> <td>-</td> <td>WD.</td> <td>J2</td> <td>PTD.</td> <td>-</td> <td>389</td> <td>3\"/> <tr> <td>391B</td> <td>ETR</td> <td>-</td> <td>WD.</td> <td>J2</td> <td>PTD.</td> <td>-</td> <td>391</td> <td>3\"/> <tr> <td>394</td> <td>ETR</td> <td>-</td> <td>WD.</td> <td>J2</td> <td>PTD.</td> <td>-</td> <td>391A</td> <td>3\"/> <tr> <td>395</td> <td>ETR</td> <td>-</td> <td>WD.</td> <td>J2</td> <td>PTD.</td> <td>-</td> <td>391B</td> <td>3\"/> <tr> <td>396</td> <td>ETR</td> <td>-</td> <td>WD.</td> <td>J2</td> <td>PTD.</td> <td>-</td> <td>394</td> <td>3\"/> <tr> <td>398</td> <td>ETR</td> <td>-</td> <td>WD.</td> <td>J2</td> <td>PTD.</td> <td>-</td> <td>395</td> <td>3\"/> <tr> <td>399</td> <td>ETR</td> <td>-</td> <td>WD.</td> <td>J2</td> <td>PTD.</td> <td>-</td> <td>396</td> <td>3\"/> <tr> <td>3991</td> <td>ETR</td> <td>-</td> <td>WD.</td> <td>J2</td> <td>PTD.</td> <td>-</td> <td>398</td> <td>3\"/> <tr> <td>3992</td> <td>A</td> <td>3\"/> <tr> <td>3993</td> <td>ETR</td> <td>-</td> <td>WD.</td> <td>J2</td> <td>PTD.</td> <td>-</td> <td>399</td> <td>3\"/> <tr> <td>3994</td> <td>ETR</td> <td>-</td> <td>WD.</td> <td>J2</td> <td>PTD.</td> <td>-</td> <td>3991</td> <td>3\"/> <tr> <td>3995</td> <td>ETR</td> <td>-</td> <td>WD.</td> <td>J2</td> <td>PTD.</td> <td>-</td> <td>3992</td> <td>3\"/> <tr> <td>3997</td> <td>ETR</td> <td>-</td> <td>WD.</td> <td>J2</td> <td>PTD.</td> <td>-</td>
<td>3993</td> <td>3\"/> <tr> <td>3998</td> <td>ETR</td> <td>-</td> <td>WD.</td> <td>J2</td> <td>PTD.</td> <td>-</td> <td>3994</td> <td>3\"/> <tr> <td>3999</td> <td>ETR</td> <td>-</td> <td>WD.</td> <td>J2</td> <td>PTD.</td> <td>-</td> <td>3995</td> <td>3\"/> <tr> <td>3999</td> <td>ETR</td> <td>-</td> <td>WD.</td> <td>J2</td> <td>PTD.</td> <td>-</td> <td>3997</td> <td>3\"/> </td></tr></td></tr></td></tr></td></tr></td></tr></td></tr></td></tr></td></tr></td></tr></td></tr></td></tr></td></tr></td></tr></td></tr></td></tr></td></tr></td></tr></td></tr></td></tr></td></tr></td></tr></td></tr></td></td></tr></td></tr></td></td></tr></td></td></tr></td> | WD | J1 | PTD. | - | 377A | 3\"/> <tr> <td>380A</td> <td>B</td> <td>1 <td>WD</td> <td>J1</td> <td>PTD.</td> <td>-</td> <td>378</td> <td>3\"/> <tr> <td>380B</td> <td>B</td> <td>1 <td>WD</td> <td>J1</td> <td>PTD.</td> <td>-</td> <td>379</td> <td>3\"/> <tr> <td>382</td> <td>ETR</td> <td>-</td> <td>WD.</td> <td>J2</td> <td>PTD.</td> <td>-</td> <td>380A</td> <td>3\"/> <tr> <td>382A</td> <td>D</td> <td>6 <td>ALUM.</td> <td>ANODIZE D</td> <td>-</td> <td>-</td> <td>380B</td> <td>3\"/> <tr> <td>385</td> <td>ETR</td> <td>-</td> <td>WD.</td> <td>J2</td> <td>PTD.</td> <td>-</td> <td>382</td> <td>3\"/> <tr> <td>386</td> <td>ETR</td> <td>-</td> <td>WD.</td> <td>J2</td> <td>PTD.</td> <td>-</td> <td>382A</td> <td>3\"/> <tr> <td>387</td> <td>ETR</td> <td>-</td> <td>WD.</td> <td>J2</td> <td>PTD.</td> <td>-</td> <td>385</td> <td>3\"/> <tr> <td>388</td> <td>ETR</td> <td>-</td> <td>WD.</td> <td>J2</td> <td>PTD.</td> <td>-</td> <td>386</td> <td>3\"/> <tr> <td>389</td> <td>ETR</td> <td>-</td> <td>WD.</td> <td>J2</td> <td>PTD.</td> <td>-</td> <td>387</td> <td>3\"/> <tr> <td>391</td> <td>ETR</td> <td>-</td> <td>WD.</td> <td>J2</td> <td>PTD.</td> <td>-</td> <td>388</td> <td>3\"/> <tr> <td>391A</td> <td>ETR</td> <td>-</td> <td>WD.</td> <td>J2</td> <td>PTD.</td> <td>-</td> <td>389</td> <td>3\"/> <tr> <td>391B</td> <td>ETR</td> <td>-</td> <td>WD.</td> <td>J2</td> <td>PTD.</td> <td>-</td> <td>391</td> <td>3\"/> <tr> <td>394</td> <td>ETR</td> <td>-</td> <td>WD.</td> <td>J2</td> <td>PTD.</td> <td>-</td> <td>391A</td> <td>3\"/> <tr> <td>395</td> <td>ETR</td> <td>-</td> <td>WD.</td> <td>J2</td> <td>PTD.</td> <td>-</td> <td>391B</td> <td>3\"/> <tr> <td>396</td> <td>ETR</td> <td>-</td> <td>WD.</td> <td>J2</td> <td>PTD.</td> <td>-</td> <td>394</td> <td>3\"/> <tr> <td>398</td> <td>ETR</td> <td>-</td> <td>WD.</td> <td>J2</td> <td>PTD.</td> <td>-</td> <td>395</td> <td>3\"/> <tr> <td>399</td> <td>ETR</td> <td>-</td> <td>WD.</td> <td>J2</td> <td>PTD.</td> <td>-</td> <td>396</td> <td>3\"/> <tr> <td>3991</td> <td>ETR</td> <td>-</td> <td>WD.</td> <td>J2</td> <td>PTD.</td> <td>-</td> <td>398</td> <td>3\"/> <tr> <td>3992</td> <td>A</td> <td>3\"/> <tr> <td>3993</td> <td>ETR</td> <td>-</td> <td>WD.</td> <td>J2</td> <td>PTD.</td> <td>-</td> <td>399</td> <td>3\"/> <tr> <td>3994</td> <td>ETR</td> <td>-</td> <td>WD.</td> <td>J2</td> <td>PTD.</td> <td>-</td> <td>3991</td> <td>3\"/> <tr> <td>3995</td> <td>ETR</td> <td>-</td> <td>WD.</td> <td>J2</td> <td>PTD.</td> <td>-</td> <td>3992</td> <td>3\"/> <tr> <td>3997</td> <td>ETR</td> <td>-</td> <td>WD.</td> <td>J2</td> <td>PTD.</td> <td>-</td> <td>3993</td> <td>3\"/> <tr> <td>3998</td> <td>ETR</td> <td>-</td> <td>WD.</td> <td>J2</td> <td>PTD.</td> <td>-</td> <td>3994</td> <td>3\"/> <tr> <td>3999</td> <td>ETR</td> <td>-</td> <td>WD.</td> <td>J2</td> <td>PTD.</td> <td>-</td> <td>3995</td> <td>3\"/> <tr> <td>3999</td> <td>ETR</td> <td>-</td> <td>WD.</td> <td>J2</td> <td>PTD.</td> <td>-</td> <td>3997</td> <td>3\"/> </td></tr></td></tr></td></tr></td></tr></td></tr></td></tr></td></tr></td></tr></td></tr></td></tr></td></tr></td></tr></td></tr></td></tr></td></tr></td></tr></td></tr></td></tr></td></tr></td></tr></td></tr></td></tr></td></td></tr></td></tr></td></td></tr></td></td></tr> | 380A | B | 1 <td>WD</td> <td>J1</td> <td>PTD.</td> <td>-</td> <td>378</td> <td>3\"/> <tr> <td>380B</td> <td>B</td> <td>1 <td>WD</td> <td>J1</td> <td>PTD.</td> <td>-</td> <td>379</td> <td>3\"/> <tr> <td>382</td> <td>ETR</td> <td>-</td> <td>WD.</td> <td>J2</td> <td>PTD.</td> <td>-</td> <td>380A</td> <td>3\"/> <tr> <td>382A</td> <td>D</td> <td>6 <td>ALUM.</td> <td>ANODIZE D</td> <td>-</td> <td>-</td> <td>380B</td> <td>3\"/> <tr> <td>385</td> <td>ETR</td> <td>-</td> <td>WD.</td> <td>J2</td> <td>PTD.</td> <td>-</td> <td>382</td> <td>3\"/> <tr> <td>386</td> <td>ETR</td> <td>-</td> <td>WD.</td> <td>J2</td> <td>PTD.</td> <td>-</td> <td>382A</td> <td>3\"/> <tr> <td>387</td> <td>ETR</td> <td>-</td> <td>WD.</td> <td>J2</td> <td>PTD.</td> <td>-</td> <td>385</td> <td>3\"/> <tr> <td>388</td> <td>ETR</td> <td>-</td> <td>WD.</td> <td>J2</td> <td>PTD.</td> <td>-</td> <td>386</td> <td>3\"/> <tr> <td>389</td> <td>ETR</td> <td>-</td> <td>WD.</td> <td>J2</td> <td>PTD.</td> <td>-</td> <td>387</td> <td>3\"/> <tr> <td>391</td> <td>ETR</td> <td>-</td> <td>WD.</td> <td>J2</td> <td>PTD.</td> <td>-</td> <td>388</td> <td>3\"/> <tr> <td>391A</td> <td>ETR</td> <td>-</td> <td>WD.</td> <td>J2</td> <td>PTD.</td> <td>-</td> <td>389</td> <td>3\"/> <tr> <td>391B</td> <td>ETR</td> <td>-</td> <td>WD.</td> <td>J2</td> <td>PTD.</td> <td>-</td> <td>391</td> <td>3\"/> <tr> <td>394</td> <td>ETR</td> <td>-</td> <td>WD.</td> <td>J2</td> <td>PTD.</td> <td>-</td> <td>391A</td> <td>3\"/> <tr> <td>395</td> <td>ETR</td> <td>-</td> <td>WD.</td> <td>J2</td> <td>PTD.</td> <td>-</td> <td>391B</td> <td>3\"/> <tr> <td>396</td> <td>ETR</td> <td>-</td> <td>WD.</td> <td>J2</td> <td>PTD.</td> <td>-</td> <td>394</td> <td>3\"/> <tr> <td>398</td> <td>ETR</td> <td>-</td>
<td>WD.</td> <td>J2</td> <td>PTD.</td> <td>-</td> <td>395</td> <td>3\"/> <tr> <td>399</td> <td>ETR</td> <td>-</td> <td>WD.</td> <td>J2</td> <td>PTD.</td> <td>-</td> <td>396</td> <td>3\"/> <tr> <td>3991</td> <td>ETR</td> <td>-</td> <td>WD.</td> <td>J2</td> <td>PTD.</td> <td>-</td> <td>398</td> <td>3\"/> <tr> <td>3992</td> <td>A</td> <td>3\"/> <tr> <td>3993</td> <td>ETR</td> <td>-</td> <td>WD.</td> <td>J2</td> <td>PTD.</td> <td>-</td> <td>399</td> <td>3\"/> <tr> <td>3994</td> <td>ETR</td> <td>-</td> <td>WD.</td> <td>J2</td> <td>PTD.</td> <td>-</td> <td>3991</td> <td>3\"/> <tr> <td>3995</td> <td>ETR</td> <td>-</td> <td>WD.</td> <td>J2</td> <td>PTD.</td> <td>-</td> <td>3992</td> <td>3\"/> <tr> <td>3997</td> <td>ETR</td> <td>-</td> <td>WD.</td> <td>J2</td> <td>PTD.</td> <td>-</td> <td>3993</td> <td>3\"/> <tr> <td>3998</td> <td>ETR</td> <td>-</td> <td>WD.</td> <td>J2</td> <td>PTD.</td> <td>-</td> <td>3994</td> <td>3\"/> <tr> <td>3999</td> <td>ETR</td> <td>-</td> <td>WD.</td> <td>J2</td> <td>PTD.</td> <td>-</td> <td>3995</td> <td>3\"/> <tr> <td>3999</td> <td>ETR</td> <td>-</td> <td>WD.</td> <td>J2</td> <td>PTD.</td> <td>-</td> <td>3997</td> <td>3\"/> </td></tr></td></tr></td></tr></td></tr></td></tr></td></tr></td></tr></td></tr></td></tr></td></tr></td></tr></td></tr></td></tr></td></tr></td></tr></td></tr></td></tr></td></tr></td></tr></td></tr></td></tr></td></tr></td></td></tr></td></tr></td></td></tr></td> | WD | J1 | PTD. | - | 378 | 3\"/> <tr> <td>380B</td> <td>B</td> <td>1 <td>WD</td> <td>J1</td> <td>PTD.</td> <td>-</td> <td>379</td> <td>3\"/> <tr> <td>382</td> <td>ETR</td> <td>-</td> <td>WD.</td> <td>J2</td> <td>PTD.</td> <td>-</td> <td>380A</td> <td>3\"/> <tr> <td>382A</td> <td>D</td> <td>6 <td>ALUM.</td> <td>ANODIZE D</td> <td>-</td> <td>-</td> <td>380B</td> <td>3\"/> <tr> <td>385</td> <td>ETR</td> <td>-</td> <td>WD.</td> <td>J2</td> <td>PTD.</td> <td>-</td> <td>382</td> <td>3\"/> <tr> <td>386</td> <td>ETR</td> <td>-</td> <td>WD.</td> <td>J2</td> <td>PTD.</td> <td>-</td> <td>382A</td> <td>3\"/> <tr> <td>387</td> <td>ETR</td> <td>-</td> <td>WD.</td> <td>J2</td> <td>PTD.</td> <td>-</td> <td>385</td> <td>3\"/> <tr> <td>388</td> <td>ETR</td> <td>-</td> <td>WD.</td> <td>J2</td> <td>PTD.</td> <td>-</td> <td>386</td> <td>3\"/> <tr> <td>389</td> <td>ETR</td> <td>-</td> <td>WD.</td> <td>J2</td> <td>PTD.</td> <td>-</td> <td>387</td> <td>3\"/> <tr> <td>391</td> <td>ETR</td> <td>-</td> <td>WD.</td> <td>J2</td> <td>PTD.</td> <td>-</td> <td>388</td> <td>3\"/> <tr> <td>391A</td> <td>ETR</td> <td>-</td> <td>WD.</td> <td>J2</td> <td>PTD.</td> <td>-</td> <td>389</td> <td>3\"/> <tr> <td>391B</td> <td>ETR</td> <td>-</td> <td>WD.</td> <td>J2</td> <td>PTD.</td> <td>-</td> <td>391</td> <td>3\"/> <tr> <td>394</td> <td>ETR</td> <td>-</td> <td>WD.</td> <td>J2</td> <td>PTD.</td> <td>-</td> <td>391A</td> <td>3\"/> <tr> <td>395</td> <td>ETR</td> <td>-</td> <td>WD.</td> <td>J2</td> <td>PTD.</td> <td>-</td> <td>391B</td> <td>3\"/> <tr> <td>396</td> <td>ETR</td> <td>-</td> <td>WD.</td> <td>J2</td> <td>PTD.</td> <td>-</td> <td>394</td> <td>3\"/> <tr> <td>398</td> <td>ETR</td> <td>-</td> <td>WD.</td> <td>J2</td> <td>PTD.</td> <td>-</td> <td>395</td> <td>3\"/> <tr> <td>399</td> <td>ETR</td> <td>-</td> <td>WD.</td> <td>J2</td> <td>PTD.</td> <td>-</td> <td>396</td> <td>3\"/> <tr> <td>3991</td> <td>ETR</td> <td>-</td> <td>WD.</td> <td>J2</td> <td>PTD.</td> <td>-</td> <td>398</td> <td>3\"/> <tr> <td>3992</td> <td>A</td> <td>3\"/> <tr> <td>3993</td> <td>ETR</td> <td>-</td> <td>WD.</td> <td>J2</td> <td>PTD.</td> <td>-</td> <td>399</td> <td>3\"/> <tr> <td>3994</td> <td>ETR</td> <td>-</td> <td>WD.</td> <td>J2</td> <td>PTD.</td> <td>-</td> <td>3991</td> <td>3\"/> <tr> <td>3995</td> <td>ETR</td> <td>-</td> <td>WD.</td> <td>J2</td> <td>PTD.</td> <td>-</td> <td>3992</td> <td>3\"/> <tr> <td>3997</td> <td>ETR</td> <td>-</td> <td>WD.</td> <td>J2</td> <td>PTD.</td> <td>-</td> <td>3993</td> <td>3\"/> <tr> <td>3998</td> <td>ETR</td> <td>-</td> <td>WD.</td> <td>J2</td> <td>PTD.</td> <td>-</td> <td>3994</td> <td>3\"/> <tr> <td>3999</td> <td>ETR</td> <td>-</td> <td>WD.</td> <td>J2</td> <td>PTD.</td> <td>-</td> <td>3995</td> <td>3\"/> <tr> <td>3999</td> <td>ETR</td> <td>-</td> <td>WD.</td> <td>J2</td> <td>PTD.</td> <td>-</td> <td>3997</td> <td>3\"/> </td></tr></td></tr></td></tr></td></tr></td></tr></td></tr></td></tr></td></tr></td></tr></td></tr></td></tr></td></tr></td></tr></td></tr></td></tr></td></tr></td></tr></td></tr></td></tr></td></tr></td></tr></td></tr></td></td></tr></td></tr></td></td></tr> | 380B | B | 1 <td>WD</td> <td>J1</td> <td>PTD.</td> <td>-</td> <td>379</td> <td>3\"/> <tr> <td>382</td> <td>ETR</td> <td>-</td> <td>WD.</td> <td>J2</td> <td>PTD.</td> <td>-</td> <td>380A</td> <td>3\"/> <tr> <td>382A</td> <td>D</td> <td>6 <td>ALUM.</td> <td>ANODIZE D</td> <td>-</td> <td>-</td> <td>380B</td> <td>3\"/> <tr> <td>385</td> <td>ETR</td> <td>-</td> <td>WD.</td> <td>J2</td> <td>PTD.</td> <td>-</td> <td>382</td> <td>3\"/> <tr> <td>386</td> <td>ETR</td> <td>-</td> <td>WD.</td> <td>J2</td> <td>PTD.</td> <td>-</td> <td>382A</td> <td>3\"/> <tr> <td>387</td> <td>ETR</td> <td>-</td> <td>WD.</td> <td>J2</td> <td>PTD.</td> <td>-</td> <td>385</td> <td>3\"/> <tr> <td>388</td> <td>ETR</td> <td>-</td> <td>WD.</td> <td>J2</td> <td>PTD.</td> <td>-</td> <td>386</td> <td>3\"/> <tr> <td>389</td> <td>ETR</td> <td>-</td> <td>WD.</td> <td>J2</td> <td>PTD.</td> <td>-</td> <td>387</td> <td>3\"/> <tr> <td>391</td> <td>ETR</td> <td>-</td> <td>WD.</td> <td>J2</td> <td>PTD.</td> <td>-</td> <td>388</td> <td>3\"/> <tr> <td>391A</td> <td>ETR</td> <td>-</td> <td>WD.</td> <td>J2</td> <td>PTD.</td>
<td>-</td> <td>389</td> <td>3\"/> <tr> <td>391B</td> <td>ETR</td> <td>-</td> <td>WD.</td> <td>J2</td> <td>PTD.</td> <td>-</td> <td>391</td> <td>3\"/> <tr> <td>394</td> <td>ETR</td> <td>-</td> <td>WD.</td> <td>J2</td> <td>PTD.</td> <td>-</td> <td>391A</td> <td>3\"/> <tr> <td>395</td> <td>ETR</td> <td>-</td> <td>WD.</td> <td>J2</td> <td>PTD.</td> <td>-</td> <td>391B</td> <td>3\"/> <tr> <td>396</td> <td>ETR</td> <td>-</td> <td>WD.</td> <td>J2</td> <td>PTD.</td> <td>-</td> <td>394</td> <td>3\"/> <tr> <td>398</td> <td>ETR</td> <td>-</td> <td>WD.</td> <td>J2</td> <td>PTD.</td> <td>-</td> <td>395</td> <td>3\"/> <tr> <td>399</td> <td>ETR</td> <td>-</td> <td>WD.</td> <td>J2</td> <td>PTD.</td> <td>-</td> <td>396</td> <td>3\"/> <tr> <td>3991</td> <td>ETR</td> <td>-</td> <td>WD.</td> <td>J2</td> <td>PTD.</td> <td>-</td> <td>398</td> <td>3\"/> <tr> <td>3992</td> <td>A</td> <td>3\"/> <tr> <td>3993</td> <td>ETR</td> <td>-</td> <td>WD.</td> <td>J2</td> <td>PTD.</td> <td>-</td> <td>399</td> <td>3\"/> <tr> <td>3994</td> <td>ETR</td> <td>-</td> <td>WD.</td> <td>J2</td> <td>PTD.</td> <td>-</td> <td>3991</td> <td>3\"/> <tr> <td>3995</td> <td>ETR</td> <td>-</td> <td>WD.</td> <td>J2</td> <td>PTD.</td> <td>-</td> <td>3992</td> <td>3\"/> <tr> <td>3997</td> <td>ETR</td> <td>-</td> <td>WD.</td> <td>J2</td> <td>PTD.</td> <td>-</td> <td>3993</td> <td>3\"/> <tr> <td>3998</td> <td>ETR</td> <td>-</td> <td>WD.</td> <td>J2</td> <td>PTD.</td> <td>-</td> <td>3994</td> <td>3\"/> <tr> <td>3999</td> <td>ETR</td> <td>-</td> <td>WD.</td> <td>J2</td> <td>PTD.</td> <td>-</td> <td>3995</td> <td>3\"/> <tr> <td>3999</td> <td>ETR</td> <td>-</td> <td>WD.</td> <td>J2</td> <td>PTD.</td> <td>-</td> <td>3997</td> <td>3\"/> </td></tr></td></tr></td></tr></td></tr></td></tr></td></tr></td></tr></td></tr></td></tr></td></tr></td></tr></td></tr></td></tr></td></tr></td></tr></td></tr></td></tr></td></tr></td></tr></td></tr></td></tr></td></tr></td></td></tr></td></tr></td> | WD | J1 | PTD. | - | 379 | 3\"/> <tr> <td>382</td> <td>ETR</td> <td>-</td> <td>WD.</td> <td>J2</td> <td>PTD.</td> <td>-</td> <td>380A</td> <td>3\"/> <tr> <td>382A</td> <td>D</td> <td>6 <td>ALUM.</td> <td>ANODIZE D</td> <td>-</td> <td>-</td> <td>380B</td> <td>3\"/> <tr> <td>385</td> <td>ETR</td> <td>-</td> <td>WD.</td> <td>J2</td> <td>PTD.</td> <td>-</td> <td>382</td> <td>3\"/> <tr> <td>386</td> <td>ETR</td> <td>-</td> <td>WD.</td> <td>J2</td> <td>PTD.</td> <td>-</td> <td>382A</td> <td>3\"/> <tr> <td>387</td> <td>ETR</td> <td>-</td> <td>WD.</td> <td>J2</td> <td>PTD.</td> <td>-</td> <td>385</td> <td>3\"/> <tr> <td>388</td> <td>ETR</td> <td>-</td>
<td>WD.</td> <td>J2</td> <td>PTD.</td> <td>-</td> <td>386</td> <td>3\"/> <tr> <td>389</td> <td>ETR</td> <td>-</td> <td>WD.</td> <td>J2</td> <td>PTD.</td> <td>-</td> <td>387</td> <td>3\"/> <tr> <td>391</td> <td>ETR</td> <td>-</td> <td>WD.</td> <td>J2</td> <td>PTD.</td> <td>-</td> <td>388</td> <td>3\"/> <tr> <td>391A</td> <td>ETR</td> <td>-</td> <td>WD.</td> <td>J2</td> <td>PTD.</td> <td>-</td> <td>389</td> <td>3\"/> <tr> <td>391B</td> <td>ETR</td> <td>-</td> <td>WD.</td> <td>J2</td> <td>PTD.</td> <td>-</td> <td>391</td> <td>3\"/> <tr> <td>394</td> <td>ETR</td> <td>-</td> <td>WD.</td> <td>J2</td> <td>PTD.</td> <td>-</td> <td>391A</td> <td>3\"/> <tr> <td>395</td> <td>ETR</td> <td>-</td> <td>WD.</td> <td>J2</td> <td>PTD.</td> <td>-</td> <td>391B</td> <td>3\"/> <tr> <td>396</td> <td>ETR</td> <td>-</td> <td>WD.</td> <td>J2</td> <td>PTD.</td> <td>-</td> <td>394</td> <td>3\"/> <tr> <td>398</td> <td>ETR</td> <td>-</td> <td>WD.</td> <td>J2</td> <td>PTD.</td> <td>-</td> <td>395</td> <td>3\"/> <tr> <td>399</td> <td>ETR</td> <td>-</td> <td>WD.</td> <td>J2</td> <td>PTD.</td> <td>-</td> <td>396</td> <td>3\"/> <tr> <td>3991</td> <td>ETR</td> <td>-</td> <td>WD.</td> <td>J2</td> <td>PTD.</td> <td>-</td> <td>398</td> <td>3\"/> <tr> <td>3992</td> <td>A</td> <td>3\"/> <tr> <td>3993</td> <td>ETR</td> <td>-</td> <td>WD.</td> <td>J2</td> <td>PTD.</td> <td>-</td> <td>399</td> <td>3\"/> <tr> <td>3994</td> <td>ETR</td> <td>-</td> <td>WD.</td> <td>J2</td> <td>PTD.</td> <td>-</td> <td>3991</td> <td>3\"/> <tr> <td>3995</td> <td>ETR</td> <td>-</td> <td>WD.</td> <td>J2</td> <td>PTD.</td> <td>-</td> <td>3992</td> <td>3\"/> <tr> <td>3997</td> <td>ETR</td> <td>-</td> <td>WD.</td> <td>J2</td> <td>PTD.</td> <td>-</td> <td>3993</td> <td>3\"/> <tr> <td>3998</td> <td>ETR</td> <td>-</td> <td>WD.</td> <td>J2</td> <td>PTD.</td> <td>-</td> <td>3994</td> <td>3\"/> <tr> <td>3999</td> <td>ETR</td> <td>-</td> <td>WD.</td> <td>J2</td> <td>PTD.</td> <td>-</td> <td>3995</td> <td>3\"/> <tr> <td>3999</td> <td>ETR</td> <td>-</td> <td>WD.</td> <td>J2</td> <td>PTD.</td> <td>-</td> <td>3997</td> <td>3\"/> </td></tr></td></tr></td></tr></td></tr></td></tr></td></tr></td></tr></td></tr></td></tr></td></tr></td></tr></td></tr></td></tr></td></tr></td></tr></td></tr></td></tr></td></tr></td></tr></td></tr></td></tr></td></tr></td></td></tr></td></tr> | 382 | ETR | - | WD. | J2 | PTD. | - | 380A | 3\"/> <tr> <td>382A</td> <td>D</td> <td>6 <td>ALUM.</td> <td>ANODIZE D</td> <td>-</td> <td>-</td> <td>380B</td> <td>3\"/> <tr> <td>385</td> <td>ETR</td> <td>-</td> <td>WD.</td> <td>J2</td> <td>PTD.</td> <td>-</td> <td>382</td> <td>3\"/> <tr> <td>386</td> <td>ETR</td> <td>-</td> <td>WD.</td> <td>J2</td> <td>PTD.</td> <td>-</td> <td>382A</td> <td>3\"/> <tr>
<td>387</td> <td>ETR</td> <td>-</td> <td>WD.</td> <td>J2</td> <td>PTD.</td> <td>-</td> <td>385</td> <td>3\"/> <tr> <td>388</td> <td>ETR</td> <td>-</td> <td>WD.</td> <td>J2</td> <td>PTD.</td> <td>-</td> <td>386</td> <td>3\"/> <tr> <td>389</td> <td>ETR</td> <td>-</td> <td>WD.</td> <td>J2</td> <td>PTD.</td> <td>-</td> <td>387</td> <td>3\"/> <tr> <td>391</td> <td>ETR</td> <td>-</td> <td>WD.</td> <td>J2</td> <td>PTD.</td> <td>-</td> <td>388</td> <td>3\"/> <tr> <td>391A</td> <td>ETR</td> <td>-</td> <td>WD.</td> <td>J2</td> <td>PTD.</td> <td>-</td> <td>389</td> <td>3\"/> <tr> <td>391B</td> <td>ETR</td> <td>-</td> <td>WD.</td> <td>J2</td> <td>PTD.</td> <td>-</td> <td>391</td> <td>3\"/> <tr> <td>394</td> <td>ETR</td> <td>-</td> <td>WD.</td> <td>J2</td> <td>PTD.</td> <td>-</td> <td>391A</td> <td>3\"/> <tr> <td>395</td> <td>ETR</td> <td>-</td> <td>WD.</td> <td>J2</td> <td>PTD.</td> <td>-</td> <td>391B</td> <td>3\"/> <tr> <td>396</td> <td>ETR</td> <td>-</td> <td>WD.</td> <td>J2</td> <td>PTD.</td> <td>-</td> <td>394</td> <td>3\"/> <tr> <td>398</td> <td>ETR</td> <td>-</td> <td>WD.</td> <td>J2</td> <td>PTD.</td> <td>-</td> <td>395</td> <td>3\"/> <tr> <td>399</td> <td>ETR</td> <td>-</td> <td>WD.</td> <td>J2</td> <td>PTD.</td> <td>-</td> <td>396</td> <td>3\"/> <tr> <td>3991</td> <td>ETR</td> <td>-</td> <td>WD.</td> <td>J2</td> <td>PTD.</td> <td>-</td> <td>398</td> <td>3\"/> <tr> <td>3992</td> <td>A</td> <td>3\"/> <tr> <td>3993</td> <td>ETR</td> <td>-</td> <td>WD.</td> <td>J2</td> <td>PTD.</td> <td>-</td> <td>399</td> <td>3\"/> <tr> <td>3994</td> <td>ETR</td> <td>-</td> <td>WD.</td> <td>J2</td> <td>PTD.</td> <td>-</td> <td>3991</td> <td>3\"/> <tr> <td>3995</td> <td>ETR</td> <td>-</td> <td>WD.</td> <td>J2</td> <td>PTD.</td> <td>-</td> <td>3992</td> <td>3\"/> <tr> <td>3997</td> <td>ETR</td> <td>-</td> <td>WD.</td> <td>J2</td> <td>PTD.</td> <td>-</td> <td>3993</td> <td>3\"/> <tr> <td>3998</td> <td>ETR</td> <td>-</td> <td>WD.</td> <td>J2</td> <td>PTD.</td> <td>-</td> <td>3994</td> <td>3\"/> <tr> <td>3999</td> <td>ETR</td> <td>-</td> <td>WD.</td> <td>J2</td> <td>PTD.</td> <td>-</td> <td>3995</td> <td>3\"/> <tr> <td>3999</td> <td>ETR</td> <td>-</td> <td>WD.</td> <td>J2</td> <td>PTD.</td> <td>-</td> <td>3997</td> <td>3\"/> </td></tr></td></tr></td></tr></td></tr></td></tr></td></tr></td></tr></td></tr></td></tr></td></tr></td></tr></td></tr></td></tr></td></tr></td></tr></td></tr></td></tr></td></tr></td></tr></td></tr></td></tr></td></tr></td></td></tr> | 382A | D | 6 <td>ALUM.</td> <td>ANODIZE D</td> <td>-</td> <td>-</td> <td>380B</td> <td>3\"/> <tr> <td>385</td> <td>ETR</td> <td>-</td> <td>WD.</td> <td>J2</td> <td>PTD.</td> <td>-</td> <td>382</td> <td>3\"/> <tr> <td>386</td> <td>ETR</td> <td>-</td> <td>WD.</td> <td>J2</td> <td>PTD.</td> <td>-</td> <td>382A</td> <td>3\"/> <tr> <td>387</td> <td>ETR</td> <td>-</td> <td>WD.</td> <td>J2</td> <td>PTD.</td> <td>-</td> <td>385</td> <td>3\"/> <tr> <td>388</td> <td>ETR</td> <td>-</td> <td>WD.</td> <td>J2</td> <td>PTD.</td> <td>-</td> <td>386</td> <td>3\"/> <tr> <td>389</td> <td>ETR</td> <td>-</td> <td>WD.</td> <td>J2</td> <td>PTD.</td> <td>-</td> <td>387</td> <td>3\"/> <tr> <td>391</td> <td>ETR</td> <td>-</td> <td>WD.</td> <td>J2</td> <td>PTD.</td> <td>-</td> <td>388</td> <td>3\"/> <tr> <td>391A</td> <td>ETR</td> <td>-</td> <td>WD.</td> <td>J2</td> <td>PTD.</td> <td>-</td> <td>389</td> <td>3\"/> <tr> <td>391B</td> <td>ETR</td> <td>-</td> <td>WD.</td> <td>J2</td> <td>PTD.</td> <td>-</td> <td>391</td> <td>3\"/> <tr> <td>394</td> <td>ETR</td> <td>-</td> <td>WD.</td> <td>J2</td> <td>PTD.</td> <td>-</td> <td>391A</td> <td>3\"/> <tr> <td>395</td> <td>ETR</td> <td>-</td> <td>WD.</td> <td>J2</td> <td>PTD.</td> <td>-</td> <td>391B</td> <td>3\"/> <tr> <td>396</td> <td>ETR</td> <td>-</td> <td>WD.</td> <td>J2</td> <td>PTD.</td> <td>-</td> <td>394</td> <td>3\"/> <tr> <td>398</td> <td>ETR</td> <td>-</td> <td>WD.</td> <td>J2</td> <td>PTD.</td> <td>-</td> <td>395</td> <td>3\"/> <tr> <td>399</td> <td>ETR</td> <td>-</td> <td>WD.</td> <td>J2</td> <td>PTD.</td> <td>-</td> <td>396</td> <td>3\"/> <tr> <td>3991</td> <td>ETR</td> <td>-</td> <td>WD.</td> <td>J2</td> <td>PTD.</td> <td>-</td> <td>398</td> <td>3\"/> <tr> <td>3992</td> <td>A</td> <td>3\"/> <tr> <td>3993</td> <td>ETR</td> <td>-</td> <td>WD.</td> <td>J2</td> <td>PTD.</td> <td>-</td> <td>399</td> <td>3\"/> <tr> <td>3994</td> <td>ETR</td> <td>-</td> <td>WD.</td> <td>J2</td> <td>PTD.</td> <td>-</td> <td>3991</td> <td>3\"/> <tr> <td>3995</td> <td>ETR</td> <td>-</td> <td>WD.</td> <td>J2</td> <td>PTD.</td> <td>-</td> <td>3992</td> <td>3\"/> <tr> <td>3997</td> <td>ETR</td> <td>-</td> <td>WD.</td> <td>J2</td> <td>PTD.</td> <td>-</td> <td>3993</td> <td>3\"/> <tr> <td>3998</td> <td>ETR</td> <td>-</td> <td>WD.</td> <td>J2</td> <td>PTD.</td> <td>-</td> <td>3994</td> <td>3\"/> <tr> <td>3999</td> <td>ETR</td> <td>-</td> <td>WD.</td> <td>J2</td> <td>PTD.</td> <td>-</td> <td>3995</td> <td>3\"/> <tr> <td>3999</td> <td>ETR</td> <td>-</td> <td>WD.</td> <td>J2</td> <td>PTD.</td> <td>-</td> <td>3997</td> <td>3\"/> </td></tr></td></tr></td></tr></td></tr></td></tr></td></tr></td></tr></td></tr></td></tr></td></tr></td></tr></td></tr></td></tr></td></tr></td></tr></td></tr></td></tr></td></tr></td></tr></td></tr></td></tr></td></tr></td> | ALUM. | ANODIZE D | - | - | 380B | 3\"/> <tr> <td>385</td> <td>ETR</td> <td>-</td> <td>WD.</td> <td>J2</td> <td>PTD.</td> <td>-</td> <td>382</td> <td>3\"/> <tr> <td>386</td> <td>ETR</td> <td>-</td> <td>WD.</td> <td>J2</td> <td>PTD.</td> <td>-</td> <td>382A</td> <td>3\"/> <tr> <td>387</td> <td>ETR</td> <td>-</td> <td>WD.</td> <td>J2</td> <td>PTD.</td> <td>-</td> <td>385</td>
<td>3\"/> <tr> <td>388</td> <td>ETR</td> <td>-</td> <td>WD.</td> <td>J2</td> <td>PTD.</td> <td>-</td> <td>386</td> <td>3\"/> <tr> <td>389</td> <td>ETR</td> <td>-</td> <td>WD.</td> <td>J2</td> <td>PTD.</td> <td>-</td> <td>387</td> <td>3\"/> <tr> <td>391</td> <td>ETR</td> <td>-</td> <td>WD.</td> <td>J2</td> <td>PTD.</td> <td>-</td> <td>388</td> <td>3\"/> <tr> <td>391A</td> <td>ETR</td> <td>-</td> <td>WD.</td> <td>J2</td> <td>PTD.</td> <td>-</td> <td>389</td> <td>3\"/> <tr> <td>391B</td> <td>ETR</td> <td>-</td> <td>WD.</td> <td>J2</td> <td>PTD.</td> <td>-</td> <td>391</td> <td>3\"/> <tr> <td>394</td> <td>ETR</td> <td>-</td> <td>WD.</td> <td>J2</td> <td>PTD.</td> <td>-</td> <td>391A</td> <td>3\"/> <tr> <td>395</td> <td>ETR</td> <td>-</td> <td>WD.</td> <td>J2</td> <td>PTD.</td> <td>-</td> <td>391B</td> <td>3\"/> <tr> <td>396</td> <td>ETR</td> <td>-</td> <td>WD.</td> <td>J2</td> <td>PTD.</td> <td>-</td> <td>394</td> <td>3\"/> <tr> <td>398</td> <td>ETR</td> <td>-</td> <td>WD.</td> <td>J2</td> <td>PTD.</td> <td>-</td> <td>395</td> <td>3\"/> <tr> <td>399</td> <td>ETR</td> <td>-</td> <td>WD.</td> <td>J2</td> <td>PTD.</td> <td>-</td> <td>396</td> <td>3\"/> <tr> <td>3991</td> <td>ETR</td> <td>-</td> <td>WD.</td> <td>J2</td> <td>PTD.</td> <td>-</td> <td>398</td> <td>3\"/> <tr> <td>3992</td> <td>A</td> <td>3\"/> <tr> <td>3993</td> <td>ETR</td> <td>-</td> <td>WD.</td> <td>J2</td> <td>PTD.</td> <td>-</td> <td>399</td> <td>3\"/> <tr> <td>3994</td> <td>ETR</td> <td>-</td> <td>WD.</td> <td>J2</td> <td>PTD.</td> <td>-</td> <td>3991</td> <td>3\"/> <tr> <td>3995</td> <td>ETR</td> <td>-</td> <td>WD.</td> <td>J2</td> <td>PTD.</td> <td>-</td> <td>3992</td> <td>3\"/> <tr> <td>3997</td> <td>ETR</td> <td>-</td> <td>WD.</td> <td>J2</td> <td>PTD.</td> <td>-</td> <td>3993</td> <td>3\"/> <tr> <td>3998</td> <td>ETR</td> <td>-</td> <td>WD.</td> <td>J2</td> <td>PTD.</td> <td>-</td> <td>3994</td> <td>3\"/> <tr> <td>3999</td> <td>ETR</td> <td>-</td> <td>WD.</td> <td>J2</td> <td>PTD.</td> <td>-</td> <td>3995</td> <td>3\"/> <tr> <td>3999</td> <td>ETR</td> <td>-</td> <td>WD.</td> <td>J2</td> <td>PTD.</td> <td>-</td> <td>3997</td> <td>3\"/> </td></tr></td></tr></td></tr></td></tr></td></tr></td></tr></td></tr></td></tr></td></tr></td></tr></td></tr></td></tr></td></tr></td></tr></td></tr></td></tr></td></tr></td></tr></td></tr></td></tr></td></tr></td></tr> | 385 | ETR | - | WD. | J2 | PTD. | - | 382 | 3\"/> <tr> <td>386</td> <td>ETR</td> <td>-</td> <td>WD.</td> <td>J2</td> <td>PTD.</td> <td>-</td> <td>382A</td> <td>3\"/> <tr> <td>387</td> <td>ETR</td> <td>-</td> <td>WD.</td> <td>J2</td> <td>PTD.</td> <td>-</td> <td>385</td> <td>3\"/> <tr> <td>388</td> <td>ETR</td> <td>-</td> <td>WD.</td> <td>J2</td> <td>PTD.</td> <td>-</td> <td>386</td> <td>3\"/> <tr> <td>389</td> <td>ETR</td> <td>-</td> <td>WD.</td> <td>J2</td> <td>PTD.</td> <td>-</td> <td>387</td> <td>3\"/> <tr> <td>391</td> <td>ETR</td> <td>-</td> <td>WD.</td> <td>J2</td> <td>PTD.</td> <td>-</td> <td>388</td>
<td>3\"/> <tr> <td>391A</td> <td>ETR</td> <td>-</td> <td>WD.</td> <td>J2</td> <td>PTD.</td> <td>-</td> <td>389</td> <td>3\"/> <tr> <td>391B</td> <td>ETR</td> <td>-</td> <td>WD.</td> <td>J2</td> <td>PTD.</td> <td>-</td> <td>391</td> <td>3\"/> <tr> <td>394</td> <td>ETR</td> <td>-</td> <td>WD.</td> <td>J2</td> <td>PTD.</td> <td>-</td> <td>391A</td> <td>3\"/> <tr> <td>395</td> <td>ETR</td> <td>-</td> <td>WD.</td> <td>J2</td> <td>PTD.</td> <td>-</td> <td>391B</td> <td>3\"/> <tr> <td>396</td> <td>ETR</td> <td>-</td> <td>WD.</td> <td>J2</td> <td>PTD.</td> <td>-</td> <td>394</td> <td>3\"/> <tr> <td>398</td> <td>ETR</td> <td>-</td> <td>WD.</td> <td>J2</td> <td>PTD.</td> <td>-</td> <td>395</td> <td>3\"/> <tr> <td>399</td> <td>ETR</td> <td>-</td> <td>WD.</td> <td>J2</td> <td>PTD.</td> <td>-</td> <td>396</td> <td>3\"/> <tr> <td>3991</td> <td>ETR</td> <td>-</td> <td>WD.</td> <td>J2</td> <td>PTD.</td> <td>-</td> <td>398</td> <td>3\"/> <tr> <td>3992</td> <td>A</td> <td>3\"/> <tr> <td>3993</td> <td>ETR</td> <td>-</td> <td>WD.</td> <td>J2</td> <td>PTD.</td> <td>-</td> <td>399</td> <td>3\"/> <tr> <td>3994</td> <td>ETR</td> <td>-</td> <td>WD.</td> <td>J2</td> <td>PTD.</td> <td>-</td> <td>3991</td> <td>3\"/> <tr> <td>3995</td> <td>ETR</td> <td>-</td> <td>WD.</td> <td>J2</td> <td>PTD.</td> <td>-</td> <td>3992</td> <td>3\"/> <tr> <td>3997</td> <td>ETR</td> <td>-</td> <td>WD.</td> <td>J2</td> <td>PTD.</td> <td>-</td> <td>3993</td> <td>3\"/> <tr> <td>3998</td> <td>ETR</td> <td>-</td> <td>WD.</td> <td>J2</td> <td>PTD.</td> <td>-</td> <td>3994</td> <td>3\"/> <tr> <td>3999</td> <td>ETR</td> <td>-</td> <td>WD.</td> <td>J2</td> <td>PTD.</td> <td>-</td> <td>3995</td> <td>3\"/> <tr> <td>3999</td> <td>ETR</td> <td>-</td> <td>WD.</td> <td>J2</td> <td>PTD.</td> <td>-</td> <td>3997</td> <td>3\"/> </td></tr></td></tr></td></tr></td></tr></td></tr></td></tr></td></tr></td></tr></td></tr></td></tr></td></tr></td></tr></td></tr></td></tr></td></tr></td></tr></td></tr></td></tr></td></tr></td></tr></td></tr> | 386 | ETR | - | WD. | J2 | PTD. | - | 382A | 3\"/> <tr> <td>387</td> <td>ETR</td> <td>-</td> <td>WD.</td> <td>J2</td> <td>PTD.</td> <td>-</td> <td>385</td> <td>3\"/> <tr> <td>388</td> <td>ETR</td> <td>-</td> <td>WD.</td> <td>J2</td> <td>PTD.</td> <td>-</td> <td>386</td> <td>3\"/> <tr> <td>389</td> <td>ETR</td> <td>-</td> <td>WD.</td> <td>J2</td> <td>PTD.</td> <td>-</td> <td>387</td> <td>3\"/> <tr> <td>391</td> <td>ETR</td> <td>-</td> <td>WD.</td> <td>J2</td> <td>PTD.</td> <td>-</td> <td>388</td> <td>3\"/> <tr> <td>391A</td> <td>ETR</td> <td>-</td> <td>WD.</td> <td>J2</td> <td>PTD.</td> <td>-</td> <td>389</td> <td>3\"/> <tr> <td>391B</td> <td>ETR</td> <td>-</td> <td>WD.</td> <td>J2</td> <td>PTD.</td> <td>-</td> <td>391</td> <td>3\"/> <tr> <td>394</td> <td>ETR</td> <td>-</td> <td>WD.</td> <td>J2</td> <td>PTD.</td> <td>-</td> <td>391A</td> <td>3\"/> <tr> <td>395</td> <td>ETR</td> <td>-</td> <td>WD.</td> <td>J2</td> <td>PTD.</td> <td>-</td> <td>391B</td> <td>3\"/> <tr> <td>396</td> <td>ETR</td> <td>-</td> <td>WD.</td> <td>J2</td> <td>PTD.</td> <td>-</td> <td>394</td> <td>3\"/> <tr>
<td>398</td> <td>ETR</td> <td>-</td> <td>WD.</td> <td>J2</td> <td>PTD.</td> <td>-</td> <td>395</td> <td>3\"/> <tr> <td>399</td> <td>ETR</td> <td>-</td> <td>WD.</td> <td>J2</td> <td>PTD.</td> <td>-</td> <td>396</td> <td>3\"/> <tr> <td>3991</td> <td>ETR</td> <td>-</td> <td>WD.</td> <td>J2</td> <td>PTD.</td> <td>-</td> <td>398</td> <td>3\"/> <tr> <td>3992</td> <td>A</td> <td>3\"/> <tr> <td>3993</td> <td>ETR</td> <td>-</td> <td>WD.</td> <td>J2</td> <td>PTD.</td> <td>-</td> <td>399</td> <td>3\"/> <tr> <td>3994</td> <td>ETR</td> <td>-</td> <td>WD.</td> <td>J2</td> <td>PTD.</td> <td>-</td> <td>3991</td> <td>3\"/> <tr> <td>3995</td> <td>ETR</td> <td>-</td> <td>WD.</td> <td>J2</td> <td>PTD.</td> <td>-</td> <td>3992</td> <td>3\"/> <tr> <td>3997</td> <td>ETR</td> <td>-</td> <td>WD.</td> <td>J2</td> <td>PTD.</td> <td>-</td> <td>3993</td> <td>3\"/> <tr> <td>3998</td> <td>ETR</td> <td>-</td> <td>WD.</td> <td>J2</td> <td>PTD.</td> <td>-</td> <td>3994</td> <td>3\"/> <tr> <td>3999</td> <td>ETR</td> <td>-</td> <td>WD.</td> <td>J2</td> <td>PTD.</td> <td>-</td> <td>3995</td> <td>3\"/> <tr> <td>3999</td> <td>ETR</td> <td>-</td> <td>WD.</td> <td>J2</td> <td>PTD.</td> <td>-</td> <td>3997</td> <td>3\"/> </td></tr></td></tr></td></tr></td></tr></td></tr></td></tr></td></tr></td></tr></td></tr></td></tr></td></tr></td></tr></td></tr></td></tr></td></tr></td></tr></td></tr></td></tr></td></tr></td></tr> | 387 | ETR | - | WD. | J2 | PTD.
 | - | 385 | 3\"/> <tr> <td>388</td> <td>ETR</td> <td>-</td> <td>WD.</td> <td>J2</td> <td>PTD.</td> <td>-</td> <td>386</td> <td>3\"/> <tr> <td>389</td> <td>ETR</td> <td>-</td> <td>WD.</td> <td>J2</td> <td>PTD.</td> <td>-</td> <td>387</td> <td>3\"/> <tr> <td>391</td> <td>ETR</td> <td>-</td> <td>WD.</td> <td>J2</td> <td>PTD.</td> <td>-</td> <td>388</td> <td>3\"/> <tr> <td>391A</td> <td>ETR</td> <td>-</td> <td>WD.</td> <td>J2</td> <td>PTD.</td> <td>-</td> <td>389</td> <td>3\"/> <tr> <td>391B</td> <td>ETR</td> <td>-</td> <td>WD.</td> <td>J2</td> <td>PTD.</td> <td>-</td> <td>391</td> <td>3\"/> <tr> <td>394</td> <td>ETR</td> <td>-</td> <td>WD.</td> <td>J2</td> <td>PTD.</td> <td>-</td> <td>391A</td> <td>3\"/> <tr> <td>395</td> <td>ETR</td> <td>-</td> <td>WD.</td> <td>J2</td> <td>PTD.</td> <td>-</td> <td>391B</td> <td>3\"/> <tr> <td>396</td> <td>ETR</td> <td>-</td> <td>WD.</td> <td>J2</td> <td>PTD.</td> <td>-</td> <td>394</td> <td>3\"/> <tr> <td>398</td> <td>ETR</td> <td>-</td> <td>WD.</td> <td>J2</td> <td>PTD.</td> <td>-</td> <td>395</td> <td>3\"/> <tr> <td>399</td> <td>ETR</td> <td>-</td> <td>WD.</td> <td>J2</td> <td>PTD.</td> <td>-</td> <td>396</td> <td>3\"/> <tr> <td>3991</td> <td>ETR</td> <td>-</td> <td>WD.</td> <td>J2</td> <td>PTD.</td> <td>-</td> <td>398</td> <td>3\"/> <tr> <td>3992</td> <td>A</td> <td>3\"/> <tr> <td>3993</td> <td>ETR</td> <td>-</td> <td>WD.</td> <td>J2</td> <td>PTD.</td> <td>-</td> <td>399</td> <td>3\"/> <tr> <td>3994</td> <td>ETR</td> <td>-</td> <td>WD.</td> <td>J2</td> <td>PTD.</td> <td>-</td> <td>3991</td> <td>3\"/> <tr> <td>3995</td> <td>ETR</td> <td>-</td> <td>WD.</td> <td>J2</td> <td>PTD.</td> <td>-</td> <td>3992</td> <td>3\"/> <tr> <td>3997</td> <td>ETR</td> <td>-</td> <td>WD.</td> <td>J2</td> <td>PTD.</td> <td>-</td> <td>3993</td> <td>3\"/> <tr> <td>3998</td> <td>ETR</td> <td>-</td> <td>WD.</td> <td>J2</td> <td>PTD.</td> <td>-</td> <td>3994</td> <td>3\"/> <tr> <td>3999</td> <td>ETR</td> <td>-</td> <td>WD.</td> <td>J2</td> <td>PTD.</td> <td>-</td> <td>3995</td> <td>3\"/> <tr> <td>3999</td> <td>ETR</td> <td>-</td> <td>WD.</td> <td>J2</td> <td>PTD.</td> <td>-</td> <td>3997</td> <td>3\"/> </td></tr></td></tr></td></tr></td></tr></td></tr></td></tr></td></tr></td></tr></td></tr></td></tr></td></tr></td></tr></td></tr></td></tr></td></tr></td></tr></td></tr></td></tr></td></tr> | 388 | ETR | -
 | WD. | J2 | PTD. | - | 386 | 3\"/> <tr> <td>389</td> <td>ETR</td> <td>-</td> <td>WD.</td> <td>J2</td> <td>PTD.</td> <td>-</td> <td>387</td> <td>3\"/> <tr> <td>391</td> <td>ETR</td> <td>-</td> <td>WD.</td> <td>J2</td> <td>PTD.</td> <td>-</td> <td>388</td> <td>3\"/> <tr> <td>391A</td> <td>ETR</td> <td>-</td> <td>WD.</td> <td>J2</td> <td>PTD.</td> <td>-</td> <td>389</td> <td>3\"/> <tr> <td>391B</td> <td>ETR</td> <td>-</td> <td>WD.</td> <td>J2</td> <td>PTD.</td> <td>-</td> <td>391</td> <td>3\"/> <tr> <td>394</td> <td>ETR</td> <td>-</td> <td>WD.</td> <td>J2</td> <td>PTD.</td> <td>-</td> <td>391A</td> <td>3\"/> <tr> <td>395</td> <td>ETR</td> <td>-</td> <td>WD.</td> <td>J2</td> <td>PTD.</td> <td>-</td> <td>391B</td> <td>3\"/> <tr> <td>396</td> <td>ETR</td> <td>-</td> <td>WD.</td> <td>J2</td> <td>PTD.</td> <td>-</td> <td>394</td> <td>3\"/> <tr> <td>398</td> <td>ETR</td> <td>-</td> <td>WD.</td> <td>J2</td> <td>PTD.</td> <td>-</td> <td>395</td> <td>3\"/> <tr> <td>399</td> <td>ETR</td> <td>-</td> <td>WD.</td> <td>J2</td> <td>PTD.</td> <td>-</td> <td>396</td> <td>3\"/> <tr> <td>3991</td> <td>ETR</td> <td>-</td> <td>WD.</td> <td>J2</td> <td>PTD.</td> <td>-</td> <td>398</td> <td>3\"/> <tr> <td>3992</td> <td>A</td> <td>3\"/> <tr> <td>3993</td> <td>ETR</td> <td>-</td> <td>WD.</td> <td>J2</td> <td>PTD.</td> <td>-</td> <td>399</td> <td>3\"/> <tr> <td>3994</td> <td>ETR</td> <td>-</td> <td>WD.</td> <td>J2</td> <td>PTD.</td> <td>-</td> <td>3991</td> <td>3\"/> <tr> <td>3995</td> <td>ETR</td> <td>-</td> <td>WD.</td> <td>J2</td> <td>PTD.</td> <td>-</td> <td>3992</td> <td>3\"/> <tr> <td>3997</td> <td>ETR</td> <td>-</td> <td>WD.</td> <td>J2</td> <td>PTD.</td> <td>-</td> <td>3993</td> <td>3\"/> <tr> <td>3998</td> <td>ETR</td> <td>-</td> <td>WD.</td> <td>J2</td> <td>PTD.</td> <td>-</td> <td>3994</td> <td>3\"/> <tr> <td>3999</td> <td>ETR</td> <td>-</td> <td>WD.</td> <td>J2</td> <td>PTD.</td> <td>-</td> <td>3995</td> <td>3\"/> <tr> <td>3999</td> <td>ETR</td> <td>-</td> <td>WD.</td> <td>J2</td> <td>PTD.</td> <td>-</td> <td>3997</td> <td>3\"/> </td></tr></td></tr></td></tr></td></tr></td></tr></td></tr></td></tr></td></tr></td></tr></td></tr></td></tr></td></tr></td></tr></td></tr></td></tr></td></tr></td></tr></td></tr> | 389 | ETR | -
 | WD. | J2 | PTD. | - | 387 | 3\"/> <tr> <td>391</td> <td>ETR</td> <td>-</td> <td>WD.</td> <td>J2</td> <td>PTD.</td> <td>-</td> <td>388</td> <td>3\"/> <tr> <td>391A</td> <td>ETR</td> <td>-</td> <td>WD.</td> <td>J2</td> <td>PTD.</td> <td>-</td> <td>389</td> <td>3\"/> <tr> <td>391B</td> <td>ETR</td> <td>-</td> <td>WD.</td> <td>J2</td> <td>PTD.</td> <td>-</td> <td>391</td> <td>3\"/> <tr> <td>394</td> <td>ETR</td> <td>-</td> <td>WD.</td> <td>J2</td> <td>PTD.</td> <td>-</td> <td>391A</td> <td>3\"/> <tr> <td>395</td> <td>ETR</td> <td>-</td> <td>WD.</td> <td>J2</td> <td>PTD.</td> <td>-</td> <td>391B</td> <td>3\"/> <tr> <td>396</td> <td>ETR</td> <td>-</td> <td>WD.</td> <td>J2</td> <td>PTD.</td> <td>-</td> <td>394</td> <td>3\"/> <tr> <td>398</td> <td>ETR</td> <td>-</td> <td>WD.</td> <td>J2</td> <td>PTD.</td> <td>-</td> <td>395</td> <td>3\"/> <tr> <td>399</td> <td>ETR</td> <td>-</td> <td>WD.</td> <td>J2</td> <td>PTD.</td> <td>-</td> <td>396</td> <td>3\"/> <tr> <td>3991</td> <td>ETR</td> <td>-</td> <td>WD.</td> <td>J2</td> <td>PTD.</td> <td>-</td> <td>398</td> <td>3\"/> <tr> <td>3992</td> <td>A</td> <td>3\"/> <tr> <td>3993</td> <td>ETR</td> <td>-</td> <td>WD.</td> <td>J2</td> <td>PTD.</td> <td>-</td> <td>399</td> <td>3\"/> <tr> <td>3994</td> <td>ETR</td> <td>-</td> <td>WD.</td> <td>J2</td> <td>PTD.</td> <td>-</td> <td>3991</td> <td>3\"/> <tr> <td>3995</td> <td>ETR</td> <td>-</td> <td>WD.</td> <td>J2</td> <td>PTD.</td> <td>-</td> <td>3992</td> <td>3\"/> <tr> <td>3997</td> <td>ETR</td> <td>-</td> <td>WD.</td> <td>J2</td> <td>PTD.</td> <td>-</td> <td>3993</td> <td>3\"/> <tr> <td>3998</td> <td>ETR</td> <td>-</td> <td>WD.</td> <td>J2</td> <td>PTD.</td> <td>-</td> <td>3994</td> <td>3\"/> <tr> <td>3999</td> <td>ETR</td> <td>-</td> <td>WD.</td> <td>J2</td> <td>PTD.</td> <td>-</td> <td>3995</td> <td>3\"/> <tr> <td>3999</td> <td>ETR</td> <td>-</td> <td>WD.</td> <td>J2</td> <td>PTD.</td> <td>-</td> <td>3997</td> <td>3\"/> </td></tr></td></tr></td></tr></td></tr></td></tr></td></tr></td></tr></td></tr></td></tr></td></tr></td></tr></td></tr></td></tr></td></tr></td></tr></td></tr></td></tr> | 391 | ETR | - | WD. | J2 | PTD. | - | 388 | 3\"/> <tr> <td>391A</td> <td>ETR</td> <td>-</td> <td>WD.</td> <td>J2</td> <td>PTD.</td> <td>-</td> <td>389</td> <td>3\"/> <tr> <td>391B</td> <td>ETR</td> <td>-</td> <td>WD.</td> <td>J2</td> <td>PTD.</td> <td>-</td> <td>391</td> <td>3\"/> <tr> <td>394</td> <td>ETR</td> <td>-</td> <td>WD.</td> <td>J2</td> <td>PTD.</td> <td>-</td> <td>391A</td> <td>3\"/> <tr> <td>395</td> <td>ETR</td> <td>-</td> <td>WD.</td> <td>J2</td> <td>PTD.</td> <td>-</td> <td>391B</td> <td>3\"/> <tr> <td>396</td> <td>ETR</td> <td>-</td> <td>WD.</td> <td>J2</td> <td>PTD.</td> <td>-</td> <td>394</td> <td>3\"/> <tr> <td>398</td> <td>ETR</td> <td>-</td> <td>WD.</td> <td>J2</td> <td>PTD.</td> <td>-</td> <td>395</td> <td>3\"/> <tr> <td>399</td> <td>ETR</td> <td>-</td> <td>WD.</td> <td>J2</td> <td>PTD.</td> <td>-</td> <td>396</td> <td>3\"/> <tr> <td>3991</td> <td>ETR</td> <td>-</td> <td>WD.</td> <td>J2</td> <td>PTD.</td> <td>-</td> <td>398</td> <td>3\"/> <tr> <td>3992</td> <td>A</td> <td>3\"/> <tr> <td>3993</td> <td>ETR</td> <td>-</td> <td>WD.</td> <td>J2</td> <td>PTD.</td> <td>-</td> <td>399</td> <td>3\"/> <tr> <td>3994</td>
<td>ETR</td> <td>-</td> <td>WD.</td> <td>J2</td> <td>PTD.</td> <td>-</td> <td>3991</td> <td>3\"/> <tr> <td>3995</td> <td>ETR</td> <td>-</td> <td>WD.</td> <td>J2</td> <td>PTD.</td> <td>-</td> <td>3992</td> <td>3\"/> <tr> <td>3997</td> <td>ETR</td> <td>-</td> <td>WD.</td> <td>J2</td> <td>PTD.</td> <td>-</td> <td>3993</td> <td>3\"/> <tr> <td>3998</td> <td>ETR</td> <td>-</td> <td>WD.</td> <td>J2</td> <td>PTD.</td> <td>-</td> <td>3994</td> <td>3\"/> <tr> <td>3999</td> <td>ETR</td> <td>-</td> <td>WD.</td> <td>J2</td> <td>PTD.</td> <td>-</td> <td>3995</td> <td>3\"/> <tr> <td>3999</td> <td>ETR</td> <td>-</td> <td>WD.</td> <td>J2</td> <td>PTD.</td> <td>-</td> <td>3997</td> <td>3\"/> </td></tr></td></tr></td></tr></td></tr></td></tr></td></tr></td></tr></td></tr></td></tr></td></tr></td></tr></td></tr></td></tr></td></tr></td></tr></td></tr> | 391A | ETR | - | WD. | J2 | PTD.
 | - | 389 | 3\"/> <tr> <td>391B</td> <td>ETR</td> <td>-</td> <td>WD.</td> <td>J2</td> <td>PTD.</td> <td>-</td> <td>391</td> <td>3\"/> <tr> <td>394</td> <td>ETR</td> <td>-</td> <td>WD.</td> <td>J2</td> <td>PTD.</td> <td>-</td> <td>391A</td> <td>3\"/> <tr> <td>395</td> <td>ETR</td> <td>-</td> <td>WD.</td> <td>J2</td> <td>PTD.</td> <td>-</td> <td>391B</td> <td>3\"/> <tr> <td>396</td> <td>ETR</td> <td>-</td> <td>WD.</td> <td>J2</td> <td>PTD.</td> <td>-</td> <td>394</td> <td>3\"/> <tr> <td>398</td> <td>ETR</td> <td>-</td> <td>WD.</td> <td>J2</td> <td>PTD.</td> <td>-</td> <td>395</td> <td>3\"/> <tr> <td>399</td> <td>ETR</td> <td>-</td> <td>WD.</td> <td>J2</td> <td>PTD.</td> <td>-</td> <td>396</td> <td>3\"/> <tr> <td>3991</td> <td>ETR</td> <td>-</td> <td>WD.</td> <td>J2</td> <td>PTD.</td> <td>-</td> <td>398</td> <td>3\"/> <tr> <td>3992</td> <td>A</td> <td>3\"/> <tr> <td>3993</td> <td>ETR</td> <td>-</td> <td>WD.</td> <td>J2</td> <td>PTD.</td> <td>-</td> <td>399</td> <td>3\"/> <tr> <td>3994</td> <td>ETR</td> <td>-</td> <td>WD.</td> <td>J2</td> <td>PTD.</td> <td>-</td> <td>3991</td> <td>3\"/> <tr> <td>3995</td> <td>ETR</td> <td>-</td> <td>WD.</td> <td>J2</td> <td>PTD.</td> <td>-</td> <td>3992</td> <td>3\"/> <tr> <td>3997</td> <td>ETR</td> <td>-</td> <td>WD.</td> <td>J2</td> <td>PTD.</td> <td>-</td> <td>3993</td> <td>3\"/> <tr> <td>3998</td> <td>ETR</td> <td>-</td> <td>WD.</td> <td>J2</td> <td>PTD.</td> <td>-</td> <td>3994</td> <td>3\"/> <tr> <td>3999</td> <td>ETR</td> <td>-</td> <td>WD.</td> <td>J2</td> <td>PTD.</td> <td>-</td> <td>3995</td> <td>3\"/> <tr> <td>3999</td> <td>ETR</td> <td>-</td> <td>WD.</td> <td>J2</td> <td>PTD.</td> <td>-</td> <td>3997</td> <td>3\"/> </td></tr></td></tr></td></tr></td></tr></td></tr></td></tr></td></tr></td></tr></td></tr></td></tr></td></tr></td></tr></td></tr></td></tr></td></tr> | 391B | ETR | - | WD. | J2 | PTD.
 | - | 391 | 3\"/> <tr> <td>394</td> <td>ETR</td> <td>-</td> <td>WD.</td> <td>J2</td> <td>PTD.</td> <td>-</td> <td>391A</td> <td>3\"/> <tr> <td>395</td> <td>ETR</td> <td>-</td> <td>WD.</td> <td>J2</td> <td>PTD.</td> <td>-</td> <td>391B</td> <td>3\"/> <tr> <td>396</td> <td>ETR</td> <td>-</td> <td>WD.</td> <td>J2</td> <td>PTD.</td> <td>-</td> <td>394</td> <td>3\"/> <tr> <td>398</td> <td>ETR</td> <td>-</td> <td>WD.</td> <td>J2</td> <td>PTD.</td> <td>-</td> <td>395</td> <td>3\"/> <tr> <td>399</td> <td>ETR</td> <td>-</td> <td>WD.</td> <td>J2</td> <td>PTD.</td> <td>-</td> <td>396</td> <td>3\"/> <tr> <td>3991</td> <td>ETR</td> <td>-</td> <td>WD.</td> <td>J2</td> <td>PTD.</td> <td>-</td> <td>398</td> <td>3\"/> <tr> <td>3992</td> <td>A</td> <td>3\"/> <tr> <td>3993</td> <td>ETR</td> <td>-</td> <td>WD.</td> <td>J2</td> <td>PTD.</td> <td>-</td> <td>399</td> <td>3\"/> <tr> <td>3994</td> <td>ETR</td> <td>-</td> <td>WD.</td> <td>J2</td> <td>PTD.</td> <td>-</td> <td>3991</td> <td>3\"/> <tr> <td>3995</td> <td>ETR</td> <td>-</td> <td>WD.</td> <td>J2</td> <td>PTD.</td> <td>-</td> <td>3992</td> <td>3\"/> <tr> <td>3997</td> <td>ETR</td> <td>-</td> <td>WD.</td> <td>J2</td> <td>PTD.</td> <td>-</td> <td>3993</td> <td>3\"/> <tr> <td>3998</td> <td>ETR</td> <td>-</td> <td>WD.</td> <td>J2</td> <td>PTD.</td> <td>-</td> <td>3994</td> <td>3\"/> <tr> <td>3999</td> <td>ETR</td> <td>-</td> <td>WD.</td> <td>J2</td> <td>PTD.</td> <td>-</td> <td>3995</td> <td>3\"/> <tr> <td>3999</td> <td>ETR</td> <td>-</td> <td>WD.</td> <td>J2</td> <td>PTD.</td> <td>-</td> <td>3997</td> <td>3\"/> </td></tr></td></tr></td></tr></td></tr></td></tr></td></tr></td></tr></td></tr></td></tr></td></tr></td></tr></td></tr></td></tr></td></tr> | 394 | ETR | -
 | WD. | J2 | PTD. | - | 391A | 3\"/> <tr> <td>395</td> <td>ETR</td> <td>-</td> <td>WD.</td> <td>J2</td> <td>PTD.</td> <td>-</td> <td>391B</td> <td>3\"/> <tr> <td>396</td> <td>ETR</td> <td>-</td> <td>WD.</td> <td>J2</td> <td>PTD.</td> <td>-</td> <td>394</td> <td>3\"/> <tr> <td>398</td> <td>ETR</td> <td>-</td> <td>WD.</td> <td>J2</td> <td>PTD.</td> <td>-</td> <td>395</td> <td>3\"/> <tr> <td>399</td> <td>ETR</td> <td>-</td> <td>WD.</td> <td>J2</td> <td>PTD.</td> <td>-</td> <td>396</td> <td>3\"/> <tr> <td>3991</td> <td>ETR</td> <td>-</td> <td>WD.</td> <td>J2</td> <td>PTD.</td> <td>-</td> <td>398</td> <td>3\"/> <tr> <td>3992</td> <td>A</td> <td>3\"/> <tr> <td>3993</td> <td>ETR</td> <td>-</td> <td>WD.</td> <td>J2</td> <td>PTD.</td> <td>-</td> <td>399</td> <td>3\"/> <tr> <td>3994</td> <td>ETR</td> <td>-</td> <td>WD.</td> <td>J2</td> <td>PTD.</td> <td>-</td> <td>3991</td> <td>3\"/> <tr> <td>3995</td> <td>ETR</td> <td>-</td> <td>WD.</td> <td>J2</td> <td>PTD.</td> <td>-</td> <td>3992</td> <td>3\"/> <tr> <td>3997</td> <td>ETR</td> <td>-</td> <td>WD.</td> <td>J2</td> <td>PTD.</td> <td>-</td> <td>3993</td> <td>3\"/> <tr> <td>3998</td> <td>ETR</td> <td>-</td> <td>WD.</td> <td>J2</td> <td>PTD.</td> <td>-</td> <td>3994</td> <td>3\"/> <tr> <td>3999</td> <td>ETR</td> <td>-</td> <td>WD.</td> <td>J2</td> <td>PTD.</td> <td>-</td> <td>3995</td> <td>3\"/> <tr> <td>3999</td> <td>ETR</td> <td>-</td> <td>WD.</td> <td>J2</td> <td>PTD.</td> <td>-</td> <td>3997</td> <td>3\"/> </td></tr></td></tr></td></tr></td></tr></td></tr></td></tr></td></tr></td></tr></td></tr></td></tr></td></tr></td></tr></td></tr> | 395 | ETR | -
 | WD. | J2 | PTD. | - | 391B | 3\"/> <tr> <td>396</td> <td>ETR</td> <td>-</td> <td>WD.</td> <td>J2</td> <td>PTD.</td> <td>-</td> <td>394</td> <td>3\"/> <tr> <td>398</td> <td>ETR</td> <td>-</td> <td>WD.</td> <td>J2</td> <td>PTD.</td> <td>-</td> <td>395</td> <td>3\"/> <tr> <td>399</td> <td>ETR</td> <td>-</td> <td>WD.</td> <td>J2</td> <td>PTD.</td> <td>-</td> <td>396</td> <td>3\"/> <tr> <td>3991</td> <td>ETR</td> <td>-</td> <td>WD.</td> <td>J2</td> <td>PTD.</td> <td>-</td> <td>398</td> <td>3\"/> <tr> <td>3992</td> <td>A</td> <td>3\"/> <tr> <td>3993</td> <td>ETR</td> <td>-</td> <td>WD.</td> <td>J2</td> <td>PTD.</td> <td>-</td> <td>399</td> <td>3\"/> <tr> <td>3994</td> <td>ETR</td> <td>-</td> <td>WD.</td> <td>J2</td> <td>PTD.</td> <td>-</td> <td>3991</td> <td>3\"/> <tr> <td>3995</td> <td>ETR</td> <td>-</td> <td>WD.</td> <td>J2</td> <td>PTD.</td> <td>-</td> <td>3992</td> <td>3\"/> <tr> <td>3997</td> <td>ETR</td> <td>-</td> <td>WD.</td> <td>J2</td> <td>PTD.</td> <td>-</td> <td>3993</td> <td>3\"/> <tr> <td>3998</td> <td>ETR</td> <td>-</td> <td>WD.</td> <td>J2</td> <td>PTD.</td> <td>-</td> <td>3994</td> <td>3\"/> <tr> <td>3999</td> <td>ETR</td> <td>-</td> <td>WD.</td> <td>J2</td> <td>PTD.</td> <td>-</td> <td>3995</td> <td>3\"/> <tr> <td>3999</td> <td>ETR</td> <td>-</td> <td>WD.</td> <td>J2</td> <td>PTD.</td> <td>-</td> <td>3997</td> <td>3\"/> </td></tr></td></tr></td></tr></td></tr></td></tr></td></tr></td></tr></td></tr></td></tr></td></tr></td></tr></td></tr> | 396 | ETR | -
 | WD. | J2 | PTD. | - | 394 | 3\"/> <tr> <td>398</td> <td>ETR</td> <td>-</td> <td>WD.</td> <td>J2</td> <td>PTD.</td> <td>-</td> <td>395</td> <td>3\"/> <tr> <td>399</td> <td>ETR</td> <td>-</td> <td>WD.</td> <td>J2</td> <td>PTD.</td> <td>-</td> <td>396</td> <td>3\"/> <tr> <td>3991</td> <td>ETR</td> <td>-</td> <td>WD.</td> <td>J2</td> <td>PTD.</td> <td>-</td> <td>398</td> <td>3\"/> <tr> <td>3992</td> <td>A</td> <td>3\"/> <tr> <td>3993</td> <td>ETR</td> <td>-</td> <td>WD.</td> <td>J2</td> <td>PTD.</td> <td>-</td> <td>399</td> <td>3\"/> <tr> <td>3994</td> <td>ETR</td> <td>-</td> <td>WD.</td> <td>J2</td> <td>PTD.</td> <td>-</td> <td>3991</td> <td>3\"/> <tr> <td>3995</td> <td>ETR</td> <td>-</td> <td>WD.</td> <td>J2</td> <td>PTD.</td> <td>-</td> <td>3992</td> <td>3\"/> <tr> <td>3997</td> <td>ETR</td> <td>-</td> <td>WD.</td> <td>J2</td> <td>PTD.</td> <td>-</td> <td>3993</td> <td>3\"/> <tr> <td>3998</td> <td>ETR</td> <td>-</td> <td>WD.</td> <td>J2</td> <td>PTD.</td> <td>-</td> <td>3994</td> <td>3\"/> <tr> <td>3999</td> <td>ETR</td> <td>-</td> <td>WD.</td> <td>J2</td> <td>PTD.</td> <td>-</td> <td>3995</td> <td>3\"/> <tr> <td>3999</td> <td>ETR</td> <td>-</td> <td>WD.</td> <td>J2</td> <td>PTD.</td> <td>-</td> <td>3997</td> <td>3\"/> </td></tr></td></tr></td></tr></td></tr></td></tr></td></tr></td></tr></td></tr></td></tr></td></tr></td></tr> | 398 | ETR | -
 | WD. | J2 | PTD. | - | 395 | 3\"/> <tr> <td>399</td> <td>ETR</td> <td>-</td> <td>WD.</td> <td>J2</td> <td>PTD.</td> <td>-</td> <td>396</td> <td>3\"/> <tr> <td>3991</td> <td>ETR</td> <td>-</td> <td>WD.</td> <td>J2</td> <td>PTD.</td> <td>-</td> <td>398</td> <td>3\"/> <tr> <td>3992</td> <td>A</td> <td>3\"/> <tr> <td>3993</td> <td>ETR</td> <td>-</td> <td>WD.</td> <td>J2</td> <td>PTD.</td> <td>-</td> <td>399</td> <td>3\"/> <tr> <td>3994</td> <td>ETR</td> <td>-</td> <td>WD.</td> <td>J2</td> <td>PTD.</td> <td>-</td> <td>3991</td> <td>3\"/> <tr> <td>3995</td> <td>ETR</td> <td>-</td> <td>WD.</td> <td>J2</td> <td>PTD.</td> <td>-</td> <td>3992</td> <td>3\"/> <tr> <td>3997</td> <td>ETR</td> <td>-</td> <td>WD.</td> <td>J2</td> <td>PTD.</td> <td>-</td> <td>3993</td> <td>3\"/> <tr> <td>3998</td> <td>ETR</td> <td>-</td> <td>WD.</td> <td>J2</td> <td>PTD.</td> <td>-</td> <td>3994</td> <td>3\"/> <tr> <td>3999</td> <td>ETR</td> <td>-</td> <td>WD.</td> <td>J2</td> <td>PTD.</td> <td>-</td> <td>3995</td> <td>3\"/> <tr> <td>3999</td> <td>ETR</td> <td>-</td> <td>WD.</td> <td>J2</td> <td>PTD.</td> <td>-</td> <td>3997</td> <td>3\"/> </td></tr></td></tr></td></tr></td></tr></td></tr></td></tr></td></tr></td></tr></td></tr></td></tr> | 399 | ETR | -
 | WD. | J2 | PTD. | - | 396 | 3\"/> <tr> <td>3991</td> <td>ETR</td> <td>-</td> <td>WD.</td> <td>J2</td> <td>PTD.</td> <td>-</td> <td>398</td> <td>3\"/> <tr> <td>3992</td> <td>A</td> <td>3\"/> <tr> <td>3993</td> <td>ETR</td> <td>-</td> <td>WD.</td> <td>J2</td> <td>PTD.</td> <td>-</td> <td>399</td> <td>3\"/> <tr> <td>3994</td> <td>ETR</td> <td>-</td> <td>WD.</td> <td>J2</td> <td>PTD.</td> <td>-</td> <td>3991</td> <td>3\"/> <tr> <td>3995</td> <td>ETR</td> <td>-</td> <td>WD.</td> <td>J2</td> <td>PTD.</td> <td>-</td> <td>3992</td> <td>3\"/> <tr> <td>3997</td> <td>ETR</td> <td>-</td> <td>WD.</td> <td>J2</td> <td>PTD.</td> <td>-</td> <td>3993</td> <td>3\"/> <tr> <td>3998</td> <td>ETR</td> <td>-</td> <td>WD.</td> <td>J2</td> <td>PTD.</td> <td>-</td> <td>3994</td> <td>3\"/> <tr> <td>3999</td> <td>ETR</td> <td>-</td> <td>WD.</td> <td>J2</td> <td>PTD.</td> <td>-</td> <td>3995</td> <td>3\"/> <tr> <td>3999</td> <td>ETR</td> <td>-</td> <td>WD.</td> <td>J2</td> <td>PTD.</td> <td>-</td> <td>3997</td> <td>3\"/> </td></tr></td></tr></td></tr></td></tr></td></tr></td></tr></td></tr></td></tr></td></tr> | 3991 | ETR | -
 | WD. | J2 | PTD. | - | 398 | 3\"/> <tr> <td>3992</td> <td>A</td> <td>3\"/> <tr> <td>3993</td> <td>ETR</td> <td>-</td> <td>WD.</td> <td>J2</td> <td>PTD.</td> <td>-</td> <td>399</td> <td>3\"/> <tr> <td>3994</td> <td>ETR</td> <td>-</td> <td>WD.</td> <td>J2</td> <td>PTD.</td> <td>-</td> <td>3991</td> <td>3\"/> <tr> <td>3995</td> <td>ETR</td> <td>-</td> <td>WD.</td> <td>J2</td> <td>PTD.</td> <td>-</td> <td>3992</td> <td>3\"/> <tr> <td>3997</td> <td>ETR</td> <td>-</td> <td>WD.</td> <td>J2</td> <td>PTD.</td> <td>-</td> <td>3993</td> <td>3\"/> <tr> <td>3998</td> <td>ETR</td> <td>-</td> <td>WD.</td> <td>J2</td> <td>PTD.</td> <td>-</td> <td>3994</td> <td>3\"/> <tr> <td>3999</td> <td>ETR</td> <td>-</td> <td>WD.</td> <td>J2</td> <td>PTD.</td> <td>-</td> <td>3995</td> <td>3\"/> <tr> <td>3999</td> <td>ETR</td> <td>-</td> <td>WD.</td> <td>J2</td> <td>PTD.</td> <td>-</td> <td>3997</td> <td>3\"/> </td></tr></td></tr></td></tr></td></tr></td></tr></td></tr></td></tr></td></tr> | 3992 | A | 3\"/> <tr> <td>3993</td> <td>ETR</td> <td>-</td> <td>WD.</td> <td>J2</td> <td>PTD.</td> <td>-</td> <td>399</td> <td>3\"/> <tr> <td>3994</td> <td>ETR</td> <td>-</td> <td>WD.</td> <td>J2</td> <td>PTD.</td> <td>-</td> <td>3991</td> <td>3\"/> <tr> <td>3995</td> <td>ETR</td> <td>-</td> <td>WD.</td> <td>J2</td> <td>PTD.</td> <td>-</td> <td>3992</td> <td>3\"/> <tr> <td>3997</td> <td>ETR</td> <td>-</td> <td>WD.</td> <td>J2</td> <td>PTD.</td> <td>-</td> <td>3993</td> <td>3\"/> <tr> <td>3998</td> <td>ETR</td> <td>-</td> <td>WD.</td> <td>J2</td> <td>PTD.</td> <td>-</td> <td>3994</td> <td>3\"/> <tr> <td>3999</td> <td>ETR</td> <td>-</td> <td>WD.</td> <td>J2</td> <td>PTD.</td> <td>-</td> <td>3995</td> <td>3\"/> <tr> <td>3999</td> <td>ETR</td> <td>-</td> <td>WD.</td> <td>J2</td> <td>PTD.</td> <td>-</td> <td>3997</td> <td>3\"/> </td></tr></td></tr></td></tr></td></tr></td></tr></td></tr></td></tr>
 | 3993 | ETR | - | WD. | J2 | PTD. | - | 399 | 3\"/> <tr> <td>3994</td> <td>ETR</td> <td>-</td> <td>WD.</td> <td>J2</td> <td>PTD.</td> <td>-</td> <td>3991</td> <td>3\"/> <tr> <td>3995</td> <td>ETR</td> <td>-</td> <td>WD.</td> <td>J2</td> <td>PTD.</td> <td>-</td> <td>3992</td> <td>3\"/> <tr> <td>3997</td> <td>ETR</td> <td>-</td> <td>WD.</td> <td>J2</td> <td>PTD.</td> <td>-</td> <td>3993</td> <td>3\"/> <tr> <td>3998</td> <td>ETR</td> <td>-</td> <td>WD.</td> <td>J2</td> <td>PTD.</td> <td>-</td> <td>3994</td> <td>3\"/> <tr> <td>3999</td> <td>ETR</td> <td>-</td> <td>WD.</td> <td>J2</td> <td>PTD.</td> <td>-</td> <td>3995</td> <td>3\"/> <tr> <td>3999</td> <td>ETR</td> <td>-</td> <td>WD.</td> <td>J2</td> <td>PTD.</td> <td>-</td> <td>3997</td> <td>3\"/> </td></tr></td></tr></td></tr></td></tr></td></tr></td></tr> | 3994 | ETR | -
 | WD. | J2 | PTD. | - | 3991 | 3\"/> <tr> <td>3995</td> <td>ETR</td> <td>-</td> <td>WD.</td> <td>J2</td> <td>PTD.</td> <td>-</td> <td>3992</td> <td>3\"/> <tr> <td>3997</td> <td>ETR</td> <td>-</td> <td>WD.</td> <td>J2</td> <td>PTD.</td> <td>-</td> <td>3993</td> <td>3\"/> <tr> <td>3998</td> <td>ETR</td> <td>-</td> <td>WD.</td> <td>J2</td> <td>PTD.</td> <td>-</td> <td>3994</td> <td>3\"/> <tr> <td>3999</td> <td>ETR</td> <td>-</td> <td>WD.</td> <td>J2</td> <td>PTD.</td> <td>-</td> <td>3995</td> <td>3\"/> <tr> <td>3999</td> <td>ETR</td> <td>-</td> <td>WD.</td> <td>J2</td> <td>PTD.</td> <td>-</td> <td>3997</td> <td>3\"/> </td></tr></td></tr></td></tr></td></tr></td></tr> | 3995 | ETR | - | WD. | J2 | PTD. | - | 3992 | 3\"/> <tr> <td>3997</td> <td>ETR</td> <td>-</td> <td>WD.</td> <td>J2</td> <td>PTD.</td> <td>-</td> <td>3993</td> <td>3\"/> <tr> <td>3998</td> <td>ETR</td> <td>-</td> <td>WD.</td> <td>J2</td> <td>PTD.</td> <td>-</td> <td>3994</td> <td>3\"/> <tr> <td>3999</td> <td>ETR</td> <td>-</td> <td>WD.</td> <td>J2</td> <td>PTD.</td> <td>-</td> <td>3995</td> <td>3\"/> <tr> <td>3999</td> <td>ETR</td> <td>-</td> <td>WD.</td> <td>J2</td> <td>PTD.</td> <td>-</td> <td>3997</td> <td>3\"/> </td></tr></td></tr></td></tr></td></tr>
 | 3997 | ETR | - | WD. | J2 | PTD. | - | 3993 | 3\"/> <tr> <td>3998</td> <td>ETR</td> <td>-</td> <td>WD.</td> <td>J2</td> <td>PTD.</td> <td>-</td> <td>3994</td> <td>3\"/> <tr> <td>3999</td> <td>ETR</td> <td>-</td> <td>WD.</td> <td>J2</td> <td>PTD.</td> <td>-</td> <td>3995</td> <td>3\"/> <tr> <td>3999</td> <td>ETR</td> <td>-</td> <td>WD.</td> <td>J2</td> <td>PTD.</td> <td>-</td> <td>3997</td> <td>3\"/> </td></tr></td></tr></td></tr> | 3998 | ETR | - | WD. | J2 | PTD. | - | 3994 | 3\"/> <tr> <td>3999</td> <td>ETR</td> <td>-</td> <td>WD.</td> <td>J2</td> <td>PTD.</td> <td>-</td> <td>3995</td> <td>3\"/> <tr> <td>3999</td> <td>ETR</td> <td>-</td> <td>WD.</td> <td>J2</td> <td>PTD.</td> <td>-</td> <td>3997</td> <td>3\"/> </td></tr></td></tr>
 | 3999 | ETR | - | WD. | J2 | PTD. | - | 3995 | 3\"/> <tr> <td>3999</td> <td>ETR</td> <td>-</td> <td>WD.</td> <td>J2</td> <td>PTD.</td> <td>-</td> <td>3997</td> <td>3\"/> </td></tr> | 3999 | ETR | - | WD. | J2 | PTD. | - | 3997 | 3\"/>
 | | | | | | | | | | | | | | | | | | | | | | | | | | | | | | | | | | | | | | | | | | | | | | | | | | | | | | |
 | | | | | | | | | | | | | | | | | | | | | | | | | | | | | |
 | | | | | | | | | | | | | | | | | | | | | | | | | | | | | | | | | | | | | | |
 | | | | | | | | | | | | | | | | | | | | | | | | | | | | | | | | | | | | | | | | | | | | | | | | | | | | | | |
| 371 | ETR | - | WD. | J2 | PTD. | - | 369 | 3\"/> <tr> <td>372</td> <td>B</td> <td>2 <td>HM</td> <td>J1</td> <td>PTD.</td> <td>1 HR.</td> <td>370</td> <td>3\"/> <tr> <td>373A</td> <td>ETR</td> <td>-</td> <td>WD.</td> <td>J2</td> <td>PTD.</td> <td>-</td> <td>371</td> <td>3\"/> <tr> <td>374B</td> <td>ETR</td> <td>-</td> <td>WD.</td> <td>J2</td> <td>PTD.</td> <td>-</td> <td>372</td> <td>3\"/> <tr> <td>374C</td> <td>ETR</td> <td>-</td> <td>WD.</td> <td>J2</td> <td>PTD.</td> <td>-</td> <td>373A</td> <td>3\"/> <tr> <td>375</td> <td>B</td> <td>1 <td>WD</td> <td>J1</td> <td>PTD.</td> <td>-</td> <td>374B</td> <td>3\"/> <tr> <td>376</td> <td>B</td> <td>1 <td>WD</td> <td>J1</td> <td>PTD.</td> <td>-</td> <td>374C</td> <td>3\"/> <tr> <td>377</td> <td>B</td> <td>1 <td>WD</td> <td>J1</td> <td>PTD.</td> <td>-</td> <td>375</td> <td>3\"/> <tr> <td>377A</td> <td>B</td> <td>1 <td>WD</td> <td>J1</td> <td>PTD.</td> <td>-</td> <td>376</td> <td>3\"/> <tr> <td>378</td> <td>B</td> <td>1 <td>WD</td> <td>J1</td> <td>PTD.</td> <td>-</td> <td>377</td> <td>3\"/> <tr> <td>379</td> <td>B</td> <td>1 <td>WD</td> <td>J1</td> <td>PTD.</td> <td>-</td> <td>377A</td> <td>3\"/> <tr> <td>380A</td> <td>B</td> <td>1 <td>WD</td> <td>J1</td> <td>PTD.</td> <td>-</td> <td>378</td> <td>3\"/> <tr> <td>380B</td> <td>B</td> <td>1 <td>WD</td> <td>J1</td> <td>PTD.</td> <td>-</td> <td>379</td> <td>3\"/> <tr> <td>382</td> <td>ETR</td> <td>-</td> <td>WD.</td> <td>J2</td> <td>PTD.</td> <td>-</td> <td>380A</td> <td>3\"/> <tr> <td>382A</td> <td>D</td> <td>6 <td>ALUM.</td> <td>ANODIZE D</td> <td>-</td> <td>-</td> <td>380B</td> <td>3\"/> <tr> <td>385</td> <td>ETR</td> <td>-</td> <td>WD.</td> <td>J2</td> <td>PTD.</td> <td>-</td> <td>382</td> <td>3\"/> <tr> <td>386</td> <td>ETR</td> <td>-</td> <td>WD.</td> <td>J2</td> <td>PTD.</td> <td>-</td> <td>382A</td> <td>3\"/> <tr> <td>387</td> <td>ETR</td> <td>-</td> <td>WD.</td> <td>J2</td> <td>PTD.</td> <td>-</td> <td>385</td> <td>3\"/> <tr> <td>388</td> <td>ETR</td> <td>-</td> <td>WD.</td> <td>J2</td> <td>PTD.</td> <td>-</td> <td>386</td> <td>3\"/> <tr> <td>389</td> <td>ETR</td> <td>-</td> <td>WD.</td> <td>J2</td> <td>PTD.</td> <td>-</td> <td>387</td> <td>3\"/> <tr> <td>391</td> <td>ETR</td> <td>-</td> <td>WD.</td> <td>J2</td> <td>PTD.</td> <td>-</td> <td>388</td> <td>3\"/> <tr> <td>391A</td> <td>ETR</td> <td>-</td> <td>WD.</td> <td>J2</td> <td>PTD.</td> <td>-</td> <td>389</td> <td>3\"/> <tr> <td>391B</td> <td>ETR</td> <td>-</td> <td>WD.</td> <td>J2</td> <td>PTD.</td> <td>-</td> <td>391</td> <td>3\"/> <tr> <td>394</td> <td>ETR</td> <td>-</td> <td>WD.</td> <td>J2</td> <td>PTD.</td> <td>-</td> <td>391A</td> <td>3\"/> <tr> <td>395</td> <td>ETR</td> <td>-</td> <td>WD.</td> <td>J2</td> <td>PTD.</td> <td>-</td> <td>391B</td> <td>3\"/> <tr> <td>396</td> <td>ETR</td> <td>-</td> <td>WD.</td> <td>J2</td> <td>PTD.</td> <td>-</td> <td>394</td> <td>3\"/> <tr> <td>398</td> <td>ETR</td> <td>-</td> <td>WD.</td> <td>J2</td>
<td>PTD.</td> <td>-</td> <td>395</td> <td>3\"/> <tr> <td>399</td> <td>ETR</td> <td>-</td> <td>WD.</td> <td>J2</td> <td>PTD.</td> <td>-</td> <td>396</td> <td>3\"/> <tr> <td>3991</td> <td>ETR</td> <td>-</td> <td>WD.</td> <td>J2</td> <td>PTD.</td> <td>-</td> <td>398</td> <td>3\"/> <tr> <td>3992</td> <td>A</td> <td>3\"/> <tr> <td>3993</td> <td>ETR</td> <td>-</td> <td>WD.</td> <td>J2</td> <td>PTD.</td> <td>-</td> <td>399</td> <td>3\"/> <tr> <td>3994</td> <td>ETR</td> <td>-</td> <td>WD.</td> <td>J2</td> <td>PTD.</td> <td>-</td> <td>3991</td> <td>3\"/> <tr> <td>3995</td> <td>ETR</td> <td>-</td> <td>WD.</td> <td>J2</td> <td>PTD.</td> <td>-</td> <td>3992</td> <td>3\"/> <tr> <td>3997</td> <td>ETR</td> <td>-</td> <td>WD.</td> <td>J2</td> <td>PTD.</td> <td>-</td> <td>3993</td> <td>3\"/> <tr> <td>3998</td> <td>ETR</td> <td>-</td> <td>WD.</td> <td>J2</td> <td>PTD.</td> <td>-</td> <td>3994</td> <td>3\"/> <tr> <td>3999</td> <td>ETR</td> <td>-</td> <td>WD.</td> <td>J2</td> <td>PTD.</td> <td>-</td> <td>3995</td> <td>3\"/> <tr> <td>3999</td> <td>ETR</td> <td>-</td> <td>WD.</td> <td>J2</td> <td>PTD.</td> <td>-</td> <td>3997</td> <td>3\"/> </td></tr></td></tr></td></tr></td></tr></td></tr></td></tr></td></tr></td></tr></td></tr></td></tr></td></tr></td></tr></td></tr></td></tr></td></tr></td></tr></td></tr></td></tr></td></tr></td></tr></td></tr></td></tr></td></td></tr></td></tr></td></td></tr></td></td></tr></td></td></tr></td></td></tr></td></td></tr></td></td></tr></td></td></tr></td></td></tr></td></tr></td></tr></td></tr></td></td></tr> | 372 | B | 2 <td>HM</td> <td>J1</td> <td>PTD.</td> <td>1 HR.</td> <td>370</td> <td>3\"/> <tr> <td>373A</td> <td>ETR</td> <td>-</td> <td>WD.</td> <td>J2</td> <td>PTD.</td> <td>-</td> <td>371</td> <td>3\"/> <tr> <td>374B</td> <td>ETR</td> <td>-</td> <td>WD.</td> <td>J2</td> <td>PTD.</td> <td>-</td> <td>372</td> <td>3\"/> <tr> <td>374C</td> <td>ETR</td> <td>-</td> <td>WD.</td> <td>J2</td> <td>PTD.</td> <td>-</td> <td>373A</td> <td>3\"/> <tr> <td>375</td> <td>B</td> <td>1 <td>WD</td> <td>J1</td> <td>PTD.</td> <td>-</td> <td>374B</td> <td>3\"/> <tr> <td>376</td> <td>B</td> <td>1 <td>WD</td> <td>J1</td> <td>PTD.</td> <td>-</td> <td>374C</td> <td>3\"/> <tr> <td>377</td> <td>B</td> <td>1 <td>WD</td> <td>J1</td> <td>PTD.</td> <td>-</td> <td>375</td> <td>3\"/> <tr> <td>377A</td> <td>B</td> <td>1 <td>WD</td> <td>J1</td> <td>PTD.</td> <td>-</td> <td>376</td> <td>3\"/> <tr> <td>378</td> <td>B</td> <td>1 <td>WD</td> <td>J1</td> <td>PTD.</td> <td>-</td> <td>377</td> <td>3\"/> <tr> <td>379</td> <td>B</td> <td>1 <td>WD</td> <td>J1</td> <td>PTD.</td> <td>-</td> <td>377A</td> <td>3\"/> <tr> <td>380A</td> <td>B</td> <td>1 <td>WD</td> <td>J1</td> <td>PTD.</td> <td>-</td> <td>378</td> <td>3\"/> <tr> <td>380B</td> <td>B</td> <td>1 <td>WD</td> <td>J1</td> <td>PTD.</td> <td>-</td> <td>379</td> <td>3\"/> <tr> <td>382</td> <td>ETR</td> <td>-</td> <td>WD.</td> <td>J2</td> <td>PTD.</td> <td>-</td> <td>380A</td> <td>3\"/> <tr> <td>382A</td> <td>D</td> <td>6 <td>ALUM.</td> <td>ANODIZE D</td> <td>-</td> <td>-</td> <td>380B</td> <td>3\"/> <tr> <td>385</td> <td>ETR</td> <td>-</td> <td>WD.</td> <td>J2</td> <td>PTD.</td> <td>-</td> <td>382</td> <td>3\"/> <tr> <td>386</td> <td>ETR</td> <td>-</td> <td>WD.</td> <td>J2</td> <td>PTD.</td> <td>-</td> <td>382A</td> <td>3\"/> <tr> <td>387</td> <td>ETR</td> <td>-</td> <td>WD.</td> <td>J2</td> <td>PTD.</td> <td>-</td> <td>385</td> <td>3\"/> <tr> <td>388</td> <td>ETR</td> <td>-</td> <td>WD.</td> <td>J2</td> <td>PTD.</td> <td>-</td> <td>386</td> <td>3\"/> <tr> <td>389</td> <td>ETR</td> <td>-</td> <td>WD.</td> <td>J2</td> <td>PTD.</td> <td>-</td> <td>387</td> <td>3\"/> <tr> <td>391</td> <td>ETR</td> <td>-</td> <td>WD.</td> <td>J2</td> <td>PTD.</td> <td>-</td> <td>388</td> <td>3\"/> <tr> <td>391A</td> <td>ETR</td> <td>-</td> <td>WD.</td> <td>J2</td> <td>PTD.</td> <td>-</td> <td>389</td> <td>3\"/> <tr> <td>391B</td> <td>ETR</td> <td>-</td> <td>WD.</td> <td>J2</td> <td>PTD.</td> <td>-</td> <td>391</td> <td>3\"/> <tr> <td>394</td> <td>ETR</td> <td>-</td> <td>WD.</td> <td>J2</td> <td>PTD.</td> <td>-</td> <td>391A</td> <td>3\"/> <tr> <td>395</td> <td>ETR</td> <td>-</td> <td>WD.</td> <td>J2</td> <td>PTD.</td> <td>-</td> <td>391B</td> <td>3\"/> <tr> <td>396</td> <td>ETR</td> <td>-</td> <td>WD.</td> <td>J2</td> <td>PTD.</td> <td>-</td> <td>394</td> <td>3\"/> <tr> <td>398</td> <td>ETR</td> <td>-</td> <td>WD.</td> <td>J2</td> <td>PTD.</td> <td>-</td> <td>395</td> <td>3\"/> <tr> <td>399</td> <td>ETR</td> <td>-</td> <td>WD.</td> <td>J2</td> <td>PTD.</td> <td>-</td> <td>396</td> <td>3\"/> <tr> <td>3991</td> <td>ETR</td> <td>-</td> <td>WD.</td> <td>J2</td> <td>PTD.</td> <td>-</td> <td>398</td> <td>3\"/> <tr> <td>3992</td> <td>A</td> <td>3\"/> <tr> <td>3993</td> <td>ETR</td> <td>-</td> <td>WD.</td> <td>J2</td> <td>PTD.</td> <td>-</td> <td>399</td> <td>3\"/> <tr> <td>3994</td> <td>ETR</td> <td>-</td> <td>WD.</td> <td>J2</td> <td>PTD.</td> <td>-</td> <td>3991</td> <td>3\"/> <tr> <td>3995</td> <td>ETR</td> <td>-</td> <td>WD.</td> <td>J2</td> <td>PTD.</td> <td>-</td> <td>3992</td> <td>3\"/> <tr> <td>3997</td> <td>ETR</td> <td>-</td> <td>WD.</td> <td>J2</td> <td>PTD.</td> <td>-</td> <td>3993</td> <td>3\"/> <tr> <td>3998</td> <td>ETR</td> <td>-</td> <td>WD.</td> <td>J2</td> <td>PTD.</td> <td>-</td> <td>3994</td> <td>3\"/> <tr> <td>3999</td> <td>ETR</td> <td>-</td> <td>WD.</td> <td>J2</td> <td>PTD.</td> <td>-</td> <td>3995</td> <td>3\"/> <tr> <td>3999</td> <td>ETR</td> <td>-</td> <td>WD.</td> <td>J2</td> <td>PTD.</td> <td>-</td> <td>3997</td> <td>3\"/> </td></tr></td></tr></td></tr></td></tr></td></tr></td></tr></td></tr></td></tr></td></tr></td></tr></td></tr></td></tr></td></tr></td></tr></td></tr></td></tr></td></tr></td></tr></td></tr></td></tr></td></tr></td></tr></td></td></tr></td></tr></td></td></tr></td></td></tr></td></td></tr></td></td></tr></td></td></tr></td></td></tr></td></td></tr></td></td></tr></td></tr></td></tr></td></tr></td>
 | HM | J1 | PTD. | 1 HR. | 370 | 3\"/> <tr> <td>373A</td> <td>ETR</td> <td>-</td> <td>WD.</td> <td>J2</td> <td>PTD.</td> <td>-</td> <td>371</td> <td>3\"/> <tr> <td>374B</td> <td>ETR</td> <td>-</td> <td>WD.</td> <td>J2</td> <td>PTD.</td> <td>-</td> <td>372</td> <td>3\"/> <tr> <td>374C</td> <td>ETR</td> <td>-</td> <td>WD.</td> <td>J2</td> <td>PTD.</td> <td>-</td> <td>373A</td> <td>3\"/> <tr> <td>375</td> <td>B</td> <td>1 <td>WD</td> <td>J1</td> <td>PTD.</td> <td>-</td> <td>374B</td> <td>3\"/> <tr> <td>376</td> <td>B</td> <td>1 <td>WD</td> <td>J1</td> <td>PTD.</td> <td>-</td> <td>374C</td> <td>3\"/> <tr> <td>377</td> <td>B</td> <td>1 <td>WD</td> <td>J1</td> <td>PTD.</td> <td>-</td> <td>375</td> <td>3\"/> <tr> <td>377A</td> <td>B</td> <td>1 <td>WD</td> <td>J1</td> <td>PTD.</td> <td>-</td> <td>376</td> <td>3\"/> <tr> <td>378</td> <td>B</td> <td>1 <td>WD</td> <td>J1</td> <td>PTD.</td> <td>-</td> <td>377</td> <td>3\"/> <tr> <td>379</td> <td>B</td> <td>1 <td>WD</td> <td>J1</td> <td>PTD.</td> <td>-</td> <td>377A</td> <td>3\"/> <tr> <td>380A</td> <td>B</td> <td>1 <td>WD</td> <td>J1</td> <td>PTD.</td> <td>-</td> <td>378</td> <td>3\"/> <tr> <td>380B</td> <td>B</td> <td>1 <td>WD</td> <td>J1</td> <td>PTD.</td> <td>-</td> <td>379</td> <td>3\"/> <tr> <td>382</td> <td>ETR</td> <td>-</td> <td>WD.</td> <td>J2</td> <td>PTD.</td> <td>-</td> <td>380A</td> <td>3\"/> <tr> <td>382A</td> <td>D</td> <td>6 <td>ALUM.</td> <td>ANODIZE D</td> <td>-</td> <td>-</td> <td>380B</td> <td>3\"/> <tr> <td>385</td> <td>ETR</td> <td>-</td> <td>WD.</td> <td>J2</td> <td>PTD.</td> <td>-</td> <td>382</td> <td>3\"/> <tr> <td>386</td> <td>ETR</td> <td>-</td> <td>WD.</td> <td>J2</td> <td>PTD.</td> <td>-</td> <td>382A</td> <td>3\"/> <tr> <td>387</td> <td>ETR</td> <td>-</td> <td>WD.</td> <td>J2</td> <td>PTD.</td> <td>-</td> <td>385</td> <td>3\"/> <tr> <td>388</td> <td>ETR</td> <td>-</td> <td>WD.</td> <td>J2</td> <td>PTD.</td> <td>-</td> <td>386</td> <td>3\"/> <tr> <td>389</td> <td>ETR</td> <td>-</td> <td>WD.</td> <td>J2</td> <td>PTD.</td> <td>-</td> <td>387</td> <td>3\"/> <tr> <td>391</td> <td>ETR</td> <td>-</td> <td>WD.</td> <td>J2</td> <td>PTD.</td> <td>-</td> <td>388</td> <td>3\"/> <tr> <td>391A</td> <td>ETR</td> <td>-</td> <td>WD.</td> <td>J2</td> <td>PTD.</td> <td>-</td> <td>389</td> <td>3\"/> <tr> <td>391B</td> <td>ETR</td> <td>-</td> <td>WD.</td> <td>J2</td> <td>PTD.</td> <td>-</td> <td>391</td> <td>3\"/> <tr> <td>394</td> <td>ETR</td> <td>-</td> <td>WD.</td> <td>J2</td> <td>PTD.</td> <td>-</td> <td>391A</td> <td>3\"/> <tr> <td>395</td> <td>ETR</td> <td>-</td> <td>WD.</td> <td>J2</td> <td>PTD.</td> <td>-</td> <td>391B</td> <td>3\"/> <tr> <td>396</td> <td>ETR</td> <td>-</td> <td>WD.</td> <td>J2</td> <td>PTD.</td> <td>-</td> <td>394</td> <td>3\"/> <tr> <td>398</td> <td>ETR</td> <td>-</td> <td>WD.</td> <td>J2</td> <td>PTD.</td> <td>-</td> <td>395</td> <td>3\"/> <tr> <td>399</td> <td>ETR</td> <td>-</td> <td>WD.</td> <td>J2</td> <td>PTD.</td> <td>-</td> <td>396</td> <td>3\"/> <tr> <td>3991</td> <td>ETR</td> <td>-</td> <td>WD.</td> <td>J2</td> <td>PTD.</td> <td>-</td> <td>398</td> <td>3\"/> <tr> <td>3992</td> <td>A</td> <td>3\"/> <tr> <td>3993</td> <td>ETR</td> <td>-</td> <td>WD.</td> <td>J2</td> <td>PTD.</td> <td>-</td> <td>399</td> <td>3\"/> <tr> <td>3994</td> <td>ETR</td> <td>-</td> <td>WD.</td> <td>J2</td> <td>PTD.</td> <td>-</td> <td>3991</td> <td>3\"/> <tr> <td>3995</td> <td>ETR</td> <td>-</td> <td>WD.</td> <td>J2</td> <td>PTD.</td> <td>-</td> <td>3992</td> <td>3\"/> <tr> <td>3997</td> <td>ETR</td> <td>-</td> <td>WD.</td> <td>J2</td> <td>PTD.</td> <td>-</td> <td>3993</td> <td>3\"/> <tr> <td>3998</td> <td>ETR</td> <td>-</td> <td>WD.</td> <td>J2</td> <td>PTD.</td> <td>-</td> <td>3994</td> <td>3\"/> <tr> <td>3999</td> <td>ETR</td> <td>-</td> <td>WD.</td> <td>J2</td> <td>PTD.</td> <td>-</td> <td>3995</td> <td>3\"/> <tr> <td>3999</td> <td>ETR</td> <td>-</td> <td>WD.</td> <td>J2</td> <td>PTD.</td> <td>-</td> <td>3997</td> <td>3\"/> </td></tr></td></tr></td></tr></td></tr></td></tr></td></tr></td></tr></td></tr></td></tr></td></tr></td></tr></td></tr></td></tr></td></tr></td></tr></td></tr></td></tr></td></tr></td></tr></td></tr></td></tr></td></tr></td></td></tr></td></tr></td></td></tr></td></td></tr></td></td></tr></td></td></tr></td></td></tr></td></td></tr></td></td></tr></td></td></tr></td></tr></td></tr></td></tr> | 373A | ETR | -
 | WD. | J2 | PTD. | - | 371 | 3\"/> <tr> <td>374B</td> <td>ETR</td> <td>-</td> <td>WD.</td> <td>J2</td> <td>PTD.</td> <td>-</td> <td>372</td> <td>3\"/> <tr> <td>374C</td> <td>ETR</td> <td>-</td> <td>WD.</td> <td>J2</td> <td>PTD.</td> <td>-</td> <td>373A</td> <td>3\"/> <tr> <td>375</td> <td>B</td> <td>1 <td>WD</td> <td>J1</td> <td>PTD.</td> <td>-</td> <td>374B</td> <td>3\"/> <tr> <td>376</td> <td>B</td> <td>1 <td>WD</td> <td>J1</td> <td>PTD.</td> <td>-</td> <td>374C</td> <td>3\"/> <tr> <td>377</td> <td>B</td> <td>1 <td>WD</td> <td>J1</td> <td>PTD.</td> <td>-</td> <td>375</td> <td>3\"/> <tr> <td>377A</td> <td>B</td> <td>1 <td>WD</td> <td>J1</td> <td>PTD.</td> <td>-</td> <td>376</td> <td>3\"/> <tr> <td>378</td> <td>B</td> <td>1 <td>WD</td> <td>J1</td> <td>PTD.</td> <td>-</td> <td>377</td> <td>3\"/> <tr> <td>379</td> <td>B</td> <td>1 <td>WD</td> <td>J1</td> <td>PTD.</td> <td>-</td> <td>377A</td> <td>3\"/> <tr> <td>380A</td> <td>B</td> <td>1 <td>WD</td> <td>J1</td> <td>PTD.</td> <td>-</td> <td>378</td> <td>3\"/> <tr> <td>380B</td> <td>B</td> <td>1 <td>WD</td> <td>J1</td> <td>PTD.</td> <td>-</td> <td>379</td> <td>3\"/> <tr> <td>382</td> <td>ETR</td> <td>-</td> <td>WD.</td> <td>J2</td> <td>PTD.</td> <td>-</td> <td>380A</td> <td>3\"/> <tr> <td>382A</td> <td>D</td> <td>6 <td>ALUM.</td> <td>ANODIZE D</td> <td>-</td> <td>-</td> <td>380B</td> <td>3\"/> <tr> <td>385</td> <td>ETR</td> <td>-</td> <td>WD.</td> <td>J2</td> <td>PTD.</td> <td>-</td> <td>382</td> <td>3\"/> <tr> <td>386</td> <td>ETR</td> <td>-</td> <td>WD.</td> <td>J2</td> <td>PTD.</td> <td>-</td> <td>382A</td> <td>3\"/> <tr> <td>387</td> <td>ETR</td> <td>-</td> <td>WD.</td> <td>J2</td> <td>PTD.</td> <td>-</td> <td>385</td> <td>3\"/> <tr> <td>388</td> <td>ETR</td> <td>-</td> <td>WD.</td> <td>J2</td> <td>PTD.</td> <td>-</td> <td>386</td> <td>3\"/> <tr> <td>389</td> <td>ETR</td> <td>-</td> <td>WD.</td> <td>J2</td> <td>PTD.</td> <td>-</td> <td>387</td> <td>3\"/> <tr> <td>391</td> <td>ETR</td> <td>-</td> <td>WD.</td> <td>J2</td> <td>PTD.</td> <td>-</td> <td>388</td> <td>3\"/> <tr> <td>391A</td> <td>ETR</td> <td>-</td> <td>WD.</td> <td>J2</td> <td>PTD.</td> <td>-</td> <td>389</td> <td>3\"/> <tr> <td>391B</td> <td>ETR</td> <td>-</td> <td>WD.</td> <td>J2</td> <td>PTD.</td> <td>-</td> <td>391</td> <td>3\"/> <tr> <td>394</td> <td>ETR</td> <td>-</td> <td>WD.</td> <td>J2</td> <td>PTD.</td> <td>-</td> <td>391A</td> <td>3\"/> <tr> <td>395</td> <td>ETR</td> <td>-</td> <td>WD.</td> <td>J2</td> <td>PTD.</td> <td>-</td> <td>391B</td> <td>3\"/> <tr> <td>396</td> <td>ETR</td> <td>-</td> <td>WD.</td> <td>J2</td> <td>PTD.</td> <td>-</td> <td>394</td> <td>3\"/> <tr> <td>398</td> <td>ETR</td> <td>-</td> <td>WD.</td> <td>J2</td> <td>PTD.</td> <td>-</td> <td>395</td> <td>3\"/> <tr> <td>399</td> <td>ETR</td> <td>-</td> <td>WD.</td> <td>J2</td> <td>PTD.</td> <td>-</td> <td>396</td> <td>3\"/> <tr> <td>3991</td> <td>ETR</td> <td>-</td> <td>WD.</td> <td>J2</td> <td>PTD.</td> <td>-</td> <td>398</td> <td>3\"/> <tr> <td>3992</td> <td>A</td> <td>3\"/> <tr> <td>3993</td> <td>ETR</td> <td>-</td> <td>WD.</td> <td>J2</td> <td>PTD.</td> <td>-</td> <td>399</td> <td>3\"/> <tr> <td>3994</td> <td>ETR</td> <td>-</td> <td>WD.</td> <td>J2</td> <td>PTD.</td> <td>-</td> <td>3991</td> <td>3\"/> <tr> <td>3995</td> <td>ETR</td> <td>-</td> <td>WD.</td> <td>J2</td> <td>PTD.</td> <td>-</td> <td>3992</td> <td>3\"/> <tr> <td>3997</td> <td>ETR</td> <td>-</td> <td>WD.</td> <td>J2</td> <td>PTD.</td> <td>-</td> <td>3993</td> <td>3\"/> <tr> <td>3998</td> <td>ETR</td> <td>-</td> <td>WD.</td> <td>J2</td> <td>PTD.</td> <td>-</td> <td>3994</td> <td>3\"/> <tr> <td>3999</td> <td>ETR</td> <td>-</td> <td>WD.</td> <td>J2</td> <td>PTD.</td> <td>-</td> <td>3995</td> <td>3\"/> <tr> <td>3999</td> <td>ETR</td> <td>-</td> <td>WD.</td> <td>J2</td> <td>PTD.</td> <td>-</td> <td>3997</td> <td>3\"/> </td></tr></td></tr></td></tr></td></tr></td></tr></td></tr></td></tr></td></tr></td></tr></td></tr></td></tr></td></tr></td></tr></td></tr></td></tr></td></tr></td></tr></td></tr></td></tr></td></tr></td></tr></td></tr></td></td></tr></td></tr></td></td></tr></td></td></tr></td></td></tr></td></td></tr></td></td></tr></td></td></tr></td></td></tr></td></td></tr></td></tr></td></tr>
 | 374B | ETR | - | WD. | J2 | PTD. | - | 372 | 3\"/> <tr> <td>374C</td> <td>ETR</td> <td>-</td> <td>WD.</td> <td>J2</td> <td>PTD.</td> <td>-</td> <td>373A</td> <td>3\"/> <tr> <td>375</td> <td>B</td> <td>1 <td>WD</td> <td>J1</td> <td>PTD.</td> <td>-</td> <td>374B</td> <td>3\"/> <tr> <td>376</td> <td>B</td> <td>1 <td>WD</td> <td>J1</td> <td>PTD.</td> <td>-</td> <td>374C</td> <td>3\"/> <tr> <td>377</td> <td>B</td> <td>1 <td>WD</td> <td>J1</td> <td>PTD.</td> <td>-</td> <td>375</td> <td>3\"/> <tr> <td>377A</td> <td>B</td> <td>1 <td>WD</td> <td>J1</td> <td>PTD.</td> <td>-</td> <td>376</td> <td>3\"/> <tr> <td>378</td> <td>B</td> <td>1 <td>WD</td> <td>J1</td> <td>PTD.</td> <td>-</td> <td>377</td> <td>3\"/> <tr> <td>379</td> <td>B</td> <td>1 <td>WD</td> <td>J1</td> <td>PTD.</td> <td>-</td> <td>377A</td> <td>3\"/> <tr> <td>380A</td> <td>B</td> <td>1 <td>WD</td> <td>J1</td> <td>PTD.</td> <td>-</td> <td>378</td> <td>3\"/> <tr> <td>380B</td> <td>B</td> <td>1 <td>WD</td> <td>J1</td> <td>PTD.</td> <td>-</td> <td>379</td> <td>3\"/> <tr> <td>382</td> <td>ETR</td> <td>-</td> <td>WD.</td> <td>J2</td> <td>PTD.</td> <td>-</td> <td>380A</td> <td>3\"/> <tr> <td>382A</td> <td>D</td> <td>6 <td>ALUM.</td> <td>ANODIZE D</td> <td>-</td> <td>-</td> <td>380B</td> <td>3\"/> <tr> <td>385</td> <td>ETR</td> <td>-</td> <td>WD.</td> <td>J2</td> <td>PTD.</td> <td>-</td> <td>382</td> <td>3\"/> <tr> <td>386</td> <td>ETR</td> <td>-</td> <td>WD.</td> <td>J2</td> <td>PTD.</td> <td>-</td> <td>382A</td> <td>3\"/> <tr> <td>387</td> <td>ETR</td> <td>-</td> <td>WD.</td> <td>J2</td> <td>PTD.</td> <td>-</td> <td>385</td> <td>3\"/> <tr> <td>388</td> <td>ETR</td> <td>-</td> <td>WD.</td> <td>J2</td> <td>PTD.</td> <td>-</td> <td>386</td> <td>3\"/> <tr> <td>389</td> <td>ETR</td> <td>-</td> <td>WD.</td> <td>J2</td> <td>PTD.</td> <td>-</td> <td>387</td> <td>3\"/> <tr> <td>391</td> <td>ETR</td> <td>-</td> <td>WD.</td> <td>J2</td> <td>PTD.</td> <td>-</td> <td>388</td> <td>3\"/> <tr> <td>391A</td> <td>ETR</td> <td>-</td> <td>WD.</td> <td>J2</td> <td>PTD.</td> <td>-</td> <td>389</td> <td>3\"/> <tr> <td>391B</td> <td>ETR</td> <td>-</td> <td>WD.</td> <td>J2</td> <td>PTD.</td> <td>-</td> <td>391</td> <td>3\"/> <tr> <td>394</td> <td>ETR</td> <td>-</td> <td>WD.</td> <td>J2</td> <td>PTD.</td> <td>-</td> <td>391A</td> <td>3\"/> <tr> <td>395</td> <td>ETR</td> <td>-</td> <td>WD.</td> <td>J2</td> <td>PTD.</td> <td>-</td> <td>391B</td> <td>3\"/> <tr> <td>396</td> <td>ETR</td> <td>-</td> <td>WD.</td> <td>J2</td> <td>PTD.</td> <td>-</td> <td>394</td> <td>3\"/> <tr> <td>398</td> <td>ETR</td> <td>-</td> <td>WD.</td> <td>J2</td> <td>PTD.</td> <td>-</td> <td>395</td> <td>3\"/> <tr> <td>399</td> <td>ETR</td> <td>-</td> <td>WD.</td> <td>J2</td> <td>PTD.</td> <td>-</td> <td>396</td> <td>3\"/> <tr> <td>3991</td> <td>ETR</td> <td>-</td>
<td>WD.</td> <td>J2</td> <td>PTD.</td> <td>-</td> <td>398</td> <td>3\"/> <tr> <td>3992</td> <td>A</td> <td>3\"/> <tr> <td>3993</td> <td>ETR</td> <td>-</td> <td>WD.</td> <td>J2</td> <td>PTD.</td> <td>-</td> <td>399</td> <td>3\"/> <tr> <td>3994</td> <td>ETR</td> <td>-</td> <td>WD.</td> <td>J2</td> <td>PTD.</td> <td>-</td> <td>3991</td> <td>3\"/> <tr> <td>3995</td> <td>ETR</td> <td>-</td> <td>WD.</td> <td>J2</td> <td>PTD.</td> <td>-</td> <td>3992</td> <td>3\"/> <tr> <td>3997</td> <td>ETR</td> <td>-</td> <td>WD.</td> <td>J2</td> <td>PTD.</td> <td>-</td> <td>3993</td> <td>3\"/> <tr> <td>3998</td> <td>ETR</td> <td>-</td> <td>WD.</td> <td>J2</td> <td>PTD.</td> <td>-</td> <td>3994</td> <td>3\"/> <tr> <td>3999</td> <td>ETR</td> <td>-</td> <td>WD.</td> <td>J2</td> <td>PTD.</td> <td>-</td> <td>3995</td> <td>3\"/> <tr> <td>3999</td> <td>ETR</td> <td>-</td> <td>WD.</td> <td>J2</td> <td>PTD.</td> <td>-</td> <td>3997</td> <td>3\"/> </td></tr></td></tr></td></tr></td></tr></td></tr></td></tr></td></tr></td></tr></td></tr></td></tr></td></tr></td></tr></td></tr></td></tr></td></tr></td></tr></td></tr></td></tr></td></tr></td></tr></td></tr></td></tr></td></td></tr></td></tr></td></td></tr></td></td></tr></td></td></tr></td></td></tr></td></td></tr></td></td></tr></td></td></tr></td></td></tr></td></tr> | 374C | ETR | - | WD. | J2 | PTD. | - |
373A | 3\"/> <tr> <td>375</td> <td>B</td> <td>1 <td>WD</td> <td>J1</td> <td>PTD.</td> <td>-</td> <td>374B</td> <td>3\"/> <tr> <td>376</td> <td>B</td> <td>1 <td>WD</td> <td>J1</td> <td>PTD.</td> <td>-</td> <td>374C</td> <td>3\"/> <tr> <td>377</td> <td>B</td> <td>1 <td>WD</td> <td>J1</td> <td>PTD.</td> <td>-</td> <td>375</td> <td>3\"/> <tr> <td>377A</td> <td>B</td> <td>1 <td>WD</td> <td>J1</td> <td>PTD.</td> <td>-</td> <td>376</td> <td>3\"/> <tr> <td>378</td> <td>B</td> <td>1 <td>WD</td> <td>J1</td> <td>PTD.</td> <td>-</td> <td>377</td> <td>3\"/> <tr> <td>379</td> <td>B</td> <td>1 <td>WD</td> <td>J1</td> <td>PTD.</td> <td>-</td> <td>377A</td> <td>3\"/> <tr> <td>380A</td> <td>B</td> <td>1 <td>WD</td> <td>J1</td> <td>PTD.</td> <td>-</td> <td>378</td> <td>3\"/> <tr> <td>380B</td> <td>B</td> <td>1 <td>WD</td> <td>J1</td> <td>PTD.</td> <td>-</td> <td>379</td> <td>3\"/> <tr> <td>382</td> <td>ETR</td> <td>-</td> <td>WD.</td> <td>J2</td> <td>PTD.</td> <td>-</td> <td>380A</td> <td>3\"/> <tr> <td>382A</td> <td>D</td> <td>6 <td>ALUM.</td> <td>ANODIZE D</td> <td>-</td> <td>-</td> <td>380B</td> <td>3\"/> <tr> <td>385</td> <td>ETR</td> <td>-</td> <td>WD.</td> <td>J2</td> <td>PTD.</td> <td>-</td> <td>382</td> <td>3\"/> <tr> <td>386</td> <td>ETR</td> <td>-</td> <td>WD.</td> <td>J2</td> <td>PTD.</td> <td>-</td> <td>382A</td> <td>3\"/> <tr> <td>387</td> <td>ETR</td> <td>-</td> <td>WD.</td> <td>J2</td> <td>PTD.</td> <td>-</td> <td>385</td> <td>3\"/> <tr> <td>388</td> <td>ETR</td> <td>-</td> <td>WD.</td> <td>J2</td> <td>PTD.</td> <td>-</td> <td>386</td> <td>3\"/> <tr> <td>389</td> <td>ETR</td> <td>-</td> <td>WD.</td> <td>J2</td> <td>PTD.</td> <td>-</td> <td>387</td> <td>3\"/> <tr> <td>391</td> <td>ETR</td> <td>-</td> <td>WD.</td> <td>J2</td> <td>PTD.</td> <td>-</td> <td>388</td> <td>3\"/> <tr> <td>391A</td> <td>ETR</td> <td>-</td> <td>WD.</td> <td>J2</td> <td>PTD.</td> <td>-</td> <td>389</td> <td>3\"/> <tr> <td>391B</td> <td>ETR</td> <td>-</td> <td>WD.</td> <td>J2</td> <td>PTD.</td> <td>-</td> <td>391</td> <td>3\"/> <tr> <td>394</td> <td>ETR</td> <td>-</td> <td>WD.</td> <td>J2</td> <td>PTD.</td> <td>-</td> <td>391A</td> <td>3\"/> <tr> <td>395</td> <td>ETR</td> <td>-</td> <td>WD.</td> <td>J2</td> <td>PTD.</td> <td>-</td> <td>391B</td> <td>3\"/> <tr> <td>396</td> <td>ETR</td> <td>-</td> <td>WD.</td> <td>J2</td> <td>PTD.</td> <td>-</td> <td>394</td> <td>3\"/> <tr> <td>398</td> <td>ETR</td> <td>-</td> <td>WD.</td> <td>J2</td> <td>PTD.</td> <td>-</td> <td>395</td> <td>3\"/> <tr> <td>399</td> <td>ETR</td> <td>-</td> <td>WD.</td> <td>J2</td> <td>PTD.</td> <td>-</td> <td>396</td> <td>3\"/> <tr> <td>3991</td> <td>ETR</td> <td>-</td> <td>WD.</td> <td>J2</td> <td>PTD.</td> <td>-</td> <td>398</td> <td>3\"/> <tr> <td>3992</td> <td>A</td> <td>3\"/> <tr> <td>3993</td> <td>ETR</td> <td>-</td> <td>WD.</td> <td>J2</td> <td>PTD.</td> <td>-</td> <td>399</td> <td>3\"/> <tr> <td>3994</td> <td>ETR</td> <td>-</td> <td>WD.</td> <td>J2</td> <td>PTD.</td> <td>-</td> <td>3991</td> <td>3\"/> <tr> <td>3995</td> <td>ETR</td> <td>-</td> <td>WD.</td> <td>J2</td> <td>PTD.</td> <td>-</td> <td>3992</td> <td>3\"/> <tr> <td>3997</td> <td>ETR</td> <td>-</td> <td>WD.</td> <td>J2</td> <td>PTD.</td> <td>-</td> <td>3993</td> <td>3\"/> <tr> <td>3998</td> <td>ETR</td> <td>-</td> <td>WD.</td> <td>J2</td> <td>PTD.</td> <td>-</td> <td>3994</td> <td>3\"/> <tr> <td>3999</td> <td>ETR</td> <td>-</td> <td>WD.</td> <td>J2</td> <td>PTD.</td> <td>-</td> <td>3995</td> <td>3\"/> <tr> <td>3999</td> <td>ETR</td> <td>-</td> <td>WD.</td> <td>J2</td> <td>PTD.</td> <td>-</td> <td>3997</td> <td>3\"/> </td></tr></td></tr></td></tr></td></tr></td></tr></td></tr></td></tr></td></tr></td></tr></td></tr></td></tr></td></tr></td></tr></td></tr></td></tr></td></tr></td></tr></td></tr></td></tr></td></tr></td></tr></td></tr></td></td></tr></td></tr></td></td></tr></td></td></tr></td></td></tr></td></td></tr></td></td></tr></td></td></tr></td></td></tr></td></td></tr> | 375 | B | 1 <td>WD</td> <td>J1</td> <td>PTD.</td> <td>-</td> <td>374B</td> <td>3\"/> <tr> <td>376</td> <td>B</td> <td>1 <td>WD</td> <td>J1</td> <td>PTD.</td> <td>-</td> <td>374C</td> <td>3\"/> <tr> <td>377</td> <td>B</td> <td>1 <td>WD</td> <td>J1</td> <td>PTD.</td> <td>-</td> <td>375</td> <td>3\"/> <tr> <td>377A</td> <td>B</td> <td>1 <td>WD</td> <td>J1</td> <td>PTD.</td> <td>-</td> <td>376</td> <td>3\"/> <tr> <td>378</td> <td>B</td> <td>1 <td>WD</td> <td>J1</td> <td>PTD.</td> <td>-</td> <td>377</td> <td>3\"/> <tr> <td>379</td> <td>B</td> <td>1 <td>WD</td> <td>J1</td> <td>PTD.</td> <td>-</td> <td>377A</td> <td>3\"/> <tr> <td>380A</td> <td>B</td> <td>1 <td>WD</td> <td>J1</td> <td>PTD.</td> <td>-</td> <td>378</td> <td>3\"/> <tr> <td>380B</td> <td>B</td> <td>1 <td>WD</td> <td>J1</td> <td>PTD.</td> <td>-</td> <td>379</td> <td>3\"/> <tr> <td>382</td> <td>ETR</td> <td>-</td> <td>WD.</td> <td>J2</td> <td>PTD.</td> <td>-</td> <td>380A</td> <td>3\"/> <tr> <td>382A</td> <td>D</td> <td>6 <td>ALUM.</td> <td>ANODIZE D</td> <td>-</td> <td>-</td> <td>380B</td> <td>3\"/> <tr> <td>385</td> <td>ETR</td> <td>-</td> <td>WD.</td> <td>J2</td> <td>PTD.</td> <td>-</td> <td>382</td> <td>3\"/> <tr> <td>386</td> <td>ETR</td> <td>-</td> <td>WD.</td> <td>J2</td> <td>PTD.</td> <td>-</td> <td>382A</td> <td>3\"/> <tr> <td>387</td> <td>ETR</td> <td>-</td> <td>WD.</td> <td>J2</td> <td>PTD.</td> <td>-</td> <td>385</td> <td>3\"/> <tr> <td>388</td> <td>ETR</td> <td>-</td> <td>WD.</td> <td>J2</td> <td>PTD.</td> <td>-</td> <td>386</td> <td>3\"/> <tr> <td>389</td> <td>ETR</td> <td>-</td> <td>WD.</td> <td>J2</td> <td>PTD.</td> <td>-</td> <td>387</td> <td>3\"/> <tr> <td>391</td> <td>ETR</td> <td>-</td> <td>WD.</td> <td>J2</td> <td>PTD.</td> <td>-</td> <td>388</td> <td>3\"/> <tr> <td>391A</td> <td>ETR</td> <td>-</td> <td>WD.</td> <td>J2</td> <td>PTD.</td> <td>-</td> <td>389</td> <td>3\"/> <tr> <td>391B</td> <td>ETR</td> <td>-</td> <td>WD.</td> <td>J2</td> <td>PTD.</td> <td>-</td> <td>391</td> <td>3\"/> <tr> <td>394</td> <td>ETR</td> <td>-</td> <td>WD.</td> <td>J2</td> <td>PTD.</td> <td>-</td> <td>391A</td> <td>3\"/> <tr> <td>395</td> <td>ETR</td> <td>-</td> <td>WD.</td> <td>J2</td> <td>PTD.</td> <td>-</td> <td>391B</td> <td>3\"/> <tr> <td>396</td> <td>ETR</td> <td>-</td> <td>WD.</td> <td>J2</td> <td>PTD.</td> <td>-</td> <td>394</td> <td>3\"/> <tr> <td>398</td> <td>ETR</td> <td>-</td> <td>WD.</td> <td>J2</td> <td>PTD.</td> <td>-</td> <td>395</td> <td>3\"/> <tr> <td>399</td> <td>ETR</td> <td>-</td> <td>WD.</td> <td>J2</td> <td>PTD.</td> <td>-</td> <td>396</td> <td>3\"/> <tr> <td>3991</td> <td>ETR</td> <td>-</td> <td>WD.</td> <td>J2</td> <td>PTD.</td> <td>-</td> <td>398</td> <td>3\"/> <tr> <td>3992</td> <td>A</td> <td>3\"/> <tr> <td>3993</td> <td>ETR</td> <td>-</td> <td>WD.</td> <td>J2</td> <td>PTD.</td> <td>-</td> <td>399</td> <td>3\"/> <tr> <td>3994</td> <td>ETR</td> <td>-</td> <td>WD.</td> <td>J2</td> <td>PTD.</td> <td>-</td> <td>3991</td> <td>3\"/> <tr> <td>3995</td> <td>ETR</td> <td>-</td> <td>WD.</td> <td>J2</td> <td>PTD.</td> <td>-</td> <td>3992</td> <td>3\"/> <tr> <td>3997</td> <td>ETR</td> <td>-</td> <td>WD.</td> <td>J2</td> <td>PTD.</td> <td>-</td> <td>3993</td> <td>3\"/> <tr> <td>3998</td> <td>ETR</td> <td>-</td> <td>WD.</td> <td>J2</td> <td>PTD.</td> <td>-</td> <td>3994</td> <td>3\"/> <tr> <td>3999</td> <td>ETR</td> <td>-</td> <td>WD.</td> <td>J2</td> <td>PTD.</td> <td>-</td> <td>3995</td> <td>3\"/> <tr> <td>3999</td> <td>ETR</td> <td>-</td> <td>WD.</td> <td>J2</td> <td>PTD.</td> <td>-</td> <td>3997</td> <td>3\"/>
</td></tr></td></tr></td></tr></td></tr></td></tr></td></tr></td></tr></td></tr></td></tr></td></tr></td></tr></td></tr></td></tr></td></tr></td></tr></td></tr></td></tr></td></tr></td></tr></td></tr></td></tr></td></tr></td></td></tr></td></tr></td></td></tr></td></td></tr></td></td></tr></td></td></tr></td></td></tr></td></td></tr></td></td></tr></td> | WD | J1 | PTD. | - | 374B | 3\"/> <tr> <td>376</td> <td>B</td> <td>1 <td>WD</td> <td>J1</td> <td>PTD.</td> <td>-</td> <td>374C</td> <td>3\"/> <tr> <td>377</td> <td>B</td> <td>1 <td>WD</td> <td>J1</td> <td>PTD.</td> <td>-</td> <td>375</td> <td>3\"/> <tr> <td>377A</td> <td>B</td> <td>1 <td>WD</td> <td>J1</td> <td>PTD.</td> <td>-</td> <td>376</td> <td>3\"/> <tr> <td>378</td> <td>B</td> <td>1 <td>WD</td> <td>J1</td> <td>PTD.</td> <td>-</td> <td>377</td> <td>3\"/> <tr> <td>379</td> <td>B</td> <td>1 <td>WD</td> <td>J1</td> <td>PTD.</td> <td>-</td> <td>377A</td> <td>3\"/> <tr> <td>380A</td> <td>B</td> <td>1 <td>WD</td> <td>J1</td> <td>PTD.</td> <td>-</td> <td>378</td> <td>3\"/> <tr> <td>380B</td> <td>B</td> <td>1 <td>WD</td> <td>J1</td> <td>PTD.</td> <td>-</td> <td>379</td> <td>3\"/> <tr> <td>382</td> <td>ETR</td> <td>-</td> <td>WD.</td> <td>J2</td> <td>PTD.</td> <td>-</td> <td>380A</td> <td>3\"/> <tr> <td>382A</td> <td>D</td> <td>6 <td>ALUM.</td> <td>ANODIZE D</td> <td>-</td> <td>-</td> <td>380B</td> <td>3\"/> <tr> <td>385</td> <td>ETR</td> <td>-</td> <td>WD.</td> <td>J2</td> <td>PTD.</td> <td>-</td> <td>382</td> <td>3\"/> <tr> <td>386</td> <td>ETR</td> <td>-</td> <td>WD.</td> <td>J2</td> <td>PTD.</td> <td>-</td> <td>382A</td> <td>3\"/> <tr> <td>387</td> <td>ETR</td> <td>-</td> <td>WD.</td> <td>J2</td> <td>PTD.</td> <td>-</td> <td>385</td> <td>3\"/> <tr> <td>388</td> <td>ETR</td> <td>-</td> <td>WD.</td> <td>J2</td> <td>PTD.</td> <td>-</td> <td>386</td> <td>3\"/> <tr> <td>389</td> <td>ETR</td> <td>-</td> <td>WD.</td> <td>J2</td> <td>PTD.</td> <td>-</td> <td>387</td> <td>3\"/> <tr> <td>391</td> <td>ETR</td> <td>-</td> <td>WD.</td> <td>J2</td> <td>PTD.</td> <td>-</td> <td>388</td> <td>3\"/> <tr> <td>391A</td> <td>ETR</td> <td>-</td> <td>WD.</td> <td>J2</td> <td>PTD.</td> <td>-</td> <td>389</td> <td>3\"/> <tr> <td>391B</td> <td>ETR</td> <td>-</td> <td>WD.</td> <td>J2</td> <td>PTD.</td> <td>-</td> <td>391</td> <td>3\"/> <tr> <td>394</td> <td>ETR</td> <td>-</td> <td>WD.</td> <td>J2</td> <td>PTD.</td> <td>-</td> <td>391A</td> <td>3\"/> <tr> <td>395</td> <td>ETR</td> <td>-</td> <td>WD.</td> <td>J2</td> <td>PTD.</td> <td>-</td> <td>391B</td> <td>3\"/> <tr> <td>396</td> <td>ETR</td> <td>-</td> <td>WD.</td> <td>J2</td> <td>PTD.</td> <td>-</td> <td>394</td> <td>3\"/> <tr> <td>398</td> <td>ETR</td> <td>-</td> <td>WD.</td> <td>J2</td> <td>PTD.</td> <td>-</td> <td>395</td> <td>3\"/> <tr> <td>399</td> <td>ETR</td> <td>-</td> <td>WD.</td> <td>J2</td> <td>PTD.</td> <td>-</td> <td>396</td> <td>3\"/> <tr> <td>3991</td> <td>ETR</td> <td>-</td> <td>WD.</td> <td>J2</td> <td>PTD.</td> <td>-</td> <td>398</td> <td>3\"/> <tr> <td>3992</td> <td>A</td> <td>3\"/> <tr> <td>3993</td> <td>ETR</td> <td>-</td> <td>WD.</td> <td>J2</td> <td>PTD.</td> <td>-</td> <td>399</td> <td>3\"/> <tr> <td>3994</td> <td>ETR</td> <td>-</td> <td>WD.</td> <td>J2</td> <td>PTD.</td> <td>-</td> <td>3991</td> <td>3\"/> <tr> <td>3995</td> <td>ETR</td> <td>-</td> <td>WD.</td> <td>J2</td> <td>PTD.</td> <td>-</td> <td>3992</td> <td>3\"/> <tr> <td>3997</td> <td>ETR</td> <td>-</td> <td>WD.</td> <td>J2</td> <td>PTD.</td> <td>-</td> <td>3993</td> <td>3\"/> <tr> <td>3998</td> <td>ETR</td> <td>-</td> <td>WD.</td> <td>J2</td> <td>PTD.</td> <td>-</td> <td>3994</td> <td>3\"/> <tr> <td>3999</td> <td>ETR</td> <td>-</td> <td>WD.</td> <td>J2</td> <td>PTD.</td> <td>-</td> <td>3995</td> <td>3\"/> <tr> <td>3999</td> <td>ETR</td> <td>-</td> <td>WD.</td> <td>J2</td> <td>PTD.</td> <td>-</td> <td>3997</td> <td>3\"/> </td></tr></td></tr></td></tr></td></tr></td></tr></td></tr></td></tr></td></tr></td></tr></td></tr></td></tr></td></tr></td></tr></td></tr></td></tr></td></tr></td></tr></td></tr></td></tr></td></tr></td></tr></td></tr></td></td></tr></td></tr></td></td></tr></td></td></tr></td></td></tr></td></td></tr></td></td></tr></td></td></tr></td></td></tr> | 376 | B | 1 <td>WD</td> <td>J1</td> <td>PTD.</td> <td>-</td> <td>374C</td> <td>3\"/> <tr> <td>377</td> <td>B</td> <td>1 <td>WD</td> <td>J1</td> <td>PTD.</td> <td>-</td> <td>375</td> <td>3\"/> <tr> <td>377A</td> <td>B</td> <td>1 <td>WD</td> <td>J1</td> <td>PTD.</td> <td>-</td> <td>376</td> <td>3\"/> <tr> <td>378</td> <td>B</td> <td>1 <td>WD</td> <td>J1</td> <td>PTD.</td> <td>-</td> <td>377</td> <td>3\"/> <tr> <td>379</td> <td>B</td> <td>1 <td>WD</td> <td>J1</td> <td>PTD.</td> <td>-</td> <td>377A</td> <td>3\"/> <tr> <td>380A</td> <td>B</td> <td>1 <td>WD</td> <td>J1</td> <td>PTD.</td> <td>-</td> <td>378</td> <td>3\"/> <tr> <td>380B</td> <td>B</td> <td>1 <td>WD</td> <td>J1</td> <td>PTD.</td> <td>-</td> <td>379</td> <td>3\"/> <tr> <td>382</td> <td>ETR</td> <td>-</td> <td>WD.</td> <td>J2</td> <td>PTD.</td> <td>-</td> <td>380A</td> <td>3\"/> <tr> <td>382A</td> <td>D</td> <td>6 <td>ALUM.</td> <td>ANODIZE D</td> <td>-</td> <td>-</td> <td>380B</td> <td>3\"/> <tr> <td>385</td> <td>ETR</td> <td>-</td> <td>WD.</td> <td>J2</td> <td>PTD.</td> <td>-</td> <td>382</td> <td>3\"/> <tr> <td>386</td> <td>ETR</td> <td>-</td> <td>WD.</td> <td>J2</td> <td>PTD.</td>
<td>-</td> <td>382A</td> <td>3\"/> <tr> <td>387</td> <td>ETR</td> <td>-</td> <td>WD.</td> <td>J2</td> <td>PTD.</td> <td>-</td> <td>385</td> <td>3\"/> <tr> <td>388</td> <td>ETR</td> <td>-</td> <td>WD.</td> <td>J2</td> <td>PTD.</td> <td>-</td> <td>386</td> <td>3\"/> <tr> <td>389</td> <td>ETR</td> <td>-</td> <td>WD.</td> <td>J2</td> <td>PTD.</td> <td>-</td> <td>387</td> <td>3\"/> <tr> <td>391</td> <td>ETR</td> <td>-</td> <td>WD.</td> <td>J2</td> <td>PTD.</td> <td>-</td> <td>388</td> <td>3\"/> <tr> <td>391A</td> <td>ETR</td> <td>-</td> <td>WD.</td> <td>J2</td> <td>PTD.</td> <td>-</td> <td>389</td> <td>3\"/> <tr> <td>391B</td> <td>ETR</td> <td>-</td> <td>WD.</td> <td>J2</td> <td>PTD.</td> <td>-</td> <td>391</td> <td>3\"/> <tr> <td>394</td> <td>ETR</td> <td>-</td> <td>WD.</td> <td>J2</td> <td>PTD.</td> <td>-</td> <td>391A</td> <td>3\"/> <tr> <td>395</td> <td>ETR</td> <td>-</td> <td>WD.</td> <td>J2</td> <td>PTD.</td> <td>-</td> <td>391B</td> <td>3\"/> <tr> <td>396</td> <td>ETR</td> <td>-</td> <td>WD.</td> <td>J2</td> <td>PTD.</td> <td>-</td> <td>394</td> <td>3\"/> <tr> <td>398</td> <td>ETR</td> <td>-</td> <td>WD.</td> <td>J2</td> <td>PTD.</td> <td>-</td> <td>395</td> <td>3\"/> <tr> <td>399</td> <td>ETR</td> <td>-</td> <td>WD.</td> <td>J2</td> <td>PTD.</td> <td>-</td> <td>396</td> <td>3\"/> <tr> <td>3991</td> <td>ETR</td> <td>-</td> <td>WD.</td> <td>J2</td> <td>PTD.</td> <td>-</td> <td>398</td> <td>3\"/> <tr> <td>3992</td> <td>A</td> <td>3\"/> <tr> <td>3993</td> <td>ETR</td> <td>-</td> <td>WD.</td> <td>J2</td> <td>PTD.</td> <td>-</td> <td>399</td> <td>3\"/> <tr> <td>3994</td> <td>ETR</td> <td>-</td> <td>WD.</td> <td>J2</td> <td>PTD.</td> <td>-</td> <td>3991</td> <td>3\"/> <tr> <td>3995</td> <td>ETR</td> <td>-</td> <td>WD.</td> <td>J2</td> <td>PTD.</td> <td>-</td> <td>3992</td> <td>3\"/> <tr> <td>3997</td> <td>ETR</td> <td>-</td> <td>WD.</td> <td>J2</td> <td>PTD.</td> <td>-</td> <td>3993</td> <td>3\"/> <tr> <td>3998</td> <td>ETR</td> <td>-</td> <td>WD.</td> <td>J2</td> <td>PTD.</td> <td>-</td> <td>3994</td> <td>3\"/> <tr> <td>3999</td> <td>ETR</td> <td>-</td> <td>WD.</td> <td>J2</td> <td>PTD.</td> <td>-</td> <td>3995</td> <td>3\"/> <tr> <td>3999</td> <td>ETR</td> <td>-</td> <td>WD.</td> <td>J2</td> <td>PTD.</td> <td>-</td> <td>3997</td> <td>3\"/> </td></tr></td></tr></td></tr></td></tr></td></tr></td></tr></td></tr></td></tr></td></tr></td></tr></td></tr></td></tr></td></tr></td></tr></td></tr></td></tr></td></tr></td></tr></td></tr></td></tr></td></tr></td></tr></td></td></tr></td></tr></td></td></tr></td></td></tr></td></td></tr></td></td></tr></td></td></tr></td></td></tr></td> | WD | J1 | PTD. | - | 374C | 3\"/> <tr> <td>377</td> <td>B</td> <td>1 <td>WD</td> <td>J1</td> <td>PTD.</td> <td>-</td> <td>375</td> <td>3\"/> <tr> <td>377A</td> <td>B</td> <td>1 <td>WD</td> <td>J1</td> <td>PTD.</td> <td>-</td> <td>376</td> <td>3\"/> <tr> <td>378</td> <td>B</td> <td>1 <td>WD</td> <td>J1</td> <td>PTD.</td> <td>-</td> <td>377</td> <td>3\"/> <tr> <td>379</td> <td>B</td> <td>1 <td>WD</td> <td>J1</td> <td>PTD.</td> <td>-</td> <td>377A</td> <td>3\"/> <tr> <td>380A</td> <td>B</td> <td>1 <td>WD</td> <td>J1</td> <td>PTD.</td> <td>-</td> <td>378</td> <td>3\"/> <tr> <td>380B</td> <td>B</td> <td>1 <td>WD</td> <td>J1</td> <td>PTD.</td> <td>-</td> <td>379</td> <td>3\"/> <tr> <td>382</td> <td>ETR</td> <td>-</td> <td>WD.</td> <td>J2</td> <td>PTD.</td> <td>-</td> <td>380A</td> <td>3\"/> <tr> <td>382A</td> <td>D</td> <td>6 <td>ALUM.</td> <td>ANODIZE D</td> <td>-</td> <td>-</td> <td>380B</td> <td>3\"/> <tr> <td>385</td> <td>ETR</td> <td>-</td> <td>WD.</td> <td>J2</td> <td>PTD.</td> <td>-</td> <td>382</td> <td>3\"/> <tr> <td>386</td> <td>ETR</td> <td>-</td> <td>WD.</td> <td>J2</td> <td>PTD.</td> <td>-</td> <td>382A</td> <td>3\"/> <tr> <td>387</td> <td>ETR</td> <td>-</td> <td>WD.</td> <td>J2</td> <td>PTD.</td> <td>-</td> <td>385</td> <td>3\"/> <tr> <td>388</td> <td>ETR</td> <td>-</td> <td>WD.</td> <td>J2</td> <td>PTD.</td> <td>-</td> <td>386</td> <td>3\"/> <tr> <td>389</td> <td>ETR</td> <td>-</td> <td>WD.</td> <td>J2</td> <td>PTD.</td> <td>-</td> <td>387</td> <td>3\"/> <tr> <td>391</td> <td>ETR</td> <td>-</td> <td>WD.</td> <td>J2</td> <td>PTD.</td> <td>-</td> <td>388</td> <td>3\"/> <tr> <td>391A</td> <td>ETR</td> <td>-</td> <td>WD.</td> <td>J2</td> <td>PTD.</td> <td>-</td> <td>389</td> <td>3\"/> <tr> <td>391B</td> <td>ETR</td> <td>-</td> <td>WD.</td> <td>J2</td> <td>PTD.</td> <td>-</td> <td>391</td> <td>3\"/> <tr> <td>394</td> <td>ETR</td> <td>-</td> <td>WD.</td> <td>J2</td> <td>PTD.</td> <td>-</td> <td>391A</td> <td>3\"/> <tr> <td>395</td> <td>ETR</td> <td>-</td> <td>WD.</td> <td>J2</td> <td>PTD.</td> <td>-</td> <td>391B</td> <td>3\"/> <tr> <td>396</td> <td>ETR</td> <td>-</td> <td>WD.</td> <td>J2</td> <td>PTD.</td> <td>-</td> <td>394</td> <td>3\"/> <tr> <td>398</td> <td>ETR</td> <td>-</td> <td>WD.</td> <td>J2</td> <td>PTD.</td> <td>-</td> <td>395</td> <td>3\"/> <tr> <td>399</td> <td>ETR</td> <td>-</td> <td>WD.</td> <td>J2</td> <td>PTD.</td> <td>-</td> <td>396</td> <td>3\"/> <tr> <td>3991</td> <td>ETR</td> <td>-</td> <td>WD.</td> <td>J2</td> <td>PTD.</td> <td>-</td> <td>398</td> <td>3\"/> <tr> <td>3992</td> <td>A</td> <td>3\"/> <tr> <td>3993</td> <td>ETR</td> <td>-</td> <td>WD.</td> <td>J2</td> <td>PTD.</td> <td>-</td> <td>399</td> <td>3\"/> <tr> <td>3994</td> <td>ETR</td> <td>-</td> <td>WD.</td> <td>J2</td> <td>PTD.</td> <td>-</td> <td>3991</td> <td>3\"/> <tr> <td>3995</td> <td>ETR</td> <td>-</td> <td>WD.</td> <td>J2</td> <td>PTD.</td> <td>-</td> <td>3992</td> <td>3\"/> <tr> <td>3997</td> <td>ETR</td> <td>-</td> <td>WD.</td> <td>J2</td> <td>PTD.</td> <td>-</td> <td>3993</td> <td>3\"/> <tr> <td>3998</td> <td>ETR</td> <td>-</td> <td>WD.</td> <td>J2</td> <td>PTD.</td> <td>-</td> <td>3994</td> <td>3\"/> <tr> <td>3999</td> <td>ETR</td> <td>-</td> <td>WD.</td> <td>J2</td> <td>PTD.</td> <td>-</td> <td>3995</td> <td>3\"/> <tr> <td>3999</td> <td>ETR</td> <td>-</td> <td>WD.</td> <td>J2</td> <td>PTD.</td> <td>-</td> <td>3997</td> <td>3\"/> </td></tr></td></tr></td></tr></td></tr></td></tr></td></tr></td></tr></td></tr></td></tr></td></tr></td></tr></td></tr></td></tr></td></tr></td></tr></td></tr></td></tr></td></tr></td></tr></td></tr></td></tr></td></tr></td></td></tr></td></tr></td></td></tr></td></td></tr></td></td></tr></td></td></tr></td></td></tr></td></td></tr>
 | 377 | B | 1 <td>WD</td> <td>J1</td> <td>PTD.</td> <td>-</td> <td>375</td> <td>3\"/> <tr> <td>377A</td> <td>B</td> <td>1 <td>WD</td> <td>J1</td> <td>PTD.</td> <td>-</td> <td>376</td> <td>3\"/> <tr> <td>378</td> <td>B</td> <td>1 <td>WD</td> <td>J1</td> <td>PTD.</td> <td>-</td> <td>377</td> <td>3\"/> <tr> <td>379</td> <td>B</td> <td>1 <td>WD</td> <td>J1</td> <td>PTD.</td> <td>-</td> <td>377A</td> <td>3\"/> <tr> <td>380A</td> <td>B</td> <td>1 <td>WD</td> <td>J1</td> <td>PTD.</td> <td>-</td> <td>378</td> <td>3\"/> <tr> <td>380B</td> <td>B</td> <td>1 <td>WD</td> <td>J1</td> <td>PTD.</td> <td>-</td> <td>379</td> <td>3\"/> <tr> <td>382</td> <td>ETR</td> <td>-</td> <td>WD.</td> <td>J2</td> <td>PTD.</td> <td>-</td> <td>380A</td> <td>3\"/> <tr> <td>382A</td> <td>D</td> <td>6 <td>ALUM.</td> <td>ANODIZE D</td> <td>-</td> <td>-</td> <td>380B</td> <td>3\"/> <tr> <td>385</td> <td>ETR</td> <td>-</td> <td>WD.</td> <td>J2</td> <td>PTD.</td> <td>-</td> <td>382</td> <td>3\"/> <tr> <td>386</td> <td>ETR</td> <td>-</td> <td>WD.</td> <td>J2</td> <td>PTD.</td> <td>-</td> <td>382A</td> <td>3\"/> <tr> <td>387</td> <td>ETR</td> <td>-</td> <td>WD.</td> <td>J2</td> <td>PTD.</td> <td>-</td> <td>385</td> <td>3\"/> <tr> <td>388</td> <td>ETR</td> <td>-</td> <td>WD.</td> <td>J2</td> <td>PTD.</td> <td>-</td> <td>386</td> <td>3\"/> <tr> <td>389</td> <td>ETR</td> <td>-</td> <td>WD.</td> <td>J2</td> <td>PTD.</td> <td>-</td> <td>387</td> <td>3\"/> <tr> <td>391</td> <td>ETR</td> <td>-</td> <td>WD.</td> <td>J2</td> <td>PTD.</td> <td>-</td> <td>388</td> <td>3\"/> <tr> <td>391A</td> <td>ETR</td> <td>-</td> <td>WD.</td> <td>J2</td> <td>PTD.</td> <td>-</td> <td>389</td> <td>3\"/> <tr> <td>391B</td> <td>ETR</td> <td>-</td> <td>WD.</td> <td>J2</td> <td>PTD.</td> <td>-</td> <td>391</td> <td>3\"/> <tr> <td>394</td> <td>ETR</td> <td>-</td> <td>WD.</td> <td>J2</td> <td>PTD.</td> <td>-</td> <td>391A</td> <td>3\"/> <tr> <td>395</td> <td>ETR</td> <td>-</td> <td>WD.</td> <td>J2</td> <td>PTD.</td> <td>-</td> <td>391B</td> <td>3\"/> <tr> <td>396</td> <td>ETR</td> <td>-</td> <td>WD.</td> <td>J2</td> <td>PTD.</td> <td>-</td> <td>394</td> <td>3\"/> <tr> <td>398</td> <td>ETR</td> <td>-</td> <td>WD.</td> <td>J2</td> <td>PTD.</td> <td>-</td> <td>395</td> <td>3\"/> <tr> <td>399</td> <td>ETR</td> <td>-</td> <td>WD.</td> <td>J2</td> <td>PTD.</td> <td>-</td> <td>396</td> <td>3\"/> <tr> <td>3991</td> <td>ETR</td> <td>-</td> <td>WD.</td> <td>J2</td> <td>PTD.</td> <td>-</td> <td>398</td> <td>3\"/> <tr> <td>3992</td> <td>A</td> <td>3\"/> <tr> <td>3993</td> <td>ETR</td> <td>-</td> <td>WD.</td> <td>J2</td> <td>PTD.</td> <td>-</td> <td>399</td> <td>3\"/> <tr> <td>3994</td> <td>ETR</td> <td>-</td> <td>WD.</td> <td>J2</td> <td>PTD.</td> <td>-</td> <td>3991</td> <td>3\"/> <tr> <td>3995</td> <td>ETR</td> <td>-</td> <td>WD.</td> <td>J2</td> <td>PTD.</td> <td>-</td> <td>3992</td> <td>3\"/> <tr> <td>3997</td> <td>ETR</td> <td>-</td> <td>WD.</td> <td>J2</td> <td>PTD.</td> <td>-</td> <td>3993</td> <td>3\"/> <tr> <td>3998</td> <td>ETR</td> <td>-</td> <td>WD.</td> <td>J2</td> <td>PTD.</td> <td>-</td> <td>3994</td> <td>3\"/> <tr> <td>3999</td> <td>ETR</td> <td>-</td> <td>WD.</td> <td>J2</td> <td>PTD.</td> <td>-</td> <td>3995</td> <td>3\"/> <tr> <td>3999</td> <td>ETR</td> <td>-</td> <td>WD.</td> <td>J2</td> <td>PTD.</td> <td>-</td> <td>3997</td> <td>3\"/> </td></tr></td></tr></td></tr></td></tr></td></tr></td></tr></td></tr></td></tr></td></tr></td></tr></td></tr></td></tr></td></tr></td></tr></td></tr></td></tr></td></tr></td></tr></td></tr></td></tr></td></tr></td></tr></td></td></tr></td></tr></td></td></tr></td></td></tr></td></td></tr></td></td></tr></td></td></tr></td> | WD | J1 | PTD. | - | 375 | 3\"/> <tr> <td>377A</td> <td>B</td> <td>1 <td>WD</td> <td>J1</td> <td>PTD.</td> <td>-</td> <td>376</td> <td>3\"/> <tr> <td>378</td> <td>B</td> <td>1 <td>WD</td> <td>J1</td> <td>PTD.</td> <td>-</td> <td>377</td> <td>3\"/> <tr> <td>379</td> <td>B</td> <td>1 <td>WD</td> <td>J1</td> <td>PTD.</td> <td>-</td> <td>377A</td> <td>3\"/> <tr> <td>380A</td> <td>B</td> <td>1 <td>WD</td> <td>J1</td> <td>PTD.</td> <td>-</td> <td>378</td> <td>3\"/> <tr> <td>380B</td> <td>B</td> <td>1 <td>WD</td> <td>J1</td> <td>PTD.</td> <td>-</td> <td>379</td> <td>3\"/> <tr> <td>382</td> <td>ETR</td> <td>-</td> <td>WD.</td> <td>J2</td> <td>PTD.</td> <td>-</td> <td>380A</td> <td>3\"/> <tr> <td>382A</td> <td>D</td> <td>6 <td>ALUM.</td> <td>ANODIZE D</td> <td>-</td> <td>-</td> <td>380B</td> <td>3\"/> <tr> <td>385</td> <td>ETR</td> <td>-</td> <td>WD.</td> <td>J2</td> <td>PTD.</td> <td>-</td> <td>382</td> <td>3\"/> <tr> <td>386</td> <td>ETR</td> <td>-</td> <td>WD.</td> <td>J2</td> <td>PTD.</td> <td>-</td> <td>382A</td> <td>3\"/> <tr> <td>387</td> <td>ETR</td> <td>-</td> <td>WD.</td> <td>J2</td> <td>PTD.</td> <td>-</td> <td>385</td> <td>3\"/> <tr> <td>388</td> <td>ETR</td> <td>-</td> <td>WD.</td> <td>J2</td> <td>PTD.</td> <td>-</td> <td>386</td> <td>3\"/> <tr> <td>389</td> <td>ETR</td> <td>-</td> <td>WD.</td> <td>J2</td> <td>PTD.</td> <td>-</td> <td>387</td> <td>3\"/> <tr> <td>391</td> <td>ETR</td> <td>-</td> <td>WD.</td> <td>J2</td> <td>PTD.</td> <td>-</td> <td>388</td> <td>3\"/> <tr> <td>391A</td> <td>ETR</td> <td>-</td> <td>WD.</td> <td>J2</td> <td>PTD.</td> <td>-</td> <td>389</td> <td>3\"/> <tr> <td>391B</td> <td>ETR</td> <td>-</td> <td>WD.</td> <td>J2</td> <td>PTD.</td> <td>-</td> <td>391</td> <td>3\"/> <tr> <td>394</td> <td>ETR</td> <td>-</td> <td>WD.</td> <td>J2</td> <td>PTD.</td> <td>-</td> <td>391A</td> <td>3\"/> <tr> <td>395</td> <td>ETR</td> <td>-</td> <td>WD.</td> <td>J2</td> <td>PTD.</td> <td>-</td> <td>391B</td> <td>3\"/> <tr> <td>396</td> <td>ETR</td> <td>-</td> <td>WD.</td> <td>J2</td> <td>PTD.</td> <td>-</td> <td>394</td> <td>3\"/> <tr> <td>398</td> <td>ETR</td> <td>-</td> <td>WD.</td> <td>J2</td> <td>PTD.</td> <td>-</td> <td>395</td> <td>3\"/> <tr> <td>399</td> <td>ETR</td> <td>-</td> <td>WD.</td> <td>J2</td> <td>PTD.</td> <td>-</td> <td>396</td> <td>3\"/> <tr> <td>3991</td> <td>ETR</td> <td>-</td> <td>WD.</td> <td>J2</td> <td>PTD.</td> <td>-</td> <td>398</td> <td>3\"/> <tr> <td>3992</td> <td>A</td> <td>3\"/> <tr> <td>3993</td> <td>ETR</td> <td>-</td> <td>WD.</td> <td>J2</td> <td>PTD.</td> <td>-</td> <td>399</td> <td>3\"/> <tr> <td>3994</td> <td>ETR</td> <td>-</td> <td>WD.</td> <td>J2</td> <td>PTD.</td> <td>-</td> <td>3991</td> <td>3\"/> <tr> <td>3995</td> <td>ETR</td> <td>-</td> <td>WD.</td> <td>J2</td> <td>PTD.</td> <td>-</td> <td>3992</td> <td>3\"/> <tr> <td>3997</td>
<td>ETR</td> <td>-</td> <td>WD.</td> <td>J2</td> <td>PTD.</td> <td>-</td> <td>3993</td> <td>3\"/> <tr> <td>3998</td> <td>ETR</td> <td>-</td> <td>WD.</td> <td>J2</td> <td>PTD.</td> <td>-</td> <td>3994</td> <td>3\"/> <tr> <td>3999</td> <td>ETR</td> <td>-</td> <td>WD.</td> <td>J2</td> <td>PTD.</td> <td>-</td> <td>3995</td> <td>3\"/> <tr> <td>3999</td> <td>ETR</td> <td>-</td> <td>WD.</td> <td>J2</td> <td>PTD.</td> <td>-</td> <td>3997</td> <td>3\"/> </td></tr></td></tr></td></tr></td></tr></td></tr></td></tr></td></tr></td></tr></td></tr></td></tr></td></tr></td></tr></td></tr></td></tr></td></tr></td></tr></td></tr></td></tr></td></tr></td></tr></td></tr></td></tr></td></td></tr></td></tr></td></td></tr></td></td></tr></td></td></tr></td></td></tr></td></td></tr> | 377A | B | 1 <td>WD</td> <td>J1</td> <td>PTD.</td> <td>-</td> <td>376</td> <td>3\"/> <tr> <td>378</td> <td>B</td> <td>1 <td>WD</td> <td>J1</td> <td>PTD.</td> <td>-</td> <td>377</td> <td>3\"/> <tr> <td>379</td> <td>B</td> <td>1 <td>WD</td> <td>J1</td> <td>PTD.</td> <td>-</td> <td>377A</td> <td>3\"/> <tr> <td>380A</td> <td>B</td> <td>1 <td>WD</td> <td>J1</td> <td>PTD.</td> <td>-</td> <td>378</td> <td>3\"/> <tr> <td>380B</td> <td>B</td> <td>1 <td>WD</td> <td>J1</td> <td>PTD.</td> <td>-</td> <td>379</td> <td>3\"/> <tr> <td>382</td> <td>ETR</td> <td>-</td> <td>WD.</td> <td>J2</td> <td>PTD.</td> <td>-</td> <td>380A</td> <td>3\"/> <tr> <td>382A</td> <td>D</td> <td>6 <td>ALUM.</td> <td>ANODIZE D</td> <td>-</td> <td>-</td> <td>380B</td> <td>3\"/> <tr> <td>385</td> <td>ETR</td> <td>-</td> <td>WD.</td> <td>J2</td> <td>PTD.</td> <td>-</td> <td>382</td> <td>3\"/> <tr> <td>386</td> <td>ETR</td> <td>-</td> <td>WD.</td> <td>J2</td> <td>PTD.</td> <td>-</td> <td>382A</td> <td>3\"/> <tr> <td>387</td> <td>ETR</td> <td>-</td> <td>WD.</td> <td>J2</td> <td>PTD.</td> <td>-</td> <td>385</td> <td>3\"/> <tr> <td>388</td> <td>ETR</td> <td>-</td> <td>WD.</td> <td>J2</td> <td>PTD.</td> <td>-</td> <td>386</td> <td>3\"/> <tr> <td>389</td> <td>ETR</td> <td>-</td> <td>WD.</td> <td>J2</td> <td>PTD.</td> <td>-</td> <td>387</td> <td>3\"/> <tr> <td>391</td> <td>ETR</td> <td>-</td> <td>WD.</td> <td>J2</td> <td>PTD.</td> <td>-</td> <td>388</td> <td>3\"/> <tr> <td>391A</td> <td>ETR</td> <td>-</td> <td>WD.</td> <td>J2</td> <td>PTD.</td> <td>-</td> <td>389</td> <td>3\"/> <tr> <td>391B</td> <td>ETR</td> <td>-</td> <td>WD.</td> <td>J2</td> <td>PTD.</td> <td>-</td> <td>391</td> <td>3\"/> <tr> <td>394</td> <td>ETR</td> <td>-</td> <td>WD.</td> <td>J2</td> <td>PTD.</td> <td>-</td> <td>391A</td> <td>3\"/> <tr> <td>395</td> <td>ETR</td> <td>-</td> <td>WD.</td> <td>J2</td> <td>PTD.</td> <td>-</td> <td>391B</td> <td>3\"/> <tr> <td>396</td> <td>ETR</td> <td>-</td> <td>WD.</td> <td>J2</td> <td>PTD.</td> <td>-</td> <td>394</td> <td>3\"/> <tr> <td>398</td> <td>ETR</td> <td>-</td> <td>WD.</td> <td>J2</td> <td>PTD.</td> <td>-</td> <td>395</td> <td>3\"/> <tr> <td>399</td> <td>ETR</td> <td>-</td> <td>WD.</td> <td>J2</td> <td>PTD.</td> <td>-</td> <td>396</td> <td>3\"/> <tr> <td>3991</td> <td>ETR</td> <td>-</td> <td>WD.</td> <td>J2</td> <td>PTD.</td> <td>-</td> <td>398</td> <td>3\"/> <tr> <td>3992</td> <td>A</td> <td>3\"/> <tr> <td>3993</td> <td>ETR</td> <td>-</td> <td>WD.</td> <td>J2</td> <td>PTD.</td> <td>-</td> <td>399</td> <td>3\"/> <tr> <td>3994</td> <td>ETR</td> <td>-</td> <td>WD.</td> <td>J2</td> <td>PTD.</td> <td>-</td> <td>3991</td> <td>3\"/> <tr> <td>3995</td> <td>ETR</td> <td>-</td> <td>WD.</td> <td>J2</td> <td>PTD.</td> <td>-</td> <td>3992</td> <td>3\"/> <tr> <td>3997</td> <td>ETR</td> <td>-</td> <td>WD.</td> <td>J2</td> <td>PTD.</td> <td>-</td> <td>3993</td> <td>3\"/> <tr> <td>3998</td> <td>ETR</td> <td>-</td> <td>WD.</td> <td>J2</td> <td>PTD.</td> <td>-</td> <td>3994</td> <td>3\"/> <tr> <td>3999</td> <td>ETR</td> <td>-</td> <td>WD.</td> <td>J2</td> <td>PTD.</td> <td>-</td> <td>3995</td> <td>3\"/> <tr> <td>3999</td> <td>ETR</td> <td>-</td> <td>WD.</td> <td>J2</td> <td>PTD.</td> <td>-</td> <td>3997</td> <td>3\"/> </td></tr></td></tr></td></tr></td></tr></td></tr></td></tr></td></tr></td></tr></td></tr></td></tr></td></tr></td></tr></td></tr></td></tr></td></tr></td></tr></td></tr></td></tr></td></tr></td></tr></td></tr></td></tr></td></td></tr></td></tr></td></td></tr></td></td></tr></td></td></tr></td></td></tr></td> | WD | J1 | PTD. | - | 376 | 3\"/> <tr> <td>378</td> <td>B</td> <td>1 <td>WD</td> <td>J1</td> <td>PTD.</td> <td>-</td> <td>377</td> <td>3\"/> <tr> <td>379</td> <td>B</td> <td>1 <td>WD</td> <td>J1</td> <td>PTD.</td> <td>-</td> <td>377A</td> <td>3\"/> <tr> <td>380A</td> <td>B</td> <td>1 <td>WD</td> <td>J1</td> <td>PTD.</td> <td>-</td> <td>378</td> <td>3\"/> <tr> <td>380B</td> <td>B</td> <td>1 <td>WD</td> <td>J1</td> <td>PTD.</td> <td>-</td> <td>379</td> <td>3\"/> <tr> <td>382</td> <td>ETR</td> <td>-</td> <td>WD.</td> <td>J2</td> <td>PTD.</td> <td>-</td> <td>380A</td> <td>3\"/> <tr> <td>382A</td> <td>D</td> <td>6 <td>ALUM.</td> <td>ANODIZE D</td> <td>-</td> <td>-</td> <td>380B</td> <td>3\"/> <tr> <td>385</td> <td>ETR</td> <td>-</td> <td>WD.</td> <td>J2</td> <td>PTD.</td> <td>-</td> <td>382</td> <td>3\"/> <tr> <td>386</td> <td>ETR</td> <td>-</td> <td>WD.</td> <td>J2</td> <td>PTD.</td> <td>-</td> <td>382A</td> <td>3\"/> <tr> <td>387</td> <td>ETR</td> <td>-</td> <td>WD.</td> <td>J2</td> <td>PTD.</td> <td>-</td> <td>385</td> <td>3\"/> <tr> <td>388</td>
<td>ETR</td> <td>-</td> <td>WD.</td> <td>J2</td> <td>PTD.</td> <td>-</td> <td>386</td> <td>3\"/> <tr> <td>389</td> <td>ETR</td> <td>-</td> <td>WD.</td> <td>J2</td> <td>PTD.</td> <td>-</td> <td>387</td> <td>3\"/> <tr> <td>391</td> <td>ETR</td> <td>-</td> <td>WD.</td> <td>J2</td> <td>PTD.</td> <td>-</td> <td>388</td> <td>3\"/> <tr> <td>391A</td> <td>ETR</td> <td>-</td> <td>WD.</td> <td>J2</td> <td>PTD.</td> <td>-</td> <td>389</td> <td>3\"/> <tr> <td>391B</td> <td>ETR</td> <td>-</td> <td>WD.</td> <td>J2</td> <td>PTD.</td> <td>-</td> <td>391</td> <td>3\"/> <tr> <td>394</td> <td>ETR</td> <td>-</td> <td>WD.</td> <td>J2</td> <td>PTD.</td> <td>-</td> <td>391A</td> <td>3\"/> <tr> <td>395</td> <td>ETR</td> <td>-</td> <td>WD.</td> <td>J2</td> <td>PTD.</td> <td>-</td> <td>391B</td> <td>3\"/> <tr> <td>396</td> <td>ETR</td> <td>-</td> <td>WD.</td> <td>J2</td> <td>PTD.</td> <td>-</td> <td>394</td> <td>3\"/> <tr> <td>398</td> <td>ETR</td> <td>-</td> <td>WD.</td> <td>J2</td> <td>PTD.</td> <td>-</td> <td>395</td> <td>3\"/> <tr> <td>399</td> <td>ETR</td> <td>-</td> <td>WD.</td> <td>J2</td> <td>PTD.</td> <td>-</td> <td>396</td> <td>3\"/> <tr> <td>3991</td> <td>ETR</td> <td>-</td> <td>WD.</td> <td>J2</td> <td>PTD.</td> <td>-</td> <td>398</td> <td>3\"/> <tr> <td>3992</td> <td>A</td> <td>3\"/> <tr> <td>3993</td> <td>ETR</td> <td>-</td> <td>WD.</td> <td>J2</td> <td>PTD.</td> <td>-</td> <td>399</td> <td>3\"/> <tr> <td>3994</td> <td>ETR</td> <td>-</td> <td>WD.</td> <td>J2</td> <td>PTD.</td> <td>-</td> <td>3991</td> <td>3\"/> <tr> <td>3995</td> <td>ETR</td> <td>-</td> <td>WD.</td> <td>J2</td> <td>PTD.</td> <td>-</td> <td>3992</td> <td>3\"/> <tr> <td>3997</td> <td>ETR</td> <td>-</td> <td>WD.</td> <td>J2</td> <td>PTD.</td> <td>-</td> <td>3993</td> <td>3\"/> <tr> <td>3998</td> <td>ETR</td> <td>-</td> <td>WD.</td> <td>J2</td> <td>PTD.</td> <td>-</td> <td>3994</td> <td>3\"/> <tr> <td>3999</td> <td>ETR</td> <td>-</td> <td>WD.</td> <td>J2</td> <td>PTD.</td> <td>-</td> <td>3995</td> <td>3\"/> <tr> <td>3999</td> <td>ETR</td> <td>-</td> <td>WD.</td> <td>J2</td> <td>PTD.</td> <td>-</td> <td>3997</td> <td>3\"/> </td></tr></td></tr></td></tr></td></tr></td></tr></td></tr></td></tr></td></tr></td></tr></td></tr></td></tr></td></tr></td></tr></td></tr></td></tr></td></tr></td></tr></td></tr></td></tr></td></tr></td></tr></td></tr></td></td></tr></td></tr></td></td></tr></td></td></tr></td></td></tr></td></td></tr> | 378 | B | 1 <td>WD</td> <td>J1</td> <td>PTD.</td> <td>-</td> <td>377</td> <td>3\"/> <tr> <td>379</td> <td>B</td> <td>1 <td>WD</td> <td>J1</td> <td>PTD.</td> <td>-</td> <td>377A</td> <td>3\"/> <tr> <td>380A</td> <td>B</td> <td>1 <td>WD</td> <td>J1</td> <td>PTD.</td> <td>-</td> <td>378</td> <td>3\"/> <tr> <td>380B</td> <td>B</td> <td>1 <td>WD</td> <td>J1</td> <td>PTD.</td> <td>-</td> <td>379</td> <td>3\"/> <tr> <td>382</td> <td>ETR</td> <td>-</td> <td>WD.</td> <td>J2</td> <td>PTD.</td> <td>-</td> <td>380A</td> <td>3\"/> <tr> <td>382A</td> <td>D</td> <td>6 <td>ALUM.</td> <td>ANODIZE D</td> <td>-</td> <td>-</td> <td>380B</td> <td>3\"/> <tr> <td>385</td> <td>ETR</td> <td>-</td> <td>WD.</td> <td>J2</td> <td>PTD.</td> <td>-</td> <td>382</td> <td>3\"/> <tr> <td>386</td> <td>ETR</td> <td>-</td> <td>WD.</td> <td>J2</td> <td>PTD.</td> <td>-</td> <td>382A</td> <td>3\"/> <tr> <td>387</td> <td>ETR</td> <td>-</td> <td>WD.</td> <td>J2</td> <td>PTD.</td> <td>-</td> <td>385</td> <td>3\"/> <tr> <td>388</td> <td>ETR</td> <td>-</td> <td>WD.</td> <td>J2</td> <td>PTD.</td> <td>-</td> <td>386</td> <td>3\"/> <tr> <td>389</td> <td>ETR</td> <td>-</td> <td>WD.</td> <td>J2</td> <td>PTD.</td> <td>-</td> <td>387</td> <td>3\"/> <tr> <td>391</td> <td>ETR</td> <td>-</td> <td>WD.</td> <td>J2</td> <td>PTD.</td> <td>-</td> <td>388</td> <td>3\"/> <tr> <td>391A</td> <td>ETR</td> <td>-</td> <td>WD.</td> <td>J2</td> <td>PTD.</td> <td>-</td> <td>389</td> <td>3\"/> <tr> <td>391B</td> <td>ETR</td> <td>-</td> <td>WD.</td> <td>J2</td> <td>PTD.</td> <td>-</td> <td>391</td> <td>3\"/> <tr> <td>394</td> <td>ETR</td> <td>-</td> <td>WD.</td> <td>J2</td> <td>PTD.</td> <td>-</td> <td>391A</td> <td>3\"/> <tr> <td>395</td> <td>ETR</td> <td>-</td> <td>WD.</td> <td>J2</td> <td>PTD.</td> <td>-</td> <td>391B</td> <td>3\"/> <tr> <td>396</td> <td>ETR</td> <td>-</td> <td>WD.</td> <td>J2</td> <td>PTD.</td> <td>-</td> <td>394</td> <td>3\"/> <tr> <td>398</td> <td>ETR</td> <td>-</td> <td>WD.</td> <td>J2</td> <td>PTD.</td> <td>-</td> <td>395</td> <td>3\"/> <tr> <td>399</td> <td>ETR</td> <td>-</td> <td>WD.</td> <td>J2</td> <td>PTD.</td> <td>-</td> <td>396</td> <td>3\"/> <tr> <td>3991</td> <td>ETR</td> <td>-</td> <td>WD.</td> <td>J2</td> <td>PTD.</td> <td>-</td> <td>398</td> <td>3\"/> <tr> <td>3992</td> <td>A</td> <td>3\"/> <tr> <td>3993</td> <td>ETR</td> <td>-</td> <td>WD.</td> <td>J2</td> <td>PTD.</td> <td>-</td> <td>399</td> <td>3\"/> <tr> <td>3994</td> <td>ETR</td> <td>-</td> <td>WD.</td> <td>J2</td> <td>PTD.</td> <td>-</td> <td>3991</td> <td>3\"/> <tr> <td>3995</td> <td>ETR</td> <td>-</td> <td>WD.</td> <td>J2</td> <td>PTD.</td> <td>-</td> <td>3992</td> <td>3\"/> <tr> <td>3997</td> <td>ETR</td> <td>-</td> <td>WD.</td> <td>J2</td> <td>PTD.</td> <td>-</td> <td>3993</td> <td>3\"/> <tr> <td>3998</td> <td>ETR</td> <td>-</td> <td>WD.</td> <td>J2</td> <td>PTD.</td> <td>-</td> <td>3994</td> <td>3\"/> <tr> <td>3999</td> <td>ETR</td> <td>-</td> <td>WD.</td> <td>J2</td> <td>PTD.</td> <td>-</td> <td>3995</td> <td>3\"/> <tr> <td>3999</td> <td>ETR</td> <td>-</td> <td>WD.</td> <td>J2</td> <td>PTD.</td> <td>-</td> <td>3997</td> <td>3\"/> </td></tr></td></tr></td></tr></td></tr></td></tr></td></tr></td></tr></td></tr></td></tr></td></tr></td></tr></td></tr></td></tr></td></tr></td></tr></td></tr></td></tr></td></tr></td></tr></td></tr></td></tr></td></tr></td></td></tr></td></tr></td></td></tr></td></td></tr></td></td></tr></td>
 | WD | J1 | PTD. | - | 377 | 3\"/> <tr> <td>379</td> <td>B</td> <td>1 <td>WD</td> <td>J1</td> <td>PTD.</td> <td>-</td> <td>377A</td> <td>3\"/> <tr> <td>380A</td> <td>B</td> <td>1 <td>WD</td> <td>J1</td> <td>PTD.</td> <td>-</td> <td>378</td> <td>3\"/> <tr> <td>380B</td> <td>B</td> <td>1 <td>WD</td> <td>J1</td> <td>PTD.</td> <td>-</td> <td>379</td> <td>3\"/> <tr> <td>382</td> <td>ETR</td> <td>-</td> <td>WD.</td> <td>J2</td> <td>PTD.</td> <td>-</td> <td>380A</td> <td>3\"/> <tr> <td>382A</td> <td>D</td> <td>6 <td>ALUM.</td> <td>ANODIZE D</td> <td>-</td> <td>-</td> <td>380B</td> <td>3\"/> <tr> <td>385</td> <td>ETR</td> <td>-</td> <td>WD.</td> <td>J2</td> <td>PTD.</td> <td>-</td> <td>382</td> <td>3\"/> <tr> <td>386</td> <td>ETR</td> <td>-</td> <td>WD.</td> <td>J2</td> <td>PTD.</td> <td>-</td> <td>382A</td> <td>3\"/> <tr> <td>387</td> <td>ETR</td> <td>-</td> <td>WD.</td> <td>J2</td> <td>PTD.</td> <td>-</td> <td>385</td> <td>3\"/> <tr> <td>388</td> <td>ETR</td> <td>-</td> <td>WD.</td> <td>J2</td> <td>PTD.</td> <td>-</td> <td>386</td> <td>3\"/> <tr> <td>389</td> <td>ETR</td> <td>-</td> <td>WD.</td> <td>J2</td> <td>PTD.</td> <td>-</td> <td>387</td> <td>3\"/> <tr> <td>391</td> <td>ETR</td> <td>-</td> <td>WD.</td> <td>J2</td> <td>PTD.</td> <td>-</td> <td>388</td> <td>3\"/> <tr> <td>391A</td> <td>ETR</td> <td>-</td> <td>WD.</td> <td>J2</td> <td>PTD.</td> <td>-</td> <td>389</td> <td>3\"/> <tr> <td>391B</td> <td>ETR</td> <td>-</td> <td>WD.</td> <td>J2</td> <td>PTD.</td> <td>-</td> <td>391</td> <td>3\"/> <tr> <td>394</td> <td>ETR</td> <td>-</td> <td>WD.</td> <td>J2</td> <td>PTD.</td> <td>-</td> <td>391A</td> <td>3\"/> <tr> <td>395</td> <td>ETR</td> <td>-</td> <td>WD.</td> <td>J2</td> <td>PTD.</td> <td>-</td> <td>391B</td> <td>3\"/> <tr> <td>396</td> <td>ETR</td> <td>-</td> <td>WD.</td> <td>J2</td> <td>PTD.</td> <td>-</td> <td>394</td> <td>3\"/> <tr> <td>398</td> <td>ETR</td> <td>-</td> <td>WD.</td> <td>J2</td> <td>PTD.</td> <td>-</td> <td>395</td> <td>3\"/> <tr> <td>399</td> <td>ETR</td> <td>-</td> <td>WD.</td> <td>J2</td> <td>PTD.</td> <td>-</td> <td>396</td> <td>3\"/> <tr> <td>3991</td> <td>ETR</td> <td>-</td> <td>WD.</td> <td>J2</td> <td>PTD.</td> <td>-</td> <td>398</td> <td>3\"/> <tr> <td>3992</td> <td>A</td> <td>3\"/> <tr> <td>3993</td> <td>ETR</td> <td>-</td> <td>WD.</td> <td>J2</td> <td>PTD.</td> <td>-</td> <td>399</td> <td>3\"/> <tr> <td>3994</td> <td>ETR</td> <td>-</td> <td>WD.</td> <td>J2</td> <td>PTD.</td> <td>-</td> <td>3991</td> <td>3\"/> <tr> <td>3995</td> <td>ETR</td> <td>-</td> <td>WD.</td> <td>J2</td> <td>PTD.</td> <td>-</td> <td>3992</td> <td>3\"/> <tr> <td>3997</td> <td>ETR</td> <td>-</td> <td>WD.</td> <td>J2</td> <td>PTD.</td> <td>-</td> <td>3993</td> <td>3\"/> <tr> <td>3998</td> <td>ETR</td> <td>-</td> <td>WD.</td> <td>J2</td> <td>PTD.</td> <td>-</td> <td>3994</td> <td>3\"/> <tr> <td>3999</td> <td>ETR</td> <td>-</td> <td>WD.</td> <td>J2</td> <td>PTD.</td> <td>-</td> <td>3995</td> <td>3\"/> <tr> <td>3999</td> <td>ETR</td> <td>-</td> <td>WD.</td> <td>J2</td> <td>PTD.</td> <td>-</td> <td>3997</td> <td>3\"/> </td></tr></td></tr></td></tr></td></tr></td></tr></td></tr></td></tr></td></tr></td></tr></td></tr></td></tr></td></tr></td></tr></td></tr></td></tr></td></tr></td></tr></td></tr></td></tr></td></tr></td></tr></td></tr></td></td></tr></td></tr></td></td></tr></td></td></tr></td></td></tr> | 379 | B | 1 <td>WD</td> <td>J1</td> <td>PTD.</td> <td>-</td> <td>377A</td> <td>3\"/> <tr> <td>380A</td> <td>B</td> <td>1 <td>WD</td> <td>J1</td> <td>PTD.</td> <td>-</td> <td>378</td> <td>3\"/> <tr> <td>380B</td> <td>B</td> <td>1 <td>WD</td> <td>J1</td> <td>PTD.</td> <td>-</td> <td>379</td> <td>3\"/> <tr> <td>382</td> <td>ETR</td> <td>-</td> <td>WD.</td> <td>J2</td> <td>PTD.</td> <td>-</td> <td>380A</td> <td>3\"/> <tr> <td>382A</td> <td>D</td> <td>6 <td>ALUM.</td> <td>ANODIZE D</td> <td>-</td> <td>-</td> <td>380B</td> <td>3\"/> <tr> <td>385</td> <td>ETR</td> <td>-</td> <td>WD.</td> <td>J2</td> <td>PTD.</td> <td>-</td> <td>382</td> <td>3\"/> <tr> <td>386</td> <td>ETR</td> <td>-</td> <td>WD.</td> <td>J2</td> <td>PTD.</td> <td>-</td> <td>382A</td> <td>3\"/> <tr> <td>387</td> <td>ETR</td> <td>-</td> <td>WD.</td> <td>J2</td> <td>PTD.</td> <td>-</td> <td>385</td> <td>3\"/> <tr> <td>388</td> <td>ETR</td> <td>-</td> <td>WD.</td> <td>J2</td> <td>PTD.</td> <td>-</td> <td>386</td> <td>3\"/> <tr> <td>389</td> <td>ETR</td> <td>-</td> <td>WD.</td> <td>J2</td> <td>PTD.</td> <td>-</td> <td>387</td> <td>3\"/> <tr> <td>391</td> <td>ETR</td> <td>-</td> <td>WD.</td> <td>J2</td> <td>PTD.</td> <td>-</td> <td>388</td> <td>3\"/> <tr> <td>391A</td> <td>ETR</td> <td>-</td> <td>WD.</td> <td>J2</td> <td>PTD.</td> <td>-</td> <td>389</td> <td>3\"/> <tr> <td>391B</td> <td>ETR</td> <td>-</td> <td>WD.</td> <td>J2</td> <td>PTD.</td> <td>-</td> <td>391</td> <td>3\"/> <tr> <td>394</td> <td>ETR</td> <td>-</td> <td>WD.</td> <td>J2</td> <td>PTD.</td> <td>-</td> <td>391A</td> <td>3\"/> <tr> <td>395</td> <td>ETR</td> <td>-</td> <td>WD.</td> <td>J2</td> <td>PTD.</td> <td>-</td> <td>391B</td> <td>3\"/> <tr> <td>396</td> <td>ETR</td> <td>-</td> <td>WD.</td> <td>J2</td> <td>PTD.</td> <td>-</td> <td>394</td> <td>3\"/> <tr> <td>398</td> <td>ETR</td> <td>-</td> <td>WD.</td> <td>J2</td> <td>PTD.</td> <td>-</td> <td>395</td> <td>3\"/> <tr> <td>399</td> <td>ETR</td> <td>-</td> <td>WD.</td> <td>J2</td> <td>PTD.</td> <td>-</td> <td>396</td> <td>3\"/> <tr> <td>3991</td> <td>ETR</td> <td>-</td> <td>WD.</td> <td>J2</td> <td>PTD.</td> <td>-</td> <td>398</td> <td>3\"/> <tr> <td>3992</td> <td>A</td> <td>3\"/> <tr> <td>3993</td> <td>ETR</td> <td>-</td> <td>WD.</td> <td>J2</td> <td>PTD.</td> <td>-</td> <td>399</td> <td>3\"/> <tr> <td>3994</td> <td>ETR</td> <td>-</td> <td>WD.</td> <td>J2</td> <td>PTD.</td> <td>-</td> <td>3991</td> <td>3\"/> <tr> <td>3995</td> <td>ETR</td> <td>-</td> <td>WD.</td> <td>J2</td> <td>PTD.</td> <td>-</td> <td>3992</td> <td>3\"/> <tr> <td>3997</td> <td>ETR</td> <td>-</td> <td>WD.</td> <td>J2</td> <td>PTD.</td> <td>-</td> <td>3993</td> <td>3\"/> <tr> <td>3998</td> <td>ETR</td> <td>-</td> <td>WD.</td> <td>J2</td> <td>PTD.</td> <td>-</td> <td>3994</td> <td>3\"/> <tr> <td>3999</td> <td>ETR</td> <td>-</td> <td>WD.</td> <td>J2</td> <td>PTD.</td> <td>-</td> <td>3995</td> <td>3\"/> <tr> <td>3999</td> <td>ETR</td> <td>-</td> <td>WD.</td> <td>J2</td> <td>PTD.</td> <td>-</td> <td>3997</td> <td>3\"/> </td></tr></td></tr></td></tr></td></tr></td></tr></td></tr></td></tr></td></tr></td></tr></td></tr></td></tr></td></tr></td></tr></td></tr></td></tr></td></tr></td></tr></td></tr></td></tr></td></tr></td></tr></td></tr></td></td></tr></td></tr></td></td></tr></td></td></tr></td>
 | WD | J1 | PTD. | - | 377A | 3\"/> <tr> <td>380A</td> <td>B</td> <td>1 <td>WD</td> <td>J1</td> <td>PTD.</td> <td>-</td> <td>378</td> <td>3\"/> <tr> <td>380B</td> <td>B</td> <td>1 <td>WD</td> <td>J1</td> <td>PTD.</td> <td>-</td> <td>379</td> <td>3\"/> <tr> <td>382</td> <td>ETR</td> <td>-</td> <td>WD.</td> <td>J2</td> <td>PTD.</td> <td>-</td> <td>380A</td> <td>3\"/> <tr> <td>382A</td> <td>D</td> <td>6 <td>ALUM.</td> <td>ANODIZE D</td> <td>-</td> <td>-</td> <td>380B</td> <td>3\"/> <tr> <td>385</td> <td>ETR</td> <td>-</td> <td>WD.</td> <td>J2</td> <td>PTD.</td> <td>-</td> <td>382</td> <td>3\"/> <tr> <td>386</td> <td>ETR</td> <td>-</td> <td>WD.</td> <td>J2</td> <td>PTD.</td> <td>-</td> <td>382A</td> <td>3\"/> <tr> <td>387</td> <td>ETR</td> <td>-</td> <td>WD.</td> <td>J2</td> <td>PTD.</td> <td>-</td> <td>385</td> <td>3\"/> <tr> <td>388</td> <td>ETR</td> <td>-</td> <td>WD.</td> <td>J2</td> <td>PTD.</td> <td>-</td> <td>386</td> <td>3\"/> <tr> <td>389</td> <td>ETR</td> <td>-</td> <td>WD.</td> <td>J2</td> <td>PTD.</td> <td>-</td> <td>387</td> <td>3\"/> <tr> <td>391</td> <td>ETR</td> <td>-</td> <td>WD.</td> <td>J2</td> <td>PTD.</td> <td>-</td> <td>388</td> <td>3\"/> <tr> <td>391A</td> <td>ETR</td> <td>-</td> <td>WD.</td> <td>J2</td> <td>PTD.</td> <td>-</td> <td>389</td> <td>3\"/> <tr> <td>391B</td> <td>ETR</td> <td>-</td> <td>WD.</td> <td>J2</td> <td>PTD.</td> <td>-</td> <td>391</td> <td>3\"/> <tr> <td>394</td> <td>ETR</td> <td>-</td> <td>WD.</td> <td>J2</td> <td>PTD.</td> <td>-</td> <td>391A</td> <td>3\"/> <tr> <td>395</td> <td>ETR</td> <td>-</td> <td>WD.</td> <td>J2</td> <td>PTD.</td> <td>-</td> <td>391B</td> <td>3\"/> <tr> <td>396</td> <td>ETR</td> <td>-</td> <td>WD.</td> <td>J2</td> <td>PTD.</td> <td>-</td> <td>394</td> <td>3\"/> <tr> <td>398</td> <td>ETR</td> <td>-</td> <td>WD.</td> <td>J2</td> <td>PTD.</td> <td>-</td> <td>395</td> <td>3\"/> <tr> <td>399</td> <td>ETR</td> <td>-</td> <td>WD.</td> <td>J2</td> <td>PTD.</td> <td>-</td> <td>396</td> <td>3\"/> <tr> <td>3991</td> <td>ETR</td> <td>-</td> <td>WD.</td> <td>J2</td> <td>PTD.</td> <td>-</td> <td>398</td> <td>3\"/> <tr> <td>3992</td> <td>A</td> <td>3\"/> <tr> <td>3993</td> <td>ETR</td> <td>-</td> <td>WD.</td> <td>J2</td> <td>PTD.</td> <td>-</td> <td>399</td> <td>3\"/> <tr> <td>3994</td> <td>ETR</td> <td>-</td> <td>WD.</td> <td>J2</td> <td>PTD.</td> <td>-</td> <td>3991</td> <td>3\"/> <tr> <td>3995</td> <td>ETR</td> <td>-</td> <td>WD.</td> <td>J2</td> <td>PTD.</td> <td>-</td> <td>3992</td> <td>3\"/> <tr> <td>3997</td> <td>ETR</td> <td>-</td> <td>WD.</td> <td>J2</td> <td>PTD.</td> <td>-</td> <td>3993</td> <td>3\"/> <tr> <td>3998</td> <td>ETR</td> <td>-</td> <td>WD.</td> <td>J2</td> <td>PTD.</td> <td>-</td> <td>3994</td> <td>3\"/> <tr> <td>3999</td> <td>ETR</td> <td>-</td> <td>WD.</td> <td>J2</td> <td>PTD.</td> <td>-</td> <td>3995</td> <td>3\"/> <tr> <td>3999</td> <td>ETR</td> <td>-</td> <td>WD.</td> <td>J2</td> <td>PTD.</td> <td>-</td> <td>3997</td> <td>3\"/> </td></tr></td></tr></td></tr></td></tr></td></tr></td></tr></td></tr></td></tr></td></tr></td></tr></td></tr></td></tr></td></tr></td></tr></td></tr></td></tr></td></tr></td></tr></td></tr></td></tr></td></tr></td></tr></td></td></tr></td></tr></td></td></tr></td></td></tr> | 380A | B | 1 <td>WD</td> <td>J1</td> <td>PTD.</td> <td>-</td> <td>378</td> <td>3\"/> <tr> <td>380B</td> <td>B</td> <td>1 <td>WD</td> <td>J1</td> <td>PTD.</td> <td>-</td> <td>379</td> <td>3\"/> <tr> <td>382</td> <td>ETR</td> <td>-</td> <td>WD.</td> <td>J2</td> <td>PTD.</td> <td>-</td> <td>380A</td> <td>3\"/> <tr> <td>382A</td> <td>D</td> <td>6 <td>ALUM.</td> <td>ANODIZE D</td> <td>-</td> <td>-</td> <td>380B</td> <td>3\"/> <tr> <td>385</td> <td>ETR</td> <td>-</td> <td>WD.</td> <td>J2</td> <td>PTD.</td> <td>-</td> <td>382</td> <td>3\"/> <tr> <td>386</td> <td>ETR</td> <td>-</td> <td>WD.</td> <td>J2</td> <td>PTD.</td> <td>-</td> <td>382A</td> <td>3\"/> <tr> <td>387</td> <td>ETR</td> <td>-</td> <td>WD.</td> <td>J2</td> <td>PTD.</td> <td>-</td> <td>385</td> <td>3\"/> <tr> <td>388</td> <td>ETR</td> <td>-</td> <td>WD.</td> <td>J2</td> <td>PTD.</td> <td>-</td> <td>386</td> <td>3\"/> <tr> <td>389</td> <td>ETR</td> <td>-</td> <td>WD.</td> <td>J2</td> <td>PTD.</td> <td>-</td> <td>387</td> <td>3\"/> <tr> <td>391</td> <td>ETR</td> <td>-</td> <td>WD.</td> <td>J2</td> <td>PTD.</td> <td>-</td> <td>388</td> <td>3\"/> <tr> <td>391A</td> <td>ETR</td> <td>-</td> <td>WD.</td> <td>J2</td> <td>PTD.</td> <td>-</td> <td>389</td> <td>3\"/> <tr> <td>391B</td> <td>ETR</td> <td>-</td> <td>WD.</td> <td>J2</td> <td>PTD.</td> <td>-</td> <td>391</td> <td>3\"/> <tr> <td>394</td> <td>ETR</td> <td>-</td> <td>WD.</td> <td>J2</td> <td>PTD.</td> <td>-</td> <td>391A</td> <td>3\"/> <tr> <td>395</td> <td>ETR</td> <td>-</td> <td>WD.</td> <td>J2</td> <td>PTD.</td> <td>-</td> <td>391B</td> <td>3\"/> <tr> <td>396</td> <td>ETR</td> <td>-</td> <td>WD.</td> <td>J2</td> <td>PTD.</td> <td>-</td> <td>394</td> <td>3\"/> <tr> <td>398</td> <td>ETR</td> <td>-</td> <td>WD.</td> <td>J2</td> <td>PTD.</td> <td>-</td> <td>395</td> <td>3\"/> <tr> <td>399</td> <td>ETR</td> <td>-</td> <td>WD.</td> <td>J2</td> <td>PTD.</td> <td>-</td> <td>396</td> <td>3\"/> <tr> <td>3991</td> <td>ETR</td> <td>-</td> <td>WD.</td> <td>J2</td> <td>PTD.</td> <td>-</td> <td>398</td> <td>3\"/> <tr> <td>3992</td> <td>A</td> <td>3\"/> <tr> <td>3993</td> <td>ETR</td> <td>-</td> <td>WD.</td> <td>J2</td> <td>PTD.</td> <td>-</td> <td>399</td> <td>3\"/> <tr> <td>3994</td> <td>ETR</td> <td>-</td> <td>WD.</td> <td>J2</td> <td>PTD.</td> <td>-</td> <td>3991</td> <td>3\"/> <tr> <td>3995</td> <td>ETR</td> <td>-</td> <td>WD.</td> <td>J2</td> <td>PTD.</td> <td>-</td> <td>3992</td> <td>3\"/> <tr> <td>3997</td> <td>ETR</td> <td>-</td> <td>WD.</td> <td>J2</td> <td>PTD.</td> <td>-</td> <td>3993</td> <td>3\"/> <tr> <td>3998</td> <td>ETR</td> <td>-</td>
<td>WD.</td> <td>J2</td> <td>PTD.</td> <td>-</td> <td>3994</td> <td>3\"/> <tr> <td>3999</td> <td>ETR</td> <td>-</td> <td>WD.</td> <td>J2</td> <td>PTD.</td> <td>-</td> <td>3995</td> <td>3\"/> <tr> <td>3999</td> <td>ETR</td> <td>-</td> <td>WD.</td> <td>J2</td> <td>PTD.</td> <td>-</td> <td>3997</td> <td>3\"/> </td></tr></td></tr></td></tr></td></tr></td></tr></td></tr></td></tr></td></tr></td></tr></td></tr></td></tr></td></tr></td></tr></td></tr></td></tr></td></tr></td></tr></td></tr></td></tr></td></tr></td></tr></td></tr></td></td></tr></td></tr></td></td></tr></td> | WD | J1 | PTD. | - | 378 | 3\"/> <tr> <td>380B</td> <td>B</td> <td>1 <td>WD</td> <td>J1</td> <td>PTD.</td> <td>-</td> <td>379</td> <td>3\"/> <tr> <td>382</td> <td>ETR</td> <td>-</td> <td>WD.</td> <td>J2</td> <td>PTD.</td> <td>-</td> <td>380A</td> <td>3\"/> <tr> <td>382A</td> <td>D</td> <td>6 <td>ALUM.</td> <td>ANODIZE D</td> <td>-</td> <td>-</td> <td>380B</td> <td>3\"/> <tr> <td>385</td> <td>ETR</td> <td>-</td> <td>WD.</td> <td>J2</td> <td>PTD.</td> <td>-</td> <td>382</td> <td>3\"/> <tr> <td>386</td> <td>ETR</td> <td>-</td> <td>WD.</td> <td>J2</td> <td>PTD.</td> <td>-</td> <td>382A</td> <td>3\"/> <tr> <td>387</td> <td>ETR</td> <td>-</td> <td>WD.</td> <td>J2</td> <td>PTD.</td> <td>-</td> <td>385</td> <td>3\"/> <tr> <td>388</td> <td>ETR</td> <td>-</td> <td>WD.</td> <td>J2</td> <td>PTD.</td> <td>-</td> <td>386</td> <td>3\"/> <tr> <td>389</td> <td>ETR</td> <td>-</td> <td>WD.</td> <td>J2</td> <td>PTD.</td> <td>-</td> <td>387</td> <td>3\"/> <tr> <td>391</td> <td>ETR</td> <td>-</td> <td>WD.</td> <td>J2</td> <td>PTD.</td> <td>-</td> <td>388</td> <td>3\"/> <tr> <td>391A</td> <td>ETR</td> <td>-</td> <td>WD.</td> <td>J2</td> <td>PTD.</td> <td>-</td> <td>389</td> <td>3\"/> <tr> <td>391B</td> <td>ETR</td> <td>-</td> <td>WD.</td> <td>J2</td> <td>PTD.</td> <td>-</td> <td>391</td> <td>3\"/> <tr> <td>394</td> <td>ETR</td> <td>-</td> <td>WD.</td> <td>J2</td> <td>PTD.</td> <td>-</td> <td>391A</td> <td>3\"/> <tr> <td>395</td> <td>ETR</td> <td>-</td> <td>WD.</td> <td>J2</td> <td>PTD.</td> <td>-</td> <td>391B</td> <td>3\"/> <tr> <td>396</td> <td>ETR</td> <td>-</td> <td>WD.</td> <td>J2</td> <td>PTD.</td> <td>-</td> <td>394</td> <td>3\"/> <tr> <td>398</td> <td>ETR</td> <td>-</td> <td>WD.</td> <td>J2</td> <td>PTD.</td> <td>-</td> <td>395</td> <td>3\"/> <tr> <td>399</td> <td>ETR</td> <td>-</td> <td>WD.</td> <td>J2</td> <td>PTD.</td> <td>-</td> <td>396</td> <td>3\"/> <tr> <td>3991</td> <td>ETR</td> <td>-</td> <td>WD.</td> <td>J2</td> <td>PTD.</td> <td>-</td> <td>398</td> <td>3\"/> <tr> <td>3992</td> <td>A</td> <td>3\"/> <tr> <td>3993</td> <td>ETR</td> <td>-</td> <td>WD.</td> <td>J2</td> <td>PTD.</td> <td>-</td> <td>399</td> <td>3\"/> <tr> <td>3994</td> <td>ETR</td> <td>-</td> <td>WD.</td> <td>J2</td> <td>PTD.</td> <td>-</td> <td>3991</td> <td>3\"/> <tr> <td>3995</td> <td>ETR</td> <td>-</td> <td>WD.</td> <td>J2</td> <td>PTD.</td> <td>-</td> <td>3992</td> <td>3\"/> <tr> <td>3997</td> <td>ETR</td> <td>-</td> <td>WD.</td> <td>J2</td> <td>PTD.</td> <td>-</td> <td>3993</td> <td>3\"/> <tr> <td>3998</td> <td>ETR</td> <td>-</td> <td>WD.</td> <td>J2</td> <td>PTD.</td> <td>-</td> <td>3994</td> <td>3\"/> <tr> <td>3999</td> <td>ETR</td> <td>-</td> <td>WD.</td> <td>J2</td> <td>PTD.</td> <td>-</td> <td>3995</td> <td>3\"/> <tr> <td>3999</td> <td>ETR</td> <td>-</td> <td>WD.</td> <td>J2</td> <td>PTD.</td> <td>-</td> <td>3997</td> <td>3\"/> </td></tr></td></tr></td></tr></td></tr></td></tr></td></tr></td></tr></td></tr></td></tr></td></tr></td></tr></td></tr></td></tr></td></tr></td></tr></td></tr></td></tr></td></tr></td></tr></td></tr></td></tr></td></tr></td></td></tr></td></tr></td></td></tr> | 380B | B | 1 <td>WD</td> <td>J1</td> <td>PTD.</td> <td>-</td> <td>379</td> <td>3\"/> <tr> <td>382</td> <td>ETR</td> <td>-</td> <td>WD.</td> <td>J2</td> <td>PTD.</td> <td>-</td> <td>380A</td> <td>3\"/> <tr> <td>382A</td> <td>D</td> <td>6 <td>ALUM.</td> <td>ANODIZE D</td> <td>-</td> <td>-</td> <td>380B</td> <td>3\"/> <tr> <td>385</td> <td>ETR</td> <td>-</td> <td>WD.</td> <td>J2</td> <td>PTD.</td> <td>-</td> <td>382</td> <td>3\"/> <tr> <td>386</td> <td>ETR</td> <td>-</td> <td>WD.</td> <td>J2</td> <td>PTD.</td> <td>-</td> <td>382A</td> <td>3\"/> <tr> <td>387</td> <td>ETR</td> <td>-</td> <td>WD.</td> <td>J2</td> <td>PTD.</td> <td>-</td> <td>385</td> <td>3\"/> <tr> <td>388</td> <td>ETR</td> <td>-</td> <td>WD.</td> <td>J2</td> <td>PTD.</td> <td>-</td> <td>386</td> <td>3\"/> <tr> <td>389</td> <td>ETR</td> <td>-</td> <td>WD.</td> <td>J2</td> <td>PTD.</td> <td>-</td> <td>387</td> <td>3\"/> <tr> <td>391</td> <td>ETR</td> <td>-</td> <td>WD.</td> <td>J2</td> <td>PTD.</td> <td>-</td> <td>388</td> <td>3\"/> <tr> <td>391A</td> <td>ETR</td> <td>-</td> <td>WD.</td> <td>J2</td> <td>PTD.</td> <td>-</td> <td>389</td> <td>3\"/> <tr> <td>391B</td> <td>ETR</td> <td>-</td> <td>WD.</td> <td>J2</td> <td>PTD.</td> <td>-</td> <td>391</td> <td>3\"/> <tr> <td>394</td> <td>ETR</td> <td>-</td> <td>WD.</td> <td>J2</td> <td>PTD.</td> <td>-</td> <td>391A</td> <td>3\"/> <tr> <td>395</td> <td>ETR</td> <td>-</td> <td>WD.</td> <td>J2</td> <td>PTD.</td> <td>-</td> <td>391B</td> <td>3\"/> <tr> <td>396</td> <td>ETR</td> <td>-</td> <td>WD.</td> <td>J2</td> <td>PTD.</td> <td>-</td> <td>394</td> <td>3\"/> <tr> <td>398</td> <td>ETR</td> <td>-</td> <td>WD.</td> <td>J2</td> <td>PTD.</td> <td>-</td> <td>395</td> <td>3\"/>
<tr> <td>399</td> <td>ETR</td> <td>-</td> <td>WD.</td> <td>J2</td> <td>PTD.</td> <td>-</td> <td>396</td> <td>3\"/> <tr> <td>3991</td> <td>ETR</td> <td>-</td> <td>WD.</td> <td>J2</td> <td>PTD.</td> <td>-</td> <td>398</td> <td>3\"/> <tr> <td>3992</td> <td>A</td> <td>3\"/> <tr> <td>3993</td> <td>ETR</td> <td>-</td> <td>WD.</td> <td>J2</td> <td>PTD.</td> <td>-</td> <td>399</td> <td>3\"/> <tr> <td>3994</td> <td>ETR</td> <td>-</td> <td>WD.</td> <td>J2</td> <td>PTD.</td> <td>-</td> <td>3991</td> <td>3\"/> <tr> <td>3995</td> <td>ETR</td> <td>-</td> <td>WD.</td> <td>J2</td> <td>PTD.</td> <td>-</td> <td>3992</td> <td>3\"/> <tr> <td>3997</td> <td>ETR</td> <td>-</td> <td>WD.</td> <td>J2</td> <td>PTD.</td> <td>-</td> <td>3993</td> <td>3\"/> <tr> <td>3998</td> <td>ETR</td> <td>-</td> <td>WD.</td> <td>J2</td> <td>PTD.</td> <td>-</td> <td>3994</td> <td>3\"/> <tr> <td>3999</td> <td>ETR</td> <td>-</td> <td>WD.</td> <td>J2</td> <td>PTD.</td> <td>-</td> <td>3995</td> <td>3\"/> <tr> <td>3999</td> <td>ETR</td> <td>-</td> <td>WD.</td> <td>J2</td> <td>PTD.</td> <td>-</td> <td>3997</td> <td>3\"/> </td></tr></td></tr></td></tr></td></tr></td></tr></td></tr></td></tr></td></tr></td></tr></td></tr></td></tr></td></tr></td></tr></td></tr></td></tr></td></tr></td></tr></td></tr></td></tr></td></tr></td></tr></td></tr></td></td></tr></td></tr></td> | WD | J1 | PTD. | - | 379 | 3\"/> <tr> <td>382</td> <td>ETR</td> <td>-</td> <td>WD.</td> <td>J2</td> <td>PTD.</td> <td>-</td> <td>380A</td> <td>3\"/> <tr> <td>382A</td> <td>D</td> <td>6 <td>ALUM.</td> <td>ANODIZE D</td> <td>-</td> <td>-</td> <td>380B</td> <td>3\"/> <tr> <td>385</td> <td>ETR</td> <td>-</td> <td>WD.</td> <td>J2</td> <td>PTD.</td> <td>-</td> <td>382</td> <td>3\"/> <tr> <td>386</td> <td>ETR</td> <td>-</td> <td>WD.</td> <td>J2</td> <td>PTD.</td> <td>-</td> <td>382A</td> <td>3\"/> <tr> <td>387</td> <td>ETR</td> <td>-</td> <td>WD.</td> <td>J2</td> <td>PTD.</td> <td>-</td> <td>385</td> <td>3\"/> <tr> <td>388</td> <td>ETR</td> <td>-</td> <td>WD.</td> <td>J2</td> <td>PTD.</td> <td>-</td> <td>386</td> <td>3\"/> <tr> <td>389</td> <td>ETR</td> <td>-</td> <td>WD.</td> <td>J2</td> <td>PTD.</td> <td>-</td> <td>387</td> <td>3\"/> <tr> <td>391</td> <td>ETR</td> <td>-</td> <td>WD.</td> <td>J2</td> <td>PTD.</td> <td>-</td> <td>388</td> <td>3\"/> <tr> <td>391A</td> <td>ETR</td> <td>-</td> <td>WD.</td> <td>J2</td> <td>PTD.</td> <td>-</td> <td>389</td> <td>3\"/> <tr> <td>391B</td> <td>ETR</td> <td>-</td> <td>WD.</td> <td>J2</td> <td>PTD.</td> <td>-</td> <td>391</td> <td>3\"/> <tr> <td>394</td> <td>ETR</td> <td>-</td> <td>WD.</td> <td>J2</td> <td>PTD.</td> <td>-</td> <td>391A</td> <td>3\"/> <tr> <td>395</td> <td>ETR</td> <td>-</td> <td>WD.</td> <td>J2</td> <td>PTD.</td> <td>-</td> <td>391B</td> <td>3\"/> <tr> <td>396</td> <td>ETR</td> <td>-</td> <td>WD.</td> <td>J2</td> <td>PTD.</td> <td>-</td> <td>394</td> <td>3\"/> <tr> <td>398</td> <td>ETR</td> <td>-</td> <td>WD.</td> <td>J2</td> <td>PTD.</td> <td>-</td> <td>395</td> <td>3\"/> <tr> <td>399</td> <td>ETR</td> <td>-</td> <td>WD.</td> <td>J2</td> <td>PTD.</td> <td>-</td> <td>396</td> <td>3\"/> <tr> <td>3991</td> <td>ETR</td> <td>-</td> <td>WD.</td> <td>J2</td> <td>PTD.</td> <td>-</td> <td>398</td> <td>3\"/> <tr> <td>3992</td> <td>A</td> <td>3\"/> <tr> <td>3993</td> <td>ETR</td> <td>-</td> <td>WD.</td> <td>J2</td> <td>PTD.</td> <td>-</td> <td>399</td> <td>3\"/> <tr> <td>3994</td> <td>ETR</td> <td>-</td> <td>WD.</td> <td>J2</td> <td>PTD.</td> <td>-</td> <td>3991</td> <td>3\"/> <tr> <td>3995</td> <td>ETR</td> <td>-</td> <td>WD.</td> <td>J2</td> <td>PTD.</td> <td>-</td> <td>3992</td> <td>3\"/> <tr> <td>3997</td> <td>ETR</td> <td>-</td> <td>WD.</td> <td>J2</td> <td>PTD.</td> <td>-</td> <td>3993</td> <td>3\"/> <tr> <td>3998</td> <td>ETR</td> <td>-</td> <td>WD.</td> <td>J2</td> <td>PTD.</td> <td>-</td> <td>3994</td> <td>3\"/> <tr> <td>3999</td> <td>ETR</td> <td>-</td> <td>WD.</td> <td>J2</td> <td>PTD.</td> <td>-</td> <td>3995</td> <td>3\"/> <tr> <td>3999</td> <td>ETR</td> <td>-</td> <td>WD.</td> <td>J2</td> <td>PTD.</td> <td>-</td> <td>3997</td> <td>3\"/> </td></tr></td></tr></td></tr></td></tr></td></tr></td></tr></td></tr></td></tr></td></tr></td></tr></td></tr></td></tr></td></tr></td></tr></td></tr></td></tr></td></tr></td></tr></td></tr></td></tr></td></tr></td></tr></td></td></tr></td></tr> | 382 | ETR | -
 | WD. | J2 | PTD. | - | 380A | 3\"/> <tr> <td>382A</td> <td>D</td> <td>6 <td>ALUM.</td> <td>ANODIZE D</td> <td>-</td> <td>-</td> <td>380B</td> <td>3\"/> <tr> <td>385</td> <td>ETR</td> <td>-</td> <td>WD.</td> <td>J2</td> <td>PTD.</td> <td>-</td> <td>382</td> <td>3\"/> <tr> <td>386</td> <td>ETR</td> <td>-</td> <td>WD.</td> <td>J2</td> <td>PTD.</td> <td>-</td> <td>382A</td> <td>3\"/> <tr> <td>387</td> <td>ETR</td> <td>-</td> <td>WD.</td> <td>J2</td> <td>PTD.</td> <td>-</td> <td>385</td> <td>3\"/> <tr> <td>388</td> <td>ETR</td> <td>-</td> <td>WD.</td> <td>J2</td> <td>PTD.</td> <td>-</td> <td>386</td> <td>3\"/> <tr> <td>389</td>
<td>ETR</td> <td>-</td> <td>WD.</td> <td>J2</td> <td>PTD.</td> <td>-</td> <td>387</td> <td>3\"/> <tr> <td>391</td> <td>ETR</td> <td>-</td> <td>WD.</td> <td>J2</td> <td>PTD.</td> <td>-</td> <td>388</td> <td>3\"/> <tr> <td>391A</td> <td>ETR</td> <td>-</td> <td>WD.</td> <td>J2</td> <td>PTD.</td> <td>-</td> <td>389</td> <td>3\"/> <tr> <td>391B</td> <td>ETR</td> <td>-</td> <td>WD.</td> <td>J2</td> <td>PTD.</td> <td>-</td> <td>391</td> <td>3\"/> <tr> <td>394</td> <td>ETR</td> <td>-</td> <td>WD.</td> <td>J2</td> <td>PTD.</td> <td>-</td> <td>391A</td> <td>3\"/> <tr> <td>395</td> <td>ETR</td> <td>-</td> <td>WD.</td> <td>J2</td> <td>PTD.</td> <td>-</td> <td>391B</td> <td>3\"/> <tr> <td>396</td> <td>ETR</td> <td>-</td> <td>WD.</td> <td>J2</td> <td>PTD.</td> <td>-</td> <td>394</td> <td>3\"/> <tr> <td>398</td> <td>ETR</td> <td>-</td> <td>WD.</td> <td>J2</td> <td>PTD.</td> <td>-</td> <td>395</td> <td>3\"/> <tr> <td>399</td> <td>ETR</td> <td>-</td> <td>WD.</td> <td>J2</td> <td>PTD.</td> <td>-</td> <td>396</td> <td>3\"/> <tr> <td>3991</td> <td>ETR</td> <td>-</td> <td>WD.</td> <td>J2</td> <td>PTD.</td> <td>-</td> <td>398</td> <td>3\"/> <tr> <td>3992</td> <td>A</td> <td>3\"/> <tr> <td>3993</td> <td>ETR</td> <td>-</td> <td>WD.</td> <td>J2</td> <td>PTD.</td> <td>-</td> <td>399</td> <td>3\"/> <tr> <td>3994</td> <td>ETR</td> <td>-</td> <td>WD.</td> <td>J2</td> <td>PTD.</td> <td>-</td> <td>3991</td> <td>3\"/> <tr> <td>3995</td> <td>ETR</td> <td>-</td> <td>WD.</td> <td>J2</td> <td>PTD.</td> <td>-</td> <td>3992</td> <td>3\"/> <tr> <td>3997</td> <td>ETR</td> <td>-</td> <td>WD.</td> <td>J2</td> <td>PTD.</td> <td>-</td> <td>3993</td> <td>3\"/> <tr> <td>3998</td> <td>ETR</td> <td>-</td> <td>WD.</td> <td>J2</td> <td>PTD.</td> <td>-</td> <td>3994</td> <td>3\"/> <tr> <td>3999</td> <td>ETR</td> <td>-</td> <td>WD.</td> <td>J2</td> <td>PTD.</td> <td>-</td> <td>3995</td> <td>3\"/> <tr> <td>3999</td> <td>ETR</td> <td>-</td> <td>WD.</td> <td>J2</td> <td>PTD.</td> <td>-</td> <td>3997</td> <td>3\"/> </td></tr></td></tr></td></tr></td></tr></td></tr></td></tr></td></tr></td></tr></td></tr></td></tr></td></tr></td></tr></td></tr></td></tr></td></tr></td></tr></td></tr></td></tr></td></tr></td></tr></td></tr></td></tr></td></td></tr> | 382A | D | 6 <td>ALUM.</td> <td>ANODIZE D</td> <td>-</td> <td>-</td> <td>380B</td> <td>3\"/> <tr> <td>385</td> <td>ETR</td> <td>-</td> <td>WD.</td> <td>J2</td> <td>PTD.</td> <td>-</td> <td>382</td> <td>3\"/> <tr> <td>386</td> <td>ETR</td> <td>-</td> <td>WD.</td> <td>J2</td> <td>PTD.</td> <td>-</td> <td>382A</td> <td>3\"/> <tr> <td>387</td> <td>ETR</td> <td>-</td> <td>WD.</td> <td>J2</td> <td>PTD.</td> <td>-</td> <td>385</td> <td>3\"/> <tr> <td>388</td> <td>ETR</td> <td>-</td> <td>WD.</td> <td>J2</td> <td>PTD.</td> <td>-</td> <td>386</td> <td>3\"/> <tr> <td>389</td> <td>ETR</td> <td>-</td> <td>WD.</td> <td>J2</td> <td>PTD.</td> <td>-</td> <td>387</td> <td>3\"/> <tr> <td>391</td> <td>ETR</td> <td>-</td> <td>WD.</td> <td>J2</td> <td>PTD.</td> <td>-</td> <td>388</td> <td>3\"/> <tr> <td>391A</td> <td>ETR</td> <td>-</td> <td>WD.</td> <td>J2</td> <td>PTD.</td> <td>-</td> <td>389</td> <td>3\"/> <tr> <td>391B</td> <td>ETR</td> <td>-</td> <td>WD.</td> <td>J2</td> <td>PTD.</td> <td>-</td> <td>391</td> <td>3\"/> <tr> <td>394</td> <td>ETR</td> <td>-</td> <td>WD.</td> <td>J2</td> <td>PTD.</td> <td>-</td> <td>391A</td> <td>3\"/> <tr> <td>395</td> <td>ETR</td> <td>-</td> <td>WD.</td> <td>J2</td> <td>PTD.</td> <td>-</td> <td>391B</td> <td>3\"/> <tr> <td>396</td> <td>ETR</td> <td>-</td> <td>WD.</td> <td>J2</td> <td>PTD.</td> <td>-</td> <td>394</td> <td>3\"/> <tr> <td>398</td> <td>ETR</td> <td>-</td> <td>WD.</td> <td>J2</td> <td>PTD.</td> <td>-</td> <td>395</td> <td>3\"/> <tr> <td>399</td> <td>ETR</td> <td>-</td> <td>WD.</td> <td>J2</td> <td>PTD.</td> <td>-</td> <td>396</td> <td>3\"/> <tr> <td>3991</td> <td>ETR</td> <td>-</td> <td>WD.</td> <td>J2</td> <td>PTD.</td> <td>-</td> <td>398</td> <td>3\"/> <tr> <td>3992</td> <td>A</td> <td>3\"/> <tr> <td>3993</td> <td>ETR</td> <td>-</td> <td>WD.</td> <td>J2</td> <td>PTD.</td> <td>-</td> <td>399</td> <td>3\"/> <tr> <td>3994</td> <td>ETR</td> <td>-</td> <td>WD.</td> <td>J2</td> <td>PTD.</td> <td>-</td> <td>3991</td> <td>3\"/> <tr> <td>3995</td> <td>ETR</td> <td>-</td> <td>WD.</td> <td>J2</td> <td>PTD.</td> <td>-</td> <td>3992</td> <td>3\"/> <tr> <td>3997</td> <td>ETR</td> <td>-</td> <td>WD.</td> <td>J2</td> <td>PTD.</td> <td>-</td> <td>3993</td> <td>3\"/> <tr> <td>3998</td> <td>ETR</td> <td>-</td> <td>WD.</td> <td>J2</td> <td>PTD.</td> <td>-</td> <td>3994</td> <td>3\"/> <tr> <td>3999</td> <td>ETR</td> <td>-</td> <td>WD.</td> <td>J2</td> <td>PTD.</td> <td>-</td> <td>3995</td> <td>3\"/> <tr> <td>3999</td> <td>ETR</td> <td>-</td> <td>WD.</td> <td>J2</td> <td>PTD.</td> <td>-</td> <td>3997</td> <td>3\"/> </td></tr></td></tr></td></tr></td></tr></td></tr></td></tr></td></tr></td></tr></td></tr></td></tr></td></tr></td></tr></td></tr></td></tr></td></tr></td></tr></td></tr></td></tr></td></tr></td></tr></td></tr></td></tr></td> | ALUM. | ANODIZE D | - | - | 380B | 3\"/> <tr> <td>385</td> <td>ETR</td> <td>-</td> <td>WD.</td> <td>J2</td> <td>PTD.</td> <td>-</td> <td>382</td> <td>3\"/> <tr> <td>386</td> <td>ETR</td> <td>-</td> <td>WD.</td> <td>J2</td> <td>PTD.</td> <td>-</td> <td>382A</td> <td>3\"/> <tr> <td>387</td> <td>ETR</td> <td>-</td> <td>WD.</td> <td>J2</td> <td>PTD.</td> <td>-</td>
<td>385</td> <td>3\"/> <tr> <td>388</td> <td>ETR</td> <td>-</td> <td>WD.</td> <td>J2</td> <td>PTD.</td> <td>-</td> <td>386</td> <td>3\"/> <tr> <td>389</td> <td>ETR</td> <td>-</td> <td>WD.</td> <td>J2</td> <td>PTD.</td> <td>-</td> <td>387</td> <td>3\"/> <tr> <td>391</td> <td>ETR</td> <td>-</td> <td>WD.</td> <td>J2</td> <td>PTD.</td> <td>-</td> <td>388</td> <td>3\"/> <tr> <td>391A</td> <td>ETR</td> <td>-</td> <td>WD.</td> <td>J2</td> <td>PTD.</td> <td>-</td> <td>389</td> <td>3\"/> <tr> <td>391B</td> <td>ETR</td> <td>-</td> <td>WD.</td> <td>J2</td> <td>PTD.</td> <td>-</td> <td>391</td> <td>3\"/> <tr> <td>394</td> <td>ETR</td> <td>-</td> <td>WD.</td> <td>J2</td> <td>PTD.</td> <td>-</td> <td>391A</td> <td>3\"/> <tr> <td>395</td> <td>ETR</td> <td>-</td> <td>WD.</td> <td>J2</td> <td>PTD.</td> <td>-</td> <td>391B</td> <td>3\"/> <tr> <td>396</td> <td>ETR</td> <td>-</td> <td>WD.</td> <td>J2</td> <td>PTD.</td> <td>-</td> <td>394</td> <td>3\"/> <tr> <td>398</td> <td>ETR</td> <td>-</td> <td>WD.</td> <td>J2</td> <td>PTD.</td> <td>-</td> <td>395</td> <td>3\"/> <tr> <td>399</td> <td>ETR</td> <td>-</td> <td>WD.</td> <td>J2</td> <td>PTD.</td> <td>-</td> <td>396</td> <td>3\"/> <tr> <td>3991</td> <td>ETR</td> <td>-</td> <td>WD.</td> <td>J2</td> <td>PTD.</td> <td>-</td> <td>398</td> <td>3\"/> <tr> <td>3992</td> <td>A</td> <td>3\"/> <tr> <td>3993</td> <td>ETR</td> <td>-</td> <td>WD.</td> <td>J2</td> <td>PTD.</td> <td>-</td> <td>399</td> <td>3\"/> <tr> <td>3994</td> <td>ETR</td> <td>-</td> <td>WD.</td> <td>J2</td> <td>PTD.</td> <td>-</td> <td>3991</td> <td>3\"/> <tr> <td>3995</td> <td>ETR</td> <td>-</td> <td>WD.</td> <td>J2</td> <td>PTD.</td> <td>-</td> <td>3992</td> <td>3\"/> <tr> <td>3997</td> <td>ETR</td> <td>-</td> <td>WD.</td> <td>J2</td> <td>PTD.</td> <td>-</td> <td>3993</td> <td>3\"/> <tr> <td>3998</td> <td>ETR</td> <td>-</td> <td>WD.</td> <td>J2</td> <td>PTD.</td> <td>-</td> <td>3994</td> <td>3\"/> <tr> <td>3999</td> <td>ETR</td> <td>-</td> <td>WD.</td> <td>J2</td> <td>PTD.</td> <td>-</td> <td>3995</td> <td>3\"/> <tr> <td>3999</td> <td>ETR</td> <td>-</td> <td>WD.</td> <td>J2</td> <td>PTD.</td> <td>-</td> <td>3997</td> <td>3\"/> </td></tr></td></tr></td></tr></td></tr></td></tr></td></tr></td></tr></td></tr></td></tr></td></tr></td></tr></td></tr></td></tr></td></tr></td></tr></td></tr></td></tr></td></tr></td></tr></td></tr></td></tr></td></tr> | 385 | ETR | - | WD. | J2 | PTD. | - | 382 | 3\"/> <tr> <td>386</td> <td>ETR</td> <td>-</td> <td>WD.</td> <td>J2</td> <td>PTD.</td> <td>-</td> <td>382A</td> <td>3\"/> <tr> <td>387</td> <td>ETR</td> <td>-</td> <td>WD.</td> <td>J2</td> <td>PTD.</td> <td>-</td> <td>385</td> <td>3\"/> <tr> <td>388</td> <td>ETR</td> <td>-</td> <td>WD.</td> <td>J2</td>
<td>PTD.</td> <td>-</td> <td>386</td> <td>3\"/> <tr> <td>389</td> <td>ETR</td> <td>-</td> <td>WD.</td> <td>J2</td> <td>PTD.</td> <td>-</td> <td>387</td> <td>3\"/> <tr> <td>391</td> <td>ETR</td> <td>-</td> <td>WD.</td> <td>J2</td> <td>PTD.</td> <td>-</td> <td>388</td> <td>3\"/> <tr> <td>391A</td> <td>ETR</td> <td>-</td> <td>WD.</td> <td>J2</td> <td>PTD.</td> <td>-</td> <td>389</td> <td>3\"/> <tr> <td>391B</td> <td>ETR</td> <td>-</td> <td>WD.</td> <td>J2</td> <td>PTD.</td> <td>-</td> <td>391</td> <td>3\"/> <tr> <td>394</td> <td>ETR</td> <td>-</td> <td>WD.</td> <td>J2</td> <td>PTD.</td> <td>-</td> <td>391A</td> <td>3\"/> <tr> <td>395</td> <td>ETR</td> <td>-</td> <td>WD.</td> <td>J2</td> <td>PTD.</td> <td>-</td> <td>391B</td> <td>3\"/> <tr> <td>396</td> <td>ETR</td> <td>-</td> <td>WD.</td> <td>J2</td> <td>PTD.</td> <td>-</td> <td>394</td> <td>3\"/> <tr> <td>398</td> <td>ETR</td> <td>-</td> <td>WD.</td> <td>J2</td> <td>PTD.</td> <td>-</td> <td>395</td> <td>3\"/> <tr> <td>399</td> <td>ETR</td> <td>-</td> <td>WD.</td> <td>J2</td> <td>PTD.</td> <td>-</td> <td>396</td> <td>3\"/> <tr> <td>3991</td> <td>ETR</td> <td>-</td> <td>WD.</td> <td>J2</td> <td>PTD.</td> <td>-</td> <td>398</td> <td>3\"/> <tr> <td>3992</td> <td>A</td> <td>3\"/> <tr> <td>3993</td> <td>ETR</td> <td>-</td> <td>WD.</td> <td>J2</td> <td>PTD.</td> <td>-</td> <td>399</td> <td>3\"/> <tr> <td>3994</td> <td>ETR</td> <td>-</td> <td>WD.</td> <td>J2</td> <td>PTD.</td> <td>-</td> <td>3991</td> <td>3\"/> <tr> <td>3995</td> <td>ETR</td> <td>-</td> <td>WD.</td> <td>J2</td> <td>PTD.</td> <td>-</td> <td>3992</td> <td>3\"/> <tr> <td>3997</td> <td>ETR</td> <td>-</td> <td>WD.</td> <td>J2</td> <td>PTD.</td> <td>-</td> <td>3993</td> <td>3\"/> <tr> <td>3998</td> <td>ETR</td> <td>-</td> <td>WD.</td> <td>J2</td> <td>PTD.</td> <td>-</td> <td>3994</td> <td>3\"/> <tr> <td>3999</td> <td>ETR</td> <td>-</td> <td>WD.</td> <td>J2</td> <td>PTD.</td> <td>-</td> <td>3995</td> <td>3\"/> <tr> <td>3999</td> <td>ETR</td> <td>-</td> <td>WD.</td> <td>J2</td> <td>PTD.</td> <td>-</td> <td>3997</td> <td>3\"/> </td></tr></td></tr></td></tr></td></tr></td></tr></td></tr></td></tr></td></tr></td></tr></td></tr></td></tr></td></tr></td></tr></td></tr></td></tr></td></tr></td></tr></td></tr></td></tr></td></tr></td></tr> | 386 | ETR | - | WD. | J2 | PTD. | - | 382A | 3\"/> <tr> <td>387</td> <td>ETR</td> <td>-</td> <td>WD.</td> <td>J2</td> <td>PTD.</td> <td>-</td> <td>385</td> <td>3\"/> <tr> <td>388</td> <td>ETR</td> <td>-</td> <td>WD.</td> <td>J2</td> <td>PTD.</td> <td>-</td> <td>386</td> <td>3\"/> <tr> <td>389</td> <td>ETR</td> <td>-</td> <td>WD.</td> <td>J2</td> <td>PTD.</td> <td>-</td> <td>387</td> <td>3\"/> <tr> <td>391</td> <td>ETR</td> <td>-</td> <td>WD.</td> <td>J2</td> <td>PTD.</td> <td>-</td> <td>388</td> <td>3\"/> <tr> <td>391A</td> <td>ETR</td> <td>-</td> <td>WD.</td> <td>J2</td>
<td>PTD.</td> <td>-</td> <td>389</td> <td>3\"/> <tr> <td>391B</td> <td>ETR</td> <td>-</td> <td>WD.</td> <td>J2</td> <td>PTD.</td> <td>-</td> <td>391</td> <td>3\"/> <tr> <td>394</td> <td>ETR</td> <td>-</td> <td>WD.</td> <td>J2</td> <td>PTD.</td> <td>-</td> <td>391A</td> <td>3\"/> <tr> <td>395</td> <td>ETR</td> <td>-</td> <td>WD.</td> <td>J2</td> <td>PTD.</td> <td>-</td> <td>391B</td> <td>3\"/> <tr> <td>396</td> <td>ETR</td> <td>-</td> <td>WD.</td> <td>J2</td> <td>PTD.</td> <td>-</td> <td>394</td> <td>3\"/> <tr> <td>398</td> <td>ETR</td> <td>-</td> <td>WD.</td> <td>J2</td> <td>PTD.</td> <td>-</td> <td>395</td> <td>3\"/> <tr> <td>399</td> <td>ETR</td> <td>-</td> <td>WD.</td> <td>J2</td> <td>PTD.</td> <td>-</td> <td>396</td> <td>3\"/> <tr> <td>3991</td> <td>ETR</td> <td>-</td> <td>WD.</td> <td>J2</td> <td>PTD.</td> <td>-</td> <td>398</td> <td>3\"/> <tr> <td>3992</td> <td>A</td> <td>3\"/> <tr> <td>3993</td> <td>ETR</td> <td>-</td> <td>WD.</td> <td>J2</td> <td>PTD.</td> <td>-</td> <td>399</td> <td>3\"/> <tr> <td>3994</td> <td>ETR</td> <td>-</td> <td>WD.</td> <td>J2</td> <td>PTD.</td> <td>-</td> <td>3991</td> <td>3\"/> <tr> <td>3995</td> <td>ETR</td> <td>-</td> <td>WD.</td> <td>J2</td> <td>PTD.</td> <td>-</td> <td>3992</td> <td>3\"/> <tr> <td>3997</td> <td>ETR</td> <td>-</td> <td>WD.</td> <td>J2</td> <td>PTD.</td> <td>-</td> <td>3993</td> <td>3\"/> <tr> <td>3998</td> <td>ETR</td> <td>-</td> <td>WD.</td> <td>J2</td> <td>PTD.</td> <td>-</td> <td>3994</td> <td>3\"/> <tr> <td>3999</td> <td>ETR</td> <td>-</td> <td>WD.</td> <td>J2</td> <td>PTD.</td> <td>-</td> <td>3995</td> <td>3\"/> <tr> <td>3999</td> <td>ETR</td> <td>-</td> <td>WD.</td> <td>J2</td> <td>PTD.</td> <td>-</td> <td>3997</td> <td>3\"/> </td></tr></td></tr></td></tr></td></tr></td></tr></td></tr></td></tr></td></tr></td></tr></td></tr></td></tr></td></tr></td></tr></td></tr></td></tr></td></tr></td></tr></td></tr></td></tr></td></tr> | 387 | ETR | - | WD. | J2 | PTD. | - | 385 | 3\"/> <tr> <td>388</td> <td>ETR</td> <td>-</td> <td>WD.</td> <td>J2</td> <td>PTD.</td> <td>-</td> <td>386</td> <td>3\"/> <tr> <td>389</td> <td>ETR</td> <td>-</td> <td>WD.</td> <td>J2</td> <td>PTD.</td> <td>-</td> <td>387</td> <td>3\"/> <tr> <td>391</td> <td>ETR</td> <td>-</td> <td>WD.</td> <td>J2</td> <td>PTD.</td> <td>-</td> <td>388</td> <td>3\"/> <tr> <td>391A</td> <td>ETR</td> <td>-</td> <td>WD.</td> <td>J2</td> <td>PTD.</td> <td>-</td> <td>389</td> <td>3\"/> <tr> <td>391B</td> <td>ETR</td> <td>-</td> <td>WD.</td> <td>J2</td> <td>PTD.</td> <td>-</td> <td>391</td> <td>3\"/> <tr> <td>394</td> <td>ETR</td> <td>-</td> <td>WD.</td> <td>J2</td> <td>PTD.</td> <td>-</td> <td>391A</td> <td>3\"/> <tr> <td>395</td> <td>ETR</td> <td>-</td> <td>WD.</td> <td>J2</td> <td>PTD.</td> <td>-</td> <td>391B</td> <td>3\"/> <tr> <td>396</td> <td>ETR</td> <td>-</td> <td>WD.</td> <td>J2</td> <td>PTD.</td> <td>-</td> <td>394</td> <td>3\"/> <tr> <td>398</td> <td>ETR</td> <td>-</td> <td>WD.</td> <td>J2</td> <td>PTD.</td>
<td>-</td> <td>395</td> <td>3\"/> <tr> <td>399</td> <td>ETR</td> <td>-</td> <td>WD.</td> <td>J2</td> <td>PTD.</td> <td>-</td> <td>396</td> <td>3\"/> <tr> <td>3991</td> <td>ETR</td> <td>-</td> <td>WD.</td> <td>J2</td> <td>PTD.</td> <td>-</td> <td>398</td> <td>3\"/> <tr> <td>3992</td> <td>A</td> <td>3\"/> <tr> <td>3993</td> <td>ETR</td> <td>-</td> <td>WD.</td> <td>J2</td> <td>PTD.</td> <td>-</td> <td>399</td> <td>3\"/> <tr> <td>3994</td> <td>ETR</td> <td>-</td> <td>WD.</td> <td>J2</td> <td>PTD.</td> <td>-</td> <td>3991</td> <td>3\"/> <tr> <td>3995</td> <td>ETR</td> <td>-</td> <td>WD.</td> <td>J2</td> <td>PTD.</td> <td>-</td> <td>3992</td> <td>3\"/> <tr> <td>3997</td> <td>ETR</td> <td>-</td> <td>WD.</td> <td>J2</td> <td>PTD.</td> <td>-</td> <td>3993</td> <td>3\"/> <tr> <td>3998</td> <td>ETR</td> <td>-</td> <td>WD.</td> <td>J2</td> <td>PTD.</td> <td>-</td> <td>3994</td> <td>3\"/> <tr> <td>3999</td> <td>ETR</td> <td>-</td> <td>WD.</td> <td>J2</td> <td>PTD.</td> <td>-</td> <td>3995</td> <td>3\"/> <tr> <td>3999</td> <td>ETR</td> <td>-</td> <td>WD.</td> <td>J2</td> <td>PTD.</td> <td>-</td> <td>3997</td> <td>3\"/> </td></tr></td></tr></td></tr></td></tr></td></tr></td></tr></td></tr></td></tr></td></tr></td></tr></td></tr></td></tr></td></tr></td></tr></td></tr></td></tr></td></tr></td></tr></td></tr> | 388 | ETR | - | WD. | J2 | PTD.
 | - | 386 | 3\"/> <tr> <td>389</td> <td>ETR</td> <td>-</td> <td>WD.</td> <td>J2</td> <td>PTD.</td> <td>-</td> <td>387</td> <td>3\"/> <tr> <td>391</td> <td>ETR</td> <td>-</td> <td>WD.</td> <td>J2</td> <td>PTD.</td> <td>-</td> <td>388</td> <td>3\"/> <tr> <td>391A</td> <td>ETR</td> <td>-</td> <td>WD.</td> <td>J2</td> <td>PTD.</td> <td>-</td> <td>389</td> <td>3\"/> <tr> <td>391B</td> <td>ETR</td> <td>-</td> <td>WD.</td> <td>J2</td> <td>PTD.</td> <td>-</td> <td>391</td> <td>3\"/> <tr> <td>394</td> <td>ETR</td> <td>-</td> <td>WD.</td> <td>J2</td> <td>PTD.</td> <td>-</td> <td>391A</td> <td>3\"/> <tr> <td>395</td> <td>ETR</td> <td>-</td> <td>WD.</td> <td>J2</td> <td>PTD.</td> <td>-</td> <td>391B</td> <td>3\"/> <tr> <td>396</td> <td>ETR</td> <td>-</td> <td>WD.</td> <td>J2</td> <td>PTD.</td> <td>-</td> <td>394</td> <td>3\"/> <tr> <td>398</td> <td>ETR</td> <td>-</td> <td>WD.</td> <td>J2</td> <td>PTD.</td> <td>-</td> <td>395</td> <td>3\"/> <tr> <td>399</td> <td>ETR</td> <td>-</td> <td>WD.</td> <td>J2</td> <td>PTD.</td> <td>-</td> <td>396</td> <td>3\"/> <tr> <td>3991</td> <td>ETR</td> <td>-</td> <td>WD.</td> <td>J2</td> <td>PTD.</td> <td>-</td> <td>398</td> <td>3\"/> <tr> <td>3992</td> <td>A</td> <td>3\"/> <tr> <td>3993</td> <td>ETR</td> <td>-</td> <td>WD.</td> <td>J2</td> <td>PTD.</td> <td>-</td> <td>399</td> <td>3\"/> <tr> <td>3994</td> <td>ETR</td> <td>-</td> <td>WD.</td> <td>J2</td> <td>PTD.</td> <td>-</td> <td>3991</td> <td>3\"/> <tr> <td>3995</td> <td>ETR</td> <td>-</td> <td>WD.</td> <td>J2</td> <td>PTD.</td> <td>-</td> <td>3992</td> <td>3\"/> <tr> <td>3997</td> <td>ETR</td> <td>-</td> <td>WD.</td> <td>J2</td> <td>PTD.</td> <td>-</td> <td>3993</td> <td>3\"/> <tr> <td>3998</td> <td>ETR</td> <td>-</td> <td>WD.</td> <td>J2</td> <td>PTD.</td> <td>-</td> <td>3994</td> <td>3\"/> <tr> <td>3999</td> <td>ETR</td> <td>-</td> <td>WD.</td> <td>J2</td> <td>PTD.</td> <td>-</td> <td>3995</td> <td>3\"/> <tr> <td>3999</td> <td>ETR</td> <td>-</td> <td>WD.</td> <td>J2</td> <td>PTD.</td> <td>-</td> <td>3997</td> <td>3\"/> </td></tr></td></tr></td></tr></td></tr></td></tr></td></tr></td></tr></td></tr></td></tr></td></tr></td></tr></td></tr></td></tr></td></tr></td></tr></td></tr></td></tr></td></tr> | 389 | ETR | -
 | WD. | J2 | PTD. | - | 387 | 3\"/> <tr> <td>391</td> <td>ETR</td> <td>-</td> <td>WD.</td> <td>J2</td> <td>PTD.</td> <td>-</td> <td>388</td> <td>3\"/> <tr> <td>391A</td> <td>ETR</td> <td>-</td> <td>WD.</td> <td>J2</td> <td>PTD.</td> <td>-</td> <td>389</td> <td>3\"/> <tr> <td>391B</td> <td>ETR</td> <td>-</td> <td>WD.</td> <td>J2</td> <td>PTD.</td> <td>-</td> <td>391</td> <td>3\"/> <tr> <td>394</td> <td>ETR</td> <td>-</td> <td>WD.</td> <td>J2</td> <td>PTD.</td> <td>-</td> <td>391A</td> <td>3\"/> <tr> <td>395</td> <td>ETR</td> <td>-</td> <td>WD.</td> <td>J2</td> <td>PTD.</td> <td>-</td> <td>391B</td> <td>3\"/> <tr> <td>396</td> <td>ETR</td> <td>-</td> <td>WD.</td> <td>J2</td> <td>PTD.</td> <td>-</td> <td>394</td> <td>3\"/> <tr> <td>398</td> <td>ETR</td> <td>-</td> <td>WD.</td> <td>J2</td> <td>PTD.</td> <td>-</td> <td>395</td> <td>3\"/> <tr> <td>399</td> <td>ETR</td> <td>-</td> <td>WD.</td> <td>J2</td> <td>PTD.</td> <td>-</td> <td>396</td> <td>3\"/> <tr> <td>3991</td> <td>ETR</td> <td>-</td> <td>WD.</td> <td>J2</td> <td>PTD.</td> <td>-</td> <td>398</td> <td>3\"/> <tr> <td>3992</td> <td>A</td> <td>3\"/> <tr> <td>3993</td> <td>ETR</td> <td>-</td> <td>WD.</td> <td>J2</td> <td>PTD.</td> <td>-</td> <td>399</td> <td>3\"/> <tr> <td>3994</td> <td>ETR</td> <td>-</td> <td>WD.</td> <td>J2</td> <td>PTD.</td> <td>-</td> <td>3991</td> <td>3\"/> <tr> <td>3995</td> <td>ETR</td> <td>-</td> <td>WD.</td> <td>J2</td> <td>PTD.</td> <td>-</td> <td>3992</td> <td>3\"/> <tr> <td>3997</td> <td>ETR</td> <td>-</td> <td>WD.</td> <td>J2</td> <td>PTD.</td> <td>-</td> <td>3993</td> <td>3\"/> <tr> <td>3998</td> <td>ETR</td> <td>-</td> <td>WD.</td> <td>J2</td> <td>PTD.</td> <td>-</td> <td>3994</td> <td>3\"/> <tr> <td>3999</td> <td>ETR</td> <td>-</td> <td>WD.</td> <td>J2</td> <td>PTD.</td> <td>-</td> <td>3995</td> <td>3\"/> <tr> <td>3999</td> <td>ETR</td> <td>-</td> <td>WD.</td> <td>J2</td> <td>PTD.</td> <td>-</td> <td>3997</td> <td>3\"/> </td></tr></td></tr></td></tr></td></tr></td></tr></td></tr></td></tr></td></tr></td></tr></td></tr></td></tr></td></tr></td></tr></td></tr></td></tr></td></tr></td></tr> | 391 | ETR | -
 | WD. | J2 | PTD. | - | 388 | 3\"/> <tr> <td>391A</td> <td>ETR</td> <td>-</td> <td>WD.</td> <td>J2</td> <td>PTD.</td> <td>-</td> <td>389</td> <td>3\"/> <tr> <td>391B</td> <td>ETR</td> <td>-</td> <td>WD.</td> <td>J2</td> <td>PTD.</td> <td>-</td> <td>391</td> <td>3\"/> <tr> <td>394</td> <td>ETR</td> <td>-</td> <td>WD.</td> <td>J2</td> <td>PTD.</td> <td>-</td> <td>391A</td> <td>3\"/> <tr> <td>395</td> <td>ETR</td> <td>-</td> <td>WD.</td> <td>J2</td> <td>PTD.</td> <td>-</td> <td>391B</td> <td>3\"/> <tr> <td>396</td> <td>ETR</td> <td>-</td> <td>WD.</td> <td>J2</td> <td>PTD.</td> <td>-</td> <td>394</td> <td>3\"/> <tr> <td>398</td> <td>ETR</td> <td>-</td> <td>WD.</td> <td>J2</td> <td>PTD.</td> <td>-</td> <td>395</td> <td>3\"/> <tr> <td>399</td> <td>ETR</td> <td>-</td> <td>WD.</td> <td>J2</td> <td>PTD.</td> <td>-</td> <td>396</td> <td>3\"/> <tr> <td>3991</td> <td>ETR</td> <td>-</td> <td>WD.</td> <td>J2</td> <td>PTD.</td> <td>-</td> <td>398</td> <td>3\"/> <tr> <td>3992</td> <td>A</td> <td>3\"/> <tr> <td>3993</td> <td>ETR</td> <td>-</td> <td>WD.</td> <td>J2</td> <td>PTD.</td> <td>-</td> <td>399</td> <td>3\"/> <tr> <td>3994</td> <td>ETR</td> <td>-</td> <td>WD.</td> <td>J2</td> <td>PTD.</td> <td>-</td> <td>3991</td> <td>3\"/> <tr> <td>3995</td> <td>ETR</td> <td>-</td> <td>WD.</td> <td>J2</td> <td>PTD.</td> <td>-</td> <td>3992</td> <td>3\"/> <tr> <td>3997</td> <td>ETR</td> <td>-</td> <td>WD.</td> <td>J2</td> <td>PTD.</td> <td>-</td> <td>3993</td> <td>3\"/> <tr> <td>3998</td> <td>ETR</td> <td>-</td> <td>WD.</td> <td>J2</td> <td>PTD.</td> <td>-</td> <td>3994</td> <td>3\"/> <tr> <td>3999</td> <td>ETR</td> <td>-</td> <td>WD.</td> <td>J2</td> <td>PTD.</td> <td>-</td> <td>3995</td> <td>3\"/> <tr> <td>3999</td> <td>ETR</td> <td>-</td> <td>WD.</td> <td>J2</td> <td>PTD.</td> <td>-</td> <td>3997</td> <td>3\"/> </td></tr></td></tr></td></tr></td></tr></td></tr></td></tr></td></tr></td></tr></td></tr></td></tr></td></tr></td></tr></td></tr></td></tr></td></tr></td></tr> | 391A | ETR | - | WD. | J2 | PTD. | - | 389 | 3\"/> <tr> <td>391B</td> <td>ETR</td> <td>-</td> <td>WD.</td> <td>J2</td> <td>PTD.</td> <td>-</td> <td>391</td> <td>3\"/> <tr> <td>394</td> <td>ETR</td> <td>-</td> <td>WD.</td> <td>J2</td> <td>PTD.</td> <td>-</td> <td>391A</td> <td>3\"/> <tr> <td>395</td> <td>ETR</td> <td>-</td> <td>WD.</td> <td>J2</td> <td>PTD.</td> <td>-</td> <td>391B</td> <td>3\"/> <tr> <td>396</td> <td>ETR</td> <td>-</td> <td>WD.</td> <td>J2</td> <td>PTD.</td> <td>-</td> <td>394</td> <td>3\"/> <tr> <td>398</td> <td>ETR</td> <td>-</td> <td>WD.</td> <td>J2</td> <td>PTD.</td> <td>-</td> <td>395</td> <td>3\"/> <tr> <td>399</td> <td>ETR</td> <td>-</td> <td>WD.</td> <td>J2</td> <td>PTD.</td> <td>-</td> <td>396</td> <td>3\"/> <tr> <td>3991</td> <td>ETR</td> <td>-</td> <td>WD.</td> <td>J2</td> <td>PTD.</td> <td>-</td> <td>398</td> <td>3\"/> <tr> <td>3992</td> <td>A</td> <td>3\"/> <tr> <td>3993</td> <td>ETR</td> <td>-</td> <td>WD.</td> <td>J2</td> <td>PTD.</td> <td>-</td> <td>399</td> <td>3\"/> <tr> <td>3994</td> <td>ETR</td> <td>-</td> <td>WD.</td> <td>J2</td> <td>PTD.</td> <td>-</td>
<td>3991</td> <td>3\"/> <tr> <td>3995</td> <td>ETR</td> <td>-</td> <td>WD.</td> <td>J2</td> <td>PTD.</td> <td>-</td> <td>3992</td> <td>3\"/> <tr> <td>3997</td> <td>ETR</td> <td>-</td> <td>WD.</td> <td>J2</td> <td>PTD.</td> <td>-</td> <td>3993</td> <td>3\"/> <tr> <td>3998</td> <td>ETR</td> <td>-</td> <td>WD.</td> <td>J2</td> <td>PTD.</td> <td>-</td> <td>3994</td> <td>3\"/> <tr> <td>3999</td> <td>ETR</td> <td>-</td> <td>WD.</td> <td>J2</td> <td>PTD.</td> <td>-</td> <td>3995</td> <td>3\"/> <tr> <td>3999</td> <td>ETR</td> <td>-</td> <td>WD.</td> <td>J2</td> <td>PTD.</td> <td>-</td> <td>3997</td> <td>3\"/> </td></tr></td></tr></td></tr></td></tr></td></tr></td></tr></td></tr></td></tr></td></tr></td></tr></td></tr></td></tr></td></tr></td></tr></td></tr> | 391B | ETR | - | WD. | J2 | PTD.
 | - | 391 | 3\"/> <tr> <td>394</td> <td>ETR</td> <td>-</td> <td>WD.</td> <td>J2</td> <td>PTD.</td> <td>-</td> <td>391A</td> <td>3\"/> <tr> <td>395</td> <td>ETR</td> <td>-</td> <td>WD.</td> <td>J2</td> <td>PTD.</td> <td>-</td> <td>391B</td> <td>3\"/> <tr> <td>396</td> <td>ETR</td> <td>-</td> <td>WD.</td> <td>J2</td> <td>PTD.</td> <td>-</td> <td>394</td> <td>3\"/> <tr> <td>398</td> <td>ETR</td> <td>-</td> <td>WD.</td> <td>J2</td> <td>PTD.</td> <td>-</td> <td>395</td> <td>3\"/> <tr> <td>399</td> <td>ETR</td> <td>-</td> <td>WD.</td> <td>J2</td> <td>PTD.</td> <td>-</td> <td>396</td> <td>3\"/> <tr> <td>3991</td> <td>ETR</td> <td>-</td> <td>WD.</td> <td>J2</td> <td>PTD.</td> <td>-</td> <td>398</td> <td>3\"/> <tr> <td>3992</td> <td>A</td> <td>3\"/> <tr> <td>3993</td> <td>ETR</td> <td>-</td> <td>WD.</td> <td>J2</td> <td>PTD.</td> <td>-</td> <td>399</td> <td>3\"/> <tr> <td>3994</td> <td>ETR</td> <td>-</td> <td>WD.</td> <td>J2</td> <td>PTD.</td> <td>-</td> <td>3991</td> <td>3\"/> <tr> <td>3995</td> <td>ETR</td> <td>-</td> <td>WD.</td> <td>J2</td> <td>PTD.</td> <td>-</td> <td>3992</td> <td>3\"/> <tr> <td>3997</td> <td>ETR</td> <td>-</td> <td>WD.</td> <td>J2</td> <td>PTD.</td> <td>-</td> <td>3993</td> <td>3\"/> <tr> <td>3998</td> <td>ETR</td> <td>-</td> <td>WD.</td> <td>J2</td> <td>PTD.</td> <td>-</td> <td>3994</td> <td>3\"/> <tr> <td>3999</td> <td>ETR</td> <td>-</td> <td>WD.</td> <td>J2</td> <td>PTD.</td> <td>-</td> <td>3995</td> <td>3\"/> <tr> <td>3999</td> <td>ETR</td> <td>-</td> <td>WD.</td> <td>J2</td> <td>PTD.</td> <td>-</td> <td>3997</td> <td>3\"/> </td></tr></td></tr></td></tr></td></tr></td></tr></td></tr></td></tr></td></tr></td></tr></td></tr></td></tr></td></tr></td></tr></td></tr> | 394 | ETR | - | WD. | J2 | PTD.
 | - | 391A | 3\"/> <tr> <td>395</td> <td>ETR</td> <td>-</td> <td>WD.</td> <td>J2</td> <td>PTD.</td> <td>-</td> <td>391B</td> <td>3\"/> <tr> <td>396</td> <td>ETR</td> <td>-</td> <td>WD.</td> <td>J2</td> <td>PTD.</td> <td>-</td> <td>394</td> <td>3\"/> <tr> <td>398</td> <td>ETR</td> <td>-</td> <td>WD.</td> <td>J2</td> <td>PTD.</td> <td>-</td> <td>395</td> <td>3\"/> <tr> <td>399</td> <td>ETR</td> <td>-</td> <td>WD.</td> <td>J2</td> <td>PTD.</td> <td>-</td> <td>396</td> <td>3\"/> <tr> <td>3991</td> <td>ETR</td> <td>-</td> <td>WD.</td> <td>J2</td> <td>PTD.</td> <td>-</td> <td>398</td> <td>3\"/> <tr> <td>3992</td> <td>A</td> <td>3\"/> <tr> <td>3993</td> <td>ETR</td> <td>-</td> <td>WD.</td> <td>J2</td> <td>PTD.</td> <td>-</td> <td>399</td> <td>3\"/> <tr> <td>3994</td> <td>ETR</td> <td>-</td> <td>WD.</td> <td>J2</td> <td>PTD.</td> <td>-</td> <td>3991</td> <td>3\"/> <tr> <td>3995</td> <td>ETR</td> <td>-</td> <td>WD.</td> <td>J2</td> <td>PTD.</td> <td>-</td> <td>3992</td> <td>3\"/> <tr> <td>3997</td> <td>ETR</td> <td>-</td> <td>WD.</td> <td>J2</td> <td>PTD.</td> <td>-</td> <td>3993</td> <td>3\"/> <tr> <td>3998</td> <td>ETR</td> <td>-</td> <td>WD.</td> <td>J2</td> <td>PTD.</td> <td>-</td> <td>3994</td> <td>3\"/> <tr> <td>3999</td> <td>ETR</td> <td>-</td> <td>WD.</td> <td>J2</td> <td>PTD.</td> <td>-</td> <td>3995</td> <td>3\"/> <tr> <td>3999</td> <td>ETR</td> <td>-</td> <td>WD.</td> <td>J2</td> <td>PTD.</td> <td>-</td> <td>3997</td> <td>3\"/> </td></tr></td></tr></td></tr></td></tr></td></tr></td></tr></td></tr></td></tr></td></tr></td></tr></td></tr></td></tr></td></tr> | 395 | ETR | -
 | WD. | J2 | PTD. | - | 391B | 3\"/> <tr> <td>396</td> <td>ETR</td> <td>-</td> <td>WD.</td> <td>J2</td> <td>PTD.</td> <td>-</td> <td>394</td> <td>3\"/> <tr> <td>398</td> <td>ETR</td> <td>-</td> <td>WD.</td> <td>J2</td> <td>PTD.</td> <td>-</td> <td>395</td> <td>3\"/> <tr> <td>399</td> <td>ETR</td> <td>-</td> <td>WD.</td> <td>J2</td> <td>PTD.</td> <td>-</td> <td>396</td> <td>3\"/> <tr> <td>3991</td> <td>ETR</td> <td>-</td> <td>WD.</td> <td>J2</td> <td>PTD.</td> <td>-</td> <td>398</td> <td>3\"/> <tr> <td>3992</td> <td>A</td> <td>3\"/> <tr> <td>3993</td> <td>ETR</td> <td>-</td> <td>WD.</td> <td>J2</td> <td>PTD.</td> <td>-</td> <td>399</td> <td>3\"/> <tr> <td>3994</td> <td>ETR</td> <td>-</td> <td>WD.</td> <td>J2</td> <td>PTD.</td> <td>-</td> <td>3991</td> <td>3\"/> <tr> <td>3995</td> <td>ETR</td> <td>-</td> <td>WD.</td> <td>J2</td> <td>PTD.</td> <td>-</td> <td>3992</td> <td>3\"/> <tr> <td>3997</td> <td>ETR</td> <td>-</td> <td>WD.</td> <td>J2</td> <td>PTD.</td> <td>-</td> <td>3993</td> <td>3\"/> <tr> <td>3998</td> <td>ETR</td> <td>-</td> <td>WD.</td> <td>J2</td> <td>PTD.</td> <td>-</td> <td>3994</td> <td>3\"/> <tr> <td>3999</td> <td>ETR</td> <td>-</td> <td>WD.</td> <td>J2</td> <td>PTD.</td> <td>-</td> <td>3995</td> <td>3\"/> <tr> <td>3999</td> <td>ETR</td> <td>-</td> <td>WD.</td> <td>J2</td> <td>PTD.</td> <td>-</td> <td>3997</td> <td>3\"/> </td></tr></td></tr></td></tr></td></tr></td></tr></td></tr></td></tr></td></tr></td></tr></td></tr></td></tr></td></tr> | 396 | ETR | -
 | WD. | J2 | PTD. | - | 394 | 3\"/> <tr> <td>398</td> <td>ETR</td> <td>-</td> <td>WD.</td> <td>J2</td> <td>PTD.</td> <td>-</td> <td>395</td> <td>3\"/> <tr> <td>399</td> <td>ETR</td> <td>-</td> <td>WD.</td> <td>J2</td> <td>PTD.</td> <td>-</td> <td>396</td> <td>3\"/> <tr> <td>3991</td> <td>ETR</td> <td>-</td> <td>WD.</td> <td>J2</td> <td>PTD.</td> <td>-</td> <td>398</td> <td>3\"/> <tr> <td>3992</td> <td>A</td> <td>3\"/> <tr> <td>3993</td> <td>ETR</td> <td>-</td> <td>WD.</td> <td>J2</td> <td>PTD.</td> <td>-</td> <td>399</td> <td>3\"/> <tr> <td>3994</td> <td>ETR</td> <td>-</td> <td>WD.</td> <td>J2</td> <td>PTD.</td> <td>-</td> <td>3991</td> <td>3\"/> <tr> <td>3995</td> <td>ETR</td> <td>-</td> <td>WD.</td> <td>J2</td> <td>PTD.</td> <td>-</td> <td>3992</td> <td>3\"/> <tr> <td>3997</td> <td>ETR</td> <td>-</td> <td>WD.</td> <td>J2</td> <td>PTD.</td> <td>-</td> <td>3993</td> <td>3\"/> <tr> <td>3998</td> <td>ETR</td> <td>-</td> <td>WD.</td> <td>J2</td> <td>PTD.</td> <td>-</td> <td>3994</td> <td>3\"/> <tr> <td>3999</td> <td>ETR</td> <td>-</td> <td>WD.</td> <td>J2</td> <td>PTD.</td> <td>-</td> <td>3995</td> <td>3\"/> <tr> <td>3999</td> <td>ETR</td> <td>-</td> <td>WD.</td> <td>J2</td> <td>PTD.</td> <td>-</td> <td>3997</td> <td>3\"/> </td></tr></td></tr></td></tr></td></tr></td></tr></td></tr></td></tr></td></tr></td></tr></td></tr></td></tr> | 398 | ETR | -
 | WD. | J2 | PTD. | - | 395 | 3\"/> <tr> <td>399</td> <td>ETR</td> <td>-</td> <td>WD.</td> <td>J2</td> <td>PTD.</td> <td>-</td> <td>396</td> <td>3\"/> <tr> <td>3991</td> <td>ETR</td> <td>-</td> <td>WD.</td> <td>J2</td> <td>PTD.</td> <td>-</td> <td>398</td> <td>3\"/> <tr> <td>3992</td> <td>A</td> <td>3\"/> <tr> <td>3993</td> <td>ETR</td> <td>-</td> <td>WD.</td> <td>J2</td> <td>PTD.</td> <td>-</td> <td>399</td> <td>3\"/> <tr> <td>3994</td> <td>ETR</td> <td>-</td> <td>WD.</td> <td>J2</td> <td>PTD.</td> <td>-</td> <td>3991</td> <td>3\"/> <tr> <td>3995</td> <td>ETR</td> <td>-</td> <td>WD.</td> <td>J2</td> <td>PTD.</td> <td>-</td> <td>3992</td> <td>3\"/> <tr> <td>3997</td> <td>ETR</td> <td>-</td> <td>WD.</td> <td>J2</td> <td>PTD.</td> <td>-</td> <td>3993</td> <td>3\"/> <tr> <td>3998</td> <td>ETR</td> <td>-</td> <td>WD.</td> <td>J2</td> <td>PTD.</td> <td>-</td> <td>3994</td> <td>3\"/> <tr> <td>3999</td> <td>ETR</td> <td>-</td> <td>WD.</td> <td>J2</td> <td>PTD.</td> <td>-</td> <td>3995</td> <td>3\"/> <tr> <td>3999</td> <td>ETR</td> <td>-</td> <td>WD.</td> <td>J2</td> <td>PTD.</td> <td>-</td> <td>3997</td> <td>3\"/> </td></tr></td></tr></td></tr></td></tr></td></tr></td></tr></td></tr></td></tr></td></tr></td></tr> | 399 | ETR | -
 | WD. | J2 | PTD. | - | 396 | 3\"/> <tr> <td>3991</td> <td>ETR</td> <td>-</td> <td>WD.</td> <td>J2</td> <td>PTD.</td> <td>-</td> <td>398</td> <td>3\"/> <tr> <td>3992</td> <td>A</td> <td>3\"/> <tr> <td>3993</td> <td>ETR</td> <td>-</td> <td>WD.</td> <td>J2</td> <td>PTD.</td> <td>-</td> <td>399</td> <td>3\"/> <tr> <td>3994</td> <td>ETR</td> <td>-</td> <td>WD.</td> <td>J2</td> <td>PTD.</td> <td>-</td> <td>3991</td> <td>3\"/> <tr> <td>3995</td> <td>ETR</td> <td>-</td> <td>WD.</td> <td>J2</td> <td>PTD.</td> <td>-</td> <td>3992</td> <td>3\"/> <tr> <td>3997</td> <td>ETR</td> <td>-</td> <td>WD.</td> <td>J2</td> <td>PTD.</td> <td>-</td> <td>3993</td> <td>3\"/> <tr> <td>3998</td> <td>ETR</td> <td>-</td> <td>WD.</td> <td>J2</td> <td>PTD.</td> <td>-</td> <td>3994</td> <td>3\"/> <tr> <td>3999</td> <td>ETR</td> <td>-</td> <td>WD.</td> <td>J2</td> <td>PTD.</td> <td>-</td> <td>3995</td> <td>3\"/> <tr> <td>3999</td> <td>ETR</td> <td>-</td> <td>WD.</td> <td>J2</td> <td>PTD.</td> <td>-</td> <td>3997</td> <td>3\"/> </td></tr></td></tr></td></tr></td></tr></td></tr></td></tr></td></tr></td></tr></td></tr> | 3991 | ETR | -
 | WD. | J2 | PTD. | - | 398 | 3\"/> <tr> <td>3992</td> <td>A</td> <td>3\"/> <tr> <td>3993</td> <td>ETR</td> <td>-</td> <td>WD.</td> <td>J2</td> <td>PTD.</td> <td>-</td> <td>399</td> <td>3\"/> <tr> <td>3994</td> <td>ETR</td> <td>-</td> <td>WD.</td> <td>J2</td> <td>PTD.</td> <td>-</td> <td>3991</td> <td>3\"/> <tr> <td>3995</td> <td>ETR</td> <td>-</td> <td>WD.</td> <td>J2</td> <td>PTD.</td> <td>-</td> <td>3992</td> <td>3\"/> <tr> <td>3997</td> <td>ETR</td> <td>-</td> <td>WD.</td> <td>J2</td> <td>PTD.</td> <td>-</td> <td>3993</td> <td>3\"/> <tr> <td>3998</td> <td>ETR</td> <td>-</td> <td>WD.</td> <td>J2</td> <td>PTD.</td> <td>-</td> <td>3994</td> <td>3\"/> <tr> <td>3999</td> <td>ETR</td> <td>-</td> <td>WD.</td> <td>J2</td> <td>PTD.</td> <td>-</td> <td>3995</td> <td>3\"/> <tr> <td>3999</td> <td>ETR</td> <td>-</td> <td>WD.</td> <td>J2</td> <td>PTD.</td> <td>-</td> <td>3997</td> <td>3\"/> </td></tr></td></tr></td></tr></td></tr></td></tr></td></tr></td></tr></td></tr> | 3992 | A | 3\"/> <tr> <td>3993</td> <td>ETR</td> <td>-</td> <td>WD.</td> <td>J2</td> <td>PTD.</td> <td>-</td> <td>399</td> <td>3\"/> <tr> <td>3994</td> <td>ETR</td> <td>-</td> <td>WD.</td> <td>J2</td> <td>PTD.</td> <td>-</td> <td>3991</td> <td>3\"/> <tr> <td>3995</td> <td>ETR</td> <td>-</td> <td>WD.</td> <td>J2</td> <td>PTD.</td> <td>-</td> <td>3992</td> <td>3\"/> <tr> <td>3997</td> <td>ETR</td>
<td>-</td> <td>WD.</td> <td>J2</td> <td>PTD.</td> <td>-</td> <td>3993</td> <td>3\"/> <tr> <td>3998</td> <td>ETR</td> <td>-</td> <td>WD.</td> <td>J2</td> <td>PTD.</td> <td>-</td> <td>3994</td> <td>3\"/> <tr> <td>3999</td> <td>ETR</td> <td>-</td> <td>WD.</td> <td>J2</td> <td>PTD.</td> <td>-</td> <td>3995</td> <td>3\"/> <tr> <td>3999</td> <td>ETR</td> <td>-</td> <td>WD.</td> <td>J2</td> <td>PTD.</td> <td>-</td> <td>3997</td> <td>3\"/> </td></tr></td></tr></td></tr></td></tr></td></tr></td></tr></td></tr> | 3993 | ETR | - | WD. | J2 | PTD. | - | 399 | 3\"/> <tr> <td>3994</td> <td>ETR</td> <td>-</td> <td>WD.</td> <td>J2</td> <td>PTD.</td> <td>-</td> <td>3991</td> <td>3\"/> <tr> <td>3995</td> <td>ETR</td> <td>-</td> <td>WD.</td> <td>J2</td> <td>PTD.</td> <td>-</td> <td>3992</td> <td>3\"/> <tr> <td>3997</td> <td>ETR</td> <td>-</td> <td>WD.</td> <td>J2</td> <td>PTD.</td> <td>-</td> <td>3993</td> <td>3\"/> <tr> <td>3998</td> <td>ETR</td> <td>-</td> <td>WD.</td> <td>J2</td> <td>PTD.</td> <td>-</td> <td>3994</td> <td>3\"/> <tr> <td>3999</td> <td>ETR</td> <td>-</td> <td>WD.</td> <td>J2</td> <td>PTD.</td> <td>-</td> <td>3995</td> <td>3\"/> <tr> <td>3999</td> <td>ETR</td> <td>-</td> <td>WD.</td> <td>J2</td> <td>PTD.</td> <td>-</td> <td>3997</td> <td>3\"/> </td></tr></td></tr></td></tr></td></tr></td></tr></td></tr>
 | 3994 | ETR | - | WD. | J2 | PTD. | - | 3991 | 3\"/> <tr> <td>3995</td> <td>ETR</td> <td>-</td> <td>WD.</td> <td>J2</td> <td>PTD.</td> <td>-</td> <td>3992</td> <td>3\"/> <tr> <td>3997</td> <td>ETR</td> <td>-</td> <td>WD.</td> <td>J2</td> <td>PTD.</td> <td>-</td> <td>3993</td> <td>3\"/> <tr> <td>3998</td> <td>ETR</td> <td>-</td> <td>WD.</td> <td>J2</td> <td>PTD.</td> <td>-</td> <td>3994</td> <td>3\"/> <tr> <td>3999</td> <td>ETR</td> <td>-</td> <td>WD.</td> <td>J2</td> <td>PTD.</td> <td>-</td> <td>3995</td> <td>3\"/> <tr> <td>3999</td> <td>ETR</td> <td>-</td> <td>WD.</td> <td>J2</td> <td>PTD.</td> <td>-</td> <td>3997</td> <td>3\"/> </td></tr></td></tr></td></tr></td></tr></td></tr> | 3995 | ETR | -
 | WD. | J2 | PTD. | - | 3992 | 3\"/> <tr> <td>3997</td> <td>ETR</td> <td>-</td> <td>WD.</td> <td>J2</td> <td>PTD.</td> <td>-</td> <td>3993</td> <td>3\"/> <tr> <td>3998</td> <td>ETR</td> <td>-</td> <td>WD.</td> <td>J2</td> <td>PTD.</td> <td>-</td> <td>3994</td> <td>3\"/> <tr> <td>3999</td> <td>ETR</td> <td>-</td> <td>WD.</td> <td>J2</td> <td>PTD.</td> <td>-</td> <td>3995</td> <td>3\"/> <tr> <td>3999</td> <td>ETR</td> <td>-</td> <td>WD.</td> <td>J2</td> <td>PTD.</td> <td>-</td> <td>3997</td> <td>3\"/> </td></tr></td></tr></td></tr></td></tr> | 3997 | ETR | - | WD. | J2 | PTD. | - | 3993 | 3\"/> <tr> <td>3998</td> <td>ETR</td> <td>-</td> <td>WD.</td> <td>J2</td> <td>PTD.</td> <td>-</td> <td>3994</td> <td>3\"/> <tr> <td>3999</td> <td>ETR</td> <td>-</td> <td>WD.</td> <td>J2</td> <td>PTD.</td> <td>-</td> <td>3995</td> <td>3\"/> <tr> <td>3999</td> <td>ETR</td> <td>-</td> <td>WD.</td> <td>J2</td> <td>PTD.</td> <td>-</td> <td>3997</td> <td>3\"/> </td></tr></td></tr></td></tr>
 | 3998 | ETR | - | WD. | J2 | PTD. | - | 3994 | 3\"/> <tr> <td>3999</td> <td>ETR</td> <td>-</td> <td>WD.</td> <td>J2</td> <td>PTD.</td> <td>-</td> <td>3995</td> <td>3\"/> <tr> <td>3999</td> <td>ETR</td> <td>-</td> <td>WD.</td> <td>J2</td> <td>PTD.</td> <td>-</td> <td>3997</td> <td>3\"/> </td></tr></td></tr> | 3999 | ETR | - | WD. | J2 | PTD. | - | 3995 | 3\"/> <tr> <td>3999</td> <td>ETR</td> <td>-</td> <td>WD.</td> <td>J2</td> <td>PTD.</td> <td>-</td> <td>3997</td> <td>3\"/> </td></tr>
 | 3999 | ETR | - | WD. | J2 | PTD. | - | 3997 | 3\"/> | | | | | | | | | | | | | | | | | | | | | | | | | | | | | | | | | | | | | | | | | | | | | |
 | | | | | | | | | | | | | | | | | | | | | | | |
 | | | | | | | | | | | | | | | | | | | | | | | | | | | | | |
 | | | | | | | | | | | | | | | | | | | | | | | | | | | | | | | | | | | | | | |
 | | | | | | | | | | | | | | | | | | | | | | | | | | | | | | | | | | | | | | | | | | | | | | | | | | | | | | |
| 372 | B | 2 <td>HM</td> <td>J1</td> <td>PTD.</td> <td>1 HR.</td> <td>370</td> <td>3\"/> <tr> <td>373A</td> <td>ETR</td> <td>-</td> <td>WD.</td> <td>J2</td> <td>PTD.</td> <td>-</td> <td>371</td> <td>3\"/> <tr> <td>374B</td> <td>ETR</td> <td>-</td> <td>WD.</td> <td>J2</td> <td>PTD.</td> <td>-</td> <td>372</td> <td>3\"/> <tr> <td>374C</td> <td>ETR</td> <td>-</td> <td>WD.</td> <td>J2</td> <td>PTD.</td> <td>-</td> <td>373A</td> <td>3\"/> <tr> <td>375</td> <td>B</td> <td>1 <td>WD</td> <td>J1</td> <td>PTD.</td> <td>-</td> <td>374B</td> <td>3\"/> <tr> <td>376</td> <td>B</td> <td>1 <td>WD</td> <td>J1</td> <td>PTD.</td> <td>-</td> <td>374C</td> <td>3\"/> <tr> <td>377</td> <td>B</td> <td>1 <td>WD</td> <td>J1</td> <td>PTD.</td> <td>-</td> <td>375</td> <td>3\"/> <tr> <td>377A</td> <td>B</td> <td>1 <td>WD</td> <td>J1</td> <td>PTD.</td> <td>-</td> <td>376</td> <td>3\"/> <tr> <td>378</td> <td>B</td> <td>1 <td>WD</td> <td>J1</td> <td>PTD.</td> <td>-</td> <td>377</td> <td>3\"/> <tr> <td>379</td> <td>B</td> <td>1 <td>WD</td> <td>J1</td> <td>PTD.</td> <td>-</td> <td>377A</td> <td>3\"/> <tr> <td>380A</td> <td>B</td> <td>1 <td>WD</td> <td>J1</td> <td>PTD.</td> <td>-</td> <td>378</td> <td>3\"/> <tr> <td>380B</td> <td>B</td> <td>1 <td>WD</td> <td>J1</td> <td>PTD.</td> <td>-</td> <td>379</td> <td>3\"/> <tr> <td>382</td> <td>ETR</td> <td>-</td> <td>WD.</td> <td>J2</td> <td>PTD.</td> <td>-</td> <td>380A</td> <td>3\"/> <tr> <td>382A</td> <td>D</td> <td>6 <td>ALUM.</td> <td>ANODIZE D</td> <td>-</td> <td>-</td> <td>380B</td> <td>3\"/> <tr> <td>385</td> <td>ETR</td> <td>-</td> <td>WD.</td> <td>J2</td> <td>PTD.</td> <td>-</td> <td>382</td> <td>3\"/> <tr> <td>386</td> <td>ETR</td> <td>-</td> <td>WD.</td> <td>J2</td> <td>PTD.</td> <td>-</td> <td>382A</td> <td>3\"/> <tr> <td>387</td> <td>ETR</td> <td>-</td> <td>WD.</td> <td>J2</td> <td>PTD.</td> <td>-</td> <td>385</td> <td>3\"/> <tr> <td>388</td> <td>ETR</td> <td>-</td> <td>WD.</td> <td>J2</td> <td>PTD.</td> <td>-</td> <td>386</td> <td>3\"/> <tr> <td>389</td> <td>ETR</td> <td>-</td> <td>WD.</td> <td>J2</td> <td>PTD.</td> <td>-</td> <td>387</td> <td>3\"/> <tr> <td>391</td> <td>ETR</td> <td>-</td> <td>WD.</td> <td>J2</td> <td>PTD.</td> <td>-</td> <td>388</td> <td>3\"/> <tr> <td>391A</td> <td>ETR</td> <td>-</td> <td>WD.</td> <td>J2</td> <td>PTD.</td> <td>-</td> <td>389</td> <td>3\"/> <tr> <td>391B</td> <td>ETR</td> <td>-</td> <td>WD.</td> <td>J2</td> <td>PTD.</td> <td>-</td> <td>391</td> <td>3\"/> <tr> <td>394</td> <td>ETR</td> <td>-</td> <td>WD.</td> <td>J2</td> <td>PTD.</td> <td>-</td> <td>391A</td> <td>3\"/> <tr> <td>395</td> <td>ETR</td> <td>-</td> <td>WD.</td> <td>J2</td> <td>PTD.</td> <td>-</td> <td>391B</td> <td>3\"/> <tr> <td>396</td> <td>ETR</td> <td>-</td> <td>WD.</td> <td>J2</td> <td>PTD.</td> <td>-</td> <td>394</td> <td>3\"/> <tr> <td>398</td> <td>ETR</td> <td>-</td> <td>WD.</td> <td>J2</td> <td>PTD.</td> <td>-</td> <td>395</td> <td>3\"/> <tr> <td>399</td> <td>ETR</td> <td>-</td> <td>WD.</td> <td>J2</td> <td>PTD.</td> <td>-</td> <td>396</td> <td>3\"/> <tr> <td>3991</td> <td>ETR</td> <td>-</td> <td>WD.</td> <td>J2</td> <td>PTD.</td> <td>-</td> <td>398</td> <td>3\"/> <tr> <td>3992</td> <td>A</td> <td>3\"/> <tr> <td>3993</td> <td>ETR</td> <td>-</td> <td>WD.</td> <td>J2</td> <td>PTD.</td> <td>-</td> <td>399</td> <td>3\"/> <tr> <td>3994</td> <td>ETR</td> <td>-</td> <td>WD.</td> <td>J2</td> <td>PTD.</td> <td>-</td> <td>3991</td> <td>3\"/> <tr> <td>3995</td> <td>ETR</td> <td>-</td> <td>WD.</td> <td>J2</td> <td>PTD.</td> <td>-</td> <td>3992</td> <td>3\"/> <tr> <td>3997</td> <td>ETR</td> <td>-</td> <td>WD.</td> <td>J2</td> <td>PTD.</td> <td>-</td> <td>3993</td> <td>3\"/> <tr> <td>3998</td> <td>ETR</td> <td>-</td> <td>WD.</td> <td>J2</td> <td>PTD.</td> <td>-</td> <td>3994</td> <td>3\"/> <tr> <td>3999</td> <td>ETR</td> <td>-</td> <td>WD.</td> <td>J2</td> <td>PTD.</td> <td>-</td> <td>3995</td> <td>3\"/> <tr> <td>3999</td> <td>ETR</td> <td>-</td> <td>WD.</td> <td>J2</td> <td>PTD.</td> <td>-</td> <td>3997</td> <td>3\"/> </td></tr></td></tr></td></tr></td></tr></td></tr></td></tr></td></tr></td></tr></td></tr></td></tr></td></tr></td></tr></td></tr></td></tr></td></tr></td></tr></td></tr></td></tr></td></tr></td></tr></td></tr></td></tr></td></td></tr></td></tr></td></td></tr></td></td></tr></td></td></tr></td></td></tr></td></td></tr></td></td></tr></td></td></tr></td></td></tr></td></tr></td></tr></td></tr></td> | HM | J1 | PTD. | 1 HR. | 370 | 3\"/> <tr> <td>373A</td> <td>ETR</td> <td>-</td> <td>WD.</td> <td>J2</td> <td>PTD.</td> <td>-</td> <td>371</td> <td>3\"/> <tr> <td>374B</td> <td>ETR</td> <td>-</td> <td>WD.</td> <td>J2</td> <td>PTD.</td> <td>-</td> <td>372</td> <td>3\"/> <tr> <td>374C</td> <td>ETR</td> <td>-</td> <td>WD.</td> <td>J2</td> <td>PTD.</td> <td>-</td> <td>373A</td> <td>3\"/> <tr> <td>375</td> <td>B</td> <td>1 <td>WD</td> <td>J1</td> <td>PTD.</td> <td>-</td> <td>374B</td> <td>3\"/> <tr> <td>376</td> <td>B</td> <td>1 <td>WD</td> <td>J1</td> <td>PTD.</td> <td>-</td> <td>374C</td> <td>3\"/> <tr> <td>377</td> <td>B</td> <td>1 <td>WD</td> <td>J1</td> <td>PTD.</td> <td>-</td> <td>375</td> <td>3\"/> <tr> <td>377A</td> <td>B</td> <td>1 <td>WD</td> <td>J1</td> <td>PTD.</td> <td>-</td> <td>376</td> <td>3\"/> <tr> <td>378</td> <td>B</td> <td>1 <td>WD</td> <td>J1</td> <td>PTD.</td> <td>-</td> <td>377</td> <td>3\"/> <tr> <td>379</td> <td>B</td> <td>1 <td>WD</td> <td>J1</td> <td>PTD.</td> <td>-</td> <td>377A</td> <td>3\"/> <tr> <td>380A</td> <td>B</td> <td>1 <td>WD</td> <td>J1</td> <td>PTD.</td> <td>-</td> <td>378</td> <td>3\"/> <tr> <td>380B</td> <td>B</td> <td>1 <td>WD</td> <td>J1</td> <td>PTD.</td> <td>-</td> <td>379</td> <td>3\"/> <tr> <td>382</td> <td>ETR</td> <td>-</td> <td>WD.</td> <td>J2</td> <td>PTD.</td> <td>-</td> <td>380A</td> <td>3\"/> <tr> <td>382A</td> <td>D</td> <td>6 <td>ALUM.</td> <td>ANODIZE D</td> <td>-</td> <td>-</td> <td>380B</td> <td>3\"/> <tr> <td>385</td> <td>ETR</td> <td>-</td> <td>WD.</td> <td>J2</td> <td>PTD.</td> <td>-</td> <td>382</td> <td>3\"/> <tr> <td>386</td> <td>ETR</td> <td>-</td> <td>WD.</td> <td>J2</td> <td>PTD.</td> <td>-</td> <td>382A</td> <td>3\"/> <tr> <td>387</td> <td>ETR</td> <td>-</td> <td>WD.</td> <td>J2</td> <td>PTD.</td> <td>-</td> <td>385</td> <td>3\"/> <tr> <td>388</td> <td>ETR</td> <td>-</td> <td>WD.</td> <td>J2</td> <td>PTD.</td> <td>-</td> <td>386</td> <td>3\"/> <tr> <td>389</td> <td>ETR</td> <td>-</td> <td>WD.</td> <td>J2</td> <td>PTD.</td> <td>-</td> <td>387</td> <td>3\"/> <tr> <td>391</td> <td>ETR</td> <td>-</td> <td>WD.</td> <td>J2</td> <td>PTD.</td> <td>-</td> <td>388</td> <td>3\"/> <tr> <td>391A</td> <td>ETR</td> <td>-</td> <td>WD.</td> <td>J2</td> <td>PTD.</td> <td>-</td> <td>389</td> <td>3\"/> <tr> <td>391B</td> <td>ETR</td> <td>-</td> <td>WD.</td> <td>J2</td> <td>PTD.</td> <td>-</td> <td>391</td> <td>3\"/> <tr> <td>394</td> <td>ETR</td> <td>-</td> <td>WD.</td> <td>J2</td> <td>PTD.</td> <td>-</td> <td>391A</td> <td>3\"/> <tr> <td>395</td> <td>ETR</td> <td>-</td> <td>WD.</td> <td>J2</td> <td>PTD.</td> <td>-</td> <td>391B</td> <td>3\"/> <tr> <td>396</td> <td>ETR</td> <td>-</td> <td>WD.</td> <td>J2</td> <td>PTD.</td> <td>-</td> <td>394</td> <td>3\"/> <tr> <td>398</td> <td>ETR</td> <td>-</td> <td>WD.</td> <td>J2</td> <td>PTD.</td> <td>-</td> <td>395</td> <td>3\"/> <tr> <td>399</td> <td>ETR</td> <td>-</td> <td>WD.</td> <td>J2</td>
<td>PTD.</td> <td>-</td> <td>396</td> <td>3\"/> <tr> <td>3991</td> <td>ETR</td> <td>-</td> <td>WD.</td> <td>J2</td> <td>PTD.</td> <td>-</td> <td>398</td> <td>3\"/> <tr> <td>3992</td> <td>A</td> <td>3\"/> <tr> <td>3993</td> <td>ETR</td> <td>-</td> <td>WD.</td> <td>J2</td> <td>PTD.</td> <td>-</td> <td>399</td> <td>3\"/> <tr> <td>3994</td> <td>ETR</td> <td>-</td> <td>WD.</td> <td>J2</td> <td>PTD.</td> <td>-</td> <td>3991</td> <td>3\"/> <tr> <td>3995</td> <td>ETR</td> <td>-</td> <td>WD.</td> <td>J2</td> <td>PTD.</td> <td>-</td> <td>3992</td> <td>3\"/> <tr> <td>3997</td> <td>ETR</td> <td>-</td> <td>WD.</td> <td>J2</td> <td>PTD.</td> <td>-</td> <td>3993</td> <td>3\"/> <tr> <td>3998</td> <td>ETR</td> <td>-</td> <td>WD.</td> <td>J2</td> <td>PTD.</td> <td>-</td> <td>3994</td> <td>3\"/> <tr> <td>3999</td> <td>ETR</td> <td>-</td> <td>WD.</td> <td>J2</td> <td>PTD.</td> <td>-</td> <td>3995</td> <td>3\"/> <tr> <td>3999</td> <td>ETR</td> <td>-</td> <td>WD.</td> <td>J2</td> <td>PTD.</td> <td>-</td> <td>3997</td> <td>3\"/> </td></tr></td></tr></td></tr></td></tr></td></tr></td></tr></td></tr></td></tr></td></tr></td></tr></td></tr></td></tr></td></tr></td></tr></td></tr></td></tr></td></tr></td></tr></td></tr></td></tr></td></tr></td></tr></td></td></tr></td></tr></td></td></tr></td></td></tr></td></td></tr></td></td></tr></td></td></tr></td></td></tr></td></td></tr></td></td></tr></td></tr></td></tr></td></tr> | 373A | ETR | -
 | WD. | J2 | PTD. | - | 371 | 3\"/> <tr> <td>374B</td> <td>ETR</td> <td>-</td> <td>WD.</td> <td>J2</td> <td>PTD.</td> <td>-</td> <td>372</td> <td>3\"/> <tr> <td>374C</td> <td>ETR</td> <td>-</td> <td>WD.</td> <td>J2</td> <td>PTD.</td> <td>-</td> <td>373A</td> <td>3\"/> <tr> <td>375</td> <td>B</td> <td>1 <td>WD</td> <td>J1</td> <td>PTD.</td> <td>-</td> <td>374B</td> <td>3\"/> <tr> <td>376</td> <td>B</td> <td>1 <td>WD</td> <td>J1</td> <td>PTD.</td> <td>-</td> <td>374C</td> <td>3\"/> <tr> <td>377</td> <td>B</td> <td>1 <td>WD</td> <td>J1</td> <td>PTD.</td> <td>-</td> <td>375</td> <td>3\"/> <tr> <td>377A</td> <td>B</td> <td>1 <td>WD</td> <td>J1</td> <td>PTD.</td> <td>-</td> <td>376</td> <td>3\"/> <tr> <td>378</td> <td>B</td> <td>1 <td>WD</td> <td>J1</td> <td>PTD.</td> <td>-</td> <td>377</td> <td>3\"/> <tr> <td>379</td> <td>B</td> <td>1 <td>WD</td> <td>J1</td> <td>PTD.</td> <td>-</td> <td>377A</td> <td>3\"/> <tr> <td>380A</td> <td>B</td> <td>1 <td>WD</td> <td>J1</td> <td>PTD.</td> <td>-</td> <td>378</td> <td>3\"/> <tr> <td>380B</td> <td>B</td> <td>1 <td>WD</td> <td>J1</td> <td>PTD.</td> <td>-</td> <td>379</td> <td>3\"/> <tr> <td>382</td> <td>ETR</td> <td>-</td> <td>WD.</td> <td>J2</td> <td>PTD.</td> <td>-</td> <td>380A</td> <td>3\"/> <tr> <td>382A</td> <td>D</td> <td>6 <td>ALUM.</td> <td>ANODIZE D</td> <td>-</td> <td>-</td> <td>380B</td> <td>3\"/> <tr> <td>385</td> <td>ETR</td> <td>-</td> <td>WD.</td> <td>J2</td> <td>PTD.</td> <td>-</td> <td>382</td> <td>3\"/> <tr> <td>386</td> <td>ETR</td> <td>-</td> <td>WD.</td> <td>J2</td> <td>PTD.</td> <td>-</td> <td>382A</td> <td>3\"/> <tr> <td>387</td> <td>ETR</td> <td>-</td> <td>WD.</td> <td>J2</td> <td>PTD.</td> <td>-</td> <td>385</td> <td>3\"/> <tr> <td>388</td> <td>ETR</td> <td>-</td> <td>WD.</td> <td>J2</td> <td>PTD.</td> <td>-</td> <td>386</td> <td>3\"/> <tr> <td>389</td> <td>ETR</td> <td>-</td> <td>WD.</td> <td>J2</td> <td>PTD.</td> <td>-</td> <td>387</td> <td>3\"/> <tr> <td>391</td> <td>ETR</td> <td>-</td> <td>WD.</td> <td>J2</td> <td>PTD.</td> <td>-</td> <td>388</td> <td>3\"/> <tr> <td>391A</td> <td>ETR</td> <td>-</td> <td>WD.</td> <td>J2</td> <td>PTD.</td> <td>-</td> <td>389</td> <td>3\"/> <tr> <td>391B</td> <td>ETR</td> <td>-</td> <td>WD.</td> <td>J2</td> <td>PTD.</td> <td>-</td> <td>391</td> <td>3\"/> <tr> <td>394</td> <td>ETR</td> <td>-</td> <td>WD.</td> <td>J2</td> <td>PTD.</td> <td>-</td> <td>391A</td> <td>3\"/> <tr> <td>395</td> <td>ETR</td> <td>-</td> <td>WD.</td> <td>J2</td> <td>PTD.</td> <td>-</td> <td>391B</td> <td>3\"/> <tr> <td>396</td> <td>ETR</td> <td>-</td> <td>WD.</td> <td>J2</td> <td>PTD.</td> <td>-</td> <td>394</td> <td>3\"/> <tr> <td>398</td> <td>ETR</td> <td>-</td> <td>WD.</td> <td>J2</td> <td>PTD.</td> <td>-</td> <td>395</td> <td>3\"/> <tr> <td>399</td> <td>ETR</td> <td>-</td> <td>WD.</td> <td>J2</td> <td>PTD.</td> <td>-</td> <td>396</td> <td>3\"/> <tr> <td>3991</td> <td>ETR</td> <td>-</td> <td>WD.</td> <td>J2</td> <td>PTD.</td> <td>-</td> <td>398</td> <td>3\"/> <tr> <td>3992</td> <td>A</td> <td>3\"/> <tr> <td>3993</td> <td>ETR</td> <td>-</td> <td>WD.</td> <td>J2</td> <td>PTD.</td> <td>-</td> <td>399</td> <td>3\"/> <tr> <td>3994</td> <td>ETR</td> <td>-</td> <td>WD.</td> <td>J2</td> <td>PTD.</td> <td>-</td> <td>3991</td> <td>3\"/> <tr> <td>3995</td> <td>ETR</td> <td>-</td> <td>WD.</td> <td>J2</td> <td>PTD.</td> <td>-</td> <td>3992</td> <td>3\"/> <tr> <td>3997</td> <td>ETR</td> <td>-</td> <td>WD.</td> <td>J2</td> <td>PTD.</td> <td>-</td> <td>3993</td> <td>3\"/> <tr> <td>3998</td> <td>ETR</td> <td>-</td> <td>WD.</td> <td>J2</td> <td>PTD.</td> <td>-</td> <td>3994</td> <td>3\"/> <tr> <td>3999</td> <td>ETR</td> <td>-</td> <td>WD.</td> <td>J2</td> <td>PTD.</td> <td>-</td> <td>3995</td> <td>3\"/> <tr> <td>3999</td> <td>ETR</td> <td>-</td> <td>WD.</td> <td>J2</td> <td>PTD.</td> <td>-</td> <td>3997</td> <td>3\"/> </td></tr></td></tr></td></tr></td></tr></td></tr></td></tr></td></tr></td></tr></td></tr></td></tr></td></tr></td></tr></td></tr></td></tr></td></tr></td></tr></td></tr></td></tr></td></tr></td></tr></td></tr></td></tr></td></td></tr></td></tr></td></td></tr></td></td></tr></td></td></tr></td></td></tr></td></td></tr></td></td></tr></td></td></tr></td></td></tr></td></tr></td></tr> | 374B | ETR | -
 | WD. | J2 | PTD. | - | 372 | 3\"/> <tr> <td>374C</td> <td>ETR</td> <td>-</td> <td>WD.</td> <td>J2</td> <td>PTD.</td> <td>-</td> <td>373A</td> <td>3\"/> <tr> <td>375</td> <td>B</td> <td>1 <td>WD</td> <td>J1</td> <td>PTD.</td> <td>-</td> <td>374B</td> <td>3\"/> <tr> <td>376</td> <td>B</td> <td>1 <td>WD</td> <td>J1</td> <td>PTD.</td> <td>-</td> <td>374C</td> <td>3\"/> <tr> <td>377</td> <td>B</td> <td>1 <td>WD</td> <td>J1</td> <td>PTD.</td> <td>-</td> <td>375</td> <td>3\"/> <tr> <td>377A</td> <td>B</td> <td>1 <td>WD</td> <td>J1</td> <td>PTD.</td> <td>-</td> <td>376</td> <td>3\"/> <tr> <td>378</td> <td>B</td> <td>1 <td>WD</td> <td>J1</td> <td>PTD.</td> <td>-</td> <td>377</td> <td>3\"/> <tr> <td>379</td> <td>B</td> <td>1 <td>WD</td> <td>J1</td> <td>PTD.</td> <td>-</td> <td>377A</td> <td>3\"/> <tr> <td>380A</td> <td>B</td> <td>1 <td>WD</td> <td>J1</td> <td>PTD.</td> <td>-</td> <td>378</td> <td>3\"/> <tr> <td>380B</td> <td>B</td> <td>1 <td>WD</td> <td>J1</td> <td>PTD.</td> <td>-</td> <td>379</td> <td>3\"/> <tr> <td>382</td> <td>ETR</td> <td>-</td> <td>WD.</td> <td>J2</td> <td>PTD.</td> <td>-</td> <td>380A</td> <td>3\"/> <tr> <td>382A</td> <td>D</td> <td>6 <td>ALUM.</td> <td>ANODIZE D</td> <td>-</td> <td>-</td> <td>380B</td> <td>3\"/> <tr> <td>385</td> <td>ETR</td> <td>-</td> <td>WD.</td> <td>J2</td> <td>PTD.</td> <td>-</td> <td>382</td> <td>3\"/> <tr> <td>386</td> <td>ETR</td> <td>-</td> <td>WD.</td> <td>J2</td> <td>PTD.</td> <td>-</td> <td>382A</td> <td>3\"/> <tr> <td>387</td> <td>ETR</td> <td>-</td> <td>WD.</td> <td>J2</td> <td>PTD.</td> <td>-</td> <td>385</td> <td>3\"/> <tr> <td>388</td> <td>ETR</td> <td>-</td> <td>WD.</td> <td>J2</td> <td>PTD.</td> <td>-</td> <td>386</td> <td>3\"/> <tr> <td>389</td> <td>ETR</td> <td>-</td> <td>WD.</td> <td>J2</td> <td>PTD.</td> <td>-</td> <td>387</td> <td>3\"/> <tr> <td>391</td> <td>ETR</td> <td>-</td> <td>WD.</td> <td>J2</td> <td>PTD.</td> <td>-</td> <td>388</td> <td>3\"/> <tr> <td>391A</td> <td>ETR</td> <td>-</td> <td>WD.</td> <td>J2</td> <td>PTD.</td> <td>-</td> <td>389</td> <td>3\"/> <tr> <td>391B</td> <td>ETR</td> <td>-</td> <td>WD.</td> <td>J2</td> <td>PTD.</td> <td>-</td> <td>391</td> <td>3\"/> <tr> <td>394</td> <td>ETR</td> <td>-</td> <td>WD.</td> <td>J2</td> <td>PTD.</td> <td>-</td> <td>391A</td> <td>3\"/> <tr> <td>395</td> <td>ETR</td> <td>-</td> <td>WD.</td> <td>J2</td> <td>PTD.</td> <td>-</td> <td>391B</td> <td>3\"/> <tr> <td>396</td> <td>ETR</td> <td>-</td> <td>WD.</td> <td>J2</td> <td>PTD.</td> <td>-</td> <td>394</td> <td>3\"/> <tr> <td>398</td> <td>ETR</td> <td>-</td> <td>WD.</td> <td>J2</td> <td>PTD.</td> <td>-</td> <td>395</td> <td>3\"/> <tr> <td>399</td> <td>ETR</td> <td>-</td> <td>WD.</td> <td>J2</td> <td>PTD.</td> <td>-</td> <td>396</td> <td>3\"/> <tr> <td>3991</td> <td>ETR</td> <td>-</td> <td>WD.</td> <td>J2</td> <td>PTD.</td> <td>-</td> <td>398</td> <td>3\"/> <tr> <td>3992</td> <td>A</td> <td>3\"/> <tr> <td>3993</td> <td>ETR</td> <td>-</td> <td>WD.</td> <td>J2</td> <td>PTD.</td> <td>-</td> <td>399</td> <td>3\"/> <tr> <td>3994</td> <td>ETR</td> <td>-</td> <td>WD.</td> <td>J2</td> <td>PTD.</td> <td>-</td> <td>3991</td> <td>3\"/> <tr> <td>3995</td> <td>ETR</td> <td>-</td> <td>WD.</td> <td>J2</td> <td>PTD.</td> <td>-</td> <td>3992</td> <td>3\"/> <tr> <td>3997</td> <td>ETR</td> <td>-</td> <td>WD.</td> <td>J2</td> <td>PTD.</td> <td>-</td> <td>3993</td> <td>3\"/> <tr> <td>3998</td> <td>ETR</td> <td>-</td> <td>WD.</td> <td>J2</td> <td>PTD.</td> <td>-</td> <td>3994</td> <td>3\"/> <tr> <td>3999</td> <td>ETR</td> <td>-</td> <td>WD.</td> <td>J2</td> <td>PTD.</td> <td>-</td> <td>3995</td> <td>3\"/> <tr> <td>3999</td> <td>ETR</td> <td>-</td> <td>WD.</td> <td>J2</td> <td>PTD.</td> <td>-</td> <td>3997</td> <td>3\"/> </td></tr></td></tr></td></tr></td></tr></td></tr></td></tr></td></tr></td></tr></td></tr></td></tr></td></tr></td></tr></td></tr></td></tr></td></tr></td></tr></td></tr></td></tr></td></tr></td></tr></td></tr></td></tr></td></td></tr></td></tr></td></td></tr></td></td></tr></td></td></tr></td></td></tr></td></td></tr></td></td></tr></td></td></tr></td></td></tr></td></tr>
 | 374C | ETR | - | WD. | J2 | PTD. | - | 373A | 3\"/> <tr> <td>375</td> <td>B</td> <td>1 <td>WD</td> <td>J1</td> <td>PTD.</td> <td>-</td> <td>374B</td> <td>3\"/> <tr> <td>376</td> <td>B</td> <td>1 <td>WD</td> <td>J1</td> <td>PTD.</td> <td>-</td> <td>374C</td> <td>3\"/> <tr> <td>377</td> <td>B</td> <td>1 <td>WD</td> <td>J1</td> <td>PTD.</td> <td>-</td> <td>375</td> <td>3\"/> <tr> <td>377A</td> <td>B</td> <td>1 <td>WD</td> <td>J1</td> <td>PTD.</td> <td>-</td> <td>376</td> <td>3\"/> <tr> <td>378</td> <td>B</td> <td>1 <td>WD</td> <td>J1</td> <td>PTD.</td> <td>-</td> <td>377</td> <td>3\"/> <tr> <td>379</td> <td>B</td> <td>1 <td>WD</td> <td>J1</td> <td>PTD.</td> <td>-</td> <td>377A</td> <td>3\"/> <tr> <td>380A</td> <td>B</td> <td>1 <td>WD</td> <td>J1</td> <td>PTD.</td> <td>-</td> <td>378</td> <td>3\"/> <tr> <td>380B</td> <td>B</td> <td>1 <td>WD</td> <td>J1</td> <td>PTD.</td> <td>-</td> <td>379</td> <td>3\"/> <tr> <td>382</td> <td>ETR</td> <td>-</td> <td>WD.</td> <td>J2</td> <td>PTD.</td> <td>-</td> <td>380A</td> <td>3\"/> <tr> <td>382A</td> <td>D</td> <td>6 <td>ALUM.</td> <td>ANODIZE D</td> <td>-</td> <td>-</td> <td>380B</td> <td>3\"/> <tr> <td>385</td> <td>ETR</td> <td>-</td> <td>WD.</td> <td>J2</td> <td>PTD.</td> <td>-</td> <td>382</td> <td>3\"/> <tr> <td>386</td> <td>ETR</td> <td>-</td> <td>WD.</td> <td>J2</td> <td>PTD.</td> <td>-</td> <td>382A</td> <td>3\"/> <tr> <td>387</td> <td>ETR</td> <td>-</td> <td>WD.</td> <td>J2</td> <td>PTD.</td> <td>-</td> <td>385</td> <td>3\"/> <tr> <td>388</td> <td>ETR</td> <td>-</td> <td>WD.</td> <td>J2</td> <td>PTD.</td> <td>-</td> <td>386</td> <td>3\"/> <tr> <td>389</td> <td>ETR</td> <td>-</td> <td>WD.</td> <td>J2</td> <td>PTD.</td> <td>-</td> <td>387</td> <td>3\"/> <tr> <td>391</td> <td>ETR</td> <td>-</td> <td>WD.</td> <td>J2</td> <td>PTD.</td> <td>-</td> <td>388</td> <td>3\"/> <tr> <td>391A</td> <td>ETR</td> <td>-</td> <td>WD.</td> <td>J2</td> <td>PTD.</td> <td>-</td> <td>389</td> <td>3\"/> <tr> <td>391B</td> <td>ETR</td> <td>-</td> <td>WD.</td> <td>J2</td> <td>PTD.</td> <td>-</td> <td>391</td> <td>3\"/> <tr> <td>394</td> <td>ETR</td> <td>-</td> <td>WD.</td> <td>J2</td> <td>PTD.</td> <td>-</td> <td>391A</td> <td>3\"/> <tr> <td>395</td> <td>ETR</td> <td>-</td> <td>WD.</td> <td>J2</td> <td>PTD.</td> <td>-</td> <td>391B</td> <td>3\"/> <tr> <td>396</td> <td>ETR</td> <td>-</td> <td>WD.</td> <td>J2</td> <td>PTD.</td> <td>-</td> <td>394</td> <td>3\"/> <tr> <td>398</td> <td>ETR</td> <td>-</td> <td>WD.</td> <td>J2</td> <td>PTD.</td> <td>-</td> <td>395</td> <td>3\"/> <tr> <td>399</td> <td>ETR</td> <td>-</td> <td>WD.</td> <td>J2</td> <td>PTD.</td> <td>-</td> <td>396</td> <td>3\"/> <tr> <td>3991</td> <td>ETR</td> <td>-</td> <td>WD.</td> <td>J2</td> <td>PTD.</td> <td>-</td> <td>398</td> <td>3\"/> <tr> <td>3992</td> <td>A</td> <td>3\"/> <tr>
<td>3993</td> <td>ETR</td> <td>-</td> <td>WD.</td> <td>J2</td> <td>PTD.</td> <td>-</td> <td>399</td> <td>3\"/> <tr> <td>3994</td> <td>ETR</td> <td>-</td> <td>WD.</td> <td>J2</td> <td>PTD.</td> <td>-</td> <td>3991</td> <td>3\"/> <tr> <td>3995</td> <td>ETR</td> <td>-</td> <td>WD.</td> <td>J2</td> <td>PTD.</td> <td>-</td> <td>3992</td> <td>3\"/> <tr> <td>3997</td> <td>ETR</td> <td>-</td> <td>WD.</td> <td>J2</td> <td>PTD.</td> <td>-</td> <td>3993</td> <td>3\"/> <tr> <td>3998</td> <td>ETR</td> <td>-</td> <td>WD.</td> <td>J2</td> <td>PTD.</td> <td>-</td> <td>3994</td> <td>3\"/> <tr> <td>3999</td> <td>ETR</td> <td>-</td> <td>WD.</td> <td>J2</td> <td>PTD.</td> <td>-</td> <td>3995</td> <td>3\"/> <tr> <td>3999</td> <td>ETR</td> <td>-</td> <td>WD.</td> <td>J2</td> <td>PTD.</td> <td>-</td> <td>3997</td> <td>3\"/> </td></tr></td></tr></td></tr></td></tr></td></tr></td></tr></td></tr></td></tr></td></tr></td></tr></td></tr></td></tr></td></tr></td></tr></td></tr></td></tr></td></tr></td></tr></td></tr></td></tr></td></tr></td></tr></td></td></tr></td></tr></td></td></tr></td></td></tr></td></td></tr></td></td></tr></td></td></tr></td></td></tr></td></td></tr></td></td></tr> | 375 | B | 1 <td>WD</td> <td>J1</td> <td>PTD.</td> <td>-</td> <td>374B</td> <td>3\"/> <tr> <td>376</td> <td>B</td> <td>1 <td>WD</td> <td>J1</td> <td>PTD.</td> <td>-</td> <td>374C</td> <td>3\"/> <tr> <td>377</td> <td>B</td> <td>1 <td>WD</td> <td>J1</td> <td>PTD.</td> <td>-</td> <td>375</td> <td>3\"/> <tr> <td>377A</td> <td>B</td> <td>1 <td>WD</td> <td>J1</td> <td>PTD.</td> <td>-</td> <td>376</td> <td>3\"/> <tr> <td>378</td> <td>B</td> <td>1 <td>WD</td> <td>J1</td> <td>PTD.</td> <td>-</td> <td>377</td> <td>3\"/> <tr> <td>379</td> <td>B</td> <td>1 <td>WD</td> <td>J1</td> <td>PTD.</td> <td>-</td> <td>377A</td> <td>3\"/> <tr> <td>380A</td> <td>B</td> <td>1 <td>WD</td> <td>J1</td> <td>PTD.</td> <td>-</td> <td>378</td> <td>3\"/> <tr> <td>380B</td> <td>B</td> <td>1 <td>WD</td> <td>J1</td> <td>PTD.</td> <td>-</td> <td>379</td> <td>3\"/> <tr> <td>382</td> <td>ETR</td> <td>-</td> <td>WD.</td> <td>J2</td> <td>PTD.</td> <td>-</td> <td>380A</td> <td>3\"/> <tr> <td>382A</td> <td>D</td> <td>6 <td>ALUM.</td> <td>ANODIZE D</td> <td>-</td> <td>-</td> <td>380B</td> <td>3\"/> <tr> <td>385</td> <td>ETR</td> <td>-</td> <td>WD.</td> <td>J2</td> <td>PTD.</td> <td>-</td> <td>382</td> <td>3\"/> <tr> <td>386</td> <td>ETR</td> <td>-</td> <td>WD.</td> <td>J2</td> <td>PTD.</td> <td>-</td> <td>382A</td> <td>3\"/> <tr> <td>387</td> <td>ETR</td> <td>-</td> <td>WD.</td> <td>J2</td> <td>PTD.</td> <td>-</td> <td>385</td> <td>3\"/> <tr> <td>388</td> <td>ETR</td> <td>-</td> <td>WD.</td> <td>J2</td> <td>PTD.</td> <td>-</td> <td>386</td> <td>3\"/> <tr> <td>389</td> <td>ETR</td> <td>-</td> <td>WD.</td> <td>J2</td> <td>PTD.</td> <td>-</td> <td>387</td> <td>3\"/> <tr> <td>391</td> <td>ETR</td> <td>-</td> <td>WD.</td> <td>J2</td> <td>PTD.</td> <td>-</td> <td>388</td> <td>3\"/> <tr> <td>391A</td> <td>ETR</td> <td>-</td> <td>WD.</td> <td>J2</td> <td>PTD.</td> <td>-</td> <td>389</td> <td>3\"/> <tr> <td>391B</td> <td>ETR</td> <td>-</td> <td>WD.</td> <td>J2</td> <td>PTD.</td> <td>-</td> <td>391</td> <td>3\"/> <tr> <td>394</td> <td>ETR</td> <td>-</td> <td>WD.</td> <td>J2</td> <td>PTD.</td> <td>-</td> <td>391A</td> <td>3\"/> <tr> <td>395</td> <td>ETR</td> <td>-</td> <td>WD.</td> <td>J2</td> <td>PTD.</td> <td>-</td> <td>391B</td> <td>3\"/> <tr> <td>396</td> <td>ETR</td> <td>-</td> <td>WD.</td> <td>J2</td> <td>PTD.</td> <td>-</td> <td>394</td> <td>3\"/> <tr> <td>398</td> <td>ETR</td> <td>-</td> <td>WD.</td> <td>J2</td> <td>PTD.</td> <td>-</td> <td>395</td> <td>3\"/> <tr> <td>399</td> <td>ETR</td> <td>-</td> <td>WD.</td> <td>J2</td> <td>PTD.</td> <td>-</td> <td>396</td> <td>3\"/> <tr> <td>3991</td> <td>ETR</td> <td>-</td> <td>WD.</td> <td>J2</td> <td>PTD.</td> <td>-</td> <td>398</td> <td>3\"/> <tr> <td>3992</td> <td>A</td> <td>3\"/> <tr> <td>3993</td> <td>ETR</td> <td>-</td> <td>WD.</td> <td>J2</td> <td>PTD.</td> <td>-</td> <td>399</td> <td>3\"/> <tr> <td>3994</td> <td>ETR</td> <td>-</td> <td>WD.</td> <td>J2</td> <td>PTD.</td> <td>-</td> <td>3991</td> <td>3\"/> <tr> <td>3995</td> <td>ETR</td> <td>-</td> <td>WD.</td> <td>J2</td> <td>PTD.</td> <td>-</td> <td>3992</td> <td>3\"/> <tr> <td>3997</td> <td>ETR</td> <td>-</td> <td>WD.</td> <td>J2</td> <td>PTD.</td> <td>-</td> <td>3993</td> <td>3\"/> <tr> <td>3998</td> <td>ETR</td> <td>-</td> <td>WD.</td> <td>J2</td> <td>PTD.</td> <td>-</td> <td>3994</td> <td>3\"/> <tr> <td>3999</td> <td>ETR</td> <td>-</td> <td>WD.</td> <td>J2</td> <td>PTD.</td> <td>-</td> <td>3995</td> <td>3\"/> <tr> <td>3999</td> <td>ETR</td> <td>-</td> <td>WD.</td> <td>J2</td> <td>PTD.</td> <td>-</td> <td>3997</td> <td>3\"/> </td></tr></td></tr></td></tr></td></tr></td></tr></td></tr></td></tr></td></tr></td></tr></td></tr></td></tr></td></tr></td></tr></td></tr></td></tr></td></tr></td></tr></td></tr></td></tr></td></tr></td></tr></td></tr></td></td></tr></td></tr></td></td></tr></td></td></tr></td></td></tr></td></td></tr></td></td></tr></td></td></tr></td></td></tr></td> | WD | J1 | PTD. | - | 374B
 3\"/> <tr> <td>376</td> <td>B</td> <td>1 <td>WD</td> <td>J1</td> <td>PTD.</td> <td>-</td> <td>374C</td> <td>3\"/> <tr> <td>377</td> <td>B</td> <td>1 <td>WD</td> <td>J1</td> <td>PTD.</td> <td>-</td> <td>375</td> <td>3\"/> <tr> <td>377A</td> <td>B</td> <td>1 <td>WD</td> <td>J1</td> <td>PTD.</td> <td>-</td> <td>376</td> <td>3\"/> <tr> <td>378</td> <td>B</td> <td>1 <td>WD</td> <td>J1</td> <td>PTD.</td> <td>-</td> <td>377</td> <td>3\"/> <tr> <td>379</td> <td>B</td> <td>1 <td>WD</td> <td>J1</td> <td>PTD.</td> <td>-</td> <td>377A</td> <td>3\"/> <tr> <td>380A</td> <td>B</td> <td>1 <td>WD</td> <td>J1</td> <td>PTD.</td> <td>-</td> <td>378</td> <td>3\"/> <tr> <td>380B</td> <td>B</td> <td>1 <td>WD</td> <td>J1</td> <td>PTD.</td> <td>-</td> <td>379</td> <td>3\"/> <tr> <td>382</td> <td>ETR</td> <td>-</td> <td>WD.</td> <td>J2</td> <td>PTD.</td> <td>-</td> <td>380A</td> <td>3\"/> <tr> <td>382A</td> <td>D</td> <td>6 <td>ALUM.</td> <td>ANODIZE D</td> <td>-</td> <td>-</td> <td>380B</td> <td>3\"/> <tr> <td>385</td> <td>ETR</td> <td>-</td> <td>WD.</td> <td>J2</td> <td>PTD.</td> <td>-</td> <td>382</td> <td>3\"/> <tr> <td>386</td> <td>ETR</td> <td>-</td> <td>WD.</td> <td>J2</td> <td>PTD.</td> <td>-</td> <td>382A</td> <td>3\"/> <tr> <td>387</td> <td>ETR</td> <td>-</td> <td>WD.</td> <td>J2</td> <td>PTD.</td> <td>-</td> <td>385</td> <td>3\"/> <tr> <td>388</td> <td>ETR</td> <td>-</td> <td>WD.</td> <td>J2</td> <td>PTD.</td> <td>-</td> <td>386</td> <td>3\"/> <tr> <td>389</td> <td>ETR</td> <td>-</td> <td>WD.</td> <td>J2</td> <td>PTD.</td> <td>-</td> <td>387</td> <td>3\"/> <tr> <td>391</td> <td>ETR</td> <td>-</td> <td>WD.</td> <td>J2</td> <td>PTD.</td> <td>-</td> <td>388</td> <td>3\"/> <tr> <td>391A</td> <td>ETR</td> <td>-</td> <td>WD.</td> <td>J2</td> <td>PTD.</td> <td>-</td> <td>389</td> <td>3\"/> <tr> <td>391B</td> <td>ETR</td> <td>-</td> <td>WD.</td> <td>J2</td> <td>PTD.</td> <td>-</td> <td>391</td> <td>3\"/> <tr> <td>394</td> <td>ETR</td> <td>-</td> <td>WD.</td> <td>J2</td> <td>PTD.</td> <td>-</td> <td>391A</td> <td>3\"/> <tr> <td>395</td> <td>ETR</td> <td>-</td> <td>WD.</td> <td>J2</td> <td>PTD.</td> <td>-</td> <td>391B</td> <td>3\"/> <tr> <td>396</td> <td>ETR</td> <td>-</td> <td>WD.</td> <td>J2</td> <td>PTD.</td> <td>-</td> <td>394</td> <td>3\"/> <tr> <td>398</td> <td>ETR</td> <td>-</td> <td>WD.</td> <td>J2</td> <td>PTD.</td> <td>-</td> <td>395</td> <td>3\"/> <tr> <td>399</td> <td>ETR</td> <td>-</td> <td>WD.</td> <td>J2</td> <td>PTD.</td> <td>-</td> <td>396</td> <td>3\"/> <tr> <td>3991</td> <td>ETR</td> <td>-</td> <td>WD.</td> <td>J2</td> <td>PTD.</td> <td>-</td> <td>398</td> <td>3\"/> <tr> <td>3992</td> <td>A</td> <td>3\"/> <tr> <td>3993</td> <td>ETR</td> <td>-</td> <td>WD.</td> <td>J2</td> <td>PTD.</td> <td>-</td> <td>399</td> <td>3\"/> <tr> <td>3994</td> <td>ETR</td> <td>-</td> <td>WD.</td> <td>J2</td> <td>PTD.</td> <td>-</td> <td>3991</td> <td>3\"/> <tr> <td>3995</td> <td>ETR</td> <td>-</td> <td>WD.</td> <td>J2</td> <td>PTD.</td> <td>-</td> <td>3992</td> <td>3\"/> <tr> <td>3997</td> <td>ETR</td> <td>-</td> <td>WD.</td> <td>J2</td> <td>PTD.</td> <td>-</td> <td>3993</td> <td>3\"/> <tr> <td>3998</td> <td>ETR</td> <td>-</td> <td>WD.</td> <td>J2</td> <td>PTD.</td> <td>-</td> <td>3994</td> <td>3\"/> <tr> <td>3999</td> <td>ETR</td> <td>-</td> <td>WD.</td> <td>J2</td> <td>PTD.</td> <td>-</td> <td>3995</td> <td>3\"/> <tr> <td>3999</td> <td>ETR</td> <td>-</td> <td>WD.</td> <td>J2</td> <td>PTD.</td> <td>-</td> <td>3997</td> <td>3\"/> </td></tr></td></tr></td></tr></td></tr></td></tr></td></tr></td></tr></td></tr></td></tr></td></tr></td></tr></td></tr></td></tr></td></tr></td></tr></td></tr></td></tr></td></tr></td></tr></td></tr></td></tr></td></tr></td></td></tr></td></tr></td></td></tr></td></td></tr></td></td></tr></td></td></tr></td></td></tr></td></td></tr></td></td></tr> | 376 | B | 1 <td>WD</td> <td>J1</td> <td>PTD.</td> <td>-</td> <td>374C</td> <td>3\"/> <tr> <td>377</td> <td>B</td> <td>1 <td>WD</td> <td>J1</td> <td>PTD.</td> <td>-</td> <td>375</td> <td>3\"/> <tr> <td>377A</td> <td>B</td> <td>1 <td>WD</td> <td>J1</td> <td>PTD.</td> <td>-</td> <td>376</td> <td>3\"/> <tr> <td>378</td> <td>B</td> <td>1 <td>WD</td> <td>J1</td> <td>PTD.</td> <td>-</td> <td>377</td> <td>3\"/> <tr> <td>379</td> <td>B</td> <td>1 <td>WD</td> <td>J1</td> <td>PTD.</td> <td>-</td> <td>377A</td> <td>3\"/> <tr> <td>380A</td> <td>B</td> <td>1 <td>WD</td> <td>J1</td> <td>PTD.</td> <td>-</td> <td>378</td> <td>3\"/> <tr> <td>380B</td> <td>B</td> <td>1 <td>WD</td> <td>J1</td> <td>PTD.</td> <td>-</td> <td>379</td> <td>3\"/> <tr> <td>382</td> <td>ETR</td> <td>-</td> <td>WD.</td> <td>J2</td> <td>PTD.</td> <td>-</td> <td>380A</td> <td>3\"/> <tr> <td>382A</td> <td>D</td> <td>6 <td>ALUM.</td> <td>ANODIZE D</td> <td>-</td> <td>-</td> <td>380B</td> <td>3\"/> <tr> <td>385</td> <td>ETR</td> <td>-</td> <td>WD.</td> <td>J2</td> <td>PTD.</td> <td>-</td> <td>382</td> <td>3\"/> <tr> <td>386</td> <td>ETR</td> <td>-</td> <td>WD.</td> <td>J2</td> <td>PTD.</td> <td>-</td> <td>382A</td> <td>3\"/> <tr> <td>387</td> <td>ETR</td> <td>-</td> <td>WD.</td> <td>J2</td> <td>PTD.</td> <td>-</td> <td>385</td> <td>3\"/> <tr> <td>388</td> <td>ETR</td> <td>-</td> <td>WD.</td> <td>J2</td> <td>PTD.</td> <td>-</td> <td>386</td> <td>3\"/> <tr> <td>389</td> <td>ETR</td> <td>-</td> <td>WD.</td> <td>J2</td> <td>PTD.</td> <td>-</td> <td>387</td> <td>3\"/> <tr> <td>391</td> <td>ETR</td> <td>-</td> <td>WD.</td> <td>J2</td> <td>PTD.</td> <td>-</td> <td>388</td> <td>3\"/> <tr> <td>391A</td> <td>ETR</td> <td>-</td> <td>WD.</td> <td>J2</td> <td>PTD.</td> <td>-</td> <td>389</td> <td>3\"/> <tr> <td>391B</td> <td>ETR</td> <td>-</td> <td>WD.</td> <td>J2</td> <td>PTD.</td> <td>-</td> <td>391</td> <td>3\"/> <tr> <td>394</td> <td>ETR</td> <td>-</td> <td>WD.</td> <td>J2</td> <td>PTD.</td> <td>-</td> <td>391A</td> <td>3\"/> <tr> <td>395</td> <td>ETR</td> <td>-</td> <td>WD.</td> <td>J2</td> <td>PTD.</td> <td>-</td> <td>391B</td> <td>3\"/> <tr> <td>396</td> <td>ETR</td> <td>-</td> <td>WD.</td> <td>J2</td> <td>PTD.</td> <td>-</td> <td>394</td> <td>3\"/> <tr> <td>398</td> <td>ETR</td> <td>-</td> <td>WD.</td> <td>J2</td> <td>PTD.</td> <td>-</td> <td>395</td> <td>3\"/> <tr> <td>399</td> <td>ETR</td> <td>-</td> <td>WD.</td> <td>J2</td> <td>PTD.</td> <td>-</td> <td>396</td> <td>3\"/> <tr> <td>3991</td> <td>ETR</td> <td>-</td> <td>WD.</td> <td>J2</td> <td>PTD.</td> <td>-</td> <td>398</td> <td>3\"/> <tr> <td>3992</td> <td>A</td> <td>3\"/> <tr> <td>3993</td> <td>ETR</td> <td>-</td> <td>WD.</td> <td>J2</td> <td>PTD.</td> <td>-</td> <td>399</td> <td>3\"/> <tr> <td>3994</td> <td>ETR</td> <td>-</td> <td>WD.</td> <td>J2</td> <td>PTD.</td> <td>-</td> <td>3991</td> <td>3\"/> <tr> <td>3995</td> <td>ETR</td> <td>-</td> <td>WD.</td> <td>J2</td> <td>PTD.</td> <td>-</td> <td>3992</td> <td>3\"/> <tr> <td>3997</td> <td>ETR</td> <td>-</td> <td>WD.</td> <td>J2</td> <td>PTD.</td> <td>-</td> <td>3993</td> <td>3\"/> <tr> <td>3998</td> <td>ETR</td> <td>-</td> <td>WD.</td> <td>J2</td> <td>PTD.</td> <td>-</td> <td>3994</td> <td>3\"/> <tr> <td>3999</td> <td>ETR</td> <td>-</td> <td>WD.</td> <td>J2</td> <td>PTD.</td> <td>-</td> <td>3995</td> <td>3\"/> <tr> <td>3999</td> <td>ETR</td> <td>-</td> <td>WD.</td> <td>J2</td> <td>PTD.</td> <td>-</td> <td>3997</td> <td>3\"/>
</td></tr></td></tr></td></tr></td></tr></td></tr></td></tr></td></tr></td></tr></td></tr></td></tr></td></tr></td></tr></td></tr></td></tr></td></tr></td></tr></td></tr></td></tr></td></tr></td></tr></td></tr></td></tr></td></td></tr></td></tr></td></td></tr></td></td></tr></td></td></tr></td></td></tr></td></td></tr></td></td></tr></td> | WD | J1 | PTD. | - | 374C | 3\"/> <tr> <td>377</td> <td>B</td> <td>1 <td>WD</td> <td>J1</td> <td>PTD.</td> <td>-</td> <td>375</td> <td>3\"/> <tr> <td>377A</td> <td>B</td> <td>1 <td>WD</td> <td>J1</td> <td>PTD.</td> <td>-</td> <td>376</td> <td>3\"/> <tr> <td>378</td> <td>B</td> <td>1 <td>WD</td> <td>J1</td> <td>PTD.</td> <td>-</td> <td>377</td> <td>3\"/> <tr> <td>379</td> <td>B</td> <td>1 <td>WD</td> <td>J1</td> <td>PTD.</td> <td>-</td> <td>377A</td> <td>3\"/> <tr> <td>380A</td> <td>B</td> <td>1 <td>WD</td> <td>J1</td> <td>PTD.</td> <td>-</td> <td>378</td> <td>3\"/> <tr> <td>380B</td> <td>B</td> <td>1 <td>WD</td> <td>J1</td> <td>PTD.</td> <td>-</td> <td>379</td> <td>3\"/> <tr> <td>382</td> <td>ETR</td> <td>-</td> <td>WD.</td> <td>J2</td> <td>PTD.</td> <td>-</td> <td>380A</td> <td>3\"/> <tr> <td>382A</td> <td>D</td> <td>6 <td>ALUM.</td> <td>ANODIZE D</td> <td>-</td> <td>-</td> <td>380B</td> <td>3\"/> <tr> <td>385</td> <td>ETR</td> <td>-</td> <td>WD.</td> <td>J2</td> <td>PTD.</td> <td>-</td> <td>382</td> <td>3\"/> <tr> <td>386</td> <td>ETR</td> <td>-</td> <td>WD.</td> <td>J2</td> <td>PTD.</td> <td>-</td> <td>382A</td> <td>3\"/> <tr> <td>387</td> <td>ETR</td> <td>-</td> <td>WD.</td> <td>J2</td> <td>PTD.</td> <td>-</td> <td>385</td> <td>3\"/> <tr> <td>388</td> <td>ETR</td> <td>-</td> <td>WD.</td> <td>J2</td> <td>PTD.</td> <td>-</td> <td>386</td> <td>3\"/> <tr> <td>389</td> <td>ETR</td> <td>-</td> <td>WD.</td> <td>J2</td> <td>PTD.</td> <td>-</td> <td>387</td> <td>3\"/> <tr> <td>391</td> <td>ETR</td> <td>-</td> <td>WD.</td> <td>J2</td> <td>PTD.</td> <td>-</td> <td>388</td> <td>3\"/> <tr> <td>391A</td> <td>ETR</td> <td>-</td> <td>WD.</td> <td>J2</td> <td>PTD.</td> <td>-</td> <td>389</td> <td>3\"/> <tr> <td>391B</td> <td>ETR</td> <td>-</td> <td>WD.</td> <td>J2</td> <td>PTD.</td> <td>-</td> <td>391</td> <td>3\"/> <tr> <td>394</td> <td>ETR</td> <td>-</td> <td>WD.</td> <td>J2</td> <td>PTD.</td> <td>-</td> <td>391A</td> <td>3\"/> <tr> <td>395</td> <td>ETR</td> <td>-</td> <td>WD.</td> <td>J2</td> <td>PTD.</td> <td>-</td> <td>391B</td> <td>3\"/> <tr> <td>396</td> <td>ETR</td> <td>-</td> <td>WD.</td> <td>J2</td> <td>PTD.</td> <td>-</td> <td>394</td> <td>3\"/> <tr> <td>398</td> <td>ETR</td> <td>-</td> <td>WD.</td> <td>J2</td> <td>PTD.</td> <td>-</td> <td>395</td> <td>3\"/> <tr> <td>399</td> <td>ETR</td> <td>-</td> <td>WD.</td> <td>J2</td> <td>PTD.</td> <td>-</td> <td>396</td> <td>3\"/> <tr> <td>3991</td> <td>ETR</td> <td>-</td> <td>WD.</td> <td>J2</td> <td>PTD.</td> <td>-</td> <td>398</td> <td>3\"/> <tr> <td>3992</td> <td>A</td> <td>3\"/> <tr> <td>3993</td> <td>ETR</td> <td>-</td> <td>WD.</td> <td>J2</td> <td>PTD.</td> <td>-</td> <td>399</td> <td>3\"/> <tr> <td>3994</td> <td>ETR</td> <td>-</td> <td>WD.</td> <td>J2</td> <td>PTD.</td> <td>-</td> <td>3991</td> <td>3\"/> <tr> <td>3995</td> <td>ETR</td> <td>-</td> <td>WD.</td> <td>J2</td> <td>PTD.</td> <td>-</td> <td>3992</td> <td>3\"/> <tr> <td>3997</td> <td>ETR</td> <td>-</td> <td>WD.</td> <td>J2</td> <td>PTD.</td> <td>-</td> <td>3993</td> <td>3\"/> <tr> <td>3998</td> <td>ETR</td> <td>-</td> <td>WD.</td> <td>J2</td> <td>PTD.</td> <td>-</td> <td>3994</td> <td>3\"/> <tr> <td>3999</td> <td>ETR</td> <td>-</td> <td>WD.</td> <td>J2</td> <td>PTD.</td> <td>-</td> <td>3995</td> <td>3\"/> <tr> <td>3999</td> <td>ETR</td> <td>-</td> <td>WD.</td> <td>J2</td> <td>PTD.</td> <td>-</td> <td>3997</td> <td>3\"/> </td></tr></td></tr></td></tr></td></tr></td></tr></td></tr></td></tr></td></tr></td></tr></td></tr></td></tr></td></tr></td></tr></td></tr></td></tr></td></tr></td></tr></td></tr></td></tr></td></tr></td></tr></td></tr></td></td></tr></td></tr></td></td></tr></td></td></tr></td></td></tr></td></td></tr></td></td></tr></td></td></tr> | 377 | B | 1 <td>WD</td> <td>J1</td> <td>PTD.</td> <td>-</td> <td>375</td> <td>3\"/> <tr> <td>377A</td> <td>B</td> <td>1 <td>WD</td> <td>J1</td> <td>PTD.</td> <td>-</td> <td>376</td> <td>3\"/> <tr> <td>378</td> <td>B</td> <td>1 <td>WD</td> <td>J1</td> <td>PTD.</td> <td>-</td> <td>377</td> <td>3\"/> <tr> <td>379</td> <td>B</td> <td>1 <td>WD</td> <td>J1</td> <td>PTD.</td> <td>-</td> <td>377A</td> <td>3\"/> <tr> <td>380A</td> <td>B</td> <td>1 <td>WD</td> <td>J1</td> <td>PTD.</td> <td>-</td> <td>378</td> <td>3\"/> <tr> <td>380B</td> <td>B</td> <td>1 <td>WD</td> <td>J1</td> <td>PTD.</td> <td>-</td> <td>379</td> <td>3\"/> <tr> <td>382</td> <td>ETR</td> <td>-</td> <td>WD.</td> <td>J2</td> <td>PTD.</td> <td>-</td> <td>380A</td> <td>3\"/> <tr> <td>382A</td> <td>D</td> <td>6 <td>ALUM.</td> <td>ANODIZE D</td> <td>-</td> <td>-</td> <td>380B</td> <td>3\"/> <tr> <td>385</td> <td>ETR</td> <td>-</td> <td>WD.</td> <td>J2</td> <td>PTD.</td> <td>-</td> <td>382</td> <td>3\"/> <tr> <td>386</td> <td>ETR</td> <td>-</td> <td>WD.</td> <td>J2</td> <td>PTD.</td>
<td>-</td> <td>382A</td> <td>3\"/> <tr> <td>387</td> <td>ETR</td> <td>-</td> <td>WD.</td> <td>J2</td> <td>PTD.</td> <td>-</td> <td>385</td> <td>3\"/> <tr> <td>388</td> <td>ETR</td> <td>-</td> <td>WD.</td> <td>J2</td> <td>PTD.</td> <td>-</td> <td>386</td> <td>3\"/> <tr> <td>389</td> <td>ETR</td> <td>-</td> <td>WD.</td> <td>J2</td> <td>PTD.</td> <td>-</td> <td>387</td> <td>3\"/> <tr> <td>391</td> <td>ETR</td> <td>-</td> <td>WD.</td> <td>J2</td> <td>PTD.</td> <td>-</td> <td>388</td> <td>3\"/> <tr> <td>391A</td> <td>ETR</td> <td>-</td> <td>WD.</td> <td>J2</td> <td>PTD.</td> <td>-</td> <td>389</td> <td>3\"/> <tr> <td>391B</td> <td>ETR</td> <td>-</td> <td>WD.</td> <td>J2</td> <td>PTD.</td> <td>-</td> <td>391</td> <td>3\"/> <tr> <td>394</td> <td>ETR</td> <td>-</td> <td>WD.</td> <td>J2</td> <td>PTD.</td> <td>-</td> <td>391A</td> <td>3\"/> <tr> <td>395</td> <td>ETR</td> <td>-</td> <td>WD.</td> <td>J2</td> <td>PTD.</td> <td>-</td> <td>391B</td> <td>3\"/> <tr> <td>396</td> <td>ETR</td> <td>-</td> <td>WD.</td> <td>J2</td> <td>PTD.</td> <td>-</td> <td>394</td> <td>3\"/> <tr> <td>398</td> <td>ETR</td> <td>-</td> <td>WD.</td> <td>J2</td> <td>PTD.</td> <td>-</td> <td>395</td> <td>3\"/> <tr> <td>399</td> <td>ETR</td> <td>-</td> <td>WD.</td> <td>J2</td> <td>PTD.</td> <td>-</td> <td>396</td> <td>3\"/> <tr> <td>3991</td> <td>ETR</td> <td>-</td> <td>WD.</td> <td>J2</td> <td>PTD.</td> <td>-</td> <td>398</td> <td>3\"/> <tr> <td>3992</td> <td>A</td> <td>3\"/> <tr> <td>3993</td> <td>ETR</td> <td>-</td> <td>WD.</td> <td>J2</td> <td>PTD.</td> <td>-</td> <td>399</td> <td>3\"/> <tr> <td>3994</td> <td>ETR</td> <td>-</td> <td>WD.</td> <td>J2</td> <td>PTD.</td> <td>-</td> <td>3991</td> <td>3\"/> <tr> <td>3995</td> <td>ETR</td> <td>-</td> <td>WD.</td> <td>J2</td> <td>PTD.</td> <td>-</td> <td>3992</td> <td>3\"/> <tr> <td>3997</td> <td>ETR</td> <td>-</td> <td>WD.</td> <td>J2</td> <td>PTD.</td> <td>-</td> <td>3993</td> <td>3\"/> <tr> <td>3998</td> <td>ETR</td> <td>-</td> <td>WD.</td> <td>J2</td> <td>PTD.</td> <td>-</td> <td>3994</td> <td>3\"/> <tr> <td>3999</td> <td>ETR</td> <td>-</td> <td>WD.</td> <td>J2</td> <td>PTD.</td> <td>-</td> <td>3995</td> <td>3\"/> <tr> <td>3999</td> <td>ETR</td> <td>-</td> <td>WD.</td> <td>J2</td> <td>PTD.</td> <td>-</td> <td>3997</td> <td>3\"/> </td></tr></td></tr></td></tr></td></tr></td></tr></td></tr></td></tr></td></tr></td></tr></td></tr></td></tr></td></tr></td></tr></td></tr></td></tr></td></tr></td></tr></td></tr></td></tr></td></tr></td></tr></td></tr></td></td></tr></td></tr></td></td></tr></td></td></tr></td></td></tr></td></td></tr></td></td></tr></td> | WD | J1 | PTD. | - | 375 | 3\"/> <tr> <td>377A</td> <td>B</td> <td>1 <td>WD</td> <td>J1</td> <td>PTD.</td> <td>-</td> <td>376</td> <td>3\"/> <tr> <td>378</td> <td>B</td> <td>1 <td>WD</td> <td>J1</td> <td>PTD.</td> <td>-</td> <td>377</td> <td>3\"/> <tr> <td>379</td> <td>B</td> <td>1 <td>WD</td> <td>J1</td> <td>PTD.</td> <td>-</td> <td>377A</td> <td>3\"/> <tr> <td>380A</td> <td>B</td> <td>1 <td>WD</td> <td>J1</td> <td>PTD.</td> <td>-</td> <td>378</td> <td>3\"/> <tr> <td>380B</td> <td>B</td> <td>1 <td>WD</td> <td>J1</td> <td>PTD.</td> <td>-</td> <td>379</td> <td>3\"/> <tr> <td>382</td> <td>ETR</td> <td>-</td> <td>WD.</td> <td>J2</td> <td>PTD.</td> <td>-</td> <td>380A</td> <td>3\"/> <tr> <td>382A</td> <td>D</td> <td>6 <td>ALUM.</td> <td>ANODIZE D</td> <td>-</td> <td>-</td> <td>380B</td> <td>3\"/> <tr> <td>385</td> <td>ETR</td> <td>-</td> <td>WD.</td> <td>J2</td> <td>PTD.</td> <td>-</td> <td>382</td> <td>3\"/> <tr> <td>386</td> <td>ETR</td> <td>-</td> <td>WD.</td> <td>J2</td> <td>PTD.</td> <td>-</td> <td>382A</td> <td>3\"/> <tr> <td>387</td> <td>ETR</td> <td>-</td> <td>WD.</td> <td>J2</td> <td>PTD.</td> <td>-</td> <td>385</td> <td>3\"/> <tr> <td>388</td> <td>ETR</td> <td>-</td> <td>WD.</td> <td>J2</td> <td>PTD.</td> <td>-</td> <td>386</td> <td>3\"/> <tr> <td>389</td> <td>ETR</td> <td>-</td> <td>WD.</td> <td>J2</td> <td>PTD.</td> <td>-</td> <td>387</td> <td>3\"/> <tr> <td>391</td> <td>ETR</td> <td>-</td> <td>WD.</td> <td>J2</td> <td>PTD.</td> <td>-</td> <td>388</td> <td>3\"/> <tr> <td>391A</td> <td>ETR</td> <td>-</td> <td>WD.</td> <td>J2</td> <td>PTD.</td> <td>-</td> <td>389</td> <td>3\"/> <tr> <td>391B</td> <td>ETR</td> <td>-</td> <td>WD.</td> <td>J2</td> <td>PTD.</td> <td>-</td> <td>391</td> <td>3\"/> <tr> <td>394</td> <td>ETR</td> <td>-</td> <td>WD.</td> <td>J2</td> <td>PTD.</td> <td>-</td> <td>391A</td> <td>3\"/> <tr> <td>395</td> <td>ETR</td> <td>-</td> <td>WD.</td> <td>J2</td> <td>PTD.</td> <td>-</td> <td>391B</td> <td>3\"/> <tr> <td>396</td> <td>ETR</td> <td>-</td> <td>WD.</td> <td>J2</td> <td>PTD.</td> <td>-</td> <td>394</td> <td>3\"/> <tr> <td>398</td> <td>ETR</td> <td>-</td> <td>WD.</td> <td>J2</td> <td>PTD.</td> <td>-</td> <td>395</td> <td>3\"/> <tr> <td>399</td> <td>ETR</td> <td>-</td> <td>WD.</td> <td>J2</td> <td>PTD.</td> <td>-</td> <td>396</td> <td>3\"/> <tr> <td>3991</td> <td>ETR</td> <td>-</td> <td>WD.</td> <td>J2</td> <td>PTD.</td> <td>-</td> <td>398</td> <td>3\"/> <tr> <td>3992</td> <td>A</td> <td>3\"/> <tr> <td>3993</td> <td>ETR</td> <td>-</td> <td>WD.</td> <td>J2</td> <td>PTD.</td> <td>-</td> <td>399</td> <td>3\"/> <tr> <td>3994</td> <td>ETR</td> <td>-</td> <td>WD.</td> <td>J2</td> <td>PTD.</td> <td>-</td> <td>3991</td> <td>3\"/> <tr> <td>3995</td> <td>ETR</td> <td>-</td> <td>WD.</td> <td>J2</td> <td>PTD.</td> <td>-</td> <td>3992</td> <td>3\"/> <tr> <td>3997</td> <td>ETR</td> <td>-</td> <td>WD.</td> <td>J2</td> <td>PTD.</td> <td>-</td> <td>3993</td> <td>3\"/> <tr> <td>3998</td> <td>ETR</td> <td>-</td> <td>WD.</td> <td>J2</td> <td>PTD.</td> <td>-</td> <td>3994</td> <td>3\"/> <tr> <td>3999</td> <td>ETR</td> <td>-</td> <td>WD.</td> <td>J2</td> <td>PTD.</td> <td>-</td> <td>3995</td> <td>3\"/> <tr> <td>3999</td> <td>ETR</td> <td>-</td> <td>WD.</td> <td>J2</td> <td>PTD.</td> <td>-</td> <td>3997</td> <td>3\"/> </td></tr></td></tr></td></tr></td></tr></td></tr></td></tr></td></tr></td></tr></td></tr></td></tr></td></tr></td></tr></td></tr></td></tr></td></tr></td></tr></td></tr></td></tr></td></tr></td></tr></td></tr></td></tr></td></td></tr></td></tr></td></td></tr></td></td></tr></td></td></tr></td></td></tr></td></td></tr>
 | 377A | B | 1 <td>WD</td> <td>J1</td> <td>PTD.</td> <td>-</td> <td>376</td> <td>3\"/> <tr> <td>378</td> <td>B</td> <td>1 <td>WD</td> <td>J1</td> <td>PTD.</td> <td>-</td> <td>377</td> <td>3\"/> <tr> <td>379</td> <td>B</td> <td>1 <td>WD</td> <td>J1</td> <td>PTD.</td> <td>-</td> <td>377A</td> <td>3\"/> <tr> <td>380A</td> <td>B</td> <td>1 <td>WD</td> <td>J1</td> <td>PTD.</td> <td>-</td> <td>378</td> <td>3\"/> <tr> <td>380B</td> <td>B</td> <td>1 <td>WD</td> <td>J1</td> <td>PTD.</td> <td>-</td> <td>379</td> <td>3\"/> <tr> <td>382</td> <td>ETR</td> <td>-</td> <td>WD.</td> <td>J2</td> <td>PTD.</td> <td>-</td> <td>380A</td> <td>3\"/> <tr> <td>382A</td> <td>D</td> <td>6 <td>ALUM.</td> <td>ANODIZE D</td> <td>-</td> <td>-</td> <td>380B</td> <td>3\"/> <tr> <td>385</td> <td>ETR</td> <td>-</td> <td>WD.</td> <td>J2</td> <td>PTD.</td> <td>-</td> <td>382</td> <td>3\"/> <tr> <td>386</td> <td>ETR</td> <td>-</td> <td>WD.</td> <td>J2</td> <td>PTD.</td> <td>-</td> <td>382A</td> <td>3\"/> <tr> <td>387</td> <td>ETR</td> <td>-</td> <td>WD.</td> <td>J2</td> <td>PTD.</td> <td>-</td> <td>385</td> <td>3\"/> <tr> <td>388</td> <td>ETR</td> <td>-</td> <td>WD.</td> <td>J2</td> <td>PTD.</td> <td>-</td> <td>386</td> <td>3\"/> <tr> <td>389</td> <td>ETR</td> <td>-</td> <td>WD.</td> <td>J2</td> <td>PTD.</td> <td>-</td> <td>387</td> <td>3\"/> <tr> <td>391</td> <td>ETR</td> <td>-</td> <td>WD.</td> <td>J2</td> <td>PTD.</td> <td>-</td> <td>388</td> <td>3\"/> <tr> <td>391A</td> <td>ETR</td> <td>-</td> <td>WD.</td> <td>J2</td> <td>PTD.</td> <td>-</td> <td>389</td> <td>3\"/> <tr> <td>391B</td> <td>ETR</td> <td>-</td> <td>WD.</td> <td>J2</td> <td>PTD.</td> <td>-</td> <td>391</td> <td>3\"/> <tr> <td>394</td> <td>ETR</td> <td>-</td> <td>WD.</td> <td>J2</td> <td>PTD.</td> <td>-</td> <td>391A</td> <td>3\"/> <tr> <td>395</td> <td>ETR</td> <td>-</td> <td>WD.</td> <td>J2</td> <td>PTD.</td> <td>-</td> <td>391B</td> <td>3\"/> <tr> <td>396</td> <td>ETR</td> <td>-</td> <td>WD.</td> <td>J2</td> <td>PTD.</td> <td>-</td> <td>394</td> <td>3\"/> <tr> <td>398</td> <td>ETR</td> <td>-</td> <td>WD.</td> <td>J2</td> <td>PTD.</td> <td>-</td> <td>395</td> <td>3\"/> <tr> <td>399</td> <td>ETR</td> <td>-</td> <td>WD.</td> <td>J2</td> <td>PTD.</td> <td>-</td> <td>396</td> <td>3\"/> <tr> <td>3991</td> <td>ETR</td> <td>-</td> <td>WD.</td> <td>J2</td> <td>PTD.</td> <td>-</td> <td>398</td> <td>3\"/> <tr> <td>3992</td> <td>A</td> <td>3\"/> <tr> <td>3993</td> <td>ETR</td> <td>-</td> <td>WD.</td> <td>J2</td> <td>PTD.</td> <td>-</td> <td>399</td> <td>3\"/> <tr> <td>3994</td> <td>ETR</td> <td>-</td> <td>WD.</td> <td>J2</td> <td>PTD.</td> <td>-</td> <td>3991</td> <td>3\"/> <tr> <td>3995</td> <td>ETR</td> <td>-</td> <td>WD.</td> <td>J2</td> <td>PTD.</td> <td>-</td> <td>3992</td> <td>3\"/> <tr> <td>3997</td> <td>ETR</td> <td>-</td> <td>WD.</td> <td>J2</td> <td>PTD.</td> <td>-</td> <td>3993</td> <td>3\"/> <tr> <td>3998</td> <td>ETR</td> <td>-</td> <td>WD.</td> <td>J2</td> <td>PTD.</td> <td>-</td> <td>3994</td> <td>3\"/> <tr> <td>3999</td> <td>ETR</td> <td>-</td> <td>WD.</td> <td>J2</td> <td>PTD.</td> <td>-</td> <td>3995</td> <td>3\"/> <tr> <td>3999</td> <td>ETR</td> <td>-</td> <td>WD.</td> <td>J2</td> <td>PTD.</td> <td>-</td> <td>3997</td> <td>3\"/> </td></tr></td></tr></td></tr></td></tr></td></tr></td></tr></td></tr></td></tr></td></tr></td></tr></td></tr></td></tr></td></tr></td></tr></td></tr></td></tr></td></tr></td></tr></td></tr></td></tr></td></tr></td></tr></td></td></tr></td></tr></td></td></tr></td></td></tr></td></td></tr></td></td></tr></td> | WD | J1 | PTD. | - | 376 | 3\"/> <tr> <td>378</td> <td>B</td> <td>1 <td>WD</td> <td>J1</td> <td>PTD.</td> <td>-</td> <td>377</td> <td>3\"/> <tr> <td>379</td> <td>B</td> <td>1 <td>WD</td> <td>J1</td> <td>PTD.</td> <td>-</td> <td>377A</td> <td>3\"/> <tr> <td>380A</td> <td>B</td> <td>1 <td>WD</td> <td>J1</td> <td>PTD.</td> <td>-</td> <td>378</td> <td>3\"/> <tr> <td>380B</td> <td>B</td> <td>1 <td>WD</td> <td>J1</td> <td>PTD.</td> <td>-</td> <td>379</td> <td>3\"/> <tr> <td>382</td> <td>ETR</td> <td>-</td> <td>WD.</td> <td>J2</td> <td>PTD.</td> <td>-</td> <td>380A</td> <td>3\"/> <tr> <td>382A</td> <td>D</td> <td>6 <td>ALUM.</td> <td>ANODIZE D</td> <td>-</td> <td>-</td> <td>380B</td> <td>3\"/> <tr> <td>385</td> <td>ETR</td> <td>-</td> <td>WD.</td> <td>J2</td> <td>PTD.</td> <td>-</td> <td>382</td> <td>3\"/> <tr> <td>386</td> <td>ETR</td> <td>-</td> <td>WD.</td> <td>J2</td> <td>PTD.</td> <td>-</td> <td>382A</td> <td>3\"/> <tr> <td>387</td> <td>ETR</td> <td>-</td> <td>WD.</td> <td>J2</td> <td>PTD.</td> <td>-</td> <td>385</td> <td>3\"/> <tr> <td>388</td> <td>ETR</td> <td>-</td> <td>WD.</td> <td>J2</td> <td>PTD.</td> <td>-</td> <td>386</td> <td>3\"/> <tr> <td>389</td> <td>ETR</td> <td>-</td> <td>WD.</td> <td>J2</td> <td>PTD.</td> <td>-</td> <td>387</td> <td>3\"/> <tr> <td>391</td> <td>ETR</td> <td>-</td> <td>WD.</td> <td>J2</td> <td>PTD.</td> <td>-</td> <td>388</td> <td>3\"/> <tr> <td>391A</td> <td>ETR</td> <td>-</td> <td>WD.</td> <td>J2</td> <td>PTD.</td> <td>-</td> <td>389</td> <td>3\"/> <tr> <td>391B</td> <td>ETR</td> <td>-</td> <td>WD.</td> <td>J2</td> <td>PTD.</td> <td>-</td> <td>391</td> <td>3\"/> <tr> <td>394</td> <td>ETR</td> <td>-</td> <td>WD.</td> <td>J2</td> <td>PTD.</td> <td>-</td> <td>391A</td> <td>3\"/> <tr> <td>395</td> <td>ETR</td> <td>-</td> <td>WD.</td> <td>J2</td> <td>PTD.</td> <td>-</td> <td>391B</td> <td>3\"/> <tr> <td>396</td> <td>ETR</td> <td>-</td> <td>WD.</td> <td>J2</td> <td>PTD.</td> <td>-</td> <td>394</td> <td>3\"/> <tr> <td>398</td> <td>ETR</td> <td>-</td> <td>WD.</td> <td>J2</td> <td>PTD.</td> <td>-</td> <td>395</td> <td>3\"/> <tr> <td>399</td> <td>ETR</td> <td>-</td> <td>WD.</td> <td>J2</td> <td>PTD.</td> <td>-</td> <td>396</td> <td>3\"/> <tr> <td>3991</td> <td>ETR</td> <td>-</td> <td>WD.</td> <td>J2</td> <td>PTD.</td> <td>-</td> <td>398</td> <td>3\"/> <tr> <td>3992</td> <td>A</td> <td>3\"/> <tr> <td>3993</td> <td>ETR</td> <td>-</td> <td>WD.</td> <td>J2</td> <td>PTD.</td> <td>-</td> <td>399</td> <td>3\"/> <tr> <td>3994</td> <td>ETR</td> <td>-</td> <td>WD.</td> <td>J2</td> <td>PTD.</td> <td>-</td> <td>3991</td> <td>3\"/> <tr> <td>3995</td> <td>ETR</td> <td>-</td> <td>WD.</td> <td>J2</td> <td>PTD.</td> <td>-</td> <td>3992</td> <td>3\"/> <tr> <td>3997</td>
<td>ETR</td> <td>-</td> <td>WD.</td> <td>J2</td> <td>PTD.</td> <td>-</td> <td>3993</td> <td>3\"/> <tr> <td>3998</td> <td>ETR</td> <td>-</td> <td>WD.</td> <td>J2</td> <td>PTD.</td> <td>-</td> <td>3994</td> <td>3\"/> <tr> <td>3999</td> <td>ETR</td> <td>-</td> <td>WD.</td> <td>J2</td> <td>PTD.</td> <td>-</td> <td>3995</td> <td>3\"/> <tr> <td>3999</td> <td>ETR</td> <td>-</td> <td>WD.</td> <td>J2</td> <td>PTD.</td> <td>-</td> <td>3997</td> <td>3\"/> </td></tr></td></tr></td></tr></td></tr></td></tr></td></tr></td></tr></td></tr></td></tr></td></tr></td></tr></td></tr></td></tr></td></tr></td></tr></td></tr></td></tr></td></tr></td></tr></td></tr></td></tr></td></tr></td></td></tr></td></tr></td></td></tr></td></td></tr></td></td></tr></td></td></tr> | 378 | B | 1 <td>WD</td> <td>J1</td> <td>PTD.</td> <td>-</td> <td>377</td> <td>3\"/> <tr> <td>379</td> <td>B</td> <td>1 <td>WD</td> <td>J1</td> <td>PTD.</td> <td>-</td> <td>377A</td> <td>3\"/> <tr> <td>380A</td> <td>B</td> <td>1 <td>WD</td> <td>J1</td> <td>PTD.</td> <td>-</td> <td>378</td> <td>3\"/> <tr> <td>380B</td> <td>B</td> <td>1 <td>WD</td> <td>J1</td> <td>PTD.</td> <td>-</td> <td>379</td> <td>3\"/> <tr> <td>382</td> <td>ETR</td> <td>-</td> <td>WD.</td> <td>J2</td> <td>PTD.</td> <td>-</td> <td>380A</td> <td>3\"/> <tr> <td>382A</td> <td>D</td> <td>6 <td>ALUM.</td> <td>ANODIZE D</td> <td>-</td> <td>-</td> <td>380B</td> <td>3\"/> <tr> <td>385</td> <td>ETR</td> <td>-</td> <td>WD.</td> <td>J2</td> <td>PTD.</td> <td>-</td> <td>382</td> <td>3\"/> <tr> <td>386</td> <td>ETR</td> <td>-</td> <td>WD.</td> <td>J2</td> <td>PTD.</td> <td>-</td> <td>382A</td> <td>3\"/> <tr> <td>387</td> <td>ETR</td> <td>-</td> <td>WD.</td> <td>J2</td> <td>PTD.</td> <td>-</td> <td>385</td> <td>3\"/> <tr> <td>388</td> <td>ETR</td> <td>-</td> <td>WD.</td> <td>J2</td> <td>PTD.</td> <td>-</td> <td>386</td> <td>3\"/> <tr> <td>389</td> <td>ETR</td> <td>-</td> <td>WD.</td> <td>J2</td> <td>PTD.</td> <td>-</td> <td>387</td> <td>3\"/> <tr> <td>391</td> <td>ETR</td> <td>-</td> <td>WD.</td> <td>J2</td> <td>PTD.</td> <td>-</td> <td>388</td> <td>3\"/> <tr> <td>391A</td> <td>ETR</td> <td>-</td> <td>WD.</td> <td>J2</td> <td>PTD.</td> <td>-</td> <td>389</td> <td>3\"/> <tr> <td>391B</td> <td>ETR</td> <td>-</td> <td>WD.</td> <td>J2</td> <td>PTD.</td> <td>-</td> <td>391</td> <td>3\"/> <tr> <td>394</td> <td>ETR</td> <td>-</td> <td>WD.</td> <td>J2</td> <td>PTD.</td> <td>-</td> <td>391A</td> <td>3\"/> <tr> <td>395</td> <td>ETR</td> <td>-</td> <td>WD.</td> <td>J2</td> <td>PTD.</td> <td>-</td> <td>391B</td> <td>3\"/> <tr> <td>396</td> <td>ETR</td> <td>-</td> <td>WD.</td> <td>J2</td> <td>PTD.</td> <td>-</td> <td>394</td> <td>3\"/> <tr> <td>398</td> <td>ETR</td> <td>-</td> <td>WD.</td> <td>J2</td> <td>PTD.</td> <td>-</td> <td>395</td> <td>3\"/> <tr> <td>399</td> <td>ETR</td> <td>-</td> <td>WD.</td> <td>J2</td> <td>PTD.</td> <td>-</td> <td>396</td> <td>3\"/> <tr> <td>3991</td> <td>ETR</td> <td>-</td> <td>WD.</td> <td>J2</td> <td>PTD.</td> <td>-</td> <td>398</td> <td>3\"/> <tr> <td>3992</td> <td>A</td> <td>3\"/> <tr> <td>3993</td> <td>ETR</td> <td>-</td> <td>WD.</td> <td>J2</td> <td>PTD.</td> <td>-</td> <td>399</td> <td>3\"/> <tr> <td>3994</td> <td>ETR</td> <td>-</td> <td>WD.</td> <td>J2</td> <td>PTD.</td> <td>-</td> <td>3991</td> <td>3\"/> <tr> <td>3995</td> <td>ETR</td> <td>-</td> <td>WD.</td> <td>J2</td> <td>PTD.</td> <td>-</td> <td>3992</td> <td>3\"/> <tr> <td>3997</td> <td>ETR</td> <td>-</td> <td>WD.</td> <td>J2</td> <td>PTD.</td> <td>-</td> <td>3993</td> <td>3\"/> <tr> <td>3998</td> <td>ETR</td> <td>-</td> <td>WD.</td> <td>J2</td> <td>PTD.</td> <td>-</td> <td>3994</td> <td>3\"/> <tr> <td>3999</td> <td>ETR</td> <td>-</td> <td>WD.</td> <td>J2</td> <td>PTD.</td> <td>-</td> <td>3995</td> <td>3\"/> <tr> <td>3999</td> <td>ETR</td> <td>-</td> <td>WD.</td> <td>J2</td> <td>PTD.</td> <td>-</td> <td>3997</td> <td>3\"/> </td></tr></td></tr></td></tr></td></tr></td></tr></td></tr></td></tr></td></tr></td></tr></td></tr></td></tr></td></tr></td></tr></td></tr></td></tr></td></tr></td></tr></td></tr></td></tr></td></tr></td></tr></td></tr></td></td></tr></td></tr></td></td></tr></td></td></tr></td></td></tr></td> | WD | J1 | PTD. | - | 377 | 3\"/> <tr> <td>379</td> <td>B</td> <td>1 <td>WD</td> <td>J1</td> <td>PTD.</td> <td>-</td> <td>377A</td> <td>3\"/> <tr> <td>380A</td> <td>B</td> <td>1 <td>WD</td> <td>J1</td> <td>PTD.</td> <td>-</td> <td>378</td> <td>3\"/> <tr> <td>380B</td> <td>B</td> <td>1 <td>WD</td> <td>J1</td> <td>PTD.</td> <td>-</td> <td>379</td> <td>3\"/> <tr> <td>382</td> <td>ETR</td> <td>-</td> <td>WD.</td> <td>J2</td> <td>PTD.</td> <td>-</td> <td>380A</td> <td>3\"/> <tr> <td>382A</td> <td>D</td> <td>6 <td>ALUM.</td> <td>ANODIZE D</td> <td>-</td> <td>-</td> <td>380B</td> <td>3\"/> <tr> <td>385</td> <td>ETR</td> <td>-</td> <td>WD.</td> <td>J2</td> <td>PTD.</td> <td>-</td> <td>382</td> <td>3\"/> <tr> <td>386</td> <td>ETR</td> <td>-</td> <td>WD.</td> <td>J2</td> <td>PTD.</td> <td>-</td> <td>382A</td> <td>3\"/> <tr> <td>387</td> <td>ETR</td> <td>-</td> <td>WD.</td> <td>J2</td> <td>PTD.</td> <td>-</td> <td>385</td> <td>3\"/> <tr> <td>388</td>
<td>ETR</td> <td>-</td> <td>WD.</td> <td>J2</td> <td>PTD.</td> <td>-</td> <td>386</td> <td>3\"/> <tr> <td>389</td> <td>ETR</td> <td>-</td> <td>WD.</td> <td>J2</td> <td>PTD.</td> <td>-</td> <td>387</td> <td>3\"/> <tr> <td>391</td> <td>ETR</td> <td>-</td> <td>WD.</td> <td>J2</td> <td>PTD.</td> <td>-</td> <td>388</td> <td>3\"/> <tr> <td>391A</td> <td>ETR</td> <td>-</td> <td>WD.</td> <td>J2</td> <td>PTD.</td> <td>-</td> <td>389</td> <td>3\"/> <tr> <td>391B</td> <td>ETR</td> <td>-</td> <td>WD.</td> <td>J2</td> <td>PTD.</td> <td>-</td> <td>391</td> <td>3\"/> <tr> <td>394</td> <td>ETR</td> <td>-</td> <td>WD.</td> <td>J2</td> <td>PTD.</td> <td>-</td> <td>391A</td> <td>3\"/> <tr> <td>395</td> <td>ETR</td> <td>-</td> <td>WD.</td> <td>J2</td> <td>PTD.</td> <td>-</td> <td>391B</td> <td>3\"/> <tr> <td>396</td> <td>ETR</td> <td>-</td> <td>WD.</td> <td>J2</td> <td>PTD.</td> <td>-</td> <td>394</td> <td>3\"/> <tr> <td>398</td> <td>ETR</td> <td>-</td> <td>WD.</td> <td>J2</td> <td>PTD.</td> <td>-</td> <td>395</td> <td>3\"/> <tr> <td>399</td> <td>ETR</td> <td>-</td> <td>WD.</td> <td>J2</td> <td>PTD.</td> <td>-</td> <td>396</td> <td>3\"/> <tr> <td>3991</td> <td>ETR</td> <td>-</td> <td>WD.</td> <td>J2</td> <td>PTD.</td> <td>-</td> <td>398</td> <td>3\"/> <tr> <td>3992</td> <td>A</td> <td>3\"/> <tr> <td>3993</td> <td>ETR</td> <td>-</td> <td>WD.</td> <td>J2</td> <td>PTD.</td> <td>-</td> <td>399</td> <td>3\"/> <tr> <td>3994</td> <td>ETR</td> <td>-</td> <td>WD.</td> <td>J2</td> <td>PTD.</td> <td>-</td> <td>3991</td> <td>3\"/> <tr> <td>3995</td> <td>ETR</td> <td>-</td> <td>WD.</td> <td>J2</td> <td>PTD.</td> <td>-</td> <td>3992</td> <td>3\"/> <tr> <td>3997</td> <td>ETR</td> <td>-</td> <td>WD.</td> <td>J2</td> <td>PTD.</td> <td>-</td> <td>3993</td> <td>3\"/> <tr> <td>3998</td> <td>ETR</td> <td>-</td> <td>WD.</td> <td>J2</td> <td>PTD.</td> <td>-</td> <td>3994</td> <td>3\"/> <tr> <td>3999</td> <td>ETR</td> <td>-</td> <td>WD.</td> <td>J2</td> <td>PTD.</td> <td>-</td> <td>3995</td> <td>3\"/> <tr> <td>3999</td> <td>ETR</td> <td>-</td> <td>WD.</td> <td>J2</td> <td>PTD.</td> <td>-</td> <td>3997</td> <td>3\"/> </td></tr></td></tr></td></tr></td></tr></td></tr></td></tr></td></tr></td></tr></td></tr></td></tr></td></tr></td></tr></td></tr></td></tr></td></tr></td></tr></td></tr></td></tr></td></tr></td></tr></td></tr></td></tr></td></td></tr></td></tr></td></td></tr></td></td></tr></td></td></tr> | 379 | B | 1 <td>WD</td> <td>J1</td> <td>PTD.</td> <td>-</td> <td>377A</td> <td>3\"/> <tr> <td>380A</td> <td>B</td> <td>1 <td>WD</td> <td>J1</td> <td>PTD.</td> <td>-</td> <td>378</td> <td>3\"/> <tr> <td>380B</td> <td>B</td> <td>1 <td>WD</td> <td>J1</td> <td>PTD.</td> <td>-</td> <td>379</td> <td>3\"/> <tr> <td>382</td> <td>ETR</td> <td>-</td> <td>WD.</td> <td>J2</td> <td>PTD.</td> <td>-</td> <td>380A</td> <td>3\"/> <tr> <td>382A</td> <td>D</td> <td>6 <td>ALUM.</td> <td>ANODIZE D</td> <td>-</td> <td>-</td> <td>380B</td> <td>3\"/> <tr> <td>385</td> <td>ETR</td> <td>-</td> <td>WD.</td> <td>J2</td> <td>PTD.</td> <td>-</td> <td>382</td> <td>3\"/> <tr> <td>386</td> <td>ETR</td> <td>-</td> <td>WD.</td> <td>J2</td> <td>PTD.</td> <td>-</td> <td>382A</td> <td>3\"/> <tr> <td>387</td> <td>ETR</td> <td>-</td> <td>WD.</td> <td>J2</td> <td>PTD.</td> <td>-</td> <td>385</td> <td>3\"/> <tr> <td>388</td> <td>ETR</td> <td>-</td> <td>WD.</td> <td>J2</td> <td>PTD.</td> <td>-</td> <td>386</td> <td>3\"/> <tr> <td>389</td> <td>ETR</td> <td>-</td> <td>WD.</td> <td>J2</td> <td>PTD.</td> <td>-</td> <td>387</td> <td>3\"/> <tr> <td>391</td> <td>ETR</td> <td>-</td> <td>WD.</td> <td>J2</td> <td>PTD.</td> <td>-</td> <td>388</td> <td>3\"/> <tr> <td>391A</td> <td>ETR</td> <td>-</td> <td>WD.</td> <td>J2</td> <td>PTD.</td> <td>-</td> <td>389</td> <td>3\"/> <tr> <td>391B</td> <td>ETR</td> <td>-</td> <td>WD.</td> <td>J2</td> <td>PTD.</td> <td>-</td> <td>391</td> <td>3\"/> <tr> <td>394</td> <td>ETR</td> <td>-</td> <td>WD.</td> <td>J2</td> <td>PTD.</td> <td>-</td> <td>391A</td> <td>3\"/> <tr> <td>395</td> <td>ETR</td> <td>-</td> <td>WD.</td> <td>J2</td> <td>PTD.</td> <td>-</td> <td>391B</td> <td>3\"/> <tr> <td>396</td> <td>ETR</td> <td>-</td> <td>WD.</td> <td>J2</td> <td>PTD.</td> <td>-</td> <td>394</td> <td>3\"/> <tr> <td>398</td> <td>ETR</td> <td>-</td> <td>WD.</td> <td>J2</td> <td>PTD.</td> <td>-</td> <td>395</td> <td>3\"/> <tr> <td>399</td> <td>ETR</td> <td>-</td> <td>WD.</td> <td>J2</td> <td>PTD.</td> <td>-</td> <td>396</td> <td>3\"/> <tr> <td>3991</td> <td>ETR</td> <td>-</td> <td>WD.</td> <td>J2</td> <td>PTD.</td> <td>-</td> <td>398</td> <td>3\"/> <tr> <td>3992</td> <td>A</td> <td>3\"/> <tr> <td>3993</td> <td>ETR</td> <td>-</td> <td>WD.</td> <td>J2</td> <td>PTD.</td> <td>-</td> <td>399</td> <td>3\"/> <tr> <td>3994</td> <td>ETR</td> <td>-</td> <td>WD.</td> <td>J2</td> <td>PTD.</td> <td>-</td> <td>3991</td> <td>3\"/> <tr> <td>3995</td> <td>ETR</td> <td>-</td> <td>WD.</td> <td>J2</td> <td>PTD.</td> <td>-</td> <td>3992</td> <td>3\"/> <tr> <td>3997</td> <td>ETR</td> <td>-</td> <td>WD.</td> <td>J2</td> <td>PTD.</td> <td>-</td> <td>3993</td> <td>3\"/> <tr> <td>3998</td> <td>ETR</td> <td>-</td> <td>WD.</td> <td>J2</td> <td>PTD.</td> <td>-</td> <td>3994</td> <td>3\"/> <tr> <td>3999</td> <td>ETR</td> <td>-</td> <td>WD.</td> <td>J2</td> <td>PTD.</td> <td>-</td> <td>3995</td> <td>3\"/> <tr> <td>3999</td> <td>ETR</td> <td>-</td> <td>WD.</td> <td>J2</td> <td>PTD.</td> <td>-</td> <td>3997</td> <td>3\"/> </td></tr></td></tr></td></tr></td></tr></td></tr></td></tr></td></tr></td></tr></td></tr></td></tr></td></tr></td></tr></td></tr></td></tr></td></tr></td></tr></td></tr></td></tr></td></tr></td></tr></td></tr></td></tr></td></td></tr></td></tr></td></td></tr></td></td></tr></td>
 | WD | J1 | PTD. | - | 377A | 3\"/> <tr> <td>380A</td> <td>B</td> <td>1 <td>WD</td> <td>J1</td> <td>PTD.</td> <td>-</td> <td>378</td> <td>3\"/> <tr> <td>380B</td> <td>B</td> <td>1 <td>WD</td> <td>J1</td> <td>PTD.</td> <td>-</td> <td>379</td> <td>3\"/> <tr> <td>382</td> <td>ETR</td> <td>-</td> <td>WD.</td> <td>J2</td> <td>PTD.</td> <td>-</td> <td>380A</td> <td>3\"/> <tr> <td>382A</td> <td>D</td> <td>6 <td>ALUM.</td> <td>ANODIZE D</td> <td>-</td> <td>-</td> <td>380B</td> <td>3\"/> <tr> <td>385</td> <td>ETR</td> <td>-</td> <td>WD.</td> <td>J2</td> <td>PTD.</td> <td>-</td> <td>382</td> <td>3\"/> <tr> <td>386</td> <td>ETR</td> <td>-</td> <td>WD.</td> <td>J2</td> <td>PTD.</td> <td>-</td> <td>382A</td> <td>3\"/> <tr> <td>387</td> <td>ETR</td> <td>-</td> <td>WD.</td> <td>J2</td> <td>PTD.</td> <td>-</td> <td>385</td> <td>3\"/> <tr> <td>388</td> <td>ETR</td> <td>-</td> <td>WD.</td> <td>J2</td> <td>PTD.</td> <td>-</td> <td>386</td> <td>3\"/> <tr> <td>389</td> <td>ETR</td> <td>-</td> <td>WD.</td> <td>J2</td> <td>PTD.</td> <td>-</td> <td>387</td> <td>3\"/> <tr> <td>391</td> <td>ETR</td> <td>-</td> <td>WD.</td> <td>J2</td> <td>PTD.</td> <td>-</td> <td>388</td> <td>3\"/> <tr> <td>391A</td> <td>ETR</td> <td>-</td> <td>WD.</td> <td>J2</td> <td>PTD.</td> <td>-</td> <td>389</td> <td>3\"/> <tr> <td>391B</td> <td>ETR</td> <td>-</td> <td>WD.</td> <td>J2</td> <td>PTD.</td> <td>-</td> <td>391</td> <td>3\"/> <tr> <td>394</td> <td>ETR</td> <td>-</td> <td>WD.</td> <td>J2</td> <td>PTD.</td> <td>-</td> <td>391A</td> <td>3\"/> <tr> <td>395</td> <td>ETR</td> <td>-</td> <td>WD.</td> <td>J2</td> <td>PTD.</td> <td>-</td> <td>391B</td> <td>3\"/> <tr> <td>396</td> <td>ETR</td> <td>-</td> <td>WD.</td> <td>J2</td> <td>PTD.</td> <td>-</td> <td>394</td> <td>3\"/> <tr> <td>398</td> <td>ETR</td> <td>-</td> <td>WD.</td> <td>J2</td> <td>PTD.</td> <td>-</td> <td>395</td> <td>3\"/> <tr> <td>399</td> <td>ETR</td> <td>-</td> <td>WD.</td> <td>J2</td> <td>PTD.</td> <td>-</td> <td>396</td> <td>3\"/> <tr> <td>3991</td> <td>ETR</td> <td>-</td> <td>WD.</td> <td>J2</td> <td>PTD.</td> <td>-</td> <td>398</td> <td>3\"/> <tr> <td>3992</td> <td>A</td> <td>3\"/> <tr> <td>3993</td> <td>ETR</td> <td>-</td> <td>WD.</td> <td>J2</td> <td>PTD.</td> <td>-</td> <td>399</td> <td>3\"/> <tr> <td>3994</td> <td>ETR</td> <td>-</td> <td>WD.</td> <td>J2</td> <td>PTD.</td> <td>-</td> <td>3991</td> <td>3\"/> <tr> <td>3995</td> <td>ETR</td> <td>-</td> <td>WD.</td> <td>J2</td> <td>PTD.</td> <td>-</td> <td>3992</td> <td>3\"/> <tr> <td>3997</td> <td>ETR</td> <td>-</td> <td>WD.</td> <td>J2</td> <td>PTD.</td> <td>-</td> <td>3993</td> <td>3\"/> <tr> <td>3998</td> <td>ETR</td> <td>-</td> <td>WD.</td> <td>J2</td> <td>PTD.</td> <td>-</td> <td>3994</td> <td>3\"/> <tr> <td>3999</td> <td>ETR</td> <td>-</td> <td>WD.</td> <td>J2</td> <td>PTD.</td> <td>-</td> <td>3995</td> <td>3\"/> <tr> <td>3999</td> <td>ETR</td> <td>-</td> <td>WD.</td> <td>J2</td> <td>PTD.</td> <td>-</td> <td>3997</td> <td>3\"/> </td></tr></td></tr></td></tr></td></tr></td></tr></td></tr></td></tr></td></tr></td></tr></td></tr></td></tr></td></tr></td></tr></td></tr></td></tr></td></tr></td></tr></td></tr></td></tr></td></tr></td></tr></td></tr></td></td></tr></td></tr></td></td></tr></td></td></tr> | 380A | B | 1 <td>WD</td> <td>J1</td> <td>PTD.</td> <td>-</td> <td>378</td> <td>3\"/> <tr> <td>380B</td> <td>B</td> <td>1 <td>WD</td> <td>J1</td> <td>PTD.</td> <td>-</td> <td>379</td> <td>3\"/> <tr> <td>382</td> <td>ETR</td> <td>-</td> <td>WD.</td> <td>J2</td> <td>PTD.</td> <td>-</td> <td>380A</td> <td>3\"/> <tr> <td>382A</td> <td>D</td> <td>6 <td>ALUM.</td> <td>ANODIZE D</td> <td>-</td> <td>-</td> <td>380B</td> <td>3\"/> <tr> <td>385</td> <td>ETR</td> <td>-</td> <td>WD.</td> <td>J2</td> <td>PTD.</td> <td>-</td> <td>382</td> <td>3\"/> <tr> <td>386</td> <td>ETR</td> <td>-</td> <td>WD.</td> <td>J2</td> <td>PTD.</td> <td>-</td> <td>382A</td> <td>3\"/> <tr> <td>387</td> <td>ETR</td> <td>-</td> <td>WD.</td> <td>J2</td> <td>PTD.</td> <td>-</td> <td>385</td> <td>3\"/> <tr> <td>388</td> <td>ETR</td> <td>-</td> <td>WD.</td> <td>J2</td> <td>PTD.</td> <td>-</td> <td>386</td> <td>3\"/> <tr> <td>389</td> <td>ETR</td> <td>-</td> <td>WD.</td> <td>J2</td> <td>PTD.</td> <td>-</td> <td>387</td> <td>3\"/> <tr> <td>391</td> <td>ETR</td> <td>-</td> <td>WD.</td> <td>J2</td> <td>PTD.</td> <td>-</td> <td>388</td> <td>3\"/> <tr> <td>391A</td> <td>ETR</td> <td>-</td> <td>WD.</td> <td>J2</td> <td>PTD.</td> <td>-</td> <td>389</td> <td>3\"/> <tr> <td>391B</td> <td>ETR</td> <td>-</td> <td>WD.</td> <td>J2</td> <td>PTD.</td> <td>-</td> <td>391</td> <td>3\"/> <tr> <td>394</td> <td>ETR</td> <td>-</td> <td>WD.</td> <td>J2</td> <td>PTD.</td> <td>-</td> <td>391A</td> <td>3\"/> <tr> <td>395</td> <td>ETR</td> <td>-</td> <td>WD.</td> <td>J2</td> <td>PTD.</td> <td>-</td> <td>391B</td> <td>3\"/> <tr> <td>396</td> <td>ETR</td> <td>-</td> <td>WD.</td> <td>J2</td> <td>PTD.</td> <td>-</td> <td>394</td> <td>3\"/> <tr> <td>398</td> <td>ETR</td> <td>-</td> <td>WD.</td> <td>J2</td> <td>PTD.</td> <td>-</td> <td>395</td> <td>3\"/> <tr> <td>399</td> <td>ETR</td> <td>-</td> <td>WD.</td> <td>J2</td> <td>PTD.</td> <td>-</td> <td>396</td> <td>3\"/> <tr> <td>3991</td> <td>ETR</td> <td>-</td> <td>WD.</td> <td>J2</td> <td>PTD.</td> <td>-</td> <td>398</td> <td>3\"/> <tr> <td>3992</td> <td>A</td> <td>3\"/> <tr> <td>3993</td> <td>ETR</td> <td>-</td> <td>WD.</td> <td>J2</td> <td>PTD.</td> <td>-</td> <td>399</td> <td>3\"/> <tr> <td>3994</td> <td>ETR</td> <td>-</td> <td>WD.</td> <td>J2</td> <td>PTD.</td> <td>-</td> <td>3991</td> <td>3\"/> <tr> <td>3995</td> <td>ETR</td> <td>-</td> <td>WD.</td> <td>J2</td> <td>PTD.</td> <td>-</td> <td>3992</td> <td>3\"/> <tr> <td>3997</td> <td>ETR</td> <td>-</td> <td>WD.</td> <td>J2</td> <td>PTD.</td> <td>-</td> <td>3993</td> <td>3\"/> <tr> <td>3998</td> <td>ETR</td> <td>-</td> <td>WD.</td> <td>J2</td> <td>PTD.</td> <td>-</td> <td>3994</td> <td>3\"/> <tr> <td>3999</td> <td>ETR</td> <td>-</td> <td>WD.</td> <td>J2</td> <td>PTD.</td> <td>-</td> <td>3995</td> <td>3\"/> <tr> <td>3999</td> <td>ETR</td> <td>-</td> <td>WD.</td> <td>J2</td> <td>PTD.</td> <td>-</td> <td>3997</td> <td>3\"/> </td></tr></td></tr></td></tr></td></tr></td></tr></td></tr></td></tr></td></tr></td></tr></td></tr></td></tr></td></tr></td></tr></td></tr></td></tr></td></tr></td></tr></td></tr></td></tr></td></tr></td></tr></td></tr></td></td></tr></td></tr></td></td></tr></td>
 | WD | J1 | PTD. | - | 378 | 3\"/> <tr> <td>380B</td> <td>B</td> <td>1 <td>WD</td> <td>J1</td> <td>PTD.</td> <td>-</td> <td>379</td> <td>3\"/> <tr> <td>382</td> <td>ETR</td> <td>-</td> <td>WD.</td> <td>J2</td> <td>PTD.</td> <td>-</td> <td>380A</td> <td>3\"/> <tr> <td>382A</td> <td>D</td> <td>6 <td>ALUM.</td> <td>ANODIZE D</td> <td>-</td> <td>-</td> <td>380B</td> <td>3\"/> <tr> <td>385</td> <td>ETR</td> <td>-</td> <td>WD.</td> <td>J2</td> <td>PTD.</td> <td>-</td> <td>382</td> <td>3\"/> <tr> <td>386</td> <td>ETR</td> <td>-</td> <td>WD.</td> <td>J2</td> <td>PTD.</td> <td>-</td> <td>382A</td> <td>3\"/> <tr> <td>387</td> <td>ETR</td> <td>-</td> <td>WD.</td> <td>J2</td> <td>PTD.</td> <td>-</td> <td>385</td> <td>3\"/> <tr> <td>388</td> <td>ETR</td> <td>-</td> <td>WD.</td> <td>J2</td> <td>PTD.</td> <td>-</td> <td>386</td> <td>3\"/> <tr> <td>389</td> <td>ETR</td> <td>-</td> <td>WD.</td> <td>J2</td> <td>PTD.</td> <td>-</td> <td>387</td> <td>3\"/> <tr> <td>391</td> <td>ETR</td> <td>-</td> <td>WD.</td> <td>J2</td> <td>PTD.</td> <td>-</td> <td>388</td> <td>3\"/> <tr> <td>391A</td> <td>ETR</td> <td>-</td> <td>WD.</td> <td>J2</td> <td>PTD.</td> <td>-</td> <td>389</td> <td>3\"/> <tr> <td>391B</td> <td>ETR</td> <td>-</td> <td>WD.</td> <td>J2</td> <td>PTD.</td> <td>-</td> <td>391</td> <td>3\"/> <tr> <td>394</td> <td>ETR</td> <td>-</td> <td>WD.</td> <td>J2</td> <td>PTD.</td> <td>-</td> <td>391A</td> <td>3\"/> <tr> <td>395</td> <td>ETR</td> <td>-</td> <td>WD.</td> <td>J2</td> <td>PTD.</td> <td>-</td> <td>391B</td> <td>3\"/> <tr> <td>396</td> <td>ETR</td> <td>-</td> <td>WD.</td> <td>J2</td> <td>PTD.</td> <td>-</td> <td>394</td> <td>3\"/> <tr> <td>398</td> <td>ETR</td> <td>-</td> <td>WD.</td> <td>J2</td> <td>PTD.</td> <td>-</td> <td>395</td> <td>3\"/> <tr> <td>399</td> <td>ETR</td> <td>-</td> <td>WD.</td> <td>J2</td> <td>PTD.</td> <td>-</td> <td>396</td> <td>3\"/> <tr> <td>3991</td> <td>ETR</td> <td>-</td> <td>WD.</td> <td>J2</td> <td>PTD.</td> <td>-</td> <td>398</td> <td>3\"/> <tr> <td>3992</td> <td>A</td> <td>3\"/> <tr> <td>3993</td> <td>ETR</td> <td>-</td> <td>WD.</td> <td>J2</td> <td>PTD.</td> <td>-</td> <td>399</td> <td>3\"/> <tr> <td>3994</td> <td>ETR</td> <td>-</td> <td>WD.</td> <td>J2</td> <td>PTD.</td> <td>-</td> <td>3991</td> <td>3\"/> <tr> <td>3995</td> <td>ETR</td> <td>-</td> <td>WD.</td> <td>J2</td> <td>PTD.</td> <td>-</td> <td>3992</td> <td>3\"/> <tr> <td>3997</td> <td>ETR</td> <td>-</td> <td>WD.</td> <td>J2</td> <td>PTD.</td> <td>-</td> <td>3993</td> <td>3\"/> <tr> <td>3998</td> <td>ETR</td> <td>-</td> <td>WD.</td> <td>J2</td> <td>PTD.</td> <td>-</td> <td>3994</td> <td>3\"/> <tr> <td>3999</td> <td>ETR</td> <td>-</td> <td>WD.</td> <td>J2</td> <td>PTD.</td> <td>-</td> <td>3995</td> <td>3\"/> <tr> <td>3999</td> <td>ETR</td> <td>-</td> <td>WD.</td> <td>J2</td> <td>PTD.</td> <td>-</td> <td>3997</td> <td>3\"/> </td></tr></td></tr></td></tr></td></tr></td></tr></td></tr></td></tr></td></tr></td></tr></td></tr></td></tr></td></tr></td></tr></td></tr></td></tr></td></tr></td></tr></td></tr></td></tr></td></tr></td></tr></td></tr></td></td></tr></td></tr></td></td></tr> | 380B | B | 1 <td>WD</td> <td>J1</td> <td>PTD.</td> <td>-</td> <td>379</td> <td>3\"/> <tr> <td>382</td> <td>ETR</td> <td>-</td> <td>WD.</td> <td>J2</td> <td>PTD.</td> <td>-</td> <td>380A</td> <td>3\"/> <tr> <td>382A</td> <td>D</td> <td>6 <td>ALUM.</td> <td>ANODIZE D</td> <td>-</td> <td>-</td> <td>380B</td> <td>3\"/> <tr> <td>385</td> <td>ETR</td> <td>-</td> <td>WD.</td> <td>J2</td> <td>PTD.</td> <td>-</td> <td>382</td> <td>3\"/> <tr> <td>386</td> <td>ETR</td> <td>-</td> <td>WD.</td> <td>J2</td> <td>PTD.</td> <td>-</td> <td>382A</td> <td>3\"/> <tr> <td>387</td> <td>ETR</td> <td>-</td> <td>WD.</td> <td>J2</td> <td>PTD.</td> <td>-</td> <td>385</td> <td>3\"/> <tr> <td>388</td> <td>ETR</td> <td>-</td> <td>WD.</td> <td>J2</td> <td>PTD.</td> <td>-</td> <td>386</td> <td>3\"/> <tr> <td>389</td> <td>ETR</td> <td>-</td> <td>WD.</td> <td>J2</td> <td>PTD.</td> <td>-</td> <td>387</td> <td>3\"/> <tr> <td>391</td> <td>ETR</td> <td>-</td> <td>WD.</td> <td>J2</td> <td>PTD.</td> <td>-</td> <td>388</td> <td>3\"/> <tr> <td>391A</td> <td>ETR</td> <td>-</td> <td>WD.</td> <td>J2</td> <td>PTD.</td> <td>-</td> <td>389</td> <td>3\"/> <tr> <td>391B</td> <td>ETR</td> <td>-</td> <td>WD.</td> <td>J2</td> <td>PTD.</td> <td>-</td> <td>391</td> <td>3\"/> <tr> <td>394</td> <td>ETR</td> <td>-</td> <td>WD.</td> <td>J2</td> <td>PTD.</td> <td>-</td> <td>391A</td> <td>3\"/> <tr> <td>395</td> <td>ETR</td> <td>-</td> <td>WD.</td> <td>J2</td> <td>PTD.</td> <td>-</td> <td>391B</td> <td>3\"/> <tr> <td>396</td> <td>ETR</td> <td>-</td> <td>WD.</td> <td>J2</td> <td>PTD.</td> <td>-</td> <td>394</td> <td>3\"/> <tr> <td>398</td> <td>ETR</td> <td>-</td> <td>WD.</td> <td>J2</td> <td>PTD.</td> <td>-</td> <td>395</td> <td>3\"/> <tr> <td>399</td> <td>ETR</td> <td>-</td> <td>WD.</td> <td>J2</td> <td>PTD.</td> <td>-</td> <td>396</td> <td>3\"/> <tr> <td>3991</td> <td>ETR</td> <td>-</td> <td>WD.</td> <td>J2</td> <td>PTD.</td> <td>-</td> <td>398</td> <td>3\"/> <tr> <td>3992</td> <td>A</td> <td>3\"/> <tr> <td>3993</td> <td>ETR</td> <td>-</td> <td>WD.</td> <td>J2</td> <td>PTD.</td> <td>-</td> <td>399</td> <td>3\"/> <tr> <td>3994</td> <td>ETR</td> <td>-</td> <td>WD.</td> <td>J2</td> <td>PTD.</td> <td>-</td> <td>3991</td> <td>3\"/> <tr> <td>3995</td> <td>ETR</td> <td>-</td> <td>WD.</td> <td>J2</td> <td>PTD.</td> <td>-</td> <td>3992</td> <td>3\"/> <tr> <td>3997</td> <td>ETR</td> <td>-</td> <td>WD.</td> <td>J2</td> <td>PTD.</td> <td>-</td> <td>3993</td> <td>3\"/> <tr> <td>3998</td> <td>ETR</td> <td>-</td>
<td>WD.</td> <td>J2</td> <td>PTD.</td> <td>-</td> <td>3994</td> <td>3\"/> <tr> <td>3999</td> <td>ETR</td> <td>-</td> <td>WD.</td> <td>J2</td> <td>PTD.</td> <td>-</td> <td>3995</td> <td>3\"/> <tr> <td>3999</td> <td>ETR</td> <td>-</td> <td>WD.</td> <td>J2</td> <td>PTD.</td> <td>-</td> <td>3997</td> <td>3\"/> </td></tr></td></tr></td></tr></td></tr></td></tr></td></tr></td></tr></td></tr></td></tr></td></tr></td></tr></td></tr></td></tr></td></tr></td></tr></td></tr></td></tr></td></tr></td></tr></td></tr></td></tr></td></tr></td></td></tr></td></tr></td> | WD | J1 | PTD. | - | 379 | 3\"/> <tr> <td>382</td> <td>ETR</td> <td>-</td> <td>WD.</td> <td>J2</td> <td>PTD.</td> <td>-</td> <td>380A</td> <td>3\"/> <tr> <td>382A</td> <td>D</td> <td>6 <td>ALUM.</td> <td>ANODIZE D</td> <td>-</td> <td>-</td> <td>380B</td> <td>3\"/> <tr> <td>385</td> <td>ETR</td> <td>-</td> <td>WD.</td> <td>J2</td> <td>PTD.</td> <td>-</td> <td>382</td> <td>3\"/> <tr> <td>386</td> <td>ETR</td> <td>-</td> <td>WD.</td> <td>J2</td> <td>PTD.</td> <td>-</td> <td>382A</td> <td>3\"/> <tr> <td>387</td> <td>ETR</td> <td>-</td> <td>WD.</td> <td>J2</td> <td>PTD.</td> <td>-</td> <td>385</td> <td>3\"/> <tr> <td>388</td> <td>ETR</td> <td>-</td> <td>WD.</td> <td>J2</td> <td>PTD.</td> <td>-</td> <td>386</td> <td>3\"/> <tr> <td>389</td> <td>ETR</td> <td>-</td> <td>WD.</td> <td>J2</td> <td>PTD.</td> <td>-</td> <td>387</td> <td>3\"/> <tr> <td>391</td> <td>ETR</td> <td>-</td> <td>WD.</td> <td>J2</td> <td>PTD.</td> <td>-</td> <td>388</td> <td>3\"/> <tr> <td>391A</td> <td>ETR</td> <td>-</td> <td>WD.</td> <td>J2</td> <td>PTD.</td> <td>-</td> <td>389</td> <td>3\"/> <tr> <td>391B</td> <td>ETR</td> <td>-</td> <td>WD.</td> <td>J2</td> <td>PTD.</td> <td>-</td> <td>391</td> <td>3\"/> <tr> <td>394</td> <td>ETR</td> <td>-</td> <td>WD.</td> <td>J2</td> <td>PTD.</td> <td>-</td> <td>391A</td> <td>3\"/> <tr> <td>395</td> <td>ETR</td> <td>-</td> <td>WD.</td> <td>J2</td> <td>PTD.</td> <td>-</td> <td>391B</td> <td>3\"/> <tr> <td>396</td> <td>ETR</td> <td>-</td> <td>WD.</td> <td>J2</td> <td>PTD.</td> <td>-</td> <td>394</td> <td>3\"/> <tr> <td>398</td> <td>ETR</td> <td>-</td> <td>WD.</td> <td>J2</td> <td>PTD.</td> <td>-</td> <td>395</td> <td>3\"/> <tr> <td>399</td> <td>ETR</td> <td>-</td> <td>WD.</td> <td>J2</td> <td>PTD.</td> <td>-</td> <td>396</td> <td>3\"/> <tr> <td>3991</td> <td>ETR</td> <td>-</td> <td>WD.</td> <td>J2</td> <td>PTD.</td> <td>-</td> <td>398</td> <td>3\"/> <tr> <td>3992</td> <td>A</td> <td>3\"/> <tr> <td>3993</td> <td>ETR</td> <td>-</td> <td>WD.</td> <td>J2</td> <td>PTD.</td> <td>-</td> <td>399</td> <td>3\"/> <tr> <td>3994</td> <td>ETR</td> <td>-</td> <td>WD.</td> <td>J2</td> <td>PTD.</td> <td>-</td> <td>3991</td> <td>3\"/> <tr> <td>3995</td> <td>ETR</td> <td>-</td> <td>WD.</td> <td>J2</td> <td>PTD.</td> <td>-</td> <td>3992</td> <td>3\"/> <tr> <td>3997</td> <td>ETR</td> <td>-</td> <td>WD.</td> <td>J2</td> <td>PTD.</td> <td>-</td> <td>3993</td> <td>3\"/> <tr> <td>3998</td> <td>ETR</td> <td>-</td> <td>WD.</td> <td>J2</td> <td>PTD.</td> <td>-</td> <td>3994</td> <td>3\"/> <tr> <td>3999</td> <td>ETR</td> <td>-</td> <td>WD.</td> <td>J2</td> <td>PTD.</td> <td>-</td> <td>3995</td> <td>3\"/> <tr> <td>3999</td> <td>ETR</td> <td>-</td> <td>WD.</td> <td>J2</td> <td>PTD.</td> <td>-</td> <td>3997</td> <td>3\"/> </td></tr></td></tr></td></tr></td></tr></td></tr></td></tr></td></tr></td></tr></td></tr></td></tr></td></tr></td></tr></td></tr></td></tr></td></tr></td></tr></td></tr></td></tr></td></tr></td></tr></td></tr></td></tr></td></td></tr></td></tr> | 382 | ETR | -
 | WD. | J2 | PTD. | - | 380A | 3\"/> <tr> <td>382A</td> <td>D</td> <td>6 <td>ALUM.</td> <td>ANODIZE D</td> <td>-</td> <td>-</td> <td>380B</td> <td>3\"/> <tr> <td>385</td> <td>ETR</td> <td>-</td> <td>WD.</td> <td>J2</td> <td>PTD.</td> <td>-</td> <td>382</td> <td>3\"/> <tr> <td>386</td> <td>ETR</td> <td>-</td> <td>WD.</td> <td>J2</td> <td>PTD.</td> <td>-</td> <td>382A</td> <td>3\"/> <tr> <td>387</td> <td>ETR</td> <td>-</td> <td>WD.</td> <td>J2</td> <td>PTD.</td> <td>-</td> <td>385</td> <td>3\"/> <tr> <td>388</td> <td>ETR</td> <td>-</td> <td>WD.</td> <td>J2</td> <td>PTD.</td> <td>-</td> <td>386</td> <td>3\"/> <tr> <td>389</td> <td>ETR</td> <td>-</td> <td>WD.</td> <td>J2</td> <td>PTD.</td> <td>-</td> <td>387</td> <td>3\"/> <tr> <td>391</td> <td>ETR</td> <td>-</td> <td>WD.</td> <td>J2</td> <td>PTD.</td> <td>-</td> <td>388</td> <td>3\"/> <tr> <td>391A</td> <td>ETR</td> <td>-</td> <td>WD.</td> <td>J2</td> <td>PTD.</td> <td>-</td> <td>389</td> <td>3\"/> <tr> <td>391B</td> <td>ETR</td> <td>-</td> <td>WD.</td> <td>J2</td> <td>PTD.</td> <td>-</td> <td>391</td> <td>3\"/> <tr> <td>394</td> <td>ETR</td> <td>-</td> <td>WD.</td> <td>J2</td> <td>PTD.</td> <td>-</td> <td>391A</td> <td>3\"/> <tr> <td>395</td> <td>ETR</td> <td>-</td> <td>WD.</td> <td>J2</td> <td>PTD.</td> <td>-</td> <td>391B</td> <td>3\"/> <tr> <td>396</td> <td>ETR</td> <td>-</td> <td>WD.</td> <td>J2</td> <td>PTD.</td> <td>-</td> <td>394</td> <td>3\"/> <tr> <td>398</td> <td>ETR</td> <td>-</td> <td>WD.</td> <td>J2</td> <td>PTD.</td> <td>-</td> <td>395</td> <td>3\"/> <tr> <td>399</td> <td>ETR</td> <td>-</td> <td>WD.</td> <td>J2</td> <td>PTD.</td> <td>-</td> <td>396</td> <td>3\"/> <tr> <td>3991</td> <td>ETR</td> <td>-</td> <td>WD.</td> <td>J2</td> <td>PTD.</td> <td>-</td> <td>398</td> <td>3\"/> <tr> <td>3992</td> <td>A</td> <td>3\"/> <tr> <td>3993</td> <td>ETR</td> <td>-</td> <td>WD.</td> <td>J2</td> <td>PTD.</td> <td>-</td> <td>399</td> <td>3\"/> <tr> <td>3994</td> <td>ETR</td> <td>-</td> <td>WD.</td> <td>J2</td> <td>PTD.</td> <td>-</td> <td>3991</td> <td>3\"/> <tr> <td>3995</td> <td>ETR</td> <td>-</td> <td>WD.</td> <td>J2</td> <td>PTD.</td> <td>-</td> <td>3992</td> <td>3\"/> <tr> <td>3997</td> <td>ETR</td> <td>-</td> <td>WD.</td> <td>J2</td> <td>PTD.</td> <td>-</td> <td>3993</td> <td>3\"/> <tr> <td>3998</td> <td>ETR</td> <td>-</td> <td>WD.</td> <td>J2</td> <td>PTD.</td> <td>-</td> <td>3994</td> <td>3\"/> <tr> <td>3999</td> <td>ETR</td> <td>-</td> <td>WD.</td> <td>J2</td> <td>PTD.</td> <td>-</td> <td>3995</td> <td>3\"/> <tr> <td>3999</td> <td>ETR</td> <td>-</td> <td>WD.</td> <td>J2</td> <td>PTD.</td> <td>-</td> <td>3997</td> <td>3\"/> </td></tr></td></tr></td></tr></td></tr></td></tr></td></tr></td></tr></td></tr></td></tr></td></tr></td></tr></td></tr></td></tr></td></tr></td></tr></td></tr></td></tr></td></tr></td></tr></td></tr></td></tr></td></tr></td></td></tr> | 382A | D | 6 <td>ALUM.</td> <td>ANODIZE D</td> <td>-</td> <td>-</td> <td>380B</td> <td>3\"/> <tr> <td>385</td> <td>ETR</td> <td>-</td> <td>WD.</td> <td>J2</td> <td>PTD.</td> <td>-</td> <td>382</td> <td>3\"/> <tr> <td>386</td> <td>ETR</td> <td>-</td> <td>WD.</td> <td>J2</td> <td>PTD.</td> <td>-</td> <td>382A</td> <td>3\"/> <tr> <td>387</td> <td>ETR</td> <td>-</td> <td>WD.</td> <td>J2</td> <td>PTD.</td> <td>-</td> <td>385</td> <td>3\"/> <tr> <td>388</td> <td>ETR</td> <td>-</td> <td>WD.</td> <td>J2</td> <td>PTD.</td> <td>-</td> <td>386</td> <td>3\"/> <tr> <td>389</td> <td>ETR</td> <td>-</td> <td>WD.</td> <td>J2</td> <td>PTD.</td> <td>-</td> <td>387</td> <td>3\"/> <tr> <td>391</td> <td>ETR</td> <td>-</td> <td>WD.</td> <td>J2</td> <td>PTD.</td> <td>-</td> <td>388</td> <td>3\"/> <tr> <td>391A</td> <td>ETR</td> <td>-</td> <td>WD.</td> <td>J2</td> <td>PTD.</td> <td>-</td> <td>389</td> <td>3\"/> <tr> <td>391B</td> <td>ETR</td> <td>-</td> <td>WD.</td>
<td>J2</td> <td>PTD.</td> <td>-</td> <td>391</td> <td>3\"/> <tr> <td>394</td> <td>ETR</td> <td>-</td> <td>WD.</td> <td>J2</td> <td>PTD.</td> <td>-</td> <td>391A</td> <td>3\"/> <tr> <td>395</td> <td>ETR</td> <td>-</td> <td>WD.</td> <td>J2</td> <td>PTD.</td> <td>-</td> <td>391B</td> <td>3\"/> <tr> <td>396</td> <td>ETR</td> <td>-</td> <td>WD.</td> <td>J2</td> <td>PTD.</td> <td>-</td> <td>394</td> <td>3\"/> <tr> <td>398</td> <td>ETR</td> <td>-</td> <td>WD.</td> <td>J2</td> <td>PTD.</td> <td>-</td> <td>395</td> <td>3\"/> <tr> <td>399</td> <td>ETR</td> <td>-</td> <td>WD.</td> <td>J2</td> <td>PTD.</td> <td>-</td> <td>396</td> <td>3\"/> <tr> <td>3991</td> <td>ETR</td> <td>-</td> <td>WD.</td> <td>J2</td> <td>PTD.</td> <td>-</td> <td>398</td> <td>3\"/> <tr> <td>3992</td> <td>A</td> <td>3\"/> <tr> <td>3993</td> <td>ETR</td> <td>-</td> <td>WD.</td> <td>J2</td> <td>PTD.</td> <td>-</td> <td>399</td> <td>3\"/> <tr> <td>3994</td> <td>ETR</td> <td>-</td> <td>WD.</td> <td>J2</td> <td>PTD.</td> <td>-</td> <td>3991</td> <td>3\"/> <tr> <td>3995</td> <td>ETR</td> <td>-</td> <td>WD.</td> <td>J2</td> <td>PTD.</td> <td>-</td> <td>3992</td> <td>3\"/> <tr> <td>3997</td> <td>ETR</td> <td>-</td> <td>WD.</td> <td>J2</td> <td>PTD.</td> <td>-</td> <td>3993</td> <td>3\"/> <tr> <td>3998</td> <td>ETR</td> <td>-</td> <td>WD.</td> <td>J2</td> <td>PTD.</td> <td>-</td> <td>3994</td> <td>3\"/> <tr> <td>3999</td> <td>ETR</td> <td>-</td> <td>WD.</td> <td>J2</td> <td>PTD.</td> <td>-</td> <td>3995</td> <td>3\"/> <tr> <td>3999</td> <td>ETR</td> <td>-</td> <td>WD.</td> <td>J2</td> <td>PTD.</td> <td>-</td> <td>3997</td> <td>3\"/> </td></tr></td></tr></td></tr></td></tr></td></tr></td></tr></td></tr></td></tr></td></tr></td></tr></td></tr></td></tr></td></tr></td></tr></td></tr></td></tr></td></tr></td></tr></td></tr></td></tr></td></tr></td></tr></td> | ALUM. | ANODIZE D | - | - | 380B | 3\"/> <tr> <td>385</td> <td>ETR</td> <td>-</td> <td>WD.</td> <td>J2</td> <td>PTD.</td> <td>-</td> <td>382</td> <td>3\"/> <tr> <td>386</td> <td>ETR</td> <td>-</td> <td>WD.</td> <td>J2</td> <td>PTD.</td> <td>-</td> <td>382A</td> <td>3\"/> <tr> <td>387</td> <td>ETR</td> <td>-</td> <td>WD.</td> <td>J2</td> <td>PTD.</td> <td>-</td> <td>385</td> <td>3\"/> <tr> <td>388</td> <td>ETR</td> <td>-</td> <td>WD.</td> <td>J2</td> <td>PTD.</td> <td>-</td> <td>386</td> <td>3\"/> <tr> <td>389</td> <td>ETR</td>
<td>-</td> <td>WD.</td> <td>J2</td> <td>PTD.</td> <td>-</td> <td>387</td> <td>3\"/> <tr> <td>391</td> <td>ETR</td> <td>-</td> <td>WD.</td> <td>J2</td> <td>PTD.</td> <td>-</td> <td>388</td> <td>3\"/> <tr> <td>391A</td> <td>ETR</td> <td>-</td> <td>WD.</td> <td>J2</td> <td>PTD.</td> <td>-</td> <td>389</td> <td>3\"/> <tr> <td>391B</td> <td>ETR</td> <td>-</td> <td>WD.</td> <td>J2</td> <td>PTD.</td> <td>-</td> <td>391</td> <td>3\"/> <tr> <td>394</td> <td>ETR</td> <td>-</td> <td>WD.</td> <td>J2</td> <td>PTD.</td> <td>-</td> <td>391A</td> <td>3\"/> <tr> <td>395</td> <td>ETR</td> <td>-</td> <td>WD.</td> <td>J2</td> <td>PTD.</td> <td>-</td> <td>391B</td> <td>3\"/> <tr> <td>396</td> <td>ETR</td> <td>-</td> <td>WD.</td> <td>J2</td> <td>PTD.</td> <td>-</td> <td>394</td> <td>3\"/> <tr> <td>398</td> <td>ETR</td> <td>-</td> <td>WD.</td> <td>J2</td> <td>PTD.</td> <td>-</td> <td>395</td> <td>3\"/> <tr> <td>399</td> <td>ETR</td> <td>-</td> <td>WD.</td> <td>J2</td> <td>PTD.</td> <td>-</td> <td>396</td> <td>3\"/> <tr> <td>3991</td> <td>ETR</td> <td>-</td> <td>WD.</td> <td>J2</td> <td>PTD.</td> <td>-</td> <td>398</td> <td>3\"/> <tr> <td>3992</td> <td>A</td> <td>3\"/> <tr> <td>3993</td> <td>ETR</td> <td>-</td> <td>WD.</td> <td>J2</td> <td>PTD.</td> <td>-</td> <td>399</td> <td>3\"/> <tr> <td>3994</td> <td>ETR</td> <td>-</td> <td>WD.</td> <td>J2</td> <td>PTD.</td> <td>-</td> <td>3991</td> <td>3\"/> <tr> <td>3995</td> <td>ETR</td> <td>-</td> <td>WD.</td> <td>J2</td> <td>PTD.</td> <td>-</td> <td>3992</td> <td>3\"/> <tr> <td>3997</td> <td>ETR</td> <td>-</td> <td>WD.</td> <td>J2</td> <td>PTD.</td> <td>-</td> <td>3993</td> <td>3\"/> <tr> <td>3998</td> <td>ETR</td> <td>-</td> <td>WD.</td> <td>J2</td> <td>PTD.</td> <td>-</td> <td>3994</td> <td>3\"/> <tr> <td>3999</td> <td>ETR</td> <td>-</td> <td>WD.</td> <td>J2</td> <td>PTD.</td> <td>-</td> <td>3995</td> <td>3\"/> <tr> <td>3999</td> <td>ETR</td> <td>-</td> <td>WD.</td> <td>J2</td> <td>PTD.</td> <td>-</td> <td>3997</td> <td>3\"/> </td></tr></td></tr></td></tr></td></tr></td></tr></td></tr></td></tr></td></tr></td></tr></td></tr></td></tr></td></tr></td></tr></td></tr></td></tr></td></tr></td></tr></td></tr></td></tr></td></tr></td></tr></td></tr> | 385 | ETR | - | WD. | J2 | PTD. | - | 382 | 3\"/> <tr> <td>386</td> <td>ETR</td> <td>-</td> <td>WD.</td> <td>J2</td> <td>PTD.</td> <td>-</td> <td>382A</td> <td>3\"/> <tr> <td>387</td> <td>ETR</td> <td>-</td> <td>WD.</td> <td>J2</td> <td>PTD.</td> <td>-</td> <td>385</td>
<td>3\"/> <tr> <td>388</td> <td>ETR</td> <td>-</td> <td>WD.</td> <td>J2</td> <td>PTD.</td> <td>-</td> <td>386</td> <td>3\"/> <tr> <td>389</td> <td>ETR</td> <td>-</td> <td>WD.</td> <td>J2</td> <td>PTD.</td> <td>-</td> <td>387</td> <td>3\"/> <tr> <td>391</td> <td>ETR</td> <td>-</td> <td>WD.</td> <td>J2</td> <td>PTD.</td> <td>-</td> <td>388</td> <td>3\"/> <tr> <td>391A</td> <td>ETR</td> <td>-</td> <td>WD.</td> <td>J2</td> <td>PTD.</td> <td>-</td> <td>389</td> <td>3\"/> <tr> <td>391B</td> <td>ETR</td> <td>-</td> <td>WD.</td> <td>J2</td> <td>PTD.</td> <td>-</td> <td>391</td> <td>3\"/> <tr> <td>394</td> <td>ETR</td> <td>-</td> <td>WD.</td> <td>J2</td> <td>PTD.</td> <td>-</td> <td>391A</td> <td>3\"/> <tr> <td>395</td> <td>ETR</td> <td>-</td> <td>WD.</td> <td>J2</td> <td>PTD.</td> <td>-</td> <td>391B</td> <td>3\"/> <tr> <td>396</td> <td>ETR</td> <td>-</td> <td>WD.</td> <td>J2</td> <td>PTD.</td> <td>-</td> <td>394</td> <td>3\"/> <tr> <td>398</td> <td>ETR</td> <td>-</td> <td>WD.</td> <td>J2</td> <td>PTD.</td> <td>-</td> <td>395</td> <td>3\"/> <tr> <td>399</td> <td>ETR</td> <td>-</td> <td>WD.</td> <td>J2</td> <td>PTD.</td> <td>-</td> <td>396</td> <td>3\"/> <tr> <td>3991</td> <td>ETR</td> <td>-</td> <td>WD.</td> <td>J2</td> <td>PTD.</td> <td>-</td> <td>398</td> <td>3\"/> <tr> <td>3992</td> <td>A</td> <td>3\"/> <tr> <td>3993</td> <td>ETR</td> <td>-</td> <td>WD.</td> <td>J2</td> <td>PTD.</td> <td>-</td> <td>399</td> <td>3\"/> <tr> <td>3994</td> <td>ETR</td> <td>-</td> <td>WD.</td> <td>J2</td> <td>PTD.</td> <td>-</td> <td>3991</td> <td>3\"/> <tr> <td>3995</td> <td>ETR</td> <td>-</td> <td>WD.</td> <td>J2</td> <td>PTD.</td> <td>-</td> <td>3992</td> <td>3\"/> <tr> <td>3997</td> <td>ETR</td> <td>-</td> <td>WD.</td> <td>J2</td> <td>PTD.</td> <td>-</td> <td>3993</td> <td>3\"/> <tr> <td>3998</td> <td>ETR</td> <td>-</td> <td>WD.</td> <td>J2</td> <td>PTD.</td> <td>-</td> <td>3994</td> <td>3\"/> <tr> <td>3999</td> <td>ETR</td> <td>-</td> <td>WD.</td> <td>J2</td> <td>PTD.</td> <td>-</td> <td>3995</td> <td>3\"/> <tr> <td>3999</td> <td>ETR</td> <td>-</td> <td>WD.</td> <td>J2</td> <td>PTD.</td> <td>-</td> <td>3997</td> <td>3\"/> </td></tr></td></tr></td></tr></td></tr></td></tr></td></tr></td></tr></td></tr></td></tr></td></tr></td></tr></td></tr></td></tr></td></tr></td></tr></td></tr></td></tr></td></tr></td></tr></td></tr></td></tr> | 386 | ETR | - | WD. | J2 | PTD. | - | 382A | 3\"/> <tr> <td>387</td> <td>ETR</td> <td>-</td> <td>WD.</td> <td>J2</td> <td>PTD.</td> <td>-</td> <td>385</td> <td>3\"/> <tr> <td>388</td> <td>ETR</td> <td>-</td> <td>WD.</td> <td>J2</td> <td>PTD.</td> <td>-</td>
<td>386</td> <td>3\"/> <tr> <td>389</td> <td>ETR</td> <td>-</td> <td>WD.</td> <td>J2</td> <td>PTD.</td> <td>-</td> <td>387</td> <td>3\"/> <tr> <td>391</td> <td>ETR</td> <td>-</td> <td>WD.</td> <td>J2</td> <td>PTD.</td> <td>-</td> <td>388</td> <td>3\"/> <tr> <td>391A</td> <td>ETR</td> <td>-</td> <td>WD.</td> <td>J2</td> <td>PTD.</td> <td>-</td> <td>389</td> <td>3\"/> <tr> <td>391B</td> <td>ETR</td> <td>-</td> <td>WD.</td> <td>J2</td> <td>PTD.</td> <td>-</td> <td>391</td> <td>3\"/> <tr> <td>394</td> <td>ETR</td> <td>-</td> <td>WD.</td> <td>J2</td> <td>PTD.</td> <td>-</td> <td>391A</td> <td>3\"/> <tr> <td>395</td> <td>ETR</td> <td>-</td> <td>WD.</td> <td>J2</td> <td>PTD.</td> <td>-</td> <td>391B</td> <td>3\"/> <tr> <td>396</td> <td>ETR</td> <td>-</td> <td>WD.</td> <td>J2</td> <td>PTD.</td> <td>-</td> <td>394</td> <td>3\"/> <tr> <td>398</td> <td>ETR</td> <td>-</td> <td>WD.</td> <td>J2</td> <td>PTD.</td> <td>-</td> <td>395</td> <td>3\"/> <tr> <td>399</td> <td>ETR</td> <td>-</td> <td>WD.</td> <td>J2</td> <td>PTD.</td> <td>-</td> <td>396</td> <td>3\"/> <tr> <td>3991</td> <td>ETR</td> <td>-</td> <td>WD.</td> <td>J2</td> <td>PTD.</td> <td>-</td> <td>398</td> <td>3\"/> <tr> <td>3992</td> <td>A</td> <td>3\"/> <tr> <td>3993</td> <td>ETR</td> <td>-</td> <td>WD.</td> <td>J2</td> <td>PTD.</td> <td>-</td> <td>399</td> <td>3\"/> <tr> <td>3994</td> <td>ETR</td> <td>-</td> <td>WD.</td> <td>J2</td> <td>PTD.</td> <td>-</td> <td>3991</td> <td>3\"/> <tr> <td>3995</td> <td>ETR</td> <td>-</td> <td>WD.</td> <td>J2</td> <td>PTD.</td> <td>-</td> <td>3992</td> <td>3\"/> <tr> <td>3997</td> <td>ETR</td> <td>-</td> <td>WD.</td> <td>J2</td> <td>PTD.</td> <td>-</td> <td>3993</td> <td>3\"/> <tr> <td>3998</td> <td>ETR</td> <td>-</td> <td>WD.</td> <td>J2</td> <td>PTD.</td> <td>-</td> <td>3994</td> <td>3\"/> <tr> <td>3999</td> <td>ETR</td> <td>-</td> <td>WD.</td> <td>J2</td> <td>PTD.</td> <td>-</td> <td>3995</td> <td>3\"/> <tr> <td>3999</td> <td>ETR</td> <td>-</td> <td>WD.</td> <td>J2</td> <td>PTD.</td> <td>-</td> <td>3997</td> <td>3\"/> </td></tr></td></tr></td></tr></td></tr></td></tr></td></tr></td></tr></td></tr></td></tr></td></tr></td></tr></td></tr></td></tr></td></tr></td></tr></td></tr></td></tr></td></tr></td></tr></td></tr> | 387 | ETR | - | WD. | J2 | PTD. | - | 385 | 3\"/> <tr> <td>388</td> <td>ETR</td> <td>-</td> <td>WD.</td> <td>J2</td> <td>PTD.</td> <td>-</td> <td>386</td> <td>3\"/> <tr> <td>389</td> <td>ETR</td> <td>-</td> <td>WD.</td> <td>J2</td> <td>PTD.</td> <td>-</td> <td>387</td> <td>3\"/> <tr> <td>391</td> <td>ETR</td> <td>-</td> <td>WD.</td> <td>J2</td> <td>PTD.</td> <td>-</td> <td>388</td> <td>3\"/> <tr> <td>391A</td> <td>ETR</td> <td>-</td> <td>WD.</td> <td>J2</td> <td>PTD.</td> <td>-</td>
<td>389</td> <td>3\"/> <tr> <td>391B</td> <td>ETR</td> <td>-</td> <td>WD.</td> <td>J2</td> <td>PTD.</td> <td>-</td> <td>391</td> <td>3\"/> <tr> <td>394</td> <td>ETR</td> <td>-</td> <td>WD.</td> <td>J2</td> <td>PTD.</td> <td>-</td> <td>391A</td> <td>3\"/> <tr> <td>395</td> <td>ETR</td> <td>-</td> <td>WD.</td> <td>J2</td> <td>PTD.</td> <td>-</td> <td>391B</td> <td>3\"/> <tr> <td>396</td> <td>ETR</td> <td>-</td> <td>WD.</td> <td>J2</td> <td>PTD.</td> <td>-</td> <td>394</td> <td>3\"/> <tr> <td>398</td> <td>ETR</td> <td>-</td> <td>WD.</td> <td>J2</td> <td>PTD.</td> <td>-</td> <td>395</td> <td>3\"/> <tr> <td>399</td> <td>ETR</td> <td>-</td> <td>WD.</td> <td>J2</td> <td>PTD.</td> <td>-</td> <td>396</td> <td>3\"/> <tr> <td>3991</td> <td>ETR</td> <td>-</td> <td>WD.</td> <td>J2</td> <td>PTD.</td> <td>-</td> <td>398</td> <td>3\"/> <tr> <td>3992</td> <td>A</td> <td>3\"/> <tr> <td>3993</td> <td>ETR</td> <td>-</td> <td>WD.</td> <td>J2</td> <td>PTD.</td> <td>-</td> <td>399</td> <td>3\"/> <tr> <td>3994</td> <td>ETR</td> <td>-</td> <td>WD.</td> <td>J2</td> <td>PTD.</td> <td>-</td> <td>3991</td> <td>3\"/> <tr> <td>3995</td> <td>ETR</td> <td>-</td> <td>WD.</td> <td>J2</td> <td>PTD.</td> <td>-</td> <td>3992</td> <td>3\"/> <tr> <td>3997</td> <td>ETR</td> <td>-</td> <td>WD.</td> <td>J2</td> <td>PTD.</td> <td>-</td> <td>3993</td> <td>3\"/> <tr> <td>3998</td> <td>ETR</td> <td>-</td> <td>WD.</td> <td>J2</td> <td>PTD.</td> <td>-</td> <td>3994</td> <td>3\"/> <tr> <td>3999</td> <td>ETR</td> <td>-</td> <td>WD.</td> <td>J2</td> <td>PTD.</td> <td>-</td> <td>3995</td> <td>3\"/> <tr> <td>3999</td> <td>ETR</td> <td>-</td> <td>WD.</td> <td>J2</td> <td>PTD.</td> <td>-</td> <td>3997</td> <td>3\"/> </td></tr></td></tr></td></tr></td></tr></td></tr></td></tr></td></tr></td></tr></td></tr></td></tr></td></tr></td></tr></td></tr></td></tr></td></tr></td></tr></td></tr></td></tr></td></tr> | 388 | ETR | - | WD. | J2 | PTD. | - | 386 | 3\"/> <tr> <td>389</td> <td>ETR</td> <td>-</td> <td>WD.</td> <td>J2</td> <td>PTD.</td> <td>-</td> <td>387</td> <td>3\"/> <tr> <td>391</td> <td>ETR</td> <td>-</td> <td>WD.</td> <td>J2</td> <td>PTD.</td> <td>-</td> <td>388</td> <td>3\"/> <tr> <td>391A</td> <td>ETR</td> <td>-</td> <td>WD.</td> <td>J2</td> <td>PTD.</td> <td>-</td> <td>389</td> <td>3\"/> <tr> <td>391B</td> <td>ETR</td> <td>-</td> <td>WD.</td> <td>J2</td> <td>PTD.</td> <td>-</td> <td>391</td> <td>3\"/> <tr> <td>394</td> <td>ETR</td> <td>-</td> <td>WD.</td> <td>J2</td> <td>PTD.</td> <td>-</td> <td>391A</td> <td>3\"/> <tr> <td>395</td> <td>ETR</td> <td>-</td> <td>WD.</td> <td>J2</td> <td>PTD.</td> <td>-</td> <td>391B</td> <td>3\"/> <tr> <td>396</td> <td>ETR</td> <td>-</td> <td>WD.</td> <td>J2</td> <td>PTD.</td> <td>-</td> <td>394</td> <td>3\"/> <tr> <td>398</td> <td>ETR</td> <td>-</td> <td>WD.</td> <td>J2</td> <td>PTD.</td> <td>-</td> <td>395</td>
<td>3\"/> <tr> <td>399</td> <td>ETR</td> <td>-</td> <td>WD.</td> <td>J2</td> <td>PTD.</td> <td>-</td> <td>396</td> <td>3\"/> <tr> <td>3991</td> <td>ETR</td> <td>-</td> <td>WD.</td> <td>J2</td> <td>PTD.</td> <td>-</td> <td>398</td> <td>3\"/> <tr> <td>3992</td> <td>A</td> <td>3\"/> <tr> <td>3993</td> <td>ETR</td> <td>-</td> <td>WD.</td> <td>J2</td> <td>PTD.</td> <td>-</td> <td>399</td> <td>3\"/> <tr> <td>3994</td> <td>ETR</td> <td>-</td> <td>WD.</td> <td>J2</td> <td>PTD.</td> <td>-</td> <td>3991</td> <td>3\"/> <tr> <td>3995</td> <td>ETR</td> <td>-</td> <td>WD.</td> <td>J2</td> <td>PTD.</td> <td>-</td> <td>3992</td> <td>3\"/> <tr> <td>3997</td> <td>ETR</td> <td>-</td> <td>WD.</td> <td>J2</td> <td>PTD.</td> <td>-</td> <td>3993</td> <td>3\"/> <tr> <td>3998</td> <td>ETR</td> <td>-</td> <td>WD.</td> <td>J2</td> <td>PTD.</td> <td>-</td> <td>3994</td> <td>3\"/> <tr> <td>3999</td> <td>ETR</td> <td>-</td> <td>WD.</td> <td>J2</td> <td>PTD.</td> <td>-</td> <td>3995</td> <td>3\"/> <tr> <td>3999</td> <td>ETR</td> <td>-</td> <td>WD.</td> <td>J2</td> <td>PTD.</td> <td>-</td> <td>3997</td> <td>3\"/> </td></tr></td></tr></td></tr></td></tr></td></tr></td></tr></td></tr></td></tr></td></tr></td></tr></td></tr></td></tr></td></tr></td></tr></td></tr></td></tr></td></tr></td></tr> | 389 | ETR | - | WD. | J2 | PTD.
 | - | 387 | 3\"/> <tr> <td>391</td> <td>ETR</td> <td>-</td> <td>WD.</td> <td>J2</td> <td>PTD.</td> <td>-</td> <td>388</td> <td>3\"/> <tr> <td>391A</td> <td>ETR</td> <td>-</td> <td>WD.</td> <td>J2</td> <td>PTD.</td> <td>-</td> <td>389</td> <td>3\"/> <tr> <td>391B</td> <td>ETR</td> <td>-</td> <td>WD.</td> <td>J2</td> <td>PTD.</td> <td>-</td> <td>391</td> <td>3\"/> <tr> <td>394</td> <td>ETR</td> <td>-</td> <td>WD.</td> <td>J2</td> <td>PTD.</td> <td>-</td> <td>391A</td> <td>3\"/> <tr> <td>395</td> <td>ETR</td> <td>-</td> <td>WD.</td> <td>J2</td> <td>PTD.</td> <td>-</td> <td>391B</td> <td>3\"/> <tr> <td>396</td> <td>ETR</td> <td>-</td> <td>WD.</td> <td>J2</td> <td>PTD.</td> <td>-</td> <td>394</td> <td>3\"/> <tr> <td>398</td> <td>ETR</td> <td>-</td> <td>WD.</td> <td>J2</td> <td>PTD.</td> <td>-</td> <td>395</td> <td>3\"/> <tr> <td>399</td> <td>ETR</td> <td>-</td> <td>WD.</td> <td>J2</td> <td>PTD.</td> <td>-</td> <td>396</td> <td>3\"/> <tr> <td>3991</td> <td>ETR</td> <td>-</td> <td>WD.</td> <td>J2</td> <td>PTD.</td> <td>-</td> <td>398</td> <td>3\"/> <tr> <td>3992</td> <td>A</td> <td>3\"/> <tr> <td>3993</td> <td>ETR</td> <td>-</td> <td>WD.</td> <td>J2</td> <td>PTD.</td> <td>-</td> <td>399</td> <td>3\"/> <tr> <td>3994</td> <td>ETR</td> <td>-</td> <td>WD.</td> <td>J2</td> <td>PTD.</td> <td>-</td> <td>3991</td> <td>3\"/> <tr> <td>3995</td> <td>ETR</td> <td>-</td> <td>WD.</td> <td>J2</td> <td>PTD.</td> <td>-</td> <td>3992</td> <td>3\"/> <tr> <td>3997</td> <td>ETR</td> <td>-</td> <td>WD.</td> <td>J2</td> <td>PTD.</td> <td>-</td> <td>3993</td> <td>3\"/> <tr> <td>3998</td> <td>ETR</td> <td>-</td> <td>WD.</td> <td>J2</td> <td>PTD.</td> <td>-</td> <td>3994</td> <td>3\"/> <tr> <td>3999</td> <td>ETR</td> <td>-</td> <td>WD.</td> <td>J2</td> <td>PTD.</td> <td>-</td> <td>3995</td> <td>3\"/> <tr> <td>3999</td> <td>ETR</td> <td>-</td> <td>WD.</td> <td>J2</td> <td>PTD.</td> <td>-</td> <td>3997</td> <td>3\"/> </td></tr></td></tr></td></tr></td></tr></td></tr></td></tr></td></tr></td></tr></td></tr></td></tr></td></tr></td></tr></td></tr></td></tr></td></tr></td></tr></td></tr> | 391 | ETR | -
 | WD. | J2 | PTD. | - | 388 | 3\"/> <tr> <td>391A</td> <td>ETR</td> <td>-</td> <td>WD.</td> <td>J2</td> <td>PTD.</td> <td>-</td> <td>389</td> <td>3\"/> <tr> <td>391B</td> <td>ETR</td> <td>-</td> <td>WD.</td> <td>J2</td> <td>PTD.</td> <td>-</td> <td>391</td> <td>3\"/> <tr> <td>394</td> <td>ETR</td> <td>-</td> <td>WD.</td> <td>J2</td> <td>PTD.</td> <td>-</td> <td>391A</td> <td>3\"/> <tr> <td>395</td> <td>ETR</td> <td>-</td> <td>WD.</td> <td>J2</td> <td>PTD.</td> <td>-</td> <td>391B</td> <td>3\"/> <tr> <td>396</td> <td>ETR</td> <td>-</td> <td>WD.</td> <td>J2</td> <td>PTD.</td> <td>-</td> <td>394</td> <td>3\"/> <tr> <td>398</td> <td>ETR</td> <td>-</td> <td>WD.</td> <td>J2</td> <td>PTD.</td> <td>-</td> <td>395</td> <td>3\"/> <tr> <td>399</td> <td>ETR</td> <td>-</td> <td>WD.</td> <td>J2</td> <td>PTD.</td> <td>-</td> <td>396</td> <td>3\"/> <tr> <td>3991</td> <td>ETR</td> <td>-</td> <td>WD.</td> <td>J2</td> <td>PTD.</td> <td>-</td> <td>398</td> <td>3\"/> <tr> <td>3992</td> <td>A</td> <td>3\"/> <tr> <td>3993</td> <td>ETR</td> <td>-</td> <td>WD.</td> <td>J2</td> <td>PTD.</td> <td>-</td> <td>399</td> <td>3\"/> <tr> <td>3994</td> <td>ETR</td> <td>-</td> <td>WD.</td> <td>J2</td> <td>PTD.</td> <td>-</td> <td>3991</td> <td>3\"/> <tr> <td>3995</td> <td>ETR</td> <td>-</td> <td>WD.</td> <td>J2</td> <td>PTD.</td> <td>-</td> <td>3992</td> <td>3\"/> <tr> <td>3997</td> <td>ETR</td> <td>-</td> <td>WD.</td> <td>J2</td> <td>PTD.</td> <td>-</td> <td>3993</td> <td>3\"/> <tr> <td>3998</td> <td>ETR</td> <td>-</td> <td>WD.</td> <td>J2</td> <td>PTD.</td> <td>-</td> <td>3994</td> <td>3\"/> <tr> <td>3999</td> <td>ETR</td> <td>-</td> <td>WD.</td> <td>J2</td> <td>PTD.</td> <td>-</td> <td>3995</td> <td>3\"/> <tr> <td>3999</td> <td>ETR</td> <td>-</td> <td>WD.</td> <td>J2</td> <td>PTD.</td> <td>-</td> <td>3997</td> <td>3\"/> </td></tr></td></tr></td></tr></td></tr></td></tr></td></tr></td></tr></td></tr></td></tr></td></tr></td></tr></td></tr></td></tr></td></tr></td></tr></td></tr> | 391A | ETR | -
 | WD. | J2 | PTD. | - | 389 | 3\"/> <tr> <td>391B</td> <td>ETR</td> <td>-</td> <td>WD.</td> <td>J2</td> <td>PTD.</td> <td>-</td> <td>391</td> <td>3\"/> <tr> <td>394</td> <td>ETR</td> <td>-</td> <td>WD.</td> <td>J2</td> <td>PTD.</td> <td>-</td> <td>391A</td> <td>3\"/> <tr> <td>395</td> <td>ETR</td> <td>-</td> <td>WD.</td> <td>J2</td> <td>PTD.</td> <td>-</td> <td>391B</td> <td>3\"/> <tr> <td>396</td> <td>ETR</td> <td>-</td> <td>WD.</td> <td>J2</td> <td>PTD.</td> <td>-</td> <td>394</td> <td>3\"/> <tr> <td>398</td> <td>ETR</td> <td>-</td> <td>WD.</td> <td>J2</td> <td>PTD.</td> <td>-</td> <td>395</td> <td>3\"/> <tr> <td>399</td> <td>ETR</td> <td>-</td> <td>WD.</td> <td>J2</td> <td>PTD.</td> <td>-</td> <td>396</td> <td>3\"/> <tr> <td>3991</td> <td>ETR</td> <td>-</td> <td>WD.</td> <td>J2</td> <td>PTD.</td> <td>-</td> <td>398</td> <td>3\"/> <tr> <td>3992</td> <td>A</td> <td>3\"/> <tr> <td>3993</td> <td>ETR</td> <td>-</td> <td>WD.</td> <td>J2</td> <td>PTD.</td> <td>-</td> <td>399</td> <td>3\"/> <tr> <td>3994</td> <td>ETR</td> <td>-</td> <td>WD.</td> <td>J2</td> <td>PTD.</td> <td>-</td> <td>3991</td> <td>3\"/> <tr> <td>3995</td> <td>ETR</td> <td>-</td> <td>WD.</td> <td>J2</td> <td>PTD.</td> <td>-</td> <td>3992</td> <td>3\"/> <tr> <td>3997</td> <td>ETR</td> <td>-</td> <td>WD.</td> <td>J2</td> <td>PTD.</td> <td>-</td> <td>3993</td> <td>3\"/> <tr> <td>3998</td> <td>ETR</td> <td>-</td> <td>WD.</td> <td>J2</td> <td>PTD.</td> <td>-</td> <td>3994</td> <td>3\"/> <tr> <td>3999</td> <td>ETR</td> <td>-</td> <td>WD.</td> <td>J2</td> <td>PTD.</td> <td>-</td> <td>3995</td> <td>3\"/> <tr> <td>3999</td> <td>ETR</td> <td>-</td> <td>WD.</td> <td>J2</td> <td>PTD.</td> <td>-</td> <td>3997</td> <td>3\"/> </td></tr></td></tr></td></tr></td></tr></td></tr></td></tr></td></tr></td></tr></td></tr></td></tr></td></tr></td></tr></td></tr></td></tr></td></tr> | 391B | ETR | - | WD. | J2 | PTD. | - | 391 | 3\"/> <tr> <td>394</td> <td>ETR</td> <td>-</td> <td>WD.</td> <td>J2</td> <td>PTD.</td> <td>-</td> <td>391A</td> <td>3\"/> <tr> <td>395</td> <td>ETR</td> <td>-</td> <td>WD.</td> <td>J2</td> <td>PTD.</td> <td>-</td> <td>391B</td> <td>3\"/> <tr> <td>396</td> <td>ETR</td> <td>-</td> <td>WD.</td> <td>J2</td> <td>PTD.</td> <td>-</td> <td>394</td> <td>3\"/> <tr> <td>398</td> <td>ETR</td> <td>-</td> <td>WD.</td> <td>J2</td> <td>PTD.</td> <td>-</td> <td>395</td> <td>3\"/> <tr> <td>399</td> <td>ETR</td> <td>-</td> <td>WD.</td> <td>J2</td> <td>PTD.</td> <td>-</td> <td>396</td> <td>3\"/> <tr> <td>3991</td> <td>ETR</td> <td>-</td> <td>WD.</td> <td>J2</td> <td>PTD.</td> <td>-</td> <td>398</td> <td>3\"/> <tr> <td>3992</td> <td>A</td> <td>3\"/> <tr> <td>3993</td> <td>ETR</td> <td>-</td> <td>WD.</td> <td>J2</td> <td>PTD.</td> <td>-</td> <td>399</td> <td>3\"/> <tr> <td>3994</td> <td>ETR</td> <td>-</td> <td>WD.</td> <td>J2</td> <td>PTD.</td> <td>-</td> <td>3991</td> <td>3\"/> <tr>
<td>3995</td> <td>ETR</td> <td>-</td> <td>WD.</td> <td>J2</td> <td>PTD.</td> <td>-</td> <td>3992</td> <td>3\"/> <tr> <td>3997</td> <td>ETR</td> <td>-</td> <td>WD.</td> <td>J2</td> <td>PTD.</td> <td>-</td> <td>3993</td> <td>3\"/> <tr> <td>3998</td> <td>ETR</td> <td>-</td> <td>WD.</td> <td>J2</td> <td>PTD.</td> <td>-</td> <td>3994</td> <td>3\"/> <tr> <td>3999</td> <td>ETR</td> <td>-</td> <td>WD.</td> <td>J2</td> <td>PTD.</td> <td>-</td> <td>3995</td> <td>3\"/> <tr> <td>3999</td> <td>ETR</td> <td>-</td> <td>WD.</td> <td>J2</td> <td>PTD.</td> <td>-</td> <td>3997</td> <td>3\"/> </td></tr></td></tr></td></tr></td></tr></td></tr></td></tr></td></tr></td></tr></td></tr></td></tr></td></tr></td></tr></td></tr></td></tr> | 394 | ETR | - | WD. | J2 | PTD.
 | - | 391A | 3\"/> <tr> <td>395</td> <td>ETR</td> <td>-</td> <td>WD.</td> <td>J2</td> <td>PTD.</td> <td>-</td> <td>391B</td> <td>3\"/> <tr> <td>396</td> <td>ETR</td> <td>-</td> <td>WD.</td> <td>J2</td> <td>PTD.</td> <td>-</td> <td>394</td> <td>3\"/> <tr> <td>398</td> <td>ETR</td> <td>-</td> <td>WD.</td> <td>J2</td> <td>PTD.</td> <td>-</td> <td>395</td> <td>3\"/> <tr> <td>399</td> <td>ETR</td> <td>-</td> <td>WD.</td> <td>J2</td> <td>PTD.</td> <td>-</td> <td>396</td> <td>3\"/> <tr> <td>3991</td> <td>ETR</td> <td>-</td> <td>WD.</td> <td>J2</td> <td>PTD.</td> <td>-</td> <td>398</td> <td>3\"/> <tr> <td>3992</td> <td>A</td> <td>3\"/> <tr> <td>3993</td> <td>ETR</td> <td>-</td> <td>WD.</td> <td>J2</td> <td>PTD.</td> <td>-</td> <td>399</td> <td>3\"/> <tr> <td>3994</td> <td>ETR</td> <td>-</td> <td>WD.</td> <td>J2</td> <td>PTD.</td> <td>-</td> <td>3991</td> <td>3\"/> <tr> <td>3995</td> <td>ETR</td> <td>-</td> <td>WD.</td> <td>J2</td> <td>PTD.</td> <td>-</td> <td>3992</td> <td>3\"/> <tr> <td>3997</td> <td>ETR</td> <td>-</td> <td>WD.</td> <td>J2</td> <td>PTD.</td> <td>-</td> <td>3993</td> <td>3\"/> <tr> <td>3998</td> <td>ETR</td> <td>-</td> <td>WD.</td> <td>J2</td> <td>PTD.</td> <td>-</td> <td>3994</td> <td>3\"/> <tr> <td>3999</td> <td>ETR</td> <td>-</td> <td>WD.</td> <td>J2</td> <td>PTD.</td> <td>-</td> <td>3995</td> <td>3\"/> <tr> <td>3999</td> <td>ETR</td> <td>-</td> <td>WD.</td> <td>J2</td> <td>PTD.</td> <td>-</td> <td>3997</td> <td>3\"/> </td></tr></td></tr></td></tr></td></tr></td></tr></td></tr></td></tr></td></tr></td></tr></td></tr></td></tr></td></tr></td></tr> | 395 | ETR | - | WD. | J2 | PTD.
 | - | 391B | 3\"/> <tr> <td>396</td> <td>ETR</td> <td>-</td> <td>WD.</td> <td>J2</td> <td>PTD.</td> <td>-</td> <td>394</td> <td>3\"/> <tr> <td>398</td> <td>ETR</td> <td>-</td> <td>WD.</td> <td>J2</td> <td>PTD.</td> <td>-</td> <td>395</td> <td>3\"/> <tr> <td>399</td> <td>ETR</td> <td>-</td> <td>WD.</td> <td>J2</td> <td>PTD.</td> <td>-</td> <td>396</td> <td>3\"/> <tr> <td>3991</td> <td>ETR</td> <td>-</td> <td>WD.</td> <td>J2</td> <td>PTD.</td> <td>-</td> <td>398</td> <td>3\"/> <tr> <td>3992</td> <td>A</td> <td>3\"/> <tr> <td>3993</td> <td>ETR</td> <td>-</td> <td>WD.</td> <td>J2</td> <td>PTD.</td> <td>-</td> <td>399</td> <td>3\"/> <tr> <td>3994</td> <td>ETR</td> <td>-</td> <td>WD.</td> <td>J2</td> <td>PTD.</td> <td>-</td> <td>3991</td> <td>3\"/> <tr> <td>3995</td> <td>ETR</td> <td>-</td> <td>WD.</td> <td>J2</td> <td>PTD.</td> <td>-</td> <td>3992</td> <td>3\"/> <tr> <td>3997</td> <td>ETR</td> <td>-</td> <td>WD.</td> <td>J2</td> <td>PTD.</td> <td>-</td> <td>3993</td> <td>3\"/> <tr> <td>3998</td> <td>ETR</td> <td>-</td> <td>WD.</td> <td>J2</td> <td>PTD.</td> <td>-</td> <td>3994</td> <td>3\"/> <tr> <td>3999</td> <td>ETR</td> <td>-</td> <td>WD.</td> <td>J2</td> <td>PTD.</td> <td>-</td> <td>3995</td> <td>3\"/> <tr> <td>3999</td> <td>ETR</td> <td>-</td> <td>WD.</td> <td>J2</td> <td>PTD.</td> <td>-</td> <td>3997</td> <td>3\"/> </td></tr></td></tr></td></tr></td></tr></td></tr></td></tr></td></tr></td></tr></td></tr></td></tr></td></tr></td></tr> | 396 | ETR | -
 | WD. | J2 | PTD. | - | 394 | 3\"/> <tr> <td>398</td> <td>ETR</td> <td>-</td> <td>WD.</td> <td>J2</td> <td>PTD.</td> <td>-</td> <td>395</td> <td>3\"/> <tr> <td>399</td> <td>ETR</td> <td>-</td> <td>WD.</td> <td>J2</td> <td>PTD.</td> <td>-</td> <td>396</td> <td>3\"/> <tr> <td>3991</td> <td>ETR</td> <td>-</td> <td>WD.</td> <td>J2</td> <td>PTD.</td> <td>-</td> <td>398</td> <td>3\"/> <tr> <td>3992</td> <td>A</td> <td>3\"/> <tr> <td>3993</td> <td>ETR</td> <td>-</td> <td>WD.</td> <td>J2</td> <td>PTD.</td> <td>-</td> <td>399</td> <td>3\"/> <tr> <td>3994</td> <td>ETR</td> <td>-</td> <td>WD.</td> <td>J2</td> <td>PTD.</td> <td>-</td> <td>3991</td> <td>3\"/> <tr> <td>3995</td> <td>ETR</td> <td>-</td> <td>WD.</td> <td>J2</td> <td>PTD.</td> <td>-</td> <td>3992</td> <td>3\"/> <tr> <td>3997</td> <td>ETR</td> <td>-</td> <td>WD.</td> <td>J2</td> <td>PTD.</td> <td>-</td> <td>3993</td> <td>3\"/> <tr> <td>3998</td> <td>ETR</td> <td>-</td> <td>WD.</td> <td>J2</td> <td>PTD.</td> <td>-</td> <td>3994</td> <td>3\"/> <tr> <td>3999</td> <td>ETR</td> <td>-</td> <td>WD.</td> <td>J2</td> <td>PTD.</td> <td>-</td> <td>3995</td> <td>3\"/> <tr> <td>3999</td> <td>ETR</td> <td>-</td> <td>WD.</td> <td>J2</td> <td>PTD.</td> <td>-</td> <td>3997</td> <td>3\"/> </td></tr></td></tr></td></tr></td></tr></td></tr></td></tr></td></tr></td></tr></td></tr></td></tr></td></tr> | 398 | ETR | -
 | WD. | J2 | PTD. | - | 395 | 3\"/> <tr> <td>399</td> <td>ETR</td> <td>-</td> <td>WD.</td> <td>J2</td> <td>PTD.</td> <td>-</td> <td>396</td> <td>3\"/> <tr> <td>3991</td> <td>ETR</td> <td>-</td> <td>WD.</td> <td>J2</td> <td>PTD.</td> <td>-</td> <td>398</td> <td>3\"/> <tr> <td>3992</td> <td>A</td> <td>3\"/> <tr> <td>3993</td> <td>ETR</td> <td>-</td> <td>WD.</td> <td>J2</td> <td>PTD.</td> <td>-</td> <td>399</td> <td>3\"/> <tr> <td>3994</td> <td>ETR</td> <td>-</td> <td>WD.</td> <td>J2</td> <td>PTD.</td> <td>-</td> <td>3991</td> <td>3\"/> <tr> <td>3995</td> <td>ETR</td> <td>-</td> <td>WD.</td> <td>J2</td> <td>PTD.</td> <td>-</td> <td>3992</td> <td>3\"/> <tr> <td>3997</td> <td>ETR</td> <td>-</td> <td>WD.</td> <td>J2</td> <td>PTD.</td> <td>-</td> <td>3993</td> <td>3\"/> <tr> <td>3998</td> <td>ETR</td> <td>-</td> <td>WD.</td> <td>J2</td> <td>PTD.</td> <td>-</td> <td>3994</td> <td>3\"/> <tr> <td>3999</td> <td>ETR</td> <td>-</td> <td>WD.</td> <td>J2</td> <td>PTD.</td> <td>-</td> <td>3995</td> <td>3\"/> <tr> <td>3999</td> <td>ETR</td> <td>-</td> <td>WD.</td> <td>J2</td> <td>PTD.</td> <td>-</td> <td>3997</td> <td>3\"/> </td></tr></td></tr></td></tr></td></tr></td></tr></td></tr></td></tr></td></tr></td></tr></td></tr> | 399 | ETR | -
 | WD. | J2 | PTD. | - | 396 | 3\"/> <tr> <td>3991</td> <td>ETR</td> <td>-</td> <td>WD.</td> <td>J2</td> <td>PTD.</td> <td>-</td> <td>398</td> <td>3\"/> <tr> <td>3992</td> <td>A</td> <td>3\"/> <tr> <td>3993</td> <td>ETR</td> <td>-</td> <td>WD.</td> <td>J2</td> <td>PTD.</td> <td>-</td> <td>399</td> <td>3\"/> <tr> <td>3994</td> <td>ETR</td> <td>-</td> <td>WD.</td> <td>J2</td> <td>PTD.</td> <td>-</td> <td>3991</td> <td>3\"/> <tr> <td>3995</td> <td>ETR</td> <td>-</td> <td>WD.</td> <td>J2</td> <td>PTD.</td> <td>-</td> <td>3992</td> <td>3\"/> <tr> <td>3997</td> <td>ETR</td> <td>-</td> <td>WD.</td> <td>J2</td> <td>PTD.</td> <td>-</td> <td>3993</td> <td>3\"/> <tr> <td>3998</td> <td>ETR</td> <td>-</td> <td>WD.</td> <td>J2</td> <td>PTD.</td> <td>-</td> <td>3994</td> <td>3\"/> <tr> <td>3999</td> <td>ETR</td> <td>-</td> <td>WD.</td> <td>J2</td> <td>PTD.</td> <td>-</td> <td>3995</td> <td>3\"/> <tr> <td>3999</td> <td>ETR</td> <td>-</td> <td>WD.</td> <td>J2</td> <td>PTD.</td> <td>-</td> <td>3997</td> <td>3\"/> </td></tr></td></tr></td></tr></td></tr></td></tr></td></tr></td></tr></td></tr></td></tr> | 3991 | ETR | -
 | WD. | J2 | PTD. | - | 398 | 3\"/> <tr> <td>3992</td> <td>A</td> <td>3\"/> <tr> <td>3993</td> <td>ETR</td> <td>-</td> <td>WD.</td> <td>J2</td> <td>PTD.</td> <td>-</td> <td>399</td> <td>3\"/> <tr> <td>3994</td> <td>ETR</td> <td>-</td> <td>WD.</td> <td>J2</td> <td>PTD.</td> <td>-</td> <td>3991</td> <td>3\"/> <tr> <td>3995</td> <td>ETR</td> <td>-</td> <td>WD.</td> <td>J2</td> <td>PTD.</td> <td>-</td> <td>3992</td> <td>3\"/> <tr> <td>3997</td> <td>ETR</td> <td>-</td> <td>WD.</td> <td>J2</td> <td>PTD.</td> <td>-</td> <td>3993</td> <td>3\"/> <tr> <td>3998</td> <td>ETR</td> <td>-</td> <td>WD.</td> <td>J2</td> <td>PTD.</td> <td>-</td> <td>3994</td> <td>3\"/> <tr> <td>3999</td> <td>ETR</td> <td>-</td> <td>WD.</td> <td>J2</td> <td>PTD.</td> <td>-</td> <td>3995</td> <td>3\"/> <tr> <td>3999</td> <td>ETR</td> <td>-</td> <td>WD.</td> <td>J2</td> <td>PTD.</td> <td>-</td> <td>3997</td> <td>3\"/> </td></tr></td></tr></td></tr></td></tr></td></tr></td></tr></td></tr></td></tr> | 3992 | A | 3\"/> <tr> <td>3993</td> <td>ETR</td> <td>-</td> <td>WD.</td> <td>J2</td> <td>PTD.</td> <td>-</td> <td>399</td> <td>3\"/>
<tr> <td>3994</td> <td>ETR</td> <td>-</td> <td>WD.</td> <td>J2</td> <td>PTD.</td> <td>-</td> <td>3991</td> <td>3\"/> <tr> <td>3995</td> <td>ETR</td> <td>-</td> <td>WD.</td> <td>J2</td> <td>PTD.</td> <td>-</td> <td>3992</td> <td>3\"/> <tr> <td>3997</td> <td>ETR</td> <td>-</td> <td>WD.</td> <td>J2</td> <td>PTD.</td> <td>-</td> <td>3993</td> <td>3\"/> <tr> <td>3998</td> <td>ETR</td> <td>-</td> <td>WD.</td> <td>J2</td> <td>PTD.</td> <td>-</td> <td>3994</td> <td>3\"/> <tr> <td>3999</td> <td>ETR</td> <td>-</td> <td>WD.</td> <td>J2</td> <td>PTD.</td> <td>-</td> <td>3995</td> <td>3\"/> <tr> <td>3999</td> <td>ETR</td> <td>-</td> <td>WD.</td> <td>J2</td> <td>PTD.</td> <td>-</td> <td>3997</td> <td>3\"/> </td></tr></td></tr></td></tr></td></tr></td></tr></td></tr></td></tr> | 3993 | ETR | - | WD. | J2 | PTD. | - | 399 | 3\"/> <tr> <td>3994</td> <td>ETR</td> <td>-</td> <td>WD.</td> <td>J2</td> <td>PTD.</td> <td>-</td> <td>3991</td> <td>3\"/> <tr> <td>3995</td> <td>ETR</td> <td>-</td> <td>WD.</td> <td>J2</td> <td>PTD.</td> <td>-</td> <td>3992</td> <td>3\"/> <tr> <td>3997</td> <td>ETR</td> <td>-</td> <td>WD.</td> <td>J2</td>
<td>PTD.</td> <td>-</td> <td>3993</td> <td>3\"/> <tr> <td>3998</td> <td>ETR</td> <td>-</td> <td>WD.</td> <td>J2</td> <td>PTD.</td> <td>-</td> <td>3994</td> <td>3\"/> <tr> <td>3999</td> <td>ETR</td> <td>-</td> <td>WD.</td> <td>J2</td> <td>PTD.</td> <td>-</td> <td>3995</td> <td>3\"/> <tr> <td>3999</td> <td>ETR</td> <td>-</td> <td>WD.</td> <td>J2</td> <td>PTD.</td> <td>-</td> <td>3997</td> <td>3\"/> </td></tr></td></tr></td></tr></td></tr></td></tr></td></tr> | 3994 | ETR | - | WD. | J2 | PTD. | - | 3991 | 3\"/> <tr> <td>3995</td> <td>ETR</td> <td>-</td> <td>WD.</td> <td>J2</td> <td>PTD.</td> <td>-</td> <td>3992</td> <td>3\"/> <tr> <td>3997</td> <td>ETR</td> <td>-</td> <td>WD.</td> <td>J2</td> <td>PTD.</td> <td>-</td> <td>3993</td> <td>3\"/> <tr> <td>3998</td> <td>ETR</td> <td>-</td> <td>WD.</td> <td>J2</td> <td>PTD.</td> <td>-</td> <td>3994</td> <td>3\"/> <tr> <td>3999</td> <td>ETR</td> <td>-</td> <td>WD.</td> <td>J2</td> <td>PTD.</td> <td>-</td> <td>3995</td> <td>3\"/> <tr> <td>3999</td> <td>ETR</td> <td>-</td> <td>WD.</td> <td>J2</td> <td>PTD.</td> <td>-</td> <td>3997</td> <td>3\"/> </td></tr></td></tr></td></tr></td></tr></td></tr>
 | 3995 | ETR | - | WD. | J2 | PTD. | - | 3992 | 3\"/> <tr> <td>3997</td> <td>ETR</td> <td>-</td> <td>WD.</td> <td>J2</td> <td>PTD.</td> <td>-</td> <td>3993</td> <td>3\"/> <tr> <td>3998</td> <td>ETR</td> <td>-</td> <td>WD.</td> <td>J2</td> <td>PTD.</td> <td>-</td> <td>3994</td> <td>3\"/> <tr> <td>3999</td> <td>ETR</td> <td>-</td> <td>WD.</td> <td>J2</td> <td>PTD.</td> <td>-</td> <td>3995</td> <td>3\"/> <tr> <td>3999</td> <td>ETR</td> <td>-</td> <td>WD.</td> <td>J2</td> <td>PTD.</td> <td>-</td> <td>3997</td> <td>3\"/> </td></tr></td></tr></td></tr></td></tr> | 3997 | ETR | -
 | WD. | J2 | PTD. | - | 3993 | 3\"/> <tr> <td>3998</td> <td>ETR</td> <td>-</td> <td>WD.</td> <td>J2</td> <td>PTD.</td> <td>-</td> <td>3994</td> <td>3\"/> <tr> <td>3999</td> <td>ETR</td> <td>-</td> <td>WD.</td> <td>J2</td> <td>PTD.</td> <td>-</td> <td>3995</td> <td>3\"/> <tr> <td>3999</td> <td>ETR</td> <td>-</td> <td>WD.</td> <td>J2</td> <td>PTD.</td> <td>-</td> <td>3997</td> <td>3\"/> </td></tr></td></tr></td></tr> | 3998 | ETR | - | WD. | J2 | PTD. | - | 3994 | 3\"/> <tr> <td>3999</td> <td>ETR</td> <td>-</td> <td>WD.</td> <td>J2</td> <td>PTD.</td> <td>-</td> <td>3995</td> <td>3\"/> <tr> <td>3999</td> <td>ETR</td> <td>-</td> <td>WD.</td> <td>J2</td> <td>PTD.</td> <td>-</td> <td>3997</td> <td>3\"/> </td></tr></td></tr>
 | 3999 | ETR | - | WD. | J2 | PTD. | - | 3995 | 3\"/> <tr> <td>3999</td> <td>ETR</td> <td>-</td> <td>WD.</td> <td>J2</td> <td>PTD.</td> <td>-</td> <td>3997</td> <td>3\"/> </td></tr> | 3999 | ETR | - | WD. | J2 | PTD. | - | 3997 | 3\"/>
 | | | | | | | | | | | | | | | | | | | | | | | | | | | | | | | | | | | | | | | | | | | | | | | | | | | | | | | | | |
 | | | | | | | | | | | | | | | | | | | | | | | |
 | | | | | | | | | | | | | | | | | | | | | | | | | | |
 | | | | | | | | | | | | | | | | | | | | | | | | | | | | | | | | | | | | | | |
 | | | | | | | | | | | | | | | | | | | | | | | | | | | | | | | | | | | | | | | | | | | | | | | | | | | | | | | | | |
| 373A | ETR | - | WD. | J2 | PTD. | - | 371 | 3\"/> <tr> <td>374B</td> <td>ETR</td> <td>-</td> <td>WD.</td> <td>J2</td> <td>PTD.</td> <td>-</td> <td>372</td> <td>3\"/> <tr> <td>374C</td> <td>ETR</td> <td>-</td> <td>WD.</td> <td>J2</td> <td>PTD.</td> <td>-</td> <td>373A</td> <td>3\"/> <tr> <td>375</td> <td>B</td> <td>1 <td>WD</td> <td>J1</td> <td>PTD.</td> <td>-</td> <td>374B</td> <td>3\"/> <tr> <td>376</td> <td>B</td> <td>1 <td>WD</td> <td>J1</td> <td>PTD.</td> <td>-</td> <td>374C</td> <td>3\"/> <tr> <td>377</td> <td>B</td> <td>1 <td>WD</td> <td>J1</td> <td>PTD.</td> <td>-</td> <td>375</td> <td>3\"/> <tr> <td>377A</td> <td>B</td> <td>1 <td>WD</td> <td>J1</td> <td>PTD.</td> <td>-</td> <td>376</td> <td>3\"/> <tr> <td>378</td> <td>B</td> <td>1 <td>WD</td> <td>J1</td> <td>PTD.</td> <td>-</td> <td>377</td> <td>3\"/> <tr> <td>379</td> <td>B</td> <td>1 <td>WD</td> <td>J1</td> <td>PTD.</td> <td>-</td> <td>377A</td> <td>3\"/> <tr> <td>380A</td> <td>B</td> <td>1 <td>WD</td> <td>J1</td> <td>PTD.</td> <td>-</td> <td>378</td> <td>3\"/> <tr> <td>380B</td> <td>B</td> <td>1 <td>WD</td> <td>J1</td> <td>PTD.</td> <td>-</td> <td>379</td> <td>3\"/> <tr> <td>382</td> <td>ETR</td> <td>-</td> <td>WD.</td> <td>J2</td> <td>PTD.</td> <td>-</td> <td>380A</td> <td>3\"/> <tr> <td>382A</td> <td>D</td> <td>6 <td>ALUM.</td> <td>ANODIZE D</td> <td>-</td> <td>-</td> <td>380B</td> <td>3\"/> <tr> <td>385</td> <td>ETR</td> <td>-</td> <td>WD.</td> <td>J2</td> <td>PTD.</td> <td>-</td> <td>382</td> <td>3\"/> <tr> <td>386</td> <td>ETR</td> <td>-</td> <td>WD.</td> <td>J2</td> <td>PTD.</td> <td>-</td> <td>382A</td> <td>3\"/> <tr> <td>387</td> <td>ETR</td> <td>-</td> <td>WD.</td> <td>J2</td> <td>PTD.</td> <td>-</td> <td>385</td> <td>3\"/> <tr> <td>388</td> <td>ETR</td> <td>-</td> <td>WD.</td> <td>J2</td> <td>PTD.</td> <td>-</td> <td>386</td> <td>3\"/> <tr> <td>389</td> <td>ETR</td> <td>-</td> <td>WD.</td> <td>J2</td> <td>PTD.</td> <td>-</td> <td>387</td> <td>3\"/> <tr> <td>391</td> <td>ETR</td> <td>-</td> <td>WD.</td> <td>J2</td> <td>PTD.</td> <td>-</td> <td>388</td> <td>3\"/> <tr> <td>391A</td> <td>ETR</td> <td>-</td> <td>WD.</td> <td>J2</td> <td>PTD.</td> <td>-</td> <td>389</td> <td>3\"/> <tr> <td>391B</td> <td>ETR</td> <td>-</td> <td>WD.</td> <td>J2</td> <td>PTD.</td> <td>-</td> <td>391</td> <td>3\"/> <tr> <td>394</td> <td>ETR</td> <td>-</td> <td>WD.</td> <td>J2</td> <td>PTD.</td> <td>-</td> <td>391A</td> <td>3\"/> <tr> <td>395</td> <td>ETR</td> <td>-</td> <td>WD.</td> <td>J2</td> <td>PTD.</td> <td>-</td> <td>391B</td> <td>3\"/> <tr> <td>396</td> <td>ETR</td> <td>-</td> <td>WD.</td> <td>J2</td> <td>PTD.</td> <td>-</td> <td>394</td> <td>3\"/> <tr> <td>398</td> <td>ETR</td> <td>-</td> <td>WD.</td> <td>J2</td> <td>PTD.</td> <td>-</td> <td>395</td> <td>3\"/> <tr> <td>399</td> <td>ETR</td> <td>-</td> <td>WD.</td> <td>J2</td> <td>PTD.</td> <td>-</td> <td>396</td> <td>3\"/> <tr> <td>3991</td> <td>ETR</td> <td>-</td> <td>WD.</td> <td>J2</td>
<td>PTD.</td> <td>-</td> <td>398</td> <td>3\"/> <tr> <td>3992</td> <td>A</td> <td>3\"/> <tr> <td>3993</td> <td>ETR</td> <td>-</td> <td>WD.</td> <td>J2</td> <td>PTD.</td> <td>-</td> <td>399</td> <td>3\"/> <tr> <td>3994</td> <td>ETR</td> <td>-</td> <td>WD.</td> <td>J2</td> <td>PTD.</td> <td>-</td> <td>3991</td> <td>3\"/> <tr> <td>3995</td> <td>ETR</td> <td>-</td> <td>WD.</td> <td>J2</td> <td>PTD.</td> <td>-</td> <td>3992</td> <td>3\"/> <tr> <td>3997</td> <td>ETR</td> <td>-</td> <td>WD.</td> <td>J2</td> <td>PTD.</td> <td>-</td> <td>3993</td> <td>3\"/> <tr> <td>3998</td> <td>ETR</td> <td>-</td> <td>WD.</td> <td>J2</td> <td>PTD.</td> <td>-</td> <td>3994</td> <td>3\"/> <tr> <td>3999</td> <td>ETR</td> <td>-</td> <td>WD.</td> <td>J2</td> <td>PTD.</td> <td>-</td> <td>3995</td> <td>3\"/> <tr> <td>3999</td> <td>ETR</td> <td>-</td> <td>WD.</td> <td>J2</td> <td>PTD.</td> <td>-</td> <td>3997</td> <td>3\"/> </td></tr></td></tr></td></tr></td></tr></td></tr></td></tr></td></tr></td></tr></td></tr></td></tr></td></tr></td></tr></td></tr></td></tr></td></tr></td></tr></td></tr></td></tr></td></tr></td></tr></td></tr></td></tr></td></td></tr></td></tr></td></td></tr></td></td></tr></td></td></tr></td></td></tr></td></td></tr></td></td></tr></td></td></tr></td></td></tr></td></tr></td></tr> | 374B | ETR | -
 | WD. | J2 | PTD. | - | 372 | 3\"/> <tr> <td>374C</td> <td>ETR</td> <td>-</td> <td>WD.</td> <td>J2</td> <td>PTD.</td> <td>-</td> <td>373A</td> <td>3\"/> <tr> <td>375</td> <td>B</td> <td>1 <td>WD</td> <td>J1</td> <td>PTD.</td> <td>-</td> <td>374B</td> <td>3\"/> <tr> <td>376</td> <td>B</td> <td>1 <td>WD</td> <td>J1</td> <td>PTD.</td> <td>-</td> <td>374C</td> <td>3\"/> <tr> <td>377</td> <td>B</td> <td>1 <td>WD</td> <td>J1</td> <td>PTD.</td> <td>-</td> <td>375</td> <td>3\"/> <tr> <td>377A</td> <td>B</td> <td>1 <td>WD</td> <td>J1</td> <td>PTD.</td> <td>-</td> <td>376</td> <td>3\"/> <tr> <td>378</td> <td>B</td> <td>1 <td>WD</td> <td>J1</td> <td>PTD.</td> <td>-</td> <td>377</td> <td>3\"/> <tr> <td>379</td> <td>B</td> <td>1 <td>WD</td> <td>J1</td> <td>PTD.</td> <td>-</td> <td>377A</td> <td>3\"/> <tr> <td>380A</td> <td>B</td> <td>1 <td>WD</td> <td>J1</td> <td>PTD.</td> <td>-</td> <td>378</td> <td>3\"/> <tr> <td>380B</td> <td>B</td> <td>1 <td>WD</td> <td>J1</td> <td>PTD.</td> <td>-</td> <td>379</td> <td>3\"/> <tr> <td>382</td> <td>ETR</td> <td>-</td> <td>WD.</td> <td>J2</td> <td>PTD.</td> <td>-</td> <td>380A</td> <td>3\"/> <tr> <td>382A</td> <td>D</td> <td>6 <td>ALUM.</td> <td>ANODIZE D</td> <td>-</td> <td>-</td> <td>380B</td> <td>3\"/> <tr> <td>385</td> <td>ETR</td> <td>-</td> <td>WD.</td> <td>J2</td> <td>PTD.</td> <td>-</td> <td>382</td> <td>3\"/> <tr> <td>386</td> <td>ETR</td> <td>-</td> <td>WD.</td> <td>J2</td> <td>PTD.</td> <td>-</td> <td>382A</td> <td>3\"/> <tr> <td>387</td> <td>ETR</td> <td>-</td> <td>WD.</td> <td>J2</td> <td>PTD.</td> <td>-</td> <td>385</td> <td>3\"/> <tr> <td>388</td> <td>ETR</td> <td>-</td> <td>WD.</td> <td>J2</td> <td>PTD.</td> <td>-</td> <td>386</td> <td>3\"/> <tr> <td>389</td> <td>ETR</td> <td>-</td> <td>WD.</td> <td>J2</td> <td>PTD.</td> <td>-</td> <td>387</td> <td>3\"/> <tr> <td>391</td> <td>ETR</td> <td>-</td> <td>WD.</td> <td>J2</td> <td>PTD.</td> <td>-</td> <td>388</td> <td>3\"/> <tr> <td>391A</td> <td>ETR</td> <td>-</td> <td>WD.</td> <td>J2</td> <td>PTD.</td> <td>-</td> <td>389</td> <td>3\"/> <tr> <td>391B</td> <td>ETR</td> <td>-</td> <td>WD.</td> <td>J2</td> <td>PTD.</td> <td>-</td> <td>391</td> <td>3\"/> <tr> <td>394</td> <td>ETR</td> <td>-</td> <td>WD.</td> <td>J2</td> <td>PTD.</td> <td>-</td> <td>391A</td> <td>3\"/> <tr> <td>395</td> <td>ETR</td> <td>-</td> <td>WD.</td> <td>J2</td> <td>PTD.</td> <td>-</td> <td>391B</td> <td>3\"/> <tr> <td>396</td> <td>ETR</td> <td>-</td> <td>WD.</td> <td>J2</td> <td>PTD.</td> <td>-</td> <td>394</td> <td>3\"/> <tr> <td>398</td> <td>ETR</td> <td>-</td> <td>WD.</td> <td>J2</td> <td>PTD.</td> <td>-</td> <td>395</td> <td>3\"/> <tr> <td>399</td> <td>ETR</td> <td>-</td> <td>WD.</td> <td>J2</td> <td>PTD.</td> <td>-</td> <td>396</td> <td>3\"/> <tr> <td>3991</td> <td>ETR</td> <td>-</td> <td>WD.</td> <td>J2</td> <td>PTD.</td> <td>-</td> <td>398</td> <td>3\"/> <tr> <td>3992</td> <td>A</td> <td>3\"/> <tr> <td>3993</td> <td>ETR</td> <td>-</td> <td>WD.</td> <td>J2</td> <td>PTD.</td> <td>-</td> <td>399</td> <td>3\"/> <tr> <td>3994</td> <td>ETR</td> <td>-</td> <td>WD.</td> <td>J2</td> <td>PTD.</td> <td>-</td> <td>3991</td> <td>3\"/> <tr> <td>3995</td> <td>ETR</td> <td>-</td> <td>WD.</td> <td>J2</td> <td>PTD.</td> <td>-</td> <td>3992</td> <td>3\"/> <tr> <td>3997</td> <td>ETR</td> <td>-</td> <td>WD.</td> <td>J2</td> <td>PTD.</td> <td>-</td> <td>3993</td> <td>3\"/> <tr> <td>3998</td> <td>ETR</td> <td>-</td> <td>WD.</td> <td>J2</td> <td>PTD.</td> <td>-</td> <td>3994</td> <td>3\"/> <tr> <td>3999</td> <td>ETR</td> <td>-</td> <td>WD.</td> <td>J2</td> <td>PTD.</td> <td>-</td> <td>3995</td> <td>3\"/> <tr> <td>3999</td> <td>ETR</td> <td>-</td> <td>WD.</td> <td>J2</td> <td>PTD.</td> <td>-</td> <td>3997</td> <td>3\"/> </td></tr></td></tr></td></tr></td></tr></td></tr></td></tr></td></tr></td></tr></td></tr></td></tr></td></tr></td></tr></td></tr></td></tr></td></tr></td></tr></td></tr></td></tr></td></tr></td></tr></td></tr></td></tr></td></td></tr></td></tr></td></td></tr></td></td></tr></td></td></tr></td></td></tr></td></td></tr></td></td></tr></td></td></tr></td></td></tr></td></tr> | 374C | ETR | -
 | WD. | J2 | PTD. | - | 373A | 3\"/> <tr> <td>375</td> <td>B</td> <td>1 <td>WD</td> <td>J1</td> <td>PTD.</td> <td>-</td> <td>374B</td> <td>3\"/> <tr> <td>376</td> <td>B</td> <td>1 <td>WD</td> <td>J1</td> <td>PTD.</td> <td>-</td> <td>374C</td> <td>3\"/> <tr> <td>377</td> <td>B</td> <td>1 <td>WD</td> <td>J1</td> <td>PTD.</td> <td>-</td> <td>375</td> <td>3\"/> <tr> <td>377A</td> <td>B</td> <td>1 <td>WD</td> <td>J1</td> <td>PTD.</td> <td>-</td> <td>376</td> <td>3\"/> <tr> <td>378</td> <td>B</td> <td>1 <td>WD</td> <td>J1</td> <td>PTD.</td> <td>-</td> <td>377</td> <td>3\"/> <tr> <td>379</td> <td>B</td> <td>1 <td>WD</td> <td>J1</td> <td>PTD.</td> <td>-</td> <td>377A</td> <td>3\"/> <tr> <td>380A</td> <td>B</td> <td>1 <td>WD</td> <td>J1</td> <td>PTD.</td> <td>-</td> <td>378</td> <td>3\"/> <tr> <td>380B</td> <td>B</td> <td>1 <td>WD</td> <td>J1</td> <td>PTD.</td> <td>-</td> <td>379</td> <td>3\"/> <tr> <td>382</td> <td>ETR</td> <td>-</td> <td>WD.</td> <td>J2</td> <td>PTD.</td> <td>-</td> <td>380A</td> <td>3\"/> <tr> <td>382A</td> <td>D</td> <td>6 <td>ALUM.</td> <td>ANODIZE D</td> <td>-</td> <td>-</td> <td>380B</td> <td>3\"/> <tr> <td>385</td> <td>ETR</td> <td>-</td> <td>WD.</td> <td>J2</td> <td>PTD.</td> <td>-</td> <td>382</td> <td>3\"/> <tr> <td>386</td> <td>ETR</td> <td>-</td> <td>WD.</td> <td>J2</td> <td>PTD.</td> <td>-</td> <td>382A</td> <td>3\"/> <tr> <td>387</td> <td>ETR</td> <td>-</td> <td>WD.</td> <td>J2</td> <td>PTD.</td> <td>-</td> <td>385</td> <td>3\"/> <tr> <td>388</td> <td>ETR</td> <td>-</td> <td>WD.</td> <td>J2</td> <td>PTD.</td> <td>-</td> <td>386</td> <td>3\"/> <tr> <td>389</td> <td>ETR</td> <td>-</td> <td>WD.</td> <td>J2</td> <td>PTD.</td> <td>-</td> <td>387</td> <td>3\"/> <tr> <td>391</td> <td>ETR</td> <td>-</td> <td>WD.</td> <td>J2</td> <td>PTD.</td> <td>-</td> <td>388</td> <td>3\"/> <tr> <td>391A</td> <td>ETR</td> <td>-</td> <td>WD.</td> <td>J2</td> <td>PTD.</td> <td>-</td> <td>389</td> <td>3\"/> <tr> <td>391B</td> <td>ETR</td> <td>-</td> <td>WD.</td> <td>J2</td> <td>PTD.</td> <td>-</td> <td>391</td> <td>3\"/> <tr> <td>394</td> <td>ETR</td> <td>-</td> <td>WD.</td> <td>J2</td> <td>PTD.</td> <td>-</td> <td>391A</td> <td>3\"/> <tr> <td>395</td> <td>ETR</td> <td>-</td> <td>WD.</td> <td>J2</td> <td>PTD.</td> <td>-</td> <td>391B</td> <td>3\"/> <tr> <td>396</td> <td>ETR</td> <td>-</td> <td>WD.</td> <td>J2</td> <td>PTD.</td> <td>-</td> <td>394</td> <td>3\"/> <tr> <td>398</td> <td>ETR</td> <td>-</td> <td>WD.</td> <td>J2</td> <td>PTD.</td> <td>-</td> <td>395</td> <td>3\"/> <tr> <td>399</td> <td>ETR</td> <td>-</td> <td>WD.</td> <td>J2</td> <td>PTD.</td> <td>-</td> <td>396</td> <td>3\"/> <tr> <td>3991</td> <td>ETR</td> <td>-</td> <td>WD.</td> <td>J2</td> <td>PTD.</td> <td>-</td> <td>398</td> <td>3\"/> <tr> <td>3992</td> <td>A</td> <td>3\"/> <tr> <td>3993</td> <td>ETR</td> <td>-</td> <td>WD.</td> <td>J2</td> <td>PTD.</td> <td>-</td> <td>399</td> <td>3\"/> <tr> <td>3994</td> <td>ETR</td> <td>-</td> <td>WD.</td> <td>J2</td> <td>PTD.</td> <td>-</td> <td>3991</td> <td>3\"/> <tr> <td>3995</td> <td>ETR</td> <td>-</td> <td>WD.</td> <td>J2</td> <td>PTD.</td> <td>-</td> <td>3992</td> <td>3\"/> <tr> <td>3997</td> <td>ETR</td> <td>-</td> <td>WD.</td> <td>J2</td> <td>PTD.</td> <td>-</td> <td>3993</td> <td>3\"/> <tr> <td>3998</td> <td>ETR</td> <td>-</td> <td>WD.</td> <td>J2</td> <td>PTD.</td> <td>-</td> <td>3994</td> <td>3\"/> <tr> <td>3999</td> <td>ETR</td> <td>-</td> <td>WD.</td> <td>J2</td> <td>PTD.</td> <td>-</td> <td>3995</td> <td>3\"/> <tr> <td>3999</td> <td>ETR</td> <td>-</td> <td>WD.</td> <td>J2</td> <td>PTD.</td> <td>-</td> <td>3997</td> <td>3\"/> </td></tr></td></tr></td></tr></td></tr></td></tr></td></tr></td></tr></td></tr></td></tr></td></tr></td></tr></td></tr></td></tr></td></tr></td></tr></td></tr></td></tr></td></tr></td></tr></td></tr></td></tr></td></tr></td></td></tr></td></tr></td></td></tr></td></td></tr></td></td></tr></td></td></tr></td></td></tr></td></td></tr></td></td></tr></td></td></tr>
 | 375 | B | 1 <td>WD</td> <td>J1</td> <td>PTD.</td> <td>-</td> <td>374B</td> <td>3\"/> <tr> <td>376</td> <td>B</td> <td>1 <td>WD</td> <td>J1</td> <td>PTD.</td> <td>-</td> <td>374C</td> <td>3\"/> <tr> <td>377</td> <td>B</td> <td>1 <td>WD</td> <td>J1</td> <td>PTD.</td> <td>-</td> <td>375</td> <td>3\"/> <tr> <td>377A</td> <td>B</td> <td>1 <td>WD</td> <td>J1</td> <td>PTD.</td> <td>-</td> <td>376</td> <td>3\"/> <tr> <td>378</td> <td>B</td> <td>1 <td>WD</td> <td>J1</td> <td>PTD.</td> <td>-</td> <td>377</td> <td>3\"/> <tr> <td>379</td> <td>B</td> <td>1 <td>WD</td> <td>J1</td> <td>PTD.</td> <td>-</td> <td>377A</td> <td>3\"/> <tr> <td>380A</td> <td>B</td> <td>1 <td>WD</td> <td>J1</td> <td>PTD.</td> <td>-</td> <td>378</td> <td>3\"/> <tr> <td>380B</td> <td>B</td> <td>1 <td>WD</td> <td>J1</td> <td>PTD.</td> <td>-</td> <td>379</td> <td>3\"/> <tr> <td>382</td> <td>ETR</td> <td>-</td> <td>WD.</td> <td>J2</td> <td>PTD.</td> <td>-</td> <td>380A</td> <td>3\"/> <tr> <td>382A</td> <td>D</td> <td>6 <td>ALUM.</td> <td>ANODIZE D</td> <td>-</td> <td>-</td> <td>380B</td> <td>3\"/> <tr> <td>385</td> <td>ETR</td> <td>-</td> <td>WD.</td> <td>J2</td> <td>PTD.</td> <td>-</td> <td>382</td> <td>3\"/> <tr> <td>386</td> <td>ETR</td> <td>-</td> <td>WD.</td> <td>J2</td> <td>PTD.</td> <td>-</td> <td>382A</td> <td>3\"/> <tr> <td>387</td> <td>ETR</td> <td>-</td> <td>WD.</td> <td>J2</td> <td>PTD.</td> <td>-</td> <td>385</td> <td>3\"/> <tr> <td>388</td> <td>ETR</td> <td>-</td> <td>WD.</td> <td>J2</td> <td>PTD.</td> <td>-</td> <td>386</td> <td>3\"/> <tr> <td>389</td> <td>ETR</td> <td>-</td> <td>WD.</td> <td>J2</td> <td>PTD.</td> <td>-</td> <td>387</td> <td>3\"/> <tr> <td>391</td> <td>ETR</td> <td>-</td> <td>WD.</td> <td>J2</td> <td>PTD.</td> <td>-</td> <td>388</td> <td>3\"/> <tr> <td>391A</td> <td>ETR</td> <td>-</td> <td>WD.</td> <td>J2</td> <td>PTD.</td> <td>-</td> <td>389</td> <td>3\"/> <tr> <td>391B</td> <td>ETR</td> <td>-</td> <td>WD.</td> <td>J2</td> <td>PTD.</td> <td>-</td> <td>391</td> <td>3\"/> <tr> <td>394</td> <td>ETR</td> <td>-</td> <td>WD.</td> <td>J2</td> <td>PTD.</td> <td>-</td> <td>391A</td> <td>3\"/> <tr> <td>395</td> <td>ETR</td> <td>-</td> <td>WD.</td> <td>J2</td> <td>PTD.</td> <td>-</td> <td>391B</td> <td>3\"/> <tr> <td>396</td> <td>ETR</td> <td>-</td> <td>WD.</td> <td>J2</td> <td>PTD.</td> <td>-</td> <td>394</td> <td>3\"/> <tr> <td>398</td> <td>ETR</td> <td>-</td> <td>WD.</td> <td>J2</td> <td>PTD.</td> <td>-</td> <td>395</td> <td>3\"/> <tr> <td>399</td> <td>ETR</td> <td>-</td> <td>WD.</td> <td>J2</td> <td>PTD.</td> <td>-</td> <td>396</td> <td>3\"/> <tr> <td>3991</td> <td>ETR</td> <td>-</td> <td>WD.</td> <td>J2</td> <td>PTD.</td> <td>-</td> <td>398</td> <td>3\"/> <tr> <td>3992</td> <td>A</td> <td>3\"/> <tr> <td>3993</td> <td>ETR</td> <td>-</td> <td>WD.</td> <td>J2</td> <td>PTD.</td> <td>-</td> <td>399</td> <td>3\"/> <tr> <td>3994</td> <td>ETR</td> <td>-</td> <td>WD.</td> <td>J2</td> <td>PTD.</td> <td>-</td> <td>3991</td> <td>3\"/> <tr> <td>3995</td> <td>ETR</td> <td>-</td> <td>WD.</td> <td>J2</td> <td>PTD.</td> <td>-</td> <td>3992</td> <td>3\"/> <tr> <td>3997</td> <td>ETR</td> <td>-</td> <td>WD.</td> <td>J2</td> <td>PTD.</td> <td>-</td> <td>3993</td> <td>3\"/> <tr> <td>3998</td> <td>ETR</td> <td>-</td> <td>WD.</td> <td>J2</td> <td>PTD.</td> <td>-</td> <td>3994</td> <td>3\"/> <tr> <td>3999</td> <td>ETR</td> <td>-</td> <td>WD.</td> <td>J2</td> <td>PTD.</td> <td>-</td> <td>3995</td> <td>3\"/> <tr> <td>3999</td> <td>ETR</td> <td>-</td> <td>WD.</td> <td>J2</td> <td>PTD.</td> <td>-</td> <td>3997</td> <td>3\"/> </td></tr></td></tr></td></tr></td></tr></td></tr></td></tr></td></tr></td></tr></td></tr></td></tr></td></tr></td></tr></td></tr></td></tr></td></tr></td></tr></td></tr></td></tr></td></tr></td></tr></td></tr></td></tr></td></td></tr></td></tr></td></td></tr></td></td></tr></td></td></tr></td></td></tr></td></td></tr></td></td></tr></td></td></tr></td> | WD | J1 | PTD. | - | 374B | 3\"/> <tr> <td>376</td> <td>B</td> <td>1 <td>WD</td> <td>J1</td> <td>PTD.</td> <td>-</td> <td>374C</td> <td>3\"/> <tr> <td>377</td> <td>B</td> <td>1 <td>WD</td> <td>J1</td> <td>PTD.</td> <td>-</td> <td>375</td> <td>3\"/> <tr> <td>377A</td> <td>B</td> <td>1 <td>WD</td> <td>J1</td> <td>PTD.</td> <td>-</td> <td>376</td> <td>3\"/> <tr> <td>378</td> <td>B</td> <td>1 <td>WD</td> <td>J1</td> <td>PTD.</td> <td>-</td> <td>377</td> <td>3\"/> <tr> <td>379</td> <td>B</td> <td>1 <td>WD</td> <td>J1</td> <td>PTD.</td> <td>-</td> <td>377A</td> <td>3\"/> <tr> <td>380A</td> <td>B</td> <td>1 <td>WD</td> <td>J1</td> <td>PTD.</td> <td>-</td> <td>378</td> <td>3\"/> <tr> <td>380B</td> <td>B</td> <td>1 <td>WD</td> <td>J1</td> <td>PTD.</td> <td>-</td> <td>379</td> <td>3\"/> <tr> <td>382</td> <td>ETR</td> <td>-</td> <td>WD.</td> <td>J2</td> <td>PTD.</td> <td>-</td> <td>380A</td> <td>3\"/> <tr> <td>382A</td> <td>D</td> <td>6 <td>ALUM.</td> <td>ANODIZE D</td> <td>-</td> <td>-</td> <td>380B</td> <td>3\"/> <tr> <td>385</td> <td>ETR</td> <td>-</td> <td>WD.</td> <td>J2</td> <td>PTD.</td> <td>-</td> <td>382</td> <td>3\"/> <tr> <td>386</td> <td>ETR</td> <td>-</td> <td>WD.</td> <td>J2</td> <td>PTD.</td> <td>-</td> <td>382A</td> <td>3\"/> <tr> <td>387</td> <td>ETR</td> <td>-</td> <td>WD.</td> <td>J2</td> <td>PTD.</td> <td>-</td> <td>385</td> <td>3\"/> <tr> <td>388</td> <td>ETR</td> <td>-</td> <td>WD.</td> <td>J2</td> <td>PTD.</td> <td>-</td> <td>386</td> <td>3\"/> <tr> <td>389</td> <td>ETR</td> <td>-</td> <td>WD.</td> <td>J2</td> <td>PTD.</td> <td>-</td> <td>387</td> <td>3\"/> <tr> <td>391</td> <td>ETR</td> <td>-</td> <td>WD.</td> <td>J2</td> <td>PTD.</td> <td>-</td> <td>388</td> <td>3\"/> <tr> <td>391A</td> <td>ETR</td> <td>-</td> <td>WD.</td> <td>J2</td> <td>PTD.</td> <td>-</td> <td>389</td> <td>3\"/> <tr> <td>391B</td> <td>ETR</td> <td>-</td> <td>WD.</td> <td>J2</td> <td>PTD.</td> <td>-</td> <td>391</td> <td>3\"/> <tr> <td>394</td> <td>ETR</td> <td>-</td> <td>WD.</td> <td>J2</td> <td>PTD.</td> <td>-</td> <td>391A</td> <td>3\"/> <tr> <td>395</td> <td>ETR</td> <td>-</td> <td>WD.</td> <td>J2</td> <td>PTD.</td> <td>-</td> <td>391B</td> <td>3\"/> <tr> <td>396</td> <td>ETR</td> <td>-</td> <td>WD.</td> <td>J2</td> <td>PTD.</td> <td>-</td> <td>394</td> <td>3\"/> <tr> <td>398</td> <td>ETR</td> <td>-</td> <td>WD.</td> <td>J2</td> <td>PTD.</td> <td>-</td> <td>395</td> <td>3\"/> <tr> <td>399</td> <td>ETR</td> <td>-</td> <td>WD.</td> <td>J2</td> <td>PTD.</td> <td>-</td> <td>396</td> <td>3\"/> <tr> <td>3991</td> <td>ETR</td> <td>-</td> <td>WD.</td> <td>J2</td> <td>PTD.</td> <td>-</td> <td>398</td> <td>3\"/> <tr> <td>3992</td> <td>A</td> <td>3\"/> <tr> <td>3993</td> <td>ETR</td> <td>-</td> <td>WD.</td> <td>J2</td> <td>PTD.</td> <td>-</td> <td>399</td> <td>3\"/>
 <tr> <td>3994</td> <td>ETR</td> <td>-</td> <td>WD.</td> <td>J2</td> <td>PTD.</td> <td>-</td> <td>3991</td> <td>3\"/> <tr> <td>3995</td> <td>ETR</td> <td>-</td> <td>WD.</td> <td>J2</td> <td>PTD.</td> <td>-</td> <td>3992</td> <td>3\"/> <tr> <td>3997</td> <td>ETR</td> <td>-</td> <td>WD.</td> <td>J2</td> <td>PTD.</td> <td>-</td> <td>3993</td> <td>3\"/> <tr> <td>3998</td> <td>ETR</td> <td>-</td> <td>WD.</td> <td>J2</td> <td>PTD.</td> <td>-</td> <td>3994</td> <td>3\"/> <tr> <td>3999</td> <td>ETR</td> <td>-</td> <td>WD.</td> <td>J2</td> <td>PTD.</td> <td>-</td> <td>3995</td> <td>3\"/> <tr> <td>3999</td> <td>ETR</td> <td>-</td> <td>WD.</td> <td>J2</td> <td>PTD.</td> <td>-</td> <td>3997</td> <td>3\"/> </td></tr></td></tr></td></tr></td></tr></td></tr></td></tr></td></tr></td></tr></td></tr></td></tr></td></tr></td></tr></td></tr></td></tr></td></tr></td></tr></td></tr></td></tr></td></tr></td></tr></td></tr></td></tr></td></td></tr></td></tr></td></td></tr></td></td></tr></td></td></tr></td></td></tr></td></td></tr></td></td></tr></td></td></tr> | 376 | B | 1 <td>WD</td> <td>J1</td> <td>PTD.</td> <td>-</td> <td>374C</td> <td>3\"/> <tr> <td>377</td> <td>B</td> <td>1 <td>WD</td> <td>J1</td> <td>PTD.</td> <td>-</td> <td>375</td> <td>3\"/> <tr> <td>377A</td> <td>B</td> <td>1 <td>WD</td> <td>J1</td> <td>PTD.</td> <td>-</td> <td>376</td> <td>3\"/> <tr> <td>378</td> <td>B</td> <td>1 <td>WD</td> <td>J1</td> <td>PTD.</td> <td>-</td> <td>377</td> <td>3\"/> <tr> <td>379</td> <td>B</td> <td>1 <td>WD</td> <td>J1</td> <td>PTD.</td> <td>-</td> <td>377A</td> <td>3\"/> <tr> <td>380A</td> <td>B</td> <td>1 <td>WD</td> <td>J1</td> <td>PTD.</td> <td>-</td> <td>378</td> <td>3\"/> <tr> <td>380B</td> <td>B</td> <td>1 <td>WD</td> <td>J1</td> <td>PTD.</td> <td>-</td> <td>379</td> <td>3\"/> <tr> <td>382</td> <td>ETR</td> <td>-</td> <td>WD.</td> <td>J2</td> <td>PTD.</td> <td>-</td> <td>380A</td> <td>3\"/> <tr> <td>382A</td> <td>D</td> <td>6 <td>ALUM.</td> <td>ANODIZE D</td> <td>-</td> <td>-</td> <td>380B</td> <td>3\"/> <tr> <td>385</td> <td>ETR</td> <td>-</td> <td>WD.</td> <td>J2</td> <td>PTD.</td> <td>-</td> <td>382</td> <td>3\"/> <tr> <td>386</td> <td>ETR</td> <td>-</td> <td>WD.</td> <td>J2</td> <td>PTD.</td> <td>-</td> <td>382A</td> <td>3\"/> <tr> <td>387</td> <td>ETR</td> <td>-</td> <td>WD.</td> <td>J2</td> <td>PTD.</td> <td>-</td> <td>385</td> <td>3\"/> <tr> <td>388</td> <td>ETR</td> <td>-</td> <td>WD.</td> <td>J2</td> <td>PTD.</td> <td>-</td> <td>386</td> <td>3\"/> <tr> <td>389</td> <td>ETR</td> <td>-</td> <td>WD.</td> <td>J2</td> <td>PTD.</td> <td>-</td> <td>387</td> <td>3\"/> <tr> <td>391</td> <td>ETR</td> <td>-</td> <td>WD.</td> <td>J2</td> <td>PTD.</td> <td>-</td> <td>388</td> <td>3\"/> <tr> <td>391A</td> <td>ETR</td> <td>-</td> <td>WD.</td> <td>J2</td> <td>PTD.</td> <td>-</td> <td>389</td> <td>3\"/> <tr> <td>391B</td> <td>ETR</td> <td>-</td> <td>WD.</td> <td>J2</td> <td>PTD.</td> <td>-</td> <td>391</td> <td>3\"/> <tr> <td>394</td> <td>ETR</td> <td>-</td> <td>WD.</td> <td>J2</td> <td>PTD.</td> <td>-</td> <td>391A</td> <td>3\"/> <tr> <td>395</td> <td>ETR</td> <td>-</td> <td>WD.</td> <td>J2</td> <td>PTD.</td> <td>-</td> <td>391B</td> <td>3\"/> <tr> <td>396</td> <td>ETR</td> <td>-</td> <td>WD.</td> <td>J2</td> <td>PTD.</td> <td>-</td> <td>394</td> <td>3\"/> <tr> <td>398</td> <td>ETR</td> <td>-</td> <td>WD.</td> <td>J2</td> <td>PTD.</td> <td>-</td> <td>395</td> <td>3\"/> <tr> <td>399</td> <td>ETR</td> <td>-</td> <td>WD.</td> <td>J2</td> <td>PTD.</td> <td>-</td> <td>396</td> <td>3\"/> <tr> <td>3991</td> <td>ETR</td> <td>-</td> <td>WD.</td> <td>J2</td> <td>PTD.</td> <td>-</td> <td>398</td> <td>3\"/> <tr> <td>3992</td> <td>A</td> <td>3\"/> <tr> <td>3993</td> <td>ETR</td> <td>-</td> <td>WD.</td> <td>J2</td> <td>PTD.</td> <td>-</td> <td>399</td> <td>3\"/> <tr> <td>3994</td> <td>ETR</td> <td>-</td> <td>WD.</td> <td>J2</td> <td>PTD.</td> <td>-</td> <td>3991</td> <td>3\"/> <tr> <td>3995</td> <td>ETR</td> <td>-</td> <td>WD.</td> <td>J2</td> <td>PTD.</td> <td>-</td> <td>3992</td> <td>3\"/> <tr> <td>3997</td> <td>ETR</td> <td>-</td> <td>WD.</td> <td>J2</td> <td>PTD.</td> <td>-</td> <td>3993</td> <td>3\"/> <tr> <td>3998</td> <td>ETR</td> <td>-</td> <td>WD.</td> <td>J2</td> <td>PTD.</td> <td>-</td> <td>3994</td> <td>3\"/> <tr> <td>3999</td> <td>ETR</td> <td>-</td> <td>WD.</td> <td>J2</td> <td>PTD.</td> <td>-</td> <td>3995</td> <td>3\"/> <tr> <td>3999</td> <td>ETR</td> <td>-</td> <td>WD.</td> <td>J2</td> <td>PTD.</td> <td>-</td> <td>3997</td> <td>3\"/> </td></tr></td></tr></td></tr></td></tr></td></tr></td></tr></td></tr></td></tr></td></tr></td></tr></td></tr></td></tr></td></tr></td></tr></td></tr></td></tr></td></tr></td></tr></td></tr></td></tr></td></tr></td></tr></td></td></tr></td></tr></td></td></tr></td></td></tr></td></td></tr></td></td></tr></td></td></tr></td></td></tr></td> | WD | J1 | PTD. | - | 374C |
3\"/> <tr> <td>377</td> <td>B</td> <td>1 <td>WD</td> <td>J1</td> <td>PTD.</td> <td>-</td> <td>375</td> <td>3\"/> <tr> <td>377A</td> <td>B</td> <td>1 <td>WD</td> <td>J1</td> <td>PTD.</td> <td>-</td> <td>376</td> <td>3\"/> <tr> <td>378</td> <td>B</td> <td>1 <td>WD</td> <td>J1</td> <td>PTD.</td> <td>-</td> <td>377</td> <td>3\"/> <tr> <td>379</td> <td>B</td> <td>1 <td>WD</td> <td>J1</td> <td>PTD.</td> <td>-</td> <td>377A</td> <td>3\"/> <tr> <td>380A</td> <td>B</td> <td>1 <td>WD</td> <td>J1</td> <td>PTD.</td> <td>-</td> <td>378</td> <td>3\"/> <tr> <td>380B</td> <td>B</td> <td>1 <td>WD</td> <td>J1</td> <td>PTD.</td> <td>-</td> <td>379</td> <td>3\"/> <tr> <td>382</td> <td>ETR</td> <td>-</td> <td>WD.</td> <td>J2</td> <td>PTD.</td> <td>-</td> <td>380A</td> <td>3\"/> <tr> <td>382A</td> <td>D</td> <td>6 <td>ALUM.</td> <td>ANODIZE D</td> <td>-</td> <td>-</td> <td>380B</td> <td>3\"/> <tr> <td>385</td> <td>ETR</td> <td>-</td> <td>WD.</td> <td>J2</td> <td>PTD.</td> <td>-</td> <td>382</td> <td>3\"/> <tr> <td>386</td> <td>ETR</td> <td>-</td> <td>WD.</td> <td>J2</td> <td>PTD.</td> <td>-</td> <td>382A</td> <td>3\"/> <tr> <td>387</td> <td>ETR</td> <td>-</td> <td>WD.</td> <td>J2</td> <td>PTD.</td> <td>-</td> <td>385</td> <td>3\"/> <tr> <td>388</td> <td>ETR</td> <td>-</td> <td>WD.</td> <td>J2</td> <td>PTD.</td> <td>-</td> <td>386</td> <td>3\"/> <tr> <td>389</td> <td>ETR</td> <td>-</td> <td>WD.</td> <td>J2</td> <td>PTD.</td> <td>-</td> <td>387</td> <td>3\"/> <tr> <td>391</td> <td>ETR</td> <td>-</td> <td>WD.</td> <td>J2</td> <td>PTD.</td> <td>-</td> <td>388</td> <td>3\"/> <tr> <td>391A</td> <td>ETR</td> <td>-</td> <td>WD.</td> <td>J2</td> <td>PTD.</td> <td>-</td> <td>389</td> <td>3\"/> <tr> <td>391B</td> <td>ETR</td> <td>-</td> <td>WD.</td> <td>J2</td> <td>PTD.</td> <td>-</td> <td>391</td> <td>3\"/> <tr> <td>394</td> <td>ETR</td> <td>-</td> <td>WD.</td> <td>J2</td> <td>PTD.</td> <td>-</td> <td>391A</td> <td>3\"/> <tr> <td>395</td> <td>ETR</td> <td>-</td> <td>WD.</td> <td>J2</td> <td>PTD.</td> <td>-</td> <td>391B</td> <td>3\"/> <tr> <td>396</td> <td>ETR</td> <td>-</td> <td>WD.</td> <td>J2</td> <td>PTD.</td> <td>-</td> <td>394</td> <td>3\"/> <tr> <td>398</td> <td>ETR</td> <td>-</td> <td>WD.</td> <td>J2</td> <td>PTD.</td> <td>-</td> <td>395</td> <td>3\"/> <tr> <td>399</td> <td>ETR</td> <td>-</td> <td>WD.</td> <td>J2</td> <td>PTD.</td> <td>-</td> <td>396</td> <td>3\"/> <tr> <td>3991</td> <td>ETR</td> <td>-</td> <td>WD.</td> <td>J2</td> <td>PTD.</td> <td>-</td> <td>398</td> <td>3\"/> <tr> <td>3992</td> <td>A</td> <td>3\"/> <tr> <td>3993</td> <td>ETR</td> <td>-</td> <td>WD.</td> <td>J2</td> <td>PTD.</td> <td>-</td> <td>399</td> <td>3\"/> <tr> <td>3994</td> <td>ETR</td> <td>-</td> <td>WD.</td> <td>J2</td> <td>PTD.</td> <td>-</td> <td>3991</td> <td>3\"/> <tr> <td>3995</td> <td>ETR</td> <td>-</td> <td>WD.</td> <td>J2</td> <td>PTD.</td> <td>-</td> <td>3992</td> <td>3\"/> <tr> <td>3997</td> <td>ETR</td> <td>-</td> <td>WD.</td> <td>J2</td> <td>PTD.</td> <td>-</td> <td>3993</td> <td>3\"/> <tr> <td>3998</td> <td>ETR</td> <td>-</td> <td>WD.</td> <td>J2</td> <td>PTD.</td> <td>-</td> <td>3994</td> <td>3\"/> <tr> <td>3999</td> <td>ETR</td> <td>-</td> <td>WD.</td> <td>J2</td> <td>PTD.</td> <td>-</td> <td>3995</td> <td>3\"/> <tr> <td>3999</td> <td>ETR</td> <td>-</td> <td>WD.</td> <td>J2</td> <td>PTD.</td> <td>-</td> <td>3997</td> <td>3\"/> </td></tr></td></tr></td></tr></td></tr></td></tr></td></tr></td></tr></td></tr></td></tr></td></tr></td></tr></td></tr></td></tr></td></tr></td></tr></td></tr></td></tr></td></tr></td></tr></td></tr></td></tr></td></tr></td></td></tr></td></tr></td></td></tr></td></td></tr></td></td></tr></td></td></tr></td></td></tr></td></td></tr> | 377 | B | 1 <td>WD</td> <td>J1</td> <td>PTD.</td> <td>-</td> <td>375</td> <td>3\"/> <tr> <td>377A</td> <td>B</td> <td>1 <td>WD</td> <td>J1</td> <td>PTD.</td> <td>-</td> <td>376</td> <td>3\"/> <tr> <td>378</td> <td>B</td> <td>1 <td>WD</td> <td>J1</td> <td>PTD.</td> <td>-</td> <td>377</td> <td>3\"/> <tr> <td>379</td> <td>B</td> <td>1 <td>WD</td> <td>J1</td> <td>PTD.</td> <td>-</td> <td>377A</td> <td>3\"/> <tr> <td>380A</td> <td>B</td> <td>1 <td>WD</td> <td>J1</td> <td>PTD.</td> <td>-</td> <td>378</td> <td>3\"/> <tr> <td>380B</td> <td>B</td> <td>1 <td>WD</td> <td>J1</td> <td>PTD.</td> <td>-</td> <td>379</td> <td>3\"/> <tr> <td>382</td> <td>ETR</td> <td>-</td> <td>WD.</td> <td>J2</td> <td>PTD.</td> <td>-</td> <td>380A</td> <td>3\"/> <tr> <td>382A</td> <td>D</td> <td>6 <td>ALUM.</td> <td>ANODIZE D</td> <td>-</td> <td>-</td> <td>380B</td> <td>3\"/> <tr> <td>385</td> <td>ETR</td> <td>-</td> <td>WD.</td> <td>J2</td> <td>PTD.</td> <td>-</td> <td>382</td> <td>3\"/> <tr> <td>386</td> <td>ETR</td> <td>-</td> <td>WD.</td> <td>J2</td> <td>PTD.</td> <td>-</td> <td>382A</td> <td>3\"/> <tr> <td>387</td> <td>ETR</td> <td>-</td> <td>WD.</td> <td>J2</td> <td>PTD.</td> <td>-</td> <td>385</td> <td>3\"/> <tr> <td>388</td> <td>ETR</td> <td>-</td> <td>WD.</td> <td>J2</td> <td>PTD.</td> <td>-</td> <td>386</td> <td>3\"/> <tr> <td>389</td> <td>ETR</td> <td>-</td> <td>WD.</td> <td>J2</td> <td>PTD.</td> <td>-</td> <td>387</td> <td>3\"/> <tr> <td>391</td> <td>ETR</td> <td>-</td> <td>WD.</td> <td>J2</td> <td>PTD.</td> <td>-</td> <td>388</td> <td>3\"/> <tr> <td>391A</td> <td>ETR</td> <td>-</td> <td>WD.</td> <td>J2</td> <td>PTD.</td> <td>-</td> <td>389</td> <td>3\"/> <tr> <td>391B</td> <td>ETR</td> <td>-</td> <td>WD.</td> <td>J2</td> <td>PTD.</td> <td>-</td> <td>391</td> <td>3\"/> <tr> <td>394</td> <td>ETR</td> <td>-</td> <td>WD.</td> <td>J2</td> <td>PTD.</td> <td>-</td> <td>391A</td> <td>3\"/> <tr> <td>395</td> <td>ETR</td> <td>-</td> <td>WD.</td> <td>J2</td> <td>PTD.</td> <td>-</td> <td>391B</td> <td>3\"/> <tr> <td>396</td> <td>ETR</td> <td>-</td> <td>WD.</td> <td>J2</td> <td>PTD.</td> <td>-</td> <td>394</td> <td>3\"/> <tr> <td>398</td> <td>ETR</td> <td>-</td> <td>WD.</td> <td>J2</td> <td>PTD.</td> <td>-</td> <td>395</td> <td>3\"/> <tr> <td>399</td> <td>ETR</td> <td>-</td> <td>WD.</td> <td>J2</td> <td>PTD.</td> <td>-</td> <td>396</td> <td>3\"/> <tr> <td>3991</td> <td>ETR</td> <td>-</td> <td>WD.</td> <td>J2</td> <td>PTD.</td> <td>-</td> <td>398</td> <td>3\"/> <tr> <td>3992</td> <td>A</td> <td>3\"/> <tr> <td>3993</td> <td>ETR</td> <td>-</td> <td>WD.</td> <td>J2</td> <td>PTD.</td> <td>-</td> <td>399</td> <td>3\"/> <tr> <td>3994</td> <td>ETR</td> <td>-</td> <td>WD.</td> <td>J2</td> <td>PTD.</td> <td>-</td> <td>3991</td> <td>3\"/> <tr> <td>3995</td> <td>ETR</td> <td>-</td> <td>WD.</td> <td>J2</td> <td>PTD.</td> <td>-</td> <td>3992</td> <td>3\"/> <tr> <td>3997</td> <td>ETR</td> <td>-</td> <td>WD.</td> <td>J2</td> <td>PTD.</td> <td>-</td> <td>3993</td> <td>3\"/> <tr> <td>3998</td> <td>ETR</td> <td>-</td> <td>WD.</td> <td>J2</td> <td>PTD.</td> <td>-</td> <td>3994</td> <td>3\"/> <tr> <td>3999</td> <td>ETR</td> <td>-</td> <td>WD.</td> <td>J2</td> <td>PTD.</td> <td>-</td> <td>3995</td> <td>3\"/> <tr> <td>3999</td> <td>ETR</td> <td>-</td> <td>WD.</td> <td>J2</td> <td>PTD.</td> <td>-</td> <td>3997</td> <td>3\"/>
</td></tr></td></tr></td></tr></td></tr></td></tr></td></tr></td></tr></td></tr></td></tr></td></tr></td></tr></td></tr></td></tr></td></tr></td></tr></td></tr></td></tr></td></tr></td></tr></td></tr></td></tr></td></tr></td></td></tr></td></tr></td></td></tr></td></td></tr></td></td></tr></td></td></tr></td></td></tr></td> | WD | J1 | PTD. | - | 375 | 3\"/> <tr> <td>377A</td> <td>B</td> <td>1 <td>WD</td> <td>J1</td> <td>PTD.</td> <td>-</td> <td>376</td> <td>3\"/> <tr> <td>378</td> <td>B</td> <td>1 <td>WD</td> <td>J1</td> <td>PTD.</td> <td>-</td> <td>377</td> <td>3\"/> <tr> <td>379</td> <td>B</td> <td>1 <td>WD</td> <td>J1</td> <td>PTD.</td> <td>-</td> <td>377A</td> <td>3\"/> <tr> <td>380A</td> <td>B</td> <td>1 <td>WD</td> <td>J1</td> <td>PTD.</td> <td>-</td> <td>378</td> <td>3\"/> <tr> <td>380B</td> <td>B</td> <td>1 <td>WD</td> <td>J1</td> <td>PTD.</td> <td>-</td> <td>379</td> <td>3\"/> <tr> <td>382</td> <td>ETR</td> <td>-</td> <td>WD.</td> <td>J2</td> <td>PTD.</td> <td>-</td> <td>380A</td> <td>3\"/> <tr> <td>382A</td> <td>D</td> <td>6 <td>ALUM.</td> <td>ANODIZE D</td> <td>-</td> <td>-</td> <td>380B</td> <td>3\"/> <tr> <td>385</td> <td>ETR</td> <td>-</td> <td>WD.</td> <td>J2</td> <td>PTD.</td> <td>-</td> <td>382</td> <td>3\"/> <tr> <td>386</td> <td>ETR</td> <td>-</td> <td>WD.</td> <td>J2</td> <td>PTD.</td> <td>-</td> <td>382A</td> <td>3\"/> <tr> <td>387</td> <td>ETR</td> <td>-</td> <td>WD.</td> <td>J2</td> <td>PTD.</td> <td>-</td> <td>385</td> <td>3\"/> <tr> <td>388</td> <td>ETR</td> <td>-</td> <td>WD.</td> <td>J2</td> <td>PTD.</td> <td>-</td> <td>386</td> <td>3\"/> <tr> <td>389</td> <td>ETR</td> <td>-</td> <td>WD.</td> <td>J2</td> <td>PTD.</td> <td>-</td> <td>387</td> <td>3\"/> <tr> <td>391</td> <td>ETR</td> <td>-</td> <td>WD.</td> <td>J2</td> <td>PTD.</td> <td>-</td> <td>388</td> <td>3\"/> <tr> <td>391A</td> <td>ETR</td> <td>-</td> <td>WD.</td> <td>J2</td> <td>PTD.</td> <td>-</td> <td>389</td> <td>3\"/> <tr> <td>391B</td> <td>ETR</td> <td>-</td> <td>WD.</td> <td>J2</td> <td>PTD.</td> <td>-</td> <td>391</td> <td>3\"/> <tr> <td>394</td> <td>ETR</td> <td>-</td> <td>WD.</td> <td>J2</td> <td>PTD.</td> <td>-</td> <td>391A</td> <td>3\"/> <tr> <td>395</td> <td>ETR</td> <td>-</td> <td>WD.</td> <td>J2</td> <td>PTD.</td> <td>-</td> <td>391B</td> <td>3\"/> <tr> <td>396</td> <td>ETR</td> <td>-</td> <td>WD.</td> <td>J2</td> <td>PTD.</td> <td>-</td> <td>394</td> <td>3\"/> <tr> <td>398</td> <td>ETR</td> <td>-</td> <td>WD.</td> <td>J2</td> <td>PTD.</td> <td>-</td> <td>395</td> <td>3\"/> <tr> <td>399</td> <td>ETR</td> <td>-</td> <td>WD.</td> <td>J2</td> <td>PTD.</td> <td>-</td> <td>396</td> <td>3\"/> <tr> <td>3991</td> <td>ETR</td> <td>-</td> <td>WD.</td> <td>J2</td> <td>PTD.</td> <td>-</td> <td>398</td> <td>3\"/> <tr> <td>3992</td> <td>A</td> <td>3\"/> <tr> <td>3993</td> <td>ETR</td> <td>-</td> <td>WD.</td> <td>J2</td> <td>PTD.</td> <td>-</td> <td>399</td> <td>3\"/> <tr> <td>3994</td> <td>ETR</td> <td>-</td> <td>WD.</td> <td>J2</td> <td>PTD.</td> <td>-</td> <td>3991</td> <td>3\"/> <tr> <td>3995</td> <td>ETR</td> <td>-</td> <td>WD.</td> <td>J2</td> <td>PTD.</td> <td>-</td> <td>3992</td> <td>3\"/> <tr> <td>3997</td> <td>ETR</td> <td>-</td> <td>WD.</td> <td>J2</td> <td>PTD.</td> <td>-</td> <td>3993</td> <td>3\"/> <tr> <td>3998</td> <td>ETR</td> <td>-</td> <td>WD.</td> <td>J2</td> <td>PTD.</td> <td>-</td> <td>3994</td> <td>3\"/> <tr> <td>3999</td> <td>ETR</td> <td>-</td> <td>WD.</td> <td>J2</td> <td>PTD.</td> <td>-</td> <td>3995</td> <td>3\"/> <tr> <td>3999</td> <td>ETR</td> <td>-</td> <td>WD.</td> <td>J2</td> <td>PTD.</td> <td>-</td> <td>3997</td> <td>3\"/> </td></tr></td></tr></td></tr></td></tr></td></tr></td></tr></td></tr></td></tr></td></tr></td></tr></td></tr></td></tr></td></tr></td></tr></td></tr></td></tr></td></tr></td></tr></td></tr></td></tr></td></tr></td></tr></td></td></tr></td></tr></td></td></tr></td></td></tr></td></td></tr></td></td></tr></td></td></tr> | 377A | B | 1 <td>WD</td> <td>J1</td> <td>PTD.</td> <td>-</td> <td>376</td> <td>3\"/> <tr> <td>378</td> <td>B</td> <td>1 <td>WD</td> <td>J1</td> <td>PTD.</td> <td>-</td> <td>377</td> <td>3\"/> <tr> <td>379</td> <td>B</td> <td>1 <td>WD</td> <td>J1</td> <td>PTD.</td> <td>-</td> <td>377A</td> <td>3\"/> <tr> <td>380A</td> <td>B</td> <td>1 <td>WD</td> <td>J1</td> <td>PTD.</td> <td>-</td> <td>378</td> <td>3\"/> <tr> <td>380B</td> <td>B</td> <td>1 <td>WD</td> <td>J1</td> <td>PTD.</td> <td>-</td> <td>379</td> <td>3\"/> <tr> <td>382</td> <td>ETR</td> <td>-</td> <td>WD.</td> <td>J2</td> <td>PTD.</td> <td>-</td> <td>380A</td> <td>3\"/> <tr> <td>382A</td> <td>D</td> <td>6 <td>ALUM.</td> <td>ANODIZE D</td> <td>-</td> <td>-</td> <td>380B</td> <td>3\"/> <tr> <td>385</td> <td>ETR</td> <td>-</td> <td>WD.</td> <td>J2</td> <td>PTD.</td> <td>-</td> <td>382</td> <td>3\"/> <tr> <td>386</td> <td>ETR</td> <td>-</td> <td>WD.</td> <td>J2</td> <td>PTD.</td>
<td>-</td> <td>382A</td> <td>3\"/> <tr> <td>387</td> <td>ETR</td> <td>-</td> <td>WD.</td> <td>J2</td> <td>PTD.</td> <td>-</td> <td>385</td> <td>3\"/> <tr> <td>388</td> <td>ETR</td> <td>-</td> <td>WD.</td> <td>J2</td> <td>PTD.</td> <td>-</td> <td>386</td> <td>3\"/> <tr> <td>389</td> <td>ETR</td> <td>-</td> <td>WD.</td> <td>J2</td> <td>PTD.</td> <td>-</td> <td>387</td> <td>3\"/> <tr> <td>391</td> <td>ETR</td> <td>-</td> <td>WD.</td> <td>J2</td> <td>PTD.</td> <td>-</td> <td>388</td> <td>3\"/> <tr> <td>391A</td> <td>ETR</td> <td>-</td> <td>WD.</td> <td>J2</td> <td>PTD.</td> <td>-</td> <td>389</td> <td>3\"/> <tr> <td>391B</td> <td>ETR</td> <td>-</td> <td>WD.</td> <td>J2</td> <td>PTD.</td> <td>-</td> <td>391</td> <td>3\"/> <tr> <td>394</td> <td>ETR</td> <td>-</td> <td>WD.</td> <td>J2</td> <td>PTD.</td> <td>-</td> <td>391A</td> <td>3\"/> <tr> <td>395</td> <td>ETR</td> <td>-</td> <td>WD.</td> <td>J2</td> <td>PTD.</td> <td>-</td> <td>391B</td> <td>3\"/> <tr> <td>396</td> <td>ETR</td> <td>-</td> <td>WD.</td> <td>J2</td> <td>PTD.</td> <td>-</td> <td>394</td> <td>3\"/> <tr> <td>398</td> <td>ETR</td> <td>-</td> <td>WD.</td> <td>J2</td> <td>PTD.</td> <td>-</td> <td>395</td> <td>3\"/> <tr> <td>399</td> <td>ETR</td> <td>-</td> <td>WD.</td> <td>J2</td> <td>PTD.</td> <td>-</td> <td>396</td> <td>3\"/> <tr> <td>3991</td> <td>ETR</td> <td>-</td> <td>WD.</td> <td>J2</td> <td>PTD.</td> <td>-</td> <td>398</td> <td>3\"/> <tr> <td>3992</td> <td>A</td> <td>3\"/> <tr> <td>3993</td> <td>ETR</td> <td>-</td> <td>WD.</td> <td>J2</td> <td>PTD.</td> <td>-</td> <td>399</td> <td>3\"/> <tr> <td>3994</td> <td>ETR</td> <td>-</td> <td>WD.</td> <td>J2</td> <td>PTD.</td> <td>-</td> <td>3991</td> <td>3\"/> <tr> <td>3995</td> <td>ETR</td> <td>-</td> <td>WD.</td> <td>J2</td> <td>PTD.</td> <td>-</td> <td>3992</td> <td>3\"/> <tr> <td>3997</td> <td>ETR</td> <td>-</td> <td>WD.</td> <td>J2</td> <td>PTD.</td> <td>-</td> <td>3993</td> <td>3\"/> <tr> <td>3998</td> <td>ETR</td> <td>-</td> <td>WD.</td> <td>J2</td> <td>PTD.</td> <td>-</td> <td>3994</td> <td>3\"/> <tr> <td>3999</td> <td>ETR</td> <td>-</td> <td>WD.</td> <td>J2</td> <td>PTD.</td> <td>-</td> <td>3995</td> <td>3\"/> <tr> <td>3999</td> <td>ETR</td> <td>-</td> <td>WD.</td> <td>J2</td> <td>PTD.</td> <td>-</td> <td>3997</td> <td>3\"/> </td></tr></td></tr></td></tr></td></tr></td></tr></td></tr></td></tr></td></tr></td></tr></td></tr></td></tr></td></tr></td></tr></td></tr></td></tr></td></tr></td></tr></td></tr></td></tr></td></tr></td></tr></td></tr></td></td></tr></td></tr></td></td></tr></td></td></tr></td></td></tr></td></td></tr></td> | WD | J1 | PTD. | - | 376 | 3\"/> <tr> <td>378</td> <td>B</td> <td>1 <td>WD</td> <td>J1</td> <td>PTD.</td> <td>-</td> <td>377</td> <td>3\"/> <tr> <td>379</td> <td>B</td> <td>1 <td>WD</td> <td>J1</td> <td>PTD.</td> <td>-</td> <td>377A</td> <td>3\"/> <tr> <td>380A</td> <td>B</td> <td>1 <td>WD</td> <td>J1</td> <td>PTD.</td> <td>-</td> <td>378</td> <td>3\"/> <tr> <td>380B</td> <td>B</td> <td>1 <td>WD</td> <td>J1</td> <td>PTD.</td> <td>-</td> <td>379</td> <td>3\"/> <tr> <td>382</td> <td>ETR</td> <td>-</td> <td>WD.</td> <td>J2</td> <td>PTD.</td> <td>-</td> <td>380A</td> <td>3\"/> <tr> <td>382A</td> <td>D</td> <td>6 <td>ALUM.</td> <td>ANODIZE D</td> <td>-</td> <td>-</td> <td>380B</td> <td>3\"/> <tr> <td>385</td> <td>ETR</td> <td>-</td> <td>WD.</td> <td>J2</td> <td>PTD.</td> <td>-</td> <td>382</td> <td>3\"/> <tr> <td>386</td> <td>ETR</td> <td>-</td> <td>WD.</td> <td>J2</td> <td>PTD.</td> <td>-</td> <td>382A</td> <td>3\"/> <tr> <td>387</td> <td>ETR</td> <td>-</td> <td>WD.</td> <td>J2</td> <td>PTD.</td> <td>-</td> <td>385</td> <td>3\"/> <tr> <td>388</td> <td>ETR</td> <td>-</td> <td>WD.</td> <td>J2</td> <td>PTD.</td> <td>-</td> <td>386</td> <td>3\"/> <tr> <td>389</td> <td>ETR</td> <td>-</td> <td>WD.</td> <td>J2</td> <td>PTD.</td> <td>-</td> <td>387</td> <td>3\"/> <tr> <td>391</td> <td>ETR</td> <td>-</td> <td>WD.</td> <td>J2</td> <td>PTD.</td> <td>-</td> <td>388</td> <td>3\"/> <tr> <td>391A</td> <td>ETR</td> <td>-</td> <td>WD.</td> <td>J2</td> <td>PTD.</td> <td>-</td> <td>389</td> <td>3\"/> <tr> <td>391B</td> <td>ETR</td> <td>-</td> <td>WD.</td> <td>J2</td> <td>PTD.</td> <td>-</td> <td>391</td> <td>3\"/> <tr> <td>394</td> <td>ETR</td> <td>-</td> <td>WD.</td> <td>J2</td> <td>PTD.</td> <td>-</td> <td>391A</td> <td>3\"/> <tr> <td>395</td> <td>ETR</td> <td>-</td> <td>WD.</td> <td>J2</td> <td>PTD.</td> <td>-</td> <td>391B</td> <td>3\"/> <tr> <td>396</td> <td>ETR</td> <td>-</td> <td>WD.</td> <td>J2</td> <td>PTD.</td> <td>-</td> <td>394</td> <td>3\"/> <tr> <td>398</td> <td>ETR</td> <td>-</td> <td>WD.</td> <td>J2</td> <td>PTD.</td> <td>-</td> <td>395</td> <td>3\"/> <tr> <td>399</td> <td>ETR</td> <td>-</td> <td>WD.</td> <td>J2</td> <td>PTD.</td> <td>-</td> <td>396</td> <td>3\"/> <tr> <td>3991</td> <td>ETR</td> <td>-</td> <td>WD.</td> <td>J2</td> <td>PTD.</td> <td>-</td> <td>398</td> <td>3\"/> <tr> <td>3992</td> <td>A</td> <td>3\"/> <tr> <td>3993</td> <td>ETR</td> <td>-</td> <td>WD.</td> <td>J2</td> <td>PTD.</td> <td>-</td> <td>399</td> <td>3\"/> <tr> <td>3994</td> <td>ETR</td> <td>-</td> <td>WD.</td> <td>J2</td> <td>PTD.</td> <td>-</td> <td>3991</td> <td>3\"/> <tr> <td>3995</td> <td>ETR</td> <td>-</td> <td>WD.</td> <td>J2</td> <td>PTD.</td> <td>-</td> <td>3992</td> <td>3\"/> <tr> <td>3997</td> <td>ETR</td> <td>-</td> <td>WD.</td> <td>J2</td> <td>PTD.</td> <td>-</td> <td>3993</td> <td>3\"/> <tr> <td>3998</td> <td>ETR</td> <td>-</td> <td>WD.</td> <td>J2</td> <td>PTD.</td> <td>-</td> <td>3994</td> <td>3\"/> <tr> <td>3999</td> <td>ETR</td> <td>-</td> <td>WD.</td> <td>J2</td> <td>PTD.</td> <td>-</td> <td>3995</td> <td>3\"/> <tr> <td>3999</td> <td>ETR</td> <td>-</td> <td>WD.</td> <td>J2</td> <td>PTD.</td> <td>-</td> <td>3997</td> <td>3\"/> </td></tr></td></tr></td></tr></td></tr></td></tr></td></tr></td></tr></td></tr></td></tr></td></tr></td></tr></td></tr></td></tr></td></tr></td></tr></td></tr></td></tr></td></tr></td></tr></td></tr></td></tr></td></tr></td></td></tr></td></tr></td></td></tr></td></td></tr></td></td></tr></td></td></tr>
 | 378 | B | 1 <td>WD</td> <td>J1</td> <td>PTD.</td> <td>-</td> <td>377</td> <td>3\"/> <tr> <td>379</td> <td>B</td> <td>1 <td>WD</td> <td>J1</td> <td>PTD.</td> <td>-</td> <td>377A</td> <td>3\"/> <tr> <td>380A</td> <td>B</td> <td>1 <td>WD</td> <td>J1</td> <td>PTD.</td> <td>-</td> <td>378</td> <td>3\"/> <tr> <td>380B</td> <td>B</td> <td>1 <td>WD</td> <td>J1</td> <td>PTD.</td> <td>-</td> <td>379</td> <td>3\"/> <tr> <td>382</td> <td>ETR</td> <td>-</td> <td>WD.</td> <td>J2</td> <td>PTD.</td> <td>-</td> <td>380A</td> <td>3\"/> <tr> <td>382A</td> <td>D</td> <td>6 <td>ALUM.</td> <td>ANODIZE D</td> <td>-</td> <td>-</td> <td>380B</td> <td>3\"/> <tr> <td>385</td> <td>ETR</td> <td>-</td> <td>WD.</td> <td>J2</td> <td>PTD.</td> <td>-</td> <td>382</td> <td>3\"/> <tr> <td>386</td> <td>ETR</td> <td>-</td> <td>WD.</td> <td>J2</td> <td>PTD.</td> <td>-</td> <td>382A</td> <td>3\"/> <tr> <td>387</td> <td>ETR</td> <td>-</td> <td>WD.</td> <td>J2</td> <td>PTD.</td> <td>-</td> <td>385</td> <td>3\"/> <tr> <td>388</td> <td>ETR</td> <td>-</td> <td>WD.</td> <td>J2</td> <td>PTD.</td> <td>-</td> <td>386</td> <td>3\"/> <tr> <td>389</td> <td>ETR</td> <td>-</td> <td>WD.</td> <td>J2</td> <td>PTD.</td> <td>-</td> <td>387</td> <td>3\"/> <tr> <td>391</td> <td>ETR</td> <td>-</td> <td>WD.</td> <td>J2</td> <td>PTD.</td> <td>-</td> <td>388</td> <td>3\"/> <tr> <td>391A</td> <td>ETR</td> <td>-</td> <td>WD.</td> <td>J2</td> <td>PTD.</td> <td>-</td> <td>389</td> <td>3\"/> <tr> <td>391B</td> <td>ETR</td> <td>-</td> <td>WD.</td> <td>J2</td> <td>PTD.</td> <td>-</td> <td>391</td> <td>3\"/> <tr> <td>394</td> <td>ETR</td> <td>-</td> <td>WD.</td> <td>J2</td> <td>PTD.</td> <td>-</td> <td>391A</td> <td>3\"/> <tr> <td>395</td> <td>ETR</td> <td>-</td> <td>WD.</td> <td>J2</td> <td>PTD.</td> <td>-</td> <td>391B</td> <td>3\"/> <tr> <td>396</td> <td>ETR</td> <td>-</td> <td>WD.</td> <td>J2</td> <td>PTD.</td> <td>-</td> <td>394</td> <td>3\"/> <tr> <td>398</td> <td>ETR</td> <td>-</td> <td>WD.</td> <td>J2</td> <td>PTD.</td> <td>-</td> <td>395</td> <td>3\"/> <tr> <td>399</td> <td>ETR</td> <td>-</td> <td>WD.</td> <td>J2</td> <td>PTD.</td> <td>-</td> <td>396</td> <td>3\"/> <tr> <td>3991</td> <td>ETR</td> <td>-</td> <td>WD.</td> <td>J2</td> <td>PTD.</td> <td>-</td> <td>398</td> <td>3\"/> <tr> <td>3992</td> <td>A</td> <td>3\"/> <tr> <td>3993</td> <td>ETR</td> <td>-</td> <td>WD.</td> <td>J2</td> <td>PTD.</td> <td>-</td> <td>399</td> <td>3\"/> <tr> <td>3994</td> <td>ETR</td> <td>-</td> <td>WD.</td> <td>J2</td> <td>PTD.</td> <td>-</td> <td>3991</td> <td>3\"/> <tr> <td>3995</td> <td>ETR</td> <td>-</td> <td>WD.</td> <td>J2</td> <td>PTD.</td> <td>-</td> <td>3992</td> <td>3\"/> <tr> <td>3997</td> <td>ETR</td> <td>-</td> <td>WD.</td> <td>J2</td> <td>PTD.</td> <td>-</td> <td>3993</td> <td>3\"/> <tr> <td>3998</td> <td>ETR</td> <td>-</td> <td>WD.</td> <td>J2</td> <td>PTD.</td> <td>-</td> <td>3994</td> <td>3\"/> <tr> <td>3999</td> <td>ETR</td> <td>-</td> <td>WD.</td> <td>J2</td> <td>PTD.</td> <td>-</td> <td>3995</td> <td>3\"/> <tr> <td>3999</td> <td>ETR</td> <td>-</td> <td>WD.</td> <td>J2</td> <td>PTD.</td> <td>-</td> <td>3997</td> <td>3\"/> </td></tr></td></tr></td></tr></td></tr></td></tr></td></tr></td></tr></td></tr></td></tr></td></tr></td></tr></td></tr></td></tr></td></tr></td></tr></td></tr></td></tr></td></tr></td></tr></td></tr></td></tr></td></tr></td></td></tr></td></tr></td></td></tr></td></td></tr></td></td></tr></td> | WD | J1 | PTD. | - | 377 | 3\"/> <tr> <td>379</td> <td>B</td> <td>1 <td>WD</td> <td>J1</td> <td>PTD.</td> <td>-</td> <td>377A</td> <td>3\"/> <tr> <td>380A</td> <td>B</td> <td>1 <td>WD</td> <td>J1</td> <td>PTD.</td> <td>-</td> <td>378</td> <td>3\"/> <tr> <td>380B</td> <td>B</td> <td>1 <td>WD</td> <td>J1</td> <td>PTD.</td> <td>-</td> <td>379</td> <td>3\"/> <tr> <td>382</td> <td>ETR</td> <td>-</td> <td>WD.</td> <td>J2</td> <td>PTD.</td> <td>-</td> <td>380A</td> <td>3\"/> <tr> <td>382A</td> <td>D</td> <td>6 <td>ALUM.</td> <td>ANODIZE D</td> <td>-</td> <td>-</td> <td>380B</td> <td>3\"/> <tr> <td>385</td> <td>ETR</td> <td>-</td> <td>WD.</td> <td>J2</td> <td>PTD.</td> <td>-</td> <td>382</td> <td>3\"/> <tr> <td>386</td> <td>ETR</td> <td>-</td> <td>WD.</td> <td>J2</td> <td>PTD.</td> <td>-</td> <td>382A</td> <td>3\"/> <tr> <td>387</td> <td>ETR</td> <td>-</td> <td>WD.</td> <td>J2</td> <td>PTD.</td> <td>-</td> <td>385</td> <td>3\"/> <tr> <td>388</td> <td>ETR</td> <td>-</td> <td>WD.</td> <td>J2</td> <td>PTD.</td> <td>-</td> <td>386</td> <td>3\"/> <tr> <td>389</td> <td>ETR</td> <td>-</td> <td>WD.</td> <td>J2</td> <td>PTD.</td> <td>-</td> <td>387</td> <td>3\"/> <tr> <td>391</td> <td>ETR</td> <td>-</td> <td>WD.</td> <td>J2</td> <td>PTD.</td> <td>-</td> <td>388</td> <td>3\"/> <tr> <td>391A</td> <td>ETR</td> <td>-</td> <td>WD.</td> <td>J2</td> <td>PTD.</td> <td>-</td> <td>389</td> <td>3\"/> <tr> <td>391B</td> <td>ETR</td> <td>-</td> <td>WD.</td> <td>J2</td> <td>PTD.</td> <td>-</td> <td>391</td> <td>3\"/> <tr> <td>394</td> <td>ETR</td> <td>-</td> <td>WD.</td> <td>J2</td> <td>PTD.</td> <td>-</td> <td>391A</td> <td>3\"/> <tr> <td>395</td> <td>ETR</td> <td>-</td> <td>WD.</td> <td>J2</td> <td>PTD.</td> <td>-</td> <td>391B</td> <td>3\"/> <tr> <td>396</td> <td>ETR</td> <td>-</td> <td>WD.</td> <td>J2</td> <td>PTD.</td> <td>-</td> <td>394</td> <td>3\"/> <tr> <td>398</td> <td>ETR</td> <td>-</td> <td>WD.</td> <td>J2</td> <td>PTD.</td> <td>-</td> <td>395</td> <td>3\"/> <tr> <td>399</td> <td>ETR</td> <td>-</td> <td>WD.</td> <td>J2</td> <td>PTD.</td> <td>-</td> <td>396</td> <td>3\"/> <tr> <td>3991</td> <td>ETR</td> <td>-</td> <td>WD.</td> <td>J2</td> <td>PTD.</td> <td>-</td> <td>398</td> <td>3\"/> <tr> <td>3992</td> <td>A</td> <td>3\"/> <tr> <td>3993</td> <td>ETR</td> <td>-</td> <td>WD.</td> <td>J2</td> <td>PTD.</td> <td>-</td> <td>399</td> <td>3\"/> <tr> <td>3994</td> <td>ETR</td> <td>-</td> <td>WD.</td> <td>J2</td> <td>PTD.</td> <td>-</td> <td>3991</td> <td>3\"/> <tr> <td>3995</td> <td>ETR</td> <td>-</td> <td>WD.</td> <td>J2</td> <td>PTD.</td> <td>-</td> <td>3992</td> <td>3\"/> <tr> <td>3997</td>
<td>ETR</td> <td>-</td> <td>WD.</td> <td>J2</td> <td>PTD.</td> <td>-</td> <td>3993</td> <td>3\"/> <tr> <td>3998</td> <td>ETR</td> <td>-</td> <td>WD.</td> <td>J2</td> <td>PTD.</td> <td>-</td> <td>3994</td> <td>3\"/> <tr> <td>3999</td> <td>ETR</td> <td>-</td> <td>WD.</td> <td>J2</td> <td>PTD.</td> <td>-</td> <td>3995</td> <td>3\"/> <tr> <td>3999</td> <td>ETR</td> <td>-</td> <td>WD.</td> <td>J2</td> <td>PTD.</td> <td>-</td> <td>3997</td> <td>3\"/> </td></tr></td></tr></td></tr></td></tr></td></tr></td></tr></td></tr></td></tr></td></tr></td></tr></td></tr></td></tr></td></tr></td></tr></td></tr></td></tr></td></tr></td></tr></td></tr></td></tr></td></tr></td></tr></td></td></tr></td></tr></td></td></tr></td></td></tr></td></td></tr> | 379 | B | 1 <td>WD</td> <td>J1</td> <td>PTD.</td> <td>-</td> <td>377A</td> <td>3\"/> <tr> <td>380A</td> <td>B</td> <td>1 <td>WD</td> <td>J1</td> <td>PTD.</td> <td>-</td> <td>378</td> <td>3\"/> <tr> <td>380B</td> <td>B</td> <td>1 <td>WD</td> <td>J1</td> <td>PTD.</td> <td>-</td> <td>379</td> <td>3\"/> <tr> <td>382</td> <td>ETR</td> <td>-</td> <td>WD.</td> <td>J2</td> <td>PTD.</td> <td>-</td> <td>380A</td> <td>3\"/> <tr> <td>382A</td> <td>D</td> <td>6 <td>ALUM.</td> <td>ANODIZE D</td> <td>-</td> <td>-</td> <td>380B</td> <td>3\"/> <tr> <td>385</td> <td>ETR</td> <td>-</td> <td>WD.</td> <td>J2</td> <td>PTD.</td> <td>-</td> <td>382</td> <td>3\"/> <tr> <td>386</td> <td>ETR</td> <td>-</td> <td>WD.</td> <td>J2</td> <td>PTD.</td> <td>-</td> <td>382A</td> <td>3\"/> <tr> <td>387</td> <td>ETR</td> <td>-</td> <td>WD.</td> <td>J2</td> <td>PTD.</td> <td>-</td> <td>385</td> <td>3\"/> <tr> <td>388</td> <td>ETR</td> <td>-</td> <td>WD.</td> <td>J2</td> <td>PTD.</td> <td>-</td> <td>386</td> <td>3\"/> <tr> <td>389</td> <td>ETR</td> <td>-</td> <td>WD.</td> <td>J2</td> <td>PTD.</td> <td>-</td> <td>387</td> <td>3\"/> <tr> <td>391</td> <td>ETR</td> <td>-</td> <td>WD.</td> <td>J2</td> <td>PTD.</td> <td>-</td> <td>388</td> <td>3\"/> <tr> <td>391A</td> <td>ETR</td> <td>-</td> <td>WD.</td> <td>J2</td> <td>PTD.</td> <td>-</td> <td>389</td> <td>3\"/> <tr> <td>391B</td> <td>ETR</td> <td>-</td> <td>WD.</td> <td>J2</td> <td>PTD.</td> <td>-</td> <td>391</td> <td>3\"/> <tr> <td>394</td> <td>ETR</td> <td>-</td> <td>WD.</td> <td>J2</td> <td>PTD.</td> <td>-</td> <td>391A</td> <td>3\"/> <tr> <td>395</td> <td>ETR</td> <td>-</td> <td>WD.</td> <td>J2</td> <td>PTD.</td> <td>-</td> <td>391B</td> <td>3\"/> <tr> <td>396</td> <td>ETR</td> <td>-</td> <td>WD.</td> <td>J2</td> <td>PTD.</td> <td>-</td> <td>394</td> <td>3\"/> <tr> <td>398</td> <td>ETR</td> <td>-</td> <td>WD.</td> <td>J2</td> <td>PTD.</td> <td>-</td> <td>395</td> <td>3\"/> <tr> <td>399</td> <td>ETR</td> <td>-</td> <td>WD.</td> <td>J2</td> <td>PTD.</td> <td>-</td> <td>396</td> <td>3\"/> <tr> <td>3991</td> <td>ETR</td> <td>-</td> <td>WD.</td> <td>J2</td> <td>PTD.</td> <td>-</td> <td>398</td> <td>3\"/> <tr> <td>3992</td> <td>A</td> <td>3\"/> <tr> <td>3993</td> <td>ETR</td> <td>-</td> <td>WD.</td> <td>J2</td> <td>PTD.</td> <td>-</td> <td>399</td> <td>3\"/> <tr> <td>3994</td> <td>ETR</td> <td>-</td> <td>WD.</td> <td>J2</td> <td>PTD.</td> <td>-</td> <td>3991</td> <td>3\"/> <tr> <td>3995</td> <td>ETR</td> <td>-</td> <td>WD.</td> <td>J2</td> <td>PTD.</td> <td>-</td> <td>3992</td> <td>3\"/> <tr> <td>3997</td> <td>ETR</td> <td>-</td> <td>WD.</td> <td>J2</td> <td>PTD.</td> <td>-</td> <td>3993</td> <td>3\"/> <tr> <td>3998</td> <td>ETR</td> <td>-</td> <td>WD.</td> <td>J2</td> <td>PTD.</td> <td>-</td> <td>3994</td> <td>3\"/> <tr> <td>3999</td> <td>ETR</td> <td>-</td> <td>WD.</td> <td>J2</td> <td>PTD.</td> <td>-</td> <td>3995</td> <td>3\"/> <tr> <td>3999</td> <td>ETR</td> <td>-</td> <td>WD.</td> <td>J2</td> <td>PTD.</td> <td>-</td> <td>3997</td> <td>3\"/> </td></tr></td></tr></td></tr></td></tr></td></tr></td></tr></td></tr></td></tr></td></tr></td></tr></td></tr></td></tr></td></tr></td></tr></td></tr></td></tr></td></tr></td></tr></td></tr></td></tr></td></tr></td></tr></td></td></tr></td></tr></td></td></tr></td></td></tr></td> | WD | J1 | PTD. | - | 377A | 3\"/> <tr> <td>380A</td> <td>B</td> <td>1 <td>WD</td> <td>J1</td> <td>PTD.</td> <td>-</td> <td>378</td> <td>3\"/> <tr> <td>380B</td> <td>B</td> <td>1 <td>WD</td> <td>J1</td> <td>PTD.</td> <td>-</td> <td>379</td> <td>3\"/> <tr> <td>382</td> <td>ETR</td> <td>-</td> <td>WD.</td> <td>J2</td> <td>PTD.</td> <td>-</td> <td>380A</td> <td>3\"/> <tr> <td>382A</td> <td>D</td> <td>6 <td>ALUM.</td> <td>ANODIZE D</td> <td>-</td> <td>-</td> <td>380B</td> <td>3\"/> <tr> <td>385</td> <td>ETR</td> <td>-</td> <td>WD.</td> <td>J2</td> <td>PTD.</td> <td>-</td> <td>382</td> <td>3\"/> <tr> <td>386</td> <td>ETR</td> <td>-</td> <td>WD.</td> <td>J2</td> <td>PTD.</td> <td>-</td> <td>382A</td> <td>3\"/> <tr> <td>387</td> <td>ETR</td> <td>-</td> <td>WD.</td> <td>J2</td> <td>PTD.</td> <td>-</td> <td>385</td> <td>3\"/> <tr> <td>388</td>
<td>ETR</td> <td>-</td> <td>WD.</td> <td>J2</td> <td>PTD.</td> <td>-</td> <td>386</td> <td>3\"/> <tr> <td>389</td> <td>ETR</td> <td>-</td> <td>WD.</td> <td>J2</td> <td>PTD.</td> <td>-</td> <td>387</td> <td>3\"/> <tr> <td>391</td> <td>ETR</td> <td>-</td> <td>WD.</td> <td>J2</td> <td>PTD.</td> <td>-</td> <td>388</td> <td>3\"/> <tr> <td>391A</td> <td>ETR</td> <td>-</td> <td>WD.</td> <td>J2</td> <td>PTD.</td> <td>-</td> <td>389</td> <td>3\"/> <tr> <td>391B</td> <td>ETR</td> <td>-</td> <td>WD.</td> <td>J2</td> <td>PTD.</td> <td>-</td> <td>391</td> <td>3\"/> <tr> <td>394</td> <td>ETR</td> <td>-</td> <td>WD.</td> <td>J2</td> <td>PTD.</td> <td>-</td> <td>391A</td> <td>3\"/> <tr> <td>395</td> <td>ETR</td> <td>-</td> <td>WD.</td> <td>J2</td> <td>PTD.</td> <td>-</td> <td>391B</td> <td>3\"/> <tr> <td>396</td> <td>ETR</td> <td>-</td> <td>WD.</td> <td>J2</td> <td>PTD.</td> <td>-</td> <td>394</td> <td>3\"/> <tr> <td>398</td> <td>ETR</td> <td>-</td> <td>WD.</td> <td>J2</td> <td>PTD.</td> <td>-</td> <td>395</td> <td>3\"/> <tr> <td>399</td> <td>ETR</td> <td>-</td> <td>WD.</td> <td>J2</td> <td>PTD.</td> <td>-</td> <td>396</td> <td>3\"/> <tr> <td>3991</td> <td>ETR</td> <td>-</td> <td>WD.</td> <td>J2</td> <td>PTD.</td> <td>-</td> <td>398</td> <td>3\"/> <tr> <td>3992</td> <td>A</td> <td>3\"/> <tr> <td>3993</td> <td>ETR</td> <td>-</td> <td>WD.</td> <td>J2</td> <td>PTD.</td> <td>-</td> <td>399</td> <td>3\"/> <tr> <td>3994</td> <td>ETR</td> <td>-</td> <td>WD.</td> <td>J2</td> <td>PTD.</td> <td>-</td> <td>3991</td> <td>3\"/> <tr> <td>3995</td> <td>ETR</td> <td>-</td> <td>WD.</td> <td>J2</td> <td>PTD.</td> <td>-</td> <td>3992</td> <td>3\"/> <tr> <td>3997</td> <td>ETR</td> <td>-</td> <td>WD.</td> <td>J2</td> <td>PTD.</td> <td>-</td> <td>3993</td> <td>3\"/> <tr> <td>3998</td> <td>ETR</td> <td>-</td> <td>WD.</td> <td>J2</td> <td>PTD.</td> <td>-</td> <td>3994</td> <td>3\"/> <tr> <td>3999</td> <td>ETR</td> <td>-</td> <td>WD.</td> <td>J2</td> <td>PTD.</td> <td>-</td> <td>3995</td> <td>3\"/> <tr> <td>3999</td> <td>ETR</td> <td>-</td> <td>WD.</td> <td>J2</td> <td>PTD.</td> <td>-</td> <td>3997</td> <td>3\"/> </td></tr></td></tr></td></tr></td></tr></td></tr></td></tr></td></tr></td></tr></td></tr></td></tr></td></tr></td></tr></td></tr></td></tr></td></tr></td></tr></td></tr></td></tr></td></tr></td></tr></td></tr></td></tr></td></td></tr></td></tr></td></td></tr></td></td></tr> | 380A | B | 1 <td>WD</td> <td>J1</td> <td>PTD.</td> <td>-</td> <td>378</td> <td>3\"/> <tr> <td>380B</td> <td>B</td> <td>1 <td>WD</td> <td>J1</td> <td>PTD.</td> <td>-</td> <td>379</td> <td>3\"/> <tr> <td>382</td> <td>ETR</td> <td>-</td> <td>WD.</td> <td>J2</td> <td>PTD.</td> <td>-</td> <td>380A</td> <td>3\"/> <tr> <td>382A</td> <td>D</td> <td>6 <td>ALUM.</td> <td>ANODIZE D</td> <td>-</td> <td>-</td> <td>380B</td> <td>3\"/> <tr> <td>385</td> <td>ETR</td> <td>-</td> <td>WD.</td> <td>J2</td> <td>PTD.</td> <td>-</td> <td>382</td> <td>3\"/> <tr> <td>386</td> <td>ETR</td> <td>-</td> <td>WD.</td> <td>J2</td> <td>PTD.</td> <td>-</td> <td>382A</td> <td>3\"/> <tr> <td>387</td> <td>ETR</td> <td>-</td> <td>WD.</td> <td>J2</td> <td>PTD.</td> <td>-</td> <td>385</td> <td>3\"/> <tr> <td>388</td> <td>ETR</td> <td>-</td> <td>WD.</td> <td>J2</td> <td>PTD.</td> <td>-</td> <td>386</td> <td>3\"/> <tr> <td>389</td> <td>ETR</td> <td>-</td> <td>WD.</td> <td>J2</td> <td>PTD.</td> <td>-</td> <td>387</td> <td>3\"/> <tr> <td>391</td> <td>ETR</td> <td>-</td> <td>WD.</td> <td>J2</td> <td>PTD.</td> <td>-</td> <td>388</td> <td>3\"/> <tr> <td>391A</td> <td>ETR</td> <td>-</td> <td>WD.</td> <td>J2</td> <td>PTD.</td> <td>-</td> <td>389</td> <td>3\"/> <tr> <td>391B</td> <td>ETR</td> <td>-</td> <td>WD.</td> <td>J2</td> <td>PTD.</td> <td>-</td> <td>391</td> <td>3\"/> <tr> <td>394</td> <td>ETR</td> <td>-</td> <td>WD.</td> <td>J2</td> <td>PTD.</td> <td>-</td> <td>391A</td> <td>3\"/> <tr> <td>395</td> <td>ETR</td> <td>-</td> <td>WD.</td> <td>J2</td> <td>PTD.</td> <td>-</td> <td>391B</td> <td>3\"/> <tr> <td>396</td> <td>ETR</td> <td>-</td> <td>WD.</td> <td>J2</td> <td>PTD.</td> <td>-</td> <td>394</td> <td>3\"/> <tr> <td>398</td> <td>ETR</td> <td>-</td> <td>WD.</td> <td>J2</td> <td>PTD.</td> <td>-</td> <td>395</td> <td>3\"/> <tr> <td>399</td> <td>ETR</td> <td>-</td> <td>WD.</td> <td>J2</td> <td>PTD.</td> <td>-</td> <td>396</td> <td>3\"/> <tr> <td>3991</td> <td>ETR</td> <td>-</td> <td>WD.</td> <td>J2</td> <td>PTD.</td> <td>-</td> <td>398</td> <td>3\"/> <tr> <td>3992</td> <td>A</td> <td>3\"/> <tr> <td>3993</td> <td>ETR</td> <td>-</td> <td>WD.</td> <td>J2</td> <td>PTD.</td> <td>-</td> <td>399</td> <td>3\"/> <tr> <td>3994</td> <td>ETR</td> <td>-</td> <td>WD.</td> <td>J2</td> <td>PTD.</td> <td>-</td> <td>3991</td> <td>3\"/> <tr> <td>3995</td> <td>ETR</td> <td>-</td> <td>WD.</td> <td>J2</td> <td>PTD.</td> <td>-</td> <td>3992</td> <td>3\"/> <tr> <td>3997</td> <td>ETR</td> <td>-</td> <td>WD.</td> <td>J2</td> <td>PTD.</td> <td>-</td> <td>3993</td> <td>3\"/> <tr> <td>3998</td> <td>ETR</td> <td>-</td> <td>WD.</td> <td>J2</td> <td>PTD.</td> <td>-</td> <td>3994</td> <td>3\"/> <tr> <td>3999</td> <td>ETR</td> <td>-</td> <td>WD.</td> <td>J2</td> <td>PTD.</td> <td>-</td> <td>3995</td> <td>3\"/> <tr> <td>3999</td> <td>ETR</td> <td>-</td> <td>WD.</td> <td>J2</td> <td>PTD.</td> <td>-</td> <td>3997</td> <td>3\"/> </td></tr></td></tr></td></tr></td></tr></td></tr></td></tr></td></tr></td></tr></td></tr></td></tr></td></tr></td></tr></td></tr></td></tr></td></tr></td></tr></td></tr></td></tr></td></tr></td></tr></td></tr></td></tr></td></td></tr></td></tr></td></td></tr></td>
 | WD | J1 | PTD. | - | 378 | 3\"/> <tr> <td>380B</td> <td>B</td> <td>1 <td>WD</td> <td>J1</td> <td>PTD.</td> <td>-</td> <td>379</td> <td>3\"/> <tr> <td>382</td> <td>ETR</td> <td>-</td> <td>WD.</td> <td>J2</td> <td>PTD.</td> <td>-</td> <td>380A</td> <td>3\"/> <tr> <td>382A</td> <td>D</td> <td>6 <td>ALUM.</td> <td>ANODIZE D</td> <td>-</td> <td>-</td> <td>380B</td> <td>3\"/> <tr> <td>385</td> <td>ETR</td> <td>-</td> <td>WD.</td> <td>J2</td> <td>PTD.</td> <td>-</td> <td>382</td> <td>3\"/> <tr> <td>386</td> <td>ETR</td> <td>-</td> <td>WD.</td> <td>J2</td> <td>PTD.</td> <td>-</td> <td>382A</td> <td>3\"/> <tr> <td>387</td> <td>ETR</td> <td>-</td> <td>WD.</td> <td>J2</td> <td>PTD.</td> <td>-</td> <td>385</td> <td>3\"/> <tr> <td>388</td> <td>ETR</td> <td>-</td> <td>WD.</td> <td>J2</td> <td>PTD.</td> <td>-</td> <td>386</td> <td>3\"/> <tr> <td>389</td> <td>ETR</td> <td>-</td> <td>WD.</td> <td>J2</td> <td>PTD.</td> <td>-</td> <td>387</td> <td>3\"/> <tr> <td>391</td> <td>ETR</td> <td>-</td> <td>WD.</td> <td>J2</td> <td>PTD.</td> <td>-</td> <td>388</td> <td>3\"/> <tr> <td>391A</td> <td>ETR</td> <td>-</td> <td>WD.</td> <td>J2</td> <td>PTD.</td> <td>-</td> <td>389</td> <td>3\"/> <tr> <td>391B</td> <td>ETR</td> <td>-</td> <td>WD.</td> <td>J2</td> <td>PTD.</td> <td>-</td> <td>391</td> <td>3\"/> <tr> <td>394</td> <td>ETR</td> <td>-</td> <td>WD.</td> <td>J2</td> <td>PTD.</td> <td>-</td> <td>391A</td> <td>3\"/> <tr> <td>395</td> <td>ETR</td> <td>-</td> <td>WD.</td> <td>J2</td> <td>PTD.</td> <td>-</td> <td>391B</td> <td>3\"/> <tr> <td>396</td> <td>ETR</td> <td>-</td> <td>WD.</td> <td>J2</td> <td>PTD.</td> <td>-</td> <td>394</td> <td>3\"/> <tr> <td>398</td> <td>ETR</td> <td>-</td> <td>WD.</td> <td>J2</td> <td>PTD.</td> <td>-</td> <td>395</td> <td>3\"/> <tr> <td>399</td> <td>ETR</td> <td>-</td> <td>WD.</td> <td>J2</td> <td>PTD.</td> <td>-</td> <td>396</td> <td>3\"/> <tr> <td>3991</td> <td>ETR</td> <td>-</td> <td>WD.</td> <td>J2</td> <td>PTD.</td> <td>-</td> <td>398</td> <td>3\"/> <tr> <td>3992</td> <td>A</td> <td>3\"/> <tr> <td>3993</td> <td>ETR</td> <td>-</td> <td>WD.</td> <td>J2</td> <td>PTD.</td> <td>-</td> <td>399</td> <td>3\"/> <tr> <td>3994</td> <td>ETR</td> <td>-</td> <td>WD.</td> <td>J2</td> <td>PTD.</td> <td>-</td> <td>3991</td> <td>3\"/> <tr> <td>3995</td> <td>ETR</td> <td>-</td> <td>WD.</td> <td>J2</td> <td>PTD.</td> <td>-</td> <td>3992</td> <td>3\"/> <tr> <td>3997</td> <td>ETR</td> <td>-</td> <td>WD.</td> <td>J2</td> <td>PTD.</td> <td>-</td> <td>3993</td> <td>3\"/> <tr> <td>3998</td> <td>ETR</td> <td>-</td> <td>WD.</td> <td>J2</td> <td>PTD.</td> <td>-</td> <td>3994</td> <td>3\"/> <tr> <td>3999</td> <td>ETR</td> <td>-</td> <td>WD.</td> <td>J2</td> <td>PTD.</td> <td>-</td> <td>3995</td> <td>3\"/> <tr> <td>3999</td> <td>ETR</td> <td>-</td> <td>WD.</td> <td>J2</td> <td>PTD.</td> <td>-</td> <td>3997</td> <td>3\"/> </td></tr></td></tr></td></tr></td></tr></td></tr></td></tr></td></tr></td></tr></td></tr></td></tr></td></tr></td></tr></td></tr></td></tr></td></tr></td></tr></td></tr></td></tr></td></tr></td></tr></td></tr></td></tr></td></td></tr></td></tr></td></td></tr> | 380B | B | 1 <td>WD</td> <td>J1</td> <td>PTD.</td> <td>-</td> <td>379</td> <td>3\"/> <tr> <td>382</td> <td>ETR</td> <td>-</td> <td>WD.</td> <td>J2</td> <td>PTD.</td> <td>-</td> <td>380A</td> <td>3\"/> <tr> <td>382A</td> <td>D</td> <td>6 <td>ALUM.</td> <td>ANODIZE D</td> <td>-</td> <td>-</td> <td>380B</td> <td>3\"/> <tr> <td>385</td> <td>ETR</td> <td>-</td> <td>WD.</td> <td>J2</td> <td>PTD.</td> <td>-</td> <td>382</td> <td>3\"/> <tr> <td>386</td> <td>ETR</td> <td>-</td> <td>WD.</td> <td>J2</td> <td>PTD.</td> <td>-</td> <td>382A</td> <td>3\"/> <tr> <td>387</td> <td>ETR</td> <td>-</td> <td>WD.</td> <td>J2</td> <td>PTD.</td> <td>-</td> <td>385</td> <td>3\"/> <tr> <td>388</td> <td>ETR</td> <td>-</td> <td>WD.</td> <td>J2</td> <td>PTD.</td> <td>-</td> <td>386</td> <td>3\"/> <tr> <td>389</td> <td>ETR</td> <td>-</td> <td>WD.</td> <td>J2</td> <td>PTD.</td> <td>-</td> <td>387</td> <td>3\"/> <tr> <td>391</td> <td>ETR</td> <td>-</td> <td>WD.</td> <td>J2</td> <td>PTD.</td> <td>-</td> <td>388</td> <td>3\"/> <tr> <td>391A</td> <td>ETR</td> <td>-</td> <td>WD.</td> <td>J2</td> <td>PTD.</td> <td>-</td> <td>389</td> <td>3\"/> <tr> <td>391B</td> <td>ETR</td> <td>-</td> <td>WD.</td> <td>J2</td> <td>PTD.</td> <td>-</td> <td>391</td> <td>3\"/> <tr> <td>394</td> <td>ETR</td> <td>-</td> <td>WD.</td> <td>J2</td> <td>PTD.</td> <td>-</td> <td>391A</td> <td>3\"/> <tr> <td>395</td> <td>ETR</td> <td>-</td> <td>WD.</td> <td>J2</td> <td>PTD.</td> <td>-</td> <td>391B</td> <td>3\"/> <tr> <td>396</td> <td>ETR</td> <td>-</td> <td>WD.</td> <td>J2</td> <td>PTD.</td> <td>-</td> <td>394</td> <td>3\"/> <tr> <td>398</td> <td>ETR</td> <td>-</td> <td>WD.</td> <td>J2</td> <td>PTD.</td> <td>-</td> <td>395</td> <td>3\"/> <tr> <td>399</td> <td>ETR</td> <td>-</td> <td>WD.</td> <td>J2</td> <td>PTD.</td> <td>-</td> <td>396</td> <td>3\"/> <tr> <td>3991</td> <td>ETR</td> <td>-</td> <td>WD.</td> <td>J2</td> <td>PTD.</td> <td>-</td> <td>398</td> <td>3\"/> <tr> <td>3992</td> <td>A</td> <td>3\"/> <tr> <td>3993</td> <td>ETR</td> <td>-</td> <td>WD.</td> <td>J2</td> <td>PTD.</td> <td>-</td> <td>399</td> <td>3\"/> <tr> <td>3994</td> <td>ETR</td> <td>-</td> <td>WD.</td> <td>J2</td> <td>PTD.</td> <td>-</td> <td>3991</td> <td>3\"/> <tr> <td>3995</td> <td>ETR</td> <td>-</td> <td>WD.</td> <td>J2</td> <td>PTD.</td> <td>-</td> <td>3992</td> <td>3\"/> <tr> <td>3997</td> <td>ETR</td> <td>-</td> <td>WD.</td> <td>J2</td> <td>PTD.</td> <td>-</td> <td>3993</td> <td>3\"/> <tr> <td>3998</td> <td>ETR</td> <td>-</td> <td>WD.</td> <td>J2</td> <td>PTD.</td> <td>-</td> <td>3994</td> <td>3\"/> <tr> <td>3999</td> <td>ETR</td> <td>-</td> <td>WD.</td> <td>J2</td> <td>PTD.</td> <td>-</td> <td>3995</td> <td>3\"/> <tr> <td>3999</td> <td>ETR</td> <td>-</td> <td>WD.</td> <td>J2</td> <td>PTD.</td> <td>-</td> <td>3997</td> <td>3\"/> </td></tr></td></tr></td></tr></td></tr></td></tr></td></tr></td></tr></td></tr></td></tr></td></tr></td></tr></td></tr></td></tr></td></tr></td></tr></td></tr></td></tr></td></tr></td></tr></td></tr></td></tr></td></tr></td></td></tr></td></tr></td>
 | WD | J1 | PTD. | - | 379 | 3\"/> <tr> <td>382</td> <td>ETR</td> <td>-</td> <td>WD.</td> <td>J2</td> <td>PTD.</td> <td>-</td> <td>380A</td> <td>3\"/> <tr> <td>382A</td> <td>D</td> <td>6 <td>ALUM.</td> <td>ANODIZE D</td> <td>-</td> <td>-</td> <td>380B</td> <td>3\"/> <tr> <td>385</td> <td>ETR</td> <td>-</td> <td>WD.</td> <td>J2</td> <td>PTD.</td> <td>-</td> <td>382</td> <td>3\"/> <tr> <td>386</td> <td>ETR</td> <td>-</td> <td>WD.</td> <td>J2</td> <td>PTD.</td> <td>-</td> <td>382A</td> <td>3\"/> <tr> <td>387</td> <td>ETR</td> <td>-</td> <td>WD.</td> <td>J2</td> <td>PTD.</td> <td>-</td> <td>385</td> <td>3\"/> <tr> <td>388</td> <td>ETR</td> <td>-</td> <td>WD.</td> <td>J2</td> <td>PTD.</td> <td>-</td> <td>386</td> <td>3\"/> <tr> <td>389</td> <td>ETR</td> <td>-</td> <td>WD.</td> <td>J2</td> <td>PTD.</td> <td>-</td> <td>387</td> <td>3\"/> <tr> <td>391</td> <td>ETR</td> <td>-</td> <td>WD.</td> <td>J2</td> <td>PTD.</td> <td>-</td> <td>388</td> <td>3\"/> <tr> <td>391A</td> <td>ETR</td> <td>-</td> <td>WD.</td> <td>J2</td> <td>PTD.</td> <td>-</td> <td>389</td> <td>3\"/> <tr> <td>391B</td> <td>ETR</td> <td>-</td> <td>WD.</td> <td>J2</td> <td>PTD.</td> <td>-</td> <td>391</td> <td>3\"/> <tr> <td>394</td> <td>ETR</td> <td>-</td> <td>WD.</td> <td>J2</td> <td>PTD.</td> <td>-</td> <td>391A</td> <td>3\"/> <tr> <td>395</td> <td>ETR</td> <td>-</td> <td>WD.</td> <td>J2</td> <td>PTD.</td> <td>-</td> <td>391B</td> <td>3\"/> <tr> <td>396</td> <td>ETR</td> <td>-</td> <td>WD.</td> <td>J2</td> <td>PTD.</td> <td>-</td> <td>394</td> <td>3\"/> <tr> <td>398</td> <td>ETR</td> <td>-</td> <td>WD.</td> <td>J2</td> <td>PTD.</td> <td>-</td> <td>395</td> <td>3\"/> <tr> <td>399</td> <td>ETR</td> <td>-</td> <td>WD.</td> <td>J2</td> <td>PTD.</td> <td>-</td> <td>396</td> <td>3\"/> <tr> <td>3991</td> <td>ETR</td> <td>-</td> <td>WD.</td> <td>J2</td> <td>PTD.</td> <td>-</td> <td>398</td> <td>3\"/> <tr> <td>3992</td> <td>A</td> <td>3\"/> <tr> <td>3993</td> <td>ETR</td> <td>-</td> <td>WD.</td> <td>J2</td> <td>PTD.</td> <td>-</td> <td>399</td> <td>3\"/> <tr> <td>3994</td> <td>ETR</td> <td>-</td> <td>WD.</td> <td>J2</td> <td>PTD.</td> <td>-</td> <td>3991</td> <td>3\"/> <tr> <td>3995</td> <td>ETR</td> <td>-</td> <td>WD.</td> <td>J2</td> <td>PTD.</td> <td>-</td> <td>3992</td> <td>3\"/> <tr> <td>3997</td> <td>ETR</td> <td>-</td> <td>WD.</td> <td>J2</td> <td>PTD.</td> <td>-</td> <td>3993</td> <td>3\"/> <tr> <td>3998</td> <td>ETR</td> <td>-</td> <td>WD.</td> <td>J2</td> <td>PTD.</td> <td>-</td> <td>3994</td> <td>3\"/> <tr> <td>3999</td> <td>ETR</td> <td>-</td> <td>WD.</td> <td>J2</td> <td>PTD.</td> <td>-</td> <td>3995</td> <td>3\"/> <tr> <td>3999</td> <td>ETR</td> <td>-</td> <td>WD.</td> <td>J2</td> <td>PTD.</td> <td>-</td> <td>3997</td> <td>3\"/> </td></tr></td></tr></td></tr></td></tr></td></tr></td></tr></td></tr></td></tr></td></tr></td></tr></td></tr></td></tr></td></tr></td></tr></td></tr></td></tr></td></tr></td></tr></td></tr></td></tr></td></tr></td></tr></td></td></tr></td></tr> | 382 | ETR | -
 | WD. | J2 | PTD. | - | 380A | 3\"/> <tr> <td>382A</td> <td>D</td> <td>6 <td>ALUM.</td> <td>ANODIZE D</td> <td>-</td> <td>-</td> <td>380B</td> <td>3\"/> <tr> <td>385</td> <td>ETR</td> <td>-</td> <td>WD.</td> <td>J2</td> <td>PTD.</td> <td>-</td> <td>382</td> <td>3\"/> <tr> <td>386</td> <td>ETR</td> <td>-</td> <td>WD.</td> <td>J2</td> <td>PTD.</td> <td>-</td> <td>382A</td> <td>3\"/> <tr> <td>387</td> <td>ETR</td> <td>-</td> <td>WD.</td> <td>J2</td> <td>PTD.</td> <td>-</td> <td>385</td> <td>3\"/> <tr> <td>388</td> <td>ETR</td> <td>-</td> <td>WD.</td> <td>J2</td> <td>PTD.</td> <td>-</td> <td>386</td> <td>3\"/> <tr> <td>389</td> <td>ETR</td> <td>-</td> <td>WD.</td> <td>J2</td> <td>PTD.</td> <td>-</td> <td>387</td> <td>3\"/> <tr> <td>391</td> <td>ETR</td> <td>-</td> <td>WD.</td> <td>J2</td> <td>PTD.</td> <td>-</td> <td>388</td> <td>3\"/> <tr> <td>391A</td> <td>ETR</td> <td>-</td> <td>WD.</td> <td>J2</td> <td>PTD.</td> <td>-</td> <td>389</td> <td>3\"/> <tr> <td>391B</td> <td>ETR</td> <td>-</td> <td>WD.</td> <td>J2</td> <td>PTD.</td> <td>-</td> <td>391</td> <td>3\"/> <tr> <td>394</td> <td>ETR</td> <td>-</td> <td>WD.</td> <td>J2</td> <td>PTD.</td> <td>-</td> <td>391A</td> <td>3\"/> <tr> <td>395</td> <td>ETR</td> <td>-</td> <td>WD.</td> <td>J2</td> <td>PTD.</td> <td>-</td> <td>391B</td> <td>3\"/> <tr> <td>396</td> <td>ETR</td> <td>-</td> <td>WD.</td> <td>J2</td> <td>PTD.</td> <td>-</td> <td>394</td> <td>3\"/> <tr> <td>398</td> <td>ETR</td> <td>-</td> <td>WD.</td> <td>J2</td> <td>PTD.</td> <td>-</td> <td>395</td> <td>3\"/> <tr> <td>399</td> <td>ETR</td> <td>-</td> <td>WD.</td> <td>J2</td> <td>PTD.</td> <td>-</td> <td>396</td> <td>3\"/> <tr> <td>3991</td> <td>ETR</td> <td>-</td> <td>WD.</td> <td>J2</td> <td>PTD.</td> <td>-</td> <td>398</td> <td>3\"/> <tr> <td>3992</td> <td>A</td> <td>3\"/> <tr> <td>3993</td> <td>ETR</td> <td>-</td> <td>WD.</td> <td>J2</td> <td>PTD.</td> <td>-</td> <td>399</td> <td>3\"/> <tr> <td>3994</td> <td>ETR</td> <td>-</td> <td>WD.</td> <td>J2</td> <td>PTD.</td> <td>-</td> <td>3991</td> <td>3\"/> <tr> <td>3995</td> <td>ETR</td> <td>-</td> <td>WD.</td> <td>J2</td> <td>PTD.</td> <td>-</td> <td>3992</td> <td>3\"/> <tr> <td>3997</td> <td>ETR</td> <td>-</td> <td>WD.</td> <td>J2</td> <td>PTD.</td> <td>-</td> <td>3993</td> <td>3\"/> <tr> <td>3998</td> <td>ETR</td> <td>-</td> <td>WD.</td> <td>J2</td> <td>PTD.</td> <td>-</td> <td>3994</td> <td>3\"/> <tr> <td>3999</td> <td>ETR</td> <td>-</td> <td>WD.</td> <td>J2</td> <td>PTD.</td> <td>-</td> <td>3995</td> <td>3\"/> <tr> <td>3999</td> <td>ETR</td> <td>-</td> <td>WD.</td> <td>J2</td> <td>PTD.</td> <td>-</td> <td>3997</td> <td>3\"/> </td></tr></td></tr></td></tr></td></tr></td></tr></td></tr></td></tr></td></tr></td></tr></td></tr></td></tr></td></tr></td></tr></td></tr></td></tr></td></tr></td></tr></td></tr></td></tr></td></tr></td></tr></td></tr></td></td></tr> | 382A | D | 6 <td>ALUM.</td> <td>ANODIZE D</td> <td>-</td> <td>-</td> <td>380B</td> <td>3\"/> <tr> <td>385</td> <td>ETR</td> <td>-</td> <td>WD.</td> <td>J2</td> <td>PTD.</td> <td>-</td> <td>382</td> <td>3\"/> <tr> <td>386</td> <td>ETR</td> <td>-</td> <td>WD.</td> <td>J2</td> <td>PTD.</td> <td>-</td> <td>382A</td> <td>3\"/> <tr> <td>387</td> <td>ETR</td> <td>-</td> <td>WD.</td> <td>J2</td> <td>PTD.</td> <td>-</td> <td>385</td> <td>3\"/> <tr> <td>388</td> <td>ETR</td> <td>-</td> <td>WD.</td> <td>J2</td> <td>PTD.</td> <td>-</td> <td>386</td> <td>3\"/> <tr> <td>389</td> <td>ETR</td> <td>-</td> <td>WD.</td> <td>J2</td> <td>PTD.</td> <td>-</td> <td>387</td> <td>3\"/> <tr> <td>391</td> <td>ETR</td> <td>-</td> <td>WD.</td> <td>J2</td> <td>PTD.</td> <td>-</td> <td>388</td> <td>3\"/> <tr> <td>391A</td> <td>ETR</td> <td>-</td> <td>WD.</td> <td>J2</td> <td>PTD.</td> <td>-</td> <td>389</td> <td>3\"/> <tr> <td>391B</td> <td>ETR</td> <td>-</td> <td>WD.</td> <td>J2</td> <td>PTD.</td> <td>-</td> <td>391</td> <td>3\"/> <tr> <td>394</td> <td>ETR</td> <td>-</td> <td>WD.</td> <td>J2</td> <td>PTD.</td> <td>-</td> <td>391A</td> <td>3\"/> <tr> <td>395</td> <td>ETR</td> <td>-</td> <td>WD.</td> <td>J2</td> <td>PTD.</td> <td>-</td> <td>391B</td> <td>3\"/> <tr> <td>396</td> <td>ETR</td> <td>-</td> <td>WD.</td> <td>J2</td> <td>PTD.</td> <td>-</td> <td>394</td> <td>3\"/> <tr> <td>398</td> <td>ETR</td> <td>-</td> <td>WD.</td> <td>J2</td> <td>PTD.</td> <td>-</td> <td>395</td> <td>3\"/> <tr>
<td>399</td> <td>ETR</td> <td>-</td> <td>WD.</td> <td>J2</td> <td>PTD.</td> <td>-</td> <td>396</td> <td>3\"/> <tr> <td>3991</td> <td>ETR</td> <td>-</td> <td>WD.</td> <td>J2</td> <td>PTD.</td> <td>-</td> <td>398</td> <td>3\"/> <tr> <td>3992</td> <td>A</td> <td>3\"/> <tr> <td>3993</td> <td>ETR</td> <td>-</td> <td>WD.</td> <td>J2</td> <td>PTD.</td> <td>-</td> <td>399</td> <td>3\"/> <tr> <td>3994</td> <td>ETR</td> <td>-</td> <td>WD.</td> <td>J2</td> <td>PTD.</td> <td>-</td> <td>3991</td> <td>3\"/> <tr> <td>3995</td> <td>ETR</td> <td>-</td> <td>WD.</td> <td>J2</td> <td>PTD.</td> <td>-</td> <td>3992</td> <td>3\"/> <tr> <td>3997</td> <td>ETR</td> <td>-</td> <td>WD.</td> <td>J2</td> <td>PTD.</td> <td>-</td> <td>3993</td> <td>3\"/> <tr> <td>3998</td> <td>ETR</td> <td>-</td> <td>WD.</td> <td>J2</td> <td>PTD.</td> <td>-</td> <td>3994</td> <td>3\"/> <tr> <td>3999</td> <td>ETR</td> <td>-</td> <td>WD.</td> <td>J2</td> <td>PTD.</td> <td>-</td> <td>3995</td> <td>3\"/> <tr> <td>3999</td> <td>ETR</td> <td>-</td> <td>WD.</td> <td>J2</td> <td>PTD.</td> <td>-</td> <td>3997</td> <td>3\"/> </td></tr></td></tr></td></tr></td></tr></td></tr></td></tr></td></tr></td></tr></td></tr></td></tr></td></tr></td></tr></td></tr></td></tr></td></tr></td></tr></td></tr></td></tr></td></tr></td></tr></td></tr></td></tr></td> | ALUM. | ANODIZE D | - | - | 380B | 3\"/> <tr> <td>385</td> <td>ETR</td> <td>-</td> <td>WD.</td> <td>J2</td> <td>PTD.</td> <td>-</td> <td>382</td> <td>3\"/> <tr> <td>386</td> <td>ETR</td> <td>-</td> <td>WD.</td> <td>J2</td> <td>PTD.</td> <td>-</td> <td>382A</td> <td>3\"/> <tr> <td>387</td> <td>ETR</td> <td>-</td> <td>WD.</td> <td>J2</td> <td>PTD.</td> <td>-</td> <td>385</td> <td>3\"/> <tr> <td>388</td> <td>ETR</td> <td>-</td> <td>WD.</td> <td>J2</td> <td>PTD.</td> <td>-</td> <td>386</td> <td>3\"/> <tr> <td>389</td> <td>ETR</td> <td>-</td> <td>WD.</td> <td>J2</td> <td>PTD.</td> <td>-</td> <td>387</td> <td>3\"/> <tr> <td>391</td> <td>ETR</td> <td>-</td> <td>WD.</td> <td>J2</td> <td>PTD.</td> <td>-</td> <td>388</td> <td>3\"/> <tr> <td>391A</td> <td>ETR</td> <td>-</td> <td>WD.</td> <td>J2</td> <td>PTD.</td> <td>-</td> <td>389</td> <td>3\"/> <tr> <td>391B</td> <td>ETR</td> <td>-</td> <td>WD.</td> <td>J2</td> <td>PTD.</td> <td>-</td> <td>391</td> <td>3\"/> <tr> <td>394</td> <td>ETR</td> <td>-</td> <td>WD.</td> <td>J2</td> <td>PTD.</td> <td>-</td> <td>391A</td> <td>3\"/> <tr> <td>395</td> <td>ETR</td> <td>-</td> <td>WD.</td> <td>J2</td> <td>PTD.</td> <td>-</td> <td>391B</td> <td>3\"/> <tr> <td>396</td> <td>ETR</td> <td>-</td> <td>WD.</td> <td>J2</td> <td>PTD.</td> <td>-</td> <td>394</td> <td>3\"/> <tr> <td>398</td> <td>ETR</td> <td>-</td> <td>WD.</td> <td>J2</td> <td>PTD.</td> <td>-</td> <td>395</td> <td>3\"/> <tr> <td>399</td> <td>ETR</td> <td>-</td> <td>WD.</td> <td>J2</td> <td>PTD.</td> <td>-</td> <td>396</td> <td>3\"/> <tr> <td>3991</td> <td>ETR</td> <td>-</td> <td>WD.</td> <td>J2</td> <td>PTD.</td> <td>-</td> <td>398</td> <td>3\"/> <tr> <td>3992</td> <td>A</td> <td>3\"/> <tr> <td>3993</td> <td>ETR</td> <td>-</td> <td>WD.</td> <td>J2</td> <td>PTD.</td> <td>-</td> <td>399</td> <td>3\"/> <tr> <td>3994</td> <td>ETR</td> <td>-</td> <td>WD.</td> <td>J2</td> <td>PTD.</td> <td>-</td> <td>3991</td> <td>3\"/> <tr> <td>3995</td> <td>ETR</td> <td>-</td> <td>WD.</td> <td>J2</td> <td>PTD.</td> <td>-</td> <td>3992</td> <td>3\"/> <tr> <td>3997</td> <td>ETR</td> <td>-</td> <td>WD.</td> <td>J2</td> <td>PTD.</td> <td>-</td> <td>3993</td> <td>3\"/> <tr> <td>3998</td> <td>ETR</td> <td>-</td> <td>WD.</td> <td>J2</td> <td>PTD.</td> <td>-</td> <td>3994</td> <td>3\"/> <tr> <td>3999</td> <td>ETR</td> <td>-</td> <td>WD.</td> <td>J2</td> <td>PTD.</td> <td>-</td> <td>3995</td> <td>3\"/> <tr> <td>3999</td> <td>ETR</td> <td>-</td> <td>WD.</td> <td>J2</td> <td>PTD.</td> <td>-</td> <td>3997</td> <td>3\"/> </td></tr></td></tr></td></tr></td></tr></td></tr></td></tr></td></tr></td></tr></td></tr></td></tr></td></tr></td></tr></td></tr></td></tr></td></tr></td></tr></td></tr></td></tr></td></tr></td></tr></td></tr></td></tr> | 385 | ETR | -
 | WD. | J2 | PTD. | - | 382 | 3\"/> <tr> <td>386</td> <td>ETR</td> <td>-</td> <td>WD.</td> <td>J2</td> <td>PTD.</td> <td>-</td> <td>382A</td> <td>3\"/> <tr> <td>387</td> <td>ETR</td> <td>-</td> <td>WD.</td> <td>J2</td> <td>PTD.</td> <td>-</td> <td>385</td> <td>3\"/> <tr> <td>388</td> <td>ETR</td> <td>-</td> <td>WD.</td> <td>J2</td> <td>PTD.</td> <td>-</td> <td>386</td> <td>3\"/> <tr> <td>389</td> <td>ETR</td>
<td>-</td> <td>WD.</td> <td>J2</td> <td>PTD.</td> <td>-</td> <td>387</td> <td>3\"/> <tr> <td>391</td> <td>ETR</td> <td>-</td> <td>WD.</td> <td>J2</td> <td>PTD.</td> <td>-</td> <td>388</td> <td>3\"/> <tr> <td>391A</td> <td>ETR</td> <td>-</td> <td>WD.</td> <td>J2</td> <td>PTD.</td> <td>-</td> <td>389</td> <td>3\"/> <tr> <td>391B</td> <td>ETR</td> <td>-</td> <td>WD.</td> <td>J2</td> <td>PTD.</td> <td>-</td> <td>391</td> <td>3\"/> <tr> <td>394</td> <td>ETR</td> <td>-</td> <td>WD.</td> <td>J2</td> <td>PTD.</td> <td>-</td> <td>391A</td> <td>3\"/> <tr> <td>395</td> <td>ETR</td> <td>-</td> <td>WD.</td> <td>J2</td> <td>PTD.</td> <td>-</td> <td>391B</td> <td>3\"/> <tr> <td>396</td> <td>ETR</td> <td>-</td> <td>WD.</td> <td>J2</td> <td>PTD.</td> <td>-</td> <td>394</td> <td>3\"/> <tr> <td>398</td> <td>ETR</td> <td>-</td> <td>WD.</td> <td>J2</td> <td>PTD.</td> <td>-</td> <td>395</td> <td>3\"/> <tr> <td>399</td> <td>ETR</td> <td>-</td> <td>WD.</td> <td>J2</td> <td>PTD.</td> <td>-</td> <td>396</td> <td>3\"/> <tr> <td>3991</td> <td>ETR</td> <td>-</td> <td>WD.</td> <td>J2</td> <td>PTD.</td> <td>-</td> <td>398</td> <td>3\"/> <tr> <td>3992</td> <td>A</td> <td>3\"/> <tr> <td>3993</td> <td>ETR</td> <td>-</td> <td>WD.</td> <td>J2</td> <td>PTD.</td> <td>-</td> <td>399</td> <td>3\"/> <tr> <td>3994</td> <td>ETR</td> <td>-</td> <td>WD.</td> <td>J2</td> <td>PTD.</td> <td>-</td> <td>3991</td> <td>3\"/> <tr> <td>3995</td> <td>ETR</td> <td>-</td> <td>WD.</td> <td>J2</td> <td>PTD.</td> <td>-</td> <td>3992</td> <td>3\"/> <tr> <td>3997</td> <td>ETR</td> <td>-</td> <td>WD.</td> <td>J2</td> <td>PTD.</td> <td>-</td> <td>3993</td> <td>3\"/> <tr> <td>3998</td> <td>ETR</td> <td>-</td> <td>WD.</td> <td>J2</td> <td>PTD.</td> <td>-</td> <td>3994</td> <td>3\"/> <tr> <td>3999</td> <td>ETR</td> <td>-</td> <td>WD.</td> <td>J2</td> <td>PTD.</td> <td>-</td> <td>3995</td> <td>3\"/> <tr> <td>3999</td> <td>ETR</td> <td>-</td> <td>WD.</td> <td>J2</td> <td>PTD.</td> <td>-</td> <td>3997</td> <td>3\"/> </td></tr></td></tr></td></tr></td></tr></td></tr></td></tr></td></tr></td></tr></td></tr></td></tr></td></tr></td></tr></td></tr></td></tr></td></tr></td></tr></td></tr></td></tr></td></tr></td></tr></td></tr> | 386 | ETR | - | WD. | J2 | PTD. | - | 382A | 3\"/> <tr> <td>387</td> <td>ETR</td> <td>-</td> <td>WD.</td> <td>J2</td> <td>PTD.</td> <td>-</td> <td>385</td>
<td>3\"/> <tr> <td>388</td> <td>ETR</td> <td>-</td> <td>WD.</td> <td>J2</td> <td>PTD.</td> <td>-</td> <td>386</td> <td>3\"/> <tr> <td>389</td> <td>ETR</td> <td>-</td> <td>WD.</td> <td>J2</td> <td>PTD.</td> <td>-</td> <td>387</td> <td>3\"/> <tr> <td>391</td> <td>ETR</td> <td>-</td> <td>WD.</td> <td>J2</td> <td>PTD.</td> <td>-</td> <td>388</td> <td>3\"/> <tr> <td>391A</td> <td>ETR</td> <td>-</td> <td>WD.</td> <td>J2</td> <td>PTD.</td> <td>-</td> <td>389</td> <td>3\"/> <tr> <td>391B</td> <td>ETR</td> <td>-</td> <td>WD.</td> <td>J2</td> <td>PTD.</td> <td>-</td> <td>391</td> <td>3\"/> <tr> <td>394</td> <td>ETR</td> <td>-</td> <td>WD.</td> <td>J2</td> <td>PTD.</td> <td>-</td> <td>391A</td> <td>3\"/> <tr> <td>395</td> <td>ETR</td> <td>-</td> <td>WD.</td> <td>J2</td> <td>PTD.</td> <td>-</td> <td>391B</td> <td>3\"/> <tr> <td>396</td> <td>ETR</td> <td>-</td> <td>WD.</td> <td>J2</td> <td>PTD.</td> <td>-</td> <td>394</td> <td>3\"/> <tr> <td>398</td> <td>ETR</td> <td>-</td> <td>WD.</td> <td>J2</td> <td>PTD.</td> <td>-</td> <td>395</td> <td>3\"/> <tr> <td>399</td> <td>ETR</td> <td>-</td> <td>WD.</td> <td>J2</td> <td>PTD.</td> <td>-</td> <td>396</td> <td>3\"/> <tr> <td>3991</td> <td>ETR</td> <td>-</td> <td>WD.</td> <td>J2</td> <td>PTD.</td> <td>-</td> <td>398</td> <td>3\"/> <tr> <td>3992</td> <td>A</td> <td>3\"/> <tr> <td>3993</td> <td>ETR</td> <td>-</td> <td>WD.</td> <td>J2</td> <td>PTD.</td> <td>-</td> <td>399</td> <td>3\"/> <tr> <td>3994</td> <td>ETR</td> <td>-</td> <td>WD.</td> <td>J2</td> <td>PTD.</td> <td>-</td> <td>3991</td> <td>3\"/> <tr> <td>3995</td> <td>ETR</td> <td>-</td> <td>WD.</td> <td>J2</td> <td>PTD.</td> <td>-</td> <td>3992</td> <td>3\"/> <tr> <td>3997</td> <td>ETR</td> <td>-</td> <td>WD.</td> <td>J2</td> <td>PTD.</td> <td>-</td> <td>3993</td> <td>3\"/> <tr> <td>3998</td> <td>ETR</td> <td>-</td> <td>WD.</td> <td>J2</td> <td>PTD.</td> <td>-</td> <td>3994</td> <td>3\"/> <tr> <td>3999</td> <td>ETR</td> <td>-</td> <td>WD.</td> <td>J2</td> <td>PTD.</td> <td>-</td> <td>3995</td> <td>3\"/> <tr> <td>3999</td> <td>ETR</td> <td>-</td> <td>WD.</td> <td>J2</td> <td>PTD.</td> <td>-</td> <td>3997</td> <td>3\"/> </td></tr></td></tr></td></tr></td></tr></td></tr></td></tr></td></tr></td></tr></td></tr></td></tr></td></tr></td></tr></td></tr></td></tr></td></tr></td></tr></td></tr></td></tr></td></tr></td></tr> | 387 | ETR | - | WD. | J2 | PTD. | - | 385 | 3\"/> <tr> <td>388</td> <td>ETR</td> <td>-</td> <td>WD.</td> <td>J2</td> <td>PTD.</td>
<td>-</td> <td>386</td> <td>3\"/> <tr> <td>389</td> <td>ETR</td> <td>-</td> <td>WD.</td> <td>J2</td> <td>PTD.</td> <td>-</td> <td>387</td> <td>3\"/> <tr> <td>391</td> <td>ETR</td> <td>-</td> <td>WD.</td> <td>J2</td> <td>PTD.</td> <td>-</td> <td>388</td> <td>3\"/> <tr> <td>391A</td> <td>ETR</td> <td>-</td> <td>WD.</td> <td>J2</td> <td>PTD.</td> <td>-</td> <td>389</td> <td>3\"/> <tr> <td>391B</td> <td>ETR</td> <td>-</td> <td>WD.</td> <td>J2</td> <td>PTD.</td> <td>-</td> <td>391</td> <td>3\"/> <tr> <td>394</td> <td>ETR</td> <td>-</td> <td>WD.</td> <td>J2</td> <td>PTD.</td> <td>-</td> <td>391A</td> <td>3\"/> <tr> <td>395</td> <td>ETR</td> <td>-</td> <td>WD.</td> <td>J2</td> <td>PTD.</td> <td>-</td> <td>391B</td> <td>3\"/> <tr> <td>396</td> <td>ETR</td> <td>-</td> <td>WD.</td> <td>J2</td> <td>PTD.</td> <td>-</td> <td>394</td> <td>3\"/> <tr> <td>398</td> <td>ETR</td> <td>-</td> <td>WD.</td> <td>J2</td> <td>PTD.</td> <td>-</td> <td>395</td> <td>3\"/> <tr> <td>399</td> <td>ETR</td> <td>-</td> <td>WD.</td> <td>J2</td> <td>PTD.</td> <td>-</td> <td>396</td> <td>3\"/> <tr> <td>3991</td> <td>ETR</td> <td>-</td> <td>WD.</td> <td>J2</td> <td>PTD.</td> <td>-</td> <td>398</td> <td>3\"/> <tr> <td>3992</td> <td>A</td> <td>3\"/> <tr> <td>3993</td> <td>ETR</td> <td>-</td> <td>WD.</td> <td>J2</td> <td>PTD.</td> <td>-</td> <td>399</td> <td>3\"/> <tr> <td>3994</td> <td>ETR</td> <td>-</td> <td>WD.</td> <td>J2</td> <td>PTD.</td> <td>-</td> <td>3991</td> <td>3\"/> <tr> <td>3995</td> <td>ETR</td> <td>-</td> <td>WD.</td> <td>J2</td> <td>PTD.</td> <td>-</td> <td>3992</td> <td>3\"/> <tr> <td>3997</td> <td>ETR</td> <td>-</td> <td>WD.</td> <td>J2</td> <td>PTD.</td> <td>-</td> <td>3993</td> <td>3\"/> <tr> <td>3998</td> <td>ETR</td> <td>-</td> <td>WD.</td> <td>J2</td> <td>PTD.</td> <td>-</td> <td>3994</td> <td>3\"/> <tr> <td>3999</td> <td>ETR</td> <td>-</td> <td>WD.</td> <td>J2</td> <td>PTD.</td> <td>-</td> <td>3995</td> <td>3\"/> <tr> <td>3999</td> <td>ETR</td> <td>-</td> <td>WD.</td> <td>J2</td> <td>PTD.</td> <td>-</td> <td>3997</td> <td>3\"/> </td></tr></td></tr></td></tr></td></tr></td></tr></td></tr></td></tr></td></tr></td></tr></td></tr></td></tr></td></tr></td></tr></td></tr></td></tr></td></tr></td></tr></td></tr></td></tr> | 388 | ETR | - | WD. | J2 | PTD. | - | 386 | 3\"/> <tr> <td>389</td> <td>ETR</td> <td>-</td> <td>WD.</td> <td>J2</td> <td>PTD.</td> <td>-</td> <td>387</td> <td>3\"/> <tr> <td>391</td> <td>ETR</td> <td>-</td> <td>WD.</td> <td>J2</td> <td>PTD.</td> <td>-</td> <td>388</td> <td>3\"/> <tr> <td>391A</td> <td>ETR</td> <td>-</td> <td>WD.</td> <td>J2</td> <td>PTD.</td>
<td>-</td> <td>389</td> <td>3\"/> <tr> <td>391B</td> <td>ETR</td> <td>-</td> <td>WD.</td> <td>J2</td> <td>PTD.</td> <td>-</td> <td>391</td> <td>3\"/> <tr> <td>394</td> <td>ETR</td> <td>-</td> <td>WD.</td> <td>J2</td> <td>PTD.</td> <td>-</td> <td>391A</td> <td>3\"/> <tr> <td>395</td> <td>ETR</td> <td>-</td> <td>WD.</td> <td>J2</td> <td>PTD.</td> <td>-</td> <td>391B</td> <td>3\"/> <tr> <td>396</td> <td>ETR</td> <td>-</td> <td>WD.</td> <td>J2</td> <td>PTD.</td> <td>-</td> <td>394</td> <td>3\"/> <tr> <td>398</td> <td>ETR</td> <td>-</td> <td>WD.</td> <td>J2</td> <td>PTD.</td> <td>-</td> <td>395</td> <td>3\"/> <tr> <td>399</td> <td>ETR</td> <td>-</td> <td>WD.</td> <td>J2</td> <td>PTD.</td> <td>-</td> <td>396</td> <td>3\"/> <tr> <td>3991</td> <td>ETR</td> <td>-</td> <td>WD.</td> <td>J2</td> <td>PTD.</td> <td>-</td> <td>398</td> <td>3\"/> <tr> <td>3992</td> <td>A</td> <td>3\"/> <tr> <td>3993</td> <td>ETR</td> <td>-</td> <td>WD.</td> <td>J2</td> <td>PTD.</td> <td>-</td> <td>399</td> <td>3\"/> <tr> <td>3994</td> <td>ETR</td> <td>-</td> <td>WD.</td> <td>J2</td> <td>PTD.</td> <td>-</td> <td>3991</td> <td>3\"/> <tr> <td>3995</td> <td>ETR</td> <td>-</td> <td>WD.</td> <td>J2</td> <td>PTD.</td> <td>-</td> <td>3992</td> <td>3\"/> <tr> <td>3997</td> <td>ETR</td> <td>-</td> <td>WD.</td> <td>J2</td> <td>PTD.</td> <td>-</td> <td>3993</td> <td>3\"/> <tr> <td>3998</td> <td>ETR</td> <td>-</td> <td>WD.</td> <td>J2</td> <td>PTD.</td> <td>-</td> <td>3994</td> <td>3\"/> <tr> <td>3999</td> <td>ETR</td> <td>-</td> <td>WD.</td> <td>J2</td> <td>PTD.</td> <td>-</td> <td>3995</td> <td>3\"/> <tr> <td>3999</td> <td>ETR</td> <td>-</td> <td>WD.</td> <td>J2</td> <td>PTD.</td> <td>-</td> <td>3997</td> <td>3\"/> </td></tr></td></tr></td></tr></td></tr></td></tr></td></tr></td></tr></td></tr></td></tr></td></tr></td></tr></td></tr></td></tr></td></tr></td></tr></td></tr></td></tr></td></tr> | 389 | ETR | - | WD. | J2 | PTD. | - | 387 | 3\"/> <tr> <td>391</td> <td>ETR</td> <td>-</td> <td>WD.</td> <td>J2</td> <td>PTD.</td> <td>-</td> <td>388</td> <td>3\"/> <tr> <td>391A</td> <td>ETR</td> <td>-</td> <td>WD.</td> <td>J2</td> <td>PTD.</td> <td>-</td> <td>389</td> <td>3\"/> <tr> <td>391B</td> <td>ETR</td> <td>-</td> <td>WD.</td> <td>J2</td> <td>PTD.</td> <td>-</td> <td>391</td> <td>3\"/> <tr> <td>394</td> <td>ETR</td> <td>-</td> <td>WD.</td> <td>J2</td> <td>PTD.</td> <td>-</td> <td>391A</td> <td>3\"/> <tr> <td>395</td> <td>ETR</td> <td>-</td> <td>WD.</td> <td>J2</td> <td>PTD.</td> <td>-</td> <td>391B</td> <td>3\"/> <tr> <td>396</td> <td>ETR</td> <td>-</td> <td>WD.</td> <td>J2</td> <td>PTD.</td> <td>-</td> <td>394</td> <td>3\"/> <tr> <td>398</td> <td>ETR</td> <td>-</td> <td>WD.</td> <td>J2</td> <td>PTD.</td> <td>-</td>
<td>395</td> <td>3\"/> <tr> <td>399</td> <td>ETR</td> <td>-</td> <td>WD.</td> <td>J2</td> <td>PTD.</td> <td>-</td> <td>396</td> <td>3\"/> <tr> <td>3991</td> <td>ETR</td> <td>-</td> <td>WD.</td> <td>J2</td> <td>PTD.</td> <td>-</td> <td>398</td> <td>3\"/> <tr> <td>3992</td> <td>A</td> <td>3\"/> <tr> <td>3993</td> <td>ETR</td> <td>-</td> <td>WD.</td> <td>J2</td> <td>PTD.</td> <td>-</td> <td>399</td> <td>3\"/> <tr> <td>3994</td> <td>ETR</td> <td>-</td> <td>WD.</td> <td>J2</td> <td>PTD.</td> <td>-</td> <td>3991</td> <td>3\"/> <tr> <td>3995</td> <td>ETR</td> <td>-</td> <td>WD.</td> <td>J2</td> <td>PTD.</td> <td>-</td> <td>3992</td> <td>3\"/> <tr> <td>3997</td> <td>ETR</td> <td>-</td> <td>WD.</td> <td>J2</td> <td>PTD.</td> <td>-</td> <td>3993</td> <td>3\"/> <tr> <td>3998</td> <td>ETR</td> <td>-</td> <td>WD.</td> <td>J2</td> <td>PTD.</td> <td>-</td> <td>3994</td> <td>3\"/> <tr> <td>3999</td> <td>ETR</td> <td>-</td> <td>WD.</td> <td>J2</td> <td>PTD.</td> <td>-</td> <td>3995</td> <td>3\"/> <tr> <td>3999</td> <td>ETR</td> <td>-</td> <td>WD.</td> <td>J2</td> <td>PTD.</td> <td>-</td> <td>3997</td> <td>3\"/> </td></tr></td></tr></td></tr></td></tr></td></tr></td></tr></td></tr></td></tr></td></tr></td></tr></td></tr></td></tr></td></tr></td></tr></td></tr></td></tr></td></tr> | 391 | ETR | - | WD. | J2 | PTD.
 | - | 388 | 3\"/> <tr> <td>391A</td> <td>ETR</td> <td>-</td> <td>WD.</td> <td>J2</td> <td>PTD.</td> <td>-</td> <td>389</td> <td>3\"/> <tr> <td>391B</td> <td>ETR</td> <td>-</td> <td>WD.</td> <td>J2</td> <td>PTD.</td> <td>-</td> <td>391</td> <td>3\"/> <tr> <td>394</td> <td>ETR</td> <td>-</td> <td>WD.</td> <td>J2</td> <td>PTD.</td> <td>-</td> <td>391A</td> <td>3\"/> <tr> <td>395</td> <td>ETR</td> <td>-</td> <td>WD.</td> <td>J2</td> <td>PTD.</td> <td>-</td> <td>391B</td> <td>3\"/> <tr> <td>396</td> <td>ETR</td> <td>-</td> <td>WD.</td> <td>J2</td> <td>PTD.</td> <td>-</td> <td>394</td> <td>3\"/> <tr> <td>398</td> <td>ETR</td> <td>-</td> <td>WD.</td> <td>J2</td> <td>PTD.</td> <td>-</td> <td>395</td> <td>3\"/> <tr> <td>399</td> <td>ETR</td> <td>-</td> <td>WD.</td> <td>J2</td> <td>PTD.</td> <td>-</td> <td>396</td> <td>3\"/> <tr> <td>3991</td> <td>ETR</td> <td>-</td> <td>WD.</td> <td>J2</td> <td>PTD.</td> <td>-</td> <td>398</td> <td>3\"/> <tr> <td>3992</td> <td>A</td> <td>3\"/> <tr> <td>3993</td> <td>ETR</td> <td>-</td> <td>WD.</td> <td>J2</td> <td>PTD.</td> <td>-</td> <td>399</td> <td>3\"/> <tr> <td>3994</td> <td>ETR</td> <td>-</td> <td>WD.</td> <td>J2</td> <td>PTD.</td> <td>-</td> <td>3991</td> <td>3\"/> <tr> <td>3995</td> <td>ETR</td> <td>-</td> <td>WD.</td> <td>J2</td> <td>PTD.</td> <td>-</td> <td>3992</td> <td>3\"/> <tr> <td>3997</td> <td>ETR</td> <td>-</td> <td>WD.</td> <td>J2</td> <td>PTD.</td> <td>-</td> <td>3993</td> <td>3\"/> <tr> <td>3998</td> <td>ETR</td> <td>-</td> <td>WD.</td> <td>J2</td> <td>PTD.</td> <td>-</td> <td>3994</td> <td>3\"/> <tr> <td>3999</td> <td>ETR</td> <td>-</td> <td>WD.</td> <td>J2</td> <td>PTD.</td> <td>-</td> <td>3995</td> <td>3\"/> <tr> <td>3999</td> <td>ETR</td> <td>-</td> <td>WD.</td> <td>J2</td> <td>PTD.</td> <td>-</td> <td>3997</td> <td>3\"/> </td></tr></td></tr></td></tr></td></tr></td></tr></td></tr></td></tr></td></tr></td></tr></td></tr></td></tr></td></tr></td></tr></td></tr></td></tr></td></tr> | 391A | ETR | -
 | WD. | J2 | PTD. | - | 389 | 3\"/> <tr> <td>391B</td> <td>ETR</td> <td>-</td> <td>WD.</td> <td>J2</td> <td>PTD.</td> <td>-</td> <td>391</td> <td>3\"/> <tr> <td>394</td> <td>ETR</td> <td>-</td> <td>WD.</td> <td>J2</td> <td>PTD.</td> <td>-</td> <td>391A</td> <td>3\"/> <tr> <td>395</td> <td>ETR</td> <td>-</td> <td>WD.</td> <td>J2</td> <td>PTD.</td> <td>-</td> <td>391B</td> <td>3\"/> <tr> <td>396</td> <td>ETR</td> <td>-</td> <td>WD.</td> <td>J2</td> <td>PTD.</td> <td>-</td> <td>394</td> <td>3\"/> <tr> <td>398</td> <td>ETR</td> <td>-</td> <td>WD.</td> <td>J2</td> <td>PTD.</td> <td>-</td> <td>395</td> <td>3\"/> <tr> <td>399</td> <td>ETR</td> <td>-</td> <td>WD.</td> <td>J2</td> <td>PTD.</td> <td>-</td> <td>396</td> <td>3\"/> <tr> <td>3991</td> <td>ETR</td> <td>-</td> <td>WD.</td> <td>J2</td> <td>PTD.</td> <td>-</td> <td>398</td> <td>3\"/> <tr> <td>3992</td> <td>A</td> <td>3\"/> <tr> <td>3993</td> <td>ETR</td> <td>-</td> <td>WD.</td> <td>J2</td> <td>PTD.</td> <td>-</td> <td>399</td> <td>3\"/> <tr> <td>3994</td> <td>ETR</td> <td>-</td> <td>WD.</td> <td>J2</td> <td>PTD.</td> <td>-</td> <td>3991</td> <td>3\"/> <tr> <td>3995</td> <td>ETR</td> <td>-</td> <td>WD.</td> <td>J2</td> <td>PTD.</td> <td>-</td> <td>3992</td> <td>3\"/> <tr> <td>3997</td> <td>ETR</td> <td>-</td> <td>WD.</td> <td>J2</td> <td>PTD.</td> <td>-</td> <td>3993</td> <td>3\"/> <tr> <td>3998</td> <td>ETR</td> <td>-</td> <td>WD.</td> <td>J2</td> <td>PTD.</td> <td>-</td> <td>3994</td> <td>3\"/> <tr> <td>3999</td> <td>ETR</td> <td>-</td> <td>WD.</td> <td>J2</td> <td>PTD.</td> <td>-</td> <td>3995</td> <td>3\"/> <tr> <td>3999</td> <td>ETR</td> <td>-</td> <td>WD.</td> <td>J2</td> <td>PTD.</td> <td>-</td> <td>3997</td> <td>3\"/> </td></tr></td></tr></td></tr></td></tr></td></tr></td></tr></td></tr></td></tr></td></tr></td></tr></td></tr></td></tr></td></tr></td></tr></td></tr> | 391B | ETR | -
 | WD. | J2 | PTD. | - | 391 | 3\"/> <tr> <td>394</td> <td>ETR</td> <td>-</td> <td>WD.</td> <td>J2</td> <td>PTD.</td> <td>-</td> <td>391A</td> <td>3\"/> <tr> <td>395</td> <td>ETR</td> <td>-</td> <td>WD.</td> <td>J2</td> <td>PTD.</td> <td>-</td> <td>391B</td> <td>3\"/> <tr> <td>396</td> <td>ETR</td> <td>-</td> <td>WD.</td> <td>J2</td> <td>PTD.</td> <td>-</td> <td>394</td> <td>3\"/> <tr> <td>398</td> <td>ETR</td> <td>-</td> <td>WD.</td> <td>J2</td> <td>PTD.</td> <td>-</td> <td>395</td> <td>3\"/> <tr> <td>399</td> <td>ETR</td> <td>-</td> <td>WD.</td> <td>J2</td> <td>PTD.</td> <td>-</td> <td>396</td> <td>3\"/> <tr> <td>3991</td> <td>ETR</td> <td>-</td> <td>WD.</td> <td>J2</td> <td>PTD.</td> <td>-</td> <td>398</td> <td>3\"/> <tr> <td>3992</td> <td>A</td> <td>3\"/> <tr> <td>3993</td> <td>ETR</td> <td>-</td> <td>WD.</td> <td>J2</td> <td>PTD.</td> <td>-</td> <td>399</td> <td>3\"/> <tr> <td>3994</td> <td>ETR</td> <td>-</td> <td>WD.</td> <td>J2</td> <td>PTD.</td> <td>-</td> <td>3991</td> <td>3\"/> <tr> <td>3995</td> <td>ETR</td> <td>-</td> <td>WD.</td> <td>J2</td> <td>PTD.</td> <td>-</td> <td>3992</td> <td>3\"/> <tr> <td>3997</td> <td>ETR</td> <td>-</td> <td>WD.</td> <td>J2</td> <td>PTD.</td> <td>-</td> <td>3993</td> <td>3\"/> <tr> <td>3998</td> <td>ETR</td> <td>-</td> <td>WD.</td> <td>J2</td> <td>PTD.</td> <td>-</td> <td>3994</td> <td>3\"/> <tr> <td>3999</td> <td>ETR</td> <td>-</td> <td>WD.</td> <td>J2</td> <td>PTD.</td> <td>-</td> <td>3995</td> <td>3\"/> <tr> <td>3999</td> <td>ETR</td> <td>-</td> <td>WD.</td> <td>J2</td> <td>PTD.</td> <td>-</td> <td>3997</td> <td>3\"/> </td></tr></td></tr></td></tr></td></tr></td></tr></td></tr></td></tr></td></tr></td></tr></td></tr></td></tr></td></tr></td></tr></td></tr> | 394 | ETR | - | WD. | J2 | PTD. | - | 391A | 3\"/> <tr> <td>395</td> <td>ETR</td> <td>-</td> <td>WD.</td> <td>J2</td> <td>PTD.</td> <td>-</td> <td>391B</td> <td>3\"/> <tr> <td>396</td> <td>ETR</td> <td>-</td> <td>WD.</td> <td>J2</td> <td>PTD.</td> <td>-</td> <td>394</td> <td>3\"/> <tr> <td>398</td> <td>ETR</td> <td>-</td> <td>WD.</td> <td>J2</td> <td>PTD.</td> <td>-</td> <td>395</td> <td>3\"/> <tr> <td>399</td> <td>ETR</td> <td>-</td> <td>WD.</td> <td>J2</td> <td>PTD.</td> <td>-</td> <td>396</td> <td>3\"/> <tr> <td>3991</td> <td>ETR</td> <td>-</td> <td>WD.</td> <td>J2</td> <td>PTD.</td> <td>-</td> <td>398</td> <td>3\"/> <tr> <td>3992</td> <td>A</td> <td>3\"/> <tr> <td>3993</td> <td>ETR</td> <td>-</td> <td>WD.</td> <td>J2</td> <td>PTD.</td> <td>-</td> <td>399</td> <td>3\"/> <tr> <td>3994</td> <td>ETR</td> <td>-</td> <td>WD.</td> <td>J2</td> <td>PTD.</td> <td>-</td> <td>3991</td>
<td>3\"/> <tr> <td>3995</td> <td>ETR</td> <td>-</td> <td>WD.</td> <td>J2</td> <td>PTD.</td> <td>-</td> <td>3992</td> <td>3\"/> <tr> <td>3997</td> <td>ETR</td> <td>-</td> <td>WD.</td> <td>J2</td> <td>PTD.</td> <td>-</td> <td>3993</td> <td>3\"/> <tr> <td>3998</td> <td>ETR</td> <td>-</td> <td>WD.</td> <td>J2</td> <td>PTD.</td> <td>-</td> <td>3994</td> <td>3\"/> <tr> <td>3999</td> <td>ETR</td> <td>-</td> <td>WD.</td> <td>J2</td> <td>PTD.</td> <td>-</td> <td>3995</td> <td>3\"/> <tr> <td>3999</td> <td>ETR</td> <td>-</td> <td>WD.</td> <td>J2</td> <td>PTD.</td> <td>-</td> <td>3997</td> <td>3\"/> </td></tr></td></tr></td></tr></td></tr></td></tr></td></tr></td></tr></td></tr></td></tr></td></tr></td></tr></td></tr></td></tr> | 395 | ETR | - | WD. | J2 | PTD.
 | - | 391B | 3\"/> <tr> <td>396</td> <td>ETR</td> <td>-</td> <td>WD.</td> <td>J2</td> <td>PTD.</td> <td>-</td> <td>394</td> <td>3\"/> <tr> <td>398</td> <td>ETR</td> <td>-</td> <td>WD.</td> <td>J2</td> <td>PTD.</td> <td>-</td> <td>395</td> <td>3\"/> <tr> <td>399</td> <td>ETR</td> <td>-</td> <td>WD.</td> <td>J2</td> <td>PTD.</td> <td>-</td> <td>396</td> <td>3\"/> <tr> <td>3991</td> <td>ETR</td> <td>-</td> <td>WD.</td> <td>J2</td> <td>PTD.</td> <td>-</td> <td>398</td> <td>3\"/> <tr> <td>3992</td> <td>A</td> <td>3\"/> <tr> <td>3993</td> <td>ETR</td> <td>-</td> <td>WD.</td> <td>J2</td> <td>PTD.</td> <td>-</td> <td>399</td> <td>3\"/> <tr> <td>3994</td> <td>ETR</td> <td>-</td> <td>WD.</td> <td>J2</td> <td>PTD.</td> <td>-</td> <td>3991</td> <td>3\"/> <tr> <td>3995</td> <td>ETR</td> <td>-</td> <td>WD.</td> <td>J2</td> <td>PTD.</td> <td>-</td> <td>3992</td> <td>3\"/> <tr> <td>3997</td> <td>ETR</td> <td>-</td> <td>WD.</td> <td>J2</td> <td>PTD.</td> <td>-</td> <td>3993</td> <td>3\"/> <tr> <td>3998</td> <td>ETR</td> <td>-</td> <td>WD.</td> <td>J2</td> <td>PTD.</td> <td>-</td> <td>3994</td> <td>3\"/> <tr> <td>3999</td> <td>ETR</td> <td>-</td> <td>WD.</td> <td>J2</td> <td>PTD.</td> <td>-</td> <td>3995</td> <td>3\"/> <tr> <td>3999</td> <td>ETR</td> <td>-</td> <td>WD.</td> <td>J2</td> <td>PTD.</td> <td>-</td> <td>3997</td> <td>3\"/> </td></tr></td></tr></td></tr></td></tr></td></tr></td></tr></td></tr></td></tr></td></tr></td></tr></td></tr></td></tr> | 396 | ETR | - | WD. | J2 | PTD.
 | - | 394 | 3\"/> <tr> <td>398</td> <td>ETR</td> <td>-</td> <td>WD.</td> <td>J2</td> <td>PTD.</td> <td>-</td> <td>395</td> <td>3\"/> <tr> <td>399</td> <td>ETR</td> <td>-</td> <td>WD.</td> <td>J2</td> <td>PTD.</td> <td>-</td> <td>396</td> <td>3\"/> <tr> <td>3991</td> <td>ETR</td> <td>-</td> <td>WD.</td> <td>J2</td> <td>PTD.</td> <td>-</td> <td>398</td> <td>3\"/> <tr> <td>3992</td> <td>A</td> <td>3\"/> <tr> <td>3993</td> <td>ETR</td> <td>-</td> <td>WD.</td> <td>J2</td> <td>PTD.</td> <td>-</td> <td>399</td> <td>3\"/> <tr> <td>3994</td> <td>ETR</td> <td>-</td> <td>WD.</td> <td>J2</td> <td>PTD.</td> <td>-</td> <td>3991</td> <td>3\"/> <tr> <td>3995</td> <td>ETR</td> <td>-</td> <td>WD.</td> <td>J2</td> <td>PTD.</td> <td>-</td> <td>3992</td> <td>3\"/> <tr> <td>3997</td> <td>ETR</td> <td>-</td> <td>WD.</td> <td>J2</td> <td>PTD.</td> <td>-</td> <td>3993</td> <td>3\"/> <tr> <td>3998</td> <td>ETR</td> <td>-</td> <td>WD.</td> <td>J2</td> <td>PTD.</td> <td>-</td> <td>3994</td> <td>3\"/> <tr> <td>3999</td> <td>ETR</td> <td>-</td> <td>WD.</td> <td>J2</td> <td>PTD.</td> <td>-</td> <td>3995</td> <td>3\"/> <tr> <td>3999</td> <td>ETR</td> <td>-</td> <td>WD.</td> <td>J2</td> <td>PTD.</td> <td>-</td> <td>3997</td> <td>3\"/> </td></tr></td></tr></td></tr></td></tr></td></tr></td></tr></td></tr></td></tr></td></tr></td></tr></td></tr> | 398 | ETR | -
 | WD. | J2 | PTD. | - | 395 | 3\"/> <tr> <td>399</td> <td>ETR</td> <td>-</td> <td>WD.</td> <td>J2</td> <td>PTD.</td> <td>-</td> <td>396</td> <td>3\"/> <tr> <td>3991</td> <td>ETR</td> <td>-</td> <td>WD.</td> <td>J2</td> <td>PTD.</td> <td>-</td> <td>398</td> <td>3\"/> <tr> <td>3992</td> <td>A</td> <td>3\"/> <tr> <td>3993</td> <td>ETR</td> <td>-</td> <td>WD.</td> <td>J2</td> <td>PTD.</td> <td>-</td> <td>399</td> <td>3\"/> <tr> <td>3994</td> <td>ETR</td> <td>-</td> <td>WD.</td> <td>J2</td> <td>PTD.</td> <td>-</td> <td>3991</td> <td>3\"/> <tr> <td>3995</td> <td>ETR</td> <td>-</td> <td>WD.</td> <td>J2</td> <td>PTD.</td> <td>-</td> <td>3992</td> <td>3\"/> <tr> <td>3997</td> <td>ETR</td> <td>-</td> <td>WD.</td> <td>J2</td> <td>PTD.</td> <td>-</td> <td>3993</td> <td>3\"/> <tr> <td>3998</td> <td>ETR</td> <td>-</td> <td>WD.</td> <td>J2</td> <td>PTD.</td> <td>-</td> <td>3994</td> <td>3\"/> <tr> <td>3999</td> <td>ETR</td> <td>-</td> <td>WD.</td> <td>J2</td> <td>PTD.</td> <td>-</td> <td>3995</td> <td>3\"/> <tr> <td>3999</td> <td>ETR</td> <td>-</td> <td>WD.</td> <td>J2</td> <td>PTD.</td> <td>-</td> <td>3997</td> <td>3\"/> </td></tr></td></tr></td></tr></td></tr></td></tr></td></tr></td></tr></td></tr></td></tr></td></tr> | 399 | ETR | -
 | WD. | J2 | PTD. | - | 396 | 3\"/> <tr> <td>3991</td> <td>ETR</td> <td>-</td> <td>WD.</td> <td>J2</td> <td>PTD.</td> <td>-</td> <td>398</td> <td>3\"/> <tr> <td>3992</td> <td>A</td> <td>3\"/> <tr> <td>3993</td> <td>ETR</td> <td>-</td> <td>WD.</td> <td>J2</td> <td>PTD.</td> <td>-</td> <td>399</td> <td>3\"/> <tr> <td>3994</td> <td>ETR</td> <td>-</td> <td>WD.</td> <td>J2</td> <td>PTD.</td> <td>-</td> <td>3991</td> <td>3\"/> <tr> <td>3995</td> <td>ETR</td> <td>-</td> <td>WD.</td> <td>J2</td> <td>PTD.</td> <td>-</td> <td>3992</td> <td>3\"/> <tr> <td>3997</td> <td>ETR</td> <td>-</td> <td>WD.</td> <td>J2</td> <td>PTD.</td> <td>-</td> <td>3993</td> <td>3\"/> <tr> <td>3998</td> <td>ETR</td> <td>-</td> <td>WD.</td> <td>J2</td> <td>PTD.</td> <td>-</td> <td>3994</td> <td>3\"/> <tr> <td>3999</td> <td>ETR</td> <td>-</td> <td>WD.</td> <td>J2</td> <td>PTD.</td> <td>-</td> <td>3995</td> <td>3\"/> <tr> <td>3999</td> <td>ETR</td> <td>-</td> <td>WD.</td> <td>J2</td> <td>PTD.</td> <td>-</td> <td>3997</td> <td>3\"/> </td></tr></td></tr></td></tr></td></tr></td></tr></td></tr></td></tr></td></tr></td></tr> | 3991 | ETR | -
 | WD. | J2 | PTD. | - | 398 | 3\"/> <tr> <td>3992</td> <td>A</td> <td>3\"/> <tr> <td>3993</td> <td>ETR</td> <td>-</td> <td>WD.</td> <td>J2</td> <td>PTD.</td> <td>-</td> <td>399</td> <td>3\"/> <tr> <td>3994</td> <td>ETR</td> <td>-</td> <td>WD.</td> <td>J2</td> <td>PTD.</td> <td>-</td> <td>3991</td> <td>3\"/> <tr> <td>3995</td> <td>ETR</td> <td>-</td> <td>WD.</td> <td>J2</td> <td>PTD.</td> <td>-</td> <td>3992</td> <td>3\"/> <tr> <td>3997</td> <td>ETR</td> <td>-</td> <td>WD.</td> <td>J2</td> <td>PTD.</td> <td>-</td> <td>3993</td> <td>3\"/> <tr> <td>3998</td> <td>ETR</td> <td>-</td> <td>WD.</td> <td>J2</td> <td>PTD.</td> <td>-</td> <td>3994</td> <td>3\"/> <tr> <td>3999</td> <td>ETR</td> <td>-</td> <td>WD.</td> <td>J2</td> <td>PTD.</td> <td>-</td> <td>3995</td> <td>3\"/> <tr> <td>3999</td> <td>ETR</td> <td>-</td> <td>WD.</td> <td>J2</td> <td>PTD.</td> <td>-</td> <td>3997</td> <td>3\"/> </td></tr></td></tr></td></tr></td></tr></td></tr></td></tr></td></tr></td></tr> | 3992 | A | 3\"/> <tr> <td>3993</td> <td>ETR</td> <td>-</td> <td>WD.</td> <td>J2</td> <td>PTD.</td> <td>-</td> <td>399</td> <td>3\"/> <tr> <td>3994</td> <td>ETR</td> <td>-</td>
<td>WD.</td> <td>J2</td> <td>PTD.</td> <td>-</td> <td>3991</td> <td>3\"/> <tr> <td>3995</td> <td>ETR</td> <td>-</td> <td>WD.</td> <td>J2</td> <td>PTD.</td> <td>-</td> <td>3992</td> <td>3\"/> <tr> <td>3997</td> <td>ETR</td> <td>-</td> <td>WD.</td> <td>J2</td> <td>PTD.</td> <td>-</td> <td>3993</td> <td>3\"/> <tr> <td>3998</td> <td>ETR</td> <td>-</td> <td>WD.</td> <td>J2</td> <td>PTD.</td> <td>-</td> <td>3994</td> <td>3\"/> <tr> <td>3999</td> <td>ETR</td> <td>-</td> <td>WD.</td> <td>J2</td> <td>PTD.</td> <td>-</td> <td>3995</td> <td>3\"/> <tr> <td>3999</td> <td>ETR</td> <td>-</td> <td>WD.</td> <td>J2</td> <td>PTD.</td> <td>-</td> <td>3997</td> <td>3\"/> </td></tr></td></tr></td></tr></td></tr></td></tr></td></tr></td></tr> | 3993 | ETR | - | WD. | J2 | PTD.
| - | 399 | 3\"/> <tr> <td>3994</td> <td>ETR</td> <td>-</td> <td>WD.</td> <td>J2</td> <td>PTD.</td> <td>-</td> <td>3991</td> <td>3\"/> <tr> <td>3995</td> <td>ETR</td> <td>-</td> <td>WD.</td> <td>J2</td> <td>PTD.</td> <td>-</td> <td>3992</td> <td>3\"/> <tr> <td>3997</td> <td>ETR</td> <td>-</td> <td>WD.</td> <td>J2</td> <td>PTD.</td> <td>-</td> <td>3993</td> <td>3\"/> <tr> <td>3998</td> <td>ETR</td> <td>-</td> <td>WD.</td> <td>J2</td> <td>PTD.</td> <td>-</td> <td>3994</td> <td>3\"/> <tr> <td>3999</td> <td>ETR</td> <td>-</td> <td>WD.</td> <td>J2</td> <td>PTD.</td> <td>-</td> <td>3995</td> <td>3\"/> <tr> <td>3999</td> <td>ETR</td> <td>-</td> <td>WD.</td> <td>J2</td> <td>PTD.</td> <td>-</td> <td>3997</td> <td>3\"/> </td></tr></td></tr></td></tr></td></tr></td></tr></td></tr> | 3994 | ETR | - | WD. | J2 | PTD. | - | 3991 | 3\"/> <tr> <td>3995</td> <td>ETR</td> <td>-</td> <td>WD.</td> <td>J2</td> <td>PTD.</td> <td>-</td> <td>3992</td> <td>3\"/> <tr> <td>3997</td> <td>ETR</td> <td>-</td>
<td>WD.</td> <td>J2</td> <td>PTD.</td> <td>-</td> <td>3993</td> <td>3\"/> <tr> <td>3998</td> <td>ETR</td> <td>-</td> <td>WD.</td> <td>J2</td> <td>PTD.</td> <td>-</td> <td>3994</td> <td>3\"/> <tr> <td>3999</td> <td>ETR</td> <td>-</td> <td>WD.</td> <td>J2</td> <td>PTD.</td> <td>-</td> <td>3995</td> <td>3\"/> <tr> <td>3999</td> <td>ETR</td> <td>-</td> <td>WD.</td> <td>J2</td> <td>PTD.</td> <td>-</td> <td>3997</td> <td>3\"/> </td></tr></td></tr></td></tr></td></tr></td></tr> | 3995 | ETR | - | WD. | J2 | PTD. | - | 3992 | 3\"/> <tr> <td>3997</td> <td>ETR</td> <td>-</td> <td>WD.</td> <td>J2</td> <td>PTD.</td> <td>-</td> <td>3993</td> <td>3\"/> <tr> <td>3998</td> <td>ETR</td> <td>-</td> <td>WD.</td> <td>J2</td> <td>PTD.</td> <td>-</td> <td>3994</td> <td>3\"/> <tr> <td>3999</td> <td>ETR</td> <td>-</td> <td>WD.</td> <td>J2</td> <td>PTD.</td> <td>-</td> <td>3995</td> <td>3\"/> <tr> <td>3999</td> <td>ETR</td> <td>-</td> <td>WD.</td> <td>J2</td> <td>PTD.</td> <td>-</td> <td>3997</td> <td>3\"/> </td></tr></td></tr></td></tr></td></tr>
 | 3997 | ETR | - | WD. | J2 | PTD. | - | 3993 | 3\"/> <tr> <td>3998</td> <td>ETR</td> <td>-</td> <td>WD.</td> <td>J2</td> <td>PTD.</td> <td>-</td> <td>3994</td> <td>3\"/> <tr> <td>3999</td> <td>ETR</td> <td>-</td> <td>WD.</td> <td>J2</td> <td>PTD.</td> <td>-</td> <td>3995</td> <td>3\"/> <tr> <td>3999</td> <td>ETR</td> <td>-</td> <td>WD.</td> <td>J2</td> <td>PTD.</td> <td>-</td> <td>3997</td> <td>3\"/> </td></tr></td></tr></td></tr> | 3998 | ETR | -
 | WD. | J2 | PTD. | - | 3994 | 3\"/> <tr> <td>3999</td> <td>ETR</td> <td>-</td> <td>WD.</td> <td>J2</td> <td>PTD.</td> <td>-</td> <td>3995</td> <td>3\"/> <tr> <td>3999</td> <td>ETR</td> <td>-</td> <td>WD.</td> <td>J2</td> <td>PTD.</td> <td>-</td> <td>3997</td> <td>3\"/> </td></tr></td></tr> | 3999 | ETR | - | WD. | J2 | PTD. | - | 3995 | 3\"/> <tr> <td>3999</td> <td>ETR</td> <td>-</td> <td>WD.</td> <td>J2</td> <td>PTD.</td> <td>-</td> <td>3997</td> <td>3\"/> </td></tr>
 | 3999 | ETR | - | WD. | J2 | PTD. | - | 3997 | 3\"/> | | | | | | | | | | | | | | | | | | | | | | | | | | | | | | | | | | | | | | | | | | | | | | | | |
 | | | | | | | | | | | | | | | | | |
 | | | | | | | | | | | | | | | | | | | | | | | |
 | | | | | | | | | | | | | | | | | | | | | | | | | | |
 | | | | | | | | | | | | | | | | | | | | | | | | | | | | | | | | | | | | | | |
 | | | | | | | | | | | | | | | | | | | | | | | | | | | | | | | | | | | | | | | | | | | | | | | | | | | | | | | | | |
| 374B | ETR | - | WD. | J2 | PTD. | - | 372 | 3\"/> <tr> <td>374C</td> <td>ETR</td> <td>-</td> <td>WD.</td> <td>J2</td> <td>PTD.</td> <td>-</td> <td>373A</td> <td>3\"/> <tr> <td>375</td> <td>B</td> <td>1 <td>WD</td> <td>J1</td> <td>PTD.</td> <td>-</td> <td>374B</td> <td>3\"/> <tr> <td>376</td> <td>B</td> <td>1 <td>WD</td> <td>J1</td> <td>PTD.</td> <td>-</td> <td>374C</td> <td>3\"/> <tr> <td>377</td> <td>B</td> <td>1 <td>WD</td> <td>J1</td> <td>PTD.</td> <td>-</td> <td>375</td> <td>3\"/> <tr> <td>377A</td> <td>B</td> <td>1 <td>WD</td> <td>J1</td> <td>PTD.</td> <td>-</td> <td>376</td> <td>3\"/> <tr> <td>378</td> <td>B</td> <td>1 <td>WD</td> <td>J1</td> <td>PTD.</td> <td>-</td> <td>377</td> <td>3\"/> <tr> <td>379</td> <td>B</td> <td>1 <td>WD</td> <td>J1</td> <td>PTD.</td> <td>-</td> <td>377A</td> <td>3\"/> <tr> <td>380A</td> <td>B</td> <td>1 <td>WD</td> <td>J1</td> <td>PTD.</td> <td>-</td> <td>378</td> <td>3\"/> <tr> <td>380B</td> <td>B</td> <td>1 <td>WD</td> <td>J1</td> <td>PTD.</td> <td>-</td> <td>379</td> <td>3\"/> <tr> <td>382</td> <td>ETR</td> <td>-</td> <td>WD.</td> <td>J2</td> <td>PTD.</td> <td>-</td> <td>380A</td> <td>3\"/> <tr> <td>382A</td> <td>D</td> <td>6 <td>ALUM.</td> <td>ANODIZE D</td> <td>-</td> <td>-</td> <td>380B</td> <td>3\"/> <tr> <td>385</td> <td>ETR</td> <td>-</td> <td>WD.</td> <td>J2</td> <td>PTD.</td> <td>-</td> <td>382</td> <td>3\"/> <tr> <td>386</td> <td>ETR</td> <td>-</td> <td>WD.</td> <td>J2</td> <td>PTD.</td> <td>-</td> <td>382A</td> <td>3\"/> <tr> <td>387</td> <td>ETR</td> <td>-</td> <td>WD.</td> <td>J2</td> <td>PTD.</td> <td>-</td> <td>385</td> <td>3\"/> <tr> <td>388</td> <td>ETR</td> <td>-</td> <td>WD.</td> <td>J2</td> <td>PTD.</td> <td>-</td> <td>386</td> <td>3\"/> <tr> <td>389</td> <td>ETR</td> <td>-</td> <td>WD.</td> <td>J2</td> <td>PTD.</td> <td>-</td> <td>387</td> <td>3\"/> <tr> <td>391</td> <td>ETR</td> <td>-</td> <td>WD.</td> <td>J2</td> <td>PTD.</td> <td>-</td> <td>388</td> <td>3\"/> <tr> <td>391A</td> <td>ETR</td> <td>-</td> <td>WD.</td> <td>J2</td> <td>PTD.</td> <td>-</td> <td>389</td> <td>3\"/> <tr> <td>391B</td> <td>ETR</td> <td>-</td> <td>WD.</td> <td>J2</td> <td>PTD.</td> <td>-</td> <td>391</td> <td>3\"/> <tr> <td>394</td> <td>ETR</td> <td>-</td> <td>WD.</td> <td>J2</td> <td>PTD.</td> <td>-</td> <td>391A</td> <td>3\"/> <tr> <td>395</td> <td>ETR</td> <td>-</td> <td>WD.</td> <td>J2</td> <td>PTD.</td> <td>-</td> <td>391B</td> <td>3\"/> <tr> <td>396</td> <td>ETR</td> <td>-</td> <td>WD.</td> <td>J2</td> <td>PTD.</td> <td>-</td> <td>394</td> <td>3\"/> <tr> <td>398</td> <td>ETR</td> <td>-</td> <td>WD.</td> <td>J2</td> <td>PTD.</td> <td>-</td> <td>395</td> <td>3\"/> <tr> <td>399</td> <td>ETR</td> <td>-</td> <td>WD.</td> <td>J2</td> <td>PTD.</td> <td>-</td> <td>396</td> <td>3\"/> <tr> <td>3991</td> <td>ETR</td> <td>-</td> <td>WD.</td> <td>J2</td> <td>PTD.</td> <td>-</td> <td>398</td> <td>3\"/> <tr> <td>3992</td> <td>A</td> <td>3\"/> <tr> <td>3993</td>
<td>ETR</td> <td>-</td> <td>WD.</td> <td>J2</td> <td>PTD.</td> <td>-</td> <td>399</td> <td>3\"/> <tr> <td>3994</td> <td>ETR</td> <td>-</td> <td>WD.</td> <td>J2</td> <td>PTD.</td> <td>-</td> <td>3991</td> <td>3\"/> <tr> <td>3995</td> <td>ETR</td> <td>-</td> <td>WD.</td> <td>J2</td> <td>PTD.</td> <td>-</td> <td>3992</td> <td>3\"/> <tr> <td>3997</td> <td>ETR</td> <td>-</td> <td>WD.</td> <td>J2</td> <td>PTD.</td> <td>-</td> <td>3993</td> <td>3\"/> <tr> <td>3998</td> <td>ETR</td> <td>-</td> <td>WD.</td> <td>J2</td> <td>PTD.</td> <td>-</td> <td>3994</td> <td>3\"/> <tr> <td>3999</td> <td>ETR</td> <td>-</td> <td>WD.</td> <td>J2</td> <td>PTD.</td> <td>-</td> <td>3995</td> <td>3\"/> <tr> <td>3999</td> <td>ETR</td> <td>-</td> <td>WD.</td> <td>J2</td> <td>PTD.</td> <td>-</td> <td>3997</td> <td>3\"/> </td></tr></td></tr></td></tr></td></tr></td></tr></td></tr></td></tr></td></tr></td></tr></td></tr></td></tr></td></tr></td></tr></td></tr></td></tr></td></tr></td></tr></td></tr></td></tr></td></tr></td></tr></td></tr></td></td></tr></td></tr></td></td></tr></td></td></tr></td></td></tr></td></td></tr></td></td></tr></td></td></tr></td></td></tr></td></td></tr></td></tr> | 374C | ETR | -
 | WD. | J2 | PTD. | - | 373A | 3\"/> <tr> <td>375</td> <td>B</td> <td>1 <td>WD</td> <td>J1</td> <td>PTD.</td> <td>-</td> <td>374B</td> <td>3\"/> <tr> <td>376</td> <td>B</td> <td>1 <td>WD</td> <td>J1</td> <td>PTD.</td> <td>-</td> <td>374C</td> <td>3\"/> <tr> <td>377</td> <td>B</td> <td>1 <td>WD</td> <td>J1</td> <td>PTD.</td> <td>-</td> <td>375</td> <td>3\"/> <tr> <td>377A</td> <td>B</td> <td>1 <td>WD</td> <td>J1</td> <td>PTD.</td> <td>-</td> <td>376</td> <td>3\"/> <tr> <td>378</td> <td>B</td> <td>1 <td>WD</td> <td>J1</td> <td>PTD.</td> <td>-</td> <td>377</td> <td>3\"/> <tr> <td>379</td> <td>B</td> <td>1 <td>WD</td> <td>J1</td> <td>PTD.</td> <td>-</td> <td>377A</td> <td>3\"/> <tr> <td>380A</td> <td>B</td> <td>1 <td>WD</td> <td>J1</td> <td>PTD.</td> <td>-</td> <td>378</td> <td>3\"/> <tr> <td>380B</td> <td>B</td> <td>1 <td>WD</td> <td>J1</td> <td>PTD.</td> <td>-</td> <td>379</td> <td>3\"/> <tr> <td>382</td> <td>ETR</td> <td>-</td> <td>WD.</td> <td>J2</td> <td>PTD.</td> <td>-</td> <td>380A</td> <td>3\"/> <tr> <td>382A</td> <td>D</td> <td>6 <td>ALUM.</td> <td>ANODIZE D</td> <td>-</td> <td>-</td> <td>380B</td> <td>3\"/> <tr> <td>385</td> <td>ETR</td> <td>-</td> <td>WD.</td> <td>J2</td> <td>PTD.</td> <td>-</td> <td>382</td> <td>3\"/> <tr> <td>386</td> <td>ETR</td> <td>-</td> <td>WD.</td> <td>J2</td> <td>PTD.</td> <td>-</td> <td>382A</td> <td>3\"/> <tr> <td>387</td> <td>ETR</td> <td>-</td> <td>WD.</td> <td>J2</td> <td>PTD.</td> <td>-</td> <td>385</td> <td>3\"/> <tr> <td>388</td> <td>ETR</td> <td>-</td> <td>WD.</td> <td>J2</td> <td>PTD.</td> <td>-</td> <td>386</td> <td>3\"/> <tr> <td>389</td> <td>ETR</td> <td>-</td> <td>WD.</td> <td>J2</td> <td>PTD.</td> <td>-</td> <td>387</td> <td>3\"/> <tr> <td>391</td> <td>ETR</td> <td>-</td> <td>WD.</td> <td>J2</td> <td>PTD.</td> <td>-</td> <td>388</td> <td>3\"/> <tr> <td>391A</td> <td>ETR</td> <td>-</td> <td>WD.</td> <td>J2</td> <td>PTD.</td> <td>-</td> <td>389</td> <td>3\"/> <tr> <td>391B</td> <td>ETR</td> <td>-</td> <td>WD.</td> <td>J2</td> <td>PTD.</td> <td>-</td> <td>391</td> <td>3\"/> <tr> <td>394</td> <td>ETR</td> <td>-</td> <td>WD.</td> <td>J2</td> <td>PTD.</td> <td>-</td> <td>391A</td> <td>3\"/> <tr> <td>395</td> <td>ETR</td> <td>-</td> <td>WD.</td> <td>J2</td> <td>PTD.</td> <td>-</td> <td>391B</td> <td>3\"/> <tr> <td>396</td> <td>ETR</td> <td>-</td> <td>WD.</td> <td>J2</td> <td>PTD.</td> <td>-</td> <td>394</td> <td>3\"/> <tr> <td>398</td> <td>ETR</td> <td>-</td> <td>WD.</td> <td>J2</td> <td>PTD.</td> <td>-</td> <td>395</td> <td>3\"/> <tr> <td>399</td> <td>ETR</td> <td>-</td> <td>WD.</td> <td>J2</td> <td>PTD.</td> <td>-</td> <td>396</td> <td>3\"/> <tr> <td>3991</td> <td>ETR</td> <td>-</td> <td>WD.</td> <td>J2</td> <td>PTD.</td> <td>-</td> <td>398</td> <td>3\"/> <tr> <td>3992</td> <td>A</td> <td>3\"/> <tr> <td>3993</td> <td>ETR</td> <td>-</td> <td>WD.</td> <td>J2</td> <td>PTD.</td> <td>-</td> <td>399</td> <td>3\"/> <tr> <td>3994</td> <td>ETR</td> <td>-</td> <td>WD.</td> <td>J2</td> <td>PTD.</td> <td>-</td> <td>3991</td> <td>3\"/> <tr> <td>3995</td> <td>ETR</td> <td>-</td> <td>WD.</td> <td>J2</td> <td>PTD.</td> <td>-</td> <td>3992</td> <td>3\"/> <tr> <td>3997</td> <td>ETR</td> <td>-</td> <td>WD.</td> <td>J2</td> <td>PTD.</td> <td>-</td> <td>3993</td> <td>3\"/> <tr> <td>3998</td> <td>ETR</td> <td>-</td> <td>WD.</td> <td>J2</td> <td>PTD.</td> <td>-</td> <td>3994</td> <td>3\"/> <tr> <td>3999</td> <td>ETR</td> <td>-</td> <td>WD.</td> <td>J2</td> <td>PTD.</td> <td>-</td> <td>3995</td> <td>3\"/> <tr> <td>3999</td> <td>ETR</td> <td>-</td> <td>WD.</td> <td>J2</td> <td>PTD.</td> <td>-</td> <td>3997</td> <td>3\"/> </td></tr></td></tr></td></tr></td></tr></td></tr></td></tr></td></tr></td></tr></td></tr></td></tr></td></tr></td></tr></td></tr></td></tr></td></tr></td></tr></td></tr></td></tr></td></tr></td></tr></td></tr></td></tr></td></td></tr></td></tr></td></td></tr></td></td></tr></td></td></tr></td></td></tr></td></td></tr></td></td></tr></td></td></tr></td></td></tr> | 375 | B | 1 <td>WD</td> <td>J1</td> <td>PTD.</td> <td>-</td> <td>374B</td> <td>3\"/> <tr> <td>376</td> <td>B</td> <td>1 <td>WD</td> <td>J1</td> <td>PTD.</td> <td>-</td> <td>374C</td> <td>3\"/> <tr> <td>377</td> <td>B</td> <td>1 <td>WD</td> <td>J1</td> <td>PTD.</td> <td>-</td> <td>375</td> <td>3\"/> <tr> <td>377A</td> <td>B</td> <td>1 <td>WD</td> <td>J1</td> <td>PTD.</td> <td>-</td> <td>376</td> <td>3\"/> <tr> <td>378</td> <td>B</td> <td>1 <td>WD</td> <td>J1</td> <td>PTD.</td> <td>-</td> <td>377</td> <td>3\"/> <tr> <td>379</td> <td>B</td> <td>1 <td>WD</td> <td>J1</td> <td>PTD.</td> <td>-</td> <td>377A</td> <td>3\"/> <tr> <td>380A</td> <td>B</td> <td>1 <td>WD</td> <td>J1</td> <td>PTD.</td> <td>-</td> <td>378</td> <td>3\"/> <tr> <td>380B</td> <td>B</td> <td>1 <td>WD</td> <td>J1</td> <td>PTD.</td> <td>-</td> <td>379</td> <td>3\"/> <tr> <td>382</td> <td>ETR</td> <td>-</td> <td>WD.</td> <td>J2</td> <td>PTD.</td> <td>-</td> <td>380A</td> <td>3\"/> <tr> <td>382A</td> <td>D</td> <td>6 <td>ALUM.</td> <td>ANODIZE D</td> <td>-</td> <td>-</td> <td>380B</td> <td>3\"/> <tr> <td>385</td> <td>ETR</td> <td>-</td> <td>WD.</td> <td>J2</td> <td>PTD.</td> <td>-</td> <td>382</td> <td>3\"/> <tr> <td>386</td> <td>ETR</td> <td>-</td> <td>WD.</td> <td>J2</td> <td>PTD.</td> <td>-</td> <td>382A</td> <td>3\"/> <tr> <td>387</td> <td>ETR</td> <td>-</td> <td>WD.</td> <td>J2</td> <td>PTD.</td> <td>-</td> <td>385</td> <td>3\"/> <tr> <td>388</td> <td>ETR</td> <td>-</td> <td>WD.</td> <td>J2</td> <td>PTD.</td> <td>-</td> <td>386</td> <td>3\"/> <tr> <td>389</td> <td>ETR</td> <td>-</td> <td>WD.</td> <td>J2</td> <td>PTD.</td> <td>-</td> <td>387</td> <td>3\"/> <tr> <td>391</td> <td>ETR</td> <td>-</td> <td>WD.</td> <td>J2</td> <td>PTD.</td> <td>-</td> <td>388</td> <td>3\"/> <tr> <td>391A</td> <td>ETR</td> <td>-</td> <td>WD.</td> <td>J2</td> <td>PTD.</td> <td>-</td> <td>389</td> <td>3\"/> <tr> <td>391B</td> <td>ETR</td> <td>-</td> <td>WD.</td> <td>J2</td> <td>PTD.</td> <td>-</td> <td>391</td> <td>3\"/> <tr> <td>394</td> <td>ETR</td> <td>-</td> <td>WD.</td> <td>J2</td> <td>PTD.</td> <td>-</td> <td>391A</td> <td>3\"/> <tr> <td>395</td> <td>ETR</td> <td>-</td> <td>WD.</td> <td>J2</td> <td>PTD.</td> <td>-</td> <td>391B</td> <td>3\"/> <tr> <td>396</td> <td>ETR</td> <td>-</td> <td>WD.</td> <td>J2</td> <td>PTD.</td> <td>-</td> <td>394</td> <td>3\"/> <tr> <td>398</td> <td>ETR</td> <td>-</td> <td>WD.</td> <td>J2</td> <td>PTD.</td> <td>-</td> <td>395</td> <td>3\"/> <tr> <td>399</td> <td>ETR</td> <td>-</td> <td>WD.</td> <td>J2</td> <td>PTD.</td> <td>-</td> <td>396</td> <td>3\"/> <tr> <td>3991</td>
<td>ETR</td> <td>-</td> <td>WD.</td> <td>J2</td> <td>PTD.</td> <td>-</td> <td>398</td> <td>3\"/> <tr> <td>3992</td> <td>A</td> <td>3\"/> <tr> <td>3993</td> <td>ETR</td> <td>-</td> <td>WD.</td> <td>J2</td> <td>PTD.</td> <td>-</td> <td>399</td> <td>3\"/> <tr> <td>3994</td> <td>ETR</td> <td>-</td> <td>WD.</td> <td>J2</td> <td>PTD.</td> <td>-</td> <td>3991</td> <td>3\"/> <tr> <td>3995</td> <td>ETR</td> <td>-</td> <td>WD.</td> <td>J2</td> <td>PTD.</td> <td>-</td> <td>3992</td> <td>3\"/> <tr> <td>3997</td> <td>ETR</td> <td>-</td> <td>WD.</td> <td>J2</td> <td>PTD.</td> <td>-</td> <td>3993</td> <td>3\"/> <tr> <td>3998</td> <td>ETR</td> <td>-</td> <td>WD.</td> <td>J2</td> <td>PTD.</td> <td>-</td> <td>3994</td> <td>3\"/> <tr> <td>3999</td> <td>ETR</td> <td>-</td> <td>WD.</td> <td>J2</td> <td>PTD.</td> <td>-</td> <td>3995</td> <td>3\"/> <tr> <td>3999</td> <td>ETR</td> <td>-</td> <td>WD.</td> <td>J2</td> <td>PTD.</td> <td>-</td> <td>3997</td> <td>3\"/> </td></tr></td></tr></td></tr></td></tr></td></tr></td></tr></td></tr></td></tr></td></tr></td></tr></td></tr></td></tr></td></tr></td></tr></td></tr></td></tr></td></tr></td></tr></td></tr></td></tr></td></tr></td></tr></td></td></tr></td></tr></td></td></tr></td></td></tr></td></td></tr></td></td></tr></td></td></tr></td></td></tr></td></td></tr></td> | WD | J1 | PTD. | - | 374B | 3\"/> <tr> <td>376</td> <td>B</td> <td>1 <td>WD</td> <td>J1</td> <td>PTD.</td> <td>-</td> <td>374C</td> <td>3\"/> <tr> <td>377</td> <td>B</td> <td>1 <td>WD</td> <td>J1</td> <td>PTD.</td> <td>-</td> <td>375</td> <td>3\"/> <tr> <td>377A</td> <td>B</td> <td>1 <td>WD</td> <td>J1</td> <td>PTD.</td> <td>-</td> <td>376</td> <td>3\"/> <tr> <td>378</td> <td>B</td> <td>1 <td>WD</td> <td>J1</td> <td>PTD.</td> <td>-</td> <td>377</td> <td>3\"/> <tr> <td>379</td> <td>B</td> <td>1 <td>WD</td> <td>J1</td> <td>PTD.</td> <td>-</td> <td>377A</td> <td>3\"/> <tr> <td>380A</td> <td>B</td> <td>1 <td>WD</td> <td>J1</td> <td>PTD.</td> <td>-</td> <td>378</td> <td>3\"/> <tr> <td>380B</td> <td>B</td> <td>1 <td>WD</td> <td>J1</td> <td>PTD.</td> <td>-</td> <td>379</td> <td>3\"/> <tr> <td>382</td> <td>ETR</td> <td>-</td> <td>WD.</td> <td>J2</td> <td>PTD.</td> <td>-</td> <td>380A</td> <td>3\"/> <tr> <td>382A</td> <td>D</td> <td>6 <td>ALUM.</td> <td>ANODIZE D</td> <td>-</td> <td>-</td> <td>380B</td> <td>3\"/> <tr> <td>385</td> <td>ETR</td> <td>-</td> <td>WD.</td> <td>J2</td> <td>PTD.</td> <td>-</td> <td>382</td> <td>3\"/> <tr> <td>386</td> <td>ETR</td> <td>-</td> <td>WD.</td> <td>J2</td> <td>PTD.</td> <td>-</td> <td>382A</td> <td>3\"/> <tr> <td>387</td> <td>ETR</td> <td>-</td> <td>WD.</td> <td>J2</td> <td>PTD.</td> <td>-</td> <td>385</td> <td>3\"/> <tr> <td>388</td> <td>ETR</td> <td>-</td> <td>WD.</td> <td>J2</td> <td>PTD.</td> <td>-</td> <td>386</td> <td>3\"/> <tr> <td>389</td> <td>ETR</td> <td>-</td> <td>WD.</td> <td>J2</td> <td>PTD.</td> <td>-</td> <td>387</td> <td>3\"/> <tr> <td>391</td> <td>ETR</td> <td>-</td> <td>WD.</td> <td>J2</td> <td>PTD.</td> <td>-</td> <td>388</td> <td>3\"/> <tr> <td>391A</td> <td>ETR</td> <td>-</td> <td>WD.</td> <td>J2</td> <td>PTD.</td> <td>-</td> <td>389</td> <td>3\"/> <tr> <td>391B</td> <td>ETR</td> <td>-</td> <td>WD.</td> <td>J2</td> <td>PTD.</td> <td>-</td> <td>391</td> <td>3\"/> <tr> <td>394</td> <td>ETR</td> <td>-</td> <td>WD.</td> <td>J2</td> <td>PTD.</td> <td>-</td> <td>391A</td> <td>3\"/> <tr> <td>395</td> <td>ETR</td> <td>-</td> <td>WD.</td> <td>J2</td> <td>PTD.</td> <td>-</td> <td>391B</td> <td>3\"/> <tr> <td>396</td> <td>ETR</td> <td>-</td> <td>WD.</td> <td>J2</td> <td>PTD.</td> <td>-</td> <td>394</td> <td>3\"/> <tr> <td>398</td> <td>ETR</td> <td>-</td> <td>WD.</td> <td>J2</td> <td>PTD.</td> <td>-</td> <td>395</td> <td>3\"/> <tr> <td>399</td> <td>ETR</td> <td>-</td> <td>WD.</td> <td>J2</td> <td>PTD.</td> <td>-</td> <td>396</td> <td>3\"/> <tr> <td>3991</td> <td>ETR</td> <td>-</td> <td>WD.</td> <td>J2</td> <td>PTD.</td> <td>-</td> <td>398</td> <td>3\"/> <tr> <td>3992</td> <td>A</td> <td>3\"/> <tr> <td>3993</td> <td>ETR</td> <td>-</td> <td>WD.</td> <td>J2</td> <td>PTD.</td> <td>-</td> <td>399</td> <td>3\"/> <tr> <td>3994</td> <td>ETR</td> <td>-</td> <td>WD.</td> <td>J2</td> <td>PTD.</td> <td>-</td> <td>3991</td> <td>3\"/> <tr> <td>3995</td> <td>ETR</td> <td>-</td> <td>WD.</td> <td>J2</td> <td>PTD.</td> <td>-</td> <td>3992</td> <td>3\"/> <tr> <td>3997</td> <td>ETR</td> <td>-</td> <td>WD.</td> <td>J2</td> <td>PTD.</td> <td>-</td> <td>3993</td> <td>3\"/> <tr> <td>3998</td> <td>ETR</td> <td>-</td> <td>WD.</td> <td>J2</td> <td>PTD.</td> <td>-</td> <td>3994</td> <td>3\"/> <tr> <td>3999</td> <td>ETR</td> <td>-</td> <td>WD.</td> <td>J2</td> <td>PTD.</td> <td>-</td> <td>3995</td> <td>3\"/> <tr> <td>3999</td> <td>ETR</td> <td>-</td> <td>WD.</td> <td>J2</td> <td>PTD.</td> <td>-</td> <td>3997</td> <td>3\"/> </td></tr></td></tr></td></tr></td></tr></td></tr></td></tr></td></tr></td></tr></td></tr></td></tr></td></tr></td></tr></td></tr></td></tr></td></tr></td></tr></td></tr></td></tr></td></tr></td></tr></td></tr></td></tr></td></td></tr></td></tr></td></td></tr></td></td></tr></td></td></tr></td></td></tr></td></td></tr></td></td></tr></td></td></tr>
 | 376 | B | 1 <td>WD</td> <td>J1</td> <td>PTD.</td> <td>-</td> <td>374C</td> <td>3\"/> <tr> <td>377</td> <td>B</td> <td>1 <td>WD</td> <td>J1</td> <td>PTD.</td> <td>-</td> <td>375</td> <td>3\"/> <tr> <td>377A</td> <td>B</td> <td>1 <td>WD</td> <td>J1</td> <td>PTD.</td> <td>-</td> <td>376</td> <td>3\"/> <tr> <td>378</td> <td>B</td> <td>1 <td>WD</td> <td>J1</td> <td>PTD.</td> <td>-</td> <td>377</td> <td>3\"/> <tr> <td>379</td> <td>B</td> <td>1 <td>WD</td> <td>J1</td> <td>PTD.</td> <td>-</td> <td>377A</td> <td>3\"/> <tr> <td>380A</td> <td>B</td> <td>1 <td>WD</td> <td>J1</td> <td>PTD.</td> <td>-</td> <td>378</td> <td>3\"/> <tr> <td>380B</td> <td>B</td> <td>1 <td>WD</td> <td>J1</td> <td>PTD.</td> <td>-</td> <td>379</td> <td>3\"/> <tr> <td>382</td> <td>ETR</td> <td>-</td> <td>WD.</td> <td>J2</td> <td>PTD.</td> <td>-</td> <td>380A</td> <td>3\"/> <tr> <td>382A</td> <td>D</td> <td>6 <td>ALUM.</td> <td>ANODIZE D</td> <td>-</td> <td>-</td> <td>380B</td> <td>3\"/> <tr> <td>385</td> <td>ETR</td> <td>-</td> <td>WD.</td> <td>J2</td> <td>PTD.</td> <td>-</td> <td>382</td> <td>3\"/> <tr> <td>386</td> <td>ETR</td> <td>-</td> <td>WD.</td> <td>J2</td> <td>PTD.</td> <td>-</td> <td>382A</td> <td>3\"/> <tr> <td>387</td> <td>ETR</td> <td>-</td> <td>WD.</td> <td>J2</td> <td>PTD.</td> <td>-</td> <td>385</td> <td>3\"/> <tr> <td>388</td> <td>ETR</td> <td>-</td> <td>WD.</td> <td>J2</td> <td>PTD.</td> <td>-</td> <td>386</td> <td>3\"/> <tr> <td>389</td> <td>ETR</td> <td>-</td> <td>WD.</td> <td>J2</td> <td>PTD.</td> <td>-</td> <td>387</td> <td>3\"/> <tr> <td>391</td> <td>ETR</td> <td>-</td> <td>WD.</td> <td>J2</td> <td>PTD.</td> <td>-</td> <td>388</td> <td>3\"/> <tr> <td>391A</td> <td>ETR</td> <td>-</td> <td>WD.</td> <td>J2</td> <td>PTD.</td> <td>-</td> <td>389</td> <td>3\"/> <tr> <td>391B</td> <td>ETR</td> <td>-</td> <td>WD.</td> <td>J2</td> <td>PTD.</td> <td>-</td> <td>391</td> <td>3\"/> <tr> <td>394</td> <td>ETR</td> <td>-</td> <td>WD.</td> <td>J2</td> <td>PTD.</td> <td>-</td> <td>391A</td> <td>3\"/> <tr> <td>395</td> <td>ETR</td> <td>-</td> <td>WD.</td> <td>J2</td> <td>PTD.</td> <td>-</td> <td>391B</td> <td>3\"/> <tr> <td>396</td> <td>ETR</td> <td>-</td> <td>WD.</td> <td>J2</td> <td>PTD.</td> <td>-</td> <td>394</td> <td>3\"/> <tr> <td>398</td> <td>ETR</td> <td>-</td> <td>WD.</td> <td>J2</td> <td>PTD.</td> <td>-</td> <td>395</td> <td>3\"/> <tr> <td>399</td> <td>ETR</td> <td>-</td> <td>WD.</td> <td>J2</td> <td>PTD.</td> <td>-</td> <td>396</td> <td>3\"/> <tr> <td>3991</td> <td>ETR</td> <td>-</td> <td>WD.</td> <td>J2</td> <td>PTD.</td> <td>-</td> <td>398</td> <td>3\"/> <tr> <td>3992</td> <td>A</td> <td>3\"/> <tr> <td>3993</td> <td>ETR</td> <td>-</td> <td>WD.</td> <td>J2</td> <td>PTD.</td> <td>-</td> <td>399</td> <td>3\"/> <tr> <td>3994</td> <td>ETR</td> <td>-</td> <td>WD.</td> <td>J2</td> <td>PTD.</td> <td>-</td> <td>3991</td> <td>3\"/> <tr> <td>3995</td> <td>ETR</td> <td>-</td> <td>WD.</td> <td>J2</td> <td>PTD.</td> <td>-</td> <td>3992</td> <td>3\"/> <tr> <td>3997</td> <td>ETR</td> <td>-</td> <td>WD.</td> <td>J2</td> <td>PTD.</td> <td>-</td> <td>3993</td> <td>3\"/> <tr> <td>3998</td> <td>ETR</td> <td>-</td> <td>WD.</td> <td>J2</td> <td>PTD.</td> <td>-</td> <td>3994</td> <td>3\"/> <tr> <td>3999</td> <td>ETR</td> <td>-</td> <td>WD.</td> <td>J2</td> <td>PTD.</td> <td>-</td> <td>3995</td> <td>3\"/> <tr> <td>3999</td> <td>ETR</td> <td>-</td> <td>WD.</td> <td>J2</td> <td>PTD.</td> <td>-</td> <td>3997</td> <td>3\"/> </td></tr></td></tr></td></tr></td></tr></td></tr></td></tr></td></tr></td></tr></td></tr></td></tr></td></tr></td></tr></td></tr></td></tr></td></tr></td></tr></td></tr></td></tr></td></tr></td></tr></td></tr></td></tr></td></td></tr></td></tr></td></td></tr></td></td></tr></td></td></tr></td></td></tr></td></td></tr></td></td></tr></td> | WD | J1 | PTD. | - | 374C | 3\"/> <tr> <td>377</td> <td>B</td> <td>1 <td>WD</td> <td>J1</td> <td>PTD.</td> <td>-</td> <td>375</td> <td>3\"/> <tr> <td>377A</td> <td>B</td> <td>1 <td>WD</td> <td>J1</td> <td>PTD.</td> <td>-</td> <td>376</td> <td>3\"/> <tr> <td>378</td> <td>B</td> <td>1 <td>WD</td> <td>J1</td> <td>PTD.</td> <td>-</td> <td>377</td> <td>3\"/> <tr> <td>379</td> <td>B</td> <td>1 <td>WD</td> <td>J1</td> <td>PTD.</td> <td>-</td> <td>377A</td> <td>3\"/> <tr> <td>380A</td> <td>B</td> <td>1 <td>WD</td> <td>J1</td> <td>PTD.</td> <td>-</td> <td>378</td> <td>3\"/> <tr> <td>380B</td> <td>B</td> <td>1 <td>WD</td> <td>J1</td> <td>PTD.</td> <td>-</td> <td>379</td> <td>3\"/> <tr> <td>382</td> <td>ETR</td> <td>-</td> <td>WD.</td> <td>J2</td> <td>PTD.</td> <td>-</td> <td>380A</td> <td>3\"/> <tr> <td>382A</td> <td>D</td> <td>6 <td>ALUM.</td> <td>ANODIZE D</td> <td>-</td> <td>-</td> <td>380B</td> <td>3\"/> <tr> <td>385</td> <td>ETR</td> <td>-</td> <td>WD.</td> <td>J2</td> <td>PTD.</td> <td>-</td> <td>382</td> <td>3\"/> <tr> <td>386</td> <td>ETR</td> <td>-</td> <td>WD.</td> <td>J2</td> <td>PTD.</td> <td>-</td> <td>382A</td> <td>3\"/> <tr> <td>387</td> <td>ETR</td> <td>-</td> <td>WD.</td> <td>J2</td> <td>PTD.</td> <td>-</td> <td>385</td> <td>3\"/> <tr> <td>388</td> <td>ETR</td> <td>-</td> <td>WD.</td> <td>J2</td> <td>PTD.</td> <td>-</td> <td>386</td> <td>3\"/> <tr> <td>389</td> <td>ETR</td> <td>-</td> <td>WD.</td> <td>J2</td> <td>PTD.</td> <td>-</td> <td>387</td> <td>3\"/> <tr> <td>391</td> <td>ETR</td> <td>-</td> <td>WD.</td> <td>J2</td> <td>PTD.</td> <td>-</td> <td>388</td> <td>3\"/> <tr> <td>391A</td> <td>ETR</td> <td>-</td> <td>WD.</td> <td>J2</td> <td>PTD.</td> <td>-</td> <td>389</td> <td>3\"/> <tr> <td>391B</td> <td>ETR</td> <td>-</td> <td>WD.</td> <td>J2</td> <td>PTD.</td> <td>-</td> <td>391</td> <td>3\"/> <tr> <td>394</td> <td>ETR</td> <td>-</td> <td>WD.</td> <td>J2</td> <td>PTD.</td> <td>-</td> <td>391A</td> <td>3\"/> <tr> <td>395</td> <td>ETR</td> <td>-</td> <td>WD.</td> <td>J2</td> <td>PTD.</td> <td>-</td> <td>391B</td> <td>3\"/> <tr> <td>396</td> <td>ETR</td> <td>-</td> <td>WD.</td> <td>J2</td> <td>PTD.</td> <td>-</td> <td>394</td> <td>3\"/> <tr> <td>398</td> <td>ETR</td> <td>-</td> <td>WD.</td> <td>J2</td> <td>PTD.</td> <td>-</td> <td>395</td> <td>3\"/> <tr> <td>399</td> <td>ETR</td> <td>-</td> <td>WD.</td> <td>J2</td> <td>PTD.</td> <td>-</td> <td>396</td> <td>3\"/> <tr> <td>3991</td> <td>ETR</td> <td>-</td> <td>WD.</td> <td>J2</td> <td>PTD.</td> <td>-</td> <td>398</td> <td>3\"/> <tr> <td>3992</td> <td>A</td> <td>3\"/> <tr> <td>3993</td> <td>ETR</td> <td>-</td> <td>WD.</td> <td>J2</td> <td>PTD.</td> <td>-</td> <td>399</td> <td>3\"/> <tr> <td>3994</td> <td>ETR</td> <td>-</td> <td>WD.</td> <td>J2</td> <td>PTD.</td> <td>-</td>
<td>3991</td> <td>3\"/> <tr> <td>3995</td> <td>ETR</td> <td>-</td> <td>WD.</td> <td>J2</td> <td>PTD.</td> <td>-</td> <td>3992</td> <td>3\"/> <tr> <td>3997</td> <td>ETR</td> <td>-</td> <td>WD.</td> <td>J2</td> <td>PTD.</td> <td>-</td> <td>3993</td> <td>3\"/> <tr> <td>3998</td> <td>ETR</td> <td>-</td> <td>WD.</td> <td>J2</td> <td>PTD.</td> <td>-</td> <td>3994</td> <td>3\"/> <tr> <td>3999</td> <td>ETR</td> <td>-</td> <td>WD.</td> <td>J2</td> <td>PTD.</td> <td>-</td> <td>3995</td> <td>3\"/> <tr> <td>3999</td> <td>ETR</td> <td>-</td> <td>WD.</td> <td>J2</td> <td>PTD.</td> <td>-</td> <td>3997</td> <td>3\"/> </td></tr></td></tr></td></tr></td></tr></td></tr></td></tr></td></tr></td></tr></td></tr></td></tr></td></tr></td></tr></td></tr></td></tr></td></tr></td></tr></td></tr></td></tr></td></tr></td></tr></td></tr></td></tr></td></td></tr></td></tr></td></td></tr></td></td></tr></td></td></tr></td></td></tr></td></td></tr></td></td></tr> | 377 | B | 1 <td>WD</td> <td>J1</td> <td>PTD.</td> <td>-</td> <td>375</td> <td>3\"/> <tr> <td>377A</td> <td>B</td> <td>1 <td>WD</td> <td>J1</td> <td>PTD.</td> <td>-</td> <td>376</td> <td>3\"/> <tr> <td>378</td> <td>B</td> <td>1 <td>WD</td> <td>J1</td> <td>PTD.</td> <td>-</td> <td>377</td> <td>3\"/> <tr> <td>379</td> <td>B</td> <td>1 <td>WD</td> <td>J1</td> <td>PTD.</td> <td>-</td> <td>377A</td> <td>3\"/> <tr> <td>380A</td> <td>B</td> <td>1 <td>WD</td> <td>J1</td> <td>PTD.</td> <td>-</td> <td>378</td> <td>3\"/> <tr> <td>380B</td> <td>B</td> <td>1 <td>WD</td> <td>J1</td> <td>PTD.</td> <td>-</td> <td>379</td> <td>3\"/> <tr> <td>382</td> <td>ETR</td> <td>-</td> <td>WD.</td> <td>J2</td> <td>PTD.</td> <td>-</td> <td>380A</td> <td>3\"/> <tr> <td>382A</td> <td>D</td> <td>6 <td>ALUM.</td> <td>ANODIZE D</td> <td>-</td> <td>-</td> <td>380B</td> <td>3\"/> <tr> <td>385</td> <td>ETR</td> <td>-</td> <td>WD.</td> <td>J2</td> <td>PTD.</td> <td>-</td> <td>382</td> <td>3\"/> <tr> <td>386</td> <td>ETR</td> <td>-</td> <td>WD.</td> <td>J2</td> <td>PTD.</td> <td>-</td> <td>382A</td> <td>3\"/> <tr> <td>387</td> <td>ETR</td> <td>-</td> <td>WD.</td> <td>J2</td> <td>PTD.</td> <td>-</td> <td>385</td> <td>3\"/> <tr> <td>388</td> <td>ETR</td> <td>-</td> <td>WD.</td> <td>J2</td> <td>PTD.</td> <td>-</td> <td>386</td> <td>3\"/> <tr> <td>389</td> <td>ETR</td> <td>-</td> <td>WD.</td> <td>J2</td> <td>PTD.</td> <td>-</td> <td>387</td> <td>3\"/> <tr> <td>391</td> <td>ETR</td> <td>-</td> <td>WD.</td> <td>J2</td> <td>PTD.</td> <td>-</td> <td>388</td> <td>3\"/> <tr> <td>391A</td> <td>ETR</td> <td>-</td> <td>WD.</td> <td>J2</td> <td>PTD.</td> <td>-</td> <td>389</td> <td>3\"/> <tr> <td>391B</td> <td>ETR</td> <td>-</td> <td>WD.</td> <td>J2</td> <td>PTD.</td> <td>-</td> <td>391</td> <td>3\"/> <tr> <td>394</td> <td>ETR</td> <td>-</td> <td>WD.</td> <td>J2</td> <td>PTD.</td> <td>-</td> <td>391A</td> <td>3\"/> <tr> <td>395</td> <td>ETR</td> <td>-</td> <td>WD.</td> <td>J2</td> <td>PTD.</td> <td>-</td> <td>391B</td> <td>3\"/> <tr> <td>396</td> <td>ETR</td> <td>-</td> <td>WD.</td> <td>J2</td> <td>PTD.</td> <td>-</td> <td>394</td> <td>3\"/> <tr> <td>398</td> <td>ETR</td> <td>-</td> <td>WD.</td> <td>J2</td> <td>PTD.</td> <td>-</td> <td>395</td> <td>3\"/> <tr> <td>399</td> <td>ETR</td> <td>-</td> <td>WD.</td> <td>J2</td> <td>PTD.</td> <td>-</td> <td>396</td> <td>3\"/> <tr> <td>3991</td> <td>ETR</td> <td>-</td> <td>WD.</td> <td>J2</td> <td>PTD.</td> <td>-</td> <td>398</td> <td>3\"/> <tr> <td>3992</td> <td>A</td> <td>3\"/> <tr> <td>3993</td> <td>ETR</td> <td>-</td> <td>WD.</td> <td>J2</td> <td>PTD.</td> <td>-</td> <td>399</td> <td>3\"/> <tr> <td>3994</td> <td>ETR</td> <td>-</td> <td>WD.</td> <td>J2</td> <td>PTD.</td> <td>-</td> <td>3991</td> <td>3\"/> <tr> <td>3995</td> <td>ETR</td> <td>-</td> <td>WD.</td> <td>J2</td> <td>PTD.</td> <td>-</td> <td>3992</td> <td>3\"/> <tr> <td>3997</td> <td>ETR</td> <td>-</td> <td>WD.</td> <td>J2</td> <td>PTD.</td> <td>-</td> <td>3993</td> <td>3\"/> <tr> <td>3998</td> <td>ETR</td> <td>-</td> <td>WD.</td> <td>J2</td> <td>PTD.</td> <td>-</td> <td>3994</td> <td>3\"/> <tr> <td>3999</td> <td>ETR</td> <td>-</td> <td>WD.</td> <td>J2</td> <td>PTD.</td> <td>-</td> <td>3995</td> <td>3\"/> <tr> <td>3999</td> <td>ETR</td> <td>-</td> <td>WD.</td> <td>J2</td> <td>PTD.</td> <td>-</td> <td>3997</td> <td>3\"/> </td></tr></td></tr></td></tr></td></tr></td></tr></td></tr></td></tr></td></tr></td></tr></td></tr></td></tr></td></tr></td></tr></td></tr></td></tr></td></tr></td></tr></td></tr></td></tr></td></tr></td></tr></td></tr></td></td></tr></td></tr></td></td></tr></td></td></tr></td></td></tr></td></td></tr></td></td></tr></td> | WD | J1 | PTD.
| - | 375 | 3\"/> <tr> <td>377A</td> <td>B</td> <td>1 <td>WD</td> <td>J1</td> <td>PTD.</td> <td>-</td> <td>376</td> <td>3\"/> <tr> <td>378</td> <td>B</td> <td>1 <td>WD</td> <td>J1</td> <td>PTD.</td> <td>-</td> <td>377</td> <td>3\"/> <tr> <td>379</td> <td>B</td> <td>1 <td>WD</td> <td>J1</td> <td>PTD.</td> <td>-</td> <td>377A</td> <td>3\"/> <tr> <td>380A</td> <td>B</td> <td>1 <td>WD</td> <td>J1</td> <td>PTD.</td> <td>-</td> <td>378</td> <td>3\"/> <tr> <td>380B</td> <td>B</td> <td>1 <td>WD</td> <td>J1</td> <td>PTD.</td> <td>-</td> <td>379</td> <td>3\"/> <tr> <td>382</td> <td>ETR</td> <td>-</td> <td>WD.</td> <td>J2</td> <td>PTD.</td> <td>-</td> <td>380A</td> <td>3\"/> <tr> <td>382A</td> <td>D</td> <td>6 <td>ALUM.</td> <td>ANODIZE D</td> <td>-</td> <td>-</td> <td>380B</td> <td>3\"/> <tr> <td>385</td> <td>ETR</td> <td>-</td> <td>WD.</td> <td>J2</td> <td>PTD.</td> <td>-</td> <td>382</td> <td>3\"/> <tr> <td>386</td> <td>ETR</td> <td>-</td> <td>WD.</td> <td>J2</td> <td>PTD.</td> <td>-</td> <td>382A</td> <td>3\"/> <tr> <td>387</td> <td>ETR</td> <td>-</td> <td>WD.</td> <td>J2</td> <td>PTD.</td> <td>-</td> <td>385</td> <td>3\"/> <tr> <td>388</td> <td>ETR</td> <td>-</td> <td>WD.</td> <td>J2</td> <td>PTD.</td> <td>-</td> <td>386</td> <td>3\"/> <tr> <td>389</td> <td>ETR</td> <td>-</td> <td>WD.</td> <td>J2</td> <td>PTD.</td> <td>-</td> <td>387</td> <td>3\"/> <tr> <td>391</td> <td>ETR</td> <td>-</td> <td>WD.</td> <td>J2</td> <td>PTD.</td> <td>-</td> <td>388</td> <td>3\"/> <tr> <td>391A</td> <td>ETR</td> <td>-</td> <td>WD.</td> <td>J2</td> <td>PTD.</td> <td>-</td> <td>389</td> <td>3\"/> <tr> <td>391B</td> <td>ETR</td> <td>-</td> <td>WD.</td> <td>J2</td> <td>PTD.</td> <td>-</td> <td>391</td> <td>3\"/> <tr> <td>394</td> <td>ETR</td> <td>-</td> <td>WD.</td> <td>J2</td> <td>PTD.</td> <td>-</td> <td>391A</td> <td>3\"/> <tr> <td>395</td> <td>ETR</td> <td>-</td> <td>WD.</td> <td>J2</td> <td>PTD.</td> <td>-</td> <td>391B</td> <td>3\"/> <tr> <td>396</td> <td>ETR</td> <td>-</td> <td>WD.</td> <td>J2</td> <td>PTD.</td> <td>-</td> <td>394</td> <td>3\"/> <tr> <td>398</td> <td>ETR</td> <td>-</td> <td>WD.</td> <td>J2</td> <td>PTD.</td> <td>-</td> <td>395</td> <td>3\"/> <tr> <td>399</td> <td>ETR</td> <td>-</td> <td>WD.</td> <td>J2</td> <td>PTD.</td> <td>-</td> <td>396</td> <td>3\"/> <tr> <td>3991</td> <td>ETR</td> <td>-</td> <td>WD.</td> <td>J2</td> <td>PTD.</td> <td>-</td> <td>398</td> <td>3\"/> <tr> <td>3992</td> <td>A</td> <td>3\"/> <tr> <td>3993</td> <td>ETR</td> <td>-</td> <td>WD.</td> <td>J2</td> <td>PTD.</td> <td>-</td> <td>399</td> <td>3\"/> <tr> <td>3994</td> <td>ETR</td> <td>-</td> <td>WD.</td> <td>J2</td> <td>PTD.</td> <td>-</td> <td>3991</td> <td>3\"/> <tr> <td>3995</td> <td>ETR</td> <td>-</td> <td>WD.</td> <td>J2</td> <td>PTD.</td> <td>-</td> <td>3992</td> <td>3\"/> <tr> <td>3997</td> <td>ETR</td> <td>-</td> <td>WD.</td> <td>J2</td> <td>PTD.</td> <td>-</td> <td>3993</td> <td>3\"/> <tr> <td>3998</td> <td>ETR</td> <td>-</td> <td>WD.</td> <td>J2</td> <td>PTD.</td> <td>-</td> <td>3994</td> <td>3\"/> <tr> <td>3999</td> <td>ETR</td> <td>-</td> <td>WD.</td> <td>J2</td> <td>PTD.</td> <td>-</td> <td>3995</td> <td>3\"/> <tr> <td>3999</td> <td>ETR</td> <td>-</td> <td>WD.</td> <td>J2</td> <td>PTD.</td> <td>-</td> <td>3997</td> <td>3\"/> </td></tr></td></tr></td></tr></td></tr></td></tr></td></tr></td></tr></td></tr></td></tr></td></tr></td></tr></td></tr></td></tr></td></tr></td></tr></td></tr></td></tr></td></tr></td></tr></td></tr></td></tr></td></tr></td></td></tr></td></tr></td></td></tr></td></td></tr></td></td></tr></td></td></tr></td></td></tr> | 377A | B | 1 <td>WD</td> <td>J1</td> <td>PTD.</td> <td>-</td> <td>376</td> <td>3\"/> <tr> <td>378</td> <td>B</td> <td>1 <td>WD</td> <td>J1</td> <td>PTD.</td> <td>-</td> <td>377</td> <td>3\"/> <tr> <td>379</td> <td>B</td> <td>1 <td>WD</td> <td>J1</td> <td>PTD.</td> <td>-</td> <td>377A</td> <td>3\"/> <tr> <td>380A</td> <td>B</td> <td>1 <td>WD</td> <td>J1</td> <td>PTD.</td> <td>-</td> <td>378</td> <td>3\"/> <tr> <td>380B</td> <td>B</td> <td>1 <td>WD</td> <td>J1</td> <td>PTD.</td> <td>-</td> <td>379</td> <td>3\"/> <tr> <td>382</td> <td>ETR</td> <td>-</td> <td>WD.</td> <td>J2</td> <td>PTD.</td> <td>-</td> <td>380A</td> <td>3\"/> <tr> <td>382A</td> <td>D</td> <td>6 <td>ALUM.</td> <td>ANODIZE D</td> <td>-</td> <td>-</td> <td>380B</td> <td>3\"/> <tr> <td>385</td> <td>ETR</td> <td>-</td> <td>WD.</td> <td>J2</td> <td>PTD.</td> <td>-</td> <td>382</td> <td>3\"/> <tr> <td>386</td> <td>ETR</td> <td>-</td> <td>WD.</td> <td>J2</td> <td>PTD.</td> <td>-</td> <td>382A</td> <td>3\"/> <tr> <td>387</td> <td>ETR</td> <td>-</td> <td>WD.</td> <td>J2</td> <td>PTD.</td> <td>-</td> <td>385</td> <td>3\"/> <tr> <td>388</td> <td>ETR</td> <td>-</td> <td>WD.</td> <td>J2</td> <td>PTD.</td> <td>-</td> <td>386</td> <td>3\"/> <tr> <td>389</td> <td>ETR</td> <td>-</td> <td>WD.</td> <td>J2</td> <td>PTD.</td> <td>-</td> <td>387</td> <td>3\"/> <tr> <td>391</td> <td>ETR</td> <td>-</td> <td>WD.</td> <td>J2</td> <td>PTD.</td> <td>-</td> <td>388</td> <td>3\"/> <tr> <td>391A</td> <td>ETR</td> <td>-</td> <td>WD.</td> <td>J2</td> <td>PTD.</td> <td>-</td> <td>389</td> <td>3\"/> <tr> <td>391B</td> <td>ETR</td> <td>-</td> <td>WD.</td> <td>J2</td> <td>PTD.</td> <td>-</td> <td>391</td> <td>3\"/> <tr> <td>394</td> <td>ETR</td> <td>-</td> <td>WD.</td> <td>J2</td> <td>PTD.</td> <td>-</td> <td>391A</td> <td>3\"/> <tr> <td>395</td> <td>ETR</td> <td>-</td> <td>WD.</td> <td>J2</td> <td>PTD.</td> <td>-</td> <td>391B</td> <td>3\"/> <tr> <td>396</td> <td>ETR</td> <td>-</td> <td>WD.</td> <td>J2</td> <td>PTD.</td> <td>-</td> <td>394</td> <td>3\"/> <tr> <td>398</td> <td>ETR</td> <td>-</td> <td>WD.</td> <td>J2</td> <td>PTD.</td> <td>-</td> <td>395</td> <td>3\"/> <tr> <td>399</td> <td>ETR</td> <td>-</td> <td>WD.</td> <td>J2</td> <td>PTD.</td> <td>-</td> <td>396</td> <td>3\"/> <tr> <td>3991</td> <td>ETR</td> <td>-</td> <td>WD.</td> <td>J2</td> <td>PTD.</td> <td>-</td> <td>398</td> <td>3\"/> <tr> <td>3992</td> <td>A</td> <td>3\"/> <tr> <td>3993</td> <td>ETR</td> <td>-</td> <td>WD.</td> <td>J2</td> <td>PTD.</td> <td>-</td> <td>399</td> <td>3\"/> <tr> <td>3994</td> <td>ETR</td> <td>-</td> <td>WD.</td> <td>J2</td> <td>PTD.</td> <td>-</td> <td>3991</td> <td>3\"/> <tr> <td>3995</td> <td>ETR</td> <td>-</td> <td>WD.</td> <td>J2</td> <td>PTD.</td> <td>-</td> <td>3992</td> <td>3\"/> <tr> <td>3997</td> <td>ETR</td> <td>-</td> <td>WD.</td> <td>J2</td> <td>PTD.</td> <td>-</td> <td>3993</td> <td>3\"/> <tr> <td>3998</td> <td>ETR</td> <td>-</td> <td>WD.</td> <td>J2</td> <td>PTD.</td> <td>-</td> <td>3994</td> <td>3\"/> <tr> <td>3999</td> <td>ETR</td> <td>-</td> <td>WD.</td> <td>J2</td> <td>PTD.</td> <td>-</td> <td>3995</td> <td>3\"/> <tr> <td>3999</td> <td>ETR</td> <td>-</td> <td>WD.</td> <td>J2</td> <td>PTD.</td> <td>-</td> <td>3997</td> <td>3\"/> </td></tr></td></tr></td></tr></td></tr></td></tr></td></tr></td></tr></td></tr></td></tr></td></tr></td></tr></td></tr></td></tr></td></tr></td></tr></td></tr></td></tr></td></tr></td></tr></td></tr></td></tr></td></tr></td></td></tr></td></tr></td></td></tr></td></td></tr></td></td></tr></td></td></tr></td>
 | WD | J1 | PTD. | - | 376 | 3\"/> <tr> <td>378</td> <td>B</td> <td>1 <td>WD</td> <td>J1</td> <td>PTD.</td> <td>-</td> <td>377</td> <td>3\"/> <tr> <td>379</td> <td>B</td> <td>1 <td>WD</td> <td>J1</td> <td>PTD.</td> <td>-</td> <td>377A</td> <td>3\"/> <tr> <td>380A</td> <td>B</td> <td>1 <td>WD</td> <td>J1</td> <td>PTD.</td> <td>-</td> <td>378</td> <td>3\"/> <tr> <td>380B</td> <td>B</td> <td>1 <td>WD</td> <td>J1</td> <td>PTD.</td> <td>-</td> <td>379</td> <td>3\"/> <tr> <td>382</td> <td>ETR</td> <td>-</td> <td>WD.</td> <td>J2</td> <td>PTD.</td> <td>-</td> <td>380A</td> <td>3\"/> <tr> <td>382A</td> <td>D</td> <td>6 <td>ALUM.</td> <td>ANODIZE D</td> <td>-</td> <td>-</td> <td>380B</td> <td>3\"/> <tr> <td>385</td> <td>ETR</td> <td>-</td> <td>WD.</td> <td>J2</td> <td>PTD.</td> <td>-</td> <td>382</td> <td>3\"/> <tr> <td>386</td> <td>ETR</td> <td>-</td> <td>WD.</td> <td>J2</td> <td>PTD.</td> <td>-</td> <td>382A</td> <td>3\"/> <tr> <td>387</td> <td>ETR</td> <td>-</td> <td>WD.</td> <td>J2</td> <td>PTD.</td> <td>-</td> <td>385</td> <td>3\"/> <tr> <td>388</td> <td>ETR</td> <td>-</td> <td>WD.</td> <td>J2</td> <td>PTD.</td> <td>-</td> <td>386</td> <td>3\"/> <tr> <td>389</td> <td>ETR</td> <td>-</td> <td>WD.</td> <td>J2</td> <td>PTD.</td> <td>-</td> <td>387</td> <td>3\"/> <tr> <td>391</td> <td>ETR</td> <td>-</td> <td>WD.</td> <td>J2</td> <td>PTD.</td> <td>-</td> <td>388</td> <td>3\"/> <tr> <td>391A</td> <td>ETR</td> <td>-</td> <td>WD.</td> <td>J2</td> <td>PTD.</td> <td>-</td> <td>389</td> <td>3\"/> <tr> <td>391B</td> <td>ETR</td> <td>-</td> <td>WD.</td> <td>J2</td> <td>PTD.</td> <td>-</td> <td>391</td> <td>3\"/> <tr> <td>394</td> <td>ETR</td> <td>-</td> <td>WD.</td> <td>J2</td> <td>PTD.</td> <td>-</td> <td>391A</td> <td>3\"/> <tr> <td>395</td> <td>ETR</td> <td>-</td> <td>WD.</td> <td>J2</td> <td>PTD.</td> <td>-</td> <td>391B</td> <td>3\"/> <tr> <td>396</td> <td>ETR</td> <td>-</td> <td>WD.</td> <td>J2</td> <td>PTD.</td> <td>-</td> <td>394</td> <td>3\"/> <tr> <td>398</td> <td>ETR</td> <td>-</td> <td>WD.</td> <td>J2</td> <td>PTD.</td> <td>-</td> <td>395</td> <td>3\"/> <tr> <td>399</td> <td>ETR</td> <td>-</td> <td>WD.</td> <td>J2</td> <td>PTD.</td> <td>-</td> <td>396</td> <td>3\"/> <tr> <td>3991</td> <td>ETR</td> <td>-</td> <td>WD.</td> <td>J2</td> <td>PTD.</td> <td>-</td> <td>398</td> <td>3\"/> <tr> <td>3992</td> <td>A</td> <td>3\"/> <tr> <td>3993</td> <td>ETR</td> <td>-</td> <td>WD.</td> <td>J2</td> <td>PTD.</td> <td>-</td> <td>399</td> <td>3\"/> <tr> <td>3994</td> <td>ETR</td> <td>-</td> <td>WD.</td> <td>J2</td> <td>PTD.</td> <td>-</td> <td>3991</td> <td>3\"/> <tr> <td>3995</td> <td>ETR</td> <td>-</td> <td>WD.</td> <td>J2</td> <td>PTD.</td> <td>-</td> <td>3992</td> <td>3\"/> <tr> <td>3997</td> <td>ETR</td> <td>-</td> <td>WD.</td> <td>J2</td> <td>PTD.</td> <td>-</td> <td>3993</td> <td>3\"/> <tr> <td>3998</td> <td>ETR</td> <td>-</td> <td>WD.</td> <td>J2</td> <td>PTD.</td> <td>-</td> <td>3994</td> <td>3\"/> <tr> <td>3999</td> <td>ETR</td> <td>-</td> <td>WD.</td> <td>J2</td> <td>PTD.</td> <td>-</td> <td>3995</td> <td>3\"/> <tr> <td>3999</td> <td>ETR</td> <td>-</td> <td>WD.</td> <td>J2</td> <td>PTD.</td> <td>-</td> <td>3997</td> <td>3\"/> </td></tr></td></tr></td></tr></td></tr></td></tr></td></tr></td></tr></td></tr></td></tr></td></tr></td></tr></td></tr></td></tr></td></tr></td></tr></td></tr></td></tr></td></tr></td></tr></td></tr></td></tr></td></tr></td></td></tr></td></tr></td></td></tr></td></td></tr></td></td></tr></td></td></tr> | 378 | B | 1 <td>WD</td> <td>J1</td> <td>PTD.</td> <td>-</td> <td>377</td> <td>3\"/> <tr> <td>379</td> <td>B</td> <td>1 <td>WD</td> <td>J1</td> <td>PTD.</td> <td>-</td> <td>377A</td> <td>3\"/> <tr> <td>380A</td> <td>B</td> <td>1 <td>WD</td> <td>J1</td> <td>PTD.</td> <td>-</td> <td>378</td> <td>3\"/> <tr> <td>380B</td> <td>B</td> <td>1 <td>WD</td> <td>J1</td> <td>PTD.</td> <td>-</td> <td>379</td> <td>3\"/> <tr> <td>382</td> <td>ETR</td> <td>-</td> <td>WD.</td> <td>J2</td> <td>PTD.</td> <td>-</td> <td>380A</td> <td>3\"/> <tr> <td>382A</td> <td>D</td> <td>6 <td>ALUM.</td> <td>ANODIZE D</td> <td>-</td> <td>-</td> <td>380B</td> <td>3\"/> <tr> <td>385</td> <td>ETR</td> <td>-</td> <td>WD.</td> <td>J2</td> <td>PTD.</td> <td>-</td> <td>382</td> <td>3\"/> <tr> <td>386</td> <td>ETR</td> <td>-</td> <td>WD.</td> <td>J2</td> <td>PTD.</td> <td>-</td> <td>382A</td> <td>3\"/> <tr> <td>387</td> <td>ETR</td> <td>-</td> <td>WD.</td> <td>J2</td> <td>PTD.</td> <td>-</td> <td>385</td> <td>3\"/> <tr> <td>388</td> <td>ETR</td> <td>-</td> <td>WD.</td> <td>J2</td> <td>PTD.</td> <td>-</td> <td>386</td> <td>3\"/> <tr> <td>389</td> <td>ETR</td> <td>-</td> <td>WD.</td> <td>J2</td> <td>PTD.</td>
<td>-</td> <td>387</td> <td>3\"/> <tr> <td>391</td> <td>ETR</td> <td>-</td> <td>WD.</td> <td>J2</td> <td>PTD.</td> <td>-</td> <td>388</td> <td>3\"/> <tr> <td>391A</td> <td>ETR</td> <td>-</td> <td>WD.</td> <td>J2</td> <td>PTD.</td> <td>-</td> <td>389</td> <td>3\"/> <tr> <td>391B</td> <td>ETR</td> <td>-</td> <td>WD.</td> <td>J2</td> <td>PTD.</td> <td>-</td> <td>391</td> <td>3\"/> <tr> <td>394</td> <td>ETR</td> <td>-</td> <td>WD.</td> <td>J2</td> <td>PTD.</td> <td>-</td> <td>391A</td> <td>3\"/> <tr> <td>395</td> <td>ETR</td> <td>-</td> <td>WD.</td> <td>J2</td> <td>PTD.</td> <td>-</td> <td>391B</td> <td>3\"/> <tr> <td>396</td> <td>ETR</td> <td>-</td> <td>WD.</td> <td>J2</td> <td>PTD.</td> <td>-</td> <td>394</td> <td>3\"/> <tr> <td>398</td> <td>ETR</td> <td>-</td> <td>WD.</td> <td>J2</td> <td>PTD.</td> <td>-</td> <td>395</td> <td>3\"/> <tr> <td>399</td> <td>ETR</td> <td>-</td> <td>WD.</td> <td>J2</td> <td>PTD.</td> <td>-</td> <td>396</td> <td>3\"/> <tr> <td>3991</td> <td>ETR</td> <td>-</td> <td>WD.</td> <td>J2</td> <td>PTD.</td> <td>-</td> <td>398</td> <td>3\"/> <tr> <td>3992</td> <td>A</td> <td>3\"/> <tr> <td>3993</td> <td>ETR</td> <td>-</td> <td>WD.</td> <td>J2</td> <td>PTD.</td> <td>-</td> <td>399</td> <td>3\"/> <tr> <td>3994</td> <td>ETR</td> <td>-</td> <td>WD.</td> <td>J2</td> <td>PTD.</td> <td>-</td> <td>3991</td> <td>3\"/> <tr> <td>3995</td> <td>ETR</td> <td>-</td> <td>WD.</td> <td>J2</td> <td>PTD.</td> <td>-</td> <td>3992</td> <td>3\"/> <tr> <td>3997</td> <td>ETR</td> <td>-</td> <td>WD.</td> <td>J2</td> <td>PTD.</td> <td>-</td> <td>3993</td> <td>3\"/> <tr> <td>3998</td> <td>ETR</td> <td>-</td> <td>WD.</td> <td>J2</td> <td>PTD.</td> <td>-</td> <td>3994</td> <td>3\"/> <tr> <td>3999</td> <td>ETR</td> <td>-</td> <td>WD.</td> <td>J2</td> <td>PTD.</td> <td>-</td> <td>3995</td> <td>3\"/> <tr> <td>3999</td> <td>ETR</td> <td>-</td> <td>WD.</td> <td>J2</td> <td>PTD.</td> <td>-</td> <td>3997</td> <td>3\"/> </td></tr></td></tr></td></tr></td></tr></td></tr></td></tr></td></tr></td></tr></td></tr></td></tr></td></tr></td></tr></td></tr></td></tr></td></tr></td></tr></td></tr></td></tr></td></tr></td></tr></td></tr></td></tr></td></td></tr></td></tr></td></td></tr></td></td></tr></td></td></tr></td> | WD | J1 | PTD. | - | 377 | 3\"/> <tr> <td>379</td> <td>B</td> <td>1 <td>WD</td> <td>J1</td> <td>PTD.</td> <td>-</td> <td>377A</td> <td>3\"/> <tr> <td>380A</td> <td>B</td> <td>1 <td>WD</td> <td>J1</td> <td>PTD.</td> <td>-</td> <td>378</td> <td>3\"/> <tr> <td>380B</td> <td>B</td> <td>1 <td>WD</td> <td>J1</td> <td>PTD.</td> <td>-</td> <td>379</td> <td>3\"/> <tr> <td>382</td> <td>ETR</td> <td>-</td> <td>WD.</td> <td>J2</td> <td>PTD.</td> <td>-</td> <td>380A</td> <td>3\"/> <tr> <td>382A</td> <td>D</td> <td>6 <td>ALUM.</td> <td>ANODIZE D</td> <td>-</td> <td>-</td> <td>380B</td> <td>3\"/> <tr> <td>385</td> <td>ETR</td> <td>-</td> <td>WD.</td> <td>J2</td> <td>PTD.</td> <td>-</td> <td>382</td> <td>3\"/> <tr> <td>386</td> <td>ETR</td> <td>-</td> <td>WD.</td> <td>J2</td> <td>PTD.</td> <td>-</td> <td>382A</td> <td>3\"/> <tr> <td>387</td> <td>ETR</td> <td>-</td> <td>WD.</td> <td>J2</td> <td>PTD.</td> <td>-</td> <td>385</td> <td>3\"/> <tr> <td>388</td> <td>ETR</td> <td>-</td> <td>WD.</td> <td>J2</td> <td>PTD.</td> <td>-</td> <td>386</td> <td>3\"/> <tr> <td>389</td> <td>ETR</td> <td>-</td> <td>WD.</td> <td>J2</td> <td>PTD.</td> <td>-</td> <td>387</td> <td>3\"/> <tr> <td>391</td> <td>ETR</td> <td>-</td> <td>WD.</td> <td>J2</td> <td>PTD.</td> <td>-</td> <td>388</td> <td>3\"/> <tr> <td>391A</td> <td>ETR</td> <td>-</td> <td>WD.</td> <td>J2</td> <td>PTD.</td> <td>-</td> <td>389</td> <td>3\"/> <tr> <td>391B</td> <td>ETR</td> <td>-</td> <td>WD.</td> <td>J2</td> <td>PTD.</td> <td>-</td> <td>391</td> <td>3\"/> <tr> <td>394</td> <td>ETR</td> <td>-</td> <td>WD.</td> <td>J2</td> <td>PTD.</td> <td>-</td> <td>391A</td> <td>3\"/> <tr> <td>395</td> <td>ETR</td> <td>-</td> <td>WD.</td> <td>J2</td> <td>PTD.</td> <td>-</td> <td>391B</td> <td>3\"/> <tr> <td>396</td> <td>ETR</td> <td>-</td> <td>WD.</td> <td>J2</td> <td>PTD.</td> <td>-</td> <td>394</td> <td>3\"/> <tr> <td>398</td> <td>ETR</td> <td>-</td> <td>WD.</td> <td>J2</td> <td>PTD.</td> <td>-</td> <td>395</td> <td>3\"/> <tr> <td>399</td> <td>ETR</td> <td>-</td> <td>WD.</td> <td>J2</td> <td>PTD.</td> <td>-</td> <td>396</td> <td>3\"/> <tr> <td>3991</td> <td>ETR</td> <td>-</td> <td>WD.</td> <td>J2</td> <td>PTD.</td> <td>-</td> <td>398</td> <td>3\"/> <tr> <td>3992</td> <td>A</td> <td>3\"/> <tr> <td>3993</td> <td>ETR</td> <td>-</td> <td>WD.</td> <td>J2</td> <td>PTD.</td> <td>-</td> <td>399</td> <td>3\"/> <tr> <td>3994</td> <td>ETR</td> <td>-</td> <td>WD.</td> <td>J2</td> <td>PTD.</td> <td>-</td> <td>3991</td> <td>3\"/> <tr> <td>3995</td> <td>ETR</td> <td>-</td> <td>WD.</td> <td>J2</td> <td>PTD.</td> <td>-</td> <td>3992</td> <td>3\"/> <tr> <td>3997</td> <td>ETR</td> <td>-</td> <td>WD.</td> <td>J2</td> <td>PTD.</td> <td>-</td> <td>3993</td> <td>3\"/> <tr> <td>3998</td> <td>ETR</td> <td>-</td> <td>WD.</td> <td>J2</td> <td>PTD.</td> <td>-</td> <td>3994</td> <td>3\"/> <tr> <td>3999</td> <td>ETR</td> <td>-</td> <td>WD.</td> <td>J2</td> <td>PTD.</td> <td>-</td> <td>3995</td> <td>3\"/> <tr> <td>3999</td> <td>ETR</td> <td>-</td> <td>WD.</td> <td>J2</td> <td>PTD.</td> <td>-</td> <td>3997</td> <td>3\"/> </td></tr></td></tr></td></tr></td></tr></td></tr></td></tr></td></tr></td></tr></td></tr></td></tr></td></tr></td></tr></td></tr></td></tr></td></tr></td></tr></td></tr></td></tr></td></tr></td></tr></td></tr></td></tr></td></td></tr></td></tr></td></td></tr></td></td></tr></td></td></tr>
 | 379 | B | 1 <td>WD</td> <td>J1</td> <td>PTD.</td> <td>-</td> <td>377A</td> <td>3\"/> <tr> <td>380A</td> <td>B</td> <td>1 <td>WD</td> <td>J1</td> <td>PTD.</td> <td>-</td> <td>378</td> <td>3\"/> <tr> <td>380B</td> <td>B</td> <td>1 <td>WD</td> <td>J1</td> <td>PTD.</td> <td>-</td> <td>379</td> <td>3\"/> <tr> <td>382</td> <td>ETR</td> <td>-</td> <td>WD.</td> <td>J2</td> <td>PTD.</td> <td>-</td> <td>380A</td> <td>3\"/> <tr> <td>382A</td> <td>D</td> <td>6 <td>ALUM.</td> <td>ANODIZE D</td> <td>-</td> <td>-</td> <td>380B</td> <td>3\"/> <tr> <td>385</td> <td>ETR</td> <td>-</td> <td>WD.</td> <td>J2</td> <td>PTD.</td> <td>-</td> <td>382</td> <td>3\"/> <tr> <td>386</td> <td>ETR</td> <td>-</td> <td>WD.</td> <td>J2</td> <td>PTD.</td> <td>-</td> <td>382A</td> <td>3\"/> <tr> <td>387</td> <td>ETR</td> <td>-</td> <td>WD.</td> <td>J2</td> <td>PTD.</td> <td>-</td> <td>385</td> <td>3\"/> <tr> <td>388</td> <td>ETR</td> <td>-</td> <td>WD.</td> <td>J2</td> <td>PTD.</td> <td>-</td> <td>386</td> <td>3\"/> <tr> <td>389</td> <td>ETR</td> <td>-</td> <td>WD.</td> <td>J2</td> <td>PTD.</td> <td>-</td> <td>387</td> <td>3\"/> <tr> <td>391</td> <td>ETR</td> <td>-</td> <td>WD.</td> <td>J2</td> <td>PTD.</td> <td>-</td> <td>388</td> <td>3\"/> <tr> <td>391A</td> <td>ETR</td> <td>-</td> <td>WD.</td> <td>J2</td> <td>PTD.</td> <td>-</td> <td>389</td> <td>3\"/> <tr> <td>391B</td> <td>ETR</td> <td>-</td> <td>WD.</td> <td>J2</td> <td>PTD.</td> <td>-</td> <td>391</td> <td>3\"/> <tr> <td>394</td> <td>ETR</td> <td>-</td> <td>WD.</td> <td>J2</td> <td>PTD.</td> <td>-</td> <td>391A</td> <td>3\"/> <tr> <td>395</td> <td>ETR</td> <td>-</td> <td>WD.</td> <td>J2</td> <td>PTD.</td> <td>-</td> <td>391B</td> <td>3\"/> <tr> <td>396</td> <td>ETR</td> <td>-</td> <td>WD.</td> <td>J2</td> <td>PTD.</td> <td>-</td> <td>394</td> <td>3\"/> <tr> <td>398</td> <td>ETR</td> <td>-</td> <td>WD.</td> <td>J2</td> <td>PTD.</td> <td>-</td> <td>395</td> <td>3\"/> <tr> <td>399</td> <td>ETR</td> <td>-</td> <td>WD.</td> <td>J2</td> <td>PTD.</td> <td>-</td> <td>396</td> <td>3\"/> <tr> <td>3991</td> <td>ETR</td> <td>-</td> <td>WD.</td> <td>J2</td> <td>PTD.</td> <td>-</td> <td>398</td> <td>3\"/> <tr> <td>3992</td> <td>A</td> <td>3\"/> <tr> <td>3993</td> <td>ETR</td> <td>-</td> <td>WD.</td> <td>J2</td> <td>PTD.</td> <td>-</td> <td>399</td> <td>3\"/> <tr> <td>3994</td> <td>ETR</td> <td>-</td> <td>WD.</td> <td>J2</td> <td>PTD.</td> <td>-</td> <td>3991</td> <td>3\"/> <tr> <td>3995</td> <td>ETR</td> <td>-</td> <td>WD.</td> <td>J2</td> <td>PTD.</td> <td>-</td> <td>3992</td> <td>3\"/> <tr> <td>3997</td> <td>ETR</td> <td>-</td> <td>WD.</td> <td>J2</td> <td>PTD.</td> <td>-</td> <td>3993</td> <td>3\"/> <tr> <td>3998</td> <td>ETR</td> <td>-</td> <td>WD.</td> <td>J2</td> <td>PTD.</td> <td>-</td> <td>3994</td> <td>3\"/> <tr> <td>3999</td> <td>ETR</td> <td>-</td> <td>WD.</td> <td>J2</td> <td>PTD.</td> <td>-</td> <td>3995</td> <td>3\"/> <tr> <td>3999</td> <td>ETR</td> <td>-</td> <td>WD.</td> <td>J2</td> <td>PTD.</td> <td>-</td> <td>3997</td> <td>3\"/> </td></tr></td></tr></td></tr></td></tr></td></tr></td></tr></td></tr></td></tr></td></tr></td></tr></td></tr></td></tr></td></tr></td></tr></td></tr></td></tr></td></tr></td></tr></td></tr></td></tr></td></tr></td></tr></td></td></tr></td></tr></td></td></tr></td></td></tr></td> | WD | J1 | PTD. | - | 377A | 3\"/> <tr> <td>380A</td> <td>B</td> <td>1 <td>WD</td> <td>J1</td> <td>PTD.</td> <td>-</td> <td>378</td> <td>3\"/> <tr> <td>380B</td> <td>B</td> <td>1 <td>WD</td> <td>J1</td> <td>PTD.</td> <td>-</td> <td>379</td> <td>3\"/> <tr> <td>382</td> <td>ETR</td> <td>-</td> <td>WD.</td> <td>J2</td> <td>PTD.</td> <td>-</td> <td>380A</td> <td>3\"/> <tr> <td>382A</td> <td>D</td> <td>6 <td>ALUM.</td> <td>ANODIZE D</td> <td>-</td> <td>-</td> <td>380B</td> <td>3\"/> <tr> <td>385</td> <td>ETR</td> <td>-</td> <td>WD.</td> <td>J2</td> <td>PTD.</td> <td>-</td> <td>382</td> <td>3\"/> <tr> <td>386</td> <td>ETR</td> <td>-</td> <td>WD.</td> <td>J2</td> <td>PTD.</td> <td>-</td> <td>382A</td> <td>3\"/> <tr> <td>387</td> <td>ETR</td> <td>-</td> <td>WD.</td> <td>J2</td> <td>PTD.</td> <td>-</td> <td>385</td> <td>3\"/> <tr> <td>388</td> <td>ETR</td> <td>-</td> <td>WD.</td> <td>J2</td> <td>PTD.</td> <td>-</td> <td>386</td> <td>3\"/> <tr> <td>389</td> <td>ETR</td> <td>-</td> <td>WD.</td> <td>J2</td> <td>PTD.</td> <td>-</td> <td>387</td> <td>3\"/> <tr> <td>391</td> <td>ETR</td> <td>-</td> <td>WD.</td> <td>J2</td> <td>PTD.</td> <td>-</td> <td>388</td> <td>3\"/> <tr> <td>391A</td> <td>ETR</td> <td>-</td> <td>WD.</td> <td>J2</td> <td>PTD.</td> <td>-</td> <td>389</td> <td>3\"/> <tr> <td>391B</td> <td>ETR</td> <td>-</td> <td>WD.</td> <td>J2</td> <td>PTD.</td> <td>-</td> <td>391</td> <td>3\"/> <tr> <td>394</td> <td>ETR</td> <td>-</td> <td>WD.</td> <td>J2</td> <td>PTD.</td> <td>-</td> <td>391A</td> <td>3\"/> <tr> <td>395</td> <td>ETR</td> <td>-</td> <td>WD.</td> <td>J2</td> <td>PTD.</td> <td>-</td> <td>391B</td> <td>3\"/> <tr> <td>396</td> <td>ETR</td> <td>-</td> <td>WD.</td> <td>J2</td> <td>PTD.</td> <td>-</td> <td>394</td> <td>3\"/> <tr> <td>398</td> <td>ETR</td> <td>-</td> <td>WD.</td> <td>J2</td> <td>PTD.</td> <td>-</td> <td>395</td> <td>3\"/> <tr> <td>399</td> <td>ETR</td> <td>-</td> <td>WD.</td> <td>J2</td> <td>PTD.</td> <td>-</td> <td>396</td> <td>3\"/> <tr> <td>3991</td> <td>ETR</td> <td>-</td> <td>WD.</td> <td>J2</td> <td>PTD.</td> <td>-</td> <td>398</td> <td>3\"/> <tr> <td>3992</td> <td>A</td> <td>3\"/> <tr> <td>3993</td> <td>ETR</td> <td>-</td> <td>WD.</td> <td>J2</td> <td>PTD.</td> <td>-</td> <td>399</td> <td>3\"/> <tr> <td>3994</td> <td>ETR</td> <td>-</td> <td>WD.</td> <td>J2</td> <td>PTD.</td> <td>-</td> <td>3991</td> <td>3\"/> <tr> <td>3995</td> <td>ETR</td> <td>-</td> <td>WD.</td> <td>J2</td> <td>PTD.</td> <td>-</td> <td>3992</td> <td>3\"/> <tr> <td>3997</td> <td>ETR</td> <td>-</td> <td>WD.</td> <td>J2</td> <td>PTD.</td> <td>-</td> <td>3993</td> <td>3\"/> <tr> <td>3998</td> <td>ETR</td> <td>-</td> <td>WD.</td> <td>J2</td> <td>PTD.</td> <td>-</td> <td>3994</td> <td>3\"/> <tr> <td>3999</td> <td>ETR</td> <td>-</td> <td>WD.</td> <td>J2</td> <td>PTD.</td> <td>-</td> <td>3995</td> <td>3\"/> <tr> <td>3999</td>
<td>ETR</td> <td>-</td> <td>WD.</td> <td>J2</td> <td>PTD.</td> <td>-</td> <td>3997</td> <td>3\"/> </td></tr></td></tr></td></tr></td></tr></td></tr></td></tr></td></tr></td></tr></td></tr></td></tr></td></tr></td></tr></td></tr></td></tr></td></tr></td></tr></td></tr></td></tr></td></tr></td></tr></td></tr></td></tr></td></td></tr></td></tr></td></td></tr></td></td></tr> | 380A | B | 1 <td>WD</td> <td>J1</td> <td>PTD.</td> <td>-</td> <td>378</td> <td>3\"/> <tr> <td>380B</td> <td>B</td> <td>1 <td>WD</td> <td>J1</td> <td>PTD.</td> <td>-</td> <td>379</td> <td>3\"/> <tr> <td>382</td> <td>ETR</td> <td>-</td> <td>WD.</td> <td>J2</td> <td>PTD.</td> <td>-</td> <td>380A</td> <td>3\"/> <tr> <td>382A</td> <td>D</td> <td>6 <td>ALUM.</td> <td>ANODIZE D</td> <td>-</td> <td>-</td> <td>380B</td> <td>3\"/> <tr> <td>385</td> <td>ETR</td> <td>-</td> <td>WD.</td> <td>J2</td> <td>PTD.</td> <td>-</td> <td>382</td> <td>3\"/> <tr> <td>386</td> <td>ETR</td> <td>-</td> <td>WD.</td> <td>J2</td> <td>PTD.</td> <td>-</td> <td>382A</td> <td>3\"/> <tr> <td>387</td> <td>ETR</td> <td>-</td> <td>WD.</td> <td>J2</td> <td>PTD.</td> <td>-</td> <td>385</td> <td>3\"/> <tr> <td>388</td> <td>ETR</td> <td>-</td> <td>WD.</td> <td>J2</td> <td>PTD.</td> <td>-</td> <td>386</td> <td>3\"/> <tr> <td>389</td> <td>ETR</td> <td>-</td> <td>WD.</td> <td>J2</td> <td>PTD.</td> <td>-</td> <td>387</td> <td>3\"/> <tr> <td>391</td> <td>ETR</td> <td>-</td> <td>WD.</td> <td>J2</td> <td>PTD.</td> <td>-</td> <td>388</td> <td>3\"/> <tr> <td>391A</td> <td>ETR</td> <td>-</td> <td>WD.</td> <td>J2</td> <td>PTD.</td> <td>-</td> <td>389</td> <td>3\"/> <tr> <td>391B</td> <td>ETR</td> <td>-</td> <td>WD.</td> <td>J2</td> <td>PTD.</td> <td>-</td> <td>391</td> <td>3\"/> <tr> <td>394</td> <td>ETR</td> <td>-</td> <td>WD.</td> <td>J2</td> <td>PTD.</td> <td>-</td> <td>391A</td> <td>3\"/> <tr> <td>395</td> <td>ETR</td> <td>-</td> <td>WD.</td> <td>J2</td> <td>PTD.</td> <td>-</td> <td>391B</td> <td>3\"/> <tr> <td>396</td> <td>ETR</td> <td>-</td> <td>WD.</td> <td>J2</td> <td>PTD.</td> <td>-</td> <td>394</td> <td>3\"/> <tr> <td>398</td> <td>ETR</td> <td>-</td> <td>WD.</td> <td>J2</td> <td>PTD.</td> <td>-</td> <td>395</td> <td>3\"/> <tr> <td>399</td> <td>ETR</td> <td>-</td> <td>WD.</td> <td>J2</td> <td>PTD.</td> <td>-</td> <td>396</td> <td>3\"/> <tr> <td>3991</td> <td>ETR</td> <td>-</td> <td>WD.</td> <td>J2</td> <td>PTD.</td> <td>-</td> <td>398</td> <td>3\"/> <tr> <td>3992</td> <td>A</td> <td>3\"/> <tr> <td>3993</td> <td>ETR</td> <td>-</td> <td>WD.</td> <td>J2</td> <td>PTD.</td> <td>-</td> <td>399</td> <td>3\"/> <tr> <td>3994</td> <td>ETR</td> <td>-</td> <td>WD.</td> <td>J2</td> <td>PTD.</td> <td>-</td> <td>3991</td> <td>3\"/> <tr> <td>3995</td> <td>ETR</td> <td>-</td> <td>WD.</td> <td>J2</td> <td>PTD.</td> <td>-</td> <td>3992</td> <td>3\"/> <tr> <td>3997</td> <td>ETR</td> <td>-</td> <td>WD.</td> <td>J2</td> <td>PTD.</td> <td>-</td> <td>3993</td> <td>3\"/> <tr> <td>3998</td> <td>ETR</td> <td>-</td> <td>WD.</td> <td>J2</td> <td>PTD.</td> <td>-</td> <td>3994</td> <td>3\"/> <tr> <td>3999</td> <td>ETR</td> <td>-</td> <td>WD.</td> <td>J2</td> <td>PTD.</td> <td>-</td> <td>3995</td> <td>3\"/> <tr> <td>3999</td> <td>ETR</td> <td>-</td> <td>WD.</td> <td>J2</td> <td>PTD.</td> <td>-</td> <td>3997</td> <td>3\"/> </td></tr></td></tr></td></tr></td></tr></td></tr></td></tr></td></tr></td></tr></td></tr></td></tr></td></tr></td></tr></td></tr></td></tr></td></tr></td></tr></td></tr></td></tr></td></tr></td></tr></td></tr></td></tr></td></td></tr></td></tr></td></td></tr></td> | WD | J1 | PTD. | - | 378 | 3\"/> <tr> <td>380B</td> <td>B</td> <td>1 <td>WD</td> <td>J1</td> <td>PTD.</td> <td>-</td> <td>379</td> <td>3\"/> <tr> <td>382</td> <td>ETR</td> <td>-</td> <td>WD.</td> <td>J2</td> <td>PTD.</td> <td>-</td> <td>380A</td> <td>3\"/> <tr> <td>382A</td> <td>D</td> <td>6 <td>ALUM.</td> <td>ANODIZE D</td> <td>-</td> <td>-</td> <td>380B</td> <td>3\"/> <tr> <td>385</td> <td>ETR</td> <td>-</td> <td>WD.</td> <td>J2</td> <td>PTD.</td> <td>-</td> <td>382</td> <td>3\"/> <tr> <td>386</td> <td>ETR</td> <td>-</td> <td>WD.</td> <td>J2</td> <td>PTD.</td> <td>-</td> <td>382A</td> <td>3\"/> <tr> <td>387</td> <td>ETR</td> <td>-</td> <td>WD.</td> <td>J2</td> <td>PTD.</td> <td>-</td> <td>385</td> <td>3\"/> <tr> <td>388</td> <td>ETR</td> <td>-</td> <td>WD.</td> <td>J2</td> <td>PTD.</td> <td>-</td> <td>386</td> <td>3\"/> <tr> <td>389</td> <td>ETR</td> <td>-</td> <td>WD.</td> <td>J2</td> <td>PTD.</td> <td>-</td> <td>387</td> <td>3\"/> <tr> <td>391</td> <td>ETR</td> <td>-</td> <td>WD.</td> <td>J2</td> <td>PTD.</td> <td>-</td> <td>388</td> <td>3\"/> <tr> <td>391A</td>
<td>ETR</td> <td>-</td> <td>WD.</td> <td>J2</td> <td>PTD.</td> <td>-</td> <td>389</td> <td>3\"/> <tr> <td>391B</td> <td>ETR</td> <td>-</td> <td>WD.</td> <td>J2</td> <td>PTD.</td> <td>-</td> <td>391</td> <td>3\"/> <tr> <td>394</td> <td>ETR</td> <td>-</td> <td>WD.</td> <td>J2</td> <td>PTD.</td> <td>-</td> <td>391A</td> <td>3\"/> <tr> <td>395</td> <td>ETR</td> <td>-</td> <td>WD.</td> <td>J2</td> <td>PTD.</td> <td>-</td> <td>391B</td> <td>3\"/> <tr> <td>396</td> <td>ETR</td> <td>-</td> <td>WD.</td> <td>J2</td> <td>PTD.</td> <td>-</td> <td>394</td> <td>3\"/> <tr> <td>398</td> <td>ETR</td> <td>-</td> <td>WD.</td> <td>J2</td> <td>PTD.</td> <td>-</td> <td>395</td> <td>3\"/> <tr> <td>399</td> <td>ETR</td> <td>-</td> <td>WD.</td> <td>J2</td> <td>PTD.</td> <td>-</td> <td>396</td> <td>3\"/> <tr> <td>3991</td> <td>ETR</td> <td>-</td> <td>WD.</td> <td>J2</td> <td>PTD.</td> <td>-</td> <td>398</td> <td>3\"/> <tr> <td>3992</td> <td>A</td> <td>3\"/> <tr> <td>3993</td> <td>ETR</td> <td>-</td> <td>WD.</td> <td>J2</td> <td>PTD.</td> <td>-</td> <td>399</td> <td>3\"/> <tr> <td>3994</td> <td>ETR</td> <td>-</td> <td>WD.</td> <td>J2</td> <td>PTD.</td> <td>-</td> <td>3991</td> <td>3\"/> <tr> <td>3995</td> <td>ETR</td> <td>-</td> <td>WD.</td> <td>J2</td> <td>PTD.</td> <td>-</td> <td>3992</td> <td>3\"/> <tr> <td>3997</td> <td>ETR</td> <td>-</td> <td>WD.</td> <td>J2</td> <td>PTD.</td> <td>-</td> <td>3993</td> <td>3\"/> <tr> <td>3998</td> <td>ETR</td> <td>-</td> <td>WD.</td> <td>J2</td> <td>PTD.</td> <td>-</td> <td>3994</td> <td>3\"/> <tr> <td>3999</td> <td>ETR</td> <td>-</td> <td>WD.</td> <td>J2</td> <td>PTD.</td> <td>-</td> <td>3995</td> <td>3\"/> <tr> <td>3999</td> <td>ETR</td> <td>-</td> <td>WD.</td> <td>J2</td> <td>PTD.</td> <td>-</td> <td>3997</td> <td>3\"/> </td></tr></td></tr></td></tr></td></tr></td></tr></td></tr></td></tr></td></tr></td></tr></td></tr></td></tr></td></tr></td></tr></td></tr></td></tr></td></tr></td></tr></td></tr></td></tr></td></tr></td></tr></td></tr></td></td></tr></td></tr></td></td></tr> | 380B | B | 1 <td>WD</td> <td>J1</td> <td>PTD.</td> <td>-</td> <td>379</td> <td>3\"/> <tr> <td>382</td> <td>ETR</td> <td>-</td> <td>WD.</td> <td>J2</td> <td>PTD.</td> <td>-</td> <td>380A</td> <td>3\"/> <tr> <td>382A</td> <td>D</td> <td>6 <td>ALUM.</td> <td>ANODIZE D</td> <td>-</td> <td>-</td> <td>380B</td> <td>3\"/> <tr> <td>385</td> <td>ETR</td> <td>-</td> <td>WD.</td> <td>J2</td> <td>PTD.</td> <td>-</td> <td>382</td> <td>3\"/> <tr> <td>386</td> <td>ETR</td> <td>-</td> <td>WD.</td> <td>J2</td> <td>PTD.</td> <td>-</td> <td>382A</td> <td>3\"/> <tr> <td>387</td> <td>ETR</td> <td>-</td> <td>WD.</td> <td>J2</td> <td>PTD.</td> <td>-</td> <td>385</td> <td>3\"/> <tr> <td>388</td> <td>ETR</td> <td>-</td> <td>WD.</td> <td>J2</td> <td>PTD.</td> <td>-</td> <td>386</td> <td>3\"/> <tr> <td>389</td> <td>ETR</td> <td>-</td> <td>WD.</td> <td>J2</td> <td>PTD.</td> <td>-</td> <td>387</td> <td>3\"/> <tr> <td>391</td> <td>ETR</td> <td>-</td> <td>WD.</td> <td>J2</td> <td>PTD.</td> <td>-</td> <td>388</td> <td>3\"/> <tr> <td>391A</td> <td>ETR</td> <td>-</td> <td>WD.</td> <td>J2</td> <td>PTD.</td> <td>-</td> <td>389</td> <td>3\"/> <tr> <td>391B</td> <td>ETR</td> <td>-</td> <td>WD.</td> <td>J2</td> <td>PTD.</td> <td>-</td> <td>391</td> <td>3\"/> <tr> <td>394</td> <td>ETR</td> <td>-</td> <td>WD.</td> <td>J2</td> <td>PTD.</td> <td>-</td> <td>391A</td> <td>3\"/> <tr> <td>395</td> <td>ETR</td> <td>-</td> <td>WD.</td> <td>J2</td> <td>PTD.</td> <td>-</td> <td>391B</td> <td>3\"/> <tr> <td>396</td> <td>ETR</td> <td>-</td> <td>WD.</td> <td>J2</td> <td>PTD.</td> <td>-</td> <td>394</td> <td>3\"/> <tr> <td>398</td> <td>ETR</td> <td>-</td> <td>WD.</td> <td>J2</td> <td>PTD.</td> <td>-</td> <td>395</td> <td>3\"/> <tr> <td>399</td> <td>ETR</td> <td>-</td> <td>WD.</td> <td>J2</td> <td>PTD.</td> <td>-</td> <td>396</td> <td>3\"/> <tr> <td>3991</td> <td>ETR</td> <td>-</td> <td>WD.</td> <td>J2</td> <td>PTD.</td> <td>-</td> <td>398</td> <td>3\"/> <tr> <td>3992</td> <td>A</td> <td>3\"/> <tr> <td>3993</td> <td>ETR</td> <td>-</td> <td>WD.</td> <td>J2</td> <td>PTD.</td> <td>-</td> <td>399</td> <td>3\"/> <tr> <td>3994</td> <td>ETR</td> <td>-</td> <td>WD.</td> <td>J2</td> <td>PTD.</td> <td>-</td> <td>3991</td> <td>3\"/> <tr> <td>3995</td> <td>ETR</td> <td>-</td> <td>WD.</td> <td>J2</td> <td>PTD.</td> <td>-</td> <td>3992</td> <td>3\"/> <tr> <td>3997</td> <td>ETR</td> <td>-</td> <td>WD.</td> <td>J2</td> <td>PTD.</td> <td>-</td> <td>3993</td> <td>3\"/> <tr> <td>3998</td> <td>ETR</td> <td>-</td> <td>WD.</td> <td>J2</td> <td>PTD.</td> <td>-</td> <td>3994</td> <td>3\"/> <tr> <td>3999</td> <td>ETR</td> <td>-</td> <td>WD.</td> <td>J2</td> <td>PTD.</td> <td>-</td> <td>3995</td> <td>3\"/> <tr> <td>3999</td> <td>ETR</td> <td>-</td> <td>WD.</td> <td>J2</td> <td>PTD.</td> <td>-</td> <td>3997</td> <td>3\"/> </td></tr></td></tr></td></tr></td></tr></td></tr></td></tr></td></tr></td></tr></td></tr></td></tr></td></tr></td></tr></td></tr></td></tr></td></tr></td></tr></td></tr></td></tr></td></tr></td></tr></td></tr></td></tr></td></td></tr></td></tr></td>
 | WD | J1 | PTD. | - | 379 | 3\"/> <tr> <td>382</td> <td>ETR</td> <td>-</td> <td>WD.</td> <td>J2</td> <td>PTD.</td> <td>-</td> <td>380A</td> <td>3\"/> <tr> <td>382A</td> <td>D</td> <td>6 <td>ALUM.</td> <td>ANODIZE D</td> <td>-</td> <td>-</td> <td>380B</td> <td>3\"/> <tr> <td>385</td> <td>ETR</td> <td>-</td> <td>WD.</td> <td>J2</td> <td>PTD.</td> <td>-</td> <td>382</td> <td>3\"/> <tr> <td>386</td> <td>ETR</td> <td>-</td> <td>WD.</td> <td>J2</td> <td>PTD.</td> <td>-</td> <td>382A</td> <td>3\"/> <tr> <td>387</td> <td>ETR</td> <td>-</td> <td>WD.</td> <td>J2</td> <td>PTD.</td> <td>-</td> <td>385</td> <td>3\"/> <tr> <td>388</td> <td>ETR</td> <td>-</td> <td>WD.</td> <td>J2</td> <td>PTD.</td> <td>-</td> <td>386</td> <td>3\"/> <tr> <td>389</td> <td>ETR</td> <td>-</td> <td>WD.</td> <td>J2</td> <td>PTD.</td> <td>-</td> <td>387</td> <td>3\"/> <tr> <td>391</td> <td>ETR</td> <td>-</td> <td>WD.</td> <td>J2</td> <td>PTD.</td> <td>-</td> <td>388</td> <td>3\"/> <tr> <td>391A</td> <td>ETR</td> <td>-</td> <td>WD.</td> <td>J2</td> <td>PTD.</td> <td>-</td> <td>389</td> <td>3\"/> <tr> <td>391B</td> <td>ETR</td> <td>-</td> <td>WD.</td> <td>J2</td> <td>PTD.</td> <td>-</td> <td>391</td> <td>3\"/> <tr> <td>394</td> <td>ETR</td> <td>-</td> <td>WD.</td> <td>J2</td> <td>PTD.</td> <td>-</td> <td>391A</td> <td>3\"/> <tr> <td>395</td> <td>ETR</td> <td>-</td> <td>WD.</td> <td>J2</td> <td>PTD.</td> <td>-</td> <td>391B</td> <td>3\"/> <tr> <td>396</td> <td>ETR</td> <td>-</td> <td>WD.</td> <td>J2</td> <td>PTD.</td> <td>-</td> <td>394</td> <td>3\"/> <tr> <td>398</td> <td>ETR</td> <td>-</td> <td>WD.</td> <td>J2</td> <td>PTD.</td> <td>-</td> <td>395</td> <td>3\"/> <tr> <td>399</td> <td>ETR</td> <td>-</td> <td>WD.</td> <td>J2</td> <td>PTD.</td> <td>-</td> <td>396</td> <td>3\"/> <tr> <td>3991</td> <td>ETR</td> <td>-</td> <td>WD.</td> <td>J2</td> <td>PTD.</td> <td>-</td> <td>398</td> <td>3\"/> <tr> <td>3992</td> <td>A</td> <td>3\"/> <tr> <td>3993</td> <td>ETR</td> <td>-</td> <td>WD.</td> <td>J2</td> <td>PTD.</td> <td>-</td> <td>399</td> <td>3\"/> <tr> <td>3994</td> <td>ETR</td> <td>-</td> <td>WD.</td> <td>J2</td> <td>PTD.</td> <td>-</td> <td>3991</td> <td>3\"/> <tr> <td>3995</td> <td>ETR</td> <td>-</td> <td>WD.</td> <td>J2</td> <td>PTD.</td> <td>-</td> <td>3992</td> <td>3\"/> <tr> <td>3997</td> <td>ETR</td> <td>-</td> <td>WD.</td> <td>J2</td> <td>PTD.</td> <td>-</td> <td>3993</td> <td>3\"/> <tr> <td>3998</td> <td>ETR</td> <td>-</td> <td>WD.</td> <td>J2</td> <td>PTD.</td> <td>-</td> <td>3994</td> <td>3\"/> <tr> <td>3999</td> <td>ETR</td> <td>-</td> <td>WD.</td> <td>J2</td> <td>PTD.</td> <td>-</td> <td>3995</td> <td>3\"/> <tr> <td>3999</td> <td>ETR</td> <td>-</td> <td>WD.</td> <td>J2</td> <td>PTD.</td> <td>-</td> <td>3997</td> <td>3\"/> </td></tr></td></tr></td></tr></td></tr></td></tr></td></tr></td></tr></td></tr></td></tr></td></tr></td></tr></td></tr></td></tr></td></tr></td></tr></td></tr></td></tr></td></tr></td></tr></td></tr></td></tr></td></tr></td></td></tr></td></tr> | 382 | ETR | -
 | WD. | J2 | PTD. | - | 380A | 3\"/> <tr> <td>382A</td> <td>D</td> <td>6 <td>ALUM.</td> <td>ANODIZE D</td> <td>-</td> <td>-</td> <td>380B</td> <td>3\"/> <tr> <td>385</td> <td>ETR</td> <td>-</td> <td>WD.</td> <td>J2</td> <td>PTD.</td> <td>-</td> <td>382</td> <td>3\"/> <tr> <td>386</td> <td>ETR</td> <td>-</td> <td>WD.</td> <td>J2</td> <td>PTD.</td> <td>-</td> <td>382A</td> <td>3\"/> <tr> <td>387</td> <td>ETR</td> <td>-</td> <td>WD.</td> <td>J2</td> <td>PTD.</td> <td>-</td> <td>385</td> <td>3\"/> <tr> <td>388</td> <td>ETR</td> <td>-</td> <td>WD.</td> <td>J2</td> <td>PTD.</td> <td>-</td> <td>386</td> <td>3\"/> <tr> <td>389</td> <td>ETR</td> <td>-</td> <td>WD.</td> <td>J2</td> <td>PTD.</td> <td>-</td> <td>387</td> <td>3\"/> <tr> <td>391</td> <td>ETR</td> <td>-</td> <td>WD.</td> <td>J2</td> <td>PTD.</td> <td>-</td> <td>388</td> <td>3\"/> <tr> <td>391A</td> <td>ETR</td> <td>-</td> <td>WD.</td> <td>J2</td> <td>PTD.</td> <td>-</td> <td>389</td> <td>3\"/> <tr> <td>391B</td> <td>ETR</td> <td>-</td> <td>WD.</td> <td>J2</td> <td>PTD.</td> <td>-</td> <td>391</td> <td>3\"/> <tr> <td>394</td> <td>ETR</td> <td>-</td> <td>WD.</td> <td>J2</td> <td>PTD.</td> <td>-</td> <td>391A</td> <td>3\"/> <tr> <td>395</td> <td>ETR</td> <td>-</td> <td>WD.</td> <td>J2</td> <td>PTD.</td> <td>-</td> <td>391B</td> <td>3\"/> <tr> <td>396</td> <td>ETR</td> <td>-</td> <td>WD.</td> <td>J2</td> <td>PTD.</td> <td>-</td> <td>394</td> <td>3\"/> <tr> <td>398</td> <td>ETR</td> <td>-</td> <td>WD.</td> <td>J2</td> <td>PTD.</td> <td>-</td> <td>395</td> <td>3\"/> <tr> <td>399</td> <td>ETR</td> <td>-</td> <td>WD.</td> <td>J2</td> <td>PTD.</td> <td>-</td> <td>396</td> <td>3\"/> <tr> <td>3991</td> <td>ETR</td> <td>-</td> <td>WD.</td> <td>J2</td> <td>PTD.</td> <td>-</td> <td>398</td> <td>3\"/> <tr> <td>3992</td> <td>A</td> <td>3\"/> <tr> <td>3993</td> <td>ETR</td> <td>-</td> <td>WD.</td> <td>J2</td> <td>PTD.</td> <td>-</td> <td>399</td> <td>3\"/> <tr> <td>3994</td> <td>ETR</td> <td>-</td> <td>WD.</td> <td>J2</td> <td>PTD.</td> <td>-</td> <td>3991</td> <td>3\"/> <tr> <td>3995</td> <td>ETR</td> <td>-</td> <td>WD.</td> <td>J2</td> <td>PTD.</td> <td>-</td> <td>3992</td> <td>3\"/> <tr> <td>3997</td> <td>ETR</td> <td>-</td> <td>WD.</td> <td>J2</td> <td>PTD.</td> <td>-</td> <td>3993</td> <td>3\"/> <tr> <td>3998</td> <td>ETR</td> <td>-</td> <td>WD.</td> <td>J2</td> <td>PTD.</td> <td>-</td> <td>3994</td> <td>3\"/> <tr> <td>3999</td> <td>ETR</td> <td>-</td> <td>WD.</td> <td>J2</td> <td>PTD.</td> <td>-</td> <td>3995</td> <td>3\"/> <tr> <td>3999</td> <td>ETR</td> <td>-</td> <td>WD.</td> <td>J2</td> <td>PTD.</td> <td>-</td> <td>3997</td> <td>3\"/> </td></tr></td></tr></td></tr></td></tr></td></tr></td></tr></td></tr></td></tr></td></tr></td></tr></td></tr></td></tr></td></tr></td></tr></td></tr></td></tr></td></tr></td></tr></td></tr></td></tr></td></tr></td></tr></td></td></tr> | 382A | D | 6 <td>ALUM.</td> <td>ANODIZE D</td> <td>-</td> <td>-</td> <td>380B</td> <td>3\"/> <tr> <td>385</td> <td>ETR</td> <td>-</td> <td>WD.</td> <td>J2</td> <td>PTD.</td> <td>-</td> <td>382</td> <td>3\"/> <tr> <td>386</td> <td>ETR</td> <td>-</td> <td>WD.</td> <td>J2</td> <td>PTD.</td> <td>-</td> <td>382A</td> <td>3\"/> <tr> <td>387</td> <td>ETR</td> <td>-</td> <td>WD.</td> <td>J2</td> <td>PTD.</td> <td>-</td> <td>385</td> <td>3\"/> <tr> <td>388</td> <td>ETR</td> <td>-</td> <td>WD.</td> <td>J2</td> <td>PTD.</td> <td>-</td> <td>386</td> <td>3\"/> <tr> <td>389</td> <td>ETR</td> <td>-</td> <td>WD.</td> <td>J2</td> <td>PTD.</td> <td>-</td> <td>387</td> <td>3\"/> <tr> <td>391</td> <td>ETR</td> <td>-</td> <td>WD.</td> <td>J2</td> <td>PTD.</td> <td>-</td> <td>388</td> <td>3\"/> <tr> <td>391A</td> <td>ETR</td> <td>-</td> <td>WD.</td> <td>J2</td> <td>PTD.</td> <td>-</td> <td>389</td> <td>3\"/> <tr> <td>391B</td> <td>ETR</td> <td>-</td> <td>WD.</td> <td>J2</td> <td>PTD.</td> <td>-</td> <td>391</td> <td>3\"/> <tr> <td>394</td> <td>ETR</td> <td>-</td> <td>WD.</td> <td>J2</td> <td>PTD.</td> <td>-</td> <td>391A</td> <td>3\"/> <tr> <td>395</td> <td>ETR</td> <td>-</td> <td>WD.</td> <td>J2</td> <td>PTD.</td> <td>-</td> <td>391B</td> <td>3\"/> <tr> <td>396</td> <td>ETR</td> <td>-</td> <td>WD.</td> <td>J2</td> <td>PTD.</td> <td>-</td> <td>394</td> <td>3\"/> <tr> <td>398</td> <td>ETR</td> <td>-</td> <td>WD.</td> <td>J2</td> <td>PTD.</td> <td>-</td> <td>395</td> <td>3\"/> <tr> <td>399</td> <td>ETR</td> <td>-</td> <td>WD.</td> <td>J2</td> <td>PTD.</td> <td>-</td> <td>396</td> <td>3\"/> <tr> <td>3991</td> <td>ETR</td> <td>-</td> <td>WD.</td> <td>J2</td> <td>PTD.</td> <td>-</td> <td>398</td> <td>3\"/> <tr> <td>3992</td> <td>A</td> <td>3\"/> <tr> <td>3993</td> <td>ETR</td> <td>-</td> <td>WD.</td> <td>J2</td> <td>PTD.</td> <td>-</td> <td>399</td> <td>3\"/> <tr> <td>3994</td> <td>ETR</td> <td>-</td> <td>WD.</td> <td>J2</td> <td>PTD.</td> <td>-</td> <td>3991</td> <td>3\"/> <tr> <td>3995</td> <td>ETR</td> <td>-</td> <td>WD.</td> <td>J2</td> <td>PTD.</td> <td>-</td> <td>3992</td> <td>3\"/> <tr> <td>3997</td> <td>ETR</td> <td>-</td> <td>WD.</td> <td>J2</td> <td>PTD.</td> <td>-</td> <td>3993</td> <td>3\"/> <tr> <td>3998</td> <td>ETR</td> <td>-</td> <td>WD.</td> <td>J2</td> <td>PTD.</td> <td>-</td> <td>3994</td> <td>3\"/> <tr> <td>3999</td> <td>ETR</td> <td>-</td> <td>WD.</td> <td>J2</td> <td>PTD.</td> <td>-</td> <td>3995</td> <td>3\"/> <tr> <td>3999</td> <td>ETR</td> <td>-</td> <td>WD.</td> <td>J2</td> <td>PTD.</td> <td>-</td> <td>3997</td> <td>3\"/>
</td></tr></td></tr></td></tr></td></tr></td></tr></td></tr></td></tr></td></tr></td></tr></td></tr></td></tr></td></tr></td></tr></td></tr></td></tr></td></tr></td></tr></td></tr></td></tr></td></tr></td></tr></td></tr></td> | ALUM. | ANODIZE D | - | - | 380B | 3\"/> <tr> <td>385</td> <td>ETR</td> <td>-</td> <td>WD.</td> <td>J2</td> <td>PTD.</td> <td>-</td> <td>382</td> <td>3\"/> <tr> <td>386</td> <td>ETR</td> <td>-</td> <td>WD.</td> <td>J2</td> <td>PTD.</td> <td>-</td> <td>382A</td> <td>3\"/> <tr> <td>387</td> <td>ETR</td> <td>-</td> <td>WD.</td> <td>J2</td> <td>PTD.</td> <td>-</td> <td>385</td> <td>3\"/> <tr> <td>388</td> <td>ETR</td> <td>-</td> <td>WD.</td> <td>J2</td> <td>PTD.</td> <td>-</td> <td>386</td> <td>3\"/> <tr> <td>389</td> <td>ETR</td> <td>-</td> <td>WD.</td> <td>J2</td> <td>PTD.</td> <td>-</td> <td>387</td> <td>3\"/> <tr> <td>391</td> <td>ETR</td> <td>-</td> <td>WD.</td> <td>J2</td> <td>PTD.</td> <td>-</td> <td>388</td> <td>3\"/> <tr> <td>391A</td> <td>ETR</td> <td>-</td> <td>WD.</td> <td>J2</td> <td>PTD.</td> <td>-</td> <td>389</td> <td>3\"/> <tr> <td>391B</td> <td>ETR</td> <td>-</td> <td>WD.</td> <td>J2</td> <td>PTD.</td> <td>-</td> <td>391</td> <td>3\"/> <tr> <td>394</td> <td>ETR</td> <td>-</td> <td>WD.</td> <td>J2</td> <td>PTD.</td> <td>-</td> <td>391A</td> <td>3\"/> <tr> <td>395</td> <td>ETR</td> <td>-</td> <td>WD.</td> <td>J2</td> <td>PTD.</td> <td>-</td> <td>391B</td> <td>3\"/> <tr> <td>396</td> <td>ETR</td> <td>-</td> <td>WD.</td> <td>J2</td> <td>PTD.</td> <td>-</td> <td>394</td> <td>3\"/> <tr> <td>398</td> <td>ETR</td> <td>-</td> <td>WD.</td> <td>J2</td> <td>PTD.</td> <td>-</td> <td>395</td> <td>3\"/> <tr> <td>399</td> <td>ETR</td> <td>-</td> <td>WD.</td> <td>J2</td> <td>PTD.</td> <td>-</td> <td>396</td> <td>3\"/> <tr> <td>3991</td> <td>ETR</td> <td>-</td> <td>WD.</td> <td>J2</td> <td>PTD.</td> <td>-</td> <td>398</td> <td>3\"/> <tr> <td>3992</td> <td>A</td> <td>3\"/> <tr> <td>3993</td> <td>ETR</td> <td>-</td> <td>WD.</td> <td>J2</td> <td>PTD.</td> <td>-</td> <td>399</td> <td>3\"/> <tr> <td>3994</td> <td>ETR</td> <td>-</td> <td>WD.</td> <td>J2</td> <td>PTD.</td> <td>-</td> <td>3991</td> <td>3\"/> <tr> <td>3995</td> <td>ETR</td> <td>-</td> <td>WD.</td> <td>J2</td> <td>PTD.</td> <td>-</td> <td>3992</td> <td>3\"/> <tr> <td>3997</td> <td>ETR</td> <td>-</td> <td>WD.</td> <td>J2</td> <td>PTD.</td> <td>-</td> <td>3993</td> <td>3\"/> <tr> <td>3998</td> <td>ETR</td> <td>-</td> <td>WD.</td> <td>J2</td> <td>PTD.</td> <td>-</td> <td>3994</td> <td>3\"/> <tr> <td>3999</td> <td>ETR</td> <td>-</td> <td>WD.</td> <td>J2</td> <td>PTD.</td> <td>-</td> <td>3995</td> <td>3\"/> <tr> <td>3999</td> <td>ETR</td> <td>-</td> <td>WD.</td> <td>J2</td> <td>PTD.</td> <td>-</td> <td>3997</td> <td>3\"/> </td></tr></td></tr></td></tr></td></tr></td></tr></td></tr></td></tr></td></tr></td></tr></td></tr></td></tr></td></tr></td></tr></td></tr></td></tr></td></tr></td></tr></td></tr></td></tr></td></tr></td></tr></td></tr> | 385 | ETR | -
 | WD. | J2 | PTD. | - | 382 | 3\"/> <tr> <td>386</td> <td>ETR</td> <td>-</td> <td>WD.</td> <td>J2</td> <td>PTD.</td> <td>-</td> <td>382A</td> <td>3\"/> <tr> <td>387</td> <td>ETR</td> <td>-</td> <td>WD.</td> <td>J2</td> <td>PTD.</td> <td>-</td> <td>385</td> <td>3\"/> <tr> <td>388</td> <td>ETR</td> <td>-</td> <td>WD.</td> <td>J2</td> <td>PTD.</td> <td>-</td> <td>386</td> <td>3\"/> <tr> <td>389</td> <td>ETR</td> <td>-</td> <td>WD.</td> <td>J2</td> <td>PTD.</td> <td>-</td> <td>387</td> <td>3\"/> <tr> <td>391</td> <td>ETR</td> <td>-</td> <td>WD.</td> <td>J2</td> <td>PTD.</td> <td>-</td> <td>388</td> <td>3\"/> <tr> <td>391A</td> <td>ETR</td> <td>-</td> <td>WD.</td> <td>J2</td> <td>PTD.</td> <td>-</td> <td>389</td> <td>3\"/> <tr> <td>391B</td> <td>ETR</td> <td>-</td> <td>WD.</td> <td>J2</td> <td>PTD.</td> <td>-</td> <td>391</td> <td>3\"/> <tr> <td>394</td> <td>ETR</td> <td>-</td> <td>WD.</td> <td>J2</td> <td>PTD.</td> <td>-</td> <td>391A</td> <td>3\"/> <tr> <td>395</td> <td>ETR</td> <td>-</td> <td>WD.</td> <td>J2</td> <td>PTD.</td> <td>-</td> <td>391B</td> <td>3\"/> <tr> <td>396</td> <td>ETR</td> <td>-</td> <td>WD.</td> <td>J2</td> <td>PTD.</td> <td>-</td> <td>394</td> <td>3\"/> <tr> <td>398</td> <td>ETR</td> <td>-</td> <td>WD.</td> <td>J2</td> <td>PTD.</td> <td>-</td> <td>395</td> <td>3\"/> <tr> <td>399</td> <td>ETR</td> <td>-</td> <td>WD.</td> <td>J2</td> <td>PTD.</td> <td>-</td> <td>396</td> <td>3\"/> <tr> <td>3991</td> <td>ETR</td> <td>-</td> <td>WD.</td> <td>J2</td> <td>PTD.</td> <td>-</td> <td>398</td> <td>3\"/> <tr> <td>3992</td> <td>A</td> <td>3\"/> <tr> <td>3993</td> <td>ETR</td> <td>-</td> <td>WD.</td> <td>J2</td> <td>PTD.</td> <td>-</td> <td>399</td> <td>3\"/> <tr> <td>3994</td> <td>ETR</td> <td>-</td> <td>WD.</td> <td>J2</td> <td>PTD.</td> <td>-</td> <td>3991</td> <td>3\"/> <tr> <td>3995</td> <td>ETR</td> <td>-</td> <td>WD.</td> <td>J2</td> <td>PTD.</td> <td>-</td> <td>3992</td> <td>3\"/> <tr> <td>3997</td> <td>ETR</td> <td>-</td> <td>WD.</td> <td>J2</td> <td>PTD.</td> <td>-</td> <td>3993</td> <td>3\"/> <tr> <td>3998</td> <td>ETR</td> <td>-</td> <td>WD.</td> <td>J2</td> <td>PTD.</td> <td>-</td> <td>3994</td> <td>3\"/> <tr> <td>3999</td> <td>ETR</td> <td>-</td> <td>WD.</td> <td>J2</td> <td>PTD.</td> <td>-</td> <td>3995</td> <td>3\"/> <tr> <td>3999</td> <td>ETR</td> <td>-</td> <td>WD.</td> <td>J2</td> <td>PTD.</td> <td>-</td> <td>3997</td> <td>3\"/> </td></tr></td></tr></td></tr></td></tr></td></tr></td></tr></td></tr></td></tr></td></tr></td></tr></td></tr></td></tr></td></tr></td></tr></td></tr></td></tr></td></tr></td></tr></td></tr></td></tr></td></tr> | 386 | ETR | -
 | WD. | J2 | PTD. | - | 382A | 3\"/> <tr> <td>387</td> <td>ETR</td> <td>-</td> <td>WD.</td> <td>J2</td> <td>PTD.</td> <td>-</td> <td>385</td> <td>3\"/> <tr> <td>388</td> <td>ETR</td> <td>-</td> <td>WD.</td> <td>J2</td> <td>PTD.</td> <td>-</td> <td>386</td> <td>3\"/> <tr> <td>389</td> <td>ETR</td> <td>-</td> <td>WD.</td> <td>J2</td> <td>PTD.</td> <td>-</td> <td>387</td> <td>3\"/> <tr> <td>391</td> <td>ETR</td> <td>-</td> <td>WD.</td> <td>J2</td> <td>PTD.</td> <td>-</td> <td>388</td> <td>3\"/> <tr> <td>391A</td> <td>ETR</td> <td>-</td> <td>WD.</td> <td>J2</td> <td>PTD.</td> <td>-</td> <td>389</td> <td>3\"/>
<tr> <td>391B</td> <td>ETR</td> <td>-</td> <td>WD.</td> <td>J2</td> <td>PTD.</td> <td>-</td> <td>391</td> <td>3\"/> <tr> <td>394</td> <td>ETR</td> <td>-</td> <td>WD.</td> <td>J2</td> <td>PTD.</td> <td>-</td> <td>391A</td> <td>3\"/> <tr> <td>395</td> <td>ETR</td> <td>-</td> <td>WD.</td> <td>J2</td> <td>PTD.</td> <td>-</td> <td>391B</td> <td>3\"/> <tr> <td>396</td> <td>ETR</td> <td>-</td> <td>WD.</td> <td>J2</td> <td>PTD.</td> <td>-</td> <td>394</td> <td>3\"/> <tr> <td>398</td> <td>ETR</td> <td>-</td> <td>WD.</td> <td>J2</td> <td>PTD.</td> <td>-</td> <td>395</td> <td>3\"/> <tr> <td>399</td> <td>ETR</td> <td>-</td> <td>WD.</td> <td>J2</td> <td>PTD.</td> <td>-</td> <td>396</td> <td>3\"/> <tr> <td>3991</td> <td>ETR</td> <td>-</td> <td>WD.</td> <td>J2</td> <td>PTD.</td> <td>-</td> <td>398</td> <td>3\"/> <tr> <td>3992</td> <td>A</td> <td>3\"/> <tr> <td>3993</td> <td>ETR</td> <td>-</td> <td>WD.</td> <td>J2</td> <td>PTD.</td> <td>-</td> <td>399</td> <td>3\"/> <tr> <td>3994</td> <td>ETR</td> <td>-</td> <td>WD.</td> <td>J2</td> <td>PTD.</td> <td>-</td> <td>3991</td> <td>3\"/> <tr> <td>3995</td> <td>ETR</td> <td>-</td> <td>WD.</td> <td>J2</td> <td>PTD.</td> <td>-</td> <td>3992</td> <td>3\"/> <tr> <td>3997</td> <td>ETR</td> <td>-</td> <td>WD.</td> <td>J2</td> <td>PTD.</td> <td>-</td> <td>3993</td> <td>3\"/> <tr> <td>3998</td> <td>ETR</td> <td>-</td> <td>WD.</td> <td>J2</td> <td>PTD.</td> <td>-</td> <td>3994</td> <td>3\"/> <tr> <td>3999</td> <td>ETR</td> <td>-</td> <td>WD.</td> <td>J2</td> <td>PTD.</td> <td>-</td> <td>3995</td> <td>3\"/> <tr> <td>3999</td> <td>ETR</td> <td>-</td> <td>WD.</td> <td>J2</td> <td>PTD.</td> <td>-</td> <td>3997</td> <td>3\"/> </td></tr></td></tr></td></tr></td></tr></td></tr></td></tr></td></tr></td></tr></td></tr></td></tr></td></tr></td></tr></td></tr></td></tr></td></tr></td></tr></td></tr></td></tr></td></tr></td></tr> | 387 | ETR | - | WD. | J2 | PTD. | - | 385 | 3\"/> <tr> <td>388</td> <td>ETR</td> <td>-</td> <td>WD.</td> <td>J2</td> <td>PTD.</td> <td>-</td> <td>386</td> <td>3\"/> <tr> <td>389</td> <td>ETR</td> <td>-</td> <td>WD.</td> <td>J2</td> <td>PTD.</td> <td>-</td> <td>387</td> <td>3\"/> <tr> <td>391</td> <td>ETR</td> <td>-</td> <td>WD.</td> <td>J2</td> <td>PTD.</td>
<td>-</td> <td>388</td> <td>3\"/> <tr> <td>391A</td> <td>ETR</td> <td>-</td> <td>WD.</td> <td>J2</td> <td>PTD.</td> <td>-</td> <td>389</td> <td>3\"/> <tr> <td>391B</td> <td>ETR</td> <td>-</td> <td>WD.</td> <td>J2</td> <td>PTD.</td> <td>-</td> <td>391</td> <td>3\"/> <tr> <td>394</td> <td>ETR</td> <td>-</td> <td>WD.</td> <td>J2</td> <td>PTD.</td> <td>-</td> <td>391A</td> <td>3\"/> <tr> <td>395</td> <td>ETR</td> <td>-</td> <td>WD.</td> <td>J2</td> <td>PTD.</td> <td>-</td> <td>391B</td> <td>3\"/> <tr> <td>396</td> <td>ETR</td> <td>-</td> <td>WD.</td> <td>J2</td> <td>PTD.</td> <td>-</td> <td>394</td> <td>3\"/> <tr> <td>398</td> <td>ETR</td> <td>-</td> <td>WD.</td> <td>J2</td> <td>PTD.</td> <td>-</td> <td>395</td> <td>3\"/> <tr> <td>399</td> <td>ETR</td> <td>-</td> <td>WD.</td> <td>J2</td> <td>PTD.</td> <td>-</td> <td>396</td> <td>3\"/> <tr> <td>3991</td> <td>ETR</td> <td>-</td> <td>WD.</td> <td>J2</td> <td>PTD.</td> <td>-</td> <td>398</td> <td>3\"/> <tr> <td>3992</td> <td>A</td> <td>3\"/> <tr> <td>3993</td> <td>ETR</td> <td>-</td> <td>WD.</td> <td>J2</td> <td>PTD.</td> <td>-</td> <td>399</td> <td>3\"/> <tr> <td>3994</td> <td>ETR</td> <td>-</td> <td>WD.</td> <td>J2</td> <td>PTD.</td> <td>-</td> <td>3991</td> <td>3\"/> <tr> <td>3995</td> <td>ETR</td> <td>-</td> <td>WD.</td> <td>J2</td> <td>PTD.</td> <td>-</td> <td>3992</td> <td>3\"/> <tr> <td>3997</td> <td>ETR</td> <td>-</td> <td>WD.</td> <td>J2</td> <td>PTD.</td> <td>-</td> <td>3993</td> <td>3\"/> <tr> <td>3998</td> <td>ETR</td> <td>-</td> <td>WD.</td> <td>J2</td> <td>PTD.</td> <td>-</td> <td>3994</td> <td>3\"/> <tr> <td>3999</td> <td>ETR</td> <td>-</td> <td>WD.</td> <td>J2</td> <td>PTD.</td> <td>-</td> <td>3995</td> <td>3\"/> <tr> <td>3999</td> <td>ETR</td> <td>-</td> <td>WD.</td> <td>J2</td> <td>PTD.</td> <td>-</td> <td>3997</td> <td>3\"/> </td></tr></td></tr></td></tr></td></tr></td></tr></td></tr></td></tr></td></tr></td></tr></td></tr></td></tr></td></tr></td></tr></td></tr></td></tr></td></tr></td></tr></td></tr></td></tr> | 388 | ETR | - | WD. | J2 | PTD. | - | 386 | 3\"/> <tr> <td>389</td> <td>ETR</td> <td>-</td> <td>WD.</td> <td>J2</td> <td>PTD.</td> <td>-</td> <td>387</td> <td>3\"/> <tr> <td>391</td> <td>ETR</td> <td>-</td> <td>WD.</td> <td>J2</td> <td>PTD.</td> <td>-</td> <td>388</td> <td>3\"/> <tr> <td>391A</td> <td>ETR</td> <td>-</td> <td>WD.</td>
<td>J2</td> <td>PTD.</td> <td>-</td> <td>389</td> <td>3\"/> <tr> <td>391B</td> <td>ETR</td> <td>-</td> <td>WD.</td> <td>J2</td> <td>PTD.</td> <td>-</td> <td>391</td> <td>3\"/> <tr> <td>394</td> <td>ETR</td> <td>-</td> <td>WD.</td> <td>J2</td> <td>PTD.</td> <td>-</td> <td>391A</td> <td>3\"/> <tr> <td>395</td> <td>ETR</td> <td>-</td> <td>WD.</td> <td>J2</td> <td>PTD.</td> <td>-</td> <td>391B</td> <td>3\"/> <tr> <td>396</td> <td>ETR</td> <td>-</td> <td>WD.</td> <td>J2</td> <td>PTD.</td> <td>-</td> <td>394</td> <td>3\"/> <tr> <td>398</td> <td>ETR</td> <td>-</td> <td>WD.</td> <td>J2</td> <td>PTD.</td> <td>-</td> <td>395</td> <td>3\"/> <tr> <td>399</td> <td>ETR</td> <td>-</td> <td>WD.</td> <td>J2</td> <td>PTD.</td> <td>-</td> <td>396</td> <td>3\"/> <tr> <td>3991</td> <td>ETR</td> <td>-</td> <td>WD.</td> <td>J2</td> <td>PTD.</td> <td>-</td> <td>398</td> <td>3\"/> <tr> <td>3992</td> <td>A</td> <td>3\"/> <tr> <td>3993</td> <td>ETR</td> <td>-</td> <td>WD.</td> <td>J2</td> <td>PTD.</td> <td>-</td> <td>399</td> <td>3\"/> <tr> <td>3994</td> <td>ETR</td> <td>-</td> <td>WD.</td> <td>J2</td> <td>PTD.</td> <td>-</td> <td>3991</td> <td>3\"/> <tr> <td>3995</td> <td>ETR</td> <td>-</td> <td>WD.</td> <td>J2</td> <td>PTD.</td> <td>-</td> <td>3992</td> <td>3\"/> <tr> <td>3997</td> <td>ETR</td> <td>-</td> <td>WD.</td> <td>J2</td> <td>PTD.</td> <td>-</td> <td>3993</td> <td>3\"/> <tr> <td>3998</td> <td>ETR</td> <td>-</td> <td>WD.</td> <td>J2</td> <td>PTD.</td> <td>-</td> <td>3994</td> <td>3\"/> <tr> <td>3999</td> <td>ETR</td> <td>-</td> <td>WD.</td> <td>J2</td> <td>PTD.</td> <td>-</td> <td>3995</td> <td>3\"/> <tr> <td>3999</td> <td>ETR</td> <td>-</td> <td>WD.</td> <td>J2</td> <td>PTD.</td> <td>-</td> <td>3997</td> <td>3\"/> </td></tr></td></tr></td></tr></td></tr></td></tr></td></tr></td></tr></td></tr></td></tr></td></tr></td></tr></td></tr></td></tr></td></tr></td></tr></td></tr></td></tr></td></tr> | 389 | ETR | - | WD. | J2 | PTD. | - | 387 | 3\"/> <tr> <td>391</td> <td>ETR</td> <td>-</td> <td>WD.</td> <td>J2</td> <td>PTD.</td> <td>-</td> <td>388</td> <td>3\"/> <tr> <td>391A</td> <td>ETR</td> <td>-</td> <td>WD.</td> <td>J2</td> <td>PTD.</td> <td>-</td> <td>389</td> <td>3\"/> <tr> <td>391B</td> <td>ETR</td> <td>-</td> <td>WD.</td> <td>J2</td> <td>PTD.</td> <td>-</td> <td>391</td> <td>3\"/> <tr> <td>394</td> <td>ETR</td> <td>-</td> <td>WD.</td> <td>J2</td> <td>PTD.</td> <td>-</td> <td>391A</td> <td>3\"/> <tr> <td>395</td> <td>ETR</td> <td>-</td> <td>WD.</td>
<td>J2</td> <td>PTD.</td> <td>-</td> <td>391B</td> <td>3\"/> <tr> <td>396</td> <td>ETR</td> <td>-</td> <td>WD.</td> <td>J2</td> <td>PTD.</td> <td>-</td> <td>394</td> <td>3\"/> <tr> <td>398</td> <td>ETR</td> <td>-</td> <td>WD.</td> <td>J2</td> <td>PTD.</td> <td>-</td> <td>395</td> <td>3\"/> <tr> <td>399</td> <td>ETR</td> <td>-</td> <td>WD.</td> <td>J2</td> <td>PTD.</td> <td>-</td> <td>396</td> <td>3\"/> <tr> <td>3991</td> <td>ETR</td> <td>-</td> <td>WD.</td> <td>J2</td> <td>PTD.</td> <td>-</td> <td>398</td> <td>3\"/> <tr> <td>3992</td> <td>A</td> <td>3\"/> <tr> <td>3993</td> <td>ETR</td> <td>-</td> <td>WD.</td> <td>J2</td> <td>PTD.</td> <td>-</td> <td>399</td> <td>3\"/> <tr> <td>3994</td> <td>ETR</td> <td>-</td> <td>WD.</td> <td>J2</td> <td>PTD.</td> <td>-</td> <td>3991</td> <td>3\"/> <tr> <td>3995</td> <td>ETR</td> <td>-</td> <td>WD.</td> <td>J2</td> <td>PTD.</td> <td>-</td> <td>3992</td> <td>3\"/> <tr> <td>3997</td> <td>ETR</td> <td>-</td> <td>WD.</td> <td>J2</td> <td>PTD.</td> <td>-</td> <td>3993</td> <td>3\"/> <tr> <td>3998</td> <td>ETR</td> <td>-</td> <td>WD.</td> <td>J2</td> <td>PTD.</td> <td>-</td> <td>3994</td> <td>3\"/> <tr> <td>3999</td> <td>ETR</td> <td>-</td> <td>WD.</td> <td>J2</td> <td>PTD.</td> <td>-</td> <td>3995</td> <td>3\"/> <tr> <td>3999</td> <td>ETR</td> <td>-</td> <td>WD.</td> <td>J2</td> <td>PTD.</td> <td>-</td> <td>3997</td> <td>3\"/> </td></tr></td></tr></td></tr></td></tr></td></tr></td></tr></td></tr></td></tr></td></tr></td></tr></td></tr></td></tr></td></tr></td></tr></td></tr></td></tr></td></tr> | 391 | ETR | - | WD. | J2 | PTD. | - | 388 | 3\"/> <tr> <td>391A</td> <td>ETR</td> <td>-</td> <td>WD.</td> <td>J2</td> <td>PTD.</td> <td>-</td> <td>389</td> <td>3\"/> <tr> <td>391B</td> <td>ETR</td> <td>-</td> <td>WD.</td> <td>J2</td> <td>PTD.</td> <td>-</td> <td>391</td> <td>3\"/> <tr> <td>394</td> <td>ETR</td> <td>-</td> <td>WD.</td> <td>J2</td> <td>PTD.</td> <td>-</td> <td>391A</td> <td>3\"/> <tr> <td>395</td> <td>ETR</td> <td>-</td> <td>WD.</td> <td>J2</td> <td>PTD.</td> <td>-</td> <td>391B</td> <td>3\"/> <tr> <td>396</td> <td>ETR</td> <td>-</td> <td>WD.</td> <td>J2</td> <td>PTD.</td> <td>-</td> <td>394</td> <td>3\"/> <tr> <td>398</td> <td>ETR</td> <td>-</td> <td>WD.</td> <td>J2</td> <td>PTD.</td> <td>-</td> <td>395</td> <td>3\"/> <tr> <td>399</td> <td>ETR</td> <td>-</td> <td>WD.</td> <td>J2</td> <td>PTD.</td> <td>-</td> <td>396</td> <td>3\"/> <tr> <td>3991</td> <td>ETR</td> <td>-</td> <td>WD.</td> <td>J2</td> <td>PTD.</td> <td>-</td> <td>398</td> <td>3\"/> <tr> <td>3992</td> <td>A</td> <td>3\"/> <tr> <td>3993</td> <td>ETR</td>
<td>-</td> <td>WD.</td> <td>J2</td> <td>PTD.</td> <td>-</td> <td>399</td> <td>3\"/> <tr> <td>3994</td> <td>ETR</td> <td>-</td> <td>WD.</td> <td>J2</td> <td>PTD.</td> <td>-</td> <td>3991</td> <td>3\"/> <tr> <td>3995</td> <td>ETR</td> <td>-</td> <td>WD.</td> <td>J2</td> <td>PTD.</td> <td>-</td> <td>3992</td> <td>3\"/> <tr> <td>3997</td> <td>ETR</td> <td>-</td> <td>WD.</td> <td>J2</td> <td>PTD.</td> <td>-</td> <td>3993</td> <td>3\"/> <tr> <td>3998</td> <td>ETR</td> <td>-</td> <td>WD.</td> <td>J2</td> <td>PTD.</td> <td>-</td> <td>3994</td> <td>3\"/> <tr> <td>3999</td> <td>ETR</td> <td>-</td> <td>WD.</td> <td>J2</td> <td>PTD.</td> <td>-</td> <td>3995</td> <td>3\"/> <tr> <td>3999</td> <td>ETR</td> <td>-</td> <td>WD.</td> <td>J2</td> <td>PTD.</td> <td>-</td> <td>3997</td> <td>3\"/> </td></tr></td></tr></td></tr></td></tr></td></tr></td></tr></td></tr></td></tr></td></tr></td></tr></td></tr></td></tr></td></tr></td></tr></td></tr></td></tr> | 391A | ETR | - | WD. | J2 | PTD.
 | - | 389 | 3\"/> <tr> <td>391B</td> <td>ETR</td> <td>-</td> <td>WD.</td> <td>J2</td> <td>PTD.</td> <td>-</td> <td>391</td> <td>3\"/> <tr> <td>394</td> <td>ETR</td> <td>-</td> <td>WD.</td> <td>J2</td> <td>PTD.</td> <td>-</td> <td>391A</td> <td>3\"/> <tr> <td>395</td> <td>ETR</td> <td>-</td> <td>WD.</td> <td>J2</td> <td>PTD.</td> <td>-</td> <td>391B</td> <td>3\"/> <tr> <td>396</td> <td>ETR</td> <td>-</td> <td>WD.</td> <td>J2</td> <td>PTD.</td> <td>-</td> <td>394</td> <td>3\"/> <tr> <td>398</td> <td>ETR</td> <td>-</td> <td>WD.</td> <td>J2</td> <td>PTD.</td> <td>-</td> <td>395</td> <td>3\"/> <tr> <td>399</td> <td>ETR</td> <td>-</td> <td>WD.</td> <td>J2</td> <td>PTD.</td> <td>-</td> <td>396</td> <td>3\"/> <tr> <td>3991</td> <td>ETR</td> <td>-</td> <td>WD.</td> <td>J2</td> <td>PTD.</td> <td>-</td> <td>398</td> <td>3\"/> <tr> <td>3992</td> <td>A</td> <td>3\"/> <tr> <td>3993</td> <td>ETR</td> <td>-</td> <td>WD.</td> <td>J2</td> <td>PTD.</td> <td>-</td> <td>399</td> <td>3\"/> <tr> <td>3994</td> <td>ETR</td> <td>-</td> <td>WD.</td> <td>J2</td> <td>PTD.</td> <td>-</td> <td>3991</td> <td>3\"/> <tr> <td>3995</td> <td>ETR</td> <td>-</td> <td>WD.</td> <td>J2</td> <td>PTD.</td> <td>-</td> <td>3992</td> <td>3\"/> <tr> <td>3997</td> <td>ETR</td> <td>-</td> <td>WD.</td> <td>J2</td> <td>PTD.</td> <td>-</td> <td>3993</td> <td>3\"/> <tr> <td>3998</td> <td>ETR</td> <td>-</td> <td>WD.</td> <td>J2</td> <td>PTD.</td> <td>-</td> <td>3994</td> <td>3\"/> <tr> <td>3999</td> <td>ETR</td> <td>-</td> <td>WD.</td> <td>J2</td> <td>PTD.</td> <td>-</td> <td>3995</td> <td>3\"/> <tr> <td>3999</td> <td>ETR</td> <td>-</td> <td>WD.</td> <td>J2</td> <td>PTD.</td> <td>-</td> <td>3997</td> <td>3\"/> </td></tr></td></tr></td></tr></td></tr></td></tr></td></tr></td></tr></td></tr></td></tr></td></tr></td></tr></td></tr></td></tr></td></tr></td></tr> | 391B | ETR | -
 | WD. | J2 | PTD. | - | 391 | 3\"/> <tr> <td>394</td> <td>ETR</td> <td>-</td> <td>WD.</td> <td>J2</td> <td>PTD.</td> <td>-</td> <td>391A</td> <td>3\"/> <tr> <td>395</td> <td>ETR</td> <td>-</td> <td>WD.</td> <td>J2</td> <td>PTD.</td> <td>-</td> <td>391B</td> <td>3\"/> <tr> <td>396</td> <td>ETR</td> <td>-</td> <td>WD.</td> <td>J2</td> <td>PTD.</td> <td>-</td> <td>394</td> <td>3\"/> <tr> <td>398</td> <td>ETR</td> <td>-</td> <td>WD.</td> <td>J2</td> <td>PTD.</td> <td>-</td> <td>395</td> <td>3\"/> <tr> <td>399</td> <td>ETR</td> <td>-</td> <td>WD.</td> <td>J2</td> <td>PTD.</td> <td>-</td> <td>396</td> <td>3\"/> <tr> <td>3991</td> <td>ETR</td> <td>-</td> <td>WD.</td> <td>J2</td> <td>PTD.</td> <td>-</td> <td>398</td> <td>3\"/> <tr> <td>3992</td> <td>A</td> <td>3\"/> <tr> <td>3993</td> <td>ETR</td> <td>-</td> <td>WD.</td> <td>J2</td> <td>PTD.</td> <td>-</td> <td>399</td> <td>3\"/> <tr> <td>3994</td> <td>ETR</td> <td>-</td> <td>WD.</td> <td>J2</td> <td>PTD.</td> <td>-</td> <td>3991</td> <td>3\"/> <tr> <td>3995</td> <td>ETR</td> <td>-</td> <td>WD.</td> <td>J2</td> <td>PTD.</td> <td>-</td> <td>3992</td> <td>3\"/> <tr> <td>3997</td> <td>ETR</td> <td>-</td> <td>WD.</td> <td>J2</td> <td>PTD.</td> <td>-</td> <td>3993</td> <td>3\"/> <tr> <td>3998</td> <td>ETR</td> <td>-</td> <td>WD.</td> <td>J2</td> <td>PTD.</td> <td>-</td> <td>3994</td> <td>3\"/> <tr> <td>3999</td> <td>ETR</td> <td>-</td> <td>WD.</td> <td>J2</td> <td>PTD.</td> <td>-</td> <td>3995</td> <td>3\"/> <tr> <td>3999</td> <td>ETR</td> <td>-</td> <td>WD.</td> <td>J2</td> <td>PTD.</td> <td>-</td> <td>3997</td> <td>3\"/> </td></tr></td></tr></td></tr></td></tr></td></tr></td></tr></td></tr></td></tr></td></tr></td></tr></td></tr></td></tr></td></tr></td></tr> | 394 | ETR | -
 | WD. | J2 | PTD. | - | 391A | 3\"/> <tr> <td>395</td> <td>ETR</td> <td>-</td> <td>WD.</td> <td>J2</td> <td>PTD.</td> <td>-</td> <td>391B</td> <td>3\"/> <tr> <td>396</td> <td>ETR</td> <td>-</td> <td>WD.</td> <td>J2</td> <td>PTD.</td> <td>-</td> <td>394</td> <td>3\"/> <tr> <td>398</td> <td>ETR</td> <td>-</td> <td>WD.</td> <td>J2</td> <td>PTD.</td> <td>-</td> <td>395</td> <td>3\"/> <tr> <td>399</td> <td>ETR</td> <td>-</td> <td>WD.</td> <td>J2</td> <td>PTD.</td> <td>-</td> <td>396</td> <td>3\"/> <tr> <td>3991</td> <td>ETR</td> <td>-</td> <td>WD.</td> <td>J2</td> <td>PTD.</td> <td>-</td> <td>398</td> <td>3\"/> <tr> <td>3992</td> <td>A</td> <td>3\"/> <tr> <td>3993</td> <td>ETR</td> <td>-</td> <td>WD.</td> <td>J2</td> <td>PTD.</td> <td>-</td> <td>399</td> <td>3\"/> <tr> <td>3994</td> <td>ETR</td> <td>-</td> <td>WD.</td> <td>J2</td> <td>PTD.</td> <td>-</td> <td>3991</td> <td>3\"/> <tr> <td>3995</td> <td>ETR</td> <td>-</td> <td>WD.</td> <td>J2</td> <td>PTD.</td> <td>-</td> <td>3992</td> <td>3\"/> <tr> <td>3997</td> <td>ETR</td> <td>-</td> <td>WD.</td> <td>J2</td> <td>PTD.</td> <td>-</td> <td>3993</td> <td>3\"/> <tr> <td>3998</td> <td>ETR</td> <td>-</td> <td>WD.</td> <td>J2</td> <td>PTD.</td> <td>-</td> <td>3994</td> <td>3\"/> <tr> <td>3999</td> <td>ETR</td> <td>-</td> <td>WD.</td> <td>J2</td> <td>PTD.</td> <td>-</td> <td>3995</td> <td>3\"/> <tr> <td>3999</td> <td>ETR</td> <td>-</td> <td>WD.</td> <td>J2</td> <td>PTD.</td> <td>-</td> <td>3997</td> <td>3\"/> </td></tr></td></tr></td></tr></td></tr></td></tr></td></tr></td></tr></td></tr></td></tr></td></tr></td></tr></td></tr></td></tr> | 395 | ETR | - | WD. | J2 | PTD. | - | 391B | 3\"/> <tr> <td>396</td> <td>ETR</td> <td>-</td> <td>WD.</td> <td>J2</td> <td>PTD.</td> <td>-</td> <td>394</td> <td>3\"/> <tr> <td>398</td> <td>ETR</td> <td>-</td> <td>WD.</td> <td>J2</td> <td>PTD.</td> <td>-</td> <td>395</td> <td>3\"/> <tr> <td>399</td> <td>ETR</td> <td>-</td> <td>WD.</td> <td>J2</td> <td>PTD.</td> <td>-</td> <td>396</td> <td>3\"/> <tr> <td>3991</td> <td>ETR</td> <td>-</td> <td>WD.</td> <td>J2</td> <td>PTD.</td> <td>-</td> <td>398</td> <td>3\"/> <tr> <td>3992</td> <td>A</td> <td>3\"/> <tr> <td>3993</td> <td>ETR</td> <td>-</td> <td>WD.</td> <td>J2</td> <td>PTD.</td> <td>-</td> <td>399</td> <td>3\"/> <tr> <td>3994</td> <td>ETR</td> <td>-</td> <td>WD.</td> <td>J2</td> <td>PTD.</td> <td>-</td> <td>3991</td> <td>3\"/> <tr> <td>3995</td> <td>ETR</td> <td>-</td> <td>WD.</td> <td>J2</td> <td>PTD.</td> <td>-</td> <td>3992</td> <td>3\"/> <tr> <td>3997</td> <td>ETR</td> <td>-</td> <td>WD.</td> <td>J2</td> <td>PTD.</td> <td>-</td> <td>3993</td> <td>3\"/> <tr> <td>3998</td> <td>ETR</td> <td>-</td> <td>WD.</td> <td>J2</td> <td>PTD.</td> <td>-</td>
<td>3994</td> <td>3\"/> <tr> <td>3999</td> <td>ETR</td> <td>-</td> <td>WD.</td> <td>J2</td> <td>PTD.</td> <td>-</td> <td>3995</td> <td>3\"/> <tr> <td>3999</td> <td>ETR</td> <td>-</td> <td>WD.</td> <td>J2</td> <td>PTD.</td> <td>-</td> <td>3997</td> <td>3\"/> </td></tr></td></tr></td></tr></td></tr></td></tr></td></tr></td></tr></td></tr></td></tr></td></tr></td></tr></td></tr> | 396 | ETR | - | WD. | J2 | PTD.
 | - | 394 | 3\"/> <tr> <td>398</td> <td>ETR</td> <td>-</td> <td>WD.</td> <td>J2</td> <td>PTD.</td> <td>-</td> <td>395</td> <td>3\"/> <tr> <td>399</td> <td>ETR</td> <td>-</td> <td>WD.</td> <td>J2</td> <td>PTD.</td> <td>-</td> <td>396</td> <td>3\"/> <tr> <td>3991</td> <td>ETR</td> <td>-</td> <td>WD.</td> <td>J2</td> <td>PTD.</td> <td>-</td> <td>398</td> <td>3\"/> <tr> <td>3992</td> <td>A</td> <td>3\"/> <tr> <td>3993</td> <td>ETR</td> <td>-</td> <td>WD.</td> <td>J2</td> <td>PTD.</td> <td>-</td> <td>399</td> <td>3\"/> <tr> <td>3994</td> <td>ETR</td> <td>-</td> <td>WD.</td> <td>J2</td> <td>PTD.</td> <td>-</td> <td>3991</td> <td>3\"/> <tr> <td>3995</td> <td>ETR</td> <td>-</td> <td>WD.</td> <td>J2</td> <td>PTD.</td> <td>-</td> <td>3992</td> <td>3\"/> <tr> <td>3997</td> <td>ETR</td> <td>-</td> <td>WD.</td> <td>J2</td> <td>PTD.</td> <td>-</td> <td>3993</td> <td>3\"/> <tr> <td>3998</td> <td>ETR</td> <td>-</td> <td>WD.</td> <td>J2</td> <td>PTD.</td> <td>-</td> <td>3994</td> <td>3\"/> <tr> <td>3999</td> <td>ETR</td> <td>-</td> <td>WD.</td> <td>J2</td> <td>PTD.</td> <td>-</td> <td>3995</td> <td>3\"/> <tr> <td>3999</td> <td>ETR</td> <td>-</td> <td>WD.</td> <td>J2</td> <td>PTD.</td> <td>-</td> <td>3997</td> <td>3\"/> </td></tr></td></tr></td></tr></td></tr></td></tr></td></tr></td></tr></td></tr></td></tr></td></tr></td></tr> | 398 | ETR | - | WD. | J2 | PTD.
 | - | 395 | 3\"/> <tr> <td>399</td> <td>ETR</td> <td>-</td> <td>WD.</td> <td>J2</td> <td>PTD.</td> <td>-</td> <td>396</td> <td>3\"/> <tr> <td>3991</td> <td>ETR</td> <td>-</td> <td>WD.</td> <td>J2</td> <td>PTD.</td> <td>-</td> <td>398</td> <td>3\"/> <tr> <td>3992</td> <td>A</td> <td>3\"/> <tr> <td>3993</td> <td>ETR</td> <td>-</td> <td>WD.</td> <td>J2</td> <td>PTD.</td> <td>-</td> <td>399</td> <td>3\"/> <tr> <td>3994</td> <td>ETR</td> <td>-</td> <td>WD.</td> <td>J2</td> <td>PTD.</td> <td>-</td> <td>3991</td> <td>3\"/> <tr> <td>3995</td> <td>ETR</td> <td>-</td> <td>WD.</td> <td>J2</td> <td>PTD.</td> <td>-</td> <td>3992</td> <td>3\"/> <tr> <td>3997</td> <td>ETR</td> <td>-</td> <td>WD.</td> <td>J2</td> <td>PTD.</td> <td>-</td> <td>3993</td> <td>3\"/> <tr> <td>3998</td> <td>ETR</td> <td>-</td> <td>WD.</td> <td>J2</td> <td>PTD.</td> <td>-</td> <td>3994</td> <td>3\"/> <tr> <td>3999</td> <td>ETR</td> <td>-</td> <td>WD.</td> <td>J2</td> <td>PTD.</td> <td>-</td> <td>3995</td> <td>3\"/> <tr> <td>3999</td> <td>ETR</td> <td>-</td> <td>WD.</td> <td>J2</td> <td>PTD.</td> <td>-</td> <td>3997</td> <td>3\"/> </td></tr></td></tr></td></tr></td></tr></td></tr></td></tr></td></tr></td></tr></td></tr></td></tr> | 399 | ETR | -
 | WD. | J2 | PTD. | - | 396 | 3\"/> <tr> <td>3991</td> <td>ETR</td> <td>-</td> <td>WD.</td> <td>J2</td> <td>PTD.</td> <td>-</td> <td>398</td> <td>3\"/> <tr> <td>3992</td> <td>A</td> <td>3\"/> <tr> <td>3993</td> <td>ETR</td> <td>-</td> <td>WD.</td> <td>J2</td> <td>PTD.</td> <td>-</td> <td>399</td> <td>3\"/> <tr> <td>3994</td> <td>ETR</td> <td>-</td> <td>WD.</td> <td>J2</td> <td>PTD.</td> <td>-</td> <td>3991</td> <td>3\"/> <tr> <td>3995</td> <td>ETR</td> <td>-</td> <td>WD.</td> <td>J2</td> <td>PTD.</td> <td>-</td> <td>3992</td> <td>3\"/> <tr> <td>3997</td> <td>ETR</td> <td>-</td> <td>WD.</td> <td>J2</td> <td>PTD.</td> <td>-</td> <td>3993</td> <td>3\"/> <tr> <td>3998</td> <td>ETR</td> <td>-</td> <td>WD.</td> <td>J2</td> <td>PTD.</td> <td>-</td> <td>3994</td> <td>3\"/> <tr> <td>3999</td> <td>ETR</td> <td>-</td> <td>WD.</td> <td>J2</td> <td>PTD.</td> <td>-</td> <td>3995</td> <td>3\"/> <tr> <td>3999</td> <td>ETR</td> <td>-</td> <td>WD.</td> <td>J2</td> <td>PTD.</td> <td>-</td> <td>3997</td> <td>3\"/> </td></tr></td></tr></td></tr></td></tr></td></tr></td></tr></td></tr></td></tr></td></tr> | 3991 | ETR | -
 | WD. | J2 | PTD. | - | 398 | 3\"/> <tr> <td>3992</td> <td>A</td> <td>3\"/> <tr> <td>3993</td> <td>ETR</td> <td>-</td> <td>WD.</td> <td>J2</td> <td>PTD.</td> <td>-</td> <td>399</td> <td>3\"/> <tr> <td>3994</td> <td>ETR</td> <td>-</td> <td>WD.</td> <td>J2</td> <td>PTD.</td> <td>-</td> <td>3991</td> <td>3\"/> <tr> <td>3995</td> <td>ETR</td> <td>-</td> <td>WD.</td> <td>J2</td> <td>PTD.</td> <td>-</td> <td>3992</td> <td>3\"/> <tr> <td>3997</td> <td>ETR</td> <td>-</td> <td>WD.</td> <td>J2</td> <td>PTD.</td> <td>-</td> <td>3993</td> <td>3\"/> <tr> <td>3998</td> <td>ETR</td> <td>-</td> <td>WD.</td> <td>J2</td> <td>PTD.</td> <td>-</td> <td>3994</td> <td>3\"/> <tr> <td>3999</td> <td>ETR</td> <td>-</td> <td>WD.</td> <td>J2</td> <td>PTD.</td> <td>-</td> <td>3995</td> <td>3\"/> <tr> <td>3999</td> <td>ETR</td> <td>-</td> <td>WD.</td> <td>J2</td> <td>PTD.</td> <td>-</td> <td>3997</td> <td>3\"/> </td></tr></td></tr></td></tr></td></tr></td></tr></td></tr></td></tr></td></tr> | 3992 | A | 3\"/> <tr> <td>3993</td> <td>ETR</td> <td>-</td> <td>WD.</td> <td>J2</td> <td>PTD.</td> <td>-</td> <td>399</td> <td>3\"/> <tr> <td>3994</td> <td>ETR</td> <td>-</td> <td>WD.</td> <td>J2</td> <td>PTD.</td> <td>-</td> <td>3991</td> <td>3\"/> <tr> <td>3995</td> <td>ETR</td> <td>-</td> <td>WD.</td> <td>J2</td> <td>PTD.</td> <td>-</td> <td>3992</td> <td>3\"/> <tr> <td>3997</td> <td>ETR</td> <td>-</td> <td>WD.</td> <td>J2</td> <td>PTD.</td> <td>-</td> <td>3993</td> <td>3\"/> <tr> <td>3998</td> <td>ETR</td> <td>-</td> <td>WD.</td> <td>J2</td> <td>PTD.</td> <td>-</td> <td>3994</td> <td>3\"/> <tr> <td>3999</td> <td>ETR</td> <td>-</td> <td>WD.</td> <td>J2</td> <td>PTD.</td> <td>-</td> <td>3995</td> <td>3\"/> <tr> <td>3999</td> <td>ETR</td> <td>-</td> <td>WD.</td> <td>J2</td> <td>PTD.</td> <td>-</td> <td>3997</td> <td>3\"/> </td></tr></td></tr></td></tr></td></tr></td></tr></td></tr></td></tr>
 | 3993 | ETR | - | WD. | J2 | PTD. | - | 399 | 3\"/> <tr> <td>3994</td> <td>ETR</td> <td>-</td> <td>WD.</td> <td>J2</td> <td>PTD.</td> <td>-</td> <td>3991</td> <td>3\"/> <tr> <td>3995</td> <td>ETR</td> <td>-</td> <td>WD.</td> <td>J2</td> <td>PTD.</td> <td>-</td> <td>3992</td> <td>3\"/> <tr> <td>3997</td> <td>ETR</td> <td>-</td> <td>WD.</td> <td>J2</td> <td>PTD.</td> <td>-</td> <td>3993</td> <td>3\"/> <tr> <td>3998</td> <td>ETR</td>
<td>-</td> <td>WD.</td> <td>J2</td> <td>PTD.</td> <td>-</td> <td>3994</td> <td>3\"/> <tr> <td>3999</td> <td>ETR</td> <td>-</td> <td>WD.</td> <td>J2</td> <td>PTD.</td> <td>-</td> <td>3995</td> <td>3\"/> <tr> <td>3999</td> <td>ETR</td> <td>-</td> <td>WD.</td> <td>J2</td> <td>PTD.</td> <td>-</td> <td>3997</td> <td>3\"/> </td></tr></td></tr></td></tr></td></tr></td></tr></td></tr> | 3994 | ETR | - | WD. | J2 | PTD. | - | 3991 | 3\"/> <tr> <td>3995</td> <td>ETR</td> <td>-</td> <td>WD.</td> <td>J2</td> <td>PTD.</td> <td>-</td> <td>3992</td> <td>3\"/> <tr> <td>3997</td> <td>ETR</td> <td>-</td> <td>WD.</td> <td>J2</td> <td>PTD.</td>
<td>-</td> <td>3993</td> <td>3\"/> <tr> <td>3998</td> <td>ETR</td> <td>-</td> <td>WD.</td> <td>J2</td> <td>PTD.</td> <td>-</td> <td>3994</td> <td>3\"/> <tr> <td>3999</td> <td>ETR</td> <td>-</td> <td>WD.</td> <td>J2</td> <td>PTD.</td> <td>-</td> <td>3995</td> <td>3\"/> <tr> <td>3999</td> <td>ETR</td> <td>-</td> <td>WD.</td> <td>J2</td> <td>PTD.</td> <td>-</td> <td>3997</td> <td>3\"/> </td></tr></td></tr></td></tr></td></tr></td></tr> | 3995 | ETR | - | WD. | J2 | PTD. | - | 3992 | 3\"/> <tr> <td>3997</td> <td>ETR</td> <td>-</td> <td>WD.</td> <td>J2</td> <td>PTD.</td> <td>-</td> <td>3993</td> <td>3\"/> <tr> <td>3998</td> <td>ETR</td> <td>-</td> <td>WD.</td> <td>J2</td> <td>PTD.</td> <td>-</td> <td>3994</td> <td>3\"/> <tr> <td>3999</td> <td>ETR</td> <td>-</td> <td>WD.</td> <td>J2</td> <td>PTD.</td> <td>-</td> <td>3995</td> <td>3\"/> <tr> <td>3999</td> <td>ETR</td>
<td>-</td> <td>WD.</td> <td>J2</td> <td>PTD.</td> <td>-</td> <td>3997</td> <td>3\"/> </td></tr></td></tr></td></tr></td></tr> | 3997 | ETR | - | WD. | J2 | PTD. | - | 3993 | 3\"/> <tr> <td>3998</td> <td>ETR</td> <td>-</td> <td>WD.</td> <td>J2</td> <td>PTD.</td> <td>-</td> <td>3994</td> <td>3\"/> <tr> <td>3999</td> <td>ETR</td> <td>-</td> <td>WD.</td> <td>J2</td> <td>PTD.</td> <td>-</td> <td>3995</td> <td>3\"/> <tr> <td>3999</td> <td>ETR</td> <td>-</td> <td>WD.</td> <td>J2</td> <td>PTD.</td> <td>-</td> <td>3997</td> <td>3\"/> </td></tr></td></tr></td></tr>
 | 3998 | ETR | - | WD. | J2 | PTD. | - | 3994 | 3\"/> <tr> <td>3999</td> <td>ETR</td> <td>-</td> <td>WD.</td> <td>J2</td> <td>PTD.</td> <td>-</td> <td>3995</td> <td>3\"/> <tr> <td>3999</td> <td>ETR</td> <td>-</td> <td>WD.</td> <td>J2</td> <td>PTD.</td> <td>-</td> <td>3997</td> <td>3\"/> </td></tr></td></tr> | 3999 | ETR | -
 | WD. | J2 | PTD. | - | 3995 | 3\"/> <tr> <td>3999</td> <td>ETR</td> <td>-</td> <td>WD.</td> <td>J2</td> <td>PTD.</td> <td>-</td> <td>3997</td> <td>3\"/> </td></tr> | 3999 | ETR | - | WD. | J2 | PTD. | - | 3997 | 3\"/>
 | | | | | | | | | | | | | | | | | | | | | | | | | | | | | | | | | | | | | | | | | | | | | | | | | | | | | | |
 | | | | | | | | | | | | | | | | | |
 | | | | | | | | | | | | | | | | | | | | | | | |
 | | | | | | | | | | | | | | | | | | | | | | | | | | | | | |
 | | | | | | | | | | | | | | | | | | | | | | | | | | | | | | | | | | | | | | |
 | | | | | | | | | | | | | | | | | | | | | | | | | | | | | | | | | | | | | | | | | | | | | | | | | | | | | | |
| 374C | ETR | - | WD. | J2 | PTD. | - | 373A | 3\"/> <tr> <td>375</td> <td>B</td> <td>1 <td>WD</td> <td>J1</td> <td>PTD.</td> <td>-</td> <td>374B</td> <td>3\"/> <tr> <td>376</td> <td>B</td> <td>1 <td>WD</td> <td>J1</td> <td>PTD.</td> <td>-</td> <td>374C</td> <td>3\"/> <tr> <td>377</td> <td>B</td> <td>1 <td>WD</td> <td>J1</td> <td>PTD.</td> <td>-</td> <td>375</td> <td>3\"/> <tr> <td>377A</td> <td>B</td> <td>1 <td>WD</td> <td>J1</td> <td>PTD.</td> <td>-</td> <td>376</td> <td>3\"/> <tr> <td>378</td> <td>B</td> <td>1 <td>WD</td> <td>J1</td> <td>PTD.</td> <td>-</td> <td>377</td> <td>3\"/> <tr> <td>379</td> <td>B</td> <td>1 <td>WD</td> <td>J1</td> <td>PTD.</td> <td>-</td> <td>377A</td> <td>3\"/> <tr> <td>380A</td> <td>B</td> <td>1 <td>WD</td> <td>J1</td> <td>PTD.</td> <td>-</td> <td>378</td> <td>3\"/> <tr> <td>380B</td> <td>B</td> <td>1 <td>WD</td> <td>J1</td> <td>PTD.</td> <td>-</td> <td>379</td> <td>3\"/> <tr> <td>382</td> <td>ETR</td> <td>-</td> <td>WD.</td> <td>J2</td> <td>PTD.</td> <td>-</td> <td>380A</td> <td>3\"/> <tr> <td>382A</td> <td>D</td> <td>6 <td>ALUM.</td> <td>ANODIZE D</td> <td>-</td> <td>-</td> <td>380B</td> <td>3\"/> <tr> <td>385</td> <td>ETR</td> <td>-</td> <td>WD.</td> <td>J2</td> <td>PTD.</td> <td>-</td> <td>382</td> <td>3\"/> <tr> <td>386</td> <td>ETR</td> <td>-</td> <td>WD.</td> <td>J2</td> <td>PTD.</td> <td>-</td> <td>382A</td> <td>3\"/> <tr> <td>387</td> <td>ETR</td> <td>-</td> <td>WD.</td> <td>J2</td> <td>PTD.</td> <td>-</td> <td>385</td> <td>3\"/> <tr> <td>388</td> <td>ETR</td> <td>-</td> <td>WD.</td> <td>J2</td> <td>PTD.</td> <td>-</td> <td>386</td> <td>3\"/> <tr> <td>389</td> <td>ETR</td> <td>-</td> <td>WD.</td> <td>J2</td> <td>PTD.</td> <td>-</td> <td>387</td> <td>3\"/> <tr> <td>391</td> <td>ETR</td> <td>-</td> <td>WD.</td> <td>J2</td> <td>PTD.</td> <td>-</td> <td>388</td> <td>3\"/> <tr> <td>391A</td> <td>ETR</td> <td>-</td> <td>WD.</td> <td>J2</td> <td>PTD.</td> <td>-</td> <td>389</td> <td>3\"/> <tr> <td>391B</td> <td>ETR</td> <td>-</td> <td>WD.</td> <td>J2</td> <td>PTD.</td> <td>-</td> <td>391</td> <td>3\"/> <tr> <td>394</td> <td>ETR</td> <td>-</td> <td>WD.</td> <td>J2</td> <td>PTD.</td> <td>-</td> <td>391A</td> <td>3\"/> <tr> <td>395</td> <td>ETR</td> <td>-</td> <td>WD.</td> <td>J2</td> <td>PTD.</td> <td>-</td> <td>391B</td> <td>3\"/> <tr> <td>396</td> <td>ETR</td> <td>-</td> <td>WD.</td> <td>J2</td> <td>PTD.</td> <td>-</td> <td>394</td> <td>3\"/> <tr> <td>398</td> <td>ETR</td> <td>-</td> <td>WD.</td> <td>J2</td> <td>PTD.</td> <td>-</td> <td>395</td> <td>3\"/> <tr> <td>399</td> <td>ETR</td> <td>-</td> <td>WD.</td> <td>J2</td> <td>PTD.</td> <td>-</td> <td>396</td> <td>3\"/> <tr> <td>3991</td> <td>ETR</td> <td>-</td> <td>WD.</td> <td>J2</td> <td>PTD.</td> <td>-</td> <td>398</td> <td>3\"/> <tr> <td>3992</td> <td>A</td> <td>3\"/> <tr> <td>3993</td> <td>ETR</td> <td>-</td> <td>WD.</td> <td>J2</td> <td>PTD.</td> <td>-</td> <td>399</td> <td>3\"/> <tr> <td>3994</td>
<td>ETR</td> <td>-</td> <td>WD.</td> <td>J2</td> <td>PTD.</td> <td>-</td> <td>3991</td> <td>3\"/> <tr> <td>3995</td> <td>ETR</td> <td>-</td> <td>WD.</td> <td>J2</td> <td>PTD.</td> <td>-</td> <td>3992</td> <td>3\"/> <tr> <td>3997</td> <td>ETR</td> <td>-</td> <td>WD.</td> <td>J2</td> <td>PTD.</td> <td>-</td> <td>3993</td> <td>3\"/> <tr> <td>3998</td> <td>ETR</td> <td>-</td> <td>WD.</td> <td>J2</td> <td>PTD.</td> <td>-</td> <td>3994</td> <td>3\"/> <tr> <td>3999</td> <td>ETR</td> <td>-</td> <td>WD.</td> <td>J2</td> <td>PTD.</td> <td>-</td> <td>3995</td> <td>3\"/> <tr> <td>3999</td> <td>ETR</td> <td>-</td> <td>WD.</td> <td>J2</td> <td>PTD.</td> <td>-</td> <td>3997</td> <td>3\"/> </td></tr></td></tr></td></tr></td></tr></td></tr></td></tr></td></tr></td></tr></td></tr></td></tr></td></tr></td></tr></td></tr></td></tr></td></tr></td></tr></td></tr></td></tr></td></tr></td></tr></td></tr></td></tr></td></td></tr></td></tr></td></td></tr></td></td></tr></td></td></tr></td></td></tr></td></td></tr></td></td></tr></td></td></tr></td></td></tr> | 375 | B | 1 <td>WD</td> <td>J1</td> <td>PTD.</td> <td>-</td> <td>374B</td> <td>3\"/> <tr> <td>376</td> <td>B</td> <td>1 <td>WD</td> <td>J1</td> <td>PTD.</td> <td>-</td> <td>374C</td> <td>3\"/> <tr> <td>377</td> <td>B</td> <td>1 <td>WD</td> <td>J1</td> <td>PTD.</td> <td>-</td> <td>375</td> <td>3\"/> <tr> <td>377A</td> <td>B</td> <td>1 <td>WD</td> <td>J1</td> <td>PTD.</td> <td>-</td> <td>376</td> <td>3\"/> <tr> <td>378</td> <td>B</td> <td>1 <td>WD</td> <td>J1</td> <td>PTD.</td> <td>-</td> <td>377</td> <td>3\"/> <tr> <td>379</td> <td>B</td> <td>1 <td>WD</td> <td>J1</td> <td>PTD.</td> <td>-</td> <td>377A</td> <td>3\"/> <tr> <td>380A</td> <td>B</td> <td>1 <td>WD</td> <td>J1</td> <td>PTD.</td> <td>-</td> <td>378</td> <td>3\"/> <tr> <td>380B</td> <td>B</td> <td>1 <td>WD</td> <td>J1</td> <td>PTD.</td> <td>-</td> <td>379</td> <td>3\"/> <tr> <td>382</td> <td>ETR</td> <td>-</td> <td>WD.</td> <td>J2</td> <td>PTD.</td> <td>-</td> <td>380A</td> <td>3\"/> <tr> <td>382A</td> <td>D</td> <td>6 <td>ALUM.</td> <td>ANODIZE D</td> <td>-</td> <td>-</td> <td>380B</td> <td>3\"/> <tr> <td>385</td> <td>ETR</td> <td>-</td> <td>WD.</td> <td>J2</td> <td>PTD.</td> <td>-</td> <td>382</td> <td>3\"/> <tr> <td>386</td> <td>ETR</td> <td>-</td> <td>WD.</td> <td>J2</td> <td>PTD.</td> <td>-</td> <td>382A</td> <td>3\"/> <tr> <td>387</td> <td>ETR</td> <td>-</td> <td>WD.</td> <td>J2</td> <td>PTD.</td> <td>-</td> <td>385</td> <td>3\"/> <tr> <td>388</td> <td>ETR</td> <td>-</td> <td>WD.</td> <td>J2</td> <td>PTD.</td> <td>-</td> <td>386</td> <td>3\"/> <tr> <td>389</td> <td>ETR</td> <td>-</td> <td>WD.</td> <td>J2</td> <td>PTD.</td> <td>-</td> <td>387</td> <td>3\"/> <tr> <td>391</td> <td>ETR</td> <td>-</td> <td>WD.</td> <td>J2</td> <td>PTD.</td> <td>-</td> <td>388</td> <td>3\"/> <tr> <td>391A</td> <td>ETR</td> <td>-</td> <td>WD.</td> <td>J2</td> <td>PTD.</td> <td>-</td> <td>389</td> <td>3\"/> <tr> <td>391B</td> <td>ETR</td> <td>-</td> <td>WD.</td> <td>J2</td> <td>PTD.</td> <td>-</td> <td>391</td> <td>3\"/> <tr> <td>394</td> <td>ETR</td> <td>-</td> <td>WD.</td> <td>J2</td> <td>PTD.</td> <td>-</td> <td>391A</td> <td>3\"/> <tr> <td>395</td> <td>ETR</td> <td>-</td> <td>WD.</td> <td>J2</td> <td>PTD.</td> <td>-</td> <td>391B</td> <td>3\"/> <tr> <td>396</td> <td>ETR</td> <td>-</td> <td>WD.</td> <td>J2</td> <td>PTD.</td> <td>-</td> <td>394</td> <td>3\"/> <tr> <td>398</td> <td>ETR</td> <td>-</td> <td>WD.</td> <td>J2</td> <td>PTD.</td> <td>-</td> <td>395</td> <td>3\"/> <tr> <td>399</td> <td>ETR</td> <td>-</td> <td>WD.</td> <td>J2</td> <td>PTD.</td> <td>-</td> <td>396</td> <td>3\"/> <tr> <td>3991</td> <td>ETR</td> <td>-</td> <td>WD.</td> <td>J2</td> <td>PTD.</td> <td>-</td> <td>398</td> <td>3\"/> <tr> <td>3992</td> <td>A</td> <td>3\"/> <tr> <td>3993</td> <td>ETR</td> <td>-</td> <td>WD.</td> <td>J2</td> <td>PTD.</td> <td>-</td> <td>399</td> <td>3\"/> <tr> <td>3994</td> <td>ETR</td> <td>-</td> <td>WD.</td> <td>J2</td> <td>PTD.</td> <td>-</td> <td>3991</td> <td>3\"/> <tr> <td>3995</td> <td>ETR</td> <td>-</td> <td>WD.</td> <td>J2</td> <td>PTD.</td> <td>-</td> <td>3992</td> <td>3\"/> <tr> <td>3997</td> <td>ETR</td> <td>-</td> <td>WD.</td> <td>J2</td> <td>PTD.</td> <td>-</td> <td>3993</td> <td>3\"/> <tr> <td>3998</td> <td>ETR</td> <td>-</td> <td>WD.</td> <td>J2</td> <td>PTD.</td> <td>-</td> <td>3994</td> <td>3\"/> <tr> <td>3999</td> <td>ETR</td> <td>-</td> <td>WD.</td> <td>J2</td> <td>PTD.</td> <td>-</td> <td>3995</td> <td>3\"/> <tr> <td>3999</td> <td>ETR</td> <td>-</td> <td>WD.</td> <td>J2</td> <td>PTD.</td> <td>-</td> <td>3997</td> <td>3\"/> </td></tr></td></tr></td></tr></td></tr></td></tr></td></tr></td></tr></td></tr></td></tr></td></tr></td></tr></td></tr></td></tr></td></tr></td></tr></td></tr></td></tr></td></tr></td></tr></td></tr></td></tr></td></tr></td></td></tr></td></tr></td></td></tr></td></td></tr></td></td></tr></td></td></tr></td></td></tr></td></td></tr></td></td></tr></td>
 | WD | J1 | PTD. | - | 374B | 3\"/> <tr> <td>376</td> <td>B</td> <td>1 <td>WD</td> <td>J1</td> <td>PTD.</td> <td>-</td> <td>374C</td> <td>3\"/> <tr> <td>377</td> <td>B</td> <td>1 <td>WD</td> <td>J1</td> <td>PTD.</td> <td>-</td> <td>375</td> <td>3\"/> <tr> <td>377A</td> <td>B</td> <td>1 <td>WD</td> <td>J1</td> <td>PTD.</td> <td>-</td> <td>376</td> <td>3\"/> <tr> <td>378</td> <td>B</td> <td>1 <td>WD</td> <td>J1</td> <td>PTD.</td> <td>-</td> <td>377</td> <td>3\"/> <tr> <td>379</td> <td>B</td> <td>1 <td>WD</td> <td>J1</td> <td>PTD.</td> <td>-</td> <td>377A</td> <td>3\"/> <tr> <td>380A</td> <td>B</td> <td>1 <td>WD</td> <td>J1</td> <td>PTD.</td> <td>-</td> <td>378</td> <td>3\"/> <tr> <td>380B</td> <td>B</td> <td>1 <td>WD</td> <td>J1</td> <td>PTD.</td> <td>-</td> <td>379</td> <td>3\"/> <tr> <td>382</td> <td>ETR</td> <td>-</td> <td>WD.</td> <td>J2</td> <td>PTD.</td> <td>-</td> <td>380A</td> <td>3\"/> <tr> <td>382A</td> <td>D</td> <td>6 <td>ALUM.</td> <td>ANODIZE D</td> <td>-</td> <td>-</td> <td>380B</td> <td>3\"/> <tr> <td>385</td> <td>ETR</td> <td>-</td> <td>WD.</td> <td>J2</td> <td>PTD.</td> <td>-</td> <td>382</td> <td>3\"/> <tr> <td>386</td> <td>ETR</td> <td>-</td> <td>WD.</td> <td>J2</td> <td>PTD.</td> <td>-</td> <td>382A</td> <td>3\"/> <tr> <td>387</td> <td>ETR</td> <td>-</td> <td>WD.</td> <td>J2</td> <td>PTD.</td> <td>-</td> <td>385</td> <td>3\"/> <tr> <td>388</td> <td>ETR</td> <td>-</td> <td>WD.</td> <td>J2</td> <td>PTD.</td> <td>-</td> <td>386</td> <td>3\"/> <tr> <td>389</td> <td>ETR</td> <td>-</td> <td>WD.</td> <td>J2</td> <td>PTD.</td> <td>-</td> <td>387</td> <td>3\"/> <tr> <td>391</td> <td>ETR</td> <td>-</td> <td>WD.</td> <td>J2</td> <td>PTD.</td> <td>-</td> <td>388</td> <td>3\"/> <tr> <td>391A</td> <td>ETR</td> <td>-</td> <td>WD.</td> <td>J2</td> <td>PTD.</td> <td>-</td> <td>389</td> <td>3\"/> <tr> <td>391B</td> <td>ETR</td> <td>-</td> <td>WD.</td> <td>J2</td> <td>PTD.</td> <td>-</td> <td>391</td> <td>3\"/> <tr> <td>394</td> <td>ETR</td> <td>-</td> <td>WD.</td> <td>J2</td> <td>PTD.</td> <td>-</td> <td>391A</td> <td>3\"/> <tr> <td>395</td> <td>ETR</td> <td>-</td> <td>WD.</td> <td>J2</td> <td>PTD.</td> <td>-</td> <td>391B</td> <td>3\"/> <tr> <td>396</td> <td>ETR</td> <td>-</td> <td>WD.</td> <td>J2</td> <td>PTD.</td> <td>-</td> <td>394</td> <td>3\"/> <tr> <td>398</td> <td>ETR</td> <td>-</td> <td>WD.</td> <td>J2</td> <td>PTD.</td> <td>-</td> <td>395</td> <td>3\"/> <tr> <td>399</td> <td>ETR</td> <td>-</td> <td>WD.</td> <td>J2</td> <td>PTD.</td> <td>-</td> <td>396</td> <td>3\"/> <tr> <td>3991</td> <td>ETR</td> <td>-</td> <td>WD.</td> <td>J2</td> <td>PTD.</td> <td>-</td> <td>398</td> <td>3\"/> <tr> <td>3992</td> <td>A</td> <td>3\"/> <tr> <td>3993</td> <td>ETR</td> <td>-</td> <td>WD.</td> <td>J2</td> <td>PTD.</td> <td>-</td> <td>399</td> <td>3\"/> <tr> <td>3994</td> <td>ETR</td> <td>-</td> <td>WD.</td> <td>J2</td> <td>PTD.</td> <td>-</td> <td>3991</td> <td>3\"/> <tr> <td>3995</td> <td>ETR</td> <td>-</td> <td>WD.</td> <td>J2</td> <td>PTD.</td> <td>-</td> <td>3992</td> <td>3\"/> <tr> <td>3997</td> <td>ETR</td> <td>-</td> <td>WD.</td> <td>J2</td> <td>PTD.</td> <td>-</td> <td>3993</td> <td>3\"/> <tr> <td>3998</td> <td>ETR</td> <td>-</td> <td>WD.</td> <td>J2</td> <td>PTD.</td> <td>-</td> <td>3994</td> <td>3\"/> <tr> <td>3999</td> <td>ETR</td> <td>-</td> <td>WD.</td> <td>J2</td> <td>PTD.</td> <td>-</td> <td>3995</td> <td>3\"/> <tr> <td>3999</td> <td>ETR</td> <td>-</td> <td>WD.</td> <td>J2</td> <td>PTD.</td> <td>-</td> <td>3997</td> <td>3\"/> </td></tr></td></tr></td></tr></td></tr></td></tr></td></tr></td></tr></td></tr></td></tr></td></tr></td></tr></td></tr></td></tr></td></tr></td></tr></td></tr></td></tr></td></tr></td></tr></td></tr></td></tr></td></tr></td></td></tr></td></tr></td></td></tr></td></td></tr></td></td></tr></td></td></tr></td></td></tr></td></td></tr></td></td></tr> | 376 | B | 1 <td>WD</td> <td>J1</td> <td>PTD.</td> <td>-</td> <td>374C</td> <td>3\"/> <tr> <td>377</td> <td>B</td> <td>1 <td>WD</td> <td>J1</td> <td>PTD.</td> <td>-</td> <td>375</td> <td>3\"/> <tr> <td>377A</td> <td>B</td> <td>1 <td>WD</td> <td>J1</td> <td>PTD.</td> <td>-</td> <td>376</td> <td>3\"/> <tr> <td>378</td> <td>B</td> <td>1 <td>WD</td> <td>J1</td> <td>PTD.</td> <td>-</td> <td>377</td> <td>3\"/> <tr> <td>379</td> <td>B</td> <td>1 <td>WD</td> <td>J1</td> <td>PTD.</td> <td>-</td> <td>377A</td> <td>3\"/> <tr> <td>380A</td> <td>B</td> <td>1 <td>WD</td> <td>J1</td> <td>PTD.</td> <td>-</td> <td>378</td> <td>3\"/> <tr> <td>380B</td> <td>B</td> <td>1 <td>WD</td> <td>J1</td> <td>PTD.</td> <td>-</td> <td>379</td> <td>3\"/> <tr> <td>382</td> <td>ETR</td> <td>-</td> <td>WD.</td> <td>J2</td> <td>PTD.</td> <td>-</td> <td>380A</td> <td>3\"/> <tr> <td>382A</td> <td>D</td> <td>6 <td>ALUM.</td> <td>ANODIZE D</td> <td>-</td> <td>-</td> <td>380B</td> <td>3\"/> <tr> <td>385</td> <td>ETR</td> <td>-</td> <td>WD.</td> <td>J2</td> <td>PTD.</td> <td>-</td> <td>382</td> <td>3\"/> <tr> <td>386</td> <td>ETR</td> <td>-</td> <td>WD.</td> <td>J2</td> <td>PTD.</td> <td>-</td> <td>382A</td> <td>3\"/> <tr> <td>387</td> <td>ETR</td> <td>-</td> <td>WD.</td> <td>J2</td> <td>PTD.</td> <td>-</td> <td>385</td> <td>3\"/> <tr> <td>388</td> <td>ETR</td> <td>-</td> <td>WD.</td> <td>J2</td> <td>PTD.</td> <td>-</td> <td>386</td> <td>3\"/> <tr> <td>389</td> <td>ETR</td> <td>-</td> <td>WD.</td> <td>J2</td> <td>PTD.</td> <td>-</td> <td>387</td> <td>3\"/> <tr> <td>391</td> <td>ETR</td> <td>-</td> <td>WD.</td> <td>J2</td> <td>PTD.</td> <td>-</td> <td>388</td> <td>3\"/> <tr> <td>391A</td> <td>ETR</td> <td>-</td> <td>WD.</td> <td>J2</td> <td>PTD.</td> <td>-</td> <td>389</td> <td>3\"/> <tr> <td>391B</td> <td>ETR</td> <td>-</td> <td>WD.</td> <td>J2</td> <td>PTD.</td> <td>-</td> <td>391</td> <td>3\"/> <tr> <td>394</td> <td>ETR</td> <td>-</td> <td>WD.</td> <td>J2</td> <td>PTD.</td> <td>-</td> <td>391A</td> <td>3\"/> <tr> <td>395</td> <td>ETR</td> <td>-</td> <td>WD.</td> <td>J2</td> <td>PTD.</td> <td>-</td> <td>391B</td> <td>3\"/> <tr> <td>396</td> <td>ETR</td> <td>-</td> <td>WD.</td> <td>J2</td> <td>PTD.</td> <td>-</td> <td>394</td> <td>3\"/> <tr> <td>398</td> <td>ETR</td> <td>-</td> <td>WD.</td> <td>J2</td> <td>PTD.</td> <td>-</td> <td>395</td> <td>3\"/> <tr> <td>399</td> <td>ETR</td> <td>-</td> <td>WD.</td> <td>J2</td> <td>PTD.</td> <td>-</td> <td>396</td> <td>3\"/> <tr> <td>3991</td> <td>ETR</td> <td>-</td> <td>WD.</td> <td>J2</td> <td>PTD.</td> <td>-</td> <td>398</td> <td>3\"/> <tr> <td>3992</td>
<td>A</td> <td>3\"/> <tr> <td>3993</td> <td>ETR</td> <td>-</td> <td>WD.</td> <td>J2</td> <td>PTD.</td> <td>-</td> <td>399</td> <td>3\"/> <tr> <td>3994</td> <td>ETR</td> <td>-</td> <td>WD.</td> <td>J2</td> <td>PTD.</td> <td>-</td> <td>3991</td> <td>3\"/> <tr> <td>3995</td> <td>ETR</td> <td>-</td> <td>WD.</td> <td>J2</td> <td>PTD.</td> <td>-</td> <td>3992</td> <td>3\"/> <tr> <td>3997</td> <td>ETR</td> <td>-</td> <td>WD.</td> <td>J2</td> <td>PTD.</td> <td>-</td> <td>3993</td> <td>3\"/> <tr> <td>3998</td> <td>ETR</td> <td>-</td> <td>WD.</td> <td>J2</td> <td>PTD.</td> <td>-</td> <td>3994</td> <td>3\"/> <tr> <td>3999</td> <td>ETR</td> <td>-</td> <td>WD.</td> <td>J2</td> <td>PTD.</td> <td>-</td> <td>3995</td> <td>3\"/> <tr> <td>3999</td> <td>ETR</td> <td>-</td> <td>WD.</td> <td>J2</td> <td>PTD.</td> <td>-</td> <td>3997</td> <td>3\"/> </td></tr></td></tr></td></tr></td></tr></td></tr></td></tr></td></tr></td></tr></td></tr></td></tr></td></tr></td></tr></td></tr></td></tr></td></tr></td></tr></td></tr></td></tr></td></tr></td></tr></td></tr></td></tr></td></td></tr></td></tr></td></td></tr></td></td></tr></td></td></tr></td></td></tr></td></td></tr></td></td></tr></td> | WD | J1 | PTD. | - | 374C | 3\"/> <tr> <td>377</td> <td>B</td> <td>1 <td>WD</td> <td>J1</td> <td>PTD.</td> <td>-</td> <td>375</td> <td>3\"/> <tr> <td>377A</td> <td>B</td> <td>1 <td>WD</td> <td>J1</td> <td>PTD.</td> <td>-</td> <td>376</td> <td>3\"/> <tr> <td>378</td> <td>B</td> <td>1 <td>WD</td> <td>J1</td> <td>PTD.</td> <td>-</td> <td>377</td> <td>3\"/> <tr> <td>379</td> <td>B</td> <td>1 <td>WD</td> <td>J1</td> <td>PTD.</td> <td>-</td> <td>377A</td> <td>3\"/> <tr> <td>380A</td> <td>B</td> <td>1 <td>WD</td> <td>J1</td> <td>PTD.</td> <td>-</td> <td>378</td> <td>3\"/> <tr> <td>380B</td> <td>B</td> <td>1 <td>WD</td> <td>J1</td> <td>PTD.</td> <td>-</td> <td>379</td> <td>3\"/> <tr> <td>382</td> <td>ETR</td> <td>-</td> <td>WD.</td> <td>J2</td> <td>PTD.</td> <td>-</td> <td>380A</td> <td>3\"/> <tr> <td>382A</td> <td>D</td> <td>6 <td>ALUM.</td> <td>ANODIZE D</td> <td>-</td> <td>-</td> <td>380B</td> <td>3\"/> <tr> <td>385</td> <td>ETR</td> <td>-</td> <td>WD.</td> <td>J2</td> <td>PTD.</td> <td>-</td> <td>382</td> <td>3\"/> <tr> <td>386</td> <td>ETR</td> <td>-</td> <td>WD.</td> <td>J2</td> <td>PTD.</td> <td>-</td> <td>382A</td> <td>3\"/> <tr> <td>387</td> <td>ETR</td> <td>-</td> <td>WD.</td> <td>J2</td> <td>PTD.</td> <td>-</td> <td>385</td> <td>3\"/> <tr> <td>388</td> <td>ETR</td> <td>-</td> <td>WD.</td> <td>J2</td> <td>PTD.</td> <td>-</td> <td>386</td> <td>3\"/> <tr> <td>389</td> <td>ETR</td> <td>-</td> <td>WD.</td> <td>J2</td> <td>PTD.</td> <td>-</td> <td>387</td> <td>3\"/> <tr> <td>391</td> <td>ETR</td> <td>-</td> <td>WD.</td> <td>J2</td> <td>PTD.</td> <td>-</td> <td>388</td> <td>3\"/> <tr> <td>391A</td> <td>ETR</td> <td>-</td> <td>WD.</td> <td>J2</td> <td>PTD.</td> <td>-</td> <td>389</td> <td>3\"/> <tr> <td>391B</td> <td>ETR</td> <td>-</td> <td>WD.</td> <td>J2</td> <td>PTD.</td> <td>-</td> <td>391</td> <td>3\"/> <tr> <td>394</td> <td>ETR</td> <td>-</td> <td>WD.</td> <td>J2</td> <td>PTD.</td> <td>-</td> <td>391A</td> <td>3\"/> <tr> <td>395</td> <td>ETR</td> <td>-</td> <td>WD.</td> <td>J2</td> <td>PTD.</td> <td>-</td> <td>391B</td> <td>3\"/> <tr> <td>396</td> <td>ETR</td> <td>-</td> <td>WD.</td> <td>J2</td> <td>PTD.</td> <td>-</td> <td>394</td> <td>3\"/> <tr> <td>398</td> <td>ETR</td> <td>-</td> <td>WD.</td> <td>J2</td> <td>PTD.</td> <td>-</td> <td>395</td> <td>3\"/> <tr> <td>399</td> <td>ETR</td> <td>-</td> <td>WD.</td> <td>J2</td> <td>PTD.</td> <td>-</td> <td>396</td> <td>3\"/> <tr> <td>3991</td> <td>ETR</td> <td>-</td> <td>WD.</td> <td>J2</td> <td>PTD.</td> <td>-</td> <td>398</td> <td>3\"/> <tr> <td>3992</td> <td>A</td> <td>3\"/> <tr> <td>3993</td> <td>ETR</td> <td>-</td> <td>WD.</td> <td>J2</td> <td>PTD.</td> <td>-</td> <td>399</td> <td>3\"/> <tr> <td>3994</td> <td>ETR</td> <td>-</td> <td>WD.</td> <td>J2</td> <td>PTD.</td> <td>-</td> <td>3991</td> <td>3\"/> <tr> <td>3995</td> <td>ETR</td> <td>-</td> <td>WD.</td> <td>J2</td> <td>PTD.</td> <td>-</td> <td>3992</td> <td>3\"/> <tr> <td>3997</td> <td>ETR</td> <td>-</td> <td>WD.</td> <td>J2</td> <td>PTD.</td> <td>-</td> <td>3993</td> <td>3\"/> <tr> <td>3998</td> <td>ETR</td> <td>-</td> <td>WD.</td> <td>J2</td> <td>PTD.</td> <td>-</td> <td>3994</td> <td>3\"/> <tr> <td>3999</td> <td>ETR</td> <td>-</td> <td>WD.</td> <td>J2</td> <td>PTD.</td> <td>-</td> <td>3995</td> <td>3\"/> <tr> <td>3999</td> <td>ETR</td> <td>-</td> <td>WD.</td> <td>J2</td> <td>PTD.</td> <td>-</td> <td>3997</td> <td>3\"/> </td></tr></td></tr></td></tr></td></tr></td></tr></td></tr></td></tr></td></tr></td></tr></td></tr></td></tr></td></tr></td></tr></td></tr></td></tr></td></tr></td></tr></td></tr></td></tr></td></tr></td></tr></td></tr></td></td></tr></td></tr></td></td></tr></td></td></tr></td></td></tr></td></td></tr></td></td></tr></td></td></tr>
 | 377 | B | 1 <td>WD</td> <td>J1</td> <td>PTD.</td> <td>-</td> <td>375</td> <td>3\"/> <tr> <td>377A</td> <td>B</td> <td>1 <td>WD</td> <td>J1</td> <td>PTD.</td> <td>-</td> <td>376</td> <td>3\"/> <tr> <td>378</td> <td>B</td> <td>1 <td>WD</td> <td>J1</td> <td>PTD.</td> <td>-</td> <td>377</td> <td>3\"/> <tr> <td>379</td> <td>B</td> <td>1 <td>WD</td> <td>J1</td> <td>PTD.</td> <td>-</td> <td>377A</td> <td>3\"/> <tr> <td>380A</td> <td>B</td> <td>1 <td>WD</td> <td>J1</td> <td>PTD.</td> <td>-</td> <td>378</td> <td>3\"/> <tr> <td>380B</td> <td>B</td> <td>1 <td>WD</td> <td>J1</td> <td>PTD.</td> <td>-</td> <td>379</td> <td>3\"/> <tr> <td>382</td> <td>ETR</td> <td>-</td> <td>WD.</td> <td>J2</td> <td>PTD.</td> <td>-</td> <td>380A</td> <td>3\"/> <tr> <td>382A</td> <td>D</td> <td>6 <td>ALUM.</td> <td>ANODIZE D</td> <td>-</td> <td>-</td> <td>380B</td> <td>3\"/> <tr> <td>385</td> <td>ETR</td> <td>-</td> <td>WD.</td> <td>J2</td> <td>PTD.</td> <td>-</td> <td>382</td> <td>3\"/> <tr> <td>386</td> <td>ETR</td> <td>-</td> <td>WD.</td> <td>J2</td> <td>PTD.</td> <td>-</td> <td>382A</td> <td>3\"/> <tr> <td>387</td> <td>ETR</td> <td>-</td> <td>WD.</td> <td>J2</td> <td>PTD.</td> <td>-</td> <td>385</td> <td>3\"/> <tr> <td>388</td> <td>ETR</td> <td>-</td> <td>WD.</td> <td>J2</td> <td>PTD.</td> <td>-</td> <td>386</td> <td>3\"/> <tr> <td>389</td> <td>ETR</td> <td>-</td> <td>WD.</td> <td>J2</td> <td>PTD.</td> <td>-</td> <td>387</td> <td>3\"/> <tr> <td>391</td> <td>ETR</td> <td>-</td> <td>WD.</td> <td>J2</td> <td>PTD.</td> <td>-</td> <td>388</td> <td>3\"/> <tr> <td>391A</td> <td>ETR</td> <td>-</td> <td>WD.</td> <td>J2</td> <td>PTD.</td> <td>-</td> <td>389</td> <td>3\"/> <tr> <td>391B</td> <td>ETR</td> <td>-</td> <td>WD.</td> <td>J2</td> <td>PTD.</td> <td>-</td> <td>391</td> <td>3\"/> <tr> <td>394</td> <td>ETR</td> <td>-</td> <td>WD.</td> <td>J2</td> <td>PTD.</td> <td>-</td> <td>391A</td> <td>3\"/> <tr> <td>395</td> <td>ETR</td> <td>-</td> <td>WD.</td> <td>J2</td> <td>PTD.</td> <td>-</td> <td>391B</td> <td>3\"/> <tr> <td>396</td> <td>ETR</td> <td>-</td> <td>WD.</td> <td>J2</td> <td>PTD.</td> <td>-</td> <td>394</td> <td>3\"/> <tr> <td>398</td> <td>ETR</td> <td>-</td> <td>WD.</td> <td>J2</td> <td>PTD.</td> <td>-</td> <td>395</td> <td>3\"/> <tr> <td>399</td> <td>ETR</td> <td>-</td> <td>WD.</td> <td>J2</td> <td>PTD.</td> <td>-</td> <td>396</td> <td>3\"/> <tr> <td>3991</td> <td>ETR</td> <td>-</td> <td>WD.</td> <td>J2</td> <td>PTD.</td> <td>-</td> <td>398</td> <td>3\"/> <tr> <td>3992</td> <td>A</td> <td>3\"/> <tr> <td>3993</td> <td>ETR</td> <td>-</td> <td>WD.</td> <td>J2</td> <td>PTD.</td> <td>-</td> <td>399</td> <td>3\"/> <tr> <td>3994</td> <td>ETR</td> <td>-</td> <td>WD.</td> <td>J2</td> <td>PTD.</td> <td>-</td> <td>3991</td> <td>3\"/> <tr> <td>3995</td> <td>ETR</td> <td>-</td> <td>WD.</td> <td>J2</td> <td>PTD.</td> <td>-</td> <td>3992</td> <td>3\"/> <tr> <td>3997</td> <td>ETR</td> <td>-</td> <td>WD.</td> <td>J2</td> <td>PTD.</td> <td>-</td> <td>3993</td> <td>3\"/> <tr> <td>3998</td> <td>ETR</td> <td>-</td> <td>WD.</td> <td>J2</td> <td>PTD.</td> <td>-</td> <td>3994</td> <td>3\"/> <tr> <td>3999</td> <td>ETR</td> <td>-</td> <td>WD.</td> <td>J2</td> <td>PTD.</td> <td>-</td> <td>3995</td> <td>3\"/> <tr> <td>3999</td> <td>ETR</td> <td>-</td> <td>WD.</td> <td>J2</td> <td>PTD.</td> <td>-</td> <td>3997</td> <td>3\"/> </td></tr></td></tr></td></tr></td></tr></td></tr></td></tr></td></tr></td></tr></td></tr></td></tr></td></tr></td></tr></td></tr></td></tr></td></tr></td></tr></td></tr></td></tr></td></tr></td></tr></td></tr></td></tr></td></td></tr></td></tr></td></td></tr></td></td></tr></td></td></tr></td></td></tr></td></td></tr></td> | WD | J1 | PTD. | - | 375 | 3\"/> <tr> <td>377A</td> <td>B</td> <td>1 <td>WD</td> <td>J1</td> <td>PTD.</td> <td>-</td> <td>376</td> <td>3\"/> <tr> <td>378</td> <td>B</td> <td>1 <td>WD</td> <td>J1</td> <td>PTD.</td> <td>-</td> <td>377</td> <td>3\"/> <tr> <td>379</td> <td>B</td> <td>1 <td>WD</td> <td>J1</td> <td>PTD.</td> <td>-</td> <td>377A</td> <td>3\"/> <tr> <td>380A</td> <td>B</td> <td>1 <td>WD</td> <td>J1</td> <td>PTD.</td> <td>-</td> <td>378</td> <td>3\"/> <tr> <td>380B</td> <td>B</td> <td>1 <td>WD</td> <td>J1</td> <td>PTD.</td> <td>-</td> <td>379</td> <td>3\"/> <tr> <td>382</td> <td>ETR</td> <td>-</td> <td>WD.</td> <td>J2</td> <td>PTD.</td> <td>-</td> <td>380A</td> <td>3\"/> <tr> <td>382A</td> <td>D</td> <td>6 <td>ALUM.</td> <td>ANODIZE D</td> <td>-</td> <td>-</td> <td>380B</td> <td>3\"/> <tr> <td>385</td> <td>ETR</td> <td>-</td> <td>WD.</td> <td>J2</td> <td>PTD.</td> <td>-</td> <td>382</td> <td>3\"/> <tr> <td>386</td> <td>ETR</td> <td>-</td> <td>WD.</td> <td>J2</td> <td>PTD.</td> <td>-</td> <td>382A</td> <td>3\"/> <tr> <td>387</td> <td>ETR</td> <td>-</td> <td>WD.</td> <td>J2</td> <td>PTD.</td> <td>-</td> <td>385</td> <td>3\"/> <tr> <td>388</td> <td>ETR</td> <td>-</td> <td>WD.</td> <td>J2</td> <td>PTD.</td> <td>-</td> <td>386</td> <td>3\"/> <tr> <td>389</td> <td>ETR</td> <td>-</td> <td>WD.</td> <td>J2</td> <td>PTD.</td> <td>-</td> <td>387</td> <td>3\"/> <tr> <td>391</td> <td>ETR</td> <td>-</td> <td>WD.</td> <td>J2</td> <td>PTD.</td> <td>-</td> <td>388</td> <td>3\"/> <tr> <td>391A</td> <td>ETR</td> <td>-</td> <td>WD.</td> <td>J2</td> <td>PTD.</td> <td>-</td> <td>389</td> <td>3\"/> <tr> <td>391B</td> <td>ETR</td> <td>-</td> <td>WD.</td> <td>J2</td> <td>PTD.</td> <td>-</td> <td>391</td> <td>3\"/> <tr> <td>394</td> <td>ETR</td> <td>-</td> <td>WD.</td> <td>J2</td> <td>PTD.</td> <td>-</td> <td>391A</td> <td>3\"/> <tr> <td>395</td> <td>ETR</td> <td>-</td> <td>WD.</td> <td>J2</td> <td>PTD.</td> <td>-</td> <td>391B</td> <td>3\"/> <tr> <td>396</td> <td>ETR</td> <td>-</td> <td>WD.</td> <td>J2</td> <td>PTD.</td> <td>-</td> <td>394</td> <td>3\"/> <tr> <td>398</td> <td>ETR</td> <td>-</td> <td>WD.</td> <td>J2</td> <td>PTD.</td> <td>-</td> <td>395</td> <td>3\"/> <tr> <td>399</td> <td>ETR</td> <td>-</td> <td>WD.</td> <td>J2</td> <td>PTD.</td> <td>-</td> <td>396</td> <td>3\"/> <tr> <td>3991</td> <td>ETR</td> <td>-</td> <td>WD.</td> <td>J2</td> <td>PTD.</td> <td>-</td> <td>398</td> <td>3\"/> <tr> <td>3992</td> <td>A</td> <td>3\"/> <tr> <td>3993</td> <td>ETR</td> <td>-</td> <td>WD.</td> <td>J2</td> <td>PTD.</td> <td>-</td> <td>399</td> <td>3\"/> <tr> <td>3994</td> <td>ETR</td> <td>-</td> <td>WD.</td> <td>J2</td> <td>PTD.</td> <td>-</td> <td>3991</td> <td>3\"/> <tr> <td>3995</td> <td>ETR</td> <td>-</td> <td>WD.</td> <td>J2</td> <td>PTD.</td> <td>-</td>
<td>3992</td> <td>3\"/> <tr> <td>3997</td> <td>ETR</td> <td>-</td> <td>WD.</td> <td>J2</td> <td>PTD.</td> <td>-</td> <td>3993</td> <td>3\"/> <tr> <td>3998</td> <td>ETR</td> <td>-</td> <td>WD.</td> <td>J2</td> <td>PTD.</td> <td>-</td> <td>3994</td> <td>3\"/> <tr> <td>3999</td> <td>ETR</td> <td>-</td> <td>WD.</td> <td>J2</td> <td>PTD.</td> <td>-</td> <td>3995</td> <td>3\"/> <tr> <td>3999</td> <td>ETR</td> <td>-</td> <td>WD.</td> <td>J2</td> <td>PTD.</td> <td>-</td> <td>3997</td> <td>3\"/> </td></tr></td></tr></td></tr></td></tr></td></tr></td></tr></td></tr></td></tr></td></tr></td></tr></td></tr></td></tr></td></tr></td></tr></td></tr></td></tr></td></tr></td></tr></td></tr></td></tr></td></tr></td></tr></td></td></tr></td></tr></td></td></tr></td></td></tr></td></td></tr></td></td></tr></td></td></tr> | 377A | B | 1 <td>WD</td> <td>J1</td> <td>PTD.</td> <td>-</td> <td>376</td> <td>3\"/> <tr> <td>378</td> <td>B</td> <td>1 <td>WD</td> <td>J1</td> <td>PTD.</td> <td>-</td> <td>377</td> <td>3\"/> <tr> <td>379</td> <td>B</td> <td>1 <td>WD</td> <td>J1</td> <td>PTD.</td> <td>-</td> <td>377A</td> <td>3\"/> <tr> <td>380A</td> <td>B</td> <td>1 <td>WD</td> <td>J1</td> <td>PTD.</td> <td>-</td> <td>378</td> <td>3\"/> <tr> <td>380B</td> <td>B</td> <td>1 <td>WD</td> <td>J1</td> <td>PTD.</td> <td>-</td> <td>379</td> <td>3\"/> <tr> <td>382</td> <td>ETR</td> <td>-</td> <td>WD.</td> <td>J2</td> <td>PTD.</td> <td>-</td> <td>380A</td> <td>3\"/> <tr> <td>382A</td> <td>D</td> <td>6 <td>ALUM.</td> <td>ANODIZE D</td> <td>-</td> <td>-</td> <td>380B</td> <td>3\"/> <tr> <td>385</td> <td>ETR</td> <td>-</td> <td>WD.</td> <td>J2</td> <td>PTD.</td> <td>-</td> <td>382</td> <td>3\"/> <tr> <td>386</td> <td>ETR</td> <td>-</td> <td>WD.</td> <td>J2</td> <td>PTD.</td> <td>-</td> <td>382A</td> <td>3\"/> <tr> <td>387</td> <td>ETR</td> <td>-</td> <td>WD.</td> <td>J2</td> <td>PTD.</td> <td>-</td> <td>385</td> <td>3\"/> <tr> <td>388</td> <td>ETR</td> <td>-</td> <td>WD.</td> <td>J2</td> <td>PTD.</td> <td>-</td> <td>386</td> <td>3\"/> <tr> <td>389</td> <td>ETR</td> <td>-</td> <td>WD.</td> <td>J2</td> <td>PTD.</td> <td>-</td> <td>387</td> <td>3\"/> <tr> <td>391</td> <td>ETR</td> <td>-</td> <td>WD.</td> <td>J2</td> <td>PTD.</td> <td>-</td> <td>388</td> <td>3\"/> <tr> <td>391A</td> <td>ETR</td> <td>-</td> <td>WD.</td> <td>J2</td> <td>PTD.</td> <td>-</td> <td>389</td> <td>3\"/> <tr> <td>391B</td> <td>ETR</td> <td>-</td> <td>WD.</td> <td>J2</td> <td>PTD.</td> <td>-</td> <td>391</td> <td>3\"/> <tr> <td>394</td> <td>ETR</td> <td>-</td> <td>WD.</td> <td>J2</td> <td>PTD.</td> <td>-</td> <td>391A</td> <td>3\"/> <tr> <td>395</td> <td>ETR</td> <td>-</td> <td>WD.</td> <td>J2</td> <td>PTD.</td> <td>-</td> <td>391B</td> <td>3\"/> <tr> <td>396</td> <td>ETR</td> <td>-</td> <td>WD.</td> <td>J2</td> <td>PTD.</td> <td>-</td> <td>394</td> <td>3\"/> <tr> <td>398</td> <td>ETR</td> <td>-</td> <td>WD.</td> <td>J2</td> <td>PTD.</td> <td>-</td> <td>395</td> <td>3\"/> <tr> <td>399</td> <td>ETR</td> <td>-</td> <td>WD.</td> <td>J2</td> <td>PTD.</td> <td>-</td> <td>396</td> <td>3\"/> <tr> <td>3991</td> <td>ETR</td> <td>-</td> <td>WD.</td> <td>J2</td> <td>PTD.</td> <td>-</td> <td>398</td> <td>3\"/> <tr> <td>3992</td> <td>A</td> <td>3\"/> <tr> <td>3993</td> <td>ETR</td> <td>-</td> <td>WD.</td> <td>J2</td> <td>PTD.</td> <td>-</td> <td>399</td> <td>3\"/> <tr> <td>3994</td> <td>ETR</td> <td>-</td> <td>WD.</td> <td>J2</td> <td>PTD.</td> <td>-</td> <td>3991</td> <td>3\"/> <tr> <td>3995</td> <td>ETR</td> <td>-</td> <td>WD.</td> <td>J2</td> <td>PTD.</td> <td>-</td> <td>3992</td> <td>3\"/> <tr> <td>3997</td> <td>ETR</td> <td>-</td> <td>WD.</td> <td>J2</td> <td>PTD.</td> <td>-</td> <td>3993</td> <td>3\"/> <tr> <td>3998</td> <td>ETR</td> <td>-</td> <td>WD.</td> <td>J2</td> <td>PTD.</td> <td>-</td> <td>3994</td> <td>3\"/> <tr> <td>3999</td> <td>ETR</td> <td>-</td> <td>WD.</td> <td>J2</td> <td>PTD.</td> <td>-</td> <td>3995</td> <td>3\"/> <tr> <td>3999</td> <td>ETR</td> <td>-</td> <td>WD.</td> <td>J2</td> <td>PTD.</td> <td>-</td> <td>3997</td> <td>3\"/> </td></tr></td></tr></td></tr></td></tr></td></tr></td></tr></td></tr></td></tr></td></tr></td></tr></td></tr></td></tr></td></tr></td></tr></td></tr></td></tr></td></tr></td></tr></td></tr></td></tr></td></tr></td></tr></td></td></tr></td></tr></td></td></tr></td></td></tr></td></td></tr></td></td></tr></td> | WD | J1 | PTD. | - |
376 | 3\"/> <tr> <td>378</td> <td>B</td> <td>1 <td>WD</td> <td>J1</td> <td>PTD.</td> <td>-</td> <td>377</td> <td>3\"/> <tr> <td>379</td> <td>B</td> <td>1 <td>WD</td> <td>J1</td> <td>PTD.</td> <td>-</td> <td>377A</td> <td>3\"/> <tr> <td>380A</td> <td>B</td> <td>1 <td>WD</td> <td>J1</td> <td>PTD.</td> <td>-</td> <td>378</td> <td>3\"/> <tr> <td>380B</td> <td>B</td> <td>1 <td>WD</td> <td>J1</td> <td>PTD.</td> <td>-</td> <td>379</td> <td>3\"/> <tr> <td>382</td> <td>ETR</td> <td>-</td> <td>WD.</td> <td>J2</td> <td>PTD.</td> <td>-</td> <td>380A</td> <td>3\"/> <tr> <td>382A</td> <td>D</td> <td>6 <td>ALUM.</td> <td>ANODIZE D</td> <td>-</td> <td>-</td> <td>380B</td> <td>3\"/> <tr> <td>385</td> <td>ETR</td> <td>-</td> <td>WD.</td> <td>J2</td> <td>PTD.</td> <td>-</td> <td>382</td> <td>3\"/> <tr> <td>386</td> <td>ETR</td> <td>-</td> <td>WD.</td> <td>J2</td> <td>PTD.</td> <td>-</td> <td>382A</td> <td>3\"/> <tr> <td>387</td> <td>ETR</td> <td>-</td> <td>WD.</td> <td>J2</td> <td>PTD.</td> <td>-</td> <td>385</td> <td>3\"/> <tr> <td>388</td> <td>ETR</td> <td>-</td> <td>WD.</td> <td>J2</td> <td>PTD.</td> <td>-</td> <td>386</td> <td>3\"/> <tr> <td>389</td> <td>ETR</td> <td>-</td> <td>WD.</td> <td>J2</td> <td>PTD.</td> <td>-</td> <td>387</td> <td>3\"/> <tr> <td>391</td> <td>ETR</td> <td>-</td> <td>WD.</td> <td>J2</td> <td>PTD.</td> <td>-</td> <td>388</td> <td>3\"/> <tr> <td>391A</td> <td>ETR</td> <td>-</td> <td>WD.</td> <td>J2</td> <td>PTD.</td> <td>-</td> <td>389</td> <td>3\"/> <tr> <td>391B</td> <td>ETR</td> <td>-</td> <td>WD.</td> <td>J2</td> <td>PTD.</td> <td>-</td> <td>391</td> <td>3\"/> <tr> <td>394</td> <td>ETR</td> <td>-</td> <td>WD.</td> <td>J2</td> <td>PTD.</td> <td>-</td> <td>391A</td> <td>3\"/> <tr> <td>395</td> <td>ETR</td> <td>-</td> <td>WD.</td> <td>J2</td> <td>PTD.</td> <td>-</td> <td>391B</td> <td>3\"/> <tr> <td>396</td> <td>ETR</td> <td>-</td> <td>WD.</td> <td>J2</td> <td>PTD.</td> <td>-</td> <td>394</td> <td>3\"/> <tr> <td>398</td> <td>ETR</td> <td>-</td> <td>WD.</td> <td>J2</td> <td>PTD.</td> <td>-</td> <td>395</td> <td>3\"/> <tr> <td>399</td> <td>ETR</td> <td>-</td> <td>WD.</td> <td>J2</td> <td>PTD.</td> <td>-</td> <td>396</td> <td>3\"/> <tr> <td>3991</td> <td>ETR</td> <td>-</td> <td>WD.</td> <td>J2</td> <td>PTD.</td> <td>-</td> <td>398</td> <td>3\"/> <tr> <td>3992</td> <td>A</td> <td>3\"/> <tr> <td>3993</td> <td>ETR</td> <td>-</td> <td>WD.</td> <td>J2</td> <td>PTD.</td> <td>-</td> <td>399</td> <td>3\"/> <tr> <td>3994</td> <td>ETR</td> <td>-</td> <td>WD.</td> <td>J2</td> <td>PTD.</td> <td>-</td> <td>3991</td> <td>3\"/> <tr> <td>3995</td> <td>ETR</td> <td>-</td> <td>WD.</td> <td>J2</td> <td>PTD.</td> <td>-</td> <td>3992</td> <td>3\"/> <tr> <td>3997</td> <td>ETR</td> <td>-</td> <td>WD.</td> <td>J2</td> <td>PTD.</td> <td>-</td> <td>3993</td> <td>3\"/> <tr> <td>3998</td> <td>ETR</td> <td>-</td> <td>WD.</td> <td>J2</td> <td>PTD.</td> <td>-</td> <td>3994</td> <td>3\"/> <tr> <td>3999</td> <td>ETR</td> <td>-</td> <td>WD.</td> <td>J2</td> <td>PTD.</td> <td>-</td> <td>3995</td> <td>3\"/> <tr> <td>3999</td> <td>ETR</td> <td>-</td> <td>WD.</td> <td>J2</td> <td>PTD.</td> <td>-</td> <td>3997</td> <td>3\"/> </td></tr></td></tr></td></tr></td></tr></td></tr></td></tr></td></tr></td></tr></td></tr></td></tr></td></tr></td></tr></td></tr></td></tr></td></tr></td></tr></td></tr></td></tr></td></tr></td></tr></td></tr></td></tr></td></td></tr></td></tr></td></td></tr></td></td></tr></td></td></tr></td></td></tr> | 378 | B | 1 <td>WD</td> <td>J1</td> <td>PTD.</td> <td>-</td> <td>377</td> <td>3\"/> <tr> <td>379</td> <td>B</td> <td>1 <td>WD</td> <td>J1</td> <td>PTD.</td> <td>-</td> <td>377A</td> <td>3\"/> <tr> <td>380A</td> <td>B</td> <td>1 <td>WD</td> <td>J1</td> <td>PTD.</td> <td>-</td> <td>378</td> <td>3\"/> <tr> <td>380B</td> <td>B</td> <td>1 <td>WD</td> <td>J1</td> <td>PTD.</td> <td>-</td> <td>379</td> <td>3\"/> <tr> <td>382</td> <td>ETR</td> <td>-</td> <td>WD.</td> <td>J2</td> <td>PTD.</td> <td>-</td> <td>380A</td> <td>3\"/> <tr> <td>382A</td> <td>D</td> <td>6 <td>ALUM.</td> <td>ANODIZE D</td> <td>-</td> <td>-</td> <td>380B</td> <td>3\"/> <tr> <td>385</td> <td>ETR</td> <td>-</td> <td>WD.</td> <td>J2</td> <td>PTD.</td> <td>-</td> <td>382</td> <td>3\"/> <tr> <td>386</td> <td>ETR</td> <td>-</td> <td>WD.</td> <td>J2</td> <td>PTD.</td> <td>-</td> <td>382A</td> <td>3\"/> <tr> <td>387</td> <td>ETR</td> <td>-</td> <td>WD.</td> <td>J2</td> <td>PTD.</td> <td>-</td> <td>385</td> <td>3\"/> <tr> <td>388</td> <td>ETR</td> <td>-</td> <td>WD.</td> <td>J2</td> <td>PTD.</td> <td>-</td> <td>386</td> <td>3\"/> <tr> <td>389</td> <td>ETR</td> <td>-</td> <td>WD.</td> <td>J2</td> <td>PTD.</td> <td>-</td> <td>387</td> <td>3\"/> <tr> <td>391</td> <td>ETR</td> <td>-</td> <td>WD.</td> <td>J2</td> <td>PTD.</td> <td>-</td> <td>388</td> <td>3\"/> <tr> <td>391A</td> <td>ETR</td> <td>-</td> <td>WD.</td> <td>J2</td> <td>PTD.</td> <td>-</td> <td>389</td> <td>3\"/> <tr> <td>391B</td> <td>ETR</td> <td>-</td> <td>WD.</td> <td>J2</td> <td>PTD.</td> <td>-</td> <td>391</td> <td>3\"/> <tr> <td>394</td> <td>ETR</td> <td>-</td> <td>WD.</td> <td>J2</td> <td>PTD.</td> <td>-</td> <td>391A</td> <td>3\"/> <tr> <td>395</td> <td>ETR</td> <td>-</td> <td>WD.</td> <td>J2</td> <td>PTD.</td> <td>-</td> <td>391B</td> <td>3\"/> <tr> <td>396</td> <td>ETR</td> <td>-</td> <td>WD.</td> <td>J2</td> <td>PTD.</td> <td>-</td> <td>394</td> <td>3\"/> <tr> <td>398</td> <td>ETR</td> <td>-</td> <td>WD.</td> <td>J2</td> <td>PTD.</td> <td>-</td> <td>395</td> <td>3\"/> <tr> <td>399</td> <td>ETR</td> <td>-</td> <td>WD.</td> <td>J2</td> <td>PTD.</td> <td>-</td> <td>396</td> <td>3\"/> <tr> <td>3991</td> <td>ETR</td> <td>-</td> <td>WD.</td> <td>J2</td> <td>PTD.</td> <td>-</td> <td>398</td> <td>3\"/> <tr> <td>3992</td> <td>A</td> <td>3\"/> <tr> <td>3993</td> <td>ETR</td> <td>-</td> <td>WD.</td> <td>J2</td> <td>PTD.</td> <td>-</td> <td>399</td> <td>3\"/> <tr> <td>3994</td> <td>ETR</td> <td>-</td> <td>WD.</td> <td>J2</td> <td>PTD.</td> <td>-</td> <td>3991</td> <td>3\"/> <tr> <td>3995</td> <td>ETR</td> <td>-</td> <td>WD.</td> <td>J2</td> <td>PTD.</td> <td>-</td> <td>3992</td> <td>3\"/> <tr> <td>3997</td> <td>ETR</td> <td>-</td> <td>WD.</td> <td>J2</td> <td>PTD.</td> <td>-</td> <td>3993</td> <td>3\"/> <tr> <td>3998</td> <td>ETR</td> <td>-</td> <td>WD.</td> <td>J2</td> <td>PTD.</td> <td>-</td> <td>3994</td> <td>3\"/> <tr> <td>3999</td> <td>ETR</td> <td>-</td> <td>WD.</td> <td>J2</td> <td>PTD.</td> <td>-</td> <td>3995</td> <td>3\"/> <tr> <td>3999</td> <td>ETR</td> <td>-</td> <td>WD.</td> <td>J2</td> <td>PTD.</td> <td>-</td> <td>3997</td> <td>3\"/> </td></tr></td></tr></td></tr></td></tr></td></tr></td></tr></td></tr></td></tr></td></tr></td></tr></td></tr></td></tr></td></tr></td></tr></td></tr></td></tr></td></tr></td></tr></td></tr></td></tr></td></tr></td></tr></td></td></tr></td></tr></td></td></tr></td></td></tr></td></td></tr></td>
 | WD | J1 | PTD. | - | 377 | 3\"/> <tr> <td>379</td> <td>B</td> <td>1 <td>WD</td> <td>J1</td> <td>PTD.</td> <td>-</td> <td>377A</td> <td>3\"/> <tr> <td>380A</td> <td>B</td> <td>1 <td>WD</td> <td>J1</td> <td>PTD.</td> <td>-</td> <td>378</td> <td>3\"/> <tr> <td>380B</td> <td>B</td> <td>1 <td>WD</td> <td>J1</td> <td>PTD.</td> <td>-</td> <td>379</td> <td>3\"/> <tr> <td>382</td> <td>ETR</td> <td>-</td> <td>WD.</td> <td>J2</td> <td>PTD.</td> <td>-</td> <td>380A</td> <td>3\"/> <tr> <td>382A</td> <td>D</td> <td>6 <td>ALUM.</td> <td>ANODIZE D</td> <td>-</td> <td>-</td> <td>380B</td> <td>3\"/> <tr> <td>385</td> <td>ETR</td> <td>-</td> <td>WD.</td> <td>J2</td> <td>PTD.</td> <td>-</td> <td>382</td> <td>3\"/> <tr> <td>386</td> <td>ETR</td> <td>-</td> <td>WD.</td> <td>J2</td> <td>PTD.</td> <td>-</td> <td>382A</td> <td>3\"/> <tr> <td>387</td> <td>ETR</td> <td>-</td> <td>WD.</td> <td>J2</td> <td>PTD.</td> <td>-</td> <td>385</td> <td>3\"/> <tr> <td>388</td> <td>ETR</td> <td>-</td> <td>WD.</td> <td>J2</td> <td>PTD.</td> <td>-</td> <td>386</td> <td>3\"/> <tr> <td>389</td> <td>ETR</td> <td>-</td> <td>WD.</td> <td>J2</td> <td>PTD.</td> <td>-</td> <td>387</td> <td>3\"/> <tr> <td>391</td> <td>ETR</td> <td>-</td> <td>WD.</td> <td>J2</td> <td>PTD.</td> <td>-</td> <td>388</td> <td>3\"/> <tr> <td>391A</td> <td>ETR</td> <td>-</td> <td>WD.</td> <td>J2</td> <td>PTD.</td> <td>-</td> <td>389</td> <td>3\"/> <tr> <td>391B</td> <td>ETR</td> <td>-</td> <td>WD.</td> <td>J2</td> <td>PTD.</td> <td>-</td> <td>391</td> <td>3\"/> <tr> <td>394</td> <td>ETR</td> <td>-</td> <td>WD.</td> <td>J2</td> <td>PTD.</td> <td>-</td> <td>391A</td> <td>3\"/> <tr> <td>395</td> <td>ETR</td> <td>-</td> <td>WD.</td> <td>J2</td> <td>PTD.</td> <td>-</td> <td>391B</td> <td>3\"/> <tr> <td>396</td> <td>ETR</td> <td>-</td> <td>WD.</td> <td>J2</td> <td>PTD.</td> <td>-</td> <td>394</td> <td>3\"/> <tr> <td>398</td> <td>ETR</td> <td>-</td> <td>WD.</td> <td>J2</td> <td>PTD.</td> <td>-</td> <td>395</td> <td>3\"/> <tr> <td>399</td> <td>ETR</td> <td>-</td> <td>WD.</td> <td>J2</td> <td>PTD.</td> <td>-</td> <td>396</td> <td>3\"/> <tr> <td>3991</td> <td>ETR</td> <td>-</td> <td>WD.</td> <td>J2</td> <td>PTD.</td> <td>-</td> <td>398</td> <td>3\"/> <tr> <td>3992</td> <td>A</td> <td>3\"/> <tr> <td>3993</td> <td>ETR</td> <td>-</td> <td>WD.</td> <td>J2</td> <td>PTD.</td> <td>-</td> <td>399</td> <td>3\"/> <tr> <td>3994</td> <td>ETR</td> <td>-</td> <td>WD.</td> <td>J2</td> <td>PTD.</td> <td>-</td> <td>3991</td> <td>3\"/> <tr> <td>3995</td> <td>ETR</td> <td>-</td> <td>WD.</td> <td>J2</td> <td>PTD.</td> <td>-</td> <td>3992</td> <td>3\"/> <tr> <td>3997</td> <td>ETR</td> <td>-</td> <td>WD.</td> <td>J2</td> <td>PTD.</td> <td>-</td> <td>3993</td> <td>3\"/> <tr> <td>3998</td> <td>ETR</td> <td>-</td> <td>WD.</td> <td>J2</td> <td>PTD.</td> <td>-</td> <td>3994</td> <td>3\"/> <tr> <td>3999</td> <td>ETR</td> <td>-</td> <td>WD.</td> <td>J2</td> <td>PTD.</td> <td>-</td> <td>3995</td> <td>3\"/> <tr> <td>3999</td> <td>ETR</td> <td>-</td> <td>WD.</td> <td>J2</td> <td>PTD.</td> <td>-</td> <td>3997</td> <td>3\"/> </td></tr></td></tr></td></tr></td></tr></td></tr></td></tr></td></tr></td></tr></td></tr></td></tr></td></tr></td></tr></td></tr></td></tr></td></tr></td></tr></td></tr></td></tr></td></tr></td></tr></td></tr></td></tr></td></td></tr></td></tr></td></td></tr></td></td></tr></td></td></tr> | 379 | B | 1 <td>WD</td> <td>J1</td> <td>PTD.</td> <td>-</td> <td>377A</td> <td>3\"/> <tr> <td>380A</td> <td>B</td> <td>1 <td>WD</td> <td>J1</td> <td>PTD.</td> <td>-</td> <td>378</td> <td>3\"/> <tr> <td>380B</td> <td>B</td> <td>1 <td>WD</td> <td>J1</td> <td>PTD.</td> <td>-</td> <td>379</td> <td>3\"/> <tr> <td>382</td> <td>ETR</td> <td>-</td> <td>WD.</td> <td>J2</td> <td>PTD.</td> <td>-</td> <td>380A</td> <td>3\"/> <tr> <td>382A</td> <td>D</td> <td>6 <td>ALUM.</td> <td>ANODIZE D</td> <td>-</td> <td>-</td> <td>380B</td> <td>3\"/> <tr> <td>385</td> <td>ETR</td> <td>-</td> <td>WD.</td> <td>J2</td> <td>PTD.</td> <td>-</td> <td>382</td> <td>3\"/> <tr> <td>386</td> <td>ETR</td> <td>-</td> <td>WD.</td> <td>J2</td> <td>PTD.</td> <td>-</td> <td>382A</td> <td>3\"/> <tr> <td>387</td> <td>ETR</td> <td>-</td> <td>WD.</td> <td>J2</td> <td>PTD.</td> <td>-</td> <td>385</td> <td>3\"/> <tr> <td>388</td> <td>ETR</td> <td>-</td> <td>WD.</td> <td>J2</td> <td>PTD.</td> <td>-</td> <td>386</td> <td>3\"/> <tr> <td>389</td> <td>ETR</td> <td>-</td> <td>WD.</td> <td>J2</td> <td>PTD.</td> <td>-</td> <td>387</td> <td>3\"/> <tr> <td>391</td> <td>ETR</td> <td>-</td> <td>WD.</td> <td>J2</td> <td>PTD.</td>
<td>-</td> <td>388</td> <td>3\"/> <tr> <td>391A</td> <td>ETR</td> <td>-</td> <td>WD.</td> <td>J2</td> <td>PTD.</td> <td>-</td> <td>389</td> <td>3\"/> <tr> <td>391B</td> <td>ETR</td> <td>-</td> <td>WD.</td> <td>J2</td> <td>PTD.</td> <td>-</td> <td>391</td> <td>3\"/> <tr> <td>394</td> <td>ETR</td> <td>-</td> <td>WD.</td> <td>J2</td> <td>PTD.</td> <td>-</td> <td>391A</td> <td>3\"/> <tr> <td>395</td> <td>ETR</td> <td>-</td> <td>WD.</td> <td>J2</td> <td>PTD.</td> <td>-</td> <td>391B</td> <td>3\"/> <tr> <td>396</td> <td>ETR</td> <td>-</td> <td>WD.</td> <td>J2</td> <td>PTD.</td> <td>-</td> <td>394</td> <td>3\"/> <tr> <td>398</td> <td>ETR</td> <td>-</td> <td>WD.</td> <td>J2</td> <td>PTD.</td> <td>-</td> <td>395</td> <td>3\"/> <tr> <td>399</td> <td>ETR</td> <td>-</td> <td>WD.</td> <td>J2</td> <td>PTD.</td> <td>-</td> <td>396</td> <td>3\"/> <tr> <td>3991</td> <td>ETR</td> <td>-</td> <td>WD.</td> <td>J2</td> <td>PTD.</td> <td>-</td> <td>398</td> <td>3\"/> <tr> <td>3992</td> <td>A</td> <td>3\"/> <tr> <td>3993</td> <td>ETR</td> <td>-</td> <td>WD.</td> <td>J2</td> <td>PTD.</td> <td>-</td> <td>399</td> <td>3\"/> <tr> <td>3994</td> <td>ETR</td> <td>-</td> <td>WD.</td> <td>J2</td> <td>PTD.</td> <td>-</td> <td>3991</td> <td>3\"/> <tr> <td>3995</td> <td>ETR</td> <td>-</td> <td>WD.</td> <td>J2</td> <td>PTD.</td> <td>-</td> <td>3992</td> <td>3\"/> <tr> <td>3997</td> <td>ETR</td> <td>-</td> <td>WD.</td> <td>J2</td> <td>PTD.</td> <td>-</td> <td>3993</td> <td>3\"/> <tr> <td>3998</td> <td>ETR</td> <td>-</td> <td>WD.</td> <td>J2</td> <td>PTD.</td> <td>-</td> <td>3994</td> <td>3\"/> <tr> <td>3999</td> <td>ETR</td> <td>-</td> <td>WD.</td> <td>J2</td> <td>PTD.</td> <td>-</td> <td>3995</td> <td>3\"/> <tr> <td>3999</td> <td>ETR</td> <td>-</td> <td>WD.</td> <td>J2</td> <td>PTD.</td> <td>-</td> <td>3997</td> <td>3\"/> </td></tr></td></tr></td></tr></td></tr></td></tr></td></tr></td></tr></td></tr></td></tr></td></tr></td></tr></td></tr></td></tr></td></tr></td></tr></td></tr></td></tr></td></tr></td></tr></td></tr></td></tr></td></tr></td></td></tr></td></tr></td></td></tr></td></td></tr></td> | WD | J1 | PTD. | - | 377A | 3\"/> <tr> <td>380A</td> <td>B</td> <td>1 <td>WD</td> <td>J1</td> <td>PTD.</td> <td>-</td> <td>378</td> <td>3\"/> <tr> <td>380B</td> <td>B</td> <td>1 <td>WD</td> <td>J1</td> <td>PTD.</td> <td>-</td> <td>379</td> <td>3\"/> <tr> <td>382</td> <td>ETR</td> <td>-</td> <td>WD.</td> <td>J2</td> <td>PTD.</td> <td>-</td> <td>380A</td> <td>3\"/> <tr> <td>382A</td> <td>D</td> <td>6 <td>ALUM.</td> <td>ANODIZE D</td> <td>-</td> <td>-</td> <td>380B</td> <td>3\"/> <tr> <td>385</td> <td>ETR</td> <td>-</td> <td>WD.</td> <td>J2</td> <td>PTD.</td> <td>-</td> <td>382</td> <td>3\"/> <tr> <td>386</td> <td>ETR</td> <td>-</td> <td>WD.</td> <td>J2</td> <td>PTD.</td> <td>-</td> <td>382A</td> <td>3\"/> <tr> <td>387</td> <td>ETR</td> <td>-</td> <td>WD.</td> <td>J2</td> <td>PTD.</td> <td>-</td> <td>385</td> <td>3\"/> <tr> <td>388</td> <td>ETR</td> <td>-</td> <td>WD.</td> <td>J2</td> <td>PTD.</td> <td>-</td> <td>386</td> <td>3\"/> <tr> <td>389</td> <td>ETR</td> <td>-</td> <td>WD.</td> <td>J2</td> <td>PTD.</td> <td>-</td> <td>387</td> <td>3\"/> <tr> <td>391</td> <td>ETR</td> <td>-</td> <td>WD.</td> <td>J2</td> <td>PTD.</td> <td>-</td> <td>388</td> <td>3\"/> <tr> <td>391A</td> <td>ETR</td> <td>-</td> <td>WD.</td> <td>J2</td> <td>PTD.</td> <td>-</td> <td>389</td> <td>3\"/> <tr> <td>391B</td> <td>ETR</td> <td>-</td> <td>WD.</td> <td>J2</td> <td>PTD.</td> <td>-</td> <td>391</td> <td>3\"/> <tr> <td>394</td> <td>ETR</td> <td>-</td> <td>WD.</td> <td>J2</td> <td>PTD.</td> <td>-</td> <td>391A</td> <td>3\"/> <tr> <td>395</td> <td>ETR</td> <td>-</td> <td>WD.</td> <td>J2</td> <td>PTD.</td> <td>-</td> <td>391B</td> <td>3\"/> <tr> <td>396</td> <td>ETR</td> <td>-</td> <td>WD.</td> <td>J2</td> <td>PTD.</td> <td>-</td> <td>394</td> <td>3\"/> <tr> <td>398</td> <td>ETR</td> <td>-</td> <td>WD.</td> <td>J2</td> <td>PTD.</td> <td>-</td> <td>395</td> <td>3\"/> <tr> <td>399</td> <td>ETR</td> <td>-</td> <td>WD.</td> <td>J2</td> <td>PTD.</td> <td>-</td> <td>396</td> <td>3\"/> <tr> <td>3991</td> <td>ETR</td> <td>-</td> <td>WD.</td> <td>J2</td> <td>PTD.</td> <td>-</td> <td>398</td> <td>3\"/> <tr> <td>3992</td> <td>A</td> <td>3\"/> <tr> <td>3993</td> <td>ETR</td> <td>-</td> <td>WD.</td> <td>J2</td> <td>PTD.</td> <td>-</td> <td>399</td> <td>3\"/> <tr> <td>3994</td> <td>ETR</td> <td>-</td> <td>WD.</td> <td>J2</td> <td>PTD.</td> <td>-</td> <td>3991</td> <td>3\"/> <tr> <td>3995</td> <td>ETR</td> <td>-</td> <td>WD.</td> <td>J2</td> <td>PTD.</td> <td>-</td> <td>3992</td> <td>3\"/> <tr> <td>3997</td> <td>ETR</td> <td>-</td> <td>WD.</td> <td>J2</td> <td>PTD.</td> <td>-</td> <td>3993</td> <td>3\"/> <tr> <td>3998</td> <td>ETR</td> <td>-</td> <td>WD.</td> <td>J2</td> <td>PTD.</td> <td>-</td> <td>3994</td> <td>3\"/> <tr> <td>3999</td> <td>ETR</td> <td>-</td> <td>WD.</td> <td>J2</td> <td>PTD.</td> <td>-</td> <td>3995</td> <td>3\"/> <tr> <td>3999</td> <td>ETR</td> <td>-</td> <td>WD.</td> <td>J2</td> <td>PTD.</td> <td>-</td> <td>3997</td> <td>3\"/> </td></tr></td></tr></td></tr></td></tr></td></tr></td></tr></td></tr></td></tr></td></tr></td></tr></td></tr></td></tr></td></tr></td></tr></td></tr></td></tr></td></tr></td></tr></td></tr></td></tr></td></tr></td></tr></td></td></tr></td></tr></td></td></tr></td></td></tr>
 | 380A | B | 1 <td>WD</td> <td>J1</td> <td>PTD.</td> <td>-</td> <td>378</td> <td>3\"/> <tr> <td>380B</td> <td>B</td> <td>1 <td>WD</td> <td>J1</td> <td>PTD.</td> <td>-</td> <td>379</td> <td>3\"/> <tr> <td>382</td> <td>ETR</td> <td>-</td> <td>WD.</td> <td>J2</td> <td>PTD.</td> <td>-</td> <td>380A</td> <td>3\"/> <tr> <td>382A</td> <td>D</td> <td>6 <td>ALUM.</td> <td>ANODIZE D</td> <td>-</td> <td>-</td> <td>380B</td> <td>3\"/> <tr> <td>385</td> <td>ETR</td> <td>-</td> <td>WD.</td> <td>J2</td> <td>PTD.</td> <td>-</td> <td>382</td> <td>3\"/> <tr> <td>386</td> <td>ETR</td> <td>-</td> <td>WD.</td> <td>J2</td> <td>PTD.</td> <td>-</td> <td>382A</td> <td>3\"/> <tr> <td>387</td> <td>ETR</td> <td>-</td> <td>WD.</td> <td>J2</td> <td>PTD.</td> <td>-</td> <td>385</td> <td>3\"/> <tr> <td>388</td> <td>ETR</td> <td>-</td> <td>WD.</td> <td>J2</td> <td>PTD.</td> <td>-</td> <td>386</td> <td>3\"/> <tr> <td>389</td> <td>ETR</td> <td>-</td> <td>WD.</td> <td>J2</td> <td>PTD.</td> <td>-</td> <td>387</td> <td>3\"/> <tr> <td>391</td> <td>ETR</td> <td>-</td> <td>WD.</td> <td>J2</td> <td>PTD.</td> <td>-</td> <td>388</td> <td>3\"/> <tr> <td>391A</td> <td>ETR</td> <td>-</td> <td>WD.</td> <td>J2</td> <td>PTD.</td> <td>-</td> <td>389</td> <td>3\"/> <tr> <td>391B</td> <td>ETR</td> <td>-</td> <td>WD.</td> <td>J2</td> <td>PTD.</td> <td>-</td> <td>391</td> <td>3\"/> <tr> <td>394</td> <td>ETR</td> <td>-</td> <td>WD.</td> <td>J2</td> <td>PTD.</td> <td>-</td> <td>391A</td> <td>3\"/> <tr> <td>395</td> <td>ETR</td> <td>-</td> <td>WD.</td> <td>J2</td> <td>PTD.</td> <td>-</td> <td>391B</td> <td>3\"/> <tr> <td>396</td> <td>ETR</td> <td>-</td> <td>WD.</td> <td>J2</td> <td>PTD.</td> <td>-</td> <td>394</td> <td>3\"/> <tr> <td>398</td> <td>ETR</td> <td>-</td> <td>WD.</td> <td>J2</td> <td>PTD.</td> <td>-</td> <td>395</td> <td>3\"/> <tr> <td>399</td> <td>ETR</td> <td>-</td> <td>WD.</td> <td>J2</td> <td>PTD.</td> <td>-</td> <td>396</td> <td>3\"/> <tr> <td>3991</td> <td>ETR</td> <td>-</td> <td>WD.</td> <td>J2</td> <td>PTD.</td> <td>-</td> <td>398</td> <td>3\"/> <tr> <td>3992</td> <td>A</td> <td>3\"/> <tr> <td>3993</td> <td>ETR</td> <td>-</td> <td>WD.</td> <td>J2</td> <td>PTD.</td> <td>-</td> <td>399</td> <td>3\"/> <tr> <td>3994</td> <td>ETR</td> <td>-</td> <td>WD.</td> <td>J2</td> <td>PTD.</td> <td>-</td> <td>3991</td> <td>3\"/> <tr> <td>3995</td> <td>ETR</td> <td>-</td> <td>WD.</td> <td>J2</td> <td>PTD.</td> <td>-</td> <td>3992</td> <td>3\"/> <tr> <td>3997</td> <td>ETR</td> <td>-</td> <td>WD.</td> <td>J2</td> <td>PTD.</td> <td>-</td> <td>3993</td> <td>3\"/> <tr> <td>3998</td> <td>ETR</td> <td>-</td> <td>WD.</td> <td>J2</td> <td>PTD.</td> <td>-</td> <td>3994</td> <td>3\"/> <tr> <td>3999</td> <td>ETR</td> <td>-</td> <td>WD.</td> <td>J2</td> <td>PTD.</td> <td>-</td> <td>3995</td> <td>3\"/> <tr> <td>3999</td> <td>ETR</td> <td>-</td> <td>WD.</td> <td>J2</td> <td>PTD.</td> <td>-</td> <td>3997</td> <td>3\"/> </td></tr></td></tr></td></tr></td></tr></td></tr></td></tr></td></tr></td></tr></td></tr></td></tr></td></tr></td></tr></td></tr></td></tr></td></tr></td></tr></td></tr></td></tr></td></tr></td></tr></td></tr></td></tr></td></td></tr></td></tr></td></td></tr></td> | WD | J1 | PTD. | - | 378 | 3\"/> <tr> <td>380B</td> <td>B</td> <td>1 <td>WD</td> <td>J1</td> <td>PTD.</td> <td>-</td> <td>379</td> <td>3\"/> <tr> <td>382</td> <td>ETR</td> <td>-</td> <td>WD.</td> <td>J2</td> <td>PTD.</td> <td>-</td> <td>380A</td> <td>3\"/> <tr> <td>382A</td> <td>D</td> <td>6 <td>ALUM.</td> <td>ANODIZE D</td> <td>-</td> <td>-</td> <td>380B</td> <td>3\"/> <tr> <td>385</td> <td>ETR</td> <td>-</td> <td>WD.</td> <td>J2</td> <td>PTD.</td> <td>-</td> <td>382</td> <td>3\"/> <tr> <td>386</td> <td>ETR</td> <td>-</td> <td>WD.</td> <td>J2</td> <td>PTD.</td> <td>-</td> <td>382A</td> <td>3\"/> <tr> <td>387</td> <td>ETR</td> <td>-</td> <td>WD.</td> <td>J2</td> <td>PTD.</td> <td>-</td> <td>385</td> <td>3\"/> <tr> <td>388</td> <td>ETR</td> <td>-</td> <td>WD.</td> <td>J2</td> <td>PTD.</td> <td>-</td> <td>386</td> <td>3\"/> <tr> <td>389</td> <td>ETR</td> <td>-</td> <td>WD.</td> <td>J2</td> <td>PTD.</td> <td>-</td> <td>387</td> <td>3\"/> <tr> <td>391</td> <td>ETR</td> <td>-</td> <td>WD.</td> <td>J2</td> <td>PTD.</td> <td>-</td> <td>388</td> <td>3\"/> <tr> <td>391A</td> <td>ETR</td> <td>-</td> <td>WD.</td> <td>J2</td> <td>PTD.</td> <td>-</td> <td>389</td> <td>3\"/> <tr> <td>391B</td> <td>ETR</td> <td>-</td> <td>WD.</td> <td>J2</td> <td>PTD.</td> <td>-</td> <td>391</td> <td>3\"/> <tr> <td>394</td> <td>ETR</td> <td>-</td> <td>WD.</td> <td>J2</td> <td>PTD.</td> <td>-</td> <td>391A</td> <td>3\"/> <tr> <td>395</td> <td>ETR</td> <td>-</td> <td>WD.</td> <td>J2</td> <td>PTD.</td> <td>-</td> <td>391B</td> <td>3\"/> <tr> <td>396</td> <td>ETR</td> <td>-</td> <td>WD.</td> <td>J2</td> <td>PTD.</td> <td>-</td> <td>394</td> <td>3\"/> <tr> <td>398</td> <td>ETR</td> <td>-</td> <td>WD.</td> <td>J2</td> <td>PTD.</td> <td>-</td> <td>395</td> <td>3\"/> <tr> <td>399</td> <td>ETR</td> <td>-</td> <td>WD.</td> <td>J2</td> <td>PTD.</td> <td>-</td> <td>396</td> <td>3\"/> <tr> <td>3991</td> <td>ETR</td> <td>-</td> <td>WD.</td> <td>J2</td> <td>PTD.</td> <td>-</td> <td>398</td> <td>3\"/> <tr> <td>3992</td> <td>A</td> <td>3\"/> <tr> <td>3993</td> <td>ETR</td> <td>-</td> <td>WD.</td> <td>J2</td> <td>PTD.</td> <td>-</td> <td>399</td> <td>3\"/> <tr> <td>3994</td> <td>ETR</td> <td>-</td> <td>WD.</td> <td>J2</td> <td>PTD.</td> <td>-</td> <td>3991</td> <td>3\"/> <tr> <td>3995</td> <td>ETR</td> <td>-</td> <td>WD.</td> <td>J2</td> <td>PTD.</td> <td>-</td> <td>3992</td> <td>3\"/> <tr> <td>3997</td> <td>ETR</td> <td>-</td> <td>WD.</td> <td>J2</td> <td>PTD.</td> <td>-</td> <td>3993</td> <td>3\"/> <tr> <td>3998</td> <td>ETR</td> <td>-</td> <td>WD.</td> <td>J2</td> <td>PTD.</td> <td>-</td> <td>3994</td> <td>3\"/> <tr> <td>3999</td> <td>ETR</td> <td>-</td> <td>WD.</td> <td>J2</td> <td>PTD.</td> <td>-</td> <td>3995</td> <td>3\"/> <tr> <td>3999</td> <td>ETR</td> <td>-</td> <td>WD.</td> <td>J2</td> <td>PTD.</td> <td>-</td> <td>3997</td> <td>3\"/>
</td></tr></td></tr></td></tr></td></tr></td></tr></td></tr></td></tr></td></tr></td></tr></td></tr></td></tr></td></tr></td></tr></td></tr></td></tr></td></tr></td></tr></td></tr></td></tr></td></tr></td></tr></td></tr></td></td></tr></td></tr></td></td></tr> | 380B | B | 1 <td>WD</td> <td>J1</td> <td>PTD.</td> <td>-</td> <td>379</td> <td>3\"/> <tr> <td>382</td> <td>ETR</td> <td>-</td> <td>WD.</td> <td>J2</td> <td>PTD.</td> <td>-</td> <td>380A</td> <td>3\"/> <tr> <td>382A</td> <td>D</td> <td>6 <td>ALUM.</td> <td>ANODIZE D</td> <td>-</td> <td>-</td> <td>380B</td> <td>3\"/> <tr> <td>385</td> <td>ETR</td> <td>-</td> <td>WD.</td> <td>J2</td> <td>PTD.</td> <td>-</td> <td>382</td> <td>3\"/> <tr> <td>386</td> <td>ETR</td> <td>-</td> <td>WD.</td> <td>J2</td> <td>PTD.</td> <td>-</td> <td>382A</td> <td>3\"/> <tr> <td>387</td> <td>ETR</td> <td>-</td> <td>WD.</td> <td>J2</td> <td>PTD.</td> <td>-</td> <td>385</td> <td>3\"/> <tr> <td>388</td> <td>ETR</td> <td>-</td> <td>WD.</td> <td>J2</td> <td>PTD.</td> <td>-</td> <td>386</td> <td>3\"/> <tr> <td>389</td> <td>ETR</td> <td>-</td> <td>WD.</td> <td>J2</td> <td>PTD.</td> <td>-</td> <td>387</td> <td>3\"/> <tr> <td>391</td> <td>ETR</td> <td>-</td> <td>WD.</td> <td>J2</td> <td>PTD.</td> <td>-</td> <td>388</td> <td>3\"/> <tr> <td>391A</td> <td>ETR</td> <td>-</td> <td>WD.</td> <td>J2</td> <td>PTD.</td> <td>-</td> <td>389</td> <td>3\"/> <tr> <td>391B</td> <td>ETR</td> <td>-</td> <td>WD.</td> <td>J2</td> <td>PTD.</td> <td>-</td> <td>391</td> <td>3\"/> <tr> <td>394</td> <td>ETR</td> <td>-</td> <td>WD.</td> <td>J2</td> <td>PTD.</td> <td>-</td> <td>391A</td> <td>3\"/> <tr> <td>395</td> <td>ETR</td> <td>-</td> <td>WD.</td> <td>J2</td> <td>PTD.</td> <td>-</td> <td>391B</td> <td>3\"/> <tr> <td>396</td> <td>ETR</td> <td>-</td> <td>WD.</td> <td>J2</td> <td>PTD.</td> <td>-</td> <td>394</td> <td>3\"/> <tr> <td>398</td> <td>ETR</td> <td>-</td> <td>WD.</td> <td>J2</td> <td>PTD.</td> <td>-</td> <td>395</td> <td>3\"/> <tr> <td>399</td> <td>ETR</td> <td>-</td> <td>WD.</td> <td>J2</td> <td>PTD.</td> <td>-</td> <td>396</td> <td>3\"/> <tr> <td>3991</td> <td>ETR</td> <td>-</td> <td>WD.</td> <td>J2</td> <td>PTD.</td> <td>-</td> <td>398</td> <td>3\"/> <tr> <td>3992</td> <td>A</td> <td>3\"/> <tr> <td>3993</td> <td>ETR</td> <td>-</td> <td>WD.</td> <td>J2</td> <td>PTD.</td> <td>-</td> <td>399</td> <td>3\"/> <tr> <td>3994</td> <td>ETR</td> <td>-</td> <td>WD.</td> <td>J2</td> <td>PTD.</td> <td>-</td> <td>3991</td> <td>3\"/> <tr> <td>3995</td> <td>ETR</td> <td>-</td> <td>WD.</td> <td>J2</td> <td>PTD.</td> <td>-</td> <td>3992</td> <td>3\"/> <tr> <td>3997</td> <td>ETR</td> <td>-</td> <td>WD.</td> <td>J2</td> <td>PTD.</td> <td>-</td> <td>3993</td> <td>3\"/> <tr> <td>3998</td> <td>ETR</td> <td>-</td> <td>WD.</td> <td>J2</td> <td>PTD.</td> <td>-</td> <td>3994</td> <td>3\"/> <tr> <td>3999</td> <td>ETR</td> <td>-</td> <td>WD.</td> <td>J2</td> <td>PTD.</td> <td>-</td> <td>3995</td> <td>3\"/> <tr> <td>3999</td> <td>ETR</td> <td>-</td> <td>WD.</td> <td>J2</td> <td>PTD.</td> <td>-</td> <td>3997</td> <td>3\"/> </td></tr></td></tr></td></tr></td></tr></td></tr></td></tr></td></tr></td></tr></td></tr></td></tr></td></tr></td></tr></td></tr></td></tr></td></tr></td></tr></td></tr></td></tr></td></tr></td></tr></td></tr></td></tr></td></td></tr></td></tr></td> | WD | J1 | PTD. | - | 379 | 3\"/> <tr> <td>382</td> <td>ETR</td> <td>-</td> <td>WD.</td> <td>J2</td> <td>PTD.</td> <td>-</td> <td>380A</td> <td>3\"/> <tr> <td>382A</td> <td>D</td> <td>6 <td>ALUM.</td> <td>ANODIZE D</td> <td>-</td> <td>-</td> <td>380B</td> <td>3\"/> <tr> <td>385</td> <td>ETR</td> <td>-</td> <td>WD.</td> <td>J2</td> <td>PTD.</td> <td>-</td> <td>382</td> <td>3\"/> <tr> <td>386</td> <td>ETR</td> <td>-</td> <td>WD.</td> <td>J2</td> <td>PTD.</td> <td>-</td> <td>382A</td> <td>3\"/> <tr> <td>387</td> <td>ETR</td> <td>-</td> <td>WD.</td> <td>J2</td> <td>PTD.</td> <td>-</td> <td>385</td> <td>3\"/> <tr> <td>388</td> <td>ETR</td> <td>-</td> <td>WD.</td> <td>J2</td> <td>PTD.</td> <td>-</td> <td>386</td> <td>3\"/> <tr> <td>389</td> <td>ETR</td> <td>-</td> <td>WD.</td> <td>J2</td> <td>PTD.</td> <td>-</td> <td>387</td> <td>3\"/> <tr> <td>391</td> <td>ETR</td> <td>-</td> <td>WD.</td> <td>J2</td> <td>PTD.</td> <td>-</td> <td>388</td> <td>3\"/> <tr> <td>391A</td> <td>ETR</td> <td>-</td> <td>WD.</td> <td>J2</td> <td>PTD.</td> <td>-</td> <td>389</td> <td>3\"/> <tr>
<td>391B</td> <td>ETR</td> <td>-</td> <td>WD.</td> <td>J2</td> <td>PTD.</td> <td>-</td> <td>391</td> <td>3\"/> <tr> <td>394</td> <td>ETR</td> <td>-</td> <td>WD.</td> <td>J2</td> <td>PTD.</td> <td>-</td> <td>391A</td> <td>3\"/> <tr> <td>395</td> <td>ETR</td> <td>-</td> <td>WD.</td> <td>J2</td> <td>PTD.</td> <td>-</td> <td>391B</td> <td>3\"/> <tr> <td>396</td> <td>ETR</td> <td>-</td> <td>WD.</td> <td>J2</td> <td>PTD.</td> <td>-</td> <td>394</td> <td>3\"/> <tr> <td>398</td> <td>ETR</td> <td>-</td> <td>WD.</td> <td>J2</td> <td>PTD.</td> <td>-</td> <td>395</td> <td>3\"/> <tr> <td>399</td> <td>ETR</td> <td>-</td> <td>WD.</td> <td>J2</td> <td>PTD.</td> <td>-</td> <td>396</td> <td>3\"/> <tr> <td>3991</td> <td>ETR</td> <td>-</td> <td>WD.</td> <td>J2</td> <td>PTD.</td> <td>-</td> <td>398</td> <td>3\"/> <tr> <td>3992</td> <td>A</td> <td>3\"/> <tr> <td>3993</td> <td>ETR</td> <td>-</td> <td>WD.</td> <td>J2</td> <td>PTD.</td> <td>-</td> <td>399</td> <td>3\"/> <tr> <td>3994</td> <td>ETR</td> <td>-</td> <td>WD.</td> <td>J2</td> <td>PTD.</td> <td>-</td> <td>3991</td> <td>3\"/> <tr> <td>3995</td> <td>ETR</td> <td>-</td> <td>WD.</td> <td>J2</td> <td>PTD.</td> <td>-</td> <td>3992</td> <td>3\"/> <tr> <td>3997</td> <td>ETR</td> <td>-</td> <td>WD.</td> <td>J2</td> <td>PTD.</td> <td>-</td> <td>3993</td> <td>3\"/> <tr> <td>3998</td> <td>ETR</td> <td>-</td> <td>WD.</td> <td>J2</td> <td>PTD.</td> <td>-</td> <td>3994</td> <td>3\"/> <tr> <td>3999</td> <td>ETR</td> <td>-</td> <td>WD.</td> <td>J2</td> <td>PTD.</td> <td>-</td> <td>3995</td> <td>3\"/> <tr> <td>3999</td> <td>ETR</td> <td>-</td> <td>WD.</td> <td>J2</td> <td>PTD.</td> <td>-</td> <td>3997</td> <td>3\"/> </td></tr></td></tr></td></tr></td></tr></td></tr></td></tr></td></tr></td></tr></td></tr></td></tr></td></tr></td></tr></td></tr></td></tr></td></tr></td></tr></td></tr></td></tr></td></tr></td></tr></td></tr></td></tr></td></td></tr></td></tr> | 382 | ETR | -
 | WD. | J2 | PTD. | - | 380A | 3\"/> <tr> <td>382A</td> <td>D</td> <td>6 <td>ALUM.</td> <td>ANODIZE D</td> <td>-</td> <td>-</td> <td>380B</td> <td>3\"/> <tr> <td>385</td> <td>ETR</td> <td>-</td> <td>WD.</td> <td>J2</td> <td>PTD.</td> <td>-</td> <td>382</td> <td>3\"/> <tr> <td>386</td> <td>ETR</td> <td>-</td> <td>WD.</td> <td>J2</td> <td>PTD.</td> <td>-</td> <td>382A</td> <td>3\"/> <tr> <td>387</td> <td>ETR</td> <td>-</td> <td>WD.</td> <td>J2</td> <td>PTD.</td> <td>-</td> <td>385</td> <td>3\"/> <tr> <td>388</td> <td>ETR</td> <td>-</td> <td>WD.</td> <td>J2</td> <td>PTD.</td> <td>-</td> <td>386</td> <td>3\"/> <tr> <td>389</td> <td>ETR</td> <td>-</td> <td>WD.</td> <td>J2</td> <td>PTD.</td> <td>-</td> <td>387</td> <td>3\"/> <tr> <td>391</td> <td>ETR</td> <td>-</td> <td>WD.</td> <td>J2</td> <td>PTD.</td> <td>-</td> <td>388</td> <td>3\"/> <tr> <td>391A</td> <td>ETR</td> <td>-</td> <td>WD.</td> <td>J2</td> <td>PTD.</td> <td>-</td> <td>389</td> <td>3\"/> <tr> <td>391B</td> <td>ETR</td> <td>-</td> <td>WD.</td> <td>J2</td> <td>PTD.</td> <td>-</td> <td>391</td> <td>3\"/> <tr> <td>394</td> <td>ETR</td> <td>-</td> <td>WD.</td> <td>J2</td> <td>PTD.</td> <td>-</td> <td>391A</td> <td>3\"/> <tr> <td>395</td> <td>ETR</td> <td>-</td> <td>WD.</td> <td>J2</td> <td>PTD.</td> <td>-</td> <td>391B</td> <td>3\"/> <tr> <td>396</td> <td>ETR</td> <td>-</td> <td>WD.</td> <td>J2</td> <td>PTD.</td> <td>-</td> <td>394</td> <td>3\"/> <tr> <td>398</td> <td>ETR</td> <td>-</td> <td>WD.</td> <td>J2</td> <td>PTD.</td> <td>-</td> <td>395</td> <td>3\"/> <tr> <td>399</td> <td>ETR</td> <td>-</td> <td>WD.</td> <td>J2</td> <td>PTD.</td> <td>-</td> <td>396</td> <td>3\"/> <tr> <td>3991</td> <td>ETR</td> <td>-</td> <td>WD.</td> <td>J2</td> <td>PTD.</td> <td>-</td> <td>398</td> <td>3\"/> <tr> <td>3992</td> <td>A</td> <td>3\"/> <tr> <td>3993</td> <td>ETR</td> <td>-</td> <td>WD.</td> <td>J2</td> <td>PTD.</td> <td>-</td> <td>399</td> <td>3\"/> <tr> <td>3994</td> <td>ETR</td> <td>-</td> <td>WD.</td> <td>J2</td> <td>PTD.</td> <td>-</td> <td>3991</td> <td>3\"/> <tr> <td>3995</td> <td>ETR</td> <td>-</td> <td>WD.</td> <td>J2</td> <td>PTD.</td> <td>-</td> <td>3992</td> <td>3\"/> <tr> <td>3997</td> <td>ETR</td> <td>-</td> <td>WD.</td> <td>J2</td> <td>PTD.</td> <td>-</td> <td>3993</td> <td>3\"/> <tr> <td>3998</td> <td>ETR</td> <td>-</td> <td>WD.</td> <td>J2</td> <td>PTD.</td> <td>-</td> <td>3994</td> <td>3\"/> <tr> <td>3999</td> <td>ETR</td> <td>-</td> <td>WD.</td> <td>J2</td> <td>PTD.</td> <td>-</td> <td>3995</td> <td>3\"/> <tr> <td>3999</td> <td>ETR</td> <td>-</td> <td>WD.</td> <td>J2</td> <td>PTD.</td> <td>-</td> <td>3997</td> <td>3\"/> </td></tr></td></tr></td></tr></td></tr></td></tr></td></tr></td></tr></td></tr></td></tr></td></tr></td></tr></td></tr></td></tr></td></tr></td></tr></td></tr></td></tr></td></tr></td></tr></td></tr></td></tr></td></tr></td></td></tr> | 382A | D | 6 <td>ALUM.</td> <td>ANODIZE D</td> <td>-</td> <td>-</td> <td>380B</td> <td>3\"/> <tr> <td>385</td> <td>ETR</td> <td>-</td> <td>WD.</td> <td>J2</td> <td>PTD.</td> <td>-</td> <td>382</td> <td>3\"/> <tr> <td>386</td> <td>ETR</td> <td>-</td> <td>WD.</td> <td>J2</td> <td>PTD.</td> <td>-</td> <td>382A</td> <td>3\"/> <tr> <td>387</td> <td>ETR</td> <td>-</td> <td>WD.</td> <td>J2</td> <td>PTD.</td> <td>-</td> <td>385</td> <td>3\"/> <tr> <td>388</td> <td>ETR</td> <td>-</td> <td>WD.</td> <td>J2</td> <td>PTD.</td> <td>-</td> <td>386</td> <td>3\"/> <tr> <td>389</td> <td>ETR</td> <td>-</td> <td>WD.</td> <td>J2</td> <td>PTD.</td> <td>-</td> <td>387</td> <td>3\"/> <tr> <td>391</td> <td>ETR</td> <td>-</td> <td>WD.</td> <td>J2</td> <td>PTD.</td> <td>-</td> <td>388</td> <td>3\"/> <tr> <td>391A</td> <td>ETR</td> <td>-</td> <td>WD.</td> <td>J2</td> <td>PTD.</td> <td>-</td> <td>389</td> <td>3\"/> <tr> <td>391B</td> <td>ETR</td> <td>-</td> <td>WD.</td> <td>J2</td> <td>PTD.</td> <td>-</td> <td>391</td> <td>3\"/> <tr> <td>394</td> <td>ETR</td> <td>-</td> <td>WD.</td> <td>J2</td> <td>PTD.</td> <td>-</td> <td>391A</td> <td>3\"/> <tr> <td>395</td> <td>ETR</td> <td>-</td> <td>WD.</td> <td>J2</td> <td>PTD.</td> <td>-</td> <td>391B</td> <td>3\"/> <tr> <td>396</td> <td>ETR</td> <td>-</td> <td>WD.</td> <td>J2</td> <td>PTD.</td> <td>-</td> <td>394</td> <td>3\"/> <tr> <td>398</td> <td>ETR</td> <td>-</td> <td>WD.</td> <td>J2</td> <td>PTD.</td> <td>-</td> <td>395</td> <td>3\"/> <tr> <td>399</td> <td>ETR</td> <td>-</td> <td>WD.</td> <td>J2</td> <td>PTD.</td> <td>-</td> <td>396</td> <td>3\"/> <tr> <td>3991</td> <td>ETR</td> <td>-</td> <td>WD.</td> <td>J2</td> <td>PTD.</td> <td>-</td> <td>398</td> <td>3\"/> <tr> <td>3992</td> <td>A</td> <td>3\"/> <tr> <td>3993</td> <td>ETR</td> <td>-</td> <td>WD.</td> <td>J2</td> <td>PTD.</td> <td>-</td> <td>399</td> <td>3\"/> <tr> <td>3994</td> <td>ETR</td> <td>-</td> <td>WD.</td> <td>J2</td> <td>PTD.</td> <td>-</td> <td>3991</td> <td>3\"/> <tr> <td>3995</td> <td>ETR</td> <td>-</td> <td>WD.</td> <td>J2</td> <td>PTD.</td> <td>-</td> <td>3992</td> <td>3\"/> <tr> <td>3997</td> <td>ETR</td> <td>-</td> <td>WD.</td> <td>J2</td> <td>PTD.</td> <td>-</td> <td>3993</td> <td>3\"/> <tr> <td>3998</td> <td>ETR</td> <td>-</td> <td>WD.</td> <td>J2</td> <td>PTD.</td> <td>-</td> <td>3994</td> <td>3\"/> <tr> <td>3999</td> <td>ETR</td> <td>-</td> <td>WD.</td> <td>J2</td> <td>PTD.</td> <td>-</td> <td>3995</td> <td>3\"/> <tr> <td>3999</td> <td>ETR</td> <td>-</td> <td>WD.</td> <td>J2</td> <td>PTD.</td> <td>-</td> <td>3997</td> <td>3\"/> </td></tr></td></tr></td></tr></td></tr></td></tr></td></tr></td></tr></td></tr></td></tr></td></tr></td></tr></td></tr></td></tr></td></tr></td></tr></td></tr></td></tr></td></tr></td></tr></td></tr></td></tr></td></tr></td>
 | ALUM. | ANODIZE D | - | - | 380B | 3\"/> <tr> <td>385</td> <td>ETR</td> <td>-</td> <td>WD.</td> <td>J2</td> <td>PTD.</td> <td>-</td> <td>382</td> <td>3\"/> <tr> <td>386</td> <td>ETR</td> <td>-</td> <td>WD.</td> <td>J2</td> <td>PTD.</td> <td>-</td> <td>382A</td> <td>3\"/> <tr> <td>387</td> <td>ETR</td> <td>-</td> <td>WD.</td> <td>J2</td> <td>PTD.</td> <td>-</td> <td>385</td> <td>3\"/> <tr> <td>388</td> <td>ETR</td> <td>-</td> <td>WD.</td> <td>J2</td> <td>PTD.</td> <td>-</td> <td>386</td> <td>3\"/> <tr> <td>389</td> <td>ETR</td> <td>-</td> <td>WD.</td> <td>J2</td> <td>PTD.</td> <td>-</td> <td>387</td> <td>3\"/> <tr> <td>391</td> <td>ETR</td> <td>-</td> <td>WD.</td> <td>J2</td> <td>PTD.</td> <td>-</td> <td>388</td> <td>3\"/> <tr> <td>391A</td> <td>ETR</td> <td>-</td> <td>WD.</td> <td>J2</td> <td>PTD.</td> <td>-</td> <td>389</td> <td>3\"/> <tr> <td>391B</td> <td>ETR</td> <td>-</td> <td>WD.</td> <td>J2</td> <td>PTD.</td> <td>-</td> <td>391</td> <td>3\"/> <tr> <td>394</td> <td>ETR</td> <td>-</td> <td>WD.</td> <td>J2</td> <td>PTD.</td> <td>-</td> <td>391A</td> <td>3\"/> <tr> <td>395</td> <td>ETR</td> <td>-</td> <td>WD.</td> <td>J2</td> <td>PTD.</td> <td>-</td> <td>391B</td> <td>3\"/> <tr> <td>396</td> <td>ETR</td> <td>-</td> <td>WD.</td> <td>J2</td> <td>PTD.</td> <td>-</td> <td>394</td> <td>3\"/> <tr> <td>398</td> <td>ETR</td> <td>-</td> <td>WD.</td> <td>J2</td> <td>PTD.</td> <td>-</td> <td>395</td> <td>3\"/> <tr> <td>399</td> <td>ETR</td> <td>-</td> <td>WD.</td> <td>J2</td> <td>PTD.</td> <td>-</td> <td>396</td> <td>3\"/> <tr> <td>3991</td> <td>ETR</td> <td>-</td> <td>WD.</td> <td>J2</td> <td>PTD.</td> <td>-</td> <td>398</td> <td>3\"/> <tr> <td>3992</td> <td>A</td> <td>3\"/> <tr> <td>3993</td> <td>ETR</td> <td>-</td> <td>WD.</td> <td>J2</td> <td>PTD.</td> <td>-</td> <td>399</td> <td>3\"/> <tr> <td>3994</td> <td>ETR</td> <td>-</td> <td>WD.</td> <td>J2</td> <td>PTD.</td> <td>-</td> <td>3991</td> <td>3\"/> <tr> <td>3995</td> <td>ETR</td> <td>-</td> <td>WD.</td> <td>J2</td> <td>PTD.</td> <td>-</td> <td>3992</td> <td>3\"/> <tr> <td>3997</td> <td>ETR</td> <td>-</td> <td>WD.</td> <td>J2</td> <td>PTD.</td> <td>-</td> <td>3993</td> <td>3\"/> <tr> <td>3998</td> <td>ETR</td> <td>-</td> <td>WD.</td> <td>J2</td> <td>PTD.</td> <td>-</td> <td>3994</td> <td>3\"/> <tr> <td>3999</td> <td>ETR</td> <td>-</td> <td>WD.</td> <td>J2</td> <td>PTD.</td> <td>-</td> <td>3995</td> <td>3\"/> <tr> <td>3999</td> <td>ETR</td> <td>-</td> <td>WD.</td> <td>J2</td> <td>PTD.</td> <td>-</td> <td>3997</td> <td>3\"/> </td></tr></td></tr></td></tr></td></tr></td></tr></td></tr></td></tr></td></tr></td></tr></td></tr></td></tr></td></tr></td></tr></td></tr></td></tr></td></tr></td></tr></td></tr></td></tr></td></tr></td></tr></td></tr> | 385 | ETR | -
 | WD. | J2 | PTD. | - | 382 | 3\"/> <tr> <td>386</td> <td>ETR</td> <td>-</td> <td>WD.</td> <td>J2</td> <td>PTD.</td> <td>-</td> <td>382A</td> <td>3\"/> <tr> <td>387</td> <td>ETR</td> <td>-</td> <td>WD.</td> <td>J2</td> <td>PTD.</td> <td>-</td> <td>385</td> <td>3\"/> <tr> <td>388</td> <td>ETR</td> <td>-</td> <td>WD.</td> <td>J2</td> <td>PTD.</td> <td>-</td> <td>386</td> <td>3\"/> <tr> <td>389</td> <td>ETR</td> <td>-</td> <td>WD.</td> <td>J2</td> <td>PTD.</td> <td>-</td> <td>387</td> <td>3\"/> <tr> <td>391</td> <td>ETR</td> <td>-</td> <td>WD.</td> <td>J2</td> <td>PTD.</td> <td>-</td> <td>388</td> <td>3\"/> <tr> <td>391A</td> <td>ETR</td> <td>-</td> <td>WD.</td> <td>J2</td> <td>PTD.</td> <td>-</td> <td>389</td> <td>3\"/> <tr> <td>391B</td> <td>ETR</td> <td>-</td> <td>WD.</td> <td>J2</td> <td>PTD.</td> <td>-</td> <td>391</td> <td>3\"/> <tr> <td>394</td> <td>ETR</td> <td>-</td> <td>WD.</td> <td>J2</td> <td>PTD.</td> <td>-</td> <td>391A</td> <td>3\"/> <tr> <td>395</td> <td>ETR</td> <td>-</td> <td>WD.</td> <td>J2</td> <td>PTD.</td> <td>-</td> <td>391B</td> <td>3\"/> <tr> <td>396</td> <td>ETR</td> <td>-</td> <td>WD.</td> <td>J2</td> <td>PTD.</td> <td>-</td> <td>394</td> <td>3\"/> <tr> <td>398</td> <td>ETR</td> <td>-</td> <td>WD.</td> <td>J2</td> <td>PTD.</td> <td>-</td> <td>395</td> <td>3\"/> <tr> <td>399</td> <td>ETR</td> <td>-</td> <td>WD.</td> <td>J2</td> <td>PTD.</td> <td>-</td> <td>396</td> <td>3\"/> <tr> <td>3991</td> <td>ETR</td> <td>-</td> <td>WD.</td> <td>J2</td> <td>PTD.</td> <td>-</td> <td>398</td> <td>3\"/> <tr> <td>3992</td> <td>A</td> <td>3\"/> <tr> <td>3993</td> <td>ETR</td> <td>-</td> <td>WD.</td> <td>J2</td> <td>PTD.</td> <td>-</td> <td>399</td> <td>3\"/> <tr> <td>3994</td> <td>ETR</td> <td>-</td> <td>WD.</td> <td>J2</td> <td>PTD.</td> <td>-</td> <td>3991</td> <td>3\"/> <tr> <td>3995</td> <td>ETR</td> <td>-</td> <td>WD.</td> <td>J2</td> <td>PTD.</td> <td>-</td> <td>3992</td> <td>3\"/> <tr> <td>3997</td> <td>ETR</td> <td>-</td> <td>WD.</td> <td>J2</td> <td>PTD.</td> <td>-</td> <td>3993</td> <td>3\"/> <tr> <td>3998</td> <td>ETR</td> <td>-</td> <td>WD.</td> <td>J2</td> <td>PTD.</td> <td>-</td> <td>3994</td> <td>3\"/> <tr> <td>3999</td> <td>ETR</td> <td>-</td> <td>WD.</td> <td>J2</td> <td>PTD.</td> <td>-</td> <td>3995</td> <td>3\"/> <tr> <td>3999</td> <td>ETR</td> <td>-</td> <td>WD.</td> <td>J2</td> <td>PTD.</td> <td>-</td> <td>3997</td> <td>3\"/> </td></tr></td></tr></td></tr></td></tr></td></tr></td></tr></td></tr></td></tr></td></tr></td></tr></td></tr></td></tr></td></tr></td></tr></td></tr></td></tr></td></tr></td></tr></td></tr></td></tr></td></tr> | 386 | ETR | -
 | WD. | J2 | PTD. | - | 382A | 3\"/> <tr> <td>387</td> <td>ETR</td> <td>-</td> <td>WD.</td> <td>J2</td> <td>PTD.</td> <td>-</td> <td>385</td> <td>3\"/> <tr> <td>388</td> <td>ETR</td> <td>-</td> <td>WD.</td> <td>J2</td> <td>PTD.</td> <td>-</td> <td>386</td> <td>3\"/> <tr> <td>389</td> <td>ETR</td> <td>-</td> <td>WD.</td> <td>J2</td> <td>PTD.</td> <td>-</td> <td>387</td> <td>3\"/> <tr> <td>391</td> <td>ETR</td> <td>-</td> <td>WD.</td> <td>J2</td> <td>PTD.</td> <td>-</td> <td>388</td> <td>3\"/> <tr> <td>391A</td> <td>ETR</td> <td>-</td> <td>WD.</td> <td>J2</td> <td>PTD.</td> <td>-</td> <td>389</td> <td>3\"/> <tr> <td>391B</td> <td>ETR</td> <td>-</td> <td>WD.</td> <td>J2</td> <td>PTD.</td> <td>-</td> <td>391</td> <td>3\"/> <tr> <td>394</td> <td>ETR</td> <td>-</td> <td>WD.</td> <td>J2</td> <td>PTD.</td> <td>-</td> <td>391A</td> <td>3\"/> <tr> <td>395</td> <td>ETR</td> <td>-</td> <td>WD.</td> <td>J2</td> <td>PTD.</td> <td>-</td> <td>391B</td> <td>3\"/> <tr> <td>396</td> <td>ETR</td> <td>-</td> <td>WD.</td> <td>J2</td> <td>PTD.</td> <td>-</td> <td>394</td> <td>3\"/> <tr> <td>398</td> <td>ETR</td> <td>-</td> <td>WD.</td> <td>J2</td> <td>PTD.</td> <td>-</td> <td>395</td> <td>3\"/> <tr> <td>399</td> <td>ETR</td> <td>-</td> <td>WD.</td> <td>J2</td> <td>PTD.</td> <td>-</td> <td>396</td> <td>3\"/> <tr> <td>3991</td> <td>ETR</td> <td>-</td> <td>WD.</td> <td>J2</td> <td>PTD.</td> <td>-</td> <td>398</td> <td>3\"/> <tr> <td>3992</td> <td>A</td> <td>3\"/> <tr> <td>3993</td> <td>ETR</td> <td>-</td> <td>WD.</td> <td>J2</td> <td>PTD.</td> <td>-</td> <td>399</td> <td>3\"/> <tr> <td>3994</td> <td>ETR</td> <td>-</td> <td>WD.</td> <td>J2</td> <td>PTD.</td> <td>-</td> <td>3991</td> <td>3\"/> <tr> <td>3995</td> <td>ETR</td> <td>-</td> <td>WD.</td> <td>J2</td> <td>PTD.</td> <td>-</td> <td>3992</td> <td>3\"/> <tr> <td>3997</td> <td>ETR</td> <td>-</td> <td>WD.</td> <td>J2</td> <td>PTD.</td> <td>-</td> <td>3993</td> <td>3\"/> <tr> <td>3998</td> <td>ETR</td> <td>-</td> <td>WD.</td> <td>J2</td> <td>PTD.</td> <td>-</td> <td>3994</td> <td>3\"/> <tr> <td>3999</td> <td>ETR</td> <td>-</td> <td>WD.</td> <td>J2</td> <td>PTD.</td> <td>-</td> <td>3995</td> <td>3\"/> <tr> <td>3999</td> <td>ETR</td> <td>-</td> <td>WD.</td> <td>J2</td> <td>PTD.</td> <td>-</td> <td>3997</td> <td>3\"/> </td></tr></td></tr></td></tr></td></tr></td></tr></td></tr></td></tr></td></tr></td></tr></td></tr></td></tr></td></tr></td></tr></td></tr></td></tr></td></tr></td></tr></td></tr></td></tr></td></tr> | 387 | ETR | -
 | WD. | J2 | PTD. | - | 385 | 3\"/> <tr> <td>388</td> <td>ETR</td> <td>-</td> <td>WD.</td> <td>J2</td> <td>PTD.</td> <td>-</td> <td>386</td> <td>3\"/> <tr> <td>389</td> <td>ETR</td> <td>-</td> <td>WD.</td> <td>J2</td> <td>PTD.</td> <td>-</td> <td>387</td> <td>3\"/> <tr> <td>391</td> <td>ETR</td> <td>-</td> <td>WD.</td> <td>J2</td> <td>PTD.</td> <td>-</td> <td>388</td> <td>3\"/> <tr> <td>391A</td> <td>ETR</td> <td>-</td> <td>WD.</td> <td>J2</td> <td>PTD.</td> <td>-</td> <td>389</td> <td>3\"/> <tr> <td>391B</td> <td>ETR</td> <td>-</td> <td>WD.</td> <td>J2</td> <td>PTD.</td> <td>-</td> <td>391</td> <td>3\"/> <tr> <td>394</td> <td>ETR</td> <td>-</td>
<td>WD.</td> <td>J2</td> <td>PTD.</td> <td>-</td> <td>391A</td> <td>3\"/> <tr> <td>395</td> <td>ETR</td> <td>-</td> <td>WD.</td> <td>J2</td> <td>PTD.</td> <td>-</td> <td>391B</td> <td>3\"/> <tr> <td>396</td> <td>ETR</td> <td>-</td> <td>WD.</td> <td>J2</td> <td>PTD.</td> <td>-</td> <td>394</td> <td>3\"/> <tr> <td>398</td> <td>ETR</td> <td>-</td> <td>WD.</td> <td>J2</td> <td>PTD.</td> <td>-</td> <td>395</td> <td>3\"/> <tr> <td>399</td> <td>ETR</td> <td>-</td> <td>WD.</td> <td>J2</td> <td>PTD.</td> <td>-</td> <td>396</td> <td>3\"/> <tr> <td>3991</td> <td>ETR</td> <td>-</td> <td>WD.</td> <td>J2</td> <td>PTD.</td> <td>-</td> <td>398</td> <td>3\"/> <tr> <td>3992</td> <td>A</td> <td>3\"/> <tr> <td>3993</td> <td>ETR</td> <td>-</td> <td>WD.</td> <td>J2</td> <td>PTD.</td> <td>-</td> <td>399</td> <td>3\"/> <tr> <td>3994</td> <td>ETR</td> <td>-</td> <td>WD.</td> <td>J2</td> <td>PTD.</td> <td>-</td> <td>3991</td> <td>3\"/> <tr> <td>3995</td> <td>ETR</td> <td>-</td> <td>WD.</td> <td>J2</td> <td>PTD.</td> <td>-</td> <td>3992</td> <td>3\"/> <tr> <td>3997</td> <td>ETR</td> <td>-</td> <td>WD.</td> <td>J2</td> <td>PTD.</td> <td>-</td> <td>3993</td> <td>3\"/> <tr> <td>3998</td> <td>ETR</td> <td>-</td> <td>WD.</td> <td>J2</td> <td>PTD.</td> <td>-</td> <td>3994</td> <td>3\"/> <tr> <td>3999</td> <td>ETR</td> <td>-</td> <td>WD.</td> <td>J2</td> <td>PTD.</td> <td>-</td> <td>3995</td> <td>3\"/> <tr> <td>3999</td> <td>ETR</td> <td>-</td> <td>WD.</td> <td>J2</td> <td>PTD.</td> <td>-</td> <td>3997</td> <td>3\"/> </td></tr></td></tr></td></tr></td></tr></td></tr></td></tr></td></tr></td></tr></td></tr></td></tr></td></tr></td></tr></td></tr></td></tr></td></tr></td></tr></td></tr></td></tr></td></tr> | 388 | ETR | - | WD. | J2 | PTD. | - | 386 | 3\"/> <tr> <td>389</td> <td>ETR</td> <td>-</td> <td>WD.</td> <td>J2</td> <td>PTD.</td> <td>-</td> <td>387</td> <td>3\"/> <tr> <td>391</td> <td>ETR</td> <td>-</td> <td>WD.</td> <td>J2</td> <td>PTD.</td> <td>-</td> <td>388</td> <td>3\"/> <tr> <td>391A</td> <td>ETR</td> <td>-</td> <td>WD.</td> <td>J2</td> <td>PTD.</td> <td>-</td> <td>389</td> <td>3\"/> <tr>
<td>391B</td> <td>ETR</td> <td>-</td> <td>WD.</td> <td>J2</td> <td>PTD.</td> <td>-</td> <td>391</td> <td>3\"/> <tr> <td>394</td> <td>ETR</td> <td>-</td> <td>WD.</td> <td>J2</td> <td>PTD.</td> <td>-</td> <td>391A</td> <td>3\"/> <tr> <td>395</td> <td>ETR</td> <td>-</td> <td>WD.</td> <td>J2</td> <td>PTD.</td> <td>-</td> <td>391B</td> <td>3\"/> <tr> <td>396</td> <td>ETR</td> <td>-</td> <td>WD.</td> <td>J2</td> <td>PTD.</td> <td>-</td> <td>394</td> <td>3\"/> <tr> <td>398</td> <td>ETR</td> <td>-</td> <td>WD.</td> <td>J2</td> <td>PTD.</td> <td>-</td> <td>395</td> <td>3\"/> <tr> <td>399</td> <td>ETR</td> <td>-</td> <td>WD.</td> <td>J2</td> <td>PTD.</td> <td>-</td> <td>396</td> <td>3\"/> <tr> <td>3991</td> <td>ETR</td> <td>-</td> <td>WD.</td> <td>J2</td> <td>PTD.</td> <td>-</td> <td>398</td> <td>3\"/> <tr> <td>3992</td> <td>A</td> <td>3\"/> <tr> <td>3993</td> <td>ETR</td> <td>-</td> <td>WD.</td> <td>J2</td> <td>PTD.</td> <td>-</td> <td>399</td> <td>3\"/> <tr> <td>3994</td> <td>ETR</td> <td>-</td> <td>WD.</td> <td>J2</td> <td>PTD.</td> <td>-</td> <td>3991</td> <td>3\"/> <tr> <td>3995</td> <td>ETR</td> <td>-</td> <td>WD.</td> <td>J2</td> <td>PTD.</td> <td>-</td> <td>3992</td> <td>3\"/> <tr> <td>3997</td> <td>ETR</td> <td>-</td> <td>WD.</td> <td>J2</td> <td>PTD.</td> <td>-</td> <td>3993</td> <td>3\"/> <tr> <td>3998</td> <td>ETR</td> <td>-</td> <td>WD.</td> <td>J2</td> <td>PTD.</td> <td>-</td> <td>3994</td> <td>3\"/> <tr> <td>3999</td> <td>ETR</td> <td>-</td> <td>WD.</td> <td>J2</td> <td>PTD.</td> <td>-</td> <td>3995</td> <td>3\"/> <tr> <td>3999</td> <td>ETR</td> <td>-</td> <td>WD.</td> <td>J2</td> <td>PTD.</td> <td>-</td> <td>3997</td> <td>3\"/> </td></tr></td></tr></td></tr></td></tr></td></tr></td></tr></td></tr></td></tr></td></tr></td></tr></td></tr></td></tr></td></tr></td></tr></td></tr></td></tr></td></tr></td></tr> | 389 | ETR | - | WD. | J2 | PTD. | - | 387 | 3\"/> <tr> <td>391</td> <td>ETR</td> <td>-</td> <td>WD.</td> <td>J2</td> <td>PTD.</td> <td>-</td> <td>388</td> <td>3\"/> <tr> <td>391A</td> <td>ETR</td> <td>-</td> <td>WD.</td> <td>J2</td> <td>PTD.</td> <td>-</td> <td>389</td> <td>3\"/> <tr> <td>391B</td> <td>ETR</td> <td>-</td> <td>WD.</td> <td>J2</td> <td>PTD.</td> <td>-</td> <td>391</td>
<td>3\"/> <tr> <td>394</td> <td>ETR</td> <td>-</td> <td>WD.</td> <td>J2</td> <td>PTD.</td> <td>-</td> <td>391A</td> <td>3\"/> <tr> <td>395</td> <td>ETR</td> <td>-</td> <td>WD.</td> <td>J2</td> <td>PTD.</td> <td>-</td> <td>391B</td> <td>3\"/> <tr> <td>396</td> <td>ETR</td> <td>-</td> <td>WD.</td> <td>J2</td> <td>PTD.</td> <td>-</td> <td>394</td> <td>3\"/> <tr> <td>398</td> <td>ETR</td> <td>-</td> <td>WD.</td> <td>J2</td> <td>PTD.</td> <td>-</td> <td>395</td> <td>3\"/> <tr> <td>399</td> <td>ETR</td> <td>-</td> <td>WD.</td> <td>J2</td> <td>PTD.</td> <td>-</td> <td>396</td> <td>3\"/> <tr> <td>3991</td> <td>ETR</td> <td>-</td> <td>WD.</td> <td>J2</td> <td>PTD.</td> <td>-</td> <td>398</td> <td>3\"/> <tr> <td>3992</td> <td>A</td> <td>3\"/> <tr> <td>3993</td> <td>ETR</td> <td>-</td> <td>WD.</td> <td>J2</td> <td>PTD.</td> <td>-</td> <td>399</td> <td>3\"/> <tr> <td>3994</td> <td>ETR</td> <td>-</td> <td>WD.</td> <td>J2</td> <td>PTD.</td> <td>-</td> <td>3991</td> <td>3\"/> <tr> <td>3995</td> <td>ETR</td> <td>-</td> <td>WD.</td> <td>J2</td> <td>PTD.</td> <td>-</td> <td>3992</td> <td>3\"/> <tr> <td>3997</td> <td>ETR</td> <td>-</td> <td>WD.</td> <td>J2</td> <td>PTD.</td> <td>-</td> <td>3993</td> <td>3\"/> <tr> <td>3998</td> <td>ETR</td> <td>-</td> <td>WD.</td> <td>J2</td> <td>PTD.</td> <td>-</td> <td>3994</td> <td>3\"/> <tr> <td>3999</td> <td>ETR</td> <td>-</td> <td>WD.</td> <td>J2</td> <td>PTD.</td> <td>-</td> <td>3995</td> <td>3\"/> <tr> <td>3999</td> <td>ETR</td> <td>-</td> <td>WD.</td> <td>J2</td> <td>PTD.</td> <td>-</td> <td>3997</td> <td>3\"/> </td></tr></td></tr></td></tr></td></tr></td></tr></td></tr></td></tr></td></tr></td></tr></td></tr></td></tr></td></tr></td></tr></td></tr></td></tr></td></tr></td></tr> | 391 | ETR | - | WD. | J2 | PTD. | - | 388 | 3\"/> <tr> <td>391A</td> <td>ETR</td> <td>-</td> <td>WD.</td> <td>J2</td> <td>PTD.</td> <td>-</td> <td>389</td> <td>3\"/> <tr> <td>391B</td> <td>ETR</td> <td>-</td> <td>WD.</td> <td>J2</td> <td>PTD.</td> <td>-</td> <td>391</td> <td>3\"/> <tr> <td>394</td> <td>ETR</td> <td>-</td> <td>WD.</td> <td>J2</td> <td>PTD.</td> <td>-</td> <td>391A</td> <td>3\"/> <tr> <td>395</td> <td>ETR</td> <td>-</td> <td>WD.</td> <td>J2</td> <td>PTD.</td> <td>-</td> <td>391B</td> <td>3\"/> <tr> <td>396</td> <td>ETR</td> <td>-</td> <td>WD.</td> <td>J2</td> <td>PTD.</td> <td>-</td> <td>394</td>
<td>3\"/> <tr> <td>398</td> <td>ETR</td> <td>-</td> <td>WD.</td> <td>J2</td> <td>PTD.</td> <td>-</td> <td>395</td> <td>3\"/> <tr> <td>399</td> <td>ETR</td> <td>-</td> <td>WD.</td> <td>J2</td> <td>PTD.</td> <td>-</td> <td>396</td> <td>3\"/> <tr> <td>3991</td> <td>ETR</td> <td>-</td> <td>WD.</td> <td>J2</td> <td>PTD.</td> <td>-</td> <td>398</td> <td>3\"/> <tr> <td>3992</td> <td>A</td> <td>3\"/> <tr> <td>3993</td> <td>ETR</td> <td>-</td> <td>WD.</td> <td>J2</td> <td>PTD.</td> <td>-</td> <td>399</td> <td>3\"/> <tr> <td>3994</td> <td>ETR</td> <td>-</td> <td>WD.</td> <td>J2</td> <td>PTD.</td> <td>-</td> <td>3991</td> <td>3\"/> <tr> <td>3995</td> <td>ETR</td> <td>-</td> <td>WD.</td> <td>J2</td> <td>PTD.</td> <td>-</td> <td>3992</td> <td>3\"/> <tr> <td>3997</td> <td>ETR</td> <td>-</td> <td>WD.</td> <td>J2</td> <td>PTD.</td> <td>-</td> <td>3993</td> <td>3\"/> <tr> <td>3998</td> <td>ETR</td> <td>-</td> <td>WD.</td> <td>J2</td> <td>PTD.</td> <td>-</td> <td>3994</td> <td>3\"/> <tr> <td>3999</td> <td>ETR</td> <td>-</td> <td>WD.</td> <td>J2</td> <td>PTD.</td> <td>-</td> <td>3995</td> <td>3\"/> <tr> <td>3999</td> <td>ETR</td> <td>-</td> <td>WD.</td> <td>J2</td> <td>PTD.</td> <td>-</td> <td>3997</td> <td>3\"/> </td></tr></td></tr></td></tr></td></tr></td></tr></td></tr></td></tr></td></tr></td></tr></td></tr></td></tr></td></tr></td></tr></td></tr></td></tr></td></tr> | 391A | ETR | - | WD. | J2 | PTD. | - | 389 | 3\"/> <tr> <td>391B</td> <td>ETR</td> <td>-</td> <td>WD.</td> <td>J2</td> <td>PTD.</td> <td>-</td> <td>391</td> <td>3\"/> <tr> <td>394</td> <td>ETR</td> <td>-</td> <td>WD.</td> <td>J2</td> <td>PTD.</td> <td>-</td> <td>391A</td> <td>3\"/> <tr> <td>395</td> <td>ETR</td> <td>-</td> <td>WD.</td> <td>J2</td> <td>PTD.</td> <td>-</td> <td>391B</td> <td>3\"/> <tr> <td>396</td> <td>ETR</td> <td>-</td> <td>WD.</td> <td>J2</td> <td>PTD.</td> <td>-</td> <td>394</td> <td>3\"/> <tr> <td>398</td> <td>ETR</td> <td>-</td> <td>WD.</td> <td>J2</td> <td>PTD.</td> <td>-</td> <td>395</td> <td>3\"/> <tr> <td>399</td> <td>ETR</td> <td>-</td> <td>WD.</td> <td>J2</td> <td>PTD.</td> <td>-</td> <td>396</td> <td>3\"/> <tr> <td>3991</td> <td>ETR</td> <td>-</td> <td>WD.</td> <td>J2</td> <td>PTD.</td> <td>-</td> <td>398</td> <td>3\"/> <tr> <td>3992</td> <td>A</td> <td>3\"/> <tr> <td>3993</td> <td>ETR</td> <td>-</td> <td>WD.</td> <td>J2</td> <td>PTD.</td> <td>-</td> <td>399</td> <td>3\"/> <tr> <td>3994</td> <td>ETR</td> <td>-</td> <td>WD.</td> <td>J2</td> <td>PTD.</td>
<td>-</td> <td>3991</td> <td>3\"/> <tr> <td>3995</td> <td>ETR</td> <td>-</td> <td>WD.</td> <td>J2</td> <td>PTD.</td> <td>-</td> <td>3992</td> <td>3\"/> <tr> <td>3997</td> <td>ETR</td> <td>-</td> <td>WD.</td> <td>J2</td> <td>PTD.</td> <td>-</td> <td>3993</td> <td>3\"/> <tr> <td>3998</td> <td>ETR</td> <td>-</td> <td>WD.</td> <td>J2</td> <td>PTD.</td> <td>-</td> <td>3994</td> <td>3\"/> <tr> <td>3999</td> <td>ETR</td> <td>-</td> <td>WD.</td> <td>J2</td> <td>PTD.</td> <td>-</td> <td>3995</td> <td>3\"/> <tr> <td>3999</td> <td>ETR</td> <td>-</td> <td>WD.</td> <td>J2</td> <td>PTD.</td> <td>-</td> <td>3997</td> <td>3\"/> </td></tr></td></tr></td></tr></td></tr></td></tr></td></tr></td></tr></td></tr></td></tr></td></tr></td></tr></td></tr></td></tr></td></tr></td></tr> | 391B | ETR | - | WD. | J2 | PTD.
 | - | 391 | 3\"/> <tr> <td>394</td> <td>ETR</td> <td>-</td> <td>WD.</td> <td>J2</td> <td>PTD.</td> <td>-</td> <td>391A</td> <td>3\"/> <tr> <td>395</td> <td>ETR</td> <td>-</td> <td>WD.</td> <td>J2</td> <td>PTD.</td> <td>-</td> <td>391B</td> <td>3\"/> <tr> <td>396</td> <td>ETR</td> <td>-</td> <td>WD.</td> <td>J2</td> <td>PTD.</td> <td>-</td> <td>394</td> <td>3\"/> <tr> <td>398</td> <td>ETR</td> <td>-</td> <td>WD.</td> <td>J2</td> <td>PTD.</td> <td>-</td> <td>395</td> <td>3\"/> <tr> <td>399</td> <td>ETR</td> <td>-</td> <td>WD.</td> <td>J2</td> <td>PTD.</td> <td>-</td> <td>396</td> <td>3\"/> <tr> <td>3991</td> <td>ETR</td> <td>-</td> <td>WD.</td> <td>J2</td> <td>PTD.</td> <td>-</td> <td>398</td> <td>3\"/> <tr> <td>3992</td> <td>A</td> <td>3\"/> <tr> <td>3993</td> <td>ETR</td> <td>-</td> <td>WD.</td> <td>J2</td> <td>PTD.</td> <td>-</td> <td>399</td> <td>3\"/> <tr> <td>3994</td> <td>ETR</td> <td>-</td> <td>WD.</td> <td>J2</td> <td>PTD.</td> <td>-</td> <td>3991</td> <td>3\"/> <tr> <td>3995</td> <td>ETR</td> <td>-</td> <td>WD.</td> <td>J2</td> <td>PTD.</td> <td>-</td> <td>3992</td> <td>3\"/> <tr> <td>3997</td> <td>ETR</td> <td>-</td> <td>WD.</td> <td>J2</td> <td>PTD.</td> <td>-</td> <td>3993</td> <td>3\"/> <tr> <td>3998</td> <td>ETR</td> <td>-</td> <td>WD.</td> <td>J2</td> <td>PTD.</td> <td>-</td> <td>3994</td> <td>3\"/> <tr> <td>3999</td> <td>ETR</td> <td>-</td> <td>WD.</td> <td>J2</td> <td>PTD.</td> <td>-</td> <td>3995</td> <td>3\"/> <tr> <td>3999</td> <td>ETR</td> <td>-</td> <td>WD.</td> <td>J2</td> <td>PTD.</td> <td>-</td> <td>3997</td> <td>3\"/> </td></tr></td></tr></td></tr></td></tr></td></tr></td></tr></td></tr></td></tr></td></tr></td></tr></td></tr></td></tr></td></tr></td></tr> | 394 | ETR | -
 | WD. | J2 | PTD. | - | 391A | 3\"/> <tr> <td>395</td> <td>ETR</td> <td>-</td> <td>WD.</td> <td>J2</td> <td>PTD.</td> <td>-</td> <td>391B</td> <td>3\"/> <tr> <td>396</td> <td>ETR</td> <td>-</td> <td>WD.</td> <td>J2</td> <td>PTD.</td> <td>-</td> <td>394</td> <td>3\"/> <tr> <td>398</td> <td>ETR</td> <td>-</td> <td>WD.</td> <td>J2</td> <td>PTD.</td> <td>-</td> <td>395</td> <td>3\"/> <tr> <td>399</td> <td>ETR</td> <td>-</td> <td>WD.</td> <td>J2</td> <td>PTD.</td> <td>-</td> <td>396</td> <td>3\"/> <tr> <td>3991</td> <td>ETR</td> <td>-</td> <td>WD.</td> <td>J2</td> <td>PTD.</td> <td>-</td> <td>398</td> <td>3\"/> <tr> <td>3992</td> <td>A</td> <td>3\"/> <tr> <td>3993</td> <td>ETR</td> <td>-</td> <td>WD.</td> <td>J2</td> <td>PTD.</td> <td>-</td> <td>399</td> <td>3\"/> <tr> <td>3994</td> <td>ETR</td> <td>-</td> <td>WD.</td> <td>J2</td> <td>PTD.</td> <td>-</td> <td>3991</td> <td>3\"/> <tr> <td>3995</td> <td>ETR</td> <td>-</td> <td>WD.</td> <td>J2</td> <td>PTD.</td> <td>-</td> <td>3992</td> <td>3\"/> <tr> <td>3997</td> <td>ETR</td> <td>-</td> <td>WD.</td> <td>J2</td> <td>PTD.</td> <td>-</td> <td>3993</td> <td>3\"/> <tr> <td>3998</td> <td>ETR</td> <td>-</td> <td>WD.</td> <td>J2</td> <td>PTD.</td> <td>-</td> <td>3994</td> <td>3\"/> <tr> <td>3999</td> <td>ETR</td> <td>-</td> <td>WD.</td> <td>J2</td> <td>PTD.</td> <td>-</td> <td>3995</td> <td>3\"/> <tr> <td>3999</td> <td>ETR</td> <td>-</td> <td>WD.</td> <td>J2</td> <td>PTD.</td> <td>-</td> <td>3997</td> <td>3\"/> </td></tr></td></tr></td></tr></td></tr></td></tr></td></tr></td></tr></td></tr></td></tr></td></tr></td></tr></td></tr></td></tr> | 395 | ETR | -
 | WD. | J2 | PTD. | - | 391B | 3\"/> <tr> <td>396</td> <td>ETR</td> <td>-</td> <td>WD.</td> <td>J2</td> <td>PTD.</td> <td>-</td> <td>394</td> <td>3\"/> <tr> <td>398</td> <td>ETR</td> <td>-</td> <td>WD.</td> <td>J2</td> <td>PTD.</td> <td>-</td> <td>395</td> <td>3\"/> <tr> <td>399</td> <td>ETR</td> <td>-</td> <td>WD.</td> <td>J2</td> <td>PTD.</td> <td>-</td> <td>396</td> <td>3\"/> <tr> <td>3991</td> <td>ETR</td> <td>-</td> <td>WD.</td> <td>J2</td> <td>PTD.</td> <td>-</td> <td>398</td> <td>3\"/> <tr> <td>3992</td> <td>A</td> <td>3\"/> <tr> <td>3993</td> <td>ETR</td> <td>-</td> <td>WD.</td> <td>J2</td> <td>PTD.</td> <td>-</td> <td>399</td> <td>3\"/> <tr> <td>3994</td> <td>ETR</td> <td>-</td> <td>WD.</td> <td>J2</td> <td>PTD.</td> <td>-</td> <td>3991</td> <td>3\"/> <tr> <td>3995</td> <td>ETR</td> <td>-</td> <td>WD.</td> <td>J2</td> <td>PTD.</td> <td>-</td> <td>3992</td> <td>3\"/> <tr> <td>3997</td> <td>ETR</td> <td>-</td> <td>WD.</td> <td>J2</td> <td>PTD.</td> <td>-</td> <td>3993</td> <td>3\"/> <tr> <td>3998</td> <td>ETR</td> <td>-</td> <td>WD.</td> <td>J2</td> <td>PTD.</td> <td>-</td> <td>3994</td> <td>3\"/> <tr> <td>3999</td> <td>ETR</td> <td>-</td> <td>WD.</td> <td>J2</td> <td>PTD.</td> <td>-</td> <td>3995</td> <td>3\"/> <tr> <td>3999</td> <td>ETR</td> <td>-</td> <td>WD.</td> <td>J2</td> <td>PTD.</td> <td>-</td> <td>3997</td> <td>3\"/> </td></tr></td></tr></td></tr></td></tr></td></tr></td></tr></td></tr></td></tr></td></tr></td></tr></td></tr></td></tr> | 396 | ETR | - | WD. | J2 | PTD. | - | 394 | 3\"/> <tr> <td>398</td> <td>ETR</td> <td>-</td> <td>WD.</td> <td>J2</td> <td>PTD.</td> <td>-</td> <td>395</td> <td>3\"/> <tr> <td>399</td> <td>ETR</td> <td>-</td> <td>WD.</td> <td>J2</td> <td>PTD.</td> <td>-</td> <td>396</td> <td>3\"/> <tr> <td>3991</td> <td>ETR</td> <td>-</td> <td>WD.</td> <td>J2</td> <td>PTD.</td> <td>-</td> <td>398</td> <td>3\"/> <tr> <td>3992</td> <td>A</td> <td>3\"/> <tr> <td>3993</td> <td>ETR</td> <td>-</td> <td>WD.</td> <td>J2</td> <td>PTD.</td> <td>-</td> <td>399</td> <td>3\"/> <tr> <td>3994</td> <td>ETR</td> <td>-</td> <td>WD.</td> <td>J2</td> <td>PTD.</td> <td>-</td> <td>3991</td> <td>3\"/> <tr> <td>3995</td> <td>ETR</td> <td>-</td> <td>WD.</td> <td>J2</td> <td>PTD.</td> <td>-</td> <td>3992</td> <td>3\"/> <tr> <td>3997</td> <td>ETR</td> <td>-</td> <td>WD.</td> <td>J2</td> <td>PTD.</td> <td>-</td> <td>3993</td> <td>3\"/> <tr> <td>3998</td> <td>ETR</td> <td>-</td> <td>WD.</td> <td>J2</td> <td>PTD.</td> <td>-</td> <td>3994</td> <td>3\"/> <tr> <td>3999</td> <td>ETR</td> <td>-</td> <td>WD.</td> <td>J2</td> <td>PTD.</td> <td>-</td> <td>3995</td> <td>3\"/> <tr> <td>3999</td>
<td>ETR</td> <td>-</td> <td>WD.</td> <td>J2</td> <td>PTD.</td> <td>-</td> <td>3997</td> <td>3\"/> </td></tr></td></tr></td></tr></td></tr></td></tr></td></tr></td></tr></td></tr></td></tr></td></tr></td></tr> | 398 | ETR | - | WD. | J2 | PTD.
 | - | 395 | 3\"/> <tr> <td>399</td> <td>ETR</td> <td>-</td> <td>WD.</td> <td>J2</td> <td>PTD.</td> <td>-</td> <td>396</td> <td>3\"/> <tr> <td>3991</td> <td>ETR</td> <td>-</td> <td>WD.</td> <td>J2</td> <td>PTD.</td> <td>-</td> <td>398</td> <td>3\"/> <tr> <td>3992</td> <td>A</td> <td>3\"/> <tr> <td>3993</td> <td>ETR</td> <td>-</td> <td>WD.</td> <td>J2</td> <td>PTD.</td> <td>-</td> <td>399</td> <td>3\"/> <tr> <td>3994</td> <td>ETR</td> <td>-</td> <td>WD.</td> <td>J2</td> <td>PTD.</td> <td>-</td> <td>3991</td> <td>3\"/> <tr> <td>3995</td> <td>ETR</td> <td>-</td> <td>WD.</td> <td>J2</td> <td>PTD.</td> <td>-</td> <td>3992</td> <td>3\"/> <tr> <td>3997</td> <td>ETR</td> <td>-</td> <td>WD.</td> <td>J2</td> <td>PTD.</td> <td>-</td> <td>3993</td> <td>3\"/> <tr> <td>3998</td> <td>ETR</td> <td>-</td> <td>WD.</td> <td>J2</td> <td>PTD.</td> <td>-</td> <td>3994</td> <td>3\"/> <tr> <td>3999</td> <td>ETR</td> <td>-</td> <td>WD.</td> <td>J2</td> <td>PTD.</td> <td>-</td> <td>3995</td> <td>3\"/> <tr> <td>3999</td> <td>ETR</td> <td>-</td> <td>WD.</td> <td>J2</td> <td>PTD.</td> <td>-</td> <td>3997</td> <td>3\"/> </td></tr></td></tr></td></tr></td></tr></td></tr></td></tr></td></tr></td></tr></td></tr></td></tr> | 399 | ETR | - | WD. | J2 | PTD.
 | - | 396 | 3\"/> <tr> <td>3991</td> <td>ETR</td> <td>-</td> <td>WD.</td> <td>J2</td> <td>PTD.</td> <td>-</td> <td>398</td> <td>3\"/> <tr> <td>3992</td> <td>A</td> <td>3\"/> <tr> <td>3993</td> <td>ETR</td> <td>-</td> <td>WD.</td> <td>J2</td> <td>PTD.</td> <td>-</td> <td>399</td> <td>3\"/> <tr> <td>3994</td> <td>ETR</td> <td>-</td> <td>WD.</td> <td>J2</td> <td>PTD.</td> <td>-</td> <td>3991</td> <td>3\"/> <tr> <td>3995</td> <td>ETR</td> <td>-</td> <td>WD.</td> <td>J2</td> <td>PTD.</td> <td>-</td> <td>3992</td> <td>3\"/> <tr> <td>3997</td> <td>ETR</td> <td>-</td> <td>WD.</td> <td>J2</td> <td>PTD.</td> <td>-</td> <td>3993</td> <td>3\"/> <tr> <td>3998</td> <td>ETR</td> <td>-</td> <td>WD.</td> <td>J2</td> <td>PTD.</td> <td>-</td> <td>3994</td> <td>3\"/> <tr> <td>3999</td> <td>ETR</td> <td>-</td> <td>WD.</td> <td>J2</td> <td>PTD.</td> <td>-</td> <td>3995</td> <td>3\"/> <tr> <td>3999</td> <td>ETR</td> <td>-</td> <td>WD.</td> <td>J2</td> <td>PTD.</td> <td>-</td> <td>3997</td> <td>3\"/> </td></tr></td></tr></td></tr></td></tr></td></tr></td></tr></td></tr></td></tr></td></tr> | 3991 | ETR | -
 | WD. | J2 | PTD. | - | 398 | 3\"/> <tr> <td>3992</td> <td>A</td> <td>3\"/> <tr> <td>3993</td> <td>ETR</td> <td>-</td> <td>WD.</td> <td>J2</td> <td>PTD.</td> <td>-</td> <td>399</td> <td>3\"/> <tr> <td>3994</td> <td>ETR</td> <td>-</td> <td>WD.</td> <td>J2</td> <td>PTD.</td> <td>-</td> <td>3991</td> <td>3\"/> <tr> <td>3995</td> <td>ETR</td> <td>-</td> <td>WD.</td> <td>J2</td> <td>PTD.</td> <td>-</td> <td>3992</td> <td>3\"/> <tr> <td>3997</td> <td>ETR</td> <td>-</td> <td>WD.</td> <td>J2</td> <td>PTD.</td> <td>-</td> <td>3993</td> <td>3\"/> <tr> <td>3998</td> <td>ETR</td> <td>-</td> <td>WD.</td> <td>J2</td> <td>PTD.</td> <td>-</td> <td>3994</td> <td>3\"/> <tr> <td>3999</td> <td>ETR</td> <td>-</td> <td>WD.</td> <td>J2</td> <td>PTD.</td> <td>-</td> <td>3995</td> <td>3\"/> <tr> <td>3999</td> <td>ETR</td> <td>-</td> <td>WD.</td> <td>J2</td> <td>PTD.</td> <td>-</td> <td>3997</td> <td>3\"/> </td></tr></td></tr></td></tr></td></tr></td></tr></td></tr></td></tr></td></tr> | 3992 | A | 3\"/> <tr> <td>3993</td> <td>ETR</td> <td>-</td> <td>WD.</td> <td>J2</td> <td>PTD.</td> <td>-</td> <td>399</td> <td>3\"/> <tr> <td>3994</td> <td>ETR</td> <td>-</td> <td>WD.</td> <td>J2</td> <td>PTD.</td> <td>-</td> <td>3991</td> <td>3\"/> <tr> <td>3995</td> <td>ETR</td> <td>-</td> <td>WD.</td> <td>J2</td> <td>PTD.</td> <td>-</td> <td>3992</td> <td>3\"/> <tr> <td>3997</td> <td>ETR</td> <td>-</td> <td>WD.</td> <td>J2</td> <td>PTD.</td> <td>-</td> <td>3993</td> <td>3\"/> <tr> <td>3998</td> <td>ETR</td> <td>-</td> <td>WD.</td> <td>J2</td> <td>PTD.</td> <td>-</td> <td>3994</td> <td>3\"/> <tr> <td>3999</td> <td>ETR</td> <td>-</td> <td>WD.</td> <td>J2</td> <td>PTD.</td> <td>-</td> <td>3995</td> <td>3\"/> <tr> <td>3999</td> <td>ETR</td> <td>-</td> <td>WD.</td> <td>J2</td> <td>PTD.</td> <td>-</td> <td>3997</td> <td>3\"/> </td></tr></td></tr></td></tr></td></tr></td></tr></td></tr></td></tr>
 | 3993 | ETR | - | WD. | J2 | PTD. | - | 399 | 3\"/> <tr> <td>3994</td> <td>ETR</td> <td>-</td> <td>WD.</td> <td>J2</td> <td>PTD.</td> <td>-</td> <td>3991</td> <td>3\"/> <tr> <td>3995</td> <td>ETR</td> <td>-</td> <td>WD.</td> <td>J2</td> <td>PTD.</td> <td>-</td> <td>3992</td> <td>3\"/> <tr> <td>3997</td> <td>ETR</td> <td>-</td> <td>WD.</td> <td>J2</td> <td>PTD.</td> <td>-</td> <td>3993</td> <td>3\"/> <tr> <td>3998</td> <td>ETR</td> <td>-</td> <td>WD.</td> <td>J2</td> <td>PTD.</td> <td>-</td> <td>3994</td> <td>3\"/> <tr> <td>3999</td> <td>ETR</td> <td>-</td> <td>WD.</td> <td>J2</td> <td>PTD.</td> <td>-</td> <td>3995</td> <td>3\"/> <tr> <td>3999</td> <td>ETR</td> <td>-</td> <td>WD.</td> <td>J2</td> <td>PTD.</td> <td>-</td> <td>3997</td> <td>3\"/> </td></tr></td></tr></td></tr></td></tr></td></tr></td></tr>
 | 3994 | ETR | - | WD. | J2 | PTD. | - | 3991 | 3\"/> <tr> <td>3995</td> <td>ETR</td> <td>-</td> <td>WD.</td> <td>J2</td> <td>PTD.</td> <td>-</td> <td>3992</td> <td>3\"/> <tr> <td>3997</td> <td>ETR</td> <td>-</td> <td>WD.</td> <td>J2</td> <td>PTD.</td> <td>-</td> <td>3993</td> <td>3\"/> <tr> <td>3998</td> <td>ETR</td> <td>-</td> <td>WD.</td> <td>J2</td> <td>PTD.</td> <td>-</td> <td>3994</td> <td>3\"/> <tr> <td>3999</td> <td>ETR</td> <td>-</td> <td>WD.</td> <td>J2</td>
<td>PTD.</td> <td>-</td> <td>3995</td> <td>3\"/> <tr> <td>3999</td> <td>ETR</td> <td>-</td> <td>WD.</td> <td>J2</td> <td>PTD.</td> <td>-</td> <td>3997</td> <td>3\"/> </td></tr></td></tr></td></tr></td></tr></td></tr> | 3995 | ETR | - | WD. | J2 | PTD. | - | 3992 | 3\"/> <tr> <td>3997</td> <td>ETR</td> <td>-</td> <td>WD.</td> <td>J2</td> <td>PTD.</td> <td>-</td> <td>3993</td> <td>3\"/> <tr> <td>3998</td> <td>ETR</td> <td>-</td> <td>WD.</td> <td>J2</td> <td>PTD.</td> <td>-</td> <td>3994</td> <td>3\"/>
<tr> <td>3999</td> <td>ETR</td> <td>-</td> <td>WD.</td> <td>J2</td> <td>PTD.</td> <td>-</td> <td>3995</td> <td>3\"/> <tr> <td>3999</td> <td>ETR</td> <td>-</td> <td>WD.</td> <td>J2</td> <td>PTD.</td> <td>-</td> <td>3997</td> <td>3\"/> </td></tr></td></tr></td></tr></td></tr> | 3997 | ETR | - | WD. | J2 | PTD. | - | 3993 | 3\"/> <tr> <td>3998</td> <td>ETR</td> <td>-</td> <td>WD.</td> <td>J2</td> <td>PTD.</td> <td>-</td> <td>3994</td> <td>3\"/> <tr> <td>3999</td> <td>ETR</td> <td>-</td> <td>WD.</td> <td>J2</td> <td>PTD.</td> <td>-</td> <td>3995</td> <td>3\"/> <tr> <td>3999</td> <td>ETR</td> <td>-</td> <td>WD.</td> <td>J2</td> <td>PTD.</td> <td>-</td> <td>3997</td> <td>3\"/> </td></tr></td></tr></td></tr>
 | 3998 | ETR | - | WD. | J2 | PTD. | - | 3994 | 3\"/> <tr> <td>3999</td> <td>ETR</td> <td>-</td> <td>WD.</td> <td>J2</td> <td>PTD.</td> <td>-</td> <td>3995</td> <td>3\"/> <tr> <td>3999</td> <td>ETR</td> <td>-</td> <td>WD.</td> <td>J2</td> <td>PTD.</td> <td>-</td> <td>3997</td> <td>3\"/> </td></tr></td></tr>
 | 3999 | ETR | - | WD. | J2 | PTD. | - | 3995 | 3\"/> <tr> <td>3999</td> <td>ETR</td> <td>-</td> <td>WD.</td> <td>J2</td> <td>PTD.</td> <td>-</td> <td>3997</td> <td>3\"/> </td></tr> | 3999 | ETR | -
 | WD. | J2 | PTD. | - | 3997 | 3\"/> | | | | | | | | | | | | | | | | | | | | | | | | | | | | | | | | | | | | | | | | | | | | | | | | |
 | | | | | | | | | | | | | | | | | |
 | | | | | | | | | | | | | | | | | |
 | | | | | | | | | | | | | | | | | | | | | | | |
 | | | | | | | | | | | | | | | | | | | | | | | | | | | | | |
 | | | | | | | | | | | | | | | | | | | | | | | | | | | | | | | | | | | | | | |
 | | | | | | | | | | | | | | | | | | | | | | | | | | | | | | | | | | | | | | | | | | | | | | | | | | | | | | |
| 375 | B | 1 <td>WD</td> <td>J1</td> <td>PTD.</td> <td>-</td> <td>374B</td> <td>3\"/> <tr> <td>376</td> <td>B</td> <td>1 <td>WD</td> <td>J1</td> <td>PTD.</td> <td>-</td> <td>374C</td> <td>3\"/> <tr> <td>377</td> <td>B</td> <td>1 <td>WD</td> <td>J1</td> <td>PTD.</td> <td>-</td> <td>375</td> <td>3\"/> <tr> <td>377A</td> <td>B</td> <td>1 <td>WD</td> <td>J1</td> <td>PTD.</td> <td>-</td> <td>376</td> <td>3\"/> <tr> <td>378</td> <td>B</td> <td>1 <td>WD</td> <td>J1</td> <td>PTD.</td> <td>-</td> <td>377</td> <td>3\"/> <tr> <td>379</td> <td>B</td> <td>1 <td>WD</td> <td>J1</td> <td>PTD.</td> <td>-</td> <td>377A</td> <td>3\"/> <tr> <td>380A</td> <td>B</td> <td>1 <td>WD</td> <td>J1</td> <td>PTD.</td> <td>-</td> <td>378</td> <td>3\"/> <tr> <td>380B</td> <td>B</td> <td>1 <td>WD</td> <td>J1</td> <td>PTD.</td> <td>-</td> <td>379</td> <td>3\"/> <tr> <td>382</td> <td>ETR</td> <td>-</td> <td>WD.</td> <td>J2</td> <td>PTD.</td> <td>-</td> <td>380A</td> <td>3\"/> <tr> <td>382A</td> <td>D</td> <td>6 <td>ALUM.</td> <td>ANODIZE D</td> <td>-</td> <td>-</td> <td>380B</td> <td>3\"/> <tr> <td>385</td> <td>ETR</td> <td>-</td> <td>WD.</td> <td>J2</td> <td>PTD.</td> <td>-</td> <td>382</td> <td>3\"/> <tr> <td>386</td> <td>ETR</td> <td>-</td> <td>WD.</td> <td>J2</td> <td>PTD.</td> <td>-</td> <td>382A</td> <td>3\"/> <tr> <td>387</td> <td>ETR</td> <td>-</td> <td>WD.</td> <td>J2</td> <td>PTD.</td> <td>-</td> <td>385</td> <td>3\"/> <tr> <td>388</td> <td>ETR</td> <td>-</td> <td>WD.</td> <td>J2</td> <td>PTD.</td> <td>-</td> <td>386</td> <td>3\"/> <tr> <td>389</td> <td>ETR</td> <td>-</td> <td>WD.</td> <td>J2</td> <td>PTD.</td> <td>-</td> <td>387</td> <td>3\"/> <tr> <td>391</td> <td>ETR</td> <td>-</td> <td>WD.</td> <td>J2</td> <td>PTD.</td> <td>-</td> <td>388</td> <td>3\"/> <tr> <td>391A</td> <td>ETR</td> <td>-</td> <td>WD.</td> <td>J2</td> <td>PTD.</td> <td>-</td> <td>389</td> <td>3\"/> <tr> <td>391B</td> <td>ETR</td> <td>-</td> <td>WD.</td> <td>J2</td> <td>PTD.</td> <td>-</td> <td>391</td> <td>3\"/> <tr> <td>394</td> <td>ETR</td> <td>-</td> <td>WD.</td> <td>J2</td> <td>PTD.</td> <td>-</td> <td>391A</td> <td>3\"/> <tr> <td>395</td> <td>ETR</td> <td>-</td> <td>WD.</td> <td>J2</td> <td>PTD.</td> <td>-</td> <td>391B</td> <td>3\"/> <tr> <td>396</td> <td>ETR</td> <td>-</td> <td>WD.</td> <td>J2</td> <td>PTD.</td> <td>-</td> <td>394</td> <td>3\"/> <tr> <td>398</td> <td>ETR</td> <td>-</td> <td>WD.</td> <td>J2</td> <td>PTD.</td> <td>-</td> <td>395</td> <td>3\"/> <tr> <td>399</td> <td>ETR</td> <td>-</td> <td>WD.</td> <td>J2</td> <td>PTD.</td> <td>-</td> <td>396</td> <td>3\"/> <tr> <td>3991</td> <td>ETR</td> <td>-</td> <td>WD.</td> <td>J2</td> <td>PTD.</td> <td>-</td> <td>398</td> <td>3\"/> <tr> <td>3992</td> <td>A</td> <td>3\"/> <tr> <td>3993</td> <td>ETR</td> <td>-</td> <td>WD.</td> <td>J2</td> <td>PTD.</td> <td>-</td> <td>399</td> <td>3\"/> <tr> <td>3994</td> <td>ETR</td> <td>-</td> <td>WD.</td> <td>J2</td> <td>PTD.</td> <td>-</td> <td>3991</td> <td>3\"/> <tr> <td>3995</td> <td>ETR</td> <td>-</td> <td>WD.</td> <td>J2</td> <td>PTD.</td> <td>-</td> <td>3992</td> <td>3\"/> <tr> <td>3997</td> <td>ETR</td> <td>-</td> <td>WD.</td> <td>J2</td> <td>PTD.</td> <td>-</td> <td>3993</td> <td>3\"/> <tr> <td>3998</td> <td>ETR</td> <td>-</td> <td>WD.</td> <td>J2</td> <td>PTD.</td> <td>-</td> <td>3994</td> <td>3\"/> <tr> <td>3999</td> <td>ETR</td> <td>-</td> <td>WD.</td> <td>J2</td> <td>PTD.</td> <td>-</td> <td>3995</td> <td>3\"/> <tr> <td>3999</td> <td>ETR</td> <td>-</td> <td>WD.</td> <td>J2</td> <td>PTD.</td> <td>-</td> <td>3997</td> <td>3\"/> </td></tr></td></tr></td></tr></td></tr></td></tr></td></tr></td></tr></td></tr></td></tr></td></tr></td></tr></td></tr></td></tr></td></tr></td></tr></td></tr></td></tr></td></tr></td></tr></td></tr></td></tr></td></tr></td></td></tr></td></tr></td></td></tr></td></td></tr></td></td></tr></td></td></tr></td></td></tr></td></td></tr></td></td></tr></td> | WD | J1 | PTD. | - | 374B | 3\"/> <tr> <td>376</td> <td>B</td> <td>1 <td>WD</td> <td>J1</td> <td>PTD.</td> <td>-</td> <td>374C</td> <td>3\"/> <tr> <td>377</td> <td>B</td> <td>1 <td>WD</td> <td>J1</td> <td>PTD.</td> <td>-</td> <td>375</td> <td>3\"/> <tr> <td>377A</td> <td>B</td> <td>1 <td>WD</td> <td>J1</td> <td>PTD.</td> <td>-</td> <td>376</td> <td>3\"/> <tr> <td>378</td> <td>B</td> <td>1 <td>WD</td> <td>J1</td> <td>PTD.</td> <td>-</td> <td>377</td> <td>3\"/> <tr> <td>379</td> <td>B</td> <td>1 <td>WD</td> <td>J1</td> <td>PTD.</td> <td>-</td> <td>377A</td> <td>3\"/> <tr> <td>380A</td> <td>B</td> <td>1 <td>WD</td> <td>J1</td> <td>PTD.</td> <td>-</td> <td>378</td> <td>3\"/> <tr> <td>380B</td> <td>B</td> <td>1 <td>WD</td> <td>J1</td> <td>PTD.</td> <td>-</td> <td>379</td> <td>3\"/> <tr> <td>382</td> <td>ETR</td> <td>-</td> <td>WD.</td> <td>J2</td> <td>PTD.</td> <td>-</td> <td>380A</td> <td>3\"/> <tr> <td>382A</td> <td>D</td> <td>6 <td>ALUM.</td> <td>ANODIZE D</td> <td>-</td> <td>-</td> <td>380B</td> <td>3\"/> <tr> <td>385</td> <td>ETR</td> <td>-</td> <td>WD.</td> <td>J2</td> <td>PTD.</td> <td>-</td> <td>382</td> <td>3\"/> <tr> <td>386</td> <td>ETR</td> <td>-</td> <td>WD.</td> <td>J2</td> <td>PTD.</td> <td>-</td> <td>382A</td> <td>3\"/> <tr> <td>387</td> <td>ETR</td> <td>-</td> <td>WD.</td> <td>J2</td> <td>PTD.</td> <td>-</td> <td>385</td> <td>3\"/> <tr> <td>388</td> <td>ETR</td> <td>-</td> <td>WD.</td> <td>J2</td> <td>PTD.</td> <td>-</td> <td>386</td> <td>3\"/> <tr> <td>389</td> <td>ETR</td> <td>-</td> <td>WD.</td> <td>J2</td> <td>PTD.</td> <td>-</td> <td>387</td> <td>3\"/> <tr> <td>391</td> <td>ETR</td> <td>-</td> <td>WD.</td> <td>J2</td> <td>PTD.</td> <td>-</td> <td>388</td> <td>3\"/> <tr> <td>391A</td> <td>ETR</td> <td>-</td> <td>WD.</td> <td>J2</td> <td>PTD.</td> <td>-</td> <td>389</td> <td>3\"/> <tr> <td>391B</td> <td>ETR</td> <td>-</td> <td>WD.</td> <td>J2</td> <td>PTD.</td> <td>-</td> <td>391</td> <td>3\"/> <tr> <td>394</td> <td>ETR</td> <td>-</td> <td>WD.</td> <td>J2</td> <td>PTD.</td> <td>-</td> <td>391A</td> <td>3\"/> <tr> <td>395</td> <td>ETR</td> <td>-</td> <td>WD.</td> <td>J2</td> <td>PTD.</td> <td>-</td> <td>391B</td> <td>3\"/> <tr> <td>396</td> <td>ETR</td> <td>-</td> <td>WD.</td> <td>J2</td> <td>PTD.</td> <td>-</td> <td>394</td> <td>3\"/> <tr> <td>398</td> <td>ETR</td> <td>-</td> <td>WD.</td> <td>J2</td> <td>PTD.</td> <td>-</td> <td>395</td> <td>3\"/> <tr> <td>399</td> <td>ETR</td> <td>-</td> <td>WD.</td> <td>J2</td> <td>PTD.</td> <td>-</td> <td>396</td> <td>3\"/> <tr> <td>3991</td> <td>ETR</td> <td>-</td> <td>WD.</td> <td>J2</td> <td>PTD.</td> <td>-</td> <td>398</td> <td>3\"/> <tr> <td>3992</td> <td>A</td> <td>3\"/> <tr> <td>3993</td> <td>ETR</td> <td>-</td> <td>WD.</td> <td>J2</td> <td>PTD.</td> <td>-</td> <td>399</td> <td>3\"/> <tr> <td>3994</td> <td>ETR</td> <td>-</td> <td>WD.</td> <td>J2</td> <td>PTD.</td> <td>-</td> <td>3991</td> <td>3\"/> <tr>
<td>3995</td> <td>ETR</td> <td>-</td> <td>WD.</td> <td>J2</td> <td>PTD.</td> <td>-</td> <td>3992</td> <td>3\"/> <tr> <td>3997</td> <td>ETR</td> <td>-</td> <td>WD.</td> <td>J2</td> <td>PTD.</td> <td>-</td> <td>3993</td> <td>3\"/> <tr> <td>3998</td> <td>ETR</td> <td>-</td> <td>WD.</td> <td>J2</td> <td>PTD.</td> <td>-</td> <td>3994</td> <td>3\"/> <tr> <td>3999</td> <td>ETR</td> <td>-</td> <td>WD.</td> <td>J2</td> <td>PTD.</td> <td>-</td> <td>3995</td> <td>3\"/> <tr> <td>3999</td> <td>ETR</td> <td>-</td> <td>WD.</td> <td>J2</td> <td>PTD.</td> <td>-</td> <td>3997</td> <td>3\"/> </td></tr></td></tr></td></tr></td></tr></td></tr></td></tr></td></tr></td></tr></td></tr></td></tr></td></tr></td></tr></td></tr></td></tr></td></tr></td></tr></td></tr></td></tr></td></tr></td></tr></td></tr></td></tr></td></td></tr></td></tr></td></td></tr></td></td></tr></td></td></tr></td></td></tr></td></td></tr></td></td></tr></td></td></tr> | 376 | B | 1 <td>WD</td> <td>J1</td> <td>PTD.</td> <td>-</td> <td>374C</td> <td>3\"/> <tr> <td>377</td> <td>B</td> <td>1 <td>WD</td> <td>J1</td> <td>PTD.</td> <td>-</td> <td>375</td> <td>3\"/> <tr> <td>377A</td> <td>B</td> <td>1 <td>WD</td> <td>J1</td> <td>PTD.</td> <td>-</td> <td>376</td> <td>3\"/> <tr> <td>378</td> <td>B</td> <td>1 <td>WD</td> <td>J1</td> <td>PTD.</td> <td>-</td> <td>377</td> <td>3\"/> <tr> <td>379</td> <td>B</td> <td>1 <td>WD</td> <td>J1</td> <td>PTD.</td> <td>-</td> <td>377A</td> <td>3\"/> <tr> <td>380A</td> <td>B</td> <td>1 <td>WD</td> <td>J1</td> <td>PTD.</td> <td>-</td> <td>378</td> <td>3\"/> <tr> <td>380B</td> <td>B</td> <td>1 <td>WD</td> <td>J1</td> <td>PTD.</td> <td>-</td> <td>379</td> <td>3\"/> <tr> <td>382</td> <td>ETR</td> <td>-</td> <td>WD.</td> <td>J2</td> <td>PTD.</td> <td>-</td> <td>380A</td> <td>3\"/> <tr> <td>382A</td> <td>D</td> <td>6 <td>ALUM.</td> <td>ANODIZE D</td> <td>-</td> <td>-</td> <td>380B</td> <td>3\"/> <tr> <td>385</td> <td>ETR</td> <td>-</td> <td>WD.</td> <td>J2</td> <td>PTD.</td> <td>-</td> <td>382</td> <td>3\"/> <tr> <td>386</td> <td>ETR</td> <td>-</td> <td>WD.</td> <td>J2</td> <td>PTD.</td> <td>-</td> <td>382A</td> <td>3\"/> <tr> <td>387</td> <td>ETR</td> <td>-</td> <td>WD.</td> <td>J2</td> <td>PTD.</td> <td>-</td> <td>385</td> <td>3\"/> <tr> <td>388</td> <td>ETR</td> <td>-</td> <td>WD.</td> <td>J2</td> <td>PTD.</td> <td>-</td> <td>386</td> <td>3\"/> <tr> <td>389</td> <td>ETR</td> <td>-</td> <td>WD.</td> <td>J2</td> <td>PTD.</td> <td>-</td> <td>387</td> <td>3\"/> <tr> <td>391</td> <td>ETR</td> <td>-</td> <td>WD.</td> <td>J2</td> <td>PTD.</td> <td>-</td> <td>388</td> <td>3\"/> <tr> <td>391A</td> <td>ETR</td> <td>-</td> <td>WD.</td> <td>J2</td> <td>PTD.</td> <td>-</td> <td>389</td> <td>3\"/> <tr> <td>391B</td> <td>ETR</td> <td>-</td> <td>WD.</td> <td>J2</td> <td>PTD.</td> <td>-</td> <td>391</td> <td>3\"/> <tr> <td>394</td> <td>ETR</td> <td>-</td> <td>WD.</td> <td>J2</td> <td>PTD.</td> <td>-</td> <td>391A</td> <td>3\"/> <tr> <td>395</td> <td>ETR</td> <td>-</td> <td>WD.</td> <td>J2</td> <td>PTD.</td> <td>-</td> <td>391B</td> <td>3\"/> <tr> <td>396</td> <td>ETR</td> <td>-</td> <td>WD.</td> <td>J2</td> <td>PTD.</td> <td>-</td> <td>394</td> <td>3\"/> <tr> <td>398</td> <td>ETR</td> <td>-</td> <td>WD.</td> <td>J2</td> <td>PTD.</td> <td>-</td> <td>395</td> <td>3\"/> <tr> <td>399</td> <td>ETR</td> <td>-</td> <td>WD.</td> <td>J2</td> <td>PTD.</td> <td>-</td> <td>396</td> <td>3\"/> <tr> <td>3991</td> <td>ETR</td> <td>-</td> <td>WD.</td> <td>J2</td> <td>PTD.</td> <td>-</td> <td>398</td> <td>3\"/> <tr> <td>3992</td> <td>A</td> <td>3\"/> <tr> <td>3993</td> <td>ETR</td> <td>-</td> <td>WD.</td> <td>J2</td> <td>PTD.</td> <td>-</td> <td>399</td> <td>3\"/> <tr> <td>3994</td> <td>ETR</td> <td>-</td> <td>WD.</td> <td>J2</td> <td>PTD.</td> <td>-</td> <td>3991</td> <td>3\"/> <tr> <td>3995</td> <td>ETR</td> <td>-</td> <td>WD.</td> <td>J2</td> <td>PTD.</td> <td>-</td> <td>3992</td> <td>3\"/> <tr> <td>3997</td> <td>ETR</td> <td>-</td> <td>WD.</td> <td>J2</td> <td>PTD.</td> <td>-</td> <td>3993</td> <td>3\"/> <tr> <td>3998</td> <td>ETR</td> <td>-</td> <td>WD.</td> <td>J2</td> <td>PTD.</td> <td>-</td> <td>3994</td> <td>3\"/> <tr> <td>3999</td> <td>ETR</td> <td>-</td> <td>WD.</td> <td>J2</td> <td>PTD.</td> <td>-</td> <td>3995</td> <td>3\"/> <tr> <td>3999</td> <td>ETR</td> <td>-</td> <td>WD.</td> <td>J2</td> <td>PTD.</td> <td>-</td> <td>3997</td> <td>3\"/> </td></tr></td></tr></td></tr></td></tr></td></tr></td></tr></td></tr></td></tr></td></tr></td></tr></td></tr></td></tr></td></tr></td></tr></td></tr></td></tr></td></tr></td></tr></td></tr></td></tr></td></tr></td></tr></td></td></tr></td></tr></td></td></tr></td></td></tr></td></td></tr></td></td></tr></td></td></tr></td></td></tr></td>
 | WD | J1 | PTD. | - | 374C | 3\"/> <tr> <td>377</td> <td>B</td> <td>1 <td>WD</td> <td>J1</td> <td>PTD.</td> <td>-</td> <td>375</td> <td>3\"/> <tr> <td>377A</td> <td>B</td> <td>1 <td>WD</td> <td>J1</td> <td>PTD.</td> <td>-</td> <td>376</td> <td>3\"/> <tr> <td>378</td> <td>B</td> <td>1 <td>WD</td> <td>J1</td> <td>PTD.</td> <td>-</td> <td>377</td> <td>3\"/> <tr> <td>379</td> <td>B</td> <td>1 <td>WD</td> <td>J1</td> <td>PTD.</td> <td>-</td> <td>377A</td> <td>3\"/> <tr> <td>380A</td> <td>B</td> <td>1 <td>WD</td> <td>J1</td> <td>PTD.</td> <td>-</td> <td>378</td> <td>3\"/> <tr> <td>380B</td> <td>B</td> <td>1 <td>WD</td> <td>J1</td> <td>PTD.</td> <td>-</td> <td>379</td> <td>3\"/> <tr> <td>382</td> <td>ETR</td> <td>-</td> <td>WD.</td> <td>J2</td> <td>PTD.</td> <td>-</td> <td>380A</td> <td>3\"/> <tr> <td>382A</td> <td>D</td> <td>6 <td>ALUM.</td> <td>ANODIZE D</td> <td>-</td> <td>-</td> <td>380B</td> <td>3\"/> <tr> <td>385</td> <td>ETR</td> <td>-</td> <td>WD.</td> <td>J2</td> <td>PTD.</td> <td>-</td> <td>382</td> <td>3\"/> <tr> <td>386</td> <td>ETR</td> <td>-</td> <td>WD.</td> <td>J2</td> <td>PTD.</td> <td>-</td> <td>382A</td> <td>3\"/> <tr> <td>387</td> <td>ETR</td> <td>-</td> <td>WD.</td> <td>J2</td> <td>PTD.</td> <td>-</td> <td>385</td> <td>3\"/> <tr> <td>388</td> <td>ETR</td> <td>-</td> <td>WD.</td> <td>J2</td> <td>PTD.</td> <td>-</td> <td>386</td> <td>3\"/> <tr> <td>389</td> <td>ETR</td> <td>-</td> <td>WD.</td> <td>J2</td> <td>PTD.</td> <td>-</td> <td>387</td> <td>3\"/> <tr> <td>391</td> <td>ETR</td> <td>-</td> <td>WD.</td> <td>J2</td> <td>PTD.</td> <td>-</td> <td>388</td> <td>3\"/> <tr> <td>391A</td> <td>ETR</td> <td>-</td> <td>WD.</td> <td>J2</td> <td>PTD.</td> <td>-</td> <td>389</td> <td>3\"/> <tr> <td>391B</td> <td>ETR</td> <td>-</td> <td>WD.</td> <td>J2</td> <td>PTD.</td> <td>-</td> <td>391</td> <td>3\"/> <tr> <td>394</td> <td>ETR</td> <td>-</td> <td>WD.</td> <td>J2</td> <td>PTD.</td> <td>-</td> <td>391A</td> <td>3\"/> <tr> <td>395</td> <td>ETR</td> <td>-</td> <td>WD.</td> <td>J2</td> <td>PTD.</td> <td>-</td> <td>391B</td> <td>3\"/> <tr> <td>396</td> <td>ETR</td> <td>-</td> <td>WD.</td> <td>J2</td> <td>PTD.</td> <td>-</td> <td>394</td> <td>3\"/> <tr> <td>398</td> <td>ETR</td> <td>-</td> <td>WD.</td> <td>J2</td> <td>PTD.</td> <td>-</td> <td>395</td> <td>3\"/> <tr> <td>399</td> <td>ETR</td> <td>-</td> <td>WD.</td> <td>J2</td> <td>PTD.</td> <td>-</td> <td>396</td> <td>3\"/> <tr> <td>3991</td> <td>ETR</td> <td>-</td> <td>WD.</td> <td>J2</td> <td>PTD.</td> <td>-</td> <td>398</td> <td>3\"/> <tr> <td>3992</td> <td>A</td> <td>3\"/> <tr> <td>3993</td> <td>ETR</td> <td>-</td> <td>WD.</td> <td>J2</td> <td>PTD.</td> <td>-</td> <td>399</td> <td>3\"/> <tr> <td>3994</td> <td>ETR</td> <td>-</td> <td>WD.</td> <td>J2</td> <td>PTD.</td> <td>-</td> <td>3991</td> <td>3\"/> <tr> <td>3995</td> <td>ETR</td> <td>-</td> <td>WD.</td> <td>J2</td> <td>PTD.</td> <td>-</td> <td>3992</td> <td>3\"/> <tr> <td>3997</td> <td>ETR</td> <td>-</td> <td>WD.</td> <td>J2</td> <td>PTD.</td> <td>-</td> <td>3993</td> <td>3\"/> <tr> <td>3998</td> <td>ETR</td> <td>-</td> <td>WD.</td> <td>J2</td> <td>PTD.</td> <td>-</td> <td>3994</td> <td>3\"/> <tr> <td>3999</td> <td>ETR</td> <td>-</td> <td>WD.</td> <td>J2</td> <td>PTD.</td> <td>-</td> <td>3995</td> <td>3\"/> <tr> <td>3999</td> <td>ETR</td> <td>-</td> <td>WD.</td> <td>J2</td> <td>PTD.</td> <td>-</td> <td>3997</td> <td>3\"/> </td></tr></td></tr></td></tr></td></tr></td></tr></td></tr></td></tr></td></tr></td></tr></td></tr></td></tr></td></tr></td></tr></td></tr></td></tr></td></tr></td></tr></td></tr></td></tr></td></tr></td></tr></td></tr></td></td></tr></td></tr></td></td></tr></td></td></tr></td></td></tr></td></td></tr></td></td></tr></td></td></tr> | 377 | B | 1 <td>WD</td> <td>J1</td> <td>PTD.</td> <td>-</td> <td>375</td> <td>3\"/> <tr> <td>377A</td> <td>B</td> <td>1 <td>WD</td> <td>J1</td> <td>PTD.</td> <td>-</td> <td>376</td> <td>3\"/> <tr> <td>378</td> <td>B</td> <td>1 <td>WD</td> <td>J1</td> <td>PTD.</td> <td>-</td> <td>377</td> <td>3\"/> <tr> <td>379</td> <td>B</td> <td>1 <td>WD</td> <td>J1</td> <td>PTD.</td> <td>-</td> <td>377A</td> <td>3\"/> <tr> <td>380A</td> <td>B</td> <td>1 <td>WD</td> <td>J1</td> <td>PTD.</td> <td>-</td> <td>378</td> <td>3\"/> <tr> <td>380B</td> <td>B</td> <td>1 <td>WD</td> <td>J1</td> <td>PTD.</td> <td>-</td> <td>379</td> <td>3\"/> <tr> <td>382</td> <td>ETR</td> <td>-</td> <td>WD.</td> <td>J2</td> <td>PTD.</td> <td>-</td> <td>380A</td> <td>3\"/> <tr> <td>382A</td> <td>D</td> <td>6 <td>ALUM.</td> <td>ANODIZE D</td> <td>-</td> <td>-</td> <td>380B</td> <td>3\"/> <tr> <td>385</td> <td>ETR</td> <td>-</td> <td>WD.</td> <td>J2</td> <td>PTD.</td> <td>-</td> <td>382</td> <td>3\"/> <tr> <td>386</td> <td>ETR</td> <td>-</td> <td>WD.</td> <td>J2</td> <td>PTD.</td> <td>-</td> <td>382A</td> <td>3\"/> <tr> <td>387</td> <td>ETR</td> <td>-</td> <td>WD.</td> <td>J2</td> <td>PTD.</td> <td>-</td> <td>385</td> <td>3\"/> <tr> <td>388</td> <td>ETR</td> <td>-</td> <td>WD.</td> <td>J2</td> <td>PTD.</td> <td>-</td> <td>386</td> <td>3\"/> <tr> <td>389</td> <td>ETR</td> <td>-</td> <td>WD.</td> <td>J2</td> <td>PTD.</td> <td>-</td> <td>387</td> <td>3\"/> <tr> <td>391</td> <td>ETR</td> <td>-</td> <td>WD.</td> <td>J2</td> <td>PTD.</td> <td>-</td> <td>388</td> <td>3\"/> <tr> <td>391A</td> <td>ETR</td> <td>-</td> <td>WD.</td> <td>J2</td> <td>PTD.</td> <td>-</td> <td>389</td> <td>3\"/> <tr> <td>391B</td> <td>ETR</td> <td>-</td> <td>WD.</td> <td>J2</td> <td>PTD.</td> <td>-</td> <td>391</td> <td>3\"/> <tr> <td>394</td> <td>ETR</td> <td>-</td> <td>WD.</td> <td>J2</td> <td>PTD.</td> <td>-</td> <td>391A</td> <td>3\"/> <tr> <td>395</td> <td>ETR</td> <td>-</td> <td>WD.</td> <td>J2</td> <td>PTD.</td> <td>-</td> <td>391B</td> <td>3\"/> <tr> <td>396</td> <td>ETR</td> <td>-</td> <td>WD.</td> <td>J2</td> <td>PTD.</td> <td>-</td> <td>394</td> <td>3\"/> <tr> <td>398</td> <td>ETR</td> <td>-</td> <td>WD.</td> <td>J2</td> <td>PTD.</td> <td>-</td> <td>395</td> <td>3\"/> <tr> <td>399</td> <td>ETR</td> <td>-</td> <td>WD.</td> <td>J2</td> <td>PTD.</td> <td>-</td> <td>396</td> <td>3\"/> <tr> <td>3991</td> <td>ETR</td> <td>-</td> <td>WD.</td> <td>J2</td> <td>PTD.</td> <td>-</td> <td>398</td> <td>3\"/> <tr> <td>3992</td> <td>A</td> <td>3\"/> <tr> <td>3993</td> <td>ETR</td> <td>-</td> <td>WD.</td> <td>J2</td> <td>PTD.</td>
<td>-</td> <td>399</td> <td>3\"/> <tr> <td>3994</td> <td>ETR</td> <td>-</td> <td>WD.</td> <td>J2</td> <td>PTD.</td> <td>-</td> <td>3991</td> <td>3\"/> <tr> <td>3995</td> <td>ETR</td> <td>-</td> <td>WD.</td> <td>J2</td> <td>PTD.</td> <td>-</td> <td>3992</td> <td>3\"/> <tr> <td>3997</td> <td>ETR</td> <td>-</td> <td>WD.</td> <td>J2</td> <td>PTD.</td> <td>-</td> <td>3993</td> <td>3\"/> <tr> <td>3998</td> <td>ETR</td> <td>-</td> <td>WD.</td> <td>J2</td> <td>PTD.</td> <td>-</td> <td>3994</td> <td>3\"/> <tr> <td>3999</td> <td>ETR</td> <td>-</td> <td>WD.</td> <td>J2</td> <td>PTD.</td> <td>-</td> <td>3995</td> <td>3\"/> <tr> <td>3999</td> <td>ETR</td> <td>-</td> <td>WD.</td> <td>J2</td> <td>PTD.</td> <td>-</td> <td>3997</td> <td>3\"/> </td></tr></td></tr></td></tr></td></tr></td></tr></td></tr></td></tr></td></tr></td></tr></td></tr></td></tr></td></tr></td></tr></td></tr></td></tr></td></tr></td></tr></td></tr></td></tr></td></tr></td></tr></td></tr></td></td></tr></td></tr></td></td></tr></td></td></tr></td></td></tr></td></td></tr></td></td></tr></td> | WD | J1 | PTD. | - | 375 | 3\"/> <tr> <td>377A</td> <td>B</td> <td>1 <td>WD</td> <td>J1</td> <td>PTD.</td> <td>-</td> <td>376</td> <td>3\"/> <tr> <td>378</td> <td>B</td> <td>1 <td>WD</td> <td>J1</td> <td>PTD.</td> <td>-</td> <td>377</td> <td>3\"/> <tr> <td>379</td> <td>B</td> <td>1 <td>WD</td> <td>J1</td> <td>PTD.</td> <td>-</td> <td>377A</td> <td>3\"/> <tr> <td>380A</td> <td>B</td> <td>1 <td>WD</td> <td>J1</td> <td>PTD.</td> <td>-</td> <td>378</td> <td>3\"/> <tr> <td>380B</td> <td>B</td> <td>1 <td>WD</td> <td>J1</td> <td>PTD.</td> <td>-</td> <td>379</td> <td>3\"/> <tr> <td>382</td> <td>ETR</td> <td>-</td> <td>WD.</td> <td>J2</td> <td>PTD.</td> <td>-</td> <td>380A</td> <td>3\"/> <tr> <td>382A</td> <td>D</td> <td>6 <td>ALUM.</td> <td>ANODIZE D</td> <td>-</td> <td>-</td> <td>380B</td> <td>3\"/> <tr> <td>385</td> <td>ETR</td> <td>-</td> <td>WD.</td> <td>J2</td> <td>PTD.</td> <td>-</td> <td>382</td> <td>3\"/> <tr> <td>386</td> <td>ETR</td> <td>-</td> <td>WD.</td> <td>J2</td> <td>PTD.</td> <td>-</td> <td>382A</td> <td>3\"/> <tr> <td>387</td> <td>ETR</td> <td>-</td> <td>WD.</td> <td>J2</td> <td>PTD.</td> <td>-</td> <td>385</td> <td>3\"/> <tr> <td>388</td> <td>ETR</td> <td>-</td> <td>WD.</td> <td>J2</td> <td>PTD.</td> <td>-</td> <td>386</td> <td>3\"/> <tr> <td>389</td> <td>ETR</td> <td>-</td> <td>WD.</td> <td>J2</td> <td>PTD.</td> <td>-</td> <td>387</td> <td>3\"/> <tr> <td>391</td> <td>ETR</td> <td>-</td> <td>WD.</td> <td>J2</td> <td>PTD.</td> <td>-</td> <td>388</td> <td>3\"/> <tr> <td>391A</td> <td>ETR</td> <td>-</td> <td>WD.</td> <td>J2</td> <td>PTD.</td> <td>-</td> <td>389</td> <td>3\"/> <tr> <td>391B</td> <td>ETR</td> <td>-</td> <td>WD.</td> <td>J2</td> <td>PTD.</td> <td>-</td> <td>391</td> <td>3\"/> <tr> <td>394</td> <td>ETR</td> <td>-</td> <td>WD.</td> <td>J2</td> <td>PTD.</td> <td>-</td> <td>391A</td> <td>3\"/> <tr> <td>395</td> <td>ETR</td> <td>-</td> <td>WD.</td> <td>J2</td> <td>PTD.</td> <td>-</td> <td>391B</td> <td>3\"/> <tr> <td>396</td> <td>ETR</td> <td>-</td> <td>WD.</td> <td>J2</td> <td>PTD.</td> <td>-</td> <td>394</td> <td>3\"/> <tr> <td>398</td> <td>ETR</td> <td>-</td> <td>WD.</td> <td>J2</td> <td>PTD.</td> <td>-</td> <td>395</td> <td>3\"/> <tr> <td>399</td> <td>ETR</td> <td>-</td> <td>WD.</td> <td>J2</td> <td>PTD.</td> <td>-</td> <td>396</td> <td>3\"/> <tr> <td>3991</td> <td>ETR</td> <td>-</td> <td>WD.</td> <td>J2</td> <td>PTD.</td> <td>-</td> <td>398</td> <td>3\"/> <tr> <td>3992</td> <td>A</td> <td>3\"/> <tr> <td>3993</td> <td>ETR</td> <td>-</td> <td>WD.</td> <td>J2</td> <td>PTD.</td> <td>-</td> <td>399</td> <td>3\"/> <tr> <td>3994</td> <td>ETR</td> <td>-</td> <td>WD.</td> <td>J2</td> <td>PTD.</td> <td>-</td> <td>3991</td> <td>3\"/> <tr> <td>3995</td> <td>ETR</td> <td>-</td> <td>WD.</td> <td>J2</td> <td>PTD.</td> <td>-</td> <td>3992</td> <td>3\"/> <tr> <td>3997</td> <td>ETR</td> <td>-</td> <td>WD.</td> <td>J2</td> <td>PTD.</td> <td>-</td> <td>3993</td> <td>3\"/> <tr> <td>3998</td> <td>ETR</td> <td>-</td> <td>WD.</td> <td>J2</td> <td>PTD.</td> <td>-</td> <td>3994</td> <td>3\"/> <tr> <td>3999</td> <td>ETR</td> <td>-</td> <td>WD.</td> <td>J2</td> <td>PTD.</td> <td>-</td> <td>3995</td> <td>3\"/> <tr> <td>3999</td> <td>ETR</td> <td>-</td> <td>WD.</td> <td>J2</td> <td>PTD.</td> <td>-</td> <td>3997</td> <td>3\"/> </td></tr></td></tr></td></tr></td></tr></td></tr></td></tr></td></tr></td></tr></td></tr></td></tr></td></tr></td></tr></td></tr></td></tr></td></tr></td></tr></td></tr></td></tr></td></tr></td></tr></td></tr></td></tr></td></td></tr></td></tr></td></td></tr></td></td></tr></td></td></tr></td></td></tr></td></td></tr>
 | 377A | B | 1 <td>WD</td> <td>J1</td> <td>PTD.</td> <td>-</td> <td>376</td> <td>3\"/> <tr> <td>378</td> <td>B</td> <td>1 <td>WD</td> <td>J1</td> <td>PTD.</td> <td>-</td> <td>377</td> <td>3\"/> <tr> <td>379</td> <td>B</td> <td>1 <td>WD</td> <td>J1</td> <td>PTD.</td> <td>-</td> <td>377A</td> <td>3\"/> <tr> <td>380A</td> <td>B</td> <td>1 <td>WD</td> <td>J1</td> <td>PTD.</td> <td>-</td> <td>378</td> <td>3\"/> <tr> <td>380B</td> <td>B</td> <td>1 <td>WD</td> <td>J1</td> <td>PTD.</td> <td>-</td> <td>379</td> <td>3\"/> <tr> <td>382</td> <td>ETR</td> <td>-</td> <td>WD.</td> <td>J2</td> <td>PTD.</td> <td>-</td> <td>380A</td> <td>3\"/> <tr> <td>382A</td> <td>D</td> <td>6 <td>ALUM.</td> <td>ANODIZE D</td> <td>-</td> <td>-</td> <td>380B</td> <td>3\"/> <tr> <td>385</td> <td>ETR</td> <td>-</td> <td>WD.</td> <td>J2</td> <td>PTD.</td> <td>-</td> <td>382</td> <td>3\"/> <tr> <td>386</td> <td>ETR</td> <td>-</td> <td>WD.</td> <td>J2</td> <td>PTD.</td> <td>-</td> <td>382A</td> <td>3\"/> <tr> <td>387</td> <td>ETR</td> <td>-</td> <td>WD.</td> <td>J2</td> <td>PTD.</td> <td>-</td> <td>385</td> <td>3\"/> <tr> <td>388</td> <td>ETR</td> <td>-</td> <td>WD.</td> <td>J2</td> <td>PTD.</td> <td>-</td> <td>386</td> <td>3\"/> <tr> <td>389</td> <td>ETR</td> <td>-</td> <td>WD.</td> <td>J2</td> <td>PTD.</td> <td>-</td> <td>387</td> <td>3\"/> <tr> <td>391</td> <td>ETR</td> <td>-</td> <td>WD.</td> <td>J2</td> <td>PTD.</td> <td>-</td> <td>388</td> <td>3\"/> <tr> <td>391A</td> <td>ETR</td> <td>-</td> <td>WD.</td> <td>J2</td> <td>PTD.</td> <td>-</td> <td>389</td> <td>3\"/> <tr> <td>391B</td> <td>ETR</td> <td>-</td> <td>WD.</td> <td>J2</td> <td>PTD.</td> <td>-</td> <td>391</td> <td>3\"/> <tr> <td>394</td> <td>ETR</td> <td>-</td> <td>WD.</td> <td>J2</td> <td>PTD.</td> <td>-</td> <td>391A</td> <td>3\"/> <tr> <td>395</td> <td>ETR</td> <td>-</td> <td>WD.</td> <td>J2</td> <td>PTD.</td> <td>-</td> <td>391B</td> <td>3\"/> <tr> <td>396</td> <td>ETR</td> <td>-</td> <td>WD.</td> <td>J2</td> <td>PTD.</td> <td>-</td> <td>394</td> <td>3\"/> <tr> <td>398</td> <td>ETR</td> <td>-</td> <td>WD.</td> <td>J2</td> <td>PTD.</td> <td>-</td> <td>395</td> <td>3\"/> <tr> <td>399</td> <td>ETR</td> <td>-</td> <td>WD.</td> <td>J2</td> <td>PTD.</td> <td>-</td> <td>396</td> <td>3\"/> <tr> <td>3991</td> <td>ETR</td> <td>-</td> <td>WD.</td> <td>J2</td> <td>PTD.</td> <td>-</td> <td>398</td> <td>3\"/> <tr> <td>3992</td> <td>A</td> <td>3\"/> <tr> <td>3993</td> <td>ETR</td> <td>-</td> <td>WD.</td> <td>J2</td> <td>PTD.</td> <td>-</td> <td>399</td> <td>3\"/> <tr> <td>3994</td> <td>ETR</td> <td>-</td> <td>WD.</td> <td>J2</td> <td>PTD.</td> <td>-</td> <td>3991</td> <td>3\"/> <tr> <td>3995</td> <td>ETR</td> <td>-</td> <td>WD.</td> <td>J2</td> <td>PTD.</td> <td>-</td> <td>3992</td> <td>3\"/> <tr> <td>3997</td> <td>ETR</td> <td>-</td> <td>WD.</td> <td>J2</td> <td>PTD.</td> <td>-</td> <td>3993</td> <td>3\"/> <tr> <td>3998</td> <td>ETR</td> <td>-</td> <td>WD.</td> <td>J2</td> <td>PTD.</td> <td>-</td> <td>3994</td> <td>3\"/> <tr> <td>3999</td> <td>ETR</td> <td>-</td> <td>WD.</td> <td>J2</td> <td>PTD.</td> <td>-</td> <td>3995</td> <td>3\"/> <tr> <td>3999</td> <td>ETR</td> <td>-</td> <td>WD.</td> <td>J2</td> <td>PTD.</td> <td>-</td> <td>3997</td> <td>3\"/> </td></tr></td></tr></td></tr></td></tr></td></tr></td></tr></td></tr></td></tr></td></tr></td></tr></td></tr></td></tr></td></tr></td></tr></td></tr></td></tr></td></tr></td></tr></td></tr></td></tr></td></tr></td></tr></td></td></tr></td></tr></td></td></tr></td></td></tr></td></td></tr></td></td></tr></td> | WD | J1 | PTD. | - | 376 | 3\"/> <tr> <td>378</td> <td>B</td> <td>1 <td>WD</td> <td>J1</td> <td>PTD.</td> <td>-</td> <td>377</td> <td>3\"/> <tr> <td>379</td> <td>B</td> <td>1 <td>WD</td> <td>J1</td> <td>PTD.</td> <td>-</td> <td>377A</td> <td>3\"/> <tr> <td>380A</td> <td>B</td> <td>1 <td>WD</td> <td>J1</td> <td>PTD.</td> <td>-</td> <td>378</td> <td>3\"/> <tr> <td>380B</td> <td>B</td> <td>1 <td>WD</td> <td>J1</td> <td>PTD.</td> <td>-</td> <td>379</td> <td>3\"/> <tr> <td>382</td> <td>ETR</td> <td>-</td> <td>WD.</td> <td>J2</td> <td>PTD.</td> <td>-</td> <td>380A</td> <td>3\"/> <tr> <td>382A</td> <td>D</td> <td>6 <td>ALUM.</td> <td>ANODIZE D</td> <td>-</td> <td>-</td> <td>380B</td> <td>3\"/> <tr> <td>385</td> <td>ETR</td> <td>-</td> <td>WD.</td> <td>J2</td> <td>PTD.</td> <td>-</td> <td>382</td> <td>3\"/> <tr> <td>386</td> <td>ETR</td> <td>-</td> <td>WD.</td> <td>J2</td> <td>PTD.</td> <td>-</td> <td>382A</td> <td>3\"/> <tr> <td>387</td> <td>ETR</td> <td>-</td> <td>WD.</td> <td>J2</td> <td>PTD.</td> <td>-</td> <td>385</td> <td>3\"/> <tr> <td>388</td> <td>ETR</td> <td>-</td> <td>WD.</td> <td>J2</td> <td>PTD.</td> <td>-</td> <td>386</td> <td>3\"/> <tr> <td>389</td> <td>ETR</td> <td>-</td> <td>WD.</td> <td>J2</td> <td>PTD.</td> <td>-</td> <td>387</td> <td>3\"/> <tr> <td>391</td> <td>ETR</td> <td>-</td> <td>WD.</td> <td>J2</td> <td>PTD.</td> <td>-</td> <td>388</td> <td>3\"/> <tr> <td>391A</td> <td>ETR</td> <td>-</td> <td>WD.</td> <td>J2</td> <td>PTD.</td> <td>-</td> <td>389</td> <td>3\"/> <tr> <td>391B</td> <td>ETR</td> <td>-</td> <td>WD.</td> <td>J2</td> <td>PTD.</td> <td>-</td> <td>391</td> <td>3\"/> <tr> <td>394</td> <td>ETR</td> <td>-</td> <td>WD.</td> <td>J2</td> <td>PTD.</td> <td>-</td> <td>391A</td> <td>3\"/> <tr> <td>395</td> <td>ETR</td> <td>-</td> <td>WD.</td> <td>J2</td> <td>PTD.</td> <td>-</td> <td>391B</td> <td>3\"/> <tr> <td>396</td> <td>ETR</td> <td>-</td> <td>WD.</td> <td>J2</td> <td>PTD.</td> <td>-</td> <td>394</td> <td>3\"/> <tr> <td>398</td> <td>ETR</td> <td>-</td> <td>WD.</td> <td>J2</td> <td>PTD.</td> <td>-</td> <td>395</td> <td>3\"/> <tr> <td>399</td> <td>ETR</td> <td>-</td> <td>WD.</td> <td>J2</td> <td>PTD.</td> <td>-</td> <td>396</td> <td>3\"/> <tr> <td>3991</td> <td>ETR</td> <td>-</td> <td>WD.</td> <td>J2</td> <td>PTD.</td> <td>-</td> <td>398</td> <td>3\"/> <tr> <td>3992</td> <td>A</td> <td>3\"/> <tr> <td>3993</td> <td>ETR</td> <td>-</td> <td>WD.</td> <td>J2</td> <td>PTD.</td> <td>-</td> <td>399</td> <td>3\"/> <tr> <td>3994</td> <td>ETR</td> <td>-</td> <td>WD.</td> <td>J2</td> <td>PTD.</td> <td>-</td> <td>3991</td> <td>3\"/> <tr> <td>3995</td> <td>ETR</td> <td>-</td> <td>WD.</td> <td>J2</td> <td>PTD.</td> <td>-</td> <td>3992</td> <td>3\"/> <tr> <td>3997</td> <td>ETR</td> <td>-</td> <td>WD.</td> <td>J2</td>
<td>PTD.</td> <td>-</td> <td>3993</td> <td>3\"/> <tr> <td>3998</td> <td>ETR</td> <td>-</td> <td>WD.</td> <td>J2</td> <td>PTD.</td> <td>-</td> <td>3994</td> <td>3\"/> <tr> <td>3999</td> <td>ETR</td> <td>-</td> <td>WD.</td> <td>J2</td> <td>PTD.</td> <td>-</td> <td>3995</td> <td>3\"/> <tr> <td>3999</td> <td>ETR</td> <td>-</td> <td>WD.</td> <td>J2</td> <td>PTD.</td> <td>-</td> <td>3997</td> <td>3\"/> </td></tr></td></tr></td></tr></td></tr></td></tr></td></tr></td></tr></td></tr></td></tr></td></tr></td></tr></td></tr></td></tr></td></tr></td></tr></td></tr></td></tr></td></tr></td></tr></td></tr></td></tr></td></tr></td></td></tr></td></tr></td></td></tr></td></td></tr></td></td></tr></td></td></tr> | 378 | B | 1 <td>WD</td> <td>J1</td> <td>PTD.</td> <td>-</td> <td>377</td> <td>3\"/> <tr> <td>379</td> <td>B</td> <td>1 <td>WD</td> <td>J1</td> <td>PTD.</td> <td>-</td> <td>377A</td> <td>3\"/> <tr> <td>380A</td> <td>B</td> <td>1 <td>WD</td> <td>J1</td> <td>PTD.</td> <td>-</td> <td>378</td> <td>3\"/> <tr> <td>380B</td> <td>B</td> <td>1 <td>WD</td> <td>J1</td> <td>PTD.</td> <td>-</td> <td>379</td> <td>3\"/> <tr> <td>382</td> <td>ETR</td> <td>-</td> <td>WD.</td> <td>J2</td> <td>PTD.</td> <td>-</td> <td>380A</td> <td>3\"/> <tr> <td>382A</td> <td>D</td> <td>6 <td>ALUM.</td> <td>ANODIZE D</td> <td>-</td> <td>-</td> <td>380B</td> <td>3\"/> <tr> <td>385</td> <td>ETR</td> <td>-</td> <td>WD.</td> <td>J2</td> <td>PTD.</td> <td>-</td> <td>382</td> <td>3\"/> <tr> <td>386</td> <td>ETR</td> <td>-</td> <td>WD.</td> <td>J2</td> <td>PTD.</td> <td>-</td> <td>382A</td> <td>3\"/> <tr> <td>387</td> <td>ETR</td> <td>-</td> <td>WD.</td> <td>J2</td> <td>PTD.</td> <td>-</td> <td>385</td> <td>3\"/> <tr> <td>388</td> <td>ETR</td> <td>-</td> <td>WD.</td> <td>J2</td> <td>PTD.</td> <td>-</td> <td>386</td> <td>3\"/> <tr> <td>389</td> <td>ETR</td> <td>-</td> <td>WD.</td> <td>J2</td> <td>PTD.</td> <td>-</td> <td>387</td> <td>3\"/> <tr> <td>391</td> <td>ETR</td> <td>-</td> <td>WD.</td> <td>J2</td> <td>PTD.</td> <td>-</td> <td>388</td> <td>3\"/> <tr> <td>391A</td> <td>ETR</td> <td>-</td> <td>WD.</td> <td>J2</td> <td>PTD.</td> <td>-</td> <td>389</td> <td>3\"/> <tr> <td>391B</td> <td>ETR</td> <td>-</td> <td>WD.</td> <td>J2</td> <td>PTD.</td> <td>-</td> <td>391</td> <td>3\"/> <tr> <td>394</td> <td>ETR</td> <td>-</td> <td>WD.</td> <td>J2</td> <td>PTD.</td> <td>-</td> <td>391A</td> <td>3\"/> <tr> <td>395</td> <td>ETR</td> <td>-</td> <td>WD.</td> <td>J2</td> <td>PTD.</td> <td>-</td> <td>391B</td> <td>3\"/> <tr> <td>396</td> <td>ETR</td> <td>-</td> <td>WD.</td> <td>J2</td> <td>PTD.</td> <td>-</td> <td>394</td> <td>3\"/> <tr> <td>398</td> <td>ETR</td> <td>-</td> <td>WD.</td> <td>J2</td> <td>PTD.</td> <td>-</td> <td>395</td> <td>3\"/> <tr> <td>399</td> <td>ETR</td> <td>-</td> <td>WD.</td> <td>J2</td> <td>PTD.</td> <td>-</td> <td>396</td> <td>3\"/> <tr> <td>3991</td> <td>ETR</td> <td>-</td> <td>WD.</td> <td>J2</td> <td>PTD.</td> <td>-</td> <td>398</td> <td>3\"/> <tr> <td>3992</td> <td>A</td> <td>3\"/> <tr> <td>3993</td> <td>ETR</td> <td>-</td> <td>WD.</td> <td>J2</td> <td>PTD.</td> <td>-</td> <td>399</td> <td>3\"/> <tr> <td>3994</td> <td>ETR</td> <td>-</td> <td>WD.</td> <td>J2</td> <td>PTD.</td> <td>-</td> <td>3991</td> <td>3\"/> <tr> <td>3995</td> <td>ETR</td> <td>-</td> <td>WD.</td> <td>J2</td> <td>PTD.</td> <td>-</td> <td>3992</td> <td>3\"/> <tr> <td>3997</td> <td>ETR</td> <td>-</td> <td>WD.</td> <td>J2</td> <td>PTD.</td> <td>-</td> <td>3993</td> <td>3\"/> <tr> <td>3998</td> <td>ETR</td> <td>-</td> <td>WD.</td> <td>J2</td> <td>PTD.</td> <td>-</td> <td>3994</td> <td>3\"/> <tr> <td>3999</td> <td>ETR</td> <td>-</td> <td>WD.</td> <td>J2</td> <td>PTD.</td> <td>-</td> <td>3995</td> <td>3\"/> <tr> <td>3999</td> <td>ETR</td> <td>-</td> <td>WD.</td> <td>J2</td> <td>PTD.</td> <td>-</td> <td>3997</td> <td>3\"/> </td></tr></td></tr></td></tr></td></tr></td></tr></td></tr></td></tr></td></tr></td></tr></td></tr></td></tr></td></tr></td></tr></td></tr></td></tr></td></tr></td></tr></td></tr></td></tr></td></tr></td></tr></td></tr></td></td></tr></td></tr></td></td></tr></td></td></tr></td></td></tr></td> | WD | J1
 PTD. | - | 377 | 3\"/> <tr> <td>379</td> <td>B</td> <td>1 <td>WD</td> <td>J1</td> <td>PTD.</td> <td>-</td> <td>377A</td> <td>3\"/> <tr> <td>380A</td> <td>B</td> <td>1 <td>WD</td> <td>J1</td> <td>PTD.</td> <td>-</td> <td>378</td> <td>3\"/> <tr> <td>380B</td> <td>B</td> <td>1 <td>WD</td> <td>J1</td> <td>PTD.</td> <td>-</td> <td>379</td> <td>3\"/> <tr> <td>382</td> <td>ETR</td> <td>-</td> <td>WD.</td> <td>J2</td> <td>PTD.</td> <td>-</td> <td>380A</td> <td>3\"/> <tr> <td>382A</td> <td>D</td> <td>6 <td>ALUM.</td> <td>ANODIZE D</td> <td>-</td> <td>-</td> <td>380B</td> <td>3\"/> <tr> <td>385</td> <td>ETR</td> <td>-</td> <td>WD.</td> <td>J2</td> <td>PTD.</td> <td>-</td> <td>382</td> <td>3\"/> <tr> <td>386</td> <td>ETR</td> <td>-</td> <td>WD.</td> <td>J2</td> <td>PTD.</td> <td>-</td> <td>382A</td> <td>3\"/> <tr> <td>387</td> <td>ETR</td> <td>-</td> <td>WD.</td> <td>J2</td> <td>PTD.</td> <td>-</td> <td>385</td> <td>3\"/> <tr> <td>388</td> <td>ETR</td> <td>-</td> <td>WD.</td> <td>J2</td> <td>PTD.</td> <td>-</td> <td>386</td> <td>3\"/> <tr> <td>389</td> <td>ETR</td> <td>-</td> <td>WD.</td> <td>J2</td> <td>PTD.</td> <td>-</td> <td>387</td> <td>3\"/> <tr> <td>391</td> <td>ETR</td> <td>-</td> <td>WD.</td> <td>J2</td> <td>PTD.</td> <td>-</td> <td>388</td> <td>3\"/> <tr> <td>391A</td> <td>ETR</td> <td>-</td> <td>WD.</td> <td>J2</td> <td>PTD.</td> <td>-</td> <td>389</td> <td>3\"/> <tr> <td>391B</td> <td>ETR</td> <td>-</td> <td>WD.</td> <td>J2</td> <td>PTD.</td> <td>-</td> <td>391</td> <td>3\"/> <tr> <td>394</td> <td>ETR</td> <td>-</td> <td>WD.</td> <td>J2</td> <td>PTD.</td> <td>-</td> <td>391A</td> <td>3\"/> <tr> <td>395</td> <td>ETR</td> <td>-</td> <td>WD.</td> <td>J2</td> <td>PTD.</td> <td>-</td> <td>391B</td> <td>3\"/> <tr> <td>396</td> <td>ETR</td> <td>-</td> <td>WD.</td> <td>J2</td> <td>PTD.</td> <td>-</td> <td>394</td> <td>3\"/> <tr> <td>398</td> <td>ETR</td> <td>-</td> <td>WD.</td> <td>J2</td> <td>PTD.</td> <td>-</td> <td>395</td> <td>3\"/> <tr> <td>399</td> <td>ETR</td> <td>-</td> <td>WD.</td> <td>J2</td> <td>PTD.</td> <td>-</td> <td>396</td> <td>3\"/> <tr> <td>3991</td> <td>ETR</td> <td>-</td> <td>WD.</td> <td>J2</td> <td>PTD.</td> <td>-</td> <td>398</td> <td>3\"/> <tr> <td>3992</td> <td>A</td> <td>3\"/> <tr> <td>3993</td> <td>ETR</td> <td>-</td> <td>WD.</td> <td>J2</td> <td>PTD.</td> <td>-</td> <td>399</td> <td>3\"/> <tr> <td>3994</td> <td>ETR</td> <td>-</td> <td>WD.</td> <td>J2</td> <td>PTD.</td> <td>-</td> <td>3991</td> <td>3\"/> <tr> <td>3995</td> <td>ETR</td> <td>-</td> <td>WD.</td> <td>J2</td> <td>PTD.</td> <td>-</td> <td>3992</td> <td>3\"/> <tr> <td>3997</td> <td>ETR</td> <td>-</td> <td>WD.</td> <td>J2</td> <td>PTD.</td> <td>-</td> <td>3993</td> <td>3\"/> <tr> <td>3998</td> <td>ETR</td> <td>-</td> <td>WD.</td> <td>J2</td> <td>PTD.</td> <td>-</td> <td>3994</td> <td>3\"/> <tr> <td>3999</td> <td>ETR</td> <td>-</td> <td>WD.</td> <td>J2</td> <td>PTD.</td> <td>-</td> <td>3995</td> <td>3\"/> <tr> <td>3999</td> <td>ETR</td> <td>-</td> <td>WD.</td> <td>J2</td> <td>PTD.</td> <td>-</td> <td>3997</td> <td>3\"/> </td></tr></td></tr></td></tr></td></tr></td></tr></td></tr></td></tr></td></tr></td></tr></td></tr></td></tr></td></tr></td></tr></td></tr></td></tr></td></tr></td></tr></td></tr></td></tr></td></tr></td></tr></td></tr></td></td></tr></td></tr></td></td></tr></td></td></tr></td></td></tr> | 379 | B | 1 <td>WD</td> <td>J1</td> <td>PTD.</td> <td>-</td> <td>377A</td> <td>3\"/> <tr> <td>380A</td> <td>B</td> <td>1 <td>WD</td> <td>J1</td> <td>PTD.</td> <td>-</td> <td>378</td> <td>3\"/> <tr> <td>380B</td> <td>B</td> <td>1 <td>WD</td> <td>J1</td> <td>PTD.</td> <td>-</td> <td>379</td> <td>3\"/> <tr> <td>382</td> <td>ETR</td> <td>-</td> <td>WD.</td> <td>J2</td> <td>PTD.</td> <td>-</td> <td>380A</td> <td>3\"/> <tr> <td>382A</td> <td>D</td> <td>6 <td>ALUM.</td> <td>ANODIZE D</td> <td>-</td> <td>-</td> <td>380B</td> <td>3\"/> <tr> <td>385</td> <td>ETR</td> <td>-</td> <td>WD.</td> <td>J2</td> <td>PTD.</td> <td>-</td> <td>382</td> <td>3\"/> <tr> <td>386</td> <td>ETR</td> <td>-</td> <td>WD.</td> <td>J2</td> <td>PTD.</td> <td>-</td> <td>382A</td> <td>3\"/> <tr> <td>387</td> <td>ETR</td> <td>-</td> <td>WD.</td> <td>J2</td> <td>PTD.</td> <td>-</td> <td>385</td> <td>3\"/> <tr> <td>388</td> <td>ETR</td> <td>-</td> <td>WD.</td> <td>J2</td> <td>PTD.</td> <td>-</td> <td>386</td> <td>3\"/> <tr> <td>389</td> <td>ETR</td> <td>-</td> <td>WD.</td> <td>J2</td> <td>PTD.</td> <td>-</td> <td>387</td> <td>3\"/> <tr> <td>391</td> <td>ETR</td> <td>-</td> <td>WD.</td> <td>J2</td> <td>PTD.</td> <td>-</td> <td>388</td> <td>3\"/> <tr> <td>391A</td> <td>ETR</td> <td>-</td> <td>WD.</td> <td>J2</td> <td>PTD.</td> <td>-</td> <td>389</td> <td>3\"/> <tr> <td>391B</td> <td>ETR</td> <td>-</td> <td>WD.</td> <td>J2</td> <td>PTD.</td> <td>-</td> <td>391</td> <td>3\"/> <tr> <td>394</td> <td>ETR</td> <td>-</td> <td>WD.</td> <td>J2</td> <td>PTD.</td> <td>-</td> <td>391A</td> <td>3\"/> <tr> <td>395</td> <td>ETR</td> <td>-</td> <td>WD.</td> <td>J2</td> <td>PTD.</td> <td>-</td> <td>391B</td> <td>3\"/> <tr> <td>396</td> <td>ETR</td> <td>-</td> <td>WD.</td> <td>J2</td> <td>PTD.</td> <td>-</td> <td>394</td> <td>3\"/> <tr> <td>398</td> <td>ETR</td> <td>-</td> <td>WD.</td> <td>J2</td> <td>PTD.</td> <td>-</td> <td>395</td> <td>3\"/> <tr> <td>399</td> <td>ETR</td> <td>-</td> <td>WD.</td> <td>J2</td> <td>PTD.</td> <td>-</td> <td>396</td> <td>3\"/> <tr> <td>3991</td> <td>ETR</td> <td>-</td> <td>WD.</td> <td>J2</td> <td>PTD.</td> <td>-</td> <td>398</td> <td>3\"/> <tr> <td>3992</td> <td>A</td> <td>3\"/> <tr> <td>3993</td> <td>ETR</td> <td>-</td> <td>WD.</td> <td>J2</td> <td>PTD.</td> <td>-</td> <td>399</td> <td>3\"/> <tr> <td>3994</td> <td>ETR</td> <td>-</td> <td>WD.</td> <td>J2</td> <td>PTD.</td> <td>-</td> <td>3991</td> <td>3\"/> <tr> <td>3995</td> <td>ETR</td> <td>-</td> <td>WD.</td> <td>J2</td> <td>PTD.</td> <td>-</td> <td>3992</td> <td>3\"/> <tr> <td>3997</td> <td>ETR</td> <td>-</td> <td>WD.</td> <td>J2</td> <td>PTD.</td> <td>-</td> <td>3993</td> <td>3\"/> <tr> <td>3998</td> <td>ETR</td> <td>-</td> <td>WD.</td> <td>J2</td> <td>PTD.</td> <td>-</td> <td>3994</td> <td>3\"/> <tr> <td>3999</td> <td>ETR</td> <td>-</td> <td>WD.</td> <td>J2</td> <td>PTD.</td> <td>-</td> <td>3995</td> <td>3\"/> <tr> <td>3999</td> <td>ETR</td> <td>-</td> <td>WD.</td> <td>J2</td> <td>PTD.</td> <td>-</td> <td>3997</td> <td>3\"/> </td></tr></td></tr></td></tr></td></tr></td></tr></td></tr></td></tr></td></tr></td></tr></td></tr></td></tr></td></tr></td></tr></td></tr></td></tr></td></tr></td></tr></td></tr></td></tr></td></tr></td></tr></td></tr></td></td></tr></td></tr></td></td></tr></td></td></tr></td>
 | WD | J1 | PTD. | - | 377A | 3\"/> <tr> <td>380A</td> <td>B</td> <td>1 <td>WD</td> <td>J1</td> <td>PTD.</td> <td>-</td> <td>378</td> <td>3\"/> <tr> <td>380B</td> <td>B</td> <td>1 <td>WD</td> <td>J1</td> <td>PTD.</td> <td>-</td> <td>379</td> <td>3\"/> <tr> <td>382</td> <td>ETR</td> <td>-</td> <td>WD.</td> <td>J2</td> <td>PTD.</td> <td>-</td> <td>380A</td> <td>3\"/> <tr> <td>382A</td> <td>D</td> <td>6 <td>ALUM.</td> <td>ANODIZE D</td> <td>-</td> <td>-</td> <td>380B</td> <td>3\"/> <tr> <td>385</td> <td>ETR</td> <td>-</td> <td>WD.</td> <td>J2</td> <td>PTD.</td> <td>-</td> <td>382</td> <td>3\"/> <tr> <td>386</td> <td>ETR</td> <td>-</td> <td>WD.</td> <td>J2</td> <td>PTD.</td> <td>-</td> <td>382A</td> <td>3\"/> <tr> <td>387</td> <td>ETR</td> <td>-</td> <td>WD.</td> <td>J2</td> <td>PTD.</td> <td>-</td> <td>385</td> <td>3\"/> <tr> <td>388</td> <td>ETR</td> <td>-</td> <td>WD.</td> <td>J2</td> <td>PTD.</td> <td>-</td> <td>386</td> <td>3\"/> <tr> <td>389</td> <td>ETR</td> <td>-</td> <td>WD.</td> <td>J2</td> <td>PTD.</td> <td>-</td> <td>387</td> <td>3\"/> <tr> <td>391</td> <td>ETR</td> <td>-</td> <td>WD.</td> <td>J2</td> <td>PTD.</td> <td>-</td> <td>388</td> <td>3\"/> <tr> <td>391A</td> <td>ETR</td> <td>-</td> <td>WD.</td> <td>J2</td> <td>PTD.</td> <td>-</td> <td>389</td> <td>3\"/> <tr> <td>391B</td> <td>ETR</td> <td>-</td> <td>WD.</td> <td>J2</td> <td>PTD.</td> <td>-</td> <td>391</td> <td>3\"/> <tr> <td>394</td> <td>ETR</td> <td>-</td> <td>WD.</td> <td>J2</td> <td>PTD.</td> <td>-</td> <td>391A</td> <td>3\"/> <tr> <td>395</td> <td>ETR</td> <td>-</td> <td>WD.</td> <td>J2</td> <td>PTD.</td> <td>-</td> <td>391B</td> <td>3\"/> <tr> <td>396</td> <td>ETR</td> <td>-</td> <td>WD.</td> <td>J2</td> <td>PTD.</td> <td>-</td> <td>394</td> <td>3\"/> <tr> <td>398</td> <td>ETR</td> <td>-</td> <td>WD.</td> <td>J2</td> <td>PTD.</td> <td>-</td> <td>395</td> <td>3\"/> <tr> <td>399</td> <td>ETR</td> <td>-</td> <td>WD.</td> <td>J2</td> <td>PTD.</td> <td>-</td> <td>396</td> <td>3\"/> <tr> <td>3991</td> <td>ETR</td> <td>-</td> <td>WD.</td> <td>J2</td> <td>PTD.</td> <td>-</td> <td>398</td> <td>3\"/> <tr> <td>3992</td> <td>A</td> <td>3\"/> <tr> <td>3993</td> <td>ETR</td> <td>-</td> <td>WD.</td> <td>J2</td> <td>PTD.</td> <td>-</td> <td>399</td> <td>3\"/> <tr> <td>3994</td> <td>ETR</td> <td>-</td> <td>WD.</td> <td>J2</td> <td>PTD.</td> <td>-</td> <td>3991</td> <td>3\"/> <tr> <td>3995</td> <td>ETR</td> <td>-</td> <td>WD.</td> <td>J2</td> <td>PTD.</td> <td>-</td> <td>3992</td> <td>3\"/> <tr> <td>3997</td> <td>ETR</td> <td>-</td> <td>WD.</td> <td>J2</td> <td>PTD.</td> <td>-</td> <td>3993</td> <td>3\"/> <tr> <td>3998</td> <td>ETR</td> <td>-</td> <td>WD.</td> <td>J2</td> <td>PTD.</td> <td>-</td> <td>3994</td> <td>3\"/> <tr> <td>3999</td> <td>ETR</td> <td>-</td> <td>WD.</td> <td>J2</td> <td>PTD.</td> <td>-</td> <td>3995</td> <td>3\"/> <tr> <td>3999</td> <td>ETR</td> <td>-</td> <td>WD.</td> <td>J2</td> <td>PTD.</td> <td>-</td> <td>3997</td> <td>3\"/> </td></tr></td></tr></td></tr></td></tr></td></tr></td></tr></td></tr></td></tr></td></tr></td></tr></td></tr></td></tr></td></tr></td></tr></td></tr></td></tr></td></tr></td></tr></td></tr></td></tr></td></tr></td></tr></td></td></tr></td></tr></td></td></tr></td></td></tr> | 380A | B | 1 <td>WD</td> <td>J1</td> <td>PTD.</td> <td>-</td> <td>378</td> <td>3\"/> <tr> <td>380B</td> <td>B</td> <td>1 <td>WD</td> <td>J1</td> <td>PTD.</td> <td>-</td> <td>379</td> <td>3\"/> <tr> <td>382</td> <td>ETR</td> <td>-</td> <td>WD.</td> <td>J2</td> <td>PTD.</td> <td>-</td> <td>380A</td> <td>3\"/> <tr> <td>382A</td> <td>D</td> <td>6 <td>ALUM.</td> <td>ANODIZE D</td> <td>-</td> <td>-</td> <td>380B</td> <td>3\"/> <tr> <td>385</td> <td>ETR</td> <td>-</td> <td>WD.</td> <td>J2</td> <td>PTD.</td> <td>-</td> <td>382</td> <td>3\"/> <tr> <td>386</td> <td>ETR</td> <td>-</td> <td>WD.</td> <td>J2</td> <td>PTD.</td> <td>-</td> <td>382A</td> <td>3\"/> <tr> <td>387</td> <td>ETR</td> <td>-</td> <td>WD.</td> <td>J2</td> <td>PTD.</td> <td>-</td> <td>385</td> <td>3\"/> <tr> <td>388</td> <td>ETR</td> <td>-</td> <td>WD.</td> <td>J2</td> <td>PTD.</td> <td>-</td> <td>386</td> <td>3\"/> <tr> <td>389</td> <td>ETR</td> <td>-</td> <td>WD.</td> <td>J2</td> <td>PTD.</td> <td>-</td> <td>387</td> <td>3\"/> <tr> <td>391</td> <td>ETR</td> <td>-</td> <td>WD.</td> <td>J2</td> <td>PTD.</td> <td>-</td> <td>388</td> <td>3\"/> <tr> <td>391A</td> <td>ETR</td> <td>-</td> <td>WD.</td> <td>J2</td>
<td>PTD.</td> <td>-</td> <td>389</td> <td>3\"/> <tr> <td>391B</td> <td>ETR</td> <td>-</td> <td>WD.</td> <td>J2</td> <td>PTD.</td> <td>-</td> <td>391</td> <td>3\"/> <tr> <td>394</td> <td>ETR</td> <td>-</td> <td>WD.</td> <td>J2</td> <td>PTD.</td> <td>-</td> <td>391A</td> <td>3\"/> <tr> <td>395</td> <td>ETR</td> <td>-</td> <td>WD.</td> <td>J2</td> <td>PTD.</td> <td>-</td> <td>391B</td> <td>3\"/> <tr> <td>396</td> <td>ETR</td> <td>-</td> <td>WD.</td> <td>J2</td> <td>PTD.</td> <td>-</td> <td>394</td> <td>3\"/> <tr> <td>398</td> <td>ETR</td> <td>-</td> <td>WD.</td> <td>J2</td> <td>PTD.</td> <td>-</td> <td>395</td> <td>3\"/> <tr> <td>399</td> <td>ETR</td> <td>-</td> <td>WD.</td> <td>J2</td> <td>PTD.</td> <td>-</td> <td>396</td> <td>3\"/> <tr> <td>3991</td> <td>ETR</td> <td>-</td> <td>WD.</td> <td>J2</td> <td>PTD.</td> <td>-</td> <td>398</td> <td>3\"/> <tr> <td>3992</td> <td>A</td> <td>3\"/> <tr> <td>3993</td> <td>ETR</td> <td>-</td> <td>WD.</td> <td>J2</td> <td>PTD.</td> <td>-</td> <td>399</td> <td>3\"/> <tr> <td>3994</td> <td>ETR</td> <td>-</td> <td>WD.</td> <td>J2</td> <td>PTD.</td> <td>-</td> <td>3991</td> <td>3\"/> <tr> <td>3995</td> <td>ETR</td> <td>-</td> <td>WD.</td> <td>J2</td> <td>PTD.</td> <td>-</td> <td>3992</td> <td>3\"/> <tr> <td>3997</td> <td>ETR</td> <td>-</td> <td>WD.</td> <td>J2</td> <td>PTD.</td> <td>-</td> <td>3993</td> <td>3\"/> <tr> <td>3998</td> <td>ETR</td> <td>-</td> <td>WD.</td> <td>J2</td> <td>PTD.</td> <td>-</td> <td>3994</td> <td>3\"/> <tr> <td>3999</td> <td>ETR</td> <td>-</td> <td>WD.</td> <td>J2</td> <td>PTD.</td> <td>-</td> <td>3995</td> <td>3\"/> <tr> <td>3999</td> <td>ETR</td> <td>-</td> <td>WD.</td> <td>J2</td> <td>PTD.</td> <td>-</td> <td>3997</td> <td>3\"/> </td></tr></td></tr></td></tr></td></tr></td></tr></td></tr></td></tr></td></tr></td></tr></td></tr></td></tr></td></tr></td></tr></td></tr></td></tr></td></tr></td></tr></td></tr></td></tr></td></tr></td></tr></td></tr></td></td></tr></td></tr></td></td></tr></td> | WD | J1 | PTD. | - | 378 | 3\"/> <tr> <td>380B</td> <td>B</td> <td>1 <td>WD</td> <td>J1</td> <td>PTD.</td> <td>-</td> <td>379</td> <td>3\"/> <tr> <td>382</td> <td>ETR</td> <td>-</td> <td>WD.</td> <td>J2</td> <td>PTD.</td> <td>-</td> <td>380A</td> <td>3\"/> <tr> <td>382A</td> <td>D</td> <td>6 <td>ALUM.</td> <td>ANODIZE D</td> <td>-</td> <td>-</td> <td>380B</td> <td>3\"/> <tr> <td>385</td> <td>ETR</td> <td>-</td> <td>WD.</td> <td>J2</td> <td>PTD.</td> <td>-</td> <td>382</td> <td>3\"/> <tr> <td>386</td> <td>ETR</td> <td>-</td> <td>WD.</td> <td>J2</td> <td>PTD.</td> <td>-</td> <td>382A</td> <td>3\"/> <tr> <td>387</td> <td>ETR</td> <td>-</td> <td>WD.</td> <td>J2</td> <td>PTD.</td> <td>-</td> <td>385</td> <td>3\"/> <tr> <td>388</td> <td>ETR</td> <td>-</td> <td>WD.</td> <td>J2</td> <td>PTD.</td> <td>-</td> <td>386</td> <td>3\"/> <tr> <td>389</td> <td>ETR</td> <td>-</td> <td>WD.</td> <td>J2</td> <td>PTD.</td> <td>-</td> <td>387</td> <td>3\"/> <tr> <td>391</td> <td>ETR</td> <td>-</td> <td>WD.</td> <td>J2</td> <td>PTD.</td> <td>-</td> <td>388</td> <td>3\"/> <tr> <td>391A</td> <td>ETR</td> <td>-</td> <td>WD.</td> <td>J2</td> <td>PTD.</td> <td>-</td> <td>389</td> <td>3\"/> <tr> <td>391B</td> <td>ETR</td> <td>-</td> <td>WD.</td> <td>J2</td> <td>PTD.</td> <td>-</td> <td>391</td> <td>3\"/> <tr> <td>394</td> <td>ETR</td> <td>-</td> <td>WD.</td> <td>J2</td> <td>PTD.</td> <td>-</td> <td>391A</td> <td>3\"/> <tr> <td>395</td> <td>ETR</td> <td>-</td> <td>WD.</td> <td>J2</td> <td>PTD.</td> <td>-</td> <td>391B</td> <td>3\"/> <tr> <td>396</td> <td>ETR</td> <td>-</td> <td>WD.</td> <td>J2</td> <td>PTD.</td> <td>-</td> <td>394</td> <td>3\"/> <tr> <td>398</td> <td>ETR</td> <td>-</td> <td>WD.</td> <td>J2</td> <td>PTD.</td> <td>-</td> <td>395</td> <td>3\"/> <tr> <td>399</td> <td>ETR</td> <td>-</td> <td>WD.</td> <td>J2</td> <td>PTD.</td> <td>-</td> <td>396</td> <td>3\"/> <tr> <td>3991</td> <td>ETR</td> <td>-</td> <td>WD.</td> <td>J2</td> <td>PTD.</td> <td>-</td> <td>398</td> <td>3\"/> <tr> <td>3992</td> <td>A</td> <td>3\"/> <tr> <td>3993</td> <td>ETR</td> <td>-</td> <td>WD.</td> <td>J2</td> <td>PTD.</td> <td>-</td> <td>399</td> <td>3\"/> <tr> <td>3994</td> <td>ETR</td> <td>-</td> <td>WD.</td> <td>J2</td> <td>PTD.</td> <td>-</td> <td>3991</td> <td>3\"/> <tr> <td>3995</td> <td>ETR</td> <td>-</td> <td>WD.</td> <td>J2</td> <td>PTD.</td> <td>-</td> <td>3992</td> <td>3\"/> <tr> <td>3997</td> <td>ETR</td> <td>-</td> <td>WD.</td> <td>J2</td> <td>PTD.</td> <td>-</td> <td>3993</td> <td>3\"/> <tr> <td>3998</td> <td>ETR</td> <td>-</td> <td>WD.</td> <td>J2</td> <td>PTD.</td> <td>-</td> <td>3994</td> <td>3\"/> <tr> <td>3999</td> <td>ETR</td> <td>-</td> <td>WD.</td> <td>J2</td> <td>PTD.</td> <td>-</td> <td>3995</td> <td>3\"/> <tr> <td>3999</td> <td>ETR</td> <td>-</td> <td>WD.</td> <td>J2</td> <td>PTD.</td> <td>-</td> <td>3997</td> <td>3\"/> </td></tr></td></tr></td></tr></td></tr></td></tr></td></tr></td></tr></td></tr></td></tr></td></tr></td></tr></td></tr></td></tr></td></tr></td></tr></td></tr></td></tr></td></tr></td></tr></td></tr></td></tr></td></tr></td></td></tr></td></tr></td></td></tr>
 | 380B | B | 1 <td>WD</td> <td>J1</td> <td>PTD.</td> <td>-</td> <td>379</td> <td>3\"/> <tr> <td>382</td> <td>ETR</td> <td>-</td> <td>WD.</td> <td>J2</td> <td>PTD.</td> <td>-</td> <td>380A</td> <td>3\"/> <tr> <td>382A</td> <td>D</td> <td>6 <td>ALUM.</td> <td>ANODIZE D</td> <td>-</td> <td>-</td> <td>380B</td> <td>3\"/> <tr> <td>385</td> <td>ETR</td> <td>-</td> <td>WD.</td> <td>J2</td> <td>PTD.</td> <td>-</td> <td>382</td> <td>3\"/> <tr> <td>386</td> <td>ETR</td> <td>-</td> <td>WD.</td> <td>J2</td> <td>PTD.</td> <td>-</td> <td>382A</td> <td>3\"/> <tr> <td>387</td> <td>ETR</td> <td>-</td> <td>WD.</td> <td>J2</td> <td>PTD.</td> <td>-</td> <td>385</td> <td>3\"/> <tr> <td>388</td> <td>ETR</td> <td>-</td> <td>WD.</td> <td>J2</td> <td>PTD.</td> <td>-</td> <td>386</td> <td>3\"/> <tr> <td>389</td> <td>ETR</td> <td>-</td> <td>WD.</td> <td>J2</td> <td>PTD.</td> <td>-</td> <td>387</td> <td>3\"/> <tr> <td>391</td> <td>ETR</td> <td>-</td> <td>WD.</td> <td>J2</td> <td>PTD.</td> <td>-</td> <td>388</td> <td>3\"/> <tr> <td>391A</td> <td>ETR</td> <td>-</td> <td>WD.</td> <td>J2</td> <td>PTD.</td> <td>-</td> <td>389</td> <td>3\"/> <tr> <td>391B</td> <td>ETR</td> <td>-</td> <td>WD.</td> <td>J2</td> <td>PTD.</td> <td>-</td> <td>391</td> <td>3\"/> <tr> <td>394</td> <td>ETR</td> <td>-</td> <td>WD.</td> <td>J2</td> <td>PTD.</td> <td>-</td> <td>391A</td> <td>3\"/> <tr> <td>395</td> <td>ETR</td> <td>-</td> <td>WD.</td> <td>J2</td> <td>PTD.</td> <td>-</td> <td>391B</td> <td>3\"/> <tr> <td>396</td> <td>ETR</td> <td>-</td> <td>WD.</td> <td>J2</td> <td>PTD.</td> <td>-</td> <td>394</td> <td>3\"/> <tr> <td>398</td> <td>ETR</td> <td>-</td> <td>WD.</td> <td>J2</td> <td>PTD.</td> <td>-</td> <td>395</td> <td>3\"/> <tr> <td>399</td> <td>ETR</td> <td>-</td> <td>WD.</td> <td>J2</td> <td>PTD.</td> <td>-</td> <td>396</td> <td>3\"/> <tr> <td>3991</td> <td>ETR</td> <td>-</td> <td>WD.</td> <td>J2</td> <td>PTD.</td> <td>-</td> <td>398</td> <td>3\"/> <tr> <td>3992</td> <td>A</td> <td>3\"/> <tr> <td>3993</td> <td>ETR</td> <td>-</td> <td>WD.</td> <td>J2</td> <td>PTD.</td> <td>-</td> <td>399</td> <td>3\"/> <tr> <td>3994</td> <td>ETR</td> <td>-</td> <td>WD.</td> <td>J2</td> <td>PTD.</td> <td>-</td> <td>3991</td> <td>3\"/> <tr> <td>3995</td> <td>ETR</td> <td>-</td> <td>WD.</td> <td>J2</td> <td>PTD.</td> <td>-</td> <td>3992</td> <td>3\"/> <tr> <td>3997</td> <td>ETR</td> <td>-</td> <td>WD.</td> <td>J2</td> <td>PTD.</td> <td>-</td> <td>3993</td> <td>3\"/> <tr> <td>3998</td> <td>ETR</td> <td>-</td> <td>WD.</td> <td>J2</td> <td>PTD.</td> <td>-</td> <td>3994</td> <td>3\"/> <tr> <td>3999</td> <td>ETR</td> <td>-</td> <td>WD.</td> <td>J2</td> <td>PTD.</td> <td>-</td> <td>3995</td> <td>3\"/> <tr> <td>3999</td> <td>ETR</td> <td>-</td> <td>WD.</td> <td>J2</td> <td>PTD.</td> <td>-</td> <td>3997</td> <td>3\"/> </td></tr></td></tr></td></tr></td></tr></td></tr></td></tr></td></tr></td></tr></td></tr></td></tr></td></tr></td></tr></td></tr></td></tr></td></tr></td></tr></td></tr></td></tr></td></tr></td></tr></td></tr></td></tr></td></td></tr></td></tr></td> | WD | J1 | PTD. | - | 379 | 3\"/> <tr> <td>382</td> <td>ETR</td> <td>-</td> <td>WD.</td> <td>J2</td> <td>PTD.</td> <td>-</td> <td>380A</td> <td>3\"/> <tr> <td>382A</td> <td>D</td> <td>6 <td>ALUM.</td> <td>ANODIZE D</td> <td>-</td> <td>-</td> <td>380B</td> <td>3\"/> <tr> <td>385</td> <td>ETR</td> <td>-</td> <td>WD.</td> <td>J2</td> <td>PTD.</td> <td>-</td> <td>382</td> <td>3\"/> <tr> <td>386</td> <td>ETR</td> <td>-</td> <td>WD.</td> <td>J2</td> <td>PTD.</td> <td>-</td> <td>382A</td> <td>3\"/> <tr> <td>387</td> <td>ETR</td> <td>-</td> <td>WD.</td> <td>J2</td> <td>PTD.</td> <td>-</td> <td>385</td> <td>3\"/> <tr> <td>388</td> <td>ETR</td> <td>-</td> <td>WD.</td> <td>J2</td> <td>PTD.</td> <td>-</td> <td>386</td> <td>3\"/> <tr> <td>389</td> <td>ETR</td> <td>-</td> <td>WD.</td> <td>J2</td> <td>PTD.</td> <td>-</td> <td>387</td> <td>3\"/> <tr> <td>391</td> <td>ETR</td> <td>-</td> <td>WD.</td> <td>J2</td> <td>PTD.</td> <td>-</td> <td>388</td> <td>3\"/> <tr> <td>391A</td> <td>ETR</td> <td>-</td> <td>WD.</td> <td>J2</td> <td>PTD.</td> <td>-</td> <td>389</td> <td>3\"/> <tr> <td>391B</td> <td>ETR</td> <td>-</td> <td>WD.</td> <td>J2</td> <td>PTD.</td> <td>-</td> <td>391</td> <td>3\"/> <tr> <td>394</td> <td>ETR</td> <td>-</td> <td>WD.</td> <td>J2</td> <td>PTD.</td> <td>-</td> <td>391A</td> <td>3\"/> <tr> <td>395</td> <td>ETR</td> <td>-</td> <td>WD.</td> <td>J2</td> <td>PTD.</td> <td>-</td> <td>391B</td> <td>3\"/> <tr> <td>396</td> <td>ETR</td> <td>-</td> <td>WD.</td> <td>J2</td> <td>PTD.</td> <td>-</td> <td>394</td> <td>3\"/> <tr> <td>398</td> <td>ETR</td> <td>-</td> <td>WD.</td> <td>J2</td> <td>PTD.</td> <td>-</td> <td>395</td> <td>3\"/> <tr> <td>399</td> <td>ETR</td> <td>-</td> <td>WD.</td> <td>J2</td> <td>PTD.</td> <td>-</td> <td>396</td> <td>3\"/> <tr> <td>3991</td> <td>ETR</td> <td>-</td> <td>WD.</td> <td>J2</td> <td>PTD.</td> <td>-</td> <td>398</td> <td>3\"/> <tr> <td>3992</td> <td>A</td> <td>3\"/> <tr> <td>3993</td> <td>ETR</td> <td>-</td> <td>WD.</td> <td>J2</td> <td>PTD.</td> <td>-</td> <td>399</td> <td>3\"/> <tr> <td>3994</td> <td>ETR</td> <td>-</td> <td>WD.</td> <td>J2</td> <td>PTD.</td> <td>-</td> <td>3991</td> <td>3\"/> <tr> <td>3995</td> <td>ETR</td> <td>-</td> <td>WD.</td> <td>J2</td> <td>PTD.</td> <td>-</td> <td>3992</td> <td>3\"/> <tr> <td>3997</td> <td>ETR</td> <td>-</td> <td>WD.</td> <td>J2</td> <td>PTD.</td> <td>-</td> <td>3993</td> <td>3\"/> <tr> <td>3998</td> <td>ETR</td> <td>-</td> <td>WD.</td> <td>J2</td> <td>PTD.</td> <td>-</td> <td>3994</td> <td>3\"/> <tr> <td>3999</td> <td>ETR</td> <td>-</td> <td>WD.</td> <td>J2</td> <td>PTD.</td> <td>-</td> <td>3995</td> <td>3\"/> <tr> <td>3999</td> <td>ETR</td> <td>-</td> <td>WD.</td> <td>J2</td> <td>PTD.</td> <td>-</td> <td>3997</td> <td>3\"/>
</td></tr></td></tr></td></tr></td></tr></td></tr></td></tr></td></tr></td></tr></td></tr></td></tr></td></tr></td></tr></td></tr></td></tr></td></tr></td></tr></td></tr></td></tr></td></tr></td></tr></td></tr></td></tr></td></td></tr></td></tr> | 382 | ETR | - | WD. | J2 | PTD. | - | 380A | 3\"/> <tr> <td>382A</td> <td>D</td> <td>6 <td>ALUM.</td> <td>ANODIZE D</td> <td>-</td> <td>-</td> <td>380B</td> <td>3\"/> <tr> <td>385</td> <td>ETR</td> <td>-</td> <td>WD.</td> <td>J2</td> <td>PTD.</td> <td>-</td> <td>382</td> <td>3\"/> <tr> <td>386</td> <td>ETR</td> <td>-</td> <td>WD.</td> <td>J2</td> <td>PTD.</td> <td>-</td> <td>382A</td> <td>3\"/> <tr> <td>387</td> <td>ETR</td> <td>-</td> <td>WD.</td> <td>J2</td> <td>PTD.</td> <td>-</td> <td>385</td> <td>3\"/> <tr> <td>388</td> <td>ETR</td> <td>-</td> <td>WD.</td> <td>J2</td> <td>PTD.</td> <td>-</td> <td>386</td> <td>3\"/> <tr> <td>389</td> <td>ETR</td> <td>-</td> <td>WD.</td> <td>J2</td> <td>PTD.</td> <td>-</td> <td>387</td> <td>3\"/> <tr> <td>391</td> <td>ETR</td> <td>-</td> <td>WD.</td> <td>J2</td> <td>PTD.</td> <td>-</td> <td>388</td> <td>3\"/> <tr> <td>391A</td> <td>ETR</td> <td>-</td> <td>WD.</td> <td>J2</td> <td>PTD.</td> <td>-</td> <td>389</td> <td>3\"/> <tr> <td>391B</td>
<td>ETR</td> <td>-</td> <td>WD.</td> <td>J2</td> <td>PTD.</td> <td>-</td> <td>391</td> <td>3\"/> <tr> <td>394</td> <td>ETR</td> <td>-</td> <td>WD.</td> <td>J2</td> <td>PTD.</td> <td>-</td> <td>391A</td> <td>3\"/> <tr> <td>395</td> <td>ETR</td> <td>-</td> <td>WD.</td> <td>J2</td> <td>PTD.</td> <td>-</td> <td>391B</td> <td>3\"/> <tr> <td>396</td> <td>ETR</td> <td>-</td> <td>WD.</td> <td>J2</td> <td>PTD.</td> <td>-</td> <td>394</td> <td>3\"/> <tr> <td>398</td> <td>ETR</td> <td>-</td> <td>WD.</td> <td>J2</td> <td>PTD.</td> <td>-</td> <td>395</td> <td>3\"/> <tr> <td>399</td> <td>ETR</td> <td>-</td> <td>WD.</td> <td>J2</td> <td>PTD.</td> <td>-</td> <td>396</td> <td>3\"/> <tr> <td>3991</td> <td>ETR</td> <td>-</td> <td>WD.</td> <td>J2</td> <td>PTD.</td> <td>-</td> <td>398</td> <td>3\"/> <tr> <td>3992</td> <td>A</td> <td>3\"/> <tr> <td>3993</td> <td>ETR</td> <td>-</td> <td>WD.</td> <td>J2</td> <td>PTD.</td> <td>-</td> <td>399</td> <td>3\"/> <tr> <td>3994</td> <td>ETR</td> <td>-</td> <td>WD.</td> <td>J2</td> <td>PTD.</td> <td>-</td> <td>3991</td> <td>3\"/> <tr> <td>3995</td> <td>ETR</td> <td>-</td> <td>WD.</td> <td>J2</td> <td>PTD.</td> <td>-</td> <td>3992</td> <td>3\"/> <tr> <td>3997</td> <td>ETR</td> <td>-</td> <td>WD.</td> <td>J2</td> <td>PTD.</td> <td>-</td> <td>3993</td> <td>3\"/> <tr> <td>3998</td> <td>ETR</td> <td>-</td> <td>WD.</td> <td>J2</td> <td>PTD.</td> <td>-</td> <td>3994</td> <td>3\"/> <tr> <td>3999</td> <td>ETR</td> <td>-</td> <td>WD.</td> <td>J2</td> <td>PTD.</td> <td>-</td> <td>3995</td> <td>3\"/> <tr> <td>3999</td> <td>ETR</td> <td>-</td> <td>WD.</td> <td>J2</td> <td>PTD.</td> <td>-</td> <td>3997</td> <td>3\"/> </td></tr></td></tr></td></tr></td></tr></td></tr></td></tr></td></tr></td></tr></td></tr></td></tr></td></tr></td></tr></td></tr></td></tr></td></tr></td></tr></td></tr></td></tr></td></tr></td></tr></td></tr></td></tr></td></td></tr> | 382A | D | 6 <td>ALUM.</td> <td>ANODIZE D</td> <td>-</td> <td>-</td> <td>380B</td> <td>3\"/> <tr> <td>385</td> <td>ETR</td> <td>-</td> <td>WD.</td> <td>J2</td> <td>PTD.</td> <td>-</td> <td>382</td> <td>3\"/> <tr> <td>386</td> <td>ETR</td> <td>-</td> <td>WD.</td> <td>J2</td> <td>PTD.</td> <td>-</td> <td>382A</td> <td>3\"/> <tr> <td>387</td> <td>ETR</td> <td>-</td> <td>WD.</td> <td>J2</td> <td>PTD.</td> <td>-</td> <td>385</td> <td>3\"/> <tr> <td>388</td> <td>ETR</td> <td>-</td> <td>WD.</td> <td>J2</td> <td>PTD.</td> <td>-</td> <td>386</td> <td>3\"/> <tr> <td>389</td> <td>ETR</td> <td>-</td> <td>WD.</td> <td>J2</td> <td>PTD.</td> <td>-</td> <td>387</td> <td>3\"/> <tr> <td>391</td> <td>ETR</td> <td>-</td> <td>WD.</td> <td>J2</td> <td>PTD.</td> <td>-</td> <td>388</td> <td>3\"/> <tr> <td>391A</td> <td>ETR</td> <td>-</td> <td>WD.</td> <td>J2</td> <td>PTD.</td> <td>-</td> <td>389</td> <td>3\"/> <tr> <td>391B</td> <td>ETR</td> <td>-</td> <td>WD.</td> <td>J2</td> <td>PTD.</td> <td>-</td> <td>391</td> <td>3\"/> <tr> <td>394</td> <td>ETR</td> <td>-</td> <td>WD.</td> <td>J2</td> <td>PTD.</td> <td>-</td> <td>391A</td> <td>3\"/> <tr> <td>395</td> <td>ETR</td> <td>-</td> <td>WD.</td> <td>J2</td> <td>PTD.</td> <td>-</td> <td>391B</td> <td>3\"/> <tr> <td>396</td> <td>ETR</td> <td>-</td> <td>WD.</td> <td>J2</td> <td>PTD.</td> <td>-</td> <td>394</td> <td>3\"/> <tr> <td>398</td> <td>ETR</td> <td>-</td> <td>WD.</td> <td>J2</td> <td>PTD.</td> <td>-</td> <td>395</td> <td>3\"/> <tr> <td>399</td> <td>ETR</td> <td>-</td> <td>WD.</td> <td>J2</td> <td>PTD.</td> <td>-</td> <td>396</td> <td>3\"/> <tr> <td>3991</td> <td>ETR</td> <td>-</td> <td>WD.</td> <td>J2</td> <td>PTD.</td> <td>-</td> <td>398</td> <td>3\"/> <tr> <td>3992</td> <td>A</td> <td>3\"/> <tr> <td>3993</td> <td>ETR</td> <td>-</td> <td>WD.</td> <td>J2</td> <td>PTD.</td> <td>-</td> <td>399</td> <td>3\"/> <tr> <td>3994</td> <td>ETR</td> <td>-</td> <td>WD.</td> <td>J2</td> <td>PTD.</td> <td>-</td> <td>3991</td> <td>3\"/> <tr> <td>3995</td> <td>ETR</td> <td>-</td> <td>WD.</td> <td>J2</td> <td>PTD.</td> <td>-</td> <td>3992</td> <td>3\"/> <tr> <td>3997</td> <td>ETR</td> <td>-</td> <td>WD.</td> <td>J2</td> <td>PTD.</td> <td>-</td> <td>3993</td> <td>3\"/> <tr> <td>3998</td> <td>ETR</td> <td>-</td> <td>WD.</td> <td>J2</td> <td>PTD.</td> <td>-</td> <td>3994</td> <td>3\"/> <tr> <td>3999</td> <td>ETR</td> <td>-</td> <td>WD.</td> <td>J2</td> <td>PTD.</td> <td>-</td> <td>3995</td> <td>3\"/> <tr> <td>3999</td> <td>ETR</td> <td>-</td> <td>WD.</td> <td>J2</td> <td>PTD.</td> <td>-</td> <td>3997</td> <td>3\"/> </td></tr></td></tr></td></tr></td></tr></td></tr></td></tr></td></tr></td></tr></td></tr></td></tr></td></tr></td></tr></td></tr></td></tr></td></tr></td></tr></td></tr></td></tr></td></tr></td></tr></td></tr></td></tr></td>
 | ALUM. | ANODIZE D | - | - | 380B | 3\"/> <tr> <td>385</td> <td>ETR</td> <td>-</td> <td>WD.</td> <td>J2</td> <td>PTD.</td> <td>-</td> <td>382</td> <td>3\"/> <tr> <td>386</td> <td>ETR</td> <td>-</td> <td>WD.</td> <td>J2</td> <td>PTD.</td> <td>-</td> <td>382A</td> <td>3\"/> <tr> <td>387</td> <td>ETR</td> <td>-</td> <td>WD.</td> <td>J2</td> <td>PTD.</td> <td>-</td> <td>385</td> <td>3\"/> <tr> <td>388</td> <td>ETR</td> <td>-</td> <td>WD.</td> <td>J2</td> <td>PTD.</td> <td>-</td> <td>386</td> <td>3\"/> <tr> <td>389</td> <td>ETR</td> <td>-</td> <td>WD.</td> <td>J2</td> <td>PTD.</td> <td>-</td> <td>387</td> <td>3\"/> <tr> <td>391</td> <td>ETR</td> <td>-</td> <td>WD.</td> <td>J2</td> <td>PTD.</td> <td>-</td> <td>388</td> <td>3\"/> <tr> <td>391A</td> <td>ETR</td> <td>-</td> <td>WD.</td> <td>J2</td> <td>PTD.</td> <td>-</td> <td>389</td> <td>3\"/> <tr> <td>391B</td> <td>ETR</td> <td>-</td> <td>WD.</td> <td>J2</td> <td>PTD.</td> <td>-</td> <td>391</td> <td>3\"/> <tr> <td>394</td> <td>ETR</td> <td>-</td> <td>WD.</td> <td>J2</td> <td>PTD.</td> <td>-</td> <td>391A</td> <td>3\"/> <tr> <td>395</td> <td>ETR</td> <td>-</td> <td>WD.</td> <td>J2</td> <td>PTD.</td> <td>-</td> <td>391B</td> <td>3\"/> <tr> <td>396</td> <td>ETR</td> <td>-</td> <td>WD.</td> <td>J2</td> <td>PTD.</td> <td>-</td> <td>394</td> <td>3\"/> <tr> <td>398</td> <td>ETR</td> <td>-</td> <td>WD.</td> <td>J2</td> <td>PTD.</td> <td>-</td> <td>395</td> <td>3\"/> <tr> <td>399</td> <td>ETR</td> <td>-</td> <td>WD.</td> <td>J2</td> <td>PTD.</td> <td>-</td> <td>396</td> <td>3\"/> <tr> <td>3991</td> <td>ETR</td> <td>-</td> <td>WD.</td> <td>J2</td> <td>PTD.</td> <td>-</td> <td>398</td> <td>3\"/> <tr> <td>3992</td> <td>A</td> <td>3\"/> <tr> <td>3993</td> <td>ETR</td> <td>-</td> <td>WD.</td> <td>J2</td> <td>PTD.</td> <td>-</td> <td>399</td> <td>3\"/> <tr> <td>3994</td> <td>ETR</td> <td>-</td> <td>WD.</td> <td>J2</td> <td>PTD.</td> <td>-</td> <td>3991</td> <td>3\"/> <tr> <td>3995</td> <td>ETR</td> <td>-</td> <td>WD.</td> <td>J2</td> <td>PTD.</td> <td>-</td> <td>3992</td> <td>3\"/> <tr> <td>3997</td> <td>ETR</td> <td>-</td> <td>WD.</td> <td>J2</td> <td>PTD.</td> <td>-</td> <td>3993</td> <td>3\"/> <tr> <td>3998</td> <td>ETR</td> <td>-</td> <td>WD.</td> <td>J2</td> <td>PTD.</td> <td>-</td> <td>3994</td> <td>3\"/> <tr> <td>3999</td> <td>ETR</td> <td>-</td> <td>WD.</td> <td>J2</td> <td>PTD.</td> <td>-</td> <td>3995</td> <td>3\"/> <tr> <td>3999</td> <td>ETR</td> <td>-</td> <td>WD.</td> <td>J2</td> <td>PTD.</td> <td>-</td> <td>3997</td> <td>3\"/> </td></tr></td></tr></td></tr></td></tr></td></tr></td></tr></td></tr></td></tr></td></tr></td></tr></td></tr></td></tr></td></tr></td></tr></td></tr></td></tr></td></tr></td></tr></td></tr></td></tr></td></tr></td></tr> | 385 | ETR | -
 | WD. | J2 | PTD. | - | 382 | 3\"/> <tr> <td>386</td> <td>ETR</td> <td>-</td> <td>WD.</td> <td>J2</td> <td>PTD.</td> <td>-</td> <td>382A</td> <td>3\"/> <tr> <td>387</td> <td>ETR</td> <td>-</td> <td>WD.</td> <td>J2</td> <td>PTD.</td> <td>-</td> <td>385</td> <td>3\"/> <tr> <td>388</td> <td>ETR</td> <td>-</td> <td>WD.</td> <td>J2</td> <td>PTD.</td> <td>-</td> <td>386</td> <td>3\"/> <tr> <td>389</td> <td>ETR</td> <td>-</td> <td>WD.</td> <td>J2</td> <td>PTD.</td> <td>-</td> <td>387</td> <td>3\"/> <tr> <td>391</td> <td>ETR</td> <td>-</td> <td>WD.</td> <td>J2</td> <td>PTD.</td> <td>-</td> <td>388</td> <td>3\"/> <tr> <td>391A</td> <td>ETR</td> <td>-</td> <td>WD.</td> <td>J2</td> <td>PTD.</td> <td>-</td> <td>389</td> <td>3\"/> <tr> <td>391B</td> <td>ETR</td> <td>-</td> <td>WD.</td> <td>J2</td> <td>PTD.</td> <td>-</td> <td>391</td> <td>3\"/> <tr> <td>394</td> <td>ETR</td> <td>-</td> <td>WD.</td> <td>J2</td> <td>PTD.</td> <td>-</td> <td>391A</td> <td>3\"/> <tr> <td>395</td> <td>ETR</td> <td>-</td> <td>WD.</td> <td>J2</td> <td>PTD.</td> <td>-</td> <td>391B</td> <td>3\"/> <tr> <td>396</td> <td>ETR</td> <td>-</td> <td>WD.</td> <td>J2</td> <td>PTD.</td> <td>-</td> <td>394</td> <td>3\"/> <tr> <td>398</td> <td>ETR</td> <td>-</td> <td>WD.</td> <td>J2</td> <td>PTD.</td> <td>-</td> <td>395</td> <td>3\"/> <tr> <td>399</td> <td>ETR</td> <td>-</td> <td>WD.</td> <td>J2</td> <td>PTD.</td> <td>-</td> <td>396</td> <td>3\"/> <tr> <td>3991</td> <td>ETR</td> <td>-</td> <td>WD.</td> <td>J2</td> <td>PTD.</td> <td>-</td> <td>398</td> <td>3\"/> <tr> <td>3992</td> <td>A</td> <td>3\"/> <tr> <td>3993</td> <td>ETR</td> <td>-</td> <td>WD.</td> <td>J2</td> <td>PTD.</td> <td>-</td> <td>399</td> <td>3\"/> <tr> <td>3994</td> <td>ETR</td> <td>-</td> <td>WD.</td> <td>J2</td> <td>PTD.</td> <td>-</td> <td>3991</td> <td>3\"/> <tr> <td>3995</td> <td>ETR</td> <td>-</td> <td>WD.</td> <td>J2</td> <td>PTD.</td> <td>-</td> <td>3992</td> <td>3\"/> <tr> <td>3997</td> <td>ETR</td> <td>-</td> <td>WD.</td> <td>J2</td> <td>PTD.</td> <td>-</td> <td>3993</td> <td>3\"/> <tr> <td>3998</td> <td>ETR</td> <td>-</td> <td>WD.</td> <td>J2</td> <td>PTD.</td> <td>-</td> <td>3994</td> <td>3\"/> <tr> <td>3999</td> <td>ETR</td> <td>-</td> <td>WD.</td> <td>J2</td> <td>PTD.</td> <td>-</td> <td>3995</td> <td>3\"/> <tr> <td>3999</td> <td>ETR</td> <td>-</td> <td>WD.</td> <td>J2</td> <td>PTD.</td> <td>-</td> <td>3997</td> <td>3\"/> </td></tr></td></tr></td></tr></td></tr></td></tr></td></tr></td></tr></td></tr></td></tr></td></tr></td></tr></td></tr></td></tr></td></tr></td></tr></td></tr></td></tr></td></tr></td></tr></td></tr></td></tr> | 386 | ETR | -
 | WD. | J2 | PTD. | - | 382A | 3\"/> <tr> <td>387</td> <td>ETR</td> <td>-</td> <td>WD.</td> <td>J2</td> <td>PTD.</td> <td>-</td> <td>385</td> <td>3\"/> <tr> <td>388</td> <td>ETR</td> <td>-</td> <td>WD.</td> <td>J2</td> <td>PTD.</td> <td>-</td> <td>386</td> <td>3\"/> <tr> <td>389</td> <td>ETR</td> <td>-</td> <td>WD.</td> <td>J2</td> <td>PTD.</td> <td>-</td> <td>387</td> <td>3\"/> <tr> <td>391</td> <td>ETR</td> <td>-</td> <td>WD.</td> <td>J2</td> <td>PTD.</td> <td>-</td> <td>388</td> <td>3\"/> <tr> <td>391A</td> <td>ETR</td> <td>-</td> <td>WD.</td> <td>J2</td> <td>PTD.</td> <td>-</td> <td>389</td> <td>3\"/> <tr> <td>391B</td> <td>ETR</td> <td>-</td> <td>WD.</td> <td>J2</td> <td>PTD.</td> <td>-</td> <td>391</td> <td>3\"/> <tr> <td>394</td> <td>ETR</td> <td>-</td> <td>WD.</td> <td>J2</td> <td>PTD.</td> <td>-</td> <td>391A</td> <td>3\"/> <tr> <td>395</td> <td>ETR</td> <td>-</td> <td>WD.</td> <td>J2</td> <td>PTD.</td> <td>-</td> <td>391B</td> <td>3\"/> <tr> <td>396</td> <td>ETR</td> <td>-</td> <td>WD.</td> <td>J2</td> <td>PTD.</td> <td>-</td> <td>394</td> <td>3\"/> <tr> <td>398</td> <td>ETR</td> <td>-</td> <td>WD.</td> <td>J2</td> <td>PTD.</td> <td>-</td> <td>395</td> <td>3\"/> <tr> <td>399</td> <td>ETR</td> <td>-</td> <td>WD.</td> <td>J2</td> <td>PTD.</td> <td>-</td> <td>396</td> <td>3\"/> <tr> <td>3991</td> <td>ETR</td> <td>-</td> <td>WD.</td> <td>J2</td> <td>PTD.</td> <td>-</td> <td>398</td> <td>3\"/> <tr> <td>3992</td> <td>A</td> <td>3\"/> <tr> <td>3993</td> <td>ETR</td> <td>-</td> <td>WD.</td> <td>J2</td> <td>PTD.</td> <td>-</td> <td>399</td> <td>3\"/> <tr> <td>3994</td> <td>ETR</td> <td>-</td> <td>WD.</td> <td>J2</td> <td>PTD.</td> <td>-</td> <td>3991</td> <td>3\"/> <tr> <td>3995</td> <td>ETR</td> <td>-</td> <td>WD.</td> <td>J2</td> <td>PTD.</td> <td>-</td> <td>3992</td> <td>3\"/> <tr> <td>3997</td> <td>ETR</td> <td>-</td> <td>WD.</td> <td>J2</td> <td>PTD.</td> <td>-</td> <td>3993</td> <td>3\"/> <tr> <td>3998</td> <td>ETR</td> <td>-</td> <td>WD.</td> <td>J2</td> <td>PTD.</td> <td>-</td> <td>3994</td> <td>3\"/> <tr> <td>3999</td> <td>ETR</td> <td>-</td> <td>WD.</td> <td>J2</td> <td>PTD.</td> <td>-</td> <td>3995</td> <td>3\"/> <tr> <td>3999</td> <td>ETR</td> <td>-</td> <td>WD.</td> <td>J2</td> <td>PTD.</td> <td>-</td> <td>3997</td> <td>3\"/> </td></tr></td></tr></td></tr></td></tr></td></tr></td></tr></td></tr></td></tr></td></tr></td></tr></td></tr></td></tr></td></tr></td></tr></td></tr></td></tr></td></tr></td></tr></td></tr></td></tr> | 387 | ETR | -
 | WD. | J2 | PTD. | - | 385 | 3\"/> <tr> <td>388</td> <td>ETR</td> <td>-</td> <td>WD.</td> <td>J2</td> <td>PTD.</td> <td>-</td> <td>386</td> <td>3\"/> <tr> <td>389</td> <td>ETR</td> <td>-</td> <td>WD.</td> <td>J2</td> <td>PTD.</td> <td>-</td> <td>387</td> <td>3\"/> <tr> <td>391</td> <td>ETR</td> <td>-</td> <td>WD.</td> <td>J2</td> <td>PTD.</td> <td>-</td> <td>388</td> <td>3\"/> <tr> <td>391A</td> <td>ETR</td> <td>-</td> <td>WD.</td> <td>J2</td> <td>PTD.</td> <td>-</td> <td>389</td> <td>3\"/> <tr> <td>391B</td> <td>ETR</td> <td>-</td> <td>WD.</td> <td>J2</td> <td>PTD.</td> <td>-</td> <td>391</td> <td>3\"/> <tr> <td>394</td> <td>ETR</td> <td>-</td> <td>WD.</td> <td>J2</td> <td>PTD.</td> <td>-</td> <td>391A</td> <td>3\"/> <tr> <td>395</td> <td>ETR</td> <td>-</td> <td>WD.</td> <td>J2</td> <td>PTD.</td> <td>-</td> <td>391B</td> <td>3\"/> <tr> <td>396</td> <td>ETR</td> <td>-</td> <td>WD.</td> <td>J2</td> <td>PTD.</td> <td>-</td> <td>394</td> <td>3\"/> <tr> <td>398</td> <td>ETR</td> <td>-</td> <td>WD.</td> <td>J2</td> <td>PTD.</td> <td>-</td> <td>395</td> <td>3\"/> <tr> <td>399</td> <td>ETR</td> <td>-</td> <td>WD.</td> <td>J2</td> <td>PTD.</td> <td>-</td> <td>396</td> <td>3\"/> <tr> <td>3991</td> <td>ETR</td> <td>-</td> <td>WD.</td> <td>J2</td> <td>PTD.</td> <td>-</td> <td>398</td> <td>3\"/> <tr> <td>3992</td> <td>A</td> <td>3\"/> <tr> <td>3993</td> <td>ETR</td> <td>-</td> <td>WD.</td> <td>J2</td> <td>PTD.</td> <td>-</td> <td>399</td> <td>3\"/> <tr> <td>3994</td> <td>ETR</td> <td>-</td> <td>WD.</td> <td>J2</td> <td>PTD.</td> <td>-</td> <td>3991</td> <td>3\"/> <tr> <td>3995</td> <td>ETR</td> <td>-</td> <td>WD.</td> <td>J2</td> <td>PTD.</td> <td>-</td> <td>3992</td> <td>3\"/> <tr> <td>3997</td> <td>ETR</td> <td>-</td> <td>WD.</td> <td>J2</td> <td>PTD.</td> <td>-</td> <td>3993</td> <td>3\"/> <tr> <td>3998</td> <td>ETR</td> <td>-</td> <td>WD.</td> <td>J2</td> <td>PTD.</td> <td>-</td> <td>3994</td> <td>3\"/> <tr> <td>3999</td> <td>ETR</td> <td>-</td> <td>WD.</td> <td>J2</td> <td>PTD.</td> <td>-</td> <td>3995</td> <td>3\"/> <tr> <td>3999</td> <td>ETR</td> <td>-</td> <td>WD.</td> <td>J2</td> <td>PTD.</td> <td>-</td> <td>3997</td> <td>3\"/> </td></tr></td></tr></td></tr></td></tr></td></tr></td></tr></td></tr></td></tr></td></tr></td></tr></td></tr></td></tr></td></tr></td></tr></td></tr></td></tr></td></tr></td></tr></td></tr> | 388 | ETR | -
 | WD. | J2 | PTD. | - | 386 | 3\"/> <tr> <td>389</td> <td>ETR</td> <td>-</td> <td>WD.</td> <td>J2</td> <td>PTD.</td> <td>-</td> <td>387</td> <td>3\"/> <tr> <td>391</td> <td>ETR</td> <td>-</td> <td>WD.</td> <td>J2</td> <td>PTD.</td> <td>-</td> <td>388</td> <td>3\"/> <tr> <td>391A</td> <td>ETR</td> <td>-</td> <td>WD.</td> <td>J2</td> <td>PTD.</td> <td>-</td> <td>389</td> <td>3\"/> <tr> <td>391B</td> <td>ETR</td> <td>-</td> <td>WD.</td> <td>J2</td> <td>PTD.</td> <td>-</td> <td>391</td> <td>3\"/> <tr> <td>394</td> <td>ETR</td> <td>-</td> <td>WD.</td>
<td>J2</td> <td>PTD.</td> <td>-</td> <td>391A</td> <td>3\"/> <tr> <td>395</td> <td>ETR</td> <td>-</td> <td>WD.</td> <td>J2</td> <td>PTD.</td> <td>-</td> <td>391B</td> <td>3\"/> <tr> <td>396</td> <td>ETR</td> <td>-</td> <td>WD.</td> <td>J2</td> <td>PTD.</td> <td>-</td> <td>394</td> <td>3\"/> <tr> <td>398</td> <td>ETR</td> <td>-</td> <td>WD.</td> <td>J2</td> <td>PTD.</td> <td>-</td> <td>395</td> <td>3\"/> <tr> <td>399</td> <td>ETR</td> <td>-</td> <td>WD.</td> <td>J2</td> <td>PTD.</td> <td>-</td> <td>396</td> <td>3\"/> <tr> <td>3991</td> <td>ETR</td> <td>-</td> <td>WD.</td> <td>J2</td> <td>PTD.</td> <td>-</td> <td>398</td> <td>3\"/> <tr> <td>3992</td> <td>A</td> <td>3\"/> <tr> <td>3993</td> <td>ETR</td> <td>-</td> <td>WD.</td> <td>J2</td> <td>PTD.</td> <td>-</td> <td>399</td> <td>3\"/> <tr> <td>3994</td> <td>ETR</td> <td>-</td> <td>WD.</td> <td>J2</td> <td>PTD.</td> <td>-</td> <td>3991</td> <td>3\"/> <tr> <td>3995</td> <td>ETR</td> <td>-</td> <td>WD.</td> <td>J2</td> <td>PTD.</td> <td>-</td> <td>3992</td> <td>3\"/> <tr> <td>3997</td> <td>ETR</td> <td>-</td> <td>WD.</td> <td>J2</td> <td>PTD.</td> <td>-</td> <td>3993</td> <td>3\"/> <tr> <td>3998</td> <td>ETR</td> <td>-</td> <td>WD.</td> <td>J2</td> <td>PTD.</td> <td>-</td> <td>3994</td> <td>3\"/> <tr> <td>3999</td> <td>ETR</td> <td>-</td> <td>WD.</td> <td>J2</td> <td>PTD.</td> <td>-</td> <td>3995</td> <td>3\"/> <tr> <td>3999</td> <td>ETR</td> <td>-</td> <td>WD.</td> <td>J2</td> <td>PTD.</td> <td>-</td> <td>3997</td> <td>3\"/> </td></tr></td></tr></td></tr></td></tr></td></tr></td></tr></td></tr></td></tr></td></tr></td></tr></td></tr></td></tr></td></tr></td></tr></td></tr></td></tr></td></tr></td></tr> | 389 | ETR | - | WD. | J2 | PTD. | - | 387 | 3\"/> <tr> <td>391</td> <td>ETR</td> <td>-</td> <td>WD.</td> <td>J2</td> <td>PTD.</td> <td>-</td> <td>388</td> <td>3\"/> <tr> <td>391A</td> <td>ETR</td> <td>-</td> <td>WD.</td> <td>J2</td> <td>PTD.</td> <td>-</td> <td>389</td> <td>3\"/> <tr> <td>391B</td>
<td>ETR</td> <td>-</td> <td>WD.</td> <td>J2</td> <td>PTD.</td> <td>-</td> <td>391</td> <td>3\"/> <tr> <td>394</td> <td>ETR</td> <td>-</td> <td>WD.</td> <td>J2</td> <td>PTD.</td> <td>-</td> <td>391A</td> <td>3\"/> <tr> <td>395</td> <td>ETR</td> <td>-</td> <td>WD.</td> <td>J2</td> <td>PTD.</td> <td>-</td> <td>391B</td> <td>3\"/> <tr> <td>396</td> <td>ETR</td> <td>-</td> <td>WD.</td> <td>J2</td> <td>PTD.</td> <td>-</td> <td>394</td> <td>3\"/> <tr> <td>398</td> <td>ETR</td> <td>-</td> <td>WD.</td> <td>J2</td> <td>PTD.</td> <td>-</td> <td>395</td> <td>3\"/> <tr> <td>399</td> <td>ETR</td> <td>-</td> <td>WD.</td> <td>J2</td> <td>PTD.</td> <td>-</td> <td>396</td> <td>3\"/> <tr> <td>3991</td> <td>ETR</td> <td>-</td> <td>WD.</td> <td>J2</td> <td>PTD.</td> <td>-</td> <td>398</td> <td>3\"/> <tr> <td>3992</td> <td>A</td> <td>3\"/> <tr> <td>3993</td> <td>ETR</td> <td>-</td> <td>WD.</td> <td>J2</td> <td>PTD.</td> <td>-</td> <td>399</td> <td>3\"/> <tr> <td>3994</td> <td>ETR</td> <td>-</td> <td>WD.</td> <td>J2</td> <td>PTD.</td> <td>-</td> <td>3991</td> <td>3\"/> <tr> <td>3995</td> <td>ETR</td> <td>-</td> <td>WD.</td> <td>J2</td> <td>PTD.</td> <td>-</td> <td>3992</td> <td>3\"/> <tr> <td>3997</td> <td>ETR</td> <td>-</td> <td>WD.</td> <td>J2</td> <td>PTD.</td> <td>-</td> <td>3993</td> <td>3\"/> <tr> <td>3998</td> <td>ETR</td> <td>-</td> <td>WD.</td> <td>J2</td> <td>PTD.</td> <td>-</td> <td>3994</td> <td>3\"/> <tr> <td>3999</td> <td>ETR</td> <td>-</td> <td>WD.</td> <td>J2</td> <td>PTD.</td> <td>-</td> <td>3995</td> <td>3\"/> <tr> <td>3999</td> <td>ETR</td> <td>-</td> <td>WD.</td> <td>J2</td> <td>PTD.</td> <td>-</td> <td>3997</td> <td>3\"/> </td></tr></td></tr></td></tr></td></tr></td></tr></td></tr></td></tr></td></tr></td></tr></td></tr></td></tr></td></tr></td></tr></td></tr></td></tr></td></tr></td></tr> | 391 | ETR | - | WD. | J2 | PTD. | - | 388 | 3\"/> <tr> <td>391A</td> <td>ETR</td> <td>-</td> <td>WD.</td> <td>J2</td> <td>PTD.</td> <td>-</td> <td>389</td> <td>3\"/> <tr> <td>391B</td> <td>ETR</td> <td>-</td> <td>WD.</td> <td>J2</td> <td>PTD.</td> <td>-</td> <td>391</td> <td>3\"/>
<tr> <td>394</td> <td>ETR</td> <td>-</td> <td>WD.</td> <td>J2</td> <td>PTD.</td> <td>-</td> <td>391A</td> <td>3\"/> <tr> <td>395</td> <td>ETR</td> <td>-</td> <td>WD.</td> <td>J2</td> <td>PTD.</td> <td>-</td> <td>391B</td> <td>3\"/> <tr> <td>396</td> <td>ETR</td> <td>-</td> <td>WD.</td> <td>J2</td> <td>PTD.</td> <td>-</td> <td>394</td> <td>3\"/> <tr> <td>398</td> <td>ETR</td> <td>-</td> <td>WD.</td> <td>J2</td> <td>PTD.</td> <td>-</td> <td>395</td> <td>3\"/> <tr> <td>399</td> <td>ETR</td> <td>-</td> <td>WD.</td> <td>J2</td> <td>PTD.</td> <td>-</td> <td>396</td> <td>3\"/> <tr> <td>3991</td> <td>ETR</td> <td>-</td> <td>WD.</td> <td>J2</td> <td>PTD.</td> <td>-</td> <td>398</td> <td>3\"/> <tr> <td>3992</td> <td>A</td> <td>3\"/> <tr> <td>3993</td> <td>ETR</td> <td>-</td> <td>WD.</td> <td>J2</td> <td>PTD.</td> <td>-</td> <td>399</td> <td>3\"/> <tr> <td>3994</td> <td>ETR</td> <td>-</td> <td>WD.</td> <td>J2</td> <td>PTD.</td> <td>-</td> <td>3991</td> <td>3\"/> <tr> <td>3995</td> <td>ETR</td> <td>-</td> <td>WD.</td> <td>J2</td> <td>PTD.</td> <td>-</td> <td>3992</td> <td>3\"/> <tr> <td>3997</td> <td>ETR</td> <td>-</td> <td>WD.</td> <td>J2</td> <td>PTD.</td> <td>-</td> <td>3993</td> <td>3\"/> <tr> <td>3998</td> <td>ETR</td> <td>-</td> <td>WD.</td> <td>J2</td> <td>PTD.</td> <td>-</td> <td>3994</td> <td>3\"/> <tr> <td>3999</td> <td>ETR</td> <td>-</td> <td>WD.</td> <td>J2</td> <td>PTD.</td> <td>-</td> <td>3995</td> <td>3\"/> <tr> <td>3999</td> <td>ETR</td> <td>-</td> <td>WD.</td> <td>J2</td> <td>PTD.</td> <td>-</td> <td>3997</td> <td>3\"/> </td></tr></td></tr></td></tr></td></tr></td></tr></td></tr></td></tr></td></tr></td></tr></td></tr></td></tr></td></tr></td></tr></td></tr></td></tr></td></tr> | 391A | ETR | - | WD. | J2 | PTD. | - | 389 | 3\"/> <tr> <td>391B</td> <td>ETR</td> <td>-</td> <td>WD.</td> <td>J2</td> <td>PTD.</td> <td>-</td> <td>391</td> <td>3\"/> <tr> <td>394</td> <td>ETR</td> <td>-</td> <td>WD.</td> <td>J2</td> <td>PTD.</td> <td>-</td> <td>391A</td> <td>3\"/> <tr> <td>395</td> <td>ETR</td> <td>-</td> <td>WD.</td> <td>J2</td> <td>PTD.</td> <td>-</td> <td>391B</td> <td>3\"/> <tr> <td>396</td> <td>ETR</td> <td>-</td> <td>WD.</td> <td>J2</td> <td>PTD.</td> <td>-</td> <td>394</td> <td>3\"/> <tr>
<td>398</td> <td>ETR</td> <td>-</td> <td>WD.</td> <td>J2</td> <td>PTD.</td> <td>-</td> <td>395</td> <td>3\"/> <tr> <td>399</td> <td>ETR</td> <td>-</td> <td>WD.</td> <td>J2</td> <td>PTD.</td> <td>-</td> <td>396</td> <td>3\"/> <tr> <td>3991</td> <td>ETR</td> <td>-</td> <td>WD.</td> <td>J2</td> <td>PTD.</td> <td>-</td> <td>398</td> <td>3\"/> <tr> <td>3992</td> <td>A</td> <td>3\"/> <tr> <td>3993</td> <td>ETR</td> <td>-</td> <td>WD.</td> <td>J2</td> <td>PTD.</td> <td>-</td> <td>399</td> <td>3\"/> <tr> <td>3994</td> <td>ETR</td> <td>-</td> <td>WD.</td> <td>J2</td> <td>PTD.</td> <td>-</td> <td>3991</td> <td>3\"/> <tr> <td>3995</td> <td>ETR</td> <td>-</td> <td>WD.</td> <td>J2</td> <td>PTD.</td> <td>-</td> <td>3992</td> <td>3\"/> <tr> <td>3997</td> <td>ETR</td> <td>-</td> <td>WD.</td> <td>J2</td> <td>PTD.</td> <td>-</td> <td>3993</td> <td>3\"/> <tr> <td>3998</td> <td>ETR</td> <td>-</td> <td>WD.</td> <td>J2</td> <td>PTD.</td> <td>-</td> <td>3994</td> <td>3\"/> <tr> <td>3999</td> <td>ETR</td> <td>-</td> <td>WD.</td> <td>J2</td> <td>PTD.</td> <td>-</td> <td>3995</td> <td>3\"/> <tr> <td>3999</td> <td>ETR</td> <td>-</td> <td>WD.</td> <td>J2</td> <td>PTD.</td> <td>-</td> <td>3997</td> <td>3\"/> </td></tr></td></tr></td></tr></td></tr></td></tr></td></tr></td></tr></td></tr></td></tr></td></tr></td></tr></td></tr></td></tr></td></tr></td></tr> | 391B | ETR | - | WD. | J2 | PTD. | - | 391 | 3\"/> <tr> <td>394</td> <td>ETR</td> <td>-</td> <td>WD.</td> <td>J2</td> <td>PTD.</td> <td>-</td> <td>391A</td> <td>3\"/> <tr> <td>395</td> <td>ETR</td> <td>-</td> <td>WD.</td> <td>J2</td> <td>PTD.</td> <td>-</td> <td>391B</td> <td>3\"/> <tr> <td>396</td> <td>ETR</td> <td>-</td> <td>WD.</td> <td>J2</td> <td>PTD.</td> <td>-</td> <td>394</td> <td>3\"/> <tr> <td>398</td> <td>ETR</td> <td>-</td> <td>WD.</td> <td>J2</td> <td>PTD.</td> <td>-</td> <td>395</td> <td>3\"/> <tr> <td>399</td> <td>ETR</td> <td>-</td> <td>WD.</td> <td>J2</td> <td>PTD.</td> <td>-</td> <td>396</td> <td>3\"/> <tr> <td>3991</td> <td>ETR</td> <td>-</td> <td>WD.</td> <td>J2</td> <td>PTD.</td> <td>-</td> <td>398</td> <td>3\"/> <tr> <td>3992</td> <td>A</td> <td>3\"/> <tr> <td>3993</td> <td>ETR</td> <td>-</td> <td>WD.</td> <td>J2</td> <td>PTD.</td> <td>-</td> <td>399</td> <td>3\"/> <tr> <td>3994</td> <td>ETR</td> <td>-</td> <td>WD.</td> <td>J2</td> <td>PTD.</td> <td>-</td>
<td>3991</td> <td>3\"/> <tr> <td>3995</td> <td>ETR</td> <td>-</td> <td>WD.</td> <td>J2</td> <td>PTD.</td> <td>-</td> <td>3992</td> <td>3\"/> <tr> <td>3997</td> <td>ETR</td> <td>-</td> <td>WD.</td> <td>J2</td> <td>PTD.</td> <td>-</td> <td>3993</td> <td>3\"/> <tr> <td>3998</td> <td>ETR</td> <td>-</td> <td>WD.</td> <td>J2</td> <td>PTD.</td> <td>-</td> <td>3994</td> <td>3\"/> <tr> <td>3999</td> <td>ETR</td> <td>-</td> <td>WD.</td> <td>J2</td> <td>PTD.</td> <td>-</td> <td>3995</td> <td>3\"/> <tr> <td>3999</td> <td>ETR</td> <td>-</td> <td>WD.</td> <td>J2</td> <td>PTD.</td> <td>-</td> <td>3997</td> <td>3\"/> </td></tr></td></tr></td></tr></td></tr></td></tr></td></tr></td></tr></td></tr></td></tr></td></tr></td></tr></td></tr></td></tr></td></tr> | 394 | ETR | - | WD. | J2 | PTD.
 | - | 391A | 3\"/> <tr> <td>395</td> <td>ETR</td> <td>-</td> <td>WD.</td> <td>J2</td> <td>PTD.</td> <td>-</td> <td>391B</td> <td>3\"/> <tr> <td>396</td> <td>ETR</td> <td>-</td> <td>WD.</td> <td>J2</td> <td>PTD.</td> <td>-</td> <td>394</td> <td>3\"/> <tr> <td>398</td> <td>ETR</td> <td>-</td> <td>WD.</td> <td>J2</td> <td>PTD.</td> <td>-</td> <td>395</td> <td>3\"/> <tr> <td>399</td> <td>ETR</td> <td>-</td> <td>WD.</td> <td>J2</td> <td>PTD.</td> <td>-</td> <td>396</td> <td>3\"/> <tr> <td>3991</td> <td>ETR</td> <td>-</td> <td>WD.</td> <td>J2</td> <td>PTD.</td> <td>-</td> <td>398</td> <td>3\"/> <tr> <td>3992</td> <td>A</td> <td>3\"/> <tr> <td>3993</td> <td>ETR</td> <td>-</td> <td>WD.</td> <td>J2</td> <td>PTD.</td> <td>-</td> <td>399</td> <td>3\"/> <tr> <td>3994</td> <td>ETR</td> <td>-</td> <td>WD.</td> <td>J2</td> <td>PTD.</td> <td>-</td> <td>3991</td> <td>3\"/> <tr> <td>3995</td> <td>ETR</td> <td>-</td> <td>WD.</td> <td>J2</td> <td>PTD.</td> <td>-</td> <td>3992</td> <td>3\"/> <tr> <td>3997</td> <td>ETR</td> <td>-</td> <td>WD.</td> <td>J2</td> <td>PTD.</td> <td>-</td> <td>3993</td> <td>3\"/> <tr> <td>3998</td> <td>ETR</td> <td>-</td> <td>WD.</td> <td>J2</td> <td>PTD.</td> <td>-</td> <td>3994</td> <td>3\"/> <tr> <td>3999</td> <td>ETR</td> <td>-</td> <td>WD.</td> <td>J2</td> <td>PTD.</td> <td>-</td> <td>3995</td> <td>3\"/> <tr> <td>3999</td> <td>ETR</td> <td>-</td> <td>WD.</td> <td>J2</td> <td>PTD.</td> <td>-</td> <td>3997</td> <td>3\"/> </td></tr></td></tr></td></tr></td></tr></td></tr></td></tr></td></tr></td></tr></td></tr></td></tr></td></tr></td></tr></td></tr> | 395 | ETR | -
 | WD. | J2 | PTD. | - | 391B | 3\"/> <tr> <td>396</td> <td>ETR</td> <td>-</td> <td>WD.</td> <td>J2</td> <td>PTD.</td> <td>-</td> <td>394</td> <td>3\"/> <tr> <td>398</td> <td>ETR</td> <td>-</td> <td>WD.</td> <td>J2</td> <td>PTD.</td> <td>-</td> <td>395</td> <td>3\"/> <tr> <td>399</td> <td>ETR</td> <td>-</td> <td>WD.</td> <td>J2</td> <td>PTD.</td> <td>-</td> <td>396</td> <td>3\"/> <tr> <td>3991</td> <td>ETR</td> <td>-</td> <td>WD.</td> <td>J2</td> <td>PTD.</td> <td>-</td> <td>398</td> <td>3\"/> <tr> <td>3992</td> <td>A</td> <td>3\"/> <tr> <td>3993</td> <td>ETR</td> <td>-</td> <td>WD.</td> <td>J2</td> <td>PTD.</td> <td>-</td> <td>399</td> <td>3\"/> <tr> <td>3994</td> <td>ETR</td> <td>-</td> <td>WD.</td> <td>J2</td> <td>PTD.</td> <td>-</td> <td>3991</td> <td>3\"/> <tr> <td>3995</td> <td>ETR</td> <td>-</td> <td>WD.</td> <td>J2</td> <td>PTD.</td> <td>-</td> <td>3992</td> <td>3\"/> <tr> <td>3997</td> <td>ETR</td> <td>-</td> <td>WD.</td> <td>J2</td> <td>PTD.</td> <td>-</td> <td>3993</td> <td>3\"/> <tr> <td>3998</td> <td>ETR</td> <td>-</td> <td>WD.</td> <td>J2</td> <td>PTD.</td> <td>-</td> <td>3994</td> <td>3\"/> <tr> <td>3999</td> <td>ETR</td> <td>-</td> <td>WD.</td> <td>J2</td> <td>PTD.</td> <td>-</td> <td>3995</td> <td>3\"/> <tr> <td>3999</td> <td>ETR</td> <td>-</td> <td>WD.</td> <td>J2</td> <td>PTD.</td> <td>-</td> <td>3997</td> <td>3\"/> </td></tr></td></tr></td></tr></td></tr></td></tr></td></tr></td></tr></td></tr></td></tr></td></tr></td></tr></td></tr> | 396 | ETR | -
 | WD. | J2 | PTD. | - | 394 | 3\"/> <tr> <td>398</td> <td>ETR</td> <td>-</td> <td>WD.</td> <td>J2</td> <td>PTD.</td> <td>-</td> <td>395</td> <td>3\"/> <tr> <td>399</td> <td>ETR</td> <td>-</td> <td>WD.</td> <td>J2</td> <td>PTD.</td> <td>-</td> <td>396</td> <td>3\"/> <tr> <td>3991</td> <td>ETR</td> <td>-</td> <td>WD.</td> <td>J2</td> <td>PTD.</td> <td>-</td> <td>398</td> <td>3\"/> <tr> <td>3992</td> <td>A</td> <td>3\"/> <tr> <td>3993</td> <td>ETR</td> <td>-</td> <td>WD.</td> <td>J2</td> <td>PTD.</td> <td>-</td> <td>399</td> <td>3\"/> <tr> <td>3994</td> <td>ETR</td> <td>-</td> <td>WD.</td> <td>J2</td> <td>PTD.</td> <td>-</td> <td>3991</td> <td>3\"/> <tr> <td>3995</td> <td>ETR</td> <td>-</td> <td>WD.</td> <td>J2</td> <td>PTD.</td> <td>-</td> <td>3992</td> <td>3\"/> <tr> <td>3997</td> <td>ETR</td> <td>-</td> <td>WD.</td> <td>J2</td> <td>PTD.</td> <td>-</td> <td>3993</td> <td>3\"/> <tr> <td>3998</td> <td>ETR</td> <td>-</td> <td>WD.</td> <td>J2</td> <td>PTD.</td> <td>-</td> <td>3994</td> <td>3\"/> <tr> <td>3999</td> <td>ETR</td> <td>-</td> <td>WD.</td> <td>J2</td> <td>PTD.</td> <td>-</td> <td>3995</td> <td>3\"/> <tr> <td>3999</td> <td>ETR</td> <td>-</td> <td>WD.</td> <td>J2</td> <td>PTD.</td> <td>-</td> <td>3997</td> <td>3\"/> </td></tr></td></tr></td></tr></td></tr></td></tr></td></tr></td></tr></td></tr></td></tr></td></tr></td></tr> | 398 | ETR | - | WD. | J2 | PTD. | - | 395 | 3\"/> <tr> <td>399</td> <td>ETR</td> <td>-</td> <td>WD.</td> <td>J2</td> <td>PTD.</td> <td>-</td> <td>396</td> <td>3\"/> <tr> <td>3991</td> <td>ETR</td> <td>-</td> <td>WD.</td> <td>J2</td> <td>PTD.</td> <td>-</td> <td>398</td> <td>3\"/> <tr> <td>3992</td> <td>A</td> <td>3\"/> <tr> <td>3993</td> <td>ETR</td> <td>-</td> <td>WD.</td> <td>J2</td> <td>PTD.</td> <td>-</td> <td>399</td> <td>3\"/> <tr> <td>3994</td> <td>ETR</td> <td>-</td> <td>WD.</td> <td>J2</td> <td>PTD.</td> <td>-</td> <td>3991</td> <td>3\"/> <tr> <td>3995</td> <td>ETR</td> <td>-</td> <td>WD.</td> <td>J2</td> <td>PTD.</td> <td>-</td> <td>3992</td> <td>3\"/> <tr> <td>3997</td> <td>ETR</td> <td>-</td> <td>WD.</td> <td>J2</td> <td>PTD.</td> <td>-</td> <td>3993</td> <td>3\"/> <tr> <td>3998</td> <td>ETR</td> <td>-</td> <td>WD.</td> <td>J2</td> <td>PTD.</td> <td>-</td> <td>3994</td> <td>3\"/> <tr> <td>3999</td> <td>ETR</td> <td>-</td> <td>WD.</td> <td>J2</td> <td>PTD.</td> <td>-</td> <td>3995</td> <td>3\"/> <tr> <td>3999</td> <td>ETR</td>
<td>-</td> <td>WD.</td> <td>J2</td> <td>PTD.</td> <td>-</td> <td>3997</td> <td>3\"/> </td></tr></td></tr></td></tr></td></tr></td></tr></td></tr></td></tr></td></tr></td></tr></td></tr> | 399 | ETR | - | WD. | J2 | PTD.
 | - | 396 | 3\"/> <tr> <td>3991</td> <td>ETR</td> <td>-</td> <td>WD.</td> <td>J2</td> <td>PTD.</td> <td>-</td> <td>398</td> <td>3\"/> <tr> <td>3992</td> <td>A</td> <td>3\"/> <tr> <td>3993</td> <td>ETR</td> <td>-</td> <td>WD.</td> <td>J2</td> <td>PTD.</td> <td>-</td> <td>399</td> <td>3\"/> <tr> <td>3994</td> <td>ETR</td> <td>-</td> <td>WD.</td> <td>J2</td> <td>PTD.</td> <td>-</td> <td>3991</td> <td>3\"/> <tr> <td>3995</td> <td>ETR</td> <td>-</td> <td>WD.</td> <td>J2</td> <td>PTD.</td> <td>-</td> <td>3992</td> <td>3\"/> <tr> <td>3997</td> <td>ETR</td> <td>-</td> <td>WD.</td> <td>J2</td> <td>PTD.</td> <td>-</td> <td>3993</td> <td>3\"/> <tr> <td>3998</td> <td>ETR</td> <td>-</td> <td>WD.</td> <td>J2</td> <td>PTD.</td> <td>-</td> <td>3994</td> <td>3\"/> <tr> <td>3999</td> <td>ETR</td> <td>-</td> <td>WD.</td> <td>J2</td> <td>PTD.</td> <td>-</td> <td>3995</td> <td>3\"/> <tr> <td>3999</td> <td>ETR</td> <td>-</td> <td>WD.</td> <td>J2</td> <td>PTD.</td> <td>-</td> <td>3997</td> <td>3\"/> </td></tr></td></tr></td></tr></td></tr></td></tr></td></tr></td></tr></td></tr></td></tr> | 3991 | ETR | - | WD. | J2 | PTD.
 | - | 398 | 3\"/> <tr> <td>3992</td> <td>A</td> <td>3\"/> <tr> <td>3993</td> <td>ETR</td> <td>-</td> <td>WD.</td> <td>J2</td> <td>PTD.</td> <td>-</td> <td>399</td> <td>3\"/> <tr> <td>3994</td> <td>ETR</td> <td>-</td> <td>WD.</td> <td>J2</td> <td>PTD.</td> <td>-</td> <td>3991</td> <td>3\"/> <tr> <td>3995</td> <td>ETR</td> <td>-</td> <td>WD.</td> <td>J2</td> <td>PTD.</td> <td>-</td> <td>3992</td> <td>3\"/> <tr> <td>3997</td> <td>ETR</td> <td>-</td> <td>WD.</td> <td>J2</td> <td>PTD.</td> <td>-</td> <td>3993</td> <td>3\"/> <tr> <td>3998</td> <td>ETR</td> <td>-</td> <td>WD.</td> <td>J2</td> <td>PTD.</td> <td>-</td> <td>3994</td> <td>3\"/> <tr> <td>3999</td> <td>ETR</td> <td>-</td> <td>WD.</td> <td>J2</td> <td>PTD.</td> <td>-</td> <td>3995</td> <td>3\"/> <tr> <td>3999</td> <td>ETR</td> <td>-</td> <td>WD.</td> <td>J2</td> <td>PTD.</td> <td>-</td> <td>3997</td> <td>3\"/> </td></tr></td></tr></td></tr></td></tr></td></tr></td></tr></td></tr></td></tr> | 3992 | A | 3\"/> <tr> <td>3993</td> <td>ETR</td> <td>-</td> <td>WD.</td> <td>J2</td> <td>PTD.</td> <td>-</td> <td>399</td> <td>3\"/> <tr> <td>3994</td> <td>ETR</td> <td>-</td> <td>WD.</td> <td>J2</td> <td>PTD.</td> <td>-</td> <td>3991</td> <td>3\"/> <tr> <td>3995</td> <td>ETR</td> <td>-</td> <td>WD.</td> <td>J2</td> <td>PTD.</td> <td>-</td> <td>3992</td> <td>3\"/> <tr> <td>3997</td> <td>ETR</td> <td>-</td> <td>WD.</td> <td>J2</td> <td>PTD.</td> <td>-</td> <td>3993</td> <td>3\"/> <tr> <td>3998</td> <td>ETR</td> <td>-</td> <td>WD.</td> <td>J2</td> <td>PTD.</td> <td>-</td> <td>3994</td> <td>3\"/> <tr> <td>3999</td> <td>ETR</td> <td>-</td> <td>WD.</td> <td>J2</td> <td>PTD.</td> <td>-</td> <td>3995</td> <td>3\"/> <tr> <td>3999</td> <td>ETR</td> <td>-</td> <td>WD.</td> <td>J2</td> <td>PTD.</td> <td>-</td> <td>3997</td> <td>3\"/> </td></tr></td></tr></td></tr></td></tr></td></tr></td></tr></td></tr>
 | 3993 | ETR | - | WD. | J2 | PTD. | - | 399 | 3\"/> <tr> <td>3994</td> <td>ETR</td> <td>-</td> <td>WD.</td> <td>J2</td> <td>PTD.</td> <td>-</td> <td>3991</td> <td>3\"/> <tr> <td>3995</td> <td>ETR</td> <td>-</td> <td>WD.</td> <td>J2</td> <td>PTD.</td> <td>-</td> <td>3992</td> <td>3\"/> <tr> <td>3997</td> <td>ETR</td> <td>-</td> <td>WD.</td> <td>J2</td> <td>PTD.</td> <td>-</td> <td>3993</td> <td>3\"/> <tr> <td>3998</td> <td>ETR</td> <td>-</td> <td>WD.</td> <td>J2</td> <td>PTD.</td> <td>-</td> <td>3994</td> <td>3\"/> <tr> <td>3999</td> <td>ETR</td> <td>-</td> <td>WD.</td> <td>J2</td> <td>PTD.</td> <td>-</td> <td>3995</td> <td>3\"/> <tr> <td>3999</td> <td>ETR</td> <td>-</td> <td>WD.</td> <td>J2</td> <td>PTD.</td> <td>-</td> <td>3997</td> <td>3\"/> </td></tr></td></tr></td></tr></td></tr></td></tr></td></tr>
 | 3994 | ETR | - | WD. | J2 | PTD. | - | 3991 | 3\"/> <tr> <td>3995</td> <td>ETR</td> <td>-</td> <td>WD.</td> <td>J2</td> <td>PTD.</td> <td>-</td> <td>3992</td> <td>3\"/> <tr> <td>3997</td> <td>ETR</td> <td>-</td> <td>WD.</td> <td>J2</td> <td>PTD.</td> <td>-</td> <td>3993</td> <td>3\"/> <tr> <td>3998</td> <td>ETR</td> <td>-</td> <td>WD.</td> <td>J2</td> <td>PTD.</td> <td>-</td> <td>3994</td> <td>3\"/> <tr> <td>3999</td> <td>ETR</td> <td>-</td> <td>WD.</td> <td>J2</td> <td>PTD.</td> <td>-</td> <td>3995</td> <td>3\"/> <tr> <td>3999</td> <td>ETR</td> <td>-</td> <td>WD.</td> <td>J2</td> <td>PTD.</td> <td>-</td> <td>3997</td> <td>3\"/> </td></tr></td></tr></td></tr></td></tr></td></tr>
 | 3995 | ETR | - | WD. | J2 | PTD. | - | 3992 | 3\"/> <tr> <td>3997</td> <td>ETR</td> <td>-</td> <td>WD.</td> <td>J2</td> <td>PTD.</td> <td>-</td> <td>3993</td> <td>3\"/> <tr> <td>3998</td> <td>ETR</td> <td>-</td> <td>WD.</td> <td>J2</td> <td>PTD.</td> <td>-</td> <td>3994</td> <td>3\"/> <tr> <td>3999</td> <td>ETR</td> <td>-</td> <td>WD.</td> <td>J2</td> <td>PTD.</td> <td>-</td>
<td>3995</td> <td>3\"/> <tr> <td>3999</td> <td>ETR</td> <td>-</td> <td>WD.</td> <td>J2</td> <td>PTD.</td> <td>-</td> <td>3997</td> <td>3\"/> </td></tr></td></tr></td></tr></td></tr> | 3997 | ETR | - | WD. | J2 | PTD. | - | 3993 | 3\"/> <tr> <td>3998</td> <td>ETR</td> <td>-</td> <td>WD.</td> <td>J2</td> <td>PTD.</td> <td>-</td> <td>3994</td> <td>3\"/> <tr> <td>3999</td>
<td>ETR</td> <td>-</td> <td>WD.</td> <td>J2</td> <td>PTD.</td> <td>-</td> <td>3995</td> <td>3\"/> <tr> <td>3999</td> <td>ETR</td> <td>-</td> <td>WD.</td> <td>J2</td> <td>PTD.</td> <td>-</td> <td>3997</td> <td>3\"/> </td></tr></td></tr></td></tr> | 3998 | ETR | - | WD. | J2 | PTD. | - | 3994 | 3\"/> <tr> <td>3999</td> <td>ETR</td> <td>-</td> <td>WD.</td> <td>J2</td> <td>PTD.</td> <td>-</td> <td>3995</td> <td>3\"/> <tr> <td>3999</td> <td>ETR</td> <td>-</td> <td>WD.</td> <td>J2</td> <td>PTD.</td> <td>-</td> <td>3997</td> <td>3\"/> </td></tr></td></tr>
 | 3999 | ETR | - | WD. | J2 | PTD. | - | 3995 | 3\"/> <tr> <td>3999</td> <td>ETR</td> <td>-</td> <td>WD.</td> <td>J2</td> <td>PTD.</td> <td>-</td> <td>3997</td> <td>3\"/> </td></tr>
 | 3999 | ETR | - | WD. | J2 | PTD. | - | 3997 | 3\"/> | | | | | | | | | | | | | | | | | | | | | | | | | | | | | | | | | | | | | | | | | | | | | |
 | | | | | | | | | | | | | | |
 | | | | | | | | | | | | | | | | | |
 | | | | | | | | | | | | | | | | | |
 | | | | | | | | | | | | | | | | | | | | | | | |
 | | | | | | | | | | | | | | | | | | | | | | | | | | |
 | | | | | | | | | | | | | | | | | | | | | | | | | | | | | | | | | | | | | | | | | |
 | | | | | | | | | | | | | | | | | | | | | | | | | | | | | | | | | | | | | | | | | | | | | | | | | | | | | | |
| 376 | B | 1 <td>WD</td> <td>J1</td> <td>PTD.</td> <td>-</td> <td>374C</td> <td>3\"/> <tr> <td>377</td> <td>B</td> <td>1 <td>WD</td> <td>J1</td> <td>PTD.</td> <td>-</td> <td>375</td> <td>3\"/> <tr> <td>377A</td> <td>B</td> <td>1 <td>WD</td> <td>J1</td> <td>PTD.</td> <td>-</td> <td>376</td> <td>3\"/> <tr> <td>378</td> <td>B</td> <td>1 <td>WD</td> <td>J1</td> <td>PTD.</td> <td>-</td> <td>377</td> <td>3\"/> <tr> <td>379</td> <td>B</td> <td>1 <td>WD</td> <td>J1</td> <td>PTD.</td> <td>-</td> <td>377A</td> <td>3\"/> <tr> <td>380A</td> <td>B</td> <td>1 <td>WD</td> <td>J1</td> <td>PTD.</td> <td>-</td> <td>378</td> <td>3\"/> <tr> <td>380B</td> <td>B</td> <td>1 <td>WD</td> <td>J1</td> <td>PTD.</td> <td>-</td> <td>379</td> <td>3\"/> <tr> <td>382</td> <td>ETR</td> <td>-</td> <td>WD.</td> <td>J2</td> <td>PTD.</td> <td>-</td> <td>380A</td> <td>3\"/> <tr> <td>382A</td> <td>D</td> <td>6 <td>ALUM.</td> <td>ANODIZE D</td> <td>-</td> <td>-</td> <td>380B</td> <td>3\"/> <tr> <td>385</td> <td>ETR</td> <td>-</td> <td>WD.</td> <td>J2</td> <td>PTD.</td> <td>-</td> <td>382</td> <td>3\"/> <tr> <td>386</td> <td>ETR</td> <td>-</td> <td>WD.</td> <td>J2</td> <td>PTD.</td> <td>-</td> <td>382A</td> <td>3\"/> <tr> <td>387</td> <td>ETR</td> <td>-</td> <td>WD.</td> <td>J2</td> <td>PTD.</td> <td>-</td> <td>385</td> <td>3\"/> <tr> <td>388</td> <td>ETR</td> <td>-</td> <td>WD.</td> <td>J2</td> <td>PTD.</td> <td>-</td> <td>386</td> <td>3\"/> <tr> <td>389</td> <td>ETR</td> <td>-</td> <td>WD.</td> <td>J2</td> <td>PTD.</td> <td>-</td> <td>387</td> <td>3\"/> <tr> <td>391</td> <td>ETR</td> <td>-</td> <td>WD.</td> <td>J2</td> <td>PTD.</td> <td>-</td> <td>388</td> <td>3\"/> <tr> <td>391A</td> <td>ETR</td> <td>-</td> <td>WD.</td> <td>J2</td> <td>PTD.</td> <td>-</td> <td>389</td> <td>3\"/> <tr> <td>391B</td> <td>ETR</td> <td>-</td> <td>WD.</td> <td>J2</td> <td>PTD.</td> <td>-</td> <td>391</td> <td>3\"/> <tr> <td>394</td> <td>ETR</td> <td>-</td> <td>WD.</td> <td>J2</td> <td>PTD.</td> <td>-</td> <td>391A</td> <td>3\"/> <tr> <td>395</td> <td>ETR</td> <td>-</td> <td>WD.</td> <td>J2</td> <td>PTD.</td> <td>-</td> <td>391B</td> <td>3\"/> <tr> <td>396</td> <td>ETR</td> <td>-</td> <td>WD.</td> <td>J2</td> <td>PTD.</td> <td>-</td> <td>394</td> <td>3\"/> <tr> <td>398</td> <td>ETR</td> <td>-</td> <td>WD.</td> <td>J2</td> <td>PTD.</td> <td>-</td> <td>395</td> <td>3\"/> <tr> <td>399</td> <td>ETR</td> <td>-</td> <td>WD.</td> <td>J2</td> <td>PTD.</td> <td>-</td> <td>396</td> <td>3\"/> <tr> <td>3991</td> <td>ETR</td> <td>-</td> <td>WD.</td> <td>J2</td> <td>PTD.</td> <td>-</td> <td>398</td> <td>3\"/> <tr> <td>3992</td> <td>A</td> <td>3\"/> <tr> <td>3993</td> <td>ETR</td> <td>-</td> <td>WD.</td> <td>J2</td> <td>PTD.</td> <td>-</td> <td>399</td> <td>3\"/> <tr> <td>3994</td> <td>ETR</td> <td>-</td> <td>WD.</td> <td>J2</td> <td>PTD.</td> <td>-</td> <td>3991</td> <td>3\"/> <tr> <td>3995</td> <td>ETR</td> <td>-</td> <td>WD.</td> <td>J2</td> <td>PTD.</td> <td>-</td> <td>3992</td> <td>3\"/> <tr> <td>3997</td> <td>ETR</td> <td>-</td> <td>WD.</td> <td>J2</td> <td>PTD.</td> <td>-</td> <td>3993</td> <td>3\"/> <tr> <td>3998</td> <td>ETR</td> <td>-</td> <td>WD.</td> <td>J2</td> <td>PTD.</td> <td>-</td> <td>3994</td> <td>3\"/> <tr> <td>3999</td> <td>ETR</td> <td>-</td> <td>WD.</td> <td>J2</td> <td>PTD.</td> <td>-</td> <td>3995</td> <td>3\"/> <tr> <td>3999</td> <td>ETR</td> <td>-</td> <td>WD.</td> <td>J2</td> <td>PTD.</td> <td>-</td> <td>3997</td> <td>3\"/> </td></tr></td></tr></td></tr></td></tr></td></tr></td></tr></td></tr></td></tr></td></tr></td></tr></td></tr></td></tr></td></tr></td></tr></td></tr></td></tr></td></tr></td></tr></td></tr></td></tr></td></tr></td></tr></td></td></tr></td></tr></td></td></tr></td></td></tr></td></td></tr></td></td></tr></td></td></tr></td></td></tr></td> | WD | J1 | PTD. | - | 374C | 3\"/> <tr> <td>377</td> <td>B</td> <td>1 <td>WD</td> <td>J1</td> <td>PTD.</td> <td>-</td> <td>375</td> <td>3\"/> <tr> <td>377A</td> <td>B</td> <td>1 <td>WD</td> <td>J1</td> <td>PTD.</td> <td>-</td> <td>376</td> <td>3\"/> <tr> <td>378</td> <td>B</td> <td>1 <td>WD</td> <td>J1</td> <td>PTD.</td> <td>-</td> <td>377</td> <td>3\"/> <tr> <td>379</td> <td>B</td> <td>1 <td>WD</td> <td>J1</td> <td>PTD.</td> <td>-</td> <td>377A</td> <td>3\"/> <tr> <td>380A</td> <td>B</td> <td>1 <td>WD</td> <td>J1</td> <td>PTD.</td> <td>-</td> <td>378</td> <td>3\"/> <tr> <td>380B</td> <td>B</td> <td>1 <td>WD</td> <td>J1</td> <td>PTD.</td> <td>-</td> <td>379</td> <td>3\"/> <tr> <td>382</td> <td>ETR</td> <td>-</td> <td>WD.</td> <td>J2</td> <td>PTD.</td> <td>-</td> <td>380A</td> <td>3\"/> <tr> <td>382A</td> <td>D</td> <td>6 <td>ALUM.</td> <td>ANODIZE D</td> <td>-</td> <td>-</td> <td>380B</td> <td>3\"/> <tr> <td>385</td> <td>ETR</td> <td>-</td> <td>WD.</td> <td>J2</td> <td>PTD.</td> <td>-</td> <td>382</td> <td>3\"/> <tr> <td>386</td> <td>ETR</td> <td>-</td> <td>WD.</td> <td>J2</td> <td>PTD.</td> <td>-</td> <td>382A</td> <td>3\"/> <tr> <td>387</td> <td>ETR</td> <td>-</td> <td>WD.</td> <td>J2</td> <td>PTD.</td> <td>-</td> <td>385</td> <td>3\"/> <tr> <td>388</td> <td>ETR</td> <td>-</td> <td>WD.</td> <td>J2</td> <td>PTD.</td> <td>-</td> <td>386</td> <td>3\"/> <tr> <td>389</td> <td>ETR</td> <td>-</td> <td>WD.</td> <td>J2</td> <td>PTD.</td> <td>-</td> <td>387</td> <td>3\"/> <tr> <td>391</td> <td>ETR</td> <td>-</td> <td>WD.</td> <td>J2</td> <td>PTD.</td> <td>-</td> <td>388</td> <td>3\"/> <tr> <td>391A</td> <td>ETR</td> <td>-</td> <td>WD.</td> <td>J2</td> <td>PTD.</td> <td>-</td> <td>389</td> <td>3\"/> <tr> <td>391B</td> <td>ETR</td> <td>-</td> <td>WD.</td> <td>J2</td> <td>PTD.</td> <td>-</td> <td>391</td> <td>3\"/> <tr> <td>394</td> <td>ETR</td> <td>-</td> <td>WD.</td> <td>J2</td> <td>PTD.</td> <td>-</td> <td>391A</td> <td>3\"/> <tr> <td>395</td> <td>ETR</td> <td>-</td> <td>WD.</td> <td>J2</td> <td>PTD.</td> <td>-</td> <td>391B</td> <td>3\"/> <tr> <td>396</td> <td>ETR</td> <td>-</td> <td>WD.</td> <td>J2</td> <td>PTD.</td> <td>-</td> <td>394</td> <td>3\"/> <tr> <td>398</td> <td>ETR</td> <td>-</td> <td>WD.</td> <td>J2</td> <td>PTD.</td> <td>-</td> <td>395</td> <td>3\"/> <tr> <td>399</td> <td>ETR</td> <td>-</td> <td>WD.</td> <td>J2</td> <td>PTD.</td> <td>-</td> <td>396</td> <td>3\"/> <tr> <td>3991</td> <td>ETR</td> <td>-</td> <td>WD.</td> <td>J2</td> <td>PTD.</td> <td>-</td> <td>398</td> <td>3\"/> <tr> <td>3992</td> <td>A</td> <td>3\"/> <tr> <td>3993</td> <td>ETR</td> <td>-</td> <td>WD.</td> <td>J2</td> <td>PTD.</td> <td>-</td> <td>399</td> <td>3\"/> <tr> <td>3994</td> <td>ETR</td> <td>-</td> <td>WD.</td> <td>J2</td> <td>PTD.</td> <td>-</td> <td>3991</td> <td>3\"/> <tr> <td>3995</td> <td>ETR</td> <td>-</td> <td>WD.</td> <td>J2</td> <td>PTD.</td> <td>-</td> <td>3992</td> <td>3\"/> <tr>
<td>3997</td> <td>ETR</td> <td>-</td> <td>WD.</td> <td>J2</td> <td>PTD.</td> <td>-</td> <td>3993</td> <td>3\"/> <tr> <td>3998</td> <td>ETR</td> <td>-</td> <td>WD.</td> <td>J2</td> <td>PTD.</td> <td>-</td> <td>3994</td> <td>3\"/> <tr> <td>3999</td> <td>ETR</td> <td>-</td> <td>WD.</td> <td>J2</td> <td>PTD.</td> <td>-</td> <td>3995</td> <td>3\"/> <tr> <td>3999</td> <td>ETR</td> <td>-</td> <td>WD.</td> <td>J2</td> <td>PTD.</td> <td>-</td> <td>3997</td> <td>3\"/> </td></tr></td></tr></td></tr></td></tr></td></tr></td></tr></td></tr></td></tr></td></tr></td></tr></td></tr></td></tr></td></tr></td></tr></td></tr></td></tr></td></tr></td></tr></td></tr></td></tr></td></tr></td></tr></td></td></tr></td></tr></td></td></tr></td></td></tr></td></td></tr></td></td></tr></td></td></tr></td></td></tr> | 377 | B | 1 <td>WD</td> <td>J1</td> <td>PTD.</td> <td>-</td> <td>375</td> <td>3\"/> <tr> <td>377A</td> <td>B</td> <td>1 <td>WD</td> <td>J1</td> <td>PTD.</td> <td>-</td> <td>376</td> <td>3\"/> <tr> <td>378</td> <td>B</td> <td>1 <td>WD</td> <td>J1</td> <td>PTD.</td> <td>-</td> <td>377</td> <td>3\"/> <tr> <td>379</td> <td>B</td> <td>1 <td>WD</td> <td>J1</td> <td>PTD.</td> <td>-</td> <td>377A</td> <td>3\"/> <tr> <td>380A</td> <td>B</td> <td>1 <td>WD</td> <td>J1</td> <td>PTD.</td> <td>-</td> <td>378</td> <td>3\"/> <tr> <td>380B</td> <td>B</td> <td>1 <td>WD</td> <td>J1</td> <td>PTD.</td> <td>-</td> <td>379</td> <td>3\"/> <tr> <td>382</td> <td>ETR</td> <td>-</td> <td>WD.</td> <td>J2</td> <td>PTD.</td> <td>-</td> <td>380A</td> <td>3\"/> <tr> <td>382A</td> <td>D</td> <td>6 <td>ALUM.</td> <td>ANODIZE D</td> <td>-</td> <td>-</td> <td>380B</td> <td>3\"/> <tr> <td>385</td> <td>ETR</td> <td>-</td> <td>WD.</td> <td>J2</td> <td>PTD.</td> <td>-</td> <td>382</td> <td>3\"/> <tr> <td>386</td> <td>ETR</td> <td>-</td> <td>WD.</td> <td>J2</td> <td>PTD.</td> <td>-</td> <td>382A</td> <td>3\"/> <tr> <td>387</td> <td>ETR</td> <td>-</td> <td>WD.</td> <td>J2</td> <td>PTD.</td> <td>-</td> <td>385</td> <td>3\"/> <tr> <td>388</td> <td>ETR</td> <td>-</td> <td>WD.</td> <td>J2</td> <td>PTD.</td> <td>-</td> <td>386</td> <td>3\"/> <tr> <td>389</td> <td>ETR</td> <td>-</td> <td>WD.</td> <td>J2</td> <td>PTD.</td> <td>-</td> <td>387</td> <td>3\"/> <tr> <td>391</td> <td>ETR</td> <td>-</td> <td>WD.</td> <td>J2</td> <td>PTD.</td> <td>-</td> <td>388</td> <td>3\"/> <tr> <td>391A</td> <td>ETR</td> <td>-</td> <td>WD.</td> <td>J2</td> <td>PTD.</td> <td>-</td> <td>389</td> <td>3\"/> <tr> <td>391B</td> <td>ETR</td> <td>-</td> <td>WD.</td> <td>J2</td> <td>PTD.</td> <td>-</td> <td>391</td> <td>3\"/> <tr> <td>394</td> <td>ETR</td> <td>-</td> <td>WD.</td> <td>J2</td> <td>PTD.</td> <td>-</td> <td>391A</td> <td>3\"/> <tr> <td>395</td> <td>ETR</td> <td>-</td> <td>WD.</td> <td>J2</td> <td>PTD.</td> <td>-</td> <td>391B</td> <td>3\"/> <tr> <td>396</td> <td>ETR</td> <td>-</td> <td>WD.</td> <td>J2</td> <td>PTD.</td> <td>-</td> <td>394</td> <td>3\"/> <tr> <td>398</td> <td>ETR</td> <td>-</td> <td>WD.</td> <td>J2</td> <td>PTD.</td> <td>-</td> <td>395</td> <td>3\"/> <tr> <td>399</td> <td>ETR</td> <td>-</td> <td>WD.</td> <td>J2</td> <td>PTD.</td> <td>-</td> <td>396</td> <td>3\"/> <tr> <td>3991</td> <td>ETR</td> <td>-</td> <td>WD.</td> <td>J2</td> <td>PTD.</td> <td>-</td> <td>398</td> <td>3\"/> <tr> <td>3992</td> <td>A</td> <td>3\"/> <tr> <td>3993</td> <td>ETR</td> <td>-</td> <td>WD.</td> <td>J2</td> <td>PTD.</td> <td>-</td> <td>399</td> <td>3\"/> <tr> <td>3994</td> <td>ETR</td> <td>-</td> <td>WD.</td> <td>J2</td> <td>PTD.</td> <td>-</td> <td>3991</td> <td>3\"/> <tr> <td>3995</td> <td>ETR</td> <td>-</td> <td>WD.</td> <td>J2</td> <td>PTD.</td> <td>-</td> <td>3992</td> <td>3\"/> <tr> <td>3997</td> <td>ETR</td> <td>-</td> <td>WD.</td> <td>J2</td> <td>PTD.</td> <td>-</td> <td>3993</td> <td>3\"/> <tr> <td>3998</td> <td>ETR</td> <td>-</td> <td>WD.</td> <td>J2</td> <td>PTD.</td> <td>-</td> <td>3994</td> <td>3\"/> <tr> <td>3999</td> <td>ETR</td> <td>-</td> <td>WD.</td> <td>J2</td> <td>PTD.</td> <td>-</td> <td>3995</td> <td>3\"/> <tr> <td>3999</td> <td>ETR</td> <td>-</td> <td>WD.</td> <td>J2</td> <td>PTD.</td> <td>-</td> <td>3997</td> <td>3\"/> </td></tr></td></tr></td></tr></td></tr></td></tr></td></tr></td></tr></td></tr></td></tr></td></tr></td></tr></td></tr></td></tr></td></tr></td></tr></td></tr></td></tr></td></tr></td></tr></td></tr></td></tr></td></tr></td></td></tr></td></tr></td></td></tr></td></td></tr></td></td></tr></td></td></tr></td></td></tr></td>
 | WD | J1 | PTD. | - | 375 | 3\"/> <tr> <td>377A</td> <td>B</td> <td>1 <td>WD</td> <td>J1</td> <td>PTD.</td> <td>-</td> <td>376</td> <td>3\"/> <tr> <td>378</td> <td>B</td> <td>1 <td>WD</td> <td>J1</td> <td>PTD.</td> <td>-</td> <td>377</td> <td>3\"/> <tr> <td>379</td> <td>B</td> <td>1 <td>WD</td> <td>J1</td> <td>PTD.</td> <td>-</td> <td>377A</td> <td>3\"/> <tr> <td>380A</td> <td>B</td> <td>1 <td>WD</td> <td>J1</td> <td>PTD.</td> <td>-</td> <td>378</td> <td>3\"/> <tr> <td>380B</td> <td>B</td> <td>1 <td>WD</td> <td>J1</td> <td>PTD.</td> <td>-</td> <td>379</td> <td>3\"/> <tr> <td>382</td> <td>ETR</td> <td>-</td> <td>WD.</td> <td>J2</td> <td>PTD.</td> <td>-</td> <td>380A</td> <td>3\"/> <tr> <td>382A</td> <td>D</td> <td>6 <td>ALUM.</td> <td>ANODIZE D</td> <td>-</td> <td>-</td> <td>380B</td> <td>3\"/> <tr> <td>385</td> <td>ETR</td> <td>-</td> <td>WD.</td> <td>J2</td> <td>PTD.</td> <td>-</td> <td>382</td> <td>3\"/> <tr> <td>386</td> <td>ETR</td> <td>-</td> <td>WD.</td> <td>J2</td> <td>PTD.</td> <td>-</td> <td>382A</td> <td>3\"/> <tr> <td>387</td> <td>ETR</td> <td>-</td> <td>WD.</td> <td>J2</td> <td>PTD.</td> <td>-</td> <td>385</td> <td>3\"/> <tr> <td>388</td> <td>ETR</td> <td>-</td> <td>WD.</td> <td>J2</td> <td>PTD.</td> <td>-</td> <td>386</td> <td>3\"/> <tr> <td>389</td> <td>ETR</td> <td>-</td> <td>WD.</td> <td>J2</td> <td>PTD.</td> <td>-</td> <td>387</td> <td>3\"/> <tr> <td>391</td> <td>ETR</td> <td>-</td> <td>WD.</td> <td>J2</td> <td>PTD.</td> <td>-</td> <td>388</td> <td>3\"/> <tr> <td>391A</td> <td>ETR</td> <td>-</td> <td>WD.</td> <td>J2</td> <td>PTD.</td> <td>-</td> <td>389</td> <td>3\"/> <tr> <td>391B</td> <td>ETR</td> <td>-</td> <td>WD.</td> <td>J2</td> <td>PTD.</td> <td>-</td> <td>391</td> <td>3\"/> <tr> <td>394</td> <td>ETR</td> <td>-</td> <td>WD.</td> <td>J2</td> <td>PTD.</td> <td>-</td> <td>391A</td> <td>3\"/> <tr> <td>395</td> <td>ETR</td> <td>-</td> <td>WD.</td> <td>J2</td> <td>PTD.</td> <td>-</td> <td>391B</td> <td>3\"/> <tr> <td>396</td> <td>ETR</td> <td>-</td> <td>WD.</td> <td>J2</td> <td>PTD.</td> <td>-</td> <td>394</td> <td>3\"/> <tr> <td>398</td> <td>ETR</td> <td>-</td> <td>WD.</td> <td>J2</td> <td>PTD.</td> <td>-</td> <td>395</td> <td>3\"/> <tr> <td>399</td> <td>ETR</td> <td>-</td> <td>WD.</td> <td>J2</td> <td>PTD.</td> <td>-</td> <td>396</td> <td>3\"/> <tr> <td>3991</td> <td>ETR</td> <td>-</td> <td>WD.</td> <td>J2</td> <td>PTD.</td> <td>-</td> <td>398</td> <td>3\"/> <tr> <td>3992</td> <td>A</td> <td>3\"/> <tr> <td>3993</td> <td>ETR</td> <td>-</td> <td>WD.</td> <td>J2</td> <td>PTD.</td> <td>-</td> <td>399</td> <td>3\"/> <tr> <td>3994</td> <td>ETR</td> <td>-</td> <td>WD.</td> <td>J2</td> <td>PTD.</td> <td>-</td> <td>3991</td> <td>3\"/> <tr> <td>3995</td> <td>ETR</td> <td>-</td> <td>WD.</td> <td>J2</td> <td>PTD.</td> <td>-</td> <td>3992</td> <td>3\"/> <tr> <td>3997</td> <td>ETR</td> <td>-</td> <td>WD.</td> <td>J2</td> <td>PTD.</td> <td>-</td> <td>3993</td> <td>3\"/> <tr> <td>3998</td> <td>ETR</td> <td>-</td> <td>WD.</td> <td>J2</td> <td>PTD.</td> <td>-</td> <td>3994</td> <td>3\"/> <tr> <td>3999</td> <td>ETR</td> <td>-</td> <td>WD.</td> <td>J2</td> <td>PTD.</td> <td>-</td> <td>3995</td> <td>3\"/> <tr> <td>3999</td> <td>ETR</td> <td>-</td> <td>WD.</td> <td>J2</td> <td>PTD.</td> <td>-</td> <td>3997</td> <td>3\"/> </td></tr></td></tr></td></tr></td></tr></td></tr></td></tr></td></tr></td></tr></td></tr></td></tr></td></tr></td></tr></td></tr></td></tr></td></tr></td></tr></td></tr></td></tr></td></tr></td></tr></td></tr></td></tr></td></td></tr></td></tr></td></td></tr></td></td></tr></td></td></tr></td></td></tr></td></td></tr> | 377A | B | 1 <td>WD</td> <td>J1</td> <td>PTD.</td> <td>-</td> <td>376</td> <td>3\"/> <tr> <td>378</td> <td>B</td> <td>1 <td>WD</td> <td>J1</td> <td>PTD.</td> <td>-</td> <td>377</td> <td>3\"/> <tr> <td>379</td> <td>B</td> <td>1 <td>WD</td> <td>J1</td> <td>PTD.</td> <td>-</td> <td>377A</td> <td>3\"/> <tr> <td>380A</td> <td>B</td> <td>1 <td>WD</td> <td>J1</td> <td>PTD.</td> <td>-</td> <td>378</td> <td>3\"/> <tr> <td>380B</td> <td>B</td> <td>1 <td>WD</td> <td>J1</td> <td>PTD.</td> <td>-</td> <td>379</td> <td>3\"/> <tr> <td>382</td> <td>ETR</td> <td>-</td> <td>WD.</td> <td>J2</td> <td>PTD.</td> <td>-</td> <td>380A</td> <td>3\"/> <tr> <td>382A</td> <td>D</td> <td>6 <td>ALUM.</td> <td>ANODIZE D</td> <td>-</td> <td>-</td> <td>380B</td> <td>3\"/> <tr> <td>385</td> <td>ETR</td> <td>-</td> <td>WD.</td> <td>J2</td> <td>PTD.</td> <td>-</td> <td>382</td> <td>3\"/> <tr> <td>386</td> <td>ETR</td> <td>-</td> <td>WD.</td> <td>J2</td> <td>PTD.</td> <td>-</td> <td>382A</td> <td>3\"/> <tr> <td>387</td> <td>ETR</td> <td>-</td> <td>WD.</td> <td>J2</td> <td>PTD.</td> <td>-</td> <td>385</td> <td>3\"/> <tr> <td>388</td> <td>ETR</td> <td>-</td> <td>WD.</td> <td>J2</td> <td>PTD.</td> <td>-</td> <td>386</td> <td>3\"/> <tr> <td>389</td> <td>ETR</td> <td>-</td> <td>WD.</td> <td>J2</td> <td>PTD.</td> <td>-</td> <td>387</td> <td>3\"/> <tr> <td>391</td> <td>ETR</td> <td>-</td> <td>WD.</td> <td>J2</td> <td>PTD.</td> <td>-</td> <td>388</td> <td>3\"/> <tr> <td>391A</td> <td>ETR</td> <td>-</td> <td>WD.</td> <td>J2</td> <td>PTD.</td> <td>-</td> <td>389</td> <td>3\"/> <tr> <td>391B</td> <td>ETR</td> <td>-</td> <td>WD.</td> <td>J2</td> <td>PTD.</td> <td>-</td> <td>391</td> <td>3\"/> <tr> <td>394</td> <td>ETR</td> <td>-</td> <td>WD.</td> <td>J2</td> <td>PTD.</td> <td>-</td> <td>391A</td> <td>3\"/> <tr> <td>395</td> <td>ETR</td> <td>-</td> <td>WD.</td> <td>J2</td> <td>PTD.</td> <td>-</td> <td>391B</td> <td>3\"/> <tr> <td>396</td> <td>ETR</td> <td>-</td> <td>WD.</td> <td>J2</td> <td>PTD.</td> <td>-</td> <td>394</td> <td>3\"/> <tr> <td>398</td> <td>ETR</td> <td>-</td> <td>WD.</td> <td>J2</td> <td>PTD.</td> <td>-</td> <td>395</td> <td>3\"/> <tr> <td>399</td> <td>ETR</td> <td>-</td> <td>WD.</td> <td>J2</td> <td>PTD.</td> <td>-</td> <td>396</td> <td>3\"/> <tr> <td>3991</td> <td>ETR</td> <td>-</td> <td>WD.</td> <td>J2</td> <td>PTD.</td> <td>-</td> <td>398</td> <td>3\"/> <tr> <td>3992</td> <td>A</td> <td>3\"/> <tr> <td>3993</td> <td>ETR</td> <td>-</td> <td>WD.</td> <td>J2</td> <td>PTD.</td> <td>-</td> <td>399</td> <td>3\"/> <tr> <td>3994</td> <td>ETR</td> <td>-</td> <td>WD.</td> <td>J2</td> <td>PTD.</td>
<td>-</td> <td>3991</td> <td>3\"/> <tr> <td>3995</td> <td>ETR</td> <td>-</td> <td>WD.</td> <td>J2</td> <td>PTD.</td> <td>-</td> <td>3992</td> <td>3\"/> <tr> <td>3997</td> <td>ETR</td> <td>-</td> <td>WD.</td> <td>J2</td> <td>PTD.</td> <td>-</td> <td>3993</td> <td>3\"/> <tr> <td>3998</td> <td>ETR</td> <td>-</td> <td>WD.</td> <td>J2</td> <td>PTD.</td> <td>-</td> <td>3994</td> <td>3\"/> <tr> <td>3999</td> <td>ETR</td> <td>-</td> <td>WD.</td> <td>J2</td> <td>PTD.</td> <td>-</td> <td>3995</td> <td>3\"/> <tr> <td>3999</td> <td>ETR</td> <td>-</td> <td>WD.</td> <td>J2</td> <td>PTD.</td> <td>-</td> <td>3997</td> <td>3\"/> </td></tr></td></tr></td></tr></td></tr></td></tr></td></tr></td></tr></td></tr></td></tr></td></tr></td></tr></td></tr></td></tr></td></tr></td></tr></td></tr></td></tr></td></tr></td></tr></td></tr></td></tr></td></tr></td></td></tr></td></tr></td></td></tr></td></td></tr></td></td></tr></td></td></tr></td> | WD | J1 | PTD. | - | 376 | 3\"/> <tr> <td>378</td> <td>B</td> <td>1 <td>WD</td> <td>J1</td> <td>PTD.</td> <td>-</td> <td>377</td> <td>3\"/> <tr> <td>379</td> <td>B</td> <td>1 <td>WD</td> <td>J1</td> <td>PTD.</td> <td>-</td> <td>377A</td> <td>3\"/> <tr> <td>380A</td> <td>B</td> <td>1 <td>WD</td> <td>J1</td> <td>PTD.</td> <td>-</td> <td>378</td> <td>3\"/> <tr> <td>380B</td> <td>B</td> <td>1 <td>WD</td> <td>J1</td> <td>PTD.</td> <td>-</td> <td>379</td> <td>3\"/> <tr> <td>382</td> <td>ETR</td> <td>-</td> <td>WD.</td> <td>J2</td> <td>PTD.</td> <td>-</td> <td>380A</td> <td>3\"/> <tr> <td>382A</td> <td>D</td> <td>6 <td>ALUM.</td> <td>ANODIZE D</td> <td>-</td> <td>-</td> <td>380B</td> <td>3\"/> <tr> <td>385</td> <td>ETR</td> <td>-</td> <td>WD.</td> <td>J2</td> <td>PTD.</td> <td>-</td> <td>382</td> <td>3\"/> <tr> <td>386</td> <td>ETR</td> <td>-</td> <td>WD.</td> <td>J2</td> <td>PTD.</td> <td>-</td> <td>382A</td> <td>3\"/> <tr> <td>387</td> <td>ETR</td> <td>-</td> <td>WD.</td> <td>J2</td> <td>PTD.</td> <td>-</td> <td>385</td> <td>3\"/> <tr> <td>388</td> <td>ETR</td> <td>-</td> <td>WD.</td> <td>J2</td> <td>PTD.</td> <td>-</td> <td>386</td> <td>3\"/> <tr> <td>389</td> <td>ETR</td> <td>-</td> <td>WD.</td> <td>J2</td> <td>PTD.</td> <td>-</td> <td>387</td> <td>3\"/> <tr> <td>391</td> <td>ETR</td> <td>-</td> <td>WD.</td> <td>J2</td> <td>PTD.</td> <td>-</td> <td>388</td> <td>3\"/> <tr> <td>391A</td> <td>ETR</td> <td>-</td> <td>WD.</td> <td>J2</td> <td>PTD.</td> <td>-</td> <td>389</td> <td>3\"/> <tr> <td>391B</td> <td>ETR</td> <td>-</td> <td>WD.</td> <td>J2</td> <td>PTD.</td> <td>-</td> <td>391</td> <td>3\"/> <tr> <td>394</td> <td>ETR</td> <td>-</td> <td>WD.</td> <td>J2</td> <td>PTD.</td> <td>-</td> <td>391A</td> <td>3\"/> <tr> <td>395</td> <td>ETR</td> <td>-</td> <td>WD.</td> <td>J2</td> <td>PTD.</td> <td>-</td> <td>391B</td> <td>3\"/> <tr> <td>396</td> <td>ETR</td> <td>-</td> <td>WD.</td> <td>J2</td> <td>PTD.</td> <td>-</td> <td>394</td> <td>3\"/> <tr> <td>398</td> <td>ETR</td> <td>-</td> <td>WD.</td> <td>J2</td> <td>PTD.</td> <td>-</td> <td>395</td> <td>3\"/> <tr> <td>399</td> <td>ETR</td> <td>-</td> <td>WD.</td> <td>J2</td> <td>PTD.</td> <td>-</td> <td>396</td> <td>3\"/> <tr> <td>3991</td> <td>ETR</td> <td>-</td> <td>WD.</td> <td>J2</td> <td>PTD.</td> <td>-</td> <td>398</td> <td>3\"/> <tr> <td>3992</td> <td>A</td> <td>3\"/> <tr> <td>3993</td> <td>ETR</td> <td>-</td> <td>WD.</td> <td>J2</td> <td>PTD.</td> <td>-</td> <td>399</td> <td>3\"/> <tr> <td>3994</td> <td>ETR</td> <td>-</td> <td>WD.</td> <td>J2</td> <td>PTD.</td> <td>-</td> <td>3991</td> <td>3\"/> <tr> <td>3995</td> <td>ETR</td> <td>-</td> <td>WD.</td> <td>J2</td> <td>PTD.</td> <td>-</td> <td>3992</td> <td>3\"/> <tr> <td>3997</td> <td>ETR</td> <td>-</td> <td>WD.</td> <td>J2</td> <td>PTD.</td> <td>-</td> <td>3993</td> <td>3\"/> <tr> <td>3998</td> <td>ETR</td> <td>-</td> <td>WD.</td> <td>J2</td> <td>PTD.</td> <td>-</td> <td>3994</td> <td>3\"/> <tr> <td>3999</td> <td>ETR</td> <td>-</td> <td>WD.</td> <td>J2</td> <td>PTD.</td> <td>-</td> <td>3995</td> <td>3\"/> <tr> <td>3999</td> <td>ETR</td> <td>-</td> <td>WD.</td> <td>J2</td> <td>PTD.</td> <td>-</td> <td>3997</td> <td>3\"/> </td></tr></td></tr></td></tr></td></tr></td></tr></td></tr></td></tr></td></tr></td></tr></td></tr></td></tr></td></tr></td></tr></td></tr></td></tr></td></tr></td></tr></td></tr></td></tr></td></tr></td></tr></td></tr></td></td></tr></td></tr></td></td></tr></td></td></tr></td></td></tr></td></td></tr>
 | 378 | B | 1 <td>WD</td> <td>J1</td> <td>PTD.</td> <td>-</td> <td>377</td> <td>3\"/> <tr> <td>379</td> <td>B</td> <td>1 <td>WD</td> <td>J1</td> <td>PTD.</td> <td>-</td> <td>377A</td> <td>3\"/> <tr> <td>380A</td> <td>B</td> <td>1 <td>WD</td> <td>J1</td> <td>PTD.</td> <td>-</td> <td>378</td> <td>3\"/> <tr> <td>380B</td> <td>B</td> <td>1 <td>WD</td> <td>J1</td> <td>PTD.</td> <td>-</td> <td>379</td> <td>3\"/> <tr> <td>382</td> <td>ETR</td> <td>-</td> <td>WD.</td> <td>J2</td> <td>PTD.</td> <td>-</td> <td>380A</td> <td>3\"/> <tr> <td>382A</td> <td>D</td> <td>6 <td>ALUM.</td> <td>ANODIZE D</td> <td>-</td> <td>-</td> <td>380B</td> <td>3\"/> <tr> <td>385</td> <td>ETR</td> <td>-</td> <td>WD.</td> <td>J2</td> <td>PTD.</td> <td>-</td> <td>382</td> <td>3\"/> <tr> <td>386</td> <td>ETR</td> <td>-</td> <td>WD.</td> <td>J2</td> <td>PTD.</td> <td>-</td> <td>382A</td> <td>3\"/> <tr> <td>387</td> <td>ETR</td> <td>-</td> <td>WD.</td> <td>J2</td> <td>PTD.</td> <td>-</td> <td>385</td> <td>3\"/> <tr> <td>388</td> <td>ETR</td> <td>-</td> <td>WD.</td> <td>J2</td> <td>PTD.</td> <td>-</td> <td>386</td> <td>3\"/> <tr> <td>389</td> <td>ETR</td> <td>-</td> <td>WD.</td> <td>J2</td> <td>PTD.</td> <td>-</td> <td>387</td> <td>3\"/> <tr> <td>391</td> <td>ETR</td> <td>-</td> <td>WD.</td> <td>J2</td> <td>PTD.</td> <td>-</td> <td>388</td> <td>3\"/> <tr> <td>391A</td> <td>ETR</td> <td>-</td> <td>WD.</td> <td>J2</td> <td>PTD.</td> <td>-</td> <td>389</td> <td>3\"/> <tr> <td>391B</td> <td>ETR</td> <td>-</td> <td>WD.</td> <td>J2</td> <td>PTD.</td> <td>-</td> <td>391</td> <td>3\"/> <tr> <td>394</td> <td>ETR</td> <td>-</td> <td>WD.</td> <td>J2</td> <td>PTD.</td> <td>-</td> <td>391A</td> <td>3\"/> <tr> <td>395</td> <td>ETR</td> <td>-</td> <td>WD.</td> <td>J2</td> <td>PTD.</td> <td>-</td> <td>391B</td> <td>3\"/> <tr> <td>396</td> <td>ETR</td> <td>-</td> <td>WD.</td> <td>J2</td> <td>PTD.</td> <td>-</td> <td>394</td> <td>3\"/> <tr> <td>398</td> <td>ETR</td> <td>-</td> <td>WD.</td> <td>J2</td> <td>PTD.</td> <td>-</td> <td>395</td> <td>3\"/> <tr> <td>399</td> <td>ETR</td> <td>-</td> <td>WD.</td> <td>J2</td> <td>PTD.</td> <td>-</td> <td>396</td> <td>3\"/> <tr> <td>3991</td> <td>ETR</td> <td>-</td> <td>WD.</td> <td>J2</td> <td>PTD.</td> <td>-</td> <td>398</td> <td>3\"/> <tr> <td>3992</td> <td>A</td> <td>3\"/> <tr> <td>3993</td> <td>ETR</td> <td>-</td> <td>WD.</td> <td>J2</td> <td>PTD.</td> <td>-</td> <td>399</td> <td>3\"/> <tr> <td>3994</td> <td>ETR</td> <td>-</td> <td>WD.</td> <td>J2</td> <td>PTD.</td> <td>-</td> <td>3991</td> <td>3\"/> <tr> <td>3995</td> <td>ETR</td> <td>-</td> <td>WD.</td> <td>J2</td> <td>PTD.</td> <td>-</td> <td>3992</td> <td>3\"/> <tr> <td>3997</td> <td>ETR</td> <td>-</td> <td>WD.</td> <td>J2</td> <td>PTD.</td> <td>-</td> <td>3993</td> <td>3\"/> <tr> <td>3998</td> <td>ETR</td> <td>-</td> <td>WD.</td> <td>J2</td> <td>PTD.</td> <td>-</td> <td>3994</td> <td>3\"/> <tr> <td>3999</td> <td>ETR</td> <td>-</td> <td>WD.</td> <td>J2</td> <td>PTD.</td> <td>-</td> <td>3995</td> <td>3\"/> <tr> <td>3999</td> <td>ETR</td> <td>-</td> <td>WD.</td> <td>J2</td> <td>PTD.</td> <td>-</td> <td>3997</td> <td>3\"/> </td></tr></td></tr></td></tr></td></tr></td></tr></td></tr></td></tr></td></tr></td></tr></td></tr></td></tr></td></tr></td></tr></td></tr></td></tr></td></tr></td></tr></td></tr></td></tr></td></tr></td></tr></td></tr></td></td></tr></td></tr></td></td></tr></td></td></tr></td></td></tr></td> | WD | J1 | PTD. | - | 377 | 3\"/> <tr> <td>379</td> <td>B</td> <td>1 <td>WD</td> <td>J1</td> <td>PTD.</td> <td>-</td> <td>377A</td> <td>3\"/> <tr> <td>380A</td> <td>B</td> <td>1 <td>WD</td> <td>J1</td> <td>PTD.</td> <td>-</td> <td>378</td> <td>3\"/> <tr> <td>380B</td> <td>B</td> <td>1 <td>WD</td> <td>J1</td> <td>PTD.</td> <td>-</td> <td>379</td> <td>3\"/> <tr> <td>382</td> <td>ETR</td> <td>-</td> <td>WD.</td> <td>J2</td> <td>PTD.</td> <td>-</td> <td>380A</td> <td>3\"/> <tr> <td>382A</td> <td>D</td> <td>6 <td>ALUM.</td> <td>ANODIZE D</td> <td>-</td> <td>-</td> <td>380B</td> <td>3\"/> <tr> <td>385</td> <td>ETR</td> <td>-</td> <td>WD.</td> <td>J2</td> <td>PTD.</td> <td>-</td> <td>382</td> <td>3\"/> <tr> <td>386</td> <td>ETR</td> <td>-</td> <td>WD.</td> <td>J2</td> <td>PTD.</td> <td>-</td> <td>382A</td> <td>3\"/> <tr> <td>387</td> <td>ETR</td> <td>-</td> <td>WD.</td> <td>J2</td> <td>PTD.</td> <td>-</td> <td>385</td> <td>3\"/> <tr> <td>388</td> <td>ETR</td> <td>-</td> <td>WD.</td> <td>J2</td> <td>PTD.</td> <td>-</td> <td>386</td> <td>3\"/> <tr> <td>389</td> <td>ETR</td> <td>-</td> <td>WD.</td> <td>J2</td> <td>PTD.</td> <td>-</td> <td>387</td> <td>3\"/> <tr> <td>391</td> <td>ETR</td> <td>-</td> <td>WD.</td> <td>J2</td> <td>PTD.</td> <td>-</td> <td>388</td> <td>3\"/> <tr> <td>391A</td> <td>ETR</td> <td>-</td> <td>WD.</td> <td>J2</td> <td>PTD.</td> <td>-</td> <td>389</td> <td>3\"/> <tr> <td>391B</td> <td>ETR</td> <td>-</td> <td>WD.</td> <td>J2</td> <td>PTD.</td> <td>-</td> <td>391</td> <td>3\"/> <tr> <td>394</td> <td>ETR</td> <td>-</td> <td>WD.</td> <td>J2</td> <td>PTD.</td> <td>-</td> <td>391A</td> <td>3\"/> <tr> <td>395</td> <td>ETR</td> <td>-</td> <td>WD.</td> <td>J2</td> <td>PTD.</td> <td>-</td> <td>391B</td> <td>3\"/> <tr> <td>396</td> <td>ETR</td> <td>-</td> <td>WD.</td> <td>J2</td> <td>PTD.</td> <td>-</td> <td>394</td> <td>3\"/> <tr> <td>398</td> <td>ETR</td> <td>-</td> <td>WD.</td> <td>J2</td> <td>PTD.</td> <td>-</td> <td>395</td> <td>3\"/> <tr> <td>399</td> <td>ETR</td> <td>-</td> <td>WD.</td> <td>J2</td> <td>PTD.</td> <td>-</td> <td>396</td> <td>3\"/> <tr> <td>3991</td> <td>ETR</td> <td>-</td> <td>WD.</td> <td>J2</td> <td>PTD.</td> <td>-</td> <td>398</td> <td>3\"/> <tr> <td>3992</td> <td>A</td> <td>3\"/> <tr> <td>3993</td> <td>ETR</td> <td>-</td> <td>WD.</td> <td>J2</td> <td>PTD.</td> <td>-</td> <td>399</td> <td>3\"/> <tr> <td>3994</td> <td>ETR</td> <td>-</td> <td>WD.</td> <td>J2</td> <td>PTD.</td> <td>-</td> <td>3991</td> <td>3\"/> <tr> <td>3995</td> <td>ETR</td> <td>-</td> <td>WD.</td> <td>J2</td> <td>PTD.</td> <td>-</td> <td>3992</td> <td>3\"/> <tr> <td>3997</td> <td>ETR</td> <td>-</td> <td>WD.</td> <td>J2</td> <td>PTD.</td> <td>-</td> <td>3993</td> <td>3\"/> <tr> <td>3998</td> <td>ETR</td> <td>-</td> <td>WD.</td> <td>J2</td>
<td>PTD.</td> <td>-</td> <td>3994</td> <td>3\"/> <tr> <td>3999</td> <td>ETR</td> <td>-</td> <td>WD.</td> <td>J2</td> <td>PTD.</td> <td>-</td> <td>3995</td> <td>3\"/> <tr> <td>3999</td> <td>ETR</td> <td>-</td> <td>WD.</td> <td>J2</td> <td>PTD.</td> <td>-</td> <td>3997</td> <td>3\"/> </td></tr></td></tr></td></tr></td></tr></td></tr></td></tr></td></tr></td></tr></td></tr></td></tr></td></tr></td></tr></td></tr></td></tr></td></tr></td></tr></td></tr></td></tr></td></tr></td></tr></td></tr></td></tr></td></td></tr></td></tr></td></td></tr></td></td></tr></td></td></tr> | 379 | B | 1 <td>WD</td> <td>J1</td> <td>PTD.</td> <td>-</td> <td>377A</td> <td>3\"/> <tr> <td>380A</td> <td>B</td> <td>1 <td>WD</td> <td>J1</td> <td>PTD.</td> <td>-</td> <td>378</td> <td>3\"/> <tr> <td>380B</td> <td>B</td> <td>1 <td>WD</td> <td>J1</td> <td>PTD.</td> <td>-</td> <td>379</td> <td>3\"/> <tr> <td>382</td> <td>ETR</td> <td>-</td> <td>WD.</td> <td>J2</td> <td>PTD.</td> <td>-</td> <td>380A</td> <td>3\"/> <tr> <td>382A</td> <td>D</td> <td>6 <td>ALUM.</td> <td>ANODIZE D</td> <td>-</td> <td>-</td> <td>380B</td> <td>3\"/> <tr> <td>385</td> <td>ETR</td> <td>-</td> <td>WD.</td> <td>J2</td> <td>PTD.</td> <td>-</td> <td>382</td> <td>3\"/> <tr> <td>386</td> <td>ETR</td> <td>-</td> <td>WD.</td> <td>J2</td> <td>PTD.</td> <td>-</td> <td>382A</td> <td>3\"/> <tr> <td>387</td> <td>ETR</td> <td>-</td> <td>WD.</td> <td>J2</td> <td>PTD.</td> <td>-</td> <td>385</td> <td>3\"/> <tr> <td>388</td> <td>ETR</td> <td>-</td> <td>WD.</td> <td>J2</td> <td>PTD.</td> <td>-</td> <td>386</td> <td>3\"/> <tr> <td>389</td> <td>ETR</td> <td>-</td> <td>WD.</td> <td>J2</td> <td>PTD.</td> <td>-</td> <td>387</td> <td>3\"/> <tr> <td>391</td> <td>ETR</td> <td>-</td> <td>WD.</td> <td>J2</td> <td>PTD.</td> <td>-</td> <td>388</td> <td>3\"/> <tr> <td>391A</td> <td>ETR</td> <td>-</td> <td>WD.</td> <td>J2</td> <td>PTD.</td> <td>-</td> <td>389</td> <td>3\"/> <tr> <td>391B</td> <td>ETR</td> <td>-</td> <td>WD.</td> <td>J2</td> <td>PTD.</td> <td>-</td> <td>391</td> <td>3\"/> <tr> <td>394</td> <td>ETR</td> <td>-</td> <td>WD.</td> <td>J2</td> <td>PTD.</td> <td>-</td> <td>391A</td> <td>3\"/> <tr> <td>395</td> <td>ETR</td> <td>-</td> <td>WD.</td> <td>J2</td> <td>PTD.</td> <td>-</td> <td>391B</td> <td>3\"/> <tr> <td>396</td> <td>ETR</td> <td>-</td> <td>WD.</td> <td>J2</td> <td>PTD.</td> <td>-</td> <td>394</td> <td>3\"/> <tr> <td>398</td> <td>ETR</td> <td>-</td> <td>WD.</td> <td>J2</td> <td>PTD.</td> <td>-</td> <td>395</td> <td>3\"/> <tr> <td>399</td> <td>ETR</td> <td>-</td> <td>WD.</td> <td>J2</td> <td>PTD.</td> <td>-</td> <td>396</td> <td>3\"/> <tr> <td>3991</td> <td>ETR</td> <td>-</td> <td>WD.</td> <td>J2</td> <td>PTD.</td> <td>-</td> <td>398</td> <td>3\"/> <tr> <td>3992</td> <td>A</td> <td>3\"/> <tr> <td>3993</td> <td>ETR</td> <td>-</td> <td>WD.</td> <td>J2</td> <td>PTD.</td> <td>-</td> <td>399</td> <td>3\"/> <tr> <td>3994</td> <td>ETR</td> <td>-</td> <td>WD.</td> <td>J2</td> <td>PTD.</td> <td>-</td> <td>3991</td> <td>3\"/> <tr> <td>3995</td> <td>ETR</td> <td>-</td> <td>WD.</td> <td>J2</td> <td>PTD.</td> <td>-</td> <td>3992</td> <td>3\"/> <tr> <td>3997</td> <td>ETR</td> <td>-</td> <td>WD.</td> <td>J2</td> <td>PTD.</td> <td>-</td> <td>3993</td> <td>3\"/> <tr> <td>3998</td> <td>ETR</td> <td>-</td> <td>WD.</td> <td>J2</td> <td>PTD.</td> <td>-</td> <td>3994</td> <td>3\"/> <tr> <td>3999</td> <td>ETR</td> <td>-</td> <td>WD.</td> <td>J2</td> <td>PTD.</td> <td>-</td> <td>3995</td> <td>3\"/> <tr> <td>3999</td> <td>ETR</td> <td>-</td> <td>WD.</td> <td>J2</td> <td>PTD.</td> <td>-</td> <td>3997</td> <td>3\"/> </td></tr></td></tr></td></tr></td></tr></td></tr></td></tr></td></tr></td></tr></td></tr></td></tr></td></tr></td></tr></td></tr></td></tr></td></tr></td></tr></td></tr></td></tr></td></tr></td></tr></td></tr></td></tr></td></td></tr></td></tr></td></td></tr></td></td></tr></td> | WD | J1 | PTD. | -
 | 377A | 3\"/> <tr> <td>380A</td> <td>B</td> <td>1 <td>WD</td> <td>J1</td> <td>PTD.</td> <td>-</td> <td>378</td> <td>3\"/> <tr> <td>380B</td> <td>B</td> <td>1 <td>WD</td> <td>J1</td> <td>PTD.</td> <td>-</td> <td>379</td> <td>3\"/> <tr> <td>382</td> <td>ETR</td> <td>-</td> <td>WD.</td> <td>J2</td> <td>PTD.</td> <td>-</td> <td>380A</td> <td>3\"/> <tr> <td>382A</td> <td>D</td> <td>6 <td>ALUM.</td> <td>ANODIZE D</td> <td>-</td> <td>-</td> <td>380B</td> <td>3\"/> <tr> <td>385</td> <td>ETR</td> <td>-</td> <td>WD.</td> <td>J2</td> <td>PTD.</td> <td>-</td> <td>382</td> <td>3\"/> <tr> <td>386</td> <td>ETR</td> <td>-</td> <td>WD.</td> <td>J2</td> <td>PTD.</td> <td>-</td> <td>382A</td> <td>3\"/> <tr> <td>387</td> <td>ETR</td> <td>-</td> <td>WD.</td> <td>J2</td> <td>PTD.</td> <td>-</td> <td>385</td> <td>3\"/> <tr> <td>388</td> <td>ETR</td> <td>-</td> <td>WD.</td> <td>J2</td> <td>PTD.</td> <td>-</td> <td>386</td> <td>3\"/> <tr> <td>389</td> <td>ETR</td> <td>-</td> <td>WD.</td> <td>J2</td> <td>PTD.</td> <td>-</td> <td>387</td> <td>3\"/> <tr> <td>391</td> <td>ETR</td> <td>-</td> <td>WD.</td> <td>J2</td> <td>PTD.</td> <td>-</td> <td>388</td> <td>3\"/> <tr> <td>391A</td> <td>ETR</td> <td>-</td> <td>WD.</td> <td>J2</td> <td>PTD.</td> <td>-</td> <td>389</td> <td>3\"/> <tr> <td>391B</td> <td>ETR</td> <td>-</td> <td>WD.</td> <td>J2</td> <td>PTD.</td> <td>-</td> <td>391</td> <td>3\"/> <tr> <td>394</td> <td>ETR</td> <td>-</td> <td>WD.</td> <td>J2</td> <td>PTD.</td> <td>-</td> <td>391A</td> <td>3\"/> <tr> <td>395</td> <td>ETR</td> <td>-</td> <td>WD.</td> <td>J2</td> <td>PTD.</td> <td>-</td> <td>391B</td> <td>3\"/> <tr> <td>396</td> <td>ETR</td> <td>-</td> <td>WD.</td> <td>J2</td> <td>PTD.</td> <td>-</td> <td>394</td> <td>3\"/> <tr> <td>398</td> <td>ETR</td> <td>-</td> <td>WD.</td> <td>J2</td> <td>PTD.</td> <td>-</td> <td>395</td> <td>3\"/> <tr> <td>399</td> <td>ETR</td> <td>-</td> <td>WD.</td> <td>J2</td> <td>PTD.</td> <td>-</td> <td>396</td> <td>3\"/> <tr> <td>3991</td> <td>ETR</td> <td>-</td> <td>WD.</td> <td>J2</td> <td>PTD.</td> <td>-</td> <td>398</td> <td>3\"/> <tr> <td>3992</td> <td>A</td> <td>3\"/> <tr> <td>3993</td> <td>ETR</td> <td>-</td> <td>WD.</td> <td>J2</td> <td>PTD.</td> <td>-</td> <td>399</td> <td>3\"/> <tr> <td>3994</td> <td>ETR</td> <td>-</td> <td>WD.</td> <td>J2</td> <td>PTD.</td> <td>-</td> <td>3991</td> <td>3\"/> <tr> <td>3995</td> <td>ETR</td> <td>-</td> <td>WD.</td> <td>J2</td> <td>PTD.</td> <td>-</td> <td>3992</td> <td>3\"/> <tr> <td>3997</td> <td>ETR</td> <td>-</td> <td>WD.</td> <td>J2</td> <td>PTD.</td> <td>-</td> <td>3993</td> <td>3\"/> <tr> <td>3998</td> <td>ETR</td> <td>-</td> <td>WD.</td> <td>J2</td> <td>PTD.</td> <td>-</td> <td>3994</td> <td>3\"/> <tr> <td>3999</td> <td>ETR</td> <td>-</td> <td>WD.</td> <td>J2</td> <td>PTD.</td> <td>-</td> <td>3995</td> <td>3\"/> <tr> <td>3999</td> <td>ETR</td> <td>-</td> <td>WD.</td> <td>J2</td> <td>PTD.</td> <td>-</td> <td>3997</td> <td>3\"/> </td></tr></td></tr></td></tr></td></tr></td></tr></td></tr></td></tr></td></tr></td></tr></td></tr></td></tr></td></tr></td></tr></td></tr></td></tr></td></tr></td></tr></td></tr></td></tr></td></tr></td></tr></td></tr></td></td></tr></td></tr></td></td></tr></td></td></tr> | 380A | B | 1 <td>WD</td> <td>J1</td> <td>PTD.</td> <td>-</td> <td>378</td> <td>3\"/> <tr> <td>380B</td> <td>B</td> <td>1 <td>WD</td> <td>J1</td> <td>PTD.</td> <td>-</td> <td>379</td> <td>3\"/> <tr> <td>382</td> <td>ETR</td> <td>-</td> <td>WD.</td> <td>J2</td> <td>PTD.</td> <td>-</td> <td>380A</td> <td>3\"/> <tr> <td>382A</td> <td>D</td> <td>6 <td>ALUM.</td> <td>ANODIZE D</td> <td>-</td> <td>-</td> <td>380B</td> <td>3\"/> <tr> <td>385</td> <td>ETR</td> <td>-</td> <td>WD.</td> <td>J2</td> <td>PTD.</td> <td>-</td> <td>382</td> <td>3\"/> <tr> <td>386</td> <td>ETR</td> <td>-</td> <td>WD.</td> <td>J2</td> <td>PTD.</td> <td>-</td> <td>382A</td> <td>3\"/> <tr> <td>387</td> <td>ETR</td> <td>-</td> <td>WD.</td> <td>J2</td> <td>PTD.</td> <td>-</td> <td>385</td> <td>3\"/> <tr> <td>388</td> <td>ETR</td> <td>-</td> <td>WD.</td> <td>J2</td> <td>PTD.</td> <td>-</td> <td>386</td> <td>3\"/> <tr> <td>389</td> <td>ETR</td> <td>-</td> <td>WD.</td> <td>J2</td> <td>PTD.</td> <td>-</td> <td>387</td> <td>3\"/> <tr> <td>391</td> <td>ETR</td> <td>-</td> <td>WD.</td> <td>J2</td> <td>PTD.</td> <td>-</td> <td>388</td> <td>3\"/> <tr> <td>391A</td> <td>ETR</td> <td>-</td> <td>WD.</td> <td>J2</td> <td>PTD.</td> <td>-</td> <td>389</td> <td>3\"/> <tr> <td>391B</td> <td>ETR</td> <td>-</td> <td>WD.</td> <td>J2</td> <td>PTD.</td> <td>-</td> <td>391</td> <td>3\"/> <tr> <td>394</td> <td>ETR</td> <td>-</td> <td>WD.</td> <td>J2</td> <td>PTD.</td> <td>-</td> <td>391A</td> <td>3\"/> <tr> <td>395</td> <td>ETR</td> <td>-</td> <td>WD.</td> <td>J2</td> <td>PTD.</td> <td>-</td> <td>391B</td> <td>3\"/> <tr> <td>396</td> <td>ETR</td> <td>-</td> <td>WD.</td> <td>J2</td> <td>PTD.</td> <td>-</td> <td>394</td> <td>3\"/> <tr> <td>398</td> <td>ETR</td> <td>-</td> <td>WD.</td> <td>J2</td> <td>PTD.</td> <td>-</td> <td>395</td> <td>3\"/> <tr> <td>399</td> <td>ETR</td> <td>-</td> <td>WD.</td> <td>J2</td> <td>PTD.</td> <td>-</td> <td>396</td> <td>3\"/> <tr> <td>3991</td> <td>ETR</td> <td>-</td> <td>WD.</td> <td>J2</td> <td>PTD.</td> <td>-</td> <td>398</td> <td>3\"/> <tr> <td>3992</td> <td>A</td> <td>3\"/> <tr> <td>3993</td> <td>ETR</td> <td>-</td> <td>WD.</td> <td>J2</td> <td>PTD.</td> <td>-</td> <td>399</td> <td>3\"/> <tr> <td>3994</td> <td>ETR</td> <td>-</td> <td>WD.</td> <td>J2</td> <td>PTD.</td> <td>-</td> <td>3991</td> <td>3\"/> <tr> <td>3995</td> <td>ETR</td> <td>-</td> <td>WD.</td> <td>J2</td> <td>PTD.</td> <td>-</td> <td>3992</td> <td>3\"/> <tr> <td>3997</td> <td>ETR</td> <td>-</td> <td>WD.</td> <td>J2</td> <td>PTD.</td> <td>-</td> <td>3993</td> <td>3\"/> <tr> <td>3998</td> <td>ETR</td> <td>-</td> <td>WD.</td> <td>J2</td> <td>PTD.</td> <td>-</td> <td>3994</td> <td>3\"/> <tr> <td>3999</td> <td>ETR</td> <td>-</td> <td>WD.</td> <td>J2</td> <td>PTD.</td> <td>-</td> <td>3995</td> <td>3\"/> <tr> <td>3999</td> <td>ETR</td> <td>-</td> <td>WD.</td> <td>J2</td> <td>PTD.</td> <td>-</td> <td>3997</td> <td>3\"/> </td></tr></td></tr></td></tr></td></tr></td></tr></td></tr></td></tr></td></tr></td></tr></td></tr></td></tr></td></tr></td></tr></td></tr></td></tr></td></tr></td></tr></td></tr></td></tr></td></tr></td></tr></td></tr></td></td></tr></td></tr></td></td></tr></td>
 | WD | J1 | PTD. | - | 378 | 3\"/> <tr> <td>380B</td> <td>B</td> <td>1 <td>WD</td> <td>J1</td> <td>PTD.</td> <td>-</td> <td>379</td> <td>3\"/> <tr> <td>382</td> <td>ETR</td> <td>-</td> <td>WD.</td> <td>J2</td> <td>PTD.</td> <td>-</td> <td>380A</td> <td>3\"/> <tr> <td>382A</td> <td>D</td> <td>6 <td>ALUM.</td> <td>ANODIZE D</td> <td>-</td> <td>-</td> <td>380B</td> <td>3\"/> <tr> <td>385</td> <td>ETR</td> <td>-</td> <td>WD.</td> <td>J2</td> <td>PTD.</td> <td>-</td> <td>382</td> <td>3\"/> <tr> <td>386</td> <td>ETR</td> <td>-</td> <td>WD.</td> <td>J2</td> <td>PTD.</td> <td>-</td> <td>382A</td> <td>3\"/> <tr> <td>387</td> <td>ETR</td> <td>-</td> <td>WD.</td> <td>J2</td> <td>PTD.</td> <td>-</td> <td>385</td> <td>3\"/> <tr> <td>388</td> <td>ETR</td> <td>-</td> <td>WD.</td> <td>J2</td> <td>PTD.</td> <td>-</td> <td>386</td> <td>3\"/> <tr> <td>389</td> <td>ETR</td> <td>-</td> <td>WD.</td> <td>J2</td> <td>PTD.</td> <td>-</td> <td>387</td> <td>3\"/> <tr> <td>391</td> <td>ETR</td> <td>-</td> <td>WD.</td> <td>J2</td> <td>PTD.</td> <td>-</td> <td>388</td> <td>3\"/> <tr> <td>391A</td> <td>ETR</td> <td>-</td> <td>WD.</td> <td>J2</td> <td>PTD.</td> <td>-</td> <td>389</td> <td>3\"/> <tr> <td>391B</td> <td>ETR</td> <td>-</td> <td>WD.</td> <td>J2</td> <td>PTD.</td> <td>-</td> <td>391</td> <td>3\"/> <tr> <td>394</td> <td>ETR</td> <td>-</td> <td>WD.</td> <td>J2</td> <td>PTD.</td> <td>-</td> <td>391A</td> <td>3\"/> <tr> <td>395</td> <td>ETR</td> <td>-</td> <td>WD.</td> <td>J2</td> <td>PTD.</td> <td>-</td> <td>391B</td> <td>3\"/> <tr> <td>396</td> <td>ETR</td> <td>-</td> <td>WD.</td> <td>J2</td> <td>PTD.</td> <td>-</td> <td>394</td> <td>3\"/> <tr> <td>398</td> <td>ETR</td> <td>-</td> <td>WD.</td> <td>J2</td> <td>PTD.</td> <td>-</td> <td>395</td> <td>3\"/> <tr> <td>399</td> <td>ETR</td> <td>-</td> <td>WD.</td> <td>J2</td> <td>PTD.</td> <td>-</td> <td>396</td> <td>3\"/> <tr> <td>3991</td> <td>ETR</td> <td>-</td> <td>WD.</td> <td>J2</td> <td>PTD.</td> <td>-</td> <td>398</td> <td>3\"/> <tr> <td>3992</td> <td>A</td> <td>3\"/> <tr> <td>3993</td> <td>ETR</td> <td>-</td> <td>WD.</td> <td>J2</td> <td>PTD.</td> <td>-</td> <td>399</td> <td>3\"/> <tr> <td>3994</td> <td>ETR</td> <td>-</td> <td>WD.</td> <td>J2</td> <td>PTD.</td> <td>-</td> <td>3991</td> <td>3\"/> <tr> <td>3995</td> <td>ETR</td> <td>-</td> <td>WD.</td> <td>J2</td> <td>PTD.</td> <td>-</td> <td>3992</td> <td>3\"/> <tr> <td>3997</td> <td>ETR</td> <td>-</td> <td>WD.</td> <td>J2</td> <td>PTD.</td> <td>-</td> <td>3993</td> <td>3\"/> <tr> <td>3998</td> <td>ETR</td> <td>-</td> <td>WD.</td> <td>J2</td> <td>PTD.</td> <td>-</td> <td>3994</td> <td>3\"/> <tr> <td>3999</td> <td>ETR</td> <td>-</td> <td>WD.</td> <td>J2</td> <td>PTD.</td> <td>-</td> <td>3995</td> <td>3\"/> <tr> <td>3999</td> <td>ETR</td> <td>-</td> <td>WD.</td> <td>J2</td> <td>PTD.</td> <td>-</td> <td>3997</td> <td>3\"/> </td></tr></td></tr></td></tr></td></tr></td></tr></td></tr></td></tr></td></tr></td></tr></td></tr></td></tr></td></tr></td></tr></td></tr></td></tr></td></tr></td></tr></td></tr></td></tr></td></tr></td></tr></td></tr></td></td></tr></td></tr></td></td></tr> | 380B | B | 1 <td>WD</td> <td>J1</td> <td>PTD.</td> <td>-</td> <td>379</td> <td>3\"/> <tr> <td>382</td> <td>ETR</td> <td>-</td> <td>WD.</td> <td>J2</td> <td>PTD.</td> <td>-</td> <td>380A</td> <td>3\"/> <tr> <td>382A</td> <td>D</td> <td>6 <td>ALUM.</td> <td>ANODIZE D</td> <td>-</td> <td>-</td> <td>380B</td> <td>3\"/> <tr> <td>385</td> <td>ETR</td> <td>-</td> <td>WD.</td> <td>J2</td> <td>PTD.</td> <td>-</td> <td>382</td> <td>3\"/> <tr> <td>386</td> <td>ETR</td> <td>-</td> <td>WD.</td> <td>J2</td> <td>PTD.</td> <td>-</td> <td>382A</td> <td>3\"/> <tr> <td>387</td> <td>ETR</td> <td>-</td> <td>WD.</td> <td>J2</td> <td>PTD.</td> <td>-</td> <td>385</td> <td>3\"/> <tr> <td>388</td> <td>ETR</td> <td>-</td> <td>WD.</td> <td>J2</td> <td>PTD.</td> <td>-</td> <td>386</td> <td>3\"/> <tr> <td>389</td> <td>ETR</td> <td>-</td> <td>WD.</td> <td>J2</td> <td>PTD.</td> <td>-</td> <td>387</td> <td>3\"/> <tr> <td>391</td> <td>ETR</td> <td>-</td> <td>WD.</td> <td>J2</td> <td>PTD.</td> <td>-</td> <td>388</td> <td>3\"/> <tr> <td>391A</td> <td>ETR</td> <td>-</td> <td>WD.</td> <td>J2</td> <td>PTD.</td> <td>-</td> <td>389</td> <td>3\"/> <tr> <td>391B</td> <td>ETR</td> <td>-</td> <td>WD.</td> <td>J2</td>
<td>PTD.</td> <td>-</td> <td>391</td> <td>3\"/> <tr> <td>394</td> <td>ETR</td> <td>-</td> <td>WD.</td> <td>J2</td> <td>PTD.</td> <td>-</td> <td>391A</td> <td>3\"/> <tr> <td>395</td> <td>ETR</td> <td>-</td> <td>WD.</td> <td>J2</td> <td>PTD.</td> <td>-</td> <td>391B</td> <td>3\"/> <tr> <td>396</td> <td>ETR</td> <td>-</td> <td>WD.</td> <td>J2</td> <td>PTD.</td> <td>-</td> <td>394</td> <td>3\"/> <tr> <td>398</td> <td>ETR</td> <td>-</td> <td>WD.</td> <td>J2</td> <td>PTD.</td> <td>-</td> <td>395</td> <td>3\"/> <tr> <td>399</td> <td>ETR</td> <td>-</td> <td>WD.</td> <td>J2</td> <td>PTD.</td> <td>-</td> <td>396</td> <td>3\"/> <tr> <td>3991</td> <td>ETR</td> <td>-</td> <td>WD.</td> <td>J2</td> <td>PTD.</td> <td>-</td> <td>398</td> <td>3\"/> <tr> <td>3992</td> <td>A</td> <td>3\"/> <tr> <td>3993</td> <td>ETR</td> <td>-</td> <td>WD.</td> <td>J2</td> <td>PTD.</td> <td>-</td> <td>399</td> <td>3\"/> <tr> <td>3994</td> <td>ETR</td> <td>-</td> <td>WD.</td> <td>J2</td> <td>PTD.</td> <td>-</td> <td>3991</td> <td>3\"/> <tr> <td>3995</td> <td>ETR</td> <td>-</td> <td>WD.</td> <td>J2</td> <td>PTD.</td> <td>-</td> <td>3992</td> <td>3\"/> <tr> <td>3997</td> <td>ETR</td> <td>-</td> <td>WD.</td> <td>J2</td> <td>PTD.</td> <td>-</td> <td>3993</td> <td>3\"/> <tr> <td>3998</td> <td>ETR</td> <td>-</td> <td>WD.</td> <td>J2</td> <td>PTD.</td> <td>-</td> <td>3994</td> <td>3\"/> <tr> <td>3999</td> <td>ETR</td> <td>-</td> <td>WD.</td> <td>J2</td> <td>PTD.</td> <td>-</td> <td>3995</td> <td>3\"/> <tr> <td>3999</td> <td>ETR</td> <td>-</td> <td>WD.</td> <td>J2</td> <td>PTD.</td> <td>-</td> <td>3997</td> <td>3\"/> </td></tr></td></tr></td></tr></td></tr></td></tr></td></tr></td></tr></td></tr></td></tr></td></tr></td></tr></td></tr></td></tr></td></tr></td></tr></td></tr></td></tr></td></tr></td></tr></td></tr></td></tr></td></tr></td></td></tr></td></tr></td> | WD | J1 | PTD. | - | 379 | 3\"/> <tr> <td>382</td> <td>ETR</td> <td>-</td> <td>WD.</td> <td>J2</td> <td>PTD.</td> <td>-</td> <td>380A</td> <td>3\"/> <tr> <td>382A</td> <td>D</td> <td>6 <td>ALUM.</td> <td>ANODIZE D</td> <td>-</td> <td>-</td> <td>380B</td> <td>3\"/> <tr> <td>385</td> <td>ETR</td> <td>-</td> <td>WD.</td> <td>J2</td> <td>PTD.</td> <td>-</td> <td>382</td> <td>3\"/> <tr> <td>386</td> <td>ETR</td> <td>-</td> <td>WD.</td> <td>J2</td> <td>PTD.</td> <td>-</td> <td>382A</td> <td>3\"/> <tr> <td>387</td> <td>ETR</td> <td>-</td> <td>WD.</td> <td>J2</td> <td>PTD.</td> <td>-</td> <td>385</td> <td>3\"/> <tr> <td>388</td> <td>ETR</td> <td>-</td> <td>WD.</td> <td>J2</td> <td>PTD.</td> <td>-</td> <td>386</td> <td>3\"/> <tr> <td>389</td> <td>ETR</td> <td>-</td> <td>WD.</td> <td>J2</td> <td>PTD.</td> <td>-</td> <td>387</td> <td>3\"/> <tr> <td>391</td> <td>ETR</td> <td>-</td> <td>WD.</td> <td>J2</td> <td>PTD.</td> <td>-</td> <td>388</td> <td>3\"/> <tr> <td>391A</td> <td>ETR</td> <td>-</td> <td>WD.</td> <td>J2</td> <td>PTD.</td> <td>-</td> <td>389</td> <td>3\"/> <tr> <td>391B</td> <td>ETR</td> <td>-</td> <td>WD.</td> <td>J2</td> <td>PTD.</td> <td>-</td> <td>391</td> <td>3\"/> <tr> <td>394</td> <td>ETR</td> <td>-</td> <td>WD.</td> <td>J2</td> <td>PTD.</td> <td>-</td> <td>391A</td> <td>3\"/> <tr> <td>395</td> <td>ETR</td> <td>-</td> <td>WD.</td> <td>J2</td> <td>PTD.</td> <td>-</td> <td>391B</td> <td>3\"/> <tr> <td>396</td> <td>ETR</td> <td>-</td> <td>WD.</td> <td>J2</td> <td>PTD.</td> <td>-</td> <td>394</td> <td>3\"/> <tr> <td>398</td> <td>ETR</td> <td>-</td> <td>WD.</td> <td>J2</td> <td>PTD.</td> <td>-</td> <td>395</td> <td>3\"/> <tr> <td>399</td> <td>ETR</td> <td>-</td> <td>WD.</td> <td>J2</td> <td>PTD.</td> <td>-</td> <td>396</td> <td>3\"/> <tr> <td>3991</td> <td>ETR</td> <td>-</td> <td>WD.</td> <td>J2</td> <td>PTD.</td> <td>-</td> <td>398</td> <td>3\"/> <tr> <td>3992</td> <td>A</td> <td>3\"/> <tr> <td>3993</td> <td>ETR</td> <td>-</td> <td>WD.</td> <td>J2</td> <td>PTD.</td> <td>-</td> <td>399</td> <td>3\"/> <tr> <td>3994</td> <td>ETR</td> <td>-</td> <td>WD.</td> <td>J2</td> <td>PTD.</td> <td>-</td> <td>3991</td> <td>3\"/> <tr> <td>3995</td> <td>ETR</td> <td>-</td> <td>WD.</td> <td>J2</td> <td>PTD.</td> <td>-</td> <td>3992</td> <td>3\"/> <tr> <td>3997</td> <td>ETR</td> <td>-</td> <td>WD.</td> <td>J2</td> <td>PTD.</td> <td>-</td> <td>3993</td> <td>3\"/> <tr> <td>3998</td> <td>ETR</td> <td>-</td> <td>WD.</td> <td>J2</td> <td>PTD.</td> <td>-</td> <td>3994</td> <td>3\"/> <tr> <td>3999</td> <td>ETR</td> <td>-</td> <td>WD.</td> <td>J2</td> <td>PTD.</td> <td>-</td> <td>3995</td> <td>3\"/> <tr> <td>3999</td> <td>ETR</td> <td>-</td> <td>WD.</td> <td>J2</td> <td>PTD.</td> <td>-</td> <td>3997</td> <td>3\"/> </td></tr></td></tr></td></tr></td></tr></td></tr></td></tr></td></tr></td></tr></td></tr></td></tr></td></tr></td></tr></td></tr></td></tr></td></tr></td></tr></td></tr></td></tr></td></tr></td></tr></td></tr></td></tr></td></td></tr></td></tr>
 | 382 | ETR | - | WD. | J2 | PTD. | - | 380A | 3\"/> <tr> <td>382A</td> <td>D</td> <td>6 <td>ALUM.</td> <td>ANODIZE D</td> <td>-</td> <td>-</td> <td>380B</td> <td>3\"/> <tr> <td>385</td> <td>ETR</td> <td>-</td> <td>WD.</td> <td>J2</td> <td>PTD.</td> <td>-</td> <td>382</td> <td>3\"/> <tr> <td>386</td> <td>ETR</td> <td>-</td> <td>WD.</td> <td>J2</td> <td>PTD.</td> <td>-</td> <td>382A</td> <td>3\"/> <tr> <td>387</td> <td>ETR</td> <td>-</td> <td>WD.</td> <td>J2</td> <td>PTD.</td> <td>-</td> <td>385</td> <td>3\"/> <tr> <td>388</td> <td>ETR</td> <td>-</td> <td>WD.</td> <td>J2</td> <td>PTD.</td> <td>-</td> <td>386</td> <td>3\"/> <tr> <td>389</td> <td>ETR</td> <td>-</td> <td>WD.</td> <td>J2</td> <td>PTD.</td> <td>-</td> <td>387</td> <td>3\"/> <tr> <td>391</td> <td>ETR</td> <td>-</td> <td>WD.</td> <td>J2</td> <td>PTD.</td> <td>-</td> <td>388</td> <td>3\"/> <tr> <td>391A</td> <td>ETR</td> <td>-</td> <td>WD.</td> <td>J2</td> <td>PTD.</td> <td>-</td> <td>389</td> <td>3\"/> <tr> <td>391B</td> <td>ETR</td> <td>-</td> <td>WD.</td> <td>J2</td> <td>PTD.</td> <td>-</td> <td>391</td> <td>3\"/> <tr> <td>394</td> <td>ETR</td> <td>-</td> <td>WD.</td> <td>J2</td> <td>PTD.</td> <td>-</td> <td>391A</td> <td>3\"/> <tr> <td>395</td> <td>ETR</td> <td>-</td> <td>WD.</td> <td>J2</td> <td>PTD.</td> <td>-</td> <td>391B</td> <td>3\"/> <tr> <td>396</td> <td>ETR</td> <td>-</td> <td>WD.</td> <td>J2</td> <td>PTD.</td> <td>-</td> <td>394</td> <td>3\"/> <tr> <td>398</td> <td>ETR</td> <td>-</td> <td>WD.</td> <td>J2</td> <td>PTD.</td> <td>-</td> <td>395</td> <td>3\"/> <tr> <td>399</td> <td>ETR</td> <td>-</td> <td>WD.</td> <td>J2</td> <td>PTD.</td> <td>-</td> <td>396</td> <td>3\"/> <tr> <td>3991</td> <td>ETR</td> <td>-</td> <td>WD.</td> <td>J2</td> <td>PTD.</td> <td>-</td> <td>398</td> <td>3\"/> <tr> <td>3992</td> <td>A</td> <td>3\"/> <tr> <td>3993</td> <td>ETR</td> <td>-</td> <td>WD.</td> <td>J2</td> <td>PTD.</td> <td>-</td> <td>399</td> <td>3\"/> <tr> <td>3994</td> <td>ETR</td> <td>-</td> <td>WD.</td> <td>J2</td> <td>PTD.</td> <td>-</td> <td>3991</td> <td>3\"/> <tr> <td>3995</td> <td>ETR</td> <td>-</td> <td>WD.</td> <td>J2</td> <td>PTD.</td> <td>-</td> <td>3992</td> <td>3\"/> <tr> <td>3997</td> <td>ETR</td> <td>-</td> <td>WD.</td> <td>J2</td> <td>PTD.</td> <td>-</td> <td>3993</td> <td>3\"/> <tr> <td>3998</td> <td>ETR</td> <td>-</td> <td>WD.</td> <td>J2</td> <td>PTD.</td> <td>-</td> <td>3994</td> <td>3\"/> <tr> <td>3999</td> <td>ETR</td> <td>-</td> <td>WD.</td> <td>J2</td> <td>PTD.</td> <td>-</td> <td>3995</td> <td>3\"/> <tr> <td>3999</td> <td>ETR</td> <td>-</td> <td>WD.</td> <td>J2</td> <td>PTD.</td> <td>-</td> <td>3997</td> <td>3\"/> </td></tr></td></tr></td></tr></td></tr></td></tr></td></tr></td></tr></td></tr></td></tr></td></tr></td></tr></td></tr></td></tr></td></tr></td></tr></td></tr></td></tr></td></tr></td></tr></td></tr></td></tr></td></tr></td></td></tr>
 | 382A | D | 6 <td>ALUM.</td> <td>ANODIZE D</td> <td>-</td> <td>-</td> <td>380B</td> <td>3\"/> <tr> <td>385</td> <td>ETR</td> <td>-</td> <td>WD.</td> <td>J2</td> <td>PTD.</td> <td>-</td> <td>382</td> <td>3\"/> <tr> <td>386</td> <td>ETR</td> <td>-</td> <td>WD.</td> <td>J2</td> <td>PTD.</td> <td>-</td> <td>382A</td> <td>3\"/> <tr> <td>387</td> <td>ETR</td> <td>-</td> <td>WD.</td> <td>J2</td> <td>PTD.</td> <td>-</td> <td>385</td> <td>3\"/> <tr> <td>388</td> <td>ETR</td> <td>-</td> <td>WD.</td> <td>J2</td> <td>PTD.</td> <td>-</td> <td>386</td> <td>3\"/> <tr> <td>389</td> <td>ETR</td> <td>-</td> <td>WD.</td> <td>J2</td> <td>PTD.</td> <td>-</td> <td>387</td> <td>3\"/> <tr> <td>391</td> <td>ETR</td> <td>-</td> <td>WD.</td> <td>J2</td> <td>PTD.</td> <td>-</td> <td>388</td> <td>3\"/> <tr> <td>391A</td> <td>ETR</td> <td>-</td> <td>WD.</td> <td>J2</td> <td>PTD.</td> <td>-</td> <td>389</td> <td>3\"/> <tr> <td>391B</td> <td>ETR</td> <td>-</td> <td>WD.</td> <td>J2</td> <td>PTD.</td> <td>-</td> <td>391</td> <td>3\"/> <tr> <td>394</td> <td>ETR</td> <td>-</td> <td>WD.</td> <td>J2</td> <td>PTD.</td> <td>-</td> <td>391A</td> <td>3\"/> <tr> <td>395</td> <td>ETR</td> <td>-</td> <td>WD.</td> <td>J2</td> <td>PTD.</td> <td>-</td> <td>391B</td> <td>3\"/> <tr> <td>396</td> <td>ETR</td> <td>-</td> <td>WD.</td> <td>J2</td> <td>PTD.</td> <td>-</td> <td>394</td> <td>3\"/> <tr> <td>398</td> <td>ETR</td> <td>-</td> <td>WD.</td> <td>J2</td> <td>PTD.</td> <td>-</td> <td>395</td> <td>3\"/> <tr> <td>399</td> <td>ETR</td> <td>-</td> <td>WD.</td> <td>J2</td> <td>PTD.</td> <td>-</td> <td>396</td> <td>3\"/> <tr> <td>3991</td> <td>ETR</td> <td>-</td> <td>WD.</td> <td>J2</td> <td>PTD.</td> <td>-</td> <td>398</td> <td>3\"/> <tr> <td>3992</td> <td>A</td> <td>3\"/> <tr> <td>3993</td> <td>ETR</td> <td>-</td> <td>WD.</td> <td>J2</td> <td>PTD.</td> <td>-</td> <td>399</td> <td>3\"/> <tr> <td>3994</td> <td>ETR</td> <td>-</td> <td>WD.</td> <td>J2</td> <td>PTD.</td> <td>-</td> <td>3991</td> <td>3\"/> <tr> <td>3995</td> <td>ETR</td> <td>-</td> <td>WD.</td> <td>J2</td> <td>PTD.</td> <td>-</td> <td>3992</td> <td>3\"/> <tr> <td>3997</td> <td>ETR</td> <td>-</td> <td>WD.</td> <td>J2</td> <td>PTD.</td> <td>-</td> <td>3993</td> <td>3\"/> <tr> <td>3998</td> <td>ETR</td> <td>-</td> <td>WD.</td> <td>J2</td> <td>PTD.</td> <td>-</td> <td>3994</td> <td>3\"/> <tr> <td>3999</td> <td>ETR</td> <td>-</td> <td>WD.</td> <td>J2</td> <td>PTD.</td> <td>-</td> <td>3995</td> <td>3\"/> <tr> <td>3999</td> <td>ETR</td> <td>-</td> <td>WD.</td> <td>J2</td> <td>PTD.</td> <td>-</td> <td>3997</td> <td>3\"/> </td></tr></td></tr></td></tr></td></tr></td></tr></td></tr></td></tr></td></tr></td></tr></td></tr></td></tr></td></tr></td></tr></td></tr></td></tr></td></tr></td></tr></td></tr></td></tr></td></tr></td></tr></td></tr></td> | ALUM. | ANODIZE D | - | - | 380B | 3\"/> <tr> <td>385</td> <td>ETR</td> <td>-</td> <td>WD.</td> <td>J2</td> <td>PTD.</td> <td>-</td> <td>382</td> <td>3\"/> <tr> <td>386</td> <td>ETR</td> <td>-</td> <td>WD.</td> <td>J2</td> <td>PTD.</td> <td>-</td> <td>382A</td> <td>3\"/> <tr> <td>387</td> <td>ETR</td> <td>-</td> <td>WD.</td> <td>J2</td> <td>PTD.</td> <td>-</td> <td>385</td> <td>3\"/> <tr> <td>388</td> <td>ETR</td> <td>-</td> <td>WD.</td> <td>J2</td> <td>PTD.</td> <td>-</td> <td>386</td> <td>3\"/> <tr> <td>389</td> <td>ETR</td> <td>-</td> <td>WD.</td> <td>J2</td> <td>PTD.</td> <td>-</td> <td>387</td> <td>3\"/> <tr> <td>391</td> <td>ETR</td> <td>-</td> <td>WD.</td> <td>J2</td> <td>PTD.</td> <td>-</td> <td>388</td> <td>3\"/> <tr> <td>391A</td> <td>ETR</td> <td>-</td> <td>WD.</td> <td>J2</td> <td>PTD.</td> <td>-</td> <td>389</td> <td>3\"/> <tr> <td>391B</td> <td>ETR</td> <td>-</td> <td>WD.</td> <td>J2</td> <td>PTD.</td> <td>-</td> <td>391</td> <td>3\"/> <tr> <td>394</td> <td>ETR</td> <td>-</td> <td>WD.</td> <td>J2</td> <td>PTD.</td> <td>-</td> <td>391A</td> <td>3\"/> <tr> <td>395</td> <td>ETR</td>
<td>-</td> <td>WD.</td> <td>J2</td> <td>PTD.</td> <td>-</td> <td>391B</td> <td>3\"/> <tr> <td>396</td> <td>ETR</td> <td>-</td> <td>WD.</td> <td>J2</td> <td>PTD.</td> <td>-</td> <td>394</td> <td>3\"/> <tr> <td>398</td> <td>ETR</td> <td>-</td> <td>WD.</td> <td>J2</td> <td>PTD.</td> <td>-</td> <td>395</td> <td>3\"/> <tr> <td>399</td> <td>ETR</td> <td>-</td> <td>WD.</td> <td>J2</td> <td>PTD.</td> <td>-</td> <td>396</td> <td>3\"/> <tr> <td>3991</td> <td>ETR</td> <td>-</td> <td>WD.</td> <td>J2</td> <td>PTD.</td> <td>-</td> <td>398</td> <td>3\"/> <tr> <td>3992</td> <td>A</td> <td>3\"/> <tr> <td>3993</td> <td>ETR</td> <td>-</td> <td>WD.</td> <td>J2</td> <td>PTD.</td> <td>-</td> <td>399</td> <td>3\"/> <tr> <td>3994</td> <td>ETR</td> <td>-</td> <td>WD.</td> <td>J2</td> <td>PTD.</td> <td>-</td> <td>3991</td> <td>3\"/> <tr> <td>3995</td> <td>ETR</td> <td>-</td> <td>WD.</td> <td>J2</td> <td>PTD.</td> <td>-</td> <td>3992</td> <td>3\"/> <tr> <td>3997</td> <td>ETR</td> <td>-</td> <td>WD.</td> <td>J2</td> <td>PTD.</td> <td>-</td> <td>3993</td> <td>3\"/> <tr> <td>3998</td> <td>ETR</td> <td>-</td> <td>WD.</td> <td>J2</td> <td>PTD.</td> <td>-</td> <td>3994</td> <td>3\"/> <tr> <td>3999</td> <td>ETR</td> <td>-</td> <td>WD.</td> <td>J2</td> <td>PTD.</td> <td>-</td> <td>3995</td> <td>3\"/> <tr> <td>3999</td> <td>ETR</td> <td>-</td> <td>WD.</td> <td>J2</td> <td>PTD.</td> <td>-</td> <td>3997</td> <td>3\"/> </td></tr></td></tr></td></tr></td></tr></td></tr></td></tr></td></tr></td></tr></td></tr></td></tr></td></tr></td></tr></td></tr></td></tr></td></tr></td></tr></td></tr></td></tr></td></tr></td></tr></td></tr></td></tr> | 385 | ETR | -
 | WD. | J2 | PTD. | - | 382 | 3\"/> <tr> <td>386</td> <td>ETR</td> <td>-</td> <td>WD.</td> <td>J2</td> <td>PTD.</td> <td>-</td> <td>382A</td> <td>3\"/> <tr> <td>387</td> <td>ETR</td> <td>-</td> <td>WD.</td> <td>J2</td> <td>PTD.</td> <td>-</td> <td>385</td> <td>3\"/> <tr> <td>388</td> <td>ETR</td> <td>-</td> <td>WD.</td> <td>J2</td> <td>PTD.</td> <td>-</td> <td>386</td> <td>3\"/> <tr> <td>389</td> <td>ETR</td> <td>-</td> <td>WD.</td> <td>J2</td> <td>PTD.</td> <td>-</td> <td>387</td> <td>3\"/> <tr> <td>391</td> <td>ETR</td> <td>-</td> <td>WD.</td> <td>J2</td> <td>PTD.</td> <td>-</td> <td>388</td> <td>3\"/> <tr> <td>391A</td> <td>ETR</td> <td>-</td> <td>WD.</td> <td>J2</td> <td>PTD.</td> <td>-</td> <td>389</td> <td>3\"/> <tr> <td>391B</td> <td>ETR</td> <td>-</td> <td>WD.</td> <td>J2</td> <td>PTD.</td> <td>-</td> <td>391</td> <td>3\"/> <tr> <td>394</td> <td>ETR</td> <td>-</td> <td>WD.</td> <td>J2</td> <td>PTD.</td> <td>-</td> <td>391A</td> <td>3\"/> <tr> <td>395</td> <td>ETR</td> <td>-</td> <td>WD.</td> <td>J2</td> <td>PTD.</td> <td>-</td> <td>391B</td> <td>3\"/> <tr> <td>396</td> <td>ETR</td> <td>-</td> <td>WD.</td> <td>J2</td> <td>PTD.</td> <td>-</td> <td>394</td> <td>3\"/> <tr> <td>398</td> <td>ETR</td> <td>-</td> <td>WD.</td> <td>J2</td> <td>PTD.</td> <td>-</td> <td>395</td> <td>3\"/> <tr> <td>399</td> <td>ETR</td> <td>-</td> <td>WD.</td> <td>J2</td> <td>PTD.</td> <td>-</td> <td>396</td> <td>3\"/> <tr> <td>3991</td> <td>ETR</td> <td>-</td> <td>WD.</td> <td>J2</td> <td>PTD.</td> <td>-</td> <td>398</td> <td>3\"/> <tr> <td>3992</td> <td>A</td> <td>3\"/> <tr> <td>3993</td> <td>ETR</td> <td>-</td> <td>WD.</td> <td>J2</td> <td>PTD.</td> <td>-</td> <td>399</td> <td>3\"/> <tr> <td>3994</td> <td>ETR</td> <td>-</td> <td>WD.</td> <td>J2</td> <td>PTD.</td> <td>-</td> <td>3991</td> <td>3\"/> <tr> <td>3995</td> <td>ETR</td> <td>-</td> <td>WD.</td> <td>J2</td> <td>PTD.</td> <td>-</td> <td>3992</td> <td>3\"/> <tr> <td>3997</td> <td>ETR</td> <td>-</td> <td>WD.</td> <td>J2</td> <td>PTD.</td> <td>-</td> <td>3993</td> <td>3\"/> <tr> <td>3998</td> <td>ETR</td> <td>-</td> <td>WD.</td> <td>J2</td> <td>PTD.</td> <td>-</td> <td>3994</td> <td>3\"/> <tr> <td>3999</td> <td>ETR</td> <td>-</td> <td>WD.</td> <td>J2</td> <td>PTD.</td> <td>-</td> <td>3995</td> <td>3\"/> <tr> <td>3999</td> <td>ETR</td> <td>-</td> <td>WD.</td> <td>J2</td> <td>PTD.</td> <td>-</td> <td>3997</td> <td>3\"/> </td></tr></td></tr></td></tr></td></tr></td></tr></td></tr></td></tr></td></tr></td></tr></td></tr></td></tr></td></tr></td></tr></td></tr></td></tr></td></tr></td></tr></td></tr></td></tr></td></tr></td></tr> | 386 | ETR | -
 | WD. | J2 | PTD. | - | 382A | 3\"/> <tr> <td>387</td> <td>ETR</td> <td>-</td> <td>WD.</td> <td>J2</td> <td>PTD.</td> <td>-</td> <td>385</td> <td>3\"/> <tr> <td>388</td> <td>ETR</td> <td>-</td> <td>WD.</td> <td>J2</td> <td>PTD.</td> <td>-</td> <td>386</td> <td>3\"/> <tr> <td>389</td> <td>ETR</td> <td>-</td> <td>WD.</td> <td>J2</td> <td>PTD.</td> <td>-</td> <td>387</td> <td>3\"/> <tr> <td>391</td> <td>ETR</td> <td>-</td> <td>WD.</td> <td>J2</td> <td>PTD.</td> <td>-</td> <td>388</td> <td>3\"/> <tr> <td>391A</td> <td>ETR</td> <td>-</td> <td>WD.</td> <td>J2</td> <td>PTD.</td> <td>-</td> <td>389</td> <td>3\"/> <tr> <td>391B</td> <td>ETR</td> <td>-</td> <td>WD.</td> <td>J2</td> <td>PTD.</td> <td>-</td> <td>391</td> <td>3\"/> <tr> <td>394</td> <td>ETR</td> <td>-</td> <td>WD.</td> <td>J2</td> <td>PTD.</td> <td>-</td> <td>391A</td> <td>3\"/> <tr> <td>395</td> <td>ETR</td> <td>-</td> <td>WD.</td> <td>J2</td> <td>PTD.</td> <td>-</td> <td>391B</td> <td>3\"/> <tr> <td>396</td> <td>ETR</td> <td>-</td> <td>WD.</td> <td>J2</td> <td>PTD.</td> <td>-</td> <td>394</td> <td>3\"/> <tr> <td>398</td> <td>ETR</td> <td>-</td> <td>WD.</td> <td>J2</td> <td>PTD.</td> <td>-</td> <td>395</td> <td>3\"/> <tr> <td>399</td> <td>ETR</td> <td>-</td> <td>WD.</td> <td>J2</td> <td>PTD.</td> <td>-</td> <td>396</td> <td>3\"/> <tr> <td>3991</td> <td>ETR</td> <td>-</td> <td>WD.</td> <td>J2</td> <td>PTD.</td> <td>-</td> <td>398</td> <td>3\"/> <tr> <td>3992</td> <td>A</td> <td>3\"/> <tr> <td>3993</td> <td>ETR</td> <td>-</td> <td>WD.</td> <td>J2</td> <td>PTD.</td> <td>-</td> <td>399</td> <td>3\"/> <tr> <td>3994</td> <td>ETR</td> <td>-</td> <td>WD.</td> <td>J2</td> <td>PTD.</td> <td>-</td> <td>3991</td> <td>3\"/> <tr> <td>3995</td> <td>ETR</td> <td>-</td> <td>WD.</td> <td>J2</td> <td>PTD.</td> <td>-</td> <td>3992</td> <td>3\"/> <tr> <td>3997</td> <td>ETR</td> <td>-</td> <td>WD.</td> <td>J2</td> <td>PTD.</td> <td>-</td> <td>3993</td> <td>3\"/> <tr> <td>3998</td> <td>ETR</td> <td>-</td> <td>WD.</td> <td>J2</td> <td>PTD.</td> <td>-</td> <td>3994</td> <td>3\"/> <tr> <td>3999</td> <td>ETR</td> <td>-</td> <td>WD.</td> <td>J2</td> <td>PTD.</td> <td>-</td> <td>3995</td> <td>3\"/> <tr> <td>3999</td> <td>ETR</td> <td>-</td> <td>WD.</td> <td>J2</td> <td>PTD.</td> <td>-</td> <td>3997</td> <td>3\"/> </td></tr></td></tr></td></tr></td></tr></td></tr></td></tr></td></tr></td></tr></td></tr></td></tr></td></tr></td></tr></td></tr></td></tr></td></tr></td></tr></td></tr></td></tr></td></tr></td></tr> | 387 | ETR | -
 | WD. | J2 | PTD. | - | 385 | 3\"/> <tr> <td>388</td> <td>ETR</td> <td>-</td> <td>WD.</td> <td>J2</td> <td>PTD.</td> <td>-</td> <td>386</td> <td>3\"/> <tr> <td>389</td> <td>ETR</td> <td>-</td> <td>WD.</td> <td>J2</td> <td>PTD.</td> <td>-</td> <td>387</td> <td>3\"/> <tr> <td>391</td> <td>ETR</td> <td>-</td> <td>WD.</td> <td>J2</td> <td>PTD.</td> <td>-</td> <td>388</td> <td>3\"/> <tr> <td>391A</td> <td>ETR</td> <td>-</td> <td>WD.</td> <td>J2</td> <td>PTD.</td> <td>-</td> <td>389</td> <td>3\"/> <tr> <td>391B</td> <td>ETR</td> <td>-</td> <td>WD.</td> <td>J2</td> <td>PTD.</td> <td>-</td> <td>391</td> <td>3\"/> <tr> <td>394</td> <td>ETR</td> <td>-</td> <td>WD.</td> <td>J2</td> <td>PTD.</td> <td>-</td> <td>391A</td> <td>3\"/> <tr> <td>395</td> <td>ETR</td> <td>-</td> <td>WD.</td> <td>J2</td> <td>PTD.</td> <td>-</td> <td>391B</td> <td>3\"/> <tr> <td>396</td> <td>ETR</td> <td>-</td> <td>WD.</td> <td>J2</td> <td>PTD.</td> <td>-</td> <td>394</td> <td>3\"/> <tr> <td>398</td> <td>ETR</td> <td>-</td> <td>WD.</td> <td>J2</td> <td>PTD.</td> <td>-</td> <td>395</td> <td>3\"/> <tr> <td>399</td> <td>ETR</td> <td>-</td> <td>WD.</td> <td>J2</td> <td>PTD.</td> <td>-</td> <td>396</td> <td>3\"/> <tr> <td>3991</td> <td>ETR</td> <td>-</td> <td>WD.</td> <td>J2</td> <td>PTD.</td> <td>-</td> <td>398</td> <td>3\"/> <tr> <td>3992</td> <td>A</td> <td>3\"/> <tr> <td>3993</td> <td>ETR</td> <td>-</td> <td>WD.</td> <td>J2</td> <td>PTD.</td> <td>-</td> <td>399</td> <td>3\"/> <tr> <td>3994</td> <td>ETR</td> <td>-</td> <td>WD.</td> <td>J2</td> <td>PTD.</td> <td>-</td> <td>3991</td> <td>3\"/> <tr> <td>3995</td> <td>ETR</td> <td>-</td> <td>WD.</td> <td>J2</td> <td>PTD.</td> <td>-</td> <td>3992</td> <td>3\"/> <tr> <td>3997</td> <td>ETR</td> <td>-</td> <td>WD.</td> <td>J2</td> <td>PTD.</td> <td>-</td> <td>3993</td> <td>3\"/> <tr> <td>3998</td> <td>ETR</td> <td>-</td> <td>WD.</td> <td>J2</td> <td>PTD.</td> <td>-</td> <td>3994</td> <td>3\"/> <tr> <td>3999</td> <td>ETR</td> <td>-</td> <td>WD.</td> <td>J2</td> <td>PTD.</td> <td>-</td> <td>3995</td> <td>3\"/> <tr> <td>3999</td> <td>ETR</td> <td>-</td> <td>WD.</td> <td>J2</td> <td>PTD.</td> <td>-</td> <td>3997</td> <td>3\"/> </td></tr></td></tr></td></tr></td></tr></td></tr></td></tr></td></tr></td></tr></td></tr></td></tr></td></tr></td></tr></td></tr></td></tr></td></tr></td></tr></td></tr></td></tr></td></tr> | 388 | ETR | -
 | WD. | J2 | PTD. | - | 386 | 3\"/> <tr> <td>389</td> <td>ETR</td> <td>-</td> <td>WD.</td> <td>J2</td> <td>PTD.</td> <td>-</td> <td>387</td> <td>3\"/> <tr> <td>391</td> <td>ETR</td> <td>-</td> <td>WD.</td> <td>J2</td> <td>PTD.</td> <td>-</td> <td>388</td> <td>3\"/> <tr> <td>391A</td> <td>ETR</td> <td>-</td> <td>WD.</td> <td>J2</td> <td>PTD.</td> <td>-</td> <td>389</td> <td>3\"/> <tr> <td>391B</td> <td>ETR</td> <td>-</td> <td>WD.</td> <td>J2</td> <td>PTD.</td> <td>-</td> <td>391</td> <td>3\"/> <tr> <td>394</td> <td>ETR</td> <td>-</td> <td>WD.</td> <td>J2</td> <td>PTD.</td> <td>-</td> <td>391A</td> <td>3\"/> <tr> <td>395</td> <td>ETR</td> <td>-</td> <td>WD.</td> <td>J2</td> <td>PTD.</td> <td>-</td> <td>391B</td> <td>3\"/> <tr> <td>396</td> <td>ETR</td> <td>-</td> <td>WD.</td> <td>J2</td> <td>PTD.</td> <td>-</td> <td>394</td> <td>3\"/> <tr> <td>398</td> <td>ETR</td> <td>-</td> <td>WD.</td> <td>J2</td> <td>PTD.</td> <td>-</td> <td>395</td> <td>3\"/> <tr> <td>399</td> <td>ETR</td> <td>-</td> <td>WD.</td> <td>J2</td> <td>PTD.</td> <td>-</td> <td>396</td> <td>3\"/> <tr> <td>3991</td> <td>ETR</td> <td>-</td> <td>WD.</td> <td>J2</td> <td>PTD.</td> <td>-</td> <td>398</td> <td>3\"/> <tr> <td>3992</td> <td>A</td> <td>3\"/> <tr> <td>3993</td> <td>ETR</td> <td>-</td> <td>WD.</td> <td>J2</td> <td>PTD.</td> <td>-</td> <td>399</td> <td>3\"/> <tr> <td>3994</td> <td>ETR</td> <td>-</td> <td>WD.</td> <td>J2</td> <td>PTD.</td> <td>-</td> <td>3991</td> <td>3\"/> <tr> <td>3995</td> <td>ETR</td> <td>-</td> <td>WD.</td> <td>J2</td> <td>PTD.</td> <td>-</td> <td>3992</td> <td>3\"/> <tr> <td>3997</td> <td>ETR</td> <td>-</td> <td>WD.</td> <td>J2</td> <td>PTD.</td> <td>-</td> <td>3993</td> <td>3\"/> <tr> <td>3998</td> <td>ETR</td> <td>-</td> <td>WD.</td> <td>J2</td> <td>PTD.</td> <td>-</td> <td>3994</td> <td>3\"/> <tr> <td>3999</td> <td>ETR</td> <td>-</td> <td>WD.</td> <td>J2</td> <td>PTD.</td> <td>-</td> <td>3995</td> <td>3\"/> <tr> <td>3999</td> <td>ETR</td> <td>-</td> <td>WD.</td> <td>J2</td> <td>PTD.</td> <td>-</td> <td>3997</td> <td>3\"/> </td></tr></td></tr></td></tr></td></tr></td></tr></td></tr></td></tr></td></tr></td></tr></td></tr></td></tr></td></tr></td></tr></td></tr></td></tr></td></tr></td></tr></td></tr> | 389 | ETR | -
 | WD. | J2 | PTD. | - | 387 | 3\"/> <tr> <td>391</td> <td>ETR</td> <td>-</td> <td>WD.</td> <td>J2</td> <td>PTD.</td> <td>-</td> <td>388</td> <td>3\"/> <tr> <td>391A</td> <td>ETR</td> <td>-</td> <td>WD.</td> <td>J2</td> <td>PTD.</td> <td>-</td> <td>389</td> <td>3\"/> <tr> <td>391B</td> <td>ETR</td> <td>-</td> <td>WD.</td> <td>J2</td> <td>PTD.</td> <td>-</td> <td>391</td> <td>3\"/> <tr> <td>394</td> <td>ETR</td> <td>-</td> <td>WD.</td> <td>J2</td> <td>PTD.</td> <td>-</td> <td>391A</td> <td>3\"/> <tr> <td>395</td> <td>ETR</td> <td>-</td> <td>WD.</td> <td>J2</td> <td>PTD.</td> <td>-</td> <td>391B</td> <td>3\"/> <tr> <td>396</td> <td>ETR</td> <td>-</td> <td>WD.</td> <td>J2</td>
<td>PTD.</td> <td>-</td> <td>394</td> <td>3\"/> <tr> <td>398</td> <td>ETR</td> <td>-</td> <td>WD.</td> <td>J2</td> <td>PTD.</td> <td>-</td> <td>395</td> <td>3\"/> <tr> <td>399</td> <td>ETR</td> <td>-</td> <td>WD.</td> <td>J2</td> <td>PTD.</td> <td>-</td> <td>396</td> <td>3\"/> <tr> <td>3991</td> <td>ETR</td> <td>-</td> <td>WD.</td> <td>J2</td> <td>PTD.</td> <td>-</td> <td>398</td> <td>3\"/> <tr> <td>3992</td> <td>A</td> <td>3\"/> <tr> <td>3993</td> <td>ETR</td> <td>-</td> <td>WD.</td> <td>J2</td> <td>PTD.</td> <td>-</td> <td>399</td> <td>3\"/> <tr> <td>3994</td> <td>ETR</td> <td>-</td> <td>WD.</td> <td>J2</td> <td>PTD.</td> <td>-</td> <td>3991</td> <td>3\"/> <tr> <td>3995</td> <td>ETR</td> <td>-</td> <td>WD.</td> <td>J2</td> <td>PTD.</td> <td>-</td> <td>3992</td> <td>3\"/> <tr> <td>3997</td> <td>ETR</td> <td>-</td> <td>WD.</td> <td>J2</td> <td>PTD.</td> <td>-</td> <td>3993</td> <td>3\"/> <tr> <td>3998</td> <td>ETR</td> <td>-</td> <td>WD.</td> <td>J2</td> <td>PTD.</td> <td>-</td> <td>3994</td> <td>3\"/> <tr> <td>3999</td> <td>ETR</td> <td>-</td> <td>WD.</td> <td>J2</td> <td>PTD.</td> <td>-</td> <td>3995</td> <td>3\"/> <tr> <td>3999</td> <td>ETR</td> <td>-</td> <td>WD.</td> <td>J2</td> <td>PTD.</td> <td>-</td> <td>3997</td> <td>3\"/> </td></tr></td></tr></td></tr></td></tr></td></tr></td></tr></td></tr></td></tr></td></tr></td></tr></td></tr></td></tr></td></tr></td></tr></td></tr></td></tr></td></tr> | 391 | ETR | - | WD. | J2 | PTD. | - | 388 | 3\"/> <tr> <td>391A</td> <td>ETR</td> <td>-</td> <td>WD.</td> <td>J2</td> <td>PTD.</td> <td>-</td> <td>389</td> <td>3\"/> <tr> <td>391B</td> <td>ETR</td> <td>-</td> <td>WD.</td> <td>J2</td> <td>PTD.</td> <td>-</td> <td>391</td> <td>3\"/> <tr> <td>394</td> <td>ETR</td> <td>-</td> <td>WD.</td> <td>J2</td> <td>PTD.</td> <td>-</td> <td>391A</td> <td>3\"/> <tr> <td>395</td> <td>ETR</td>
<td>-</td> <td>WD.</td> <td>J2</td> <td>PTD.</td> <td>-</td> <td>391B</td> <td>3\"/> <tr> <td>396</td> <td>ETR</td> <td>-</td> <td>WD.</td> <td>J2</td> <td>PTD.</td> <td>-</td> <td>394</td> <td>3\"/> <tr> <td>398</td> <td>ETR</td> <td>-</td> <td>WD.</td> <td>J2</td> <td>PTD.</td> <td>-</td> <td>395</td> <td>3\"/> <tr> <td>399</td> <td>ETR</td> <td>-</td> <td>WD.</td> <td>J2</td> <td>PTD.</td> <td>-</td> <td>396</td> <td>3\"/> <tr> <td>3991</td> <td>ETR</td> <td>-</td> <td>WD.</td> <td>J2</td> <td>PTD.</td> <td>-</td> <td>398</td> <td>3\"/> <tr> <td>3992</td> <td>A</td> <td>3\"/> <tr> <td>3993</td> <td>ETR</td> <td>-</td> <td>WD.</td> <td>J2</td> <td>PTD.</td> <td>-</td> <td>399</td> <td>3\"/> <tr> <td>3994</td> <td>ETR</td> <td>-</td> <td>WD.</td> <td>J2</td> <td>PTD.</td> <td>-</td> <td>3991</td> <td>3\"/> <tr> <td>3995</td> <td>ETR</td> <td>-</td> <td>WD.</td> <td>J2</td> <td>PTD.</td> <td>-</td> <td>3992</td> <td>3\"/> <tr> <td>3997</td> <td>ETR</td> <td>-</td> <td>WD.</td> <td>J2</td> <td>PTD.</td> <td>-</td> <td>3993</td> <td>3\"/> <tr> <td>3998</td> <td>ETR</td> <td>-</td> <td>WD.</td> <td>J2</td> <td>PTD.</td> <td>-</td> <td>3994</td> <td>3\"/> <tr> <td>3999</td> <td>ETR</td> <td>-</td> <td>WD.</td> <td>J2</td> <td>PTD.</td> <td>-</td> <td>3995</td> <td>3\"/> <tr> <td>3999</td> <td>ETR</td> <td>-</td> <td>WD.</td> <td>J2</td> <td>PTD.</td> <td>-</td> <td>3997</td> <td>3\"/> </td></tr></td></tr></td></tr></td></tr></td></tr></td></tr></td></tr></td></tr></td></tr></td></tr></td></tr></td></tr></td></tr></td></tr></td></tr></td></tr> | 391A | ETR | - | WD. | J2 | PTD. | - | 389 | 3\"/> <tr> <td>391B</td> <td>ETR</td> <td>-</td> <td>WD.</td> <td>J2</td> <td>PTD.</td> <td>-</td> <td>391</td> <td>3\"/> <tr> <td>394</td> <td>ETR</td> <td>-</td> <td>WD.</td> <td>J2</td> <td>PTD.</td> <td>-</td> <td>391A</td> <td>3\"/> <tr> <td>395</td> <td>ETR</td> <td>-</td> <td>WD.</td> <td>J2</td> <td>PTD.</td> <td>-</td> <td>391B</td> <td>3\"/> <tr>
<td>396</td> <td>ETR</td> <td>-</td> <td>WD.</td> <td>J2</td> <td>PTD.</td> <td>-</td> <td>394</td> <td>3\"/> <tr> <td>398</td> <td>ETR</td> <td>-</td> <td>WD.</td> <td>J2</td> <td>PTD.</td> <td>-</td> <td>395</td> <td>3\"/> <tr> <td>399</td> <td>ETR</td> <td>-</td> <td>WD.</td> <td>J2</td> <td>PTD.</td> <td>-</td> <td>396</td> <td>3\"/> <tr> <td>3991</td> <td>ETR</td> <td>-</td> <td>WD.</td> <td>J2</td> <td>PTD.</td> <td>-</td> <td>398</td> <td>3\"/> <tr> <td>3992</td> <td>A</td> <td>3\"/> <tr> <td>3993</td> <td>ETR</td> <td>-</td> <td>WD.</td> <td>J2</td> <td>PTD.</td> <td>-</td> <td>399</td> <td>3\"/> <tr> <td>3994</td> <td>ETR</td> <td>-</td> <td>WD.</td> <td>J2</td> <td>PTD.</td> <td>-</td> <td>3991</td> <td>3\"/> <tr> <td>3995</td> <td>ETR</td> <td>-</td> <td>WD.</td> <td>J2</td> <td>PTD.</td> <td>-</td> <td>3992</td> <td>3\"/> <tr> <td>3997</td> <td>ETR</td> <td>-</td> <td>WD.</td> <td>J2</td> <td>PTD.</td> <td>-</td> <td>3993</td> <td>3\"/> <tr> <td>3998</td> <td>ETR</td> <td>-</td> <td>WD.</td> <td>J2</td> <td>PTD.</td> <td>-</td> <td>3994</td> <td>3\"/> <tr> <td>3999</td> <td>ETR</td> <td>-</td> <td>WD.</td> <td>J2</td> <td>PTD.</td> <td>-</td> <td>3995</td> <td>3\"/> <tr> <td>3999</td> <td>ETR</td> <td>-</td> <td>WD.</td> <td>J2</td> <td>PTD.</td> <td>-</td> <td>3997</td> <td>3\"/> </td></tr></td></tr></td></tr></td></tr></td></tr></td></tr></td></tr></td></tr></td></tr></td></tr></td></tr></td></tr></td></tr></td></tr></td></tr> | 391B | ETR | - | WD. | J2 | PTD. | - | 391 | 3\"/> <tr> <td>394</td> <td>ETR</td> <td>-</td> <td>WD.</td> <td>J2</td> <td>PTD.</td> <td>-</td> <td>391A</td> <td>3\"/> <tr> <td>395</td> <td>ETR</td> <td>-</td> <td>WD.</td> <td>J2</td> <td>PTD.</td> <td>-</td> <td>391B</td> <td>3\"/> <tr> <td>396</td> <td>ETR</td> <td>-</td> <td>WD.</td> <td>J2</td> <td>PTD.</td> <td>-</td> <td>394</td> <td>3\"/> <tr> <td>398</td> <td>ETR</td> <td>-</td> <td>WD.</td> <td>J2</td> <td>PTD.</td> <td>-</td> <td>395</td> <td>3\"/> <tr> <td>399</td> <td>ETR</td> <td>-</td> <td>WD.</td> <td>J2</td> <td>PTD.</td> <td>-</td> <td>396</td> <td>3\"/> <tr>
<td>3991</td> <td>ETR</td> <td>-</td> <td>WD.</td> <td>J2</td> <td>PTD.</td> <td>-</td> <td>398</td> <td>3\"/> <tr> <td>3992</td> <td>A</td> <td>3\"/> <tr> <td>3993</td> <td>ETR</td> <td>-</td> <td>WD.</td> <td>J2</td> <td>PTD.</td> <td>-</td> <td>399</td> <td>3\"/> <tr> <td>3994</td> <td>ETR</td> <td>-</td> <td>WD.</td> <td>J2</td> <td>PTD.</td> <td>-</td> <td>3991</td> <td>3\"/> <tr> <td>3995</td> <td>ETR</td> <td>-</td> <td>WD.</td> <td>J2</td> <td>PTD.</td> <td>-</td> <td>3992</td> <td>3\"/> <tr> <td>3997</td> <td>ETR</td> <td>-</td> <td>WD.</td> <td>J2</td> <td>PTD.</td> <td>-</td> <td>3993</td> <td>3\"/> <tr> <td>3998</td> <td>ETR</td> <td>-</td> <td>WD.</td> <td>J2</td> <td>PTD.</td> <td>-</td> <td>3994</td> <td>3\"/> <tr> <td>3999</td> <td>ETR</td> <td>-</td> <td>WD.</td> <td>J2</td> <td>PTD.</td> <td>-</td> <td>3995</td> <td>3\"/> <tr> <td>3999</td> <td>ETR</td> <td>-</td> <td>WD.</td> <td>J2</td> <td>PTD.</td> <td>-</td> <td>3997</td> <td>3\"/> </td></tr></td></tr></td></tr></td></tr></td></tr></td></tr></td></tr></td></tr></td></tr></td></tr></td></tr></td></tr></td></tr></td></tr> | 394 | ETR | - | WD. | J2 | PTD. | - | 391A | 3\"/> <tr> <td>395</td> <td>ETR</td> <td>-</td> <td>WD.</td> <td>J2</td> <td>PTD.</td> <td>-</td> <td>391B</td> <td>3\"/> <tr> <td>396</td> <td>ETR</td> <td>-</td> <td>WD.</td> <td>J2</td> <td>PTD.</td> <td>-</td> <td>394</td> <td>3\"/> <tr> <td>398</td> <td>ETR</td> <td>-</td> <td>WD.</td> <td>J2</td> <td>PTD.</td> <td>-</td> <td>395</td> <td>3\"/> <tr> <td>399</td> <td>ETR</td> <td>-</td> <td>WD.</td> <td>J2</td> <td>PTD.</td> <td>-</td> <td>396</td> <td>3\"/> <tr> <td>3991</td> <td>ETR</td> <td>-</td> <td>WD.</td> <td>J2</td> <td>PTD.</td> <td>-</td> <td>398</td> <td>3\"/> <tr> <td>3992</td> <td>A</td> <td>3\"/> <tr> <td>3993</td> <td>ETR</td> <td>-</td> <td>WD.</td> <td>J2</td> <td>PTD.</td> <td>-</td> <td>399</td> <td>3\"/> <tr> <td>3994</td> <td>ETR</td> <td>-</td> <td>WD.</td> <td>J2</td> <td>PTD.</td> <td>-</td> <td>3991</td> <td>3\"/> <tr> <td>3995</td> <td>ETR</td> <td>-</td> <td>WD.</td> <td>J2</td> <td>PTD.</td> <td>-</td> <td>3992</td> <td>3\"/> <tr> <td>3997</td> <td>ETR</td> <td>-</td> <td>WD.</td> <td>J2</td> <td>PTD.</td> <td>-</td>
<td>3993</td> <td>3\"/> <tr> <td>3998</td> <td>ETR</td> <td>-</td> <td>WD.</td> <td>J2</td> <td>PTD.</td> <td>-</td> <td>3994</td> <td>3\"/> <tr> <td>3999</td> <td>ETR</td> <td>-</td> <td>WD.</td> <td>J2</td> <td>PTD.</td> <td>-</td> <td>3995</td> <td>3\"/> <tr> <td>3999</td> <td>ETR</td> <td>-</td> <td>WD.</td> <td>J2</td> <td>PTD.</td> <td>-</td> <td>3997</td> <td>3\"/> </td></tr></td></tr></td></tr></td></tr></td></tr></td></tr></td></tr></td></tr></td></tr></td></tr></td></tr></td></tr></td></tr> | 395 | ETR | - | WD. | J2 | PTD.
 | - | 391B | 3\"/> <tr> <td>396</td> <td>ETR</td> <td>-</td> <td>WD.</td> <td>J2</td> <td>PTD.</td> <td>-</td> <td>394</td> <td>3\"/> <tr> <td>398</td> <td>ETR</td> <td>-</td> <td>WD.</td> <td>J2</td> <td>PTD.</td> <td>-</td> <td>395</td> <td>3\"/> <tr> <td>399</td> <td>ETR</td> <td>-</td> <td>WD.</td> <td>J2</td> <td>PTD.</td> <td>-</td> <td>396</td> <td>3\"/> <tr> <td>3991</td> <td>ETR</td> <td>-</td> <td>WD.</td> <td>J2</td> <td>PTD.</td> <td>-</td> <td>398</td> <td>3\"/> <tr> <td>3992</td> <td>A</td> <td>3\"/> <tr> <td>3993</td> <td>ETR</td> <td>-</td> <td>WD.</td> <td>J2</td> <td>PTD.</td> <td>-</td> <td>399</td> <td>3\"/> <tr> <td>3994</td> <td>ETR</td> <td>-</td> <td>WD.</td> <td>J2</td> <td>PTD.</td> <td>-</td> <td>3991</td> <td>3\"/> <tr> <td>3995</td> <td>ETR</td> <td>-</td> <td>WD.</td> <td>J2</td> <td>PTD.</td> <td>-</td> <td>3992</td> <td>3\"/> <tr> <td>3997</td> <td>ETR</td> <td>-</td> <td>WD.</td> <td>J2</td> <td>PTD.</td> <td>-</td> <td>3993</td> <td>3\"/> <tr> <td>3998</td> <td>ETR</td> <td>-</td> <td>WD.</td> <td>J2</td> <td>PTD.</td> <td>-</td> <td>3994</td> <td>3\"/> <tr> <td>3999</td> <td>ETR</td> <td>-</td> <td>WD.</td> <td>J2</td> <td>PTD.</td> <td>-</td> <td>3995</td> <td>3\"/> <tr> <td>3999</td> <td>ETR</td> <td>-</td> <td>WD.</td> <td>J2</td> <td>PTD.</td> <td>-</td> <td>3997</td> <td>3\"/> </td></tr></td></tr></td></tr></td></tr></td></tr></td></tr></td></tr></td></tr></td></tr></td></tr></td></tr></td></tr> | 396 | ETR | -
 | WD. | J2 | PTD. | - | 394 | 3\"/> <tr> <td>398</td> <td>ETR</td> <td>-</td> <td>WD.</td> <td>J2</td> <td>PTD.</td> <td>-</td> <td>395</td> <td>3\"/> <tr> <td>399</td> <td>ETR</td> <td>-</td> <td>WD.</td> <td>J2</td> <td>PTD.</td> <td>-</td> <td>396</td> <td>3\"/> <tr> <td>3991</td> <td>ETR</td> <td>-</td> <td>WD.</td> <td>J2</td> <td>PTD.</td> <td>-</td> <td>398</td> <td>3\"/> <tr> <td>3992</td> <td>A</td> <td>3\"/> <tr> <td>3993</td> <td>ETR</td> <td>-</td> <td>WD.</td> <td>J2</td> <td>PTD.</td> <td>-</td> <td>399</td> <td>3\"/> <tr> <td>3994</td> <td>ETR</td> <td>-</td> <td>WD.</td> <td>J2</td> <td>PTD.</td> <td>-</td> <td>3991</td> <td>3\"/> <tr> <td>3995</td> <td>ETR</td> <td>-</td> <td>WD.</td> <td>J2</td> <td>PTD.</td> <td>-</td> <td>3992</td> <td>3\"/> <tr> <td>3997</td> <td>ETR</td> <td>-</td> <td>WD.</td> <td>J2</td> <td>PTD.</td> <td>-</td> <td>3993</td> <td>3\"/> <tr> <td>3998</td> <td>ETR</td> <td>-</td> <td>WD.</td> <td>J2</td> <td>PTD.</td> <td>-</td> <td>3994</td> <td>3\"/> <tr> <td>3999</td> <td>ETR</td> <td>-</td> <td>WD.</td> <td>J2</td> <td>PTD.</td> <td>-</td> <td>3995</td> <td>3\"/> <tr> <td>3999</td> <td>ETR</td> <td>-</td> <td>WD.</td> <td>J2</td> <td>PTD.</td> <td>-</td> <td>3997</td> <td>3\"/> </td></tr></td></tr></td></tr></td></tr></td></tr></td></tr></td></tr></td></tr></td></tr></td></tr></td></tr> | 398 | ETR | -
 | WD. | J2 | PTD. | - | 395 | 3\"/> <tr> <td>399</td> <td>ETR</td> <td>-</td> <td>WD.</td> <td>J2</td> <td>PTD.</td> <td>-</td> <td>396</td> <td>3\"/> <tr> <td>3991</td> <td>ETR</td> <td>-</td> <td>WD.</td> <td>J2</td> <td>PTD.</td> <td>-</td> <td>398</td> <td>3\"/> <tr> <td>3992</td> <td>A</td> <td>3\"/> <tr> <td>3993</td> <td>ETR</td> <td>-</td> <td>WD.</td> <td>J2</td> <td>PTD.</td> <td>-</td> <td>399</td> <td>3\"/> <tr> <td>3994</td> <td>ETR</td> <td>-</td> <td>WD.</td> <td>J2</td> <td>PTD.</td> <td>-</td> <td>3991</td> <td>3\"/> <tr> <td>3995</td> <td>ETR</td> <td>-</td> <td>WD.</td> <td>J2</td> <td>PTD.</td> <td>-</td> <td>3992</td> <td>3\"/> <tr> <td>3997</td> <td>ETR</td> <td>-</td> <td>WD.</td> <td>J2</td> <td>PTD.</td> <td>-</td> <td>3993</td> <td>3\"/> <tr> <td>3998</td> <td>ETR</td> <td>-</td> <td>WD.</td> <td>J2</td> <td>PTD.</td> <td>-</td> <td>3994</td> <td>3\"/> <tr> <td>3999</td> <td>ETR</td> <td>-</td> <td>WD.</td> <td>J2</td> <td>PTD.</td> <td>-</td> <td>3995</td> <td>3\"/> <tr> <td>3999</td> <td>ETR</td> <td>-</td> <td>WD.</td> <td>J2</td> <td>PTD.</td> <td>-</td> <td>3997</td> <td>3\"/> </td></tr></td></tr></td></tr></td></tr></td></tr></td></tr></td></tr></td></tr></td></tr></td></tr> | 399 | ETR | - | WD. | J2 | PTD. | - | 396 | 3\"/> <tr> <td>3991</td> <td>ETR</td> <td>-</td> <td>WD.</td> <td>J2</td> <td>PTD.</td> <td>-</td> <td>398</td> <td>3\"/> <tr> <td>3992</td> <td>A</td> <td>3\"/> <tr> <td>3993</td> <td>ETR</td> <td>-</td> <td>WD.</td> <td>J2</td> <td>PTD.</td> <td>-</td> <td>399</td> <td>3\"/> <tr> <td>3994</td> <td>ETR</td> <td>-</td> <td>WD.</td> <td>J2</td> <td>PTD.</td> <td>-</td> <td>3991</td> <td>3\"/> <tr> <td>3995</td> <td>ETR</td> <td>-</td> <td>WD.</td> <td>J2</td> <td>PTD.</td> <td>-</td> <td>3992</td> <td>3\"/> <tr> <td>3997</td> <td>ETR</td> <td>-</td> <td>WD.</td> <td>J2</td> <td>PTD.</td> <td>-</td> <td>3993</td> <td>3\"/> <tr> <td>3998</td> <td>ETR</td> <td>-</td> <td>WD.</td> <td>J2</td> <td>PTD.</td> <td>-</td> <td>3994</td> <td>3\"/> <tr> <td>3999</td> <td>ETR</td> <td>-</td> <td>WD.</td> <td>J2</td> <td>PTD.</td> <td>-</td> <td>3995</td> <td>3\"/> <tr> <td>3999</td> <td>ETR</td> <td>-</td> <td>WD.</td> <td>J2</td> <td>PTD.</td> <td>-</td> <td>3997</td> <td>3\"/> </td></tr></td></tr></td></tr></td></tr></td></tr></td></tr></td></tr></td></tr></td></tr>
 | 3991 | ETR | - | WD. | J2 | PTD.
 | - | 398 | 3\"/> <tr> <td>3992</td> <td>A</td> <td>3\"/> <tr> <td>3993</td> <td>ETR</td> <td>-</td> <td>WD.</td> <td>J2</td> <td>PTD.</td> <td>-</td> <td>399</td> <td>3\"/> <tr> <td>3994</td> <td>ETR</td> <td>-</td> <td>WD.</td> <td>J2</td> <td>PTD.</td> <td>-</td> <td>3991</td> <td>3\"/> <tr> <td>3995</td> <td>ETR</td> <td>-</td> <td>WD.</td> <td>J2</td> <td>PTD.</td> <td>-</td> <td>3992</td> <td>3\"/> <tr> <td>3997</td> <td>ETR</td> <td>-</td> <td>WD.</td> <td>J2</td> <td>PTD.</td> <td>-</td> <td>3993</td> <td>3\"/> <tr> <td>3998</td> <td>ETR</td> <td>-</td> <td>WD.</td> <td>J2</td> <td>PTD.</td> <td>-</td> <td>3994</td> <td>3\"/> <tr> <td>3999</td> <td>ETR</td> <td>-</td> <td>WD.</td> <td>J2</td> <td>PTD.</td> <td>-</td> <td>3995</td> <td>3\"/> <tr> <td>3999</td> <td>ETR</td> <td>-</td> <td>WD.</td> <td>J2</td> <td>PTD.</td> <td>-</td> <td>3997</td> <td>3\"/> </td></tr></td></tr></td></tr></td></tr></td></tr></td></tr></td></tr></td></tr> | 3992 | A | 3\"/> <tr> <td>3993</td> <td>ETR</td> <td>-</td> <td>WD.</td> <td>J2</td> <td>PTD.</td> <td>-</td> <td>399</td> <td>3\"/> <tr> <td>3994</td> <td>ETR</td> <td>-</td> <td>WD.</td> <td>J2</td> <td>PTD.</td> <td>-</td> <td>3991</td> <td>3\"/> <tr> <td>3995</td> <td>ETR</td> <td>-</td> <td>WD.</td> <td>J2</td> <td>PTD.</td> <td>-</td> <td>3992</td> <td>3\"/> <tr> <td>3997</td> <td>ETR</td> <td>-</td> <td>WD.</td> <td>J2</td> <td>PTD.</td> <td>-</td> <td>3993</td> <td>3\"/> <tr> <td>3998</td> <td>ETR</td> <td>-</td> <td>WD.</td> <td>J2</td> <td>PTD.</td> <td>-</td> <td>3994</td> <td>3\"/> <tr> <td>3999</td> <td>ETR</td> <td>-</td> <td>WD.</td> <td>J2</td> <td>PTD.</td> <td>-</td> <td>3995</td> <td>3\"/> <tr> <td>3999</td> <td>ETR</td> <td>-</td> <td>WD.</td> <td>J2</td> <td>PTD.</td> <td>-</td> <td>3997</td> <td>3\"/> </td></tr></td></tr></td></tr></td></tr></td></tr></td></tr></td></tr> | 3993 | ETR | -
 | WD. | J2 | PTD. | - | 399 | 3\"/> <tr> <td>3994</td> <td>ETR</td> <td>-</td> <td>WD.</td> <td>J2</td> <td>PTD.</td> <td>-</td> <td>3991</td> <td>3\"/> <tr> <td>3995</td> <td>ETR</td> <td>-</td> <td>WD.</td> <td>J2</td> <td>PTD.</td> <td>-</td> <td>3992</td> <td>3\"/> <tr> <td>3997</td> <td>ETR</td> <td>-</td> <td>WD.</td> <td>J2</td> <td>PTD.</td> <td>-</td> <td>3993</td> <td>3\"/> <tr> <td>3998</td> <td>ETR</td> <td>-</td> <td>WD.</td> <td>J2</td> <td>PTD.</td> <td>-</td> <td>3994</td> <td>3\"/> <tr> <td>3999</td> <td>ETR</td> <td>-</td> <td>WD.</td> <td>J2</td> <td>PTD.</td> <td>-</td> <td>3995</td> <td>3\"/> <tr> <td>3999</td> <td>ETR</td> <td>-</td> <td>WD.</td> <td>J2</td> <td>PTD.</td> <td>-</td> <td>3997</td> <td>3\"/> </td></tr></td></tr></td></tr></td></tr></td></tr></td></tr>
 | 3994 | ETR | - | WD. | J2 | PTD. | - | 3991 | 3\"/> <tr> <td>3995</td> <td>ETR</td> <td>-</td> <td>WD.</td> <td>J2</td> <td>PTD.</td> <td>-</td> <td>3992</td> <td>3\"/> <tr> <td>3997</td> <td>ETR</td> <td>-</td> <td>WD.</td> <td>J2</td> <td>PTD.</td> <td>-</td> <td>3993</td> <td>3\"/> <tr> <td>3998</td> <td>ETR</td> <td>-</td> <td>WD.</td> <td>J2</td> <td>PTD.</td> <td>-</td> <td>3994</td> <td>3\"/> <tr> <td>3999</td> <td>ETR</td> <td>-</td> <td>WD.</td> <td>J2</td> <td>PTD.</td> <td>-</td> <td>3995</td> <td>3\"/> <tr> <td>3999</td> <td>ETR</td> <td>-</td> <td>WD.</td> <td>J2</td> <td>PTD.</td> <td>-</td> <td>3997</td> <td>3\"/> </td></tr></td></tr></td></tr></td></tr></td></tr>
 | 3995 | ETR | - | WD. | J2 | PTD. | - | 3992 | 3\"/> <tr> <td>3997</td> <td>ETR</td> <td>-</td> <td>WD.</td> <td>J2</td> <td>PTD.</td> <td>-</td> <td>3993</td> <td>3\"/> <tr> <td>3998</td> <td>ETR</td> <td>-</td> <td>WD.</td> <td>J2</td> <td>PTD.</td> <td>-</td> <td>3994</td> <td>3\"/> <tr> <td>3999</td> <td>ETR</td> <td>-</td> <td>WD.</td> <td>J2</td> <td>PTD.</td> <td>-</td> <td>3995</td> <td>3\"/> <tr> <td>3999</td> <td>ETR</td> <td>-</td> <td>WD.</td> <td>J2</td> <td>PTD.</td> <td>-</td> <td>3997</td> <td>3\"/> </td></tr></td></tr></td></tr></td></tr>
 | 3997 | ETR | - | WD. | J2 | PTD. | - | 3993 | 3\"/> <tr> <td>3998</td> <td>ETR</td> <td>-</td> <td>WD.</td> <td>J2</td> <td>PTD.</td> <td>-</td> <td>3994</td> <td>3\"/> <tr> <td>3999</td> <td>ETR</td> <td>-</td> <td>WD.</td> <td>J2</td> <td>PTD.</td> <td>-</td> <td>3995</td> <td>3\"/> <tr> <td>3999</td> <td>ETR</td> <td>-</td> <td>WD.</td> <td>J2</td> <td>PTD.</td> <td>-</td> <td>3997</td> <td>3\"/> </td></tr></td></tr></td></tr>
 | 3998 | ETR | - | WD. | J2 | PTD. | - | 3994 | 3\"/> <tr> <td>3999</td> <td>ETR</td> <td>-</td> <td>WD.</td> <td>J2</td> <td>PTD.</td> <td>-</td> <td>3995</td> <td>3\"/> <tr> <td>3999</td> <td>ETR</td> <td>-</td> <td>WD.</td> <td>J2</td> <td>PTD.</td> <td>-</td> <td>3997</td> <td>3\"/> </td></tr></td></tr>
 | 3999 | ETR | - | WD. | J2 | PTD. | - | 3995 | 3\"/> <tr> <td>3999</td> <td>ETR</td> <td>-</td> <td>WD.</td> <td>J2</td> <td>PTD.</td> <td>-</td> <td>3997</td> <td>3\"/> </td></tr>
 | 3999 | ETR | - | WD. | J2 | PTD. | - | 3997 | 3\"/>
 | | | | | | | | | | | | | | | | | | | | | | | | | | | | | | | | | | | | | | | | | | | | | | | | | | | | | | |
 | | | | | | | | | | | | | | |
 | | | | | | | | | | | | | | | | | |
 | | | | | | | | | | | | | | | | | |
 | | | | | | | | | | | | | | | | | | | | | | | |
 | | | | | | | | | | | | | | | | | | | | | | | | | | | | | |
 | | | | | | | | | | | | | | | | | | | | | | | | | | | | | | | | | | | | | | |
 | | | | | | | | | | | | | | | | | | | | | | | | | | | | | | | | | | | | | | | | | | | | | | | | | | | | | | |
| 377 | B | 1 <td>WD</td> <td>J1</td> <td>PTD.</td> <td>-</td> <td>375</td> <td>3\"/> <tr> <td>377A</td> <td>B</td> <td>1 <td>WD</td> <td>J1</td> <td>PTD.</td> <td>-</td> <td>376</td> <td>3\"/> <tr> <td>378</td> <td>B</td> <td>1 <td>WD</td> <td>J1</td> <td>PTD.</td> <td>-</td> <td>377</td> <td>3\"/> <tr> <td>379</td> <td>B</td> <td>1 <td>WD</td> <td>J1</td> <td>PTD.</td> <td>-</td> <td>377A</td> <td>3\"/> <tr> <td>380A</td> <td>B</td> <td>1 <td>WD</td> <td>J1</td> <td>PTD.</td> <td>-</td> <td>378</td> <td>3\"/> <tr> <td>380B</td> <td>B</td> <td>1 <td>WD</td> <td>J1</td> <td>PTD.</td> <td>-</td> <td>379</td> <td>3\"/> <tr> <td>382</td> <td>ETR</td> <td>-</td> <td>WD.</td> <td>J2</td> <td>PTD.</td> <td>-</td> <td>380A</td> <td>3\"/> <tr> <td>382A</td> <td>D</td> <td>6 <td>ALUM.</td> <td>ANODIZE D</td> <td>-</td> <td>-</td> <td>380B</td> <td>3\"/> <tr> <td>385</td> <td>ETR</td> <td>-</td> <td>WD.</td> <td>J2</td> <td>PTD.</td> <td>-</td> <td>382</td> <td>3\"/> <tr> <td>386</td> <td>ETR</td> <td>-</td> <td>WD.</td> <td>J2</td> <td>PTD.</td> <td>-</td> <td>382A</td> <td>3\"/> <tr> <td>387</td> <td>ETR</td> <td>-</td> <td>WD.</td> <td>J2</td> <td>PTD.</td> <td>-</td> <td>385</td> <td>3\"/> <tr> <td>388</td> <td>ETR</td> <td>-</td> <td>WD.</td> <td>J2</td> <td>PTD.</td> <td>-</td> <td>386</td> <td>3\"/> <tr> <td>389</td> <td>ETR</td> <td>-</td> <td>WD.</td> <td>J2</td> <td>PTD.</td> <td>-</td> <td>387</td> <td>3\"/> <tr> <td>391</td> <td>ETR</td> <td>-</td> <td>WD.</td> <td>J2</td> <td>PTD.</td> <td>-</td> <td>388</td> <td>3\"/> <tr> <td>391A</td> <td>ETR</td> <td>-</td> <td>WD.</td> <td>J2</td> <td>PTD.</td> <td>-</td> <td>389</td> <td>3\"/> <tr> <td>391B</td> <td>ETR</td> <td>-</td> <td>WD.</td> <td>J2</td> <td>PTD.</td> <td>-</td> <td>391</td> <td>3\"/> <tr> <td>394</td> <td>ETR</td> <td>-</td> <td>WD.</td> <td>J2</td> <td>PTD.</td> <td>-</td> <td>391A</td> <td>3\"/> <tr> <td>395</td> <td>ETR</td> <td>-</td> <td>WD.</td> <td>J2</td> <td>PTD.</td> <td>-</td> <td>391B</td> <td>3\"/> <tr> <td>396</td> <td>ETR</td> <td>-</td> <td>WD.</td> <td>J2</td> <td>PTD.</td> <td>-</td> <td>394</td> <td>3\"/> <tr> <td>398</td> <td>ETR</td> <td>-</td> <td>WD.</td> <td>J2</td> <td>PTD.</td> <td>-</td> <td>395</td> <td>3\"/> <tr> <td>399</td> <td>ETR</td> <td>-</td> <td>WD.</td> <td>J2</td> <td>PTD.</td> <td>-</td> <td>396</td> <td>3\"/> <tr> <td>3991</td> <td>ETR</td> <td>-</td> <td>WD.</td> <td>J2</td> <td>PTD.</td> <td>-</td> <td>398</td> <td>3\"/> <tr> <td>3992</td> <td>A</td> <td>3\"/> <tr> <td>3993</td> <td>ETR</td> <td>-</td> <td>WD.</td> <td>J2</td> <td>PTD.</td> <td>-</td> <td>399</td> <td>3\"/> <tr> <td>3994</td> <td>ETR</td> <td>-</td> <td>WD.</td> <td>J2</td> <td>PTD.</td> <td>-</td> <td>3991</td> <td>3\"/> <tr> <td>3995</td> <td>ETR</td> <td>-</td> <td>WD.</td> <td>J2</td> <td>PTD.</td> <td>-</td> <td>3992</td> <td>3\"/> <tr> <td>3997</td> <td>ETR</td> <td>-</td> <td>WD.</td> <td>J2</td> <td>PTD.</td> <td>-</td> <td>3993</td> <td>3\"/> <tr> <td>3998</td> <td>ETR</td> <td>-</td> <td>WD.</td> <td>J2</td> <td>PTD.</td> <td>-</td> <td>3994</td> <td>3\"/> <tr> <td>3999</td> <td>ETR</td> <td>-</td> <td>WD.</td> <td>J2</td> <td>PTD.</td> <td>-</td> <td>3995</td> <td>3\"/> <tr> <td>3999</td> <td>ETR</td> <td>-</td> <td>WD.</td> <td>J2</td> <td>PTD.</td> <td>-</td> <td>3997</td> <td>3\"/> </td></tr></td></tr></td></tr></td></tr></td></tr></td></tr></td></tr></td></tr></td></tr></td></tr></td></tr></td></tr></td></tr></td></tr></td></tr></td></tr></td></tr></td></tr></td></tr></td></tr></td></tr></td></tr></td></td></tr></td></tr></td></td></tr></td></td></tr></td></td></tr></td></td></tr></td></td></tr></td> | WD | J1 | PTD. | - | 375 | 3\"/> <tr> <td>377A</td> <td>B</td> <td>1 <td>WD</td> <td>J1</td> <td>PTD.</td> <td>-</td> <td>376</td> <td>3\"/> <tr> <td>378</td> <td>B</td> <td>1 <td>WD</td> <td>J1</td> <td>PTD.</td> <td>-</td> <td>377</td> <td>3\"/> <tr> <td>379</td> <td>B</td> <td>1 <td>WD</td> <td>J1</td> <td>PTD.</td> <td>-</td> <td>377A</td> <td>3\"/> <tr> <td>380A</td> <td>B</td> <td>1 <td>WD</td> <td>J1</td> <td>PTD.</td> <td>-</td> <td>378</td> <td>3\"/> <tr> <td>380B</td> <td>B</td> <td>1 <td>WD</td> <td>J1</td> <td>PTD.</td> <td>-</td> <td>379</td> <td>3\"/> <tr> <td>382</td> <td>ETR</td> <td>-</td> <td>WD.</td> <td>J2</td> <td>PTD.</td> <td>-</td> <td>380A</td> <td>3\"/> <tr> <td>382A</td> <td>D</td> <td>6 <td>ALUM.</td> <td>ANODIZE D</td> <td>-</td> <td>-</td> <td>380B</td> <td>3\"/> <tr> <td>385</td> <td>ETR</td> <td>-</td> <td>WD.</td> <td>J2</td> <td>PTD.</td> <td>-</td> <td>382</td> <td>3\"/> <tr> <td>386</td> <td>ETR</td> <td>-</td> <td>WD.</td> <td>J2</td> <td>PTD.</td> <td>-</td> <td>382A</td> <td>3\"/> <tr> <td>387</td> <td>ETR</td> <td>-</td> <td>WD.</td> <td>J2</td> <td>PTD.</td> <td>-</td> <td>385</td> <td>3\"/> <tr> <td>388</td> <td>ETR</td> <td>-</td> <td>WD.</td> <td>J2</td> <td>PTD.</td> <td>-</td> <td>386</td> <td>3\"/> <tr> <td>389</td> <td>ETR</td> <td>-</td> <td>WD.</td> <td>J2</td> <td>PTD.</td> <td>-</td> <td>387</td> <td>3\"/> <tr> <td>391</td> <td>ETR</td> <td>-</td> <td>WD.</td> <td>J2</td> <td>PTD.</td> <td>-</td> <td>388</td> <td>3\"/> <tr> <td>391A</td> <td>ETR</td> <td>-</td> <td>WD.</td> <td>J2</td> <td>PTD.</td> <td>-</td> <td>389</td> <td>3\"/> <tr> <td>391B</td> <td>ETR</td> <td>-</td> <td>WD.</td> <td>J2</td> <td>PTD.</td> <td>-</td> <td>391</td> <td>3\"/> <tr> <td>394</td> <td>ETR</td> <td>-</td> <td>WD.</td> <td>J2</td> <td>PTD.</td> <td>-</td> <td>391A</td> <td>3\"/> <tr> <td>395</td> <td>ETR</td> <td>-</td> <td>WD.</td> <td>J2</td> <td>PTD.</td> <td>-</td> <td>391B</td> <td>3\"/> <tr> <td>396</td> <td>ETR</td> <td>-</td> <td>WD.</td> <td>J2</td> <td>PTD.</td> <td>-</td> <td>394</td> <td>3\"/> <tr> <td>398</td> <td>ETR</td> <td>-</td> <td>WD.</td> <td>J2</td> <td>PTD.</td> <td>-</td> <td>395</td> <td>3\"/> <tr> <td>399</td> <td>ETR</td> <td>-</td> <td>WD.</td> <td>J2</td> <td>PTD.</td> <td>-</td> <td>396</td> <td>3\"/> <tr> <td>3991</td> <td>ETR</td> <td>-</td> <td>WD.</td> <td>J2</td> <td>PTD.</td> <td>-</td> <td>398</td> <td>3\"/> <tr> <td>3992</td> <td>A</td> <td>3\"/> <tr> <td>3993</td> <td>ETR</td> <td>-</td> <td>WD.</td> <td>J2</td> <td>PTD.</td> <td>-</td> <td>399</td> <td>3\"/> <tr> <td>3994</td> <td>ETR</td> <td>-</td> <td>WD.</td> <td>J2</td> <td>PTD.</td> <td>-</td> <td>3991</td> <td>3\"/> <tr> <td>3995</td> <td>ETR</td> <td>-</td> <td>WD.</td> <td>J2</td> <td>PTD.</td> <td>-</td> <td>3992</td> <td>3\"/> <tr> <td>3997</td> <td>ETR</td> <td>-</td> <td>WD.</td> <td>J2</td> <td>PTD.</td> <td>-</td> <td>3993</td> <td>3\"/>
 <tr> <td>3998</td> <td>ETR</td> <td>-</td> <td>WD.</td> <td>J2</td> <td>PTD.</td> <td>-</td> <td>3994</td> <td>3\"/> <tr> <td>3999</td> <td>ETR</td> <td>-</td> <td>WD.</td> <td>J2</td> <td>PTD.</td> <td>-</td> <td>3995</td> <td>3\"/> <tr> <td>3999</td> <td>ETR</td> <td>-</td> <td>WD.</td> <td>J2</td> <td>PTD.</td> <td>-</td> <td>3997</td> <td>3\"/> </td></tr></td></tr></td></tr></td></tr></td></tr></td></tr></td></tr></td></tr></td></tr></td></tr></td></tr></td></tr></td></tr></td></tr></td></tr></td></tr></td></tr></td></tr></td></tr></td></tr></td></tr></td></tr></td></td></tr></td></tr></td></td></tr></td></td></tr></td></td></tr></td></td></tr></td></td></tr> | 377A | B | 1 <td>WD</td> <td>J1</td> <td>PTD.</td> <td>-</td> <td>376</td> <td>3\"/> <tr> <td>378</td> <td>B</td> <td>1 <td>WD</td> <td>J1</td> <td>PTD.</td> <td>-</td> <td>377</td> <td>3\"/> <tr> <td>379</td> <td>B</td> <td>1 <td>WD</td> <td>J1</td> <td>PTD.</td> <td>-</td> <td>377A</td> <td>3\"/> <tr> <td>380A</td> <td>B</td> <td>1 <td>WD</td> <td>J1</td> <td>PTD.</td> <td>-</td> <td>378</td> <td>3\"/> <tr> <td>380B</td> <td>B</td> <td>1 <td>WD</td> <td>J1</td> <td>PTD.</td> <td>-</td> <td>379</td> <td>3\"/> <tr> <td>382</td> <td>ETR</td> <td>-</td> <td>WD.</td> <td>J2</td> <td>PTD.</td> <td>-</td> <td>380A</td> <td>3\"/> <tr> <td>382A</td> <td>D</td> <td>6 <td>ALUM.</td> <td>ANODIZE D</td> <td>-</td> <td>-</td> <td>380B</td> <td>3\"/> <tr> <td>385</td> <td>ETR</td> <td>-</td> <td>WD.</td> <td>J2</td> <td>PTD.</td> <td>-</td> <td>382</td> <td>3\"/> <tr> <td>386</td> <td>ETR</td> <td>-</td> <td>WD.</td> <td>J2</td> <td>PTD.</td> <td>-</td> <td>382A</td> <td>3\"/> <tr> <td>387</td> <td>ETR</td> <td>-</td> <td>WD.</td> <td>J2</td> <td>PTD.</td> <td>-</td> <td>385</td> <td>3\"/> <tr> <td>388</td> <td>ETR</td> <td>-</td> <td>WD.</td> <td>J2</td> <td>PTD.</td> <td>-</td> <td>386</td> <td>3\"/> <tr> <td>389</td> <td>ETR</td> <td>-</td> <td>WD.</td> <td>J2</td> <td>PTD.</td> <td>-</td> <td>387</td> <td>3\"/> <tr> <td>391</td> <td>ETR</td> <td>-</td> <td>WD.</td> <td>J2</td> <td>PTD.</td> <td>-</td> <td>388</td> <td>3\"/> <tr> <td>391A</td> <td>ETR</td> <td>-</td> <td>WD.</td> <td>J2</td> <td>PTD.</td> <td>-</td> <td>389</td> <td>3\"/> <tr> <td>391B</td> <td>ETR</td> <td>-</td> <td>WD.</td> <td>J2</td> <td>PTD.</td> <td>-</td> <td>391</td> <td>3\"/> <tr> <td>394</td> <td>ETR</td> <td>-</td> <td>WD.</td> <td>J2</td> <td>PTD.</td> <td>-</td> <td>391A</td> <td>3\"/> <tr> <td>395</td> <td>ETR</td> <td>-</td> <td>WD.</td> <td>J2</td> <td>PTD.</td> <td>-</td> <td>391B</td> <td>3\"/> <tr> <td>396</td> <td>ETR</td> <td>-</td> <td>WD.</td> <td>J2</td> <td>PTD.</td> <td>-</td> <td>394</td> <td>3\"/> <tr> <td>398</td> <td>ETR</td> <td>-</td> <td>WD.</td> <td>J2</td> <td>PTD.</td> <td>-</td> <td>395</td> <td>3\"/> <tr> <td>399</td> <td>ETR</td> <td>-</td> <td>WD.</td> <td>J2</td> <td>PTD.</td> <td>-</td> <td>396</td> <td>3\"/> <tr> <td>3991</td> <td>ETR</td> <td>-</td> <td>WD.</td> <td>J2</td> <td>PTD.</td> <td>-</td> <td>398</td> <td>3\"/> <tr> <td>3992</td> <td>A</td> <td>3\"/> <tr> <td>3993</td> <td>ETR</td> <td>-</td> <td>WD.</td> <td>J2</td> <td>PTD.</td> <td>-</td> <td>399</td> <td>3\"/> <tr> <td>3994</td> <td>ETR</td> <td>-</td> <td>WD.</td> <td>J2</td> <td>PTD.</td> <td>-</td> <td>3991</td> <td>3\"/> <tr> <td>3995</td> <td>ETR</td> <td>-</td> <td>WD.</td> <td>J2</td> <td>PTD.</td> <td>-</td> <td>3992</td> <td>3\"/> <tr> <td>3997</td> <td>ETR</td> <td>-</td> <td>WD.</td> <td>J2</td> <td>PTD.</td> <td>-</td> <td>3993</td> <td>3\"/> <tr> <td>3998</td> <td>ETR</td> <td>-</td> <td>WD.</td> <td>J2</td> <td>PTD.</td> <td>-</td> <td>3994</td> <td>3\"/> <tr> <td>3999</td> <td>ETR</td> <td>-</td> <td>WD.</td> <td>J2</td> <td>PTD.</td> <td>-</td> <td>3995</td> <td>3\"/> <tr> <td>3999</td> <td>ETR</td> <td>-</td> <td>WD.</td> <td>J2</td> <td>PTD.</td> <td>-</td> <td>3997</td> <td>3\"/> </td></tr></td></tr></td></tr></td></tr></td></tr></td></tr></td></tr></td></tr></td></tr></td></tr></td></tr></td></tr></td></tr></td></tr></td></tr></td></tr></td></tr></td></tr></td></tr></td></tr></td></tr></td></tr></td></td></tr></td></tr></td></td></tr></td></td></tr></td></td></tr></td></td></tr></td>
 | WD | J1 | PTD. | - | 376 | 3\"/> <tr> <td>378</td> <td>B</td> <td>1 <td>WD</td> <td>J1</td> <td>PTD.</td> <td>-</td> <td>377</td> <td>3\"/> <tr> <td>379</td> <td>B</td> <td>1 <td>WD</td> <td>J1</td> <td>PTD.</td> <td>-</td> <td>377A</td> <td>3\"/> <tr> <td>380A</td> <td>B</td> <td>1 <td>WD</td> <td>J1</td> <td>PTD.</td> <td>-</td> <td>378</td> <td>3\"/> <tr> <td>380B</td> <td>B</td> <td>1 <td>WD</td> <td>J1</td> <td>PTD.</td> <td>-</td> <td>379</td> <td>3\"/> <tr> <td>382</td> <td>ETR</td> <td>-</td> <td>WD.</td> <td>J2</td> <td>PTD.</td> <td>-</td> <td>380A</td> <td>3\"/> <tr> <td>382A</td> <td>D</td> <td>6 <td>ALUM.</td> <td>ANODIZE D</td> <td>-</td> <td>-</td> <td>380B</td> <td>3\"/> <tr> <td>385</td> <td>ETR</td> <td>-</td> <td>WD.</td> <td>J2</td> <td>PTD.</td> <td>-</td> <td>382</td> <td>3\"/> <tr> <td>386</td> <td>ETR</td> <td>-</td> <td>WD.</td> <td>J2</td> <td>PTD.</td> <td>-</td> <td>382A</td> <td>3\"/> <tr> <td>387</td> <td>ETR</td> <td>-</td> <td>WD.</td> <td>J2</td> <td>PTD.</td> <td>-</td> <td>385</td> <td>3\"/> <tr> <td>388</td> <td>ETR</td> <td>-</td> <td>WD.</td> <td>J2</td> <td>PTD.</td> <td>-</td> <td>386</td> <td>3\"/> <tr> <td>389</td> <td>ETR</td> <td>-</td> <td>WD.</td> <td>J2</td> <td>PTD.</td> <td>-</td> <td>387</td> <td>3\"/> <tr> <td>391</td> <td>ETR</td> <td>-</td> <td>WD.</td> <td>J2</td> <td>PTD.</td> <td>-</td> <td>388</td> <td>3\"/> <tr> <td>391A</td> <td>ETR</td> <td>-</td> <td>WD.</td> <td>J2</td> <td>PTD.</td> <td>-</td> <td>389</td> <td>3\"/> <tr> <td>391B</td> <td>ETR</td> <td>-</td> <td>WD.</td> <td>J2</td> <td>PTD.</td> <td>-</td> <td>391</td> <td>3\"/> <tr> <td>394</td> <td>ETR</td> <td>-</td> <td>WD.</td> <td>J2</td> <td>PTD.</td> <td>-</td> <td>391A</td> <td>3\"/> <tr> <td>395</td> <td>ETR</td> <td>-</td> <td>WD.</td> <td>J2</td> <td>PTD.</td> <td>-</td> <td>391B</td> <td>3\"/> <tr> <td>396</td> <td>ETR</td> <td>-</td> <td>WD.</td> <td>J2</td> <td>PTD.</td> <td>-</td> <td>394</td> <td>3\"/> <tr> <td>398</td> <td>ETR</td> <td>-</td> <td>WD.</td> <td>J2</td> <td>PTD.</td> <td>-</td> <td>395</td> <td>3\"/> <tr> <td>399</td> <td>ETR</td> <td>-</td> <td>WD.</td> <td>J2</td> <td>PTD.</td> <td>-</td> <td>396</td> <td>3\"/> <tr> <td>3991</td> <td>ETR</td> <td>-</td> <td>WD.</td> <td>J2</td> <td>PTD.</td> <td>-</td> <td>398</td> <td>3\"/> <tr> <td>3992</td> <td>A</td> <td>3\"/> <tr> <td>3993</td> <td>ETR</td> <td>-</td> <td>WD.</td> <td>J2</td> <td>PTD.</td> <td>-</td> <td>399</td> <td>3\"/> <tr> <td>3994</td> <td>ETR</td> <td>-</td> <td>WD.</td> <td>J2</td> <td>PTD.</td> <td>-</td> <td>3991</td> <td>3\"/> <tr> <td>3995</td> <td>ETR</td> <td>-</td> <td>WD.</td> <td>J2</td> <td>PTD.</td> <td>-</td> <td>3992</td> <td>3\"/> <tr> <td>3997</td> <td>ETR</td> <td>-</td> <td>WD.</td> <td>J2</td> <td>PTD.</td> <td>-</td> <td>3993</td> <td>3\"/> <tr> <td>3998</td> <td>ETR</td> <td>-</td> <td>WD.</td> <td>J2</td> <td>PTD.</td> <td>-</td> <td>3994</td> <td>3\"/> <tr> <td>3999</td> <td>ETR</td> <td>-</td> <td>WD.</td> <td>J2</td> <td>PTD.</td> <td>-</td> <td>3995</td> <td>3\"/> <tr> <td>3999</td> <td>ETR</td> <td>-</td> <td>WD.</td> <td>J2</td> <td>PTD.</td> <td>-</td> <td>3997</td> <td>3\"/> </td></tr></td></tr></td></tr></td></tr></td></tr></td></tr></td></tr></td></tr></td></tr></td></tr></td></tr></td></tr></td></tr></td></tr></td></tr></td></tr></td></tr></td></tr></td></tr></td></tr></td></tr></td></tr></td></td></tr></td></tr></td></td></tr></td></td></tr></td></td></tr></td></td></tr> | 378 | B | 1 <td>WD</td> <td>J1</td> <td>PTD.</td> <td>-</td> <td>377</td> <td>3\"/> <tr> <td>379</td> <td>B</td> <td>1 <td>WD</td> <td>J1</td> <td>PTD.</td> <td>-</td> <td>377A</td> <td>3\"/> <tr> <td>380A</td> <td>B</td> <td>1 <td>WD</td> <td>J1</td> <td>PTD.</td> <td>-</td> <td>378</td> <td>3\"/> <tr> <td>380B</td> <td>B</td> <td>1 <td>WD</td> <td>J1</td> <td>PTD.</td> <td>-</td> <td>379</td> <td>3\"/> <tr> <td>382</td> <td>ETR</td> <td>-</td> <td>WD.</td> <td>J2</td> <td>PTD.</td> <td>-</td> <td>380A</td> <td>3\"/> <tr> <td>382A</td> <td>D</td> <td>6 <td>ALUM.</td> <td>ANODIZE D</td> <td>-</td> <td>-</td> <td>380B</td> <td>3\"/> <tr> <td>385</td> <td>ETR</td> <td>-</td> <td>WD.</td> <td>J2</td> <td>PTD.</td> <td>-</td> <td>382</td> <td>3\"/> <tr> <td>386</td> <td>ETR</td> <td>-</td> <td>WD.</td> <td>J2</td> <td>PTD.</td> <td>-</td> <td>382A</td> <td>3\"/> <tr> <td>387</td> <td>ETR</td> <td>-</td> <td>WD.</td> <td>J2</td> <td>PTD.</td> <td>-</td> <td>385</td> <td>3\"/> <tr> <td>388</td> <td>ETR</td> <td>-</td> <td>WD.</td> <td>J2</td> <td>PTD.</td> <td>-</td> <td>386</td> <td>3\"/> <tr> <td>389</td> <td>ETR</td> <td>-</td> <td>WD.</td> <td>J2</td> <td>PTD.</td> <td>-</td> <td>387</td> <td>3\"/> <tr> <td>391</td> <td>ETR</td> <td>-</td> <td>WD.</td> <td>J2</td> <td>PTD.</td> <td>-</td> <td>388</td> <td>3\"/> <tr> <td>391A</td> <td>ETR</td> <td>-</td> <td>WD.</td> <td>J2</td> <td>PTD.</td> <td>-</td> <td>389</td> <td>3\"/> <tr> <td>391B</td> <td>ETR</td> <td>-</td> <td>WD.</td> <td>J2</td> <td>PTD.</td> <td>-</td> <td>391</td> <td>3\"/> <tr> <td>394</td> <td>ETR</td> <td>-</td> <td>WD.</td> <td>J2</td> <td>PTD.</td> <td>-</td> <td>391A</td> <td>3\"/> <tr> <td>395</td> <td>ETR</td> <td>-</td> <td>WD.</td> <td>J2</td> <td>PTD.</td> <td>-</td> <td>391B</td> <td>3\"/> <tr> <td>396</td> <td>ETR</td> <td>-</td> <td>WD.</td> <td>J2</td> <td>PTD.</td> <td>-</td> <td>394</td> <td>3\"/> <tr> <td>398</td> <td>ETR</td> <td>-</td> <td>WD.</td> <td>J2</td> <td>PTD.</td> <td>-</td> <td>395</td> <td>3\"/> <tr> <td>399</td> <td>ETR</td> <td>-</td> <td>WD.</td> <td>J2</td> <td>PTD.</td> <td>-</td> <td>396</td> <td>3\"/> <tr> <td>3991</td> <td>ETR</td> <td>-</td> <td>WD.</td> <td>J2</td> <td>PTD.</td> <td>-</td> <td>398</td> <td>3\"/> <tr> <td>3992</td> <td>A</td> <td>3\"/> <tr> <td>3993</td> <td>ETR</td> <td>-</td> <td>WD.</td> <td>J2</td> <td>PTD.</td> <td>-</td> <td>399</td> <td>3\"/> <tr> <td>3994</td> <td>ETR</td> <td>-</td> <td>WD.</td> <td>J2</td> <td>PTD.</td> <td>-</td> <td>3991</td> <td>3\"/> <tr> <td>3995</td> <td>ETR</td> <td>-</td> <td>WD.</td> <td>J2</td>
<td>PTD.</td> <td>-</td> <td>3992</td> <td>3\"/> <tr> <td>3997</td> <td>ETR</td> <td>-</td> <td>WD.</td> <td>J2</td> <td>PTD.</td> <td>-</td> <td>3993</td> <td>3\"/> <tr> <td>3998</td> <td>ETR</td> <td>-</td> <td>WD.</td> <td>J2</td> <td>PTD.</td> <td>-</td> <td>3994</td> <td>3\"/> <tr> <td>3999</td> <td>ETR</td> <td>-</td> <td>WD.</td> <td>J2</td> <td>PTD.</td> <td>-</td> <td>3995</td> <td>3\"/> <tr> <td>3999</td> <td>ETR</td> <td>-</td> <td>WD.</td> <td>J2</td> <td>PTD.</td> <td>-</td> <td>3997</td> <td>3\"/> </td></tr></td></tr></td></tr></td></tr></td></tr></td></tr></td></tr></td></tr></td></tr></td></tr></td></tr></td></tr></td></tr></td></tr></td></tr></td></tr></td></tr></td></tr></td></tr></td></tr></td></tr></td></tr></td></td></tr></td></tr></td></td></tr></td></td></tr></td></td></tr></td> | WD | J1 | PTD. | - | 377 | 3\"/> <tr> <td>379</td> <td>B</td> <td>1 <td>WD</td> <td>J1</td> <td>PTD.</td> <td>-</td> <td>377A</td> <td>3\"/> <tr> <td>380A</td> <td>B</td> <td>1 <td>WD</td> <td>J1</td> <td>PTD.</td> <td>-</td> <td>378</td> <td>3\"/> <tr> <td>380B</td> <td>B</td> <td>1 <td>WD</td> <td>J1</td> <td>PTD.</td> <td>-</td> <td>379</td> <td>3\"/> <tr> <td>382</td> <td>ETR</td> <td>-</td> <td>WD.</td> <td>J2</td> <td>PTD.</td> <td>-</td> <td>380A</td> <td>3\"/> <tr> <td>382A</td> <td>D</td> <td>6 <td>ALUM.</td> <td>ANODIZE D</td> <td>-</td> <td>-</td> <td>380B</td> <td>3\"/> <tr> <td>385</td> <td>ETR</td> <td>-</td> <td>WD.</td> <td>J2</td> <td>PTD.</td> <td>-</td> <td>382</td> <td>3\"/> <tr> <td>386</td> <td>ETR</td> <td>-</td> <td>WD.</td> <td>J2</td> <td>PTD.</td> <td>-</td> <td>382A</td> <td>3\"/> <tr> <td>387</td> <td>ETR</td> <td>-</td> <td>WD.</td> <td>J2</td> <td>PTD.</td> <td>-</td> <td>385</td> <td>3\"/> <tr> <td>388</td> <td>ETR</td> <td>-</td> <td>WD.</td> <td>J2</td> <td>PTD.</td> <td>-</td> <td>386</td> <td>3\"/> <tr> <td>389</td> <td>ETR</td> <td>-</td> <td>WD.</td> <td>J2</td> <td>PTD.</td> <td>-</td> <td>387</td> <td>3\"/> <tr> <td>391</td> <td>ETR</td> <td>-</td> <td>WD.</td> <td>J2</td> <td>PTD.</td> <td>-</td> <td>388</td> <td>3\"/> <tr> <td>391A</td> <td>ETR</td> <td>-</td> <td>WD.</td> <td>J2</td> <td>PTD.</td> <td>-</td> <td>389</td> <td>3\"/> <tr> <td>391B</td> <td>ETR</td> <td>-</td> <td>WD.</td> <td>J2</td> <td>PTD.</td> <td>-</td> <td>391</td> <td>3\"/> <tr> <td>394</td> <td>ETR</td> <td>-</td> <td>WD.</td> <td>J2</td> <td>PTD.</td> <td>-</td> <td>391A</td> <td>3\"/> <tr> <td>395</td> <td>ETR</td> <td>-</td> <td>WD.</td> <td>J2</td> <td>PTD.</td> <td>-</td> <td>391B</td> <td>3\"/> <tr> <td>396</td> <td>ETR</td> <td>-</td> <td>WD.</td> <td>J2</td> <td>PTD.</td> <td>-</td> <td>394</td> <td>3\"/> <tr> <td>398</td> <td>ETR</td> <td>-</td> <td>WD.</td> <td>J2</td> <td>PTD.</td> <td>-</td> <td>395</td> <td>3\"/> <tr> <td>399</td> <td>ETR</td> <td>-</td> <td>WD.</td> <td>J2</td> <td>PTD.</td> <td>-</td> <td>396</td> <td>3\"/> <tr> <td>3991</td> <td>ETR</td> <td>-</td> <td>WD.</td> <td>J2</td> <td>PTD.</td> <td>-</td> <td>398</td> <td>3\"/> <tr> <td>3992</td> <td>A</td> <td>3\"/> <tr> <td>3993</td> <td>ETR</td> <td>-</td> <td>WD.</td> <td>J2</td> <td>PTD.</td> <td>-</td> <td>399</td> <td>3\"/> <tr> <td>3994</td> <td>ETR</td> <td>-</td> <td>WD.</td> <td>J2</td> <td>PTD.</td> <td>-</td> <td>3991</td> <td>3\"/> <tr> <td>3995</td> <td>ETR</td> <td>-</td> <td>WD.</td> <td>J2</td> <td>PTD.</td> <td>-</td> <td>3992</td> <td>3\"/> <tr> <td>3997</td> <td>ETR</td> <td>-</td> <td>WD.</td> <td>J2</td> <td>PTD.</td> <td>-</td> <td>3993</td> <td>3\"/> <tr> <td>3998</td> <td>ETR</td> <td>-</td> <td>WD.</td> <td>J2</td> <td>PTD.</td> <td>-</td> <td>3994</td> <td>3\"/> <tr> <td>3999</td> <td>ETR</td> <td>-</td> <td>WD.</td> <td>J2</td> <td>PTD.</td> <td>-</td> <td>3995</td> <td>3\"/> <tr> <td>3999</td> <td>ETR</td> <td>-</td> <td>WD.</td> <td>J2</td> <td>PTD.</td> <td>-</td> <td>3997</td> <td>3\"/> </td></tr></td></tr></td></tr></td></tr></td></tr></td></tr></td></tr></td></tr></td></tr></td></tr></td></tr></td></tr></td></tr></td></tr></td></tr></td></tr></td></tr></td></tr></td></tr></td></tr></td></tr></td></tr></td></td></tr></td></tr></td></td></tr></td></td></tr></td></td></tr>
 | 379 | B | 1 <td>WD</td> <td>J1</td> <td>PTD.</td> <td>-</td> <td>377A</td> <td>3\"/> <tr> <td>380A</td> <td>B</td> <td>1 <td>WD</td> <td>J1</td> <td>PTD.</td> <td>-</td> <td>378</td> <td>3\"/> <tr> <td>380B</td> <td>B</td> <td>1 <td>WD</td> <td>J1</td> <td>PTD.</td> <td>-</td> <td>379</td> <td>3\"/> <tr> <td>382</td> <td>ETR</td> <td>-</td> <td>WD.</td> <td>J2</td> <td>PTD.</td> <td>-</td> <td>380A</td> <td>3\"/> <tr> <td>382A</td> <td>D</td> <td>6 <td>ALUM.</td> <td>ANODIZE D</td> <td>-</td> <td>-</td> <td>380B</td> <td>3\"/> <tr> <td>385</td> <td>ETR</td> <td>-</td> <td>WD.</td> <td>J2</td> <td>PTD.</td> <td>-</td> <td>382</td> <td>3\"/> <tr> <td>386</td> <td>ETR</td> <td>-</td> <td>WD.</td> <td>J2</td> <td>PTD.</td> <td>-</td> <td>382A</td> <td>3\"/> <tr> <td>387</td> <td>ETR</td> <td>-</td> <td>WD.</td> <td>J2</td> <td>PTD.</td> <td>-</td> <td>385</td> <td>3\"/> <tr> <td>388</td> <td>ETR</td> <td>-</td> <td>WD.</td> <td>J2</td> <td>PTD.</td> <td>-</td> <td>386</td> <td>3\"/> <tr> <td>389</td> <td>ETR</td> <td>-</td> <td>WD.</td> <td>J2</td> <td>PTD.</td> <td>-</td> <td>387</td> <td>3\"/> <tr> <td>391</td> <td>ETR</td> <td>-</td> <td>WD.</td> <td>J2</td> <td>PTD.</td> <td>-</td> <td>388</td> <td>3\"/> <tr> <td>391A</td> <td>ETR</td> <td>-</td> <td>WD.</td> <td>J2</td> <td>PTD.</td> <td>-</td> <td>389</td> <td>3\"/> <tr> <td>391B</td> <td>ETR</td> <td>-</td> <td>WD.</td> <td>J2</td> <td>PTD.</td> <td>-</td> <td>391</td> <td>3\"/> <tr> <td>394</td> <td>ETR</td> <td>-</td> <td>WD.</td> <td>J2</td> <td>PTD.</td> <td>-</td> <td>391A</td> <td>3\"/> <tr> <td>395</td> <td>ETR</td> <td>-</td> <td>WD.</td> <td>J2</td> <td>PTD.</td> <td>-</td> <td>391B</td> <td>3\"/> <tr> <td>396</td> <td>ETR</td> <td>-</td> <td>WD.</td> <td>J2</td> <td>PTD.</td> <td>-</td> <td>394</td> <td>3\"/> <tr> <td>398</td> <td>ETR</td> <td>-</td> <td>WD.</td> <td>J2</td> <td>PTD.</td> <td>-</td> <td>395</td> <td>3\"/> <tr> <td>399</td> <td>ETR</td> <td>-</td> <td>WD.</td> <td>J2</td> <td>PTD.</td> <td>-</td> <td>396</td> <td>3\"/> <tr> <td>3991</td> <td>ETR</td> <td>-</td> <td>WD.</td> <td>J2</td> <td>PTD.</td> <td>-</td> <td>398</td> <td>3\"/> <tr> <td>3992</td> <td>A</td> <td>3\"/> <tr> <td>3993</td> <td>ETR</td> <td>-</td> <td>WD.</td> <td>J2</td> <td>PTD.</td> <td>-</td> <td>399</td> <td>3\"/> <tr> <td>3994</td> <td>ETR</td> <td>-</td> <td>WD.</td> <td>J2</td> <td>PTD.</td> <td>-</td> <td>3991</td> <td>3\"/> <tr> <td>3995</td> <td>ETR</td> <td>-</td> <td>WD.</td> <td>J2</td> <td>PTD.</td> <td>-</td> <td>3992</td> <td>3\"/> <tr> <td>3997</td> <td>ETR</td> <td>-</td> <td>WD.</td> <td>J2</td> <td>PTD.</td> <td>-</td> <td>3993</td> <td>3\"/> <tr> <td>3998</td> <td>ETR</td> <td>-</td> <td>WD.</td> <td>J2</td> <td>PTD.</td> <td>-</td> <td>3994</td> <td>3\"/> <tr> <td>3999</td> <td>ETR</td> <td>-</td> <td>WD.</td> <td>J2</td> <td>PTD.</td> <td>-</td> <td>3995</td> <td>3\"/> <tr> <td>3999</td> <td>ETR</td> <td>-</td> <td>WD.</td> <td>J2</td> <td>PTD.</td> <td>-</td> <td>3997</td> <td>3\"/> </td></tr></td></tr></td></tr></td></tr></td></tr></td></tr></td></tr></td></tr></td></tr></td></tr></td></tr></td></tr></td></tr></td></tr></td></tr></td></tr></td></tr></td></tr></td></tr></td></tr></td></tr></td></tr></td></td></tr></td></tr></td></td></tr></td></td></tr></td> | WD | J1 | PTD. | - | 377A | 3\"/> <tr> <td>380A</td> <td>B</td> <td>1 <td>WD</td> <td>J1</td> <td>PTD.</td> <td>-</td> <td>378</td> <td>3\"/> <tr> <td>380B</td> <td>B</td> <td>1 <td>WD</td> <td>J1</td> <td>PTD.</td> <td>-</td> <td>379</td> <td>3\"/> <tr> <td>382</td> <td>ETR</td> <td>-</td> <td>WD.</td> <td>J2</td> <td>PTD.</td> <td>-</td> <td>380A</td> <td>3\"/> <tr> <td>382A</td> <td>D</td> <td>6 <td>ALUM.</td> <td>ANODIZE D</td> <td>-</td> <td>-</td> <td>380B</td> <td>3\"/> <tr> <td>385</td> <td>ETR</td> <td>-</td> <td>WD.</td> <td>J2</td> <td>PTD.</td> <td>-</td> <td>382</td> <td>3\"/> <tr> <td>386</td> <td>ETR</td> <td>-</td> <td>WD.</td> <td>J2</td> <td>PTD.</td> <td>-</td> <td>382A</td> <td>3\"/> <tr> <td>387</td> <td>ETR</td> <td>-</td> <td>WD.</td> <td>J2</td> <td>PTD.</td> <td>-</td> <td>385</td> <td>3\"/> <tr> <td>388</td> <td>ETR</td> <td>-</td> <td>WD.</td> <td>J2</td> <td>PTD.</td> <td>-</td> <td>386</td> <td>3\"/> <tr> <td>389</td> <td>ETR</td> <td>-</td> <td>WD.</td> <td>J2</td> <td>PTD.</td> <td>-</td> <td>387</td> <td>3\"/> <tr> <td>391</td> <td>ETR</td> <td>-</td> <td>WD.</td> <td>J2</td> <td>PTD.</td> <td>-</td> <td>388</td> <td>3\"/> <tr> <td>391A</td> <td>ETR</td> <td>-</td> <td>WD.</td> <td>J2</td> <td>PTD.</td> <td>-</td> <td>389</td> <td>3\"/> <tr> <td>391B</td> <td>ETR</td> <td>-</td> <td>WD.</td> <td>J2</td> <td>PTD.</td> <td>-</td> <td>391</td> <td>3\"/> <tr> <td>394</td> <td>ETR</td> <td>-</td> <td>WD.</td> <td>J2</td> <td>PTD.</td> <td>-</td> <td>391A</td> <td>3\"/> <tr> <td>395</td> <td>ETR</td> <td>-</td> <td>WD.</td> <td>J2</td> <td>PTD.</td> <td>-</td> <td>391B</td> <td>3\"/> <tr> <td>396</td> <td>ETR</td> <td>-</td> <td>WD.</td> <td>J2</td> <td>PTD.</td> <td>-</td> <td>394</td> <td>3\"/> <tr> <td>398</td> <td>ETR</td> <td>-</td> <td>WD.</td> <td>J2</td> <td>PTD.</td> <td>-</td> <td>395</td> <td>3\"/> <tr> <td>399</td> <td>ETR</td> <td>-</td> <td>WD.</td> <td>J2</td> <td>PTD.</td> <td>-</td> <td>396</td> <td>3\"/> <tr> <td>3991</td> <td>ETR</td> <td>-</td> <td>WD.</td> <td>J2</td> <td>PTD.</td> <td>-</td> <td>398</td> <td>3\"/> <tr> <td>3992</td> <td>A</td> <td>3\"/> <tr> <td>3993</td> <td>ETR</td> <td>-</td> <td>WD.</td> <td>J2</td> <td>PTD.</td> <td>-</td> <td>399</td> <td>3\"/> <tr> <td>3994</td> <td>ETR</td> <td>-</td> <td>WD.</td> <td>J2</td> <td>PTD.</td> <td>-</td> <td>3991</td> <td>3\"/> <tr> <td>3995</td> <td>ETR</td> <td>-</td> <td>WD.</td> <td>J2</td> <td>PTD.</td> <td>-</td> <td>3992</td> <td>3\"/> <tr> <td>3997</td> <td>ETR</td> <td>-</td> <td>WD.</td> <td>J2</td> <td>PTD.</td> <td>-</td> <td>3993</td> <td>3\"/> <tr> <td>3998</td> <td>ETR</td> <td>-</td> <td>WD.</td> <td>J2</td> <td>PTD.</td> <td>-</td> <td>3994</td> <td>3\"/> <tr> <td>3999</td> <td>ETR</td> <td>-</td> <td>WD.</td>
<td>J2</td> <td>PTD.</td> <td>-</td> <td>3995</td> <td>3\"/> <tr> <td>3999</td> <td>ETR</td> <td>-</td> <td>WD.</td> <td>J2</td> <td>PTD.</td> <td>-</td> <td>3997</td> <td>3\"/> </td></tr></td></tr></td></tr></td></tr></td></tr></td></tr></td></tr></td></tr></td></tr></td></tr></td></tr></td></tr></td></tr></td></tr></td></tr></td></tr></td></tr></td></tr></td></tr></td></tr></td></tr></td></tr></td></td></tr></td></tr></td></td></tr></td></td></tr> | 380A | B | 1 <td>WD</td> <td>J1</td> <td>PTD.</td> <td>-</td> <td>378</td> <td>3\"/> <tr> <td>380B</td> <td>B</td> <td>1 <td>WD</td> <td>J1</td> <td>PTD.</td> <td>-</td> <td>379</td> <td>3\"/> <tr> <td>382</td> <td>ETR</td> <td>-</td> <td>WD.</td> <td>J2</td> <td>PTD.</td> <td>-</td> <td>380A</td> <td>3\"/> <tr> <td>382A</td> <td>D</td> <td>6 <td>ALUM.</td> <td>ANODIZE D</td> <td>-</td> <td>-</td> <td>380B</td> <td>3\"/> <tr> <td>385</td> <td>ETR</td> <td>-</td> <td>WD.</td> <td>J2</td> <td>PTD.</td> <td>-</td> <td>382</td> <td>3\"/> <tr> <td>386</td> <td>ETR</td> <td>-</td> <td>WD.</td> <td>J2</td> <td>PTD.</td> <td>-</td> <td>382A</td> <td>3\"/> <tr> <td>387</td> <td>ETR</td> <td>-</td> <td>WD.</td> <td>J2</td> <td>PTD.</td> <td>-</td> <td>385</td> <td>3\"/> <tr> <td>388</td> <td>ETR</td> <td>-</td> <td>WD.</td> <td>J2</td> <td>PTD.</td> <td>-</td> <td>386</td> <td>3\"/> <tr> <td>389</td> <td>ETR</td> <td>-</td> <td>WD.</td> <td>J2</td> <td>PTD.</td> <td>-</td> <td>387</td> <td>3\"/> <tr> <td>391</td> <td>ETR</td> <td>-</td> <td>WD.</td> <td>J2</td> <td>PTD.</td> <td>-</td> <td>388</td> <td>3\"/> <tr> <td>391A</td> <td>ETR</td> <td>-</td> <td>WD.</td> <td>J2</td> <td>PTD.</td> <td>-</td> <td>389</td> <td>3\"/> <tr> <td>391B</td> <td>ETR</td> <td>-</td> <td>WD.</td> <td>J2</td> <td>PTD.</td> <td>-</td> <td>391</td> <td>3\"/> <tr> <td>394</td> <td>ETR</td> <td>-</td> <td>WD.</td> <td>J2</td> <td>PTD.</td> <td>-</td> <td>391A</td> <td>3\"/> <tr> <td>395</td> <td>ETR</td> <td>-</td> <td>WD.</td> <td>J2</td> <td>PTD.</td> <td>-</td> <td>391B</td> <td>3\"/> <tr> <td>396</td> <td>ETR</td> <td>-</td> <td>WD.</td> <td>J2</td> <td>PTD.</td> <td>-</td> <td>394</td> <td>3\"/> <tr> <td>398</td> <td>ETR</td> <td>-</td> <td>WD.</td> <td>J2</td> <td>PTD.</td> <td>-</td> <td>395</td> <td>3\"/> <tr> <td>399</td> <td>ETR</td> <td>-</td> <td>WD.</td> <td>J2</td> <td>PTD.</td> <td>-</td> <td>396</td> <td>3\"/> <tr> <td>3991</td> <td>ETR</td> <td>-</td> <td>WD.</td> <td>J2</td> <td>PTD.</td> <td>-</td> <td>398</td> <td>3\"/> <tr> <td>3992</td> <td>A</td> <td>3\"/> <tr> <td>3993</td> <td>ETR</td> <td>-</td> <td>WD.</td> <td>J2</td> <td>PTD.</td> <td>-</td> <td>399</td> <td>3\"/> <tr> <td>3994</td> <td>ETR</td> <td>-</td> <td>WD.</td> <td>J2</td> <td>PTD.</td> <td>-</td> <td>3991</td> <td>3\"/> <tr> <td>3995</td> <td>ETR</td> <td>-</td> <td>WD.</td> <td>J2</td> <td>PTD.</td> <td>-</td> <td>3992</td> <td>3\"/> <tr> <td>3997</td> <td>ETR</td> <td>-</td> <td>WD.</td> <td>J2</td> <td>PTD.</td> <td>-</td> <td>3993</td> <td>3\"/> <tr> <td>3998</td> <td>ETR</td> <td>-</td> <td>WD.</td> <td>J2</td> <td>PTD.</td> <td>-</td> <td>3994</td> <td>3\"/> <tr> <td>3999</td> <td>ETR</td> <td>-</td> <td>WD.</td> <td>J2</td> <td>PTD.</td> <td>-</td> <td>3995</td> <td>3\"/> <tr> <td>3999</td> <td>ETR</td> <td>-</td> <td>WD.</td> <td>J2</td> <td>PTD.</td> <td>-</td> <td>3997</td> <td>3\"/> </td></tr></td></tr></td></tr></td></tr></td></tr></td></tr></td></tr></td></tr></td></tr></td></tr></td></tr></td></tr></td></tr></td></tr></td></tr></td></tr></td></tr></td></tr></td></tr></td></tr></td></tr></td></tr></td></td></tr></td></tr></td></td></tr></td> | WD | J1 | PTD.
 - | 378 | 3\"/> <tr> <td>380B</td> <td>B</td> <td>1 <td>WD</td> <td>J1</td> <td>PTD.</td> <td>-</td> <td>379</td> <td>3\"/> <tr> <td>382</td> <td>ETR</td> <td>-</td> <td>WD.</td> <td>J2</td> <td>PTD.</td> <td>-</td> <td>380A</td> <td>3\"/> <tr> <td>382A</td> <td>D</td> <td>6 <td>ALUM.</td> <td>ANODIZE D</td> <td>-</td> <td>-</td> <td>380B</td> <td>3\"/> <tr> <td>385</td> <td>ETR</td> <td>-</td> <td>WD.</td> <td>J2</td> <td>PTD.</td> <td>-</td> <td>382</td> <td>3\"/> <tr> <td>386</td> <td>ETR</td> <td>-</td> <td>WD.</td> <td>J2</td> <td>PTD.</td> <td>-</td> <td>382A</td> <td>3\"/> <tr> <td>387</td> <td>ETR</td> <td>-</td> <td>WD.</td> <td>J2</td> <td>PTD.</td> <td>-</td> <td>385</td> <td>3\"/> <tr> <td>388</td> <td>ETR</td> <td>-</td> <td>WD.</td> <td>J2</td> <td>PTD.</td> <td>-</td> <td>386</td> <td>3\"/> <tr> <td>389</td> <td>ETR</td> <td>-</td> <td>WD.</td> <td>J2</td> <td>PTD.</td> <td>-</td> <td>387</td> <td>3\"/> <tr> <td>391</td> <td>ETR</td> <td>-</td> <td>WD.</td> <td>J2</td> <td>PTD.</td> <td>-</td> <td>388</td> <td>3\"/> <tr> <td>391A</td> <td>ETR</td> <td>-</td> <td>WD.</td> <td>J2</td> <td>PTD.</td> <td>-</td> <td>389</td> <td>3\"/> <tr> <td>391B</td> <td>ETR</td> <td>-</td> <td>WD.</td> <td>J2</td> <td>PTD.</td> <td>-</td> <td>391</td> <td>3\"/> <tr> <td>394</td> <td>ETR</td> <td>-</td> <td>WD.</td> <td>J2</td> <td>PTD.</td> <td>-</td> <td>391A</td> <td>3\"/> <tr> <td>395</td> <td>ETR</td> <td>-</td> <td>WD.</td> <td>J2</td> <td>PTD.</td> <td>-</td> <td>391B</td> <td>3\"/> <tr> <td>396</td> <td>ETR</td> <td>-</td> <td>WD.</td> <td>J2</td> <td>PTD.</td> <td>-</td> <td>394</td> <td>3\"/> <tr> <td>398</td> <td>ETR</td> <td>-</td> <td>WD.</td> <td>J2</td> <td>PTD.</td> <td>-</td> <td>395</td> <td>3\"/> <tr> <td>399</td> <td>ETR</td> <td>-</td> <td>WD.</td> <td>J2</td> <td>PTD.</td> <td>-</td> <td>396</td> <td>3\"/> <tr> <td>3991</td> <td>ETR</td> <td>-</td> <td>WD.</td> <td>J2</td> <td>PTD.</td> <td>-</td> <td>398</td> <td>3\"/> <tr> <td>3992</td> <td>A</td> <td>3\"/> <tr> <td>3993</td> <td>ETR</td> <td>-</td> <td>WD.</td> <td>J2</td> <td>PTD.</td> <td>-</td> <td>399</td> <td>3\"/> <tr> <td>3994</td> <td>ETR</td> <td>-</td> <td>WD.</td> <td>J2</td> <td>PTD.</td> <td>-</td> <td>3991</td> <td>3\"/> <tr> <td>3995</td> <td>ETR</td> <td>-</td> <td>WD.</td> <td>J2</td> <td>PTD.</td> <td>-</td> <td>3992</td> <td>3\"/> <tr> <td>3997</td> <td>ETR</td> <td>-</td> <td>WD.</td> <td>J2</td> <td>PTD.</td> <td>-</td> <td>3993</td> <td>3\"/> <tr> <td>3998</td> <td>ETR</td> <td>-</td> <td>WD.</td> <td>J2</td> <td>PTD.</td> <td>-</td> <td>3994</td> <td>3\"/> <tr> <td>3999</td> <td>ETR</td> <td>-</td> <td>WD.</td> <td>J2</td> <td>PTD.</td> <td>-</td> <td>3995</td> <td>3\"/> <tr> <td>3999</td> <td>ETR</td> <td>-</td> <td>WD.</td> <td>J2</td> <td>PTD.</td> <td>-</td> <td>3997</td> <td>3\"/> </td></tr></td></tr></td></tr></td></tr></td></tr></td></tr></td></tr></td></tr></td></tr></td></tr></td></tr></td></tr></td></tr></td></tr></td></tr></td></tr></td></tr></td></tr></td></tr></td></tr></td></tr></td></tr></td></td></tr></td></tr></td></td></tr> | 380B | B | 1 <td>WD</td> <td>J1</td> <td>PTD.</td> <td>-</td> <td>379</td> <td>3\"/> <tr> <td>382</td> <td>ETR</td> <td>-</td> <td>WD.</td> <td>J2</td> <td>PTD.</td> <td>-</td> <td>380A</td> <td>3\"/> <tr> <td>382A</td> <td>D</td> <td>6 <td>ALUM.</td> <td>ANODIZE D</td> <td>-</td> <td>-</td> <td>380B</td> <td>3\"/> <tr> <td>385</td> <td>ETR</td> <td>-</td> <td>WD.</td> <td>J2</td> <td>PTD.</td> <td>-</td> <td>382</td> <td>3\"/> <tr> <td>386</td> <td>ETR</td> <td>-</td> <td>WD.</td> <td>J2</td> <td>PTD.</td> <td>-</td> <td>382A</td> <td>3\"/> <tr> <td>387</td> <td>ETR</td> <td>-</td> <td>WD.</td> <td>J2</td> <td>PTD.</td> <td>-</td> <td>385</td> <td>3\"/> <tr> <td>388</td> <td>ETR</td> <td>-</td> <td>WD.</td> <td>J2</td> <td>PTD.</td> <td>-</td> <td>386</td> <td>3\"/> <tr> <td>389</td> <td>ETR</td> <td>-</td> <td>WD.</td> <td>J2</td> <td>PTD.</td> <td>-</td> <td>387</td> <td>3\"/> <tr> <td>391</td> <td>ETR</td> <td>-</td> <td>WD.</td> <td>J2</td> <td>PTD.</td> <td>-</td> <td>388</td> <td>3\"/> <tr> <td>391A</td> <td>ETR</td> <td>-</td> <td>WD.</td> <td>J2</td> <td>PTD.</td> <td>-</td> <td>389</td> <td>3\"/> <tr> <td>391B</td> <td>ETR</td> <td>-</td> <td>WD.</td> <td>J2</td> <td>PTD.</td> <td>-</td> <td>391</td> <td>3\"/> <tr> <td>394</td> <td>ETR</td> <td>-</td> <td>WD.</td> <td>J2</td> <td>PTD.</td> <td>-</td> <td>391A</td> <td>3\"/> <tr> <td>395</td> <td>ETR</td> <td>-</td> <td>WD.</td> <td>J2</td> <td>PTD.</td> <td>-</td> <td>391B</td> <td>3\"/> <tr> <td>396</td> <td>ETR</td> <td>-</td> <td>WD.</td> <td>J2</td> <td>PTD.</td> <td>-</td> <td>394</td> <td>3\"/> <tr> <td>398</td> <td>ETR</td> <td>-</td> <td>WD.</td> <td>J2</td> <td>PTD.</td> <td>-</td> <td>395</td> <td>3\"/> <tr> <td>399</td> <td>ETR</td> <td>-</td> <td>WD.</td> <td>J2</td> <td>PTD.</td> <td>-</td> <td>396</td> <td>3\"/> <tr> <td>3991</td> <td>ETR</td> <td>-</td> <td>WD.</td> <td>J2</td> <td>PTD.</td> <td>-</td> <td>398</td> <td>3\"/> <tr> <td>3992</td> <td>A</td> <td>3\"/> <tr> <td>3993</td> <td>ETR</td> <td>-</td> <td>WD.</td> <td>J2</td> <td>PTD.</td> <td>-</td> <td>399</td> <td>3\"/> <tr> <td>3994</td> <td>ETR</td> <td>-</td> <td>WD.</td> <td>J2</td> <td>PTD.</td> <td>-</td> <td>3991</td> <td>3\"/> <tr> <td>3995</td> <td>ETR</td> <td>-</td> <td>WD.</td> <td>J2</td> <td>PTD.</td> <td>-</td> <td>3992</td> <td>3\"/> <tr> <td>3997</td> <td>ETR</td> <td>-</td> <td>WD.</td> <td>J2</td> <td>PTD.</td> <td>-</td> <td>3993</td> <td>3\"/> <tr> <td>3998</td> <td>ETR</td> <td>-</td> <td>WD.</td> <td>J2</td> <td>PTD.</td> <td>-</td> <td>3994</td> <td>3\"/> <tr> <td>3999</td> <td>ETR</td> <td>-</td> <td>WD.</td> <td>J2</td> <td>PTD.</td> <td>-</td> <td>3995</td> <td>3\"/> <tr> <td>3999</td> <td>ETR</td> <td>-</td> <td>WD.</td> <td>J2</td> <td>PTD.</td> <td>-</td> <td>3997</td> <td>3\"/> </td></tr></td></tr></td></tr></td></tr></td></tr></td></tr></td></tr></td></tr></td></tr></td></tr></td></tr></td></tr></td></tr></td></tr></td></tr></td></tr></td></tr></td></tr></td></tr></td></tr></td></tr></td></tr></td></td></tr></td></tr></td>
 | WD | J1 | PTD. | - | 379 | 3\"/> <tr> <td>382</td> <td>ETR</td> <td>-</td> <td>WD.</td> <td>J2</td> <td>PTD.</td> <td>-</td> <td>380A</td> <td>3\"/> <tr> <td>382A</td> <td>D</td> <td>6 <td>ALUM.</td> <td>ANODIZE D</td> <td>-</td> <td>-</td> <td>380B</td> <td>3\"/> <tr> <td>385</td> <td>ETR</td> <td>-</td> <td>WD.</td> <td>J2</td> <td>PTD.</td> <td>-</td> <td>382</td> <td>3\"/> <tr> <td>386</td> <td>ETR</td> <td>-</td> <td>WD.</td> <td>J2</td> <td>PTD.</td> <td>-</td> <td>382A</td> <td>3\"/> <tr> <td>387</td> <td>ETR</td> <td>-</td> <td>WD.</td> <td>J2</td> <td>PTD.</td> <td>-</td> <td>385</td> <td>3\"/> <tr> <td>388</td> <td>ETR</td> <td>-</td> <td>WD.</td> <td>J2</td> <td>PTD.</td> <td>-</td> <td>386</td> <td>3\"/> <tr> <td>389</td> <td>ETR</td> <td>-</td> <td>WD.</td> <td>J2</td> <td>PTD.</td> <td>-</td> <td>387</td> <td>3\"/> <tr> <td>391</td> <td>ETR</td> <td>-</td> <td>WD.</td> <td>J2</td> <td>PTD.</td> <td>-</td> <td>388</td> <td>3\"/> <tr> <td>391A</td> <td>ETR</td> <td>-</td> <td>WD.</td> <td>J2</td> <td>PTD.</td> <td>-</td> <td>389</td> <td>3\"/> <tr> <td>391B</td> <td>ETR</td> <td>-</td> <td>WD.</td> <td>J2</td> <td>PTD.</td> <td>-</td> <td>391</td> <td>3\"/> <tr> <td>394</td> <td>ETR</td> <td>-</td> <td>WD.</td> <td>J2</td> <td>PTD.</td> <td>-</td> <td>391A</td> <td>3\"/> <tr> <td>395</td> <td>ETR</td> <td>-</td> <td>WD.</td> <td>J2</td> <td>PTD.</td> <td>-</td> <td>391B</td> <td>3\"/> <tr> <td>396</td> <td>ETR</td> <td>-</td> <td>WD.</td> <td>J2</td> <td>PTD.</td> <td>-</td> <td>394</td> <td>3\"/> <tr> <td>398</td> <td>ETR</td> <td>-</td> <td>WD.</td> <td>J2</td> <td>PTD.</td> <td>-</td> <td>395</td> <td>3\"/> <tr> <td>399</td> <td>ETR</td> <td>-</td> <td>WD.</td> <td>J2</td> <td>PTD.</td> <td>-</td> <td>396</td> <td>3\"/> <tr> <td>3991</td> <td>ETR</td> <td>-</td> <td>WD.</td> <td>J2</td> <td>PTD.</td> <td>-</td> <td>398</td> <td>3\"/> <tr> <td>3992</td> <td>A</td> <td>3\"/> <tr> <td>3993</td> <td>ETR</td> <td>-</td> <td>WD.</td> <td>J2</td> <td>PTD.</td> <td>-</td> <td>399</td> <td>3\"/> <tr> <td>3994</td> <td>ETR</td> <td>-</td> <td>WD.</td> <td>J2</td> <td>PTD.</td> <td>-</td> <td>3991</td> <td>3\"/> <tr> <td>3995</td> <td>ETR</td> <td>-</td> <td>WD.</td> <td>J2</td> <td>PTD.</td> <td>-</td> <td>3992</td> <td>3\"/> <tr> <td>3997</td> <td>ETR</td> <td>-</td> <td>WD.</td> <td>J2</td> <td>PTD.</td> <td>-</td> <td>3993</td> <td>3\"/> <tr> <td>3998</td> <td>ETR</td> <td>-</td> <td>WD.</td> <td>J2</td> <td>PTD.</td> <td>-</td> <td>3994</td> <td>3\"/> <tr> <td>3999</td> <td>ETR</td> <td>-</td> <td>WD.</td> <td>J2</td> <td>PTD.</td> <td>-</td> <td>3995</td> <td>3\"/> <tr> <td>3999</td> <td>ETR</td> <td>-</td> <td>WD.</td> <td>J2</td> <td>PTD.</td> <td>-</td> <td>3997</td> <td>3\"/> </td></tr></td></tr></td></tr></td></tr></td></tr></td></tr></td></tr></td></tr></td></tr></td></tr></td></tr></td></tr></td></tr></td></tr></td></tr></td></tr></td></tr></td></tr></td></tr></td></tr></td></tr></td></tr></td></td></tr></td></tr> | 382 | ETR | -
 | WD. | J2 | PTD. | - | 380A | 3\"/> <tr> <td>382A</td> <td>D</td> <td>6 <td>ALUM.</td> <td>ANODIZE D</td> <td>-</td> <td>-</td> <td>380B</td> <td>3\"/> <tr> <td>385</td> <td>ETR</td> <td>-</td> <td>WD.</td> <td>J2</td> <td>PTD.</td> <td>-</td> <td>382</td> <td>3\"/> <tr> <td>386</td> <td>ETR</td> <td>-</td> <td>WD.</td> <td>J2</td> <td>PTD.</td> <td>-</td> <td>382A</td> <td>3\"/> <tr> <td>387</td> <td>ETR</td> <td>-</td> <td>WD.</td> <td>J2</td> <td>PTD.</td> <td>-</td> <td>385</td> <td>3\"/> <tr> <td>388</td> <td>ETR</td> <td>-</td> <td>WD.</td> <td>J2</td> <td>PTD.</td> <td>-</td> <td>386</td> <td>3\"/> <tr> <td>389</td> <td>ETR</td> <td>-</td> <td>WD.</td> <td>J2</td> <td>PTD.</td> <td>-</td> <td>387</td> <td>3\"/> <tr> <td>391</td> <td>ETR</td> <td>-</td> <td>WD.</td> <td>J2</td> <td>PTD.</td> <td>-</td> <td>388</td> <td>3\"/> <tr> <td>391A</td> <td>ETR</td> <td>-</td> <td>WD.</td> <td>J2</td> <td>PTD.</td> <td>-</td> <td>389</td> <td>3\"/> <tr> <td>391B</td> <td>ETR</td> <td>-</td> <td>WD.</td> <td>J2</td> <td>PTD.</td> <td>-</td> <td>391</td> <td>3\"/> <tr> <td>394</td> <td>ETR</td> <td>-</td> <td>WD.</td> <td>J2</td> <td>PTD.</td> <td>-</td> <td>391A</td> <td>3\"/> <tr> <td>395</td> <td>ETR</td> <td>-</td> <td>WD.</td> <td>J2</td> <td>PTD.</td> <td>-</td> <td>391B</td> <td>3\"/> <tr> <td>396</td> <td>ETR</td> <td>-</td> <td>WD.</td> <td>J2</td> <td>PTD.</td> <td>-</td> <td>394</td> <td>3\"/> <tr> <td>398</td> <td>ETR</td> <td>-</td> <td>WD.</td> <td>J2</td> <td>PTD.</td> <td>-</td> <td>395</td> <td>3\"/> <tr> <td>399</td> <td>ETR</td> <td>-</td> <td>WD.</td> <td>J2</td> <td>PTD.</td> <td>-</td> <td>396</td> <td>3\"/> <tr> <td>3991</td> <td>ETR</td> <td>-</td> <td>WD.</td> <td>J2</td> <td>PTD.</td> <td>-</td> <td>398</td> <td>3\"/> <tr> <td>3992</td> <td>A</td> <td>3\"/> <tr> <td>3993</td> <td>ETR</td> <td>-</td> <td>WD.</td> <td>J2</td> <td>PTD.</td> <td>-</td> <td>399</td> <td>3\"/> <tr> <td>3994</td> <td>ETR</td> <td>-</td> <td>WD.</td> <td>J2</td> <td>PTD.</td> <td>-</td> <td>3991</td> <td>3\"/> <tr> <td>3995</td> <td>ETR</td> <td>-</td> <td>WD.</td> <td>J2</td> <td>PTD.</td> <td>-</td> <td>3992</td> <td>3\"/> <tr> <td>3997</td> <td>ETR</td> <td>-</td> <td>WD.</td> <td>J2</td> <td>PTD.</td> <td>-</td> <td>3993</td> <td>3\"/> <tr> <td>3998</td> <td>ETR</td> <td>-</td> <td>WD.</td> <td>J2</td> <td>PTD.</td> <td>-</td> <td>3994</td> <td>3\"/> <tr> <td>3999</td> <td>ETR</td> <td>-</td> <td>WD.</td> <td>J2</td> <td>PTD.</td> <td>-</td> <td>3995</td> <td>3\"/> <tr> <td>3999</td> <td>ETR</td> <td>-</td> <td>WD.</td> <td>J2</td> <td>PTD.</td> <td>-</td> <td>3997</td> <td>3\"/> </td></tr></td></tr></td></tr></td></tr></td></tr></td></tr></td></tr></td></tr></td></tr></td></tr></td></tr></td></tr></td></tr></td></tr></td></tr></td></tr></td></tr></td></tr></td></tr></td></tr></td></tr></td></tr></td></td></tr>
 | 382A | D | 6 <td>ALUM.</td> <td>ANODIZE D</td> <td>-</td> <td>-</td> <td>380B</td> <td>3\"/> <tr> <td>385</td> <td>ETR</td> <td>-</td> <td>WD.</td> <td>J2</td> <td>PTD.</td> <td>-</td> <td>382</td> <td>3\"/> <tr> <td>386</td> <td>ETR</td> <td>-</td> <td>WD.</td> <td>J2</td> <td>PTD.</td> <td>-</td> <td>382A</td> <td>3\"/> <tr> <td>387</td> <td>ETR</td> <td>-</td> <td>WD.</td> <td>J2</td> <td>PTD.</td> <td>-</td> <td>385</td> <td>3\"/> <tr> <td>388</td> <td>ETR</td> <td>-</td> <td>WD.</td> <td>J2</td> <td>PTD.</td> <td>-</td> <td>386</td> <td>3\"/> <tr> <td>389</td> <td>ETR</td> <td>-</td> <td>WD.</td> <td>J2</td> <td>PTD.</td> <td>-</td> <td>387</td> <td>3\"/> <tr> <td>391</td> <td>ETR</td> <td>-</td> <td>WD.</td> <td>J2</td> <td>PTD.</td> <td>-</td> <td>388</td> <td>3\"/> <tr> <td>391A</td> <td>ETR</td> <td>-</td> <td>WD.</td> <td>J2</td> <td>PTD.</td> <td>-</td> <td>389</td> <td>3\"/> <tr> <td>391B</td> <td>ETR</td> <td>-</td> <td>WD.</td> <td>J2</td> <td>PTD.</td> <td>-</td> <td>391</td> <td>3\"/> <tr> <td>394</td> <td>ETR</td> <td>-</td> <td>WD.</td> <td>J2</td> <td>PTD.</td> <td>-</td> <td>391A</td> <td>3\"/> <tr> <td>395</td> <td>ETR</td> <td>-</td> <td>WD.</td> <td>J2</td> <td>PTD.</td> <td>-</td> <td>391B</td> <td>3\"/> <tr> <td>396</td> <td>ETR</td> <td>-</td> <td>WD.</td> <td>J2</td> <td>PTD.</td> <td>-</td> <td>394</td> <td>3\"/> <tr> <td>398</td> <td>ETR</td> <td>-</td> <td>WD.</td> <td>J2</td> <td>PTD.</td> <td>-</td> <td>395</td> <td>3\"/> <tr> <td>399</td> <td>ETR</td> <td>-</td> <td>WD.</td> <td>J2</td> <td>PTD.</td> <td>-</td> <td>396</td> <td>3\"/> <tr> <td>3991</td> <td>ETR</td> <td>-</td> <td>WD.</td> <td>J2</td> <td>PTD.</td> <td>-</td> <td>398</td> <td>3\"/> <tr> <td>3992</td> <td>A</td> <td>3\"/> <tr> <td>3993</td> <td>ETR</td> <td>-</td> <td>WD.</td> <td>J2</td> <td>PTD.</td> <td>-</td> <td>399</td> <td>3\"/> <tr> <td>3994</td> <td>ETR</td> <td>-</td> <td>WD.</td> <td>J2</td> <td>PTD.</td> <td>-</td> <td>3991</td> <td>3\"/> <tr> <td>3995</td> <td>ETR</td> <td>-</td> <td>WD.</td> <td>J2</td> <td>PTD.</td> <td>-</td> <td>3992</td> <td>3\"/> <tr> <td>3997</td> <td>ETR</td> <td>-</td> <td>WD.</td> <td>J2</td> <td>PTD.</td> <td>-</td> <td>3993</td> <td>3\"/> <tr> <td>3998</td> <td>ETR</td> <td>-</td> <td>WD.</td> <td>J2</td> <td>PTD.</td> <td>-</td> <td>3994</td> <td>3\"/> <tr> <td>3999</td> <td>ETR</td> <td>-</td> <td>WD.</td> <td>J2</td> <td>PTD.</td> <td>-</td> <td>3995</td> <td>3\"/> <tr> <td>3999</td> <td>ETR</td> <td>-</td> <td>WD.</td> <td>J2</td> <td>PTD.</td> <td>-</td> <td>3997</td> <td>3\"/> </td></tr></td></tr></td></tr></td></tr></td></tr></td></tr></td></tr></td></tr></td></tr></td></tr></td></tr></td></tr></td></tr></td></tr></td></tr></td></tr></td></tr></td></tr></td></tr></td></tr></td></tr></td></tr></td> | ALUM. | ANODIZE D | - | - | 380B | 3\"/> <tr> <td>385</td> <td>ETR</td> <td>-</td> <td>WD.</td> <td>J2</td> <td>PTD.</td> <td>-</td> <td>382</td> <td>3\"/> <tr> <td>386</td> <td>ETR</td> <td>-</td> <td>WD.</td> <td>J2</td> <td>PTD.</td> <td>-</td> <td>382A</td> <td>3\"/> <tr> <td>387</td> <td>ETR</td> <td>-</td> <td>WD.</td> <td>J2</td> <td>PTD.</td> <td>-</td> <td>385</td> <td>3\"/> <tr> <td>388</td> <td>ETR</td> <td>-</td> <td>WD.</td> <td>J2</td> <td>PTD.</td> <td>-</td> <td>386</td> <td>3\"/> <tr> <td>389</td> <td>ETR</td> <td>-</td> <td>WD.</td> <td>J2</td> <td>PTD.</td> <td>-</td> <td>387</td> <td>3\"/> <tr> <td>391</td> <td>ETR</td> <td>-</td> <td>WD.</td> <td>J2</td> <td>PTD.</td> <td>-</td> <td>388</td> <td>3\"/> <tr> <td>391A</td> <td>ETR</td> <td>-</td> <td>WD.</td> <td>J2</td> <td>PTD.</td> <td>-</td> <td>389</td> <td>3\"/> <tr> <td>391B</td> <td>ETR</td> <td>-</td> <td>WD.</td> <td>J2</td> <td>PTD.</td> <td>-</td> <td>391</td> <td>3\"/> <tr> <td>394</td> <td>ETR</td> <td>-</td> <td>WD.</td> <td>J2</td> <td>PTD.</td> <td>-</td> <td>391A</td> <td>3\"/> <tr> <td>395</td> <td>ETR</td> <td>-</td> <td>WD.</td> <td>J2</td> <td>PTD.</td> <td>-</td> <td>391B</td> <td>3\"/> <tr> <td>396</td> <td>ETR</td> <td>-</td> <td>WD.</td> <td>J2</td> <td>PTD.</td> <td>-</td> <td>394</td> <td>3\"/> <tr> <td>398</td> <td>ETR</td> <td>-</td> <td>WD.</td> <td>J2</td> <td>PTD.</td> <td>-</td> <td>395</td> <td>3\"/> <tr> <td>399</td> <td>ETR</td> <td>-</td> <td>WD.</td> <td>J2</td> <td>PTD.</td> <td>-</td> <td>396</td> <td>3\"/> <tr> <td>3991</td> <td>ETR</td> <td>-</td> <td>WD.</td> <td>J2</td> <td>PTD.</td> <td>-</td> <td>398</td> <td>3\"/> <tr> <td>3992</td> <td>A</td> <td>3\"/> <tr> <td>3993</td> <td>ETR</td> <td>-</td> <td>WD.</td> <td>J2</td> <td>PTD.</td> <td>-</td> <td>399</td> <td>3\"/> <tr> <td>3994</td> <td>ETR</td> <td>-</td> <td>WD.</td> <td>J2</td> <td>PTD.</td> <td>-</td> <td>3991</td> <td>3\"/> <tr> <td>3995</td> <td>ETR</td> <td>-</td> <td>WD.</td> <td>J2</td> <td>PTD.</td> <td>-</td> <td>3992</td> <td>3\"/> <tr> <td>3997</td> <td>ETR</td> <td>-</td> <td>WD.</td> <td>J2</td> <td>PTD.</td> <td>-</td> <td>3993</td> <td>3\"/> <tr> <td>3998</td> <td>ETR</td> <td>-</td> <td>WD.</td> <td>J2</td> <td>PTD.</td> <td>-</td> <td>3994</td> <td>3\"/> <tr> <td>3999</td> <td>ETR</td> <td>-</td> <td>WD.</td> <td>J2</td> <td>PTD.</td> <td>-</td> <td>3995</td> <td>3\"/> <tr> <td>3999</td> <td>ETR</td> <td>-</td> <td>WD.</td> <td>J2</td> <td>PTD.</td> <td>-</td> <td>3997</td> <td>3\"/> </td></tr></td></tr></td></tr></td></tr></td></tr></td></tr></td></tr></td></tr></td></tr></td></tr></td></tr></td></tr></td></tr></td></tr></td></tr></td></tr></td></tr></td></tr></td></tr></td></tr></td></tr></td></tr>
 | 385 | ETR | - | WD. | J2 | PTD. | - | 382 | 3\"/> <tr> <td>386</td> <td>ETR</td> <td>-</td> <td>WD.</td> <td>J2</td> <td>PTD.</td> <td>-</td> <td>382A</td> <td>3\"/> <tr> <td>387</td> <td>ETR</td> <td>-</td> <td>WD.</td> <td>J2</td> <td>PTD.</td> <td>-</td> <td>385</td> <td>3\"/> <tr> <td>388</td> <td>ETR</td> <td>-</td> <td>WD.</td> <td>J2</td> <td>PTD.</td> <td>-</td> <td>386</td> <td>3\"/> <tr> <td>389</td> <td>ETR</td> <td>-</td> <td>WD.</td> <td>J2</td> <td>PTD.</td> <td>-</td> <td>387</td> <td>3\"/> <tr> <td>391</td> <td>ETR</td> <td>-</td> <td>WD.</td> <td>J2</td> <td>PTD.</td> <td>-</td> <td>388</td> <td>3\"/> <tr> <td>391A</td> <td>ETR</td> <td>-</td> <td>WD.</td> <td>J2</td> <td>PTD.</td> <td>-</td> <td>389</td> <td>3\"/> <tr> <td>391B</td> <td>ETR</td> <td>-</td> <td>WD.</td> <td>J2</td> <td>PTD.</td> <td>-</td> <td>391</td> <td>3\"/> <tr> <td>394</td> <td>ETR</td> <td>-</td> <td>WD.</td> <td>J2</td> <td>PTD.</td> <td>-</td> <td>391A</td> <td>3\"/> <tr> <td>395</td> <td>ETR</td> <td>-</td> <td>WD.</td> <td>J2</td> <td>PTD.</td> <td>-</td> <td>391B</td> <td>3\"/> <tr> <td>396</td> <td>ETR</td>
<td>-</td> <td>WD.</td> <td>J2</td> <td>PTD.</td> <td>-</td> <td>394</td> <td>3\"/> <tr> <td>398</td> <td>ETR</td> <td>-</td> <td>WD.</td> <td>J2</td> <td>PTD.</td> <td>-</td> <td>395</td> <td>3\"/> <tr> <td>399</td> <td>ETR</td> <td>-</td> <td>WD.</td> <td>J2</td> <td>PTD.</td> <td>-</td> <td>396</td> <td>3\"/> <tr> <td>3991</td> <td>ETR</td> <td>-</td> <td>WD.</td> <td>J2</td> <td>PTD.</td> <td>-</td> <td>398</td> <td>3\"/> <tr> <td>3992</td> <td>A</td> <td>3\"/> <tr> <td>3993</td> <td>ETR</td> <td>-</td> <td>WD.</td> <td>J2</td> <td>PTD.</td> <td>-</td> <td>399</td> <td>3\"/> <tr> <td>3994</td> <td>ETR</td> <td>-</td> <td>WD.</td> <td>J2</td> <td>PTD.</td> <td>-</td> <td>3991</td> <td>3\"/> <tr> <td>3995</td> <td>ETR</td> <td>-</td> <td>WD.</td> <td>J2</td> <td>PTD.</td> <td>-</td> <td>3992</td> <td>3\"/> <tr> <td>3997</td> <td>ETR</td> <td>-</td> <td>WD.</td> <td>J2</td> <td>PTD.</td> <td>-</td> <td>3993</td> <td>3\"/> <tr> <td>3998</td> <td>ETR</td> <td>-</td> <td>WD.</td> <td>J2</td> <td>PTD.</td> <td>-</td> <td>3994</td> <td>3\"/> <tr> <td>3999</td> <td>ETR</td> <td>-</td> <td>WD.</td> <td>J2</td> <td>PTD.</td> <td>-</td> <td>3995</td> <td>3\"/> <tr> <td>3999</td> <td>ETR</td> <td>-</td> <td>WD.</td> <td>J2</td> <td>PTD.</td> <td>-</td> <td>3997</td> <td>3\"/> </td></tr></td></tr></td></tr></td></tr></td></tr></td></tr></td></tr></td></tr></td></tr></td></tr></td></tr></td></tr></td></tr></td></tr></td></tr></td></tr></td></tr></td></tr></td></tr></td></tr></td></tr> | 386 | ETR | -
 | WD. | J2 | PTD. | - | 382A | 3\"/> <tr> <td>387</td> <td>ETR</td> <td>-</td> <td>WD.</td> <td>J2</td> <td>PTD.</td> <td>-</td> <td>385</td> <td>3\"/> <tr> <td>388</td> <td>ETR</td> <td>-</td> <td>WD.</td> <td>J2</td> <td>PTD.</td> <td>-</td> <td>386</td> <td>3\"/> <tr> <td>389</td> <td>ETR</td> <td>-</td> <td>WD.</td> <td>J2</td> <td>PTD.</td> <td>-</td> <td>387</td> <td>3\"/> <tr> <td>391</td> <td>ETR</td> <td>-</td> <td>WD.</td> <td>J2</td> <td>PTD.</td> <td>-</td> <td>388</td> <td>3\"/> <tr> <td>391A</td> <td>ETR</td> <td>-</td> <td>WD.</td> <td>J2</td> <td>PTD.</td> <td>-</td> <td>389</td> <td>3\"/> <tr> <td>391B</td> <td>ETR</td> <td>-</td> <td>WD.</td> <td>J2</td> <td>PTD.</td> <td>-</td> <td>391</td> <td>3\"/> <tr> <td>394</td> <td>ETR</td> <td>-</td> <td>WD.</td> <td>J2</td> <td>PTD.</td> <td>-</td> <td>391A</td> <td>3\"/> <tr> <td>395</td> <td>ETR</td> <td>-</td> <td>WD.</td> <td>J2</td> <td>PTD.</td> <td>-</td> <td>391B</td> <td>3\"/> <tr> <td>396</td> <td>ETR</td> <td>-</td> <td>WD.</td> <td>J2</td> <td>PTD.</td> <td>-</td> <td>394</td> <td>3\"/> <tr> <td>398</td> <td>ETR</td> <td>-</td> <td>WD.</td> <td>J2</td> <td>PTD.</td> <td>-</td> <td>395</td> <td>3\"/> <tr> <td>399</td> <td>ETR</td> <td>-</td> <td>WD.</td> <td>J2</td> <td>PTD.</td> <td>-</td> <td>396</td> <td>3\"/> <tr> <td>3991</td> <td>ETR</td> <td>-</td> <td>WD.</td> <td>J2</td> <td>PTD.</td> <td>-</td> <td>398</td> <td>3\"/> <tr> <td>3992</td> <td>A</td> <td>3\"/> <tr> <td>3993</td> <td>ETR</td> <td>-</td> <td>WD.</td> <td>J2</td> <td>PTD.</td> <td>-</td> <td>399</td> <td>3\"/> <tr> <td>3994</td> <td>ETR</td> <td>-</td> <td>WD.</td> <td>J2</td> <td>PTD.</td> <td>-</td> <td>3991</td> <td>3\"/> <tr> <td>3995</td> <td>ETR</td> <td>-</td> <td>WD.</td> <td>J2</td> <td>PTD.</td> <td>-</td> <td>3992</td> <td>3\"/> <tr> <td>3997</td> <td>ETR</td> <td>-</td> <td>WD.</td> <td>J2</td> <td>PTD.</td> <td>-</td> <td>3993</td> <td>3\"/> <tr> <td>3998</td> <td>ETR</td> <td>-</td> <td>WD.</td> <td>J2</td> <td>PTD.</td> <td>-</td> <td>3994</td> <td>3\"/> <tr> <td>3999</td> <td>ETR</td> <td>-</td> <td>WD.</td> <td>J2</td> <td>PTD.</td> <td>-</td> <td>3995</td> <td>3\"/> <tr> <td>3999</td> <td>ETR</td> <td>-</td> <td>WD.</td> <td>J2</td> <td>PTD.</td> <td>-</td> <td>3997</td> <td>3\"/> </td></tr></td></tr></td></tr></td></tr></td></tr></td></tr></td></tr></td></tr></td></tr></td></tr></td></tr></td></tr></td></tr></td></tr></td></tr></td></tr></td></tr></td></tr></td></tr></td></tr> | 387 | ETR | -
 | WD. | J2 | PTD. | - | 385 | 3\"/> <tr> <td>388</td> <td>ETR</td> <td>-</td> <td>WD.</td> <td>J2</td> <td>PTD.</td> <td>-</td> <td>386</td> <td>3\"/> <tr> <td>389</td> <td>ETR</td> <td>-</td> <td>WD.</td> <td>J2</td> <td>PTD.</td> <td>-</td> <td>387</td> <td>3\"/> <tr> <td>391</td> <td>ETR</td> <td>-</td> <td>WD.</td> <td>J2</td> <td>PTD.</td> <td>-</td> <td>388</td> <td>3\"/> <tr> <td>391A</td> <td>ETR</td> <td>-</td> <td>WD.</td> <td>J2</td> <td>PTD.</td> <td>-</td> <td>389</td> <td>3\"/> <tr> <td>391B</td> <td>ETR</td> <td>-</td> <td>WD.</td> <td>J2</td> <td>PTD.</td> <td>-</td> <td>391</td> <td>3\"/> <tr> <td>394</td> <td>ETR</td> <td>-</td> <td>WD.</td> <td>J2</td> <td>PTD.</td> <td>-</td> <td>391A</td> <td>3\"/> <tr> <td>395</td> <td>ETR</td> <td>-</td> <td>WD.</td> <td>J2</td> <td>PTD.</td> <td>-</td> <td>391B</td> <td>3\"/> <tr> <td>396</td> <td>ETR</td> <td>-</td> <td>WD.</td> <td>J2</td> <td>PTD.</td> <td>-</td> <td>394</td> <td>3\"/> <tr> <td>398</td> <td>ETR</td> <td>-</td> <td>WD.</td> <td>J2</td> <td>PTD.</td> <td>-</td> <td>395</td> <td>3\"/> <tr> <td>399</td> <td>ETR</td> <td>-</td> <td>WD.</td> <td>J2</td> <td>PTD.</td> <td>-</td> <td>396</td> <td>3\"/> <tr> <td>3991</td> <td>ETR</td> <td>-</td> <td>WD.</td> <td>J2</td> <td>PTD.</td> <td>-</td> <td>398</td> <td>3\"/> <tr> <td>3992</td> <td>A</td> <td>3\"/> <tr> <td>3993</td> <td>ETR</td> <td>-</td> <td>WD.</td> <td>J2</td> <td>PTD.</td> <td>-</td> <td>399</td> <td>3\"/> <tr> <td>3994</td> <td>ETR</td> <td>-</td> <td>WD.</td> <td>J2</td> <td>PTD.</td> <td>-</td> <td>3991</td> <td>3\"/> <tr> <td>3995</td> <td>ETR</td> <td>-</td> <td>WD.</td> <td>J2</td> <td>PTD.</td> <td>-</td> <td>3992</td> <td>3\"/> <tr> <td>3997</td> <td>ETR</td> <td>-</td> <td>WD.</td> <td>J2</td> <td>PTD.</td> <td>-</td> <td>3993</td> <td>3\"/> <tr> <td>3998</td> <td>ETR</td> <td>-</td> <td>WD.</td> <td>J2</td> <td>PTD.</td> <td>-</td> <td>3994</td> <td>3\"/> <tr> <td>3999</td> <td>ETR</td> <td>-</td> <td>WD.</td> <td>J2</td> <td>PTD.</td> <td>-</td> <td>3995</td> <td>3\"/> <tr> <td>3999</td> <td>ETR</td> <td>-</td> <td>WD.</td> <td>J2</td> <td>PTD.</td> <td>-</td> <td>3997</td> <td>3\"/> </td></tr></td></tr></td></tr></td></tr></td></tr></td></tr></td></tr></td></tr></td></tr></td></tr></td></tr></td></tr></td></tr></td></tr></td></tr></td></tr></td></tr></td></tr></td></tr> | 388 | ETR | -
 | WD. | J2 | PTD. | - | 386 | 3\"/> <tr> <td>389</td> <td>ETR</td> <td>-</td> <td>WD.</td> <td>J2</td> <td>PTD.</td> <td>-</td> <td>387</td> <td>3\"/> <tr> <td>391</td> <td>ETR</td> <td>-</td> <td>WD.</td> <td>J2</td> <td>PTD.</td> <td>-</td> <td>388</td> <td>3\"/> <tr> <td>391A</td> <td>ETR</td> <td>-</td> <td>WD.</td> <td>J2</td> <td>PTD.</td> <td>-</td> <td>389</td> <td>3\"/> <tr> <td>391B</td> <td>ETR</td> <td>-</td> <td>WD.</td> <td>J2</td> <td>PTD.</td> <td>-</td> <td>391</td> <td>3\"/> <tr> <td>394</td> <td>ETR</td> <td>-</td> <td>WD.</td> <td>J2</td> <td>PTD.</td> <td>-</td> <td>391A</td> <td>3\"/> <tr> <td>395</td> <td>ETR</td> <td>-</td> <td>WD.</td> <td>J2</td> <td>PTD.</td> <td>-</td> <td>391B</td> <td>3\"/> <tr> <td>396</td> <td>ETR</td> <td>-</td> <td>WD.</td> <td>J2</td> <td>PTD.</td> <td>-</td> <td>394</td> <td>3\"/> <tr> <td>398</td> <td>ETR</td> <td>-</td> <td>WD.</td> <td>J2</td> <td>PTD.</td> <td>-</td> <td>395</td> <td>3\"/> <tr> <td>399</td> <td>ETR</td> <td>-</td> <td>WD.</td> <td>J2</td> <td>PTD.</td> <td>-</td> <td>396</td> <td>3\"/> <tr> <td>3991</td> <td>ETR</td> <td>-</td> <td>WD.</td> <td>J2</td> <td>PTD.</td> <td>-</td> <td>398</td> <td>3\"/> <tr> <td>3992</td> <td>A</td> <td>3\"/> <tr> <td>3993</td> <td>ETR</td> <td>-</td> <td>WD.</td> <td>J2</td> <td>PTD.</td> <td>-</td> <td>399</td> <td>3\"/> <tr> <td>3994</td> <td>ETR</td> <td>-</td> <td>WD.</td> <td>J2</td> <td>PTD.</td> <td>-</td> <td>3991</td> <td>3\"/> <tr> <td>3995</td> <td>ETR</td> <td>-</td> <td>WD.</td> <td>J2</td> <td>PTD.</td> <td>-</td> <td>3992</td> <td>3\"/> <tr> <td>3997</td> <td>ETR</td> <td>-</td> <td>WD.</td> <td>J2</td> <td>PTD.</td> <td>-</td> <td>3993</td> <td>3\"/> <tr> <td>3998</td> <td>ETR</td> <td>-</td> <td>WD.</td> <td>J2</td> <td>PTD.</td> <td>-</td> <td>3994</td> <td>3\"/> <tr> <td>3999</td> <td>ETR</td> <td>-</td> <td>WD.</td> <td>J2</td> <td>PTD.</td> <td>-</td> <td>3995</td> <td>3\"/> <tr> <td>3999</td> <td>ETR</td> <td>-</td> <td>WD.</td> <td>J2</td> <td>PTD.</td> <td>-</td> <td>3997</td> <td>3\"/> </td></tr></td></tr></td></tr></td></tr></td></tr></td></tr></td></tr></td></tr></td></tr></td></tr></td></tr></td></tr></td></tr></td></tr></td></tr></td></tr></td></tr></td></tr> | 389 | ETR | -
 | WD. | J2 | PTD. | - | 387 | 3\"/> <tr> <td>391</td> <td>ETR</td> <td>-</td> <td>WD.</td> <td>J2</td> <td>PTD.</td> <td>-</td> <td>388</td> <td>3\"/> <tr> <td>391A</td> <td>ETR</td> <td>-</td> <td>WD.</td> <td>J2</td> <td>PTD.</td> <td>-</td> <td>389</td> <td>3\"/> <tr> <td>391B</td> <td>ETR</td> <td>-</td> <td>WD.</td> <td>J2</td> <td>PTD.</td> <td>-</td> <td>391</td> <td>3\"/> <tr> <td>394</td> <td>ETR</td> <td>-</td> <td>WD.</td> <td>J2</td> <td>PTD.</td> <td>-</td> <td>391A</td> <td>3\"/> <tr> <td>395</td> <td>ETR</td> <td>-</td> <td>WD.</td> <td>J2</td> <td>PTD.</td> <td>-</td> <td>391B</td> <td>3\"/> <tr> <td>396</td> <td>ETR</td> <td>-</td> <td>WD.</td> <td>J2</td> <td>PTD.</td> <td>-</td> <td>394</td> <td>3\"/> <tr> <td>398</td> <td>ETR</td> <td>-</td> <td>WD.</td> <td>J2</td> <td>PTD.</td> <td>-</td> <td>395</td> <td>3\"/> <tr> <td>399</td> <td>ETR</td> <td>-</td> <td>WD.</td> <td>J2</td> <td>PTD.</td> <td>-</td> <td>396</td> <td>3\"/> <tr> <td>3991</td> <td>ETR</td> <td>-</td> <td>WD.</td> <td>J2</td> <td>PTD.</td> <td>-</td> <td>398</td> <td>3\"/> <tr> <td>3992</td> <td>A</td> <td>3\"/> <tr> <td>3993</td> <td>ETR</td> <td>-</td> <td>WD.</td> <td>J2</td> <td>PTD.</td> <td>-</td> <td>399</td> <td>3\"/> <tr> <td>3994</td> <td>ETR</td> <td>-</td> <td>WD.</td> <td>J2</td> <td>PTD.</td> <td>-</td> <td>3991</td> <td>3\"/> <tr> <td>3995</td> <td>ETR</td> <td>-</td> <td>WD.</td> <td>J2</td> <td>PTD.</td> <td>-</td> <td>3992</td> <td>3\"/> <tr> <td>3997</td> <td>ETR</td> <td>-</td> <td>WD.</td> <td>J2</td> <td>PTD.</td> <td>-</td> <td>3993</td> <td>3\"/> <tr> <td>3998</td> <td>ETR</td> <td>-</td> <td>WD.</td> <td>J2</td> <td>PTD.</td> <td>-</td> <td>3994</td> <td>3\"/> <tr> <td>3999</td> <td>ETR</td> <td>-</td> <td>WD.</td> <td>J2</td> <td>PTD.</td> <td>-</td> <td>3995</td> <td>3\"/> <tr> <td>3999</td> <td>ETR</td> <td>-</td> <td>WD.</td> <td>J2</td> <td>PTD.</td> <td>-</td> <td>3997</td> <td>3\"/> </td></tr></td></tr></td></tr></td></tr></td></tr></td></tr></td></tr></td></tr></td></tr></td></tr></td></tr></td></tr></td></tr></td></tr></td></tr></td></tr></td></tr> | 391 | ETR | -
 | WD. | J2 | PTD. | - | 388 | 3\"/> <tr> <td>391A</td> <td>ETR</td> <td>-</td> <td>WD.</td> <td>J2</td> <td>PTD.</td> <td>-</td> <td>389</td> <td>3\"/> <tr> <td>391B</td> <td>ETR</td> <td>-</td> <td>WD.</td> <td>J2</td> <td>PTD.</td> <td>-</td> <td>391</td> <td>3\"/> <tr> <td>394</td> <td>ETR</td> <td>-</td> <td>WD.</td> <td>J2</td> <td>PTD.</td> <td>-</td> <td>391A</td> <td>3\"/> <tr> <td>395</td> <td>ETR</td> <td>-</td> <td>WD.</td> <td>J2</td> <td>PTD.</td> <td>-</td> <td>391B</td> <td>3\"/> <tr> <td>396</td> <td>ETR</td> <td>-</td> <td>WD.</td> <td>J2</td> <td>PTD.</td> <td>-</td> <td>394</td> <td>3\"/> <tr> <td>398</td> <td>ETR</td> <td>-</td> <td>WD.</td> <td>J2</td>
<td>PTD.</td> <td>-</td> <td>395</td> <td>3\"/> <tr> <td>399</td> <td>ETR</td> <td>-</td> <td>WD.</td> <td>J2</td> <td>PTD.</td> <td>-</td> <td>396</td> <td>3\"/> <tr> <td>3991</td> <td>ETR</td> <td>-</td> <td>WD.</td> <td>J2</td> <td>PTD.</td> <td>-</td> <td>398</td> <td>3\"/> <tr> <td>3992</td> <td>A</td> <td>3\"/> <tr> <td>3993</td> <td>ETR</td> <td>-</td> <td>WD.</td> <td>J2</td> <td>PTD.</td> <td>-</td> <td>399</td> <td>3\"/> <tr> <td>3994</td> <td>ETR</td> <td>-</td> <td>WD.</td> <td>J2</td> <td>PTD.</td> <td>-</td> <td>3991</td> <td>3\"/> <tr> <td>3995</td> <td>ETR</td> <td>-</td> <td>WD.</td> <td>J2</td> <td>PTD.</td> <td>-</td> <td>3992</td> <td>3\"/> <tr> <td>3997</td> <td>ETR</td> <td>-</td> <td>WD.</td> <td>J2</td> <td>PTD.</td> <td>-</td> <td>3993</td> <td>3\"/> <tr> <td>3998</td> <td>ETR</td> <td>-</td> <td>WD.</td> <td>J2</td> <td>PTD.</td> <td>-</td> <td>3994</td> <td>3\"/> <tr> <td>3999</td> <td>ETR</td> <td>-</td> <td>WD.</td> <td>J2</td> <td>PTD.</td> <td>-</td> <td>3995</td> <td>3\"/> <tr> <td>3999</td> <td>ETR</td> <td>-</td> <td>WD.</td> <td>J2</td> <td>PTD.</td> <td>-</td> <td>3997</td> <td>3\"/> </td></tr></td></tr></td></tr></td></tr></td></tr></td></tr></td></tr></td></tr></td></tr></td></tr></td></tr></td></tr></td></tr></td></tr></td></tr></td></tr> | 391A | ETR | - | WD. | J2 | PTD. | - | 389 | 3\"/> <tr> <td>391B</td> <td>ETR</td> <td>-</td> <td>WD.</td> <td>J2</td> <td>PTD.</td> <td>-</td> <td>391</td> <td>3\"/> <tr> <td>394</td> <td>ETR</td> <td>-</td> <td>WD.</td> <td>J2</td> <td>PTD.</td> <td>-</td> <td>391A</td> <td>3\"/> <tr> <td>395</td> <td>ETR</td> <td>-</td> <td>WD.</td> <td>J2</td> <td>PTD.</td> <td>-</td> <td>391B</td> <td>3\"/> <tr> <td>396</td> <td>ETR</td>
<td>-</td> <td>WD.</td> <td>J2</td> <td>PTD.</td> <td>-</td> <td>394</td> <td>3\"/> <tr> <td>398</td> <td>ETR</td> <td>-</td> <td>WD.</td> <td>J2</td> <td>PTD.</td> <td>-</td> <td>395</td> <td>3\"/> <tr> <td>399</td> <td>ETR</td> <td>-</td> <td>WD.</td> <td>J2</td> <td>PTD.</td> <td>-</td> <td>396</td> <td>3\"/> <tr> <td>3991</td> <td>ETR</td> <td>-</td> <td>WD.</td> <td>J2</td> <td>PTD.</td> <td>-</td> <td>398</td> <td>3\"/> <tr> <td>3992</td> <td>A</td> <td>3\"/> <tr> <td>3993</td> <td>ETR</td> <td>-</td> <td>WD.</td> <td>J2</td> <td>PTD.</td> <td>-</td> <td>399</td> <td>3\"/> <tr> <td>3994</td> <td>ETR</td> <td>-</td> <td>WD.</td> <td>J2</td> <td>PTD.</td> <td>-</td> <td>3991</td> <td>3\"/> <tr> <td>3995</td> <td>ETR</td> <td>-</td> <td>WD.</td> <td>J2</td> <td>PTD.</td> <td>-</td> <td>3992</td> <td>3\"/> <tr> <td>3997</td> <td>ETR</td> <td>-</td> <td>WD.</td> <td>J2</td> <td>PTD.</td> <td>-</td> <td>3993</td> <td>3\"/> <tr> <td>3998</td> <td>ETR</td> <td>-</td> <td>WD.</td> <td>J2</td> <td>PTD.</td> <td>-</td> <td>3994</td> <td>3\"/> <tr> <td>3999</td> <td>ETR</td> <td>-</td> <td>WD.</td> <td>J2</td> <td>PTD.</td> <td>-</td> <td>3995</td> <td>3\"/> <tr> <td>3999</td> <td>ETR</td> <td>-</td> <td>WD.</td> <td>J2</td> <td>PTD.</td> <td>-</td> <td>3997</td> <td>3\"/> </td></tr></td></tr></td></tr></td></tr></td></tr></td></tr></td></tr></td></tr></td></tr></td></tr></td></tr></td></tr></td></tr></td></tr></td></tr> | 391B | ETR | - | WD. | J2 | PTD. | - | 391 | 3\"/> <tr> <td>394</td> <td>ETR</td> <td>-</td> <td>WD.</td> <td>J2</td> <td>PTD.</td> <td>-</td> <td>391A</td> <td>3\"/> <tr> <td>395</td> <td>ETR</td> <td>-</td> <td>WD.</td> <td>J2</td> <td>PTD.</td> <td>-</td> <td>391B</td> <td>3\"/> <tr> <td>396</td> <td>ETR</td> <td>-</td> <td>WD.</td> <td>J2</td> <td>PTD.</td> <td>-</td> <td>394</td> <td>3\"/> <tr> <td>398</td>
<td>ETR</td> <td>-</td> <td>WD.</td> <td>J2</td> <td>PTD.</td> <td>-</td> <td>395</td> <td>3\"/> <tr> <td>399</td> <td>ETR</td> <td>-</td> <td>WD.</td> <td>J2</td> <td>PTD.</td> <td>-</td> <td>396</td> <td>3\"/> <tr> <td>3991</td> <td>ETR</td> <td>-</td> <td>WD.</td> <td>J2</td> <td>PTD.</td> <td>-</td> <td>398</td> <td>3\"/> <tr> <td>3992</td> <td>A</td> <td>3\"/> <tr> <td>3993</td> <td>ETR</td> <td>-</td> <td>WD.</td> <td>J2</td> <td>PTD.</td> <td>-</td> <td>399</td> <td>3\"/> <tr> <td>3994</td> <td>ETR</td> <td>-</td> <td>WD.</td> <td>J2</td> <td>PTD.</td> <td>-</td> <td>3991</td> <td>3\"/> <tr> <td>3995</td> <td>ETR</td> <td>-</td> <td>WD.</td> <td>J2</td> <td>PTD.</td> <td>-</td> <td>3992</td> <td>3\"/> <tr> <td>3997</td> <td>ETR</td> <td>-</td> <td>WD.</td> <td>J2</td> <td>PTD.</td> <td>-</td> <td>3993</td> <td>3\"/> <tr> <td>3998</td> <td>ETR</td> <td>-</td> <td>WD.</td> <td>J2</td> <td>PTD.</td> <td>-</td> <td>3994</td> <td>3\"/> <tr> <td>3999</td> <td>ETR</td> <td>-</td> <td>WD.</td> <td>J2</td> <td>PTD.</td> <td>-</td> <td>3995</td> <td>3\"/> <tr> <td>3999</td> <td>ETR</td> <td>-</td> <td>WD.</td> <td>J2</td> <td>PTD.</td> <td>-</td> <td>3997</td> <td>3\"/> </td></tr></td></tr></td></tr></td></tr></td></tr></td></tr></td></tr></td></tr></td></tr></td></tr></td></tr></td></tr></td></tr></td></tr> | 394 | ETR | - | WD. | J2 | PTD. | - | 391A | 3\"/> <tr> <td>395</td> <td>ETR</td> <td>-</td> <td>WD.</td> <td>J2</td> <td>PTD.</td> <td>-</td> <td>391B</td> <td>3\"/> <tr> <td>396</td> <td>ETR</td> <td>-</td> <td>WD.</td> <td>J2</td> <td>PTD.</td> <td>-</td> <td>394</td> <td>3\"/> <tr> <td>398</td> <td>ETR</td> <td>-</td> <td>WD.</td> <td>J2</td> <td>PTD.</td> <td>-</td> <td>395</td> <td>3\"/> <tr> <td>399</td> <td>ETR</td> <td>-</td> <td>WD.</td> <td>J2</td> <td>PTD.</td> <td>-</td> <td>396</td> <td>3\"/> <tr> <td>3991</td> <td>ETR</td> <td>-</td> <td>WD.</td> <td>J2</td> <td>PTD.</td> <td>-</td> <td>398</td> <td>3\"/> <tr> <td>3992</td>
<td>A</td> <td>3\"/> <tr> <td>3993</td> <td>ETR</td> <td>-</td> <td>WD.</td> <td>J2</td> <td>PTD.</td> <td>-</td> <td>399</td> <td>3\"/> <tr> <td>3994</td> <td>ETR</td> <td>-</td> <td>WD.</td> <td>J2</td> <td>PTD.</td> <td>-</td> <td>3991</td> <td>3\"/> <tr> <td>3995</td> <td>ETR</td> <td>-</td> <td>WD.</td> <td>J2</td> <td>PTD.</td> <td>-</td> <td>3992</td> <td>3\"/> <tr> <td>3997</td> <td>ETR</td> <td>-</td> <td>WD.</td> <td>J2</td> <td>PTD.</td> <td>-</td> <td>3993</td> <td>3\"/> <tr> <td>3998</td> <td>ETR</td> <td>-</td> <td>WD.</td> <td>J2</td> <td>PTD.</td> <td>-</td> <td>3994</td> <td>3\"/> <tr> <td>3999</td> <td>ETR</td> <td>-</td> <td>WD.</td> <td>J2</td> <td>PTD.</td> <td>-</td> <td>3995</td> <td>3\"/> <tr> <td>3999</td> <td>ETR</td> <td>-</td> <td>WD.</td> <td>J2</td> <td>PTD.</td> <td>-</td> <td>3997</td> <td>3\"/> </td></tr></td></tr></td></tr></td></tr></td></tr></td></tr></td></tr></td></tr></td></tr></td></tr></td></tr></td></tr></td></tr> | 395 | ETR | - | WD. | J2 | PTD. | - | 391B | 3\"/> <tr> <td>396</td> <td>ETR</td> <td>-</td> <td>WD.</td> <td>J2</td> <td>PTD.</td> <td>-</td> <td>394</td> <td>3\"/> <tr> <td>398</td> <td>ETR</td> <td>-</td> <td>WD.</td> <td>J2</td> <td>PTD.</td> <td>-</td> <td>395</td> <td>3\"/> <tr> <td>399</td> <td>ETR</td> <td>-</td> <td>WD.</td> <td>J2</td> <td>PTD.</td> <td>-</td> <td>396</td> <td>3\"/> <tr> <td>3991</td> <td>ETR</td> <td>-</td> <td>WD.</td> <td>J2</td> <td>PTD.</td> <td>-</td> <td>398</td> <td>3\"/> <tr> <td>3992</td> <td>A</td> <td>3\"/> <tr> <td>3993</td> <td>ETR</td> <td>-</td> <td>WD.</td> <td>J2</td> <td>PTD.</td> <td>-</td> <td>399</td> <td>3\"/> <tr> <td>3994</td> <td>ETR</td> <td>-</td> <td>WD.</td> <td>J2</td> <td>PTD.</td> <td>-</td> <td>3991</td> <td>3\"/> <tr> <td>3995</td> <td>ETR</td> <td>-</td> <td>WD.</td> <td>J2</td> <td>PTD.</td> <td>-</td> <td>3992</td> <td>3\"/> <tr> <td>3997</td> <td>ETR</td> <td>-</td> <td>WD.</td> <td>J2</td> <td>PTD.</td> <td>-</td> <td>3993</td> <td>3\"/> <tr> <td>3998</td> <td>ETR</td> <td>-</td> <td>WD.</td> <td>J2</td> <td>PTD.</td> <td>-</td> <td>3994</td>
<td>3\"/> <tr> <td>3999</td> <td>ETR</td> <td>-</td> <td>WD.</td> <td>J2</td> <td>PTD.</td> <td>-</td> <td>3995</td> <td>3\"/> <tr> <td>3999</td> <td>ETR</td> <td>-</td> <td>WD.</td> <td>J2</td> <td>PTD.</td> <td>-</td> <td>3997</td> <td>3\"/> </td></tr></td></tr></td></tr></td></tr></td></tr></td></tr></td></tr></td></tr></td></tr></td></tr></td></tr></td></tr> | 396 | ETR | - | WD. | J2 | PTD.
 | - | 394 | 3\"/> <tr> <td>398</td> <td>ETR</td> <td>-</td> <td>WD.</td> <td>J2</td> <td>PTD.</td> <td>-</td> <td>395</td> <td>3\"/> <tr> <td>399</td> <td>ETR</td> <td>-</td> <td>WD.</td> <td>J2</td> <td>PTD.</td> <td>-</td> <td>396</td> <td>3\"/> <tr> <td>3991</td> <td>ETR</td> <td>-</td> <td>WD.</td> <td>J2</td> <td>PTD.</td> <td>-</td> <td>398</td> <td>3\"/> <tr> <td>3992</td> <td>A</td> <td>3\"/> <tr> <td>3993</td> <td>ETR</td> <td>-</td> <td>WD.</td> <td>J2</td> <td>PTD.</td> <td>-</td> <td>399</td> <td>3\"/> <tr> <td>3994</td> <td>ETR</td> <td>-</td> <td>WD.</td> <td>J2</td> <td>PTD.</td> <td>-</td> <td>3991</td> <td>3\"/> <tr> <td>3995</td> <td>ETR</td> <td>-</td> <td>WD.</td> <td>J2</td> <td>PTD.</td> <td>-</td> <td>3992</td> <td>3\"/> <tr> <td>3997</td> <td>ETR</td> <td>-</td> <td>WD.</td> <td>J2</td> <td>PTD.</td> <td>-</td> <td>3993</td> <td>3\"/> <tr> <td>3998</td> <td>ETR</td> <td>-</td> <td>WD.</td> <td>J2</td> <td>PTD.</td> <td>-</td> <td>3994</td> <td>3\"/> <tr> <td>3999</td> <td>ETR</td> <td>-</td> <td>WD.</td> <td>J2</td> <td>PTD.</td> <td>-</td> <td>3995</td> <td>3\"/> <tr> <td>3999</td> <td>ETR</td> <td>-</td> <td>WD.</td> <td>J2</td> <td>PTD.</td> <td>-</td> <td>3997</td> <td>3\"/> </td></tr></td></tr></td></tr></td></tr></td></tr></td></tr></td></tr></td></tr></td></tr></td></tr></td></tr> | 398 | ETR | -
 | WD. | J2 | PTD. | - | 395 | 3\"/> <tr> <td>399</td> <td>ETR</td> <td>-</td> <td>WD.</td> <td>J2</td> <td>PTD.</td> <td>-</td> <td>396</td> <td>3\"/> <tr> <td>3991</td> <td>ETR</td> <td>-</td> <td>WD.</td> <td>J2</td> <td>PTD.</td> <td>-</td> <td>398</td> <td>3\"/> <tr> <td>3992</td> <td>A</td> <td>3\"/> <tr> <td>3993</td> <td>ETR</td> <td>-</td> <td>WD.</td> <td>J2</td> <td>PTD.</td> <td>-</td> <td>399</td> <td>3\"/> <tr> <td>3994</td> <td>ETR</td> <td>-</td> <td>WD.</td> <td>J2</td> <td>PTD.</td> <td>-</td> <td>3991</td> <td>3\"/> <tr> <td>3995</td> <td>ETR</td> <td>-</td> <td>WD.</td> <td>J2</td> <td>PTD.</td> <td>-</td> <td>3992</td> <td>3\"/> <tr> <td>3997</td> <td>ETR</td> <td>-</td> <td>WD.</td> <td>J2</td> <td>PTD.</td> <td>-</td> <td>3993</td> <td>3\"/> <tr> <td>3998</td> <td>ETR</td> <td>-</td> <td>WD.</td> <td>J2</td> <td>PTD.</td> <td>-</td> <td>3994</td> <td>3\"/> <tr> <td>3999</td> <td>ETR</td> <td>-</td> <td>WD.</td> <td>J2</td> <td>PTD.</td> <td>-</td> <td>3995</td> <td>3\"/> <tr> <td>3999</td> <td>ETR</td> <td>-</td> <td>WD.</td> <td>J2</td> <td>PTD.</td> <td>-</td> <td>3997</td> <td>3\"/> </td></tr></td></tr></td></tr></td></tr></td></tr></td></tr></td></tr></td></tr></td></tr></td></tr> | 399 | ETR | -
 | WD. | J2 | PTD. | - | 396 | 3\"/> <tr> <td>3991</td> <td>ETR</td> <td>-</td> <td>WD.</td> <td>J2</td> <td>PTD.</td> <td>-</td> <td>398</td> <td>3\"/> <tr> <td>3992</td> <td>A</td> <td>3\"/> <tr> <td>3993</td> <td>ETR</td> <td>-</td> <td>WD.</td> <td>J2</td> <td>PTD.</td> <td>-</td> <td>399</td> <td>3\"/> <tr> <td>3994</td> <td>ETR</td> <td>-</td> <td>WD.</td> <td>J2</td> <td>PTD.</td> <td>-</td> <td>3991</td> <td>3\"/> <tr> <td>3995</td> <td>ETR</td> <td>-</td> <td>WD.</td> <td>J2</td> <td>PTD.</td> <td>-</td> <td>3992</td> <td>3\"/> <tr> <td>3997</td> <td>ETR</td> <td>-</td> <td>WD.</td> <td>J2</td> <td>PTD.</td> <td>-</td> <td>3993</td> <td>3\"/> <tr> <td>3998</td> <td>ETR</td> <td>-</td> <td>WD.</td> <td>J2</td> <td>PTD.</td> <td>-</td> <td>3994</td> <td>3\"/> <tr> <td>3999</td> <td>ETR</td> <td>-</td> <td>WD.</td> <td>J2</td> <td>PTD.</td> <td>-</td> <td>3995</td> <td>3\"/> <tr> <td>3999</td> <td>ETR</td> <td>-</td> <td>WD.</td> <td>J2</td> <td>PTD.</td> <td>-</td> <td>3997</td> <td>3\"/> </td></tr></td></tr></td></tr></td></tr></td></tr></td></tr></td></tr></td></tr></td></tr> | 3991 | ETR | - | WD. | J2 | PTD. | - | 398 | 3\"/> <tr> <td>3992</td> <td>A</td> <td>3\"/> <tr> <td>3993</td> <td>ETR</td> <td>-</td> <td>WD.</td> <td>J2</td> <td>PTD.</td> <td>-</td> <td>399</td> <td>3\"/> <tr> <td>3994</td> <td>ETR</td> <td>-</td> <td>WD.</td> <td>J2</td> <td>PTD.</td> <td>-</td> <td>3991</td> <td>3\"/> <tr> <td>3995</td> <td>ETR</td> <td>-</td> <td>WD.</td> <td>J2</td> <td>PTD.</td> <td>-</td> <td>3992</td> <td>3\"/> <tr> <td>3997</td> <td>ETR</td> <td>-</td> <td>WD.</td> <td>J2</td> <td>PTD.</td> <td>-</td> <td>3993</td> <td>3\"/> <tr> <td>3998</td> <td>ETR</td> <td>-</td> <td>WD.</td> <td>J2</td> <td>PTD.</td> <td>-</td> <td>3994</td> <td>3\"/> <tr> <td>3999</td> <td>ETR</td> <td>-</td> <td>WD.</td> <td>J2</td> <td>PTD.</td> <td>-</td> <td>3995</td> <td>3\"/> <tr> <td>3999</td> <td>ETR</td> <td>-</td> <td>WD.</td> <td>J2</td> <td>PTD.</td> <td>-</td> <td>3997</td> <td>3\"/> </td></tr></td></tr></td></tr></td></tr></td></tr></td></tr></td></tr></td></tr>
 | 3992 | A | 3\"/> <tr> <td>3993</td> <td>ETR</td> <td>-</td> <td>WD.</td> <td>J2</td> <td>PTD.</td> <td>-</td> <td>399</td> <td>3\"/> <tr> <td>3994</td> <td>ETR</td> <td>-</td> <td>WD.</td> <td>J2</td> <td>PTD.</td> <td>-</td> <td>3991</td> <td>3\"/> <tr> <td>3995</td> <td>ETR</td> <td>-</td> <td>WD.</td> <td>J2</td> <td>PTD.</td> <td>-</td> <td>3992</td> <td>3\"/> <tr> <td>3997</td> <td>ETR</td> <td>-</td> <td>WD.</td> <td>J2</td> <td>PTD.</td> <td>-</td> <td>3993</td> <td>3\"/> <tr> <td>3998</td> <td>ETR</td> <td>-</td> <td>WD.</td> <td>J2</td> <td>PTD.</td> <td>-</td> <td>3994</td> <td>3\"/> <tr> <td>3999</td> <td>ETR</td> <td>-</td> <td>WD.</td> <td>J2</td> <td>PTD.</td> <td>-</td> <td>3995</td> <td>3\"/> <tr> <td>3999</td> <td>ETR</td> <td>-</td> <td>WD.</td> <td>J2</td> <td>PTD.</td> <td>-</td> <td>3997</td> <td>3\"/> </td></tr></td></tr></td></tr></td></tr></td></tr></td></tr></td></tr> | 3993 | ETR | -
 | WD. | J2 | PTD. | - | 399 | 3\"/> <tr> <td>3994</td> <td>ETR</td> <td>-</td> <td>WD.</td> <td>J2</td> <td>PTD.</td> <td>-</td> <td>3991</td> <td>3\"/> <tr> <td>3995</td> <td>ETR</td> <td>-</td> <td>WD.</td> <td>J2</td> <td>PTD.</td> <td>-</td> <td>3992</td> <td>3\"/> <tr> <td>3997</td> <td>ETR</td> <td>-</td> <td>WD.</td> <td>J2</td> <td>PTD.</td> <td>-</td> <td>3993</td> <td>3\"/> <tr> <td>3998</td> <td>ETR</td> <td>-</td> <td>WD.</td> <td>J2</td> <td>PTD.</td> <td>-</td> <td>3994</td> <td>3\"/> <tr> <td>3999</td> <td>ETR</td> <td>-</td> <td>WD.</td> <td>J2</td> <td>PTD.</td> <td>-</td> <td>3995</td> <td>3\"/> <tr> <td>3999</td> <td>ETR</td> <td>-</td> <td>WD.</td> <td>J2</td> <td>PTD.</td> <td>-</td> <td>3997</td> <td>3\"/> </td></tr></td></tr></td></tr></td></tr></td></tr></td></tr> | 3994 | ETR | -
 | WD. | J2 | PTD. | - | 3991 | 3\"/> <tr> <td>3995</td> <td>ETR</td> <td>-</td> <td>WD.</td> <td>J2</td> <td>PTD.</td> <td>-</td> <td>3992</td> <td>3\"/> <tr> <td>3997</td> <td>ETR</td> <td>-</td> <td>WD.</td> <td>J2</td> <td>PTD.</td> <td>-</td> <td>3993</td> <td>3\"/> <tr> <td>3998</td> <td>ETR</td> <td>-</td> <td>WD.</td> <td>J2</td> <td>PTD.</td> <td>-</td> <td>3994</td> <td>3\"/> <tr> <td>3999</td> <td>ETR</td> <td>-</td> <td>WD.</td> <td>J2</td> <td>PTD.</td> <td>-</td> <td>3995</td> <td>3\"/> <tr> <td>3999</td> <td>ETR</td> <td>-</td> <td>WD.</td> <td>J2</td> <td>PTD.</td> <td>-</td> <td>3997</td> <td>3\"/> </td></tr></td></tr></td></tr></td></tr></td></tr>
 | 3995 | ETR | - | WD. | J2 | PTD. | - | 3992 | 3\"/> <tr> <td>3997</td> <td>ETR</td> <td>-</td> <td>WD.</td> <td>J2</td> <td>PTD.</td> <td>-</td> <td>3993</td> <td>3\"/> <tr> <td>3998</td> <td>ETR</td> <td>-</td> <td>WD.</td> <td>J2</td> <td>PTD.</td> <td>-</td> <td>3994</td> <td>3\"/> <tr> <td>3999</td> <td>ETR</td> <td>-</td> <td>WD.</td> <td>J2</td> <td>PTD.</td> <td>-</td> <td>3995</td> <td>3\"/> <tr> <td>3999</td> <td>ETR</td> <td>-</td> <td>WD.</td> <td>J2</td> <td>PTD.</td> <td>-</td> <td>3997</td> <td>3\"/> </td></tr></td></tr></td></tr></td></tr>
 | 3997 | ETR | - | WD. | J2 | PTD. | - | 3993 | 3\"/> <tr> <td>3998</td> <td>ETR</td> <td>-</td> <td>WD.</td> <td>J2</td> <td>PTD.</td> <td>-</td> <td>3994</td> <td>3\"/> <tr> <td>3999</td> <td>ETR</td> <td>-</td> <td>WD.</td> <td>J2</td> <td>PTD.</td> <td>-</td> <td>3995</td> <td>3\"/> <tr> <td>3999</td> <td>ETR</td> <td>-</td> <td>WD.</td> <td>J2</td> <td>PTD.</td> <td>-</td> <td>3997</td> <td>3\"/> </td></tr></td></tr></td></tr>
 | 3998 | ETR | - | WD. | J2 | PTD. | - | 3994 | 3\"/> <tr> <td>3999</td> <td>ETR</td> <td>-</td> <td>WD.</td> <td>J2</td> <td>PTD.</td> <td>-</td> <td>3995</td> <td>3\"/> <tr> <td>3999</td> <td>ETR</td> <td>-</td> <td>WD.</td> <td>J2</td> <td>PTD.</td> <td>-</td> <td>3997</td> <td>3\"/> </td></tr></td></tr>
 | 3999 | ETR | - | WD. | J2 | PTD. | - | 3995 | 3\"/> <tr> <td>3999</td> <td>ETR</td> <td>-</td> <td>WD.</td> <td>J2</td> <td>PTD.</td> <td>-</td> <td>3997</td> <td>3\"/> </td></tr>
 | 3999 | ETR | - | WD. | J2 | PTD. | - | 3997 | 3\"/>
 | | | | | | | | | | | | | | | | | | | | | | | | | | | | | | | | | | | | | | | | | | | | | | | | | | | | | | |
 | | | | | | | | | | | |
 | | | | | | | | | | | | | | |
 | | | | | | | | | | | | | | | | | |
 | | | | | | | | | | | | | | | | | |
 | | | | | | | | | | | | | | | | | | | | | | | |
 | | | | | | | | | | | | | | | | | | | | | | | | | | | | | |
 | | | | | | | | | | | | | | | | | | | | | | | | | | | | | | | | | | | | | | |
 | | | | | | | | | | | | | | | | | | | | | | | | | | | | | | | | | | | | | | | | | | | | | | | | | | | | | | |
| 377A | B | 1 <td>WD</td> <td>J1</td> <td>PTD.</td> <td>-</td> <td>376</td> <td>3\"/> <tr> <td>378</td> <td>B</td> <td>1 <td>WD</td> <td>J1</td> <td>PTD.</td> <td>-</td> <td>377</td> <td>3\"/> <tr> <td>379</td> <td>B</td> <td>1 <td>WD</td> <td>J1</td> <td>PTD.</td> <td>-</td> <td>377A</td> <td>3\"/> <tr> <td>380A</td> <td>B</td> <td>1 <td>WD</td> <td>J1</td> <td>PTD.</td> <td>-</td> <td>378</td> <td>3\"/> <tr> <td>380B</td> <td>B</td> <td>1 <td>WD</td> <td>J1</td> <td>PTD.</td> <td>-</td> <td>379</td> <td>3\"/> <tr> <td>382</td> <td>ETR</td> <td>-</td> <td>WD.</td> <td>J2</td> <td>PTD.</td> <td>-</td> <td>380A</td> <td>3\"/> <tr> <td>382A</td> <td>D</td> <td>6 <td>ALUM.</td> <td>ANODIZE D</td> <td>-</td> <td>-</td> <td>380B</td> <td>3\"/> <tr> <td>385</td> <td>ETR</td> <td>-</td> <td>WD.</td> <td>J2</td> <td>PTD.</td> <td>-</td> <td>382</td> <td>3\"/> <tr> <td>386</td> <td>ETR</td> <td>-</td> <td>WD.</td> <td>J2</td> <td>PTD.</td> <td>-</td> <td>382A</td> <td>3\"/> <tr> <td>387</td> <td>ETR</td> <td>-</td> <td>WD.</td> <td>J2</td> <td>PTD.</td> <td>-</td> <td>385</td> <td>3\"/> <tr> <td>388</td> <td>ETR</td> <td>-</td> <td>WD.</td> <td>J2</td> <td>PTD.</td> <td>-</td> <td>386</td> <td>3\"/> <tr> <td>389</td> <td>ETR</td> <td>-</td> <td>WD.</td> <td>J2</td> <td>PTD.</td> <td>-</td> <td>387</td> <td>3\"/> <tr> <td>391</td> <td>ETR</td> <td>-</td> <td>WD.</td> <td>J2</td> <td>PTD.</td> <td>-</td> <td>388</td> <td>3\"/> <tr> <td>391A</td> <td>ETR</td> <td>-</td> <td>WD.</td> <td>J2</td> <td>PTD.</td> <td>-</td> <td>389</td> <td>3\"/> <tr> <td>391B</td> <td>ETR</td> <td>-</td> <td>WD.</td> <td>J2</td> <td>PTD.</td> <td>-</td> <td>391</td> <td>3\"/> <tr> <td>394</td> <td>ETR</td> <td>-</td> <td>WD.</td> <td>J2</td> <td>PTD.</td> <td>-</td> <td>391A</td> <td>3\"/> <tr> <td>395</td> <td>ETR</td> <td>-</td> <td>WD.</td> <td>J2</td> <td>PTD.</td> <td>-</td> <td>391B</td> <td>3\"/> <tr> <td>396</td> <td>ETR</td> <td>-</td> <td>WD.</td> <td>J2</td> <td>PTD.</td> <td>-</td> <td>394</td> <td>3\"/> <tr> <td>398</td> <td>ETR</td> <td>-</td> <td>WD.</td> <td>J2</td> <td>PTD.</td> <td>-</td> <td>395</td> <td>3\"/> <tr> <td>399</td> <td>ETR</td> <td>-</td> <td>WD.</td> <td>J2</td> <td>PTD.</td> <td>-</td> <td>396</td> <td>3\"/> <tr> <td>3991</td> <td>ETR</td> <td>-</td> <td>WD.</td> <td>J2</td> <td>PTD.</td> <td>-</td> <td>398</td> <td>3\"/> <tr> <td>3992</td> <td>A</td> <td>3\"/> <tr> <td>3993</td> <td>ETR</td> <td>-</td> <td>WD.</td> <td>J2</td> <td>PTD.</td> <td>-</td> <td>399</td> <td>3\"/> <tr> <td>3994</td> <td>ETR</td> <td>-</td> <td>WD.</td> <td>J2</td> <td>PTD.</td> <td>-</td> <td>3991</td> <td>3\"/> <tr> <td>3995</td> <td>ETR</td> <td>-</td> <td>WD.</td> <td>J2</td> <td>PTD.</td> <td>-</td> <td>3992</td> <td>3\"/> <tr> <td>3997</td> <td>ETR</td> <td>-</td> <td>WD.</td> <td>J2</td> <td>PTD.</td> <td>-</td> <td>3993</td> <td>3\"/> <tr> <td>3998</td> <td>ETR</td> <td>-</td> <td>WD.</td> <td>J2</td> <td>PTD.</td> <td>-</td> <td>3994</td> <td>3\"/> <tr> <td>3999</td> <td>ETR</td> <td>-</td> <td>WD.</td> <td>J2</td> <td>PTD.</td> <td>-</td> <td>3995</td> <td>3\"/> <tr> <td>3999</td> <td>ETR</td> <td>-</td> <td>WD.</td> <td>J2</td> <td>PTD.</td> <td>-</td> <td>3997</td> <td>3\"/> </td></tr></td></tr></td></tr></td></tr></td></tr></td></tr></td></tr></td></tr></td></tr></td></tr></td></tr></td></tr></td></tr></td></tr></td></tr></td></tr></td></tr></td></tr></td></tr></td></tr></td></tr></td></tr></td></td></tr></td></tr></td></td></tr></td></td></tr></td></td></tr></td></td></tr></td> | WD | J1 | PTD. | - | 376 | 3\"/> <tr> <td>378</td> <td>B</td> <td>1 <td>WD</td> <td>J1</td> <td>PTD.</td> <td>-</td> <td>377</td> <td>3\"/> <tr> <td>379</td> <td>B</td> <td>1 <td>WD</td> <td>J1</td> <td>PTD.</td> <td>-</td> <td>377A</td> <td>3\"/> <tr> <td>380A</td> <td>B</td> <td>1 <td>WD</td> <td>J1</td> <td>PTD.</td> <td>-</td> <td>378</td> <td>3\"/> <tr> <td>380B</td> <td>B</td> <td>1 <td>WD</td> <td>J1</td> <td>PTD.</td> <td>-</td> <td>379</td> <td>3\"/> <tr> <td>382</td> <td>ETR</td> <td>-</td> <td>WD.</td> <td>J2</td> <td>PTD.</td> <td>-</td> <td>380A</td> <td>3\"/> <tr> <td>382A</td> <td>D</td> <td>6 <td>ALUM.</td> <td>ANODIZE D</td> <td>-</td> <td>-</td> <td>380B</td> <td>3\"/> <tr> <td>385</td> <td>ETR</td> <td>-</td> <td>WD.</td> <td>J2</td> <td>PTD.</td> <td>-</td> <td>382</td> <td>3\"/> <tr> <td>386</td> <td>ETR</td> <td>-</td> <td>WD.</td> <td>J2</td> <td>PTD.</td> <td>-</td> <td>382A</td> <td>3\"/> <tr> <td>387</td> <td>ETR</td> <td>-</td> <td>WD.</td> <td>J2</td> <td>PTD.</td> <td>-</td> <td>385</td> <td>3\"/> <tr> <td>388</td> <td>ETR</td> <td>-</td> <td>WD.</td> <td>J2</td> <td>PTD.</td> <td>-</td> <td>386</td> <td>3\"/> <tr> <td>389</td> <td>ETR</td> <td>-</td> <td>WD.</td> <td>J2</td> <td>PTD.</td> <td>-</td> <td>387</td> <td>3\"/> <tr> <td>391</td> <td>ETR</td> <td>-</td> <td>WD.</td> <td>J2</td> <td>PTD.</td> <td>-</td> <td>388</td> <td>3\"/> <tr> <td>391A</td> <td>ETR</td> <td>-</td> <td>WD.</td> <td>J2</td> <td>PTD.</td> <td>-</td> <td>389</td> <td>3\"/> <tr> <td>391B</td> <td>ETR</td> <td>-</td> <td>WD.</td> <td>J2</td> <td>PTD.</td> <td>-</td> <td>391</td> <td>3\"/> <tr> <td>394</td> <td>ETR</td> <td>-</td> <td>WD.</td> <td>J2</td> <td>PTD.</td> <td>-</td> <td>391A</td> <td>3\"/> <tr> <td>395</td> <td>ETR</td> <td>-</td> <td>WD.</td> <td>J2</td> <td>PTD.</td> <td>-</td> <td>391B</td> <td>3\"/> <tr> <td>396</td> <td>ETR</td> <td>-</td> <td>WD.</td> <td>J2</td> <td>PTD.</td> <td>-</td> <td>394</td> <td>3\"/> <tr> <td>398</td> <td>ETR</td> <td>-</td> <td>WD.</td> <td>J2</td> <td>PTD.</td> <td>-</td> <td>395</td> <td>3\"/> <tr> <td>399</td> <td>ETR</td> <td>-</td> <td>WD.</td> <td>J2</td> <td>PTD.</td> <td>-</td> <td>396</td> <td>3\"/> <tr> <td>3991</td> <td>ETR</td> <td>-</td> <td>WD.</td> <td>J2</td> <td>PTD.</td> <td>-</td> <td>398</td> <td>3\"/> <tr> <td>3992</td> <td>A</td> <td>3\"/> <tr> <td>3993</td> <td>ETR</td> <td>-</td> <td>WD.</td> <td>J2</td> <td>PTD.</td> <td>-</td> <td>399</td> <td>3\"/> <tr> <td>3994</td> <td>ETR</td> <td>-</td> <td>WD.</td> <td>J2</td> <td>PTD.</td> <td>-</td> <td>3991</td> <td>3\"/> <tr> <td>3995</td> <td>ETR</td> <td>-</td> <td>WD.</td> <td>J2</td> <td>PTD.</td> <td>-</td> <td>3992</td> <td>3\"/> <tr> <td>3997</td> <td>ETR</td> <td>-</td> <td>WD.</td> <td>J2</td> <td>PTD.</td> <td>-</td> <td>3993</td> <td>3\"/> <tr> <td>3998</td> <td>ETR</td> <td>-</td> <td>WD.</td> <td>J2</td> <td>PTD.</td> <td>-</td> <td>3994</td>
<td>3\"/> <tr> <td>3999</td> <td>ETR</td> <td>-</td> <td>WD.</td> <td>J2</td> <td>PTD.</td> <td>-</td> <td>3995</td> <td>3\"/> <tr> <td>3999</td> <td>ETR</td> <td>-</td> <td>WD.</td> <td>J2</td> <td>PTD.</td> <td>-</td> <td>3997</td> <td>3\"/> </td></tr></td></tr></td></tr></td></tr></td></tr></td></tr></td></tr></td></tr></td></tr></td></tr></td></tr></td></tr></td></tr></td></tr></td></tr></td></tr></td></tr></td></tr></td></tr></td></tr></td></tr></td></tr></td></td></tr></td></tr></td></td></tr></td></td></tr></td></td></tr></td></td></tr> | 378 | B | 1 <td>WD</td> <td>J1</td> <td>PTD.</td> <td>-</td> <td>377</td> <td>3\"/> <tr> <td>379</td> <td>B</td> <td>1 <td>WD</td> <td>J1</td> <td>PTD.</td> <td>-</td> <td>377A</td> <td>3\"/> <tr> <td>380A</td> <td>B</td> <td>1 <td>WD</td> <td>J1</td> <td>PTD.</td> <td>-</td> <td>378</td> <td>3\"/> <tr> <td>380B</td> <td>B</td> <td>1 <td>WD</td> <td>J1</td> <td>PTD.</td> <td>-</td> <td>379</td> <td>3\"/> <tr> <td>382</td> <td>ETR</td> <td>-</td> <td>WD.</td> <td>J2</td> <td>PTD.</td> <td>-</td> <td>380A</td> <td>3\"/> <tr> <td>382A</td> <td>D</td> <td>6 <td>ALUM.</td> <td>ANODIZE D</td> <td>-</td> <td>-</td> <td>380B</td> <td>3\"/> <tr> <td>385</td> <td>ETR</td> <td>-</td> <td>WD.</td> <td>J2</td> <td>PTD.</td> <td>-</td> <td>382</td> <td>3\"/> <tr> <td>386</td> <td>ETR</td> <td>-</td> <td>WD.</td> <td>J2</td> <td>PTD.</td> <td>-</td> <td>382A</td> <td>3\"/> <tr> <td>387</td> <td>ETR</td> <td>-</td> <td>WD.</td> <td>J2</td> <td>PTD.</td> <td>-</td> <td>385</td> <td>3\"/> <tr> <td>388</td> <td>ETR</td> <td>-</td> <td>WD.</td> <td>J2</td> <td>PTD.</td> <td>-</td> <td>386</td> <td>3\"/> <tr> <td>389</td> <td>ETR</td> <td>-</td> <td>WD.</td> <td>J2</td> <td>PTD.</td> <td>-</td> <td>387</td> <td>3\"/> <tr> <td>391</td> <td>ETR</td> <td>-</td> <td>WD.</td> <td>J2</td> <td>PTD.</td> <td>-</td> <td>388</td> <td>3\"/> <tr> <td>391A</td> <td>ETR</td> <td>-</td> <td>WD.</td> <td>J2</td> <td>PTD.</td> <td>-</td> <td>389</td> <td>3\"/> <tr> <td>391B</td> <td>ETR</td> <td>-</td> <td>WD.</td> <td>J2</td> <td>PTD.</td> <td>-</td> <td>391</td> <td>3\"/> <tr> <td>394</td> <td>ETR</td> <td>-</td> <td>WD.</td> <td>J2</td> <td>PTD.</td> <td>-</td> <td>391A</td> <td>3\"/> <tr> <td>395</td> <td>ETR</td> <td>-</td> <td>WD.</td> <td>J2</td> <td>PTD.</td> <td>-</td> <td>391B</td> <td>3\"/> <tr> <td>396</td> <td>ETR</td> <td>-</td> <td>WD.</td> <td>J2</td> <td>PTD.</td> <td>-</td> <td>394</td> <td>3\"/> <tr> <td>398</td> <td>ETR</td> <td>-</td> <td>WD.</td> <td>J2</td> <td>PTD.</td> <td>-</td> <td>395</td> <td>3\"/> <tr> <td>399</td> <td>ETR</td> <td>-</td> <td>WD.</td> <td>J2</td> <td>PTD.</td> <td>-</td> <td>396</td> <td>3\"/> <tr> <td>3991</td> <td>ETR</td> <td>-</td> <td>WD.</td> <td>J2</td> <td>PTD.</td> <td>-</td> <td>398</td> <td>3\"/> <tr> <td>3992</td> <td>A</td> <td>3\"/> <tr> <td>3993</td> <td>ETR</td> <td>-</td> <td>WD.</td> <td>J2</td> <td>PTD.</td> <td>-</td> <td>399</td> <td>3\"/> <tr> <td>3994</td> <td>ETR</td> <td>-</td> <td>WD.</td> <td>J2</td> <td>PTD.</td> <td>-</td> <td>3991</td> <td>3\"/> <tr> <td>3995</td> <td>ETR</td> <td>-</td> <td>WD.</td> <td>J2</td> <td>PTD.</td> <td>-</td> <td>3992</td> <td>3\"/> <tr> <td>3997</td> <td>ETR</td> <td>-</td> <td>WD.</td> <td>J2</td> <td>PTD.</td> <td>-</td> <td>3993</td> <td>3\"/> <tr> <td>3998</td> <td>ETR</td> <td>-</td> <td>WD.</td> <td>J2</td> <td>PTD.</td> <td>-</td> <td>3994</td> <td>3\"/> <tr> <td>3999</td> <td>ETR</td> <td>-</td> <td>WD.</td> <td>J2</td> <td>PTD.</td> <td>-</td> <td>3995</td> <td>3\"/> <tr> <td>3999</td> <td>ETR</td> <td>-</td> <td>WD.</td> <td>J2</td> <td>PTD.</td> <td>-</td> <td>3997</td> <td>3\"/> </td></tr></td></tr></td></tr></td></tr></td></tr></td></tr></td></tr></td></tr></td></tr></td></tr></td></tr></td></tr></td></tr></td></tr></td></tr></td></tr></td></tr></td></tr></td></tr></td></tr></td></tr></td></tr></td></td></tr></td></tr></td></td></tr></td></td></tr></td></td></tr></td>
 | WD | J1 | PTD. | - | 377 | 3\"/> <tr> <td>379</td> <td>B</td> <td>1 <td>WD</td> <td>J1</td> <td>PTD.</td> <td>-</td> <td>377A</td> <td>3\"/> <tr> <td>380A</td> <td>B</td> <td>1 <td>WD</td> <td>J1</td> <td>PTD.</td> <td>-</td> <td>378</td> <td>3\"/> <tr> <td>380B</td> <td>B</td> <td>1 <td>WD</td> <td>J1</td> <td>PTD.</td> <td>-</td> <td>379</td> <td>3\"/> <tr> <td>382</td> <td>ETR</td> <td>-</td> <td>WD.</td> <td>J2</td> <td>PTD.</td> <td>-</td> <td>380A</td> <td>3\"/> <tr> <td>382A</td> <td>D</td> <td>6 <td>ALUM.</td> <td>ANODIZE D</td> <td>-</td> <td>-</td> <td>380B</td> <td>3\"/> <tr> <td>385</td> <td>ETR</td> <td>-</td> <td>WD.</td> <td>J2</td> <td>PTD.</td> <td>-</td> <td>382</td> <td>3\"/> <tr> <td>386</td> <td>ETR</td> <td>-</td> <td>WD.</td> <td>J2</td> <td>PTD.</td> <td>-</td> <td>382A</td> <td>3\"/> <tr> <td>387</td> <td>ETR</td> <td>-</td> <td>WD.</td> <td>J2</td> <td>PTD.</td> <td>-</td> <td>385</td> <td>3\"/> <tr> <td>388</td> <td>ETR</td> <td>-</td> <td>WD.</td> <td>J2</td> <td>PTD.</td> <td>-</td> <td>386</td> <td>3\"/> <tr> <td>389</td> <td>ETR</td> <td>-</td> <td>WD.</td> <td>J2</td> <td>PTD.</td> <td>-</td> <td>387</td> <td>3\"/> <tr> <td>391</td> <td>ETR</td> <td>-</td> <td>WD.</td> <td>J2</td> <td>PTD.</td> <td>-</td> <td>388</td> <td>3\"/> <tr> <td>391A</td> <td>ETR</td> <td>-</td> <td>WD.</td> <td>J2</td> <td>PTD.</td> <td>-</td> <td>389</td> <td>3\"/> <tr> <td>391B</td> <td>ETR</td> <td>-</td> <td>WD.</td> <td>J2</td> <td>PTD.</td> <td>-</td> <td>391</td> <td>3\"/> <tr> <td>394</td> <td>ETR</td> <td>-</td> <td>WD.</td> <td>J2</td> <td>PTD.</td> <td>-</td> <td>391A</td> <td>3\"/> <tr> <td>395</td> <td>ETR</td> <td>-</td> <td>WD.</td> <td>J2</td> <td>PTD.</td> <td>-</td> <td>391B</td> <td>3\"/> <tr> <td>396</td> <td>ETR</td> <td>-</td> <td>WD.</td> <td>J2</td> <td>PTD.</td> <td>-</td> <td>394</td> <td>3\"/> <tr> <td>398</td> <td>ETR</td> <td>-</td> <td>WD.</td> <td>J2</td> <td>PTD.</td> <td>-</td> <td>395</td> <td>3\"/> <tr> <td>399</td> <td>ETR</td> <td>-</td> <td>WD.</td> <td>J2</td> <td>PTD.</td> <td>-</td> <td>396</td> <td>3\"/> <tr> <td>3991</td> <td>ETR</td> <td>-</td> <td>WD.</td> <td>J2</td> <td>PTD.</td> <td>-</td> <td>398</td> <td>3\"/> <tr> <td>3992</td> <td>A</td> <td>3\"/> <tr> <td>3993</td> <td>ETR</td> <td>-</td> <td>WD.</td> <td>J2</td> <td>PTD.</td> <td>-</td> <td>399</td> <td>3\"/> <tr> <td>3994</td> <td>ETR</td> <td>-</td> <td>WD.</td> <td>J2</td> <td>PTD.</td> <td>-</td> <td>3991</td> <td>3\"/> <tr> <td>3995</td> <td>ETR</td> <td>-</td> <td>WD.</td> <td>J2</td> <td>PTD.</td> <td>-</td> <td>3992</td> <td>3\"/> <tr> <td>3997</td> <td>ETR</td> <td>-</td> <td>WD.</td> <td>J2</td> <td>PTD.</td> <td>-</td> <td>3993</td> <td>3\"/> <tr> <td>3998</td> <td>ETR</td> <td>-</td> <td>WD.</td> <td>J2</td> <td>PTD.</td> <td>-</td> <td>3994</td> <td>3\"/> <tr> <td>3999</td> <td>ETR</td> <td>-</td> <td>WD.</td> <td>J2</td> <td>PTD.</td> <td>-</td> <td>3995</td> <td>3\"/> <tr> <td>3999</td> <td>ETR</td> <td>-</td> <td>WD.</td> <td>J2</td> <td>PTD.</td> <td>-</td> <td>3997</td> <td>3\"/> </td></tr></td></tr></td></tr></td></tr></td></tr></td></tr></td></tr></td></tr></td></tr></td></tr></td></tr></td></tr></td></tr></td></tr></td></tr></td></tr></td></tr></td></tr></td></tr></td></tr></td></tr></td></tr></td></td></tr></td></tr></td></td></tr></td></td></tr></td></td></tr> | 379 | B | 1 <td>WD</td> <td>J1</td> <td>PTD.</td> <td>-</td> <td>377A</td> <td>3\"/> <tr> <td>380A</td> <td>B</td> <td>1 <td>WD</td> <td>J1</td> <td>PTD.</td> <td>-</td> <td>378</td> <td>3\"/> <tr> <td>380B</td> <td>B</td> <td>1 <td>WD</td> <td>J1</td> <td>PTD.</td> <td>-</td> <td>379</td> <td>3\"/> <tr> <td>382</td> <td>ETR</td> <td>-</td> <td>WD.</td> <td>J2</td> <td>PTD.</td> <td>-</td> <td>380A</td> <td>3\"/> <tr> <td>382A</td> <td>D</td> <td>6 <td>ALUM.</td> <td>ANODIZE D</td> <td>-</td> <td>-</td> <td>380B</td> <td>3\"/> <tr> <td>385</td> <td>ETR</td> <td>-</td> <td>WD.</td> <td>J2</td> <td>PTD.</td> <td>-</td> <td>382</td> <td>3\"/> <tr> <td>386</td> <td>ETR</td> <td>-</td> <td>WD.</td> <td>J2</td> <td>PTD.</td> <td>-</td> <td>382A</td> <td>3\"/> <tr> <td>387</td> <td>ETR</td> <td>-</td> <td>WD.</td> <td>J2</td> <td>PTD.</td> <td>-</td> <td>385</td> <td>3\"/> <tr> <td>388</td> <td>ETR</td> <td>-</td> <td>WD.</td> <td>J2</td> <td>PTD.</td> <td>-</td> <td>386</td> <td>3\"/> <tr> <td>389</td> <td>ETR</td> <td>-</td> <td>WD.</td> <td>J2</td> <td>PTD.</td> <td>-</td> <td>387</td> <td>3\"/> <tr> <td>391</td> <td>ETR</td> <td>-</td> <td>WD.</td> <td>J2</td> <td>PTD.</td> <td>-</td> <td>388</td> <td>3\"/> <tr> <td>391A</td> <td>ETR</td> <td>-</td> <td>WD.</td> <td>J2</td> <td>PTD.</td> <td>-</td> <td>389</td> <td>3\"/> <tr> <td>391B</td> <td>ETR</td> <td>-</td> <td>WD.</td> <td>J2</td> <td>PTD.</td> <td>-</td> <td>391</td> <td>3\"/> <tr> <td>394</td> <td>ETR</td> <td>-</td> <td>WD.</td> <td>J2</td> <td>PTD.</td> <td>-</td> <td>391A</td> <td>3\"/> <tr> <td>395</td> <td>ETR</td> <td>-</td> <td>WD.</td> <td>J2</td> <td>PTD.</td> <td>-</td> <td>391B</td> <td>3\"/> <tr> <td>396</td> <td>ETR</td> <td>-</td> <td>WD.</td> <td>J2</td> <td>PTD.</td> <td>-</td> <td>394</td> <td>3\"/> <tr> <td>398</td> <td>ETR</td> <td>-</td> <td>WD.</td> <td>J2</td> <td>PTD.</td> <td>-</td> <td>395</td> <td>3\"/> <tr> <td>399</td> <td>ETR</td> <td>-</td> <td>WD.</td> <td>J2</td> <td>PTD.</td> <td>-</td> <td>396</td> <td>3\"/> <tr> <td>3991</td> <td>ETR</td> <td>-</td> <td>WD.</td> <td>J2</td> <td>PTD.</td> <td>-</td> <td>398</td> <td>3\"/> <tr> <td>3992</td> <td>A</td> <td>3\"/> <tr> <td>3993</td> <td>ETR</td> <td>-</td> <td>WD.</td> <td>J2</td> <td>PTD.</td> <td>-</td> <td>399</td> <td>3\"/> <tr> <td>3994</td> <td>ETR</td> <td>-</td> <td>WD.</td> <td>J2</td> <td>PTD.</td> <td>-</td> <td>3991</td> <td>3\"/> <tr> <td>3995</td> <td>ETR</td> <td>-</td> <td>WD.</td> <td>J2</td> <td>PTD.</td> <td>-</td> <td>3992</td> <td>3\"/> <tr> <td>3997</td> <td>ETR</td> <td>-</td> <td>WD.</td>
<td>J2</td> <td>PTD.</td> <td>-</td> <td>3993</td> <td>3\"/> <tr> <td>3998</td> <td>ETR</td> <td>-</td> <td>WD.</td> <td>J2</td> <td>PTD.</td> <td>-</td> <td>3994</td> <td>3\"/> <tr> <td>3999</td> <td>ETR</td> <td>-</td> <td>WD.</td> <td>J2</td> <td>PTD.</td> <td>-</td> <td>3995</td> <td>3\"/> <tr> <td>3999</td> <td>ETR</td> <td>-</td> <td>WD.</td> <td>J2</td> <td>PTD.</td> <td>-</td> <td>3997</td> <td>3\"/> </td></tr></td></tr></td></tr></td></tr></td></tr></td></tr></td></tr></td></tr></td></tr></td></tr></td></tr></td></tr></td></tr></td></tr></td></tr></td></tr></td></tr></td></tr></td></tr></td></tr></td></tr></td></tr></td></td></tr></td></tr></td></td></tr></td></td></tr></td> | WD | J1 | PTD. | - | 377A | 3\"/> <tr> <td>380A</td> <td>B</td> <td>1 <td>WD</td> <td>J1</td> <td>PTD.</td> <td>-</td> <td>378</td> <td>3\"/> <tr> <td>380B</td> <td>B</td> <td>1 <td>WD</td> <td>J1</td> <td>PTD.</td> <td>-</td> <td>379</td> <td>3\"/> <tr> <td>382</td> <td>ETR</td> <td>-</td> <td>WD.</td> <td>J2</td> <td>PTD.</td> <td>-</td> <td>380A</td> <td>3\"/> <tr> <td>382A</td> <td>D</td> <td>6 <td>ALUM.</td> <td>ANODIZE D</td> <td>-</td> <td>-</td> <td>380B</td> <td>3\"/> <tr> <td>385</td> <td>ETR</td> <td>-</td> <td>WD.</td> <td>J2</td> <td>PTD.</td> <td>-</td> <td>382</td> <td>3\"/> <tr> <td>386</td> <td>ETR</td> <td>-</td> <td>WD.</td> <td>J2</td> <td>PTD.</td> <td>-</td> <td>382A</td> <td>3\"/> <tr> <td>387</td> <td>ETR</td> <td>-</td> <td>WD.</td> <td>J2</td> <td>PTD.</td> <td>-</td> <td>385</td> <td>3\"/> <tr> <td>388</td> <td>ETR</td> <td>-</td> <td>WD.</td> <td>J2</td> <td>PTD.</td> <td>-</td> <td>386</td> <td>3\"/> <tr> <td>389</td> <td>ETR</td> <td>-</td> <td>WD.</td> <td>J2</td> <td>PTD.</td> <td>-</td> <td>387</td> <td>3\"/> <tr> <td>391</td> <td>ETR</td> <td>-</td> <td>WD.</td> <td>J2</td> <td>PTD.</td> <td>-</td> <td>388</td> <td>3\"/> <tr> <td>391A</td> <td>ETR</td> <td>-</td> <td>WD.</td> <td>J2</td> <td>PTD.</td> <td>-</td> <td>389</td> <td>3\"/> <tr> <td>391B</td> <td>ETR</td> <td>-</td> <td>WD.</td> <td>J2</td> <td>PTD.</td> <td>-</td> <td>391</td> <td>3\"/> <tr> <td>394</td> <td>ETR</td> <td>-</td> <td>WD.</td> <td>J2</td> <td>PTD.</td> <td>-</td> <td>391A</td> <td>3\"/> <tr> <td>395</td> <td>ETR</td> <td>-</td> <td>WD.</td> <td>J2</td> <td>PTD.</td> <td>-</td> <td>391B</td> <td>3\"/> <tr> <td>396</td> <td>ETR</td> <td>-</td> <td>WD.</td> <td>J2</td> <td>PTD.</td> <td>-</td> <td>394</td> <td>3\"/> <tr> <td>398</td> <td>ETR</td> <td>-</td> <td>WD.</td> <td>J2</td> <td>PTD.</td> <td>-</td> <td>395</td> <td>3\"/> <tr> <td>399</td> <td>ETR</td> <td>-</td> <td>WD.</td> <td>J2</td> <td>PTD.</td> <td>-</td> <td>396</td> <td>3\"/> <tr> <td>3991</td> <td>ETR</td> <td>-</td> <td>WD.</td> <td>J2</td> <td>PTD.</td> <td>-</td> <td>398</td> <td>3\"/> <tr> <td>3992</td> <td>A</td> <td>3\"/> <tr> <td>3993</td> <td>ETR</td> <td>-</td> <td>WD.</td> <td>J2</td> <td>PTD.</td> <td>-</td> <td>399</td> <td>3\"/> <tr> <td>3994</td> <td>ETR</td> <td>-</td> <td>WD.</td> <td>J2</td> <td>PTD.</td> <td>-</td> <td>3991</td> <td>3\"/> <tr> <td>3995</td> <td>ETR</td> <td>-</td> <td>WD.</td> <td>J2</td> <td>PTD.</td> <td>-</td> <td>3992</td> <td>3\"/> <tr> <td>3997</td> <td>ETR</td> <td>-</td> <td>WD.</td> <td>J2</td> <td>PTD.</td> <td>-</td> <td>3993</td> <td>3\"/> <tr> <td>3998</td> <td>ETR</td> <td>-</td> <td>WD.</td> <td>J2</td> <td>PTD.</td> <td>-</td> <td>3994</td> <td>3\"/> <tr> <td>3999</td> <td>ETR</td> <td>-</td> <td>WD.</td> <td>J2</td> <td>PTD.</td> <td>-</td> <td>3995</td> <td>3\"/> <tr> <td>3999</td> <td>ETR</td> <td>-</td> <td>WD.</td> <td>J2</td> <td>PTD.</td> <td>-</td> <td>3997</td> <td>3\"/> </td></tr></td></tr></td></tr></td></tr></td></tr></td></tr></td></tr></td></tr></td></tr></td></tr></td></tr></td></tr></td></tr></td></tr></td></tr></td></tr></td></tr></td></tr></td></tr></td></tr></td></tr></td></tr></td></td></tr></td></tr></td></td></tr></td></td></tr>
 | 380A | B | 1 <td>WD</td> <td>J1</td> <td>PTD.</td> <td>-</td> <td>378</td> <td>3\"/> <tr> <td>380B</td> <td>B</td> <td>1 <td>WD</td> <td>J1</td> <td>PTD.</td> <td>-</td> <td>379</td> <td>3\"/> <tr> <td>382</td> <td>ETR</td> <td>-</td> <td>WD.</td> <td>J2</td> <td>PTD.</td> <td>-</td> <td>380A</td> <td>3\"/> <tr> <td>382A</td> <td>D</td> <td>6 <td>ALUM.</td> <td>ANODIZE D</td> <td>-</td> <td>-</td> <td>380B</td> <td>3\"/> <tr> <td>385</td> <td>ETR</td> <td>-</td> <td>WD.</td> <td>J2</td> <td>PTD.</td> <td>-</td> <td>382</td> <td>3\"/> <tr> <td>386</td> <td>ETR</td> <td>-</td> <td>WD.</td> <td>J2</td> <td>PTD.</td> <td>-</td> <td>382A</td> <td>3\"/> <tr> <td>387</td> <td>ETR</td> <td>-</td> <td>WD.</td> <td>J2</td> <td>PTD.</td> <td>-</td> <td>385</td> <td>3\"/> <tr> <td>388</td> <td>ETR</td> <td>-</td> <td>WD.</td> <td>J2</td> <td>PTD.</td> <td>-</td> <td>386</td> <td>3\"/> <tr> <td>389</td> <td>ETR</td> <td>-</td> <td>WD.</td> <td>J2</td> <td>PTD.</td> <td>-</td> <td>387</td> <td>3\"/> <tr> <td>391</td> <td>ETR</td> <td>-</td> <td>WD.</td> <td>J2</td> <td>PTD.</td> <td>-</td> <td>388</td> <td>3\"/> <tr> <td>391A</td> <td>ETR</td> <td>-</td> <td>WD.</td> <td>J2</td> <td>PTD.</td> <td>-</td> <td>389</td> <td>3\"/> <tr> <td>391B</td> <td>ETR</td> <td>-</td> <td>WD.</td> <td>J2</td> <td>PTD.</td> <td>-</td> <td>391</td> <td>3\"/> <tr> <td>394</td> <td>ETR</td> <td>-</td> <td>WD.</td> <td>J2</td> <td>PTD.</td> <td>-</td> <td>391A</td> <td>3\"/> <tr> <td>395</td> <td>ETR</td> <td>-</td> <td>WD.</td> <td>J2</td> <td>PTD.</td> <td>-</td> <td>391B</td> <td>3\"/> <tr> <td>396</td> <td>ETR</td> <td>-</td> <td>WD.</td> <td>J2</td> <td>PTD.</td> <td>-</td> <td>394</td> <td>3\"/> <tr> <td>398</td> <td>ETR</td> <td>-</td> <td>WD.</td> <td>J2</td> <td>PTD.</td> <td>-</td> <td>395</td> <td>3\"/> <tr> <td>399</td> <td>ETR</td> <td>-</td> <td>WD.</td> <td>J2</td> <td>PTD.</td> <td>-</td> <td>396</td> <td>3\"/> <tr> <td>3991</td> <td>ETR</td> <td>-</td> <td>WD.</td> <td>J2</td> <td>PTD.</td> <td>-</td> <td>398</td> <td>3\"/> <tr> <td>3992</td> <td>A</td> <td>3\"/> <tr> <td>3993</td> <td>ETR</td> <td>-</td> <td>WD.</td> <td>J2</td> <td>PTD.</td> <td>-</td> <td>399</td> <td>3\"/> <tr> <td>3994</td> <td>ETR</td> <td>-</td> <td>WD.</td> <td>J2</td> <td>PTD.</td> <td>-</td> <td>3991</td> <td>3\"/> <tr> <td>3995</td> <td>ETR</td> <td>-</td> <td>WD.</td> <td>J2</td> <td>PTD.</td> <td>-</td> <td>3992</td> <td>3\"/> <tr> <td>3997</td> <td>ETR</td> <td>-</td> <td>WD.</td> <td>J2</td> <td>PTD.</td> <td>-</td> <td>3993</td> <td>3\"/> <tr> <td>3998</td> <td>ETR</td> <td>-</td> <td>WD.</td> <td>J2</td> <td>PTD.</td> <td>-</td> <td>3994</td> <td>3\"/> <tr> <td>3999</td> <td>ETR</td> <td>-</td> <td>WD.</td> <td>J2</td> <td>PTD.</td> <td>-</td> <td>3995</td> <td>3\"/> <tr> <td>3999</td> <td>ETR</td> <td>-</td> <td>WD.</td> <td>J2</td> <td>PTD.</td> <td>-</td> <td>3997</td> <td>3\"/> </td></tr></td></tr></td></tr></td></tr></td></tr></td></tr></td></tr></td></tr></td></tr></td></tr></td></tr></td></tr></td></tr></td></tr></td></tr></td></tr></td></tr></td></tr></td></tr></td></tr></td></tr></td></tr></td></td></tr></td></tr></td></td></tr></td> | WD | J1 | PTD. | - | 378 | 3\"/> <tr> <td>380B</td> <td>B</td> <td>1 <td>WD</td> <td>J1</td> <td>PTD.</td> <td>-</td> <td>379</td> <td>3\"/> <tr> <td>382</td> <td>ETR</td> <td>-</td> <td>WD.</td> <td>J2</td> <td>PTD.</td> <td>-</td> <td>380A</td> <td>3\"/> <tr> <td>382A</td> <td>D</td> <td>6 <td>ALUM.</td> <td>ANODIZE D</td> <td>-</td> <td>-</td> <td>380B</td> <td>3\"/> <tr> <td>385</td> <td>ETR</td> <td>-</td> <td>WD.</td> <td>J2</td> <td>PTD.</td> <td>-</td> <td>382</td> <td>3\"/> <tr> <td>386</td> <td>ETR</td> <td>-</td> <td>WD.</td> <td>J2</td> <td>PTD.</td> <td>-</td> <td>382A</td> <td>3\"/> <tr> <td>387</td> <td>ETR</td> <td>-</td> <td>WD.</td> <td>J2</td> <td>PTD.</td> <td>-</td> <td>385</td> <td>3\"/> <tr> <td>388</td> <td>ETR</td> <td>-</td> <td>WD.</td> <td>J2</td> <td>PTD.</td> <td>-</td> <td>386</td> <td>3\"/> <tr> <td>389</td> <td>ETR</td> <td>-</td> <td>WD.</td> <td>J2</td> <td>PTD.</td> <td>-</td> <td>387</td> <td>3\"/> <tr> <td>391</td> <td>ETR</td> <td>-</td> <td>WD.</td> <td>J2</td> <td>PTD.</td> <td>-</td> <td>388</td> <td>3\"/> <tr> <td>391A</td> <td>ETR</td> <td>-</td> <td>WD.</td> <td>J2</td> <td>PTD.</td> <td>-</td> <td>389</td> <td>3\"/> <tr> <td>391B</td> <td>ETR</td> <td>-</td> <td>WD.</td> <td>J2</td> <td>PTD.</td> <td>-</td> <td>391</td> <td>3\"/> <tr> <td>394</td> <td>ETR</td> <td>-</td> <td>WD.</td> <td>J2</td> <td>PTD.</td> <td>-</td> <td>391A</td> <td>3\"/> <tr> <td>395</td> <td>ETR</td> <td>-</td> <td>WD.</td> <td>J2</td> <td>PTD.</td> <td>-</td> <td>391B</td> <td>3\"/> <tr> <td>396</td> <td>ETR</td> <td>-</td> <td>WD.</td> <td>J2</td> <td>PTD.</td> <td>-</td> <td>394</td> <td>3\"/> <tr> <td>398</td> <td>ETR</td> <td>-</td> <td>WD.</td> <td>J2</td> <td>PTD.</td> <td>-</td> <td>395</td> <td>3\"/> <tr> <td>399</td> <td>ETR</td> <td>-</td> <td>WD.</td> <td>J2</td> <td>PTD.</td> <td>-</td> <td>396</td> <td>3\"/> <tr> <td>3991</td> <td>ETR</td> <td>-</td> <td>WD.</td> <td>J2</td> <td>PTD.</td> <td>-</td> <td>398</td> <td>3\"/> <tr> <td>3992</td> <td>A</td> <td>3\"/> <tr> <td>3993</td> <td>ETR</td> <td>-</td> <td>WD.</td> <td>J2</td> <td>PTD.</td> <td>-</td> <td>399</td> <td>3\"/> <tr> <td>3994</td> <td>ETR</td> <td>-</td> <td>WD.</td> <td>J2</td> <td>PTD.</td> <td>-</td> <td>3991</td> <td>3\"/> <tr> <td>3995</td> <td>ETR</td> <td>-</td> <td>WD.</td> <td>J2</td> <td>PTD.</td> <td>-</td> <td>3992</td> <td>3\"/> <tr> <td>3997</td> <td>ETR</td> <td>-</td> <td>WD.</td> <td>J2</td> <td>PTD.</td> <td>-</td> <td>3993</td> <td>3\"/> <tr> <td>3998</td> <td>ETR</td> <td>-</td> <td>WD.</td> <td>J2</td> <td>PTD.</td> <td>-</td> <td>3994</td> <td>3\"/> <tr> <td>3999</td> <td>ETR</td> <td>-</td> <td>WD.</td> <td>J2</td> <td>PTD.</td> <td>-</td> <td>3995</td> <td>3\"/> <tr> <td>3999</td> <td>ETR</td> <td>-</td>
<td>WD.</td> <td>J2</td> <td>PTD.</td> <td>-</td> <td>3997</td> <td>3\"/> </td></tr></td></tr></td></tr></td></tr></td></tr></td></tr></td></tr></td></tr></td></tr></td></tr></td></tr></td></tr></td></tr></td></tr></td></tr></td></tr></td></tr></td></tr></td></tr></td></tr></td></tr></td></tr></td></td></tr></td></tr></td></td></tr> | 380B | B | 1 <td>WD</td> <td>J1</td> <td>PTD.</td> <td>-</td> <td>379</td> <td>3\"/> <tr> <td>382</td> <td>ETR</td> <td>-</td> <td>WD.</td> <td>J2</td> <td>PTD.</td> <td>-</td> <td>380A</td> <td>3\"/> <tr> <td>382A</td> <td>D</td> <td>6 <td>ALUM.</td> <td>ANODIZE D</td> <td>-</td> <td>-</td> <td>380B</td> <td>3\"/> <tr> <td>385</td> <td>ETR</td> <td>-</td> <td>WD.</td> <td>J2</td> <td>PTD.</td> <td>-</td> <td>382</td> <td>3\"/> <tr> <td>386</td> <td>ETR</td> <td>-</td> <td>WD.</td> <td>J2</td> <td>PTD.</td> <td>-</td> <td>382A</td> <td>3\"/> <tr> <td>387</td> <td>ETR</td> <td>-</td> <td>WD.</td> <td>J2</td> <td>PTD.</td> <td>-</td> <td>385</td> <td>3\"/> <tr> <td>388</td> <td>ETR</td> <td>-</td> <td>WD.</td> <td>J2</td> <td>PTD.</td> <td>-</td> <td>386</td> <td>3\"/> <tr> <td>389</td> <td>ETR</td> <td>-</td> <td>WD.</td> <td>J2</td> <td>PTD.</td> <td>-</td> <td>387</td> <td>3\"/> <tr> <td>391</td> <td>ETR</td> <td>-</td> <td>WD.</td> <td>J2</td> <td>PTD.</td> <td>-</td> <td>388</td> <td>3\"/> <tr> <td>391A</td> <td>ETR</td> <td>-</td> <td>WD.</td> <td>J2</td> <td>PTD.</td> <td>-</td> <td>389</td> <td>3\"/> <tr> <td>391B</td> <td>ETR</td> <td>-</td> <td>WD.</td> <td>J2</td> <td>PTD.</td> <td>-</td> <td>391</td> <td>3\"/> <tr> <td>394</td> <td>ETR</td> <td>-</td> <td>WD.</td> <td>J2</td> <td>PTD.</td> <td>-</td> <td>391A</td> <td>3\"/> <tr> <td>395</td> <td>ETR</td> <td>-</td> <td>WD.</td> <td>J2</td> <td>PTD.</td> <td>-</td> <td>391B</td> <td>3\"/> <tr> <td>396</td> <td>ETR</td> <td>-</td> <td>WD.</td> <td>J2</td> <td>PTD.</td> <td>-</td> <td>394</td> <td>3\"/> <tr> <td>398</td> <td>ETR</td> <td>-</td> <td>WD.</td> <td>J2</td> <td>PTD.</td> <td>-</td> <td>395</td> <td>3\"/> <tr> <td>399</td> <td>ETR</td> <td>-</td> <td>WD.</td> <td>J2</td> <td>PTD.</td> <td>-</td> <td>396</td> <td>3\"/> <tr> <td>3991</td> <td>ETR</td> <td>-</td> <td>WD.</td> <td>J2</td> <td>PTD.</td> <td>-</td> <td>398</td> <td>3\"/> <tr> <td>3992</td> <td>A</td> <td>3\"/> <tr> <td>3993</td> <td>ETR</td> <td>-</td> <td>WD.</td> <td>J2</td> <td>PTD.</td> <td>-</td> <td>399</td> <td>3\"/> <tr> <td>3994</td> <td>ETR</td> <td>-</td> <td>WD.</td> <td>J2</td> <td>PTD.</td> <td>-</td> <td>3991</td> <td>3\"/> <tr> <td>3995</td> <td>ETR</td> <td>-</td> <td>WD.</td> <td>J2</td> <td>PTD.</td> <td>-</td> <td>3992</td> <td>3\"/> <tr> <td>3997</td> <td>ETR</td> <td>-</td> <td>WD.</td> <td>J2</td> <td>PTD.</td> <td>-</td> <td>3993</td> <td>3\"/> <tr> <td>3998</td> <td>ETR</td> <td>-</td> <td>WD.</td> <td>J2</td> <td>PTD.</td> <td>-</td> <td>3994</td> <td>3\"/> <tr> <td>3999</td> <td>ETR</td> <td>-</td> <td>WD.</td> <td>J2</td> <td>PTD.</td> <td>-</td> <td>3995</td> <td>3\"/> <tr> <td>3999</td> <td>ETR</td> <td>-</td> <td>WD.</td> <td>J2</td> <td>PTD.</td> <td>-</td> <td>3997</td> <td>3\"/> </td></tr></td></tr></td></tr></td></tr></td></tr></td></tr></td></tr></td></tr></td></tr></td></tr></td></tr></td></tr></td></tr></td></tr></td></tr></td></tr></td></tr></td></tr></td></tr></td></tr></td></tr></td></tr></td></td></tr></td></tr></td> | WD | J1 |
PTD. | - | 379 | 3\"/> <tr> <td>382</td> <td>ETR</td> <td>-</td> <td>WD.</td> <td>J2</td> <td>PTD.</td> <td>-</td> <td>380A</td> <td>3\"/> <tr> <td>382A</td> <td>D</td> <td>6 <td>ALUM.</td> <td>ANODIZE D</td> <td>-</td> <td>-</td> <td>380B</td> <td>3\"/> <tr> <td>385</td> <td>ETR</td> <td>-</td> <td>WD.</td> <td>J2</td> <td>PTD.</td> <td>-</td> <td>382</td> <td>3\"/> <tr> <td>386</td> <td>ETR</td> <td>-</td> <td>WD.</td> <td>J2</td> <td>PTD.</td> <td>-</td> <td>382A</td> <td>3\"/> <tr> <td>387</td> <td>ETR</td> <td>-</td> <td>WD.</td> <td>J2</td> <td>PTD.</td> <td>-</td> <td>385</td> <td>3\"/> <tr> <td>388</td> <td>ETR</td> <td>-</td> <td>WD.</td> <td>J2</td> <td>PTD.</td> <td>-</td> <td>386</td> <td>3\"/> <tr> <td>389</td> <td>ETR</td> <td>-</td> <td>WD.</td> <td>J2</td> <td>PTD.</td> <td>-</td> <td>387</td> <td>3\"/> <tr> <td>391</td> <td>ETR</td> <td>-</td> <td>WD.</td> <td>J2</td> <td>PTD.</td> <td>-</td> <td>388</td> <td>3\"/> <tr> <td>391A</td> <td>ETR</td> <td>-</td> <td>WD.</td> <td>J2</td> <td>PTD.</td> <td>-</td> <td>389</td> <td>3\"/> <tr> <td>391B</td> <td>ETR</td> <td>-</td> <td>WD.</td> <td>J2</td> <td>PTD.</td> <td>-</td> <td>391</td> <td>3\"/> <tr> <td>394</td> <td>ETR</td> <td>-</td> <td>WD.</td> <td>J2</td> <td>PTD.</td> <td>-</td> <td>391A</td> <td>3\"/> <tr> <td>395</td> <td>ETR</td> <td>-</td> <td>WD.</td> <td>J2</td> <td>PTD.</td> <td>-</td> <td>391B</td> <td>3\"/> <tr> <td>396</td> <td>ETR</td> <td>-</td> <td>WD.</td> <td>J2</td> <td>PTD.</td> <td>-</td> <td>394</td> <td>3\"/> <tr> <td>398</td> <td>ETR</td> <td>-</td> <td>WD.</td> <td>J2</td> <td>PTD.</td> <td>-</td> <td>395</td> <td>3\"/> <tr> <td>399</td> <td>ETR</td> <td>-</td> <td>WD.</td> <td>J2</td> <td>PTD.</td> <td>-</td> <td>396</td> <td>3\"/> <tr> <td>3991</td> <td>ETR</td> <td>-</td> <td>WD.</td> <td>J2</td> <td>PTD.</td> <td>-</td> <td>398</td> <td>3\"/> <tr> <td>3992</td> <td>A</td> <td>3\"/> <tr> <td>3993</td> <td>ETR</td> <td>-</td> <td>WD.</td> <td>J2</td> <td>PTD.</td> <td>-</td> <td>399</td> <td>3\"/> <tr> <td>3994</td> <td>ETR</td> <td>-</td> <td>WD.</td> <td>J2</td> <td>PTD.</td> <td>-</td> <td>3991</td> <td>3\"/> <tr> <td>3995</td> <td>ETR</td> <td>-</td> <td>WD.</td> <td>J2</td> <td>PTD.</td> <td>-</td> <td>3992</td> <td>3\"/> <tr> <td>3997</td> <td>ETR</td> <td>-</td> <td>WD.</td> <td>J2</td> <td>PTD.</td> <td>-</td> <td>3993</td> <td>3\"/> <tr> <td>3998</td> <td>ETR</td> <td>-</td> <td>WD.</td> <td>J2</td> <td>PTD.</td> <td>-</td> <td>3994</td> <td>3\"/> <tr> <td>3999</td> <td>ETR</td> <td>-</td> <td>WD.</td> <td>J2</td> <td>PTD.</td> <td>-</td> <td>3995</td> <td>3\"/> <tr> <td>3999</td> <td>ETR</td> <td>-</td> <td>WD.</td> <td>J2</td> <td>PTD.</td> <td>-</td> <td>3997</td> <td>3\"/> </td></tr></td></tr></td></tr></td></tr></td></tr></td></tr></td></tr></td></tr></td></tr></td></tr></td></tr></td></tr></td></tr></td></tr></td></tr></td></tr></td></tr></td></tr></td></tr></td></tr></td></tr></td></tr></td></td></tr></td></tr> | 382 | ETR | -
 | WD. | J2 | PTD. | - | 380A | 3\"/> <tr> <td>382A</td> <td>D</td> <td>6 <td>ALUM.</td> <td>ANODIZE D</td> <td>-</td> <td>-</td> <td>380B</td> <td>3\"/> <tr> <td>385</td> <td>ETR</td> <td>-</td> <td>WD.</td> <td>J2</td> <td>PTD.</td> <td>-</td> <td>382</td> <td>3\"/> <tr> <td>386</td> <td>ETR</td> <td>-</td> <td>WD.</td> <td>J2</td> <td>PTD.</td> <td>-</td> <td>382A</td> <td>3\"/> <tr> <td>387</td> <td>ETR</td> <td>-</td> <td>WD.</td> <td>J2</td> <td>PTD.</td> <td>-</td> <td>385</td> <td>3\"/> <tr> <td>388</td> <td>ETR</td> <td>-</td> <td>WD.</td> <td>J2</td> <td>PTD.</td> <td>-</td> <td>386</td> <td>3\"/> <tr> <td>389</td> <td>ETR</td> <td>-</td> <td>WD.</td> <td>J2</td> <td>PTD.</td> <td>-</td> <td>387</td> <td>3\"/> <tr> <td>391</td> <td>ETR</td> <td>-</td> <td>WD.</td> <td>J2</td> <td>PTD.</td> <td>-</td> <td>388</td> <td>3\"/> <tr> <td>391A</td> <td>ETR</td> <td>-</td> <td>WD.</td> <td>J2</td> <td>PTD.</td> <td>-</td> <td>389</td> <td>3\"/> <tr> <td>391B</td> <td>ETR</td> <td>-</td> <td>WD.</td> <td>J2</td> <td>PTD.</td> <td>-</td> <td>391</td> <td>3\"/> <tr> <td>394</td> <td>ETR</td> <td>-</td> <td>WD.</td> <td>J2</td> <td>PTD.</td> <td>-</td> <td>391A</td> <td>3\"/> <tr> <td>395</td> <td>ETR</td> <td>-</td> <td>WD.</td> <td>J2</td> <td>PTD.</td> <td>-</td> <td>391B</td> <td>3\"/> <tr> <td>396</td> <td>ETR</td> <td>-</td> <td>WD.</td> <td>J2</td> <td>PTD.</td> <td>-</td> <td>394</td> <td>3\"/> <tr> <td>398</td> <td>ETR</td> <td>-</td> <td>WD.</td> <td>J2</td> <td>PTD.</td> <td>-</td> <td>395</td> <td>3\"/> <tr> <td>399</td> <td>ETR</td> <td>-</td> <td>WD.</td> <td>J2</td> <td>PTD.</td> <td>-</td> <td>396</td> <td>3\"/> <tr> <td>3991</td> <td>ETR</td> <td>-</td> <td>WD.</td> <td>J2</td> <td>PTD.</td> <td>-</td> <td>398</td> <td>3\"/> <tr> <td>3992</td> <td>A</td> <td>3\"/> <tr> <td>3993</td> <td>ETR</td> <td>-</td> <td>WD.</td> <td>J2</td> <td>PTD.</td> <td>-</td> <td>399</td> <td>3\"/> <tr> <td>3994</td> <td>ETR</td> <td>-</td> <td>WD.</td> <td>J2</td> <td>PTD.</td> <td>-</td> <td>3991</td> <td>3\"/> <tr> <td>3995</td> <td>ETR</td> <td>-</td> <td>WD.</td> <td>J2</td> <td>PTD.</td> <td>-</td> <td>3992</td> <td>3\"/> <tr> <td>3997</td> <td>ETR</td> <td>-</td> <td>WD.</td> <td>J2</td> <td>PTD.</td> <td>-</td> <td>3993</td> <td>3\"/> <tr> <td>3998</td> <td>ETR</td> <td>-</td> <td>WD.</td> <td>J2</td> <td>PTD.</td> <td>-</td> <td>3994</td> <td>3\"/> <tr> <td>3999</td> <td>ETR</td> <td>-</td> <td>WD.</td> <td>J2</td> <td>PTD.</td> <td>-</td> <td>3995</td> <td>3\"/> <tr> <td>3999</td> <td>ETR</td> <td>-</td> <td>WD.</td> <td>J2</td> <td>PTD.</td> <td>-</td> <td>3997</td> <td>3\"/> </td></tr></td></tr></td></tr></td></tr></td></tr></td></tr></td></tr></td></tr></td></tr></td></tr></td></tr></td></tr></td></tr></td></tr></td></tr></td></tr></td></tr></td></tr></td></tr></td></tr></td></tr></td></tr></td></td></tr> | 382A | D | 6 <td>ALUM.</td> <td>ANODIZE D</td> <td>-</td> <td>-</td> <td>380B</td> <td>3\"/> <tr> <td>385</td> <td>ETR</td> <td>-</td> <td>WD.</td> <td>J2</td> <td>PTD.</td> <td>-</td> <td>382</td> <td>3\"/> <tr> <td>386</td> <td>ETR</td> <td>-</td> <td>WD.</td> <td>J2</td> <td>PTD.</td> <td>-</td> <td>382A</td> <td>3\"/> <tr> <td>387</td> <td>ETR</td> <td>-</td> <td>WD.</td> <td>J2</td> <td>PTD.</td> <td>-</td> <td>385</td> <td>3\"/> <tr> <td>388</td> <td>ETR</td> <td>-</td> <td>WD.</td> <td>J2</td> <td>PTD.</td> <td>-</td> <td>386</td> <td>3\"/> <tr> <td>389</td> <td>ETR</td> <td>-</td> <td>WD.</td> <td>J2</td> <td>PTD.</td> <td>-</td> <td>387</td> <td>3\"/> <tr> <td>391</td> <td>ETR</td> <td>-</td> <td>WD.</td> <td>J2</td> <td>PTD.</td> <td>-</td> <td>388</td> <td>3\"/> <tr> <td>391A</td> <td>ETR</td> <td>-</td> <td>WD.</td> <td>J2</td> <td>PTD.</td> <td>-</td> <td>389</td> <td>3\"/> <tr> <td>391B</td> <td>ETR</td> <td>-</td> <td>WD.</td> <td>J2</td> <td>PTD.</td> <td>-</td> <td>391</td> <td>3\"/> <tr> <td>394</td> <td>ETR</td> <td>-</td> <td>WD.</td> <td>J2</td> <td>PTD.</td> <td>-</td> <td>391A</td> <td>3\"/> <tr> <td>395</td> <td>ETR</td> <td>-</td>
<td>WD.</td> <td>J2</td> <td>PTD.</td> <td>-</td> <td>391B</td> <td>3\"/> <tr> <td>396</td> <td>ETR</td> <td>-</td> <td>WD.</td> <td>J2</td> <td>PTD.</td> <td>-</td> <td>394</td> <td>3\"/> <tr> <td>398</td> <td>ETR</td> <td>-</td> <td>WD.</td> <td>J2</td> <td>PTD.</td> <td>-</td> <td>395</td> <td>3\"/> <tr> <td>399</td> <td>ETR</td> <td>-</td> <td>WD.</td> <td>J2</td> <td>PTD.</td> <td>-</td> <td>396</td> <td>3\"/> <tr> <td>3991</td> <td>ETR</td> <td>-</td> <td>WD.</td> <td>J2</td> <td>PTD.</td> <td>-</td> <td>398</td> <td>3\"/> <tr> <td>3992</td> <td>A</td> <td>3\"/> <tr> <td>3993</td> <td>ETR</td> <td>-</td> <td>WD.</td> <td>J2</td> <td>PTD.</td> <td>-</td> <td>399</td> <td>3\"/> <tr> <td>3994</td> <td>ETR</td> <td>-</td> <td>WD.</td> <td>J2</td> <td>PTD.</td> <td>-</td> <td>3991</td> <td>3\"/> <tr> <td>3995</td> <td>ETR</td> <td>-</td> <td>WD.</td> <td>J2</td> <td>PTD.</td> <td>-</td> <td>3992</td> <td>3\"/> <tr> <td>3997</td> <td>ETR</td> <td>-</td> <td>WD.</td> <td>J2</td> <td>PTD.</td> <td>-</td> <td>3993</td> <td>3\"/> <tr> <td>3998</td> <td>ETR</td> <td>-</td> <td>WD.</td> <td>J2</td> <td>PTD.</td> <td>-</td> <td>3994</td> <td>3\"/> <tr> <td>3999</td> <td>ETR</td> <td>-</td> <td>WD.</td> <td>J2</td> <td>PTD.</td> <td>-</td> <td>3995</td> <td>3\"/> <tr> <td>3999</td> <td>ETR</td> <td>-</td> <td>WD.</td> <td>J2</td> <td>PTD.</td> <td>-</td> <td>3997</td> <td>3\"/> </td></tr></td></tr></td></tr></td></tr></td></tr></td></tr></td></tr></td></tr></td></tr></td></tr></td></tr></td></tr></td></tr></td></tr></td></tr></td></tr></td></tr></td></tr></td></tr></td></tr></td></tr></td></tr></td> | ALUM. | ANODIZE D | - | - | 380B | 3\"/> <tr> <td>385</td> <td>ETR</td> <td>-</td> <td>WD.</td> <td>J2</td> <td>PTD.</td> <td>-</td> <td>382</td> <td>3\"/> <tr> <td>386</td> <td>ETR</td> <td>-</td> <td>WD.</td> <td>J2</td> <td>PTD.</td> <td>-</td> <td>382A</td> <td>3\"/> <tr> <td>387</td> <td>ETR</td> <td>-</td> <td>WD.</td> <td>J2</td> <td>PTD.</td> <td>-</td> <td>385</td> <td>3\"/> <tr> <td>388</td> <td>ETR</td> <td>-</td> <td>WD.</td> <td>J2</td> <td>PTD.</td> <td>-</td> <td>386</td> <td>3\"/> <tr> <td>389</td> <td>ETR</td> <td>-</td> <td>WD.</td> <td>J2</td> <td>PTD.</td> <td>-</td> <td>387</td> <td>3\"/> <tr> <td>391</td> <td>ETR</td> <td>-</td> <td>WD.</td> <td>J2</td> <td>PTD.</td> <td>-</td> <td>388</td> <td>3\"/> <tr> <td>391A</td> <td>ETR</td> <td>-</td> <td>WD.</td> <td>J2</td> <td>PTD.</td> <td>-</td> <td>389</td> <td>3\"/> <tr> <td>391B</td> <td>ETR</td> <td>-</td> <td>WD.</td> <td>J2</td> <td>PTD.</td> <td>-</td> <td>391</td> <td>3\"/> <tr> <td>394</td> <td>ETR</td> <td>-</td> <td>WD.</td> <td>J2</td> <td>PTD.</td> <td>-</td> <td>391A</td> <td>3\"/> <tr> <td>395</td> <td>ETR</td> <td>-</td> <td>WD.</td> <td>J2</td> <td>PTD.</td> <td>-</td> <td>391B</td> <td>3\"/> <tr> <td>396</td> <td>ETR</td> <td>-</td> <td>WD.</td> <td>J2</td> <td>PTD.</td> <td>-</td> <td>394</td> <td>3\"/> <tr> <td>398</td> <td>ETR</td> <td>-</td> <td>WD.</td> <td>J2</td> <td>PTD.</td> <td>-</td> <td>395</td> <td>3\"/> <tr> <td>399</td> <td>ETR</td> <td>-</td> <td>WD.</td> <td>J2</td> <td>PTD.</td> <td>-</td> <td>396</td> <td>3\"/> <tr> <td>3991</td> <td>ETR</td> <td>-</td> <td>WD.</td> <td>J2</td> <td>PTD.</td> <td>-</td> <td>398</td> <td>3\"/> <tr> <td>3992</td> <td>A</td> <td>3\"/> <tr> <td>3993</td> <td>ETR</td> <td>-</td> <td>WD.</td> <td>J2</td> <td>PTD.</td> <td>-</td> <td>399</td> <td>3\"/> <tr> <td>3994</td> <td>ETR</td> <td>-</td> <td>WD.</td> <td>J2</td> <td>PTD.</td> <td>-</td> <td>3991</td> <td>3\"/> <tr> <td>3995</td> <td>ETR</td> <td>-</td> <td>WD.</td> <td>J2</td> <td>PTD.</td> <td>-</td> <td>3992</td> <td>3\"/> <tr> <td>3997</td> <td>ETR</td> <td>-</td> <td>WD.</td> <td>J2</td> <td>PTD.</td> <td>-</td> <td>3993</td> <td>3\"/> <tr> <td>3998</td> <td>ETR</td> <td>-</td> <td>WD.</td> <td>J2</td> <td>PTD.</td> <td>-</td> <td>3994</td> <td>3\"/> <tr> <td>3999</td> <td>ETR</td> <td>-</td> <td>WD.</td> <td>J2</td> <td>PTD.</td> <td>-</td> <td>3995</td> <td>3\"/> <tr> <td>3999</td> <td>ETR</td> <td>-</td> <td>WD.</td> <td>J2</td> <td>PTD.</td> <td>-</td> <td>3997</td> <td>3\"/> </td></tr></td></tr></td></tr></td></tr></td></tr></td></tr></td></tr></td></tr></td></tr></td></tr></td></tr></td></tr></td></tr></td></tr></td></tr></td></tr></td></tr></td></tr></td></tr></td></tr></td></tr></td></tr>
 | 385 | ETR | - | WD. | J2 | PTD. | - | 382 | 3\"/> <tr> <td>386</td> <td>ETR</td> <td>-</td> <td>WD.</td> <td>J2</td> <td>PTD.</td> <td>-</td> <td>382A</td> <td>3\"/> <tr> <td>387</td> <td>ETR</td> <td>-</td> <td>WD.</td> <td>J2</td> <td>PTD.</td> <td>-</td> <td>385</td> <td>3\"/> <tr> <td>388</td> <td>ETR</td> <td>-</td> <td>WD.</td> <td>J2</td> <td>PTD.</td> <td>-</td> <td>386</td> <td>3\"/> <tr> <td>389</td> <td>ETR</td> <td>-</td> <td>WD.</td> <td>J2</td> <td>PTD.</td> <td>-</td> <td>387</td> <td>3\"/> <tr> <td>391</td> <td>ETR</td> <td>-</td> <td>WD.</td> <td>J2</td> <td>PTD.</td> <td>-</td> <td>388</td> <td>3\"/> <tr> <td>391A</td> <td>ETR</td> <td>-</td> <td>WD.</td> <td>J2</td> <td>PTD.</td> <td>-</td> <td>389</td> <td>3\"/> <tr> <td>391B</td> <td>ETR</td> <td>-</td> <td>WD.</td> <td>J2</td> <td>PTD.</td> <td>-</td> <td>391</td> <td>3\"/> <tr> <td>394</td> <td>ETR</td> <td>-</td> <td>WD.</td> <td>J2</td> <td>PTD.</td> <td>-</td> <td>391A</td> <td>3\"/> <tr> <td>395</td> <td>ETR</td> <td>-</td> <td>WD.</td> <td>J2</td> <td>PTD.</td> <td>-</td> <td>391B</td> <td>3\"/> <tr> <td>396</td> <td>ETR</td> <td>-</td> <td>WD.</td> <td>J2</td> <td>PTD.</td> <td>-</td> <td>394</td> <td>3\"/> <tr> <td>398</td> <td>ETR</td> <td>-</td> <td>WD.</td> <td>J2</td> <td>PTD.</td> <td>-</td> <td>395</td> <td>3\"/> <tr> <td>399</td> <td>ETR</td> <td>-</td> <td>WD.</td> <td>J2</td> <td>PTD.</td> <td>-</td> <td>396</td> <td>3\"/> <tr> <td>3991</td> <td>ETR</td> <td>-</td> <td>WD.</td> <td>J2</td> <td>PTD.</td> <td>-</td> <td>398</td> <td>3\"/> <tr> <td>3992</td> <td>A</td> <td>3\"/> <tr> <td>3993</td> <td>ETR</td> <td>-</td> <td>WD.</td> <td>J2</td> <td>PTD.</td> <td>-</td> <td>399</td> <td>3\"/> <tr> <td>3994</td> <td>ETR</td> <td>-</td> <td>WD.</td> <td>J2</td> <td>PTD.</td> <td>-</td> <td>3991</td> <td>3\"/> <tr> <td>3995</td> <td>ETR</td> <td>-</td> <td>WD.</td> <td>J2</td> <td>PTD.</td> <td>-</td> <td>3992</td> <td>3\"/> <tr> <td>3997</td> <td>ETR</td> <td>-</td> <td>WD.</td> <td>J2</td> <td>PTD.</td> <td>-</td> <td>3993</td> <td>3\"/> <tr> <td>3998</td> <td>ETR</td> <td>-</td> <td>WD.</td> <td>J2</td> <td>PTD.</td> <td>-</td> <td>3994</td> <td>3\"/> <tr> <td>3999</td> <td>ETR</td> <td>-</td> <td>WD.</td> <td>J2</td> <td>PTD.</td> <td>-</td> <td>3995</td> <td>3\"/> <tr> <td>3999</td> <td>ETR</td> <td>-</td> <td>WD.</td> <td>J2</td> <td>PTD.</td> <td>-</td> <td>3997</td> <td>3\"/> </td></tr></td></tr></td></tr></td></tr></td></tr></td></tr></td></tr></td></tr></td></tr></td></tr></td></tr></td></tr></td></tr></td></tr></td></tr></td></tr></td></tr></td></tr></td></tr></td></tr></td></tr>
 | 386 | ETR | - | WD. | J2 | PTD. | - | 382A | 3\"/> <tr> <td>387</td> <td>ETR</td> <td>-</td> <td>WD.</td> <td>J2</td> <td>PTD.</td> <td>-</td> <td>385</td> <td>3\"/> <tr> <td>388</td> <td>ETR</td> <td>-</td> <td>WD.</td> <td>J2</td> <td>PTD.</td> <td>-</td> <td>386</td> <td>3\"/> <tr> <td>389</td> <td>ETR</td> <td>-</td> <td>WD.</td> <td>J2</td> <td>PTD.</td> <td>-</td> <td>387</td> <td>3\"/> <tr> <td>391</td> <td>ETR</td> <td>-</td> <td>WD.</td> <td>J2</td> <td>PTD.</td> <td>-</td> <td>388</td> <td>3\"/> <tr> <td>391A</td> <td>ETR</td> <td>-</td> <td>WD.</td> <td>J2</td> <td>PTD.</td> <td>-</td> <td>389</td> <td>3\"/> <tr> <td>391B</td> <td>ETR</td> <td>-</td> <td>WD.</td> <td>J2</td> <td>PTD.</td> <td>-</td> <td>391</td> <td>3\"/> <tr> <td>394</td> <td>ETR</td> <td>-</td> <td>WD.</td> <td>J2</td> <td>PTD.</td> <td>-</td> <td>391A</td> <td>3\"/> <tr> <td>395</td> <td>ETR</td> <td>-</td> <td>WD.</td> <td>J2</td> <td>PTD.</td> <td>-</td> <td>391B</td> <td>3\"/> <tr> <td>396</td> <td>ETR</td> <td>-</td> <td>WD.</td> <td>J2</td> <td>PTD.</td> <td>-</td> <td>394</td> <td>3\"/> <tr> <td>398</td>
<td>ETR</td> <td>-</td> <td>WD.</td> <td>J2</td> <td>PTD.</td> <td>-</td> <td>395</td> <td>3\"/> <tr> <td>399</td> <td>ETR</td> <td>-</td> <td>WD.</td> <td>J2</td> <td>PTD.</td> <td>-</td> <td>396</td> <td>3\"/> <tr> <td>3991</td> <td>ETR</td> <td>-</td> <td>WD.</td> <td>J2</td> <td>PTD.</td> <td>-</td> <td>398</td> <td>3\"/> <tr> <td>3992</td> <td>A</td> <td>3\"/> <tr> <td>3993</td> <td>ETR</td> <td>-</td> <td>WD.</td> <td>J2</td> <td>PTD.</td> <td>-</td> <td>399</td> <td>3\"/> <tr> <td>3994</td> <td>ETR</td> <td>-</td> <td>WD.</td> <td>J2</td> <td>PTD.</td> <td>-</td> <td>3991</td> <td>3\"/> <tr> <td>3995</td> <td>ETR</td> <td>-</td> <td>WD.</td> <td>J2</td> <td>PTD.</td> <td>-</td> <td>3992</td> <td>3\"/> <tr> <td>3997</td> <td>ETR</td> <td>-</td> <td>WD.</td> <td>J2</td> <td>PTD.</td> <td>-</td> <td>3993</td> <td>3\"/> <tr> <td>3998</td> <td>ETR</td> <td>-</td> <td>WD.</td> <td>J2</td> <td>PTD.</td> <td>-</td> <td>3994</td> <td>3\"/> <tr> <td>3999</td> <td>ETR</td> <td>-</td> <td>WD.</td> <td>J2</td> <td>PTD.</td> <td>-</td> <td>3995</td> <td>3\"/> <tr> <td>3999</td> <td>ETR</td> <td>-</td> <td>WD.</td> <td>J2</td> <td>PTD.</td> <td>-</td> <td>3997</td> <td>3\"/> </td></tr></td></tr></td></tr></td></tr></td></tr></td></tr></td></tr></td></tr></td></tr></td></tr></td></tr></td></tr></td></tr></td></tr></td></tr></td></tr></td></tr></td></tr></td></tr></td></tr> | 387 | ETR | -
 | WD. | J2 | PTD. | - | 385 | 3\"/> <tr> <td>388</td> <td>ETR</td> <td>-</td> <td>WD.</td> <td>J2</td> <td>PTD.</td> <td>-</td> <td>386</td> <td>3\"/> <tr> <td>389</td> <td>ETR</td> <td>-</td> <td>WD.</td> <td>J2</td> <td>PTD.</td> <td>-</td> <td>387</td> <td>3\"/> <tr> <td>391</td> <td>ETR</td> <td>-</td> <td>WD.</td> <td>J2</td> <td>PTD.</td> <td>-</td> <td>388</td> <td>3\"/> <tr> <td>391A</td> <td>ETR</td> <td>-</td> <td>WD.</td> <td>J2</td> <td>PTD.</td> <td>-</td> <td>389</td> <td>3\"/> <tr> <td>391B</td> <td>ETR</td> <td>-</td> <td>WD.</td> <td>J2</td> <td>PTD.</td> <td>-</td> <td>391</td> <td>3\"/> <tr> <td>394</td> <td>ETR</td> <td>-</td> <td>WD.</td> <td>J2</td> <td>PTD.</td> <td>-</td> <td>391A</td> <td>3\"/> <tr> <td>395</td> <td>ETR</td> <td>-</td> <td>WD.</td> <td>J2</td> <td>PTD.</td> <td>-</td> <td>391B</td> <td>3\"/> <tr> <td>396</td> <td>ETR</td> <td>-</td> <td>WD.</td> <td>J2</td> <td>PTD.</td> <td>-</td> <td>394</td> <td>3\"/> <tr> <td>398</td> <td>ETR</td> <td>-</td> <td>WD.</td> <td>J2</td> <td>PTD.</td> <td>-</td> <td>395</td> <td>3\"/> <tr> <td>399</td> <td>ETR</td> <td>-</td> <td>WD.</td> <td>J2</td> <td>PTD.</td> <td>-</td> <td>396</td> <td>3\"/> <tr> <td>3991</td> <td>ETR</td> <td>-</td> <td>WD.</td> <td>J2</td> <td>PTD.</td> <td>-</td> <td>398</td> <td>3\"/> <tr> <td>3992</td> <td>A</td> <td>3\"/> <tr> <td>3993</td> <td>ETR</td> <td>-</td> <td>WD.</td> <td>J2</td> <td>PTD.</td> <td>-</td> <td>399</td> <td>3\"/> <tr> <td>3994</td> <td>ETR</td> <td>-</td> <td>WD.</td> <td>J2</td> <td>PTD.</td> <td>-</td> <td>3991</td> <td>3\"/> <tr> <td>3995</td> <td>ETR</td> <td>-</td> <td>WD.</td> <td>J2</td> <td>PTD.</td> <td>-</td> <td>3992</td> <td>3\"/> <tr> <td>3997</td> <td>ETR</td> <td>-</td> <td>WD.</td> <td>J2</td> <td>PTD.</td> <td>-</td> <td>3993</td> <td>3\"/> <tr> <td>3998</td> <td>ETR</td> <td>-</td> <td>WD.</td> <td>J2</td> <td>PTD.</td> <td>-</td> <td>3994</td> <td>3\"/> <tr> <td>3999</td> <td>ETR</td> <td>-</td> <td>WD.</td> <td>J2</td> <td>PTD.</td> <td>-</td> <td>3995</td> <td>3\"/> <tr> <td>3999</td> <td>ETR</td> <td>-</td> <td>WD.</td> <td>J2</td> <td>PTD.</td> <td>-</td> <td>3997</td> <td>3\"/> </td></tr></td></tr></td></tr></td></tr></td></tr></td></tr></td></tr></td></tr></td></tr></td></tr></td></tr></td></tr></td></tr></td></tr></td></tr></td></tr></td></tr></td></tr></td></tr> | 388 | ETR | -
 | WD. | J2 | PTD. | - | 386 | 3\"/> <tr> <td>389</td> <td>ETR</td> <td>-</td> <td>WD.</td> <td>J2</td> <td>PTD.</td> <td>-</td> <td>387</td> <td>3\"/> <tr> <td>391</td> <td>ETR</td> <td>-</td> <td>WD.</td> <td>J2</td> <td>PTD.</td> <td>-</td> <td>388</td> <td>3\"/> <tr> <td>391A</td> <td>ETR</td> <td>-</td> <td>WD.</td> <td>J2</td> <td>PTD.</td> <td>-</td> <td>389</td> <td>3\"/> <tr> <td>391B</td> <td>ETR</td> <td>-</td> <td>WD.</td> <td>J2</td> <td>PTD.</td> <td>-</td> <td>391</td> <td>3\"/> <tr> <td>394</td> <td>ETR</td> <td>-</td> <td>WD.</td> <td>J2</td> <td>PTD.</td> <td>-</td> <td>391A</td> <td>3\"/> <tr> <td>395</td> <td>ETR</td> <td>-</td> <td>WD.</td> <td>J2</td> <td>PTD.</td> <td>-</td> <td>391B</td> <td>3\"/> <tr> <td>396</td> <td>ETR</td> <td>-</td> <td>WD.</td> <td>J2</td> <td>PTD.</td> <td>-</td> <td>394</td> <td>3\"/> <tr> <td>398</td> <td>ETR</td> <td>-</td> <td>WD.</td> <td>J2</td> <td>PTD.</td> <td>-</td> <td>395</td> <td>3\"/> <tr> <td>399</td> <td>ETR</td> <td>-</td> <td>WD.</td> <td>J2</td> <td>PTD.</td> <td>-</td> <td>396</td> <td>3\"/> <tr> <td>3991</td> <td>ETR</td> <td>-</td> <td>WD.</td> <td>J2</td> <td>PTD.</td> <td>-</td> <td>398</td> <td>3\"/> <tr> <td>3992</td> <td>A</td> <td>3\"/> <tr> <td>3993</td> <td>ETR</td> <td>-</td> <td>WD.</td> <td>J2</td> <td>PTD.</td> <td>-</td> <td>399</td> <td>3\"/> <tr> <td>3994</td> <td>ETR</td> <td>-</td> <td>WD.</td> <td>J2</td> <td>PTD.</td> <td>-</td> <td>3991</td> <td>3\"/> <tr> <td>3995</td> <td>ETR</td> <td>-</td> <td>WD.</td> <td>J2</td> <td>PTD.</td> <td>-</td> <td>3992</td> <td>3\"/> <tr> <td>3997</td> <td>ETR</td> <td>-</td> <td>WD.</td> <td>J2</td> <td>PTD.</td> <td>-</td> <td>3993</td> <td>3\"/> <tr> <td>3998</td> <td>ETR</td> <td>-</td> <td>WD.</td> <td>J2</td> <td>PTD.</td> <td>-</td> <td>3994</td> <td>3\"/> <tr> <td>3999</td> <td>ETR</td> <td>-</td> <td>WD.</td> <td>J2</td> <td>PTD.</td> <td>-</td> <td>3995</td> <td>3\"/> <tr> <td>3999</td> <td>ETR</td> <td>-</td> <td>WD.</td> <td>J2</td> <td>PTD.</td> <td>-</td> <td>3997</td> <td>3\"/> </td></tr></td></tr></td></tr></td></tr></td></tr></td></tr></td></tr></td></tr></td></tr></td></tr></td></tr></td></tr></td></tr></td></tr></td></tr></td></tr></td></tr></td></tr> | 389 | ETR | -
 | WD. | J2 | PTD. | - | 387 | 3\"/> <tr> <td>391</td> <td>ETR</td> <td>-</td> <td>WD.</td> <td>J2</td> <td>PTD.</td> <td>-</td> <td>388</td> <td>3\"/> <tr> <td>391A</td> <td>ETR</td> <td>-</td> <td>WD.</td> <td>J2</td> <td>PTD.</td> <td>-</td> <td>389</td> <td>3\"/> <tr> <td>391B</td> <td>ETR</td> <td>-</td> <td>WD.</td> <td>J2</td> <td>PTD.</td> <td>-</td> <td>391</td> <td>3\"/> <tr> <td>394</td> <td>ETR</td> <td>-</td> <td>WD.</td> <td>J2</td> <td>PTD.</td> <td>-</td> <td>391A</td> <td>3\"/> <tr> <td>395</td> <td>ETR</td> <td>-</td> <td>WD.</td> <td>J2</td> <td>PTD.</td> <td>-</td> <td>391B</td> <td>3\"/> <tr> <td>396</td> <td>ETR</td> <td>-</td> <td>WD.</td> <td>J2</td> <td>PTD.</td> <td>-</td> <td>394</td> <td>3\"/> <tr> <td>398</td> <td>ETR</td> <td>-</td> <td>WD.</td> <td>J2</td> <td>PTD.</td> <td>-</td> <td>395</td> <td>3\"/> <tr> <td>399</td> <td>ETR</td> <td>-</td> <td>WD.</td> <td>J2</td> <td>PTD.</td> <td>-</td> <td>396</td> <td>3\"/> <tr> <td>3991</td> <td>ETR</td> <td>-</td> <td>WD.</td> <td>J2</td> <td>PTD.</td> <td>-</td> <td>398</td> <td>3\"/> <tr> <td>3992</td> <td>A</td> <td>3\"/> <tr> <td>3993</td> <td>ETR</td> <td>-</td> <td>WD.</td> <td>J2</td> <td>PTD.</td> <td>-</td> <td>399</td> <td>3\"/> <tr> <td>3994</td> <td>ETR</td> <td>-</td> <td>WD.</td> <td>J2</td> <td>PTD.</td> <td>-</td> <td>3991</td> <td>3\"/> <tr> <td>3995</td> <td>ETR</td> <td>-</td> <td>WD.</td> <td>J2</td> <td>PTD.</td> <td>-</td> <td>3992</td> <td>3\"/> <tr> <td>3997</td> <td>ETR</td> <td>-</td> <td>WD.</td> <td>J2</td> <td>PTD.</td> <td>-</td> <td>3993</td> <td>3\"/> <tr> <td>3998</td> <td>ETR</td> <td>-</td> <td>WD.</td> <td>J2</td> <td>PTD.</td> <td>-</td> <td>3994</td> <td>3\"/> <tr> <td>3999</td> <td>ETR</td> <td>-</td> <td>WD.</td> <td>J2</td> <td>PTD.</td> <td>-</td> <td>3995</td> <td>3\"/> <tr> <td>3999</td> <td>ETR</td> <td>-</td> <td>WD.</td> <td>J2</td> <td>PTD.</td> <td>-</td> <td>3997</td> <td>3\"/> </td></tr></td></tr></td></tr></td></tr></td></tr></td></tr></td></tr></td></tr></td></tr></td></tr></td></tr></td></tr></td></tr></td></tr></td></tr></td></tr></td></tr> | 391 | ETR | -
 | WD. | J2 | PTD. | - | 388 | 3\"/> <tr> <td>391A</td> <td>ETR</td> <td>-</td> <td>WD.</td> <td>J2</td> <td>PTD.</td> <td>-</td> <td>389</td> <td>3\"/> <tr> <td>391B</td> <td>ETR</td> <td>-</td> <td>WD.</td> <td>J2</td> <td>PTD.</td> <td>-</td> <td>391</td> <td>3\"/> <tr> <td>394</td> <td>ETR</td> <td>-</td> <td>WD.</td> <td>J2</td> <td>PTD.</td> <td>-</td> <td>391A</td> <td>3\"/> <tr> <td>395</td> <td>ETR</td> <td>-</td> <td>WD.</td> <td>J2</td> <td>PTD.</td> <td>-</td> <td>391B</td> <td>3\"/> <tr> <td>396</td> <td>ETR</td> <td>-</td> <td>WD.</td> <td>J2</td> <td>PTD.</td> <td>-</td> <td>394</td> <td>3\"/> <tr> <td>398</td> <td>ETR</td> <td>-</td> <td>WD.</td> <td>J2</td> <td>PTD.</td> <td>-</td> <td>395</td> <td>3\"/> <tr> <td>399</td> <td>ETR</td> <td>-</td> <td>WD.</td> <td>J2</td> <td>PTD.</td> <td>-</td> <td>396</td> <td>3\"/> <tr> <td>3991</td> <td>ETR</td> <td>-</td> <td>WD.</td> <td>J2</td> <td>PTD.</td> <td>-</td> <td>398</td> <td>3\"/> <tr> <td>3992</td> <td>A</td> <td>3\"/> <tr> <td>3993</td> <td>ETR</td> <td>-</td> <td>WD.</td> <td>J2</td> <td>PTD.</td> <td>-</td> <td>399</td> <td>3\"/> <tr> <td>3994</td> <td>ETR</td> <td>-</td> <td>WD.</td> <td>J2</td> <td>PTD.</td> <td>-</td> <td>3991</td> <td>3\"/> <tr> <td>3995</td> <td>ETR</td> <td>-</td> <td>WD.</td> <td>J2</td> <td>PTD.</td> <td>-</td> <td>3992</td> <td>3\"/> <tr> <td>3997</td> <td>ETR</td> <td>-</td> <td>WD.</td> <td>J2</td> <td>PTD.</td> <td>-</td> <td>3993</td> <td>3\"/> <tr> <td>3998</td> <td>ETR</td> <td>-</td> <td>WD.</td> <td>J2</td> <td>PTD.</td> <td>-</td> <td>3994</td> <td>3\"/> <tr> <td>3999</td> <td>ETR</td> <td>-</td> <td>WD.</td> <td>J2</td> <td>PTD.</td> <td>-</td> <td>3995</td> <td>3\"/> <tr> <td>3999</td> <td>ETR</td> <td>-</td> <td>WD.</td> <td>J2</td> <td>PTD.</td> <td>-</td> <td>3997</td> <td>3\"/> </td></tr></td></tr></td></tr></td></tr></td></tr></td></tr></td></tr></td></tr></td></tr></td></tr></td></tr></td></tr></td></tr></td></tr></td></tr></td></tr> | 391A | ETR | -
 | WD. | J2 | PTD. | - | 389 | 3\"/> <tr> <td>391B</td> <td>ETR</td> <td>-</td> <td>WD.</td> <td>J2</td> <td>PTD.</td> <td>-</td> <td>391</td> <td>3\"/> <tr> <td>394</td> <td>ETR</td> <td>-</td> <td>WD.</td> <td>J2</td> <td>PTD.</td> <td>-</td> <td>391A</td> <td>3\"/> <tr> <td>395</td> <td>ETR</td> <td>-</td> <td>WD.</td> <td>J2</td> <td>PTD.</td> <td>-</td> <td>391B</td> <td>3\"/> <tr> <td>396</td> <td>ETR</td> <td>-</td> <td>WD.</td> <td>J2</td> <td>PTD.</td> <td>-</td> <td>394</td> <td>3\"/> <tr> <td>398</td> <td>ETR</td> <td>-</td> <td>WD.</td> <td>J2</td> <td>PTD.</td> <td>-</td> <td>395</td> <td>3\"/> <tr> <td>399</td> <td>ETR</td> <td>-</td> <td>WD.</td>
<td>J2</td> <td>PTD.</td> <td>-</td> <td>396</td> <td>3\"/> <tr> <td>3991</td> <td>ETR</td> <td>-</td> <td>WD.</td> <td>J2</td> <td>PTD.</td> <td>-</td> <td>398</td> <td>3\"/> <tr> <td>3992</td> <td>A</td> <td>3\"/> <tr> <td>3993</td> <td>ETR</td> <td>-</td> <td>WD.</td> <td>J2</td> <td>PTD.</td> <td>-</td> <td>399</td> <td>3\"/> <tr> <td>3994</td> <td>ETR</td> <td>-</td> <td>WD.</td> <td>J2</td> <td>PTD.</td> <td>-</td> <td>3991</td> <td>3\"/> <tr> <td>3995</td> <td>ETR</td> <td>-</td> <td>WD.</td> <td>J2</td> <td>PTD.</td> <td>-</td> <td>3992</td> <td>3\"/> <tr> <td>3997</td> <td>ETR</td> <td>-</td> <td>WD.</td> <td>J2</td> <td>PTD.</td> <td>-</td> <td>3993</td> <td>3\"/> <tr> <td>3998</td> <td>ETR</td> <td>-</td> <td>WD.</td> <td>J2</td> <td>PTD.</td> <td>-</td> <td>3994</td> <td>3\"/> <tr> <td>3999</td> <td>ETR</td> <td>-</td> <td>WD.</td> <td>J2</td> <td>PTD.</td> <td>-</td> <td>3995</td> <td>3\"/> <tr> <td>3999</td> <td>ETR</td> <td>-</td> <td>WD.</td> <td>J2</td> <td>PTD.</td> <td>-</td> <td>3997</td> <td>3\"/> </td></tr></td></tr></td></tr></td></tr></td></tr></td></tr></td></tr></td></tr></td></tr></td></tr></td></tr></td></tr></td></tr></td></tr></td></tr> | 391B | ETR | - | WD. | J2 | PTD. | - | 391 | 3\"/> <tr> <td>394</td> <td>ETR</td> <td>-</td> <td>WD.</td> <td>J2</td> <td>PTD.</td> <td>-</td> <td>391A</td> <td>3\"/> <tr> <td>395</td> <td>ETR</td> <td>-</td> <td>WD.</td> <td>J2</td> <td>PTD.</td> <td>-</td> <td>391B</td> <td>3\"/> <tr> <td>396</td> <td>ETR</td> <td>-</td> <td>WD.</td> <td>J2</td> <td>PTD.</td> <td>-</td> <td>394</td> <td>3\"/> <tr> <td>398</td>
<td>ETR</td> <td>-</td> <td>WD.</td> <td>J2</td> <td>PTD.</td> <td>-</td> <td>395</td> <td>3\"/> <tr> <td>399</td> <td>ETR</td> <td>-</td> <td>WD.</td> <td>J2</td> <td>PTD.</td> <td>-</td> <td>396</td> <td>3\"/> <tr> <td>3991</td> <td>ETR</td> <td>-</td> <td>WD.</td> <td>J2</td> <td>PTD.</td> <td>-</td> <td>398</td> <td>3\"/> <tr> <td>3992</td> <td>A</td> <td>3\"/> <tr> <td>3993</td> <td>ETR</td> <td>-</td> <td>WD.</td> <td>J2</td> <td>PTD.</td> <td>-</td> <td>399</td> <td>3\"/> <tr> <td>3994</td> <td>ETR</td> <td>-</td> <td>WD.</td> <td>J2</td> <td>PTD.</td> <td>-</td> <td>3991</td> <td>3\"/> <tr> <td>3995</td> <td>ETR</td> <td>-</td> <td>WD.</td> <td>J2</td> <td>PTD.</td> <td>-</td> <td>3992</td> <td>3\"/> <tr> <td>3997</td> <td>ETR</td> <td>-</td> <td>WD.</td> <td>J2</td> <td>PTD.</td> <td>-</td> <td>3993</td> <td>3\"/> <tr> <td>3998</td> <td>ETR</td> <td>-</td> <td>WD.</td> <td>J2</td> <td>PTD.</td> <td>-</td> <td>3994</td> <td>3\"/> <tr> <td>3999</td> <td>ETR</td> <td>-</td> <td>WD.</td> <td>J2</td> <td>PTD.</td> <td>-</td> <td>3995</td> <td>3\"/> <tr> <td>3999</td> <td>ETR</td> <td>-</td> <td>WD.</td> <td>J2</td> <td>PTD.</td> <td>-</td> <td>3997</td> <td>3\"/> </td></tr></td></tr></td></tr></td></tr></td></tr></td></tr></td></tr></td></tr></td></tr></td></tr></td></tr></td></tr></td></tr></td></tr> | 394 | ETR | - | WD. | J2 | PTD. | - | 391A | 3\"/> <tr> <td>395</td> <td>ETR</td> <td>-</td> <td>WD.</td> <td>J2</td> <td>PTD.</td> <td>-</td> <td>391B</td> <td>3\"/> <tr> <td>396</td> <td>ETR</td> <td>-</td> <td>WD.</td> <td>J2</td> <td>PTD.</td> <td>-</td> <td>394</td> <td>3\"/> <tr> <td>398</td> <td>ETR</td> <td>-</td> <td>WD.</td> <td>J2</td> <td>PTD.</td> <td>-</td> <td>395</td> <td>3\"/> <tr>
<td>399</td> <td>ETR</td> <td>-</td> <td>WD.</td> <td>J2</td> <td>PTD.</td> <td>-</td> <td>396</td> <td>3\"/> <tr> <td>3991</td> <td>ETR</td> <td>-</td> <td>WD.</td> <td>J2</td> <td>PTD.</td> <td>-</td> <td>398</td> <td>3\"/> <tr> <td>3992</td> <td>A</td> <td>3\"/> <tr> <td>3993</td> <td>ETR</td> <td>-</td> <td>WD.</td> <td>J2</td> <td>PTD.</td> <td>-</td> <td>399</td> <td>3\"/> <tr> <td>3994</td> <td>ETR</td> <td>-</td> <td>WD.</td> <td>J2</td> <td>PTD.</td> <td>-</td> <td>3991</td> <td>3\"/> <tr> <td>3995</td> <td>ETR</td> <td>-</td> <td>WD.</td> <td>J2</td> <td>PTD.</td> <td>-</td> <td>3992</td> <td>3\"/> <tr> <td>3997</td> <td>ETR</td> <td>-</td> <td>WD.</td> <td>J2</td> <td>PTD.</td> <td>-</td> <td>3993</td> <td>3\"/> <tr> <td>3998</td> <td>ETR</td> <td>-</td> <td>WD.</td> <td>J2</td> <td>PTD.</td> <td>-</td> <td>3994</td> <td>3\"/> <tr> <td>3999</td> <td>ETR</td> <td>-</td> <td>WD.</td> <td>J2</td> <td>PTD.</td> <td>-</td> <td>3995</td> <td>3\"/> <tr> <td>3999</td> <td>ETR</td> <td>-</td> <td>WD.</td> <td>J2</td> <td>PTD.</td> <td>-</td> <td>3997</td> <td>3\"/> </td></tr></td></tr></td></tr></td></tr></td></tr></td></tr></td></tr></td></tr></td></tr></td></tr></td></tr></td></tr></td></tr> | 395 | ETR | - | WD. | J2 | PTD. | - | 391B | 3\"/> <tr> <td>396</td> <td>ETR</td> <td>-</td> <td>WD.</td> <td>J2</td> <td>PTD.</td> <td>-</td> <td>394</td> <td>3\"/> <tr> <td>398</td> <td>ETR</td> <td>-</td> <td>WD.</td> <td>J2</td> <td>PTD.</td> <td>-</td> <td>395</td> <td>3\"/> <tr> <td>399</td> <td>ETR</td> <td>-</td> <td>WD.</td> <td>J2</td> <td>PTD.</td> <td>-</td> <td>396</td> <td>3\"/> <tr> <td>3991</td> <td>ETR</td> <td>-</td> <td>WD.</td> <td>J2</td> <td>PTD.</td> <td>-</td> <td>398</td> <td>3\"/> <tr> <td>3992</td> <td>A</td> <td>3\"/> <tr> <td>3993</td> <td>ETR</td> <td>-</td> <td>WD.</td> <td>J2</td> <td>PTD.</td>
<td>-</td> <td>399</td> <td>3\"/> <tr> <td>3994</td> <td>ETR</td> <td>-</td> <td>WD.</td> <td>J2</td> <td>PTD.</td> <td>-</td> <td>3991</td> <td>3\"/> <tr> <td>3995</td> <td>ETR</td> <td>-</td> <td>WD.</td> <td>J2</td> <td>PTD.</td> <td>-</td> <td>3992</td> <td>3\"/> <tr> <td>3997</td> <td>ETR</td> <td>-</td> <td>WD.</td> <td>J2</td> <td>PTD.</td> <td>-</td> <td>3993</td> <td>3\"/> <tr> <td>3998</td> <td>ETR</td> <td>-</td> <td>WD.</td> <td>J2</td> <td>PTD.</td> <td>-</td> <td>3994</td> <td>3\"/> <tr> <td>3999</td> <td>ETR</td> <td>-</td> <td>WD.</td> <td>J2</td> <td>PTD.</td> <td>-</td> <td>3995</td> <td>3\"/> <tr> <td>3999</td> <td>ETR</td> <td>-</td> <td>WD.</td> <td>J2</td> <td>PTD.</td> <td>-</td> <td>3997</td> <td>3\"/> </td></tr></td></tr></td></tr></td></tr></td></tr></td></tr></td></tr></td></tr></td></tr></td></tr></td></tr></td></tr> | 396 | ETR | - | WD. | J2 | PTD. | - | 394 | 3\"/> <tr> <td>398</td> <td>ETR</td> <td>-</td> <td>WD.</td> <td>J2</td> <td>PTD.</td> <td>-</td> <td>395</td> <td>3\"/> <tr> <td>399</td> <td>ETR</td> <td>-</td> <td>WD.</td> <td>J2</td> <td>PTD.</td> <td>-</td> <td>396</td> <td>3\"/> <tr> <td>3991</td> <td>ETR</td> <td>-</td> <td>WD.</td> <td>J2</td> <td>PTD.</td> <td>-</td> <td>398</td> <td>3\"/> <tr> <td>3992</td> <td>A</td> <td>3\"/> <tr> <td>3993</td> <td>ETR</td> <td>-</td> <td>WD.</td> <td>J2</td> <td>PTD.</td> <td>-</td> <td>399</td> <td>3\"/> <tr> <td>3994</td> <td>ETR</td> <td>-</td> <td>WD.</td> <td>J2</td> <td>PTD.</td> <td>-</td> <td>3991</td> <td>3\"/> <tr> <td>3995</td> <td>ETR</td> <td>-</td> <td>WD.</td> <td>J2</td> <td>PTD.</td> <td>-</td> <td>3992</td> <td>3\"/> <tr> <td>3997</td> <td>ETR</td> <td>-</td> <td>WD.</td> <td>J2</td> <td>PTD.</td> <td>-</td> <td>3993</td> <td>3\"/> <tr> <td>3998</td> <td>ETR</td> <td>-</td> <td>WD.</td> <td>J2</td> <td>PTD.</td> <td>-</td> <td>3994</td> <td>3\"/> <tr> <td>3999</td> <td>ETR</td> <td>-</td> <td>WD.</td> <td>J2</td> <td>PTD.</td> <td>-</td>
<td>3995</td> <td>3\"/> <tr> <td>3999</td> <td>ETR</td> <td>-</td> <td>WD.</td> <td>J2</td> <td>PTD.</td> <td>-</td> <td>3997</td> <td>3\"/> </td></tr></td></tr></td></tr></td></tr></td></tr></td></tr></td></tr></td></tr></td></tr></td></tr></td></tr> | 398 | ETR | - | WD. | J2 | PTD.
 | - | 395 | 3\"/> <tr> <td>399</td> <td>ETR</td> <td>-</td> <td>WD.</td> <td>J2</td> <td>PTD.</td> <td>-</td> <td>396</td> <td>3\"/> <tr> <td>3991</td> <td>ETR</td> <td>-</td> <td>WD.</td> <td>J2</td> <td>PTD.</td> <td>-</td> <td>398</td> <td>3\"/> <tr> <td>3992</td> <td>A</td> <td>3\"/> <tr> <td>3993</td> <td>ETR</td> <td>-</td> <td>WD.</td> <td>J2</td> <td>PTD.</td> <td>-</td> <td>399</td> <td>3\"/> <tr> <td>3994</td> <td>ETR</td> <td>-</td> <td>WD.</td> <td>J2</td> <td>PTD.</td> <td>-</td> <td>3991</td> <td>3\"/> <tr> <td>3995</td> <td>ETR</td> <td>-</td> <td>WD.</td> <td>J2</td> <td>PTD.</td> <td>-</td> <td>3992</td> <td>3\"/> <tr> <td>3997</td> <td>ETR</td> <td>-</td> <td>WD.</td> <td>J2</td> <td>PTD.</td> <td>-</td> <td>3993</td> <td>3\"/> <tr> <td>3998</td> <td>ETR</td> <td>-</td> <td>WD.</td> <td>J2</td> <td>PTD.</td> <td>-</td> <td>3994</td> <td>3\"/> <tr> <td>3999</td> <td>ETR</td> <td>-</td> <td>WD.</td> <td>J2</td> <td>PTD.</td> <td>-</td> <td>3995</td> <td>3\"/> <tr> <td>3999</td> <td>ETR</td> <td>-</td> <td>WD.</td> <td>J2</td> <td>PTD.</td> <td>-</td> <td>3997</td> <td>3\"/> </td></tr></td></tr></td></tr></td></tr></td></tr></td></tr></td></tr></td></tr></td></tr></td></tr> | 399 | ETR | -
 | WD. | J2 | PTD. | - | 396 | 3\"/> <tr> <td>3991</td> <td>ETR</td> <td>-</td> <td>WD.</td> <td>J2</td> <td>PTD.</td> <td>-</td> <td>398</td> <td>3\"/> <tr> <td>3992</td> <td>A</td> <td>3\"/> <tr> <td>3993</td> <td>ETR</td> <td>-</td> <td>WD.</td> <td>J2</td> <td>PTD.</td> <td>-</td> <td>399</td> <td>3\"/> <tr> <td>3994</td> <td>ETR</td> <td>-</td> <td>WD.</td> <td>J2</td> <td>PTD.</td> <td>-</td> <td>3991</td> <td>3\"/> <tr> <td>3995</td> <td>ETR</td> <td>-</td> <td>WD.</td> <td>J2</td> <td>PTD.</td> <td>-</td> <td>3992</td> <td>3\"/> <tr> <td>3997</td> <td>ETR</td> <td>-</td> <td>WD.</td> <td>J2</td> <td>PTD.</td> <td>-</td> <td>3993</td> <td>3\"/> <tr> <td>3998</td> <td>ETR</td> <td>-</td> <td>WD.</td> <td>J2</td> <td>PTD.</td> <td>-</td> <td>3994</td> <td>3\"/> <tr> <td>3999</td> <td>ETR</td> <td>-</td> <td>WD.</td> <td>J2</td> <td>PTD.</td> <td>-</td> <td>3995</td> <td>3\"/> <tr> <td>3999</td> <td>ETR</td> <td>-</td> <td>WD.</td> <td>J2</td> <td>PTD.</td> <td>-</td> <td>3997</td> <td>3\"/> </td></tr></td></tr></td></tr></td></tr></td></tr></td></tr></td></tr></td></tr></td></tr> | 3991 | ETR | -
 | WD. | J2 | PTD. | - | 398 | 3\"/> <tr> <td>3992</td> <td>A</td> <td>3\"/> <tr> <td>3993</td> <td>ETR</td> <td>-</td> <td>WD.</td> <td>J2</td> <td>PTD.</td> <td>-</td> <td>399</td> <td>3\"/> <tr> <td>3994</td> <td>ETR</td> <td>-</td> <td>WD.</td> <td>J2</td> <td>PTD.</td> <td>-</td> <td>3991</td> <td>3\"/> <tr> <td>3995</td> <td>ETR</td> <td>-</td> <td>WD.</td> <td>J2</td> <td>PTD.</td> <td>-</td> <td>3992</td> <td>3\"/> <tr> <td>3997</td> <td>ETR</td> <td>-</td> <td>WD.</td> <td>J2</td> <td>PTD.</td> <td>-</td> <td>3993</td> <td>3\"/> <tr> <td>3998</td> <td>ETR</td> <td>-</td> <td>WD.</td> <td>J2</td> <td>PTD.</td> <td>-</td> <td>3994</td> <td>3\"/> <tr> <td>3999</td> <td>ETR</td> <td>-</td> <td>WD.</td> <td>J2</td> <td>PTD.</td> <td>-</td> <td>3995</td> <td>3\"/> <tr> <td>3999</td> <td>ETR</td> <td>-</td> <td>WD.</td> <td>J2</td> <td>PTD.</td> <td>-</td> <td>3997</td> <td>3\"/> </td></tr></td></tr></td></tr></td></tr></td></tr></td></tr></td></tr></td></tr> | 3992 | A | 3\"/> <tr> <td>3993</td> <td>ETR</td> <td>-</td> <td>WD.</td> <td>J2</td> <td>PTD.</td> <td>-</td> <td>399</td> <td>3\"/> <tr> <td>3994</td> <td>ETR</td> <td>-</td> <td>WD.</td> <td>J2</td> <td>PTD.</td> <td>-</td> <td>3991</td> <td>3\"/> <tr> <td>3995</td> <td>ETR</td> <td>-</td> <td>WD.</td> <td>J2</td> <td>PTD.</td> <td>-</td> <td>3992</td> <td>3\"/> <tr> <td>3997</td> <td>ETR</td> <td>-</td> <td>WD.</td> <td>J2</td> <td>PTD.</td> <td>-</td> <td>3993</td> <td>3\"/> <tr> <td>3998</td> <td>ETR</td> <td>-</td> <td>WD.</td> <td>J2</td> <td>PTD.</td> <td>-</td> <td>3994</td> <td>3\"/> <tr> <td>3999</td> <td>ETR</td> <td>-</td> <td>WD.</td> <td>J2</td> <td>PTD.</td> <td>-</td> <td>3995</td> <td>3\"/> <tr> <td>3999</td> <td>ETR</td> <td>-</td> <td>WD.</td> <td>J2</td> <td>PTD.</td> <td>-</td> <td>3997</td> <td>3\"/> </td></tr></td></tr></td></tr></td></tr></td></tr></td></tr></td></tr> | 3993 | ETR | - | WD. | J2 | PTD.
 | - | 399 | 3\"/> <tr> <td>3994</td> <td>ETR</td> <td>-</td> <td>WD.</td> <td>J2</td> <td>PTD.</td> <td>-</td> <td>3991</td> <td>3\"/> <tr> <td>3995</td> <td>ETR</td> <td>-</td> <td>WD.</td> <td>J2</td> <td>PTD.</td> <td>-</td> <td>3992</td> <td>3\"/> <tr> <td>3997</td> <td>ETR</td> <td>-</td> <td>WD.</td> <td>J2</td> <td>PTD.</td> <td>-</td> <td>3993</td> <td>3\"/> <tr> <td>3998</td> <td>ETR</td> <td>-</td> <td>WD.</td> <td>J2</td> <td>PTD.</td> <td>-</td> <td>3994</td> <td>3\"/> <tr> <td>3999</td> <td>ETR</td> <td>-</td> <td>WD.</td> <td>J2</td> <td>PTD.</td> <td>-</td> <td>3995</td> <td>3\"/> <tr> <td>3999</td> <td>ETR</td> <td>-</td> <td>WD.</td> <td>J2</td> <td>PTD.</td> <td>-</td> <td>3997</td> <td>3\"/> </td></tr></td></tr></td></tr></td></tr></td></tr></td></tr> | 3994 | ETR | -
 | WD. | J2 | PTD. | - | 3991 | 3\"/> <tr> <td>3995</td> <td>ETR</td> <td>-</td> <td>WD.</td> <td>J2</td> <td>PTD.</td> <td>-</td> <td>3992</td> <td>3\"/> <tr> <td>3997</td> <td>ETR</td> <td>-</td> <td>WD.</td> <td>J2</td> <td>PTD.</td> <td>-</td> <td>3993</td> <td>3\"/> <tr> <td>3998</td> <td>ETR</td> <td>-</td> <td>WD.</td> <td>J2</td> <td>PTD.</td> <td>-</td> <td>3994</td> <td>3\"/> <tr> <td>3999</td> <td>ETR</td> <td>-</td> <td>WD.</td> <td>J2</td> <td>PTD.</td> <td>-</td> <td>3995</td> <td>3\"/> <tr> <td>3999</td> <td>ETR</td> <td>-</td> <td>WD.</td> <td>J2</td> <td>PTD.</td> <td>-</td> <td>3997</td> <td>3\"/> </td></tr></td></tr></td></tr></td></tr></td></tr> | 3995 | ETR | -
 | WD. | J2 | PTD. | - | 3992 | 3\"/> <tr> <td>3997</td> <td>ETR</td> <td>-</td> <td>WD.</td> <td>J2</td> <td>PTD.</td> <td>-</td> <td>3993</td> <td>3\"/> <tr> <td>3998</td> <td>ETR</td> <td>-</td> <td>WD.</td> <td>J2</td> <td>PTD.</td> <td>-</td> <td>3994</td> <td>3\"/> <tr> <td>3999</td> <td>ETR</td> <td>-</td> <td>WD.</td> <td>J2</td> <td>PTD.</td> <td>-</td> <td>3995</td> <td>3\"/> <tr> <td>3999</td> <td>ETR</td> <td>-</td> <td>WD.</td> <td>J2</td> <td>PTD.</td> <td>-</td> <td>3997</td> <td>3\"/> </td></tr></td></tr></td></tr></td></tr>
 | 3997 | ETR | - | WD. | J2 | PTD. | - | 3993 | 3\"/> <tr> <td>3998</td> <td>ETR</td> <td>-</td> <td>WD.</td> <td>J2</td> <td>PTD.</td> <td>-</td> <td>3994</td> <td>3\"/> <tr> <td>3999</td> <td>ETR</td> <td>-</td> <td>WD.</td> <td>J2</td> <td>PTD.</td> <td>-</td> <td>3995</td> <td>3\"/> <tr> <td>3999</td> <td>ETR</td> <td>-</td> <td>WD.</td> <td>J2</td> <td>PTD.</td> <td>-</td> <td>3997</td> <td>3\"/> </td></tr></td></tr></td></tr>
 | 3998 | ETR | - | WD. | J2 | PTD. | - | 3994 | 3\"/> <tr> <td>3999</td> <td>ETR</td> <td>-</td> <td>WD.</td> <td>J2</td> <td>PTD.</td> <td>-</td> <td>3995</td> <td>3\"/> <tr> <td>3999</td> <td>ETR</td> <td>-</td> <td>WD.</td> <td>J2</td> <td>PTD.</td> <td>-</td> <td>3997</td> <td>3\"/> </td></tr></td></tr>
 | 3999 | ETR | - | WD. | J2 | PTD. | - | 3995 | 3\"/> <tr> <td>3999</td> <td>ETR</td> <td>-</td> <td>WD.</td> <td>J2</td> <td>PTD.</td> <td>-</td> <td>3997</td> <td>3\"/> </td></tr>
 | 3999 | ETR | - | WD. | J2 | PTD. | - | 3997 | 3\"/>
 | | | | | | | | | | | | | | | | | | | | | | | | | | | | | | | | | | | | | | | | | | | | | | | | | | | | | | |
 | | | | | | | | |
 | | | | | | | | | | | |
 | | | | | | | | | | | | | | |
 | | | | | | | | | | | | | | | | | |
 | | | | | | | | | | | | | | | | | |
 | | | | | | | | | | | | | | | | | | | | | | | |
 | | | | | | | | | | | | | | | | | | | | | | | | | | | | | |
 | | | | | | | | | | | | | | | | | | | | | | | | | | | | | | | | | | | | | | |
 | | | | | | | | | | | | | | | | | | | | | | | | | | | | | | | | | | | | | | | | | | | | | | | | | | | | | | |
| 378 | B | 1 <td>WD</td> <td>J1</td> <td>PTD.</td> <td>-</td> <td>377</td> <td>3\"/> <tr> <td>379</td> <td>B</td> <td>1 <td>WD</td> <td>J1</td> <td>PTD.</td> <td>-</td> <td>377A</td> <td>3\"/> <tr> <td>380A</td> <td>B</td> <td>1 <td>WD</td> <td>J1</td> <td>PTD.</td> <td>-</td> <td>378</td> <td>3\"/> <tr> <td>380B</td> <td>B</td> <td>1 <td>WD</td> <td>J1</td> <td>PTD.</td> <td>-</td> <td>379</td> <td>3\"/> <tr> <td>382</td> <td>ETR</td> <td>-</td> <td>WD.</td> <td>J2</td> <td>PTD.</td> <td>-</td> <td>380A</td> <td>3\"/> <tr> <td>382A</td> <td>D</td> <td>6 <td>ALUM.</td> <td>ANODIZE D</td> <td>-</td> <td>-</td> <td>380B</td> <td>3\"/> <tr> <td>385</td> <td>ETR</td> <td>-</td> <td>WD.</td> <td>J2</td> <td>PTD.</td> <td>-</td> <td>382</td> <td>3\"/> <tr> <td>386</td> <td>ETR</td> <td>-</td> <td>WD.</td> <td>J2</td> <td>PTD.</td> <td>-</td> <td>382A</td> <td>3\"/> <tr> <td>387</td> <td>ETR</td> <td>-</td> <td>WD.</td> <td>J2</td> <td>PTD.</td> <td>-</td> <td>385</td> <td>3\"/> <tr> <td>388</td> <td>ETR</td> <td>-</td> <td>WD.</td> <td>J2</td> <td>PTD.</td> <td>-</td> <td>386</td> <td>3\"/> <tr> <td>389</td> <td>ETR</td> <td>-</td> <td>WD.</td> <td>J2</td> <td>PTD.</td> <td>-</td> <td>387</td> <td>3\"/> <tr> <td>391</td> <td>ETR</td> <td>-</td> <td>WD.</td> <td>J2</td> <td>PTD.</td> <td>-</td> <td>388</td> <td>3\"/> <tr> <td>391A</td> <td>ETR</td> <td>-</td> <td>WD.</td> <td>J2</td> <td>PTD.</td> <td>-</td> <td>389</td> <td>3\"/> <tr> <td>391B</td> <td>ETR</td> <td>-</td> <td>WD.</td> <td>J2</td> <td>PTD.</td> <td>-</td> <td>391</td> <td>3\"/> <tr> <td>394</td> <td>ETR</td> <td>-</td> <td>WD.</td> <td>J2</td> <td>PTD.</td> <td>-</td> <td>391A</td> <td>3\"/> <tr> <td>395</td> <td>ETR</td> <td>-</td> <td>WD.</td> <td>J2</td> <td>PTD.</td> <td>-</td> <td>391B</td> <td>3\"/> <tr> <td>396</td> <td>ETR</td> <td>-</td> <td>WD.</td> <td>J2</td> <td>PTD.</td> <td>-</td> <td>394</td> <td>3\"/> <tr> <td>398</td> <td>ETR</td> <td>-</td> <td>WD.</td> <td>J2</td> <td>PTD.</td> <td>-</td> <td>395</td> <td>3\"/> <tr> <td>399</td> <td>ETR</td> <td>-</td> <td>WD.</td> <td>J2</td> <td>PTD.</td> <td>-</td> <td>396</td> <td>3\"/> <tr> <td>3991</td> <td>ETR</td> <td>-</td> <td>WD.</td> <td>J2</td> <td>PTD.</td> <td>-</td> <td>398</td> <td>3\"/> <tr> <td>3992</td> <td>A</td> <td>3\"/> <tr> <td>3993</td> <td>ETR</td> <td>-</td> <td>WD.</td> <td>J2</td> <td>PTD.</td> <td>-</td> <td>399</td> <td>3\"/> <tr> <td>3994</td> <td>ETR</td> <td>-</td> <td>WD.</td> <td>J2</td> <td>PTD.</td> <td>-</td> <td>3991</td> <td>3\"/> <tr> <td>3995</td> <td>ETR</td> <td>-</td> <td>WD.</td> <td>J2</td> <td>PTD.</td> <td>-</td> <td>3992</td> <td>3\"/> <tr> <td>3997</td> <td>ETR</td> <td>-</td> <td>WD.</td> <td>J2</td> <td>PTD.</td> <td>-</td> <td>3993</td> <td>3\"/> <tr> <td>3998</td> <td>ETR</td> <td>-</td> <td>WD.</td> <td>J2</td> <td>PTD.</td> <td>-</td> <td>3994</td> <td>3\"/> <tr> <td>3999</td> <td>ETR</td> <td>-</td> <td>WD.</td> <td>J2</td> <td>PTD.</td> <td>-</td> <td>3995</td> <td>3\"/> <tr> <td>3999</td> <td>ETR</td> <td>-</td> <td>WD.</td> <td>J2</td> <td>PTD.</td> <td>-</td> <td>3997</td> <td>3\"/> </td></tr></td></tr></td></tr></td></tr></td></tr></td></tr></td></tr></td></tr></td></tr></td></tr></td></tr></td></tr></td></tr></td></tr></td></tr></td></tr></td></tr></td></tr></td></tr></td></tr></td></tr></td></tr></td></td></tr></td></tr></td></td></tr></td></td></tr></td></td></tr></td> | WD | J1 | PTD. | - | 377 | 3\"/> <tr> <td>379</td> <td>B</td> <td>1 <td>WD</td> <td>J1</td> <td>PTD.</td> <td>-</td> <td>377A</td> <td>3\"/> <tr> <td>380A</td> <td>B</td> <td>1 <td>WD</td> <td>J1</td> <td>PTD.</td> <td>-</td> <td>378</td> <td>3\"/> <tr> <td>380B</td> <td>B</td> <td>1 <td>WD</td> <td>J1</td> <td>PTD.</td> <td>-</td> <td>379</td> <td>3\"/> <tr> <td>382</td> <td>ETR</td> <td>-</td> <td>WD.</td> <td>J2</td> <td>PTD.</td> <td>-</td> <td>380A</td> <td>3\"/> <tr> <td>382A</td> <td>D</td> <td>6 <td>ALUM.</td> <td>ANODIZE D</td> <td>-</td> <td>-</td> <td>380B</td> <td>3\"/> <tr> <td>385</td> <td>ETR</td> <td>-</td> <td>WD.</td> <td>J2</td> <td>PTD.</td> <td>-</td> <td>382</td> <td>3\"/> <tr> <td>386</td> <td>ETR</td> <td>-</td> <td>WD.</td> <td>J2</td> <td>PTD.</td> <td>-</td> <td>382A</td> <td>3\"/> <tr> <td>387</td> <td>ETR</td> <td>-</td> <td>WD.</td> <td>J2</td> <td>PTD.</td> <td>-</td> <td>385</td> <td>3\"/> <tr> <td>388</td> <td>ETR</td> <td>-</td> <td>WD.</td> <td>J2</td> <td>PTD.</td> <td>-</td> <td>386</td> <td>3\"/> <tr> <td>389</td> <td>ETR</td> <td>-</td> <td>WD.</td> <td>J2</td> <td>PTD.</td> <td>-</td> <td>387</td> <td>3\"/> <tr> <td>391</td> <td>ETR</td> <td>-</td> <td>WD.</td> <td>J2</td> <td>PTD.</td> <td>-</td> <td>388</td> <td>3\"/> <tr> <td>391A</td> <td>ETR</td> <td>-</td> <td>WD.</td> <td>J2</td> <td>PTD.</td> <td>-</td> <td>389</td> <td>3\"/> <tr> <td>391B</td> <td>ETR</td> <td>-</td> <td>WD.</td> <td>J2</td> <td>PTD.</td> <td>-</td> <td>391</td> <td>3\"/> <tr> <td>394</td> <td>ETR</td> <td>-</td> <td>WD.</td> <td>J2</td> <td>PTD.</td> <td>-</td> <td>391A</td> <td>3\"/> <tr> <td>395</td> <td>ETR</td> <td>-</td> <td>WD.</td> <td>J2</td> <td>PTD.</td> <td>-</td> <td>391B</td> <td>3\"/> <tr> <td>396</td> <td>ETR</td> <td>-</td> <td>WD.</td> <td>J2</td> <td>PTD.</td> <td>-</td> <td>394</td> <td>3\"/> <tr> <td>398</td> <td>ETR</td> <td>-</td> <td>WD.</td> <td>J2</td> <td>PTD.</td> <td>-</td> <td>395</td> <td>3\"/> <tr> <td>399</td> <td>ETR</td> <td>-</td> <td>WD.</td> <td>J2</td> <td>PTD.</td> <td>-</td> <td>396</td> <td>3\"/> <tr> <td>3991</td> <td>ETR</td> <td>-</td> <td>WD.</td> <td>J2</td> <td>PTD.</td> <td>-</td> <td>398</td> <td>3\"/> <tr> <td>3992</td> <td>A</td> <td>3\"/> <tr> <td>3993</td> <td>ETR</td> <td>-</td> <td>WD.</td> <td>J2</td> <td>PTD.</td> <td>-</td> <td>399</td> <td>3\"/> <tr> <td>3994</td> <td>ETR</td> <td>-</td> <td>WD.</td> <td>J2</td> <td>PTD.</td> <td>-</td> <td>3991</td> <td>3\"/> <tr> <td>3995</td> <td>ETR</td> <td>-</td> <td>WD.</td> <td>J2</td> <td>PTD.</td> <td>-</td> <td>3992</td> <td>3\"/> <tr> <td>3997</td> <td>ETR</td> <td>-</td> <td>WD.</td> <td>J2</td> <td>PTD.</td> <td>-</td> <td>3993</td> <td>3\"/> <tr> <td>3998</td> <td>ETR</td> <td>-</td> <td>WD.</td> <td>J2</td> <td>PTD.</td> <td>-</td> <td>3994</td> <td>3\"/> <tr> <td>3999</td> <td>ETR</td> <td>-</td> <td>WD.</td> <td>J2</td> <td>PTD.</td> <td>-</td>
<td>3995</td> <td>3\"/> <tr> <td>3999</td> <td>ETR</td> <td>-</td> <td>WD.</td> <td>J2</td> <td>PTD.</td> <td>-</td> <td>3997</td> <td>3\"/> </td></tr></td></tr></td></tr></td></tr></td></tr></td></tr></td></tr></td></tr></td></tr></td></tr></td></tr></td></tr></td></tr></td></tr></td></tr></td></tr></td></tr></td></tr></td></tr></td></tr></td></tr></td></tr></td></td></tr></td></tr></td></td></tr></td></td></tr></td></td></tr> | 379 | B | 1 <td>WD</td> <td>J1</td> <td>PTD.</td> <td>-</td> <td>377A</td> <td>3\"/> <tr> <td>380A</td> <td>B</td> <td>1 <td>WD</td> <td>J1</td> <td>PTD.</td> <td>-</td> <td>378</td> <td>3\"/> <tr> <td>380B</td> <td>B</td> <td>1 <td>WD</td> <td>J1</td> <td>PTD.</td> <td>-</td> <td>379</td> <td>3\"/> <tr> <td>382</td> <td>ETR</td> <td>-</td> <td>WD.</td> <td>J2</td> <td>PTD.</td> <td>-</td> <td>380A</td> <td>3\"/> <tr> <td>382A</td> <td>D</td> <td>6 <td>ALUM.</td> <td>ANODIZE D</td> <td>-</td> <td>-</td> <td>380B</td> <td>3\"/> <tr> <td>385</td> <td>ETR</td> <td>-</td> <td>WD.</td> <td>J2</td> <td>PTD.</td> <td>-</td> <td>382</td> <td>3\"/> <tr> <td>386</td> <td>ETR</td> <td>-</td> <td>WD.</td> <td>J2</td> <td>PTD.</td> <td>-</td> <td>382A</td> <td>3\"/> <tr> <td>387</td> <td>ETR</td> <td>-</td> <td>WD.</td> <td>J2</td> <td>PTD.</td> <td>-</td> <td>385</td> <td>3\"/> <tr> <td>388</td> <td>ETR</td> <td>-</td> <td>WD.</td> <td>J2</td> <td>PTD.</td> <td>-</td> <td>386</td> <td>3\"/> <tr> <td>389</td> <td>ETR</td> <td>-</td> <td>WD.</td> <td>J2</td> <td>PTD.</td> <td>-</td> <td>387</td> <td>3\"/> <tr> <td>391</td> <td>ETR</td> <td>-</td> <td>WD.</td> <td>J2</td> <td>PTD.</td> <td>-</td> <td>388</td> <td>3\"/> <tr> <td>391A</td> <td>ETR</td> <td>-</td> <td>WD.</td> <td>J2</td> <td>PTD.</td> <td>-</td> <td>389</td> <td>3\"/> <tr> <td>391B</td> <td>ETR</td> <td>-</td> <td>WD.</td> <td>J2</td> <td>PTD.</td> <td>-</td> <td>391</td> <td>3\"/> <tr> <td>394</td> <td>ETR</td> <td>-</td> <td>WD.</td> <td>J2</td> <td>PTD.</td> <td>-</td> <td>391A</td> <td>3\"/> <tr> <td>395</td> <td>ETR</td> <td>-</td> <td>WD.</td> <td>J2</td> <td>PTD.</td> <td>-</td> <td>391B</td> <td>3\"/> <tr> <td>396</td> <td>ETR</td> <td>-</td> <td>WD.</td> <td>J2</td> <td>PTD.</td> <td>-</td> <td>394</td> <td>3\"/> <tr> <td>398</td> <td>ETR</td> <td>-</td> <td>WD.</td> <td>J2</td> <td>PTD.</td> <td>-</td> <td>395</td> <td>3\"/> <tr> <td>399</td> <td>ETR</td> <td>-</td> <td>WD.</td> <td>J2</td> <td>PTD.</td> <td>-</td> <td>396</td> <td>3\"/> <tr> <td>3991</td> <td>ETR</td> <td>-</td> <td>WD.</td> <td>J2</td> <td>PTD.</td> <td>-</td> <td>398</td> <td>3\"/> <tr> <td>3992</td> <td>A</td> <td>3\"/> <tr> <td>3993</td> <td>ETR</td> <td>-</td> <td>WD.</td> <td>J2</td> <td>PTD.</td> <td>-</td> <td>399</td> <td>3\"/> <tr> <td>3994</td> <td>ETR</td> <td>-</td> <td>WD.</td> <td>J2</td> <td>PTD.</td> <td>-</td> <td>3991</td> <td>3\"/> <tr> <td>3995</td> <td>ETR</td> <td>-</td> <td>WD.</td> <td>J2</td> <td>PTD.</td> <td>-</td> <td>3992</td> <td>3\"/> <tr> <td>3997</td> <td>ETR</td> <td>-</td> <td>WD.</td> <td>J2</td> <td>PTD.</td> <td>-</td> <td>3993</td> <td>3\"/> <tr> <td>3998</td> <td>ETR</td> <td>-</td> <td>WD.</td> <td>J2</td> <td>PTD.</td> <td>-</td> <td>3994</td> <td>3\"/> <tr> <td>3999</td> <td>ETR</td> <td>-</td> <td>WD.</td> <td>J2</td> <td>PTD.</td> <td>-</td> <td>3995</td> <td>3\"/> <tr> <td>3999</td> <td>ETR</td> <td>-</td> <td>WD.</td> <td>J2</td> <td>PTD.</td> <td>-</td> <td>3997</td> <td>3\"/> </td></tr></td></tr></td></tr></td></tr></td></tr></td></tr></td></tr></td></tr></td></tr></td></tr></td></tr></td></tr></td></tr></td></tr></td></tr></td></tr></td></tr></td></tr></td></tr></td></tr></td></tr></td></tr></td></td></tr></td></tr></td></td></tr></td></td></tr></td>
 | WD | J1 | PTD. | - | 377A | 3\"/> <tr> <td>380A</td> <td>B</td> <td>1 <td>WD</td> <td>J1</td> <td>PTD.</td> <td>-</td> <td>378</td> <td>3\"/> <tr> <td>380B</td> <td>B</td> <td>1 <td>WD</td> <td>J1</td> <td>PTD.</td> <td>-</td> <td>379</td> <td>3\"/> <tr> <td>382</td> <td>ETR</td> <td>-</td> <td>WD.</td> <td>J2</td> <td>PTD.</td> <td>-</td> <td>380A</td> <td>3\"/> <tr> <td>382A</td> <td>D</td> <td>6 <td>ALUM.</td> <td>ANODIZE D</td> <td>-</td> <td>-</td> <td>380B</td> <td>3\"/> <tr> <td>385</td> <td>ETR</td> <td>-</td> <td>WD.</td> <td>J2</td> <td>PTD.</td> <td>-</td> <td>382</td> <td>3\"/> <tr> <td>386</td> <td>ETR</td> <td>-</td> <td>WD.</td> <td>J2</td> <td>PTD.</td> <td>-</td> <td>382A</td> <td>3\"/> <tr> <td>387</td> <td>ETR</td> <td>-</td> <td>WD.</td> <td>J2</td> <td>PTD.</td> <td>-</td> <td>385</td> <td>3\"/> <tr> <td>388</td> <td>ETR</td> <td>-</td> <td>WD.</td> <td>J2</td> <td>PTD.</td> <td>-</td> <td>386</td> <td>3\"/> <tr> <td>389</td> <td>ETR</td> <td>-</td> <td>WD.</td> <td>J2</td> <td>PTD.</td> <td>-</td> <td>387</td> <td>3\"/> <tr> <td>391</td> <td>ETR</td> <td>-</td> <td>WD.</td> <td>J2</td> <td>PTD.</td> <td>-</td> <td>388</td> <td>3\"/> <tr> <td>391A</td> <td>ETR</td> <td>-</td> <td>WD.</td> <td>J2</td> <td>PTD.</td> <td>-</td> <td>389</td> <td>3\"/> <tr> <td>391B</td> <td>ETR</td> <td>-</td> <td>WD.</td> <td>J2</td> <td>PTD.</td> <td>-</td> <td>391</td> <td>3\"/> <tr> <td>394</td> <td>ETR</td> <td>-</td> <td>WD.</td> <td>J2</td> <td>PTD.</td> <td>-</td> <td>391A</td> <td>3\"/> <tr> <td>395</td> <td>ETR</td> <td>-</td> <td>WD.</td> <td>J2</td> <td>PTD.</td> <td>-</td> <td>391B</td> <td>3\"/> <tr> <td>396</td> <td>ETR</td> <td>-</td> <td>WD.</td> <td>J2</td> <td>PTD.</td> <td>-</td> <td>394</td> <td>3\"/> <tr> <td>398</td> <td>ETR</td> <td>-</td> <td>WD.</td> <td>J2</td> <td>PTD.</td> <td>-</td> <td>395</td> <td>3\"/> <tr> <td>399</td> <td>ETR</td> <td>-</td> <td>WD.</td> <td>J2</td> <td>PTD.</td> <td>-</td> <td>396</td> <td>3\"/> <tr> <td>3991</td> <td>ETR</td> <td>-</td> <td>WD.</td> <td>J2</td> <td>PTD.</td> <td>-</td> <td>398</td> <td>3\"/> <tr> <td>3992</td> <td>A</td> <td>3\"/> <tr> <td>3993</td> <td>ETR</td> <td>-</td> <td>WD.</td> <td>J2</td> <td>PTD.</td> <td>-</td> <td>399</td> <td>3\"/> <tr> <td>3994</td> <td>ETR</td> <td>-</td> <td>WD.</td> <td>J2</td> <td>PTD.</td> <td>-</td> <td>3991</td> <td>3\"/> <tr> <td>3995</td> <td>ETR</td> <td>-</td> <td>WD.</td> <td>J2</td> <td>PTD.</td> <td>-</td> <td>3992</td> <td>3\"/> <tr> <td>3997</td> <td>ETR</td> <td>-</td> <td>WD.</td> <td>J2</td> <td>PTD.</td> <td>-</td> <td>3993</td> <td>3\"/> <tr> <td>3998</td> <td>ETR</td> <td>-</td> <td>WD.</td> <td>J2</td> <td>PTD.</td> <td>-</td> <td>3994</td> <td>3\"/> <tr> <td>3999</td> <td>ETR</td> <td>-</td> <td>WD.</td> <td>J2</td> <td>PTD.</td> <td>-</td> <td>3995</td> <td>3\"/> <tr> <td>3999</td> <td>ETR</td> <td>-</td> <td>WD.</td> <td>J2</td> <td>PTD.</td> <td>-</td> <td>3997</td> <td>3\"/> </td></tr></td></tr></td></tr></td></tr></td></tr></td></tr></td></tr></td></tr></td></tr></td></tr></td></tr></td></tr></td></tr></td></tr></td></tr></td></tr></td></tr></td></tr></td></tr></td></tr></td></tr></td></tr></td></td></tr></td></tr></td></td></tr></td></td></tr> | 380A | B | 1 <td>WD</td> <td>J1</td> <td>PTD.</td> <td>-</td> <td>378</td> <td>3\"/> <tr> <td>380B</td> <td>B</td> <td>1 <td>WD</td> <td>J1</td> <td>PTD.</td> <td>-</td> <td>379</td> <td>3\"/> <tr> <td>382</td> <td>ETR</td> <td>-</td> <td>WD.</td> <td>J2</td> <td>PTD.</td> <td>-</td> <td>380A</td> <td>3\"/> <tr> <td>382A</td> <td>D</td> <td>6 <td>ALUM.</td> <td>ANODIZE D</td> <td>-</td> <td>-</td> <td>380B</td> <td>3\"/> <tr> <td>385</td> <td>ETR</td> <td>-</td> <td>WD.</td> <td>J2</td> <td>PTD.</td> <td>-</td> <td>382</td> <td>3\"/> <tr> <td>386</td> <td>ETR</td> <td>-</td> <td>WD.</td> <td>J2</td> <td>PTD.</td> <td>-</td> <td>382A</td> <td>3\"/> <tr> <td>387</td> <td>ETR</td> <td>-</td> <td>WD.</td> <td>J2</td> <td>PTD.</td> <td>-</td> <td>385</td> <td>3\"/> <tr> <td>388</td> <td>ETR</td> <td>-</td> <td>WD.</td> <td>J2</td> <td>PTD.</td> <td>-</td> <td>386</td> <td>3\"/> <tr> <td>389</td> <td>ETR</td> <td>-</td> <td>WD.</td> <td>J2</td> <td>PTD.</td> <td>-</td> <td>387</td> <td>3\"/> <tr> <td>391</td> <td>ETR</td> <td>-</td> <td>WD.</td> <td>J2</td> <td>PTD.</td> <td>-</td> <td>388</td> <td>3\"/> <tr> <td>391A</td> <td>ETR</td> <td>-</td> <td>WD.</td> <td>J2</td> <td>PTD.</td> <td>-</td> <td>389</td> <td>3\"/> <tr> <td>391B</td> <td>ETR</td> <td>-</td> <td>WD.</td> <td>J2</td> <td>PTD.</td> <td>-</td> <td>391</td> <td>3\"/> <tr> <td>394</td> <td>ETR</td> <td>-</td> <td>WD.</td> <td>J2</td> <td>PTD.</td> <td>-</td> <td>391A</td> <td>3\"/> <tr> <td>395</td> <td>ETR</td> <td>-</td> <td>WD.</td> <td>J2</td> <td>PTD.</td> <td>-</td> <td>391B</td> <td>3\"/> <tr> <td>396</td> <td>ETR</td> <td>-</td> <td>WD.</td> <td>J2</td> <td>PTD.</td> <td>-</td> <td>394</td> <td>3\"/> <tr> <td>398</td> <td>ETR</td> <td>-</td> <td>WD.</td> <td>J2</td> <td>PTD.</td> <td>-</td> <td>395</td> <td>3\"/> <tr> <td>399</td> <td>ETR</td> <td>-</td> <td>WD.</td> <td>J2</td> <td>PTD.</td> <td>-</td> <td>396</td> <td>3\"/> <tr> <td>3991</td> <td>ETR</td> <td>-</td> <td>WD.</td> <td>J2</td> <td>PTD.</td> <td>-</td> <td>398</td> <td>3\"/> <tr> <td>3992</td> <td>A</td> <td>3\"/> <tr> <td>3993</td> <td>ETR</td> <td>-</td> <td>WD.</td> <td>J2</td> <td>PTD.</td> <td>-</td> <td>399</td> <td>3\"/> <tr> <td>3994</td> <td>ETR</td> <td>-</td> <td>WD.</td> <td>J2</td> <td>PTD.</td> <td>-</td> <td>3991</td> <td>3\"/> <tr> <td>3995</td> <td>ETR</td> <td>-</td> <td>WD.</td> <td>J2</td> <td>PTD.</td> <td>-</td> <td>3992</td> <td>3\"/> <tr> <td>3997</td> <td>ETR</td> <td>-</td> <td>WD.</td> <td>J2</td> <td>PTD.</td> <td>-</td> <td>3993</td> <td>3\"/> <tr> <td>3998</td> <td>ETR</td> <td>-</td>
<td>WD.</td> <td>J2</td> <td>PTD.</td> <td>-</td> <td>3994</td> <td>3\"/> <tr> <td>3999</td> <td>ETR</td> <td>-</td> <td>WD.</td> <td>J2</td> <td>PTD.</td> <td>-</td> <td>3995</td> <td>3\"/> <tr> <td>3999</td> <td>ETR</td> <td>-</td> <td>WD.</td> <td>J2</td> <td>PTD.</td> <td>-</td> <td>3997</td> <td>3\"/> </td></tr></td></tr></td></tr></td></tr></td></tr></td></tr></td></tr></td></tr></td></tr></td></tr></td></tr></td></tr></td></tr></td></tr></td></tr></td></tr></td></tr></td></tr></td></tr></td></tr></td></tr></td></tr></td></td></tr></td></tr></td></td></tr></td> | WD | J1 | PTD. | - | 378 | 3\"/> <tr> <td>380B</td> <td>B</td> <td>1 <td>WD</td> <td>J1</td> <td>PTD.</td> <td>-</td> <td>379</td> <td>3\"/> <tr> <td>382</td> <td>ETR</td> <td>-</td> <td>WD.</td> <td>J2</td> <td>PTD.</td> <td>-</td> <td>380A</td> <td>3\"/> <tr> <td>382A</td> <td>D</td> <td>6 <td>ALUM.</td> <td>ANODIZE D</td> <td>-</td> <td>-</td> <td>380B</td> <td>3\"/> <tr> <td>385</td> <td>ETR</td> <td>-</td> <td>WD.</td> <td>J2</td> <td>PTD.</td> <td>-</td> <td>382</td> <td>3\"/> <tr> <td>386</td> <td>ETR</td> <td>-</td> <td>WD.</td> <td>J2</td> <td>PTD.</td> <td>-</td> <td>382A</td> <td>3\"/> <tr> <td>387</td> <td>ETR</td> <td>-</td> <td>WD.</td> <td>J2</td> <td>PTD.</td> <td>-</td> <td>385</td> <td>3\"/> <tr> <td>388</td> <td>ETR</td> <td>-</td> <td>WD.</td> <td>J2</td> <td>PTD.</td> <td>-</td> <td>386</td> <td>3\"/> <tr> <td>389</td> <td>ETR</td> <td>-</td> <td>WD.</td> <td>J2</td> <td>PTD.</td> <td>-</td> <td>387</td> <td>3\"/> <tr> <td>391</td> <td>ETR</td> <td>-</td> <td>WD.</td> <td>J2</td> <td>PTD.</td> <td>-</td> <td>388</td> <td>3\"/> <tr> <td>391A</td> <td>ETR</td> <td>-</td> <td>WD.</td> <td>J2</td> <td>PTD.</td> <td>-</td> <td>389</td> <td>3\"/> <tr> <td>391B</td> <td>ETR</td> <td>-</td> <td>WD.</td> <td>J2</td> <td>PTD.</td> <td>-</td> <td>391</td> <td>3\"/> <tr> <td>394</td> <td>ETR</td> <td>-</td> <td>WD.</td> <td>J2</td> <td>PTD.</td> <td>-</td> <td>391A</td> <td>3\"/> <tr> <td>395</td> <td>ETR</td> <td>-</td> <td>WD.</td> <td>J2</td> <td>PTD.</td> <td>-</td> <td>391B</td> <td>3\"/> <tr> <td>396</td> <td>ETR</td> <td>-</td> <td>WD.</td> <td>J2</td> <td>PTD.</td> <td>-</td> <td>394</td> <td>3\"/> <tr> <td>398</td> <td>ETR</td> <td>-</td> <td>WD.</td> <td>J2</td> <td>PTD.</td> <td>-</td> <td>395</td> <td>3\"/> <tr> <td>399</td> <td>ETR</td> <td>-</td> <td>WD.</td> <td>J2</td> <td>PTD.</td> <td>-</td> <td>396</td> <td>3\"/> <tr> <td>3991</td> <td>ETR</td> <td>-</td> <td>WD.</td> <td>J2</td> <td>PTD.</td> <td>-</td> <td>398</td> <td>3\"/> <tr> <td>3992</td> <td>A</td> <td>3\"/> <tr> <td>3993</td> <td>ETR</td> <td>-</td> <td>WD.</td> <td>J2</td> <td>PTD.</td> <td>-</td> <td>399</td> <td>3\"/> <tr> <td>3994</td> <td>ETR</td> <td>-</td> <td>WD.</td> <td>J2</td> <td>PTD.</td> <td>-</td> <td>3991</td> <td>3\"/> <tr> <td>3995</td> <td>ETR</td> <td>-</td> <td>WD.</td> <td>J2</td> <td>PTD.</td> <td>-</td> <td>3992</td> <td>3\"/> <tr> <td>3997</td> <td>ETR</td> <td>-</td> <td>WD.</td> <td>J2</td> <td>PTD.</td> <td>-</td> <td>3993</td> <td>3\"/> <tr> <td>3998</td> <td>ETR</td> <td>-</td> <td>WD.</td> <td>J2</td> <td>PTD.</td> <td>-</td> <td>3994</td> <td>3\"/> <tr> <td>3999</td> <td>ETR</td> <td>-</td> <td>WD.</td> <td>J2</td> <td>PTD.</td> <td>-</td> <td>3995</td> <td>3\"/> <tr> <td>3999</td> <td>ETR</td> <td>-</td> <td>WD.</td> <td>J2</td> <td>PTD.</td> <td>-</td> <td>3997</td> <td>3\"/> </td></tr></td></tr></td></tr></td></tr></td></tr></td></tr></td></tr></td></tr></td></tr></td></tr></td></tr></td></tr></td></tr></td></tr></td></tr></td></tr></td></tr></td></tr></td></tr></td></tr></td></tr></td></tr></td></td></tr></td></tr></td></td></tr>
 | 380B | B | 1 <td>WD</td> <td>J1</td> <td>PTD.</td> <td>-</td> <td>379</td> <td>3\"/> <tr> <td>382</td> <td>ETR</td> <td>-</td> <td>WD.</td> <td>J2</td> <td>PTD.</td> <td>-</td> <td>380A</td> <td>3\"/> <tr> <td>382A</td> <td>D</td> <td>6 <td>ALUM.</td> <td>ANODIZE D</td> <td>-</td> <td>-</td> <td>380B</td> <td>3\"/> <tr> <td>385</td> <td>ETR</td> <td>-</td> <td>WD.</td> <td>J2</td> <td>PTD.</td> <td>-</td> <td>382</td> <td>3\"/> <tr> <td>386</td> <td>ETR</td> <td>-</td> <td>WD.</td> <td>J2</td> <td>PTD.</td> <td>-</td> <td>382A</td> <td>3\"/> <tr> <td>387</td> <td>ETR</td> <td>-</td> <td>WD.</td> <td>J2</td> <td>PTD.</td> <td>-</td> <td>385</td> <td>3\"/> <tr> <td>388</td> <td>ETR</td> <td>-</td> <td>WD.</td> <td>J2</td> <td>PTD.</td> <td>-</td> <td>386</td> <td>3\"/> <tr> <td>389</td> <td>ETR</td> <td>-</td> <td>WD.</td> <td>J2</td> <td>PTD.</td> <td>-</td> <td>387</td> <td>3\"/> <tr> <td>391</td> <td>ETR</td> <td>-</td> <td>WD.</td> <td>J2</td> <td>PTD.</td> <td>-</td> <td>388</td> <td>3\"/> <tr> <td>391A</td> <td>ETR</td> <td>-</td> <td>WD.</td> <td>J2</td> <td>PTD.</td> <td>-</td> <td>389</td> <td>3\"/> <tr> <td>391B</td> <td>ETR</td> <td>-</td> <td>WD.</td> <td>J2</td> <td>PTD.</td> <td>-</td> <td>391</td> <td>3\"/> <tr> <td>394</td> <td>ETR</td> <td>-</td> <td>WD.</td> <td>J2</td> <td>PTD.</td> <td>-</td> <td>391A</td> <td>3\"/> <tr> <td>395</td> <td>ETR</td> <td>-</td> <td>WD.</td> <td>J2</td> <td>PTD.</td> <td>-</td> <td>391B</td> <td>3\"/> <tr> <td>396</td> <td>ETR</td> <td>-</td> <td>WD.</td> <td>J2</td> <td>PTD.</td> <td>-</td> <td>394</td> <td>3\"/> <tr> <td>398</td> <td>ETR</td> <td>-</td> <td>WD.</td> <td>J2</td> <td>PTD.</td> <td>-</td> <td>395</td> <td>3\"/> <tr> <td>399</td> <td>ETR</td> <td>-</td> <td>WD.</td> <td>J2</td> <td>PTD.</td> <td>-</td> <td>396</td> <td>3\"/> <tr> <td>3991</td> <td>ETR</td> <td>-</td> <td>WD.</td> <td>J2</td> <td>PTD.</td> <td>-</td> <td>398</td> <td>3\"/> <tr> <td>3992</td> <td>A</td> <td>3\"/> <tr> <td>3993</td> <td>ETR</td> <td>-</td> <td>WD.</td> <td>J2</td> <td>PTD.</td> <td>-</td> <td>399</td> <td>3\"/> <tr> <td>3994</td> <td>ETR</td> <td>-</td> <td>WD.</td> <td>J2</td> <td>PTD.</td> <td>-</td> <td>3991</td> <td>3\"/> <tr> <td>3995</td> <td>ETR</td> <td>-</td> <td>WD.</td> <td>J2</td> <td>PTD.</td> <td>-</td> <td>3992</td> <td>3\"/> <tr> <td>3997</td> <td>ETR</td> <td>-</td> <td>WD.</td> <td>J2</td> <td>PTD.</td> <td>-</td> <td>3993</td> <td>3\"/> <tr> <td>3998</td> <td>ETR</td> <td>-</td> <td>WD.</td> <td>J2</td> <td>PTD.</td> <td>-</td> <td>3994</td> <td>3\"/> <tr> <td>3999</td> <td>ETR</td> <td>-</td> <td>WD.</td> <td>J2</td> <td>PTD.</td> <td>-</td> <td>3995</td> <td>3\"/> <tr> <td>3999</td> <td>ETR</td> <td>-</td> <td>WD.</td> <td>J2</td> <td>PTD.</td> <td>-</td> <td>3997</td> <td>3\"/> </td></tr></td></tr></td></tr></td></tr></td></tr></td></tr></td></tr></td></tr></td></tr></td></tr></td></tr></td></tr></td></tr></td></tr></td></tr></td></tr></td></tr></td></tr></td></tr></td></tr></td></tr></td></tr></td></td></tr></td></tr></td> | WD | J1 | PTD. | - | 379 | 3\"/> <tr> <td>382</td> <td>ETR</td> <td>-</td> <td>WD.</td> <td>J2</td> <td>PTD.</td> <td>-</td> <td>380A</td> <td>3\"/> <tr> <td>382A</td> <td>D</td> <td>6 <td>ALUM.</td> <td>ANODIZE D</td> <td>-</td> <td>-</td> <td>380B</td> <td>3\"/> <tr> <td>385</td> <td>ETR</td> <td>-</td> <td>WD.</td> <td>J2</td> <td>PTD.</td> <td>-</td> <td>382</td> <td>3\"/> <tr> <td>386</td> <td>ETR</td> <td>-</td> <td>WD.</td> <td>J2</td> <td>PTD.</td> <td>-</td> <td>382A</td> <td>3\"/> <tr> <td>387</td> <td>ETR</td> <td>-</td> <td>WD.</td> <td>J2</td> <td>PTD.</td> <td>-</td> <td>385</td> <td>3\"/> <tr> <td>388</td> <td>ETR</td> <td>-</td> <td>WD.</td> <td>J2</td> <td>PTD.</td> <td>-</td> <td>386</td> <td>3\"/> <tr> <td>389</td> <td>ETR</td> <td>-</td> <td>WD.</td> <td>J2</td> <td>PTD.</td> <td>-</td> <td>387</td> <td>3\"/> <tr> <td>391</td> <td>ETR</td> <td>-</td> <td>WD.</td> <td>J2</td> <td>PTD.</td> <td>-</td> <td>388</td> <td>3\"/> <tr> <td>391A</td> <td>ETR</td> <td>-</td> <td>WD.</td> <td>J2</td> <td>PTD.</td> <td>-</td> <td>389</td> <td>3\"/> <tr> <td>391B</td> <td>ETR</td> <td>-</td> <td>WD.</td> <td>J2</td> <td>PTD.</td> <td>-</td> <td>391</td> <td>3\"/> <tr> <td>394</td> <td>ETR</td> <td>-</td> <td>WD.</td> <td>J2</td> <td>PTD.</td> <td>-</td> <td>391A</td> <td>3\"/> <tr> <td>395</td> <td>ETR</td> <td>-</td> <td>WD.</td> <td>J2</td> <td>PTD.</td> <td>-</td> <td>391B</td> <td>3\"/> <tr> <td>396</td> <td>ETR</td> <td>-</td> <td>WD.</td> <td>J2</td> <td>PTD.</td> <td>-</td> <td>394</td> <td>3\"/> <tr> <td>398</td> <td>ETR</td> <td>-</td> <td>WD.</td> <td>J2</td> <td>PTD.</td> <td>-</td> <td>395</td> <td>3\"/> <tr> <td>399</td> <td>ETR</td> <td>-</td> <td>WD.</td> <td>J2</td> <td>PTD.</td> <td>-</td> <td>396</td> <td>3\"/> <tr> <td>3991</td> <td>ETR</td> <td>-</td> <td>WD.</td> <td>J2</td> <td>PTD.</td> <td>-</td> <td>398</td> <td>3\"/> <tr> <td>3992</td> <td>A</td> <td>3\"/> <tr> <td>3993</td> <td>ETR</td> <td>-</td> <td>WD.</td> <td>J2</td> <td>PTD.</td> <td>-</td> <td>399</td> <td>3\"/> <tr> <td>3994</td> <td>ETR</td> <td>-</td> <td>WD.</td> <td>J2</td> <td>PTD.</td> <td>-</td> <td>3991</td> <td>3\"/> <tr> <td>3995</td> <td>ETR</td> <td>-</td> <td>WD.</td> <td>J2</td> <td>PTD.</td> <td>-</td> <td>3992</td> <td>3\"/> <tr> <td>3997</td> <td>ETR</td> <td>-</td> <td>WD.</td> <td>J2</td> <td>PTD.</td> <td>-</td> <td>3993</td> <td>3\"/> <tr> <td>3998</td> <td>ETR</td> <td>-</td> <td>WD.</td> <td>J2</td> <td>PTD.</td> <td>-</td> <td>3994</td> <td>3\"/> <tr> <td>3999</td> <td>ETR</td> <td>-</td> <td>WD.</td> <td>J2</td> <td>PTD.</td> <td>-</td> <td>3995</td> <td>3\"/> <tr> <td>3999</td> <td>ETR</td> <td>-</td> <td>WD.</td> <td>J2</td> <td>PTD.</td> <td>-</td> <td>3997</td> <td>3\"/>
</td></tr></td></tr></td></tr></td></tr></td></tr></td></tr></td></tr></td></tr></td></tr></td></tr></td></tr></td></tr></td></tr></td></tr></td></tr></td></tr></td></tr></td></tr></td></tr></td></tr></td></tr></td></tr></td></td></tr></td></tr> | 382 | ETR | -
 | WD. | J2 | PTD. | - | 380A | 3\"/> <tr> <td>382A</td> <td>D</td> <td>6 <td>ALUM.</td> <td>ANODIZE D</td> <td>-</td> <td>-</td> <td>380B</td> <td>3\"/> <tr> <td>385</td> <td>ETR</td> <td>-</td> <td>WD.</td> <td>J2</td> <td>PTD.</td> <td>-</td> <td>382</td> <td>3\"/> <tr> <td>386</td> <td>ETR</td> <td>-</td> <td>WD.</td> <td>J2</td> <td>PTD.</td> <td>-</td> <td>382A</td> <td>3\"/> <tr> <td>387</td> <td>ETR</td> <td>-</td> <td>WD.</td> <td>J2</td> <td>PTD.</td> <td>-</td> <td>385</td> <td>3\"/> <tr> <td>388</td> <td>ETR</td> <td>-</td> <td>WD.</td> <td>J2</td> <td>PTD.</td> <td>-</td> <td>386</td> <td>3\"/> <tr> <td>389</td> <td>ETR</td> <td>-</td> <td>WD.</td> <td>J2</td> <td>PTD.</td> <td>-</td> <td>387</td> <td>3\"/> <tr> <td>391</td> <td>ETR</td> <td>-</td> <td>WD.</td> <td>J2</td> <td>PTD.</td> <td>-</td> <td>388</td> <td>3\"/> <tr> <td>391A</td> <td>ETR</td> <td>-</td> <td>WD.</td> <td>J2</td> <td>PTD.</td> <td>-</td> <td>389</td> <td>3\"/> <tr> <td>391B</td> <td>ETR</td> <td>-</td> <td>WD.</td> <td>J2</td> <td>PTD.</td> <td>-</td> <td>391</td> <td>3\"/> <tr> <td>394</td> <td>ETR</td> <td>-</td> <td>WD.</td> <td>J2</td> <td>PTD.</td> <td>-</td> <td>391A</td> <td>3\"/> <tr> <td>395</td> <td>ETR</td> <td>-</td> <td>WD.</td> <td>J2</td> <td>PTD.</td> <td>-</td> <td>391B</td> <td>3\"/> <tr> <td>396</td> <td>ETR</td> <td>-</td> <td>WD.</td> <td>J2</td> <td>PTD.</td> <td>-</td> <td>394</td> <td>3\"/> <tr> <td>398</td> <td>ETR</td> <td>-</td> <td>WD.</td> <td>J2</td> <td>PTD.</td> <td>-</td> <td>395</td> <td>3\"/> <tr> <td>399</td> <td>ETR</td> <td>-</td> <td>WD.</td> <td>J2</td> <td>PTD.</td> <td>-</td> <td>396</td> <td>3\"/> <tr> <td>3991</td> <td>ETR</td> <td>-</td> <td>WD.</td> <td>J2</td> <td>PTD.</td> <td>-</td> <td>398</td> <td>3\"/> <tr> <td>3992</td> <td>A</td> <td>3\"/> <tr> <td>3993</td> <td>ETR</td> <td>-</td> <td>WD.</td> <td>J2</td> <td>PTD.</td> <td>-</td> <td>399</td> <td>3\"/> <tr> <td>3994</td> <td>ETR</td> <td>-</td> <td>WD.</td> <td>J2</td> <td>PTD.</td> <td>-</td> <td>3991</td> <td>3\"/> <tr> <td>3995</td> <td>ETR</td> <td>-</td> <td>WD.</td> <td>J2</td> <td>PTD.</td> <td>-</td> <td>3992</td> <td>3\"/> <tr> <td>3997</td> <td>ETR</td> <td>-</td> <td>WD.</td> <td>J2</td> <td>PTD.</td> <td>-</td> <td>3993</td> <td>3\"/> <tr> <td>3998</td> <td>ETR</td> <td>-</td> <td>WD.</td> <td>J2</td> <td>PTD.</td> <td>-</td> <td>3994</td> <td>3\"/> <tr> <td>3999</td> <td>ETR</td> <td>-</td> <td>WD.</td> <td>J2</td> <td>PTD.</td> <td>-</td> <td>3995</td> <td>3\"/> <tr> <td>3999</td> <td>ETR</td> <td>-</td> <td>WD.</td> <td>J2</td> <td>PTD.</td> <td>-</td> <td>3997</td> <td>3\"/> </td></tr></td></tr></td></tr></td></tr></td></tr></td></tr></td></tr></td></tr></td></tr></td></tr></td></tr></td></tr></td></tr></td></tr></td></tr></td></tr></td></tr></td></tr></td></tr></td></tr></td></tr></td></tr></td></td></tr> | 382A | D | 6 <td>ALUM.</td> <td>ANODIZE D</td> <td>-</td> <td>-</td> <td>380B</td> <td>3\"/> <tr> <td>385</td> <td>ETR</td> <td>-</td> <td>WD.</td> <td>J2</td> <td>PTD.</td> <td>-</td> <td>382</td> <td>3\"/> <tr> <td>386</td> <td>ETR</td> <td>-</td> <td>WD.</td> <td>J2</td> <td>PTD.</td> <td>-</td> <td>382A</td> <td>3\"/> <tr> <td>387</td> <td>ETR</td> <td>-</td> <td>WD.</td> <td>J2</td> <td>PTD.</td> <td>-</td> <td>385</td> <td>3\"/> <tr> <td>388</td> <td>ETR</td> <td>-</td> <td>WD.</td> <td>J2</td> <td>PTD.</td> <td>-</td> <td>386</td> <td>3\"/> <tr> <td>389</td> <td>ETR</td> <td>-</td> <td>WD.</td> <td>J2</td> <td>PTD.</td> <td>-</td> <td>387</td> <td>3\"/> <tr> <td>391</td> <td>ETR</td> <td>-</td> <td>WD.</td> <td>J2</td> <td>PTD.</td> <td>-</td> <td>388</td> <td>3\"/> <tr> <td>391A</td> <td>ETR</td> <td>-</td> <td>WD.</td> <td>J2</td> <td>PTD.</td> <td>-</td> <td>389</td> <td>3\"/> <tr> <td>391B</td> <td>ETR</td> <td>-</td> <td>WD.</td> <td>J2</td> <td>PTD.</td> <td>-</td> <td>391</td> <td>3\"/> <tr> <td>394</td> <td>ETR</td> <td>-</td> <td>WD.</td> <td>J2</td> <td>PTD.</td> <td>-</td> <td>391A</td> <td>3\"/> <tr> <td>395</td> <td>ETR</td> <td>-</td> <td>WD.</td> <td>J2</td> <td>PTD.</td> <td>-</td> <td>391B</td> <td>3\"/> <tr> <td>396</td> <td>ETR</td> <td>-</td> <td>WD.</td> <td>J2</td> <td>PTD.</td> <td>-</td> <td>394</td> <td>3\"/> <tr> <td>398</td> <td>ETR</td> <td>-</td> <td>WD.</td> <td>J2</td> <td>PTD.</td> <td>-</td> <td>395</td> <td>3\"/> <tr> <td>399</td> <td>ETR</td> <td>-</td> <td>WD.</td> <td>J2</td> <td>PTD.</td> <td>-</td> <td>396</td> <td>3\"/> <tr> <td>3991</td> <td>ETR</td> <td>-</td> <td>WD.</td> <td>J2</td> <td>PTD.</td> <td>-</td> <td>398</td> <td>3\"/> <tr> <td>3992</td> <td>A</td> <td>3\"/> <tr> <td>3993</td> <td>ETR</td> <td>-</td> <td>WD.</td> <td>J2</td> <td>PTD.</td> <td>-</td> <td>399</td> <td>3\"/> <tr> <td>3994</td> <td>ETR</td> <td>-</td> <td>WD.</td> <td>J2</td> <td>PTD.</td> <td>-</td> <td>3991</td> <td>3\"/> <tr> <td>3995</td> <td>ETR</td> <td>-</td> <td>WD.</td> <td>J2</td> <td>PTD.</td> <td>-</td> <td>3992</td> <td>3\"/> <tr> <td>3997</td> <td>ETR</td> <td>-</td> <td>WD.</td> <td>J2</td> <td>PTD.</td> <td>-</td> <td>3993</td> <td>3\"/> <tr> <td>3998</td> <td>ETR</td> <td>-</td> <td>WD.</td> <td>J2</td> <td>PTD.</td> <td>-</td> <td>3994</td> <td>3\"/> <tr> <td>3999</td> <td>ETR</td> <td>-</td> <td>WD.</td> <td>J2</td> <td>PTD.</td> <td>-</td> <td>3995</td> <td>3\"/> <tr> <td>3999</td> <td>ETR</td> <td>-</td> <td>WD.</td> <td>J2</td> <td>PTD.</td> <td>-</td> <td>3997</td> <td>3\"/> </td></tr></td></tr></td></tr></td></tr></td></tr></td></tr></td></tr></td></tr></td></tr></td></tr></td></tr></td></tr></td></tr></td></tr></td></tr></td></tr></td></tr></td></tr></td></tr></td></tr></td></tr></td></tr></td>
 | ALUM. | ANODIZE D | - | - | 380B | 3\"/> <tr> <td>385</td> <td>ETR</td> <td>-</td> <td>WD.</td> <td>J2</td> <td>PTD.</td> <td>-</td> <td>382</td> <td>3\"/> <tr> <td>386</td> <td>ETR</td> <td>-</td> <td>WD.</td> <td>J2</td> <td>PTD.</td> <td>-</td> <td>382A</td> <td>3\"/> <tr> <td>387</td> <td>ETR</td> <td>-</td> <td>WD.</td> <td>J2</td> <td>PTD.</td> <td>-</td> <td>385</td> <td>3\"/> <tr> <td>388</td> <td>ETR</td> <td>-</td> <td>WD.</td> <td>J2</td> <td>PTD.</td> <td>-</td> <td>386</td> <td>3\"/> <tr> <td>389</td> <td>ETR</td> <td>-</td> <td>WD.</td> <td>J2</td> <td>PTD.</td> <td>-</td> <td>387</td> <td>3\"/> <tr> <td>391</td> <td>ETR</td> <td>-</td> <td>WD.</td> <td>J2</td> <td>PTD.</td> <td>-</td> <td>388</td> <td>3\"/> <tr> <td>391A</td> <td>ETR</td> <td>-</td> <td>WD.</td> <td>J2</td> <td>PTD.</td> <td>-</td> <td>389</td> <td>3\"/> <tr> <td>391B</td> <td>ETR</td> <td>-</td> <td>WD.</td> <td>J2</td> <td>PTD.</td> <td>-</td> <td>391</td> <td>3\"/> <tr> <td>394</td> <td>ETR</td> <td>-</td> <td>WD.</td> <td>J2</td> <td>PTD.</td> <td>-</td> <td>391A</td> <td>3\"/> <tr> <td>395</td> <td>ETR</td> <td>-</td> <td>WD.</td> <td>J2</td> <td>PTD.</td> <td>-</td> <td>391B</td> <td>3\"/> <tr> <td>396</td> <td>ETR</td> <td>-</td> <td>WD.</td> <td>J2</td> <td>PTD.</td> <td>-</td> <td>394</td> <td>3\"/> <tr> <td>398</td> <td>ETR</td> <td>-</td> <td>WD.</td> <td>J2</td> <td>PTD.</td> <td>-</td> <td>395</td> <td>3\"/> <tr> <td>399</td> <td>ETR</td> <td>-</td> <td>WD.</td> <td>J2</td> <td>PTD.</td> <td>-</td> <td>396</td> <td>3\"/> <tr> <td>3991</td> <td>ETR</td> <td>-</td> <td>WD.</td> <td>J2</td> <td>PTD.</td> <td>-</td> <td>398</td> <td>3\"/> <tr> <td>3992</td> <td>A</td> <td>3\"/> <tr> <td>3993</td> <td>ETR</td> <td>-</td> <td>WD.</td> <td>J2</td> <td>PTD.</td> <td>-</td> <td>399</td> <td>3\"/> <tr> <td>3994</td> <td>ETR</td> <td>-</td> <td>WD.</td> <td>J2</td> <td>PTD.</td> <td>-</td> <td>3991</td> <td>3\"/> <tr> <td>3995</td> <td>ETR</td> <td>-</td> <td>WD.</td> <td>J2</td> <td>PTD.</td> <td>-</td> <td>3992</td> <td>3\"/> <tr> <td>3997</td> <td>ETR</td> <td>-</td> <td>WD.</td> <td>J2</td> <td>PTD.</td> <td>-</td> <td>3993</td> <td>3\"/> <tr> <td>3998</td> <td>ETR</td> <td>-</td> <td>WD.</td> <td>J2</td> <td>PTD.</td> <td>-</td> <td>3994</td> <td>3\"/> <tr> <td>3999</td> <td>ETR</td> <td>-</td> <td>WD.</td> <td>J2</td> <td>PTD.</td> <td>-</td> <td>3995</td> <td>3\"/> <tr> <td>3999</td> <td>ETR</td> <td>-</td> <td>WD.</td> <td>J2</td> <td>PTD.</td> <td>-</td> <td>3997</td> <td>3\"/> </td></tr></td></tr></td></tr></td></tr></td></tr></td></tr></td></tr></td></tr></td></tr></td></tr></td></tr></td></tr></td></tr></td></tr></td></tr></td></tr></td></tr></td></tr></td></tr></td></tr></td></tr></td></tr> | 385 | ETR | -
 | WD. | J2 | PTD. | - | 382 | 3\"/> <tr> <td>386</td> <td>ETR</td> <td>-</td> <td>WD.</td> <td>J2</td> <td>PTD.</td> <td>-</td> <td>382A</td> <td>3\"/> <tr> <td>387</td> <td>ETR</td> <td>-</td> <td>WD.</td> <td>J2</td> <td>PTD.</td> <td>-</td> <td>385</td> <td>3\"/> <tr> <td>388</td> <td>ETR</td> <td>-</td> <td>WD.</td> <td>J2</td> <td>PTD.</td> <td>-</td> <td>386</td> <td>3\"/> <tr> <td>389</td> <td>ETR</td> <td>-</td> <td>WD.</td> <td>J2</td> <td>PTD.</td> <td>-</td> <td>387</td> <td>3\"/> <tr> <td>391</td> <td>ETR</td> <td>-</td> <td>WD.</td> <td>J2</td> <td>PTD.</td> <td>-</td> <td>388</td> <td>3\"/> <tr> <td>391A</td> <td>ETR</td> <td>-</td> <td>WD.</td> <td>J2</td> <td>PTD.</td> <td>-</td> <td>389</td> <td>3\"/> <tr> <td>391B</td> <td>ETR</td> <td>-</td> <td>WD.</td> <td>J2</td> <td>PTD.</td> <td>-</td> <td>391</td> <td>3\"/> <tr> <td>394</td> <td>ETR</td> <td>-</td> <td>WD.</td> <td>J2</td> <td>PTD.</td> <td>-</td> <td>391A</td> <td>3\"/> <tr> <td>395</td> <td>ETR</td> <td>-</td> <td>WD.</td> <td>J2</td> <td>PTD.</td> <td>-</td> <td>391B</td> <td>3\"/> <tr> <td>396</td> <td>ETR</td> <td>-</td> <td>WD.</td> <td>J2</td> <td>PTD.</td> <td>-</td> <td>394</td> <td>3\"/> <tr> <td>398</td> <td>ETR</td> <td>-</td> <td>WD.</td> <td>J2</td> <td>PTD.</td> <td>-</td> <td>395</td> <td>3\"/> <tr> <td>399</td> <td>ETR</td> <td>-</td> <td>WD.</td> <td>J2</td> <td>PTD.</td> <td>-</td> <td>396</td> <td>3\"/> <tr> <td>3991</td> <td>ETR</td> <td>-</td> <td>WD.</td> <td>J2</td> <td>PTD.</td> <td>-</td> <td>398</td> <td>3\"/> <tr> <td>3992</td> <td>A</td> <td>3\"/> <tr> <td>3993</td> <td>ETR</td> <td>-</td> <td>WD.</td> <td>J2</td> <td>PTD.</td> <td>-</td> <td>399</td> <td>3\"/> <tr> <td>3994</td> <td>ETR</td> <td>-</td> <td>WD.</td> <td>J2</td> <td>PTD.</td> <td>-</td> <td>3991</td> <td>3\"/> <tr> <td>3995</td> <td>ETR</td> <td>-</td> <td>WD.</td> <td>J2</td> <td>PTD.</td> <td>-</td> <td>3992</td> <td>3\"/> <tr> <td>3997</td> <td>ETR</td> <td>-</td> <td>WD.</td> <td>J2</td> <td>PTD.</td> <td>-</td> <td>3993</td> <td>3\"/> <tr> <td>3998</td> <td>ETR</td> <td>-</td> <td>WD.</td> <td>J2</td> <td>PTD.</td> <td>-</td> <td>3994</td> <td>3\"/> <tr> <td>3999</td> <td>ETR</td> <td>-</td> <td>WD.</td> <td>J2</td> <td>PTD.</td> <td>-</td> <td>3995</td> <td>3\"/> <tr> <td>3999</td> <td>ETR</td> <td>-</td> <td>WD.</td> <td>J2</td> <td>PTD.</td> <td>-</td> <td>3997</td> <td>3\"/> </td></tr></td></tr></td></tr></td></tr></td></tr></td></tr></td></tr></td></tr></td></tr></td></tr></td></tr></td></tr></td></tr></td></tr></td></tr></td></tr></td></tr></td></tr></td></tr></td></tr></td></tr>
 | 386 | ETR | - | WD. | J2 | PTD. | - | 382A | 3\"/> <tr> <td>387</td> <td>ETR</td> <td>-</td> <td>WD.</td> <td>J2</td> <td>PTD.</td> <td>-</td> <td>385</td> <td>3\"/> <tr> <td>388</td> <td>ETR</td> <td>-</td> <td>WD.</td> <td>J2</td> <td>PTD.</td> <td>-</td> <td>386</td> <td>3\"/> <tr> <td>389</td> <td>ETR</td> <td>-</td> <td>WD.</td> <td>J2</td> <td>PTD.</td> <td>-</td> <td>387</td> <td>3\"/> <tr> <td>391</td> <td>ETR</td> <td>-</td> <td>WD.</td> <td>J2</td> <td>PTD.</td> <td>-</td> <td>388</td> <td>3\"/> <tr> <td>391A</td> <td>ETR</td> <td>-</td> <td>WD.</td> <td>J2</td> <td>PTD.</td> <td>-</td> <td>389</td> <td>3\"/> <tr> <td>391B</td> <td>ETR</td> <td>-</td> <td>WD.</td> <td>J2</td> <td>PTD.</td> <td>-</td> <td>391</td> <td>3\"/> <tr> <td>394</td> <td>ETR</td> <td>-</td> <td>WD.</td> <td>J2</td> <td>PTD.</td> <td>-</td> <td>391A</td> <td>3\"/> <tr> <td>395</td> <td>ETR</td> <td>-</td> <td>WD.</td> <td>J2</td> <td>PTD.</td> <td>-</td> <td>391B</td> <td>3\"/> <tr> <td>396</td> <td>ETR</td> <td>-</td> <td>WD.</td> <td>J2</td> <td>PTD.</td> <td>-</td> <td>394</td> <td>3\"/> <tr> <td>398</td> <td>ETR</td> <td>-</td> <td>WD.</td> <td>J2</td> <td>PTD.</td> <td>-</td> <td>395</td> <td>3\"/> <tr> <td>399</td> <td>ETR</td> <td>-</td> <td>WD.</td> <td>J2</td> <td>PTD.</td> <td>-</td> <td>396</td> <td>3\"/> <tr> <td>3991</td> <td>ETR</td> <td>-</td> <td>WD.</td> <td>J2</td> <td>PTD.</td> <td>-</td> <td>398</td> <td>3\"/> <tr> <td>3992</td> <td>A</td> <td>3\"/> <tr> <td>3993</td> <td>ETR</td> <td>-</td> <td>WD.</td> <td>J2</td> <td>PTD.</td> <td>-</td> <td>399</td> <td>3\"/> <tr> <td>3994</td> <td>ETR</td> <td>-</td> <td>WD.</td> <td>J2</td> <td>PTD.</td> <td>-</td> <td>3991</td> <td>3\"/> <tr> <td>3995</td> <td>ETR</td> <td>-</td> <td>WD.</td> <td>J2</td> <td>PTD.</td> <td>-</td> <td>3992</td> <td>3\"/> <tr> <td>3997</td> <td>ETR</td> <td>-</td> <td>WD.</td> <td>J2</td> <td>PTD.</td> <td>-</td> <td>3993</td> <td>3\"/> <tr> <td>3998</td> <td>ETR</td> <td>-</td> <td>WD.</td> <td>J2</td> <td>PTD.</td> <td>-</td> <td>3994</td> <td>3\"/> <tr> <td>3999</td> <td>ETR</td> <td>-</td> <td>WD.</td> <td>J2</td> <td>PTD.</td> <td>-</td> <td>3995</td> <td>3\"/> <tr> <td>3999</td> <td>ETR</td> <td>-</td> <td>WD.</td> <td>J2</td> <td>PTD.</td> <td>-</td> <td>3997</td> <td>3\"/> </td></tr></td></tr></td></tr></td></tr></td></tr></td></tr></td></tr></td></tr></td></tr></td></tr></td></tr></td></tr></td></tr></td></tr></td></tr></td></tr></td></tr></td></tr></td></tr></td></tr>
 | 387 | ETR | - | WD. | J2 | PTD. | - | 385 | 3\"/> <tr> <td>388</td> <td>ETR</td> <td>-</td> <td>WD.</td> <td>J2</td> <td>PTD.</td> <td>-</td> <td>386</td> <td>3\"/> <tr> <td>389</td> <td>ETR</td> <td>-</td> <td>WD.</td> <td>J2</td> <td>PTD.</td> <td>-</td> <td>387</td> <td>3\"/> <tr> <td>391</td> <td>ETR</td> <td>-</td> <td>WD.</td> <td>J2</td> <td>PTD.</td> <td>-</td> <td>388</td> <td>3\"/> <tr> <td>391A</td> <td>ETR</td> <td>-</td> <td>WD.</td> <td>J2</td> <td>PTD.</td> <td>-</td> <td>389</td> <td>3\"/> <tr> <td>391B</td> <td>ETR</td> <td>-</td> <td>WD.</td> <td>J2</td> <td>PTD.</td> <td>-</td> <td>391</td> <td>3\"/> <tr> <td>394</td> <td>ETR</td> <td>-</td> <td>WD.</td> <td>J2</td> <td>PTD.</td> <td>-</td> <td>391A</td> <td>3\"/> <tr> <td>395</td> <td>ETR</td> <td>-</td> <td>WD.</td> <td>J2</td> <td>PTD.</td> <td>-</td> <td>391B</td> <td>3\"/> <tr> <td>396</td> <td>ETR</td> <td>-</td> <td>WD.</td> <td>J2</td> <td>PTD.</td> <td>-</td> <td>394</td> <td>3\"/> <tr> <td>398</td> <td>ETR</td> <td>-</td> <td>WD.</td> <td>J2</td> <td>PTD.</td> <td>-</td> <td>395</td> <td>3\"/>
<tr> <td>399</td> <td>ETR</td> <td>-</td> <td>WD.</td> <td>J2</td> <td>PTD.</td> <td>-</td> <td>396</td> <td>3\"/> <tr> <td>3991</td> <td>ETR</td> <td>-</td> <td>WD.</td> <td>J2</td> <td>PTD.</td> <td>-</td> <td>398</td> <td>3\"/> <tr> <td>3992</td> <td>A</td> <td>3\"/> <tr> <td>3993</td> <td>ETR</td> <td>-</td> <td>WD.</td> <td>J2</td> <td>PTD.</td> <td>-</td> <td>399</td> <td>3\"/> <tr> <td>3994</td> <td>ETR</td> <td>-</td> <td>WD.</td> <td>J2</td> <td>PTD.</td> <td>-</td> <td>3991</td> <td>3\"/> <tr> <td>3995</td> <td>ETR</td> <td>-</td> <td>WD.</td> <td>J2</td> <td>PTD.</td> <td>-</td> <td>3992</td> <td>3\"/> <tr> <td>3997</td> <td>ETR</td> <td>-</td> <td>WD.</td> <td>J2</td> <td>PTD.</td> <td>-</td> <td>3993</td> <td>3\"/> <tr> <td>3998</td> <td>ETR</td> <td>-</td> <td>WD.</td> <td>J2</td> <td>PTD.</td> <td>-</td> <td>3994</td> <td>3\"/> <tr> <td>3999</td> <td>ETR</td> <td>-</td> <td>WD.</td> <td>J2</td> <td>PTD.</td> <td>-</td> <td>3995</td> <td>3\"/> <tr> <td>3999</td> <td>ETR</td> <td>-</td> <td>WD.</td> <td>J2</td> <td>PTD.</td> <td>-</td> <td>3997</td> <td>3\"/> </td></tr></td></tr></td></tr></td></tr></td></tr></td></tr></td></tr></td></tr></td></tr></td></tr></td></tr></td></tr></td></tr></td></tr></td></tr></td></tr></td></tr></td></tr></td></tr> | 388 | ETR | -
 | WD. | J2 | PTD. | - | 386 | 3\"/> <tr> <td>389</td> <td>ETR</td> <td>-</td> <td>WD.</td> <td>J2</td> <td>PTD.</td> <td>-</td> <td>387</td> <td>3\"/> <tr> <td>391</td> <td>ETR</td> <td>-</td> <td>WD.</td> <td>J2</td> <td>PTD.</td> <td>-</td> <td>388</td> <td>3\"/> <tr> <td>391A</td> <td>ETR</td> <td>-</td> <td>WD.</td> <td>J2</td> <td>PTD.</td> <td>-</td> <td>389</td> <td>3\"/> <tr> <td>391B</td> <td>ETR</td> <td>-</td> <td>WD.</td> <td>J2</td> <td>PTD.</td> <td>-</td> <td>391</td> <td>3\"/> <tr> <td>394</td> <td>ETR</td> <td>-</td> <td>WD.</td> <td>J2</td> <td>PTD.</td> <td>-</td> <td>391A</td> <td>3\"/> <tr> <td>395</td> <td>ETR</td> <td>-</td> <td>WD.</td> <td>J2</td> <td>PTD.</td> <td>-</td> <td>391B</td> <td>3\"/> <tr> <td>396</td> <td>ETR</td> <td>-</td> <td>WD.</td> <td>J2</td> <td>PTD.</td> <td>-</td> <td>394</td> <td>3\"/> <tr> <td>398</td> <td>ETR</td> <td>-</td> <td>WD.</td> <td>J2</td> <td>PTD.</td> <td>-</td> <td>395</td> <td>3\"/> <tr> <td>399</td> <td>ETR</td> <td>-</td> <td>WD.</td> <td>J2</td> <td>PTD.</td> <td>-</td> <td>396</td> <td>3\"/> <tr> <td>3991</td> <td>ETR</td> <td>-</td> <td>WD.</td> <td>J2</td> <td>PTD.</td> <td>-</td> <td>398</td> <td>3\"/> <tr> <td>3992</td> <td>A</td> <td>3\"/> <tr> <td>3993</td> <td>ETR</td> <td>-</td> <td>WD.</td> <td>J2</td> <td>PTD.</td> <td>-</td> <td>399</td> <td>3\"/> <tr> <td>3994</td> <td>ETR</td> <td>-</td> <td>WD.</td> <td>J2</td> <td>PTD.</td> <td>-</td> <td>3991</td> <td>3\"/> <tr> <td>3995</td> <td>ETR</td> <td>-</td> <td>WD.</td> <td>J2</td> <td>PTD.</td> <td>-</td> <td>3992</td> <td>3\"/> <tr> <td>3997</td> <td>ETR</td> <td>-</td> <td>WD.</td> <td>J2</td> <td>PTD.</td> <td>-</td> <td>3993</td> <td>3\"/> <tr> <td>3998</td> <td>ETR</td> <td>-</td> <td>WD.</td> <td>J2</td> <td>PTD.</td> <td>-</td> <td>3994</td> <td>3\"/> <tr> <td>3999</td> <td>ETR</td> <td>-</td> <td>WD.</td> <td>J2</td> <td>PTD.</td> <td>-</td> <td>3995</td> <td>3\"/> <tr> <td>3999</td> <td>ETR</td> <td>-</td> <td>WD.</td> <td>J2</td> <td>PTD.</td> <td>-</td> <td>3997</td> <td>3\"/> </td></tr></td></tr></td></tr></td></tr></td></tr></td></tr></td></tr></td></tr></td></tr></td></tr></td></tr></td></tr></td></tr></td></tr></td></tr></td></tr></td></tr></td></tr> | 389 | ETR | -
 | WD. | J2 | PTD. | - | 387 | 3\"/> <tr> <td>391</td> <td>ETR</td> <td>-</td> <td>WD.</td> <td>J2</td> <td>PTD.</td> <td>-</td> <td>388</td> <td>3\"/> <tr> <td>391A</td> <td>ETR</td> <td>-</td> <td>WD.</td> <td>J2</td> <td>PTD.</td> <td>-</td> <td>389</td> <td>3\"/> <tr> <td>391B</td> <td>ETR</td> <td>-</td> <td>WD.</td> <td>J2</td> <td>PTD.</td> <td>-</td> <td>391</td> <td>3\"/> <tr> <td>394</td> <td>ETR</td> <td>-</td> <td>WD.</td> <td>J2</td> <td>PTD.</td> <td>-</td> <td>391A</td> <td>3\"/> <tr> <td>395</td> <td>ETR</td> <td>-</td> <td>WD.</td> <td>J2</td> <td>PTD.</td> <td>-</td> <td>391B</td> <td>3\"/> <tr> <td>396</td> <td>ETR</td> <td>-</td> <td>WD.</td> <td>J2</td> <td>PTD.</td> <td>-</td> <td>394</td> <td>3\"/> <tr> <td>398</td> <td>ETR</td> <td>-</td> <td>WD.</td> <td>J2</td> <td>PTD.</td> <td>-</td> <td>395</td> <td>3\"/> <tr> <td>399</td> <td>ETR</td> <td>-</td> <td>WD.</td> <td>J2</td> <td>PTD.</td> <td>-</td> <td>396</td> <td>3\"/> <tr> <td>3991</td> <td>ETR</td> <td>-</td> <td>WD.</td> <td>J2</td> <td>PTD.</td> <td>-</td> <td>398</td> <td>3\"/> <tr> <td>3992</td> <td>A</td> <td>3\"/> <tr> <td>3993</td> <td>ETR</td> <td>-</td> <td>WD.</td> <td>J2</td> <td>PTD.</td> <td>-</td> <td>399</td> <td>3\"/> <tr> <td>3994</td> <td>ETR</td> <td>-</td> <td>WD.</td> <td>J2</td> <td>PTD.</td> <td>-</td> <td>3991</td> <td>3\"/> <tr> <td>3995</td> <td>ETR</td> <td>-</td> <td>WD.</td> <td>J2</td> <td>PTD.</td> <td>-</td> <td>3992</td> <td>3\"/> <tr> <td>3997</td> <td>ETR</td> <td>-</td> <td>WD.</td> <td>J2</td> <td>PTD.</td> <td>-</td> <td>3993</td> <td>3\"/> <tr> <td>3998</td> <td>ETR</td> <td>-</td> <td>WD.</td> <td>J2</td> <td>PTD.</td> <td>-</td> <td>3994</td> <td>3\"/> <tr> <td>3999</td> <td>ETR</td> <td>-</td> <td>WD.</td> <td>J2</td> <td>PTD.</td> <td>-</td> <td>3995</td> <td>3\"/> <tr> <td>3999</td> <td>ETR</td> <td>-</td> <td>WD.</td> <td>J2</td> <td>PTD.</td> <td>-</td> <td>3997</td> <td>3\"/> </td></tr></td></tr></td></tr></td></tr></td></tr></td></tr></td></tr></td></tr></td></tr></td></tr></td></tr></td></tr></td></tr></td></tr></td></tr></td></tr></td></tr> | 391 | ETR | -
 | WD. | J2 | PTD. | - | 388 | 3\"/> <tr> <td>391A</td> <td>ETR</td> <td>-</td> <td>WD.</td> <td>J2</td> <td>PTD.</td> <td>-</td> <td>389</td> <td>3\"/> <tr> <td>391B</td> <td>ETR</td> <td>-</td> <td>WD.</td> <td>J2</td> <td>PTD.</td> <td>-</td> <td>391</td> <td>3\"/> <tr> <td>394</td> <td>ETR</td> <td>-</td> <td>WD.</td> <td>J2</td> <td>PTD.</td> <td>-</td> <td>391A</td> <td>3\"/> <tr> <td>395</td> <td>ETR</td> <td>-</td> <td>WD.</td> <td>J2</td> <td>PTD.</td> <td>-</td> <td>391B</td> <td>3\"/> <tr> <td>396</td> <td>ETR</td> <td>-</td> <td>WD.</td> <td>J2</td> <td>PTD.</td> <td>-</td> <td>394</td> <td>3\"/> <tr> <td>398</td> <td>ETR</td> <td>-</td> <td>WD.</td> <td>J2</td> <td>PTD.</td> <td>-</td> <td>395</td> <td>3\"/> <tr> <td>399</td> <td>ETR</td> <td>-</td> <td>WD.</td> <td>J2</td> <td>PTD.</td> <td>-</td> <td>396</td> <td>3\"/> <tr> <td>3991</td> <td>ETR</td> <td>-</td> <td>WD.</td> <td>J2</td> <td>PTD.</td> <td>-</td> <td>398</td> <td>3\"/> <tr> <td>3992</td> <td>A</td> <td>3\"/> <tr> <td>3993</td> <td>ETR</td> <td>-</td> <td>WD.</td> <td>J2</td> <td>PTD.</td> <td>-</td> <td>399</td> <td>3\"/> <tr> <td>3994</td> <td>ETR</td> <td>-</td> <td>WD.</td> <td>J2</td> <td>PTD.</td> <td>-</td> <td>3991</td> <td>3\"/> <tr> <td>3995</td> <td>ETR</td> <td>-</td> <td>WD.</td> <td>J2</td> <td>PTD.</td> <td>-</td> <td>3992</td> <td>3\"/> <tr> <td>3997</td> <td>ETR</td> <td>-</td> <td>WD.</td> <td>J2</td> <td>PTD.</td> <td>-</td> <td>3993</td> <td>3\"/> <tr> <td>3998</td> <td>ETR</td> <td>-</td> <td>WD.</td> <td>J2</td> <td>PTD.</td> <td>-</td> <td>3994</td> <td>3\"/> <tr> <td>3999</td> <td>ETR</td> <td>-</td> <td>WD.</td> <td>J2</td> <td>PTD.</td> <td>-</td> <td>3995</td> <td>3\"/> <tr> <td>3999</td> <td>ETR</td> <td>-</td> <td>WD.</td> <td>J2</td> <td>PTD.</td> <td>-</td> <td>3997</td> <td>3\"/> </td></tr></td></tr></td></tr></td></tr></td></tr></td></tr></td></tr></td></tr></td></tr></td></tr></td></tr></td></tr></td></tr></td></tr></td></tr></td></tr> | 391A | ETR | -
 | WD. | J2 | PTD. | - | 389 | 3\"/> <tr> <td>391B</td> <td>ETR</td> <td>-</td> <td>WD.</td> <td>J2</td> <td>PTD.</td> <td>-</td> <td>391</td> <td>3\"/> <tr> <td>394</td> <td>ETR</td> <td>-</td> <td>WD.</td> <td>J2</td> <td>PTD.</td> <td>-</td> <td>391A</td> <td>3\"/> <tr> <td>395</td> <td>ETR</td> <td>-</td> <td>WD.</td> <td>J2</td> <td>PTD.</td> <td>-</td> <td>391B</td> <td>3\"/> <tr> <td>396</td> <td>ETR</td> <td>-</td> <td>WD.</td> <td>J2</td> <td>PTD.</td> <td>-</td> <td>394</td> <td>3\"/> <tr> <td>398</td> <td>ETR</td> <td>-</td> <td>WD.</td> <td>J2</td> <td>PTD.</td> <td>-</td> <td>395</td> <td>3\"/> <tr> <td>399</td> <td>ETR</td> <td>-</td> <td>WD.</td> <td>J2</td> <td>PTD.</td> <td>-</td> <td>396</td> <td>3\"/> <tr> <td>3991</td> <td>ETR</td> <td>-</td> <td>WD.</td> <td>J2</td> <td>PTD.</td> <td>-</td> <td>398</td> <td>3\"/> <tr> <td>3992</td> <td>A</td> <td>3\"/> <tr> <td>3993</td> <td>ETR</td> <td>-</td> <td>WD.</td> <td>J2</td> <td>PTD.</td> <td>-</td> <td>399</td> <td>3\"/> <tr> <td>3994</td> <td>ETR</td> <td>-</td> <td>WD.</td> <td>J2</td> <td>PTD.</td> <td>-</td> <td>3991</td> <td>3\"/> <tr> <td>3995</td> <td>ETR</td> <td>-</td> <td>WD.</td> <td>J2</td> <td>PTD.</td> <td>-</td> <td>3992</td> <td>3\"/> <tr> <td>3997</td> <td>ETR</td> <td>-</td> <td>WD.</td> <td>J2</td> <td>PTD.</td> <td>-</td> <td>3993</td> <td>3\"/> <tr> <td>3998</td> <td>ETR</td> <td>-</td> <td>WD.</td> <td>J2</td> <td>PTD.</td> <td>-</td> <td>3994</td> <td>3\"/> <tr> <td>3999</td> <td>ETR</td> <td>-</td> <td>WD.</td> <td>J2</td> <td>PTD.</td> <td>-</td> <td>3995</td> <td>3\"/> <tr> <td>3999</td> <td>ETR</td> <td>-</td> <td>WD.</td> <td>J2</td> <td>PTD.</td> <td>-</td> <td>3997</td> <td>3\"/> </td></tr></td></tr></td></tr></td></tr></td></tr></td></tr></td></tr></td></tr></td></tr></td></tr></td></tr></td></tr></td></tr></td></tr></td></tr> | 391B | ETR | -
 | WD. | J2 | PTD. | - | 391 | 3\"/> <tr> <td>394</td> <td>ETR</td> <td>-</td> <td>WD.</td> <td>J2</td> <td>PTD.</td> <td>-</td> <td>391A</td> <td>3\"/> <tr> <td>395</td> <td>ETR</td> <td>-</td> <td>WD.</td> <td>J2</td> <td>PTD.</td> <td>-</td> <td>391B</td> <td>3\"/> <tr> <td>396</td> <td>ETR</td> <td>-</td> <td>WD.</td> <td>J2</td> <td>PTD.</td> <td>-</td> <td>394</td> <td>3\"/> <tr> <td>398</td> <td>ETR</td> <td>-</td> <td>WD.</td> <td>J2</td> <td>PTD.</td> <td>-</td> <td>395</td> <td>3\"/> <tr> <td>399</td> <td>ETR</td> <td>-</td> <td>WD.</td> <td>J2</td> <td>PTD.</td> <td>-</td> <td>396</td> <td>3\"/> <tr> <td>3991</td> <td>ETR</td>
<td>-</td> <td>WD.</td> <td>J2</td> <td>PTD.</td> <td>-</td> <td>398</td> <td>3\"/> <tr> <td>3992</td> <td>A</td> <td>3\"/> <tr> <td>3993</td> <td>ETR</td> <td>-</td> <td>WD.</td> <td>J2</td> <td>PTD.</td> <td>-</td> <td>399</td> <td>3\"/> <tr> <td>3994</td> <td>ETR</td> <td>-</td> <td>WD.</td> <td>J2</td> <td>PTD.</td> <td>-</td> <td>3991</td> <td>3\"/> <tr> <td>3995</td> <td>ETR</td> <td>-</td> <td>WD.</td> <td>J2</td> <td>PTD.</td> <td>-</td> <td>3992</td> <td>3\"/> <tr> <td>3997</td> <td>ETR</td> <td>-</td> <td>WD.</td> <td>J2</td> <td>PTD.</td> <td>-</td> <td>3993</td> <td>3\"/> <tr> <td>3998</td> <td>ETR</td> <td>-</td> <td>WD.</td> <td>J2</td> <td>PTD.</td> <td>-</td> <td>3994</td> <td>3\"/> <tr> <td>3999</td> <td>ETR</td> <td>-</td> <td>WD.</td> <td>J2</td> <td>PTD.</td> <td>-</td> <td>3995</td> <td>3\"/> <tr> <td>3999</td> <td>ETR</td> <td>-</td> <td>WD.</td> <td>J2</td> <td>PTD.</td> <td>-</td> <td>3997</td> <td>3\"/> </td></tr></td></tr></td></tr></td></tr></td></tr></td></tr></td></tr></td></tr></td></tr></td></tr></td></tr></td></tr></td></tr></td></tr> | 394 | ETR | - | WD. | J2 | PTD. | - | 391A | 3\"/> <tr> <td>395</td> <td>ETR</td> <td>-</td> <td>WD.</td> <td>J2</td> <td>PTD.</td> <td>-</td> <td>391B</td> <td>3\"/> <tr> <td>396</td> <td>ETR</td> <td>-</td> <td>WD.</td> <td>J2</td> <td>PTD.</td> <td>-</td> <td>394</td> <td>3\"/> <tr> <td>398</td> <td>ETR</td> <td>-</td> <td>WD.</td> <td>J2</td> <td>PTD.</td> <td>-</td> <td>395</td>
<td>3\"/> <tr> <td>399</td> <td>ETR</td> <td>-</td> <td>WD.</td> <td>J2</td> <td>PTD.</td> <td>-</td> <td>396</td> <td>3\"/> <tr> <td>3991</td> <td>ETR</td> <td>-</td> <td>WD.</td> <td>J2</td> <td>PTD.</td> <td>-</td> <td>398</td> <td>3\"/> <tr> <td>3992</td> <td>A</td> <td>3\"/> <tr> <td>3993</td> <td>ETR</td> <td>-</td> <td>WD.</td> <td>J2</td> <td>PTD.</td> <td>-</td> <td>399</td> <td>3\"/> <tr> <td>3994</td> <td>ETR</td> <td>-</td> <td>WD.</td> <td>J2</td> <td>PTD.</td> <td>-</td> <td>3991</td> <td>3\"/> <tr> <td>3995</td> <td>ETR</td> <td>-</td> <td>WD.</td> <td>J2</td> <td>PTD.</td> <td>-</td> <td>3992</td> <td>3\"/> <tr> <td>3997</td> <td>ETR</td> <td>-</td> <td>WD.</td> <td>J2</td> <td>PTD.</td> <td>-</td> <td>3993</td> <td>3\"/> <tr> <td>3998</td> <td>ETR</td> <td>-</td> <td>WD.</td> <td>J2</td> <td>PTD.</td> <td>-</td> <td>3994</td> <td>3\"/> <tr> <td>3999</td> <td>ETR</td> <td>-</td> <td>WD.</td> <td>J2</td> <td>PTD.</td> <td>-</td> <td>3995</td> <td>3\"/> <tr> <td>3999</td> <td>ETR</td> <td>-</td> <td>WD.</td> <td>J2</td> <td>PTD.</td> <td>-</td> <td>3997</td> <td>3\"/> </td></tr></td></tr></td></tr></td></tr></td></tr></td></tr></td></tr></td></tr></td></tr></td></tr></td></tr></td></tr></td></tr> | 395 | ETR | - | WD. | J2 | PTD. | - | 391B | 3\"/> <tr> <td>396</td> <td>ETR</td> <td>-</td> <td>WD.</td> <td>J2</td> <td>PTD.</td> <td>-</td> <td>394</td> <td>3\"/> <tr> <td>398</td> <td>ETR</td> <td>-</td> <td>WD.</td> <td>J2</td> <td>PTD.</td> <td>-</td> <td>395</td> <td>3\"/> <tr> <td>399</td> <td>ETR</td> <td>-</td> <td>WD.</td> <td>J2</td> <td>PTD.</td> <td>-</td>
<td>396</td> <td>3\"/> <tr> <td>3991</td> <td>ETR</td> <td>-</td> <td>WD.</td> <td>J2</td> <td>PTD.</td> <td>-</td> <td>398</td> <td>3\"/> <tr> <td>3992</td> <td>A</td> <td>3\"/> <tr> <td>3993</td> <td>ETR</td> <td>-</td> <td>WD.</td> <td>J2</td> <td>PTD.</td> <td>-</td> <td>399</td> <td>3\"/> <tr> <td>3994</td> <td>ETR</td> <td>-</td> <td>WD.</td> <td>J2</td> <td>PTD.</td> <td>-</td> <td>3991</td> <td>3\"/> <tr> <td>3995</td> <td>ETR</td> <td>-</td> <td>WD.</td> <td>J2</td> <td>PTD.</td> <td>-</td> <td>3992</td> <td>3\"/> <tr> <td>3997</td> <td>ETR</td> <td>-</td> <td>WD.</td> <td>J2</td> <td>PTD.</td> <td>-</td> <td>3993</td> <td>3\"/> <tr> <td>3998</td> <td>ETR</td> <td>-</td> <td>WD.</td> <td>J2</td> <td>PTD.</td> <td>-</td> <td>3994</td> <td>3\"/> <tr> <td>3999</td> <td>ETR</td> <td>-</td> <td>WD.</td> <td>J2</td> <td>PTD.</td> <td>-</td> <td>3995</td> <td>3\"/> <tr> <td>3999</td> <td>ETR</td> <td>-</td> <td>WD.</td> <td>J2</td> <td>PTD.</td> <td>-</td> <td>3997</td> <td>3\"/> </td></tr></td></tr></td></tr></td></tr></td></tr></td></tr></td></tr></td></tr></td></tr></td></tr></td></tr></td></tr> | 396 | ETR | - | WD. | J2 | PTD. | - | 394 | 3\"/> <tr> <td>398</td> <td>ETR</td> <td>-</td> <td>WD.</td> <td>J2</td> <td>PTD.</td> <td>-</td> <td>395</td> <td>3\"/> <tr> <td>399</td> <td>ETR</td> <td>-</td> <td>WD.</td> <td>J2</td> <td>PTD.</td> <td>-</td> <td>396</td> <td>3\"/> <tr> <td>3991</td> <td>ETR</td> <td>-</td> <td>WD.</td> <td>J2</td> <td>PTD.</td> <td>-</td> <td>398</td> <td>3\"/> <tr> <td>3992</td> <td>A</td> <td>3\"/> <tr> <td>3993</td> <td>ETR</td> <td>-</td> <td>WD.</td> <td>J2</td> <td>PTD.</td> <td>-</td> <td>399</td> <td>3\"/> <tr> <td>3994</td> <td>ETR</td> <td>-</td>
<td>WD.</td> <td>J2</td> <td>PTD.</td> <td>-</td> <td>3991</td> <td>3\"/> <tr> <td>3995</td> <td>ETR</td> <td>-</td> <td>WD.</td> <td>J2</td> <td>PTD.</td> <td>-</td> <td>3992</td> <td>3\"/> <tr> <td>3997</td> <td>ETR</td> <td>-</td> <td>WD.</td> <td>J2</td> <td>PTD.</td> <td>-</td> <td>3993</td> <td>3\"/> <tr> <td>3998</td> <td>ETR</td> <td>-</td> <td>WD.</td> <td>J2</td> <td>PTD.</td> <td>-</td> <td>3994</td> <td>3\"/> <tr> <td>3999</td> <td>ETR</td> <td>-</td> <td>WD.</td> <td>J2</td> <td>PTD.</td> <td>-</td> <td>3995</td> <td>3\"/> <tr> <td>3999</td> <td>ETR</td> <td>-</td> <td>WD.</td> <td>J2</td> <td>PTD.</td> <td>-</td> <td>3997</td> <td>3\"/> </td></tr></td></tr></td></tr></td></tr></td></tr></td></tr></td></tr></td></tr></td></tr></td></tr></td></tr> | 398 | ETR | - | WD. | J2 | PTD. | - | 395 | 3\"/> <tr> <td>399</td> <td>ETR</td> <td>-</td> <td>WD.</td> <td>J2</td> <td>PTD.</td> <td>-</td> <td>396</td> <td>3\"/> <tr> <td>3991</td> <td>ETR</td> <td>-</td> <td>WD.</td> <td>J2</td> <td>PTD.</td> <td>-</td> <td>398</td> <td>3\"/> <tr> <td>3992</td> <td>A</td> <td>3\"/> <tr> <td>3993</td> <td>ETR</td> <td>-</td> <td>WD.</td> <td>J2</td> <td>PTD.</td> <td>-</td> <td>399</td> <td>3\"/> <tr> <td>3994</td> <td>ETR</td> <td>-</td> <td>WD.</td> <td>J2</td> <td>PTD.</td> <td>-</td> <td>3991</td> <td>3\"/> <tr> <td>3995</td> <td>ETR</td> <td>-</td> <td>WD.</td> <td>J2</td> <td>PTD.</td> <td>-</td> <td>3992</td> <td>3\"/> <tr> <td>3997</td> <td>ETR</td> <td>-</td> <td>WD.</td> <td>J2</td> <td>PTD.</td> <td>-</td> <td>3993</td> <td>3\"/> <tr> <td>3998</td> <td>ETR</td> <td>-</td> <td>WD.</td> <td>J2</td> <td>PTD.</td> <td>-</td> <td>3994</td> <td>3\"/> <tr> <td>3999</td> <td>ETR</td> <td>-</td> <td>WD.</td> <td>J2</td> <td>PTD.</td> <td>-</td> <td>3995</td> <td>3\"/> <tr> <td>3999</td> <td>ETR</td> <td>-</td> <td>WD.</td>
<td>J2</td> <td>PTD.</td> <td>-</td> <td>3997</td> <td>3\"/> </td></tr></td></tr></td></tr></td></tr></td></tr></td></tr></td></tr></td></tr></td></tr></td></tr> | 399 | ETR | - | WD. | J2 | PTD.
 | - | 396 | 3\"/> <tr> <td>3991</td> <td>ETR</td> <td>-</td> <td>WD.</td> <td>J2</td> <td>PTD.</td> <td>-</td> <td>398</td> <td>3\"/> <tr> <td>3992</td> <td>A</td> <td>3\"/> <tr> <td>3993</td> <td>ETR</td> <td>-</td> <td>WD.</td> <td>J2</td> <td>PTD.</td> <td>-</td> <td>399</td> <td>3\"/> <tr> <td>3994</td> <td>ETR</td> <td>-</td> <td>WD.</td> <td>J2</td> <td>PTD.</td> <td>-</td> <td>3991</td> <td>3\"/> <tr> <td>3995</td> <td>ETR</td> <td>-</td> <td>WD.</td> <td>J2</td> <td>PTD.</td> <td>-</td> <td>3992</td> <td>3\"/> <tr> <td>3997</td> <td>ETR</td> <td>-</td> <td>WD.</td> <td>J2</td> <td>PTD.</td> <td>-</td> <td>3993</td> <td>3\"/> <tr> <td>3998</td> <td>ETR</td> <td>-</td> <td>WD.</td> <td>J2</td> <td>PTD.</td> <td>-</td> <td>3994</td> <td>3\"/> <tr> <td>3999</td> <td>ETR</td> <td>-</td> <td>WD.</td> <td>J2</td> <td>PTD.</td> <td>-</td> <td>3995</td> <td>3\"/> <tr> <td>3999</td> <td>ETR</td> <td>-</td> <td>WD.</td> <td>J2</td> <td>PTD.</td> <td>-</td> <td>3997</td> <td>3\"/> </td></tr></td></tr></td></tr></td></tr></td></tr></td></tr></td></tr></td></tr></td></tr> | 3991 | ETR | -
 | WD. | J2 | PTD. | - | 398 | 3\"/> <tr> <td>3992</td> <td>A</td> <td>3\"/> <tr> <td>3993</td> <td>ETR</td> <td>-</td> <td>WD.</td> <td>J2</td> <td>PTD.</td> <td>-</td> <td>399</td> <td>3\"/> <tr> <td>3994</td> <td>ETR</td> <td>-</td> <td>WD.</td> <td>J2</td> <td>PTD.</td> <td>-</td> <td>3991</td> <td>3\"/> <tr> <td>3995</td> <td>ETR</td> <td>-</td> <td>WD.</td> <td>J2</td> <td>PTD.</td> <td>-</td> <td>3992</td> <td>3\"/> <tr> <td>3997</td> <td>ETR</td> <td>-</td> <td>WD.</td> <td>J2</td> <td>PTD.</td> <td>-</td> <td>3993</td> <td>3\"/> <tr> <td>3998</td> <td>ETR</td> <td>-</td> <td>WD.</td> <td>J2</td> <td>PTD.</td> <td>-</td> <td>3994</td> <td>3\"/> <tr> <td>3999</td> <td>ETR</td> <td>-</td> <td>WD.</td> <td>J2</td> <td>PTD.</td> <td>-</td> <td>3995</td> <td>3\"/> <tr> <td>3999</td> <td>ETR</td> <td>-</td> <td>WD.</td> <td>J2</td> <td>PTD.</td> <td>-</td> <td>3997</td> <td>3\"/> </td></tr></td></tr></td></tr></td></tr></td></tr></td></tr></td></tr></td></tr> | 3992 | A | 3\"/> <tr> <td>3993</td> <td>ETR</td> <td>-</td> <td>WD.</td> <td>J2</td> <td>PTD.</td> <td>-</td> <td>399</td> <td>3\"/> <tr> <td>3994</td> <td>ETR</td> <td>-</td> <td>WD.</td> <td>J2</td> <td>PTD.</td> <td>-</td> <td>3991</td> <td>3\"/> <tr> <td>3995</td> <td>ETR</td> <td>-</td> <td>WD.</td> <td>J2</td> <td>PTD.</td> <td>-</td> <td>3992</td> <td>3\"/> <tr> <td>3997</td> <td>ETR</td> <td>-</td> <td>WD.</td> <td>J2</td> <td>PTD.</td> <td>-</td> <td>3993</td> <td>3\"/> <tr> <td>3998</td> <td>ETR</td> <td>-</td> <td>WD.</td> <td>J2</td> <td>PTD.</td> <td>-</td> <td>3994</td> <td>3\"/> <tr> <td>3999</td> <td>ETR</td> <td>-</td> <td>WD.</td> <td>J2</td> <td>PTD.</td> <td>-</td> <td>3995</td> <td>3\"/> <tr> <td>3999</td> <td>ETR</td> <td>-</td> <td>WD.</td> <td>J2</td> <td>PTD.</td> <td>-</td> <td>3997</td> <td>3\"/> </td></tr></td></tr></td></tr></td></tr></td></tr></td></tr></td></tr>
 | 3993 | ETR | - | WD. | J2 | PTD. | - | 399 | 3\"/> <tr> <td>3994</td> <td>ETR</td> <td>-</td> <td>WD.</td> <td>J2</td> <td>PTD.</td> <td>-</td> <td>3991</td> <td>3\"/> <tr> <td>3995</td> <td>ETR</td> <td>-</td> <td>WD.</td> <td>J2</td> <td>PTD.</td> <td>-</td> <td>3992</td> <td>3\"/> <tr> <td>3997</td> <td>ETR</td> <td>-</td> <td>WD.</td> <td>J2</td> <td>PTD.</td> <td>-</td> <td>3993</td> <td>3\"/> <tr> <td>3998</td> <td>ETR</td> <td>-</td> <td>WD.</td> <td>J2</td> <td>PTD.</td> <td>-</td> <td>3994</td> <td>3\"/> <tr> <td>3999</td> <td>ETR</td> <td>-</td> <td>WD.</td> <td>J2</td> <td>PTD.</td> <td>-</td> <td>3995</td> <td>3\"/> <tr> <td>3999</td> <td>ETR</td> <td>-</td> <td>WD.</td> <td>J2</td> <td>PTD.</td> <td>-</td> <td>3997</td> <td>3\"/> </td></tr></td></tr></td></tr></td></tr></td></tr></td></tr> | 3994 | ETR | - | WD. | J2 | PTD.
 | - | 3991 | 3\"/> <tr> <td>3995</td> <td>ETR</td> <td>-</td> <td>WD.</td> <td>J2</td> <td>PTD.</td> <td>-</td> <td>3992</td> <td>3\"/> <tr> <td>3997</td> <td>ETR</td> <td>-</td> <td>WD.</td> <td>J2</td> <td>PTD.</td> <td>-</td> <td>3993</td> <td>3\"/> <tr> <td>3998</td> <td>ETR</td> <td>-</td> <td>WD.</td> <td>J2</td> <td>PTD.</td> <td>-</td> <td>3994</td> <td>3\"/> <tr> <td>3999</td> <td>ETR</td> <td>-</td> <td>WD.</td> <td>J2</td> <td>PTD.</td> <td>-</td> <td>3995</td> <td>3\"/> <tr> <td>3999</td> <td>ETR</td> <td>-</td> <td>WD.</td> <td>J2</td> <td>PTD.</td> <td>-</td> <td>3997</td> <td>3\"/> </td></tr></td></tr></td></tr></td></tr></td></tr> | 3995 | ETR | -
 | WD. | J2 | PTD. | - | 3992 | 3\"/> <tr> <td>3997</td> <td>ETR</td> <td>-</td> <td>WD.</td> <td>J2</td> <td>PTD.</td> <td>-</td> <td>3993</td> <td>3\"/> <tr> <td>3998</td> <td>ETR</td> <td>-</td> <td>WD.</td> <td>J2</td> <td>PTD.</td> <td>-</td> <td>3994</td> <td>3\"/> <tr> <td>3999</td> <td>ETR</td> <td>-</td> <td>WD.</td> <td>J2</td> <td>PTD.</td> <td>-</td> <td>3995</td> <td>3\"/> <tr> <td>3999</td> <td>ETR</td> <td>-</td> <td>WD.</td> <td>J2</td> <td>PTD.</td> <td>-</td> <td>3997</td> <td>3\"/> </td></tr></td></tr></td></tr></td></tr> | 3997 | ETR | -
 | WD. | J2 | PTD. | - | 3993 | 3\"/> <tr> <td>3998</td> <td>ETR</td> <td>-</td> <td>WD.</td> <td>J2</td> <td>PTD.</td> <td>-</td> <td>3994</td> <td>3\"/> <tr> <td>3999</td> <td>ETR</td> <td>-</td> <td>WD.</td> <td>J2</td> <td>PTD.</td> <td>-</td> <td>3995</td> <td>3\"/> <tr> <td>3999</td> <td>ETR</td> <td>-</td> <td>WD.</td> <td>J2</td> <td>PTD.</td> <td>-</td> <td>3997</td> <td>3\"/> </td></tr></td></tr></td></tr>
 | 3998 | ETR | - | WD. | J2 | PTD. | - | 3994 | 3\"/> <tr> <td>3999</td> <td>ETR</td> <td>-</td> <td>WD.</td> <td>J2</td> <td>PTD.</td> <td>-</td> <td>3995</td> <td>3\"/> <tr> <td>3999</td> <td>ETR</td> <td>-</td> <td>WD.</td> <td>J2</td> <td>PTD.</td> <td>-</td> <td>3997</td> <td>3\"/> </td></tr></td></tr>
 | 3999 | ETR | - | WD. | J2 | PTD. | - | 3995 | 3\"/> <tr> <td>3999</td> <td>ETR</td> <td>-</td> <td>WD.</td> <td>J2</td> <td>PTD.</td> <td>-</td> <td>3997</td> <td>3\"/> </td></tr>
 | 3999 | ETR | - | WD. | J2 | PTD. | - | 3997 | 3\"/>
 | | | | | | | | | | | | | | | | | | | | | | | | | | | | | | | | | | | | | | | | | | | | | | | | | | | | | | |
 | | | | | | | | |
 | | | | | | | | |
 | | | | | | | | | | | |
 | | | | | | | | | | | | | | |
 | | | | | | | | | | | | | | | | | |
 | | | | | | | | | | | | | | | | | |
 | | | | | | | | | | | | | | | | | | | | | | | |
 | | | | | | | | | | | | | | | | | | | | | | | | | | | | | |
 | | | | | | | | | | | | | | | | | | | | | | | | | | | | | | | | | | | | | | |
 | | | | | | | | | | | | | | | | | | | | | | | | | | | | | | | | | | | | | | | | | | | | | | | | | | | | | | |
| 379 | B | 1 <td>WD</td> <td>J1</td> <td>PTD.</td> <td>-</td> <td>377A</td> <td>3\"/> <tr> <td>380A</td> <td>B</td> <td>1 <td>WD</td> <td>J1</td> <td>PTD.</td> <td>-</td> <td>378</td> <td>3\"/> <tr> <td>380B</td> <td>B</td> <td>1 <td>WD</td> <td>J1</td> <td>PTD.</td> <td>-</td> <td>379</td> <td>3\"/> <tr> <td>382</td> <td>ETR</td> <td>-</td> <td>WD.</td> <td>J2</td> <td>PTD.</td> <td>-</td> <td>380A</td> <td>3\"/> <tr> <td>382A</td> <td>D</td> <td>6 <td>ALUM.</td> <td>ANODIZE D</td> <td>-</td> <td>-</td> <td>380B</td> <td>3\"/> <tr> <td>385</td> <td>ETR</td> <td>-</td> <td>WD.</td> <td>J2</td> <td>PTD.</td> <td>-</td> <td>382</td> <td>3\"/> <tr> <td>386</td> <td>ETR</td> <td>-</td> <td>WD.</td> <td>J2</td> <td>PTD.</td> <td>-</td> <td>382A</td> <td>3\"/> <tr> <td>387</td> <td>ETR</td> <td>-</td> <td>WD.</td> <td>J2</td> <td>PTD.</td> <td>-</td> <td>385</td> <td>3\"/> <tr> <td>388</td> <td>ETR</td> <td>-</td> <td>WD.</td> <td>J2</td> <td>PTD.</td> <td>-</td> <td>386</td> <td>3\"/> <tr> <td>389</td> <td>ETR</td> <td>-</td> <td>WD.</td> <td>J2</td> <td>PTD.</td> <td>-</td> <td>387</td> <td>3\"/> <tr> <td>391</td> <td>ETR</td> <td>-</td> <td>WD.</td> <td>J2</td> <td>PTD.</td> <td>-</td> <td>388</td> <td>3\"/> <tr> <td>391A</td> <td>ETR</td> <td>-</td> <td>WD.</td> <td>J2</td> <td>PTD.</td> <td>-</td> <td>389</td> <td>3\"/> <tr> <td>391B</td> <td>ETR</td> <td>-</td> <td>WD.</td> <td>J2</td> <td>PTD.</td> <td>-</td> <td>391</td> <td>3\"/> <tr> <td>394</td> <td>ETR</td> <td>-</td> <td>WD.</td> <td>J2</td> <td>PTD.</td> <td>-</td> <td>391A</td> <td>3\"/> <tr> <td>395</td> <td>ETR</td> <td>-</td> <td>WD.</td> <td>J2</td> <td>PTD.</td> <td>-</td> <td>391B</td> <td>3\"/> <tr> <td>396</td> <td>ETR</td> <td>-</td> <td>WD.</td> <td>J2</td> <td>PTD.</td> <td>-</td> <td>394</td> <td>3\"/> <tr> <td>398</td> <td>ETR</td> <td>-</td> <td>WD.</td> <td>J2</td> <td>PTD.</td> <td>-</td> <td>395</td> <td>3\"/> <tr> <td>399</td> <td>ETR</td> <td>-</td> <td>WD.</td> <td>J2</td> <td>PTD.</td> <td>-</td> <td>396</td> <td>3\"/> <tr> <td>3991</td> <td>ETR</td> <td>-</td> <td>WD.</td> <td>J2</td> <td>PTD.</td> <td>-</td> <td>398</td> <td>3\"/> <tr> <td>3992</td> <td>A</td> <td>3\"/> <tr> <td>3993</td> <td>ETR</td> <td>-</td> <td>WD.</td> <td>J2</td> <td>PTD.</td> <td>-</td> <td>399</td> <td>3\"/> <tr> <td>3994</td> <td>ETR</td> <td>-</td> <td>WD.</td> <td>J2</td> <td>PTD.</td> <td>-</td> <td>3991</td> <td>3\"/> <tr> <td>3995</td> <td>ETR</td> <td>-</td> <td>WD.</td> <td>J2</td> <td>PTD.</td> <td>-</td> <td>3992</td> <td>3\"/> <tr> <td>3997</td> <td>ETR</td> <td>-</td> <td>WD.</td> <td>J2</td> <td>PTD.</td> <td>-</td> <td>3993</td> <td>3\"/> <tr> <td>3998</td> <td>ETR</td> <td>-</td> <td>WD.</td> <td>J2</td> <td>PTD.</td> <td>-</td> <td>3994</td> <td>3\"/> <tr> <td>3999</td> <td>ETR</td> <td>-</td> <td>WD.</td> <td>J2</td> <td>PTD.</td> <td>-</td> <td>3995</td> <td>3\"/> <tr> <td>3999</td> <td>ETR</td> <td>-</td> <td>WD.</td> <td>J2</td> <td>PTD.</td> <td>-</td> <td>3997</td> <td>3\"/> </td></tr></td></tr></td></tr></td></tr></td></tr></td></tr></td></tr></td></tr></td></tr></td></tr></td></tr></td></tr></td></tr></td></tr></td></tr></td></tr></td></tr></td></tr></td></tr></td></tr></td></tr></td></tr></td></td></tr></td></tr></td></td></tr></td></td></tr></td> | WD | J1 | PTD. | - | 377A | 3\"/> <tr> <td>380A</td> <td>B</td> <td>1 <td>WD</td> <td>J1</td> <td>PTD.</td> <td>-</td> <td>378</td> <td>3\"/> <tr> <td>380B</td> <td>B</td> <td>1 <td>WD</td> <td>J1</td> <td>PTD.</td> <td>-</td> <td>379</td> <td>3\"/> <tr> <td>382</td> <td>ETR</td> <td>-</td> <td>WD.</td> <td>J2</td> <td>PTD.</td> <td>-</td> <td>380A</td> <td>3\"/> <tr> <td>382A</td> <td>D</td> <td>6 <td>ALUM.</td> <td>ANODIZE D</td> <td>-</td> <td>-</td> <td>380B</td> <td>3\"/> <tr> <td>385</td> <td>ETR</td> <td>-</td> <td>WD.</td> <td>J2</td> <td>PTD.</td> <td>-</td> <td>382</td> <td>3\"/> <tr> <td>386</td> <td>ETR</td> <td>-</td> <td>WD.</td> <td>J2</td> <td>PTD.</td> <td>-</td> <td>382A</td> <td>3\"/> <tr> <td>387</td> <td>ETR</td> <td>-</td> <td>WD.</td> <td>J2</td> <td>PTD.</td> <td>-</td> <td>385</td> <td>3\"/> <tr> <td>388</td> <td>ETR</td> <td>-</td> <td>WD.</td> <td>J2</td> <td>PTD.</td> <td>-</td> <td>386</td> <td>3\"/> <tr> <td>389</td> <td>ETR</td> <td>-</td> <td>WD.</td> <td>J2</td> <td>PTD.</td> <td>-</td> <td>387</td> <td>3\"/> <tr> <td>391</td> <td>ETR</td> <td>-</td> <td>WD.</td> <td>J2</td> <td>PTD.</td> <td>-</td> <td>388</td> <td>3\"/> <tr> <td>391A</td> <td>ETR</td> <td>-</td> <td>WD.</td> <td>J2</td> <td>PTD.</td> <td>-</td> <td>389</td> <td>3\"/> <tr> <td>391B</td> <td>ETR</td> <td>-</td> <td>WD.</td> <td>J2</td> <td>PTD.</td> <td>-</td> <td>391</td> <td>3\"/> <tr> <td>394</td> <td>ETR</td> <td>-</td> <td>WD.</td> <td>J2</td> <td>PTD.</td> <td>-</td> <td>391A</td> <td>3\"/> <tr> <td>395</td> <td>ETR</td> <td>-</td> <td>WD.</td> <td>J2</td> <td>PTD.</td> <td>-</td> <td>391B</td> <td>3\"/> <tr> <td>396</td> <td>ETR</td> <td>-</td> <td>WD.</td> <td>J2</td> <td>PTD.</td> <td>-</td> <td>394</td> <td>3\"/> <tr> <td>398</td> <td>ETR</td> <td>-</td> <td>WD.</td> <td>J2</td> <td>PTD.</td> <td>-</td> <td>395</td> <td>3\"/> <tr> <td>399</td> <td>ETR</td> <td>-</td> <td>WD.</td> <td>J2</td> <td>PTD.</td> <td>-</td> <td>396</td> <td>3\"/> <tr> <td>3991</td> <td>ETR</td> <td>-</td> <td>WD.</td> <td>J2</td> <td>PTD.</td> <td>-</td> <td>398</td> <td>3\"/> <tr> <td>3992</td> <td>A</td> <td>3\"/> <tr> <td>3993</td> <td>ETR</td> <td>-</td> <td>WD.</td> <td>J2</td> <td>PTD.</td> <td>-</td> <td>399</td> <td>3\"/> <tr> <td>3994</td> <td>ETR</td> <td>-</td> <td>WD.</td> <td>J2</td> <td>PTD.</td> <td>-</td> <td>3991</td> <td>3\"/> <tr> <td>3995</td> <td>ETR</td> <td>-</td> <td>WD.</td> <td>J2</td> <td>PTD.</td> <td>-</td> <td>3992</td> <td>3\"/> <tr> <td>3997</td> <td>ETR</td> <td>-</td> <td>WD.</td> <td>J2</td> <td>PTD.</td> <td>-</td> <td>3993</td> <td>3\"/> <tr> <td>3998</td> <td>ETR</td> <td>-</td> <td>WD.</td> <td>J2</td> <td>PTD.</td> <td>-</td> <td>3994</td> <td>3\"/> <tr> <td>3999</td> <td>ETR</td> <td>-</td> <td>WD.</td> <td>J2</td> <td>PTD.</td> <td>-</td> <td>3995</td> <td>3\"/> <tr> <td>3999</td> <td>ETR</td> <td>-</td> <td>WD.</td> <td>J2</td> <td>PTD.</td>
<td>-</td> <td>3997</td> <td>3\"/> </td></tr></td></tr></td></tr></td></tr></td></tr></td></tr></td></tr></td></tr></td></tr></td></tr></td></tr></td></tr></td></tr></td></tr></td></tr></td></tr></td></tr></td></tr></td></tr></td></tr></td></tr></td></tr></td></td></tr></td></tr></td></td></tr></td></td></tr> | 380A | B | 1 <td>WD</td> <td>J1</td> <td>PTD.</td> <td>-</td> <td>378</td> <td>3\"/> <tr> <td>380B</td> <td>B</td> <td>1 <td>WD</td> <td>J1</td> <td>PTD.</td> <td>-</td> <td>379</td> <td>3\"/> <tr> <td>382</td> <td>ETR</td> <td>-</td> <td>WD.</td> <td>J2</td> <td>PTD.</td> <td>-</td> <td>380A</td> <td>3\"/> <tr> <td>382A</td> <td>D</td> <td>6 <td>ALUM.</td> <td>ANODIZE D</td> <td>-</td> <td>-</td> <td>380B</td> <td>3\"/> <tr> <td>385</td> <td>ETR</td> <td>-</td> <td>WD.</td> <td>J2</td> <td>PTD.</td> <td>-</td> <td>382</td> <td>3\"/> <tr> <td>386</td> <td>ETR</td> <td>-</td> <td>WD.</td> <td>J2</td> <td>PTD.</td> <td>-</td> <td>382A</td> <td>3\"/> <tr> <td>387</td> <td>ETR</td> <td>-</td> <td>WD.</td> <td>J2</td> <td>PTD.</td> <td>-</td> <td>385</td> <td>3\"/> <tr> <td>388</td> <td>ETR</td> <td>-</td> <td>WD.</td> <td>J2</td> <td>PTD.</td> <td>-</td> <td>386</td> <td>3\"/> <tr> <td>389</td> <td>ETR</td> <td>-</td> <td>WD.</td> <td>J2</td> <td>PTD.</td> <td>-</td> <td>387</td> <td>3\"/> <tr> <td>391</td> <td>ETR</td> <td>-</td> <td>WD.</td> <td>J2</td> <td>PTD.</td> <td>-</td> <td>388</td> <td>3\"/> <tr> <td>391A</td> <td>ETR</td> <td>-</td> <td>WD.</td> <td>J2</td> <td>PTD.</td> <td>-</td> <td>389</td> <td>3\"/> <tr> <td>391B</td> <td>ETR</td> <td>-</td> <td>WD.</td> <td>J2</td> <td>PTD.</td> <td>-</td> <td>391</td> <td>3\"/> <tr> <td>394</td> <td>ETR</td> <td>-</td> <td>WD.</td> <td>J2</td> <td>PTD.</td> <td>-</td> <td>391A</td> <td>3\"/> <tr> <td>395</td> <td>ETR</td> <td>-</td> <td>WD.</td> <td>J2</td> <td>PTD.</td> <td>-</td> <td>391B</td> <td>3\"/> <tr> <td>396</td> <td>ETR</td> <td>-</td> <td>WD.</td> <td>J2</td> <td>PTD.</td> <td>-</td> <td>394</td> <td>3\"/> <tr> <td>398</td> <td>ETR</td> <td>-</td> <td>WD.</td> <td>J2</td> <td>PTD.</td> <td>-</td> <td>395</td> <td>3\"/> <tr> <td>399</td> <td>ETR</td> <td>-</td> <td>WD.</td> <td>J2</td> <td>PTD.</td> <td>-</td> <td>396</td> <td>3\"/> <tr> <td>3991</td> <td>ETR</td> <td>-</td> <td>WD.</td> <td>J2</td> <td>PTD.</td> <td>-</td> <td>398</td> <td>3\"/> <tr> <td>3992</td> <td>A</td> <td>3\"/> <tr> <td>3993</td> <td>ETR</td> <td>-</td> <td>WD.</td> <td>J2</td> <td>PTD.</td> <td>-</td> <td>399</td> <td>3\"/> <tr> <td>3994</td> <td>ETR</td> <td>-</td> <td>WD.</td> <td>J2</td> <td>PTD.</td> <td>-</td> <td>3991</td> <td>3\"/> <tr> <td>3995</td> <td>ETR</td> <td>-</td> <td>WD.</td> <td>J2</td> <td>PTD.</td> <td>-</td> <td>3992</td> <td>3\"/> <tr> <td>3997</td> <td>ETR</td> <td>-</td> <td>WD.</td> <td>J2</td> <td>PTD.</td> <td>-</td> <td>3993</td> <td>3\"/> <tr> <td>3998</td> <td>ETR</td> <td>-</td> <td>WD.</td> <td>J2</td> <td>PTD.</td> <td>-</td> <td>3994</td> <td>3\"/> <tr> <td>3999</td> <td>ETR</td> <td>-</td> <td>WD.</td> <td>J2</td> <td>PTD.</td> <td>-</td> <td>3995</td> <td>3\"/> <tr> <td>3999</td> <td>ETR</td> <td>-</td> <td>WD.</td> <td>J2</td> <td>PTD.</td> <td>-</td> <td>3997</td> <td>3\"/> </td></tr></td></tr></td></tr></td></tr></td></tr></td></tr></td></tr></td></tr></td></tr></td></tr></td></tr></td></tr></td></tr></td></tr></td></tr></td></tr></td></tr></td></tr></td></tr></td></tr></td></tr></td></tr></td></td></tr></td></tr></td></td></tr></td>
 | WD | J1 | PTD. | - | 378 | 3\"/> <tr> <td>380B</td> <td>B</td> <td>1 <td>WD</td> <td>J1</td> <td>PTD.</td> <td>-</td> <td>379</td> <td>3\"/> <tr> <td>382</td> <td>ETR</td> <td>-</td> <td>WD.</td> <td>J2</td> <td>PTD.</td> <td>-</td> <td>380A</td> <td>3\"/> <tr> <td>382A</td> <td>D</td> <td>6 <td>ALUM.</td> <td>ANODIZE D</td> <td>-</td> <td>-</td> <td>380B</td> <td>3\"/> <tr> <td>385</td> <td>ETR</td> <td>-</td> <td>WD.</td> <td>J2</td> <td>PTD.</td> <td>-</td> <td>382</td> <td>3\"/> <tr> <td>386</td> <td>ETR</td> <td>-</td> <td>WD.</td> <td>J2</td> <td>PTD.</td> <td>-</td> <td>382A</td> <td>3\"/> <tr> <td>387</td> <td>ETR</td> <td>-</td> <td>WD.</td> <td>J2</td> <td>PTD.</td> <td>-</td> <td>385</td> <td>3\"/> <tr> <td>388</td> <td>ETR</td> <td>-</td> <td>WD.</td> <td>J2</td> <td>PTD.</td> <td>-</td> <td>386</td> <td>3\"/> <tr> <td>389</td> <td>ETR</td> <td>-</td> <td>WD.</td> <td>J2</td> <td>PTD.</td> <td>-</td> <td>387</td> <td>3\"/> <tr> <td>391</td> <td>ETR</td> <td>-</td> <td>WD.</td> <td>J2</td> <td>PTD.</td> <td>-</td> <td>388</td> <td>3\"/> <tr> <td>391A</td> <td>ETR</td> <td>-</td> <td>WD.</td> <td>J2</td> <td>PTD.</td> <td>-</td> <td>389</td> <td>3\"/> <tr> <td>391B</td> <td>ETR</td> <td>-</td> <td>WD.</td> <td>J2</td> <td>PTD.</td> <td>-</td> <td>391</td> <td>3\"/> <tr> <td>394</td> <td>ETR</td> <td>-</td> <td>WD.</td> <td>J2</td> <td>PTD.</td> <td>-</td> <td>391A</td> <td>3\"/> <tr> <td>395</td> <td>ETR</td> <td>-</td> <td>WD.</td> <td>J2</td> <td>PTD.</td> <td>-</td> <td>391B</td> <td>3\"/> <tr> <td>396</td> <td>ETR</td> <td>-</td> <td>WD.</td> <td>J2</td> <td>PTD.</td> <td>-</td> <td>394</td> <td>3\"/> <tr> <td>398</td> <td>ETR</td> <td>-</td> <td>WD.</td> <td>J2</td> <td>PTD.</td> <td>-</td> <td>395</td> <td>3\"/> <tr> <td>399</td> <td>ETR</td> <td>-</td> <td>WD.</td> <td>J2</td> <td>PTD.</td> <td>-</td> <td>396</td> <td>3\"/> <tr> <td>3991</td> <td>ETR</td> <td>-</td> <td>WD.</td> <td>J2</td> <td>PTD.</td> <td>-</td> <td>398</td> <td>3\"/> <tr> <td>3992</td> <td>A</td> <td>3\"/> <tr> <td>3993</td> <td>ETR</td> <td>-</td> <td>WD.</td> <td>J2</td> <td>PTD.</td> <td>-</td> <td>399</td> <td>3\"/> <tr> <td>3994</td> <td>ETR</td> <td>-</td> <td>WD.</td> <td>J2</td> <td>PTD.</td> <td>-</td> <td>3991</td> <td>3\"/> <tr> <td>3995</td> <td>ETR</td> <td>-</td> <td>WD.</td> <td>J2</td> <td>PTD.</td> <td>-</td> <td>3992</td> <td>3\"/> <tr> <td>3997</td> <td>ETR</td> <td>-</td> <td>WD.</td> <td>J2</td> <td>PTD.</td> <td>-</td> <td>3993</td> <td>3\"/> <tr> <td>3998</td> <td>ETR</td> <td>-</td> <td>WD.</td> <td>J2</td> <td>PTD.</td> <td>-</td> <td>3994</td> <td>3\"/> <tr> <td>3999</td> <td>ETR</td> <td>-</td> <td>WD.</td> <td>J2</td> <td>PTD.</td> <td>-</td> <td>3995</td> <td>3\"/> <tr> <td>3999</td> <td>ETR</td> <td>-</td> <td>WD.</td> <td>J2</td> <td>PTD.</td> <td>-</td> <td>3997</td> <td>3\"/> </td></tr></td></tr></td></tr></td></tr></td></tr></td></tr></td></tr></td></tr></td></tr></td></tr></td></tr></td></tr></td></tr></td></tr></td></tr></td></tr></td></tr></td></tr></td></tr></td></tr></td></tr></td></tr></td></td></tr></td></tr></td></td></tr> | 380B | B | 1 <td>WD</td> <td>J1</td> <td>PTD.</td> <td>-</td> <td>379</td> <td>3\"/> <tr> <td>382</td> <td>ETR</td> <td>-</td> <td>WD.</td> <td>J2</td> <td>PTD.</td> <td>-</td> <td>380A</td> <td>3\"/> <tr> <td>382A</td> <td>D</td> <td>6 <td>ALUM.</td> <td>ANODIZE D</td> <td>-</td> <td>-</td> <td>380B</td> <td>3\"/> <tr> <td>385</td> <td>ETR</td> <td>-</td> <td>WD.</td> <td>J2</td> <td>PTD.</td> <td>-</td> <td>382</td> <td>3\"/> <tr> <td>386</td> <td>ETR</td> <td>-</td> <td>WD.</td> <td>J2</td> <td>PTD.</td> <td>-</td> <td>382A</td> <td>3\"/> <tr> <td>387</td> <td>ETR</td> <td>-</td> <td>WD.</td> <td>J2</td> <td>PTD.</td> <td>-</td> <td>385</td> <td>3\"/> <tr> <td>388</td> <td>ETR</td> <td>-</td> <td>WD.</td> <td>J2</td> <td>PTD.</td> <td>-</td> <td>386</td> <td>3\"/> <tr> <td>389</td> <td>ETR</td> <td>-</td> <td>WD.</td> <td>J2</td> <td>PTD.</td> <td>-</td> <td>387</td> <td>3\"/> <tr> <td>391</td> <td>ETR</td> <td>-</td> <td>WD.</td> <td>J2</td> <td>PTD.</td> <td>-</td> <td>388</td> <td>3\"/> <tr> <td>391A</td> <td>ETR</td> <td>-</td> <td>WD.</td> <td>J2</td> <td>PTD.</td> <td>-</td> <td>389</td> <td>3\"/> <tr> <td>391B</td> <td>ETR</td> <td>-</td> <td>WD.</td> <td>J2</td> <td>PTD.</td> <td>-</td> <td>391</td> <td>3\"/> <tr> <td>394</td> <td>ETR</td> <td>-</td> <td>WD.</td> <td>J2</td> <td>PTD.</td> <td>-</td> <td>391A</td> <td>3\"/> <tr> <td>395</td> <td>ETR</td> <td>-</td> <td>WD.</td> <td>J2</td> <td>PTD.</td> <td>-</td> <td>391B</td> <td>3\"/> <tr> <td>396</td> <td>ETR</td> <td>-</td> <td>WD.</td> <td>J2</td> <td>PTD.</td> <td>-</td> <td>394</td> <td>3\"/> <tr> <td>398</td> <td>ETR</td> <td>-</td> <td>WD.</td> <td>J2</td> <td>PTD.</td> <td>-</td> <td>395</td> <td>3\"/> <tr> <td>399</td> <td>ETR</td> <td>-</td> <td>WD.</td> <td>J2</td> <td>PTD.</td> <td>-</td> <td>396</td> <td>3\"/> <tr> <td>3991</td> <td>ETR</td> <td>-</td> <td>WD.</td> <td>J2</td> <td>PTD.</td> <td>-</td> <td>398</td> <td>3\"/> <tr> <td>3992</td> <td>A</td> <td>3\"/> <tr> <td>3993</td> <td>ETR</td> <td>-</td> <td>WD.</td> <td>J2</td> <td>PTD.</td> <td>-</td> <td>399</td> <td>3\"/> <tr> <td>3994</td> <td>ETR</td> <td>-</td> <td>WD.</td> <td>J2</td> <td>PTD.</td> <td>-</td> <td>3991</td> <td>3\"/> <tr> <td>3995</td> <td>ETR</td> <td>-</td> <td>WD.</td> <td>J2</td> <td>PTD.</td> <td>-</td> <td>3992</td> <td>3\"/> <tr> <td>3997</td> <td>ETR</td> <td>-</td> <td>WD.</td> <td>J2</td> <td>PTD.</td> <td>-</td> <td>3993</td> <td>3\"/> <tr> <td>3998</td> <td>ETR</td> <td>-</td> <td>WD.</td> <td>J2</td> <td>PTD.</td> <td>-</td> <td>3994</td> <td>3\"/> <tr> <td>3999</td> <td>ETR</td>
<td>-</td> <td>WD.</td> <td>J2</td> <td>PTD.</td> <td>-</td> <td>3995</td> <td>3\"/> <tr> <td>3999</td> <td>ETR</td> <td>-</td> <td>WD.</td> <td>J2</td> <td>PTD.</td> <td>-</td> <td>3997</td> <td>3\"/> </td></tr></td></tr></td></tr></td></tr></td></tr></td></tr></td></tr></td></tr></td></tr></td></tr></td></tr></td></tr></td></tr></td></tr></td></tr></td></tr></td></tr></td></tr></td></tr></td></tr></td></tr></td></tr></td></td></tr></td></tr></td> | WD | J1 | PTD. | - | 379 | 3\"/> <tr> <td>382</td> <td>ETR</td> <td>-</td> <td>WD.</td> <td>J2</td> <td>PTD.</td> <td>-</td> <td>380A</td> <td>3\"/> <tr> <td>382A</td> <td>D</td> <td>6 <td>ALUM.</td> <td>ANODIZE D</td> <td>-</td> <td>-</td> <td>380B</td> <td>3\"/> <tr> <td>385</td> <td>ETR</td> <td>-</td> <td>WD.</td> <td>J2</td> <td>PTD.</td> <td>-</td> <td>382</td> <td>3\"/> <tr> <td>386</td> <td>ETR</td> <td>-</td> <td>WD.</td> <td>J2</td> <td>PTD.</td> <td>-</td> <td>382A</td> <td>3\"/> <tr> <td>387</td> <td>ETR</td> <td>-</td> <td>WD.</td> <td>J2</td> <td>PTD.</td> <td>-</td> <td>385</td> <td>3\"/> <tr> <td>388</td> <td>ETR</td> <td>-</td> <td>WD.</td> <td>J2</td> <td>PTD.</td> <td>-</td> <td>386</td> <td>3\"/> <tr> <td>389</td> <td>ETR</td> <td>-</td> <td>WD.</td> <td>J2</td> <td>PTD.</td> <td>-</td> <td>387</td> <td>3\"/> <tr> <td>391</td> <td>ETR</td> <td>-</td> <td>WD.</td> <td>J2</td> <td>PTD.</td> <td>-</td> <td>388</td> <td>3\"/> <tr> <td>391A</td> <td>ETR</td> <td>-</td> <td>WD.</td> <td>J2</td> <td>PTD.</td> <td>-</td> <td>389</td> <td>3\"/> <tr> <td>391B</td> <td>ETR</td> <td>-</td> <td>WD.</td> <td>J2</td> <td>PTD.</td> <td>-</td> <td>391</td> <td>3\"/> <tr> <td>394</td> <td>ETR</td> <td>-</td> <td>WD.</td> <td>J2</td> <td>PTD.</td> <td>-</td> <td>391A</td> <td>3\"/> <tr> <td>395</td> <td>ETR</td> <td>-</td> <td>WD.</td> <td>J2</td> <td>PTD.</td> <td>-</td> <td>391B</td> <td>3\"/> <tr> <td>396</td> <td>ETR</td> <td>-</td> <td>WD.</td> <td>J2</td> <td>PTD.</td> <td>-</td> <td>394</td> <td>3\"/> <tr> <td>398</td> <td>ETR</td> <td>-</td> <td>WD.</td> <td>J2</td> <td>PTD.</td> <td>-</td> <td>395</td> <td>3\"/> <tr> <td>399</td> <td>ETR</td> <td>-</td> <td>WD.</td> <td>J2</td> <td>PTD.</td> <td>-</td> <td>396</td> <td>3\"/> <tr> <td>3991</td> <td>ETR</td> <td>-</td> <td>WD.</td> <td>J2</td> <td>PTD.</td> <td>-</td> <td>398</td> <td>3\"/> <tr> <td>3992</td> <td>A</td> <td>3\"/> <tr> <td>3993</td> <td>ETR</td> <td>-</td> <td>WD.</td> <td>J2</td> <td>PTD.</td> <td>-</td> <td>399</td> <td>3\"/> <tr> <td>3994</td> <td>ETR</td> <td>-</td> <td>WD.</td> <td>J2</td> <td>PTD.</td> <td>-</td> <td>3991</td> <td>3\"/> <tr> <td>3995</td> <td>ETR</td> <td>-</td> <td>WD.</td> <td>J2</td> <td>PTD.</td> <td>-</td> <td>3992</td> <td>3\"/> <tr> <td>3997</td> <td>ETR</td> <td>-</td> <td>WD.</td> <td>J2</td> <td>PTD.</td> <td>-</td> <td>3993</td> <td>3\"/> <tr> <td>3998</td> <td>ETR</td> <td>-</td> <td>WD.</td> <td>J2</td> <td>PTD.</td> <td>-</td> <td>3994</td> <td>3\"/> <tr> <td>3999</td> <td>ETR</td> <td>-</td> <td>WD.</td> <td>J2</td> <td>PTD.</td> <td>-</td> <td>3995</td> <td>3\"/> <tr> <td>3999</td> <td>ETR</td> <td>-</td> <td>WD.</td> <td>J2</td> <td>PTD.</td> <td>-</td> <td>3997</td> <td>3\"/> </td></tr></td></tr></td></tr></td></tr></td></tr></td></tr></td></tr></td></tr></td></tr></td></tr></td></tr></td></tr></td></tr></td></tr></td></tr></td></tr></td></tr></td></tr></td></tr></td></tr></td></tr></td></tr></td></td></tr></td></tr>
 | 382 | ETR | - | WD. | J2 | PTD. | - | 380A | 3\"/> <tr> <td>382A</td> <td>D</td> <td>6 <td>ALUM.</td> <td>ANODIZE D</td> <td>-</td> <td>-</td> <td>380B</td> <td>3\"/> <tr> <td>385</td> <td>ETR</td> <td>-</td> <td>WD.</td> <td>J2</td> <td>PTD.</td> <td>-</td> <td>382</td> <td>3\"/> <tr> <td>386</td> <td>ETR</td> <td>-</td> <td>WD.</td> <td>J2</td> <td>PTD.</td> <td>-</td> <td>382A</td> <td>3\"/> <tr> <td>387</td> <td>ETR</td> <td>-</td> <td>WD.</td> <td>J2</td> <td>PTD.</td> <td>-</td> <td>385</td> <td>3\"/> <tr> <td>388</td> <td>ETR</td> <td>-</td> <td>WD.</td> <td>J2</td> <td>PTD.</td> <td>-</td> <td>386</td> <td>3\"/> <tr> <td>389</td> <td>ETR</td> <td>-</td> <td>WD.</td> <td>J2</td> <td>PTD.</td> <td>-</td> <td>387</td> <td>3\"/> <tr> <td>391</td> <td>ETR</td> <td>-</td> <td>WD.</td> <td>J2</td> <td>PTD.</td> <td>-</td> <td>388</td> <td>3\"/> <tr> <td>391A</td> <td>ETR</td> <td>-</td> <td>WD.</td> <td>J2</td> <td>PTD.</td> <td>-</td> <td>389</td> <td>3\"/> <tr> <td>391B</td> <td>ETR</td> <td>-</td> <td>WD.</td> <td>J2</td> <td>PTD.</td> <td>-</td> <td>391</td> <td>3\"/> <tr> <td>394</td> <td>ETR</td> <td>-</td> <td>WD.</td> <td>J2</td> <td>PTD.</td> <td>-</td> <td>391A</td> <td>3\"/> <tr> <td>395</td> <td>ETR</td> <td>-</td> <td>WD.</td> <td>J2</td> <td>PTD.</td> <td>-</td> <td>391B</td> <td>3\"/> <tr> <td>396</td> <td>ETR</td> <td>-</td> <td>WD.</td> <td>J2</td> <td>PTD.</td> <td>-</td> <td>394</td> <td>3\"/> <tr> <td>398</td> <td>ETR</td> <td>-</td> <td>WD.</td> <td>J2</td> <td>PTD.</td> <td>-</td> <td>395</td> <td>3\"/> <tr> <td>399</td> <td>ETR</td> <td>-</td> <td>WD.</td> <td>J2</td> <td>PTD.</td> <td>-</td> <td>396</td> <td>3\"/> <tr> <td>3991</td> <td>ETR</td> <td>-</td> <td>WD.</td> <td>J2</td> <td>PTD.</td> <td>-</td> <td>398</td> <td>3\"/> <tr> <td>3992</td> <td>A</td> <td>3\"/> <tr> <td>3993</td> <td>ETR</td> <td>-</td> <td>WD.</td> <td>J2</td> <td>PTD.</td> <td>-</td> <td>399</td> <td>3\"/> <tr> <td>3994</td> <td>ETR</td> <td>-</td> <td>WD.</td> <td>J2</td> <td>PTD.</td> <td>-</td> <td>3991</td> <td>3\"/> <tr> <td>3995</td> <td>ETR</td> <td>-</td> <td>WD.</td> <td>J2</td> <td>PTD.</td> <td>-</td> <td>3992</td> <td>3\"/> <tr> <td>3997</td> <td>ETR</td> <td>-</td> <td>WD.</td> <td>J2</td> <td>PTD.</td> <td>-</td> <td>3993</td> <td>3\"/> <tr> <td>3998</td> <td>ETR</td> <td>-</td> <td>WD.</td> <td>J2</td> <td>PTD.</td> <td>-</td> <td>3994</td> <td>3\"/> <tr> <td>3999</td> <td>ETR</td> <td>-</td> <td>WD.</td> <td>J2</td> <td>PTD.</td> <td>-</td> <td>3995</td> <td>3\"/> <tr> <td>3999</td> <td>ETR</td> <td>-</td> <td>WD.</td> <td>J2</td> <td>PTD.</td> <td>-</td> <td>3997</td> <td>3\"/>
</td></tr></td></tr></td></tr></td></tr></td></tr></td></tr></td></tr></td></tr></td></tr></td></tr></td></tr></td></tr></td></tr></td></tr></td></tr></td></tr></td></tr></td></tr></td></tr></td></tr></td></tr></td></tr></td></td></tr> | 382A | D | 6 <td>ALUM.</td> <td>ANODIZE D</td> <td>-</td> <td>-</td> <td>380B</td> <td>3\"/> <tr> <td>385</td> <td>ETR</td> <td>-</td> <td>WD.</td> <td>J2</td> <td>PTD.</td> <td>-</td> <td>382</td> <td>3\"/> <tr> <td>386</td> <td>ETR</td> <td>-</td> <td>WD.</td> <td>J2</td> <td>PTD.</td> <td>-</td> <td>382A</td> <td>3\"/> <tr> <td>387</td> <td>ETR</td> <td>-</td> <td>WD.</td> <td>J2</td> <td>PTD.</td> <td>-</td> <td>385</td> <td>3\"/> <tr> <td>388</td> <td>ETR</td> <td>-</td> <td>WD.</td> <td>J2</td> <td>PTD.</td> <td>-</td> <td>386</td> <td>3\"/> <tr> <td>389</td> <td>ETR</td> <td>-</td> <td>WD.</td> <td>J2</td> <td>PTD.</td> <td>-</td> <td>387</td> <td>3\"/> <tr> <td>391</td> <td>ETR</td> <td>-</td> <td>WD.</td> <td>J2</td> <td>PTD.</td> <td>-</td> <td>388</td> <td>3\"/> <tr> <td>391A</td> <td>ETR</td> <td>-</td> <td>WD.</td> <td>J2</td> <td>PTD.</td> <td>-</td> <td>389</td> <td>3\"/> <tr> <td>391B</td> <td>ETR</td> <td>-</td> <td>WD.</td> <td>J2</td> <td>PTD.</td> <td>-</td> <td>391</td> <td>3\"/> <tr> <td>394</td> <td>ETR</td> <td>-</td> <td>WD.</td> <td>J2</td> <td>PTD.</td> <td>-</td> <td>391A</td> <td>3\"/> <tr> <td>395</td> <td>ETR</td> <td>-</td> <td>WD.</td> <td>J2</td> <td>PTD.</td> <td>-</td> <td>391B</td> <td>3\"/> <tr> <td>396</td> <td>ETR</td> <td>-</td> <td>WD.</td> <td>J2</td> <td>PTD.</td> <td>-</td> <td>394</td> <td>3\"/> <tr> <td>398</td> <td>ETR</td> <td>-</td> <td>WD.</td> <td>J2</td> <td>PTD.</td> <td>-</td> <td>395</td> <td>3\"/> <tr> <td>399</td> <td>ETR</td> <td>-</td> <td>WD.</td> <td>J2</td> <td>PTD.</td> <td>-</td> <td>396</td> <td>3\"/> <tr> <td>3991</td> <td>ETR</td> <td>-</td> <td>WD.</td> <td>J2</td> <td>PTD.</td> <td>-</td> <td>398</td> <td>3\"/> <tr> <td>3992</td> <td>A</td> <td>3\"/> <tr> <td>3993</td> <td>ETR</td> <td>-</td> <td>WD.</td> <td>J2</td> <td>PTD.</td> <td>-</td> <td>399</td> <td>3\"/> <tr> <td>3994</td> <td>ETR</td> <td>-</td> <td>WD.</td> <td>J2</td> <td>PTD.</td> <td>-</td> <td>3991</td> <td>3\"/> <tr> <td>3995</td> <td>ETR</td> <td>-</td> <td>WD.</td> <td>J2</td> <td>PTD.</td> <td>-</td> <td>3992</td> <td>3\"/> <tr> <td>3997</td> <td>ETR</td> <td>-</td> <td>WD.</td> <td>J2</td> <td>PTD.</td> <td>-</td> <td>3993</td> <td>3\"/> <tr> <td>3998</td> <td>ETR</td> <td>-</td> <td>WD.</td> <td>J2</td> <td>PTD.</td> <td>-</td> <td>3994</td> <td>3\"/> <tr> <td>3999</td> <td>ETR</td> <td>-</td> <td>WD.</td> <td>J2</td> <td>PTD.</td> <td>-</td> <td>3995</td> <td>3\"/> <tr> <td>3999</td> <td>ETR</td> <td>-</td> <td>WD.</td> <td>J2</td> <td>PTD.</td> <td>-</td> <td>3997</td> <td>3\"/> </td></tr></td></tr></td></tr></td></tr></td></tr></td></tr></td></tr></td></tr></td></tr></td></tr></td></tr></td></tr></td></tr></td></tr></td></tr></td></tr></td></tr></td></tr></td></tr></td></tr></td></tr></td></tr></td>
 | ALUM. | ANODIZE D | - | - | 380B | 3\"/> <tr> <td>385</td> <td>ETR</td> <td>-</td> <td>WD.</td> <td>J2</td> <td>PTD.</td> <td>-</td> <td>382</td> <td>3\"/> <tr> <td>386</td> <td>ETR</td> <td>-</td> <td>WD.</td> <td>J2</td> <td>PTD.</td> <td>-</td> <td>382A</td> <td>3\"/> <tr> <td>387</td> <td>ETR</td> <td>-</td> <td>WD.</td> <td>J2</td> <td>PTD.</td> <td>-</td> <td>385</td> <td>3\"/> <tr> <td>388</td> <td>ETR</td> <td>-</td> <td>WD.</td> <td>J2</td> <td>PTD.</td> <td>-</td> <td>386</td> <td>3\"/> <tr> <td>389</td> <td>ETR</td> <td>-</td> <td>WD.</td> <td>J2</td> <td>PTD.</td> <td>-</td> <td>387</td> <td>3\"/> <tr> <td>391</td> <td>ETR</td> <td>-</td> <td>WD.</td> <td>J2</td> <td>PTD.</td> <td>-</td> <td>388</td> <td>3\"/> <tr> <td>391A</td> <td>ETR</td> <td>-</td> <td>WD.</td> <td>J2</td> <td>PTD.</td> <td>-</td> <td>389</td> <td>3\"/> <tr> <td>391B</td> <td>ETR</td> <td>-</td> <td>WD.</td> <td>J2</td> <td>PTD.</td> <td>-</td> <td>391</td> <td>3\"/> <tr> <td>394</td> <td>ETR</td> <td>-</td> <td>WD.</td> <td>J2</td> <td>PTD.</td> <td>-</td> <td>391A</td> <td>3\"/> <tr> <td>395</td> <td>ETR</td> <td>-</td> <td>WD.</td> <td>J2</td> <td>PTD.</td> <td>-</td> <td>391B</td> <td>3\"/> <tr> <td>396</td> <td>ETR</td> <td>-</td> <td>WD.</td> <td>J2</td> <td>PTD.</td> <td>-</td> <td>394</td> <td>3\"/> <tr> <td>398</td> <td>ETR</td> <td>-</td> <td>WD.</td> <td>J2</td> <td>PTD.</td> <td>-</td> <td>395</td> <td>3\"/> <tr> <td>399</td> <td>ETR</td> <td>-</td> <td>WD.</td> <td>J2</td> <td>PTD.</td> <td>-</td> <td>396</td> <td>3\"/> <tr> <td>3991</td> <td>ETR</td> <td>-</td> <td>WD.</td> <td>J2</td> <td>PTD.</td> <td>-</td> <td>398</td> <td>3\"/> <tr> <td>3992</td> <td>A</td> <td>3\"/> <tr> <td>3993</td> <td>ETR</td> <td>-</td> <td>WD.</td> <td>J2</td> <td>PTD.</td> <td>-</td> <td>399</td> <td>3\"/> <tr> <td>3994</td> <td>ETR</td> <td>-</td> <td>WD.</td> <td>J2</td> <td>PTD.</td> <td>-</td> <td>3991</td> <td>3\"/> <tr> <td>3995</td> <td>ETR</td> <td>-</td> <td>WD.</td> <td>J2</td> <td>PTD.</td> <td>-</td> <td>3992</td> <td>3\"/> <tr> <td>3997</td> <td>ETR</td> <td>-</td> <td>WD.</td> <td>J2</td> <td>PTD.</td> <td>-</td> <td>3993</td> <td>3\"/> <tr> <td>3998</td> <td>ETR</td> <td>-</td> <td>WD.</td> <td>J2</td> <td>PTD.</td> <td>-</td> <td>3994</td> <td>3\"/> <tr> <td>3999</td> <td>ETR</td> <td>-</td> <td>WD.</td> <td>J2</td> <td>PTD.</td> <td>-</td> <td>3995</td> <td>3\"/> <tr> <td>3999</td> <td>ETR</td> <td>-</td> <td>WD.</td> <td>J2</td> <td>PTD.</td> <td>-</td> <td>3997</td> <td>3\"/> </td></tr></td></tr></td></tr></td></tr></td></tr></td></tr></td></tr></td></tr></td></tr></td></tr></td></tr></td></tr></td></tr></td></tr></td></tr></td></tr></td></tr></td></tr></td></tr></td></tr></td></tr></td></tr> | 385 | ETR | -
 | WD. | J2 | PTD. | - | 382 | 3\"/> <tr> <td>386</td> <td>ETR</td> <td>-</td> <td>WD.</td> <td>J2</td> <td>PTD.</td> <td>-</td> <td>382A</td> <td>3\"/> <tr> <td>387</td> <td>ETR</td> <td>-</td> <td>WD.</td> <td>J2</td> <td>PTD.</td> <td>-</td> <td>385</td> <td>3\"/> <tr> <td>388</td> <td>ETR</td> <td>-</td> <td>WD.</td> <td>J2</td> <td>PTD.</td> <td>-</td> <td>386</td> <td>3\"/> <tr> <td>389</td> <td>ETR</td> <td>-</td> <td>WD.</td> <td>J2</td> <td>PTD.</td> <td>-</td> <td>387</td> <td>3\"/> <tr> <td>391</td> <td>ETR</td> <td>-</td> <td>WD.</td> <td>J2</td> <td>PTD.</td> <td>-</td> <td>388</td> <td>3\"/> <tr> <td>391A</td> <td>ETR</td> <td>-</td> <td>WD.</td> <td>J2</td> <td>PTD.</td> <td>-</td> <td>389</td> <td>3\"/> <tr> <td>391B</td> <td>ETR</td> <td>-</td> <td>WD.</td> <td>J2</td> <td>PTD.</td> <td>-</td> <td>391</td> <td>3\"/> <tr> <td>394</td> <td>ETR</td> <td>-</td> <td>WD.</td> <td>J2</td> <td>PTD.</td> <td>-</td> <td>391A</td> <td>3\"/> <tr> <td>395</td> <td>ETR</td> <td>-</td> <td>WD.</td> <td>J2</td> <td>PTD.</td> <td>-</td> <td>391B</td> <td>3\"/> <tr> <td>396</td> <td>ETR</td> <td>-</td> <td>WD.</td> <td>J2</td> <td>PTD.</td> <td>-</td> <td>394</td> <td>3\"/> <tr> <td>398</td> <td>ETR</td> <td>-</td> <td>WD.</td> <td>J2</td> <td>PTD.</td> <td>-</td> <td>395</td> <td>3\"/> <tr> <td>399</td> <td>ETR</td> <td>-</td> <td>WD.</td> <td>J2</td> <td>PTD.</td> <td>-</td> <td>396</td> <td>3\"/> <tr> <td>3991</td> <td>ETR</td> <td>-</td> <td>WD.</td> <td>J2</td> <td>PTD.</td> <td>-</td> <td>398</td> <td>3\"/> <tr> <td>3992</td> <td>A</td> <td>3\"/> <tr> <td>3993</td> <td>ETR</td> <td>-</td> <td>WD.</td> <td>J2</td> <td>PTD.</td> <td>-</td> <td>399</td> <td>3\"/> <tr> <td>3994</td> <td>ETR</td> <td>-</td> <td>WD.</td> <td>J2</td> <td>PTD.</td> <td>-</td> <td>3991</td> <td>3\"/> <tr> <td>3995</td> <td>ETR</td> <td>-</td> <td>WD.</td> <td>J2</td> <td>PTD.</td> <td>-</td> <td>3992</td> <td>3\"/> <tr> <td>3997</td> <td>ETR</td> <td>-</td> <td>WD.</td> <td>J2</td> <td>PTD.</td> <td>-</td> <td>3993</td> <td>3\"/> <tr> <td>3998</td> <td>ETR</td> <td>-</td> <td>WD.</td> <td>J2</td> <td>PTD.</td> <td>-</td> <td>3994</td> <td>3\"/> <tr> <td>3999</td> <td>ETR</td> <td>-</td> <td>WD.</td> <td>J2</td> <td>PTD.</td> <td>-</td> <td>3995</td> <td>3\"/> <tr> <td>3999</td> <td>ETR</td> <td>-</td> <td>WD.</td> <td>J2</td> <td>PTD.</td> <td>-</td> <td>3997</td> <td>3\"/> </td></tr></td></tr></td></tr></td></tr></td></tr></td></tr></td></tr></td></tr></td></tr></td></tr></td></tr></td></tr></td></tr></td></tr></td></tr></td></tr></td></tr></td></tr></td></tr></td></tr></td></tr> | 386 | ETR | -
 | WD. | J2 | PTD. | - | 382A | 3\"/> <tr> <td>387</td> <td>ETR</td> <td>-</td> <td>WD.</td> <td>J2</td> <td>PTD.</td> <td>-</td> <td>385</td> <td>3\"/> <tr> <td>388</td> <td>ETR</td> <td>-</td> <td>WD.</td> <td>J2</td> <td>PTD.</td> <td>-</td> <td>386</td> <td>3\"/> <tr> <td>389</td> <td>ETR</td> <td>-</td> <td>WD.</td> <td>J2</td> <td>PTD.</td> <td>-</td> <td>387</td> <td>3\"/> <tr> <td>391</td> <td>ETR</td> <td>-</td> <td>WD.</td> <td>J2</td> <td>PTD.</td> <td>-</td> <td>388</td> <td>3\"/> <tr> <td>391A</td> <td>ETR</td> <td>-</td> <td>WD.</td> <td>J2</td> <td>PTD.</td> <td>-</td> <td>389</td> <td>3\"/> <tr> <td>391B</td> <td>ETR</td> <td>-</td> <td>WD.</td> <td>J2</td> <td>PTD.</td> <td>-</td> <td>391</td> <td>3\"/> <tr> <td>394</td> <td>ETR</td> <td>-</td> <td>WD.</td> <td>J2</td> <td>PTD.</td> <td>-</td> <td>391A</td> <td>3\"/> <tr> <td>395</td> <td>ETR</td> <td>-</td> <td>WD.</td> <td>J2</td> <td>PTD.</td> <td>-</td> <td>391B</td> <td>3\"/> <tr> <td>396</td> <td>ETR</td> <td>-</td> <td>WD.</td> <td>J2</td> <td>PTD.</td> <td>-</td> <td>394</td> <td>3\"/> <tr> <td>398</td> <td>ETR</td> <td>-</td> <td>WD.</td> <td>J2</td> <td>PTD.</td> <td>-</td> <td>395</td> <td>3\"/> <tr> <td>399</td> <td>ETR</td> <td>-</td> <td>WD.</td> <td>J2</td> <td>PTD.</td> <td>-</td> <td>396</td> <td>3\"/> <tr> <td>3991</td> <td>ETR</td> <td>-</td> <td>WD.</td> <td>J2</td> <td>PTD.</td> <td>-</td> <td>398</td> <td>3\"/> <tr> <td>3992</td> <td>A</td> <td>3\"/> <tr> <td>3993</td> <td>ETR</td> <td>-</td> <td>WD.</td> <td>J2</td> <td>PTD.</td> <td>-</td> <td>399</td> <td>3\"/> <tr> <td>3994</td> <td>ETR</td> <td>-</td> <td>WD.</td> <td>J2</td> <td>PTD.</td> <td>-</td> <td>3991</td> <td>3\"/> <tr> <td>3995</td> <td>ETR</td> <td>-</td> <td>WD.</td> <td>J2</td> <td>PTD.</td> <td>-</td> <td>3992</td> <td>3\"/> <tr> <td>3997</td> <td>ETR</td> <td>-</td> <td>WD.</td> <td>J2</td> <td>PTD.</td> <td>-</td> <td>3993</td> <td>3\"/> <tr> <td>3998</td> <td>ETR</td> <td>-</td> <td>WD.</td> <td>J2</td> <td>PTD.</td> <td>-</td> <td>3994</td> <td>3\"/> <tr> <td>3999</td> <td>ETR</td> <td>-</td> <td>WD.</td> <td>J2</td> <td>PTD.</td> <td>-</td> <td>3995</td> <td>3\"/> <tr> <td>3999</td> <td>ETR</td> <td>-</td> <td>WD.</td> <td>J2</td> <td>PTD.</td> <td>-</td> <td>3997</td> <td>3\"/> </td></tr></td></tr></td></tr></td></tr></td></tr></td></tr></td></tr></td></tr></td></tr></td></tr></td></tr></td></tr></td></tr></td></tr></td></tr></td></tr></td></tr></td></tr></td></tr></td></tr>
 | 387 | ETR | - | WD. | J2 | PTD. | - | 385 | 3\"/> <tr> <td>388</td> <td>ETR</td> <td>-</td> <td>WD.</td> <td>J2</td> <td>PTD.</td> <td>-</td> <td>386</td> <td>3\"/> <tr> <td>389</td> <td>ETR</td> <td>-</td> <td>WD.</td> <td>J2</td> <td>PTD.</td> <td>-</td> <td>387</td> <td>3\"/> <tr> <td>391</td> <td>ETR</td> <td>-</td> <td>WD.</td> <td>J2</td> <td>PTD.</td> <td>-</td> <td>388</td> <td>3\"/> <tr> <td>391A</td> <td>ETR</td> <td>-</td> <td>WD.</td> <td>J2</td> <td>PTD.</td> <td>-</td> <td>389</td> <td>3\"/> <tr> <td>391B</td> <td>ETR</td> <td>-</td> <td>WD.</td> <td>J2</td> <td>PTD.</td> <td>-</td> <td>391</td> <td>3\"/> <tr> <td>394</td> <td>ETR</td> <td>-</td> <td>WD.</td> <td>J2</td> <td>PTD.</td> <td>-</td> <td>391A</td> <td>3\"/> <tr> <td>395</td> <td>ETR</td> <td>-</td> <td>WD.</td> <td>J2</td> <td>PTD.</td> <td>-</td> <td>391B</td> <td>3\"/> <tr> <td>396</td> <td>ETR</td> <td>-</td> <td>WD.</td> <td>J2</td> <td>PTD.</td> <td>-</td> <td>394</td> <td>3\"/> <tr> <td>398</td> <td>ETR</td> <td>-</td> <td>WD.</td> <td>J2</td> <td>PTD.</td> <td>-</td> <td>395</td> <td>3\"/> <tr> <td>399</td> <td>ETR</td> <td>-</td> <td>WD.</td> <td>J2</td> <td>PTD.</td> <td>-</td> <td>396</td> <td>3\"/> <tr> <td>3991</td> <td>ETR</td> <td>-</td> <td>WD.</td> <td>J2</td> <td>PTD.</td> <td>-</td> <td>398</td> <td>3\"/> <tr> <td>3992</td> <td>A</td> <td>3\"/> <tr> <td>3993</td> <td>ETR</td> <td>-</td> <td>WD.</td> <td>J2</td> <td>PTD.</td> <td>-</td> <td>399</td> <td>3\"/> <tr> <td>3994</td> <td>ETR</td> <td>-</td> <td>WD.</td> <td>J2</td> <td>PTD.</td> <td>-</td> <td>3991</td> <td>3\"/> <tr> <td>3995</td> <td>ETR</td> <td>-</td> <td>WD.</td> <td>J2</td> <td>PTD.</td> <td>-</td> <td>3992</td> <td>3\"/> <tr> <td>3997</td> <td>ETR</td> <td>-</td> <td>WD.</td> <td>J2</td> <td>PTD.</td> <td>-</td> <td>3993</td> <td>3\"/> <tr> <td>3998</td> <td>ETR</td> <td>-</td> <td>WD.</td> <td>J2</td> <td>PTD.</td> <td>-</td> <td>3994</td> <td>3\"/> <tr> <td>3999</td> <td>ETR</td> <td>-</td> <td>WD.</td> <td>J2</td> <td>PTD.</td> <td>-</td> <td>3995</td> <td>3\"/> <tr> <td>3999</td> <td>ETR</td> <td>-</td> <td>WD.</td> <td>J2</td> <td>PTD.</td> <td>-</td> <td>3997</td> <td>3\"/> </td></tr></td></tr></td></tr></td></tr></td></tr></td></tr></td></tr></td></tr></td></tr></td></tr></td></tr></td></tr></td></tr></td></tr></td></tr></td></tr></td></tr></td></tr></td></tr>
 | 388 | ETR | - | WD. | J2 | PTD. | - | 386 | 3\"/> <tr> <td>389</td> <td>ETR</td> <td>-</td> <td>WD.</td> <td>J2</td> <td>PTD.</td> <td>-</td> <td>387</td> <td>3\"/> <tr> <td>391</td> <td>ETR</td> <td>-</td> <td>WD.</td> <td>J2</td> <td>PTD.</td> <td>-</td> <td>388</td> <td>3\"/> <tr> <td>391A</td> <td>ETR</td> <td>-</td> <td>WD.</td> <td>J2</td> <td>PTD.</td> <td>-</td> <td>389</td> <td>3\"/> <tr> <td>391B</td> <td>ETR</td> <td>-</td> <td>WD.</td> <td>J2</td> <td>PTD.</td> <td>-</td> <td>391</td> <td>3\"/> <tr> <td>394</td> <td>ETR</td> <td>-</td> <td>WD.</td> <td>J2</td> <td>PTD.</td> <td>-</td> <td>391A</td> <td>3\"/> <tr> <td>395</td> <td>ETR</td> <td>-</td> <td>WD.</td> <td>J2</td> <td>PTD.</td> <td>-</td> <td>391B</td> <td>3\"/> <tr> <td>396</td> <td>ETR</td> <td>-</td> <td>WD.</td> <td>J2</td> <td>PTD.</td> <td>-</td> <td>394</td> <td>3\"/> <tr> <td>398</td> <td>ETR</td> <td>-</td> <td>WD.</td> <td>J2</td> <td>PTD.</td> <td>-</td> <td>395</td> <td>3\"/>
 <tr> <td>399</td> <td>ETR</td> <td>-</td> <td>WD.</td> <td>J2</td> <td>PTD.</td> <td>-</td> <td>396</td> <td>3\"/> <tr> <td>3991</td> <td>ETR</td> <td>-</td> <td>WD.</td> <td>J2</td> <td>PTD.</td> <td>-</td> <td>398</td> <td>3\"/> <tr> <td>3992</td> <td>A</td> <td>3\"/> <tr> <td>3993</td> <td>ETR</td> <td>-</td> <td>WD.</td> <td>J2</td> <td>PTD.</td> <td>-</td> <td>399</td> <td>3\"/> <tr> <td>3994</td> <td>ETR</td> <td>-</td> <td>WD.</td> <td>J2</td> <td>PTD.</td> <td>-</td> <td>3991</td> <td>3\"/> <tr> <td>3995</td> <td>ETR</td> <td>-</td> <td>WD.</td> <td>J2</td> <td>PTD.</td> <td>-</td> <td>3992</td> <td>3\"/> <tr> <td>3997</td> <td>ETR</td> <td>-</td> <td>WD.</td> <td>J2</td> <td>PTD.</td> <td>-</td> <td>3993</td> <td>3\"/> <tr> <td>3998</td> <td>ETR</td> <td>-</td> <td>WD.</td> <td>J2</td> <td>PTD.</td> <td>-</td> <td>3994</td> <td>3\"/> <tr> <td>3999</td> <td>ETR</td> <td>-</td> <td>WD.</td> <td>J2</td> <td>PTD.</td> <td>-</td> <td>3995</td> <td>3\"/> <tr> <td>3999</td> <td>ETR</td> <td>-</td> <td>WD.</td> <td>J2</td> <td>PTD.</td> <td>-</td> <td>3997</td> <td>3\"/> </td></tr></td></tr></td></tr></td></tr></td></tr></td></tr></td></tr></td></tr></td></tr></td></tr></td></tr></td></tr></td></tr></td></tr></td></tr></td></tr></td></tr></td></tr> | 389 | ETR | -
 | WD. | J2 | PTD. | - | 387 | 3\"/> <tr> <td>391</td> <td>ETR</td> <td>-</td> <td>WD.</td> <td>J2</td> <td>PTD.</td> <td>-</td> <td>388</td> <td>3\"/> <tr> <td>391A</td> <td>ETR</td> <td>-</td> <td>WD.</td> <td>J2</td> <td>PTD.</td> <td>-</td> <td>389</td> <td>3\"/> <tr> <td>391B</td> <td>ETR</td> <td>-</td> <td>WD.</td> <td>J2</td> <td>PTD.</td> <td>-</td> <td>391</td> <td>3\"/> <tr> <td>394</td> <td>ETR</td> <td>-</td> <td>WD.</td> <td>J2</td> <td>PTD.</td> <td>-</td> <td>391A</td> <td>3\"/> <tr> <td>395</td> <td>ETR</td> <td>-</td> <td>WD.</td> <td>J2</td> <td>PTD.</td> <td>-</td> <td>391B</td> <td>3\"/> <tr> <td>396</td> <td>ETR</td> <td>-</td> <td>WD.</td> <td>J2</td> <td>PTD.</td> <td>-</td> <td>394</td> <td>3\"/> <tr> <td>398</td> <td>ETR</td> <td>-</td> <td>WD.</td> <td>J2</td> <td>PTD.</td> <td>-</td> <td>395</td> <td>3\"/> <tr> <td>399</td> <td>ETR</td> <td>-</td> <td>WD.</td> <td>J2</td> <td>PTD.</td> <td>-</td> <td>396</td> <td>3\"/> <tr> <td>3991</td> <td>ETR</td> <td>-</td> <td>WD.</td> <td>J2</td> <td>PTD.</td> <td>-</td> <td>398</td> <td>3\"/> <tr> <td>3992</td> <td>A</td> <td>3\"/> <tr> <td>3993</td> <td>ETR</td> <td>-</td> <td>WD.</td> <td>J2</td> <td>PTD.</td> <td>-</td> <td>399</td> <td>3\"/> <tr> <td>3994</td> <td>ETR</td> <td>-</td> <td>WD.</td> <td>J2</td> <td>PTD.</td> <td>-</td> <td>3991</td> <td>3\"/> <tr> <td>3995</td> <td>ETR</td> <td>-</td> <td>WD.</td> <td>J2</td> <td>PTD.</td> <td>-</td> <td>3992</td> <td>3\"/> <tr> <td>3997</td> <td>ETR</td> <td>-</td> <td>WD.</td> <td>J2</td> <td>PTD.</td> <td>-</td> <td>3993</td> <td>3\"/> <tr> <td>3998</td> <td>ETR</td> <td>-</td> <td>WD.</td> <td>J2</td> <td>PTD.</td> <td>-</td> <td>3994</td> <td>3\"/> <tr> <td>3999</td> <td>ETR</td> <td>-</td> <td>WD.</td> <td>J2</td> <td>PTD.</td> <td>-</td> <td>3995</td> <td>3\"/> <tr> <td>3999</td> <td>ETR</td> <td>-</td> <td>WD.</td> <td>J2</td> <td>PTD.</td> <td>-</td> <td>3997</td> <td>3\"/> </td></tr></td></tr></td></tr></td></tr></td></tr></td></tr></td></tr></td></tr></td></tr></td></tr></td></tr></td></tr></td></tr></td></tr></td></tr></td></tr></td></tr> | 391 | ETR | -
 | WD. | J2 | PTD. | - | 388 | 3\"/> <tr> <td>391A</td> <td>ETR</td> <td>-</td> <td>WD.</td> <td>J2</td> <td>PTD.</td> <td>-</td> <td>389</td> <td>3\"/> <tr> <td>391B</td> <td>ETR</td> <td>-</td> <td>WD.</td> <td>J2</td> <td>PTD.</td> <td>-</td> <td>391</td> <td>3\"/> <tr> <td>394</td> <td>ETR</td> <td>-</td> <td>WD.</td> <td>J2</td> <td>PTD.</td> <td>-</td> <td>391A</td> <td>3\"/> <tr> <td>395</td> <td>ETR</td> <td>-</td> <td>WD.</td> <td>J2</td> <td>PTD.</td> <td>-</td> <td>391B</td> <td>3\"/> <tr> <td>396</td> <td>ETR</td> <td>-</td> <td>WD.</td> <td>J2</td> <td>PTD.</td> <td>-</td> <td>394</td> <td>3\"/> <tr> <td>398</td> <td>ETR</td> <td>-</td> <td>WD.</td> <td>J2</td> <td>PTD.</td> <td>-</td> <td>395</td> <td>3\"/> <tr> <td>399</td> <td>ETR</td> <td>-</td> <td>WD.</td> <td>J2</td> <td>PTD.</td> <td>-</td> <td>396</td> <td>3\"/> <tr> <td>3991</td> <td>ETR</td> <td>-</td> <td>WD.</td> <td>J2</td> <td>PTD.</td> <td>-</td> <td>398</td> <td>3\"/> <tr> <td>3992</td> <td>A</td> <td>3\"/> <tr> <td>3993</td> <td>ETR</td> <td>-</td> <td>WD.</td> <td>J2</td> <td>PTD.</td> <td>-</td> <td>399</td> <td>3\"/> <tr> <td>3994</td> <td>ETR</td> <td>-</td> <td>WD.</td> <td>J2</td> <td>PTD.</td> <td>-</td> <td>3991</td> <td>3\"/> <tr> <td>3995</td> <td>ETR</td> <td>-</td> <td>WD.</td> <td>J2</td> <td>PTD.</td> <td>-</td> <td>3992</td> <td>3\"/> <tr> <td>3997</td> <td>ETR</td> <td>-</td> <td>WD.</td> <td>J2</td> <td>PTD.</td> <td>-</td> <td>3993</td> <td>3\"/> <tr> <td>3998</td> <td>ETR</td> <td>-</td> <td>WD.</td> <td>J2</td> <td>PTD.</td> <td>-</td> <td>3994</td> <td>3\"/> <tr> <td>3999</td> <td>ETR</td> <td>-</td> <td>WD.</td> <td>J2</td> <td>PTD.</td> <td>-</td> <td>3995</td> <td>3\"/> <tr> <td>3999</td> <td>ETR</td> <td>-</td> <td>WD.</td> <td>J2</td> <td>PTD.</td> <td>-</td> <td>3997</td> <td>3\"/> </td></tr></td></tr></td></tr></td></tr></td></tr></td></tr></td></tr></td></tr></td></tr></td></tr></td></tr></td></tr></td></tr></td></tr></td></tr></td></tr> | 391A | ETR | -
 | WD. | J2 | PTD. | - | 389 | 3\"/> <tr> <td>391B</td> <td>ETR</td> <td>-</td> <td>WD.</td> <td>J2</td> <td>PTD.</td> <td>-</td> <td>391</td> <td>3\"/> <tr> <td>394</td> <td>ETR</td> <td>-</td> <td>WD.</td> <td>J2</td> <td>PTD.</td> <td>-</td> <td>391A</td> <td>3\"/> <tr> <td>395</td> <td>ETR</td> <td>-</td> <td>WD.</td> <td>J2</td> <td>PTD.</td> <td>-</td> <td>391B</td> <td>3\"/> <tr> <td>396</td> <td>ETR</td> <td>-</td> <td>WD.</td> <td>J2</td> <td>PTD.</td> <td>-</td> <td>394</td> <td>3\"/> <tr> <td>398</td> <td>ETR</td> <td>-</td> <td>WD.</td> <td>J2</td> <td>PTD.</td> <td>-</td> <td>395</td> <td>3\"/> <tr> <td>399</td> <td>ETR</td> <td>-</td> <td>WD.</td> <td>J2</td> <td>PTD.</td> <td>-</td> <td>396</td> <td>3\"/> <tr> <td>3991</td> <td>ETR</td> <td>-</td> <td>WD.</td> <td>J2</td> <td>PTD.</td> <td>-</td> <td>398</td> <td>3\"/> <tr> <td>3992</td> <td>A</td> <td>3\"/> <tr> <td>3993</td> <td>ETR</td> <td>-</td> <td>WD.</td> <td>J2</td> <td>PTD.</td> <td>-</td> <td>399</td> <td>3\"/> <tr> <td>3994</td> <td>ETR</td> <td>-</td> <td>WD.</td> <td>J2</td> <td>PTD.</td> <td>-</td> <td>3991</td> <td>3\"/> <tr> <td>3995</td> <td>ETR</td> <td>-</td> <td>WD.</td> <td>J2</td> <td>PTD.</td> <td>-</td> <td>3992</td> <td>3\"/> <tr> <td>3997</td> <td>ETR</td> <td>-</td> <td>WD.</td> <td>J2</td> <td>PTD.</td> <td>-</td> <td>3993</td> <td>3\"/> <tr> <td>3998</td> <td>ETR</td> <td>-</td> <td>WD.</td> <td>J2</td> <td>PTD.</td> <td>-</td> <td>3994</td> <td>3\"/> <tr> <td>3999</td> <td>ETR</td> <td>-</td> <td>WD.</td> <td>J2</td> <td>PTD.</td> <td>-</td> <td>3995</td> <td>3\"/> <tr> <td>3999</td> <td>ETR</td> <td>-</td> <td>WD.</td> <td>J2</td> <td>PTD.</td> <td>-</td> <td>3997</td> <td>3\"/> </td></tr></td></tr></td></tr></td></tr></td></tr></td></tr></td></tr></td></tr></td></tr></td></tr></td></tr></td></tr></td></tr></td></tr></td></tr> | 391B | ETR | -
 | WD. | J2 | PTD. | - | 391 | 3\"/> <tr> <td>394</td> <td>ETR</td> <td>-</td> <td>WD.</td> <td>J2</td> <td>PTD.</td> <td>-</td> <td>391A</td> <td>3\"/> <tr> <td>395</td> <td>ETR</td> <td>-</td> <td>WD.</td> <td>J2</td> <td>PTD.</td> <td>-</td> <td>391B</td> <td>3\"/> <tr> <td>396</td> <td>ETR</td> <td>-</td> <td>WD.</td> <td>J2</td> <td>PTD.</td> <td>-</td> <td>394</td> <td>3\"/> <tr> <td>398</td> <td>ETR</td> <td>-</td> <td>WD.</td> <td>J2</td> <td>PTD.</td> <td>-</td> <td>395</td> <td>3\"/> <tr> <td>399</td> <td>ETR</td> <td>-</td> <td>WD.</td> <td>J2</td> <td>PTD.</td> <td>-</td> <td>396</td> <td>3\"/> <tr> <td>3991</td> <td>ETR</td> <td>-</td> <td>WD.</td> <td>J2</td> <td>PTD.</td> <td>-</td> <td>398</td> <td>3\"/> <tr> <td>3992</td> <td>A</td> <td>3\"/> <tr> <td>3993</td> <td>ETR</td> <td>-</td> <td>WD.</td> <td>J2</td> <td>PTD.</td> <td>-</td> <td>399</td> <td>3\"/> <tr> <td>3994</td> <td>ETR</td> <td>-</td> <td>WD.</td> <td>J2</td> <td>PTD.</td> <td>-</td> <td>3991</td> <td>3\"/> <tr> <td>3995</td> <td>ETR</td> <td>-</td> <td>WD.</td> <td>J2</td> <td>PTD.</td> <td>-</td> <td>3992</td> <td>3\"/> <tr> <td>3997</td> <td>ETR</td> <td>-</td> <td>WD.</td> <td>J2</td> <td>PTD.</td> <td>-</td> <td>3993</td> <td>3\"/> <tr> <td>3998</td> <td>ETR</td> <td>-</td> <td>WD.</td> <td>J2</td> <td>PTD.</td> <td>-</td> <td>3994</td> <td>3\"/> <tr> <td>3999</td> <td>ETR</td> <td>-</td> <td>WD.</td> <td>J2</td> <td>PTD.</td> <td>-</td> <td>3995</td> <td>3\"/> <tr> <td>3999</td> <td>ETR</td> <td>-</td> <td>WD.</td> <td>J2</td> <td>PTD.</td> <td>-</td> <td>3997</td> <td>3\"/> </td></tr></td></tr></td></tr></td></tr></td></tr></td></tr></td></tr></td></tr></td></tr></td></tr></td></tr></td></tr></td></tr></td></tr> | 394 | ETR | -
 | WD. | J2 | PTD. | - | 391A | 3\"/> <tr> <td>395</td> <td>ETR</td> <td>-</td> <td>WD.</td> <td>J2</td> <td>PTD.</td> <td>-</td> <td>391B</td> <td>3\"/> <tr> <td>396</td> <td>ETR</td> <td>-</td> <td>WD.</td> <td>J2</td> <td>PTD.</td> <td>-</td> <td>394</td> <td>3\"/> <tr> <td>398</td> <td>ETR</td> <td>-</td> <td>WD.</td> <td>J2</td> <td>PTD.</td> <td>-</td> <td>395</td> <td>3\"/> <tr> <td>399</td> <td>ETR</td> <td>-</td> <td>WD.</td> <td>J2</td> <td>PTD.</td> <td>-</td> <td>396</td> <td>3\"/> <tr> <td>3991</td> <td>ETR</td>
<td>-</td> <td>WD.</td> <td>J2</td> <td>PTD.</td> <td>-</td> <td>398</td> <td>3\"/> <tr> <td>3992</td> <td>A</td> <td>3\"/> <tr> <td>3993</td> <td>ETR</td> <td>-</td> <td>WD.</td> <td>J2</td> <td>PTD.</td> <td>-</td> <td>399</td> <td>3\"/> <tr> <td>3994</td> <td>ETR</td> <td>-</td> <td>WD.</td> <td>J2</td> <td>PTD.</td> <td>-</td> <td>3991</td> <td>3\"/> <tr> <td>3995</td> <td>ETR</td> <td>-</td> <td>WD.</td> <td>J2</td> <td>PTD.</td> <td>-</td> <td>3992</td> <td>3\"/> <tr> <td>3997</td> <td>ETR</td> <td>-</td> <td>WD.</td> <td>J2</td> <td>PTD.</td> <td>-</td> <td>3993</td> <td>3\"/> <tr> <td>3998</td> <td>ETR</td> <td>-</td> <td>WD.</td> <td>J2</td> <td>PTD.</td> <td>-</td> <td>3994</td> <td>3\"/> <tr> <td>3999</td> <td>ETR</td> <td>-</td> <td>WD.</td> <td>J2</td> <td>PTD.</td> <td>-</td> <td>3995</td> <td>3\"/> <tr> <td>3999</td> <td>ETR</td> <td>-</td> <td>WD.</td> <td>J2</td> <td>PTD.</td> <td>-</td> <td>3997</td> <td>3\"/> </td></tr></td></tr></td></tr></td></tr></td></tr></td></tr></td></tr></td></tr></td></tr></td></tr></td></tr></td></tr></td></tr> | 395 | ETR | - | WD. | J2 | PTD. | - | 391B | 3\"/> <tr> <td>396</td> <td>ETR</td> <td>-</td> <td>WD.</td> <td>J2</td> <td>PTD.</td> <td>-</td> <td>394</td> <td>3\"/> <tr> <td>398</td> <td>ETR</td> <td>-</td> <td>WD.</td> <td>J2</td> <td>PTD.</td> <td>-</td> <td>395</td>
<td>3\"/> <tr> <td>399</td> <td>ETR</td> <td>-</td> <td>WD.</td> <td>J2</td> <td>PTD.</td> <td>-</td> <td>396</td> <td>3\"/> <tr> <td>3991</td> <td>ETR</td> <td>-</td> <td>WD.</td> <td>J2</td> <td>PTD.</td> <td>-</td> <td>398</td> <td>3\"/> <tr> <td>3992</td> <td>A</td> <td>3\"/> <tr> <td>3993</td> <td>ETR</td> <td>-</td> <td>WD.</td> <td>J2</td> <td>PTD.</td> <td>-</td> <td>399</td> <td>3\"/> <tr> <td>3994</td> <td>ETR</td> <td>-</td> <td>WD.</td> <td>J2</td> <td>PTD.</td> <td>-</td> <td>3991</td> <td>3\"/> <tr> <td>3995</td> <td>ETR</td> <td>-</td> <td>WD.</td> <td>J2</td> <td>PTD.</td> <td>-</td> <td>3992</td> <td>3\"/> <tr> <td>3997</td> <td>ETR</td> <td>-</td> <td>WD.</td> <td>J2</td> <td>PTD.</td> <td>-</td> <td>3993</td> <td>3\"/> <tr> <td>3998</td> <td>ETR</td> <td>-</td> <td>WD.</td> <td>J2</td> <td>PTD.</td> <td>-</td> <td>3994</td> <td>3\"/> <tr> <td>3999</td> <td>ETR</td> <td>-</td> <td>WD.</td> <td>J2</td> <td>PTD.</td> <td>-</td> <td>3995</td> <td>3\"/> <tr> <td>3999</td> <td>ETR</td> <td>-</td> <td>WD.</td> <td>J2</td> <td>PTD.</td> <td>-</td> <td>3997</td> <td>3\"/> </td></tr></td></tr></td></tr></td></tr></td></tr></td></tr></td></tr></td></tr></td></tr></td></tr></td></tr></td></tr> | 396 | ETR | - | WD. | J2 | PTD. | - | 394 | 3\"/> <tr> <td>398</td> <td>ETR</td> <td>-</td> <td>WD.</td> <td>J2</td> <td>PTD.</td> <td>-</td> <td>395</td> <td>3\"/> <tr> <td>399</td> <td>ETR</td> <td>-</td> <td>WD.</td> <td>J2</td> <td>PTD.</td>
<td>-</td> <td>396</td> <td>3\"/> <tr> <td>3991</td> <td>ETR</td> <td>-</td> <td>WD.</td> <td>J2</td> <td>PTD.</td> <td>-</td> <td>398</td> <td>3\"/> <tr> <td>3992</td> <td>A</td> <td>3\"/> <tr> <td>3993</td> <td>ETR</td> <td>-</td> <td>WD.</td> <td>J2</td> <td>PTD.</td> <td>-</td> <td>399</td> <td>3\"/> <tr> <td>3994</td> <td>ETR</td> <td>-</td> <td>WD.</td> <td>J2</td> <td>PTD.</td> <td>-</td> <td>3991</td> <td>3\"/> <tr> <td>3995</td> <td>ETR</td> <td>-</td> <td>WD.</td> <td>J2</td> <td>PTD.</td> <td>-</td> <td>3992</td> <td>3\"/> <tr> <td>3997</td> <td>ETR</td> <td>-</td> <td>WD.</td> <td>J2</td> <td>PTD.</td> <td>-</td> <td>3993</td> <td>3\"/> <tr> <td>3998</td> <td>ETR</td> <td>-</td> <td>WD.</td> <td>J2</td> <td>PTD.</td> <td>-</td> <td>3994</td> <td>3\"/> <tr> <td>3999</td> <td>ETR</td> <td>-</td> <td>WD.</td> <td>J2</td> <td>PTD.</td> <td>-</td> <td>3995</td> <td>3\"/> <tr> <td>3999</td> <td>ETR</td> <td>-</td> <td>WD.</td> <td>J2</td> <td>PTD.</td> <td>-</td> <td>3997</td> <td>3\"/> </td></tr></td></tr></td></tr></td></tr></td></tr></td></tr></td></tr></td></tr></td></tr></td></tr></td></tr> | 398 | ETR | - | WD. | J2 | PTD. | - | 395 | 3\"/> <tr> <td>399</td> <td>ETR</td> <td>-</td> <td>WD.</td> <td>J2</td> <td>PTD.</td> <td>-</td> <td>396</td> <td>3\"/> <tr> <td>3991</td> <td>ETR</td> <td>-</td> <td>WD.</td> <td>J2</td> <td>PTD.</td> <td>-</td> <td>398</td> <td>3\"/> <tr> <td>3992</td> <td>A</td> <td>3\"/> <tr> <td>3993</td> <td>ETR</td> <td>-</td> <td>WD.</td> <td>J2</td> <td>PTD.</td> <td>-</td> <td>399</td> <td>3\"/> <tr> <td>3994</td> <td>ETR</td>
<td>-</td> <td>WD.</td> <td>J2</td> <td>PTD.</td> <td>-</td> <td>3991</td> <td>3\"/> <tr> <td>3995</td> <td>ETR</td> <td>-</td> <td>WD.</td> <td>J2</td> <td>PTD.</td> <td>-</td> <td>3992</td> <td>3\"/> <tr> <td>3997</td> <td>ETR</td> <td>-</td> <td>WD.</td> <td>J2</td> <td>PTD.</td> <td>-</td> <td>3993</td> <td>3\"/> <tr> <td>3998</td> <td>ETR</td> <td>-</td> <td>WD.</td> <td>J2</td> <td>PTD.</td> <td>-</td> <td>3994</td> <td>3\"/> <tr> <td>3999</td> <td>ETR</td> <td>-</td> <td>WD.</td> <td>J2</td> <td>PTD.</td> <td>-</td> <td>3995</td> <td>3\"/> <tr> <td>3999</td> <td>ETR</td> <td>-</td> <td>WD.</td> <td>J2</td> <td>PTD.</td> <td>-</td> <td>3997</td> <td>3\"/> </td></tr></td></tr></td></tr></td></tr></td></tr></td></tr></td></tr></td></tr></td></tr></td></tr> | 399 | ETR | - | WD. | J2 | PTD. | - | 396 | 3\"/> <tr> <td>3991</td> <td>ETR</td> <td>-</td> <td>WD.</td> <td>J2</td> <td>PTD.</td> <td>-</td> <td>398</td> <td>3\"/> <tr> <td>3992</td> <td>A</td> <td>3\"/> <tr> <td>3993</td> <td>ETR</td> <td>-</td> <td>WD.</td> <td>J2</td> <td>PTD.</td> <td>-</td> <td>399</td> <td>3\"/> <tr> <td>3994</td> <td>ETR</td> <td>-</td> <td>WD.</td> <td>J2</td> <td>PTD.</td> <td>-</td> <td>3991</td> <td>3\"/> <tr> <td>3995</td> <td>ETR</td> <td>-</td> <td>WD.</td> <td>J2</td> <td>PTD.</td> <td>-</td> <td>3992</td> <td>3\"/> <tr> <td>3997</td> <td>ETR</td> <td>-</td> <td>WD.</td> <td>J2</td> <td>PTD.</td> <td>-</td> <td>3993</td> <td>3\"/> <tr> <td>3998</td> <td>ETR</td> <td>-</td> <td>WD.</td> <td>J2</td> <td>PTD.</td> <td>-</td> <td>3994</td> <td>3\"/> <tr> <td>3999</td> <td>ETR</td> <td>-</td> <td>WD.</td> <td>J2</td> <td>PTD.</td> <td>-</td> <td>3995</td> <td>3\"/> <tr> <td>3999</td> <td>ETR</td> <td>-</td>
<td>WD.</td> <td>J2</td> <td>PTD.</td> <td>-</td> <td>3997</td> <td>3\"/> </td></tr></td></tr></td></tr></td></tr></td></tr></td></tr></td></tr></td></tr></td></tr> | 3991 | ETR | - | WD. | J2 | PTD.
 | - | 398 | 3\"/> <tr> <td>3992</td> <td>A</td> <td>3\"/> <tr> <td>3993</td> <td>ETR</td> <td>-</td> <td>WD.</td> <td>J2</td> <td>PTD.</td> <td>-</td> <td>399</td> <td>3\"/> <tr> <td>3994</td> <td>ETR</td> <td>-</td> <td>WD.</td> <td>J2</td> <td>PTD.</td> <td>-</td> <td>3991</td> <td>3\"/> <tr> <td>3995</td> <td>ETR</td> <td>-</td> <td>WD.</td> <td>J2</td> <td>PTD.</td> <td>-</td> <td>3992</td> <td>3\"/> <tr> <td>3997</td> <td>ETR</td> <td>-</td> <td>WD.</td> <td>J2</td> <td>PTD.</td> <td>-</td> <td>3993</td> <td>3\"/> <tr> <td>3998</td> <td>ETR</td> <td>-</td> <td>WD.</td> <td>J2</td> <td>PTD.</td> <td>-</td> <td>3994</td> <td>3\"/> <tr> <td>3999</td> <td>ETR</td> <td>-</td> <td>WD.</td> <td>J2</td> <td>PTD.</td> <td>-</td> <td>3995</td> <td>3\"/> <tr> <td>3999</td> <td>ETR</td> <td>-</td> <td>WD.</td> <td>J2</td> <td>PTD.</td> <td>-</td> <td>3997</td> <td>3\"/> </td></tr></td></tr></td></tr></td></tr></td></tr></td></tr></td></tr></td></tr> | 3992 | A | 3\"/> <tr> <td>3993</td> <td>ETR</td> <td>-</td> <td>WD.</td> <td>J2</td> <td>PTD.</td> <td>-</td> <td>399</td> <td>3\"/> <tr> <td>3994</td> <td>ETR</td> <td>-</td> <td>WD.</td> <td>J2</td> <td>PTD.</td> <td>-</td> <td>3991</td> <td>3\"/> <tr> <td>3995</td> <td>ETR</td> <td>-</td> <td>WD.</td> <td>J2</td> <td>PTD.</td> <td>-</td> <td>3992</td> <td>3\"/> <tr> <td>3997</td> <td>ETR</td> <td>-</td> <td>WD.</td> <td>J2</td> <td>PTD.</td> <td>-</td> <td>3993</td> <td>3\"/> <tr> <td>3998</td> <td>ETR</td> <td>-</td> <td>WD.</td> <td>J2</td> <td>PTD.</td> <td>-</td> <td>3994</td> <td>3\"/> <tr> <td>3999</td> <td>ETR</td> <td>-</td> <td>WD.</td> <td>J2</td> <td>PTD.</td> <td>-</td> <td>3995</td> <td>3\"/> <tr> <td>3999</td> <td>ETR</td> <td>-</td> <td>WD.</td> <td>J2</td> <td>PTD.</td> <td>-</td> <td>3997</td> <td>3\"/> </td></tr></td></tr></td></tr></td></tr></td></tr></td></tr></td></tr>
 | 3993 | ETR | - | WD. | J2 | PTD. | - | 399 | 3\"/> <tr> <td>3994</td> <td>ETR</td> <td>-</td> <td>WD.</td> <td>J2</td> <td>PTD.</td> <td>-</td> <td>3991</td> <td>3\"/> <tr> <td>3995</td> <td>ETR</td> <td>-</td> <td>WD.</td> <td>J2</td> <td>PTD.</td> <td>-</td> <td>3992</td> <td>3\"/> <tr> <td>3997</td> <td>ETR</td> <td>-</td> <td>WD.</td> <td>J2</td> <td>PTD.</td> <td>-</td> <td>3993</td> <td>3\"/> <tr> <td>3998</td> <td>ETR</td> <td>-</td> <td>WD.</td> <td>J2</td> <td>PTD.</td> <td>-</td> <td>3994</td> <td>3\"/> <tr> <td>3999</td> <td>ETR</td> <td>-</td> <td>WD.</td> <td>J2</td> <td>PTD.</td> <td>-</td> <td>3995</td> <td>3\"/> <tr> <td>3999</td> <td>ETR</td> <td>-</td> <td>WD.</td> <td>J2</td> <td>PTD.</td> <td>-</td> <td>3997</td> <td>3\"/> </td></tr></td></tr></td></tr></td></tr></td></tr></td></tr>
 | 3994 | ETR | - | WD. | J2 | PTD. | - | 3991 | 3\"/> <tr> <td>3995</td> <td>ETR</td> <td>-</td> <td>WD.</td> <td>J2</td> <td>PTD.</td> <td>-</td> <td>3992</td> <td>3\"/> <tr> <td>3997</td> <td>ETR</td> <td>-</td> <td>WD.</td> <td>J2</td> <td>PTD.</td> <td>-</td> <td>3993</td> <td>3\"/> <tr> <td>3998</td> <td>ETR</td> <td>-</td> <td>WD.</td> <td>J2</td> <td>PTD.</td> <td>-</td> <td>3994</td> <td>3\"/> <tr> <td>3999</td> <td>ETR</td> <td>-</td> <td>WD.</td> <td>J2</td> <td>PTD.</td> <td>-</td> <td>3995</td> <td>3\"/> <tr> <td>3999</td> <td>ETR</td> <td>-</td> <td>WD.</td> <td>J2</td> <td>PTD.</td> <td>-</td> <td>3997</td> <td>3\"/> </td></tr></td></tr></td></tr></td></tr></td></tr> | 3995 | ETR | - | WD. | J2 | PTD.
 | - | 3992 | 3\"/> <tr> <td>3997</td> <td>ETR</td> <td>-</td> <td>WD.</td> <td>J2</td> <td>PTD.</td> <td>-</td> <td>3993</td> <td>3\"/> <tr> <td>3998</td> <td>ETR</td> <td>-</td> <td>WD.</td> <td>J2</td> <td>PTD.</td> <td>-</td> <td>3994</td> <td>3\"/> <tr> <td>3999</td> <td>ETR</td> <td>-</td> <td>WD.</td> <td>J2</td> <td>PTD.</td> <td>-</td> <td>3995</td> <td>3\"/> <tr> <td>3999</td> <td>ETR</td> <td>-</td> <td>WD.</td> <td>J2</td> <td>PTD.</td> <td>-</td> <td>3997</td> <td>3\"/> </td></tr></td></tr></td></tr></td></tr> | 3997 | ETR | -
 | WD. | J2 | PTD. | - | 3993 | 3\"/> <tr> <td>3998</td> <td>ETR</td> <td>-</td> <td>WD.</td> <td>J2</td> <td>PTD.</td> <td>-</td> <td>3994</td> <td>3\"/> <tr> <td>3999</td> <td>ETR</td> <td>-</td> <td>WD.</td> <td>J2</td> <td>PTD.</td> <td>-</td> <td>3995</td> <td>3\"/> <tr> <td>3999</td> <td>ETR</td> <td>-</td> <td>WD.</td> <td>J2</td> <td>PTD.</td> <td>-</td> <td>3997</td> <td>3\"/> </td></tr></td></tr></td></tr> | 3998 | ETR | -
 | WD. | J2 | PTD. | - | 3994 | 3\"/> <tr> <td>3999</td> <td>ETR</td> <td>-</td> <td>WD.</td> <td>J2</td> <td>PTD.</td> <td>-</td> <td>3995</td> <td>3\"/> <tr> <td>3999</td> <td>ETR</td> <td>-</td> <td>WD.</td> <td>J2</td> <td>PTD.</td> <td>-</td> <td>3997</td> <td>3\"/> </td></tr></td></tr>
 | 3999 | ETR | - | WD. | J2 | PTD. | - | 3995 | 3\"/> <tr> <td>3999</td> <td>ETR</td> <td>-</td> <td>WD.</td> <td>J2</td> <td>PTD.</td> <td>-</td> <td>3997</td> <td>3\"/> </td></tr>
 | 3999 | ETR | - | WD. | J2 | PTD. | - | 3997 | 3\"/>
 | | | | | | | | | | | | | | | | | | | | | | | | | | | | | | | | | | | | | | | | | | | | | | | | | | | | | | | | | |
 | | | | | | | | |
 | | | | | | | | |
 | | | | | | | | |
 | | | | | | | | | | | |
 | | | | | | | | | | | | | | |
 | | | | | | | | | | | | | | | | | |
 | | | | | | | | | | | | | | | | | |
 | | | | | | | | | | | | | | | | | | | | | | | |
 | | | | | | | | | | | | | | | | | | | | | | | | | | |
 | | | | | | | | | | | | | | | | | | | | | | | | | | | | | | | | | | | | | | |
 | | | | | | | | | | | | | | | | | | | | | | | | | | | | | | | | | | | | | | | | | | | | | | | | | | | | | | | | | |
| 380A | B | 1 <td>WD</td> <td>J1</td> <td>PTD.</td> <td>-</td> <td>378</td> <td>3\"/> <tr> <td>380B</td> <td>B</td> <td>1 <td>WD</td> <td>J1</td> <td>PTD.</td> <td>-</td> <td>379</td> <td>3\"/> <tr> <td>382</td> <td>ETR</td> <td>-</td> <td>WD.</td> <td>J2</td> <td>PTD.</td> <td>-</td> <td>380A</td> <td>3\"/> <tr> <td>382A</td> <td>D</td> <td>6 <td>ALUM.</td> <td>ANODIZE D</td> <td>-</td> <td>-</td> <td>380B</td> <td>3\"/> <tr> <td>385</td> <td>ETR</td> <td>-</td> <td>WD.</td> <td>J2</td> <td>PTD.</td> <td>-</td> <td>382</td> <td>3\"/> <tr> <td>386</td> <td>ETR</td> <td>-</td> <td>WD.</td> <td>J2</td> <td>PTD.</td> <td>-</td> <td>382A</td> <td>3\"/> <tr> <td>387</td> <td>ETR</td> <td>-</td> <td>WD.</td> <td>J2</td> <td>PTD.</td> <td>-</td> <td>385</td> <td>3\"/> <tr> <td>388</td> <td>ETR</td> <td>-</td> <td>WD.</td> <td>J2</td> <td>PTD.</td> <td>-</td> <td>386</td> <td>3\"/> <tr> <td>389</td> <td>ETR</td> <td>-</td> <td>WD.</td> <td>J2</td> <td>PTD.</td> <td>-</td> <td>387</td> <td>3\"/> <tr> <td>391</td> <td>ETR</td> <td>-</td> <td>WD.</td> <td>J2</td> <td>PTD.</td> <td>-</td> <td>388</td> <td>3\"/> <tr> <td>391A</td> <td>ETR</td> <td>-</td> <td>WD.</td> <td>J2</td> <td>PTD.</td> <td>-</td> <td>389</td> <td>3\"/> <tr> <td>391B</td> <td>ETR</td> <td>-</td> <td>WD.</td> <td>J2</td> <td>PTD.</td> <td>-</td> <td>391</td> <td>3\"/> <tr> <td>394</td> <td>ETR</td> <td>-</td> <td>WD.</td> <td>J2</td> <td>PTD.</td> <td>-</td> <td>391A</td> <td>3\"/> <tr> <td>395</td> <td>ETR</td> <td>-</td> <td>WD.</td> <td>J2</td> <td>PTD.</td> <td>-</td> <td>391B</td> <td>3\"/> <tr> <td>396</td> <td>ETR</td> <td>-</td> <td>WD.</td> <td>J2</td> <td>PTD.</td> <td>-</td> <td>394</td> <td>3\"/> <tr> <td>398</td> <td>ETR</td> <td>-</td> <td>WD.</td> <td>J2</td> <td>PTD.</td> <td>-</td> <td>395</td> <td>3\"/> <tr> <td>399</td> <td>ETR</td> <td>-</td> <td>WD.</td> <td>J2</td> <td>PTD.</td> <td>-</td> <td>396</td> <td>3\"/> <tr> <td>3991</td> <td>ETR</td> <td>-</td> <td>WD.</td> <td>J2</td> <td>PTD.</td> <td>-</td> <td>398</td> <td>3\"/> <tr> <td>3992</td> <td>A</td> <td>3\"/> <tr> <td>3993</td> <td>ETR</td> <td>-</td> <td>WD.</td> <td>J2</td> <td>PTD.</td> <td>-</td> <td>399</td> <td>3\"/> <tr> <td>3994</td> <td>ETR</td> <td>-</td> <td>WD.</td> <td>J2</td> <td>PTD.</td> <td>-</td> <td>3991</td> <td>3\"/> <tr> <td>3995</td> <td>ETR</td> <td>-</td> <td>WD.</td> <td>J2</td> <td>PTD.</td> <td>-</td> <td>3992</td> <td>3\"/> <tr> <td>3997</td> <td>ETR</td> <td>-</td> <td>WD.</td> <td>J2</td> <td>PTD.</td> <td>-</td> <td>3993</td> <td>3\"/> <tr> <td>3998</td> <td>ETR</td> <td>-</td> <td>WD.</td> <td>J2</td> <td>PTD.</td> <td>-</td> <td>3994</td> <td>3\"/> <tr> <td>3999</td> <td>ETR</td> <td>-</td> <td>WD.</td> <td>J2</td> <td>PTD.</td> <td>-</td> <td>3995</td> <td>3\"/> <tr> <td>3999</td> <td>ETR</td> <td>-</td> <td>WD.</td> <td>J2</td> <td>PTD.</td> <td>-</td> <td>3997</td> <td>3\"/> </td></tr></td></tr></td></tr></td></tr></td></tr></td></tr></td></tr></td></tr></td></tr></td></tr></td></tr></td></tr></td></tr></td></tr></td></tr></td></tr></td></tr></td></tr></td></tr></td></tr></td></tr></td></tr></td></td></tr></td></tr></td></td></tr></td> | WD | J1 | PTD. | - | 378 | 3\"/> <tr> <td>380B</td> <td>B</td> <td>1 <td>WD</td> <td>J1</td> <td>PTD.</td> <td>-</td> <td>379</td> <td>3\"/> <tr> <td>382</td> <td>ETR</td> <td>-</td> <td>WD.</td> <td>J2</td> <td>PTD.</td> <td>-</td> <td>380A</td> <td>3\"/> <tr> <td>382A</td> <td>D</td> <td>6 <td>ALUM.</td> <td>ANODIZE D</td> <td>-</td> <td>-</td> <td>380B</td> <td>3\"/> <tr> <td>385</td> <td>ETR</td> <td>-</td> <td>WD.</td> <td>J2</td> <td>PTD.</td> <td>-</td> <td>382</td> <td>3\"/> <tr> <td>386</td> <td>ETR</td> <td>-</td> <td>WD.</td> <td>J2</td> <td>PTD.</td> <td>-</td> <td>382A</td> <td>3\"/> <tr> <td>387</td> <td>ETR</td> <td>-</td> <td>WD.</td> <td>J2</td> <td>PTD.</td> <td>-</td> <td>385</td> <td>3\"/> <tr> <td>388</td> <td>ETR</td> <td>-</td> <td>WD.</td> <td>J2</td> <td>PTD.</td> <td>-</td> <td>386</td> <td>3\"/> <tr> <td>389</td> <td>ETR</td> <td>-</td> <td>WD.</td> <td>J2</td> <td>PTD.</td> <td>-</td> <td>387</td> <td>3\"/> <tr> <td>391</td> <td>ETR</td> <td>-</td> <td>WD.</td> <td>J2</td> <td>PTD.</td> <td>-</td> <td>388</td> <td>3\"/> <tr> <td>391A</td> <td>ETR</td> <td>-</td> <td>WD.</td> <td>J2</td> <td>PTD.</td> <td>-</td> <td>389</td> <td>3\"/> <tr> <td>391B</td> <td>ETR</td> <td>-</td> <td>WD.</td> <td>J2</td> <td>PTD.</td> <td>-</td> <td>391</td> <td>3\"/> <tr> <td>394</td> <td>ETR</td> <td>-</td> <td>WD.</td> <td>J2</td> <td>PTD.</td> <td>-</td> <td>391A</td> <td>3\"/> <tr> <td>395</td> <td>ETR</td> <td>-</td> <td>WD.</td> <td>J2</td> <td>PTD.</td> <td>-</td> <td>391B</td> <td>3\"/> <tr> <td>396</td> <td>ETR</td> <td>-</td> <td>WD.</td> <td>J2</td> <td>PTD.</td> <td>-</td> <td>394</td> <td>3\"/> <tr> <td>398</td> <td>ETR</td> <td>-</td> <td>WD.</td> <td>J2</td> <td>PTD.</td> <td>-</td> <td>395</td> <td>3\"/> <tr> <td>399</td> <td>ETR</td> <td>-</td> <td>WD.</td> <td>J2</td> <td>PTD.</td> <td>-</td> <td>396</td> <td>3\"/> <tr> <td>3991</td> <td>ETR</td> <td>-</td> <td>WD.</td> <td>J2</td> <td>PTD.</td> <td>-</td> <td>398</td> <td>3\"/> <tr> <td>3992</td> <td>A</td> <td>3\"/> <tr> <td>3993</td> <td>ETR</td> <td>-</td> <td>WD.</td> <td>J2</td> <td>PTD.</td> <td>-</td> <td>399</td> <td>3\"/> <tr> <td>3994</td> <td>ETR</td> <td>-</td> <td>WD.</td> <td>J2</td> <td>PTD.</td> <td>-</td> <td>3991</td> <td>3\"/> <tr> <td>3995</td> <td>ETR</td> <td>-</td> <td>WD.</td> <td>J2</td> <td>PTD.</td> <td>-</td> <td>3992</td> <td>3\"/> <tr> <td>3997</td> <td>ETR</td> <td>-</td> <td>WD.</td> <td>J2</td> <td>PTD.</td> <td>-</td> <td>3993</td> <td>3\"/> <tr> <td>3998</td> <td>ETR</td> <td>-</td> <td>WD.</td> <td>J2</td> <td>PTD.</td> <td>-</td> <td>3994</td> <td>3\"/> <tr> <td>3999</td> <td>ETR</td> <td>-</td> <td>WD.</td> <td>J2</td> <td>PTD.</td> <td>-</td> <td>3995</td> <td>3\"/> <tr> <td>3999</td> <td>ETR</td> <td>-</td> <td>WD.</td> <td>J2</td> <td>PTD.</td> <td>-</td> <td>3997</td> <td>3\"/>
</td></tr></td></tr></td></tr></td></tr></td></tr></td></tr></td></tr></td></tr></td></tr></td></tr></td></tr></td></tr></td></tr></td></tr></td></tr></td></tr></td></tr></td></tr></td></tr></td></tr></td></tr></td></tr></td></td></tr></td></tr></td></td></tr> | 380B | B | 1 <td>WD</td> <td>J1</td> <td>PTD.</td> <td>-</td> <td>379</td> <td>3\"/> <tr> <td>382</td> <td>ETR</td> <td>-</td> <td>WD.</td> <td>J2</td> <td>PTD.</td> <td>-</td> <td>380A</td> <td>3\"/> <tr> <td>382A</td> <td>D</td> <td>6 <td>ALUM.</td> <td>ANODIZE D</td> <td>-</td> <td>-</td> <td>380B</td> <td>3\"/> <tr> <td>385</td> <td>ETR</td> <td>-</td> <td>WD.</td> <td>J2</td> <td>PTD.</td> <td>-</td> <td>382</td> <td>3\"/> <tr> <td>386</td> <td>ETR</td> <td>-</td> <td>WD.</td> <td>J2</td> <td>PTD.</td> <td>-</td> <td>382A</td> <td>3\"/> <tr> <td>387</td> <td>ETR</td> <td>-</td> <td>WD.</td> <td>J2</td> <td>PTD.</td> <td>-</td> <td>385</td> <td>3\"/> <tr> <td>388</td> <td>ETR</td> <td>-</td> <td>WD.</td> <td>J2</td> <td>PTD.</td> <td>-</td> <td>386</td> <td>3\"/> <tr> <td>389</td> <td>ETR</td> <td>-</td> <td>WD.</td> <td>J2</td> <td>PTD.</td> <td>-</td> <td>387</td> <td>3\"/> <tr> <td>391</td> <td>ETR</td> <td>-</td> <td>WD.</td> <td>J2</td> <td>PTD.</td> <td>-</td> <td>388</td> <td>3\"/> <tr> <td>391A</td> <td>ETR</td> <td>-</td> <td>WD.</td> <td>J2</td> <td>PTD.</td> <td>-</td> <td>389</td> <td>3\"/> <tr> <td>391B</td> <td>ETR</td> <td>-</td> <td>WD.</td> <td>J2</td> <td>PTD.</td> <td>-</td> <td>391</td> <td>3\"/> <tr> <td>394</td> <td>ETR</td> <td>-</td> <td>WD.</td> <td>J2</td> <td>PTD.</td> <td>-</td> <td>391A</td> <td>3\"/> <tr> <td>395</td> <td>ETR</td> <td>-</td> <td>WD.</td> <td>J2</td> <td>PTD.</td> <td>-</td> <td>391B</td> <td>3\"/> <tr> <td>396</td> <td>ETR</td> <td>-</td> <td>WD.</td> <td>J2</td> <td>PTD.</td> <td>-</td> <td>394</td> <td>3\"/> <tr> <td>398</td> <td>ETR</td> <td>-</td> <td>WD.</td> <td>J2</td> <td>PTD.</td> <td>-</td> <td>395</td> <td>3\"/> <tr> <td>399</td> <td>ETR</td> <td>-</td> <td>WD.</td> <td>J2</td> <td>PTD.</td> <td>-</td> <td>396</td> <td>3\"/> <tr> <td>3991</td> <td>ETR</td> <td>-</td> <td>WD.</td> <td>J2</td> <td>PTD.</td> <td>-</td> <td>398</td> <td>3\"/> <tr> <td>3992</td> <td>A</td> <td>3\"/> <tr> <td>3993</td> <td>ETR</td> <td>-</td> <td>WD.</td> <td>J2</td> <td>PTD.</td> <td>-</td> <td>399</td> <td>3\"/> <tr> <td>3994</td> <td>ETR</td> <td>-</td> <td>WD.</td> <td>J2</td> <td>PTD.</td> <td>-</td> <td>3991</td> <td>3\"/> <tr> <td>3995</td> <td>ETR</td> <td>-</td> <td>WD.</td> <td>J2</td> <td>PTD.</td> <td>-</td> <td>3992</td> <td>3\"/> <tr> <td>3997</td> <td>ETR</td> <td>-</td> <td>WD.</td> <td>J2</td> <td>PTD.</td> <td>-</td> <td>3993</td> <td>3\"/> <tr> <td>3998</td> <td>ETR</td> <td>-</td> <td>WD.</td> <td>J2</td> <td>PTD.</td> <td>-</td> <td>3994</td> <td>3\"/> <tr> <td>3999</td> <td>ETR</td> <td>-</td> <td>WD.</td> <td>J2</td> <td>PTD.</td> <td>-</td> <td>3995</td> <td>3\"/> <tr> <td>3999</td> <td>ETR</td> <td>-</td> <td>WD.</td> <td>J2</td> <td>PTD.</td> <td>-</td> <td>3997</td> <td>3\"/> </td></tr></td></tr></td></tr></td></tr></td></tr></td></tr></td></tr></td></tr></td></tr></td></tr></td></tr></td></tr></td></tr></td></tr></td></tr></td></tr></td></tr></td></tr></td></tr></td></tr></td></tr></td></tr></td></td></tr></td></tr></td>
 | WD | J1 | PTD. | - | 379 | 3\"/> <tr> <td>382</td> <td>ETR</td> <td>-</td> <td>WD.</td> <td>J2</td> <td>PTD.</td> <td>-</td> <td>380A</td> <td>3\"/> <tr> <td>382A</td> <td>D</td> <td>6 <td>ALUM.</td> <td>ANODIZE D</td> <td>-</td> <td>-</td> <td>380B</td> <td>3\"/> <tr> <td>385</td> <td>ETR</td> <td>-</td> <td>WD.</td> <td>J2</td> <td>PTD.</td> <td>-</td> <td>382</td> <td>3\"/> <tr> <td>386</td> <td>ETR</td> <td>-</td> <td>WD.</td> <td>J2</td> <td>PTD.</td> <td>-</td> <td>382A</td> <td>3\"/> <tr> <td>387</td> <td>ETR</td> <td>-</td> <td>WD.</td> <td>J2</td> <td>PTD.</td> <td>-</td> <td>385</td> <td>3\"/> <tr> <td>388</td> <td>ETR</td> <td>-</td> <td>WD.</td> <td>J2</td> <td>PTD.</td> <td>-</td> <td>386</td> <td>3\"/> <tr> <td>389</td> <td>ETR</td> <td>-</td> <td>WD.</td> <td>J2</td> <td>PTD.</td> <td>-</td> <td>387</td> <td>3\"/> <tr> <td>391</td> <td>ETR</td> <td>-</td> <td>WD.</td> <td>J2</td> <td>PTD.</td> <td>-</td> <td>388</td> <td>3\"/> <tr> <td>391A</td> <td>ETR</td> <td>-</td> <td>WD.</td> <td>J2</td> <td>PTD.</td> <td>-</td> <td>389</td> <td>3\"/> <tr> <td>391B</td> <td>ETR</td> <td>-</td> <td>WD.</td> <td>J2</td> <td>PTD.</td> <td>-</td> <td>391</td> <td>3\"/> <tr> <td>394</td> <td>ETR</td> <td>-</td> <td>WD.</td> <td>J2</td> <td>PTD.</td> <td>-</td> <td>391A</td> <td>3\"/> <tr> <td>395</td> <td>ETR</td> <td>-</td> <td>WD.</td> <td>J2</td> <td>PTD.</td> <td>-</td> <td>391B</td> <td>3\"/> <tr> <td>396</td> <td>ETR</td> <td>-</td> <td>WD.</td> <td>J2</td> <td>PTD.</td> <td>-</td> <td>394</td> <td>3\"/> <tr> <td>398</td> <td>ETR</td> <td>-</td> <td>WD.</td> <td>J2</td> <td>PTD.</td> <td>-</td> <td>395</td> <td>3\"/> <tr> <td>399</td> <td>ETR</td> <td>-</td> <td>WD.</td> <td>J2</td> <td>PTD.</td> <td>-</td> <td>396</td> <td>3\"/> <tr> <td>3991</td> <td>ETR</td> <td>-</td> <td>WD.</td> <td>J2</td> <td>PTD.</td> <td>-</td> <td>398</td> <td>3\"/> <tr> <td>3992</td> <td>A</td> <td>3\"/> <tr> <td>3993</td> <td>ETR</td> <td>-</td> <td>WD.</td> <td>J2</td> <td>PTD.</td> <td>-</td> <td>399</td> <td>3\"/> <tr> <td>3994</td> <td>ETR</td> <td>-</td> <td>WD.</td> <td>J2</td> <td>PTD.</td> <td>-</td> <td>3991</td> <td>3\"/> <tr> <td>3995</td> <td>ETR</td> <td>-</td> <td>WD.</td> <td>J2</td> <td>PTD.</td> <td>-</td> <td>3992</td> <td>3\"/> <tr> <td>3997</td> <td>ETR</td> <td>-</td> <td>WD.</td> <td>J2</td> <td>PTD.</td> <td>-</td> <td>3993</td> <td>3\"/> <tr> <td>3998</td> <td>ETR</td> <td>-</td> <td>WD.</td> <td>J2</td> <td>PTD.</td> <td>-</td> <td>3994</td> <td>3\"/> <tr> <td>3999</td> <td>ETR</td> <td>-</td> <td>WD.</td> <td>J2</td> <td>PTD.</td> <td>-</td> <td>3995</td> <td>3\"/> <tr> <td>3999</td> <td>ETR</td> <td>-</td> <td>WD.</td> <td>J2</td> <td>PTD.</td> <td>-</td> <td>3997</td> <td>3\"/> </td></tr></td></tr></td></tr></td></tr></td></tr></td></tr></td></tr></td></tr></td></tr></td></tr></td></tr></td></tr></td></tr></td></tr></td></tr></td></tr></td></tr></td></tr></td></tr></td></tr></td></tr></td></tr></td></td></tr></td></tr> | 382 | ETR | -
 | WD. | J2 | PTD. | - | 380A | 3\"/> <tr> <td>382A</td> <td>D</td> <td>6 <td>ALUM.</td> <td>ANODIZE D</td> <td>-</td> <td>-</td> <td>380B</td> <td>3\"/> <tr> <td>385</td> <td>ETR</td> <td>-</td> <td>WD.</td> <td>J2</td> <td>PTD.</td> <td>-</td> <td>382</td> <td>3\"/> <tr> <td>386</td> <td>ETR</td> <td>-</td> <td>WD.</td> <td>J2</td> <td>PTD.</td> <td>-</td> <td>382A</td> <td>3\"/> <tr> <td>387</td> <td>ETR</td> <td>-</td> <td>WD.</td> <td>J2</td> <td>PTD.</td> <td>-</td> <td>385</td> <td>3\"/> <tr> <td>388</td> <td>ETR</td> <td>-</td> <td>WD.</td> <td>J2</td> <td>PTD.</td> <td>-</td> <td>386</td> <td>3\"/> <tr> <td>389</td> <td>ETR</td> <td>-</td> <td>WD.</td> <td>J2</td> <td>PTD.</td> <td>-</td> <td>387</td> <td>3\"/> <tr> <td>391</td> <td>ETR</td> <td>-</td> <td>WD.</td> <td>J2</td> <td>PTD.</td> <td>-</td> <td>388</td> <td>3\"/> <tr> <td>391A</td> <td>ETR</td> <td>-</td> <td>WD.</td> <td>J2</td> <td>PTD.</td> <td>-</td> <td>389</td> <td>3\"/> <tr> <td>391B</td> <td>ETR</td> <td>-</td> <td>WD.</td> <td>J2</td> <td>PTD.</td> <td>-</td> <td>391</td> <td>3\"/> <tr> <td>394</td> <td>ETR</td> <td>-</td> <td>WD.</td> <td>J2</td> <td>PTD.</td> <td>-</td> <td>391A</td> <td>3\"/> <tr> <td>395</td> <td>ETR</td> <td>-</td> <td>WD.</td> <td>J2</td> <td>PTD.</td> <td>-</td> <td>391B</td> <td>3\"/> <tr> <td>396</td> <td>ETR</td> <td>-</td> <td>WD.</td> <td>J2</td> <td>PTD.</td> <td>-</td> <td>394</td> <td>3\"/> <tr> <td>398</td> <td>ETR</td> <td>-</td> <td>WD.</td> <td>J2</td> <td>PTD.</td> <td>-</td> <td>395</td> <td>3\"/> <tr> <td>399</td> <td>ETR</td> <td>-</td> <td>WD.</td> <td>J2</td> <td>PTD.</td> <td>-</td> <td>396</td> <td>3\"/> <tr> <td>3991</td> <td>ETR</td> <td>-</td> <td>WD.</td> <td>J2</td> <td>PTD.</td> <td>-</td> <td>398</td> <td>3\"/> <tr> <td>3992</td> <td>A</td> <td>3\"/> <tr> <td>3993</td> <td>ETR</td> <td>-</td> <td>WD.</td> <td>J2</td> <td>PTD.</td> <td>-</td> <td>399</td> <td>3\"/> <tr> <td>3994</td> <td>ETR</td> <td>-</td> <td>WD.</td> <td>J2</td> <td>PTD.</td> <td>-</td> <td>3991</td> <td>3\"/> <tr> <td>3995</td> <td>ETR</td> <td>-</td> <td>WD.</td> <td>J2</td> <td>PTD.</td> <td>-</td> <td>3992</td> <td>3\"/> <tr> <td>3997</td> <td>ETR</td> <td>-</td> <td>WD.</td> <td>J2</td> <td>PTD.</td> <td>-</td> <td>3993</td> <td>3\"/> <tr> <td>3998</td> <td>ETR</td> <td>-</td> <td>WD.</td> <td>J2</td> <td>PTD.</td> <td>-</td> <td>3994</td> <td>3\"/> <tr> <td>3999</td> <td>ETR</td> <td>-</td> <td>WD.</td> <td>J2</td> <td>PTD.</td> <td>-</td> <td>3995</td> <td>3\"/> <tr> <td>3999</td> <td>ETR</td> <td>-</td> <td>WD.</td> <td>J2</td> <td>PTD.</td> <td>-</td> <td>3997</td> <td>3\"/> </td></tr></td></tr></td></tr></td></tr></td></tr></td></tr></td></tr></td></tr></td></tr></td></tr></td></tr></td></tr></td></tr></td></tr></td></tr></td></tr></td></tr></td></tr></td></tr></td></tr></td></tr></td></tr></td></td></tr>
 | 382A | D | 6 <td>ALUM.</td> <td>ANODIZE D</td> <td>-</td> <td>-</td> <td>380B</td> <td>3\"/> <tr> <td>385</td> <td>ETR</td> <td>-</td> <td>WD.</td> <td>J2</td> <td>PTD.</td> <td>-</td> <td>382</td> <td>3\"/> <tr> <td>386</td> <td>ETR</td> <td>-</td> <td>WD.</td> <td>J2</td> <td>PTD.</td> <td>-</td> <td>382A</td> <td>3\"/> <tr> <td>387</td> <td>ETR</td> <td>-</td> <td>WD.</td> <td>J2</td> <td>PTD.</td> <td>-</td> <td>385</td> <td>3\"/> <tr> <td>388</td> <td>ETR</td> <td>-</td> <td>WD.</td> <td>J2</td> <td>PTD.</td> <td>-</td> <td>386</td> <td>3\"/> <tr> <td>389</td> <td>ETR</td> <td>-</td> <td>WD.</td> <td>J2</td> <td>PTD.</td> <td>-</td> <td>387</td> <td>3\"/> <tr> <td>391</td> <td>ETR</td> <td>-</td> <td>WD.</td> <td>J2</td> <td>PTD.</td> <td>-</td> <td>388</td> <td>3\"/> <tr> <td>391A</td> <td>ETR</td> <td>-</td> <td>WD.</td> <td>J2</td> <td>PTD.</td> <td>-</td> <td>389</td> <td>3\"/> <tr> <td>391B</td> <td>ETR</td> <td>-</td> <td>WD.</td> <td>J2</td> <td>PTD.</td> <td>-</td> <td>391</td> <td>3\"/> <tr> <td>394</td> <td>ETR</td> <td>-</td> <td>WD.</td> <td>J2</td> <td>PTD.</td> <td>-</td> <td>391A</td> <td>3\"/> <tr> <td>395</td> <td>ETR</td> <td>-</td> <td>WD.</td> <td>J2</td> <td>PTD.</td> <td>-</td> <td>391B</td> <td>3\"/> <tr> <td>396</td> <td>ETR</td> <td>-</td> <td>WD.</td> <td>J2</td> <td>PTD.</td> <td>-</td> <td>394</td> <td>3\"/> <tr> <td>398</td> <td>ETR</td> <td>-</td> <td>WD.</td> <td>J2</td> <td>PTD.</td> <td>-</td> <td>395</td> <td>3\"/> <tr> <td>399</td> <td>ETR</td> <td>-</td> <td>WD.</td> <td>J2</td> <td>PTD.</td> <td>-</td> <td>396</td> <td>3\"/> <tr> <td>3991</td> <td>ETR</td> <td>-</td> <td>WD.</td> <td>J2</td> <td>PTD.</td> <td>-</td> <td>398</td> <td>3\"/> <tr> <td>3992</td> <td>A</td> <td>3\"/> <tr> <td>3993</td> <td>ETR</td> <td>-</td> <td>WD.</td> <td>J2</td> <td>PTD.</td> <td>-</td> <td>399</td> <td>3\"/> <tr> <td>3994</td> <td>ETR</td> <td>-</td> <td>WD.</td> <td>J2</td> <td>PTD.</td> <td>-</td> <td>3991</td> <td>3\"/> <tr> <td>3995</td> <td>ETR</td> <td>-</td> <td>WD.</td> <td>J2</td> <td>PTD.</td> <td>-</td> <td>3992</td> <td>3\"/> <tr> <td>3997</td> <td>ETR</td> <td>-</td> <td>WD.</td> <td>J2</td> <td>PTD.</td> <td>-</td> <td>3993</td> <td>3\"/> <tr> <td>3998</td> <td>ETR</td> <td>-</td> <td>WD.</td> <td>J2</td> <td>PTD.</td> <td>-</td> <td>3994</td> <td>3\"/> <tr> <td>3999</td> <td>ETR</td> <td>-</td> <td>WD.</td> <td>J2</td> <td>PTD.</td> <td>-</td> <td>3995</td> <td>3\"/> <tr> <td>3999</td> <td>ETR</td> <td>-</td> <td>WD.</td> <td>J2</td> <td>PTD.</td> <td>-</td> <td>3997</td> <td>3\"/> </td></tr></td></tr></td></tr></td></tr></td></tr></td></tr></td></tr></td></tr></td></tr></td></tr></td></tr></td></tr></td></tr></td></tr></td></tr></td></tr></td></tr></td></tr></td></tr></td></tr></td></tr></td></tr></td> | ALUM. | ANODIZE D | - | - | 380B | 3\"/> <tr> <td>385</td> <td>ETR</td> <td>-</td> <td>WD.</td> <td>J2</td> <td>PTD.</td> <td>-</td> <td>382</td> <td>3\"/> <tr> <td>386</td> <td>ETR</td> <td>-</td> <td>WD.</td> <td>J2</td> <td>PTD.</td> <td>-</td> <td>382A</td> <td>3\"/> <tr> <td>387</td> <td>ETR</td> <td>-</td> <td>WD.</td> <td>J2</td> <td>PTD.</td> <td>-</td> <td>385</td> <td>3\"/> <tr> <td>388</td> <td>ETR</td> <td>-</td> <td>WD.</td> <td>J2</td> <td>PTD.</td> <td>-</td> <td>386</td> <td>3\"/> <tr> <td>389</td> <td>ETR</td> <td>-</td> <td>WD.</td> <td>J2</td> <td>PTD.</td> <td>-</td> <td>387</td> <td>3\"/> <tr> <td>391</td> <td>ETR</td> <td>-</td> <td>WD.</td> <td>J2</td> <td>PTD.</td> <td>-</td> <td>388</td> <td>3\"/> <tr> <td>391A</td> <td>ETR</td> <td>-</td> <td>WD.</td> <td>J2</td> <td>PTD.</td> <td>-</td> <td>389</td> <td>3\"/> <tr> <td>391B</td> <td>ETR</td> <td>-</td> <td>WD.</td> <td>J2</td> <td>PTD.</td> <td>-</td> <td>391</td> <td>3\"/> <tr> <td>394</td> <td>ETR</td> <td>-</td> <td>WD.</td> <td>J2</td> <td>PTD.</td> <td>-</td> <td>391A</td> <td>3\"/> <tr> <td>395</td> <td>ETR</td> <td>-</td> <td>WD.</td> <td>J2</td> <td>PTD.</td> <td>-</td> <td>391B</td> <td>3\"/> <tr> <td>396</td> <td>ETR</td> <td>-</td> <td>WD.</td> <td>J2</td> <td>PTD.</td> <td>-</td> <td>394</td> <td>3\"/> <tr> <td>398</td> <td>ETR</td> <td>-</td> <td>WD.</td> <td>J2</td> <td>PTD.</td> <td>-</td> <td>395</td> <td>3\"/> <tr> <td>399</td> <td>ETR</td> <td>-</td> <td>WD.</td> <td>J2</td> <td>PTD.</td> <td>-</td> <td>396</td> <td>3\"/> <tr> <td>3991</td> <td>ETR</td> <td>-</td> <td>WD.</td> <td>J2</td> <td>PTD.</td> <td>-</td> <td>398</td> <td>3\"/> <tr> <td>3992</td> <td>A</td> <td>3\"/> <tr> <td>3993</td> <td>ETR</td> <td>-</td> <td>WD.</td> <td>J2</td> <td>PTD.</td> <td>-</td> <td>399</td> <td>3\"/> <tr> <td>3994</td> <td>ETR</td> <td>-</td> <td>WD.</td> <td>J2</td> <td>PTD.</td> <td>-</td> <td>3991</td> <td>3\"/> <tr> <td>3995</td> <td>ETR</td> <td>-</td> <td>WD.</td> <td>J2</td> <td>PTD.</td> <td>-</td> <td>3992</td> <td>3\"/> <tr> <td>3997</td> <td>ETR</td> <td>-</td> <td>WD.</td> <td>J2</td> <td>PTD.</td> <td>-</td> <td>3993</td> <td>3\"/> <tr> <td>3998</td> <td>ETR</td> <td>-</td> <td>WD.</td> <td>J2</td> <td>PTD.</td> <td>-</td> <td>3994</td> <td>3\"/> <tr> <td>3999</td> <td>ETR</td> <td>-</td> <td>WD.</td> <td>J2</td> <td>PTD.</td> <td>-</td> <td>3995</td> <td>3\"/> <tr> <td>3999</td> <td>ETR</td> <td>-</td> <td>WD.</td> <td>J2</td> <td>PTD.</td> <td>-</td> <td>3997</td> <td>3\"/>
</td></tr></td></tr></td></tr></td></tr></td></tr></td></tr></td></tr></td></tr></td></tr></td></tr></td></tr></td></tr></td></tr></td></tr></td></tr></td></tr></td></tr></td></tr></td></tr></td></tr></td></tr></td></tr> | 385 | ETR | -
 | WD. | J2 | PTD. | - | 382 | 3\"/> <tr> <td>386</td> <td>ETR</td> <td>-</td> <td>WD.</td> <td>J2</td> <td>PTD.</td> <td>-</td> <td>382A</td> <td>3\"/> <tr> <td>387</td> <td>ETR</td> <td>-</td> <td>WD.</td> <td>J2</td> <td>PTD.</td> <td>-</td> <td>385</td> <td>3\"/> <tr> <td>388</td> <td>ETR</td> <td>-</td> <td>WD.</td> <td>J2</td> <td>PTD.</td> <td>-</td> <td>386</td> <td>3\"/> <tr> <td>389</td> <td>ETR</td> <td>-</td> <td>WD.</td> <td>J2</td> <td>PTD.</td> <td>-</td> <td>387</td> <td>3\"/> <tr> <td>391</td> <td>ETR</td> <td>-</td> <td>WD.</td> <td>J2</td> <td>PTD.</td> <td>-</td> <td>388</td> <td>3\"/> <tr> <td>391A</td> <td>ETR</td> <td>-</td> <td>WD.</td> <td>J2</td> <td>PTD.</td> <td>-</td> <td>389</td> <td>3\"/> <tr> <td>391B</td> <td>ETR</td> <td>-</td> <td>WD.</td> <td>J2</td> <td>PTD.</td> <td>-</td> <td>391</td> <td>3\"/> <tr> <td>394</td> <td>ETR</td> <td>-</td> <td>WD.</td> <td>J2</td> <td>PTD.</td> <td>-</td> <td>391A</td> <td>3\"/> <tr> <td>395</td> <td>ETR</td> <td>-</td> <td>WD.</td> <td>J2</td> <td>PTD.</td> <td>-</td> <td>391B</td> <td>3\"/> <tr> <td>396</td> <td>ETR</td> <td>-</td> <td>WD.</td> <td>J2</td> <td>PTD.</td> <td>-</td> <td>394</td> <td>3\"/> <tr> <td>398</td> <td>ETR</td> <td>-</td> <td>WD.</td> <td>J2</td> <td>PTD.</td> <td>-</td> <td>395</td> <td>3\"/> <tr> <td>399</td> <td>ETR</td> <td>-</td> <td>WD.</td> <td>J2</td> <td>PTD.</td> <td>-</td> <td>396</td> <td>3\"/> <tr> <td>3991</td> <td>ETR</td> <td>-</td> <td>WD.</td> <td>J2</td> <td>PTD.</td> <td>-</td> <td>398</td> <td>3\"/> <tr> <td>3992</td> <td>A</td> <td>3\"/> <tr> <td>3993</td> <td>ETR</td> <td>-</td> <td>WD.</td> <td>J2</td> <td>PTD.</td> <td>-</td> <td>399</td> <td>3\"/> <tr> <td>3994</td> <td>ETR</td> <td>-</td> <td>WD.</td> <td>J2</td> <td>PTD.</td> <td>-</td> <td>3991</td> <td>3\"/> <tr> <td>3995</td> <td>ETR</td> <td>-</td> <td>WD.</td> <td>J2</td> <td>PTD.</td> <td>-</td> <td>3992</td> <td>3\"/> <tr> <td>3997</td> <td>ETR</td> <td>-</td> <td>WD.</td> <td>J2</td> <td>PTD.</td> <td>-</td> <td>3993</td> <td>3\"/> <tr> <td>3998</td> <td>ETR</td> <td>-</td> <td>WD.</td> <td>J2</td> <td>PTD.</td> <td>-</td> <td>3994</td> <td>3\"/> <tr> <td>3999</td> <td>ETR</td> <td>-</td> <td>WD.</td> <td>J2</td> <td>PTD.</td> <td>-</td> <td>3995</td> <td>3\"/> <tr> <td>3999</td> <td>ETR</td> <td>-</td> <td>WD.</td> <td>J2</td> <td>PTD.</td> <td>-</td> <td>3997</td> <td>3\"/> </td></tr></td></tr></td></tr></td></tr></td></tr></td></tr></td></tr></td></tr></td></tr></td></tr></td></tr></td></tr></td></tr></td></tr></td></tr></td></tr></td></tr></td></tr></td></tr></td></tr></td></tr> | 386 | ETR | -
 | WD. | J2 | PTD. | - | 382A | 3\"/> <tr> <td>387</td> <td>ETR</td> <td>-</td> <td>WD.</td> <td>J2</td> <td>PTD.</td> <td>-</td> <td>385</td> <td>3\"/> <tr> <td>388</td> <td>ETR</td> <td>-</td> <td>WD.</td> <td>J2</td> <td>PTD.</td> <td>-</td> <td>386</td> <td>3\"/> <tr> <td>389</td> <td>ETR</td> <td>-</td> <td>WD.</td> <td>J2</td> <td>PTD.</td> <td>-</td> <td>387</td> <td>3\"/> <tr> <td>391</td> <td>ETR</td> <td>-</td> <td>WD.</td> <td>J2</td> <td>PTD.</td> <td>-</td> <td>388</td> <td>3\"/> <tr> <td>391A</td> <td>ETR</td> <td>-</td> <td>WD.</td> <td>J2</td> <td>PTD.</td> <td>-</td> <td>389</td> <td>3\"/> <tr> <td>391B</td> <td>ETR</td> <td>-</td> <td>WD.</td> <td>J2</td> <td>PTD.</td> <td>-</td> <td>391</td> <td>3\"/> <tr> <td>394</td> <td>ETR</td> <td>-</td> <td>WD.</td> <td>J2</td> <td>PTD.</td> <td>-</td> <td>391A</td> <td>3\"/> <tr> <td>395</td> <td>ETR</td> <td>-</td> <td>WD.</td> <td>J2</td> <td>PTD.</td> <td>-</td> <td>391B</td> <td>3\"/> <tr> <td>396</td> <td>ETR</td> <td>-</td> <td>WD.</td> <td>J2</td> <td>PTD.</td> <td>-</td> <td>394</td> <td>3\"/> <tr> <td>398</td> <td>ETR</td> <td>-</td> <td>WD.</td> <td>J2</td> <td>PTD.</td> <td>-</td> <td>395</td> <td>3\"/> <tr> <td>399</td> <td>ETR</td> <td>-</td> <td>WD.</td> <td>J2</td> <td>PTD.</td> <td>-</td> <td>396</td> <td>3\"/> <tr> <td>3991</td> <td>ETR</td> <td>-</td> <td>WD.</td> <td>J2</td> <td>PTD.</td> <td>-</td> <td>398</td> <td>3\"/> <tr> <td>3992</td> <td>A</td> <td>3\"/> <tr> <td>3993</td> <td>ETR</td> <td>-</td> <td>WD.</td> <td>J2</td> <td>PTD.</td> <td>-</td> <td>399</td> <td>3\"/> <tr> <td>3994</td> <td>ETR</td> <td>-</td> <td>WD.</td> <td>J2</td> <td>PTD.</td> <td>-</td> <td>3991</td> <td>3\"/> <tr> <td>3995</td> <td>ETR</td> <td>-</td> <td>WD.</td> <td>J2</td> <td>PTD.</td> <td>-</td> <td>3992</td> <td>3\"/> <tr> <td>3997</td> <td>ETR</td> <td>-</td> <td>WD.</td> <td>J2</td> <td>PTD.</td> <td>-</td> <td>3993</td> <td>3\"/> <tr> <td>3998</td> <td>ETR</td> <td>-</td> <td>WD.</td> <td>J2</td> <td>PTD.</td> <td>-</td> <td>3994</td> <td>3\"/> <tr> <td>3999</td> <td>ETR</td> <td>-</td> <td>WD.</td> <td>J2</td> <td>PTD.</td> <td>-</td> <td>3995</td> <td>3\"/> <tr> <td>3999</td> <td>ETR</td> <td>-</td> <td>WD.</td> <td>J2</td> <td>PTD.</td> <td>-</td> <td>3997</td> <td>3\"/> </td></tr></td></tr></td></tr></td></tr></td></tr></td></tr></td></tr></td></tr></td></tr></td></tr></td></tr></td></tr></td></tr></td></tr></td></tr></td></tr></td></tr></td></tr></td></tr></td></tr> | 387 | ETR | -
 | WD. | J2 | PTD. | - | 385 | 3\"/> <tr> <td>388</td> <td>ETR</td> <td>-</td> <td>WD.</td> <td>J2</td> <td>PTD.</td> <td>-</td> <td>386</td> <td>3\"/> <tr> <td>389</td> <td>ETR</td> <td>-</td> <td>WD.</td> <td>J2</td> <td>PTD.</td> <td>-</td> <td>387</td> <td>3\"/> <tr> <td>391</td> <td>ETR</td> <td>-</td> <td>WD.</td> <td>J2</td> <td>PTD.</td> <td>-</td> <td>388</td> <td>3\"/> <tr> <td>391A</td> <td>ETR</td> <td>-</td> <td>WD.</td> <td>J2</td> <td>PTD.</td> <td>-</td> <td>389</td> <td>3\"/> <tr> <td>391B</td> <td>ETR</td> <td>-</td> <td>WD.</td> <td>J2</td> <td>PTD.</td> <td>-</td> <td>391</td> <td>3\"/> <tr> <td>394</td> <td>ETR</td> <td>-</td> <td>WD.</td> <td>J2</td> <td>PTD.</td> <td>-</td> <td>391A</td> <td>3\"/> <tr> <td>395</td> <td>ETR</td> <td>-</td> <td>WD.</td> <td>J2</td> <td>PTD.</td> <td>-</td> <td>391B</td> <td>3\"/> <tr> <td>396</td> <td>ETR</td> <td>-</td> <td>WD.</td> <td>J2</td> <td>PTD.</td> <td>-</td> <td>394</td> <td>3\"/> <tr> <td>398</td> <td>ETR</td> <td>-</td> <td>WD.</td> <td>J2</td> <td>PTD.</td> <td>-</td> <td>395</td> <td>3\"/> <tr> <td>399</td> <td>ETR</td> <td>-</td> <td>WD.</td> <td>J2</td> <td>PTD.</td> <td>-</td> <td>396</td> <td>3\"/> <tr> <td>3991</td> <td>ETR</td> <td>-</td> <td>WD.</td> <td>J2</td> <td>PTD.</td> <td>-</td> <td>398</td> <td>3\"/> <tr> <td>3992</td> <td>A</td> <td>3\"/> <tr> <td>3993</td> <td>ETR</td> <td>-</td> <td>WD.</td> <td>J2</td> <td>PTD.</td> <td>-</td> <td>399</td> <td>3\"/> <tr> <td>3994</td> <td>ETR</td> <td>-</td> <td>WD.</td> <td>J2</td> <td>PTD.</td> <td>-</td> <td>3991</td> <td>3\"/> <tr> <td>3995</td> <td>ETR</td> <td>-</td> <td>WD.</td> <td>J2</td> <td>PTD.</td> <td>-</td> <td>3992</td> <td>3\"/> <tr> <td>3997</td> <td>ETR</td> <td>-</td> <td>WD.</td> <td>J2</td> <td>PTD.</td> <td>-</td> <td>3993</td> <td>3\"/> <tr> <td>3998</td> <td>ETR</td> <td>-</td> <td>WD.</td> <td>J2</td> <td>PTD.</td> <td>-</td> <td>3994</td> <td>3\"/> <tr> <td>3999</td> <td>ETR</td> <td>-</td> <td>WD.</td> <td>J2</td> <td>PTD.</td> <td>-</td> <td>3995</td> <td>3\"/> <tr> <td>3999</td> <td>ETR</td> <td>-</td> <td>WD.</td> <td>J2</td> <td>PTD.</td> <td>-</td> <td>3997</td> <td>3\"/> </td></tr></td></tr></td></tr></td></tr></td></tr></td></tr></td></tr></td></tr></td></tr></td></tr></td></tr></td></tr></td></tr></td></tr></td></tr></td></tr></td></tr></td></tr></td></tr>
 | 388 | ETR | - | WD. | J2 | PTD. | - | 386 | 3\"/> <tr> <td>389</td> <td>ETR</td> <td>-</td> <td>WD.</td> <td>J2</td> <td>PTD.</td> <td>-</td> <td>387</td> <td>3\"/> <tr> <td>391</td> <td>ETR</td> <td>-</td> <td>WD.</td> <td>J2</td> <td>PTD.</td> <td>-</td> <td>388</td> <td>3\"/> <tr> <td>391A</td> <td>ETR</td> <td>-</td> <td>WD.</td> <td>J2</td> <td>PTD.</td> <td>-</td> <td>389</td> <td>3\"/> <tr> <td>391B</td> <td>ETR</td> <td>-</td> <td>WD.</td> <td>J2</td> <td>PTD.</td> <td>-</td> <td>391</td> <td>3\"/> <tr> <td>394</td> <td>ETR</td> <td>-</td> <td>WD.</td> <td>J2</td> <td>PTD.</td> <td>-</td> <td>391A</td> <td>3\"/> <tr> <td>395</td> <td>ETR</td> <td>-</td> <td>WD.</td> <td>J2</td> <td>PTD.</td> <td>-</td> <td>391B</td> <td>3\"/> <tr> <td>396</td> <td>ETR</td> <td>-</td> <td>WD.</td> <td>J2</td> <td>PTD.</td> <td>-</td> <td>394</td> <td>3\"/> <tr> <td>398</td> <td>ETR</td> <td>-</td> <td>WD.</td> <td>J2</td> <td>PTD.</td> <td>-</td> <td>395</td> <td>3\"/> <tr> <td>399</td> <td>ETR</td> <td>-</td> <td>WD.</td> <td>J2</td> <td>PTD.</td> <td>-</td> <td>396</td> <td>3\"/> <tr> <td>3991</td> <td>ETR</td> <td>-</td> <td>WD.</td> <td>J2</td> <td>PTD.</td> <td>-</td> <td>398</td> <td>3\"/> <tr> <td>3992</td> <td>A</td> <td>3\"/> <tr> <td>3993</td> <td>ETR</td> <td>-</td> <td>WD.</td> <td>J2</td> <td>PTD.</td> <td>-</td> <td>399</td> <td>3\"/> <tr> <td>3994</td> <td>ETR</td> <td>-</td> <td>WD.</td> <td>J2</td> <td>PTD.</td> <td>-</td> <td>3991</td> <td>3\"/> <tr> <td>3995</td> <td>ETR</td> <td>-</td> <td>WD.</td> <td>J2</td> <td>PTD.</td> <td>-</td> <td>3992</td> <td>3\"/> <tr> <td>3997</td> <td>ETR</td> <td>-</td> <td>WD.</td> <td>J2</td> <td>PTD.</td> <td>-</td> <td>3993</td> <td>3\"/> <tr> <td>3998</td> <td>ETR</td> <td>-</td> <td>WD.</td> <td>J2</td> <td>PTD.</td> <td>-</td> <td>3994</td> <td>3\"/> <tr> <td>3999</td> <td>ETR</td> <td>-</td> <td>WD.</td> <td>J2</td> <td>PTD.</td> <td>-</td> <td>3995</td> <td>3\"/> <tr> <td>3999</td> <td>ETR</td> <td>-</td> <td>WD.</td> <td>J2</td> <td>PTD.</td> <td>-</td> <td>3997</td> <td>3\"/> </td></tr></td></tr></td></tr></td></tr></td></tr></td></tr></td></tr></td></tr></td></tr></td></tr></td></tr></td></tr></td></tr></td></tr></td></tr></td></tr></td></tr></td></tr>
 | 389 | ETR | - | WD. | J2 | PTD. | - | 387 | 3\"/> <tr> <td>391</td> <td>ETR</td> <td>-</td> <td>WD.</td> <td>J2</td> <td>PTD.</td> <td>-</td> <td>388</td> <td>3\"/> <tr> <td>391A</td> <td>ETR</td> <td>-</td> <td>WD.</td> <td>J2</td> <td>PTD.</td> <td>-</td> <td>389</td> <td>3\"/> <tr> <td>391B</td> <td>ETR</td> <td>-</td> <td>WD.</td> <td>J2</td> <td>PTD.</td> <td>-</td> <td>391</td> <td>3\"/> <tr> <td>394</td> <td>ETR</td> <td>-</td> <td>WD.</td> <td>J2</td> <td>PTD.</td> <td>-</td> <td>391A</td> <td>3\"/> <tr> <td>395</td> <td>ETR</td> <td>-</td> <td>WD.</td> <td>J2</td> <td>PTD.</td> <td>-</td> <td>391B</td> <td>3\"/> <tr> <td>396</td> <td>ETR</td> <td>-</td> <td>WD.</td> <td>J2</td> <td>PTD.</td> <td>-</td> <td>394</td> <td>3\"/> <tr> <td>398</td> <td>ETR</td> <td>-</td> <td>WD.</td> <td>J2</td> <td>PTD.</td> <td>-</td> <td>395</td>
<td>3\"/> <tr> <td>399</td> <td>ETR</td> <td>-</td> <td>WD.</td> <td>J2</td> <td>PTD.</td> <td>-</td> <td>396</td> <td>3\"/> <tr> <td>3991</td> <td>ETR</td> <td>-</td> <td>WD.</td> <td>J2</td> <td>PTD.</td> <td>-</td> <td>398</td> <td>3\"/> <tr> <td>3992</td> <td>A</td> <td>3\"/> <tr> <td>3993</td> <td>ETR</td> <td>-</td> <td>WD.</td> <td>J2</td> <td>PTD.</td> <td>-</td> <td>399</td> <td>3\"/> <tr> <td>3994</td> <td>ETR</td> <td>-</td> <td>WD.</td> <td>J2</td> <td>PTD.</td> <td>-</td> <td>3991</td> <td>3\"/> <tr> <td>3995</td> <td>ETR</td> <td>-</td> <td>WD.</td> <td>J2</td> <td>PTD.</td> <td>-</td> <td>3992</td> <td>3\"/> <tr> <td>3997</td> <td>ETR</td> <td>-</td> <td>WD.</td> <td>J2</td> <td>PTD.</td> <td>-</td> <td>3993</td> <td>3\"/> <tr> <td>3998</td> <td>ETR</td> <td>-</td> <td>WD.</td> <td>J2</td> <td>PTD.</td> <td>-</td> <td>3994</td> <td>3\"/> <tr> <td>3999</td> <td>ETR</td> <td>-</td> <td>WD.</td> <td>J2</td> <td>PTD.</td> <td>-</td> <td>3995</td> <td>3\"/> <tr> <td>3999</td> <td>ETR</td> <td>-</td> <td>WD.</td> <td>J2</td> <td>PTD.</td> <td>-</td> <td>3997</td> <td>3\"/> </td></tr></td></tr></td></tr></td></tr></td></tr></td></tr></td></tr></td></tr></td></tr></td></tr></td></tr></td></tr></td></tr></td></tr></td></tr></td></tr></td></tr> | 391 | ETR | -
 | WD. | J2 | PTD. | - | 388 | 3\"/> <tr> <td>391A</td> <td>ETR</td> <td>-</td> <td>WD.</td> <td>J2</td> <td>PTD.</td> <td>-</td> <td>389</td> <td>3\"/> <tr> <td>391B</td> <td>ETR</td> <td>-</td> <td>WD.</td> <td>J2</td> <td>PTD.</td> <td>-</td> <td>391</td> <td>3\"/> <tr> <td>394</td> <td>ETR</td> <td>-</td> <td>WD.</td> <td>J2</td> <td>PTD.</td> <td>-</td> <td>391A</td> <td>3\"/> <tr> <td>395</td> <td>ETR</td> <td>-</td> <td>WD.</td> <td>J2</td> <td>PTD.</td> <td>-</td> <td>391B</td> <td>3\"/> <tr> <td>396</td> <td>ETR</td> <td>-</td> <td>WD.</td> <td>J2</td> <td>PTD.</td> <td>-</td> <td>394</td> <td>3\"/> <tr> <td>398</td> <td>ETR</td> <td>-</td> <td>WD.</td> <td>J2</td> <td>PTD.</td> <td>-</td> <td>395</td> <td>3\"/> <tr> <td>399</td> <td>ETR</td> <td>-</td> <td>WD.</td> <td>J2</td> <td>PTD.</td> <td>-</td> <td>396</td> <td>3\"/> <tr> <td>3991</td> <td>ETR</td> <td>-</td> <td>WD.</td> <td>J2</td> <td>PTD.</td> <td>-</td> <td>398</td> <td>3\"/> <tr> <td>3992</td> <td>A</td> <td>3\"/> <tr> <td>3993</td> <td>ETR</td> <td>-</td> <td>WD.</td> <td>J2</td> <td>PTD.</td> <td>-</td> <td>399</td> <td>3\"/> <tr> <td>3994</td> <td>ETR</td> <td>-</td> <td>WD.</td> <td>J2</td> <td>PTD.</td> <td>-</td> <td>3991</td> <td>3\"/> <tr> <td>3995</td> <td>ETR</td> <td>-</td> <td>WD.</td> <td>J2</td> <td>PTD.</td> <td>-</td> <td>3992</td> <td>3\"/> <tr> <td>3997</td> <td>ETR</td> <td>-</td> <td>WD.</td> <td>J2</td> <td>PTD.</td> <td>-</td> <td>3993</td> <td>3\"/> <tr> <td>3998</td> <td>ETR</td> <td>-</td> <td>WD.</td> <td>J2</td> <td>PTD.</td> <td>-</td> <td>3994</td> <td>3\"/> <tr> <td>3999</td> <td>ETR</td> <td>-</td> <td>WD.</td> <td>J2</td> <td>PTD.</td> <td>-</td> <td>3995</td> <td>3\"/> <tr> <td>3999</td> <td>ETR</td> <td>-</td> <td>WD.</td> <td>J2</td> <td>PTD.</td> <td>-</td> <td>3997</td> <td>3\"/> </td></tr></td></tr></td></tr></td></tr></td></tr></td></tr></td></tr></td></tr></td></tr></td></tr></td></tr></td></tr></td></tr></td></tr></td></tr></td></tr> | 391A | ETR | -
 | WD. | J2 | PTD. | - | 389 | 3\"/> <tr> <td>391B</td> <td>ETR</td> <td>-</td> <td>WD.</td> <td>J2</td> <td>PTD.</td> <td>-</td> <td>391</td> <td>3\"/> <tr> <td>394</td> <td>ETR</td> <td>-</td> <td>WD.</td> <td>J2</td> <td>PTD.</td> <td>-</td> <td>391A</td> <td>3\"/> <tr> <td>395</td> <td>ETR</td> <td>-</td> <td>WD.</td> <td>J2</td> <td>PTD.</td> <td>-</td> <td>391B</td> <td>3\"/> <tr> <td>396</td> <td>ETR</td> <td>-</td> <td>WD.</td> <td>J2</td> <td>PTD.</td> <td>-</td> <td>394</td> <td>3\"/> <tr> <td>398</td> <td>ETR</td> <td>-</td> <td>WD.</td> <td>J2</td> <td>PTD.</td> <td>-</td> <td>395</td> <td>3\"/> <tr> <td>399</td> <td>ETR</td> <td>-</td> <td>WD.</td> <td>J2</td> <td>PTD.</td> <td>-</td> <td>396</td> <td>3\"/> <tr> <td>3991</td> <td>ETR</td> <td>-</td> <td>WD.</td> <td>J2</td> <td>PTD.</td> <td>-</td> <td>398</td> <td>3\"/> <tr> <td>3992</td> <td>A</td> <td>3\"/> <tr> <td>3993</td> <td>ETR</td> <td>-</td> <td>WD.</td> <td>J2</td> <td>PTD.</td> <td>-</td> <td>399</td> <td>3\"/> <tr> <td>3994</td> <td>ETR</td> <td>-</td> <td>WD.</td> <td>J2</td> <td>PTD.</td> <td>-</td> <td>3991</td> <td>3\"/> <tr> <td>3995</td> <td>ETR</td> <td>-</td> <td>WD.</td> <td>J2</td> <td>PTD.</td> <td>-</td> <td>3992</td> <td>3\"/> <tr> <td>3997</td> <td>ETR</td> <td>-</td> <td>WD.</td> <td>J2</td> <td>PTD.</td> <td>-</td> <td>3993</td> <td>3\"/> <tr> <td>3998</td> <td>ETR</td> <td>-</td> <td>WD.</td> <td>J2</td> <td>PTD.</td> <td>-</td> <td>3994</td> <td>3\"/> <tr> <td>3999</td> <td>ETR</td> <td>-</td> <td>WD.</td> <td>J2</td> <td>PTD.</td> <td>-</td> <td>3995</td> <td>3\"/> <tr> <td>3999</td> <td>ETR</td> <td>-</td> <td>WD.</td> <td>J2</td> <td>PTD.</td> <td>-</td> <td>3997</td> <td>3\"/> </td></tr></td></tr></td></tr></td></tr></td></tr></td></tr></td></tr></td></tr></td></tr></td></tr></td></tr></td></tr></td></tr></td></tr></td></tr> | 391B | ETR | -
 | WD. | J2 | PTD. | - | 391 | 3\"/> <tr> <td>394</td> <td>ETR</td> <td>-</td> <td>WD.</td> <td>J2</td> <td>PTD.</td> <td>-</td> <td>391A</td> <td>3\"/> <tr> <td>395</td> <td>ETR</td> <td>-</td> <td>WD.</td> <td>J2</td> <td>PTD.</td> <td>-</td> <td>391B</td> <td>3\"/> <tr> <td>396</td> <td>ETR</td> <td>-</td> <td>WD.</td> <td>J2</td> <td>PTD.</td> <td>-</td> <td>394</td> <td>3\"/> <tr> <td>398</td> <td>ETR</td> <td>-</td> <td>WD.</td> <td>J2</td> <td>PTD.</td> <td>-</td> <td>395</td> <td>3\"/> <tr> <td>399</td> <td>ETR</td> <td>-</td> <td>WD.</td> <td>J2</td> <td>PTD.</td> <td>-</td> <td>396</td> <td>3\"/> <tr> <td>3991</td> <td>ETR</td> <td>-</td> <td>WD.</td> <td>J2</td> <td>PTD.</td> <td>-</td> <td>398</td> <td>3\"/> <tr> <td>3992</td> <td>A</td> <td>3\"/> <tr> <td>3993</td> <td>ETR</td> <td>-</td> <td>WD.</td> <td>J2</td> <td>PTD.</td> <td>-</td> <td>399</td> <td>3\"/> <tr> <td>3994</td> <td>ETR</td> <td>-</td> <td>WD.</td> <td>J2</td> <td>PTD.</td> <td>-</td> <td>3991</td> <td>3\"/> <tr> <td>3995</td> <td>ETR</td> <td>-</td> <td>WD.</td> <td>J2</td> <td>PTD.</td> <td>-</td> <td>3992</td> <td>3\"/> <tr> <td>3997</td> <td>ETR</td> <td>-</td> <td>WD.</td> <td>J2</td> <td>PTD.</td> <td>-</td> <td>3993</td> <td>3\"/> <tr> <td>3998</td> <td>ETR</td> <td>-</td> <td>WD.</td> <td>J2</td> <td>PTD.</td> <td>-</td> <td>3994</td> <td>3\"/> <tr> <td>3999</td> <td>ETR</td> <td>-</td> <td>WD.</td> <td>J2</td> <td>PTD.</td> <td>-</td> <td>3995</td> <td>3\"/> <tr> <td>3999</td> <td>ETR</td> <td>-</td> <td>WD.</td> <td>J2</td> <td>PTD.</td> <td>-</td> <td>3997</td> <td>3\"/> </td></tr></td></tr></td></tr></td></tr></td></tr></td></tr></td></tr></td></tr></td></tr></td></tr></td></tr></td></tr></td></tr></td></tr> | 394 | ETR | -
 | WD. | J2 | PTD. | - | 391A | 3\"/> <tr> <td>395</td> <td>ETR</td> <td>-</td> <td>WD.</td> <td>J2</td> <td>PTD.</td> <td>-</td> <td>391B</td> <td>3\"/> <tr> <td>396</td> <td>ETR</td> <td>-</td> <td>WD.</td> <td>J2</td> <td>PTD.</td> <td>-</td> <td>394</td> <td>3\"/> <tr> <td>398</td> <td>ETR</td> <td>-</td> <td>WD.</td> <td>J2</td> <td>PTD.</td> <td>-</td> <td>395</td> <td>3\"/> <tr> <td>399</td> <td>ETR</td> <td>-</td> <td>WD.</td> <td>J2</td> <td>PTD.</td> <td>-</td> <td>396</td> <td>3\"/> <tr> <td>3991</td> <td>ETR</td> <td>-</td> <td>WD.</td> <td>J2</td> <td>PTD.</td> <td>-</td> <td>398</td> <td>3\"/> <tr> <td>3992</td> <td>A</td> <td>3\"/> <tr> <td>3993</td> <td>ETR</td> <td>-</td> <td>WD.</td> <td>J2</td> <td>PTD.</td> <td>-</td> <td>399</td> <td>3\"/> <tr> <td>3994</td> <td>ETR</td> <td>-</td> <td>WD.</td> <td>J2</td> <td>PTD.</td> <td>-</td> <td>3991</td> <td>3\"/> <tr> <td>3995</td> <td>ETR</td> <td>-</td> <td>WD.</td> <td>J2</td> <td>PTD.</td> <td>-</td> <td>3992</td> <td>3\"/> <tr> <td>3997</td> <td>ETR</td> <td>-</td> <td>WD.</td> <td>J2</td> <td>PTD.</td> <td>-</td> <td>3993</td> <td>3\"/> <tr> <td>3998</td> <td>ETR</td> <td>-</td> <td>WD.</td> <td>J2</td> <td>PTD.</td> <td>-</td> <td>3994</td> <td>3\"/> <tr> <td>3999</td> <td>ETR</td> <td>-</td> <td>WD.</td> <td>J2</td> <td>PTD.</td> <td>-</td> <td>3995</td> <td>3\"/> <tr> <td>3999</td> <td>ETR</td> <td>-</td> <td>WD.</td> <td>J2</td> <td>PTD.</td> <td>-</td> <td>3997</td> <td>3\"/> </td></tr></td></tr></td></tr></td></tr></td></tr></td></tr></td></tr></td></tr></td></tr></td></tr></td></tr></td></tr></td></tr> | 395 | ETR | -
 | WD. | J2 | PTD. | - | 391B | 3\"/> <tr> <td>396</td> <td>ETR</td> <td>-</td> <td>WD.</td> <td>J2</td> <td>PTD.</td> <td>-</td> <td>394</td> <td>3\"/> <tr> <td>398</td> <td>ETR</td> <td>-</td> <td>WD.</td> <td>J2</td> <td>PTD.</td> <td>-</td> <td>395</td> <td>3\"/> <tr> <td>399</td> <td>ETR</td> <td>-</td> <td>WD.</td> <td>J2</td> <td>PTD.</td> <td>-</td> <td>396</td> <td>3\"/> <tr> <td>3991</td>
<td>ETR</td> <td>-</td> <td>WD.</td> <td>J2</td> <td>PTD.</td> <td>-</td> <td>398</td> <td>3\"/> <tr> <td>3992</td> <td>A</td> <td>3\"/> <tr> <td>3993</td> <td>ETR</td> <td>-</td> <td>WD.</td> <td>J2</td> <td>PTD.</td> <td>-</td> <td>399</td> <td>3\"/> <tr> <td>3994</td> <td>ETR</td> <td>-</td> <td>WD.</td> <td>J2</td> <td>PTD.</td> <td>-</td> <td>3991</td> <td>3\"/> <tr> <td>3995</td> <td>ETR</td> <td>-</td> <td>WD.</td> <td>J2</td> <td>PTD.</td> <td>-</td> <td>3992</td> <td>3\"/> <tr> <td>3997</td> <td>ETR</td> <td>-</td> <td>WD.</td> <td>J2</td> <td>PTD.</td> <td>-</td> <td>3993</td> <td>3\"/> <tr> <td>3998</td> <td>ETR</td> <td>-</td> <td>WD.</td> <td>J2</td> <td>PTD.</td> <td>-</td> <td>3994</td> <td>3\"/> <tr> <td>3999</td> <td>ETR</td> <td>-</td> <td>WD.</td> <td>J2</td> <td>PTD.</td> <td>-</td> <td>3995</td> <td>3\"/> <tr> <td>3999</td> <td>ETR</td> <td>-</td> <td>WD.</td> <td>J2</td> <td>PTD.</td> <td>-</td> <td>3997</td> <td>3\"/> </td></tr></td></tr></td></tr></td></tr></td></tr></td></tr></td></tr></td></tr></td></tr></td></tr></td></tr></td></tr> | 396 | ETR | - | WD. | J2 | PTD. | - | 394 | 3\"/> <tr> <td>398</td> <td>ETR</td> <td>-</td> <td>WD.</td> <td>J2</td> <td>PTD.</td> <td>-</td>
<td>395</td> <td>3\"/> <tr> <td>399</td> <td>ETR</td> <td>-</td> <td>WD.</td> <td>J2</td> <td>PTD.</td> <td>-</td> <td>396</td> <td>3\"/> <tr> <td>3991</td> <td>ETR</td> <td>-</td> <td>WD.</td> <td>J2</td> <td>PTD.</td> <td>-</td> <td>398</td> <td>3\"/> <tr> <td>3992</td> <td>A</td> <td>3\"/> <tr> <td>3993</td> <td>ETR</td> <td>-</td> <td>WD.</td> <td>J2</td> <td>PTD.</td> <td>-</td> <td>399</td> <td>3\"/> <tr> <td>3994</td> <td>ETR</td> <td>-</td> <td>WD.</td> <td>J2</td> <td>PTD.</td> <td>-</td> <td>3991</td> <td>3\"/> <tr> <td>3995</td> <td>ETR</td> <td>-</td> <td>WD.</td> <td>J2</td> <td>PTD.</td> <td>-</td> <td>3992</td> <td>3\"/> <tr> <td>3997</td> <td>ETR</td> <td>-</td> <td>WD.</td> <td>J2</td> <td>PTD.</td> <td>-</td> <td>3993</td> <td>3\"/> <tr> <td>3998</td> <td>ETR</td> <td>-</td> <td>WD.</td> <td>J2</td> <td>PTD.</td> <td>-</td> <td>3994</td> <td>3\"/> <tr> <td>3999</td> <td>ETR</td> <td>-</td> <td>WD.</td> <td>J2</td> <td>PTD.</td> <td>-</td> <td>3995</td> <td>3\"/> <tr> <td>3999</td> <td>ETR</td> <td>-</td> <td>WD.</td> <td>J2</td> <td>PTD.</td> <td>-</td> <td>3997</td> <td>3\"/> </td></tr></td></tr></td></tr></td></tr></td></tr></td></tr></td></tr></td></tr></td></tr></td></tr></td></tr> | 398 | ETR | - | WD. | J2 | PTD. | - | 395 | 3\"/> <tr> <td>399</td> <td>ETR</td> <td>-</td> <td>WD.</td> <td>J2</td>
<td>PTD.</td> <td>-</td> <td>396</td> <td>3\"/> <tr> <td>3991</td> <td>ETR</td> <td>-</td> <td>WD.</td> <td>J2</td> <td>PTD.</td> <td>-</td> <td>398</td> <td>3\"/> <tr> <td>3992</td> <td>A</td> <td>3\"/> <tr> <td>3993</td> <td>ETR</td> <td>-</td> <td>WD.</td> <td>J2</td> <td>PTD.</td> <td>-</td> <td>399</td> <td>3\"/> <tr> <td>3994</td> <td>ETR</td> <td>-</td> <td>WD.</td> <td>J2</td> <td>PTD.</td> <td>-</td> <td>3991</td> <td>3\"/> <tr> <td>3995</td> <td>ETR</td> <td>-</td> <td>WD.</td> <td>J2</td> <td>PTD.</td> <td>-</td> <td>3992</td> <td>3\"/> <tr> <td>3997</td> <td>ETR</td> <td>-</td> <td>WD.</td> <td>J2</td> <td>PTD.</td> <td>-</td> <td>3993</td> <td>3\"/> <tr> <td>3998</td> <td>ETR</td> <td>-</td> <td>WD.</td> <td>J2</td> <td>PTD.</td> <td>-</td> <td>3994</td> <td>3\"/> <tr> <td>3999</td> <td>ETR</td> <td>-</td> <td>WD.</td> <td>J2</td> <td>PTD.</td> <td>-</td> <td>3995</td> <td>3\"/> <tr> <td>3999</td> <td>ETR</td> <td>-</td> <td>WD.</td> <td>J2</td> <td>PTD.</td> <td>-</td> <td>3997</td> <td>3\"/> </td></tr></td></tr></td></tr></td></tr></td></tr></td></tr></td></tr></td></tr></td></tr></td></tr> | 399 | ETR | - | WD. | J2 | PTD. | - | 396 | 3\"/> <tr> <td>3991</td> <td>ETR</td> <td>-</td> <td>WD.</td> <td>J2</td> <td>PTD.</td> <td>-</td> <td>398</td> <td>3\"/> <tr> <td>3992</td> <td>A</td> <td>3\"/> <tr> <td>3993</td> <td>ETR</td> <td>-</td> <td>WD.</td> <td>J2</td> <td>PTD.</td> <td>-</td> <td>399</td> <td>3\"/> <tr> <td>3994</td>
<td>ETR</td> <td>-</td> <td>WD.</td> <td>J2</td> <td>PTD.</td> <td>-</td> <td>3991</td> <td>3\"/> <tr> <td>3995</td> <td>ETR</td> <td>-</td> <td>WD.</td> <td>J2</td> <td>PTD.</td> <td>-</td> <td>3992</td> <td>3\"/> <tr> <td>3997</td> <td>ETR</td> <td>-</td> <td>WD.</td> <td>J2</td> <td>PTD.</td> <td>-</td> <td>3993</td> <td>3\"/> <tr> <td>3998</td> <td>ETR</td> <td>-</td> <td>WD.</td> <td>J2</td> <td>PTD.</td> <td>-</td> <td>3994</td> <td>3\"/> <tr> <td>3999</td> <td>ETR</td> <td>-</td> <td>WD.</td> <td>J2</td> <td>PTD.</td> <td>-</td> <td>3995</td> <td>3\"/> <tr> <td>3999</td> <td>ETR</td> <td>-</td> <td>WD.</td> <td>J2</td> <td>PTD.</td> <td>-</td> <td>3997</td> <td>3\"/> </td></tr></td></tr></td></tr></td></tr></td></tr></td></tr></td></tr></td></tr></td></tr> | 3991 | ETR | - | WD. | J2 | PTD. | - | 398 | 3\"/> <tr> <td>3992</td> <td>A</td> <td>3\"/> <tr> <td>3993</td> <td>ETR</td> <td>-</td> <td>WD.</td> <td>J2</td> <td>PTD.</td> <td>-</td> <td>399</td> <td>3\"/> <tr> <td>3994</td> <td>ETR</td> <td>-</td> <td>WD.</td> <td>J2</td> <td>PTD.</td> <td>-</td> <td>3991</td> <td>3\"/> <tr> <td>3995</td> <td>ETR</td> <td>-</td> <td>WD.</td> <td>J2</td> <td>PTD.</td> <td>-</td> <td>3992</td> <td>3\"/> <tr> <td>3997</td> <td>ETR</td> <td>-</td> <td>WD.</td> <td>J2</td> <td>PTD.</td> <td>-</td> <td>3993</td> <td>3\"/> <tr> <td>3998</td> <td>ETR</td> <td>-</td> <td>WD.</td> <td>J2</td> <td>PTD.</td> <td>-</td> <td>3994</td> <td>3\"/> <tr> <td>3999</td> <td>ETR</td> <td>-</td> <td>WD.</td> <td>J2</td> <td>PTD.</td> <td>-</td> <td>3995</td> <td>3\"/> <tr> <td>3999</td> <td>ETR</td>
<td>-</td> <td>WD.</td> <td>J2</td> <td>PTD.</td> <td>-</td> <td>3997</td> <td>3\"/> </td></tr></td></tr></td></tr></td></tr></td></tr></td></tr></td></tr></td></tr> | 3992 | A | 3\"/> <tr> <td>3993</td> <td>ETR</td> <td>-</td> <td>WD.</td> <td>J2</td> <td>PTD.</td> <td>-</td> <td>399</td> <td>3\"/> <tr> <td>3994</td> <td>ETR</td> <td>-</td> <td>WD.</td> <td>J2</td> <td>PTD.</td> <td>-</td> <td>3991</td> <td>3\"/> <tr> <td>3995</td> <td>ETR</td> <td>-</td> <td>WD.</td> <td>J2</td> <td>PTD.</td> <td>-</td> <td>3992</td> <td>3\"/> <tr> <td>3997</td> <td>ETR</td> <td>-</td> <td>WD.</td> <td>J2</td> <td>PTD.</td> <td>-</td> <td>3993</td> <td>3\"/> <tr> <td>3998</td> <td>ETR</td> <td>-</td> <td>WD.</td> <td>J2</td> <td>PTD.</td> <td>-</td> <td>3994</td> <td>3\"/> <tr> <td>3999</td> <td>ETR</td> <td>-</td> <td>WD.</td> <td>J2</td> <td>PTD.</td> <td>-</td> <td>3995</td> <td>3\"/> <tr> <td>3999</td> <td>ETR</td> <td>-</td> <td>WD.</td> <td>J2</td> <td>PTD.</td> <td>-</td> <td>3997</td> <td>3\"/> </td></tr></td></tr></td></tr></td></tr></td></tr></td></tr></td></tr> | 3993 | ETR | -
 | WD. | J2 | PTD. | - | 399 | 3\"/> <tr> <td>3994</td> <td>ETR</td> <td>-</td> <td>WD.</td> <td>J2</td> <td>PTD.</td> <td>-</td> <td>3991</td> <td>3\"/> <tr> <td>3995</td> <td>ETR</td> <td>-</td> <td>WD.</td> <td>J2</td> <td>PTD.</td> <td>-</td> <td>3992</td> <td>3\"/> <tr> <td>3997</td> <td>ETR</td> <td>-</td> <td>WD.</td> <td>J2</td> <td>PTD.</td> <td>-</td> <td>3993</td> <td>3\"/> <tr> <td>3998</td> <td>ETR</td> <td>-</td> <td>WD.</td> <td>J2</td> <td>PTD.</td> <td>-</td> <td>3994</td> <td>3\"/> <tr> <td>3999</td> <td>ETR</td> <td>-</td> <td>WD.</td> <td>J2</td> <td>PTD.</td> <td>-</td> <td>3995</td> <td>3\"/> <tr> <td>3999</td> <td>ETR</td> <td>-</td> <td>WD.</td> <td>J2</td> <td>PTD.</td> <td>-</td> <td>3997</td> <td>3\"/> </td></tr></td></tr></td></tr></td></tr></td></tr></td></tr>
 | 3994 | ETR | - | WD. | J2 | PTD. | - | 3991 | 3\"/> <tr> <td>3995</td> <td>ETR</td> <td>-</td> <td>WD.</td> <td>J2</td> <td>PTD.</td> <td>-</td> <td>3992</td> <td>3\"/> <tr> <td>3997</td> <td>ETR</td> <td>-</td> <td>WD.</td> <td>J2</td> <td>PTD.</td> <td>-</td> <td>3993</td> <td>3\"/> <tr> <td>3998</td> <td>ETR</td> <td>-</td> <td>WD.</td> <td>J2</td> <td>PTD.</td> <td>-</td> <td>3994</td> <td>3\"/> <tr> <td>3999</td> <td>ETR</td> <td>-</td> <td>WD.</td> <td>J2</td> <td>PTD.</td> <td>-</td> <td>3995</td> <td>3\"/> <tr> <td>3999</td> <td>ETR</td> <td>-</td> <td>WD.</td> <td>J2</td> <td>PTD.</td> <td>-</td> <td>3997</td> <td>3\"/> </td></tr></td></tr></td></tr></td></tr></td></tr>
 | 3995 | ETR | - | WD. | J2 | PTD. | - | 3992 | 3\"/> <tr> <td>3997</td> <td>ETR</td> <td>-</td> <td>WD.</td> <td>J2</td> <td>PTD.</td> <td>-</td> <td>3993</td> <td>3\"/> <tr> <td>3998</td> <td>ETR</td> <td>-</td> <td>WD.</td> <td>J2</td> <td>PTD.</td> <td>-</td> <td>3994</td> <td>3\"/> <tr> <td>3999</td> <td>ETR</td> <td>-</td> <td>WD.</td> <td>J2</td> <td>PTD.</td> <td>-</td> <td>3995</td> <td>3\"/> <tr> <td>3999</td> <td>ETR</td> <td>-</td> <td>WD.</td> <td>J2</td> <td>PTD.</td> <td>-</td> <td>3997</td> <td>3\"/> </td></tr></td></tr></td></tr></td></tr> | 3997 | ETR | - | WD. | J2 | PTD.
 | - | 3993 | 3\"/> <tr> <td>3998</td> <td>ETR</td> <td>-</td> <td>WD.</td> <td>J2</td> <td>PTD.</td> <td>-</td> <td>3994</td> <td>3\"/> <tr> <td>3999</td> <td>ETR</td> <td>-</td> <td>WD.</td> <td>J2</td> <td>PTD.</td> <td>-</td> <td>3995</td> <td>3\"/> <tr> <td>3999</td> <td>ETR</td> <td>-</td> <td>WD.</td> <td>J2</td> <td>PTD.</td> <td>-</td> <td>3997</td> <td>3\"/> </td></tr></td></tr></td></tr> | 3998 | ETR | -
 | WD. | J2 | PTD. | - | 3994 | 3\"/> <tr> <td>3999</td> <td>ETR</td> <td>-</td> <td>WD.</td> <td>J2</td> <td>PTD.</td> <td>-</td> <td>3995</td> <td>3\"/> <tr> <td>3999</td> <td>ETR</td> <td>-</td> <td>WD.</td> <td>J2</td> <td>PTD.</td> <td>-</td> <td>3997</td> <td>3\"/> </td></tr></td></tr> | 3999 | ETR | -
 | WD. | J2 | PTD. | - | 3995 | 3\"/> <tr> <td>3999</td> <td>ETR</td> <td>-</td> <td>WD.</td> <td>J2</td> <td>PTD.</td> <td>-</td> <td>3997</td> <td>3\"/> </td></tr>
 | 3999 | ETR | - | WD. | J2 | PTD. | - | 3997 | 3\"/>
 | | | | | | | | | | | | | | | | | | | | | | | | | | | | | | | | | | | | | | | | | | | | | | | | | | | | | | | | | |
 | | | | | | | | |
 | | | | | | |
 | | | | | | | | | | |
 | | | | | | | | |
 | | | | | | | | | | | |
 | | | | | | | | | | | | | | |
 | | | | | | | | | | | | | | | | | |
 | | | | | | | | | | | | | | | | | |
 | | | | | | | | | | | | | | | | | | | | | | | |
 | | | | | | | | | | | | | | | | | | | | | | | | | | |
 | | | | | | | | | | | | | | | | | | | | | | | | | | | | | | | | | | | | | | |
 | | | | | | | | | | | | | | | | | | | | | | | | | | | | | | | | | | | | | | | | | | | | | | | | | | | | | | | | | |
| 380B | B | 1 <td>WD</td> <td>J1</td> <td>PTD.</td> <td>-</td> <td>379</td> <td>3\"/> <tr> <td>382</td> <td>ETR</td> <td>-</td> <td>WD.</td> <td>J2</td> <td>PTD.</td> <td>-</td> <td>380A</td> <td>3\"/> <tr> <td>382A</td> <td>D</td> <td>6 <td>ALUM.</td> <td>ANODIZE D</td> <td>-</td> <td>-</td> <td>380B</td> <td>3\"/> <tr> <td>385</td> <td>ETR</td> <td>-</td> <td>WD.</td> <td>J2</td> <td>PTD.</td> <td>-</td> <td>382</td> <td>3\"/> <tr> <td>386</td> <td>ETR</td> <td>-</td> <td>WD.</td> <td>J2</td> <td>PTD.</td> <td>-</td> <td>382A</td> <td>3\"/> <tr> <td>387</td> <td>ETR</td> <td>-</td> <td>WD.</td> <td>J2</td> <td>PTD.</td> <td>-</td> <td>385</td> <td>3\"/> <tr> <td>388</td> <td>ETR</td> <td>-</td> <td>WD.</td> <td>J2</td> <td>PTD.</td> <td>-</td> <td>386</td> <td>3\"/> <tr> <td>389</td> <td>ETR</td> <td>-</td> <td>WD.</td> <td>J2</td> <td>PTD.</td> <td>-</td> <td>387</td> <td>3\"/> <tr> <td>391</td> <td>ETR</td> <td>-</td> <td>WD.</td> <td>J2</td> <td>PTD.</td> <td>-</td> <td>388</td> <td>3\"/> <tr> <td>391A</td> <td>ETR</td> <td>-</td> <td>WD.</td> <td>J2</td> <td>PTD.</td> <td>-</td> <td>389</td> <td>3\"/> <tr> <td>391B</td> <td>ETR</td> <td>-</td> <td>WD.</td> <td>J2</td> <td>PTD.</td> <td>-</td> <td>391</td> <td>3\"/> <tr> <td>394</td> <td>ETR</td> <td>-</td> <td>WD.</td> <td>J2</td> <td>PTD.</td> <td>-</td> <td>391A</td> <td>3\"/> <tr> <td>395</td> <td>ETR</td> <td>-</td> <td>WD.</td> <td>J2</td> <td>PTD.</td> <td>-</td> <td>391B</td> <td>3\"/> <tr> <td>396</td> <td>ETR</td> <td>-</td> <td>WD.</td> <td>J2</td> <td>PTD.</td> <td>-</td> <td>394</td> <td>3\"/> <tr> <td>398</td> <td>ETR</td> <td>-</td> <td>WD.</td> <td>J2</td> <td>PTD.</td> <td>-</td> <td>395</td> <td>3\"/> <tr> <td>399</td> <td>ETR</td> <td>-</td> <td>WD.</td> <td>J2</td> <td>PTD.</td> <td>-</td> <td>396</td> <td>3\"/> <tr> <td>3991</td> <td>ETR</td> <td>-</td> <td>WD.</td> <td>J2</td> <td>PTD.</td> <td>-</td> <td>398</td> <td>3\"/> <tr> <td>3992</td> <td>A</td> <td>3\"/> <tr> <td>3993</td> <td>ETR</td> <td>-</td> <td>WD.</td> <td>J2</td> <td>PTD.</td> <td>-</td> <td>399</td> <td>3\"/> <tr> <td>3994</td> <td>ETR</td> <td>-</td> <td>WD.</td> <td>J2</td> <td>PTD.</td> <td>-</td> <td>3991</td> <td>3\"/> <tr> <td>3995</td> <td>ETR</td> <td>-</td> <td>WD.</td> <td>J2</td> <td>PTD.</td> <td>-</td> <td>3992</td> <td>3\"/> <tr> <td>3997</td> <td>ETR</td> <td>-</td> <td>WD.</td> <td>J2</td> <td>PTD.</td> <td>-</td> <td>3993</td> <td>3\"/> <tr> <td>3998</td> <td>ETR</td> <td>-</td> <td>WD.</td> <td>J2</td> <td>PTD.</td> <td>-</td> <td>3994</td> <td>3\"/> <tr> <td>3999</td> <td>ETR</td> <td>-</td> <td>WD.</td> <td>J2</td> <td>PTD.</td> <td>-</td> <td>3995</td> <td>3\"/> <tr> <td>3999</td> <td>ETR</td> <td>-</td> <td>WD.</td> <td>J2</td> <td>PTD.</td> <td>-</td> <td>3997</td> <td>3\"/> </td></tr></td></tr></td></tr></td></tr></td></tr></td></tr></td></tr></td></tr></td></tr></td></tr></td></tr></td></tr></td></tr></td></tr></td></tr></td></tr></td></tr></td></tr></td></tr></td></tr></td></tr></td></tr></td></td></tr></td></tr></td> | WD | J1 | PTD. | - | 379 | 3\"/> <tr> <td>382</td> <td>ETR</td> <td>-</td> <td>WD.</td> <td>J2</td> <td>PTD.</td> <td>-</td> <td>380A</td> <td>3\"/> <tr> <td>382A</td> <td>D</td> <td>6 <td>ALUM.</td> <td>ANODIZE D</td> <td>-</td> <td>-</td> <td>380B</td> <td>3\"/> <tr> <td>385</td> <td>ETR</td> <td>-</td> <td>WD.</td> <td>J2</td> <td>PTD.</td> <td>-</td> <td>382</td> <td>3\"/> <tr> <td>386</td> <td>ETR</td> <td>-</td> <td>WD.</td> <td>J2</td> <td>PTD.</td> <td>-</td> <td>382A</td> <td>3\"/> <tr> <td>387</td> <td>ETR</td> <td>-</td> <td>WD.</td> <td>J2</td> <td>PTD.</td> <td>-</td> <td>385</td> <td>3\"/> <tr> <td>388</td> <td>ETR</td> <td>-</td> <td>WD.</td> <td>J2</td> <td>PTD.</td> <td>-</td> <td>386</td> <td>3\"/> <tr> <td>389</td> <td>ETR</td> <td>-</td> <td>WD.</td> <td>J2</td> <td>PTD.</td> <td>-</td> <td>387</td> <td>3\"/> <tr> <td>391</td> <td>ETR</td> <td>-</td> <td>WD.</td> <td>J2</td> <td>PTD.</td> <td>-</td> <td>388</td> <td>3\"/> <tr> <td>391A</td> <td>ETR</td> <td>-</td> <td>WD.</td> <td>J2</td> <td>PTD.</td> <td>-</td> <td>389</td> <td>3\"/> <tr> <td>391B</td> <td>ETR</td> <td>-</td> <td>WD.</td> <td>J2</td> <td>PTD.</td> <td>-</td> <td>391</td> <td>3\"/> <tr> <td>394</td> <td>ETR</td> <td>-</td> <td>WD.</td> <td>J2</td> <td>PTD.</td> <td>-</td> <td>391A</td> <td>3\"/> <tr> <td>395</td> <td>ETR</td> <td>-</td> <td>WD.</td> <td>J2</td> <td>PTD.</td> <td>-</td> <td>391B</td> <td>3\"/> <tr> <td>396</td> <td>ETR</td> <td>-</td> <td>WD.</td> <td>J2</td> <td>PTD.</td> <td>-</td> <td>394</td> <td>3\"/> <tr> <td>398</td> <td>ETR</td> <td>-</td> <td>WD.</td> <td>J2</td> <td>PTD.</td> <td>-</td> <td>395</td> <td>3\"/> <tr> <td>399</td> <td>ETR</td> <td>-</td> <td>WD.</td> <td>J2</td> <td>PTD.</td> <td>-</td> <td>396</td> <td>3\"/> <tr> <td>3991</td> <td>ETR</td> <td>-</td> <td>WD.</td> <td>J2</td> <td>PTD.</td> <td>-</td> <td>398</td> <td>3\"/> <tr> <td>3992</td> <td>A</td> <td>3\"/> <tr> <td>3993</td> <td>ETR</td> <td>-</td> <td>WD.</td> <td>J2</td> <td>PTD.</td> <td>-</td> <td>399</td> <td>3\"/> <tr> <td>3994</td> <td>ETR</td> <td>-</td> <td>WD.</td> <td>J2</td> <td>PTD.</td> <td>-</td> <td>3991</td> <td>3\"/> <tr> <td>3995</td> <td>ETR</td> <td>-</td> <td>WD.</td> <td>J2</td> <td>PTD.</td> <td>-</td> <td>3992</td> <td>3\"/> <tr> <td>3997</td> <td>ETR</td> <td>-</td> <td>WD.</td> <td>J2</td> <td>PTD.</td> <td>-</td> <td>3993</td> <td>3\"/> <tr> <td>3998</td> <td>ETR</td> <td>-</td> <td>WD.</td> <td>J2</td> <td>PTD.</td> <td>-</td> <td>3994</td> <td>3\"/> <tr> <td>3999</td> <td>ETR</td> <td>-</td> <td>WD.</td> <td>J2</td> <td>PTD.</td> <td>-</td> <td>3995</td> <td>3\"/> <tr> <td>3999</td> <td>ETR</td> <td>-</td> <td>WD.</td> <td>J2</td> <td>PTD.</td> <td>-</td> <td>3997</td> <td>3\"/>
</td></tr></td></tr></td></tr></td></tr></td></tr></td></tr></td></tr></td></tr></td></tr></td></tr></td></tr></td></tr></td></tr></td></tr></td></tr></td></tr></td></tr></td></tr></td></tr></td></tr></td></tr></td></tr></td></td></tr></td></tr> | 382 | ETR | -
 | WD. | J2 | PTD. | - | 380A | 3\"/> <tr> <td>382A</td> <td>D</td> <td>6 <td>ALUM.</td> <td>ANODIZE D</td> <td>-</td> <td>-</td> <td>380B</td> <td>3\"/> <tr> <td>385</td> <td>ETR</td> <td>-</td> <td>WD.</td> <td>J2</td> <td>PTD.</td> <td>-</td> <td>382</td> <td>3\"/> <tr> <td>386</td> <td>ETR</td> <td>-</td> <td>WD.</td> <td>J2</td> <td>PTD.</td> <td>-</td> <td>382A</td> <td>3\"/> <tr> <td>387</td> <td>ETR</td> <td>-</td> <td>WD.</td> <td>J2</td> <td>PTD.</td> <td>-</td> <td>385</td> <td>3\"/> <tr> <td>388</td> <td>ETR</td> <td>-</td> <td>WD.</td> <td>J2</td> <td>PTD.</td> <td>-</td> <td>386</td> <td>3\"/> <tr> <td>389</td> <td>ETR</td> <td>-</td> <td>WD.</td> <td>J2</td> <td>PTD.</td> <td>-</td> <td>387</td> <td>3\"/> <tr> <td>391</td> <td>ETR</td> <td>-</td> <td>WD.</td> <td>J2</td> <td>PTD.</td> <td>-</td> <td>388</td> <td>3\"/> <tr> <td>391A</td> <td>ETR</td> <td>-</td> <td>WD.</td> <td>J2</td> <td>PTD.</td> <td>-</td> <td>389</td> <td>3\"/> <tr> <td>391B</td> <td>ETR</td> <td>-</td> <td>WD.</td> <td>J2</td> <td>PTD.</td> <td>-</td> <td>391</td> <td>3\"/> <tr> <td>394</td> <td>ETR</td> <td>-</td> <td>WD.</td> <td>J2</td> <td>PTD.</td> <td>-</td> <td>391A</td> <td>3\"/> <tr> <td>395</td> <td>ETR</td> <td>-</td> <td>WD.</td> <td>J2</td> <td>PTD.</td> <td>-</td> <td>391B</td> <td>3\"/> <tr> <td>396</td> <td>ETR</td> <td>-</td> <td>WD.</td> <td>J2</td> <td>PTD.</td> <td>-</td> <td>394</td> <td>3\"/> <tr> <td>398</td> <td>ETR</td> <td>-</td> <td>WD.</td> <td>J2</td> <td>PTD.</td> <td>-</td> <td>395</td> <td>3\"/> <tr> <td>399</td> <td>ETR</td> <td>-</td> <td>WD.</td> <td>J2</td> <td>PTD.</td> <td>-</td> <td>396</td> <td>3\"/> <tr> <td>3991</td> <td>ETR</td> <td>-</td> <td>WD.</td> <td>J2</td> <td>PTD.</td> <td>-</td> <td>398</td> <td>3\"/> <tr> <td>3992</td> <td>A</td> <td>3\"/> <tr> <td>3993</td> <td>ETR</td> <td>-</td> <td>WD.</td> <td>J2</td> <td>PTD.</td> <td>-</td> <td>399</td> <td>3\"/> <tr> <td>3994</td> <td>ETR</td> <td>-</td> <td>WD.</td> <td>J2</td> <td>PTD.</td> <td>-</td> <td>3991</td> <td>3\"/> <tr> <td>3995</td> <td>ETR</td> <td>-</td> <td>WD.</td> <td>J2</td> <td>PTD.</td> <td>-</td> <td>3992</td> <td>3\"/> <tr> <td>3997</td> <td>ETR</td> <td>-</td> <td>WD.</td> <td>J2</td> <td>PTD.</td> <td>-</td> <td>3993</td> <td>3\"/> <tr> <td>3998</td> <td>ETR</td> <td>-</td> <td>WD.</td> <td>J2</td> <td>PTD.</td> <td>-</td> <td>3994</td> <td>3\"/> <tr> <td>3999</td> <td>ETR</td> <td>-</td> <td>WD.</td> <td>J2</td> <td>PTD.</td> <td>-</td> <td>3995</td> <td>3\"/> <tr> <td>3999</td> <td>ETR</td> <td>-</td> <td>WD.</td> <td>J2</td> <td>PTD.</td> <td>-</td> <td>3997</td> <td>3\"/> </td></tr></td></tr></td></tr></td></tr></td></tr></td></tr></td></tr></td></tr></td></tr></td></tr></td></tr></td></tr></td></tr></td></tr></td></tr></td></tr></td></tr></td></tr></td></tr></td></tr></td></tr></td></tr></td></td></tr> | 382A | D | 6 <td>ALUM.</td> <td>ANODIZE D</td> <td>-</td> <td>-</td> <td>380B</td> <td>3\"/> <tr> <td>385</td> <td>ETR</td> <td>-</td> <td>WD.</td> <td>J2</td> <td>PTD.</td> <td>-</td> <td>382</td> <td>3\"/> <tr> <td>386</td> <td>ETR</td> <td>-</td> <td>WD.</td> <td>J2</td> <td>PTD.</td> <td>-</td> <td>382A</td> <td>3\"/> <tr> <td>387</td> <td>ETR</td> <td>-</td> <td>WD.</td> <td>J2</td> <td>PTD.</td> <td>-</td> <td>385</td> <td>3\"/> <tr> <td>388</td> <td>ETR</td> <td>-</td> <td>WD.</td> <td>J2</td> <td>PTD.</td> <td>-</td> <td>386</td> <td>3\"/> <tr> <td>389</td> <td>ETR</td> <td>-</td> <td>WD.</td> <td>J2</td> <td>PTD.</td> <td>-</td> <td>387</td> <td>3\"/> <tr> <td>391</td> <td>ETR</td> <td>-</td> <td>WD.</td> <td>J2</td> <td>PTD.</td> <td>-</td> <td>388</td> <td>3\"/> <tr> <td>391A</td> <td>ETR</td> <td>-</td> <td>WD.</td> <td>J2</td> <td>PTD.</td> <td>-</td> <td>389</td> <td>3\"/> <tr> <td>391B</td> <td>ETR</td> <td>-</td> <td>WD.</td> <td>J2</td> <td>PTD.</td> <td>-</td> <td>391</td> <td>3\"/> <tr> <td>394</td> <td>ETR</td> <td>-</td> <td>WD.</td> <td>J2</td> <td>PTD.</td> <td>-</td> <td>391A</td> <td>3\"/> <tr> <td>395</td> <td>ETR</td> <td>-</td> <td>WD.</td> <td>J2</td> <td>PTD.</td> <td>-</td> <td>391B</td> <td>3\"/> <tr> <td>396</td> <td>ETR</td> <td>-</td> <td>WD.</td> <td>J2</td> <td>PTD.</td> <td>-</td> <td>394</td> <td>3\"/> <tr> <td>398</td> <td>ETR</td> <td>-</td> <td>WD.</td> <td>J2</td> <td>PTD.</td> <td>-</td> <td>395</td> <td>3\"/> <tr> <td>399</td> <td>ETR</td> <td>-</td> <td>WD.</td> <td>J2</td> <td>PTD.</td> <td>-</td> <td>396</td> <td>3\"/> <tr> <td>3991</td> <td>ETR</td> <td>-</td> <td>WD.</td> <td>J2</td> <td>PTD.</td> <td>-</td> <td>398</td> <td>3\"/> <tr> <td>3992</td> <td>A</td> <td>3\"/> <tr> <td>3993</td> <td>ETR</td> <td>-</td> <td>WD.</td> <td>J2</td> <td>PTD.</td> <td>-</td> <td>399</td> <td>3\"/> <tr> <td>3994</td> <td>ETR</td> <td>-</td> <td>WD.</td> <td>J2</td> <td>PTD.</td> <td>-</td> <td>3991</td> <td>3\"/> <tr> <td>3995</td> <td>ETR</td> <td>-</td> <td>WD.</td> <td>J2</td> <td>PTD.</td> <td>-</td> <td>3992</td> <td>3\"/> <tr> <td>3997</td> <td>ETR</td> <td>-</td> <td>WD.</td> <td>J2</td> <td>PTD.</td> <td>-</td> <td>3993</td> <td>3\"/> <tr> <td>3998</td> <td>ETR</td> <td>-</td> <td>WD.</td> <td>J2</td> <td>PTD.</td> <td>-</td> <td>3994</td> <td>3\"/> <tr> <td>3999</td> <td>ETR</td> <td>-</td> <td>WD.</td> <td>J2</td> <td>PTD.</td>
<td>-</td> <td>3995</td> <td>3\"/> <tr> <td>3999</td> <td>ETR</td> <td>-</td> <td>WD.</td> <td>J2</td> <td>PTD.</td> <td>-</td> <td>3997</td> <td>3\"/> </td></tr></td></tr></td></tr></td></tr></td></tr></td></tr></td></tr></td></tr></td></tr></td></tr></td></tr></td></tr></td></tr></td></tr></td></tr></td></tr></td></tr></td></tr></td></tr></td></tr></td></tr></td></tr></td> | ALUM. | ANODIZE D | - | - | 380B | 3\"/> <tr> <td>385</td> <td>ETR</td> <td>-</td> <td>WD.</td> <td>J2</td> <td>PTD.</td> <td>-</td> <td>382</td> <td>3\"/> <tr> <td>386</td> <td>ETR</td> <td>-</td> <td>WD.</td> <td>J2</td> <td>PTD.</td> <td>-</td> <td>382A</td> <td>3\"/> <tr> <td>387</td> <td>ETR</td> <td>-</td> <td>WD.</td> <td>J2</td> <td>PTD.</td> <td>-</td> <td>385</td> <td>3\"/> <tr> <td>388</td> <td>ETR</td> <td>-</td> <td>WD.</td> <td>J2</td> <td>PTD.</td> <td>-</td> <td>386</td> <td>3\"/> <tr> <td>389</td> <td>ETR</td> <td>-</td> <td>WD.</td> <td>J2</td> <td>PTD.</td> <td>-</td> <td>387</td> <td>3\"/> <tr> <td>391</td> <td>ETR</td> <td>-</td> <td>WD.</td> <td>J2</td> <td>PTD.</td> <td>-</td> <td>388</td> <td>3\"/> <tr> <td>391A</td> <td>ETR</td> <td>-</td> <td>WD.</td> <td>J2</td> <td>PTD.</td> <td>-</td> <td>389</td> <td>3\"/> <tr> <td>391B</td> <td>ETR</td> <td>-</td> <td>WD.</td> <td>J2</td> <td>PTD.</td> <td>-</td> <td>391</td> <td>3\"/> <tr> <td>394</td> <td>ETR</td> <td>-</td> <td>WD.</td> <td>J2</td> <td>PTD.</td> <td>-</td> <td>391A</td> <td>3\"/> <tr> <td>395</td> <td>ETR</td> <td>-</td> <td>WD.</td> <td>J2</td> <td>PTD.</td> <td>-</td> <td>391B</td> <td>3\"/> <tr> <td>396</td> <td>ETR</td> <td>-</td> <td>WD.</td> <td>J2</td> <td>PTD.</td> <td>-</td> <td>394</td> <td>3\"/> <tr> <td>398</td> <td>ETR</td> <td>-</td> <td>WD.</td> <td>J2</td> <td>PTD.</td> <td>-</td> <td>395</td> <td>3\"/> <tr> <td>399</td> <td>ETR</td> <td>-</td> <td>WD.</td> <td>J2</td> <td>PTD.</td> <td>-</td> <td>396</td> <td>3\"/> <tr> <td>3991</td> <td>ETR</td> <td>-</td> <td>WD.</td> <td>J2</td> <td>PTD.</td> <td>-</td> <td>398</td> <td>3\"/> <tr> <td>3992</td> <td>A</td> <td>3\"/> <tr> <td>3993</td> <td>ETR</td> <td>-</td> <td>WD.</td> <td>J2</td> <td>PTD.</td> <td>-</td> <td>399</td> <td>3\"/> <tr> <td>3994</td> <td>ETR</td> <td>-</td> <td>WD.</td> <td>J2</td> <td>PTD.</td> <td>-</td> <td>3991</td> <td>3\"/> <tr> <td>3995</td> <td>ETR</td> <td>-</td> <td>WD.</td> <td>J2</td> <td>PTD.</td> <td>-</td> <td>3992</td> <td>3\"/> <tr> <td>3997</td> <td>ETR</td> <td>-</td> <td>WD.</td> <td>J2</td> <td>PTD.</td> <td>-</td> <td>3993</td> <td>3\"/> <tr> <td>3998</td> <td>ETR</td> <td>-</td> <td>WD.</td> <td>J2</td> <td>PTD.</td> <td>-</td> <td>3994</td> <td>3\"/> <tr> <td>3999</td> <td>ETR</td> <td>-</td> <td>WD.</td> <td>J2</td> <td>PTD.</td> <td>-</td> <td>3995</td> <td>3\"/> <tr> <td>3999</td> <td>ETR</td> <td>-</td> <td>WD.</td> <td>J2</td> <td>PTD.</td> <td>-</td> <td>3997</td> <td>3\"/> </td></tr></td></tr></td></tr></td></tr></td></tr></td></tr></td></tr></td></tr></td></tr></td></tr></td></tr></td></tr></td></tr></td></tr></td></tr></td></tr></td></tr></td></tr></td></tr></td></tr></td></tr></td></tr>
 | 385 | ETR | - | WD. | J2 | PTD. | - | 382 | 3\"/> <tr> <td>386</td> <td>ETR</td> <td>-</td> <td>WD.</td> <td>J2</td> <td>PTD.</td> <td>-</td> <td>382A</td> <td>3\"/> <tr> <td>387</td> <td>ETR</td> <td>-</td> <td>WD.</td> <td>J2</td> <td>PTD.</td> <td>-</td> <td>385</td> <td>3\"/> <tr> <td>388</td> <td>ETR</td> <td>-</td> <td>WD.</td> <td>J2</td> <td>PTD.</td> <td>-</td> <td>386</td> <td>3\"/> <tr> <td>389</td> <td>ETR</td> <td>-</td> <td>WD.</td> <td>J2</td> <td>PTD.</td> <td>-</td> <td>387</td> <td>3\"/> <tr> <td>391</td> <td>ETR</td> <td>-</td> <td>WD.</td> <td>J2</td> <td>PTD.</td> <td>-</td> <td>388</td> <td>3\"/> <tr> <td>391A</td> <td>ETR</td> <td>-</td> <td>WD.</td> <td>J2</td> <td>PTD.</td> <td>-</td> <td>389</td> <td>3\"/> <tr> <td>391B</td> <td>ETR</td> <td>-</td> <td>WD.</td> <td>J2</td> <td>PTD.</td> <td>-</td> <td>391</td> <td>3\"/> <tr> <td>394</td> <td>ETR</td> <td>-</td> <td>WD.</td> <td>J2</td> <td>PTD.</td> <td>-</td> <td>391A</td> <td>3\"/> <tr> <td>395</td> <td>ETR</td> <td>-</td> <td>WD.</td> <td>J2</td> <td>PTD.</td> <td>-</td> <td>391B</td> <td>3\"/> <tr> <td>396</td> <td>ETR</td> <td>-</td> <td>WD.</td> <td>J2</td> <td>PTD.</td> <td>-</td> <td>394</td> <td>3\"/> <tr> <td>398</td> <td>ETR</td> <td>-</td> <td>WD.</td> <td>J2</td> <td>PTD.</td> <td>-</td> <td>395</td> <td>3\"/> <tr> <td>399</td> <td>ETR</td> <td>-</td> <td>WD.</td> <td>J2</td> <td>PTD.</td> <td>-</td> <td>396</td> <td>3\"/> <tr> <td>3991</td> <td>ETR</td> <td>-</td> <td>WD.</td> <td>J2</td> <td>PTD.</td> <td>-</td> <td>398</td> <td>3\"/> <tr> <td>3992</td> <td>A</td> <td>3\"/> <tr> <td>3993</td> <td>ETR</td> <td>-</td> <td>WD.</td> <td>J2</td> <td>PTD.</td> <td>-</td> <td>399</td> <td>3\"/> <tr> <td>3994</td> <td>ETR</td> <td>-</td> <td>WD.</td> <td>J2</td> <td>PTD.</td> <td>-</td> <td>3991</td> <td>3\"/> <tr> <td>3995</td> <td>ETR</td> <td>-</td> <td>WD.</td> <td>J2</td> <td>PTD.</td> <td>-</td> <td>3992</td> <td>3\"/> <tr> <td>3997</td> <td>ETR</td> <td>-</td> <td>WD.</td> <td>J2</td> <td>PTD.</td> <td>-</td> <td>3993</td> <td>3\"/> <tr> <td>3998</td> <td>ETR</td> <td>-</td> <td>WD.</td> <td>J2</td> <td>PTD.</td> <td>-</td> <td>3994</td> <td>3\"/> <tr> <td>3999</td> <td>ETR</td> <td>-</td> <td>WD.</td> <td>J2</td> <td>PTD.</td> <td>-</td> <td>3995</td> <td>3\"/> <tr> <td>3999</td> <td>ETR</td> <td>-</td> <td>WD.</td> <td>J2</td> <td>PTD.</td> <td>-</td> <td>3997</td> <td>3\"/> </td></tr></td></tr></td></tr></td></tr></td></tr></td></tr></td></tr></td></tr></td></tr></td></tr></td></tr></td></tr></td></tr></td></tr></td></tr></td></tr></td></tr></td></tr></td></tr></td></tr></td></tr>
 | 386 | ETR | -
 | WD. | J2 | PTD. | - | 382A | 3\"/> <tr> <td>387</td> <td>ETR</td> <td>-</td> <td>WD.</td> <td>J2</td> <td>PTD.</td> <td>-</td> <td>385</td> <td>3\"/> <tr> <td>388</td> <td>ETR</td> <td>-</td> <td>WD.</td> <td>J2</td> <td>PTD.</td> <td>-</td> <td>386</td> <td>3\"/> <tr> <td>389</td> <td>ETR</td> <td>-</td> <td>WD.</td> <td>J2</td> <td>PTD.</td> <td>-</td> <td>387</td> <td>3\"/> <tr> <td>391</td> <td>ETR</td> <td>-</td> <td>WD.</td> <td>J2</td> <td>PTD.</td> <td>-</td> <td>388</td> <td>3\"/> <tr> <td>391A</td> <td>ETR</td> <td>-</td> <td>WD.</td> <td>J2</td> <td>PTD.</td> <td>-</td> <td>389</td> <td>3\"/> <tr> <td>391B</td> <td>ETR</td> <td>-</td> <td>WD.</td> <td>J2</td> <td>PTD.</td> <td>-</td> <td>391</td> <td>3\"/> <tr> <td>394</td> <td>ETR</td> <td>-</td> <td>WD.</td> <td>J2</td> <td>PTD.</td> <td>-</td> <td>391A</td> <td>3\"/> <tr> <td>395</td> <td>ETR</td> <td>-</td> <td>WD.</td> <td>J2</td> <td>PTD.</td> <td>-</td> <td>391B</td> <td>3\"/> <tr> <td>396</td> <td>ETR</td> <td>-</td> <td>WD.</td> <td>J2</td> <td>PTD.</td> <td>-</td> <td>394</td> <td>3\"/> <tr> <td>398</td> <td>ETR</td> <td>-</td> <td>WD.</td> <td>J2</td> <td>PTD.</td> <td>-</td> <td>395</td> <td>3\"/> <tr> <td>399</td> <td>ETR</td> <td>-</td> <td>WD.</td> <td>J2</td> <td>PTD.</td> <td>-</td> <td>396</td> <td>3\"/> <tr> <td>3991</td> <td>ETR</td> <td>-</td> <td>WD.</td> <td>J2</td> <td>PTD.</td> <td>-</td> <td>398</td> <td>3\"/> <tr> <td>3992</td> <td>A</td> <td>3\"/> <tr> <td>3993</td> <td>ETR</td> <td>-</td> <td>WD.</td> <td>J2</td> <td>PTD.</td> <td>-</td> <td>399</td> <td>3\"/> <tr> <td>3994</td> <td>ETR</td> <td>-</td> <td>WD.</td> <td>J2</td> <td>PTD.</td> <td>-</td> <td>3991</td> <td>3\"/> <tr> <td>3995</td> <td>ETR</td> <td>-</td> <td>WD.</td> <td>J2</td> <td>PTD.</td> <td>-</td> <td>3992</td> <td>3\"/> <tr> <td>3997</td> <td>ETR</td> <td>-</td> <td>WD.</td> <td>J2</td> <td>PTD.</td> <td>-</td> <td>3993</td> <td>3\"/> <tr> <td>3998</td> <td>ETR</td> <td>-</td> <td>WD.</td> <td>J2</td> <td>PTD.</td> <td>-</td> <td>3994</td> <td>3\"/> <tr> <td>3999</td> <td>ETR</td> <td>-</td> <td>WD.</td> <td>J2</td> <td>PTD.</td> <td>-</td> <td>3995</td> <td>3\"/> <tr> <td>3999</td> <td>ETR</td> <td>-</td> <td>WD.</td> <td>J2</td> <td>PTD.</td> <td>-</td> <td>3997</td> <td>3\"/> </td></tr></td></tr></td></tr></td></tr></td></tr></td></tr></td></tr></td></tr></td></tr></td></tr></td></tr></td></tr></td></tr></td></tr></td></tr></td></tr></td></tr></td></tr></td></tr></td></tr> | 387 | ETR | -
 | WD. | J2 | PTD. | - | 385 | 3\"/> <tr> <td>388</td> <td>ETR</td> <td>-</td> <td>WD.</td> <td>J2</td> <td>PTD.</td> <td>-</td> <td>386</td> <td>3\"/> <tr> <td>389</td> <td>ETR</td> <td>-</td> <td>WD.</td> <td>J2</td> <td>PTD.</td> <td>-</td> <td>387</td> <td>3\"/> <tr> <td>391</td> <td>ETR</td> <td>-</td> <td>WD.</td> <td>J2</td> <td>PTD.</td> <td>-</td> <td>388</td> <td>3\"/> <tr> <td>391A</td> <td>ETR</td> <td>-</td> <td>WD.</td> <td>J2</td> <td>PTD.</td> <td>-</td> <td>389</td> <td>3\"/> <tr> <td>391B</td> <td>ETR</td> <td>-</td> <td>WD.</td> <td>J2</td> <td>PTD.</td> <td>-</td> <td>391</td> <td>3\"/> <tr> <td>394</td> <td>ETR</td> <td>-</td> <td>WD.</td> <td>J2</td> <td>PTD.</td> <td>-</td> <td>391A</td> <td>3\"/> <tr> <td>395</td> <td>ETR</td> <td>-</td> <td>WD.</td> <td>J2</td> <td>PTD.</td> <td>-</td> <td>391B</td> <td>3\"/> <tr> <td>396</td> <td>ETR</td> <td>-</td> <td>WD.</td> <td>J2</td> <td>PTD.</td> <td>-</td> <td>394</td> <td>3\"/> <tr> <td>398</td> <td>ETR</td> <td>-</td> <td>WD.</td> <td>J2</td> <td>PTD.</td> <td>-</td> <td>395</td> <td>3\"/> <tr> <td>399</td> <td>ETR</td> <td>-</td> <td>WD.</td> <td>J2</td> <td>PTD.</td> <td>-</td> <td>396</td> <td>3\"/> <tr> <td>3991</td> <td>ETR</td> <td>-</td> <td>WD.</td> <td>J2</td> <td>PTD.</td> <td>-</td> <td>398</td> <td>3\"/> <tr> <td>3992</td> <td>A</td> <td>3\"/> <tr> <td>3993</td> <td>ETR</td> <td>-</td> <td>WD.</td> <td>J2</td> <td>PTD.</td> <td>-</td> <td>399</td> <td>3\"/> <tr> <td>3994</td> <td>ETR</td> <td>-</td> <td>WD.</td> <td>J2</td> <td>PTD.</td> <td>-</td> <td>3991</td> <td>3\"/> <tr> <td>3995</td> <td>ETR</td> <td>-</td> <td>WD.</td> <td>J2</td> <td>PTD.</td> <td>-</td> <td>3992</td> <td>3\"/> <tr> <td>3997</td> <td>ETR</td> <td>-</td> <td>WD.</td> <td>J2</td> <td>PTD.</td> <td>-</td> <td>3993</td> <td>3\"/> <tr> <td>3998</td> <td>ETR</td> <td>-</td> <td>WD.</td> <td>J2</td> <td>PTD.</td> <td>-</td> <td>3994</td> <td>3\"/> <tr> <td>3999</td> <td>ETR</td> <td>-</td> <td>WD.</td> <td>J2</td> <td>PTD.</td> <td>-</td> <td>3995</td> <td>3\"/> <tr> <td>3999</td> <td>ETR</td> <td>-</td> <td>WD.</td> <td>J2</td> <td>PTD.</td> <td>-</td> <td>3997</td> <td>3\"/> </td></tr></td></tr></td></tr></td></tr></td></tr></td></tr></td></tr></td></tr></td></tr></td></tr></td></tr></td></tr></td></tr></td></tr></td></tr></td></tr></td></tr></td></tr></td></tr> | 388 | ETR | -
 | WD. | J2 | PTD. | - | 386 | 3\"/> <tr> <td>389</td> <td>ETR</td> <td>-</td> <td>WD.</td> <td>J2</td> <td>PTD.</td> <td>-</td> <td>387</td> <td>3\"/> <tr> <td>391</td> <td>ETR</td> <td>-</td> <td>WD.</td> <td>J2</td> <td>PTD.</td> <td>-</td> <td>388</td> <td>3\"/> <tr> <td>391A</td> <td>ETR</td> <td>-</td> <td>WD.</td> <td>J2</td> <td>PTD.</td> <td>-</td> <td>389</td> <td>3\"/> <tr> <td>391B</td> <td>ETR</td> <td>-</td> <td>WD.</td> <td>J2</td> <td>PTD.</td> <td>-</td> <td>391</td> <td>3\"/> <tr> <td>394</td> <td>ETR</td> <td>-</td> <td>WD.</td> <td>J2</td> <td>PTD.</td> <td>-</td> <td>391A</td> <td>3\"/> <tr> <td>395</td> <td>ETR</td> <td>-</td> <td>WD.</td> <td>J2</td> <td>PTD.</td> <td>-</td> <td>391B</td> <td>3\"/> <tr> <td>396</td> <td>ETR</td> <td>-</td> <td>WD.</td> <td>J2</td> <td>PTD.</td> <td>-</td> <td>394</td> <td>3\"/> <tr> <td>398</td> <td>ETR</td> <td>-</td> <td>WD.</td> <td>J2</td> <td>PTD.</td> <td>-</td> <td>395</td> <td>3\"/> <tr> <td>399</td> <td>ETR</td> <td>-</td> <td>WD.</td> <td>J2</td> <td>PTD.</td> <td>-</td> <td>396</td> <td>3\"/> <tr> <td>3991</td> <td>ETR</td> <td>-</td> <td>WD.</td> <td>J2</td> <td>PTD.</td> <td>-</td> <td>398</td> <td>3\"/> <tr> <td>3992</td> <td>A</td> <td>3\"/> <tr> <td>3993</td> <td>ETR</td> <td>-</td> <td>WD.</td> <td>J2</td> <td>PTD.</td> <td>-</td> <td>399</td> <td>3\"/> <tr> <td>3994</td> <td>ETR</td> <td>-</td> <td>WD.</td> <td>J2</td> <td>PTD.</td> <td>-</td> <td>3991</td> <td>3\"/> <tr> <td>3995</td> <td>ETR</td> <td>-</td> <td>WD.</td> <td>J2</td> <td>PTD.</td> <td>-</td> <td>3992</td> <td>3\"/> <tr> <td>3997</td> <td>ETR</td> <td>-</td> <td>WD.</td> <td>J2</td> <td>PTD.</td> <td>-</td> <td>3993</td> <td>3\"/> <tr> <td>3998</td> <td>ETR</td> <td>-</td> <td>WD.</td> <td>J2</td> <td>PTD.</td> <td>-</td> <td>3994</td> <td>3\"/> <tr> <td>3999</td> <td>ETR</td> <td>-</td> <td>WD.</td> <td>J2</td> <td>PTD.</td> <td>-</td> <td>3995</td> <td>3\"/> <tr> <td>3999</td> <td>ETR</td> <td>-</td> <td>WD.</td> <td>J2</td> <td>PTD.</td> <td>-</td> <td>3997</td> <td>3\"/> </td></tr></td></tr></td></tr></td></tr></td></tr></td></tr></td></tr></td></tr></td></tr></td></tr></td></tr></td></tr></td></tr></td></tr></td></tr></td></tr></td></tr></td></tr>
 | 389 | ETR | - | WD. | J2 | PTD. | - | 387 | 3\"/> <tr> <td>391</td> <td>ETR</td> <td>-</td> <td>WD.</td> <td>J2</td> <td>PTD.</td> <td>-</td> <td>388</td> <td>3\"/> <tr> <td>391A</td> <td>ETR</td> <td>-</td> <td>WD.</td> <td>J2</td> <td>PTD.</td> <td>-</td> <td>389</td> <td>3\"/> <tr> <td>391B</td> <td>ETR</td> <td>-</td> <td>WD.</td> <td>J2</td> <td>PTD.</td> <td>-</td> <td>391</td> <td>3\"/> <tr> <td>394</td> <td>ETR</td> <td>-</td> <td>WD.</td> <td>J2</td> <td>PTD.</td> <td>-</td> <td>391A</td> <td>3\"/> <tr> <td>395</td> <td>ETR</td> <td>-</td> <td>WD.</td> <td>J2</td> <td>PTD.</td> <td>-</td> <td>391B</td> <td>3\"/> <tr> <td>396</td> <td>ETR</td> <td>-</td> <td>WD.</td> <td>J2</td> <td>PTD.</td> <td>-</td> <td>394</td> <td>3\"/> <tr> <td>398</td> <td>ETR</td> <td>-</td> <td>WD.</td> <td>J2</td> <td>PTD.</td> <td>-</td> <td>395</td> <td>3\"/> <tr> <td>399</td> <td>ETR</td> <td>-</td> <td>WD.</td> <td>J2</td> <td>PTD.</td> <td>-</td> <td>396</td> <td>3\"/> <tr> <td>3991</td> <td>ETR</td> <td>-</td> <td>WD.</td> <td>J2</td> <td>PTD.</td> <td>-</td> <td>398</td> <td>3\"/> <tr> <td>3992</td> <td>A</td> <td>3\"/> <tr> <td>3993</td> <td>ETR</td> <td>-</td> <td>WD.</td> <td>J2</td> <td>PTD.</td> <td>-</td> <td>399</td> <td>3\"/> <tr> <td>3994</td> <td>ETR</td> <td>-</td> <td>WD.</td> <td>J2</td> <td>PTD.</td> <td>-</td> <td>3991</td> <td>3\"/> <tr> <td>3995</td> <td>ETR</td> <td>-</td> <td>WD.</td> <td>J2</td> <td>PTD.</td> <td>-</td> <td>3992</td> <td>3\"/> <tr> <td>3997</td> <td>ETR</td> <td>-</td> <td>WD.</td> <td>J2</td> <td>PTD.</td> <td>-</td> <td>3993</td> <td>3\"/> <tr> <td>3998</td> <td>ETR</td> <td>-</td> <td>WD.</td> <td>J2</td> <td>PTD.</td> <td>-</td> <td>3994</td> <td>3\"/> <tr> <td>3999</td> <td>ETR</td> <td>-</td> <td>WD.</td> <td>J2</td> <td>PTD.</td> <td>-</td> <td>3995</td> <td>3\"/> <tr> <td>3999</td> <td>ETR</td> <td>-</td> <td>WD.</td> <td>J2</td> <td>PTD.</td> <td>-</td> <td>3997</td> <td>3\"/> </td></tr></td></tr></td></tr></td></tr></td></tr></td></tr></td></tr></td></tr></td></tr></td></tr></td></tr></td></tr></td></tr></td></tr></td></tr></td></tr></td></tr>
 | 391 | ETR | - | WD. | J2 | PTD. | - | 388 | 3\"/> <tr> <td>391A</td> <td>ETR</td> <td>-</td> <td>WD.</td> <td>J2</td> <td>PTD.</td> <td>-</td> <td>389</td> <td>3\"/> <tr> <td>391B</td> <td>ETR</td> <td>-</td> <td>WD.</td> <td>J2</td> <td>PTD.</td> <td>-</td> <td>391</td> <td>3\"/> <tr> <td>394</td> <td>ETR</td> <td>-</td> <td>WD.</td> <td>J2</td> <td>PTD.</td> <td>-</td> <td>391A</td> <td>3\"/> <tr> <td>395</td> <td>ETR</td> <td>-</td> <td>WD.</td> <td>J2</td> <td>PTD.</td> <td>-</td> <td>391B</td> <td>3\"/> <tr> <td>396</td> <td>ETR</td> <td>-</td> <td>WD.</td> <td>J2</td> <td>PTD.</td> <td>-</td> <td>394</td> <td>3\"/> <tr> <td>398</td> <td>ETR</td> <td>-</td> <td>WD.</td> <td>J2</td> <td>PTD.</td> <td>-</td> <td>395</td> <td>3\"/> <tr> <td>399</td> <td>ETR</td> <td>-</td> <td>WD.</td> <td>J2</td> <td>PTD.</td> <td>-</td> <td>396</td> <td>3\"/> <tr> <td>3991</td> <td>ETR</td> <td>-</td> <td>WD.</td> <td>J2</td> <td>PTD.</td> <td>-</td>
<td>398</td> <td>3\"/> <tr> <td>3992</td> <td>A</td> <td>3\"/> <tr> <td>3993</td> <td>ETR</td> <td>-</td> <td>WD.</td> <td>J2</td> <td>PTD.</td> <td>-</td> <td>399</td> <td>3\"/> <tr> <td>3994</td> <td>ETR</td> <td>-</td> <td>WD.</td> <td>J2</td> <td>PTD.</td> <td>-</td> <td>3991</td> <td>3\"/> <tr> <td>3995</td> <td>ETR</td> <td>-</td> <td>WD.</td> <td>J2</td> <td>PTD.</td> <td>-</td> <td>3992</td> <td>3\"/> <tr> <td>3997</td> <td>ETR</td> <td>-</td> <td>WD.</td> <td>J2</td> <td>PTD.</td> <td>-</td> <td>3993</td> <td>3\"/> <tr> <td>3998</td> <td>ETR</td> <td>-</td> <td>WD.</td> <td>J2</td> <td>PTD.</td> <td>-</td> <td>3994</td> <td>3\"/> <tr> <td>3999</td> <td>ETR</td> <td>-</td> <td>WD.</td> <td>J2</td> <td>PTD.</td> <td>-</td> <td>3995</td> <td>3\"/> <tr> <td>3999</td> <td>ETR</td> <td>-</td> <td>WD.</td> <td>J2</td> <td>PTD.</td> <td>-</td> <td>3997</td> <td>3\"/> </td></tr></td></tr></td></tr></td></tr></td></tr></td></tr></td></tr></td></tr></td></tr></td></tr></td></tr></td></tr></td></tr></td></tr></td></tr></td></tr> | 391A | ETR | -
 | WD. | J2 | PTD. | - | 389 | 3\"/> <tr> <td>391B</td> <td>ETR</td> <td>-</td> <td>WD.</td> <td>J2</td> <td>PTD.</td> <td>-</td> <td>391</td> <td>3\"/> <tr> <td>394</td> <td>ETR</td> <td>-</td> <td>WD.</td> <td>J2</td> <td>PTD.</td> <td>-</td> <td>391A</td> <td>3\"/> <tr> <td>395</td> <td>ETR</td> <td>-</td> <td>WD.</td> <td>J2</td> <td>PTD.</td> <td>-</td> <td>391B</td> <td>3\"/> <tr> <td>396</td> <td>ETR</td> <td>-</td> <td>WD.</td> <td>J2</td> <td>PTD.</td> <td>-</td> <td>394</td> <td>3\"/> <tr> <td>398</td> <td>ETR</td> <td>-</td> <td>WD.</td> <td>J2</td> <td>PTD.</td> <td>-</td> <td>395</td> <td>3\"/> <tr> <td>399</td> <td>ETR</td> <td>-</td> <td>WD.</td> <td>J2</td> <td>PTD.</td> <td>-</td> <td>396</td> <td>3\"/> <tr> <td>3991</td> <td>ETR</td> <td>-</td> <td>WD.</td> <td>J2</td> <td>PTD.</td> <td>-</td> <td>398</td> <td>3\"/> <tr> <td>3992</td> <td>A</td> <td>3\"/> <tr> <td>3993</td> <td>ETR</td> <td>-</td> <td>WD.</td> <td>J2</td> <td>PTD.</td> <td>-</td> <td>399</td> <td>3\"/> <tr> <td>3994</td> <td>ETR</td> <td>-</td> <td>WD.</td> <td>J2</td> <td>PTD.</td> <td>-</td> <td>3991</td> <td>3\"/> <tr> <td>3995</td> <td>ETR</td> <td>-</td> <td>WD.</td> <td>J2</td> <td>PTD.</td> <td>-</td> <td>3992</td> <td>3\"/> <tr> <td>3997</td> <td>ETR</td> <td>-</td> <td>WD.</td> <td>J2</td> <td>PTD.</td> <td>-</td> <td>3993</td> <td>3\"/> <tr> <td>3998</td> <td>ETR</td> <td>-</td> <td>WD.</td> <td>J2</td> <td>PTD.</td> <td>-</td> <td>3994</td> <td>3\"/> <tr> <td>3999</td> <td>ETR</td> <td>-</td> <td>WD.</td> <td>J2</td> <td>PTD.</td> <td>-</td> <td>3995</td> <td>3\"/> <tr> <td>3999</td> <td>ETR</td> <td>-</td> <td>WD.</td> <td>J2</td> <td>PTD.</td> <td>-</td> <td>3997</td> <td>3\"/> </td></tr></td></tr></td></tr></td></tr></td></tr></td></tr></td></tr></td></tr></td></tr></td></tr></td></tr></td></tr></td></tr></td></tr></td></tr> | 391B | ETR | -
 | WD. | J2 | PTD. | - | 391 | 3\"/> <tr> <td>394</td> <td>ETR</td> <td>-</td> <td>WD.</td> <td>J2</td> <td>PTD.</td> <td>-</td> <td>391A</td> <td>3\"/> <tr> <td>395</td> <td>ETR</td> <td>-</td> <td>WD.</td> <td>J2</td> <td>PTD.</td> <td>-</td> <td>391B</td> <td>3\"/> <tr> <td>396</td> <td>ETR</td> <td>-</td> <td>WD.</td> <td>J2</td> <td>PTD.</td> <td>-</td> <td>394</td> <td>3\"/> <tr> <td>398</td> <td>ETR</td> <td>-</td> <td>WD.</td> <td>J2</td> <td>PTD.</td> <td>-</td> <td>395</td> <td>3\"/> <tr> <td>399</td> <td>ETR</td> <td>-</td> <td>WD.</td> <td>J2</td> <td>PTD.</td> <td>-</td> <td>396</td> <td>3\"/> <tr> <td>3991</td> <td>ETR</td> <td>-</td> <td>WD.</td> <td>J2</td> <td>PTD.</td> <td>-</td> <td>398</td> <td>3\"/> <tr> <td>3992</td> <td>A</td> <td>3\"/> <tr> <td>3993</td> <td>ETR</td> <td>-</td> <td>WD.</td> <td>J2</td> <td>PTD.</td> <td>-</td> <td>399</td> <td>3\"/> <tr> <td>3994</td> <td>ETR</td> <td>-</td> <td>WD.</td> <td>J2</td> <td>PTD.</td> <td>-</td> <td>3991</td> <td>3\"/> <tr> <td>3995</td> <td>ETR</td> <td>-</td> <td>WD.</td> <td>J2</td> <td>PTD.</td> <td>-</td> <td>3992</td> <td>3\"/> <tr> <td>3997</td> <td>ETR</td> <td>-</td> <td>WD.</td> <td>J2</td> <td>PTD.</td> <td>-</td> <td>3993</td> <td>3\"/> <tr> <td>3998</td> <td>ETR</td> <td>-</td> <td>WD.</td> <td>J2</td> <td>PTD.</td> <td>-</td> <td>3994</td> <td>3\"/> <tr> <td>3999</td> <td>ETR</td> <td>-</td> <td>WD.</td> <td>J2</td> <td>PTD.</td> <td>-</td> <td>3995</td> <td>3\"/> <tr> <td>3999</td> <td>ETR</td> <td>-</td> <td>WD.</td> <td>J2</td> <td>PTD.</td> <td>-</td> <td>3997</td> <td>3\"/> </td></tr></td></tr></td></tr></td></tr></td></tr></td></tr></td></tr></td></tr></td></tr></td></tr></td></tr></td></tr></td></tr></td></tr> | 394 | ETR | -
 | WD. | J2 | PTD. | - | 391A | 3\"/> <tr> <td>395</td> <td>ETR</td> <td>-</td> <td>WD.</td> <td>J2</td> <td>PTD.</td> <td>-</td> <td>391B</td> <td>3\"/> <tr> <td>396</td> <td>ETR</td> <td>-</td> <td>WD.</td> <td>J2</td> <td>PTD.</td> <td>-</td> <td>394</td> <td>3\"/> <tr> <td>398</td> <td>ETR</td> <td>-</td> <td>WD.</td> <td>J2</td> <td>PTD.</td> <td>-</td> <td>395</td> <td>3\"/> <tr> <td>399</td> <td>ETR</td> <td>-</td> <td>WD.</td> <td>J2</td> <td>PTD.</td> <td>-</td> <td>396</td> <td>3\"/> <tr> <td>3991</td> <td>ETR</td> <td>-</td> <td>WD.</td> <td>J2</td> <td>PTD.</td> <td>-</td> <td>398</td> <td>3\"/> <tr> <td>3992</td> <td>A</td> <td>3\"/> <tr> <td>3993</td> <td>ETR</td> <td>-</td> <td>WD.</td> <td>J2</td> <td>PTD.</td> <td>-</td> <td>399</td> <td>3\"/> <tr> <td>3994</td> <td>ETR</td> <td>-</td> <td>WD.</td> <td>J2</td> <td>PTD.</td> <td>-</td> <td>3991</td> <td>3\"/> <tr> <td>3995</td> <td>ETR</td> <td>-</td> <td>WD.</td> <td>J2</td> <td>PTD.</td> <td>-</td> <td>3992</td> <td>3\"/> <tr> <td>3997</td> <td>ETR</td> <td>-</td> <td>WD.</td> <td>J2</td> <td>PTD.</td> <td>-</td> <td>3993</td> <td>3\"/> <tr> <td>3998</td> <td>ETR</td> <td>-</td> <td>WD.</td> <td>J2</td> <td>PTD.</td> <td>-</td> <td>3994</td> <td>3\"/> <tr> <td>3999</td> <td>ETR</td> <td>-</td> <td>WD.</td> <td>J2</td> <td>PTD.</td> <td>-</td> <td>3995</td> <td>3\"/> <tr> <td>3999</td> <td>ETR</td> <td>-</td> <td>WD.</td> <td>J2</td> <td>PTD.</td> <td>-</td> <td>3997</td> <td>3\"/> </td></tr></td></tr></td></tr></td></tr></td></tr></td></tr></td></tr></td></tr></td></tr></td></tr></td></tr></td></tr></td></tr> | 395 | ETR | -
 | WD. | J2 | PTD. | - | 391B | 3\"/> <tr> <td>396</td> <td>ETR</td> <td>-</td> <td>WD.</td> <td>J2</td> <td>PTD.</td> <td>-</td> <td>394</td> <td>3\"/> <tr> <td>398</td> <td>ETR</td> <td>-</td> <td>WD.</td> <td>J2</td> <td>PTD.</td> <td>-</td> <td>395</td> <td>3\"/> <tr> <td>399</td> <td>ETR</td> <td>-</td> <td>WD.</td> <td>J2</td> <td>PTD.</td> <td>-</td> <td>396</td> <td>3\"/> <tr> <td>3991</td> <td>ETR</td> <td>-</td> <td>WD.</td> <td>J2</td> <td>PTD.</td> <td>-</td> <td>398</td> <td>3\"/> <tr> <td>3992</td> <td>A</td> <td>3\"/> <tr> <td>3993</td> <td>ETR</td> <td>-</td> <td>WD.</td> <td>J2</td> <td>PTD.</td> <td>-</td> <td>399</td> <td>3\"/> <tr> <td>3994</td> <td>ETR</td> <td>-</td> <td>WD.</td> <td>J2</td> <td>PTD.</td> <td>-</td> <td>3991</td> <td>3\"/> <tr> <td>3995</td> <td>ETR</td> <td>-</td> <td>WD.</td> <td>J2</td> <td>PTD.</td> <td>-</td> <td>3992</td> <td>3\"/> <tr> <td>3997</td> <td>ETR</td> <td>-</td> <td>WD.</td> <td>J2</td> <td>PTD.</td> <td>-</td> <td>3993</td> <td>3\"/> <tr> <td>3998</td> <td>ETR</td> <td>-</td> <td>WD.</td> <td>J2</td> <td>PTD.</td> <td>-</td> <td>3994</td> <td>3\"/> <tr> <td>3999</td> <td>ETR</td> <td>-</td> <td>WD.</td> <td>J2</td> <td>PTD.</td> <td>-</td> <td>3995</td> <td>3\"/> <tr> <td>3999</td> <td>ETR</td> <td>-</td> <td>WD.</td> <td>J2</td> <td>PTD.</td> <td>-</td> <td>3997</td> <td>3\"/> </td></tr></td></tr></td></tr></td></tr></td></tr></td></tr></td></tr></td></tr></td></tr></td></tr></td></tr></td></tr> | 396 | ETR | -
 | WD. | J2 | PTD. | - | 394 | 3\"/> <tr> <td>398</td> <td>ETR</td> <td>-</td> <td>WD.</td> <td>J2</td> <td>PTD.</td> <td>-</td> <td>395</td> <td>3\"/> <tr> <td>399</td> <td>ETR</td> <td>-</td> <td>WD.</td> <td>J2</td> <td>PTD.</td> <td>-</td> <td>396</td> <td>3\"/> <tr> <td>3991</td> <td>ETR</td> <td>-</td> <td>WD.</td> <td>J2</td> <td>PTD.</td> <td>-</td> <td>398</td> <td>3\"/> <tr> <td>3992</td> <td>A</td> <td>3\"/> <tr> <td>3993</td> <td>ETR</td> <td>-</td> <td>WD.</td> <td>J2</td> <td>PTD.</td>
<td>-</td> <td>399</td> <td>3\"/> <tr> <td>3994</td> <td>ETR</td> <td>-</td> <td>WD.</td> <td>J2</td> <td>PTD.</td> <td>-</td> <td>3991</td> <td>3\"/> <tr> <td>3995</td> <td>ETR</td> <td>-</td> <td>WD.</td> <td>J2</td> <td>PTD.</td> <td>-</td> <td>3992</td> <td>3\"/> <tr> <td>3997</td> <td>ETR</td> <td>-</td> <td>WD.</td> <td>J2</td> <td>PTD.</td> <td>-</td> <td>3993</td> <td>3\"/> <tr> <td>3998</td> <td>ETR</td> <td>-</td> <td>WD.</td> <td>J2</td> <td>PTD.</td> <td>-</td> <td>3994</td> <td>3\"/> <tr> <td>3999</td> <td>ETR</td> <td>-</td> <td>WD.</td> <td>J2</td> <td>PTD.</td> <td>-</td> <td>3995</td> <td>3\"/> <tr> <td>3999</td> <td>ETR</td> <td>-</td> <td>WD.</td> <td>J2</td> <td>PTD.</td> <td>-</td> <td>3997</td> <td>3\"/> </td></tr></td></tr></td></tr></td></tr></td></tr></td></tr></td></tr></td></tr></td></tr></td></tr></td></tr> | 398 | ETR | - | WD. | J2 | PTD. | - | 395 | 3\"/> <tr> <td>399</td> <td>ETR</td> <td>-</td> <td>WD.</td> <td>J2</td> <td>PTD.</td> <td>-</td> <td>396</td> <td>3\"/> <tr> <td>3991</td> <td>ETR</td> <td>-</td> <td>WD.</td> <td>J2</td> <td>PTD.</td>
<td>-</td> <td>398</td> <td>3\"/> <tr> <td>3992</td> <td>A</td> <td>3\"/> <tr> <td>3993</td> <td>ETR</td> <td>-</td> <td>WD.</td> <td>J2</td> <td>PTD.</td> <td>-</td> <td>399</td> <td>3\"/> <tr> <td>3994</td> <td>ETR</td> <td>-</td> <td>WD.</td> <td>J2</td> <td>PTD.</td> <td>-</td> <td>3991</td> <td>3\"/> <tr> <td>3995</td> <td>ETR</td> <td>-</td> <td>WD.</td> <td>J2</td> <td>PTD.</td> <td>-</td> <td>3992</td> <td>3\"/> <tr> <td>3997</td> <td>ETR</td> <td>-</td> <td>WD.</td> <td>J2</td> <td>PTD.</td> <td>-</td> <td>3993</td> <td>3\"/> <tr> <td>3998</td> <td>ETR</td> <td>-</td> <td>WD.</td> <td>J2</td> <td>PTD.</td> <td>-</td> <td>3994</td> <td>3\"/> <tr> <td>3999</td> <td>ETR</td> <td>-</td> <td>WD.</td> <td>J2</td> <td>PTD.</td> <td>-</td> <td>3995</td> <td>3\"/> <tr> <td>3999</td> <td>ETR</td> <td>-</td> <td>WD.</td> <td>J2</td> <td>PTD.</td> <td>-</td> <td>3997</td> <td>3\"/> </td></tr></td></tr></td></tr></td></tr></td></tr></td></tr></td></tr></td></tr></td></tr></td></tr> | 399 | ETR | - | WD. | J2 | PTD. | - | 396 | 3\"/> <tr> <td>3991</td> <td>ETR</td> <td>-</td> <td>WD.</td> <td>J2</td> <td>PTD.</td> <td>-</td> <td>398</td> <td>3\"/> <tr> <td>3992</td> <td>A</td> <td>3\"/> <tr> <td>3993</td>
<td>ETR</td> <td>-</td> <td>WD.</td> <td>J2</td> <td>PTD.</td> <td>-</td> <td>399</td> <td>3\"/> <tr> <td>3994</td> <td>ETR</td> <td>-</td> <td>WD.</td> <td>J2</td> <td>PTD.</td> <td>-</td> <td>3991</td> <td>3\"/> <tr> <td>3995</td> <td>ETR</td> <td>-</td> <td>WD.</td> <td>J2</td> <td>PTD.</td> <td>-</td> <td>3992</td> <td>3\"/> <tr> <td>3997</td> <td>ETR</td> <td>-</td> <td>WD.</td> <td>J2</td> <td>PTD.</td> <td>-</td> <td>3993</td> <td>3\"/> <tr> <td>3998</td> <td>ETR</td> <td>-</td> <td>WD.</td> <td>J2</td> <td>PTD.</td> <td>-</td> <td>3994</td> <td>3\"/> <tr> <td>3999</td> <td>ETR</td> <td>-</td> <td>WD.</td> <td>J2</td> <td>PTD.</td> <td>-</td> <td>3995</td> <td>3\"/> <tr> <td>3999</td> <td>ETR</td> <td>-</td> <td>WD.</td> <td>J2</td> <td>PTD.</td> <td>-</td> <td>3997</td> <td>3\"/> </td></tr></td></tr></td></tr></td></tr></td></tr></td></tr></td></tr></td></tr></td></tr> | 3991 | ETR | - | WD. | J2 | PTD. | - | 398 | 3\"/> <tr> <td>3992</td> <td>A</td> <td>3\"/> <tr> <td>3993</td> <td>ETR</td> <td>-</td> <td>WD.</td> <td>J2</td> <td>PTD.</td> <td>-</td> <td>399</td> <td>3\"/> <tr> <td>3994</td> <td>ETR</td> <td>-</td> <td>WD.</td> <td>J2</td> <td>PTD.</td> <td>-</td> <td>3991</td> <td>3\"/> <tr> <td>3995</td> <td>ETR</td> <td>-</td> <td>WD.</td> <td>J2</td> <td>PTD.</td> <td>-</td> <td>3992</td> <td>3\"/> <tr> <td>3997</td>
<td>ETR</td> <td>-</td> <td>WD.</td> <td>J2</td> <td>PTD.</td> <td>-</td> <td>3993</td> <td>3\"/> <tr> <td>3998</td> <td>ETR</td> <td>-</td> <td>WD.</td> <td>J2</td> <td>PTD.</td> <td>-</td> <td>3994</td> <td>3\"/> <tr> <td>3999</td> <td>ETR</td> <td>-</td> <td>WD.</td> <td>J2</td> <td>PTD.</td> <td>-</td> <td>3995</td> <td>3\"/> <tr> <td>3999</td> <td>ETR</td> <td>-</td> <td>WD.</td> <td>J2</td> <td>PTD.</td> <td>-</td> <td>3997</td> <td>3\"/> </td></tr></td></tr></td></tr></td></tr></td></tr></td></tr></td></tr></td></tr> | 3992 | A | 3\"/> <tr> <td>3993</td> <td>ETR</td> <td>-</td> <td>WD.</td> <td>J2</td> <td>PTD.</td> <td>-</td> <td>399</td> <td>3\"/> <tr> <td>3994</td> <td>ETR</td> <td>-</td> <td>WD.</td> <td>J2</td> <td>PTD.</td> <td>-</td> <td>3991</td> <td>3\"/> <tr> <td>3995</td> <td>ETR</td> <td>-</td> <td>WD.</td> <td>J2</td> <td>PTD.</td> <td>-</td> <td>3992</td> <td>3\"/> <tr> <td>3997</td> <td>ETR</td> <td>-</td> <td>WD.</td> <td>J2</td> <td>PTD.</td> <td>-</td> <td>3993</td> <td>3\"/> <tr> <td>3998</td> <td>ETR</td> <td>-</td> <td>WD.</td> <td>J2</td> <td>PTD.</td> <td>-</td> <td>3994</td> <td>3\"/> <tr> <td>3999</td> <td>ETR</td> <td>-</td> <td>WD.</td> <td>J2</td> <td>PTD.</td> <td>-</td> <td>3995</td> <td>3\"/> <tr> <td>3999</td> <td>ETR</td> <td>-</td> <td>WD.</td> <td>J2</td> <td>PTD.</td> <td>-</td> <td>3997</td> <td>3\"/> </td></tr></td></tr></td></tr></td></tr></td></tr></td></tr></td></tr> | 3993 | ETR | - | WD. | J2 | PTD.
 | - | 399 | 3\"/> <tr> <td>3994</td> <td>ETR</td> <td>-</td> <td>WD.</td> <td>J2</td> <td>PTD.</td> <td>-</td> <td>3991</td> <td>3\"/> <tr> <td>3995</td> <td>ETR</td> <td>-</td> <td>WD.</td> <td>J2</td> <td>PTD.</td> <td>-</td> <td>3992</td> <td>3\"/> <tr> <td>3997</td> <td>ETR</td> <td>-</td> <td>WD.</td> <td>J2</td> <td>PTD.</td> <td>-</td> <td>3993</td> <td>3\"/> <tr> <td>3998</td> <td>ETR</td> <td>-</td> <td>WD.</td> <td>J2</td> <td>PTD.</td> <td>-</td> <td>3994</td> <td>3\"/> <tr> <td>3999</td> <td>ETR</td> <td>-</td> <td>WD.</td> <td>J2</td> <td>PTD.</td> <td>-</td> <td>3995</td> <td>3\"/> <tr> <td>3999</td> <td>ETR</td> <td>-</td> <td>WD.</td> <td>J2</td> <td>PTD.</td> <td>-</td> <td>3997</td> <td>3\"/> </td></tr></td></tr></td></tr></td></tr></td></tr></td></tr> | 3994 | ETR | -
 | WD. | J2 | PTD. | - | 3991 | 3\"/> <tr> <td>3995</td> <td>ETR</td> <td>-</td> <td>WD.</td> <td>J2</td> <td>PTD.</td> <td>-</td> <td>3992</td> <td>3\"/> <tr> <td>3997</td> <td>ETR</td> <td>-</td> <td>WD.</td> <td>J2</td> <td>PTD.</td> <td>-</td> <td>3993</td> <td>3\"/> <tr> <td>3998</td> <td>ETR</td> <td>-</td> <td>WD.</td> <td>J2</td> <td>PTD.</td> <td>-</td> <td>3994</td> <td>3\"/> <tr> <td>3999</td> <td>ETR</td> <td>-</td> <td>WD.</td> <td>J2</td> <td>PTD.</td> <td>-</td> <td>3995</td> <td>3\"/> <tr> <td>3999</td> <td>ETR</td> <td>-</td> <td>WD.</td> <td>J2</td> <td>PTD.</td> <td>-</td> <td>3997</td> <td>3\"/> </td></tr></td></tr></td></tr></td></tr></td></tr>
 | 3995 | ETR | - | WD. | J2 | PTD. | - | 3992 | 3\"/> <tr> <td>3997</td> <td>ETR</td> <td>-</td> <td>WD.</td> <td>J2</td> <td>PTD.</td> <td>-</td> <td>3993</td> <td>3\"/> <tr> <td>3998</td> <td>ETR</td> <td>-</td> <td>WD.</td> <td>J2</td> <td>PTD.</td> <td>-</td> <td>3994</td> <td>3\"/> <tr> <td>3999</td> <td>ETR</td> <td>-</td> <td>WD.</td> <td>J2</td> <td>PTD.</td> <td>-</td> <td>3995</td> <td>3\"/> <tr> <td>3999</td> <td>ETR</td> <td>-</td> <td>WD.</td> <td>J2</td> <td>PTD.</td> <td>-</td> <td>3997</td> <td>3\"/> </td></tr></td></tr></td></tr></td></tr>
 | 3997 | ETR | - | WD. | J2 | PTD. | - | 3993 | 3\"/> <tr> <td>3998</td> <td>ETR</td> <td>-</td> <td>WD.</td> <td>J2</td> <td>PTD.</td> <td>-</td> <td>3994</td> <td>3\"/> <tr> <td>3999</td> <td>ETR</td> <td>-</td> <td>WD.</td> <td>J2</td> <td>PTD.</td> <td>-</td> <td>3995</td> <td>3\"/> <tr> <td>3999</td> <td>ETR</td> <td>-</td> <td>WD.</td> <td>J2</td> <td>PTD.</td> <td>-</td> <td>3997</td> <td>3\"/> </td></tr></td></tr></td></tr> | 3998 | ETR | - | WD. | J2 | PTD.
 | - | 3994 | 3\"/> <tr> <td>3999</td> <td>ETR</td> <td>-</td> <td>WD.</td> <td>J2</td> <td>PTD.</td> <td>-</td> <td>3995</td> <td>3\"/> <tr> <td>3999</td> <td>ETR</td> <td>-</td> <td>WD.</td> <td>J2</td> <td>PTD.</td> <td>-</td> <td>3997</td> <td>3\"/> </td></tr></td></tr> | 3999 | ETR | -
 | WD. | J2 | PTD. | - | 3995 | 3\"/> <tr> <td>3999</td> <td>ETR</td> <td>-</td> <td>WD.</td> <td>J2</td> <td>PTD.</td> <td>-</td> <td>3997</td> <td>3\"/> </td></tr> | 3999 | ETR | -
 | WD. | J2 | PTD. | - | 3997 | 3\"/>
 | | | | | | | | | | | | | | | | | | | | | | | | | | | | | | | | | | | | | | | | | | | | | | | | | | | | | | | | | |
 | | | | | | | | |
 | | | | | | | | |
 | | | | | | | | |
 | | | | | | | | |
 | | | | | | | | |
 | | | | | | | | | | | |
 | | | | | | | | | | | | | | |
 | | | | | | | | | | | | | | | | | |
 | | | | | | | | | | | | | | | | | |
 | | | | | | | | | | | | | | | | | | | | | | | |
 | | | | | | | | | | | | | | | | | | | | | | | | | | |
 | | | | | | | | | | | | | | | | | | | | | | | | | | | | | | | | | | | | | | |
 | | | | | | | | | | | | | | | | | | | | | | | | | | | | | | | | | | | | | | | | | | | | | | | | | | | | | | | | | |
| 382 | ETR | - | WD. | J2 | PTD. | - | 380A | 3\"/> <tr> <td>382A</td> <td>D</td> <td>6 <td>ALUM.</td> <td>ANODIZE D</td> <td>-</td> <td>-</td> <td>380B</td> <td>3\"/> <tr> <td>385</td> <td>ETR</td> <td>-</td> <td>WD.</td> <td>J2</td> <td>PTD.</td> <td>-</td> <td>382</td> <td>3\"/> <tr> <td>386</td> <td>ETR</td> <td>-</td> <td>WD.</td> <td>J2</td> <td>PTD.</td> <td>-</td> <td>382A</td> <td>3\"/> <tr> <td>387</td> <td>ETR</td> <td>-</td> <td>WD.</td> <td>J2</td> <td>PTD.</td> <td>-</td> <td>385</td> <td>3\"/> <tr> <td>388</td> <td>ETR</td> <td>-</td> <td>WD.</td> <td>J2</td> <td>PTD.</td> <td>-</td> <td>386</td> <td>3\"/> <tr> <td>389</td> <td>ETR</td> <td>-</td> <td>WD.</td> <td>J2</td> <td>PTD.</td> <td>-</td> <td>387</td> <td>3\"/> <tr> <td>391</td> <td>ETR</td> <td>-</td> <td>WD.</td> <td>J2</td> <td>PTD.</td> <td>-</td> <td>388</td> <td>3\"/> <tr> <td>391A</td> <td>ETR</td> <td>-</td> <td>WD.</td> <td>J2</td> <td>PTD.</td> <td>-</td> <td>389</td> <td>3\"/> <tr> <td>391B</td> <td>ETR</td> <td>-</td> <td>WD.</td> <td>J2</td> <td>PTD.</td> <td>-</td> <td>391</td> <td>3\"/> <tr> <td>394</td> <td>ETR</td> <td>-</td> <td>WD.</td> <td>J2</td> <td>PTD.</td> <td>-</td> <td>391A</td> <td>3\"/> <tr> <td>395</td> <td>ETR</td> <td>-</td> <td>WD.</td> <td>J2</td> <td>PTD.</td> <td>-</td> <td>391B</td> <td>3\"/> <tr> <td>396</td> <td>ETR</td> <td>-</td> <td>WD.</td> <td>J2</td> <td>PTD.</td> <td>-</td> <td>394</td> <td>3\"/> <tr> <td>398</td> <td>ETR</td> <td>-</td> <td>WD.</td> <td>J2</td> <td>PTD.</td> <td>-</td> <td>395</td> <td>3\"/> <tr> <td>399</td> <td>ETR</td> <td>-</td> <td>WD.</td> <td>J2</td> <td>PTD.</td> <td>-</td> <td>396</td> <td>3\"/> <tr> <td>3991</td> <td>ETR</td> <td>-</td> <td>WD.</td> <td>J2</td> <td>PTD.</td> <td>-</td> <td>398</td> <td>3\"/> <tr> <td>3992</td> <td>A</td> <td>3\"/> <tr> <td>3993</td> <td>ETR</td> <td>-</td> <td>WD.</td> <td>J2</td> <td>PTD.</td> <td>-</td> <td>399</td> <td>3\"/> <tr> <td>3994</td> <td>ETR</td> <td>-</td> <td>WD.</td> <td>J2</td> <td>PTD.</td> <td>-</td> <td>3991</td> <td>3\"/> <tr> <td>3995</td> <td>ETR</td> <td>-</td> <td>WD.</td> <td>J2</td> <td>PTD.</td> <td>-</td> <td>3992</td> <td>3\"/> <tr> <td>3997</td> <td>ETR</td> <td>-</td> <td>WD.</td> <td>J2</td> <td>PTD.</td> <td>-</td> <td>3993</td> <td>3\"/> <tr> <td>3998</td> <td>ETR</td> <td>-</td> <td>WD.</td> <td>J2</td> <td>PTD.</td> <td>-</td> <td>3994</td> <td>3\"/> <tr> <td>3999</td> <td>ETR</td> <td>-</td> <td>WD.</td> <td>J2</td> <td>PTD.</td> <td>-</td> <td>3995</td> <td>3\"/> <tr> <td>3999</td> <td>ETR</td> <td>-</td> <td>WD.</td> <td>J2</td> <td>PTD.</td> <td>-</td> <td>3997</td> <td>3\"/> </td></tr></td></tr></td></tr></td></tr></td></tr></td></tr></td></tr></td></tr></td></tr></td></tr></td></tr></td></tr></td></tr></td></tr></td></tr></td></tr></td></tr></td></tr></td></tr></td></tr></td></tr></td></tr></td></td></tr>
 | 382A | D | 6 <td>ALUM.</td> <td>ANODIZE D</td> <td>-</td> <td>-</td> <td>380B</td> <td>3\"/> <tr> <td>385</td> <td>ETR</td> <td>-</td> <td>WD.</td> <td>J2</td> <td>PTD.</td> <td>-</td> <td>382</td> <td>3\"/> <tr> <td>386</td> <td>ETR</td> <td>-</td> <td>WD.</td> <td>J2</td> <td>PTD.</td> <td>-</td> <td>382A</td> <td>3\"/> <tr> <td>387</td> <td>ETR</td> <td>-</td> <td>WD.</td> <td>J2</td> <td>PTD.</td> <td>-</td> <td>385</td> <td>3\"/> <tr> <td>388</td> <td>ETR</td> <td>-</td> <td>WD.</td> <td>J2</td> <td>PTD.</td> <td>-</td> <td>386</td> <td>3\"/> <tr> <td>389</td> <td>ETR</td> <td>-</td> <td>WD.</td> <td>J2</td> <td>PTD.</td> <td>-</td> <td>387</td> <td>3\"/> <tr> <td>391</td> <td>ETR</td> <td>-</td> <td>WD.</td> <td>J2</td> <td>PTD.</td> <td>-</td> <td>388</td> <td>3\"/> <tr> <td>391A</td> <td>ETR</td> <td>-</td> <td>WD.</td> <td>J2</td> <td>PTD.</td> <td>-</td> <td>389</td> <td>3\"/> <tr> <td>391B</td> <td>ETR</td> <td>-</td> <td>WD.</td> <td>J2</td> <td>PTD.</td> <td>-</td> <td>391</td> <td>3\"/> <tr> <td>394</td> <td>ETR</td> <td>-</td> <td>WD.</td> <td>J2</td> <td>PTD.</td> <td>-</td> <td>391A</td> <td>3\"/> <tr> <td>395</td> <td>ETR</td> <td>-</td> <td>WD.</td> <td>J2</td> <td>PTD.</td> <td>-</td> <td>391B</td> <td>3\"/> <tr> <td>396</td> <td>ETR</td> <td>-</td> <td>WD.</td> <td>J2</td> <td>PTD.</td> <td>-</td> <td>394</td> <td>3\"/> <tr> <td>398</td> <td>ETR</td> <td>-</td> <td>WD.</td> <td>J2</td> <td>PTD.</td> <td>-</td> <td>395</td> <td>3\"/> <tr> <td>399</td> <td>ETR</td> <td>-</td> <td>WD.</td> <td>J2</td> <td>PTD.</td> <td>-</td> <td>396</td> <td>3\"/> <tr> <td>3991</td> <td>ETR</td> <td>-</td> <td>WD.</td> <td>J2</td> <td>PTD.</td> <td>-</td> <td>398</td> <td>3\"/> <tr> <td>3992</td> <td>A</td> <td>3\"/> <tr> <td>3993</td> <td>ETR</td> <td>-</td> <td>WD.</td> <td>J2</td> <td>PTD.</td> <td>-</td> <td>399</td> <td>3\"/> <tr> <td>3994</td> <td>ETR</td> <td>-</td> <td>WD.</td> <td>J2</td> <td>PTD.</td> <td>-</td> <td>3991</td> <td>3\"/> <tr> <td>3995</td> <td>ETR</td> <td>-</td> <td>WD.</td> <td>J2</td> <td>PTD.</td> <td>-</td> <td>3992</td> <td>3\"/> <tr> <td>3997</td> <td>ETR</td> <td>-</td> <td>WD.</td> <td>J2</td> <td>PTD.</td> <td>-</td> <td>3993</td> <td>3\"/> <tr> <td>3998</td> <td>ETR</td> <td>-</td> <td>WD.</td> <td>J2</td> <td>PTD.</td> <td>-</td> <td>3994</td> <td>3\"/> <tr> <td>3999</td> <td>ETR</td> <td>-</td> <td>WD.</td> <td>J2</td> <td>PTD.</td> <td>-</td> <td>3995</td> <td>3\"/> <tr> <td>3999</td> <td>ETR</td> <td>-</td> <td>WD.</td> <td>J2</td> <td>PTD.</td> <td>-</td> <td>3997</td> <td>3\"/> </td></tr></td></tr></td></tr></td></tr></td></tr></td></tr></td></tr></td></tr></td></tr></td></tr></td></tr></td></tr></td></tr></td></tr></td></tr></td></tr></td></tr></td></tr></td></tr></td></tr></td></tr></td></tr></td>
 | ALUM. | ANODIZE D | - | - | 380B | 3\"/> <tr> <td>385</td> <td>ETR</td> <td>-</td> <td>WD.</td> <td>J2</td> <td>PTD.</td> <td>-</td> <td>382</td> <td>3\"/> <tr> <td>386</td> <td>ETR</td> <td>-</td> <td>WD.</td> <td>J2</td> <td>PTD.</td> <td>-</td> <td>382A</td> <td>3\"/> <tr> <td>387</td> <td>ETR</td> <td>-</td> <td>WD.</td> <td>J2</td> <td>PTD.</td> <td>-</td> <td>385</td> <td>3\"/> <tr> <td>388</td> <td>ETR</td> <td>-</td> <td>WD.</td> <td>J2</td> <td>PTD.</td> <td>-</td> <td>386</td> <td>3\"/> <tr> <td>389</td> <td>ETR</td> <td>-</td> <td>WD.</td> <td>J2</td> <td>PTD.</td> <td>-</td> <td>387</td> <td>3\"/> <tr> <td>391</td> <td>ETR</td> <td>-</td> <td>WD.</td> <td>J2</td> <td>PTD.</td> <td>-</td> <td>388</td> <td>3\"/> <tr> <td>391A</td> <td>ETR</td> <td>-</td> <td>WD.</td> <td>J2</td> <td>PTD.</td> <td>-</td> <td>389</td> <td>3\"/> <tr> <td>391B</td> <td>ETR</td> <td>-</td> <td>WD.</td> <td>J2</td> <td>PTD.</td> <td>-</td> <td>391</td> <td>3\"/> <tr> <td>394</td> <td>ETR</td> <td>-</td> <td>WD.</td> <td>J2</td> <td>PTD.</td> <td>-</td> <td>391A</td> <td>3\"/> <tr> <td>395</td> <td>ETR</td> <td>-</td> <td>WD.</td> <td>J2</td> <td>PTD.</td> <td>-</td> <td>391B</td> <td>3\"/> <tr> <td>396</td> <td>ETR</td> <td>-</td> <td>WD.</td> <td>J2</td> <td>PTD.</td> <td>-</td> <td>394</td> <td>3\"/> <tr> <td>398</td> <td>ETR</td> <td>-</td> <td>WD.</td> <td>J2</td> <td>PTD.</td> <td>-</td> <td>395</td> <td>3\"/> <tr> <td>399</td> <td>ETR</td> <td>-</td> <td>WD.</td> <td>J2</td> <td>PTD.</td> <td>-</td> <td>396</td> <td>3\"/> <tr> <td>3991</td> <td>ETR</td> <td>-</td> <td>WD.</td> <td>J2</td> <td>PTD.</td> <td>-</td> <td>398</td> <td>3\"/> <tr> <td>3992</td> <td>A</td> <td>3\"/> <tr> <td>3993</td> <td>ETR</td> <td>-</td> <td>WD.</td> <td>J2</td> <td>PTD.</td> <td>-</td> <td>399</td> <td>3\"/> <tr> <td>3994</td> <td>ETR</td> <td>-</td> <td>WD.</td> <td>J2</td> <td>PTD.</td> <td>-</td> <td>3991</td> <td>3\"/> <tr> <td>3995</td> <td>ETR</td> <td>-</td> <td>WD.</td> <td>J2</td> <td>PTD.</td> <td>-</td> <td>3992</td> <td>3\"/> <tr> <td>3997</td> <td>ETR</td> <td>-</td> <td>WD.</td> <td>J2</td> <td>PTD.</td> <td>-</td> <td>3993</td> <td>3\"/> <tr> <td>3998</td> <td>ETR</td> <td>-</td> <td>WD.</td> <td>J2</td> <td>PTD.</td> <td>-</td> <td>3994</td> <td>3\"/> <tr> <td>3999</td> <td>ETR</td> <td>-</td> <td>WD.</td> <td>J2</td> <td>PTD.</td> <td>-</td> <td>3995</td> <td>3\"/> <tr> <td>3999</td> <td>ETR</td> <td>-</td> <td>WD.</td> <td>J2</td> <td>PTD.</td> <td>-</td> <td>3997</td> <td>3\"/> </td></tr></td></tr></td></tr></td></tr></td></tr></td></tr></td></tr></td></tr></td></tr></td></tr></td></tr></td></tr></td></tr></td></tr></td></tr></td></tr></td></tr></td></tr></td></tr></td></tr></td></tr></td></tr> | 385 | ETR | -
 | WD. | J2 | PTD. | - | 382 | 3\"/> <tr> <td>386</td> <td>ETR</td> <td>-</td> <td>WD.</td> <td>J2</td> <td>PTD.</td> <td>-</td> <td>382A</td> <td>3\"/> <tr> <td>387</td> <td>ETR</td> <td>-</td> <td>WD.</td> <td>J2</td> <td>PTD.</td> <td>-</td> <td>385</td> <td>3\"/> <tr> <td>388</td> <td>ETR</td> <td>-</td> <td>WD.</td> <td>J2</td> <td>PTD.</td> <td>-</td> <td>386</td> <td>3\"/> <tr> <td>389</td> <td>ETR</td> <td>-</td> <td>WD.</td> <td>J2</td> <td>PTD.</td> <td>-</td> <td>387</td> <td>3\"/> <tr> <td>391</td> <td>ETR</td> <td>-</td> <td>WD.</td> <td>J2</td> <td>PTD.</td> <td>-</td> <td>388</td> <td>3\"/> <tr> <td>391A</td> <td>ETR</td> <td>-</td> <td>WD.</td> <td>J2</td> <td>PTD.</td> <td>-</td> <td>389</td> <td>3\"/> <tr> <td>391B</td> <td>ETR</td> <td>-</td> <td>WD.</td> <td>J2</td> <td>PTD.</td> <td>-</td> <td>391</td> <td>3\"/> <tr> <td>394</td> <td>ETR</td> <td>-</td> <td>WD.</td> <td>J2</td> <td>PTD.</td> <td>-</td> <td>391A</td> <td>3\"/> <tr> <td>395</td> <td>ETR</td> <td>-</td> <td>WD.</td> <td>J2</td> <td>PTD.</td> <td>-</td> <td>391B</td> <td>3\"/> <tr> <td>396</td> <td>ETR</td> <td>-</td> <td>WD.</td> <td>J2</td> <td>PTD.</td> <td>-</td> <td>394</td> <td>3\"/> <tr> <td>398</td> <td>ETR</td> <td>-</td> <td>WD.</td> <td>J2</td> <td>PTD.</td> <td>-</td> <td>395</td> <td>3\"/> <tr> <td>399</td> <td>ETR</td> <td>-</td> <td>WD.</td> <td>J2</td> <td>PTD.</td> <td>-</td> <td>396</td> <td>3\"/> <tr> <td>3991</td> <td>ETR</td> <td>-</td> <td>WD.</td> <td>J2</td> <td>PTD.</td> <td>-</td> <td>398</td> <td>3\"/> <tr> <td>3992</td> <td>A</td> <td>3\"/> <tr> <td>3993</td> <td>ETR</td> <td>-</td> <td>WD.</td> <td>J2</td> <td>PTD.</td> <td>-</td> <td>399</td> <td>3\"/> <tr> <td>3994</td> <td>ETR</td> <td>-</td> <td>WD.</td> <td>J2</td> <td>PTD.</td> <td>-</td> <td>3991</td> <td>3\"/> <tr> <td>3995</td> <td>ETR</td> <td>-</td> <td>WD.</td> <td>J2</td> <td>PTD.</td> <td>-</td> <td>3992</td> <td>3\"/> <tr> <td>3997</td> <td>ETR</td> <td>-</td> <td>WD.</td> <td>J2</td> <td>PTD.</td> <td>-</td> <td>3993</td> <td>3\"/> <tr> <td>3998</td> <td>ETR</td> <td>-</td> <td>WD.</td> <td>J2</td> <td>PTD.</td> <td>-</td> <td>3994</td> <td>3\"/> <tr> <td>3999</td> <td>ETR</td> <td>-</td> <td>WD.</td> <td>J2</td> <td>PTD.</td> <td>-</td> <td>3995</td> <td>3\"/> <tr> <td>3999</td> <td>ETR</td> <td>-</td> <td>WD.</td> <td>J2</td> <td>PTD.</td> <td>-</td> <td>3997</td> <td>3\"/> </td></tr></td></tr></td></tr></td></tr></td></tr></td></tr></td></tr></td></tr></td></tr></td></tr></td></tr></td></tr></td></tr></td></tr></td></tr></td></tr></td></tr></td></tr></td></tr></td></tr></td></tr>
 | 386 | ETR | - | WD. | J2 | PTD. | - | 382A | 3\"/> <tr> <td>387</td> <td>ETR</td> <td>-</td> <td>WD.</td> <td>J2</td> <td>PTD.</td> <td>-</td> <td>385</td> <td>3\"/> <tr> <td>388</td> <td>ETR</td> <td>-</td> <td>WD.</td> <td>J2</td> <td>PTD.</td> <td>-</td> <td>386</td> <td>3\"/> <tr> <td>389</td> <td>ETR</td> <td>-</td> <td>WD.</td> <td>J2</td> <td>PTD.</td> <td>-</td> <td>387</td> <td>3\"/> <tr> <td>391</td> <td>ETR</td> <td>-</td> <td>WD.</td> <td>J2</td> <td>PTD.</td> <td>-</td> <td>388</td> <td>3\"/> <tr> <td>391A</td> <td>ETR</td> <td>-</td> <td>WD.</td> <td>J2</td> <td>PTD.</td> <td>-</td> <td>389</td> <td>3\"/> <tr> <td>391B</td> <td>ETR</td> <td>-</td> <td>WD.</td> <td>J2</td> <td>PTD.</td> <td>-</td> <td>391</td> <td>3\"/> <tr> <td>394</td> <td>ETR</td> <td>-</td> <td>WD.</td> <td>J2</td> <td>PTD.</td> <td>-</td> <td>391A</td> <td>3\"/> <tr> <td>395</td> <td>ETR</td> <td>-</td> <td>WD.</td> <td>J2</td> <td>PTD.</td> <td>-</td> <td>391B</td> <td>3\"/> <tr> <td>396</td> <td>ETR</td> <td>-</td> <td>WD.</td> <td>J2</td> <td>PTD.</td> <td>-</td> <td>394</td> <td>3\"/> <tr> <td>398</td> <td>ETR</td> <td>-</td> <td>WD.</td> <td>J2</td> <td>PTD.</td> <td>-</td> <td>395</td> <td>3\"/> <tr> <td>399</td> <td>ETR</td> <td>-</td> <td>WD.</td> <td>J2</td> <td>PTD.</td> <td>-</td> <td>396</td> <td>3\"/> <tr> <td>3991</td> <td>ETR</td> <td>-</td> <td>WD.</td> <td>J2</td> <td>PTD.</td> <td>-</td> <td>398</td> <td>3\"/> <tr> <td>3992</td> <td>A</td> <td>3\"/> <tr> <td>3993</td> <td>ETR</td> <td>-</td> <td>WD.</td> <td>J2</td> <td>PTD.</td> <td>-</td> <td>399</td> <td>3\"/> <tr> <td>3994</td> <td>ETR</td> <td>-</td> <td>WD.</td> <td>J2</td> <td>PTD.</td> <td>-</td> <td>3991</td> <td>3\"/> <tr> <td>3995</td> <td>ETR</td> <td>-</td> <td>WD.</td> <td>J2</td> <td>PTD.</td> <td>-</td> <td>3992</td> <td>3\"/> <tr> <td>3997</td> <td>ETR</td> <td>-</td> <td>WD.</td> <td>J2</td> <td>PTD.</td> <td>-</td> <td>3993</td> <td>3\"/> <tr> <td>3998</td> <td>ETR</td> <td>-</td> <td>WD.</td> <td>J2</td> <td>PTD.</td> <td>-</td> <td>3994</td> <td>3\"/> <tr> <td>3999</td> <td>ETR</td> <td>-</td> <td>WD.</td> <td>J2</td> <td>PTD.</td> <td>-</td> <td>3995</td> <td>3\"/> <tr> <td>3999</td> <td>ETR</td> <td>-</td> <td>WD.</td> <td>J2</td> <td>PTD.</td> <td>-</td> <td>3997</td> <td>3\"/> </td></tr></td></tr></td></tr></td></tr></td></tr></td></tr></td></tr></td></tr></td></tr></td></tr></td></tr></td></tr></td></tr></td></tr></td></tr></td></tr></td></tr></td></tr></td></tr></td></tr>
 | 387 | ETR | - | WD. | J2 | PTD. | - | 385 |
3\"/> <tr> <td>388</td> <td>ETR</td> <td>-</td> <td>WD.</td> <td>J2</td> <td>PTD.</td> <td>-</td> <td>386</td> <td>3\"/> <tr> <td>389</td> <td>ETR</td> <td>-</td> <td>WD.</td> <td>J2</td> <td>PTD.</td> <td>-</td> <td>387</td> <td>3\"/> <tr> <td>391</td> <td>ETR</td> <td>-</td> <td>WD.</td> <td>J2</td> <td>PTD.</td> <td>-</td> <td>388</td> <td>3\"/> <tr> <td>391A</td> <td>ETR</td> <td>-</td> <td>WD.</td> <td>J2</td> <td>PTD.</td> <td>-</td> <td>389</td> <td>3\"/> <tr> <td>391B</td> <td>ETR</td> <td>-</td> <td>WD.</td> <td>J2</td> <td>PTD.</td> <td>-</td> <td>391</td> <td>3\"/> <tr> <td>394</td> <td>ETR</td> <td>-</td> <td>WD.</td> <td>J2</td> <td>PTD.</td> <td>-</td> <td>391A</td> <td>3\"/> <tr> <td>395</td> <td>ETR</td> <td>-</td> <td>WD.</td> <td>J2</td> <td>PTD.</td> <td>-</td> <td>391B</td> <td>3\"/> <tr> <td>396</td> <td>ETR</td> <td>-</td> <td>WD.</td> <td>J2</td> <td>PTD.</td> <td>-</td> <td>394</td> <td>3\"/> <tr> <td>398</td> <td>ETR</td> <td>-</td> <td>WD.</td> <td>J2</td> <td>PTD.</td> <td>-</td> <td>395</td> <td>3\"/> <tr> <td>399</td> <td>ETR</td> <td>-</td> <td>WD.</td> <td>J2</td> <td>PTD.</td> <td>-</td> <td>396</td> <td>3\"/> <tr> <td>3991</td> <td>ETR</td> <td>-</td> <td>WD.</td> <td>J2</td> <td>PTD.</td> <td>-</td> <td>398</td> <td>3\"/> <tr> <td>3992</td> <td>A</td> <td>3\"/> <tr> <td>3993</td> <td>ETR</td> <td>-</td> <td>WD.</td> <td>J2</td> <td>PTD.</td> <td>-</td> <td>399</td> <td>3\"/> <tr> <td>3994</td> <td>ETR</td> <td>-</td> <td>WD.</td> <td>J2</td> <td>PTD.</td> <td>-</td> <td>3991</td> <td>3\"/> <tr> <td>3995</td> <td>ETR</td> <td>-</td> <td>WD.</td> <td>J2</td> <td>PTD.</td> <td>-</td> <td>3992</td> <td>3\"/> <tr> <td>3997</td> <td>ETR</td> <td>-</td> <td>WD.</td> <td>J2</td> <td>PTD.</td> <td>-</td> <td>3993</td> <td>3\"/> <tr> <td>3998</td> <td>ETR</td> <td>-</td> <td>WD.</td> <td>J2</td> <td>PTD.</td> <td>-</td> <td>3994</td> <td>3\"/> <tr> <td>3999</td> <td>ETR</td> <td>-</td> <td>WD.</td> <td>J2</td> <td>PTD.</td> <td>-</td> <td>3995</td> <td>3\"/> <tr> <td>3999</td> <td>ETR</td> <td>-</td> <td>WD.</td> <td>J2</td> <td>PTD.</td> <td>-</td> <td>3997</td> <td>3\"/> </td></tr></td></tr></td></tr></td></tr></td></tr></td></tr></td></tr></td></tr></td></tr></td></tr></td></tr></td></tr></td></tr></td></tr></td></tr></td></tr></td></tr></td></tr></td></tr> | 388 | ETR | -
 | WD. | J2 | PTD. | - | 386 | 3\"/> <tr> <td>389</td> <td>ETR</td> <td>-</td> <td>WD.</td> <td>J2</td> <td>PTD.</td> <td>-</td> <td>387</td> <td>3\"/> <tr> <td>391</td> <td>ETR</td> <td>-</td> <td>WD.</td> <td>J2</td> <td>PTD.</td> <td>-</td> <td>388</td> <td>3\"/> <tr> <td>391A</td> <td>ETR</td> <td>-</td> <td>WD.</td> <td>J2</td> <td>PTD.</td> <td>-</td> <td>389</td> <td>3\"/> <tr> <td>391B</td> <td>ETR</td> <td>-</td> <td>WD.</td> <td>J2</td> <td>PTD.</td> <td>-</td> <td>391</td> <td>3\"/> <tr> <td>394</td> <td>ETR</td> <td>-</td> <td>WD.</td> <td>J2</td> <td>PTD.</td> <td>-</td> <td>391A</td> <td>3\"/> <tr> <td>395</td> <td>ETR</td> <td>-</td> <td>WD.</td> <td>J2</td> <td>PTD.</td> <td>-</td> <td>391B</td> <td>3\"/> <tr> <td>396</td> <td>ETR</td> <td>-</td> <td>WD.</td> <td>J2</td> <td>PTD.</td> <td>-</td> <td>394</td> <td>3\"/> <tr> <td>398</td> <td>ETR</td> <td>-</td> <td>WD.</td> <td>J2</td> <td>PTD.</td> <td>-</td> <td>395</td> <td>3\"/> <tr> <td>399</td> <td>ETR</td> <td>-</td> <td>WD.</td> <td>J2</td> <td>PTD.</td> <td>-</td> <td>396</td> <td>3\"/> <tr> <td>3991</td> <td>ETR</td> <td>-</td> <td>WD.</td> <td>J2</td> <td>PTD.</td> <td>-</td> <td>398</td> <td>3\"/> <tr> <td>3992</td> <td>A</td> <td>3\"/> <tr> <td>3993</td> <td>ETR</td> <td>-</td> <td>WD.</td> <td>J2</td> <td>PTD.</td> <td>-</td> <td>399</td> <td>3\"/> <tr> <td>3994</td> <td>ETR</td> <td>-</td> <td>WD.</td> <td>J2</td> <td>PTD.</td> <td>-</td> <td>3991</td> <td>3\"/> <tr> <td>3995</td> <td>ETR</td> <td>-</td> <td>WD.</td> <td>J2</td> <td>PTD.</td> <td>-</td> <td>3992</td> <td>3\"/> <tr> <td>3997</td> <td>ETR</td> <td>-</td> <td>WD.</td> <td>J2</td> <td>PTD.</td> <td>-</td> <td>3993</td> <td>3\"/> <tr> <td>3998</td> <td>ETR</td> <td>-</td> <td>WD.</td> <td>J2</td> <td>PTD.</td> <td>-</td> <td>3994</td> <td>3\"/> <tr> <td>3999</td> <td>ETR</td> <td>-</td> <td>WD.</td> <td>J2</td> <td>PTD.</td> <td>-</td> <td>3995</td> <td>3\"/> <tr> <td>3999</td> <td>ETR</td> <td>-</td> <td>WD.</td> <td>J2</td> <td>PTD.</td> <td>-</td> <td>3997</td> <td>3\"/> </td></tr></td></tr></td></tr></td></tr></td></tr></td></tr></td></tr></td></tr></td></tr></td></tr></td></tr></td></tr></td></tr></td></tr></td></tr></td></tr></td></tr></td></tr> | 389 | ETR | -
 | WD. | J2 | PTD. | - | 387 | 3\"/> <tr> <td>391</td> <td>ETR</td> <td>-</td> <td>WD.</td> <td>J2</td> <td>PTD.</td> <td>-</td> <td>388</td> <td>3\"/> <tr> <td>391A</td> <td>ETR</td> <td>-</td> <td>WD.</td> <td>J2</td> <td>PTD.</td> <td>-</td> <td>389</td> <td>3\"/> <tr> <td>391B</td> <td>ETR</td> <td>-</td> <td>WD.</td> <td>J2</td> <td>PTD.</td> <td>-</td> <td>391</td> <td>3\"/> <tr> <td>394</td> <td>ETR</td> <td>-</td> <td>WD.</td> <td>J2</td> <td>PTD.</td> <td>-</td> <td>391A</td> <td>3\"/> <tr> <td>395</td> <td>ETR</td> <td>-</td> <td>WD.</td> <td>J2</td> <td>PTD.</td> <td>-</td> <td>391B</td> <td>3\"/> <tr> <td>396</td> <td>ETR</td> <td>-</td> <td>WD.</td> <td>J2</td> <td>PTD.</td> <td>-</td> <td>394</td> <td>3\"/> <tr> <td>398</td> <td>ETR</td> <td>-</td> <td>WD.</td> <td>J2</td> <td>PTD.</td> <td>-</td> <td>395</td> <td>3\"/> <tr> <td>399</td> <td>ETR</td> <td>-</td> <td>WD.</td> <td>J2</td> <td>PTD.</td> <td>-</td> <td>396</td> <td>3\"/> <tr> <td>3991</td> <td>ETR</td> <td>-</td> <td>WD.</td> <td>J2</td> <td>PTD.</td> <td>-</td> <td>398</td> <td>3\"/> <tr> <td>3992</td> <td>A</td> <td>3\"/> <tr> <td>3993</td> <td>ETR</td> <td>-</td> <td>WD.</td> <td>J2</td> <td>PTD.</td> <td>-</td> <td>399</td> <td>3\"/> <tr> <td>3994</td> <td>ETR</td> <td>-</td> <td>WD.</td> <td>J2</td> <td>PTD.</td> <td>-</td> <td>3991</td> <td>3\"/> <tr> <td>3995</td> <td>ETR</td> <td>-</td> <td>WD.</td> <td>J2</td> <td>PTD.</td> <td>-</td> <td>3992</td> <td>3\"/> <tr> <td>3997</td> <td>ETR</td> <td>-</td> <td>WD.</td> <td>J2</td> <td>PTD.</td> <td>-</td> <td>3993</td> <td>3\"/> <tr> <td>3998</td> <td>ETR</td> <td>-</td> <td>WD.</td> <td>J2</td> <td>PTD.</td> <td>-</td> <td>3994</td> <td>3\"/> <tr> <td>3999</td> <td>ETR</td> <td>-</td> <td>WD.</td> <td>J2</td> <td>PTD.</td> <td>-</td> <td>3995</td> <td>3\"/> <tr> <td>3999</td> <td>ETR</td> <td>-</td> <td>WD.</td> <td>J2</td> <td>PTD.</td> <td>-</td> <td>3997</td> <td>3\"/> </td></tr></td></tr></td></tr></td></tr></td></tr></td></tr></td></tr></td></tr></td></tr></td></tr></td></tr></td></tr></td></tr></td></tr></td></tr></td></tr></td></tr>
 | 391 | ETR | - | WD. | J2 | PTD. | - | 388 | 3\"/> <tr> <td>391A</td> <td>ETR</td> <td>-</td> <td>WD.</td> <td>J2</td> <td>PTD.</td> <td>-</td> <td>389</td> <td>3\"/> <tr> <td>391B</td> <td>ETR</td> <td>-</td> <td>WD.</td> <td>J2</td> <td>PTD.</td> <td>-</td> <td>391</td> <td>3\"/> <tr> <td>394</td> <td>ETR</td> <td>-</td> <td>WD.</td> <td>J2</td> <td>PTD.</td> <td>-</td> <td>391A</td> <td>3\"/> <tr> <td>395</td> <td>ETR</td> <td>-</td> <td>WD.</td> <td>J2</td> <td>PTD.</td> <td>-</td> <td>391B</td> <td>3\"/> <tr> <td>396</td> <td>ETR</td> <td>-</td> <td>WD.</td> <td>J2</td> <td>PTD.</td> <td>-</td> <td>394</td> <td>3\"/> <tr> <td>398</td> <td>ETR</td> <td>-</td> <td>WD.</td> <td>J2</td> <td>PTD.</td> <td>-</td> <td>395</td> <td>3\"/> <tr> <td>399</td> <td>ETR</td> <td>-</td> <td>WD.</td> <td>J2</td> <td>PTD.</td> <td>-</td> <td>396</td> <td>3\"/> <tr> <td>3991</td> <td>ETR</td> <td>-</td> <td>WD.</td> <td>J2</td> <td>PTD.</td> <td>-</td> <td>398</td> <td>3\"/> <tr> <td>3992</td> <td>A</td> <td>3\"/> <tr> <td>3993</td> <td>ETR</td> <td>-</td> <td>WD.</td> <td>J2</td> <td>PTD.</td> <td>-</td> <td>399</td> <td>3\"/> <tr> <td>3994</td> <td>ETR</td> <td>-</td> <td>WD.</td> <td>J2</td> <td>PTD.</td> <td>-</td> <td>3991</td> <td>3\"/> <tr> <td>3995</td> <td>ETR</td> <td>-</td> <td>WD.</td> <td>J2</td> <td>PTD.</td> <td>-</td> <td>3992</td> <td>3\"/> <tr> <td>3997</td> <td>ETR</td> <td>-</td> <td>WD.</td> <td>J2</td> <td>PTD.</td> <td>-</td> <td>3993</td> <td>3\"/> <tr> <td>3998</td> <td>ETR</td> <td>-</td> <td>WD.</td> <td>J2</td> <td>PTD.</td> <td>-</td> <td>3994</td> <td>3\"/> <tr> <td>3999</td> <td>ETR</td> <td>-</td> <td>WD.</td> <td>J2</td> <td>PTD.</td> <td>-</td> <td>3995</td> <td>3\"/> <tr> <td>3999</td> <td>ETR</td> <td>-</td> <td>WD.</td> <td>J2</td> <td>PTD.</td> <td>-</td> <td>3997</td> <td>3\"/> </td></tr></td></tr></td></tr></td></tr></td></tr></td></tr></td></tr></td></tr></td></tr></td></tr></td></tr></td></tr></td></tr></td></tr></td></tr></td></tr>
 | 391A | ETR | - | WD. | J2 | PTD. | - | 389 | 3\"/> <tr> <td>391B</td> <td>ETR</td> <td>-</td> <td>WD.</td> <td>J2</td> <td>PTD.</td> <td>-</td> <td>391</td> <td>3\"/> <tr> <td>394</td> <td>ETR</td> <td>-</td> <td>WD.</td> <td>J2</td> <td>PTD.</td> <td>-</td> <td>391A</td> <td>3\"/> <tr> <td>395</td> <td>ETR</td> <td>-</td> <td>WD.</td> <td>J2</td> <td>PTD.</td> <td>-</td> <td>391B</td> <td>3\"/> <tr> <td>396</td> <td>ETR</td> <td>-</td> <td>WD.</td> <td>J2</td> <td>PTD.</td> <td>-</td> <td>394</td> <td>3\"/> <tr> <td>398</td> <td>ETR</td> <td>-</td> <td>WD.</td> <td>J2</td> <td>PTD.</td> <td>-</td> <td>395</td> <td>3\"/> <tr> <td>399</td> <td>ETR</td> <td>-</td> <td>WD.</td> <td>J2</td> <td>PTD.</td> <td>-</td> <td>396</td> <td>3\"/> <tr> <td>3991</td> <td>ETR</td> <td>-</td> <td>WD.</td> <td>J2</td> <td>PTD.</td> <td>-</td> <td>398</td> <td>3\"/> <tr> <td>3992</td> <td>A</td> <td>3\"/> <tr> <td>3993</td> <td>ETR</td> <td>-</td> <td>WD.</td> <td>J2</td> <td>PTD.</td> <td>-</td> <td>399</td> <td>3\"/> <tr> <td>3994</td> <td>ETR</td> <td>-</td> <td>WD.</td> <td>J2</td> <td>PTD.</td> <td>-</td> <td>3991</td> <td>3\"/> <tr>
<td>3995</td> <td>ETR</td> <td>-</td> <td>WD.</td> <td>J2</td> <td>PTD.</td> <td>-</td> <td>3992</td> <td>3\"/> <tr> <td>3997</td> <td>ETR</td> <td>-</td> <td>WD.</td> <td>J2</td> <td>PTD.</td> <td>-</td> <td>3993</td> <td>3\"/> <tr> <td>3998</td> <td>ETR</td> <td>-</td> <td>WD.</td> <td>J2</td> <td>PTD.</td> <td>-</td> <td>3994</td> <td>3\"/> <tr> <td>3999</td> <td>ETR</td> <td>-</td> <td>WD.</td> <td>J2</td> <td>PTD.</td> <td>-</td> <td>3995</td> <td>3\"/> <tr> <td>3999</td> <td>ETR</td> <td>-</td> <td>WD.</td> <td>J2</td> <td>PTD.</td> <td>-</td> <td>3997</td> <td>3\"/> </td></tr></td></tr></td></tr></td></tr></td></tr></td></tr></td></tr></td></tr></td></tr></td></tr></td></tr></td></tr></td></tr></td></tr></td></tr> | 391B | ETR | -
 | WD. | J2 | PTD. | - | 391 | 3\"/> <tr> <td>394</td> <td>ETR</td> <td>-</td> <td>WD.</td> <td>J2</td> <td>PTD.</td> <td>-</td> <td>391A</td> <td>3\"/> <tr> <td>395</td> <td>ETR</td> <td>-</td> <td>WD.</td> <td>J2</td> <td>PTD.</td> <td>-</td> <td>391B</td> <td>3\"/> <tr> <td>396</td> <td>ETR</td> <td>-</td> <td>WD.</td> <td>J2</td> <td>PTD.</td> <td>-</td> <td>394</td> <td>3\"/> <tr> <td>398</td> <td>ETR</td> <td>-</td> <td>WD.</td> <td>J2</td> <td>PTD.</td> <td>-</td> <td>395</td> <td>3\"/> <tr> <td>399</td> <td>ETR</td> <td>-</td> <td>WD.</td> <td>J2</td> <td>PTD.</td> <td>-</td> <td>396</td> <td>3\"/> <tr> <td>3991</td> <td>ETR</td> <td>-</td> <td>WD.</td> <td>J2</td> <td>PTD.</td> <td>-</td> <td>398</td> <td>3\"/> <tr> <td>3992</td> <td>A</td> <td>3\"/> <tr> <td>3993</td> <td>ETR</td> <td>-</td> <td>WD.</td> <td>J2</td> <td>PTD.</td> <td>-</td> <td>399</td> <td>3\"/> <tr> <td>3994</td> <td>ETR</td> <td>-</td> <td>WD.</td> <td>J2</td> <td>PTD.</td> <td>-</td> <td>3991</td> <td>3\"/> <tr> <td>3995</td> <td>ETR</td> <td>-</td> <td>WD.</td> <td>J2</td> <td>PTD.</td> <td>-</td> <td>3992</td> <td>3\"/> <tr> <td>3997</td> <td>ETR</td> <td>-</td> <td>WD.</td> <td>J2</td> <td>PTD.</td> <td>-</td> <td>3993</td> <td>3\"/> <tr> <td>3998</td> <td>ETR</td> <td>-</td> <td>WD.</td> <td>J2</td> <td>PTD.</td> <td>-</td> <td>3994</td> <td>3\"/> <tr> <td>3999</td> <td>ETR</td> <td>-</td> <td>WD.</td> <td>J2</td> <td>PTD.</td> <td>-</td> <td>3995</td> <td>3\"/> <tr> <td>3999</td> <td>ETR</td> <td>-</td> <td>WD.</td> <td>J2</td> <td>PTD.</td> <td>-</td> <td>3997</td> <td>3\"/> </td></tr></td></tr></td></tr></td></tr></td></tr></td></tr></td></tr></td></tr></td></tr></td></tr></td></tr></td></tr></td></tr></td></tr> | 394 | ETR | -
 | WD. | J2 | PTD. | - | 391A | 3\"/> <tr> <td>395</td> <td>ETR</td> <td>-</td> <td>WD.</td> <td>J2</td> <td>PTD.</td> <td>-</td> <td>391B</td> <td>3\"/> <tr> <td>396</td> <td>ETR</td> <td>-</td> <td>WD.</td> <td>J2</td> <td>PTD.</td> <td>-</td> <td>394</td> <td>3\"/> <tr> <td>398</td> <td>ETR</td> <td>-</td> <td>WD.</td> <td>J2</td> <td>PTD.</td> <td>-</td> <td>395</td> <td>3\"/> <tr> <td>399</td> <td>ETR</td> <td>-</td> <td>WD.</td> <td>J2</td> <td>PTD.</td> <td>-</td> <td>396</td> <td>3\"/> <tr> <td>3991</td> <td>ETR</td> <td>-</td> <td>WD.</td> <td>J2</td> <td>PTD.</td> <td>-</td> <td>398</td> <td>3\"/> <tr> <td>3992</td> <td>A</td> <td>3\"/> <tr> <td>3993</td> <td>ETR</td> <td>-</td> <td>WD.</td> <td>J2</td> <td>PTD.</td> <td>-</td> <td>399</td> <td>3\"/> <tr> <td>3994</td> <td>ETR</td> <td>-</td> <td>WD.</td> <td>J2</td> <td>PTD.</td> <td>-</td> <td>3991</td> <td>3\"/> <tr> <td>3995</td> <td>ETR</td> <td>-</td> <td>WD.</td> <td>J2</td> <td>PTD.</td> <td>-</td> <td>3992</td> <td>3\"/> <tr> <td>3997</td> <td>ETR</td> <td>-</td> <td>WD.</td> <td>J2</td> <td>PTD.</td> <td>-</td> <td>3993</td> <td>3\"/> <tr> <td>3998</td> <td>ETR</td> <td>-</td> <td>WD.</td> <td>J2</td> <td>PTD.</td> <td>-</td> <td>3994</td> <td>3\"/> <tr> <td>3999</td> <td>ETR</td> <td>-</td> <td>WD.</td> <td>J2</td> <td>PTD.</td> <td>-</td> <td>3995</td> <td>3\"/> <tr> <td>3999</td> <td>ETR</td> <td>-</td> <td>WD.</td> <td>J2</td> <td>PTD.</td> <td>-</td> <td>3997</td> <td>3\"/> </td></tr></td></tr></td></tr></td></tr></td></tr></td></tr></td></tr></td></tr></td></tr></td></tr></td></tr></td></tr></td></tr> | 395 | ETR | -
 | WD. | J2 | PTD. | - | 391B | 3\"/> <tr> <td>396</td> <td>ETR</td> <td>-</td> <td>WD.</td> <td>J2</td> <td>PTD.</td> <td>-</td> <td>394</td> <td>3\"/> <tr> <td>398</td> <td>ETR</td> <td>-</td> <td>WD.</td> <td>J2</td> <td>PTD.</td> <td>-</td> <td>395</td> <td>3\"/> <tr> <td>399</td> <td>ETR</td> <td>-</td> <td>WD.</td> <td>J2</td> <td>PTD.</td> <td>-</td> <td>396</td> <td>3\"/> <tr> <td>3991</td> <td>ETR</td> <td>-</td> <td>WD.</td> <td>J2</td> <td>PTD.</td> <td>-</td> <td>398</td> <td>3\"/> <tr> <td>3992</td> <td>A</td> <td>3\"/> <tr> <td>3993</td> <td>ETR</td> <td>-</td> <td>WD.</td> <td>J2</td> <td>PTD.</td> <td>-</td> <td>399</td> <td>3\"/> <tr> <td>3994</td> <td>ETR</td> <td>-</td> <td>WD.</td> <td>J2</td> <td>PTD.</td> <td>-</td> <td>3991</td> <td>3\"/> <tr> <td>3995</td> <td>ETR</td> <td>-</td> <td>WD.</td> <td>J2</td> <td>PTD.</td> <td>-</td> <td>3992</td> <td>3\"/> <tr> <td>3997</td> <td>ETR</td> <td>-</td> <td>WD.</td> <td>J2</td> <td>PTD.</td> <td>-</td> <td>3993</td> <td>3\"/> <tr> <td>3998</td> <td>ETR</td> <td>-</td> <td>WD.</td> <td>J2</td> <td>PTD.</td> <td>-</td> <td>3994</td> <td>3\"/> <tr> <td>3999</td> <td>ETR</td> <td>-</td> <td>WD.</td> <td>J2</td> <td>PTD.</td> <td>-</td> <td>3995</td> <td>3\"/> <tr> <td>3999</td> <td>ETR</td> <td>-</td> <td>WD.</td> <td>J2</td> <td>PTD.</td> <td>-</td> <td>3997</td> <td>3\"/> </td></tr></td></tr></td></tr></td></tr></td></tr></td></tr></td></tr></td></tr></td></tr></td></tr></td></tr></td></tr> | 396 | ETR | -
 | WD. | J2 | PTD. | - | 394 | 3\"/> <tr> <td>398</td> <td>ETR</td> <td>-</td> <td>WD.</td> <td>J2</td> <td>PTD.</td> <td>-</td> <td>395</td> <td>3\"/> <tr> <td>399</td> <td>ETR</td> <td>-</td> <td>WD.</td> <td>J2</td> <td>PTD.</td> <td>-</td> <td>396</td> <td>3\"/> <tr> <td>3991</td> <td>ETR</td> <td>-</td> <td>WD.</td> <td>J2</td> <td>PTD.</td> <td>-</td> <td>398</td> <td>3\"/> <tr> <td>3992</td> <td>A</td> <td>3\"/> <tr> <td>3993</td> <td>ETR</td> <td>-</td> <td>WD.</td> <td>J2</td> <td>PTD.</td> <td>-</td> <td>399</td> <td>3\"/> <tr> <td>3994</td> <td>ETR</td> <td>-</td> <td>WD.</td> <td>J2</td> <td>PTD.</td> <td>-</td> <td>3991</td> <td>3\"/> <tr> <td>3995</td> <td>ETR</td> <td>-</td> <td>WD.</td> <td>J2</td> <td>PTD.</td> <td>-</td> <td>3992</td> <td>3\"/> <tr> <td>3997</td> <td>ETR</td> <td>-</td> <td>WD.</td> <td>J2</td> <td>PTD.</td> <td>-</td> <td>3993</td> <td>3\"/> <tr> <td>3998</td> <td>ETR</td> <td>-</td> <td>WD.</td> <td>J2</td> <td>PTD.</td> <td>-</td> <td>3994</td> <td>3\"/> <tr> <td>3999</td> <td>ETR</td> <td>-</td> <td>WD.</td> <td>J2</td> <td>PTD.</td> <td>-</td> <td>3995</td> <td>3\"/> <tr> <td>3999</td> <td>ETR</td> <td>-</td> <td>WD.</td> <td>J2</td> <td>PTD.</td> <td>-</td> <td>3997</td> <td>3\"/> </td></tr></td></tr></td></tr></td></tr></td></tr></td></tr></td></tr></td></tr></td></tr></td></tr></td></tr> | 398 | ETR | -
 | WD. | J2 | PTD. | - | 395 | 3\"/> <tr> <td>399</td> <td>ETR</td> <td>-</td> <td>WD.</td> <td>J2</td> <td>PTD.</td> <td>-</td> <td>396</td> <td>3\"/> <tr> <td>3991</td> <td>ETR</td> <td>-</td> <td>WD.</td> <td>J2</td> <td>PTD.</td> <td>-</td> <td>398</td> <td>3\"/> <tr> <td>3992</td> <td>A</td> <td>3\"/> <tr> <td>3993</td> <td>ETR</td> <td>-</td> <td>WD.</td> <td>J2</td> <td>PTD.</td> <td>-</td> <td>399</td> <td>3\"/> <tr> <td>3994</td> <td>ETR</td> <td>-</td> <td>WD.</td> <td>J2</td> <td>PTD.</td> <td>-</td> <td>3991</td> <td>3\"/> <tr> <td>3995</td> <td>ETR</td> <td>-</td> <td>WD.</td> <td>J2</td> <td>PTD.</td> <td>-</td> <td>3992</td> <td>3\"/> <tr> <td>3997</td> <td>ETR</td> <td>-</td>
<td>WD.</td> <td>J2</td> <td>PTD.</td> <td>-</td> <td>3993</td> <td>3\"/> <tr> <td>3998</td> <td>ETR</td> <td>-</td> <td>WD.</td> <td>J2</td> <td>PTD.</td> <td>-</td> <td>3994</td> <td>3\"/> <tr> <td>3999</td> <td>ETR</td> <td>-</td> <td>WD.</td> <td>J2</td> <td>PTD.</td> <td>-</td> <td>3995</td> <td>3\"/> <tr> <td>3999</td> <td>ETR</td> <td>-</td> <td>WD.</td> <td>J2</td> <td>PTD.</td> <td>-</td> <td>3997</td> <td>3\"/> </td></tr></td></tr></td></tr></td></tr></td></tr></td></tr></td></tr></td></tr></td></tr></td></tr> | 399 | ETR | - | WD. | J2 | PTD. | - | 396 | 3\"/> <tr> <td>3991</td> <td>ETR</td> <td>-</td> <td>WD.</td> <td>J2</td> <td>PTD.</td> <td>-</td> <td>398</td> <td>3\"/> <tr> <td>3992</td> <td>A</td> <td>3\"/> <tr> <td>3993</td> <td>ETR</td> <td>-</td> <td>WD.</td> <td>J2</td> <td>PTD.</td> <td>-</td> <td>399</td> <td>3\"/> <tr> <td>3994</td> <td>ETR</td> <td>-</td> <td>WD.</td> <td>J2</td> <td>PTD.</td> <td>-</td> <td>3991</td> <td>3\"/> <tr>
<td>3995</td> <td>ETR</td> <td>-</td> <td>WD.</td> <td>J2</td> <td>PTD.</td> <td>-</td> <td>3992</td> <td>3\"/> <tr> <td>3997</td> <td>ETR</td> <td>-</td> <td>WD.</td> <td>J2</td> <td>PTD.</td> <td>-</td> <td>3993</td> <td>3\"/> <tr> <td>3998</td> <td>ETR</td> <td>-</td> <td>WD.</td> <td>J2</td> <td>PTD.</td> <td>-</td> <td>3994</td> <td>3\"/> <tr> <td>3999</td> <td>ETR</td> <td>-</td> <td>WD.</td> <td>J2</td> <td>PTD.</td> <td>-</td> <td>3995</td> <td>3\"/> <tr> <td>3999</td> <td>ETR</td> <td>-</td> <td>WD.</td> <td>J2</td> <td>PTD.</td> <td>-</td> <td>3997</td> <td>3\"/> </td></tr></td></tr></td></tr></td></tr></td></tr></td></tr></td></tr></td></tr></td></tr> | 3991 | ETR | - | WD. | J2 | PTD. | - | 398 | 3\"/> <tr> <td>3992</td> <td>A</td> <td>3\"/> <tr> <td>3993</td> <td>ETR</td> <td>-</td> <td>WD.</td> <td>J2</td> <td>PTD.</td> <td>-</td> <td>399</td> <td>3\"/> <tr> <td>3994</td> <td>ETR</td> <td>-</td> <td>WD.</td> <td>J2</td> <td>PTD.</td> <td>-</td> <td>3991</td> <td>3\"/> <tr> <td>3995</td> <td>ETR</td> <td>-</td> <td>WD.</td> <td>J2</td> <td>PTD.</td> <td>-</td> <td>3992</td>
<td>3\"/> <tr> <td>3997</td> <td>ETR</td> <td>-</td> <td>WD.</td> <td>J2</td> <td>PTD.</td> <td>-</td> <td>3993</td> <td>3\"/> <tr> <td>3998</td> <td>ETR</td> <td>-</td> <td>WD.</td> <td>J2</td> <td>PTD.</td> <td>-</td> <td>3994</td> <td>3\"/> <tr> <td>3999</td> <td>ETR</td> <td>-</td> <td>WD.</td> <td>J2</td> <td>PTD.</td> <td>-</td> <td>3995</td> <td>3\"/> <tr> <td>3999</td> <td>ETR</td> <td>-</td> <td>WD.</td> <td>J2</td> <td>PTD.</td> <td>-</td> <td>3997</td> <td>3\"/> </td></tr></td></tr></td></tr></td></tr></td></tr></td></tr></td></tr></td></tr> | 3992 | A | 3\"/> <tr> <td>3993</td> <td>ETR</td> <td>-</td> <td>WD.</td> <td>J2</td> <td>PTD.</td> <td>-</td> <td>399</td> <td>3\"/> <tr> <td>3994</td> <td>ETR</td> <td>-</td> <td>WD.</td> <td>J2</td> <td>PTD.</td> <td>-</td> <td>3991</td> <td>3\"/> <tr> <td>3995</td> <td>ETR</td> <td>-</td> <td>WD.</td> <td>J2</td> <td>PTD.</td> <td>-</td> <td>3992</td> <td>3\"/> <tr> <td>3997</td> <td>ETR</td> <td>-</td> <td>WD.</td> <td>J2</td> <td>PTD.</td> <td>-</td> <td>3993</td> <td>3\"/> <tr> <td>3998</td> <td>ETR</td> <td>-</td> <td>WD.</td> <td>J2</td> <td>PTD.</td> <td>-</td> <td>3994</td> <td>3\"/> <tr> <td>3999</td> <td>ETR</td> <td>-</td> <td>WD.</td> <td>J2</td> <td>PTD.</td> <td>-</td> <td>3995</td> <td>3\"/> <tr> <td>3999</td> <td>ETR</td> <td>-</td> <td>WD.</td> <td>J2</td> <td>PTD.</td> <td>-</td> <td>3997</td> <td>3\"/> </td></tr></td></tr></td></tr></td></tr></td></tr></td></tr></td></tr> | 3993 | ETR | - | WD. | J2 | PTD.
 | - | 399 | 3\"/> <tr> <td>3994</td> <td>ETR</td> <td>-</td> <td>WD.</td> <td>J2</td> <td>PTD.</td> <td>-</td> <td>3991</td> <td>3\"/> <tr> <td>3995</td> <td>ETR</td> <td>-</td> <td>WD.</td> <td>J2</td> <td>PTD.</td> <td>-</td> <td>3992</td> <td>3\"/> <tr> <td>3997</td> <td>ETR</td> <td>-</td> <td>WD.</td> <td>J2</td> <td>PTD.</td> <td>-</td> <td>3993</td> <td>3\"/> <tr> <td>3998</td> <td>ETR</td> <td>-</td> <td>WD.</td> <td>J2</td> <td>PTD.</td> <td>-</td> <td>3994</td> <td>3\"/> <tr> <td>3999</td> <td>ETR</td> <td>-</td> <td>WD.</td> <td>J2</td> <td>PTD.</td> <td>-</td> <td>3995</td> <td>3\"/> <tr> <td>3999</td> <td>ETR</td> <td>-</td> <td>WD.</td> <td>J2</td> <td>PTD.</td> <td>-</td> <td>3997</td> <td>3\"/> </td></tr></td></tr></td></tr></td></tr></td></tr></td></tr> | 3994 | ETR | - | WD. | J2 | PTD.
 | - | 3991 | 3\"/> <tr> <td>3995</td> <td>ETR</td> <td>-</td> <td>WD.</td> <td>J2</td> <td>PTD.</td> <td>-</td> <td>3992</td> <td>3\"/> <tr> <td>3997</td> <td>ETR</td> <td>-</td> <td>WD.</td> <td>J2</td> <td>PTD.</td> <td>-</td> <td>3993</td> <td>3\"/> <tr> <td>3998</td> <td>ETR</td> <td>-</td> <td>WD.</td> <td>J2</td> <td>PTD.</td> <td>-</td> <td>3994</td> <td>3\"/> <tr> <td>3999</td> <td>ETR</td> <td>-</td> <td>WD.</td> <td>J2</td> <td>PTD.</td> <td>-</td> <td>3995</td> <td>3\"/> <tr> <td>3999</td> <td>ETR</td> <td>-</td> <td>WD.</td> <td>J2</td> <td>PTD.</td> <td>-</td> <td>3997</td> <td>3\"/> </td></tr></td></tr></td></tr></td></tr></td></tr> | 3995 | ETR | -
 | WD. | J2 | PTD. | - | 3992 | 3\"/> <tr> <td>3997</td> <td>ETR</td> <td>-</td> <td>WD.</td> <td>J2</td> <td>PTD.</td> <td>-</td> <td>3993</td> <td>3\"/> <tr> <td>3998</td> <td>ETR</td> <td>-</td> <td>WD.</td> <td>J2</td> <td>PTD.</td> <td>-</td> <td>3994</td> <td>3\"/> <tr> <td>3999</td> <td>ETR</td> <td>-</td> <td>WD.</td> <td>J2</td> <td>PTD.</td> <td>-</td> <td>3995</td> <td>3\"/> <tr> <td>3999</td> <td>ETR</td> <td>-</td> <td>WD.</td> <td>J2</td> <td>PTD.</td> <td>-</td> <td>3997</td> <td>3\"/> </td></tr></td></tr></td></tr></td></tr>
 | 3997 | ETR | - | WD. | J2 | PTD. | - | 3993 | 3\"/> <tr> <td>3998</td> <td>ETR</td> <td>-</td> <td>WD.</td> <td>J2</td> <td>PTD.</td> <td>-</td> <td>3994</td> <td>3\"/> <tr> <td>3999</td> <td>ETR</td> <td>-</td> <td>WD.</td> <td>J2</td> <td>PTD.</td> <td>-</td> <td>3995</td> <td>3\"/> <tr> <td>3999</td> <td>ETR</td> <td>-</td> <td>WD.</td> <td>J2</td> <td>PTD.</td> <td>-</td> <td>3997</td> <td>3\"/> </td></tr></td></tr></td></tr>
 | 3998 | ETR | - | WD. | J2 | PTD. | - | 3994 | 3\"/> <tr> <td>3999</td> <td>ETR</td> <td>-</td> <td>WD.</td> <td>J2</td> <td>PTD.</td> <td>-</td> <td>3995</td> <td>3\"/> <tr> <td>3999</td> <td>ETR</td> <td>-</td> <td>WD.</td> <td>J2</td> <td>PTD.</td> <td>-</td> <td>3997</td> <td>3\"/> </td></tr></td></tr> | 3999 | ETR | - | WD. | J2 | PTD.
 | - | 3995 | 3\"/> <tr> <td>3999</td> <td>ETR</td> <td>-</td> <td>WD.</td> <td>J2</td> <td>PTD.</td> <td>-</td> <td>3997</td> <td>3\"/> </td></tr> | 3999 | ETR | -
 | WD. | J2 | PTD. | - | 3997 | 3\"/> | | | | | | | | | | | | | | | | | | | | | | | | | | | | | | | | | | | | | | | | | | | | | | | | |
 | | | | | |
 | | | | | | | | |
 | | | | | | | | |
 | | | | | | | | |
 | | | | | | | | |
 | | | | | | | | |
 | | | | | | | | |
 | | | | | | | | | | | |
 | | | | | | | | | | | | | | |
 | | | | | | | | | | | | | | | | | |
 | | | | | | | | | | | | | | | | | |
 | | | | | | | | | | | | | | | | | | | | | | | |
 | | | | | | | | | | | | | | | | | | | | | | | | | | | | | |
 | | | | | | | | | | | | | | | | | | | | | | | | | | | | | | | | | | | | | | |
 | | | | | | | | | | | | | | | | | | | | | | | | | | | | | | | | | | | | | | | | | | | | | | | | | | | | | | |
| 382A | D | 6 <td>ALUM.</td> <td>ANODIZE D</td> <td>-</td> <td>-</td> <td>380B</td> <td>3\"/> <tr> <td>385</td> <td>ETR</td> <td>-</td> <td>WD.</td> <td>J2</td> <td>PTD.</td> <td>-</td> <td>382</td> <td>3\"/> <tr> <td>386</td> <td>ETR</td> <td>-</td> <td>WD.</td> <td>J2</td> <td>PTD.</td> <td>-</td> <td>382A</td> <td>3\"/> <tr> <td>387</td> <td>ETR</td> <td>-</td> <td>WD.</td> <td>J2</td> <td>PTD.</td> <td>-</td> <td>385</td> <td>3\"/> <tr> <td>388</td> <td>ETR</td> <td>-</td> <td>WD.</td> <td>J2</td> <td>PTD.</td> <td>-</td> <td>386</td> <td>3\"/> <tr> <td>389</td> <td>ETR</td> <td>-</td> <td>WD.</td> <td>J2</td> <td>PTD.</td> <td>-</td> <td>387</td> <td>3\"/> <tr> <td>391</td> <td>ETR</td> <td>-</td> <td>WD.</td> <td>J2</td> <td>PTD.</td> <td>-</td> <td>388</td> <td>3\"/> <tr> <td>391A</td> <td>ETR</td> <td>-</td> <td>WD.</td> <td>J2</td> <td>PTD.</td> <td>-</td> <td>389</td> <td>3\"/> <tr> <td>391B</td> <td>ETR</td> <td>-</td> <td>WD.</td> <td>J2</td> <td>PTD.</td> <td>-</td> <td>391</td> <td>3\"/> <tr> <td>394</td> <td>ETR</td> <td>-</td> <td>WD.</td> <td>J2</td> <td>PTD.</td> <td>-</td> <td>391A</td> <td>3\"/> <tr> <td>395</td> <td>ETR</td> <td>-</td> <td>WD.</td> <td>J2</td> <td>PTD.</td> <td>-</td> <td>391B</td> <td>3\"/> <tr> <td>396</td> <td>ETR</td> <td>-</td> <td>WD.</td> <td>J2</td> <td>PTD.</td> <td>-</td> <td>394</td> <td>3\"/> <tr> <td>398</td> <td>ETR</td> <td>-</td> <td>WD.</td> <td>J2</td> <td>PTD.</td> <td>-</td> <td>395</td> <td>3\"/> <tr> <td>399</td> <td>ETR</td> <td>-</td> <td>WD.</td> <td>J2</td> <td>PTD.</td> <td>-</td> <td>396</td> <td>3\"/> <tr> <td>3991</td> <td>ETR</td> <td>-</td> <td>WD.</td> <td>J2</td> <td>PTD.</td> <td>-</td> <td>398</td> <td>3\"/> <tr> <td>3992</td> <td>A</td> <td>3\"/> <tr> <td>3993</td> <td>ETR</td> <td>-</td> <td>WD.</td> <td>J2</td> <td>PTD.</td> <td>-</td> <td>399</td> <td>3\"/> <tr> <td>3994</td> <td>ETR</td> <td>-</td> <td>WD.</td> <td>J2</td> <td>PTD.</td> <td>-</td> <td>3991</td> <td>3\"/> <tr> <td>3995</td> <td>ETR</td> <td>-</td> <td>WD.</td> <td>J2</td> <td>PTD.</td> <td>-</td> <td>3992</td> <td>3\"/> <tr> <td>3997</td> <td>ETR</td> <td>-</td> <td>WD.</td> <td>J2</td> <td>PTD.</td> <td>-</td> <td>3993</td> <td>3\"/> <tr> <td>3998</td> <td>ETR</td> <td>-</td> <td>WD.</td> <td>J2</td> <td>PTD.</td> <td>-</td> <td>3994</td> <td>3\"/> <tr> <td>3999</td> <td>ETR</td> <td>-</td> <td>WD.</td> <td>J2</td> <td>PTD.</td> <td>-</td> <td>3995</td> <td>3\"/> <tr> <td>3999</td> <td>ETR</td> <td>-</td> <td>WD.</td> <td>J2</td> <td>PTD.</td> <td>-</td> <td>3997</td> <td>3\"/> </td></tr></td></tr></td></tr></td></tr></td></tr></td></tr></td></tr></td></tr></td></tr></td></tr></td></tr></td></tr></td></tr></td></tr></td></tr></td></tr></td></tr></td></tr></td></tr></td></tr></td></tr></td></tr></td> | ALUM. | ANODIZE D | - | - | 380B | 3\"/> <tr> <td>385</td> <td>ETR</td> <td>-</td> <td>WD.</td> <td>J2</td> <td>PTD.</td> <td>-</td> <td>382</td> <td>3\"/> <tr> <td>386</td> <td>ETR</td> <td>-</td> <td>WD.</td> <td>J2</td> <td>PTD.</td> <td>-</td> <td>382A</td> <td>3\"/> <tr> <td>387</td> <td>ETR</td> <td>-</td> <td>WD.</td> <td>J2</td> <td>PTD.</td> <td>-</td> <td>385</td> <td>3\"/> <tr> <td>388</td> <td>ETR</td> <td>-</td> <td>WD.</td> <td>J2</td> <td>PTD.</td> <td>-</td> <td>386</td> <td>3\"/> <tr> <td>389</td> <td>ETR</td> <td>-</td> <td>WD.</td> <td>J2</td> <td>PTD.</td> <td>-</td> <td>387</td> <td>3\"/> <tr> <td>391</td> <td>ETR</td> <td>-</td> <td>WD.</td> <td>J2</td> <td>PTD.</td> <td>-</td> <td>388</td> <td>3\"/> <tr> <td>391A</td> <td>ETR</td> <td>-</td> <td>WD.</td> <td>J2</td> <td>PTD.</td> <td>-</td> <td>389</td> <td>3\"/> <tr> <td>391B</td> <td>ETR</td> <td>-</td> <td>WD.</td> <td>J2</td> <td>PTD.</td> <td>-</td> <td>391</td> <td>3\"/> <tr> <td>394</td> <td>ETR</td> <td>-</td> <td>WD.</td> <td>J2</td> <td>PTD.</td> <td>-</td> <td>391A</td> <td>3\"/> <tr> <td>395</td> <td>ETR</td> <td>-</td> <td>WD.</td> <td>J2</td> <td>PTD.</td> <td>-</td> <td>391B</td> <td>3\"/> <tr> <td>396</td> <td>ETR</td> <td>-</td> <td>WD.</td> <td>J2</td> <td>PTD.</td> <td>-</td> <td>394</td> <td>3\"/> <tr> <td>398</td> <td>ETR</td> <td>-</td> <td>WD.</td> <td>J2</td> <td>PTD.</td> <td>-</td> <td>395</td> <td>3\"/> <tr> <td>399</td> <td>ETR</td> <td>-</td> <td>WD.</td> <td>J2</td> <td>PTD.</td> <td>-</td> <td>396</td> <td>3\"/> <tr> <td>3991</td> <td>ETR</td> <td>-</td> <td>WD.</td> <td>J2</td> <td>PTD.</td> <td>-</td> <td>398</td> <td>3\"/> <tr> <td>3992</td> <td>A</td> <td>3\"/> <tr> <td>3993</td> <td>ETR</td> <td>-</td> <td>WD.</td> <td>J2</td> <td>PTD.</td> <td>-</td> <td>399</td> <td>3\"/> <tr> <td>3994</td> <td>ETR</td> <td>-</td> <td>WD.</td> <td>J2</td> <td>PTD.</td> <td>-</td> <td>3991</td> <td>3\"/> <tr> <td>3995</td> <td>ETR</td> <td>-</td> <td>WD.</td> <td>J2</td> <td>PTD.</td> <td>-</td> <td>3992</td> <td>3\"/> <tr> <td>3997</td> <td>ETR</td> <td>-</td> <td>WD.</td> <td>J2</td> <td>PTD.</td> <td>-</td> <td>3993</td> <td>3\"/> <tr> <td>3998</td> <td>ETR</td> <td>-</td> <td>WD.</td> <td>J2</td> <td>PTD.</td> <td>-</td> <td>3994</td> <td>3\"/> <tr> <td>3999</td> <td>ETR</td> <td>-</td> <td>WD.</td> <td>J2</td> <td>PTD.</td> <td>-</td> <td>3995</td> <td>3\"/> <tr> <td>3999</td> <td>ETR</td> <td>-</td> <td>WD.</td> <td>J2</td> <td>PTD.</td> <td>-</td> <td>3997</td> <td>3\"/> </td></tr></td></tr></td></tr></td></tr></td></tr></td></tr></td></tr></td></tr></td></tr></td></tr></td></tr></td></tr></td></tr></td></tr></td></tr></td></tr></td></tr></td></tr></td></tr></td></tr></td></tr></td></tr>
 | 385 | ETR | -
 | WD. | J2 | PTD. | - | 382 | 3\"/> <tr> <td>386</td> <td>ETR</td> <td>-</td> <td>WD.</td> <td>J2</td> <td>PTD.</td> <td>-</td> <td>382A</td> <td>3\"/> <tr> <td>387</td> <td>ETR</td> <td>-</td> <td>WD.</td> <td>J2</td> <td>PTD.</td> <td>-</td> <td>385</td> <td>3\"/> <tr> <td>388</td> <td>ETR</td> <td>-</td> <td>WD.</td> <td>J2</td> <td>PTD.</td> <td>-</td> <td>386</td> <td>3\"/> <tr> <td>389</td> <td>ETR</td> <td>-</td> <td>WD.</td> <td>J2</td> <td>PTD.</td> <td>-</td> <td>387</td> <td>3\"/> <tr> <td>391</td> <td>ETR</td> <td>-</td> <td>WD.</td> <td>J2</td> <td>PTD.</td> <td>-</td> <td>388</td> <td>3\"/> <tr> <td>391A</td> <td>ETR</td> <td>-</td> <td>WD.</td> <td>J2</td> <td>PTD.</td> <td>-</td> <td>389</td> <td>3\"/> <tr> <td>391B</td> <td>ETR</td> <td>-</td> <td>WD.</td> <td>J2</td> <td>PTD.</td> <td>-</td> <td>391</td> <td>3\"/> <tr> <td>394</td> <td>ETR</td> <td>-</td> <td>WD.</td> <td>J2</td> <td>PTD.</td> <td>-</td> <td>391A</td> <td>3\"/> <tr> <td>395</td> <td>ETR</td> <td>-</td> <td>WD.</td> <td>J2</td> <td>PTD.</td> <td>-</td> <td>391B</td> <td>3\"/> <tr> <td>396</td> <td>ETR</td> <td>-</td> <td>WD.</td> <td>J2</td> <td>PTD.</td> <td>-</td> <td>394</td> <td>3\"/> <tr> <td>398</td> <td>ETR</td> <td>-</td> <td>WD.</td> <td>J2</td> <td>PTD.</td> <td>-</td> <td>395</td> <td>3\"/> <tr> <td>399</td> <td>ETR</td> <td>-</td> <td>WD.</td> <td>J2</td> <td>PTD.</td> <td>-</td> <td>396</td> <td>3\"/> <tr> <td>3991</td> <td>ETR</td> <td>-</td> <td>WD.</td> <td>J2</td> <td>PTD.</td> <td>-</td> <td>398</td> <td>3\"/> <tr> <td>3992</td> <td>A</td> <td>3\"/> <tr> <td>3993</td> <td>ETR</td> <td>-</td> <td>WD.</td> <td>J2</td> <td>PTD.</td> <td>-</td> <td>399</td> <td>3\"/> <tr> <td>3994</td> <td>ETR</td> <td>-</td> <td>WD.</td> <td>J2</td> <td>PTD.</td> <td>-</td> <td>3991</td> <td>3\"/> <tr> <td>3995</td> <td>ETR</td> <td>-</td> <td>WD.</td> <td>J2</td> <td>PTD.</td> <td>-</td> <td>3992</td> <td>3\"/> <tr> <td>3997</td> <td>ETR</td> <td>-</td> <td>WD.</td> <td>J2</td> <td>PTD.</td> <td>-</td> <td>3993</td> <td>3\"/> <tr> <td>3998</td> <td>ETR</td> <td>-</td> <td>WD.</td> <td>J2</td> <td>PTD.</td> <td>-</td> <td>3994</td> <td>3\"/> <tr> <td>3999</td> <td>ETR</td> <td>-</td> <td>WD.</td> <td>J2</td> <td>PTD.</td> <td>-</td> <td>3995</td> <td>3\"/> <tr> <td>3999</td> <td>ETR</td> <td>-</td> <td>WD.</td> <td>J2</td> <td>PTD.</td> <td>-</td> <td>3997</td> <td>3\"/> </td></tr></td></tr></td></tr></td></tr></td></tr></td></tr></td></tr></td></tr></td></tr></td></tr></td></tr></td></tr></td></tr></td></tr></td></tr></td></tr></td></tr></td></tr></td></tr></td></tr></td></tr> | 386 | ETR | -
 | WD. | J2 | PTD. | - | 382A | 3\"/> <tr> <td>387</td> <td>ETR</td> <td>-</td> <td>WD.</td> <td>J2</td> <td>PTD.</td> <td>-</td> <td>385</td> <td>3\"/> <tr> <td>388</td> <td>ETR</td> <td>-</td> <td>WD.</td> <td>J2</td> <td>PTD.</td> <td>-</td> <td>386</td> <td>3\"/> <tr> <td>389</td> <td>ETR</td> <td>-</td> <td>WD.</td> <td>J2</td> <td>PTD.</td> <td>-</td> <td>387</td> <td>3\"/> <tr> <td>391</td> <td>ETR</td> <td>-</td> <td>WD.</td> <td>J2</td> <td>PTD.</td> <td>-</td> <td>388</td> <td>3\"/> <tr> <td>391A</td> <td>ETR</td> <td>-</td> <td>WD.</td> <td>J2</td> <td>PTD.</td> <td>-</td> <td>389</td> <td>3\"/> <tr> <td>391B</td> <td>ETR</td> <td>-</td> <td>WD.</td> <td>J2</td> <td>PTD.</td> <td>-</td> <td>391</td> <td>3\"/> <tr> <td>394</td> <td>ETR</td> <td>-</td> <td>WD.</td> <td>J2</td> <td>PTD.</td> <td>-</td> <td>391A</td> <td>3\"/> <tr> <td>395</td> <td>ETR</td> <td>-</td> <td>WD.</td> <td>J2</td> <td>PTD.</td> <td>-</td> <td>391B</td> <td>3\"/> <tr> <td>396</td> <td>ETR</td> <td>-</td> <td>WD.</td> <td>J2</td> <td>PTD.</td> <td>-</td> <td>394</td> <td>3\"/> <tr> <td>398</td> <td>ETR</td> <td>-</td> <td>WD.</td> <td>J2</td> <td>PTD.</td> <td>-</td> <td>395</td> <td>3\"/> <tr> <td>399</td> <td>ETR</td> <td>-</td> <td>WD.</td> <td>J2</td> <td>PTD.</td> <td>-</td> <td>396</td> <td>3\"/> <tr> <td>3991</td> <td>ETR</td> <td>-</td> <td>WD.</td> <td>J2</td> <td>PTD.</td> <td>-</td> <td>398</td> <td>3\"/> <tr> <td>3992</td> <td>A</td> <td>3\"/> <tr> <td>3993</td> <td>ETR</td> <td>-</td> <td>WD.</td> <td>J2</td> <td>PTD.</td> <td>-</td> <td>399</td> <td>3\"/> <tr> <td>3994</td> <td>ETR</td> <td>-</td> <td>WD.</td> <td>J2</td> <td>PTD.</td> <td>-</td> <td>3991</td> <td>3\"/> <tr> <td>3995</td> <td>ETR</td> <td>-</td> <td>WD.</td> <td>J2</td> <td>PTD.</td> <td>-</td> <td>3992</td> <td>3\"/> <tr> <td>3997</td> <td>ETR</td> <td>-</td> <td>WD.</td> <td>J2</td> <td>PTD.</td> <td>-</td> <td>3993</td> <td>3\"/> <tr> <td>3998</td> <td>ETR</td> <td>-</td> <td>WD.</td> <td>J2</td> <td>PTD.</td> <td>-</td> <td>3994</td> <td>3\"/> <tr> <td>3999</td> <td>ETR</td> <td>-</td> <td>WD.</td> <td>J2</td> <td>PTD.</td> <td>-</td> <td>3995</td> <td>3\"/> <tr> <td>3999</td> <td>ETR</td> <td>-</td> <td>WD.</td> <td>J2</td> <td>PTD.</td> <td>-</td> <td>3997</td> <td>3\"/> </td></tr></td></tr></td></tr></td></tr></td></tr></td></tr></td></tr></td></tr></td></tr></td></tr></td></tr></td></tr></td></tr></td></tr></td></tr></td></tr></td></tr></td></tr></td></tr></td></tr>
 | 387 | ETR | - | WD. | J2 | PTD. | - | 385 | 3\"/> <tr> <td>388</td> <td>ETR</td> <td>-</td> <td>WD.</td> <td>J2</td> <td>PTD.</td> <td>-</td> <td>386</td> <td>3\"/> <tr> <td>389</td> <td>ETR</td> <td>-</td> <td>WD.</td> <td>J2</td> <td>PTD.</td> <td>-</td> <td>387</td> <td>3\"/> <tr> <td>391</td> <td>ETR</td> <td>-</td> <td>WD.</td> <td>J2</td> <td>PTD.</td> <td>-</td> <td>388</td> <td>3\"/> <tr> <td>391A</td> <td>ETR</td> <td>-</td> <td>WD.</td> <td>J2</td> <td>PTD.</td> <td>-</td> <td>389</td> <td>3\"/> <tr> <td>391B</td> <td>ETR</td> <td>-</td> <td>WD.</td> <td>J2</td> <td>PTD.</td> <td>-</td> <td>391</td> <td>3\"/> <tr> <td>394</td> <td>ETR</td> <td>-</td> <td>WD.</td> <td>J2</td> <td>PTD.</td> <td>-</td> <td>391A</td> <td>3\"/> <tr> <td>395</td> <td>ETR</td> <td>-</td> <td>WD.</td> <td>J2</td> <td>PTD.</td> <td>-</td> <td>391B</td> <td>3\"/> <tr> <td>396</td> <td>ETR</td> <td>-</td> <td>WD.</td> <td>J2</td> <td>PTD.</td> <td>-</td> <td>394</td> <td>3\"/> <tr> <td>398</td> <td>ETR</td> <td>-</td> <td>WD.</td> <td>J2</td> <td>PTD.</td> <td>-</td> <td>395</td> <td>3\"/> <tr> <td>399</td> <td>ETR</td> <td>-</td> <td>WD.</td> <td>J2</td> <td>PTD.</td> <td>-</td> <td>396</td> <td>3\"/> <tr> <td>3991</td> <td>ETR</td> <td>-</td> <td>WD.</td> <td>J2</td> <td>PTD.</td> <td>-</td> <td>398</td> <td>3\"/> <tr> <td>3992</td> <td>A</td> <td>3\"/> <tr> <td>3993</td> <td>ETR</td> <td>-</td> <td>WD.</td> <td>J2</td> <td>PTD.</td> <td>-</td> <td>399</td> <td>3\"/> <tr> <td>3994</td> <td>ETR</td> <td>-</td> <td>WD.</td> <td>J2</td> <td>PTD.</td> <td>-</td> <td>3991</td> <td>3\"/> <tr> <td>3995</td> <td>ETR</td> <td>-</td> <td>WD.</td> <td>J2</td> <td>PTD.</td> <td>-</td> <td>3992</td> <td>3\"/> <tr> <td>3997</td> <td>ETR</td> <td>-</td> <td>WD.</td> <td>J2</td> <td>PTD.</td> <td>-</td> <td>3993</td> <td>3\"/> <tr> <td>3998</td> <td>ETR</td> <td>-</td> <td>WD.</td> <td>J2</td> <td>PTD.</td> <td>-</td> <td>3994</td> <td>3\"/> <tr> <td>3999</td> <td>ETR</td> <td>-</td> <td>WD.</td> <td>J2</td> <td>PTD.</td> <td>-</td> <td>3995</td> <td>3\"/> <tr> <td>3999</td> <td>ETR</td> <td>-</td> <td>WD.</td> <td>J2</td> <td>PTD.</td> <td>-</td> <td>3997</td> <td>3\"/> </td></tr></td></tr></td></tr></td></tr></td></tr></td></tr></td></tr></td></tr></td></tr></td></tr></td></tr></td></tr></td></tr></td></tr></td></tr></td></tr></td></tr></td></tr></td></tr>
 | 388 | ETR | - | WD. | J2 | PTD. | - | 386 |
3\"/> <tr> <td>389</td> <td>ETR</td> <td>-</td> <td>WD.</td> <td>J2</td> <td>PTD.</td> <td>-</td> <td>387</td> <td>3\"/> <tr> <td>391</td> <td>ETR</td> <td>-</td> <td>WD.</td> <td>J2</td> <td>PTD.</td> <td>-</td> <td>388</td> <td>3\"/> <tr> <td>391A</td> <td>ETR</td> <td>-</td> <td>WD.</td> <td>J2</td> <td>PTD.</td> <td>-</td> <td>389</td> <td>3\"/> <tr> <td>391B</td> <td>ETR</td> <td>-</td> <td>WD.</td> <td>J2</td> <td>PTD.</td> <td>-</td> <td>391</td> <td>3\"/> <tr> <td>394</td> <td>ETR</td> <td>-</td> <td>WD.</td> <td>J2</td> <td>PTD.</td> <td>-</td> <td>391A</td> <td>3\"/> <tr> <td>395</td> <td>ETR</td> <td>-</td> <td>WD.</td> <td>J2</td> <td>PTD.</td> <td>-</td> <td>391B</td> <td>3\"/> <tr> <td>396</td> <td>ETR</td> <td>-</td> <td>WD.</td> <td>J2</td> <td>PTD.</td> <td>-</td> <td>394</td> <td>3\"/> <tr> <td>398</td> <td>ETR</td> <td>-</td> <td>WD.</td> <td>J2</td> <td>PTD.</td> <td>-</td> <td>395</td> <td>3\"/> <tr> <td>399</td> <td>ETR</td> <td>-</td> <td>WD.</td> <td>J2</td> <td>PTD.</td> <td>-</td> <td>396</td> <td>3\"/> <tr> <td>3991</td> <td>ETR</td> <td>-</td> <td>WD.</td> <td>J2</td> <td>PTD.</td> <td>-</td> <td>398</td> <td>3\"/> <tr> <td>3992</td> <td>A</td> <td>3\"/> <tr> <td>3993</td> <td>ETR</td> <td>-</td> <td>WD.</td> <td>J2</td> <td>PTD.</td> <td>-</td> <td>399</td> <td>3\"/> <tr> <td>3994</td> <td>ETR</td> <td>-</td> <td>WD.</td> <td>J2</td> <td>PTD.</td> <td>-</td> <td>3991</td> <td>3\"/> <tr> <td>3995</td> <td>ETR</td> <td>-</td> <td>WD.</td> <td>J2</td> <td>PTD.</td> <td>-</td> <td>3992</td> <td>3\"/> <tr> <td>3997</td> <td>ETR</td> <td>-</td> <td>WD.</td> <td>J2</td> <td>PTD.</td> <td>-</td> <td>3993</td> <td>3\"/> <tr> <td>3998</td> <td>ETR</td> <td>-</td> <td>WD.</td> <td>J2</td> <td>PTD.</td> <td>-</td> <td>3994</td> <td>3\"/> <tr> <td>3999</td> <td>ETR</td> <td>-</td> <td>WD.</td> <td>J2</td> <td>PTD.</td> <td>-</td> <td>3995</td> <td>3\"/> <tr> <td>3999</td> <td>ETR</td> <td>-</td> <td>WD.</td> <td>J2</td> <td>PTD.</td> <td>-</td> <td>3997</td> <td>3\"/> </td></tr></td></tr></td></tr></td></tr></td></tr></td></tr></td></tr></td></tr></td></tr></td></tr></td></tr></td></tr></td></tr></td></tr></td></tr></td></tr></td></tr></td></tr> | 389 | ETR | -
 | WD. | J2 | PTD. | - | 387 | 3\"/> <tr> <td>391</td> <td>ETR</td> <td>-</td> <td>WD.</td> <td>J2</td> <td>PTD.</td> <td>-</td> <td>388</td> <td>3\"/> <tr> <td>391A</td> <td>ETR</td> <td>-</td> <td>WD.</td> <td>J2</td> <td>PTD.</td> <td>-</td> <td>389</td> <td>3\"/> <tr> <td>391B</td> <td>ETR</td> <td>-</td> <td>WD.</td> <td>J2</td> <td>PTD.</td> <td>-</td> <td>391</td> <td>3\"/> <tr> <td>394</td> <td>ETR</td> <td>-</td> <td>WD.</td> <td>J2</td> <td>PTD.</td> <td>-</td> <td>391A</td> <td>3\"/> <tr> <td>395</td> <td>ETR</td> <td>-</td> <td>WD.</td> <td>J2</td> <td>PTD.</td> <td>-</td> <td>391B</td> <td>3\"/> <tr> <td>396</td> <td>ETR</td> <td>-</td> <td>WD.</td> <td>J2</td> <td>PTD.</td> <td>-</td> <td>394</td> <td>3\"/> <tr> <td>398</td> <td>ETR</td> <td>-</td> <td>WD.</td> <td>J2</td> <td>PTD.</td> <td>-</td> <td>395</td> <td>3\"/> <tr> <td>399</td> <td>ETR</td> <td>-</td> <td>WD.</td> <td>J2</td> <td>PTD.</td> <td>-</td> <td>396</td> <td>3\"/> <tr> <td>3991</td> <td>ETR</td> <td>-</td> <td>WD.</td> <td>J2</td> <td>PTD.</td> <td>-</td> <td>398</td> <td>3\"/> <tr> <td>3992</td> <td>A</td> <td>3\"/> <tr> <td>3993</td> <td>ETR</td> <td>-</td> <td>WD.</td> <td>J2</td> <td>PTD.</td> <td>-</td> <td>399</td> <td>3\"/> <tr> <td>3994</td> <td>ETR</td> <td>-</td> <td>WD.</td> <td>J2</td> <td>PTD.</td> <td>-</td> <td>3991</td> <td>3\"/> <tr> <td>3995</td> <td>ETR</td> <td>-</td> <td>WD.</td> <td>J2</td> <td>PTD.</td> <td>-</td> <td>3992</td> <td>3\"/> <tr> <td>3997</td> <td>ETR</td> <td>-</td> <td>WD.</td> <td>J2</td> <td>PTD.</td> <td>-</td> <td>3993</td> <td>3\"/> <tr> <td>3998</td> <td>ETR</td> <td>-</td> <td>WD.</td> <td>J2</td> <td>PTD.</td> <td>-</td> <td>3994</td> <td>3\"/> <tr> <td>3999</td> <td>ETR</td> <td>-</td> <td>WD.</td> <td>J2</td> <td>PTD.</td> <td>-</td> <td>3995</td> <td>3\"/> <tr> <td>3999</td> <td>ETR</td> <td>-</td> <td>WD.</td> <td>J2</td> <td>PTD.</td> <td>-</td> <td>3997</td> <td>3\"/> </td></tr></td></tr></td></tr></td></tr></td></tr></td></tr></td></tr></td></tr></td></tr></td></tr></td></tr></td></tr></td></tr></td></tr></td></tr></td></tr></td></tr> | 391 | ETR | -
 | WD. | J2 | PTD. | - | 388 | 3\"/> <tr> <td>391A</td> <td>ETR</td> <td>-</td> <td>WD.</td> <td>J2</td> <td>PTD.</td> <td>-</td> <td>389</td> <td>3\"/> <tr> <td>391B</td> <td>ETR</td> <td>-</td> <td>WD.</td> <td>J2</td> <td>PTD.</td> <td>-</td> <td>391</td> <td>3\"/> <tr> <td>394</td> <td>ETR</td> <td>-</td> <td>WD.</td> <td>J2</td> <td>PTD.</td> <td>-</td> <td>391A</td> <td>3\"/> <tr> <td>395</td> <td>ETR</td> <td>-</td> <td>WD.</td> <td>J2</td> <td>PTD.</td> <td>-</td> <td>391B</td> <td>3\"/> <tr> <td>396</td> <td>ETR</td> <td>-</td> <td>WD.</td> <td>J2</td> <td>PTD.</td> <td>-</td> <td>394</td> <td>3\"/> <tr> <td>398</td> <td>ETR</td> <td>-</td> <td>WD.</td> <td>J2</td> <td>PTD.</td> <td>-</td> <td>395</td> <td>3\"/> <tr> <td>399</td> <td>ETR</td> <td>-</td> <td>WD.</td> <td>J2</td> <td>PTD.</td> <td>-</td> <td>396</td> <td>3\"/> <tr> <td>3991</td> <td>ETR</td> <td>-</td> <td>WD.</td> <td>J2</td> <td>PTD.</td> <td>-</td> <td>398</td> <td>3\"/> <tr> <td>3992</td> <td>A</td> <td>3\"/> <tr> <td>3993</td> <td>ETR</td> <td>-</td> <td>WD.</td> <td>J2</td> <td>PTD.</td> <td>-</td> <td>399</td> <td>3\"/> <tr> <td>3994</td> <td>ETR</td> <td>-</td> <td>WD.</td> <td>J2</td> <td>PTD.</td> <td>-</td> <td>3991</td> <td>3\"/> <tr> <td>3995</td> <td>ETR</td> <td>-</td> <td>WD.</td> <td>J2</td> <td>PTD.</td> <td>-</td> <td>3992</td> <td>3\"/> <tr> <td>3997</td> <td>ETR</td> <td>-</td> <td>WD.</td> <td>J2</td> <td>PTD.</td> <td>-</td> <td>3993</td> <td>3\"/> <tr> <td>3998</td> <td>ETR</td> <td>-</td> <td>WD.</td> <td>J2</td> <td>PTD.</td> <td>-</td> <td>3994</td> <td>3\"/> <tr> <td>3999</td> <td>ETR</td> <td>-</td> <td>WD.</td> <td>J2</td> <td>PTD.</td> <td>-</td> <td>3995</td> <td>3\"/> <tr> <td>3999</td> <td>ETR</td> <td>-</td> <td>WD.</td> <td>J2</td> <td>PTD.</td> <td>-</td> <td>3997</td> <td>3\"/> </td></tr></td></tr></td></tr></td></tr></td></tr></td></tr></td></tr></td></tr></td></tr></td></tr></td></tr></td></tr></td></tr></td></tr></td></tr></td></tr>
 | 391A | ETR | - | WD. | J2 | PTD. | - | 389 | 3\"/> <tr> <td>391B</td> <td>ETR</td> <td>-</td> <td>WD.</td> <td>J2</td> <td>PTD.</td> <td>-</td> <td>391</td> <td>3\"/> <tr> <td>394</td> <td>ETR</td> <td>-</td> <td>WD.</td> <td>J2</td> <td>PTD.</td> <td>-</td> <td>391A</td> <td>3\"/> <tr> <td>395</td> <td>ETR</td> <td>-</td> <td>WD.</td> <td>J2</td> <td>PTD.</td> <td>-</td> <td>391B</td> <td>3\"/> <tr> <td>396</td> <td>ETR</td> <td>-</td> <td>WD.</td> <td>J2</td> <td>PTD.</td> <td>-</td> <td>394</td> <td>3\"/> <tr> <td>398</td> <td>ETR</td> <td>-</td> <td>WD.</td> <td>J2</td> <td>PTD.</td> <td>-</td> <td>395</td> <td>3\"/> <tr> <td>399</td> <td>ETR</td> <td>-</td> <td>WD.</td> <td>J2</td> <td>PTD.</td> <td>-</td> <td>396</td> <td>3\"/> <tr> <td>3991</td> <td>ETR</td> <td>-</td> <td>WD.</td> <td>J2</td> <td>PTD.</td> <td>-</td> <td>398</td> <td>3\"/> <tr> <td>3992</td> <td>A</td> <td>3\"/> <tr> <td>3993</td> <td>ETR</td> <td>-</td> <td>WD.</td> <td>J2</td> <td>PTD.</td> <td>-</td> <td>399</td> <td>3\"/> <tr> <td>3994</td> <td>ETR</td> <td>-</td> <td>WD.</td> <td>J2</td> <td>PTD.</td> <td>-</td> <td>3991</td> <td>3\"/> <tr> <td>3995</td> <td>ETR</td> <td>-</td> <td>WD.</td> <td>J2</td> <td>PTD.</td> <td>-</td> <td>3992</td> <td>3\"/> <tr> <td>3997</td> <td>ETR</td> <td>-</td> <td>WD.</td> <td>J2</td> <td>PTD.</td> <td>-</td> <td>3993</td> <td>3\"/> <tr> <td>3998</td> <td>ETR</td> <td>-</td> <td>WD.</td> <td>J2</td> <td>PTD.</td> <td>-</td> <td>3994</td> <td>3\"/> <tr> <td>3999</td> <td>ETR</td> <td>-</td> <td>WD.</td> <td>J2</td> <td>PTD.</td> <td>-</td> <td>3995</td> <td>3\"/> <tr> <td>3999</td> <td>ETR</td> <td>-</td> <td>WD.</td> <td>J2</td> <td>PTD.</td> <td>-</td> <td>3997</td> <td>3\"/> </td></tr></td></tr></td></tr></td></tr></td></tr></td></tr></td></tr></td></tr></td></tr></td></tr></td></tr></td></tr></td></tr></td></tr></td></tr>
 | 391B | ETR | - | WD. | J2 | PTD. | - | 391 | 3\"/> <tr> <td>394</td> <td>ETR</td> <td>-</td> <td>WD.</td> <td>J2</td> <td>PTD.</td> <td>-</td> <td>391A</td> <td>3\"/> <tr> <td>395</td> <td>ETR</td> <td>-</td> <td>WD.</td> <td>J2</td> <td>PTD.</td> <td>-</td> <td>391B</td> <td>3\"/> <tr> <td>396</td> <td>ETR</td> <td>-</td> <td>WD.</td> <td>J2</td> <td>PTD.</td> <td>-</td> <td>394</td> <td>3\"/> <tr> <td>398</td> <td>ETR</td> <td>-</td> <td>WD.</td> <td>J2</td> <td>PTD.</td> <td>-</td> <td>395</td> <td>3\"/> <tr> <td>399</td> <td>ETR</td> <td>-</td> <td>WD.</td> <td>J2</td> <td>PTD.</td> <td>-</td> <td>396</td> <td>3\"/> <tr> <td>3991</td> <td>ETR</td> <td>-</td> <td>WD.</td> <td>J2</td> <td>PTD.</td> <td>-</td> <td>398</td> <td>3\"/> <tr> <td>3992</td> <td>A</td> <td>3\"/> <tr> <td>3993</td> <td>ETR</td> <td>-</td> <td>WD.</td> <td>J2</td> <td>PTD.</td> <td>-</td> <td>399</td> <td>3\"/> <tr> <td>3994</td> <td>ETR</td> <td>-</td> <td>WD.</td> <td>J2</td> <td>PTD.</td> <td>-</td> <td>3991</td> <td>3\"/> <tr> <td>3995</td> <td>ETR</td> <td>-</td> <td>WD.</td> <td>J2</td> <td>PTD.</td> <td>-</td> <td>3992</td> <td>3\"/> <tr>
<td>3997</td> <td>ETR</td> <td>-</td> <td>WD.</td> <td>J2</td> <td>PTD.</td> <td>-</td> <td>3993</td> <td>3\"/> <tr> <td>3998</td> <td>ETR</td> <td>-</td> <td>WD.</td> <td>J2</td> <td>PTD.</td> <td>-</td> <td>3994</td> <td>3\"/> <tr> <td>3999</td> <td>ETR</td> <td>-</td> <td>WD.</td> <td>J2</td> <td>PTD.</td> <td>-</td> <td>3995</td> <td>3\"/> <tr> <td>3999</td> <td>ETR</td> <td>-</td> <td>WD.</td> <td>J2</td> <td>PTD.</td> <td>-</td> <td>3997</td> <td>3\"/> </td></tr></td></tr></td></tr></td></tr></td></tr></td></tr></td></tr></td></tr></td></tr></td></tr></td></tr></td></tr></td></tr></td></tr> | 394 | ETR | -
 | WD. | J2 | PTD. | - | 391A | 3\"/> <tr> <td>395</td> <td>ETR</td> <td>-</td> <td>WD.</td> <td>J2</td> <td>PTD.</td> <td>-</td> <td>391B</td> <td>3\"/> <tr> <td>396</td> <td>ETR</td> <td>-</td> <td>WD.</td> <td>J2</td> <td>PTD.</td> <td>-</td> <td>394</td> <td>3\"/> <tr> <td>398</td> <td>ETR</td> <td>-</td> <td>WD.</td> <td>J2</td> <td>PTD.</td> <td>-</td> <td>395</td> <td>3\"/> <tr> <td>399</td> <td>ETR</td> <td>-</td> <td>WD.</td> <td>J2</td> <td>PTD.</td> <td>-</td> <td>396</td> <td>3\"/> <tr> <td>3991</td> <td>ETR</td> <td>-</td> <td>WD.</td> <td>J2</td> <td>PTD.</td> <td>-</td> <td>398</td> <td>3\"/> <tr> <td>3992</td> <td>A</td> <td>3\"/> <tr> <td>3993</td> <td>ETR</td> <td>-</td> <td>WD.</td> <td>J2</td> <td>PTD.</td> <td>-</td> <td>399</td> <td>3\"/> <tr> <td>3994</td> <td>ETR</td> <td>-</td> <td>WD.</td> <td>J2</td> <td>PTD.</td> <td>-</td> <td>3991</td> <td>3\"/> <tr> <td>3995</td> <td>ETR</td> <td>-</td> <td>WD.</td> <td>J2</td> <td>PTD.</td> <td>-</td> <td>3992</td> <td>3\"/> <tr> <td>3997</td> <td>ETR</td> <td>-</td> <td>WD.</td> <td>J2</td> <td>PTD.</td> <td>-</td> <td>3993</td> <td>3\"/> <tr> <td>3998</td> <td>ETR</td> <td>-</td> <td>WD.</td> <td>J2</td> <td>PTD.</td> <td>-</td> <td>3994</td> <td>3\"/> <tr> <td>3999</td> <td>ETR</td> <td>-</td> <td>WD.</td> <td>J2</td> <td>PTD.</td> <td>-</td> <td>3995</td> <td>3\"/> <tr> <td>3999</td> <td>ETR</td> <td>-</td> <td>WD.</td> <td>J2</td> <td>PTD.</td> <td>-</td> <td>3997</td> <td>3\"/> </td></tr></td></tr></td></tr></td></tr></td></tr></td></tr></td></tr></td></tr></td></tr></td></tr></td></tr></td></tr></td></tr> | 395 | ETR | -
 | WD. | J2 | PTD. | - | 391B | 3\"/> <tr> <td>396</td> <td>ETR</td> <td>-</td> <td>WD.</td> <td>J2</td> <td>PTD.</td> <td>-</td> <td>394</td> <td>3\"/> <tr> <td>398</td> <td>ETR</td> <td>-</td> <td>WD.</td> <td>J2</td> <td>PTD.</td> <td>-</td> <td>395</td> <td>3\"/> <tr> <td>399</td> <td>ETR</td> <td>-</td> <td>WD.</td> <td>J2</td> <td>PTD.</td> <td>-</td> <td>396</td> <td>3\"/> <tr> <td>3991</td> <td>ETR</td> <td>-</td> <td>WD.</td> <td>J2</td> <td>PTD.</td> <td>-</td> <td>398</td> <td>3\"/> <tr> <td>3992</td> <td>A</td> <td>3\"/> <tr> <td>3993</td> <td>ETR</td> <td>-</td> <td>WD.</td> <td>J2</td> <td>PTD.</td> <td>-</td> <td>399</td> <td>3\"/> <tr> <td>3994</td> <td>ETR</td> <td>-</td> <td>WD.</td> <td>J2</td> <td>PTD.</td> <td>-</td> <td>3991</td> <td>3\"/> <tr> <td>3995</td> <td>ETR</td> <td>-</td> <td>WD.</td> <td>J2</td> <td>PTD.</td> <td>-</td> <td>3992</td> <td>3\"/> <tr> <td>3997</td> <td>ETR</td> <td>-</td> <td>WD.</td> <td>J2</td> <td>PTD.</td> <td>-</td> <td>3993</td> <td>3\"/> <tr> <td>3998</td> <td>ETR</td> <td>-</td> <td>WD.</td> <td>J2</td> <td>PTD.</td> <td>-</td> <td>3994</td> <td>3\"/> <tr> <td>3999</td> <td>ETR</td> <td>-</td> <td>WD.</td> <td>J2</td> <td>PTD.</td> <td>-</td> <td>3995</td> <td>3\"/> <tr> <td>3999</td> <td>ETR</td> <td>-</td> <td>WD.</td> <td>J2</td> <td>PTD.</td> <td>-</td> <td>3997</td> <td>3\"/> </td></tr></td></tr></td></tr></td></tr></td></tr></td></tr></td></tr></td></tr></td></tr></td></tr></td></tr></td></tr> | 396 | ETR | -
 | WD. | J2 | PTD. | - | 394 | 3\"/> <tr> <td>398</td> <td>ETR</td> <td>-</td> <td>WD.</td> <td>J2</td> <td>PTD.</td> <td>-</td> <td>395</td> <td>3\"/> <tr> <td>399</td> <td>ETR</td> <td>-</td> <td>WD.</td> <td>J2</td> <td>PTD.</td> <td>-</td> <td>396</td> <td>3\"/> <tr> <td>3991</td> <td>ETR</td> <td>-</td> <td>WD.</td> <td>J2</td> <td>PTD.</td> <td>-</td> <td>398</td> <td>3\"/> <tr> <td>3992</td> <td>A</td> <td>3\"/> <tr> <td>3993</td> <td>ETR</td> <td>-</td> <td>WD.</td> <td>J2</td> <td>PTD.</td> <td>-</td> <td>399</td> <td>3\"/> <tr> <td>3994</td> <td>ETR</td> <td>-</td> <td>WD.</td> <td>J2</td> <td>PTD.</td> <td>-</td> <td>3991</td> <td>3\"/> <tr> <td>3995</td> <td>ETR</td> <td>-</td> <td>WD.</td> <td>J2</td> <td>PTD.</td> <td>-</td> <td>3992</td> <td>3\"/> <tr> <td>3997</td> <td>ETR</td> <td>-</td> <td>WD.</td> <td>J2</td> <td>PTD.</td> <td>-</td> <td>3993</td> <td>3\"/> <tr> <td>3998</td> <td>ETR</td> <td>-</td> <td>WD.</td> <td>J2</td> <td>PTD.</td> <td>-</td> <td>3994</td> <td>3\"/> <tr> <td>3999</td> <td>ETR</td> <td>-</td> <td>WD.</td> <td>J2</td> <td>PTD.</td> <td>-</td> <td>3995</td> <td>3\"/> <tr> <td>3999</td> <td>ETR</td> <td>-</td> <td>WD.</td> <td>J2</td> <td>PTD.</td> <td>-</td> <td>3997</td> <td>3\"/> </td></tr></td></tr></td></tr></td></tr></td></tr></td></tr></td></tr></td></tr></td></tr></td></tr></td></tr> | 398 | ETR | -
 | WD. | J2 | PTD. | - | 395 | 3\"/> <tr> <td>399</td> <td>ETR</td> <td>-</td> <td>WD.</td> <td>J2</td> <td>PTD.</td> <td>-</td> <td>396</td> <td>3\"/> <tr> <td>3991</td> <td>ETR</td> <td>-</td> <td>WD.</td> <td>J2</td> <td>PTD.</td> <td>-</td> <td>398</td> <td>3\"/> <tr> <td>3992</td> <td>A</td> <td>3\"/> <tr> <td>3993</td> <td>ETR</td> <td>-</td> <td>WD.</td> <td>J2</td> <td>PTD.</td> <td>-</td> <td>399</td> <td>3\"/> <tr> <td>3994</td> <td>ETR</td> <td>-</td> <td>WD.</td> <td>J2</td> <td>PTD.</td> <td>-</td> <td>3991</td> <td>3\"/> <tr> <td>3995</td> <td>ETR</td> <td>-</td> <td>WD.</td> <td>J2</td> <td>PTD.</td> <td>-</td> <td>3992</td> <td>3\"/> <tr> <td>3997</td> <td>ETR</td> <td>-</td> <td>WD.</td> <td>J2</td> <td>PTD.</td> <td>-</td> <td>3993</td> <td>3\"/> <tr> <td>3998</td> <td>ETR</td> <td>-</td> <td>WD.</td> <td>J2</td> <td>PTD.</td> <td>-</td> <td>3994</td> <td>3\"/> <tr> <td>3999</td> <td>ETR</td> <td>-</td> <td>WD.</td> <td>J2</td> <td>PTD.</td> <td>-</td> <td>3995</td> <td>3\"/> <tr> <td>3999</td> <td>ETR</td> <td>-</td> <td>WD.</td> <td>J2</td> <td>PTD.</td> <td>-</td> <td>3997</td> <td>3\"/> </td></tr></td></tr></td></tr></td></tr></td></tr></td></tr></td></tr></td></tr></td></tr></td></tr> | 399 | ETR | -
 | WD. | J2 | PTD. | - | 396 | 3\"/> <tr> <td>3991</td> <td>ETR</td> <td>-</td> <td>WD.</td> <td>J2</td> <td>PTD.</td> <td>-</td> <td>398</td> <td>3\"/> <tr> <td>3992</td> <td>A</td> <td>3\"/> <tr> <td>3993</td> <td>ETR</td> <td>-</td> <td>WD.</td> <td>J2</td> <td>PTD.</td> <td>-</td> <td>399</td> <td>3\"/> <tr> <td>3994</td> <td>ETR</td> <td>-</td> <td>WD.</td> <td>J2</td> <td>PTD.</td> <td>-</td> <td>3991</td> <td>3\"/> <tr> <td>3995</td> <td>ETR</td> <td>-</td> <td>WD.</td> <td>J2</td> <td>PTD.</td> <td>-</td> <td>3992</td> <td>3\"/> <tr> <td>3997</td> <td>ETR</td> <td>-</td> <td>WD.</td> <td>J2</td> <td>PTD.</td> <td>-</td> <td>3993</td> <td>3\"/> <tr> <td>3998</td> <td>ETR</td> <td>-</td>
<td>WD.</td> <td>J2</td> <td>PTD.</td> <td>-</td> <td>3994</td> <td>3\"/> <tr> <td>3999</td> <td>ETR</td> <td>-</td> <td>WD.</td> <td>J2</td> <td>PTD.</td> <td>-</td> <td>3995</td> <td>3\"/> <tr> <td>3999</td> <td>ETR</td> <td>-</td> <td>WD.</td> <td>J2</td> <td>PTD.</td> <td>-</td> <td>3997</td> <td>3\"/> </td></tr></td></tr></td></tr></td></tr></td></tr></td></tr></td></tr></td></tr></td></tr> | 3991 | ETR | - | WD. | J2 | PTD. | - | 398 | 3\"/> <tr> <td>3992</td> <td>A</td> <td>3\"/> <tr> <td>3993</td> <td>ETR</td> <td>-</td> <td>WD.</td> <td>J2</td> <td>PTD.</td> <td>-</td> <td>399</td> <td>3\"/> <tr> <td>3994</td> <td>ETR</td> <td>-</td> <td>WD.</td> <td>J2</td> <td>PTD.</td> <td>-</td> <td>3991</td> <td>3\"/> <tr> <td>3995</td> <td>ETR</td> <td>-</td> <td>WD.</td> <td>J2</td> <td>PTD.</td> <td>-</td> <td>3992</td> <td>3\"/> <tr>
<td>3997</td> <td>ETR</td> <td>-</td> <td>WD.</td> <td>J2</td> <td>PTD.</td> <td>-</td> <td>3993</td> <td>3\"/> <tr> <td>3998</td> <td>ETR</td> <td>-</td> <td>WD.</td> <td>J2</td> <td>PTD.</td> <td>-</td> <td>3994</td> <td>3\"/> <tr> <td>3999</td> <td>ETR</td> <td>-</td> <td>WD.</td> <td>J2</td> <td>PTD.</td> <td>-</td> <td>3995</td> <td>3\"/> <tr> <td>3999</td> <td>ETR</td> <td>-</td> <td>WD.</td> <td>J2</td> <td>PTD.</td> <td>-</td> <td>3997</td> <td>3\"/> </td></tr></td></tr></td></tr></td></tr></td></tr></td></tr></td></tr></td></tr> | 3992 | A | 3\"/> <tr> <td>3993</td> <td>ETR</td> <td>-</td> <td>WD.</td> <td>J2</td> <td>PTD.</td> <td>-</td> <td>399</td> <td>3\"/> <tr> <td>3994</td> <td>ETR</td> <td>-</td> <td>WD.</td> <td>J2</td> <td>PTD.</td> <td>-</td> <td>3991</td> <td>3\"/> <tr> <td>3995</td> <td>ETR</td> <td>-</td> <td>WD.</td> <td>J2</td> <td>PTD.</td> <td>-</td> <td>3992</td> <td>3\"/> <tr> <td>3997</td> <td>ETR</td> <td>-</td> <td>WD.</td> <td>J2</td> <td>PTD.</td> <td>-</td> <td>3993</td> <td>3\"/> <tr> <td>3998</td> <td>ETR</td> <td>-</td> <td>WD.</td> <td>J2</td> <td>PTD.</td> <td>-</td> <td>3994</td> <td>3\"/> <tr> <td>3999</td> <td>ETR</td> <td>-</td> <td>WD.</td> <td>J2</td> <td>PTD.</td> <td>-</td> <td>3995</td> <td>3\"/> <tr> <td>3999</td> <td>ETR</td> <td>-</td> <td>WD.</td> <td>J2</td> <td>PTD.</td> <td>-</td> <td>3997</td> <td>3\"/> </td></tr></td></tr></td></tr></td></tr></td></tr></td></tr></td></tr> | 3993 | ETR | - | WD. | J2 | PTD.
 | - | 399 | 3\"/> <tr> <td>3994</td> <td>ETR</td> <td>-</td> <td>WD.</td> <td>J2</td> <td>PTD.</td> <td>-</td> <td>3991</td> <td>3\"/> <tr> <td>3995</td> <td>ETR</td> <td>-</td> <td>WD.</td> <td>J2</td> <td>PTD.</td> <td>-</td> <td>3992</td> <td>3\"/> <tr> <td>3997</td> <td>ETR</td> <td>-</td> <td>WD.</td> <td>J2</td> <td>PTD.</td> <td>-</td> <td>3993</td> <td>3\"/> <tr> <td>3998</td> <td>ETR</td> <td>-</td> <td>WD.</td> <td>J2</td> <td>PTD.</td> <td>-</td> <td>3994</td> <td>3\"/> <tr> <td>3999</td> <td>ETR</td> <td>-</td> <td>WD.</td> <td>J2</td> <td>PTD.</td> <td>-</td> <td>3995</td> <td>3\"/> <tr> <td>3999</td> <td>ETR</td> <td>-</td> <td>WD.</td> <td>J2</td> <td>PTD.</td> <td>-</td> <td>3997</td> <td>3\"/> </td></tr></td></tr></td></tr></td></tr></td></tr></td></tr> | 3994 | ETR | - | WD. | J2 | PTD.
 | - | 3991 | 3\"/> <tr> <td>3995</td> <td>ETR</td> <td>-</td> <td>WD.</td> <td>J2</td> <td>PTD.</td> <td>-</td> <td>3992</td> <td>3\"/> <tr> <td>3997</td> <td>ETR</td> <td>-</td> <td>WD.</td> <td>J2</td> <td>PTD.</td> <td>-</td> <td>3993</td> <td>3\"/> <tr> <td>3998</td> <td>ETR</td> <td>-</td> <td>WD.</td> <td>J2</td> <td>PTD.</td> <td>-</td> <td>3994</td> <td>3\"/> <tr> <td>3999</td> <td>ETR</td> <td>-</td> <td>WD.</td> <td>J2</td> <td>PTD.</td> <td>-</td> <td>3995</td> <td>3\"/> <tr> <td>3999</td> <td>ETR</td> <td>-</td> <td>WD.</td> <td>J2</td> <td>PTD.</td> <td>-</td> <td>3997</td> <td>3\"/> </td></tr></td></tr></td></tr></td></tr></td></tr> | 3995 | ETR | - | WD. | J2 | PTD.
 | - | 3992 | 3\"/> <tr> <td>3997</td> <td>ETR</td> <td>-</td> <td>WD.</td> <td>J2</td> <td>PTD.</td> <td>-</td> <td>3993</td> <td>3\"/> <tr> <td>3998</td> <td>ETR</td> <td>-</td> <td>WD.</td> <td>J2</td> <td>PTD.</td> <td>-</td> <td>3994</td> <td>3\"/> <tr> <td>3999</td> <td>ETR</td> <td>-</td> <td>WD.</td> <td>J2</td> <td>PTD.</td> <td>-</td> <td>3995</td> <td>3\"/> <tr> <td>3999</td> <td>ETR</td> <td>-</td> <td>WD.</td> <td>J2</td> <td>PTD.</td> <td>-</td> <td>3997</td> <td>3\"/> </td></tr></td></tr></td></tr></td></tr> | 3997 | ETR | -
 | WD. | J2 | PTD. | - | 3993 | 3\"/> <tr> <td>3998</td> <td>ETR</td> <td>-</td> <td>WD.</td> <td>J2</td> <td>PTD.</td> <td>-</td> <td>3994</td> <td>3\"/> <tr> <td>3999</td> <td>ETR</td> <td>-</td> <td>WD.</td> <td>J2</td> <td>PTD.</td> <td>-</td> <td>3995</td> <td>3\"/> <tr> <td>3999</td> <td>ETR</td> <td>-</td> <td>WD.</td> <td>J2</td> <td>PTD.</td> <td>-</td> <td>3997</td> <td>3\"/> </td></tr></td></tr></td></tr>
 | 3998 | ETR | - | WD. | J2 | PTD. | - | 3994 | 3\"/> <tr> <td>3999</td> <td>ETR</td> <td>-</td> <td>WD.</td> <td>J2</td> <td>PTD.</td> <td>-</td> <td>3995</td> <td>3\"/> <tr> <td>3999</td> <td>ETR</td> <td>-</td> <td>WD.</td> <td>J2</td> <td>PTD.</td> <td>-</td> <td>3997</td> <td>3\"/> </td></tr></td></tr>
 | 3999 | ETR | - | WD. | J2 | PTD. | - | 3995 | 3\"/> <tr> <td>3999</td> <td>ETR</td> <td>-</td> <td>WD.</td> <td>J2</td> <td>PTD.</td> <td>-</td> <td>3997</td> <td>3\"/> </td></tr> | 3999 | ETR | - | WD. | J2 | PTD.
 | - | 3997 | 3\"/> | | | | | | | | | | | | | | | | | | | | | | | | | | | | | | | | | | | | | | | | | | | | | | | | | | | |
 | | | | | | | | |
 | | | | | |
 | | | | | | | | |
 | | | | | | | | |
 | | | | | | | | |
 | | | | | | | | |
 | | | | | | | | |
 | | | | | | | | |
 | | | | | | | | | | | |
 | | | | | | | | | | | | | | |
 | | | | | | | | | | | | | | | | | |
 | | | | | | | | | | | | | | | | | |
 | | | | | | | | | | | | | | | | | | | | | | | |
 | | | | | | | | | | | | | | | | | | | | | | | | | | | | | |
 | | | | | | | | | | | | | | | | | | | | | | | | | | | | | | | | | | | | | | |
 | | | | | | | | | | | | | | | | | | | | | | | | | | | | | | | | | | | | | | | | | | | | | | | | | | | | | | |
| 385 | ETR | - | WD. | J2 | PTD. | - | 382 | 3\"/> <tr> <td>386</td> <td>ETR</td> <td>-</td> <td>WD.</td> <td>J2</td> <td>PTD.</td> <td>-</td> <td>382A</td> <td>3\"/> <tr> <td>387</td> <td>ETR</td> <td>-</td> <td>WD.</td> <td>J2</td> <td>PTD.</td> <td>-</td> <td>385</td> <td>3\"/> <tr> <td>388</td> <td>ETR</td> <td>-</td> <td>WD.</td> <td>J2</td> <td>PTD.</td> <td>-</td> <td>386</td> <td>3\"/> <tr> <td>389</td> <td>ETR</td> <td>-</td> <td>WD.</td> <td>J2</td> <td>PTD.</td> <td>-</td> <td>387</td> <td>3\"/> <tr> <td>391</td> <td>ETR</td> <td>-</td> <td>WD.</td> <td>J2</td> <td>PTD.</td> <td>-</td> <td>388</td> <td>3\"/> <tr> <td>391A</td> <td>ETR</td> <td>-</td> <td>WD.</td> <td>J2</td> <td>PTD.</td> <td>-</td> <td>389</td> <td>3\"/> <tr> <td>391B</td> <td>ETR</td> <td>-</td> <td>WD.</td> <td>J2</td> <td>PTD.</td> <td>-</td> <td>391</td> <td>3\"/> <tr> <td>394</td> <td>ETR</td> <td>-</td> <td>WD.</td> <td>J2</td> <td>PTD.</td> <td>-</td> <td>391A</td> <td>3\"/> <tr> <td>395</td> <td>ETR</td> <td>-</td> <td>WD.</td> <td>J2</td> <td>PTD.</td> <td>-</td> <td>391B</td> <td>3\"/> <tr> <td>396</td> <td>ETR</td> <td>-</td> <td>WD.</td> <td>J2</td> <td>PTD.</td> <td>-</td> <td>394</td> <td>3\"/> <tr> <td>398</td> <td>ETR</td> <td>-</td> <td>WD.</td> <td>J2</td> <td>PTD.</td> <td>-</td> <td>395</td> <td>3\"/> <tr> <td>399</td> <td>ETR</td> <td>-</td> <td>WD.</td> <td>J2</td> <td>PTD.</td> <td>-</td> <td>396</td> <td>3\"/> <tr> <td>3991</td> <td>ETR</td> <td>-</td> <td>WD.</td> <td>J2</td> <td>PTD.</td> <td>-</td> <td>398</td> <td>3\"/> <tr> <td>3992</td> <td>A</td> <td>3\"/> <tr> <td>3993</td> <td>ETR</td> <td>-</td> <td>WD.</td> <td>J2</td> <td>PTD.</td> <td>-</td> <td>399</td> <td>3\"/> <tr> <td>3994</td> <td>ETR</td> <td>-</td> <td>WD.</td> <td>J2</td> <td>PTD.</td> <td>-</td> <td>3991</td> <td>3\"/> <tr> <td>3995</td> <td>ETR</td> <td>-</td> <td>WD.</td> <td>J2</td> <td>PTD.</td> <td>-</td> <td>3992</td> <td>3\"/> <tr> <td>3997</td> <td>ETR</td> <td>-</td> <td>WD.</td> <td>J2</td> <td>PTD.</td> <td>-</td> <td>3993</td> <td>3\"/> <tr> <td>3998</td> <td>ETR</td> <td>-</td> <td>WD.</td> <td>J2</td> <td>PTD.</td> <td>-</td> <td>3994</td> <td>3\"/> <tr> <td>3999</td> <td>ETR</td> <td>-</td> <td>WD.</td> <td>J2</td> <td>PTD.</td> <td>-</td> <td>3995</td> <td>3\"/> <tr> <td>3999</td> <td>ETR</td> <td>-</td> <td>WD.</td> <td>J2</td> <td>PTD.</td> <td>-</td> <td>3997</td> <td>3\"/> </td></tr></td></tr></td></tr></td></tr></td></tr></td></tr></td></tr></td></tr></td></tr></td></tr></td></tr></td></tr></td></tr></td></tr></td></tr></td></tr></td></tr></td></tr></td></tr></td></tr></td></tr>
 | 386 | ETR | -
 | WD. | J2 | PTD. | - | 382A | 3\"/> <tr> <td>387</td> <td>ETR</td> <td>-</td> <td>WD.</td> <td>J2</td> <td>PTD.</td> <td>-</td> <td>385</td> <td>3\"/> <tr> <td>388</td> <td>ETR</td> <td>-</td> <td>WD.</td> <td>J2</td> <td>PTD.</td> <td>-</td> <td>386</td> <td>3\"/> <tr> <td>389</td> <td>ETR</td> <td>-</td> <td>WD.</td> <td>J2</td> <td>PTD.</td> <td>-</td> <td>387</td> <td>3\"/> <tr> <td>391</td> <td>ETR</td> <td>-</td> <td>WD.</td> <td>J2</td> <td>PTD.</td> <td>-</td> <td>388</td> <td>3\"/> <tr> <td>391A</td> <td>ETR</td> <td>-</td> <td>WD.</td> <td>J2</td> <td>PTD.</td> <td>-</td> <td>389</td> <td>3\"/> <tr> <td>391B</td> <td>ETR</td> <td>-</td> <td>WD.</td> <td>J2</td> <td>PTD.</td> <td>-</td> <td>391</td> <td>3\"/> <tr> <td>394</td> <td>ETR</td> <td>-</td> <td>WD.</td> <td>J2</td> <td>PTD.</td> <td>-</td> <td>391A</td> <td>3\"/> <tr> <td>395</td> <td>ETR</td> <td>-</td> <td>WD.</td> <td>J2</td> <td>PTD.</td> <td>-</td> <td>391B</td> <td>3\"/> <tr> <td>396</td> <td>ETR</td> <td>-</td> <td>WD.</td> <td>J2</td> <td>PTD.</td> <td>-</td> <td>394</td> <td>3\"/> <tr> <td>398</td> <td>ETR</td> <td>-</td> <td>WD.</td> <td>J2</td> <td>PTD.</td> <td>-</td> <td>395</td> <td>3\"/> <tr> <td>399</td> <td>ETR</td> <td>-</td> <td>WD.</td> <td>J2</td> <td>PTD.</td> <td>-</td> <td>396</td> <td>3\"/> <tr> <td>3991</td> <td>ETR</td> <td>-</td> <td>WD.</td> <td>J2</td> <td>PTD.</td> <td>-</td> <td>398</td> <td>3\"/> <tr> <td>3992</td> <td>A</td> <td>3\"/> <tr> <td>3993</td> <td>ETR</td> <td>-</td> <td>WD.</td> <td>J2</td> <td>PTD.</td> <td>-</td> <td>399</td> <td>3\"/> <tr> <td>3994</td> <td>ETR</td> <td>-</td> <td>WD.</td> <td>J2</td> <td>PTD.</td> <td>-</td> <td>3991</td> <td>3\"/> <tr> <td>3995</td> <td>ETR</td> <td>-</td> <td>WD.</td> <td>J2</td> <td>PTD.</td> <td>-</td> <td>3992</td> <td>3\"/> <tr> <td>3997</td> <td>ETR</td> <td>-</td> <td>WD.</td> <td>J2</td> <td>PTD.</td> <td>-</td> <td>3993</td> <td>3\"/> <tr> <td>3998</td> <td>ETR</td> <td>-</td> <td>WD.</td> <td>J2</td> <td>PTD.</td> <td>-</td> <td>3994</td> <td>3\"/> <tr> <td>3999</td> <td>ETR</td> <td>-</td> <td>WD.</td> <td>J2</td> <td>PTD.</td> <td>-</td> <td>3995</td> <td>3\"/> <tr> <td>3999</td> <td>ETR</td> <td>-</td> <td>WD.</td> <td>J2</td> <td>PTD.</td> <td>-</td> <td>3997</td> <td>3\"/> </td></tr></td></tr></td></tr></td></tr></td></tr></td></tr></td></tr></td></tr></td></tr></td></tr></td></tr></td></tr></td></tr></td></tr></td></tr></td></tr></td></tr></td></tr></td></tr></td></tr> | 387 | ETR | -
 | WD. | J2 | PTD. | - | 385 | 3\"/> <tr> <td>388</td> <td>ETR</td> <td>-</td> <td>WD.</td> <td>J2</td> <td>PTD.</td> <td>-</td> <td>386</td> <td>3\"/> <tr> <td>389</td> <td>ETR</td> <td>-</td> <td>WD.</td> <td>J2</td> <td>PTD.</td> <td>-</td> <td>387</td> <td>3\"/> <tr> <td>391</td> <td>ETR</td> <td>-</td> <td>WD.</td> <td>J2</td> <td>PTD.</td> <td>-</td> <td>388</td> <td>3\"/> <tr> <td>391A</td> <td>ETR</td> <td>-</td> <td>WD.</td> <td>J2</td> <td>PTD.</td> <td>-</td> <td>389</td> <td>3\"/> <tr> <td>391B</td> <td>ETR</td> <td>-</td> <td>WD.</td> <td>J2</td> <td>PTD.</td> <td>-</td> <td>391</td> <td>3\"/> <tr> <td>394</td> <td>ETR</td> <td>-</td> <td>WD.</td> <td>J2</td> <td>PTD.</td> <td>-</td> <td>391A</td> <td>3\"/> <tr> <td>395</td> <td>ETR</td> <td>-</td> <td>WD.</td> <td>J2</td> <td>PTD.</td> <td>-</td> <td>391B</td> <td>3\"/> <tr> <td>396</td> <td>ETR</td> <td>-</td> <td>WD.</td> <td>J2</td> <td>PTD.</td> <td>-</td> <td>394</td> <td>3\"/> <tr> <td>398</td> <td>ETR</td> <td>-</td> <td>WD.</td> <td>J2</td> <td>PTD.</td> <td>-</td> <td>395</td> <td>3\"/> <tr> <td>399</td> <td>ETR</td> <td>-</td> <td>WD.</td> <td>J2</td> <td>PTD.</td> <td>-</td> <td>396</td> <td>3\"/> <tr> <td>3991</td> <td>ETR</td> <td>-</td> <td>WD.</td> <td>J2</td> <td>PTD.</td> <td>-</td> <td>398</td> <td>3\"/> <tr> <td>3992</td> <td>A</td> <td>3\"/> <tr> <td>3993</td> <td>ETR</td> <td>-</td> <td>WD.</td> <td>J2</td> <td>PTD.</td> <td>-</td> <td>399</td> <td>3\"/> <tr> <td>3994</td> <td>ETR</td> <td>-</td> <td>WD.</td> <td>J2</td> <td>PTD.</td> <td>-</td> <td>3991</td> <td>3\"/> <tr> <td>3995</td> <td>ETR</td> <td>-</td> <td>WD.</td> <td>J2</td> <td>PTD.</td> <td>-</td> <td>3992</td> <td>3\"/> <tr> <td>3997</td> <td>ETR</td> <td>-</td> <td>WD.</td> <td>J2</td> <td>PTD.</td> <td>-</td> <td>3993</td> <td>3\"/> <tr> <td>3998</td> <td>ETR</td> <td>-</td> <td>WD.</td> <td>J2</td> <td>PTD.</td> <td>-</td> <td>3994</td> <td>3\"/> <tr> <td>3999</td> <td>ETR</td> <td>-</td> <td>WD.</td> <td>J2</td> <td>PTD.</td> <td>-</td> <td>3995</td> <td>3\"/> <tr> <td>3999</td> <td>ETR</td> <td>-</td> <td>WD.</td> <td>J2</td> <td>PTD.</td> <td>-</td> <td>3997</td> <td>3\"/> </td></tr></td></tr></td></tr></td></tr></td></tr></td></tr></td></tr></td></tr></td></tr></td></tr></td></tr></td></tr></td></tr></td></tr></td></tr></td></tr></td></tr></td></tr></td></tr>
 | 388 | ETR | - | WD. | J2 | PTD. | - | 386 | 3\"/> <tr> <td>389</td> <td>ETR</td> <td>-</td> <td>WD.</td> <td>J2</td> <td>PTD.</td> <td>-</td> <td>387</td> <td>3\"/> <tr> <td>391</td> <td>ETR</td> <td>-</td> <td>WD.</td> <td>J2</td> <td>PTD.</td> <td>-</td> <td>388</td> <td>3\"/> <tr> <td>391A</td> <td>ETR</td> <td>-</td> <td>WD.</td> <td>J2</td> <td>PTD.</td> <td>-</td> <td>389</td> <td>3\"/> <tr> <td>391B</td> <td>ETR</td> <td>-</td> <td>WD.</td> <td>J2</td> <td>PTD.</td> <td>-</td> <td>391</td> <td>3\"/> <tr> <td>394</td> <td>ETR</td> <td>-</td> <td>WD.</td> <td>J2</td> <td>PTD.</td> <td>-</td> <td>391A</td> <td>3\"/> <tr> <td>395</td> <td>ETR</td> <td>-</td> <td>WD.</td> <td>J2</td> <td>PTD.</td> <td>-</td> <td>391B</td> <td>3\"/> <tr> <td>396</td> <td>ETR</td> <td>-</td> <td>WD.</td> <td>J2</td> <td>PTD.</td> <td>-</td> <td>394</td> <td>3\"/> <tr> <td>398</td> <td>ETR</td> <td>-</td> <td>WD.</td> <td>J2</td> <td>PTD.</td> <td>-</td> <td>395</td> <td>3\"/> <tr> <td>399</td> <td>ETR</td> <td>-</td> <td>WD.</td> <td>J2</td> <td>PTD.</td> <td>-</td> <td>396</td> <td>3\"/> <tr> <td>3991</td> <td>ETR</td> <td>-</td> <td>WD.</td> <td>J2</td> <td>PTD.</td> <td>-</td> <td>398</td> <td>3\"/> <tr> <td>3992</td> <td>A</td> <td>3\"/> <tr> <td>3993</td> <td>ETR</td> <td>-</td> <td>WD.</td> <td>J2</td> <td>PTD.</td> <td>-</td> <td>399</td> <td>3\"/> <tr> <td>3994</td> <td>ETR</td> <td>-</td> <td>WD.</td> <td>J2</td> <td>PTD.</td> <td>-</td> <td>3991</td> <td>3\"/> <tr> <td>3995</td> <td>ETR</td> <td>-</td> <td>WD.</td> <td>J2</td> <td>PTD.</td> <td>-</td> <td>3992</td> <td>3\"/> <tr> <td>3997</td> <td>ETR</td> <td>-</td> <td>WD.</td> <td>J2</td> <td>PTD.</td> <td>-</td> <td>3993</td> <td>3\"/> <tr> <td>3998</td> <td>ETR</td> <td>-</td> <td>WD.</td> <td>J2</td> <td>PTD.</td> <td>-</td> <td>3994</td> <td>3\"/> <tr> <td>3999</td> <td>ETR</td> <td>-</td> <td>WD.</td> <td>J2</td> <td>PTD.</td> <td>-</td> <td>3995</td> <td>3\"/> <tr> <td>3999</td> <td>ETR</td> <td>-</td> <td>WD.</td> <td>J2</td> <td>PTD.</td> <td>-</td> <td>3997</td> <td>3\"/> </td></tr></td></tr></td></tr></td></tr></td></tr></td></tr></td></tr></td></tr></td></tr></td></tr></td></tr></td></tr></td></tr></td></tr></td></tr></td></tr></td></tr></td></tr>
 | 389 | ETR | - | WD. | J2 | PTD. | - | 387 |
3\"/> <tr> <td>391</td> <td>ETR</td> <td>-</td> <td>WD.</td> <td>J2</td> <td>PTD.</td> <td>-</td> <td>388</td> <td>3\"/> <tr> <td>391A</td> <td>ETR</td> <td>-</td> <td>WD.</td> <td>J2</td> <td>PTD.</td> <td>-</td> <td>389</td> <td>3\"/> <tr> <td>391B</td> <td>ETR</td> <td>-</td> <td>WD.</td> <td>J2</td> <td>PTD.</td> <td>-</td> <td>391</td> <td>3\"/> <tr> <td>394</td> <td>ETR</td> <td>-</td> <td>WD.</td> <td>J2</td> <td>PTD.</td> <td>-</td> <td>391A</td> <td>3\"/> <tr> <td>395</td> <td>ETR</td> <td>-</td> <td>WD.</td> <td>J2</td> <td>PTD.</td> <td>-</td> <td>391B</td> <td>3\"/> <tr> <td>396</td> <td>ETR</td> <td>-</td> <td>WD.</td> <td>J2</td> <td>PTD.</td> <td>-</td> <td>394</td> <td>3\"/> <tr> <td>398</td> <td>ETR</td> <td>-</td> <td>WD.</td> <td>J2</td> <td>PTD.</td> <td>-</td> <td>395</td> <td>3\"/> <tr> <td>399</td> <td>ETR</td> <td>-</td> <td>WD.</td> <td>J2</td> <td>PTD.</td> <td>-</td> <td>396</td> <td>3\"/> <tr> <td>3991</td> <td>ETR</td> <td>-</td> <td>WD.</td> <td>J2</td> <td>PTD.</td> <td>-</td> <td>398</td> <td>3\"/> <tr> <td>3992</td> <td>A</td> <td>3\"/> <tr> <td>3993</td> <td>ETR</td> <td>-</td> <td>WD.</td> <td>J2</td> <td>PTD.</td> <td>-</td> <td>399</td> <td>3\"/> <tr> <td>3994</td> <td>ETR</td> <td>-</td> <td>WD.</td> <td>J2</td> <td>PTD.</td> <td>-</td> <td>3991</td> <td>3\"/> <tr> <td>3995</td> <td>ETR</td> <td>-</td> <td>WD.</td> <td>J2</td> <td>PTD.</td> <td>-</td> <td>3992</td> <td>3\"/> <tr> <td>3997</td> <td>ETR</td> <td>-</td> <td>WD.</td> <td>J2</td> <td>PTD.</td> <td>-</td> <td>3993</td> <td>3\"/> <tr> <td>3998</td> <td>ETR</td> <td>-</td> <td>WD.</td> <td>J2</td> <td>PTD.</td> <td>-</td> <td>3994</td> <td>3\"/> <tr> <td>3999</td> <td>ETR</td> <td>-</td> <td>WD.</td> <td>J2</td> <td>PTD.</td> <td>-</td> <td>3995</td> <td>3\"/> <tr> <td>3999</td> <td>ETR</td> <td>-</td> <td>WD.</td> <td>J2</td> <td>PTD.</td> <td>-</td> <td>3997</td> <td>3\"/> </td></tr></td></tr></td></tr></td></tr></td></tr></td></tr></td></tr></td></tr></td></tr></td></tr></td></tr></td></tr></td></tr></td></tr></td></tr></td></tr></td></tr> | 391 | ETR | -
 | WD. | J2 | PTD. | - | 388 | 3\"/> <tr> <td>391A</td> <td>ETR</td> <td>-</td> <td>WD.</td> <td>J2</td> <td>PTD.</td> <td>-</td> <td>389</td> <td>3\"/> <tr> <td>391B</td> <td>ETR</td> <td>-</td> <td>WD.</td> <td>J2</td> <td>PTD.</td> <td>-</td> <td>391</td> <td>3\"/> <tr> <td>394</td> <td>ETR</td> <td>-</td> <td>WD.</td> <td>J2</td> <td>PTD.</td> <td>-</td> <td>391A</td> <td>3\"/> <tr> <td>395</td> <td>ETR</td> <td>-</td> <td>WD.</td> <td>J2</td> <td>PTD.</td> <td>-</td> <td>391B</td> <td>3\"/> <tr> <td>396</td> <td>ETR</td> <td>-</td> <td>WD.</td> <td>J2</td> <td>PTD.</td> <td>-</td> <td>394</td> <td>3\"/> <tr> <td>398</td> <td>ETR</td> <td>-</td> <td>WD.</td> <td>J2</td> <td>PTD.</td> <td>-</td> <td>395</td> <td>3\"/> <tr> <td>399</td> <td>ETR</td> <td>-</td> <td>WD.</td> <td>J2</td> <td>PTD.</td> <td>-</td> <td>396</td> <td>3\"/> <tr> <td>3991</td> <td>ETR</td> <td>-</td> <td>WD.</td> <td>J2</td> <td>PTD.</td> <td>-</td> <td>398</td> <td>3\"/> <tr> <td>3992</td> <td>A</td> <td>3\"/> <tr> <td>3993</td> <td>ETR</td> <td>-</td> <td>WD.</td> <td>J2</td> <td>PTD.</td> <td>-</td> <td>399</td> <td>3\"/> <tr> <td>3994</td> <td>ETR</td> <td>-</td> <td>WD.</td> <td>J2</td> <td>PTD.</td> <td>-</td> <td>3991</td> <td>3\"/> <tr> <td>3995</td> <td>ETR</td> <td>-</td> <td>WD.</td> <td>J2</td> <td>PTD.</td> <td>-</td> <td>3992</td> <td>3\"/> <tr> <td>3997</td> <td>ETR</td> <td>-</td> <td>WD.</td> <td>J2</td> <td>PTD.</td> <td>-</td> <td>3993</td> <td>3\"/> <tr> <td>3998</td> <td>ETR</td> <td>-</td> <td>WD.</td> <td>J2</td> <td>PTD.</td> <td>-</td> <td>3994</td> <td>3\"/> <tr> <td>3999</td> <td>ETR</td> <td>-</td> <td>WD.</td> <td>J2</td> <td>PTD.</td> <td>-</td> <td>3995</td> <td>3\"/> <tr> <td>3999</td> <td>ETR</td> <td>-</td> <td>WD.</td> <td>J2</td> <td>PTD.</td> <td>-</td> <td>3997</td> <td>3\"/> </td></tr></td></tr></td></tr></td></tr></td></tr></td></tr></td></tr></td></tr></td></tr></td></tr></td></tr></td></tr></td></tr></td></tr></td></tr></td></tr> | 391A | ETR | -
 | WD. | J2 | PTD. | - | 389 | 3\"/> <tr> <td>391B</td> <td>ETR</td> <td>-</td> <td>WD.</td> <td>J2</td> <td>PTD.</td> <td>-</td> <td>391</td> <td>3\"/> <tr> <td>394</td> <td>ETR</td> <td>-</td> <td>WD.</td> <td>J2</td> <td>PTD.</td> <td>-</td> <td>391A</td> <td>3\"/> <tr> <td>395</td> <td>ETR</td> <td>-</td> <td>WD.</td> <td>J2</td> <td>PTD.</td> <td>-</td> <td>391B</td> <td>3\"/> <tr> <td>396</td> <td>ETR</td> <td>-</td> <td>WD.</td> <td>J2</td> <td>PTD.</td> <td>-</td> <td>394</td> <td>3\"/> <tr> <td>398</td> <td>ETR</td> <td>-</td> <td>WD.</td> <td>J2</td> <td>PTD.</td> <td>-</td> <td>395</td> <td>3\"/> <tr> <td>399</td> <td>ETR</td> <td>-</td> <td>WD.</td> <td>J2</td> <td>PTD.</td> <td>-</td> <td>396</td> <td>3\"/> <tr> <td>3991</td> <td>ETR</td> <td>-</td> <td>WD.</td> <td>J2</td> <td>PTD.</td> <td>-</td> <td>398</td> <td>3\"/> <tr> <td>3992</td> <td>A</td> <td>3\"/> <tr> <td>3993</td> <td>ETR</td> <td>-</td> <td>WD.</td> <td>J2</td> <td>PTD.</td> <td>-</td> <td>399</td> <td>3\"/> <tr> <td>3994</td> <td>ETR</td> <td>-</td> <td>WD.</td> <td>J2</td> <td>PTD.</td> <td>-</td> <td>3991</td> <td>3\"/> <tr> <td>3995</td> <td>ETR</td> <td>-</td> <td>WD.</td> <td>J2</td> <td>PTD.</td> <td>-</td> <td>3992</td> <td>3\"/> <tr> <td>3997</td> <td>ETR</td> <td>-</td> <td>WD.</td> <td>J2</td> <td>PTD.</td> <td>-</td> <td>3993</td> <td>3\"/> <tr> <td>3998</td> <td>ETR</td> <td>-</td> <td>WD.</td> <td>J2</td> <td>PTD.</td> <td>-</td> <td>3994</td> <td>3\"/> <tr> <td>3999</td> <td>ETR</td> <td>-</td> <td>WD.</td> <td>J2</td> <td>PTD.</td> <td>-</td> <td>3995</td> <td>3\"/> <tr> <td>3999</td> <td>ETR</td> <td>-</td> <td>WD.</td> <td>J2</td> <td>PTD.</td> <td>-</td> <td>3997</td> <td>3\"/> </td></tr></td></tr></td></tr></td></tr></td></tr></td></tr></td></tr></td></tr></td></tr></td></tr></td></tr></td></tr></td></tr></td></tr></td></tr>
 | 391B | ETR | - | WD. | J2 | PTD. | - | 391 | 3\"/> <tr> <td>394</td> <td>ETR</td> <td>-</td> <td>WD.</td> <td>J2</td> <td>PTD.</td> <td>-</td> <td>391A</td> <td>3\"/> <tr> <td>395</td> <td>ETR</td> <td>-</td> <td>WD.</td> <td>J2</td> <td>PTD.</td> <td>-</td> <td>391B</td> <td>3\"/> <tr> <td>396</td> <td>ETR</td> <td>-</td> <td>WD.</td> <td>J2</td> <td>PTD.</td> <td>-</td> <td>394</td> <td>3\"/> <tr> <td>398</td> <td>ETR</td> <td>-</td> <td>WD.</td> <td>J2</td> <td>PTD.</td> <td>-</td> <td>395</td> <td>3\"/> <tr> <td>399</td> <td>ETR</td> <td>-</td> <td>WD.</td> <td>J2</td> <td>PTD.</td> <td>-</td> <td>396</td> <td>3\"/> <tr> <td>3991</td> <td>ETR</td> <td>-</td> <td>WD.</td> <td>J2</td> <td>PTD.</td> <td>-</td> <td>398</td> <td>3\"/> <tr> <td>3992</td> <td>A</td> <td>3\"/> <tr> <td>3993</td> <td>ETR</td> <td>-</td> <td>WD.</td> <td>J2</td> <td>PTD.</td> <td>-</td> <td>399</td> <td>3\"/> <tr> <td>3994</td> <td>ETR</td> <td>-</td> <td>WD.</td> <td>J2</td> <td>PTD.</td> <td>-</td> <td>3991</td> <td>3\"/> <tr> <td>3995</td> <td>ETR</td> <td>-</td> <td>WD.</td> <td>J2</td> <td>PTD.</td> <td>-</td> <td>3992</td> <td>3\"/> <tr> <td>3997</td> <td>ETR</td> <td>-</td> <td>WD.</td> <td>J2</td> <td>PTD.</td> <td>-</td> <td>3993</td> <td>3\"/> <tr> <td>3998</td> <td>ETR</td> <td>-</td> <td>WD.</td> <td>J2</td> <td>PTD.</td> <td>-</td> <td>3994</td> <td>3\"/> <tr> <td>3999</td> <td>ETR</td> <td>-</td> <td>WD.</td> <td>J2</td> <td>PTD.</td> <td>-</td> <td>3995</td> <td>3\"/> <tr> <td>3999</td> <td>ETR</td> <td>-</td> <td>WD.</td> <td>J2</td> <td>PTD.</td> <td>-</td> <td>3997</td> <td>3\"/> </td></tr></td></tr></td></tr></td></tr></td></tr></td></tr></td></tr></td></tr></td></tr></td></tr></td></tr></td></tr></td></tr></td></tr>
 | 394 | ETR | - | WD. | J2 | PTD. | - | 391A | 3\"/> <tr> <td>395</td> <td>ETR</td> <td>-</td> <td>WD.</td> <td>J2</td> <td>PTD.</td> <td>-</td> <td>391B</td> <td>3\"/> <tr> <td>396</td> <td>ETR</td> <td>-</td> <td>WD.</td> <td>J2</td> <td>PTD.</td> <td>-</td> <td>394</td> <td>3\"/> <tr> <td>398</td> <td>ETR</td> <td>-</td> <td>WD.</td> <td>J2</td> <td>PTD.</td> <td>-</td> <td>395</td> <td>3\"/> <tr> <td>399</td> <td>ETR</td> <td>-</td> <td>WD.</td> <td>J2</td> <td>PTD.</td> <td>-</td> <td>396</td> <td>3\"/> <tr> <td>3991</td> <td>ETR</td> <td>-</td> <td>WD.</td> <td>J2</td> <td>PTD.</td> <td>-</td> <td>398</td> <td>3\"/> <tr> <td>3992</td> <td>A</td> <td>3\"/> <tr> <td>3993</td> <td>ETR</td> <td>-</td> <td>WD.</td> <td>J2</td> <td>PTD.</td> <td>-</td> <td>399</td> <td>3\"/> <tr> <td>3994</td> <td>ETR</td> <td>-</td> <td>WD.</td> <td>J2</td> <td>PTD.</td> <td>-</td> <td>3991</td> <td>3\"/> <tr> <td>3995</td> <td>ETR</td> <td>-</td> <td>WD.</td> <td>J2</td> <td>PTD.</td> <td>-</td> <td>3992</td> <td>3\"/> <tr> <td>3997</td> <td>ETR</td> <td>-</td> <td>WD.</td> <td>J2</td> <td>PTD.</td> <td>-</td> <td>3993</td> <td>3\"/>
<tr> <td>3998</td> <td>ETR</td> <td>-</td> <td>WD.</td> <td>J2</td> <td>PTD.</td> <td>-</td> <td>3994</td> <td>3\"/> <tr> <td>3999</td> <td>ETR</td> <td>-</td> <td>WD.</td> <td>J2</td> <td>PTD.</td> <td>-</td> <td>3995</td> <td>3\"/> <tr> <td>3999</td> <td>ETR</td> <td>-</td> <td>WD.</td> <td>J2</td> <td>PTD.</td> <td>-</td> <td>3997</td> <td>3\"/> </td></tr></td></tr></td></tr></td></tr></td></tr></td></tr></td></tr></td></tr></td></tr></td></tr></td></tr></td></tr></td></tr> | 395 | ETR | -
 | WD. | J2 | PTD. | - | 391B | 3\"/> <tr> <td>396</td> <td>ETR</td> <td>-</td> <td>WD.</td> <td>J2</td> <td>PTD.</td> <td>-</td> <td>394</td> <td>3\"/> <tr> <td>398</td> <td>ETR</td> <td>-</td> <td>WD.</td> <td>J2</td> <td>PTD.</td> <td>-</td> <td>395</td> <td>3\"/> <tr> <td>399</td> <td>ETR</td> <td>-</td> <td>WD.</td> <td>J2</td> <td>PTD.</td> <td>-</td> <td>396</td> <td>3\"/> <tr> <td>3991</td> <td>ETR</td> <td>-</td> <td>WD.</td> <td>J2</td> <td>PTD.</td> <td>-</td> <td>398</td> <td>3\"/> <tr> <td>3992</td> <td>A</td> <td>3\"/> <tr> <td>3993</td> <td>ETR</td> <td>-</td> <td>WD.</td> <td>J2</td> <td>PTD.</td> <td>-</td> <td>399</td> <td>3\"/> <tr> <td>3994</td> <td>ETR</td> <td>-</td> <td>WD.</td> <td>J2</td> <td>PTD.</td> <td>-</td> <td>3991</td> <td>3\"/> <tr> <td>3995</td> <td>ETR</td> <td>-</td> <td>WD.</td> <td>J2</td> <td>PTD.</td> <td>-</td> <td>3992</td> <td>3\"/> <tr> <td>3997</td> <td>ETR</td> <td>-</td> <td>WD.</td> <td>J2</td> <td>PTD.</td> <td>-</td> <td>3993</td> <td>3\"/> <tr> <td>3998</td> <td>ETR</td> <td>-</td> <td>WD.</td> <td>J2</td> <td>PTD.</td> <td>-</td> <td>3994</td> <td>3\"/> <tr> <td>3999</td> <td>ETR</td> <td>-</td> <td>WD.</td> <td>J2</td> <td>PTD.</td> <td>-</td> <td>3995</td> <td>3\"/> <tr> <td>3999</td> <td>ETR</td> <td>-</td> <td>WD.</td> <td>J2</td> <td>PTD.</td> <td>-</td> <td>3997</td> <td>3\"/> </td></tr></td></tr></td></tr></td></tr></td></tr></td></tr></td></tr></td></tr></td></tr></td></tr></td></tr></td></tr> | 396 | ETR | -
 | WD. | J2 | PTD. | - | 394 | 3\"/> <tr> <td>398</td> <td>ETR</td> <td>-</td> <td>WD.</td> <td>J2</td> <td>PTD.</td> <td>-</td> <td>395</td> <td>3\"/> <tr> <td>399</td> <td>ETR</td> <td>-</td> <td>WD.</td> <td>J2</td> <td>PTD.</td> <td>-</td> <td>396</td> <td>3\"/> <tr> <td>3991</td> <td>ETR</td> <td>-</td> <td>WD.</td> <td>J2</td> <td>PTD.</td> <td>-</td> <td>398</td> <td>3\"/> <tr> <td>3992</td> <td>A</td> <td>3\"/> <tr> <td>3993</td> <td>ETR</td> <td>-</td> <td>WD.</td> <td>J2</td> <td>PTD.</td> <td>-</td> <td>399</td> <td>3\"/> <tr> <td>3994</td> <td>ETR</td> <td>-</td> <td>WD.</td> <td>J2</td> <td>PTD.</td> <td>-</td> <td>3991</td> <td>3\"/> <tr> <td>3995</td> <td>ETR</td> <td>-</td> <td>WD.</td> <td>J2</td> <td>PTD.</td> <td>-</td> <td>3992</td> <td>3\"/> <tr> <td>3997</td> <td>ETR</td> <td>-</td> <td>WD.</td> <td>J2</td> <td>PTD.</td> <td>-</td> <td>3993</td> <td>3\"/> <tr> <td>3998</td> <td>ETR</td> <td>-</td> <td>WD.</td> <td>J2</td> <td>PTD.</td> <td>-</td> <td>3994</td> <td>3\"/> <tr> <td>3999</td> <td>ETR</td> <td>-</td> <td>WD.</td> <td>J2</td> <td>PTD.</td> <td>-</td> <td>3995</td> <td>3\"/> <tr> <td>3999</td> <td>ETR</td> <td>-</td> <td>WD.</td> <td>J2</td> <td>PTD.</td> <td>-</td> <td>3997</td> <td>3\"/> </td></tr></td></tr></td></tr></td></tr></td></tr></td></tr></td></tr></td></tr></td></tr></td></tr></td></tr> | 398 | ETR | -
 | WD. | J2 | PTD. | - | 395 | 3\"/> <tr> <td>399</td> <td>ETR</td> <td>-</td> <td>WD.</td> <td>J2</td> <td>PTD.</td> <td>-</td> <td>396</td> <td>3\"/> <tr> <td>3991</td> <td>ETR</td> <td>-</td> <td>WD.</td> <td>J2</td> <td>PTD.</td> <td>-</td> <td>398</td> <td>3\"/> <tr> <td>3992</td> <td>A</td> <td>3\"/> <tr> <td>3993</td> <td>ETR</td> <td>-</td> <td>WD.</td> <td>J2</td> <td>PTD.</td> <td>-</td> <td>399</td> <td>3\"/> <tr> <td>3994</td> <td>ETR</td> <td>-</td> <td>WD.</td> <td>J2</td> <td>PTD.</td> <td>-</td> <td>3991</td> <td>3\"/> <tr> <td>3995</td> <td>ETR</td> <td>-</td> <td>WD.</td> <td>J2</td> <td>PTD.</td> <td>-</td> <td>3992</td> <td>3\"/> <tr> <td>3997</td> <td>ETR</td> <td>-</td> <td>WD.</td> <td>J2</td> <td>PTD.</td> <td>-</td> <td>3993</td> <td>3\"/> <tr> <td>3998</td> <td>ETR</td> <td>-</td> <td>WD.</td> <td>J2</td> <td>PTD.</td> <td>-</td> <td>3994</td> <td>3\"/> <tr> <td>3999</td> <td>ETR</td> <td>-</td> <td>WD.</td> <td>J2</td> <td>PTD.</td> <td>-</td> <td>3995</td> <td>3\"/> <tr> <td>3999</td> <td>ETR</td> <td>-</td> <td>WD.</td> <td>J2</td> <td>PTD.</td> <td>-</td> <td>3997</td> <td>3\"/> </td></tr></td></tr></td></tr></td></tr></td></tr></td></tr></td></tr></td></tr></td></tr></td></tr> | 399 | ETR | -
 | WD. | J2 | PTD. | - | 396 | 3\"/> <tr> <td>3991</td> <td>ETR</td> <td>-</td> <td>WD.</td> <td>J2</td> <td>PTD.</td> <td>-</td> <td>398</td> <td>3\"/> <tr> <td>3992</td> <td>A</td> <td>3\"/> <tr> <td>3993</td> <td>ETR</td> <td>-</td> <td>WD.</td> <td>J2</td> <td>PTD.</td> <td>-</td> <td>399</td> <td>3\"/> <tr> <td>3994</td> <td>ETR</td> <td>-</td> <td>WD.</td> <td>J2</td> <td>PTD.</td> <td>-</td> <td>3991</td> <td>3\"/> <tr> <td>3995</td> <td>ETR</td> <td>-</td> <td>WD.</td> <td>J2</td> <td>PTD.</td> <td>-</td> <td>3992</td> <td>3\"/> <tr> <td>3997</td> <td>ETR</td> <td>-</td> <td>WD.</td> <td>J2</td> <td>PTD.</td> <td>-</td> <td>3993</td> <td>3\"/> <tr> <td>3998</td> <td>ETR</td> <td>-</td> <td>WD.</td> <td>J2</td> <td>PTD.</td> <td>-</td> <td>3994</td> <td>3\"/> <tr> <td>3999</td> <td>ETR</td> <td>-</td> <td>WD.</td> <td>J2</td> <td>PTD.</td> <td>-</td> <td>3995</td> <td>3\"/> <tr> <td>3999</td> <td>ETR</td> <td>-</td> <td>WD.</td> <td>J2</td> <td>PTD.</td> <td>-</td> <td>3997</td> <td>3\"/> </td></tr></td></tr></td></tr></td></tr></td></tr></td></tr></td></tr></td></tr></td></tr> | 3991 | ETR | -
 | WD. | J2 | PTD. | - | 398 | 3\"/> <tr> <td>3992</td> <td>A</td> <td>3\"/> <tr> <td>3993</td> <td>ETR</td> <td>-</td> <td>WD.</td> <td>J2</td> <td>PTD.</td> <td>-</td> <td>399</td> <td>3\"/> <tr> <td>3994</td> <td>ETR</td> <td>-</td> <td>WD.</td> <td>J2</td> <td>PTD.</td> <td>-</td> <td>3991</td> <td>3\"/> <tr> <td>3995</td> <td>ETR</td> <td>-</td> <td>WD.</td> <td>J2</td> <td>PTD.</td> <td>-</td> <td>3992</td> <td>3\"/> <tr> <td>3997</td> <td>ETR</td> <td>-</td> <td>WD.</td> <td>J2</td> <td>PTD.</td> <td>-</td> <td>3993</td> <td>3\"/> <tr> <td>3998</td> <td>ETR</td> <td>-</td> <td>WD.</td> <td>J2</td> <td>PTD.</td> <td>-</td> <td>3994</td> <td>3\"/> <tr> <td>3999</td> <td>ETR</td>
<td>-</td> <td>WD.</td> <td>J2</td> <td>PTD.</td> <td>-</td> <td>3995</td> <td>3\"/> <tr> <td>3999</td> <td>ETR</td> <td>-</td> <td>WD.</td> <td>J2</td> <td>PTD.</td> <td>-</td> <td>3997</td> <td>3\"/> </td></tr></td></tr></td></tr></td></tr></td></tr></td></tr></td></tr></td></tr> | 3992 | A | 3\"/> <tr> <td>3993</td> <td>ETR</td> <td>-</td> <td>WD.</td> <td>J2</td> <td>PTD.</td> <td>-</td> <td>399</td> <td>3\"/> <tr> <td>3994</td> <td>ETR</td> <td>-</td> <td>WD.</td> <td>J2</td> <td>PTD.</td> <td>-</td> <td>3991</td> <td>3\"/> <tr> <td>3995</td> <td>ETR</td> <td>-</td> <td>WD.</td> <td>J2</td> <td>PTD.</td> <td>-</td> <td>3992</td> <td>3\"/> <tr> <td>3997</td> <td>ETR</td> <td>-</td> <td>WD.</td> <td>J2</td> <td>PTD.</td> <td>-</td> <td>3993</td> <td>3\"/> <tr> <td>3998</td> <td>ETR</td> <td>-</td> <td>WD.</td> <td>J2</td> <td>PTD.</td> <td>-</td> <td>3994</td> <td>3\"/> <tr> <td>3999</td> <td>ETR</td> <td>-</td> <td>WD.</td> <td>J2</td> <td>PTD.</td> <td>-</td> <td>3995</td> <td>3\"/> <tr> <td>3999</td> <td>ETR</td> <td>-</td> <td>WD.</td> <td>J2</td> <td>PTD.</td> <td>-</td> <td>3997</td> <td>3\"/> </td></tr></td></tr></td></tr></td></tr></td></tr></td></tr></td></tr> | 3993 | ETR | - | WD. | J2 | PTD.
 | - | 399 | 3\"/> <tr> <td>3994</td> <td>ETR</td> <td>-</td> <td>WD.</td> <td>J2</td> <td>PTD.</td> <td>-</td> <td>3991</td> <td>3\"/> <tr> <td>3995</td> <td>ETR</td> <td>-</td> <td>WD.</td> <td>J2</td> <td>PTD.</td> <td>-</td> <td>3992</td> <td>3\"/> <tr> <td>3997</td> <td>ETR</td> <td>-</td> <td>WD.</td> <td>J2</td> <td>PTD.</td> <td>-</td> <td>3993</td> <td>3\"/> <tr> <td>3998</td> <td>ETR</td> <td>-</td> <td>WD.</td> <td>J2</td> <td>PTD.</td> <td>-</td> <td>3994</td> <td>3\"/> <tr> <td>3999</td> <td>ETR</td> <td>-</td> <td>WD.</td> <td>J2</td> <td>PTD.</td> <td>-</td> <td>3995</td> <td>3\"/> <tr> <td>3999</td> <td>ETR</td> <td>-</td> <td>WD.</td> <td>J2</td> <td>PTD.</td> <td>-</td> <td>3997</td> <td>3\"/> </td></tr></td></tr></td></tr></td></tr></td></tr></td></tr> | 3994 | ETR | - | WD. | J2 | PTD.
 | - | 3991 | 3\"/> <tr> <td>3995</td> <td>ETR</td> <td>-</td> <td>WD.</td> <td>J2</td> <td>PTD.</td> <td>-</td> <td>3992</td> <td>3\"/> <tr> <td>3997</td> <td>ETR</td> <td>-</td> <td>WD.</td> <td>J2</td> <td>PTD.</td> <td>-</td> <td>3993</td> <td>3\"/> <tr> <td>3998</td> <td>ETR</td> <td>-</td> <td>WD.</td> <td>J2</td> <td>PTD.</td> <td>-</td> <td>3994</td> <td>3\"/> <tr> <td>3999</td> <td>ETR</td> <td>-</td> <td>WD.</td> <td>J2</td> <td>PTD.</td> <td>-</td> <td>3995</td> <td>3\"/> <tr> <td>3999</td> <td>ETR</td> <td>-</td> <td>WD.</td> <td>J2</td> <td>PTD.</td> <td>-</td> <td>3997</td> <td>3\"/> </td></tr></td></tr></td></tr></td></tr></td></tr> | 3995 | ETR | - | WD. | J2 | PTD.
 | - | 3992 | 3\"/> <tr> <td>3997</td> <td>ETR</td> <td>-</td> <td>WD.</td> <td>J2</td> <td>PTD.</td> <td>-</td> <td>3993</td> <td>3\"/> <tr> <td>3998</td> <td>ETR</td> <td>-</td> <td>WD.</td> <td>J2</td> <td>PTD.</td> <td>-</td> <td>3994</td> <td>3\"/> <tr> <td>3999</td> <td>ETR</td> <td>-</td> <td>WD.</td> <td>J2</td> <td>PTD.</td> <td>-</td> <td>3995</td> <td>3\"/> <tr> <td>3999</td> <td>ETR</td> <td>-</td> <td>WD.</td> <td>J2</td> <td>PTD.</td> <td>-</td> <td>3997</td> <td>3\"/> </td></tr></td></tr></td></tr></td></tr> | 3997 | ETR | - | WD. | J2 | PTD.
 | - | 3993 | 3\"/> <tr> <td>3998</td> <td>ETR</td> <td>-</td> <td>WD.</td> <td>J2</td> <td>PTD.</td> <td>-</td> <td>3994</td> <td>3\"/> <tr> <td>3999</td> <td>ETR</td> <td>-</td> <td>WD.</td> <td>J2</td> <td>PTD.</td> <td>-</td> <td>3995</td> <td>3\"/> <tr> <td>3999</td> <td>ETR</td> <td>-</td> <td>WD.</td> <td>J2</td> <td>PTD.</td> <td>-</td> <td>3997</td> <td>3\"/> </td></tr></td></tr></td></tr> | 3998 | ETR | -
 | WD. | J2 | PTD. | - | 3994 | 3\"/> <tr> <td>3999</td> <td>ETR</td> <td>-</td> <td>WD.</td> <td>J2</td> <td>PTD.</td> <td>-</td> <td>3995</td> <td>3\"/> <tr> <td>3999</td> <td>ETR</td> <td>-</td> <td>WD.</td> <td>J2</td> <td>PTD.</td> <td>-</td> <td>3997</td> <td>3\"/> </td></tr></td></tr>
 | 3999 | ETR | - | WD. | J2 | PTD. | - | 3995 | 3\"/> <tr> <td>3999</td> <td>ETR</td> <td>-</td> <td>WD.</td> <td>J2</td> <td>PTD.</td> <td>-</td> <td>3997</td> <td>3\"/> </td></tr>
 | 3999 | ETR | - | WD. | J2 | PTD. | - | 3997 | 3\"/> | | | | | | | | | | | | | | | | | | | | | | | | | | | | | | | | | | | | | | | | | | | | | |
 | | | | | |
 | | | | | | | | |
 | | | | | |
 | | | | | | | | |
 | | | | | | | | |
 | | | | | | | | |
 | | | | | | | | |
 | | | | | | | | |
 | | | | | | | | |
 | | | | | | | | | | | |
 | | | | | | | | | | | | | | |
 | | | | | | | | | | | | | | | | | |
 | | | | | | | | | | | | | | | | | |
 | | | | | | | | | | | | | | | | | | | | | | | |
 | | | | | | | | | | | | | | | | | | | | | | | | | | | | | |
 | | | | | | | | | | | | | | | | | | | | | | | | | | | | | | | | | | | | | | |
 | | | | | | | | | | | | | | | | | | | | | | | | | | | | | | | | | | | | | | | | | | | | | | | | | | | | | | |
| 386 | ETR | - | WD. | J2 | PTD. | - | 382A | 3\"/> <tr> <td>387</td> <td>ETR</td> <td>-</td> <td>WD.</td> <td>J2</td> <td>PTD.</td> <td>-</td> <td>385</td> <td>3\"/> <tr> <td>388</td> <td>ETR</td> <td>-</td> <td>WD.</td> <td>J2</td> <td>PTD.</td> <td>-</td> <td>386</td> <td>3\"/> <tr> <td>389</td> <td>ETR</td> <td>-</td> <td>WD.</td> <td>J2</td> <td>PTD.</td> <td>-</td> <td>387</td> <td>3\"/> <tr> <td>391</td> <td>ETR</td> <td>-</td> <td>WD.</td> <td>J2</td> <td>PTD.</td> <td>-</td> <td>388</td> <td>3\"/> <tr> <td>391A</td> <td>ETR</td> <td>-</td> <td>WD.</td> <td>J2</td> <td>PTD.</td> <td>-</td> <td>389</td> <td>3\"/> <tr> <td>391B</td> <td>ETR</td> <td>-</td> <td>WD.</td> <td>J2</td> <td>PTD.</td> <td>-</td> <td>391</td> <td>3\"/> <tr> <td>394</td> <td>ETR</td> <td>-</td> <td>WD.</td> <td>J2</td> <td>PTD.</td> <td>-</td> <td>391A</td> <td>3\"/> <tr> <td>395</td> <td>ETR</td> <td>-</td> <td>WD.</td> <td>J2</td> <td>PTD.</td> <td>-</td> <td>391B</td> <td>3\"/> <tr> <td>396</td> <td>ETR</td> <td>-</td> <td>WD.</td> <td>J2</td> <td>PTD.</td> <td>-</td> <td>394</td> <td>3\"/> <tr> <td>398</td> <td>ETR</td> <td>-</td> <td>WD.</td> <td>J2</td> <td>PTD.</td> <td>-</td> <td>395</td> <td>3\"/> <tr> <td>399</td> <td>ETR</td> <td>-</td> <td>WD.</td> <td>J2</td> <td>PTD.</td> <td>-</td> <td>396</td> <td>3\"/> <tr> <td>3991</td> <td>ETR</td> <td>-</td> <td>WD.</td> <td>J2</td> <td>PTD.</td> <td>-</td> <td>398</td> <td>3\"/> <tr> <td>3992</td> <td>A</td> <td>3\"/> <tr> <td>3993</td> <td>ETR</td> <td>-</td> <td>WD.</td> <td>J2</td> <td>PTD.</td> <td>-</td> <td>399</td> <td>3\"/> <tr> <td>3994</td> <td>ETR</td> <td>-</td> <td>WD.</td> <td>J2</td> <td>PTD.</td> <td>-</td> <td>3991</td> <td>3\"/> <tr> <td>3995</td> <td>ETR</td> <td>-</td> <td>WD.</td> <td>J2</td> <td>PTD.</td> <td>-</td> <td>3992</td> <td>3\"/> <tr> <td>3997</td> <td>ETR</td> <td>-</td> <td>WD.</td> <td>J2</td> <td>PTD.</td> <td>-</td> <td>3993</td> <td>3\"/> <tr> <td>3998</td> <td>ETR</td> <td>-</td> <td>WD.</td> <td>J2</td> <td>PTD.</td> <td>-</td> <td>3994</td> <td>3\"/> <tr> <td>3999</td> <td>ETR</td> <td>-</td> <td>WD.</td> <td>J2</td> <td>PTD.</td> <td>-</td> <td>3995</td> <td>3\"/> <tr> <td>3999</td> <td>ETR</td> <td>-</td> <td>WD.</td> <td>J2</td> <td>PTD.</td> <td>-</td> <td>3997</td> <td>3\"/> </td></tr></td></tr></td></tr></td></tr></td></tr></td></tr></td></tr></td></tr></td></tr></td></tr></td></tr></td></tr></td></tr></td></tr></td></tr></td></tr></td></tr></td></tr></td></tr></td></tr>
 | 387 | ETR | -
 | WD. | J2 | PTD. | - | 385 | 3\"/> <tr> <td>388</td> <td>ETR</td> <td>-</td> <td>WD.</td> <td>J2</td> <td>PTD.</td> <td>-</td> <td>386</td> <td>3\"/> <tr> <td>389</td> <td>ETR</td> <td>-</td> <td>WD.</td> <td>J2</td> <td>PTD.</td> <td>-</td> <td>387</td> <td>3\"/> <tr> <td>391</td> <td>ETR</td> <td>-</td> <td>WD.</td> <td>J2</td> <td>PTD.</td> <td>-</td> <td>388</td> <td>3\"/> <tr> <td>391A</td> <td>ETR</td> <td>-</td> <td>WD.</td> <td>J2</td> <td>PTD.</td> <td>-</td> <td>389</td> <td>3\"/> <tr> <td>391B</td> <td>ETR</td> <td>-</td> <td>WD.</td> <td>J2</td> <td>PTD.</td> <td>-</td> <td>391</td> <td>3\"/> <tr> <td>394</td> <td>ETR</td> <td>-</td> <td>WD.</td> <td>J2</td> <td>PTD.</td> <td>-</td> <td>391A</td> <td>3\"/> <tr> <td>395</td> <td>ETR</td> <td>-</td> <td>WD.</td> <td>J2</td> <td>PTD.</td> <td>-</td> <td>391B</td> <td>3\"/> <tr> <td>396</td> <td>ETR</td> <td>-</td> <td>WD.</td> <td>J2</td> <td>PTD.</td> <td>-</td> <td>394</td> <td>3\"/> <tr> <td>398</td> <td>ETR</td> <td>-</td> <td>WD.</td> <td>J2</td> <td>PTD.</td> <td>-</td> <td>395</td> <td>3\"/> <tr> <td>399</td> <td>ETR</td> <td>-</td> <td>WD.</td> <td>J2</td> <td>PTD.</td> <td>-</td> <td>396</td> <td>3\"/> <tr> <td>3991</td> <td>ETR</td> <td>-</td> <td>WD.</td> <td>J2</td> <td>PTD.</td> <td>-</td> <td>398</td> <td>3\"/> <tr> <td>3992</td> <td>A</td> <td>3\"/> <tr> <td>3993</td> <td>ETR</td> <td>-</td> <td>WD.</td> <td>J2</td> <td>PTD.</td> <td>-</td> <td>399</td> <td>3\"/> <tr> <td>3994</td> <td>ETR</td> <td>-</td> <td>WD.</td> <td>J2</td> <td>PTD.</td> <td>-</td> <td>3991</td> <td>3\"/> <tr> <td>3995</td> <td>ETR</td> <td>-</td> <td>WD.</td> <td>J2</td> <td>PTD.</td> <td>-</td> <td>3992</td> <td>3\"/> <tr> <td>3997</td> <td>ETR</td> <td>-</td> <td>WD.</td> <td>J2</td> <td>PTD.</td> <td>-</td> <td>3993</td> <td>3\"/> <tr> <td>3998</td> <td>ETR</td> <td>-</td> <td>WD.</td> <td>J2</td> <td>PTD.</td> <td>-</td> <td>3994</td> <td>3\"/> <tr> <td>3999</td> <td>ETR</td> <td>-</td> <td>WD.</td> <td>J2</td> <td>PTD.</td> <td>-</td> <td>3995</td> <td>3\"/> <tr> <td>3999</td> <td>ETR</td> <td>-</td> <td>WD.</td> <td>J2</td> <td>PTD.</td> <td>-</td> <td>3997</td> <td>3\"/> </td></tr></td></tr></td></tr></td></tr></td></tr></td></tr></td></tr></td></tr></td></tr></td></tr></td></tr></td></tr></td></tr></td></tr></td></tr></td></tr></td></tr></td></tr></td></tr> | 388 | ETR | -
 | WD. | J2 | PTD. | - | 386 | 3\"/> <tr> <td>389</td> <td>ETR</td> <td>-</td> <td>WD.</td> <td>J2</td> <td>PTD.</td> <td>-</td> <td>387</td> <td>3\"/> <tr> <td>391</td> <td>ETR</td> <td>-</td> <td>WD.</td> <td>J2</td> <td>PTD.</td> <td>-</td> <td>388</td> <td>3\"/> <tr> <td>391A</td> <td>ETR</td> <td>-</td> <td>WD.</td> <td>J2</td> <td>PTD.</td> <td>-</td> <td>389</td> <td>3\"/> <tr> <td>391B</td> <td>ETR</td> <td>-</td> <td>WD.</td> <td>J2</td> <td>PTD.</td> <td>-</td> <td>391</td> <td>3\"/> <tr> <td>394</td> <td>ETR</td> <td>-</td> <td>WD.</td> <td>J2</td> <td>PTD.</td> <td>-</td> <td>391A</td> <td>3\"/> <tr> <td>395</td> <td>ETR</td> <td>-</td> <td>WD.</td> <td>J2</td> <td>PTD.</td> <td>-</td> <td>391B</td> <td>3\"/> <tr> <td>396</td> <td>ETR</td> <td>-</td> <td>WD.</td> <td>J2</td> <td>PTD.</td> <td>-</td> <td>394</td> <td>3\"/> <tr> <td>398</td> <td>ETR</td> <td>-</td> <td>WD.</td> <td>J2</td> <td>PTD.</td> <td>-</td> <td>395</td> <td>3\"/> <tr> <td>399</td> <td>ETR</td> <td>-</td> <td>WD.</td> <td>J2</td> <td>PTD.</td> <td>-</td> <td>396</td> <td>3\"/> <tr> <td>3991</td> <td>ETR</td> <td>-</td> <td>WD.</td> <td>J2</td> <td>PTD.</td> <td>-</td> <td>398</td> <td>3\"/> <tr> <td>3992</td> <td>A</td> <td>3\"/> <tr> <td>3993</td> <td>ETR</td> <td>-</td> <td>WD.</td> <td>J2</td> <td>PTD.</td> <td>-</td> <td>399</td> <td>3\"/> <tr> <td>3994</td> <td>ETR</td> <td>-</td> <td>WD.</td> <td>J2</td> <td>PTD.</td> <td>-</td> <td>3991</td> <td>3\"/> <tr> <td>3995</td> <td>ETR</td> <td>-</td> <td>WD.</td> <td>J2</td> <td>PTD.</td> <td>-</td> <td>3992</td> <td>3\"/> <tr> <td>3997</td> <td>ETR</td> <td>-</td> <td>WD.</td> <td>J2</td> <td>PTD.</td> <td>-</td> <td>3993</td> <td>3\"/> <tr> <td>3998</td> <td>ETR</td> <td>-</td> <td>WD.</td> <td>J2</td> <td>PTD.</td> <td>-</td> <td>3994</td> <td>3\"/> <tr> <td>3999</td> <td>ETR</td> <td>-</td> <td>WD.</td> <td>J2</td> <td>PTD.</td> <td>-</td> <td>3995</td> <td>3\"/> <tr> <td>3999</td> <td>ETR</td> <td>-</td> <td>WD.</td> <td>J2</td> <td>PTD.</td> <td>-</td> <td>3997</td> <td>3\"/> </td></tr></td></tr></td></tr></td></tr></td></tr></td></tr></td></tr></td></tr></td></tr></td></tr></td></tr></td></tr></td></tr></td></tr></td></tr></td></tr></td></tr></td></tr>
 | 389 | ETR | - | WD. | J2 | PTD. | - | 387 | 3\"/> <tr> <td>391</td> <td>ETR</td> <td>-</td> <td>WD.</td> <td>J2</td> <td>PTD.</td> <td>-</td> <td>388</td> <td>3\"/> <tr> <td>391A</td> <td>ETR</td> <td>-</td> <td>WD.</td> <td>J2</td> <td>PTD.</td> <td>-</td> <td>389</td> <td>3\"/> <tr> <td>391B</td> <td>ETR</td> <td>-</td> <td>WD.</td> <td>J2</td> <td>PTD.</td> <td>-</td> <td>391</td> <td>3\"/> <tr> <td>394</td> <td>ETR</td> <td>-</td> <td>WD.</td> <td>J2</td> <td>PTD.</td> <td>-</td> <td>391A</td> <td>3\"/> <tr> <td>395</td> <td>ETR</td> <td>-</td> <td>WD.</td> <td>J2</td> <td>PTD.</td> <td>-</td> <td>391B</td> <td>3\"/> <tr> <td>396</td> <td>ETR</td> <td>-</td> <td>WD.</td> <td>J2</td> <td>PTD.</td> <td>-</td> <td>394</td> <td>3\"/> <tr> <td>398</td> <td>ETR</td> <td>-</td> <td>WD.</td> <td>J2</td> <td>PTD.</td> <td>-</td> <td>395</td> <td>3\"/> <tr> <td>399</td> <td>ETR</td> <td>-</td> <td>WD.</td> <td>J2</td> <td>PTD.</td> <td>-</td> <td>396</td> <td>3\"/> <tr> <td>3991</td> <td>ETR</td> <td>-</td> <td>WD.</td> <td>J2</td> <td>PTD.</td> <td>-</td> <td>398</td> <td>3\"/> <tr> <td>3992</td> <td>A</td> <td>3\"/> <tr> <td>3993</td> <td>ETR</td> <td>-</td> <td>WD.</td> <td>J2</td> <td>PTD.</td> <td>-</td> <td>399</td> <td>3\"/> <tr> <td>3994</td> <td>ETR</td> <td>-</td> <td>WD.</td> <td>J2</td> <td>PTD.</td> <td>-</td> <td>3991</td> <td>3\"/> <tr> <td>3995</td> <td>ETR</td> <td>-</td> <td>WD.</td> <td>J2</td> <td>PTD.</td> <td>-</td> <td>3992</td> <td>3\"/> <tr> <td>3997</td> <td>ETR</td> <td>-</td> <td>WD.</td> <td>J2</td> <td>PTD.</td> <td>-</td> <td>3993</td> <td>3\"/> <tr> <td>3998</td> <td>ETR</td> <td>-</td> <td>WD.</td> <td>J2</td> <td>PTD.</td> <td>-</td> <td>3994</td> <td>3\"/> <tr> <td>3999</td> <td>ETR</td> <td>-</td> <td>WD.</td> <td>J2</td> <td>PTD.</td> <td>-</td> <td>3995</td> <td>3\"/> <tr> <td>3999</td> <td>ETR</td> <td>-</td> <td>WD.</td> <td>J2</td> <td>PTD.</td> <td>-</td> <td>3997</td> <td>3\"/> </td></tr></td></tr></td></tr></td></tr></td></tr></td></tr></td></tr></td></tr></td></tr></td></tr></td></tr></td></tr></td></tr></td></tr></td></tr></td></tr></td></tr>
 | 391 | ETR | - | WD. | J2 | PTD. | - | 388 |
3\"/> <tr> <td>391A</td> <td>ETR</td> <td>-</td> <td>WD.</td> <td>J2</td> <td>PTD.</td> <td>-</td> <td>389</td> <td>3\"/> <tr> <td>391B</td> <td>ETR</td> <td>-</td> <td>WD.</td> <td>J2</td> <td>PTD.</td> <td>-</td> <td>391</td> <td>3\"/> <tr> <td>394</td> <td>ETR</td> <td>-</td> <td>WD.</td> <td>J2</td> <td>PTD.</td> <td>-</td> <td>391A</td> <td>3\"/> <tr> <td>395</td> <td>ETR</td> <td>-</td> <td>WD.</td> <td>J2</td> <td>PTD.</td> <td>-</td> <td>391B</td> <td>3\"/> <tr> <td>396</td> <td>ETR</td> <td>-</td> <td>WD.</td> <td>J2</td> <td>PTD.</td> <td>-</td> <td>394</td> <td>3\"/> <tr> <td>398</td> <td>ETR</td> <td>-</td> <td>WD.</td> <td>J2</td> <td>PTD.</td> <td>-</td> <td>395</td> <td>3\"/> <tr> <td>399</td> <td>ETR</td> <td>-</td> <td>WD.</td> <td>J2</td> <td>PTD.</td> <td>-</td> <td>396</td> <td>3\"/> <tr> <td>3991</td> <td>ETR</td> <td>-</td> <td>WD.</td> <td>J2</td> <td>PTD.</td> <td>-</td> <td>398</td> <td>3\"/> <tr> <td>3992</td> <td>A</td> <td>3\"/> <tr> <td>3993</td> <td>ETR</td> <td>-</td> <td>WD.</td> <td>J2</td> <td>PTD.</td> <td>-</td> <td>399</td> <td>3\"/> <tr> <td>3994</td> <td>ETR</td> <td>-</td> <td>WD.</td> <td>J2</td> <td>PTD.</td> <td>-</td> <td>3991</td> <td>3\"/> <tr> <td>3995</td> <td>ETR</td> <td>-</td> <td>WD.</td> <td>J2</td> <td>PTD.</td> <td>-</td> <td>3992</td> <td>3\"/> <tr> <td>3997</td> <td>ETR</td> <td>-</td> <td>WD.</td> <td>J2</td> <td>PTD.</td> <td>-</td> <td>3993</td> <td>3\"/> <tr> <td>3998</td> <td>ETR</td> <td>-</td> <td>WD.</td> <td>J2</td> <td>PTD.</td> <td>-</td> <td>3994</td> <td>3\"/> <tr> <td>3999</td> <td>ETR</td> <td>-</td> <td>WD.</td> <td>J2</td> <td>PTD.</td> <td>-</td> <td>3995</td> <td>3\"/> <tr> <td>3999</td> <td>ETR</td> <td>-</td> <td>WD.</td> <td>J2</td> <td>PTD.</td> <td>-</td> <td>3997</td> <td>3\"/> </td></tr></td></tr></td></tr></td></tr></td></tr></td></tr></td></tr></td></tr></td></tr></td></tr></td></tr></td></tr></td></tr></td></tr></td></tr></td></tr> | 391A | ETR | -
 | WD. | J2 | PTD. | - | 389 | 3\"/> <tr> <td>391B</td> <td>ETR</td> <td>-</td> <td>WD.</td> <td>J2</td> <td>PTD.</td> <td>-</td> <td>391</td> <td>3\"/> <tr> <td>394</td> <td>ETR</td> <td>-</td> <td>WD.</td> <td>J2</td> <td>PTD.</td> <td>-</td> <td>391A</td> <td>3\"/> <tr> <td>395</td> <td>ETR</td> <td>-</td> <td>WD.</td> <td>J2</td> <td>PTD.</td> <td>-</td> <td>391B</td> <td>3\"/> <tr> <td>396</td> <td>ETR</td> <td>-</td> <td>WD.</td> <td>J2</td> <td>PTD.</td> <td>-</td> <td>394</td> <td>3\"/> <tr> <td>398</td> <td>ETR</td> <td>-</td> <td>WD.</td> <td>J2</td> <td>PTD.</td> <td>-</td> <td>395</td> <td>3\"/> <tr> <td>399</td> <td>ETR</td> <td>-</td> <td>WD.</td> <td>J2</td> <td>PTD.</td> <td>-</td> <td>396</td> <td>3\"/> <tr> <td>3991</td> <td>ETR</td> <td>-</td> <td>WD.</td> <td>J2</td> <td>PTD.</td> <td>-</td> <td>398</td> <td>3\"/> <tr> <td>3992</td> <td>A</td> <td>3\"/> <tr> <td>3993</td> <td>ETR</td> <td>-</td> <td>WD.</td> <td>J2</td> <td>PTD.</td> <td>-</td> <td>399</td> <td>3\"/> <tr> <td>3994</td> <td>ETR</td> <td>-</td> <td>WD.</td> <td>J2</td> <td>PTD.</td> <td>-</td> <td>3991</td> <td>3\"/> <tr> <td>3995</td> <td>ETR</td> <td>-</td> <td>WD.</td> <td>J2</td> <td>PTD.</td> <td>-</td> <td>3992</td> <td>3\"/> <tr> <td>3997</td> <td>ETR</td> <td>-</td> <td>WD.</td> <td>J2</td> <td>PTD.</td> <td>-</td> <td>3993</td> <td>3\"/> <tr> <td>3998</td> <td>ETR</td> <td>-</td> <td>WD.</td> <td>J2</td> <td>PTD.</td> <td>-</td> <td>3994</td> <td>3\"/> <tr> <td>3999</td> <td>ETR</td> <td>-</td> <td>WD.</td> <td>J2</td> <td>PTD.</td> <td>-</td> <td>3995</td> <td>3\"/> <tr> <td>3999</td> <td>ETR</td> <td>-</td> <td>WD.</td> <td>J2</td> <td>PTD.</td> <td>-</td> <td>3997</td> <td>3\"/> </td></tr></td></tr></td></tr></td></tr></td></tr></td></tr></td></tr></td></tr></td></tr></td></tr></td></tr></td></tr></td></tr></td></tr></td></tr> | 391B | ETR | -
 | WD. | J2 | PTD. | - | 391 | 3\"/> <tr> <td>394</td> <td>ETR</td> <td>-</td> <td>WD.</td> <td>J2</td> <td>PTD.</td> <td>-</td> <td>391A</td> <td>3\"/> <tr> <td>395</td> <td>ETR</td> <td>-</td> <td>WD.</td> <td>J2</td> <td>PTD.</td> <td>-</td> <td>391B</td> <td>3\"/> <tr> <td>396</td> <td>ETR</td> <td>-</td> <td>WD.</td> <td>J2</td> <td>PTD.</td> <td>-</td> <td>394</td> <td>3\"/> <tr> <td>398</td> <td>ETR</td> <td>-</td> <td>WD.</td> <td>J2</td> <td>PTD.</td> <td>-</td> <td>395</td> <td>3\"/> <tr> <td>399</td> <td>ETR</td> <td>-</td> <td>WD.</td> <td>J2</td> <td>PTD.</td> <td>-</td> <td>396</td> <td>3\"/> <tr> <td>3991</td> <td>ETR</td> <td>-</td> <td>WD.</td> <td>J2</td> <td>PTD.</td> <td>-</td> <td>398</td> <td>3\"/> <tr> <td>3992</td> <td>A</td> <td>3\"/> <tr> <td>3993</td> <td>ETR</td> <td>-</td> <td>WD.</td> <td>J2</td> <td>PTD.</td> <td>-</td> <td>399</td> <td>3\"/> <tr> <td>3994</td> <td>ETR</td> <td>-</td> <td>WD.</td> <td>J2</td> <td>PTD.</td> <td>-</td> <td>3991</td> <td>3\"/> <tr> <td>3995</td> <td>ETR</td> <td>-</td> <td>WD.</td> <td>J2</td> <td>PTD.</td> <td>-</td> <td>3992</td> <td>3\"/> <tr> <td>3997</td> <td>ETR</td> <td>-</td> <td>WD.</td> <td>J2</td> <td>PTD.</td> <td>-</td> <td>3993</td> <td>3\"/> <tr> <td>3998</td> <td>ETR</td> <td>-</td> <td>WD.</td> <td>J2</td> <td>PTD.</td> <td>-</td> <td>3994</td> <td>3\"/> <tr> <td>3999</td> <td>ETR</td> <td>-</td> <td>WD.</td> <td>J2</td> <td>PTD.</td> <td>-</td> <td>3995</td> <td>3\"/> <tr> <td>3999</td> <td>ETR</td> <td>-</td> <td>WD.</td> <td>J2</td> <td>PTD.</td> <td>-</td> <td>3997</td> <td>3\"/> </td></tr></td></tr></td></tr></td></tr></td></tr></td></tr></td></tr></td></tr></td></tr></td></tr></td></tr></td></tr></td></tr></td></tr>
 | 394 | ETR | - | WD. | J2 | PTD. | - | 391A | 3\"/> <tr> <td>395</td> <td>ETR</td> <td>-</td> <td>WD.</td> <td>J2</td> <td>PTD.</td> <td>-</td> <td>391B</td> <td>3\"/> <tr> <td>396</td> <td>ETR</td> <td>-</td> <td>WD.</td> <td>J2</td> <td>PTD.</td> <td>-</td> <td>394</td> <td>3\"/> <tr> <td>398</td> <td>ETR</td> <td>-</td> <td>WD.</td> <td>J2</td> <td>PTD.</td> <td>-</td> <td>395</td> <td>3\"/> <tr> <td>399</td> <td>ETR</td> <td>-</td> <td>WD.</td> <td>J2</td> <td>PTD.</td> <td>-</td> <td>396</td> <td>3\"/> <tr> <td>3991</td> <td>ETR</td> <td>-</td> <td>WD.</td> <td>J2</td> <td>PTD.</td> <td>-</td> <td>398</td> <td>3\"/> <tr> <td>3992</td> <td>A</td> <td>3\"/> <tr> <td>3993</td> <td>ETR</td> <td>-</td> <td>WD.</td> <td>J2</td> <td>PTD.</td> <td>-</td> <td>399</td> <td>3\"/> <tr> <td>3994</td> <td>ETR</td> <td>-</td> <td>WD.</td> <td>J2</td> <td>PTD.</td> <td>-</td> <td>3991</td> <td>3\"/> <tr> <td>3995</td> <td>ETR</td> <td>-</td> <td>WD.</td> <td>J2</td> <td>PTD.</td> <td>-</td> <td>3992</td> <td>3\"/> <tr> <td>3997</td> <td>ETR</td> <td>-</td> <td>WD.</td> <td>J2</td> <td>PTD.</td> <td>-</td> <td>3993</td> <td>3\"/> <tr> <td>3998</td> <td>ETR</td> <td>-</td> <td>WD.</td> <td>J2</td> <td>PTD.</td> <td>-</td> <td>3994</td> <td>3\"/> <tr> <td>3999</td> <td>ETR</td> <td>-</td> <td>WD.</td> <td>J2</td> <td>PTD.</td> <td>-</td> <td>3995</td> <td>3\"/> <tr> <td>3999</td> <td>ETR</td> <td>-</td> <td>WD.</td> <td>J2</td> <td>PTD.</td> <td>-</td> <td>3997</td> <td>3\"/> </td></tr></td></tr></td></tr></td></tr></td></tr></td></tr></td></tr></td></tr></td></tr></td></tr></td></tr></td></tr></td></tr>
 | 395 | ETR | - | WD. | J2 | PTD. | - | 391B | 3\"/> <tr> <td>396</td> <td>ETR</td> <td>-</td> <td>WD.</td> <td>J2</td> <td>PTD.</td> <td>-</td> <td>394</td> <td>3\"/> <tr> <td>398</td> <td>ETR</td> <td>-</td> <td>WD.</td> <td>J2</td> <td>PTD.</td> <td>-</td> <td>395</td> <td>3\"/> <tr> <td>399</td> <td>ETR</td> <td>-</td> <td>WD.</td> <td>J2</td> <td>PTD.</td> <td>-</td> <td>396</td> <td>3\"/> <tr> <td>3991</td> <td>ETR</td> <td>-</td> <td>WD.</td> <td>J2</td> <td>PTD.</td> <td>-</td> <td>398</td> <td>3\"/> <tr> <td>3992</td> <td>A</td> <td>3\"/> <tr> <td>3993</td> <td>ETR</td> <td>-</td> <td>WD.</td> <td>J2</td> <td>PTD.</td> <td>-</td> <td>399</td> <td>3\"/> <tr> <td>3994</td> <td>ETR</td> <td>-</td> <td>WD.</td> <td>J2</td> <td>PTD.</td> <td>-</td> <td>3991</td> <td>3\"/> <tr> <td>3995</td> <td>ETR</td> <td>-</td> <td>WD.</td> <td>J2</td> <td>PTD.</td> <td>-</td> <td>3992</td> <td>3\"/> <tr> <td>3997</td> <td>ETR</td> <td>-</td> <td>WD.</td> <td>J2</td> <td>PTD.</td> <td>-</td> <td>3993</td> <td>3\"/> <tr> <td>3998</td> <td>ETR</td> <td>-</td> <td>WD.</td> <td>J2</td> <td>PTD.</td> <td>-</td> <td>3994</td> <td>3\"/>
<tr> <td>3999</td> <td>ETR</td> <td>-</td> <td>WD.</td> <td>J2</td> <td>PTD.</td> <td>-</td> <td>3995</td> <td>3\"/> <tr> <td>3999</td> <td>ETR</td> <td>-</td> <td>WD.</td> <td>J2</td> <td>PTD.</td> <td>-</td> <td>3997</td> <td>3\"/> </td></tr></td></tr></td></tr></td></tr></td></tr></td></tr></td></tr></td></tr></td></tr></td></tr></td></tr></td></tr> | 396 | ETR | -
 | WD. | J2 | PTD. | - | 394 | 3\"/> <tr> <td>398</td> <td>ETR</td> <td>-</td> <td>WD.</td> <td>J2</td> <td>PTD.</td> <td>-</td> <td>395</td> <td>3\"/> <tr> <td>399</td> <td>ETR</td> <td>-</td> <td>WD.</td> <td>J2</td> <td>PTD.</td> <td>-</td> <td>396</td> <td>3\"/> <tr> <td>3991</td> <td>ETR</td> <td>-</td> <td>WD.</td> <td>J2</td> <td>PTD.</td> <td>-</td> <td>398</td> <td>3\"/> <tr> <td>3992</td> <td>A</td> <td>3\"/> <tr> <td>3993</td> <td>ETR</td> <td>-</td> <td>WD.</td> <td>J2</td> <td>PTD.</td> <td>-</td> <td>399</td> <td>3\"/> <tr> <td>3994</td> <td>ETR</td> <td>-</td> <td>WD.</td> <td>J2</td> <td>PTD.</td> <td>-</td> <td>3991</td> <td>3\"/> <tr> <td>3995</td> <td>ETR</td> <td>-</td> <td>WD.</td> <td>J2</td> <td>PTD.</td> <td>-</td> <td>3992</td> <td>3\"/> <tr> <td>3997</td> <td>ETR</td> <td>-</td> <td>WD.</td> <td>J2</td> <td>PTD.</td> <td>-</td> <td>3993</td> <td>3\"/> <tr> <td>3998</td> <td>ETR</td> <td>-</td> <td>WD.</td> <td>J2</td> <td>PTD.</td> <td>-</td> <td>3994</td> <td>3\"/> <tr> <td>3999</td> <td>ETR</td> <td>-</td> <td>WD.</td> <td>J2</td> <td>PTD.</td> <td>-</td> <td>3995</td> <td>3\"/> <tr> <td>3999</td> <td>ETR</td> <td>-</td> <td>WD.</td> <td>J2</td> <td>PTD.</td> <td>-</td> <td>3997</td> <td>3\"/> </td></tr></td></tr></td></tr></td></tr></td></tr></td></tr></td></tr></td></tr></td></tr></td></tr></td></tr> | 398 | ETR | -
 | WD. | J2 | PTD. | - | 395 | 3\"/> <tr> <td>399</td> <td>ETR</td> <td>-</td> <td>WD.</td> <td>J2</td> <td>PTD.</td> <td>-</td> <td>396</td> <td>3\"/> <tr> <td>3991</td> <td>ETR</td> <td>-</td> <td>WD.</td> <td>J2</td> <td>PTD.</td> <td>-</td> <td>398</td> <td>3\"/> <tr> <td>3992</td> <td>A</td> <td>3\"/> <tr> <td>3993</td> <td>ETR</td> <td>-</td> <td>WD.</td> <td>J2</td> <td>PTD.</td> <td>-</td> <td>399</td> <td>3\"/> <tr> <td>3994</td> <td>ETR</td> <td>-</td> <td>WD.</td> <td>J2</td> <td>PTD.</td> <td>-</td> <td>3991</td> <td>3\"/> <tr> <td>3995</td> <td>ETR</td> <td>-</td> <td>WD.</td> <td>J2</td> <td>PTD.</td> <td>-</td> <td>3992</td> <td>3\"/> <tr> <td>3997</td> <td>ETR</td> <td>-</td> <td>WD.</td> <td>J2</td> <td>PTD.</td> <td>-</td> <td>3993</td> <td>3\"/> <tr> <td>3998</td> <td>ETR</td> <td>-</td> <td>WD.</td> <td>J2</td> <td>PTD.</td> <td>-</td> <td>3994</td> <td>3\"/> <tr> <td>3999</td> <td>ETR</td> <td>-</td> <td>WD.</td> <td>J2</td> <td>PTD.</td> <td>-</td> <td>3995</td> <td>3\"/> <tr> <td>3999</td> <td>ETR</td> <td>-</td> <td>WD.</td> <td>J2</td> <td>PTD.</td> <td>-</td> <td>3997</td> <td>3\"/> </td></tr></td></tr></td></tr></td></tr></td></tr></td></tr></td></tr></td></tr></td></tr></td></tr> | 399 | ETR | -
 | WD. | J2 | PTD. | - | 396 | 3\"/> <tr> <td>3991</td> <td>ETR</td> <td>-</td> <td>WD.</td> <td>J2</td> <td>PTD.</td> <td>-</td> <td>398</td> <td>3\"/> <tr> <td>3992</td> <td>A</td> <td>3\"/> <tr> <td>3993</td> <td>ETR</td> <td>-</td> <td>WD.</td> <td>J2</td> <td>PTD.</td> <td>-</td> <td>399</td> <td>3\"/> <tr> <td>3994</td> <td>ETR</td> <td>-</td> <td>WD.</td> <td>J2</td> <td>PTD.</td> <td>-</td> <td>3991</td> <td>3\"/> <tr> <td>3995</td> <td>ETR</td> <td>-</td> <td>WD.</td> <td>J2</td> <td>PTD.</td> <td>-</td> <td>3992</td> <td>3\"/> <tr> <td>3997</td> <td>ETR</td> <td>-</td> <td>WD.</td> <td>J2</td> <td>PTD.</td> <td>-</td> <td>3993</td> <td>3\"/> <tr> <td>3998</td> <td>ETR</td> <td>-</td> <td>WD.</td> <td>J2</td> <td>PTD.</td> <td>-</td> <td>3994</td> <td>3\"/> <tr> <td>3999</td> <td>ETR</td> <td>-</td> <td>WD.</td> <td>J2</td> <td>PTD.</td> <td>-</td> <td>3995</td> <td>3\"/> <tr> <td>3999</td> <td>ETR</td> <td>-</td> <td>WD.</td> <td>J2</td> <td>PTD.</td> <td>-</td> <td>3997</td> <td>3\"/> </td></tr></td></tr></td></tr></td></tr></td></tr></td></tr></td></tr></td></tr></td></tr> | 3991 | ETR | -
 | WD. | J2 | PTD. | - | 398 | 3\"/> <tr> <td>3992</td> <td>A</td> <td>3\"/> <tr> <td>3993</td> <td>ETR</td> <td>-</td> <td>WD.</td> <td>J2</td> <td>PTD.</td> <td>-</td> <td>399</td> <td>3\"/> <tr> <td>3994</td> <td>ETR</td> <td>-</td> <td>WD.</td> <td>J2</td> <td>PTD.</td> <td>-</td> <td>3991</td> <td>3\"/> <tr> <td>3995</td> <td>ETR</td> <td>-</td> <td>WD.</td> <td>J2</td> <td>PTD.</td> <td>-</td> <td>3992</td> <td>3\"/> <tr> <td>3997</td> <td>ETR</td> <td>-</td> <td>WD.</td> <td>J2</td> <td>PTD.</td> <td>-</td> <td>3993</td> <td>3\"/> <tr> <td>3998</td> <td>ETR</td> <td>-</td> <td>WD.</td> <td>J2</td> <td>PTD.</td> <td>-</td> <td>3994</td> <td>3\"/> <tr> <td>3999</td> <td>ETR</td> <td>-</td> <td>WD.</td> <td>J2</td> <td>PTD.</td> <td>-</td> <td>3995</td> <td>3\"/> <tr> <td>3999</td> <td>ETR</td> <td>-</td> <td>WD.</td> <td>J2</td> <td>PTD.</td> <td>-</td> <td>3997</td> <td>3\"/> </td></tr></td></tr></td></tr></td></tr></td></tr></td></tr></td></tr></td></tr> | 3992 | A | 3\"/> <tr> <td>3993</td> <td>ETR</td> <td>-</td> <td>WD.</td> <td>J2</td> <td>PTD.</td> <td>-</td> <td>399</td> <td>3\"/> <tr> <td>3994</td> <td>ETR</td> <td>-</td> <td>WD.</td> <td>J2</td> <td>PTD.</td> <td>-</td> <td>3991</td> <td>3\"/> <tr> <td>3995</td> <td>ETR</td> <td>-</td> <td>WD.</td> <td>J2</td> <td>PTD.</td> <td>-</td> <td>3992</td> <td>3\"/> <tr> <td>3997</td> <td>ETR</td> <td>-</td> <td>WD.</td> <td>J2</td> <td>PTD.</td> <td>-</td> <td>3993</td> <td>3\"/> <tr> <td>3998</td> <td>ETR</td> <td>-</td> <td>WD.</td> <td>J2</td> <td>PTD.</td> <td>-</td> <td>3994</td> <td>3\"/> <tr> <td>3999</td> <td>ETR</td> <td>-</td> <td>WD.</td> <td>J2</td> <td>PTD.</td> <td>-</td> <td>3995</td> <td>3\"/> <tr> <td>3999</td> <td>ETR</td> <td>-</td> <td>WD.</td> <td>J2</td> <td>PTD.</td> <td>-</td> <td>3997</td> <td>3\"/> </td></tr></td></tr></td></tr></td></tr></td></tr></td></tr></td></tr>
 | 3993 | ETR | - | WD. | J2 | PTD.
 | - | 399 | 3\"/> <tr> <td>3994</td> <td>ETR</td> <td>-</td> <td>WD.</td> <td>J2</td> <td>PTD.</td> <td>-</td> <td>3991</td> <td>3\"/> <tr> <td>3995</td> <td>ETR</td> <td>-</td> <td>WD.</td> <td>J2</td> <td>PTD.</td> <td>-</td> <td>3992</td> <td>3\"/> <tr> <td>3997</td> <td>ETR</td> <td>-</td> <td>WD.</td> <td>J2</td> <td>PTD.</td> <td>-</td> <td>3993</td> <td>3\"/> <tr> <td>3998</td> <td>ETR</td> <td>-</td> <td>WD.</td> <td>J2</td> <td>PTD.</td> <td>-</td> <td>3994</td> <td>3\"/> <tr> <td>3999</td> <td>ETR</td> <td>-</td> <td>WD.</td> <td>J2</td> <td>PTD.</td> <td>-</td> <td>3995</td> <td>3\"/> <tr> <td>3999</td> <td>ETR</td> <td>-</td> <td>WD.</td> <td>J2</td> <td>PTD.</td> <td>-</td> <td>3997</td> <td>3\"/> </td></tr></td></tr></td></tr></td></tr></td></tr></td></tr> | 3994 | ETR | - | WD. | J2 | PTD.
 | - | 3991 | 3\"/> <tr> <td>3995</td> <td>ETR</td> <td>-</td> <td>WD.</td> <td>J2</td> <td>PTD.</td> <td>-</td> <td>3992</td> <td>3\"/> <tr> <td>3997</td> <td>ETR</td> <td>-</td> <td>WD.</td> <td>J2</td> <td>PTD.</td> <td>-</td> <td>3993</td> <td>3\"/> <tr> <td>3998</td> <td>ETR</td> <td>-</td> <td>WD.</td> <td>J2</td> <td>PTD.</td> <td>-</td> <td>3994</td> <td>3\"/> <tr> <td>3999</td> <td>ETR</td> <td>-</td> <td>WD.</td> <td>J2</td> <td>PTD.</td> <td>-</td> <td>3995</td> <td>3\"/> <tr> <td>3999</td> <td>ETR</td> <td>-</td> <td>WD.</td> <td>J2</td> <td>PTD.</td> <td>-</td> <td>3997</td> <td>3\"/> </td></tr></td></tr></td></tr></td></tr></td></tr> | 3995 | ETR | - | WD. | J2 | PTD.
 | - | 3992 | 3\"/> <tr> <td>3997</td> <td>ETR</td> <td>-</td> <td>WD.</td> <td>J2</td> <td>PTD.</td> <td>-</td> <td>3993</td> <td>3\"/> <tr> <td>3998</td> <td>ETR</td> <td>-</td> <td>WD.</td> <td>J2</td> <td>PTD.</td> <td>-</td> <td>3994</td> <td>3\"/> <tr> <td>3999</td> <td>ETR</td> <td>-</td> <td>WD.</td> <td>J2</td> <td>PTD.</td> <td>-</td> <td>3995</td> <td>3\"/> <tr> <td>3999</td> <td>ETR</td> <td>-</td> <td>WD.</td> <td>J2</td> <td>PTD.</td> <td>-</td> <td>3997</td> <td>3\"/> </td></tr></td></tr></td></tr></td></tr> | 3997 | ETR | - | WD. | J2 | PTD.
 | - | 3993 | 3\"/> <tr> <td>3998</td> <td>ETR</td> <td>-</td> <td>WD.</td> <td>J2</td> <td>PTD.</td> <td>-</td> <td>3994</td> <td>3\"/> <tr> <td>3999</td> <td>ETR</td> <td>-</td> <td>WD.</td> <td>J2</td> <td>PTD.</td> <td>-</td> <td>3995</td> <td>3\"/> <tr> <td>3999</td> <td>ETR</td> <td>-</td> <td>WD.</td> <td>J2</td> <td>PTD.</td> <td>-</td> <td>3997</td> <td>3\"/> </td></tr></td></tr></td></tr> | 3998 | ETR | - | WD. | J2 | PTD.
 | - | 3994 | 3\"/> <tr> <td>3999</td> <td>ETR</td> <td>-</td> <td>WD.</td> <td>J2</td> <td>PTD.</td> <td>-</td> <td>3995</td> <td>3\"/> <tr> <td>3999</td> <td>ETR</td> <td>-</td> <td>WD.</td> <td>J2</td> <td>PTD.</td> <td>-</td> <td>3997</td> <td>3\"/> </td></tr></td></tr> | 3999 | ETR | -
 | WD. | J2 | PTD. | - | 3995 | 3\"/> <tr> <td>3999</td> <td>ETR</td> <td>-</td> <td>WD.</td> <td>J2</td> <td>PTD.</td> <td>-</td> <td>3997</td> <td>3\"/> </td></tr>
 | 3999 | ETR | - | WD. | J2 | PTD. | - | 3997 | 3\"/>
 | | | | | | | | | | | | | | | | | | | | | | | | | | | | | | | | | | | | | | | | | | | | | | | | | | | | | | |
 | | | | | |
 | | | | | | | | |
 | | | | | |
 | | | | | | | | |
 | | | | | | | | |
 | | | | | | | | |
 | | | | | | | | |
 | | | | | | | | |
 | | | | | | | | |
 | | | | | | | | | | | |
 | | | | | | | | | | | | | | |
 | | | | | | | | | | | | | | | | | |
 | | | | | | | | | | | | | | | | | |
 | | | | | | | | | | | | | | | | | | | | | | | |
 | | | | | | | | | | | | | | | | | | | | | | | | | | | | | |
 | | | | | | | | | | | | | | | | | | | | | | | | | | | | | | | | | | | | | | |
 | | | | | | | | | | | | | | | | | | | | | | | | | | | | | | | | | | | | | | | | | | | | | | | | | | | | | | |
| 387 | ETR | - | WD. | J2 | PTD. | - | 385 | 3\"/> <tr> <td>388</td> <td>ETR</td> <td>-</td> <td>WD.</td> <td>J2</td> <td>PTD.</td> <td>-</td> <td>386</td> <td>3\"/> <tr> <td>389</td> <td>ETR</td> <td>-</td> <td>WD.</td> <td>J2</td> <td>PTD.</td> <td>-</td> <td>387</td> <td>3\"/> <tr> <td>391</td> <td>ETR</td> <td>-</td> <td>WD.</td> <td>J2</td> <td>PTD.</td> <td>-</td> <td>388</td> <td>3\"/> <tr> <td>391A</td> <td>ETR</td> <td>-</td> <td>WD.</td> <td>J2</td> <td>PTD.</td> <td>-</td> <td>389</td> <td>3\"/> <tr> <td>391B</td> <td>ETR</td> <td>-</td> <td>WD.</td> <td>J2</td> <td>PTD.</td> <td>-</td> <td>391</td> <td>3\"/> <tr> <td>394</td> <td>ETR</td> <td>-</td> <td>WD.</td> <td>J2</td> <td>PTD.</td> <td>-</td> <td>391A</td> <td>3\"/> <tr> <td>395</td> <td>ETR</td> <td>-</td> <td>WD.</td> <td>J2</td> <td>PTD.</td> <td>-</td> <td>391B</td> <td>3\"/> <tr> <td>396</td> <td>ETR</td> <td>-</td> <td>WD.</td> <td>J2</td> <td>PTD.</td> <td>-</td> <td>394</td> <td>3\"/> <tr> <td>398</td> <td>ETR</td> <td>-</td> <td>WD.</td> <td>J2</td> <td>PTD.</td> <td>-</td> <td>395</td> <td>3\"/> <tr> <td>399</td> <td>ETR</td> <td>-</td> <td>WD.</td> <td>J2</td> <td>PTD.</td> <td>-</td> <td>396</td> <td>3\"/> <tr> <td>3991</td> <td>ETR</td> <td>-</td> <td>WD.</td> <td>J2</td> <td>PTD.</td> <td>-</td> <td>398</td> <td>3\"/> <tr> <td>3992</td> <td>A</td> <td>3\"/> <tr> <td>3993</td> <td>ETR</td> <td>-</td> <td>WD.</td> <td>J2</td> <td>PTD.</td> <td>-</td> <td>399</td> <td>3\"/> <tr> <td>3994</td> <td>ETR</td> <td>-</td> <td>WD.</td> <td>J2</td> <td>PTD.</td> <td>-</td> <td>3991</td> <td>3\"/> <tr> <td>3995</td> <td>ETR</td> <td>-</td> <td>WD.</td> <td>J2</td> <td>PTD.</td> <td>-</td> <td>3992</td> <td>3\"/> <tr> <td>3997</td> <td>ETR</td> <td>-</td> <td>WD.</td> <td>J2</td> <td>PTD.</td> <td>-</td> <td>3993</td> <td>3\"/> <tr> <td>3998</td> <td>ETR</td> <td>-</td> <td>WD.</td> <td>J2</td> <td>PTD.</td> <td>-</td> <td>3994</td> <td>3\"/> <tr> <td>3999</td> <td>ETR</td> <td>-</td> <td>WD.</td> <td>J2</td> <td>PTD.</td> <td>-</td> <td>3995</td> <td>3\"/> <tr> <td>3999</td> <td>ETR</td> <td>-</td> <td>WD.</td> <td>J2</td> <td>PTD.</td> <td>-</td> <td>3997</td> <td>3\"/> </td></tr></td></tr></td></tr></td></tr></td></tr></td></tr></td></tr></td></tr></td></tr></td></tr></td></tr></td></tr></td></tr></td></tr></td></tr></td></tr></td></tr></td></tr></td></tr>
 | 388 | ETR | -
 | WD. | J2 | PTD. | - | 386 | 3\"/> <tr> <td>389</td> <td>ETR</td> <td>-</td> <td>WD.</td> <td>J2</td> <td>PTD.</td> <td>-</td> <td>387</td> <td>3\"/> <tr> <td>391</td> <td>ETR</td> <td>-</td> <td>WD.</td> <td>J2</td> <td>PTD.</td> <td>-</td> <td>388</td> <td>3\"/> <tr> <td>391A</td> <td>ETR</td> <td>-</td> <td>WD.</td> <td>J2</td> <td>PTD.</td> <td>-</td> <td>389</td> <td>3\"/> <tr> <td>391B</td> <td>ETR</td> <td>-</td> <td>WD.</td> <td>J2</td> <td>PTD.</td> <td>-</td> <td>391</td> <td>3\"/> <tr> <td>394</td> <td>ETR</td> <td>-</td> <td>WD.</td> <td>J2</td> <td>PTD.</td> <td>-</td> <td>391A</td> <td>3\"/> <tr> <td>395</td> <td>ETR</td> <td>-</td> <td>WD.</td> <td>J2</td> <td>PTD.</td> <td>-</td> <td>391B</td> <td>3\"/> <tr> <td>396</td> <td>ETR</td> <td>-</td> <td>WD.</td> <td>J2</td> <td>PTD.</td> <td>-</td> <td>394</td> <td>3\"/> <tr> <td>398</td> <td>ETR</td> <td>-</td> <td>WD.</td> <td>J2</td> <td>PTD.</td> <td>-</td> <td>395</td> <td>3\"/> <tr> <td>399</td> <td>ETR</td> <td>-</td> <td>WD.</td> <td>J2</td> <td>PTD.</td> <td>-</td> <td>396</td> <td>3\"/> <tr> <td>3991</td> <td>ETR</td> <td>-</td> <td>WD.</td> <td>J2</td> <td>PTD.</td> <td>-</td> <td>398</td> <td>3\"/> <tr> <td>3992</td> <td>A</td> <td>3\"/> <tr> <td>3993</td> <td>ETR</td> <td>-</td> <td>WD.</td> <td>J2</td> <td>PTD.</td> <td>-</td> <td>399</td> <td>3\"/> <tr> <td>3994</td> <td>ETR</td> <td>-</td> <td>WD.</td> <td>J2</td> <td>PTD.</td> <td>-</td> <td>3991</td> <td>3\"/> <tr> <td>3995</td> <td>ETR</td> <td>-</td> <td>WD.</td> <td>J2</td> <td>PTD.</td> <td>-</td> <td>3992</td> <td>3\"/> <tr> <td>3997</td> <td>ETR</td> <td>-</td> <td>WD.</td> <td>J2</td> <td>PTD.</td> <td>-</td> <td>3993</td> <td>3\"/> <tr> <td>3998</td> <td>ETR</td> <td>-</td> <td>WD.</td> <td>J2</td> <td>PTD.</td> <td>-</td> <td>3994</td> <td>3\"/> <tr> <td>3999</td> <td>ETR</td> <td>-</td> <td>WD.</td> <td>J2</td> <td>PTD.</td> <td>-</td> <td>3995</td> <td>3\"/> <tr> <td>3999</td> <td>ETR</td> <td>-</td> <td>WD.</td> <td>J2</td> <td>PTD.</td> <td>-</td> <td>3997</td> <td>3\"/> </td></tr></td></tr></td></tr></td></tr></td></tr></td></tr></td></tr></td></tr></td></tr></td></tr></td></tr></td></tr></td></tr></td></tr></td></tr></td></tr></td></tr></td></tr> | 389 | ETR | -
 | WD. | J2 | PTD. | - | 387 | 3\"/> <tr> <td>391</td> <td>ETR</td> <td>-</td> <td>WD.</td> <td>J2</td> <td>PTD.</td> <td>-</td> <td>388</td> <td>3\"/> <tr> <td>391A</td> <td>ETR</td> <td>-</td> <td>WD.</td> <td>J2</td> <td>PTD.</td> <td>-</td> <td>389</td> <td>3\"/> <tr> <td>391B</td> <td>ETR</td> <td>-</td> <td>WD.</td> <td>J2</td> <td>PTD.</td> <td>-</td> <td>391</td> <td>3\"/> <tr> <td>394</td> <td>ETR</td> <td>-</td> <td>WD.</td> <td>J2</td> <td>PTD.</td> <td>-</td> <td>391A</td> <td>3\"/> <tr> <td>395</td> <td>ETR</td> <td>-</td> <td>WD.</td> <td>J2</td> <td>PTD.</td> <td>-</td> <td>391B</td> <td>3\"/> <tr> <td>396</td> <td>ETR</td> <td>-</td> <td>WD.</td> <td>J2</td> <td>PTD.</td> <td>-</td> <td>394</td> <td>3\"/> <tr> <td>398</td> <td>ETR</td> <td>-</td> <td>WD.</td> <td>J2</td> <td>PTD.</td> <td>-</td> <td>395</td> <td>3\"/> <tr> <td>399</td> <td>ETR</td> <td>-</td> <td>WD.</td> <td>J2</td> <td>PTD.</td> <td>-</td> <td>396</td> <td>3\"/> <tr> <td>3991</td> <td>ETR</td> <td>-</td> <td>WD.</td> <td>J2</td> <td>PTD.</td> <td>-</td> <td>398</td> <td>3\"/> <tr> <td>3992</td> <td>A</td> <td>3\"/> <tr> <td>3993</td> <td>ETR</td> <td>-</td> <td>WD.</td> <td>J2</td> <td>PTD.</td> <td>-</td> <td>399</td> <td>3\"/> <tr> <td>3994</td> <td>ETR</td> <td>-</td> <td>WD.</td> <td>J2</td> <td>PTD.</td> <td>-</td> <td>3991</td> <td>3\"/> <tr> <td>3995</td> <td>ETR</td> <td>-</td> <td>WD.</td> <td>J2</td> <td>PTD.</td> <td>-</td> <td>3992</td> <td>3\"/> <tr> <td>3997</td> <td>ETR</td> <td>-</td> <td>WD.</td> <td>J2</td> <td>PTD.</td> <td>-</td> <td>3993</td> <td>3\"/> <tr> <td>3998</td> <td>ETR</td> <td>-</td> <td>WD.</td> <td>J2</td> <td>PTD.</td> <td>-</td> <td>3994</td> <td>3\"/> <tr> <td>3999</td> <td>ETR</td> <td>-</td> <td>WD.</td> <td>J2</td> <td>PTD.</td> <td>-</td> <td>3995</td> <td>3\"/> <tr> <td>3999</td> <td>ETR</td> <td>-</td> <td>WD.</td> <td>J2</td> <td>PTD.</td> <td>-</td> <td>3997</td> <td>3\"/> </td></tr></td></tr></td></tr></td></tr></td></tr></td></tr></td></tr></td></tr></td></tr></td></tr></td></tr></td></tr></td></tr></td></tr></td></tr></td></tr></td></tr>
 | 391 | ETR | - | WD. | J2 | PTD. | - | 388 | 3\"/> <tr> <td>391A</td> <td>ETR</td> <td>-</td> <td>WD.</td> <td>J2</td> <td>PTD.</td> <td>-</td> <td>389</td> <td>3\"/> <tr> <td>391B</td> <td>ETR</td> <td>-</td> <td>WD.</td> <td>J2</td> <td>PTD.</td> <td>-</td> <td>391</td> <td>3\"/> <tr> <td>394</td> <td>ETR</td> <td>-</td> <td>WD.</td> <td>J2</td> <td>PTD.</td> <td>-</td> <td>391A</td> <td>3\"/> <tr> <td>395</td> <td>ETR</td> <td>-</td> <td>WD.</td> <td>J2</td> <td>PTD.</td> <td>-</td> <td>391B</td> <td>3\"/> <tr> <td>396</td> <td>ETR</td> <td>-</td> <td>WD.</td> <td>J2</td> <td>PTD.</td> <td>-</td> <td>394</td> <td>3\"/> <tr> <td>398</td> <td>ETR</td> <td>-</td> <td>WD.</td> <td>J2</td> <td>PTD.</td> <td>-</td> <td>395</td> <td>3\"/> <tr> <td>399</td> <td>ETR</td> <td>-</td> <td>WD.</td> <td>J2</td> <td>PTD.</td> <td>-</td> <td>396</td> <td>3\"/> <tr> <td>3991</td> <td>ETR</td> <td>-</td> <td>WD.</td> <td>J2</td> <td>PTD.</td> <td>-</td> <td>398</td> <td>3\"/> <tr> <td>3992</td> <td>A</td> <td>3\"/> <tr> <td>3993</td> <td>ETR</td> <td>-</td> <td>WD.</td> <td>J2</td> <td>PTD.</td> <td>-</td> <td>399</td> <td>3\"/> <tr> <td>3994</td> <td>ETR</td> <td>-</td> <td>WD.</td> <td>J2</td> <td>PTD.</td> <td>-</td> <td>3991</td> <td>3\"/> <tr> <td>3995</td> <td>ETR</td> <td>-</td> <td>WD.</td> <td>J2</td> <td>PTD.</td> <td>-</td> <td>3992</td> <td>3\"/> <tr> <td>3997</td> <td>ETR</td> <td>-</td> <td>WD.</td> <td>J2</td> <td>PTD.</td> <td>-</td> <td>3993</td> <td>3\"/> <tr> <td>3998</td> <td>ETR</td> <td>-</td> <td>WD.</td> <td>J2</td> <td>PTD.</td> <td>-</td> <td>3994</td> <td>3\"/> <tr> <td>3999</td> <td>ETR</td> <td>-</td> <td>WD.</td> <td>J2</td> <td>PTD.</td> <td>-</td> <td>3995</td> <td>3\"/> <tr> <td>3999</td> <td>ETR</td> <td>-</td> <td>WD.</td> <td>J2</td> <td>PTD.</td> <td>-</td> <td>3997</td> <td>3\"/> </td></tr></td></tr></td></tr></td></tr></td></tr></td></tr></td></tr></td></tr></td></tr></td></tr></td></tr></td></tr></td></tr></td></tr></td></tr></td></tr>
 | 391A | ETR | - | WD. | J2 | PTD. | - | 389 |
3\"/> <tr> <td>391B</td> <td>ETR</td> <td>-</td> <td>WD.</td> <td>J2</td> <td>PTD.</td> <td>-</td> <td>391</td> <td>3\"/> <tr> <td>394</td> <td>ETR</td> <td>-</td> <td>WD.</td> <td>J2</td> <td>PTD.</td> <td>-</td> <td>391A</td> <td>3\"/> <tr> <td>395</td> <td>ETR</td> <td>-</td> <td>WD.</td> <td>J2</td> <td>PTD.</td> <td>-</td> <td>391B</td> <td>3\"/> <tr> <td>396</td> <td>ETR</td> <td>-</td> <td>WD.</td> <td>J2</td> <td>PTD.</td> <td>-</td> <td>394</td> <td>3\"/> <tr> <td>398</td> <td>ETR</td> <td>-</td> <td>WD.</td> <td>J2</td> <td>PTD.</td> <td>-</td> <td>395</td> <td>3\"/> <tr> <td>399</td> <td>ETR</td> <td>-</td> <td>WD.</td> <td>J2</td> <td>PTD.</td> <td>-</td> <td>396</td> <td>3\"/> <tr> <td>3991</td> <td>ETR</td> <td>-</td> <td>WD.</td> <td>J2</td> <td>PTD.</td> <td>-</td> <td>398</td> <td>3\"/> <tr> <td>3992</td> <td>A</td> <td>3\"/> <tr> <td>3993</td> <td>ETR</td> <td>-</td> <td>WD.</td> <td>J2</td> <td>PTD.</td> <td>-</td> <td>399</td> <td>3\"/> <tr> <td>3994</td> <td>ETR</td> <td>-</td> <td>WD.</td> <td>J2</td> <td>PTD.</td> <td>-</td> <td>3991</td> <td>3\"/> <tr> <td>3995</td> <td>ETR</td> <td>-</td> <td>WD.</td> <td>J2</td> <td>PTD.</td> <td>-</td> <td>3992</td> <td>3\"/> <tr> <td>3997</td> <td>ETR</td> <td>-</td> <td>WD.</td> <td>J2</td> <td>PTD.</td> <td>-</td> <td>3993</td> <td>3\"/> <tr> <td>3998</td> <td>ETR</td> <td>-</td> <td>WD.</td> <td>J2</td> <td>PTD.</td> <td>-</td> <td>3994</td> <td>3\"/> <tr> <td>3999</td> <td>ETR</td> <td>-</td> <td>WD.</td> <td>J2</td> <td>PTD.</td> <td>-</td> <td>3995</td> <td>3\"/> <tr> <td>3999</td> <td>ETR</td> <td>-</td> <td>WD.</td> <td>J2</td> <td>PTD.</td> <td>-</td> <td>3997</td> <td>3\"/> </td></tr></td></tr></td></tr></td></tr></td></tr></td></tr></td></tr></td></tr></td></tr></td></tr></td></tr></td></tr></td></tr></td></tr></td></tr> | 391B | ETR | -
 | WD. | J2 | PTD. | - | 391 | 3\"/> <tr> <td>394</td> <td>ETR</td> <td>-</td> <td>WD.</td> <td>J2</td> <td>PTD.</td> <td>-</td> <td>391A</td> <td>3\"/> <tr> <td>395</td> <td>ETR</td> <td>-</td> <td>WD.</td> <td>J2</td> <td>PTD.</td> <td>-</td> <td>391B</td> <td>3\"/> <tr> <td>396</td> <td>ETR</td> <td>-</td> <td>WD.</td> <td>J2</td> <td>PTD.</td> <td>-</td> <td>394</td> <td>3\"/> <tr> <td>398</td> <td>ETR</td> <td>-</td> <td>WD.</td> <td>J2</td> <td>PTD.</td> <td>-</td> <td>395</td> <td>3\"/> <tr> <td>399</td> <td>ETR</td> <td>-</td> <td>WD.</td> <td>J2</td> <td>PTD.</td> <td>-</td> <td>396</td> <td>3\"/> <tr> <td>3991</td> <td>ETR</td> <td>-</td> <td>WD.</td> <td>J2</td> <td>PTD.</td> <td>-</td> <td>398</td> <td>3\"/> <tr> <td>3992</td> <td>A</td> <td>3\"/> <tr> <td>3993</td> <td>ETR</td> <td>-</td> <td>WD.</td> <td>J2</td> <td>PTD.</td> <td>-</td> <td>399</td> <td>3\"/> <tr> <td>3994</td> <td>ETR</td> <td>-</td> <td>WD.</td> <td>J2</td> <td>PTD.</td> <td>-</td> <td>3991</td> <td>3\"/> <tr> <td>3995</td> <td>ETR</td> <td>-</td> <td>WD.</td> <td>J2</td> <td>PTD.</td> <td>-</td> <td>3992</td> <td>3\"/> <tr> <td>3997</td> <td>ETR</td> <td>-</td> <td>WD.</td> <td>J2</td> <td>PTD.</td> <td>-</td> <td>3993</td> <td>3\"/> <tr> <td>3998</td> <td>ETR</td> <td>-</td> <td>WD.</td> <td>J2</td> <td>PTD.</td> <td>-</td> <td>3994</td> <td>3\"/> <tr> <td>3999</td> <td>ETR</td> <td>-</td> <td>WD.</td> <td>J2</td> <td>PTD.</td> <td>-</td> <td>3995</td> <td>3\"/> <tr> <td>3999</td> <td>ETR</td> <td>-</td> <td>WD.</td> <td>J2</td> <td>PTD.</td> <td>-</td> <td>3997</td> <td>3\"/> </td></tr></td></tr></td></tr></td></tr></td></tr></td></tr></td></tr></td></tr></td></tr></td></tr></td></tr></td></tr></td></tr></td></tr> | 394 | ETR | -
 | WD. | J2 | PTD. | - | 391A | 3\"/> <tr> <td>395</td> <td>ETR</td> <td>-</td> <td>WD.</td> <td>J2</td> <td>PTD.</td> <td>-</td> <td>391B</td> <td>3\"/> <tr> <td>396</td> <td>ETR</td> <td>-</td> <td>WD.</td> <td>J2</td> <td>PTD.</td> <td>-</td> <td>394</td> <td>3\"/> <tr> <td>398</td> <td>ETR</td> <td>-</td> <td>WD.</td> <td>J2</td> <td>PTD.</td> <td>-</td> <td>395</td> <td>3\"/> <tr> <td>399</td> <td>ETR</td> <td>-</td> <td>WD.</td> <td>J2</td> <td>PTD.</td> <td>-</td> <td>396</td> <td>3\"/> <tr> <td>3991</td> <td>ETR</td> <td>-</td> <td>WD.</td> <td>J2</td> <td>PTD.</td> <td>-</td> <td>398</td> <td>3\"/> <tr> <td>3992</td> <td>A</td> <td>3\"/> <tr> <td>3993</td> <td>ETR</td> <td>-</td> <td>WD.</td> <td>J2</td> <td>PTD.</td> <td>-</td> <td>399</td> <td>3\"/> <tr> <td>3994</td> <td>ETR</td> <td>-</td> <td>WD.</td> <td>J2</td> <td>PTD.</td> <td>-</td> <td>3991</td> <td>3\"/> <tr> <td>3995</td> <td>ETR</td> <td>-</td> <td>WD.</td> <td>J2</td> <td>PTD.</td> <td>-</td> <td>3992</td> <td>3\"/> <tr> <td>3997</td> <td>ETR</td> <td>-</td> <td>WD.</td> <td>J2</td> <td>PTD.</td> <td>-</td> <td>3993</td> <td>3\"/> <tr> <td>3998</td> <td>ETR</td> <td>-</td> <td>WD.</td> <td>J2</td> <td>PTD.</td> <td>-</td> <td>3994</td> <td>3\"/> <tr> <td>3999</td> <td>ETR</td> <td>-</td> <td>WD.</td> <td>J2</td> <td>PTD.</td> <td>-</td> <td>3995</td> <td>3\"/> <tr> <td>3999</td> <td>ETR</td> <td>-</td> <td>WD.</td> <td>J2</td> <td>PTD.</td> <td>-</td> <td>3997</td> <td>3\"/> </td></tr></td></tr></td></tr></td></tr></td></tr></td></tr></td></tr></td></tr></td></tr></td></tr></td></tr></td></tr></td></tr>
 | 395 | ETR | - | WD. | J2 | PTD. | - | 391B | 3\"/> <tr> <td>396</td> <td>ETR</td> <td>-</td> <td>WD.</td> <td>J2</td> <td>PTD.</td> <td>-</td> <td>394</td> <td>3\"/> <tr> <td>398</td> <td>ETR</td> <td>-</td> <td>WD.</td> <td>J2</td> <td>PTD.</td> <td>-</td> <td>395</td> <td>3\"/> <tr> <td>399</td> <td>ETR</td> <td>-</td> <td>WD.</td> <td>J2</td> <td>PTD.</td> <td>-</td> <td>396</td> <td>3\"/> <tr> <td>3991</td> <td>ETR</td> <td>-</td> <td>WD.</td> <td>J2</td> <td>PTD.</td> <td>-</td> <td>398</td> <td>3\"/> <tr> <td>3992</td> <td>A</td> <td>3\"/> <tr> <td>3993</td> <td>ETR</td> <td>-</td> <td>WD.</td> <td>J2</td> <td>PTD.</td> <td>-</td> <td>399</td> <td>3\"/> <tr> <td>3994</td> <td>ETR</td> <td>-</td> <td>WD.</td> <td>J2</td> <td>PTD.</td> <td>-</td> <td>3991</td> <td>3\"/> <tr> <td>3995</td> <td>ETR</td> <td>-</td> <td>WD.</td> <td>J2</td> <td>PTD.</td> <td>-</td> <td>3992</td> <td>3\"/> <tr> <td>3997</td> <td>ETR</td> <td>-</td> <td>WD.</td> <td>J2</td> <td>PTD.</td> <td>-</td> <td>3993</td> <td>3\"/> <tr> <td>3998</td> <td>ETR</td> <td>-</td> <td>WD.</td> <td>J2</td> <td>PTD.</td> <td>-</td> <td>3994</td> <td>3\"/> <tr> <td>3999</td> <td>ETR</td> <td>-</td> <td>WD.</td> <td>J2</td> <td>PTD.</td> <td>-</td> <td>3995</td> <td>3\"/> <tr> <td>3999</td> <td>ETR</td> <td>-</td> <td>WD.</td> <td>J2</td> <td>PTD.</td> <td>-</td> <td>3997</td> <td>3\"/> </td></tr></td></tr></td></tr></td></tr></td></tr></td></tr></td></tr></td></tr></td></tr></td></tr></td></tr></td></tr>
 | 396 | ETR | - | WD. | J2 | PTD. | - | 394 | 3\"/> <tr> <td>398</td> <td>ETR</td> <td>-</td> <td>WD.</td> <td>J2</td> <td>PTD.</td> <td>-</td> <td>395</td> <td>3\"/> <tr> <td>399</td> <td>ETR</td> <td>-</td> <td>WD.</td> <td>J2</td> <td>PTD.</td> <td>-</td> <td>396</td> <td>3\"/> <tr> <td>3991</td> <td>ETR</td> <td>-</td> <td>WD.</td> <td>J2</td> <td>PTD.</td> <td>-</td> <td>398</td> <td>3\"/> <tr> <td>3992</td> <td>A</td> <td>3\"/> <tr> <td>3993</td> <td>ETR</td> <td>-</td> <td>WD.</td> <td>J2</td> <td>PTD.</td> <td>-</td> <td>399</td> <td>3\"/> <tr> <td>3994</td> <td>ETR</td> <td>-</td> <td>WD.</td> <td>J2</td> <td>PTD.</td> <td>-</td> <td>3991</td> <td>3\"/> <tr> <td>3995</td> <td>ETR</td> <td>-</td> <td>WD.</td> <td>J2</td> <td>PTD.</td> <td>-</td> <td>3992</td> <td>3\"/> <tr> <td>3997</td> <td>ETR</td> <td>-</td> <td>WD.</td> <td>J2</td> <td>PTD.</td> <td>-</td> <td>3993</td> <td>3\"/> <tr> <td>3998</td> <td>ETR</td> <td>-</td> <td>WD.</td> <td>J2</td> <td>PTD.</td> <td>-</td> <td>3994</td> <td>3\"/> <tr> <td>3999</td> <td>ETR</td> <td>-</td> <td>WD.</td> <td>J2</td> <td>PTD.</td> <td>-</td> <td>3995</td> <td>3\"/>
<tr> <td>3999</td> <td>ETR</td> <td>-</td> <td>WD.</td> <td>J2</td> <td>PTD.</td> <td>-</td> <td>3997</td> <td>3\"/> </td></tr></td></tr></td></tr></td></tr></td></tr></td></tr></td></tr></td></tr></td></tr></td></tr></td></tr> | 398 | ETR | -
 | WD. | J2 | PTD. | - | 395 | 3\"/> <tr> <td>399</td> <td>ETR</td> <td>-</td> <td>WD.</td> <td>J2</td> <td>PTD.</td> <td>-</td> <td>396</td> <td>3\"/> <tr> <td>3991</td> <td>ETR</td> <td>-</td> <td>WD.</td> <td>J2</td> <td>PTD.</td> <td>-</td> <td>398</td> <td>3\"/> <tr> <td>3992</td> <td>A</td> <td>3\"/> <tr> <td>3993</td> <td>ETR</td> <td>-</td> <td>WD.</td> <td>J2</td> <td>PTD.</td> <td>-</td> <td>399</td> <td>3\"/> <tr> <td>3994</td> <td>ETR</td> <td>-</td> <td>WD.</td> <td>J2</td> <td>PTD.</td> <td>-</td> <td>3991</td> <td>3\"/> <tr> <td>3995</td> <td>ETR</td> <td>-</td> <td>WD.</td> <td>J2</td> <td>PTD.</td> <td>-</td> <td>3992</td> <td>3\"/> <tr> <td>3997</td> <td>ETR</td> <td>-</td> <td>WD.</td> <td>J2</td> <td>PTD.</td> <td>-</td> <td>3993</td> <td>3\"/> <tr> <td>3998</td> <td>ETR</td> <td>-</td> <td>WD.</td> <td>J2</td> <td>PTD.</td> <td>-</td> <td>3994</td> <td>3\"/> <tr> <td>3999</td> <td>ETR</td> <td>-</td> <td>WD.</td> <td>J2</td> <td>PTD.</td> <td>-</td> <td>3995</td> <td>3\"/> <tr> <td>3999</td> <td>ETR</td> <td>-</td> <td>WD.</td> <td>J2</td> <td>PTD.</td> <td>-</td> <td>3997</td> <td>3\"/> </td></tr></td></tr></td></tr></td></tr></td></tr></td></tr></td></tr></td></tr></td></tr></td></tr> | 399 | ETR | -
 | WD. | J2 | PTD. | - | 396 | 3\"/> <tr> <td>3991</td> <td>ETR</td> <td>-</td> <td>WD.</td> <td>J2</td> <td>PTD.</td> <td>-</td> <td>398</td> <td>3\"/> <tr> <td>3992</td> <td>A</td> <td>3\"/> <tr> <td>3993</td> <td>ETR</td> <td>-</td> <td>WD.</td> <td>J2</td> <td>PTD.</td> <td>-</td> <td>399</td> <td>3\"/> <tr> <td>3994</td> <td>ETR</td> <td>-</td> <td>WD.</td> <td>J2</td> <td>PTD.</td> <td>-</td> <td>3991</td> <td>3\"/> <tr> <td>3995</td> <td>ETR</td> <td>-</td> <td>WD.</td> <td>J2</td> <td>PTD.</td> <td>-</td> <td>3992</td> <td>3\"/> <tr> <td>3997</td> <td>ETR</td> <td>-</td> <td>WD.</td> <td>J2</td> <td>PTD.</td> <td>-</td> <td>3993</td> <td>3\"/> <tr> <td>3998</td> <td>ETR</td> <td>-</td> <td>WD.</td> <td>J2</td> <td>PTD.</td> <td>-</td> <td>3994</td> <td>3\"/> <tr> <td>3999</td> <td>ETR</td> <td>-</td> <td>WD.</td> <td>J2</td> <td>PTD.</td> <td>-</td> <td>3995</td> <td>3\"/> <tr> <td>3999</td> <td>ETR</td> <td>-</td> <td>WD.</td> <td>J2</td> <td>PTD.</td> <td>-</td> <td>3997</td> <td>3\"/> </td></tr></td></tr></td></tr></td></tr></td></tr></td></tr></td></tr></td></tr></td></tr> | 3991 | ETR | -
 | WD. | J2 | PTD. | - | 398 | 3\"/> <tr> <td>3992</td> <td>A</td> <td>3\"/> <tr> <td>3993</td> <td>ETR</td> <td>-</td> <td>WD.</td> <td>J2</td> <td>PTD.</td> <td>-</td> <td>399</td> <td>3\"/> <tr> <td>3994</td> <td>ETR</td> <td>-</td> <td>WD.</td> <td>J2</td> <td>PTD.</td> <td>-</td> <td>3991</td> <td>3\"/> <tr> <td>3995</td> <td>ETR</td> <td>-</td> <td>WD.</td> <td>J2</td> <td>PTD.</td> <td>-</td> <td>3992</td> <td>3\"/> <tr> <td>3997</td> <td>ETR</td> <td>-</td> <td>WD.</td> <td>J2</td> <td>PTD.</td> <td>-</td> <td>3993</td> <td>3\"/> <tr> <td>3998</td> <td>ETR</td> <td>-</td> <td>WD.</td> <td>J2</td> <td>PTD.</td> <td>-</td> <td>3994</td> <td>3\"/> <tr> <td>3999</td> <td>ETR</td> <td>-</td> <td>WD.</td> <td>J2</td> <td>PTD.</td> <td>-</td> <td>3995</td> <td>3\"/> <tr> <td>3999</td> <td>ETR</td> <td>-</td> <td>WD.</td> <td>J2</td> <td>PTD.</td> <td>-</td> <td>3997</td> <td>3\"/> </td></tr></td></tr></td></tr></td></tr></td></tr></td></tr></td></tr></td></tr> | 3992 | A | 3\"/> <tr> <td>3993</td> <td>ETR</td> <td>-</td> <td>WD.</td> <td>J2</td> <td>PTD.</td> <td>-</td> <td>399</td> <td>3\"/> <tr> <td>3994</td> <td>ETR</td> <td>-</td> <td>WD.</td> <td>J2</td> <td>PTD.</td> <td>-</td> <td>3991</td> <td>3\"/> <tr> <td>3995</td> <td>ETR</td> <td>-</td> <td>WD.</td> <td>J2</td> <td>PTD.</td> <td>-</td> <td>3992</td> <td>3\"/> <tr> <td>3997</td> <td>ETR</td> <td>-</td> <td>WD.</td> <td>J2</td> <td>PTD.</td> <td>-</td> <td>3993</td> <td>3\"/> <tr> <td>3998</td> <td>ETR</td> <td>-</td> <td>WD.</td> <td>J2</td> <td>PTD.</td> <td>-</td> <td>3994</td> <td>3\"/> <tr> <td>3999</td> <td>ETR</td> <td>-</td> <td>WD.</td> <td>J2</td> <td>PTD.</td> <td>-</td> <td>3995</td> <td>3\"/> <tr> <td>3999</td> <td>ETR</td> <td>-</td> <td>WD.</td> <td>J2</td> <td>PTD.</td> <td>-</td> <td>3997</td> <td>3\"/> </td></tr></td></tr></td></tr></td></tr></td></tr></td></tr></td></tr>
 | 3993 | ETR | - | WD. | J2 | PTD. | - | 399 | 3\"/> <tr> <td>3994</td> <td>ETR</td> <td>-</td> <td>WD.</td> <td>J2</td> <td>PTD.</td> <td>-</td> <td>3991</td> <td>3\"/> <tr> <td>3995</td> <td>ETR</td> <td>-</td> <td>WD.</td> <td>J2</td> <td>PTD.</td> <td>-</td> <td>3992</td> <td>3\"/> <tr> <td>3997</td> <td>ETR</td> <td>-</td> <td>WD.</td> <td>J2</td> <td>PTD.</td> <td>-</td> <td>3993</td> <td>3\"/> <tr> <td>3998</td> <td>ETR</td> <td>-</td> <td>WD.</td> <td>J2</td> <td>PTD.</td> <td>-</td> <td>3994</td> <td>3\"/> <tr> <td>3999</td> <td>ETR</td> <td>-</td> <td>WD.</td> <td>J2</td> <td>PTD.</td> <td>-</td> <td>3995</td> <td>3\"/> <tr> <td>3999</td> <td>ETR</td> <td>-</td> <td>WD.</td> <td>J2</td> <td>PTD.</td> <td>-</td> <td>3997</td> <td>3\"/> </td></tr></td></tr></td></tr></td></tr></td></tr></td></tr>
 | 3994 | ETR | - | WD. | J2 | PTD.
 | - | 3991 | 3\"/> <tr> <td>3995</td> <td>ETR</td> <td>-</td> <td>WD.</td> <td>J2</td> <td>PTD.</td> <td>-</td> <td>3992</td> <td>3\"/> <tr> <td>3997</td> <td>ETR</td> <td>-</td> <td>WD.</td> <td>J2</td> <td>PTD.</td> <td>-</td> <td>3993</td> <td>3\"/> <tr> <td>3998</td> <td>ETR</td> <td>-</td> <td>WD.</td> <td>J2</td> <td>PTD.</td> <td>-</td> <td>3994</td> <td>3\"/> <tr> <td>3999</td> <td>ETR</td> <td>-</td> <td>WD.</td> <td>J2</td> <td>PTD.</td> <td>-</td> <td>3995</td> <td>3\"/> <tr> <td>3999</td> <td>ETR</td> <td>-</td> <td>WD.</td> <td>J2</td> <td>PTD.</td> <td>-</td> <td>3997</td> <td>3\"/> </td></tr></td></tr></td></tr></td></tr></td></tr> | 3995 | ETR | - | WD. | J2 | PTD.
 | - | 3992 | 3\"/> <tr> <td>3997</td> <td>ETR</td> <td>-</td> <td>WD.</td> <td>J2</td> <td>PTD.</td> <td>-</td> <td>3993</td> <td>3\"/> <tr> <td>3998</td> <td>ETR</td> <td>-</td> <td>WD.</td> <td>J2</td> <td>PTD.</td> <td>-</td> <td>3994</td> <td>3\"/> <tr> <td>3999</td> <td>ETR</td> <td>-</td> <td>WD.</td> <td>J2</td> <td>PTD.</td> <td>-</td> <td>3995</td> <td>3\"/> <tr> <td>3999</td> <td>ETR</td> <td>-</td> <td>WD.</td> <td>J2</td> <td>PTD.</td> <td>-</td> <td>3997</td> <td>3\"/> </td></tr></td></tr></td></tr></td></tr> | 3997 | ETR | - | WD. | J2 | PTD.
 | - | 3993 | 3\"/> <tr> <td>3998</td> <td>ETR</td> <td>-</td> <td>WD.</td> <td>J2</td> <td>PTD.</td> <td>-</td> <td>3994</td> <td>3\"/> <tr> <td>3999</td> <td>ETR</td> <td>-</td> <td>WD.</td> <td>J2</td> <td>PTD.</td> <td>-</td> <td>3995</td> <td>3\"/> <tr> <td>3999</td> <td>ETR</td> <td>-</td> <td>WD.</td> <td>J2</td> <td>PTD.</td> <td>-</td> <td>3997</td> <td>3\"/> </td></tr></td></tr></td></tr> | 3998 | ETR | - | WD. | J2 | PTD.
 | - | 3994 | 3\"/> <tr> <td>3999</td> <td>ETR</td> <td>-</td> <td>WD.</td> <td>J2</td> <td>PTD.</td> <td>-</td> <td>3995</td> <td>3\"/> <tr> <td>3999</td> <td>ETR</td> <td>-</td> <td>WD.</td> <td>J2</td> <td>PTD.</td> <td>-</td> <td>3997</td> <td>3\"/> </td></tr></td></tr> | 3999 | ETR | - | WD. | J2 | PTD.
 | - | 3995 | 3\"/> <tr> <td>3999</td> <td>ETR</td> <td>-</td> <td>WD.</td> <td>J2</td> <td>PTD.</td> <td>-</td> <td>3997</td> <td>3\"/> </td></tr> | 3999 | ETR | -
 | WD. | J2 | PTD. | - | 3997 | 3\"/>
 | | | | | | | | | | | | | | | | | | | | | | | | | | | | | | | | | | | | | | | | | | | | | | | | | | | | | | |
 | | | | | | | | | | | | | | |
 | | | | | |
 | | | | | | | | |
 | | | | | |
 | | | | | | | | |
 | | | | | | | | |
 | | | | | | | | |
 | | | | | | | | |
 | | | | | | | | |
 | | | | | | | | |
 | | | | | | | | | | | |
 | | | | | | | | | | | | | | |
 | | | | | | | | | | | | | | | | | |
 | | | | | | | | | | | | | | | | | |
 | | | | | | | | | | | | | | | | | | | | | | | |
 | | | | | | | | | | | | | | | | | | | | | | | | | | | | | |
 | | | | | | | | | | | | | | | | | | | | | | | | | | | | | | | | | | | | | | |
 | | | | | | | | | | | | | | | | | | | | | | | | | | | | | | | | | | | | | | | | | | | | | | | | | | | | | | |
| 388 | ETR | - | WD. | J2 | PTD. | - | 386 | 3\"/> <tr> <td>389</td> <td>ETR</td> <td>-</td> <td>WD.</td> <td>J2</td> <td>PTD.</td> <td>-</td> <td>387</td> <td>3\"/> <tr> <td>391</td> <td>ETR</td> <td>-</td> <td>WD.</td> <td>J2</td> <td>PTD.</td> <td>-</td> <td>388</td> <td>3\"/> <tr> <td>391A</td> <td>ETR</td> <td>-</td> <td>WD.</td> <td>J2</td> <td>PTD.</td> <td>-</td> <td>389</td> <td>3\"/> <tr> <td>391B</td> <td>ETR</td> <td>-</td> <td>WD.</td> <td>J2</td> <td>PTD.</td> <td>-</td> <td>391</td> <td>3\"/> <tr> <td>394</td> <td>ETR</td> <td>-</td> <td>WD.</td> <td>J2</td> <td>PTD.</td> <td>-</td> <td>391A</td> <td>3\"/> <tr> <td>395</td> <td>ETR</td> <td>-</td> <td>WD.</td> <td>J2</td> <td>PTD.</td> <td>-</td> <td>391B</td> <td>3\"/> <tr> <td>396</td> <td>ETR</td> <td>-</td> <td>WD.</td> <td>J2</td> <td>PTD.</td> <td>-</td> <td>394</td> <td>3\"/> <tr> <td>398</td> <td>ETR</td> <td>-</td> <td>WD.</td> <td>J2</td> <td>PTD.</td> <td>-</td> <td>395</td> <td>3\"/> <tr> <td>399</td> <td>ETR</td> <td>-</td> <td>WD.</td> <td>J2</td> <td>PTD.</td> <td>-</td> <td>396</td> <td>3\"/> <tr> <td>3991</td> <td>ETR</td> <td>-</td> <td>WD.</td> <td>J2</td> <td>PTD.</td> <td>-</td> <td>398</td> <td>3\"/> <tr> <td>3992</td> <td>A</td> <td>3\"/> <tr> <td>3993</td> <td>ETR</td> <td>-</td> <td>WD.</td> <td>J2</td> <td>PTD.</td> <td>-</td> <td>399</td> <td>3\"/> <tr> <td>3994</td> <td>ETR</td> <td>-</td> <td>WD.</td> <td>J2</td> <td>PTD.</td> <td>-</td> <td>3991</td> <td>3\"/> <tr> <td>3995</td> <td>ETR</td> <td>-</td> <td>WD.</td> <td>J2</td> <td>PTD.</td> <td>-</td> <td>3992</td> <td>3\"/> <tr> <td>3997</td> <td>ETR</td> <td>-</td> <td>WD.</td> <td>J2</td> <td>PTD.</td> <td>-</td> <td>3993</td> <td>3\"/> <tr> <td>3998</td> <td>ETR</td> <td>-</td> <td>WD.</td> <td>J2</td> <td>PTD.</td> <td>-</td> <td>3994</td> <td>3\"/> <tr> <td>3999</td> <td>ETR</td> <td>-</td> <td>WD.</td> <td>J2</td> <td>PTD.</td> <td>-</td> <td>3995</td> <td>3\"/> <tr> <td>3999</td> <td>ETR</td> <td>-</td> <td>WD.</td> <td>J2</td> <td>PTD.</td> <td>-</td> <td>3997</td> <td>3\"/> </td></tr></td></tr></td></tr></td></tr></td></tr></td></tr></td></tr></td></tr></td></tr></td></tr></td></tr></td></tr></td></tr></td></tr></td></tr></td></tr></td></tr></td></tr>
 | 389 | ETR | -
 | WD. | J2 | PTD. | - | 387 | 3\"/> <tr> <td>391</td> <td>ETR</td> <td>-</td> <td>WD.</td> <td>J2</td> <td>PTD.</td> <td>-</td> <td>388</td> <td>3\"/> <tr> <td>391A</td> <td>ETR</td> <td>-</td> <td>WD.</td> <td>J2</td> <td>PTD.</td> <td>-</td> <td>389</td> <td>3\"/> <tr> <td>391B</td> <td>ETR</td> <td>-</td> <td>WD.</td> <td>J2</td> <td>PTD.</td> <td>-</td> <td>391</td> <td>3\"/> <tr> <td>394</td> <td>ETR</td> <td>-</td> <td>WD.</td> <td>J2</td> <td>PTD.</td> <td>-</td> <td>391A</td> <td>3\"/> <tr> <td>395</td> <td>ETR</td> <td>-</td> <td>WD.</td> <td>J2</td> <td>PTD.</td> <td>-</td> <td>391B</td> <td>3\"/> <tr> <td>396</td> <td>ETR</td> <td>-</td> <td>WD.</td> <td>J2</td> <td>PTD.</td> <td>-</td> <td>394</td> <td>3\"/> <tr> <td>398</td> <td>ETR</td> <td>-</td> <td>WD.</td> <td>J2</td> <td>PTD.</td> <td>-</td> <td>395</td> <td>3\"/> <tr> <td>399</td> <td>ETR</td> <td>-</td> <td>WD.</td> <td>J2</td> <td>PTD.</td> <td>-</td> <td>396</td> <td>3\"/> <tr> <td>3991</td> <td>ETR</td> <td>-</td> <td>WD.</td> <td>J2</td> <td>PTD.</td> <td>-</td> <td>398</td> <td>3\"/> <tr> <td>3992</td> <td>A</td> <td>3\"/> <tr> <td>3993</td> <td>ETR</td> <td>-</td> <td>WD.</td> <td>J2</td> <td>PTD.</td> <td>-</td> <td>399</td> <td>3\"/> <tr> <td>3994</td> <td>ETR</td> <td>-</td> <td>WD.</td> <td>J2</td> <td>PTD.</td> <td>-</td> <td>3991</td> <td>3\"/> <tr> <td>3995</td> <td>ETR</td> <td>-</td> <td>WD.</td> <td>J2</td> <td>PTD.</td> <td>-</td> <td>3992</td> <td>3\"/> <tr> <td>3997</td> <td>ETR</td> <td>-</td> <td>WD.</td> <td>J2</td> <td>PTD.</td> <td>-</td> <td>3993</td> <td>3\"/> <tr> <td>3998</td> <td>ETR</td> <td>-</td> <td>WD.</td> <td>J2</td> <td>PTD.</td> <td>-</td> <td>3994</td> <td>3\"/> <tr> <td>3999</td> <td>ETR</td> <td>-</td> <td>WD.</td> <td>J2</td> <td>PTD.</td> <td>-</td> <td>3995</td> <td>3\"/> <tr> <td>3999</td> <td>ETR</td> <td>-</td> <td>WD.</td> <td>J2</td> <td>PTD.</td> <td>-</td> <td>3997</td> <td>3\"/> </td></tr></td></tr></td></tr></td></tr></td></tr></td></tr></td></tr></td></tr></td></tr></td></tr></td></tr></td></tr></td></tr></td></tr></td></tr></td></tr></td></tr> | 391 | ETR | -
 | WD. | J2 | PTD. | - | 388 | 3\"/> <tr> <td>391A</td> <td>ETR</td> <td>-</td> <td>WD.</td> <td>J2</td> <td>PTD.</td> <td>-</td> <td>389</td> <td>3\"/> <tr> <td>391B</td> <td>ETR</td> <td>-</td> <td>WD.</td> <td>J2</td> <td>PTD.</td> <td>-</td> <td>391</td> <td>3\"/> <tr> <td>394</td> <td>ETR</td> <td>-</td> <td>WD.</td> <td>J2</td> <td>PTD.</td> <td>-</td> <td>391A</td> <td>3\"/> <tr> <td>395</td> <td>ETR</td> <td>-</td> <td>WD.</td> <td>J2</td> <td>PTD.</td> <td>-</td> <td>391B</td> <td>3\"/> <tr> <td>396</td> <td>ETR</td> <td>-</td> <td>WD.</td> <td>J2</td> <td>PTD.</td> <td>-</td> <td>394</td> <td>3\"/> <tr> <td>398</td> <td>ETR</td> <td>-</td> <td>WD.</td> <td>J2</td> <td>PTD.</td> <td>-</td> <td>395</td> <td>3\"/> <tr> <td>399</td> <td>ETR</td> <td>-</td> <td>WD.</td> <td>J2</td> <td>PTD.</td> <td>-</td> <td>396</td> <td>3\"/> <tr> <td>3991</td> <td>ETR</td> <td>-</td> <td>WD.</td> <td>J2</td> <td>PTD.</td> <td>-</td> <td>398</td> <td>3\"/> <tr> <td>3992</td> <td>A</td> <td>3\"/> <tr> <td>3993</td> <td>ETR</td> <td>-</td> <td>WD.</td> <td>J2</td> <td>PTD.</td> <td>-</td> <td>399</td> <td>3\"/> <tr> <td>3994</td> <td>ETR</td> <td>-</td> <td>WD.</td> <td>J2</td> <td>PTD.</td> <td>-</td> <td>3991</td> <td>3\"/> <tr> <td>3995</td> <td>ETR</td> <td>-</td> <td>WD.</td> <td>J2</td> <td>PTD.</td> <td>-</td> <td>3992</td> <td>3\"/> <tr> <td>3997</td> <td>ETR</td> <td>-</td> <td>WD.</td> <td>J2</td> <td>PTD.</td> <td>-</td> <td>3993</td> <td>3\"/> <tr> <td>3998</td> <td>ETR</td> <td>-</td> <td>WD.</td> <td>J2</td> <td>PTD.</td> <td>-</td> <td>3994</td> <td>3\"/> <tr> <td>3999</td> <td>ETR</td> <td>-</td> <td>WD.</td> <td>J2</td> <td>PTD.</td> <td>-</td> <td>3995</td> <td>3\"/> <tr> <td>3999</td> <td>ETR</td> <td>-</td> <td>WD.</td> <td>J2</td> <td>PTD.</td> <td>-</td> <td>3997</td> <td>3\"/> </td></tr></td></tr></td></tr></td></tr></td></tr></td></tr></td></tr></td></tr></td></tr></td></tr></td></tr></td></tr></td></tr></td></tr></td></tr></td></tr>
 | 391A | ETR | - | WD. | J2 | PTD. | - | 389 | 3\"/> <tr> <td>391B</td> <td>ETR</td> <td>-</td> <td>WD.</td> <td>J2</td> <td>PTD.</td> <td>-</td> <td>391</td> <td>3\"/> <tr> <td>394</td> <td>ETR</td> <td>-</td> <td>WD.</td> <td>J2</td> <td>PTD.</td> <td>-</td> <td>391A</td> <td>3\"/> <tr> <td>395</td> <td>ETR</td> <td>-</td> <td>WD.</td> <td>J2</td> <td>PTD.</td> <td>-</td> <td>391B</td> <td>3\"/> <tr> <td>396</td> <td>ETR</td> <td>-</td> <td>WD.</td> <td>J2</td> <td>PTD.</td> <td>-</td> <td>394</td> <td>3\"/> <tr> <td>398</td> <td>ETR</td> <td>-</td> <td>WD.</td> <td>J2</td> <td>PTD.</td> <td>-</td> <td>395</td> <td>3\"/> <tr> <td>399</td> <td>ETR</td> <td>-</td> <td>WD.</td> <td>J2</td> <td>PTD.</td> <td>-</td> <td>396</td> <td>3\"/> <tr> <td>3991</td> <td>ETR</td> <td>-</td> <td>WD.</td> <td>J2</td> <td>PTD.</td> <td>-</td> <td>398</td> <td>3\"/> <tr> <td>3992</td> <td>A</td> <td>3\"/> <tr> <td>3993</td> <td>ETR</td> <td>-</td> <td>WD.</td> <td>J2</td> <td>PTD.</td> <td>-</td> <td>399</td> <td>3\"/> <tr> <td>3994</td> <td>ETR</td> <td>-</td> <td>WD.</td> <td>J2</td> <td>PTD.</td> <td>-</td> <td>3991</td> <td>3\"/> <tr> <td>3995</td> <td>ETR</td> <td>-</td> <td>WD.</td> <td>J2</td> <td>PTD.</td> <td>-</td> <td>3992</td> <td>3\"/> <tr> <td>3997</td> <td>ETR</td> <td>-</td> <td>WD.</td> <td>J2</td> <td>PTD.</td> <td>-</td> <td>3993</td> <td>3\"/> <tr> <td>3998</td> <td>ETR</td> <td>-</td> <td>WD.</td> <td>J2</td> <td>PTD.</td> <td>-</td> <td>3994</td> <td>3\"/> <tr> <td>3999</td> <td>ETR</td> <td>-</td> <td>WD.</td> <td>J2</td> <td>PTD.</td> <td>-</td> <td>3995</td> <td>3\"/> <tr> <td>3999</td> <td>ETR</td> <td>-</td> <td>WD.</td> <td>J2</td> <td>PTD.</td> <td>-</td> <td>3997</td> <td>3\"/> </td></tr></td></tr></td></tr></td></tr></td></tr></td></tr></td></tr></td></tr></td></tr></td></tr></td></tr></td></tr></td></tr></td></tr></td></tr>
 | 391B | ETR | - | WD. | J2 | PTD. | - | 391 |
3\"/> <tr> <td>394</td> <td>ETR</td> <td>-</td> <td>WD.</td> <td>J2</td> <td>PTD.</td> <td>-</td> <td>391A</td> <td>3\"/> <tr> <td>395</td> <td>ETR</td> <td>-</td> <td>WD.</td> <td>J2</td> <td>PTD.</td> <td>-</td> <td>391B</td> <td>3\"/> <tr> <td>396</td> <td>ETR</td> <td>-</td> <td>WD.</td> <td>J2</td> <td>PTD.</td> <td>-</td> <td>394</td> <td>3\"/> <tr> <td>398</td> <td>ETR</td> <td>-</td> <td>WD.</td> <td>J2</td> <td>PTD.</td> <td>-</td> <td>395</td> <td>3\"/> <tr> <td>399</td> <td>ETR</td> <td>-</td> <td>WD.</td> <td>J2</td> <td>PTD.</td> <td>-</td> <td>396</td> <td>3\"/> <tr> <td>3991</td> <td>ETR</td> <td>-</td> <td>WD.</td> <td>J2</td> <td>PTD.</td> <td>-</td> <td>398</td> <td>3\"/> <tr> <td>3992</td> <td>A</td> <td>3\"/> <tr> <td>3993</td> <td>ETR</td> <td>-</td> <td>WD.</td> <td>J2</td> <td>PTD.</td> <td>-</td> <td>399</td> <td>3\"/> <tr> <td>3994</td> <td>ETR</td> <td>-</td> <td>WD.</td> <td>J2</td> <td>PTD.</td> <td>-</td> <td>3991</td> <td>3\"/> <tr> <td>3995</td> <td>ETR</td> <td>-</td> <td>WD.</td> <td>J2</td> <td>PTD.</td> <td>-</td> <td>3992</td> <td>3\"/> <tr> <td>3997</td> <td>ETR</td> <td>-</td> <td>WD.</td> <td>J2</td> <td>PTD.</td> <td>-</td> <td>3993</td> <td>3\"/> <tr> <td>3998</td> <td>ETR</td> <td>-</td> <td>WD.</td> <td>J2</td> <td>PTD.</td> <td>-</td> <td>3994</td> <td>3\"/> <tr> <td>3999</td> <td>ETR</td> <td>-</td> <td>WD.</td> <td>J2</td> <td>PTD.</td> <td>-</td> <td>3995</td> <td>3\"/> <tr> <td>3999</td> <td>ETR</td> <td>-</td> <td>WD.</td> <td>J2</td> <td>PTD.</td> <td>-</td> <td>3997</td> <td>3\"/> </td></tr></td></tr></td></tr></td></tr></td></tr></td></tr></td></tr></td></tr></td></tr></td></tr></td></tr></td></tr></td></tr></td></tr> | 394 | ETR | -
 | WD. | J2 | PTD. | - | 391A | 3\"/> <tr> <td>395</td> <td>ETR</td> <td>-</td> <td>WD.</td> <td>J2</td> <td>PTD.</td> <td>-</td> <td>391B</td> <td>3\"/> <tr> <td>396</td> <td>ETR</td> <td>-</td> <td>WD.</td> <td>J2</td> <td>PTD.</td> <td>-</td> <td>394</td> <td>3\"/> <tr> <td>398</td> <td>ETR</td> <td>-</td> <td>WD.</td> <td>J2</td> <td>PTD.</td> <td>-</td> <td>395</td> <td>3\"/> <tr> <td>399</td> <td>ETR</td> <td>-</td> <td>WD.</td> <td>J2</td> <td>PTD.</td> <td>-</td> <td>396</td> <td>3\"/> <tr> <td>3991</td> <td>ETR</td> <td>-</td> <td>WD.</td> <td>J2</td> <td>PTD.</td> <td>-</td> <td>398</td> <td>3\"/> <tr> <td>3992</td> <td>A</td> <td>3\"/> <tr> <td>3993</td> <td>ETR</td> <td>-</td> <td>WD.</td> <td>J2</td> <td>PTD.</td> <td>-</td> <td>399</td> <td>3\"/> <tr> <td>3994</td> <td>ETR</td> <td>-</td> <td>WD.</td> <td>J2</td> <td>PTD.</td> <td>-</td> <td>3991</td> <td>3\"/> <tr> <td>3995</td> <td>ETR</td> <td>-</td> <td>WD.</td> <td>J2</td> <td>PTD.</td> <td>-</td> <td>3992</td> <td>3\"/> <tr> <td>3997</td> <td>ETR</td> <td>-</td> <td>WD.</td> <td>J2</td> <td>PTD.</td> <td>-</td> <td>3993</td> <td>3\"/> <tr> <td>3998</td> <td>ETR</td> <td>-</td> <td>WD.</td> <td>J2</td> <td>PTD.</td> <td>-</td> <td>3994</td> <td>3\"/> <tr> <td>3999</td> <td>ETR</td> <td>-</td> <td>WD.</td> <td>J2</td> <td>PTD.</td> <td>-</td> <td>3995</td> <td>3\"/> <tr> <td>3999</td> <td>ETR</td> <td>-</td> <td>WD.</td> <td>J2</td> <td>PTD.</td> <td>-</td> <td>3997</td> <td>3\"/> </td></tr></td></tr></td></tr></td></tr></td></tr></td></tr></td></tr></td></tr></td></tr></td></tr></td></tr></td></tr></td></tr> | 395 | ETR | -
 | WD. | J2 | PTD. | - | 391B | 3\"/> <tr> <td>396</td> <td>ETR</td> <td>-</td> <td>WD.</td> <td>J2</td> <td>PTD.</td> <td>-</td> <td>394</td> <td>3\"/> <tr> <td>398</td> <td>ETR</td> <td>-</td> <td>WD.</td> <td>J2</td> <td>PTD.</td> <td>-</td> <td>395</td> <td>3\"/> <tr> <td>399</td> <td>ETR</td> <td>-</td> <td>WD.</td> <td>J2</td> <td>PTD.</td> <td>-</td> <td>396</td> <td>3\"/> <tr> <td>3991</td> <td>ETR</td> <td>-</td> <td>WD.</td> <td>J2</td> <td>PTD.</td> <td>-</td> <td>398</td> <td>3\"/> <tr> <td>3992</td> <td>A</td> <td>3\"/> <tr> <td>3993</td> <td>ETR</td> <td>-</td> <td>WD.</td> <td>J2</td> <td>PTD.</td> <td>-</td> <td>399</td> <td>3\"/> <tr> <td>3994</td> <td>ETR</td> <td>-</td> <td>WD.</td> <td>J2</td> <td>PTD.</td> <td>-</td> <td>3991</td> <td>3\"/> <tr> <td>3995</td> <td>ETR</td> <td>-</td> <td>WD.</td> <td>J2</td> <td>PTD.</td> <td>-</td> <td>3992</td> <td>3\"/> <tr> <td>3997</td> <td>ETR</td> <td>-</td> <td>WD.</td> <td>J2</td> <td>PTD.</td> <td>-</td> <td>3993</td> <td>3\"/> <tr> <td>3998</td> <td>ETR</td> <td>-</td> <td>WD.</td> <td>J2</td> <td>PTD.</td> <td>-</td> <td>3994</td> <td>3\"/> <tr> <td>3999</td> <td>ETR</td> <td>-</td> <td>WD.</td> <td>J2</td> <td>PTD.</td> <td>-</td> <td>3995</td> <td>3\"/> <tr> <td>3999</td> <td>ETR</td> <td>-</td> <td>WD.</td> <td>J2</td> <td>PTD.</td> <td>-</td> <td>3997</td> <td>3\"/> </td></tr></td></tr></td></tr></td></tr></td></tr></td></tr></td></tr></td></tr></td></tr></td></tr></td></tr></td></tr>
 | 396 | ETR | - | WD. | J2 | PTD. | - | 394 | 3\"/> <tr> <td>398</td> <td>ETR</td> <td>-</td> <td>WD.</td> <td>J2</td> <td>PTD.</td> <td>-</td> <td>395</td> <td>3\"/> <tr> <td>399</td> <td>ETR</td> <td>-</td> <td>WD.</td> <td>J2</td> <td>PTD.</td> <td>-</td> <td>396</td> <td>3\"/> <tr> <td>3991</td> <td>ETR</td> <td>-</td> <td>WD.</td> <td>J2</td> <td>PTD.</td> <td>-</td> <td>398</td> <td>3\"/> <tr> <td>3992</td> <td>A</td> <td>3\"/> <tr> <td>3993</td> <td>ETR</td> <td>-</td> <td>WD.</td> <td>J2</td> <td>PTD.</td> <td>-</td> <td>399</td> <td>3\"/> <tr> <td>3994</td> <td>ETR</td> <td>-</td> <td>WD.</td> <td>J2</td> <td>PTD.</td> <td>-</td> <td>3991</td> <td>3\"/> <tr> <td>3995</td> <td>ETR</td> <td>-</td> <td>WD.</td> <td>J2</td> <td>PTD.</td> <td>-</td> <td>3992</td> <td>3\"/> <tr> <td>3997</td> <td>ETR</td> <td>-</td> <td>WD.</td> <td>J2</td> <td>PTD.</td> <td>-</td> <td>3993</td> <td>3\"/> <tr> <td>3998</td> <td>ETR</td> <td>-</td> <td>WD.</td> <td>J2</td> <td>PTD.</td> <td>-</td> <td>3994</td> <td>3\"/> <tr> <td>3999</td> <td>ETR</td> <td>-</td> <td>WD.</td> <td>J2</td> <td>PTD.</td> <td>-</td> <td>3995</td> <td>3\"/> <tr> <td>3999</td> <td>ETR</td> <td>-</td> <td>WD.</td> <td>J2</td> <td>PTD.</td> <td>-</td> <td>3997</td> <td>3\"/> </td></tr></td></tr></td></tr></td></tr></td></tr></td></tr></td></tr></td></tr></td></tr></td></tr></td></tr>
 | 398 | ETR | - | WD. | J2 | PTD. | - | 395 | 3\"/> <tr> <td>399</td> <td>ETR</td> <td>-</td> <td>WD.</td> <td>J2</td> <td>PTD.</td> <td>-</td> <td>396</td> <td>3\"/> <tr> <td>3991</td> <td>ETR</td> <td>-</td> <td>WD.</td> <td>J2</td> <td>PTD.</td> <td>-</td> <td>398</td> <td>3\"/> <tr> <td>3992</td> <td>A</td> <td>3\"/> <tr> <td>3993</td> <td>ETR</td> <td>-</td> <td>WD.</td> <td>J2</td> <td>PTD.</td> <td>-</td> <td>399</td> <td>3\"/> <tr> <td>3994</td> <td>ETR</td> <td>-</td> <td>WD.</td> <td>J2</td> <td>PTD.</td> <td>-</td> <td>3991</td> <td>3\"/> <tr> <td>3995</td> <td>ETR</td> <td>-</td> <td>WD.</td> <td>J2</td> <td>PTD.</td> <td>-</td> <td>3992</td> <td>3\"/> <tr> <td>3997</td> <td>ETR</td> <td>-</td> <td>WD.</td> <td>J2</td> <td>PTD.</td> <td>-</td> <td>3993</td> <td>3\"/> <tr> <td>3998</td> <td>ETR</td> <td>-</td> <td>WD.</td> <td>J2</td> <td>PTD.</td> <td>-</td> <td>3994</td> <td>3\"/> <tr> <td>3999</td> <td>ETR</td> <td>-</td> <td>WD.</td> <td>J2</td> <td>PTD.</td> <td>-</td> <td>3995</td> <td>3\"/> <tr> <td>3999</td> <td>ETR</td> <td>-</td> <td>WD.</td> <td>J2</td> <td>PTD.</td> <td>-</td> <td>3997</td> <td>3\"/>
 </td></tr></td></tr></td></tr></td></tr></td></tr></td></tr></td></tr></td></tr></td></tr></td></tr> | 399 | ETR | -
 | WD. | J2 | PTD. | - | 396 | 3\"/> <tr> <td>3991</td> <td>ETR</td> <td>-</td> <td>WD.</td> <td>J2</td> <td>PTD.</td> <td>-</td> <td>398</td> <td>3\"/> <tr> <td>3992</td> <td>A</td> <td>3\"/> <tr> <td>3993</td> <td>ETR</td> <td>-</td> <td>WD.</td> <td>J2</td> <td>PTD.</td> <td>-</td> <td>399</td> <td>3\"/> <tr> <td>3994</td> <td>ETR</td> <td>-</td> <td>WD.</td> <td>J2</td> <td>PTD.</td> <td>-</td> <td>3991</td> <td>3\"/> <tr> <td>3995</td> <td>ETR</td> <td>-</td> <td>WD.</td> <td>J2</td> <td>PTD.</td> <td>-</td> <td>3992</td> <td>3\"/> <tr> <td>3997</td> <td>ETR</td> <td>-</td> <td>WD.</td> <td>J2</td> <td>PTD.</td> <td>-</td> <td>3993</td> <td>3\"/> <tr> <td>3998</td> <td>ETR</td> <td>-</td> <td>WD.</td> <td>J2</td> <td>PTD.</td> <td>-</td> <td>3994</td> <td>3\"/> <tr> <td>3999</td> <td>ETR</td> <td>-</td> <td>WD.</td> <td>J2</td> <td>PTD.</td> <td>-</td> <td>3995</td> <td>3\"/> <tr> <td>3999</td> <td>ETR</td> <td>-</td> <td>WD.</td> <td>J2</td> <td>PTD.</td> <td>-</td> <td>3997</td> <td>3\"/> </td></tr></td></tr></td></tr></td></tr></td></tr></td></tr></td></tr></td></tr></td></tr> | 3991 | ETR | -
 | WD. | J2 | PTD. | - | 398 | 3\"/> <tr> <td>3992</td> <td>A</td> <td>3\"/> <tr> <td>3993</td> <td>ETR</td> <td>-</td> <td>WD.</td> <td>J2</td> <td>PTD.</td> <td>-</td> <td>399</td> <td>3\"/> <tr> <td>3994</td> <td>ETR</td> <td>-</td> <td>WD.</td> <td>J2</td> <td>PTD.</td> <td>-</td> <td>3991</td> <td>3\"/> <tr> <td>3995</td> <td>ETR</td> <td>-</td> <td>WD.</td> <td>J2</td> <td>PTD.</td> <td>-</td> <td>3992</td> <td>3\"/> <tr> <td>3997</td> <td>ETR</td> <td>-</td> <td>WD.</td> <td>J2</td> <td>PTD.</td> <td>-</td> <td>3993</td> <td>3\"/> <tr> <td>3998</td> <td>ETR</td> <td>-</td> <td>WD.</td> <td>J2</td> <td>PTD.</td> <td>-</td> <td>3994</td> <td>3\"/> <tr> <td>3999</td> <td>ETR</td> <td>-</td> <td>WD.</td> <td>J2</td> <td>PTD.</td> <td>-</td> <td>3995</td> <td>3\"/> <tr> <td>3999</td> <td>ETR</td> <td>-</td> <td>WD.</td> <td>J2</td> <td>PTD.</td> <td>-</td> <td>3997</td> <td>3\"/> </td></tr></td></tr></td></tr></td></tr></td></tr></td></tr></td></tr></td></tr> | 3992 | A | 3\"/> <tr> <td>3993</td> <td>ETR</td> <td>-</td> <td>WD.</td> <td>J2</td> <td>PTD.</td> <td>-</td> <td>399</td> <td>3\"/> <tr> <td>3994</td> <td>ETR</td> <td>-</td> <td>WD.</td> <td>J2</td> <td>PTD.</td> <td>-</td> <td>3991</td> <td>3\"/> <tr> <td>3995</td> <td>ETR</td> <td>-</td> <td>WD.</td> <td>J2</td> <td>PTD.</td> <td>-</td> <td>3992</td> <td>3\"/> <tr> <td>3997</td> <td>ETR</td> <td>-</td> <td>WD.</td> <td>J2</td> <td>PTD.</td> <td>-</td> <td>3993</td> <td>3\"/> <tr> <td>3998</td> <td>ETR</td> <td>-</td> <td>WD.</td> <td>J2</td> <td>PTD.</td> <td>-</td> <td>3994</td> <td>3\"/> <tr> <td>3999</td> <td>ETR</td> <td>-</td> <td>WD.</td> <td>J2</td> <td>PTD.</td> <td>-</td> <td>3995</td> <td>3\"/> <tr> <td>3999</td> <td>ETR</td> <td>-</td> <td>WD.</td> <td>J2</td> <td>PTD.</td> <td>-</td> <td>3997</td> <td>3\"/> </td></tr></td></tr></td></tr></td></tr></td></tr></td></tr></td></tr>
 | 3993 | ETR | - | WD. | J2 | PTD. | - | 399 | 3\"/> <tr> <td>3994</td> <td>ETR</td> <td>-</td> <td>WD.</td> <td>J2</td> <td>PTD.</td> <td>-</td> <td>3991</td> <td>3\"/> <tr> <td>3995</td> <td>ETR</td> <td>-</td> <td>WD.</td> <td>J2</td> <td>PTD.</td> <td>-</td> <td>3992</td> <td>3\"/> <tr> <td>3997</td> <td>ETR</td> <td>-</td> <td>WD.</td> <td>J2</td> <td>PTD.</td> <td>-</td> <td>3993</td> <td>3\"/> <tr> <td>3998</td> <td>ETR</td> <td>-</td> <td>WD.</td> <td>J2</td> <td>PTD.</td> <td>-</td> <td>3994</td> <td>3\"/> <tr> <td>3999</td> <td>ETR</td> <td>-</td> <td>WD.</td> <td>J2</td> <td>PTD.</td> <td>-</td> <td>3995</td> <td>3\"/> <tr> <td>3999</td> <td>ETR</td> <td>-</td> <td>WD.</td> <td>J2</td> <td>PTD.</td> <td>-</td> <td>3997</td> <td>3\"/> </td></tr></td></tr></td></tr></td></tr></td></tr></td></tr>
 | 3994 | ETR | - | WD. | J2 | PTD. | - | 3991 | 3\"/> <tr> <td>3995</td> <td>ETR</td> <td>-</td> <td>WD.</td> <td>J2</td> <td>PTD.</td> <td>-</td> <td>3992</td> <td>3\"/> <tr> <td>3997</td> <td>ETR</td> <td>-</td> <td>WD.</td> <td>J2</td> <td>PTD.</td> <td>-</td> <td>3993</td> <td>3\"/> <tr> <td>3998</td> <td>ETR</td> <td>-</td> <td>WD.</td> <td>J2</td> <td>PTD.</td> <td>-</td> <td>3994</td> <td>3\"/> <tr> <td>3999</td> <td>ETR</td> <td>-</td> <td>WD.</td> <td>J2</td> <td>PTD.</td> <td>-</td> <td>3995</td> <td>3\"/> <tr> <td>3999</td> <td>ETR</td> <td>-</td> <td>WD.</td> <td>J2</td> <td>PTD.</td> <td>-</td> <td>3997</td> <td>3\"/> </td></tr></td></tr></td></tr></td></tr></td></tr>
 | 3995 | ETR | - | WD. | J2 | PTD.
 | - | 3992 | 3\"/> <tr> <td>3997</td> <td>ETR</td> <td>-</td> <td>WD.</td> <td>J2</td> <td>PTD.</td> <td>-</td> <td>3993</td> <td>3\"/> <tr> <td>3998</td> <td>ETR</td> <td>-</td> <td>WD.</td> <td>J2</td> <td>PTD.</td> <td>-</td> <td>3994</td> <td>3\"/> <tr> <td>3999</td> <td>ETR</td> <td>-</td> <td>WD.</td> <td>J2</td> <td>PTD.</td> <td>-</td> <td>3995</td> <td>3\"/> <tr> <td>3999</td> <td>ETR</td> <td>-</td> <td>WD.</td> <td>J2</td> <td>PTD.</td> <td>-</td> <td>3997</td> <td>3\"/> </td></tr></td></tr></td></tr></td></tr> | 3997 | ETR | - | WD. | J2 | PTD.
 | - | 3993 | 3\"/> <tr> <td>3998</td> <td>ETR</td> <td>-</td> <td>WD.</td> <td>J2</td> <td>PTD.</td> <td>-</td> <td>3994</td> <td>3\"/> <tr> <td>3999</td> <td>ETR</td> <td>-</td> <td>WD.</td> <td>J2</td> <td>PTD.</td> <td>-</td> <td>3995</td> <td>3\"/> <tr> <td>3999</td> <td>ETR</td> <td>-</td> <td>WD.</td> <td>J2</td> <td>PTD.</td> <td>-</td> <td>3997</td> <td>3\"/> </td></tr></td></tr></td></tr> | 3998 | ETR | - | WD. | J2 | PTD.
 | - | 3994 | 3\"/> <tr> <td>3999</td> <td>ETR</td> <td>-</td> <td>WD.</td> <td>J2</td> <td>PTD.</td> <td>-</td> <td>3995</td> <td>3\"/> <tr> <td>3999</td> <td>ETR</td> <td>-</td> <td>WD.</td> <td>J2</td> <td>PTD.</td> <td>-</td> <td>3997</td> <td>3\"/> </td></tr></td></tr> | 3999 | ETR | - | WD. | J2 | PTD.
 | - | 3995 | 3\"/> <tr> <td>3999</td> <td>ETR</td> <td>-</td> <td>WD.</td> <td>J2</td> <td>PTD.</td> <td>-</td> <td>3997</td> <td>3\"/> </td></tr> | 3999 | ETR | - | WD. | J2 | PTD.
 | - | 3997 | 3\"/> | | | | | | | | | | | | | | | | | | | | | | | | | | | | | | | | | | | | | | | | | | | | | | | | | | | |
 | | | | | |
 | | | | | | | | |
 | | | | | | | | | | | | | | |
 | | | | | |
 | | | | | | | | |
 | | | | | |
 | | | | | | | | |
 | | | | | | | | |
 | | | | | | | | |
 | | | | | | | | |
 | | | | | | | | |
 | | | | | | | | |
 | | | | | | | | | | | |
 | | | | | | | | | | | | | | |
 | | | | | | | | | | | | | | | | | |
 | | | | | | | | | | | | | | | | | |
 | | | | | | | | | | | | | | | | | | | | | | | |
 | | | | | | | | | | | | | | | | | | | | | | | | | | | | | |
 | | | | | | | | | | | | | | | | | | | | | | | | | | | | | | | | | | | | | | |
 | | | | | | | | | | | | | | | | | | | | | | | | | | | | | | | | | | | | | | | | | | | | | | | | | | | | | | |
| 389 | ETR | - | WD. | J2 | PTD. | - | 387 | 3\"/> <tr> <td>391</td> <td>ETR</td> <td>-</td> <td>WD.</td> <td>J2</td> <td>PTD.</td> <td>-</td> <td>388</td> <td>3\"/> <tr> <td>391A</td> <td>ETR</td> <td>-</td> <td>WD.</td> <td>J2</td> <td>PTD.</td> <td>-</td> <td>389</td> <td>3\"/> <tr> <td>391B</td> <td>ETR</td> <td>-</td> <td>WD.</td> <td>J2</td> <td>PTD.</td> <td>-</td> <td>391</td> <td>3\"/> <tr> <td>394</td> <td>ETR</td> <td>-</td> <td>WD.</td> <td>J2</td> <td>PTD.</td> <td>-</td> <td>391A</td> <td>3\"/> <tr> <td>395</td> <td>ETR</td> <td>-</td> <td>WD.</td> <td>J2</td> <td>PTD.</td> <td>-</td> <td>391B</td> <td>3\"/> <tr> <td>396</td> <td>ETR</td> <td>-</td> <td>WD.</td> <td>J2</td> <td>PTD.</td> <td>-</td> <td>394</td> <td>3\"/> <tr> <td>398</td> <td>ETR</td> <td>-</td> <td>WD.</td> <td>J2</td> <td>PTD.</td> <td>-</td> <td>395</td> <td>3\"/> <tr> <td>399</td> <td>ETR</td> <td>-</td> <td>WD.</td> <td>J2</td> <td>PTD.</td> <td>-</td> <td>396</td> <td>3\"/> <tr> <td>3991</td> <td>ETR</td> <td>-</td> <td>WD.</td> <td>J2</td> <td>PTD.</td> <td>-</td> <td>398</td> <td>3\"/> <tr> <td>3992</td> <td>A</td> <td>3\"/> <tr> <td>3993</td> <td>ETR</td> <td>-</td> <td>WD.</td> <td>J2</td> <td>PTD.</td> <td>-</td> <td>399</td> <td>3\"/> <tr> <td>3994</td> <td>ETR</td> <td>-</td> <td>WD.</td> <td>J2</td> <td>PTD.</td> <td>-</td> <td>3991</td> <td>3\"/> <tr> <td>3995</td> <td>ETR</td> <td>-</td> <td>WD.</td> <td>J2</td> <td>PTD.</td> <td>-</td> <td>3992</td> <td>3\"/> <tr> <td>3997</td> <td>ETR</td> <td>-</td> <td>WD.</td> <td>J2</td> <td>PTD.</td> <td>-</td> <td>3993</td> <td>3\"/> <tr> <td>3998</td> <td>ETR</td> <td>-</td> <td>WD.</td> <td>J2</td> <td>PTD.</td> <td>-</td> <td>3994</td> <td>3\"/> <tr> <td>3999</td> <td>ETR</td> <td>-</td> <td>WD.</td> <td>J2</td> <td>PTD.</td> <td>-</td> <td>3995</td> <td>3\"/> <tr> <td>3999</td> <td>ETR</td> <td>-</td> <td>WD.</td> <td>J2</td> <td>PTD.</td> <td>-</td> <td>3997</td> <td>3\"/> </td></tr></td></tr></td></tr></td></tr></td></tr></td></tr></td></tr></td></tr></td></tr></td></tr></td></tr></td></tr></td></tr></td></tr></td></tr></td></tr></td></tr>
 | 391 | ETR | -
 | WD. | J2 | PTD. | - | 388 | 3\"/> <tr> <td>391A</td> <td>ETR</td> <td>-</td> <td>WD.</td> <td>J2</td> <td>PTD.</td> <td>-</td> <td>389</td> <td>3\"/> <tr> <td>391B</td> <td>ETR</td> <td>-</td> <td>WD.</td> <td>J2</td> <td>PTD.</td> <td>-</td> <td>391</td> <td>3\"/> <tr> <td>394</td> <td>ETR</td> <td>-</td> <td>WD.</td> <td>J2</td> <td>PTD.</td> <td>-</td> <td>391A</td> <td>3\"/> <tr> <td>395</td> <td>ETR</td> <td>-</td> <td>WD.</td> <td>J2</td> <td>PTD.</td> <td>-</td> <td>391B</td> <td>3\"/> <tr> <td>396</td> <td>ETR</td> <td>-</td> <td>WD.</td> <td>J2</td> <td>PTD.</td> <td>-</td> <td>394</td> <td>3\"/> <tr> <td>398</td> <td>ETR</td> <td>-</td> <td>WD.</td> <td>J2</td> <td>PTD.</td> <td>-</td> <td>395</td> <td>3\"/> <tr> <td>399</td> <td>ETR</td> <td>-</td> <td>WD.</td> <td>J2</td> <td>PTD.</td> <td>-</td> <td>396</td> <td>3\"/> <tr> <td>3991</td> <td>ETR</td> <td>-</td> <td>WD.</td> <td>J2</td> <td>PTD.</td> <td>-</td> <td>398</td> <td>3\"/> <tr> <td>3992</td> <td>A</td> <td>3\"/> <tr> <td>3993</td> <td>ETR</td> <td>-</td> <td>WD.</td> <td>J2</td> <td>PTD.</td> <td>-</td> <td>399</td> <td>3\"/> <tr> <td>3994</td> <td>ETR</td> <td>-</td> <td>WD.</td> <td>J2</td> <td>PTD.</td> <td>-</td> <td>3991</td> <td>3\"/> <tr> <td>3995</td> <td>ETR</td> <td>-</td> <td>WD.</td> <td>J2</td> <td>PTD.</td> <td>-</td> <td>3992</td> <td>3\"/> <tr> <td>3997</td> <td>ETR</td> <td>-</td> <td>WD.</td> <td>J2</td> <td>PTD.</td> <td>-</td> <td>3993</td> <td>3\"/> <tr> <td>3998</td> <td>ETR</td> <td>-</td> <td>WD.</td> <td>J2</td> <td>PTD.</td> <td>-</td> <td>3994</td> <td>3\"/> <tr> <td>3999</td> <td>ETR</td> <td>-</td> <td>WD.</td> <td>J2</td> <td>PTD.</td> <td>-</td> <td>3995</td> <td>3\"/> <tr> <td>3999</td> <td>ETR</td> <td>-</td> <td>WD.</td> <td>J2</td> <td>PTD.</td> <td>-</td> <td>3997</td> <td>3\"/> </td></tr></td></tr></td></tr></td></tr></td></tr></td></tr></td></tr></td></tr></td></tr></td></tr></td></tr></td></tr></td></tr></td></tr></td></tr></td></tr> | 391A | ETR | -
 | WD. | J2 | PTD. | - | 389 | 3\"/> <tr> <td>391B</td> <td>ETR</td> <td>-</td> <td>WD.</td> <td>J2</td> <td>PTD.</td> <td>-</td> <td>391</td> <td>3\"/> <tr> <td>394</td> <td>ETR</td> <td>-</td> <td>WD.</td> <td>J2</td> <td>PTD.</td> <td>-</td> <td>391A</td> <td>3\"/> <tr> <td>395</td> <td>ETR</td> <td>-</td> <td>WD.</td> <td>J2</td> <td>PTD.</td> <td>-</td> <td>391B</td> <td>3\"/> <tr> <td>396</td> <td>ETR</td> <td>-</td> <td>WD.</td> <td>J2</td> <td>PTD.</td> <td>-</td> <td>394</td> <td>3\"/> <tr> <td>398</td> <td>ETR</td> <td>-</td> <td>WD.</td> <td>J2</td> <td>PTD.</td> <td>-</td> <td>395</td> <td>3\"/> <tr> <td>399</td> <td>ETR</td> <td>-</td> <td>WD.</td> <td>J2</td> <td>PTD.</td> <td>-</td> <td>396</td> <td>3\"/> <tr> <td>3991</td> <td>ETR</td> <td>-</td> <td>WD.</td> <td>J2</td> <td>PTD.</td> <td>-</td> <td>398</td> <td>3\"/> <tr> <td>3992</td> <td>A</td> <td>3\"/> <tr> <td>3993</td> <td>ETR</td> <td>-</td> <td>WD.</td> <td>J2</td> <td>PTD.</td> <td>-</td> <td>399</td> <td>3\"/> <tr> <td>3994</td> <td>ETR</td> <td>-</td> <td>WD.</td> <td>J2</td> <td>PTD.</td> <td>-</td> <td>3991</td> <td>3\"/> <tr> <td>3995</td> <td>ETR</td> <td>-</td> <td>WD.</td> <td>J2</td> <td>PTD.</td> <td>-</td> <td>3992</td> <td>3\"/> <tr> <td>3997</td> <td>ETR</td> <td>-</td> <td>WD.</td> <td>J2</td> <td>PTD.</td> <td>-</td> <td>3993</td> <td>3\"/> <tr> <td>3998</td> <td>ETR</td> <td>-</td> <td>WD.</td> <td>J2</td> <td>PTD.</td> <td>-</td> <td>3994</td> <td>3\"/> <tr> <td>3999</td> <td>ETR</td> <td>-</td> <td>WD.</td> <td>J2</td> <td>PTD.</td> <td>-</td> <td>3995</td> <td>3\"/> <tr> <td>3999</td> <td>ETR</td> <td>-</td> <td>WD.</td> <td>J2</td> <td>PTD.</td> <td>-</td> <td>3997</td> <td>3\"/> </td></tr></td></tr></td></tr></td></tr></td></tr></td></tr></td></tr></td></tr></td></tr></td></tr></td></tr></td></tr></td></tr></td></tr></td></tr>
 | 391B | ETR | - | WD. | J2 | PTD. | - | 391 | 3\"/> <tr> <td>394</td> <td>ETR</td> <td>-</td> <td>WD.</td> <td>J2</td> <td>PTD.</td> <td>-</td> <td>391A</td> <td>3\"/> <tr> <td>395</td> <td>ETR</td> <td>-</td> <td>WD.</td> <td>J2</td> <td>PTD.</td> <td>-</td> <td>391B</td> <td>3\"/> <tr> <td>396</td> <td>ETR</td> <td>-</td> <td>WD.</td> <td>J2</td> <td>PTD.</td> <td>-</td> <td>394</td> <td>3\"/> <tr> <td>398</td> <td>ETR</td> <td>-</td> <td>WD.</td> <td>J2</td> <td>PTD.</td> <td>-</td> <td>395</td> <td>3\"/> <tr> <td>399</td> <td>ETR</td> <td>-</td> <td>WD.</td> <td>J2</td> <td>PTD.</td> <td>-</td> <td>396</td> <td>3\"/> <tr> <td>3991</td> <td>ETR</td> <td>-</td> <td>WD.</td> <td>J2</td> <td>PTD.</td> <td>-</td> <td>398</td> <td>3\"/> <tr> <td>3992</td> <td>A</td> <td>3\"/> <tr> <td>3993</td> <td>ETR</td> <td>-</td> <td>WD.</td> <td>J2</td> <td>PTD.</td> <td>-</td> <td>399</td> <td>3\"/> <tr> <td>3994</td> <td>ETR</td> <td>-</td> <td>WD.</td> <td>J2</td> <td>PTD.</td> <td>-</td> <td>3991</td> <td>3\"/> <tr> <td>3995</td> <td>ETR</td> <td>-</td> <td>WD.</td> <td>J2</td> <td>PTD.</td> <td>-</td> <td>3992</td> <td>3\"/> <tr> <td>3997</td> <td>ETR</td> <td>-</td> <td>WD.</td> <td>J2</td> <td>PTD.</td> <td>-</td> <td>3993</td> <td>3\"/> <tr> <td>3998</td> <td>ETR</td> <td>-</td> <td>WD.</td> <td>J2</td> <td>PTD.</td> <td>-</td> <td>3994</td> <td>3\"/> <tr> <td>3999</td> <td>ETR</td> <td>-</td> <td>WD.</td> <td>J2</td> <td>PTD.</td> <td>-</td> <td>3995</td> <td>3\"/> <tr> <td>3999</td> <td>ETR</td> <td>-</td> <td>WD.</td> <td>J2</td> <td>PTD.</td> <td>-</td> <td>3997</td> <td>3\"/> </td></tr></td></tr></td></tr></td></tr></td></tr></td></tr></td></tr></td></tr></td></tr></td></tr></td></tr></td></tr></td></tr></td></tr>
 | 394 | ETR | - | WD. | J2 | PTD. | - | 391A |
3\"/> <tr> <td>395</td> <td>ETR</td> <td>-</td> <td>WD.</td> <td>J2</td> <td>PTD.</td> <td>-</td> <td>391B</td> <td>3\"/> <tr> <td>396</td> <td>ETR</td> <td>-</td> <td>WD.</td> <td>J2</td> <td>PTD.</td> <td>-</td> <td>394</td> <td>3\"/> <tr> <td>398</td> <td>ETR</td> <td>-</td> <td>WD.</td> <td>J2</td> <td>PTD.</td> <td>-</td> <td>395</td> <td>3\"/> <tr> <td>399</td> <td>ETR</td> <td>-</td> <td>WD.</td> <td>J2</td> <td>PTD.</td> <td>-</td> <td>396</td> <td>3\"/> <tr> <td>3991</td> <td>ETR</td> <td>-</td> <td>WD.</td> <td>J2</td> <td>PTD.</td> <td>-</td> <td>398</td> <td>3\"/> <tr> <td>3992</td> <td>A</td> <td>3\"/> <tr> <td>3993</td> <td>ETR</td> <td>-</td> <td>WD.</td> <td>J2</td> <td>PTD.</td> <td>-</td> <td>399</td> <td>3\"/> <tr> <td>3994</td> <td>ETR</td> <td>-</td> <td>WD.</td> <td>J2</td> <td>PTD.</td> <td>-</td> <td>3991</td> <td>3\"/> <tr> <td>3995</td> <td>ETR</td> <td>-</td> <td>WD.</td> <td>J2</td> <td>PTD.</td> <td>-</td> <td>3992</td> <td>3\"/> <tr> <td>3997</td> <td>ETR</td> <td>-</td> <td>WD.</td> <td>J2</td> <td>PTD.</td> <td>-</td> <td>3993</td> <td>3\"/> <tr> <td>3998</td> <td>ETR</td> <td>-</td> <td>WD.</td> <td>J2</td> <td>PTD.</td> <td>-</td> <td>3994</td> <td>3\"/> <tr> <td>3999</td> <td>ETR</td> <td>-</td> <td>WD.</td> <td>J2</td> <td>PTD.</td> <td>-</td> <td>3995</td> <td>3\"/> <tr> <td>3999</td> <td>ETR</td> <td>-</td> <td>WD.</td> <td>J2</td> <td>PTD.</td> <td>-</td> <td>3997</td> <td>3\"/> </td></tr></td></tr></td></tr></td></tr></td></tr></td></tr></td></tr></td></tr></td></tr></td></tr></td></tr></td></tr></td></tr> | 395 | ETR | -
 | WD. | J2 | PTD. | - | 391B | 3\"/> <tr> <td>396</td> <td>ETR</td> <td>-</td> <td>WD.</td> <td>J2</td> <td>PTD.</td> <td>-</td> <td>394</td> <td>3\"/> <tr> <td>398</td> <td>ETR</td> <td>-</td> <td>WD.</td> <td>J2</td> <td>PTD.</td> <td>-</td> <td>395</td> <td>3\"/> <tr> <td>399</td> <td>ETR</td> <td>-</td> <td>WD.</td> <td>J2</td> <td>PTD.</td> <td>-</td> <td>396</td> <td>3\"/> <tr> <td>3991</td> <td>ETR</td> <td>-</td> <td>WD.</td> <td>J2</td> <td>PTD.</td> <td>-</td> <td>398</td> <td>3\"/> <tr> <td>3992</td> <td>A</td> <td>3\"/> <tr> <td>3993</td> <td>ETR</td> <td>-</td> <td>WD.</td> <td>J2</td> <td>PTD.</td> <td>-</td> <td>399</td> <td>3\"/> <tr> <td>3994</td> <td>ETR</td> <td>-</td> <td>WD.</td> <td>J2</td> <td>PTD.</td> <td>-</td> <td>3991</td> <td>3\"/> <tr> <td>3995</td> <td>ETR</td> <td>-</td> <td>WD.</td> <td>J2</td> <td>PTD.</td> <td>-</td> <td>3992</td> <td>3\"/> <tr> <td>3997</td> <td>ETR</td> <td>-</td> <td>WD.</td> <td>J2</td> <td>PTD.</td> <td>-</td> <td>3993</td> <td>3\"/> <tr> <td>3998</td> <td>ETR</td> <td>-</td> <td>WD.</td> <td>J2</td> <td>PTD.</td> <td>-</td> <td>3994</td> <td>3\"/> <tr> <td>3999</td> <td>ETR</td> <td>-</td> <td>WD.</td> <td>J2</td> <td>PTD.</td> <td>-</td> <td>3995</td> <td>3\"/> <tr> <td>3999</td> <td>ETR</td> <td>-</td> <td>WD.</td> <td>J2</td> <td>PTD.</td> <td>-</td> <td>3997</td> <td>3\"/> </td></tr></td></tr></td></tr></td></tr></td></tr></td></tr></td></tr></td></tr></td></tr></td></tr></td></tr></td></tr> | 396 | ETR | -
 | WD. | J2 | PTD. | - | 394 | 3\"/> <tr> <td>398</td> <td>ETR</td> <td>-</td> <td>WD.</td> <td>J2</td> <td>PTD.</td> <td>-</td> <td>395</td> <td>3\"/> <tr> <td>399</td> <td>ETR</td> <td>-</td> <td>WD.</td> <td>J2</td> <td>PTD.</td> <td>-</td> <td>396</td> <td>3\"/> <tr> <td>3991</td> <td>ETR</td> <td>-</td> <td>WD.</td> <td>J2</td> <td>PTD.</td> <td>-</td> <td>398</td> <td>3\"/> <tr> <td>3992</td> <td>A</td> <td>3\"/> <tr> <td>3993</td> <td>ETR</td> <td>-</td> <td>WD.</td> <td>J2</td> <td>PTD.</td> <td>-</td> <td>399</td> <td>3\"/> <tr> <td>3994</td> <td>ETR</td> <td>-</td> <td>WD.</td> <td>J2</td> <td>PTD.</td> <td>-</td> <td>3991</td> <td>3\"/> <tr> <td>3995</td> <td>ETR</td> <td>-</td> <td>WD.</td> <td>J2</td> <td>PTD.</td> <td>-</td> <td>3992</td> <td>3\"/> <tr> <td>3997</td> <td>ETR</td> <td>-</td> <td>WD.</td> <td>J2</td> <td>PTD.</td> <td>-</td> <td>3993</td> <td>3\"/> <tr> <td>3998</td> <td>ETR</td> <td>-</td> <td>WD.</td> <td>J2</td> <td>PTD.</td> <td>-</td> <td>3994</td> <td>3\"/> <tr> <td>3999</td> <td>ETR</td> <td>-</td> <td>WD.</td> <td>J2</td> <td>PTD.</td> <td>-</td> <td>3995</td> <td>3\"/> <tr> <td>3999</td> <td>ETR</td> <td>-</td> <td>WD.</td> <td>J2</td> <td>PTD.</td> <td>-</td> <td>3997</td> <td>3\"/> </td></tr></td></tr></td></tr></td></tr></td></tr></td></tr></td></tr></td></tr></td></tr></td></tr></td></tr>
 | 398 | ETR | - | WD. | J2 | PTD. | - | 395 | 3\"/> <tr> <td>399</td> <td>ETR</td> <td>-</td> <td>WD.</td> <td>J2</td> <td>PTD.</td> <td>-</td> <td>396</td> <td>3\"/> <tr> <td>3991</td> <td>ETR</td> <td>-</td> <td>WD.</td> <td>J2</td> <td>PTD.</td> <td>-</td> <td>398</td> <td>3\"/> <tr> <td>3992</td> <td>A</td> <td>3\"/> <tr> <td>3993</td> <td>ETR</td> <td>-</td> <td>WD.</td> <td>J2</td> <td>PTD.</td> <td>-</td> <td>399</td> <td>3\"/> <tr> <td>3994</td> <td>ETR</td> <td>-</td> <td>WD.</td> <td>J2</td> <td>PTD.</td> <td>-</td> <td>3991</td> <td>3\"/> <tr> <td>3995</td> <td>ETR</td> <td>-</td> <td>WD.</td> <td>J2</td> <td>PTD.</td> <td>-</td> <td>3992</td> <td>3\"/> <tr> <td>3997</td> <td>ETR</td> <td>-</td> <td>WD.</td> <td>J2</td> <td>PTD.</td> <td>-</td> <td>3993</td> <td>3\"/> <tr> <td>3998</td> <td>ETR</td> <td>-</td> <td>WD.</td> <td>J2</td> <td>PTD.</td> <td>-</td> <td>3994</td> <td>3\"/> <tr> <td>3999</td> <td>ETR</td> <td>-</td> <td>WD.</td> <td>J2</td> <td>PTD.</td> <td>-</td> <td>3995</td> <td>3\"/> <tr> <td>3999</td> <td>ETR</td> <td>-</td> <td>WD.</td> <td>J2</td> <td>PTD.</td> <td>-</td> <td>3997</td> <td>3\"/> </td></tr></td></tr></td></tr></td></tr></td></tr></td></tr></td></tr></td></tr></td></tr></td></tr>
 | 399 | ETR | - | WD. | J2 | PTD. | - | 396 | 3\"/> <tr> <td>3991</td> <td>ETR</td> <td>-</td> <td>WD.</td> <td>J2</td> <td>PTD.</td> <td>-</td> <td>398</td> <td>3\"/> <tr> <td>3992</td> <td>A</td> <td>3\"/> <tr> <td>3993</td> <td>ETR</td> <td>-</td> <td>WD.</td> <td>J2</td> <td>PTD.</td> <td>-</td> <td>399</td> <td>3\"/> <tr> <td>3994</td> <td>ETR</td> <td>-</td> <td>WD.</td> <td>J2</td> <td>PTD.</td> <td>-</td> <td>3991</td> <td>3\"/> <tr> <td>3995</td> <td>ETR</td> <td>-</td> <td>WD.</td> <td>J2</td> <td>PTD.</td> <td>-</td> <td>3992</td> <td>3\"/> <tr> <td>3997</td> <td>ETR</td> <td>-</td> <td>WD.</td> <td>J2</td> <td>PTD.</td> <td>-</td> <td>3993</td> <td>3\"/> <tr> <td>3998</td> <td>ETR</td> <td>-</td> <td>WD.</td> <td>J2</td> <td>PTD.</td> <td>-</td> <td>3994</td> <td>3\"/> <tr> <td>3999</td> <td>ETR</td> <td>-</td> <td>WD.</td> <td>J2</td> <td>PTD.</td> <td>-</td> <td>3995</td> <td>3\"/> <tr> <td>3999</td> <td>ETR</td> <td>-</td> <td>WD.</td> <td>J2</td> <td>PTD.</td> <td>-</td> <td>3997</td> <td>3\"/> </td></tr></td></tr></td></tr></td></tr></td></tr></td></tr></td></tr></td></tr></td></tr>
 | 3991 | ETR | -
 | WD. | J2 | PTD. | - | 398 | 3\"/> <tr> <td>3992</td> <td>A</td> <td>3\"/> <tr> <td>3993</td> <td>ETR</td> <td>-</td> <td>WD.</td> <td>J2</td> <td>PTD.</td> <td>-</td> <td>399</td> <td>3\"/> <tr> <td>3994</td> <td>ETR</td> <td>-</td> <td>WD.</td> <td>J2</td> <td>PTD.</td> <td>-</td> <td>3991</td> <td>3\"/> <tr> <td>3995</td> <td>ETR</td> <td>-</td> <td>WD.</td> <td>J2</td> <td>PTD.</td> <td>-</td> <td>3992</td> <td>3\"/> <tr> <td>3997</td> <td>ETR</td> <td>-</td> <td>WD.</td> <td>J2</td> <td>PTD.</td> <td>-</td> <td>3993</td> <td>3\"/> <tr> <td>3998</td> <td>ETR</td> <td>-</td> <td>WD.</td> <td>J2</td> <td>PTD.</td> <td>-</td> <td>3994</td> <td>3\"/> <tr> <td>3999</td> <td>ETR</td> <td>-</td> <td>WD.</td> <td>J2</td> <td>PTD.</td> <td>-</td> <td>3995</td> <td>3\"/> <tr> <td>3999</td> <td>ETR</td> <td>-</td> <td>WD.</td> <td>J2</td> <td>PTD.</td> <td>-</td> <td>3997</td> <td>3\"/> </td></tr></td></tr></td></tr></td></tr></td></tr></td></tr></td></tr></td></tr> | 3992 | A | 3\"/> <tr> <td>3993</td> <td>ETR</td> <td>-</td> <td>WD.</td> <td>J2</td> <td>PTD.</td> <td>-</td> <td>399</td> <td>3\"/> <tr> <td>3994</td> <td>ETR</td> <td>-</td> <td>WD.</td> <td>J2</td> <td>PTD.</td> <td>-</td> <td>3991</td> <td>3\"/> <tr> <td>3995</td> <td>ETR</td> <td>-</td> <td>WD.</td> <td>J2</td> <td>PTD.</td> <td>-</td> <td>3992</td> <td>3\"/> <tr> <td>3997</td> <td>ETR</td> <td>-</td> <td>WD.</td> <td>J2</td> <td>PTD.</td> <td>-</td> <td>3993</td> <td>3\"/> <tr> <td>3998</td> <td>ETR</td> <td>-</td> <td>WD.</td> <td>J2</td> <td>PTD.</td> <td>-</td> <td>3994</td> <td>3\"/> <tr> <td>3999</td> <td>ETR</td> <td>-</td> <td>WD.</td> <td>J2</td> <td>PTD.</td> <td>-</td> <td>3995</td> <td>3\"/> <tr> <td>3999</td> <td>ETR</td> <td>-</td> <td>WD.</td> <td>J2</td> <td>PTD.</td> <td>-</td> <td>3997</td> <td>3\"/> </td></tr></td></tr></td></tr></td></tr></td></tr></td></tr></td></tr>
 | 3993 | ETR | - | WD. | J2 | PTD. | - | 399 | 3\"/> <tr> <td>3994</td> <td>ETR</td> <td>-</td> <td>WD.</td> <td>J2</td> <td>PTD.</td> <td>-</td> <td>3991</td> <td>3\"/> <tr> <td>3995</td> <td>ETR</td> <td>-</td> <td>WD.</td> <td>J2</td> <td>PTD.</td> <td>-</td> <td>3992</td> <td>3\"/> <tr> <td>3997</td> <td>ETR</td> <td>-</td> <td>WD.</td> <td>J2</td> <td>PTD.</td> <td>-</td> <td>3993</td> <td>3\"/> <tr> <td>3998</td> <td>ETR</td> <td>-</td> <td>WD.</td> <td>J2</td> <td>PTD.</td> <td>-</td> <td>3994</td> <td>3\"/> <tr> <td>3999</td> <td>ETR</td> <td>-</td> <td>WD.</td> <td>J2</td> <td>PTD.</td> <td>-</td> <td>3995</td> <td>3\"/> <tr> <td>3999</td> <td>ETR</td> <td>-</td> <td>WD.</td> <td>J2</td> <td>PTD.</td> <td>-</td> <td>3997</td> <td>3\"/> </td></tr></td></tr></td></tr></td></tr></td></tr></td></tr>
 | 3994 | ETR | - | WD. | J2 | PTD. | - | 3991 | 3\"/> <tr> <td>3995</td> <td>ETR</td> <td>-</td> <td>WD.</td> <td>J2</td> <td>PTD.</td> <td>-</td> <td>3992</td> <td>3\"/> <tr> <td>3997</td> <td>ETR</td> <td>-</td> <td>WD.</td> <td>J2</td> <td>PTD.</td> <td>-</td> <td>3993</td> <td>3\"/> <tr> <td>3998</td> <td>ETR</td> <td>-</td> <td>WD.</td> <td>J2</td> <td>PTD.</td> <td>-</td> <td>3994</td> <td>3\"/> <tr> <td>3999</td> <td>ETR</td> <td>-</td> <td>WD.</td> <td>J2</td> <td>PTD.</td> <td>-</td> <td>3995</td> <td>3\"/> <tr> <td>3999</td> <td>ETR</td> <td>-</td> <td>WD.</td> <td>J2</td> <td>PTD.</td> <td>-</td> <td>3997</td> <td>3\"/> </td></tr></td></tr></td></tr></td></tr></td></tr>
 | 3995 | ETR | - | WD. | J2 | PTD. | - | 3992 | 3\"/> <tr> <td>3997</td> <td>ETR</td> <td>-</td> <td>WD.</td> <td>J2</td> <td>PTD.</td> <td>-</td> <td>3993</td> <td>3\"/> <tr> <td>3998</td> <td>ETR</td> <td>-</td> <td>WD.</td> <td>J2</td> <td>PTD.</td> <td>-</td> <td>3994</td> <td>3\"/> <tr> <td>3999</td> <td>ETR</td> <td>-</td> <td>WD.</td> <td>J2</td> <td>PTD.</td> <td>-</td> <td>3995</td> <td>3\"/> <tr> <td>3999</td> <td>ETR</td> <td>-</td> <td>WD.</td> <td>J2</td> <td>PTD.</td> <td>-</td> <td>3997</td> <td>3\"/> </td></tr></td></tr></td></tr></td></tr>
 | 3997 | ETR | - | WD. | J2 | PTD.
 | - | 3993 | 3\"/> <tr> <td>3998</td> <td>ETR</td> <td>-</td> <td>WD.</td> <td>J2</td> <td>PTD.</td> <td>-</td> <td>3994</td> <td>3\"/> <tr> <td>3999</td> <td>ETR</td> <td>-</td> <td>WD.</td> <td>J2</td> <td>PTD.</td> <td>-</td> <td>3995</td> <td>3\"/> <tr> <td>3999</td> <td>ETR</td> <td>-</td> <td>WD.</td> <td>J2</td> <td>PTD.</td> <td>-</td> <td>3997</td> <td>3\"/> </td></tr></td></tr></td></tr> | 3998 | ETR | - | WD. | J2 | PTD.
 | - | 3994 | 3\"/> <tr> <td>3999</td> <td>ETR</td> <td>-</td> <td>WD.</td> <td>J2</td> <td>PTD.</td> <td>-</td> <td>3995</td> <td>3\"/> <tr> <td>3999</td> <td>ETR</td> <td>-</td> <td>WD.</td> <td>J2</td> <td>PTD.</td> <td>-</td> <td>3997</td> <td>3\"/> </td></tr></td></tr> | 3999 | ETR | - | WD. | J2 | PTD.
 | - | 3995 | 3\"/> <tr> <td>3999</td> <td>ETR</td> <td>-</td> <td>WD.</td> <td>J2</td> <td>PTD.</td> <td>-</td> <td>3997</td> <td>3\"/> </td></tr> | 3999 | ETR | - | WD. | J2 | PTD.
 | - | 3997 | 3\"/> | | | | | | | | | | | | | | | | | | | | | | | | | | | | | | | | | | | | | | | | | | | | | | | | | | | |
 | | | | | |
 | | | | | |
 | | | | | | | | |
 | | | | | | | | | | | | | | |
 | | | | | |
 | | | | | | | | |
 | | | | | |
 | | | | | | | | |
 | | | | | | | | |
 | | | | | | | | |
 | | | | | | | | |
 | | | | | | | | |
 | | | | | | | | |
 | | | | | | | | | | | |
 | | | | | | | | | | | | | | |
 | | | | | | | | | | | | | | | | | |
 | | | | | | | | | | | | | | | | | |
 | | | | | | | | | | | | | | | | | | | | | | | |
 | | | | | | | | | | | | | | | | | | | | | | | | | | | | | |
 | | | | | | | | | | | | | | | | | | | | | | | | | | | | | | | | | | | | | | |
 | | | | | | | | | | | | | | | | | | | | | | | | | | | | | | | | | | | | | | | | | | | | | | | | | | | | | | |
| 391 | ETR | - | WD. | J2 | PTD. | - | 388 | 3\"/> <tr> <td>391A</td> <td>ETR</td> <td>-</td> <td>WD.</td> <td>J2</td> <td>PTD.</td> <td>-</td> <td>389</td> <td>3\"/> <tr> <td>391B</td> <td>ETR</td> <td>-</td> <td>WD.</td> <td>J2</td> <td>PTD.</td> <td>-</td> <td>391</td> <td>3\"/> <tr> <td>394</td> <td>ETR</td> <td>-</td> <td>WD.</td> <td>J2</td> <td>PTD.</td> <td>-</td> <td>391A</td> <td>3\"/> <tr> <td>395</td> <td>ETR</td> <td>-</td> <td>WD.</td> <td>J2</td> <td>PTD.</td> <td>-</td> <td>391B</td> <td>3\"/> <tr> <td>396</td> <td>ETR</td> <td>-</td> <td>WD.</td> <td>J2</td> <td>PTD.</td> <td>-</td> <td>394</td> <td>3\"/> <tr> <td>398</td> <td>ETR</td> <td>-</td> <td>WD.</td> <td>J2</td> <td>PTD.</td> <td>-</td> <td>395</td> <td>3\"/> <tr> <td>399</td> <td>ETR</td> <td>-</td> <td>WD.</td> <td>J2</td> <td>PTD.</td> <td>-</td> <td>396</td> <td>3\"/> <tr> <td>3991</td> <td>ETR</td> <td>-</td> <td>WD.</td> <td>J2</td> <td>PTD.</td> <td>-</td> <td>398</td> <td>3\"/> <tr> <td>3992</td> <td>A</td> <td>3\"/> <tr> <td>3993</td> <td>ETR</td> <td>-</td> <td>WD.</td> <td>J2</td> <td>PTD.</td> <td>-</td> <td>399</td> <td>3\"/> <tr> <td>3994</td> <td>ETR</td> <td>-</td> <td>WD.</td> <td>J2</td> <td>PTD.</td> <td>-</td> <td>3991</td> <td>3\"/> <tr> <td>3995</td> <td>ETR</td> <td>-</td> <td>WD.</td> <td>J2</td> <td>PTD.</td> <td>-</td> <td>3992</td> <td>3\"/> <tr> <td>3997</td> <td>ETR</td> <td>-</td> <td>WD.</td> <td>J2</td> <td>PTD.</td> <td>-</td> <td>3993</td> <td>3\"/> <tr> <td>3998</td> <td>ETR</td> <td>-</td> <td>WD.</td> <td>J2</td> <td>PTD.</td> <td>-</td> <td>3994</td> <td>3\"/> <tr> <td>3999</td> <td>ETR</td> <td>-</td> <td>WD.</td> <td>J2</td> <td>PTD.</td> <td>-</td> <td>3995</td> <td>3\"/> <tr> <td>3999</td> <td>ETR</td> <td>-</td> <td>WD.</td> <td>J2</td> <td>PTD.</td> <td>-</td> <td>3997</td> <td>3\"/> </td></tr></td></tr></td></tr></td></tr></td></tr></td></tr></td></tr></td></tr></td></tr></td></tr></td></tr></td></tr></td></tr></td></tr></td></tr></td></tr>
 | 391A | ETR | -
 | WD. | J2 | PTD. | - | 389 | 3\"/> <tr> <td>391B</td> <td>ETR</td> <td>-</td> <td>WD.</td> <td>J2</td> <td>PTD.</td> <td>-</td> <td>391</td> <td>3\"/> <tr> <td>394</td> <td>ETR</td> <td>-</td> <td>WD.</td> <td>J2</td> <td>PTD.</td> <td>-</td> <td>391A</td> <td>3\"/> <tr> <td>395</td> <td>ETR</td> <td>-</td> <td>WD.</td> <td>J2</td> <td>PTD.</td> <td>-</td> <td>391B</td> <td>3\"/> <tr> <td>396</td> <td>ETR</td> <td>-</td> <td>WD.</td> <td>J2</td> <td>PTD.</td> <td>-</td> <td>394</td> <td>3\"/> <tr> <td>398</td> <td>ETR</td> <td>-</td> <td>WD.</td> <td>J2</td> <td>PTD.</td> <td>-</td> <td>395</td> <td>3\"/> <tr> <td>399</td> <td>ETR</td> <td>-</td> <td>WD.</td> <td>J2</td> <td>PTD.</td> <td>-</td> <td>396</td> <td>3\"/> <tr> <td>3991</td> <td>ETR</td> <td>-</td> <td>WD.</td> <td>J2</td> <td>PTD.</td> <td>-</td> <td>398</td> <td>3\"/> <tr> <td>3992</td> <td>A</td> <td>3\"/> <tr> <td>3993</td> <td>ETR</td> <td>-</td> <td>WD.</td> <td>J2</td> <td>PTD.</td> <td>-</td> <td>399</td> <td>3\"/> <tr> <td>3994</td> <td>ETR</td> <td>-</td> <td>WD.</td> <td>J2</td> <td>PTD.</td> <td>-</td> <td>3991</td> <td>3\"/> <tr> <td>3995</td> <td>ETR</td> <td>-</td> <td>WD.</td> <td>J2</td> <td>PTD.</td> <td>-</td> <td>3992</td> <td>3\"/> <tr> <td>3997</td> <td>ETR</td> <td>-</td> <td>WD.</td> <td>J2</td> <td>PTD.</td> <td>-</td> <td>3993</td> <td>3\"/> <tr> <td>3998</td> <td>ETR</td> <td>-</td> <td>WD.</td> <td>J2</td> <td>PTD.</td> <td>-</td> <td>3994</td> <td>3\"/> <tr> <td>3999</td> <td>ETR</td> <td>-</td> <td>WD.</td> <td>J2</td> <td>PTD.</td> <td>-</td> <td>3995</td> <td>3\"/> <tr> <td>3999</td> <td>ETR</td> <td>-</td> <td>WD.</td> <td>J2</td> <td>PTD.</td> <td>-</td> <td>3997</td> <td>3\"/> </td></tr></td></tr></td></tr></td></tr></td></tr></td></tr></td></tr></td></tr></td></tr></td></tr></td></tr></td></tr></td></tr></td></tr></td></tr> | 391B | ETR | -
 | WD. | J2 | PTD. | - | 391 | 3\"/> <tr> <td>394</td> <td>ETR</td> <td>-</td> <td>WD.</td> <td>J2</td> <td>PTD.</td> <td>-</td> <td>391A</td> <td>3\"/> <tr> <td>395</td> <td>ETR</td> <td>-</td> <td>WD.</td> <td>J2</td> <td>PTD.</td> <td>-</td> <td>391B</td> <td>3\"/> <tr> <td>396</td> <td>ETR</td> <td>-</td> <td>WD.</td> <td>J2</td> <td>PTD.</td> <td>-</td> <td>394</td> <td>3\"/> <tr> <td>398</td> <td>ETR</td> <td>-</td> <td>WD.</td> <td>J2</td> <td>PTD.</td> <td>-</td> <td>395</td> <td>3\"/> <tr> <td>399</td> <td>ETR</td> <td>-</td> <td>WD.</td> <td>J2</td> <td>PTD.</td> <td>-</td> <td>396</td> <td>3\"/> <tr> <td>3991</td> <td>ETR</td> <td>-</td> <td>WD.</td> <td>J2</td> <td>PTD.</td> <td>-</td> <td>398</td> <td>3\"/> <tr> <td>3992</td> <td>A</td> <td>3\"/> <tr> <td>3993</td> <td>ETR</td> <td>-</td> <td>WD.</td> <td>J2</td> <td>PTD.</td> <td>-</td> <td>399</td> <td>3\"/> <tr> <td>3994</td> <td>ETR</td> <td>-</td> <td>WD.</td> <td>J2</td> <td>PTD.</td> <td>-</td> <td>3991</td> <td>3\"/> <tr> <td>3995</td> <td>ETR</td> <td>-</td> <td>WD.</td> <td>J2</td> <td>PTD.</td> <td>-</td> <td>3992</td> <td>3\"/> <tr> <td>3997</td> <td>ETR</td> <td>-</td> <td>WD.</td> <td>J2</td> <td>PTD.</td> <td>-</td> <td>3993</td> <td>3\"/> <tr> <td>3998</td> <td>ETR</td> <td>-</td> <td>WD.</td> <td>J2</td> <td>PTD.</td> <td>-</td> <td>3994</td> <td>3\"/> <tr> <td>3999</td> <td>ETR</td> <td>-</td> <td>WD.</td> <td>J2</td> <td>PTD.</td> <td>-</td> <td>3995</td> <td>3\"/> <tr> <td>3999</td> <td>ETR</td> <td>-</td> <td>WD.</td> <td>J2</td> <td>PTD.</td> <td>-</td> <td>3997</td> <td>3\"/> </td></tr></td></tr></td></tr></td></tr></td></tr></td></tr></td></tr></td></tr></td></tr></td></tr></td></tr></td></tr></td></tr></td></tr>
 | 394 | ETR | - | WD. | J2 | PTD. | - | 391A | 3\"/> <tr> <td>395</td> <td>ETR</td> <td>-</td> <td>WD.</td> <td>J2</td> <td>PTD.</td> <td>-</td> <td>391B</td> <td>3\"/> <tr> <td>396</td> <td>ETR</td> <td>-</td> <td>WD.</td> <td>J2</td> <td>PTD.</td> <td>-</td> <td>394</td> <td>3\"/> <tr> <td>398</td> <td>ETR</td> <td>-</td> <td>WD.</td> <td>J2</td> <td>PTD.</td> <td>-</td> <td>395</td> <td>3\"/> <tr> <td>399</td> <td>ETR</td> <td>-</td> <td>WD.</td> <td>J2</td> <td>PTD.</td> <td>-</td> <td>396</td> <td>3\"/> <tr> <td>3991</td> <td>ETR</td> <td>-</td> <td>WD.</td> <td>J2</td> <td>PTD.</td> <td>-</td> <td>398</td> <td>3\"/> <tr> <td>3992</td> <td>A</td> <td>3\"/> <tr> <td>3993</td> <td>ETR</td> <td>-</td> <td>WD.</td> <td>J2</td> <td>PTD.</td> <td>-</td> <td>399</td> <td>3\"/> <tr> <td>3994</td> <td>ETR</td> <td>-</td> <td>WD.</td> <td>J2</td> <td>PTD.</td> <td>-</td> <td>3991</td> <td>3\"/> <tr> <td>3995</td> <td>ETR</td> <td>-</td> <td>WD.</td> <td>J2</td> <td>PTD.</td> <td>-</td> <td>3992</td> <td>3\"/> <tr> <td>3997</td> <td>ETR</td> <td>-</td> <td>WD.</td> <td>J2</td> <td>PTD.</td> <td>-</td> <td>3993</td> <td>3\"/> <tr> <td>3998</td> <td>ETR</td> <td>-</td> <td>WD.</td> <td>J2</td> <td>PTD.</td> <td>-</td> <td>3994</td> <td>3\"/> <tr> <td>3999</td> <td>ETR</td> <td>-</td> <td>WD.</td> <td>J2</td> <td>PTD.</td> <td>-</td> <td>3995</td> <td>3\"/> <tr> <td>3999</td> <td>ETR</td> <td>-</td> <td>WD.</td> <td>J2</td> <td>PTD.</td> <td>-</td> <td>3997</td> <td>3\"/> </td></tr></td></tr></td></tr></td></tr></td></tr></td></tr></td></tr></td></tr></td></tr></td></tr></td></tr></td></tr></td></tr>
 | 395 | ETR | - | WD. | J2 | PTD. | - | 391B |
3\"/> <tr> <td>396</td> <td>ETR</td> <td>-</td> <td>WD.</td> <td>J2</td> <td>PTD.</td> <td>-</td> <td>394</td> <td>3\"/> <tr> <td>398</td> <td>ETR</td> <td>-</td> <td>WD.</td> <td>J2</td> <td>PTD.</td> <td>-</td> <td>395</td> <td>3\"/> <tr> <td>399</td> <td>ETR</td> <td>-</td> <td>WD.</td> <td>J2</td> <td>PTD.</td> <td>-</td> <td>396</td> <td>3\"/> <tr> <td>3991</td> <td>ETR</td> <td>-</td> <td>WD.</td> <td>J2</td> <td>PTD.</td> <td>-</td> <td>398</td> <td>3\"/> <tr> <td>3992</td> <td>A</td> <td>3\"/> <tr> <td>3993</td> <td>ETR</td> <td>-</td> <td>WD.</td> <td>J2</td> <td>PTD.</td> <td>-</td> <td>399</td> <td>3\"/> <tr> <td>3994</td> <td>ETR</td> <td>-</td> <td>WD.</td> <td>J2</td> <td>PTD.</td> <td>-</td> <td>3991</td> <td>3\"/> <tr> <td>3995</td> <td>ETR</td> <td>-</td> <td>WD.</td> <td>J2</td> <td>PTD.</td> <td>-</td> <td>3992</td> <td>3\"/> <tr> <td>3997</td> <td>ETR</td> <td>-</td> <td>WD.</td> <td>J2</td> <td>PTD.</td> <td>-</td> <td>3993</td> <td>3\"/> <tr> <td>3998</td> <td>ETR</td> <td>-</td> <td>WD.</td> <td>J2</td> <td>PTD.</td> <td>-</td> <td>3994</td> <td>3\"/> <tr> <td>3999</td> <td>ETR</td> <td>-</td> <td>WD.</td> <td>J2</td> <td>PTD.</td> <td>-</td> <td>3995</td> <td>3\"/> <tr> <td>3999</td> <td>ETR</td> <td>-</td> <td>WD.</td> <td>J2</td> <td>PTD.</td> <td>-</td> <td>3997</td> <td>3\"/> </td></tr></td></tr></td></tr></td></tr></td></tr></td></tr></td></tr></td></tr></td></tr></td></tr></td></tr></td></tr> | 396 | ETR | -
 | WD. | J2 | PTD. | - | 394 | 3\"/> <tr> <td>398</td> <td>ETR</td> <td>-</td> <td>WD.</td> <td>J2</td> <td>PTD.</td> <td>-</td> <td>395</td> <td>3\"/> <tr> <td>399</td> <td>ETR</td> <td>-</td> <td>WD.</td> <td>J2</td> <td>PTD.</td> <td>-</td> <td>396</td> <td>3\"/> <tr> <td>3991</td> <td>ETR</td> <td>-</td> <td>WD.</td> <td>J2</td> <td>PTD.</td> <td>-</td> <td>398</td> <td>3\"/> <tr> <td>3992</td> <td>A</td> <td>3\"/> <tr> <td>3993</td> <td>ETR</td> <td>-</td> <td>WD.</td> <td>J2</td> <td>PTD.</td> <td>-</td> <td>399</td> <td>3\"/> <tr> <td>3994</td> <td>ETR</td> <td>-</td> <td>WD.</td> <td>J2</td> <td>PTD.</td> <td>-</td> <td>3991</td> <td>3\"/> <tr> <td>3995</td> <td>ETR</td> <td>-</td> <td>WD.</td> <td>J2</td> <td>PTD.</td> <td>-</td> <td>3992</td> <td>3\"/> <tr> <td>3997</td> <td>ETR</td> <td>-</td> <td>WD.</td> <td>J2</td> <td>PTD.</td> <td>-</td> <td>3993</td> <td>3\"/> <tr> <td>3998</td> <td>ETR</td> <td>-</td> <td>WD.</td> <td>J2</td> <td>PTD.</td> <td>-</td> <td>3994</td> <td>3\"/> <tr> <td>3999</td> <td>ETR</td> <td>-</td> <td>WD.</td> <td>J2</td> <td>PTD.</td> <td>-</td> <td>3995</td> <td>3\"/> <tr> <td>3999</td> <td>ETR</td> <td>-</td> <td>WD.</td> <td>J2</td> <td>PTD.</td> <td>-</td> <td>3997</td> <td>3\"/> </td></tr></td></tr></td></tr></td></tr></td></tr></td></tr></td></tr></td></tr></td></tr></td></tr></td></tr> | 398 | ETR | -
 | WD. | J2 | PTD. | - | 395 | 3\"/> <tr> <td>399</td> <td>ETR</td> <td>-</td> <td>WD.</td> <td>J2</td> <td>PTD.</td> <td>-</td> <td>396</td> <td>3\"/> <tr> <td>3991</td> <td>ETR</td> <td>-</td> <td>WD.</td> <td>J2</td> <td>PTD.</td> <td>-</td> <td>398</td> <td>3\"/> <tr> <td>3992</td> <td>A</td> <td>3\"/> <tr> <td>3993</td> <td>ETR</td> <td>-</td> <td>WD.</td> <td>J2</td> <td>PTD.</td> <td>-</td> <td>399</td> <td>3\"/> <tr> <td>3994</td> <td>ETR</td> <td>-</td> <td>WD.</td> <td>J2</td> <td>PTD.</td> <td>-</td> <td>3991</td> <td>3\"/> <tr> <td>3995</td> <td>ETR</td> <td>-</td> <td>WD.</td> <td>J2</td> <td>PTD.</td> <td>-</td> <td>3992</td> <td>3\"/> <tr> <td>3997</td> <td>ETR</td> <td>-</td> <td>WD.</td> <td>J2</td> <td>PTD.</td> <td>-</td> <td>3993</td> <td>3\"/> <tr> <td>3998</td> <td>ETR</td> <td>-</td> <td>WD.</td> <td>J2</td> <td>PTD.</td> <td>-</td> <td>3994</td> <td>3\"/> <tr> <td>3999</td> <td>ETR</td> <td>-</td> <td>WD.</td> <td>J2</td> <td>PTD.</td> <td>-</td> <td>3995</td> <td>3\"/> <tr> <td>3999</td> <td>ETR</td> <td>-</td> <td>WD.</td> <td>J2</td> <td>PTD.</td> <td>-</td> <td>3997</td> <td>3\"/> </td></tr></td></tr></td></tr></td></tr></td></tr></td></tr></td></tr></td></tr></td></tr></td></tr>
 | 399 | ETR | - | WD. | J2 | PTD. | - | 396 | 3\"/> <tr> <td>3991</td> <td>ETR</td> <td>-</td> <td>WD.</td> <td>J2</td> <td>PTD.</td> <td>-</td> <td>398</td> <td>3\"/> <tr> <td>3992</td> <td>A</td> <td>3\"/> <tr> <td>3993</td> <td>ETR</td> <td>-</td> <td>WD.</td> <td>J2</td> <td>PTD.</td> <td>-</td> <td>399</td> <td>3\"/> <tr> <td>3994</td> <td>ETR</td> <td>-</td> <td>WD.</td> <td>J2</td> <td>PTD.</td> <td>-</td> <td>3991</td> <td>3\"/> <tr> <td>3995</td> <td>ETR</td> <td>-</td> <td>WD.</td> <td>J2</td> <td>PTD.</td> <td>-</td> <td>3992</td> <td>3\"/> <tr> <td>3997</td> <td>ETR</td> <td>-</td> <td>WD.</td> <td>J2</td> <td>PTD.</td> <td>-</td> <td>3993</td> <td>3\"/> <tr> <td>3998</td> <td>ETR</td> <td>-</td> <td>WD.</td> <td>J2</td> <td>PTD.</td> <td>-</td> <td>3994</td> <td>3\"/> <tr> <td>3999</td> <td>ETR</td> <td>-</td> <td>WD.</td> <td>J2</td> <td>PTD.</td> <td>-</td> <td>3995</td> <td>3\"/> <tr> <td>3999</td> <td>ETR</td> <td>-</td> <td>WD.</td> <td>J2</td> <td>PTD.</td> <td>-</td> <td>3997</td> <td>3\"/> </td></tr></td></tr></td></tr></td></tr></td></tr></td></tr></td></tr></td></tr></td></tr>
 | 3991 | ETR | - | WD. | J2 | PTD. | - | 398 | 3\"/> <tr> <td>3992</td> <td>A</td> <td>3\"/> <tr> <td>3993</td> <td>ETR</td> <td>-</td> <td>WD.</td> <td>J2</td> <td>PTD.</td> <td>-</td> <td>399</td> <td>3\"/> <tr> <td>3994</td> <td>ETR</td> <td>-</td> <td>WD.</td> <td>J2</td> <td>PTD.</td> <td>-</td> <td>3991</td> <td>3\"/> <tr> <td>3995</td> <td>ETR</td> <td>-</td> <td>WD.</td> <td>J2</td> <td>PTD.</td> <td>-</td> <td>3992</td> <td>3\"/> <tr> <td>3997</td> <td>ETR</td> <td>-</td> <td>WD.</td> <td>J2</td> <td>PTD.</td> <td>-</td> <td>3993</td> <td>3\"/> <tr> <td>3998</td> <td>ETR</td> <td>-</td> <td>WD.</td> <td>J2</td> <td>PTD.</td> <td>-</td> <td>3994</td> <td>3\"/> <tr> <td>3999</td> <td>ETR</td> <td>-</td> <td>WD.</td> <td>J2</td> <td>PTD.</td> <td>-</td> <td>3995</td> <td>3\"/> <tr> <td>3999</td> <td>ETR</td> <td>-</td> <td>WD.</td> <td>J2</td> <td>PTD.</td> <td>-</td> <td>3997</td> <td>3\"/> </td></tr></td></tr></td></tr></td></tr></td></tr></td></tr></td></tr></td></tr>
 | 3992 | A | 3\"/> <tr> <td>3993</td> <td>ETR</td> <td>-</td> <td>WD.</td> <td>J2</td> <td>PTD.</td> <td>-</td> <td>399</td> <td>3\"/> <tr> <td>3994</td> <td>ETR</td> <td>-</td> <td>WD.</td> <td>J2</td> <td>PTD.</td> <td>-</td> <td>3991</td> <td>3\"/> <tr> <td>3995</td> <td>ETR</td> <td>-</td> <td>WD.</td> <td>J2</td> <td>PTD.</td> <td>-</td> <td>3992</td> <td>3\"/> <tr> <td>3997</td> <td>ETR</td> <td>-</td> <td>WD.</td> <td>J2</td> <td>PTD.</td> <td>-</td> <td>3993</td> <td>3\"/> <tr> <td>3998</td> <td>ETR</td> <td>-</td> <td>WD.</td> <td>J2</td> <td>PTD.</td> <td>-</td> <td>3994</td> <td>3\"/> <tr> <td>3999</td> <td>ETR</td> <td>-</td> <td>WD.</td> <td>J2</td> <td>PTD.</td> <td>-</td> <td>3995</td> <td>3\"/> <tr> <td>3999</td> <td>ETR</td> <td>-</td> <td>WD.</td> <td>J2</td> <td>PTD.</td> <td>-</td> <td>3997</td> <td>3\"/> </td></tr></td></tr></td></tr></td></tr></td></tr></td></tr></td></tr>
 | 3993 | ETR | - | WD. | J2 | PTD. | - | 399 | 3\"/> <tr> <td>3994</td> <td>ETR</td> <td>-</td> <td>WD.</td> <td>J2</td> <td>PTD.</td> <td>-</td> <td>3991</td> <td>3\"/> <tr> <td>3995</td> <td>ETR</td> <td>-</td> <td>WD.</td> <td>J2</td> <td>PTD.</td> <td>-</td> <td>3992</td> <td>3\"/> <tr> <td>3997</td> <td>ETR</td> <td>-</td> <td>WD.</td> <td>J2</td> <td>PTD.</td> <td>-</td> <td>3993</td> <td>3\"/> <tr> <td>3998</td> <td>ETR</td> <td>-</td> <td>WD.</td> <td>J2</td> <td>PTD.</td> <td>-</td> <td>3994</td> <td>3\"/> <tr> <td>3999</td> <td>ETR</td> <td>-</td> <td>WD.</td> <td>J2</td> <td>PTD.</td> <td>-</td> <td>3995</td> <td>3\"/> <tr> <td>3999</td> <td>ETR</td> <td>-</td> <td>WD.</td> <td>J2</td> <td>PTD.</td> <td>-</td> <td>3997</td> <td>3\"/> </td></tr></td></tr></td></tr></td></tr></td></tr></td></tr>
 | 3994 | ETR | - | WD. | J2 | PTD. | - | 3991 | 3\"/> <tr> <td>3995</td> <td>ETR</td> <td>-</td> <td>WD.</td> <td>J2</td> <td>PTD.</td> <td>-</td> <td>3992</td> <td>3\"/> <tr> <td>3997</td> <td>ETR</td> <td>-</td> <td>WD.</td> <td>J2</td> <td>PTD.</td> <td>-</td> <td>3993</td> <td>3\"/> <tr> <td>3998</td> <td>ETR</td> <td>-</td> <td>WD.</td> <td>J2</td> <td>PTD.</td> <td>-</td> <td>3994</td> <td>3\"/> <tr> <td>3999</td> <td>ETR</td> <td>-</td> <td>WD.</td> <td>J2</td> <td>PTD.</td> <td>-</td> <td>3995</td> <td>3\"/> <tr> <td>3999</td> <td>ETR</td> <td>-</td> <td>WD.</td> <td>J2</td> <td>PTD.</td> <td>-</td> <td>3997</td> <td>3\"/> </td></tr></td></tr></td></tr></td></tr></td></tr>
 | 3995 | ETR | - | WD. | J2 | PTD. | - | 3992 | 3\"/> <tr> <td>3997</td> <td>ETR</td> <td>-</td> <td>WD.</td> <td>J2</td> <td>PTD.</td> <td>-</td> <td>3993</td> <td>3\"/> <tr> <td>3998</td> <td>ETR</td> <td>-</td> <td>WD.</td> <td>J2</td> <td>PTD.</td> <td>-</td> <td>3994</td> <td>3\"/> <tr> <td>3999</td> <td>ETR</td> <td>-</td> <td>WD.</td> <td>J2</td> <td>PTD.</td> <td>-</td> <td>3995</td> <td>3\"/> <tr> <td>3999</td> <td>ETR</td> <td>-</td> <td>WD.</td> <td>J2</td> <td>PTD.</td> <td>-</td> <td>3997</td> <td>3\"/> </td></tr></td></tr></td></tr></td></tr>
 | 3997 | ETR | - | WD. | J2 | PTD. | - | 3993 | 3\"/> <tr> <td>3998</td> <td>ETR</td> <td>-</td> <td>WD.</td> <td>J2</td> <td>PTD.</td> <td>-</td> <td>3994</td> <td>3\"/> <tr> <td>3999</td> <td>ETR</td> <td>-</td> <td>WD.</td> <td>J2</td> <td>PTD.</td> <td>-</td> <td>3995</td> <td>3\"/> <tr> <td>3999</td> <td>ETR</td> <td>-</td> <td>WD.</td> <td>J2</td> <td>PTD.</td> <td>-</td> <td>3997</td> <td>3\"/> </td></tr></td></tr></td></tr>
 | 3998 | ETR | - | WD. | J2 | PTD.
 | - | 3994 | 3\"/> <tr> <td>3999</td> <td>ETR</td> <td>-</td> <td>WD.</td> <td>J2</td> <td>PTD.</td> <td>-</td> <td>3995</td> <td>3\"/> <tr> <td>3999</td> <td>ETR</td> <td>-</td> <td>WD.</td> <td>J2</td> <td>PTD.</td> <td>-</td> <td>3997</td> <td>3\"/> </td></tr></td></tr> | 3999 | ETR | - | WD. | J2 | PTD.
 | - | 3995 | 3\"/> <tr> <td>3999</td> <td>ETR</td> <td>-</td> <td>WD.</td> <td>J2</td> <td>PTD.</td> <td>-</td> <td>3997</td> <td>3\"/> </td></tr> | 3999 | ETR | - | WD. | J2 | PTD.
 | - | 3997 | 3\"/> | | | | | | | | | | | | | | | | | | | | | | | | | | | | | | | | | | | | | | | | | | | | | | | | | | | |
 | | | | | | | | |
 | | | | | |
 | | | | | |
 | | | | | | | | |
 | | | | | | | | | | | | | | |
 | | | | | |
 | | | | | | | | |
 | | | | | |
 | | | | | | | | |
 | | | | | | | | |
 | | | | | | | | |
 | | | | | | | | |
 | | | | | | | | |
 | | | | | | | | |
 | | | | | | | | | | | |
 | | | | | | | | | | | | | | |
 | | | | | | | | | | | | | | | | | |
 | | | | | | | | | | | | | | | | | |
 | | | | | | | | | | | | | | | | | | | | | | | |
 | | | | | | | | | | | | | | | | | | | | | | | | | | | | | |
 | | | | | | | | | | | | | | | | | | | | | | | | | | | | | | | | | | | | | | |
 | | | | | | | | | | | | | | | | | | | | | | | | | | | | | | | | | | | | | | | | | | | | | | | | | | | | | | |
| 391A | ETR | - | WD. | J2 | PTD. | - | 389 | 3\"/> <tr> <td>391B</td> <td>ETR</td> <td>-</td> <td>WD.</td> <td>J2</td> <td>PTD.</td> <td>-</td> <td>391</td> <td>3\"/> <tr> <td>394</td> <td>ETR</td> <td>-</td> <td>WD.</td> <td>J2</td> <td>PTD.</td> <td>-</td> <td>391A</td> <td>3\"/> <tr> <td>395</td> <td>ETR</td> <td>-</td> <td>WD.</td> <td>J2</td> <td>PTD.</td> <td>-</td> <td>391B</td> <td>3\"/> <tr> <td>396</td> <td>ETR</td> <td>-</td> <td>WD.</td> <td>J2</td> <td>PTD.</td> <td>-</td> <td>394</td> <td>3\"/> <tr> <td>398</td> <td>ETR</td> <td>-</td> <td>WD.</td> <td>J2</td> <td>PTD.</td> <td>-</td> <td>395</td> <td>3\"/> <tr> <td>399</td> <td>ETR</td> <td>-</td> <td>WD.</td> <td>J2</td> <td>PTD.</td> <td>-</td> <td>396</td> <td>3\"/> <tr> <td>3991</td> <td>ETR</td> <td>-</td> <td>WD.</td> <td>J2</td> <td>PTD.</td> <td>-</td> <td>398</td> <td>3\"/> <tr> <td>3992</td> <td>A</td> <td>3\"/> <tr> <td>3993</td> <td>ETR</td> <td>-</td> <td>WD.</td> <td>J2</td> <td>PTD.</td> <td>-</td> <td>399</td> <td>3\"/> <tr> <td>3994</td> <td>ETR</td> <td>-</td> <td>WD.</td> <td>J2</td> <td>PTD.</td> <td>-</td> <td>3991</td> <td>3\"/> <tr> <td>3995</td> <td>ETR</td> <td>-</td> <td>WD.</td> <td>J2</td> <td>PTD.</td> <td>-</td> <td>3992</td> <td>3\"/> <tr> <td>3997</td> <td>ETR</td> <td>-</td> <td>WD.</td> <td>J2</td> <td>PTD.</td> <td>-</td> <td>3993</td> <td>3\"/> <tr> <td>3998</td> <td>ETR</td> <td>-</td> <td>WD.</td> <td>J2</td> <td>PTD.</td> <td>-</td> <td>3994</td> <td>3\"/> <tr> <td>3999</td> <td>ETR</td> <td>-</td> <td>WD.</td> <td>J2</td> <td>PTD.</td> <td>-</td> <td>3995</td> <td>3\"/> <tr> <td>3999</td> <td>ETR</td> <td>-</td> <td>WD.</td> <td>J2</td> <td>PTD.</td> <td>-</td> <td>3997</td> <td>3\"/> </td></tr></td></tr></td></tr></td></tr></td></tr></td></tr></td></tr></td></tr></td></tr></td></tr></td></tr></td></tr></td></tr></td></tr></td></tr>
 | 391B | ETR | -
 | WD. | J2 | PTD. | - | 391 | 3\"/> <tr> <td>394</td> <td>ETR</td> <td>-</td> <td>WD.</td> <td>J2</td> <td>PTD.</td> <td>-</td> <td>391A</td> <td>3\"/> <tr> <td>395</td> <td>ETR</td> <td>-</td> <td>WD.</td> <td>J2</td> <td>PTD.</td> <td>-</td> <td>391B</td> <td>3\"/> <tr> <td>396</td> <td>ETR</td> <td>-</td> <td>WD.</td> <td>J2</td> <td>PTD.</td> <td>-</td> <td>394</td> <td>3\"/> <tr> <td>398</td> <td>ETR</td> <td>-</td> <td>WD.</td> <td>J2</td> <td>PTD.</td> <td>-</td> <td>395</td> <td>3\"/> <tr> <td>399</td> <td>ETR</td> <td>-</td> <td>WD.</td> <td>J2</td> <td>PTD.</td> <td>-</td> <td>396</td> <td>3\"/> <tr> <td>3991</td> <td>ETR</td> <td>-</td> <td>WD.</td> <td>J2</td> <td>PTD.</td> <td>-</td> <td>398</td> <td>3\"/> <tr> <td>3992</td> <td>A</td> <td>3\"/> <tr> <td>3993</td> <td>ETR</td> <td>-</td> <td>WD.</td> <td>J2</td> <td>PTD.</td> <td>-</td> <td>399</td> <td>3\"/> <tr> <td>3994</td> <td>ETR</td> <td>-</td> <td>WD.</td> <td>J2</td> <td>PTD.</td> <td>-</td> <td>3991</td> <td>3\"/> <tr> <td>3995</td> <td>ETR</td> <td>-</td> <td>WD.</td> <td>J2</td> <td>PTD.</td> <td>-</td> <td>3992</td> <td>3\"/> <tr> <td>3997</td> <td>ETR</td> <td>-</td> <td>WD.</td> <td>J2</td> <td>PTD.</td> <td>-</td> <td>3993</td> <td>3\"/> <tr> <td>3998</td> <td>ETR</td> <td>-</td> <td>WD.</td> <td>J2</td> <td>PTD.</td> <td>-</td> <td>3994</td> <td>3\"/> <tr> <td>3999</td> <td>ETR</td> <td>-</td> <td>WD.</td> <td>J2</td> <td>PTD.</td> <td>-</td> <td>3995</td> <td>3\"/> <tr> <td>3999</td> <td>ETR</td> <td>-</td> <td>WD.</td> <td>J2</td> <td>PTD.</td> <td>-</td> <td>3997</td> <td>3\"/> </td></tr></td></tr></td></tr></td></tr></td></tr></td></tr></td></tr></td></tr></td></tr></td></tr></td></tr></td></tr></td></tr></td></tr> | 394 | ETR | -
 | WD. | J2 | PTD. | - | 391A | 3\"/> <tr> <td>395</td> <td>ETR</td> <td>-</td> <td>WD.</td> <td>J2</td> <td>PTD.</td> <td>-</td> <td>391B</td> <td>3\"/> <tr> <td>396</td> <td>ETR</td> <td>-</td> <td>WD.</td> <td>J2</td> <td>PTD.</td> <td>-</td> <td>394</td> <td>3\"/> <tr> <td>398</td> <td>ETR</td> <td>-</td> <td>WD.</td> <td>J2</td> <td>PTD.</td> <td>-</td> <td>395</td> <td>3\"/> <tr> <td>399</td> <td>ETR</td> <td>-</td> <td>WD.</td> <td>J2</td> <td>PTD.</td> <td>-</td> <td>396</td> <td>3\"/> <tr> <td>3991</td> <td>ETR</td> <td>-</td> <td>WD.</td> <td>J2</td> <td>PTD.</td> <td>-</td> <td>398</td> <td>3\"/> <tr> <td>3992</td> <td>A</td> <td>3\"/> <tr> <td>3993</td> <td>ETR</td> <td>-</td> <td>WD.</td> <td>J2</td> <td>PTD.</td> <td>-</td> <td>399</td> <td>3\"/> <tr> <td>3994</td> <td>ETR</td> <td>-</td> <td>WD.</td> <td>J2</td> <td>PTD.</td> <td>-</td> <td>3991</td> <td>3\"/> <tr> <td>3995</td> <td>ETR</td> <td>-</td> <td>WD.</td> <td>J2</td> <td>PTD.</td> <td>-</td> <td>3992</td> <td>3\"/> <tr> <td>3997</td> <td>ETR</td> <td>-</td> <td>WD.</td> <td>J2</td> <td>PTD.</td> <td>-</td> <td>3993</td> <td>3\"/> <tr> <td>3998</td> <td>ETR</td> <td>-</td> <td>WD.</td> <td>J2</td> <td>PTD.</td> <td>-</td> <td>3994</td> <td>3\"/> <tr> <td>3999</td> <td>ETR</td> <td>-</td> <td>WD.</td> <td>J2</td> <td>PTD.</td> <td>-</td> <td>3995</td> <td>3\"/> <tr> <td>3999</td> <td>ETR</td> <td>-</td> <td>WD.</td> <td>J2</td> <td>PTD.</td> <td>-</td> <td>3997</td> <td>3\"/> </td></tr></td></tr></td></tr></td></tr></td></tr></td></tr></td></tr></td></tr></td></tr></td></tr></td></tr></td></tr></td></tr>
 | 395 | ETR | - | WD. | J2 | PTD. | - | 391B | 3\"/> <tr> <td>396</td> <td>ETR</td> <td>-</td> <td>WD.</td> <td>J2</td> <td>PTD.</td> <td>-</td> <td>394</td> <td>3\"/> <tr> <td>398</td> <td>ETR</td> <td>-</td> <td>WD.</td> <td>J2</td> <td>PTD.</td> <td>-</td> <td>395</td> <td>3\"/> <tr> <td>399</td> <td>ETR</td> <td>-</td> <td>WD.</td> <td>J2</td> <td>PTD.</td> <td>-</td> <td>396</td> <td>3\"/> <tr> <td>3991</td> <td>ETR</td> <td>-</td> <td>WD.</td> <td>J2</td> <td>PTD.</td> <td>-</td> <td>398</td> <td>3\"/> <tr> <td>3992</td> <td>A</td> <td>3\"/> <tr> <td>3993</td> <td>ETR</td> <td>-</td> <td>WD.</td> <td>J2</td> <td>PTD.</td> <td>-</td> <td>399</td> <td>3\"/> <tr> <td>3994</td> <td>ETR</td> <td>-</td> <td>WD.</td> <td>J2</td> <td>PTD.</td> <td>-</td> <td>3991</td> <td>3\"/> <tr> <td>3995</td> <td>ETR</td> <td>-</td> <td>WD.</td> <td>J2</td> <td>PTD.</td> <td>-</td> <td>3992</td> <td>3\"/> <tr> <td>3997</td> <td>ETR</td> <td>-</td> <td>WD.</td> <td>J2</td> <td>PTD.</td> <td>-</td> <td>3993</td> <td>3\"/> <tr> <td>3998</td> <td>ETR</td> <td>-</td> <td>WD.</td> <td>J2</td> <td>PTD.</td> <td>-</td> <td>3994</td> <td>3\"/> <tr> <td>3999</td> <td>ETR</td> <td>-</td> <td>WD.</td> <td>J2</td> <td>PTD.</td> <td>-</td> <td>3995</td> <td>3\"/> <tr> <td>3999</td> <td>ETR</td> <td>-</td> <td>WD.</td> <td>J2</td> <td>PTD.</td> <td>-</td> <td>3997</td> <td>3\"/> </td></tr></td></tr></td></tr></td></tr></td></tr></td></tr></td></tr></td></tr></td></tr></td></tr></td></tr></td></tr>
 | 396 | ETR | - | WD. | J2 | PTD. | - | 394 |
3\"/> <tr> <td>398</td> <td>ETR</td> <td>-</td> <td>WD.</td> <td>J2</td> <td>PTD.</td> <td>-</td> <td>395</td> <td>3\"/> <tr> <td>399</td> <td>ETR</td> <td>-</td> <td>WD.</td> <td>J2</td> <td>PTD.</td> <td>-</td> <td>396</td> <td>3\"/> <tr> <td>3991</td> <td>ETR</td> <td>-</td> <td>WD.</td> <td>J2</td> <td>PTD.</td> <td>-</td> <td>398</td> <td>3\"/> <tr> <td>3992</td> <td>A</td> <td>3\"/> <tr> <td>3993</td> <td>ETR</td> <td>-</td> <td>WD.</td> <td>J2</td> <td>PTD.</td> <td>-</td> <td>399</td> <td>3\"/> <tr> <td>3994</td> <td>ETR</td> <td>-</td> <td>WD.</td> <td>J2</td> <td>PTD.</td> <td>-</td> <td>3991</td> <td>3\"/> <tr> <td>3995</td> <td>ETR</td> <td>-</td> <td>WD.</td> <td>J2</td> <td>PTD.</td> <td>-</td> <td>3992</td> <td>3\"/> <tr> <td>3997</td> <td>ETR</td> <td>-</td> <td>WD.</td> <td>J2</td> <td>PTD.</td> <td>-</td> <td>3993</td> <td>3\"/> <tr> <td>3998</td> <td>ETR</td> <td>-</td> <td>WD.</td> <td>J2</td> <td>PTD.</td> <td>-</td> <td>3994</td> <td>3\"/> <tr> <td>3999</td> <td>ETR</td> <td>-</td> <td>WD.</td> <td>J2</td> <td>PTD.</td> <td>-</td> <td>3995</td> <td>3\"/> <tr> <td>3999</td> <td>ETR</td> <td>-</td> <td>WD.</td> <td>J2</td> <td>PTD.</td> <td>-</td> <td>3997</td> <td>3\"/> </td></tr></td></tr></td></tr></td></tr></td></tr></td></tr></td></tr></td></tr></td></tr></td></tr></td></tr> | 398 | ETR | -
 | WD. | J2 | PTD. | - | 395 | 3\"/> <tr> <td>399</td> <td>ETR</td> <td>-</td> <td>WD.</td> <td>J2</td> <td>PTD.</td> <td>-</td> <td>396</td> <td>3\"/> <tr> <td>3991</td> <td>ETR</td> <td>-</td> <td>WD.</td> <td>J2</td> <td>PTD.</td> <td>-</td> <td>398</td> <td>3\"/> <tr> <td>3992</td> <td>A</td> <td>3\"/> <tr> <td>3993</td> <td>ETR</td> <td>-</td> <td>WD.</td> <td>J2</td> <td>PTD.</td> <td>-</td> <td>399</td> <td>3\"/> <tr> <td>3994</td> <td>ETR</td> <td>-</td> <td>WD.</td> <td>J2</td> <td>PTD.</td> <td>-</td> <td>3991</td> <td>3\"/> <tr> <td>3995</td> <td>ETR</td> <td>-</td> <td>WD.</td> <td>J2</td> <td>PTD.</td> <td>-</td> <td>3992</td> <td>3\"/> <tr> <td>3997</td> <td>ETR</td> <td>-</td> <td>WD.</td> <td>J2</td> <td>PTD.</td> <td>-</td> <td>3993</td> <td>3\"/> <tr> <td>3998</td> <td>ETR</td> <td>-</td> <td>WD.</td> <td>J2</td> <td>PTD.</td> <td>-</td> <td>3994</td> <td>3\"/> <tr> <td>3999</td> <td>ETR</td> <td>-</td> <td>WD.</td> <td>J2</td> <td>PTD.</td> <td>-</td> <td>3995</td> <td>3\"/> <tr> <td>3999</td> <td>ETR</td> <td>-</td> <td>WD.</td> <td>J2</td> <td>PTD.</td> <td>-</td> <td>3997</td> <td>3\"/> </td></tr></td></tr></td></tr></td></tr></td></tr></td></tr></td></tr></td></tr></td></tr></td></tr> | 399 | ETR | -
 | WD. | J2 | PTD. | - | 396 | 3\"/> <tr> <td>3991</td> <td>ETR</td> <td>-</td> <td>WD.</td> <td>J2</td> <td>PTD.</td> <td>-</td> <td>398</td> <td>3\"/> <tr> <td>3992</td> <td>A</td> <td>3\"/> <tr> <td>3993</td> <td>ETR</td> <td>-</td> <td>WD.</td> <td>J2</td> <td>PTD.</td> <td>-</td> <td>399</td> <td>3\"/> <tr> <td>3994</td> <td>ETR</td> <td>-</td> <td>WD.</td> <td>J2</td> <td>PTD.</td> <td>-</td> <td>3991</td> <td>3\"/> <tr> <td>3995</td> <td>ETR</td> <td>-</td> <td>WD.</td> <td>J2</td> <td>PTD.</td> <td>-</td> <td>3992</td> <td>3\"/> <tr> <td>3997</td> <td>ETR</td> <td>-</td> <td>WD.</td> <td>J2</td> <td>PTD.</td> <td>-</td> <td>3993</td> <td>3\"/> <tr> <td>3998</td> <td>ETR</td> <td>-</td> <td>WD.</td> <td>J2</td> <td>PTD.</td> <td>-</td> <td>3994</td> <td>3\"/> <tr> <td>3999</td> <td>ETR</td> <td>-</td> <td>WD.</td> <td>J2</td> <td>PTD.</td> <td>-</td> <td>3995</td> <td>3\"/> <tr> <td>3999</td> <td>ETR</td> <td>-</td> <td>WD.</td> <td>J2</td> <td>PTD.</td> <td>-</td> <td>3997</td> <td>3\"/> </td></tr></td></tr></td></tr></td></tr></td></tr></td></tr></td></tr></td></tr></td></tr>
 | 3991 | ETR | - | WD. | J2 | PTD. | - | 398 | 3\"/> <tr> <td>3992</td> <td>A</td> <td>3\"/> <tr> <td>3993</td> <td>ETR</td> <td>-</td> <td>WD.</td> <td>J2</td> <td>PTD.</td> <td>-</td> <td>399</td> <td>3\"/> <tr> <td>3994</td> <td>ETR</td> <td>-</td> <td>WD.</td> <td>J2</td> <td>PTD.</td> <td>-</td> <td>3991</td> <td>3\"/> <tr> <td>3995</td> <td>ETR</td> <td>-</td> <td>WD.</td> <td>J2</td> <td>PTD.</td> <td>-</td> <td>3992</td> <td>3\"/> <tr> <td>3997</td> <td>ETR</td> <td>-</td> <td>WD.</td> <td>J2</td> <td>PTD.</td> <td>-</td> <td>3993</td> <td>3\"/> <tr> <td>3998</td> <td>ETR</td> <td>-</td> <td>WD.</td> <td>J2</td> <td>PTD.</td> <td>-</td> <td>3994</td> <td>3\"/> <tr> <td>3999</td> <td>ETR</td> <td>-</td> <td>WD.</td> <td>J2</td> <td>PTD.</td> <td>-</td> <td>3995</td> <td>3\"/> <tr> <td>3999</td> <td>ETR</td> <td>-</td> <td>WD.</td> <td>J2</td> <td>PTD.</td> <td>-</td> <td>3997</td> <td>3\"/> </td></tr></td></tr></td></tr></td></tr></td></tr></td></tr></td></tr></td></tr>
 | 3992 | A | 3\"/> <tr> <td>3993</td> <td>ETR</td> <td>-</td> <td>WD.</td> <td>J2</td> <td>PTD.</td> <td>-</td> <td>399</td> <td>3\"/> <tr> <td>3994</td> <td>ETR</td> <td>-</td> <td>WD.</td> <td>J2</td> <td>PTD.</td> <td>-</td> <td>3991</td> <td>3\"/> <tr> <td>3995</td> <td>ETR</td> <td>-</td> <td>WD.</td> <td>J2</td> <td>PTD.</td> <td>-</td> <td>3992</td> <td>3\"/> <tr> <td>3997</td> <td>ETR</td> <td>-</td> <td>WD.</td> <td>J2</td> <td>PTD.</td> <td>-</td> <td>3993</td> <td>3\"/> <tr> <td>3998</td> <td>ETR</td> <td>-</td> <td>WD.</td> <td>J2</td> <td>PTD.</td> <td>-</td> <td>3994</td> <td>3\"/> <tr> <td>3999</td> <td>ETR</td> <td>-</td> <td>WD.</td> <td>J2</td> <td>PTD.</td> <td>-</td> <td>3995</td> <td>3\"/> <tr> <td>3999</td> <td>ETR</td> <td>-</td> <td>WD.</td> <td>J2</td> <td>PTD.</td> <td>-</td> <td>3997</td> <td>3\"/> </td></tr></td></tr></td></tr></td></tr></td></tr></td></tr></td></tr> | 3993 | ETR | - | WD. | J2 | PTD.
 | - | 399 | 3\"/> <tr> <td>3994</td> <td>ETR</td> <td>-</td> <td>WD.</td> <td>J2</td> <td>PTD.</td> <td>-</td> <td>3991</td> <td>3\"/> <tr> <td>3995</td> <td>ETR</td> <td>-</td> <td>WD.</td> <td>J2</td> <td>PTD.</td> <td>-</td> <td>3992</td> <td>3\"/> <tr> <td>3997</td> <td>ETR</td> <td>-</td> <td>WD.</td> <td>J2</td> <td>PTD.</td> <td>-</td> <td>3993</td> <td>3\"/> <tr> <td>3998</td> <td>ETR</td> <td>-</td> <td>WD.</td> <td>J2</td> <td>PTD.</td> <td>-</td> <td>3994</td> <td>3\"/> <tr> <td>3999</td> <td>ETR</td> <td>-</td> <td>WD.</td> <td>J2</td> <td>PTD.</td> <td>-</td> <td>3995</td> <td>3\"/> <tr> <td>3999</td> <td>ETR</td> <td>-</td> <td>WD.</td> <td>J2</td> <td>PTD.</td> <td>-</td> <td>3997</td> <td>3\"/> </td></tr></td></tr></td></tr></td></tr></td></tr></td></tr>
 | 3994 | ETR | - | WD. | J2 | PTD. | - | 3991 | 3\"/> <tr> <td>3995</td> <td>ETR</td> <td>-</td> <td>WD.</td> <td>J2</td> <td>PTD.</td> <td>-</td> <td>3992</td> <td>3\"/> <tr> <td>3997</td> <td>ETR</td> <td>-</td> <td>WD.</td> <td>J2</td> <td>PTD.</td> <td>-</td> <td>3993</td> <td>3\"/> <tr> <td>3998</td> <td>ETR</td> <td>-</td> <td>WD.</td> <td>J2</td> <td>PTD.</td> <td>-</td> <td>3994</td> <td>3\"/> <tr> <td>3999</td> <td>ETR</td> <td>-</td> <td>WD.</td> <td>J2</td> <td>PTD.</td> <td>-</td> <td>3995</td> <td>3\"/> <tr> <td>3999</td> <td>ETR</td> <td>-</td> <td>WD.</td> <td>J2</td> <td>PTD.</td> <td>-</td> <td>3997</td> <td>3\"/> </td></tr></td></tr></td></tr></td></tr></td></tr>
 | 3995 | ETR | - | WD. | J2 | PTD. | - | 3992 | 3\"/> <tr> <td>3997</td> <td>ETR</td> <td>-</td> <td>WD.</td> <td>J2</td> <td>PTD.</td> <td>-</td> <td>3993</td> <td>3\"/> <tr> <td>3998</td> <td>ETR</td> <td>-</td> <td>WD.</td> <td>J2</td> <td>PTD.</td> <td>-</td> <td>3994</td> <td>3\"/> <tr> <td>3999</td> <td>ETR</td> <td>-</td> <td>WD.</td> <td>J2</td> <td>PTD.</td> <td>-</td> <td>3995</td> <td>3\"/> <tr> <td>3999</td> <td>ETR</td> <td>-</td> <td>WD.</td> <td>J2</td> <td>PTD.</td> <td>-</td> <td>3997</td> <td>3\"/> </td></tr></td></tr></td></tr></td></tr>
 | 3997 | ETR | - | WD. | J2 | PTD. | - | 3993 | 3\"/> <tr> <td>3998</td> <td>ETR</td> <td>-</td> <td>WD.</td> <td>J2</td> <td>PTD.</td> <td>-</td> <td>3994</td> <td>3\"/> <tr> <td>3999</td> <td>ETR</td> <td>-</td> <td>WD.</td> <td>J2</td> <td>PTD.</td> <td>-</td> <td>3995</td> <td>3\"/> <tr> <td>3999</td> <td>ETR</td> <td>-</td> <td>WD.</td> <td>J2</td> <td>PTD.</td> <td>-</td> <td>3997</td> <td>3\"/> </td></tr></td></tr></td></tr>
 | 3998 | ETR | - | WD. | J2 | PTD. | - | 3994 | 3\"/> <tr> <td>3999</td> <td>ETR</td> <td>-</td> <td>WD.</td> <td>J2</td> <td>PTD.</td> <td>-</td> <td>3995</td> <td>3\"/> <tr> <td>3999</td> <td>ETR</td> <td>-</td> <td>WD.</td> <td>J2</td> <td>PTD.</td> <td>-</td> <td>3997</td> <td>3\"/> </td></tr></td></tr>
 | 3999 | ETR | - | WD. | J2 | PTD.
 | - | 3995 | 3\"/> <tr> <td>3999</td> <td>ETR</td> <td>-</td> <td>WD.</td> <td>J2</td> <td>PTD.</td> <td>-</td> <td>3997</td> <td>3\"/> </td></tr> | 3999 | ETR | - | WD. | J2 | PTD.
 | - | 3997 | 3\"/> | | | | | | | | | | | | | | | | | | | | | | | | | | | | | | | | | | | | | | | | | | | | | | | | | | | |
 | | | | | | | | |
 | | | | | | | | |
 | | | | | |
 | | | | | |
 | | | | | | | | |
 | | | | | | | | | | | | | | |
 | | | | | |
 | | | | | | | | |
 | | | | | |
 | | | | | | | | |
 | | | | | | | | |
 | | | | | | | | |
 | | | | | | | | |
 | | | | | | | | |
 | | | | | | | | |
 | | | | | | | | | | | |
 | | | | | | | | | | | | | | |
 | | | | | | | | | | | | | | | | | |
 | | | | | | | | | | | | | | | | | |
 | | | | | | | | | | | | | | | | | | | | | | | |
 | | | | | | | | | | | | | | | | | | | | | | | | | | | | | |
 | | | | | | | | | | | | | | | | | | | | | | | | | | | | | | | | | | | | | | |
 | | | | | | | | | | | | | | | | | | | | | | | | | | | | | | | | | | | | | | | | | | | | | | | | | | | | | | |
| 391B | ETR | - | WD. | J2 | PTD. | - | 391 | 3\"/> <tr> <td>394</td> <td>ETR</td> <td>-</td> <td>WD.</td> <td>J2</td> <td>PTD.</td> <td>-</td> <td>391A</td> <td>3\"/> <tr> <td>395</td> <td>ETR</td> <td>-</td> <td>WD.</td> <td>J2</td> <td>PTD.</td> <td>-</td> <td>391B</td> <td>3\"/> <tr> <td>396</td> <td>ETR</td> <td>-</td> <td>WD.</td> <td>J2</td> <td>PTD.</td> <td>-</td> <td>394</td> <td>3\"/> <tr> <td>398</td> <td>ETR</td> <td>-</td> <td>WD.</td> <td>J2</td> <td>PTD.</td> <td>-</td> <td>395</td> <td>3\"/> <tr> <td>399</td> <td>ETR</td> <td>-</td> <td>WD.</td> <td>J2</td> <td>PTD.</td> <td>-</td> <td>396</td> <td>3\"/> <tr> <td>3991</td> <td>ETR</td> <td>-</td> <td>WD.</td> <td>J2</td> <td>PTD.</td> <td>-</td> <td>398</td> <td>3\"/> <tr> <td>3992</td> <td>A</td> <td>3\"/> <tr> <td>3993</td> <td>ETR</td> <td>-</td> <td>WD.</td> <td>J2</td> <td>PTD.</td> <td>-</td> <td>399</td> <td>3\"/> <tr> <td>3994</td> <td>ETR</td> <td>-</td> <td>WD.</td> <td>J2</td> <td>PTD.</td> <td>-</td> <td>3991</td> <td>3\"/> <tr> <td>3995</td> <td>ETR</td> <td>-</td> <td>WD.</td> <td>J2</td> <td>PTD.</td> <td>-</td> <td>3992</td> <td>3\"/> <tr> <td>3997</td> <td>ETR</td> <td>-</td> <td>WD.</td> <td>J2</td> <td>PTD.</td> <td>-</td> <td>3993</td> <td>3\"/> <tr> <td>3998</td> <td>ETR</td> <td>-</td> <td>WD.</td> <td>J2</td> <td>PTD.</td> <td>-</td> <td>3994</td> <td>3\"/> <tr> <td>3999</td> <td>ETR</td> <td>-</td> <td>WD.</td> <td>J2</td> <td>PTD.</td> <td>-</td> <td>3995</td> <td>3\"/> <tr> <td>3999</td> <td>ETR</td> <td>-</td> <td>WD.</td> <td>J2</td> <td>PTD.</td> <td>-</td> <td>3997</td> <td>3\"/> </td></tr></td></tr></td></tr></td></tr></td></tr></td></tr></td></tr></td></tr></td></tr></td></tr></td></tr></td></tr></td></tr></td></tr>
 | 394 | ETR | -
 | WD. | J2 | PTD. | - | 391A | 3\"/> <tr> <td>395</td> <td>ETR</td> <td>-</td> <td>WD.</td> <td>J2</td> <td>PTD.</td> <td>-</td> <td>391B</td> <td>3\"/> <tr> <td>396</td> <td>ETR</td> <td>-</td> <td>WD.</td> <td>J2</td> <td>PTD.</td> <td>-</td> <td>394</td> <td>3\"/> <tr> <td>398</td> <td>ETR</td> <td>-</td> <td>WD.</td> <td>J2</td> <td>PTD.</td> <td>-</td> <td>395</td> <td>3\"/> <tr> <td>399</td> <td>ETR</td> <td>-</td> <td>WD.</td> <td>J2</td> <td>PTD.</td> <td>-</td> <td>396</td> <td>3\"/> <tr> <td>3991</td> <td>ETR</td> <td>-</td> <td>WD.</td> <td>J2</td> <td>PTD.</td> <td>-</td> <td>398</td> <td>3\"/> <tr> <td>3992</td> <td>A</td> <td>3\"/> <tr> <td>3993</td> <td>ETR</td> <td>-</td> <td>WD.</td> <td>J2</td> <td>PTD.</td> <td>-</td> <td>399</td> <td>3\"/> <tr> <td>3994</td> <td>ETR</td> <td>-</td> <td>WD.</td> <td>J2</td> <td>PTD.</td> <td>-</td> <td>3991</td> <td>3\"/> <tr> <td>3995</td> <td>ETR</td> <td>-</td> <td>WD.</td> <td>J2</td> <td>PTD.</td> <td>-</td> <td>3992</td> <td>3\"/> <tr> <td>3997</td> <td>ETR</td> <td>-</td> <td>WD.</td> <td>J2</td> <td>PTD.</td> <td>-</td> <td>3993</td> <td>3\"/> <tr> <td>3998</td> <td>ETR</td> <td>-</td> <td>WD.</td> <td>J2</td> <td>PTD.</td> <td>-</td> <td>3994</td> <td>3\"/> <tr> <td>3999</td> <td>ETR</td> <td>-</td> <td>WD.</td> <td>J2</td> <td>PTD.</td> <td>-</td> <td>3995</td> <td>3\"/> <tr> <td>3999</td> <td>ETR</td> <td>-</td> <td>WD.</td> <td>J2</td> <td>PTD.</td> <td>-</td> <td>3997</td> <td>3\"/> </td></tr></td></tr></td></tr></td></tr></td></tr></td></tr></td></tr></td></tr></td></tr></td></tr></td></tr></td></tr></td></tr> | 395 | ETR | -
 | WD. | J2 | PTD. | - | 391B | 3\"/> <tr> <td>396</td> <td>ETR</td> <td>-</td> <td>WD.</td> <td>J2</td> <td>PTD.</td> <td>-</td> <td>394</td> <td>3\"/> <tr> <td>398</td> <td>ETR</td> <td>-</td> <td>WD.</td> <td>J2</td> <td>PTD.</td> <td>-</td> <td>395</td> <td>3\"/> <tr> <td>399</td> <td>ETR</td> <td>-</td> <td>WD.</td> <td>J2</td> <td>PTD.</td> <td>-</td> <td>396</td> <td>3\"/> <tr> <td>3991</td> <td>ETR</td> <td>-</td> <td>WD.</td> <td>J2</td> <td>PTD.</td> <td>-</td> <td>398</td> <td>3\"/> <tr> <td>3992</td> <td>A</td> <td>3\"/> <tr> <td>3993</td> <td>ETR</td> <td>-</td> <td>WD.</td> <td>J2</td> <td>PTD.</td> <td>-</td> <td>399</td> <td>3\"/> <tr> <td>3994</td> <td>ETR</td> <td>-</td> <td>WD.</td> <td>J2</td> <td>PTD.</td> <td>-</td> <td>3991</td> <td>3\"/> <tr> <td>3995</td> <td>ETR</td> <td>-</td> <td>WD.</td> <td>J2</td> <td>PTD.</td> <td>-</td> <td>3992</td> <td>3\"/> <tr> <td>3997</td> <td>ETR</td> <td>-</td> <td>WD.</td> <td>J2</td> <td>PTD.</td> <td>-</td> <td>3993</td> <td>3\"/> <tr> <td>3998</td> <td>ETR</td> <td>-</td> <td>WD.</td> <td>J2</td> <td>PTD.</td> <td>-</td> <td>3994</td> <td>3\"/> <tr> <td>3999</td> <td>ETR</td> <td>-</td> <td>WD.</td> <td>J2</td> <td>PTD.</td> <td>-</td> <td>3995</td> <td>3\"/> <tr> <td>3999</td> <td>ETR</td> <td>-</td> <td>WD.</td> <td>J2</td> <td>PTD.</td> <td>-</td> <td>3997</td> <td>3\"/> </td></tr></td></tr></td></tr></td></tr></td></tr></td></tr></td></tr></td></tr></td></tr></td></tr></td></tr></td></tr>
 | 396 | ETR | - | WD. | J2 | PTD. | - | 394 | 3\"/> <tr> <td>398</td> <td>ETR</td> <td>-</td> <td>WD.</td> <td>J2</td> <td>PTD.</td> <td>-</td> <td>395</td> <td>3\"/> <tr> <td>399</td> <td>ETR</td> <td>-</td> <td>WD.</td> <td>J2</td> <td>PTD.</td> <td>-</td> <td>396</td> <td>3\"/> <tr> <td>3991</td> <td>ETR</td> <td>-</td> <td>WD.</td> <td>J2</td> <td>PTD.</td> <td>-</td> <td>398</td> <td>3\"/> <tr> <td>3992</td> <td>A</td> <td>3\"/> <tr> <td>3993</td> <td>ETR</td> <td>-</td> <td>WD.</td> <td>J2</td> <td>PTD.</td> <td>-</td> <td>399</td> <td>3\"/> <tr> <td>3994</td> <td>ETR</td> <td>-</td> <td>WD.</td> <td>J2</td> <td>PTD.</td> <td>-</td> <td>3991</td> <td>3\"/> <tr> <td>3995</td> <td>ETR</td> <td>-</td> <td>WD.</td> <td>J2</td> <td>PTD.</td> <td>-</td> <td>3992</td> <td>3\"/> <tr> <td>3997</td> <td>ETR</td> <td>-</td> <td>WD.</td> <td>J2</td> <td>PTD.</td> <td>-</td> <td>3993</td> <td>3\"/> <tr> <td>3998</td> <td>ETR</td> <td>-</td> <td>WD.</td> <td>J2</td> <td>PTD.</td> <td>-</td> <td>3994</td> <td>3\"/> <tr> <td>3999</td> <td>ETR</td> <td>-</td> <td>WD.</td> <td>J2</td> <td>PTD.</td> <td>-</td> <td>3995</td> <td>3\"/> <tr> <td>3999</td> <td>ETR</td> <td>-</td> <td>WD.</td> <td>J2</td> <td>PTD.</td> <td>-</td> <td>3997</td> <td>3\"/> </td></tr></td></tr></td></tr></td></tr></td></tr></td></tr></td></tr></td></tr></td></tr></td></tr></td></tr>
 | 398 | ETR | - | WD. | J2 | PTD. | - | 395 |
3\"/> <tr> <td>399</td> <td>ETR</td> <td>-</td> <td>WD.</td> <td>J2</td> <td>PTD.</td> <td>-</td> <td>396</td> <td>3\"/> <tr> <td>3991</td> <td>ETR</td> <td>-</td> <td>WD.</td> <td>J2</td> <td>PTD.</td> <td>-</td> <td>398</td> <td>3\"/> <tr> <td>3992</td> <td>A</td> <td>3\"/> <tr> <td>3993</td> <td>ETR</td> <td>-</td> <td>WD.</td> <td>J2</td> <td>PTD.</td> <td>-</td> <td>399</td> <td>3\"/> <tr> <td>3994</td> <td>ETR</td> <td>-</td> <td>WD.</td> <td>J2</td> <td>PTD.</td> <td>-</td> <td>3991</td> <td>3\"/> <tr> <td>3995</td> <td>ETR</td> <td>-</td> <td>WD.</td> <td>J2</td> <td>PTD.</td> <td>-</td> <td>3992</td> <td>3\"/> <tr> <td>3997</td> <td>ETR</td> <td>-</td> <td>WD.</td> <td>J2</td> <td>PTD.</td> <td>-</td> <td>3993</td> <td>3\"/> <tr> <td>3998</td> <td>ETR</td> <td>-</td> <td>WD.</td> <td>J2</td> <td>PTD.</td> <td>-</td> <td>3994</td> <td>3\"/> <tr> <td>3999</td> <td>ETR</td> <td>-</td> <td>WD.</td> <td>J2</td> <td>PTD.</td> <td>-</td> <td>3995</td> <td>3\"/> <tr> <td>3999</td> <td>ETR</td> <td>-</td> <td>WD.</td> <td>J2</td> <td>PTD.</td> <td>-</td> <td>3997</td> <td>3\"/> </td></tr></td></tr></td></tr></td></tr></td></tr></td></tr></td></tr></td></tr></td></tr></td></tr> | 399 | ETR | -
 | WD. | J2 | PTD. | - | 396 | 3\"/> <tr> <td>3991</td> <td>ETR</td> <td>-</td> <td>WD.</td> <td>J2</td> <td>PTD.</td> <td>-</td> <td>398</td> <td>3\"/> <tr> <td>3992</td> <td>A</td> <td>3\"/> <tr> <td>3993</td> <td>ETR</td> <td>-</td> <td>WD.</td> <td>J2</td> <td>PTD.</td> <td>-</td> <td>399</td> <td>3\"/> <tr> <td>3994</td> <td>ETR</td> <td>-</td> <td>WD.</td> <td>J2</td> <td>PTD.</td> <td>-</td> <td>3991</td> <td>3\"/> <tr> <td>3995</td> <td>ETR</td> <td>-</td> <td>WD.</td> <td>J2</td> <td>PTD.</td> <td>-</td> <td>3992</td> <td>3\"/> <tr> <td>3997</td> <td>ETR</td> <td>-</td> <td>WD.</td> <td>J2</td> <td>PTD.</td> <td>-</td> <td>3993</td> <td>3\"/> <tr> <td>3998</td> <td>ETR</td> <td>-</td> <td>WD.</td> <td>J2</td> <td>PTD.</td> <td>-</td> <td>3994</td> <td>3\"/> <tr> <td>3999</td> <td>ETR</td> <td>-</td> <td>WD.</td> <td>J2</td> <td>PTD.</td> <td>-</td> <td>3995</td> <td>3\"/> <tr> <td>3999</td> <td>ETR</td> <td>-</td> <td>WD.</td> <td>J2</td> <td>PTD.</td> <td>-</td> <td>3997</td> <td>3\"/> </td></tr></td></tr></td></tr></td></tr></td></tr></td></tr></td></tr></td></tr></td></tr> | 3991 | ETR | -
 | WD. | J2 | PTD. | - | 398 | 3\"/> <tr> <td>3992</td> <td>A</td> <td>3\"/> <tr> <td>3993</td> <td>ETR</td> <td>-</td> <td>WD.</td> <td>J2</td> <td>PTD.</td> <td>-</td> <td>399</td> <td>3\"/> <tr> <td>3994</td> <td>ETR</td> <td>-</td> <td>WD.</td> <td>J2</td> <td>PTD.</td> <td>-</td> <td>3991</td> <td>3\"/> <tr> <td>3995</td> <td>ETR</td> <td>-</td> <td>WD.</td> <td>J2</td> <td>PTD.</td> <td>-</td> <td>3992</td> <td>3\"/> <tr> <td>3997</td> <td>ETR</td> <td>-</td> <td>WD.</td> <td>J2</td> <td>PTD.</td> <td>-</td> <td>3993</td> <td>3\"/> <tr> <td>3998</td> <td>ETR</td> <td>-</td> <td>WD.</td> <td>J2</td> <td>PTD.</td> <td>-</td> <td>3994</td> <td>3\"/> <tr> <td>3999</td> <td>ETR</td> <td>-</td> <td>WD.</td> <td>J2</td> <td>PTD.</td> <td>-</td> <td>3995</td> <td>3\"/> <tr> <td>3999</td> <td>ETR</td> <td>-</td> <td>WD.</td> <td>J2</td> <td>PTD.</td> <td>-</td> <td>3997</td> <td>3\"/> </td></tr></td></tr></td></tr></td></tr></td></tr></td></tr></td></tr></td></tr>
 | 3992 | A | 3\"/> <tr> <td>3993</td> <td>ETR</td> <td>-</td> <td>WD.</td> <td>J2</td> <td>PTD.</td> <td>-</td> <td>399</td> <td>3\"/> <tr> <td>3994</td> <td>ETR</td> <td>-</td> <td>WD.</td> <td>J2</td> <td>PTD.</td> <td>-</td> <td>3991</td> <td>3\"/> <tr> <td>3995</td> <td>ETR</td> <td>-</td> <td>WD.</td> <td>J2</td> <td>PTD.</td> <td>-</td> <td>3992</td> <td>3\"/> <tr> <td>3997</td> <td>ETR</td> <td>-</td> <td>WD.</td> <td>J2</td> <td>PTD.</td> <td>-</td> <td>3993</td> <td>3\"/> <tr> <td>3998</td> <td>ETR</td> <td>-</td> <td>WD.</td> <td>J2</td> <td>PTD.</td> <td>-</td> <td>3994</td> <td>3\"/> <tr> <td>3999</td> <td>ETR</td> <td>-</td> <td>WD.</td> <td>J2</td> <td>PTD.</td> <td>-</td> <td>3995</td> <td>3\"/> <tr> <td>3999</td> <td>ETR</td> <td>-</td> <td>WD.</td> <td>J2</td> <td>PTD.</td> <td>-</td> <td>3997</td> <td>3\"/> </td></tr></td></tr></td></tr></td></tr></td></tr></td></tr></td></tr> | 3993 | ETR | - | WD. | J2 | PTD.
 | - | 399 | 3\"/> <tr> <td>3994</td> <td>ETR</td> <td>-</td> <td>WD.</td> <td>J2</td> <td>PTD.</td> <td>-</td> <td>3991</td> <td>3\"/> <tr> <td>3995</td> <td>ETR</td> <td>-</td> <td>WD.</td> <td>J2</td> <td>PTD.</td> <td>-</td> <td>3992</td> <td>3\"/> <tr> <td>3997</td> <td>ETR</td> <td>-</td> <td>WD.</td> <td>J2</td> <td>PTD.</td> <td>-</td> <td>3993</td> <td>3\"/> <tr> <td>3998</td> <td>ETR</td> <td>-</td> <td>WD.</td> <td>J2</td> <td>PTD.</td> <td>-</td> <td>3994</td> <td>3\"/> <tr> <td>3999</td> <td>ETR</td> <td>-</td> <td>WD.</td> <td>J2</td> <td>PTD.</td> <td>-</td> <td>3995</td> <td>3\"/> <tr> <td>3999</td> <td>ETR</td> <td>-</td> <td>WD.</td> <td>J2</td> <td>PTD.</td> <td>-</td> <td>3997</td> <td>3\"/> </td></tr></td></tr></td></tr></td></tr></td></tr></td></tr> | 3994 | ETR | - | WD. | J2 | PTD.
 | - | 3991 | 3\"/> <tr> <td>3995</td> <td>ETR</td> <td>-</td> <td>WD.</td> <td>J2</td> <td>PTD.</td> <td>-</td> <td>3992</td> <td>3\"/> <tr> <td>3997</td> <td>ETR</td> <td>-</td> <td>WD.</td> <td>J2</td> <td>PTD.</td> <td>-</td> <td>3993</td> <td>3\"/> <tr> <td>3998</td> <td>ETR</td> <td>-</td> <td>WD.</td> <td>J2</td> <td>PTD.</td> <td>-</td> <td>3994</td> <td>3\"/> <tr> <td>3999</td> <td>ETR</td> <td>-</td> <td>WD.</td> <td>J2</td> <td>PTD.</td> <td>-</td> <td>3995</td> <td>3\"/> <tr> <td>3999</td> <td>ETR</td> <td>-</td> <td>WD.</td> <td>J2</td> <td>PTD.</td> <td>-</td> <td>3997</td> <td>3\"/> </td></tr></td></tr></td></tr></td></tr></td></tr>
 | 3995 | ETR | - | WD. | J2 | PTD. | - | 3992 | 3\"/> <tr> <td>3997</td> <td>ETR</td> <td>-</td> <td>WD.</td> <td>J2</td> <td>PTD.</td> <td>-</td> <td>3993</td> <td>3\"/> <tr> <td>3998</td> <td>ETR</td> <td>-</td> <td>WD.</td> <td>J2</td> <td>PTD.</td> <td>-</td> <td>3994</td> <td>3\"/> <tr> <td>3999</td> <td>ETR</td> <td>-</td> <td>WD.</td> <td>J2</td> <td>PTD.</td> <td>-</td> <td>3995</td> <td>3\"/> <tr> <td>3999</td> <td>ETR</td> <td>-</td> <td>WD.</td> <td>J2</td> <td>PTD.</td> <td>-</td> <td>3997</td> <td>3\"/> </td></tr></td></tr></td></tr></td></tr>
 | 3997 | ETR | - | WD. | J2 | PTD. | - | 3993 | 3\"/> <tr> <td>3998</td> <td>ETR</td> <td>-</td> <td>WD.</td> <td>J2</td> <td>PTD.</td> <td>-</td> <td>3994</td> <td>3\"/> <tr> <td>3999</td> <td>ETR</td> <td>-</td> <td>WD.</td> <td>J2</td> <td>PTD.</td> <td>-</td> <td>3995</td> <td>3\"/> <tr> <td>3999</td> <td>ETR</td> <td>-</td> <td>WD.</td> <td>J2</td> <td>PTD.</td> <td>-</td> <td>3997</td> <td>3\"/> </td></tr></td></tr></td></tr>
 | 3998 | ETR | - | WD. | J2 | PTD. | - | 3994 | 3\"/> <tr> <td>3999</td> <td>ETR</td> <td>-</td> <td>WD.</td> <td>J2</td> <td>PTD.</td> <td>-</td> <td>3995</td> <td>3\"/> <tr> <td>3999</td> <td>ETR</td> <td>-</td> <td>WD.</td> <td>J2</td> <td>PTD.</td> <td>-</td> <td>3997</td> <td>3\"/> </td></tr></td></tr>
 | 3999 | ETR | - | WD. | J2 | PTD. | - | 3995 | 3\"/> <tr> <td>3999</td> <td>ETR</td> <td>-</td> <td>WD.</td> <td>J2</td> <td>PTD.</td> <td>-</td> <td>3997</td> <td>3\"/> </td></tr>
 | 3999 | ETR | - | WD. | J2 | PTD.
 | - | 3997 | 3\"/> | | | | | | | | | | | | | | | | | | | | | | | | | | | | | | | | | | | | | | | | | | | | | | | | | | | |
 | | | | | | | | |
 | | | | | | | | |
 | | | | | | | | |
 | | | | | |
 | | | | | |
 | | | | | | | | |
 | | | | | | | | | | | | | | |
 | | | | | |
 | | | | | | | | |
 | | | | | |
 | | | | | | | | |
 | | | | | | | | |
 | | | | | | | | |
 | | | | | | | | |
 | | | | | | | | |
 | | | | | | | | |
 | | | | | | | | | | | |
 | | | | | | | | | | | | | | |
 | | | | | | | | | | | | | | | | | |
 | | | | | | | | | | | | | | | | | |
 | | | | | | | | | | | | | | | | | | | | | | | |
 | | | | | | | | | | | | | | | | | | | | | | | | | | | | | |
 | | | | | | | | | | | | | | | | | | | | | | | | | | | | | | | | | | | | | | |
 | | | | | | | | | | | | | | | | | | | | | | | | | | | | | | | | | | | | | | | | | | | | | | | | | | | | | | |
| 394 | ETR | - | WD. | J2 | PTD. | - | 391A | 3\"/> <tr> <td>395</td> <td>ETR</td> <td>-</td> <td>WD.</td> <td>J2</td> <td>PTD.</td> <td>-</td> <td>391B</td> <td>3\"/> <tr> <td>396</td> <td>ETR</td> <td>-</td> <td>WD.</td> <td>J2</td> <td>PTD.</td> <td>-</td> <td>394</td> <td>3\"/> <tr> <td>398</td> <td>ETR</td> <td>-</td> <td>WD.</td> <td>J2</td> <td>PTD.</td> <td>-</td> <td>395</td> <td>3\"/> <tr> <td>399</td> <td>ETR</td> <td>-</td> <td>WD.</td> <td>J2</td> <td>PTD.</td> <td>-</td> <td>396</td> <td>3\"/> <tr> <td>3991</td> <td>ETR</td> <td>-</td> <td>WD.</td> <td>J2</td> <td>PTD.</td> <td>-</td> <td>398</td> <td>3\"/> <tr> <td>3992</td> <td>A</td> <td>3\"/> <tr> <td>3993</td> <td>ETR</td> <td>-</td> <td>WD.</td> <td>J2</td> <td>PTD.</td> <td>-</td> <td>399</td> <td>3\"/> <tr> <td>3994</td> <td>ETR</td> <td>-</td> <td>WD.</td> <td>J2</td> <td>PTD.</td> <td>-</td> <td>3991</td> <td>3\"/> <tr> <td>3995</td> <td>ETR</td> <td>-</td> <td>WD.</td> <td>J2</td> <td>PTD.</td> <td>-</td> <td>3992</td> <td>3\"/> <tr> <td>3997</td> <td>ETR</td> <td>-</td> <td>WD.</td> <td>J2</td> <td>PTD.</td> <td>-</td> <td>3993</td> <td>3\"/> <tr> <td>3998</td> <td>ETR</td> <td>-</td> <td>WD.</td> <td>J2</td> <td>PTD.</td> <td>-</td> <td>3994</td> <td>3\"/> <tr> <td>3999</td> <td>ETR</td> <td>-</td> <td>WD.</td> <td>J2</td> <td>PTD.</td> <td>-</td> <td>3995</td> <td>3\"/> <tr> <td>3999</td> <td>ETR</td> <td>-</td> <td>WD.</td> <td>J2</td> <td>PTD.</td> <td>-</td> <td>3997</td> <td>3\"/> </td></tr></td></tr></td></tr></td></tr></td></tr></td></tr></td></tr></td></tr></td></tr></td></tr></td></tr></td></tr></td></tr>
 | 395 | ETR | -
 | WD. | J2 | PTD. | - | 391B | 3\"/> <tr> <td>396</td> <td>ETR</td> <td>-</td> <td>WD.</td> <td>J2</td> <td>PTD.</td> <td>-</td> <td>394</td> <td>3\"/> <tr> <td>398</td> <td>ETR</td> <td>-</td> <td>WD.</td> <td>J2</td> <td>PTD.</td> <td>-</td> <td>395</td> <td>3\"/> <tr> <td>399</td> <td>ETR</td> <td>-</td> <td>WD.</td> <td>J2</td> <td>PTD.</td> <td>-</td> <td>396</td> <td>3\"/> <tr> <td>3991</td> <td>ETR</td> <td>-</td> <td>WD.</td> <td>J2</td> <td>PTD.</td> <td>-</td> <td>398</td> <td>3\"/> <tr> <td>3992</td> <td>A</td> <td>3\"/> <tr> <td>3993</td> <td>ETR</td> <td>-</td> <td>WD.</td> <td>J2</td> <td>PTD.</td> <td>-</td> <td>399</td> <td>3\"/> <tr> <td>3994</td> <td>ETR</td> <td>-</td> <td>WD.</td> <td>J2</td> <td>PTD.</td> <td>-</td> <td>3991</td> <td>3\"/> <tr> <td>3995</td> <td>ETR</td> <td>-</td> <td>WD.</td> <td>J2</td> <td>PTD.</td> <td>-</td> <td>3992</td> <td>3\"/> <tr> <td>3997</td> <td>ETR</td> <td>-</td> <td>WD.</td> <td>J2</td> <td>PTD.</td> <td>-</td> <td>3993</td> <td>3\"/> <tr> <td>3998</td> <td>ETR</td> <td>-</td> <td>WD.</td> <td>J2</td> <td>PTD.</td> <td>-</td> <td>3994</td> <td>3\"/> <tr> <td>3999</td> <td>ETR</td> <td>-</td> <td>WD.</td> <td>J2</td> <td>PTD.</td> <td>-</td> <td>3995</td> <td>3\"/> <tr> <td>3999</td> <td>ETR</td> <td>-</td> <td>WD.</td> <td>J2</td> <td>PTD.</td> <td>-</td> <td>3997</td> <td>3\"/> </td></tr></td></tr></td></tr></td></tr></td></tr></td></tr></td></tr></td></tr></td></tr></td></tr></td></tr></td></tr> | 396 | ETR | -
 | WD. | J2 | PTD. | - | 394 | 3\"/> <tr> <td>398</td> <td>ETR</td> <td>-</td> <td>WD.</td> <td>J2</td> <td>PTD.</td> <td>-</td> <td>395</td> <td>3\"/> <tr> <td>399</td> <td>ETR</td> <td>-</td> <td>WD.</td> <td>J2</td> <td>PTD.</td> <td>-</td> <td>396</td> <td>3\"/> <tr> <td>3991</td> <td>ETR</td> <td>-</td> <td>WD.</td> <td>J2</td> <td>PTD.</td> <td>-</td> <td>398</td> <td>3\"/> <tr> <td>3992</td> <td>A</td> <td>3\"/> <tr> <td>3993</td> <td>ETR</td> <td>-</td> <td>WD.</td> <td>J2</td> <td>PTD.</td> <td>-</td> <td>399</td> <td>3\"/> <tr> <td>3994</td> <td>ETR</td> <td>-</td> <td>WD.</td> <td>J2</td> <td>PTD.</td> <td>-</td> <td>3991</td> <td>3\"/> <tr> <td>3995</td> <td>ETR</td> <td>-</td> <td>WD.</td> <td>J2</td> <td>PTD.</td> <td>-</td> <td>3992</td> <td>3\"/> <tr> <td>3997</td> <td>ETR</td> <td>-</td> <td>WD.</td> <td>J2</td> <td>PTD.</td> <td>-</td> <td>3993</td> <td>3\"/> <tr> <td>3998</td> <td>ETR</td> <td>-</td> <td>WD.</td> <td>J2</td> <td>PTD.</td> <td>-</td> <td>3994</td> <td>3\"/> <tr> <td>3999</td> <td>ETR</td> <td>-</td> <td>WD.</td> <td>J2</td> <td>PTD.</td> <td>-</td> <td>3995</td> <td>3\"/> <tr> <td>3999</td> <td>ETR</td> <td>-</td> <td>WD.</td> <td>J2</td> <td>PTD.</td> <td>-</td> <td>3997</td> <td>3\"/> </td></tr></td></tr></td></tr></td></tr></td></tr></td></tr></td></tr></td></tr></td></tr></td></tr></td></tr>
 | 398 | ETR | - | WD. | J2 | PTD. | - | 395 | 3\"/> <tr> <td>399</td> <td>ETR</td> <td>-</td> <td>WD.</td> <td>J2</td> <td>PTD.</td> <td>-</td> <td>396</td> <td>3\"/> <tr> <td>3991</td> <td>ETR</td> <td>-</td> <td>WD.</td> <td>J2</td> <td>PTD.</td> <td>-</td> <td>398</td> <td>3\"/> <tr> <td>3992</td> <td>A</td> <td>3\"/> <tr> <td>3993</td> <td>ETR</td> <td>-</td> <td>WD.</td> <td>J2</td> <td>PTD.</td> <td>-</td> <td>399</td> <td>3\"/> <tr> <td>3994</td> <td>ETR</td> <td>-</td> <td>WD.</td> <td>J2</td> <td>PTD.</td> <td>-</td> <td>3991</td> <td>3\"/> <tr> <td>3995</td> <td>ETR</td> <td>-</td> <td>WD.</td> <td>J2</td> <td>PTD.</td> <td>-</td> <td>3992</td> <td>3\"/> <tr> <td>3997</td> <td>ETR</td> <td>-</td> <td>WD.</td> <td>J2</td> <td>PTD.</td> <td>-</td> <td>3993</td> <td>3\"/> <tr> <td>3998</td> <td>ETR</td> <td>-</td> <td>WD.</td> <td>J2</td> <td>PTD.</td> <td>-</td> <td>3994</td> <td>3\"/> <tr> <td>3999</td> <td>ETR</td> <td>-</td> <td>WD.</td> <td>J2</td> <td>PTD.</td> <td>-</td> <td>3995</td> <td>3\"/> <tr> <td>3999</td> <td>ETR</td> <td>-</td> <td>WD.</td> <td>J2</td> <td>PTD.</td> <td>-</td> <td>3997</td> <td>3\"/> </td></tr></td></tr></td></tr></td></tr></td></tr></td></tr></td></tr></td></tr></td></tr></td></tr>
 | 399 | ETR | - | WD. | J2 | PTD. | - | 396 |
3\"/> <tr> <td>3991</td> <td>ETR</td> <td>-</td> <td>WD.</td> <td>J2</td> <td>PTD.</td> <td>-</td> <td>398</td> <td>3\"/> <tr> <td>3992</td> <td>A</td> <td>3\"/> <tr> <td>3993</td> <td>ETR</td> <td>-</td> <td>WD.</td> <td>J2</td> <td>PTD.</td> <td>-</td> <td>399</td> <td>3\"/> <tr> <td>3994</td> <td>ETR</td> <td>-</td> <td>WD.</td> <td>J2</td> <td>PTD.</td> <td>-</td> <td>3991</td> <td>3\"/> <tr> <td>3995</td> <td>ETR</td> <td>-</td> <td>WD.</td> <td>J2</td> <td>PTD.</td> <td>-</td> <td>3992</td> <td>3\"/> <tr> <td>3997</td> <td>ETR</td> <td>-</td> <td>WD.</td> <td>J2</td> <td>PTD.</td> <td>-</td> <td>3993</td> <td>3\"/> <tr> <td>3998</td> <td>ETR</td> <td>-</td> <td>WD.</td> <td>J2</td> <td>PTD.</td> <td>-</td> <td>3994</td> <td>3\"/> <tr> <td>3999</td> <td>ETR</td> <td>-</td> <td>WD.</td> <td>J2</td> <td>PTD.</td> <td>-</td> <td>3995</td> <td>3\"/> <tr> <td>3999</td> <td>ETR</td> <td>-</td> <td>WD.</td> <td>J2</td> <td>PTD.</td> <td>-</td> <td>3997</td> <td>3\"/> </td></tr></td></tr></td></tr></td></tr></td></tr></td></tr></td></tr></td></tr></td></tr> | 3991 | ETR | -
 | WD. | J2 | PTD. | - | 398 | 3\"/> <tr> <td>3992</td> <td>A</td> <td>3\"/> <tr> <td>3993</td> <td>ETR</td> <td>-</td> <td>WD.</td> <td>J2</td> <td>PTD.</td> <td>-</td> <td>399</td> <td>3\"/> <tr> <td>3994</td> <td>ETR</td> <td>-</td> <td>WD.</td> <td>J2</td> <td>PTD.</td> <td>-</td> <td>3991</td> <td>3\"/> <tr> <td>3995</td> <td>ETR</td> <td>-</td> <td>WD.</td> <td>J2</td> <td>PTD.</td> <td>-</td> <td>3992</td> <td>3\"/> <tr> <td>3997</td> <td>ETR</td> <td>-</td> <td>WD.</td> <td>J2</td> <td>PTD.</td> <td>-</td> <td>3993</td> <td>3\"/> <tr> <td>3998</td> <td>ETR</td> <td>-</td> <td>WD.</td> <td>J2</td> <td>PTD.</td> <td>-</td> <td>3994</td> <td>3\"/> <tr> <td>3999</td> <td>ETR</td> <td>-</td> <td>WD.</td> <td>J2</td> <td>PTD.</td> <td>-</td> <td>3995</td> <td>3\"/> <tr> <td>3999</td> <td>ETR</td> <td>-</td> <td>WD.</td> <td>J2</td> <td>PTD.</td> <td>-</td> <td>3997</td> <td>3\"/> </td></tr></td></tr></td></tr></td></tr></td></tr></td></tr></td></tr></td></tr> | 3992 | A | 3\"/> <tr> <td>3993</td> <td>ETR</td> <td>-</td> <td>WD.</td> <td>J2</td> <td>PTD.</td> <td>-</td> <td>399</td> <td>3\"/> <tr> <td>3994</td> <td>ETR</td> <td>-</td> <td>WD.</td> <td>J2</td> <td>PTD.</td> <td>-</td> <td>3991</td> <td>3\"/> <tr> <td>3995</td> <td>ETR</td> <td>-</td> <td>WD.</td> <td>J2</td> <td>PTD.</td> <td>-</td> <td>3992</td> <td>3\"/> <tr> <td>3997</td> <td>ETR</td> <td>-</td> <td>WD.</td> <td>J2</td> <td>PTD.</td> <td>-</td> <td>3993</td> <td>3\"/> <tr> <td>3998</td> <td>ETR</td> <td>-</td> <td>WD.</td> <td>J2</td> <td>PTD.</td> <td>-</td> <td>3994</td> <td>3\"/> <tr> <td>3999</td> <td>ETR</td> <td>-</td> <td>WD.</td> <td>J2</td> <td>PTD.</td> <td>-</td> <td>3995</td> <td>3\"/> <tr> <td>3999</td> <td>ETR</td> <td>-</td> <td>WD.</td> <td>J2</td> <td>PTD.</td> <td>-</td> <td>3997</td> <td>3\"/> </td></tr></td></tr></td></tr></td></tr></td></tr></td></tr></td></tr>
 | 3993 | ETR | - | WD. | J2 | PTD.
 | - | 399 | 3\"/> <tr> <td>3994</td> <td>ETR</td> <td>-</td> <td>WD.</td> <td>J2</td> <td>PTD.</td> <td>-</td> <td>3991</td> <td>3\"/> <tr> <td>3995</td> <td>ETR</td> <td>-</td> <td>WD.</td> <td>J2</td> <td>PTD.</td> <td>-</td> <td>3992</td> <td>3\"/> <tr> <td>3997</td> <td>ETR</td> <td>-</td> <td>WD.</td> <td>J2</td> <td>PTD.</td> <td>-</td> <td>3993</td> <td>3\"/> <tr> <td>3998</td> <td>ETR</td> <td>-</td> <td>WD.</td> <td>J2</td> <td>PTD.</td> <td>-</td> <td>3994</td> <td>3\"/> <tr> <td>3999</td> <td>ETR</td> <td>-</td> <td>WD.</td> <td>J2</td> <td>PTD.</td> <td>-</td> <td>3995</td> <td>3\"/> <tr> <td>3999</td> <td>ETR</td> <td>-</td> <td>WD.</td> <td>J2</td> <td>PTD.</td> <td>-</td> <td>3997</td> <td>3\"/> </td></tr></td></tr></td></tr></td></tr></td></tr></td></tr> | 3994 | ETR | - | WD. | J2 | PTD.
 | - | 3991 | 3\"/> <tr> <td>3995</td> <td>ETR</td> <td>-</td> <td>WD.</td> <td>J2</td> <td>PTD.</td> <td>-</td> <td>3992</td> <td>3\"/> <tr> <td>3997</td> <td>ETR</td> <td>-</td> <td>WD.</td> <td>J2</td> <td>PTD.</td> <td>-</td> <td>3993</td> <td>3\"/> <tr> <td>3998</td> <td>ETR</td> <td>-</td> <td>WD.</td> <td>J2</td> <td>PTD.</td> <td>-</td> <td>3994</td> <td>3\"/> <tr> <td>3999</td> <td>ETR</td> <td>-</td> <td>WD.</td> <td>J2</td> <td>PTD.</td> <td>-</td> <td>3995</td> <td>3\"/> <tr> <td>3999</td> <td>ETR</td> <td>-</td> <td>WD.</td> <td>J2</td> <td>PTD.</td> <td>-</td> <td>3997</td> <td>3\"/> </td></tr></td></tr></td></tr></td></tr></td></tr> | 3995 | ETR | - | WD. | J2 | PTD.
 | - | 3992 | 3\"/> <tr> <td>3997</td> <td>ETR</td> <td>-</td> <td>WD.</td> <td>J2</td> <td>PTD.</td> <td>-</td> <td>3993</td> <td>3\"/> <tr> <td>3998</td> <td>ETR</td> <td>-</td> <td>WD.</td> <td>J2</td> <td>PTD.</td> <td>-</td> <td>3994</td> <td>3\"/> <tr> <td>3999</td> <td>ETR</td> <td>-</td> <td>WD.</td> <td>J2</td> <td>PTD.</td> <td>-</td> <td>3995</td> <td>3\"/> <tr> <td>3999</td> <td>ETR</td> <td>-</td> <td>WD.</td> <td>J2</td> <td>PTD.</td> <td>-</td> <td>3997</td> <td>3\"/> </td></tr></td></tr></td></tr></td></tr>
 | 3997 | ETR | - | WD. | J2 | PTD. | - | 3993 | 3\"/> <tr> <td>3998</td> <td>ETR</td> <td>-</td> <td>WD.</td> <td>J2</td> <td>PTD.</td> <td>-</td> <td>3994</td> <td>3\"/> <tr> <td>3999</td> <td>ETR</td> <td>-</td> <td>WD.</td> <td>J2</td> <td>PTD.</td> <td>-</td> <td>3995</td> <td>3\"/> <tr> <td>3999</td> <td>ETR</td> <td>-</td> <td>WD.</td> <td>J2</td> <td>PTD.</td> <td>-</td> <td>3997</td> <td>3\"/> </td></tr></td></tr></td></tr>
 | 3998 | ETR | - | WD. | J2 | PTD. | - | 3994 | 3\"/> <tr> <td>3999</td> <td>ETR</td> <td>-</td> <td>WD.</td> <td>J2</td> <td>PTD.</td> <td>-</td> <td>3995</td> <td>3\"/> <tr> <td>3999</td> <td>ETR</td> <td>-</td> <td>WD.</td> <td>J2</td> <td>PTD.</td> <td>-</td> <td>3997</td> <td>3\"/> </td></tr></td></tr>
 | 3999 | ETR | - | WD. | J2 | PTD. | - | 3995 | 3\"/> <tr> <td>3999</td> <td>ETR</td> <td>-</td> <td>WD.</td> <td>J2</td> <td>PTD.</td> <td>-</td> <td>3997</td> <td>3\"/> </td></tr>
 | 3999 | ETR | - | WD. | J2 | PTD. | - | 3997 | 3\"/>
 | | | | | | | | | | | | | | | | | | | | | | | | | | | | | | | | | | | | | | | | | | | | | | | | | | | | | | |
 | | | | | | | | |
 | | | | | | | | |
 | | | | | | | | |
 | | | | | | | | |
 | | | | | |
 | | | | | |
 | | | | | | | | |
 | | | | | | | | | | | | | | |
 | | | | | |
 | | | | | | | | |
 | | | | | |
 | | | | | | | | |
 | | | | | | | | |
 | | | | | | | | |
 | | | | | | | | |
 | | | | | | | | |
 | | | | | | | | |
 | | | | | | | | | | | |
 | | | | | | | | | | | | | | |
 | | | | | | | | | | | | | | | | | |
 | | | | | | | | | | | | | | | | | |
 | | | | | | | | | | | | | | | | | | | | | | | |
 | | | | | | | | | | | | | | | | | | | | | | | | | | | | | |
 | | | | | | | | | | | | | | | | | | | | | | | | | | | | | | | | | | | | | | |
 | | | | | | | | | | | | | | | | | | | | | | | | | | | | | | | | | | | | | | | | | | | | | | | | | | | | | | |
| 395 | ETR | - | WD. | J2 | PTD. | - | 391B | 3\"/> <tr> <td>396</td> <td>ETR</td> <td>-</td> <td>WD.</td> <td>J2</td> <td>PTD.</td> <td>-</td> <td>394</td> <td>3\"/> <tr> <td>398</td> <td>ETR</td> <td>-</td> <td>WD.</td> <td>J2</td> <td>PTD.</td> <td>-</td> <td>395</td> <td>3\"/> <tr> <td>399</td> <td>ETR</td> <td>-</td> <td>WD.</td> <td>J2</td> <td>PTD.</td> <td>-</td> <td>396</td> <td>3\"/> <tr> <td>3991</td> <td>ETR</td> <td>-</td> <td>WD.</td> <td>J2</td> <td>PTD.</td> <td>-</td> <td>398</td> <td>3\"/> <tr> <td>3992</td> <td>A</td> <td>3\"/> <tr> <td>3993</td> <td>ETR</td> <td>-</td> <td>WD.</td> <td>J2</td> <td>PTD.</td> <td>-</td> <td>399</td> <td>3\"/> <tr> <td>3994</td> <td>ETR</td> <td>-</td> <td>WD.</td> <td>J2</td> <td>PTD.</td> <td>-</td> <td>3991</td> <td>3\"/> <tr> <td>3995</td> <td>ETR</td> <td>-</td> <td>WD.</td> <td>J2</td> <td>PTD.</td> <td>-</td> <td>3992</td> <td>3\"/> <tr> <td>3997</td> <td>ETR</td> <td>-</td> <td>WD.</td> <td>J2</td> <td>PTD.</td> <td>-</td> <td>3993</td> <td>3\"/> <tr> <td>3998</td> <td>ETR</td> <td>-</td> <td>WD.</td> <td>J2</td> <td>PTD.</td> <td>-</td> <td>3994</td> <td>3\"/> <tr> <td>3999</td> <td>ETR</td> <td>-</td> <td>WD.</td> <td>J2</td> <td>PTD.</td> <td>-</td> <td>3995</td> <td>3\"/> <tr> <td>3999</td> <td>ETR</td> <td>-</td> <td>WD.</td> <td>J2</td> <td>PTD.</td> <td>-</td> <td>3997</td> <td>3\"/> </td></tr></td></tr></td></tr></td></tr></td></tr></td></tr></td></tr></td></tr></td></tr></td></tr></td></tr></td></tr>
 | 396 | ETR | -
 | WD. | J2 | PTD. | - | 394 | 3\"/> <tr> <td>398</td> <td>ETR</td> <td>-</td> <td>WD.</td> <td>J2</td> <td>PTD.</td> <td>-</td> <td>395</td> <td>3\"/> <tr> <td>399</td> <td>ETR</td> <td>-</td> <td>WD.</td> <td>J2</td> <td>PTD.</td> <td>-</td> <td>396</td> <td>3\"/> <tr> <td>3991</td> <td>ETR</td> <td>-</td> <td>WD.</td> <td>J2</td> <td>PTD.</td> <td>-</td> <td>398</td> <td>3\"/> <tr> <td>3992</td> <td>A</td> <td>3\"/> <tr> <td>3993</td> <td>ETR</td> <td>-</td> <td>WD.</td> <td>J2</td> <td>PTD.</td> <td>-</td> <td>399</td> <td>3\"/> <tr> <td>3994</td> <td>ETR</td> <td>-</td> <td>WD.</td> <td>J2</td> <td>PTD.</td> <td>-</td> <td>3991</td> <td>3\"/> <tr> <td>3995</td> <td>ETR</td> <td>-</td> <td>WD.</td> <td>J2</td> <td>PTD.</td> <td>-</td> <td>3992</td> <td>3\"/> <tr> <td>3997</td> <td>ETR</td> <td>-</td> <td>WD.</td> <td>J2</td> <td>PTD.</td> <td>-</td> <td>3993</td> <td>3\"/> <tr> <td>3998</td> <td>ETR</td> <td>-</td> <td>WD.</td> <td>J2</td> <td>PTD.</td> <td>-</td> <td>3994</td> <td>3\"/> <tr> <td>3999</td> <td>ETR</td> <td>-</td> <td>WD.</td> <td>J2</td> <td>PTD.</td> <td>-</td> <td>3995</td> <td>3\"/> <tr> <td>3999</td> <td>ETR</td> <td>-</td> <td>WD.</td> <td>J2</td> <td>PTD.</td> <td>-</td> <td>3997</td> <td>3\"/> </td></tr></td></tr></td></tr></td></tr></td></tr></td></tr></td></tr></td></tr></td></tr></td></tr></td></tr> | 398 | ETR | -
 | WD. | J2 | PTD. | - | 395 | 3\"/> <tr> <td>399</td> <td>ETR</td> <td>-</td> <td>WD.</td> <td>J2</td> <td>PTD.</td> <td>-</td> <td>396</td> <td>3\"/> <tr> <td>3991</td> <td>ETR</td> <td>-</td> <td>WD.</td> <td>J2</td> <td>PTD.</td> <td>-</td> <td>398</td> <td>3\"/> <tr> <td>3992</td> <td>A</td> <td>3\"/> <tr> <td>3993</td> <td>ETR</td> <td>-</td> <td>WD.</td> <td>J2</td> <td>PTD.</td> <td>-</td> <td>399</td> <td>3\"/> <tr> <td>3994</td> <td>ETR</td> <td>-</td> <td>WD.</td> <td>J2</td> <td>PTD.</td> <td>-</td> <td>3991</td> <td>3\"/> <tr> <td>3995</td> <td>ETR</td> <td>-</td> <td>WD.</td> <td>J2</td> <td>PTD.</td> <td>-</td> <td>3992</td> <td>3\"/> <tr> <td>3997</td> <td>ETR</td> <td>-</td> <td>WD.</td> <td>J2</td> <td>PTD.</td> <td>-</td> <td>3993</td> <td>3\"/> <tr> <td>3998</td> <td>ETR</td> <td>-</td> <td>WD.</td> <td>J2</td> <td>PTD.</td> <td>-</td> <td>3994</td> <td>3\"/> <tr> <td>3999</td> <td>ETR</td> <td>-</td> <td>WD.</td> <td>J2</td> <td>PTD.</td> <td>-</td> <td>3995</td> <td>3\"/> <tr> <td>3999</td> <td>ETR</td> <td>-</td> <td>WD.</td> <td>J2</td> <td>PTD.</td> <td>-</td> <td>3997</td> <td>3\"/> </td></tr></td></tr></td></tr></td></tr></td></tr></td></tr></td></tr></td></tr></td></tr></td></tr>
 | 399 | ETR | - | WD. | J2 | PTD. | - | 396 | 3\"/> <tr> <td>3991</td> <td>ETR</td> <td>-</td> <td>WD.</td> <td>J2</td> <td>PTD.</td> <td>-</td> <td>398</td> <td>3\"/> <tr> <td>3992</td> <td>A</td> <td>3\"/> <tr> <td>3993</td> <td>ETR</td> <td>-</td> <td>WD.</td> <td>J2</td> <td>PTD.</td> <td>-</td> <td>399</td> <td>3\"/> <tr> <td>3994</td> <td>ETR</td> <td>-</td> <td>WD.</td> <td>J2</td> <td>PTD.</td> <td>-</td> <td>3991</td> <td>3\"/> <tr> <td>3995</td> <td>ETR</td> <td>-</td> <td>WD.</td> <td>J2</td> <td>PTD.</td> <td>-</td> <td>3992</td> <td>3\"/> <tr> <td>3997</td> <td>ETR</td> <td>-</td> <td>WD.</td> <td>J2</td> <td>PTD.</td> <td>-</td> <td>3993</td> <td>3\"/> <tr> <td>3998</td> <td>ETR</td> <td>-</td> <td>WD.</td> <td>J2</td> <td>PTD.</td> <td>-</td> <td>3994</td> <td>3\"/> <tr> <td>3999</td> <td>ETR</td> <td>-</td> <td>WD.</td> <td>J2</td> <td>PTD.</td> <td>-</td> <td>3995</td> <td>3\"/> <tr> <td>3999</td> <td>ETR</td> <td>-</td> <td>WD.</td> <td>J2</td> <td>PTD.</td> <td>-</td> <td>3997</td> <td>3\"/> </td></tr></td></tr></td></tr></td></tr></td></tr></td></tr></td></tr></td></tr></td></tr>
 | 3991 | ETR | - | WD. | J2 | PTD. | - | 398 |
3\"/> <tr> <td>3992</td> <td>A</td> <td>3\"/> <tr> <td>3993</td> <td>ETR</td> <td>-</td> <td>WD.</td> <td>J2</td> <td>PTD.</td> <td>-</td> <td>399</td> <td>3\"/> <tr> <td>3994</td> <td>ETR</td> <td>-</td> <td>WD.</td> <td>J2</td> <td>PTD.</td> <td>-</td> <td>3991</td> <td>3\"/> <tr> <td>3995</td> <td>ETR</td> <td>-</td> <td>WD.</td> <td>J2</td> <td>PTD.</td> <td>-</td> <td>3992</td> <td>3\"/> <tr> <td>3997</td> <td>ETR</td> <td>-</td> <td>WD.</td> <td>J2</td> <td>PTD.</td> <td>-</td> <td>3993</td> <td>3\"/> <tr> <td>3998</td> <td>ETR</td> <td>-</td> <td>WD.</td> <td>J2</td> <td>PTD.</td> <td>-</td> <td>3994</td> <td>3\"/> <tr> <td>3999</td> <td>ETR</td> <td>-</td> <td>WD.</td> <td>J2</td> <td>PTD.</td> <td>-</td> <td>3995</td> <td>3\"/> <tr> <td>3999</td> <td>ETR</td> <td>-</td> <td>WD.</td> <td>J2</td> <td>PTD.</td> <td>-</td> <td>3997</td> <td>3\"/> </td></tr></td></tr></td></tr></td></tr></td></tr></td></tr></td></tr></td></tr> | 3992 | A | 3\"/> <tr> <td>3993</td> <td>ETR</td> <td>-</td> <td>WD.</td> <td>J2</td> <td>PTD.</td> <td>-</td> <td>399</td> <td>3\"/> <tr> <td>3994</td> <td>ETR</td> <td>-</td> <td>WD.</td> <td>J2</td> <td>PTD.</td> <td>-</td> <td>3991</td> <td>3\"/> <tr> <td>3995</td> <td>ETR</td> <td>-</td> <td>WD.</td> <td>J2</td> <td>PTD.</td> <td>-</td> <td>3992</td> <td>3\"/> <tr> <td>3997</td> <td>ETR</td> <td>-</td> <td>WD.</td> <td>J2</td> <td>PTD.</td> <td>-</td> <td>3993</td> <td>3\"/> <tr> <td>3998</td> <td>ETR</td> <td>-</td> <td>WD.</td> <td>J2</td> <td>PTD.</td> <td>-</td> <td>3994</td> <td>3\"/> <tr> <td>3999</td> <td>ETR</td> <td>-</td> <td>WD.</td> <td>J2</td> <td>PTD.</td> <td>-</td> <td>3995</td> <td>3\"/> <tr> <td>3999</td> <td>ETR</td> <td>-</td> <td>WD.</td> <td>J2</td> <td>PTD.</td> <td>-</td> <td>3997</td> <td>3\"/> </td></tr></td></tr></td></tr></td></tr></td></tr></td></tr></td></tr>
 | 3993 | ETR | - | WD. | J2 | PTD. | - | 399 | 3\"/> <tr> <td>3994</td> <td>ETR</td> <td>-</td> <td>WD.</td> <td>J2</td> <td>PTD.</td> <td>-</td> <td>3991</td> <td>3\"/> <tr> <td>3995</td> <td>ETR</td> <td>-</td> <td>WD.</td> <td>J2</td> <td>PTD.</td> <td>-</td> <td>3992</td> <td>3\"/> <tr> <td>3997</td> <td>ETR</td> <td>-</td> <td>WD.</td> <td>J2</td> <td>PTD.</td> <td>-</td> <td>3993</td> <td>3\"/> <tr> <td>3998</td> <td>ETR</td> <td>-</td> <td>WD.</td> <td>J2</td> <td>PTD.</td> <td>-</td> <td>3994</td> <td>3\"/> <tr> <td>3999</td> <td>ETR</td> <td>-</td> <td>WD.</td> <td>J2</td> <td>PTD.</td> <td>-</td> <td>3995</td> <td>3\"/> <tr> <td>3999</td> <td>ETR</td> <td>-</td> <td>WD.</td> <td>J2</td> <td>PTD.</td> <td>-</td> <td>3997</td> <td>3\"/> </td></tr></td></tr></td></tr></td></tr></td></tr></td></tr>
 | 3994 | ETR | - | WD. | J2 | PTD.
 | - | 3991 | 3\"/> <tr> <td>3995</td> <td>ETR</td> <td>-</td> <td>WD.</td> <td>J2</td> <td>PTD.</td> <td>-</td> <td>3992</td> <td>3\"/> <tr> <td>3997</td> <td>ETR</td> <td>-</td> <td>WD.</td> <td>J2</td> <td>PTD.</td> <td>-</td> <td>3993</td> <td>3\"/> <tr> <td>3998</td> <td>ETR</td> <td>-</td> <td>WD.</td> <td>J2</td> <td>PTD.</td> <td>-</td> <td>3994</td> <td>3\"/> <tr> <td>3999</td> <td>ETR</td> <td>-</td> <td>WD.</td> <td>J2</td> <td>PTD.</td> <td>-</td> <td>3995</td> <td>3\"/> <tr> <td>3999</td> <td>ETR</td> <td>-</td> <td>WD.</td> <td>J2</td> <td>PTD.</td> <td>-</td> <td>3997</td> <td>3\"/> </td></tr></td></tr></td></tr></td></tr></td></tr> | 3995 | ETR | - | WD. | J2 | PTD.
 | - | 3992 | 3\"/> <tr> <td>3997</td> <td>ETR</td> <td>-</td> <td>WD.</td> <td>J2</td> <td>PTD.</td> <td>-</td> <td>3993</td> <td>3\"/> <tr> <td>3998</td> <td>ETR</td> <td>-</td> <td>WD.</td> <td>J2</td> <td>PTD.</td> <td>-</td> <td>3994</td> <td>3\"/> <tr> <td>3999</td> <td>ETR</td> <td>-</td> <td>WD.</td> <td>J2</td> <td>PTD.</td> <td>-</td> <td>3995</td> <td>3\"/> <tr> <td>3999</td> <td>ETR</td> <td>-</td> <td>WD.</td> <td>J2</td> <td>PTD.</td> <td>-</td> <td>3997</td> <td>3\"/> </td></tr></td></tr></td></tr></td></tr> | 3997 | ETR | - | WD. | J2 | PTD.
 | - | 3993 | 3\"/> <tr> <td>3998</td> <td>ETR</td> <td>-</td> <td>WD.</td> <td>J2</td> <td>PTD.</td> <td>-</td> <td>3994</td> <td>3\"/> <tr> <td>3999</td> <td>ETR</td> <td>-</td> <td>WD.</td> <td>J2</td> <td>PTD.</td> <td>-</td> <td>3995</td> <td>3\"/> <tr> <td>3999</td> <td>ETR</td> <td>-</td> <td>WD.</td> <td>J2</td> <td>PTD.</td> <td>-</td> <td>3997</td> <td>3\"/> </td></tr></td></tr></td></tr>
 | 3998 | ETR | - | WD. | J2 | PTD. | - | 3994 | 3\"/> <tr> <td>3999</td> <td>ETR</td> <td>-</td> <td>WD.</td> <td>J2</td> <td>PTD.</td> <td>-</td> <td>3995</td> <td>3\"/> <tr> <td>3999</td> <td>ETR</td> <td>-</td> <td>WD.</td> <td>J2</td> <td>PTD.</td> <td>-</td> <td>3997</td> <td>3\"/> </td></tr></td></tr>
 | 3999 | ETR | - | WD. | J2 | PTD. | - | 3995 | 3\"/> <tr> <td>3999</td> <td>ETR</td> <td>-</td> <td>WD.</td> <td>J2</td> <td>PTD.</td> <td>-</td> <td>3997</td> <td>3\"/> </td></tr>
 | 3999 | ETR | - | WD. | J2 | PTD. | - | 3997 | 3\"/>
 | | | | | | | | | | | | | | | | | | | | | | | | | | | | | | | | | | | | | | | | | | | | | | | | | | | | | | |
 | | | | | |
 | | | | | | | | |
 | | | | | | | | |
 | | | | | | | | |
 | | | | | | | | |
 | | | | | |
 | | | | | |
 | | | | | | | | |
 | | | | | | | | | | | | | | |
 | | | | | |
 | | | | | | | | |
 | | | | | |
 | | | | | | | | |
 | | | | | | | | |
 | | | | | | | | |
 | | | | | | | | |
 | | | | | | | | |
 | | | | | | | | |
 | | | | | | | | | | | |
 | | | | | | | | | | | | | | |
 | | | | | | | | | | | | | | | | | |
 | | | | | | | | | | | | | | | | | |
 | | | | | | | | | | | | | | | | | | | | | | | |
 | | | | | | | | | | | | | | | | | | | | | | | | | | | | | |
 | | | | | | | | | | | | | | | | | | | | | | | | | | | | | | | | | | | | | | |
 | | | | | | | | | | | | | | | | | | | | | | | | | | | | | | | | | | | | | | | | | | | | | | | | | | | | | | |
| 396 | ETR | - | WD. | J2 | PTD. | - | 394 | 3\"/> <tr> <td>398</td> <td>ETR</td> <td>-</td> <td>WD.</td> <td>J2</td> <td>PTD.</td> <td>-</td> <td>395</td> <td>3\"/> <tr> <td>399</td> <td>ETR</td> <td>-</td> <td>WD.</td> <td>J2</td> <td>PTD.</td> <td>-</td> <td>396</td> <td>3\"/> <tr> <td>3991</td> <td>ETR</td> <td>-</td> <td>WD.</td> <td>J2</td> <td>PTD.</td> <td>-</td> <td>398</td> <td>3\"/> <tr> <td>3992</td> <td>A</td> <td>3\"/> <tr> <td>3993</td> <td>ETR</td> <td>-</td> <td>WD.</td> <td>J2</td> <td>PTD.</td> <td>-</td> <td>399</td> <td>3\"/> <tr> <td>3994</td> <td>ETR</td> <td>-</td> <td>WD.</td> <td>J2</td> <td>PTD.</td> <td>-</td> <td>3991</td> <td>3\"/> <tr> <td>3995</td> <td>ETR</td> <td>-</td> <td>WD.</td> <td>J2</td> <td>PTD.</td> <td>-</td> <td>3992</td> <td>3\"/> <tr> <td>3997</td> <td>ETR</td> <td>-</td> <td>WD.</td> <td>J2</td> <td>PTD.</td> <td>-</td> <td>3993</td> <td>3\"/> <tr> <td>3998</td> <td>ETR</td> <td>-</td> <td>WD.</td> <td>J2</td> <td>PTD.</td> <td>-</td> <td>3994</td> <td>3\"/> <tr> <td>3999</td> <td>ETR</td> <td>-</td> <td>WD.</td> <td>J2</td> <td>PTD.</td> <td>-</td> <td>3995</td> <td>3\"/> <tr> <td>3999</td> <td>ETR</td> <td>-</td> <td>WD.</td> <td>J2</td> <td>PTD.</td> <td>-</td> <td>3997</td> <td>3\"/> </td></tr></td></tr></td></tr></td></tr></td></tr></td></tr></td></tr></td></tr></td></tr></td></tr></td></tr>
 | 398 | ETR | -
 | WD. | J2 | PTD. | - | 395 | 3\"/> <tr> <td>399</td> <td>ETR</td> <td>-</td> <td>WD.</td> <td>J2</td> <td>PTD.</td> <td>-</td> <td>396</td> <td>3\"/> <tr> <td>3991</td> <td>ETR</td> <td>-</td> <td>WD.</td> <td>J2</td> <td>PTD.</td> <td>-</td> <td>398</td> <td>3\"/> <tr> <td>3992</td> <td>A</td> <td>3\"/> <tr> <td>3993</td> <td>ETR</td> <td>-</td> <td>WD.</td> <td>J2</td> <td>PTD.</td> <td>-</td> <td>399</td> <td>3\"/> <tr> <td>3994</td> <td>ETR</td> <td>-</td> <td>WD.</td> <td>J2</td> <td>PTD.</td> <td>-</td> <td>3991</td> <td>3\"/> <tr> <td>3995</td> <td>ETR</td> <td>-</td> <td>WD.</td> <td>J2</td> <td>PTD.</td> <td>-</td> <td>3992</td> <td>3\"/> <tr> <td>3997</td> <td>ETR</td> <td>-</td> <td>WD.</td> <td>J2</td> <td>PTD.</td> <td>-</td> <td>3993</td> <td>3\"/> <tr> <td>3998</td> <td>ETR</td> <td>-</td> <td>WD.</td> <td>J2</td> <td>PTD.</td> <td>-</td> <td>3994</td> <td>3\"/> <tr> <td>3999</td> <td>ETR</td> <td>-</td> <td>WD.</td> <td>J2</td> <td>PTD.</td> <td>-</td> <td>3995</td> <td>3\"/> <tr> <td>3999</td> <td>ETR</td> <td>-</td> <td>WD.</td> <td>J2</td> <td>PTD.</td> <td>-</td> <td>3997</td> <td>3\"/> </td></tr></td></tr></td></tr></td></tr></td></tr></td></tr></td></tr></td></tr></td></tr></td></tr> | 399 | ETR | -
 | WD. | J2 | PTD. | - | 396 | 3\"/> <tr> <td>3991</td> <td>ETR</td> <td>-</td> <td>WD.</td> <td>J2</td> <td>PTD.</td> <td>-</td> <td>398</td> <td>3\"/> <tr> <td>3992</td> <td>A</td> <td>3\"/> <tr> <td>3993</td> <td>ETR</td> <td>-</td> <td>WD.</td> <td>J2</td> <td>PTD.</td> <td>-</td> <td>399</td> <td>3\"/> <tr> <td>3994</td> <td>ETR</td> <td>-</td> <td>WD.</td> <td>J2</td> <td>PTD.</td> <td>-</td> <td>3991</td> <td>3\"/> <tr> <td>3995</td> <td>ETR</td> <td>-</td> <td>WD.</td> <td>J2</td> <td>PTD.</td> <td>-</td> <td>3992</td> <td>3\"/> <tr> <td>3997</td> <td>ETR</td> <td>-</td> <td>WD.</td> <td>J2</td> <td>PTD.</td> <td>-</td> <td>3993</td> <td>3\"/> <tr> <td>3998</td> <td>ETR</td> <td>-</td> <td>WD.</td> <td>J2</td> <td>PTD.</td> <td>-</td> <td>3994</td> <td>3\"/> <tr> <td>3999</td> <td>ETR</td> <td>-</td> <td>WD.</td> <td>J2</td> <td>PTD.</td> <td>-</td> <td>3995</td> <td>3\"/> <tr> <td>3999</td> <td>ETR</td> <td>-</td> <td>WD.</td> <td>J2</td> <td>PTD.</td> <td>-</td> <td>3997</td> <td>3\"/> </td></tr></td></tr></td></tr></td></tr></td></tr></td></tr></td></tr></td></tr></td></tr>
 | 3991 | ETR | - | WD. | J2 | PTD. | - | 398 | 3\"/> <tr> <td>3992</td> <td>A</td> <td>3\"/> <tr> <td>3993</td> <td>ETR</td> <td>-</td> <td>WD.</td> <td>J2</td> <td>PTD.</td> <td>-</td> <td>399</td> <td>3\"/> <tr> <td>3994</td> <td>ETR</td> <td>-</td> <td>WD.</td> <td>J2</td> <td>PTD.</td> <td>-</td> <td>3991</td> <td>3\"/> <tr> <td>3995</td> <td>ETR</td> <td>-</td> <td>WD.</td> <td>J2</td> <td>PTD.</td> <td>-</td> <td>3992</td> <td>3\"/> <tr> <td>3997</td> <td>ETR</td> <td>-</td> <td>WD.</td> <td>J2</td> <td>PTD.</td> <td>-</td> <td>3993</td> <td>3\"/> <tr> <td>3998</td> <td>ETR</td> <td>-</td> <td>WD.</td> <td>J2</td> <td>PTD.</td> <td>-</td> <td>3994</td> <td>3\"/> <tr> <td>3999</td> <td>ETR</td> <td>-</td> <td>WD.</td> <td>J2</td> <td>PTD.</td> <td>-</td> <td>3995</td> <td>3\"/> <tr> <td>3999</td> <td>ETR</td> <td>-</td> <td>WD.</td> <td>J2</td> <td>PTD.</td> <td>-</td> <td>3997</td> <td>3\"/> </td></tr></td></tr></td></tr></td></tr></td></tr></td></tr></td></tr></td></tr>
 | 3992 | A | 3\"/> <tr> <td>3993</td> <td>ETR</td> <td>-</td> <td>WD.</td> <td>J2</td> <td>PTD.</td> <td>-</td> <td>399</td> <td>3\"/> <tr> <td>3994</td> <td>ETR</td> <td>-</td> <td>WD.</td> <td>J2</td> <td>PTD.</td> <td>-</td> <td>3991</td> <td>3\"/> <tr> <td>3995</td> <td>ETR</td> <td>-</td> <td>WD.</td> <td>J2</td> <td>PTD.</td> <td>-</td> <td>3992</td> <td>3\"/> <tr> <td>3997</td> <td>ETR</td> <td>-</td> <td>WD.</td> <td>J2</td> <td>PTD.</td> <td>-</td> <td>3993</td> <td>3\"/> <tr> <td>3998</td> <td>ETR</td> <td>-</td> <td>WD.</td> <td>J2</td> <td>PTD.</td> <td>-</td> <td>3994</td> <td>3\"/> <tr> <td>3999</td> <td>ETR</td> <td>-</td> <td>WD.</td> <td>J2</td> <td>PTD.</td> <td>-</td> <td>3995</td> <td>3\"/> <tr> <td>3999</td> <td>ETR</td> <td>-</td> <td>WD.</td> <td>J2</td> <td>PTD.</td> <td>-</td> <td>3997</td> <td>3\"/> </td></tr></td></tr></td></tr></td></tr></td></tr></td></tr></td></tr> | 3993 | ETR | - | WD. | J2 |
PTD. | - | 399 | 3\"/> <tr> <td>3994</td> <td>ETR</td> <td>-</td> <td>WD.</td> <td>J2</td> <td>PTD.</td> <td>-</td> <td>3991</td> <td>3\"/> <tr> <td>3995</td> <td>ETR</td> <td>-</td> <td>WD.</td> <td>J2</td> <td>PTD.</td> <td>-</td> <td>3992</td> <td>3\"/> <tr> <td>3997</td> <td>ETR</td> <td>-</td> <td>WD.</td> <td>J2</td> <td>PTD.</td> <td>-</td> <td>3993</td> <td>3\"/> <tr> <td>3998</td> <td>ETR</td> <td>-</td> <td>WD.</td> <td>J2</td> <td>PTD.</td> <td>-</td> <td>3994</td> <td>3\"/> <tr> <td>3999</td> <td>ETR</td> <td>-</td> <td>WD.</td> <td>J2</td> <td>PTD.</td> <td>-</td> <td>3995</td> <td>3\"/> <tr> <td>3999</td> <td>ETR</td> <td>-</td> <td>WD.</td> <td>J2</td> <td>PTD.</td> <td>-</td> <td>3997</td> <td>3\"/> </td></tr></td></tr></td></tr></td></tr></td></tr></td></tr>
 | 3994 | ETR | - | WD. | J2 | PTD. | - | 3991 | 3\"/> <tr> <td>3995</td> <td>ETR</td> <td>-</td> <td>WD.</td> <td>J2</td> <td>PTD.</td> <td>-</td> <td>3992</td> <td>3\"/> <tr> <td>3997</td> <td>ETR</td> <td>-</td> <td>WD.</td> <td>J2</td> <td>PTD.</td> <td>-</td> <td>3993</td> <td>3\"/> <tr> <td>3998</td> <td>ETR</td> <td>-</td> <td>WD.</td> <td>J2</td> <td>PTD.</td> <td>-</td> <td>3994</td> <td>3\"/> <tr> <td>3999</td> <td>ETR</td> <td>-</td> <td>WD.</td> <td>J2</td> <td>PTD.</td> <td>-</td> <td>3995</td> <td>3\"/> <tr> <td>3999</td> <td>ETR</td> <td>-</td> <td>WD.</td> <td>J2</td> <td>PTD.</td> <td>-</td> <td>3997</td> <td>3\"/> </td></tr></td></tr></td></tr></td></tr></td></tr>
 | 3995 | ETR | - | WD. | J2 | PTD.
 | - | 3992 | 3\"/> <tr> <td>3997</td> <td>ETR</td> <td>-</td> <td>WD.</td> <td>J2</td> <td>PTD.</td> <td>-</td> <td>3993</td> <td>3\"/> <tr> <td>3998</td> <td>ETR</td> <td>-</td> <td>WD.</td> <td>J2</td> <td>PTD.</td> <td>-</td> <td>3994</td> <td>3\"/> <tr> <td>3999</td> <td>ETR</td> <td>-</td> <td>WD.</td> <td>J2</td> <td>PTD.</td> <td>-</td> <td>3995</td> <td>3\"/> <tr> <td>3999</td> <td>ETR</td> <td>-</td> <td>WD.</td> <td>J2</td> <td>PTD.</td> <td>-</td> <td>3997</td> <td>3\"/> </td></tr></td></tr></td></tr></td></tr> | 3997 | ETR | - | WD. | J2 | PTD.
 | - | 3993 | 3\"/> <tr> <td>3998</td> <td>ETR</td> <td>-</td> <td>WD.</td> <td>J2</td> <td>PTD.</td> <td>-</td> <td>3994</td> <td>3\"/> <tr> <td>3999</td> <td>ETR</td> <td>-</td> <td>WD.</td> <td>J2</td> <td>PTD.</td> <td>-</td> <td>3995</td> <td>3\"/> <tr> <td>3999</td> <td>ETR</td> <td>-</td> <td>WD.</td> <td>J2</td> <td>PTD.</td> <td>-</td> <td>3997</td> <td>3\"/> </td></tr></td></tr></td></tr> | 3998 | ETR | - | WD. | J2 | PTD.
 | - | 3994 | 3\"/> <tr> <td>3999</td> <td>ETR</td> <td>-</td> <td>WD.</td> <td>J2</td> <td>PTD.</td> <td>-</td> <td>3995</td> <td>3\"/> <tr> <td>3999</td> <td>ETR</td> <td>-</td> <td>WD.</td> <td>J2</td> <td>PTD.</td> <td>-</td> <td>3997</td> <td>3\"/> </td></tr></td></tr>
 | 3999 | ETR | - | WD. | J2 | PTD. | - | 3995 | 3\"/> <tr> <td>3999</td> <td>ETR</td> <td>-</td> <td>WD.</td> <td>J2</td> <td>PTD.</td> <td>-</td> <td>3997</td> <td>3\"/> </td></tr>
 | 3999 | ETR | - | WD. | J2 | PTD. | - | 3997 | 3\"/>
 | | | | | | | | | | | | | | | | | | | | | | | | | | | | | | | | | | | | | | | | | | | | | | | | | | | | | | |
 | | | | | | | | |
 | | | | | |
 | | | | | | | | |
 | | | | | | | | |
 | | | | | | | | |
 | | | | | | | | |
 | | | | | |
 | | | | | |
 | | | | | | | | |
 | | | | | | | | | | | | | | |
 | | | | | |
 | | | | | | | | |
 | | | | | |
 | | | | | | | | |
 | | | | | | | | |
 | | | | | | | | |
 | | | | | | | | |
 | | | | | | | | |
 | | | | | | | | |
 | | | | | | | | | | | |
 | | | | | | | | | | | | | | |
 | | | | | | | | | | | | | | | | | |
 | | | | | | | | | | | | | | | | | |
 | | | | | | | | | | | | | | | | | | | | | | | |
 | | | | | | | | | | | | | | | | | | | | | | | | | | | | | |
 | | | | | | | | | | | | | | | | | | | | | | | | | | | | | | | | | | | | | | |
 | | | | | | | | | | | | | | | | | | | | | | | | | | | | | | | | | | | | | | | | | | | | | | | | | | | | | | |
| 398 | ETR | - | WD. | J2 | PTD. | - | 395 | 3\"/> <tr> <td>399</td> <td>ETR</td> <td>-</td> <td>WD.</td> <td>J2</td> <td>PTD.</td> <td>-</td> <td>396</td> <td>3\"/> <tr> <td>3991</td> <td>ETR</td> <td>-</td> <td>WD.</td> <td>J2</td> <td>PTD.</td> <td>-</td> <td>398</td> <td>3\"/> <tr> <td>3992</td> <td>A</td> <td>3\"/> <tr> <td>3993</td> <td>ETR</td> <td>-</td> <td>WD.</td> <td>J2</td> <td>PTD.</td> <td>-</td> <td>399</td> <td>3\"/> <tr> <td>3994</td> <td>ETR</td> <td>-</td> <td>WD.</td> <td>J2</td> <td>PTD.</td> <td>-</td> <td>3991</td> <td>3\"/> <tr> <td>3995</td> <td>ETR</td> <td>-</td> <td>WD.</td> <td>J2</td> <td>PTD.</td> <td>-</td> <td>3992</td> <td>3\"/> <tr> <td>3997</td> <td>ETR</td> <td>-</td> <td>WD.</td> <td>J2</td> <td>PTD.</td> <td>-</td> <td>3993</td> <td>3\"/> <tr> <td>3998</td> <td>ETR</td> <td>-</td> <td>WD.</td> <td>J2</td> <td>PTD.</td> <td>-</td> <td>3994</td> <td>3\"/> <tr> <td>3999</td> <td>ETR</td> <td>-</td> <td>WD.</td> <td>J2</td> <td>PTD.</td> <td>-</td> <td>3995</td> <td>3\"/> <tr> <td>3999</td> <td>ETR</td> <td>-</td> <td>WD.</td> <td>J2</td> <td>PTD.</td> <td>-</td> <td>3997</td> <td>3\"/> </td></tr></td></tr></td></tr></td></tr></td></tr></td></tr></td></tr></td></tr></td></tr></td></tr>
 | 399 | ETR | -
 | WD. | J2 | PTD. | - | 396 | 3\"/> <tr> <td>3991</td> <td>ETR</td> <td>-</td> <td>WD.</td> <td>J2</td> <td>PTD.</td> <td>-</td> <td>398</td> <td>3\"/> <tr> <td>3992</td> <td>A</td> <td>3\"/> <tr> <td>3993</td> <td>ETR</td> <td>-</td> <td>WD.</td> <td>J2</td> <td>PTD.</td> <td>-</td> <td>399</td> <td>3\"/> <tr> <td>3994</td> <td>ETR</td> <td>-</td> <td>WD.</td> <td>J2</td> <td>PTD.</td> <td>-</td> <td>3991</td> <td>3\"/> <tr> <td>3995</td> <td>ETR</td> <td>-</td> <td>WD.</td> <td>J2</td> <td>PTD.</td> <td>-</td> <td>3992</td> <td>3\"/> <tr> <td>3997</td> <td>ETR</td> <td>-</td> <td>WD.</td> <td>J2</td> <td>PTD.</td> <td>-</td> <td>3993</td> <td>3\"/> <tr> <td>3998</td> <td>ETR</td> <td>-</td> <td>WD.</td> <td>J2</td> <td>PTD.</td> <td>-</td> <td>3994</td> <td>3\"/> <tr> <td>3999</td> <td>ETR</td> <td>-</td> <td>WD.</td> <td>J2</td> <td>PTD.</td> <td>-</td> <td>3995</td> <td>3\"/> <tr> <td>3999</td> <td>ETR</td> <td>-</td> <td>WD.</td> <td>J2</td> <td>PTD.</td> <td>-</td> <td>3997</td> <td>3\"/> </td></tr></td></tr></td></tr></td></tr></td></tr></td></tr></td></tr></td></tr></td></tr> | 3991 | ETR | -
 | WD. | J2 | PTD. | - | 398 | 3\"/> <tr> <td>3992</td> <td>A</td> <td>3\"/> <tr> <td>3993</td> <td>ETR</td> <td>-</td> <td>WD.</td> <td>J2</td> <td>PTD.</td> <td>-</td> <td>399</td> <td>3\"/> <tr> <td>3994</td> <td>ETR</td> <td>-</td> <td>WD.</td> <td>J2</td> <td>PTD.</td> <td>-</td> <td>3991</td> <td>3\"/> <tr> <td>3995</td> <td>ETR</td> <td>-</td> <td>WD.</td> <td>J2</td> <td>PTD.</td> <td>-</td> <td>3992</td> <td>3\"/> <tr> <td>3997</td> <td>ETR</td> <td>-</td> <td>WD.</td> <td>J2</td> <td>PTD.</td> <td>-</td> <td>3993</td> <td>3\"/> <tr> <td>3998</td> <td>ETR</td> <td>-</td> <td>WD.</td> <td>J2</td> <td>PTD.</td> <td>-</td> <td>3994</td> <td>3\"/> <tr> <td>3999</td> <td>ETR</td> <td>-</td> <td>WD.</td> <td>J2</td> <td>PTD.</td> <td>-</td> <td>3995</td> <td>3\"/> <tr> <td>3999</td> <td>ETR</td> <td>-</td> <td>WD.</td> <td>J2</td> <td>PTD.</td> <td>-</td> <td>3997</td> <td>3\"/> </td></tr></td></tr></td></tr></td></tr></td></tr></td></tr></td></tr></td></tr>
 | 3992 | A | 3\"/> <tr> <td>3993</td> <td>ETR</td> <td>-</td> <td>WD.</td> <td>J2</td> <td>PTD.</td> <td>-</td> <td>399</td> <td>3\"/> <tr> <td>3994</td> <td>ETR</td> <td>-</td> <td>WD.</td> <td>J2</td> <td>PTD.</td> <td>-</td> <td>3991</td> <td>3\"/> <tr> <td>3995</td> <td>ETR</td> <td>-</td> <td>WD.</td> <td>J2</td> <td>PTD.</td> <td>-</td> <td>3992</td> <td>3\"/> <tr> <td>3997</td> <td>ETR</td> <td>-</td> <td>WD.</td> <td>J2</td> <td>PTD.</td> <td>-</td> <td>3993</td> <td>3\"/> <tr> <td>3998</td> <td>ETR</td> <td>-</td> <td>WD.</td> <td>J2</td> <td>PTD.</td> <td>-</td> <td>3994</td> <td>3\"/> <tr> <td>3999</td> <td>ETR</td> <td>-</td> <td>WD.</td> <td>J2</td> <td>PTD.</td> <td>-</td> <td>3995</td> <td>3\"/> <tr> <td>3999</td> <td>ETR</td> <td>-</td> <td>WD.</td> <td>J2</td> <td>PTD.</td> <td>-</td> <td>3997</td> <td>3\"/> </td></tr></td></tr></td></tr></td></tr></td></tr></td></tr></td></tr> | 3993 | ETR | - | WD. | J2 | PTD.
 | - | 399 | 3\"/> <tr> <td>3994</td> <td>ETR</td> <td>-</td> <td>WD.</td> <td>J2</td> <td>PTD.</td> <td>-</td> <td>3991</td> <td>3\"/> <tr> <td>3995</td> <td>ETR</td> <td>-</td> <td>WD.</td> <td>J2</td> <td>PTD.</td> <td>-</td> <td>3992</td> <td>3\"/> <tr> <td>3997</td> <td>ETR</td> <td>-</td> <td>WD.</td> <td>J2</td> <td>PTD.</td> <td>-</td> <td>3993</td> <td>3\"/> <tr> <td>3998</td> <td>ETR</td> <td>-</td> <td>WD.</td> <td>J2</td> <td>PTD.</td> <td>-</td> <td>3994</td> <td>3\"/> <tr> <td>3999</td> <td>ETR</td> <td>-</td> <td>WD.</td> <td>J2</td> <td>PTD.</td> <td>-</td> <td>3995</td> <td>3\"/> <tr> <td>3999</td> <td>ETR</td> <td>-</td> <td>WD.</td> <td>J2</td> <td>PTD.</td> <td>-</td> <td>3997</td> <td>3\"/> </td></tr></td></tr></td></tr></td></tr></td></tr></td></tr> | 3994 | ETR | - | WD. | J2 |
PTD. | - | 3991 | 3\"/> <tr> <td>3995</td> <td>ETR</td> <td>-</td> <td>WD.</td> <td>J2</td> <td>PTD.</td> <td>-</td> <td>3992</td> <td>3\"/> <tr> <td>3997</td> <td>ETR</td> <td>-</td> <td>WD.</td> <td>J2</td> <td>PTD.</td> <td>-</td> <td>3993</td> <td>3\"/> <tr> <td>3998</td> <td>ETR</td> <td>-</td> <td>WD.</td> <td>J2</td> <td>PTD.</td> <td>-</td> <td>3994</td> <td>3\"/> <tr> <td>3999</td> <td>ETR</td> <td>-</td> <td>WD.</td> <td>J2</td> <td>PTD.</td> <td>-</td> <td>3995</td> <td>3\"/> <tr> <td>3999</td> <td>ETR</td> <td>-</td> <td>WD.</td> <td>J2</td> <td>PTD.</td> <td>-</td> <td>3997</td> <td>3\"/> </td></tr></td></tr></td></tr></td></tr></td></tr>
 | 3995 | ETR | - | WD. | J2 | PTD. | - | 3992 | 3\"/> <tr> <td>3997</td> <td>ETR</td> <td>-</td> <td>WD.</td> <td>J2</td> <td>PTD.</td> <td>-</td> <td>3993</td> <td>3\"/> <tr> <td>3998</td> <td>ETR</td> <td>-</td> <td>WD.</td> <td>J2</td> <td>PTD.</td> <td>-</td> <td>3994</td> <td>3\"/> <tr> <td>3999</td> <td>ETR</td> <td>-</td> <td>WD.</td> <td>J2</td> <td>PTD.</td> <td>-</td> <td>3995</td> <td>3\"/> <tr> <td>3999</td> <td>ETR</td> <td>-</td> <td>WD.</td> <td>J2</td> <td>PTD.</td> <td>-</td> <td>3997</td> <td>3\"/> </td></tr></td></tr></td></tr></td></tr>
 | 3997 | ETR | - | WD. | J2 | PTD.
 | - | 3993 | 3\"/> <tr> <td>3998</td> <td>ETR</td> <td>-</td> <td>WD.</td> <td>J2</td> <td>PTD.</td> <td>-</td> <td>3994</td> <td>3\"/> <tr> <td>3999</td> <td>ETR</td> <td>-</td> <td>WD.</td> <td>J2</td> <td>PTD.</td> <td>-</td> <td>3995</td> <td>3\"/> <tr> <td>3999</td> <td>ETR</td> <td>-</td> <td>WD.</td> <td>J2</td> <td>PTD.</td> <td>-</td> <td>3997</td> <td>3\"/> </td></tr></td></tr></td></tr> | 3998 | ETR | - | WD. | J2 | PTD.
 | - | 3994 | 3\"/> <tr> <td>3999</td> <td>ETR</td> <td>-</td> <td>WD.</td> <td>J2</td> <td>PTD.</td> <td>-</td> <td>3995</td> <td>3\"/> <tr> <td>3999</td> <td>ETR</td> <td>-</td> <td>WD.</td> <td>J2</td> <td>PTD.</td> <td>-</td> <td>3997</td> <td>3\"/> </td></tr></td></tr> | 3999 | ETR | - | WD. | J2 | PTD.
 | - | 3995 | 3\"/> <tr> <td>3999</td> <td>ETR</td> <td>-</td> <td>WD.</td> <td>J2</td> <td>PTD.</td> <td>-</td> <td>3997</td> <td>3\"/> </td></tr>
 | 3999 | ETR | - | WD. | J2 | PTD. | - | 3997 | 3\"/>
 | | | | | | | | | | | | | | | | | | | | | | | | | | | | | | | | | | | | | | | | | | | | | | | | | | | | | | |
 | | | | | | | | |
 | | | | | | | | |
 | | | | | |
 | | | | | | | | |
 | | | | | | | | |
 | | | | | | | | |
 | | | | | | | | |
 | | | | | |
 | | | | | |
 | | | | | | | | |
 | | | | | | | | | | | | | | |
 | | | | | |
 | | | | | | | | |
 | | | | | |
 | | | | | | | | |
 | | | | | | | | |
 | | | | | | | | |
 | | | | | | | | |
 | | | | | | | | |
 | | | | | | | | |
 | | | | | | | | | | | |
 | | | | | | | | | | | | | | |
 | | | | | | | | | | | | | | | | | |
 | | | | | | | | | | | | | | | | | |
 | | | | | | | | | | | | | | | | | | | | | | | |
 | | | | | | | | | | | | | | | | | | | | | | | | | | | | | |
 | | | | | | | | | | | | | | | | | | | | | | | | | | | | | | | | | | | | | | |
 | | | | | | | | | | | | | | | | | | | | | | | | | | | | | | | | | | | | | | | | | | | | | | | | | | | | | | |
| 399 | ETR | - | WD. | J2 | PTD. | - | 396 | 3\"/> <tr> <td>3991</td> <td>ETR</td> <td>-</td> <td>WD.</td> <td>J2</td> <td>PTD.</td> <td>-</td> <td>398</td> <td>3\"/> <tr> <td>3992</td> <td>A</td> <td>3\"/> <tr> <td>3993</td> <td>ETR</td> <td>-</td> <td>WD.</td> <td>J2</td> <td>PTD.</td> <td>-</td> <td>399</td> <td>3\"/> <tr> <td>3994</td> <td>ETR</td> <td>-</td> <td>WD.</td> <td>J2</td> <td>PTD.</td> <td>-</td> <td>3991</td> <td>3\"/> <tr> <td>3995</td> <td>ETR</td> <td>-</td> <td>WD.</td> <td>J2</td> <td>PTD.</td> <td>-</td> <td>3992</td> <td>3\"/> <tr> <td>3997</td> <td>ETR</td> <td>-</td> <td>WD.</td> <td>J2</td> <td>PTD.</td> <td>-</td> <td>3993</td> <td>3\"/> <tr> <td>3998</td> <td>ETR</td> <td>-</td> <td>WD.</td> <td>J2</td> <td>PTD.</td> <td>-</td> <td>3994</td> <td>3\"/> <tr> <td>3999</td> <td>ETR</td> <td>-</td> <td>WD.</td> <td>J2</td> <td>PTD.</td> <td>-</td> <td>3995</td> <td>3\"/> <tr> <td>3999</td> <td>ETR</td> <td>-</td> <td>WD.</td> <td>J2</td> <td>PTD.</td> <td>-</td> <td>3997</td> <td>3\"/> </td></tr></td></tr></td></tr></td></tr></td></tr></td></tr></td></tr></td></tr></td></tr>
 | 3991 | ETR | -
 | WD. | J2 | PTD. | - | 398 | 3\"/> <tr> <td>3992</td> <td>A</td> <td>3\"/> <tr> <td>3993</td> <td>ETR</td> <td>-</td> <td>WD.</td> <td>J2</td> <td>PTD.</td> <td>-</td> <td>399</td> <td>3\"/> <tr> <td>3994</td> <td>ETR</td> <td>-</td> <td>WD.</td> <td>J2</td> <td>PTD.</td> <td>-</td> <td>3991</td> <td>3\"/> <tr> <td>3995</td> <td>ETR</td> <td>-</td> <td>WD.</td> <td>J2</td> <td>PTD.</td> <td>-</td> <td>3992</td> <td>3\"/> <tr> <td>3997</td> <td>ETR</td> <td>-</td> <td>WD.</td> <td>J2</td> <td>PTD.</td> <td>-</td> <td>3993</td> <td>3\"/> <tr> <td>3998</td> <td>ETR</td> <td>-</td> <td>WD.</td> <td>J2</td> <td>PTD.</td> <td>-</td> <td>3994</td> <td>3\"/> <tr> <td>3999</td> <td>ETR</td> <td>-</td> <td>WD.</td> <td>J2</td> <td>PTD.</td> <td>-</td> <td>3995</td> <td>3\"/> <tr> <td>3999</td> <td>ETR</td> <td>-</td> <td>WD.</td> <td>J2</td> <td>PTD.</td> <td>-</td> <td>3997</td> <td>3\"/> </td></tr></td></tr></td></tr></td></tr></td></tr></td></tr></td></tr></td></tr> | 3992 | A | 3\"/> <tr> <td>3993</td> <td>ETR</td> <td>-</td> <td>WD.</td> <td>J2</td> <td>PTD.</td> <td>-</td> <td>399</td> <td>3\"/> <tr> <td>3994</td> <td>ETR</td> <td>-</td> <td>WD.</td> <td>J2</td> <td>PTD.</td> <td>-</td> <td>3991</td> <td>3\"/> <tr> <td>3995</td> <td>ETR</td> <td>-</td> <td>WD.</td> <td>J2</td> <td>PTD.</td> <td>-</td> <td>3992</td> <td>3\"/> <tr> <td>3997</td> <td>ETR</td> <td>-</td> <td>WD.</td> <td>J2</td> <td>PTD.</td> <td>-</td> <td>3993</td> <td>3\"/> <tr> <td>3998</td> <td>ETR</td> <td>-</td> <td>WD.</td> <td>J2</td> <td>PTD.</td> <td>-</td> <td>3994</td> <td>3\"/> <tr> <td>3999</td> <td>ETR</td> <td>-</td> <td>WD.</td> <td>J2</td> <td>PTD.</td> <td>-</td> <td>3995</td> <td>3\"/> <tr> <td>3999</td> <td>ETR</td> <td>-</td> <td>WD.</td> <td>J2</td> <td>PTD.</td> <td>-</td> <td>3997</td> <td>3\"/> </td></tr></td></tr></td></tr></td></tr></td></tr></td></tr></td></tr>
 | 3993 | ETR | - | WD. | J2 | PTD.
 | - | 399 | 3\"/> <tr> <td>3994</td> <td>ETR</td> <td>-</td> <td>WD.</td> <td>J2</td> <td>PTD.</td> <td>-</td> <td>3991</td> <td>3\"/> <tr> <td>3995</td> <td>ETR</td> <td>-</td> <td>WD.</td> <td>J2</td> <td>PTD.</td> <td>-</td> <td>3992</td> <td>3\"/> <tr> <td>3997</td> <td>ETR</td> <td>-</td> <td>WD.</td> <td>J2</td> <td>PTD.</td> <td>-</td> <td>3993</td> <td>3\"/> <tr> <td>3998</td> <td>ETR</td> <td>-</td> <td>WD.</td> <td>J2</td> <td>PTD.</td> <td>-</td> <td>3994</td> <td>3\"/> <tr> <td>3999</td> <td>ETR</td> <td>-</td> <td>WD.</td> <td>J2</td> <td>PTD.</td> <td>-</td> <td>3995</td> <td>3\"/> <tr> <td>3999</td> <td>ETR</td> <td>-</td> <td>WD.</td> <td>J2</td> <td>PTD.</td> <td>-</td> <td>3997</td> <td>3\"/> </td></tr></td></tr></td></tr></td></tr></td></tr></td></tr> | 3994 | ETR | - | WD. | J2 | PTD.
 | - | 3991 | 3\"/> <tr> <td>3995</td> <td>ETR</td> <td>-</td> <td>WD.</td> <td>J2</td> <td>PTD.</td> <td>-</td> <td>3992</td> <td>3\"/> <tr> <td>3997</td> <td>ETR</td> <td>-</td> <td>WD.</td> <td>J2</td> <td>PTD.</td> <td>-</td> <td>3993</td> <td>3\"/> <tr> <td>3998</td> <td>ETR</td> <td>-</td> <td>WD.</td> <td>J2</td> <td>PTD.</td> <td>-</td> <td>3994</td> <td>3\"/> <tr> <td>3999</td> <td>ETR</td> <td>-</td> <td>WD.</td> <td>J2</td> <td>PTD.</td> <td>-</td> <td>3995</td> <td>3\"/> <tr> <td>3999</td> <td>ETR</td> <td>-</td> <td>WD.</td> <td>J2</td> <td>PTD.</td> <td>-</td> <td>3997</td> <td>3\"/> </td></tr></td></tr></td></tr></td></tr></td></tr> | 3995 | ETR | - | WD. | J2 |
PTD. | - | 3992 | 3\"/> <tr> <td>3997</td> <td>ETR</td> <td>-</td> <td>WD.</td> <td>J2</td> <td>PTD.</td> <td>-</td> <td>3993</td> <td>3\"/> <tr> <td>3998</td> <td>ETR</td> <td>-</td> <td>WD.</td> <td>J2</td> <td>PTD.</td> <td>-</td> <td>3994</td> <td>3\"/> <tr> <td>3999</td> <td>ETR</td> <td>-</td> <td>WD.</td> <td>J2</td> <td>PTD.</td> <td>-</td> <td>3995</td> <td>3\"/> <tr> <td>3999</td> <td>ETR</td> <td>-</td> <td>WD.</td> <td>J2</td> <td>PTD.</td> <td>-</td> <td>3997</td> <td>3\"/> </td></tr></td></tr></td></tr></td></tr>
 | 3997 | ETR | - | WD. | J2 | PTD. | - | 3993 | 3\"/> <tr> <td>3998</td> <td>ETR</td> <td>-</td> <td>WD.</td> <td>J2</td> <td>PTD.</td> <td>-</td> <td>3994</td> <td>3\"/> <tr> <td>3999</td> <td>ETR</td> <td>-</td> <td>WD.</td> <td>J2</td> <td>PTD.</td> <td>-</td> <td>3995</td> <td>3\"/> <tr> <td>3999</td> <td>ETR</td> <td>-</td> <td>WD.</td> <td>J2</td> <td>PTD.</td> <td>-</td> <td>3997</td> <td>3\"/> </td></tr></td></tr></td></tr>
 | 3998 | ETR | - | WD. | J2 | PTD.
 | - | 3994 | 3\"/> <tr> <td>3999</td> <td>ETR</td> <td>-</td> <td>WD.</td> <td>J2</td> <td>PTD.</td> <td>-</td> <td>3995</td> <td>3\"/> <tr> <td>3999</td> <td>ETR</td> <td>-</td> <td>WD.</td> <td>J2</td> <td>PTD.</td> <td>-</td> <td>3997</td> <td>3\"/> </td></tr></td></tr> | 3999 | ETR | - | WD. | J2 | PTD.
 | - | 3995 | 3\"/> <tr> <td>3999</td> <td>ETR</td> <td>-</td> <td>WD.</td> <td>J2</td> <td>PTD.</td> <td>-</td> <td>3997</td> <td>3\"/> </td></tr> | 3999 | ETR | - | WD. | J2 | PTD.
 | - | 3997 | 3\"/>
 | | | | | | | | | | | | | | | | | | | | | | | | | | | | | | | | | | | | | | | | | | | | | | | | | | | | | | |
 | | | | | | | | |
 | | | | | | | | |
 | | | | | | | | |
 | | | | | |
 | | | | | | | | |
 | | | | | | | | |
 | | | | | | | | |
 | | | | | | | | |
 | | | | | |
 | | | | | |
 | | | | | | | | |
 | | | | | | | | | | | | | | |
 | | | | | |
 | | | | | | | | |
 | | | | | |
 | | | | | | | | |
 | | | | | | | | |
 | | | | | | | | |
 | | | | | | | | |
 | | | | | | | | |
 | | | | | | | | |
 | | | | | | | | | | | |
 | | | | | | | | | | | | | | |
 | | | | | | | | | | | | | | | | | |
 | | | | | | | | | | | | | | | | | |
 | | | | | | | | | | | | | | | | | | | | | | | |
 | | | | | | | | | | | | | | | | | | | | | | | | | | | | | |
 | | | | | | | | | | | | | | | | | | | | | | | | | | | | | | | | | | | | | | |
 | | | | | | | | | | | | | | | | | | | | | | | | | | | | | | | | | | | | | | | | | | | | | | | | | | | | | | |
| 3991 | ETR | - | WD. | J2 | PTD. | - | 398 | 3\"/> <tr> <td>3992</td> <td>A</td> <td>3\"/> <tr> <td>3993</td> <td>ETR</td> <td>-</td> <td>WD.</td> <td>J2</td> <td>PTD.</td> <td>-</td> <td>399</td> <td>3\"/> <tr> <td>3994</td> <td>ETR</td> <td>-</td> <td>WD.</td> <td>J2</td> <td>PTD.</td> <td>-</td> <td>3991</td> <td>3\"/> <tr> <td>3995</td> <td>ETR</td> <td>-</td> <td>WD.</td> <td>J2</td> <td>PTD.</td> <td>-</td> <td>3992</td> <td>3\"/> <tr> <td>3997</td> <td>ETR</td> <td>-</td> <td>WD.</td> <td>J2</td> <td>PTD.</td> <td>-</td> <td>3993</td> <td>3\"/> <tr> <td>3998</td> <td>ETR</td> <td>-</td> <td>WD.</td> <td>J2</td> <td>PTD.</td> <td>-</td> <td>3994</td> <td>3\"/> <tr> <td>3999</td> <td>ETR</td> <td>-</td> <td>WD.</td> <td>J2</td> <td>PTD.</td> <td>-</td> <td>3995</td> <td>3\"/> <tr> <td>3999</td> <td>ETR</td> <td>-</td> <td>WD.</td> <td>J2</td> <td>PTD.</td> <td>-</td> <td>3997</td> <td>3\"/> </td></tr></td></tr></td></tr></td></tr></td></tr></td></tr></td></tr></td></tr>
 | 3992 | A | 3\"/> <tr> <td>3993</td> <td>ETR</td> <td>-</td> <td>WD.</td> <td>J2</td> <td>PTD.</td> <td>-</td> <td>399</td> <td>3\"/> <tr> <td>3994</td> <td>ETR</td> <td>-</td> <td>WD.</td> <td>J2</td> <td>PTD.</td> <td>-</td> <td>3991</td> <td>3\"/> <tr> <td>3995</td> <td>ETR</td> <td>-</td> <td>WD.</td> <td>J2</td> <td>PTD.</td> <td>-</td> <td>3992</td> <td>3\"/> <tr> <td>3997</td> <td>ETR</td> <td>-</td> <td>WD.</td> <td>J2</td> <td>PTD.</td> <td>-</td> <td>3993</td> <td>3\"/> <tr> <td>3998</td> <td>ETR</td> <td>-</td> <td>WD.</td> <td>J2</td> <td>PTD.</td> <td>-</td> <td>3994</td> <td>3\"/> <tr> <td>3999</td> <td>ETR</td> <td>-</td> <td>WD.</td> <td>J2</td> <td>PTD.</td> <td>-</td> <td>3995</td> <td>3\"/> <tr> <td>3999</td> <td>ETR</td> <td>-</td> <td>WD.</td> <td>J2</td> <td>PTD.</td> <td>-</td> <td>3997</td> <td>3\"/> </td></tr></td></tr></td></tr></td></tr></td></tr></td></tr></td></tr>
 | 3993 | ETR | - | WD. | J2 | PTD. | - | 399 | 3\"/> <tr> <td>3994</td> <td>ETR</td> <td>-</td> <td>WD.</td> <td>J2</td> <td>PTD.</td> <td>-</td> <td>3991</td> <td>3\"/> <tr> <td>3995</td> <td>ETR</td> <td>-</td> <td>WD.</td> <td>J2</td> <td>PTD.</td> <td>-</td> <td>3992</td> <td>3\"/> <tr> <td>3997</td> <td>ETR</td> <td>-</td> <td>WD.</td> <td>J2</td> <td>PTD.</td> <td>-</td> <td>3993</td> <td>3\"/> <tr> <td>3998</td> <td>ETR</td> <td>-</td> <td>WD.</td> <td>J2</td> <td>PTD.</td> <td>-</td> <td>3994</td> <td>3\"/> <tr> <td>3999</td> <td>ETR</td> <td>-</td> <td>WD.</td> <td>J2</td> <td>PTD.</td> <td>-</td> <td>3995</td> <td>3\"/> <tr> <td>3999</td> <td>ETR</td> <td>-</td> <td>WD.</td> <td>J2</td> <td>PTD.</td> <td>-</td> <td>3997</td> <td>3\"/> </td></tr></td></tr></td></tr></td></tr></td></tr></td></tr>
 | 3994 | ETR | - | WD. | J2 | PTD.
 | - | 3991 | 3\"/> <tr> <td>3995</td> <td>ETR</td> <td>-</td> <td>WD.</td> <td>J2</td> <td>PTD.</td> <td>-</td> <td>3992</td> <td>3\"/> <tr> <td>3997</td> <td>ETR</td> <td>-</td> <td>WD.</td> <td>J2</td> <td>PTD.</td> <td>-</td> <td>3993</td> <td>3\"/> <tr> <td>3998</td> <td>ETR</td> <td>-</td> <td>WD.</td> <td>J2</td> <td>PTD.</td> <td>-</td> <td>3994</td> <td>3\"/> <tr> <td>3999</td> <td>ETR</td> <td>-</td> <td>WD.</td> <td>J2</td> <td>PTD.</td> <td>-</td> <td>3995</td> <td>3\"/> <tr> <td>3999</td> <td>ETR</td> <td>-</td> <td>WD.</td> <td>J2</td> <td>PTD.</td> <td>-</td> <td>3997</td> <td>3\"/> </td></tr></td></tr></td></tr></td></tr></td></tr> | 3995 | ETR | - | WD. | J2 | PTD.
 | - | 3992 | 3\"/> <tr> <td>3997</td> <td>ETR</td> <td>-</td> <td>WD.</td> <td>J2</td> <td>PTD.</td> <td>-</td> <td>3993</td> <td>3\"/> <tr> <td>3998</td> <td>ETR</td> <td>-</td> <td>WD.</td> <td>J2</td> <td>PTD.</td> <td>-</td> <td>3994</td> <td>3\"/> <tr> <td>3999</td> <td>ETR</td> <td>-</td> <td>WD.</td> <td>J2</td> <td>PTD.</td> <td>-</td> <td>3995</td> <td>3\"/> <tr> <td>3999</td> <td>ETR</td> <td>-</td> <td>WD.</td> <td>J2</td> <td>PTD.</td> <td>-</td> <td>3997</td> <td>3\"/> </td></tr></td></tr></td></tr></td></tr> | 3997 | ETR | - | WD. | J2 |
PTD. | - | 3993 | 3\"/> <tr> <td>3998</td> <td>ETR</td> <td>-</td> <td>WD.</td> <td>J2</td> <td>PTD.</td> <td>-</td> <td>3994</td> <td>3\"/> <tr> <td>3999</td> <td>ETR</td> <td>-</td> <td>WD.</td> <td>J2</td> <td>PTD.</td> <td>-</td> <td>3995</td> <td>3\"/> <tr> <td>3999</td> <td>ETR</td> <td>-</td> <td>WD.</td> <td>J2</td> <td>PTD.</td> <td>-</td> <td>3997</td> <td>3\"/> </td></tr></td></tr></td></tr>
 | 3998 | ETR | - | WD. | J2 | PTD. | - | 3994 | 3\"/> <tr> <td>3999</td> <td>ETR</td> <td>-</td> <td>WD.</td> <td>J2</td> <td>PTD.</td> <td>-</td> <td>3995</td> <td>3\"/> <tr> <td>3999</td> <td>ETR</td> <td>-</td> <td>WD.</td> <td>J2</td> <td>PTD.</td> <td>-</td> <td>3997</td> <td>3\"/> </td></tr></td></tr>
 | 3999 | ETR | - | WD. | J2 | PTD.
 | - | 3995 | 3\"/> <tr> <td>3999</td> <td>ETR</td> <td>-</td> <td>WD.</td> <td>J2</td> <td>PTD.</td> <td>-</td> <td>3997</td> <td>3\"/> </td></tr> | 3999 | ETR | - | WD. | J2 | PTD.
 | - | 3997 | 3\"/> | | | | | | | | | | | | | | | | | | | | | | | | | | | | | | | | | | | | | | | | | | | | | | | | | | | |
 | | |
 | | | | | | | | |
 | | | | | | | | |
 | | | | | | | | |
 | | | | | | | | |
 | | | | | |
 | | | | | | | | |
 | | | | | | | | |
 | | | | | | | | |
 | | | | | | | | |
 | | | | | |
 | | | | | |
 | | | | | | | | |
 | | | | | | | | | | | | | | |
 | | | | | |
 | | | | | | | | |
 | | | | | |
 | | | | | | | | |
 | | | | | | | | |
 | | | | | | | | |
 | | | | | | | | |
 | | | | | | | | |
 | | | | | | | | |
 | | | | | | | | | | | |
 | | | | | | | | | | | | | | |
 | | | | | | | | | | | | | | | | | |
 | | | | | | | | | | | | | | | | | |
 | | | | | | | | | | | | | | | | | | | | | | | |
 | | | | | | | | | | | | | | | | | | | | | | | | | | | | | |
 | | | | | | | | | | | | | | | | | | | | | | | | | | | | | | | | | | | | | | |
 | | | | | | | | | | | | | | | | | | | | | | | | | | | | | | | | | | | | | | | | | | | | | | | | | | | | | | |
| 3992 | A | 3\"/> <tr> <td>3993</td> <td>ETR</td> <td>-</td> <td>WD.</td> <td>J2</td> <td>PTD.</td> <td>-</td> <td>399</td> <td>3\"/> <tr> <td>3994</td> <td>ETR</td> <td>-</td> <td>WD.</td> <td>J2</td> <td>PTD.</td> <td>-</td> <td>3991</td> <td>3\"/> <tr> <td>3995</td> <td>ETR</td> <td>-</td> <td>WD.</td> <td>J2</td> <td>PTD.</td> <td>-</td> <td>3992</td> <td>3\"/> <tr> <td>3997</td> <td>ETR</td> <td>-</td> <td>WD.</td> <td>J2</td> <td>PTD.</td> <td>-</td> <td>3993</td> <td>3\"/> <tr> <td>3998</td> <td>ETR</td> <td>-</td> <td>WD.</td> <td>J2</td> <td>PTD.</td> <td>-</td> <td>3994</td> <td>3\"/> <tr> <td>3999</td> <td>ETR</td> <td>-</td> <td>WD.</td> <td>J2</td> <td>PTD.</td> <td>-</td> <td>3995</td> <td>3\"/> <tr> <td>3999</td> <td>ETR</td> <td>-</td> <td>WD.</td> <td>J2</td> <td>PTD.</td> <td>-</td> <td>3997</td> <td>3\"/> </td></tr></td></tr></td></tr></td></tr></td></tr></td></tr></td></tr> | 3993 | ETR | - | WD. | J2 | PTD.
 | - | 399 | 3\"/> <tr> <td>3994</td> <td>ETR</td> <td>-</td> <td>WD.</td> <td>J2</td> <td>PTD.</td> <td>-</td> <td>3991</td> <td>3\"/> <tr> <td>3995</td> <td>ETR</td> <td>-</td> <td>WD.</td> <td>J2</td> <td>PTD.</td> <td>-</td> <td>3992</td> <td>3\"/> <tr> <td>3997</td> <td>ETR</td> <td>-</td> <td>WD.</td> <td>J2</td> <td>PTD.</td> <td>-</td> <td>3993</td> <td>3\"/> <tr> <td>3998</td> <td>ETR</td> <td>-</td> <td>WD.</td> <td>J2</td> <td>PTD.</td> <td>-</td> <td>3994</td> <td>3\"/> <tr> <td>3999</td> <td>ETR</td> <td>-</td> <td>WD.</td> <td>J2</td> <td>PTD.</td> <td>-</td> <td>3995</td> <td>3\"/> <tr> <td>3999</td> <td>ETR</td> <td>-</td> <td>WD.</td> <td>J2</td> <td>PTD.</td> <td>-</td> <td>3997</td> <td>3\"/> </td></tr></td></tr></td></tr></td></tr></td></tr></td></tr>
 | 3994 | ETR | - | WD. | J2 | PTD. | - | 3991 | 3\"/> <tr> <td>3995</td> <td>ETR</td> <td>-</td> <td>WD.</td> <td>J2</td> <td>PTD.</td> <td>-</td> <td>3992</td> <td>3\"/> <tr> <td>3997</td> <td>ETR</td> <td>-</td> <td>WD.</td> <td>J2</td> <td>PTD.</td> <td>-</td> <td>3993</td> <td>3\"/> <tr> <td>3998</td> <td>ETR</td> <td>-</td> <td>WD.</td> <td>J2</td> <td>PTD.</td> <td>-</td> <td>3994</td> <td>3\"/> <tr> <td>3999</td> <td>ETR</td> <td>-</td> <td>WD.</td> <td>J2</td> <td>PTD.</td> <td>-</td> <td>3995</td> <td>3\"/> <tr> <td>3999</td> <td>ETR</td> <td>-</td> <td>WD.</td> <td>J2</td> <td>PTD.</td> <td>-</td> <td>3997</td> <td>3\"/> </td></tr></td></tr></td></tr></td></tr></td></tr>
 | 3995 | ETR | - | WD. | J2 | PTD.
 | - | 3992 | 3\"/> <tr> <td>3997</td> <td>ETR</td> <td>-</td> <td>WD.</td> <td>J2</td> <td>PTD.</td> <td>-</td> <td>3993</td> <td>3\"/> <tr> <td>3998</td> <td>ETR</td> <td>-</td> <td>WD.</td> <td>J2</td> <td>PTD.</td> <td>-</td> <td>3994</td> <td>3\"/> <tr> <td>3999</td> <td>ETR</td> <td>-</td> <td>WD.</td> <td>J2</td> <td>PTD.</td> <td>-</td> <td>3995</td> <td>3\"/> <tr> <td>3999</td> <td>ETR</td> <td>-</td> <td>WD.</td> <td>J2</td> <td>PTD.</td> <td>-</td> <td>3997</td> <td>3\"/> </td></tr></td></tr></td></tr></td></tr> | 3997 | ETR | - | WD. | J2 | PTD.
 | - | 3993 | 3\"/> <tr> <td>3998</td> <td>ETR</td> <td>-</td> <td>WD.</td> <td>J2</td> <td>PTD.</td> <td>-</td> <td>3994</td> <td>3\"/> <tr> <td>3999</td> <td>ETR</td> <td>-</td> <td>WD.</td> <td>J2</td> <td>PTD.</td> <td>-</td> <td>3995</td> <td>3\"/> <tr> <td>3999</td> <td>ETR</td> <td>-</td> <td>WD.</td> <td>J2</td> <td>PTD.</td> <td>-</td> <td>3997</td> <td>3\"/> </td></tr></td></tr></td></tr> | 3998 | ETR | - | WD. | J2 |
PTD. | - | 3994 | 3\"/> <tr> <td>3999</td> <td>ETR</td> <td>-</td> <td>WD.</td> <td>J2</td> <td>PTD.</td> <td>-</td> <td>3995</td> <td>3\"/> <tr> <td>3999</td> <td>ETR</td> <td>-</td> <td>WD.</td> <td>J2</td> <td>PTD.</td> <td>-</td> <td>3997</td> <td>3\"/> </td></tr></td></tr>
 | 3999 | ETR | - | WD. | J2 | PTD. | - | 3995 | 3\"/> <tr> <td>3999</td> <td>ETR</td> <td>-</td> <td>WD.</td> <td>J2</td> <td>PTD.</td> <td>-</td> <td>3997</td> <td>3\"/> </td></tr>
 | 3999 | ETR | - | WD. | J2 | PTD.
 | - | 3997 | 3\"/> | | | | | | | | | | | | | | | | | | | | | | | | | | | | | | | | | | | | | | | | | | | | | | | | | | | |
 | | | | | | | | |
 | | |
 | | | | | | | | |
 | | | | | | | | |
 | | | | | | | | |
 | | | | | | | | |
 | | | | | |
 | | | | | | | | |
 | | | | | | | | |
 | | | | | | | | |
 | | | | | | | | |
 | | | | | |
 | | | | | |
 | | | | | | | | |
 | | | | | | | | | | | | | | |
 | | | | | |
 | | | | | | | | |
 | | | | | |
 | | | | | | | | |
 | | | | | | | | |
 | | | | | | | | |
 | | | | | | | | |
 | | | | | | | | |
 | | | | | | | | |
 | | | | | | | | | | | |
 | | | | | | | | | | | | | | |
 | | | | | | | | | | | | | | | | | |
 | | | | | | | | | | | | | | | | | |
 | | | | | | | | | | | | | | | | | | | | | | | |
 | | | | | | | | | | | | | | | | | | | | | | | | | | | | | |
 | | | | | | | | | | | | | | | | | | | | | | | | | | | | | | | | | | | | | | |
 | | | | | | | | | | | | | | | | | | | | | | | | | | | | | | | | | | | | | | | | | | | | | | | | | | | | | | |
| 3993 | ETR | - | WD. | J2 | PTD. | - | 399 | 3\"/> <tr> <td>3994</td> <td>ETR</td> <td>-</td> <td>WD.</td> <td>J2</td> <td>PTD.</td> <td>-</td> <td>3991</td> <td>3\"/> <tr> <td>3995</td> <td>ETR</td> <td>-</td> <td>WD.</td> <td>J2</td> <td>PTD.</td> <td>-</td> <td>3992</td> <td>3\"/> <tr> <td>3997</td> <td>ETR</td> <td>-</td> <td>WD.</td> <td>J2</td> <td>PTD.</td> <td>-</td> <td>3993</td> <td>3\"/> <tr> <td>3998</td> <td>ETR</td> <td>-</td> <td>WD.</td> <td>J2</td> <td>PTD.</td> <td>-</td> <td>3994</td> <td>3\"/> <tr> <td>3999</td> <td>ETR</td> <td>-</td> <td>WD.</td> <td>J2</td> <td>PTD.</td> <td>-</td> <td>3995</td> <td>3\"/> <tr> <td>3999</td> <td>ETR</td> <td>-</td> <td>WD.</td> <td>J2</td> <td>PTD.</td> <td>-</td> <td>3997</td> <td>3\"/> </td></tr></td></tr></td></tr></td></tr></td></tr></td></tr>
 | 3994 | ETR | -
 | WD. | J2 | PTD. | - | 3991 | 3\"/> <tr> <td>3995</td> <td>ETR</td> <td>-</td> <td>WD.</td> <td>J2</td> <td>PTD.</td> <td>-</td> <td>3992</td> <td>3\"/> <tr> <td>3997</td> <td>ETR</td> <td>-</td> <td>WD.</td> <td>J2</td> <td>PTD.</td> <td>-</td> <td>3993</td> <td>3\"/> <tr> <td>3998</td> <td>ETR</td> <td>-</td> <td>WD.</td> <td>J2</td> <td>PTD.</td> <td>-</td> <td>3994</td> <td>3\"/> <tr> <td>3999</td> <td>ETR</td> <td>-</td> <td>WD.</td> <td>J2</td> <td>PTD.</td> <td>-</td> <td>3995</td> <td>3\"/> <tr> <td>3999</td> <td>ETR</td> <td>-</td> <td>WD.</td> <td>J2</td> <td>PTD.</td> <td>-</td> <td>3997</td> <td>3\"/> </td></tr></td></tr></td></tr></td></tr></td></tr> | 3995 | ETR | -
 | WD. | J2 | PTD. | - | 3992 | 3\"/> <tr> <td>3997</td> <td>ETR</td> <td>-</td> <td>WD.</td> <td>J2</td> <td>PTD.</td> <td>-</td> <td>3993</td> <td>3\"/> <tr> <td>3998</td> <td>ETR</td> <td>-</td> <td>WD.</td> <td>J2</td> <td>PTD.</td> <td>-</td> <td>3994</td> <td>3\"/> <tr> <td>3999</td> <td>ETR</td> <td>-</td> <td>WD.</td> <td>J2</td> <td>PTD.</td> <td>-</td> <td>3995</td> <td>3\"/> <tr> <td>3999</td> <td>ETR</td> <td>-</td> <td>WD.</td> <td>J2</td> <td>PTD.</td> <td>-</td> <td>3997</td> <td>3\"/> </td></tr></td></tr></td></tr></td></tr>
 | 3997 | ETR | - | WD. | J2 | PTD. | - | 3993 | 3\"/> <tr> <td>3998</td> <td>ETR</td> <td>-</td> <td>WD.</td> <td>J2</td> <td>PTD.</td> <td>-</td> <td>3994</td> <td>3\"/> <tr> <td>3999</td> <td>ETR</td> <td>-</td> <td>WD.</td> <td>J2</td> <td>PTD.</td> <td>-</td> <td>3995</td> <td>3\"/> <tr> <td>3999</td> <td>ETR</td> <td>-</td> <td>WD.</td> <td>J2</td> <td>PTD.</td> <td>-</td> <td>3997</td> <td>3\"/> </td></tr></td></tr></td></tr>
 | 3998 | ETR | - | WD. | J2 | PTD. | - | 3994 |
3\"/> <tr> <td>3999</td> <td>ETR</td> <td>-</td> <td>WD.</td> <td>J2</td> <td>PTD.</td> <td>-</td> <td>3995</td> <td>3\"/> <tr> <td>3999</td> <td>ETR</td> <td>-</td> <td>WD.</td> <td>J2</td> <td>PTD.</td> <td>-</td> <td>3997</td> <td>3\"/> </td></tr></td></tr> | 3999 | ETR | -
 | WD. | J2 | PTD. | - | 3995 | 3\"/> <tr> <td>3999</td> <td>ETR</td> <td>-</td> <td>WD.</td> <td>J2</td> <td>PTD.</td> <td>-</td> <td>3997</td> <td>3\"/> </td></tr> | 3999 | ETR | -
 | WD. | J2 | PTD. | - | 3997 | 3\"/>
 | | | | | | | | | | | | | | | | | | | | | | | | | | | | | | | | | | | | | | | | | | | | | | | | | | | | | | |
 | | | | | | | | |
 | | |
 | | | | | | | | |
 | | | | | | | | |
 | | | | | | | | |
 | | | | | | | | |
 | | | | | |
 | | | | | | | | |
 | | | | | | | | |
 | | | | | | | | |
 | | | | | | | | |
 | | | | | |
 | | | | | |
 | | | | | | | | |
 | | | | | | | | | | | | | | |
 | | | | | |
 | | | | | | | | |
 | | | | | |
 | | | | | | | | |
 | | | | | | | | |
 | | | | | | | | |
 | | | | | | | | |
 | | | | | | | | |
 | | | | | | | | |
 | | | | | | | | | | | |
 | | | | | | | | | | | | | | |
 | | | | | | | | | | | | | | | | | |
 | | | | | | | | | | | | | | | | | |
 | | | | | | | | | | | | | | | | | | | | | | | |
 | | | | | | | | | | | | | | | | | | | | | | | | | | | | | |
 | | | | | | | | | | | | | | | | | | | | | | | | | | | | | | | | | | | | | | |
 | | | | | | | | | | | | | | | | | | | | | | | | | | | | | | | | | | | | | | | | | | | | | | | | | | | | | | |
| 3994 | ETR | - | WD. | J2 | PTD. | - | 3991 | 3\"/> <tr> <td>3995</td> <td>ETR</td> <td>-</td> <td>WD.</td> <td>J2</td> <td>PTD.</td> <td>-</td> <td>3992</td> <td>3\"/> <tr> <td>3997</td> <td>ETR</td> <td>-</td> <td>WD.</td> <td>J2</td> <td>PTD.</td> <td>-</td> <td>3993</td> <td>3\"/> <tr> <td>3998</td> <td>ETR</td> <td>-</td> <td>WD.</td> <td>J2</td> <td>PTD.</td> <td>-</td> <td>3994</td> <td>3\"/> <tr> <td>3999</td> <td>ETR</td> <td>-</td> <td>WD.</td> <td>J2</td> <td>PTD.</td> <td>-</td> <td>3995</td> <td>3\"/> <tr> <td>3999</td> <td>ETR</td> <td>-</td> <td>WD.</td> <td>J2</td> <td>PTD.</td> <td>-</td> <td>3997</td> <td>3\"/> </td></tr></td></tr></td></tr></td></tr></td></tr>
 | 3995 | ETR | -
 | WD. | J2 | PTD. | - | 3992 | 3\"/> <tr> <td>3997</td> <td>ETR</td> <td>-</td> <td>WD.</td> <td>J2</td> <td>PTD.</td> <td>-</td> <td>3993</td> <td>3\"/> <tr> <td>3998</td> <td>ETR</td> <td>-</td> <td>WD.</td> <td>J2</td> <td>PTD.</td> <td>-</td> <td>3994</td> <td>3\"/> <tr> <td>3999</td> <td>ETR</td> <td>-</td> <td>WD.</td> <td>J2</td> <td>PTD.</td> <td>-</td> <td>3995</td> <td>3\"/> <tr> <td>3999</td> <td>ETR</td> <td>-</td> <td>WD.</td> <td>J2</td> <td>PTD.</td> <td>-</td> <td>3997</td> <td>3\"/> </td></tr></td></tr></td></tr></td></tr> | 3997 | ETR | -
 | WD. | J2 | PTD. | - | 3993 | 3\"/> <tr> <td>3998</td> <td>ETR</td> <td>-</td> <td>WD.</td> <td>J2</td> <td>PTD.</td> <td>-</td> <td>3994</td> <td>3\"/> <tr> <td>3999</td> <td>ETR</td> <td>-</td> <td>WD.</td> <td>J2</td> <td>PTD.</td> <td>-</td> <td>3995</td> <td>3\"/> <tr> <td>3999</td> <td>ETR</td> <td>-</td> <td>WD.</td> <td>J2</td> <td>PTD.</td> <td>-</td> <td>3997</td> <td>3\"/> </td></tr></td></tr></td></tr>
 | 3998 | ETR | - | WD. | J2 | PTD. | - | 3994 | 3\"/> <tr> <td>3999</td> <td>ETR</td> <td>-</td> <td>WD.</td> <td>J2</td> <td>PTD.</td> <td>-</td> <td>3995</td> <td>3\"/> <tr> <td>3999</td> <td>ETR</td> <td>-</td> <td>WD.</td> <td>J2</td> <td>PTD.</td> <td>-</td> <td>3997</td> <td>3\"/> </td></tr></td></tr>
 | 3999 | ETR | - | WD. | J2 | PTD. | - | 3995 |
3\"/> <tr> <td>3999</td> <td>ETR</td> <td>-</td> <td>WD.</td> <td>J2</td> <td>PTD.</td> <td>-</td> <td>3997</td> <td>3\"/> </td></tr> | 3999 | ETR | -
 | WD. | J2 | PTD. | - | 3997 | 3\"/> | | | | | | | | | | | | | | | | | | | | | | | | | | | | | | | | | | | | | | | | | | | | | | | | |
 | | | | | |
 | | | | | | | | |
 | | | | | | | | |
 | | |
 | | | | | | | | |
 | | | | | | | | |
 | | | | | | | | |
 | | | | | | | | |
 | | | | | |
 | | | | | | | | |
 | | | | | | | | |
 | | | | | | | | |
 | | | | | | | | |
 | | | | | |
 | | | | | |
 | | | | | | | | |
 | | | | | | | | | | | | | | |
 | | | | | |
 | | | | | | | | |
 | | | | | |
 | | | | | | | | |
 | | | | | | | | |
 | | | | | | | | |
 | | | | | | | | |
 | | | | | | | | |
 | | | | | | | | |
 | | | | | | | | | | | |
 | | | | | | | | | | | | | | |
 | | | | | | | | | | | | | | | | | |
 | | | | | | | | | | | | | | | | | |
 | | | | | | | | | | | | | | | | | | | | | | | |
 | | | | | | | | | | | | | | | | | | | | | | | | | | | | | |
 | | | | | | | | | | | | | | | | | | | | | | | | | | | | | | | | | | | | | | |
 | | | | | | | | | | | | | | | | | | | | | | | | | | | | | | | | | | | | | | | | | | | | | | | | | | | | | | |
| 3995 | ETR | - | WD. | J2 | PTD. | - | 3992 | 3\"/> <tr> <td>3997</td> <td>ETR</td> <td>-</td> <td>WD.</td> <td>J2</td> <td>PTD.</td> <td>-</td> <td>3993</td> <td>3\"/> <tr> <td>3998</td> <td>ETR</td> <td>-</td> <td>WD.</td> <td>J2</td> <td>PTD.</td> <td>-</td> <td>3994</td> <td>3\"/> <tr> <td>3999</td> <td>ETR</td> <td>-</td> <td>WD.</td> <td>J2</td> <td>PTD.</td> <td>-</td> <td>3995</td> <td>3\"/> <tr> <td>3999</td> <td>ETR</td> <td>-</td> <td>WD.</td> <td>J2</td> <td>PTD.</td> <td>-</td> <td>3997</td> <td>3\"/> </td></tr></td></tr></td></tr></td></tr>
 | 3997 | ETR | -
 | WD. | J2 | PTD. | - | 3993 | 3\"/> <tr> <td>3998</td> <td>ETR</td> <td>-</td> <td>WD.</td> <td>J2</td> <td>PTD.</td> <td>-</td> <td>3994</td> <td>3\"/> <tr> <td>3999</td> <td>ETR</td> <td>-</td> <td>WD.</td> <td>J2</td> <td>PTD.</td> <td>-</td> <td>3995</td> <td>3\"/> <tr> <td>3999</td> <td>ETR</td> <td>-</td> <td>WD.</td> <td>J2</td> <td>PTD.</td> <td>-</td> <td>3997</td> <td>3\"/> </td></tr></td></tr></td></tr> | 3998 | ETR | -
 | WD. | J2 | PTD. | - | 3994 | 3\"/> <tr> <td>3999</td> <td>ETR</td> <td>-</td> <td>WD.</td> <td>J2</td> <td>PTD.</td> <td>-</td> <td>3995</td> <td>3\"/> <tr> <td>3999</td> <td>ETR</td> <td>-</td> <td>WD.</td> <td>J2</td> <td>PTD.</td> <td>-</td> <td>3997</td> <td>3\"/> </td></tr></td></tr>
 | 3999 | ETR | - | WD. | J2 | PTD. | - | 3995 | 3\"/> <tr> <td>3999</td> <td>ETR</td> <td>-</td> <td>WD.</td> <td>J2</td> <td>PTD.</td> <td>-</td> <td>3997</td> <td>3\"/> </td></tr>
 | 3999 | ETR | - | WD. | J2 | PTD. | - | 3997 |
3\"/> | | |
 | | | | | | | | | | | | | | | | | | | | | | | | | | | | | | | | | | | | | | | | | | | | | | | | | | | | | | |
 | | | | | |
 | | | | | | | | |
 | | | | | | | | |
 | | |
 | | | | | | | | |
 | | | | | | | | |
 | | | | | | | | |
 | | | | | | | | |
 | | | | | |
 | | | | | | | | |
 | | | | | | | | |
 | | | | | | | | |
 | | | | | | | | |
 | | | | | |
 | | | | | |
 | | | | | | | | |
 | | | | | | | | | | | | | | |
 | | | | | |
 | | | | | | | | |
 | | | | | |
 | | | | | | | | |
 | | | | | | | | |
 | | | | | | | | |
 | | | | | | | | |
 | | | | | | | | |
 | | | | | | | | |
 | | | | | | | | | | | |
 | | | | | | | | | | | | | | |
 | | | | | | | | | | | | | | | | | |
 | | | | | | | | | | | | | | | | | |
 | | | | | | | | | | | | | | | | | | | | | | | |
 | | | | | | | | | | | | | | | | | | | | | | | | | | | | | |
 | | | | | | | | | | | | | | | | | | | | | | | | | | | | | | | | | | | | | | |
 | | | | | | | | | | | | | | | | | | | | | | | | | | | | | | | | | | | | | | | | | | | | | | | | | | | | | | |
| 3997 | ETR | - | WD. | J2 | PTD. | - | 3993 | 3\"/> <tr> <td>3998</td> <td>ETR</td> <td>-</td> <td>WD.</td> <td>J2</td> <td>PTD.</td> <td>-</td> <td>3994</td> <td>3\"/> <tr> <td>3999</td> <td>ETR</td> <td>-</td> <td>WD.</td> <td>J2</td> <td>PTD.</td> <td>-</td> <td>3995</td> <td>3\"/> <tr> <td>3999</td> <td>ETR</td> <td>-</td> <td>WD.</td> <td>J2</td> <td>PTD.</td> <td>-</td> <td>3997</td> <td>3\"/> </td></tr></td></tr></td></tr>
 | 3998 | ETR | -
 | WD. | J2 | PTD. | - | 3994 | 3\"/> <tr> <td>3999</td> <td>ETR</td> <td>-</td> <td>WD.</td> <td>J2</td> <td>PTD.</td> <td>-</td> <td>3995</td> <td>3\"/> <tr> <td>3999</td> <td>ETR</td> <td>-</td> <td>WD.</td> <td>J2</td> <td>PTD.</td> <td>-</td> <td>3997</td> <td>3\"/> </td></tr></td></tr> | 3999 | ETR | -
 | WD. | J2 | PTD. | - | 3995 | 3\"/> <tr> <td>3999</td> <td>ETR</td> <td>-</td> <td>WD.</td> <td>J2</td> <td>PTD.</td> <td>-</td> <td>3997</td> <td>3\"/> </td></tr>
 | 3999 | ETR | - | WD. | J2 | PTD. | - | 3997 | 3\"/>
 | | | | | | | | | | | | | | | | | | | | | | | | | | | | | | | | | | | | | | | | | | | | | | | | | | | | | | |
 | | |
 | | | | | | | | |
 | | | | | |
 | | | | | | | | |
 | | | | | | | | |
 | | |
 | | | | | | | | |
 | | | | | | | | |
 | | | | | | | | |
 | | | | | | | | |
 | | | | | |
 | | | | | | | | |
 | | | | | | | | |
 | | | | | | | | |
 | | | | | | | | |
 | | | | | |
 | | | | | |
 | | | | | | | | |
 | | | | | | | | | | | | | | |
 | | | | | |
 | | | | | | | | |
 | | | | | |
 | | | | | | | | |
 | | | | | | | | |
 | | | | | | | | |
 | | | | | | | | |
 | | | | | | | | |
 | | | | | | | | |
 | | | | | | | | | | | |
 | | | | | | | | | | | | | | |
 | | | | | | | | | | | | | | | | | |
 | | | | | | | | | | | | | | | | | |
 | | | | | | | | | | | | | | | | | | | | | | | |
 | | | | | | | | | | | | | | | | | | | | | | | | | | | | | |
 | | | | | | | | | | | | | | | | | | | | | | | | | | | | | | | | | | | | | | |
 | | | | | | | | | | | | | | | | | | | | | | | | | | | | | | | | | | | | | | | | | | | | | | | | | | | | | | |
| 3998 | ETR | - | WD. | J2 | PTD. | - | 3994 | 3\"/> <tr> <td>3999</td> <td>ETR</td> <td>-</td> <td>WD.</td> <td>J2</td> <td>PTD.</td> <td>-</td> <td>3995</td> <td>3\"/> <tr> <td>3999</td> <td>ETR</td> <td>-</td> <td>WD.</td> <td>J2</td> <td>PTD.</td> <td>-</td> <td>3997</td> <td>3\"/> </td></tr></td></tr>
 | 3999 | ETR | -
 | WD. | J2 | PTD. | - | 3995 | 3\"/> <tr> <td>3999</td> <td>ETR</td> <td>-</td> <td>WD.</td> <td>J2</td> <td>PTD.</td> <td>-</td> <td>3997</td> <td>3\"/> </td></tr> | 3999 | ETR | -
 | WD. | J2 | PTD. | - | 3997 | 3\"/>
 | | | | | | | | | | | | | | | | | | | | | | | | | | | | | | | | | | | | | | | | | | | | | | | | | | | | | | |
 | | | | | | | | |
 | | |
 | | | | | | | | |
 | | | | | |
 | | | | | | | | |
 | | | | | | | | |
 | | |
 | | | | | | | | |
 | | | | | | | | |
 | | | | | | | | |
 | | | | | | | | |
 | | | | | |
 | | | | | | | | |
 | | | | | | | | |
 | | | | | | | | |
 | | | | | | | | |
 | | | | | |
 | | | | | |
 | | | | | | | | |
 | | | | | | | | | | | | | | |
 | | | | | |
 | | | | | | | | |
 | | | | | |
 | | | | | | | | |
 | | | | | | | | |
 | | | | | | | | |
 | | | | | | | | |
 | | | | | | | | |
 | | | | | | | | |
 | | | | | | | | | | | |
 | | | | | | | | | | | | | | |
 | | | | | | | | | | | | | | | | | |
 | | | | | | | | | | | | | | | | | |
 | | | | | | | | | | | | | | | | | | | | | | | |
 | | | | | | | | | | | | | | | | | | | | | | | | | | | | | |
 | | | | | | | | | | | | | | | | | | | | | | | | | | | | | | | | | | | | | | |
 | | | | | | | | | | | | | | | | | | | | | | | | | | | | | | | | | | | | | | | | | | | | | | | | | | | | | | |
| 3999 | ETR | - | WD. | J2 | PTD. | - | 3995 | 3\"/> <tr> <td>3999</td> <td>ETR</td> <td>-</td> <td>WD.</td> <td>J2</td> <td>PTD.</td> <td>-</td> <td>3997</td> <td>3\"/> </td></tr>
 | 3999 | ETR | -
 | WD. | J2 | PTD. | - | 3997 | 3\"/> | | | | | | | | | | | | | | | | | | | | | | | | | | | | | | | | | | | | | | | | | | | | | | | | |
 | | | | | |
 | | | | | | | | |
 | | | | | | | | |
 | | |
 | | | | | | | | |
 | | | | | |
 | | | | | | | | |
 | | | | | | | | |
 | | |
 | | | | | | | | |
 | | | | | | | | |
 | | | | | | | | |
 | | | | | | | | |
 | | | | | |
 | | | | | | | | |
 | | | | | | | | |
 | | | | | | | | |
 | | | | | | | | |
 | | | | | |
 | | | | | |
 | | | | | | | | |
 | | | | | | | | | | | | | | |
 | | | | | |
 | | | | | | | | |
 | | | | | |
 | | | | | | | | |
 | | | | | | | | |
 | | | | | | | | |
 | | | | | | | | |
 | | | | | | | | |
 | | | | | | | | |
 | | | | | | | | | | | |
 | | | | | | | | | | | | | | |
 | | | | | | | | | | | | | | | | | |
 | | | | | | | | | | | | | | | | | |
 | | | | | | | | | | | | | | | | | | | | | | | |
 | | | | | | | | | | | | | | | | | | | | | | | | | | | | | |
 | | | | | | | | | | | | | | | | | | | | | | | | | | | | | | | | | | | | | | |
 | | | | | | | | | | | | | | | | | | | | | | | | | | | | | | | | | | | | | | | | | | | | | | | | | | | | | | |
| 3999 | ETR | - | WD. | J2 | PTD. | - | 3997 | 3\"/>
 | | | | | | | | | | | | | | | | | | | | | | | | | | | | | | | | | | | | | | | | | | | | | | | | | | | | | | |
 | | | | | | | | |
 | | | | | |
 | | | | | | | | |
 | | | | | | | | |
 | | |
 | | | | | | | | |
 | | | | | |
 | | | | | | | | |
 | | | | | | | | |
 | | |
 | | | | | | | | |
 | | | | | | | | |
 | | | | | | | | |
 | | | | | | | | |
 | | | | | |
 | | | | | | | | |
 | | | | | | | | |
 | | | | | | | | |
 | | | | | | | | |
 | | | | | |
 | | | | | |
 | | | | | | | | |
 | | | | | | | | | | | | | | |
 | | | | | |
 | | | | | | | | |
 | | | | | |
 | | | | | | | | |
 | | | | | | | | |
 | | | | | | | | |
 | | | | | | | | |
 | | | | | | | | |
 | | | | | | | | |
 | | | | | | | | | | | |
 | | | | | | | | | | | | | | |
 | | | | | | | | | | | | | | | | | |
 | | | | | | | | | | | | | | | | | |
 | | | | | | | | | | | | | | | | | | | | | | | |
 | | | | | | | | | | | | | | | | | | | | | | | | | | | | | |
 | | | | | | | | | | | | | | | | | | | | | | | | | | | | | | | | | | | | | | |
 | | | | | | | | | | | | | | | | | | | | | | | | | | | | | | | | | | | | | | | | | | | | | | | | | | | | | | |

DOOR SCHEDULE																									
 | | | | | |
 | | | | | |
 | | | | | |
 | | | | | |
 | | | | | |
 | | | | | |
 | | | | | | | | |
 | | | | | |
 | | | | | |
 | | | | | | | | |
 | | | | | |
 | | | | | | | | |
 | | | | | |
 | | | | | | | | |
 | | | | | | | | |
 | | | | | | | | |
 | | | | | |
 | | | | | | | | |
 | | | | | | | | | | | |
 | | | | | | | | |
 | | | | | | | | | | | |
 | | | | | | | | |
 | | | | | | | | | | | |
 | | | | | | | | | | | |
 | | | | | | | | | | | | | | |
 | | | | | | | | | | | | | | |
 | | | | | | | | | | | | | | | | | |
 | | | | | | | | | | | | | | | | | | | | |
 | | | | | | | | | | | | | | | | | | | | | | | | | | |
 | | | | | | | | | | | | | | | | | | | | | | | | | | | | | | | | | | | | | | | | | | | | | | | | | | | | | | | | | | | | | | | | | | |
|---------------|------|--|------|--------|--|---------|-------
--	--------	--------
---	-----	------
------	------	---
---	------	------
--	------	------
--	------	------
---	-----	------
--	------	------
---	------	------
---	------	------
---	------	------
--	------	------
---	-----	------
---	------	------
--	------	------
---	------	------
---	------	------
--	------	-----
---	------	------
--	------	------
---	------	-----
---	------	------
---	------	------
--	------	------
---	------	------
---	------	------
--	------	-----
---	------	-----
---	------	-----
---	------	------
---	------	------
---	------	-----
---	------	------
--	------	------
---	-----	------
--	-----	------
NO	TYPE	THK
 | | FRAMES | | | DOORS |
 | | | | | |
 | | | | | |
 | | | | | |
 | | | | | |
 | | | | | |
 | | | | | | | | |
 | | | | | |
 | | | | | |
 | | | | | | | | |
 | | | | | |
 | | | | | | | | |
 | | | | | |
 | | | | | | | | |
 | | | | | | | | |
 | | | | | | | | |
 | | | | | |
 | | | | | | | | |
 | | | | | | | | | | | |
 | | | | | | | | |
 | | | | | | | | | | | |
 | | | | | | | | |
 | | | | | | | | | | | |
 | | | | | | | | | | | |
 | | | | | | | | | | | | | | |
 | | | | | | | | | | | | | | |
 | | | | | | | | | | | | | | | | | |
 | | | | | | | | | | | | | | | | | | | | |
 | | | | | | | | | | | | | | | | | | | | | | | | | | |
 | | | | | | | | | | | | | | | | | | | | | | | | | | | | | | | | | | | | | | | | | | | | | | | | | | | | | | | | | | | | | | | | | | |
| | | | | | | | NO | SIZE
 | RATING | NO | NO | NO | NO | NO
 | | | | | | | | | | | | | | | | | | | | | | | | | | | | | | | | | | | | | | | | | | | | | | | | | | | | | | | | | | | | | | | | | | |
 | | | | | |
 | | | | | |
 | | | | | |
 | | | | | |
 | | | | | | | | |
 | | | | | |
 | | | | | |
 | | | | | | | | |
 | | | | | |
 | | | | | | | | |
 | | | | | |
 | | | | | | | | |
 | | | | | | | | |
 | | | | | | | | |
 | | | | | |
 | | | | | | | | |
 | | | | | | | | | | | |
 | | | | | | | | |
 | | | | | | | | | | | |
 | | | | | | | | |
 | | | | | | | | | | | |
 | | | | | | | | | | | |
 | | | | | | | | | | | | | | |
 | | | | | | | | | | | | | | |
 | | | | | | | | | | | | | | | | | |
 | | | | | | | | | | | | | | | | | | | | |
 | | | | | | | | | | | | | | | | | | | | | | | | | | |
 | | | | | | | | | | | | | | | | | | | | | | | | | | | | | | | | | | | | | | | | | | | | | | | | | | | | | | | | | | | | | | | | | | |
| 300A | D | 3\"/> | | | | | |
 | | | | | |
 | | | | | |
 | | | | | |
 | | | | | |
 | | | | | |
 | | | | | |
 | | | | | | | | |
 | | | | | |
 | | | | | |
 | | | | | | | | |
 | | | | | |
 | | | | | | | | |
 | | | | | |
 | | | | | | | | |
 | | | | | | | | |
 | | | | | | | | |
 | | | | | |
 | | | | | | | | |
 | | | | | | | | | | | |
 | | | | | | | | |
 | | | | | | | | | | | |
 | | | | | | | | |
 | | | | | | | | | | | |
 | | | | | | | | | | | |
 | | | | | | | | | | | | | | |
 | | | | | | | | | | | | | | |
 | | | | | | | | | | | | | | | | | |
 | | | | | | | | | | | | | | | | | | | | |
 | | | | | | | | | | | | | | | | | | | | | | | | | | |
 | | | | | | | | | | | | | | | | | | | | | | | | | | | | | | | | | | | | | | | | | | | | | | | | | | | | | | | | | | | | | | | | | | |
| 300B | D | 3\"/> | | | | | |
 | | | | | |
 | | | | | |
 | | | | | |
 | | | | | |
 | | | | | |
 | | | | | |
 | | | | | | | | |
 | | | | | |
 | | | | | |
 | | | | | | | | |
 | | | | | |
 | | | | | | | | |
 | | | | | |
 | | | | | | | | |
 | | | | | | | | |
 | | | | | | | | |
 | | | | | |
 | | | | | | | | |
 | | | | | | | | | | | |
 | | | | | | | | |
 | | | | | | | | | | | |
 | | | | | | | | |
 | | | | | | | | | | | |
 | | | | | | | | | | | |
 | | | | | | | | | | | | | | |
 | | | | | | | | | | | | | | |
 | | | | | | | | | | | | | | | | | |
 | | | | | | | | | | | | | | | | | | | | |
 | | | | | | | | | | | | | | | | | | | | | | | | | | |
 | | | | | | | | | | | | | | | | | | | | | | | | | | | | | | | | | | | | | | | | | | | | | | | | | | | | | | | | | | | | | | | | | | |
| 301 | D | 3\"/> <tr> <td>303</td> <td>ETR</td> <td>-</td> <td>WD.</td> <td>J2</td> <td>PTD.</td> <td>-</td> <td>300A</td> <td>3\"/> <tr> <td>305</td> <td>A</td> <td>3\"/> <tr> <td>306</td> <td>ETR</td> <td>-</td> <td>WD.</td> <td>J2</td> <td>PTD.</td> <td>-</td> <td>300B</td> <td>3\"/> <tr> <td>307</td> <td>ETR</td> <td>-</td> <td>WD.</td> <td>J2</td> <td>PTD.</td> <td>-</td> <td>301</td> <td>3\"/> <tr> <td>308</td> <td>ETR</td> <td>-</td> <td>WD.</td> <td>J2</td> <td>PTD.</td> <td>-</td> <td>303</td> <td>3\"/> <tr> <td>309</td> <td>ETR</td> <td>-</td> <td>WD.</td> <td>J2</td> <td>PTD.</td> <td>-</td> <td>305</td> <td>3\"/> <tr> <td>310</td> <td>ETR</td> <td>-</td> <td>WD.</td> <td>J2</td> <td>PTD.</td> <td>-</td> <td>306</td> <td>3\"/> <tr> <td>311</td> <td>A</td> <td>3\"/> <tr> <td>312A</td> <td>ETR</td> <td>-</td> <td>WD.</td> <td>J2</td> <td>PTD.</td> <td>-</td> <td>307</td> <td>3\"/> <tr> <td>313</td> <td>ETR</td> <td>-</td> <td>WD.</td> <td>J2</td> <td>PTD.</td> <td>-</td> <td>308</td> <td>3\"/> <tr> <td>314</td> <td>ETR</td> <td>-</td> <td>WD.</td> <td>J2</td> <td>PTD.</td> <td>-</td> <td>309</td> <td>3\"/> <tr> <td>315</td> <td>ETR</td> <td>-</td> <td>WD.</td> <td>J2</td> <td>PTD.</td> <td>-</td> <td>310</td> <td>3\"/> <tr> <td>316A</td> <td>A</td> <td>3\"/> <tr> <td>318</td> <td>ETR</td> <td>-</td> <td>WD.</td> <td>J2</td> <td>PTD.</td> <td>-</td> <td>311</td> <td>3\"/> <tr> <td>319</td> <td>ETR</td> <td>-</td> <td>WD.</td> <td>J2</td> <td>PTD.</td> <td>-</td> <td>312A</td> <td>3\"/> <tr> <td>320</td> <td>ETR</td> <td>-</td> <td>WD.</td> <td>J2</td> <td>PTD.</td> <td>-</td> <td>313</td> <td>3\"/> <tr> <td>321</td> <td>ETR</td> <td>-</td> <td>WD.</td> <td>J2</td> <td>PTD.</td> <td>-</td> <td>314</td> <td>3\"/> <tr> <td>322</td> <td>ETR</td> <td>-</td> <td>WD.</td> <td>J2</td> <td>PTD.</td> <td>-</td> <td>315</td> <td>3\"/> <tr> <td>323</td> <td>ETR</td> <td>-</td> <td>WD.</td> <td>J2</td> <td>PTD.</td> <td>-</td> <td>316A</td> <td>3\"/> <tr> <td>324</td> <td>ETR</td> <td>-</td> <td>WD.</td> <td>J2</td> <td>PTD.</td> <td>-</td> <td>318</td> <td>3\"/> <tr> <td>325</td> <td>A</td> <td>3\"/> <tr> <td>327</td> <td>ETR</td> <td>-</td> <td>WD.</td> <td>J2</td> <td>PTD.</td> <td>-</td> <td>319</td> <td>3\"/> <tr> <td>328</td> <td>ETR</td> <td>-</td> <td>WD.</td> <td>J2</td> <td>PTD.</td> <td>-</td> <td>320</td> <td>3\"/> <tr> <td>329A</td> <td>ETR</td> <td>-</td> <td>WD.</td> <td>J2</td> <td>PTD.</td> <td>-</td> <td>321</td> <td>3\"/> <tr> <td>329B</td> <td>ETR</td> <td>-</td> <td>WD.</td> <td>J2</td> <td>PTD.</td> <td>-</td> <td>322</td> <td>3\"/> <tr> <td>331</td> <td>ETR</td> <td>-</td> <td>WD.</td> <td>J2</td> <td>PTD.</td> <td>-</td> <td>323</td> <td>3\"/> <tr> <td>333</td> <td>ETR</td> <td>-</td> <td>WD.</td> <td>J2</td> <td>PTD.</td> <td>-</td> <td>324</td> <td>3\"/> <tr> <td>334A</td> <td>ETR</td> <td>-</td> <td>WD.</td> <td>J2</td> <td>PTD.</td> <td>-</td> <td>325</td> <td>3\"/> <tr> <td>334B</td> <td>ETR</td> <td>-</td> <td>WD.</td> <td>J2</td> <td>PTD.</td> <td>-</td> <td>327</td> <td>3\"/> <tr> <td>335A</td> <td>ETR</td> <td>-</td> <td>WD.</td> <td>J2</td> <td>PTD.</td> <td>-</td> <td>328</td> <td>3\"/> <tr> <td>335B</td> <td>B</td> <td>3\"/> <tr> <td>336</td> <td>B</td> <td>3\"/> <tr> <td>337</td> <td>ETR</td> <td>-</td> <td>WD.</td> <td>J2</td> <td>PTD.</td> <td>-</td> <td>329A</td> <td>3\"/> <tr> <td>339</td> <td>ETR</td> <td>-</td> <td>WD.</td> <td>J2</td> <td>PTD.</td> <td>-</td> <td>329B</td> <td>3\"/> <tr> <td>340</td> <td>A</td> <td>3\"/> <tr> <td>341A</td> <td>ETR</td> <td>-</td> <td>WD.</td> <td>J2</td> <td>PTD.</td> <td>-</td> <td>331</td> <td>3\"/> <tr> <td>341B</td> <td>ETR</td> <td>-</td> <td>WD.</td> <td>J2</td> <td>PTD.</td> <td>-</td> <td>333</td> <td>3\"/> <tr> <td>342</td> <td>ETR</td> <td>-</td> <td>WD.</td> <td>J2</td> <td>PTD.</td> <td>-</td> <td>334A</td> <td>3\"/> <tr> <td>344</td> <td>ETR</td> <td>-</td> <td>WD.</td> <td>J2</td> <td>PTD.</td> <td>-</td> <td>334B</td> <td>3\"/> <tr> <td>345</td> <td>ETR</td> <td>-</td> <td>WD.</td> <td>J2</td> <td>PTD.</td> <td>-</td> <td>335A</td> <td>3\"/> <tr> <td>346</td> <td>ETR</td> <td>-</td> <td>WD.</td> <td>J2</td> <td>PTD.</td> <td>-</td> <td>335B</td> <td>3\"/> <tr> <td>347</td> <td>ETR</td> <td>-</td> <td>WD.</td> <td>J2</td> <td>PTD.</td> <td>-</td> <td>336</td> <td>3\"/> <tr> <td>348</td> <td>ETR</td> <td>-</td> <td>WD.</td> <td>J2</td> <td>PTD.</td> <td>-</td> <td>337</td> <td>3\"/> <tr> <td>349</td> <td>ETR</td> <td>-</td> <td>WD.</td> <td>J2</td> <td>PTD.</td> <td>-</td> <td>339</td> <td>3\"/> <tr> <td>350</td> <td>ETR</td> <td>-</td> <td>WD.</td> <td>J2</td> <td>PTD.</td> <td>-</td> <td>340</td> <td>3\"/> </td></tr></td></tr></td></tr></td></tr></td></tr></td></tr></td></tr></td></tr></td></tr></td></tr></td></tr></td></tr></td></tr></td></tr></td></tr></td></tr></td></tr></td></tr></td></tr></td></tr></td></tr></td></tr></td></tr></td></tr></td></tr></td></tr></td></tr></td></tr></td></tr></td></tr></td></tr></td></tr></td></tr></td></tr></td></tr></td></tr></td></tr></td></tr></td></tr></td></tr></td></tr></td></tr></td></tr></td></tr></td></tr> | 303 | ETR | - | WD. | J2 | PTD.
 | - | 300A | 3\"/> <tr> <td>305</td> <td>A</td> <td>3\"/> <tr> <td>306</td> <td>ETR</td> <td>-</td> <td>WD.</td> <td>J2</td> <td>PTD.</td> <td>-</td> <td>300B</td> <td>3\"/> <tr> <td>307</td> <td>ETR</td> <td>-</td> <td>WD.</td> <td>J2</td> <td>PTD.</td> <td>-</td> <td>301</td> <td>3\"/> <tr> <td>308</td> <td>ETR</td> <td>-</td> <td>WD.</td> <td>J2</td> <td>PTD.</td> <td>-</td> <td>303</td> <td>3\"/> <tr> <td>309</td> <td>ETR</td> <td>-</td> <td>WD.</td> <td>J2</td> <td>PTD.</td> <td>-</td> <td>305</td> <td>3\"/> <tr> <td>310</td> <td>ETR</td> <td>-</td> <td>WD.</td> <td>J2</td> <td>PTD.</td> <td>-</td> <td>306</td> <td>3\"/> <tr> <td>311</td> <td>A</td> <td>3\"/> <tr> <td>312A</td> <td>ETR</td> <td>-</td> <td>WD.</td> <td>J2</td> <td>PTD.</td> <td>-</td> <td>307</td> <td>3\"/> <tr> <td>313</td> <td>ETR</td> <td>-</td> <td>WD.</td> <td>J2</td> <td>PTD.</td> <td>-</td> <td>308</td> <td>3\"/> <tr> <td>314</td> <td>ETR</td> <td>-</td> <td>WD.</td> <td>J2</td> <td>PTD.</td> <td>-</td> <td>309</td> <td>3\"/> <tr> <td>315</td> <td>ETR</td> <td>-</td> <td>WD.</td> <td>J2</td> <td>PTD.</td> <td>-</td> <td>310</td> <td>3\"/> <tr> <td>316A</td> <td>A</td> <td>3\"/> <tr> <td>318</td> <td>ETR</td> <td>-</td> <td>WD.</td> <td>J2</td> <td>PTD.</td> <td>-</td> <td>311</td> <td>3\"/> <tr> <td>319</td> <td>ETR</td> <td>-</td> <td>WD.</td> <td>J2</td> <td>PTD.</td> <td>-</td> <td>312A</td> <td>3\"/> <tr> <td>320</td> <td>ETR</td> <td>-</td> <td>WD.</td> <td>J2</td> <td>PTD.</td> <td>-</td> <td>313</td> <td>3\"/> <tr> <td>321</td> <td>ETR</td> <td>-</td> <td>WD.</td> <td>J2</td> <td>PTD.</td> <td>-</td> <td>314</td> <td>3\"/> <tr> <td>322</td> <td>ETR</td> <td>-</td> <td>WD.</td> <td>J2</td> <td>PTD.</td> <td>-</td> <td>315</td> <td>3\"/> <tr> <td>323</td> <td>ETR</td> <td>-</td> <td>WD.</td> <td>J2</td> <td>PTD.</td> <td>-</td> <td>316A</td> <td>3\"/> <tr> <td>324</td> <td>ETR</td> <td>-</td> <td>WD.</td> <td>J2</td> <td>PTD.</td> <td>-</td> <td>318</td> <td>3\"/> <tr> <td>325</td> <td>A</td> <td>3\"/> <tr> <td>327</td> <td>ETR</td> <td>-</td> <td>WD.</td> <td>J2</td> <td>PTD.</td> <td>-</td> <td>319</td> <td>3\"/> <tr> <td>328</td> <td>ETR</td> <td>-</td> <td>WD.</td> <td>J2</td> <td>PTD.</td> <td>-</td> <td>320</td> <td>3\"/> <tr> <td>329A</td> <td>ETR</td> <td>-</td> <td>WD.</td> <td>J2</td> <td>PTD.</td> <td>-</td> <td>321</td> <td>3\"/> <tr> <td>329B</td> <td>ETR</td> <td>-</td> <td>WD.</td> <td>J2</td> <td>PTD.</td> <td>-</td> <td>322</td> <td>3\"/> <tr> <td>331</td> <td>ETR</td> <td>-</td> <td>WD.</td> <td>J2</td> <td>PTD.</td> <td>-</td> <td>323</td> <td>3\"/> <tr> <td>333</td> <td>ETR</td> <td>-</td> <td>WD.</td> <td>J2</td> <td>PTD.</td> <td>-</td> <td>324</td> <td>3\"/> <tr> <td>334A</td> <td>ETR</td> <td>-</td> <td>WD.</td> <td>J2</td> <td>PTD.</td> <td>-</td> <td>325</td> <td>3\"/> <tr> <td>334B</td> <td>ETR</td> <td>-</td> <td>WD.</td> <td>J2</td> <td>PTD.</td> <td>-</td> <td>327</td> <td>3\"/> <tr> <td>335A</td> <td>ETR</td> <td>-</td> <td>WD.</td> <td>J2</td> <td>PTD.</td> <td>-</td> <td>328</td> <td>3\"/> <tr> <td>335B</td> <td>B</td> <td>3\"/> <tr> <td>336</td> <td>B</td> <td>3\"/> <tr> <td>337</td> <td>ETR</td> <td>-</td> <td>WD.</td> <td>J2</td> <td>PTD.</td> <td>-</td> <td>329A</td> <td>3\"/> <tr> <td>339</td> <td>ETR</td> <td>-</td> <td>WD.</td> <td>J2</td> <td>PTD.</td> <td>-</td> <td>329B</td> <td>3\"/> <tr> <td>340</td> <td>A</td> <td>3\"/> <tr> <td>341A</td> <td>ETR</td> <td>-</td> <td>WD.</td> <td>J2</td> <td>PTD.</td> <td>-</td> <td>331</td> <td>3\"/> <tr> <td>341B</td> <td>ETR</td> <td>-</td> <td>WD.</td> <td>J2</td> <td>PTD.</td> <td>-</td> <td>333</td> <td>3\"/> <tr> <td>342</td> <td>ETR</td> <td>-</td> <td>WD.</td> <td>J2</td> <td>PTD.</td> <td>-</td> <td>334A</td> <td>3\"/> <tr> <td>344</td> <td>ETR</td> <td>-</td> <td>WD.</td> <td>J2</td> <td>PTD.</td> <td>-</td> <td>334B</td> <td>3\"/> <tr> <td>345</td> <td>ETR</td> <td>-</td> <td>WD.</td> <td>J2</td> <td>PTD.</td> <td>-</td> <td>335A</td> <td>3\"/> <tr> <td>346</td> <td>ETR</td> <td>-</td> <td>WD.</td> <td>J2</td> <td>PTD.</td> <td>-</td> <td>335B</td> <td>3\"/> <tr> <td>347</td> <td>ETR</td> <td>-</td> <td>WD.</td> <td>J2</td> <td>PTD.</td> <td>-</td> <td>336</td> <td>3\"/> <tr> <td>348</td> <td>ETR</td> <td>-</td> <td>WD.</td> <td>J2</td> <td>PTD.</td> <td>-</td> <td>337</td> <td>3\"/> <tr> <td>349</td> <td>ETR</td> <td>-</td> <td>WD.</td> <td>J2</td> <td>PTD.</td> <td>-</td> <td>339</td> <td>3\"/> <tr> <td>350</td> <td>ETR</td> <td>-</td> <td>WD.</td> <td>J2</td> <td>PTD.</td> <td>-</td> <td>340</td> <td>3\"/> </td></tr></td></tr></td></tr></td></tr></td></tr></td></tr></td></tr></td></tr></td></tr></td></tr></td></tr></td></tr></td></tr></td></tr></td></tr></td></tr></td></tr></td></tr></td></tr></td></tr></td></tr></td></tr></td></tr></td></tr></td></tr></td></tr></td></tr></td></tr></td></tr></td></tr></td></tr></td></tr></td></tr></td></tr></td></tr></td></tr></td></tr></td></tr></td></tr></td></tr></td></tr></td></tr></td></tr></td></tr> | 305 | A | 3\"/> <tr> <td>306</td> <td>ETR</td> <td>-</td> <td>WD.</td> <td>J2</td> <td>PTD.</td> <td>-</td> <td>300B</td> <td>3\"/> <tr> <td>307</td> <td>ETR</td> <td>-</td> <td>WD.</td> <td>J2</td> <td>PTD.</td> <td>-</td> <td>301</td> <td>3\"/> <tr> <td>308</td> <td>ETR</td> <td>-</td> <td>WD.</td> <td>J2</td> <td>PTD.</td> <td>-</td> <td>303</td> <td>3\"/> <tr> <td>309</td> <td>ETR</td> <td>-</td> <td>WD.</td> <td>J2</td> <td>PTD.</td> <td>-</td> <td>305</td> <td>3\"/> <tr> <td>310</td> <td>ETR</td> <td>-</td> <td>WD.</td> <td>J2</td> <td>PTD.</td> <td>-</td> <td>306</td> <td>3\"/> <tr> <td>311</td> <td>A</td> <td>3\"/> <tr> <td>312A</td> <td>ETR</td> <td>-</td> <td>WD.</td> <td>J2</td> <td>PTD.</td> <td>-</td> <td>307</td> <td>3\"/> <tr> <td>313</td> <td>ETR</td> <td>-</td> <td>WD.</td> <td>J2</td> <td>PTD.</td> <td>-</td> <td>308</td> <td>3\"/> <tr> <td>314</td> <td>ETR</td> <td>-</td> <td>WD.</td> <td>J2</td> <td>PTD.</td> <td>-</td> <td>309</td> <td>3\"/> <tr> <td>315</td> <td>ETR</td> <td>-</td> <td>WD.</td> <td>J2</td> <td>PTD.</td> <td>-</td> <td>310</td> <td>3\"/> <tr> <td>316A</td> <td>A</td> <td>3\"/> <tr> <td>318</td> <td>ETR</td> <td>-</td> <td>WD.</td> <td>J2</td> <td>PTD.</td> <td>-</td> <td>311</td> <td>3\"/> <tr> <td>319</td> <td>ETR</td> <td>-</td> <td>WD.</td> <td>J2</td> <td>PTD.</td> <td>-</td> <td>312A</td> <td>3\"/> <tr> <td>320</td> <td>ETR</td> <td>-</td> <td>WD.</td> <td>J2</td> <td>PTD.</td> <td>-</td> <td>313</td> <td>3\"/> <tr> <td>321</td> <td>ETR</td> <td>-</td> <td>WD.</td> <td>J2</td> <td>PTD.</td> <td>-</td> <td>314</td> <td>3\"/> <tr> <td>322</td> <td>ETR</td> <td>-</td> <td>WD.</td> <td>J2</td> <td>PTD.</td> <td>-</td> <td>315</td> <td>3\"/> <tr> <td>323</td> <td>ETR</td> <td>-</td> <td>WD.</td> <td>J2</td> <td>PTD.</td> <td>-</td> <td>316A</td> <td>3\"/> <tr> <td>324</td> <td>ETR</td> <td>-</td> <td>WD.</td> <td>J2</td> <td>PTD.</td> <td>-</td> <td>318</td> <td>3\"/> <tr> <td>325</td> <td>A</td> <td>3\"/> <tr> <td>327</td> <td>ETR</td> <td>-</td> <td>WD.</td> <td>J2</td> <td>PTD.</td> <td>-</td> <td>319</td> <td>3\"/> <tr> <td>328</td> <td>ETR</td> <td>-</td> <td>WD.</td> <td>J2</td> <td>PTD.</td> <td>-</td> <td>320</td> <td>3\"/> <tr> <td>329A</td> <td>ETR</td> <td>-</td> <td>WD.</td> <td>J2</td> <td>PTD.</td> <td>-</td> <td>321</td> <td>3\"/> <tr> <td>329B</td> <td>ETR</td> <td>-</td> <td>WD.</td> <td>J2</td> <td>PTD.</td> <td>-</td> <td>322</td> <td>3\"/> <tr> <td>331</td> <td>ETR</td> <td>-</td> <td>WD.</td> <td>J2</td> <td>PTD.</td> <td>-</td> <td>323</td> <td>3\"/>
 <tr> <td>333</td> <td>ETR</td> <td>-</td> <td>WD.</td> <td>J2</td> <td>PTD.</td> <td>-</td> <td>324</td> <td>3\"/> <tr> <td>334A</td> <td>ETR</td> <td>-</td> <td>WD.</td> <td>J2</td> <td>PTD.</td> <td>-</td> <td>325</td> <td>3\"/> <tr> <td>334B</td> <td>ETR</td> <td>-</td> <td>WD.</td> <td>J2</td> <td>PTD.</td> <td>-</td> <td>327</td> <td>3\"/> <tr> <td>335A</td> <td>ETR</td> <td>-</td> <td>WD.</td> <td>J2</td> <td>PTD.</td> <td>-</td> <td>328</td> <td>3\"/> <tr> <td>335B</td> <td>B</td> <td>3\"/> <tr> <td>336</td> <td>B</td> <td>3\"/> <tr> <td>337</td> <td>ETR</td> <td>-</td> <td>WD.</td> <td>J2</td> <td>PTD.</td> <td>-</td> <td>329A</td> <td>3\"/> <tr> <td>339</td> <td>ETR</td> <td>-</td> <td>WD.</td> <td>J2</td> <td>PTD.</td> <td>-</td> <td>329B</td> <td>3\"/> <tr> <td>340</td> <td>A</td> <td>3\"/> <tr> <td>341A</td> <td>ETR</td> <td>-</td> <td>WD.</td> <td>J2</td> <td>PTD.</td> <td>-</td> <td>331</td> <td>3\"/> <tr> <td>341B</td> <td>ETR</td> <td>-</td> <td>WD.</td> <td>J2</td> <td>PTD.</td> <td>-</td> <td>333</td> <td>3\"/> <tr> <td>342</td> <td>ETR</td> <td>-</td> <td>WD.</td> <td>J2</td> <td>PTD.</td> <td>-</td> <td>334A</td> <td>3\"/> <tr> <td>344</td> <td>ETR</td> <td>-</td> <td>WD.</td> <td>J2</td> <td>PTD.</td> <td>-</td> <td>334B</td> <td>3\"/> <tr> <td>345</td> <td>ETR</td> <td>-</td> <td>WD.</td> <td>J2</td> <td>PTD.</td> <td>-</td> <td>335A</td> <td>3\"/> <tr> <td>346</td> <td>ETR</td> <td>-</td> <td>WD.</td> <td>J2</td> <td>PTD.</td> <td>-</td> <td>335B</td> <td>3\"/> <tr> <td>347</td> <td>ETR</td> <td>-</td> <td>WD.</td> <td>J2</td> <td>PTD.</td> <td>-</td> <td>336</td> <td>3\"/> <tr> <td>348</td> <td>ETR</td> <td>-</td> <td>WD.</td> <td>J2</td> <td>PTD.</td> <td>-</td> <td>337</td> <td>3\"/> <tr> <td>349</td> <td>ETR</td> <td>-</td> <td>WD.</td> <td>J2</td> <td>PTD.</td> <td>-</td> <td>339</td> <td>3\"/> <tr> <td>350</td> <td>ETR</td> <td>-</td> <td>WD.</td> <td>J2</td> <td>PTD.</td> <td>-</td> <td>340</td> <td>3\"/> </td></tr></td></tr></td></tr></td></tr></td></tr></td></tr></td></tr></td></tr></td></tr></td></tr></td></tr></td></tr></td></tr></td></tr></td></tr></td></tr></td></tr></td></tr></td></tr></td></tr></td></tr></td></tr></td></tr></td></tr></td></tr></td></tr></td></tr></td></tr></td></tr></td></tr></td></tr></td></tr></td></tr></td></tr></td></tr></td></tr></td></tr></td></tr></td></tr></td></tr></td></tr></td></tr></td></tr> | 306 | ETR | - | WD. | J2 | PTD.
 | - | 300B | 3\"/> <tr> <td>307</td> <td>ETR</td> <td>-</td> <td>WD.</td> <td>J2</td> <td>PTD.</td> <td>-</td> <td>301</td> <td>3\"/> <tr> <td>308</td> <td>ETR</td> <td>-</td> <td>WD.</td> <td>J2</td> <td>PTD.</td> <td>-</td> <td>303</td> <td>3\"/> <tr> <td>309</td> <td>ETR</td> <td>-</td> <td>WD.</td> <td>J2</td> <td>PTD.</td> <td>-</td> <td>305</td> <td>3\"/> <tr> <td>310</td> <td>ETR</td> <td>-</td> <td>WD.</td> <td>J2</td> <td>PTD.</td> <td>-</td> <td>306</td> <td>3\"/> <tr> <td>311</td> <td>A</td> <td>3\"/> <tr> <td>312A</td> <td>ETR</td> <td>-</td> <td>WD.</td> <td>J2</td> <td>PTD.</td> <td>-</td> <td>307</td> <td>3\"/> <tr> <td>313</td> <td>ETR</td> <td>-</td> <td>WD.</td> <td>J2</td> <td>PTD.</td> <td>-</td> <td>308</td> <td>3\"/> <tr> <td>314</td> <td>ETR</td> <td>-</td> <td>WD.</td> <td>J2</td> <td>PTD.</td> <td>-</td> <td>309</td> <td>3\"/> <tr> <td>315</td> <td>ETR</td> <td>-</td> <td>WD.</td> <td>J2</td> <td>PTD.</td> <td>-</td> <td>310</td> <td>3\"/> <tr> <td>316A</td> <td>A</td> <td>3\"/> <tr> <td>318</td> <td>ETR</td> <td>-</td> <td>WD.</td> <td>J2</td> <td>PTD.</td> <td>-</td> <td>311</td> <td>3\"/> <tr> <td>319</td> <td>ETR</td> <td>-</td> <td>WD.</td> <td>J2</td> <td>PTD.</td> <td>-</td> <td>312A</td> <td>3\"/> <tr> <td>320</td> <td>ETR</td> <td>-</td> <td>WD.</td> <td>J2</td> <td>PTD.</td> <td>-</td> <td>313</td> <td>3\"/> <tr> <td>321</td> <td>ETR</td> <td>-</td> <td>WD.</td> <td>J2</td> <td>PTD.</td> <td>-</td> <td>314</td> <td>3\"/> <tr> <td>322</td> <td>ETR</td> <td>-</td> <td>WD.</td> <td>J2</td> <td>PTD.</td> <td>-</td> <td>315</td> <td>3\"/> <tr> <td>323</td> <td>ETR</td> <td>-</td> <td>WD.</td> <td>J2</td> <td>PTD.</td> <td>-</td> <td>316A</td> <td>3\"/> <tr> <td>324</td> <td>ETR</td> <td>-</td> <td>WD.</td> <td>J2</td> <td>PTD.</td> <td>-</td> <td>318</td> <td>3\"/> <tr> <td>325</td> <td>A</td> <td>3\"/> <tr> <td>327</td> <td>ETR</td> <td>-</td> <td>WD.</td> <td>J2</td> <td>PTD.</td> <td>-</td> <td>319</td> <td>3\"/> <tr> <td>328</td> <td>ETR</td> <td>-</td> <td>WD.</td> <td>J2</td> <td>PTD.</td> <td>-</td> <td>320</td> <td>3\"/> <tr> <td>329A</td> <td>ETR</td> <td>-</td> <td>WD.</td> <td>J2</td> <td>PTD.</td> <td>-</td> <td>321</td> <td>3\"/> <tr> <td>329B</td> <td>ETR</td> <td>-</td> <td>WD.</td> <td>J2</td> <td>PTD.</td> <td>-</td> <td>322</td> <td>3\"/> <tr> <td>331</td> <td>ETR</td> <td>-</td> <td>WD.</td> <td>J2</td> <td>PTD.</td> <td>-</td> <td>323</td> <td>3\"/> <tr> <td>333</td> <td>ETR</td> <td>-</td> <td>WD.</td> <td>J2</td> <td>PTD.</td> <td>-</td> <td>324</td> <td>3\"/> <tr> <td>334A</td> <td>ETR</td> <td>-</td> <td>WD.</td> <td>J2</td> <td>PTD.</td> <td>-</td> <td>325</td> <td>3\"/> <tr> <td>334B</td> <td>ETR</td> <td>-</td> <td>WD.</td> <td>J2</td> <td>PTD.</td> <td>-</td> <td>327</td> <td>3\"/> <tr> <td>335A</td> <td>ETR</td> <td>-</td> <td>WD.</td> <td>J2</td> <td>PTD.</td> <td>-</td> <td>328</td> <td>3\"/> <tr> <td>335B</td> <td>B</td> <td>3\"/> <tr> <td>336</td> <td>B</td> <td>3\"/> <tr> <td>337</td> <td>ETR</td> <td>-</td> <td>WD.</td> <td>J2</td> <td>PTD.</td> <td>-</td> <td>329A</td> <td>3\"/> <tr> <td>339</td> <td>ETR</td> <td>-</td> <td>WD.</td> <td>J2</td> <td>PTD.</td> <td>-</td> <td>329B</td> <td>3\"/> <tr> <td>340</td> <td>A</td> <td>3\"/> <tr> <td>341A</td> <td>ETR</td> <td>-</td> <td>WD.</td> <td>J2</td> <td>PTD.</td> <td>-</td> <td>331</td> <td>3\"/> <tr> <td>341B</td> <td>ETR</td> <td>-</td> <td>WD.</td> <td>J2</td> <td>PTD.</td> <td>-</td> <td>333</td> <td>3\"/> <tr> <td>342</td> <td>ETR</td> <td>-</td> <td>WD.</td> <td>J2</td> <td>PTD.</td> <td>-</td> <td>334A</td> <td>3\"/> <tr> <td>344</td> <td>ETR</td> <td>-</td> <td>WD.</td> <td>J2</td> <td>PTD.</td> <td>-</td> <td>334B</td> <td>3\"/> <tr> <td>345</td> <td>ETR</td> <td>-</td> <td>WD.</td> <td>J2</td> <td>PTD.</td> <td>-</td> <td>335A</td> <td>3\"/> <tr> <td>346</td> <td>ETR</td> <td>-</td> <td>WD.</td> <td>J2</td> <td>PTD.</td> <td>-</td> <td>335B</td> <td>3\"/> <tr> <td>347</td> <td>ETR</td> <td>-</td> <td>WD.</td> <td>J2</td> <td>PTD.</td> <td>-</td> <td>336</td> <td>3\"/> <tr> <td>348</td> <td>ETR</td> <td>-</td> <td>WD.</td> <td>J2</td> <td>PTD.</td> <td>-</td> <td>337</td> <td>3\"/> <tr> <td>349</td> <td>ETR</td> <td>-</td> <td>WD.</td> <td>J2</td> <td>PTD.</td> <td>-</td> <td>339</td> <td>3\"/> <tr> <td>350</td> <td>ETR</td> <td>-</td> <td>WD.</td> <td>J2</td> <td>PTD.</td> <td>-</td> <td>340</td> <td>3\"/> </td></tr></td></tr></td></tr></td></tr></td></tr></td></tr></td></tr></td></tr></td></tr></td></tr></td></tr></td></tr></td></tr></td></tr></td></tr></td></tr></td></tr></td></tr></td></tr></td></tr></td></tr></td></tr></td></tr></td></tr></td></tr></td></tr></td></tr></td></tr></td></tr></td></tr></td></tr></td></tr></td></tr></td></tr></td></tr></td></tr></td></tr></td></tr></td></tr></td></tr></td></tr></td></tr> | 307 | ETR | -
 | WD. | J2 | PTD. | - | 301 | 3\"/> <tr> <td>308</td> <td>ETR</td> <td>-</td> <td>WD.</td> <td>J2</td> <td>PTD.</td> <td>-</td> <td>303</td> <td>3\"/> <tr> <td>309</td> <td>ETR</td> <td>-</td> <td>WD.</td> <td>J2</td> <td>PTD.</td> <td>-</td> <td>305</td> <td>3\"/> <tr> <td>310</td> <td>ETR</td> <td>-</td> <td>WD.</td> <td>J2</td> <td>PTD.</td> <td>-</td> <td>306</td> <td>3\"/> <tr> <td>311</td> <td>A</td> <td>3\"/> <tr> <td>312A</td> <td>ETR</td> <td>-</td> <td>WD.</td> <td>J2</td> <td>PTD.</td> <td>-</td> <td>307</td> <td>3\"/> <tr> <td>313</td> <td>ETR</td> <td>-</td> <td>WD.</td> <td>J2</td> <td>PTD.</td> <td>-</td> <td>308</td> <td>3\"/> <tr> <td>314</td> <td>ETR</td> <td>-</td> <td>WD.</td> <td>J2</td> <td>PTD.</td> <td>-</td> <td>309</td> <td>3\"/> <tr> <td>315</td> <td>ETR</td> <td>-</td> <td>WD.</td> <td>J2</td> <td>PTD.</td> <td>-</td> <td>310</td> <td>3\"/> <tr> <td>316A</td> <td>A</td> <td>3\"/> <tr> <td>318</td> <td>ETR</td> <td>-</td> <td>WD.</td> <td>J2</td> <td>PTD.</td> <td>-</td> <td>311</td> <td>3\"/> <tr> <td>319</td> <td>ETR</td> <td>-</td> <td>WD.</td> <td>J2</td> <td>PTD.</td> <td>-</td> <td>312A</td> <td>3\"/> <tr> <td>320</td> <td>ETR</td> <td>-</td> <td>WD.</td> <td>J2</td> <td>PTD.</td> <td>-</td> <td>313</td> <td>3\"/> <tr> <td>321</td> <td>ETR</td> <td>-</td> <td>WD.</td> <td>J2</td> <td>PTD.</td> <td>-</td> <td>314</td> <td>3\"/> <tr> <td>322</td> <td>ETR</td> <td>-</td> <td>WD.</td> <td>J2</td> <td>PTD.</td> <td>-</td> <td>315</td> <td>3\"/> <tr> <td>323</td> <td>ETR</td> <td>-</td> <td>WD.</td> <td>J2</td> <td>PTD.</td> <td>-</td> <td>316A</td> <td>3\"/> <tr> <td>324</td> <td>ETR</td> <td>-</td> <td>WD.</td> <td>J2</td> <td>PTD.</td> <td>-</td> <td>318</td> <td>3\"/> <tr> <td>325</td> <td>A</td> <td>3\"/> <tr> <td>327</td> <td>ETR</td> <td>-</td> <td>WD.</td> <td>J2</td> <td>PTD.</td> <td>-</td> <td>319</td> <td>3\"/> <tr> <td>328</td> <td>ETR</td> <td>-</td> <td>WD.</td> <td>J2</td> <td>PTD.</td> <td>-</td> <td>320</td> <td>3\"/> <tr> <td>329A</td> <td>ETR</td> <td>-</td> <td>WD.</td> <td>J2</td> <td>PTD.</td> <td>-</td> <td>321</td> <td>3\"/> <tr> <td>329B</td> <td>ETR</td> <td>-</td> <td>WD.</td> <td>J2</td> <td>PTD.</td> <td>-</td> <td>322</td> <td>3\"/> <tr> <td>331</td> <td>ETR</td> <td>-</td> <td>WD.</td> <td>J2</td> <td>PTD.</td> <td>-</td> <td>323</td> <td>3\"/> <tr> <td>333</td> <td>ETR</td> <td>-</td> <td>WD.</td> <td>J2</td> <td>PTD.</td> <td>-</td> <td>324</td> <td>3\"/> <tr> <td>334A</td> <td>ETR</td> <td>-</td> <td>WD.</td> <td>J2</td> <td>PTD.</td> <td>-</td> <td>325</td> <td>3\"/> <tr> <td>334B</td> <td>ETR</td> <td>-</td> <td>WD.</td> <td>J2</td> <td>PTD.</td> <td>-</td> <td>327</td> <td>3\"/> <tr> <td>335A</td> <td>ETR</td> <td>-</td> <td>WD.</td> <td>J2</td> <td>PTD.</td> <td>-</td> <td>328</td> <td>3\"/> <tr> <td>335B</td> <td>B</td> <td>3\"/> <tr> <td>336</td> <td>B</td> <td>3\"/> <tr> <td>337</td> <td>ETR</td>
<td>-</td> <td>WD.</td> <td>J2</td> <td>PTD.</td> <td>-</td> <td>329A</td> <td>3\"/> <tr> <td>339</td> <td>ETR</td> <td>-</td> <td>WD.</td> <td>J2</td> <td>PTD.</td> <td>-</td> <td>329B</td> <td>3\"/> <tr> <td>340</td> <td>A</td> <td>3\"/> <tr> <td>341A</td> <td>ETR</td> <td>-</td> <td>WD.</td> <td>J2</td> <td>PTD.</td> <td>-</td> <td>331</td> <td>3\"/> <tr> <td>341B</td> <td>ETR</td> <td>-</td> <td>WD.</td> <td>J2</td> <td>PTD.</td> <td>-</td> <td>333</td> <td>3\"/> <tr> <td>342</td> <td>ETR</td> <td>-</td> <td>WD.</td> <td>J2</td> <td>PTD.</td> <td>-</td> <td>334A</td> <td>3\"/> <tr> <td>344</td> <td>ETR</td> <td>-</td> <td>WD.</td> <td>J2</td> <td>PTD.</td> <td>-</td> <td>334B</td> <td>3\"/> <tr> <td>345</td> <td>ETR</td> <td>-</td> <td>WD.</td> <td>J2</td> <td>PTD.</td> <td>-</td> <td>335A</td> <td>3\"/> <tr> <td>346</td> <td>ETR</td> <td>-</td> <td>WD.</td> <td>J2</td> <td>PTD.</td> <td>-</td> <td>335B</td> <td>3\"/> <tr> <td>347</td> <td>ETR</td> <td>-</td> <td>WD.</td> <td>J2</td> <td>PTD.</td> <td>-</td> <td>336</td> <td>3\"/> <tr> <td>348</td> <td>ETR</td> <td>-</td> <td>WD.</td> <td>J2</td> <td>PTD.</td> <td>-</td> <td>337</td> <td>3\"/> <tr> <td>349</td> <td>ETR</td> <td>-</td> <td>WD.</td> <td>J2</td> <td>PTD.</td> <td>-</td> <td>339</td> <td>3\"/> <tr> <td>350</td> <td>ETR</td> <td>-</td> <td>WD.</td> <td>J2</td> <td>PTD.</td> <td>-</td> <td>340</td> <td>3\"/> </td></tr></td></tr></td></tr></td></tr></td></tr></td></tr></td></tr></td></tr></td></tr></td></tr></td></tr></td></tr></td></tr></td></tr></td></tr></td></tr></td></tr></td></tr></td></tr></td></tr></td></tr></td></tr></td></tr></td></tr></td></tr></td></tr></td></tr></td></tr></td></tr></td></tr></td></tr></td></tr></td></tr></td></tr></td></tr></td></tr></td></tr></td></tr></td></tr></td></tr></td></tr> | 308 | ETR | - | WD. | J2 | PTD.
 | - | 303 | 3\"/> <tr> <td>309</td> <td>ETR</td> <td>-</td> <td>WD.</td> <td>J2</td> <td>PTD.</td> <td>-</td> <td>305</td> <td>3\"/> <tr> <td>310</td> <td>ETR</td> <td>-</td> <td>WD.</td> <td>J2</td> <td>PTD.</td> <td>-</td> <td>306</td> <td>3\"/> <tr> <td>311</td> <td>A</td> <td>3\"/> <tr> <td>312A</td> <td>ETR</td> <td>-</td> <td>WD.</td> <td>J2</td> <td>PTD.</td> <td>-</td> <td>307</td> <td>3\"/> <tr> <td>313</td> <td>ETR</td> <td>-</td> <td>WD.</td> <td>J2</td> <td>PTD.</td> <td>-</td> <td>308</td> <td>3\"/> <tr> <td>314</td> <td>ETR</td> <td>-</td> <td>WD.</td> <td>J2</td> <td>PTD.</td> <td>-</td> <td>309</td> <td>3\"/> <tr> <td>315</td> <td>ETR</td> <td>-</td> <td>WD.</td> <td>J2</td> <td>PTD.</td> <td>-</td> <td>310</td> <td>3\"/> <tr> <td>316A</td> <td>A</td> <td>3\"/> <tr> <td>318</td> <td>ETR</td> <td>-</td> <td>WD.</td> <td>J2</td> <td>PTD.</td> <td>-</td> <td>311</td> <td>3\"/> <tr> <td>319</td> <td>ETR</td> <td>-</td> <td>WD.</td> <td>J2</td> <td>PTD.</td> <td>-</td> <td>312A</td> <td>3\"/> <tr> <td>320</td> <td>ETR</td> <td>-</td> <td>WD.</td> <td>J2</td> <td>PTD.</td> <td>-</td> <td>313</td> <td>3\"/> <tr> <td>321</td> <td>ETR</td> <td>-</td> <td>WD.</td> <td>J2</td> <td>PTD.</td> <td>-</td> <td>314</td> <td>3\"/> <tr> <td>322</td> <td>ETR</td> <td>-</td> <td>WD.</td> <td>J2</td> <td>PTD.</td> <td>-</td> <td>315</td> <td>3\"/> <tr> <td>323</td> <td>ETR</td> <td>-</td> <td>WD.</td> <td>J2</td> <td>PTD.</td> <td>-</td> <td>316A</td> <td>3\"/> <tr> <td>324</td> <td>ETR</td> <td>-</td> <td>WD.</td> <td>J2</td> <td>PTD.</td> <td>-</td> <td>318</td> <td>3\"/> <tr> <td>325</td> <td>A</td> <td>3\"/> <tr> <td>327</td> <td>ETR</td> <td>-</td> <td>WD.</td> <td>J2</td> <td>PTD.</td> <td>-</td> <td>319</td> <td>3\"/> <tr> <td>328</td> <td>ETR</td> <td>-</td> <td>WD.</td> <td>J2</td> <td>PTD.</td> <td>-</td> <td>320</td> <td>3\"/> <tr> <td>329A</td> <td>ETR</td> <td>-</td> <td>WD.</td> <td>J2</td> <td>PTD.</td> <td>-</td> <td>321</td> <td>3\"/> <tr> <td>329B</td> <td>ETR</td> <td>-</td> <td>WD.</td> <td>J2</td> <td>PTD.</td> <td>-</td> <td>322</td> <td>3\"/> <tr> <td>331</td> <td>ETR</td> <td>-</td> <td>WD.</td> <td>J2</td> <td>PTD.</td> <td>-</td> <td>323</td> <td>3\"/> <tr> <td>333</td> <td>ETR</td> <td>-</td> <td>WD.</td> <td>J2</td> <td>PTD.</td> <td>-</td> <td>324</td> <td>3\"/> <tr> <td>334A</td> <td>ETR</td> <td>-</td> <td>WD.</td> <td>J2</td> <td>PTD.</td> <td>-</td> <td>325</td> <td>3\"/> <tr> <td>334B</td> <td>ETR</td> <td>-</td> <td>WD.</td> <td>J2</td> <td>PTD.</td> <td>-</td> <td>327</td> <td>3\"/> <tr> <td>335A</td> <td>ETR</td> <td>-</td> <td>WD.</td> <td>J2</td> <td>PTD.</td> <td>-</td> <td>328</td> <td>3\"/> <tr> <td>335B</td> <td>B</td> <td>3\"/> <tr> <td>336</td> <td>B</td> <td>3\"/> <tr> <td>337</td> <td>ETR</td> <td>-</td> <td>WD.</td> <td>J2</td> <td>PTD.</td> <td>-</td> <td>329A</td> <td>3\"/> <tr> <td>339</td> <td>ETR</td> <td>-</td> <td>WD.</td> <td>J2</td> <td>PTD.</td> <td>-</td> <td>329B</td> <td>3\"/> <tr> <td>340</td> <td>A</td> <td>3\"/> <tr> <td>341A</td> <td>ETR</td> <td>-</td> <td>WD.</td> <td>J2</td> <td>PTD.</td> <td>-</td> <td>331</td> <td>3\"/> <tr> <td>341B</td> <td>ETR</td> <td>-</td> <td>WD.</td> <td>J2</td> <td>PTD.</td> <td>-</td> <td>333</td> <td>3\"/> <tr> <td>342</td> <td>ETR</td> <td>-</td> <td>WD.</td> <td>J2</td> <td>PTD.</td> <td>-</td> <td>334A</td> <td>3\"/> <tr> <td>344</td> <td>ETR</td> <td>-</td> <td>WD.</td> <td>J2</td> <td>PTD.</td> <td>-</td> <td>334B</td> <td>3\"/> <tr> <td>345</td> <td>ETR</td> <td>-</td> <td>WD.</td> <td>J2</td> <td>PTD.</td> <td>-</td> <td>335A</td> <td>3\"/> <tr> <td>346</td> <td>ETR</td> <td>-</td> <td>WD.</td> <td>J2</td> <td>PTD.</td> <td>-</td> <td>335B</td> <td>3\"/> <tr> <td>347</td> <td>ETR</td> <td>-</td> <td>WD.</td> <td>J2</td> <td>PTD.</td> <td>-</td> <td>336</td> <td>3\"/> <tr> <td>348</td> <td>ETR</td> <td>-</td> <td>WD.</td> <td>J2</td> <td>PTD.</td> <td>-</td> <td>337</td> <td>3\"/> <tr> <td>349</td> <td>ETR</td> <td>-</td> <td>WD.</td> <td>J2</td> <td>PTD.</td> <td>-</td> <td>339</td> <td>3\"/> <tr> <td>350</td> <td>ETR</td> <td>-</td> <td>WD.</td> <td>J2</td> <td>PTD.</td> <td>-</td> <td>340</td> <td>3\"/> </td></tr></td></tr></td></tr></td></tr></td></tr></td></tr></td></tr></td></tr></td></tr></td></tr></td></tr></td></tr></td></tr></td></tr></td></tr></td></tr></td></tr></td></tr></td></tr></td></tr></td></tr></td></tr></td></tr></td></tr></td></tr></td></tr></td></tr></td></tr></td></tr></td></tr></td></tr></td></tr></td></tr></td></tr></td></tr></td></tr></td></tr></td></tr></td></tr></td></tr> | 309 | ETR | -
 | WD. | J2 | PTD. | - | 305 | 3\"/> <tr> <td>310</td> <td>ETR</td> <td>-</td> <td>WD.</td> <td>J2</td> <td>PTD.</td> <td>-</td> <td>306</td> <td>3\"/> <tr> <td>311</td> <td>A</td> <td>3\"/> <tr> <td>312A</td> <td>ETR</td> <td>-</td> <td>WD.</td> <td>J2</td> <td>PTD.</td> <td>-</td> <td>307</td> <td>3\"/> <tr> <td>313</td> <td>ETR</td> <td>-</td> <td>WD.</td> <td>J2</td> <td>PTD.</td> <td>-</td> <td>308</td> <td>3\"/> <tr> <td>314</td> <td>ETR</td> <td>-</td> <td>WD.</td> <td>J2</td> <td>PTD.</td> <td>-</td> <td>309</td> <td>3\"/> <tr> <td>315</td> <td>ETR</td> <td>-</td> <td>WD.</td> <td>J2</td> <td>PTD.</td> <td>-</td> <td>310</td> <td>3\"/> <tr> <td>316A</td> <td>A</td> <td>3\"/> <tr> <td>318</td> <td>ETR</td> <td>-</td> <td>WD.</td> <td>J2</td> <td>PTD.</td> <td>-</td> <td>311</td> <td>3\"/> <tr> <td>319</td> <td>ETR</td> <td>-</td> <td>WD.</td> <td>J2</td> <td>PTD.</td> <td>-</td> <td>312A</td> <td>3\"/> <tr> <td>320</td> <td>ETR</td> <td>-</td> <td>WD.</td> <td>J2</td> <td>PTD.</td> <td>-</td> <td>313</td> <td>3\"/> <tr> <td>321</td> <td>ETR</td> <td>-</td> <td>WD.</td> <td>J2</td> <td>PTD.</td> <td>-</td> <td>314</td> <td>3\"/> <tr> <td>322</td> <td>ETR</td> <td>-</td> <td>WD.</td> <td>J2</td> <td>PTD.</td> <td>-</td> <td>315</td> <td>3\"/> <tr> <td>323</td> <td>ETR</td> <td>-</td> <td>WD.</td> <td>J2</td> <td>PTD.</td> <td>-</td> <td>316A</td> <td>3\"/> <tr> <td>324</td> <td>ETR</td> <td>-</td> <td>WD.</td> <td>J2</td> <td>PTD.</td> <td>-</td> <td>318</td> <td>3\"/> <tr> <td>325</td> <td>A</td> <td>3\"/> <tr> <td>327</td> <td>ETR</td> <td>-</td> <td>WD.</td> <td>J2</td> <td>PTD.</td> <td>-</td> <td>319</td> <td>3\"/> <tr> <td>328</td> <td>ETR</td> <td>-</td> <td>WD.</td> <td>J2</td> <td>PTD.</td> <td>-</td> <td>320</td> <td>3\"/> <tr> <td>329A</td> <td>ETR</td> <td>-</td> <td>WD.</td> <td>J2</td> <td>PTD.</td> <td>-</td> <td>321</td> <td>3\"/> <tr> <td>329B</td> <td>ETR</td> <td>-</td> <td>WD.</td> <td>J2</td> <td>PTD.</td> <td>-</td> <td>322</td> <td>3\"/> <tr> <td>331</td> <td>ETR</td> <td>-</td> <td>WD.</td> <td>J2</td> <td>PTD.</td> <td>-</td> <td>323</td> <td>3\"/> <tr> <td>333</td> <td>ETR</td> <td>-</td> <td>WD.</td> <td>J2</td> <td>PTD.</td> <td>-</td> <td>324</td> <td>3\"/> <tr> <td>334A</td> <td>ETR</td> <td>-</td> <td>WD.</td> <td>J2</td> <td>PTD.</td> <td>-</td> <td>325</td> <td>3\"/> <tr> <td>334B</td> <td>ETR</td> <td>-</td> <td>WD.</td> <td>J2</td> <td>PTD.</td> <td>-</td> <td>327</td> <td>3\"/> <tr> <td>335A</td> <td>ETR</td> <td>-</td> <td>WD.</td> <td>J2</td> <td>PTD.</td> <td>-</td> <td>328</td> <td>3\"/> <tr> <td>335B</td> <td>B</td> <td>3\"/> <tr> <td>336</td> <td>B</td> <td>3\"/> <tr> <td>337</td> <td>ETR</td> <td>-</td> <td>WD.</td> <td>J2</td> <td>PTD.</td> <td>-</td> <td>329A</td> <td>3\"/> <tr> <td>339</td> <td>ETR</td> <td>-</td> <td>WD.</td> <td>J2</td> <td>PTD.</td> <td>-</td> <td>329B</td> <td>3\"/> <tr> <td>340</td> <td>A</td> <td>3\"/> <tr> <td>341A</td> <td>ETR</td> <td>-</td> <td>WD.</td> <td>J2</td> <td>PTD.</td> <td>-</td> <td>331</td> <td>3\"/> <tr> <td>341B</td> <td>ETR</td> <td>-</td> <td>WD.</td> <td>J2</td> <td>PTD.</td> <td>-</td> <td>333</td> <td>3\"/> <tr> <td>342</td> <td>ETR</td> <td>-</td> <td>WD.</td> <td>J2</td> <td>PTD.</td> <td>-</td> <td>334A</td> <td>3\"/> <tr> <td>344</td> <td>ETR</td> <td>-</td> <td>WD.</td> <td>J2</td> <td>PTD.</td> <td>-</td> <td>334B</td> <td>3\"/> <tr> <td>345</td> <td>ETR</td> <td>-</td> <td>WD.</td> <td>J2</td> <td>PTD.</td> <td>-</td> <td>335A</td> <td>3\"/> <tr> <td>346</td> <td>ETR</td> <td>-</td> <td>WD.</td> <td>J2</td> <td>PTD.</td> <td>-</td> <td>335B</td> <td>3\"/> <tr> <td>347</td> <td>ETR</td> <td>-</td> <td>WD.</td> <td>J2</td> <td>PTD.</td> <td>-</td> <td>336</td> <td>3\"/> <tr> <td>348</td> <td>ETR</td> <td>-</td> <td>WD.</td> <td>J2</td> <td>PTD.</td> <td>-</td> <td>337</td> <td>3\"/> <tr> <td>349</td> <td>ETR</td> <td>-</td> <td>WD.</td> <td>J2</td> <td>PTD.</td> <td>-</td> <td>339</td> <td>3\"/> <tr> <td>350</td> <td>ETR</td> <td>-</td> <td>WD.</td> <td>J2</td> <td>PTD.</td> <td>-</td> <td>340</td> <td>3\"/> </td></tr></td></tr></td></tr></td></tr></td></tr></td></tr></td></tr></td></tr></td></tr></td></tr></td></tr></td></tr></td></tr></td></tr></td></tr></td></tr></td></tr></td></tr></td></tr></td></tr></td></tr></td></tr></td></tr></td></tr></td></tr></td></tr></td></tr></td></tr></td></tr></td></tr></td></tr></td></tr></td></tr></td></tr></td></tr></td></tr></td></tr></td></tr></td></tr> | 310 | ETR | -
 | WD. | J2 | PTD. | - | 306 | 3\"/> <tr> <td>311</td> <td>A</td> <td>3\"/> <tr> <td>312A</td> <td>ETR</td> <td>-</td> <td>WD.</td> <td>J2</td> <td>PTD.</td> <td>-</td> <td>307</td> <td>3\"/> <tr> <td>313</td> <td>ETR</td> <td>-</td> <td>WD.</td> <td>J2</td> <td>PTD.</td> <td>-</td> <td>308</td> <td>3\"/> <tr> <td>314</td> <td>ETR</td> <td>-</td> <td>WD.</td> <td>J2</td> <td>PTD.</td> <td>-</td> <td>309</td> <td>3\"/> <tr> <td>315</td> <td>ETR</td> <td>-</td> <td>WD.</td> <td>J2</td> <td>PTD.</td> <td>-</td> <td>310</td> <td>3\"/> <tr> <td>316A</td> <td>A</td> <td>3\"/> <tr> <td>318</td> <td>ETR</td> <td>-</td> <td>WD.</td> <td>J2</td> <td>PTD.</td> <td>-</td> <td>311</td> <td>3\"/> <tr> <td>319</td> <td>ETR</td> <td>-</td> <td>WD.</td> <td>J2</td> <td>PTD.</td> <td>-</td> <td>312A</td> <td>3\"/> <tr> <td>320</td> <td>ETR</td> <td>-</td> <td>WD.</td> <td>J2</td> <td>PTD.</td> <td>-</td> <td>313</td> <td>3\"/> <tr> <td>321</td> <td>ETR</td> <td>-</td> <td>WD.</td> <td>J2</td> <td>PTD.</td> <td>-</td> <td>314</td> <td>3\"/> <tr> <td>322</td> <td>ETR</td> <td>-</td> <td>WD.</td> <td>J2</td> <td>PTD.</td> <td>-</td> <td>315</td> <td>3\"/> <tr> <td>323</td> <td>ETR</td> <td>-</td> <td>WD.</td> <td>J2</td> <td>PTD.</td> <td>-</td> <td>316A</td> <td>3\"/> <tr> <td>324</td> <td>ETR</td> <td>-</td> <td>WD.</td> <td>J2</td> <td>PTD.</td> <td>-</td> <td>318</td> <td>3\"/> <tr> <td>325</td> <td>A</td> <td>3\"/> <tr> <td>327</td> <td>ETR</td> <td>-</td> <td>WD.</td> <td>J2</td> <td>PTD.</td> <td>-</td> <td>319</td> <td>3\"/> <tr> <td>328</td> <td>ETR</td> <td>-</td> <td>WD.</td> <td>J2</td> <td>PTD.</td> <td>-</td> <td>320</td> <td>3\"/> <tr> <td>329A</td> <td>ETR</td> <td>-</td> <td>WD.</td> <td>J2</td> <td>PTD.</td> <td>-</td> <td>321</td> <td>3\"/> <tr> <td>329B</td> <td>ETR</td> <td>-</td> <td>WD.</td> <td>J2</td> <td>PTD.</td> <td>-</td> <td>322</td> <td>3\"/> <tr> <td>331</td> <td>ETR</td> <td>-</td> <td>WD.</td> <td>J2</td> <td>PTD.</td> <td>-</td> <td>323</td> <td>3\"/> <tr> <td>333</td> <td>ETR</td> <td>-</td> <td>WD.</td> <td>J2</td> <td>PTD.</td> <td>-</td> <td>324</td> <td>3\"/> <tr> <td>334A</td> <td>ETR</td> <td>-</td> <td>WD.</td> <td>J2</td> <td>PTD.</td> <td>-</td> <td>325</td> <td>3\"/> <tr> <td>334B</td> <td>ETR</td> <td>-</td> <td>WD.</td> <td>J2</td> <td>PTD.</td> <td>-</td> <td>327</td> <td>3\"/> <tr> <td>335A</td> <td>ETR</td> <td>-</td> <td>WD.</td> <td>J2</td> <td>PTD.</td> <td>-</td> <td>328</td> <td>3\"/> <tr> <td>335B</td> <td>B</td> <td>3\"/> <tr> <td>336</td> <td>B</td> <td>3\"/> <tr> <td>337</td> <td>ETR</td> <td>-</td> <td>WD.</td> <td>J2</td> <td>PTD.</td> <td>-</td> <td>329A</td>
<td>3\"/> <tr> <td>339</td> <td>ETR</td> <td>-</td> <td>WD.</td> <td>J2</td> <td>PTD.</td> <td>-</td> <td>329B</td> <td>3\"/> <tr> <td>340</td> <td>A</td> <td>3\"/> <tr> <td>341A</td> <td>ETR</td> <td>-</td> <td>WD.</td> <td>J2</td> <td>PTD.</td> <td>-</td> <td>331</td> <td>3\"/> <tr> <td>341B</td> <td>ETR</td> <td>-</td> <td>WD.</td> <td>J2</td> <td>PTD.</td> <td>-</td> <td>333</td> <td>3\"/> <tr> <td>342</td> <td>ETR</td> <td>-</td> <td>WD.</td> <td>J2</td> <td>PTD.</td> <td>-</td> <td>334A</td> <td>3\"/> <tr> <td>344</td> <td>ETR</td> <td>-</td> <td>WD.</td> <td>J2</td> <td>PTD.</td> <td>-</td> <td>334B</td> <td>3\"/> <tr> <td>345</td> <td>ETR</td> <td>-</td> <td>WD.</td> <td>J2</td> <td>PTD.</td> <td>-</td> <td>335A</td> <td>3\"/> <tr> <td>346</td> <td>ETR</td> <td>-</td> <td>WD.</td> <td>J2</td> <td>PTD.</td> <td>-</td> <td>335B</td> <td>3\"/> <tr> <td>347</td> <td>ETR</td> <td>-</td> <td>WD.</td> <td>J2</td> <td>PTD.</td> <td>-</td> <td>336</td> <td>3\"/> <tr> <td>348</td> <td>ETR</td> <td>-</td> <td>WD.</td> <td>J2</td> <td>PTD.</td> <td>-</td> <td>337</td> <td>3\"/> <tr> <td>349</td> <td>ETR</td> <td>-</td> <td>WD.</td> <td>J2</td> <td>PTD.</td> <td>-</td> <td>339</td> <td>3\"/> <tr> <td>350</td> <td>ETR</td> <td>-</td> <td>WD.</td> <td>J2</td> <td>PTD.</td> <td>-</td> <td>340</td> <td>3\"/> </td></tr></td></tr></td></tr></td></tr></td></tr></td></tr></td></tr></td></tr></td></tr></td></tr></td></tr></td></tr></td></tr></td></tr></td></tr></td></tr></td></tr></td></tr></td></tr></td></tr></td></tr></td></tr></td></tr></td></tr></td></tr></td></tr></td></tr></td></tr></td></tr></td></tr></td></tr></td></tr></td></tr></td></tr></td></tr></td></tr></td></tr></td></tr> | 311 | A | 3\"/> <tr> <td>312A</td> <td>ETR</td> <td>-</td> <td>WD.</td> <td>J2</td> <td>PTD.</td> <td>-</td> <td>307</td> <td>3\"/> <tr> <td>313</td> <td>ETR</td> <td>-</td> <td>WD.</td> <td>J2</td> <td>PTD.</td> <td>-</td> <td>308</td> <td>3\"/> <tr> <td>314</td> <td>ETR</td> <td>-</td> <td>WD.</td> <td>J2</td> <td>PTD.</td> <td>-</td> <td>309</td> <td>3\"/> <tr> <td>315</td> <td>ETR</td> <td>-</td> <td>WD.</td> <td>J2</td> <td>PTD.</td> <td>-</td> <td>310</td> <td>3\"/> <tr> <td>316A</td> <td>A</td> <td>3\"/> <tr> <td>318</td> <td>ETR</td> <td>-</td> <td>WD.</td> <td>J2</td> <td>PTD.</td> <td>-</td> <td>311</td> <td>3\"/> <tr> <td>319</td> <td>ETR</td> <td>-</td> <td>WD.</td> <td>J2</td> <td>PTD.</td> <td>-</td> <td>312A</td> <td>3\"/> <tr> <td>320</td> <td>ETR</td> <td>-</td> <td>WD.</td> <td>J2</td> <td>PTD.</td> <td>-</td> <td>313</td> <td>3\"/> <tr> <td>321</td> <td>ETR</td> <td>-</td> <td>WD.</td> <td>J2</td> <td>PTD.</td> <td>-</td> <td>314</td> <td>3\"/> <tr> <td>322</td> <td>ETR</td> <td>-</td> <td>WD.</td> <td>J2</td> <td>PTD.</td> <td>-</td> <td>315</td> <td>3\"/> <tr> <td>323</td> <td>ETR</td> <td>-</td> <td>WD.</td> <td>J2</td> <td>PTD.</td> <td>-</td> <td>316A</td> <td>3\"/> <tr> <td>324</td> <td>ETR</td> <td>-</td> <td>WD.</td> <td>J2</td> <td>PTD.</td> <td>-</td> <td>318</td> <td>3\"/> <tr> <td>325</td> <td>A</td> <td>3\"/> <tr> <td>327</td> <td>ETR</td> <td>-</td> <td>WD.</td> <td>J2</td> <td>PTD.</td> <td>-</td> <td>319</td> <td>3\"/> <tr> <td>328</td> <td>ETR</td> <td>-</td> <td>WD.</td> <td>J2</td> <td>PTD.</td> <td>-</td> <td>320</td> <td>3\"/> <tr> <td>329A</td> <td>ETR</td> <td>-</td> <td>WD.</td> <td>J2</td> <td>PTD.</td> <td>-</td> <td>321</td> <td>3\"/> <tr> <td>329B</td> <td>ETR</td> <td>-</td> <td>WD.</td> <td>J2</td> <td>PTD.</td> <td>-</td> <td>322</td> <td>3\"/> <tr> <td>331</td> <td>ETR</td> <td>-</td> <td>WD.</td> <td>J2</td> <td>PTD.</td> <td>-</td> <td>323</td> <td>3\"/> <tr> <td>333</td> <td>ETR</td> <td>-</td> <td>WD.</td> <td>J2</td> <td>PTD.</td> <td>-</td> <td>324</td> <td>3\"/> <tr> <td>334A</td> <td>ETR</td> <td>-</td> <td>WD.</td> <td>J2</td> <td>PTD.</td> <td>-</td> <td>325</td> <td>3\"/> <tr> <td>334B</td> <td>ETR</td> <td>-</td> <td>WD.</td> <td>J2</td> <td>PTD.</td> <td>-</td> <td>327</td> <td>3\"/> <tr> <td>335A</td> <td>ETR</td> <td>-</td> <td>WD.</td> <td>J2</td> <td>PTD.</td> <td>-</td> <td>328</td> <td>3\"/> <tr> <td>335B</td> <td>B</td> <td>3\"/> <tr> <td>336</td> <td>B</td> <td>3\"/> <tr> <td>337</td> <td>ETR</td> <td>-</td> <td>WD.</td> <td>J2</td> <td>PTD.</td> <td>-</td> <td>329A</td> <td>3\"/> <tr> <td>339</td> <td>ETR</td> <td>-</td> <td>WD.</td> <td>J2</td> <td>PTD.</td> <td>-</td> <td>329B</td> <td>3\"/> <tr> <td>340</td> <td>A</td> <td>3\"/> <tr> <td>341A</td> <td>ETR</td> <td>-</td> <td>WD.</td> <td>J2</td> <td>PTD.</td> <td>-</td> <td>331</td> <td>3\"/> <tr> <td>341B</td> <td>ETR</td> <td>-</td> <td>WD.</td> <td>J2</td> <td>PTD.</td> <td>-</td> <td>333</td> <td>3\"/> <tr> <td>342</td> <td>ETR</td> <td>-</td> <td>WD.</td> <td>J2</td> <td>PTD.</td> <td>-</td> <td>334A</td> <td>3\"/> <tr> <td>344</td> <td>ETR</td> <td>-</td> <td>WD.</td> <td>J2</td> <td>PTD.</td> <td>-</td> <td>334B</td> <td>3\"/> <tr> <td>345</td> <td>ETR</td> <td>-</td> <td>WD.</td> <td>J2</td> <td>PTD.</td> <td>-</td> <td>335A</td> <td>3\"/> <tr> <td>346</td> <td>ETR</td> <td>-</td> <td>WD.</td> <td>J2</td> <td>PTD.</td> <td>-</td> <td>335B</td> <td>3\"/> <tr> <td>347</td> <td>ETR</td> <td>-</td> <td>WD.</td> <td>J2</td> <td>PTD.</td> <td>-</td> <td>336</td> <td>3\"/> <tr> <td>348</td> <td>ETR</td> <td>-</td> <td>WD.</td> <td>J2</td> <td>PTD.</td> <td>-</td> <td>337</td> <td>3\"/> <tr> <td>349</td> <td>ETR</td> <td>-</td> <td>WD.</td> <td>J2</td> <td>PTD.</td> <td>-</td> <td>339</td> <td>3\"/> <tr> <td>350</td> <td>ETR</td> <td>-</td> <td>WD.</td> <td>J2</td> <td>PTD.</td> <td>-</td> <td>340</td> <td>3\"/> </td></tr></td></tr></td></tr></td></tr></td></tr></td></tr></td></tr></td></tr></td></tr></td></tr></td></tr></td></tr></td></tr></td></tr></td></tr></td></tr></td></tr></td></tr></td></tr></td></tr></td></tr></td></tr></td></tr></td></tr></td></tr></td></tr></td></tr></td></tr></td></tr></td></tr></td></tr></td></tr></td></tr></td></tr></td></tr></td></tr></td></tr> | 312A | ETR | -
 | WD. | J2 | PTD. | - | 307 | 3\"/> <tr> <td>313</td> <td>ETR</td> <td>-</td> <td>WD.</td> <td>J2</td> <td>PTD.</td> <td>-</td> <td>308</td> <td>3\"/> <tr> <td>314</td> <td>ETR</td> <td>-</td> <td>WD.</td> <td>J2</td> <td>PTD.</td> <td>-</td> <td>309</td> <td>3\"/> <tr> <td>315</td> <td>ETR</td> <td>-</td> <td>WD.</td> <td>J2</td> <td>PTD.</td> <td>-</td> <td>310</td> <td>3\"/> <tr> <td>316A</td> <td>A</td> <td>3\"/> <tr> <td>318</td> <td>ETR</td> <td>-</td> <td>WD.</td> <td>J2</td> <td>PTD.</td> <td>-</td> <td>311</td> <td>3\"/> <tr> <td>319</td> <td>ETR</td> <td>-</td> <td>WD.</td> <td>J2</td> <td>PTD.</td> <td>-</td> <td>312A</td> <td>3\"/> <tr> <td>320</td> <td>ETR</td> <td>-</td> <td>WD.</td> <td>J2</td> <td>PTD.</td> <td>-</td> <td>313</td> <td>3\"/> <tr> <td>321</td> <td>ETR</td> <td>-</td> <td>WD.</td> <td>J2</td> <td>PTD.</td> <td>-</td> <td>314</td> <td>3\"/> <tr> <td>322</td> <td>ETR</td> <td>-</td> <td>WD.</td> <td>J2</td> <td>PTD.</td> <td>-</td> <td>315</td> <td>3\"/> <tr> <td>323</td> <td>ETR</td> <td>-</td> <td>WD.</td> <td>J2</td> <td>PTD.</td> <td>-</td> <td>316A</td> <td>3\"/> <tr> <td>324</td> <td>ETR</td> <td>-</td> <td>WD.</td> <td>J2</td> <td>PTD.</td> <td>-</td> <td>318</td> <td>3\"/> <tr> <td>325</td> <td>A</td> <td>3\"/> <tr> <td>327</td> <td>ETR</td> <td>-</td> <td>WD.</td> <td>J2</td> <td>PTD.</td> <td>-</td> <td>319</td> <td>3\"/> <tr> <td>328</td> <td>ETR</td> <td>-</td> <td>WD.</td> <td>J2</td> <td>PTD.</td> <td>-</td> <td>320</td> <td>3\"/> <tr> <td>329A</td> <td>ETR</td> <td>-</td> <td>WD.</td> <td>J2</td> <td>PTD.</td> <td>-</td> <td>321</td> <td>3\"/> <tr> <td>329B</td> <td>ETR</td> <td>-</td> <td>WD.</td> <td>J2</td> <td>PTD.</td> <td>-</td> <td>322</td> <td>3\"/> <tr> <td>331</td> <td>ETR</td> <td>-</td> <td>WD.</td> <td>J2</td> <td>PTD.</td> <td>-</td> <td>323</td> <td>3\"/> <tr> <td>333</td> <td>ETR</td> <td>-</td> <td>WD.</td> <td>J2</td> <td>PTD.</td> <td>-</td> <td>324</td> <td>3\"/> <tr> <td>334A</td> <td>ETR</td> <td>-</td> <td>WD.</td> <td>J2</td> <td>PTD.</td> <td>-</td> <td>325</td> <td>3\"/> <tr> <td>334B</td> <td>ETR</td> <td>-</td> <td>WD.</td> <td>J2</td> <td>PTD.</td> <td>-</td> <td>327</td> <td>3\"/> <tr> <td>335A</td> <td>ETR</td> <td>-</td> <td>WD.</td> <td>J2</td> <td>PTD.</td> <td>-</td> <td>328</td> <td>3\"/> <tr> <td>335B</td> <td>B</td> <td>3\"/> <tr> <td>336</td> <td>B</td> <td>3\"/> <tr> <td>337</td> <td>ETR</td> <td>-</td> <td>WD.</td> <td>J2</td> <td>PTD.</td> <td>-</td> <td>329A</td> <td>3\"/> <tr> <td>339</td> <td>ETR</td> <td>-</td> <td>WD.</td> <td>J2</td> <td>PTD.</td> <td>-</td> <td>329B</td> <td>3\"/> <tr> <td>340</td> <td>A</td> <td>3\"/> <tr> <td>341A</td> <td>ETR</td> <td>-</td> <td>WD.</td> <td>J2</td> <td>PTD.</td> <td>-</td> <td>331</td> <td>3\"/> <tr> <td>341B</td> <td>ETR</td> <td>-</td> <td>WD.</td> <td>J2</td> <td>PTD.</td> <td>-</td> <td>333</td> <td>3\"/> <tr> <td>342</td> <td>ETR</td> <td>-</td> <td>WD.</td> <td>J2</td> <td>PTD.</td> <td>-</td> <td>334A</td> <td>3\"/> <tr> <td>344</td> <td>ETR</td> <td>-</td> <td>WD.</td> <td>J2</td> <td>PTD.</td> <td>-</td> <td>334B</td> <td>3\"/> <tr> <td>345</td> <td>ETR</td> <td>-</td> <td>WD.</td> <td>J2</td> <td>PTD.</td> <td>-</td> <td>335A</td> <td>3\"/> <tr> <td>346</td> <td>ETR</td> <td>-</td> <td>WD.</td> <td>J2</td> <td>PTD.</td> <td>-</td> <td>335B</td> <td>3\"/> <tr> <td>347</td> <td>ETR</td> <td>-</td> <td>WD.</td> <td>J2</td> <td>PTD.</td> <td>-</td> <td>336</td> <td>3\"/> <tr> <td>348</td> <td>ETR</td> <td>-</td> <td>WD.</td> <td>J2</td> <td>PTD.</td> <td>-</td> <td>337</td> <td>3\"/> <tr> <td>349</td> <td>ETR</td> <td>-</td> <td>WD.</td> <td>J2</td> <td>PTD.</td> <td>-</td> <td>339</td> <td>3\"/> <tr> <td>350</td> <td>ETR</td> <td>-</td> <td>WD.</td> <td>J2</td> <td>PTD.</td> <td>-</td> <td>340</td> <td>3\"/> </td></tr></td></tr></td></tr></td></tr></td></tr></td></tr></td></tr></td></tr></td></tr></td></tr></td></tr></td></tr></td></tr></td></tr></td></tr></td></tr></td></tr></td></tr></td></tr></td></tr></td></tr></td></tr></td></tr></td></tr></td></tr></td></tr></td></tr></td></tr></td></tr></td></tr></td></tr></td></tr></td></tr></td></tr></td></tr></td></tr> | 313 | ETR | -
 | WD. | J2 | PTD. | - | 308 | 3\"/> <tr> <td>314</td> <td>ETR</td> <td>-</td> <td>WD.</td> <td>J2</td> <td>PTD.</td> <td>-</td> <td>309</td> <td>3\"/> <tr> <td>315</td> <td>ETR</td> <td>-</td> <td>WD.</td> <td>J2</td> <td>PTD.</td> <td>-</td> <td>310</td> <td>3\"/> <tr> <td>316A</td> <td>A</td> <td>3\"/> <tr> <td>318</td> <td>ETR</td> <td>-</td> <td>WD.</td> <td>J2</td> <td>PTD.</td> <td>-</td> <td>311</td> <td>3\"/> <tr> <td>319</td> <td>ETR</td> <td>-</td> <td>WD.</td> <td>J2</td> <td>PTD.</td> <td>-</td> <td>312A</td> <td>3\"/> <tr> <td>320</td> <td>ETR</td> <td>-</td> <td>WD.</td> <td>J2</td> <td>PTD.</td> <td>-</td> <td>313</td> <td>3\"/> <tr> <td>321</td> <td>ETR</td> <td>-</td> <td>WD.</td> <td>J2</td> <td>PTD.</td> <td>-</td> <td>314</td> <td>3\"/> <tr> <td>322</td> <td>ETR</td> <td>-</td> <td>WD.</td> <td>J2</td> <td>PTD.</td> <td>-</td> <td>315</td> <td>3\"/> <tr> <td>323</td> <td>ETR</td> <td>-</td> <td>WD.</td> <td>J2</td> <td>PTD.</td> <td>-</td> <td>316A</td> <td>3\"/> <tr> <td>324</td> <td>ETR</td> <td>-</td> <td>WD.</td> <td>J2</td> <td>PTD.</td> <td>-</td> <td>318</td> <td>3\"/> <tr> <td>325</td> <td>A</td> <td>3\"/> <tr> <td>327</td> <td>ETR</td> <td>-</td> <td>WD.</td> <td>J2</td> <td>PTD.</td> <td>-</td> <td>319</td> <td>3\"/> <tr> <td>328</td> <td>ETR</td> <td>-</td> <td>WD.</td> <td>J2</td> <td>PTD.</td> <td>-</td> <td>320</td> <td>3\"/> <tr> <td>329A</td> <td>ETR</td> <td>-</td> <td>WD.</td> <td>J2</td> <td>PTD.</td> <td>-</td> <td>321</td> <td>3\"/> <tr> <td>329B</td> <td>ETR</td> <td>-</td> <td>WD.</td> <td>J2</td> <td>PTD.</td> <td>-</td> <td>322</td> <td>3\"/> <tr> <td>331</td> <td>ETR</td> <td>-</td> <td>WD.</td> <td>J2</td> <td>PTD.</td> <td>-</td> <td>323</td> <td>3\"/> <tr> <td>333</td> <td>ETR</td> <td>-</td> <td>WD.</td> <td>J2</td> <td>PTD.</td> <td>-</td> <td>324</td> <td>3\"/> <tr> <td>334A</td> <td>ETR</td> <td>-</td> <td>WD.</td> <td>J2</td> <td>PTD.</td> <td>-</td> <td>325</td> <td>3\"/> <tr> <td>334B</td> <td>ETR</td> <td>-</td> <td>WD.</td> <td>J2</td> <td>PTD.</td> <td>-</td> <td>327</td> <td>3\"/> <tr> <td>335A</td> <td>ETR</td> <td>-</td> <td>WD.</td> <td>J2</td> <td>PTD.</td> <td>-</td> <td>328</td> <td>3\"/> <tr> <td>335B</td> <td>B</td> <td>3\"/> <tr> <td>336</td> <td>B</td> <td>3\"/> <tr> <td>337</td> <td>ETR</td> <td>-</td> <td>WD.</td> <td>J2</td> <td>PTD.</td> <td>-</td> <td>329A</td> <td>3\"/> <tr> <td>339</td> <td>ETR</td> <td>-</td> <td>WD.</td> <td>J2</td> <td>PTD.</td> <td>-</td> <td>329B</td> <td>3\"/> <tr> <td>340</td> <td>A</td> <td>3\"/> <tr> <td>341A</td> <td>ETR</td> <td>-</td> <td>WD.</td> <td>J2</td> <td>PTD.</td> <td>-</td> <td>331</td> <td>3\"/> <tr> <td>341B</td> <td>ETR</td> <td>-</td>
<td>WD.</td> <td>J2</td> <td>PTD.</td> <td>-</td> <td>333</td> <td>3\"/> <tr> <td>342</td> <td>ETR</td> <td>-</td> <td>WD.</td> <td>J2</td> <td>PTD.</td> <td>-</td> <td>334A</td> <td>3\"/> <tr> <td>344</td> <td>ETR</td> <td>-</td> <td>WD.</td> <td>J2</td> <td>PTD.</td> <td>-</td> <td>334B</td> <td>3\"/> <tr> <td>345</td> <td>ETR</td> <td>-</td> <td>WD.</td> <td>J2</td> <td>PTD.</td> <td>-</td> <td>335A</td> <td>3\"/> <tr> <td>346</td> <td>ETR</td> <td>-</td> <td>WD.</td> <td>J2</td> <td>PTD.</td> <td>-</td> <td>335B</td> <td>3\"/> <tr> <td>347</td> <td>ETR</td> <td>-</td> <td>WD.</td> <td>J2</td> <td>PTD.</td> <td>-</td> <td>336</td> <td>3\"/> <tr> <td>348</td> <td>ETR</td> <td>-</td> <td>WD.</td> <td>J2</td> <td>PTD.</td> <td>-</td> <td>337</td> <td>3\"/> <tr> <td>349</td> <td>ETR</td> <td>-</td> <td>WD.</td> <td>J2</td> <td>PTD.</td> <td>-</td> <td>339</td> <td>3\"/> <tr> <td>350</td> <td>ETR</td> <td>-</td> <td>WD.</td> <td>J2</td> <td>PTD.</td> <td>-</td> <td>340</td> <td>3\"/> </td></tr></td></tr></td></tr></td></tr></td></tr></td></tr></td></tr></td></tr></td></tr></td></tr></td></tr></td></tr></td></tr></td></tr></td></tr></td></tr></td></tr></td></tr></td></tr></td></tr></td></tr></td></tr></td></tr></td></tr></td></tr></td></tr></td></tr></td></tr></td></tr></td></tr></td></tr></td></tr></td></tr></td></tr></td></tr> | 314 | ETR | - | WD. | J2 | PTD. | - | 309 | 3\"/> <tr> <td>315</td> <td>ETR</td> <td>-</td> <td>WD.</td> <td>J2</td> <td>PTD.</td> <td>-</td> <td>310</td> <td>3\"/> <tr> <td>316A</td> <td>A</td> <td>3\"/> <tr> <td>318</td> <td>ETR</td> <td>-</td> <td>WD.</td> <td>J2</td> <td>PTD.</td> <td>-</td> <td>311</td> <td>3\"/> <tr> <td>319</td> <td>ETR</td> <td>-</td> <td>WD.</td> <td>J2</td> <td>PTD.</td> <td>-</td> <td>312A</td> <td>3\"/> <tr> <td>320</td> <td>ETR</td> <td>-</td> <td>WD.</td> <td>J2</td> <td>PTD.</td> <td>-</td> <td>313</td> <td>3\"/> <tr> <td>321</td> <td>ETR</td> <td>-</td> <td>WD.</td> <td>J2</td> <td>PTD.</td> <td>-</td> <td>314</td>
<td>3\"/> <tr> <td>322</td> <td>ETR</td> <td>-</td> <td>WD.</td> <td>J2</td> <td>PTD.</td> <td>-</td> <td>315</td> <td>3\"/> <tr> <td>323</td> <td>ETR</td> <td>-</td> <td>WD.</td> <td>J2</td> <td>PTD.</td> <td>-</td> <td>316A</td> <td>3\"/> <tr> <td>324</td> <td>ETR</td> <td>-</td> <td>WD.</td> <td>J2</td> <td>PTD.</td> <td>-</td> <td>318</td> <td>3\"/> <tr> <td>325</td> <td>A</td> <td>3\"/> <tr> <td>327</td> <td>ETR</td> <td>-</td> <td>WD.</td> <td>J2</td> <td>PTD.</td> <td>-</td> <td>319</td> <td>3\"/> <tr> <td>328</td> <td>ETR</td> <td>-</td> <td>WD.</td> <td>J2</td> <td>PTD.</td> <td>-</td> <td>320</td> <td>3\"/> <tr> <td>329A</td> <td>ETR</td> <td>-</td> <td>WD.</td> <td>J2</td> <td>PTD.</td> <td>-</td> <td>321</td> <td>3\"/> <tr> <td>329B</td> <td>ETR</td> <td>-</td> <td>WD.</td> <td>J2</td> <td>PTD.</td> <td>-</td> <td>322</td> <td>3\"/> <tr> <td>331</td> <td>ETR</td> <td>-</td> <td>WD.</td> <td>J2</td> <td>PTD.</td> <td>-</td> <td>323</td> <td>3\"/> <tr> <td>333</td> <td>ETR</td> <td>-</td> <td>WD.</td> <td>J2</td> <td>PTD.</td> <td>-</td> <td>324</td> <td>3\"/> <tr> <td>334A</td> <td>ETR</td> <td>-</td> <td>WD.</td> <td>J2</td> <td>PTD.</td> <td>-</td> <td>325</td> <td>3\"/> <tr> <td>334B</td> <td>ETR</td> <td>-</td> <td>WD.</td> <td>J2</td> <td>PTD.</td> <td>-</td> <td>327</td> <td>3\"/> <tr> <td>335A</td> <td>ETR</td> <td>-</td> <td>WD.</td> <td>J2</td> <td>PTD.</td> <td>-</td> <td>328</td> <td>3\"/> <tr> <td>335B</td> <td>B</td> <td>3\"/> <tr> <td>336</td> <td>B</td> <td>3\"/> <tr> <td>337</td> <td>ETR</td> <td>-</td> <td>WD.</td> <td>J2</td> <td>PTD.</td> <td>-</td> <td>329A</td> <td>3\"/> <tr> <td>339</td> <td>ETR</td> <td>-</td> <td>WD.</td> <td>J2</td> <td>PTD.</td> <td>-</td> <td>329B</td> <td>3\"/> <tr> <td>340</td> <td>A</td> <td>3\"/> <tr> <td>341A</td> <td>ETR</td> <td>-</td> <td>WD.</td> <td>J2</td> <td>PTD.</td> <td>-</td> <td>331</td> <td>3\"/> <tr> <td>341B</td> <td>ETR</td> <td>-</td> <td>WD.</td> <td>J2</td> <td>PTD.</td> <td>-</td> <td>333</td> <td>3\"/> <tr> <td>342</td> <td>ETR</td> <td>-</td> <td>WD.</td> <td>J2</td> <td>PTD.</td> <td>-</td> <td>334A</td> <td>3\"/> <tr> <td>344</td> <td>ETR</td> <td>-</td> <td>WD.</td> <td>J2</td> <td>PTD.</td> <td>-</td> <td>334B</td> <td>3\"/> <tr> <td>345</td> <td>ETR</td> <td>-</td> <td>WD.</td> <td>J2</td> <td>PTD.</td> <td>-</td> <td>335A</td> <td>3\"/> <tr> <td>346</td> <td>ETR</td> <td>-</td> <td>WD.</td> <td>J2</td> <td>PTD.</td> <td>-</td> <td>335B</td> <td>3\"/> <tr> <td>347</td> <td>ETR</td> <td>-</td> <td>WD.</td> <td>J2</td> <td>PTD.</td> <td>-</td> <td>336</td> <td>3\"/> <tr> <td>348</td> <td>ETR</td> <td>-</td> <td>WD.</td> <td>J2</td> <td>PTD.</td> <td>-</td> <td>337</td> <td>3\"/> <tr> <td>349</td> <td>ETR</td> <td>-</td> <td>WD.</td> <td>J2</td> <td>PTD.</td> <td>-</td> <td>339</td> <td>3\"/> <tr> <td>350</td> <td>ETR</td> <td>-</td> <td>WD.</td> <td>J2</td> <td>PTD.</td> <td>-</td> <td>340</td> <td>3\"/> </td></tr></td></tr></td></tr></td></tr></td></tr></td></tr></td></tr></td></tr></td></tr></td></tr></td></tr></td></tr></td></tr></td></tr></td></tr></td></tr></td></tr></td></tr></td></tr></td></tr></td></tr></td></tr></td></tr></td></tr></td></tr></td></tr></td></tr></td></tr></td></tr></td></tr></td></tr></td></tr></td></tr></td></tr> | 315 | ETR | - | WD. | J2 | PTD.
 | - | 310 | 3\"/> <tr> <td>316A</td> <td>A</td> <td>3\"/> <tr> <td>318</td> <td>ETR</td> <td>-</td> <td>WD.</td> <td>J2</td> <td>PTD.</td> <td>-</td> <td>311</td> <td>3\"/> <tr> <td>319</td> <td>ETR</td> <td>-</td> <td>WD.</td> <td>J2</td> <td>PTD.</td> <td>-</td> <td>312A</td> <td>3\"/> <tr> <td>320</td> <td>ETR</td> <td>-</td> <td>WD.</td> <td>J2</td> <td>PTD.</td> <td>-</td> <td>313</td> <td>3\"/> <tr> <td>321</td> <td>ETR</td> <td>-</td> <td>WD.</td> <td>J2</td> <td>PTD.</td> <td>-</td> <td>314</td> <td>3\"/> <tr> <td>322</td> <td>ETR</td> <td>-</td> <td>WD.</td> <td>J2</td> <td>PTD.</td> <td>-</td> <td>315</td> <td>3\"/> <tr> <td>323</td> <td>ETR</td> <td>-</td> <td>WD.</td> <td>J2</td> <td>PTD.</td> <td>-</td> <td>316A</td> <td>3\"/> <tr> <td>324</td> <td>ETR</td> <td>-</td> <td>WD.</td> <td>J2</td> <td>PTD.</td> <td>-</td> <td>318</td> <td>3\"/> <tr> <td>325</td> <td>A</td> <td>3\"/> <tr> <td>327</td> <td>ETR</td> <td>-</td> <td>WD.</td> <td>J2</td> <td>PTD.</td> <td>-</td> <td>319</td> <td>3\"/> <tr> <td>328</td> <td>ETR</td> <td>-</td> <td>WD.</td> <td>J2</td> <td>PTD.</td> <td>-</td> <td>320</td> <td>3\"/> <tr> <td>329A</td> <td>ETR</td> <td>-</td> <td>WD.</td> <td>J2</td> <td>PTD.</td> <td>-</td> <td>321</td> <td>3\"/> <tr> <td>329B</td> <td>ETR</td> <td>-</td> <td>WD.</td> <td>J2</td> <td>PTD.</td> <td>-</td> <td>322</td> <td>3\"/> <tr> <td>331</td> <td>ETR</td> <td>-</td> <td>WD.</td> <td>J2</td> <td>PTD.</td> <td>-</td> <td>323</td> <td>3\"/> <tr> <td>333</td> <td>ETR</td> <td>-</td> <td>WD.</td> <td>J2</td> <td>PTD.</td> <td>-</td> <td>324</td> <td>3\"/> <tr> <td>334A</td> <td>ETR</td> <td>-</td> <td>WD.</td> <td>J2</td> <td>PTD.</td> <td>-</td> <td>325</td> <td>3\"/> <tr> <td>334B</td> <td>ETR</td> <td>-</td> <td>WD.</td> <td>J2</td> <td>PTD.</td> <td>-</td> <td>327</td> <td>3\"/> <tr> <td>335A</td> <td>ETR</td> <td>-</td> <td>WD.</td> <td>J2</td> <td>PTD.</td> <td>-</td> <td>328</td> <td>3\"/> <tr> <td>335B</td> <td>B</td> <td>3\"/> <tr> <td>336</td> <td>B</td> <td>3\"/> <tr> <td>337</td> <td>ETR</td> <td>-</td> <td>WD.</td> <td>J2</td> <td>PTD.</td> <td>-</td> <td>329A</td> <td>3\"/> <tr> <td>339</td> <td>ETR</td> <td>-</td> <td>WD.</td> <td>J2</td> <td>PTD.</td> <td>-</td> <td>329B</td> <td>3\"/> <tr> <td>340</td> <td>A</td> <td>3\"/> <tr> <td>341A</td> <td>ETR</td> <td>-</td> <td>WD.</td> <td>J2</td> <td>PTD.</td> <td>-</td> <td>331</td> <td>3\"/> <tr> <td>341B</td> <td>ETR</td> <td>-</td> <td>WD.</td> <td>J2</td> <td>PTD.</td> <td>-</td> <td>333</td> <td>3\"/> <tr> <td>342</td> <td>ETR</td> <td>-</td> <td>WD.</td> <td>J2</td> <td>PTD.</td> <td>-</td> <td>334A</td> <td>3\"/> <tr> <td>344</td> <td>ETR</td> <td>-</td> <td>WD.</td> <td>J2</td> <td>PTD.</td> <td>-</td> <td>334B</td> <td>3\"/> <tr> <td>345</td> <td>ETR</td> <td>-</td> <td>WD.</td> <td>J2</td> <td>PTD.</td> <td>-</td> <td>335A</td> <td>3\"/> <tr> <td>346</td> <td>ETR</td> <td>-</td> <td>WD.</td> <td>J2</td> <td>PTD.</td> <td>-</td> <td>335B</td> <td>3\"/> <tr> <td>347</td> <td>ETR</td> <td>-</td> <td>WD.</td> <td>J2</td> <td>PTD.</td> <td>-</td> <td>336</td> <td>3\"/> <tr> <td>348</td> <td>ETR</td> <td>-</td> <td>WD.</td> <td>J2</td> <td>PTD.</td> <td>-</td> <td>337</td> <td>3\"/> <tr> <td>349</td> <td>ETR</td> <td>-</td> <td>WD.</td> <td>J2</td> <td>PTD.</td> <td>-</td> <td>339</td> <td>3\"/> <tr> <td>350</td> <td>ETR</td> <td>-</td> <td>WD.</td> <td>J2</td> <td>PTD.</td> <td>-</td> <td>340</td> <td>3\"/> </td></tr></td></tr></td></tr></td></tr></td></tr></td></tr></td></tr></td></tr></td></tr></td></tr></td></tr></td></tr></td></tr></td></tr></td></tr></td></tr></td></tr></td></tr></td></tr></td></tr></td></tr></td></tr></td></tr></td></tr></td></tr></td></tr></td></tr></td></tr></td></tr></td></tr></td></tr></td></tr></td></tr> | 316A | A | 3\"/> <tr> <td>318</td> <td>ETR</td> <td>-</td> <td>WD.</td> <td>J2</td> <td>PTD.</td> <td>-</td> <td>311</td> <td>3\"/> <tr> <td>319</td> <td>ETR</td> <td>-</td> <td>WD.</td> <td>J2</td> <td>PTD.</td> <td>-</td> <td>312A</td> <td>3\"/> <tr> <td>320</td> <td>ETR</td> <td>-</td> <td>WD.</td> <td>J2</td> <td>PTD.</td> <td>-</td> <td>313</td> <td>3\"/> <tr> <td>321</td> <td>ETR</td> <td>-</td> <td>WD.</td> <td>J2</td> <td>PTD.</td> <td>-</td> <td>314</td> <td>3\"/> <tr> <td>322</td> <td>ETR</td> <td>-</td> <td>WD.</td> <td>J2</td> <td>PTD.</td> <td>-</td> <td>315</td> <td>3\"/> <tr> <td>323</td> <td>ETR</td> <td>-</td> <td>WD.</td> <td>J2</td> <td>PTD.</td> <td>-</td> <td>316A</td> <td>3\"/> <tr> <td>324</td> <td>ETR</td> <td>-</td> <td>WD.</td> <td>J2</td> <td>PTD.</td> <td>-</td> <td>318</td> <td>3\"/> <tr> <td>325</td> <td>A</td> <td>3\"/> <tr> <td>327</td> <td>ETR</td> <td>-</td> <td>WD.</td> <td>J2</td> <td>PTD.</td> <td>-</td> <td>319</td> <td>3\"/> <tr> <td>328</td> <td>ETR</td> <td>-</td> <td>WD.</td> <td>J2</td> <td>PTD.</td> <td>-</td> <td>320</td> <td>3\"/> <tr> <td>329A</td> <td>ETR</td> <td>-</td> <td>WD.</td> <td>J2</td> <td>PTD.</td> <td>-</td> <td>321</td> <td>3\"/> <tr> <td>329B</td> <td>ETR</td> <td>-</td> <td>WD.</td> <td>J2</td> <td>PTD.</td> <td>-</td> <td>322</td> <td>3\"/> <tr> <td>331</td> <td>ETR</td> <td>-</td> <td>WD.</td> <td>J2</td> <td>PTD.</td> <td>-</td> <td>323</td> <td>3\"/> <tr> <td>333</td> <td>ETR</td> <td>-</td> <td>WD.</td> <td>J2</td> <td>PTD.</td> <td>-</td> <td>324</td> <td>3\"/> <tr> <td>334A</td> <td>ETR</td> <td>-</td> <td>WD.</td> <td>J2</td> <td>PTD.</td> <td>-</td> <td>325</td> <td>3\"/> <tr> <td>334B</td> <td>ETR</td> <td>-</td> <td>WD.</td> <td>J2</td> <td>PTD.</td> <td>-</td> <td>327</td> <td>3\"/> <tr> <td>335A</td> <td>ETR</td> <td>-</td> <td>WD.</td> <td>J2</td> <td>PTD.</td> <td>-</td> <td>328</td> <td>3\"/> <tr> <td>335B</td> <td>B</td> <td>3\"/> <tr> <td>336</td> <td>B</td> <td>3\"/> <tr> <td>337</td> <td>ETR</td> <td>-</td> <td>WD.</td> <td>J2</td> <td>PTD.</td> <td>-</td> <td>329A</td> <td>3\"/> <tr> <td>339</td> <td>ETR</td> <td>-</td> <td>WD.</td> <td>J2</td> <td>PTD.</td> <td>-</td> <td>329B</td> <td>3\"/> <tr> <td>340</td> <td>A</td> <td>3\"/> <tr> <td>341A</td> <td>ETR</td> <td>-</td> <td>WD.</td> <td>J2</td> <td>PTD.</td> <td>-</td> <td>331</td> <td>3\"/> <tr> <td>341B</td> <td>ETR</td> <td>-</td> <td>WD.</td> <td>J2</td> <td>PTD.</td> <td>-</td> <td>333</td> <td>3\"/> <tr> <td>342</td> <td>ETR</td> <td>-</td> <td>WD.</td> <td>J2</td> <td>PTD.</td> <td>-</td> <td>334A</td> <td>3\"/> <tr> <td>344</td> <td>ETR</td> <td>-</td> <td>WD.</td> <td>J2</td> <td>PTD.</td> <td>-</td> <td>334B</td> <td>3\"/> <tr> <td>345</td> <td>ETR</td> <td>-</td> <td>WD.</td> <td>J2</td> <td>PTD.</td> <td>-</td> <td>335A</td> <td>3\"/> <tr> <td>346</td> <td>ETR</td> <td>-</td> <td>WD.</td> <td>J2</td> <td>PTD.</td> <td>-</td> <td>335B</td> <td>3\"/> <tr> <td>347</td> <td>ETR</td> <td>-</td> <td>WD.</td> <td>J2</td> <td>PTD.</td> <td>-</td> <td>336</td> <td>3\"/> <tr> <td>348</td> <td>ETR</td> <td>-</td> <td>WD.</td> <td>J2</td> <td>PTD.</td> <td>-</td> <td>337</td> <td>3\"/> <tr> <td>349</td> <td>ETR</td> <td>-</td> <td>WD.</td> <td>J2</td> <td>PTD.</td> <td>-</td> <td>339</td> <td>3\"/> <tr> <td>350</td> <td>ETR</td> <td>-</td> <td>WD.</td> <td>J2</td> <td>PTD.</td> <td>-</td> <td>340</td> <td>3\"/> </td></tr></td></tr></td></tr></td></tr></td></tr></td></tr></td></tr></td></tr></td></tr></td></tr></td></tr></td></tr></td></tr></td></tr></td></tr></td></tr></td></tr></td></tr></td></tr></td></tr></td></tr></td></tr></td></tr></td></tr></td></tr></td></tr></td></tr></td></tr></td></tr></td></tr></td></tr></td></tr> | 318 | ETR | -
 | WD. | J2 | PTD. | - | 311 | 3\"/> <tr> <td>319</td> <td>ETR</td> <td>-</td> <td>WD.</td> <td>J2</td> <td>PTD.</td> <td>-</td> <td>312A</td> <td>3\"/> <tr> <td>320</td> <td>ETR</td> <td>-</td> <td>WD.</td> <td>J2</td> <td>PTD.</td> <td>-</td> <td>313</td> <td>3\"/> <tr> <td>321</td> <td>ETR</td> <td>-</td> <td>WD.</td> <td>J2</td> <td>PTD.</td> <td>-</td> <td>314</td> <td>3\"/> <tr> <td>322</td> <td>ETR</td> <td>-</td> <td>WD.</td> <td>J2</td> <td>PTD.</td> <td>-</td> <td>315</td> <td>3\"/> <tr> <td>323</td> <td>ETR</td> <td>-</td> <td>WD.</td> <td>J2</td> <td>PTD.</td> <td>-</td> <td>316A</td> <td>3\"/> <tr> <td>324</td> <td>ETR</td> <td>-</td> <td>WD.</td> <td>J2</td> <td>PTD.</td> <td>-</td> <td>318</td> <td>3\"/> <tr> <td>325</td> <td>A</td> <td>3\"/> <tr> <td>327</td> <td>ETR</td> <td>-</td> <td>WD.</td> <td>J2</td> <td>PTD.</td> <td>-</td> <td>319</td> <td>3\"/> <tr> <td>328</td> <td>ETR</td> <td>-</td> <td>WD.</td> <td>J2</td> <td>PTD.</td> <td>-</td> <td>320</td> <td>3\"/> <tr> <td>329A</td> <td>ETR</td> <td>-</td> <td>WD.</td> <td>J2</td> <td>PTD.</td> <td>-</td> <td>321</td> <td>3\"/> <tr> <td>329B</td> <td>ETR</td> <td>-</td> <td>WD.</td> <td>J2</td> <td>PTD.</td> <td>-</td> <td>322</td> <td>3\"/> <tr> <td>331</td> <td>ETR</td> <td>-</td> <td>WD.</td> <td>J2</td> <td>PTD.</td> <td>-</td> <td>323</td> <td>3\"/> <tr> <td>333</td> <td>ETR</td> <td>-</td> <td>WD.</td> <td>J2</td> <td>PTD.</td> <td>-</td> <td>324</td> <td>3\"/> <tr> <td>334A</td> <td>ETR</td> <td>-</td> <td>WD.</td> <td>J2</td> <td>PTD.</td> <td>-</td> <td>325</td> <td>3\"/> <tr> <td>334B</td> <td>ETR</td> <td>-</td> <td>WD.</td> <td>J2</td> <td>PTD.</td> <td>-</td> <td>327</td> <td>3\"/> <tr> <td>335A</td> <td>ETR</td> <td>-</td> <td>WD.</td> <td>J2</td> <td>PTD.</td> <td>-</td> <td>328</td> <td>3\"/> <tr> <td>335B</td> <td>B</td> <td>3\"/> <tr> <td>336</td> <td>B</td> <td>3\"/> <tr> <td>337</td> <td>ETR</td> <td>-</td> <td>WD.</td> <td>J2</td> <td>PTD.</td> <td>-</td> <td>329A</td> <td>3\"/> <tr> <td>339</td> <td>ETR</td> <td>-</td> <td>WD.</td> <td>J2</td> <td>PTD.</td> <td>-</td> <td>329B</td> <td>3\"/> <tr> <td>340</td> <td>A</td> <td>3\"/> <tr> <td>341A</td> <td>ETR</td> <td>-</td> <td>WD.</td> <td>J2</td> <td>PTD.</td> <td>-</td> <td>331</td> <td>3\"/> <tr> <td>341B</td> <td>ETR</td> <td>-</td> <td>WD.</td> <td>J2</td> <td>PTD.</td> <td>-</td> <td>333</td> <td>3\"/> <tr> <td>342</td> <td>ETR</td> <td>-</td> <td>WD.</td> <td>J2</td> <td>PTD.</td> <td>-</td> <td>334A</td> <td>3\"/> <tr> <td>344</td> <td>ETR</td> <td>-</td> <td>WD.</td> <td>J2</td> <td>PTD.</td> <td>-</td> <td>334B</td> <td>3\"/> <tr> <td>345</td> <td>ETR</td> <td>-</td> <td>WD.</td> <td>J2</td> <td>PTD.</td> <td>-</td> <td>335A</td> <td>3\"/> <tr> <td>346</td> <td>ETR</td> <td>-</td> <td>WD.</td> <td>J2</td> <td>PTD.</td> <td>-</td> <td>335B</td> <td>3\"/> <tr> <td>347</td> <td>ETR</td> <td>-</td> <td>WD.</td> <td>J2</td> <td>PTD.</td> <td>-</td> <td>336</td> <td>3\"/> <tr> <td>348</td> <td>ETR</td> <td>-</td> <td>WD.</td> <td>J2</td> <td>PTD.</td> <td>-</td> <td>337</td> <td>3\"/> <tr> <td>349</td> <td>ETR</td> <td>-</td> <td>WD.</td> <td>J2</td> <td>PTD.</td> <td>-</td> <td>339</td> <td>3\"/> <tr> <td>350</td> <td>ETR</td> <td>-</td> <td>WD.</td> <td>J2</td> <td>PTD.</td> <td>-</td> <td>340</td> <td>3\"/> </td></tr></td></tr></td></tr></td></tr></td></tr></td></tr></td></tr></td></tr></td></tr></td></tr></td></tr></td></tr></td></tr></td></tr></td></tr></td></tr></td></tr></td></tr></td></tr></td></tr></td></tr></td></tr></td></tr></td></tr></td></tr></td></tr></td></tr></td></tr></td></tr></td></tr></td></tr> | 319 | ETR | -
 | WD. | J2 | PTD. | - | 312A | 3\"/> <tr> <td>320</td> <td>ETR</td> <td>-</td> <td>WD.</td> <td>J2</td> <td>PTD.</td> <td>-</td> <td>313</td> <td>3\"/> <tr> <td>321</td> <td>ETR</td> <td>-</td> <td>WD.</td> <td>J2</td> <td>PTD.</td> <td>-</td> <td>314</td> <td>3\"/> <tr> <td>322</td> <td>ETR</td> <td>-</td> <td>WD.</td> <td>J2</td> <td>PTD.</td> <td>-</td> <td>315</td> <td>3\"/> <tr> <td>323</td> <td>ETR</td> <td>-</td> <td>WD.</td> <td>J2</td> <td>PTD.</td> <td>-</td> <td>316A</td> <td>3\"/> <tr> <td>324</td> <td>ETR</td> <td>-</td> <td>WD.</td> <td>J2</td> <td>PTD.</td> <td>-</td> <td>318</td> <td>3\"/> <tr> <td>325</td> <td>A</td> <td>3\"/> <tr> <td>327</td> <td>ETR</td> <td>-</td> <td>WD.</td> <td>J2</td> <td>PTD.</td> <td>-</td> <td>319</td> <td>3\"/> <tr> <td>328</td> <td>ETR</td> <td>-</td> <td>WD.</td> <td>J2</td> <td>PTD.</td> <td>-</td> <td>320</td> <td>3\"/> <tr> <td>329A</td> <td>ETR</td> <td>-</td> <td>WD.</td> <td>J2</td> <td>PTD.</td> <td>-</td> <td>321</td> <td>3\"/> <tr> <td>329B</td> <td>ETR</td> <td>-</td> <td>WD.</td> <td>J2</td> <td>PTD.</td> <td>-</td> <td>322</td> <td>3\"/> <tr> <td>331</td> <td>ETR</td> <td>-</td> <td>WD.</td> <td>J2</td> <td>PTD.</td> <td>-</td> <td>323</td> <td>3\"/> <tr> <td>333</td> <td>ETR</td> <td>-</td> <td>WD.</td> <td>J2</td> <td>PTD.</td> <td>-</td> <td>324</td> <td>3\"/> <tr> <td>334A</td> <td>ETR</td> <td>-</td> <td>WD.</td> <td>J2</td> <td>PTD.</td> <td>-</td> <td>325</td> <td>3\"/> <tr> <td>334B</td> <td>ETR</td> <td>-</td> <td>WD.</td> <td>J2</td> <td>PTD.</td> <td>-</td> <td>327</td> <td>3\"/> <tr> <td>335A</td> <td>ETR</td> <td>-</td> <td>WD.</td> <td>J2</td> <td>PTD.</td> <td>-</td> <td>328</td> <td>3\"/> <tr> <td>335B</td> <td>B</td> <td>3\"/> <tr> <td>336</td> <td>B</td> <td>3\"/> <tr> <td>337</td> <td>ETR</td> <td>-</td> <td>WD.</td> <td>J2</td> <td>PTD.</td> <td>-</td> <td>329A</td> <td>3\"/> <tr> <td>339</td> <td>ETR</td> <td>-</td> <td>WD.</td> <td>J2</td> <td>PTD.</td> <td>-</td> <td>329B</td> <td>3\"/> <tr> <td>340</td> <td>A</td> <td>3\"/> <tr> <td>341A</td> <td>ETR</td> <td>-</td> <td>WD.</td> <td>J2</td> <td>PTD.</td> <td>-</td> <td>331</td> <td>3\"/> <tr> <td>341B</td> <td>ETR</td> <td>-</td> <td>WD.</td> <td>J2</td> <td>PTD.</td> <td>-</td> <td>333</td> <td>3\"/> <tr> <td>342</td> <td>ETR</td> <td>-</td> <td>WD.</td> <td>J2</td> <td>PTD.</td> <td>-</td> <td>334A</td> <td>3\"/> <tr> <td>344</td> <td>ETR</td> <td>-</td> <td>WD.</td> <td>J2</td> <td>PTD.</td> <td>-</td> <td>334B</td> <td>3\"/> <tr> <td>345</td> <td>ETR</td> <td>-</td> <td>WD.</td> <td>J2</td> <td>PTD.</td> <td>-</td> <td>335A</td> <td>3\"/> <tr> <td>346</td> <td>ETR</td> <td>-</td> <td>WD.</td> <td>J2</td> <td>PTD.</td> <td>-</td> <td>335B</td> <td>3\"/> <tr> <td>347</td> <td>ETR</td> <td>-</td> <td>WD.</td> <td>J2</td> <td>PTD.</td> <td>-</td> <td>336</td> <td>3\"/> <tr> <td>348</td> <td>ETR</td> <td>-</td> <td>WD.</td> <td>J2</td> <td>PTD.</td> <td>-</td> <td>337</td> <td>3\"/> <tr> <td>349</td> <td>ETR</td> <td>-</td> <td>WD.</td> <td>J2</td> <td>PTD.</td> <td>-</td> <td>339</td> <td>3\"/> <tr> <td>350</td> <td>ETR</td> <td>-</td> <td>WD.</td> <td>J2</td> <td>PTD.</td> <td>-</td> <td>340</td> <td>3\"/> </td></tr></td></tr></td></tr></td></tr></td></tr></td></tr></td></tr></td></tr></td></tr></td></tr></td></tr></td></tr></td></tr></td></tr></td></tr></td></tr></td></tr></td></tr></td></tr></td></tr></td></tr></td></tr></td></tr></td></tr></td></tr></td></tr></td></tr></td></tr></td></tr></td></tr> | 320 | ETR | -
 | WD. | J2 | PTD. | - | 313 | 3\"/> <tr> <td>321</td> <td>ETR</td> <td>-</td> <td>WD.</td> <td>J2</td> <td>PTD.</td> <td>-</td> <td>314</td> <td>3\"/> <tr> <td>322</td> <td>ETR</td> <td>-</td> <td>WD.</td> <td>J2</td> <td>PTD.</td> <td>-</td> <td>315</td> <td>3\"/> <tr> <td>323</td> <td>ETR</td> <td>-</td> <td>WD.</td> <td>J2</td> <td>PTD.</td> <td>-</td> <td>316A</td> <td>3\"/> <tr> <td>324</td> <td>ETR</td> <td>-</td> <td>WD.</td> <td>J2</td> <td>PTD.</td> <td>-</td> <td>318</td> <td>3\"/> <tr> <td>325</td> <td>A</td> <td>3\"/> <tr> <td>327</td> <td>ETR</td> <td>-</td> <td>WD.</td> <td>J2</td> <td>PTD.</td> <td>-</td> <td>319</td> <td>3\"/> <tr> <td>328</td> <td>ETR</td> <td>-</td> <td>WD.</td> <td>J2</td> <td>PTD.</td> <td>-</td> <td>320</td> <td>3\"/> <tr> <td>329A</td> <td>ETR</td> <td>-</td> <td>WD.</td> <td>J2</td> <td>PTD.</td> <td>-</td> <td>321</td> <td>3\"/> <tr> <td>329B</td> <td>ETR</td> <td>-</td> <td>WD.</td> <td>J2</td> <td>PTD.</td> <td>-</td> <td>322</td> <td>3\"/> <tr> <td>331</td> <td>ETR</td> <td>-</td> <td>WD.</td> <td>J2</td> <td>PTD.</td> <td>-</td> <td>323</td> <td>3\"/> <tr> <td>333</td> <td>ETR</td> <td>-</td> <td>WD.</td> <td>J2</td> <td>PTD.</td> <td>-</td> <td>324</td> <td>3\"/> <tr> <td>334A</td> <td>ETR</td> <td>-</td> <td>WD.</td> <td>J2</td> <td>PTD.</td> <td>-</td> <td>325</td> <td>3\"/> <tr> <td>334B</td> <td>ETR</td> <td>-</td> <td>WD.</td> <td>J2</td> <td>PTD.</td> <td>-</td> <td>327</td> <td>3\"/> <tr> <td>335A</td> <td>ETR</td> <td>-</td> <td>WD.</td> <td>J2</td> <td>PTD.</td> <td>-</td> <td>328</td> <td>3\"/> <tr> <td>335B</td> <td>B</td> <td>3\"/> <tr> <td>336</td> <td>B</td> <td>3\"/> <tr> <td>337</td> <td>ETR</td> <td>-</td> <td>WD.</td> <td>J2</td> <td>PTD.</td> <td>-</td> <td>329A</td> <td>3\"/> <tr> <td>339</td> <td>ETR</td> <td>-</td> <td>WD.</td> <td>J2</td> <td>PTD.</td> <td>-</td> <td>329B</td> <td>3\"/> <tr> <td>340</td> <td>A</td> <td>3\"/> <tr> <td>341A</td> <td>ETR</td> <td>-</td> <td>WD.</td> <td>J2</td> <td>PTD.</td> <td>-</td> <td>331</td> <td>3\"/> <tr> <td>341B</td> <td>ETR</td> <td>-</td> <td>WD.</td> <td>J2</td> <td>PTD.</td> <td>-</td> <td>333</td> <td>3\"/> <tr> <td>342</td> <td>ETR</td> <td>-</td> <td>WD.</td> <td>J2</td> <td>PTD.</td> <td>-</td> <td>334A</td> <td>3\"/> <tr> <td>344</td> <td>ETR</td> <td>-</td> <td>WD.</td> <td>J2</td> <td>PTD.</td> <td>-</td> <td>334B</td> <td>3\"/> <tr> <td>345</td> <td>ETR</td> <td>-</td> <td>WD.</td> <td>J2</td> <td>PTD.</td> <td>-</td> <td>335A</td> <td>3\"/> <tr> <td>346</td> <td>ETR</td> <td>-</td> <td>WD.</td> <td>J2</td> <td>PTD.</td> <td>-</td> <td>335B</td> <td>3\"/> <tr> <td>347</td> <td>ETR</td> <td>-</td> <td>WD.</td> <td>J2</td> <td>PTD.</td> <td>-</td> <td>336</td> <td>3\"/> <tr> <td>348</td> <td>ETR</td> <td>-</td> <td>WD.</td> <td>J2</td> <td>PTD.</td> <td>-</td> <td>337</td> <td>3\"/> <tr> <td>349</td> <td>ETR</td> <td>-</td> <td>WD.</td> <td>J2</td> <td>PTD.</td> <td>-</td> <td>339</td> <td>3\"/> <tr> <td>350</td> <td>ETR</td> <td>-</td> <td>WD.</td> <td>J2</td> <td>PTD.</td> <td>-</td> <td>340</td> <td>3\"/>
</td></tr></td></tr></td></tr></td></tr></td></tr></td></tr></td></tr></td></tr></td></tr></td></tr></td></tr></td></tr></td></tr></td></tr></td></tr></td></tr></td></tr></td></tr></td></tr></td></tr></td></tr></td></tr></td></tr></td></tr></td></tr></td></tr></td></tr></td></tr></td></tr> | 321 | ETR | - | WD. | J2 | PTD. | - | 314 | 3\"/> <tr> <td>322</td> <td>ETR</td> <td>-</td> <td>WD.</td> <td>J2</td> <td>PTD.</td> <td>-</td> <td>315</td> <td>3\"/> <tr> <td>323</td> <td>ETR</td> <td>-</td> <td>WD.</td> <td>J2</td> <td>PTD.</td> <td>-</td> <td>316A</td> <td>3\"/> <tr> <td>324</td> <td>ETR</td> <td>-</td> <td>WD.</td> <td>J2</td> <td>PTD.</td> <td>-</td> <td>318</td> <td>3\"/> <tr> <td>325</td> <td>A</td> <td>3\"/> <tr> <td>327</td> <td>ETR</td> <td>-</td> <td>WD.</td> <td>J2</td> <td>PTD.</td> <td>-</td> <td>319</td> <td>3\"/> <tr> <td>328</td> <td>ETR</td> <td>-</td> <td>WD.</td> <td>J2</td> <td>PTD.</td> <td>-</td> <td>320</td> <td>3\"/> <tr> <td>329A</td> <td>ETR</td> <td>-</td> <td>WD.</td> <td>J2</td> <td>PTD.</td> <td>-</td> <td>321</td> <td>3\"/> <tr> <td>329B</td> <td>ETR</td> <td>-</td> <td>WD.</td> <td>J2</td> <td>PTD.</td> <td>-</td> <td>322</td> <td>3\"/> <tr> <td>331</td> <td>ETR</td> <td>-</td> <td>WD.</td> <td>J2</td> <td>PTD.</td> <td>-</td> <td>323</td> <td>3\"/> <tr> <td>333</td> <td>ETR</td> <td>-</td> <td>WD.</td> <td>J2</td> <td>PTD.</td> <td>-</td> <td>324</td> <td>3\"/> <tr> <td>334A</td> <td>ETR</td> <td>-</td> <td>WD.</td> <td>J2</td> <td>PTD.</td> <td>-</td> <td>325</td> <td>3\"/> <tr> <td>334B</td> <td>ETR</td> <td>-</td> <td>WD.</td> <td>J2</td> <td>PTD.</td> <td>-</td> <td>327</td> <td>3\"/> <tr> <td>335A</td> <td>ETR</td> <td>-</td> <td>WD.</td> <td>J2</td> <td>PTD.</td> <td>-</td> <td>328</td> <td>3\"/> <tr> <td>335B</td> <td>B</td> <td>3\"/> <tr> <td>336</td> <td>B</td> <td>3\"/> <tr> <td>337</td> <td>ETR</td> <td>-</td> <td>WD.</td> <td>J2</td> <td>PTD.</td> <td>-</td> <td>329A</td> <td>3\"/> <tr> <td>339</td> <td>ETR</td> <td>-</td> <td>WD.</td> <td>J2</td> <td>PTD.</td> <td>-</td> <td>329B</td> <td>3\"/> <tr> <td>340</td> <td>A</td> <td>3\"/> <tr> <td>341A</td> <td>ETR</td> <td>-</td> <td>WD.</td> <td>J2</td> <td>PTD.</td> <td>-</td> <td>331</td> <td>3\"/> <tr> <td>341B</td> <td>ETR</td> <td>-</td> <td>WD.</td> <td>J2</td> <td>PTD.</td> <td>-</td> <td>333</td> <td>3\"/> <tr> <td>342</td> <td>ETR</td> <td>-</td> <td>WD.</td> <td>J2</td> <td>PTD.</td> <td>-</td> <td>334A</td> <td>3\"/> <tr> <td>344</td> <td>ETR</td> <td>-</td> <td>WD.</td> <td>J2</td> <td>PTD.</td> <td>-</td> <td>334B</td> <td>3\"/> <tr> <td>345</td> <td>ETR</td> <td>-</td> <td>WD.</td> <td>J2</td> <td>PTD.</td> <td>-</td> <td>335A</td> <td>3\"/> <tr> <td>346</td> <td>ETR</td> <td>-</td> <td>WD.</td> <td>J2</td> <td>PTD.</td> <td>-</td> <td>335B</td> <td>3\"/> <tr> <td>347</td> <td>ETR</td> <td>-</td> <td>WD.</td> <td>J2</td> <td>PTD.</td> <td>-</td> <td>336</td> <td>3\"/> <tr> <td>348</td> <td>ETR</td> <td>-</td> <td>WD.</td> <td>J2</td> <td>PTD.</td> <td>-</td> <td>337</td> <td>3\"/> <tr> <td>349</td> <td>ETR</td> <td>-</td> <td>WD.</td> <td>J2</td> <td>PTD.</td> <td>-</td> <td>339</td> <td>3\"/> <tr> <td>350</td> <td>ETR</td> <td>-</td> <td>WD.</td> <td>J2</td> <td>PTD.</td> <td>-</td> <td>340</td> <td>3\"/>
</td></tr></td></tr></td></tr></td></tr></td></tr></td></tr></td></tr></td></tr></td></tr></td></tr></td></tr></td></tr></td></tr></td></tr></td></tr></td></tr></td></tr></td></tr></td></tr></td></tr></td></tr></td></tr></td></tr></td></tr></td></tr></td></tr></td></tr></td></tr> | 322 | ETR | - | WD. | J2 | PTD. | - | 315 | 3\"/> <tr> <td>323</td> <td>ETR</td> <td>-</td> <td>WD.</td> <td>J2</td> <td>PTD.</td> <td>-</td> <td>316A</td> <td>3\"/> <tr> <td>324</td> <td>ETR</td> <td>-</td> <td>WD.</td> <td>J2</td> <td>PTD.</td> <td>-</td> <td>318</td> <td>3\"/> <tr> <td>325</td> <td>A</td> <td>3\"/> <tr> <td>327</td> <td>ETR</td> <td>-</td> <td>WD.</td> <td>J2</td> <td>PTD.</td> <td>-</td> <td>319</td> <td>3\"/> <tr> <td>328</td> <td>ETR</td> <td>-</td> <td>WD.</td> <td>J2</td> <td>PTD.</td> <td>-</td> <td>320</td> <td>3\"/> <tr> <td>329A</td> <td>ETR</td> <td>-</td> <td>WD.</td> <td>J2</td> <td>PTD.</td> <td>-</td> <td>321</td> <td>3\"/> <tr> <td>329B</td> <td>ETR</td> <td>-</td> <td>WD.</td> <td>J2</td> <td>PTD.</td> <td>-</td> <td>322</td> <td>3\"/> <tr> <td>331</td> <td>ETR</td> <td>-</td> <td>WD.</td> <td>J2</td> <td>PTD.</td> <td>-</td> <td>323</td> <td>3\"/> <tr> <td>333</td> <td>ETR</td> <td>-</td> <td>WD.</td> <td>J2</td> <td>PTD.</td> <td>-</td> <td>324</td> <td>3\"/> <tr> <td>334A</td> <td>ETR</td> <td>-</td> <td>WD.</td> <td>J2</td> <td>PTD.</td> <td>-</td> <td>325</td> <td>3\"/> <tr> <td>334B</td> <td>ETR</td> <td>-</td> <td>WD.</td> <td>J2</td> <td>PTD.</td> <td>-</td> <td>327</td> <td>3\"/> <tr> <td>335A</td> <td>ETR</td> <td>-</td> <td>WD.</td> <td>J2</td> <td>PTD.</td> <td>-</td> <td>328</td> <td>3\"/> <tr> <td>335B</td> <td>B</td> <td>3\"/> <tr> <td>336</td> <td>B</td> <td>3\"/> <tr> <td>337</td> <td>ETR</td> <td>-</td> <td>WD.</td> <td>J2</td> <td>PTD.</td> <td>-</td> <td>329A</td> <td>3\"/> <tr> <td>339</td> <td>ETR</td> <td>-</td> <td>WD.</td> <td>J2</td> <td>PTD.</td> <td>-</td> <td>329B</td> <td>3\"/> <tr> <td>340</td> <td>A</td> <td>3\"/> <tr> <td>341A</td> <td>ETR</td> <td>-</td> <td>WD.</td> <td>J2</td> <td>PTD.</td> <td>-</td> <td>331</td> <td>3\"/> <tr> <td>341B</td> <td>ETR</td> <td>-</td> <td>WD.</td> <td>J2</td> <td>PTD.</td> <td>-</td> <td>333</td> <td>3\"/> <tr> <td>342</td> <td>ETR</td> <td>-</td> <td>WD.</td> <td>J2</td> <td>PTD.</td> <td>-</td> <td>334A</td> <td>3\"/> <tr> <td>344</td> <td>ETR</td> <td>-</td> <td>WD.</td> <td>J2</td> <td>PTD.</td> <td>-</td> <td>334B</td> <td>3\"/> <tr> <td>345</td> <td>ETR</td> <td>-</td> <td>WD.</td> <td>J2</td> <td>PTD.</td> <td>-</td> <td>335A</td> <td>3\"/> <tr> <td>346</td> <td>ETR</td> <td>-</td> <td>WD.</td> <td>J2</td> <td>PTD.</td> <td>-</td> <td>335B</td> <td>3\"/> <tr> <td>347</td> <td>ETR</td> <td>-</td> <td>WD.</td> <td>J2</td> <td>PTD.</td> <td>-</td> <td>336</td> <td>3\"/> <tr> <td>348</td> <td>ETR</td> <td>-</td> <td>WD.</td> <td>J2</td> <td>PTD.</td> <td>-</td> <td>337</td> <td>3\"/> <tr> <td>349</td> <td>ETR</td> <td>-</td> <td>WD.</td> <td>J2</td> <td>PTD.</td> <td>-</td> <td>339</td> <td>3\"/> <tr> <td>350</td> <td>ETR</td> <td>-</td> <td>WD.</td> <td>J2</td> <td>PTD.</td> <td>-</td> <td>340</td> <td>3\"/> </td></tr></td></tr></td></tr></td></tr></td></tr></td></tr></td></tr></td></tr></td></tr></td></tr></td></tr></td></tr></td></tr></td></tr></td></tr></td></tr></td></tr></td></tr></td></tr></td></tr></td></tr></td></tr></td></tr></td></tr></td></tr></td></tr></td></tr> | 323 | ETR | -
 | WD. | J2 | PTD. | - | 316A | 3\"/> <tr> <td>324</td> <td>ETR</td> <td>-</td> <td>WD.</td> <td>J2</td> <td>PTD.</td> <td>-</td> <td>318</td> <td>3\"/> <tr> <td>325</td> <td>A</td> <td>3\"/> <tr> <td>327</td> <td>ETR</td> <td>-</td> <td>WD.</td> <td>J2</td> <td>PTD.</td> <td>-</td> <td>319</td> <td>3\"/> <tr> <td>328</td> <td>ETR</td> <td>-</td> <td>WD.</td> <td>J2</td> <td>PTD.</td> <td>-</td> <td>320</td> <td>3\"/> <tr> <td>329A</td> <td>ETR</td> <td>-</td> <td>WD.</td> <td>J2</td> <td>PTD.</td> <td>-</td> <td>321</td> <td>3\"/> <tr> <td>329B</td> <td>ETR</td> <td>-</td> <td>WD.</td> <td>J2</td> <td>PTD.</td> <td>-</td> <td>322</td> <td>3\"/> <tr> <td>331</td> <td>ETR</td> <td>-</td> <td>WD.</td> <td>J2</td> <td>PTD.</td> <td>-</td> <td>323</td> <td>3\"/> <tr> <td>333</td> <td>ETR</td> <td>-</td> <td>WD.</td> <td>J2</td> <td>PTD.</td> <td>-</td> <td>324</td> <td>3\"/> <tr> <td>334A</td> <td>ETR</td> <td>-</td> <td>WD.</td> <td>J2</td> <td>PTD.</td> <td>-</td> <td>325</td> <td>3\"/> <tr> <td>334B</td> <td>ETR</td> <td>-</td> <td>WD.</td> <td>J2</td> <td>PTD.</td> <td>-</td> <td>327</td> <td>3\"/> <tr> <td>335A</td> <td>ETR</td> <td>-</td> <td>WD.</td> <td>J2</td> <td>PTD.</td> <td>-</td> <td>328</td> <td>3\"/> <tr> <td>335B</td> <td>B</td> <td>3\"/> <tr> <td>336</td> <td>B</td> <td>3\"/> <tr> <td>337</td> <td>ETR</td> <td>-</td> <td>WD.</td> <td>J2</td> <td>PTD.</td> <td>-</td> <td>329A</td> <td>3\"/> <tr> <td>339</td> <td>ETR</td> <td>-</td> <td>WD.</td> <td>J2</td> <td>PTD.</td> <td>-</td> <td>329B</td> <td>3\"/> <tr> <td>340</td> <td>A</td> <td>3\"/> <tr> <td>341A</td> <td>ETR</td> <td>-</td> <td>WD.</td> <td>J2</td> <td>PTD.</td> <td>-</td> <td>331</td> <td>3\"/> <tr> <td>341B</td> <td>ETR</td> <td>-</td> <td>WD.</td> <td>J2</td> <td>PTD.</td> <td>-</td> <td>333</td> <td>3\"/> <tr> <td>342</td> <td>ETR</td> <td>-</td> <td>WD.</td> <td>J2</td> <td>PTD.</td> <td>-</td> <td>334A</td> <td>3\"/> <tr> <td>344</td> <td>ETR</td> <td>-</td> <td>WD.</td> <td>J2</td> <td>PTD.</td> <td>-</td> <td>334B</td> <td>3\"/> <tr> <td>345</td> <td>ETR</td> <td>-</td> <td>WD.</td> <td>J2</td> <td>PTD.</td> <td>-</td> <td>335A</td> <td>3\"/> <tr> <td>346</td> <td>ETR</td> <td>-</td> <td>WD.</td> <td>J2</td> <td>PTD.</td> <td>-</td> <td>335B</td> <td>3\"/> <tr> <td>347</td> <td>ETR</td> <td>-</td> <td>WD.</td> <td>J2</td> <td>PTD.</td> <td>-</td> <td>336</td> <td>3\"/> <tr> <td>348</td> <td>ETR</td> <td>-</td> <td>WD.</td> <td>J2</td> <td>PTD.</td> <td>-</td> <td>337</td> <td>3\"/> <tr> <td>349</td> <td>ETR</td> <td>-</td> <td>WD.</td> <td>J2</td> <td>PTD.</td> <td>-</td> <td>339</td> <td>3\"/> <tr> <td>350</td> <td>ETR</td> <td>-</td> <td>WD.</td> <td>J2</td> <td>PTD.</td> <td>-</td> <td>340</td> <td>3\"/> </td></tr></td></tr></td></tr></td></tr></td></tr></td></tr></td></tr></td></tr></td></tr></td></tr></td></tr></td></tr></td></tr></td></tr></td></tr></td></tr></td></tr></td></tr></td></tr></td></tr></td></tr></td></tr></td></tr></td></tr></td></tr></td></tr> | 324 | ETR | -
 | WD. | J2 | PTD. | - | 318 | 3\"/> <tr> <td>325</td> <td>A</td> <td>3\"/> <tr> <td>327</td> <td>ETR</td> <td>-</td> <td>WD.</td> <td>J2</td> <td>PTD.</td> <td>-</td> <td>319</td> <td>3\"/> <tr> <td>328</td> <td>ETR</td> <td>-</td> <td>WD.</td> <td>J2</td> <td>PTD.</td> <td>-</td> <td>320</td> <td>3\"/> <tr> <td>329A</td> <td>ETR</td> <td>-</td> <td>WD.</td> <td>J2</td> <td>PTD.</td> <td>-</td> <td>321</td> <td>3\"/> <tr> <td>329B</td> <td>ETR</td> <td>-</td> <td>WD.</td> <td>J2</td> <td>PTD.</td> <td>-</td> <td>322</td> <td>3\"/> <tr> <td>331</td> <td>ETR</td> <td>-</td> <td>WD.</td> <td>J2</td> <td>PTD.</td> <td>-</td> <td>323</td> <td>3\"/> <tr> <td>333</td> <td>ETR</td> <td>-</td> <td>WD.</td> <td>J2</td> <td>PTD.</td> <td>-</td> <td>324</td> <td>3\"/> <tr> <td>334A</td> <td>ETR</td> <td>-</td> <td>WD.</td> <td>J2</td> <td>PTD.</td> <td>-</td> <td>325</td> <td>3\"/> <tr> <td>334B</td> <td>ETR</td> <td>-</td> <td>WD.</td> <td>J2</td> <td>PTD.</td> <td>-</td> <td>327</td> <td>3\"/> <tr> <td>335A</td> <td>ETR</td> <td>-</td> <td>WD.</td> <td>J2</td> <td>PTD.</td> <td>-</td> <td>328</td> <td>3\"/> <tr> <td>335B</td> <td>B</td> <td>3\"/> <tr> <td>336</td> <td>B</td> <td>3\"/> <tr> <td>337</td> <td>ETR</td> <td>-</td> <td>WD.</td> <td>J2</td> <td>PTD.</td> <td>-</td> <td>329A</td> <td>3\"/> <tr> <td>339</td> <td>ETR</td> <td>-</td> <td>WD.</td> <td>J2</td> <td>PTD.</td> <td>-</td> <td>329B</td> <td>3\"/> <tr> <td>340</td> <td>A</td> <td>3\"/> <tr> <td>341A</td> <td>ETR</td> <td>-</td> <td>WD.</td> <td>J2</td> <td>PTD.</td> <td>-</td> <td>331</td> <td>3\"/> <tr> <td>341B</td> <td>ETR</td> <td>-</td> <td>WD.</td> <td>J2</td> <td>PTD.</td> <td>-</td> <td>333</td> <td>3\"/> <tr> <td>342</td> <td>ETR</td> <td>-</td> <td>WD.</td> <td>J2</td> <td>PTD.</td> <td>-</td> <td>334A</td> <td>3\"/> <tr> <td>344</td> <td>ETR</td> <td>-</td> <td>WD.</td> <td>J2</td> <td>PTD.</td> <td>-</td> <td>334B</td> <td>3\"/> <tr> <td>345</td> <td>ETR</td> <td>-</td> <td>WD.</td> <td>J2</td> <td>PTD.</td> <td>-</td> <td>335A</td> <td>3\"/> <tr> <td>346</td> <td>ETR</td> <td>-</td> <td>WD.</td> <td>J2</td> <td>PTD.</td> <td>-</td> <td>335B</td> <td>3\"/> <tr> <td>347</td> <td>ETR</td> <td>-</td> <td>WD.</td> <td>J2</td> <td>PTD.</td> <td>-</td> <td>336</td> <td>3\"/> <tr> <td>348</td> <td>ETR</td> <td>-</td> <td>WD.</td> <td>J2</td> <td>PTD.</td> <td>-</td> <td>337</td> <td>3\"/> <tr> <td>349</td> <td>ETR</td> <td>-</td> <td>WD.</td> <td>J2</td> <td>PTD.</td> <td>-</td> <td>339</td> <td>3\"/> <tr> <td>350</td> <td>ETR</td> <td>-</td> <td>WD.</td> <td>J2</td> <td>PTD.</td> <td>-</td> <td>340</td> <td>3\"/> </td></tr></td></tr></td></tr></td></tr></td></tr></td></tr></td></tr></td></tr></td></tr></td></tr></td></tr></td></tr></td></tr></td></tr></td></tr></td></tr></td></tr></td></tr></td></tr></td></tr></td></tr></td></tr></td></tr></td></tr></td></tr> | 325 | A | 3\"/> <tr> <td>327</td> <td>ETR</td> <td>-</td> <td>WD.</td> <td>J2</td> <td>PTD.</td> <td>-</td> <td>319</td> <td>3\"/> <tr> <td>328</td> <td>ETR</td> <td>-</td> <td>WD.</td> <td>J2</td> <td>PTD.</td> <td>-</td> <td>320</td> <td>3\"/> <tr> <td>329A</td> <td>ETR</td> <td>-</td> <td>WD.</td> <td>J2</td> <td>PTD.</td> <td>-</td> <td>321</td> <td>3\"/> <tr> <td>329B</td> <td>ETR</td> <td>-</td> <td>WD.</td> <td>J2</td> <td>PTD.</td> <td>-</td> <td>322</td> <td>3\"/> <tr> <td>331</td> <td>ETR</td> <td>-</td> <td>WD.</td> <td>J2</td> <td>PTD.</td> <td>-</td> <td>323</td> <td>3\"/> <tr> <td>333</td> <td>ETR</td> <td>-</td> <td>WD.</td> <td>J2</td> <td>PTD.</td> <td>-</td> <td>324</td> <td>3\"/> <tr> <td>334A</td> <td>ETR</td> <td>-</td> <td>WD.</td> <td>J2</td> <td>PTD.</td> <td>-</td> <td>325</td> <td>3\"/> <tr> <td>334B</td> <td>ETR</td> <td>-</td> <td>WD.</td> <td>J2</td> <td>PTD.</td> <td>-</td> <td>327</td> <td>3\"/> <tr> <td>335A</td> <td>ETR</td> <td>-</td> <td>WD.</td> <td>J2</td> <td>PTD.</td> <td>-</td> <td>328</td> <td>3\"/> <tr> <td>335B</td> <td>B</td> <td>3\"/> <tr> <td>336</td> <td>B</td> <td>3\"/> <tr> <td>337</td> <td>ETR</td> <td>-</td> <td>WD.</td> <td>J2</td> <td>PTD.</td> <td>-</td> <td>329A</td> <td>3\"/> <tr> <td>339</td> <td>ETR</td> <td>-</td> <td>WD.</td> <td>J2</td> <td>PTD.</td> <td>-</td> <td>329B</td> <td>3\"/> <tr> <td>340</td> <td>A</td> <td>3\"/> <tr> <td>341A</td> <td>ETR</td> <td>-</td> <td>WD.</td> <td>J2</td> <td>PTD.</td> <td>-</td> <td>331</td> <td>3\"/> <tr> <td>341B</td> <td>ETR</td> <td>-</td> <td>WD.</td> <td>J2</td> <td>PTD.</td> <td>-</td> <td>333</td> <td>3\"/> <tr> <td>342</td> <td>ETR</td> <td>-</td> <td>WD.</td> <td>J2</td> <td>PTD.</td> <td>-</td> <td>334A</td> <td>3\"/> <tr> <td>344</td> <td>ETR</td> <td>-</td> <td>WD.</td> <td>J2</td> <td>PTD.</td> <td>-</td> <td>334B</td> <td>3\"/> <tr> <td>345</td> <td>ETR</td> <td>-</td> <td>WD.</td> <td>J2</td> <td>PTD.</td> <td>-</td> <td>335A</td> <td>3\"/> <tr> <td>346</td> <td>ETR</td> <td>-</td> <td>WD.</td> <td>J2</td> <td>PTD.</td> <td>-</td> <td>335B</td> <td>3\"/> <tr> <td>347</td> <td>ETR</td> <td>-</td> <td>WD.</td> <td>J2</td> <td>PTD.</td> <td>-</td> <td>336</td> <td>3\"/> <tr> <td>348</td> <td>ETR</td> <td>-</td> <td>WD.</td> <td>J2</td> <td>PTD.</td> <td>-</td> <td>337</td> <td>3\"/> <tr> <td>349</td> <td>ETR</td> <td>-</td> <td>WD.</td> <td>J2</td> <td>PTD.</td> <td>-</td> <td>339</td> <td>3\"/> <tr> <td>350</td> <td>ETR</td> <td>-</td> <td>WD.</td> <td>J2</td> <td>PTD.</td> <td>-</td> <td>340</td> <td>3\"/> </td></tr></td></tr></td></tr></td></tr></td></tr></td></tr></td></tr></td></tr></td></tr></td></tr></td></tr></td></tr></td></tr></td></tr></td></tr></td></tr></td></tr></td></tr></td></tr></td></tr></td></tr></td></tr></td></tr></td></tr> | 327 | ETR | -
 | WD. | J2 | PTD. | - | 319 | 3\"/> <tr> <td>328</td> <td>ETR</td> <td>-</td> <td>WD.</td> <td>J2</td> <td>PTD.</td> <td>-</td> <td>320</td> <td>3\"/> <tr> <td>329A</td> <td>ETR</td> <td>-</td> <td>WD.</td> <td>J2</td> <td>PTD.</td> <td>-</td> <td>321</td> <td>3\"/> <tr> <td>329B</td> <td>ETR</td> <td>-</td> <td>WD.</td> <td>J2</td> <td>PTD.</td> <td>-</td> <td>322</td> <td>3\"/> <tr> <td>331</td> <td>ETR</td> <td>-</td> <td>WD.</td> <td>J2</td> <td>PTD.</td> <td>-</td> <td>323</td> <td>3\"/> <tr> <td>333</td> <td>ETR</td> <td>-</td> <td>WD.</td> <td>J2</td> <td>PTD.</td> <td>-</td> <td>324</td> <td>3\"/> <tr> <td>334A</td> <td>ETR</td> <td>-</td> <td>WD.</td> <td>J2</td> <td>PTD.</td> <td>-</td> <td>325</td> <td>3\"/> <tr> <td>334B</td> <td>ETR</td> <td>-</td> <td>WD.</td> <td>J2</td> <td>PTD.</td> <td>-</td> <td>327</td> <td>3\"/> <tr> <td>335A</td> <td>ETR</td> <td>-</td> <td>WD.</td> <td>J2</td> <td>PTD.</td> <td>-</td> <td>328</td> <td>3\"/> <tr> <td>335B</td> <td>B</td> <td>3\"/> <tr> <td>336</td> <td>B</td> <td>3\"/> <tr> <td>337</td> <td>ETR</td> <td>-</td> <td>WD.</td> <td>J2</td> <td>PTD.</td> <td>-</td> <td>329A</td> <td>3\"/> <tr> <td>339</td> <td>ETR</td> <td>-</td> <td>WD.</td> <td>J2</td> <td>PTD.</td> <td>-</td> <td>329B</td> <td>3\"/> <tr> <td>340</td> <td>A</td> <td>3\"/> <tr> <td>341A</td> <td>ETR</td> <td>-</td> <td>WD.</td> <td>J2</td> <td>PTD.</td> <td>-</td> <td>331</td> <td>3\"/> <tr> <td>341B</td> <td>ETR</td> <td>-</td> <td>WD.</td> <td>J2</td> <td>PTD.</td> <td>-</td> <td>333</td> <td>3\"/> <tr> <td>342</td> <td>ETR</td> <td>-</td> <td>WD.</td> <td>J2</td> <td>PTD.</td> <td>-</td> <td>334A</td> <td>3\"/> <tr> <td>344</td> <td>ETR</td> <td>-</td> <td>WD.</td> <td>J2</td> <td>PTD.</td> <td>-</td> <td>334B</td> <td>3\"/> <tr> <td>345</td> <td>ETR</td> <td>-</td> <td>WD.</td> <td>J2</td> <td>PTD.</td> <td>-</td> <td>335A</td> <td>3\"/> <tr> <td>346</td> <td>ETR</td> <td>-</td> <td>WD.</td> <td>J2</td> <td>PTD.</td> <td>-</td> <td>335B</td> <td>3\"/> <tr> <td>347</td> <td>ETR</td> <td>-</td> <td>WD.</td> <td>J2</td> <td>PTD.</td> <td>-</td> <td>336</td> <td>3\"/> <tr> <td>348</td> <td>ETR</td> <td>-</td> <td>WD.</td> <td>J2</td> <td>PTD.</td> <td>-</td> <td>337</td> <td>3\"/> <tr> <td>349</td> <td>ETR</td> <td>-</td> <td>WD.</td> <td>J2</td> <td>PTD.</td> <td>-</td> <td>339</td> <td>3\"/> <tr> <td>350</td> <td>ETR</td> <td>-</td> <td>WD.</td> <td>J2</td> <td>PTD.</td> <td>-</td> <td>340</td> <td>3\"/> </td></tr></td></tr></td></tr></td></tr></td></tr></td></tr></td></tr></td></tr></td></tr></td></tr></td></tr></td></tr></td></tr></td></tr></td></tr></td></tr></td></tr></td></tr></td></tr></td></tr></td></tr></td></tr></td></tr> | 328 | ETR | -
 | WD. | J2 | PTD. | - | 320 | 3\"/> <tr> <td>329A</td> <td>ETR</td> <td>-</td> <td>WD.</td> <td>J2</td> <td>PTD.</td> <td>-</td> <td>321</td> <td>3\"/> <tr> <td>329B</td> <td>ETR</td> <td>-</td> <td>WD.</td> <td>J2</td> <td>PTD.</td> <td>-</td> <td>322</td> <td>3\"/> <tr> <td>331</td> <td>ETR</td> <td>-</td> <td>WD.</td> <td>J2</td> <td>PTD.</td> <td>-</td> <td>323</td> <td>3\"/> <tr> <td>333</td> <td>ETR</td> <td>-</td> <td>WD.</td> <td>J2</td> <td>PTD.</td> <td>-</td> <td>324</td> <td>3\"/> <tr> <td>334A</td> <td>ETR</td> <td>-</td> <td>WD.</td> <td>J2</td> <td>PTD.</td> <td>-</td> <td>325</td> <td>3\"/> <tr> <td>334B</td> <td>ETR</td> <td>-</td> <td>WD.</td> <td>J2</td> <td>PTD.</td> <td>-</td> <td>327</td> <td>3\"/> <tr> <td>335A</td> <td>ETR</td> <td>-</td> <td>WD.</td> <td>J2</td> <td>PTD.</td> <td>-</td> <td>328</td> <td>3\"/> <tr> <td>335B</td> <td>B</td> <td>3\"/> <tr> <td>336</td> <td>B</td> <td>3\"/> <tr> <td>337</td> <td>ETR</td> <td>-</td> <td>WD.</td> <td>J2</td> <td>PTD.</td> <td>-</td> <td>329A</td> <td>3\"/> <tr> <td>339</td> <td>ETR</td> <td>-</td> <td>WD.</td> <td>J2</td> <td>PTD.</td> <td>-</td> <td>329B</td> <td>3\"/> <tr> <td>340</td> <td>A</td> <td>3\"/> <tr> <td>341A</td> <td>ETR</td> <td>-</td> <td>WD.</td> <td>J2</td> <td>PTD.</td> <td>-</td> <td>331</td> <td>3\"/> <tr> <td>341B</td> <td>ETR</td> <td>-</td> <td>WD.</td> <td>J2</td> <td>PTD.</td> <td>-</td> <td>333</td> <td>3\"/> <tr> <td>342</td> <td>ETR</td> <td>-</td> <td>WD.</td> <td>J2</td> <td>PTD.</td> <td>-</td> <td>334A</td> <td>3\"/> <tr> <td>344</td> <td>ETR</td> <td>-</td> <td>WD.</td> <td>J2</td> <td>PTD.</td> <td>-</td> <td>334B</td> <td>3\"/> <tr> <td>345</td> <td>ETR</td> <td>-</td> <td>WD.</td> <td>J2</td> <td>PTD.</td> <td>-</td> <td>335A</td> <td>3\"/> <tr> <td>346</td> <td>ETR</td> <td>-</td> <td>WD.</td> <td>J2</td> <td>PTD.</td> <td>-</td> <td>335B</td> <td>3\"/> <tr> <td>347</td> <td>ETR</td> <td>-</td> <td>WD.</td> <td>J2</td> <td>PTD.</td> <td>-</td> <td>336</td> <td>3\"/> <tr> <td>348</td> <td>ETR</td> <td>-</td> <td>WD.</td> <td>J2</td> <td>PTD.</td> <td>-</td> <td>337</td> <td>3\"/> <tr> <td>349</td> <td>ETR</td> <td>-</td> <td>WD.</td> <td>J2</td> <td>PTD.</td> <td>-</td> <td>339</td> <td>3\"/> <tr> <td>350</td> <td>ETR</td> <td>-</td> <td>WD.</td> <td>J2</td> <td>PTD.</td> <td>-</td> <td>340</td> <td>3\"/> </td></tr></td></tr></td></tr></td></tr></td></tr></td></tr></td></tr></td></tr></td></tr></td></tr></td></tr></td></tr></td></tr></td></tr></td></tr></td></tr></td></tr></td></tr></td></tr></td></tr></td></tr></td></tr> | 329A | ETR | - | WD. | J2 | PTD.
 | - | 321 | 3\"/> <tr> <td>329B</td> <td>ETR</td> <td>-</td> <td>WD.</td> <td>J2</td> <td>PTD.</td> <td>-</td> <td>322</td> <td>3\"/> <tr> <td>331</td> <td>ETR</td> <td>-</td> <td>WD.</td> <td>J2</td> <td>PTD.</td> <td>-</td> <td>323</td> <td>3\"/> <tr> <td>333</td> <td>ETR</td> <td>-</td> <td>WD.</td> <td>J2</td> <td>PTD.</td> <td>-</td> <td>324</td> <td>3\"/> <tr> <td>334A</td> <td>ETR</td> <td>-</td> <td>WD.</td> <td>J2</td> <td>PTD.</td> <td>-</td> <td>325</td> <td>3\"/> <tr> <td>334B</td> <td>ETR</td> <td>-</td> <td>WD.</td> <td>J2</td> <td>PTD.</td> <td>-</td> <td>327</td> <td>3\"/> <tr> <td>335A</td> <td>ETR</td> <td>-</td> <td>WD.</td> <td>J2</td> <td>PTD.</td> <td>-</td> <td>328</td> <td>3\"/> <tr> <td>335B</td> <td>B</td> <td>3\"/> <tr> <td>336</td> <td>B</td> <td>3\"/> <tr> <td>337</td> <td>ETR</td> <td>-</td> <td>WD.</td> <td>J2</td> <td>PTD.</td> <td>-</td> <td>329A</td> <td>3\"/> <tr> <td>339</td> <td>ETR</td> <td>-</td> <td>WD.</td> <td>J2</td> <td>PTD.</td> <td>-</td> <td>329B</td> <td>3\"/> <tr> <td>340</td> <td>A</td> <td>3\"/> <tr> <td>341A</td> <td>ETR</td> <td>-</td> <td>WD.</td> <td>J2</td> <td>PTD.</td> <td>-</td> <td>331</td> <td>3\"/> <tr> <td>341B</td> <td>ETR</td> <td>-</td> <td>WD.</td> <td>J2</td> <td>PTD.</td> <td>-</td> <td>333</td> <td>3\"/> <tr> <td>342</td> <td>ETR</td> <td>-</td> <td>WD.</td> <td>J2</td> <td>PTD.</td> <td>-</td> <td>334A</td> <td>3\"/> <tr> <td>344</td> <td>ETR</td> <td>-</td> <td>WD.</td> <td>J2</td> <td>PTD.</td> <td>-</td> <td>334B</td> <td>3\"/> <tr> <td>345</td> <td>ETR</td> <td>-</td> <td>WD.</td> <td>J2</td> <td>PTD.</td> <td>-</td> <td>335A</td> <td>3\"/> <tr> <td>346</td> <td>ETR</td> <td>-</td> <td>WD.</td> <td>J2</td> <td>PTD.</td> <td>-</td> <td>335B</td> <td>3\"/> <tr> <td>347</td> <td>ETR</td> <td>-</td> <td>WD.</td> <td>J2</td> <td>PTD.</td> <td>-</td> <td>336</td> <td>3\"/> <tr> <td>348</td> <td>ETR</td> <td>-</td> <td>WD.</td> <td>J2</td> <td>PTD.</td> <td>-</td> <td>337</td> <td>3\"/> <tr> <td>349</td> <td>ETR</td> <td>-</td> <td>WD.</td> <td>J2</td> <td>PTD.</td> <td>-</td> <td>339</td> <td>3\"/> <tr> <td>350</td> <td>ETR</td> <td>-</td> <td>WD.</td> <td>J2</td> <td>PTD.</td> <td>-</td> <td>340</td> <td>3\"/> </td></tr></td></tr></td></tr></td></tr></td></tr></td></tr></td></tr></td></tr></td></tr></td></tr></td></tr></td></tr></td></tr></td></tr></td></tr></td></tr></td></tr></td></tr></td></tr></td></tr></td></tr> | 329B | ETR | - | WD. | J2 | PTD. | - | 322 | 3\"/> <tr> <td>331</td> <td>ETR</td> <td>-</td> <td>WD.</td> <td>J2</td> <td>PTD.</td> <td>-</td> <td>323</td> <td>3\"/> <tr> <td>333</td> <td>ETR</td> <td>-</td> <td>WD.</td> <td>J2</td> <td>PTD.</td> <td>-</td> <td>324</td> <td>3\"/> <tr> <td>334A</td> <td>ETR</td> <td>-</td> <td>WD.</td> <td>J2</td> <td>PTD.</td> <td>-</td> <td>325</td> <td>3\"/> <tr> <td>334B</td> <td>ETR</td> <td>-</td> <td>WD.</td> <td>J2</td> <td>PTD.</td> <td>-</td> <td>327</td> <td>3\"/> <tr> <td>335A</td> <td>ETR</td> <td>-</td> <td>WD.</td> <td>J2</td> <td>PTD.</td> <td>-</td> <td>328</td> <td>3\"/> <tr> <td>335B</td> <td>B</td> <td>3\"/> <tr> <td>336</td> <td>B</td> <td>3\"/> <tr> <td>337</td> <td>ETR</td> <td>-</td> <td>WD.</td> <td>J2</td> <td>PTD.</td> <td>-</td> <td>329A</td> <td>3\"/> <tr> <td>339</td> <td>ETR</td> <td>-</td> <td>WD.</td> <td>J2</td> <td>PTD.</td> <td>-</td> <td>329B</td> <td>3\"/> <tr> <td>340</td> <td>A</td> <td>3\"/> <tr> <td>341A</td> <td>ETR</td> <td>-</td> <td>WD.</td> <td>J2</td> <td>PTD.</td> <td>-</td> <td>331</td> <td>3\"/> <tr> <td>341B</td> <td>ETR</td> <td>-</td> <td>WD.</td> <td>J2</td> <td>PTD.</td> <td>-</td> <td>333</td> <td>3\"/> <tr> <td>342</td> <td>ETR</td> <td>-</td> <td>WD.</td> <td>J2</td> <td>PTD.</td> <td>-</td> <td>334A</td> <td>3\"/> <tr> <td>344</td> <td>ETR</td> <td>-</td> <td>WD.</td> <td>J2</td> <td>PTD.</td> <td>-</td> <td>334B</td> <td>3\"/> <tr> <td>345</td> <td>ETR</td> <td>-</td> <td>WD.</td> <td>J2</td> <td>PTD.</td> <td>-</td> <td>335A</td> <td>3\"/> <tr> <td>346</td> <td>ETR</td> <td>-</td> <td>WD.</td> <td>J2</td> <td>PTD.</td> <td>-</td> <td>335B</td> <td>3\"/> <tr> <td>347</td> <td>ETR</td> <td>-</td> <td>WD.</td> <td>J2</td> <td>PTD.</td> <td>-</td> <td>336</td> <td>3\"/> <tr> <td>348</td> <td>ETR</td> <td>-</td> <td>WD.</td> <td>J2</td> <td>PTD.</td> <td>-</td> <td>337</td> <td>3\"/> <tr> <td>349</td> <td>ETR</td> <td>-</td> <td>WD.</td> <td>J2</td> <td>PTD.</td>
<td>-</td> <td>339</td> <td>3\"/> <tr> <td>350</td> <td>ETR</td> <td>-</td> <td>WD.</td> <td>J2</td> <td>PTD.</td> <td>-</td> <td>340</td> <td>3\"/> </td></tr></td></tr></td></tr></td></tr></td></tr></td></tr></td></tr></td></tr></td></tr></td></tr></td></tr></td></tr></td></tr></td></tr></td></tr></td></tr></td></tr></td></tr></td></tr></td></tr> | 331 | ETR | - | WD. | J2 | PTD. | - | 323 | 3\"/> <tr> <td>333</td> <td>ETR</td> <td>-</td> <td>WD.</td> <td>J2</td> <td>PTD.</td> <td>-</td> <td>324</td> <td>3\"/> <tr> <td>334A</td> <td>ETR</td> <td>-</td> <td>WD.</td> <td>J2</td> <td>PTD.</td> <td>-</td> <td>325</td> <td>3\"/> <tr> <td>334B</td> <td>ETR</td> <td>-</td> <td>WD.</td> <td>J2</td> <td>PTD.</td> <td>-</td> <td>327</td> <td>3\"/> <tr> <td>335A</td> <td>ETR</td> <td>-</td> <td>WD.</td> <td>J2</td> <td>PTD.</td> <td>-</td> <td>328</td> <td>3\"/> <tr> <td>335B</td> <td>B</td> <td>3\"/> <tr> <td>336</td> <td>B</td> <td>3\"/> <tr> <td>337</td> <td>ETR</td> <td>-</td> <td>WD.</td> <td>J2</td> <td>PTD.</td> <td>-</td> <td>329A</td> <td>3\"/> <tr> <td>339</td> <td>ETR</td> <td>-</td> <td>WD.</td> <td>J2</td> <td>PTD.</td> <td>-</td> <td>329B</td> <td>3\"/> <tr> <td>340</td> <td>A</td> <td>3\"/> <tr> <td>341A</td> <td>ETR</td> <td>-</td> <td>WD.</td> <td>J2</td> <td>PTD.</td> <td>-</td> <td>331</td> <td>3\"/> <tr> <td>341B</td> <td>ETR</td> <td>-</td> <td>WD.</td> <td>J2</td> <td>PTD.</td> <td>-</td> <td>333</td> <td>3\"/> <tr> <td>342</td> <td>ETR</td> <td>-</td> <td>WD.</td> <td>J2</td> <td>PTD.</td> <td>-</td> <td>334A</td> <td>3\"/> <tr> <td>344</td> <td>ETR</td> <td>-</td> <td>WD.</td> <td>J2</td> <td>PTD.</td> <td>-</td> <td>334B</td> <td>3\"/> <tr> <td>345</td> <td>ETR</td> <td>-</td> <td>WD.</td> <td>J2</td> <td>PTD.</td> <td>-</td> <td>335A</td> <td>3\"/> <tr> <td>346</td> <td>ETR</td> <td>-</td> <td>WD.</td> <td>J2</td> <td>PTD.</td> <td>-</td> <td>335B</td> <td>3\"/> <tr> <td>347</td> <td>ETR</td> <td>-</td> <td>WD.</td> <td>J2</td> <td>PTD.</td> <td>-</td> <td>336</td> <td>3\"/> <tr> <td>348</td> <td>ETR</td> <td>-</td> <td>WD.</td> <td>J2</td> <td>PTD.</td> <td>-</td> <td>337</td> <td>3\"/> <tr> <td>349</td> <td>ETR</td> <td>-</td> <td>WD.</td> <td>J2</td> <td>PTD.</td> <td>-</td> <td>339</td> <td>3\"/> <tr> <td>350</td> <td>ETR</td> <td>-</td> <td>WD.</td> <td>J2</td> <td>PTD.</td> <td>-</td> <td>340</td> <td>3\"/> </td></tr></td></tr></td></tr></td></tr></td></tr></td></tr></td></tr></td></tr></td></tr></td></tr></td></tr></td></tr></td></tr></td></tr></td></tr></td></tr></td></tr></td></tr></td></tr> | 333 | ETR | - | WD. | J2 | PTD.
 | - | 324 | 3\"/> <tr> <td>334A</td> <td>ETR</td> <td>-</td> <td>WD.</td> <td>J2</td> <td>PTD.</td> <td>-</td> <td>325</td> <td>3\"/> <tr> <td>334B</td> <td>ETR</td> <td>-</td> <td>WD.</td> <td>J2</td> <td>PTD.</td> <td>-</td> <td>327</td> <td>3\"/> <tr> <td>335A</td> <td>ETR</td> <td>-</td> <td>WD.</td> <td>J2</td> <td>PTD.</td> <td>-</td> <td>328</td> <td>3\"/> <tr> <td>335B</td> <td>B</td> <td>3\"/> <tr> <td>336</td> <td>B</td> <td>3\"/> <tr> <td>337</td> <td>ETR</td> <td>-</td> <td>WD.</td> <td>J2</td> <td>PTD.</td> <td>-</td> <td>329A</td> <td>3\"/> <tr> <td>339</td> <td>ETR</td> <td>-</td> <td>WD.</td> <td>J2</td> <td>PTD.</td> <td>-</td> <td>329B</td> <td>3\"/> <tr> <td>340</td> <td>A</td> <td>3\"/> <tr> <td>341A</td> <td>ETR</td> <td>-</td> <td>WD.</td> <td>J2</td> <td>PTD.</td> <td>-</td> <td>331</td> <td>3\"/> <tr> <td>341B</td> <td>ETR</td> <td>-</td> <td>WD.</td> <td>J2</td> <td>PTD.</td> <td>-</td> <td>333</td> <td>3\"/> <tr> <td>342</td> <td>ETR</td> <td>-</td> <td>WD.</td> <td>J2</td> <td>PTD.</td> <td>-</td> <td>334A</td> <td>3\"/> <tr> <td>344</td> <td>ETR</td> <td>-</td> <td>WD.</td> <td>J2</td> <td>PTD.</td> <td>-</td> <td>334B</td> <td>3\"/> <tr> <td>345</td> <td>ETR</td> <td>-</td> <td>WD.</td> <td>J2</td> <td>PTD.</td> <td>-</td> <td>335A</td> <td>3\"/> <tr> <td>346</td> <td>ETR</td> <td>-</td> <td>WD.</td> <td>J2</td> <td>PTD.</td> <td>-</td> <td>335B</td> <td>3\"/> <tr> <td>347</td> <td>ETR</td> <td>-</td> <td>WD.</td> <td>J2</td> <td>PTD.</td> <td>-</td> <td>336</td> <td>3\"/> <tr> <td>348</td> <td>ETR</td> <td>-</td> <td>WD.</td> <td>J2</td> <td>PTD.</td> <td>-</td> <td>337</td> <td>3\"/> <tr> <td>349</td> <td>ETR</td> <td>-</td> <td>WD.</td> <td>J2</td> <td>PTD.</td> <td>-</td> <td>339</td> <td>3\"/> <tr> <td>350</td> <td>ETR</td> <td>-</td> <td>WD.</td> <td>J2</td> <td>PTD.</td> <td>-</td> <td>340</td> <td>3\"/> </td></tr></td></tr></td></tr></td></tr></td></tr></td></tr></td></tr></td></tr></td></tr></td></tr></td></tr></td></tr></td></tr></td></tr></td></tr></td></tr></td></tr></td></tr> | 334A | ETR | - | WD. | J2 | PTD. | - | 325 | 3\"/> <tr> <td>334B</td> <td>ETR</td> <td>-</td> <td>WD.</td> <td>J2</td> <td>PTD.</td> <td>-</td> <td>327</td> <td>3\"/> <tr> <td>335A</td> <td>ETR</td> <td>-</td> <td>WD.</td> <td>J2</td> <td>PTD.</td> <td>-</td> <td>328</td> <td>3\"/> <tr> <td>335B</td> <td>B</td> <td>3\"/> <tr> <td>336</td> <td>B</td> <td>3\"/> <tr> <td>337</td> <td>ETR</td> <td>-</td> <td>WD.</td> <td>J2</td> <td>PTD.</td> <td>-</td> <td>329A</td> <td>3\"/> <tr> <td>339</td> <td>ETR</td> <td>-</td> <td>WD.</td> <td>J2</td> <td>PTD.</td> <td>-</td> <td>329B</td> <td>3\"/> <tr> <td>340</td> <td>A</td> <td>3\"/> <tr> <td>341A</td> <td>ETR</td> <td>-</td> <td>WD.</td> <td>J2</td> <td>PTD.</td> <td>-</td> <td>331</td> <td>3\"/> <tr> <td>341B</td> <td>ETR</td> <td>-</td> <td>WD.</td> <td>J2</td> <td>PTD.</td> <td>-</td> <td>333</td> <td>3\"/> <tr> <td>342</td> <td>ETR</td> <td>-</td> <td>WD.</td> <td>J2</td> <td>PTD.</td> <td>-</td> <td>334A</td> <td>3\"/> <tr> <td>344</td> <td>ETR</td> <td>-</td> <td>WD.</td> <td>J2</td> <td>PTD.</td> <td>-</td> <td>334B</td> <td>3\"/> <tr> <td>345</td> <td>ETR</td> <td>-</td> <td>WD.</td> <td>J2</td> <td>PTD.</td> <td>-</td> <td>335A</td> <td>3\"/> <tr> <td>346</td> <td>ETR</td> <td>-</td> <td>WD.</td> <td>J2</td> <td>PTD.</td> <td>-</td> <td>335B</td> <td>3\"/> <tr> <td>347</td> <td>ETR</td> <td>-</td> <td>WD.</td> <td>J2</td> <td>PTD.</td> <td>-</td> <td>336</td> <td>3\"/> <tr> <td>348</td> <td>ETR</td> <td>-</td> <td>WD.</td> <td>J2</td> <td>PTD.</td> <td>-</td> <td>337</td> <td>3\"/> <tr> <td>349</td> <td>ETR</td> <td>-</td> <td>WD.</td> <td>J2</td> <td>PTD.</td> <td>-</td> <td>339</td> <td>3\"/> <tr> <td>350</td> <td>ETR</td> <td>-</td> <td>WD.</td> <td>J2</td> <td>PTD.</td> <td>-</td> <td>340</td> <td>3\"/> </td></tr></td></tr></td></tr></td></tr></td></tr></td></tr></td></tr></td></tr></td></tr></td></tr></td></tr></td></tr></td></tr></td></tr></td></tr></td></tr></td></tr> | 334B | ETR | -
 | WD. | J2 | PTD. | - | 327 | 3\"/> <tr> <td>335A</td> <td>ETR</td> <td>-</td> <td>WD.</td> <td>J2</td> <td>PTD.</td> <td>-</td> <td>328</td> <td>3\"/> <tr> <td>335B</td> <td>B</td> <td>3\"/> <tr> <td>336</td> <td>B</td> <td>3\"/> <tr> <td>337</td> <td>ETR</td> <td>-</td> <td>WD.</td> <td>J2</td> <td>PTD.</td> <td>-</td> <td>329A</td> <td>3\"/> <tr> <td>339</td> <td>ETR</td> <td>-</td> <td>WD.</td> <td>J2</td> <td>PTD.</td> <td>-</td> <td>329B</td> <td>3\"/> <tr> <td>340</td> <td>A</td> <td>3\"/> <tr> <td>341A</td> <td>ETR</td> <td>-</td> <td>WD.</td> <td>J2</td> <td>PTD.</td> <td>-</td> <td>331</td> <td>3\"/> <tr> <td>341B</td> <td>ETR</td> <td>-</td> <td>WD.</td> <td>J2</td> <td>PTD.</td> <td>-</td> <td>333</td> <td>3\"/> <tr> <td>342</td> <td>ETR</td> <td>-</td> <td>WD.</td> <td>J2</td> <td>PTD.</td> <td>-</td> <td>334A</td> <td>3\"/> <tr> <td>344</td> <td>ETR</td> <td>-</td> <td>WD.</td> <td>J2</td> <td>PTD.</td> <td>-</td> <td>334B</td> <td>3\"/> <tr> <td>345</td> <td>ETR</td> <td>-</td> <td>WD.</td> <td>J2</td> <td>PTD.</td> <td>-</td> <td>335A</td> <td>3\"/> <tr> <td>346</td> <td>ETR</td> <td>-</td> <td>WD.</td> <td>J2</td> <td>PTD.</td> <td>-</td> <td>335B</td> <td>3\"/> <tr> <td>347</td> <td>ETR</td> <td>-</td> <td>WD.</td> <td>J2</td> <td>PTD.</td> <td>-</td> <td>336</td> <td>3\"/> <tr> <td>348</td> <td>ETR</td> <td>-</td> <td>WD.</td> <td>J2</td> <td>PTD.</td> <td>-</td> <td>337</td> <td>3\"/> <tr> <td>349</td> <td>ETR</td> <td>-</td> <td>WD.</td> <td>J2</td> <td>PTD.</td> <td>-</td> <td>339</td> <td>3\"/> <tr> <td>350</td> <td>ETR</td> <td>-</td> <td>WD.</td> <td>J2</td> <td>PTD.</td> <td>-</td> <td>340</td> <td>3\"/> </td></tr></td></tr></td></tr></td></tr></td></tr></td></tr></td></tr></td></tr></td></tr></td></tr></td></tr></td></tr></td></tr></td></tr></td></tr></td></tr> | 335A | ETR | - | WD. | J2 | PTD. | - | 328 | 3\"/> <tr> <td>335B</td> <td>B</td> <td>3\"/> <tr> <td>336</td> <td>B</td> <td>3\"/> <tr> <td>337</td> <td>ETR</td> <td>-</td> <td>WD.</td> <td>J2</td> <td>PTD.</td> <td>-</td> <td>329A</td> <td>3\"/> <tr> <td>339</td> <td>ETR</td> <td>-</td> <td>WD.</td> <td>J2</td> <td>PTD.</td> <td>-</td> <td>329B</td> <td>3\"/> <tr> <td>340</td> <td>A</td> <td>3\"/> <tr> <td>341A</td> <td>ETR</td> <td>-</td> <td>WD.</td> <td>J2</td> <td>PTD.</td> <td>-</td> <td>331</td> <td>3\"/> <tr> <td>341B</td> <td>ETR</td> <td>-</td> <td>WD.</td> <td>J2</td> <td>PTD.</td> <td>-</td> <td>333</td> <td>3\"/> <tr> <td>342</td> <td>ETR</td> <td>-</td> <td>WD.</td> <td>J2</td> <td>PTD.</td> <td>-</td> <td>334A</td> <td>3\"/> <tr> <td>344</td> <td>ETR</td> <td>-</td> <td>WD.</td> <td>J2</td> <td>PTD.</td> <td>-</td> <td>334B</td> <td>3\"/> <tr> <td>345</td> <td>ETR</td> <td>-</td> <td>WD.</td> <td>J2</td> <td>PTD.</td> <td>-</td> <td>335A</td> <td>3\"/> <tr> <td>346</td> <td>ETR</td> <td>-</td> <td>WD.</td> <td>J2</td> <td>PTD.</td> <td>-</td> <td>335B</td> <td>3\"/> <tr> <td>347</td> <td>ETR</td> <td>-</td> <td>WD.</td> <td>J2</td> <td>PTD.</td> <td>-</td> <td>336</td> <td>3\"/> <tr> <td>348</td> <td>ETR</td> <td>-</td> <td>WD.</td> <td>J2</td> <td>PTD.</td> <td>-</td> <td>337</td> <td>3\"/> <tr> <td>349</td> <td>ETR</td> <td>-</td> <td>WD.</td> <td>J2</td> <td>PTD.</td> <td>-</td> <td>339</td> <td>3\"/> <tr> <td>350</td> <td>ETR</td> <td>-</td> <td>WD.</td> <td>J2</td> <td>PTD.</td> <td>-</td> <td>340</td> <td>3\"/> </td></tr></td></tr></td></tr></td></tr></td></tr></td></tr></td></tr></td></tr></td></tr></td></tr></td></tr></td></tr></td></tr></td></tr></td></tr> | 335B | B | 3\"/> <tr> <td>336</td> <td>B</td> <td>3\"/> <tr> <td>337</td> <td>ETR</td> <td>-</td> <td>WD.</td> <td>J2</td> <td>PTD.</td> <td>-</td> <td>329A</td> <td>3\"/> <tr> <td>339</td> <td>ETR</td> <td>-</td> <td>WD.</td> <td>J2</td> <td>PTD.</td>
<td>-</td> <td>329B</td> <td>3\"/> <tr> <td>340</td> <td>A</td> <td>3\"/> <tr> <td>341A</td> <td>ETR</td> <td>-</td> <td>WD.</td> <td>J2</td> <td>PTD.</td> <td>-</td> <td>331</td> <td>3\"/> <tr> <td>341B</td> <td>ETR</td> <td>-</td> <td>WD.</td> <td>J2</td> <td>PTD.</td> <td>-</td> <td>333</td> <td>3\"/> <tr> <td>342</td> <td>ETR</td> <td>-</td> <td>WD.</td> <td>J2</td> <td>PTD.</td> <td>-</td> <td>334A</td> <td>3\"/> <tr> <td>344</td> <td>ETR</td> <td>-</td> <td>WD.</td> <td>J2</td> <td>PTD.</td> <td>-</td> <td>334B</td> <td>3\"/> <tr> <td>345</td> <td>ETR</td> <td>-</td> <td>WD.</td> <td>J2</td> <td>PTD.</td> <td>-</td> <td>335A</td> <td>3\"/> <tr> <td>346</td> <td>ETR</td> <td>-</td> <td>WD.</td> <td>J2</td> <td>PTD.</td> <td>-</td> <td>335B</td> <td>3\"/> <tr> <td>347</td> <td>ETR</td> <td>-</td> <td>WD.</td> <td>J2</td> <td>PTD.</td> <td>-</td> <td>336</td> <td>3\"/> <tr> <td>348</td> <td>ETR</td> <td>-</td> <td>WD.</td> <td>J2</td> <td>PTD.</td> <td>-</td> <td>337</td> <td>3\"/> <tr> <td>349</td> <td>ETR</td> <td>-</td> <td>WD.</td> <td>J2</td> <td>PTD.</td> <td>-</td> <td>339</td> <td>3\"/> <tr> <td>350</td> <td>ETR</td> <td>-</td> <td>WD.</td> <td>J2</td> <td>PTD.</td> <td>-</td> <td>340</td> <td>3\"/> </td></tr></td></tr></td></tr></td></tr></td></tr></td></tr></td></tr></td></tr></td></tr></td></tr></td></tr></td></tr></td></tr></td></tr> | 336 | B | 3\"/> <tr> <td>337</td> <td>ETR</td> <td>-</td> <td>WD.</td> <td>J2</td> <td>PTD.</td> <td>-</td> <td>329A</td> <td>3\"/> <tr> <td>339</td> <td>ETR</td> <td>-</td> <td>WD.</td> <td>J2</td> <td>PTD.</td> <td>-</td> <td>329B</td> <td>3\"/> <tr> <td>340</td> <td>A</td> <td>3\"/> <tr> <td>341A</td> <td>ETR</td> <td>-</td> <td>WD.</td> <td>J2</td> <td>PTD.</td> <td>-</td> <td>331</td> <td>3\"/> <tr> <td>341B</td> <td>ETR</td> <td>-</td> <td>WD.</td> <td>J2</td> <td>PTD.</td> <td>-</td> <td>333</td> <td>3\"/> <tr> <td>342</td> <td>ETR</td> <td>-</td> <td>WD.</td> <td>J2</td> <td>PTD.</td> <td>-</td> <td>334A</td> <td>3\"/> <tr> <td>344</td> <td>ETR</td> <td>-</td> <td>WD.</td> <td>J2</td> <td>PTD.</td> <td>-</td> <td>334B</td> <td>3\"/> <tr> <td>345</td> <td>ETR</td> <td>-</td> <td>WD.</td> <td>J2</td> <td>PTD.</td> <td>-</td> <td>335A</td> <td>3\"/> <tr> <td>346</td> <td>ETR</td> <td>-</td> <td>WD.</td> <td>J2</td> <td>PTD.</td> <td>-</td> <td>335B</td> <td>3\"/> <tr> <td>347</td> <td>ETR</td> <td>-</td> <td>WD.</td> <td>J2</td> <td>PTD.</td> <td>-</td> <td>336</td> <td>3\"/> <tr> <td>348</td> <td>ETR</td> <td>-</td> <td>WD.</td> <td>J2</td> <td>PTD.</td> <td>-</td> <td>337</td> <td>3\"/> <tr> <td>349</td> <td>ETR</td> <td>-</td> <td>WD.</td> <td>J2</td> <td>PTD.</td> <td>-</td> <td>339</td> <td>3\"/> <tr> <td>350</td> <td>ETR</td> <td>-</td> <td>WD.</td> <td>J2</td> <td>PTD.</td> <td>-</td> <td>340</td> <td>3\"/> </td></tr></td></tr></td></tr></td></tr></td></tr></td></tr></td></tr></td></tr></td></tr></td></tr></td></tr></td></tr></td></tr> | 337 | ETR | - | WD. | J2 | PTD. | - | 329A | 3\"/> <tr> <td>339</td> <td>ETR</td> <td>-</td> <td>WD.</td> <td>J2</td> <td>PTD.</td> <td>-</td> <td>329B</td> <td>3\"/> <tr> <td>340</td> <td>A</td> <td>3\"/> <tr> <td>341A</td> <td>ETR</td> <td>-</td> <td>WD.</td> <td>J2</td> <td>PTD.</td> <td>-</td> <td>331</td> <td>3\"/> <tr> <td>341B</td> <td>ETR</td> <td>-</td> <td>WD.</td> <td>J2</td> <td>PTD.</td> <td>-</td> <td>333</td> <td>3\"/> <tr> <td>342</td> <td>ETR</td> <td>-</td> <td>WD.</td> <td>J2</td> <td>PTD.</td> <td>-</td> <td>334A</td> <td>3\"/> <tr> <td>344</td> <td>ETR</td> <td>-</td> <td>WD.</td> <td>J2</td> <td>PTD.</td> <td>-</td> <td>334B</td> <td>3\"/> <tr> <td>345</td> <td>ETR</td> <td>-</td> <td>WD.</td> <td>J2</td> <td>PTD.</td> <td>-</td> <td>335A</td> <td>3\"/> <tr> <td>346</td> <td>ETR</td> <td>-</td> <td>WD.</td> <td>J2</td> <td>PTD.</td> <td>-</td> <td>335B</td> <td>3\"/> <tr> <td>347</td> <td>ETR</td> <td>-</td> <td>WD.</td> <td>J2</td> <td>PTD.</td> <td>-</td> <td>336</td> <td>3\"/> <tr> <td>348</td> <td>ETR</td> <td>-</td> <td>WD.</td> <td>J2</td> <td>PTD.</td> <td>-</td> <td>337</td> <td>3\"/> <tr> <td>349</td> <td>ETR</td> <td>-</td> <td>WD.</td> <td>J2</td> <td>PTD.</td> <td>-</td> <td>339</td> <td>3\"/> <tr> <td>350</td> <td>ETR</td> <td>-</td> <td>WD.</td> <td>J2</td> <td>PTD.</td> <td>-</td> <td>340</td> <td>3\"/> </td></tr></td></tr></td></tr></td></tr></td></tr></td></tr></td></tr></td></tr></td></tr></td></tr></td></tr></td></tr> | 339 | ETR | - | WD. | J2 | PTD. | - | 329B | 3\"/> <tr> <td>340</td> <td>A</td> <td>3\"/> <tr> <td>341A</td> <td>ETR</td> <td>-</td> <td>WD.</td> <td>J2</td> <td>PTD.</td> <td>-</td> <td>331</td> <td>3\"/> <tr> <td>341B</td> <td>ETR</td> <td>-</td> <td>WD.</td> <td>J2</td> <td>PTD.</td> <td>-</td> <td>333</td> <td>3\"/> <tr> <td>342</td> <td>ETR</td> <td>-</td> <td>WD.</td> <td>J2</td> <td>PTD.</td> <td>-</td> <td>334A</td> <td>3\"/> <tr> <td>344</td> <td>ETR</td> <td>-</td> <td>WD.</td> <td>J2</td> <td>PTD.</td> <td>-</td> <td>334B</td> <td>3\"/> <tr> <td>345</td> <td>ETR</td> <td>-</td> <td>WD.</td> <td>J2</td> <td>PTD.</td> <td>-</td> <td>335A</td>
<td>3\"/> <tr> <td>346</td> <td>ETR</td> <td>-</td> <td>WD.</td> <td>J2</td> <td>PTD.</td> <td>-</td> <td>335B</td> <td>3\"/> <tr> <td>347</td> <td>ETR</td> <td>-</td> <td>WD.</td> <td>J2</td> <td>PTD.</td> <td>-</td> <td>336</td> <td>3\"/> <tr> <td>348</td> <td>ETR</td> <td>-</td> <td>WD.</td> <td>J2</td> <td>PTD.</td> <td>-</td> <td>337</td> <td>3\"/> <tr> <td>349</td> <td>ETR</td> <td>-</td> <td>WD.</td> <td>J2</td> <td>PTD.</td> <td>-</td> <td>339</td> <td>3\"/> <tr> <td>350</td> <td>ETR</td> <td>-</td> <td>WD.</td> <td>J2</td> <td>PTD.</td> <td>-</td> <td>340</td> <td>3\"/> </td></tr></td></tr></td></tr></td></tr></td></tr></td></tr></td></tr></td></tr></td></tr></td></tr></td></tr> | 340 | A | 3\"/> <tr> <td>341A</td> <td>ETR</td> <td>-</td> <td>WD.</td> <td>J2</td> <td>PTD.</td> <td>-</td> <td>331</td> <td>3\"/> <tr> <td>341B</td> <td>ETR</td> <td>-</td> <td>WD.</td> <td>J2</td> <td>PTD.</td> <td>-</td> <td>333</td> <td>3\"/> <tr> <td>342</td> <td>ETR</td> <td>-</td> <td>WD.</td> <td>J2</td> <td>PTD.</td> <td>-</td> <td>334A</td> <td>3\"/> <tr> <td>344</td> <td>ETR</td> <td>-</td> <td>WD.</td> <td>J2</td> <td>PTD.</td> <td>-</td> <td>334B</td> <td>3\"/> <tr> <td>345</td> <td>ETR</td> <td>-</td> <td>WD.</td> <td>J2</td> <td>PTD.</td> <td>-</td> <td>335A</td> <td>3\"/> <tr> <td>346</td> <td>ETR</td> <td>-</td> <td>WD.</td> <td>J2</td> <td>PTD.</td> <td>-</td> <td>335B</td> <td>3\"/> <tr> <td>347</td> <td>ETR</td> <td>-</td> <td>WD.</td> <td>J2</td> <td>PTD.</td> <td>-</td> <td>336</td> <td>3\"/> <tr> <td>348</td> <td>ETR</td> <td>-</td> <td>WD.</td> <td>J2</td> <td>PTD.</td> <td>-</td> <td>337</td> <td>3\"/> <tr> <td>349</td> <td>ETR</td> <td>-</td> <td>WD.</td> <td>J2</td> <td>PTD.</td> <td>-</td> <td>339</td> <td>3\"/> <tr> <td>350</td> <td>ETR</td> <td>-</td> <td>WD.</td> <td>J2</td> <td>PTD.</td> <td>-</td> <td>340</td> <td>3\"/> </td></tr></td></tr></td></tr></td></tr></td></tr></td></tr></td></tr></td></tr></td></tr></td></tr> | 341A | ETR | - | WD. | J2 | PTD. | - | 331 | 3\"/> <tr> <td>341B</td> <td>ETR</td> <td>-</td> <td>WD.</td> <td>J2</td> <td>PTD.</td> <td>-</td> <td>333</td> <td>3\"/> <tr> <td>342</td> <td>ETR</td> <td>-</td> <td>WD.</td> <td>J2</td> <td>PTD.</td> <td>-</td> <td>334A</td> <td>3\"/> <tr> <td>344</td> <td>ETR</td> <td>-</td> <td>WD.</td> <td>J2</td> <td>PTD.</td> <td>-</td> <td>334B</td> <td>3\"/> <tr> <td>345</td> <td>ETR</td> <td>-</td> <td>WD.</td> <td>J2</td> <td>PTD.</td> <td>-</td> <td>335A</td> <td>3\"/> <tr> <td>346</td> <td>ETR</td> <td>-</td> <td>WD.</td> <td>J2</td> <td>PTD.</td> <td>-</td> <td>335B</td> <td>3\"/> <tr> <td>347</td> <td>ETR</td> <td>-</td> <td>WD.</td> <td>J2</td> <td>PTD.</td> <td>-</td> <td>336</td> <td>3\"/> <tr> <td>348</td> <td>ETR</td> <td>-</td> <td>WD.</td> <td>J2</td> <td>PTD.</td> <td>-</td> <td>337</td> <td>3\"/> <tr> <td>349</td> <td>ETR</td> <td>-</td> <td>WD.</td> <td>J2</td> <td>PTD.</td> <td>-</td> <td>339</td> <td>3\"/> <tr> <td>350</td> <td>ETR</td> <td>-</td> <td>WD.</td> <td>J2</td> <td>PTD.</td> <td>-</td> <td>340</td> <td>3\"/> </td></tr></td></tr></td></tr></td></tr></td></tr></td></tr></td></tr></td></tr></td></tr> | 341B | ETR | - | WD. | J2 | PTD. | - | 333 | 3\"/> <tr> <td>342</td> <td>ETR</td> <td>-</td> <td>WD.</td> <td>J2</td> <td>PTD.</td> <td>-</td> <td>334A</td> <td>3\"/> <tr> <td>344</td> <td>ETR</td> <td>-</td> <td>WD.</td> <td>J2</td> <td>PTD.</td> <td>-</td> <td>334B</td> <td>3\"/> <tr> <td>345</td> <td>ETR</td> <td>-</td> <td>WD.</td> <td>J2</td> <td>PTD.</td> <td>-</td> <td>335A</td> <td>3\"/> <tr> <td>346</td> <td>ETR</td> <td>-</td> <td>WD.</td> <td>J2</td> <td>PTD.</td> <td>-</td> <td>335B</td> <td>3\"/> <tr> <td>347</td> <td>ETR</td> <td>-</td> <td>WD.</td> <td>J2</td> <td>PTD.</td> <td>-</td> <td>336</td> <td>3\"/> <tr> <td>348</td> <td>ETR</td> <td>-</td> <td>WD.</td> <td>J2</td> <td>PTD.</td> <td>-</td> <td>337</td> <td>3\"/> <tr> <td>349</td> <td>ETR</td> <td>-</td> <td>WD.</td> <td>J2</td> <td>PTD.</td> <td>-</td> <td>339</td> <td>3\"/> <tr> <td>350</td> <td>ETR</td> <td>-</td> <td>WD.</td> <td>J2</td> <td>PTD.</td> <td>-</td> <td>340</td> <td>3\"/> </td></tr></td></tr></td></tr></td></tr></td></tr></td></tr></td></tr></td></tr> | 342 | ETR | - | WD. | J2 | PTD.
 | - | 334A | 3\"/> <tr> <td>344</td> <td>ETR</td> <td>-</td> <td>WD.</td> <td>J2</td> <td>PTD.</td> <td>-</td> <td>334B</td> <td>3\"/> <tr> <td>345</td> <td>ETR</td> <td>-</td> <td>WD.</td> <td>J2</td> <td>PTD.</td> <td>-</td> <td>335A</td> <td>3\"/> <tr> <td>346</td> <td>ETR</td> <td>-</td> <td>WD.</td> <td>J2</td> <td>PTD.</td> <td>-</td> <td>335B</td> <td>3\"/> <tr> <td>347</td> <td>ETR</td> <td>-</td> <td>WD.</td> <td>J2</td> <td>PTD.</td> <td>-</td> <td>336</td> <td>3\"/> <tr> <td>348</td> <td>ETR</td> <td>-</td> <td>WD.</td> <td>J2</td> <td>PTD.</td> <td>-</td> <td>337</td> <td>3\"/> <tr> <td>349</td> <td>ETR</td> <td>-</td> <td>WD.</td> <td>J2</td> <td>PTD.</td> <td>-</td> <td>339</td> <td>3\"/> <tr> <td>350</td> <td>ETR</td> <td>-</td> <td>WD.</td> <td>J2</td> <td>PTD.</td> <td>-</td> <td>340</td> <td>3\"/> </td></tr></td></tr></td></tr></td></tr></td></tr></td></tr></td></tr> | 344 | ETR | - | WD. | J2 | PTD. | - | 334B | 3\"/> <tr> <td>345</td> <td>ETR</td> <td>-</td> <td>WD.</td> <td>J2</td> <td>PTD.</td> <td>-</td> <td>335A</td> <td>3\"/> <tr> <td>346</td> <td>ETR</td> <td>-</td> <td>WD.</td> <td>J2</td> <td>PTD.</td> <td>-</td> <td>335B</td> <td>3\"/> <tr> <td>347</td> <td>ETR</td> <td>-</td> <td>WD.</td> <td>J2</td> <td>PTD.</td> <td>-</td> <td>336</td> <td>3\"/> <tr> <td>348</td> <td>ETR</td> <td>-</td> <td>WD.</td> <td>J2</td> <td>PTD.</td> <td>-</td> <td>337</td> <td>3\"/> <tr> <td>349</td> <td>ETR</td> <td>-</td> <td>WD.</td> <td>J2</td> <td>PTD.</td> <td>-</td> <td>339</td> <td>3\"/> <tr> <td>350</td> <td>ETR</td> <td>-</td> <td>WD.</td> <td>J2</td> <td>PTD.</td> <td>-</td> <td>340</td> <td>3\"/> </td></tr></td></tr></td></tr></td></tr></td></tr></td></tr> | 345 | ETR | - | WD. | J2 | PTD. | - | 335A | 3\"/> <tr> <td>346</td> <td>ETR</td> <td>-</td> <td>WD.</td> <td>J2</td> <td>PTD.</td> <td>-</td> <td>335B</td> <td>3\"/> <tr> <td>347</td> <td>ETR</td> <td>-</td> <td>WD.</td> <td>J2</td> <td>PTD.</td> <td>-</td> <td>336</td> <td>3\"/> <tr> <td>348</td> <td>ETR</td> <td>-</td> <td>WD.</td> <td>J2</td> <td>PTD.</td> <td>-</td> <td>337</td> <td>3\"/> <tr> <td>349</td> <td>ETR</td> <td>-</td> <td>WD.</td> <td>J2</td> <td>PTD.</td> <td>-</td> <td>339</td> <td>3\"/> <tr> <td>350</td> <td>ETR</td> <td>-</td> <td>WD.</td> <td>J2</td> <td>PTD.</td> <td>-</td> <td>340</td> <td>3\"/> </td></tr></td></tr></td></tr></td></tr></td></tr> | 346 | ETR | - | WD. | J2 | PTD. | - | 335B | 3\"/> <tr> <td>347</td> <td>ETR</td> <td>-</td> <td>WD.</td> <td>J2</td> <td>PTD.</td> <td>-</td> <td>336</td> <td>3\"/> <tr> <td>348</td> <td>ETR</td> <td>-</td> <td>WD.</td> <td>J2</td> <td>PTD.</td> <td>-</td> <td>337</td> <td>3\"/> <tr> <td>349</td> <td>ETR</td> <td>-</td> <td>WD.</td> <td>J2</td> <td>PTD.</td> <td>-</td> <td>339</td> <td>3\"/> <tr> <td>350</td> <td>ETR</td> <td>-</td> <td>WD.</td> <td>J2</td> <td>PTD.</td> <td>-</td> <td>340</td> <td>3\"/> </td></tr></td></tr></td></tr></td></tr> | 347 | ETR | - | WD. | J2 | PTD. | - | 336 | 3\"/> <tr> <td>348</td> <td>ETR</td> <td>-</td> <td>WD.</td> <td>J2</td> <td>PTD.</td> <td>-</td> <td>337</td> <td>3\"/> <tr> <td>349</td> <td>ETR</td> <td>-</td> <td>WD.</td> <td>J2</td> <td>PTD.</td> <td>-</td> <td>339</td> <td>3\"/> <tr> <td>350</td> <td>ETR</td> <td>-</td> <td>WD.</td> <td>J2</td> <td>PTD.</td> <td>-</td> <td>340</td> <td>3\"/> </td></tr></td></tr></td></tr> | 348 | ETR | - | WD. | J2 | PTD. | - | 337 | 3\"/> <tr> <td>349</td> <td>ETR</td> <td>-</td> <td>WD.</td> <td>J2</td> <td>PTD.</td> <td>-</td> <td>339</td> <td>3\"/> <tr> <td>350</td> <td>ETR</td> <td>-</td> <td>WD.</td> <td>J2</td> <td>PTD.</td> <td>-</td> <td>340</td> <td>3\"/> </td></tr></td></tr> | 349 | ETR | - | WD. | J2 | PTD. | - | 339 | 3\"/> <tr> <td>350</td> <td>ETR</td> <td>-</td> <td>WD.</td> <td>J2</td> <td>PTD.</td> <td>-</td> <td>340</td> <td>3\"/> </td></tr> | 350 | ETR | - | WD. | J2 | PTD. | - | 340 | 3\"/> |
| 303 | ETR | - | WD. | J2 | PTD. | - | 300A | 3\"/> <tr> <td>305</td> <td>A</td> <td>3\"/> <tr> <td>306</td> <td>ETR</td> <td>-</td> <td>WD.</td> <td>J2</td> <td>PTD.</td> <td>-</td> <td>300B</td> <td>3\"/> <tr> <td>307</td> <td>ETR</td> <td>-</td> <td>WD.</td> <td>J2</td> <td>PTD.</td> <td>-</td> <td>301</td> <td>3\"/> <tr> <td>308</td> <td>ETR</td> <td>-</td> <td>WD.</td> <td>J2</td> <td>PTD.</td> <td>-</td> <td>303</td> <td>3\"/> <tr> <td>309</td> <td>ETR</td> <td>-</td> <td>WD.</td> <td>J2</td> <td>PTD.</td> <td>-</td> <td>305</td> <td>3\"/> <tr> <td>310</td> <td>ETR</td> <td>-</td> <td>WD.</td> <td>J2</td> <td>PTD.</td> <td>-</td> <td>306</td> <td>3\"/> <tr> <td>311</td> <td>A</td> <td>3\"/> <tr> <td>312A</td> <td>ETR</td> <td>-</td> <td>WD.</td> <td>J2</td> <td>PTD.</td> <td>-</td> <td>307</td> <td>3\"/> <tr> <td>313</td> <td>ETR</td> <td>-</td> <td>WD.</td> <td>J2</td> <td>PTD.</td> <td>-</td> <td>308</td> <td>3\"/> <tr> <td>314</td> <td>ETR</td> <td>-</td> <td>WD.</td> <td>J2</td> <td>PTD.</td> <td>-</td> <td>309</td> <td>3\"/> <tr> <td>315</td> <td>ETR</td> <td>-</td> <td>WD.</td> <td>J2</td> <td>PTD.</td> <td>-</td> <td>310</td> <td>3\"/> <tr> <td>316A</td> <td>A</td> <td>3\"/> <tr> <td>318</td> <td>ETR</td> <td>-</td> <td>WD.</td> <td>J2</td> <td>PTD.</td> <td>-</td> <td>311</td> <td>3\"/> <tr> <td>319</td> <td>ETR</td> <td>-</td> <td>WD.</td> <td>J2</td> <td>PTD.</td> <td>-</td> <td>312A</td> <td>3\"/> <tr> <td>320</td> <td>ETR</td> <td>-</td> <td>WD.</td> <td>J2</td> <td>PTD.</td> <td>-</td> <td>313</td> <td>3\"/> <tr> <td>321</td> <td>ETR</td> <td>-</td> <td>WD.</td> <td>J2</td> <td>PTD.</td> <td>-</td> <td>314</td> <td>3\"/> <tr> <td>322</td> <td>ETR</td> <td>-</td> <td>WD.</td> <td>J2</td> <td>PTD.</td> <td>-</td> <td>315</td> <td>3\"/> <tr> <td>323</td> <td>ETR</td> <td>-</td> <td>WD.</td> <td>J2</td> <td>PTD.</td> <td>-</td> <td>316A</td> <td>3\"/> <tr> <td>324</td> <td>ETR</td> <td>-</td> <td>WD.</td> <td>J2</td> <td>PTD.</td> <td>-</td> <td>318</td> <td>3\"/> <tr> <td>325</td> <td>A</td> <td>3\"/> <tr> <td>327</td> <td>ETR</td> <td>-</td> <td>WD.</td> <td>J2</td> <td>PTD.</td> <td>-</td> <td>319</td> <td>3\"/> <tr> <td>328</td> <td>ETR</td> <td>-</td> <td>WD.</td> <td>J2</td> <td>PTD.</td> <td>-</td> <td>320</td> <td>3\"/> <tr> <td>329A</td> <td>ETR</td> <td>-</td> <td>WD.</td> <td>J2</td> <td>PTD.</td> <td>-</td> <td>321</td> <td>3\"/> <tr> <td>329B</td> <td>ETR</td> <td>-</td> <td>WD.</td> <td>J2</td> <td>PTD.</td> <td>-</td> <td>322</td> <td>3\"/> <tr> <td>331</td> <td>ETR</td> <td>-</td> <td>WD.</td> <td>J2</td> <td>PTD.</td> <td>-</td> <td>323</td> <td>3\"/> <tr> <td>333</td> <td>ETR</td> <td>-</td> <td>WD.</td> <td>J2</td> <td>PTD.</td> <td>-</td> <td>324</td> <td>3\"/> <tr> <td>334A</td> <td>ETR</td> <td>-</td> <td>WD.</td> <td>J2</td> <td>PTD.</td> <td>-</td> <td>325</td> <td>3\"/> <tr> <td>334B</td> <td>ETR</td> <td>-</td> <td>WD.</td> <td>J2</td> <td>PTD.</td> <td>-</td>
<td>327</td> <td>3\"/> <tr> <td>335A</td> <td>ETR</td> <td>-</td> <td>WD.</td> <td>J2</td> <td>PTD.</td> <td>-</td> <td>328</td> <td>3\"/> <tr> <td>335B</td> <td>B</td> <td>3\"/> <tr> <td>336</td> <td>B</td> <td>3\"/> <tr> <td>337</td> <td>ETR</td> <td>-</td> <td>WD.</td> <td>J2</td> <td>PTD.</td> <td>-</td> <td>329A</td> <td>3\"/> <tr> <td>339</td> <td>ETR</td> <td>-</td> <td>WD.</td> <td>J2</td> <td>PTD.</td> <td>-</td> <td>329B</td> <td>3\"/> <tr> <td>340</td> <td>A</td> <td>3\"/> <tr> <td>341A</td> <td>ETR</td> <td>-</td> <td>WD.</td> <td>J2</td> <td>PTD.</td> <td>-</td> <td>331</td> <td>3\"/> <tr> <td>341B</td> <td>ETR</td> <td>-</td> <td>WD.</td> <td>J2</td> <td>PTD.</td> <td>-</td> <td>333</td> <td>3\"/> <tr> <td>342</td> <td>ETR</td> <td>-</td> <td>WD.</td> <td>J2</td> <td>PTD.</td> <td>-</td> <td>334A</td> <td>3\"/> <tr> <td>344</td> <td>ETR</td> <td>-</td> <td>WD.</td> <td>J2</td> <td>PTD.</td> <td>-</td> <td>334B</td> <td>3\"/> <tr> <td>345</td> <td>ETR</td> <td>-</td> <td>WD.</td> <td>J2</td> <td>PTD.</td> <td>-</td> <td>335A</td> <td>3\"/> <tr> <td>346</td> <td>ETR</td> <td>-</td> <td>WD.</td> <td>J2</td> <td>PTD.</td> <td>-</td> <td>335B</td> <td>3\"/> <tr> <td>347</td> <td>ETR</td> <td>-</td> <td>WD.</td> <td>J2</td> <td>PTD.</td> <td>-</td> <td>336</td> <td>3\"/> <tr> <td>348</td> <td>ETR</td> <td>-</td> <td>WD.</td> <td>J2</td> <td>PTD.</td> <td>-</td> <td>337</td> <td>3\"/> <tr> <td>349</td> <td>ETR</td> <td>-</td> <td>WD.</td> <td>J2</td> <td>PTD.</td> <td>-</td> <td>339</td> <td>3\"/> <tr> <td>350</td> <td>ETR</td> <td>-</td> <td>WD.</td> <td>J2</td> <td>PTD.</td> <td>-</td> <td>340</td> <td>3\"/> </td></tr></td></tr></td></tr></td></tr></td></tr></td></tr></td></tr></td></tr></td></tr></td></tr></td></tr></td></tr></td></tr></td></tr></td></tr></td></tr></td></tr></td></tr></td></tr></td></tr></td></tr></td></tr></td></tr></td></tr></td></tr></td></tr></td></tr></td></tr></td></tr></td></tr></td></tr></td></tr></td></tr></td></tr></td></tr></td></tr></td></tr></td></tr></td></tr></td></tr></td></tr></td></tr></td></tr></td></tr> | 305 | A | 3\"/> <tr> <td>306</td> <td>ETR</td> <td>-</td> <td>WD.</td> <td>J2</td> <td>PTD.</td> <td>-</td> <td>300B</td> <td>3\"/> <tr> <td>307</td> <td>ETR</td> <td>-</td> <td>WD.</td> <td>J2</td> <td>PTD.</td> <td>-</td> <td>301</td> <td>3\"/> <tr> <td>308</td> <td>ETR</td> <td>-</td> <td>WD.</td> <td>J2</td> <td>PTD.</td> <td>-</td> <td>303</td> <td>3\"/> <tr> <td>309</td> <td>ETR</td> <td>-</td> <td>WD.</td> <td>J2</td> <td>PTD.</td> <td>-</td> <td>305</td> <td>3\"/> <tr> <td>310</td> <td>ETR</td> <td>-</td> <td>WD.</td> <td>J2</td> <td>PTD.</td> <td>-</td> <td>306</td> <td>3\"/> <tr> <td>311</td> <td>A</td> <td>3\"/> <tr> <td>312A</td> <td>ETR</td> <td>-</td> <td>WD.</td> <td>J2</td> <td>PTD.</td> <td>-</td> <td>307</td> <td>3\"/> <tr> <td>313</td> <td>ETR</td> <td>-</td> <td>WD.</td> <td>J2</td> <td>PTD.</td> <td>-</td> <td>308</td> <td>3\"/> <tr> <td>314</td> <td>ETR</td> <td>-</td> <td>WD.</td> <td>J2</td> <td>PTD.</td> <td>-</td> <td>309</td> <td>3\"/> <tr> <td>315</td> <td>ETR</td> <td>-</td> <td>WD.</td> <td>J2</td> <td>PTD.</td> <td>-</td> <td>310</td> <td>3\"/> <tr> <td>316A</td> <td>A</td> <td>3\"/> <tr> <td>318</td> <td>ETR</td> <td>-</td> <td>WD.</td> <td>J2</td> <td>PTD.</td> <td>-</td> <td>311</td> <td>3\"/> <tr> <td>319</td> <td>ETR</td> <td>-</td> <td>WD.</td> <td>J2</td> <td>PTD.</td> <td>-</td> <td>312A</td> <td>3\"/> <tr> <td>320</td> <td>ETR</td> <td>-</td> <td>WD.</td> <td>J2</td> <td>PTD.</td> <td>-</td> <td>313</td> <td>3\"/> <tr> <td>321</td> <td>ETR</td> <td>-</td> <td>WD.</td> <td>J2</td> <td>PTD.</td> <td>-</td> <td>314</td> <td>3\"/> <tr> <td>322</td> <td>ETR</td> <td>-</td> <td>WD.</td> <td>J2</td> <td>PTD.</td> <td>-</td> <td>315</td> <td>3\"/> <tr> <td>323</td> <td>ETR</td> <td>-</td> <td>WD.</td> <td>J2</td> <td>PTD.</td> <td>-</td> <td>316A</td> <td>3\"/> <tr> <td>324</td> <td>ETR</td> <td>-</td> <td>WD.</td> <td>J2</td> <td>PTD.</td> <td>-</td> <td>318</td> <td>3\"/> <tr> <td>325</td> <td>A</td> <td>3\"/> <tr> <td>327</td> <td>ETR</td> <td>-</td> <td>WD.</td> <td>J2</td> <td>PTD.</td> <td>-</td> <td>319</td> <td>3\"/> <tr> <td>328</td> <td>ETR</td> <td>-</td> <td>WD.</td> <td>J2</td> <td>PTD.</td> <td>-</td> <td>320</td> <td>3\"/> <tr> <td>329A</td> <td>ETR</td> <td>-</td> <td>WD.</td> <td>J2</td> <td>PTD.</td> <td>-</td> <td>321</td> <td>3\"/> <tr> <td>329B</td> <td>ETR</td> <td>-</td> <td>WD.</td> <td>J2</td> <td>PTD.</td> <td>-</td> <td>322</td> <td>3\"/> <tr> <td>331</td> <td>ETR</td> <td>-</td> <td>WD.</td> <td>J2</td> <td>PTD.</td> <td>-</td> <td>323</td> <td>3\"/> <tr> <td>333</td> <td>ETR</td> <td>-</td> <td>WD.</td> <td>J2</td> <td>PTD.</td> <td>-</td> <td>324</td> <td>3\"/> <tr> <td>334A</td> <td>ETR</td> <td>-</td> <td>WD.</td> <td>J2</td> <td>PTD.</td> <td>-</td> <td>325</td> <td>3\"/> <tr> <td>334B</td> <td>ETR</td> <td>-</td> <td>WD.</td> <td>J2</td> <td>PTD.</td> <td>-</td> <td>327</td> <td>3\"/> <tr> <td>335A</td> <td>ETR</td> <td>-</td> <td>WD.</td> <td>J2</td> <td>PTD.</td> <td>-</td> <td>328</td> <td>3\"/> <tr> <td>335B</td> <td>B</td> <td>3\"/> <tr> <td>336</td> <td>B</td> <td>3\"/> <tr> <td>337</td> <td>ETR</td> <td>-</td> <td>WD.</td> <td>J2</td> <td>PTD.</td> <td>-</td> <td>329A</td> <td>3\"/> <tr> <td>339</td> <td>ETR</td> <td>-</td> <td>WD.</td> <td>J2</td> <td>PTD.</td> <td>-</td> <td>329B</td> <td>3\"/> <tr> <td>340</td> <td>A</td> <td>3\"/> <tr> <td>341A</td> <td>ETR</td> <td>-</td> <td>WD.</td> <td>J2</td> <td>PTD.</td> <td>-</td> <td>331</td> <td>3\"/> <tr> <td>341B</td> <td>ETR</td> <td>-</td> <td>WD.</td> <td>J2</td> <td>PTD.</td> <td>-</td> <td>333</td> <td>3\"/> <tr> <td>342</td> <td>ETR</td> <td>-</td> <td>WD.</td> <td>J2</td> <td>PTD.</td> <td>-</td> <td>334A</td> <td>3\"/> <tr> <td>344</td> <td>ETR</td> <td>-</td> <td>WD.</td> <td>J2</td> <td>PTD.</td> <td>-</td> <td>334B</td> <td>3\"/> <tr> <td>345</td> <td>ETR</td> <td>-</td> <td>WD.</td> <td>J2</td> <td>PTD.</td> <td>-</td> <td>335A</td> <td>3\"/> <tr> <td>346</td> <td>ETR</td> <td>-</td> <td>WD.</td> <td>J2</td> <td>PTD.</td> <td>-</td> <td>335B</td> <td>3\"/> <tr> <td>347</td> <td>ETR</td> <td>-</td> <td>WD.</td> <td>J2</td> <td>PTD.</td> <td>-</td> <td>336</td> <td>3\"/> <tr> <td>348</td> <td>ETR</td> <td>-</td> <td>WD.</td> <td>J2</td> <td>PTD.</td> <td>-</td> <td>337</td> <td>3\"/> <tr> <td>349</td> <td>ETR</td> <td>-</td> <td>WD.</td> <td>J2</td> <td>PTD.</td> <td>-</td> <td>339</td> <td>3\"/> <tr> <td>350</td> <td>ETR</td> <td>-</td> <td>WD.</td> <td>J2</td> <td>PTD.</td> <td>-</td> <td>340</td> <td>3\"/> </td></tr></td></tr></td></tr></td></tr></td></tr></td></tr></td></tr></td></tr></td></tr></td></tr></td></tr></td></tr></td></tr></td></tr></td></tr></td></tr></td></tr></td></tr></td></tr></td></tr></td></tr></td></tr></td></tr></td></tr></td></tr></td></tr></td></tr></td></tr></td></tr></td></tr></td></tr></td></tr></td></tr></td></tr></td></tr></td></tr></td></tr></td></tr></td></tr></td></tr></td></tr></td></tr></td></tr> | 306 | ETR | -
 | WD. | J2 | PTD. | - | 300B | 3\"/> <tr> <td>307</td> <td>ETR</td> <td>-</td> <td>WD.</td> <td>J2</td> <td>PTD.</td> <td>-</td> <td>301</td> <td>3\"/> <tr> <td>308</td> <td>ETR</td> <td>-</td> <td>WD.</td> <td>J2</td> <td>PTD.</td> <td>-</td> <td>303</td> <td>3\"/> <tr> <td>309</td> <td>ETR</td> <td>-</td> <td>WD.</td> <td>J2</td> <td>PTD.</td> <td>-</td> <td>305</td> <td>3\"/> <tr> <td>310</td> <td>ETR</td> <td>-</td> <td>WD.</td> <td>J2</td> <td>PTD.</td> <td>-</td> <td>306</td> <td>3\"/> <tr> <td>311</td> <td>A</td> <td>3\"/> <tr> <td>312A</td> <td>ETR</td> <td>-</td> <td>WD.</td> <td>J2</td> <td>PTD.</td> <td>-</td> <td>307</td> <td>3\"/> <tr> <td>313</td> <td>ETR</td> <td>-</td> <td>WD.</td> <td>J2</td> <td>PTD.</td> <td>-</td> <td>308</td> <td>3\"/> <tr> <td>314</td> <td>ETR</td> <td>-</td> <td>WD.</td> <td>J2</td> <td>PTD.</td> <td>-</td> <td>309</td> <td>3\"/> <tr> <td>315</td> <td>ETR</td> <td>-</td> <td>WD.</td> <td>J2</td> <td>PTD.</td> <td>-</td> <td>310</td> <td>3\"/> <tr> <td>316A</td> <td>A</td> <td>3\"/> <tr> <td>318</td> <td>ETR</td> <td>-</td> <td>WD.</td> <td>J2</td> <td>PTD.</td> <td>-</td> <td>311</td> <td>3\"/> <tr> <td>319</td> <td>ETR</td> <td>-</td> <td>WD.</td> <td>J2</td> <td>PTD.</td> <td>-</td> <td>312A</td> <td>3\"/> <tr> <td>320</td> <td>ETR</td> <td>-</td> <td>WD.</td> <td>J2</td> <td>PTD.</td> <td>-</td> <td>313</td> <td>3\"/> <tr> <td>321</td> <td>ETR</td> <td>-</td> <td>WD.</td> <td>J2</td> <td>PTD.</td> <td>-</td> <td>314</td> <td>3\"/> <tr> <td>322</td> <td>ETR</td> <td>-</td> <td>WD.</td> <td>J2</td> <td>PTD.</td> <td>-</td> <td>315</td> <td>3\"/> <tr> <td>323</td> <td>ETR</td> <td>-</td> <td>WD.</td> <td>J2</td> <td>PTD.</td> <td>-</td> <td>316A</td> <td>3\"/> <tr> <td>324</td> <td>ETR</td> <td>-</td> <td>WD.</td> <td>J2</td> <td>PTD.</td> <td>-</td> <td>318</td> <td>3\"/> <tr> <td>325</td> <td>A</td> <td>3\"/> <tr> <td>327</td> <td>ETR</td> <td>-</td> <td>WD.</td> <td>J2</td> <td>PTD.</td> <td>-</td> <td>319</td> <td>3\"/> <tr> <td>328</td> <td>ETR</td> <td>-</td> <td>WD.</td> <td>J2</td> <td>PTD.</td> <td>-</td> <td>320</td> <td>3\"/> <tr> <td>329A</td> <td>ETR</td> <td>-</td> <td>WD.</td> <td>J2</td> <td>PTD.</td> <td>-</td> <td>321</td> <td>3\"/> <tr> <td>329B</td> <td>ETR</td> <td>-</td> <td>WD.</td> <td>J2</td> <td>PTD.</td> <td>-</td> <td>322</td> <td>3\"/> <tr> <td>331</td> <td>ETR</td> <td>-</td> <td>WD.</td> <td>J2</td> <td>PTD.</td> <td>-</td> <td>323</td> <td>3\"/> <tr> <td>333</td> <td>ETR</td> <td>-</td> <td>WD.</td> <td>J2</td> <td>PTD.</td> <td>-</td> <td>324</td>
<td>3\"/> <tr> <td>334A</td> <td>ETR</td> <td>-</td> <td>WD.</td> <td>J2</td> <td>PTD.</td> <td>-</td> <td>325</td> <td>3\"/> <tr> <td>334B</td> <td>ETR</td> <td>-</td> <td>WD.</td> <td>J2</td> <td>PTD.</td> <td>-</td> <td>327</td> <td>3\"/> <tr> <td>335A</td> <td>ETR</td> <td>-</td> <td>WD.</td> <td>J2</td> <td>PTD.</td> <td>-</td> <td>328</td> <td>3\"/> <tr> <td>335B</td> <td>B</td> <td>3\"/> <tr> <td>336</td> <td>B</td> <td>3\"/> <tr> <td>337</td> <td>ETR</td> <td>-</td> <td>WD.</td> <td>J2</td> <td>PTD.</td> <td>-</td> <td>329A</td> <td>3\"/> <tr> <td>339</td> <td>ETR</td> <td>-</td> <td>WD.</td> <td>J2</td> <td>PTD.</td> <td>-</td> <td>329B</td> <td>3\"/> <tr> <td>340</td> <td>A</td> <td>3\"/> <tr> <td>341A</td> <td>ETR</td> <td>-</td> <td>WD.</td> <td>J2</td> <td>PTD.</td> <td>-</td> <td>331</td> <td>3\"/> <tr> <td>341B</td> <td>ETR</td> <td>-</td> <td>WD.</td> <td>J2</td> <td>PTD.</td> <td>-</td> <td>333</td> <td>3\"/> <tr> <td>342</td> <td>ETR</td> <td>-</td> <td>WD.</td> <td>J2</td> <td>PTD.</td> <td>-</td> <td>334A</td> <td>3\"/> <tr> <td>344</td> <td>ETR</td> <td>-</td> <td>WD.</td> <td>J2</td> <td>PTD.</td> <td>-</td> <td>334B</td> <td>3\"/> <tr> <td>345</td> <td>ETR</td> <td>-</td> <td>WD.</td> <td>J2</td> <td>PTD.</td> <td>-</td> <td>335A</td> <td>3\"/> <tr> <td>346</td> <td>ETR</td> <td>-</td> <td>WD.</td> <td>J2</td> <td>PTD.</td> <td>-</td> <td>335B</td> <td>3\"/> <tr> <td>347</td> <td>ETR</td> <td>-</td> <td>WD.</td> <td>J2</td> <td>PTD.</td> <td>-</td> <td>336</td> <td>3\"/> <tr> <td>348</td> <td>ETR</td> <td>-</td> <td>WD.</td> <td>J2</td> <td>PTD.</td> <td>-</td> <td>337</td> <td>3\"/> <tr> <td>349</td> <td>ETR</td> <td>-</td> <td>WD.</td> <td>J2</td> <td>PTD.</td> <td>-</td> <td>339</td> <td>3\"/> <tr> <td>350</td> <td>ETR</td> <td>-</td> <td>WD.</td> <td>J2</td> <td>PTD.</td> <td>-</td> <td>340</td> <td>3\"/> </td></tr></td></tr></td></tr></td></tr></td></tr></td></tr></td></tr></td></tr></td></tr></td></tr></td></tr></td></tr></td></tr></td></tr></td></tr></td></tr></td></tr></td></tr></td></tr></td></tr></td></tr></td></tr></td></tr></td></tr></td></tr></td></tr></td></tr></td></tr></td></tr></td></tr></td></tr></td></tr></td></tr></td></tr></td></tr></td></tr></td></tr></td></tr></td></tr></td></tr></td></tr></td></tr> | 307 | ETR | - | WD. | J2 | PTD.
 | - | 301 | 3\"/> <tr> <td>308</td> <td>ETR</td> <td>-</td> <td>WD.</td> <td>J2</td> <td>PTD.</td> <td>-</td> <td>303</td> <td>3\"/> <tr> <td>309</td> <td>ETR</td> <td>-</td> <td>WD.</td> <td>J2</td> <td>PTD.</td> <td>-</td> <td>305</td> <td>3\"/> <tr> <td>310</td> <td>ETR</td> <td>-</td> <td>WD.</td> <td>J2</td> <td>PTD.</td> <td>-</td> <td>306</td> <td>3\"/> <tr> <td>311</td> <td>A</td> <td>3\"/> <tr> <td>312A</td> <td>ETR</td> <td>-</td> <td>WD.</td> <td>J2</td> <td>PTD.</td> <td>-</td> <td>307</td> <td>3\"/> <tr> <td>313</td> <td>ETR</td> <td>-</td> <td>WD.</td> <td>J2</td> <td>PTD.</td> <td>-</td> <td>308</td> <td>3\"/> <tr> <td>314</td> <td>ETR</td> <td>-</td> <td>WD.</td> <td>J2</td> <td>PTD.</td> <td>-</td> <td>309</td> <td>3\"/> <tr> <td>315</td> <td>ETR</td> <td>-</td> <td>WD.</td> <td>J2</td> <td>PTD.</td> <td>-</td> <td>310</td> <td>3\"/> <tr> <td>316A</td> <td>A</td> <td>3\"/> <tr> <td>318</td> <td>ETR</td> <td>-</td> <td>WD.</td> <td>J2</td> <td>PTD.</td> <td>-</td> <td>311</td> <td>3\"/> <tr> <td>319</td> <td>ETR</td> <td>-</td> <td>WD.</td> <td>J2</td> <td>PTD.</td> <td>-</td> <td>312A</td> <td>3\"/> <tr> <td>320</td> <td>ETR</td> <td>-</td> <td>WD.</td> <td>J2</td> <td>PTD.</td> <td>-</td> <td>313</td> <td>3\"/> <tr> <td>321</td> <td>ETR</td> <td>-</td> <td>WD.</td> <td>J2</td> <td>PTD.</td> <td>-</td> <td>314</td> <td>3\"/> <tr> <td>322</td> <td>ETR</td> <td>-</td> <td>WD.</td> <td>J2</td> <td>PTD.</td> <td>-</td> <td>315</td> <td>3\"/> <tr> <td>323</td> <td>ETR</td> <td>-</td> <td>WD.</td> <td>J2</td> <td>PTD.</td> <td>-</td> <td>316A</td> <td>3\"/> <tr> <td>324</td> <td>ETR</td> <td>-</td> <td>WD.</td> <td>J2</td> <td>PTD.</td> <td>-</td> <td>318</td> <td>3\"/> <tr> <td>325</td> <td>A</td> <td>3\"/> <tr> <td>327</td> <td>ETR</td> <td>-</td> <td>WD.</td> <td>J2</td> <td>PTD.</td> <td>-</td> <td>319</td> <td>3\"/> <tr> <td>328</td> <td>ETR</td> <td>-</td> <td>WD.</td> <td>J2</td> <td>PTD.</td> <td>-</td> <td>320</td> <td>3\"/> <tr> <td>329A</td> <td>ETR</td> <td>-</td> <td>WD.</td> <td>J2</td> <td>PTD.</td> <td>-</td> <td>321</td> <td>3\"/> <tr> <td>329B</td> <td>ETR</td> <td>-</td> <td>WD.</td> <td>J2</td> <td>PTD.</td> <td>-</td> <td>322</td> <td>3\"/> <tr> <td>331</td> <td>ETR</td> <td>-</td> <td>WD.</td> <td>J2</td> <td>PTD.</td> <td>-</td> <td>323</td> <td>3\"/> <tr> <td>333</td> <td>ETR</td> <td>-</td> <td>WD.</td> <td>J2</td> <td>PTD.</td> <td>-</td> <td>324</td> <td>3\"/> <tr> <td>334A</td> <td>ETR</td> <td>-</td> <td>WD.</td> <td>J2</td> <td>PTD.</td> <td>-</td> <td>325</td> <td>3\"/> <tr> <td>334B</td> <td>ETR</td> <td>-</td> <td>WD.</td> <td>J2</td> <td>PTD.</td> <td>-</td> <td>327</td> <td>3\"/> <tr> <td>335A</td> <td>ETR</td> <td>-</td> <td>WD.</td> <td>J2</td> <td>PTD.</td> <td>-</td> <td>328</td> <td>3\"/> <tr> <td>335B</td> <td>B</td> <td>3\"/> <tr> <td>336</td> <td>B</td> <td>3\"/> <tr> <td>337</td> <td>ETR</td> <td>-</td> <td>WD.</td> <td>J2</td> <td>PTD.</td> <td>-</td> <td>329A</td> <td>3\"/> <tr> <td>339</td> <td>ETR</td> <td>-</td> <td>WD.</td> <td>J2</td> <td>PTD.</td> <td>-</td> <td>329B</td> <td>3\"/> <tr> <td>340</td> <td>A</td> <td>3\"/> <tr> <td>341A</td> <td>ETR</td> <td>-</td> <td>WD.</td> <td>J2</td> <td>PTD.</td> <td>-</td> <td>331</td> <td>3\"/> <tr> <td>341B</td> <td>ETR</td> <td>-</td> <td>WD.</td> <td>J2</td> <td>PTD.</td> <td>-</td> <td>333</td> <td>3\"/> <tr> <td>342</td> <td>ETR</td> <td>-</td> <td>WD.</td> <td>J2</td> <td>PTD.</td> <td>-</td> <td>334A</td> <td>3\"/> <tr> <td>344</td> <td>ETR</td> <td>-</td> <td>WD.</td> <td>J2</td> <td>PTD.</td> <td>-</td> <td>334B</td> <td>3\"/> <tr> <td>345</td> <td>ETR</td> <td>-</td> <td>WD.</td> <td>J2</td> <td>PTD.</td> <td>-</td> <td>335A</td> <td>3\"/> <tr> <td>346</td> <td>ETR</td> <td>-</td> <td>WD.</td> <td>J2</td> <td>PTD.</td> <td>-</td> <td>335B</td> <td>3\"/> <tr> <td>347</td> <td>ETR</td> <td>-</td> <td>WD.</td> <td>J2</td> <td>PTD.</td> <td>-</td> <td>336</td> <td>3\"/> <tr> <td>348</td> <td>ETR</td> <td>-</td> <td>WD.</td> <td>J2</td> <td>PTD.</td> <td>-</td> <td>337</td> <td>3\"/> <tr> <td>349</td> <td>ETR</td> <td>-</td> <td>WD.</td> <td>J2</td> <td>PTD.</td> <td>-</td> <td>339</td> <td>3\"/> <tr> <td>350</td> <td>ETR</td> <td>-</td> <td>WD.</td> <td>J2</td> <td>PTD.</td> <td>-</td> <td>340</td> <td>3\"/> </td></tr></td></tr></td></tr></td></tr></td></tr></td></tr></td></tr></td></tr></td></tr></td></tr></td></tr></td></tr></td></tr></td></tr></td></tr></td></tr></td></tr></td></tr></td></tr></td></tr></td></tr></td></tr></td></tr></td></tr></td></tr></td></tr></td></tr></td></tr></td></tr></td></tr></td></tr></td></tr></td></tr></td></tr></td></tr></td></tr></td></tr></td></tr></td></tr></td></tr></td></tr> | 308 | ETR | -
 | WD. | J2 | PTD. | - | 303 | 3\"/> <tr> <td>309</td> <td>ETR</td> <td>-</td> <td>WD.</td> <td>J2</td> <td>PTD.</td> <td>-</td> <td>305</td> <td>3\"/> <tr> <td>310</td> <td>ETR</td> <td>-</td> <td>WD.</td> <td>J2</td> <td>PTD.</td> <td>-</td> <td>306</td> <td>3\"/> <tr> <td>311</td> <td>A</td> <td>3\"/> <tr> <td>312A</td> <td>ETR</td> <td>-</td> <td>WD.</td> <td>J2</td> <td>PTD.</td> <td>-</td> <td>307</td> <td>3\"/> <tr> <td>313</td> <td>ETR</td> <td>-</td> <td>WD.</td> <td>J2</td> <td>PTD.</td> <td>-</td> <td>308</td> <td>3\"/> <tr> <td>314</td> <td>ETR</td> <td>-</td> <td>WD.</td> <td>J2</td> <td>PTD.</td> <td>-</td> <td>309</td> <td>3\"/> <tr> <td>315</td> <td>ETR</td> <td>-</td> <td>WD.</td> <td>J2</td> <td>PTD.</td> <td>-</td> <td>310</td> <td>3\"/> <tr> <td>316A</td> <td>A</td> <td>3\"/> <tr> <td>318</td> <td>ETR</td> <td>-</td> <td>WD.</td> <td>J2</td> <td>PTD.</td> <td>-</td> <td>311</td> <td>3\"/> <tr> <td>319</td> <td>ETR</td> <td>-</td> <td>WD.</td> <td>J2</td> <td>PTD.</td> <td>-</td> <td>312A</td> <td>3\"/> <tr> <td>320</td> <td>ETR</td> <td>-</td> <td>WD.</td> <td>J2</td> <td>PTD.</td> <td>-</td> <td>313</td> <td>3\"/> <tr> <td>321</td> <td>ETR</td> <td>-</td> <td>WD.</td> <td>J2</td> <td>PTD.</td> <td>-</td> <td>314</td> <td>3\"/> <tr> <td>322</td> <td>ETR</td> <td>-</td> <td>WD.</td> <td>J2</td> <td>PTD.</td> <td>-</td> <td>315</td> <td>3\"/> <tr> <td>323</td> <td>ETR</td> <td>-</td> <td>WD.</td> <td>J2</td> <td>PTD.</td> <td>-</td> <td>316A</td> <td>3\"/> <tr> <td>324</td> <td>ETR</td> <td>-</td> <td>WD.</td> <td>J2</td> <td>PTD.</td> <td>-</td> <td>318</td> <td>3\"/> <tr> <td>325</td> <td>A</td> <td>3\"/> <tr> <td>327</td> <td>ETR</td> <td>-</td> <td>WD.</td> <td>J2</td> <td>PTD.</td> <td>-</td> <td>319</td> <td>3\"/> <tr> <td>328</td> <td>ETR</td> <td>-</td> <td>WD.</td> <td>J2</td> <td>PTD.</td> <td>-</td> <td>320</td> <td>3\"/> <tr> <td>329A</td> <td>ETR</td> <td>-</td> <td>WD.</td> <td>J2</td> <td>PTD.</td> <td>-</td> <td>321</td> <td>3\"/> <tr> <td>329B</td> <td>ETR</td> <td>-</td> <td>WD.</td> <td>J2</td> <td>PTD.</td> <td>-</td> <td>322</td> <td>3\"/> <tr> <td>331</td> <td>ETR</td> <td>-</td> <td>WD.</td> <td>J2</td> <td>PTD.</td> <td>-</td> <td>323</td> <td>3\"/> <tr> <td>333</td> <td>ETR</td> <td>-</td> <td>WD.</td> <td>J2</td> <td>PTD.</td> <td>-</td> <td>324</td> <td>3\"/> <tr> <td>334A</td> <td>ETR</td> <td>-</td> <td>WD.</td> <td>J2</td> <td>PTD.</td> <td>-</td> <td>325</td> <td>3\"/> <tr> <td>334B</td> <td>ETR</td> <td>-</td> <td>WD.</td> <td>J2</td> <td>PTD.</td> <td>-</td> <td>327</td> <td>3\"/> <tr> <td>335A</td> <td>ETR</td> <td>-</td> <td>WD.</td> <td>J2</td> <td>PTD.</td> <td>-</td> <td>328</td> <td>3\"/> <tr> <td>335B</td> <td>B</td> <td>3\"/> <tr> <td>336</td> <td>B</td> <td>3\"/> <tr> <td>337</td> <td>ETR</td> <td>-</td> <td>WD.</td> <td>J2</td> <td>PTD.</td> <td>-</td> <td>329A</td> <td>3\"/> <tr> <td>339</td> <td>ETR</td> <td>-</td> <td>WD.</td> <td>J2</td> <td>PTD.</td> <td>-</td> <td>329B</td> <td>3\"/> <tr> <td>340</td> <td>A</td> <td>3\"/> <tr> <td>341A</td> <td>ETR</td> <td>-</td> <td>WD.</td> <td>J2</td> <td>PTD.</td> <td>-</td> <td>331</td> <td>3\"/> <tr> <td>341B</td> <td>ETR</td> <td>-</td> <td>WD.</td> <td>J2</td> <td>PTD.</td> <td>-</td> <td>333</td> <td>3\"/> <tr> <td>342</td> <td>ETR</td> <td>-</td> <td>WD.</td> <td>J2</td> <td>PTD.</td> <td>-</td> <td>334A</td> <td>3\"/> <tr>
<td>344</td> <td>ETR</td> <td>-</td> <td>WD.</td> <td>J2</td> <td>PTD.</td> <td>-</td> <td>334B</td> <td>3\"/> <tr> <td>345</td> <td>ETR</td> <td>-</td> <td>WD.</td> <td>J2</td> <td>PTD.</td> <td>-</td> <td>335A</td> <td>3\"/> <tr> <td>346</td> <td>ETR</td> <td>-</td> <td>WD.</td> <td>J2</td> <td>PTD.</td> <td>-</td> <td>335B</td> <td>3\"/> <tr> <td>347</td> <td>ETR</td> <td>-</td> <td>WD.</td> <td>J2</td> <td>PTD.</td> <td>-</td> <td>336</td> <td>3\"/> <tr> <td>348</td> <td>ETR</td> <td>-</td> <td>WD.</td> <td>J2</td> <td>PTD.</td> <td>-</td> <td>337</td> <td>3\"/> <tr> <td>349</td> <td>ETR</td> <td>-</td> <td>WD.</td> <td>J2</td> <td>PTD.</td> <td>-</td> <td>339</td> <td>3\"/> <tr> <td>350</td> <td>ETR</td> <td>-</td> <td>WD.</td> <td>J2</td> <td>PTD.</td> <td>-</td> <td>340</td> <td>3\"/> </td></tr></td></tr></td></tr></td></tr></td></tr></td></tr></td></tr></td></tr></td></tr></td></tr></td></tr></td></tr></td></tr></td></tr></td></tr></td></tr></td></tr></td></tr></td></tr></td></tr></td></tr></td></tr></td></tr></td></tr></td></tr></td></tr></td></tr></td></tr></td></tr></td></tr></td></tr></td></tr></td></tr></td></tr></td></tr></td></tr></td></tr></td></tr></td></tr></td></tr> | 309 | ETR | - | WD. | J2 | PTD.
 | - | 305 | 3\"/> <tr> <td>310</td> <td>ETR</td> <td>-</td> <td>WD.</td> <td>J2</td> <td>PTD.</td> <td>-</td> <td>306</td> <td>3\"/> <tr> <td>311</td> <td>A</td> <td>3\"/> <tr> <td>312A</td> <td>ETR</td> <td>-</td> <td>WD.</td> <td>J2</td> <td>PTD.</td> <td>-</td> <td>307</td> <td>3\"/> <tr> <td>313</td> <td>ETR</td> <td>-</td> <td>WD.</td> <td>J2</td> <td>PTD.</td> <td>-</td> <td>308</td> <td>3\"/> <tr> <td>314</td> <td>ETR</td> <td>-</td> <td>WD.</td> <td>J2</td> <td>PTD.</td> <td>-</td> <td>309</td> <td>3\"/> <tr> <td>315</td> <td>ETR</td> <td>-</td> <td>WD.</td> <td>J2</td> <td>PTD.</td> <td>-</td> <td>310</td> <td>3\"/> <tr> <td>316A</td> <td>A</td> <td>3\"/> <tr> <td>318</td> <td>ETR</td> <td>-</td> <td>WD.</td> <td>J2</td> <td>PTD.</td> <td>-</td> <td>311</td> <td>3\"/> <tr> <td>319</td> <td>ETR</td> <td>-</td> <td>WD.</td> <td>J2</td> <td>PTD.</td> <td>-</td> <td>312A</td> <td>3\"/> <tr> <td>320</td> <td>ETR</td> <td>-</td> <td>WD.</td> <td>J2</td> <td>PTD.</td> <td>-</td> <td>313</td> <td>3\"/> <tr> <td>321</td> <td>ETR</td> <td>-</td> <td>WD.</td> <td>J2</td> <td>PTD.</td> <td>-</td> <td>314</td> <td>3\"/> <tr> <td>322</td> <td>ETR</td> <td>-</td> <td>WD.</td> <td>J2</td> <td>PTD.</td> <td>-</td> <td>315</td> <td>3\"/> <tr> <td>323</td> <td>ETR</td> <td>-</td> <td>WD.</td> <td>J2</td> <td>PTD.</td> <td>-</td> <td>316A</td> <td>3\"/> <tr> <td>324</td> <td>ETR</td> <td>-</td> <td>WD.</td> <td>J2</td> <td>PTD.</td> <td>-</td> <td>318</td> <td>3\"/> <tr> <td>325</td> <td>A</td> <td>3\"/> <tr> <td>327</td> <td>ETR</td> <td>-</td> <td>WD.</td> <td>J2</td> <td>PTD.</td> <td>-</td> <td>319</td> <td>3\"/> <tr> <td>328</td> <td>ETR</td> <td>-</td> <td>WD.</td> <td>J2</td> <td>PTD.</td> <td>-</td> <td>320</td> <td>3\"/> <tr> <td>329A</td> <td>ETR</td> <td>-</td> <td>WD.</td> <td>J2</td> <td>PTD.</td> <td>-</td> <td>321</td> <td>3\"/> <tr> <td>329B</td> <td>ETR</td> <td>-</td> <td>WD.</td> <td>J2</td> <td>PTD.</td> <td>-</td> <td>322</td> <td>3\"/> <tr> <td>331</td> <td>ETR</td> <td>-</td> <td>WD.</td> <td>J2</td> <td>PTD.</td> <td>-</td> <td>323</td> <td>3\"/> <tr> <td>333</td> <td>ETR</td> <td>-</td> <td>WD.</td> <td>J2</td> <td>PTD.</td> <td>-</td> <td>324</td> <td>3\"/> <tr> <td>334A</td> <td>ETR</td> <td>-</td> <td>WD.</td> <td>J2</td> <td>PTD.</td> <td>-</td> <td>325</td> <td>3\"/> <tr> <td>334B</td> <td>ETR</td> <td>-</td> <td>WD.</td> <td>J2</td> <td>PTD.</td> <td>-</td> <td>327</td> <td>3\"/> <tr> <td>335A</td> <td>ETR</td> <td>-</td> <td>WD.</td> <td>J2</td> <td>PTD.</td> <td>-</td> <td>328</td> <td>3\"/> <tr> <td>335B</td> <td>B</td> <td>3\"/> <tr> <td>336</td> <td>B</td> <td>3\"/> <tr> <td>337</td> <td>ETR</td> <td>-</td> <td>WD.</td> <td>J2</td> <td>PTD.</td> <td>-</td> <td>329A</td> <td>3\"/> <tr> <td>339</td> <td>ETR</td> <td>-</td> <td>WD.</td> <td>J2</td> <td>PTD.</td> <td>-</td> <td>329B</td> <td>3\"/> <tr> <td>340</td> <td>A</td> <td>3\"/> <tr> <td>341A</td> <td>ETR</td> <td>-</td> <td>WD.</td> <td>J2</td> <td>PTD.</td> <td>-</td> <td>331</td> <td>3\"/> <tr> <td>341B</td> <td>ETR</td> <td>-</td> <td>WD.</td> <td>J2</td> <td>PTD.</td> <td>-</td> <td>333</td> <td>3\"/> <tr> <td>342</td> <td>ETR</td> <td>-</td> <td>WD.</td> <td>J2</td> <td>PTD.</td> <td>-</td> <td>334A</td> <td>3\"/> <tr> <td>344</td> <td>ETR</td> <td>-</td> <td>WD.</td> <td>J2</td> <td>PTD.</td> <td>-</td> <td>334B</td> <td>3\"/> <tr> <td>345</td> <td>ETR</td> <td>-</td> <td>WD.</td> <td>J2</td> <td>PTD.</td> <td>-</td> <td>335A</td> <td>3\"/> <tr> <td>346</td> <td>ETR</td> <td>-</td> <td>WD.</td> <td>J2</td> <td>PTD.</td> <td>-</td> <td>335B</td> <td>3\"/> <tr> <td>347</td> <td>ETR</td> <td>-</td> <td>WD.</td> <td>J2</td> <td>PTD.</td> <td>-</td> <td>336</td> <td>3\"/> <tr> <td>348</td> <td>ETR</td> <td>-</td> <td>WD.</td> <td>J2</td> <td>PTD.</td> <td>-</td> <td>337</td> <td>3\"/> <tr> <td>349</td> <td>ETR</td> <td>-</td> <td>WD.</td> <td>J2</td> <td>PTD.</td> <td>-</td> <td>339</td> <td>3\"/> <tr> <td>350</td> <td>ETR</td> <td>-</td> <td>WD.</td> <td>J2</td> <td>PTD.</td> <td>-</td> <td>340</td> <td>3\"/> </td></tr></td></tr></td></tr></td></tr></td></tr></td></tr></td></tr></td></tr></td></tr></td></tr></td></tr></td></tr></td></tr></td></tr></td></tr></td></tr></td></tr></td></tr></td></tr></td></tr></td></tr></td></tr></td></tr></td></tr></td></tr></td></tr></td></tr></td></tr></td></tr></td></tr></td></tr></td></tr></td></tr></td></tr></td></tr></td></tr></td></tr></td></tr></td></tr> | 310 | ETR | - | WD. | J2 | PTD.
 | - | 306 | 3\"/> <tr> <td>311</td> <td>A</td> <td>3\"/> <tr> <td>312A</td> <td>ETR</td> <td>-</td> <td>WD.</td> <td>J2</td> <td>PTD.</td> <td>-</td> <td>307</td> <td>3\"/> <tr> <td>313</td> <td>ETR</td> <td>-</td> <td>WD.</td> <td>J2</td> <td>PTD.</td> <td>-</td> <td>308</td> <td>3\"/> <tr> <td>314</td> <td>ETR</td> <td>-</td> <td>WD.</td> <td>J2</td> <td>PTD.</td> <td>-</td> <td>309</td> <td>3\"/> <tr> <td>315</td> <td>ETR</td> <td>-</td> <td>WD.</td> <td>J2</td> <td>PTD.</td> <td>-</td> <td>310</td> <td>3\"/> <tr> <td>316A</td> <td>A</td> <td>3\"/> <tr> <td>318</td> <td>ETR</td> <td>-</td> <td>WD.</td> <td>J2</td> <td>PTD.</td> <td>-</td> <td>311</td> <td>3\"/> <tr> <td>319</td> <td>ETR</td> <td>-</td> <td>WD.</td> <td>J2</td> <td>PTD.</td> <td>-</td> <td>312A</td> <td>3\"/> <tr> <td>320</td> <td>ETR</td> <td>-</td> <td>WD.</td> <td>J2</td> <td>PTD.</td> <td>-</td> <td>313</td> <td>3\"/> <tr> <td>321</td> <td>ETR</td> <td>-</td> <td>WD.</td> <td>J2</td> <td>PTD.</td> <td>-</td> <td>314</td> <td>3\"/> <tr> <td>322</td> <td>ETR</td> <td>-</td> <td>WD.</td> <td>J2</td> <td>PTD.</td> <td>-</td> <td>315</td> <td>3\"/> <tr> <td>323</td> <td>ETR</td> <td>-</td> <td>WD.</td> <td>J2</td> <td>PTD.</td> <td>-</td> <td>316A</td> <td>3\"/> <tr> <td>324</td> <td>ETR</td> <td>-</td> <td>WD.</td> <td>J2</td> <td>PTD.</td> <td>-</td> <td>318</td> <td>3\"/> <tr> <td>325</td> <td>A</td> <td>3\"/> <tr> <td>327</td> <td>ETR</td> <td>-</td> <td>WD.</td> <td>J2</td> <td>PTD.</td> <td>-</td> <td>319</td> <td>3\"/> <tr> <td>328</td> <td>ETR</td> <td>-</td> <td>WD.</td> <td>J2</td> <td>PTD.</td> <td>-</td> <td>320</td> <td>3\"/> <tr> <td>329A</td> <td>ETR</td> <td>-</td> <td>WD.</td> <td>J2</td> <td>PTD.</td> <td>-</td> <td>321</td> <td>3\"/> <tr> <td>329B</td> <td>ETR</td> <td>-</td> <td>WD.</td> <td>J2</td> <td>PTD.</td> <td>-</td> <td>322</td> <td>3\"/> <tr> <td>331</td> <td>ETR</td> <td>-</td> <td>WD.</td> <td>J2</td> <td>PTD.</td> <td>-</td> <td>323</td> <td>3\"/> <tr> <td>333</td> <td>ETR</td> <td>-</td> <td>WD.</td> <td>J2</td> <td>PTD.</td> <td>-</td> <td>324</td> <td>3\"/> <tr> <td>334A</td> <td>ETR</td> <td>-</td> <td>WD.</td> <td>J2</td> <td>PTD.</td> <td>-</td> <td>325</td> <td>3\"/> <tr> <td>334B</td> <td>ETR</td> <td>-</td> <td>WD.</td> <td>J2</td> <td>PTD.</td> <td>-</td> <td>327</td> <td>3\"/> <tr> <td>335A</td> <td>ETR</td> <td>-</td> <td>WD.</td> <td>J2</td> <td>PTD.</td> <td>-</td> <td>328</td> <td>3\"/> <tr> <td>335B</td> <td>B</td> <td>3\"/> <tr> <td>336</td> <td>B</td> <td>3\"/> <tr> <td>337</td> <td>ETR</td> <td>-</td> <td>WD.</td> <td>J2</td> <td>PTD.</td> <td>-</td> <td>329A</td> <td>3\"/> <tr> <td>339</td> <td>ETR</td> <td>-</td> <td>WD.</td> <td>J2</td> <td>PTD.</td> <td>-</td> <td>329B</td> <td>3\"/> <tr> <td>340</td> <td>A</td> <td>3\"/> <tr> <td>341A</td> <td>ETR</td> <td>-</td> <td>WD.</td> <td>J2</td> <td>PTD.</td> <td>-</td> <td>331</td> <td>3\"/> <tr> <td>341B</td> <td>ETR</td> <td>-</td> <td>WD.</td> <td>J2</td> <td>PTD.</td> <td>-</td> <td>333</td> <td>3\"/> <tr> <td>342</td> <td>ETR</td> <td>-</td> <td>WD.</td> <td>J2</td> <td>PTD.</td> <td>-</td> <td>334A</td> <td>3\"/> <tr> <td>344</td> <td>ETR</td> <td>-</td> <td>WD.</td> <td>J2</td> <td>PTD.</td> <td>-</td> <td>334B</td> <td>3\"/> <tr> <td>345</td> <td>ETR</td> <td>-</td> <td>WD.</td> <td>J2</td> <td>PTD.</td> <td>-</td> <td>335A</td> <td>3\"/> <tr> <td>346</td> <td>ETR</td> <td>-</td> <td>WD.</td> <td>J2</td> <td>PTD.</td> <td>-</td> <td>335B</td> <td>3\"/> <tr> <td>347</td> <td>ETR</td> <td>-</td> <td>WD.</td> <td>J2</td> <td>PTD.</td> <td>-</td> <td>336</td> <td>3\"/> <tr> <td>348</td> <td>ETR</td> <td>-</td> <td>WD.</td> <td>J2</td> <td>PTD.</td> <td>-</td> <td>337</td> <td>3\"/> <tr> <td>349</td> <td>ETR</td> <td>-</td> <td>WD.</td> <td>J2</td> <td>PTD.</td> <td>-</td> <td>339</td> <td>3\"/> <tr> <td>350</td> <td>ETR</td> <td>-</td> <td>WD.</td> <td>J2</td> <td>PTD.</td> <td>-</td> <td>340</td> <td>3\"/> </td></tr></td></tr></td></tr></td></tr></td></tr></td></tr></td></tr></td></tr></td></tr></td></tr></td></tr></td></tr></td></tr></td></tr></td></tr></td></tr></td></tr></td></tr></td></tr></td></tr></td></tr></td></tr></td></tr></td></tr></td></tr></td></tr></td></tr></td></tr></td></tr></td></tr></td></tr></td></tr></td></tr></td></tr></td></tr></td></tr></td></tr></td></tr> | 311 | A | 3\"/> <tr> <td>312A</td> <td>ETR</td> <td>-</td> <td>WD.</td> <td>J2</td> <td>PTD.</td> <td>-</td> <td>307</td> <td>3\"/> <tr> <td>313</td> <td>ETR</td> <td>-</td> <td>WD.</td> <td>J2</td> <td>PTD.</td> <td>-</td> <td>308</td> <td>3\"/> <tr> <td>314</td> <td>ETR</td> <td>-</td> <td>WD.</td> <td>J2</td> <td>PTD.</td> <td>-</td> <td>309</td> <td>3\"/> <tr> <td>315</td> <td>ETR</td> <td>-</td> <td>WD.</td> <td>J2</td> <td>PTD.</td> <td>-</td> <td>310</td> <td>3\"/> <tr> <td>316A</td> <td>A</td> <td>3\"/> <tr> <td>318</td> <td>ETR</td> <td>-</td> <td>WD.</td> <td>J2</td> <td>PTD.</td> <td>-</td> <td>311</td> <td>3\"/> <tr> <td>319</td> <td>ETR</td> <td>-</td> <td>WD.</td> <td>J2</td> <td>PTD.</td> <td>-</td> <td>312A</td> <td>3\"/> <tr> <td>320</td> <td>ETR</td> <td>-</td> <td>WD.</td> <td>J2</td> <td>PTD.</td> <td>-</td> <td>313</td> <td>3\"/> <tr> <td>321</td> <td>ETR</td> <td>-</td> <td>WD.</td> <td>J2</td> <td>PTD.</td> <td>-</td> <td>314</td> <td>3\"/> <tr> <td>322</td> <td>ETR</td> <td>-</td> <td>WD.</td> <td>J2</td> <td>PTD.</td> <td>-</td> <td>315</td> <td>3\"/> <tr> <td>323</td> <td>ETR</td> <td>-</td> <td>WD.</td> <td>J2</td> <td>PTD.</td> <td>-</td> <td>316A</td> <td>3\"/> <tr> <td>324</td> <td>ETR</td> <td>-</td> <td>WD.</td> <td>J2</td> <td>PTD.</td> <td>-</td> <td>318</td> <td>3\"/> <tr> <td>325</td> <td>A</td> <td>3\"/> <tr> <td>327</td> <td>ETR</td> <td>-</td> <td>WD.</td> <td>J2</td> <td>PTD.</td> <td>-</td> <td>319</td> <td>3\"/> <tr> <td>328</td> <td>ETR</td> <td>-</td> <td>WD.</td> <td>J2</td> <td>PTD.</td> <td>-</td> <td>320</td> <td>3\"/> <tr> <td>329A</td> <td>ETR</td> <td>-</td> <td>WD.</td> <td>J2</td> <td>PTD.</td> <td>-</td> <td>321</td> <td>3\"/> <tr> <td>329B</td> <td>ETR</td> <td>-</td> <td>WD.</td> <td>J2</td> <td>PTD.</td> <td>-</td> <td>322</td> <td>3\"/> <tr> <td>331</td> <td>ETR</td> <td>-</td> <td>WD.</td> <td>J2</td> <td>PTD.</td> <td>-</td> <td>323</td> <td>3\"/> <tr> <td>333</td> <td>ETR</td> <td>-</td> <td>WD.</td> <td>J2</td> <td>PTD.</td> <td>-</td> <td>324</td> <td>3\"/> <tr> <td>334A</td> <td>ETR</td> <td>-</td> <td>WD.</td> <td>J2</td> <td>PTD.</td> <td>-</td> <td>325</td> <td>3\"/> <tr> <td>334B</td> <td>ETR</td> <td>-</td> <td>WD.</td> <td>J2</td> <td>PTD.</td> <td>-</td> <td>327</td> <td>3\"/> <tr> <td>335A</td> <td>ETR</td> <td>-</td> <td>WD.</td> <td>J2</td> <td>PTD.</td> <td>-</td> <td>328</td> <td>3\"/> <tr> <td>335B</td> <td>B</td> <td>3\"/> <tr> <td>336</td> <td>B</td> <td>3\"/> <tr> <td>337</td> <td>ETR</td> <td>-</td> <td>WD.</td> <td>J2</td> <td>PTD.</td> <td>-</td> <td>329A</td> <td>3\"/> <tr> <td>339</td>
<td>ETR</td> <td>-</td> <td>WD.</td> <td>J2</td> <td>PTD.</td> <td>-</td> <td>329B</td> <td>3\"/> <tr> <td>340</td> <td>A</td> <td>3\"/> <tr> <td>341A</td> <td>ETR</td> <td>-</td> <td>WD.</td> <td>J2</td> <td>PTD.</td> <td>-</td> <td>331</td> <td>3\"/> <tr> <td>341B</td> <td>ETR</td> <td>-</td> <td>WD.</td> <td>J2</td> <td>PTD.</td> <td>-</td> <td>333</td> <td>3\"/> <tr> <td>342</td> <td>ETR</td> <td>-</td> <td>WD.</td> <td>J2</td> <td>PTD.</td> <td>-</td> <td>334A</td> <td>3\"/> <tr> <td>344</td> <td>ETR</td> <td>-</td> <td>WD.</td> <td>J2</td> <td>PTD.</td> <td>-</td> <td>334B</td> <td>3\"/> <tr> <td>345</td> <td>ETR</td> <td>-</td> <td>WD.</td> <td>J2</td> <td>PTD.</td> <td>-</td> <td>335A</td> <td>3\"/> <tr> <td>346</td> <td>ETR</td> <td>-</td> <td>WD.</td> <td>J2</td> <td>PTD.</td> <td>-</td> <td>335B</td> <td>3\"/> <tr> <td>347</td> <td>ETR</td> <td>-</td> <td>WD.</td> <td>J2</td> <td>PTD.</td> <td>-</td> <td>336</td> <td>3\"/> <tr> <td>348</td> <td>ETR</td> <td>-</td> <td>WD.</td> <td>J2</td> <td>PTD.</td> <td>-</td> <td>337</td> <td>3\"/> <tr> <td>349</td> <td>ETR</td> <td>-</td> <td>WD.</td> <td>J2</td> <td>PTD.</td> <td>-</td> <td>339</td> <td>3\"/> <tr> <td>350</td> <td>ETR</td> <td>-</td> <td>WD.</td> <td>J2</td> <td>PTD.</td> <td>-</td> <td>340</td> <td>3\"/> </td></tr></td></tr></td></tr></td></tr></td></tr></td></tr></td></tr></td></tr></td></tr></td></tr></td></tr></td></tr></td></tr></td></tr></td></tr></td></tr></td></tr></td></tr></td></tr></td></tr></td></tr></td></tr></td></tr></td></tr></td></tr></td></tr></td></tr></td></tr></td></tr></td></tr></td></tr></td></tr></td></tr></td></tr></td></tr></td></tr></td></tr> | 312A | ETR | - | WD. | J2 | PTD.
 | - | 307 | 3\"/> <tr> <td>313</td> <td>ETR</td> <td>-</td> <td>WD.</td> <td>J2</td> <td>PTD.</td> <td>-</td> <td>308</td> <td>3\"/> <tr> <td>314</td> <td>ETR</td> <td>-</td> <td>WD.</td> <td>J2</td> <td>PTD.</td> <td>-</td> <td>309</td> <td>3\"/> <tr> <td>315</td> <td>ETR</td> <td>-</td> <td>WD.</td> <td>J2</td> <td>PTD.</td> <td>-</td> <td>310</td> <td>3\"/> <tr> <td>316A</td> <td>A</td> <td>3\"/> <tr> <td>318</td> <td>ETR</td> <td>-</td> <td>WD.</td> <td>J2</td> <td>PTD.</td> <td>-</td> <td>311</td> <td>3\"/> <tr> <td>319</td> <td>ETR</td> <td>-</td> <td>WD.</td> <td>J2</td> <td>PTD.</td> <td>-</td> <td>312A</td> <td>3\"/> <tr> <td>320</td> <td>ETR</td> <td>-</td> <td>WD.</td> <td>J2</td> <td>PTD.</td> <td>-</td> <td>313</td> <td>3\"/> <tr> <td>321</td> <td>ETR</td> <td>-</td> <td>WD.</td> <td>J2</td> <td>PTD.</td> <td>-</td> <td>314</td> <td>3\"/> <tr> <td>322</td> <td>ETR</td> <td>-</td> <td>WD.</td> <td>J2</td> <td>PTD.</td> <td>-</td> <td>315</td> <td>3\"/> <tr> <td>323</td> <td>ETR</td> <td>-</td> <td>WD.</td> <td>J2</td> <td>PTD.</td> <td>-</td> <td>316A</td> <td>3\"/> <tr> <td>324</td> <td>ETR</td> <td>-</td> <td>WD.</td> <td>J2</td> <td>PTD.</td> <td>-</td> <td>318</td> <td>3\"/> <tr> <td>325</td> <td>A</td> <td>3\"/> <tr> <td>327</td> <td>ETR</td> <td>-</td> <td>WD.</td> <td>J2</td> <td>PTD.</td> <td>-</td> <td>319</td> <td>3\"/> <tr> <td>328</td> <td>ETR</td> <td>-</td> <td>WD.</td> <td>J2</td> <td>PTD.</td> <td>-</td> <td>320</td> <td>3\"/> <tr> <td>329A</td> <td>ETR</td> <td>-</td> <td>WD.</td> <td>J2</td> <td>PTD.</td> <td>-</td> <td>321</td> <td>3\"/> <tr> <td>329B</td> <td>ETR</td> <td>-</td> <td>WD.</td> <td>J2</td> <td>PTD.</td> <td>-</td> <td>322</td> <td>3\"/> <tr> <td>331</td> <td>ETR</td> <td>-</td> <td>WD.</td> <td>J2</td> <td>PTD.</td> <td>-</td> <td>323</td> <td>3\"/> <tr> <td>333</td> <td>ETR</td> <td>-</td> <td>WD.</td> <td>J2</td> <td>PTD.</td> <td>-</td> <td>324</td> <td>3\"/> <tr> <td>334A</td> <td>ETR</td> <td>-</td> <td>WD.</td> <td>J2</td> <td>PTD.</td> <td>-</td> <td>325</td> <td>3\"/> <tr> <td>334B</td> <td>ETR</td> <td>-</td> <td>WD.</td> <td>J2</td> <td>PTD.</td> <td>-</td> <td>327</td> <td>3\"/> <tr> <td>335A</td> <td>ETR</td> <td>-</td> <td>WD.</td> <td>J2</td> <td>PTD.</td> <td>-</td> <td>328</td> <td>3\"/> <tr> <td>335B</td> <td>B</td> <td>3\"/> <tr> <td>336</td> <td>B</td> <td>3\"/> <tr> <td>337</td> <td>ETR</td> <td>-</td> <td>WD.</td> <td>J2</td> <td>PTD.</td> <td>-</td> <td>329A</td> <td>3\"/> <tr> <td>339</td> <td>ETR</td> <td>-</td> <td>WD.</td> <td>J2</td> <td>PTD.</td> <td>-</td> <td>329B</td> <td>3\"/> <tr> <td>340</td> <td>A</td> <td>3\"/> <tr> <td>341A</td> <td>ETR</td> <td>-</td> <td>WD.</td> <td>J2</td> <td>PTD.</td> <td>-</td> <td>331</td> <td>3\"/> <tr> <td>341B</td> <td>ETR</td> <td>-</td> <td>WD.</td> <td>J2</td> <td>PTD.</td> <td>-</td> <td>333</td> <td>3\"/> <tr> <td>342</td> <td>ETR</td> <td>-</td> <td>WD.</td> <td>J2</td> <td>PTD.</td> <td>-</td> <td>334A</td> <td>3\"/> <tr> <td>344</td> <td>ETR</td> <td>-</td> <td>WD.</td> <td>J2</td> <td>PTD.</td> <td>-</td> <td>334B</td> <td>3\"/> <tr> <td>345</td> <td>ETR</td> <td>-</td> <td>WD.</td> <td>J2</td> <td>PTD.</td> <td>-</td> <td>335A</td> <td>3\"/> <tr> <td>346</td> <td>ETR</td> <td>-</td> <td>WD.</td> <td>J2</td> <td>PTD.</td> <td>-</td> <td>335B</td> <td>3\"/> <tr> <td>347</td> <td>ETR</td> <td>-</td> <td>WD.</td> <td>J2</td> <td>PTD.</td> <td>-</td> <td>336</td> <td>3\"/> <tr> <td>348</td> <td>ETR</td> <td>-</td> <td>WD.</td> <td>J2</td> <td>PTD.</td> <td>-</td> <td>337</td> <td>3\"/> <tr> <td>349</td> <td>ETR</td> <td>-</td> <td>WD.</td> <td>J2</td> <td>PTD.</td> <td>-</td> <td>339</td> <td>3\"/> <tr> <td>350</td> <td>ETR</td> <td>-</td> <td>WD.</td> <td>J2</td> <td>PTD.</td> <td>-</td> <td>340</td> <td>3\"/> </td></tr></td></tr></td></tr></td></tr></td></tr></td></tr></td></tr></td></tr></td></tr></td></tr></td></tr></td></tr></td></tr></td></tr></td></tr></td></tr></td></tr></td></tr></td></tr></td></tr></td></tr></td></tr></td></tr></td></tr></td></tr></td></tr></td></tr></td></tr></td></tr></td></tr></td></tr></td></tr></td></tr></td></tr></td></tr></td></tr> | 313 | ETR | - | WD. | J2 | PTD.
 | - | 308 | 3\"/> <tr> <td>314</td> <td>ETR</td> <td>-</td> <td>WD.</td> <td>J2</td> <td>PTD.</td> <td>-</td> <td>309</td> <td>3\"/> <tr> <td>315</td> <td>ETR</td> <td>-</td> <td>WD.</td> <td>J2</td> <td>PTD.</td> <td>-</td> <td>310</td> <td>3\"/> <tr> <td>316A</td> <td>A</td> <td>3\"/> <tr> <td>318</td> <td>ETR</td> <td>-</td> <td>WD.</td> <td>J2</td> <td>PTD.</td> <td>-</td> <td>311</td> <td>3\"/> <tr> <td>319</td> <td>ETR</td> <td>-</td> <td>WD.</td> <td>J2</td> <td>PTD.</td> <td>-</td> <td>312A</td> <td>3\"/> <tr> <td>320</td> <td>ETR</td> <td>-</td> <td>WD.</td> <td>J2</td> <td>PTD.</td> <td>-</td> <td>313</td> <td>3\"/> <tr> <td>321</td> <td>ETR</td> <td>-</td> <td>WD.</td> <td>J2</td> <td>PTD.</td> <td>-</td> <td>314</td> <td>3\"/> <tr> <td>322</td> <td>ETR</td> <td>-</td> <td>WD.</td> <td>J2</td> <td>PTD.</td> <td>-</td> <td>315</td> <td>3\"/> <tr> <td>323</td> <td>ETR</td> <td>-</td> <td>WD.</td> <td>J2</td> <td>PTD.</td> <td>-</td> <td>316A</td> <td>3\"/> <tr> <td>324</td> <td>ETR</td> <td>-</td> <td>WD.</td> <td>J2</td> <td>PTD.</td> <td>-</td> <td>318</td> <td>3\"/> <tr> <td>325</td> <td>A</td> <td>3\"/> <tr> <td>327</td> <td>ETR</td> <td>-</td> <td>WD.</td> <td>J2</td> <td>PTD.</td> <td>-</td> <td>319</td> <td>3\"/> <tr> <td>328</td> <td>ETR</td> <td>-</td> <td>WD.</td> <td>J2</td> <td>PTD.</td> <td>-</td> <td>320</td> <td>3\"/> <tr> <td>329A</td> <td>ETR</td> <td>-</td> <td>WD.</td> <td>J2</td> <td>PTD.</td> <td>-</td> <td>321</td> <td>3\"/> <tr> <td>329B</td> <td>ETR</td> <td>-</td> <td>WD.</td> <td>J2</td> <td>PTD.</td> <td>-</td> <td>322</td> <td>3\"/> <tr> <td>331</td> <td>ETR</td> <td>-</td> <td>WD.</td> <td>J2</td> <td>PTD.</td> <td>-</td> <td>323</td> <td>3\"/> <tr> <td>333</td> <td>ETR</td> <td>-</td> <td>WD.</td> <td>J2</td> <td>PTD.</td> <td>-</td> <td>324</td> <td>3\"/> <tr> <td>334A</td> <td>ETR</td> <td>-</td> <td>WD.</td> <td>J2</td> <td>PTD.</td> <td>-</td> <td>325</td> <td>3\"/> <tr> <td>334B</td> <td>ETR</td> <td>-</td> <td>WD.</td> <td>J2</td> <td>PTD.</td> <td>-</td> <td>327</td> <td>3\"/> <tr> <td>335A</td> <td>ETR</td> <td>-</td> <td>WD.</td> <td>J2</td> <td>PTD.</td> <td>-</td> <td>328</td> <td>3\"/> <tr> <td>335B</td> <td>B</td> <td>3\"/> <tr> <td>336</td> <td>B</td> <td>3\"/> <tr> <td>337</td> <td>ETR</td> <td>-</td> <td>WD.</td> <td>J2</td> <td>PTD.</td> <td>-</td> <td>329A</td> <td>3\"/> <tr> <td>339</td> <td>ETR</td> <td>-</td> <td>WD.</td> <td>J2</td> <td>PTD.</td> <td>-</td> <td>329B</td> <td>3\"/> <tr> <td>340</td> <td>A</td> <td>3\"/> <tr> <td>341A</td> <td>ETR</td> <td>-</td> <td>WD.</td> <td>J2</td> <td>PTD.</td> <td>-</td> <td>331</td> <td>3\"/> <tr> <td>341B</td> <td>ETR</td> <td>-</td> <td>WD.</td> <td>J2</td> <td>PTD.</td> <td>-</td> <td>333</td> <td>3\"/> <tr> <td>342</td> <td>ETR</td> <td>-</td> <td>WD.</td> <td>J2</td> <td>PTD.</td> <td>-</td> <td>334A</td> <td>3\"/> <tr> <td>344</td> <td>ETR</td> <td>-</td> <td>WD.</td> <td>J2</td> <td>PTD.</td> <td>-</td> <td>334B</td> <td>3\"/> <tr> <td>345</td> <td>ETR</td> <td>-</td> <td>WD.</td> <td>J2</td> <td>PTD.</td> <td>-</td> <td>335A</td> <td>3\"/> <tr> <td>346</td> <td>ETR</td> <td>-</td> <td>WD.</td> <td>J2</td> <td>PTD.</td> <td>-</td> <td>335B</td> <td>3\"/> <tr> <td>347</td> <td>ETR</td> <td>-</td> <td>WD.</td> <td>J2</td> <td>PTD.</td> <td>-</td> <td>336</td> <td>3\"/> <tr> <td>348</td> <td>ETR</td> <td>-</td> <td>WD.</td> <td>J2</td> <td>PTD.</td> <td>-</td> <td>337</td> <td>3\"/> <tr> <td>349</td> <td>ETR</td> <td>-</td> <td>WD.</td> <td>J2</td> <td>PTD.</td> <td>-</td> <td>339</td> <td>3\"/> <tr> <td>350</td> <td>ETR</td> <td>-</td> <td>WD.</td> <td>J2</td> <td>PTD.</td> <td>-</td> <td>340</td> <td>3\"/> </td></tr></td></tr></td></tr></td></tr></td></tr></td></tr></td></tr></td></tr></td></tr></td></tr></td></tr></td></tr></td></tr></td></tr></td></tr></td></tr></td></tr></td></tr></td></tr></td></tr></td></tr></td></tr></td></tr></td></tr></td></tr></td></tr></td></tr></td></tr></td></tr></td></tr></td></tr></td></tr></td></tr></td></tr></td></tr> | 314 | ETR | -
 | WD. | J2 | PTD. | - | 309 | 3\"/> <tr> <td>315</td> <td>ETR</td> <td>-</td> <td>WD.</td> <td>J2</td> <td>PTD.</td> <td>-</td> <td>310</td> <td>3\"/> <tr> <td>316A</td> <td>A</td> <td>3\"/> <tr> <td>318</td> <td>ETR</td> <td>-</td> <td>WD.</td> <td>J2</td> <td>PTD.</td> <td>-</td> <td>311</td> <td>3\"/> <tr> <td>319</td> <td>ETR</td> <td>-</td> <td>WD.</td> <td>J2</td> <td>PTD.</td> <td>-</td> <td>312A</td> <td>3\"/> <tr> <td>320</td> <td>ETR</td> <td>-</td> <td>WD.</td> <td>J2</td> <td>PTD.</td> <td>-</td> <td>313</td> <td>3\"/> <tr> <td>321</td> <td>ETR</td> <td>-</td> <td>WD.</td> <td>J2</td> <td>PTD.</td> <td>-</td> <td>314</td> <td>3\"/> <tr> <td>322</td> <td>ETR</td> <td>-</td> <td>WD.</td> <td>J2</td> <td>PTD.</td> <td>-</td> <td>315</td> <td>3\"/> <tr> <td>323</td> <td>ETR</td> <td>-</td> <td>WD.</td> <td>J2</td> <td>PTD.</td> <td>-</td> <td>316A</td> <td>3\"/> <tr> <td>324</td> <td>ETR</td> <td>-</td> <td>WD.</td> <td>J2</td> <td>PTD.</td> <td>-</td> <td>318</td> <td>3\"/> <tr> <td>325</td> <td>A</td> <td>3\"/> <tr> <td>327</td> <td>ETR</td> <td>-</td> <td>WD.</td> <td>J2</td> <td>PTD.</td> <td>-</td> <td>319</td> <td>3\"/> <tr> <td>328</td> <td>ETR</td> <td>-</td> <td>WD.</td> <td>J2</td> <td>PTD.</td> <td>-</td> <td>320</td> <td>3\"/> <tr> <td>329A</td> <td>ETR</td> <td>-</td> <td>WD.</td> <td>J2</td> <td>PTD.</td> <td>-</td> <td>321</td> <td>3\"/> <tr> <td>329B</td> <td>ETR</td> <td>-</td> <td>WD.</td> <td>J2</td> <td>PTD.</td> <td>-</td> <td>322</td> <td>3\"/> <tr> <td>331</td> <td>ETR</td> <td>-</td> <td>WD.</td> <td>J2</td> <td>PTD.</td> <td>-</td> <td>323</td> <td>3\"/> <tr> <td>333</td> <td>ETR</td> <td>-</td> <td>WD.</td> <td>J2</td> <td>PTD.</td> <td>-</td> <td>324</td> <td>3\"/> <tr> <td>334A</td> <td>ETR</td> <td>-</td> <td>WD.</td> <td>J2</td> <td>PTD.</td> <td>-</td> <td>325</td> <td>3\"/> <tr> <td>334B</td> <td>ETR</td> <td>-</td> <td>WD.</td> <td>J2</td> <td>PTD.</td> <td>-</td> <td>327</td> <td>3\"/> <tr> <td>335A</td> <td>ETR</td> <td>-</td> <td>WD.</td> <td>J2</td> <td>PTD.</td> <td>-</td> <td>328</td> <td>3\"/> <tr> <td>335B</td> <td>B</td> <td>3\"/> <tr> <td>336</td> <td>B</td> <td>3\"/> <tr> <td>337</td> <td>ETR</td> <td>-</td> <td>WD.</td> <td>J2</td> <td>PTD.</td> <td>-</td> <td>329A</td> <td>3\"/> <tr> <td>339</td> <td>ETR</td> <td>-</td> <td>WD.</td> <td>J2</td> <td>PTD.</td> <td>-</td> <td>329B</td> <td>3\"/> <tr> <td>340</td> <td>A</td> <td>3\"/> <tr> <td>341A</td> <td>ETR</td> <td>-</td> <td>WD.</td> <td>J2</td> <td>PTD.</td> <td>-</td> <td>331</td> <td>3\"/> <tr> <td>341B</td> <td>ETR</td> <td>-</td> <td>WD.</td> <td>J2</td> <td>PTD.</td> <td>-</td> <td>333</td> <td>3\"/> <tr> <td>342</td> <td>ETR</td> <td>-</td> <td>WD.</td> <td>J2</td> <td>PTD.</td> <td>-</td> <td>334A</td> <td>3\"/> <tr> <td>344</td> <td>ETR</td> <td>-</td> <td>WD.</td> <td>J2</td> <td>PTD.</td> <td>-</td> <td>334B</td> <td>3\"/> <tr> <td>345</td> <td>ETR</td> <td>-</td> <td>WD.</td> <td>J2</td> <td>PTD.</td> <td>-</td> <td>335A</td> <td>3\"/> <tr> <td>346</td> <td>ETR</td> <td>-</td> <td>WD.</td> <td>J2</td> <td>PTD.</td> <td>-</td> <td>335B</td> <td>3\"/> <tr> <td>347</td> <td>ETR</td> <td>-</td> <td>WD.</td> <td>J2</td> <td>PTD.</td> <td>-</td> <td>336</td> <td>3\"/> <tr> <td>348</td> <td>ETR</td> <td>-</td> <td>WD.</td> <td>J2</td> <td>PTD.</td> <td>-</td> <td>337</td> <td>3\"/> <tr> <td>349</td> <td>ETR</td> <td>-</td> <td>WD.</td> <td>J2</td> <td>PTD.</td> <td>-</td> <td>339</td> <td>3\"/> <tr> <td>350</td> <td>ETR</td> <td>-</td> <td>WD.</td> <td>J2</td> <td>PTD.</td> <td>-</td> <td>340</td> <td>3\"/> </td></tr></td></tr></td></tr></td></tr></td></tr></td></tr></td></tr></td></tr></td></tr></td></tr></td></tr></td></tr></td></tr></td></tr></td></tr></td></tr></td></tr></td></tr></td></tr></td></tr></td></tr></td></tr></td></tr></td></tr></td></tr></td></tr></td></tr></td></tr></td></tr></td></tr></td></tr></td></tr></td></tr></td></tr> | 315 | ETR | -
 | WD. | J2 | PTD. | - | 310 | 3\"/> <tr> <td>316A</td> <td>A</td> <td>3\"/> <tr> <td>318</td> <td>ETR</td> <td>-</td> <td>WD.</td> <td>J2</td> <td>PTD.</td> <td>-</td> <td>311</td> <td>3\"/> <tr> <td>319</td> <td>ETR</td> <td>-</td> <td>WD.</td> <td>J2</td> <td>PTD.</td> <td>-</td> <td>312A</td> <td>3\"/> <tr> <td>320</td> <td>ETR</td> <td>-</td> <td>WD.</td> <td>J2</td> <td>PTD.</td> <td>-</td> <td>313</td> <td>3\"/> <tr> <td>321</td> <td>ETR</td> <td>-</td> <td>WD.</td> <td>J2</td> <td>PTD.</td> <td>-</td> <td>314</td> <td>3\"/> <tr> <td>322</td> <td>ETR</td> <td>-</td> <td>WD.</td> <td>J2</td> <td>PTD.</td> <td>-</td> <td>315</td> <td>3\"/> <tr> <td>323</td> <td>ETR</td> <td>-</td> <td>WD.</td> <td>J2</td> <td>PTD.</td> <td>-</td> <td>316A</td> <td>3\"/> <tr> <td>324</td> <td>ETR</td> <td>-</td> <td>WD.</td> <td>J2</td> <td>PTD.</td> <td>-</td> <td>318</td> <td>3\"/> <tr> <td>325</td> <td>A</td> <td>3\"/> <tr> <td>327</td> <td>ETR</td> <td>-</td> <td>WD.</td> <td>J2</td> <td>PTD.</td> <td>-</td> <td>319</td> <td>3\"/> <tr> <td>328</td> <td>ETR</td> <td>-</td> <td>WD.</td> <td>J2</td> <td>PTD.</td> <td>-</td> <td>320</td> <td>3\"/> <tr> <td>329A</td> <td>ETR</td> <td>-</td> <td>WD.</td> <td>J2</td> <td>PTD.</td> <td>-</td> <td>321</td> <td>3\"/> <tr> <td>329B</td> <td>ETR</td> <td>-</td> <td>WD.</td> <td>J2</td> <td>PTD.</td> <td>-</td> <td>322</td> <td>3\"/> <tr> <td>331</td> <td>ETR</td> <td>-</td> <td>WD.</td> <td>J2</td> <td>PTD.</td> <td>-</td> <td>323</td> <td>3\"/> <tr> <td>333</td> <td>ETR</td> <td>-</td> <td>WD.</td> <td>J2</td> <td>PTD.</td> <td>-</td> <td>324</td> <td>3\"/> <tr> <td>334A</td> <td>ETR</td> <td>-</td> <td>WD.</td> <td>J2</td> <td>PTD.</td> <td>-</td> <td>325</td> <td>3\"/> <tr> <td>334B</td> <td>ETR</td> <td>-</td> <td>WD.</td> <td>J2</td> <td>PTD.</td> <td>-</td> <td>327</td> <td>3\"/> <tr> <td>335A</td> <td>ETR</td> <td>-</td> <td>WD.</td> <td>J2</td> <td>PTD.</td> <td>-</td> <td>328</td> <td>3\"/> <tr> <td>335B</td> <td>B</td> <td>3\"/> <tr> <td>336</td> <td>B</td> <td>3\"/> <tr> <td>337</td> <td>ETR</td> <td>-</td> <td>WD.</td> <td>J2</td> <td>PTD.</td> <td>-</td> <td>329A</td> <td>3\"/> <tr> <td>339</td> <td>ETR</td> <td>-</td> <td>WD.</td> <td>J2</td> <td>PTD.</td> <td>-</td> <td>329B</td> <td>3\"/> <tr> <td>340</td> <td>A</td> <td>3\"/> <tr> <td>341A</td> <td>ETR</td> <td>-</td> <td>WD.</td> <td>J2</td> <td>PTD.</td> <td>-</td> <td>331</td> <td>3\"/> <tr> <td>341B</td> <td>ETR</td> <td>-</td> <td>WD.</td> <td>J2</td> <td>PTD.</td> <td>-</td> <td>333</td> <td>3\"/> <tr> <td>342</td> <td>ETR</td> <td>-</td> <td>WD.</td> <td>J2</td> <td>PTD.</td> <td>-</td> <td>334A</td> <td>3\"/> <tr> <td>344</td> <td>ETR</td> <td>-</td> <td>WD.</td> <td>J2</td> <td>PTD.</td> <td>-</td> <td>334B</td> <td>3\"/> <tr> <td>345</td> <td>ETR</td> <td>-</td> <td>WD.</td> <td>J2</td> <td>PTD.</td> <td>-</td> <td>335A</td> <td>3\"/> <tr> <td>346</td> <td>ETR</td> <td>-</td> <td>WD.</td> <td>J2</td> <td>PTD.</td> <td>-</td> <td>335B</td> <td>3\"/> <tr> <td>347</td> <td>ETR</td> <td>-</td> <td>WD.</td> <td>J2</td> <td>PTD.</td> <td>-</td> <td>336</td> <td>3\"/> <tr> <td>348</td> <td>ETR</td> <td>-</td> <td>WD.</td> <td>J2</td> <td>PTD.</td> <td>-</td> <td>337</td> <td>3\"/> <tr> <td>349</td> <td>ETR</td> <td>-</td> <td>WD.</td> <td>J2</td> <td>PTD.</td> <td>-</td> <td>339</td> <td>3\"/> <tr> <td>350</td> <td>ETR</td> <td>-</td>
<td>WD.</td> <td>J2</td> <td>PTD.</td> <td>-</td> <td>340</td> <td>3\"/> </td></tr></td></tr></td></tr></td></tr></td></tr></td></tr></td></tr></td></tr></td></tr></td></tr></td></tr></td></tr></td></tr></td></tr></td></tr></td></tr></td></tr></td></tr></td></tr></td></tr></td></tr></td></tr></td></tr></td></tr></td></tr></td></tr></td></tr></td></tr></td></tr></td></tr></td></tr></td></tr></td></tr> | 316A | A | 3\"/> <tr> <td>318</td> <td>ETR</td> <td>-</td> <td>WD.</td> <td>J2</td> <td>PTD.</td> <td>-</td> <td>311</td> <td>3\"/> <tr> <td>319</td> <td>ETR</td> <td>-</td> <td>WD.</td> <td>J2</td> <td>PTD.</td> <td>-</td> <td>312A</td> <td>3\"/> <tr> <td>320</td> <td>ETR</td> <td>-</td> <td>WD.</td> <td>J2</td> <td>PTD.</td> <td>-</td> <td>313</td> <td>3\"/> <tr> <td>321</td> <td>ETR</td> <td>-</td> <td>WD.</td> <td>J2</td> <td>PTD.</td> <td>-</td> <td>314</td> <td>3\"/> <tr> <td>322</td> <td>ETR</td> <td>-</td> <td>WD.</td> <td>J2</td> <td>PTD.</td> <td>-</td> <td>315</td> <td>3\"/> <tr> <td>323</td> <td>ETR</td> <td>-</td> <td>WD.</td> <td>J2</td> <td>PTD.</td> <td>-</td> <td>316A</td> <td>3\"/> <tr> <td>324</td> <td>ETR</td> <td>-</td> <td>WD.</td> <td>J2</td> <td>PTD.</td> <td>-</td> <td>318</td> <td>3\"/> <tr> <td>325</td> <td>A</td> <td>3\"/> <tr> <td>327</td> <td>ETR</td> <td>-</td> <td>WD.</td> <td>J2</td> <td>PTD.</td> <td>-</td> <td>319</td> <td>3\"/> <tr> <td>328</td> <td>ETR</td> <td>-</td> <td>WD.</td> <td>J2</td> <td>PTD.</td> <td>-</td> <td>320</td> <td>3\"/> <tr> <td>329A</td> <td>ETR</td> <td>-</td> <td>WD.</td> <td>J2</td> <td>PTD.</td> <td>-</td> <td>321</td> <td>3\"/> <tr> <td>329B</td> <td>ETR</td> <td>-</td> <td>WD.</td> <td>J2</td> <td>PTD.</td> <td>-</td> <td>322</td> <td>3\"/> <tr> <td>331</td> <td>ETR</td> <td>-</td> <td>WD.</td> <td>J2</td> <td>PTD.</td> <td>-</td> <td>323</td> <td>3\"/> <tr> <td>333</td> <td>ETR</td> <td>-</td> <td>WD.</td> <td>J2</td> <td>PTD.</td> <td>-</td> <td>324</td> <td>3\"/> <tr> <td>334A</td> <td>ETR</td> <td>-</td> <td>WD.</td> <td>J2</td> <td>PTD.</td> <td>-</td> <td>325</td> <td>3\"/> <tr> <td>334B</td> <td>ETR</td> <td>-</td> <td>WD.</td> <td>J2</td> <td>PTD.</td> <td>-</td> <td>327</td> <td>3\"/> <tr> <td>335A</td> <td>ETR</td> <td>-</td> <td>WD.</td> <td>J2</td> <td>PTD.</td> <td>-</td> <td>328</td> <td>3\"/> <tr> <td>335B</td> <td>B</td> <td>3\"/> <tr> <td>336</td> <td>B</td> <td>3\"/> <tr> <td>337</td> <td>ETR</td> <td>-</td> <td>WD.</td> <td>J2</td> <td>PTD.</td> <td>-</td> <td>329A</td> <td>3\"/> <tr> <td>339</td> <td>ETR</td> <td>-</td> <td>WD.</td> <td>J2</td> <td>PTD.</td> <td>-</td> <td>329B</td> <td>3\"/> <tr> <td>340</td> <td>A</td> <td>3\"/> <tr> <td>341A</td> <td>ETR</td> <td>-</td> <td>WD.</td> <td>J2</td> <td>PTD.</td> <td>-</td> <td>331</td> <td>3\"/> <tr> <td>341B</td> <td>ETR</td> <td>-</td> <td>WD.</td> <td>J2</td> <td>PTD.</td> <td>-</td> <td>333</td> <td>3\"/> <tr> <td>342</td> <td>ETR</td> <td>-</td> <td>WD.</td> <td>J2</td> <td>PTD.</td> <td>-</td> <td>334A</td> <td>3\"/> <tr> <td>344</td> <td>ETR</td> <td>-</td> <td>WD.</td> <td>J2</td> <td>PTD.</td> <td>-</td> <td>334B</td> <td>3\"/> <tr> <td>345</td> <td>ETR</td> <td>-</td> <td>WD.</td> <td>J2</td> <td>PTD.</td> <td>-</td> <td>335A</td> <td>3\"/> <tr> <td>346</td> <td>ETR</td> <td>-</td> <td>WD.</td> <td>J2</td> <td>PTD.</td> <td>-</td> <td>335B</td> <td>3\"/> <tr> <td>347</td> <td>ETR</td> <td>-</td> <td>WD.</td> <td>J2</td> <td>PTD.</td> <td>-</td> <td>336</td> <td>3\"/> <tr> <td>348</td> <td>ETR</td> <td>-</td> <td>WD.</td> <td>J2</td> <td>PTD.</td> <td>-</td> <td>337</td> <td>3\"/> <tr> <td>349</td> <td>ETR</td> <td>-</td> <td>WD.</td> <td>J2</td> <td>PTD.</td> <td>-</td> <td>339</td> <td>3\"/> <tr> <td>350</td> <td>ETR</td> <td>-</td> <td>WD.</td> <td>J2</td> <td>PTD.</td> <td>-</td> <td>340</td> <td>3\"/> </td></tr></td></tr></td></tr></td></tr></td></tr></td></tr></td></tr></td></tr></td></tr></td></tr></td></tr></td></tr></td></tr></td></tr></td></tr></td></tr></td></tr></td></tr></td></tr></td></tr></td></tr></td></tr></td></tr></td></tr></td></tr></td></tr></td></tr></td></tr></td></tr></td></tr></td></tr></td></tr> | 318 | ETR | - | WD. | J2 | PTD.
 | - | 311 | 3\"/> <tr> <td>319</td> <td>ETR</td> <td>-</td> <td>WD.</td> <td>J2</td> <td>PTD.</td> <td>-</td> <td>312A</td> <td>3\"/> <tr> <td>320</td> <td>ETR</td> <td>-</td> <td>WD.</td> <td>J2</td> <td>PTD.</td> <td>-</td> <td>313</td> <td>3\"/> <tr> <td>321</td> <td>ETR</td> <td>-</td> <td>WD.</td> <td>J2</td> <td>PTD.</td> <td>-</td> <td>314</td> <td>3\"/> <tr> <td>322</td> <td>ETR</td> <td>-</td> <td>WD.</td> <td>J2</td> <td>PTD.</td> <td>-</td> <td>315</td> <td>3\"/> <tr> <td>323</td> <td>ETR</td> <td>-</td> <td>WD.</td> <td>J2</td> <td>PTD.</td> <td>-</td> <td>316A</td> <td>3\"/> <tr> <td>324</td> <td>ETR</td> <td>-</td> <td>WD.</td> <td>J2</td> <td>PTD.</td> <td>-</td> <td>318</td> <td>3\"/> <tr> <td>325</td> <td>A</td> <td>3\"/> <tr> <td>327</td> <td>ETR</td> <td>-</td> <td>WD.</td> <td>J2</td> <td>PTD.</td> <td>-</td> <td>319</td> <td>3\"/> <tr> <td>328</td> <td>ETR</td> <td>-</td> <td>WD.</td> <td>J2</td> <td>PTD.</td> <td>-</td> <td>320</td> <td>3\"/> <tr> <td>329A</td> <td>ETR</td> <td>-</td> <td>WD.</td> <td>J2</td> <td>PTD.</td> <td>-</td> <td>321</td> <td>3\"/> <tr> <td>329B</td> <td>ETR</td> <td>-</td> <td>WD.</td> <td>J2</td> <td>PTD.</td> <td>-</td> <td>322</td> <td>3\"/> <tr> <td>331</td> <td>ETR</td> <td>-</td> <td>WD.</td> <td>J2</td> <td>PTD.</td> <td>-</td> <td>323</td> <td>3\"/> <tr> <td>333</td> <td>ETR</td> <td>-</td> <td>WD.</td> <td>J2</td> <td>PTD.</td> <td>-</td> <td>324</td> <td>3\"/> <tr> <td>334A</td> <td>ETR</td> <td>-</td> <td>WD.</td> <td>J2</td> <td>PTD.</td> <td>-</td> <td>325</td> <td>3\"/> <tr> <td>334B</td> <td>ETR</td> <td>-</td> <td>WD.</td> <td>J2</td> <td>PTD.</td> <td>-</td> <td>327</td> <td>3\"/> <tr> <td>335A</td> <td>ETR</td> <td>-</td> <td>WD.</td> <td>J2</td> <td>PTD.</td> <td>-</td> <td>328</td> <td>3\"/> <tr> <td>335B</td> <td>B</td> <td>3\"/> <tr> <td>336</td> <td>B</td> <td>3\"/> <tr> <td>337</td> <td>ETR</td> <td>-</td> <td>WD.</td> <td>J2</td> <td>PTD.</td> <td>-</td> <td>329A</td> <td>3\"/> <tr> <td>339</td> <td>ETR</td> <td>-</td> <td>WD.</td> <td>J2</td> <td>PTD.</td> <td>-</td> <td>329B</td> <td>3\"/> <tr> <td>340</td> <td>A</td> <td>3\"/> <tr> <td>341A</td> <td>ETR</td> <td>-</td> <td>WD.</td> <td>J2</td> <td>PTD.</td> <td>-</td> <td>331</td> <td>3\"/> <tr> <td>341B</td> <td>ETR</td> <td>-</td> <td>WD.</td> <td>J2</td> <td>PTD.</td> <td>-</td> <td>333</td> <td>3\"/> <tr> <td>342</td> <td>ETR</td> <td>-</td> <td>WD.</td> <td>J2</td> <td>PTD.</td> <td>-</td> <td>334A</td> <td>3\"/> <tr> <td>344</td> <td>ETR</td> <td>-</td> <td>WD.</td> <td>J2</td> <td>PTD.</td> <td>-</td> <td>334B</td> <td>3\"/> <tr> <td>345</td> <td>ETR</td> <td>-</td> <td>WD.</td> <td>J2</td> <td>PTD.</td> <td>-</td> <td>335A</td> <td>3\"/> <tr> <td>346</td> <td>ETR</td> <td>-</td> <td>WD.</td> <td>J2</td> <td>PTD.</td> <td>-</td> <td>335B</td> <td>3\"/> <tr> <td>347</td> <td>ETR</td> <td>-</td> <td>WD.</td> <td>J2</td> <td>PTD.</td> <td>-</td> <td>336</td> <td>3\"/> <tr> <td>348</td> <td>ETR</td> <td>-</td> <td>WD.</td> <td>J2</td> <td>PTD.</td> <td>-</td> <td>337</td> <td>3\"/> <tr> <td>349</td> <td>ETR</td> <td>-</td> <td>WD.</td> <td>J2</td> <td>PTD.</td> <td>-</td> <td>339</td> <td>3\"/> <tr> <td>350</td> <td>ETR</td> <td>-</td> <td>WD.</td> <td>J2</td> <td>PTD.</td> <td>-</td> <td>340</td> <td>3\"/> </td></tr></td></tr></td></tr></td></tr></td></tr></td></tr></td></tr></td></tr></td></tr></td></tr></td></tr></td></tr></td></tr></td></tr></td></tr></td></tr></td></tr></td></tr></td></tr></td></tr></td></tr></td></tr></td></tr></td></tr></td></tr></td></tr></td></tr></td></tr></td></tr></td></tr></td></tr> | 319 | ETR | - | WD. | J2 | PTD.
 | - | 312A | 3\"/> <tr> <td>320</td> <td>ETR</td> <td>-</td> <td>WD.</td> <td>J2</td> <td>PTD.</td> <td>-</td> <td>313</td> <td>3\"/> <tr> <td>321</td> <td>ETR</td> <td>-</td> <td>WD.</td> <td>J2</td> <td>PTD.</td> <td>-</td> <td>314</td> <td>3\"/> <tr> <td>322</td> <td>ETR</td> <td>-</td> <td>WD.</td> <td>J2</td> <td>PTD.</td> <td>-</td> <td>315</td> <td>3\"/> <tr> <td>323</td> <td>ETR</td> <td>-</td> <td>WD.</td> <td>J2</td> <td>PTD.</td> <td>-</td> <td>316A</td> <td>3\"/> <tr> <td>324</td> <td>ETR</td> <td>-</td> <td>WD.</td> <td>J2</td> <td>PTD.</td> <td>-</td> <td>318</td> <td>3\"/> <tr> <td>325</td> <td>A</td> <td>3\"/> <tr> <td>327</td> <td>ETR</td> <td>-</td> <td>WD.</td> <td>J2</td> <td>PTD.</td> <td>-</td> <td>319</td> <td>3\"/> <tr> <td>328</td> <td>ETR</td> <td>-</td> <td>WD.</td> <td>J2</td> <td>PTD.</td> <td>-</td> <td>320</td> <td>3\"/> <tr> <td>329A</td> <td>ETR</td> <td>-</td> <td>WD.</td> <td>J2</td> <td>PTD.</td> <td>-</td> <td>321</td> <td>3\"/> <tr> <td>329B</td> <td>ETR</td> <td>-</td> <td>WD.</td> <td>J2</td> <td>PTD.</td> <td>-</td> <td>322</td> <td>3\"/> <tr> <td>331</td> <td>ETR</td> <td>-</td> <td>WD.</td> <td>J2</td> <td>PTD.</td> <td>-</td> <td>323</td> <td>3\"/> <tr> <td>333</td> <td>ETR</td> <td>-</td> <td>WD.</td> <td>J2</td> <td>PTD.</td> <td>-</td> <td>324</td> <td>3\"/> <tr> <td>334A</td> <td>ETR</td> <td>-</td> <td>WD.</td> <td>J2</td> <td>PTD.</td> <td>-</td> <td>325</td> <td>3\"/> <tr> <td>334B</td> <td>ETR</td> <td>-</td> <td>WD.</td> <td>J2</td> <td>PTD.</td> <td>-</td> <td>327</td> <td>3\"/> <tr> <td>335A</td> <td>ETR</td> <td>-</td> <td>WD.</td> <td>J2</td> <td>PTD.</td> <td>-</td> <td>328</td> <td>3\"/> <tr> <td>335B</td> <td>B</td> <td>3\"/> <tr> <td>336</td> <td>B</td> <td>3\"/> <tr> <td>337</td> <td>ETR</td> <td>-</td> <td>WD.</td> <td>J2</td> <td>PTD.</td> <td>-</td> <td>329A</td> <td>3\"/> <tr> <td>339</td> <td>ETR</td> <td>-</td> <td>WD.</td> <td>J2</td> <td>PTD.</td> <td>-</td> <td>329B</td> <td>3\"/> <tr> <td>340</td> <td>A</td> <td>3\"/> <tr> <td>341A</td> <td>ETR</td> <td>-</td> <td>WD.</td> <td>J2</td> <td>PTD.</td> <td>-</td> <td>331</td> <td>3\"/> <tr> <td>341B</td> <td>ETR</td> <td>-</td> <td>WD.</td> <td>J2</td> <td>PTD.</td> <td>-</td> <td>333</td> <td>3\"/> <tr> <td>342</td> <td>ETR</td> <td>-</td> <td>WD.</td> <td>J2</td> <td>PTD.</td> <td>-</td> <td>334A</td> <td>3\"/> <tr> <td>344</td> <td>ETR</td> <td>-</td> <td>WD.</td> <td>J2</td> <td>PTD.</td> <td>-</td> <td>334B</td> <td>3\"/> <tr> <td>345</td> <td>ETR</td> <td>-</td> <td>WD.</td> <td>J2</td> <td>PTD.</td> <td>-</td> <td>335A</td> <td>3\"/> <tr> <td>346</td> <td>ETR</td> <td>-</td> <td>WD.</td> <td>J2</td> <td>PTD.</td> <td>-</td> <td>335B</td> <td>3\"/> <tr> <td>347</td> <td>ETR</td> <td>-</td> <td>WD.</td> <td>J2</td> <td>PTD.</td> <td>-</td> <td>336</td> <td>3\"/> <tr> <td>348</td> <td>ETR</td> <td>-</td> <td>WD.</td> <td>J2</td> <td>PTD.</td> <td>-</td> <td>337</td> <td>3\"/> <tr> <td>349</td> <td>ETR</td> <td>-</td> <td>WD.</td> <td>J2</td> <td>PTD.</td> <td>-</td> <td>339</td> <td>3\"/> <tr> <td>350</td> <td>ETR</td> <td>-</td> <td>WD.</td> <td>J2</td> <td>PTD.</td> <td>-</td> <td>340</td> <td>3\"/> </td></tr></td></tr></td></tr></td></tr></td></tr></td></tr></td></tr></td></tr></td></tr></td></tr></td></tr></td></tr></td></tr></td></tr></td></tr></td></tr></td></tr></td></tr></td></tr></td></tr></td></tr></td></tr></td></tr></td></tr></td></tr></td></tr></td></tr></td></tr></td></tr></td></tr> | 320 | ETR | - | WD. | J2 | PTD.
 | - | 313 | 3\"/> <tr> <td>321</td> <td>ETR</td> <td>-</td> <td>WD.</td> <td>J2</td> <td>PTD.</td> <td>-</td> <td>314</td> <td>3\"/> <tr> <td>322</td> <td>ETR</td> <td>-</td> <td>WD.</td> <td>J2</td> <td>PTD.</td> <td>-</td> <td>315</td> <td>3\"/> <tr> <td>323</td> <td>ETR</td> <td>-</td> <td>WD.</td> <td>J2</td> <td>PTD.</td> <td>-</td> <td>316A</td> <td>3\"/> <tr> <td>324</td> <td>ETR</td> <td>-</td> <td>WD.</td> <td>J2</td> <td>PTD.</td> <td>-</td> <td>318</td> <td>3\"/> <tr> <td>325</td> <td>A</td> <td>3\"/> <tr> <td>327</td> <td>ETR</td> <td>-</td> <td>WD.</td> <td>J2</td> <td>PTD.</td> <td>-</td> <td>319</td> <td>3\"/> <tr> <td>328</td> <td>ETR</td> <td>-</td> <td>WD.</td> <td>J2</td> <td>PTD.</td> <td>-</td> <td>320</td> <td>3\"/> <tr> <td>329A</td> <td>ETR</td> <td>-</td> <td>WD.</td> <td>J2</td> <td>PTD.</td> <td>-</td> <td>321</td> <td>3\"/> <tr> <td>329B</td> <td>ETR</td> <td>-</td> <td>WD.</td> <td>J2</td> <td>PTD.</td> <td>-</td> <td>322</td> <td>3\"/> <tr> <td>331</td> <td>ETR</td> <td>-</td> <td>WD.</td> <td>J2</td> <td>PTD.</td> <td>-</td> <td>323</td> <td>3\"/> <tr> <td>333</td> <td>ETR</td> <td>-</td> <td>WD.</td> <td>J2</td> <td>PTD.</td> <td>-</td> <td>324</td> <td>3\"/> <tr> <td>334A</td> <td>ETR</td> <td>-</td> <td>WD.</td> <td>J2</td> <td>PTD.</td> <td>-</td> <td>325</td> <td>3\"/> <tr> <td>334B</td> <td>ETR</td> <td>-</td> <td>WD.</td> <td>J2</td> <td>PTD.</td> <td>-</td> <td>327</td> <td>3\"/> <tr> <td>335A</td> <td>ETR</td> <td>-</td> <td>WD.</td> <td>J2</td> <td>PTD.</td> <td>-</td> <td>328</td> <td>3\"/> <tr> <td>335B</td> <td>B</td> <td>3\"/> <tr> <td>336</td> <td>B</td> <td>3\"/> <tr> <td>337</td> <td>ETR</td> <td>-</td> <td>WD.</td> <td>J2</td> <td>PTD.</td> <td>-</td> <td>329A</td> <td>3\"/> <tr> <td>339</td> <td>ETR</td> <td>-</td> <td>WD.</td> <td>J2</td> <td>PTD.</td> <td>-</td> <td>329B</td> <td>3\"/> <tr> <td>340</td> <td>A</td> <td>3\"/> <tr> <td>341A</td> <td>ETR</td> <td>-</td> <td>WD.</td> <td>J2</td> <td>PTD.</td> <td>-</td> <td>331</td> <td>3\"/> <tr> <td>341B</td> <td>ETR</td> <td>-</td> <td>WD.</td> <td>J2</td> <td>PTD.</td> <td>-</td> <td>333</td> <td>3\"/> <tr> <td>342</td> <td>ETR</td> <td>-</td> <td>WD.</td> <td>J2</td> <td>PTD.</td> <td>-</td> <td>334A</td> <td>3\"/> <tr> <td>344</td> <td>ETR</td> <td>-</td> <td>WD.</td> <td>J2</td> <td>PTD.</td> <td>-</td> <td>334B</td> <td>3\"/> <tr> <td>345</td> <td>ETR</td> <td>-</td> <td>WD.</td> <td>J2</td> <td>PTD.</td> <td>-</td> <td>335A</td> <td>3\"/> <tr> <td>346</td> <td>ETR</td> <td>-</td> <td>WD.</td> <td>J2</td> <td>PTD.</td> <td>-</td> <td>335B</td> <td>3\"/> <tr> <td>347</td> <td>ETR</td> <td>-</td> <td>WD.</td> <td>J2</td> <td>PTD.</td> <td>-</td> <td>336</td> <td>3\"/> <tr> <td>348</td> <td>ETR</td> <td>-</td> <td>WD.</td> <td>J2</td> <td>PTD.</td> <td>-</td> <td>337</td> <td>3\"/> <tr> <td>349</td> <td>ETR</td> <td>-</td> <td>WD.</td> <td>J2</td> <td>PTD.</td> <td>-</td> <td>339</td> <td>3\"/> <tr> <td>350</td> <td>ETR</td> <td>-</td> <td>WD.</td> <td>J2</td> <td>PTD.</td> <td>-</td> <td>340</td> <td>3\"/> </td></tr></td></tr></td></tr></td></tr></td></tr></td></tr></td></tr></td></tr></td></tr></td></tr></td></tr></td></tr></td></tr></td></tr></td></tr></td></tr></td></tr></td></tr></td></tr></td></tr></td></tr></td></tr></td></tr></td></tr></td></tr></td></tr></td></tr></td></tr></td></tr> | 321 | ETR | -
 | WD. | J2 | PTD. | - | 314 | 3\"/> <tr> <td>322</td> <td>ETR</td> <td>-</td> <td>WD.</td> <td>J2</td> <td>PTD.</td> <td>-</td> <td>315</td> <td>3\"/> <tr> <td>323</td> <td>ETR</td> <td>-</td> <td>WD.</td> <td>J2</td> <td>PTD.</td> <td>-</td> <td>316A</td> <td>3\"/> <tr> <td>324</td> <td>ETR</td> <td>-</td> <td>WD.</td> <td>J2</td> <td>PTD.</td> <td>-</td> <td>318</td> <td>3\"/> <tr> <td>325</td> <td>A</td> <td>3\"/> <tr> <td>327</td> <td>ETR</td> <td>-</td> <td>WD.</td> <td>J2</td> <td>PTD.</td> <td>-</td> <td>319</td> <td>3\"/> <tr> <td>328</td> <td>ETR</td> <td>-</td> <td>WD.</td> <td>J2</td> <td>PTD.</td> <td>-</td> <td>320</td> <td>3\"/> <tr> <td>329A</td> <td>ETR</td> <td>-</td> <td>WD.</td> <td>J2</td> <td>PTD.</td> <td>-</td> <td>321</td> <td>3\"/> <tr> <td>329B</td> <td>ETR</td> <td>-</td> <td>WD.</td> <td>J2</td> <td>PTD.</td> <td>-</td> <td>322</td> <td>3\"/> <tr> <td>331</td> <td>ETR</td> <td>-</td> <td>WD.</td> <td>J2</td> <td>PTD.</td> <td>-</td> <td>323</td> <td>3\"/> <tr> <td>333</td> <td>ETR</td> <td>-</td> <td>WD.</td> <td>J2</td> <td>PTD.</td> <td>-</td> <td>324</td> <td>3\"/> <tr> <td>334A</td> <td>ETR</td> <td>-</td> <td>WD.</td> <td>J2</td> <td>PTD.</td> <td>-</td> <td>325</td> <td>3\"/> <tr> <td>334B</td> <td>ETR</td> <td>-</td> <td>WD.</td> <td>J2</td> <td>PTD.</td> <td>-</td> <td>327</td> <td>3\"/> <tr> <td>335A</td> <td>ETR</td> <td>-</td> <td>WD.</td> <td>J2</td> <td>PTD.</td> <td>-</td> <td>328</td> <td>3\"/> <tr> <td>335B</td> <td>B</td> <td>3\"/> <tr> <td>336</td> <td>B</td> <td>3\"/> <tr> <td>337</td> <td>ETR</td> <td>-</td> <td>WD.</td> <td>J2</td> <td>PTD.</td> <td>-</td> <td>329A</td> <td>3\"/> <tr> <td>339</td> <td>ETR</td> <td>-</td> <td>WD.</td> <td>J2</td> <td>PTD.</td> <td>-</td> <td>329B</td> <td>3\"/> <tr> <td>340</td> <td>A</td> <td>3\"/> <tr> <td>341A</td> <td>ETR</td> <td>-</td> <td>WD.</td> <td>J2</td> <td>PTD.</td> <td>-</td> <td>331</td> <td>3\"/> <tr> <td>341B</td> <td>ETR</td> <td>-</td> <td>WD.</td> <td>J2</td> <td>PTD.</td> <td>-</td> <td>333</td> <td>3\"/> <tr> <td>342</td> <td>ETR</td> <td>-</td> <td>WD.</td> <td>J2</td> <td>PTD.</td> <td>-</td> <td>334A</td> <td>3\"/> <tr> <td>344</td> <td>ETR</td> <td>-</td> <td>WD.</td> <td>J2</td> <td>PTD.</td> <td>-</td> <td>334B</td> <td>3\"/> <tr> <td>345</td> <td>ETR</td> <td>-</td> <td>WD.</td> <td>J2</td> <td>PTD.</td> <td>-</td> <td>335A</td> <td>3\"/> <tr> <td>346</td> <td>ETR</td> <td>-</td> <td>WD.</td> <td>J2</td> <td>PTD.</td> <td>-</td> <td>335B</td> <td>3\"/> <tr> <td>347</td> <td>ETR</td> <td>-</td> <td>WD.</td> <td>J2</td> <td>PTD.</td> <td>-</td> <td>336</td> <td>3\"/> <tr> <td>348</td> <td>ETR</td> <td>-</td> <td>WD.</td> <td>J2</td> <td>PTD.</td> <td>-</td> <td>337</td> <td>3\"/> <tr> <td>349</td> <td>ETR</td> <td>-</td> <td>WD.</td> <td>J2</td> <td>PTD.</td> <td>-</td> <td>339</td> <td>3\"/> <tr> <td>350</td> <td>ETR</td> <td>-</td> <td>WD.</td> <td>J2</td> <td>PTD.</td> <td>-</td> <td>340</td> <td>3\"/> </td></tr></td></tr></td></tr></td></tr></td></tr></td></tr></td></tr></td></tr></td></tr></td></tr></td></tr></td></tr></td></tr></td></tr></td></tr></td></tr></td></tr></td></tr></td></tr></td></tr></td></tr></td></tr></td></tr></td></tr></td></tr></td></tr></td></tr></td></tr> | 322 | ETR | -
 | WD. | J2 | PTD. | - | 315 | 3\"/> <tr> <td>323</td> <td>ETR</td> <td>-</td> <td>WD.</td> <td>J2</td> <td>PTD.</td> <td>-</td> <td>316A</td> <td>3\"/> <tr> <td>324</td> <td>ETR</td> <td>-</td> <td>WD.</td> <td>J2</td> <td>PTD.</td> <td>-</td> <td>318</td> <td>3\"/> <tr> <td>325</td> <td>A</td> <td>3\"/> <tr> <td>327</td> <td>ETR</td> <td>-</td> <td>WD.</td> <td>J2</td> <td>PTD.</td> <td>-</td> <td>319</td> <td>3\"/> <tr> <td>328</td> <td>ETR</td> <td>-</td> <td>WD.</td> <td>J2</td> <td>PTD.</td> <td>-</td> <td>320</td> <td>3\"/> <tr> <td>329A</td> <td>ETR</td> <td>-</td> <td>WD.</td> <td>J2</td> <td>PTD.</td> <td>-</td> <td>321</td> <td>3\"/> <tr> <td>329B</td> <td>ETR</td> <td>-</td> <td>WD.</td> <td>J2</td> <td>PTD.</td> <td>-</td> <td>322</td> <td>3\"/> <tr> <td>331</td> <td>ETR</td> <td>-</td> <td>WD.</td> <td>J2</td> <td>PTD.</td> <td>-</td> <td>323</td> <td>3\"/> <tr> <td>333</td> <td>ETR</td> <td>-</td> <td>WD.</td> <td>J2</td> <td>PTD.</td> <td>-</td> <td>324</td> <td>3\"/> <tr> <td>334A</td> <td>ETR</td> <td>-</td> <td>WD.</td> <td>J2</td> <td>PTD.</td> <td>-</td> <td>325</td> <td>3\"/> <tr> <td>334B</td> <td>ETR</td> <td>-</td> <td>WD.</td> <td>J2</td> <td>PTD.</td> <td>-</td> <td>327</td> <td>3\"/> <tr> <td>335A</td> <td>ETR</td> <td>-</td> <td>WD.</td> <td>J2</td> <td>PTD.</td> <td>-</td> <td>328</td> <td>3\"/> <tr> <td>335B</td> <td>B</td> <td>3\"/> <tr> <td>336</td> <td>B</td> <td>3\"/> <tr> <td>337</td> <td>ETR</td> <td>-</td> <td>WD.</td> <td>J2</td> <td>PTD.</td> <td>-</td> <td>329A</td> <td>3\"/> <tr> <td>339</td> <td>ETR</td> <td>-</td> <td>WD.</td> <td>J2</td> <td>PTD.</td> <td>-</td> <td>329B</td> <td>3\"/> <tr> <td>340</td> <td>A</td> <td>3\"/> <tr> <td>341A</td> <td>ETR</td> <td>-</td> <td>WD.</td> <td>J2</td> <td>PTD.</td> <td>-</td> <td>331</td> <td>3\"/> <tr> <td>341B</td> <td>ETR</td> <td>-</td> <td>WD.</td> <td>J2</td> <td>PTD.</td> <td>-</td> <td>333</td> <td>3\"/> <tr> <td>342</td> <td>ETR</td> <td>-</td> <td>WD.</td> <td>J2</td> <td>PTD.</td> <td>-</td> <td>334A</td> <td>3\"/> <tr> <td>344</td> <td>ETR</td> <td>-</td> <td>WD.</td> <td>J2</td> <td>PTD.</td> <td>-</td> <td>334B</td> <td>3\"/> <tr> <td>345</td> <td>ETR</td> <td>-</td> <td>WD.</td> <td>J2</td> <td>PTD.</td> <td>-</td> <td>335A</td> <td>3\"/> <tr> <td>346</td> <td>ETR</td> <td>-</td> <td>WD.</td> <td>J2</td> <td>PTD.</td> <td>-</td> <td>335B</td> <td>3\"/> <tr> <td>347</td> <td>ETR</td> <td>-</td> <td>WD.</td> <td>J2</td> <td>PTD.</td> <td>-</td> <td>336</td> <td>3\"/> <tr> <td>348</td> <td>ETR</td> <td>-</td> <td>WD.</td> <td>J2</td> <td>PTD.</td> <td>-</td> <td>337</td> <td>3\"/> <tr> <td>349</td> <td>ETR</td> <td>-</td> <td>WD.</td> <td>J2</td> <td>PTD.</td> <td>-</td> <td>339</td> <td>3\"/> <tr> <td>350</td> <td>ETR</td> <td>-</td> <td>WD.</td> <td>J2</td> <td>PTD.</td> <td>-</td> <td>340</td> <td>3\"/> </td></tr></td></tr></td></tr></td></tr></td></tr></td></tr></td></tr></td></tr></td></tr></td></tr></td></tr></td></tr></td></tr></td></tr></td></tr></td></tr></td></tr></td></tr></td></tr></td></tr></td></tr></td></tr></td></tr></td></tr></td></tr></td></tr></td></tr> | 323 | ETR | - | WD. | J2 | PTD.
 | - | 316A | 3\"/> <tr> <td>324</td> <td>ETR</td> <td>-</td> <td>WD.</td> <td>J2</td> <td>PTD.</td> <td>-</td> <td>318</td> <td>3\"/> <tr> <td>325</td> <td>A</td> <td>3\"/> <tr> <td>327</td> <td>ETR</td> <td>-</td> <td>WD.</td> <td>J2</td> <td>PTD.</td> <td>-</td> <td>319</td> <td>3\"/> <tr> <td>328</td> <td>ETR</td> <td>-</td> <td>WD.</td> <td>J2</td> <td>PTD.</td> <td>-</td> <td>320</td> <td>3\"/> <tr> <td>329A</td> <td>ETR</td> <td>-</td> <td>WD.</td> <td>J2</td> <td>PTD.</td> <td>-</td> <td>321</td> <td>3\"/> <tr> <td>329B</td> <td>ETR</td> <td>-</td> <td>WD.</td> <td>J2</td> <td>PTD.</td> <td>-</td> <td>322</td> <td>3\"/> <tr> <td>331</td> <td>ETR</td> <td>-</td> <td>WD.</td> <td>J2</td> <td>PTD.</td> <td>-</td> <td>323</td> <td>3\"/> <tr> <td>333</td> <td>ETR</td> <td>-</td> <td>WD.</td> <td>J2</td> <td>PTD.</td> <td>-</td> <td>324</td> <td>3\"/> <tr> <td>334A</td> <td>ETR</td> <td>-</td> <td>WD.</td> <td>J2</td> <td>PTD.</td> <td>-</td> <td>325</td> <td>3\"/> <tr> <td>334B</td> <td>ETR</td> <td>-</td> <td>WD.</td> <td>J2</td> <td>PTD.</td> <td>-</td> <td>327</td> <td>3\"/> <tr> <td>335A</td> <td>ETR</td> <td>-</td> <td>WD.</td> <td>J2</td> <td>PTD.</td> <td>-</td> <td>328</td> <td>3\"/> <tr> <td>335B</td> <td>B</td> <td>3\"/> <tr> <td>336</td> <td>B</td> <td>3\"/> <tr> <td>337</td> <td>ETR</td> <td>-</td> <td>WD.</td> <td>J2</td> <td>PTD.</td> <td>-</td> <td>329A</td> <td>3\"/> <tr> <td>339</td> <td>ETR</td> <td>-</td> <td>WD.</td> <td>J2</td> <td>PTD.</td> <td>-</td> <td>329B</td> <td>3\"/> <tr> <td>340</td> <td>A</td> <td>3\"/> <tr> <td>341A</td> <td>ETR</td> <td>-</td> <td>WD.</td> <td>J2</td> <td>PTD.</td> <td>-</td> <td>331</td> <td>3\"/> <tr> <td>341B</td> <td>ETR</td> <td>-</td> <td>WD.</td> <td>J2</td> <td>PTD.</td> <td>-</td> <td>333</td> <td>3\"/> <tr> <td>342</td> <td>ETR</td> <td>-</td> <td>WD.</td> <td>J2</td> <td>PTD.</td> <td>-</td> <td>334A</td> <td>3\"/> <tr> <td>344</td> <td>ETR</td> <td>-</td> <td>WD.</td> <td>J2</td> <td>PTD.</td> <td>-</td> <td>334B</td> <td>3\"/> <tr> <td>345</td> <td>ETR</td> <td>-</td> <td>WD.</td> <td>J2</td> <td>PTD.</td> <td>-</td> <td>335A</td> <td>3\"/> <tr> <td>346</td> <td>ETR</td> <td>-</td> <td>WD.</td> <td>J2</td> <td>PTD.</td> <td>-</td> <td>335B</td> <td>3\"/> <tr> <td>347</td> <td>ETR</td> <td>-</td> <td>WD.</td> <td>J2</td> <td>PTD.</td> <td>-</td> <td>336</td> <td>3\"/> <tr> <td>348</td> <td>ETR</td> <td>-</td> <td>WD.</td> <td>J2</td> <td>PTD.</td> <td>-</td> <td>337</td> <td>3\"/> <tr> <td>349</td> <td>ETR</td> <td>-</td> <td>WD.</td> <td>J2</td> <td>PTD.</td> <td>-</td> <td>339</td> <td>3\"/> <tr> <td>350</td> <td>ETR</td> <td>-</td> <td>WD.</td> <td>J2</td> <td>PTD.</td> <td>-</td> <td>340</td> <td>3\"/> </td></tr></td></tr></td></tr></td></tr></td></tr></td></tr></td></tr></td></tr></td></tr></td></tr></td></tr></td></tr></td></tr></td></tr></td></tr></td></tr></td></tr></td></tr></td></tr></td></tr></td></tr></td></tr></td></tr></td></tr></td></tr></td></tr> | 324 | ETR | - | WD. | J2 | PTD.
 | - | 318 | 3\"/> <tr> <td>325</td> <td>A</td> <td>3\"/> <tr> <td>327</td> <td>ETR</td> <td>-</td> <td>WD.</td> <td>J2</td> <td>PTD.</td> <td>-</td> <td>319</td> <td>3\"/> <tr> <td>328</td> <td>ETR</td> <td>-</td> <td>WD.</td> <td>J2</td> <td>PTD.</td> <td>-</td> <td>320</td> <td>3\"/> <tr> <td>329A</td> <td>ETR</td> <td>-</td> <td>WD.</td> <td>J2</td> <td>PTD.</td> <td>-</td> <td>321</td> <td>3\"/> <tr> <td>329B</td> <td>ETR</td> <td>-</td> <td>WD.</td> <td>J2</td> <td>PTD.</td> <td>-</td> <td>322</td> <td>3\"/> <tr> <td>331</td> <td>ETR</td> <td>-</td> <td>WD.</td> <td>J2</td> <td>PTD.</td> <td>-</td> <td>323</td> <td>3\"/> <tr> <td>333</td> <td>ETR</td> <td>-</td> <td>WD.</td> <td>J2</td> <td>PTD.</td> <td>-</td> <td>324</td> <td>3\"/> <tr> <td>334A</td> <td>ETR</td> <td>-</td> <td>WD.</td> <td>J2</td> <td>PTD.</td> <td>-</td> <td>325</td> <td>3\"/> <tr> <td>334B</td> <td>ETR</td> <td>-</td> <td>WD.</td> <td>J2</td> <td>PTD.</td> <td>-</td> <td>327</td> <td>3\"/> <tr> <td>335A</td> <td>ETR</td> <td>-</td> <td>WD.</td> <td>J2</td> <td>PTD.</td> <td>-</td> <td>328</td> <td>3\"/> <tr> <td>335B</td> <td>B</td> <td>3\"/> <tr> <td>336</td> <td>B</td> <td>3\"/> <tr> <td>337</td> <td>ETR</td> <td>-</td> <td>WD.</td> <td>J2</td> <td>PTD.</td> <td>-</td> <td>329A</td> <td>3\"/> <tr> <td>339</td> <td>ETR</td> <td>-</td> <td>WD.</td> <td>J2</td> <td>PTD.</td> <td>-</td> <td>329B</td> <td>3\"/> <tr> <td>340</td> <td>A</td> <td>3\"/> <tr> <td>341A</td> <td>ETR</td> <td>-</td> <td>WD.</td> <td>J2</td> <td>PTD.</td> <td>-</td> <td>331</td> <td>3\"/> <tr> <td>341B</td> <td>ETR</td> <td>-</td> <td>WD.</td> <td>J2</td> <td>PTD.</td> <td>-</td> <td>333</td> <td>3\"/> <tr> <td>342</td> <td>ETR</td> <td>-</td> <td>WD.</td> <td>J2</td> <td>PTD.</td> <td>-</td> <td>334A</td> <td>3\"/> <tr> <td>344</td> <td>ETR</td> <td>-</td> <td>WD.</td> <td>J2</td> <td>PTD.</td> <td>-</td> <td>334B</td> <td>3\"/> <tr> <td>345</td> <td>ETR</td> <td>-</td> <td>WD.</td> <td>J2</td> <td>PTD.</td> <td>-</td> <td>335A</td> <td>3\"/> <tr> <td>346</td> <td>ETR</td> <td>-</td> <td>WD.</td> <td>J2</td> <td>PTD.</td> <td>-</td> <td>335B</td> <td>3\"/> <tr> <td>347</td> <td>ETR</td> <td>-</td> <td>WD.</td> <td>J2</td> <td>PTD.</td> <td>-</td> <td>336</td> <td>3\"/> <tr> <td>348</td> <td>ETR</td> <td>-</td> <td>WD.</td> <td>J2</td> <td>PTD.</td> <td>-</td> <td>337</td> <td>3\"/> <tr> <td>349</td> <td>ETR</td> <td>-</td> <td>WD.</td> <td>J2</td> <td>PTD.</td> <td>-</td> <td>339</td> <td>3\"/> <tr> <td>350</td> <td>ETR</td> <td>-</td> <td>WD.</td> <td>J2</td> <td>PTD.</td> <td>-</td> <td>340</td> <td>3\"/> </td></tr></td></tr></td></tr></td></tr></td></tr></td></tr></td></tr></td></tr></td></tr></td></tr></td></tr></td></tr></td></tr></td></tr></td></tr></td></tr></td></tr></td></tr></td></tr></td></tr></td></tr></td></tr></td></tr></td></tr></td></tr> | 325 | A | 3\"/> <tr> <td>327</td> <td>ETR</td> <td>-</td> <td>WD.</td> <td>J2</td> <td>PTD.</td> <td>-</td> <td>319</td> <td>3\"/> <tr> <td>328</td> <td>ETR</td> <td>-</td> <td>WD.</td> <td>J2</td> <td>PTD.</td> <td>-</td> <td>320</td> <td>3\"/> <tr> <td>329A</td> <td>ETR</td> <td>-</td> <td>WD.</td> <td>J2</td> <td>PTD.</td> <td>-</td> <td>321</td> <td>3\"/> <tr> <td>329B</td> <td>ETR</td> <td>-</td> <td>WD.</td> <td>J2</td> <td>PTD.</td> <td>-</td> <td>322</td> <td>3\"/> <tr> <td>331</td> <td>ETR</td> <td>-</td> <td>WD.</td> <td>J2</td> <td>PTD.</td> <td>-</td> <td>323</td> <td>3\"/> <tr> <td>333</td> <td>ETR</td> <td>-</td> <td>WD.</td> <td>J2</td> <td>PTD.</td> <td>-</td> <td>324</td> <td>3\"/> <tr> <td>334A</td> <td>ETR</td> <td>-</td> <td>WD.</td> <td>J2</td> <td>PTD.</td> <td>-</td> <td>325</td> <td>3\"/> <tr> <td>334B</td> <td>ETR</td> <td>-</td> <td>WD.</td> <td>J2</td> <td>PTD.</td> <td>-</td> <td>327</td> <td>3\"/> <tr> <td>335A</td> <td>ETR</td> <td>-</td> <td>WD.</td> <td>J2</td> <td>PTD.</td> <td>-</td> <td>328</td> <td>3\"/> <tr> <td>335B</td> <td>B</td> <td>3\"/> <tr> <td>336</td> <td>B</td> <td>3\"/> <tr> <td>337</td> <td>ETR</td> <td>-</td> <td>WD.</td> <td>J2</td> <td>PTD.</td> <td>-</td> <td>329A</td> <td>3\"/> <tr> <td>339</td> <td>ETR</td> <td>-</td> <td>WD.</td> <td>J2</td> <td>PTD.</td> <td>-</td> <td>329B</td> <td>3\"/> <tr> <td>340</td> <td>A</td> <td>3\"/> <tr> <td>341A</td> <td>ETR</td> <td>-</td> <td>WD.</td> <td>J2</td> <td>PTD.</td> <td>-</td> <td>331</td> <td>3\"/> <tr> <td>341B</td> <td>ETR</td> <td>-</td> <td>WD.</td> <td>J2</td> <td>PTD.</td> <td>-</td> <td>333</td> <td>3\"/> <tr> <td>342</td> <td>ETR</td> <td>-</td> <td>WD.</td> <td>J2</td> <td>PTD.</td> <td>-</td> <td>334A</td> <td>3\"/> <tr> <td>344</td> <td>ETR</td> <td>-</td> <td>WD.</td> <td>J2</td> <td>PTD.</td> <td>-</td> <td>334B</td> <td>3\"/> <tr> <td>345</td> <td>ETR</td> <td>-</td> <td>WD.</td> <td>J2</td> <td>PTD.</td> <td>-</td> <td>335A</td> <td>3\"/> <tr> <td>346</td> <td>ETR</td> <td>-</td> <td>WD.</td> <td>J2</td> <td>PTD.</td> <td>-</td> <td>335B</td> <td>3\"/> <tr> <td>347</td> <td>ETR</td> <td>-</td> <td>WD.</td> <td>J2</td> <td>PTD.</td> <td>-</td> <td>336</td> <td>3\"/> <tr> <td>348</td> <td>ETR</td> <td>-</td> <td>WD.</td> <td>J2</td> <td>PTD.</td> <td>-</td> <td>337</td> <td>3\"/> <tr> <td>349</td> <td>ETR</td> <td>-</td> <td>WD.</td> <td>J2</td> <td>PTD.</td> <td>-</td> <td>339</td> <td>3\"/> <tr> <td>350</td> <td>ETR</td> <td>-</td> <td>WD.</td> <td>J2</td> <td>PTD.</td> <td>-</td> <td>340</td> <td>3\"/> </td></tr></td></tr></td></tr></td></tr></td></tr></td></tr></td></tr></td></tr></td></tr></td></tr></td></tr></td></tr></td></tr></td></tr></td></tr></td></tr></td></tr></td></tr></td></tr></td></tr></td></tr></td></tr></td></tr></td></tr> | 327 | ETR | - | WD. | J2 | PTD.
 | - | 319 | 3\"/> <tr> <td>328</td> <td>ETR</td> <td>-</td> <td>WD.</td> <td>J2</td> <td>PTD.</td> <td>-</td> <td>320</td> <td>3\"/> <tr> <td>329A</td> <td>ETR</td> <td>-</td> <td>WD.</td> <td>J2</td> <td>PTD.</td> <td>-</td> <td>321</td> <td>3\"/> <tr> <td>329B</td> <td>ETR</td> <td>-</td> <td>WD.</td> <td>J2</td> <td>PTD.</td> <td>-</td> <td>322</td> <td>3\"/> <tr> <td>331</td> <td>ETR</td> <td>-</td> <td>WD.</td> <td>J2</td> <td>PTD.</td> <td>-</td> <td>323</td> <td>3\"/> <tr> <td>333</td> <td>ETR</td> <td>-</td> <td>WD.</td> <td>J2</td> <td>PTD.</td> <td>-</td> <td>324</td> <td>3\"/> <tr> <td>334A</td> <td>ETR</td> <td>-</td> <td>WD.</td> <td>J2</td> <td>PTD.</td> <td>-</td> <td>325</td> <td>3\"/> <tr> <td>334B</td> <td>ETR</td> <td>-</td> <td>WD.</td> <td>J2</td> <td>PTD.</td> <td>-</td> <td>327</td> <td>3\"/> <tr> <td>335A</td> <td>ETR</td> <td>-</td> <td>WD.</td> <td>J2</td> <td>PTD.</td> <td>-</td> <td>328</td> <td>3\"/> <tr> <td>335B</td> <td>B</td> <td>3\"/> <tr> <td>336</td> <td>B</td> <td>3\"/> <tr> <td>337</td> <td>ETR</td> <td>-</td> <td>WD.</td> <td>J2</td> <td>PTD.</td> <td>-</td> <td>329A</td> <td>3\"/> <tr> <td>339</td> <td>ETR</td> <td>-</td> <td>WD.</td> <td>J2</td> <td>PTD.</td> <td>-</td> <td>329B</td> <td>3\"/> <tr> <td>340</td> <td>A</td> <td>3\"/> <tr> <td>341A</td> <td>ETR</td> <td>-</td> <td>WD.</td> <td>J2</td> <td>PTD.</td> <td>-</td> <td>331</td> <td>3\"/> <tr> <td>341B</td> <td>ETR</td> <td>-</td> <td>WD.</td> <td>J2</td> <td>PTD.</td> <td>-</td> <td>333</td> <td>3\"/> <tr> <td>342</td> <td>ETR</td> <td>-</td> <td>WD.</td> <td>J2</td> <td>PTD.</td> <td>-</td> <td>334A</td> <td>3\"/> <tr> <td>344</td> <td>ETR</td> <td>-</td> <td>WD.</td> <td>J2</td> <td>PTD.</td> <td>-</td> <td>334B</td> <td>3\"/> <tr> <td>345</td> <td>ETR</td> <td>-</td> <td>WD.</td> <td>J2</td> <td>PTD.</td> <td>-</td> <td>335A</td> <td>3\"/> <tr> <td>346</td> <td>ETR</td> <td>-</td> <td>WD.</td> <td>J2</td> <td>PTD.</td> <td>-</td> <td>335B</td> <td>3\"/> <tr> <td>347</td> <td>ETR</td> <td>-</td> <td>WD.</td> <td>J2</td> <td>PTD.</td> <td>-</td> <td>336</td> <td>3\"/> <tr> <td>348</td> <td>ETR</td> <td>-</td> <td>WD.</td> <td>J2</td> <td>PTD.</td> <td>-</td> <td>337</td> <td>3\"/> <tr> <td>349</td> <td>ETR</td> <td>-</td> <td>WD.</td> <td>J2</td> <td>PTD.</td> <td>-</td> <td>339</td> <td>3\"/> <tr> <td>350</td> <td>ETR</td> <td>-</td> <td>WD.</td> <td>J2</td> <td>PTD.</td> <td>-</td> <td>340</td> <td>3\"/> </td></tr></td></tr></td></tr></td></tr></td></tr></td></tr></td></tr></td></tr></td></tr></td></tr></td></tr></td></tr></td></tr></td></tr></td></tr></td></tr></td></tr></td></tr></td></tr></td></tr></td></tr></td></tr></td></tr> | 328 | ETR | - | WD. | J2 | PTD.
 | - | 320 | 3\"/> <tr> <td>329A</td> <td>ETR</td> <td>-</td> <td>WD.</td> <td>J2</td> <td>PTD.</td> <td>-</td> <td>321</td> <td>3\"/> <tr> <td>329B</td> <td>ETR</td> <td>-</td> <td>WD.</td> <td>J2</td> <td>PTD.</td> <td>-</td> <td>322</td> <td>3\"/> <tr> <td>331</td> <td>ETR</td> <td>-</td> <td>WD.</td> <td>J2</td> <td>PTD.</td> <td>-</td> <td>323</td> <td>3\"/> <tr> <td>333</td> <td>ETR</td> <td>-</td> <td>WD.</td> <td>J2</td> <td>PTD.</td> <td>-</td> <td>324</td> <td>3\"/> <tr> <td>334A</td> <td>ETR</td> <td>-</td> <td>WD.</td> <td>J2</td> <td>PTD.</td> <td>-</td> <td>325</td> <td>3\"/> <tr> <td>334B</td> <td>ETR</td> <td>-</td> <td>WD.</td> <td>J2</td> <td>PTD.</td> <td>-</td> <td>327</td> <td>3\"/> <tr> <td>335A</td> <td>ETR</td> <td>-</td> <td>WD.</td> <td>J2</td> <td>PTD.</td> <td>-</td> <td>328</td> <td>3\"/> <tr> <td>335B</td> <td>B</td> <td>3\"/> <tr> <td>336</td> <td>B</td> <td>3\"/> <tr> <td>337</td> <td>ETR</td> <td>-</td> <td>WD.</td> <td>J2</td> <td>PTD.</td> <td>-</td> <td>329A</td> <td>3\"/> <tr> <td>339</td> <td>ETR</td> <td>-</td> <td>WD.</td> <td>J2</td> <td>PTD.</td> <td>-</td> <td>329B</td> <td>3\"/> <tr> <td>340</td> <td>A</td> <td>3\"/> <tr> <td>341A</td> <td>ETR</td> <td>-</td> <td>WD.</td> <td>J2</td> <td>PTD.</td> <td>-</td> <td>331</td> <td>3\"/> <tr> <td>341B</td> <td>ETR</td> <td>-</td> <td>WD.</td> <td>J2</td> <td>PTD.</td> <td>-</td> <td>333</td> <td>3\"/> <tr> <td>342</td> <td>ETR</td> <td>-</td> <td>WD.</td> <td>J2</td> <td>PTD.</td> <td>-</td> <td>334A</td> <td>3\"/> <tr> <td>344</td> <td>ETR</td> <td>-</td> <td>WD.</td> <td>J2</td> <td>PTD.</td> <td>-</td> <td>334B</td> <td>3\"/> <tr> <td>345</td> <td>ETR</td> <td>-</td> <td>WD.</td> <td>J2</td> <td>PTD.</td> <td>-</td> <td>335A</td> <td>3\"/> <tr> <td>346</td> <td>ETR</td> <td>-</td> <td>WD.</td> <td>J2</td> <td>PTD.</td> <td>-</td> <td>335B</td> <td>3\"/> <tr> <td>347</td> <td>ETR</td> <td>-</td> <td>WD.</td> <td>J2</td> <td>PTD.</td> <td>-</td> <td>336</td> <td>3\"/> <tr> <td>348</td> <td>ETR</td> <td>-</td> <td>WD.</td> <td>J2</td> <td>PTD.</td> <td>-</td> <td>337</td> <td>3\"/> <tr> <td>349</td> <td>ETR</td> <td>-</td> <td>WD.</td> <td>J2</td> <td>PTD.</td> <td>-</td> <td>339</td> <td>3\"/> <tr> <td>350</td> <td>ETR</td> <td>-</td> <td>WD.</td> <td>J2</td> <td>PTD.</td> <td>-</td> <td>340</td> <td>3\"/> </td></tr></td></tr></td></tr></td></tr></td></tr></td></tr></td></tr></td></tr></td></tr></td></tr></td></tr></td></tr></td></tr></td></tr></td></tr></td></tr></td></tr></td></tr></td></tr></td></tr></td></tr></td></tr> | 329A | ETR | - | WD. | J2 | PTD. | - | 321 | 3\"/> <tr> <td>329B</td> <td>ETR</td> <td>-</td> <td>WD.</td> <td>J2</td> <td>PTD.</td> <td>-</td> <td>322</td> <td>3\"/> <tr> <td>331</td> <td>ETR</td> <td>-</td> <td>WD.</td> <td>J2</td> <td>PTD.</td> <td>-</td> <td>323</td> <td>3\"/> <tr> <td>333</td> <td>ETR</td> <td>-</td> <td>WD.</td> <td>J2</td> <td>PTD.</td> <td>-</td> <td>324</td> <td>3\"/> <tr> <td>334A</td> <td>ETR</td> <td>-</td> <td>WD.</td> <td>J2</td> <td>PTD.</td> <td>-</td> <td>325</td> <td>3\"/> <tr> <td>334B</td> <td>ETR</td> <td>-</td> <td>WD.</td> <td>J2</td> <td>PTD.</td> <td>-</td> <td>327</td> <td>3\"/> <tr> <td>335A</td> <td>ETR</td> <td>-</td> <td>WD.</td> <td>J2</td> <td>PTD.</td> <td>-</td> <td>328</td> <td>3\"/> <tr> <td>335B</td> <td>B</td> <td>3\"/> <tr> <td>336</td> <td>B</td> <td>3\"/> <tr> <td>337</td> <td>ETR</td> <td>-</td> <td>WD.</td> <td>J2</td> <td>PTD.</td> <td>-</td> <td>329A</td> <td>3\"/> <tr> <td>339</td> <td>ETR</td> <td>-</td> <td>WD.</td> <td>J2</td> <td>PTD.</td> <td>-</td> <td>329B</td> <td>3\"/> <tr> <td>340</td> <td>A</td> <td>3\"/> <tr> <td>341A</td> <td>ETR</td> <td>-</td> <td>WD.</td> <td>J2</td> <td>PTD.</td> <td>-</td> <td>331</td> <td>3\"/> <tr> <td>341B</td> <td>ETR</td> <td>-</td> <td>WD.</td> <td>J2</td> <td>PTD.</td> <td>-</td> <td>333</td> <td>3\"/> <tr> <td>342</td> <td>ETR</td> <td>-</td> <td>WD.</td> <td>J2</td> <td>PTD.</td> <td>-</td> <td>334A</td> <td>3\"/> <tr> <td>344</td> <td>ETR</td> <td>-</td> <td>WD.</td> <td>J2</td> <td>PTD.</td> <td>-</td> <td>334B</td> <td>3\"/> <tr> <td>345</td> <td>ETR</td> <td>-</td> <td>WD.</td> <td>J2</td> <td>PTD.</td> <td>-</td> <td>335A</td> <td>3\"/> <tr> <td>346</td> <td>ETR</td> <td>-</td> <td>WD.</td> <td>J2</td> <td>PTD.</td> <td>-</td> <td>335B</td> <td>3\"/>
<tr> <td>347</td> <td>ETR</td> <td>-</td> <td>WD.</td> <td>J2</td> <td>PTD.</td> <td>-</td> <td>336</td> <td>3\"/> <tr> <td>348</td> <td>ETR</td> <td>-</td> <td>WD.</td> <td>J2</td> <td>PTD.</td> <td>-</td> <td>337</td> <td>3\"/> <tr> <td>349</td> <td>ETR</td> <td>-</td> <td>WD.</td> <td>J2</td> <td>PTD.</td> <td>-</td> <td>339</td> <td>3\"/> <tr> <td>350</td> <td>ETR</td> <td>-</td> <td>WD.</td> <td>J2</td> <td>PTD.</td> <td>-</td> <td>340</td> <td>3\"/> </td></tr></td></tr></td></tr></td></tr></td></tr></td></tr></td></tr></td></tr></td></tr></td></tr></td></tr></td></tr></td></tr></td></tr></td></tr></td></tr></td></tr></td></tr></td></tr></td></tr></td></tr> | 329B | ETR | - | WD. | J2 | PTD. | - | 322 | 3\"/> <tr> <td>331</td> <td>ETR</td> <td>-</td> <td>WD.</td> <td>J2</td> <td>PTD.</td> <td>-</td> <td>323</td> <td>3\"/> <tr> <td>333</td> <td>ETR</td> <td>-</td> <td>WD.</td> <td>J2</td> <td>PTD.</td> <td>-</td> <td>324</td> <td>3\"/> <tr> <td>334A</td> <td>ETR</td> <td>-</td> <td>WD.</td> <td>J2</td> <td>PTD.</td> <td>-</td> <td>325</td> <td>3\"/> <tr> <td>334B</td> <td>ETR</td> <td>-</td> <td>WD.</td> <td>J2</td> <td>PTD.</td> <td>-</td> <td>327</td> <td>3\"/> <tr> <td>335A</td> <td>ETR</td> <td>-</td> <td>WD.</td> <td>J2</td> <td>PTD.</td> <td>-</td> <td>328</td> <td>3\"/> <tr> <td>335B</td> <td>B</td> <td>3\"/> <tr> <td>336</td> <td>B</td> <td>3\"/> <tr> <td>337</td> <td>ETR</td> <td>-</td> <td>WD.</td> <td>J2</td> <td>PTD.</td> <td>-</td> <td>329A</td> <td>3\"/> <tr> <td>339</td> <td>ETR</td> <td>-</td> <td>WD.</td> <td>J2</td> <td>PTD.</td> <td>-</td> <td>329B</td> <td>3\"/> <tr> <td>340</td> <td>A</td> <td>3\"/> <tr> <td>341A</td> <td>ETR</td> <td>-</td> <td>WD.</td> <td>J2</td> <td>PTD.</td> <td>-</td> <td>331</td> <td>3\"/> <tr> <td>341B</td> <td>ETR</td> <td>-</td> <td>WD.</td> <td>J2</td> <td>PTD.</td> <td>-</td> <td>333</td> <td>3\"/> <tr> <td>342</td> <td>ETR</td> <td>-</td> <td>WD.</td> <td>J2</td> <td>PTD.</td> <td>-</td> <td>334A</td> <td>3\"/> <tr> <td>344</td> <td>ETR</td> <td>-</td> <td>WD.</td> <td>J2</td> <td>PTD.</td> <td>-</td> <td>334B</td> <td>3\"/> <tr> <td>345</td> <td>ETR</td> <td>-</td> <td>WD.</td> <td>J2</td> <td>PTD.</td> <td>-</td> <td>335A</td> <td>3\"/> <tr> <td>346</td> <td>ETR</td> <td>-</td> <td>WD.</td> <td>J2</td> <td>PTD.</td> <td>-</td> <td>335B</td> <td>3\"/> <tr> <td>347</td> <td>ETR</td> <td>-</td> <td>WD.</td> <td>J2</td> <td>PTD.</td> <td>-</td> <td>336</td> <td>3\"/> <tr> <td>348</td> <td>ETR</td> <td>-</td> <td>WD.</td> <td>J2</td> <td>PTD.</td> <td>-</td> <td>337</td> <td>3\"/> <tr> <td>349</td> <td>ETR</td> <td>-</td> <td>WD.</td> <td>J2</td> <td>PTD.</td> <td>-</td> <td>339</td> <td>3\"/> <tr> <td>350</td> <td>ETR</td> <td>-</td> <td>WD.</td> <td>J2</td> <td>PTD.</td> <td>-</td> <td>340</td> <td>3\"/> </td></tr></td></tr></td></tr></td></tr></td></tr></td></tr></td></tr></td></tr></td></tr></td></tr></td></tr></td></tr></td></tr></td></tr></td></tr></td></tr></td></tr></td></tr></td></tr></td></tr> | 331 | ETR | -
 | WD. | J2 | PTD. | - | 323 | 3\"/> <tr> <td>333</td> <td>ETR</td> <td>-</td> <td>WD.</td> <td>J2</td> <td>PTD.</td> <td>-</td> <td>324</td> <td>3\"/> <tr> <td>334A</td> <td>ETR</td> <td>-</td> <td>WD.</td> <td>J2</td> <td>PTD.</td> <td>-</td> <td>325</td> <td>3\"/> <tr> <td>334B</td> <td>ETR</td> <td>-</td> <td>WD.</td> <td>J2</td> <td>PTD.</td> <td>-</td> <td>327</td> <td>3\"/> <tr> <td>335A</td> <td>ETR</td> <td>-</td> <td>WD.</td> <td>J2</td> <td>PTD.</td> <td>-</td> <td>328</td> <td>3\"/> <tr> <td>335B</td> <td>B</td> <td>3\"/> <tr> <td>336</td> <td>B</td> <td>3\"/> <tr> <td>337</td> <td>ETR</td> <td>-</td> <td>WD.</td> <td>J2</td> <td>PTD.</td> <td>-</td> <td>329A</td> <td>3\"/> <tr> <td>339</td> <td>ETR</td> <td>-</td> <td>WD.</td> <td>J2</td> <td>PTD.</td> <td>-</td> <td>329B</td> <td>3\"/> <tr> <td>340</td> <td>A</td> <td>3\"/> <tr> <td>341A</td> <td>ETR</td> <td>-</td> <td>WD.</td> <td>J2</td> <td>PTD.</td> <td>-</td> <td>331</td> <td>3\"/> <tr> <td>341B</td> <td>ETR</td> <td>-</td> <td>WD.</td> <td>J2</td> <td>PTD.</td> <td>-</td> <td>333</td> <td>3\"/> <tr> <td>342</td> <td>ETR</td> <td>-</td> <td>WD.</td> <td>J2</td> <td>PTD.</td> <td>-</td> <td>334A</td> <td>3\"/> <tr> <td>344</td> <td>ETR</td> <td>-</td> <td>WD.</td> <td>J2</td> <td>PTD.</td> <td>-</td> <td>334B</td> <td>3\"/> <tr> <td>345</td> <td>ETR</td> <td>-</td> <td>WD.</td> <td>J2</td> <td>PTD.</td> <td>-</td> <td>335A</td> <td>3\"/> <tr> <td>346</td> <td>ETR</td> <td>-</td> <td>WD.</td> <td>J2</td> <td>PTD.</td> <td>-</td> <td>335B</td> <td>3\"/> <tr> <td>347</td> <td>ETR</td> <td>-</td> <td>WD.</td> <td>J2</td> <td>PTD.</td> <td>-</td> <td>336</td> <td>3\"/> <tr> <td>348</td> <td>ETR</td> <td>-</td> <td>WD.</td> <td>J2</td> <td>PTD.</td> <td>-</td> <td>337</td> <td>3\"/> <tr> <td>349</td> <td>ETR</td> <td>-</td> <td>WD.</td> <td>J2</td> <td>PTD.</td> <td>-</td> <td>339</td> <td>3\"/> <tr> <td>350</td> <td>ETR</td> <td>-</td> <td>WD.</td> <td>J2</td> <td>PTD.</td> <td>-</td> <td>340</td> <td>3\"/> </td></tr></td></tr></td></tr></td></tr></td></tr></td></tr></td></tr></td></tr></td></tr></td></tr></td></tr></td></tr></td></tr></td></tr></td></tr></td></tr></td></tr></td></tr></td></tr> | 333 | ETR | - | WD. | J2 | PTD. | - | 324 | 3\"/> <tr> <td>334A</td> <td>ETR</td> <td>-</td> <td>WD.</td> <td>J2</td> <td>PTD.</td> <td>-</td> <td>325</td> <td>3\"/> <tr> <td>334B</td> <td>ETR</td> <td>-</td> <td>WD.</td> <td>J2</td> <td>PTD.</td> <td>-</td> <td>327</td> <td>3\"/> <tr> <td>335A</td> <td>ETR</td> <td>-</td> <td>WD.</td> <td>J2</td> <td>PTD.</td> <td>-</td> <td>328</td> <td>3\"/> <tr> <td>335B</td> <td>B</td> <td>3\"/> <tr> <td>336</td> <td>B</td> <td>3\"/> <tr> <td>337</td> <td>ETR</td> <td>-</td> <td>WD.</td> <td>J2</td> <td>PTD.</td> <td>-</td> <td>329A</td> <td>3\"/> <tr> <td>339</td> <td>ETR</td> <td>-</td> <td>WD.</td> <td>J2</td> <td>PTD.</td> <td>-</td> <td>329B</td> <td>3\"/> <tr> <td>340</td> <td>A</td> <td>3\"/> <tr> <td>341A</td> <td>ETR</td> <td>-</td> <td>WD.</td> <td>J2</td> <td>PTD.</td> <td>-</td> <td>331</td> <td>3\"/> <tr> <td>341B</td> <td>ETR</td> <td>-</td> <td>WD.</td> <td>J2</td> <td>PTD.</td> <td>-</td> <td>333</td> <td>3\"/> <tr> <td>342</td> <td>ETR</td> <td>-</td> <td>WD.</td> <td>J2</td> <td>PTD.</td> <td>-</td> <td>334A</td> <td>3\"/>
<tr> <td>344</td> <td>ETR</td> <td>-</td> <td>WD.</td> <td>J2</td> <td>PTD.</td> <td>-</td> <td>334B</td> <td>3\"/> <tr> <td>345</td> <td>ETR</td> <td>-</td> <td>WD.</td> <td>J2</td> <td>PTD.</td> <td>-</td> <td>335A</td> <td>3\"/> <tr> <td>346</td> <td>ETR</td> <td>-</td> <td>WD.</td> <td>J2</td> <td>PTD.</td> <td>-</td> <td>335B</td> <td>3\"/> <tr> <td>347</td> <td>ETR</td> <td>-</td> <td>WD.</td> <td>J2</td> <td>PTD.</td> <td>-</td> <td>336</td> <td>3\"/> <tr> <td>348</td> <td>ETR</td> <td>-</td> <td>WD.</td> <td>J2</td> <td>PTD.</td> <td>-</td> <td>337</td> <td>3\"/> <tr> <td>349</td> <td>ETR</td> <td>-</td> <td>WD.</td> <td>J2</td> <td>PTD.</td> <td>-</td> <td>339</td> <td>3\"/> <tr> <td>350</td> <td>ETR</td> <td>-</td> <td>WD.</td> <td>J2</td> <td>PTD.</td> <td>-</td> <td>340</td> <td>3\"/> </td></tr></td></tr></td></tr></td></tr></td></tr></td></tr></td></tr></td></tr></td></tr></td></tr></td></tr></td></tr></td></tr></td></tr></td></tr></td></tr></td></tr></td></tr> | 334A | ETR | - | WD. | J2 | PTD. | - | 325 | 3\"/> <tr> <td>334B</td> <td>ETR</td> <td>-</td> <td>WD.</td> <td>J2</td> <td>PTD.</td> <td>-</td> <td>327</td> <td>3\"/> <tr> <td>335A</td> <td>ETR</td> <td>-</td> <td>WD.</td> <td>J2</td> <td>PTD.</td> <td>-</td> <td>328</td> <td>3\"/> <tr> <td>335B</td> <td>B</td> <td>3\"/> <tr> <td>336</td> <td>B</td> <td>3\"/> <tr> <td>337</td> <td>ETR</td> <td>-</td> <td>WD.</td> <td>J2</td> <td>PTD.</td> <td>-</td> <td>329A</td> <td>3\"/> <tr> <td>339</td> <td>ETR</td> <td>-</td> <td>WD.</td> <td>J2</td> <td>PTD.</td> <td>-</td> <td>329B</td> <td>3\"/> <tr> <td>340</td> <td>A</td> <td>3\"/> <tr> <td>341A</td> <td>ETR</td> <td>-</td> <td>WD.</td> <td>J2</td> <td>PTD.</td> <td>-</td> <td>331</td> <td>3\"/> <tr> <td>341B</td> <td>ETR</td> <td>-</td> <td>WD.</td> <td>J2</td> <td>PTD.</td> <td>-</td> <td>333</td> <td>3\"/> <tr> <td>342</td> <td>ETR</td> <td>-</td> <td>WD.</td> <td>J2</td> <td>PTD.</td> <td>-</td> <td>334A</td> <td>3\"/> <tr> <td>344</td> <td>ETR</td> <td>-</td> <td>WD.</td> <td>J2</td> <td>PTD.</td> <td>-</td> <td>334B</td> <td>3\"/> <tr> <td>345</td> <td>ETR</td> <td>-</td> <td>WD.</td> <td>J2</td> <td>PTD.</td> <td>-</td> <td>335A</td> <td>3\"/> <tr> <td>346</td> <td>ETR</td> <td>-</td> <td>WD.</td> <td>J2</td> <td>PTD.</td> <td>-</td> <td>335B</td> <td>3\"/> <tr> <td>347</td> <td>ETR</td> <td>-</td> <td>WD.</td> <td>J2</td> <td>PTD.</td> <td>-</td> <td>336</td> <td>3\"/> <tr> <td>348</td> <td>ETR</td> <td>-</td> <td>WD.</td> <td>J2</td> <td>PTD.</td> <td>-</td> <td>337</td> <td>3\"/> <tr> <td>349</td> <td>ETR</td> <td>-</td> <td>WD.</td> <td>J2</td> <td>PTD.</td> <td>-</td> <td>339</td> <td>3\"/> <tr> <td>350</td> <td>ETR</td> <td>-</td> <td>WD.</td> <td>J2</td> <td>PTD.</td> <td>-</td> <td>340</td> <td>3\"/> </td></tr></td></tr></td></tr></td></tr></td></tr></td></tr></td></tr></td></tr></td></tr></td></tr></td></tr></td></tr></td></tr></td></tr></td></tr></td></tr></td></tr> | 334B | ETR | - | WD. | J2 | PTD.
 | - | 327 | 3\"/> <tr> <td>335A</td> <td>ETR</td> <td>-</td> <td>WD.</td> <td>J2</td> <td>PTD.</td> <td>-</td> <td>328</td> <td>3\"/> <tr> <td>335B</td> <td>B</td> <td>3\"/> <tr> <td>336</td> <td>B</td> <td>3\"/> <tr> <td>337</td> <td>ETR</td> <td>-</td> <td>WD.</td> <td>J2</td> <td>PTD.</td> <td>-</td> <td>329A</td> <td>3\"/> <tr> <td>339</td> <td>ETR</td> <td>-</td> <td>WD.</td> <td>J2</td> <td>PTD.</td> <td>-</td> <td>329B</td> <td>3\"/> <tr> <td>340</td> <td>A</td> <td>3\"/> <tr> <td>341A</td> <td>ETR</td> <td>-</td> <td>WD.</td> <td>J2</td> <td>PTD.</td> <td>-</td> <td>331</td> <td>3\"/> <tr> <td>341B</td> <td>ETR</td> <td>-</td> <td>WD.</td> <td>J2</td> <td>PTD.</td> <td>-</td> <td>333</td> <td>3\"/> <tr> <td>342</td> <td>ETR</td> <td>-</td> <td>WD.</td> <td>J2</td> <td>PTD.</td> <td>-</td> <td>334A</td> <td>3\"/> <tr> <td>344</td> <td>ETR</td> <td>-</td> <td>WD.</td> <td>J2</td> <td>PTD.</td> <td>-</td> <td>334B</td> <td>3\"/> <tr> <td>345</td> <td>ETR</td> <td>-</td> <td>WD.</td> <td>J2</td> <td>PTD.</td> <td>-</td> <td>335A</td> <td>3\"/> <tr> <td>346</td> <td>ETR</td> <td>-</td> <td>WD.</td> <td>J2</td> <td>PTD.</td> <td>-</td> <td>335B</td> <td>3\"/> <tr> <td>347</td> <td>ETR</td> <td>-</td> <td>WD.</td> <td>J2</td> <td>PTD.</td> <td>-</td> <td>336</td> <td>3\"/> <tr> <td>348</td> <td>ETR</td> <td>-</td> <td>WD.</td> <td>J2</td> <td>PTD.</td> <td>-</td> <td>337</td> <td>3\"/> <tr> <td>349</td> <td>ETR</td> <td>-</td> <td>WD.</td> <td>J2</td> <td>PTD.</td> <td>-</td> <td>339</td> <td>3\"/> <tr> <td>350</td> <td>ETR</td> <td>-</td> <td>WD.</td> <td>J2</td> <td>PTD.</td> <td>-</td> <td>340</td> <td>3\"/> </td></tr></td></tr></td></tr></td></tr></td></tr></td></tr></td></tr></td></tr></td></tr></td></tr></td></tr></td></tr></td></tr></td></tr></td></tr></td></tr> | 335A | ETR | - | WD. | J2 | PTD. | - | 328 | 3\"/> <tr> <td>335B</td> <td>B</td> <td>3\"/> <tr> <td>336</td> <td>B</td> <td>3\"/> <tr> <td>337</td> <td>ETR</td> <td>-</td> <td>WD.</td> <td>J2</td> <td>PTD.</td> <td>-</td> <td>329A</td> <td>3\"/> <tr> <td>339</td> <td>ETR</td> <td>-</td> <td>WD.</td> <td>J2</td> <td>PTD.</td> <td>-</td> <td>329B</td> <td>3\"/> <tr> <td>340</td> <td>A</td> <td>3\"/> <tr> <td>341A</td> <td>ETR</td> <td>-</td> <td>WD.</td> <td>J2</td> <td>PTD.</td> <td>-</td> <td>331</td> <td>3\"/> <tr> <td>341B</td> <td>ETR</td> <td>-</td> <td>WD.</td> <td>J2</td> <td>PTD.</td> <td>-</td> <td>333</td> <td>3\"/> <tr> <td>342</td> <td>ETR</td> <td>-</td> <td>WD.</td> <td>J2</td> <td>PTD.</td> <td>-</td> <td>334A</td> <td>3\"/> <tr> <td>344</td> <td>ETR</td> <td>-</td> <td>WD.</td> <td>J2</td> <td>PTD.</td> <td>-</td> <td>334B</td> <td>3\"/> <tr> <td>345</td> <td>ETR</td> <td>-</td> <td>WD.</td> <td>J2</td> <td>PTD.</td> <td>-</td> <td>335A</td> <td>3\"/> <tr> <td>346</td> <td>ETR</td> <td>-</td> <td>WD.</td> <td>J2</td> <td>PTD.</td> <td>-</td> <td>335B</td> <td>3\"/> <tr> <td>347</td> <td>ETR</td> <td>-</td> <td>WD.</td> <td>J2</td> <td>PTD.</td> <td>-</td> <td>336</td> <td>3\"/> <tr> <td>348</td> <td>ETR</td> <td>-</td> <td>WD.</td> <td>J2</td> <td>PTD.</td> <td>-</td> <td>337</td> <td>3\"/> <tr> <td>349</td> <td>ETR</td> <td>-</td> <td>WD.</td> <td>J2</td> <td>PTD.</td> <td>-</td> <td>339</td> <td>3\"/> <tr> <td>350</td> <td>ETR</td> <td>-</td> <td>WD.</td> <td>J2</td> <td>PTD.</td> <td>-</td> <td>340</td> <td>3\"/> </td></tr></td></tr></td></tr></td></tr></td></tr></td></tr></td></tr></td></tr></td></tr></td></tr></td></tr></td></tr></td></tr></td></tr></td></tr> | 335B | B | 3\"/> <tr> <td>336</td> <td>B</td> <td>3\"/> <tr> <td>337</td> <td>ETR</td> <td>-</td> <td>WD.</td> <td>J2</td> <td>PTD.</td> <td>-</td> <td>329A</td> <td>3\"/> <tr> <td>339</td> <td>ETR</td> <td>-</td> <td>WD.</td> <td>J2</td> <td>PTD.</td> <td>-</td> <td>329B</td> <td>3\"/> <tr> <td>340</td> <td>A</td> <td>3\"/> <tr> <td>341A</td> <td>ETR</td> <td>-</td> <td>WD.</td> <td>J2</td> <td>PTD.</td> <td>-</td> <td>331</td> <td>3\"/> <tr> <td>341B</td> <td>ETR</td> <td>-</td> <td>WD.</td> <td>J2</td> <td>PTD.</td> <td>-</td> <td>333</td> <td>3\"/> <tr> <td>342</td> <td>ETR</td> <td>-</td> <td>WD.</td> <td>J2</td> <td>PTD.</td> <td>-</td> <td>334A</td> <td>3\"/> <tr> <td>344</td> <td>ETR</td> <td>-</td> <td>WD.</td> <td>J2</td> <td>PTD.</td> <td>-</td> <td>334B</td> <td>3\"/> <tr> <td>345</td> <td>ETR</td> <td>-</td> <td>WD.</td> <td>J2</td> <td>PTD.</td> <td>-</td> <td>335A</td> <td>3\"/> <tr> <td>346</td> <td>ETR</td> <td>-</td> <td>WD.</td> <td>J2</td> <td>PTD.</td> <td>-</td> <td>335B</td> <td>3\"/> <tr> <td>347</td> <td>ETR</td> <td>-</td> <td>WD.</td> <td>J2</td> <td>PTD.</td> <td>-</td> <td>336</td> <td>3\"/> <tr> <td>348</td> <td>ETR</td> <td>-</td> <td>WD.</td> <td>J2</td> <td>PTD.</td> <td>-</td> <td>337</td> <td>3\"/> <tr> <td>349</td> <td>ETR</td> <td>-</td> <td>WD.</td> <td>J2</td> <td>PTD.</td> <td>-</td> <td>339</td> <td>3\"/> <tr> <td>350</td> <td>ETR</td> <td>-</td> <td>WD.</td> <td>J2</td> <td>PTD.</td> <td>-</td> <td>340</td> <td>3\"/> </td></tr></td></tr></td></tr></td></tr></td></tr></td></tr></td></tr></td></tr></td></tr></td></tr></td></tr></td></tr></td></tr></td></tr> | 336 | B | 3\"/> <tr> <td>337</td> <td>ETR</td> <td>-</td> <td>WD.</td> <td>J2</td> <td>PTD.</td> <td>-</td> <td>329A</td> <td>3\"/> <tr> <td>339</td> <td>ETR</td> <td>-</td> <td>WD.</td> <td>J2</td> <td>PTD.</td> <td>-</td> <td>329B</td> <td>3\"/> <tr> <td>340</td> <td>A</td> <td>3\"/> <tr> <td>341A</td> <td>ETR</td> <td>-</td> <td>WD.</td> <td>J2</td> <td>PTD.</td>
<td>-</td> <td>331</td> <td>3\"/> <tr> <td>341B</td> <td>ETR</td> <td>-</td> <td>WD.</td> <td>J2</td> <td>PTD.</td> <td>-</td> <td>333</td> <td>3\"/> <tr> <td>342</td> <td>ETR</td> <td>-</td> <td>WD.</td> <td>J2</td> <td>PTD.</td> <td>-</td> <td>334A</td> <td>3\"/> <tr> <td>344</td> <td>ETR</td> <td>-</td> <td>WD.</td> <td>J2</td> <td>PTD.</td> <td>-</td> <td>334B</td> <td>3\"/> <tr> <td>345</td> <td>ETR</td> <td>-</td> <td>WD.</td> <td>J2</td> <td>PTD.</td> <td>-</td> <td>335A</td> <td>3\"/> <tr> <td>346</td> <td>ETR</td> <td>-</td> <td>WD.</td> <td>J2</td> <td>PTD.</td> <td>-</td> <td>335B</td> <td>3\"/> <tr> <td>347</td> <td>ETR</td> <td>-</td> <td>WD.</td> <td>J2</td> <td>PTD.</td> <td>-</td> <td>336</td> <td>3\"/> <tr> <td>348</td> <td>ETR</td> <td>-</td> <td>WD.</td> <td>J2</td> <td>PTD.</td> <td>-</td> <td>337</td> <td>3\"/> <tr> <td>349</td> <td>ETR</td> <td>-</td> <td>WD.</td> <td>J2</td> <td>PTD.</td> <td>-</td> <td>339</td> <td>3\"/> <tr> <td>350</td> <td>ETR</td> <td>-</td> <td>WD.</td> <td>J2</td> <td>PTD.</td> <td>-</td> <td>340</td> <td>3\"/> </td></tr></td></tr></td></tr></td></tr></td></tr></td></tr></td></tr></td></tr></td></tr></td></tr></td></tr></td></tr></td></tr> | 337 | ETR | - | WD. | J2 | PTD. | - | 329A | 3\"/> <tr> <td>339</td> <td>ETR</td> <td>-</td> <td>WD.</td> <td>J2</td> <td>PTD.</td> <td>-</td> <td>329B</td> <td>3\"/> <tr> <td>340</td> <td>A</td> <td>3\"/> <tr> <td>341A</td> <td>ETR</td> <td>-</td> <td>WD.</td> <td>J2</td> <td>PTD.</td> <td>-</td> <td>331</td> <td>3\"/> <tr> <td>341B</td> <td>ETR</td> <td>-</td> <td>WD.</td> <td>J2</td> <td>PTD.</td> <td>-</td> <td>333</td> <td>3\"/> <tr> <td>342</td> <td>ETR</td> <td>-</td> <td>WD.</td> <td>J2</td> <td>PTD.</td> <td>-</td> <td>334A</td> <td>3\"/> <tr> <td>344</td> <td>ETR</td> <td>-</td> <td>WD.</td> <td>J2</td> <td>PTD.</td> <td>-</td> <td>334B</td> <td>3\"/> <tr> <td>345</td> <td>ETR</td> <td>-</td> <td>WD.</td> <td>J2</td> <td>PTD.</td> <td>-</td> <td>335A</td> <td>3\"/> <tr> <td>346</td> <td>ETR</td> <td>-</td> <td>WD.</td> <td>J2</td> <td>PTD.</td> <td>-</td> <td>335B</td> <td>3\"/> <tr> <td>347</td> <td>ETR</td> <td>-</td> <td>WD.</td> <td>J2</td> <td>PTD.</td> <td>-</td> <td>336</td> <td>3\"/> <tr> <td>348</td> <td>ETR</td> <td>-</td> <td>WD.</td> <td>J2</td> <td>PTD.</td> <td>-</td> <td>337</td> <td>3\"/> <tr> <td>349</td> <td>ETR</td> <td>-</td> <td>WD.</td> <td>J2</td> <td>PTD.</td> <td>-</td> <td>339</td> <td>3\"/> <tr> <td>350</td> <td>ETR</td> <td>-</td> <td>WD.</td> <td>J2</td> <td>PTD.</td> <td>-</td> <td>340</td> <td>3\"/> </td></tr></td></tr></td></tr></td></tr></td></tr></td></tr></td></tr></td></tr></td></tr></td></tr></td></tr></td></tr> | 339 | ETR | - | WD. | J2 | PTD. | - | 329B | 3\"/> <tr> <td>340</td> <td>A</td> <td>3\"/> <tr> <td>341A</td> <td>ETR</td> <td>-</td> <td>WD.</td> <td>J2</td> <td>PTD.</td> <td>-</td> <td>331</td> <td>3\"/> <tr> <td>341B</td> <td>ETR</td> <td>-</td> <td>WD.</td> <td>J2</td> <td>PTD.</td> <td>-</td> <td>333</td> <td>3\"/> <tr> <td>342</td> <td>ETR</td> <td>-</td> <td>WD.</td> <td>J2</td> <td>PTD.</td> <td>-</td> <td>334A</td> <td>3\"/> <tr> <td>344</td> <td>ETR</td> <td>-</td> <td>WD.</td> <td>J2</td> <td>PTD.</td> <td>-</td> <td>334B</td> <td>3\"/> <tr> <td>345</td> <td>ETR</td> <td>-</td> <td>WD.</td> <td>J2</td> <td>PTD.</td> <td>-</td> <td>335A</td> <td>3\"/> <tr> <td>346</td> <td>ETR</td> <td>-</td> <td>WD.</td> <td>J2</td> <td>PTD.</td> <td>-</td> <td>335B</td> <td>3\"/> <tr> <td>347</td> <td>ETR</td> <td>-</td> <td>WD.</td> <td>J2</td> <td>PTD.</td> <td>-</td> <td>336</td> <td>3\"/> <tr> <td>348</td> <td>ETR</td> <td>-</td> <td>WD.</td> <td>J2</td> <td>PTD.</td> <td>-</td> <td>337</td> <td>3\"/> <tr> <td>349</td> <td>ETR</td> <td>-</td> <td>WD.</td> <td>J2</td> <td>PTD.</td> <td>-</td> <td>339</td> <td>3\"/> <tr> <td>350</td> <td>ETR</td> <td>-</td> <td>WD.</td> <td>J2</td> <td>PTD.</td> <td>-</td> <td>340</td> <td>3\"/> </td></tr></td></tr></td></tr></td></tr></td></tr></td></tr></td></tr></td></tr></td></tr></td></tr></td></tr> | 340 | A | 3\"/> <tr> <td>341A</td> <td>ETR</td> <td>-</td> <td>WD.</td> <td>J2</td> <td>PTD.</td> <td>-</td> <td>331</td> <td>3\"/> <tr> <td>341B</td> <td>ETR</td> <td>-</td> <td>WD.</td> <td>J2</td> <td>PTD.</td> <td>-</td> <td>333</td> <td>3\"/> <tr> <td>342</td> <td>ETR</td> <td>-</td> <td>WD.</td> <td>J2</td> <td>PTD.</td> <td>-</td> <td>334A</td> <td>3\"/> <tr> <td>344</td> <td>ETR</td> <td>-</td> <td>WD.</td> <td>J2</td> <td>PTD.</td> <td>-</td> <td>334B</td> <td>3\"/> <tr> <td>345</td> <td>ETR</td> <td>-</td> <td>WD.</td> <td>J2</td> <td>PTD.</td> <td>-</td> <td>335A</td> <td>3\"/> <tr> <td>346</td> <td>ETR</td> <td>-</td> <td>WD.</td> <td>J2</td> <td>PTD.</td> <td>-</td> <td>335B</td> <td>3\"/> <tr> <td>347</td> <td>ETR</td>
<td>-</td> <td>WD.</td> <td>J2</td> <td>PTD.</td> <td>-</td> <td>336</td> <td>3\"/> <tr> <td>348</td> <td>ETR</td> <td>-</td> <td>WD.</td> <td>J2</td> <td>PTD.</td> <td>-</td> <td>337</td> <td>3\"/> <tr> <td>349</td> <td>ETR</td> <td>-</td> <td>WD.</td> <td>J2</td> <td>PTD.</td> <td>-</td> <td>339</td> <td>3\"/> <tr> <td>350</td> <td>ETR</td> <td>-</td> <td>WD.</td> <td>J2</td> <td>PTD.</td> <td>-</td> <td>340</td> <td>3\"/> </td></tr></td></tr></td></tr></td></tr></td></tr></td></tr></td></tr></td></tr></td></tr></td></tr> | 341A | ETR | - | WD. | J2 | PTD. | - | 331 | 3\"/> <tr> <td>341B</td> <td>ETR</td> <td>-</td> <td>WD.</td> <td>J2</td> <td>PTD.</td> <td>-</td> <td>333</td> <td>3\"/> <tr> <td>342</td> <td>ETR</td> <td>-</td> <td>WD.</td> <td>J2</td> <td>PTD.</td> <td>-</td> <td>334A</td> <td>3\"/> <tr> <td>344</td> <td>ETR</td> <td>-</td> <td>WD.</td> <td>J2</td> <td>PTD.</td> <td>-</td> <td>334B</td> <td>3\"/> <tr> <td>345</td> <td>ETR</td> <td>-</td> <td>WD.</td> <td>J2</td> <td>PTD.</td> <td>-</td> <td>335A</td> <td>3\"/> <tr> <td>346</td> <td>ETR</td> <td>-</td> <td>WD.</td> <td>J2</td> <td>PTD.</td> <td>-</td> <td>335B</td> <td>3\"/> <tr> <td>347</td> <td>ETR</td> <td>-</td> <td>WD.</td> <td>J2</td> <td>PTD.</td> <td>-</td> <td>336</td> <td>3\"/> <tr> <td>348</td> <td>ETR</td> <td>-</td> <td>WD.</td> <td>J2</td> <td>PTD.</td> <td>-</td> <td>337</td> <td>3\"/> <tr> <td>349</td> <td>ETR</td> <td>-</td> <td>WD.</td> <td>J2</td> <td>PTD.</td> <td>-</td> <td>339</td> <td>3\"/> <tr> <td>350</td> <td>ETR</td> <td>-</td> <td>WD.</td> <td>J2</td> <td>PTD.</td> <td>-</td> <td>340</td> <td>3\"/> </td></tr></td></tr></td></tr></td></tr></td></tr></td></tr></td></tr></td></tr></td></tr> | 341B | ETR | - | WD. | J2 | PTD. | - | 333 | 3\"/> <tr> <td>342</td> <td>ETR</td> <td>-</td> <td>WD.</td> <td>J2</td> <td>PTD.</td> <td>-</td> <td>334A</td> <td>3\"/> <tr> <td>344</td> <td>ETR</td> <td>-</td> <td>WD.</td> <td>J2</td> <td>PTD.</td> <td>-</td> <td>334B</td> <td>3\"/> <tr> <td>345</td> <td>ETR</td> <td>-</td> <td>WD.</td> <td>J2</td> <td>PTD.</td> <td>-</td> <td>335A</td> <td>3\"/> <tr> <td>346</td> <td>ETR</td> <td>-</td> <td>WD.</td> <td>J2</td> <td>PTD.</td> <td>-</td> <td>335B</td> <td>3\"/> <tr> <td>347</td> <td>ETR</td> <td>-</td> <td>WD.</td> <td>J2</td> <td>PTD.</td> <td>-</td> <td>336</td> <td>3\"/> <tr> <td>348</td> <td>ETR</td> <td>-</td> <td>WD.</td> <td>J2</td> <td>PTD.</td> <td>-</td> <td>337</td> <td>3\"/> <tr> <td>349</td> <td>ETR</td> <td>-</td> <td>WD.</td> <td>J2</td> <td>PTD.</td> <td>-</td> <td>339</td> <td>3\"/> <tr> <td>350</td> <td>ETR</td> <td>-</td> <td>WD.</td> <td>J2</td> <td>PTD.</td> <td>-</td> <td>340</td> <td>3\"/> </td></tr></td></tr></td></tr></td></tr></td></tr></td></tr></td></tr></td></tr> | 342 | ETR | - | WD. | J2 | PTD. | - | 334A | 3\"/> <tr> <td>344</td> <td>ETR</td> <td>-</td> <td>WD.</td> <td>J2</td> <td>PTD.</td> <td>-</td> <td>334B</td> <td>3\"/> <tr> <td>345</td> <td>ETR</td> <td>-</td> <td>WD.</td> <td>J2</td> <td>PTD.</td> <td>-</td> <td>335A</td> <td>3\"/> <tr> <td>346</td> <td>ETR</td> <td>-</td> <td>WD.</td> <td>J2</td> <td>PTD.</td> <td>-</td> <td>335B</td> <td>3\"/> <tr> <td>347</td> <td>ETR</td> <td>-</td> <td>WD.</td> <td>J2</td> <td>PTD.</td> <td>-</td> <td>336</td> <td>3\"/> <tr> <td>348</td> <td>ETR</td> <td>-</td> <td>WD.</td> <td>J2</td> <td>PTD.</td> <td>-</td> <td>337</td> <td>3\"/> <tr> <td>349</td> <td>ETR</td> <td>-</td> <td>WD.</td> <td>J2</td> <td>PTD.</td> <td>-</td> <td>339</td> <td>3\"/> <tr> <td>350</td> <td>ETR</td> <td>-</td> <td>WD.</td>
<td>J2</td> <td>PTD.</td> <td>-</td> <td>340</td> <td>3\"/> </td></tr></td></tr></td></tr></td></tr></td></tr></td></tr></td></tr> | 344 | ETR | - | WD. | J2 | PTD. | - | 334B | 3\"/> <tr> <td>345</td> <td>ETR</td> <td>-</td> <td>WD.</td> <td>J2</td> <td>PTD.</td> <td>-</td> <td>335A</td> <td>3\"/> <tr> <td>346</td> <td>ETR</td> <td>-</td> <td>WD.</td> <td>J2</td> <td>PTD.</td> <td>-</td> <td>335B</td> <td>3\"/> <tr> <td>347</td> <td>ETR</td> <td>-</td> <td>WD.</td> <td>J2</td> <td>PTD.</td> <td>-</td> <td>336</td> <td>3\"/> <tr> <td>348</td> <td>ETR</td> <td>-</td> <td>WD.</td> <td>J2</td> <td>PTD.</td> <td>-</td> <td>337</td> <td>3\"/> <tr> <td>349</td> <td>ETR</td> <td>-</td> <td>WD.</td> <td>J2</td> <td>PTD.</td> <td>-</td> <td>339</td> <td>3\"/> <tr> <td>350</td> <td>ETR</td> <td>-</td> <td>WD.</td> <td>J2</td> <td>PTD.</td> <td>-</td> <td>340</td> <td>3\"/> </td></tr></td></tr></td></tr></td></tr></td></tr></td></tr> | 345 | ETR | - | WD. | J2 | PTD. | - | 335A | 3\"/> <tr> <td>346</td> <td>ETR</td> <td>-</td> <td>WD.</td> <td>J2</td> <td>PTD.</td> <td>-</td> <td>335B</td> <td>3\"/> <tr> <td>347</td> <td>ETR</td> <td>-</td> <td>WD.</td> <td>J2</td> <td>PTD.</td> <td>-</td> <td>336</td> <td>3\"/> <tr> <td>348</td> <td>ETR</td> <td>-</td> <td>WD.</td> <td>J2</td> <td>PTD.</td> <td>-</td> <td>337</td> <td>3\"/> <tr> <td>349</td> <td>ETR</td> <td>-</td> <td>WD.</td> <td>J2</td> <td>PTD.</td> <td>-</td> <td>339</td> <td>3\"/> <tr> <td>350</td> <td>ETR</td> <td>-</td> <td>WD.</td> <td>J2</td> <td>PTD.</td> <td>-</td> <td>340</td> <td>3\"/> </td></tr></td></tr></td></tr></td></tr></td></tr> | 346 | ETR | - | WD. | J2 | PTD. | - | 335B | 3\"/> <tr> <td>347</td> <td>ETR</td> <td>-</td> <td>WD.</td> <td>J2</td> <td>PTD.</td> <td>-</td> <td>336</td> <td>3\"/> <tr> <td>348</td> <td>ETR</td> <td>-</td> <td>WD.</td> <td>J2</td> <td>PTD.</td> <td>-</td> <td>337</td> <td>3\"/> <tr> <td>349</td> <td>ETR</td> <td>-</td> <td>WD.</td> <td>J2</td> <td>PTD.</td> <td>-</td> <td>339</td> <td>3\"/> <tr> <td>350</td> <td>ETR</td> <td>-</td> <td>WD.</td> <td>J2</td> <td>PTD.</td> <td>-</td> <td>340</td> <td>3\"/> </td></tr></td></tr></td></tr></td></tr> | 347 | ETR | - | WD. | J2 | PTD. | - | 336 | 3\"/> <tr> <td>348</td> <td>ETR</td> <td>-</td> <td>WD.</td> <td>J2</td> <td>PTD.</td> <td>-</td> <td>337</td> <td>3\"/> <tr> <td>349</td> <td>ETR</td> <td>-</td> <td>WD.</td> <td>J2</td> <td>PTD.</td> <td>-</td> <td>339</td> <td>3\"/> <tr> <td>350</td> <td>ETR</td> <td>-</td> <td>WD.</td> <td>J2</td> <td>PTD.</td> <td>-</td> <td>340</td> <td>3\"/> </td></tr></td></tr></td></tr> | 348 | ETR | - | WD. | J2 | PTD. | - | 337 | 3\"/> <tr> <td>349</td> <td>ETR</td> <td>-</td> <td>WD.</td> <td>J2</td> <td>PTD.</td> <td>-</td> <td>339</td> <td>3\"/> <tr> <td>350</td> <td>ETR</td> <td>-</td> <td>WD.</td> <td>J2</td> <td>PTD.</td> <td>-</td> <td>340</td> <td>3\"/> </td></tr></td></tr> | 349 | ETR | - | WD. | J2 | PTD. | - | 339 | 3\"/> <tr> <td>350</td> <td>ETR</td> <td>-</td> <td>WD.</td> <td>J2</td> <td>PTD.</td> <td>-</td> <td>340</td> <td>3\"/> </td></tr> | 350 | ETR | - | WD. | J2 | PTD. | - | 340 | 3\"/> | | | |
| 305 | A | 3\"/> <tr> <td>306</td> <td>ETR</td> <td>-</td> <td>WD.</td> <td>J2</td> <td>PTD.</td> <td>-</td> <td>300B</td> <td>3\"/> <tr> <td>307</td> <td>ETR</td> <td>-</td> <td>WD.</td> <td>J2</td> <td>PTD.</td> <td>-</td> <td>301</td> <td>3\"/> <tr> <td>308</td> <td>ETR</td> <td>-</td> <td>WD.</td> <td>J2</td> <td>PTD.</td> <td>-</td> <td>303</td> <td>3\"/> <tr> <td>309</td> <td>ETR</td> <td>-</td> <td>WD.</td> <td>J2</td> <td>PTD.</td> <td>-</td> <td>305</td> <td>3\"/> <tr> <td>310</td> <td>ETR</td> <td>-</td> <td>WD.</td> <td>J2</td> <td>PTD.</td> <td>-</td> <td>306</td> <td>3\"/> <tr> <td>311</td> <td>A</td> <td>3\"/> <tr> <td>312A</td> <td>ETR</td> <td>-</td> <td>WD.</td> <td>J2</td> <td>PTD.</td> <td>-</td> <td>307</td> <td>3\"/> <tr> <td>313</td> <td>ETR</td> <td>-</td> <td>WD.</td> <td>J2</td> <td>PTD.</td> <td>-</td> <td>308</td> <td>3\"/> <tr> <td>314</td> <td>ETR</td> <td>-</td> <td>WD.</td> <td>J2</td> <td>PTD.</td> <td>-</td> <td>309</td> <td>3\"/> <tr> <td>315</td> <td>ETR</td> <td>-</td> <td>WD.</td> <td>J2</td> <td>PTD.</td> <td>-</td> <td>310</td> <td>3\"/> <tr> <td>316A</td> <td>A</td> <td>3\"/> <tr> <td>318</td> <td>ETR</td> <td>-</td> <td>WD.</td> <td>J2</td> <td>PTD.</td> <td>-</td> <td>311</td> <td>3\"/> <tr> <td>319</td> <td>ETR</td> <td>-</td> <td>WD.</td> <td>J2</td> <td>PTD.</td> <td>-</td> <td>312A</td> <td>3\"/> <tr> <td>320</td> <td>ETR</td> <td>-</td> <td>WD.</td> <td>J2</td> <td>PTD.</td> <td>-</td> <td>313</td> <td>3\"/> <tr> <td>321</td> <td>ETR</td> <td>-</td> <td>WD.</td> <td>J2</td> <td>PTD.</td> <td>-</td> <td>314</td> <td>3\"/> <tr> <td>322</td> <td>ETR</td> <td>-</td> <td>WD.</td> <td>J2</td> <td>PTD.</td> <td>-</td> <td>315</td> <td>3\"/> <tr> <td>323</td> <td>ETR</td> <td>-</td> <td>WD.</td> <td>J2</td> <td>PTD.</td> <td>-</td> <td>316A</td> <td>3\"/> <tr> <td>324</td> <td>ETR</td> <td>-</td> <td>WD.</td> <td>J2</td> <td>PTD.</td> <td>-</td> <td>318</td> <td>3\"/> <tr> <td>325</td> <td>A</td> <td>3\"/> <tr> <td>327</td> <td>ETR</td> <td>-</td> <td>WD.</td> <td>J2</td> <td>PTD.</td> <td>-</td> <td>319</td> <td>3\"/> <tr> <td>328</td> <td>ETR</td> <td>-</td> <td>WD.</td> <td>J2</td> <td>PTD.</td> <td>-</td> <td>320</td> <td>3\"/> <tr> <td>329A</td> <td>ETR</td> <td>-</td> <td>WD.</td> <td>J2</td> <td>PTD.</td> <td>-</td> <td>321</td> <td>3\"/> <tr> <td>329B</td> <td>ETR</td> <td>-</td> <td>WD.</td> <td>J2</td> <td>PTD.</td> <td>-</td> <td>322</td> <td>3\"/> <tr> <td>331</td> <td>ETR</td> <td>-</td> <td>WD.</td> <td>J2</td> <td>PTD.</td> <td>-</td> <td>323</td> <td>3\"/> <tr> <td>333</td> <td>ETR</td> <td>-</td> <td>WD.</td> <td>J2</td> <td>PTD.</td> <td>-</td> <td>324</td> <td>3\"/> <tr> <td>334A</td> <td>ETR</td> <td>-</td> <td>WD.</td> <td>J2</td> <td>PTD.</td> <td>-</td> <td>325</td> <td>3\"/> <tr> <td>334B</td> <td>ETR</td> <td>-</td> <td>WD.</td> <td>J2</td> <td>PTD.</td> <td>-</td> <td>327</td> <td>3\"/> <tr> <td>335A</td> <td>ETR</td> <td>-</td> <td>WD.</td> <td>J2</td> <td>PTD.</td> <td>-</td> <td>328</td> <td>3\"/> <tr> <td>335B</td> <td>B</td> <td>3\"/> <tr> <td>336</td> <td>B</td> <td>3\"/> <tr> <td>337</td> <td>ETR</td> <td>-</td> <td>WD.</td> <td>J2</td> <td>PTD.</td> <td>-</td> <td>329A</td> <td>3\"/> <tr> <td>339</td> <td>ETR</td> <td>-</td> <td>WD.</td> <td>J2</td> <td>PTD.</td> <td>-</td> <td>329B</td> <td>3\"/> <tr> <td>340</td> <td>A</td> <td>3\"/> <tr> <td>341A</td> <td>ETR</td> <td>-</td> <td>WD.</td> <td>J2</td> <td>PTD.</td> <td>-</td> <td>331</td> <td>3\"/> <tr> <td>341B</td> <td>ETR</td> <td>-</td> <td>WD.</td> <td>J2</td> <td>PTD.</td> <td>-</td> <td>333</td> <td>3\"/> <tr> <td>342</td> <td>ETR</td> <td>-</td> <td>WD.</td> <td>J2</td> <td>PTD.</td> <td>-</td> <td>334A</td> <td>3\"/> <tr> <td>344</td> <td>ETR</td> <td>-</td> <td>WD.</td> <td>J2</td> <td>PTD.</td> <td>-</td> <td>334B</td> <td>3\"/> <tr> <td>345</td> <td>ETR</td> <td>-</td> <td>WD.</td> <td>J2</td> <td>PTD.</td> <td>-</td> <td>335A</td> <td>3\"/> <tr> <td>346</td> <td>ETR</td> <td>-</td> <td>WD.</td> <td>J2</td> <td>PTD.</td> <td>-</td> <td>335B</td> <td>3\"/> <tr> <td>347</td> <td>ETR</td> <td>-</td> <td>WD.</td> <td>J2</td> <td>PTD.</td> <td>-</td> <td>336</td> <td>3\"/> <tr> <td>348</td> <td>ETR</td> <td>-</td> <td>WD.</td> <td>J2</td> <td>PTD.</td> <td>-</td> <td>337</td> <td>3\"/> <tr> <td>349</td> <td>ETR</td> <td>-</td> <td>WD.</td> <td>J2</td> <td>PTD.</td> <td>-</td> <td>339</td> <td>3\"/> <tr> <td>350</td> <td>ETR</td> <td>-</td> <td>WD.</td> <td>J2</td> <td>PTD.</td> <td>-</td> <td>340</td> <td>3\"/> </td></tr></td></tr></td></tr></td></tr></td></tr></td></tr></td></tr></td></tr></td></tr></td></tr></td></tr></td></tr></td></tr></td></tr></td></tr></td></tr></td></tr></td></tr></td></tr></td></tr></td></tr></td></tr></td></tr></td></tr></td></tr></td></tr></td></tr></td></tr></td></tr></td></tr></td></tr></td></tr></td></tr></td></tr></td></tr></td></tr></td></tr></td></tr></td></tr></td></tr></td></tr></td></tr></td></tr> | 306 | ETR | - | WD. | J2 | PTD.
 | - | 300B | 3\"/> <tr> <td>307</td> <td>ETR</td> <td>-</td> <td>WD.</td> <td>J2</td> <td>PTD.</td> <td>-</td> <td>301</td> <td>3\"/> <tr> <td>308</td> <td>ETR</td> <td>-</td> <td>WD.</td> <td>J2</td> <td>PTD.</td> <td>-</td> <td>303</td> <td>3\"/> <tr> <td>309</td> <td>ETR</td> <td>-</td> <td>WD.</td> <td>J2</td> <td>PTD.</td> <td>-</td> <td>305</td> <td>3\"/> <tr> <td>310</td> <td>ETR</td> <td>-</td> <td>WD.</td> <td>J2</td> <td>PTD.</td> <td>-</td> <td>306</td> <td>3\"/> <tr> <td>311</td> <td>A</td> <td>3\"/> <tr> <td>312A</td> <td>ETR</td> <td>-</td> <td>WD.</td> <td>J2</td> <td>PTD.</td> <td>-</td> <td>307</td> <td>3\"/> <tr> <td>313</td> <td>ETR</td> <td>-</td> <td>WD.</td> <td>J2</td> <td>PTD.</td> <td>-</td> <td>308</td> <td>3\"/> <tr> <td>314</td> <td>ETR</td> <td>-</td> <td>WD.</td> <td>J2</td> <td>PTD.</td> <td>-</td> <td>309</td> <td>3\"/> <tr> <td>315</td> <td>ETR</td> <td>-</td> <td>WD.</td> <td>J2</td> <td>PTD.</td> <td>-</td> <td>310</td> <td>3\"/> <tr> <td>316A</td> <td>A</td> <td>3\"/> <tr> <td>318</td> <td>ETR</td> <td>-</td> <td>WD.</td> <td>J2</td> <td>PTD.</td> <td>-</td> <td>311</td> <td>3\"/> <tr> <td>319</td> <td>ETR</td> <td>-</td> <td>WD.</td> <td>J2</td> <td>PTD.</td> <td>-</td> <td>312A</td> <td>3\"/> <tr> <td>320</td> <td>ETR</td> <td>-</td> <td>WD.</td> <td>J2</td> <td>PTD.</td> <td>-</td> <td>313</td> <td>3\"/> <tr> <td>321</td> <td>ETR</td> <td>-</td> <td>WD.</td> <td>J2</td> <td>PTD.</td> <td>-</td> <td>314</td> <td>3\"/> <tr> <td>322</td> <td>ETR</td> <td>-</td> <td>WD.</td> <td>J2</td> <td>PTD.</td> <td>-</td> <td>315</td> <td>3\"/> <tr> <td>323</td> <td>ETR</td> <td>-</td> <td>WD.</td> <td>J2</td> <td>PTD.</td> <td>-</td> <td>316A</td> <td>3\"/> <tr> <td>324</td> <td>ETR</td> <td>-</td> <td>WD.</td> <td>J2</td> <td>PTD.</td> <td>-</td> <td>318</td> <td>3\"/> <tr> <td>325</td> <td>A</td> <td>3\"/> <tr> <td>327</td> <td>ETR</td> <td>-</td> <td>WD.</td> <td>J2</td> <td>PTD.</td> <td>-</td> <td>319</td> <td>3\"/> <tr> <td>328</td> <td>ETR</td> <td>-</td> <td>WD.</td> <td>J2</td> <td>PTD.</td> <td>-</td> <td>320</td> <td>3\"/> <tr> <td>329A</td> <td>ETR</td> <td>-</td> <td>WD.</td> <td>J2</td> <td>PTD.</td> <td>-</td> <td>321</td> <td>3\"/> <tr> <td>329B</td> <td>ETR</td> <td>-</td> <td>WD.</td> <td>J2</td> <td>PTD.</td> <td>-</td> <td>322</td> <td>3\"/> <tr> <td>331</td> <td>ETR</td> <td>-</td> <td>WD.</td> <td>J2</td> <td>PTD.</td> <td>-</td> <td>323</td> <td>3\"/> <tr> <td>333</td> <td>ETR</td> <td>-</td> <td>WD.</td> <td>J2</td> <td>PTD.</td> <td>-</td> <td>324</td> <td>3\"/> <tr> <td>334A</td> <td>ETR</td> <td>-</td> <td>WD.</td> <td>J2</td> <td>PTD.</td> <td>-</td> <td>325</td> <td>3\"/> <tr> <td>334B</td> <td>ETR</td> <td>-</td> <td>WD.</td> <td>J2</td> <td>PTD.</td> <td>-</td> <td>327</td> <td>3\"/> <tr> <td>335A</td> <td>ETR</td> <td>-</td> <td>WD.</td> <td>J2</td> <td>PTD.</td> <td>-</td> <td>328</td> <td>3\"/> <tr> <td>335B</td> <td>B</td> <td>3\"/> <tr> <td>336</td> <td>B</td> <td>3\"/> <tr> <td>337</td> <td>ETR</td> <td>-</td> <td>WD.</td> <td>J2</td> <td>PTD.</td> <td>-</td> <td>329A</td> <td>3\"/> <tr> <td>339</td> <td>ETR</td> <td>-</td> <td>WD.</td> <td>J2</td> <td>PTD.</td> <td>-</td> <td>329B</td> <td>3\"/> <tr> <td>340</td> <td>A</td> <td>3\"/> <tr> <td>341A</td> <td>ETR</td> <td>-</td> <td>WD.</td> <td>J2</td> <td>PTD.</td> <td>-</td> <td>331</td> <td>3\"/> <tr> <td>341B</td> <td>ETR</td> <td>-</td> <td>WD.</td> <td>J2</td> <td>PTD.</td> <td>-</td> <td>333</td> <td>3\"/> <tr> <td>342</td> <td>ETR</td> <td>-</td> <td>WD.</td> <td>J2</td> <td>PTD.</td> <td>-</td> <td>334A</td> <td>3\"/> <tr> <td>344</td> <td>ETR</td> <td>-</td> <td>WD.</td> <td>J2</td> <td>PTD.</td> <td>-</td> <td>334B</td> <td>3\"/> <tr> <td>345</td> <td>ETR</td> <td>-</td> <td>WD.</td> <td>J2</td> <td>PTD.</td> <td>-</td> <td>335A</td> <td>3\"/> <tr> <td>346</td> <td>ETR</td> <td>-</td> <td>WD.</td> <td>J2</td> <td>PTD.</td> <td>-</td> <td>335B</td> <td>3\"/> <tr> <td>347</td> <td>ETR</td> <td>-</td> <td>WD.</td> <td>J2</td> <td>PTD.</td> <td>-</td> <td>336</td> <td>3\"/> <tr> <td>348</td> <td>ETR</td> <td>-</td> <td>WD.</td> <td>J2</td> <td>PTD.</td> <td>-</td> <td>337</td> <td>3\"/> <tr> <td>349</td> <td>ETR</td> <td>-</td> <td>WD.</td> <td>J2</td> <td>PTD.</td> <td>-</td> <td>339</td> <td>3\"/> <tr> <td>350</td> <td>ETR</td> <td>-</td> <td>WD.</td> <td>J2</td> <td>PTD.</td> <td>-</td> <td>340</td> <td>3\"/> </td></tr></td></tr></td></tr></td></tr></td></tr></td></tr></td></tr></td></tr></td></tr></td></tr></td></tr></td></tr></td></tr></td></tr></td></tr></td></tr></td></tr></td></tr></td></tr></td></tr></td></tr></td></tr></td></tr></td></tr></td></tr></td></tr></td></tr></td></tr></td></tr></td></tr></td></tr></td></tr></td></tr></td></tr></td></tr></td></tr></td></tr></td></tr></td></tr></td></tr></td></tr></td></tr> | 307 | ETR | -
 | WD. | J2 | PTD. | - | 301 | 3\"/> <tr> <td>308</td> <td>ETR</td> <td>-</td> <td>WD.</td> <td>J2</td> <td>PTD.</td> <td>-</td> <td>303</td> <td>3\"/> <tr> <td>309</td> <td>ETR</td> <td>-</td> <td>WD.</td> <td>J2</td> <td>PTD.</td> <td>-</td> <td>305</td> <td>3\"/> <tr> <td>310</td> <td>ETR</td> <td>-</td> <td>WD.</td> <td>J2</td> <td>PTD.</td> <td>-</td> <td>306</td> <td>3\"/> <tr> <td>311</td> <td>A</td> <td>3\"/> <tr> <td>312A</td> <td>ETR</td> <td>-</td> <td>WD.</td> <td>J2</td> <td>PTD.</td> <td>-</td> <td>307</td> <td>3\"/> <tr> <td>313</td> <td>ETR</td> <td>-</td> <td>WD.</td> <td>J2</td> <td>PTD.</td> <td>-</td> <td>308</td> <td>3\"/> <tr> <td>314</td> <td>ETR</td> <td>-</td> <td>WD.</td> <td>J2</td> <td>PTD.</td> <td>-</td> <td>309</td> <td>3\"/> <tr> <td>315</td> <td>ETR</td> <td>-</td> <td>WD.</td> <td>J2</td> <td>PTD.</td> <td>-</td> <td>310</td> <td>3\"/> <tr> <td>316A</td> <td>A</td> <td>3\"/> <tr> <td>318</td> <td>ETR</td> <td>-</td> <td>WD.</td> <td>J2</td> <td>PTD.</td> <td>-</td> <td>311</td> <td>3\"/> <tr> <td>319</td> <td>ETR</td> <td>-</td> <td>WD.</td> <td>J2</td> <td>PTD.</td> <td>-</td> <td>312A</td> <td>3\"/> <tr> <td>320</td> <td>ETR</td> <td>-</td> <td>WD.</td> <td>J2</td> <td>PTD.</td> <td>-</td> <td>313</td> <td>3\"/> <tr> <td>321</td> <td>ETR</td> <td>-</td> <td>WD.</td> <td>J2</td> <td>PTD.</td> <td>-</td> <td>314</td> <td>3\"/> <tr> <td>322</td> <td>ETR</td> <td>-</td> <td>WD.</td> <td>J2</td> <td>PTD.</td> <td>-</td> <td>315</td> <td>3\"/> <tr> <td>323</td> <td>ETR</td> <td>-</td> <td>WD.</td> <td>J2</td> <td>PTD.</td> <td>-</td> <td>316A</td> <td>3\"/> <tr> <td>324</td> <td>ETR</td> <td>-</td> <td>WD.</td> <td>J2</td> <td>PTD.</td> <td>-</td> <td>318</td> <td>3\"/> <tr> <td>325</td> <td>A</td> <td>3\"/> <tr> <td>327</td> <td>ETR</td> <td>-</td> <td>WD.</td> <td>J2</td> <td>PTD.</td> <td>-</td> <td>319</td> <td>3\"/> <tr> <td>328</td> <td>ETR</td> <td>-</td> <td>WD.</td> <td>J2</td> <td>PTD.</td> <td>-</td> <td>320</td> <td>3\"/> <tr> <td>329A</td> <td>ETR</td> <td>-</td> <td>WD.</td> <td>J2</td> <td>PTD.</td> <td>-</td> <td>321</td> <td>3\"/> <tr> <td>329B</td> <td>ETR</td> <td>-</td> <td>WD.</td> <td>J2</td> <td>PTD.</td> <td>-</td> <td>322</td> <td>3\"/> <tr> <td>331</td> <td>ETR</td> <td>-</td> <td>WD.</td> <td>J2</td> <td>PTD.</td> <td>-</td> <td>323</td> <td>3\"/> <tr> <td>333</td> <td>ETR</td> <td>-</td> <td>WD.</td> <td>J2</td> <td>PTD.</td> <td>-</td> <td>324</td> <td>3\"/> <tr> <td>334A</td> <td>ETR</td> <td>-</td> <td>WD.</td> <td>J2</td> <td>PTD.</td> <td>-</td> <td>325</td>
<td>3\"/> <tr> <td>334B</td> <td>ETR</td> <td>-</td> <td>WD.</td> <td>J2</td> <td>PTD.</td> <td>-</td> <td>327</td> <td>3\"/> <tr> <td>335A</td> <td>ETR</td> <td>-</td> <td>WD.</td> <td>J2</td> <td>PTD.</td> <td>-</td> <td>328</td> <td>3\"/> <tr> <td>335B</td> <td>B</td> <td>3\"/> <tr> <td>336</td> <td>B</td> <td>3\"/> <tr> <td>337</td> <td>ETR</td> <td>-</td> <td>WD.</td> <td>J2</td> <td>PTD.</td> <td>-</td> <td>329A</td> <td>3\"/> <tr> <td>339</td> <td>ETR</td> <td>-</td> <td>WD.</td> <td>J2</td> <td>PTD.</td> <td>-</td> <td>329B</td> <td>3\"/> <tr> <td>340</td> <td>A</td> <td>3\"/> <tr> <td>341A</td> <td>ETR</td> <td>-</td> <td>WD.</td> <td>J2</td> <td>PTD.</td> <td>-</td> <td>331</td> <td>3\"/> <tr> <td>341B</td> <td>ETR</td> <td>-</td> <td>WD.</td> <td>J2</td> <td>PTD.</td> <td>-</td> <td>333</td> <td>3\"/> <tr> <td>342</td> <td>ETR</td> <td>-</td> <td>WD.</td> <td>J2</td> <td>PTD.</td> <td>-</td> <td>334A</td> <td>3\"/> <tr> <td>344</td> <td>ETR</td> <td>-</td> <td>WD.</td> <td>J2</td> <td>PTD.</td> <td>-</td> <td>334B</td> <td>3\"/> <tr> <td>345</td> <td>ETR</td> <td>-</td> <td>WD.</td> <td>J2</td> <td>PTD.</td> <td>-</td> <td>335A</td> <td>3\"/> <tr> <td>346</td> <td>ETR</td> <td>-</td> <td>WD.</td> <td>J2</td> <td>PTD.</td> <td>-</td> <td>335B</td> <td>3\"/> <tr> <td>347</td> <td>ETR</td> <td>-</td> <td>WD.</td> <td>J2</td> <td>PTD.</td> <td>-</td> <td>336</td> <td>3\"/> <tr> <td>348</td> <td>ETR</td> <td>-</td> <td>WD.</td> <td>J2</td> <td>PTD.</td> <td>-</td> <td>337</td> <td>3\"/> <tr> <td>349</td> <td>ETR</td> <td>-</td> <td>WD.</td> <td>J2</td> <td>PTD.</td> <td>-</td> <td>339</td> <td>3\"/> <tr> <td>350</td> <td>ETR</td> <td>-</td> <td>WD.</td> <td>J2</td> <td>PTD.</td> <td>-</td> <td>340</td> <td>3\"/> </td></tr></td></tr></td></tr></td></tr></td></tr></td></tr></td></tr></td></tr></td></tr></td></tr></td></tr></td></tr></td></tr></td></tr></td></tr></td></tr></td></tr></td></tr></td></tr></td></tr></td></tr></td></tr></td></tr></td></tr></td></tr></td></tr></td></tr></td></tr></td></tr></td></tr></td></tr></td></tr></td></tr></td></tr></td></tr></td></tr></td></tr></td></tr></td></tr></td></tr></td></tr> | 308 | ETR | - | WD. | J2 | PTD.
 | - | 303 | 3\"/> <tr> <td>309</td> <td>ETR</td> <td>-</td> <td>WD.</td> <td>J2</td> <td>PTD.</td> <td>-</td> <td>305</td> <td>3\"/> <tr> <td>310</td> <td>ETR</td> <td>-</td> <td>WD.</td> <td>J2</td> <td>PTD.</td> <td>-</td> <td>306</td> <td>3\"/> <tr> <td>311</td> <td>A</td> <td>3\"/> <tr> <td>312A</td> <td>ETR</td> <td>-</td> <td>WD.</td> <td>J2</td> <td>PTD.</td> <td>-</td> <td>307</td> <td>3\"/> <tr> <td>313</td> <td>ETR</td> <td>-</td> <td>WD.</td> <td>J2</td> <td>PTD.</td> <td>-</td> <td>308</td> <td>3\"/> <tr> <td>314</td> <td>ETR</td> <td>-</td> <td>WD.</td> <td>J2</td> <td>PTD.</td> <td>-</td> <td>309</td> <td>3\"/> <tr> <td>315</td> <td>ETR</td> <td>-</td> <td>WD.</td> <td>J2</td> <td>PTD.</td> <td>-</td> <td>310</td> <td>3\"/> <tr> <td>316A</td> <td>A</td> <td>3\"/> <tr> <td>318</td> <td>ETR</td> <td>-</td> <td>WD.</td> <td>J2</td> <td>PTD.</td> <td>-</td> <td>311</td> <td>3\"/> <tr> <td>319</td> <td>ETR</td> <td>-</td> <td>WD.</td> <td>J2</td> <td>PTD.</td> <td>-</td> <td>312A</td> <td>3\"/> <tr> <td>320</td> <td>ETR</td> <td>-</td> <td>WD.</td> <td>J2</td> <td>PTD.</td> <td>-</td> <td>313</td> <td>3\"/> <tr> <td>321</td> <td>ETR</td> <td>-</td> <td>WD.</td> <td>J2</td> <td>PTD.</td> <td>-</td> <td>314</td> <td>3\"/> <tr> <td>322</td> <td>ETR</td> <td>-</td> <td>WD.</td> <td>J2</td> <td>PTD.</td> <td>-</td> <td>315</td> <td>3\"/> <tr> <td>323</td> <td>ETR</td> <td>-</td> <td>WD.</td> <td>J2</td> <td>PTD.</td> <td>-</td> <td>316A</td> <td>3\"/> <tr> <td>324</td> <td>ETR</td> <td>-</td> <td>WD.</td> <td>J2</td> <td>PTD.</td> <td>-</td> <td>318</td> <td>3\"/> <tr> <td>325</td> <td>A</td> <td>3\"/> <tr> <td>327</td> <td>ETR</td> <td>-</td> <td>WD.</td> <td>J2</td> <td>PTD.</td> <td>-</td> <td>319</td> <td>3\"/> <tr> <td>328</td> <td>ETR</td> <td>-</td> <td>WD.</td> <td>J2</td> <td>PTD.</td> <td>-</td> <td>320</td> <td>3\"/> <tr> <td>329A</td> <td>ETR</td> <td>-</td> <td>WD.</td> <td>J2</td> <td>PTD.</td> <td>-</td> <td>321</td> <td>3\"/> <tr> <td>329B</td> <td>ETR</td> <td>-</td> <td>WD.</td> <td>J2</td> <td>PTD.</td> <td>-</td> <td>322</td> <td>3\"/> <tr> <td>331</td> <td>ETR</td> <td>-</td> <td>WD.</td> <td>J2</td> <td>PTD.</td> <td>-</td> <td>323</td> <td>3\"/> <tr> <td>333</td> <td>ETR</td> <td>-</td> <td>WD.</td> <td>J2</td> <td>PTD.</td> <td>-</td> <td>324</td> <td>3\"/> <tr> <td>334A</td> <td>ETR</td> <td>-</td> <td>WD.</td> <td>J2</td> <td>PTD.</td> <td>-</td> <td>325</td> <td>3\"/> <tr> <td>334B</td> <td>ETR</td> <td>-</td> <td>WD.</td> <td>J2</td> <td>PTD.</td> <td>-</td> <td>327</td> <td>3\"/> <tr> <td>335A</td> <td>ETR</td> <td>-</td> <td>WD.</td> <td>J2</td> <td>PTD.</td> <td>-</td> <td>328</td> <td>3\"/> <tr> <td>335B</td> <td>B</td> <td>3\"/> <tr> <td>336</td> <td>B</td> <td>3\"/> <tr> <td>337</td> <td>ETR</td> <td>-</td> <td>WD.</td> <td>J2</td> <td>PTD.</td> <td>-</td> <td>329A</td> <td>3\"/> <tr> <td>339</td> <td>ETR</td> <td>-</td> <td>WD.</td> <td>J2</td> <td>PTD.</td> <td>-</td> <td>329B</td> <td>3\"/> <tr> <td>340</td> <td>A</td> <td>3\"/> <tr> <td>341A</td> <td>ETR</td> <td>-</td> <td>WD.</td> <td>J2</td> <td>PTD.</td> <td>-</td> <td>331</td> <td>3\"/> <tr> <td>341B</td> <td>ETR</td> <td>-</td> <td>WD.</td> <td>J2</td> <td>PTD.</td> <td>-</td> <td>333</td> <td>3\"/> <tr> <td>342</td> <td>ETR</td> <td>-</td> <td>WD.</td> <td>J2</td> <td>PTD.</td> <td>-</td> <td>334A</td> <td>3\"/> <tr> <td>344</td> <td>ETR</td> <td>-</td> <td>WD.</td> <td>J2</td> <td>PTD.</td> <td>-</td> <td>334B</td> <td>3\"/> <tr> <td>345</td> <td>ETR</td> <td>-</td> <td>WD.</td> <td>J2</td> <td>PTD.</td> <td>-</td> <td>335A</td> <td>3\"/> <tr> <td>346</td> <td>ETR</td> <td>-</td> <td>WD.</td> <td>J2</td> <td>PTD.</td> <td>-</td> <td>335B</td> <td>3\"/> <tr> <td>347</td> <td>ETR</td> <td>-</td> <td>WD.</td> <td>J2</td> <td>PTD.</td> <td>-</td> <td>336</td> <td>3\"/> <tr> <td>348</td> <td>ETR</td> <td>-</td> <td>WD.</td> <td>J2</td> <td>PTD.</td> <td>-</td> <td>337</td> <td>3\"/> <tr> <td>349</td> <td>ETR</td> <td>-</td> <td>WD.</td> <td>J2</td> <td>PTD.</td> <td>-</td> <td>339</td> <td>3\"/> <tr> <td>350</td> <td>ETR</td> <td>-</td> <td>WD.</td> <td>J2</td> <td>PTD.</td> <td>-</td> <td>340</td> <td>3\"/> </td></tr></td></tr></td></tr></td></tr></td></tr></td></tr></td></tr></td></tr></td></tr></td></tr></td></tr></td></tr></td></tr></td></tr></td></tr></td></tr></td></tr></td></tr></td></tr></td></tr></td></tr></td></tr></td></tr></td></tr></td></tr></td></tr></td></tr></td></tr></td></tr></td></tr></td></tr></td></tr></td></tr></td></tr></td></tr></td></tr></td></tr></td></tr></td></tr></td></tr> | 309 | ETR | -
 | WD. | J2 | PTD. | - | 305 | 3\"/> <tr> <td>310</td> <td>ETR</td> <td>-</td> <td>WD.</td> <td>J2</td> <td>PTD.</td> <td>-</td> <td>306</td> <td>3\"/> <tr> <td>311</td> <td>A</td> <td>3\"/> <tr> <td>312A</td> <td>ETR</td> <td>-</td> <td>WD.</td> <td>J2</td> <td>PTD.</td> <td>-</td> <td>307</td> <td>3\"/> <tr> <td>313</td> <td>ETR</td> <td>-</td> <td>WD.</td> <td>J2</td> <td>PTD.</td> <td>-</td> <td>308</td> <td>3\"/> <tr> <td>314</td> <td>ETR</td> <td>-</td> <td>WD.</td> <td>J2</td> <td>PTD.</td> <td>-</td> <td>309</td> <td>3\"/> <tr> <td>315</td> <td>ETR</td> <td>-</td> <td>WD.</td> <td>J2</td> <td>PTD.</td> <td>-</td> <td>310</td> <td>3\"/> <tr> <td>316A</td> <td>A</td> <td>3\"/> <tr> <td>318</td> <td>ETR</td> <td>-</td> <td>WD.</td> <td>J2</td> <td>PTD.</td> <td>-</td> <td>311</td> <td>3\"/> <tr> <td>319</td> <td>ETR</td> <td>-</td> <td>WD.</td> <td>J2</td> <td>PTD.</td> <td>-</td> <td>312A</td> <td>3\"/> <tr> <td>320</td> <td>ETR</td> <td>-</td> <td>WD.</td> <td>J2</td> <td>PTD.</td> <td>-</td> <td>313</td> <td>3\"/> <tr> <td>321</td> <td>ETR</td> <td>-</td> <td>WD.</td> <td>J2</td> <td>PTD.</td> <td>-</td> <td>314</td> <td>3\"/> <tr> <td>322</td> <td>ETR</td> <td>-</td> <td>WD.</td> <td>J2</td> <td>PTD.</td> <td>-</td> <td>315</td> <td>3\"/> <tr> <td>323</td> <td>ETR</td> <td>-</td> <td>WD.</td> <td>J2</td> <td>PTD.</td> <td>-</td> <td>316A</td> <td>3\"/> <tr> <td>324</td> <td>ETR</td> <td>-</td> <td>WD.</td> <td>J2</td> <td>PTD.</td> <td>-</td> <td>318</td> <td>3\"/> <tr> <td>325</td> <td>A</td> <td>3\"/> <tr> <td>327</td> <td>ETR</td> <td>-</td> <td>WD.</td> <td>J2</td> <td>PTD.</td> <td>-</td> <td>319</td> <td>3\"/> <tr> <td>328</td> <td>ETR</td> <td>-</td> <td>WD.</td> <td>J2</td> <td>PTD.</td> <td>-</td> <td>320</td> <td>3\"/> <tr> <td>329A</td> <td>ETR</td> <td>-</td> <td>WD.</td> <td>J2</td> <td>PTD.</td> <td>-</td> <td>321</td> <td>3\"/> <tr> <td>329B</td> <td>ETR</td> <td>-</td> <td>WD.</td> <td>J2</td> <td>PTD.</td> <td>-</td> <td>322</td> <td>3\"/> <tr> <td>331</td> <td>ETR</td> <td>-</td> <td>WD.</td> <td>J2</td> <td>PTD.</td> <td>-</td> <td>323</td> <td>3\"/> <tr> <td>333</td> <td>ETR</td> <td>-</td> <td>WD.</td> <td>J2</td> <td>PTD.</td> <td>-</td> <td>324</td> <td>3\"/> <tr> <td>334A</td> <td>ETR</td> <td>-</td> <td>WD.</td> <td>J2</td> <td>PTD.</td> <td>-</td> <td>325</td> <td>3\"/> <tr> <td>334B</td> <td>ETR</td> <td>-</td> <td>WD.</td> <td>J2</td> <td>PTD.</td> <td>-</td> <td>327</td> <td>3\"/> <tr> <td>335A</td> <td>ETR</td> <td>-</td> <td>WD.</td> <td>J2</td> <td>PTD.</td> <td>-</td> <td>328</td> <td>3\"/> <tr> <td>335B</td> <td>B</td> <td>3\"/> <tr> <td>336</td> <td>B</td> <td>3\"/> <tr> <td>337</td> <td>ETR</td> <td>-</td> <td>WD.</td> <td>J2</td> <td>PTD.</td> <td>-</td> <td>329A</td> <td>3\"/> <tr> <td>339</td> <td>ETR</td> <td>-</td> <td>WD.</td> <td>J2</td> <td>PTD.</td> <td>-</td> <td>329B</td> <td>3\"/> <tr> <td>340</td> <td>A</td> <td>3\"/> <tr> <td>341A</td> <td>ETR</td> <td>-</td> <td>WD.</td> <td>J2</td> <td>PTD.</td> <td>-</td> <td>331</td> <td>3\"/> <tr> <td>341B</td> <td>ETR</td> <td>-</td> <td>WD.</td> <td>J2</td> <td>PTD.</td> <td>-</td> <td>333</td> <td>3\"/> <tr> <td>342</td> <td>ETR</td> <td>-</td> <td>WD.</td> <td>J2</td> <td>PTD.</td> <td>-</td> <td>334A</td> <td>3\"/> <tr> <td>344</td> <td>ETR</td> <td>-</td> <td>WD.</td> <td>J2</td> <td>PTD.</td> <td>-</td> <td>334B</td> <td>3\"/> <tr>
<td>345</td> <td>ETR</td> <td>-</td> <td>WD.</td> <td>J2</td> <td>PTD.</td> <td>-</td> <td>335A</td> <td>3\"/> <tr> <td>346</td> <td>ETR</td> <td>-</td> <td>WD.</td> <td>J2</td> <td>PTD.</td> <td>-</td> <td>335B</td> <td>3\"/> <tr> <td>347</td> <td>ETR</td> <td>-</td> <td>WD.</td> <td>J2</td> <td>PTD.</td> <td>-</td> <td>336</td> <td>3\"/> <tr> <td>348</td> <td>ETR</td> <td>-</td> <td>WD.</td> <td>J2</td> <td>PTD.</td> <td>-</td> <td>337</td> <td>3\"/> <tr> <td>349</td> <td>ETR</td> <td>-</td> <td>WD.</td> <td>J2</td> <td>PTD.</td> <td>-</td> <td>339</td> <td>3\"/> <tr> <td>350</td> <td>ETR</td> <td>-</td> <td>WD.</td> <td>J2</td> <td>PTD.</td> <td>-</td> <td>340</td> <td>3\"/> </td></tr></td></tr></td></tr></td></tr></td></tr></td></tr></td></tr></td></tr></td></tr></td></tr></td></tr></td></tr></td></tr></td></tr></td></tr></td></tr></td></tr></td></tr></td></tr></td></tr></td></tr></td></tr></td></tr></td></tr></td></tr></td></tr></td></tr></td></tr></td></tr></td></tr></td></tr></td></tr></td></tr></td></tr></td></tr></td></tr></td></tr></td></tr></td></tr> | 310 | ETR | - | WD. | J2 | PTD.
 | - | 306 | 3\"/> <tr> <td>311</td> <td>A</td> <td>3\"/> <tr> <td>312A</td> <td>ETR</td> <td>-</td> <td>WD.</td> <td>J2</td> <td>PTD.</td> <td>-</td> <td>307</td> <td>3\"/> <tr> <td>313</td> <td>ETR</td> <td>-</td> <td>WD.</td> <td>J2</td> <td>PTD.</td> <td>-</td> <td>308</td> <td>3\"/> <tr> <td>314</td> <td>ETR</td> <td>-</td> <td>WD.</td> <td>J2</td> <td>PTD.</td> <td>-</td> <td>309</td> <td>3\"/> <tr> <td>315</td> <td>ETR</td> <td>-</td> <td>WD.</td> <td>J2</td> <td>PTD.</td> <td>-</td> <td>310</td> <td>3\"/> <tr> <td>316A</td> <td>A</td> <td>3\"/> <tr> <td>318</td> <td>ETR</td> <td>-</td> <td>WD.</td> <td>J2</td> <td>PTD.</td> <td>-</td> <td>311</td> <td>3\"/> <tr> <td>319</td> <td>ETR</td> <td>-</td> <td>WD.</td> <td>J2</td> <td>PTD.</td> <td>-</td> <td>312A</td> <td>3\"/> <tr> <td>320</td> <td>ETR</td> <td>-</td> <td>WD.</td> <td>J2</td> <td>PTD.</td> <td>-</td> <td>313</td> <td>3\"/> <tr> <td>321</td> <td>ETR</td> <td>-</td> <td>WD.</td> <td>J2</td> <td>PTD.</td> <td>-</td> <td>314</td> <td>3\"/> <tr> <td>322</td> <td>ETR</td> <td>-</td> <td>WD.</td> <td>J2</td> <td>PTD.</td> <td>-</td> <td>315</td> <td>3\"/> <tr> <td>323</td> <td>ETR</td> <td>-</td> <td>WD.</td> <td>J2</td> <td>PTD.</td> <td>-</td> <td>316A</td> <td>3\"/> <tr> <td>324</td> <td>ETR</td> <td>-</td> <td>WD.</td> <td>J2</td> <td>PTD.</td> <td>-</td> <td>318</td> <td>3\"/> <tr> <td>325</td> <td>A</td> <td>3\"/> <tr> <td>327</td> <td>ETR</td> <td>-</td> <td>WD.</td> <td>J2</td> <td>PTD.</td> <td>-</td> <td>319</td> <td>3\"/> <tr> <td>328</td> <td>ETR</td> <td>-</td> <td>WD.</td> <td>J2</td> <td>PTD.</td> <td>-</td> <td>320</td> <td>3\"/> <tr> <td>329A</td> <td>ETR</td> <td>-</td> <td>WD.</td> <td>J2</td> <td>PTD.</td> <td>-</td> <td>321</td> <td>3\"/> <tr> <td>329B</td> <td>ETR</td> <td>-</td> <td>WD.</td> <td>J2</td> <td>PTD.</td> <td>-</td> <td>322</td> <td>3\"/> <tr> <td>331</td> <td>ETR</td> <td>-</td> <td>WD.</td> <td>J2</td> <td>PTD.</td> <td>-</td> <td>323</td> <td>3\"/> <tr> <td>333</td> <td>ETR</td> <td>-</td> <td>WD.</td> <td>J2</td> <td>PTD.</td> <td>-</td> <td>324</td> <td>3\"/> <tr> <td>334A</td> <td>ETR</td> <td>-</td> <td>WD.</td> <td>J2</td> <td>PTD.</td> <td>-</td> <td>325</td> <td>3\"/> <tr> <td>334B</td> <td>ETR</td> <td>-</td> <td>WD.</td> <td>J2</td> <td>PTD.</td> <td>-</td> <td>327</td> <td>3\"/> <tr> <td>335A</td> <td>ETR</td> <td>-</td> <td>WD.</td> <td>J2</td> <td>PTD.</td> <td>-</td> <td>328</td> <td>3\"/> <tr> <td>335B</td> <td>B</td> <td>3\"/> <tr> <td>336</td> <td>B</td> <td>3\"/> <tr> <td>337</td> <td>ETR</td> <td>-</td> <td>WD.</td> <td>J2</td> <td>PTD.</td> <td>-</td> <td>329A</td> <td>3\"/> <tr> <td>339</td> <td>ETR</td> <td>-</td> <td>WD.</td> <td>J2</td> <td>PTD.</td> <td>-</td> <td>329B</td> <td>3\"/> <tr> <td>340</td> <td>A</td> <td>3\"/> <tr> <td>341A</td> <td>ETR</td> <td>-</td> <td>WD.</td> <td>J2</td> <td>PTD.</td> <td>-</td> <td>331</td> <td>3\"/> <tr> <td>341B</td> <td>ETR</td> <td>-</td> <td>WD.</td> <td>J2</td> <td>PTD.</td> <td>-</td> <td>333</td> <td>3\"/> <tr> <td>342</td> <td>ETR</td> <td>-</td> <td>WD.</td> <td>J2</td> <td>PTD.</td> <td>-</td> <td>334A</td> <td>3\"/> <tr> <td>344</td> <td>ETR</td> <td>-</td> <td>WD.</td> <td>J2</td> <td>PTD.</td> <td>-</td> <td>334B</td> <td>3\"/> <tr> <td>345</td> <td>ETR</td> <td>-</td> <td>WD.</td> <td>J2</td> <td>PTD.</td> <td>-</td> <td>335A</td> <td>3\"/> <tr> <td>346</td> <td>ETR</td> <td>-</td> <td>WD.</td> <td>J2</td> <td>PTD.</td> <td>-</td> <td>335B</td> <td>3\"/> <tr> <td>347</td> <td>ETR</td> <td>-</td> <td>WD.</td> <td>J2</td> <td>PTD.</td> <td>-</td> <td>336</td> <td>3\"/> <tr> <td>348</td> <td>ETR</td> <td>-</td> <td>WD.</td> <td>J2</td> <td>PTD.</td> <td>-</td> <td>337</td> <td>3\"/> <tr> <td>349</td> <td>ETR</td> <td>-</td> <td>WD.</td> <td>J2</td> <td>PTD.</td> <td>-</td> <td>339</td> <td>3\"/> <tr> <td>350</td> <td>ETR</td> <td>-</td> <td>WD.</td> <td>J2</td> <td>PTD.</td> <td>-</td> <td>340</td> <td>3\"/> </td></tr></td></tr></td></tr></td></tr></td></tr></td></tr></td></tr></td></tr></td></tr></td></tr></td></tr></td></tr></td></tr></td></tr></td></tr></td></tr></td></tr></td></tr></td></tr></td></tr></td></tr></td></tr></td></tr></td></tr></td></tr></td></tr></td></tr></td></tr></td></tr></td></tr></td></tr></td></tr></td></tr></td></tr></td></tr></td></tr></td></tr></td></tr> | 311 | A | 3\"/> <tr> <td>312A</td> <td>ETR</td> <td>-</td> <td>WD.</td> <td>J2</td> <td>PTD.</td> <td>-</td> <td>307</td> <td>3\"/> <tr> <td>313</td> <td>ETR</td> <td>-</td> <td>WD.</td> <td>J2</td> <td>PTD.</td> <td>-</td> <td>308</td> <td>3\"/> <tr> <td>314</td> <td>ETR</td> <td>-</td> <td>WD.</td> <td>J2</td> <td>PTD.</td> <td>-</td> <td>309</td> <td>3\"/> <tr> <td>315</td> <td>ETR</td> <td>-</td> <td>WD.</td> <td>J2</td> <td>PTD.</td> <td>-</td> <td>310</td> <td>3\"/> <tr> <td>316A</td> <td>A</td> <td>3\"/> <tr> <td>318</td> <td>ETR</td> <td>-</td> <td>WD.</td> <td>J2</td> <td>PTD.</td> <td>-</td> <td>311</td> <td>3\"/> <tr> <td>319</td> <td>ETR</td> <td>-</td> <td>WD.</td> <td>J2</td> <td>PTD.</td> <td>-</td> <td>312A</td> <td>3\"/> <tr> <td>320</td> <td>ETR</td> <td>-</td> <td>WD.</td> <td>J2</td> <td>PTD.</td> <td>-</td> <td>313</td> <td>3\"/> <tr> <td>321</td> <td>ETR</td> <td>-</td> <td>WD.</td> <td>J2</td> <td>PTD.</td> <td>-</td> <td>314</td> <td>3\"/> <tr> <td>322</td> <td>ETR</td> <td>-</td> <td>WD.</td> <td>J2</td> <td>PTD.</td> <td>-</td> <td>315</td> <td>3\"/> <tr> <td>323</td> <td>ETR</td> <td>-</td> <td>WD.</td> <td>J2</td> <td>PTD.</td> <td>-</td> <td>316A</td> <td>3\"/> <tr> <td>324</td> <td>ETR</td> <td>-</td> <td>WD.</td> <td>J2</td> <td>PTD.</td> <td>-</td> <td>318</td> <td>3\"/> <tr> <td>325</td> <td>A</td> <td>3\"/> <tr> <td>327</td> <td>ETR</td> <td>-</td> <td>WD.</td> <td>J2</td> <td>PTD.</td> <td>-</td> <td>319</td> <td>3\"/> <tr> <td>328</td> <td>ETR</td> <td>-</td> <td>WD.</td> <td>J2</td> <td>PTD.</td> <td>-</td> <td>320</td> <td>3\"/> <tr> <td>329A</td> <td>ETR</td> <td>-</td> <td>WD.</td> <td>J2</td> <td>PTD.</td> <td>-</td> <td>321</td> <td>3\"/> <tr> <td>329B</td> <td>ETR</td> <td>-</td> <td>WD.</td> <td>J2</td> <td>PTD.</td> <td>-</td> <td>322</td> <td>3\"/> <tr> <td>331</td> <td>ETR</td> <td>-</td> <td>WD.</td> <td>J2</td> <td>PTD.</td> <td>-</td> <td>323</td> <td>3\"/> <tr> <td>333</td> <td>ETR</td> <td>-</td> <td>WD.</td> <td>J2</td> <td>PTD.</td> <td>-</td> <td>324</td> <td>3\"/> <tr> <td>334A</td> <td>ETR</td> <td>-</td> <td>WD.</td> <td>J2</td> <td>PTD.</td> <td>-</td> <td>325</td> <td>3\"/> <tr> <td>334B</td> <td>ETR</td> <td>-</td> <td>WD.</td> <td>J2</td> <td>PTD.</td> <td>-</td> <td>327</td> <td>3\"/> <tr> <td>335A</td> <td>ETR</td> <td>-</td> <td>WD.</td> <td>J2</td> <td>PTD.</td> <td>-</td> <td>328</td> <td>3\"/> <tr> <td>335B</td> <td>B</td> <td>3\"/> <tr> <td>336</td> <td>B</td> <td>3\"/> <tr> <td>337</td> <td>ETR</td> <td>-</td> <td>WD.</td> <td>J2</td> <td>PTD.</td> <td>-</td> <td>329A</td> <td>3\"/> <tr> <td>339</td> <td>ETR</td> <td>-</td> <td>WD.</td> <td>J2</td> <td>PTD.</td> <td>-</td> <td>329B</td> <td>3\"/> <tr> <td>340</td> <td>A</td> <td>3\"/> <tr> <td>341A</td> <td>ETR</td> <td>-</td> <td>WD.</td> <td>J2</td> <td>PTD.</td> <td>-</td> <td>331</td> <td>3\"/> <tr> <td>341B</td> <td>ETR</td> <td>-</td> <td>WD.</td> <td>J2</td> <td>PTD.</td> <td>-</td> <td>333</td> <td>3\"/> <tr> <td>342</td> <td>ETR</td> <td>-</td> <td>WD.</td> <td>J2</td> <td>PTD.</td> <td>-</td> <td>334A</td> <td>3\"/> <tr> <td>344</td> <td>ETR</td> <td>-</td> <td>WD.</td> <td>J2</td> <td>PTD.</td> <td>-</td> <td>334B</td> <td>3\"/> <tr> <td>345</td> <td>ETR</td> <td>-</td> <td>WD.</td> <td>J2</td> <td>PTD.</td> <td>-</td> <td>335A</td> <td>3\"/> <tr> <td>346</td> <td>ETR</td> <td>-</td> <td>WD.</td> <td>J2</td> <td>PTD.</td> <td>-</td> <td>335B</td> <td>3\"/> <tr> <td>347</td> <td>ETR</td> <td>-</td> <td>WD.</td> <td>J2</td> <td>PTD.</td> <td>-</td> <td>336</td> <td>3\"/> <tr> <td>348</td> <td>ETR</td> <td>-</td> <td>WD.</td> <td>J2</td> <td>PTD.</td> <td>-</td> <td>337</td> <td>3\"/> <tr> <td>349</td> <td>ETR</td> <td>-</td> <td>WD.</td> <td>J2</td> <td>PTD.</td> <td>-</td> <td>339</td> <td>3\"/> <tr> <td>350</td> <td>ETR</td> <td>-</td> <td>WD.</td> <td>J2</td> <td>PTD.</td> <td>-</td> <td>340</td> <td>3\"/> </td></tr></td></tr></td></tr></td></tr></td></tr></td></tr></td></tr></td></tr></td></tr></td></tr></td></tr></td></tr></td></tr></td></tr></td></tr></td></tr></td></tr></td></tr></td></tr></td></tr></td></tr></td></tr></td></tr></td></tr></td></tr></td></tr></td></tr></td></tr></td></tr></td></tr></td></tr></td></tr></td></tr></td></tr></td></tr></td></tr></td></tr> | 312A | ETR | -
 | WD. | J2 | PTD. | - | 307 | 3\"/> <tr> <td>313</td> <td>ETR</td> <td>-</td> <td>WD.</td> <td>J2</td> <td>PTD.</td> <td>-</td> <td>308</td> <td>3\"/> <tr> <td>314</td> <td>ETR</td> <td>-</td> <td>WD.</td> <td>J2</td> <td>PTD.</td> <td>-</td> <td>309</td> <td>3\"/> <tr> <td>315</td> <td>ETR</td> <td>-</td> <td>WD.</td> <td>J2</td> <td>PTD.</td> <td>-</td> <td>310</td> <td>3\"/> <tr> <td>316A</td> <td>A</td> <td>3\"/> <tr> <td>318</td> <td>ETR</td> <td>-</td> <td>WD.</td> <td>J2</td> <td>PTD.</td> <td>-</td> <td>311</td> <td>3\"/> <tr> <td>319</td> <td>ETR</td> <td>-</td> <td>WD.</td> <td>J2</td> <td>PTD.</td> <td>-</td> <td>312A</td> <td>3\"/> <tr> <td>320</td> <td>ETR</td> <td>-</td> <td>WD.</td> <td>J2</td> <td>PTD.</td> <td>-</td> <td>313</td> <td>3\"/> <tr> <td>321</td> <td>ETR</td> <td>-</td> <td>WD.</td> <td>J2</td> <td>PTD.</td> <td>-</td> <td>314</td> <td>3\"/> <tr> <td>322</td> <td>ETR</td> <td>-</td> <td>WD.</td> <td>J2</td> <td>PTD.</td> <td>-</td> <td>315</td> <td>3\"/> <tr> <td>323</td> <td>ETR</td> <td>-</td> <td>WD.</td> <td>J2</td> <td>PTD.</td> <td>-</td> <td>316A</td> <td>3\"/> <tr> <td>324</td> <td>ETR</td> <td>-</td> <td>WD.</td> <td>J2</td> <td>PTD.</td> <td>-</td> <td>318</td> <td>3\"/> <tr> <td>325</td> <td>A</td> <td>3\"/> <tr> <td>327</td> <td>ETR</td> <td>-</td> <td>WD.</td> <td>J2</td> <td>PTD.</td> <td>-</td> <td>319</td> <td>3\"/> <tr> <td>328</td> <td>ETR</td> <td>-</td> <td>WD.</td> <td>J2</td> <td>PTD.</td> <td>-</td> <td>320</td> <td>3\"/> <tr> <td>329A</td> <td>ETR</td> <td>-</td> <td>WD.</td> <td>J2</td> <td>PTD.</td> <td>-</td> <td>321</td> <td>3\"/> <tr> <td>329B</td> <td>ETR</td> <td>-</td> <td>WD.</td> <td>J2</td> <td>PTD.</td> <td>-</td> <td>322</td> <td>3\"/> <tr> <td>331</td> <td>ETR</td> <td>-</td> <td>WD.</td> <td>J2</td> <td>PTD.</td> <td>-</td> <td>323</td> <td>3\"/> <tr> <td>333</td> <td>ETR</td> <td>-</td> <td>WD.</td> <td>J2</td> <td>PTD.</td> <td>-</td> <td>324</td> <td>3\"/> <tr> <td>334A</td> <td>ETR</td> <td>-</td> <td>WD.</td> <td>J2</td> <td>PTD.</td> <td>-</td> <td>325</td> <td>3\"/> <tr> <td>334B</td> <td>ETR</td> <td>-</td> <td>WD.</td> <td>J2</td> <td>PTD.</td> <td>-</td> <td>327</td> <td>3\"/> <tr> <td>335A</td> <td>ETR</td> <td>-</td> <td>WD.</td> <td>J2</td> <td>PTD.</td> <td>-</td> <td>328</td> <td>3\"/> <tr> <td>335B</td> <td>B</td> <td>3\"/> <tr> <td>336</td> <td>B</td> <td>3\"/> <tr> <td>337</td> <td>ETR</td> <td>-</td> <td>WD.</td> <td>J2</td> <td>PTD.</td> <td>-</td> <td>329A</td> <td>3\"/> <tr> <td>339</td> <td>ETR</td> <td>-</td> <td>WD.</td> <td>J2</td> <td>PTD.</td> <td>-</td> <td>329B</td> <td>3\"/> <tr> <td>340</td>
<td>A</td> <td>3\"/> <tr> <td>341A</td> <td>ETR</td> <td>-</td> <td>WD.</td> <td>J2</td> <td>PTD.</td> <td>-</td> <td>331</td> <td>3\"/> <tr> <td>341B</td> <td>ETR</td> <td>-</td> <td>WD.</td> <td>J2</td> <td>PTD.</td> <td>-</td> <td>333</td> <td>3\"/> <tr> <td>342</td> <td>ETR</td> <td>-</td> <td>WD.</td> <td>J2</td> <td>PTD.</td> <td>-</td> <td>334A</td> <td>3\"/> <tr> <td>344</td> <td>ETR</td> <td>-</td> <td>WD.</td> <td>J2</td> <td>PTD.</td> <td>-</td> <td>334B</td> <td>3\"/> <tr> <td>345</td> <td>ETR</td> <td>-</td> <td>WD.</td> <td>J2</td> <td>PTD.</td> <td>-</td> <td>335A</td> <td>3\"/> <tr> <td>346</td> <td>ETR</td> <td>-</td> <td>WD.</td> <td>J2</td> <td>PTD.</td> <td>-</td> <td>335B</td> <td>3\"/> <tr> <td>347</td> <td>ETR</td> <td>-</td> <td>WD.</td> <td>J2</td> <td>PTD.</td> <td>-</td> <td>336</td> <td>3\"/> <tr> <td>348</td> <td>ETR</td> <td>-</td> <td>WD.</td> <td>J2</td> <td>PTD.</td> <td>-</td> <td>337</td> <td>3\"/> <tr> <td>349</td> <td>ETR</td> <td>-</td> <td>WD.</td> <td>J2</td> <td>PTD.</td> <td>-</td> <td>339</td> <td>3\"/> <tr> <td>350</td> <td>ETR</td> <td>-</td> <td>WD.</td> <td>J2</td> <td>PTD.</td> <td>-</td> <td>340</td> <td>3\"/> </td></tr></td></tr></td></tr></td></tr></td></tr></td></tr></td></tr></td></tr></td></tr></td></tr></td></tr></td></tr></td></tr></td></tr></td></tr></td></tr></td></tr></td></tr></td></tr></td></tr></td></tr></td></tr></td></tr></td></tr></td></tr></td></tr></td></tr></td></tr></td></tr></td></tr></td></tr></td></tr></td></tr></td></tr></td></tr></td></tr> | 313 | ETR | - | WD. | J2 | PTD.
 | - | 308 | 3\"/> <tr> <td>314</td> <td>ETR</td> <td>-</td> <td>WD.</td> <td>J2</td> <td>PTD.</td> <td>-</td> <td>309</td> <td>3\"/> <tr> <td>315</td> <td>ETR</td> <td>-</td> <td>WD.</td> <td>J2</td> <td>PTD.</td> <td>-</td> <td>310</td> <td>3\"/> <tr> <td>316A</td> <td>A</td> <td>3\"/> <tr> <td>318</td> <td>ETR</td> <td>-</td> <td>WD.</td> <td>J2</td> <td>PTD.</td> <td>-</td> <td>311</td> <td>3\"/> <tr> <td>319</td> <td>ETR</td> <td>-</td> <td>WD.</td> <td>J2</td> <td>PTD.</td> <td>-</td> <td>312A</td> <td>3\"/> <tr> <td>320</td> <td>ETR</td> <td>-</td> <td>WD.</td> <td>J2</td> <td>PTD.</td> <td>-</td> <td>313</td> <td>3\"/> <tr> <td>321</td> <td>ETR</td> <td>-</td> <td>WD.</td> <td>J2</td> <td>PTD.</td> <td>-</td> <td>314</td> <td>3\"/> <tr> <td>322</td> <td>ETR</td> <td>-</td> <td>WD.</td> <td>J2</td> <td>PTD.</td> <td>-</td> <td>315</td> <td>3\"/> <tr> <td>323</td> <td>ETR</td> <td>-</td> <td>WD.</td> <td>J2</td> <td>PTD.</td> <td>-</td> <td>316A</td> <td>3\"/> <tr> <td>324</td> <td>ETR</td> <td>-</td> <td>WD.</td> <td>J2</td> <td>PTD.</td> <td>-</td> <td>318</td> <td>3\"/> <tr> <td>325</td> <td>A</td> <td>3\"/> <tr> <td>327</td> <td>ETR</td> <td>-</td> <td>WD.</td> <td>J2</td> <td>PTD.</td> <td>-</td> <td>319</td> <td>3\"/> <tr> <td>328</td> <td>ETR</td> <td>-</td> <td>WD.</td> <td>J2</td> <td>PTD.</td> <td>-</td> <td>320</td> <td>3\"/> <tr> <td>329A</td> <td>ETR</td> <td>-</td> <td>WD.</td> <td>J2</td> <td>PTD.</td> <td>-</td> <td>321</td> <td>3\"/> <tr> <td>329B</td> <td>ETR</td> <td>-</td> <td>WD.</td> <td>J2</td> <td>PTD.</td> <td>-</td> <td>322</td> <td>3\"/> <tr> <td>331</td> <td>ETR</td> <td>-</td> <td>WD.</td> <td>J2</td> <td>PTD.</td> <td>-</td> <td>323</td> <td>3\"/> <tr> <td>333</td> <td>ETR</td> <td>-</td> <td>WD.</td> <td>J2</td> <td>PTD.</td> <td>-</td> <td>324</td> <td>3\"/> <tr> <td>334A</td> <td>ETR</td> <td>-</td> <td>WD.</td> <td>J2</td> <td>PTD.</td> <td>-</td> <td>325</td> <td>3\"/> <tr> <td>334B</td> <td>ETR</td> <td>-</td> <td>WD.</td> <td>J2</td> <td>PTD.</td> <td>-</td> <td>327</td> <td>3\"/> <tr> <td>335A</td> <td>ETR</td> <td>-</td> <td>WD.</td> <td>J2</td> <td>PTD.</td> <td>-</td> <td>328</td> <td>3\"/> <tr> <td>335B</td> <td>B</td> <td>3\"/> <tr> <td>336</td> <td>B</td> <td>3\"/> <tr> <td>337</td> <td>ETR</td> <td>-</td> <td>WD.</td> <td>J2</td> <td>PTD.</td> <td>-</td> <td>329A</td> <td>3\"/> <tr> <td>339</td> <td>ETR</td> <td>-</td> <td>WD.</td> <td>J2</td> <td>PTD.</td> <td>-</td> <td>329B</td> <td>3\"/> <tr> <td>340</td> <td>A</td> <td>3\"/> <tr> <td>341A</td> <td>ETR</td> <td>-</td> <td>WD.</td> <td>J2</td> <td>PTD.</td> <td>-</td> <td>331</td> <td>3\"/> <tr> <td>341B</td> <td>ETR</td> <td>-</td> <td>WD.</td> <td>J2</td> <td>PTD.</td> <td>-</td> <td>333</td> <td>3\"/> <tr> <td>342</td> <td>ETR</td> <td>-</td> <td>WD.</td> <td>J2</td> <td>PTD.</td> <td>-</td> <td>334A</td> <td>3\"/> <tr> <td>344</td> <td>ETR</td> <td>-</td> <td>WD.</td> <td>J2</td> <td>PTD.</td> <td>-</td> <td>334B</td> <td>3\"/> <tr> <td>345</td> <td>ETR</td> <td>-</td> <td>WD.</td> <td>J2</td> <td>PTD.</td> <td>-</td> <td>335A</td> <td>3\"/> <tr> <td>346</td> <td>ETR</td> <td>-</td> <td>WD.</td> <td>J2</td> <td>PTD.</td> <td>-</td> <td>335B</td> <td>3\"/> <tr> <td>347</td> <td>ETR</td> <td>-</td> <td>WD.</td> <td>J2</td> <td>PTD.</td> <td>-</td> <td>336</td> <td>3\"/> <tr> <td>348</td> <td>ETR</td> <td>-</td> <td>WD.</td> <td>J2</td> <td>PTD.</td> <td>-</td> <td>337</td> <td>3\"/> <tr> <td>349</td> <td>ETR</td> <td>-</td> <td>WD.</td> <td>J2</td> <td>PTD.</td> <td>-</td> <td>339</td> <td>3\"/> <tr> <td>350</td> <td>ETR</td> <td>-</td> <td>WD.</td> <td>J2</td> <td>PTD.</td> <td>-</td> <td>340</td> <td>3\"/> </td></tr></td></tr></td></tr></td></tr></td></tr></td></tr></td></tr></td></tr></td></tr></td></tr></td></tr></td></tr></td></tr></td></tr></td></tr></td></tr></td></tr></td></tr></td></tr></td></tr></td></tr></td></tr></td></tr></td></tr></td></tr></td></tr></td></tr></td></tr></td></tr></td></tr></td></tr></td></tr></td></tr></td></tr></td></tr> | 314 | ETR | - | WD. | J2 | PTD.
 | - | 309 | 3\"/> <tr> <td>315</td> <td>ETR</td> <td>-</td> <td>WD.</td> <td>J2</td> <td>PTD.</td> <td>-</td> <td>310</td> <td>3\"/> <tr> <td>316A</td> <td>A</td> <td>3\"/> <tr> <td>318</td> <td>ETR</td> <td>-</td> <td>WD.</td> <td>J2</td> <td>PTD.</td> <td>-</td> <td>311</td> <td>3\"/> <tr> <td>319</td> <td>ETR</td> <td>-</td> <td>WD.</td> <td>J2</td> <td>PTD.</td> <td>-</td> <td>312A</td> <td>3\"/> <tr> <td>320</td> <td>ETR</td> <td>-</td> <td>WD.</td> <td>J2</td> <td>PTD.</td> <td>-</td> <td>313</td> <td>3\"/> <tr> <td>321</td> <td>ETR</td> <td>-</td> <td>WD.</td> <td>J2</td> <td>PTD.</td> <td>-</td> <td>314</td> <td>3\"/> <tr> <td>322</td> <td>ETR</td> <td>-</td> <td>WD.</td> <td>J2</td> <td>PTD.</td> <td>-</td> <td>315</td> <td>3\"/> <tr> <td>323</td> <td>ETR</td> <td>-</td> <td>WD.</td> <td>J2</td> <td>PTD.</td> <td>-</td> <td>316A</td> <td>3\"/> <tr> <td>324</td> <td>ETR</td> <td>-</td> <td>WD.</td> <td>J2</td> <td>PTD.</td> <td>-</td> <td>318</td> <td>3\"/> <tr> <td>325</td> <td>A</td> <td>3\"/> <tr> <td>327</td> <td>ETR</td> <td>-</td> <td>WD.</td> <td>J2</td> <td>PTD.</td> <td>-</td> <td>319</td> <td>3\"/> <tr> <td>328</td> <td>ETR</td> <td>-</td> <td>WD.</td> <td>J2</td> <td>PTD.</td> <td>-</td> <td>320</td> <td>3\"/> <tr> <td>329A</td> <td>ETR</td> <td>-</td> <td>WD.</td> <td>J2</td> <td>PTD.</td> <td>-</td> <td>321</td> <td>3\"/> <tr> <td>329B</td> <td>ETR</td> <td>-</td> <td>WD.</td> <td>J2</td> <td>PTD.</td> <td>-</td> <td>322</td> <td>3\"/> <tr> <td>331</td> <td>ETR</td> <td>-</td> <td>WD.</td> <td>J2</td> <td>PTD.</td> <td>-</td> <td>323</td> <td>3\"/> <tr> <td>333</td> <td>ETR</td> <td>-</td> <td>WD.</td> <td>J2</td> <td>PTD.</td> <td>-</td> <td>324</td> <td>3\"/> <tr> <td>334A</td> <td>ETR</td> <td>-</td> <td>WD.</td> <td>J2</td> <td>PTD.</td> <td>-</td> <td>325</td> <td>3\"/> <tr> <td>334B</td> <td>ETR</td> <td>-</td> <td>WD.</td> <td>J2</td> <td>PTD.</td> <td>-</td> <td>327</td> <td>3\"/> <tr> <td>335A</td> <td>ETR</td> <td>-</td> <td>WD.</td> <td>J2</td> <td>PTD.</td> <td>-</td> <td>328</td> <td>3\"/> <tr> <td>335B</td> <td>B</td> <td>3\"/> <tr> <td>336</td> <td>B</td> <td>3\"/> <tr> <td>337</td> <td>ETR</td> <td>-</td> <td>WD.</td> <td>J2</td> <td>PTD.</td> <td>-</td> <td>329A</td> <td>3\"/> <tr> <td>339</td> <td>ETR</td> <td>-</td> <td>WD.</td> <td>J2</td> <td>PTD.</td> <td>-</td> <td>329B</td> <td>3\"/> <tr> <td>340</td> <td>A</td> <td>3\"/> <tr> <td>341A</td> <td>ETR</td> <td>-</td> <td>WD.</td> <td>J2</td> <td>PTD.</td> <td>-</td> <td>331</td> <td>3\"/> <tr> <td>341B</td> <td>ETR</td> <td>-</td> <td>WD.</td> <td>J2</td> <td>PTD.</td> <td>-</td> <td>333</td> <td>3\"/> <tr> <td>342</td> <td>ETR</td> <td>-</td> <td>WD.</td> <td>J2</td> <td>PTD.</td> <td>-</td> <td>334A</td> <td>3\"/> <tr> <td>344</td> <td>ETR</td> <td>-</td> <td>WD.</td> <td>J2</td> <td>PTD.</td> <td>-</td> <td>334B</td> <td>3\"/> <tr> <td>345</td> <td>ETR</td> <td>-</td> <td>WD.</td> <td>J2</td> <td>PTD.</td> <td>-</td> <td>335A</td> <td>3\"/> <tr> <td>346</td> <td>ETR</td> <td>-</td> <td>WD.</td> <td>J2</td> <td>PTD.</td> <td>-</td> <td>335B</td> <td>3\"/> <tr> <td>347</td> <td>ETR</td> <td>-</td> <td>WD.</td> <td>J2</td> <td>PTD.</td> <td>-</td> <td>336</td> <td>3\"/> <tr> <td>348</td> <td>ETR</td> <td>-</td> <td>WD.</td> <td>J2</td> <td>PTD.</td> <td>-</td> <td>337</td> <td>3\"/> <tr> <td>349</td> <td>ETR</td> <td>-</td> <td>WD.</td> <td>J2</td> <td>PTD.</td> <td>-</td> <td>339</td> <td>3\"/> <tr> <td>350</td> <td>ETR</td> <td>-</td> <td>WD.</td> <td>J2</td> <td>PTD.</td> <td>-</td> <td>340</td> <td>3\"/> </td></tr></td></tr></td></tr></td></tr></td></tr></td></tr></td></tr></td></tr></td></tr></td></tr></td></tr></td></tr></td></tr></td></tr></td></tr></td></tr></td></tr></td></tr></td></tr></td></tr></td></tr></td></tr></td></tr></td></tr></td></tr></td></tr></td></tr></td></tr></td></tr></td></tr></td></tr></td></tr></td></tr></td></tr> | 315 | ETR | -
 | WD. | J2 | PTD. | - | 310 | 3\"/> <tr> <td>316A</td> <td>A</td> <td>3\"/> <tr> <td>318</td> <td>ETR</td> <td>-</td> <td>WD.</td> <td>J2</td> <td>PTD.</td> <td>-</td> <td>311</td> <td>3\"/> <tr> <td>319</td> <td>ETR</td> <td>-</td> <td>WD.</td> <td>J2</td> <td>PTD.</td> <td>-</td> <td>312A</td> <td>3\"/> <tr> <td>320</td> <td>ETR</td> <td>-</td> <td>WD.</td> <td>J2</td> <td>PTD.</td> <td>-</td> <td>313</td> <td>3\"/> <tr> <td>321</td> <td>ETR</td> <td>-</td> <td>WD.</td> <td>J2</td> <td>PTD.</td> <td>-</td> <td>314</td> <td>3\"/> <tr> <td>322</td> <td>ETR</td> <td>-</td> <td>WD.</td> <td>J2</td> <td>PTD.</td> <td>-</td> <td>315</td> <td>3\"/> <tr> <td>323</td> <td>ETR</td> <td>-</td> <td>WD.</td> <td>J2</td> <td>PTD.</td> <td>-</td> <td>316A</td> <td>3\"/> <tr> <td>324</td> <td>ETR</td> <td>-</td> <td>WD.</td> <td>J2</td> <td>PTD.</td> <td>-</td> <td>318</td> <td>3\"/> <tr> <td>325</td> <td>A</td> <td>3\"/> <tr> <td>327</td> <td>ETR</td> <td>-</td> <td>WD.</td> <td>J2</td> <td>PTD.</td> <td>-</td> <td>319</td> <td>3\"/> <tr> <td>328</td> <td>ETR</td> <td>-</td> <td>WD.</td> <td>J2</td> <td>PTD.</td> <td>-</td> <td>320</td> <td>3\"/> <tr> <td>329A</td> <td>ETR</td> <td>-</td> <td>WD.</td> <td>J2</td> <td>PTD.</td> <td>-</td> <td>321</td> <td>3\"/> <tr> <td>329B</td> <td>ETR</td> <td>-</td> <td>WD.</td> <td>J2</td> <td>PTD.</td> <td>-</td> <td>322</td> <td>3\"/> <tr> <td>331</td> <td>ETR</td> <td>-</td> <td>WD.</td> <td>J2</td> <td>PTD.</td> <td>-</td> <td>323</td> <td>3\"/> <tr> <td>333</td> <td>ETR</td> <td>-</td> <td>WD.</td> <td>J2</td> <td>PTD.</td> <td>-</td> <td>324</td> <td>3\"/> <tr> <td>334A</td> <td>ETR</td> <td>-</td> <td>WD.</td> <td>J2</td> <td>PTD.</td> <td>-</td> <td>325</td> <td>3\"/> <tr> <td>334B</td> <td>ETR</td> <td>-</td> <td>WD.</td> <td>J2</td> <td>PTD.</td> <td>-</td> <td>327</td> <td>3\"/> <tr> <td>335A</td> <td>ETR</td> <td>-</td> <td>WD.</td> <td>J2</td> <td>PTD.</td> <td>-</td> <td>328</td> <td>3\"/> <tr> <td>335B</td> <td>B</td> <td>3\"/> <tr> <td>336</td> <td>B</td> <td>3\"/> <tr> <td>337</td> <td>ETR</td> <td>-</td> <td>WD.</td> <td>J2</td> <td>PTD.</td> <td>-</td> <td>329A</td> <td>3\"/> <tr> <td>339</td> <td>ETR</td> <td>-</td> <td>WD.</td> <td>J2</td> <td>PTD.</td> <td>-</td> <td>329B</td> <td>3\"/> <tr> <td>340</td> <td>A</td> <td>3\"/> <tr> <td>341A</td> <td>ETR</td> <td>-</td> <td>WD.</td> <td>J2</td> <td>PTD.</td> <td>-</td> <td>331</td> <td>3\"/> <tr> <td>341B</td> <td>ETR</td> <td>-</td> <td>WD.</td> <td>J2</td> <td>PTD.</td> <td>-</td> <td>333</td> <td>3\"/> <tr> <td>342</td> <td>ETR</td> <td>-</td> <td>WD.</td> <td>J2</td> <td>PTD.</td> <td>-</td> <td>334A</td> <td>3\"/> <tr> <td>344</td> <td>ETR</td> <td>-</td> <td>WD.</td> <td>J2</td> <td>PTD.</td> <td>-</td> <td>334B</td> <td>3\"/> <tr> <td>345</td> <td>ETR</td> <td>-</td> <td>WD.</td> <td>J2</td> <td>PTD.</td> <td>-</td> <td>335A</td> <td>3\"/> <tr> <td>346</td> <td>ETR</td> <td>-</td> <td>WD.</td> <td>J2</td> <td>PTD.</td> <td>-</td> <td>335B</td> <td>3\"/> <tr> <td>347</td> <td>ETR</td> <td>-</td> <td>WD.</td> <td>J2</td> <td>PTD.</td> <td>-</td> <td>336</td> <td>3\"/> <tr> <td>348</td> <td>ETR</td> <td>-</td> <td>WD.</td> <td>J2</td> <td>PTD.</td> <td>-</td> <td>337</td> <td>3\"/> <tr> <td>349</td> <td>ETR</td> <td>-</td> <td>WD.</td> <td>J2</td> <td>PTD.</td> <td>-</td> <td>339</td> <td>3\"/> <tr> <td>350</td> <td>ETR</td> <td>-</td> <td>WD.</td> <td>J2</td> <td>PTD.</td> <td>-</td> <td>340</td> <td>3\"/> </td></tr></td></tr></td></tr></td></tr></td></tr></td></tr></td></tr></td></tr></td></tr></td></tr></td></tr></td></tr></td></tr></td></tr></td></tr></td></tr></td></tr></td></tr></td></tr></td></tr></td></tr></td></tr></td></tr></td></tr></td></tr></td></tr></td></tr></td></tr></td></tr></td></tr></td></tr></td></tr></td></tr> | 316A | A | 3\"/> <tr> <td>318</td> <td>ETR</td> <td>-</td> <td>WD.</td> <td>J2</td> <td>PTD.</td> <td>-</td> <td>311</td> <td>3\"/> <tr> <td>319</td> <td>ETR</td> <td>-</td> <td>WD.</td> <td>J2</td> <td>PTD.</td> <td>-</td> <td>312A</td> <td>3\"/> <tr> <td>320</td> <td>ETR</td> <td>-</td> <td>WD.</td> <td>J2</td> <td>PTD.</td> <td>-</td> <td>313</td> <td>3\"/> <tr> <td>321</td> <td>ETR</td> <td>-</td> <td>WD.</td> <td>J2</td> <td>PTD.</td> <td>-</td> <td>314</td> <td>3\"/> <tr> <td>322</td> <td>ETR</td> <td>-</td> <td>WD.</td> <td>J2</td> <td>PTD.</td> <td>-</td> <td>315</td> <td>3\"/> <tr> <td>323</td> <td>ETR</td>
<td>-</td> <td>WD.</td> <td>J2</td> <td>PTD.</td> <td>-</td> <td>316A</td> <td>3\"/> <tr> <td>324</td> <td>ETR</td> <td>-</td> <td>WD.</td> <td>J2</td> <td>PTD.</td> <td>-</td> <td>318</td> <td>3\"/> <tr> <td>325</td> <td>A</td> <td>3\"/> <tr> <td>327</td> <td>ETR</td> <td>-</td> <td>WD.</td> <td>J2</td> <td>PTD.</td> <td>-</td> <td>319</td> <td>3\"/> <tr> <td>328</td> <td>ETR</td> <td>-</td> <td>WD.</td> <td>J2</td> <td>PTD.</td> <td>-</td> <td>320</td> <td>3\"/> <tr> <td>329A</td> <td>ETR</td> <td>-</td> <td>WD.</td> <td>J2</td> <td>PTD.</td> <td>-</td> <td>321</td> <td>3\"/> <tr> <td>329B</td> <td>ETR</td> <td>-</td> <td>WD.</td> <td>J2</td> <td>PTD.</td> <td>-</td> <td>322</td> <td>3\"/> <tr> <td>331</td> <td>ETR</td> <td>-</td> <td>WD.</td> <td>J2</td> <td>PTD.</td> <td>-</td> <td>323</td> <td>3\"/> <tr> <td>333</td> <td>ETR</td> <td>-</td> <td>WD.</td> <td>J2</td> <td>PTD.</td> <td>-</td> <td>324</td> <td>3\"/> <tr> <td>334A</td> <td>ETR</td> <td>-</td> <td>WD.</td> <td>J2</td> <td>PTD.</td> <td>-</td> <td>325</td> <td>3\"/> <tr> <td>334B</td> <td>ETR</td> <td>-</td> <td>WD.</td> <td>J2</td> <td>PTD.</td> <td>-</td> <td>327</td> <td>3\"/> <tr> <td>335A</td> <td>ETR</td> <td>-</td> <td>WD.</td> <td>J2</td> <td>PTD.</td> <td>-</td> <td>328</td> <td>3\"/> <tr> <td>335B</td> <td>B</td> <td>3\"/> <tr> <td>336</td> <td>B</td> <td>3\"/> <tr> <td>337</td> <td>ETR</td> <td>-</td> <td>WD.</td> <td>J2</td> <td>PTD.</td> <td>-</td> <td>329A</td> <td>3\"/> <tr> <td>339</td> <td>ETR</td> <td>-</td> <td>WD.</td> <td>J2</td> <td>PTD.</td> <td>-</td> <td>329B</td> <td>3\"/> <tr> <td>340</td> <td>A</td> <td>3\"/> <tr> <td>341A</td> <td>ETR</td> <td>-</td> <td>WD.</td> <td>J2</td> <td>PTD.</td> <td>-</td> <td>331</td> <td>3\"/> <tr> <td>341B</td> <td>ETR</td> <td>-</td> <td>WD.</td> <td>J2</td> <td>PTD.</td> <td>-</td> <td>333</td> <td>3\"/> <tr> <td>342</td> <td>ETR</td> <td>-</td> <td>WD.</td> <td>J2</td> <td>PTD.</td> <td>-</td> <td>334A</td> <td>3\"/> <tr> <td>344</td> <td>ETR</td> <td>-</td> <td>WD.</td> <td>J2</td> <td>PTD.</td> <td>-</td> <td>334B</td> <td>3\"/> <tr> <td>345</td> <td>ETR</td> <td>-</td> <td>WD.</td> <td>J2</td> <td>PTD.</td> <td>-</td> <td>335A</td> <td>3\"/> <tr> <td>346</td> <td>ETR</td> <td>-</td> <td>WD.</td> <td>J2</td> <td>PTD.</td> <td>-</td> <td>335B</td> <td>3\"/> <tr> <td>347</td> <td>ETR</td> <td>-</td> <td>WD.</td> <td>J2</td> <td>PTD.</td> <td>-</td> <td>336</td> <td>3\"/> <tr> <td>348</td> <td>ETR</td> <td>-</td> <td>WD.</td> <td>J2</td> <td>PTD.</td> <td>-</td> <td>337</td> <td>3\"/> <tr> <td>349</td> <td>ETR</td> <td>-</td> <td>WD.</td> <td>J2</td> <td>PTD.</td> <td>-</td> <td>339</td> <td>3\"/> <tr> <td>350</td> <td>ETR</td> <td>-</td> <td>WD.</td> <td>J2</td> <td>PTD.</td> <td>-</td> <td>340</td> <td>3\"/> </td></tr></td></tr></td></tr></td></tr></td></tr></td></tr></td></tr></td></tr></td></tr></td></tr></td></tr></td></tr></td></tr></td></tr></td></tr></td></tr></td></tr></td></tr></td></tr></td></tr></td></tr></td></tr></td></tr></td></tr></td></tr></td></tr></td></tr></td></tr></td></tr></td></tr></td></tr></td></tr> | 318 | ETR | - | WD. | J2 | PTD.
 | - | 311 | 3\"/> <tr> <td>319</td> <td>ETR</td> <td>-</td> <td>WD.</td> <td>J2</td> <td>PTD.</td> <td>-</td> <td>312A</td> <td>3\"/> <tr> <td>320</td> <td>ETR</td> <td>-</td> <td>WD.</td> <td>J2</td> <td>PTD.</td> <td>-</td> <td>313</td> <td>3\"/> <tr> <td>321</td> <td>ETR</td> <td>-</td> <td>WD.</td> <td>J2</td> <td>PTD.</td> <td>-</td> <td>314</td> <td>3\"/> <tr> <td>322</td> <td>ETR</td> <td>-</td> <td>WD.</td> <td>J2</td> <td>PTD.</td> <td>-</td> <td>315</td> <td>3\"/> <tr> <td>323</td> <td>ETR</td> <td>-</td> <td>WD.</td> <td>J2</td> <td>PTD.</td> <td>-</td> <td>316A</td> <td>3\"/> <tr> <td>324</td> <td>ETR</td> <td>-</td> <td>WD.</td> <td>J2</td> <td>PTD.</td> <td>-</td> <td>318</td> <td>3\"/> <tr> <td>325</td> <td>A</td> <td>3\"/> <tr> <td>327</td> <td>ETR</td> <td>-</td> <td>WD.</td> <td>J2</td> <td>PTD.</td> <td>-</td> <td>319</td> <td>3\"/> <tr> <td>328</td> <td>ETR</td> <td>-</td> <td>WD.</td> <td>J2</td> <td>PTD.</td> <td>-</td> <td>320</td> <td>3\"/> <tr> <td>329A</td> <td>ETR</td> <td>-</td> <td>WD.</td> <td>J2</td> <td>PTD.</td> <td>-</td> <td>321</td> <td>3\"/> <tr> <td>329B</td> <td>ETR</td> <td>-</td> <td>WD.</td> <td>J2</td> <td>PTD.</td> <td>-</td> <td>322</td> <td>3\"/> <tr> <td>331</td> <td>ETR</td> <td>-</td> <td>WD.</td> <td>J2</td> <td>PTD.</td> <td>-</td> <td>323</td> <td>3\"/> <tr> <td>333</td> <td>ETR</td> <td>-</td> <td>WD.</td> <td>J2</td> <td>PTD.</td> <td>-</td> <td>324</td> <td>3\"/> <tr> <td>334A</td> <td>ETR</td> <td>-</td> <td>WD.</td> <td>J2</td> <td>PTD.</td> <td>-</td> <td>325</td> <td>3\"/> <tr> <td>334B</td> <td>ETR</td> <td>-</td> <td>WD.</td> <td>J2</td> <td>PTD.</td> <td>-</td> <td>327</td> <td>3\"/> <tr> <td>335A</td> <td>ETR</td> <td>-</td> <td>WD.</td> <td>J2</td> <td>PTD.</td> <td>-</td> <td>328</td> <td>3\"/> <tr> <td>335B</td> <td>B</td> <td>3\"/> <tr> <td>336</td> <td>B</td> <td>3\"/> <tr> <td>337</td> <td>ETR</td> <td>-</td> <td>WD.</td> <td>J2</td> <td>PTD.</td> <td>-</td> <td>329A</td> <td>3\"/> <tr> <td>339</td> <td>ETR</td> <td>-</td> <td>WD.</td> <td>J2</td> <td>PTD.</td> <td>-</td> <td>329B</td> <td>3\"/> <tr> <td>340</td> <td>A</td> <td>3\"/> <tr> <td>341A</td> <td>ETR</td> <td>-</td> <td>WD.</td> <td>J2</td> <td>PTD.</td> <td>-</td> <td>331</td> <td>3\"/> <tr> <td>341B</td> <td>ETR</td> <td>-</td> <td>WD.</td> <td>J2</td> <td>PTD.</td> <td>-</td> <td>333</td> <td>3\"/> <tr> <td>342</td> <td>ETR</td> <td>-</td> <td>WD.</td> <td>J2</td> <td>PTD.</td> <td>-</td> <td>334A</td> <td>3\"/> <tr> <td>344</td> <td>ETR</td> <td>-</td> <td>WD.</td> <td>J2</td> <td>PTD.</td> <td>-</td> <td>334B</td> <td>3\"/> <tr> <td>345</td> <td>ETR</td> <td>-</td> <td>WD.</td> <td>J2</td> <td>PTD.</td> <td>-</td> <td>335A</td> <td>3\"/> <tr> <td>346</td> <td>ETR</td> <td>-</td> <td>WD.</td> <td>J2</td> <td>PTD.</td> <td>-</td> <td>335B</td> <td>3\"/> <tr> <td>347</td> <td>ETR</td> <td>-</td> <td>WD.</td> <td>J2</td> <td>PTD.</td> <td>-</td> <td>336</td> <td>3\"/> <tr> <td>348</td> <td>ETR</td> <td>-</td> <td>WD.</td> <td>J2</td> <td>PTD.</td> <td>-</td> <td>337</td> <td>3\"/> <tr> <td>349</td> <td>ETR</td> <td>-</td> <td>WD.</td> <td>J2</td> <td>PTD.</td> <td>-</td> <td>339</td> <td>3\"/> <tr> <td>350</td> <td>ETR</td> <td>-</td> <td>WD.</td> <td>J2</td> <td>PTD.</td> <td>-</td> <td>340</td> <td>3\"/> </td></tr></td></tr></td></tr></td></tr></td></tr></td></tr></td></tr></td></tr></td></tr></td></tr></td></tr></td></tr></td></tr></td></tr></td></tr></td></tr></td></tr></td></tr></td></tr></td></tr></td></tr></td></tr></td></tr></td></tr></td></tr></td></tr></td></tr></td></tr></td></tr></td></tr></td></tr> | 319 | ETR | - | WD. | J2 | PTD.
 | - | 312A | 3\"/> <tr> <td>320</td> <td>ETR</td> <td>-</td> <td>WD.</td> <td>J2</td> <td>PTD.</td> <td>-</td> <td>313</td> <td>3\"/> <tr> <td>321</td> <td>ETR</td> <td>-</td> <td>WD.</td> <td>J2</td> <td>PTD.</td> <td>-</td> <td>314</td> <td>3\"/> <tr> <td>322</td> <td>ETR</td> <td>-</td> <td>WD.</td> <td>J2</td> <td>PTD.</td> <td>-</td> <td>315</td> <td>3\"/> <tr> <td>323</td> <td>ETR</td> <td>-</td> <td>WD.</td> <td>J2</td> <td>PTD.</td> <td>-</td> <td>316A</td> <td>3\"/> <tr> <td>324</td> <td>ETR</td> <td>-</td> <td>WD.</td> <td>J2</td> <td>PTD.</td> <td>-</td> <td>318</td> <td>3\"/> <tr> <td>325</td> <td>A</td> <td>3\"/> <tr> <td>327</td> <td>ETR</td> <td>-</td> <td>WD.</td> <td>J2</td> <td>PTD.</td> <td>-</td> <td>319</td> <td>3\"/> <tr> <td>328</td> <td>ETR</td> <td>-</td> <td>WD.</td> <td>J2</td> <td>PTD.</td> <td>-</td> <td>320</td> <td>3\"/> <tr> <td>329A</td> <td>ETR</td> <td>-</td> <td>WD.</td> <td>J2</td> <td>PTD.</td> <td>-</td> <td>321</td> <td>3\"/> <tr> <td>329B</td> <td>ETR</td> <td>-</td> <td>WD.</td> <td>J2</td> <td>PTD.</td> <td>-</td> <td>322</td> <td>3\"/> <tr> <td>331</td> <td>ETR</td> <td>-</td> <td>WD.</td> <td>J2</td> <td>PTD.</td> <td>-</td> <td>323</td> <td>3\"/> <tr> <td>333</td> <td>ETR</td> <td>-</td> <td>WD.</td> <td>J2</td> <td>PTD.</td> <td>-</td> <td>324</td> <td>3\"/> <tr> <td>334A</td> <td>ETR</td> <td>-</td> <td>WD.</td> <td>J2</td> <td>PTD.</td> <td>-</td> <td>325</td> <td>3\"/> <tr> <td>334B</td> <td>ETR</td> <td>-</td> <td>WD.</td> <td>J2</td> <td>PTD.</td> <td>-</td> <td>327</td> <td>3\"/> <tr> <td>335A</td> <td>ETR</td> <td>-</td> <td>WD.</td> <td>J2</td> <td>PTD.</td> <td>-</td> <td>328</td> <td>3\"/> <tr> <td>335B</td> <td>B</td> <td>3\"/> <tr> <td>336</td> <td>B</td> <td>3\"/> <tr> <td>337</td> <td>ETR</td> <td>-</td> <td>WD.</td> <td>J2</td> <td>PTD.</td> <td>-</td> <td>329A</td> <td>3\"/> <tr> <td>339</td> <td>ETR</td> <td>-</td> <td>WD.</td> <td>J2</td> <td>PTD.</td> <td>-</td> <td>329B</td> <td>3\"/> <tr> <td>340</td> <td>A</td> <td>3\"/> <tr> <td>341A</td> <td>ETR</td> <td>-</td> <td>WD.</td> <td>J2</td> <td>PTD.</td> <td>-</td> <td>331</td> <td>3\"/> <tr> <td>341B</td> <td>ETR</td> <td>-</td> <td>WD.</td> <td>J2</td> <td>PTD.</td> <td>-</td> <td>333</td> <td>3\"/> <tr> <td>342</td> <td>ETR</td> <td>-</td> <td>WD.</td> <td>J2</td> <td>PTD.</td> <td>-</td> <td>334A</td> <td>3\"/> <tr> <td>344</td> <td>ETR</td> <td>-</td> <td>WD.</td> <td>J2</td> <td>PTD.</td> <td>-</td> <td>334B</td> <td>3\"/> <tr> <td>345</td> <td>ETR</td> <td>-</td> <td>WD.</td> <td>J2</td> <td>PTD.</td> <td>-</td> <td>335A</td> <td>3\"/> <tr> <td>346</td> <td>ETR</td> <td>-</td> <td>WD.</td> <td>J2</td> <td>PTD.</td> <td>-</td> <td>335B</td> <td>3\"/> <tr> <td>347</td> <td>ETR</td> <td>-</td> <td>WD.</td> <td>J2</td> <td>PTD.</td> <td>-</td> <td>336</td> <td>3\"/> <tr> <td>348</td> <td>ETR</td> <td>-</td> <td>WD.</td> <td>J2</td> <td>PTD.</td> <td>-</td> <td>337</td> <td>3\"/> <tr> <td>349</td> <td>ETR</td> <td>-</td> <td>WD.</td> <td>J2</td> <td>PTD.</td> <td>-</td> <td>339</td> <td>3\"/> <tr> <td>350</td> <td>ETR</td> <td>-</td> <td>WD.</td> <td>J2</td> <td>PTD.</td> <td>-</td> <td>340</td> <td>3\"/> </td></tr></td></tr></td></tr></td></tr></td></tr></td></tr></td></tr></td></tr></td></tr></td></tr></td></tr></td></tr></td></tr></td></tr></td></tr></td></tr></td></tr></td></tr></td></tr></td></tr></td></tr></td></tr></td></tr></td></tr></td></tr></td></tr></td></tr></td></tr></td></tr></td></tr> | 320 | ETR | - | WD. | J2 | PTD.
 | - | 313 | 3\"/> <tr> <td>321</td> <td>ETR</td> <td>-</td> <td>WD.</td> <td>J2</td> <td>PTD.</td> <td>-</td> <td>314</td> <td>3\"/> <tr> <td>322</td> <td>ETR</td> <td>-</td> <td>WD.</td> <td>J2</td> <td>PTD.</td> <td>-</td> <td>315</td> <td>3\"/> <tr> <td>323</td> <td>ETR</td> <td>-</td> <td>WD.</td> <td>J2</td> <td>PTD.</td> <td>-</td> <td>316A</td> <td>3\"/> <tr> <td>324</td> <td>ETR</td> <td>-</td> <td>WD.</td> <td>J2</td> <td>PTD.</td> <td>-</td> <td>318</td> <td>3\"/> <tr> <td>325</td> <td>A</td> <td>3\"/> <tr> <td>327</td> <td>ETR</td> <td>-</td> <td>WD.</td> <td>J2</td> <td>PTD.</td> <td>-</td> <td>319</td> <td>3\"/> <tr> <td>328</td> <td>ETR</td> <td>-</td> <td>WD.</td> <td>J2</td> <td>PTD.</td> <td>-</td> <td>320</td> <td>3\"/> <tr> <td>329A</td> <td>ETR</td> <td>-</td> <td>WD.</td> <td>J2</td> <td>PTD.</td> <td>-</td> <td>321</td> <td>3\"/> <tr> <td>329B</td> <td>ETR</td> <td>-</td> <td>WD.</td> <td>J2</td> <td>PTD.</td> <td>-</td> <td>322</td> <td>3\"/> <tr> <td>331</td> <td>ETR</td> <td>-</td> <td>WD.</td> <td>J2</td> <td>PTD.</td> <td>-</td> <td>323</td> <td>3\"/> <tr> <td>333</td> <td>ETR</td> <td>-</td> <td>WD.</td> <td>J2</td> <td>PTD.</td> <td>-</td> <td>324</td> <td>3\"/> <tr> <td>334A</td> <td>ETR</td> <td>-</td> <td>WD.</td> <td>J2</td> <td>PTD.</td> <td>-</td> <td>325</td> <td>3\"/> <tr> <td>334B</td> <td>ETR</td> <td>-</td> <td>WD.</td> <td>J2</td> <td>PTD.</td> <td>-</td> <td>327</td> <td>3\"/> <tr> <td>335A</td> <td>ETR</td> <td>-</td> <td>WD.</td> <td>J2</td> <td>PTD.</td> <td>-</td> <td>328</td> <td>3\"/> <tr> <td>335B</td> <td>B</td> <td>3\"/> <tr> <td>336</td> <td>B</td> <td>3\"/> <tr> <td>337</td> <td>ETR</td> <td>-</td> <td>WD.</td> <td>J2</td> <td>PTD.</td> <td>-</td> <td>329A</td> <td>3\"/> <tr> <td>339</td> <td>ETR</td> <td>-</td> <td>WD.</td> <td>J2</td> <td>PTD.</td> <td>-</td> <td>329B</td> <td>3\"/> <tr> <td>340</td> <td>A</td> <td>3\"/> <tr> <td>341A</td> <td>ETR</td> <td>-</td> <td>WD.</td> <td>J2</td> <td>PTD.</td> <td>-</td> <td>331</td> <td>3\"/> <tr> <td>341B</td> <td>ETR</td> <td>-</td> <td>WD.</td> <td>J2</td> <td>PTD.</td> <td>-</td> <td>333</td> <td>3\"/> <tr> <td>342</td> <td>ETR</td> <td>-</td> <td>WD.</td> <td>J2</td> <td>PTD.</td> <td>-</td> <td>334A</td> <td>3\"/> <tr> <td>344</td> <td>ETR</td> <td>-</td> <td>WD.</td> <td>J2</td> <td>PTD.</td> <td>-</td> <td>334B</td> <td>3\"/> <tr> <td>345</td> <td>ETR</td> <td>-</td> <td>WD.</td> <td>J2</td> <td>PTD.</td> <td>-</td> <td>335A</td> <td>3\"/> <tr> <td>346</td> <td>ETR</td> <td>-</td> <td>WD.</td> <td>J2</td> <td>PTD.</td> <td>-</td> <td>335B</td> <td>3\"/> <tr> <td>347</td> <td>ETR</td> <td>-</td> <td>WD.</td> <td>J2</td> <td>PTD.</td> <td>-</td> <td>336</td> <td>3\"/> <tr> <td>348</td> <td>ETR</td> <td>-</td> <td>WD.</td> <td>J2</td> <td>PTD.</td> <td>-</td> <td>337</td> <td>3\"/> <tr> <td>349</td> <td>ETR</td> <td>-</td> <td>WD.</td> <td>J2</td> <td>PTD.</td> <td>-</td> <td>339</td> <td>3\"/> <tr> <td>350</td> <td>ETR</td> <td>-</td> <td>WD.</td> <td>J2</td> <td>PTD.</td> <td>-</td> <td>340</td> <td>3\"/> </td></tr></td></tr></td></tr></td></tr></td></tr></td></tr></td></tr></td></tr></td></tr></td></tr></td></tr></td></tr></td></tr></td></tr></td></tr></td></tr></td></tr></td></tr></td></tr></td></tr></td></tr></td></tr></td></tr></td></tr></td></tr></td></tr></td></tr></td></tr></td></tr> | 321 | ETR | - | WD. | J2 | PTD.
 | - | 314 | 3\"/> <tr> <td>322</td> <td>ETR</td> <td>-</td> <td>WD.</td> <td>J2</td> <td>PTD.</td> <td>-</td> <td>315</td> <td>3\"/> <tr> <td>323</td> <td>ETR</td> <td>-</td> <td>WD.</td> <td>J2</td> <td>PTD.</td> <td>-</td> <td>316A</td> <td>3\"/> <tr> <td>324</td> <td>ETR</td> <td>-</td> <td>WD.</td> <td>J2</td> <td>PTD.</td> <td>-</td> <td>318</td> <td>3\"/> <tr> <td>325</td> <td>A</td> <td>3\"/> <tr> <td>327</td> <td>ETR</td> <td>-</td> <td>WD.</td> <td>J2</td> <td>PTD.</td> <td>-</td> <td>319</td> <td>3\"/> <tr> <td>328</td> <td>ETR</td> <td>-</td> <td>WD.</td> <td>J2</td> <td>PTD.</td> <td>-</td> <td>320</td> <td>3\"/> <tr> <td>329A</td> <td>ETR</td> <td>-</td> <td>WD.</td> <td>J2</td> <td>PTD.</td> <td>-</td> <td>321</td> <td>3\"/> <tr> <td>329B</td> <td>ETR</td> <td>-</td> <td>WD.</td> <td>J2</td> <td>PTD.</td> <td>-</td> <td>322</td> <td>3\"/> <tr> <td>331</td> <td>ETR</td> <td>-</td> <td>WD.</td> <td>J2</td> <td>PTD.</td> <td>-</td> <td>323</td> <td>3\"/> <tr> <td>333</td> <td>ETR</td> <td>-</td> <td>WD.</td> <td>J2</td> <td>PTD.</td> <td>-</td> <td>324</td> <td>3\"/> <tr> <td>334A</td> <td>ETR</td> <td>-</td> <td>WD.</td> <td>J2</td> <td>PTD.</td> <td>-</td> <td>325</td> <td>3\"/> <tr> <td>334B</td> <td>ETR</td> <td>-</td> <td>WD.</td> <td>J2</td> <td>PTD.</td> <td>-</td> <td>327</td> <td>3\"/> <tr> <td>335A</td> <td>ETR</td> <td>-</td> <td>WD.</td> <td>J2</td> <td>PTD.</td> <td>-</td> <td>328</td> <td>3\"/> <tr> <td>335B</td> <td>B</td> <td>3\"/> <tr> <td>336</td> <td>B</td> <td>3\"/> <tr> <td>337</td> <td>ETR</td> <td>-</td> <td>WD.</td> <td>J2</td> <td>PTD.</td> <td>-</td> <td>329A</td> <td>3\"/> <tr> <td>339</td> <td>ETR</td> <td>-</td> <td>WD.</td> <td>J2</td> <td>PTD.</td> <td>-</td> <td>329B</td> <td>3\"/> <tr> <td>340</td> <td>A</td> <td>3\"/> <tr> <td>341A</td> <td>ETR</td> <td>-</td> <td>WD.</td> <td>J2</td> <td>PTD.</td> <td>-</td> <td>331</td> <td>3\"/> <tr> <td>341B</td> <td>ETR</td> <td>-</td> <td>WD.</td> <td>J2</td> <td>PTD.</td> <td>-</td> <td>333</td> <td>3\"/> <tr> <td>342</td> <td>ETR</td> <td>-</td> <td>WD.</td> <td>J2</td> <td>PTD.</td> <td>-</td> <td>334A</td> <td>3\"/> <tr> <td>344</td> <td>ETR</td> <td>-</td> <td>WD.</td> <td>J2</td> <td>PTD.</td> <td>-</td> <td>334B</td> <td>3\"/> <tr> <td>345</td> <td>ETR</td> <td>-</td> <td>WD.</td> <td>J2</td> <td>PTD.</td> <td>-</td> <td>335A</td> <td>3\"/> <tr> <td>346</td> <td>ETR</td> <td>-</td> <td>WD.</td> <td>J2</td> <td>PTD.</td> <td>-</td> <td>335B</td> <td>3\"/> <tr> <td>347</td> <td>ETR</td> <td>-</td> <td>WD.</td> <td>J2</td> <td>PTD.</td> <td>-</td> <td>336</td> <td>3\"/> <tr> <td>348</td> <td>ETR</td> <td>-</td> <td>WD.</td> <td>J2</td> <td>PTD.</td> <td>-</td> <td>337</td> <td>3\"/> <tr> <td>349</td> <td>ETR</td> <td>-</td> <td>WD.</td> <td>J2</td> <td>PTD.</td> <td>-</td> <td>339</td> <td>3\"/> <tr> <td>350</td> <td>ETR</td> <td>-</td> <td>WD.</td> <td>J2</td> <td>PTD.</td> <td>-</td> <td>340</td> <td>3\"/> </td></tr></td></tr></td></tr></td></tr></td></tr></td></tr></td></tr></td></tr></td></tr></td></tr></td></tr></td></tr></td></tr></td></tr></td></tr></td></tr></td></tr></td></tr></td></tr></td></tr></td></tr></td></tr></td></tr></td></tr></td></tr></td></tr></td></tr></td></tr> | 322 | ETR | -
 | WD. | J2 | PTD. | - | 315 | 3\"/> <tr> <td>323</td> <td>ETR</td> <td>-</td> <td>WD.</td> <td>J2</td> <td>PTD.</td> <td>-</td> <td>316A</td> <td>3\"/> <tr> <td>324</td> <td>ETR</td> <td>-</td> <td>WD.</td> <td>J2</td> <td>PTD.</td> <td>-</td> <td>318</td> <td>3\"/> <tr> <td>325</td> <td>A</td> <td>3\"/> <tr> <td>327</td> <td>ETR</td> <td>-</td> <td>WD.</td> <td>J2</td> <td>PTD.</td> <td>-</td> <td>319</td> <td>3\"/> <tr> <td>328</td> <td>ETR</td> <td>-</td> <td>WD.</td> <td>J2</td> <td>PTD.</td> <td>-</td> <td>320</td> <td>3\"/> <tr> <td>329A</td> <td>ETR</td> <td>-</td> <td>WD.</td> <td>J2</td> <td>PTD.</td> <td>-</td> <td>321</td> <td>3\"/> <tr> <td>329B</td> <td>ETR</td> <td>-</td> <td>WD.</td> <td>J2</td> <td>PTD.</td> <td>-</td> <td>322</td> <td>3\"/> <tr> <td>331</td> <td>ETR</td> <td>-</td> <td>WD.</td> <td>J2</td> <td>PTD.</td> <td>-</td> <td>323</td> <td>3\"/> <tr> <td>333</td> <td>ETR</td> <td>-</td> <td>WD.</td> <td>J2</td> <td>PTD.</td> <td>-</td> <td>324</td> <td>3\"/> <tr> <td>334A</td> <td>ETR</td> <td>-</td> <td>WD.</td> <td>J2</td> <td>PTD.</td> <td>-</td> <td>325</td> <td>3\"/> <tr> <td>334B</td> <td>ETR</td> <td>-</td> <td>WD.</td> <td>J2</td> <td>PTD.</td> <td>-</td> <td>327</td> <td>3\"/> <tr> <td>335A</td> <td>ETR</td> <td>-</td> <td>WD.</td> <td>J2</td> <td>PTD.</td> <td>-</td> <td>328</td> <td>3\"/> <tr> <td>335B</td> <td>B</td> <td>3\"/> <tr> <td>336</td> <td>B</td> <td>3\"/> <tr> <td>337</td> <td>ETR</td> <td>-</td> <td>WD.</td> <td>J2</td> <td>PTD.</td> <td>-</td> <td>329A</td> <td>3\"/> <tr> <td>339</td> <td>ETR</td> <td>-</td> <td>WD.</td> <td>J2</td> <td>PTD.</td> <td>-</td> <td>329B</td> <td>3\"/> <tr> <td>340</td> <td>A</td> <td>3\"/> <tr> <td>341A</td> <td>ETR</td> <td>-</td> <td>WD.</td> <td>J2</td> <td>PTD.</td> <td>-</td> <td>331</td> <td>3\"/> <tr> <td>341B</td> <td>ETR</td> <td>-</td> <td>WD.</td> <td>J2</td> <td>PTD.</td> <td>-</td> <td>333</td> <td>3\"/> <tr> <td>342</td> <td>ETR</td> <td>-</td> <td>WD.</td> <td>J2</td> <td>PTD.</td> <td>-</td> <td>334A</td> <td>3\"/> <tr> <td>344</td> <td>ETR</td> <td>-</td> <td>WD.</td> <td>J2</td> <td>PTD.</td> <td>-</td> <td>334B</td> <td>3\"/> <tr> <td>345</td> <td>ETR</td> <td>-</td> <td>WD.</td> <td>J2</td> <td>PTD.</td> <td>-</td> <td>335A</td> <td>3\"/> <tr> <td>346</td> <td>ETR</td> <td>-</td> <td>WD.</td> <td>J2</td> <td>PTD.</td> <td>-</td> <td>335B</td> <td>3\"/> <tr> <td>347</td> <td>ETR</td> <td>-</td> <td>WD.</td> <td>J2</td> <td>PTD.</td> <td>-</td> <td>336</td> <td>3\"/> <tr> <td>348</td> <td>ETR</td> <td>-</td> <td>WD.</td> <td>J2</td> <td>PTD.</td> <td>-</td> <td>337</td> <td>3\"/> <tr> <td>349</td> <td>ETR</td> <td>-</td> <td>WD.</td> <td>J2</td> <td>PTD.</td> <td>-</td> <td>339</td> <td>3\"/> <tr> <td>350</td> <td>ETR</td> <td>-</td> <td>WD.</td> <td>J2</td> <td>PTD.</td> <td>-</td> <td>340</td> <td>3\"/> </td></tr></td></tr></td></tr></td></tr></td></tr></td></tr></td></tr></td></tr></td></tr></td></tr></td></tr></td></tr></td></tr></td></tr></td></tr></td></tr></td></tr></td></tr></td></tr></td></tr></td></tr></td></tr></td></tr></td></tr></td></tr></td></tr></td></tr> | 323 | ETR | -
 | WD. | J2 | PTD. | - | 316A | 3\"/> <tr> <td>324</td> <td>ETR</td> <td>-</td> <td>WD.</td> <td>J2</td> <td>PTD.</td> <td>-</td> <td>318</td> <td>3\"/> <tr> <td>325</td> <td>A</td> <td>3\"/> <tr> <td>327</td> <td>ETR</td> <td>-</td> <td>WD.</td> <td>J2</td> <td>PTD.</td> <td>-</td> <td>319</td> <td>3\"/> <tr> <td>328</td> <td>ETR</td> <td>-</td> <td>WD.</td> <td>J2</td> <td>PTD.</td> <td>-</td> <td>320</td> <td>3\"/> <tr> <td>329A</td> <td>ETR</td> <td>-</td> <td>WD.</td> <td>J2</td> <td>PTD.</td> <td>-</td> <td>321</td> <td>3\"/> <tr> <td>329B</td> <td>ETR</td> <td>-</td> <td>WD.</td> <td>J2</td> <td>PTD.</td> <td>-</td> <td>322</td> <td>3\"/> <tr> <td>331</td> <td>ETR</td> <td>-</td> <td>WD.</td> <td>J2</td> <td>PTD.</td> <td>-</td> <td>323</td> <td>3\"/> <tr> <td>333</td> <td>ETR</td> <td>-</td> <td>WD.</td> <td>J2</td> <td>PTD.</td> <td>-</td> <td>324</td> <td>3\"/> <tr> <td>334A</td> <td>ETR</td> <td>-</td> <td>WD.</td> <td>J2</td> <td>PTD.</td> <td>-</td> <td>325</td> <td>3\"/> <tr> <td>334B</td> <td>ETR</td> <td>-</td> <td>WD.</td> <td>J2</td> <td>PTD.</td> <td>-</td> <td>327</td> <td>3\"/> <tr> <td>335A</td> <td>ETR</td> <td>-</td> <td>WD.</td> <td>J2</td> <td>PTD.</td> <td>-</td> <td>328</td> <td>3\"/> <tr> <td>335B</td> <td>B</td> <td>3\"/> <tr> <td>336</td> <td>B</td> <td>3\"/> <tr> <td>337</td> <td>ETR</td> <td>-</td> <td>WD.</td> <td>J2</td> <td>PTD.</td> <td>-</td> <td>329A</td> <td>3\"/> <tr> <td>339</td> <td>ETR</td> <td>-</td> <td>WD.</td> <td>J2</td> <td>PTD.</td> <td>-</td> <td>329B</td> <td>3\"/> <tr> <td>340</td> <td>A</td> <td>3\"/> <tr> <td>341A</td> <td>ETR</td> <td>-</td> <td>WD.</td> <td>J2</td> <td>PTD.</td> <td>-</td> <td>331</td> <td>3\"/> <tr> <td>341B</td> <td>ETR</td> <td>-</td> <td>WD.</td> <td>J2</td> <td>PTD.</td> <td>-</td> <td>333</td> <td>3\"/> <tr> <td>342</td> <td>ETR</td> <td>-</td> <td>WD.</td> <td>J2</td> <td>PTD.</td> <td>-</td> <td>334A</td> <td>3\"/> <tr> <td>344</td> <td>ETR</td> <td>-</td> <td>WD.</td> <td>J2</td> <td>PTD.</td> <td>-</td> <td>334B</td> <td>3\"/> <tr> <td>345</td> <td>ETR</td> <td>-</td> <td>WD.</td> <td>J2</td> <td>PTD.</td> <td>-</td> <td>335A</td> <td>3\"/> <tr> <td>346</td> <td>ETR</td> <td>-</td> <td>WD.</td> <td>J2</td> <td>PTD.</td> <td>-</td> <td>335B</td> <td>3\"/> <tr> <td>347</td> <td>ETR</td> <td>-</td> <td>WD.</td> <td>J2</td> <td>PTD.</td> <td>-</td> <td>336</td> <td>3\"/> <tr> <td>348</td> <td>ETR</td> <td>-</td> <td>WD.</td> <td>J2</td> <td>PTD.</td> <td>-</td> <td>337</td> <td>3\"/> <tr> <td>349</td> <td>ETR</td> <td>-</td> <td>WD.</td> <td>J2</td> <td>PTD.</td> <td>-</td> <td>339</td> <td>3\"/> <tr> <td>350</td> <td>ETR</td> <td>-</td> <td>WD.</td> <td>J2</td> <td>PTD.</td> <td>-</td> <td>340</td> <td>3\"/> </td></tr></td></tr></td></tr></td></tr></td></tr></td></tr></td></tr></td></tr></td></tr></td></tr></td></tr></td></tr></td></tr></td></tr></td></tr></td></tr></td></tr></td></tr></td></tr></td></tr></td></tr></td></tr></td></tr></td></tr></td></tr></td></tr> | 324 | ETR | - | WD. | J2 | PTD.
 | - | 318 | 3\"/> <tr> <td>325</td> <td>A</td> <td>3\"/> <tr> <td>327</td> <td>ETR</td> <td>-</td> <td>WD.</td> <td>J2</td> <td>PTD.</td> <td>-</td> <td>319</td> <td>3\"/> <tr> <td>328</td> <td>ETR</td> <td>-</td> <td>WD.</td> <td>J2</td> <td>PTD.</td> <td>-</td> <td>320</td> <td>3\"/> <tr> <td>329A</td> <td>ETR</td> <td>-</td> <td>WD.</td> <td>J2</td> <td>PTD.</td> <td>-</td> <td>321</td> <td>3\"/> <tr> <td>329B</td> <td>ETR</td> <td>-</td> <td>WD.</td> <td>J2</td> <td>PTD.</td> <td>-</td> <td>322</td> <td>3\"/> <tr> <td>331</td> <td>ETR</td> <td>-</td> <td>WD.</td> <td>J2</td> <td>PTD.</td> <td>-</td> <td>323</td> <td>3\"/> <tr> <td>333</td> <td>ETR</td> <td>-</td> <td>WD.</td> <td>J2</td> <td>PTD.</td> <td>-</td> <td>324</td> <td>3\"/> <tr> <td>334A</td> <td>ETR</td> <td>-</td> <td>WD.</td> <td>J2</td> <td>PTD.</td> <td>-</td> <td>325</td> <td>3\"/> <tr> <td>334B</td> <td>ETR</td> <td>-</td> <td>WD.</td> <td>J2</td> <td>PTD.</td> <td>-</td> <td>327</td> <td>3\"/> <tr> <td>335A</td> <td>ETR</td> <td>-</td> <td>WD.</td> <td>J2</td> <td>PTD.</td> <td>-</td> <td>328</td> <td>3\"/> <tr> <td>335B</td> <td>B</td> <td>3\"/> <tr> <td>336</td> <td>B</td> <td>3\"/> <tr> <td>337</td> <td>ETR</td> <td>-</td> <td>WD.</td> <td>J2</td> <td>PTD.</td> <td>-</td> <td>329A</td> <td>3\"/> <tr> <td>339</td> <td>ETR</td> <td>-</td> <td>WD.</td> <td>J2</td> <td>PTD.</td> <td>-</td> <td>329B</td> <td>3\"/> <tr> <td>340</td> <td>A</td> <td>3\"/> <tr> <td>341A</td> <td>ETR</td> <td>-</td> <td>WD.</td> <td>J2</td> <td>PTD.</td> <td>-</td> <td>331</td> <td>3\"/> <tr> <td>341B</td> <td>ETR</td> <td>-</td> <td>WD.</td> <td>J2</td> <td>PTD.</td> <td>-</td> <td>333</td> <td>3\"/> <tr> <td>342</td> <td>ETR</td> <td>-</td> <td>WD.</td> <td>J2</td> <td>PTD.</td> <td>-</td> <td>334A</td> <td>3\"/> <tr> <td>344</td> <td>ETR</td> <td>-</td> <td>WD.</td> <td>J2</td> <td>PTD.</td> <td>-</td> <td>334B</td> <td>3\"/> <tr> <td>345</td> <td>ETR</td> <td>-</td> <td>WD.</td> <td>J2</td> <td>PTD.</td> <td>-</td> <td>335A</td> <td>3\"/> <tr> <td>346</td> <td>ETR</td> <td>-</td> <td>WD.</td> <td>J2</td> <td>PTD.</td> <td>-</td> <td>335B</td> <td>3\"/> <tr> <td>347</td> <td>ETR</td> <td>-</td> <td>WD.</td> <td>J2</td> <td>PTD.</td> <td>-</td> <td>336</td> <td>3\"/> <tr> <td>348</td> <td>ETR</td> <td>-</td> <td>WD.</td> <td>J2</td> <td>PTD.</td> <td>-</td> <td>337</td> <td>3\"/> <tr> <td>349</td> <td>ETR</td> <td>-</td> <td>WD.</td> <td>J2</td> <td>PTD.</td> <td>-</td> <td>339</td> <td>3\"/> <tr> <td>350</td> <td>ETR</td> <td>-</td> <td>WD.</td> <td>J2</td> <td>PTD.</td> <td>-</td> <td>340</td> <td>3\"/> </td></tr></td></tr></td></tr></td></tr></td></tr></td></tr></td></tr></td></tr></td></tr></td></tr></td></tr></td></tr></td></tr></td></tr></td></tr></td></tr></td></tr></td></tr></td></tr></td></tr></td></tr></td></tr></td></tr></td></tr></td></tr> | 325 | A | 3\"/> <tr> <td>327</td> <td>ETR</td> <td>-</td> <td>WD.</td> <td>J2</td> <td>PTD.</td> <td>-</td> <td>319</td> <td>3\"/> <tr> <td>328</td> <td>ETR</td> <td>-</td> <td>WD.</td> <td>J2</td> <td>PTD.</td> <td>-</td> <td>320</td> <td>3\"/> <tr> <td>329A</td> <td>ETR</td> <td>-</td> <td>WD.</td> <td>J2</td> <td>PTD.</td> <td>-</td> <td>321</td> <td>3\"/> <tr> <td>329B</td> <td>ETR</td> <td>-</td> <td>WD.</td> <td>J2</td> <td>PTD.</td> <td>-</td> <td>322</td> <td>3\"/> <tr> <td>331</td> <td>ETR</td> <td>-</td> <td>WD.</td> <td>J2</td> <td>PTD.</td> <td>-</td> <td>323</td> <td>3\"/> <tr> <td>333</td> <td>ETR</td> <td>-</td> <td>WD.</td> <td>J2</td> <td>PTD.</td> <td>-</td> <td>324</td> <td>3\"/> <tr> <td>334A</td> <td>ETR</td> <td>-</td> <td>WD.</td> <td>J2</td> <td>PTD.</td> <td>-</td> <td>325</td> <td>3\"/> <tr> <td>334B</td> <td>ETR</td> <td>-</td> <td>WD.</td> <td>J2</td> <td>PTD.</td> <td>-</td> <td>327</td> <td>3\"/> <tr> <td>335A</td> <td>ETR</td> <td>-</td> <td>WD.</td> <td>J2</td> <td>PTD.</td> <td>-</td> <td>328</td> <td>3\"/> <tr> <td>335B</td> <td>B</td> <td>3\"/> <tr> <td>336</td> <td>B</td> <td>3\"/> <tr> <td>337</td> <td>ETR</td> <td>-</td> <td>WD.</td> <td>J2</td> <td>PTD.</td> <td>-</td> <td>329A</td> <td>3\"/> <tr> <td>339</td> <td>ETR</td> <td>-</td> <td>WD.</td> <td>J2</td> <td>PTD.</td> <td>-</td> <td>329B</td> <td>3\"/> <tr> <td>340</td> <td>A</td> <td>3\"/> <tr> <td>341A</td> <td>ETR</td> <td>-</td> <td>WD.</td> <td>J2</td> <td>PTD.</td> <td>-</td> <td>331</td> <td>3\"/> <tr> <td>341B</td> <td>ETR</td> <td>-</td> <td>WD.</td> <td>J2</td> <td>PTD.</td> <td>-</td> <td>333</td> <td>3\"/> <tr> <td>342</td> <td>ETR</td> <td>-</td> <td>WD.</td> <td>J2</td> <td>PTD.</td> <td>-</td> <td>334A</td> <td>3\"/> <tr> <td>344</td> <td>ETR</td> <td>-</td> <td>WD.</td> <td>J2</td> <td>PTD.</td> <td>-</td> <td>334B</td> <td>3\"/> <tr> <td>345</td> <td>ETR</td> <td>-</td> <td>WD.</td> <td>J2</td> <td>PTD.</td> <td>-</td> <td>335A</td> <td>3\"/> <tr> <td>346</td> <td>ETR</td> <td>-</td> <td>WD.</td> <td>J2</td> <td>PTD.</td> <td>-</td> <td>335B</td> <td>3\"/> <tr> <td>347</td> <td>ETR</td> <td>-</td> <td>WD.</td> <td>J2</td> <td>PTD.</td> <td>-</td> <td>336</td> <td>3\"/> <tr> <td>348</td> <td>ETR</td> <td>-</td> <td>WD.</td> <td>J2</td> <td>PTD.</td> <td>-</td> <td>337</td> <td>3\"/> <tr> <td>349</td> <td>ETR</td> <td>-</td> <td>WD.</td> <td>J2</td> <td>PTD.</td> <td>-</td> <td>339</td> <td>3\"/> <tr> <td>350</td> <td>ETR</td> <td>-</td> <td>WD.</td> <td>J2</td> <td>PTD.</td> <td>-</td> <td>340</td> <td>3\"/> </td></tr></td></tr></td></tr></td></tr></td></tr></td></tr></td></tr></td></tr></td></tr></td></tr></td></tr></td></tr></td></tr></td></tr></td></tr></td></tr></td></tr></td></tr></td></tr></td></tr></td></tr></td></tr></td></tr></td></tr> | 327 | ETR | -
 | WD. | J2 | PTD. | - | 319 | 3\"/> <tr> <td>328</td> <td>ETR</td> <td>-</td> <td>WD.</td> <td>J2</td> <td>PTD.</td> <td>-</td> <td>320</td> <td>3\"/> <tr> <td>329A</td> <td>ETR</td> <td>-</td> <td>WD.</td> <td>J2</td> <td>PTD.</td> <td>-</td> <td>321</td> <td>3\"/> <tr> <td>329B</td> <td>ETR</td> <td>-</td> <td>WD.</td> <td>J2</td> <td>PTD.</td> <td>-</td> <td>322</td> <td>3\"/> <tr> <td>331</td> <td>ETR</td> <td>-</td> <td>WD.</td> <td>J2</td> <td>PTD.</td> <td>-</td> <td>323</td> <td>3\"/> <tr> <td>333</td> <td>ETR</td> <td>-</td> <td>WD.</td> <td>J2</td> <td>PTD.</td> <td>-</td> <td>324</td> <td>3\"/> <tr> <td>334A</td> <td>ETR</td> <td>-</td> <td>WD.</td> <td>J2</td> <td>PTD.</td> <td>-</td> <td>325</td> <td>3\"/> <tr> <td>334B</td> <td>ETR</td> <td>-</td> <td>WD.</td> <td>J2</td> <td>PTD.</td> <td>-</td> <td>327</td> <td>3\"/> <tr> <td>335A</td> <td>ETR</td> <td>-</td> <td>WD.</td> <td>J2</td> <td>PTD.</td> <td>-</td> <td>328</td> <td>3\"/> <tr> <td>335B</td> <td>B</td> <td>3\"/> <tr> <td>336</td> <td>B</td> <td>3\"/> <tr> <td>337</td> <td>ETR</td> <td>-</td> <td>WD.</td> <td>J2</td> <td>PTD.</td> <td>-</td> <td>329A</td> <td>3\"/> <tr> <td>339</td> <td>ETR</td> <td>-</td> <td>WD.</td> <td>J2</td> <td>PTD.</td> <td>-</td> <td>329B</td> <td>3\"/> <tr> <td>340</td> <td>A</td> <td>3\"/> <tr> <td>341A</td> <td>ETR</td> <td>-</td> <td>WD.</td> <td>J2</td> <td>PTD.</td> <td>-</td> <td>331</td> <td>3\"/> <tr> <td>341B</td> <td>ETR</td> <td>-</td> <td>WD.</td> <td>J2</td> <td>PTD.</td> <td>-</td> <td>333</td> <td>3\"/> <tr> <td>342</td> <td>ETR</td> <td>-</td> <td>WD.</td> <td>J2</td> <td>PTD.</td> <td>-</td> <td>334A</td> <td>3\"/> <tr> <td>344</td> <td>ETR</td> <td>-</td> <td>WD.</td> <td>J2</td> <td>PTD.</td> <td>-</td> <td>334B</td> <td>3\"/> <tr> <td>345</td> <td>ETR</td> <td>-</td> <td>WD.</td> <td>J2</td> <td>PTD.</td> <td>-</td> <td>335A</td> <td>3\"/> <tr> <td>346</td> <td>ETR</td> <td>-</td> <td>WD.</td> <td>J2</td> <td>PTD.</td> <td>-</td> <td>335B</td> <td>3\"/> <tr> <td>347</td> <td>ETR</td> <td>-</td> <td>WD.</td> <td>J2</td> <td>PTD.</td> <td>-</td> <td>336</td> <td>3\"/> <tr> <td>348</td> <td>ETR</td> <td>-</td> <td>WD.</td> <td>J2</td> <td>PTD.</td> <td>-</td> <td>337</td> <td>3\"/> <tr> <td>349</td> <td>ETR</td> <td>-</td> <td>WD.</td> <td>J2</td> <td>PTD.</td> <td>-</td> <td>339</td> <td>3\"/> <tr> <td>350</td> <td>ETR</td> <td>-</td> <td>WD.</td> <td>J2</td> <td>PTD.</td> <td>-</td> <td>340</td> <td>3\"/> </td></tr></td></tr></td></tr></td></tr></td></tr></td></tr></td></tr></td></tr></td></tr></td></tr></td></tr></td></tr></td></tr></td></tr></td></tr></td></tr></td></tr></td></tr></td></tr></td></tr></td></tr></td></tr></td></tr> | 328 | ETR | - | WD. | J2 | PTD.
 | - | 320 | 3\"/> <tr> <td>329A</td> <td>ETR</td> <td>-</td> <td>WD.</td> <td>J2</td> <td>PTD.</td> <td>-</td> <td>321</td> <td>3\"/> <tr> <td>329B</td> <td>ETR</td> <td>-</td> <td>WD.</td> <td>J2</td> <td>PTD.</td> <td>-</td> <td>322</td> <td>3\"/> <tr> <td>331</td> <td>ETR</td> <td>-</td> <td>WD.</td> <td>J2</td> <td>PTD.</td> <td>-</td> <td>323</td> <td>3\"/> <tr> <td>333</td> <td>ETR</td> <td>-</td> <td>WD.</td> <td>J2</td> <td>PTD.</td> <td>-</td> <td>324</td> <td>3\"/> <tr> <td>334A</td> <td>ETR</td> <td>-</td> <td>WD.</td> <td>J2</td> <td>PTD.</td> <td>-</td> <td>325</td> <td>3\"/> <tr> <td>334B</td> <td>ETR</td> <td>-</td> <td>WD.</td> <td>J2</td> <td>PTD.</td> <td>-</td> <td>327</td> <td>3\"/> <tr> <td>335A</td> <td>ETR</td> <td>-</td> <td>WD.</td> <td>J2</td> <td>PTD.</td> <td>-</td> <td>328</td> <td>3\"/> <tr> <td>335B</td> <td>B</td> <td>3\"/> <tr> <td>336</td> <td>B</td> <td>3\"/> <tr> <td>337</td> <td>ETR</td> <td>-</td> <td>WD.</td> <td>J2</td> <td>PTD.</td> <td>-</td> <td>329A</td> <td>3\"/> <tr> <td>339</td> <td>ETR</td> <td>-</td> <td>WD.</td> <td>J2</td> <td>PTD.</td> <td>-</td> <td>329B</td> <td>3\"/> <tr> <td>340</td> <td>A</td> <td>3\"/> <tr> <td>341A</td> <td>ETR</td> <td>-</td> <td>WD.</td> <td>J2</td> <td>PTD.</td> <td>-</td> <td>331</td> <td>3\"/> <tr> <td>341B</td> <td>ETR</td> <td>-</td> <td>WD.</td> <td>J2</td> <td>PTD.</td> <td>-</td> <td>333</td> <td>3\"/> <tr> <td>342</td> <td>ETR</td> <td>-</td> <td>WD.</td> <td>J2</td> <td>PTD.</td> <td>-</td> <td>334A</td> <td>3\"/> <tr> <td>344</td> <td>ETR</td> <td>-</td> <td>WD.</td> <td>J2</td> <td>PTD.</td> <td>-</td> <td>334B</td> <td>3\"/> <tr> <td>345</td> <td>ETR</td> <td>-</td> <td>WD.</td> <td>J2</td> <td>PTD.</td> <td>-</td> <td>335A</td> <td>3\"/> <tr> <td>346</td> <td>ETR</td> <td>-</td> <td>WD.</td> <td>J2</td> <td>PTD.</td> <td>-</td> <td>335B</td> <td>3\"/> <tr> <td>347</td> <td>ETR</td> <td>-</td> <td>WD.</td> <td>J2</td> <td>PTD.</td> <td>-</td> <td>336</td> <td>3\"/> <tr> <td>348</td> <td>ETR</td> <td>-</td> <td>WD.</td> <td>J2</td> <td>PTD.</td> <td>-</td> <td>337</td> <td>3\"/> <tr> <td>349</td> <td>ETR</td> <td>-</td> <td>WD.</td> <td>J2</td> <td>PTD.</td> <td>-</td> <td>339</td> <td>3\"/> <tr> <td>350</td> <td>ETR</td> <td>-</td> <td>WD.</td> <td>J2</td> <td>PTD.</td> <td>-</td> <td>340</td> <td>3\"/> </td></tr></td></tr></td></tr></td></tr></td></tr></td></tr></td></tr></td></tr></td></tr></td></tr></td></tr></td></tr></td></tr></td></tr></td></tr></td></tr></td></tr></td></tr></td></tr></td></tr></td></tr></td></tr> | 329A | ETR | - | WD. | J2 | PTD.
 | - | 321 | 3\"/> <tr> <td>329B</td> <td>ETR</td> <td>-</td> <td>WD.</td> <td>J2</td> <td>PTD.</td> <td>-</td> <td>322</td> <td>3\"/> <tr> <td>331</td> <td>ETR</td> <td>-</td> <td>WD.</td> <td>J2</td> <td>PTD.</td> <td>-</td> <td>323</td> <td>3\"/> <tr> <td>333</td> <td>ETR</td> <td>-</td> <td>WD.</td> <td>J2</td> <td>PTD.</td> <td>-</td> <td>324</td> <td>3\"/> <tr> <td>334A</td> <td>ETR</td> <td>-</td> <td>WD.</td> <td>J2</td> <td>PTD.</td> <td>-</td> <td>325</td> <td>3\"/> <tr> <td>334B</td> <td>ETR</td> <td>-</td> <td>WD.</td> <td>J2</td> <td>PTD.</td> <td>-</td> <td>327</td> <td>3\"/> <tr> <td>335A</td> <td>ETR</td> <td>-</td> <td>WD.</td> <td>J2</td> <td>PTD.</td> <td>-</td> <td>328</td> <td>3\"/> <tr> <td>335B</td> <td>B</td> <td>3\"/> <tr> <td>336</td> <td>B</td> <td>3\"/> <tr> <td>337</td> <td>ETR</td> <td>-</td> <td>WD.</td> <td>J2</td> <td>PTD.</td> <td>-</td> <td>329A</td> <td>3\"/> <tr> <td>339</td> <td>ETR</td> <td>-</td> <td>WD.</td> <td>J2</td> <td>PTD.</td> <td>-</td> <td>329B</td> <td>3\"/> <tr> <td>340</td> <td>A</td> <td>3\"/> <tr> <td>341A</td> <td>ETR</td> <td>-</td> <td>WD.</td> <td>J2</td> <td>PTD.</td> <td>-</td> <td>331</td> <td>3\"/> <tr> <td>341B</td> <td>ETR</td> <td>-</td> <td>WD.</td> <td>J2</td> <td>PTD.</td> <td>-</td> <td>333</td> <td>3\"/> <tr> <td>342</td> <td>ETR</td> <td>-</td> <td>WD.</td> <td>J2</td> <td>PTD.</td> <td>-</td> <td>334A</td> <td>3\"/> <tr> <td>344</td> <td>ETR</td> <td>-</td> <td>WD.</td> <td>J2</td> <td>PTD.</td> <td>-</td> <td>334B</td> <td>3\"/> <tr> <td>345</td> <td>ETR</td> <td>-</td> <td>WD.</td> <td>J2</td> <td>PTD.</td> <td>-</td> <td>335A</td> <td>3\"/> <tr> <td>346</td> <td>ETR</td> <td>-</td> <td>WD.</td> <td>J2</td> <td>PTD.</td> <td>-</td> <td>335B</td> <td>3\"/> <tr> <td>347</td> <td>ETR</td> <td>-</td> <td>WD.</td> <td>J2</td> <td>PTD.</td> <td>-</td> <td>336</td> <td>3\"/> <tr> <td>348</td> <td>ETR</td> <td>-</td> <td>WD.</td> <td>J2</td> <td>PTD.</td> <td>-</td> <td>337</td> <td>3\"/> <tr> <td>349</td> <td>ETR</td> <td>-</td> <td>WD.</td> <td>J2</td> <td>PTD.</td> <td>-</td> <td>339</td> <td>3\"/> <tr> <td>350</td> <td>ETR</td> <td>-</td> <td>WD.</td> <td>J2</td> <td>PTD.</td> <td>-</td> <td>340</td> <td>3\"/> </td></tr></td></tr></td></tr></td></tr></td></tr></td></tr></td></tr></td></tr></td></tr></td></tr></td></tr></td></tr></td></tr></td></tr></td></tr></td></tr></td></tr></td></tr></td></tr></td></tr></td></tr> | 329B | ETR | - | WD. | J2 | PTD. | - | 322 | 3\"/> <tr> <td>331</td> <td>ETR</td> <td>-</td> <td>WD.</td> <td>J2</td> <td>PTD.</td> <td>-</td> <td>323</td> <td>3\"/> <tr> <td>333</td> <td>ETR</td> <td>-</td> <td>WD.</td> <td>J2</td> <td>PTD.</td> <td>-</td> <td>324</td> <td>3\"/> <tr> <td>334A</td> <td>ETR</td> <td>-</td> <td>WD.</td> <td>J2</td> <td>PTD.</td> <td>-</td> <td>325</td> <td>3\"/> <tr> <td>334B</td> <td>ETR</td> <td>-</td> <td>WD.</td> <td>J2</td> <td>PTD.</td> <td>-</td> <td>327</td> <td>3\"/> <tr> <td>335A</td> <td>ETR</td> <td>-</td> <td>WD.</td> <td>J2</td> <td>PTD.</td> <td>-</td> <td>328</td> <td>3\"/> <tr> <td>335B</td> <td>B</td> <td>3\"/> <tr> <td>336</td> <td>B</td> <td>3\"/> <tr> <td>337</td> <td>ETR</td> <td>-</td> <td>WD.</td> <td>J2</td> <td>PTD.</td> <td>-</td> <td>329A</td> <td>3\"/> <tr> <td>339</td> <td>ETR</td> <td>-</td> <td>WD.</td> <td>J2</td> <td>PTD.</td> <td>-</td> <td>329B</td> <td>3\"/> <tr> <td>340</td> <td>A</td> <td>3\"/> <tr> <td>341A</td> <td>ETR</td> <td>-</td> <td>WD.</td> <td>J2</td> <td>PTD.</td> <td>-</td> <td>331</td> <td>3\"/> <tr> <td>341B</td> <td>ETR</td> <td>-</td> <td>WD.</td> <td>J2</td> <td>PTD.</td> <td>-</td> <td>333</td> <td>3\"/> <tr> <td>342</td> <td>ETR</td> <td>-</td> <td>WD.</td> <td>J2</td> <td>PTD.</td> <td>-</td> <td>334A</td> <td>3\"/> <tr> <td>344</td> <td>ETR</td> <td>-</td> <td>WD.</td> <td>J2</td> <td>PTD.</td> <td>-</td> <td>334B</td> <td>3\"/> <tr> <td>345</td> <td>ETR</td> <td>-</td> <td>WD.</td> <td>J2</td> <td>PTD.</td> <td>-</td> <td>335A</td> <td>3\"/> <tr> <td>346</td> <td>ETR</td> <td>-</td> <td>WD.</td> <td>J2</td> <td>PTD.</td> <td>-</td> <td>335B</td> <td>3\"/> <tr> <td>347</td> <td>ETR</td> <td>-</td> <td>WD.</td> <td>J2</td> <td>PTD.</td> <td>-</td> <td>336</td> <td>3\"/> <tr>
<td>348</td> <td>ETR</td> <td>-</td> <td>WD.</td> <td>J2</td> <td>PTD.</td> <td>-</td> <td>337</td> <td>3\"/> <tr> <td>349</td> <td>ETR</td> <td>-</td> <td>WD.</td> <td>J2</td> <td>PTD.</td> <td>-</td> <td>339</td> <td>3\"/> <tr> <td>350</td> <td>ETR</td> <td>-</td> <td>WD.</td> <td>J2</td> <td>PTD.</td> <td>-</td> <td>340</td> <td>3\"/> </td></tr></td></tr></td></tr></td></tr></td></tr></td></tr></td></tr></td></tr></td></tr></td></tr></td></tr></td></tr></td></tr></td></tr></td></tr></td></tr></td></tr></td></tr></td></tr></td></tr> | 331 | ETR | - | WD. | J2 | PTD. | - | 323 | 3\"/> <tr> <td>333</td> <td>ETR</td> <td>-</td> <td>WD.</td> <td>J2</td> <td>PTD.</td> <td>-</td> <td>324</td> <td>3\"/> <tr> <td>334A</td> <td>ETR</td> <td>-</td> <td>WD.</td> <td>J2</td> <td>PTD.</td> <td>-</td> <td>325</td> <td>3\"/> <tr> <td>334B</td> <td>ETR</td> <td>-</td> <td>WD.</td> <td>J2</td> <td>PTD.</td> <td>-</td> <td>327</td> <td>3\"/> <tr> <td>335A</td> <td>ETR</td> <td>-</td> <td>WD.</td> <td>J2</td> <td>PTD.</td> <td>-</td> <td>328</td> <td>3\"/> <tr> <td>335B</td> <td>B</td> <td>3\"/> <tr> <td>336</td> <td>B</td> <td>3\"/> <tr> <td>337</td> <td>ETR</td> <td>-</td> <td>WD.</td> <td>J2</td> <td>PTD.</td> <td>-</td> <td>329A</td> <td>3\"/> <tr> <td>339</td> <td>ETR</td> <td>-</td> <td>WD.</td> <td>J2</td> <td>PTD.</td> <td>-</td> <td>329B</td> <td>3\"/> <tr> <td>340</td> <td>A</td> <td>3\"/> <tr> <td>341A</td> <td>ETR</td> <td>-</td> <td>WD.</td> <td>J2</td> <td>PTD.</td> <td>-</td> <td>331</td> <td>3\"/> <tr> <td>341B</td> <td>ETR</td> <td>-</td> <td>WD.</td> <td>J2</td> <td>PTD.</td> <td>-</td> <td>333</td> <td>3\"/> <tr> <td>342</td> <td>ETR</td> <td>-</td> <td>WD.</td> <td>J2</td> <td>PTD.</td> <td>-</td> <td>334A</td> <td>3\"/> <tr> <td>344</td> <td>ETR</td> <td>-</td> <td>WD.</td> <td>J2</td> <td>PTD.</td> <td>-</td> <td>334B</td> <td>3\"/> <tr> <td>345</td> <td>ETR</td> <td>-</td> <td>WD.</td> <td>J2</td> <td>PTD.</td> <td>-</td> <td>335A</td> <td>3\"/> <tr> <td>346</td> <td>ETR</td> <td>-</td> <td>WD.</td> <td>J2</td> <td>PTD.</td> <td>-</td> <td>335B</td> <td>3\"/> <tr> <td>347</td> <td>ETR</td> <td>-</td> <td>WD.</td> <td>J2</td> <td>PTD.</td> <td>-</td> <td>336</td> <td>3\"/> <tr> <td>348</td> <td>ETR</td> <td>-</td> <td>WD.</td> <td>J2</td> <td>PTD.</td> <td>-</td> <td>337</td> <td>3\"/> <tr> <td>349</td> <td>ETR</td> <td>-</td> <td>WD.</td> <td>J2</td> <td>PTD.</td> <td>-</td> <td>339</td> <td>3\"/> <tr> <td>350</td> <td>ETR</td> <td>-</td> <td>WD.</td> <td>J2</td> <td>PTD.</td> <td>-</td> <td>340</td> <td>3\"/> </td></tr></td></tr></td></tr></td></tr></td></tr></td></tr></td></tr></td></tr></td></tr></td></tr></td></tr></td></tr></td></tr></td></tr></td></tr></td></tr></td></tr></td></tr></td></tr> | 333 | ETR | -
 | WD. | J2 | PTD. | - | 324 | 3\"/> <tr> <td>334A</td> <td>ETR</td> <td>-</td> <td>WD.</td> <td>J2</td> <td>PTD.</td> <td>-</td> <td>325</td> <td>3\"/> <tr> <td>334B</td> <td>ETR</td> <td>-</td> <td>WD.</td> <td>J2</td> <td>PTD.</td> <td>-</td> <td>327</td> <td>3\"/> <tr> <td>335A</td> <td>ETR</td> <td>-</td> <td>WD.</td> <td>J2</td> <td>PTD.</td> <td>-</td> <td>328</td> <td>3\"/> <tr> <td>335B</td> <td>B</td> <td>3\"/> <tr> <td>336</td> <td>B</td> <td>3\"/> <tr> <td>337</td> <td>ETR</td> <td>-</td> <td>WD.</td> <td>J2</td> <td>PTD.</td> <td>-</td> <td>329A</td> <td>3\"/> <tr> <td>339</td> <td>ETR</td> <td>-</td> <td>WD.</td> <td>J2</td> <td>PTD.</td> <td>-</td> <td>329B</td> <td>3\"/> <tr> <td>340</td> <td>A</td> <td>3\"/> <tr> <td>341A</td> <td>ETR</td> <td>-</td> <td>WD.</td> <td>J2</td> <td>PTD.</td> <td>-</td> <td>331</td> <td>3\"/> <tr> <td>341B</td> <td>ETR</td> <td>-</td> <td>WD.</td> <td>J2</td> <td>PTD.</td> <td>-</td> <td>333</td> <td>3\"/> <tr> <td>342</td> <td>ETR</td> <td>-</td> <td>WD.</td> <td>J2</td> <td>PTD.</td> <td>-</td> <td>334A</td> <td>3\"/> <tr> <td>344</td> <td>ETR</td> <td>-</td> <td>WD.</td> <td>J2</td> <td>PTD.</td> <td>-</td> <td>334B</td> <td>3\"/> <tr> <td>345</td> <td>ETR</td> <td>-</td> <td>WD.</td> <td>J2</td> <td>PTD.</td> <td>-</td> <td>335A</td> <td>3\"/> <tr> <td>346</td> <td>ETR</td> <td>-</td> <td>WD.</td> <td>J2</td> <td>PTD.</td> <td>-</td> <td>335B</td> <td>3\"/> <tr> <td>347</td> <td>ETR</td> <td>-</td> <td>WD.</td> <td>J2</td> <td>PTD.</td> <td>-</td> <td>336</td> <td>3\"/> <tr> <td>348</td> <td>ETR</td> <td>-</td> <td>WD.</td> <td>J2</td> <td>PTD.</td> <td>-</td> <td>337</td> <td>3\"/> <tr> <td>349</td> <td>ETR</td> <td>-</td> <td>WD.</td> <td>J2</td> <td>PTD.</td> <td>-</td> <td>339</td> <td>3\"/> <tr> <td>350</td> <td>ETR</td> <td>-</td> <td>WD.</td> <td>J2</td> <td>PTD.</td> <td>-</td> <td>340</td> <td>3\"/> </td></tr></td></tr></td></tr></td></tr></td></tr></td></tr></td></tr></td></tr></td></tr></td></tr></td></tr></td></tr></td></tr></td></tr></td></tr></td></tr></td></tr></td></tr> | 334A | ETR | - | WD. | J2 | PTD. | - | 325 | 3\"/> <tr> <td>334B</td> <td>ETR</td> <td>-</td> <td>WD.</td> <td>J2</td> <td>PTD.</td> <td>-</td> <td>327</td> <td>3\"/> <tr> <td>335A</td> <td>ETR</td> <td>-</td> <td>WD.</td> <td>J2</td> <td>PTD.</td> <td>-</td> <td>328</td> <td>3\"/> <tr> <td>335B</td> <td>B</td> <td>3\"/> <tr> <td>336</td> <td>B</td> <td>3\"/> <tr> <td>337</td> <td>ETR</td> <td>-</td> <td>WD.</td> <td>J2</td> <td>PTD.</td> <td>-</td> <td>329A</td> <td>3\"/> <tr> <td>339</td> <td>ETR</td> <td>-</td> <td>WD.</td> <td>J2</td> <td>PTD.</td> <td>-</td> <td>329B</td> <td>3\"/> <tr> <td>340</td> <td>A</td> <td>3\"/> <tr> <td>341A</td> <td>ETR</td> <td>-</td> <td>WD.</td> <td>J2</td> <td>PTD.</td> <td>-</td> <td>331</td> <td>3\"/> <tr> <td>341B</td> <td>ETR</td> <td>-</td> <td>WD.</td> <td>J2</td> <td>PTD.</td> <td>-</td> <td>333</td> <td>3\"/> <tr> <td>342</td> <td>ETR</td> <td>-</td> <td>WD.</td> <td>J2</td> <td>PTD.</td> <td>-</td> <td>334A</td> <td>3\"/> <tr> <td>344</td> <td>ETR</td> <td>-</td> <td>WD.</td> <td>J2</td> <td>PTD.</td> <td>-</td> <td>334B</td> <td>3\"/> <tr>
<td>345</td> <td>ETR</td> <td>-</td> <td>WD.</td> <td>J2</td> <td>PTD.</td> <td>-</td> <td>335A</td> <td>3\"/> <tr> <td>346</td> <td>ETR</td> <td>-</td> <td>WD.</td> <td>J2</td> <td>PTD.</td> <td>-</td> <td>335B</td> <td>3\"/> <tr> <td>347</td> <td>ETR</td> <td>-</td> <td>WD.</td> <td>J2</td> <td>PTD.</td> <td>-</td> <td>336</td> <td>3\"/> <tr> <td>348</td> <td>ETR</td> <td>-</td> <td>WD.</td> <td>J2</td> <td>PTD.</td> <td>-</td> <td>337</td> <td>3\"/> <tr> <td>349</td> <td>ETR</td> <td>-</td> <td>WD.</td> <td>J2</td> <td>PTD.</td> <td>-</td> <td>339</td> <td>3\"/> <tr> <td>350</td> <td>ETR</td> <td>-</td> <td>WD.</td> <td>J2</td> <td>PTD.</td> <td>-</td> <td>340</td> <td>3\"/> </td></tr></td></tr></td></tr></td></tr></td></tr></td></tr></td></tr></td></tr></td></tr></td></tr></td></tr></td></tr></td></tr></td></tr></td></tr></td></tr></td></tr> | 334B | ETR | - | WD. | J2 | PTD. | - | 327 | 3\"/> <tr> <td>335A</td> <td>ETR</td> <td>-</td> <td>WD.</td> <td>J2</td> <td>PTD.</td> <td>-</td> <td>328</td> <td>3\"/> <tr> <td>335B</td> <td>B</td> <td>3\"/> <tr> <td>336</td> <td>B</td> <td>3\"/> <tr> <td>337</td> <td>ETR</td> <td>-</td> <td>WD.</td> <td>J2</td> <td>PTD.</td> <td>-</td> <td>329A</td> <td>3\"/> <tr> <td>339</td> <td>ETR</td> <td>-</td> <td>WD.</td> <td>J2</td> <td>PTD.</td> <td>-</td> <td>329B</td> <td>3\"/> <tr> <td>340</td> <td>A</td> <td>3\"/> <tr> <td>341A</td> <td>ETR</td> <td>-</td> <td>WD.</td> <td>J2</td> <td>PTD.</td> <td>-</td> <td>331</td> <td>3\"/> <tr> <td>341B</td> <td>ETR</td> <td>-</td> <td>WD.</td> <td>J2</td> <td>PTD.</td> <td>-</td> <td>333</td> <td>3\"/> <tr> <td>342</td> <td>ETR</td> <td>-</td> <td>WD.</td> <td>J2</td> <td>PTD.</td> <td>-</td> <td>334A</td> <td>3\"/> <tr> <td>344</td> <td>ETR</td> <td>-</td> <td>WD.</td> <td>J2</td> <td>PTD.</td> <td>-</td> <td>334B</td> <td>3\"/> <tr> <td>345</td> <td>ETR</td> <td>-</td> <td>WD.</td> <td>J2</td> <td>PTD.</td> <td>-</td> <td>335A</td> <td>3\"/> <tr> <td>346</td> <td>ETR</td> <td>-</td> <td>WD.</td> <td>J2</td> <td>PTD.</td> <td>-</td> <td>335B</td> <td>3\"/> <tr> <td>347</td> <td>ETR</td> <td>-</td> <td>WD.</td> <td>J2</td> <td>PTD.</td> <td>-</td> <td>336</td> <td>3\"/> <tr> <td>348</td> <td>ETR</td> <td>-</td> <td>WD.</td> <td>J2</td> <td>PTD.</td> <td>-</td> <td>337</td> <td>3\"/> <tr> <td>349</td> <td>ETR</td> <td>-</td> <td>WD.</td> <td>J2</td> <td>PTD.</td> <td>-</td> <td>339</td> <td>3\"/> <tr> <td>350</td> <td>ETR</td> <td>-</td> <td>WD.</td> <td>J2</td> <td>PTD.</td> <td>-</td> <td>340</td> <td>3\"/> </td></tr></td></tr></td></tr></td></tr></td></tr></td></tr></td></tr></td></tr></td></tr></td></tr></td></tr></td></tr></td></tr></td></tr></td></tr></td></tr> | 335A | ETR | - | WD. | J2 | PTD.
 | - | 328 | 3\"/> <tr> <td>335B</td> <td>B</td> <td>3\"/> <tr> <td>336</td> <td>B</td> <td>3\"/> <tr> <td>337</td> <td>ETR</td> <td>-</td> <td>WD.</td> <td>J2</td> <td>PTD.</td> <td>-</td> <td>329A</td> <td>3\"/> <tr> <td>339</td> <td>ETR</td> <td>-</td> <td>WD.</td> <td>J2</td> <td>PTD.</td> <td>-</td> <td>329B</td> <td>3\"/> <tr> <td>340</td> <td>A</td> <td>3\"/> <tr> <td>341A</td> <td>ETR</td> <td>-</td> <td>WD.</td> <td>J2</td> <td>PTD.</td> <td>-</td> <td>331</td> <td>3\"/> <tr> <td>341B</td> <td>ETR</td> <td>-</td> <td>WD.</td> <td>J2</td> <td>PTD.</td> <td>-</td> <td>333</td> <td>3\"/> <tr> <td>342</td> <td>ETR</td> <td>-</td> <td>WD.</td> <td>J2</td> <td>PTD.</td> <td>-</td> <td>334A</td> <td>3\"/> <tr> <td>344</td> <td>ETR</td> <td>-</td> <td>WD.</td> <td>J2</td> <td>PTD.</td> <td>-</td> <td>334B</td> <td>3\"/> <tr> <td>345</td> <td>ETR</td> <td>-</td> <td>WD.</td> <td>J2</td> <td>PTD.</td> <td>-</td> <td>335A</td> <td>3\"/> <tr> <td>346</td> <td>ETR</td> <td>-</td> <td>WD.</td> <td>J2</td> <td>PTD.</td> <td>-</td> <td>335B</td> <td>3\"/> <tr> <td>347</td> <td>ETR</td> <td>-</td> <td>WD.</td> <td>J2</td> <td>PTD.</td> <td>-</td> <td>336</td> <td>3\"/> <tr> <td>348</td> <td>ETR</td> <td>-</td> <td>WD.</td> <td>J2</td> <td>PTD.</td> <td>-</td> <td>337</td> <td>3\"/> <tr> <td>349</td> <td>ETR</td> <td>-</td> <td>WD.</td> <td>J2</td> <td>PTD.</td> <td>-</td> <td>339</td> <td>3\"/> <tr> <td>350</td> <td>ETR</td> <td>-</td> <td>WD.</td> <td>J2</td> <td>PTD.</td> <td>-</td> <td>340</td> <td>3\"/> </td></tr></td></tr></td></tr></td></tr></td></tr></td></tr></td></tr></td></tr></td></tr></td></tr></td></tr></td></tr></td></tr></td></tr></td></tr> | 335B | B | 3\"/> <tr> <td>336</td> <td>B</td> <td>3\"/> <tr> <td>337</td> <td>ETR</td> <td>-</td> <td>WD.</td> <td>J2</td> <td>PTD.</td> <td>-</td> <td>329A</td> <td>3\"/> <tr> <td>339</td> <td>ETR</td> <td>-</td> <td>WD.</td> <td>J2</td> <td>PTD.</td> <td>-</td> <td>329B</td> <td>3\"/> <tr> <td>340</td> <td>A</td> <td>3\"/> <tr> <td>341A</td> <td>ETR</td> <td>-</td> <td>WD.</td> <td>J2</td> <td>PTD.</td> <td>-</td> <td>331</td> <td>3\"/> <tr> <td>341B</td> <td>ETR</td> <td>-</td> <td>WD.</td> <td>J2</td> <td>PTD.</td> <td>-</td> <td>333</td> <td>3\"/> <tr> <td>342</td> <td>ETR</td> <td>-</td> <td>WD.</td> <td>J2</td> <td>PTD.</td> <td>-</td> <td>334A</td> <td>3\"/> <tr> <td>344</td> <td>ETR</td> <td>-</td> <td>WD.</td> <td>J2</td> <td>PTD.</td> <td>-</td> <td>334B</td> <td>3\"/> <tr> <td>345</td> <td>ETR</td> <td>-</td> <td>WD.</td> <td>J2</td> <td>PTD.</td> <td>-</td> <td>335A</td> <td>3\"/> <tr> <td>346</td> <td>ETR</td> <td>-</td> <td>WD.</td> <td>J2</td> <td>PTD.</td> <td>-</td> <td>335B</td> <td>3\"/> <tr> <td>347</td> <td>ETR</td> <td>-</td> <td>WD.</td> <td>J2</td> <td>PTD.</td> <td>-</td> <td>336</td> <td>3\"/> <tr> <td>348</td> <td>ETR</td> <td>-</td> <td>WD.</td> <td>J2</td> <td>PTD.</td> <td>-</td> <td>337</td> <td>3\"/> <tr> <td>349</td> <td>ETR</td> <td>-</td> <td>WD.</td> <td>J2</td> <td>PTD.</td> <td>-</td> <td>339</td> <td>3\"/> <tr> <td>350</td> <td>ETR</td> <td>-</td> <td>WD.</td> <td>J2</td> <td>PTD.</td> <td>-</td> <td>340</td> <td>3\"/> </td></tr></td></tr></td></tr></td></tr></td></tr></td></tr></td></tr></td></tr></td></tr></td></tr></td></tr></td></tr></td></tr></td></tr> | 336 | B | 3\"/> <tr> <td>337</td> <td>ETR</td> <td>-</td> <td>WD.</td> <td>J2</td> <td>PTD.</td> <td>-</td> <td>329A</td> <td>3\"/> <tr> <td>339</td> <td>ETR</td> <td>-</td> <td>WD.</td> <td>J2</td> <td>PTD.</td> <td>-</td> <td>329B</td> <td>3\"/> <tr> <td>340</td> <td>A</td> <td>3\"/> <tr> <td>341A</td> <td>ETR</td> <td>-</td> <td>WD.</td> <td>J2</td> <td>PTD.</td> <td>-</td> <td>331</td> <td>3\"/> <tr> <td>341B</td> <td>ETR</td> <td>-</td> <td>WD.</td> <td>J2</td> <td>PTD.</td> <td>-</td> <td>333</td> <td>3\"/> <tr> <td>342</td> <td>ETR</td> <td>-</td> <td>WD.</td> <td>J2</td> <td>PTD.</td> <td>-</td> <td>334A</td> <td>3\"/> <tr> <td>344</td> <td>ETR</td> <td>-</td> <td>WD.</td> <td>J2</td> <td>PTD.</td> <td>-</td> <td>334B</td> <td>3\"/> <tr> <td>345</td> <td>ETR</td> <td>-</td> <td>WD.</td> <td>J2</td> <td>PTD.</td> <td>-</td> <td>335A</td> <td>3\"/> <tr> <td>346</td> <td>ETR</td> <td>-</td> <td>WD.</td> <td>J2</td> <td>PTD.</td> <td>-</td> <td>335B</td> <td>3\"/> <tr> <td>347</td> <td>ETR</td> <td>-</td> <td>WD.</td> <td>J2</td> <td>PTD.</td> <td>-</td> <td>336</td> <td>3\"/> <tr> <td>348</td> <td>ETR</td> <td>-</td> <td>WD.</td> <td>J2</td> <td>PTD.</td> <td>-</td> <td>337</td> <td>3\"/> <tr> <td>349</td> <td>ETR</td> <td>-</td> <td>WD.</td> <td>J2</td> <td>PTD.</td> <td>-</td> <td>339</td> <td>3\"/> <tr> <td>350</td> <td>ETR</td> <td>-</td> <td>WD.</td> <td>J2</td> <td>PTD.</td> <td>-</td> <td>340</td> <td>3\"/> </td></tr></td></tr></td></tr></td></tr></td></tr></td></tr></td></tr></td></tr></td></tr></td></tr></td></tr></td></tr></td></tr> | 337 | ETR | - | WD. | J2 | PTD. | - | 329A | 3\"/> <tr> <td>339</td> <td>ETR</td> <td>-</td> <td>WD.</td> <td>J2</td> <td>PTD.</td> <td>-</td> <td>329B</td> <td>3\"/> <tr> <td>340</td> <td>A</td> <td>3\"/> <tr> <td>341A</td> <td>ETR</td> <td>-</td> <td>WD.</td> <td>J2</td> <td>PTD.</td> <td>-</td> <td>331</td> <td>3\"/> <tr> <td>341B</td> <td>ETR</td> <td>-</td> <td>WD.</td> <td>J2</td> <td>PTD.</td> <td>-</td>
<td>333</td> <td>3\"/> <tr> <td>342</td> <td>ETR</td> <td>-</td> <td>WD.</td> <td>J2</td> <td>PTD.</td> <td>-</td> <td>334A</td> <td>3\"/> <tr> <td>344</td> <td>ETR</td> <td>-</td> <td>WD.</td> <td>J2</td> <td>PTD.</td> <td>-</td> <td>334B</td> <td>3\"/> <tr> <td>345</td> <td>ETR</td> <td>-</td> <td>WD.</td> <td>J2</td> <td>PTD.</td> <td>-</td> <td>335A</td> <td>3\"/> <tr> <td>346</td> <td>ETR</td> <td>-</td> <td>WD.</td> <td>J2</td> <td>PTD.</td> <td>-</td> <td>335B</td> <td>3\"/> <tr> <td>347</td> <td>ETR</td> <td>-</td> <td>WD.</td> <td>J2</td> <td>PTD.</td> <td>-</td> <td>336</td> <td>3\"/> <tr> <td>348</td> <td>ETR</td> <td>-</td> <td>WD.</td> <td>J2</td> <td>PTD.</td> <td>-</td> <td>337</td> <td>3\"/> <tr> <td>349</td> <td>ETR</td> <td>-</td> <td>WD.</td> <td>J2</td> <td>PTD.</td> <td>-</td> <td>339</td> <td>3\"/> <tr> <td>350</td> <td>ETR</td> <td>-</td> <td>WD.</td> <td>J2</td> <td>PTD.</td> <td>-</td> <td>340</td> <td>3\"/> </td></tr></td></tr></td></tr></td></tr></td></tr></td></tr></td></tr></td></tr></td></tr></td></tr></td></tr></td></tr> | 339 | ETR | - | WD. | J2 | PTD. | - | 329B | 3\"/> <tr> <td>340</td> <td>A</td> <td>3\"/> <tr> <td>341A</td> <td>ETR</td> <td>-</td> <td>WD.</td> <td>J2</td> <td>PTD.</td> <td>-</td> <td>331</td> <td>3\"/> <tr> <td>341B</td> <td>ETR</td> <td>-</td> <td>WD.</td> <td>J2</td> <td>PTD.</td> <td>-</td> <td>333</td> <td>3\"/> <tr> <td>342</td> <td>ETR</td> <td>-</td> <td>WD.</td> <td>J2</td> <td>PTD.</td> <td>-</td> <td>334A</td> <td>3\"/> <tr> <td>344</td> <td>ETR</td> <td>-</td> <td>WD.</td> <td>J2</td> <td>PTD.</td> <td>-</td> <td>334B</td> <td>3\"/> <tr> <td>345</td> <td>ETR</td> <td>-</td> <td>WD.</td> <td>J2</td> <td>PTD.</td> <td>-</td> <td>335A</td> <td>3\"/> <tr> <td>346</td> <td>ETR</td> <td>-</td> <td>WD.</td> <td>J2</td> <td>PTD.</td> <td>-</td> <td>335B</td> <td>3\"/> <tr> <td>347</td> <td>ETR</td> <td>-</td> <td>WD.</td> <td>J2</td> <td>PTD.</td> <td>-</td> <td>336</td> <td>3\"/> <tr> <td>348</td> <td>ETR</td> <td>-</td> <td>WD.</td> <td>J2</td> <td>PTD.</td> <td>-</td> <td>337</td> <td>3\"/> <tr> <td>349</td> <td>ETR</td> <td>-</td> <td>WD.</td> <td>J2</td> <td>PTD.</td> <td>-</td> <td>339</td> <td>3\"/> <tr> <td>350</td> <td>ETR</td> <td>-</td> <td>WD.</td> <td>J2</td> <td>PTD.</td> <td>-</td> <td>340</td> <td>3\"/> </td></tr></td></tr></td></tr></td></tr></td></tr></td></tr></td></tr></td></tr></td></tr></td></tr></td></tr> | 340 | A | 3\"/> <tr> <td>341A</td> <td>ETR</td> <td>-</td> <td>WD.</td> <td>J2</td> <td>PTD.</td> <td>-</td> <td>331</td> <td>3\"/> <tr> <td>341B</td> <td>ETR</td> <td>-</td> <td>WD.</td> <td>J2</td> <td>PTD.</td> <td>-</td> <td>333</td> <td>3\"/> <tr> <td>342</td> <td>ETR</td> <td>-</td> <td>WD.</td> <td>J2</td> <td>PTD.</td> <td>-</td> <td>334A</td> <td>3\"/> <tr> <td>344</td> <td>ETR</td> <td>-</td> <td>WD.</td> <td>J2</td> <td>PTD.</td> <td>-</td> <td>334B</td> <td>3\"/> <tr> <td>345</td> <td>ETR</td> <td>-</td> <td>WD.</td> <td>J2</td> <td>PTD.</td> <td>-</td> <td>335A</td> <td>3\"/> <tr> <td>346</td> <td>ETR</td> <td>-</td> <td>WD.</td> <td>J2</td> <td>PTD.</td> <td>-</td> <td>335B</td> <td>3\"/> <tr> <td>347</td> <td>ETR</td> <td>-</td> <td>WD.</td> <td>J2</td> <td>PTD.</td> <td>-</td> <td>336</td> <td>3\"/> <tr> <td>348</td> <td>ETR</td> <td>-</td> <td>WD.</td> <td>J2</td> <td>PTD.</td> <td>-</td> <td>337</td> <td>3\"/> <tr> <td>349</td> <td>ETR</td> <td>-</td> <td>WD.</td> <td>J2</td> <td>PTD.</td> <td>-</td> <td>339</td> <td>3\"/> <tr> <td>350</td> <td>ETR</td> <td>-</td> <td>WD.</td> <td>J2</td> <td>PTD.</td> <td>-</td> <td>340</td> <td>3\"/> </td></tr></td></tr></td></tr></td></tr></td></tr></td></tr></td></tr></td></tr></td></tr></td></tr> | 341A | ETR | - | WD. | J2 | PTD. | - | 331 | 3\"/> <tr> <td>341B</td> <td>ETR</td> <td>-</td> <td>WD.</td> <td>J2</td> <td>PTD.</td> <td>-</td> <td>333</td> <td>3\"/> <tr> <td>342</td> <td>ETR</td> <td>-</td> <td>WD.</td> <td>J2</td> <td>PTD.</td> <td>-</td> <td>334A</td> <td>3\"/> <tr> <td>344</td> <td>ETR</td> <td>-</td> <td>WD.</td> <td>J2</td> <td>PTD.</td> <td>-</td> <td>334B</td> <td>3\"/> <tr> <td>345</td> <td>ETR</td> <td>-</td> <td>WD.</td> <td>J2</td> <td>PTD.</td> <td>-</td> <td>335A</td> <td>3\"/> <tr> <td>346</td> <td>ETR</td> <td>-</td> <td>WD.</td> <td>J2</td> <td>PTD.</td> <td>-</td> <td>335B</td> <td>3\"/> <tr> <td>347</td> <td>ETR</td> <td>-</td> <td>WD.</td> <td>J2</td> <td>PTD.</td> <td>-</td> <td>336</td> <td>3\"/> <tr> <td>348</td> <td>ETR</td> <td>-</td>
<td>WD.</td> <td>J2</td> <td>PTD.</td> <td>-</td> <td>337</td> <td>3\"/> <tr> <td>349</td> <td>ETR</td> <td>-</td> <td>WD.</td> <td>J2</td> <td>PTD.</td> <td>-</td> <td>339</td> <td>3\"/> <tr> <td>350</td> <td>ETR</td> <td>-</td> <td>WD.</td> <td>J2</td> <td>PTD.</td> <td>-</td> <td>340</td> <td>3\"/> </td></tr></td></tr></td></tr></td></tr></td></tr></td></tr></td></tr></td></tr></td></tr> | 341B | ETR | - | WD. | J2 | PTD. | - | 333 | 3\"/> <tr> <td>342</td> <td>ETR</td> <td>-</td> <td>WD.</td> <td>J2</td> <td>PTD.</td> <td>-</td> <td>334A</td> <td>3\"/> <tr> <td>344</td> <td>ETR</td> <td>-</td> <td>WD.</td> <td>J2</td> <td>PTD.</td> <td>-</td> <td>334B</td> <td>3\"/> <tr> <td>345</td> <td>ETR</td> <td>-</td> <td>WD.</td> <td>J2</td> <td>PTD.</td> <td>-</td> <td>335A</td> <td>3\"/> <tr> <td>346</td> <td>ETR</td> <td>-</td> <td>WD.</td> <td>J2</td> <td>PTD.</td> <td>-</td> <td>335B</td> <td>3\"/> <tr> <td>347</td> <td>ETR</td> <td>-</td> <td>WD.</td> <td>J2</td> <td>PTD.</td> <td>-</td> <td>336</td> <td>3\"/> <tr> <td>348</td> <td>ETR</td> <td>-</td> <td>WD.</td> <td>J2</td> <td>PTD.</td> <td>-</td> <td>337</td> <td>3\"/> <tr> <td>349</td> <td>ETR</td> <td>-</td> <td>WD.</td> <td>J2</td> <td>PTD.</td> <td>-</td> <td>339</td> <td>3\"/> <tr> <td>350</td> <td>ETR</td> <td>-</td> <td>WD.</td> <td>J2</td> <td>PTD.</td> <td>-</td> <td>340</td> <td>3\"/> </td></tr></td></tr></td></tr></td></tr></td></tr></td></tr></td></tr></td></tr> | 342 | ETR | - | WD. | J2 | PTD. | - | 334A | 3\"/> <tr> <td>344</td> <td>ETR</td> <td>-</td> <td>WD.</td> <td>J2</td> <td>PTD.</td> <td>-</td> <td>334B</td> <td>3\"/> <tr> <td>345</td> <td>ETR</td> <td>-</td> <td>WD.</td> <td>J2</td> <td>PTD.</td> <td>-</td> <td>335A</td> <td>3\"/> <tr> <td>346</td> <td>ETR</td> <td>-</td> <td>WD.</td> <td>J2</td> <td>PTD.</td> <td>-</td> <td>335B</td> <td>3\"/> <tr> <td>347</td> <td>ETR</td> <td>-</td> <td>WD.</td> <td>J2</td> <td>PTD.</td> <td>-</td> <td>336</td> <td>3\"/> <tr> <td>348</td> <td>ETR</td> <td>-</td> <td>WD.</td> <td>J2</td> <td>PTD.</td> <td>-</td> <td>337</td> <td>3\"/> <tr> <td>349</td> <td>ETR</td> <td>-</td> <td>WD.</td> <td>J2</td> <td>PTD.</td> <td>-</td> <td>339</td> <td>3\"/> <tr> <td>350</td> <td>ETR</td> <td>-</td> <td>WD.</td> <td>J2</td> <td>PTD.</td> <td>-</td> <td>340</td> <td>3\"/> </td></tr></td></tr></td></tr></td></tr></td></tr></td></tr></td></tr> | 344 | ETR | - | WD. | J2 | PTD. | - | 334B | 3\"/> <tr> <td>345</td> <td>ETR</td> <td>-</td> <td>WD.</td> <td>J2</td> <td>PTD.</td> <td>-</td> <td>335A</td> <td>3\"/> <tr> <td>346</td> <td>ETR</td> <td>-</td> <td>WD.</td> <td>J2</td> <td>PTD.</td> <td>-</td> <td>335B</td> <td>3\"/> <tr> <td>347</td> <td>ETR</td> <td>-</td> <td>WD.</td> <td>J2</td> <td>PTD.</td> <td>-</td> <td>336</td> <td>3\"/> <tr> <td>348</td> <td>ETR</td> <td>-</td> <td>WD.</td> <td>J2</td> <td>PTD.</td> <td>-</td> <td>337</td> <td>3\"/> <tr> <td>349</td> <td>ETR</td> <td>-</td> <td>WD.</td> <td>J2</td> <td>PTD.</td> <td>-</td> <td>339</td> <td>3\"/> <tr> <td>350</td> <td>ETR</td> <td>-</td> <td>WD.</td> <td>J2</td> <td>PTD.</td> <td>-</td> <td>340</td> <td>3\"/> </td></tr></td></tr></td></tr></td></tr></td></tr></td></tr>
 | 345 | ETR | - | WD. | J2 | PTD. | - | 335A | 3\"/> <tr> <td>346</td> <td>ETR</td> <td>-</td> <td>WD.</td> <td>J2</td> <td>PTD.</td> <td>-</td> <td>335B</td> <td>3\"/> <tr> <td>347</td> <td>ETR</td> <td>-</td> <td>WD.</td> <td>J2</td> <td>PTD.</td> <td>-</td> <td>336</td> <td>3\"/> <tr> <td>348</td> <td>ETR</td> <td>-</td> <td>WD.</td> <td>J2</td> <td>PTD.</td> <td>-</td> <td>337</td> <td>3\"/> <tr> <td>349</td> <td>ETR</td> <td>-</td> <td>WD.</td> <td>J2</td> <td>PTD.</td> <td>-</td> <td>339</td> <td>3\"/> <tr> <td>350</td> <td>ETR</td> <td>-</td> <td>WD.</td> <td>J2</td> <td>PTD.</td> <td>-</td> <td>340</td> <td>3\"/> </td></tr></td></tr></td></tr></td></tr></td></tr> | 346 | ETR | - | WD. | J2 | PTD. | - | 335B | 3\"/> <tr> <td>347</td> <td>ETR</td> <td>-</td> <td>WD.</td> <td>J2</td> <td>PTD.</td> <td>-</td> <td>336</td> <td>3\"/> <tr> <td>348</td> <td>ETR</td> <td>-</td> <td>WD.</td> <td>J2</td> <td>PTD.</td> <td>-</td> <td>337</td> <td>3\"/> <tr> <td>349</td> <td>ETR</td> <td>-</td> <td>WD.</td> <td>J2</td> <td>PTD.</td> <td>-</td> <td>339</td> <td>3\"/> <tr> <td>350</td> <td>ETR</td> <td>-</td> <td>WD.</td> <td>J2</td> <td>PTD.</td> <td>-</td> <td>340</td> <td>3\"/> </td></tr></td></tr></td></tr></td></tr> | 347 | ETR | - | WD. | J2 | PTD. | - | 336 | 3\"/> <tr> <td>348</td> <td>ETR</td> <td>-</td> <td>WD.</td> <td>J2</td> <td>PTD.</td> <td>-</td> <td>337</td> <td>3\"/> <tr> <td>349</td> <td>ETR</td> <td>-</td> <td>WD.</td> <td>J2</td> <td>PTD.</td> <td>-</td> <td>339</td> <td>3\"/> <tr> <td>350</td> <td>ETR</td> <td>-</td> <td>WD.</td> <td>J2</td> <td>PTD.</td> <td>-</td> <td>340</td> <td>3\"/> </td></tr></td></tr></td></tr> | 348 | ETR | - | WD. | J2 | PTD. | - | 337 | 3\"/> <tr> <td>349</td> <td>ETR</td> <td>-</td> <td>WD.</td> <td>J2</td> <td>PTD.</td> <td>-</td> <td>339</td> <td>3\"/> <tr> <td>350</td> <td>ETR</td> <td>-</td> <td>WD.</td> <td>J2</td> <td>PTD.</td> <td>-</td> <td>340</td> <td>3\"/> </td></tr></td></tr> | 349 | ETR | - | WD. | J2 | PTD. | - | 339 | 3\"/> <tr> <td>350</td> <td>ETR</td> <td>-</td> <td>WD.</td> <td>J2</td> <td>PTD.</td> <td>-</td> <td>340</td> <td>3\"/> </td></tr> | 350 | ETR | - | WD. | J2 | PTD. | - | 340 | 3\"/> | | | | | | | | | | | | |
| 306 | ETR | - | WD. | J2 | PTD. | - | 300B | 3\"/> <tr> <td>307</td> <td>ETR</td> <td>-</td> <td>WD.</td> <td>J2</td> <td>PTD.</td> <td>-</td> <td>301</td> <td>3\"/> <tr> <td>308</td> <td>ETR</td> <td>-</td> <td>WD.</td> <td>J2</td> <td>PTD.</td> <td>-</td> <td>303</td> <td>3\"/> <tr> <td>309</td> <td>ETR</td> <td>-</td> <td>WD.</td> <td>J2</td> <td>PTD.</td> <td>-</td> <td>305</td> <td>3\"/> <tr> <td>310</td> <td>ETR</td> <td>-</td> <td>WD.</td> <td>J2</td> <td>PTD.</td> <td>-</td> <td>306</td> <td>3\"/> <tr> <td>311</td> <td>A</td> <td>3\"/> <tr> <td>312A</td> <td>ETR</td> <td>-</td> <td>WD.</td> <td>J2</td> <td>PTD.</td> <td>-</td> <td>307</td> <td>3\"/> <tr> <td>313</td> <td>ETR</td> <td>-</td> <td>WD.</td> <td>J2</td> <td>PTD.</td> <td>-</td> <td>308</td> <td>3\"/> <tr> <td>314</td> <td>ETR</td> <td>-</td> <td>WD.</td> <td>J2</td> <td>PTD.</td> <td>-</td> <td>309</td> <td>3\"/> <tr> <td>315</td> <td>ETR</td> <td>-</td> <td>WD.</td> <td>J2</td> <td>PTD.</td> <td>-</td> <td>310</td> <td>3\"/> <tr> <td>316A</td> <td>A</td> <td>3\"/> <tr> <td>318</td> <td>ETR</td> <td>-</td> <td>WD.</td> <td>J2</td> <td>PTD.</td> <td>-</td> <td>311</td> <td>3\"/> <tr> <td>319</td> <td>ETR</td> <td>-</td> <td>WD.</td> <td>J2</td> <td>PTD.</td> <td>-</td> <td>312A</td> <td>3\"/> <tr> <td>320</td> <td>ETR</td> <td>-</td> <td>WD.</td> <td>J2</td> <td>PTD.</td> <td>-</td> <td>313</td> <td>3\"/> <tr> <td>321</td> <td>ETR</td> <td>-</td> <td>WD.</td> <td>J2</td> <td>PTD.</td> <td>-</td> <td>314</td> <td>3\"/> <tr> <td>322</td> <td>ETR</td> <td>-</td> <td>WD.</td> <td>J2</td> <td>PTD.</td> <td>-</td> <td>315</td> <td>3\"/> <tr> <td>323</td> <td>ETR</td> <td>-</td> <td>WD.</td> <td>J2</td> <td>PTD.</td> <td>-</td> <td>316A</td> <td>3\"/> <tr> <td>324</td> <td>ETR</td> <td>-</td> <td>WD.</td> <td>J2</td> <td>PTD.</td> <td>-</td> <td>318</td> <td>3\"/> <tr> <td>325</td> <td>A</td> <td>3\"/> <tr> <td>327</td> <td>ETR</td> <td>-</td> <td>WD.</td> <td>J2</td> <td>PTD.</td> <td>-</td> <td>319</td> <td>3\"/> <tr> <td>328</td> <td>ETR</td> <td>-</td> <td>WD.</td> <td>J2</td> <td>PTD.</td> <td>-</td> <td>320</td> <td>3\"/> <tr> <td>329A</td> <td>ETR</td> <td>-</td> <td>WD.</td> <td>J2</td> <td>PTD.</td> <td>-</td> <td>321</td> <td>3\"/> <tr> <td>329B</td> <td>ETR</td> <td>-</td> <td>WD.</td> <td>J2</td> <td>PTD.</td> <td>-</td> <td>322</td> <td>3\"/> <tr> <td>331</td> <td>ETR</td> <td>-</td> <td>WD.</td> <td>J2</td> <td>PTD.</td> <td>-</td> <td>323</td> <td>3\"/> <tr> <td>333</td> <td>ETR</td> <td>-</td> <td>WD.</td> <td>J2</td> <td>PTD.</td> <td>-</td> <td>324</td> <td>3\"/> <tr> <td>334A</td> <td>ETR</td> <td>-</td> <td>WD.</td> <td>J2</td> <td>PTD.</td> <td>-</td> <td>325</td> <td>3\"/> <tr> <td>334B</td> <td>ETR</td> <td>-</td> <td>WD.</td> <td>J2</td> <td>PTD.</td> <td>-</td> <td>327</td> <td>3\"/> <tr> <td>335A</td> <td>ETR</td> <td>-</td> <td>WD.</td> <td>J2</td> <td>PTD.</td> <td>-</td> <td>328</td> <td>3\"/> <tr> <td>335B</td>
<td>B</td> <td>3\"/> <tr> <td>336</td> <td>B</td> <td>3\"/> <tr> <td>337</td> <td>ETR</td> <td>-</td> <td>WD.</td> <td>J2</td> <td>PTD.</td> <td>-</td> <td>329A</td> <td>3\"/> <tr> <td>339</td> <td>ETR</td> <td>-</td> <td>WD.</td> <td>J2</td> <td>PTD.</td> <td>-</td> <td>329B</td> <td>3\"/> <tr> <td>340</td> <td>A</td> <td>3\"/> <tr> <td>341A</td> <td>ETR</td> <td>-</td> <td>WD.</td> <td>J2</td> <td>PTD.</td> <td>-</td> <td>331</td> <td>3\"/> <tr> <td>341B</td> <td>ETR</td> <td>-</td> <td>WD.</td> <td>J2</td> <td>PTD.</td> <td>-</td> <td>333</td> <td>3\"/> <tr> <td>342</td> <td>ETR</td> <td>-</td> <td>WD.</td> <td>J2</td> <td>PTD.</td> <td>-</td> <td>334A</td> <td>3\"/> <tr> <td>344</td> <td>ETR</td> <td>-</td> <td>WD.</td> <td>J2</td> <td>PTD.</td> <td>-</td> <td>334B</td> <td>3\"/> <tr> <td>345</td> <td>ETR</td> <td>-</td> <td>WD.</td> <td>J2</td> <td>PTD.</td> <td>-</td> <td>335A</td> <td>3\"/> <tr> <td>346</td> <td>ETR</td> <td>-</td> <td>WD.</td> <td>J2</td> <td>PTD.</td> <td>-</td> <td>335B</td> <td>3\"/> <tr> <td>347</td> <td>ETR</td> <td>-</td> <td>WD.</td> <td>J2</td> <td>PTD.</td> <td>-</td> <td>336</td> <td>3\"/> <tr> <td>348</td> <td>ETR</td> <td>-</td> <td>WD.</td> <td>J2</td> <td>PTD.</td> <td>-</td> <td>337</td> <td>3\"/> <tr> <td>349</td> <td>ETR</td> <td>-</td> <td>WD.</td> <td>J2</td> <td>PTD.</td> <td>-</td> <td>339</td> <td>3\"/> <tr> <td>350</td> <td>ETR</td> <td>-</td> <td>WD.</td> <td>J2</td> <td>PTD.</td> <td>-</td> <td>340</td> <td>3\"/> </td></tr></td></tr></td></tr></td></tr></td></tr></td></tr></td></tr></td></tr></td></tr></td></tr></td></tr></td></tr></td></tr></td></tr></td></tr></td></tr></td></tr></td></tr></td></tr></td></tr></td></tr></td></tr></td></tr></td></tr></td></tr></td></tr></td></tr></td></tr></td></tr></td></tr></td></tr></td></tr></td></tr></td></tr></td></tr></td></tr></td></tr></td></tr></td></tr></td></tr></td></tr></td></tr> | 307 | ETR | - | WD. | J2 | PTD.
 | - | 301 | 3\"/> <tr> <td>308</td> <td>ETR</td> <td>-</td> <td>WD.</td> <td>J2</td> <td>PTD.</td> <td>-</td> <td>303</td> <td>3\"/> <tr> <td>309</td> <td>ETR</td> <td>-</td> <td>WD.</td> <td>J2</td> <td>PTD.</td> <td>-</td> <td>305</td> <td>3\"/> <tr> <td>310</td> <td>ETR</td> <td>-</td> <td>WD.</td> <td>J2</td> <td>PTD.</td> <td>-</td> <td>306</td> <td>3\"/> <tr> <td>311</td> <td>A</td> <td>3\"/> <tr> <td>312A</td> <td>ETR</td> <td>-</td> <td>WD.</td> <td>J2</td> <td>PTD.</td> <td>-</td> <td>307</td> <td>3\"/> <tr> <td>313</td> <td>ETR</td> <td>-</td> <td>WD.</td> <td>J2</td> <td>PTD.</td> <td>-</td> <td>308</td> <td>3\"/> <tr> <td>314</td> <td>ETR</td> <td>-</td> <td>WD.</td> <td>J2</td> <td>PTD.</td> <td>-</td> <td>309</td> <td>3\"/> <tr> <td>315</td> <td>ETR</td> <td>-</td> <td>WD.</td> <td>J2</td> <td>PTD.</td> <td>-</td> <td>310</td> <td>3\"/> <tr> <td>316A</td> <td>A</td> <td>3\"/> <tr> <td>318</td> <td>ETR</td> <td>-</td> <td>WD.</td> <td>J2</td> <td>PTD.</td> <td>-</td> <td>311</td> <td>3\"/> <tr> <td>319</td> <td>ETR</td> <td>-</td> <td>WD.</td> <td>J2</td> <td>PTD.</td> <td>-</td> <td>312A</td> <td>3\"/> <tr> <td>320</td> <td>ETR</td> <td>-</td> <td>WD.</td> <td>J2</td> <td>PTD.</td> <td>-</td> <td>313</td> <td>3\"/> <tr> <td>321</td> <td>ETR</td> <td>-</td> <td>WD.</td> <td>J2</td> <td>PTD.</td> <td>-</td> <td>314</td> <td>3\"/> <tr> <td>322</td> <td>ETR</td> <td>-</td> <td>WD.</td> <td>J2</td> <td>PTD.</td> <td>-</td> <td>315</td> <td>3\"/> <tr> <td>323</td> <td>ETR</td> <td>-</td> <td>WD.</td> <td>J2</td> <td>PTD.</td> <td>-</td> <td>316A</td> <td>3\"/> <tr> <td>324</td> <td>ETR</td> <td>-</td> <td>WD.</td> <td>J2</td> <td>PTD.</td> <td>-</td> <td>318</td> <td>3\"/> <tr> <td>325</td> <td>A</td> <td>3\"/> <tr> <td>327</td> <td>ETR</td> <td>-</td> <td>WD.</td> <td>J2</td> <td>PTD.</td> <td>-</td> <td>319</td> <td>3\"/> <tr> <td>328</td> <td>ETR</td> <td>-</td> <td>WD.</td> <td>J2</td> <td>PTD.</td> <td>-</td> <td>320</td> <td>3\"/> <tr> <td>329A</td> <td>ETR</td> <td>-</td> <td>WD.</td> <td>J2</td> <td>PTD.</td> <td>-</td> <td>321</td> <td>3\"/> <tr> <td>329B</td> <td>ETR</td> <td>-</td> <td>WD.</td> <td>J2</td> <td>PTD.</td> <td>-</td> <td>322</td> <td>3\"/> <tr> <td>331</td> <td>ETR</td> <td>-</td> <td>WD.</td> <td>J2</td> <td>PTD.</td> <td>-</td> <td>323</td> <td>3\"/> <tr> <td>333</td> <td>ETR</td> <td>-</td> <td>WD.</td> <td>J2</td> <td>PTD.</td> <td>-</td> <td>324</td> <td>3\"/> <tr> <td>334A</td> <td>ETR</td> <td>-</td> <td>WD.</td> <td>J2</td> <td>PTD.</td> <td>-</td> <td>325</td> <td>3\"/> <tr> <td>334B</td> <td>ETR</td> <td>-</td> <td>WD.</td> <td>J2</td> <td>PTD.</td> <td>-</td> <td>327</td> <td>3\"/> <tr> <td>335A</td> <td>ETR</td> <td>-</td> <td>WD.</td> <td>J2</td> <td>PTD.</td> <td>-</td> <td>328</td> <td>3\"/> <tr> <td>335B</td> <td>B</td> <td>3\"/> <tr> <td>336</td> <td>B</td> <td>3\"/> <tr> <td>337</td> <td>ETR</td> <td>-</td> <td>WD.</td> <td>J2</td> <td>PTD.</td> <td>-</td> <td>329A</td> <td>3\"/> <tr> <td>339</td> <td>ETR</td> <td>-</td> <td>WD.</td> <td>J2</td> <td>PTD.</td> <td>-</td> <td>329B</td> <td>3\"/> <tr> <td>340</td> <td>A</td> <td>3\"/> <tr> <td>341A</td> <td>ETR</td> <td>-</td> <td>WD.</td> <td>J2</td> <td>PTD.</td> <td>-</td> <td>331</td> <td>3\"/> <tr> <td>341B</td> <td>ETR</td> <td>-</td> <td>WD.</td> <td>J2</td> <td>PTD.</td> <td>-</td> <td>333</td> <td>3\"/> <tr> <td>342</td> <td>ETR</td> <td>-</td> <td>WD.</td> <td>J2</td> <td>PTD.</td> <td>-</td> <td>334A</td> <td>3\"/> <tr> <td>344</td> <td>ETR</td> <td>-</td> <td>WD.</td> <td>J2</td> <td>PTD.</td> <td>-</td> <td>334B</td> <td>3\"/> <tr> <td>345</td> <td>ETR</td> <td>-</td> <td>WD.</td> <td>J2</td> <td>PTD.</td> <td>-</td> <td>335A</td> <td>3\"/> <tr> <td>346</td> <td>ETR</td> <td>-</td> <td>WD.</td> <td>J2</td> <td>PTD.</td> <td>-</td> <td>335B</td> <td>3\"/> <tr> <td>347</td> <td>ETR</td> <td>-</td> <td>WD.</td> <td>J2</td> <td>PTD.</td> <td>-</td> <td>336</td> <td>3\"/> <tr> <td>348</td> <td>ETR</td> <td>-</td> <td>WD.</td> <td>J2</td> <td>PTD.</td> <td>-</td> <td>337</td> <td>3\"/> <tr> <td>349</td> <td>ETR</td> <td>-</td> <td>WD.</td> <td>J2</td> <td>PTD.</td> <td>-</td> <td>339</td> <td>3\"/> <tr> <td>350</td> <td>ETR</td> <td>-</td> <td>WD.</td> <td>J2</td> <td>PTD.</td> <td>-</td> <td>340</td> <td>3\"/> </td></tr></td></tr></td></tr></td></tr></td></tr></td></tr></td></tr></td></tr></td></tr></td></tr></td></tr></td></tr></td></tr></td></tr></td></tr></td></tr></td></tr></td></tr></td></tr></td></tr></td></tr></td></tr></td></tr></td></tr></td></tr></td></tr></td></tr></td></tr></td></tr></td></tr></td></tr></td></tr></td></tr></td></tr></td></tr></td></tr></td></tr></td></tr></td></tr></td></tr></td></tr> | 308 | ETR | -
 | WD. | J2 | PTD. | - | 303 | 3\"/> <tr> <td>309</td> <td>ETR</td> <td>-</td> <td>WD.</td> <td>J2</td> <td>PTD.</td> <td>-</td> <td>305</td> <td>3\"/> <tr> <td>310</td> <td>ETR</td> <td>-</td> <td>WD.</td> <td>J2</td> <td>PTD.</td> <td>-</td> <td>306</td> <td>3\"/> <tr> <td>311</td> <td>A</td> <td>3\"/> <tr> <td>312A</td> <td>ETR</td> <td>-</td> <td>WD.</td> <td>J2</td> <td>PTD.</td> <td>-</td> <td>307</td> <td>3\"/> <tr> <td>313</td> <td>ETR</td> <td>-</td> <td>WD.</td> <td>J2</td> <td>PTD.</td> <td>-</td> <td>308</td> <td>3\"/> <tr> <td>314</td> <td>ETR</td> <td>-</td> <td>WD.</td> <td>J2</td> <td>PTD.</td> <td>-</td> <td>309</td> <td>3\"/> <tr> <td>315</td> <td>ETR</td> <td>-</td> <td>WD.</td> <td>J2</td> <td>PTD.</td> <td>-</td> <td>310</td> <td>3\"/> <tr> <td>316A</td> <td>A</td> <td>3\"/> <tr> <td>318</td> <td>ETR</td> <td>-</td> <td>WD.</td> <td>J2</td> <td>PTD.</td> <td>-</td> <td>311</td> <td>3\"/> <tr> <td>319</td> <td>ETR</td> <td>-</td> <td>WD.</td> <td>J2</td> <td>PTD.</td> <td>-</td> <td>312A</td> <td>3\"/> <tr> <td>320</td> <td>ETR</td> <td>-</td> <td>WD.</td> <td>J2</td> <td>PTD.</td> <td>-</td> <td>313</td> <td>3\"/> <tr> <td>321</td> <td>ETR</td> <td>-</td> <td>WD.</td> <td>J2</td> <td>PTD.</td> <td>-</td> <td>314</td> <td>3\"/> <tr> <td>322</td> <td>ETR</td> <td>-</td> <td>WD.</td> <td>J2</td> <td>PTD.</td> <td>-</td> <td>315</td> <td>3\"/> <tr> <td>323</td> <td>ETR</td> <td>-</td> <td>WD.</td> <td>J2</td> <td>PTD.</td> <td>-</td> <td>316A</td> <td>3\"/> <tr> <td>324</td> <td>ETR</td> <td>-</td> <td>WD.</td> <td>J2</td> <td>PTD.</td> <td>-</td> <td>318</td> <td>3\"/> <tr> <td>325</td> <td>A</td> <td>3\"/> <tr> <td>327</td> <td>ETR</td> <td>-</td> <td>WD.</td> <td>J2</td> <td>PTD.</td> <td>-</td> <td>319</td> <td>3\"/> <tr> <td>328</td> <td>ETR</td> <td>-</td> <td>WD.</td> <td>J2</td> <td>PTD.</td> <td>-</td> <td>320</td> <td>3\"/> <tr> <td>329A</td> <td>ETR</td> <td>-</td> <td>WD.</td> <td>J2</td> <td>PTD.</td> <td>-</td> <td>321</td> <td>3\"/> <tr> <td>329B</td> <td>ETR</td> <td>-</td> <td>WD.</td> <td>J2</td> <td>PTD.</td> <td>-</td> <td>322</td> <td>3\"/> <tr> <td>331</td> <td>ETR</td> <td>-</td> <td>WD.</td> <td>J2</td> <td>PTD.</td> <td>-</td> <td>323</td> <td>3\"/> <tr> <td>333</td> <td>ETR</td> <td>-</td> <td>WD.</td> <td>J2</td> <td>PTD.</td> <td>-</td> <td>324</td> <td>3\"/> <tr> <td>334A</td> <td>ETR</td> <td>-</td> <td>WD.</td> <td>J2</td> <td>PTD.</td> <td>-</td> <td>325</td> <td>3\"/> <tr> <td>334B</td> <td>ETR</td> <td>-</td> <td>WD.</td> <td>J2</td> <td>PTD.</td> <td>-</td>
<td>327</td> <td>3\"/> <tr> <td>335A</td> <td>ETR</td> <td>-</td> <td>WD.</td> <td>J2</td> <td>PTD.</td> <td>-</td> <td>328</td> <td>3\"/> <tr> <td>335B</td> <td>B</td> <td>3\"/> <tr> <td>336</td> <td>B</td> <td>3\"/> <tr> <td>337</td> <td>ETR</td> <td>-</td> <td>WD.</td> <td>J2</td> <td>PTD.</td> <td>-</td> <td>329A</td> <td>3\"/> <tr> <td>339</td> <td>ETR</td> <td>-</td> <td>WD.</td> <td>J2</td> <td>PTD.</td> <td>-</td> <td>329B</td> <td>3\"/> <tr> <td>340</td> <td>A</td> <td>3\"/> <tr> <td>341A</td> <td>ETR</td> <td>-</td> <td>WD.</td> <td>J2</td> <td>PTD.</td> <td>-</td> <td>331</td> <td>3\"/> <tr> <td>341B</td> <td>ETR</td> <td>-</td> <td>WD.</td> <td>J2</td> <td>PTD.</td> <td>-</td> <td>333</td> <td>3\"/> <tr> <td>342</td> <td>ETR</td> <td>-</td> <td>WD.</td> <td>J2</td> <td>PTD.</td> <td>-</td> <td>334A</td> <td>3\"/> <tr> <td>344</td> <td>ETR</td> <td>-</td> <td>WD.</td> <td>J2</td> <td>PTD.</td> <td>-</td> <td>334B</td> <td>3\"/> <tr> <td>345</td> <td>ETR</td> <td>-</td> <td>WD.</td> <td>J2</td> <td>PTD.</td> <td>-</td> <td>335A</td> <td>3\"/> <tr> <td>346</td> <td>ETR</td> <td>-</td> <td>WD.</td> <td>J2</td> <td>PTD.</td> <td>-</td> <td>335B</td> <td>3\"/> <tr> <td>347</td> <td>ETR</td> <td>-</td> <td>WD.</td> <td>J2</td> <td>PTD.</td> <td>-</td> <td>336</td> <td>3\"/> <tr> <td>348</td> <td>ETR</td> <td>-</td> <td>WD.</td> <td>J2</td> <td>PTD.</td> <td>-</td> <td>337</td> <td>3\"/> <tr> <td>349</td> <td>ETR</td> <td>-</td> <td>WD.</td> <td>J2</td> <td>PTD.</td> <td>-</td> <td>339</td> <td>3\"/> <tr> <td>350</td> <td>ETR</td> <td>-</td> <td>WD.</td> <td>J2</td> <td>PTD.</td> <td>-</td> <td>340</td> <td>3\"/> </td></tr></td></tr></td></tr></td></tr></td></tr></td></tr></td></tr></td></tr></td></tr></td></tr></td></tr></td></tr></td></tr></td></tr></td></tr></td></tr></td></tr></td></tr></td></tr></td></tr></td></tr></td></tr></td></tr></td></tr></td></tr></td></tr></td></tr></td></tr></td></tr></td></tr></td></tr></td></tr></td></tr></td></tr></td></tr></td></tr></td></tr></td></tr></td></tr></td></tr> | 309 | ETR | - | WD. | J2 | PTD.
 | - | 305 | 3\"/> <tr> <td>310</td> <td>ETR</td> <td>-</td> <td>WD.</td> <td>J2</td> <td>PTD.</td> <td>-</td> <td>306</td> <td>3\"/> <tr> <td>311</td> <td>A</td> <td>3\"/> <tr> <td>312A</td> <td>ETR</td> <td>-</td> <td>WD.</td> <td>J2</td> <td>PTD.</td> <td>-</td> <td>307</td> <td>3\"/> <tr> <td>313</td> <td>ETR</td> <td>-</td> <td>WD.</td> <td>J2</td> <td>PTD.</td> <td>-</td> <td>308</td> <td>3\"/> <tr> <td>314</td> <td>ETR</td> <td>-</td> <td>WD.</td> <td>J2</td> <td>PTD.</td> <td>-</td> <td>309</td> <td>3\"/> <tr> <td>315</td> <td>ETR</td> <td>-</td> <td>WD.</td> <td>J2</td> <td>PTD.</td> <td>-</td> <td>310</td> <td>3\"/> <tr> <td>316A</td> <td>A</td> <td>3\"/> <tr> <td>318</td> <td>ETR</td> <td>-</td> <td>WD.</td> <td>J2</td> <td>PTD.</td> <td>-</td> <td>311</td> <td>3\"/> <tr> <td>319</td> <td>ETR</td> <td>-</td> <td>WD.</td> <td>J2</td> <td>PTD.</td> <td>-</td> <td>312A</td> <td>3\"/> <tr> <td>320</td> <td>ETR</td> <td>-</td> <td>WD.</td> <td>J2</td> <td>PTD.</td> <td>-</td> <td>313</td> <td>3\"/> <tr> <td>321</td> <td>ETR</td> <td>-</td> <td>WD.</td> <td>J2</td> <td>PTD.</td> <td>-</td> <td>314</td> <td>3\"/> <tr> <td>322</td> <td>ETR</td> <td>-</td> <td>WD.</td> <td>J2</td> <td>PTD.</td> <td>-</td> <td>315</td> <td>3\"/> <tr> <td>323</td> <td>ETR</td> <td>-</td> <td>WD.</td> <td>J2</td> <td>PTD.</td> <td>-</td> <td>316A</td> <td>3\"/> <tr> <td>324</td> <td>ETR</td> <td>-</td> <td>WD.</td> <td>J2</td> <td>PTD.</td> <td>-</td> <td>318</td> <td>3\"/> <tr> <td>325</td> <td>A</td> <td>3\"/> <tr> <td>327</td> <td>ETR</td> <td>-</td> <td>WD.</td> <td>J2</td> <td>PTD.</td> <td>-</td> <td>319</td> <td>3\"/> <tr> <td>328</td> <td>ETR</td> <td>-</td> <td>WD.</td> <td>J2</td> <td>PTD.</td> <td>-</td> <td>320</td> <td>3\"/> <tr> <td>329A</td> <td>ETR</td> <td>-</td> <td>WD.</td> <td>J2</td> <td>PTD.</td> <td>-</td> <td>321</td> <td>3\"/> <tr> <td>329B</td> <td>ETR</td> <td>-</td> <td>WD.</td> <td>J2</td> <td>PTD.</td> <td>-</td> <td>322</td> <td>3\"/> <tr> <td>331</td> <td>ETR</td> <td>-</td> <td>WD.</td> <td>J2</td> <td>PTD.</td> <td>-</td> <td>323</td> <td>3\"/> <tr> <td>333</td> <td>ETR</td> <td>-</td> <td>WD.</td> <td>J2</td> <td>PTD.</td> <td>-</td> <td>324</td> <td>3\"/> <tr> <td>334A</td> <td>ETR</td> <td>-</td> <td>WD.</td> <td>J2</td> <td>PTD.</td> <td>-</td> <td>325</td> <td>3\"/> <tr> <td>334B</td> <td>ETR</td> <td>-</td> <td>WD.</td> <td>J2</td> <td>PTD.</td> <td>-</td> <td>327</td> <td>3\"/> <tr> <td>335A</td> <td>ETR</td> <td>-</td> <td>WD.</td> <td>J2</td> <td>PTD.</td> <td>-</td> <td>328</td> <td>3\"/> <tr> <td>335B</td> <td>B</td> <td>3\"/> <tr> <td>336</td> <td>B</td> <td>3\"/> <tr> <td>337</td> <td>ETR</td> <td>-</td> <td>WD.</td> <td>J2</td> <td>PTD.</td> <td>-</td> <td>329A</td> <td>3\"/> <tr> <td>339</td> <td>ETR</td> <td>-</td> <td>WD.</td> <td>J2</td> <td>PTD.</td> <td>-</td> <td>329B</td> <td>3\"/> <tr> <td>340</td> <td>A</td> <td>3\"/> <tr> <td>341A</td> <td>ETR</td> <td>-</td> <td>WD.</td> <td>J2</td> <td>PTD.</td> <td>-</td> <td>331</td> <td>3\"/> <tr> <td>341B</td> <td>ETR</td> <td>-</td> <td>WD.</td> <td>J2</td> <td>PTD.</td> <td>-</td> <td>333</td> <td>3\"/> <tr> <td>342</td> <td>ETR</td> <td>-</td> <td>WD.</td> <td>J2</td> <td>PTD.</td> <td>-</td> <td>334A</td> <td>3\"/> <tr> <td>344</td> <td>ETR</td> <td>-</td> <td>WD.</td> <td>J2</td> <td>PTD.</td> <td>-</td> <td>334B</td> <td>3\"/> <tr> <td>345</td> <td>ETR</td> <td>-</td> <td>WD.</td> <td>J2</td> <td>PTD.</td> <td>-</td> <td>335A</td> <td>3\"/> <tr> <td>346</td> <td>ETR</td> <td>-</td> <td>WD.</td> <td>J2</td> <td>PTD.</td> <td>-</td> <td>335B</td> <td>3\"/> <tr> <td>347</td> <td>ETR</td> <td>-</td> <td>WD.</td> <td>J2</td> <td>PTD.</td> <td>-</td> <td>336</td> <td>3\"/> <tr> <td>348</td> <td>ETR</td> <td>-</td> <td>WD.</td> <td>J2</td> <td>PTD.</td> <td>-</td> <td>337</td> <td>3\"/> <tr> <td>349</td> <td>ETR</td> <td>-</td> <td>WD.</td> <td>J2</td> <td>PTD.</td> <td>-</td> <td>339</td> <td>3\"/> <tr> <td>350</td> <td>ETR</td> <td>-</td> <td>WD.</td> <td>J2</td> <td>PTD.</td> <td>-</td> <td>340</td> <td>3\"/> </td></tr></td></tr></td></tr></td></tr></td></tr></td></tr></td></tr></td></tr></td></tr></td></tr></td></tr></td></tr></td></tr></td></tr></td></tr></td></tr></td></tr></td></tr></td></tr></td></tr></td></tr></td></tr></td></tr></td></tr></td></tr></td></tr></td></tr></td></tr></td></tr></td></tr></td></tr></td></tr></td></tr></td></tr></td></tr></td></tr></td></tr></td></tr></td></tr> | 310 | ETR | -
 | WD. | J2 | PTD. | - | 306 | 3\"/> <tr> <td>311</td> <td>A</td> <td>3\"/> <tr> <td>312A</td> <td>ETR</td> <td>-</td> <td>WD.</td> <td>J2</td> <td>PTD.</td> <td>-</td> <td>307</td> <td>3\"/> <tr> <td>313</td> <td>ETR</td> <td>-</td> <td>WD.</td> <td>J2</td> <td>PTD.</td> <td>-</td> <td>308</td> <td>3\"/> <tr> <td>314</td> <td>ETR</td> <td>-</td> <td>WD.</td> <td>J2</td> <td>PTD.</td> <td>-</td> <td>309</td> <td>3\"/> <tr> <td>315</td> <td>ETR</td> <td>-</td> <td>WD.</td> <td>J2</td> <td>PTD.</td> <td>-</td> <td>310</td> <td>3\"/> <tr> <td>316A</td> <td>A</td> <td>3\"/> <tr> <td>318</td> <td>ETR</td> <td>-</td> <td>WD.</td> <td>J2</td> <td>PTD.</td> <td>-</td> <td>311</td> <td>3\"/> <tr> <td>319</td> <td>ETR</td> <td>-</td> <td>WD.</td> <td>J2</td> <td>PTD.</td> <td>-</td> <td>312A</td> <td>3\"/> <tr> <td>320</td> <td>ETR</td> <td>-</td> <td>WD.</td> <td>J2</td> <td>PTD.</td> <td>-</td> <td>313</td> <td>3\"/> <tr> <td>321</td> <td>ETR</td> <td>-</td> <td>WD.</td> <td>J2</td> <td>PTD.</td> <td>-</td> <td>314</td> <td>3\"/> <tr> <td>322</td> <td>ETR</td> <td>-</td> <td>WD.</td> <td>J2</td> <td>PTD.</td> <td>-</td> <td>315</td> <td>3\"/> <tr> <td>323</td> <td>ETR</td> <td>-</td> <td>WD.</td> <td>J2</td> <td>PTD.</td> <td>-</td> <td>316A</td> <td>3\"/> <tr> <td>324</td> <td>ETR</td> <td>-</td> <td>WD.</td> <td>J2</td> <td>PTD.</td> <td>-</td> <td>318</td> <td>3\"/> <tr> <td>325</td> <td>A</td> <td>3\"/> <tr> <td>327</td> <td>ETR</td> <td>-</td> <td>WD.</td> <td>J2</td> <td>PTD.</td> <td>-</td> <td>319</td> <td>3\"/> <tr> <td>328</td> <td>ETR</td> <td>-</td> <td>WD.</td> <td>J2</td> <td>PTD.</td> <td>-</td> <td>320</td> <td>3\"/> <tr> <td>329A</td> <td>ETR</td> <td>-</td> <td>WD.</td> <td>J2</td> <td>PTD.</td> <td>-</td> <td>321</td> <td>3\"/> <tr> <td>329B</td> <td>ETR</td> <td>-</td> <td>WD.</td> <td>J2</td> <td>PTD.</td> <td>-</td> <td>322</td> <td>3\"/> <tr> <td>331</td> <td>ETR</td> <td>-</td> <td>WD.</td> <td>J2</td> <td>PTD.</td> <td>-</td> <td>323</td> <td>3\"/> <tr> <td>333</td> <td>ETR</td> <td>-</td> <td>WD.</td> <td>J2</td> <td>PTD.</td> <td>-</td> <td>324</td> <td>3\"/> <tr> <td>334A</td> <td>ETR</td> <td>-</td> <td>WD.</td> <td>J2</td> <td>PTD.</td> <td>-</td> <td>325</td> <td>3\"/> <tr> <td>334B</td> <td>ETR</td> <td>-</td> <td>WD.</td> <td>J2</td> <td>PTD.</td> <td>-</td> <td>327</td> <td>3\"/> <tr> <td>335A</td> <td>ETR</td> <td>-</td> <td>WD.</td> <td>J2</td> <td>PTD.</td> <td>-</td> <td>328</td> <td>3\"/> <tr> <td>335B</td> <td>B</td> <td>3\"/> <tr> <td>336</td> <td>B</td> <td>3\"/> <tr> <td>337</td> <td>ETR</td> <td>-</td> <td>WD.</td> <td>J2</td> <td>PTD.</td> <td>-</td> <td>329A</td> <td>3\"/> <tr> <td>339</td> <td>ETR</td> <td>-</td> <td>WD.</td> <td>J2</td> <td>PTD.</td> <td>-</td> <td>329B</td> <td>3\"/> <tr> <td>340</td> <td>A</td> <td>3\"/> <tr> <td>341A</td> <td>ETR</td> <td>-</td> <td>WD.</td> <td>J2</td> <td>PTD.</td> <td>-</td> <td>331</td> <td>3\"/> <tr> <td>341B</td> <td>ETR</td> <td>-</td> <td>WD.</td> <td>J2</td> <td>PTD.</td> <td>-</td> <td>333</td> <td>3\"/> <tr> <td>342</td> <td>ETR</td> <td>-</td> <td>WD.</td> <td>J2</td> <td>PTD.</td> <td>-</td> <td>334A</td> <td>3\"/> <tr> <td>344</td> <td>ETR</td> <td>-</td> <td>WD.</td> <td>J2</td> <td>PTD.</td> <td>-</td> <td>334B</td> <td>3\"/> <tr> <td>345</td> <td>ETR</td> <td>-</td> <td>WD.</td> <td>J2</td> <td>PTD.</td> <td>-</td> <td>335A</td> <td>3\"/> <tr> <td>346</td> <td>ETR</td> <td>-</td> <td>WD.</td> <td>J2</td> <td>PTD.</td> <td>-</td> <td>335B</td> <td>3\"/> <tr> <td>347</td> <td>ETR</td> <td>-</td> <td>WD.</td> <td>J2</td> <td>PTD.</td> <td>-</td> <td>336</td> <td>3\"/> <tr> <td>348</td> <td>ETR</td> <td>-</td> <td>WD.</td> <td>J2</td> <td>PTD.</td> <td>-</td> <td>337</td> <td>3\"/> <tr> <td>349</td> <td>ETR</td> <td>-</td> <td>WD.</td> <td>J2</td> <td>PTD.</td> <td>-</td> <td>339</td> <td>3\"/> <tr> <td>350</td> <td>ETR</td>
<td>-</td> <td>WD.</td> <td>J2</td> <td>PTD.</td> <td>-</td> <td>340</td> <td>3\"/> </td></tr></td></tr></td></tr></td></tr></td></tr></td></tr></td></tr></td></tr></td></tr></td></tr></td></tr></td></tr></td></tr></td></tr></td></tr></td></tr></td></tr></td></tr></td></tr></td></tr></td></tr></td></tr></td></tr></td></tr></td></tr></td></tr></td></tr></td></tr></td></tr></td></tr></td></tr></td></tr></td></tr></td></tr></td></tr></td></tr></td></tr></td></tr> | 311 | A | 3\"/> <tr> <td>312A</td> <td>ETR</td> <td>-</td> <td>WD.</td> <td>J2</td> <td>PTD.</td> <td>-</td> <td>307</td> <td>3\"/> <tr> <td>313</td> <td>ETR</td> <td>-</td> <td>WD.</td> <td>J2</td> <td>PTD.</td> <td>-</td> <td>308</td> <td>3\"/> <tr> <td>314</td> <td>ETR</td> <td>-</td> <td>WD.</td> <td>J2</td> <td>PTD.</td> <td>-</td> <td>309</td> <td>3\"/> <tr> <td>315</td> <td>ETR</td> <td>-</td> <td>WD.</td> <td>J2</td> <td>PTD.</td> <td>-</td> <td>310</td> <td>3\"/> <tr> <td>316A</td> <td>A</td> <td>3\"/> <tr> <td>318</td> <td>ETR</td> <td>-</td> <td>WD.</td> <td>J2</td> <td>PTD.</td> <td>-</td> <td>311</td> <td>3\"/> <tr> <td>319</td> <td>ETR</td> <td>-</td> <td>WD.</td> <td>J2</td> <td>PTD.</td> <td>-</td> <td>312A</td> <td>3\"/> <tr> <td>320</td> <td>ETR</td> <td>-</td> <td>WD.</td> <td>J2</td> <td>PTD.</td> <td>-</td> <td>313</td> <td>3\"/> <tr> <td>321</td> <td>ETR</td> <td>-</td> <td>WD.</td> <td>J2</td> <td>PTD.</td> <td>-</td> <td>314</td> <td>3\"/> <tr> <td>322</td> <td>ETR</td> <td>-</td> <td>WD.</td> <td>J2</td> <td>PTD.</td> <td>-</td> <td>315</td> <td>3\"/> <tr> <td>323</td> <td>ETR</td> <td>-</td> <td>WD.</td> <td>J2</td> <td>PTD.</td> <td>-</td> <td>316A</td> <td>3\"/> <tr> <td>324</td> <td>ETR</td> <td>-</td> <td>WD.</td> <td>J2</td> <td>PTD.</td> <td>-</td> <td>318</td> <td>3\"/> <tr> <td>325</td> <td>A</td> <td>3\"/> <tr> <td>327</td> <td>ETR</td> <td>-</td> <td>WD.</td> <td>J2</td> <td>PTD.</td> <td>-</td> <td>319</td> <td>3\"/> <tr> <td>328</td> <td>ETR</td> <td>-</td> <td>WD.</td> <td>J2</td> <td>PTD.</td> <td>-</td> <td>320</td> <td>3\"/> <tr> <td>329A</td> <td>ETR</td> <td>-</td> <td>WD.</td> <td>J2</td> <td>PTD.</td> <td>-</td> <td>321</td> <td>3\"/> <tr> <td>329B</td> <td>ETR</td> <td>-</td> <td>WD.</td> <td>J2</td> <td>PTD.</td> <td>-</td> <td>322</td> <td>3\"/> <tr> <td>331</td> <td>ETR</td> <td>-</td> <td>WD.</td> <td>J2</td> <td>PTD.</td> <td>-</td> <td>323</td> <td>3\"/> <tr> <td>333</td> <td>ETR</td> <td>-</td> <td>WD.</td> <td>J2</td> <td>PTD.</td> <td>-</td> <td>324</td> <td>3\"/> <tr> <td>334A</td> <td>ETR</td> <td>-</td> <td>WD.</td> <td>J2</td> <td>PTD.</td> <td>-</td> <td>325</td> <td>3\"/> <tr> <td>334B</td> <td>ETR</td> <td>-</td> <td>WD.</td> <td>J2</td> <td>PTD.</td> <td>-</td> <td>327</td> <td>3\"/> <tr> <td>335A</td> <td>ETR</td> <td>-</td> <td>WD.</td> <td>J2</td> <td>PTD.</td> <td>-</td> <td>328</td> <td>3\"/> <tr> <td>335B</td> <td>B</td> <td>3\"/> <tr> <td>336</td> <td>B</td> <td>3\"/> <tr> <td>337</td> <td>ETR</td> <td>-</td> <td>WD.</td> <td>J2</td> <td>PTD.</td> <td>-</td> <td>329A</td> <td>3\"/> <tr> <td>339</td> <td>ETR</td> <td>-</td> <td>WD.</td> <td>J2</td> <td>PTD.</td> <td>-</td> <td>329B</td> <td>3\"/> <tr> <td>340</td> <td>A</td> <td>3\"/> <tr> <td>341A</td> <td>ETR</td> <td>-</td> <td>WD.</td> <td>J2</td> <td>PTD.</td> <td>-</td> <td>331</td> <td>3\"/> <tr> <td>341B</td> <td>ETR</td> <td>-</td> <td>WD.</td> <td>J2</td> <td>PTD.</td> <td>-</td> <td>333</td> <td>3\"/> <tr> <td>342</td> <td>ETR</td> <td>-</td> <td>WD.</td> <td>J2</td> <td>PTD.</td> <td>-</td> <td>334A</td> <td>3\"/> <tr> <td>344</td> <td>ETR</td> <td>-</td> <td>WD.</td> <td>J2</td> <td>PTD.</td> <td>-</td> <td>334B</td> <td>3\"/> <tr> <td>345</td> <td>ETR</td> <td>-</td> <td>WD.</td> <td>J2</td> <td>PTD.</td> <td>-</td> <td>335A</td> <td>3\"/> <tr> <td>346</td> <td>ETR</td> <td>-</td> <td>WD.</td> <td>J2</td> <td>PTD.</td> <td>-</td> <td>335B</td> <td>3\"/> <tr> <td>347</td> <td>ETR</td> <td>-</td> <td>WD.</td> <td>J2</td> <td>PTD.</td> <td>-</td> <td>336</td> <td>3\"/> <tr> <td>348</td> <td>ETR</td> <td>-</td> <td>WD.</td> <td>J2</td> <td>PTD.</td> <td>-</td> <td>337</td> <td>3\"/> <tr> <td>349</td> <td>ETR</td> <td>-</td> <td>WD.</td> <td>J2</td> <td>PTD.</td> <td>-</td> <td>339</td> <td>3\"/> <tr> <td>350</td> <td>ETR</td> <td>-</td> <td>WD.</td> <td>J2</td> <td>PTD.</td> <td>-</td> <td>340</td> <td>3\"/> </td></tr></td></tr></td></tr></td></tr></td></tr></td></tr></td></tr></td></tr></td></tr></td></tr></td></tr></td></tr></td></tr></td></tr></td></tr></td></tr></td></tr></td></tr></td></tr></td></tr></td></tr></td></tr></td></tr></td></tr></td></tr></td></tr></td></tr></td></tr></td></tr></td></tr></td></tr></td></tr></td></tr></td></tr></td></tr></td></tr></td></tr> | 312A | ETR | - | WD. | J2 | PTD.
 | - | 307 | 3\"/> <tr> <td>313</td> <td>ETR</td> <td>-</td> <td>WD.</td> <td>J2</td> <td>PTD.</td> <td>-</td> <td>308</td> <td>3\"/> <tr> <td>314</td> <td>ETR</td> <td>-</td> <td>WD.</td> <td>J2</td> <td>PTD.</td> <td>-</td> <td>309</td> <td>3\"/> <tr> <td>315</td> <td>ETR</td> <td>-</td> <td>WD.</td> <td>J2</td> <td>PTD.</td> <td>-</td> <td>310</td> <td>3\"/> <tr> <td>316A</td> <td>A</td> <td>3\"/> <tr> <td>318</td> <td>ETR</td> <td>-</td> <td>WD.</td> <td>J2</td> <td>PTD.</td> <td>-</td> <td>311</td> <td>3\"/> <tr> <td>319</td> <td>ETR</td> <td>-</td> <td>WD.</td> <td>J2</td> <td>PTD.</td> <td>-</td> <td>312A</td> <td>3\"/> <tr> <td>320</td> <td>ETR</td> <td>-</td> <td>WD.</td> <td>J2</td> <td>PTD.</td> <td>-</td> <td>313</td> <td>3\"/> <tr> <td>321</td> <td>ETR</td> <td>-</td> <td>WD.</td> <td>J2</td> <td>PTD.</td> <td>-</td> <td>314</td> <td>3\"/> <tr> <td>322</td> <td>ETR</td> <td>-</td> <td>WD.</td> <td>J2</td> <td>PTD.</td> <td>-</td> <td>315</td> <td>3\"/> <tr> <td>323</td> <td>ETR</td> <td>-</td> <td>WD.</td> <td>J2</td> <td>PTD.</td> <td>-</td> <td>316A</td> <td>3\"/> <tr> <td>324</td> <td>ETR</td> <td>-</td> <td>WD.</td> <td>J2</td> <td>PTD.</td> <td>-</td> <td>318</td> <td>3\"/> <tr> <td>325</td> <td>A</td> <td>3\"/> <tr> <td>327</td> <td>ETR</td> <td>-</td> <td>WD.</td> <td>J2</td> <td>PTD.</td> <td>-</td> <td>319</td> <td>3\"/> <tr> <td>328</td> <td>ETR</td> <td>-</td> <td>WD.</td> <td>J2</td> <td>PTD.</td> <td>-</td> <td>320</td> <td>3\"/> <tr> <td>329A</td> <td>ETR</td> <td>-</td> <td>WD.</td> <td>J2</td> <td>PTD.</td> <td>-</td> <td>321</td> <td>3\"/> <tr> <td>329B</td> <td>ETR</td> <td>-</td> <td>WD.</td> <td>J2</td> <td>PTD.</td> <td>-</td> <td>322</td> <td>3\"/> <tr> <td>331</td> <td>ETR</td> <td>-</td> <td>WD.</td> <td>J2</td> <td>PTD.</td> <td>-</td> <td>323</td> <td>3\"/> <tr> <td>333</td> <td>ETR</td> <td>-</td> <td>WD.</td> <td>J2</td> <td>PTD.</td> <td>-</td> <td>324</td> <td>3\"/> <tr> <td>334A</td> <td>ETR</td> <td>-</td> <td>WD.</td> <td>J2</td> <td>PTD.</td> <td>-</td> <td>325</td> <td>3\"/> <tr> <td>334B</td> <td>ETR</td> <td>-</td> <td>WD.</td> <td>J2</td> <td>PTD.</td> <td>-</td> <td>327</td> <td>3\"/> <tr> <td>335A</td> <td>ETR</td> <td>-</td> <td>WD.</td> <td>J2</td> <td>PTD.</td> <td>-</td> <td>328</td> <td>3\"/> <tr> <td>335B</td> <td>B</td> <td>3\"/> <tr> <td>336</td> <td>B</td> <td>3\"/> <tr> <td>337</td> <td>ETR</td> <td>-</td> <td>WD.</td> <td>J2</td> <td>PTD.</td> <td>-</td> <td>329A</td> <td>3\"/> <tr> <td>339</td> <td>ETR</td> <td>-</td> <td>WD.</td> <td>J2</td> <td>PTD.</td> <td>-</td> <td>329B</td> <td>3\"/> <tr> <td>340</td> <td>A</td> <td>3\"/> <tr> <td>341A</td> <td>ETR</td> <td>-</td> <td>WD.</td> <td>J2</td> <td>PTD.</td> <td>-</td> <td>331</td> <td>3\"/> <tr> <td>341B</td> <td>ETR</td> <td>-</td> <td>WD.</td> <td>J2</td> <td>PTD.</td> <td>-</td> <td>333</td> <td>3\"/> <tr> <td>342</td> <td>ETR</td> <td>-</td> <td>WD.</td> <td>J2</td> <td>PTD.</td> <td>-</td> <td>334A</td> <td>3\"/> <tr> <td>344</td> <td>ETR</td> <td>-</td> <td>WD.</td> <td>J2</td> <td>PTD.</td> <td>-</td> <td>334B</td> <td>3\"/> <tr> <td>345</td> <td>ETR</td> <td>-</td> <td>WD.</td> <td>J2</td> <td>PTD.</td> <td>-</td> <td>335A</td> <td>3\"/> <tr> <td>346</td> <td>ETR</td> <td>-</td> <td>WD.</td> <td>J2</td> <td>PTD.</td> <td>-</td> <td>335B</td> <td>3\"/> <tr> <td>347</td> <td>ETR</td> <td>-</td> <td>WD.</td> <td>J2</td> <td>PTD.</td> <td>-</td> <td>336</td> <td>3\"/> <tr> <td>348</td> <td>ETR</td> <td>-</td> <td>WD.</td> <td>J2</td> <td>PTD.</td> <td>-</td> <td>337</td> <td>3\"/> <tr> <td>349</td> <td>ETR</td> <td>-</td> <td>WD.</td> <td>J2</td> <td>PTD.</td> <td>-</td> <td>339</td> <td>3\"/> <tr> <td>350</td> <td>ETR</td> <td>-</td> <td>WD.</td> <td>J2</td> <td>PTD.</td> <td>-</td> <td>340</td> <td>3\"/> </td></tr></td></tr></td></tr></td></tr></td></tr></td></tr></td></tr></td></tr></td></tr></td></tr></td></tr></td></tr></td></tr></td></tr></td></tr></td></tr></td></tr></td></tr></td></tr></td></tr></td></tr></td></tr></td></tr></td></tr></td></tr></td></tr></td></tr></td></tr></td></tr></td></tr></td></tr></td></tr></td></tr></td></tr></td></tr></td></tr> | 313 | ETR | -
 | WD. | J2 | PTD. | - | 308 | 3\"/> <tr> <td>314</td> <td>ETR</td> <td>-</td> <td>WD.</td> <td>J2</td> <td>PTD.</td> <td>-</td> <td>309</td> <td>3\"/> <tr> <td>315</td> <td>ETR</td> <td>-</td> <td>WD.</td> <td>J2</td> <td>PTD.</td> <td>-</td> <td>310</td> <td>3\"/> <tr> <td>316A</td> <td>A</td> <td>3\"/> <tr> <td>318</td> <td>ETR</td> <td>-</td> <td>WD.</td> <td>J2</td> <td>PTD.</td> <td>-</td> <td>311</td> <td>3\"/> <tr> <td>319</td> <td>ETR</td> <td>-</td> <td>WD.</td> <td>J2</td> <td>PTD.</td> <td>-</td> <td>312A</td> <td>3\"/> <tr> <td>320</td> <td>ETR</td> <td>-</td> <td>WD.</td> <td>J2</td> <td>PTD.</td> <td>-</td> <td>313</td> <td>3\"/> <tr> <td>321</td> <td>ETR</td> <td>-</td> <td>WD.</td> <td>J2</td> <td>PTD.</td> <td>-</td> <td>314</td> <td>3\"/> <tr> <td>322</td> <td>ETR</td> <td>-</td> <td>WD.</td> <td>J2</td> <td>PTD.</td> <td>-</td> <td>315</td> <td>3\"/> <tr> <td>323</td> <td>ETR</td> <td>-</td> <td>WD.</td> <td>J2</td> <td>PTD.</td> <td>-</td> <td>316A</td> <td>3\"/> <tr> <td>324</td> <td>ETR</td> <td>-</td> <td>WD.</td> <td>J2</td> <td>PTD.</td> <td>-</td> <td>318</td> <td>3\"/> <tr> <td>325</td> <td>A</td> <td>3\"/> <tr> <td>327</td> <td>ETR</td> <td>-</td> <td>WD.</td> <td>J2</td> <td>PTD.</td> <td>-</td> <td>319</td> <td>3\"/> <tr> <td>328</td> <td>ETR</td> <td>-</td> <td>WD.</td> <td>J2</td> <td>PTD.</td> <td>-</td> <td>320</td> <td>3\"/> <tr> <td>329A</td> <td>ETR</td> <td>-</td> <td>WD.</td> <td>J2</td> <td>PTD.</td> <td>-</td> <td>321</td> <td>3\"/> <tr> <td>329B</td> <td>ETR</td> <td>-</td> <td>WD.</td> <td>J2</td> <td>PTD.</td> <td>-</td> <td>322</td> <td>3\"/> <tr> <td>331</td> <td>ETR</td> <td>-</td> <td>WD.</td> <td>J2</td> <td>PTD.</td> <td>-</td> <td>323</td> <td>3\"/> <tr> <td>333</td> <td>ETR</td> <td>-</td> <td>WD.</td> <td>J2</td> <td>PTD.</td> <td>-</td> <td>324</td> <td>3\"/> <tr> <td>334A</td> <td>ETR</td> <td>-</td> <td>WD.</td> <td>J2</td> <td>PTD.</td> <td>-</td> <td>325</td> <td>3\"/> <tr> <td>334B</td> <td>ETR</td> <td>-</td> <td>WD.</td> <td>J2</td> <td>PTD.</td> <td>-</td> <td>327</td> <td>3\"/> <tr> <td>335A</td> <td>ETR</td> <td>-</td> <td>WD.</td> <td>J2</td> <td>PTD.</td> <td>-</td> <td>328</td> <td>3\"/> <tr> <td>335B</td> <td>B</td> <td>3\"/> <tr> <td>336</td> <td>B</td> <td>3\"/> <tr> <td>337</td> <td>ETR</td> <td>-</td> <td>WD.</td> <td>J2</td> <td>PTD.</td> <td>-</td> <td>329A</td> <td>3\"/> <tr> <td>339</td> <td>ETR</td> <td>-</td> <td>WD.</td> <td>J2</td> <td>PTD.</td> <td>-</td> <td>329B</td> <td>3\"/> <tr> <td>340</td> <td>A</td> <td>3\"/> <tr> <td>341A</td> <td>ETR</td> <td>-</td> <td>WD.</td> <td>J2</td> <td>PTD.</td> <td>-</td> <td>331</td> <td>3\"/> <tr> <td>341B</td> <td>ETR</td> <td>-</td> <td>WD.</td> <td>J2</td> <td>PTD.</td> <td>-</td> <td>333</td> <td>3\"/> <tr> <td>342</td> <td>ETR</td> <td>-</td> <td>WD.</td> <td>J2</td> <td>PTD.</td> <td>-</td> <td>334A</td> <td>3\"/> <tr> <td>344</td> <td>ETR</td> <td>-</td> <td>WD.</td> <td>J2</td> <td>PTD.</td> <td>-</td> <td>334B</td> <td>3\"/> <tr> <td>345</td> <td>ETR</td> <td>-</td> <td>WD.</td> <td>J2</td> <td>PTD.</td> <td>-</td> <td>335A</td> <td>3\"/> <tr> <td>346</td> <td>ETR</td> <td>-</td> <td>WD.</td> <td>J2</td> <td>PTD.</td> <td>-</td> <td>335B</td> <td>3\"/> <tr> <td>347</td> <td>ETR</td> <td>-</td> <td>WD.</td> <td>J2</td> <td>PTD.</td> <td>-</td> <td>336</td> <td>3\"/> <tr> <td>348</td> <td>ETR</td> <td>-</td> <td>WD.</td> <td>J2</td> <td>PTD.</td> <td>-</td> <td>337</td> <td>3\"/> <tr> <td>349</td> <td>ETR</td> <td>-</td> <td>WD.</td> <td>J2</td> <td>PTD.</td> <td>-</td> <td>339</td> <td>3\"/> <tr> <td>350</td> <td>ETR</td> <td>-</td> <td>WD.</td> <td>J2</td> <td>PTD.</td> <td>-</td>
<td>340</td> <td>3\"/> </td></tr></td></tr></td></tr></td></tr></td></tr></td></tr></td></tr></td></tr></td></tr></td></tr></td></tr></td></tr></td></tr></td></tr></td></tr></td></tr></td></tr></td></tr></td></tr></td></tr></td></tr></td></tr></td></tr></td></tr></td></tr></td></tr></td></tr></td></tr></td></tr></td></tr></td></tr></td></tr></td></tr></td></tr></td></tr> | 314 | ETR | - | WD. | J2 | PTD. | - | 309 | 3\"/> <tr> <td>315</td> <td>ETR</td> <td>-</td> <td>WD.</td> <td>J2</td> <td>PTD.</td> <td>-</td> <td>310</td> <td>3\"/> <tr> <td>316A</td> <td>A</td> <td>3\"/> <tr> <td>318</td> <td>ETR</td> <td>-</td> <td>WD.</td> <td>J2</td> <td>PTD.</td> <td>-</td> <td>311</td> <td>3\"/> <tr> <td>319</td> <td>ETR</td> <td>-</td> <td>WD.</td> <td>J2</td> <td>PTD.</td> <td>-</td> <td>312A</td> <td>3\"/> <tr> <td>320</td> <td>ETR</td> <td>-</td> <td>WD.</td> <td>J2</td> <td>PTD.</td> <td>-</td> <td>313</td> <td>3\"/> <tr> <td>321</td> <td>ETR</td> <td>-</td> <td>WD.</td> <td>J2</td> <td>PTD.</td> <td>-</td> <td>314</td> <td>3\"/> <tr> <td>322</td> <td>ETR</td> <td>-</td> <td>WD.</td> <td>J2</td> <td>PTD.</td> <td>-</td> <td>315</td> <td>3\"/> <tr> <td>323</td> <td>ETR</td> <td>-</td> <td>WD.</td> <td>J2</td> <td>PTD.</td> <td>-</td> <td>316A</td> <td>3\"/> <tr> <td>324</td> <td>ETR</td> <td>-</td> <td>WD.</td> <td>J2</td> <td>PTD.</td> <td>-</td> <td>318</td>
<td>3\"/> <tr> <td>325</td> <td>A</td> <td>3\"/> <tr> <td>327</td> <td>ETR</td> <td>-</td> <td>WD.</td> <td>J2</td> <td>PTD.</td> <td>-</td> <td>319</td> <td>3\"/> <tr> <td>328</td> <td>ETR</td> <td>-</td> <td>WD.</td> <td>J2</td> <td>PTD.</td> <td>-</td> <td>320</td> <td>3\"/> <tr> <td>329A</td> <td>ETR</td> <td>-</td> <td>WD.</td> <td>J2</td> <td>PTD.</td> <td>-</td> <td>321</td> <td>3\"/> <tr> <td>329B</td> <td>ETR</td> <td>-</td> <td>WD.</td> <td>J2</td> <td>PTD.</td> <td>-</td> <td>322</td> <td>3\"/> <tr> <td>331</td> <td>ETR</td> <td>-</td> <td>WD.</td> <td>J2</td> <td>PTD.</td> <td>-</td> <td>323</td> <td>3\"/> <tr> <td>333</td> <td>ETR</td> <td>-</td> <td>WD.</td> <td>J2</td> <td>PTD.</td> <td>-</td> <td>324</td> <td>3\"/> <tr> <td>334A</td> <td>ETR</td> <td>-</td> <td>WD.</td> <td>J2</td> <td>PTD.</td> <td>-</td> <td>325</td> <td>3\"/> <tr> <td>334B</td> <td>ETR</td> <td>-</td> <td>WD.</td> <td>J2</td> <td>PTD.</td> <td>-</td> <td>327</td> <td>3\"/> <tr> <td>335A</td> <td>ETR</td> <td>-</td> <td>WD.</td> <td>J2</td> <td>PTD.</td> <td>-</td> <td>328</td> <td>3\"/> <tr> <td>335B</td> <td>B</td> <td>3\"/> <tr> <td>336</td> <td>B</td> <td>3\"/> <tr> <td>337</td> <td>ETR</td> <td>-</td> <td>WD.</td> <td>J2</td> <td>PTD.</td> <td>-</td> <td>329A</td> <td>3\"/> <tr> <td>339</td> <td>ETR</td> <td>-</td> <td>WD.</td> <td>J2</td> <td>PTD.</td> <td>-</td> <td>329B</td> <td>3\"/> <tr> <td>340</td> <td>A</td> <td>3\"/> <tr> <td>341A</td> <td>ETR</td> <td>-</td> <td>WD.</td> <td>J2</td> <td>PTD.</td> <td>-</td> <td>331</td> <td>3\"/> <tr> <td>341B</td> <td>ETR</td> <td>-</td> <td>WD.</td> <td>J2</td> <td>PTD.</td> <td>-</td> <td>333</td> <td>3\"/> <tr> <td>342</td> <td>ETR</td> <td>-</td> <td>WD.</td> <td>J2</td> <td>PTD.</td> <td>-</td> <td>334A</td> <td>3\"/> <tr> <td>344</td> <td>ETR</td> <td>-</td> <td>WD.</td> <td>J2</td> <td>PTD.</td> <td>-</td> <td>334B</td> <td>3\"/> <tr> <td>345</td> <td>ETR</td> <td>-</td> <td>WD.</td> <td>J2</td> <td>PTD.</td> <td>-</td> <td>335A</td> <td>3\"/> <tr> <td>346</td> <td>ETR</td> <td>-</td> <td>WD.</td> <td>J2</td> <td>PTD.</td> <td>-</td> <td>335B</td> <td>3\"/> <tr> <td>347</td> <td>ETR</td> <td>-</td> <td>WD.</td> <td>J2</td> <td>PTD.</td> <td>-</td> <td>336</td> <td>3\"/> <tr> <td>348</td> <td>ETR</td> <td>-</td> <td>WD.</td> <td>J2</td> <td>PTD.</td> <td>-</td> <td>337</td> <td>3\"/> <tr> <td>349</td> <td>ETR</td> <td>-</td> <td>WD.</td> <td>J2</td> <td>PTD.</td> <td>-</td> <td>339</td> <td>3\"/> <tr> <td>350</td> <td>ETR</td> <td>-</td> <td>WD.</td> <td>J2</td> <td>PTD.</td> <td>-</td> <td>340</td> <td>3\"/> </td></tr></td></tr></td></tr></td></tr></td></tr></td></tr></td></tr></td></tr></td></tr></td></tr></td></tr></td></tr></td></tr></td></tr></td></tr></td></tr></td></tr></td></tr></td></tr></td></tr></td></tr></td></tr></td></tr></td></tr></td></tr></td></tr></td></tr></td></tr></td></tr></td></tr></td></tr></td></tr></td></tr></td></tr> | 315 | ETR | - | WD. | J2 | PTD.
 | - | 310 | 3\"/> <tr> <td>316A</td> <td>A</td> <td>3\"/> <tr> <td>318</td> <td>ETR</td> <td>-</td> <td>WD.</td> <td>J2</td> <td>PTD.</td> <td>-</td> <td>311</td> <td>3\"/> <tr> <td>319</td> <td>ETR</td> <td>-</td> <td>WD.</td> <td>J2</td> <td>PTD.</td> <td>-</td> <td>312A</td> <td>3\"/> <tr> <td>320</td> <td>ETR</td> <td>-</td> <td>WD.</td> <td>J2</td> <td>PTD.</td> <td>-</td> <td>313</td> <td>3\"/> <tr> <td>321</td> <td>ETR</td> <td>-</td> <td>WD.</td> <td>J2</td> <td>PTD.</td> <td>-</td> <td>314</td> <td>3\"/> <tr> <td>322</td> <td>ETR</td> <td>-</td> <td>WD.</td> <td>J2</td> <td>PTD.</td> <td>-</td> <td>315</td> <td>3\"/> <tr> <td>323</td> <td>ETR</td> <td>-</td> <td>WD.</td> <td>J2</td> <td>PTD.</td> <td>-</td> <td>316A</td> <td>3\"/> <tr> <td>324</td> <td>ETR</td> <td>-</td> <td>WD.</td> <td>J2</td> <td>PTD.</td> <td>-</td> <td>318</td> <td>3\"/> <tr> <td>325</td> <td>A</td> <td>3\"/> <tr> <td>327</td> <td>ETR</td> <td>-</td> <td>WD.</td> <td>J2</td> <td>PTD.</td> <td>-</td> <td>319</td> <td>3\"/> <tr> <td>328</td> <td>ETR</td> <td>-</td> <td>WD.</td> <td>J2</td> <td>PTD.</td> <td>-</td> <td>320</td> <td>3\"/> <tr> <td>329A</td> <td>ETR</td> <td>-</td> <td>WD.</td> <td>J2</td> <td>PTD.</td> <td>-</td> <td>321</td> <td>3\"/> <tr> <td>329B</td> <td>ETR</td> <td>-</td> <td>WD.</td> <td>J2</td> <td>PTD.</td> <td>-</td> <td>322</td> <td>3\"/> <tr> <td>331</td> <td>ETR</td> <td>-</td> <td>WD.</td> <td>J2</td> <td>PTD.</td> <td>-</td> <td>323</td> <td>3\"/> <tr> <td>333</td> <td>ETR</td> <td>-</td> <td>WD.</td> <td>J2</td> <td>PTD.</td> <td>-</td> <td>324</td> <td>3\"/> <tr> <td>334A</td> <td>ETR</td> <td>-</td> <td>WD.</td> <td>J2</td> <td>PTD.</td> <td>-</td> <td>325</td> <td>3\"/> <tr> <td>334B</td> <td>ETR</td> <td>-</td> <td>WD.</td> <td>J2</td> <td>PTD.</td> <td>-</td> <td>327</td> <td>3\"/> <tr> <td>335A</td> <td>ETR</td> <td>-</td> <td>WD.</td> <td>J2</td> <td>PTD.</td> <td>-</td> <td>328</td> <td>3\"/> <tr> <td>335B</td> <td>B</td> <td>3\"/> <tr> <td>336</td> <td>B</td> <td>3\"/> <tr> <td>337</td> <td>ETR</td> <td>-</td> <td>WD.</td> <td>J2</td> <td>PTD.</td> <td>-</td> <td>329A</td> <td>3\"/> <tr> <td>339</td> <td>ETR</td> <td>-</td> <td>WD.</td> <td>J2</td> <td>PTD.</td> <td>-</td> <td>329B</td> <td>3\"/> <tr> <td>340</td> <td>A</td> <td>3\"/> <tr> <td>341A</td> <td>ETR</td> <td>-</td> <td>WD.</td> <td>J2</td> <td>PTD.</td> <td>-</td> <td>331</td> <td>3\"/> <tr> <td>341B</td> <td>ETR</td> <td>-</td> <td>WD.</td> <td>J2</td> <td>PTD.</td> <td>-</td> <td>333</td> <td>3\"/> <tr> <td>342</td> <td>ETR</td> <td>-</td> <td>WD.</td> <td>J2</td> <td>PTD.</td> <td>-</td> <td>334A</td> <td>3\"/> <tr> <td>344</td> <td>ETR</td> <td>-</td> <td>WD.</td> <td>J2</td> <td>PTD.</td> <td>-</td> <td>334B</td> <td>3\"/> <tr> <td>345</td> <td>ETR</td> <td>-</td> <td>WD.</td> <td>J2</td> <td>PTD.</td> <td>-</td> <td>335A</td> <td>3\"/> <tr> <td>346</td> <td>ETR</td> <td>-</td> <td>WD.</td> <td>J2</td> <td>PTD.</td> <td>-</td> <td>335B</td> <td>3\"/> <tr> <td>347</td> <td>ETR</td> <td>-</td> <td>WD.</td> <td>J2</td> <td>PTD.</td> <td>-</td> <td>336</td> <td>3\"/> <tr> <td>348</td> <td>ETR</td> <td>-</td> <td>WD.</td> <td>J2</td> <td>PTD.</td> <td>-</td> <td>337</td> <td>3\"/> <tr> <td>349</td> <td>ETR</td> <td>-</td> <td>WD.</td> <td>J2</td> <td>PTD.</td> <td>-</td> <td>339</td> <td>3\"/> <tr> <td>350</td> <td>ETR</td> <td>-</td> <td>WD.</td> <td>J2</td> <td>PTD.</td> <td>-</td> <td>340</td> <td>3\"/> </td></tr></td></tr></td></tr></td></tr></td></tr></td></tr></td></tr></td></tr></td></tr></td></tr></td></tr></td></tr></td></tr></td></tr></td></tr></td></tr></td></tr></td></tr></td></tr></td></tr></td></tr></td></tr></td></tr></td></tr></td></tr></td></tr></td></tr></td></tr></td></tr></td></tr></td></tr></td></tr></td></tr> | 316A | A | 3\"/> <tr> <td>318</td> <td>ETR</td> <td>-</td> <td>WD.</td> <td>J2</td> <td>PTD.</td> <td>-</td> <td>311</td> <td>3\"/> <tr> <td>319</td> <td>ETR</td> <td>-</td> <td>WD.</td> <td>J2</td> <td>PTD.</td> <td>-</td> <td>312A</td> <td>3\"/> <tr> <td>320</td> <td>ETR</td> <td>-</td> <td>WD.</td> <td>J2</td> <td>PTD.</td> <td>-</td> <td>313</td> <td>3\"/> <tr> <td>321</td> <td>ETR</td> <td>-</td> <td>WD.</td> <td>J2</td> <td>PTD.</td> <td>-</td> <td>314</td> <td>3\"/> <tr> <td>322</td> <td>ETR</td> <td>-</td> <td>WD.</td> <td>J2</td> <td>PTD.</td> <td>-</td> <td>315</td> <td>3\"/> <tr> <td>323</td> <td>ETR</td> <td>-</td> <td>WD.</td> <td>J2</td> <td>PTD.</td> <td>-</td> <td>316A</td> <td>3\"/> <tr> <td>324</td> <td>ETR</td> <td>-</td> <td>WD.</td> <td>J2</td> <td>PTD.</td> <td>-</td> <td>318</td> <td>3\"/> <tr> <td>325</td> <td>A</td> <td>3\"/> <tr> <td>327</td> <td>ETR</td> <td>-</td> <td>WD.</td> <td>J2</td> <td>PTD.</td> <td>-</td> <td>319</td> <td>3\"/> <tr> <td>328</td> <td>ETR</td> <td>-</td> <td>WD.</td> <td>J2</td> <td>PTD.</td> <td>-</td> <td>320</td> <td>3\"/> <tr> <td>329A</td> <td>ETR</td> <td>-</td> <td>WD.</td> <td>J2</td> <td>PTD.</td> <td>-</td> <td>321</td> <td>3\"/> <tr> <td>329B</td> <td>ETR</td> <td>-</td> <td>WD.</td> <td>J2</td> <td>PTD.</td> <td>-</td> <td>322</td> <td>3\"/> <tr> <td>331</td> <td>ETR</td> <td>-</td> <td>WD.</td> <td>J2</td> <td>PTD.</td> <td>-</td> <td>323</td> <td>3\"/> <tr> <td>333</td> <td>ETR</td> <td>-</td> <td>WD.</td> <td>J2</td> <td>PTD.</td> <td>-</td> <td>324</td> <td>3\"/> <tr> <td>334A</td> <td>ETR</td> <td>-</td> <td>WD.</td> <td>J2</td> <td>PTD.</td> <td>-</td> <td>325</td> <td>3\"/> <tr> <td>334B</td> <td>ETR</td> <td>-</td> <td>WD.</td> <td>J2</td> <td>PTD.</td> <td>-</td> <td>327</td> <td>3\"/> <tr> <td>335A</td> <td>ETR</td> <td>-</td> <td>WD.</td> <td>J2</td> <td>PTD.</td> <td>-</td> <td>328</td> <td>3\"/> <tr> <td>335B</td> <td>B</td> <td>3\"/> <tr> <td>336</td> <td>B</td> <td>3\"/> <tr> <td>337</td> <td>ETR</td> <td>-</td> <td>WD.</td> <td>J2</td> <td>PTD.</td> <td>-</td> <td>329A</td> <td>3\"/> <tr> <td>339</td> <td>ETR</td> <td>-</td> <td>WD.</td> <td>J2</td> <td>PTD.</td> <td>-</td> <td>329B</td> <td>3\"/> <tr> <td>340</td> <td>A</td> <td>3\"/> <tr> <td>341A</td> <td>ETR</td> <td>-</td> <td>WD.</td> <td>J2</td> <td>PTD.</td> <td>-</td> <td>331</td> <td>3\"/> <tr> <td>341B</td> <td>ETR</td> <td>-</td> <td>WD.</td> <td>J2</td> <td>PTD.</td> <td>-</td> <td>333</td> <td>3\"/> <tr> <td>342</td> <td>ETR</td> <td>-</td> <td>WD.</td> <td>J2</td> <td>PTD.</td> <td>-</td> <td>334A</td> <td>3\"/> <tr> <td>344</td> <td>ETR</td> <td>-</td> <td>WD.</td> <td>J2</td> <td>PTD.</td> <td>-</td> <td>334B</td> <td>3\"/> <tr> <td>345</td> <td>ETR</td> <td>-</td> <td>WD.</td> <td>J2</td> <td>PTD.</td> <td>-</td> <td>335A</td> <td>3\"/> <tr> <td>346</td> <td>ETR</td> <td>-</td> <td>WD.</td> <td>J2</td> <td>PTD.</td> <td>-</td> <td>335B</td> <td>3\"/> <tr> <td>347</td> <td>ETR</td> <td>-</td> <td>WD.</td> <td>J2</td> <td>PTD.</td> <td>-</td> <td>336</td> <td>3\"/> <tr> <td>348</td> <td>ETR</td> <td>-</td> <td>WD.</td> <td>J2</td> <td>PTD.</td> <td>-</td> <td>337</td> <td>3\"/> <tr> <td>349</td> <td>ETR</td> <td>-</td> <td>WD.</td> <td>J2</td> <td>PTD.</td> <td>-</td> <td>339</td> <td>3\"/> <tr> <td>350</td> <td>ETR</td> <td>-</td> <td>WD.</td> <td>J2</td> <td>PTD.</td> <td>-</td> <td>340</td> <td>3\"/> </td></tr></td></tr></td></tr></td></tr></td></tr></td></tr></td></tr></td></tr></td></tr></td></tr></td></tr></td></tr></td></tr></td></tr></td></tr></td></tr></td></tr></td></tr></td></tr></td></tr></td></tr></td></tr></td></tr></td></tr></td></tr></td></tr></td></tr></td></tr></td></tr></td></tr></td></tr></td></tr> | 318 | ETR | -
 | WD. | J2 | PTD. | - | 311 | 3\"/> <tr> <td>319</td> <td>ETR</td> <td>-</td> <td>WD.</td> <td>J2</td> <td>PTD.</td> <td>-</td> <td>312A</td> <td>3\"/> <tr> <td>320</td> <td>ETR</td> <td>-</td> <td>WD.</td> <td>J2</td> <td>PTD.</td> <td>-</td> <td>313</td> <td>3\"/> <tr> <td>321</td> <td>ETR</td> <td>-</td> <td>WD.</td> <td>J2</td> <td>PTD.</td> <td>-</td> <td>314</td> <td>3\"/> <tr> <td>322</td> <td>ETR</td> <td>-</td> <td>WD.</td> <td>J2</td> <td>PTD.</td> <td>-</td> <td>315</td> <td>3\"/> <tr> <td>323</td> <td>ETR</td> <td>-</td> <td>WD.</td> <td>J2</td> <td>PTD.</td> <td>-</td> <td>316A</td> <td>3\"/> <tr> <td>324</td> <td>ETR</td> <td>-</td> <td>WD.</td> <td>J2</td> <td>PTD.</td> <td>-</td> <td>318</td> <td>3\"/> <tr> <td>325</td> <td>A</td> <td>3\"/> <tr> <td>327</td> <td>ETR</td> <td>-</td> <td>WD.</td> <td>J2</td> <td>PTD.</td> <td>-</td> <td>319</td> <td>3\"/> <tr> <td>328</td> <td>ETR</td> <td>-</td> <td>WD.</td> <td>J2</td> <td>PTD.</td> <td>-</td> <td>320</td> <td>3\"/> <tr> <td>329A</td> <td>ETR</td> <td>-</td> <td>WD.</td> <td>J2</td> <td>PTD.</td> <td>-</td> <td>321</td> <td>3\"/> <tr> <td>329B</td> <td>ETR</td> <td>-</td> <td>WD.</td> <td>J2</td> <td>PTD.</td> <td>-</td> <td>322</td> <td>3\"/> <tr> <td>331</td> <td>ETR</td> <td>-</td> <td>WD.</td> <td>J2</td> <td>PTD.</td> <td>-</td> <td>323</td> <td>3\"/> <tr> <td>333</td> <td>ETR</td> <td>-</td> <td>WD.</td> <td>J2</td> <td>PTD.</td> <td>-</td> <td>324</td> <td>3\"/> <tr> <td>334A</td> <td>ETR</td> <td>-</td> <td>WD.</td> <td>J2</td> <td>PTD.</td> <td>-</td> <td>325</td> <td>3\"/> <tr> <td>334B</td> <td>ETR</td> <td>-</td> <td>WD.</td> <td>J2</td> <td>PTD.</td> <td>-</td> <td>327</td> <td>3\"/> <tr> <td>335A</td> <td>ETR</td> <td>-</td> <td>WD.</td> <td>J2</td> <td>PTD.</td> <td>-</td> <td>328</td> <td>3\"/> <tr> <td>335B</td> <td>B</td> <td>3\"/> <tr> <td>336</td> <td>B</td> <td>3\"/> <tr> <td>337</td> <td>ETR</td> <td>-</td> <td>WD.</td> <td>J2</td> <td>PTD.</td> <td>-</td> <td>329A</td> <td>3\"/> <tr> <td>339</td> <td>ETR</td> <td>-</td> <td>WD.</td> <td>J2</td> <td>PTD.</td> <td>-</td> <td>329B</td> <td>3\"/> <tr> <td>340</td> <td>A</td> <td>3\"/> <tr> <td>341A</td> <td>ETR</td> <td>-</td> <td>WD.</td> <td>J2</td> <td>PTD.</td> <td>-</td> <td>331</td> <td>3\"/> <tr> <td>341B</td> <td>ETR</td> <td>-</td> <td>WD.</td> <td>J2</td> <td>PTD.</td> <td>-</td> <td>333</td> <td>3\"/> <tr> <td>342</td> <td>ETR</td> <td>-</td> <td>WD.</td> <td>J2</td> <td>PTD.</td> <td>-</td> <td>334A</td> <td>3\"/> <tr> <td>344</td> <td>ETR</td> <td>-</td> <td>WD.</td> <td>J2</td> <td>PTD.</td> <td>-</td> <td>334B</td> <td>3\"/> <tr> <td>345</td> <td>ETR</td> <td>-</td> <td>WD.</td> <td>J2</td> <td>PTD.</td> <td>-</td> <td>335A</td> <td>3\"/> <tr> <td>346</td> <td>ETR</td> <td>-</td> <td>WD.</td> <td>J2</td> <td>PTD.</td> <td>-</td> <td>335B</td> <td>3\"/> <tr> <td>347</td> <td>ETR</td> <td>-</td> <td>WD.</td> <td>J2</td> <td>PTD.</td> <td>-</td> <td>336</td> <td>3\"/> <tr> <td>348</td> <td>ETR</td> <td>-</td> <td>WD.</td> <td>J2</td> <td>PTD.</td> <td>-</td> <td>337</td> <td>3\"/> <tr> <td>349</td> <td>ETR</td> <td>-</td> <td>WD.</td> <td>J2</td> <td>PTD.</td> <td>-</td> <td>339</td> <td>3\"/> <tr> <td>350</td> <td>ETR</td> <td>-</td> <td>WD.</td> <td>J2</td> <td>PTD.</td> <td>-</td> <td>340</td> <td>3\"/>
</td></tr></td></tr></td></tr></td></tr></td></tr></td></tr></td></tr></td></tr></td></tr></td></tr></td></tr></td></tr></td></tr></td></tr></td></tr></td></tr></td></tr></td></tr></td></tr></td></tr></td></tr></td></tr></td></tr></td></tr></td></tr></td></tr></td></tr></td></tr></td></tr></td></tr></td></tr> | 319 | ETR | - | WD. | J2 | PTD. | - | 312A | 3\"/> <tr> <td>320</td> <td>ETR</td> <td>-</td> <td>WD.</td> <td>J2</td> <td>PTD.</td> <td>-</td> <td>313</td> <td>3\"/> <tr> <td>321</td> <td>ETR</td> <td>-</td> <td>WD.</td> <td>J2</td> <td>PTD.</td> <td>-</td> <td>314</td> <td>3\"/> <tr> <td>322</td> <td>ETR</td> <td>-</td> <td>WD.</td> <td>J2</td> <td>PTD.</td> <td>-</td> <td>315</td> <td>3\"/> <tr> <td>323</td> <td>ETR</td> <td>-</td> <td>WD.</td> <td>J2</td> <td>PTD.</td> <td>-</td> <td>316A</td> <td>3\"/> <tr> <td>324</td> <td>ETR</td> <td>-</td> <td>WD.</td> <td>J2</td> <td>PTD.</td> <td>-</td> <td>318</td> <td>3\"/> <tr> <td>325</td> <td>A</td> <td>3\"/> <tr> <td>327</td> <td>ETR</td> <td>-</td> <td>WD.</td> <td>J2</td> <td>PTD.</td> <td>-</td> <td>319</td> <td>3\"/> <tr> <td>328</td> <td>ETR</td> <td>-</td> <td>WD.</td> <td>J2</td> <td>PTD.</td> <td>-</td> <td>320</td> <td>3\"/> <tr> <td>329A</td> <td>ETR</td> <td>-</td> <td>WD.</td> <td>J2</td> <td>PTD.</td> <td>-</td> <td>321</td> <td>3\"/> <tr> <td>329B</td> <td>ETR</td> <td>-</td> <td>WD.</td> <td>J2</td> <td>PTD.</td> <td>-</td> <td>322</td> <td>3\"/> <tr> <td>331</td> <td>ETR</td> <td>-</td> <td>WD.</td> <td>J2</td> <td>PTD.</td> <td>-</td> <td>323</td> <td>3\"/> <tr> <td>333</td> <td>ETR</td> <td>-</td> <td>WD.</td> <td>J2</td> <td>PTD.</td> <td>-</td> <td>324</td> <td>3\"/> <tr> <td>334A</td> <td>ETR</td> <td>-</td> <td>WD.</td> <td>J2</td> <td>PTD.</td> <td>-</td> <td>325</td> <td>3\"/> <tr> <td>334B</td> <td>ETR</td> <td>-</td> <td>WD.</td> <td>J2</td> <td>PTD.</td> <td>-</td> <td>327</td> <td>3\"/> <tr> <td>335A</td> <td>ETR</td> <td>-</td> <td>WD.</td> <td>J2</td> <td>PTD.</td> <td>-</td> <td>328</td>
<td>3\"/> <tr> <td>335B</td> <td>B</td> <td>3\"/> <tr> <td>336</td> <td>B</td> <td>3\"/> <tr> <td>337</td> <td>ETR</td> <td>-</td> <td>WD.</td> <td>J2</td> <td>PTD.</td> <td>-</td> <td>329A</td> <td>3\"/> <tr> <td>339</td> <td>ETR</td> <td>-</td> <td>WD.</td> <td>J2</td> <td>PTD.</td> <td>-</td> <td>329B</td> <td>3\"/> <tr> <td>340</td> <td>A</td> <td>3\"/> <tr> <td>341A</td> <td>ETR</td> <td>-</td> <td>WD.</td> <td>J2</td> <td>PTD.</td> <td>-</td> <td>331</td> <td>3\"/> <tr> <td>341B</td> <td>ETR</td> <td>-</td> <td>WD.</td> <td>J2</td> <td>PTD.</td> <td>-</td> <td>333</td> <td>3\"/> <tr> <td>342</td> <td>ETR</td> <td>-</td> <td>WD.</td> <td>J2</td> <td>PTD.</td> <td>-</td> <td>334A</td> <td>3\"/> <tr> <td>344</td> <td>ETR</td> <td>-</td> <td>WD.</td> <td>J2</td> <td>PTD.</td> <td>-</td> <td>334B</td> <td>3\"/> <tr> <td>345</td> <td>ETR</td> <td>-</td> <td>WD.</td> <td>J2</td> <td>PTD.</td> <td>-</td> <td>335A</td> <td>3\"/> <tr> <td>346</td> <td>ETR</td> <td>-</td> <td>WD.</td> <td>J2</td> <td>PTD.</td> <td>-</td> <td>335B</td> <td>3\"/> <tr> <td>347</td> <td>ETR</td> <td>-</td> <td>WD.</td> <td>J2</td> <td>PTD.</td> <td>-</td> <td>336</td> <td>3\"/> <tr> <td>348</td> <td>ETR</td> <td>-</td> <td>WD.</td> <td>J2</td> <td>PTD.</td> <td>-</td> <td>337</td> <td>3\"/> <tr> <td>349</td> <td>ETR</td> <td>-</td> <td>WD.</td> <td>J2</td> <td>PTD.</td> <td>-</td> <td>339</td> <td>3\"/> <tr> <td>350</td> <td>ETR</td> <td>-</td> <td>WD.</td> <td>J2</td> <td>PTD.</td> <td>-</td> <td>340</td> <td>3\"/> </td></tr></td></tr></td></tr></td></tr></td></tr></td></tr></td></tr></td></tr></td></tr></td></tr></td></tr></td></tr></td></tr></td></tr></td></tr></td></tr></td></tr></td></tr></td></tr></td></tr></td></tr></td></tr></td></tr></td></tr></td></tr></td></tr></td></tr></td></tr></td></tr></td></tr> | 320 | ETR | - | WD. | J2 | PTD. | - | 313 | 3\"/> <tr> <td>321</td> <td>ETR</td> <td>-</td> <td>WD.</td> <td>J2</td> <td>PTD.</td> <td>-</td> <td>314</td> <td>3\"/> <tr> <td>322</td> <td>ETR</td> <td>-</td> <td>WD.</td> <td>J2</td> <td>PTD.</td> <td>-</td> <td>315</td> <td>3\"/> <tr> <td>323</td> <td>ETR</td> <td>-</td> <td>WD.</td> <td>J2</td> <td>PTD.</td> <td>-</td> <td>316A</td> <td>3\"/> <tr> <td>324</td> <td>ETR</td> <td>-</td> <td>WD.</td> <td>J2</td> <td>PTD.</td> <td>-</td> <td>318</td> <td>3\"/> <tr> <td>325</td> <td>A</td> <td>3\"/> <tr> <td>327</td> <td>ETR</td> <td>-</td> <td>WD.</td> <td>J2</td> <td>PTD.</td> <td>-</td> <td>319</td>
<td>3\"/> <tr> <td>328</td> <td>ETR</td> <td>-</td> <td>WD.</td> <td>J2</td> <td>PTD.</td> <td>-</td> <td>320</td> <td>3\"/> <tr> <td>329A</td> <td>ETR</td> <td>-</td> <td>WD.</td> <td>J2</td> <td>PTD.</td> <td>-</td> <td>321</td> <td>3\"/> <tr> <td>329B</td> <td>ETR</td> <td>-</td> <td>WD.</td> <td>J2</td> <td>PTD.</td> <td>-</td> <td>322</td> <td>3\"/> <tr> <td>331</td> <td>ETR</td> <td>-</td> <td>WD.</td> <td>J2</td> <td>PTD.</td> <td>-</td> <td>323</td> <td>3\"/> <tr> <td>333</td> <td>ETR</td> <td>-</td> <td>WD.</td> <td>J2</td> <td>PTD.</td> <td>-</td> <td>324</td> <td>3\"/> <tr> <td>334A</td> <td>ETR</td> <td>-</td> <td>WD.</td> <td>J2</td> <td>PTD.</td> <td>-</td> <td>325</td> <td>3\"/> <tr> <td>334B</td> <td>ETR</td> <td>-</td> <td>WD.</td> <td>J2</td> <td>PTD.</td> <td>-</td> <td>327</td> <td>3\"/> <tr> <td>335A</td> <td>ETR</td> <td>-</td> <td>WD.</td> <td>J2</td> <td>PTD.</td> <td>-</td> <td>328</td> <td>3\"/> <tr> <td>335B</td> <td>B</td> <td>3\"/> <tr> <td>336</td> <td>B</td> <td>3\"/> <tr> <td>337</td> <td>ETR</td> <td>-</td> <td>WD.</td> <td>J2</td> <td>PTD.</td> <td>-</td> <td>329A</td> <td>3\"/> <tr> <td>339</td> <td>ETR</td> <td>-</td> <td>WD.</td> <td>J2</td> <td>PTD.</td> <td>-</td> <td>329B</td> <td>3\"/> <tr> <td>340</td> <td>A</td> <td>3\"/> <tr> <td>341A</td> <td>ETR</td> <td>-</td> <td>WD.</td> <td>J2</td> <td>PTD.</td> <td>-</td> <td>331</td> <td>3\"/> <tr> <td>341B</td> <td>ETR</td> <td>-</td> <td>WD.</td> <td>J2</td> <td>PTD.</td> <td>-</td> <td>333</td> <td>3\"/> <tr> <td>342</td> <td>ETR</td> <td>-</td> <td>WD.</td> <td>J2</td> <td>PTD.</td> <td>-</td> <td>334A</td> <td>3\"/> <tr> <td>344</td> <td>ETR</td> <td>-</td> <td>WD.</td> <td>J2</td> <td>PTD.</td> <td>-</td> <td>334B</td> <td>3\"/> <tr> <td>345</td> <td>ETR</td> <td>-</td> <td>WD.</td> <td>J2</td> <td>PTD.</td> <td>-</td> <td>335A</td> <td>3\"/> <tr> <td>346</td> <td>ETR</td> <td>-</td> <td>WD.</td> <td>J2</td> <td>PTD.</td> <td>-</td> <td>335B</td> <td>3\"/> <tr> <td>347</td> <td>ETR</td> <td>-</td> <td>WD.</td> <td>J2</td> <td>PTD.</td> <td>-</td> <td>336</td> <td>3\"/> <tr> <td>348</td> <td>ETR</td> <td>-</td> <td>WD.</td> <td>J2</td> <td>PTD.</td> <td>-</td> <td>337</td> <td>3\"/> <tr> <td>349</td> <td>ETR</td> <td>-</td> <td>WD.</td> <td>J2</td> <td>PTD.</td> <td>-</td> <td>339</td> <td>3\"/> <tr> <td>350</td> <td>ETR</td> <td>-</td> <td>WD.</td> <td>J2</td> <td>PTD.</td> <td>-</td> <td>340</td> <td>3\"/> </td></tr></td></tr></td></tr></td></tr></td></tr></td></tr></td></tr></td></tr></td></tr></td></tr></td></tr></td></tr></td></tr></td></tr></td></tr></td></tr></td></tr></td></tr></td></tr></td></tr></td></tr></td></tr></td></tr></td></tr></td></tr></td></tr></td></tr></td></tr></td></tr> | 321 | ETR | - | WD. | J2 | PTD.
 | - | 314 | 3\"/> <tr> <td>322</td> <td>ETR</td> <td>-</td> <td>WD.</td> <td>J2</td> <td>PTD.</td> <td>-</td> <td>315</td> <td>3\"/> <tr> <td>323</td> <td>ETR</td> <td>-</td> <td>WD.</td> <td>J2</td> <td>PTD.</td> <td>-</td> <td>316A</td> <td>3\"/> <tr> <td>324</td> <td>ETR</td> <td>-</td> <td>WD.</td> <td>J2</td> <td>PTD.</td> <td>-</td> <td>318</td> <td>3\"/> <tr> <td>325</td> <td>A</td> <td>3\"/> <tr> <td>327</td> <td>ETR</td> <td>-</td> <td>WD.</td> <td>J2</td> <td>PTD.</td> <td>-</td> <td>319</td> <td>3\"/> <tr> <td>328</td> <td>ETR</td> <td>-</td> <td>WD.</td> <td>J2</td> <td>PTD.</td> <td>-</td> <td>320</td> <td>3\"/> <tr> <td>329A</td> <td>ETR</td> <td>-</td> <td>WD.</td> <td>J2</td> <td>PTD.</td> <td>-</td> <td>321</td> <td>3\"/> <tr> <td>329B</td> <td>ETR</td> <td>-</td> <td>WD.</td> <td>J2</td> <td>PTD.</td> <td>-</td> <td>322</td> <td>3\"/> <tr> <td>331</td> <td>ETR</td> <td>-</td> <td>WD.</td> <td>J2</td> <td>PTD.</td> <td>-</td> <td>323</td> <td>3\"/> <tr> <td>333</td> <td>ETR</td> <td>-</td> <td>WD.</td> <td>J2</td> <td>PTD.</td> <td>-</td> <td>324</td> <td>3\"/> <tr> <td>334A</td> <td>ETR</td> <td>-</td> <td>WD.</td> <td>J2</td> <td>PTD.</td> <td>-</td> <td>325</td> <td>3\"/> <tr> <td>334B</td> <td>ETR</td> <td>-</td> <td>WD.</td> <td>J2</td> <td>PTD.</td> <td>-</td> <td>327</td> <td>3\"/> <tr> <td>335A</td> <td>ETR</td> <td>-</td> <td>WD.</td> <td>J2</td> <td>PTD.</td> <td>-</td> <td>328</td> <td>3\"/> <tr> <td>335B</td> <td>B</td> <td>3\"/> <tr> <td>336</td> <td>B</td> <td>3\"/> <tr> <td>337</td> <td>ETR</td> <td>-</td> <td>WD.</td> <td>J2</td> <td>PTD.</td> <td>-</td> <td>329A</td> <td>3\"/> <tr> <td>339</td> <td>ETR</td> <td>-</td> <td>WD.</td> <td>J2</td> <td>PTD.</td> <td>-</td> <td>329B</td> <td>3\"/> <tr> <td>340</td> <td>A</td> <td>3\"/> <tr> <td>341A</td> <td>ETR</td> <td>-</td> <td>WD.</td> <td>J2</td> <td>PTD.</td> <td>-</td> <td>331</td> <td>3\"/> <tr> <td>341B</td> <td>ETR</td> <td>-</td> <td>WD.</td> <td>J2</td> <td>PTD.</td> <td>-</td> <td>333</td> <td>3\"/> <tr> <td>342</td> <td>ETR</td> <td>-</td> <td>WD.</td> <td>J2</td> <td>PTD.</td> <td>-</td> <td>334A</td> <td>3\"/> <tr> <td>344</td> <td>ETR</td> <td>-</td> <td>WD.</td> <td>J2</td> <td>PTD.</td> <td>-</td> <td>334B</td> <td>3\"/> <tr> <td>345</td> <td>ETR</td> <td>-</td> <td>WD.</td> <td>J2</td> <td>PTD.</td> <td>-</td> <td>335A</td> <td>3\"/> <tr> <td>346</td> <td>ETR</td> <td>-</td> <td>WD.</td> <td>J2</td> <td>PTD.</td> <td>-</td> <td>335B</td> <td>3\"/> <tr> <td>347</td> <td>ETR</td> <td>-</td> <td>WD.</td> <td>J2</td> <td>PTD.</td> <td>-</td> <td>336</td> <td>3\"/> <tr> <td>348</td> <td>ETR</td> <td>-</td> <td>WD.</td> <td>J2</td> <td>PTD.</td> <td>-</td> <td>337</td> <td>3\"/> <tr> <td>349</td> <td>ETR</td> <td>-</td> <td>WD.</td> <td>J2</td> <td>PTD.</td> <td>-</td> <td>339</td> <td>3\"/> <tr> <td>350</td> <td>ETR</td> <td>-</td> <td>WD.</td> <td>J2</td> <td>PTD.</td> <td>-</td> <td>340</td> <td>3\"/> </td></tr></td></tr></td></tr></td></tr></td></tr></td></tr></td></tr></td></tr></td></tr></td></tr></td></tr></td></tr></td></tr></td></tr></td></tr></td></tr></td></tr></td></tr></td></tr></td></tr></td></tr></td></tr></td></tr></td></tr></td></tr></td></tr></td></tr></td></tr> | 322 | ETR | - | WD. | J2 | PTD.
 | - | 315 | 3\"/> <tr> <td>323</td> <td>ETR</td> <td>-</td> <td>WD.</td> <td>J2</td> <td>PTD.</td> <td>-</td> <td>316A</td> <td>3\"/> <tr> <td>324</td> <td>ETR</td> <td>-</td> <td>WD.</td> <td>J2</td> <td>PTD.</td> <td>-</td> <td>318</td> <td>3\"/> <tr> <td>325</td> <td>A</td> <td>3\"/> <tr> <td>327</td> <td>ETR</td> <td>-</td> <td>WD.</td> <td>J2</td> <td>PTD.</td> <td>-</td> <td>319</td> <td>3\"/> <tr> <td>328</td> <td>ETR</td> <td>-</td> <td>WD.</td> <td>J2</td> <td>PTD.</td> <td>-</td> <td>320</td> <td>3\"/> <tr> <td>329A</td> <td>ETR</td> <td>-</td> <td>WD.</td> <td>J2</td> <td>PTD.</td> <td>-</td> <td>321</td> <td>3\"/> <tr> <td>329B</td> <td>ETR</td> <td>-</td> <td>WD.</td> <td>J2</td> <td>PTD.</td> <td>-</td> <td>322</td> <td>3\"/> <tr> <td>331</td> <td>ETR</td> <td>-</td> <td>WD.</td> <td>J2</td> <td>PTD.</td> <td>-</td> <td>323</td> <td>3\"/> <tr> <td>333</td> <td>ETR</td> <td>-</td> <td>WD.</td> <td>J2</td> <td>PTD.</td> <td>-</td> <td>324</td> <td>3\"/> <tr> <td>334A</td> <td>ETR</td> <td>-</td> <td>WD.</td> <td>J2</td> <td>PTD.</td> <td>-</td> <td>325</td> <td>3\"/> <tr> <td>334B</td> <td>ETR</td> <td>-</td> <td>WD.</td> <td>J2</td> <td>PTD.</td> <td>-</td> <td>327</td> <td>3\"/> <tr> <td>335A</td> <td>ETR</td> <td>-</td> <td>WD.</td> <td>J2</td> <td>PTD.</td> <td>-</td> <td>328</td> <td>3\"/> <tr> <td>335B</td> <td>B</td> <td>3\"/> <tr> <td>336</td> <td>B</td> <td>3\"/> <tr> <td>337</td> <td>ETR</td> <td>-</td> <td>WD.</td> <td>J2</td> <td>PTD.</td> <td>-</td> <td>329A</td> <td>3\"/> <tr> <td>339</td> <td>ETR</td> <td>-</td> <td>WD.</td> <td>J2</td> <td>PTD.</td> <td>-</td> <td>329B</td> <td>3\"/> <tr> <td>340</td> <td>A</td> <td>3\"/> <tr> <td>341A</td> <td>ETR</td> <td>-</td> <td>WD.</td> <td>J2</td> <td>PTD.</td> <td>-</td> <td>331</td> <td>3\"/> <tr> <td>341B</td> <td>ETR</td> <td>-</td> <td>WD.</td> <td>J2</td> <td>PTD.</td> <td>-</td> <td>333</td> <td>3\"/> <tr> <td>342</td> <td>ETR</td> <td>-</td> <td>WD.</td> <td>J2</td> <td>PTD.</td> <td>-</td> <td>334A</td> <td>3\"/> <tr> <td>344</td> <td>ETR</td> <td>-</td> <td>WD.</td> <td>J2</td> <td>PTD.</td> <td>-</td> <td>334B</td> <td>3\"/> <tr> <td>345</td> <td>ETR</td> <td>-</td> <td>WD.</td> <td>J2</td> <td>PTD.</td> <td>-</td> <td>335A</td> <td>3\"/> <tr> <td>346</td> <td>ETR</td> <td>-</td> <td>WD.</td> <td>J2</td> <td>PTD.</td> <td>-</td> <td>335B</td> <td>3\"/> <tr> <td>347</td> <td>ETR</td> <td>-</td> <td>WD.</td> <td>J2</td> <td>PTD.</td> <td>-</td> <td>336</td> <td>3\"/> <tr> <td>348</td> <td>ETR</td> <td>-</td> <td>WD.</td> <td>J2</td> <td>PTD.</td> <td>-</td> <td>337</td> <td>3\"/> <tr> <td>349</td> <td>ETR</td> <td>-</td> <td>WD.</td> <td>J2</td> <td>PTD.</td> <td>-</td> <td>339</td> <td>3\"/> <tr> <td>350</td> <td>ETR</td> <td>-</td> <td>WD.</td> <td>J2</td> <td>PTD.</td> <td>-</td> <td>340</td> <td>3\"/> </td></tr></td></tr></td></tr></td></tr></td></tr></td></tr></td></tr></td></tr></td></tr></td></tr></td></tr></td></tr></td></tr></td></tr></td></tr></td></tr></td></tr></td></tr></td></tr></td></tr></td></tr></td></tr></td></tr></td></tr></td></tr></td></tr></td></tr> | 323 | ETR | - | WD. | J2 | PTD.
 | - | 316A | 3\"/> <tr> <td>324</td> <td>ETR</td> <td>-</td> <td>WD.</td> <td>J2</td> <td>PTD.</td> <td>-</td> <td>318</td> <td>3\"/> <tr> <td>325</td> <td>A</td> <td>3\"/> <tr> <td>327</td> <td>ETR</td> <td>-</td> <td>WD.</td> <td>J2</td> <td>PTD.</td> <td>-</td> <td>319</td> <td>3\"/> <tr> <td>328</td> <td>ETR</td> <td>-</td> <td>WD.</td> <td>J2</td> <td>PTD.</td> <td>-</td> <td>320</td> <td>3\"/> <tr> <td>329A</td> <td>ETR</td> <td>-</td> <td>WD.</td> <td>J2</td> <td>PTD.</td> <td>-</td> <td>321</td> <td>3\"/> <tr> <td>329B</td> <td>ETR</td> <td>-</td> <td>WD.</td> <td>J2</td> <td>PTD.</td> <td>-</td> <td>322</td> <td>3\"/> <tr> <td>331</td> <td>ETR</td> <td>-</td> <td>WD.</td> <td>J2</td> <td>PTD.</td> <td>-</td> <td>323</td> <td>3\"/> <tr> <td>333</td> <td>ETR</td> <td>-</td> <td>WD.</td> <td>J2</td> <td>PTD.</td> <td>-</td> <td>324</td> <td>3\"/> <tr> <td>334A</td> <td>ETR</td> <td>-</td> <td>WD.</td> <td>J2</td> <td>PTD.</td> <td>-</td> <td>325</td> <td>3\"/> <tr> <td>334B</td> <td>ETR</td> <td>-</td> <td>WD.</td> <td>J2</td> <td>PTD.</td> <td>-</td> <td>327</td> <td>3\"/> <tr> <td>335A</td> <td>ETR</td> <td>-</td> <td>WD.</td> <td>J2</td> <td>PTD.</td> <td>-</td> <td>328</td> <td>3\"/> <tr> <td>335B</td> <td>B</td> <td>3\"/> <tr> <td>336</td> <td>B</td> <td>3\"/> <tr> <td>337</td> <td>ETR</td> <td>-</td> <td>WD.</td> <td>J2</td> <td>PTD.</td> <td>-</td> <td>329A</td> <td>3\"/> <tr> <td>339</td> <td>ETR</td> <td>-</td> <td>WD.</td> <td>J2</td> <td>PTD.</td> <td>-</td> <td>329B</td> <td>3\"/> <tr> <td>340</td> <td>A</td> <td>3\"/> <tr> <td>341A</td> <td>ETR</td> <td>-</td> <td>WD.</td> <td>J2</td> <td>PTD.</td> <td>-</td> <td>331</td> <td>3\"/> <tr> <td>341B</td> <td>ETR</td> <td>-</td> <td>WD.</td> <td>J2</td> <td>PTD.</td> <td>-</td> <td>333</td> <td>3\"/> <tr> <td>342</td> <td>ETR</td> <td>-</td> <td>WD.</td> <td>J2</td> <td>PTD.</td> <td>-</td> <td>334A</td> <td>3\"/> <tr> <td>344</td> <td>ETR</td> <td>-</td> <td>WD.</td> <td>J2</td> <td>PTD.</td> <td>-</td> <td>334B</td> <td>3\"/> <tr> <td>345</td> <td>ETR</td> <td>-</td> <td>WD.</td> <td>J2</td> <td>PTD.</td> <td>-</td> <td>335A</td> <td>3\"/> <tr> <td>346</td> <td>ETR</td> <td>-</td> <td>WD.</td> <td>J2</td> <td>PTD.</td> <td>-</td> <td>335B</td> <td>3\"/> <tr> <td>347</td> <td>ETR</td> <td>-</td> <td>WD.</td> <td>J2</td> <td>PTD.</td> <td>-</td> <td>336</td> <td>3\"/> <tr> <td>348</td> <td>ETR</td> <td>-</td> <td>WD.</td> <td>J2</td> <td>PTD.</td> <td>-</td> <td>337</td> <td>3\"/> <tr> <td>349</td> <td>ETR</td> <td>-</td> <td>WD.</td> <td>J2</td> <td>PTD.</td> <td>-</td> <td>339</td> <td>3\"/> <tr> <td>350</td> <td>ETR</td> <td>-</td> <td>WD.</td> <td>J2</td> <td>PTD.</td> <td>-</td> <td>340</td> <td>3\"/> </td></tr></td></tr></td></tr></td></tr></td></tr></td></tr></td></tr></td></tr></td></tr></td></tr></td></tr></td></tr></td></tr></td></tr></td></tr></td></tr></td></tr></td></tr></td></tr></td></tr></td></tr></td></tr></td></tr></td></tr></td></tr></td></tr> | 324 | ETR | - | WD. | J2 | PTD. | - | 318 | 3\"/> <tr> <td>325</td> <td>A</td> <td>3\"/> <tr> <td>327</td> <td>ETR</td> <td>-</td> <td>WD.</td> <td>J2</td> <td>PTD.</td> <td>-</td> <td>319</td> <td>3\"/> <tr> <td>328</td> <td>ETR</td> <td>-</td>
<td>WD.</td> <td>J2</td> <td>PTD.</td> <td>-</td> <td>320</td> <td>3\"/> <tr> <td>329A</td> <td>ETR</td> <td>-</td> <td>WD.</td> <td>J2</td> <td>PTD.</td> <td>-</td> <td>321</td> <td>3\"/> <tr> <td>329B</td> <td>ETR</td> <td>-</td> <td>WD.</td> <td>J2</td> <td>PTD.</td> <td>-</td> <td>322</td> <td>3\"/> <tr> <td>331</td> <td>ETR</td> <td>-</td> <td>WD.</td> <td>J2</td> <td>PTD.</td> <td>-</td> <td>323</td> <td>3\"/> <tr> <td>333</td> <td>ETR</td> <td>-</td> <td>WD.</td> <td>J2</td> <td>PTD.</td> <td>-</td> <td>324</td> <td>3\"/> <tr> <td>334A</td> <td>ETR</td> <td>-</td> <td>WD.</td> <td>J2</td> <td>PTD.</td> <td>-</td> <td>325</td> <td>3\"/> <tr> <td>334B</td> <td>ETR</td> <td>-</td> <td>WD.</td> <td>J2</td> <td>PTD.</td> <td>-</td> <td>327</td> <td>3\"/> <tr> <td>335A</td> <td>ETR</td> <td>-</td> <td>WD.</td> <td>J2</td> <td>PTD.</td> <td>-</td> <td>328</td> <td>3\"/> <tr> <td>335B</td> <td>B</td> <td>3\"/> <tr> <td>336</td> <td>B</td> <td>3\"/> <tr> <td>337</td> <td>ETR</td> <td>-</td> <td>WD.</td> <td>J2</td> <td>PTD.</td> <td>-</td> <td>329A</td> <td>3\"/> <tr> <td>339</td> <td>ETR</td> <td>-</td> <td>WD.</td> <td>J2</td> <td>PTD.</td> <td>-</td> <td>329B</td> <td>3\"/> <tr> <td>340</td> <td>A</td> <td>3\"/> <tr> <td>341A</td> <td>ETR</td> <td>-</td> <td>WD.</td> <td>J2</td> <td>PTD.</td> <td>-</td> <td>331</td> <td>3\"/> <tr> <td>341B</td> <td>ETR</td> <td>-</td> <td>WD.</td> <td>J2</td> <td>PTD.</td> <td>-</td> <td>333</td> <td>3\"/> <tr> <td>342</td> <td>ETR</td> <td>-</td> <td>WD.</td> <td>J2</td> <td>PTD.</td> <td>-</td> <td>334A</td> <td>3\"/> <tr> <td>344</td> <td>ETR</td> <td>-</td> <td>WD.</td> <td>J2</td> <td>PTD.</td> <td>-</td> <td>334B</td> <td>3\"/> <tr> <td>345</td> <td>ETR</td> <td>-</td> <td>WD.</td> <td>J2</td> <td>PTD.</td> <td>-</td> <td>335A</td> <td>3\"/> <tr> <td>346</td> <td>ETR</td> <td>-</td> <td>WD.</td> <td>J2</td> <td>PTD.</td> <td>-</td> <td>335B</td> <td>3\"/> <tr> <td>347</td> <td>ETR</td> <td>-</td> <td>WD.</td> <td>J2</td> <td>PTD.</td> <td>-</td> <td>336</td> <td>3\"/> <tr> <td>348</td> <td>ETR</td> <td>-</td> <td>WD.</td> <td>J2</td> <td>PTD.</td> <td>-</td> <td>337</td> <td>3\"/> <tr> <td>349</td> <td>ETR</td> <td>-</td> <td>WD.</td> <td>J2</td> <td>PTD.</td> <td>-</td> <td>339</td> <td>3\"/> <tr> <td>350</td> <td>ETR</td> <td>-</td> <td>WD.</td> <td>J2</td> <td>PTD.</td> <td>-</td> <td>340</td> <td>3\"/> </td></tr></td></tr></td></tr></td></tr></td></tr></td></tr></td></tr></td></tr></td></tr></td></tr></td></tr></td></tr></td></tr></td></tr></td></tr></td></tr></td></tr></td></tr></td></tr></td></tr></td></tr></td></tr></td></tr></td></tr></td></tr> | 325 | A | 3\"/> <tr> <td>327</td> <td>ETR</td> <td>-</td> <td>WD.</td> <td>J2</td> <td>PTD.</td> <td>-</td> <td>319</td> <td>3\"/> <tr> <td>328</td> <td>ETR</td> <td>-</td> <td>WD.</td> <td>J2</td> <td>PTD.</td> <td>-</td> <td>320</td> <td>3\"/> <tr> <td>329A</td> <td>ETR</td> <td>-</td> <td>WD.</td> <td>J2</td> <td>PTD.</td> <td>-</td> <td>321</td> <td>3\"/> <tr> <td>329B</td> <td>ETR</td> <td>-</td> <td>WD.</td> <td>J2</td> <td>PTD.</td> <td>-</td> <td>322</td> <td>3\"/> <tr> <td>331</td> <td>ETR</td> <td>-</td> <td>WD.</td> <td>J2</td> <td>PTD.</td> <td>-</td> <td>323</td> <td>3\"/> <tr> <td>333</td> <td>ETR</td> <td>-</td> <td>WD.</td> <td>J2</td> <td>PTD.</td> <td>-</td> <td>324</td> <td>3\"/> <tr> <td>334A</td> <td>ETR</td> <td>-</td> <td>WD.</td> <td>J2</td> <td>PTD.</td> <td>-</td> <td>325</td> <td>3\"/> <tr> <td>334B</td> <td>ETR</td> <td>-</td> <td>WD.</td> <td>J2</td> <td>PTD.</td> <td>-</td> <td>327</td> <td>3\"/> <tr> <td>335A</td> <td>ETR</td> <td>-</td> <td>WD.</td> <td>J2</td> <td>PTD.</td> <td>-</td> <td>328</td> <td>3\"/> <tr> <td>335B</td> <td>B</td> <td>3\"/> <tr> <td>336</td> <td>B</td> <td>3\"/> <tr> <td>337</td> <td>ETR</td> <td>-</td> <td>WD.</td> <td>J2</td> <td>PTD.</td> <td>-</td> <td>329A</td> <td>3\"/> <tr> <td>339</td> <td>ETR</td> <td>-</td> <td>WD.</td> <td>J2</td> <td>PTD.</td> <td>-</td> <td>329B</td> <td>3\"/> <tr> <td>340</td> <td>A</td> <td>3\"/> <tr> <td>341A</td> <td>ETR</td> <td>-</td> <td>WD.</td> <td>J2</td> <td>PTD.</td> <td>-</td> <td>331</td> <td>3\"/> <tr> <td>341B</td> <td>ETR</td> <td>-</td> <td>WD.</td> <td>J2</td> <td>PTD.</td> <td>-</td> <td>333</td> <td>3\"/> <tr> <td>342</td> <td>ETR</td> <td>-</td> <td>WD.</td> <td>J2</td> <td>PTD.</td> <td>-</td> <td>334A</td> <td>3\"/> <tr> <td>344</td> <td>ETR</td> <td>-</td> <td>WD.</td> <td>J2</td> <td>PTD.</td> <td>-</td> <td>334B</td> <td>3\"/> <tr> <td>345</td> <td>ETR</td> <td>-</td> <td>WD.</td> <td>J2</td> <td>PTD.</td> <td>-</td> <td>335A</td> <td>3\"/> <tr> <td>346</td> <td>ETR</td> <td>-</td> <td>WD.</td> <td>J2</td> <td>PTD.</td> <td>-</td> <td>335B</td> <td>3\"/> <tr> <td>347</td> <td>ETR</td> <td>-</td> <td>WD.</td> <td>J2</td> <td>PTD.</td> <td>-</td> <td>336</td> <td>3\"/> <tr> <td>348</td> <td>ETR</td> <td>-</td> <td>WD.</td> <td>J2</td> <td>PTD.</td> <td>-</td> <td>337</td> <td>3\"/> <tr> <td>349</td> <td>ETR</td> <td>-</td> <td>WD.</td> <td>J2</td> <td>PTD.</td> <td>-</td> <td>339</td> <td>3\"/> <tr> <td>350</td> <td>ETR</td> <td>-</td> <td>WD.</td> <td>J2</td> <td>PTD.</td> <td>-</td> <td>340</td> <td>3\"/> </td></tr></td></tr></td></tr></td></tr></td></tr></td></tr></td></tr></td></tr></td></tr></td></tr></td></tr></td></tr></td></tr></td></tr></td></tr></td></tr></td></tr></td></tr></td></tr></td></tr></td></tr></td></tr></td></tr></td></tr> | 327 | ETR | - | WD. | J2 | PTD.
 | - | 319 | 3\"/> <tr> <td>328</td> <td>ETR</td> <td>-</td> <td>WD.</td> <td>J2</td> <td>PTD.</td> <td>-</td> <td>320</td> <td>3\"/> <tr> <td>329A</td> <td>ETR</td> <td>-</td> <td>WD.</td> <td>J2</td> <td>PTD.</td> <td>-</td> <td>321</td> <td>3\"/> <tr> <td>329B</td> <td>ETR</td> <td>-</td> <td>WD.</td> <td>J2</td> <td>PTD.</td> <td>-</td> <td>322</td> <td>3\"/> <tr> <td>331</td> <td>ETR</td> <td>-</td> <td>WD.</td> <td>J2</td> <td>PTD.</td> <td>-</td> <td>323</td> <td>3\"/> <tr> <td>333</td> <td>ETR</td> <td>-</td> <td>WD.</td> <td>J2</td> <td>PTD.</td> <td>-</td> <td>324</td> <td>3\"/> <tr> <td>334A</td> <td>ETR</td> <td>-</td> <td>WD.</td> <td>J2</td> <td>PTD.</td> <td>-</td> <td>325</td> <td>3\"/> <tr> <td>334B</td> <td>ETR</td> <td>-</td> <td>WD.</td> <td>J2</td> <td>PTD.</td> <td>-</td> <td>327</td> <td>3\"/> <tr> <td>335A</td> <td>ETR</td> <td>-</td> <td>WD.</td> <td>J2</td> <td>PTD.</td> <td>-</td> <td>328</td> <td>3\"/> <tr> <td>335B</td> <td>B</td> <td>3\"/> <tr> <td>336</td> <td>B</td> <td>3\"/> <tr> <td>337</td> <td>ETR</td> <td>-</td> <td>WD.</td> <td>J2</td> <td>PTD.</td> <td>-</td> <td>329A</td> <td>3\"/> <tr> <td>339</td> <td>ETR</td> <td>-</td> <td>WD.</td> <td>J2</td> <td>PTD.</td> <td>-</td> <td>329B</td> <td>3\"/> <tr> <td>340</td> <td>A</td> <td>3\"/> <tr> <td>341A</td> <td>ETR</td> <td>-</td> <td>WD.</td> <td>J2</td> <td>PTD.</td> <td>-</td> <td>331</td> <td>3\"/> <tr> <td>341B</td> <td>ETR</td> <td>-</td> <td>WD.</td> <td>J2</td> <td>PTD.</td> <td>-</td> <td>333</td> <td>3\"/> <tr> <td>342</td> <td>ETR</td> <td>-</td> <td>WD.</td> <td>J2</td> <td>PTD.</td> <td>-</td> <td>334A</td> <td>3\"/> <tr> <td>344</td> <td>ETR</td> <td>-</td> <td>WD.</td> <td>J2</td> <td>PTD.</td> <td>-</td> <td>334B</td> <td>3\"/> <tr> <td>345</td> <td>ETR</td> <td>-</td> <td>WD.</td> <td>J2</td> <td>PTD.</td> <td>-</td> <td>335A</td> <td>3\"/> <tr> <td>346</td> <td>ETR</td> <td>-</td> <td>WD.</td> <td>J2</td> <td>PTD.</td> <td>-</td> <td>335B</td> <td>3\"/> <tr> <td>347</td> <td>ETR</td> <td>-</td> <td>WD.</td> <td>J2</td> <td>PTD.</td> <td>-</td> <td>336</td> <td>3\"/> <tr> <td>348</td> <td>ETR</td> <td>-</td> <td>WD.</td> <td>J2</td> <td>PTD.</td> <td>-</td> <td>337</td> <td>3\"/> <tr> <td>349</td> <td>ETR</td> <td>-</td> <td>WD.</td> <td>J2</td> <td>PTD.</td> <td>-</td> <td>339</td> <td>3\"/> <tr> <td>350</td> <td>ETR</td> <td>-</td> <td>WD.</td> <td>J2</td> <td>PTD.</td> <td>-</td> <td>340</td> <td>3\"/> </td></tr></td></tr></td></tr></td></tr></td></tr></td></tr></td></tr></td></tr></td></tr></td></tr></td></tr></td></tr></td></tr></td></tr></td></tr></td></tr></td></tr></td></tr></td></tr></td></tr></td></tr></td></tr></td></tr> | 328 | ETR | - | WD. | J2 | PTD. | - | 320 | 3\"/> <tr> <td>329A</td> <td>ETR</td> <td>-</td> <td>WD.</td> <td>J2</td> <td>PTD.</td> <td>-</td> <td>321</td>
<td>3\"/> <tr> <td>329B</td> <td>ETR</td> <td>-</td> <td>WD.</td> <td>J2</td> <td>PTD.</td> <td>-</td> <td>322</td> <td>3\"/> <tr> <td>331</td> <td>ETR</td> <td>-</td> <td>WD.</td> <td>J2</td> <td>PTD.</td> <td>-</td> <td>323</td> <td>3\"/> <tr> <td>333</td> <td>ETR</td> <td>-</td> <td>WD.</td> <td>J2</td> <td>PTD.</td> <td>-</td> <td>324</td> <td>3\"/> <tr> <td>334A</td> <td>ETR</td> <td>-</td> <td>WD.</td> <td>J2</td> <td>PTD.</td> <td>-</td> <td>325</td> <td>3\"/> <tr> <td>334B</td> <td>ETR</td> <td>-</td> <td>WD.</td> <td>J2</td> <td>PTD.</td> <td>-</td> <td>327</td> <td>3\"/> <tr> <td>335A</td> <td>ETR</td> <td>-</td> <td>WD.</td> <td>J2</td> <td>PTD.</td> <td>-</td> <td>328</td> <td>3\"/> <tr> <td>335B</td> <td>B</td> <td>3\"/> <tr> <td>336</td> <td>B</td> <td>3\"/> <tr> <td>337</td> <td>ETR</td> <td>-</td> <td>WD.</td> <td>J2</td> <td>PTD.</td> <td>-</td> <td>329A</td> <td>3\"/> <tr> <td>339</td> <td>ETR</td> <td>-</td> <td>WD.</td> <td>J2</td> <td>PTD.</td> <td>-</td> <td>329B</td> <td>3\"/> <tr> <td>340</td> <td>A</td> <td>3\"/> <tr> <td>341A</td> <td>ETR</td> <td>-</td> <td>WD.</td> <td>J2</td> <td>PTD.</td> <td>-</td> <td>331</td> <td>3\"/> <tr> <td>341B</td> <td>ETR</td> <td>-</td> <td>WD.</td> <td>J2</td> <td>PTD.</td> <td>-</td> <td>333</td> <td>3\"/> <tr> <td>342</td> <td>ETR</td> <td>-</td> <td>WD.</td> <td>J2</td> <td>PTD.</td> <td>-</td> <td>334A</td> <td>3\"/> <tr> <td>344</td> <td>ETR</td> <td>-</td> <td>WD.</td> <td>J2</td> <td>PTD.</td> <td>-</td> <td>334B</td> <td>3\"/> <tr> <td>345</td> <td>ETR</td> <td>-</td> <td>WD.</td> <td>J2</td> <td>PTD.</td> <td>-</td> <td>335A</td> <td>3\"/> <tr> <td>346</td> <td>ETR</td> <td>-</td> <td>WD.</td> <td>J2</td> <td>PTD.</td> <td>-</td> <td>335B</td> <td>3\"/> <tr> <td>347</td> <td>ETR</td> <td>-</td> <td>WD.</td> <td>J2</td> <td>PTD.</td> <td>-</td> <td>336</td> <td>3\"/> <tr> <td>348</td> <td>ETR</td> <td>-</td> <td>WD.</td> <td>J2</td> <td>PTD.</td> <td>-</td> <td>337</td> <td>3\"/> <tr> <td>349</td> <td>ETR</td> <td>-</td> <td>WD.</td> <td>J2</td> <td>PTD.</td> <td>-</td> <td>339</td> <td>3\"/> <tr> <td>350</td> <td>ETR</td> <td>-</td> <td>WD.</td> <td>J2</td> <td>PTD.</td> <td>-</td> <td>340</td> <td>3\"/> </td></tr></td></tr></td></tr></td></tr></td></tr></td></tr></td></tr></td></tr></td></tr></td></tr></td></tr></td></tr></td></tr></td></tr></td></tr></td></tr></td></tr></td></tr></td></tr></td></tr></td></tr></td></tr> | 329A | ETR | - | WD. | J2 | PTD. | - | 321 | 3\"/> <tr> <td>329B</td> <td>ETR</td> <td>-</td> <td>WD.</td> <td>J2</td> <td>PTD.</td> <td>-</td> <td>322</td> <td>3\"/> <tr> <td>331</td> <td>ETR</td> <td>-</td> <td>WD.</td> <td>J2</td> <td>PTD.</td> <td>-</td> <td>323</td> <td>3\"/> <tr> <td>333</td> <td>ETR</td> <td>-</td> <td>WD.</td> <td>J2</td> <td>PTD.</td> <td>-</td> <td>324</td> <td>3\"/> <tr> <td>334A</td> <td>ETR</td> <td>-</td> <td>WD.</td> <td>J2</td> <td>PTD.</td> <td>-</td> <td>325</td> <td>3\"/> <tr> <td>334B</td> <td>ETR</td> <td>-</td> <td>WD.</td> <td>J2</td> <td>PTD.</td> <td>-</td> <td>327</td> <td>3\"/> <tr> <td>335A</td> <td>ETR</td> <td>-</td> <td>WD.</td> <td>J2</td> <td>PTD.</td> <td>-</td> <td>328</td> <td>3\"/> <tr> <td>335B</td> <td>B</td> <td>3\"/> <tr> <td>336</td> <td>B</td> <td>3\"/> <tr> <td>337</td> <td>ETR</td> <td>-</td> <td>WD.</td> <td>J2</td> <td>PTD.</td> <td>-</td> <td>329A</td> <td>3\"/> <tr> <td>339</td> <td>ETR</td> <td>-</td> <td>WD.</td> <td>J2</td> <td>PTD.</td> <td>-</td> <td>329B</td> <td>3\"/> <tr> <td>340</td> <td>A</td> <td>3\"/> <tr> <td>341A</td> <td>ETR</td> <td>-</td> <td>WD.</td> <td>J2</td> <td>PTD.</td> <td>-</td> <td>331</td> <td>3\"/> <tr> <td>341B</td> <td>ETR</td> <td>-</td> <td>WD.</td> <td>J2</td> <td>PTD.</td> <td>-</td> <td>333</td> <td>3\"/> <tr> <td>342</td> <td>ETR</td> <td>-</td> <td>WD.</td> <td>J2</td> <td>PTD.</td> <td>-</td> <td>334A</td> <td>3\"/> <tr> <td>344</td> <td>ETR</td> <td>-</td> <td>WD.</td> <td>J2</td> <td>PTD.</td> <td>-</td> <td>334B</td> <td>3\"/> <tr> <td>345</td> <td>ETR</td> <td>-</td> <td>WD.</td> <td>J2</td> <td>PTD.</td> <td>-</td> <td>335A</td> <td>3\"/> <tr> <td>346</td> <td>ETR</td> <td>-</td> <td>WD.</td> <td>J2</td> <td>PTD.</td> <td>-</td> <td>335B</td> <td>3\"/> <tr> <td>347</td> <td>ETR</td> <td>-</td> <td>WD.</td> <td>J2</td> <td>PTD.</td> <td>-</td>
<td>336</td> <td>3\"/> <tr> <td>348</td> <td>ETR</td> <td>-</td> <td>WD.</td> <td>J2</td> <td>PTD.</td> <td>-</td> <td>337</td> <td>3\"/> <tr> <td>349</td> <td>ETR</td> <td>-</td> <td>WD.</td> <td>J2</td> <td>PTD.</td> <td>-</td> <td>339</td> <td>3\"/> <tr> <td>350</td> <td>ETR</td> <td>-</td> <td>WD.</td> <td>J2</td> <td>PTD.</td> <td>-</td> <td>340</td> <td>3\"/> </td></tr></td></tr></td></tr></td></tr></td></tr></td></tr></td></tr></td></tr></td></tr></td></tr></td></tr></td></tr></td></tr></td></tr></td></tr></td></tr></td></tr></td></tr></td></tr></td></tr></td></tr> | 329B | ETR | - | WD. | J2 | PTD. | - | 322 | 3\"/> <tr> <td>331</td> <td>ETR</td> <td>-</td> <td>WD.</td> <td>J2</td> <td>PTD.</td> <td>-</td> <td>323</td> <td>3\"/> <tr> <td>333</td> <td>ETR</td> <td>-</td> <td>WD.</td> <td>J2</td> <td>PTD.</td> <td>-</td> <td>324</td> <td>3\"/> <tr> <td>334A</td> <td>ETR</td> <td>-</td> <td>WD.</td> <td>J2</td> <td>PTD.</td> <td>-</td> <td>325</td> <td>3\"/> <tr> <td>334B</td> <td>ETR</td> <td>-</td> <td>WD.</td> <td>J2</td> <td>PTD.</td> <td>-</td> <td>327</td> <td>3\"/> <tr> <td>335A</td> <td>ETR</td> <td>-</td> <td>WD.</td> <td>J2</td> <td>PTD.</td> <td>-</td> <td>328</td> <td>3\"/> <tr> <td>335B</td> <td>B</td> <td>3\"/> <tr> <td>336</td> <td>B</td> <td>3\"/> <tr> <td>337</td> <td>ETR</td> <td>-</td> <td>WD.</td> <td>J2</td> <td>PTD.</td> <td>-</td> <td>329A</td> <td>3\"/> <tr> <td>339</td> <td>ETR</td> <td>-</td> <td>WD.</td> <td>J2</td> <td>PTD.</td> <td>-</td> <td>329B</td> <td>3\"/> <tr> <td>340</td> <td>A</td> <td>3\"/> <tr> <td>341A</td> <td>ETR</td> <td>-</td> <td>WD.</td> <td>J2</td> <td>PTD.</td> <td>-</td> <td>331</td> <td>3\"/> <tr> <td>341B</td> <td>ETR</td> <td>-</td> <td>WD.</td> <td>J2</td> <td>PTD.</td> <td>-</td> <td>333</td> <td>3\"/> <tr> <td>342</td> <td>ETR</td> <td>-</td> <td>WD.</td> <td>J2</td> <td>PTD.</td> <td>-</td> <td>334A</td> <td>3\"/> <tr> <td>344</td> <td>ETR</td> <td>-</td> <td>WD.</td> <td>J2</td> <td>PTD.</td> <td>-</td> <td>334B</td> <td>3\"/> <tr> <td>345</td> <td>ETR</td> <td>-</td> <td>WD.</td> <td>J2</td> <td>PTD.</td> <td>-</td> <td>335A</td> <td>3\"/> <tr> <td>346</td> <td>ETR</td> <td>-</td> <td>WD.</td> <td>J2</td> <td>PTD.</td> <td>-</td> <td>335B</td> <td>3\"/> <tr> <td>347</td> <td>ETR</td> <td>-</td> <td>WD.</td> <td>J2</td> <td>PTD.</td> <td>-</td> <td>336</td> <td>3\"/> <tr> <td>348</td> <td>ETR</td> <td>-</td> <td>WD.</td> <td>J2</td> <td>PTD.</td> <td>-</td> <td>337</td> <td>3\"/> <tr> <td>349</td> <td>ETR</td> <td>-</td> <td>WD.</td> <td>J2</td> <td>PTD.</td> <td>-</td> <td>339</td> <td>3\"/> <tr> <td>350</td> <td>ETR</td> <td>-</td> <td>WD.</td> <td>J2</td> <td>PTD.</td> <td>-</td> <td>340</td> <td>3\"/> </td></tr></td></tr></td></tr></td></tr></td></tr></td></tr></td></tr></td></tr></td></tr></td></tr></td></tr></td></tr></td></tr></td></tr></td></tr></td></tr></td></tr></td></tr></td></tr></td></tr> | 331 | ETR | -
 | WD. | J2 | PTD. | - | 323 | 3\"/> <tr> <td>333</td> <td>ETR</td> <td>-</td> <td>WD.</td> <td>J2</td> <td>PTD.</td> <td>-</td> <td>324</td> <td>3\"/> <tr> <td>334A</td> <td>ETR</td> <td>-</td> <td>WD.</td> <td>J2</td> <td>PTD.</td> <td>-</td> <td>325</td> <td>3\"/> <tr> <td>334B</td> <td>ETR</td> <td>-</td> <td>WD.</td> <td>J2</td> <td>PTD.</td> <td>-</td> <td>327</td> <td>3\"/> <tr> <td>335A</td> <td>ETR</td> <td>-</td> <td>WD.</td> <td>J2</td> <td>PTD.</td> <td>-</td> <td>328</td> <td>3\"/> <tr> <td>335B</td> <td>B</td> <td>3\"/> <tr> <td>336</td> <td>B</td> <td>3\"/> <tr> <td>337</td> <td>ETR</td> <td>-</td> <td>WD.</td> <td>J2</td> <td>PTD.</td> <td>-</td> <td>329A</td> <td>3\"/> <tr> <td>339</td> <td>ETR</td> <td>-</td> <td>WD.</td> <td>J2</td> <td>PTD.</td> <td>-</td> <td>329B</td> <td>3\"/> <tr> <td>340</td> <td>A</td> <td>3\"/> <tr> <td>341A</td> <td>ETR</td> <td>-</td> <td>WD.</td> <td>J2</td> <td>PTD.</td> <td>-</td> <td>331</td> <td>3\"/> <tr> <td>341B</td> <td>ETR</td> <td>-</td> <td>WD.</td> <td>J2</td> <td>PTD.</td> <td>-</td> <td>333</td> <td>3\"/> <tr> <td>342</td> <td>ETR</td> <td>-</td> <td>WD.</td> <td>J2</td> <td>PTD.</td> <td>-</td> <td>334A</td> <td>3\"/> <tr> <td>344</td> <td>ETR</td> <td>-</td> <td>WD.</td> <td>J2</td> <td>PTD.</td> <td>-</td> <td>334B</td> <td>3\"/> <tr> <td>345</td> <td>ETR</td> <td>-</td> <td>WD.</td> <td>J2</td> <td>PTD.</td> <td>-</td> <td>335A</td> <td>3\"/> <tr> <td>346</td> <td>ETR</td> <td>-</td> <td>WD.</td> <td>J2</td> <td>PTD.</td> <td>-</td> <td>335B</td> <td>3\"/> <tr> <td>347</td> <td>ETR</td> <td>-</td> <td>WD.</td> <td>J2</td> <td>PTD.</td> <td>-</td> <td>336</td> <td>3\"/> <tr> <td>348</td> <td>ETR</td> <td>-</td> <td>WD.</td> <td>J2</td> <td>PTD.</td> <td>-</td> <td>337</td> <td>3\"/> <tr> <td>349</td> <td>ETR</td> <td>-</td> <td>WD.</td> <td>J2</td> <td>PTD.</td> <td>-</td> <td>339</td> <td>3\"/> <tr> <td>350</td> <td>ETR</td> <td>-</td> <td>WD.</td> <td>J2</td> <td>PTD.</td> <td>-</td> <td>340</td> <td>3\"/> </td></tr></td></tr></td></tr></td></tr></td></tr></td></tr></td></tr></td></tr></td></tr></td></tr></td></tr></td></tr></td></tr></td></tr></td></tr></td></tr></td></tr></td></tr></td></tr> | 333 | ETR | - | WD. | J2 | PTD.
 | - | 324 | 3\"/> <tr> <td>334A</td> <td>ETR</td> <td>-</td> <td>WD.</td> <td>J2</td> <td>PTD.</td> <td>-</td> <td>325</td> <td>3\"/> <tr> <td>334B</td> <td>ETR</td> <td>-</td> <td>WD.</td> <td>J2</td> <td>PTD.</td> <td>-</td> <td>327</td> <td>3\"/> <tr> <td>335A</td> <td>ETR</td> <td>-</td> <td>WD.</td> <td>J2</td> <td>PTD.</td> <td>-</td> <td>328</td> <td>3\"/> <tr> <td>335B</td> <td>B</td> <td>3\"/> <tr> <td>336</td> <td>B</td> <td>3\"/> <tr> <td>337</td> <td>ETR</td> <td>-</td> <td>WD.</td> <td>J2</td> <td>PTD.</td> <td>-</td> <td>329A</td> <td>3\"/> <tr> <td>339</td> <td>ETR</td> <td>-</td> <td>WD.</td> <td>J2</td> <td>PTD.</td> <td>-</td> <td>329B</td> <td>3\"/> <tr> <td>340</td> <td>A</td> <td>3\"/> <tr> <td>341A</td> <td>ETR</td> <td>-</td> <td>WD.</td> <td>J2</td> <td>PTD.</td> <td>-</td> <td>331</td> <td>3\"/> <tr> <td>341B</td> <td>ETR</td> <td>-</td> <td>WD.</td> <td>J2</td> <td>PTD.</td> <td>-</td> <td>333</td> <td>3\"/> <tr> <td>342</td> <td>ETR</td> <td>-</td> <td>WD.</td> <td>J2</td> <td>PTD.</td> <td>-</td> <td>334A</td> <td>3\"/> <tr> <td>344</td> <td>ETR</td> <td>-</td> <td>WD.</td> <td>J2</td> <td>PTD.</td> <td>-</td> <td>334B</td> <td>3\"/> <tr> <td>345</td> <td>ETR</td> <td>-</td> <td>WD.</td> <td>J2</td> <td>PTD.</td> <td>-</td> <td>335A</td> <td>3\"/> <tr> <td>346</td> <td>ETR</td> <td>-</td> <td>WD.</td> <td>J2</td> <td>PTD.</td> <td>-</td> <td>335B</td> <td>3\"/> <tr> <td>347</td> <td>ETR</td> <td>-</td> <td>WD.</td> <td>J2</td> <td>PTD.</td> <td>-</td> <td>336</td> <td>3\"/> <tr> <td>348</td> <td>ETR</td> <td>-</td> <td>WD.</td> <td>J2</td> <td>PTD.</td> <td>-</td> <td>337</td> <td>3\"/> <tr> <td>349</td> <td>ETR</td> <td>-</td> <td>WD.</td> <td>J2</td> <td>PTD.</td> <td>-</td> <td>339</td> <td>3\"/> <tr> <td>350</td> <td>ETR</td> <td>-</td> <td>WD.</td> <td>J2</td> <td>PTD.</td> <td>-</td> <td>340</td> <td>3\"/> </td></tr></td></tr></td></tr></td></tr></td></tr></td></tr></td></tr></td></tr></td></tr></td></tr></td></tr></td></tr></td></tr></td></tr></td></tr></td></tr></td></tr></td></tr> | 334A | ETR | - | WD. | J2 | PTD. | - | 325 | 3\"/> <tr> <td>334B</td> <td>ETR</td> <td>-</td> <td>WD.</td> <td>J2</td> <td>PTD.</td> <td>-</td> <td>327</td> <td>3\"/> <tr> <td>335A</td> <td>ETR</td> <td>-</td> <td>WD.</td> <td>J2</td> <td>PTD.</td> <td>-</td> <td>328</td> <td>3\"/> <tr> <td>335B</td> <td>B</td> <td>3\"/> <tr> <td>336</td> <td>B</td> <td>3\"/> <tr> <td>337</td> <td>ETR</td> <td>-</td> <td>WD.</td> <td>J2</td> <td>PTD.</td> <td>-</td> <td>329A</td> <td>3\"/> <tr> <td>339</td> <td>ETR</td> <td>-</td> <td>WD.</td> <td>J2</td> <td>PTD.</td> <td>-</td> <td>329B</td> <td>3\"/> <tr> <td>340</td> <td>A</td> <td>3\"/> <tr> <td>341A</td> <td>ETR</td> <td>-</td> <td>WD.</td> <td>J2</td> <td>PTD.</td> <td>-</td> <td>331</td> <td>3\"/> <tr> <td>341B</td> <td>ETR</td> <td>-</td> <td>WD.</td> <td>J2</td> <td>PTD.</td> <td>-</td> <td>333</td> <td>3\"/> <tr> <td>342</td> <td>ETR</td> <td>-</td> <td>WD.</td> <td>J2</td> <td>PTD.</td> <td>-</td> <td>334A</td> <td>3\"/> <tr> <td>344</td> <td>ETR</td> <td>-</td> <td>WD.</td> <td>J2</td> <td>PTD.</td> <td>-</td> <td>334B</td> <td>3\"/> <tr> <td>345</td> <td>ETR</td> <td>-</td> <td>WD.</td> <td>J2</td> <td>PTD.</td> <td>-</td> <td>335A</td> <td>3\"/> <tr> <td>346</td> <td>ETR</td> <td>-</td> <td>WD.</td> <td>J2</td> <td>PTD.</td> <td>-</td> <td>335B</td> <td>3\"/> <tr> <td>347</td> <td>ETR</td> <td>-</td> <td>WD.</td> <td>J2</td> <td>PTD.</td> <td>-</td> <td>336</td> <td>3\"/> <tr> <td>348</td> <td>ETR</td> <td>-</td> <td>WD.</td> <td>J2</td> <td>PTD.</td> <td>-</td> <td>337</td> <td>3\"/> <tr> <td>349</td> <td>ETR</td> <td>-</td> <td>WD.</td> <td>J2</td> <td>PTD.</td> <td>-</td> <td>339</td> <td>3\"/> <tr> <td>350</td> <td>ETR</td> <td>-</td> <td>WD.</td> <td>J2</td> <td>PTD.</td> <td>-</td> <td>340</td> <td>3\"/> </td></tr></td></tr></td></tr></td></tr></td></tr></td></tr></td></tr></td></tr></td></tr></td></tr></td></tr></td></tr></td></tr></td></tr></td></tr></td></tr></td></tr> | 334B | ETR | -
 | WD. | J2 | PTD. | - | 327 | 3\"/> <tr> <td>335A</td> <td>ETR</td> <td>-</td> <td>WD.</td> <td>J2</td> <td>PTD.</td> <td>-</td> <td>328</td> <td>3\"/> <tr> <td>335B</td> <td>B</td> <td>3\"/> <tr> <td>336</td> <td>B</td> <td>3\"/> <tr> <td>337</td> <td>ETR</td> <td>-</td> <td>WD.</td> <td>J2</td> <td>PTD.</td> <td>-</td> <td>329A</td> <td>3\"/> <tr> <td>339</td> <td>ETR</td> <td>-</td> <td>WD.</td> <td>J2</td> <td>PTD.</td> <td>-</td> <td>329B</td> <td>3\"/> <tr> <td>340</td> <td>A</td> <td>3\"/> <tr> <td>341A</td> <td>ETR</td> <td>-</td> <td>WD.</td> <td>J2</td> <td>PTD.</td> <td>-</td> <td>331</td> <td>3\"/> <tr> <td>341B</td> <td>ETR</td> <td>-</td> <td>WD.</td> <td>J2</td> <td>PTD.</td> <td>-</td> <td>333</td> <td>3\"/> <tr> <td>342</td> <td>ETR</td> <td>-</td> <td>WD.</td> <td>J2</td> <td>PTD.</td> <td>-</td> <td>334A</td> <td>3\"/> <tr> <td>344</td> <td>ETR</td> <td>-</td> <td>WD.</td> <td>J2</td> <td>PTD.</td> <td>-</td> <td>334B</td> <td>3\"/> <tr> <td>345</td> <td>ETR</td> <td>-</td> <td>WD.</td> <td>J2</td> <td>PTD.</td> <td>-</td> <td>335A</td> <td>3\"/> <tr> <td>346</td> <td>ETR</td> <td>-</td> <td>WD.</td> <td>J2</td> <td>PTD.</td> <td>-</td> <td>335B</td> <td>3\"/> <tr> <td>347</td> <td>ETR</td> <td>-</td> <td>WD.</td> <td>J2</td> <td>PTD.</td> <td>-</td> <td>336</td> <td>3\"/> <tr> <td>348</td> <td>ETR</td> <td>-</td> <td>WD.</td> <td>J2</td> <td>PTD.</td> <td>-</td> <td>337</td> <td>3\"/> <tr> <td>349</td> <td>ETR</td> <td>-</td> <td>WD.</td> <td>J2</td> <td>PTD.</td> <td>-</td> <td>339</td> <td>3\"/> <tr> <td>350</td> <td>ETR</td> <td>-</td> <td>WD.</td> <td>J2</td> <td>PTD.</td> <td>-</td> <td>340</td> <td>3\"/> </td></tr></td></tr></td></tr></td></tr></td></tr></td></tr></td></tr></td></tr></td></tr></td></tr></td></tr></td></tr></td></tr></td></tr></td></tr></td></tr> | 335A | ETR | - | WD. | J2 | PTD. | - | 328 | 3\"/> <tr> <td>335B</td> <td>B</td> <td>3\"/> <tr> <td>336</td> <td>B</td> <td>3\"/> <tr> <td>337</td> <td>ETR</td> <td>-</td> <td>WD.</td> <td>J2</td> <td>PTD.</td> <td>-</td> <td>329A</td> <td>3\"/> <tr> <td>339</td> <td>ETR</td> <td>-</td> <td>WD.</td> <td>J2</td> <td>PTD.</td> <td>-</td> <td>329B</td> <td>3\"/> <tr> <td>340</td> <td>A</td> <td>3\"/> <tr> <td>341A</td> <td>ETR</td> <td>-</td> <td>WD.</td> <td>J2</td> <td>PTD.</td> <td>-</td> <td>331</td> <td>3\"/> <tr> <td>341B</td> <td>ETR</td> <td>-</td> <td>WD.</td> <td>J2</td> <td>PTD.</td> <td>-</td> <td>333</td> <td>3\"/> <tr> <td>342</td> <td>ETR</td> <td>-</td> <td>WD.</td> <td>J2</td> <td>PTD.</td> <td>-</td> <td>334A</td> <td>3\"/> <tr> <td>344</td> <td>ETR</td> <td>-</td> <td>WD.</td> <td>J2</td> <td>PTD.</td> <td>-</td> <td>334B</td> <td>3\"/> <tr>
<td>345</td> <td>ETR</td> <td>-</td> <td>WD.</td> <td>J2</td> <td>PTD.</td> <td>-</td> <td>335A</td> <td>3\"/> <tr> <td>346</td> <td>ETR</td> <td>-</td> <td>WD.</td> <td>J2</td> <td>PTD.</td> <td>-</td> <td>335B</td> <td>3\"/> <tr> <td>347</td> <td>ETR</td> <td>-</td> <td>WD.</td> <td>J2</td> <td>PTD.</td> <td>-</td> <td>336</td> <td>3\"/> <tr> <td>348</td> <td>ETR</td> <td>-</td> <td>WD.</td> <td>J2</td> <td>PTD.</td> <td>-</td> <td>337</td> <td>3\"/> <tr> <td>349</td> <td>ETR</td> <td>-</td> <td>WD.</td> <td>J2</td> <td>PTD.</td> <td>-</td> <td>339</td> <td>3\"/> <tr> <td>350</td> <td>ETR</td> <td>-</td> <td>WD.</td> <td>J2</td> <td>PTD.</td> <td>-</td> <td>340</td> <td>3\"/> </td></tr></td></tr></td></tr></td></tr></td></tr></td></tr></td></tr></td></tr></td></tr></td></tr></td></tr></td></tr></td></tr></td></tr></td></tr> | 335B | B | 3\"/> <tr> <td>336</td> <td>B</td> <td>3\"/> <tr> <td>337</td> <td>ETR</td> <td>-</td> <td>WD.</td> <td>J2</td> <td>PTD.</td> <td>-</td> <td>329A</td> <td>3\"/> <tr> <td>339</td> <td>ETR</td> <td>-</td> <td>WD.</td> <td>J2</td> <td>PTD.</td> <td>-</td> <td>329B</td> <td>3\"/> <tr> <td>340</td> <td>A</td> <td>3\"/> <tr> <td>341A</td> <td>ETR</td> <td>-</td> <td>WD.</td> <td>J2</td> <td>PTD.</td> <td>-</td> <td>331</td> <td>3\"/> <tr> <td>341B</td> <td>ETR</td> <td>-</td> <td>WD.</td> <td>J2</td> <td>PTD.</td> <td>-</td> <td>333</td> <td>3\"/> <tr> <td>342</td> <td>ETR</td> <td>-</td> <td>WD.</td> <td>J2</td> <td>PTD.</td> <td>-</td> <td>334A</td> <td>3\"/> <tr> <td>344</td> <td>ETR</td> <td>-</td> <td>WD.</td> <td>J2</td> <td>PTD.</td> <td>-</td> <td>334B</td> <td>3\"/> <tr> <td>345</td> <td>ETR</td> <td>-</td> <td>WD.</td> <td>J2</td> <td>PTD.</td> <td>-</td> <td>335A</td> <td>3\"/> <tr> <td>346</td> <td>ETR</td> <td>-</td> <td>WD.</td> <td>J2</td> <td>PTD.</td> <td>-</td> <td>335B</td> <td>3\"/> <tr> <td>347</td> <td>ETR</td> <td>-</td> <td>WD.</td> <td>J2</td> <td>PTD.</td> <td>-</td> <td>336</td> <td>3\"/> <tr> <td>348</td> <td>ETR</td> <td>-</td> <td>WD.</td> <td>J2</td> <td>PTD.</td> <td>-</td> <td>337</td> <td>3\"/> <tr> <td>349</td> <td>ETR</td> <td>-</td> <td>WD.</td> <td>J2</td> <td>PTD.</td> <td>-</td> <td>339</td> <td>3\"/> <tr> <td>350</td> <td>ETR</td> <td>-</td> <td>WD.</td> <td>J2</td> <td>PTD.</td> <td>-</td> <td>340</td> <td>3\"/> </td></tr></td></tr></td></tr></td></tr></td></tr></td></tr></td></tr></td></tr></td></tr></td></tr></td></tr></td></tr></td></tr></td></tr> | 336 | B | 3\"/> <tr> <td>337</td> <td>ETR</td> <td>-</td> <td>WD.</td> <td>J2</td> <td>PTD.</td> <td>-</td> <td>329A</td> <td>3\"/> <tr> <td>339</td> <td>ETR</td> <td>-</td> <td>WD.</td> <td>J2</td> <td>PTD.</td> <td>-</td> <td>329B</td> <td>3\"/> <tr> <td>340</td> <td>A</td> <td>3\"/> <tr> <td>341A</td> <td>ETR</td> <td>-</td> <td>WD.</td> <td>J2</td> <td>PTD.</td> <td>-</td> <td>331</td> <td>3\"/> <tr> <td>341B</td> <td>ETR</td> <td>-</td> <td>WD.</td> <td>J2</td> <td>PTD.</td> <td>-</td> <td>333</td> <td>3\"/> <tr> <td>342</td> <td>ETR</td> <td>-</td> <td>WD.</td> <td>J2</td> <td>PTD.</td> <td>-</td> <td>334A</td> <td>3\"/> <tr> <td>344</td> <td>ETR</td> <td>-</td> <td>WD.</td> <td>J2</td> <td>PTD.</td> <td>-</td> <td>334B</td> <td>3\"/> <tr> <td>345</td> <td>ETR</td> <td>-</td> <td>WD.</td> <td>J2</td> <td>PTD.</td> <td>-</td> <td>335A</td> <td>3\"/> <tr> <td>346</td> <td>ETR</td> <td>-</td> <td>WD.</td> <td>J2</td> <td>PTD.</td> <td>-</td> <td>335B</td> <td>3\"/> <tr> <td>347</td> <td>ETR</td> <td>-</td> <td>WD.</td> <td>J2</td> <td>PTD.</td> <td>-</td> <td>336</td> <td>3\"/> <tr> <td>348</td> <td>ETR</td> <td>-</td> <td>WD.</td> <td>J2</td> <td>PTD.</td> <td>-</td> <td>337</td> <td>3\"/> <tr> <td>349</td> <td>ETR</td> <td>-</td> <td>WD.</td> <td>J2</td> <td>PTD.</td> <td>-</td> <td>339</td> <td>3\"/> <tr> <td>350</td> <td>ETR</td> <td>-</td> <td>WD.</td> <td>J2</td> <td>PTD.</td> <td>-</td> <td>340</td> <td>3\"/> </td></tr></td></tr></td></tr></td></tr></td></tr></td></tr></td></tr></td></tr></td></tr></td></tr></td></tr></td></tr></td></tr> | 337 | ETR | - | WD. | J2 | PTD. | - | 329A | 3\"/> <tr> <td>339</td> <td>ETR</td> <td>-</td> <td>WD.</td> <td>J2</td> <td>PTD.</td> <td>-</td> <td>329B</td> <td>3\"/> <tr> <td>340</td> <td>A</td> <td>3\"/> <tr> <td>341A</td> <td>ETR</td> <td>-</td> <td>WD.</td> <td>J2</td> <td>PTD.</td> <td>-</td> <td>331</td> <td>3\"/> <tr> <td>341B</td> <td>ETR</td> <td>-</td> <td>WD.</td> <td>J2</td> <td>PTD.</td> <td>-</td> <td>333</td> <td>3\"/> <tr> <td>342</td> <td>ETR</td> <td>-</td> <td>WD.</td> <td>J2</td> <td>PTD.</td> <td>-</td> <td>334A</td> <td>3\"/> <tr> <td>344</td> <td>ETR</td> <td>-</td> <td>WD.</td> <td>J2</td> <td>PTD.</td> <td>-</td> <td>334B</td> <td>3\"/> <tr> <td>345</td> <td>ETR</td> <td>-</td> <td>WD.</td> <td>J2</td> <td>PTD.</td> <td>-</td> <td>335A</td> <td>3\"/> <tr> <td>346</td> <td>ETR</td> <td>-</td> <td>WD.</td> <td>J2</td> <td>PTD.</td> <td>-</td> <td>335B</td> <td>3\"/> <tr> <td>347</td> <td>ETR</td> <td>-</td> <td>WD.</td> <td>J2</td> <td>PTD.</td> <td>-</td> <td>336</td> <td>3\"/> <tr> <td>348</td> <td>ETR</td> <td>-</td> <td>WD.</td> <td>J2</td> <td>PTD.</td> <td>-</td> <td>337</td> <td>3\"/> <tr> <td>349</td> <td>ETR</td> <td>-</td> <td>WD.</td> <td>J2</td> <td>PTD.</td> <td>-</td> <td>339</td> <td>3\"/> <tr> <td>350</td> <td>ETR</td> <td>-</td> <td>WD.</td> <td>J2</td> <td>PTD.</td> <td>-</td> <td>340</td> <td>3\"/> </td></tr></td></tr></td></tr></td></tr></td></tr></td></tr></td></tr></td></tr></td></tr></td></tr></td></tr></td></tr> | 339 | ETR | -
 | WD. | J2 | PTD. | - | 329B | 3\"/> <tr> <td>340</td> <td>A</td> <td>3\"/> <tr> <td>341A</td> <td>ETR</td> <td>-</td> <td>WD.</td> <td>J2</td> <td>PTD.</td> <td>-</td> <td>331</td> <td>3\"/> <tr> <td>341B</td> <td>ETR</td> <td>-</td> <td>WD.</td> <td>J2</td> <td>PTD.</td> <td>-</td> <td>333</td> <td>3\"/> <tr> <td>342</td> <td>ETR</td> <td>-</td> <td>WD.</td> <td>J2</td> <td>PTD.</td> <td>-</td> <td>334A</td> <td>3\"/> <tr> <td>344</td> <td>ETR</td> <td>-</td> <td>WD.</td> <td>J2</td> <td>PTD.</td> <td>-</td> <td>334B</td> <td>3\"/> <tr> <td>345</td> <td>ETR</td> <td>-</td> <td>WD.</td> <td>J2</td> <td>PTD.</td> <td>-</td> <td>335A</td> <td>3\"/> <tr> <td>346</td> <td>ETR</td> <td>-</td> <td>WD.</td> <td>J2</td> <td>PTD.</td> <td>-</td> <td>335B</td> <td>3\"/> <tr> <td>347</td> <td>ETR</td> <td>-</td> <td>WD.</td> <td>J2</td> <td>PTD.</td> <td>-</td> <td>336</td> <td>3\"/> <tr> <td>348</td> <td>ETR</td> <td>-</td> <td>WD.</td> <td>J2</td> <td>PTD.</td> <td>-</td> <td>337</td> <td>3\"/> <tr> <td>349</td> <td>ETR</td> <td>-</td> <td>WD.</td> <td>J2</td> <td>PTD.</td> <td>-</td> <td>339</td> <td>3\"/> <tr> <td>350</td> <td>ETR</td> <td>-</td> <td>WD.</td> <td>J2</td> <td>PTD.</td> <td>-</td> <td>340</td> <td>3\"/> </td></tr></td></tr></td></tr></td></tr></td></tr></td></tr></td></tr></td></tr></td></tr></td></tr></td></tr> | 340 | A | 3\"/> <tr> <td>341A</td> <td>ETR</td> <td>-</td> <td>WD.</td> <td>J2</td> <td>PTD.</td> <td>-</td> <td>331</td> <td>3\"/> <tr> <td>341B</td> <td>ETR</td> <td>-</td> <td>WD.</td> <td>J2</td> <td>PTD.</td> <td>-</td> <td>333</td> <td>3\"/> <tr> <td>342</td> <td>ETR</td> <td>-</td> <td>WD.</td> <td>J2</td> <td>PTD.</td> <td>-</td> <td>334A</td> <td>3\"/> <tr> <td>344</td> <td>ETR</td> <td>-</td> <td>WD.</td> <td>J2</td> <td>PTD.</td> <td>-</td> <td>334B</td> <td>3\"/> <tr> <td>345</td> <td>ETR</td> <td>-</td> <td>WD.</td> <td>J2</td> <td>PTD.</td> <td>-</td> <td>335A</td> <td>3\"/> <tr> <td>346</td> <td>ETR</td> <td>-</td> <td>WD.</td> <td>J2</td> <td>PTD.</td> <td>-</td> <td>335B</td> <td>3\"/> <tr> <td>347</td> <td>ETR</td> <td>-</td> <td>WD.</td> <td>J2</td> <td>PTD.</td> <td>-</td> <td>336</td> <td>3\"/> <tr> <td>348</td> <td>ETR</td> <td>-</td> <td>WD.</td> <td>J2</td> <td>PTD.</td> <td>-</td> <td>337</td> <td>3\"/> <tr> <td>349</td> <td>ETR</td> <td>-</td> <td>WD.</td> <td>J2</td> <td>PTD.</td> <td>-</td> <td>339</td> <td>3\"/> <tr> <td>350</td> <td>ETR</td> <td>-</td> <td>WD.</td> <td>J2</td> <td>PTD.</td> <td>-</td> <td>340</td> <td>3\"/> </td></tr></td></tr></td></tr></td></tr></td></tr></td></tr></td></tr></td></tr></td></tr></td></tr> | 341A | ETR | - | WD. | J2 | PTD. | - | 331 | 3\"/> <tr> <td>341B</td> <td>ETR</td> <td>-</td> <td>WD.</td> <td>J2</td> <td>PTD.</td> <td>-</td> <td>333</td> <td>3\"/> <tr> <td>342</td> <td>ETR</td> <td>-</td> <td>WD.</td> <td>J2</td> <td>PTD.</td> <td>-</td> <td>334A</td> <td>3\"/> <tr> <td>344</td> <td>ETR</td> <td>-</td> <td>WD.</td> <td>J2</td> <td>PTD.</td> <td>-</td> <td>334B</td> <td>3\"/> <tr> <td>345</td> <td>ETR</td> <td>-</td> <td>WD.</td> <td>J2</td> <td>PTD.</td> <td>-</td> <td>335A</td> <td>3\"/> <tr> <td>346</td> <td>ETR</td> <td>-</td> <td>WD.</td> <td>J2</td> <td>PTD.</td> <td>-</td> <td>335B</td> <td>3\"/> <tr> <td>347</td> <td>ETR</td> <td>-</td> <td>WD.</td> <td>J2</td> <td>PTD.</td> <td>-</td> <td>336</td> <td>3\"/> <tr> <td>348</td> <td>ETR</td> <td>-</td> <td>WD.</td> <td>J2</td> <td>PTD.</td> <td>-</td> <td>337</td> <td>3\"/> <tr> <td>349</td> <td>ETR</td> <td>-</td> <td>WD.</td> <td>J2</td> <td>PTD.</td> <td>-</td> <td>339</td> <td>3\"/> <tr> <td>350</td> <td>ETR</td> <td>-</td> <td>WD.</td> <td>J2</td> <td>PTD.</td> <td>-</td> <td>340</td> <td>3\"/> </td></tr></td></tr></td></tr></td></tr></td></tr></td></tr></td></tr></td></tr></td></tr> | 341B | ETR | -
 | WD. | J2 | PTD. | - | 333 | 3\"/> <tr> <td>342</td> <td>ETR</td> <td>-</td> <td>WD.</td> <td>J2</td> <td>PTD.</td> <td>-</td> <td>334A</td> <td>3\"/> <tr> <td>344</td> <td>ETR</td> <td>-</td> <td>WD.</td> <td>J2</td> <td>PTD.</td> <td>-</td> <td>334B</td> <td>3\"/> <tr> <td>345</td> <td>ETR</td> <td>-</td> <td>WD.</td> <td>J2</td> <td>PTD.</td> <td>-</td> <td>335A</td> <td>3\"/> <tr> <td>346</td> <td>ETR</td> <td>-</td> <td>WD.</td> <td>J2</td> <td>PTD.</td> <td>-</td> <td>335B</td> <td>3\"/> <tr> <td>347</td> <td>ETR</td> <td>-</td> <td>WD.</td> <td>J2</td> <td>PTD.</td> <td>-</td> <td>336</td> <td>3\"/> <tr> <td>348</td> <td>ETR</td> <td>-</td> <td>WD.</td> <td>J2</td> <td>PTD.</td> <td>-</td> <td>337</td> <td>3\"/> <tr> <td>349</td> <td>ETR</td> <td>-</td> <td>WD.</td> <td>J2</td> <td>PTD.</td> <td>-</td> <td>339</td> <td>3\"/> <tr> <td>350</td> <td>ETR</td> <td>-</td> <td>WD.</td> <td>J2</td> <td>PTD.</td> <td>-</td> <td>340</td> <td>3\"/> </td></tr></td></tr></td></tr></td></tr></td></tr></td></tr></td></tr></td></tr> | 342 | ETR | - | WD. | J2 | PTD. | - | 334A | 3\"/> <tr> <td>344</td> <td>ETR</td> <td>-</td> <td>WD.</td> <td>J2</td> <td>PTD.</td> <td>-</td> <td>334B</td> <td>3\"/> <tr> <td>345</td> <td>ETR</td> <td>-</td> <td>WD.</td> <td>J2</td> <td>PTD.</td> <td>-</td> <td>335A</td> <td>3\"/> <tr> <td>346</td> <td>ETR</td> <td>-</td> <td>WD.</td> <td>J2</td> <td>PTD.</td> <td>-</td> <td>335B</td> <td>3\"/> <tr> <td>347</td> <td>ETR</td> <td>-</td> <td>WD.</td> <td>J2</td> <td>PTD.</td> <td>-</td> <td>336</td> <td>3\"/> <tr> <td>348</td> <td>ETR</td> <td>-</td> <td>WD.</td> <td>J2</td> <td>PTD.</td> <td>-</td> <td>337</td> <td>3\"/> <tr> <td>349</td> <td>ETR</td> <td>-</td> <td>WD.</td> <td>J2</td> <td>PTD.</td> <td>-</td> <td>339</td> <td>3\"/> <tr> <td>350</td> <td>ETR</td> <td>-</td> <td>WD.</td> <td>J2</td> <td>PTD.</td> <td>-</td> <td>340</td> <td>3\"/> </td></tr></td></tr></td></tr></td></tr></td></tr></td></tr></td></tr> | 344 | ETR | - | WD. | J2 | PTD. | - | 334B | 3\"/> <tr> <td>345</td> <td>ETR</td> <td>-</td> <td>WD.</td> <td>J2</td> <td>PTD.</td> <td>-</td> <td>335A</td> <td>3\"/> <tr> <td>346</td> <td>ETR</td> <td>-</td> <td>WD.</td> <td>J2</td> <td>PTD.</td> <td>-</td> <td>335B</td> <td>3\"/> <tr> <td>347</td> <td>ETR</td> <td>-</td> <td>WD.</td> <td>J2</td> <td>PTD.</td> <td>-</td> <td>336</td> <td>3\"/> <tr> <td>348</td> <td>ETR</td> <td>-</td> <td>WD.</td> <td>J2</td> <td>PTD.</td> <td>-</td> <td>337</td> <td>3\"/> <tr> <td>349</td> <td>ETR</td> <td>-</td> <td>WD.</td> <td>J2</td> <td>PTD.</td> <td>-</td> <td>339</td> <td>3\"/> <tr> <td>350</td> <td>ETR</td> <td>-</td> <td>WD.</td> <td>J2</td> <td>PTD.</td> <td>-</td> <td>340</td> <td>3\"/> </td></tr></td></tr></td></tr></td></tr></td></tr></td></tr> | 345 | ETR | -
 | WD. | J2 | PTD. | - | 335A | 3\"/> <tr> <td>346</td> <td>ETR</td> <td>-</td> <td>WD.</td> <td>J2</td> <td>PTD.</td> <td>-</td> <td>335B</td> <td>3\"/> <tr> <td>347</td> <td>ETR</td> <td>-</td> <td>WD.</td> <td>J2</td> <td>PTD.</td> <td>-</td> <td>336</td> <td>3\"/> <tr> <td>348</td> <td>ETR</td> <td>-</td> <td>WD.</td> <td>J2</td> <td>PTD.</td> <td>-</td> <td>337</td> <td>3\"/> <tr> <td>349</td> <td>ETR</td> <td>-</td> <td>WD.</td> <td>J2</td> <td>PTD.</td> <td>-</td> <td>339</td> <td>3\"/> <tr> <td>350</td> <td>ETR</td> <td>-</td> <td>WD.</td> <td>J2</td> <td>PTD.</td> <td>-</td> <td>340</td> <td>3\"/> </td></tr></td></tr></td></tr></td></tr></td></tr> | 346 | ETR | - | WD. | J2 | PTD. | - | 335B | 3\"/> <tr> <td>347</td> <td>ETR</td> <td>-</td> <td>WD.</td> <td>J2</td> <td>PTD.</td> <td>-</td> <td>336</td> <td>3\"/> <tr> <td>348</td> <td>ETR</td> <td>-</td> <td>WD.</td> <td>J2</td> <td>PTD.</td> <td>-</td> <td>337</td> <td>3\"/> <tr> <td>349</td> <td>ETR</td> <td>-</td> <td>WD.</td> <td>J2</td> <td>PTD.</td> <td>-</td> <td>339</td> <td>3\"/> <tr> <td>350</td> <td>ETR</td> <td>-</td> <td>WD.</td> <td>J2</td> <td>PTD.</td> <td>-</td> <td>340</td> <td>3\"/> </td></tr></td></tr></td></tr></td></tr> | 347 | ETR | - | WD. | J2 | PTD. | - | 336 | 3\"/> <tr> <td>348</td> <td>ETR</td> <td>-</td> <td>WD.</td> <td>J2</td> <td>PTD.</td> <td>-</td> <td>337</td> <td>3\"/> <tr> <td>349</td> <td>ETR</td> <td>-</td> <td>WD.</td> <td>J2</td> <td>PTD.</td> <td>-</td> <td>339</td> <td>3\"/> <tr> <td>350</td> <td>ETR</td> <td>-</td> <td>WD.</td> <td>J2</td> <td>PTD.</td> <td>-</td> <td>340</td> <td>3\"/> </td></tr></td></tr></td></tr> | 348 | ETR | - | WD. | J2 | PTD. | - | 337 | 3\"/> <tr> <td>349</td> <td>ETR</td> <td>-</td> <td>WD.</td> <td>J2</td> <td>PTD.</td> <td>-</td> <td>339</td> <td>3\"/> <tr> <td>350</td> <td>ETR</td> <td>-</td> <td>WD.</td> <td>J2</td> <td>PTD.</td> <td>-</td> <td>340</td> <td>3\"/> </td></tr></td></tr> | 349 | ETR | - | WD. | J2 | PTD. | - | 339 | 3\"/> <tr> <td>350</td> <td>ETR</td> <td>-</td> <td>WD.</td> <td>J2</td> <td>PTD.</td> <td>-</td> <td>340</td> <td>3\"/> </td></tr> | 350 | ETR | - | WD. | J2 | PTD. | - | 340 | 3\"/> | | | | | | | | | | | | | | | |
| 307 | ETR | - | WD. | J2 | PTD. | - | 301 | 3\"/> <tr> <td>308</td> <td>ETR</td> <td>-</td> <td>WD.</td> <td>J2</td> <td>PTD.</td> <td>-</td> <td>303</td> <td>3\"/> <tr> <td>309</td> <td>ETR</td> <td>-</td> <td>WD.</td> <td>J2</td> <td>PTD.</td> <td>-</td> <td>305</td> <td>3\"/> <tr> <td>310</td> <td>ETR</td> <td>-</td> <td>WD.</td> <td>J2</td> <td>PTD.</td> <td>-</td> <td>306</td> <td>3\"/> <tr> <td>311</td> <td>A</td> <td>3\"/> <tr> <td>312A</td> <td>ETR</td> <td>-</td> <td>WD.</td> <td>J2</td> <td>PTD.</td> <td>-</td> <td>307</td> <td>3\"/> <tr> <td>313</td> <td>ETR</td> <td>-</td> <td>WD.</td> <td>J2</td> <td>PTD.</td> <td>-</td> <td>308</td> <td>3\"/> <tr> <td>314</td> <td>ETR</td> <td>-</td> <td>WD.</td> <td>J2</td> <td>PTD.</td> <td>-</td> <td>309</td> <td>3\"/> <tr> <td>315</td> <td>ETR</td> <td>-</td> <td>WD.</td> <td>J2</td> <td>PTD.</td> <td>-</td> <td>310</td> <td>3\"/> <tr> <td>316A</td> <td>A</td> <td>3\"/> <tr> <td>318</td> <td>ETR</td> <td>-</td> <td>WD.</td> <td>J2</td> <td>PTD.</td> <td>-</td> <td>311</td> <td>3\"/> <tr> <td>319</td> <td>ETR</td> <td>-</td> <td>WD.</td> <td>J2</td> <td>PTD.</td> <td>-</td> <td>312A</td> <td>3\"/> <tr> <td>320</td> <td>ETR</td> <td>-</td> <td>WD.</td> <td>J2</td> <td>PTD.</td> <td>-</td> <td>313</td> <td>3\"/> <tr> <td>321</td> <td>ETR</td> <td>-</td> <td>WD.</td> <td>J2</td> <td>PTD.</td> <td>-</td> <td>314</td> <td>3\"/> <tr> <td>322</td> <td>ETR</td> <td>-</td> <td>WD.</td> <td>J2</td> <td>PTD.</td> <td>-</td> <td>315</td> <td>3\"/> <tr> <td>323</td> <td>ETR</td> <td>-</td> <td>WD.</td> <td>J2</td> <td>PTD.</td> <td>-</td> <td>316A</td> <td>3\"/> <tr> <td>324</td> <td>ETR</td> <td>-</td> <td>WD.</td> <td>J2</td> <td>PTD.</td> <td>-</td> <td>318</td> <td>3\"/> <tr> <td>325</td> <td>A</td> <td>3\"/> <tr> <td>327</td> <td>ETR</td> <td>-</td> <td>WD.</td> <td>J2</td> <td>PTD.</td> <td>-</td> <td>319</td> <td>3\"/> <tr> <td>328</td> <td>ETR</td> <td>-</td> <td>WD.</td> <td>J2</td> <td>PTD.</td> <td>-</td> <td>320</td> <td>3\"/> <tr> <td>329A</td> <td>ETR</td> <td>-</td> <td>WD.</td> <td>J2</td> <td>PTD.</td> <td>-</td> <td>321</td> <td>3\"/> <tr> <td>329B</td> <td>ETR</td> <td>-</td> <td>WD.</td> <td>J2</td> <td>PTD.</td> <td>-</td> <td>322</td> <td>3\"/> <tr> <td>331</td> <td>ETR</td> <td>-</td> <td>WD.</td> <td>J2</td> <td>PTD.</td> <td>-</td> <td>323</td> <td>3\"/> <tr> <td>333</td> <td>ETR</td> <td>-</td> <td>WD.</td> <td>J2</td> <td>PTD.</td> <td>-</td> <td>324</td> <td>3\"/> <tr> <td>334A</td> <td>ETR</td> <td>-</td> <td>WD.</td> <td>J2</td> <td>PTD.</td> <td>-</td> <td>325</td> <td>3\"/> <tr> <td>334B</td> <td>ETR</td> <td>-</td> <td>WD.</td> <td>J2</td> <td>PTD.</td> <td>-</td> <td>327</td> <td>3\"/> <tr> <td>335A</td> <td>ETR</td> <td>-</td> <td>WD.</td> <td>J2</td> <td>PTD.</td> <td>-</td> <td>328</td> <td>3\"/> <tr> <td>335B</td> <td>B</td> <td>3\"/> <tr> <td>336</td> <td>B</td> <td>3\"/> <tr> <td>337</td> <td>ETR</td> <td>-</td>
<td>WD.</td> <td>J2</td> <td>PTD.</td> <td>-</td> <td>329A</td> <td>3\"/> <tr> <td>339</td> <td>ETR</td> <td>-</td> <td>WD.</td> <td>J2</td> <td>PTD.</td> <td>-</td> <td>329B</td> <td>3\"/> <tr> <td>340</td> <td>A</td> <td>3\"/> <tr> <td>341A</td> <td>ETR</td> <td>-</td> <td>WD.</td> <td>J2</td> <td>PTD.</td> <td>-</td> <td>331</td> <td>3\"/> <tr> <td>341B</td> <td>ETR</td> <td>-</td> <td>WD.</td> <td>J2</td> <td>PTD.</td> <td>-</td> <td>333</td> <td>3\"/> <tr> <td>342</td> <td>ETR</td> <td>-</td> <td>WD.</td> <td>J2</td> <td>PTD.</td> <td>-</td> <td>334A</td> <td>3\"/> <tr> <td>344</td> <td>ETR</td> <td>-</td> <td>WD.</td> <td>J2</td> <td>PTD.</td> <td>-</td> <td>334B</td> <td>3\"/> <tr> <td>345</td> <td>ETR</td> <td>-</td> <td>WD.</td> <td>J2</td> <td>PTD.</td> <td>-</td> <td>335A</td> <td>3\"/> <tr> <td>346</td> <td>ETR</td> <td>-</td> <td>WD.</td> <td>J2</td> <td>PTD.</td> <td>-</td> <td>335B</td> <td>3\"/> <tr> <td>347</td> <td>ETR</td> <td>-</td> <td>WD.</td> <td>J2</td> <td>PTD.</td> <td>-</td> <td>336</td> <td>3\"/> <tr> <td>348</td> <td>ETR</td> <td>-</td> <td>WD.</td> <td>J2</td> <td>PTD.</td> <td>-</td> <td>337</td> <td>3\"/> <tr> <td>349</td> <td>ETR</td> <td>-</td> <td>WD.</td> <td>J2</td> <td>PTD.</td> <td>-</td> <td>339</td> <td>3\"/> <tr> <td>350</td> <td>ETR</td> <td>-</td> <td>WD.</td> <td>J2</td> <td>PTD.</td> <td>-</td> <td>340</td> <td>3\"/> </td></tr></td></tr></td></tr></td></tr></td></tr></td></tr></td></tr></td></tr></td></tr></td></tr></td></tr></td></tr></td></tr></td></tr></td></tr></td></tr></td></tr></td></tr></td></tr></td></tr></td></tr></td></tr></td></tr></td></tr></td></tr></td></tr></td></tr></td></tr></td></tr></td></tr></td></tr></td></tr></td></tr></td></tr></td></tr></td></tr></td></tr></td></tr></td></tr></td></tr></td></tr> | 308 | ETR | - | WD. | J2 | PTD.
 | - | 303 | 3\"/> <tr> <td>309</td> <td>ETR</td> <td>-</td> <td>WD.</td> <td>J2</td> <td>PTD.</td> <td>-</td> <td>305</td> <td>3\"/> <tr> <td>310</td> <td>ETR</td> <td>-</td> <td>WD.</td> <td>J2</td> <td>PTD.</td> <td>-</td> <td>306</td> <td>3\"/> <tr> <td>311</td> <td>A</td> <td>3\"/> <tr> <td>312A</td> <td>ETR</td> <td>-</td> <td>WD.</td> <td>J2</td> <td>PTD.</td> <td>-</td> <td>307</td> <td>3\"/> <tr> <td>313</td> <td>ETR</td> <td>-</td> <td>WD.</td> <td>J2</td> <td>PTD.</td> <td>-</td> <td>308</td> <td>3\"/> <tr> <td>314</td> <td>ETR</td> <td>-</td> <td>WD.</td> <td>J2</td> <td>PTD.</td> <td>-</td> <td>309</td> <td>3\"/> <tr> <td>315</td> <td>ETR</td> <td>-</td> <td>WD.</td> <td>J2</td> <td>PTD.</td> <td>-</td> <td>310</td> <td>3\"/> <tr> <td>316A</td> <td>A</td> <td>3\"/> <tr> <td>318</td> <td>ETR</td> <td>-</td> <td>WD.</td> <td>J2</td> <td>PTD.</td> <td>-</td> <td>311</td> <td>3\"/> <tr> <td>319</td> <td>ETR</td> <td>-</td> <td>WD.</td> <td>J2</td> <td>PTD.</td> <td>-</td> <td>312A</td> <td>3\"/> <tr> <td>320</td> <td>ETR</td> <td>-</td> <td>WD.</td> <td>J2</td> <td>PTD.</td> <td>-</td> <td>313</td> <td>3\"/> <tr> <td>321</td> <td>ETR</td> <td>-</td> <td>WD.</td> <td>J2</td> <td>PTD.</td> <td>-</td> <td>314</td> <td>3\"/> <tr> <td>322</td> <td>ETR</td> <td>-</td> <td>WD.</td> <td>J2</td> <td>PTD.</td> <td>-</td> <td>315</td> <td>3\"/> <tr> <td>323</td> <td>ETR</td> <td>-</td> <td>WD.</td> <td>J2</td> <td>PTD.</td> <td>-</td> <td>316A</td> <td>3\"/> <tr> <td>324</td> <td>ETR</td> <td>-</td> <td>WD.</td> <td>J2</td> <td>PTD.</td> <td>-</td> <td>318</td> <td>3\"/> <tr> <td>325</td> <td>A</td> <td>3\"/> <tr> <td>327</td> <td>ETR</td> <td>-</td> <td>WD.</td> <td>J2</td> <td>PTD.</td> <td>-</td> <td>319</td> <td>3\"/> <tr> <td>328</td> <td>ETR</td> <td>-</td> <td>WD.</td> <td>J2</td> <td>PTD.</td> <td>-</td> <td>320</td> <td>3\"/> <tr> <td>329A</td> <td>ETR</td> <td>-</td> <td>WD.</td> <td>J2</td> <td>PTD.</td> <td>-</td> <td>321</td> <td>3\"/> <tr> <td>329B</td> <td>ETR</td> <td>-</td> <td>WD.</td> <td>J2</td> <td>PTD.</td> <td>-</td> <td>322</td> <td>3\"/> <tr> <td>331</td> <td>ETR</td> <td>-</td> <td>WD.</td> <td>J2</td> <td>PTD.</td> <td>-</td> <td>323</td> <td>3\"/> <tr> <td>333</td> <td>ETR</td> <td>-</td> <td>WD.</td> <td>J2</td> <td>PTD.</td> <td>-</td> <td>324</td> <td>3\"/> <tr> <td>334A</td> <td>ETR</td> <td>-</td> <td>WD.</td> <td>J2</td> <td>PTD.</td> <td>-</td> <td>325</td> <td>3\"/> <tr> <td>334B</td> <td>ETR</td> <td>-</td> <td>WD.</td> <td>J2</td> <td>PTD.</td> <td>-</td> <td>327</td> <td>3\"/> <tr> <td>335A</td> <td>ETR</td> <td>-</td> <td>WD.</td> <td>J2</td> <td>PTD.</td> <td>-</td> <td>328</td> <td>3\"/> <tr> <td>335B</td> <td>B</td> <td>3\"/> <tr> <td>336</td> <td>B</td> <td>3\"/> <tr> <td>337</td> <td>ETR</td> <td>-</td> <td>WD.</td> <td>J2</td> <td>PTD.</td> <td>-</td> <td>329A</td> <td>3\"/> <tr> <td>339</td> <td>ETR</td> <td>-</td> <td>WD.</td> <td>J2</td> <td>PTD.</td> <td>-</td> <td>329B</td> <td>3\"/> <tr> <td>340</td> <td>A</td> <td>3\"/> <tr> <td>341A</td> <td>ETR</td> <td>-</td> <td>WD.</td> <td>J2</td> <td>PTD.</td> <td>-</td> <td>331</td> <td>3\"/> <tr> <td>341B</td> <td>ETR</td> <td>-</td> <td>WD.</td> <td>J2</td> <td>PTD.</td> <td>-</td> <td>333</td> <td>3\"/> <tr> <td>342</td> <td>ETR</td> <td>-</td> <td>WD.</td> <td>J2</td> <td>PTD.</td> <td>-</td> <td>334A</td> <td>3\"/> <tr> <td>344</td> <td>ETR</td> <td>-</td> <td>WD.</td> <td>J2</td> <td>PTD.</td> <td>-</td> <td>334B</td> <td>3\"/> <tr> <td>345</td> <td>ETR</td> <td>-</td> <td>WD.</td> <td>J2</td> <td>PTD.</td> <td>-</td> <td>335A</td> <td>3\"/> <tr> <td>346</td> <td>ETR</td> <td>-</td> <td>WD.</td> <td>J2</td> <td>PTD.</td> <td>-</td> <td>335B</td> <td>3\"/> <tr> <td>347</td> <td>ETR</td> <td>-</td> <td>WD.</td> <td>J2</td> <td>PTD.</td> <td>-</td> <td>336</td> <td>3\"/> <tr> <td>348</td> <td>ETR</td> <td>-</td> <td>WD.</td> <td>J2</td> <td>PTD.</td> <td>-</td> <td>337</td> <td>3\"/> <tr> <td>349</td> <td>ETR</td> <td>-</td> <td>WD.</td> <td>J2</td> <td>PTD.</td> <td>-</td> <td>339</td> <td>3\"/> <tr> <td>350</td> <td>ETR</td> <td>-</td> <td>WD.</td> <td>J2</td> <td>PTD.</td> <td>-</td> <td>340</td> <td>3\"/> </td></tr></td></tr></td></tr></td></tr></td></tr></td></tr></td></tr></td></tr></td></tr></td></tr></td></tr></td></tr></td></tr></td></tr></td></tr></td></tr></td></tr></td></tr></td></tr></td></tr></td></tr></td></tr></td></tr></td></tr></td></tr></td></tr></td></tr></td></tr></td></tr></td></tr></td></tr></td></tr></td></tr></td></tr></td></tr></td></tr></td></tr></td></tr></td></tr></td></tr> | 309 | ETR | -
 | WD. | J2 | PTD. | - | 305 | 3\"/> <tr> <td>310</td> <td>ETR</td> <td>-</td> <td>WD.</td> <td>J2</td> <td>PTD.</td> <td>-</td> <td>306</td> <td>3\"/> <tr> <td>311</td> <td>A</td> <td>3\"/> <tr> <td>312A</td> <td>ETR</td> <td>-</td> <td>WD.</td> <td>J2</td> <td>PTD.</td> <td>-</td> <td>307</td> <td>3\"/> <tr> <td>313</td> <td>ETR</td> <td>-</td> <td>WD.</td> <td>J2</td> <td>PTD.</td> <td>-</td> <td>308</td> <td>3\"/> <tr> <td>314</td> <td>ETR</td> <td>-</td> <td>WD.</td> <td>J2</td> <td>PTD.</td> <td>-</td> <td>309</td> <td>3\"/> <tr> <td>315</td> <td>ETR</td> <td>-</td> <td>WD.</td> <td>J2</td> <td>PTD.</td> <td>-</td> <td>310</td> <td>3\"/> <tr> <td>316A</td> <td>A</td> <td>3\"/> <tr> <td>318</td> <td>ETR</td> <td>-</td> <td>WD.</td> <td>J2</td> <td>PTD.</td> <td>-</td> <td>311</td> <td>3\"/> <tr> <td>319</td> <td>ETR</td> <td>-</td> <td>WD.</td> <td>J2</td> <td>PTD.</td> <td>-</td> <td>312A</td> <td>3\"/> <tr> <td>320</td> <td>ETR</td> <td>-</td> <td>WD.</td> <td>J2</td> <td>PTD.</td> <td>-</td> <td>313</td> <td>3\"/> <tr> <td>321</td> <td>ETR</td> <td>-</td> <td>WD.</td> <td>J2</td> <td>PTD.</td> <td>-</td> <td>314</td> <td>3\"/> <tr> <td>322</td> <td>ETR</td> <td>-</td> <td>WD.</td> <td>J2</td> <td>PTD.</td> <td>-</td> <td>315</td> <td>3\"/> <tr> <td>323</td> <td>ETR</td> <td>-</td> <td>WD.</td> <td>J2</td> <td>PTD.</td> <td>-</td> <td>316A</td> <td>3\"/> <tr> <td>324</td> <td>ETR</td> <td>-</td> <td>WD.</td> <td>J2</td> <td>PTD.</td> <td>-</td> <td>318</td> <td>3\"/> <tr> <td>325</td> <td>A</td> <td>3\"/> <tr> <td>327</td> <td>ETR</td> <td>-</td> <td>WD.</td> <td>J2</td> <td>PTD.</td> <td>-</td> <td>319</td> <td>3\"/> <tr> <td>328</td> <td>ETR</td> <td>-</td> <td>WD.</td> <td>J2</td> <td>PTD.</td> <td>-</td> <td>320</td> <td>3\"/> <tr> <td>329A</td> <td>ETR</td> <td>-</td> <td>WD.</td> <td>J2</td> <td>PTD.</td> <td>-</td> <td>321</td> <td>3\"/> <tr> <td>329B</td> <td>ETR</td> <td>-</td> <td>WD.</td> <td>J2</td> <td>PTD.</td> <td>-</td> <td>322</td> <td>3\"/> <tr> <td>331</td> <td>ETR</td> <td>-</td> <td>WD.</td> <td>J2</td> <td>PTD.</td> <td>-</td> <td>323</td> <td>3\"/> <tr> <td>333</td> <td>ETR</td> <td>-</td> <td>WD.</td> <td>J2</td> <td>PTD.</td> <td>-</td> <td>324</td> <td>3\"/> <tr> <td>334A</td> <td>ETR</td> <td>-</td> <td>WD.</td> <td>J2</td> <td>PTD.</td> <td>-</td> <td>325</td> <td>3\"/> <tr> <td>334B</td> <td>ETR</td> <td>-</td> <td>WD.</td> <td>J2</td> <td>PTD.</td> <td>-</td> <td>327</td> <td>3\"/> <tr> <td>335A</td> <td>ETR</td> <td>-</td> <td>WD.</td> <td>J2</td> <td>PTD.</td>
<td>-</td> <td>328</td> <td>3\"/> <tr> <td>335B</td> <td>B</td> <td>3\"/> <tr> <td>336</td> <td>B</td> <td>3\"/> <tr> <td>337</td> <td>ETR</td> <td>-</td> <td>WD.</td> <td>J2</td> <td>PTD.</td> <td>-</td> <td>329A</td> <td>3\"/> <tr> <td>339</td> <td>ETR</td> <td>-</td> <td>WD.</td> <td>J2</td> <td>PTD.</td> <td>-</td> <td>329B</td> <td>3\"/> <tr> <td>340</td> <td>A</td> <td>3\"/> <tr> <td>341A</td> <td>ETR</td> <td>-</td> <td>WD.</td> <td>J2</td> <td>PTD.</td> <td>-</td> <td>331</td> <td>3\"/> <tr> <td>341B</td> <td>ETR</td> <td>-</td> <td>WD.</td> <td>J2</td> <td>PTD.</td> <td>-</td> <td>333</td> <td>3\"/> <tr> <td>342</td> <td>ETR</td> <td>-</td> <td>WD.</td> <td>J2</td> <td>PTD.</td> <td>-</td> <td>334A</td> <td>3\"/> <tr> <td>344</td> <td>ETR</td> <td>-</td> <td>WD.</td> <td>J2</td> <td>PTD.</td> <td>-</td> <td>334B</td> <td>3\"/> <tr> <td>345</td> <td>ETR</td> <td>-</td> <td>WD.</td> <td>J2</td> <td>PTD.</td> <td>-</td> <td>335A</td> <td>3\"/> <tr> <td>346</td> <td>ETR</td> <td>-</td> <td>WD.</td> <td>J2</td> <td>PTD.</td> <td>-</td> <td>335B</td> <td>3\"/> <tr> <td>347</td> <td>ETR</td> <td>-</td> <td>WD.</td> <td>J2</td> <td>PTD.</td> <td>-</td> <td>336</td> <td>3\"/> <tr> <td>348</td> <td>ETR</td> <td>-</td> <td>WD.</td> <td>J2</td> <td>PTD.</td> <td>-</td> <td>337</td> <td>3\"/> <tr> <td>349</td> <td>ETR</td> <td>-</td> <td>WD.</td> <td>J2</td> <td>PTD.</td> <td>-</td> <td>339</td> <td>3\"/> <tr> <td>350</td> <td>ETR</td> <td>-</td> <td>WD.</td> <td>J2</td> <td>PTD.</td> <td>-</td> <td>340</td> <td>3\"/> </td></tr></td></tr></td></tr></td></tr></td></tr></td></tr></td></tr></td></tr></td></tr></td></tr></td></tr></td></tr></td></tr></td></tr></td></tr></td></tr></td></tr></td></tr></td></tr></td></tr></td></tr></td></tr></td></tr></td></tr></td></tr></td></tr></td></tr></td></tr></td></tr></td></tr></td></tr></td></tr></td></tr></td></tr></td></tr></td></tr></td></tr></td></tr></td></tr> | 310 | ETR | - | WD. | J2 | PTD.
 | - | 306 | 3\"/> <tr> <td>311</td> <td>A</td> <td>3\"/> <tr> <td>312A</td> <td>ETR</td> <td>-</td> <td>WD.</td> <td>J2</td> <td>PTD.</td> <td>-</td> <td>307</td> <td>3\"/> <tr> <td>313</td> <td>ETR</td> <td>-</td> <td>WD.</td> <td>J2</td> <td>PTD.</td> <td>-</td> <td>308</td> <td>3\"/> <tr> <td>314</td> <td>ETR</td> <td>-</td> <td>WD.</td> <td>J2</td> <td>PTD.</td> <td>-</td> <td>309</td> <td>3\"/> <tr> <td>315</td> <td>ETR</td> <td>-</td> <td>WD.</td> <td>J2</td> <td>PTD.</td> <td>-</td> <td>310</td> <td>3\"/> <tr> <td>316A</td> <td>A</td> <td>3\"/> <tr> <td>318</td> <td>ETR</td> <td>-</td> <td>WD.</td> <td>J2</td> <td>PTD.</td> <td>-</td> <td>311</td> <td>3\"/> <tr> <td>319</td> <td>ETR</td> <td>-</td> <td>WD.</td> <td>J2</td> <td>PTD.</td> <td>-</td> <td>312A</td> <td>3\"/> <tr> <td>320</td> <td>ETR</td> <td>-</td> <td>WD.</td> <td>J2</td> <td>PTD.</td> <td>-</td> <td>313</td> <td>3\"/> <tr> <td>321</td> <td>ETR</td> <td>-</td> <td>WD.</td> <td>J2</td> <td>PTD.</td> <td>-</td> <td>314</td> <td>3\"/> <tr> <td>322</td> <td>ETR</td> <td>-</td> <td>WD.</td> <td>J2</td> <td>PTD.</td> <td>-</td> <td>315</td> <td>3\"/> <tr> <td>323</td> <td>ETR</td> <td>-</td> <td>WD.</td> <td>J2</td> <td>PTD.</td> <td>-</td> <td>316A</td> <td>3\"/> <tr> <td>324</td> <td>ETR</td> <td>-</td> <td>WD.</td> <td>J2</td> <td>PTD.</td> <td>-</td> <td>318</td> <td>3\"/> <tr> <td>325</td> <td>A</td> <td>3\"/> <tr> <td>327</td> <td>ETR</td> <td>-</td> <td>WD.</td> <td>J2</td> <td>PTD.</td> <td>-</td> <td>319</td> <td>3\"/> <tr> <td>328</td> <td>ETR</td> <td>-</td> <td>WD.</td> <td>J2</td> <td>PTD.</td> <td>-</td> <td>320</td> <td>3\"/> <tr> <td>329A</td> <td>ETR</td> <td>-</td> <td>WD.</td> <td>J2</td> <td>PTD.</td> <td>-</td> <td>321</td> <td>3\"/> <tr> <td>329B</td> <td>ETR</td> <td>-</td> <td>WD.</td> <td>J2</td> <td>PTD.</td> <td>-</td> <td>322</td> <td>3\"/> <tr> <td>331</td> <td>ETR</td> <td>-</td> <td>WD.</td> <td>J2</td> <td>PTD.</td> <td>-</td> <td>323</td> <td>3\"/> <tr> <td>333</td> <td>ETR</td> <td>-</td> <td>WD.</td> <td>J2</td> <td>PTD.</td> <td>-</td> <td>324</td> <td>3\"/> <tr> <td>334A</td> <td>ETR</td> <td>-</td> <td>WD.</td> <td>J2</td> <td>PTD.</td> <td>-</td> <td>325</td> <td>3\"/> <tr> <td>334B</td> <td>ETR</td> <td>-</td> <td>WD.</td> <td>J2</td> <td>PTD.</td> <td>-</td> <td>327</td> <td>3\"/> <tr> <td>335A</td> <td>ETR</td> <td>-</td> <td>WD.</td> <td>J2</td> <td>PTD.</td> <td>-</td> <td>328</td> <td>3\"/> <tr> <td>335B</td> <td>B</td> <td>3\"/> <tr> <td>336</td> <td>B</td> <td>3\"/> <tr> <td>337</td> <td>ETR</td> <td>-</td> <td>WD.</td> <td>J2</td> <td>PTD.</td> <td>-</td> <td>329A</td> <td>3\"/> <tr> <td>339</td> <td>ETR</td> <td>-</td> <td>WD.</td> <td>J2</td> <td>PTD.</td> <td>-</td> <td>329B</td> <td>3\"/> <tr> <td>340</td> <td>A</td> <td>3\"/> <tr> <td>341A</td> <td>ETR</td> <td>-</td> <td>WD.</td> <td>J2</td> <td>PTD.</td> <td>-</td> <td>331</td> <td>3\"/> <tr> <td>341B</td> <td>ETR</td> <td>-</td> <td>WD.</td> <td>J2</td> <td>PTD.</td> <td>-</td> <td>333</td> <td>3\"/> <tr> <td>342</td> <td>ETR</td> <td>-</td> <td>WD.</td> <td>J2</td> <td>PTD.</td> <td>-</td> <td>334A</td> <td>3\"/> <tr> <td>344</td> <td>ETR</td> <td>-</td> <td>WD.</td> <td>J2</td> <td>PTD.</td> <td>-</td> <td>334B</td> <td>3\"/> <tr> <td>345</td> <td>ETR</td> <td>-</td> <td>WD.</td> <td>J2</td> <td>PTD.</td> <td>-</td> <td>335A</td> <td>3\"/> <tr> <td>346</td> <td>ETR</td> <td>-</td> <td>WD.</td> <td>J2</td> <td>PTD.</td> <td>-</td> <td>335B</td> <td>3\"/> <tr> <td>347</td> <td>ETR</td> <td>-</td> <td>WD.</td> <td>J2</td> <td>PTD.</td> <td>-</td> <td>336</td> <td>3\"/> <tr> <td>348</td> <td>ETR</td> <td>-</td> <td>WD.</td> <td>J2</td> <td>PTD.</td> <td>-</td> <td>337</td> <td>3\"/> <tr> <td>349</td> <td>ETR</td> <td>-</td> <td>WD.</td> <td>J2</td> <td>PTD.</td> <td>-</td> <td>339</td> <td>3\"/> <tr> <td>350</td> <td>ETR</td> <td>-</td> <td>WD.</td> <td>J2</td> <td>PTD.</td> <td>-</td> <td>340</td> <td>3\"/> </td></tr></td></tr></td></tr></td></tr></td></tr></td></tr></td></tr></td></tr></td></tr></td></tr></td></tr></td></tr></td></tr></td></tr></td></tr></td></tr></td></tr></td></tr></td></tr></td></tr></td></tr></td></tr></td></tr></td></tr></td></tr></td></tr></td></tr></td></tr></td></tr></td></tr></td></tr></td></tr></td></tr></td></tr></td></tr></td></tr></td></tr></td></tr> | 311 | A | 3\"/> <tr> <td>312A</td> <td>ETR</td> <td>-</td> <td>WD.</td> <td>J2</td> <td>PTD.</td> <td>-</td> <td>307</td> <td>3\"/> <tr> <td>313</td> <td>ETR</td> <td>-</td> <td>WD.</td> <td>J2</td> <td>PTD.</td> <td>-</td> <td>308</td> <td>3\"/> <tr> <td>314</td> <td>ETR</td> <td>-</td> <td>WD.</td> <td>J2</td> <td>PTD.</td> <td>-</td> <td>309</td> <td>3\"/> <tr> <td>315</td> <td>ETR</td> <td>-</td> <td>WD.</td> <td>J2</td> <td>PTD.</td> <td>-</td> <td>310</td> <td>3\"/> <tr> <td>316A</td> <td>A</td> <td>3\"/> <tr> <td>318</td> <td>ETR</td> <td>-</td> <td>WD.</td> <td>J2</td> <td>PTD.</td> <td>-</td> <td>311</td> <td>3\"/> <tr> <td>319</td> <td>ETR</td> <td>-</td> <td>WD.</td> <td>J2</td> <td>PTD.</td> <td>-</td> <td>312A</td> <td>3\"/> <tr> <td>320</td> <td>ETR</td> <td>-</td> <td>WD.</td> <td>J2</td> <td>PTD.</td> <td>-</td> <td>313</td> <td>3\"/> <tr> <td>321</td> <td>ETR</td> <td>-</td> <td>WD.</td> <td>J2</td> <td>PTD.</td> <td>-</td> <td>314</td> <td>3\"/> <tr> <td>322</td> <td>ETR</td> <td>-</td> <td>WD.</td> <td>J2</td> <td>PTD.</td> <td>-</td> <td>315</td> <td>3\"/> <tr> <td>323</td> <td>ETR</td> <td>-</td> <td>WD.</td> <td>J2</td> <td>PTD.</td> <td>-</td> <td>316A</td> <td>3\"/> <tr> <td>324</td> <td>ETR</td> <td>-</td> <td>WD.</td> <td>J2</td> <td>PTD.</td> <td>-</td> <td>318</td> <td>3\"/> <tr> <td>325</td> <td>A</td> <td>3\"/> <tr> <td>327</td> <td>ETR</td> <td>-</td> <td>WD.</td> <td>J2</td> <td>PTD.</td> <td>-</td> <td>319</td> <td>3\"/> <tr> <td>328</td> <td>ETR</td> <td>-</td> <td>WD.</td> <td>J2</td> <td>PTD.</td> <td>-</td> <td>320</td> <td>3\"/> <tr> <td>329A</td> <td>ETR</td> <td>-</td> <td>WD.</td> <td>J2</td> <td>PTD.</td> <td>-</td> <td>321</td> <td>3\"/> <tr> <td>329B</td> <td>ETR</td> <td>-</td> <td>WD.</td> <td>J2</td> <td>PTD.</td> <td>-</td> <td>322</td> <td>3\"/> <tr> <td>331</td> <td>ETR</td> <td>-</td> <td>WD.</td> <td>J2</td> <td>PTD.</td> <td>-</td> <td>323</td> <td>3\"/> <tr> <td>333</td> <td>ETR</td> <td>-</td> <td>WD.</td> <td>J2</td> <td>PTD.</td> <td>-</td> <td>324</td> <td>3\"/> <tr> <td>334A</td> <td>ETR</td> <td>-</td> <td>WD.</td> <td>J2</td> <td>PTD.</td> <td>-</td> <td>325</td> <td>3\"/> <tr> <td>334B</td> <td>ETR</td> <td>-</td> <td>WD.</td> <td>J2</td> <td>PTD.</td> <td>-</td> <td>327</td> <td>3\"/> <tr> <td>335A</td> <td>ETR</td> <td>-</td> <td>WD.</td> <td>J2</td> <td>PTD.</td> <td>-</td> <td>328</td> <td>3\"/> <tr> <td>335B</td> <td>B</td> <td>3\"/> <tr> <td>336</td> <td>B</td> <td>3\"/> <tr> <td>337</td> <td>ETR</td> <td>-</td> <td>WD.</td> <td>J2</td> <td>PTD.</td> <td>-</td> <td>329A</td> <td>3\"/> <tr> <td>339</td> <td>ETR</td> <td>-</td> <td>WD.</td> <td>J2</td> <td>PTD.</td> <td>-</td> <td>329B</td> <td>3\"/> <tr> <td>340</td> <td>A</td> <td>3\"/> <tr> <td>341A</td> <td>ETR</td> <td>-</td> <td>WD.</td> <td>J2</td> <td>PTD.</td> <td>-</td> <td>331</td> <td>3\"/> <tr> <td>341B</td> <td>ETR</td> <td>-</td> <td>WD.</td> <td>J2</td> <td>PTD.</td> <td>-</td> <td>333</td> <td>3\"/> <tr> <td>342</td> <td>ETR</td> <td>-</td> <td>WD.</td> <td>J2</td> <td>PTD.</td> <td>-</td> <td>334A</td> <td>3\"/> <tr> <td>344</td> <td>ETR</td> <td>-</td> <td>WD.</td> <td>J2</td> <td>PTD.</td> <td>-</td> <td>334B</td> <td>3\"/> <tr> <td>345</td> <td>ETR</td> <td>-</td> <td>WD.</td> <td>J2</td> <td>PTD.</td> <td>-</td> <td>335A</td> <td>3\"/> <tr> <td>346</td> <td>ETR</td>
<td>-</td> <td>WD.</td> <td>J2</td> <td>PTD.</td> <td>-</td> <td>335B</td> <td>3\"/> <tr> <td>347</td> <td>ETR</td> <td>-</td> <td>WD.</td> <td>J2</td> <td>PTD.</td> <td>-</td> <td>336</td> <td>3\"/> <tr> <td>348</td> <td>ETR</td> <td>-</td> <td>WD.</td> <td>J2</td> <td>PTD.</td> <td>-</td> <td>337</td> <td>3\"/> <tr> <td>349</td> <td>ETR</td> <td>-</td> <td>WD.</td> <td>J2</td> <td>PTD.</td> <td>-</td> <td>339</td> <td>3\"/> <tr> <td>350</td> <td>ETR</td> <td>-</td> <td>WD.</td> <td>J2</td> <td>PTD.</td> <td>-</td> <td>340</td> <td>3\"/> </td></tr></td></tr></td></tr></td></tr></td></tr></td></tr></td></tr></td></tr></td></tr></td></tr></td></tr></td></tr></td></tr></td></tr></td></tr></td></tr></td></tr></td></tr></td></tr></td></tr></td></tr></td></tr></td></tr></td></tr></td></tr></td></tr></td></tr></td></tr></td></tr></td></tr></td></tr></td></tr></td></tr></td></tr></td></tr></td></tr></td></tr> | 312A | ETR | - | WD. | J2 | PTD.
 | - | 307 | 3\"/> <tr> <td>313</td> <td>ETR</td> <td>-</td> <td>WD.</td> <td>J2</td> <td>PTD.</td> <td>-</td> <td>308</td> <td>3\"/> <tr> <td>314</td> <td>ETR</td> <td>-</td> <td>WD.</td> <td>J2</td> <td>PTD.</td> <td>-</td> <td>309</td> <td>3\"/> <tr> <td>315</td> <td>ETR</td> <td>-</td> <td>WD.</td> <td>J2</td> <td>PTD.</td> <td>-</td> <td>310</td> <td>3\"/> <tr> <td>316A</td> <td>A</td> <td>3\"/> <tr> <td>318</td> <td>ETR</td> <td>-</td> <td>WD.</td> <td>J2</td> <td>PTD.</td> <td>-</td> <td>311</td> <td>3\"/> <tr> <td>319</td> <td>ETR</td> <td>-</td> <td>WD.</td> <td>J2</td> <td>PTD.</td> <td>-</td> <td>312A</td> <td>3\"/> <tr> <td>320</td> <td>ETR</td> <td>-</td> <td>WD.</td> <td>J2</td> <td>PTD.</td> <td>-</td> <td>313</td> <td>3\"/> <tr> <td>321</td> <td>ETR</td> <td>-</td> <td>WD.</td> <td>J2</td> <td>PTD.</td> <td>-</td> <td>314</td> <td>3\"/> <tr> <td>322</td> <td>ETR</td> <td>-</td> <td>WD.</td> <td>J2</td> <td>PTD.</td> <td>-</td> <td>315</td> <td>3\"/> <tr> <td>323</td> <td>ETR</td> <td>-</td> <td>WD.</td> <td>J2</td> <td>PTD.</td> <td>-</td> <td>316A</td> <td>3\"/> <tr> <td>324</td> <td>ETR</td> <td>-</td> <td>WD.</td> <td>J2</td> <td>PTD.</td> <td>-</td> <td>318</td> <td>3\"/> <tr> <td>325</td> <td>A</td> <td>3\"/> <tr> <td>327</td> <td>ETR</td> <td>-</td> <td>WD.</td> <td>J2</td> <td>PTD.</td> <td>-</td> <td>319</td> <td>3\"/> <tr> <td>328</td> <td>ETR</td> <td>-</td> <td>WD.</td> <td>J2</td> <td>PTD.</td> <td>-</td> <td>320</td> <td>3\"/> <tr> <td>329A</td> <td>ETR</td> <td>-</td> <td>WD.</td> <td>J2</td> <td>PTD.</td> <td>-</td> <td>321</td> <td>3\"/> <tr> <td>329B</td> <td>ETR</td> <td>-</td> <td>WD.</td> <td>J2</td> <td>PTD.</td> <td>-</td> <td>322</td> <td>3\"/> <tr> <td>331</td> <td>ETR</td> <td>-</td> <td>WD.</td> <td>J2</td> <td>PTD.</td> <td>-</td> <td>323</td> <td>3\"/> <tr> <td>333</td> <td>ETR</td> <td>-</td> <td>WD.</td> <td>J2</td> <td>PTD.</td> <td>-</td> <td>324</td> <td>3\"/> <tr> <td>334A</td> <td>ETR</td> <td>-</td> <td>WD.</td> <td>J2</td> <td>PTD.</td> <td>-</td> <td>325</td> <td>3\"/> <tr> <td>334B</td> <td>ETR</td> <td>-</td> <td>WD.</td> <td>J2</td> <td>PTD.</td> <td>-</td> <td>327</td> <td>3\"/> <tr> <td>335A</td> <td>ETR</td> <td>-</td> <td>WD.</td> <td>J2</td> <td>PTD.</td> <td>-</td> <td>328</td> <td>3\"/> <tr> <td>335B</td> <td>B</td> <td>3\"/> <tr> <td>336</td> <td>B</td> <td>3\"/> <tr> <td>337</td> <td>ETR</td> <td>-</td> <td>WD.</td> <td>J2</td> <td>PTD.</td> <td>-</td> <td>329A</td> <td>3\"/> <tr> <td>339</td> <td>ETR</td> <td>-</td> <td>WD.</td> <td>J2</td> <td>PTD.</td> <td>-</td> <td>329B</td> <td>3\"/> <tr> <td>340</td> <td>A</td> <td>3\"/> <tr> <td>341A</td> <td>ETR</td> <td>-</td> <td>WD.</td> <td>J2</td> <td>PTD.</td> <td>-</td> <td>331</td> <td>3\"/> <tr> <td>341B</td> <td>ETR</td> <td>-</td> <td>WD.</td> <td>J2</td> <td>PTD.</td> <td>-</td> <td>333</td> <td>3\"/> <tr> <td>342</td> <td>ETR</td> <td>-</td> <td>WD.</td> <td>J2</td> <td>PTD.</td> <td>-</td> <td>334A</td> <td>3\"/> <tr> <td>344</td> <td>ETR</td> <td>-</td> <td>WD.</td> <td>J2</td> <td>PTD.</td> <td>-</td> <td>334B</td> <td>3\"/> <tr> <td>345</td> <td>ETR</td> <td>-</td> <td>WD.</td> <td>J2</td> <td>PTD.</td> <td>-</td> <td>335A</td> <td>3\"/> <tr> <td>346</td> <td>ETR</td> <td>-</td> <td>WD.</td> <td>J2</td> <td>PTD.</td> <td>-</td> <td>335B</td> <td>3\"/> <tr> <td>347</td> <td>ETR</td> <td>-</td> <td>WD.</td> <td>J2</td> <td>PTD.</td> <td>-</td> <td>336</td> <td>3\"/> <tr> <td>348</td> <td>ETR</td> <td>-</td> <td>WD.</td> <td>J2</td> <td>PTD.</td> <td>-</td> <td>337</td> <td>3\"/> <tr> <td>349</td> <td>ETR</td> <td>-</td> <td>WD.</td> <td>J2</td> <td>PTD.</td> <td>-</td> <td>339</td> <td>3\"/> <tr> <td>350</td> <td>ETR</td> <td>-</td> <td>WD.</td> <td>J2</td> <td>PTD.</td> <td>-</td> <td>340</td> <td>3\"/> </td></tr></td></tr></td></tr></td></tr></td></tr></td></tr></td></tr></td></tr></td></tr></td></tr></td></tr></td></tr></td></tr></td></tr></td></tr></td></tr></td></tr></td></tr></td></tr></td></tr></td></tr></td></tr></td></tr></td></tr></td></tr></td></tr></td></tr></td></tr></td></tr></td></tr></td></tr></td></tr></td></tr></td></tr></td></tr></td></tr> | 313 | ETR | - | WD. | J2 | PTD.
 | - | 308 | 3\"/> <tr> <td>314</td> <td>ETR</td> <td>-</td> <td>WD.</td> <td>J2</td> <td>PTD.</td> <td>-</td> <td>309</td> <td>3\"/> <tr> <td>315</td> <td>ETR</td> <td>-</td> <td>WD.</td> <td>J2</td> <td>PTD.</td> <td>-</td> <td>310</td> <td>3\"/> <tr> <td>316A</td> <td>A</td> <td>3\"/> <tr> <td>318</td> <td>ETR</td> <td>-</td> <td>WD.</td> <td>J2</td> <td>PTD.</td> <td>-</td> <td>311</td> <td>3\"/> <tr> <td>319</td> <td>ETR</td> <td>-</td> <td>WD.</td> <td>J2</td> <td>PTD.</td> <td>-</td> <td>312A</td> <td>3\"/> <tr> <td>320</td> <td>ETR</td> <td>-</td> <td>WD.</td> <td>J2</td> <td>PTD.</td> <td>-</td> <td>313</td> <td>3\"/> <tr> <td>321</td> <td>ETR</td> <td>-</td> <td>WD.</td> <td>J2</td> <td>PTD.</td> <td>-</td> <td>314</td> <td>3\"/> <tr> <td>322</td> <td>ETR</td> <td>-</td> <td>WD.</td> <td>J2</td> <td>PTD.</td> <td>-</td> <td>315</td> <td>3\"/> <tr> <td>323</td> <td>ETR</td> <td>-</td> <td>WD.</td> <td>J2</td> <td>PTD.</td> <td>-</td> <td>316A</td> <td>3\"/> <tr> <td>324</td> <td>ETR</td> <td>-</td> <td>WD.</td> <td>J2</td> <td>PTD.</td> <td>-</td> <td>318</td> <td>3\"/> <tr> <td>325</td> <td>A</td> <td>3\"/> <tr> <td>327</td> <td>ETR</td> <td>-</td> <td>WD.</td> <td>J2</td> <td>PTD.</td> <td>-</td> <td>319</td> <td>3\"/> <tr> <td>328</td> <td>ETR</td> <td>-</td> <td>WD.</td> <td>J2</td> <td>PTD.</td> <td>-</td> <td>320</td> <td>3\"/> <tr> <td>329A</td> <td>ETR</td> <td>-</td> <td>WD.</td> <td>J2</td> <td>PTD.</td> <td>-</td> <td>321</td> <td>3\"/> <tr> <td>329B</td> <td>ETR</td> <td>-</td> <td>WD.</td> <td>J2</td> <td>PTD.</td> <td>-</td> <td>322</td> <td>3\"/> <tr> <td>331</td> <td>ETR</td> <td>-</td> <td>WD.</td> <td>J2</td> <td>PTD.</td> <td>-</td> <td>323</td> <td>3\"/> <tr> <td>333</td> <td>ETR</td> <td>-</td> <td>WD.</td> <td>J2</td> <td>PTD.</td> <td>-</td> <td>324</td> <td>3\"/> <tr> <td>334A</td> <td>ETR</td> <td>-</td> <td>WD.</td> <td>J2</td> <td>PTD.</td> <td>-</td> <td>325</td> <td>3\"/> <tr> <td>334B</td> <td>ETR</td> <td>-</td> <td>WD.</td> <td>J2</td> <td>PTD.</td> <td>-</td> <td>327</td> <td>3\"/> <tr> <td>335A</td> <td>ETR</td> <td>-</td> <td>WD.</td> <td>J2</td> <td>PTD.</td> <td>-</td> <td>328</td> <td>3\"/> <tr> <td>335B</td> <td>B</td> <td>3\"/> <tr> <td>336</td> <td>B</td> <td>3\"/> <tr> <td>337</td> <td>ETR</td> <td>-</td> <td>WD.</td> <td>J2</td> <td>PTD.</td> <td>-</td> <td>329A</td> <td>3\"/> <tr> <td>339</td> <td>ETR</td> <td>-</td> <td>WD.</td> <td>J2</td> <td>PTD.</td> <td>-</td> <td>329B</td> <td>3\"/> <tr> <td>340</td> <td>A</td> <td>3\"/> <tr> <td>341A</td> <td>ETR</td> <td>-</td> <td>WD.</td> <td>J2</td> <td>PTD.</td> <td>-</td> <td>331</td> <td>3\"/> <tr> <td>341B</td> <td>ETR</td> <td>-</td> <td>WD.</td> <td>J2</td> <td>PTD.</td> <td>-</td> <td>333</td> <td>3\"/> <tr> <td>342</td> <td>ETR</td> <td>-</td> <td>WD.</td> <td>J2</td> <td>PTD.</td> <td>-</td> <td>334A</td> <td>3\"/> <tr> <td>344</td> <td>ETR</td> <td>-</td> <td>WD.</td> <td>J2</td> <td>PTD.</td> <td>-</td> <td>334B</td> <td>3\"/> <tr> <td>345</td> <td>ETR</td> <td>-</td> <td>WD.</td> <td>J2</td> <td>PTD.</td> <td>-</td> <td>335A</td> <td>3\"/> <tr> <td>346</td> <td>ETR</td> <td>-</td> <td>WD.</td> <td>J2</td> <td>PTD.</td> <td>-</td> <td>335B</td> <td>3\"/> <tr> <td>347</td> <td>ETR</td> <td>-</td> <td>WD.</td> <td>J2</td> <td>PTD.</td> <td>-</td> <td>336</td> <td>3\"/> <tr> <td>348</td> <td>ETR</td> <td>-</td> <td>WD.</td> <td>J2</td> <td>PTD.</td> <td>-</td> <td>337</td> <td>3\"/> <tr> <td>349</td> <td>ETR</td> <td>-</td> <td>WD.</td> <td>J2</td> <td>PTD.</td> <td>-</td> <td>339</td> <td>3\"/> <tr> <td>350</td> <td>ETR</td> <td>-</td> <td>WD.</td> <td>J2</td> <td>PTD.</td> <td>-</td> <td>340</td> <td>3\"/> </td></tr></td></tr></td></tr></td></tr></td></tr></td></tr></td></tr></td></tr></td></tr></td></tr></td></tr></td></tr></td></tr></td></tr></td></tr></td></tr></td></tr></td></tr></td></tr></td></tr></td></tr></td></tr></td></tr></td></tr></td></tr></td></tr></td></tr></td></tr></td></tr></td></tr></td></tr></td></tr></td></tr></td></tr></td></tr> | 314 | ETR | -
 | WD. | J2 | PTD. | - | 309 | 3\"/> <tr> <td>315</td> <td>ETR</td> <td>-</td> <td>WD.</td> <td>J2</td> <td>PTD.</td> <td>-</td> <td>310</td> <td>3\"/> <tr> <td>316A</td> <td>A</td> <td>3\"/> <tr> <td>318</td> <td>ETR</td> <td>-</td> <td>WD.</td> <td>J2</td> <td>PTD.</td> <td>-</td> <td>311</td> <td>3\"/> <tr> <td>319</td> <td>ETR</td> <td>-</td> <td>WD.</td> <td>J2</td> <td>PTD.</td> <td>-</td> <td>312A</td> <td>3\"/> <tr> <td>320</td> <td>ETR</td> <td>-</td> <td>WD.</td> <td>J2</td> <td>PTD.</td> <td>-</td> <td>313</td> <td>3\"/> <tr> <td>321</td> <td>ETR</td> <td>-</td> <td>WD.</td> <td>J2</td> <td>PTD.</td> <td>-</td> <td>314</td> <td>3\"/> <tr> <td>322</td> <td>ETR</td> <td>-</td> <td>WD.</td> <td>J2</td> <td>PTD.</td> <td>-</td> <td>315</td> <td>3\"/> <tr> <td>323</td> <td>ETR</td> <td>-</td> <td>WD.</td> <td>J2</td> <td>PTD.</td> <td>-</td> <td>316A</td> <td>3\"/> <tr> <td>324</td> <td>ETR</td> <td>-</td> <td>WD.</td> <td>J2</td> <td>PTD.</td> <td>-</td> <td>318</td> <td>3\"/> <tr> <td>325</td> <td>A</td> <td>3\"/> <tr> <td>327</td> <td>ETR</td> <td>-</td> <td>WD.</td> <td>J2</td> <td>PTD.</td> <td>-</td> <td>319</td> <td>3\"/> <tr> <td>328</td> <td>ETR</td> <td>-</td> <td>WD.</td> <td>J2</td> <td>PTD.</td> <td>-</td> <td>320</td> <td>3\"/> <tr> <td>329A</td> <td>ETR</td> <td>-</td> <td>WD.</td> <td>J2</td> <td>PTD.</td> <td>-</td> <td>321</td> <td>3\"/> <tr> <td>329B</td> <td>ETR</td> <td>-</td> <td>WD.</td> <td>J2</td> <td>PTD.</td> <td>-</td> <td>322</td> <td>3\"/> <tr> <td>331</td> <td>ETR</td> <td>-</td> <td>WD.</td> <td>J2</td> <td>PTD.</td> <td>-</td> <td>323</td> <td>3\"/> <tr> <td>333</td> <td>ETR</td> <td>-</td> <td>WD.</td> <td>J2</td> <td>PTD.</td> <td>-</td> <td>324</td> <td>3\"/> <tr> <td>334A</td> <td>ETR</td> <td>-</td> <td>WD.</td> <td>J2</td> <td>PTD.</td> <td>-</td> <td>325</td> <td>3\"/> <tr> <td>334B</td> <td>ETR</td> <td>-</td> <td>WD.</td> <td>J2</td> <td>PTD.</td> <td>-</td> <td>327</td> <td>3\"/> <tr> <td>335A</td> <td>ETR</td> <td>-</td> <td>WD.</td> <td>J2</td> <td>PTD.</td> <td>-</td> <td>328</td> <td>3\"/> <tr> <td>335B</td> <td>B</td> <td>3\"/> <tr> <td>336</td> <td>B</td> <td>3\"/> <tr> <td>337</td> <td>ETR</td> <td>-</td> <td>WD.</td> <td>J2</td> <td>PTD.</td> <td>-</td> <td>329A</td> <td>3\"/> <tr> <td>339</td> <td>ETR</td> <td>-</td> <td>WD.</td> <td>J2</td> <td>PTD.</td> <td>-</td> <td>329B</td> <td>3\"/> <tr> <td>340</td> <td>A</td> <td>3\"/> <tr> <td>341A</td> <td>ETR</td> <td>-</td> <td>WD.</td> <td>J2</td> <td>PTD.</td> <td>-</td> <td>331</td> <td>3\"/> <tr> <td>341B</td> <td>ETR</td> <td>-</td> <td>WD.</td> <td>J2</td> <td>PTD.</td> <td>-</td> <td>333</td> <td>3\"/> <tr> <td>342</td> <td>ETR</td> <td>-</td> <td>WD.</td> <td>J2</td> <td>PTD.</td> <td>-</td> <td>334A</td> <td>3\"/> <tr> <td>344</td> <td>ETR</td> <td>-</td> <td>WD.</td> <td>J2</td> <td>PTD.</td> <td>-</td> <td>334B</td> <td>3\"/> <tr> <td>345</td> <td>ETR</td> <td>-</td> <td>WD.</td> <td>J2</td> <td>PTD.</td> <td>-</td> <td>335A</td> <td>3\"/> <tr> <td>346</td> <td>ETR</td> <td>-</td> <td>WD.</td> <td>J2</td> <td>PTD.</td> <td>-</td> <td>335B</td> <td>3\"/> <tr> <td>347</td> <td>ETR</td> <td>-</td> <td>WD.</td> <td>J2</td> <td>PTD.</td> <td>-</td> <td>336</td> <td>3\"/> <tr> <td>348</td> <td>ETR</td> <td>-</td> <td>WD.</td> <td>J2</td> <td>PTD.</td> <td>-</td> <td>337</td> <td>3\"/> <tr> <td>349</td> <td>ETR</td> <td>-</td> <td>WD.</td> <td>J2</td> <td>PTD.</td> <td>-</td> <td>339</td> <td>3\"/> <tr> <td>350</td> <td>ETR</td> <td>-</td> <td>WD.</td> <td>J2</td> <td>PTD.</td> <td>-</td> <td>340</td> <td>3\"/>
</td></tr></td></tr></td></tr></td></tr></td></tr></td></tr></td></tr></td></tr></td></tr></td></tr></td></tr></td></tr></td></tr></td></tr></td></tr></td></tr></td></tr></td></tr></td></tr></td></tr></td></tr></td></tr></td></tr></td></tr></td></tr></td></tr></td></tr></td></tr></td></tr></td></tr></td></tr></td></tr></td></tr></td></tr> | 315 | ETR | - | WD. | J2 | PTD. | - | 310 | 3\"/> <tr> <td>316A</td> <td>A</td> <td>3\"/> <tr> <td>318</td> <td>ETR</td> <td>-</td> <td>WD.</td> <td>J2</td> <td>PTD.</td> <td>-</td> <td>311</td> <td>3\"/> <tr> <td>319</td> <td>ETR</td> <td>-</td> <td>WD.</td> <td>J2</td> <td>PTD.</td> <td>-</td> <td>312A</td> <td>3\"/> <tr> <td>320</td> <td>ETR</td> <td>-</td> <td>WD.</td> <td>J2</td> <td>PTD.</td> <td>-</td> <td>313</td> <td>3\"/> <tr> <td>321</td> <td>ETR</td> <td>-</td> <td>WD.</td> <td>J2</td> <td>PTD.</td> <td>-</td> <td>314</td> <td>3\"/> <tr> <td>322</td> <td>ETR</td> <td>-</td> <td>WD.</td> <td>J2</td> <td>PTD.</td> <td>-</td> <td>315</td> <td>3\"/> <tr> <td>323</td> <td>ETR</td> <td>-</td> <td>WD.</td> <td>J2</td> <td>PTD.</td> <td>-</td> <td>316A</td> <td>3\"/> <tr> <td>324</td> <td>ETR</td> <td>-</td> <td>WD.</td> <td>J2</td> <td>PTD.</td> <td>-</td> <td>318</td> <td>3\"/> <tr> <td>325</td>
<td>A</td> <td>3\"/> <tr> <td>327</td> <td>ETR</td> <td>-</td> <td>WD.</td> <td>J2</td> <td>PTD.</td> <td>-</td> <td>319</td> <td>3\"/> <tr> <td>328</td> <td>ETR</td> <td>-</td> <td>WD.</td> <td>J2</td> <td>PTD.</td> <td>-</td> <td>320</td> <td>3\"/> <tr> <td>329A</td> <td>ETR</td> <td>-</td> <td>WD.</td> <td>J2</td> <td>PTD.</td> <td>-</td> <td>321</td> <td>3\"/> <tr> <td>329B</td> <td>ETR</td> <td>-</td> <td>WD.</td> <td>J2</td> <td>PTD.</td> <td>-</td> <td>322</td> <td>3\"/> <tr> <td>331</td> <td>ETR</td> <td>-</td> <td>WD.</td> <td>J2</td> <td>PTD.</td> <td>-</td> <td>323</td> <td>3\"/> <tr> <td>333</td> <td>ETR</td> <td>-</td> <td>WD.</td> <td>J2</td> <td>PTD.</td> <td>-</td> <td>324</td> <td>3\"/> <tr> <td>334A</td> <td>ETR</td> <td>-</td> <td>WD.</td> <td>J2</td> <td>PTD.</td> <td>-</td> <td>325</td> <td>3\"/> <tr> <td>334B</td> <td>ETR</td> <td>-</td> <td>WD.</td> <td>J2</td> <td>PTD.</td> <td>-</td> <td>327</td> <td>3\"/> <tr> <td>335A</td> <td>ETR</td> <td>-</td> <td>WD.</td> <td>J2</td> <td>PTD.</td> <td>-</td> <td>328</td> <td>3\"/> <tr> <td>335B</td> <td>B</td> <td>3\"/> <tr> <td>336</td> <td>B</td> <td>3\"/> <tr> <td>337</td> <td>ETR</td> <td>-</td> <td>WD.</td> <td>J2</td> <td>PTD.</td> <td>-</td> <td>329A</td> <td>3\"/> <tr> <td>339</td> <td>ETR</td> <td>-</td> <td>WD.</td> <td>J2</td> <td>PTD.</td> <td>-</td> <td>329B</td> <td>3\"/> <tr> <td>340</td> <td>A</td> <td>3\"/> <tr> <td>341A</td> <td>ETR</td> <td>-</td> <td>WD.</td> <td>J2</td> <td>PTD.</td> <td>-</td> <td>331</td> <td>3\"/> <tr> <td>341B</td> <td>ETR</td> <td>-</td> <td>WD.</td> <td>J2</td> <td>PTD.</td> <td>-</td> <td>333</td> <td>3\"/> <tr> <td>342</td> <td>ETR</td> <td>-</td> <td>WD.</td> <td>J2</td> <td>PTD.</td> <td>-</td> <td>334A</td> <td>3\"/> <tr> <td>344</td> <td>ETR</td> <td>-</td> <td>WD.</td> <td>J2</td> <td>PTD.</td> <td>-</td> <td>334B</td> <td>3\"/> <tr> <td>345</td> <td>ETR</td> <td>-</td> <td>WD.</td> <td>J2</td> <td>PTD.</td> <td>-</td> <td>335A</td> <td>3\"/> <tr> <td>346</td> <td>ETR</td> <td>-</td> <td>WD.</td> <td>J2</td> <td>PTD.</td> <td>-</td> <td>335B</td> <td>3\"/> <tr> <td>347</td> <td>ETR</td> <td>-</td> <td>WD.</td> <td>J2</td> <td>PTD.</td> <td>-</td> <td>336</td> <td>3\"/> <tr> <td>348</td> <td>ETR</td> <td>-</td> <td>WD.</td> <td>J2</td> <td>PTD.</td> <td>-</td> <td>337</td> <td>3\"/> <tr> <td>349</td> <td>ETR</td> <td>-</td> <td>WD.</td> <td>J2</td> <td>PTD.</td> <td>-</td> <td>339</td> <td>3\"/> <tr> <td>350</td> <td>ETR</td> <td>-</td> <td>WD.</td> <td>J2</td> <td>PTD.</td> <td>-</td> <td>340</td> <td>3\"/> </td></tr></td></tr></td></tr></td></tr></td></tr></td></tr></td></tr></td></tr></td></tr></td></tr></td></tr></td></tr></td></tr></td></tr></td></tr></td></tr></td></tr></td></tr></td></tr></td></tr></td></tr></td></tr></td></tr></td></tr></td></tr></td></tr></td></tr></td></tr></td></tr></td></tr></td></tr></td></tr></td></tr> | 316A | A | 3\"/> <tr> <td>318</td> <td>ETR</td> <td>-</td> <td>WD.</td> <td>J2</td> <td>PTD.</td> <td>-</td> <td>311</td> <td>3\"/> <tr> <td>319</td> <td>ETR</td> <td>-</td> <td>WD.</td> <td>J2</td> <td>PTD.</td> <td>-</td> <td>312A</td> <td>3\"/> <tr> <td>320</td> <td>ETR</td> <td>-</td> <td>WD.</td> <td>J2</td> <td>PTD.</td> <td>-</td> <td>313</td> <td>3\"/> <tr> <td>321</td> <td>ETR</td> <td>-</td> <td>WD.</td> <td>J2</td> <td>PTD.</td> <td>-</td> <td>314</td> <td>3\"/> <tr> <td>322</td> <td>ETR</td> <td>-</td> <td>WD.</td> <td>J2</td> <td>PTD.</td> <td>-</td> <td>315</td> <td>3\"/> <tr> <td>323</td> <td>ETR</td> <td>-</td> <td>WD.</td> <td>J2</td> <td>PTD.</td> <td>-</td> <td>316A</td> <td>3\"/> <tr> <td>324</td> <td>ETR</td> <td>-</td> <td>WD.</td> <td>J2</td> <td>PTD.</td> <td>-</td> <td>318</td> <td>3\"/> <tr> <td>325</td> <td>A</td> <td>3\"/> <tr> <td>327</td> <td>ETR</td> <td>-</td> <td>WD.</td> <td>J2</td> <td>PTD.</td> <td>-</td> <td>319</td> <td>3\"/> <tr> <td>328</td> <td>ETR</td> <td>-</td> <td>WD.</td> <td>J2</td> <td>PTD.</td> <td>-</td> <td>320</td> <td>3\"/> <tr> <td>329A</td> <td>ETR</td> <td>-</td> <td>WD.</td> <td>J2</td> <td>PTD.</td> <td>-</td> <td>321</td> <td>3\"/> <tr> <td>329B</td> <td>ETR</td> <td>-</td> <td>WD.</td> <td>J2</td> <td>PTD.</td> <td>-</td> <td>322</td> <td>3\"/> <tr> <td>331</td> <td>ETR</td> <td>-</td> <td>WD.</td> <td>J2</td> <td>PTD.</td> <td>-</td> <td>323</td> <td>3\"/> <tr> <td>333</td> <td>ETR</td> <td>-</td> <td>WD.</td> <td>J2</td> <td>PTD.</td> <td>-</td> <td>324</td> <td>3\"/> <tr> <td>334A</td> <td>ETR</td> <td>-</td> <td>WD.</td> <td>J2</td> <td>PTD.</td> <td>-</td> <td>325</td> <td>3\"/> <tr> <td>334B</td> <td>ETR</td> <td>-</td> <td>WD.</td> <td>J2</td> <td>PTD.</td> <td>-</td> <td>327</td> <td>3\"/> <tr> <td>335A</td> <td>ETR</td> <td>-</td> <td>WD.</td> <td>J2</td> <td>PTD.</td> <td>-</td> <td>328</td> <td>3\"/> <tr> <td>335B</td> <td>B</td> <td>3\"/> <tr> <td>336</td> <td>B</td> <td>3\"/> <tr> <td>337</td> <td>ETR</td> <td>-</td> <td>WD.</td> <td>J2</td> <td>PTD.</td> <td>-</td> <td>329A</td> <td>3\"/> <tr> <td>339</td> <td>ETR</td> <td>-</td> <td>WD.</td> <td>J2</td> <td>PTD.</td> <td>-</td> <td>329B</td> <td>3\"/> <tr> <td>340</td> <td>A</td> <td>3\"/> <tr> <td>341A</td> <td>ETR</td> <td>-</td> <td>WD.</td> <td>J2</td> <td>PTD.</td> <td>-</td> <td>331</td> <td>3\"/> <tr> <td>341B</td> <td>ETR</td> <td>-</td> <td>WD.</td> <td>J2</td> <td>PTD.</td> <td>-</td> <td>333</td> <td>3\"/> <tr> <td>342</td> <td>ETR</td> <td>-</td> <td>WD.</td> <td>J2</td> <td>PTD.</td> <td>-</td> <td>334A</td> <td>3\"/> <tr> <td>344</td> <td>ETR</td> <td>-</td> <td>WD.</td> <td>J2</td> <td>PTD.</td> <td>-</td> <td>334B</td> <td>3\"/> <tr> <td>345</td> <td>ETR</td> <td>-</td> <td>WD.</td> <td>J2</td> <td>PTD.</td> <td>-</td> <td>335A</td> <td>3\"/> <tr> <td>346</td> <td>ETR</td> <td>-</td> <td>WD.</td> <td>J2</td> <td>PTD.</td> <td>-</td> <td>335B</td> <td>3\"/> <tr> <td>347</td> <td>ETR</td> <td>-</td> <td>WD.</td> <td>J2</td> <td>PTD.</td> <td>-</td> <td>336</td> <td>3\"/> <tr> <td>348</td> <td>ETR</td> <td>-</td> <td>WD.</td> <td>J2</td> <td>PTD.</td> <td>-</td> <td>337</td> <td>3\"/> <tr> <td>349</td> <td>ETR</td> <td>-</td> <td>WD.</td> <td>J2</td> <td>PTD.</td> <td>-</td> <td>339</td> <td>3\"/> <tr> <td>350</td> <td>ETR</td> <td>-</td> <td>WD.</td> <td>J2</td> <td>PTD.</td> <td>-</td> <td>340</td> <td>3\"/> </td></tr></td></tr></td></tr></td></tr></td></tr></td></tr></td></tr></td></tr></td></tr></td></tr></td></tr></td></tr></td></tr></td></tr></td></tr></td></tr></td></tr></td></tr></td></tr></td></tr></td></tr></td></tr></td></tr></td></tr></td></tr></td></tr></td></tr></td></tr></td></tr></td></tr></td></tr></td></tr> | 318 | ETR | -
 | WD. | J2 | PTD. | - | 311 | 3\"/> <tr> <td>319</td> <td>ETR</td> <td>-</td> <td>WD.</td> <td>J2</td> <td>PTD.</td> <td>-</td> <td>312A</td> <td>3\"/> <tr> <td>320</td> <td>ETR</td> <td>-</td> <td>WD.</td> <td>J2</td> <td>PTD.</td> <td>-</td> <td>313</td> <td>3\"/> <tr> <td>321</td> <td>ETR</td> <td>-</td> <td>WD.</td> <td>J2</td> <td>PTD.</td> <td>-</td> <td>314</td> <td>3\"/> <tr> <td>322</td> <td>ETR</td> <td>-</td> <td>WD.</td> <td>J2</td> <td>PTD.</td> <td>-</td> <td>315</td> <td>3\"/> <tr> <td>323</td> <td>ETR</td> <td>-</td> <td>WD.</td> <td>J2</td> <td>PTD.</td> <td>-</td> <td>316A</td> <td>3\"/> <tr> <td>324</td> <td>ETR</td> <td>-</td> <td>WD.</td> <td>J2</td> <td>PTD.</td> <td>-</td> <td>318</td> <td>3\"/> <tr> <td>325</td> <td>A</td> <td>3\"/> <tr> <td>327</td> <td>ETR</td> <td>-</td> <td>WD.</td> <td>J2</td> <td>PTD.</td> <td>-</td> <td>319</td> <td>3\"/> <tr> <td>328</td> <td>ETR</td> <td>-</td> <td>WD.</td> <td>J2</td> <td>PTD.</td> <td>-</td> <td>320</td> <td>3\"/> <tr> <td>329A</td> <td>ETR</td> <td>-</td> <td>WD.</td> <td>J2</td> <td>PTD.</td> <td>-</td> <td>321</td> <td>3\"/> <tr> <td>329B</td> <td>ETR</td> <td>-</td> <td>WD.</td> <td>J2</td> <td>PTD.</td> <td>-</td> <td>322</td> <td>3\"/> <tr> <td>331</td> <td>ETR</td> <td>-</td> <td>WD.</td> <td>J2</td> <td>PTD.</td> <td>-</td> <td>323</td> <td>3\"/> <tr> <td>333</td> <td>ETR</td> <td>-</td> <td>WD.</td> <td>J2</td> <td>PTD.</td> <td>-</td> <td>324</td> <td>3\"/> <tr> <td>334A</td> <td>ETR</td> <td>-</td> <td>WD.</td> <td>J2</td> <td>PTD.</td> <td>-</td> <td>325</td> <td>3\"/> <tr> <td>334B</td> <td>ETR</td> <td>-</td> <td>WD.</td> <td>J2</td> <td>PTD.</td> <td>-</td> <td>327</td> <td>3\"/> <tr> <td>335A</td> <td>ETR</td> <td>-</td> <td>WD.</td> <td>J2</td> <td>PTD.</td> <td>-</td> <td>328</td> <td>3\"/> <tr> <td>335B</td> <td>B</td> <td>3\"/> <tr> <td>336</td> <td>B</td> <td>3\"/> <tr> <td>337</td> <td>ETR</td> <td>-</td> <td>WD.</td> <td>J2</td> <td>PTD.</td> <td>-</td> <td>329A</td> <td>3\"/> <tr> <td>339</td> <td>ETR</td> <td>-</td> <td>WD.</td> <td>J2</td> <td>PTD.</td> <td>-</td> <td>329B</td> <td>3\"/> <tr> <td>340</td> <td>A</td> <td>3\"/> <tr> <td>341A</td> <td>ETR</td> <td>-</td> <td>WD.</td> <td>J2</td> <td>PTD.</td> <td>-</td> <td>331</td> <td>3\"/> <tr> <td>341B</td> <td>ETR</td> <td>-</td> <td>WD.</td> <td>J2</td> <td>PTD.</td> <td>-</td> <td>333</td> <td>3\"/> <tr> <td>342</td> <td>ETR</td> <td>-</td> <td>WD.</td> <td>J2</td> <td>PTD.</td> <td>-</td> <td>334A</td> <td>3\"/> <tr> <td>344</td> <td>ETR</td> <td>-</td> <td>WD.</td> <td>J2</td> <td>PTD.</td> <td>-</td> <td>334B</td> <td>3\"/> <tr> <td>345</td> <td>ETR</td> <td>-</td> <td>WD.</td> <td>J2</td> <td>PTD.</td> <td>-</td> <td>335A</td> <td>3\"/> <tr> <td>346</td> <td>ETR</td> <td>-</td> <td>WD.</td> <td>J2</td> <td>PTD.</td> <td>-</td> <td>335B</td> <td>3\"/> <tr> <td>347</td> <td>ETR</td> <td>-</td> <td>WD.</td> <td>J2</td> <td>PTD.</td> <td>-</td> <td>336</td> <td>3\"/> <tr> <td>348</td> <td>ETR</td> <td>-</td> <td>WD.</td> <td>J2</td> <td>PTD.</td> <td>-</td> <td>337</td> <td>3\"/> <tr> <td>349</td> <td>ETR</td> <td>-</td> <td>WD.</td> <td>J2</td> <td>PTD.</td> <td>-</td> <td>339</td> <td>3\"/> <tr> <td>350</td> <td>ETR</td> <td>-</td> <td>WD.</td> <td>J2</td> <td>PTD.</td> <td>-</td> <td>340</td> <td>3\"/> </td></tr></td></tr></td></tr></td></tr></td></tr></td></tr></td></tr></td></tr></td></tr></td></tr></td></tr></td></tr></td></tr></td></tr></td></tr></td></tr></td></tr></td></tr></td></tr></td></tr></td></tr></td></tr></td></tr></td></tr></td></tr></td></tr></td></tr></td></tr></td></tr></td></tr></td></tr> | 319 | ETR | -
 | WD. | J2 | PTD. | - | 312A | 3\"/> <tr> <td>320</td> <td>ETR</td> <td>-</td> <td>WD.</td> <td>J2</td> <td>PTD.</td> <td>-</td> <td>313</td> <td>3\"/> <tr> <td>321</td> <td>ETR</td> <td>-</td> <td>WD.</td> <td>J2</td> <td>PTD.</td> <td>-</td> <td>314</td> <td>3\"/> <tr> <td>322</td> <td>ETR</td> <td>-</td> <td>WD.</td> <td>J2</td> <td>PTD.</td> <td>-</td> <td>315</td> <td>3\"/> <tr> <td>323</td> <td>ETR</td> <td>-</td> <td>WD.</td> <td>J2</td> <td>PTD.</td> <td>-</td> <td>316A</td> <td>3\"/> <tr> <td>324</td> <td>ETR</td> <td>-</td> <td>WD.</td> <td>J2</td> <td>PTD.</td> <td>-</td> <td>318</td> <td>3\"/> <tr> <td>325</td> <td>A</td> <td>3\"/> <tr> <td>327</td> <td>ETR</td> <td>-</td> <td>WD.</td> <td>J2</td> <td>PTD.</td> <td>-</td> <td>319</td> <td>3\"/> <tr> <td>328</td> <td>ETR</td> <td>-</td> <td>WD.</td> <td>J2</td> <td>PTD.</td> <td>-</td> <td>320</td> <td>3\"/> <tr> <td>329A</td> <td>ETR</td> <td>-</td> <td>WD.</td> <td>J2</td> <td>PTD.</td> <td>-</td> <td>321</td> <td>3\"/> <tr> <td>329B</td> <td>ETR</td> <td>-</td> <td>WD.</td> <td>J2</td> <td>PTD.</td> <td>-</td> <td>322</td> <td>3\"/> <tr> <td>331</td> <td>ETR</td> <td>-</td> <td>WD.</td> <td>J2</td> <td>PTD.</td> <td>-</td> <td>323</td> <td>3\"/> <tr> <td>333</td> <td>ETR</td> <td>-</td> <td>WD.</td> <td>J2</td> <td>PTD.</td> <td>-</td> <td>324</td> <td>3\"/> <tr> <td>334A</td> <td>ETR</td> <td>-</td> <td>WD.</td> <td>J2</td> <td>PTD.</td> <td>-</td> <td>325</td> <td>3\"/> <tr> <td>334B</td> <td>ETR</td> <td>-</td> <td>WD.</td> <td>J2</td> <td>PTD.</td> <td>-</td> <td>327</td> <td>3\"/> <tr> <td>335A</td> <td>ETR</td> <td>-</td> <td>WD.</td> <td>J2</td> <td>PTD.</td> <td>-</td> <td>328</td> <td>3\"/> <tr> <td>335B</td> <td>B</td> <td>3\"/> <tr> <td>336</td> <td>B</td> <td>3\"/> <tr> <td>337</td> <td>ETR</td> <td>-</td> <td>WD.</td> <td>J2</td> <td>PTD.</td> <td>-</td> <td>329A</td> <td>3\"/> <tr> <td>339</td> <td>ETR</td> <td>-</td> <td>WD.</td> <td>J2</td> <td>PTD.</td> <td>-</td> <td>329B</td> <td>3\"/> <tr> <td>340</td> <td>A</td> <td>3\"/> <tr> <td>341A</td> <td>ETR</td> <td>-</td> <td>WD.</td> <td>J2</td> <td>PTD.</td> <td>-</td> <td>331</td> <td>3\"/> <tr> <td>341B</td> <td>ETR</td> <td>-</td> <td>WD.</td> <td>J2</td> <td>PTD.</td> <td>-</td> <td>333</td> <td>3\"/> <tr> <td>342</td> <td>ETR</td> <td>-</td> <td>WD.</td> <td>J2</td> <td>PTD.</td> <td>-</td> <td>334A</td> <td>3\"/> <tr> <td>344</td> <td>ETR</td> <td>-</td> <td>WD.</td> <td>J2</td> <td>PTD.</td> <td>-</td> <td>334B</td> <td>3\"/> <tr> <td>345</td> <td>ETR</td> <td>-</td> <td>WD.</td> <td>J2</td> <td>PTD.</td> <td>-</td> <td>335A</td> <td>3\"/> <tr> <td>346</td> <td>ETR</td> <td>-</td> <td>WD.</td> <td>J2</td> <td>PTD.</td> <td>-</td> <td>335B</td> <td>3\"/> <tr> <td>347</td> <td>ETR</td> <td>-</td> <td>WD.</td> <td>J2</td> <td>PTD.</td> <td>-</td> <td>336</td> <td>3\"/> <tr> <td>348</td> <td>ETR</td> <td>-</td> <td>WD.</td> <td>J2</td> <td>PTD.</td> <td>-</td> <td>337</td> <td>3\"/> <tr> <td>349</td> <td>ETR</td> <td>-</td> <td>WD.</td> <td>J2</td> <td>PTD.</td> <td>-</td> <td>339</td> <td>3\"/> <tr> <td>350</td> <td>ETR</td> <td>-</td> <td>WD.</td> <td>J2</td> <td>PTD.</td> <td>-</td> <td>340</td> <td>3\"/>
</td></tr></td></tr></td></tr></td></tr></td></tr></td></tr></td></tr></td></tr></td></tr></td></tr></td></tr></td></tr></td></tr></td></tr></td></tr></td></tr></td></tr></td></tr></td></tr></td></tr></td></tr></td></tr></td></tr></td></tr></td></tr></td></tr></td></tr></td></tr></td></tr></td></tr> | 320 | ETR | - | WD. | J2 | PTD. | - | 313 | 3\"/> <tr> <td>321</td> <td>ETR</td> <td>-</td> <td>WD.</td> <td>J2</td> <td>PTD.</td> <td>-</td> <td>314</td> <td>3\"/> <tr> <td>322</td> <td>ETR</td> <td>-</td> <td>WD.</td> <td>J2</td> <td>PTD.</td> <td>-</td> <td>315</td> <td>3\"/> <tr> <td>323</td> <td>ETR</td> <td>-</td> <td>WD.</td> <td>J2</td> <td>PTD.</td> <td>-</td> <td>316A</td> <td>3\"/> <tr> <td>324</td> <td>ETR</td> <td>-</td> <td>WD.</td> <td>J2</td> <td>PTD.</td> <td>-</td> <td>318</td> <td>3\"/> <tr> <td>325</td> <td>A</td> <td>3\"/> <tr> <td>327</td> <td>ETR</td> <td>-</td> <td>WD.</td> <td>J2</td> <td>PTD.</td> <td>-</td> <td>319</td> <td>3\"/> <tr> <td>328</td> <td>ETR</td> <td>-</td> <td>WD.</td> <td>J2</td> <td>PTD.</td> <td>-</td> <td>320</td> <td>3\"/> <tr> <td>329A</td> <td>ETR</td> <td>-</td> <td>WD.</td> <td>J2</td> <td>PTD.</td> <td>-</td> <td>321</td> <td>3\"/> <tr> <td>329B</td> <td>ETR</td> <td>-</td> <td>WD.</td> <td>J2</td> <td>PTD.</td> <td>-</td> <td>322</td> <td>3\"/> <tr> <td>331</td> <td>ETR</td> <td>-</td> <td>WD.</td> <td>J2</td> <td>PTD.</td> <td>-</td> <td>323</td> <td>3\"/> <tr> <td>333</td> <td>ETR</td> <td>-</td> <td>WD.</td> <td>J2</td> <td>PTD.</td> <td>-</td> <td>324</td> <td>3\"/> <tr> <td>334A</td> <td>ETR</td> <td>-</td> <td>WD.</td> <td>J2</td> <td>PTD.</td> <td>-</td> <td>325</td> <td>3\"/> <tr> <td>334B</td> <td>ETR</td> <td>-</td> <td>WD.</td> <td>J2</td> <td>PTD.</td> <td>-</td> <td>327</td> <td>3\"/> <tr> <td>335A</td> <td>ETR</td> <td>-</td> <td>WD.</td> <td>J2</td> <td>PTD.</td> <td>-</td> <td>328</td>
<td>3\"/> <tr> <td>335B</td> <td>B</td> <td>3\"/> <tr> <td>336</td> <td>B</td> <td>3\"/> <tr> <td>337</td> <td>ETR</td> <td>-</td> <td>WD.</td> <td>J2</td> <td>PTD.</td> <td>-</td> <td>329A</td> <td>3\"/> <tr> <td>339</td> <td>ETR</td> <td>-</td> <td>WD.</td> <td>J2</td> <td>PTD.</td> <td>-</td> <td>329B</td> <td>3\"/> <tr> <td>340</td> <td>A</td> <td>3\"/> <tr> <td>341A</td> <td>ETR</td> <td>-</td> <td>WD.</td> <td>J2</td> <td>PTD.</td> <td>-</td> <td>331</td> <td>3\"/> <tr> <td>341B</td> <td>ETR</td> <td>-</td> <td>WD.</td> <td>J2</td> <td>PTD.</td> <td>-</td> <td>333</td> <td>3\"/> <tr> <td>342</td> <td>ETR</td> <td>-</td> <td>WD.</td> <td>J2</td> <td>PTD.</td> <td>-</td> <td>334A</td> <td>3\"/> <tr> <td>344</td> <td>ETR</td> <td>-</td> <td>WD.</td> <td>J2</td> <td>PTD.</td> <td>-</td> <td>334B</td> <td>3\"/> <tr> <td>345</td> <td>ETR</td> <td>-</td> <td>WD.</td> <td>J2</td> <td>PTD.</td> <td>-</td> <td>335A</td> <td>3\"/> <tr> <td>346</td> <td>ETR</td> <td>-</td> <td>WD.</td> <td>J2</td> <td>PTD.</td> <td>-</td> <td>335B</td> <td>3\"/> <tr> <td>347</td> <td>ETR</td> <td>-</td> <td>WD.</td> <td>J2</td> <td>PTD.</td> <td>-</td> <td>336</td> <td>3\"/> <tr> <td>348</td> <td>ETR</td> <td>-</td> <td>WD.</td> <td>J2</td> <td>PTD.</td> <td>-</td> <td>337</td> <td>3\"/> <tr> <td>349</td> <td>ETR</td> <td>-</td> <td>WD.</td> <td>J2</td> <td>PTD.</td> <td>-</td> <td>339</td> <td>3\"/> <tr> <td>350</td> <td>ETR</td> <td>-</td> <td>WD.</td> <td>J2</td> <td>PTD.</td> <td>-</td> <td>340</td> <td>3\"/> </td></tr></td></tr></td></tr></td></tr></td></tr></td></tr></td></tr></td></tr></td></tr></td></tr></td></tr></td></tr></td></tr></td></tr></td></tr></td></tr></td></tr></td></tr></td></tr></td></tr></td></tr></td></tr></td></tr></td></tr></td></tr></td></tr></td></tr></td></tr></td></tr> | 321 | ETR | - | WD. | J2 | PTD. | - | 314 | 3\"/> <tr> <td>322</td> <td>ETR</td> <td>-</td> <td>WD.</td> <td>J2</td> <td>PTD.</td> <td>-</td> <td>315</td> <td>3\"/> <tr> <td>323</td> <td>ETR</td> <td>-</td> <td>WD.</td> <td>J2</td> <td>PTD.</td> <td>-</td> <td>316A</td> <td>3\"/> <tr> <td>324</td> <td>ETR</td> <td>-</td> <td>WD.</td> <td>J2</td> <td>PTD.</td> <td>-</td> <td>318</td> <td>3\"/> <tr> <td>325</td> <td>A</td> <td>3\"/> <tr> <td>327</td> <td>ETR</td> <td>-</td> <td>WD.</td> <td>J2</td> <td>PTD.</td> <td>-</td> <td>319</td>
<td>3\"/> <tr> <td>328</td> <td>ETR</td> <td>-</td> <td>WD.</td> <td>J2</td> <td>PTD.</td> <td>-</td> <td>320</td> <td>3\"/> <tr> <td>329A</td> <td>ETR</td> <td>-</td> <td>WD.</td> <td>J2</td> <td>PTD.</td> <td>-</td> <td>321</td> <td>3\"/> <tr> <td>329B</td> <td>ETR</td> <td>-</td> <td>WD.</td> <td>J2</td> <td>PTD.</td> <td>-</td> <td>322</td> <td>3\"/> <tr> <td>331</td> <td>ETR</td> <td>-</td> <td>WD.</td> <td>J2</td> <td>PTD.</td> <td>-</td> <td>323</td> <td>3\"/> <tr> <td>333</td> <td>ETR</td> <td>-</td> <td>WD.</td> <td>J2</td> <td>PTD.</td> <td>-</td> <td>324</td> <td>3\"/> <tr> <td>334A</td> <td>ETR</td> <td>-</td> <td>WD.</td> <td>J2</td> <td>PTD.</td> <td>-</td> <td>325</td> <td>3\"/> <tr> <td>334B</td> <td>ETR</td> <td>-</td> <td>WD.</td> <td>J2</td> <td>PTD.</td> <td>-</td> <td>327</td> <td>3\"/> <tr> <td>335A</td> <td>ETR</td> <td>-</td> <td>WD.</td> <td>J2</td> <td>PTD.</td> <td>-</td> <td>328</td> <td>3\"/> <tr> <td>335B</td> <td>B</td> <td>3\"/> <tr> <td>336</td> <td>B</td> <td>3\"/> <tr> <td>337</td> <td>ETR</td> <td>-</td> <td>WD.</td> <td>J2</td> <td>PTD.</td> <td>-</td> <td>329A</td> <td>3\"/> <tr> <td>339</td> <td>ETR</td> <td>-</td> <td>WD.</td> <td>J2</td> <td>PTD.</td> <td>-</td> <td>329B</td> <td>3\"/> <tr> <td>340</td> <td>A</td> <td>3\"/> <tr> <td>341A</td> <td>ETR</td> <td>-</td> <td>WD.</td> <td>J2</td> <td>PTD.</td> <td>-</td> <td>331</td> <td>3\"/> <tr> <td>341B</td> <td>ETR</td> <td>-</td> <td>WD.</td> <td>J2</td> <td>PTD.</td> <td>-</td> <td>333</td> <td>3\"/> <tr> <td>342</td> <td>ETR</td> <td>-</td> <td>WD.</td> <td>J2</td> <td>PTD.</td> <td>-</td> <td>334A</td> <td>3\"/> <tr> <td>344</td> <td>ETR</td> <td>-</td> <td>WD.</td> <td>J2</td> <td>PTD.</td> <td>-</td> <td>334B</td> <td>3\"/> <tr> <td>345</td> <td>ETR</td> <td>-</td> <td>WD.</td> <td>J2</td> <td>PTD.</td> <td>-</td> <td>335A</td> <td>3\"/> <tr> <td>346</td> <td>ETR</td> <td>-</td> <td>WD.</td> <td>J2</td> <td>PTD.</td> <td>-</td> <td>335B</td> <td>3\"/> <tr> <td>347</td> <td>ETR</td> <td>-</td> <td>WD.</td> <td>J2</td> <td>PTD.</td> <td>-</td> <td>336</td> <td>3\"/> <tr> <td>348</td> <td>ETR</td> <td>-</td> <td>WD.</td> <td>J2</td> <td>PTD.</td> <td>-</td> <td>337</td> <td>3\"/> <tr> <td>349</td> <td>ETR</td> <td>-</td> <td>WD.</td> <td>J2</td> <td>PTD.</td> <td>-</td> <td>339</td> <td>3\"/> <tr> <td>350</td> <td>ETR</td> <td>-</td> <td>WD.</td> <td>J2</td> <td>PTD.</td> <td>-</td> <td>340</td> <td>3\"/> </td></tr></td></tr></td></tr></td></tr></td></tr></td></tr></td></tr></td></tr></td></tr></td></tr></td></tr></td></tr></td></tr></td></tr></td></tr></td></tr></td></tr></td></tr></td></tr></td></tr></td></tr></td></tr></td></tr></td></tr></td></tr></td></tr></td></tr></td></tr> | 322 | ETR | - | WD. | J2 | PTD.
 | - | 315 | 3\"/> <tr> <td>323</td> <td>ETR</td> <td>-</td> <td>WD.</td> <td>J2</td> <td>PTD.</td> <td>-</td> <td>316A</td> <td>3\"/> <tr> <td>324</td> <td>ETR</td> <td>-</td> <td>WD.</td> <td>J2</td> <td>PTD.</td> <td>-</td> <td>318</td> <td>3\"/> <tr> <td>325</td> <td>A</td> <td>3\"/> <tr> <td>327</td> <td>ETR</td> <td>-</td> <td>WD.</td> <td>J2</td> <td>PTD.</td> <td>-</td> <td>319</td> <td>3\"/> <tr> <td>328</td> <td>ETR</td> <td>-</td> <td>WD.</td> <td>J2</td> <td>PTD.</td> <td>-</td> <td>320</td> <td>3\"/> <tr> <td>329A</td> <td>ETR</td> <td>-</td> <td>WD.</td> <td>J2</td> <td>PTD.</td> <td>-</td> <td>321</td> <td>3\"/> <tr> <td>329B</td> <td>ETR</td> <td>-</td> <td>WD.</td> <td>J2</td> <td>PTD.</td> <td>-</td> <td>322</td> <td>3\"/> <tr> <td>331</td> <td>ETR</td> <td>-</td> <td>WD.</td> <td>J2</td> <td>PTD.</td> <td>-</td> <td>323</td> <td>3\"/> <tr> <td>333</td> <td>ETR</td> <td>-</td> <td>WD.</td> <td>J2</td> <td>PTD.</td> <td>-</td> <td>324</td> <td>3\"/> <tr> <td>334A</td> <td>ETR</td> <td>-</td> <td>WD.</td> <td>J2</td> <td>PTD.</td> <td>-</td> <td>325</td> <td>3\"/> <tr> <td>334B</td> <td>ETR</td> <td>-</td> <td>WD.</td> <td>J2</td> <td>PTD.</td> <td>-</td> <td>327</td> <td>3\"/> <tr> <td>335A</td> <td>ETR</td> <td>-</td> <td>WD.</td> <td>J2</td> <td>PTD.</td> <td>-</td> <td>328</td> <td>3\"/> <tr> <td>335B</td> <td>B</td> <td>3\"/> <tr> <td>336</td> <td>B</td> <td>3\"/> <tr> <td>337</td> <td>ETR</td> <td>-</td> <td>WD.</td> <td>J2</td> <td>PTD.</td> <td>-</td> <td>329A</td> <td>3\"/> <tr> <td>339</td> <td>ETR</td> <td>-</td> <td>WD.</td> <td>J2</td> <td>PTD.</td> <td>-</td> <td>329B</td> <td>3\"/> <tr> <td>340</td> <td>A</td> <td>3\"/> <tr> <td>341A</td> <td>ETR</td> <td>-</td> <td>WD.</td> <td>J2</td> <td>PTD.</td> <td>-</td> <td>331</td> <td>3\"/> <tr> <td>341B</td> <td>ETR</td> <td>-</td> <td>WD.</td> <td>J2</td> <td>PTD.</td> <td>-</td> <td>333</td> <td>3\"/> <tr> <td>342</td> <td>ETR</td> <td>-</td> <td>WD.</td> <td>J2</td> <td>PTD.</td> <td>-</td> <td>334A</td> <td>3\"/> <tr> <td>344</td> <td>ETR</td> <td>-</td> <td>WD.</td> <td>J2</td> <td>PTD.</td> <td>-</td> <td>334B</td> <td>3\"/> <tr> <td>345</td> <td>ETR</td> <td>-</td> <td>WD.</td> <td>J2</td> <td>PTD.</td> <td>-</td> <td>335A</td> <td>3\"/> <tr> <td>346</td> <td>ETR</td> <td>-</td> <td>WD.</td> <td>J2</td> <td>PTD.</td> <td>-</td> <td>335B</td> <td>3\"/> <tr> <td>347</td> <td>ETR</td> <td>-</td> <td>WD.</td> <td>J2</td> <td>PTD.</td> <td>-</td> <td>336</td> <td>3\"/> <tr> <td>348</td> <td>ETR</td> <td>-</td> <td>WD.</td> <td>J2</td> <td>PTD.</td> <td>-</td> <td>337</td> <td>3\"/> <tr> <td>349</td> <td>ETR</td> <td>-</td> <td>WD.</td> <td>J2</td> <td>PTD.</td> <td>-</td> <td>339</td> <td>3\"/> <tr> <td>350</td> <td>ETR</td> <td>-</td> <td>WD.</td> <td>J2</td> <td>PTD.</td> <td>-</td> <td>340</td> <td>3\"/> </td></tr></td></tr></td></tr></td></tr></td></tr></td></tr></td></tr></td></tr></td></tr></td></tr></td></tr></td></tr></td></tr></td></tr></td></tr></td></tr></td></tr></td></tr></td></tr></td></tr></td></tr></td></tr></td></tr></td></tr></td></tr></td></tr></td></tr> | 323 | ETR | - | WD. | J2 | PTD.
 | - | 316A | 3\"/> <tr> <td>324</td> <td>ETR</td> <td>-</td> <td>WD.</td> <td>J2</td> <td>PTD.</td> <td>-</td> <td>318</td> <td>3\"/> <tr> <td>325</td> <td>A</td> <td>3\"/> <tr> <td>327</td> <td>ETR</td> <td>-</td> <td>WD.</td> <td>J2</td> <td>PTD.</td> <td>-</td> <td>319</td> <td>3\"/> <tr> <td>328</td> <td>ETR</td> <td>-</td> <td>WD.</td> <td>J2</td> <td>PTD.</td> <td>-</td> <td>320</td> <td>3\"/> <tr> <td>329A</td> <td>ETR</td> <td>-</td> <td>WD.</td> <td>J2</td> <td>PTD.</td> <td>-</td> <td>321</td> <td>3\"/> <tr> <td>329B</td> <td>ETR</td> <td>-</td> <td>WD.</td> <td>J2</td> <td>PTD.</td> <td>-</td> <td>322</td> <td>3\"/> <tr> <td>331</td> <td>ETR</td> <td>-</td> <td>WD.</td> <td>J2</td> <td>PTD.</td> <td>-</td> <td>323</td> <td>3\"/> <tr> <td>333</td> <td>ETR</td> <td>-</td> <td>WD.</td> <td>J2</td> <td>PTD.</td> <td>-</td> <td>324</td> <td>3\"/> <tr> <td>334A</td> <td>ETR</td> <td>-</td> <td>WD.</td> <td>J2</td> <td>PTD.</td> <td>-</td> <td>325</td> <td>3\"/> <tr> <td>334B</td> <td>ETR</td> <td>-</td> <td>WD.</td> <td>J2</td> <td>PTD.</td> <td>-</td> <td>327</td> <td>3\"/> <tr> <td>335A</td> <td>ETR</td> <td>-</td> <td>WD.</td> <td>J2</td> <td>PTD.</td> <td>-</td> <td>328</td> <td>3\"/> <tr> <td>335B</td> <td>B</td> <td>3\"/> <tr> <td>336</td> <td>B</td> <td>3\"/> <tr> <td>337</td> <td>ETR</td> <td>-</td> <td>WD.</td> <td>J2</td> <td>PTD.</td> <td>-</td> <td>329A</td> <td>3\"/> <tr> <td>339</td> <td>ETR</td> <td>-</td> <td>WD.</td> <td>J2</td> <td>PTD.</td> <td>-</td> <td>329B</td> <td>3\"/> <tr> <td>340</td> <td>A</td> <td>3\"/> <tr> <td>341A</td> <td>ETR</td> <td>-</td> <td>WD.</td> <td>J2</td> <td>PTD.</td> <td>-</td> <td>331</td> <td>3\"/> <tr> <td>341B</td> <td>ETR</td> <td>-</td> <td>WD.</td> <td>J2</td> <td>PTD.</td> <td>-</td> <td>333</td> <td>3\"/> <tr> <td>342</td> <td>ETR</td> <td>-</td> <td>WD.</td> <td>J2</td> <td>PTD.</td> <td>-</td> <td>334A</td> <td>3\"/> <tr> <td>344</td> <td>ETR</td> <td>-</td> <td>WD.</td> <td>J2</td> <td>PTD.</td> <td>-</td> <td>334B</td> <td>3\"/> <tr> <td>345</td> <td>ETR</td> <td>-</td> <td>WD.</td> <td>J2</td> <td>PTD.</td> <td>-</td> <td>335A</td> <td>3\"/> <tr> <td>346</td> <td>ETR</td> <td>-</td> <td>WD.</td> <td>J2</td> <td>PTD.</td> <td>-</td> <td>335B</td> <td>3\"/> <tr> <td>347</td> <td>ETR</td> <td>-</td> <td>WD.</td> <td>J2</td> <td>PTD.</td> <td>-</td> <td>336</td> <td>3\"/> <tr> <td>348</td> <td>ETR</td> <td>-</td> <td>WD.</td> <td>J2</td> <td>PTD.</td> <td>-</td> <td>337</td> <td>3\"/> <tr> <td>349</td> <td>ETR</td> <td>-</td> <td>WD.</td> <td>J2</td> <td>PTD.</td> <td>-</td> <td>339</td> <td>3\"/> <tr> <td>350</td> <td>ETR</td> <td>-</td> <td>WD.</td> <td>J2</td> <td>PTD.</td> <td>-</td> <td>340</td> <td>3\"/> </td></tr></td></tr></td></tr></td></tr></td></tr></td></tr></td></tr></td></tr></td></tr></td></tr></td></tr></td></tr></td></tr></td></tr></td></tr></td></tr></td></tr></td></tr></td></tr></td></tr></td></tr></td></tr></td></tr></td></tr></td></tr></td></tr> | 324 | ETR | - | WD. | J2 | PTD.
 | - | 318 | 3\"/> <tr> <td>325</td> <td>A</td> <td>3\"/> <tr> <td>327</td> <td>ETR</td> <td>-</td> <td>WD.</td> <td>J2</td> <td>PTD.</td> <td>-</td> <td>319</td> <td>3\"/> <tr> <td>328</td> <td>ETR</td> <td>-</td> <td>WD.</td> <td>J2</td> <td>PTD.</td> <td>-</td> <td>320</td> <td>3\"/> <tr> <td>329A</td> <td>ETR</td> <td>-</td> <td>WD.</td> <td>J2</td> <td>PTD.</td> <td>-</td> <td>321</td> <td>3\"/> <tr> <td>329B</td> <td>ETR</td> <td>-</td> <td>WD.</td> <td>J2</td> <td>PTD.</td> <td>-</td> <td>322</td> <td>3\"/> <tr> <td>331</td> <td>ETR</td> <td>-</td> <td>WD.</td> <td>J2</td> <td>PTD.</td> <td>-</td> <td>323</td> <td>3\"/> <tr> <td>333</td> <td>ETR</td> <td>-</td> <td>WD.</td> <td>J2</td> <td>PTD.</td> <td>-</td> <td>324</td> <td>3\"/> <tr> <td>334A</td> <td>ETR</td> <td>-</td> <td>WD.</td> <td>J2</td> <td>PTD.</td> <td>-</td> <td>325</td> <td>3\"/> <tr> <td>334B</td> <td>ETR</td> <td>-</td> <td>WD.</td> <td>J2</td> <td>PTD.</td> <td>-</td> <td>327</td> <td>3\"/> <tr> <td>335A</td> <td>ETR</td> <td>-</td> <td>WD.</td> <td>J2</td> <td>PTD.</td> <td>-</td> <td>328</td> <td>3\"/> <tr> <td>335B</td> <td>B</td> <td>3\"/> <tr> <td>336</td> <td>B</td> <td>3\"/> <tr> <td>337</td> <td>ETR</td> <td>-</td> <td>WD.</td> <td>J2</td> <td>PTD.</td> <td>-</td> <td>329A</td> <td>3\"/> <tr> <td>339</td> <td>ETR</td> <td>-</td> <td>WD.</td> <td>J2</td> <td>PTD.</td> <td>-</td> <td>329B</td> <td>3\"/> <tr> <td>340</td> <td>A</td> <td>3\"/> <tr> <td>341A</td> <td>ETR</td> <td>-</td> <td>WD.</td> <td>J2</td> <td>PTD.</td> <td>-</td> <td>331</td> <td>3\"/> <tr> <td>341B</td> <td>ETR</td> <td>-</td> <td>WD.</td> <td>J2</td> <td>PTD.</td> <td>-</td> <td>333</td> <td>3\"/> <tr> <td>342</td> <td>ETR</td> <td>-</td> <td>WD.</td> <td>J2</td> <td>PTD.</td> <td>-</td> <td>334A</td> <td>3\"/> <tr> <td>344</td> <td>ETR</td> <td>-</td> <td>WD.</td> <td>J2</td> <td>PTD.</td> <td>-</td> <td>334B</td> <td>3\"/> <tr> <td>345</td> <td>ETR</td> <td>-</td> <td>WD.</td> <td>J2</td> <td>PTD.</td> <td>-</td> <td>335A</td> <td>3\"/> <tr> <td>346</td> <td>ETR</td> <td>-</td> <td>WD.</td> <td>J2</td> <td>PTD.</td> <td>-</td> <td>335B</td> <td>3\"/> <tr> <td>347</td> <td>ETR</td> <td>-</td> <td>WD.</td> <td>J2</td> <td>PTD.</td> <td>-</td> <td>336</td> <td>3\"/> <tr> <td>348</td> <td>ETR</td> <td>-</td> <td>WD.</td> <td>J2</td> <td>PTD.</td> <td>-</td> <td>337</td> <td>3\"/> <tr> <td>349</td> <td>ETR</td> <td>-</td> <td>WD.</td> <td>J2</td> <td>PTD.</td> <td>-</td> <td>339</td> <td>3\"/> <tr> <td>350</td> <td>ETR</td> <td>-</td> <td>WD.</td> <td>J2</td> <td>PTD.</td> <td>-</td> <td>340</td> <td>3\"/> </td></tr></td></tr></td></tr></td></tr></td></tr></td></tr></td></tr></td></tr></td></tr></td></tr></td></tr></td></tr></td></tr></td></tr></td></tr></td></tr></td></tr></td></tr></td></tr></td></tr></td></tr></td></tr></td></tr></td></tr></td></tr> | 325 | A | 3\"/> <tr> <td>327</td> <td>ETR</td> <td>-</td> <td>WD.</td> <td>J2</td> <td>PTD.</td> <td>-</td> <td>319</td> <td>3\"/> <tr> <td>328</td> <td>ETR</td> <td>-</td> <td>WD.</td> <td>J2</td> <td>PTD.</td> <td>-</td> <td>320</td> <td>3\"/> <tr> <td>329A</td> <td>ETR</td> <td>-</td> <td>WD.</td> <td>J2</td> <td>PTD.</td> <td>-</td> <td>321</td> <td>3\"/> <tr> <td>329B</td> <td>ETR</td> <td>-</td> <td>WD.</td> <td>J2</td> <td>PTD.</td> <td>-</td> <td>322</td> <td>3\"/> <tr> <td>331</td> <td>ETR</td> <td>-</td> <td>WD.</td> <td>J2</td> <td>PTD.</td> <td>-</td> <td>323</td> <td>3\"/> <tr> <td>333</td> <td>ETR</td> <td>-</td> <td>WD.</td> <td>J2</td> <td>PTD.</td> <td>-</td> <td>324</td> <td>3\"/> <tr> <td>334A</td> <td>ETR</td> <td>-</td> <td>WD.</td> <td>J2</td> <td>PTD.</td> <td>-</td> <td>325</td> <td>3\"/> <tr> <td>334B</td> <td>ETR</td> <td>-</td> <td>WD.</td> <td>J2</td> <td>PTD.</td> <td>-</td> <td>327</td> <td>3\"/> <tr> <td>335A</td> <td>ETR</td> <td>-</td> <td>WD.</td> <td>J2</td> <td>PTD.</td> <td>-</td> <td>328</td> <td>3\"/> <tr> <td>335B</td> <td>B</td> <td>3\"/> <tr> <td>336</td> <td>B</td> <td>3\"/> <tr> <td>337</td> <td>ETR</td> <td>-</td> <td>WD.</td> <td>J2</td> <td>PTD.</td> <td>-</td> <td>329A</td> <td>3\"/> <tr> <td>339</td> <td>ETR</td> <td>-</td> <td>WD.</td> <td>J2</td> <td>PTD.</td> <td>-</td> <td>329B</td> <td>3\"/> <tr> <td>340</td> <td>A</td> <td>3\"/> <tr> <td>341A</td> <td>ETR</td> <td>-</td> <td>WD.</td> <td>J2</td> <td>PTD.</td> <td>-</td> <td>331</td> <td>3\"/> <tr> <td>341B</td> <td>ETR</td> <td>-</td> <td>WD.</td> <td>J2</td> <td>PTD.</td> <td>-</td> <td>333</td> <td>3\"/> <tr> <td>342</td> <td>ETR</td> <td>-</td> <td>WD.</td> <td>J2</td> <td>PTD.</td> <td>-</td> <td>334A</td> <td>3\"/> <tr> <td>344</td> <td>ETR</td> <td>-</td> <td>WD.</td> <td>J2</td> <td>PTD.</td> <td>-</td> <td>334B</td> <td>3\"/> <tr> <td>345</td> <td>ETR</td> <td>-</td> <td>WD.</td> <td>J2</td> <td>PTD.</td> <td>-</td> <td>335A</td> <td>3\"/> <tr> <td>346</td> <td>ETR</td> <td>-</td> <td>WD.</td> <td>J2</td> <td>PTD.</td> <td>-</td> <td>335B</td> <td>3\"/> <tr> <td>347</td> <td>ETR</td> <td>-</td> <td>WD.</td> <td>J2</td> <td>PTD.</td> <td>-</td> <td>336</td> <td>3\"/> <tr> <td>348</td> <td>ETR</td> <td>-</td> <td>WD.</td> <td>J2</td> <td>PTD.</td> <td>-</td> <td>337</td> <td>3\"/> <tr> <td>349</td> <td>ETR</td> <td>-</td> <td>WD.</td> <td>J2</td> <td>PTD.</td> <td>-</td> <td>339</td> <td>3\"/> <tr> <td>350</td> <td>ETR</td> <td>-</td> <td>WD.</td> <td>J2</td> <td>PTD.</td> <td>-</td> <td>340</td> <td>3\"/> </td></tr></td></tr></td></tr></td></tr></td></tr></td></tr></td></tr></td></tr></td></tr></td></tr></td></tr></td></tr></td></tr></td></tr></td></tr></td></tr></td></tr></td></tr></td></tr></td></tr></td></tr></td></tr></td></tr></td></tr> | 327 | ETR | - | WD. | J2 | PTD.
 | - | 319 | 3\"/> <tr> <td>328</td> <td>ETR</td> <td>-</td> <td>WD.</td> <td>J2</td> <td>PTD.</td> <td>-</td> <td>320</td> <td>3\"/> <tr> <td>329A</td> <td>ETR</td> <td>-</td> <td>WD.</td> <td>J2</td> <td>PTD.</td> <td>-</td> <td>321</td> <td>3\"/> <tr> <td>329B</td> <td>ETR</td> <td>-</td> <td>WD.</td> <td>J2</td> <td>PTD.</td> <td>-</td> <td>322</td> <td>3\"/> <tr> <td>331</td> <td>ETR</td> <td>-</td> <td>WD.</td> <td>J2</td> <td>PTD.</td> <td>-</td> <td>323</td> <td>3\"/> <tr> <td>333</td> <td>ETR</td> <td>-</td> <td>WD.</td> <td>J2</td> <td>PTD.</td> <td>-</td> <td>324</td> <td>3\"/> <tr> <td>334A</td> <td>ETR</td> <td>-</td> <td>WD.</td> <td>J2</td> <td>PTD.</td> <td>-</td> <td>325</td> <td>3\"/> <tr> <td>334B</td> <td>ETR</td> <td>-</td> <td>WD.</td> <td>J2</td> <td>PTD.</td> <td>-</td> <td>327</td> <td>3\"/> <tr> <td>335A</td> <td>ETR</td> <td>-</td> <td>WD.</td> <td>J2</td> <td>PTD.</td> <td>-</td> <td>328</td> <td>3\"/> <tr> <td>335B</td> <td>B</td> <td>3\"/> <tr> <td>336</td> <td>B</td> <td>3\"/> <tr> <td>337</td> <td>ETR</td> <td>-</td> <td>WD.</td> <td>J2</td> <td>PTD.</td> <td>-</td> <td>329A</td> <td>3\"/> <tr> <td>339</td> <td>ETR</td> <td>-</td> <td>WD.</td> <td>J2</td> <td>PTD.</td> <td>-</td> <td>329B</td> <td>3\"/> <tr> <td>340</td> <td>A</td> <td>3\"/> <tr> <td>341A</td> <td>ETR</td> <td>-</td> <td>WD.</td> <td>J2</td> <td>PTD.</td> <td>-</td> <td>331</td> <td>3\"/> <tr> <td>341B</td> <td>ETR</td> <td>-</td> <td>WD.</td> <td>J2</td> <td>PTD.</td> <td>-</td> <td>333</td> <td>3\"/> <tr> <td>342</td> <td>ETR</td> <td>-</td> <td>WD.</td> <td>J2</td> <td>PTD.</td> <td>-</td> <td>334A</td> <td>3\"/> <tr> <td>344</td> <td>ETR</td> <td>-</td> <td>WD.</td> <td>J2</td> <td>PTD.</td> <td>-</td> <td>334B</td> <td>3\"/> <tr> <td>345</td> <td>ETR</td> <td>-</td> <td>WD.</td> <td>J2</td> <td>PTD.</td> <td>-</td> <td>335A</td> <td>3\"/> <tr> <td>346</td> <td>ETR</td> <td>-</td> <td>WD.</td> <td>J2</td> <td>PTD.</td> <td>-</td> <td>335B</td> <td>3\"/> <tr> <td>347</td> <td>ETR</td> <td>-</td> <td>WD.</td> <td>J2</td> <td>PTD.</td> <td>-</td> <td>336</td> <td>3\"/> <tr> <td>348</td> <td>ETR</td> <td>-</td> <td>WD.</td> <td>J2</td> <td>PTD.</td> <td>-</td> <td>337</td> <td>3\"/> <tr> <td>349</td> <td>ETR</td> <td>-</td> <td>WD.</td> <td>J2</td> <td>PTD.</td> <td>-</td> <td>339</td> <td>3\"/> <tr> <td>350</td> <td>ETR</td> <td>-</td> <td>WD.</td> <td>J2</td> <td>PTD.</td> <td>-</td> <td>340</td> <td>3\"/> </td></tr></td></tr></td></tr></td></tr></td></tr></td></tr></td></tr></td></tr></td></tr></td></tr></td></tr></td></tr></td></tr></td></tr></td></tr></td></tr></td></tr></td></tr></td></tr></td></tr></td></tr></td></tr></td></tr> | 328 | ETR | - | WD. | J2 | PTD.
 | - | 320 | 3\"/> <tr> <td>329A</td> <td>ETR</td> <td>-</td> <td>WD.</td> <td>J2</td> <td>PTD.</td> <td>-</td> <td>321</td> <td>3\"/> <tr> <td>329B</td> <td>ETR</td> <td>-</td> <td>WD.</td> <td>J2</td> <td>PTD.</td> <td>-</td> <td>322</td> <td>3\"/> <tr> <td>331</td> <td>ETR</td> <td>-</td> <td>WD.</td> <td>J2</td> <td>PTD.</td> <td>-</td> <td>323</td> <td>3\"/> <tr> <td>333</td> <td>ETR</td> <td>-</td> <td>WD.</td> <td>J2</td> <td>PTD.</td> <td>-</td> <td>324</td> <td>3\"/> <tr> <td>334A</td> <td>ETR</td> <td>-</td> <td>WD.</td> <td>J2</td> <td>PTD.</td> <td>-</td> <td>325</td> <td>3\"/> <tr> <td>334B</td> <td>ETR</td> <td>-</td> <td>WD.</td> <td>J2</td> <td>PTD.</td> <td>-</td> <td>327</td> <td>3\"/> <tr> <td>335A</td> <td>ETR</td> <td>-</td> <td>WD.</td> <td>J2</td> <td>PTD.</td> <td>-</td> <td>328</td> <td>3\"/> <tr> <td>335B</td> <td>B</td> <td>3\"/> <tr> <td>336</td> <td>B</td> <td>3\"/> <tr> <td>337</td> <td>ETR</td> <td>-</td> <td>WD.</td> <td>J2</td> <td>PTD.</td> <td>-</td> <td>329A</td> <td>3\"/> <tr> <td>339</td> <td>ETR</td> <td>-</td> <td>WD.</td> <td>J2</td> <td>PTD.</td> <td>-</td> <td>329B</td> <td>3\"/> <tr> <td>340</td> <td>A</td> <td>3\"/> <tr> <td>341A</td> <td>ETR</td> <td>-</td> <td>WD.</td> <td>J2</td> <td>PTD.</td> <td>-</td> <td>331</td> <td>3\"/> <tr> <td>341B</td> <td>ETR</td> <td>-</td> <td>WD.</td> <td>J2</td> <td>PTD.</td> <td>-</td> <td>333</td> <td>3\"/> <tr> <td>342</td> <td>ETR</td> <td>-</td> <td>WD.</td> <td>J2</td> <td>PTD.</td> <td>-</td> <td>334A</td> <td>3\"/> <tr> <td>344</td> <td>ETR</td> <td>-</td> <td>WD.</td> <td>J2</td> <td>PTD.</td> <td>-</td> <td>334B</td> <td>3\"/> <tr> <td>345</td> <td>ETR</td> <td>-</td> <td>WD.</td> <td>J2</td> <td>PTD.</td> <td>-</td> <td>335A</td> <td>3\"/> <tr> <td>346</td> <td>ETR</td> <td>-</td> <td>WD.</td> <td>J2</td> <td>PTD.</td> <td>-</td> <td>335B</td> <td>3\"/> <tr> <td>347</td> <td>ETR</td> <td>-</td> <td>WD.</td> <td>J2</td> <td>PTD.</td> <td>-</td> <td>336</td> <td>3\"/> <tr> <td>348</td> <td>ETR</td> <td>-</td> <td>WD.</td> <td>J2</td> <td>PTD.</td> <td>-</td> <td>337</td> <td>3\"/> <tr> <td>349</td> <td>ETR</td> <td>-</td> <td>WD.</td> <td>J2</td> <td>PTD.</td> <td>-</td> <td>339</td> <td>3\"/> <tr> <td>350</td> <td>ETR</td> <td>-</td> <td>WD.</td> <td>J2</td> <td>PTD.</td> <td>-</td> <td>340</td> <td>3\"/> </td></tr></td></tr></td></tr></td></tr></td></tr></td></tr></td></tr></td></tr></td></tr></td></tr></td></tr></td></tr></td></tr></td></tr></td></tr></td></tr></td></tr></td></tr></td></tr></td></tr></td></tr></td></tr> | 329A | ETR | - | WD. | J2 | PTD. | - | 321 | 3\"/>
<tr> <td>329B</td> <td>ETR</td> <td>-</td> <td>WD.</td> <td>J2</td> <td>PTD.</td> <td>-</td> <td>322</td> <td>3\"/> <tr> <td>331</td> <td>ETR</td> <td>-</td> <td>WD.</td> <td>J2</td> <td>PTD.</td> <td>-</td> <td>323</td> <td>3\"/> <tr> <td>333</td> <td>ETR</td> <td>-</td> <td>WD.</td> <td>J2</td> <td>PTD.</td> <td>-</td> <td>324</td> <td>3\"/> <tr> <td>334A</td> <td>ETR</td> <td>-</td> <td>WD.</td> <td>J2</td> <td>PTD.</td> <td>-</td> <td>325</td> <td>3\"/> <tr> <td>334B</td> <td>ETR</td> <td>-</td> <td>WD.</td> <td>J2</td> <td>PTD.</td> <td>-</td> <td>327</td> <td>3\"/> <tr> <td>335A</td> <td>ETR</td> <td>-</td> <td>WD.</td> <td>J2</td> <td>PTD.</td> <td>-</td> <td>328</td> <td>3\"/> <tr> <td>335B</td> <td>B</td> <td>3\"/> <tr> <td>336</td> <td>B</td> <td>3\"/> <tr> <td>337</td> <td>ETR</td> <td>-</td> <td>WD.</td> <td>J2</td> <td>PTD.</td> <td>-</td> <td>329A</td> <td>3\"/> <tr> <td>339</td> <td>ETR</td> <td>-</td> <td>WD.</td> <td>J2</td> <td>PTD.</td> <td>-</td> <td>329B</td> <td>3\"/> <tr> <td>340</td> <td>A</td> <td>3\"/> <tr> <td>341A</td> <td>ETR</td> <td>-</td> <td>WD.</td> <td>J2</td> <td>PTD.</td> <td>-</td> <td>331</td> <td>3\"/> <tr> <td>341B</td> <td>ETR</td> <td>-</td> <td>WD.</td> <td>J2</td> <td>PTD.</td> <td>-</td> <td>333</td> <td>3\"/> <tr> <td>342</td> <td>ETR</td> <td>-</td> <td>WD.</td> <td>J2</td> <td>PTD.</td> <td>-</td> <td>334A</td> <td>3\"/> <tr> <td>344</td> <td>ETR</td> <td>-</td> <td>WD.</td> <td>J2</td> <td>PTD.</td> <td>-</td> <td>334B</td> <td>3\"/> <tr> <td>345</td> <td>ETR</td> <td>-</td> <td>WD.</td> <td>J2</td> <td>PTD.</td> <td>-</td> <td>335A</td> <td>3\"/> <tr> <td>346</td> <td>ETR</td> <td>-</td> <td>WD.</td> <td>J2</td> <td>PTD.</td> <td>-</td> <td>335B</td> <td>3\"/> <tr> <td>347</td> <td>ETR</td> <td>-</td> <td>WD.</td> <td>J2</td> <td>PTD.</td> <td>-</td> <td>336</td> <td>3\"/> <tr> <td>348</td> <td>ETR</td> <td>-</td> <td>WD.</td> <td>J2</td> <td>PTD.</td> <td>-</td> <td>337</td> <td>3\"/> <tr> <td>349</td> <td>ETR</td> <td>-</td> <td>WD.</td> <td>J2</td> <td>PTD.</td> <td>-</td> <td>339</td> <td>3\"/> <tr> <td>350</td> <td>ETR</td> <td>-</td> <td>WD.</td> <td>J2</td> <td>PTD.</td> <td>-</td> <td>340</td> <td>3\"/> </td></tr></td></tr></td></tr></td></tr></td></tr></td></tr></td></tr></td></tr></td></tr></td></tr></td></tr></td></tr></td></tr></td></tr></td></tr></td></tr></td></tr></td></tr></td></tr></td></tr></td></tr> | 329B | ETR | - | WD. | J2 | PTD. | - | 322 | 3\"/> <tr> <td>331</td> <td>ETR</td> <td>-</td> <td>WD.</td> <td>J2</td> <td>PTD.</td> <td>-</td> <td>323</td> <td>3\"/> <tr> <td>333</td> <td>ETR</td> <td>-</td> <td>WD.</td> <td>J2</td> <td>PTD.</td> <td>-</td> <td>324</td> <td>3\"/> <tr> <td>334A</td> <td>ETR</td> <td>-</td> <td>WD.</td> <td>J2</td> <td>PTD.</td> <td>-</td> <td>325</td> <td>3\"/> <tr> <td>334B</td> <td>ETR</td> <td>-</td> <td>WD.</td> <td>J2</td> <td>PTD.</td> <td>-</td> <td>327</td> <td>3\"/> <tr> <td>335A</td> <td>ETR</td> <td>-</td> <td>WD.</td> <td>J2</td> <td>PTD.</td> <td>-</td> <td>328</td> <td>3\"/> <tr> <td>335B</td> <td>B</td> <td>3\"/> <tr> <td>336</td> <td>B</td> <td>3\"/> <tr> <td>337</td> <td>ETR</td> <td>-</td> <td>WD.</td> <td>J2</td> <td>PTD.</td> <td>-</td> <td>329A</td> <td>3\"/> <tr> <td>339</td> <td>ETR</td> <td>-</td> <td>WD.</td> <td>J2</td> <td>PTD.</td> <td>-</td> <td>329B</td> <td>3\"/> <tr> <td>340</td> <td>A</td> <td>3\"/> <tr> <td>341A</td> <td>ETR</td> <td>-</td> <td>WD.</td> <td>J2</td> <td>PTD.</td> <td>-</td> <td>331</td> <td>3\"/> <tr> <td>341B</td> <td>ETR</td> <td>-</td> <td>WD.</td> <td>J2</td> <td>PTD.</td> <td>-</td> <td>333</td> <td>3\"/> <tr> <td>342</td> <td>ETR</td> <td>-</td> <td>WD.</td> <td>J2</td> <td>PTD.</td> <td>-</td> <td>334A</td> <td>3\"/> <tr> <td>344</td> <td>ETR</td> <td>-</td> <td>WD.</td> <td>J2</td> <td>PTD.</td> <td>-</td> <td>334B</td> <td>3\"/> <tr> <td>345</td> <td>ETR</td> <td>-</td> <td>WD.</td> <td>J2</td> <td>PTD.</td> <td>-</td> <td>335A</td> <td>3\"/> <tr> <td>346</td> <td>ETR</td> <td>-</td> <td>WD.</td> <td>J2</td> <td>PTD.</td> <td>-</td> <td>335B</td> <td>3\"/> <tr> <td>347</td> <td>ETR</td> <td>-</td> <td>WD.</td> <td>J2</td> <td>PTD.</td> <td>-</td> <td>336</td>
<td>3\"/> <tr> <td>348</td> <td>ETR</td> <td>-</td> <td>WD.</td> <td>J2</td> <td>PTD.</td> <td>-</td> <td>337</td> <td>3\"/> <tr> <td>349</td> <td>ETR</td> <td>-</td> <td>WD.</td> <td>J2</td> <td>PTD.</td> <td>-</td> <td>339</td> <td>3\"/> <tr> <td>350</td> <td>ETR</td> <td>-</td> <td>WD.</td> <td>J2</td> <td>PTD.</td> <td>-</td> <td>340</td> <td>3\"/> </td></tr></td></tr></td></tr></td></tr></td></tr></td></tr></td></tr></td></tr></td></tr></td></tr></td></tr></td></tr></td></tr></td></tr></td></tr></td></tr></td></tr></td></tr></td></tr></td></tr> | 331 | ETR | - | WD. | J2 | PTD. | - | 323 | 3\"/> <tr> <td>333</td> <td>ETR</td> <td>-</td> <td>WD.</td> <td>J2</td> <td>PTD.</td> <td>-</td> <td>324</td> <td>3\"/> <tr> <td>334A</td> <td>ETR</td> <td>-</td> <td>WD.</td> <td>J2</td> <td>PTD.</td> <td>-</td> <td>325</td> <td>3\"/> <tr> <td>334B</td> <td>ETR</td> <td>-</td> <td>WD.</td> <td>J2</td> <td>PTD.</td> <td>-</td> <td>327</td> <td>3\"/> <tr> <td>335A</td> <td>ETR</td> <td>-</td> <td>WD.</td> <td>J2</td> <td>PTD.</td> <td>-</td> <td>328</td> <td>3\"/> <tr> <td>335B</td> <td>B</td> <td>3\"/> <tr> <td>336</td> <td>B</td> <td>3\"/> <tr> <td>337</td> <td>ETR</td> <td>-</td> <td>WD.</td> <td>J2</td> <td>PTD.</td> <td>-</td> <td>329A</td> <td>3\"/> <tr> <td>339</td> <td>ETR</td> <td>-</td> <td>WD.</td> <td>J2</td> <td>PTD.</td> <td>-</td> <td>329B</td> <td>3\"/> <tr> <td>340</td> <td>A</td> <td>3\"/> <tr> <td>341A</td> <td>ETR</td> <td>-</td> <td>WD.</td> <td>J2</td> <td>PTD.</td> <td>-</td> <td>331</td> <td>3\"/> <tr> <td>341B</td> <td>ETR</td> <td>-</td> <td>WD.</td> <td>J2</td> <td>PTD.</td> <td>-</td> <td>333</td> <td>3\"/> <tr> <td>342</td> <td>ETR</td> <td>-</td> <td>WD.</td> <td>J2</td> <td>PTD.</td> <td>-</td> <td>334A</td> <td>3\"/> <tr> <td>344</td> <td>ETR</td> <td>-</td> <td>WD.</td> <td>J2</td> <td>PTD.</td> <td>-</td> <td>334B</td> <td>3\"/> <tr> <td>345</td> <td>ETR</td> <td>-</td> <td>WD.</td> <td>J2</td> <td>PTD.</td> <td>-</td> <td>335A</td> <td>3\"/> <tr> <td>346</td> <td>ETR</td> <td>-</td> <td>WD.</td> <td>J2</td> <td>PTD.</td> <td>-</td> <td>335B</td> <td>3\"/> <tr> <td>347</td> <td>ETR</td> <td>-</td> <td>WD.</td> <td>J2</td> <td>PTD.</td> <td>-</td> <td>336</td> <td>3\"/> <tr> <td>348</td> <td>ETR</td> <td>-</td> <td>WD.</td> <td>J2</td> <td>PTD.</td> <td>-</td> <td>337</td> <td>3\"/> <tr> <td>349</td> <td>ETR</td> <td>-</td> <td>WD.</td> <td>J2</td> <td>PTD.</td> <td>-</td> <td>339</td> <td>3\"/> <tr> <td>350</td> <td>ETR</td> <td>-</td> <td>WD.</td> <td>J2</td> <td>PTD.</td> <td>-</td> <td>340</td> <td>3\"/> </td></tr></td></tr></td></tr></td></tr></td></tr></td></tr></td></tr></td></tr></td></tr></td></tr></td></tr></td></tr></td></tr></td></tr></td></tr></td></tr></td></tr></td></tr></td></tr> | 333 | ETR | -
 | WD. | J2 | PTD. | - | 324 | 3\"/> <tr> <td>334A</td> <td>ETR</td> <td>-</td> <td>WD.</td> <td>J2</td> <td>PTD.</td> <td>-</td> <td>325</td> <td>3\"/> <tr> <td>334B</td> <td>ETR</td> <td>-</td> <td>WD.</td> <td>J2</td> <td>PTD.</td> <td>-</td> <td>327</td> <td>3\"/> <tr> <td>335A</td> <td>ETR</td> <td>-</td> <td>WD.</td> <td>J2</td> <td>PTD.</td> <td>-</td> <td>328</td> <td>3\"/> <tr> <td>335B</td> <td>B</td> <td>3\"/> <tr> <td>336</td> <td>B</td> <td>3\"/> <tr> <td>337</td> <td>ETR</td> <td>-</td> <td>WD.</td> <td>J2</td> <td>PTD.</td> <td>-</td> <td>329A</td> <td>3\"/> <tr> <td>339</td> <td>ETR</td> <td>-</td> <td>WD.</td> <td>J2</td> <td>PTD.</td> <td>-</td> <td>329B</td> <td>3\"/> <tr> <td>340</td> <td>A</td> <td>3\"/> <tr> <td>341A</td> <td>ETR</td> <td>-</td> <td>WD.</td> <td>J2</td> <td>PTD.</td> <td>-</td> <td>331</td> <td>3\"/> <tr> <td>341B</td> <td>ETR</td> <td>-</td> <td>WD.</td> <td>J2</td> <td>PTD.</td> <td>-</td> <td>333</td> <td>3\"/> <tr> <td>342</td> <td>ETR</td> <td>-</td> <td>WD.</td> <td>J2</td> <td>PTD.</td> <td>-</td> <td>334A</td> <td>3\"/> <tr> <td>344</td> <td>ETR</td> <td>-</td> <td>WD.</td> <td>J2</td> <td>PTD.</td> <td>-</td> <td>334B</td> <td>3\"/> <tr> <td>345</td> <td>ETR</td> <td>-</td> <td>WD.</td> <td>J2</td> <td>PTD.</td> <td>-</td> <td>335A</td> <td>3\"/> <tr> <td>346</td> <td>ETR</td> <td>-</td> <td>WD.</td> <td>J2</td> <td>PTD.</td> <td>-</td> <td>335B</td> <td>3\"/> <tr> <td>347</td> <td>ETR</td> <td>-</td> <td>WD.</td> <td>J2</td> <td>PTD.</td> <td>-</td> <td>336</td> <td>3\"/> <tr> <td>348</td> <td>ETR</td> <td>-</td> <td>WD.</td> <td>J2</td> <td>PTD.</td> <td>-</td> <td>337</td> <td>3\"/> <tr> <td>349</td> <td>ETR</td> <td>-</td> <td>WD.</td> <td>J2</td> <td>PTD.</td> <td>-</td> <td>339</td> <td>3\"/> <tr> <td>350</td> <td>ETR</td> <td>-</td> <td>WD.</td> <td>J2</td> <td>PTD.</td> <td>-</td> <td>340</td> <td>3\"/> </td></tr></td></tr></td></tr></td></tr></td></tr></td></tr></td></tr></td></tr></td></tr></td></tr></td></tr></td></tr></td></tr></td></tr></td></tr></td></tr></td></tr></td></tr> | 334A | ETR | - | WD. | J2 | PTD.
 | - | 325 | 3\"/> <tr> <td>334B</td> <td>ETR</td> <td>-</td> <td>WD.</td> <td>J2</td> <td>PTD.</td> <td>-</td> <td>327</td> <td>3\"/> <tr> <td>335A</td> <td>ETR</td> <td>-</td> <td>WD.</td> <td>J2</td> <td>PTD.</td> <td>-</td> <td>328</td> <td>3\"/> <tr> <td>335B</td> <td>B</td> <td>3\"/> <tr> <td>336</td> <td>B</td> <td>3\"/> <tr> <td>337</td> <td>ETR</td> <td>-</td> <td>WD.</td> <td>J2</td> <td>PTD.</td> <td>-</td> <td>329A</td> <td>3\"/> <tr> <td>339</td> <td>ETR</td> <td>-</td> <td>WD.</td> <td>J2</td> <td>PTD.</td> <td>-</td> <td>329B</td> <td>3\"/> <tr> <td>340</td> <td>A</td> <td>3\"/> <tr> <td>341A</td> <td>ETR</td> <td>-</td> <td>WD.</td> <td>J2</td> <td>PTD.</td> <td>-</td> <td>331</td> <td>3\"/> <tr> <td>341B</td> <td>ETR</td> <td>-</td> <td>WD.</td> <td>J2</td> <td>PTD.</td> <td>-</td> <td>333</td> <td>3\"/> <tr> <td>342</td> <td>ETR</td> <td>-</td> <td>WD.</td> <td>J2</td> <td>PTD.</td> <td>-</td> <td>334A</td> <td>3\"/> <tr> <td>344</td> <td>ETR</td> <td>-</td> <td>WD.</td> <td>J2</td> <td>PTD.</td> <td>-</td> <td>334B</td> <td>3\"/> <tr> <td>345</td> <td>ETR</td> <td>-</td> <td>WD.</td> <td>J2</td> <td>PTD.</td> <td>-</td> <td>335A</td> <td>3\"/> <tr> <td>346</td> <td>ETR</td> <td>-</td> <td>WD.</td> <td>J2</td> <td>PTD.</td> <td>-</td> <td>335B</td> <td>3\"/> <tr> <td>347</td> <td>ETR</td> <td>-</td> <td>WD.</td> <td>J2</td> <td>PTD.</td> <td>-</td> <td>336</td> <td>3\"/> <tr> <td>348</td> <td>ETR</td> <td>-</td> <td>WD.</td> <td>J2</td> <td>PTD.</td> <td>-</td> <td>337</td> <td>3\"/> <tr> <td>349</td> <td>ETR</td> <td>-</td> <td>WD.</td> <td>J2</td> <td>PTD.</td> <td>-</td> <td>339</td> <td>3\"/> <tr> <td>350</td> <td>ETR</td> <td>-</td> <td>WD.</td> <td>J2</td> <td>PTD.</td> <td>-</td> <td>340</td> <td>3\"/> </td></tr></td></tr></td></tr></td></tr></td></tr></td></tr></td></tr></td></tr></td></tr></td></tr></td></tr></td></tr></td></tr></td></tr></td></tr></td></tr></td></tr> | 334B | ETR | - | WD. | J2 | PTD. | - | 327 | 3\"/> <tr> <td>335A</td> <td>ETR</td> <td>-</td> <td>WD.</td> <td>J2</td> <td>PTD.</td> <td>-</td> <td>328</td> <td>3\"/> <tr> <td>335B</td> <td>B</td> <td>3\"/> <tr> <td>336</td> <td>B</td> <td>3\"/> <tr> <td>337</td> <td>ETR</td> <td>-</td> <td>WD.</td> <td>J2</td> <td>PTD.</td> <td>-</td> <td>329A</td> <td>3\"/> <tr> <td>339</td> <td>ETR</td> <td>-</td> <td>WD.</td> <td>J2</td> <td>PTD.</td> <td>-</td> <td>329B</td> <td>3\"/> <tr> <td>340</td> <td>A</td> <td>3\"/> <tr> <td>341A</td> <td>ETR</td> <td>-</td> <td>WD.</td> <td>J2</td> <td>PTD.</td> <td>-</td> <td>331</td> <td>3\"/> <tr> <td>341B</td> <td>ETR</td> <td>-</td> <td>WD.</td> <td>J2</td> <td>PTD.</td> <td>-</td> <td>333</td> <td>3\"/> <tr> <td>342</td> <td>ETR</td> <td>-</td> <td>WD.</td> <td>J2</td> <td>PTD.</td> <td>-</td> <td>334A</td> <td>3\"/> <tr> <td>344</td> <td>ETR</td> <td>-</td> <td>WD.</td> <td>J2</td> <td>PTD.</td> <td>-</td> <td>334B</td> <td>3\"/> <tr> <td>345</td> <td>ETR</td> <td>-</td> <td>WD.</td> <td>J2</td> <td>PTD.</td> <td>-</td> <td>335A</td> <td>3\"/> <tr> <td>346</td> <td>ETR</td> <td>-</td> <td>WD.</td> <td>J2</td> <td>PTD.</td> <td>-</td> <td>335B</td> <td>3\"/> <tr> <td>347</td> <td>ETR</td> <td>-</td> <td>WD.</td> <td>J2</td> <td>PTD.</td> <td>-</td> <td>336</td> <td>3\"/> <tr> <td>348</td> <td>ETR</td> <td>-</td> <td>WD.</td> <td>J2</td> <td>PTD.</td> <td>-</td> <td>337</td> <td>3\"/> <tr> <td>349</td> <td>ETR</td> <td>-</td> <td>WD.</td> <td>J2</td> <td>PTD.</td> <td>-</td> <td>339</td> <td>3\"/> <tr> <td>350</td> <td>ETR</td> <td>-</td> <td>WD.</td> <td>J2</td> <td>PTD.</td> <td>-</td> <td>340</td> <td>3\"/> </td></tr></td></tr></td></tr></td></tr></td></tr></td></tr></td></tr></td></tr></td></tr></td></tr></td></tr></td></tr></td></tr></td></tr></td></tr></td></tr> | 335A | ETR | -
 | WD. | J2 | PTD. | - | 328 | 3\"/> <tr> <td>335B</td> <td>B</td> <td>3\"/> <tr> <td>336</td> <td>B</td> <td>3\"/> <tr> <td>337</td> <td>ETR</td> <td>-</td> <td>WD.</td> <td>J2</td> <td>PTD.</td> <td>-</td> <td>329A</td> <td>3\"/> <tr> <td>339</td> <td>ETR</td> <td>-</td> <td>WD.</td> <td>J2</td> <td>PTD.</td> <td>-</td> <td>329B</td> <td>3\"/> <tr> <td>340</td> <td>A</td> <td>3\"/> <tr> <td>341A</td> <td>ETR</td> <td>-</td> <td>WD.</td> <td>J2</td> <td>PTD.</td> <td>-</td> <td>331</td> <td>3\"/> <tr> <td>341B</td> <td>ETR</td> <td>-</td> <td>WD.</td> <td>J2</td> <td>PTD.</td> <td>-</td> <td>333</td> <td>3\"/> <tr> <td>342</td> <td>ETR</td> <td>-</td> <td>WD.</td> <td>J2</td> <td>PTD.</td> <td>-</td> <td>334A</td> <td>3\"/> <tr> <td>344</td> <td>ETR</td> <td>-</td> <td>WD.</td> <td>J2</td> <td>PTD.</td> <td>-</td> <td>334B</td> <td>3\"/> <tr> <td>345</td> <td>ETR</td> <td>-</td> <td>WD.</td> <td>J2</td> <td>PTD.</td> <td>-</td> <td>335A</td> <td>3\"/> <tr> <td>346</td> <td>ETR</td> <td>-</td> <td>WD.</td> <td>J2</td> <td>PTD.</td> <td>-</td> <td>335B</td> <td>3\"/> <tr> <td>347</td> <td>ETR</td> <td>-</td> <td>WD.</td> <td>J2</td> <td>PTD.</td> <td>-</td> <td>336</td> <td>3\"/> <tr> <td>348</td> <td>ETR</td> <td>-</td> <td>WD.</td> <td>J2</td> <td>PTD.</td> <td>-</td> <td>337</td> <td>3\"/> <tr> <td>349</td> <td>ETR</td> <td>-</td> <td>WD.</td> <td>J2</td> <td>PTD.</td> <td>-</td> <td>339</td> <td>3\"/> <tr> <td>350</td> <td>ETR</td> <td>-</td> <td>WD.</td> <td>J2</td> <td>PTD.</td> <td>-</td> <td>340</td> <td>3\"/> </td></tr></td></tr></td></tr></td></tr></td></tr></td></tr></td></tr></td></tr></td></tr></td></tr></td></tr></td></tr></td></tr></td></tr></td></tr> | 335B | B | 3\"/> <tr> <td>336</td> <td>B</td> <td>3\"/> <tr> <td>337</td> <td>ETR</td> <td>-</td> <td>WD.</td> <td>J2</td> <td>PTD.</td> <td>-</td> <td>329A</td> <td>3\"/> <tr> <td>339</td> <td>ETR</td> <td>-</td> <td>WD.</td> <td>J2</td> <td>PTD.</td> <td>-</td> <td>329B</td> <td>3\"/> <tr> <td>340</td> <td>A</td> <td>3\"/> <tr> <td>341A</td> <td>ETR</td> <td>-</td> <td>WD.</td> <td>J2</td> <td>PTD.</td> <td>-</td> <td>331</td> <td>3\"/> <tr> <td>341B</td> <td>ETR</td> <td>-</td> <td>WD.</td> <td>J2</td> <td>PTD.</td> <td>-</td> <td>333</td> <td>3\"/> <tr> <td>342</td> <td>ETR</td> <td>-</td> <td>WD.</td> <td>J2</td> <td>PTD.</td> <td>-</td> <td>334A</td> <td>3\"/> <tr> <td>344</td> <td>ETR</td> <td>-</td> <td>WD.</td> <td>J2</td> <td>PTD.</td> <td>-</td> <td>334B</td> <td>3\"/> <tr> <td>345</td> <td>ETR</td> <td>-</td> <td>WD.</td> <td>J2</td> <td>PTD.</td> <td>-</td> <td>335A</td> <td>3\"/> <tr> <td>346</td> <td>ETR</td> <td>-</td> <td>WD.</td> <td>J2</td> <td>PTD.</td> <td>-</td> <td>335B</td> <td>3\"/> <tr> <td>347</td> <td>ETR</td> <td>-</td> <td>WD.</td> <td>J2</td> <td>PTD.</td> <td>-</td> <td>336</td> <td>3\"/> <tr> <td>348</td> <td>ETR</td> <td>-</td> <td>WD.</td> <td>J2</td> <td>PTD.</td> <td>-</td> <td>337</td> <td>3\"/> <tr> <td>349</td> <td>ETR</td> <td>-</td> <td>WD.</td> <td>J2</td> <td>PTD.</td> <td>-</td> <td>339</td> <td>3\"/> <tr> <td>350</td> <td>ETR</td> <td>-</td> <td>WD.</td> <td>J2</td> <td>PTD.</td> <td>-</td> <td>340</td> <td>3\"/> </td></tr></td></tr></td></tr></td></tr></td></tr></td></tr></td></tr></td></tr></td></tr></td></tr></td></tr></td></tr></td></tr></td></tr> | 336 | B | 3\"/> <tr> <td>337</td> <td>ETR</td> <td>-</td> <td>WD.</td> <td>J2</td> <td>PTD.</td> <td>-</td> <td>329A</td> <td>3\"/> <tr> <td>339</td> <td>ETR</td> <td>-</td> <td>WD.</td> <td>J2</td> <td>PTD.</td> <td>-</td> <td>329B</td> <td>3\"/> <tr> <td>340</td> <td>A</td> <td>3\"/> <tr> <td>341A</td> <td>ETR</td> <td>-</td> <td>WD.</td> <td>J2</td> <td>PTD.</td> <td>-</td> <td>331</td> <td>3\"/> <tr> <td>341B</td> <td>ETR</td> <td>-</td> <td>WD.</td> <td>J2</td> <td>PTD.</td> <td>-</td> <td>333</td> <td>3\"/> <tr> <td>342</td> <td>ETR</td> <td>-</td> <td>WD.</td> <td>J2</td> <td>PTD.</td> <td>-</td> <td>334A</td> <td>3\"/> <tr> <td>344</td> <td>ETR</td> <td>-</td> <td>WD.</td> <td>J2</td> <td>PTD.</td> <td>-</td> <td>334B</td> <td>3\"/> <tr> <td>345</td> <td>ETR</td> <td>-</td> <td>WD.</td> <td>J2</td> <td>PTD.</td> <td>-</td> <td>335A</td> <td>3\"/> <tr> <td>346</td> <td>ETR</td> <td>-</td> <td>WD.</td> <td>J2</td> <td>PTD.</td> <td>-</td> <td>335B</td> <td>3\"/> <tr> <td>347</td> <td>ETR</td> <td>-</td> <td>WD.</td> <td>J2</td> <td>PTD.</td> <td>-</td> <td>336</td> <td>3\"/> <tr> <td>348</td> <td>ETR</td> <td>-</td> <td>WD.</td> <td>J2</td> <td>PTD.</td> <td>-</td> <td>337</td> <td>3\"/> <tr> <td>349</td> <td>ETR</td> <td>-</td> <td>WD.</td> <td>J2</td> <td>PTD.</td> <td>-</td> <td>339</td> <td>3\"/> <tr> <td>350</td> <td>ETR</td> <td>-</td> <td>WD.</td> <td>J2</td> <td>PTD.</td> <td>-</td> <td>340</td> <td>3\"/> </td></tr></td></tr></td></tr></td></tr></td></tr></td></tr></td></tr></td></tr></td></tr></td></tr></td></tr></td></tr></td></tr> | 337 | ETR | -
 | WD. | J2 | PTD. | - | 329A | 3\"/> <tr> <td>339</td> <td>ETR</td> <td>-</td> <td>WD.</td> <td>J2</td> <td>PTD.</td> <td>-</td> <td>329B</td> <td>3\"/> <tr> <td>340</td> <td>A</td> <td>3\"/> <tr> <td>341A</td> <td>ETR</td> <td>-</td> <td>WD.</td> <td>J2</td> <td>PTD.</td> <td>-</td> <td>331</td> <td>3\"/> <tr> <td>341B</td> <td>ETR</td> <td>-</td> <td>WD.</td> <td>J2</td> <td>PTD.</td> <td>-</td> <td>333</td> <td>3\"/> <tr> <td>342</td> <td>ETR</td> <td>-</td> <td>WD.</td> <td>J2</td> <td>PTD.</td> <td>-</td> <td>334A</td> <td>3\"/> <tr> <td>344</td> <td>ETR</td> <td>-</td> <td>WD.</td> <td>J2</td> <td>PTD.</td> <td>-</td> <td>334B</td> <td>3\"/> <tr> <td>345</td> <td>ETR</td> <td>-</td> <td>WD.</td> <td>J2</td> <td>PTD.</td> <td>-</td> <td>335A</td> <td>3\"/> <tr> <td>346</td> <td>ETR</td> <td>-</td> <td>WD.</td> <td>J2</td> <td>PTD.</td> <td>-</td> <td>335B</td> <td>3\"/> <tr> <td>347</td> <td>ETR</td> <td>-</td> <td>WD.</td> <td>J2</td> <td>PTD.</td> <td>-</td> <td>336</td> <td>3\"/> <tr> <td>348</td> <td>ETR</td> <td>-</td> <td>WD.</td> <td>J2</td> <td>PTD.</td> <td>-</td> <td>337</td> <td>3\"/> <tr> <td>349</td> <td>ETR</td> <td>-</td> <td>WD.</td> <td>J2</td> <td>PTD.</td> <td>-</td> <td>339</td> <td>3\"/> <tr> <td>350</td> <td>ETR</td> <td>-</td> <td>WD.</td> <td>J2</td> <td>PTD.</td> <td>-</td> <td>340</td> <td>3\"/> </td></tr></td></tr></td></tr></td></tr></td></tr></td></tr></td></tr></td></tr></td></tr></td></tr></td></tr></td></tr> | 339 | ETR | - | WD. | J2 | PTD. | - | 329B | 3\"/> <tr> <td>340</td> <td>A</td> <td>3\"/> <tr> <td>341A</td> <td>ETR</td> <td>-</td> <td>WD.</td> <td>J2</td> <td>PTD.</td> <td>-</td> <td>331</td> <td>3\"/> <tr> <td>341B</td> <td>ETR</td> <td>-</td> <td>WD.</td> <td>J2</td> <td>PTD.</td> <td>-</td> <td>333</td> <td>3\"/> <tr> <td>342</td> <td>ETR</td> <td>-</td> <td>WD.</td> <td>J2</td> <td>PTD.</td> <td>-</td> <td>334A</td> <td>3\"/> <tr> <td>344</td> <td>ETR</td> <td>-</td> <td>WD.</td> <td>J2</td> <td>PTD.</td> <td>-</td> <td>334B</td> <td>3\"/> <tr> <td>345</td> <td>ETR</td> <td>-</td> <td>WD.</td> <td>J2</td> <td>PTD.</td> <td>-</td> <td>335A</td> <td>3\"/> <tr> <td>346</td> <td>ETR</td> <td>-</td> <td>WD.</td> <td>J2</td> <td>PTD.</td> <td>-</td> <td>335B</td> <td>3\"/> <tr> <td>347</td> <td>ETR</td> <td>-</td> <td>WD.</td> <td>J2</td> <td>PTD.</td> <td>-</td> <td>336</td> <td>3\"/> <tr> <td>348</td> <td>ETR</td> <td>-</td> <td>WD.</td> <td>J2</td> <td>PTD.</td> <td>-</td> <td>337</td> <td>3\"/> <tr> <td>349</td> <td>ETR</td> <td>-</td> <td>WD.</td> <td>J2</td> <td>PTD.</td> <td>-</td> <td>339</td> <td>3\"/> <tr> <td>350</td> <td>ETR</td> <td>-</td> <td>WD.</td> <td>J2</td> <td>PTD.</td> <td>-</td> <td>340</td> <td>3\"/> </td></tr></td></tr></td></tr></td></tr></td></tr></td></tr></td></tr></td></tr></td></tr></td></tr></td></tr> | 340 | A | 3\"/> <tr> <td>341A</td> <td>ETR</td> <td>-</td> <td>WD.</td> <td>J2</td> <td>PTD.</td> <td>-</td> <td>331</td> <td>3\"/> <tr> <td>341B</td> <td>ETR</td>
<td>-</td> <td>WD.</td> <td>J2</td> <td>PTD.</td> <td>-</td> <td>333</td> <td>3\"/> <tr> <td>342</td> <td>ETR</td> <td>-</td> <td>WD.</td> <td>J2</td> <td>PTD.</td> <td>-</td> <td>334A</td> <td>3\"/> <tr> <td>344</td> <td>ETR</td> <td>-</td> <td>WD.</td> <td>J2</td> <td>PTD.</td> <td>-</td> <td>334B</td> <td>3\"/> <tr> <td>345</td> <td>ETR</td> <td>-</td> <td>WD.</td> <td>J2</td> <td>PTD.</td> <td>-</td> <td>335A</td> <td>3\"/> <tr> <td>346</td> <td>ETR</td> <td>-</td> <td>WD.</td> <td>J2</td> <td>PTD.</td> <td>-</td> <td>335B</td> <td>3\"/> <tr> <td>347</td> <td>ETR</td> <td>-</td> <td>WD.</td> <td>J2</td> <td>PTD.</td> <td>-</td> <td>336</td> <td>3\"/> <tr> <td>348</td> <td>ETR</td> <td>-</td> <td>WD.</td> <td>J2</td> <td>PTD.</td> <td>-</td> <td>337</td> <td>3\"/> <tr> <td>349</td> <td>ETR</td> <td>-</td> <td>WD.</td> <td>J2</td> <td>PTD.</td> <td>-</td> <td>339</td> <td>3\"/> <tr> <td>350</td> <td>ETR</td> <td>-</td> <td>WD.</td> <td>J2</td> <td>PTD.</td> <td>-</td> <td>340</td> <td>3\"/> </td></tr></td></tr></td></tr></td></tr></td></tr></td></tr></td></tr></td></tr></td></tr></td></tr> | 341A | ETR | - | WD. | J2 | PTD. | - | 331 | 3\"/> <tr> <td>341B</td> <td>ETR</td> <td>-</td> <td>WD.</td> <td>J2</td> <td>PTD.</td> <td>-</td> <td>333</td> <td>3\"/> <tr> <td>342</td> <td>ETR</td> <td>-</td> <td>WD.</td> <td>J2</td> <td>PTD.</td> <td>-</td> <td>334A</td> <td>3\"/> <tr> <td>344</td> <td>ETR</td> <td>-</td> <td>WD.</td> <td>J2</td> <td>PTD.</td> <td>-</td> <td>334B</td> <td>3\"/> <tr> <td>345</td> <td>ETR</td> <td>-</td> <td>WD.</td> <td>J2</td> <td>PTD.</td> <td>-</td> <td>335A</td> <td>3\"/> <tr> <td>346</td> <td>ETR</td> <td>-</td> <td>WD.</td> <td>J2</td> <td>PTD.</td> <td>-</td> <td>335B</td> <td>3\"/> <tr> <td>347</td> <td>ETR</td> <td>-</td> <td>WD.</td> <td>J2</td> <td>PTD.</td> <td>-</td> <td>336</td> <td>3\"/> <tr> <td>348</td> <td>ETR</td> <td>-</td> <td>WD.</td> <td>J2</td> <td>PTD.</td> <td>-</td> <td>337</td> <td>3\"/> <tr> <td>349</td> <td>ETR</td> <td>-</td> <td>WD.</td> <td>J2</td> <td>PTD.</td> <td>-</td> <td>339</td> <td>3\"/> <tr> <td>350</td> <td>ETR</td> <td>-</td> <td>WD.</td> <td>J2</td> <td>PTD.</td> <td>-</td> <td>340</td> <td>3\"/> </td></tr></td></tr></td></tr></td></tr></td></tr></td></tr></td></tr></td></tr></td></tr> | 341B | ETR | - | WD. | J2 | PTD. | - | 333 | 3\"/> <tr> <td>342</td> <td>ETR</td> <td>-</td> <td>WD.</td> <td>J2</td> <td>PTD.</td> <td>-</td> <td>334A</td> <td>3\"/> <tr> <td>344</td> <td>ETR</td> <td>-</td> <td>WD.</td> <td>J2</td> <td>PTD.</td> <td>-</td> <td>334B</td> <td>3\"/> <tr> <td>345</td> <td>ETR</td> <td>-</td> <td>WD.</td> <td>J2</td> <td>PTD.</td> <td>-</td> <td>335A</td> <td>3\"/> <tr> <td>346</td> <td>ETR</td> <td>-</td> <td>WD.</td> <td>J2</td> <td>PTD.</td> <td>-</td> <td>335B</td> <td>3\"/> <tr> <td>347</td> <td>ETR</td> <td>-</td> <td>WD.</td> <td>J2</td> <td>PTD.</td> <td>-</td> <td>336</td> <td>3\"/> <tr> <td>348</td> <td>ETR</td> <td>-</td> <td>WD.</td> <td>J2</td> <td>PTD.</td> <td>-</td> <td>337</td> <td>3\"/> <tr> <td>349</td> <td>ETR</td> <td>-</td> <td>WD.</td> <td>J2</td> <td>PTD.</td> <td>-</td> <td>339</td> <td>3\"/> <tr> <td>350</td> <td>ETR</td> <td>-</td> <td>WD.</td> <td>J2</td> <td>PTD.</td> <td>-</td> <td>340</td> <td>3\"/> </td></tr></td></tr></td></tr></td></tr></td></tr></td></tr></td></tr></td></tr> | 342 | ETR | -
 | WD. | J2 | PTD. | - | 334A | 3\"/> <tr> <td>344</td> <td>ETR</td> <td>-</td> <td>WD.</td> <td>J2</td> <td>PTD.</td> <td>-</td> <td>334B</td> <td>3\"/> <tr> <td>345</td> <td>ETR</td> <td>-</td> <td>WD.</td> <td>J2</td> <td>PTD.</td> <td>-</td> <td>335A</td> <td>3\"/> <tr> <td>346</td> <td>ETR</td> <td>-</td> <td>WD.</td> <td>J2</td> <td>PTD.</td> <td>-</td> <td>335B</td> <td>3\"/> <tr> <td>347</td> <td>ETR</td> <td>-</td> <td>WD.</td> <td>J2</td> <td>PTD.</td> <td>-</td> <td>336</td> <td>3\"/> <tr> <td>348</td> <td>ETR</td> <td>-</td> <td>WD.</td> <td>J2</td> <td>PTD.</td> <td>-</td> <td>337</td> <td>3\"/> <tr> <td>349</td> <td>ETR</td> <td>-</td> <td>WD.</td> <td>J2</td> <td>PTD.</td> <td>-</td> <td>339</td> <td>3\"/> <tr> <td>350</td> <td>ETR</td> <td>-</td> <td>WD.</td> <td>J2</td> <td>PTD.</td> <td>-</td> <td>340</td> <td>3\"/> </td></tr></td></tr></td></tr></td></tr></td></tr></td></tr></td></tr> | 344 | ETR | - | WD. | J2 | PTD. | - | 334B | 3\"/> <tr> <td>345</td> <td>ETR</td> <td>-</td> <td>WD.</td> <td>J2</td> <td>PTD.</td> <td>-</td> <td>335A</td> <td>3\"/> <tr> <td>346</td> <td>ETR</td> <td>-</td> <td>WD.</td> <td>J2</td> <td>PTD.</td> <td>-</td> <td>335B</td> <td>3\"/> <tr> <td>347</td> <td>ETR</td> <td>-</td> <td>WD.</td> <td>J2</td> <td>PTD.</td> <td>-</td> <td>336</td> <td>3\"/> <tr> <td>348</td> <td>ETR</td> <td>-</td> <td>WD.</td> <td>J2</td> <td>PTD.</td> <td>-</td> <td>337</td> <td>3\"/> <tr> <td>349</td> <td>ETR</td> <td>-</td> <td>WD.</td> <td>J2</td> <td>PTD.</td> <td>-</td> <td>339</td> <td>3\"/> <tr> <td>350</td> <td>ETR</td> <td>-</td> <td>WD.</td> <td>J2</td> <td>PTD.</td> <td>-</td> <td>340</td> <td>3\"/> </td></tr></td></tr></td></tr></td></tr></td></tr></td></tr> | 345 | ETR | - | WD. | J2 | PTD. | - | 335A | 3\"/> <tr> <td>346</td> <td>ETR</td> <td>-</td> <td>WD.</td> <td>J2</td> <td>PTD.</td> <td>-</td> <td>335B</td> <td>3\"/> <tr> <td>347</td> <td>ETR</td> <td>-</td> <td>WD.</td> <td>J2</td> <td>PTD.</td> <td>-</td> <td>336</td> <td>3\"/> <tr> <td>348</td> <td>ETR</td> <td>-</td> <td>WD.</td> <td>J2</td> <td>PTD.</td> <td>-</td> <td>337</td> <td>3\"/> <tr> <td>349</td> <td>ETR</td> <td>-</td> <td>WD.</td> <td>J2</td> <td>PTD.</td> <td>-</td> <td>339</td> <td>3\"/> <tr> <td>350</td> <td>ETR</td> <td>-</td> <td>WD.</td> <td>J2</td> <td>PTD.</td> <td>-</td> <td>340</td> <td>3\"/> </td></tr></td></tr></td></tr></td></tr></td></tr> | 346 | ETR | -
 | WD. | J2 | PTD. | - | 335B | 3\"/> <tr> <td>347</td> <td>ETR</td> <td>-</td> <td>WD.</td> <td>J2</td> <td>PTD.</td> <td>-</td> <td>336</td> <td>3\"/> <tr> <td>348</td> <td>ETR</td> <td>-</td> <td>WD.</td> <td>J2</td> <td>PTD.</td> <td>-</td> <td>337</td> <td>3\"/> <tr> <td>349</td> <td>ETR</td> <td>-</td> <td>WD.</td> <td>J2</td> <td>PTD.</td> <td>-</td> <td>339</td> <td>3\"/> <tr> <td>350</td> <td>ETR</td> <td>-</td> <td>WD.</td> <td>J2</td> <td>PTD.</td> <td>-</td> <td>340</td> <td>3\"/> </td></tr></td></tr></td></tr></td></tr> | 347 | ETR | - | WD. | J2 | PTD. | - | 336 | 3\"/> <tr> <td>348</td> <td>ETR</td> <td>-</td> <td>WD.</td> <td>J2</td> <td>PTD.</td> <td>-</td> <td>337</td> <td>3\"/> <tr> <td>349</td> <td>ETR</td> <td>-</td> <td>WD.</td> <td>J2</td> <td>PTD.</td> <td>-</td> <td>339</td> <td>3\"/> <tr> <td>350</td> <td>ETR</td> <td>-</td> <td>WD.</td> <td>J2</td> <td>PTD.</td> <td>-</td> <td>340</td> <td>3\"/> </td></tr></td></tr></td></tr> | 348 | ETR | - | WD. | J2 | PTD. | - | 337 | 3\"/> <tr> <td>349</td> <td>ETR</td> <td>-</td> <td>WD.</td> <td>J2</td> <td>PTD.</td> <td>-</td> <td>339</td> <td>3\"/> <tr> <td>350</td> <td>ETR</td> <td>-</td> <td>WD.</td> <td>J2</td> <td>PTD.</td> <td>-</td> <td>340</td> <td>3\"/> </td></tr></td></tr> | 349 | ETR | - | WD. | J2 | PTD. | - | 339 | 3\"/> <tr> <td>350</td> <td>ETR</td> <td>-</td> <td>WD.</td> <td>J2</td> <td>PTD.</td> <td>-</td> <td>340</td> <td>3\"/> </td></tr> | 350 | ETR | - | WD. | J2 | PTD. | - | 340 | 3\"/> | | | | | | | | | | | | | | | | | | | | | | | | |
| 308 | ETR | - | WD. | J2 | PTD. | - | 303 | 3\"/> <tr> <td>309</td> <td>ETR</td> <td>-</td> <td>WD.</td> <td>J2</td> <td>PTD.</td> <td>-</td> <td>305</td> <td>3\"/> <tr> <td>310</td> <td>ETR</td> <td>-</td> <td>WD.</td> <td>J2</td> <td>PTD.</td> <td>-</td> <td>306</td> <td>3\"/> <tr> <td>311</td> <td>A</td> <td>3\"/> <tr> <td>312A</td> <td>ETR</td> <td>-</td> <td>WD.</td> <td>J2</td> <td>PTD.</td> <td>-</td> <td>307</td> <td>3\"/> <tr> <td>313</td> <td>ETR</td> <td>-</td> <td>WD.</td> <td>J2</td> <td>PTD.</td> <td>-</td> <td>308</td> <td>3\"/> <tr> <td>314</td> <td>ETR</td> <td>-</td> <td>WD.</td> <td>J2</td> <td>PTD.</td> <td>-</td> <td>309</td> <td>3\"/> <tr> <td>315</td> <td>ETR</td> <td>-</td> <td>WD.</td> <td>J2</td> <td>PTD.</td> <td>-</td> <td>310</td> <td>3\"/> <tr> <td>316A</td> <td>A</td> <td>3\"/> <tr> <td>318</td> <td>ETR</td> <td>-</td> <td>WD.</td> <td>J2</td> <td>PTD.</td> <td>-</td> <td>311</td> <td>3\"/> <tr> <td>319</td> <td>ETR</td> <td>-</td> <td>WD.</td> <td>J2</td> <td>PTD.</td> <td>-</td> <td>312A</td> <td>3\"/> <tr> <td>320</td> <td>ETR</td> <td>-</td> <td>WD.</td> <td>J2</td> <td>PTD.</td> <td>-</td> <td>313</td> <td>3\"/> <tr> <td>321</td> <td>ETR</td> <td>-</td> <td>WD.</td> <td>J2</td> <td>PTD.</td> <td>-</td> <td>314</td> <td>3\"/> <tr> <td>322</td> <td>ETR</td> <td>-</td> <td>WD.</td> <td>J2</td> <td>PTD.</td> <td>-</td> <td>315</td> <td>3\"/> <tr> <td>323</td> <td>ETR</td> <td>-</td> <td>WD.</td> <td>J2</td> <td>PTD.</td> <td>-</td> <td>316A</td> <td>3\"/> <tr> <td>324</td> <td>ETR</td> <td>-</td> <td>WD.</td> <td>J2</td> <td>PTD.</td> <td>-</td> <td>318</td> <td>3\"/> <tr> <td>325</td> <td>A</td> <td>3\"/> <tr> <td>327</td> <td>ETR</td> <td>-</td> <td>WD.</td> <td>J2</td> <td>PTD.</td> <td>-</td> <td>319</td> <td>3\"/> <tr> <td>328</td> <td>ETR</td> <td>-</td> <td>WD.</td> <td>J2</td> <td>PTD.</td> <td>-</td> <td>320</td> <td>3\"/> <tr> <td>329A</td> <td>ETR</td> <td>-</td> <td>WD.</td> <td>J2</td> <td>PTD.</td> <td>-</td> <td>321</td> <td>3\"/> <tr> <td>329B</td> <td>ETR</td> <td>-</td> <td>WD.</td> <td>J2</td> <td>PTD.</td> <td>-</td> <td>322</td> <td>3\"/> <tr> <td>331</td> <td>ETR</td> <td>-</td> <td>WD.</td> <td>J2</td> <td>PTD.</td> <td>-</td> <td>323</td> <td>3\"/> <tr> <td>333</td> <td>ETR</td> <td>-</td> <td>WD.</td> <td>J2</td> <td>PTD.</td> <td>-</td> <td>324</td> <td>3\"/> <tr> <td>334A</td> <td>ETR</td> <td>-</td> <td>WD.</td> <td>J2</td> <td>PTD.</td> <td>-</td> <td>325</td> <td>3\"/> <tr> <td>334B</td> <td>ETR</td> <td>-</td> <td>WD.</td> <td>J2</td> <td>PTD.</td> <td>-</td> <td>327</td> <td>3\"/> <tr> <td>335A</td> <td>ETR</td> <td>-</td> <td>WD.</td> <td>J2</td> <td>PTD.</td> <td>-</td> <td>328</td> <td>3\"/> <tr> <td>335B</td> <td>B</td> <td>3\"/> <tr> <td>336</td> <td>B</td> <td>3\"/> <tr> <td>337</td> <td>ETR</td> <td>-</td> <td>WD.</td> <td>J2</td> <td>PTD.</td> <td>-</td> <td>329A</td> <td>3\"/> <tr> <td>339</td> <td>ETR</td> <td>-</td>
<td>WD.</td> <td>J2</td> <td>PTD.</td> <td>-</td> <td>329B</td> <td>3\"/> <tr> <td>340</td> <td>A</td> <td>3\"/> <tr> <td>341A</td> <td>ETR</td> <td>-</td> <td>WD.</td> <td>J2</td> <td>PTD.</td> <td>-</td> <td>331</td> <td>3\"/> <tr> <td>341B</td> <td>ETR</td> <td>-</td> <td>WD.</td> <td>J2</td> <td>PTD.</td> <td>-</td> <td>333</td> <td>3\"/> <tr> <td>342</td> <td>ETR</td> <td>-</td> <td>WD.</td> <td>J2</td> <td>PTD.</td> <td>-</td> <td>334A</td> <td>3\"/> <tr> <td>344</td> <td>ETR</td> <td>-</td> <td>WD.</td> <td>J2</td> <td>PTD.</td> <td>-</td> <td>334B</td> <td>3\"/> <tr> <td>345</td> <td>ETR</td> <td>-</td> <td>WD.</td> <td>J2</td> <td>PTD.</td> <td>-</td> <td>335A</td> <td>3\"/> <tr> <td>346</td> <td>ETR</td> <td>-</td> <td>WD.</td> <td>J2</td> <td>PTD.</td> <td>-</td> <td>335B</td> <td>3\"/> <tr> <td>347</td> <td>ETR</td> <td>-</td> <td>WD.</td> <td>J2</td> <td>PTD.</td> <td>-</td> <td>336</td> <td>3\"/> <tr> <td>348</td> <td>ETR</td> <td>-</td> <td>WD.</td> <td>J2</td> <td>PTD.</td> <td>-</td> <td>337</td> <td>3\"/> <tr> <td>349</td> <td>ETR</td> <td>-</td> <td>WD.</td> <td>J2</td> <td>PTD.</td> <td>-</td> <td>339</td> <td>3\"/> <tr> <td>350</td> <td>ETR</td> <td>-</td> <td>WD.</td> <td>J2</td> <td>PTD.</td> <td>-</td> <td>340</td> <td>3\"/> </td></tr></td></tr></td></tr></td></tr></td></tr></td></tr></td></tr></td></tr></td></tr></td></tr></td></tr></td></tr></td></tr></td></tr></td></tr></td></tr></td></tr></td></tr></td></tr></td></tr></td></tr></td></tr></td></tr></td></tr></td></tr></td></tr></td></tr></td></tr></td></tr></td></tr></td></tr></td></tr></td></tr></td></tr></td></tr></td></tr></td></tr></td></tr></td></tr></td></tr> | 309 | ETR | - | WD. | J2 | PTD.
 | - | 305 | 3\"/> <tr> <td>310</td> <td>ETR</td> <td>-</td> <td>WD.</td> <td>J2</td> <td>PTD.</td> <td>-</td> <td>306</td> <td>3\"/> <tr> <td>311</td> <td>A</td> <td>3\"/> <tr> <td>312A</td> <td>ETR</td> <td>-</td> <td>WD.</td> <td>J2</td> <td>PTD.</td> <td>-</td> <td>307</td> <td>3\"/> <tr> <td>313</td> <td>ETR</td> <td>-</td> <td>WD.</td> <td>J2</td> <td>PTD.</td> <td>-</td> <td>308</td> <td>3\"/> <tr> <td>314</td> <td>ETR</td> <td>-</td> <td>WD.</td> <td>J2</td> <td>PTD.</td> <td>-</td> <td>309</td> <td>3\"/> <tr> <td>315</td> <td>ETR</td> <td>-</td> <td>WD.</td> <td>J2</td> <td>PTD.</td> <td>-</td> <td>310</td> <td>3\"/> <tr> <td>316A</td> <td>A</td> <td>3\"/> <tr> <td>318</td> <td>ETR</td> <td>-</td> <td>WD.</td> <td>J2</td> <td>PTD.</td> <td>-</td> <td>311</td> <td>3\"/> <tr> <td>319</td> <td>ETR</td> <td>-</td> <td>WD.</td> <td>J2</td> <td>PTD.</td> <td>-</td> <td>312A</td> <td>3\"/> <tr> <td>320</td> <td>ETR</td> <td>-</td> <td>WD.</td> <td>J2</td> <td>PTD.</td> <td>-</td> <td>313</td> <td>3\"/> <tr> <td>321</td> <td>ETR</td> <td>-</td> <td>WD.</td> <td>J2</td> <td>PTD.</td> <td>-</td> <td>314</td> <td>3\"/> <tr> <td>322</td> <td>ETR</td> <td>-</td> <td>WD.</td> <td>J2</td> <td>PTD.</td> <td>-</td> <td>315</td> <td>3\"/> <tr> <td>323</td> <td>ETR</td> <td>-</td> <td>WD.</td> <td>J2</td> <td>PTD.</td> <td>-</td> <td>316A</td> <td>3\"/> <tr> <td>324</td> <td>ETR</td> <td>-</td> <td>WD.</td> <td>J2</td> <td>PTD.</td> <td>-</td> <td>318</td> <td>3\"/> <tr> <td>325</td> <td>A</td> <td>3\"/> <tr> <td>327</td> <td>ETR</td> <td>-</td> <td>WD.</td> <td>J2</td> <td>PTD.</td> <td>-</td> <td>319</td> <td>3\"/> <tr> <td>328</td> <td>ETR</td> <td>-</td> <td>WD.</td> <td>J2</td> <td>PTD.</td> <td>-</td> <td>320</td> <td>3\"/> <tr> <td>329A</td> <td>ETR</td> <td>-</td> <td>WD.</td> <td>J2</td> <td>PTD.</td> <td>-</td> <td>321</td> <td>3\"/> <tr> <td>329B</td> <td>ETR</td> <td>-</td> <td>WD.</td> <td>J2</td> <td>PTD.</td> <td>-</td> <td>322</td> <td>3\"/> <tr> <td>331</td> <td>ETR</td> <td>-</td> <td>WD.</td> <td>J2</td> <td>PTD.</td> <td>-</td> <td>323</td> <td>3\"/> <tr> <td>333</td> <td>ETR</td> <td>-</td> <td>WD.</td> <td>J2</td> <td>PTD.</td> <td>-</td> <td>324</td> <td>3\"/> <tr> <td>334A</td> <td>ETR</td> <td>-</td> <td>WD.</td> <td>J2</td> <td>PTD.</td> <td>-</td> <td>325</td> <td>3\"/> <tr> <td>334B</td> <td>ETR</td> <td>-</td> <td>WD.</td> <td>J2</td> <td>PTD.</td> <td>-</td> <td>327</td> <td>3\"/> <tr> <td>335A</td> <td>ETR</td> <td>-</td> <td>WD.</td> <td>J2</td> <td>PTD.</td> <td>-</td> <td>328</td> <td>3\"/> <tr> <td>335B</td> <td>B</td> <td>3\"/> <tr> <td>336</td> <td>B</td> <td>3\"/> <tr> <td>337</td> <td>ETR</td> <td>-</td> <td>WD.</td> <td>J2</td> <td>PTD.</td> <td>-</td> <td>329A</td> <td>3\"/> <tr> <td>339</td> <td>ETR</td> <td>-</td> <td>WD.</td> <td>J2</td> <td>PTD.</td> <td>-</td> <td>329B</td> <td>3\"/> <tr> <td>340</td> <td>A</td> <td>3\"/> <tr> <td>341A</td> <td>ETR</td> <td>-</td> <td>WD.</td> <td>J2</td> <td>PTD.</td> <td>-</td> <td>331</td> <td>3\"/> <tr> <td>341B</td> <td>ETR</td> <td>-</td> <td>WD.</td> <td>J2</td> <td>PTD.</td> <td>-</td> <td>333</td> <td>3\"/> <tr> <td>342</td> <td>ETR</td> <td>-</td> <td>WD.</td> <td>J2</td> <td>PTD.</td> <td>-</td> <td>334A</td> <td>3\"/> <tr> <td>344</td> <td>ETR</td> <td>-</td> <td>WD.</td> <td>J2</td> <td>PTD.</td> <td>-</td> <td>334B</td> <td>3\"/> <tr> <td>345</td> <td>ETR</td> <td>-</td> <td>WD.</td> <td>J2</td> <td>PTD.</td> <td>-</td> <td>335A</td> <td>3\"/> <tr> <td>346</td> <td>ETR</td> <td>-</td> <td>WD.</td> <td>J2</td> <td>PTD.</td> <td>-</td> <td>335B</td> <td>3\"/> <tr> <td>347</td> <td>ETR</td> <td>-</td> <td>WD.</td> <td>J2</td> <td>PTD.</td> <td>-</td> <td>336</td> <td>3\"/> <tr> <td>348</td> <td>ETR</td> <td>-</td> <td>WD.</td> <td>J2</td> <td>PTD.</td> <td>-</td> <td>337</td> <td>3\"/> <tr> <td>349</td> <td>ETR</td> <td>-</td> <td>WD.</td> <td>J2</td> <td>PTD.</td> <td>-</td> <td>339</td> <td>3\"/> <tr> <td>350</td> <td>ETR</td> <td>-</td> <td>WD.</td> <td>J2</td> <td>PTD.</td> <td>-</td> <td>340</td> <td>3\"/> </td></tr></td></tr></td></tr></td></tr></td></tr></td></tr></td></tr></td></tr></td></tr></td></tr></td></tr></td></tr></td></tr></td></tr></td></tr></td></tr></td></tr></td></tr></td></tr></td></tr></td></tr></td></tr></td></tr></td></tr></td></tr></td></tr></td></tr></td></tr></td></tr></td></tr></td></tr></td></tr></td></tr></td></tr></td></tr></td></tr></td></tr></td></tr></td></tr> | 310 | ETR | -
 | WD. | J2 | PTD. | - | 306 | 3\"/> <tr> <td>311</td> <td>A</td> <td>3\"/> <tr> <td>312A</td> <td>ETR</td> <td>-</td> <td>WD.</td> <td>J2</td> <td>PTD.</td> <td>-</td> <td>307</td> <td>3\"/> <tr> <td>313</td> <td>ETR</td> <td>-</td> <td>WD.</td> <td>J2</td> <td>PTD.</td> <td>-</td> <td>308</td> <td>3\"/> <tr> <td>314</td> <td>ETR</td> <td>-</td> <td>WD.</td> <td>J2</td> <td>PTD.</td> <td>-</td> <td>309</td> <td>3\"/> <tr> <td>315</td> <td>ETR</td> <td>-</td> <td>WD.</td> <td>J2</td> <td>PTD.</td> <td>-</td> <td>310</td> <td>3\"/> <tr> <td>316A</td> <td>A</td> <td>3\"/> <tr> <td>318</td> <td>ETR</td> <td>-</td> <td>WD.</td> <td>J2</td> <td>PTD.</td> <td>-</td> <td>311</td> <td>3\"/> <tr> <td>319</td> <td>ETR</td> <td>-</td> <td>WD.</td> <td>J2</td> <td>PTD.</td> <td>-</td> <td>312A</td> <td>3\"/> <tr> <td>320</td> <td>ETR</td> <td>-</td> <td>WD.</td> <td>J2</td> <td>PTD.</td> <td>-</td> <td>313</td> <td>3\"/> <tr> <td>321</td> <td>ETR</td> <td>-</td> <td>WD.</td> <td>J2</td> <td>PTD.</td> <td>-</td> <td>314</td> <td>3\"/> <tr> <td>322</td> <td>ETR</td> <td>-</td> <td>WD.</td> <td>J2</td> <td>PTD.</td> <td>-</td> <td>315</td> <td>3\"/> <tr> <td>323</td> <td>ETR</td> <td>-</td> <td>WD.</td> <td>J2</td> <td>PTD.</td> <td>-</td> <td>316A</td> <td>3\"/> <tr> <td>324</td> <td>ETR</td> <td>-</td> <td>WD.</td> <td>J2</td> <td>PTD.</td> <td>-</td> <td>318</td> <td>3\"/> <tr> <td>325</td> <td>A</td> <td>3\"/> <tr> <td>327</td> <td>ETR</td> <td>-</td> <td>WD.</td> <td>J2</td> <td>PTD.</td> <td>-</td> <td>319</td> <td>3\"/> <tr> <td>328</td> <td>ETR</td> <td>-</td> <td>WD.</td> <td>J2</td> <td>PTD.</td> <td>-</td> <td>320</td> <td>3\"/> <tr> <td>329A</td> <td>ETR</td> <td>-</td> <td>WD.</td> <td>J2</td> <td>PTD.</td> <td>-</td> <td>321</td> <td>3\"/> <tr> <td>329B</td> <td>ETR</td> <td>-</td> <td>WD.</td> <td>J2</td> <td>PTD.</td> <td>-</td> <td>322</td> <td>3\"/> <tr> <td>331</td> <td>ETR</td> <td>-</td> <td>WD.</td> <td>J2</td> <td>PTD.</td> <td>-</td> <td>323</td> <td>3\"/> <tr> <td>333</td> <td>ETR</td> <td>-</td> <td>WD.</td> <td>J2</td> <td>PTD.</td> <td>-</td> <td>324</td> <td>3\"/> <tr> <td>334A</td> <td>ETR</td> <td>-</td> <td>WD.</td> <td>J2</td> <td>PTD.</td> <td>-</td> <td>325</td> <td>3\"/> <tr> <td>334B</td> <td>ETR</td> <td>-</td> <td>WD.</td> <td>J2</td> <td>PTD.</td> <td>-</td> <td>327</td> <td>3\"/> <tr> <td>335A</td> <td>ETR</td> <td>-</td> <td>WD.</td> <td>J2</td> <td>PTD.</td> <td>-</td> <td>328</td> <td>3\"/> <tr> <td>335B</td> <td>B</td> <td>3\"/> <tr> <td>336</td> <td>B</td> <td>3\"/> <tr>
<td>337</td> <td>ETR</td> <td>-</td> <td>WD.</td> <td>J2</td> <td>PTD.</td> <td>-</td> <td>329A</td> <td>3\"/> <tr> <td>339</td> <td>ETR</td> <td>-</td> <td>WD.</td> <td>J2</td> <td>PTD.</td> <td>-</td> <td>329B</td> <td>3\"/> <tr> <td>340</td> <td>A</td> <td>3\"/> <tr> <td>341A</td> <td>ETR</td> <td>-</td> <td>WD.</td> <td>J2</td> <td>PTD.</td> <td>-</td> <td>331</td> <td>3\"/> <tr> <td>341B</td> <td>ETR</td> <td>-</td> <td>WD.</td> <td>J2</td> <td>PTD.</td> <td>-</td> <td>333</td> <td>3\"/> <tr> <td>342</td> <td>ETR</td> <td>-</td> <td>WD.</td> <td>J2</td> <td>PTD.</td> <td>-</td> <td>334A</td> <td>3\"/> <tr> <td>344</td> <td>ETR</td> <td>-</td> <td>WD.</td> <td>J2</td> <td>PTD.</td> <td>-</td> <td>334B</td> <td>3\"/> <tr> <td>345</td> <td>ETR</td> <td>-</td> <td>WD.</td> <td>J2</td> <td>PTD.</td> <td>-</td> <td>335A</td> <td>3\"/> <tr> <td>346</td> <td>ETR</td> <td>-</td> <td>WD.</td> <td>J2</td> <td>PTD.</td> <td>-</td> <td>335B</td> <td>3\"/> <tr> <td>347</td> <td>ETR</td> <td>-</td> <td>WD.</td> <td>J2</td> <td>PTD.</td> <td>-</td> <td>336</td> <td>3\"/> <tr> <td>348</td> <td>ETR</td> <td>-</td> <td>WD.</td> <td>J2</td> <td>PTD.</td> <td>-</td> <td>337</td> <td>3\"/> <tr> <td>349</td> <td>ETR</td> <td>-</td> <td>WD.</td> <td>J2</td> <td>PTD.</td> <td>-</td> <td>339</td> <td>3\"/> <tr> <td>350</td> <td>ETR</td> <td>-</td> <td>WD.</td> <td>J2</td> <td>PTD.</td> <td>-</td> <td>340</td> <td>3\"/> </td></tr></td></tr></td></tr></td></tr></td></tr></td></tr></td></tr></td></tr></td></tr></td></tr></td></tr></td></tr></td></tr></td></tr></td></tr></td></tr></td></tr></td></tr></td></tr></td></tr></td></tr></td></tr></td></tr></td></tr></td></tr></td></tr></td></tr></td></tr></td></tr></td></tr></td></tr></td></tr></td></tr></td></tr></td></tr></td></tr></td></tr></td></tr> | 311 | A | 3\"/> <tr> <td>312A</td> <td>ETR</td> <td>-</td> <td>WD.</td> <td>J2</td> <td>PTD.</td> <td>-</td> <td>307</td> <td>3\"/> <tr> <td>313</td> <td>ETR</td> <td>-</td> <td>WD.</td> <td>J2</td> <td>PTD.</td> <td>-</td> <td>308</td> <td>3\"/> <tr> <td>314</td> <td>ETR</td> <td>-</td> <td>WD.</td> <td>J2</td> <td>PTD.</td> <td>-</td> <td>309</td> <td>3\"/> <tr> <td>315</td> <td>ETR</td> <td>-</td> <td>WD.</td> <td>J2</td> <td>PTD.</td> <td>-</td> <td>310</td> <td>3\"/> <tr> <td>316A</td> <td>A</td> <td>3\"/> <tr> <td>318</td> <td>ETR</td> <td>-</td> <td>WD.</td> <td>J2</td> <td>PTD.</td> <td>-</td> <td>311</td> <td>3\"/> <tr> <td>319</td> <td>ETR</td> <td>-</td> <td>WD.</td> <td>J2</td> <td>PTD.</td> <td>-</td> <td>312A</td> <td>3\"/> <tr> <td>320</td> <td>ETR</td> <td>-</td> <td>WD.</td> <td>J2</td> <td>PTD.</td> <td>-</td> <td>313</td> <td>3\"/> <tr> <td>321</td> <td>ETR</td> <td>-</td> <td>WD.</td> <td>J2</td> <td>PTD.</td> <td>-</td> <td>314</td> <td>3\"/> <tr> <td>322</td> <td>ETR</td> <td>-</td> <td>WD.</td> <td>J2</td> <td>PTD.</td> <td>-</td> <td>315</td> <td>3\"/> <tr> <td>323</td> <td>ETR</td> <td>-</td> <td>WD.</td> <td>J2</td> <td>PTD.</td> <td>-</td> <td>316A</td> <td>3\"/> <tr> <td>324</td> <td>ETR</td> <td>-</td> <td>WD.</td> <td>J2</td> <td>PTD.</td> <td>-</td> <td>318</td> <td>3\"/> <tr> <td>325</td> <td>A</td> <td>3\"/> <tr> <td>327</td> <td>ETR</td> <td>-</td> <td>WD.</td> <td>J2</td> <td>PTD.</td> <td>-</td> <td>319</td> <td>3\"/> <tr> <td>328</td> <td>ETR</td> <td>-</td> <td>WD.</td> <td>J2</td> <td>PTD.</td> <td>-</td> <td>320</td> <td>3\"/> <tr> <td>329A</td> <td>ETR</td> <td>-</td> <td>WD.</td> <td>J2</td> <td>PTD.</td> <td>-</td> <td>321</td> <td>3\"/> <tr> <td>329B</td> <td>ETR</td> <td>-</td> <td>WD.</td> <td>J2</td> <td>PTD.</td> <td>-</td> <td>322</td> <td>3\"/> <tr> <td>331</td> <td>ETR</td> <td>-</td> <td>WD.</td> <td>J2</td> <td>PTD.</td> <td>-</td> <td>323</td> <td>3\"/> <tr> <td>333</td> <td>ETR</td> <td>-</td> <td>WD.</td> <td>J2</td> <td>PTD.</td> <td>-</td> <td>324</td> <td>3\"/> <tr> <td>334A</td> <td>ETR</td> <td>-</td> <td>WD.</td> <td>J2</td> <td>PTD.</td> <td>-</td> <td>325</td> <td>3\"/> <tr> <td>334B</td> <td>ETR</td> <td>-</td> <td>WD.</td> <td>J2</td> <td>PTD.</td> <td>-</td> <td>327</td> <td>3\"/> <tr> <td>335A</td> <td>ETR</td> <td>-</td> <td>WD.</td> <td>J2</td> <td>PTD.</td> <td>-</td> <td>328</td> <td>3\"/> <tr> <td>335B</td> <td>B</td> <td>3\"/> <tr> <td>336</td> <td>B</td> <td>3\"/> <tr> <td>337</td> <td>ETR</td> <td>-</td> <td>WD.</td> <td>J2</td> <td>PTD.</td> <td>-</td> <td>329A</td> <td>3\"/> <tr> <td>339</td> <td>ETR</td> <td>-</td> <td>WD.</td> <td>J2</td> <td>PTD.</td> <td>-</td> <td>329B</td> <td>3\"/> <tr> <td>340</td> <td>A</td> <td>3\"/> <tr> <td>341A</td> <td>ETR</td> <td>-</td> <td>WD.</td> <td>J2</td> <td>PTD.</td> <td>-</td> <td>331</td> <td>3\"/> <tr> <td>341B</td> <td>ETR</td> <td>-</td> <td>WD.</td> <td>J2</td> <td>PTD.</td> <td>-</td> <td>333</td> <td>3\"/> <tr> <td>342</td> <td>ETR</td> <td>-</td> <td>WD.</td> <td>J2</td> <td>PTD.</td> <td>-</td> <td>334A</td> <td>3\"/> <tr> <td>344</td> <td>ETR</td> <td>-</td> <td>WD.</td> <td>J2</td> <td>PTD.</td> <td>-</td> <td>334B</td> <td>3\"/> <tr> <td>345</td> <td>ETR</td> <td>-</td> <td>WD.</td> <td>J2</td> <td>PTD.</td> <td>-</td> <td>335A</td> <td>3\"/> <tr> <td>346</td> <td>ETR</td> <td>-</td> <td>WD.</td> <td>J2</td> <td>PTD.</td> <td>-</td> <td>335B</td> <td>3\"/> <tr> <td>347</td> <td>ETR</td> <td>-</td> <td>WD.</td> <td>J2</td> <td>PTD.</td> <td>-</td> <td>336</td> <td>3\"/> <tr> <td>348</td> <td>ETR</td> <td>-</td> <td>WD.</td> <td>J2</td> <td>PTD.</td> <td>-</td> <td>337</td> <td>3\"/> <tr> <td>349</td> <td>ETR</td> <td>-</td> <td>WD.</td> <td>J2</td> <td>PTD.</td> <td>-</td> <td>339</td> <td>3\"/> <tr> <td>350</td> <td>ETR</td> <td>-</td> <td>WD.</td> <td>J2</td> <td>PTD.</td> <td>-</td> <td>340</td> <td>3\"/> </td></tr></td></tr></td></tr></td></tr></td></tr></td></tr></td></tr></td></tr></td></tr></td></tr></td></tr></td></tr></td></tr></td></tr></td></tr></td></tr></td></tr></td></tr></td></tr></td></tr></td></tr></td></tr></td></tr></td></tr></td></tr></td></tr></td></tr></td></tr></td></tr></td></tr></td></tr></td></tr></td></tr></td></tr></td></tr></td></tr></td></tr> | 312A | ETR | -
 | WD. | J2 | PTD. | - | 307 | 3\"/> <tr> <td>313</td> <td>ETR</td> <td>-</td> <td>WD.</td> <td>J2</td> <td>PTD.</td> <td>-</td> <td>308</td> <td>3\"/> <tr> <td>314</td> <td>ETR</td> <td>-</td> <td>WD.</td> <td>J2</td> <td>PTD.</td> <td>-</td> <td>309</td> <td>3\"/> <tr> <td>315</td> <td>ETR</td> <td>-</td> <td>WD.</td> <td>J2</td> <td>PTD.</td> <td>-</td> <td>310</td> <td>3\"/> <tr> <td>316A</td> <td>A</td> <td>3\"/> <tr> <td>318</td> <td>ETR</td> <td>-</td> <td>WD.</td> <td>J2</td> <td>PTD.</td> <td>-</td> <td>311</td> <td>3\"/> <tr> <td>319</td> <td>ETR</td> <td>-</td> <td>WD.</td> <td>J2</td> <td>PTD.</td> <td>-</td> <td>312A</td> <td>3\"/> <tr> <td>320</td> <td>ETR</td> <td>-</td> <td>WD.</td> <td>J2</td> <td>PTD.</td> <td>-</td> <td>313</td> <td>3\"/> <tr> <td>321</td> <td>ETR</td> <td>-</td> <td>WD.</td> <td>J2</td> <td>PTD.</td> <td>-</td> <td>314</td> <td>3\"/> <tr> <td>322</td> <td>ETR</td> <td>-</td> <td>WD.</td> <td>J2</td> <td>PTD.</td> <td>-</td> <td>315</td> <td>3\"/> <tr> <td>323</td> <td>ETR</td> <td>-</td> <td>WD.</td> <td>J2</td> <td>PTD.</td> <td>-</td> <td>316A</td> <td>3\"/> <tr> <td>324</td> <td>ETR</td> <td>-</td> <td>WD.</td> <td>J2</td> <td>PTD.</td> <td>-</td> <td>318</td> <td>3\"/> <tr> <td>325</td> <td>A</td> <td>3\"/> <tr> <td>327</td> <td>ETR</td> <td>-</td> <td>WD.</td> <td>J2</td> <td>PTD.</td> <td>-</td> <td>319</td> <td>3\"/> <tr> <td>328</td> <td>ETR</td> <td>-</td> <td>WD.</td> <td>J2</td> <td>PTD.</td> <td>-</td> <td>320</td> <td>3\"/> <tr> <td>329A</td> <td>ETR</td> <td>-</td> <td>WD.</td> <td>J2</td> <td>PTD.</td> <td>-</td> <td>321</td> <td>3\"/> <tr> <td>329B</td> <td>ETR</td> <td>-</td> <td>WD.</td> <td>J2</td> <td>PTD.</td> <td>-</td> <td>322</td> <td>3\"/> <tr> <td>331</td> <td>ETR</td> <td>-</td> <td>WD.</td> <td>J2</td> <td>PTD.</td> <td>-</td> <td>323</td> <td>3\"/> <tr> <td>333</td> <td>ETR</td> <td>-</td> <td>WD.</td> <td>J2</td> <td>PTD.</td> <td>-</td> <td>324</td> <td>3\"/> <tr> <td>334A</td> <td>ETR</td> <td>-</td> <td>WD.</td> <td>J2</td> <td>PTD.</td> <td>-</td> <td>325</td> <td>3\"/> <tr> <td>334B</td> <td>ETR</td> <td>-</td> <td>WD.</td> <td>J2</td> <td>PTD.</td> <td>-</td> <td>327</td> <td>3\"/> <tr> <td>335A</td> <td>ETR</td> <td>-</td> <td>WD.</td> <td>J2</td> <td>PTD.</td> <td>-</td> <td>328</td> <td>3\"/> <tr> <td>335B</td> <td>B</td> <td>3\"/> <tr> <td>336</td> <td>B</td> <td>3\"/> <tr> <td>337</td> <td>ETR</td> <td>-</td> <td>WD.</td> <td>J2</td> <td>PTD.</td> <td>-</td> <td>329A</td> <td>3\"/> <tr> <td>339</td> <td>ETR</td> <td>-</td> <td>WD.</td> <td>J2</td> <td>PTD.</td> <td>-</td> <td>329B</td> <td>3\"/> <tr> <td>340</td> <td>A</td> <td>3\"/> <tr> <td>341A</td> <td>ETR</td> <td>-</td> <td>WD.</td> <td>J2</td> <td>PTD.</td> <td>-</td> <td>331</td> <td>3\"/> <tr> <td>341B</td> <td>ETR</td> <td>-</td> <td>WD.</td> <td>J2</td> <td>PTD.</td> <td>-</td> <td>333</td> <td>3\"/> <tr> <td>342</td> <td>ETR</td> <td>-</td> <td>WD.</td> <td>J2</td> <td>PTD.</td> <td>-</td> <td>334A</td> <td>3\"/> <tr> <td>344</td> <td>ETR</td> <td>-</td> <td>WD.</td> <td>J2</td> <td>PTD.</td> <td>-</td> <td>334B</td> <td>3\"/> <tr> <td>345</td> <td>ETR</td> <td>-</td> <td>WD.</td> <td>J2</td> <td>PTD.</td> <td>-</td> <td>335A</td> <td>3\"/> <tr> <td>346</td> <td>ETR</td> <td>-</td> <td>WD.</td> <td>J2</td> <td>PTD.</td> <td>-</td> <td>335B</td> <td>3\"/> <tr> <td>347</td> <td>ETR</td> <td>-</td>
<td>WD.</td> <td>J2</td> <td>PTD.</td> <td>-</td> <td>336</td> <td>3\"/> <tr> <td>348</td> <td>ETR</td> <td>-</td> <td>WD.</td> <td>J2</td> <td>PTD.</td> <td>-</td> <td>337</td> <td>3\"/> <tr> <td>349</td> <td>ETR</td> <td>-</td> <td>WD.</td> <td>J2</td> <td>PTD.</td> <td>-</td> <td>339</td> <td>3\"/> <tr> <td>350</td> <td>ETR</td> <td>-</td> <td>WD.</td> <td>J2</td> <td>PTD.</td> <td>-</td> <td>340</td> <td>3\"/> </td></tr></td></tr></td></tr></td></tr></td></tr></td></tr></td></tr></td></tr></td></tr></td></tr></td></tr></td></tr></td></tr></td></tr></td></tr></td></tr></td></tr></td></tr></td></tr></td></tr></td></tr></td></tr></td></tr></td></tr></td></tr></td></tr></td></tr></td></tr></td></tr></td></tr></td></tr></td></tr></td></tr></td></tr></td></tr></td></tr> | 313 | ETR | - | WD. | J2 | PTD.
 | - | 308 | 3\"/> <tr> <td>314</td> <td>ETR</td> <td>-</td> <td>WD.</td> <td>J2</td> <td>PTD.</td> <td>-</td> <td>309</td> <td>3\"/> <tr> <td>315</td> <td>ETR</td> <td>-</td> <td>WD.</td> <td>J2</td> <td>PTD.</td> <td>-</td> <td>310</td> <td>3\"/> <tr> <td>316A</td> <td>A</td> <td>3\"/> <tr> <td>318</td> <td>ETR</td> <td>-</td> <td>WD.</td> <td>J2</td> <td>PTD.</td> <td>-</td> <td>311</td> <td>3\"/> <tr> <td>319</td> <td>ETR</td> <td>-</td> <td>WD.</td> <td>J2</td> <td>PTD.</td> <td>-</td> <td>312A</td> <td>3\"/> <tr> <td>320</td> <td>ETR</td> <td>-</td> <td>WD.</td> <td>J2</td> <td>PTD.</td> <td>-</td> <td>313</td> <td>3\"/> <tr> <td>321</td> <td>ETR</td> <td>-</td> <td>WD.</td> <td>J2</td> <td>PTD.</td> <td>-</td> <td>314</td> <td>3\"/> <tr> <td>322</td> <td>ETR</td> <td>-</td> <td>WD.</td> <td>J2</td> <td>PTD.</td> <td>-</td> <td>315</td> <td>3\"/> <tr> <td>323</td> <td>ETR</td> <td>-</td> <td>WD.</td> <td>J2</td> <td>PTD.</td> <td>-</td> <td>316A</td> <td>3\"/> <tr> <td>324</td> <td>ETR</td> <td>-</td> <td>WD.</td> <td>J2</td> <td>PTD.</td> <td>-</td> <td>318</td> <td>3\"/> <tr> <td>325</td> <td>A</td> <td>3\"/> <tr> <td>327</td> <td>ETR</td> <td>-</td> <td>WD.</td> <td>J2</td> <td>PTD.</td> <td>-</td> <td>319</td> <td>3\"/> <tr> <td>328</td> <td>ETR</td> <td>-</td> <td>WD.</td> <td>J2</td> <td>PTD.</td> <td>-</td> <td>320</td> <td>3\"/> <tr> <td>329A</td> <td>ETR</td> <td>-</td> <td>WD.</td> <td>J2</td> <td>PTD.</td> <td>-</td> <td>321</td> <td>3\"/> <tr> <td>329B</td> <td>ETR</td> <td>-</td> <td>WD.</td> <td>J2</td> <td>PTD.</td> <td>-</td> <td>322</td> <td>3\"/> <tr> <td>331</td> <td>ETR</td> <td>-</td> <td>WD.</td> <td>J2</td> <td>PTD.</td> <td>-</td> <td>323</td> <td>3\"/> <tr> <td>333</td> <td>ETR</td> <td>-</td> <td>WD.</td> <td>J2</td> <td>PTD.</td> <td>-</td> <td>324</td> <td>3\"/> <tr> <td>334A</td> <td>ETR</td> <td>-</td> <td>WD.</td> <td>J2</td> <td>PTD.</td> <td>-</td> <td>325</td> <td>3\"/> <tr> <td>334B</td> <td>ETR</td> <td>-</td> <td>WD.</td> <td>J2</td> <td>PTD.</td> <td>-</td> <td>327</td> <td>3\"/> <tr> <td>335A</td> <td>ETR</td> <td>-</td> <td>WD.</td> <td>J2</td> <td>PTD.</td> <td>-</td> <td>328</td> <td>3\"/> <tr> <td>335B</td> <td>B</td> <td>3\"/> <tr> <td>336</td> <td>B</td> <td>3\"/> <tr> <td>337</td> <td>ETR</td> <td>-</td> <td>WD.</td> <td>J2</td> <td>PTD.</td> <td>-</td> <td>329A</td> <td>3\"/> <tr> <td>339</td> <td>ETR</td> <td>-</td> <td>WD.</td> <td>J2</td> <td>PTD.</td> <td>-</td> <td>329B</td> <td>3\"/> <tr> <td>340</td> <td>A</td> <td>3\"/> <tr> <td>341A</td> <td>ETR</td> <td>-</td> <td>WD.</td> <td>J2</td> <td>PTD.</td> <td>-</td> <td>331</td> <td>3\"/> <tr> <td>341B</td> <td>ETR</td> <td>-</td> <td>WD.</td> <td>J2</td> <td>PTD.</td> <td>-</td> <td>333</td> <td>3\"/> <tr> <td>342</td> <td>ETR</td> <td>-</td> <td>WD.</td> <td>J2</td> <td>PTD.</td> <td>-</td> <td>334A</td> <td>3\"/> <tr> <td>344</td> <td>ETR</td> <td>-</td> <td>WD.</td> <td>J2</td> <td>PTD.</td> <td>-</td> <td>334B</td> <td>3\"/> <tr> <td>345</td> <td>ETR</td> <td>-</td> <td>WD.</td> <td>J2</td> <td>PTD.</td> <td>-</td> <td>335A</td> <td>3\"/> <tr> <td>346</td> <td>ETR</td> <td>-</td> <td>WD.</td> <td>J2</td> <td>PTD.</td> <td>-</td> <td>335B</td> <td>3\"/> <tr> <td>347</td> <td>ETR</td> <td>-</td> <td>WD.</td> <td>J2</td> <td>PTD.</td> <td>-</td> <td>336</td> <td>3\"/> <tr> <td>348</td> <td>ETR</td> <td>-</td> <td>WD.</td> <td>J2</td> <td>PTD.</td> <td>-</td> <td>337</td> <td>3\"/> <tr> <td>349</td> <td>ETR</td> <td>-</td> <td>WD.</td> <td>J2</td> <td>PTD.</td> <td>-</td> <td>339</td> <td>3\"/> <tr> <td>350</td> <td>ETR</td> <td>-</td> <td>WD.</td> <td>J2</td> <td>PTD.</td> <td>-</td> <td>340</td> <td>3\"/> </td></tr></td></tr></td></tr></td></tr></td></tr></td></tr></td></tr></td></tr></td></tr></td></tr></td></tr></td></tr></td></tr></td></tr></td></tr></td></tr></td></tr></td></tr></td></tr></td></tr></td></tr></td></tr></td></tr></td></tr></td></tr></td></tr></td></tr></td></tr></td></tr></td></tr></td></tr></td></tr></td></tr></td></tr></td></tr> | 314 | ETR | - | WD. | J2 | PTD.
 | - | 309 | 3\"/> <tr> <td>315</td> <td>ETR</td> <td>-</td> <td>WD.</td> <td>J2</td> <td>PTD.</td> <td>-</td> <td>310</td> <td>3\"/> <tr> <td>316A</td> <td>A</td> <td>3\"/> <tr> <td>318</td> <td>ETR</td> <td>-</td> <td>WD.</td> <td>J2</td> <td>PTD.</td> <td>-</td> <td>311</td> <td>3\"/> <tr> <td>319</td> <td>ETR</td> <td>-</td> <td>WD.</td> <td>J2</td> <td>PTD.</td> <td>-</td> <td>312A</td> <td>3\"/> <tr> <td>320</td> <td>ETR</td> <td>-</td> <td>WD.</td> <td>J2</td> <td>PTD.</td> <td>-</td> <td>313</td> <td>3\"/> <tr> <td>321</td> <td>ETR</td> <td>-</td> <td>WD.</td> <td>J2</td> <td>PTD.</td> <td>-</td> <td>314</td> <td>3\"/> <tr> <td>322</td> <td>ETR</td> <td>-</td> <td>WD.</td> <td>J2</td> <td>PTD.</td> <td>-</td> <td>315</td> <td>3\"/> <tr> <td>323</td> <td>ETR</td> <td>-</td> <td>WD.</td> <td>J2</td> <td>PTD.</td> <td>-</td> <td>316A</td> <td>3\"/> <tr> <td>324</td> <td>ETR</td> <td>-</td> <td>WD.</td> <td>J2</td> <td>PTD.</td> <td>-</td> <td>318</td> <td>3\"/> <tr> <td>325</td> <td>A</td> <td>3\"/> <tr> <td>327</td> <td>ETR</td> <td>-</td> <td>WD.</td> <td>J2</td> <td>PTD.</td> <td>-</td> <td>319</td> <td>3\"/> <tr> <td>328</td> <td>ETR</td> <td>-</td> <td>WD.</td> <td>J2</td> <td>PTD.</td> <td>-</td> <td>320</td> <td>3\"/> <tr> <td>329A</td> <td>ETR</td> <td>-</td> <td>WD.</td> <td>J2</td> <td>PTD.</td> <td>-</td> <td>321</td> <td>3\"/> <tr> <td>329B</td> <td>ETR</td> <td>-</td> <td>WD.</td> <td>J2</td> <td>PTD.</td> <td>-</td> <td>322</td> <td>3\"/> <tr> <td>331</td> <td>ETR</td> <td>-</td> <td>WD.</td> <td>J2</td> <td>PTD.</td> <td>-</td> <td>323</td> <td>3\"/> <tr> <td>333</td> <td>ETR</td> <td>-</td> <td>WD.</td> <td>J2</td> <td>PTD.</td> <td>-</td> <td>324</td> <td>3\"/> <tr> <td>334A</td> <td>ETR</td> <td>-</td> <td>WD.</td> <td>J2</td> <td>PTD.</td> <td>-</td> <td>325</td> <td>3\"/> <tr> <td>334B</td> <td>ETR</td> <td>-</td> <td>WD.</td> <td>J2</td> <td>PTD.</td> <td>-</td> <td>327</td> <td>3\"/> <tr> <td>335A</td> <td>ETR</td> <td>-</td> <td>WD.</td> <td>J2</td> <td>PTD.</td> <td>-</td> <td>328</td> <td>3\"/> <tr> <td>335B</td> <td>B</td> <td>3\"/> <tr> <td>336</td> <td>B</td> <td>3\"/> <tr> <td>337</td> <td>ETR</td> <td>-</td> <td>WD.</td> <td>J2</td> <td>PTD.</td> <td>-</td> <td>329A</td> <td>3\"/> <tr> <td>339</td> <td>ETR</td> <td>-</td> <td>WD.</td> <td>J2</td> <td>PTD.</td> <td>-</td> <td>329B</td> <td>3\"/> <tr> <td>340</td> <td>A</td> <td>3\"/> <tr> <td>341A</td> <td>ETR</td> <td>-</td> <td>WD.</td> <td>J2</td> <td>PTD.</td> <td>-</td> <td>331</td> <td>3\"/> <tr> <td>341B</td> <td>ETR</td> <td>-</td> <td>WD.</td> <td>J2</td> <td>PTD.</td> <td>-</td> <td>333</td> <td>3\"/> <tr> <td>342</td> <td>ETR</td> <td>-</td> <td>WD.</td> <td>J2</td> <td>PTD.</td> <td>-</td> <td>334A</td> <td>3\"/> <tr> <td>344</td> <td>ETR</td> <td>-</td> <td>WD.</td> <td>J2</td> <td>PTD.</td> <td>-</td> <td>334B</td> <td>3\"/> <tr> <td>345</td> <td>ETR</td> <td>-</td> <td>WD.</td> <td>J2</td> <td>PTD.</td> <td>-</td> <td>335A</td> <td>3\"/> <tr> <td>346</td> <td>ETR</td> <td>-</td> <td>WD.</td> <td>J2</td> <td>PTD.</td> <td>-</td> <td>335B</td> <td>3\"/> <tr> <td>347</td> <td>ETR</td> <td>-</td> <td>WD.</td> <td>J2</td> <td>PTD.</td> <td>-</td> <td>336</td> <td>3\"/> <tr> <td>348</td> <td>ETR</td> <td>-</td> <td>WD.</td> <td>J2</td> <td>PTD.</td> <td>-</td> <td>337</td> <td>3\"/> <tr> <td>349</td> <td>ETR</td> <td>-</td> <td>WD.</td> <td>J2</td> <td>PTD.</td> <td>-</td> <td>339</td> <td>3\"/> <tr> <td>350</td> <td>ETR</td> <td>-</td> <td>WD.</td> <td>J2</td> <td>PTD.</td> <td>-</td> <td>340</td> <td>3\"/> </td></tr></td></tr></td></tr></td></tr></td></tr></td></tr></td></tr></td></tr></td></tr></td></tr></td></tr></td></tr></td></tr></td></tr></td></tr></td></tr></td></tr></td></tr></td></tr></td></tr></td></tr></td></tr></td></tr></td></tr></td></tr></td></tr></td></tr></td></tr></td></tr></td></tr></td></tr></td></tr></td></tr></td></tr> | 315 | ETR | -
 | WD. | J2 | PTD. | - | 310 | 3\"/> <tr> <td>316A</td> <td>A</td> <td>3\"/> <tr> <td>318</td> <td>ETR</td> <td>-</td> <td>WD.</td> <td>J2</td> <td>PTD.</td> <td>-</td> <td>311</td> <td>3\"/> <tr> <td>319</td> <td>ETR</td> <td>-</td> <td>WD.</td> <td>J2</td> <td>PTD.</td> <td>-</td> <td>312A</td> <td>3\"/> <tr> <td>320</td> <td>ETR</td> <td>-</td> <td>WD.</td> <td>J2</td> <td>PTD.</td> <td>-</td> <td>313</td> <td>3\"/> <tr> <td>321</td> <td>ETR</td> <td>-</td> <td>WD.</td> <td>J2</td> <td>PTD.</td> <td>-</td> <td>314</td> <td>3\"/> <tr> <td>322</td> <td>ETR</td> <td>-</td> <td>WD.</td> <td>J2</td> <td>PTD.</td> <td>-</td> <td>315</td> <td>3\"/> <tr> <td>323</td> <td>ETR</td> <td>-</td> <td>WD.</td> <td>J2</td> <td>PTD.</td> <td>-</td> <td>316A</td> <td>3\"/> <tr> <td>324</td> <td>ETR</td> <td>-</td> <td>WD.</td> <td>J2</td> <td>PTD.</td> <td>-</td> <td>318</td> <td>3\"/> <tr> <td>325</td> <td>A</td> <td>3\"/> <tr> <td>327</td> <td>ETR</td> <td>-</td> <td>WD.</td> <td>J2</td> <td>PTD.</td> <td>-</td> <td>319</td> <td>3\"/> <tr> <td>328</td> <td>ETR</td> <td>-</td> <td>WD.</td> <td>J2</td> <td>PTD.</td> <td>-</td> <td>320</td> <td>3\"/> <tr> <td>329A</td> <td>ETR</td> <td>-</td> <td>WD.</td> <td>J2</td> <td>PTD.</td> <td>-</td> <td>321</td> <td>3\"/> <tr> <td>329B</td> <td>ETR</td> <td>-</td> <td>WD.</td> <td>J2</td> <td>PTD.</td> <td>-</td> <td>322</td> <td>3\"/> <tr> <td>331</td> <td>ETR</td> <td>-</td> <td>WD.</td> <td>J2</td> <td>PTD.</td> <td>-</td> <td>323</td> <td>3\"/> <tr> <td>333</td> <td>ETR</td> <td>-</td> <td>WD.</td> <td>J2</td> <td>PTD.</td> <td>-</td> <td>324</td> <td>3\"/> <tr> <td>334A</td> <td>ETR</td> <td>-</td> <td>WD.</td> <td>J2</td> <td>PTD.</td> <td>-</td> <td>325</td> <td>3\"/> <tr> <td>334B</td> <td>ETR</td> <td>-</td> <td>WD.</td> <td>J2</td> <td>PTD.</td> <td>-</td> <td>327</td> <td>3\"/> <tr> <td>335A</td> <td>ETR</td> <td>-</td> <td>WD.</td> <td>J2</td> <td>PTD.</td> <td>-</td> <td>328</td> <td>3\"/> <tr> <td>335B</td> <td>B</td> <td>3\"/> <tr> <td>336</td> <td>B</td> <td>3\"/> <tr> <td>337</td> <td>ETR</td> <td>-</td> <td>WD.</td> <td>J2</td> <td>PTD.</td> <td>-</td> <td>329A</td> <td>3\"/> <tr> <td>339</td> <td>ETR</td> <td>-</td> <td>WD.</td> <td>J2</td> <td>PTD.</td> <td>-</td> <td>329B</td> <td>3\"/> <tr> <td>340</td> <td>A</td> <td>3\"/> <tr> <td>341A</td> <td>ETR</td> <td>-</td> <td>WD.</td> <td>J2</td> <td>PTD.</td> <td>-</td> <td>331</td> <td>3\"/> <tr> <td>341B</td> <td>ETR</td> <td>-</td> <td>WD.</td> <td>J2</td> <td>PTD.</td> <td>-</td> <td>333</td> <td>3\"/> <tr> <td>342</td> <td>ETR</td> <td>-</td> <td>WD.</td> <td>J2</td> <td>PTD.</td> <td>-</td> <td>334A</td> <td>3\"/> <tr> <td>344</td> <td>ETR</td> <td>-</td> <td>WD.</td> <td>J2</td> <td>PTD.</td> <td>-</td> <td>334B</td> <td>3\"/> <tr> <td>345</td> <td>ETR</td> <td>-</td> <td>WD.</td> <td>J2</td> <td>PTD.</td> <td>-</td> <td>335A</td> <td>3\"/> <tr> <td>346</td> <td>ETR</td> <td>-</td> <td>WD.</td> <td>J2</td> <td>PTD.</td> <td>-</td> <td>335B</td> <td>3\"/> <tr> <td>347</td> <td>ETR</td> <td>-</td> <td>WD.</td> <td>J2</td> <td>PTD.</td> <td>-</td> <td>336</td> <td>3\"/> <tr> <td>348</td> <td>ETR</td> <td>-</td> <td>WD.</td> <td>J2</td> <td>PTD.</td> <td>-</td> <td>337</td> <td>3\"/> <tr> <td>349</td> <td>ETR</td> <td>-</td> <td>WD.</td> <td>J2</td> <td>PTD.</td> <td>-</td> <td>339</td> <td>3\"/> <tr> <td>350</td> <td>ETR</td> <td>-</td> <td>WD.</td> <td>J2</td> <td>PTD.</td> <td>-</td> <td>340</td> <td>3\"/>
</td></tr></td></tr></td></tr></td></tr></td></tr></td></tr></td></tr></td></tr></td></tr></td></tr></td></tr></td></tr></td></tr></td></tr></td></tr></td></tr></td></tr></td></tr></td></tr></td></tr></td></tr></td></tr></td></tr></td></tr></td></tr></td></tr></td></tr></td></tr></td></tr></td></tr></td></tr></td></tr></td></tr> | 316A | A | 3\"/> <tr> <td>318</td> <td>ETR</td> <td>-</td> <td>WD.</td> <td>J2</td> <td>PTD.</td> <td>-</td> <td>311</td> <td>3\"/> <tr> <td>319</td> <td>ETR</td> <td>-</td> <td>WD.</td> <td>J2</td> <td>PTD.</td> <td>-</td> <td>312A</td> <td>3\"/> <tr> <td>320</td> <td>ETR</td> <td>-</td> <td>WD.</td> <td>J2</td> <td>PTD.</td> <td>-</td> <td>313</td> <td>3\"/> <tr> <td>321</td> <td>ETR</td> <td>-</td> <td>WD.</td> <td>J2</td> <td>PTD.</td> <td>-</td> <td>314</td> <td>3\"/> <tr> <td>322</td> <td>ETR</td> <td>-</td> <td>WD.</td> <td>J2</td> <td>PTD.</td> <td>-</td> <td>315</td> <td>3\"/> <tr> <td>323</td> <td>ETR</td> <td>-</td> <td>WD.</td> <td>J2</td> <td>PTD.</td> <td>-</td> <td>316A</td> <td>3\"/> <tr> <td>324</td> <td>ETR</td> <td>-</td> <td>WD.</td> <td>J2</td> <td>PTD.</td> <td>-</td> <td>318</td> <td>3\"/> <tr> <td>325</td> <td>A</td> <td>3\"/> <tr> <td>327</td> <td>ETR</td> <td>-</td> <td>WD.</td> <td>J2</td> <td>PTD.</td> <td>-</td> <td>319</td> <td>3\"/> <tr> <td>328</td> <td>ETR</td> <td>-</td> <td>WD.</td> <td>J2</td> <td>PTD.</td> <td>-</td> <td>320</td> <td>3\"/> <tr> <td>329A</td> <td>ETR</td> <td>-</td> <td>WD.</td> <td>J2</td> <td>PTD.</td> <td>-</td> <td>321</td> <td>3\"/> <tr> <td>329B</td> <td>ETR</td> <td>-</td> <td>WD.</td> <td>J2</td> <td>PTD.</td> <td>-</td> <td>322</td> <td>3\"/> <tr> <td>331</td> <td>ETR</td> <td>-</td> <td>WD.</td> <td>J2</td> <td>PTD.</td> <td>-</td> <td>323</td> <td>3\"/> <tr> <td>333</td> <td>ETR</td> <td>-</td> <td>WD.</td> <td>J2</td> <td>PTD.</td> <td>-</td> <td>324</td> <td>3\"/> <tr> <td>334A</td> <td>ETR</td> <td>-</td> <td>WD.</td> <td>J2</td> <td>PTD.</td> <td>-</td> <td>325</td> <td>3\"/> <tr> <td>334B</td> <td>ETR</td> <td>-</td> <td>WD.</td> <td>J2</td> <td>PTD.</td> <td>-</td> <td>327</td> <td>3\"/> <tr> <td>335A</td> <td>ETR</td> <td>-</td> <td>WD.</td> <td>J2</td> <td>PTD.</td> <td>-</td> <td>328</td> <td>3\"/> <tr> <td>335B</td> <td>B</td> <td>3\"/> <tr> <td>336</td> <td>B</td> <td>3\"/> <tr> <td>337</td> <td>ETR</td> <td>-</td> <td>WD.</td> <td>J2</td> <td>PTD.</td> <td>-</td> <td>329A</td> <td>3\"/> <tr> <td>339</td> <td>ETR</td> <td>-</td> <td>WD.</td> <td>J2</td> <td>PTD.</td> <td>-</td> <td>329B</td> <td>3\"/> <tr> <td>340</td> <td>A</td> <td>3\"/> <tr> <td>341A</td> <td>ETR</td> <td>-</td> <td>WD.</td> <td>J2</td> <td>PTD.</td> <td>-</td> <td>331</td> <td>3\"/> <tr> <td>341B</td> <td>ETR</td> <td>-</td> <td>WD.</td> <td>J2</td> <td>PTD.</td> <td>-</td> <td>333</td> <td>3\"/> <tr> <td>342</td> <td>ETR</td> <td>-</td> <td>WD.</td> <td>J2</td> <td>PTD.</td> <td>-</td> <td>334A</td> <td>3\"/> <tr> <td>344</td> <td>ETR</td> <td>-</td> <td>WD.</td> <td>J2</td> <td>PTD.</td> <td>-</td> <td>334B</td> <td>3\"/> <tr> <td>345</td> <td>ETR</td> <td>-</td> <td>WD.</td> <td>J2</td> <td>PTD.</td> <td>-</td> <td>335A</td> <td>3\"/> <tr> <td>346</td> <td>ETR</td> <td>-</td> <td>WD.</td> <td>J2</td> <td>PTD.</td> <td>-</td> <td>335B</td> <td>3\"/> <tr> <td>347</td> <td>ETR</td> <td>-</td> <td>WD.</td> <td>J2</td> <td>PTD.</td> <td>-</td> <td>336</td> <td>3\"/> <tr> <td>348</td> <td>ETR</td> <td>-</td> <td>WD.</td> <td>J2</td> <td>PTD.</td> <td>-</td> <td>337</td> <td>3\"/> <tr> <td>349</td> <td>ETR</td> <td>-</td> <td>WD.</td> <td>J2</td> <td>PTD.</td> <td>-</td> <td>339</td> <td>3\"/> <tr> <td>350</td> <td>ETR</td> <td>-</td> <td>WD.</td> <td>J2</td> <td>PTD.</td> <td>-</td> <td>340</td> <td>3\"/> </td></tr></td></tr></td></tr></td></tr></td></tr></td></tr></td></tr></td></tr></td></tr></td></tr></td></tr></td></tr></td></tr></td></tr></td></tr></td></tr></td></tr></td></tr></td></tr></td></tr></td></tr></td></tr></td></tr></td></tr></td></tr></td></tr></td></tr></td></tr></td></tr></td></tr></td></tr></td></tr> | 318 | ETR | - | WD. | J2 | PTD.
 | - | 311 | 3\"/> <tr> <td>319</td> <td>ETR</td> <td>-</td> <td>WD.</td> <td>J2</td> <td>PTD.</td> <td>-</td> <td>312A</td> <td>3\"/> <tr> <td>320</td> <td>ETR</td> <td>-</td> <td>WD.</td> <td>J2</td> <td>PTD.</td> <td>-</td> <td>313</td> <td>3\"/> <tr> <td>321</td> <td>ETR</td> <td>-</td> <td>WD.</td> <td>J2</td> <td>PTD.</td> <td>-</td> <td>314</td> <td>3\"/> <tr> <td>322</td> <td>ETR</td> <td>-</td> <td>WD.</td> <td>J2</td> <td>PTD.</td> <td>-</td> <td>315</td> <td>3\"/> <tr> <td>323</td> <td>ETR</td> <td>-</td> <td>WD.</td> <td>J2</td> <td>PTD.</td> <td>-</td> <td>316A</td> <td>3\"/> <tr> <td>324</td> <td>ETR</td> <td>-</td> <td>WD.</td> <td>J2</td> <td>PTD.</td> <td>-</td> <td>318</td> <td>3\"/> <tr> <td>325</td> <td>A</td> <td>3\"/> <tr> <td>327</td> <td>ETR</td> <td>-</td> <td>WD.</td> <td>J2</td> <td>PTD.</td> <td>-</td> <td>319</td> <td>3\"/> <tr> <td>328</td> <td>ETR</td> <td>-</td> <td>WD.</td> <td>J2</td> <td>PTD.</td> <td>-</td> <td>320</td> <td>3\"/> <tr> <td>329A</td> <td>ETR</td> <td>-</td> <td>WD.</td> <td>J2</td> <td>PTD.</td> <td>-</td> <td>321</td> <td>3\"/> <tr> <td>329B</td> <td>ETR</td> <td>-</td> <td>WD.</td> <td>J2</td> <td>PTD.</td> <td>-</td> <td>322</td> <td>3\"/> <tr> <td>331</td> <td>ETR</td> <td>-</td> <td>WD.</td> <td>J2</td> <td>PTD.</td> <td>-</td> <td>323</td> <td>3\"/> <tr> <td>333</td> <td>ETR</td> <td>-</td> <td>WD.</td> <td>J2</td> <td>PTD.</td> <td>-</td> <td>324</td> <td>3\"/> <tr> <td>334A</td> <td>ETR</td> <td>-</td> <td>WD.</td> <td>J2</td> <td>PTD.</td> <td>-</td> <td>325</td> <td>3\"/> <tr> <td>334B</td> <td>ETR</td> <td>-</td> <td>WD.</td> <td>J2</td> <td>PTD.</td> <td>-</td> <td>327</td> <td>3\"/> <tr> <td>335A</td> <td>ETR</td> <td>-</td> <td>WD.</td> <td>J2</td> <td>PTD.</td> <td>-</td> <td>328</td> <td>3\"/> <tr> <td>335B</td> <td>B</td> <td>3\"/> <tr> <td>336</td> <td>B</td> <td>3\"/> <tr> <td>337</td> <td>ETR</td> <td>-</td> <td>WD.</td> <td>J2</td> <td>PTD.</td> <td>-</td> <td>329A</td> <td>3\"/> <tr> <td>339</td> <td>ETR</td> <td>-</td> <td>WD.</td> <td>J2</td> <td>PTD.</td> <td>-</td> <td>329B</td> <td>3\"/> <tr> <td>340</td> <td>A</td> <td>3\"/> <tr> <td>341A</td> <td>ETR</td> <td>-</td> <td>WD.</td> <td>J2</td> <td>PTD.</td> <td>-</td> <td>331</td> <td>3\"/> <tr> <td>341B</td> <td>ETR</td> <td>-</td> <td>WD.</td> <td>J2</td> <td>PTD.</td> <td>-</td> <td>333</td> <td>3\"/> <tr> <td>342</td> <td>ETR</td> <td>-</td> <td>WD.</td> <td>J2</td> <td>PTD.</td> <td>-</td> <td>334A</td> <td>3\"/> <tr> <td>344</td> <td>ETR</td> <td>-</td> <td>WD.</td> <td>J2</td> <td>PTD.</td> <td>-</td> <td>334B</td> <td>3\"/> <tr> <td>345</td> <td>ETR</td> <td>-</td> <td>WD.</td> <td>J2</td> <td>PTD.</td> <td>-</td> <td>335A</td> <td>3\"/> <tr> <td>346</td> <td>ETR</td> <td>-</td> <td>WD.</td> <td>J2</td> <td>PTD.</td> <td>-</td> <td>335B</td> <td>3\"/> <tr> <td>347</td> <td>ETR</td> <td>-</td> <td>WD.</td> <td>J2</td> <td>PTD.</td> <td>-</td> <td>336</td> <td>3\"/> <tr> <td>348</td> <td>ETR</td> <td>-</td> <td>WD.</td> <td>J2</td> <td>PTD.</td> <td>-</td> <td>337</td> <td>3\"/> <tr> <td>349</td> <td>ETR</td> <td>-</td> <td>WD.</td> <td>J2</td> <td>PTD.</td> <td>-</td> <td>339</td> <td>3\"/> <tr> <td>350</td> <td>ETR</td> <td>-</td> <td>WD.</td> <td>J2</td> <td>PTD.</td> <td>-</td> <td>340</td> <td>3\"/> </td></tr></td></tr></td></tr></td></tr></td></tr></td></tr></td></tr></td></tr></td></tr></td></tr></td></tr></td></tr></td></tr></td></tr></td></tr></td></tr></td></tr></td></tr></td></tr></td></tr></td></tr></td></tr></td></tr></td></tr></td></tr></td></tr></td></tr></td></tr></td></tr></td></tr></td></tr> | 319 | ETR | -
 | WD. | J2 | PTD. | - | 312A | 3\"/> <tr> <td>320</td> <td>ETR</td> <td>-</td> <td>WD.</td> <td>J2</td> <td>PTD.</td> <td>-</td> <td>313</td> <td>3\"/> <tr> <td>321</td> <td>ETR</td> <td>-</td> <td>WD.</td> <td>J2</td> <td>PTD.</td> <td>-</td> <td>314</td> <td>3\"/> <tr> <td>322</td> <td>ETR</td> <td>-</td> <td>WD.</td> <td>J2</td> <td>PTD.</td> <td>-</td> <td>315</td> <td>3\"/> <tr> <td>323</td> <td>ETR</td> <td>-</td> <td>WD.</td> <td>J2</td> <td>PTD.</td> <td>-</td> <td>316A</td> <td>3\"/> <tr> <td>324</td> <td>ETR</td> <td>-</td> <td>WD.</td> <td>J2</td> <td>PTD.</td> <td>-</td> <td>318</td> <td>3\"/> <tr> <td>325</td> <td>A</td> <td>3\"/> <tr> <td>327</td> <td>ETR</td> <td>-</td> <td>WD.</td> <td>J2</td> <td>PTD.</td> <td>-</td> <td>319</td> <td>3\"/> <tr> <td>328</td> <td>ETR</td> <td>-</td> <td>WD.</td> <td>J2</td> <td>PTD.</td> <td>-</td> <td>320</td> <td>3\"/> <tr> <td>329A</td> <td>ETR</td> <td>-</td> <td>WD.</td> <td>J2</td> <td>PTD.</td> <td>-</td> <td>321</td> <td>3\"/> <tr> <td>329B</td> <td>ETR</td> <td>-</td> <td>WD.</td> <td>J2</td> <td>PTD.</td> <td>-</td> <td>322</td> <td>3\"/> <tr> <td>331</td> <td>ETR</td> <td>-</td> <td>WD.</td> <td>J2</td> <td>PTD.</td> <td>-</td> <td>323</td> <td>3\"/> <tr> <td>333</td> <td>ETR</td> <td>-</td> <td>WD.</td> <td>J2</td> <td>PTD.</td> <td>-</td> <td>324</td> <td>3\"/> <tr> <td>334A</td> <td>ETR</td> <td>-</td> <td>WD.</td> <td>J2</td> <td>PTD.</td> <td>-</td> <td>325</td> <td>3\"/> <tr> <td>334B</td> <td>ETR</td> <td>-</td> <td>WD.</td> <td>J2</td> <td>PTD.</td> <td>-</td> <td>327</td> <td>3\"/> <tr> <td>335A</td> <td>ETR</td> <td>-</td> <td>WD.</td> <td>J2</td> <td>PTD.</td> <td>-</td> <td>328</td> <td>3\"/> <tr> <td>335B</td> <td>B</td> <td>3\"/> <tr> <td>336</td> <td>B</td> <td>3\"/> <tr> <td>337</td> <td>ETR</td> <td>-</td> <td>WD.</td> <td>J2</td> <td>PTD.</td> <td>-</td> <td>329A</td> <td>3\"/> <tr> <td>339</td> <td>ETR</td> <td>-</td> <td>WD.</td> <td>J2</td> <td>PTD.</td> <td>-</td> <td>329B</td> <td>3\"/> <tr> <td>340</td> <td>A</td> <td>3\"/> <tr> <td>341A</td> <td>ETR</td> <td>-</td> <td>WD.</td> <td>J2</td> <td>PTD.</td> <td>-</td> <td>331</td> <td>3\"/> <tr> <td>341B</td> <td>ETR</td> <td>-</td> <td>WD.</td> <td>J2</td> <td>PTD.</td> <td>-</td> <td>333</td> <td>3\"/> <tr> <td>342</td> <td>ETR</td> <td>-</td> <td>WD.</td> <td>J2</td> <td>PTD.</td> <td>-</td> <td>334A</td> <td>3\"/> <tr> <td>344</td> <td>ETR</td> <td>-</td> <td>WD.</td> <td>J2</td> <td>PTD.</td> <td>-</td> <td>334B</td> <td>3\"/> <tr> <td>345</td> <td>ETR</td> <td>-</td> <td>WD.</td> <td>J2</td> <td>PTD.</td> <td>-</td> <td>335A</td> <td>3\"/> <tr> <td>346</td> <td>ETR</td> <td>-</td> <td>WD.</td> <td>J2</td> <td>PTD.</td> <td>-</td> <td>335B</td> <td>3\"/> <tr> <td>347</td> <td>ETR</td> <td>-</td> <td>WD.</td> <td>J2</td> <td>PTD.</td> <td>-</td> <td>336</td> <td>3\"/> <tr> <td>348</td> <td>ETR</td> <td>-</td> <td>WD.</td> <td>J2</td> <td>PTD.</td> <td>-</td> <td>337</td> <td>3\"/> <tr> <td>349</td> <td>ETR</td> <td>-</td> <td>WD.</td> <td>J2</td> <td>PTD.</td> <td>-</td> <td>339</td> <td>3\"/> <tr> <td>350</td> <td>ETR</td> <td>-</td> <td>WD.</td> <td>J2</td> <td>PTD.</td> <td>-</td> <td>340</td> <td>3\"/> </td></tr></td></tr></td></tr></td></tr></td></tr></td></tr></td></tr></td></tr></td></tr></td></tr></td></tr></td></tr></td></tr></td></tr></td></tr></td></tr></td></tr></td></tr></td></tr></td></tr></td></tr></td></tr></td></tr></td></tr></td></tr></td></tr></td></tr></td></tr></td></tr></td></tr> | 320 | ETR | -
 | WD. | J2 | PTD. | - | 313 | 3\"/> <tr> <td>321</td> <td>ETR</td> <td>-</td> <td>WD.</td> <td>J2</td> <td>PTD.</td> <td>-</td> <td>314</td> <td>3\"/> <tr> <td>322</td> <td>ETR</td> <td>-</td> <td>WD.</td> <td>J2</td> <td>PTD.</td> <td>-</td> <td>315</td> <td>3\"/> <tr> <td>323</td> <td>ETR</td> <td>-</td> <td>WD.</td> <td>J2</td> <td>PTD.</td> <td>-</td> <td>316A</td> <td>3\"/> <tr> <td>324</td> <td>ETR</td> <td>-</td> <td>WD.</td> <td>J2</td> <td>PTD.</td> <td>-</td> <td>318</td> <td>3\"/> <tr> <td>325</td> <td>A</td> <td>3\"/> <tr> <td>327</td> <td>ETR</td> <td>-</td> <td>WD.</td> <td>J2</td> <td>PTD.</td> <td>-</td> <td>319</td> <td>3\"/> <tr> <td>328</td> <td>ETR</td> <td>-</td> <td>WD.</td> <td>J2</td> <td>PTD.</td> <td>-</td> <td>320</td> <td>3\"/> <tr> <td>329A</td> <td>ETR</td> <td>-</td> <td>WD.</td> <td>J2</td> <td>PTD.</td> <td>-</td> <td>321</td> <td>3\"/> <tr> <td>329B</td> <td>ETR</td> <td>-</td> <td>WD.</td> <td>J2</td> <td>PTD.</td> <td>-</td> <td>322</td> <td>3\"/> <tr> <td>331</td> <td>ETR</td> <td>-</td> <td>WD.</td> <td>J2</td> <td>PTD.</td> <td>-</td> <td>323</td> <td>3\"/> <tr> <td>333</td> <td>ETR</td> <td>-</td> <td>WD.</td> <td>J2</td> <td>PTD.</td> <td>-</td> <td>324</td> <td>3\"/> <tr> <td>334A</td> <td>ETR</td> <td>-</td> <td>WD.</td> <td>J2</td> <td>PTD.</td> <td>-</td> <td>325</td> <td>3\"/> <tr> <td>334B</td> <td>ETR</td> <td>-</td> <td>WD.</td> <td>J2</td> <td>PTD.</td> <td>-</td> <td>327</td> <td>3\"/> <tr> <td>335A</td> <td>ETR</td> <td>-</td> <td>WD.</td> <td>J2</td> <td>PTD.</td> <td>-</td> <td>328</td> <td>3\"/> <tr> <td>335B</td> <td>B</td> <td>3\"/> <tr> <td>336</td> <td>B</td> <td>3\"/> <tr> <td>337</td> <td>ETR</td> <td>-</td> <td>WD.</td> <td>J2</td> <td>PTD.</td> <td>-</td> <td>329A</td> <td>3\"/> <tr> <td>339</td> <td>ETR</td> <td>-</td> <td>WD.</td> <td>J2</td> <td>PTD.</td> <td>-</td> <td>329B</td> <td>3\"/> <tr> <td>340</td> <td>A</td> <td>3\"/> <tr> <td>341A</td> <td>ETR</td> <td>-</td> <td>WD.</td> <td>J2</td> <td>PTD.</td> <td>-</td> <td>331</td> <td>3\"/> <tr> <td>341B</td> <td>ETR</td> <td>-</td> <td>WD.</td> <td>J2</td> <td>PTD.</td> <td>-</td> <td>333</td> <td>3\"/> <tr> <td>342</td> <td>ETR</td> <td>-</td> <td>WD.</td> <td>J2</td> <td>PTD.</td> <td>-</td> <td>334A</td> <td>3\"/> <tr> <td>344</td> <td>ETR</td> <td>-</td> <td>WD.</td> <td>J2</td> <td>PTD.</td> <td>-</td> <td>334B</td> <td>3\"/> <tr> <td>345</td> <td>ETR</td> <td>-</td> <td>WD.</td> <td>J2</td> <td>PTD.</td> <td>-</td> <td>335A</td> <td>3\"/> <tr> <td>346</td> <td>ETR</td> <td>-</td> <td>WD.</td> <td>J2</td> <td>PTD.</td> <td>-</td> <td>335B</td> <td>3\"/> <tr> <td>347</td> <td>ETR</td> <td>-</td> <td>WD.</td> <td>J2</td> <td>PTD.</td> <td>-</td> <td>336</td> <td>3\"/> <tr> <td>348</td> <td>ETR</td> <td>-</td> <td>WD.</td> <td>J2</td> <td>PTD.</td> <td>-</td> <td>337</td> <td>3\"/> <tr> <td>349</td> <td>ETR</td> <td>-</td> <td>WD.</td> <td>J2</td> <td>PTD.</td> <td>-</td> <td>339</td> <td>3\"/> <tr> <td>350</td> <td>ETR</td> <td>-</td> <td>WD.</td> <td>J2</td> <td>PTD.</td> <td>-</td> <td>340</td> <td>3\"/>
</td></tr></td></tr></td></tr></td></tr></td></tr></td></tr></td></tr></td></tr></td></tr></td></tr></td></tr></td></tr></td></tr></td></tr></td></tr></td></tr></td></tr></td></tr></td></tr></td></tr></td></tr></td></tr></td></tr></td></tr></td></tr></td></tr></td></tr></td></tr></td></tr> | 321 | ETR | - | WD. | J2 | PTD. | - | 314 | 3\"/> <tr> <td>322</td> <td>ETR</td> <td>-</td> <td>WD.</td> <td>J2</td> <td>PTD.</td> <td>-</td> <td>315</td> <td>3\"/> <tr> <td>323</td> <td>ETR</td> <td>-</td> <td>WD.</td> <td>J2</td> <td>PTD.</td> <td>-</td> <td>316A</td> <td>3\"/> <tr> <td>324</td> <td>ETR</td> <td>-</td> <td>WD.</td> <td>J2</td> <td>PTD.</td> <td>-</td> <td>318</td> <td>3\"/> <tr> <td>325</td> <td>A</td> <td>3\"/> <tr> <td>327</td> <td>ETR</td> <td>-</td> <td>WD.</td> <td>J2</td> <td>PTD.</td> <td>-</td> <td>319</td> <td>3\"/> <tr> <td>328</td> <td>ETR</td> <td>-</td> <td>WD.</td> <td>J2</td> <td>PTD.</td> <td>-</td> <td>320</td> <td>3\"/> <tr> <td>329A</td> <td>ETR</td> <td>-</td> <td>WD.</td> <td>J2</td> <td>PTD.</td> <td>-</td> <td>321</td> <td>3\"/> <tr> <td>329B</td> <td>ETR</td> <td>-</td> <td>WD.</td> <td>J2</td> <td>PTD.</td> <td>-</td> <td>322</td> <td>3\"/> <tr> <td>331</td> <td>ETR</td> <td>-</td> <td>WD.</td> <td>J2</td> <td>PTD.</td> <td>-</td> <td>323</td> <td>3\"/> <tr> <td>333</td> <td>ETR</td> <td>-</td> <td>WD.</td> <td>J2</td> <td>PTD.</td> <td>-</td> <td>324</td> <td>3\"/> <tr> <td>334A</td> <td>ETR</td> <td>-</td> <td>WD.</td> <td>J2</td> <td>PTD.</td> <td>-</td> <td>325</td> <td>3\"/> <tr> <td>334B</td> <td>ETR</td> <td>-</td> <td>WD.</td> <td>J2</td> <td>PTD.</td> <td>-</td> <td>327</td> <td>3\"/> <tr> <td>335A</td> <td>ETR</td> <td>-</td> <td>WD.</td> <td>J2</td> <td>PTD.</td> <td>-</td> <td>328</td>
<td>3\"/> <tr> <td>335B</td> <td>B</td> <td>3\"/> <tr> <td>336</td> <td>B</td> <td>3\"/> <tr> <td>337</td> <td>ETR</td> <td>-</td> <td>WD.</td> <td>J2</td> <td>PTD.</td> <td>-</td> <td>329A</td> <td>3\"/> <tr> <td>339</td> <td>ETR</td> <td>-</td> <td>WD.</td> <td>J2</td> <td>PTD.</td> <td>-</td> <td>329B</td> <td>3\"/> <tr> <td>340</td> <td>A</td> <td>3\"/> <tr> <td>341A</td> <td>ETR</td> <td>-</td> <td>WD.</td> <td>J2</td> <td>PTD.</td> <td>-</td> <td>331</td> <td>3\"/> <tr> <td>341B</td> <td>ETR</td> <td>-</td> <td>WD.</td> <td>J2</td> <td>PTD.</td> <td>-</td> <td>333</td> <td>3\"/> <tr> <td>342</td> <td>ETR</td> <td>-</td> <td>WD.</td> <td>J2</td> <td>PTD.</td> <td>-</td> <td>334A</td> <td>3\"/> <tr> <td>344</td> <td>ETR</td> <td>-</td> <td>WD.</td> <td>J2</td> <td>PTD.</td> <td>-</td> <td>334B</td> <td>3\"/> <tr> <td>345</td> <td>ETR</td> <td>-</td> <td>WD.</td> <td>J2</td> <td>PTD.</td> <td>-</td> <td>335A</td> <td>3\"/> <tr> <td>346</td> <td>ETR</td> <td>-</td> <td>WD.</td> <td>J2</td> <td>PTD.</td> <td>-</td> <td>335B</td> <td>3\"/> <tr> <td>347</td> <td>ETR</td> <td>-</td> <td>WD.</td> <td>J2</td> <td>PTD.</td> <td>-</td> <td>336</td> <td>3\"/> <tr> <td>348</td> <td>ETR</td> <td>-</td> <td>WD.</td> <td>J2</td> <td>PTD.</td> <td>-</td> <td>337</td> <td>3\"/> <tr> <td>349</td> <td>ETR</td> <td>-</td> <td>WD.</td> <td>J2</td> <td>PTD.</td> <td>-</td> <td>339</td> <td>3\"/> <tr> <td>350</td> <td>ETR</td> <td>-</td> <td>WD.</td> <td>J2</td> <td>PTD.</td> <td>-</td> <td>340</td> <td>3\"/> </td></tr></td></tr></td></tr></td></tr></td></tr></td></tr></td></tr></td></tr></td></tr></td></tr></td></tr></td></tr></td></tr></td></tr></td></tr></td></tr></td></tr></td></tr></td></tr></td></tr></td></tr></td></tr></td></tr></td></tr></td></tr></td></tr></td></tr></td></tr> | 322 | ETR | - | WD. | J2 | PTD. | - | 315 | 3\"/> <tr> <td>323</td> <td>ETR</td> <td>-</td> <td>WD.</td> <td>J2</td> <td>PTD.</td> <td>-</td> <td>316A</td> <td>3\"/> <tr> <td>324</td> <td>ETR</td> <td>-</td> <td>WD.</td> <td>J2</td> <td>PTD.</td> <td>-</td> <td>318</td> <td>3\"/> <tr> <td>325</td> <td>A</td> <td>3\"/> <tr> <td>327</td> <td>ETR</td> <td>-</td> <td>WD.</td> <td>J2</td> <td>PTD.</td> <td>-</td> <td>319</td>
<td>3\"/> <tr> <td>328</td> <td>ETR</td> <td>-</td> <td>WD.</td> <td>J2</td> <td>PTD.</td> <td>-</td> <td>320</td> <td>3\"/> <tr> <td>329A</td> <td>ETR</td> <td>-</td> <td>WD.</td> <td>J2</td> <td>PTD.</td> <td>-</td> <td>321</td> <td>3\"/> <tr> <td>329B</td> <td>ETR</td> <td>-</td> <td>WD.</td> <td>J2</td> <td>PTD.</td> <td>-</td> <td>322</td> <td>3\"/> <tr> <td>331</td> <td>ETR</td> <td>-</td> <td>WD.</td> <td>J2</td> <td>PTD.</td> <td>-</td> <td>323</td> <td>3\"/> <tr> <td>333</td> <td>ETR</td> <td>-</td> <td>WD.</td> <td>J2</td> <td>PTD.</td> <td>-</td> <td>324</td> <td>3\"/> <tr> <td>334A</td> <td>ETR</td> <td>-</td> <td>WD.</td> <td>J2</td> <td>PTD.</td> <td>-</td> <td>325</td> <td>3\"/> <tr> <td>334B</td> <td>ETR</td> <td>-</td> <td>WD.</td> <td>J2</td> <td>PTD.</td> <td>-</td> <td>327</td> <td>3\"/> <tr> <td>335A</td> <td>ETR</td> <td>-</td> <td>WD.</td> <td>J2</td> <td>PTD.</td> <td>-</td> <td>328</td> <td>3\"/> <tr> <td>335B</td> <td>B</td> <td>3\"/> <tr> <td>336</td> <td>B</td> <td>3\"/> <tr> <td>337</td> <td>ETR</td> <td>-</td> <td>WD.</td> <td>J2</td> <td>PTD.</td> <td>-</td> <td>329A</td> <td>3\"/> <tr> <td>339</td> <td>ETR</td> <td>-</td> <td>WD.</td> <td>J2</td> <td>PTD.</td> <td>-</td> <td>329B</td> <td>3\"/> <tr> <td>340</td> <td>A</td> <td>3\"/> <tr> <td>341A</td> <td>ETR</td> <td>-</td> <td>WD.</td> <td>J2</td> <td>PTD.</td> <td>-</td> <td>331</td> <td>3\"/> <tr> <td>341B</td> <td>ETR</td> <td>-</td> <td>WD.</td> <td>J2</td> <td>PTD.</td> <td>-</td> <td>333</td> <td>3\"/> <tr> <td>342</td> <td>ETR</td> <td>-</td> <td>WD.</td> <td>J2</td> <td>PTD.</td> <td>-</td> <td>334A</td> <td>3\"/> <tr> <td>344</td> <td>ETR</td> <td>-</td> <td>WD.</td> <td>J2</td> <td>PTD.</td> <td>-</td> <td>334B</td> <td>3\"/> <tr> <td>345</td> <td>ETR</td> <td>-</td> <td>WD.</td> <td>J2</td> <td>PTD.</td> <td>-</td> <td>335A</td> <td>3\"/> <tr> <td>346</td> <td>ETR</td> <td>-</td> <td>WD.</td> <td>J2</td> <td>PTD.</td> <td>-</td> <td>335B</td> <td>3\"/> <tr> <td>347</td> <td>ETR</td> <td>-</td> <td>WD.</td> <td>J2</td> <td>PTD.</td> <td>-</td> <td>336</td> <td>3\"/> <tr> <td>348</td> <td>ETR</td> <td>-</td> <td>WD.</td> <td>J2</td> <td>PTD.</td> <td>-</td> <td>337</td> <td>3\"/> <tr> <td>349</td> <td>ETR</td> <td>-</td> <td>WD.</td> <td>J2</td> <td>PTD.</td> <td>-</td> <td>339</td> <td>3\"/> <tr> <td>350</td> <td>ETR</td> <td>-</td> <td>WD.</td> <td>J2</td> <td>PTD.</td> <td>-</td> <td>340</td> <td>3\"/> </td></tr></td></tr></td></tr></td></tr></td></tr></td></tr></td></tr></td></tr></td></tr></td></tr></td></tr></td></tr></td></tr></td></tr></td></tr></td></tr></td></tr></td></tr></td></tr></td></tr></td></tr></td></tr></td></tr></td></tr></td></tr></td></tr></td></tr> | 323 | ETR | - | WD. | J2 | PTD.
 | - | 316A | 3\"/> <tr> <td>324</td> <td>ETR</td> <td>-</td> <td>WD.</td> <td>J2</td> <td>PTD.</td> <td>-</td> <td>318</td> <td>3\"/> <tr> <td>325</td> <td>A</td> <td>3\"/> <tr> <td>327</td> <td>ETR</td> <td>-</td> <td>WD.</td> <td>J2</td> <td>PTD.</td> <td>-</td> <td>319</td> <td>3\"/> <tr> <td>328</td> <td>ETR</td> <td>-</td> <td>WD.</td> <td>J2</td> <td>PTD.</td> <td>-</td> <td>320</td> <td>3\"/> <tr> <td>329A</td> <td>ETR</td> <td>-</td> <td>WD.</td> <td>J2</td> <td>PTD.</td> <td>-</td> <td>321</td> <td>3\"/> <tr> <td>329B</td> <td>ETR</td> <td>-</td> <td>WD.</td> <td>J2</td> <td>PTD.</td> <td>-</td> <td>322</td> <td>3\"/> <tr> <td>331</td> <td>ETR</td> <td>-</td> <td>WD.</td> <td>J2</td> <td>PTD.</td> <td>-</td> <td>323</td> <td>3\"/> <tr> <td>333</td> <td>ETR</td> <td>-</td> <td>WD.</td> <td>J2</td> <td>PTD.</td> <td>-</td> <td>324</td> <td>3\"/> <tr> <td>334A</td> <td>ETR</td> <td>-</td> <td>WD.</td> <td>J2</td> <td>PTD.</td> <td>-</td> <td>325</td> <td>3\"/> <tr> <td>334B</td> <td>ETR</td> <td>-</td> <td>WD.</td> <td>J2</td> <td>PTD.</td> <td>-</td> <td>327</td> <td>3\"/> <tr> <td>335A</td> <td>ETR</td> <td>-</td> <td>WD.</td> <td>J2</td> <td>PTD.</td> <td>-</td> <td>328</td> <td>3\"/> <tr> <td>335B</td> <td>B</td> <td>3\"/> <tr> <td>336</td> <td>B</td> <td>3\"/> <tr> <td>337</td> <td>ETR</td> <td>-</td> <td>WD.</td> <td>J2</td> <td>PTD.</td> <td>-</td> <td>329A</td> <td>3\"/> <tr> <td>339</td> <td>ETR</td> <td>-</td> <td>WD.</td> <td>J2</td> <td>PTD.</td> <td>-</td> <td>329B</td> <td>3\"/> <tr> <td>340</td> <td>A</td> <td>3\"/> <tr> <td>341A</td> <td>ETR</td> <td>-</td> <td>WD.</td> <td>J2</td> <td>PTD.</td> <td>-</td> <td>331</td> <td>3\"/> <tr> <td>341B</td> <td>ETR</td> <td>-</td> <td>WD.</td> <td>J2</td> <td>PTD.</td> <td>-</td> <td>333</td> <td>3\"/> <tr> <td>342</td> <td>ETR</td> <td>-</td> <td>WD.</td> <td>J2</td> <td>PTD.</td> <td>-</td> <td>334A</td> <td>3\"/> <tr> <td>344</td> <td>ETR</td> <td>-</td> <td>WD.</td> <td>J2</td> <td>PTD.</td> <td>-</td> <td>334B</td> <td>3\"/> <tr> <td>345</td> <td>ETR</td> <td>-</td> <td>WD.</td> <td>J2</td> <td>PTD.</td> <td>-</td> <td>335A</td> <td>3\"/> <tr> <td>346</td> <td>ETR</td> <td>-</td> <td>WD.</td> <td>J2</td> <td>PTD.</td> <td>-</td> <td>335B</td> <td>3\"/> <tr> <td>347</td> <td>ETR</td> <td>-</td> <td>WD.</td> <td>J2</td> <td>PTD.</td> <td>-</td> <td>336</td> <td>3\"/> <tr> <td>348</td> <td>ETR</td> <td>-</td> <td>WD.</td> <td>J2</td> <td>PTD.</td> <td>-</td> <td>337</td> <td>3\"/> <tr> <td>349</td> <td>ETR</td> <td>-</td> <td>WD.</td> <td>J2</td> <td>PTD.</td> <td>-</td> <td>339</td> <td>3\"/> <tr> <td>350</td> <td>ETR</td> <td>-</td> <td>WD.</td> <td>J2</td> <td>PTD.</td> <td>-</td> <td>340</td> <td>3\"/> </td></tr></td></tr></td></tr></td></tr></td></tr></td></tr></td></tr></td></tr></td></tr></td></tr></td></tr></td></tr></td></tr></td></tr></td></tr></td></tr></td></tr></td></tr></td></tr></td></tr></td></tr></td></tr></td></tr></td></tr></td></tr></td></tr> | 324 | ETR | - | WD. | J2 | PTD.
 | - | 318 | 3\"/> <tr> <td>325</td> <td>A</td> <td>3\"/> <tr> <td>327</td> <td>ETR</td> <td>-</td> <td>WD.</td> <td>J2</td> <td>PTD.</td> <td>-</td> <td>319</td> <td>3\"/> <tr> <td>328</td> <td>ETR</td> <td>-</td> <td>WD.</td> <td>J2</td> <td>PTD.</td> <td>-</td> <td>320</td> <td>3\"/> <tr> <td>329A</td> <td>ETR</td> <td>-</td> <td>WD.</td> <td>J2</td> <td>PTD.</td> <td>-</td> <td>321</td> <td>3\"/> <tr> <td>329B</td> <td>ETR</td> <td>-</td> <td>WD.</td> <td>J2</td> <td>PTD.</td> <td>-</td> <td>322</td> <td>3\"/> <tr> <td>331</td> <td>ETR</td> <td>-</td> <td>WD.</td> <td>J2</td> <td>PTD.</td> <td>-</td> <td>323</td> <td>3\"/> <tr> <td>333</td> <td>ETR</td> <td>-</td> <td>WD.</td> <td>J2</td> <td>PTD.</td> <td>-</td> <td>324</td> <td>3\"/> <tr> <td>334A</td> <td>ETR</td> <td>-</td> <td>WD.</td> <td>J2</td> <td>PTD.</td> <td>-</td> <td>325</td> <td>3\"/> <tr> <td>334B</td> <td>ETR</td> <td>-</td> <td>WD.</td> <td>J2</td> <td>PTD.</td> <td>-</td> <td>327</td> <td>3\"/> <tr> <td>335A</td> <td>ETR</td> <td>-</td> <td>WD.</td> <td>J2</td> <td>PTD.</td> <td>-</td> <td>328</td> <td>3\"/> <tr> <td>335B</td> <td>B</td> <td>3\"/> <tr> <td>336</td> <td>B</td> <td>3\"/> <tr> <td>337</td> <td>ETR</td> <td>-</td> <td>WD.</td> <td>J2</td> <td>PTD.</td> <td>-</td> <td>329A</td> <td>3\"/> <tr> <td>339</td> <td>ETR</td> <td>-</td> <td>WD.</td> <td>J2</td> <td>PTD.</td> <td>-</td> <td>329B</td> <td>3\"/> <tr> <td>340</td> <td>A</td> <td>3\"/> <tr> <td>341A</td> <td>ETR</td> <td>-</td> <td>WD.</td> <td>J2</td> <td>PTD.</td> <td>-</td> <td>331</td> <td>3\"/> <tr> <td>341B</td> <td>ETR</td> <td>-</td> <td>WD.</td> <td>J2</td> <td>PTD.</td> <td>-</td> <td>333</td> <td>3\"/> <tr> <td>342</td> <td>ETR</td> <td>-</td> <td>WD.</td> <td>J2</td> <td>PTD.</td> <td>-</td> <td>334A</td> <td>3\"/> <tr> <td>344</td> <td>ETR</td> <td>-</td> <td>WD.</td> <td>J2</td> <td>PTD.</td> <td>-</td> <td>334B</td> <td>3\"/> <tr> <td>345</td> <td>ETR</td> <td>-</td> <td>WD.</td> <td>J2</td> <td>PTD.</td> <td>-</td> <td>335A</td> <td>3\"/> <tr> <td>346</td> <td>ETR</td> <td>-</td> <td>WD.</td> <td>J2</td> <td>PTD.</td> <td>-</td> <td>335B</td> <td>3\"/> <tr> <td>347</td> <td>ETR</td> <td>-</td> <td>WD.</td> <td>J2</td> <td>PTD.</td> <td>-</td> <td>336</td> <td>3\"/> <tr> <td>348</td> <td>ETR</td> <td>-</td> <td>WD.</td> <td>J2</td> <td>PTD.</td> <td>-</td> <td>337</td> <td>3\"/> <tr> <td>349</td> <td>ETR</td> <td>-</td> <td>WD.</td> <td>J2</td> <td>PTD.</td> <td>-</td> <td>339</td> <td>3\"/> <tr> <td>350</td> <td>ETR</td> <td>-</td> <td>WD.</td> <td>J2</td> <td>PTD.</td> <td>-</td> <td>340</td> <td>3\"/> </td></tr></td></tr></td></tr></td></tr></td></tr></td></tr></td></tr></td></tr></td></tr></td></tr></td></tr></td></tr></td></tr></td></tr></td></tr></td></tr></td></tr></td></tr></td></tr></td></tr></td></tr></td></tr></td></tr></td></tr></td></tr> | 325 | A | 3\"/> <tr> <td>327</td> <td>ETR</td> <td>-</td> <td>WD.</td> <td>J2</td> <td>PTD.</td> <td>-</td> <td>319</td> <td>3\"/> <tr> <td>328</td> <td>ETR</td> <td>-</td> <td>WD.</td> <td>J2</td> <td>PTD.</td> <td>-</td> <td>320</td> <td>3\"/> <tr> <td>329A</td> <td>ETR</td> <td>-</td> <td>WD.</td> <td>J2</td> <td>PTD.</td> <td>-</td> <td>321</td> <td>3\"/> <tr> <td>329B</td> <td>ETR</td> <td>-</td> <td>WD.</td> <td>J2</td> <td>PTD.</td> <td>-</td> <td>322</td> <td>3\"/> <tr> <td>331</td> <td>ETR</td> <td>-</td> <td>WD.</td> <td>J2</td> <td>PTD.</td> <td>-</td> <td>323</td> <td>3\"/> <tr> <td>333</td> <td>ETR</td> <td>-</td> <td>WD.</td> <td>J2</td> <td>PTD.</td> <td>-</td> <td>324</td> <td>3\"/> <tr> <td>334A</td> <td>ETR</td> <td>-</td> <td>WD.</td> <td>J2</td> <td>PTD.</td> <td>-</td> <td>325</td> <td>3\"/> <tr> <td>334B</td> <td>ETR</td> <td>-</td> <td>WD.</td> <td>J2</td> <td>PTD.</td> <td>-</td> <td>327</td> <td>3\"/> <tr> <td>335A</td> <td>ETR</td> <td>-</td> <td>WD.</td> <td>J2</td> <td>PTD.</td> <td>-</td> <td>328</td> <td>3\"/> <tr> <td>335B</td> <td>B</td> <td>3\"/> <tr> <td>336</td> <td>B</td> <td>3\"/> <tr> <td>337</td> <td>ETR</td> <td>-</td> <td>WD.</td> <td>J2</td> <td>PTD.</td> <td>-</td> <td>329A</td> <td>3\"/> <tr> <td>339</td> <td>ETR</td> <td>-</td> <td>WD.</td> <td>J2</td> <td>PTD.</td> <td>-</td> <td>329B</td> <td>3\"/> <tr> <td>340</td> <td>A</td> <td>3\"/> <tr> <td>341A</td> <td>ETR</td> <td>-</td> <td>WD.</td> <td>J2</td> <td>PTD.</td> <td>-</td> <td>331</td> <td>3\"/> <tr> <td>341B</td> <td>ETR</td> <td>-</td> <td>WD.</td> <td>J2</td> <td>PTD.</td> <td>-</td> <td>333</td> <td>3\"/> <tr> <td>342</td> <td>ETR</td> <td>-</td> <td>WD.</td> <td>J2</td> <td>PTD.</td> <td>-</td> <td>334A</td> <td>3\"/> <tr> <td>344</td> <td>ETR</td> <td>-</td> <td>WD.</td> <td>J2</td> <td>PTD.</td> <td>-</td> <td>334B</td> <td>3\"/> <tr> <td>345</td> <td>ETR</td> <td>-</td> <td>WD.</td> <td>J2</td> <td>PTD.</td> <td>-</td> <td>335A</td> <td>3\"/> <tr> <td>346</td> <td>ETR</td> <td>-</td> <td>WD.</td> <td>J2</td> <td>PTD.</td> <td>-</td> <td>335B</td> <td>3\"/> <tr> <td>347</td> <td>ETR</td> <td>-</td> <td>WD.</td> <td>J2</td> <td>PTD.</td> <td>-</td> <td>336</td> <td>3\"/> <tr> <td>348</td> <td>ETR</td> <td>-</td> <td>WD.</td> <td>J2</td> <td>PTD.</td> <td>-</td> <td>337</td> <td>3\"/> <tr> <td>349</td> <td>ETR</td> <td>-</td> <td>WD.</td> <td>J2</td> <td>PTD.</td> <td>-</td> <td>339</td> <td>3\"/> <tr> <td>350</td> <td>ETR</td> <td>-</td> <td>WD.</td> <td>J2</td> <td>PTD.</td> <td>-</td> <td>340</td> <td>3\"/> </td></tr></td></tr></td></tr></td></tr></td></tr></td></tr></td></tr></td></tr></td></tr></td></tr></td></tr></td></tr></td></tr></td></tr></td></tr></td></tr></td></tr></td></tr></td></tr></td></tr></td></tr></td></tr></td></tr></td></tr> | 327 | ETR | -
 | WD. | J2 | PTD. | - | 319 | 3\"/> <tr> <td>328</td> <td>ETR</td> <td>-</td> <td>WD.</td> <td>J2</td> <td>PTD.</td> <td>-</td> <td>320</td> <td>3\"/> <tr> <td>329A</td> <td>ETR</td> <td>-</td> <td>WD.</td> <td>J2</td> <td>PTD.</td> <td>-</td> <td>321</td> <td>3\"/> <tr> <td>329B</td> <td>ETR</td> <td>-</td> <td>WD.</td> <td>J2</td> <td>PTD.</td> <td>-</td> <td>322</td> <td>3\"/> <tr> <td>331</td> <td>ETR</td> <td>-</td> <td>WD.</td> <td>J2</td> <td>PTD.</td> <td>-</td> <td>323</td> <td>3\"/> <tr> <td>333</td> <td>ETR</td> <td>-</td> <td>WD.</td> <td>J2</td> <td>PTD.</td> <td>-</td> <td>324</td> <td>3\"/> <tr> <td>334A</td> <td>ETR</td> <td>-</td> <td>WD.</td> <td>J2</td> <td>PTD.</td> <td>-</td> <td>325</td> <td>3\"/> <tr> <td>334B</td> <td>ETR</td> <td>-</td> <td>WD.</td> <td>J2</td> <td>PTD.</td> <td>-</td> <td>327</td> <td>3\"/> <tr> <td>335A</td> <td>ETR</td> <td>-</td> <td>WD.</td> <td>J2</td> <td>PTD.</td> <td>-</td> <td>328</td> <td>3\"/> <tr> <td>335B</td> <td>B</td> <td>3\"/> <tr> <td>336</td> <td>B</td> <td>3\"/> <tr> <td>337</td> <td>ETR</td> <td>-</td> <td>WD.</td> <td>J2</td> <td>PTD.</td> <td>-</td> <td>329A</td> <td>3\"/> <tr> <td>339</td> <td>ETR</td> <td>-</td> <td>WD.</td> <td>J2</td> <td>PTD.</td> <td>-</td> <td>329B</td> <td>3\"/> <tr> <td>340</td> <td>A</td> <td>3\"/> <tr> <td>341A</td> <td>ETR</td> <td>-</td> <td>WD.</td> <td>J2</td> <td>PTD.</td> <td>-</td> <td>331</td> <td>3\"/> <tr> <td>341B</td> <td>ETR</td> <td>-</td> <td>WD.</td> <td>J2</td> <td>PTD.</td> <td>-</td> <td>333</td> <td>3\"/> <tr> <td>342</td> <td>ETR</td> <td>-</td> <td>WD.</td> <td>J2</td> <td>PTD.</td> <td>-</td> <td>334A</td> <td>3\"/> <tr> <td>344</td> <td>ETR</td> <td>-</td> <td>WD.</td> <td>J2</td> <td>PTD.</td> <td>-</td> <td>334B</td> <td>3\"/> <tr> <td>345</td> <td>ETR</td> <td>-</td> <td>WD.</td> <td>J2</td> <td>PTD.</td> <td>-</td> <td>335A</td> <td>3\"/> <tr> <td>346</td> <td>ETR</td> <td>-</td> <td>WD.</td> <td>J2</td> <td>PTD.</td> <td>-</td> <td>335B</td> <td>3\"/> <tr> <td>347</td> <td>ETR</td> <td>-</td> <td>WD.</td> <td>J2</td> <td>PTD.</td> <td>-</td> <td>336</td> <td>3\"/> <tr> <td>348</td> <td>ETR</td> <td>-</td> <td>WD.</td> <td>J2</td> <td>PTD.</td> <td>-</td> <td>337</td> <td>3\"/> <tr> <td>349</td> <td>ETR</td> <td>-</td> <td>WD.</td> <td>J2</td> <td>PTD.</td> <td>-</td> <td>339</td> <td>3\"/> <tr> <td>350</td> <td>ETR</td> <td>-</td> <td>WD.</td> <td>J2</td> <td>PTD.</td> <td>-</td> <td>340</td> <td>3\"/> </td></tr></td></tr></td></tr></td></tr></td></tr></td></tr></td></tr></td></tr></td></tr></td></tr></td></tr></td></tr></td></tr></td></tr></td></tr></td></tr></td></tr></td></tr></td></tr></td></tr></td></tr></td></tr></td></tr> | 328 | ETR | -
 | WD. | J2 | PTD. | - | 320 | 3\"/> <tr> <td>329A</td> <td>ETR</td> <td>-</td> <td>WD.</td> <td>J2</td> <td>PTD.</td> <td>-</td> <td>321</td> <td>3\"/> <tr> <td>329B</td> <td>ETR</td> <td>-</td> <td>WD.</td> <td>J2</td> <td>PTD.</td> <td>-</td> <td>322</td> <td>3\"/> <tr> <td>331</td> <td>ETR</td> <td>-</td> <td>WD.</td> <td>J2</td> <td>PTD.</td> <td>-</td> <td>323</td> <td>3\"/> <tr> <td>333</td> <td>ETR</td> <td>-</td> <td>WD.</td> <td>J2</td> <td>PTD.</td> <td>-</td> <td>324</td> <td>3\"/> <tr> <td>334A</td> <td>ETR</td> <td>-</td> <td>WD.</td> <td>J2</td> <td>PTD.</td> <td>-</td> <td>325</td> <td>3\"/> <tr> <td>334B</td> <td>ETR</td> <td>-</td> <td>WD.</td> <td>J2</td> <td>PTD.</td> <td>-</td> <td>327</td> <td>3\"/> <tr> <td>335A</td> <td>ETR</td> <td>-</td> <td>WD.</td> <td>J2</td> <td>PTD.</td> <td>-</td> <td>328</td> <td>3\"/> <tr> <td>335B</td> <td>B</td> <td>3\"/> <tr> <td>336</td> <td>B</td> <td>3\"/> <tr> <td>337</td> <td>ETR</td> <td>-</td> <td>WD.</td> <td>J2</td> <td>PTD.</td> <td>-</td> <td>329A</td> <td>3\"/> <tr> <td>339</td> <td>ETR</td> <td>-</td> <td>WD.</td> <td>J2</td> <td>PTD.</td> <td>-</td> <td>329B</td> <td>3\"/> <tr> <td>340</td> <td>A</td> <td>3\"/> <tr> <td>341A</td> <td>ETR</td> <td>-</td> <td>WD.</td> <td>J2</td> <td>PTD.</td> <td>-</td> <td>331</td> <td>3\"/> <tr> <td>341B</td> <td>ETR</td> <td>-</td> <td>WD.</td> <td>J2</td> <td>PTD.</td> <td>-</td> <td>333</td> <td>3\"/> <tr> <td>342</td> <td>ETR</td> <td>-</td> <td>WD.</td> <td>J2</td> <td>PTD.</td> <td>-</td> <td>334A</td> <td>3\"/> <tr> <td>344</td> <td>ETR</td> <td>-</td> <td>WD.</td> <td>J2</td> <td>PTD.</td> <td>-</td> <td>334B</td> <td>3\"/> <tr> <td>345</td> <td>ETR</td> <td>-</td> <td>WD.</td> <td>J2</td> <td>PTD.</td> <td>-</td> <td>335A</td> <td>3\"/> <tr> <td>346</td> <td>ETR</td> <td>-</td> <td>WD.</td> <td>J2</td> <td>PTD.</td> <td>-</td> <td>335B</td> <td>3\"/> <tr> <td>347</td> <td>ETR</td> <td>-</td> <td>WD.</td> <td>J2</td> <td>PTD.</td> <td>-</td> <td>336</td> <td>3\"/> <tr> <td>348</td> <td>ETR</td> <td>-</td> <td>WD.</td> <td>J2</td> <td>PTD.</td> <td>-</td> <td>337</td> <td>3\"/> <tr> <td>349</td> <td>ETR</td> <td>-</td> <td>WD.</td> <td>J2</td> <td>PTD.</td> <td>-</td> <td>339</td> <td>3\"/> <tr> <td>350</td> <td>ETR</td> <td>-</td> <td>WD.</td> <td>J2</td> <td>PTD.</td> <td>-</td> <td>340</td> <td>3\"/> </td></tr></td></tr></td></tr></td></tr></td></tr></td></tr></td></tr></td></tr></td></tr></td></tr></td></tr></td></tr></td></tr></td></tr></td></tr></td></tr></td></tr></td></tr></td></tr></td></tr></td></tr></td></tr> | 329A | ETR | - | WD. | J2 | PTD.
 | - | 321 | 3\"/> <tr> <td>329B</td> <td>ETR</td> <td>-</td> <td>WD.</td> <td>J2</td> <td>PTD.</td> <td>-</td> <td>322</td> <td>3\"/> <tr> <td>331</td> <td>ETR</td> <td>-</td> <td>WD.</td> <td>J2</td> <td>PTD.</td> <td>-</td> <td>323</td> <td>3\"/> <tr> <td>333</td> <td>ETR</td> <td>-</td> <td>WD.</td> <td>J2</td> <td>PTD.</td> <td>-</td> <td>324</td> <td>3\"/> <tr> <td>334A</td> <td>ETR</td> <td>-</td> <td>WD.</td> <td>J2</td> <td>PTD.</td> <td>-</td> <td>325</td> <td>3\"/> <tr> <td>334B</td> <td>ETR</td> <td>-</td> <td>WD.</td> <td>J2</td> <td>PTD.</td> <td>-</td> <td>327</td> <td>3\"/> <tr> <td>335A</td> <td>ETR</td> <td>-</td> <td>WD.</td> <td>J2</td> <td>PTD.</td> <td>-</td> <td>328</td> <td>3\"/> <tr> <td>335B</td> <td>B</td> <td>3\"/> <tr> <td>336</td> <td>B</td> <td>3\"/> <tr> <td>337</td> <td>ETR</td> <td>-</td> <td>WD.</td> <td>J2</td> <td>PTD.</td> <td>-</td> <td>329A</td> <td>3\"/> <tr> <td>339</td> <td>ETR</td> <td>-</td> <td>WD.</td> <td>J2</td> <td>PTD.</td> <td>-</td> <td>329B</td> <td>3\"/> <tr> <td>340</td> <td>A</td> <td>3\"/> <tr> <td>341A</td> <td>ETR</td> <td>-</td> <td>WD.</td> <td>J2</td> <td>PTD.</td> <td>-</td> <td>331</td> <td>3\"/> <tr> <td>341B</td> <td>ETR</td> <td>-</td> <td>WD.</td> <td>J2</td> <td>PTD.</td> <td>-</td> <td>333</td> <td>3\"/> <tr> <td>342</td> <td>ETR</td> <td>-</td> <td>WD.</td> <td>J2</td> <td>PTD.</td> <td>-</td> <td>334A</td> <td>3\"/> <tr> <td>344</td> <td>ETR</td> <td>-</td> <td>WD.</td> <td>J2</td> <td>PTD.</td> <td>-</td> <td>334B</td> <td>3\"/> <tr> <td>345</td> <td>ETR</td> <td>-</td> <td>WD.</td> <td>J2</td> <td>PTD.</td> <td>-</td> <td>335A</td> <td>3\"/> <tr> <td>346</td> <td>ETR</td> <td>-</td> <td>WD.</td> <td>J2</td> <td>PTD.</td> <td>-</td> <td>335B</td> <td>3\"/> <tr> <td>347</td> <td>ETR</td> <td>-</td> <td>WD.</td> <td>J2</td> <td>PTD.</td> <td>-</td> <td>336</td> <td>3\"/> <tr> <td>348</td> <td>ETR</td> <td>-</td> <td>WD.</td> <td>J2</td> <td>PTD.</td> <td>-</td> <td>337</td> <td>3\"/> <tr> <td>349</td> <td>ETR</td> <td>-</td> <td>WD.</td> <td>J2</td> <td>PTD.</td> <td>-</td> <td>339</td> <td>3\"/> <tr> <td>350</td> <td>ETR</td> <td>-</td> <td>WD.</td> <td>J2</td> <td>PTD.</td> <td>-</td> <td>340</td> <td>3\"/> </td></tr></td></tr></td></tr></td></tr></td></tr></td></tr></td></tr></td></tr></td></tr></td></tr></td></tr></td></tr></td></tr></td></tr></td></tr></td></tr></td></tr></td></tr></td></tr></td></tr></td></tr> | 329B | ETR | - | WD. | J2 | PTD.
 | - | 322 | 3\"/> <tr> <td>331</td> <td>ETR</td> <td>-</td> <td>WD.</td> <td>J2</td> <td>PTD.</td> <td>-</td> <td>323</td> <td>3\"/> <tr> <td>333</td> <td>ETR</td> <td>-</td> <td>WD.</td> <td>J2</td> <td>PTD.</td> <td>-</td> <td>324</td> <td>3\"/> <tr> <td>334A</td> <td>ETR</td> <td>-</td> <td>WD.</td> <td>J2</td> <td>PTD.</td> <td>-</td> <td>325</td> <td>3\"/> <tr> <td>334B</td> <td>ETR</td> <td>-</td> <td>WD.</td> <td>J2</td> <td>PTD.</td> <td>-</td> <td>327</td> <td>3\"/> <tr> <td>335A</td> <td>ETR</td> <td>-</td> <td>WD.</td> <td>J2</td> <td>PTD.</td> <td>-</td> <td>328</td> <td>3\"/> <tr> <td>335B</td> <td>B</td> <td>3\"/> <tr> <td>336</td> <td>B</td> <td>3\"/> <tr> <td>337</td> <td>ETR</td> <td>-</td> <td>WD.</td> <td>J2</td> <td>PTD.</td> <td>-</td> <td>329A</td> <td>3\"/> <tr> <td>339</td> <td>ETR</td> <td>-</td> <td>WD.</td> <td>J2</td> <td>PTD.</td> <td>-</td> <td>329B</td> <td>3\"/> <tr> <td>340</td> <td>A</td> <td>3\"/> <tr> <td>341A</td> <td>ETR</td> <td>-</td> <td>WD.</td> <td>J2</td> <td>PTD.</td> <td>-</td> <td>331</td> <td>3\"/> <tr> <td>341B</td> <td>ETR</td> <td>-</td> <td>WD.</td> <td>J2</td> <td>PTD.</td> <td>-</td> <td>333</td> <td>3\"/> <tr> <td>342</td> <td>ETR</td> <td>-</td> <td>WD.</td> <td>J2</td> <td>PTD.</td> <td>-</td> <td>334A</td> <td>3\"/> <tr> <td>344</td> <td>ETR</td> <td>-</td> <td>WD.</td> <td>J2</td> <td>PTD.</td> <td>-</td> <td>334B</td> <td>3\"/> <tr> <td>345</td> <td>ETR</td> <td>-</td> <td>WD.</td> <td>J2</td> <td>PTD.</td> <td>-</td> <td>335A</td> <td>3\"/> <tr> <td>346</td> <td>ETR</td> <td>-</td> <td>WD.</td> <td>J2</td> <td>PTD.</td> <td>-</td> <td>335B</td> <td>3\"/> <tr> <td>347</td> <td>ETR</td> <td>-</td> <td>WD.</td> <td>J2</td> <td>PTD.</td> <td>-</td> <td>336</td> <td>3\"/> <tr> <td>348</td> <td>ETR</td> <td>-</td> <td>WD.</td> <td>J2</td> <td>PTD.</td> <td>-</td> <td>337</td> <td>3\"/> <tr> <td>349</td> <td>ETR</td> <td>-</td> <td>WD.</td> <td>J2</td> <td>PTD.</td> <td>-</td> <td>339</td> <td>3\"/> <tr> <td>350</td> <td>ETR</td> <td>-</td> <td>WD.</td> <td>J2</td> <td>PTD.</td> <td>-</td> <td>340</td> <td>3\"/> </td></tr></td></tr></td></tr></td></tr></td></tr></td></tr></td></tr></td></tr></td></tr></td></tr></td></tr></td></tr></td></tr></td></tr></td></tr></td></tr></td></tr></td></tr></td></tr></td></tr> | 331 | ETR | - | WD. | J2 | PTD. | - | 323 | 3\"/> <tr> <td>333</td> <td>ETR</td> <td>-</td> <td>WD.</td> <td>J2</td> <td>PTD.</td> <td>-</td> <td>324</td> <td>3\"/> <tr> <td>334A</td> <td>ETR</td> <td>-</td> <td>WD.</td> <td>J2</td> <td>PTD.</td> <td>-</td> <td>325</td> <td>3\"/> <tr> <td>334B</td> <td>ETR</td> <td>-</td> <td>WD.</td> <td>J2</td> <td>PTD.</td> <td>-</td> <td>327</td> <td>3\"/> <tr> <td>335A</td> <td>ETR</td> <td>-</td> <td>WD.</td> <td>J2</td> <td>PTD.</td> <td>-</td> <td>328</td> <td>3\"/> <tr> <td>335B</td> <td>B</td> <td>3\"/> <tr> <td>336</td> <td>B</td> <td>3\"/> <tr> <td>337</td> <td>ETR</td> <td>-</td> <td>WD.</td> <td>J2</td> <td>PTD.</td> <td>-</td> <td>329A</td> <td>3\"/> <tr> <td>339</td> <td>ETR</td> <td>-</td> <td>WD.</td> <td>J2</td> <td>PTD.</td> <td>-</td> <td>329B</td> <td>3\"/> <tr> <td>340</td> <td>A</td> <td>3\"/> <tr> <td>341A</td> <td>ETR</td> <td>-</td> <td>WD.</td> <td>J2</td> <td>PTD.</td> <td>-</td> <td>331</td> <td>3\"/> <tr> <td>341B</td> <td>ETR</td> <td>-</td> <td>WD.</td> <td>J2</td> <td>PTD.</td> <td>-</td> <td>333</td> <td>3\"/> <tr> <td>342</td> <td>ETR</td> <td>-</td> <td>WD.</td> <td>J2</td> <td>PTD.</td> <td>-</td> <td>334A</td> <td>3\"/> <tr> <td>344</td> <td>ETR</td> <td>-</td> <td>WD.</td> <td>J2</td> <td>PTD.</td> <td>-</td> <td>334B</td> <td>3\"/> <tr> <td>345</td> <td>ETR</td> <td>-</td> <td>WD.</td> <td>J2</td> <td>PTD.</td> <td>-</td> <td>335A</td> <td>3\"/> <tr> <td>346</td> <td>ETR</td> <td>-</td> <td>WD.</td> <td>J2</td> <td>PTD.</td> <td>-</td> <td>335B</td> <td>3\"/> <tr> <td>347</td> <td>ETR</td> <td>-</td> <td>WD.</td> <td>J2</td> <td>PTD.</td> <td>-</td> <td>336</td>
<td>3\"/> <tr> <td>348</td> <td>ETR</td> <td>-</td> <td>WD.</td> <td>J2</td> <td>PTD.</td> <td>-</td> <td>337</td> <td>3\"/> <tr> <td>349</td> <td>ETR</td> <td>-</td> <td>WD.</td> <td>J2</td> <td>PTD.</td> <td>-</td> <td>339</td> <td>3\"/> <tr> <td>350</td> <td>ETR</td> <td>-</td> <td>WD.</td> <td>J2</td> <td>PTD.</td> <td>-</td> <td>340</td> <td>3\"/> </td></tr></td></tr></td></tr></td></tr></td></tr></td></tr></td></tr></td></tr></td></tr></td></tr></td></tr></td></tr></td></tr></td></tr></td></tr></td></tr></td></tr></td></tr></td></tr> | 333 | ETR | - | WD. | J2 | PTD. | - | 324 | 3\"/> <tr> <td>334A</td> <td>ETR</td> <td>-</td> <td>WD.</td> <td>J2</td> <td>PTD.</td> <td>-</td> <td>325</td> <td>3\"/> <tr> <td>334B</td> <td>ETR</td> <td>-</td> <td>WD.</td> <td>J2</td> <td>PTD.</td> <td>-</td> <td>327</td> <td>3\"/> <tr> <td>335A</td> <td>ETR</td> <td>-</td> <td>WD.</td> <td>J2</td> <td>PTD.</td> <td>-</td> <td>328</td> <td>3\"/> <tr> <td>335B</td> <td>B</td> <td>3\"/> <tr> <td>336</td> <td>B</td> <td>3\"/> <tr> <td>337</td> <td>ETR</td> <td>-</td> <td>WD.</td> <td>J2</td> <td>PTD.</td> <td>-</td> <td>329A</td> <td>3\"/> <tr> <td>339</td> <td>ETR</td> <td>-</td> <td>WD.</td> <td>J2</td> <td>PTD.</td> <td>-</td> <td>329B</td> <td>3\"/> <tr> <td>340</td> <td>A</td> <td>3\"/> <tr> <td>341A</td> <td>ETR</td> <td>-</td> <td>WD.</td> <td>J2</td> <td>PTD.</td> <td>-</td> <td>331</td> <td>3\"/> <tr> <td>341B</td> <td>ETR</td> <td>-</td> <td>WD.</td> <td>J2</td> <td>PTD.</td> <td>-</td> <td>333</td> <td>3\"/> <tr> <td>342</td> <td>ETR</td> <td>-</td> <td>WD.</td> <td>J2</td> <td>PTD.</td> <td>-</td> <td>334A</td> <td>3\"/> <tr> <td>344</td> <td>ETR</td> <td>-</td> <td>WD.</td> <td>J2</td> <td>PTD.</td> <td>-</td> <td>334B</td> <td>3\"/> <tr> <td>345</td> <td>ETR</td> <td>-</td> <td>WD.</td> <td>J2</td> <td>PTD.</td> <td>-</td> <td>335A</td> <td>3\"/> <tr> <td>346</td> <td>ETR</td> <td>-</td> <td>WD.</td> <td>J2</td> <td>PTD.</td> <td>-</td> <td>335B</td> <td>3\"/> <tr> <td>347</td> <td>ETR</td> <td>-</td> <td>WD.</td> <td>J2</td> <td>PTD.</td> <td>-</td> <td>336</td> <td>3\"/> <tr> <td>348</td> <td>ETR</td> <td>-</td> <td>WD.</td> <td>J2</td> <td>PTD.</td> <td>-</td> <td>337</td> <td>3\"/> <tr> <td>349</td> <td>ETR</td> <td>-</td> <td>WD.</td> <td>J2</td> <td>PTD.</td> <td>-</td> <td>339</td> <td>3\"/> <tr> <td>350</td> <td>ETR</td> <td>-</td> <td>WD.</td> <td>J2</td> <td>PTD.</td> <td>-</td> <td>340</td> <td>3\"/> </td></tr></td></tr></td></tr></td></tr></td></tr></td></tr></td></tr></td></tr></td></tr></td></tr></td></tr></td></tr></td></tr></td></tr></td></tr></td></tr></td></tr></td></tr> | 334A | ETR | -
 | WD. | J2 | PTD. | - | 325 | 3\"/> <tr> <td>334B</td> <td>ETR</td> <td>-</td> <td>WD.</td> <td>J2</td> <td>PTD.</td> <td>-</td> <td>327</td> <td>3\"/> <tr> <td>335A</td> <td>ETR</td> <td>-</td> <td>WD.</td> <td>J2</td> <td>PTD.</td> <td>-</td> <td>328</td> <td>3\"/> <tr> <td>335B</td> <td>B</td> <td>3\"/> <tr> <td>336</td> <td>B</td> <td>3\"/> <tr> <td>337</td> <td>ETR</td> <td>-</td> <td>WD.</td> <td>J2</td> <td>PTD.</td> <td>-</td> <td>329A</td> <td>3\"/> <tr> <td>339</td> <td>ETR</td> <td>-</td> <td>WD.</td> <td>J2</td> <td>PTD.</td> <td>-</td> <td>329B</td> <td>3\"/> <tr> <td>340</td> <td>A</td> <td>3\"/> <tr> <td>341A</td> <td>ETR</td> <td>-</td> <td>WD.</td> <td>J2</td> <td>PTD.</td> <td>-</td> <td>331</td> <td>3\"/> <tr> <td>341B</td> <td>ETR</td> <td>-</td> <td>WD.</td> <td>J2</td> <td>PTD.</td> <td>-</td> <td>333</td> <td>3\"/> <tr> <td>342</td> <td>ETR</td> <td>-</td> <td>WD.</td> <td>J2</td> <td>PTD.</td> <td>-</td> <td>334A</td> <td>3\"/> <tr> <td>344</td> <td>ETR</td> <td>-</td> <td>WD.</td> <td>J2</td> <td>PTD.</td> <td>-</td> <td>334B</td> <td>3\"/> <tr> <td>345</td> <td>ETR</td> <td>-</td> <td>WD.</td> <td>J2</td> <td>PTD.</td> <td>-</td> <td>335A</td> <td>3\"/> <tr> <td>346</td> <td>ETR</td> <td>-</td> <td>WD.</td> <td>J2</td> <td>PTD.</td> <td>-</td> <td>335B</td> <td>3\"/> <tr> <td>347</td> <td>ETR</td> <td>-</td> <td>WD.</td> <td>J2</td> <td>PTD.</td> <td>-</td> <td>336</td> <td>3\"/> <tr> <td>348</td> <td>ETR</td> <td>-</td> <td>WD.</td> <td>J2</td> <td>PTD.</td> <td>-</td> <td>337</td> <td>3\"/> <tr> <td>349</td> <td>ETR</td> <td>-</td> <td>WD.</td> <td>J2</td> <td>PTD.</td> <td>-</td> <td>339</td> <td>3\"/> <tr> <td>350</td> <td>ETR</td> <td>-</td> <td>WD.</td> <td>J2</td> <td>PTD.</td> <td>-</td> <td>340</td> <td>3\"/> </td></tr></td></tr></td></tr></td></tr></td></tr></td></tr></td></tr></td></tr></td></tr></td></tr></td></tr></td></tr></td></tr></td></tr></td></tr></td></tr></td></tr> | 334B | ETR | - | WD. | J2 | PTD.
 | - | 327 | 3\"/> <tr> <td>335A</td> <td>ETR</td> <td>-</td> <td>WD.</td> <td>J2</td> <td>PTD.</td> <td>-</td> <td>328</td> <td>3\"/> <tr> <td>335B</td> <td>B</td> <td>3\"/> <tr> <td>336</td> <td>B</td> <td>3\"/> <tr> <td>337</td> <td>ETR</td> <td>-</td> <td>WD.</td> <td>J2</td> <td>PTD.</td> <td>-</td> <td>329A</td> <td>3\"/> <tr> <td>339</td> <td>ETR</td> <td>-</td> <td>WD.</td> <td>J2</td> <td>PTD.</td> <td>-</td> <td>329B</td> <td>3\"/> <tr> <td>340</td> <td>A</td> <td>3\"/> <tr> <td>341A</td> <td>ETR</td> <td>-</td> <td>WD.</td> <td>J2</td> <td>PTD.</td> <td>-</td> <td>331</td> <td>3\"/> <tr> <td>341B</td> <td>ETR</td> <td>-</td> <td>WD.</td> <td>J2</td> <td>PTD.</td> <td>-</td> <td>333</td> <td>3\"/> <tr> <td>342</td> <td>ETR</td> <td>-</td> <td>WD.</td> <td>J2</td> <td>PTD.</td> <td>-</td> <td>334A</td> <td>3\"/> <tr> <td>344</td> <td>ETR</td> <td>-</td> <td>WD.</td> <td>J2</td> <td>PTD.</td> <td>-</td> <td>334B</td> <td>3\"/> <tr> <td>345</td> <td>ETR</td> <td>-</td> <td>WD.</td> <td>J2</td> <td>PTD.</td> <td>-</td> <td>335A</td> <td>3\"/> <tr> <td>346</td> <td>ETR</td> <td>-</td> <td>WD.</td> <td>J2</td> <td>PTD.</td> <td>-</td> <td>335B</td> <td>3\"/> <tr> <td>347</td> <td>ETR</td> <td>-</td> <td>WD.</td> <td>J2</td> <td>PTD.</td> <td>-</td> <td>336</td> <td>3\"/> <tr> <td>348</td> <td>ETR</td> <td>-</td> <td>WD.</td> <td>J2</td> <td>PTD.</td> <td>-</td> <td>337</td> <td>3\"/> <tr> <td>349</td> <td>ETR</td> <td>-</td> <td>WD.</td> <td>J2</td> <td>PTD.</td> <td>-</td> <td>339</td> <td>3\"/> <tr> <td>350</td> <td>ETR</td> <td>-</td> <td>WD.</td> <td>J2</td> <td>PTD.</td> <td>-</td> <td>340</td> <td>3\"/> </td></tr></td></tr></td></tr></td></tr></td></tr></td></tr></td></tr></td></tr></td></tr></td></tr></td></tr></td></tr></td></tr></td></tr></td></tr></td></tr> | 335A | ETR | - | WD. | J2 | PTD. | - | 328 | 3\"/> <tr> <td>335B</td> <td>B</td> <td>3\"/> <tr> <td>336</td> <td>B</td> <td>3\"/> <tr> <td>337</td> <td>ETR</td> <td>-</td> <td>WD.</td> <td>J2</td> <td>PTD.</td> <td>-</td> <td>329A</td> <td>3\"/> <tr> <td>339</td> <td>ETR</td> <td>-</td> <td>WD.</td> <td>J2</td> <td>PTD.</td> <td>-</td> <td>329B</td> <td>3\"/> <tr> <td>340</td> <td>A</td> <td>3\"/> <tr> <td>341A</td> <td>ETR</td> <td>-</td> <td>WD.</td> <td>J2</td> <td>PTD.</td> <td>-</td> <td>331</td> <td>3\"/> <tr> <td>341B</td> <td>ETR</td> <td>-</td> <td>WD.</td> <td>J2</td> <td>PTD.</td> <td>-</td> <td>333</td> <td>3\"/> <tr> <td>342</td> <td>ETR</td> <td>-</td> <td>WD.</td> <td>J2</td> <td>PTD.</td> <td>-</td> <td>334A</td> <td>3\"/> <tr> <td>344</td> <td>ETR</td> <td>-</td> <td>WD.</td> <td>J2</td> <td>PTD.</td> <td>-</td> <td>334B</td> <td>3\"/> <tr> <td>345</td> <td>ETR</td> <td>-</td> <td>WD.</td> <td>J2</td> <td>PTD.</td> <td>-</td> <td>335A</td> <td>3\"/> <tr> <td>346</td> <td>ETR</td> <td>-</td> <td>WD.</td> <td>J2</td> <td>PTD.</td> <td>-</td> <td>335B</td> <td>3\"/> <tr> <td>347</td> <td>ETR</td> <td>-</td> <td>WD.</td> <td>J2</td> <td>PTD.</td> <td>-</td> <td>336</td> <td>3\"/> <tr> <td>348</td> <td>ETR</td> <td>-</td> <td>WD.</td> <td>J2</td> <td>PTD.</td> <td>-</td> <td>337</td> <td>3\"/> <tr> <td>349</td> <td>ETR</td> <td>-</td> <td>WD.</td> <td>J2</td> <td>PTD.</td> <td>-</td> <td>339</td> <td>3\"/> <tr> <td>350</td> <td>ETR</td> <td>-</td> <td>WD.</td> <td>J2</td> <td>PTD.</td> <td>-</td> <td>340</td> <td>3\"/> </td></tr></td></tr></td></tr></td></tr></td></tr></td></tr></td></tr></td></tr></td></tr></td></tr></td></tr></td></tr></td></tr></td></tr></td></tr> | 335B | B | 3\"/> <tr> <td>336</td> <td>B</td> <td>3\"/> <tr> <td>337</td> <td>ETR</td> <td>-</td> <td>WD.</td> <td>J2</td> <td>PTD.</td> <td>-</td> <td>329A</td> <td>3\"/> <tr> <td>339</td> <td>ETR</td> <td>-</td> <td>WD.</td> <td>J2</td> <td>PTD.</td> <td>-</td> <td>329B</td> <td>3\"/> <tr> <td>340</td> <td>A</td> <td>3\"/> <tr> <td>341A</td> <td>ETR</td> <td>-</td> <td>WD.</td> <td>J2</td> <td>PTD.</td> <td>-</td> <td>331</td> <td>3\"/> <tr> <td>341B</td> <td>ETR</td> <td>-</td> <td>WD.</td> <td>J2</td> <td>PTD.</td> <td>-</td> <td>333</td> <td>3\"/> <tr> <td>342</td> <td>ETR</td> <td>-</td> <td>WD.</td> <td>J2</td> <td>PTD.</td> <td>-</td> <td>334A</td> <td>3\"/> <tr> <td>344</td> <td>ETR</td> <td>-</td> <td>WD.</td> <td>J2</td>
<td>PTD.</td> <td>-</td> <td>334B</td> <td>3\"/> <tr> <td>345</td> <td>ETR</td> <td>-</td> <td>WD.</td> <td>J2</td> <td>PTD.</td> <td>-</td> <td>335A</td> <td>3\"/> <tr> <td>346</td> <td>ETR</td> <td>-</td> <td>WD.</td> <td>J2</td> <td>PTD.</td> <td>-</td> <td>335B</td> <td>3\"/> <tr> <td>347</td> <td>ETR</td> <td>-</td> <td>WD.</td> <td>J2</td> <td>PTD.</td> <td>-</td> <td>336</td> <td>3\"/> <tr> <td>348</td> <td>ETR</td> <td>-</td> <td>WD.</td> <td>J2</td> <td>PTD.</td> <td>-</td> <td>337</td> <td>3\"/> <tr> <td>349</td> <td>ETR</td> <td>-</td> <td>WD.</td> <td>J2</td> <td>PTD.</td> <td>-</td> <td>339</td> <td>3\"/> <tr> <td>350</td> <td>ETR</td> <td>-</td> <td>WD.</td> <td>J2</td> <td>PTD.</td> <td>-</td> <td>340</td> <td>3\"/> </td></tr></td></tr></td></tr></td></tr></td></tr></td></tr></td></tr></td></tr></td></tr></td></tr></td></tr></td></tr></td></tr></td></tr> | 336 | B | 3\"/> <tr> <td>337</td> <td>ETR</td> <td>-</td> <td>WD.</td> <td>J2</td> <td>PTD.</td> <td>-</td> <td>329A</td> <td>3\"/> <tr> <td>339</td> <td>ETR</td> <td>-</td> <td>WD.</td> <td>J2</td> <td>PTD.</td> <td>-</td> <td>329B</td> <td>3\"/> <tr> <td>340</td> <td>A</td> <td>3\"/> <tr> <td>341A</td> <td>ETR</td> <td>-</td> <td>WD.</td> <td>J2</td> <td>PTD.</td> <td>-</td> <td>331</td> <td>3\"/> <tr> <td>341B</td> <td>ETR</td> <td>-</td> <td>WD.</td> <td>J2</td> <td>PTD.</td> <td>-</td> <td>333</td> <td>3\"/> <tr> <td>342</td> <td>ETR</td> <td>-</td> <td>WD.</td> <td>J2</td> <td>PTD.</td> <td>-</td> <td>334A</td> <td>3\"/> <tr> <td>344</td> <td>ETR</td> <td>-</td> <td>WD.</td> <td>J2</td> <td>PTD.</td> <td>-</td> <td>334B</td> <td>3\"/> <tr> <td>345</td> <td>ETR</td> <td>-</td> <td>WD.</td> <td>J2</td> <td>PTD.</td> <td>-</td> <td>335A</td> <td>3\"/> <tr> <td>346</td> <td>ETR</td> <td>-</td> <td>WD.</td> <td>J2</td> <td>PTD.</td> <td>-</td> <td>335B</td> <td>3\"/> <tr> <td>347</td> <td>ETR</td> <td>-</td> <td>WD.</td> <td>J2</td> <td>PTD.</td> <td>-</td> <td>336</td> <td>3\"/> <tr> <td>348</td> <td>ETR</td> <td>-</td> <td>WD.</td> <td>J2</td> <td>PTD.</td> <td>-</td> <td>337</td> <td>3\"/> <tr> <td>349</td> <td>ETR</td> <td>-</td> <td>WD.</td> <td>J2</td> <td>PTD.</td> <td>-</td> <td>339</td> <td>3\"/> <tr> <td>350</td> <td>ETR</td> <td>-</td> <td>WD.</td> <td>J2</td> <td>PTD.</td> <td>-</td> <td>340</td> <td>3\"/> </td></tr></td></tr></td></tr></td></tr></td></tr></td></tr></td></tr></td></tr></td></tr></td></tr></td></tr></td></tr></td></tr> | 337 | ETR | - | WD. | J2 | PTD. | - | 329A | 3\"/> <tr> <td>339</td> <td>ETR</td> <td>-</td> <td>WD.</td> <td>J2</td> <td>PTD.</td> <td>-</td> <td>329B</td> <td>3\"/> <tr> <td>340</td> <td>A</td> <td>3\"/> <tr> <td>341A</td> <td>ETR</td> <td>-</td> <td>WD.</td> <td>J2</td> <td>PTD.</td> <td>-</td> <td>331</td> <td>3\"/> <tr> <td>341B</td> <td>ETR</td> <td>-</td> <td>WD.</td> <td>J2</td> <td>PTD.</td> <td>-</td> <td>333</td> <td>3\"/> <tr> <td>342</td> <td>ETR</td> <td>-</td> <td>WD.</td> <td>J2</td> <td>PTD.</td> <td>-</td> <td>334A</td> <td>3\"/> <tr> <td>344</td> <td>ETR</td> <td>-</td> <td>WD.</td> <td>J2</td> <td>PTD.</td> <td>-</td> <td>334B</td> <td>3\"/> <tr> <td>345</td> <td>ETR</td> <td>-</td> <td>WD.</td> <td>J2</td> <td>PTD.</td> <td>-</td> <td>335A</td> <td>3\"/> <tr> <td>346</td> <td>ETR</td> <td>-</td> <td>WD.</td> <td>J2</td> <td>PTD.</td> <td>-</td> <td>335B</td> <td>3\"/> <tr> <td>347</td> <td>ETR</td> <td>-</td> <td>WD.</td> <td>J2</td> <td>PTD.</td> <td>-</td> <td>336</td> <td>3\"/> <tr> <td>348</td> <td>ETR</td> <td>-</td> <td>WD.</td> <td>J2</td> <td>PTD.</td> <td>-</td> <td>337</td> <td>3\"/> <tr> <td>349</td> <td>ETR</td> <td>-</td> <td>WD.</td> <td>J2</td> <td>PTD.</td> <td>-</td> <td>339</td> <td>3\"/> <tr> <td>350</td> <td>ETR</td> <td>-</td> <td>WD.</td> <td>J2</td> <td>PTD.</td> <td>-</td> <td>340</td> <td>3\"/> </td></tr></td></tr></td></tr></td></tr></td></tr></td></tr></td></tr></td></tr></td></tr></td></tr></td></tr></td></tr> | 339 | ETR | -
 | WD. | J2 | PTD. | - | 329B | 3\"/> <tr> <td>340</td> <td>A</td> <td>3\"/> <tr> <td>341A</td> <td>ETR</td> <td>-</td> <td>WD.</td> <td>J2</td> <td>PTD.</td> <td>-</td> <td>331</td> <td>3\"/> <tr> <td>341B</td> <td>ETR</td> <td>-</td> <td>WD.</td> <td>J2</td> <td>PTD.</td> <td>-</td> <td>333</td> <td>3\"/> <tr> <td>342</td> <td>ETR</td> <td>-</td> <td>WD.</td> <td>J2</td> <td>PTD.</td> <td>-</td> <td>334A</td> <td>3\"/> <tr> <td>344</td> <td>ETR</td> <td>-</td> <td>WD.</td> <td>J2</td> <td>PTD.</td> <td>-</td> <td>334B</td> <td>3\"/> <tr> <td>345</td> <td>ETR</td> <td>-</td> <td>WD.</td> <td>J2</td> <td>PTD.</td> <td>-</td> <td>335A</td> <td>3\"/> <tr> <td>346</td> <td>ETR</td> <td>-</td> <td>WD.</td> <td>J2</td> <td>PTD.</td> <td>-</td> <td>335B</td> <td>3\"/> <tr> <td>347</td> <td>ETR</td> <td>-</td> <td>WD.</td> <td>J2</td> <td>PTD.</td> <td>-</td> <td>336</td> <td>3\"/> <tr> <td>348</td> <td>ETR</td> <td>-</td> <td>WD.</td> <td>J2</td> <td>PTD.</td> <td>-</td> <td>337</td> <td>3\"/> <tr> <td>349</td> <td>ETR</td> <td>-</td> <td>WD.</td> <td>J2</td> <td>PTD.</td> <td>-</td> <td>339</td> <td>3\"/> <tr> <td>350</td> <td>ETR</td> <td>-</td> <td>WD.</td> <td>J2</td> <td>PTD.</td> <td>-</td> <td>340</td> <td>3\"/> </td></tr></td></tr></td></tr></td></tr></td></tr></td></tr></td></tr></td></tr></td></tr></td></tr></td></tr> | 340 | A | 3\"/> <tr> <td>341A</td> <td>ETR</td> <td>-</td> <td>WD.</td> <td>J2</td> <td>PTD.</td> <td>-</td> <td>331</td> <td>3\"/> <tr> <td>341B</td> <td>ETR</td> <td>-</td> <td>WD.</td> <td>J2</td> <td>PTD.</td> <td>-</td> <td>333</td> <td>3\"/> <tr> <td>342</td> <td>ETR</td> <td>-</td> <td>WD.</td> <td>J2</td> <td>PTD.</td> <td>-</td> <td>334A</td> <td>3\"/> <tr> <td>344</td> <td>ETR</td> <td>-</td> <td>WD.</td> <td>J2</td> <td>PTD.</td> <td>-</td> <td>334B</td> <td>3\"/> <tr> <td>345</td> <td>ETR</td> <td>-</td> <td>WD.</td> <td>J2</td> <td>PTD.</td> <td>-</td> <td>335A</td> <td>3\"/> <tr> <td>346</td> <td>ETR</td> <td>-</td> <td>WD.</td> <td>J2</td> <td>PTD.</td> <td>-</td> <td>335B</td> <td>3\"/> <tr> <td>347</td> <td>ETR</td> <td>-</td> <td>WD.</td> <td>J2</td> <td>PTD.</td> <td>-</td> <td>336</td> <td>3\"/> <tr> <td>348</td> <td>ETR</td> <td>-</td> <td>WD.</td> <td>J2</td> <td>PTD.</td> <td>-</td> <td>337</td> <td>3\"/> <tr> <td>349</td> <td>ETR</td> <td>-</td> <td>WD.</td> <td>J2</td> <td>PTD.</td> <td>-</td> <td>339</td> <td>3\"/> <tr> <td>350</td> <td>ETR</td> <td>-</td> <td>WD.</td> <td>J2</td> <td>PTD.</td> <td>-</td> <td>340</td> <td>3\"/> </td></tr></td></tr></td></tr></td></tr></td></tr></td></tr></td></tr></td></tr></td></tr></td></tr> | 341A | ETR | - | WD. | J2 | PTD. | - | 331 | 3\"/> <tr> <td>341B</td> <td>ETR</td>
<td>-</td> <td>WD.</td> <td>J2</td> <td>PTD.</td> <td>-</td> <td>333</td> <td>3\"/> <tr> <td>342</td> <td>ETR</td> <td>-</td> <td>WD.</td> <td>J2</td> <td>PTD.</td> <td>-</td> <td>334A</td> <td>3\"/> <tr> <td>344</td> <td>ETR</td> <td>-</td> <td>WD.</td> <td>J2</td> <td>PTD.</td> <td>-</td> <td>334B</td> <td>3\"/> <tr> <td>345</td> <td>ETR</td> <td>-</td> <td>WD.</td> <td>J2</td> <td>PTD.</td> <td>-</td> <td>335A</td> <td>3\"/> <tr> <td>346</td> <td>ETR</td> <td>-</td> <td>WD.</td> <td>J2</td> <td>PTD.</td> <td>-</td> <td>335B</td> <td>3\"/> <tr> <td>347</td> <td>ETR</td> <td>-</td> <td>WD.</td> <td>J2</td> <td>PTD.</td> <td>-</td> <td>336</td> <td>3\"/> <tr> <td>348</td> <td>ETR</td> <td>-</td> <td>WD.</td> <td>J2</td> <td>PTD.</td> <td>-</td> <td>337</td> <td>3\"/> <tr> <td>349</td> <td>ETR</td> <td>-</td> <td>WD.</td> <td>J2</td> <td>PTD.</td> <td>-</td> <td>339</td> <td>3\"/> <tr> <td>350</td> <td>ETR</td> <td>-</td> <td>WD.</td> <td>J2</td> <td>PTD.</td> <td>-</td> <td>340</td> <td>3\"/> </td></tr></td></tr></td></tr></td></tr></td></tr></td></tr></td></tr></td></tr></td></tr> | 341B | ETR | - | WD. | J2 | PTD. | - | 333 | 3\"/> <tr> <td>342</td> <td>ETR</td> <td>-</td> <td>WD.</td> <td>J2</td> <td>PTD.</td> <td>-</td> <td>334A</td> <td>3\"/> <tr> <td>344</td> <td>ETR</td> <td>-</td> <td>WD.</td> <td>J2</td> <td>PTD.</td> <td>-</td> <td>334B</td> <td>3\"/> <tr> <td>345</td> <td>ETR</td> <td>-</td> <td>WD.</td> <td>J2</td> <td>PTD.</td> <td>-</td> <td>335A</td> <td>3\"/> <tr> <td>346</td> <td>ETR</td> <td>-</td> <td>WD.</td> <td>J2</td> <td>PTD.</td> <td>-</td> <td>335B</td> <td>3\"/> <tr> <td>347</td> <td>ETR</td> <td>-</td> <td>WD.</td> <td>J2</td> <td>PTD.</td> <td>-</td> <td>336</td> <td>3\"/> <tr> <td>348</td> <td>ETR</td> <td>-</td> <td>WD.</td> <td>J2</td> <td>PTD.</td> <td>-</td> <td>337</td> <td>3\"/> <tr> <td>349</td> <td>ETR</td> <td>-</td> <td>WD.</td> <td>J2</td> <td>PTD.</td> <td>-</td> <td>339</td> <td>3\"/> <tr> <td>350</td> <td>ETR</td> <td>-</td> <td>WD.</td> <td>J2</td> <td>PTD.</td> <td>-</td> <td>340</td> <td>3\"/> </td></tr></td></tr></td></tr></td></tr></td></tr></td></tr></td></tr></td></tr> | 342 | ETR | - | WD. | J2 | PTD. | - | 334A | 3\"/> <tr> <td>344</td> <td>ETR</td> <td>-</td> <td>WD.</td> <td>J2</td> <td>PTD.</td> <td>-</td> <td>334B</td> <td>3\"/> <tr> <td>345</td> <td>ETR</td> <td>-</td> <td>WD.</td> <td>J2</td> <td>PTD.</td> <td>-</td> <td>335A</td> <td>3\"/> <tr> <td>346</td> <td>ETR</td> <td>-</td> <td>WD.</td> <td>J2</td> <td>PTD.</td> <td>-</td> <td>335B</td> <td>3\"/> <tr> <td>347</td> <td>ETR</td> <td>-</td> <td>WD.</td> <td>J2</td> <td>PTD.</td> <td>-</td> <td>336</td> <td>3\"/> <tr> <td>348</td> <td>ETR</td> <td>-</td> <td>WD.</td> <td>J2</td> <td>PTD.</td> <td>-</td> <td>337</td> <td>3\"/> <tr> <td>349</td> <td>ETR</td> <td>-</td> <td>WD.</td> <td>J2</td> <td>PTD.</td> <td>-</td> <td>339</td> <td>3\"/> <tr> <td>350</td> <td>ETR</td> <td>-</td> <td>WD.</td> <td>J2</td> <td>PTD.</td> <td>-</td> <td>340</td> <td>3\"/> </td></tr></td></tr></td></tr></td></tr></td></tr></td></tr></td></tr> | 344 | ETR | -
 | WD. | J2 | PTD. | - | 334B | 3\"/> <tr> <td>345</td> <td>ETR</td> <td>-</td> <td>WD.</td> <td>J2</td> <td>PTD.</td> <td>-</td> <td>335A</td> <td>3\"/> <tr> <td>346</td> <td>ETR</td> <td>-</td> <td>WD.</td> <td>J2</td> <td>PTD.</td> <td>-</td> <td>335B</td> <td>3\"/> <tr> <td>347</td> <td>ETR</td> <td>-</td> <td>WD.</td> <td>J2</td> <td>PTD.</td> <td>-</td> <td>336</td> <td>3\"/> <tr> <td>348</td> <td>ETR</td> <td>-</td> <td>WD.</td> <td>J2</td> <td>PTD.</td> <td>-</td> <td>337</td> <td>3\"/> <tr> <td>349</td> <td>ETR</td> <td>-</td> <td>WD.</td> <td>J2</td> <td>PTD.</td> <td>-</td> <td>339</td> <td>3\"/> <tr> <td>350</td> <td>ETR</td> <td>-</td> <td>WD.</td> <td>J2</td> <td>PTD.</td> <td>-</td> <td>340</td> <td>3\"/> </td></tr></td></tr></td></tr></td></tr></td></tr></td></tr> | 345 | ETR | - | WD. | J2 | PTD. | - | 335A | 3\"/> <tr> <td>346</td> <td>ETR</td> <td>-</td> <td>WD.</td> <td>J2</td> <td>PTD.</td> <td>-</td> <td>335B</td> <td>3\"/> <tr> <td>347</td> <td>ETR</td> <td>-</td> <td>WD.</td> <td>J2</td> <td>PTD.</td> <td>-</td> <td>336</td> <td>3\"/> <tr> <td>348</td> <td>ETR</td> <td>-</td> <td>WD.</td> <td>J2</td> <td>PTD.</td> <td>-</td> <td>337</td> <td>3\"/> <tr> <td>349</td> <td>ETR</td> <td>-</td> <td>WD.</td> <td>J2</td> <td>PTD.</td> <td>-</td> <td>339</td> <td>3\"/> <tr> <td>350</td> <td>ETR</td> <td>-</td> <td>WD.</td> <td>J2</td> <td>PTD.</td> <td>-</td> <td>340</td> <td>3\"/> </td></tr></td></tr></td></tr></td></tr></td></tr> | 346 | ETR | - | WD. | J2 | PTD. | - | 335B | 3\"/> <tr> <td>347</td> <td>ETR</td> <td>-</td> <td>WD.</td> <td>J2</td> <td>PTD.</td> <td>-</td> <td>336</td> <td>3\"/> <tr> <td>348</td> <td>ETR</td> <td>-</td> <td>WD.</td> <td>J2</td> <td>PTD.</td> <td>-</td> <td>337</td> <td>3\"/> <tr> <td>349</td> <td>ETR</td> <td>-</td> <td>WD.</td> <td>J2</td> <td>PTD.</td> <td>-</td> <td>339</td> <td>3\"/> <tr> <td>350</td> <td>ETR</td> <td>-</td> <td>WD.</td> <td>J2</td> <td>PTD.</td> <td>-</td> <td>340</td> <td>3\"/> </td></tr></td></tr></td></tr></td></tr> | 347 | ETR | -
 | WD. | J2 | PTD. | - | 336 | 3\"/> <tr> <td>348</td> <td>ETR</td> <td>-</td> <td>WD.</td> <td>J2</td> <td>PTD.</td> <td>-</td> <td>337</td> <td>3\"/> <tr> <td>349</td> <td>ETR</td> <td>-</td> <td>WD.</td> <td>J2</td> <td>PTD.</td> <td>-</td> <td>339</td> <td>3\"/> <tr> <td>350</td> <td>ETR</td> <td>-</td> <td>WD.</td> <td>J2</td> <td>PTD.</td> <td>-</td> <td>340</td> <td>3\"/> </td></tr></td></tr></td></tr> | 348 | ETR | - | WD. | J2 | PTD. | - | 337 | 3\"/> <tr> <td>349</td> <td>ETR</td> <td>-</td> <td>WD.</td> <td>J2</td> <td>PTD.</td> <td>-</td> <td>339</td> <td>3\"/> <tr> <td>350</td> <td>ETR</td> <td>-</td> <td>WD.</td> <td>J2</td> <td>PTD.</td> <td>-</td> <td>340</td> <td>3\"/> </td></tr></td></tr> | 349 | ETR | - | WD. | J2 | PTD. | - | 339 | 3\"/> <tr> <td>350</td> <td>ETR</td> <td>-</td> <td>WD.</td> <td>J2</td> <td>PTD.</td> <td>-</td> <td>340</td> <td>3\"/> </td></tr> | 350 | ETR | - | WD. | J2 | PTD. | - | 340 | 3\"/> | | | | | | | | | | | | | | | | | | | | | | | | | | | | | | | | | |
| 309 | ETR | - | WD. | J2 | PTD. | - | 305 | 3\"/> <tr> <td>310</td> <td>ETR</td> <td>-</td> <td>WD.</td> <td>J2</td> <td>PTD.</td> <td>-</td> <td>306</td> <td>3\"/> <tr> <td>311</td> <td>A</td> <td>3\"/> <tr> <td>312A</td> <td>ETR</td> <td>-</td> <td>WD.</td> <td>J2</td> <td>PTD.</td> <td>-</td> <td>307</td> <td>3\"/> <tr> <td>313</td> <td>ETR</td> <td>-</td> <td>WD.</td> <td>J2</td> <td>PTD.</td> <td>-</td> <td>308</td> <td>3\"/> <tr> <td>314</td> <td>ETR</td> <td>-</td> <td>WD.</td> <td>J2</td> <td>PTD.</td> <td>-</td> <td>309</td> <td>3\"/> <tr> <td>315</td> <td>ETR</td> <td>-</td> <td>WD.</td> <td>J2</td> <td>PTD.</td> <td>-</td> <td>310</td> <td>3\"/> <tr> <td>316A</td> <td>A</td> <td>3\"/> <tr> <td>318</td> <td>ETR</td> <td>-</td> <td>WD.</td> <td>J2</td> <td>PTD.</td> <td>-</td> <td>311</td> <td>3\"/> <tr> <td>319</td> <td>ETR</td> <td>-</td> <td>WD.</td> <td>J2</td> <td>PTD.</td> <td>-</td> <td>312A</td> <td>3\"/> <tr> <td>320</td> <td>ETR</td> <td>-</td> <td>WD.</td> <td>J2</td> <td>PTD.</td> <td>-</td> <td>313</td> <td>3\"/> <tr> <td>321</td> <td>ETR</td> <td>-</td> <td>WD.</td> <td>J2</td> <td>PTD.</td> <td>-</td> <td>314</td> <td>3\"/> <tr> <td>322</td> <td>ETR</td> <td>-</td> <td>WD.</td> <td>J2</td> <td>PTD.</td> <td>-</td> <td>315</td> <td>3\"/> <tr> <td>323</td> <td>ETR</td> <td>-</td> <td>WD.</td> <td>J2</td> <td>PTD.</td> <td>-</td> <td>316A</td> <td>3\"/> <tr> <td>324</td> <td>ETR</td> <td>-</td> <td>WD.</td> <td>J2</td> <td>PTD.</td> <td>-</td> <td>318</td> <td>3\"/> <tr> <td>325</td> <td>A</td> <td>3\"/> <tr> <td>327</td> <td>ETR</td> <td>-</td> <td>WD.</td> <td>J2</td> <td>PTD.</td> <td>-</td> <td>319</td> <td>3\"/> <tr> <td>328</td> <td>ETR</td> <td>-</td> <td>WD.</td> <td>J2</td> <td>PTD.</td> <td>-</td> <td>320</td> <td>3\"/> <tr> <td>329A</td> <td>ETR</td> <td>-</td> <td>WD.</td> <td>J2</td> <td>PTD.</td> <td>-</td> <td>321</td> <td>3\"/> <tr> <td>329B</td> <td>ETR</td> <td>-</td> <td>WD.</td> <td>J2</td> <td>PTD.</td> <td>-</td> <td>322</td> <td>3\"/> <tr> <td>331</td> <td>ETR</td> <td>-</td> <td>WD.</td> <td>J2</td> <td>PTD.</td> <td>-</td> <td>323</td> <td>3\"/> <tr> <td>333</td> <td>ETR</td> <td>-</td> <td>WD.</td> <td>J2</td> <td>PTD.</td> <td>-</td> <td>324</td> <td>3\"/> <tr> <td>334A</td> <td>ETR</td> <td>-</td> <td>WD.</td> <td>J2</td> <td>PTD.</td> <td>-</td> <td>325</td> <td>3\"/> <tr> <td>334B</td> <td>ETR</td> <td>-</td> <td>WD.</td> <td>J2</td> <td>PTD.</td> <td>-</td> <td>327</td> <td>3\"/> <tr> <td>335A</td> <td>ETR</td> <td>-</td> <td>WD.</td> <td>J2</td> <td>PTD.</td> <td>-</td> <td>328</td> <td>3\"/> <tr> <td>335B</td> <td>B</td> <td>3\"/> <tr> <td>336</td> <td>B</td> <td>3\"/> <tr> <td>337</td> <td>ETR</td> <td>-</td> <td>WD.</td> <td>J2</td> <td>PTD.</td> <td>-</td> <td>329A</td> <td>3\"/> <tr> <td>339</td> <td>ETR</td> <td>-</td> <td>WD.</td> <td>J2</td> <td>PTD.</td> <td>-</td> <td>329B</td> <td>3\"/> <tr> <td>340</td> <td>A</td> <td>3\"/> <tr>
<td>341A</td> <td>ETR</td> <td>-</td> <td>WD.</td> <td>J2</td> <td>PTD.</td> <td>-</td> <td>331</td> <td>3\"/> <tr> <td>341B</td> <td>ETR</td> <td>-</td> <td>WD.</td> <td>J2</td> <td>PTD.</td> <td>-</td> <td>333</td> <td>3\"/> <tr> <td>342</td> <td>ETR</td> <td>-</td> <td>WD.</td> <td>J2</td> <td>PTD.</td> <td>-</td> <td>334A</td> <td>3\"/> <tr> <td>344</td> <td>ETR</td> <td>-</td> <td>WD.</td> <td>J2</td> <td>PTD.</td> <td>-</td> <td>334B</td> <td>3\"/> <tr> <td>345</td> <td>ETR</td> <td>-</td> <td>WD.</td> <td>J2</td> <td>PTD.</td> <td>-</td> <td>335A</td> <td>3\"/> <tr> <td>346</td> <td>ETR</td> <td>-</td> <td>WD.</td> <td>J2</td> <td>PTD.</td> <td>-</td> <td>335B</td> <td>3\"/> <tr> <td>347</td> <td>ETR</td> <td>-</td> <td>WD.</td> <td>J2</td> <td>PTD.</td> <td>-</td> <td>336</td> <td>3\"/> <tr> <td>348</td> <td>ETR</td> <td>-</td> <td>WD.</td> <td>J2</td> <td>PTD.</td> <td>-</td> <td>337</td> <td>3\"/> <tr> <td>349</td> <td>ETR</td> <td>-</td> <td>WD.</td> <td>J2</td> <td>PTD.</td> <td>-</td> <td>339</td> <td>3\"/> <tr> <td>350</td> <td>ETR</td> <td>-</td> <td>WD.</td> <td>J2</td> <td>PTD.</td> <td>-</td> <td>340</td> <td>3\"/> </td></tr></td></tr></td></tr></td></tr></td></tr></td></tr></td></tr></td></tr></td></tr></td></tr></td></tr></td></tr></td></tr></td></tr></td></tr></td></tr></td></tr></td></tr></td></tr></td></tr></td></tr></td></tr></td></tr></td></tr></td></tr></td></tr></td></tr></td></tr></td></tr></td></tr></td></tr></td></tr></td></tr></td></tr></td></tr></td></tr></td></tr></td></tr></td></tr> | 310 | ETR | - | WD. | J2 | PTD.
 | - | 306 | 3\"/> <tr> <td>311</td> <td>A</td> <td>3\"/> <tr> <td>312A</td> <td>ETR</td> <td>-</td> <td>WD.</td> <td>J2</td> <td>PTD.</td> <td>-</td> <td>307</td> <td>3\"/> <tr> <td>313</td> <td>ETR</td> <td>-</td> <td>WD.</td> <td>J2</td> <td>PTD.</td> <td>-</td> <td>308</td> <td>3\"/> <tr> <td>314</td> <td>ETR</td> <td>-</td> <td>WD.</td> <td>J2</td> <td>PTD.</td> <td>-</td> <td>309</td> <td>3\"/> <tr> <td>315</td> <td>ETR</td> <td>-</td> <td>WD.</td> <td>J2</td> <td>PTD.</td> <td>-</td> <td>310</td> <td>3\"/> <tr> <td>316A</td> <td>A</td> <td>3\"/> <tr> <td>318</td> <td>ETR</td> <td>-</td> <td>WD.</td> <td>J2</td> <td>PTD.</td> <td>-</td> <td>311</td> <td>3\"/> <tr> <td>319</td> <td>ETR</td> <td>-</td> <td>WD.</td> <td>J2</td> <td>PTD.</td> <td>-</td> <td>312A</td> <td>3\"/> <tr> <td>320</td> <td>ETR</td> <td>-</td> <td>WD.</td> <td>J2</td> <td>PTD.</td> <td>-</td> <td>313</td> <td>3\"/> <tr> <td>321</td> <td>ETR</td> <td>-</td> <td>WD.</td> <td>J2</td> <td>PTD.</td> <td>-</td> <td>314</td> <td>3\"/> <tr> <td>322</td> <td>ETR</td> <td>-</td> <td>WD.</td> <td>J2</td> <td>PTD.</td> <td>-</td> <td>315</td> <td>3\"/> <tr> <td>323</td> <td>ETR</td> <td>-</td> <td>WD.</td> <td>J2</td> <td>PTD.</td> <td>-</td> <td>316A</td> <td>3\"/> <tr> <td>324</td> <td>ETR</td> <td>-</td> <td>WD.</td> <td>J2</td> <td>PTD.</td> <td>-</td> <td>318</td> <td>3\"/> <tr> <td>325</td> <td>A</td> <td>3\"/> <tr> <td>327</td> <td>ETR</td> <td>-</td> <td>WD.</td> <td>J2</td> <td>PTD.</td> <td>-</td> <td>319</td> <td>3\"/> <tr> <td>328</td> <td>ETR</td> <td>-</td> <td>WD.</td> <td>J2</td> <td>PTD.</td> <td>-</td> <td>320</td> <td>3\"/> <tr> <td>329A</td> <td>ETR</td> <td>-</td> <td>WD.</td> <td>J2</td> <td>PTD.</td> <td>-</td> <td>321</td> <td>3\"/> <tr> <td>329B</td> <td>ETR</td> <td>-</td> <td>WD.</td> <td>J2</td> <td>PTD.</td> <td>-</td> <td>322</td> <td>3\"/> <tr> <td>331</td> <td>ETR</td> <td>-</td> <td>WD.</td> <td>J2</td> <td>PTD.</td> <td>-</td> <td>323</td> <td>3\"/> <tr> <td>333</td> <td>ETR</td> <td>-</td> <td>WD.</td> <td>J2</td> <td>PTD.</td> <td>-</td> <td>324</td> <td>3\"/> <tr> <td>334A</td> <td>ETR</td> <td>-</td> <td>WD.</td> <td>J2</td> <td>PTD.</td> <td>-</td> <td>325</td> <td>3\"/> <tr> <td>334B</td> <td>ETR</td> <td>-</td> <td>WD.</td> <td>J2</td> <td>PTD.</td> <td>-</td> <td>327</td> <td>3\"/> <tr> <td>335A</td> <td>ETR</td> <td>-</td> <td>WD.</td> <td>J2</td> <td>PTD.</td> <td>-</td> <td>328</td> <td>3\"/> <tr> <td>335B</td> <td>B</td> <td>3\"/> <tr> <td>336</td> <td>B</td> <td>3\"/> <tr> <td>337</td> <td>ETR</td> <td>-</td> <td>WD.</td> <td>J2</td> <td>PTD.</td> <td>-</td> <td>329A</td> <td>3\"/> <tr> <td>339</td> <td>ETR</td> <td>-</td> <td>WD.</td> <td>J2</td> <td>PTD.</td> <td>-</td> <td>329B</td> <td>3\"/> <tr> <td>340</td> <td>A</td> <td>3\"/> <tr> <td>341A</td> <td>ETR</td> <td>-</td> <td>WD.</td> <td>J2</td> <td>PTD.</td> <td>-</td> <td>331</td> <td>3\"/> <tr> <td>341B</td> <td>ETR</td> <td>-</td> <td>WD.</td> <td>J2</td> <td>PTD.</td> <td>-</td> <td>333</td> <td>3\"/> <tr> <td>342</td> <td>ETR</td> <td>-</td> <td>WD.</td> <td>J2</td> <td>PTD.</td> <td>-</td> <td>334A</td> <td>3\"/> <tr> <td>344</td> <td>ETR</td> <td>-</td> <td>WD.</td> <td>J2</td> <td>PTD.</td> <td>-</td> <td>334B</td> <td>3\"/> <tr> <td>345</td> <td>ETR</td> <td>-</td> <td>WD.</td> <td>J2</td> <td>PTD.</td> <td>-</td> <td>335A</td> <td>3\"/> <tr> <td>346</td> <td>ETR</td> <td>-</td> <td>WD.</td> <td>J2</td> <td>PTD.</td> <td>-</td> <td>335B</td> <td>3\"/> <tr> <td>347</td> <td>ETR</td> <td>-</td> <td>WD.</td> <td>J2</td> <td>PTD.</td> <td>-</td> <td>336</td> <td>3\"/> <tr> <td>348</td> <td>ETR</td> <td>-</td> <td>WD.</td> <td>J2</td> <td>PTD.</td> <td>-</td> <td>337</td> <td>3\"/> <tr> <td>349</td> <td>ETR</td> <td>-</td> <td>WD.</td> <td>J2</td> <td>PTD.</td> <td>-</td> <td>339</td> <td>3\"/> <tr> <td>350</td> <td>ETR</td> <td>-</td> <td>WD.</td> <td>J2</td> <td>PTD.</td> <td>-</td> <td>340</td> <td>3\"/> </td></tr></td></tr></td></tr></td></tr></td></tr></td></tr></td></tr></td></tr></td></tr></td></tr></td></tr></td></tr></td></tr></td></tr></td></tr></td></tr></td></tr></td></tr></td></tr></td></tr></td></tr></td></tr></td></tr></td></tr></td></tr></td></tr></td></tr></td></tr></td></tr></td></tr></td></tr></td></tr></td></tr></td></tr></td></tr></td></tr></td></tr></td></tr> | 311 | A | 3\"/> <tr> <td>312A</td> <td>ETR</td> <td>-</td> <td>WD.</td> <td>J2</td> <td>PTD.</td> <td>-</td> <td>307</td> <td>3\"/> <tr> <td>313</td> <td>ETR</td> <td>-</td> <td>WD.</td> <td>J2</td> <td>PTD.</td> <td>-</td> <td>308</td> <td>3\"/> <tr> <td>314</td> <td>ETR</td> <td>-</td> <td>WD.</td> <td>J2</td> <td>PTD.</td> <td>-</td> <td>309</td> <td>3\"/> <tr> <td>315</td> <td>ETR</td> <td>-</td> <td>WD.</td> <td>J2</td> <td>PTD.</td> <td>-</td> <td>310</td> <td>3\"/> <tr> <td>316A</td> <td>A</td> <td>3\"/> <tr> <td>318</td> <td>ETR</td> <td>-</td> <td>WD.</td> <td>J2</td> <td>PTD.</td> <td>-</td> <td>311</td> <td>3\"/> <tr> <td>319</td> <td>ETR</td> <td>-</td> <td>WD.</td> <td>J2</td> <td>PTD.</td> <td>-</td> <td>312A</td> <td>3\"/> <tr> <td>320</td> <td>ETR</td> <td>-</td> <td>WD.</td> <td>J2</td> <td>PTD.</td> <td>-</td> <td>313</td> <td>3\"/> <tr> <td>321</td> <td>ETR</td> <td>-</td> <td>WD.</td> <td>J2</td> <td>PTD.</td> <td>-</td> <td>314</td> <td>3\"/> <tr> <td>322</td> <td>ETR</td> <td>-</td> <td>WD.</td> <td>J2</td> <td>PTD.</td> <td>-</td> <td>315</td> <td>3\"/> <tr> <td>323</td> <td>ETR</td> <td>-</td> <td>WD.</td> <td>J2</td> <td>PTD.</td> <td>-</td> <td>316A</td> <td>3\"/> <tr> <td>324</td> <td>ETR</td> <td>-</td> <td>WD.</td> <td>J2</td> <td>PTD.</td> <td>-</td> <td>318</td> <td>3\"/> <tr> <td>325</td> <td>A</td> <td>3\"/> <tr> <td>327</td> <td>ETR</td> <td>-</td> <td>WD.</td> <td>J2</td> <td>PTD.</td> <td>-</td> <td>319</td> <td>3\"/> <tr> <td>328</td> <td>ETR</td> <td>-</td> <td>WD.</td> <td>J2</td> <td>PTD.</td> <td>-</td> <td>320</td> <td>3\"/> <tr> <td>329A</td> <td>ETR</td> <td>-</td> <td>WD.</td> <td>J2</td> <td>PTD.</td> <td>-</td> <td>321</td> <td>3\"/> <tr> <td>329B</td> <td>ETR</td> <td>-</td> <td>WD.</td> <td>J2</td> <td>PTD.</td> <td>-</td> <td>322</td> <td>3\"/> <tr> <td>331</td> <td>ETR</td> <td>-</td> <td>WD.</td> <td>J2</td> <td>PTD.</td> <td>-</td> <td>323</td> <td>3\"/> <tr> <td>333</td> <td>ETR</td> <td>-</td> <td>WD.</td> <td>J2</td> <td>PTD.</td> <td>-</td> <td>324</td> <td>3\"/> <tr> <td>334A</td> <td>ETR</td> <td>-</td> <td>WD.</td> <td>J2</td> <td>PTD.</td> <td>-</td> <td>325</td> <td>3\"/> <tr> <td>334B</td> <td>ETR</td> <td>-</td> <td>WD.</td> <td>J2</td> <td>PTD.</td> <td>-</td> <td>327</td> <td>3\"/> <tr> <td>335A</td> <td>ETR</td> <td>-</td> <td>WD.</td> <td>J2</td> <td>PTD.</td> <td>-</td> <td>328</td> <td>3\"/> <tr> <td>335B</td> <td>B</td> <td>3\"/> <tr> <td>336</td> <td>B</td> <td>3\"/> <tr> <td>337</td> <td>ETR</td> <td>-</td> <td>WD.</td>
<td>J2</td> <td>PTD.</td> <td>-</td> <td>329A</td> <td>3\"/> <tr> <td>339</td> <td>ETR</td> <td>-</td> <td>WD.</td> <td>J2</td> <td>PTD.</td> <td>-</td> <td>329B</td> <td>3\"/> <tr> <td>340</td> <td>A</td> <td>3\"/> <tr> <td>341A</td> <td>ETR</td> <td>-</td> <td>WD.</td> <td>J2</td> <td>PTD.</td> <td>-</td> <td>331</td> <td>3\"/> <tr> <td>341B</td> <td>ETR</td> <td>-</td> <td>WD.</td> <td>J2</td> <td>PTD.</td> <td>-</td> <td>333</td> <td>3\"/> <tr> <td>342</td> <td>ETR</td> <td>-</td> <td>WD.</td> <td>J2</td> <td>PTD.</td> <td>-</td> <td>334A</td> <td>3\"/> <tr> <td>344</td> <td>ETR</td> <td>-</td> <td>WD.</td> <td>J2</td> <td>PTD.</td> <td>-</td> <td>334B</td> <td>3\"/> <tr> <td>345</td> <td>ETR</td> <td>-</td> <td>WD.</td> <td>J2</td> <td>PTD.</td> <td>-</td> <td>335A</td> <td>3\"/> <tr> <td>346</td> <td>ETR</td> <td>-</td> <td>WD.</td> <td>J2</td> <td>PTD.</td> <td>-</td> <td>335B</td> <td>3\"/> <tr> <td>347</td> <td>ETR</td> <td>-</td> <td>WD.</td> <td>J2</td> <td>PTD.</td> <td>-</td> <td>336</td> <td>3\"/> <tr> <td>348</td> <td>ETR</td> <td>-</td> <td>WD.</td> <td>J2</td> <td>PTD.</td> <td>-</td> <td>337</td> <td>3\"/> <tr> <td>349</td> <td>ETR</td> <td>-</td> <td>WD.</td> <td>J2</td> <td>PTD.</td> <td>-</td> <td>339</td> <td>3\"/> <tr> <td>350</td> <td>ETR</td> <td>-</td> <td>WD.</td> <td>J2</td> <td>PTD.</td> <td>-</td> <td>340</td> <td>3\"/> </td></tr></td></tr></td></tr></td></tr></td></tr></td></tr></td></tr></td></tr></td></tr></td></tr></td></tr></td></tr></td></tr></td></tr></td></tr></td></tr></td></tr></td></tr></td></tr></td></tr></td></tr></td></tr></td></tr></td></tr></td></tr></td></tr></td></tr></td></tr></td></tr></td></tr></td></tr></td></tr></td></tr></td></tr></td></tr></td></tr></td></tr> | 312A | ETR | - | WD. | J2 | PTD.
 | - | 307 | 3\"/> <tr> <td>313</td> <td>ETR</td> <td>-</td> <td>WD.</td> <td>J2</td> <td>PTD.</td> <td>-</td> <td>308</td> <td>3\"/> <tr> <td>314</td> <td>ETR</td> <td>-</td> <td>WD.</td> <td>J2</td> <td>PTD.</td> <td>-</td> <td>309</td> <td>3\"/> <tr> <td>315</td> <td>ETR</td> <td>-</td> <td>WD.</td> <td>J2</td> <td>PTD.</td> <td>-</td> <td>310</td> <td>3\"/> <tr> <td>316A</td> <td>A</td> <td>3\"/> <tr> <td>318</td> <td>ETR</td> <td>-</td> <td>WD.</td> <td>J2</td> <td>PTD.</td> <td>-</td> <td>311</td> <td>3\"/> <tr> <td>319</td> <td>ETR</td> <td>-</td> <td>WD.</td> <td>J2</td> <td>PTD.</td> <td>-</td> <td>312A</td> <td>3\"/> <tr> <td>320</td> <td>ETR</td> <td>-</td> <td>WD.</td> <td>J2</td> <td>PTD.</td> <td>-</td> <td>313</td> <td>3\"/> <tr> <td>321</td> <td>ETR</td> <td>-</td> <td>WD.</td> <td>J2</td> <td>PTD.</td> <td>-</td> <td>314</td> <td>3\"/> <tr> <td>322</td> <td>ETR</td> <td>-</td> <td>WD.</td> <td>J2</td> <td>PTD.</td> <td>-</td> <td>315</td> <td>3\"/> <tr> <td>323</td> <td>ETR</td> <td>-</td> <td>WD.</td> <td>J2</td> <td>PTD.</td> <td>-</td> <td>316A</td> <td>3\"/> <tr> <td>324</td> <td>ETR</td> <td>-</td> <td>WD.</td> <td>J2</td> <td>PTD.</td> <td>-</td> <td>318</td> <td>3\"/> <tr> <td>325</td> <td>A</td> <td>3\"/> <tr> <td>327</td> <td>ETR</td> <td>-</td> <td>WD.</td> <td>J2</td> <td>PTD.</td> <td>-</td> <td>319</td> <td>3\"/> <tr> <td>328</td> <td>ETR</td> <td>-</td> <td>WD.</td> <td>J2</td> <td>PTD.</td> <td>-</td> <td>320</td> <td>3\"/> <tr> <td>329A</td> <td>ETR</td> <td>-</td> <td>WD.</td> <td>J2</td> <td>PTD.</td> <td>-</td> <td>321</td> <td>3\"/> <tr> <td>329B</td> <td>ETR</td> <td>-</td> <td>WD.</td> <td>J2</td> <td>PTD.</td> <td>-</td> <td>322</td> <td>3\"/> <tr> <td>331</td> <td>ETR</td> <td>-</td> <td>WD.</td> <td>J2</td> <td>PTD.</td> <td>-</td> <td>323</td> <td>3\"/> <tr> <td>333</td> <td>ETR</td> <td>-</td> <td>WD.</td> <td>J2</td> <td>PTD.</td> <td>-</td> <td>324</td> <td>3\"/> <tr> <td>334A</td> <td>ETR</td> <td>-</td> <td>WD.</td> <td>J2</td> <td>PTD.</td> <td>-</td> <td>325</td> <td>3\"/> <tr> <td>334B</td> <td>ETR</td> <td>-</td> <td>WD.</td> <td>J2</td> <td>PTD.</td> <td>-</td> <td>327</td> <td>3\"/> <tr> <td>335A</td> <td>ETR</td> <td>-</td> <td>WD.</td> <td>J2</td> <td>PTD.</td> <td>-</td> <td>328</td> <td>3\"/> <tr> <td>335B</td> <td>B</td> <td>3\"/> <tr> <td>336</td> <td>B</td> <td>3\"/> <tr> <td>337</td> <td>ETR</td> <td>-</td> <td>WD.</td> <td>J2</td> <td>PTD.</td> <td>-</td> <td>329A</td> <td>3\"/> <tr> <td>339</td> <td>ETR</td> <td>-</td> <td>WD.</td> <td>J2</td> <td>PTD.</td> <td>-</td> <td>329B</td> <td>3\"/> <tr> <td>340</td> <td>A</td> <td>3\"/> <tr> <td>341A</td> <td>ETR</td> <td>-</td> <td>WD.</td> <td>J2</td> <td>PTD.</td> <td>-</td> <td>331</td> <td>3\"/> <tr> <td>341B</td> <td>ETR</td> <td>-</td> <td>WD.</td> <td>J2</td> <td>PTD.</td> <td>-</td> <td>333</td> <td>3\"/> <tr> <td>342</td> <td>ETR</td> <td>-</td> <td>WD.</td> <td>J2</td> <td>PTD.</td> <td>-</td> <td>334A</td> <td>3\"/> <tr> <td>344</td> <td>ETR</td> <td>-</td> <td>WD.</td> <td>J2</td> <td>PTD.</td> <td>-</td> <td>334B</td> <td>3\"/> <tr> <td>345</td> <td>ETR</td> <td>-</td> <td>WD.</td> <td>J2</td> <td>PTD.</td> <td>-</td> <td>335A</td> <td>3\"/> <tr> <td>346</td> <td>ETR</td> <td>-</td> <td>WD.</td> <td>J2</td> <td>PTD.</td> <td>-</td> <td>335B</td> <td>3\"/> <tr> <td>347</td> <td>ETR</td> <td>-</td> <td>WD.</td> <td>J2</td> <td>PTD.</td> <td>-</td> <td>336</td> <td>3\"/> <tr> <td>348</td> <td>ETR</td> <td>-</td> <td>WD.</td> <td>J2</td> <td>PTD.</td> <td>-</td> <td>337</td> <td>3\"/> <tr> <td>349</td> <td>ETR</td> <td>-</td> <td>WD.</td> <td>J2</td> <td>PTD.</td> <td>-</td> <td>339</td> <td>3\"/> <tr> <td>350</td> <td>ETR</td> <td>-</td> <td>WD.</td> <td>J2</td> <td>PTD.</td> <td>-</td> <td>340</td> <td>3\"/> </td></tr></td></tr></td></tr></td></tr></td></tr></td></tr></td></tr></td></tr></td></tr></td></tr></td></tr></td></tr></td></tr></td></tr></td></tr></td></tr></td></tr></td></tr></td></tr></td></tr></td></tr></td></tr></td></tr></td></tr></td></tr></td></tr></td></tr></td></tr></td></tr></td></tr></td></tr></td></tr></td></tr></td></tr></td></tr></td></tr> | 313 | ETR | -
 | WD. | J2 | PTD. | - | 308 | 3\"/> <tr> <td>314</td> <td>ETR</td> <td>-</td> <td>WD.</td> <td>J2</td> <td>PTD.</td> <td>-</td> <td>309</td> <td>3\"/> <tr> <td>315</td> <td>ETR</td> <td>-</td> <td>WD.</td> <td>J2</td> <td>PTD.</td> <td>-</td> <td>310</td> <td>3\"/> <tr> <td>316A</td> <td>A</td> <td>3\"/> <tr> <td>318</td> <td>ETR</td> <td>-</td> <td>WD.</td> <td>J2</td> <td>PTD.</td> <td>-</td> <td>311</td> <td>3\"/> <tr> <td>319</td> <td>ETR</td> <td>-</td> <td>WD.</td> <td>J2</td> <td>PTD.</td> <td>-</td> <td>312A</td> <td>3\"/> <tr> <td>320</td> <td>ETR</td> <td>-</td> <td>WD.</td> <td>J2</td> <td>PTD.</td> <td>-</td> <td>313</td> <td>3\"/> <tr> <td>321</td> <td>ETR</td> <td>-</td> <td>WD.</td> <td>J2</td> <td>PTD.</td> <td>-</td> <td>314</td> <td>3\"/> <tr> <td>322</td> <td>ETR</td> <td>-</td> <td>WD.</td> <td>J2</td> <td>PTD.</td> <td>-</td> <td>315</td> <td>3\"/> <tr> <td>323</td> <td>ETR</td> <td>-</td> <td>WD.</td> <td>J2</td> <td>PTD.</td> <td>-</td> <td>316A</td> <td>3\"/> <tr> <td>324</td> <td>ETR</td> <td>-</td> <td>WD.</td> <td>J2</td> <td>PTD.</td> <td>-</td> <td>318</td> <td>3\"/> <tr> <td>325</td> <td>A</td> <td>3\"/> <tr> <td>327</td> <td>ETR</td> <td>-</td> <td>WD.</td> <td>J2</td> <td>PTD.</td> <td>-</td> <td>319</td> <td>3\"/> <tr> <td>328</td> <td>ETR</td> <td>-</td> <td>WD.</td> <td>J2</td> <td>PTD.</td> <td>-</td> <td>320</td> <td>3\"/> <tr> <td>329A</td> <td>ETR</td> <td>-</td> <td>WD.</td> <td>J2</td> <td>PTD.</td> <td>-</td> <td>321</td> <td>3\"/> <tr> <td>329B</td> <td>ETR</td> <td>-</td> <td>WD.</td> <td>J2</td> <td>PTD.</td> <td>-</td> <td>322</td> <td>3\"/> <tr> <td>331</td> <td>ETR</td> <td>-</td> <td>WD.</td> <td>J2</td> <td>PTD.</td> <td>-</td> <td>323</td> <td>3\"/> <tr> <td>333</td> <td>ETR</td> <td>-</td> <td>WD.</td> <td>J2</td> <td>PTD.</td> <td>-</td> <td>324</td> <td>3\"/> <tr> <td>334A</td> <td>ETR</td> <td>-</td> <td>WD.</td> <td>J2</td> <td>PTD.</td> <td>-</td> <td>325</td> <td>3\"/> <tr> <td>334B</td> <td>ETR</td> <td>-</td> <td>WD.</td> <td>J2</td> <td>PTD.</td> <td>-</td> <td>327</td> <td>3\"/> <tr> <td>335A</td> <td>ETR</td> <td>-</td> <td>WD.</td> <td>J2</td> <td>PTD.</td> <td>-</td> <td>328</td> <td>3\"/> <tr> <td>335B</td> <td>B</td> <td>3\"/> <tr> <td>336</td> <td>B</td> <td>3\"/> <tr> <td>337</td> <td>ETR</td> <td>-</td> <td>WD.</td> <td>J2</td> <td>PTD.</td> <td>-</td> <td>329A</td> <td>3\"/> <tr> <td>339</td> <td>ETR</td> <td>-</td> <td>WD.</td> <td>J2</td> <td>PTD.</td> <td>-</td> <td>329B</td> <td>3\"/> <tr> <td>340</td> <td>A</td> <td>3\"/> <tr> <td>341A</td> <td>ETR</td> <td>-</td> <td>WD.</td> <td>J2</td> <td>PTD.</td> <td>-</td> <td>331</td> <td>3\"/> <tr> <td>341B</td> <td>ETR</td> <td>-</td> <td>WD.</td> <td>J2</td> <td>PTD.</td> <td>-</td> <td>333</td> <td>3\"/> <tr> <td>342</td> <td>ETR</td> <td>-</td> <td>WD.</td> <td>J2</td> <td>PTD.</td> <td>-</td> <td>334A</td> <td>3\"/> <tr> <td>344</td> <td>ETR</td> <td>-</td> <td>WD.</td> <td>J2</td> <td>PTD.</td> <td>-</td> <td>334B</td> <td>3\"/> <tr> <td>345</td> <td>ETR</td> <td>-</td> <td>WD.</td> <td>J2</td> <td>PTD.</td> <td>-</td> <td>335A</td> <td>3\"/> <tr> <td>346</td> <td>ETR</td> <td>-</td> <td>WD.</td> <td>J2</td> <td>PTD.</td> <td>-</td> <td>335B</td> <td>3\"/> <tr> <td>347</td> <td>ETR</td> <td>-</td> <td>WD.</td> <td>J2</td> <td>PTD.</td> <td>-</td> <td>336</td> <td>3\"/> <tr> <td>348</td> <td>ETR</td> <td>-</td>
<td>WD.</td> <td>J2</td> <td>PTD.</td> <td>-</td> <td>337</td> <td>3\"/> <tr> <td>349</td> <td>ETR</td> <td>-</td> <td>WD.</td> <td>J2</td> <td>PTD.</td> <td>-</td> <td>339</td> <td>3\"/> <tr> <td>350</td> <td>ETR</td> <td>-</td> <td>WD.</td> <td>J2</td> <td>PTD.</td> <td>-</td> <td>340</td> <td>3\"/> </td></tr></td></tr></td></tr></td></tr></td></tr></td></tr></td></tr></td></tr></td></tr></td></tr></td></tr></td></tr></td></tr></td></tr></td></tr></td></tr></td></tr></td></tr></td></tr></td></tr></td></tr></td></tr></td></tr></td></tr></td></tr></td></tr></td></tr></td></tr></td></tr></td></tr></td></tr></td></tr></td></tr></td></tr></td></tr> | 314 | ETR | - | WD. | J2 | PTD.
 | - | 309 | 3\"/> <tr> <td>315</td> <td>ETR</td> <td>-</td> <td>WD.</td> <td>J2</td> <td>PTD.</td> <td>-</td> <td>310</td> <td>3\"/> <tr> <td>316A</td> <td>A</td> <td>3\"/> <tr> <td>318</td> <td>ETR</td> <td>-</td> <td>WD.</td> <td>J2</td> <td>PTD.</td> <td>-</td> <td>311</td> <td>3\"/> <tr> <td>319</td> <td>ETR</td> <td>-</td> <td>WD.</td> <td>J2</td> <td>PTD.</td> <td>-</td> <td>312A</td> <td>3\"/> <tr> <td>320</td> <td>ETR</td> <td>-</td> <td>WD.</td> <td>J2</td> <td>PTD.</td> <td>-</td> <td>313</td> <td>3\"/> <tr> <td>321</td> <td>ETR</td> <td>-</td> <td>WD.</td> <td>J2</td> <td>PTD.</td> <td>-</td> <td>314</td> <td>3\"/> <tr> <td>322</td> <td>ETR</td> <td>-</td> <td>WD.</td> <td>J2</td> <td>PTD.</td> <td>-</td> <td>315</td> <td>3\"/> <tr> <td>323</td> <td>ETR</td> <td>-</td> <td>WD.</td> <td>J2</td> <td>PTD.</td> <td>-</td> <td>316A</td> <td>3\"/> <tr> <td>324</td> <td>ETR</td> <td>-</td> <td>WD.</td> <td>J2</td> <td>PTD.</td> <td>-</td> <td>318</td> <td>3\"/> <tr> <td>325</td> <td>A</td> <td>3\"/> <tr> <td>327</td> <td>ETR</td> <td>-</td> <td>WD.</td> <td>J2</td> <td>PTD.</td> <td>-</td> <td>319</td> <td>3\"/> <tr> <td>328</td> <td>ETR</td> <td>-</td> <td>WD.</td> <td>J2</td> <td>PTD.</td> <td>-</td> <td>320</td> <td>3\"/> <tr> <td>329A</td> <td>ETR</td> <td>-</td> <td>WD.</td> <td>J2</td> <td>PTD.</td> <td>-</td> <td>321</td> <td>3\"/> <tr> <td>329B</td> <td>ETR</td> <td>-</td> <td>WD.</td> <td>J2</td> <td>PTD.</td> <td>-</td> <td>322</td> <td>3\"/> <tr> <td>331</td> <td>ETR</td> <td>-</td> <td>WD.</td> <td>J2</td> <td>PTD.</td> <td>-</td> <td>323</td> <td>3\"/> <tr> <td>333</td> <td>ETR</td> <td>-</td> <td>WD.</td> <td>J2</td> <td>PTD.</td> <td>-</td> <td>324</td> <td>3\"/> <tr> <td>334A</td> <td>ETR</td> <td>-</td> <td>WD.</td> <td>J2</td> <td>PTD.</td> <td>-</td> <td>325</td> <td>3\"/> <tr> <td>334B</td> <td>ETR</td> <td>-</td> <td>WD.</td> <td>J2</td> <td>PTD.</td> <td>-</td> <td>327</td> <td>3\"/> <tr> <td>335A</td> <td>ETR</td> <td>-</td> <td>WD.</td> <td>J2</td> <td>PTD.</td> <td>-</td> <td>328</td> <td>3\"/> <tr> <td>335B</td> <td>B</td> <td>3\"/> <tr> <td>336</td> <td>B</td> <td>3\"/> <tr> <td>337</td> <td>ETR</td> <td>-</td> <td>WD.</td> <td>J2</td> <td>PTD.</td> <td>-</td> <td>329A</td> <td>3\"/> <tr> <td>339</td> <td>ETR</td> <td>-</td> <td>WD.</td> <td>J2</td> <td>PTD.</td> <td>-</td> <td>329B</td> <td>3\"/> <tr> <td>340</td> <td>A</td> <td>3\"/> <tr> <td>341A</td> <td>ETR</td> <td>-</td> <td>WD.</td> <td>J2</td> <td>PTD.</td> <td>-</td> <td>331</td> <td>3\"/> <tr> <td>341B</td> <td>ETR</td> <td>-</td> <td>WD.</td> <td>J2</td> <td>PTD.</td> <td>-</td> <td>333</td> <td>3\"/> <tr> <td>342</td> <td>ETR</td> <td>-</td> <td>WD.</td> <td>J2</td> <td>PTD.</td> <td>-</td> <td>334A</td> <td>3\"/> <tr> <td>344</td> <td>ETR</td> <td>-</td> <td>WD.</td> <td>J2</td> <td>PTD.</td> <td>-</td> <td>334B</td> <td>3\"/> <tr> <td>345</td> <td>ETR</td> <td>-</td> <td>WD.</td> <td>J2</td> <td>PTD.</td> <td>-</td> <td>335A</td> <td>3\"/> <tr> <td>346</td> <td>ETR</td> <td>-</td> <td>WD.</td> <td>J2</td> <td>PTD.</td> <td>-</td> <td>335B</td> <td>3\"/> <tr> <td>347</td> <td>ETR</td> <td>-</td> <td>WD.</td> <td>J2</td> <td>PTD.</td> <td>-</td> <td>336</td> <td>3\"/> <tr> <td>348</td> <td>ETR</td> <td>-</td> <td>WD.</td> <td>J2</td> <td>PTD.</td> <td>-</td> <td>337</td> <td>3\"/> <tr> <td>349</td> <td>ETR</td> <td>-</td> <td>WD.</td> <td>J2</td> <td>PTD.</td> <td>-</td> <td>339</td> <td>3\"/> <tr> <td>350</td> <td>ETR</td> <td>-</td> <td>WD.</td> <td>J2</td> <td>PTD.</td> <td>-</td> <td>340</td> <td>3\"/> </td></tr></td></tr></td></tr></td></tr></td></tr></td></tr></td></tr></td></tr></td></tr></td></tr></td></tr></td></tr></td></tr></td></tr></td></tr></td></tr></td></tr></td></tr></td></tr></td></tr></td></tr></td></tr></td></tr></td></tr></td></tr></td></tr></td></tr></td></tr></td></tr></td></tr></td></tr></td></tr></td></tr></td></tr> | 315 | ETR | - | WD. | J2 | PTD.
 | - | 310 | 3\"/> <tr> <td>316A</td> <td>A</td> <td>3\"/> <tr> <td>318</td> <td>ETR</td> <td>-</td> <td>WD.</td> <td>J2</td> <td>PTD.</td> <td>-</td> <td>311</td> <td>3\"/> <tr> <td>319</td> <td>ETR</td> <td>-</td> <td>WD.</td> <td>J2</td> <td>PTD.</td> <td>-</td> <td>312A</td> <td>3\"/> <tr> <td>320</td> <td>ETR</td> <td>-</td> <td>WD.</td> <td>J2</td> <td>PTD.</td> <td>-</td> <td>313</td> <td>3\"/> <tr> <td>321</td> <td>ETR</td> <td>-</td> <td>WD.</td> <td>J2</td> <td>PTD.</td> <td>-</td> <td>314</td> <td>3\"/> <tr> <td>322</td> <td>ETR</td> <td>-</td> <td>WD.</td> <td>J2</td> <td>PTD.</td> <td>-</td> <td>315</td> <td>3\"/> <tr> <td>323</td> <td>ETR</td> <td>-</td> <td>WD.</td> <td>J2</td> <td>PTD.</td> <td>-</td> <td>316A</td> <td>3\"/> <tr> <td>324</td> <td>ETR</td> <td>-</td> <td>WD.</td> <td>J2</td> <td>PTD.</td> <td>-</td> <td>318</td> <td>3\"/> <tr> <td>325</td> <td>A</td> <td>3\"/> <tr> <td>327</td> <td>ETR</td> <td>-</td> <td>WD.</td> <td>J2</td> <td>PTD.</td> <td>-</td> <td>319</td> <td>3\"/> <tr> <td>328</td> <td>ETR</td> <td>-</td> <td>WD.</td> <td>J2</td> <td>PTD.</td> <td>-</td> <td>320</td> <td>3\"/> <tr> <td>329A</td> <td>ETR</td> <td>-</td> <td>WD.</td> <td>J2</td> <td>PTD.</td> <td>-</td> <td>321</td> <td>3\"/> <tr> <td>329B</td> <td>ETR</td> <td>-</td> <td>WD.</td> <td>J2</td> <td>PTD.</td> <td>-</td> <td>322</td> <td>3\"/> <tr> <td>331</td> <td>ETR</td> <td>-</td> <td>WD.</td> <td>J2</td> <td>PTD.</td> <td>-</td> <td>323</td> <td>3\"/> <tr> <td>333</td> <td>ETR</td> <td>-</td> <td>WD.</td> <td>J2</td> <td>PTD.</td> <td>-</td> <td>324</td> <td>3\"/> <tr> <td>334A</td> <td>ETR</td> <td>-</td> <td>WD.</td> <td>J2</td> <td>PTD.</td> <td>-</td> <td>325</td> <td>3\"/> <tr> <td>334B</td> <td>ETR</td> <td>-</td> <td>WD.</td> <td>J2</td> <td>PTD.</td> <td>-</td> <td>327</td> <td>3\"/> <tr> <td>335A</td> <td>ETR</td> <td>-</td> <td>WD.</td> <td>J2</td> <td>PTD.</td> <td>-</td> <td>328</td> <td>3\"/> <tr> <td>335B</td> <td>B</td> <td>3\"/> <tr> <td>336</td> <td>B</td> <td>3\"/> <tr> <td>337</td> <td>ETR</td> <td>-</td> <td>WD.</td> <td>J2</td> <td>PTD.</td> <td>-</td> <td>329A</td> <td>3\"/> <tr> <td>339</td> <td>ETR</td> <td>-</td> <td>WD.</td> <td>J2</td> <td>PTD.</td> <td>-</td> <td>329B</td> <td>3\"/> <tr> <td>340</td> <td>A</td> <td>3\"/> <tr> <td>341A</td> <td>ETR</td> <td>-</td> <td>WD.</td> <td>J2</td> <td>PTD.</td> <td>-</td> <td>331</td> <td>3\"/> <tr> <td>341B</td> <td>ETR</td> <td>-</td> <td>WD.</td> <td>J2</td> <td>PTD.</td> <td>-</td> <td>333</td> <td>3\"/> <tr> <td>342</td> <td>ETR</td> <td>-</td> <td>WD.</td> <td>J2</td> <td>PTD.</td> <td>-</td> <td>334A</td> <td>3\"/> <tr> <td>344</td> <td>ETR</td> <td>-</td> <td>WD.</td> <td>J2</td> <td>PTD.</td> <td>-</td> <td>334B</td> <td>3\"/> <tr> <td>345</td> <td>ETR</td> <td>-</td> <td>WD.</td> <td>J2</td> <td>PTD.</td> <td>-</td> <td>335A</td> <td>3\"/> <tr> <td>346</td> <td>ETR</td> <td>-</td> <td>WD.</td> <td>J2</td> <td>PTD.</td> <td>-</td> <td>335B</td> <td>3\"/> <tr> <td>347</td> <td>ETR</td> <td>-</td> <td>WD.</td> <td>J2</td> <td>PTD.</td> <td>-</td> <td>336</td> <td>3\"/> <tr> <td>348</td> <td>ETR</td> <td>-</td> <td>WD.</td> <td>J2</td> <td>PTD.</td> <td>-</td> <td>337</td> <td>3\"/> <tr> <td>349</td> <td>ETR</td> <td>-</td> <td>WD.</td> <td>J2</td> <td>PTD.</td> <td>-</td> <td>339</td> <td>3\"/> <tr> <td>350</td> <td>ETR</td> <td>-</td> <td>WD.</td> <td>J2</td> <td>PTD.</td> <td>-</td> <td>340</td> <td>3\"/> </td></tr></td></tr></td></tr></td></tr></td></tr></td></tr></td></tr></td></tr></td></tr></td></tr></td></tr></td></tr></td></tr></td></tr></td></tr></td></tr></td></tr></td></tr></td></tr></td></tr></td></tr></td></tr></td></tr></td></tr></td></tr></td></tr></td></tr></td></tr></td></tr></td></tr></td></tr></td></tr></td></tr> | 316A | A | 3\"/> <tr> <td>318</td> <td>ETR</td> <td>-</td> <td>WD.</td> <td>J2</td> <td>PTD.</td> <td>-</td> <td>311</td> <td>3\"/> <tr> <td>319</td> <td>ETR</td> <td>-</td> <td>WD.</td> <td>J2</td> <td>PTD.</td> <td>-</td> <td>312A</td> <td>3\"/> <tr> <td>320</td> <td>ETR</td> <td>-</td> <td>WD.</td> <td>J2</td> <td>PTD.</td> <td>-</td> <td>313</td> <td>3\"/> <tr> <td>321</td> <td>ETR</td> <td>-</td> <td>WD.</td> <td>J2</td> <td>PTD.</td> <td>-</td> <td>314</td> <td>3\"/> <tr> <td>322</td> <td>ETR</td> <td>-</td> <td>WD.</td> <td>J2</td> <td>PTD.</td> <td>-</td> <td>315</td> <td>3\"/> <tr> <td>323</td> <td>ETR</td> <td>-</td> <td>WD.</td> <td>J2</td> <td>PTD.</td> <td>-</td> <td>316A</td> <td>3\"/> <tr> <td>324</td> <td>ETR</td> <td>-</td> <td>WD.</td> <td>J2</td> <td>PTD.</td> <td>-</td> <td>318</td> <td>3\"/> <tr> <td>325</td> <td>A</td> <td>3\"/> <tr> <td>327</td> <td>ETR</td> <td>-</td> <td>WD.</td> <td>J2</td> <td>PTD.</td> <td>-</td> <td>319</td> <td>3\"/> <tr> <td>328</td> <td>ETR</td> <td>-</td> <td>WD.</td> <td>J2</td> <td>PTD.</td> <td>-</td> <td>320</td> <td>3\"/> <tr> <td>329A</td> <td>ETR</td> <td>-</td> <td>WD.</td> <td>J2</td> <td>PTD.</td> <td>-</td> <td>321</td> <td>3\"/> <tr> <td>329B</td> <td>ETR</td> <td>-</td> <td>WD.</td> <td>J2</td> <td>PTD.</td> <td>-</td> <td>322</td> <td>3\"/> <tr> <td>331</td> <td>ETR</td> <td>-</td> <td>WD.</td> <td>J2</td> <td>PTD.</td> <td>-</td> <td>323</td> <td>3\"/> <tr> <td>333</td> <td>ETR</td> <td>-</td> <td>WD.</td> <td>J2</td> <td>PTD.</td> <td>-</td> <td>324</td> <td>3\"/> <tr> <td>334A</td> <td>ETR</td> <td>-</td> <td>WD.</td> <td>J2</td> <td>PTD.</td> <td>-</td> <td>325</td> <td>3\"/> <tr> <td>334B</td> <td>ETR</td> <td>-</td> <td>WD.</td> <td>J2</td> <td>PTD.</td> <td>-</td> <td>327</td> <td>3\"/> <tr> <td>335A</td> <td>ETR</td> <td>-</td> <td>WD.</td> <td>J2</td> <td>PTD.</td> <td>-</td> <td>328</td> <td>3\"/> <tr> <td>335B</td> <td>B</td> <td>3\"/> <tr> <td>336</td> <td>B</td> <td>3\"/> <tr> <td>337</td> <td>ETR</td> <td>-</td> <td>WD.</td> <td>J2</td> <td>PTD.</td> <td>-</td> <td>329A</td> <td>3\"/> <tr> <td>339</td> <td>ETR</td> <td>-</td> <td>WD.</td> <td>J2</td> <td>PTD.</td> <td>-</td> <td>329B</td> <td>3\"/> <tr> <td>340</td> <td>A</td> <td>3\"/> <tr> <td>341A</td> <td>ETR</td> <td>-</td> <td>WD.</td> <td>J2</td> <td>PTD.</td> <td>-</td> <td>331</td> <td>3\"/> <tr> <td>341B</td> <td>ETR</td> <td>-</td> <td>WD.</td> <td>J2</td> <td>PTD.</td> <td>-</td> <td>333</td> <td>3\"/> <tr> <td>342</td> <td>ETR</td> <td>-</td> <td>WD.</td> <td>J2</td> <td>PTD.</td> <td>-</td> <td>334A</td> <td>3\"/> <tr>
<td>344</td> <td>ETR</td> <td>-</td> <td>WD.</td> <td>J2</td> <td>PTD.</td> <td>-</td> <td>334B</td> <td>3\"/> <tr> <td>345</td> <td>ETR</td> <td>-</td> <td>WD.</td> <td>J2</td> <td>PTD.</td> <td>-</td> <td>335A</td> <td>3\"/> <tr> <td>346</td> <td>ETR</td> <td>-</td> <td>WD.</td> <td>J2</td> <td>PTD.</td> <td>-</td> <td>335B</td> <td>3\"/> <tr> <td>347</td> <td>ETR</td> <td>-</td> <td>WD.</td> <td>J2</td> <td>PTD.</td> <td>-</td> <td>336</td> <td>3\"/> <tr> <td>348</td> <td>ETR</td> <td>-</td> <td>WD.</td> <td>J2</td> <td>PTD.</td> <td>-</td> <td>337</td> <td>3\"/> <tr> <td>349</td> <td>ETR</td> <td>-</td> <td>WD.</td> <td>J2</td> <td>PTD.</td> <td>-</td> <td>339</td> <td>3\"/> <tr> <td>350</td> <td>ETR</td> <td>-</td> <td>WD.</td> <td>J2</td> <td>PTD.</td> <td>-</td> <td>340</td> <td>3\"/> </td></tr></td></tr></td></tr></td></tr></td></tr></td></tr></td></tr></td></tr></td></tr></td></tr></td></tr></td></tr></td></tr></td></tr></td></tr></td></tr></td></tr></td></tr></td></tr></td></tr></td></tr></td></tr></td></tr></td></tr></td></tr></td></tr></td></tr></td></tr></td></tr></td></tr></td></tr></td></tr> | 318 | ETR | - | WD. | J2 | PTD.
 | - | 311 | 3\"/> <tr> <td>319</td> <td>ETR</td> <td>-</td> <td>WD.</td> <td>J2</td> <td>PTD.</td> <td>-</td> <td>312A</td> <td>3\"/> <tr> <td>320</td> <td>ETR</td> <td>-</td> <td>WD.</td> <td>J2</td> <td>PTD.</td> <td>-</td> <td>313</td> <td>3\"/> <tr> <td>321</td> <td>ETR</td> <td>-</td> <td>WD.</td> <td>J2</td> <td>PTD.</td> <td>-</td> <td>314</td> <td>3\"/> <tr> <td>322</td> <td>ETR</td> <td>-</td> <td>WD.</td> <td>J2</td> <td>PTD.</td> <td>-</td> <td>315</td> <td>3\"/> <tr> <td>323</td> <td>ETR</td> <td>-</td> <td>WD.</td> <td>J2</td> <td>PTD.</td> <td>-</td> <td>316A</td> <td>3\"/> <tr> <td>324</td> <td>ETR</td> <td>-</td> <td>WD.</td> <td>J2</td> <td>PTD.</td> <td>-</td> <td>318</td> <td>3\"/> <tr> <td>325</td> <td>A</td> <td>3\"/> <tr> <td>327</td> <td>ETR</td> <td>-</td> <td>WD.</td> <td>J2</td> <td>PTD.</td> <td>-</td> <td>319</td> <td>3\"/> <tr> <td>328</td> <td>ETR</td> <td>-</td> <td>WD.</td> <td>J2</td> <td>PTD.</td> <td>-</td> <td>320</td> <td>3\"/> <tr> <td>329A</td> <td>ETR</td> <td>-</td> <td>WD.</td> <td>J2</td> <td>PTD.</td> <td>-</td> <td>321</td> <td>3\"/> <tr> <td>329B</td> <td>ETR</td> <td>-</td> <td>WD.</td> <td>J2</td> <td>PTD.</td> <td>-</td> <td>322</td> <td>3\"/> <tr> <td>331</td> <td>ETR</td> <td>-</td> <td>WD.</td> <td>J2</td> <td>PTD.</td> <td>-</td> <td>323</td> <td>3\"/> <tr> <td>333</td> <td>ETR</td> <td>-</td> <td>WD.</td> <td>J2</td> <td>PTD.</td> <td>-</td> <td>324</td> <td>3\"/> <tr> <td>334A</td> <td>ETR</td> <td>-</td> <td>WD.</td> <td>J2</td> <td>PTD.</td> <td>-</td> <td>325</td> <td>3\"/> <tr> <td>334B</td> <td>ETR</td> <td>-</td> <td>WD.</td> <td>J2</td> <td>PTD.</td> <td>-</td> <td>327</td> <td>3\"/> <tr> <td>335A</td> <td>ETR</td> <td>-</td> <td>WD.</td> <td>J2</td> <td>PTD.</td> <td>-</td> <td>328</td> <td>3\"/> <tr> <td>335B</td> <td>B</td> <td>3\"/> <tr> <td>336</td> <td>B</td> <td>3\"/> <tr> <td>337</td> <td>ETR</td> <td>-</td> <td>WD.</td> <td>J2</td> <td>PTD.</td> <td>-</td> <td>329A</td> <td>3\"/> <tr> <td>339</td> <td>ETR</td> <td>-</td> <td>WD.</td> <td>J2</td> <td>PTD.</td> <td>-</td> <td>329B</td> <td>3\"/> <tr> <td>340</td> <td>A</td> <td>3\"/> <tr> <td>341A</td> <td>ETR</td> <td>-</td> <td>WD.</td> <td>J2</td> <td>PTD.</td> <td>-</td> <td>331</td> <td>3\"/> <tr> <td>341B</td> <td>ETR</td> <td>-</td> <td>WD.</td> <td>J2</td> <td>PTD.</td> <td>-</td> <td>333</td> <td>3\"/> <tr> <td>342</td> <td>ETR</td> <td>-</td> <td>WD.</td> <td>J2</td> <td>PTD.</td> <td>-</td> <td>334A</td> <td>3\"/> <tr> <td>344</td> <td>ETR</td> <td>-</td> <td>WD.</td> <td>J2</td> <td>PTD.</td> <td>-</td> <td>334B</td> <td>3\"/> <tr> <td>345</td> <td>ETR</td> <td>-</td> <td>WD.</td> <td>J2</td> <td>PTD.</td> <td>-</td> <td>335A</td> <td>3\"/> <tr> <td>346</td> <td>ETR</td> <td>-</td> <td>WD.</td> <td>J2</td> <td>PTD.</td> <td>-</td> <td>335B</td> <td>3\"/> <tr> <td>347</td> <td>ETR</td> <td>-</td> <td>WD.</td> <td>J2</td> <td>PTD.</td> <td>-</td> <td>336</td> <td>3\"/> <tr> <td>348</td> <td>ETR</td> <td>-</td> <td>WD.</td> <td>J2</td> <td>PTD.</td> <td>-</td> <td>337</td> <td>3\"/> <tr> <td>349</td> <td>ETR</td> <td>-</td> <td>WD.</td> <td>J2</td> <td>PTD.</td> <td>-</td> <td>339</td> <td>3\"/> <tr> <td>350</td> <td>ETR</td> <td>-</td> <td>WD.</td> <td>J2</td> <td>PTD.</td> <td>-</td> <td>340</td> <td>3\"/> </td></tr></td></tr></td></tr></td></tr></td></tr></td></tr></td></tr></td></tr></td></tr></td></tr></td></tr></td></tr></td></tr></td></tr></td></tr></td></tr></td></tr></td></tr></td></tr></td></tr></td></tr></td></tr></td></tr></td></tr></td></tr></td></tr></td></tr></td></tr></td></tr></td></tr></td></tr> | 319 | ETR | - | WD. | J2 | PTD.
 | - | 312A | 3\"/> <tr> <td>320</td> <td>ETR</td> <td>-</td> <td>WD.</td> <td>J2</td> <td>PTD.</td> <td>-</td> <td>313</td> <td>3\"/> <tr> <td>321</td> <td>ETR</td> <td>-</td> <td>WD.</td> <td>J2</td> <td>PTD.</td> <td>-</td> <td>314</td> <td>3\"/> <tr> <td>322</td> <td>ETR</td> <td>-</td> <td>WD.</td> <td>J2</td> <td>PTD.</td> <td>-</td> <td>315</td> <td>3\"/> <tr> <td>323</td> <td>ETR</td> <td>-</td> <td>WD.</td> <td>J2</td> <td>PTD.</td> <td>-</td> <td>316A</td> <td>3\"/> <tr> <td>324</td> <td>ETR</td> <td>-</td> <td>WD.</td> <td>J2</td> <td>PTD.</td> <td>-</td> <td>318</td> <td>3\"/> <tr> <td>325</td> <td>A</td> <td>3\"/> <tr> <td>327</td> <td>ETR</td> <td>-</td> <td>WD.</td> <td>J2</td> <td>PTD.</td> <td>-</td> <td>319</td> <td>3\"/> <tr> <td>328</td> <td>ETR</td> <td>-</td> <td>WD.</td> <td>J2</td> <td>PTD.</td> <td>-</td> <td>320</td> <td>3\"/> <tr> <td>329A</td> <td>ETR</td> <td>-</td> <td>WD.</td> <td>J2</td> <td>PTD.</td> <td>-</td> <td>321</td> <td>3\"/> <tr> <td>329B</td> <td>ETR</td> <td>-</td> <td>WD.</td> <td>J2</td> <td>PTD.</td> <td>-</td> <td>322</td> <td>3\"/> <tr> <td>331</td> <td>ETR</td> <td>-</td> <td>WD.</td> <td>J2</td> <td>PTD.</td> <td>-</td> <td>323</td> <td>3\"/> <tr> <td>333</td> <td>ETR</td> <td>-</td> <td>WD.</td> <td>J2</td> <td>PTD.</td> <td>-</td> <td>324</td> <td>3\"/> <tr> <td>334A</td> <td>ETR</td> <td>-</td> <td>WD.</td> <td>J2</td> <td>PTD.</td> <td>-</td> <td>325</td> <td>3\"/> <tr> <td>334B</td> <td>ETR</td> <td>-</td> <td>WD.</td> <td>J2</td> <td>PTD.</td> <td>-</td> <td>327</td> <td>3\"/> <tr> <td>335A</td> <td>ETR</td> <td>-</td> <td>WD.</td> <td>J2</td> <td>PTD.</td> <td>-</td> <td>328</td> <td>3\"/> <tr> <td>335B</td> <td>B</td> <td>3\"/> <tr> <td>336</td> <td>B</td> <td>3\"/> <tr> <td>337</td> <td>ETR</td> <td>-</td> <td>WD.</td> <td>J2</td> <td>PTD.</td> <td>-</td> <td>329A</td> <td>3\"/> <tr> <td>339</td> <td>ETR</td> <td>-</td> <td>WD.</td> <td>J2</td> <td>PTD.</td> <td>-</td> <td>329B</td> <td>3\"/> <tr> <td>340</td> <td>A</td> <td>3\"/> <tr> <td>341A</td> <td>ETR</td> <td>-</td> <td>WD.</td> <td>J2</td> <td>PTD.</td> <td>-</td> <td>331</td> <td>3\"/> <tr> <td>341B</td> <td>ETR</td> <td>-</td> <td>WD.</td> <td>J2</td> <td>PTD.</td> <td>-</td> <td>333</td> <td>3\"/> <tr> <td>342</td> <td>ETR</td> <td>-</td> <td>WD.</td> <td>J2</td> <td>PTD.</td> <td>-</td> <td>334A</td> <td>3\"/> <tr> <td>344</td> <td>ETR</td> <td>-</td> <td>WD.</td> <td>J2</td> <td>PTD.</td> <td>-</td> <td>334B</td> <td>3\"/> <tr> <td>345</td> <td>ETR</td> <td>-</td> <td>WD.</td> <td>J2</td> <td>PTD.</td> <td>-</td> <td>335A</td> <td>3\"/> <tr> <td>346</td> <td>ETR</td> <td>-</td> <td>WD.</td> <td>J2</td> <td>PTD.</td> <td>-</td> <td>335B</td> <td>3\"/> <tr> <td>347</td> <td>ETR</td> <td>-</td> <td>WD.</td> <td>J2</td> <td>PTD.</td> <td>-</td> <td>336</td> <td>3\"/> <tr> <td>348</td> <td>ETR</td> <td>-</td> <td>WD.</td> <td>J2</td> <td>PTD.</td> <td>-</td> <td>337</td> <td>3\"/> <tr> <td>349</td> <td>ETR</td> <td>-</td> <td>WD.</td> <td>J2</td> <td>PTD.</td> <td>-</td> <td>339</td> <td>3\"/> <tr> <td>350</td> <td>ETR</td> <td>-</td> <td>WD.</td> <td>J2</td> <td>PTD.</td> <td>-</td> <td>340</td> <td>3\"/> </td></tr></td></tr></td></tr></td></tr></td></tr></td></tr></td></tr></td></tr></td></tr></td></tr></td></tr></td></tr></td></tr></td></tr></td></tr></td></tr></td></tr></td></tr></td></tr></td></tr></td></tr></td></tr></td></tr></td></tr></td></tr></td></tr></td></tr></td></tr></td></tr></td></tr> | 320 | ETR | -
 | WD. | J2 | PTD. | - | 313 | 3\"/> <tr> <td>321</td> <td>ETR</td> <td>-</td> <td>WD.</td> <td>J2</td> <td>PTD.</td> <td>-</td> <td>314</td> <td>3\"/> <tr> <td>322</td> <td>ETR</td> <td>-</td> <td>WD.</td> <td>J2</td> <td>PTD.</td> <td>-</td> <td>315</td> <td>3\"/> <tr> <td>323</td> <td>ETR</td> <td>-</td> <td>WD.</td> <td>J2</td> <td>PTD.</td> <td>-</td> <td>316A</td> <td>3\"/> <tr> <td>324</td> <td>ETR</td> <td>-</td> <td>WD.</td> <td>J2</td> <td>PTD.</td> <td>-</td> <td>318</td> <td>3\"/> <tr> <td>325</td> <td>A</td> <td>3\"/> <tr> <td>327</td> <td>ETR</td> <td>-</td> <td>WD.</td> <td>J2</td> <td>PTD.</td> <td>-</td> <td>319</td> <td>3\"/> <tr> <td>328</td> <td>ETR</td> <td>-</td> <td>WD.</td> <td>J2</td> <td>PTD.</td> <td>-</td> <td>320</td> <td>3\"/> <tr> <td>329A</td> <td>ETR</td> <td>-</td> <td>WD.</td> <td>J2</td> <td>PTD.</td> <td>-</td> <td>321</td> <td>3\"/> <tr> <td>329B</td> <td>ETR</td> <td>-</td> <td>WD.</td> <td>J2</td> <td>PTD.</td> <td>-</td> <td>322</td> <td>3\"/> <tr> <td>331</td> <td>ETR</td> <td>-</td> <td>WD.</td> <td>J2</td> <td>PTD.</td> <td>-</td> <td>323</td> <td>3\"/> <tr> <td>333</td> <td>ETR</td> <td>-</td> <td>WD.</td> <td>J2</td> <td>PTD.</td> <td>-</td> <td>324</td> <td>3\"/> <tr> <td>334A</td> <td>ETR</td> <td>-</td> <td>WD.</td> <td>J2</td> <td>PTD.</td> <td>-</td> <td>325</td> <td>3\"/> <tr> <td>334B</td> <td>ETR</td> <td>-</td> <td>WD.</td> <td>J2</td> <td>PTD.</td> <td>-</td> <td>327</td> <td>3\"/> <tr> <td>335A</td> <td>ETR</td> <td>-</td> <td>WD.</td> <td>J2</td> <td>PTD.</td> <td>-</td> <td>328</td> <td>3\"/> <tr> <td>335B</td> <td>B</td> <td>3\"/> <tr> <td>336</td> <td>B</td> <td>3\"/> <tr> <td>337</td> <td>ETR</td> <td>-</td> <td>WD.</td> <td>J2</td> <td>PTD.</td> <td>-</td> <td>329A</td> <td>3\"/> <tr> <td>339</td> <td>ETR</td> <td>-</td> <td>WD.</td> <td>J2</td> <td>PTD.</td> <td>-</td> <td>329B</td> <td>3\"/> <tr> <td>340</td> <td>A</td> <td>3\"/> <tr> <td>341A</td> <td>ETR</td> <td>-</td> <td>WD.</td> <td>J2</td> <td>PTD.</td> <td>-</td> <td>331</td> <td>3\"/> <tr> <td>341B</td> <td>ETR</td> <td>-</td> <td>WD.</td> <td>J2</td> <td>PTD.</td> <td>-</td> <td>333</td> <td>3\"/> <tr> <td>342</td> <td>ETR</td> <td>-</td> <td>WD.</td> <td>J2</td> <td>PTD.</td> <td>-</td> <td>334A</td> <td>3\"/> <tr> <td>344</td> <td>ETR</td> <td>-</td> <td>WD.</td> <td>J2</td> <td>PTD.</td> <td>-</td> <td>334B</td> <td>3\"/> <tr> <td>345</td> <td>ETR</td> <td>-</td> <td>WD.</td> <td>J2</td> <td>PTD.</td> <td>-</td> <td>335A</td> <td>3\"/> <tr> <td>346</td> <td>ETR</td> <td>-</td> <td>WD.</td> <td>J2</td> <td>PTD.</td> <td>-</td> <td>335B</td> <td>3\"/> <tr> <td>347</td> <td>ETR</td> <td>-</td> <td>WD.</td> <td>J2</td> <td>PTD.</td> <td>-</td> <td>336</td> <td>3\"/> <tr> <td>348</td> <td>ETR</td> <td>-</td> <td>WD.</td> <td>J2</td> <td>PTD.</td> <td>-</td> <td>337</td> <td>3\"/> <tr> <td>349</td> <td>ETR</td> <td>-</td> <td>WD.</td> <td>J2</td> <td>PTD.</td> <td>-</td> <td>339</td> <td>3\"/> <tr> <td>350</td> <td>ETR</td> <td>-</td> <td>WD.</td> <td>J2</td> <td>PTD.</td> <td>-</td> <td>340</td> <td>3\"/> </td></tr></td></tr></td></tr></td></tr></td></tr></td></tr></td></tr></td></tr></td></tr></td></tr></td></tr></td></tr></td></tr></td></tr></td></tr></td></tr></td></tr></td></tr></td></tr></td></tr></td></tr></td></tr></td></tr></td></tr></td></tr></td></tr></td></tr></td></tr></td></tr> | 321 | ETR | -
 | WD. | J2 | PTD. | - | 314 | 3\"/> <tr> <td>322</td> <td>ETR</td> <td>-</td> <td>WD.</td> <td>J2</td> <td>PTD.</td> <td>-</td> <td>315</td> <td>3\"/> <tr> <td>323</td> <td>ETR</td> <td>-</td> <td>WD.</td> <td>J2</td> <td>PTD.</td> <td>-</td> <td>316A</td> <td>3\"/> <tr> <td>324</td> <td>ETR</td> <td>-</td> <td>WD.</td> <td>J2</td> <td>PTD.</td> <td>-</td> <td>318</td> <td>3\"/> <tr> <td>325</td> <td>A</td> <td>3\"/> <tr> <td>327</td> <td>ETR</td> <td>-</td> <td>WD.</td> <td>J2</td> <td>PTD.</td> <td>-</td> <td>319</td> <td>3\"/> <tr> <td>328</td> <td>ETR</td> <td>-</td> <td>WD.</td> <td>J2</td> <td>PTD.</td> <td>-</td> <td>320</td> <td>3\"/> <tr> <td>329A</td> <td>ETR</td> <td>-</td> <td>WD.</td> <td>J2</td> <td>PTD.</td> <td>-</td> <td>321</td> <td>3\"/> <tr> <td>329B</td> <td>ETR</td> <td>-</td> <td>WD.</td> <td>J2</td> <td>PTD.</td> <td>-</td> <td>322</td> <td>3\"/> <tr> <td>331</td> <td>ETR</td> <td>-</td> <td>WD.</td> <td>J2</td> <td>PTD.</td> <td>-</td> <td>323</td> <td>3\"/> <tr> <td>333</td> <td>ETR</td> <td>-</td> <td>WD.</td> <td>J2</td> <td>PTD.</td> <td>-</td> <td>324</td> <td>3\"/> <tr> <td>334A</td> <td>ETR</td> <td>-</td> <td>WD.</td> <td>J2</td> <td>PTD.</td> <td>-</td> <td>325</td> <td>3\"/> <tr> <td>334B</td> <td>ETR</td> <td>-</td> <td>WD.</td> <td>J2</td> <td>PTD.</td> <td>-</td> <td>327</td> <td>3\"/> <tr> <td>335A</td> <td>ETR</td> <td>-</td> <td>WD.</td> <td>J2</td> <td>PTD.</td> <td>-</td> <td>328</td> <td>3\"/> <tr> <td>335B</td> <td>B</td> <td>3\"/> <tr> <td>336</td> <td>B</td> <td>3\"/> <tr> <td>337</td> <td>ETR</td> <td>-</td> <td>WD.</td> <td>J2</td> <td>PTD.</td> <td>-</td> <td>329A</td> <td>3\"/> <tr> <td>339</td> <td>ETR</td> <td>-</td> <td>WD.</td> <td>J2</td> <td>PTD.</td> <td>-</td> <td>329B</td> <td>3\"/> <tr> <td>340</td> <td>A</td> <td>3\"/> <tr> <td>341A</td> <td>ETR</td> <td>-</td> <td>WD.</td> <td>J2</td> <td>PTD.</td> <td>-</td> <td>331</td> <td>3\"/> <tr> <td>341B</td> <td>ETR</td> <td>-</td> <td>WD.</td> <td>J2</td> <td>PTD.</td> <td>-</td> <td>333</td> <td>3\"/> <tr> <td>342</td> <td>ETR</td> <td>-</td> <td>WD.</td> <td>J2</td> <td>PTD.</td> <td>-</td> <td>334A</td> <td>3\"/> <tr> <td>344</td> <td>ETR</td> <td>-</td> <td>WD.</td> <td>J2</td> <td>PTD.</td> <td>-</td> <td>334B</td> <td>3\"/> <tr> <td>345</td> <td>ETR</td> <td>-</td> <td>WD.</td> <td>J2</td> <td>PTD.</td> <td>-</td> <td>335A</td> <td>3\"/> <tr> <td>346</td> <td>ETR</td> <td>-</td> <td>WD.</td> <td>J2</td> <td>PTD.</td> <td>-</td> <td>335B</td> <td>3\"/> <tr> <td>347</td> <td>ETR</td> <td>-</td> <td>WD.</td> <td>J2</td> <td>PTD.</td> <td>-</td> <td>336</td> <td>3\"/> <tr> <td>348</td> <td>ETR</td> <td>-</td> <td>WD.</td> <td>J2</td> <td>PTD.</td> <td>-</td> <td>337</td> <td>3\"/> <tr> <td>349</td> <td>ETR</td> <td>-</td> <td>WD.</td> <td>J2</td> <td>PTD.</td> <td>-</td> <td>339</td> <td>3\"/> <tr> <td>350</td> <td>ETR</td> <td>-</td> <td>WD.</td> <td>J2</td> <td>PTD.</td> <td>-</td> <td>340</td> <td>3\"/> </td></tr></td></tr></td></tr></td></tr></td></tr></td></tr></td></tr></td></tr></td></tr></td></tr></td></tr></td></tr></td></tr></td></tr></td></tr></td></tr></td></tr></td></tr></td></tr></td></tr></td></tr></td></tr></td></tr></td></tr></td></tr></td></tr></td></tr></td></tr>
 | 322 | ETR | - | WD. | J2 | PTD. | - | 315 | 3\"/> <tr> <td>323</td> <td>ETR</td> <td>-</td> <td>WD.</td> <td>J2</td> <td>PTD.</td> <td>-</td> <td>316A</td> <td>3\"/> <tr> <td>324</td> <td>ETR</td> <td>-</td> <td>WD.</td> <td>J2</td> <td>PTD.</td> <td>-</td> <td>318</td> <td>3\"/> <tr> <td>325</td> <td>A</td> <td>3\"/> <tr> <td>327</td> <td>ETR</td> <td>-</td> <td>WD.</td> <td>J2</td> <td>PTD.</td> <td>-</td> <td>319</td> <td>3\"/> <tr> <td>328</td> <td>ETR</td> <td>-</td> <td>WD.</td> <td>J2</td> <td>PTD.</td> <td>-</td> <td>320</td> <td>3\"/> <tr> <td>329A</td> <td>ETR</td> <td>-</td> <td>WD.</td> <td>J2</td> <td>PTD.</td> <td>-</td> <td>321</td> <td>3\"/> <tr> <td>329B</td> <td>ETR</td> <td>-</td> <td>WD.</td> <td>J2</td> <td>PTD.</td> <td>-</td> <td>322</td> <td>3\"/> <tr> <td>331</td> <td>ETR</td> <td>-</td> <td>WD.</td> <td>J2</td> <td>PTD.</td> <td>-</td> <td>323</td> <td>3\"/> <tr> <td>333</td> <td>ETR</td> <td>-</td> <td>WD.</td> <td>J2</td> <td>PTD.</td> <td>-</td> <td>324</td> <td>3\"/> <tr> <td>334A</td> <td>ETR</td> <td>-</td> <td>WD.</td> <td>J2</td> <td>PTD.</td> <td>-</td> <td>325</td> <td>3\"/> <tr> <td>334B</td> <td>ETR</td> <td>-</td> <td>WD.</td> <td>J2</td> <td>PTD.</td> <td>-</td> <td>327</td> <td>3\"/> <tr> <td>335A</td> <td>ETR</td> <td>-</td> <td>WD.</td> <td>J2</td> <td>PTD.</td> <td>-</td> <td>328</td> <td>3\"/> <tr> <td>335B</td> <td>B</td> <td>3\"/> <tr> <td>336</td> <td>B</td> <td>3\"/> <tr> <td>337</td> <td>ETR</td> <td>-</td> <td>WD.</td> <td>J2</td> <td>PTD.</td> <td>-</td> <td>329A</td> <td>3\"/> <tr> <td>339</td> <td>ETR</td> <td>-</td> <td>WD.</td> <td>J2</td> <td>PTD.</td> <td>-</td> <td>329B</td> <td>3\"/> <tr> <td>340</td> <td>A</td> <td>3\"/> <tr> <td>341A</td> <td>ETR</td> <td>-</td> <td>WD.</td>
<td>J2</td> <td>PTD.</td> <td>-</td> <td>331</td> <td>3\"/> <tr> <td>341B</td> <td>ETR</td> <td>-</td> <td>WD.</td> <td>J2</td> <td>PTD.</td> <td>-</td> <td>333</td> <td>3\"/> <tr> <td>342</td> <td>ETR</td> <td>-</td> <td>WD.</td> <td>J2</td> <td>PTD.</td> <td>-</td> <td>334A</td> <td>3\"/> <tr> <td>344</td> <td>ETR</td> <td>-</td> <td>WD.</td> <td>J2</td> <td>PTD.</td> <td>-</td> <td>334B</td> <td>3\"/> <tr> <td>345</td> <td>ETR</td> <td>-</td> <td>WD.</td> <td>J2</td> <td>PTD.</td> <td>-</td> <td>335A</td> <td>3\"/> <tr> <td>346</td> <td>ETR</td> <td>-</td> <td>WD.</td> <td>J2</td> <td>PTD.</td> <td>-</td> <td>335B</td> <td>3\"/> <tr> <td>347</td> <td>ETR</td> <td>-</td> <td>WD.</td> <td>J2</td> <td>PTD.</td> <td>-</td> <td>336</td> <td>3\"/> <tr> <td>348</td> <td>ETR</td> <td>-</td> <td>WD.</td> <td>J2</td> <td>PTD.</td> <td>-</td> <td>337</td> <td>3\"/> <tr> <td>349</td> <td>ETR</td> <td>-</td> <td>WD.</td> <td>J2</td> <td>PTD.</td> <td>-</td> <td>339</td> <td>3\"/> <tr> <td>350</td> <td>ETR</td> <td>-</td> <td>WD.</td> <td>J2</td> <td>PTD.</td> <td>-</td> <td>340</td> <td>3\"/> </td></tr></td></tr></td></tr></td></tr></td></tr></td></tr></td></tr></td></tr></td></tr></td></tr></td></tr></td></tr></td></tr></td></tr></td></tr></td></tr></td></tr></td></tr></td></tr></td></tr></td></tr></td></tr></td></tr></td></tr></td></tr></td></tr></td></tr> | 323 | ETR | - | WD. | J2 | PTD. | - | 316A | 3\"/> <tr> <td>324</td> <td>ETR</td> <td>-</td> <td>WD.</td> <td>J2</td> <td>PTD.</td> <td>-</td> <td>318</td> <td>3\"/> <tr> <td>325</td> <td>A</td> <td>3\"/> <tr> <td>327</td> <td>ETR</td> <td>-</td> <td>WD.</td> <td>J2</td> <td>PTD.</td> <td>-</td> <td>319</td> <td>3\"/> <tr> <td>328</td> <td>ETR</td> <td>-</td> <td>WD.</td> <td>J2</td> <td>PTD.</td> <td>-</td> <td>320</td> <td>3\"/> <tr> <td>329A</td> <td>ETR</td> <td>-</td> <td>WD.</td> <td>J2</td> <td>PTD.</td> <td>-</td> <td>321</td> <td>3\"/> <tr> <td>329B</td> <td>ETR</td> <td>-</td> <td>WD.</td> <td>J2</td> <td>PTD.</td> <td>-</td> <td>322</td> <td>3\"/> <tr> <td>331</td> <td>ETR</td> <td>-</td> <td>WD.</td> <td>J2</td>
<td>PTD.</td> <td>-</td> <td>323</td> <td>3\"/> <tr> <td>333</td> <td>ETR</td> <td>-</td> <td>WD.</td> <td>J2</td> <td>PTD.</td> <td>-</td> <td>324</td> <td>3\"/> <tr> <td>334A</td> <td>ETR</td> <td>-</td> <td>WD.</td> <td>J2</td> <td>PTD.</td> <td>-</td> <td>325</td> <td>3\"/> <tr> <td>334B</td> <td>ETR</td> <td>-</td> <td>WD.</td> <td>J2</td> <td>PTD.</td> <td>-</td> <td>327</td> <td>3\"/> <tr> <td>335A</td> <td>ETR</td> <td>-</td> <td>WD.</td> <td>J2</td> <td>PTD.</td> <td>-</td> <td>328</td> <td>3\"/> <tr> <td>335B</td> <td>B</td> <td>3\"/> <tr> <td>336</td> <td>B</td> <td>3\"/> <tr> <td>337</td> <td>ETR</td> <td>-</td> <td>WD.</td> <td>J2</td> <td>PTD.</td> <td>-</td> <td>329A</td> <td>3\"/> <tr> <td>339</td> <td>ETR</td> <td>-</td> <td>WD.</td> <td>J2</td> <td>PTD.</td> <td>-</td> <td>329B</td> <td>3\"/> <tr> <td>340</td> <td>A</td> <td>3\"/> <tr> <td>341A</td> <td>ETR</td> <td>-</td> <td>WD.</td> <td>J2</td> <td>PTD.</td> <td>-</td> <td>331</td> <td>3\"/> <tr> <td>341B</td> <td>ETR</td> <td>-</td> <td>WD.</td> <td>J2</td> <td>PTD.</td> <td>-</td> <td>333</td> <td>3\"/> <tr> <td>342</td> <td>ETR</td> <td>-</td> <td>WD.</td> <td>J2</td> <td>PTD.</td> <td>-</td> <td>334A</td> <td>3\"/> <tr> <td>344</td> <td>ETR</td> <td>-</td> <td>WD.</td> <td>J2</td> <td>PTD.</td> <td>-</td> <td>334B</td> <td>3\"/> <tr> <td>345</td> <td>ETR</td> <td>-</td> <td>WD.</td> <td>J2</td> <td>PTD.</td> <td>-</td> <td>335A</td> <td>3\"/> <tr> <td>346</td> <td>ETR</td> <td>-</td> <td>WD.</td> <td>J2</td> <td>PTD.</td> <td>-</td> <td>335B</td> <td>3\"/> <tr> <td>347</td> <td>ETR</td> <td>-</td> <td>WD.</td> <td>J2</td> <td>PTD.</td> <td>-</td> <td>336</td> <td>3\"/> <tr> <td>348</td> <td>ETR</td> <td>-</td> <td>WD.</td> <td>J2</td> <td>PTD.</td> <td>-</td> <td>337</td> <td>3\"/> <tr> <td>349</td> <td>ETR</td> <td>-</td> <td>WD.</td> <td>J2</td> <td>PTD.</td> <td>-</td> <td>339</td> <td>3\"/> <tr> <td>350</td> <td>ETR</td> <td>-</td> <td>WD.</td> <td>J2</td> <td>PTD.</td> <td>-</td> <td>340</td> <td>3\"/> </td></tr></td></tr></td></tr></td></tr></td></tr></td></tr></td></tr></td></tr></td></tr></td></tr></td></tr></td></tr></td></tr></td></tr></td></tr></td></tr></td></tr></td></tr></td></tr></td></tr></td></tr></td></tr></td></tr></td></tr></td></tr></td></tr> | 324 | ETR | - | WD. | J2 | PTD. | - | 318 | 3\"/> <tr> <td>325</td>
<td>A</td> <td>3\"/> <tr> <td>327</td> <td>ETR</td> <td>-</td> <td>WD.</td> <td>J2</td> <td>PTD.</td> <td>-</td> <td>319</td> <td>3\"/> <tr> <td>328</td> <td>ETR</td> <td>-</td> <td>WD.</td> <td>J2</td> <td>PTD.</td> <td>-</td> <td>320</td> <td>3\"/> <tr> <td>329A</td> <td>ETR</td> <td>-</td> <td>WD.</td> <td>J2</td> <td>PTD.</td> <td>-</td> <td>321</td> <td>3\"/> <tr> <td>329B</td> <td>ETR</td> <td>-</td> <td>WD.</td> <td>J2</td> <td>PTD.</td> <td>-</td> <td>322</td> <td>3\"/> <tr> <td>331</td> <td>ETR</td> <td>-</td> <td>WD.</td> <td>J2</td> <td>PTD.</td> <td>-</td> <td>323</td> <td>3\"/> <tr> <td>333</td> <td>ETR</td> <td>-</td> <td>WD.</td> <td>J2</td> <td>PTD.</td> <td>-</td> <td>324</td> <td>3\"/> <tr> <td>334A</td> <td>ETR</td> <td>-</td> <td>WD.</td> <td>J2</td> <td>PTD.</td> <td>-</td> <td>325</td> <td>3\"/> <tr> <td>334B</td> <td>ETR</td> <td>-</td> <td>WD.</td> <td>J2</td> <td>PTD.</td> <td>-</td> <td>327</td> <td>3\"/> <tr> <td>335A</td> <td>ETR</td> <td>-</td> <td>WD.</td> <td>J2</td> <td>PTD.</td> <td>-</td> <td>328</td> <td>3\"/> <tr> <td>335B</td> <td>B</td> <td>3\"/> <tr> <td>336</td> <td>B</td> <td>3\"/> <tr> <td>337</td> <td>ETR</td> <td>-</td> <td>WD.</td> <td>J2</td> <td>PTD.</td> <td>-</td> <td>329A</td> <td>3\"/> <tr> <td>339</td> <td>ETR</td> <td>-</td> <td>WD.</td> <td>J2</td> <td>PTD.</td> <td>-</td> <td>329B</td> <td>3\"/> <tr> <td>340</td> <td>A</td> <td>3\"/> <tr> <td>341A</td> <td>ETR</td> <td>-</td> <td>WD.</td> <td>J2</td> <td>PTD.</td> <td>-</td> <td>331</td> <td>3\"/> <tr> <td>341B</td> <td>ETR</td> <td>-</td> <td>WD.</td> <td>J2</td> <td>PTD.</td> <td>-</td> <td>333</td> <td>3\"/> <tr> <td>342</td> <td>ETR</td> <td>-</td> <td>WD.</td> <td>J2</td> <td>PTD.</td> <td>-</td> <td>334A</td> <td>3\"/> <tr> <td>344</td> <td>ETR</td> <td>-</td> <td>WD.</td> <td>J2</td> <td>PTD.</td> <td>-</td> <td>334B</td> <td>3\"/> <tr> <td>345</td> <td>ETR</td> <td>-</td> <td>WD.</td> <td>J2</td> <td>PTD.</td> <td>-</td> <td>335A</td> <td>3\"/> <tr> <td>346</td> <td>ETR</td> <td>-</td> <td>WD.</td> <td>J2</td> <td>PTD.</td> <td>-</td> <td>335B</td> <td>3\"/> <tr> <td>347</td> <td>ETR</td> <td>-</td> <td>WD.</td> <td>J2</td> <td>PTD.</td> <td>-</td> <td>336</td> <td>3\"/> <tr> <td>348</td> <td>ETR</td> <td>-</td> <td>WD.</td> <td>J2</td> <td>PTD.</td> <td>-</td> <td>337</td> <td>3\"/> <tr> <td>349</td> <td>ETR</td> <td>-</td> <td>WD.</td> <td>J2</td> <td>PTD.</td> <td>-</td> <td>339</td> <td>3\"/> <tr> <td>350</td> <td>ETR</td> <td>-</td> <td>WD.</td> <td>J2</td> <td>PTD.</td> <td>-</td> <td>340</td> <td>3\"/> </td></tr></td></tr></td></tr></td></tr></td></tr></td></tr></td></tr></td></tr></td></tr></td></tr></td></tr></td></tr></td></tr></td></tr></td></tr></td></tr></td></tr></td></tr></td></tr></td></tr></td></tr></td></tr></td></tr></td></tr></td></tr> | 325 | A | 3\"/> <tr> <td>327</td> <td>ETR</td> <td>-</td> <td>WD.</td> <td>J2</td> <td>PTD.</td> <td>-</td> <td>319</td> <td>3\"/> <tr> <td>328</td> <td>ETR</td> <td>-</td> <td>WD.</td> <td>J2</td> <td>PTD.</td> <td>-</td> <td>320</td> <td>3\"/> <tr> <td>329A</td> <td>ETR</td> <td>-</td> <td>WD.</td> <td>J2</td> <td>PTD.</td> <td>-</td> <td>321</td> <td>3\"/> <tr> <td>329B</td> <td>ETR</td> <td>-</td> <td>WD.</td> <td>J2</td> <td>PTD.</td> <td>-</td> <td>322</td> <td>3\"/> <tr> <td>331</td> <td>ETR</td> <td>-</td> <td>WD.</td> <td>J2</td> <td>PTD.</td> <td>-</td> <td>323</td> <td>3\"/> <tr> <td>333</td> <td>ETR</td> <td>-</td> <td>WD.</td> <td>J2</td> <td>PTD.</td> <td>-</td> <td>324</td> <td>3\"/> <tr> <td>334A</td> <td>ETR</td> <td>-</td> <td>WD.</td> <td>J2</td> <td>PTD.</td> <td>-</td> <td>325</td> <td>3\"/> <tr> <td>334B</td> <td>ETR</td> <td>-</td> <td>WD.</td> <td>J2</td> <td>PTD.</td> <td>-</td> <td>327</td> <td>3\"/> <tr> <td>335A</td> <td>ETR</td> <td>-</td> <td>WD.</td> <td>J2</td> <td>PTD.</td> <td>-</td> <td>328</td> <td>3\"/> <tr> <td>335B</td> <td>B</td> <td>3\"/> <tr> <td>336</td> <td>B</td> <td>3\"/> <tr> <td>337</td> <td>ETR</td> <td>-</td> <td>WD.</td> <td>J2</td> <td>PTD.</td> <td>-</td> <td>329A</td> <td>3\"/> <tr> <td>339</td> <td>ETR</td> <td>-</td> <td>WD.</td> <td>J2</td> <td>PTD.</td> <td>-</td> <td>329B</td> <td>3\"/> <tr> <td>340</td> <td>A</td> <td>3\"/> <tr> <td>341A</td> <td>ETR</td> <td>-</td> <td>WD.</td> <td>J2</td> <td>PTD.</td> <td>-</td> <td>331</td> <td>3\"/> <tr> <td>341B</td> <td>ETR</td> <td>-</td> <td>WD.</td> <td>J2</td> <td>PTD.</td> <td>-</td> <td>333</td> <td>3\"/> <tr> <td>342</td> <td>ETR</td> <td>-</td> <td>WD.</td> <td>J2</td> <td>PTD.</td> <td>-</td> <td>334A</td> <td>3\"/> <tr> <td>344</td> <td>ETR</td> <td>-</td> <td>WD.</td> <td>J2</td> <td>PTD.</td> <td>-</td> <td>334B</td> <td>3\"/> <tr> <td>345</td> <td>ETR</td> <td>-</td> <td>WD.</td> <td>J2</td> <td>PTD.</td> <td>-</td> <td>335A</td> <td>3\"/> <tr> <td>346</td> <td>ETR</td> <td>-</td> <td>WD.</td> <td>J2</td> <td>PTD.</td> <td>-</td> <td>335B</td> <td>3\"/> <tr> <td>347</td> <td>ETR</td> <td>-</td> <td>WD.</td> <td>J2</td> <td>PTD.</td> <td>-</td> <td>336</td> <td>3\"/> <tr> <td>348</td> <td>ETR</td> <td>-</td> <td>WD.</td> <td>J2</td> <td>PTD.</td> <td>-</td> <td>337</td> <td>3\"/> <tr> <td>349</td> <td>ETR</td> <td>-</td> <td>WD.</td> <td>J2</td> <td>PTD.</td> <td>-</td> <td>339</td> <td>3\"/> <tr> <td>350</td> <td>ETR</td> <td>-</td> <td>WD.</td> <td>J2</td> <td>PTD.</td> <td>-</td> <td>340</td> <td>3\"/> </td></tr></td></tr></td></tr></td></tr></td></tr></td></tr></td></tr></td></tr></td></tr></td></tr></td></tr></td></tr></td></tr></td></tr></td></tr></td></tr></td></tr></td></tr></td></tr></td></tr></td></tr></td></tr></td></tr></td></tr> | 327 | ETR | -
 | WD. | J2 | PTD. | - | 319 | 3\"/> <tr> <td>328</td> <td>ETR</td> <td>-</td> <td>WD.</td> <td>J2</td> <td>PTD.</td> <td>-</td> <td>320</td> <td>3\"/> <tr> <td>329A</td> <td>ETR</td> <td>-</td> <td>WD.</td> <td>J2</td> <td>PTD.</td> <td>-</td> <td>321</td> <td>3\"/> <tr> <td>329B</td> <td>ETR</td> <td>-</td> <td>WD.</td> <td>J2</td> <td>PTD.</td> <td>-</td> <td>322</td> <td>3\"/> <tr> <td>331</td> <td>ETR</td> <td>-</td> <td>WD.</td> <td>J2</td> <td>PTD.</td> <td>-</td> <td>323</td> <td>3\"/> <tr> <td>333</td> <td>ETR</td> <td>-</td> <td>WD.</td> <td>J2</td> <td>PTD.</td> <td>-</td> <td>324</td> <td>3\"/> <tr> <td>334A</td> <td>ETR</td> <td>-</td> <td>WD.</td> <td>J2</td> <td>PTD.</td> <td>-</td> <td>325</td> <td>3\"/> <tr> <td>334B</td> <td>ETR</td> <td>-</td> <td>WD.</td> <td>J2</td> <td>PTD.</td> <td>-</td> <td>327</td> <td>3\"/> <tr> <td>335A</td> <td>ETR</td> <td>-</td> <td>WD.</td> <td>J2</td> <td>PTD.</td> <td>-</td> <td>328</td> <td>3\"/> <tr> <td>335B</td> <td>B</td> <td>3\"/> <tr> <td>336</td> <td>B</td> <td>3\"/> <tr> <td>337</td> <td>ETR</td> <td>-</td> <td>WD.</td> <td>J2</td> <td>PTD.</td> <td>-</td> <td>329A</td> <td>3\"/> <tr> <td>339</td> <td>ETR</td> <td>-</td> <td>WD.</td> <td>J2</td> <td>PTD.</td> <td>-</td> <td>329B</td> <td>3\"/> <tr> <td>340</td> <td>A</td> <td>3\"/> <tr> <td>341A</td> <td>ETR</td> <td>-</td> <td>WD.</td> <td>J2</td> <td>PTD.</td> <td>-</td> <td>331</td> <td>3\"/> <tr> <td>341B</td> <td>ETR</td> <td>-</td> <td>WD.</td> <td>J2</td> <td>PTD.</td> <td>-</td> <td>333</td> <td>3\"/> <tr> <td>342</td> <td>ETR</td> <td>-</td> <td>WD.</td> <td>J2</td> <td>PTD.</td> <td>-</td> <td>334A</td> <td>3\"/> <tr> <td>344</td> <td>ETR</td> <td>-</td> <td>WD.</td> <td>J2</td> <td>PTD.</td> <td>-</td> <td>334B</td> <td>3\"/> <tr> <td>345</td> <td>ETR</td> <td>-</td> <td>WD.</td> <td>J2</td> <td>PTD.</td> <td>-</td> <td>335A</td> <td>3\"/> <tr> <td>346</td> <td>ETR</td> <td>-</td> <td>WD.</td> <td>J2</td> <td>PTD.</td> <td>-</td> <td>335B</td> <td>3\"/> <tr> <td>347</td> <td>ETR</td> <td>-</td> <td>WD.</td> <td>J2</td> <td>PTD.</td> <td>-</td> <td>336</td> <td>3\"/> <tr> <td>348</td> <td>ETR</td> <td>-</td> <td>WD.</td> <td>J2</td> <td>PTD.</td> <td>-</td> <td>337</td> <td>3\"/> <tr> <td>349</td> <td>ETR</td> <td>-</td> <td>WD.</td> <td>J2</td> <td>PTD.</td> <td>-</td> <td>339</td> <td>3\"/> <tr> <td>350</td> <td>ETR</td> <td>-</td> <td>WD.</td> <td>J2</td> <td>PTD.</td> <td>-</td> <td>340</td> <td>3\"/> </td></tr></td></tr></td></tr></td></tr></td></tr></td></tr></td></tr></td></tr></td></tr></td></tr></td></tr></td></tr></td></tr></td></tr></td></tr></td></tr></td></tr></td></tr></td></tr></td></tr></td></tr></td></tr></td></tr> | 328 | ETR | -
 | WD. | J2 | PTD. | - | 320 | 3\"/> <tr> <td>329A</td> <td>ETR</td> <td>-</td> <td>WD.</td> <td>J2</td> <td>PTD.</td> <td>-</td> <td>321</td> <td>3\"/> <tr> <td>329B</td> <td>ETR</td> <td>-</td> <td>WD.</td> <td>J2</td> <td>PTD.</td> <td>-</td> <td>322</td> <td>3\"/> <tr> <td>331</td> <td>ETR</td> <td>-</td> <td>WD.</td> <td>J2</td> <td>PTD.</td> <td>-</td> <td>323</td> <td>3\"/> <tr> <td>333</td> <td>ETR</td> <td>-</td> <td>WD.</td> <td>J2</td> <td>PTD.</td> <td>-</td> <td>324</td> <td>3\"/> <tr> <td>334A</td> <td>ETR</td> <td>-</td> <td>WD.</td> <td>J2</td> <td>PTD.</td> <td>-</td> <td>325</td> <td>3\"/> <tr> <td>334B</td> <td>ETR</td> <td>-</td> <td>WD.</td> <td>J2</td> <td>PTD.</td> <td>-</td> <td>327</td> <td>3\"/> <tr> <td>335A</td> <td>ETR</td> <td>-</td> <td>WD.</td> <td>J2</td> <td>PTD.</td> <td>-</td> <td>328</td> <td>3\"/> <tr> <td>335B</td> <td>B</td> <td>3\"/> <tr> <td>336</td> <td>B</td> <td>3\"/> <tr> <td>337</td> <td>ETR</td> <td>-</td> <td>WD.</td> <td>J2</td> <td>PTD.</td> <td>-</td> <td>329A</td> <td>3\"/> <tr> <td>339</td> <td>ETR</td> <td>-</td> <td>WD.</td> <td>J2</td> <td>PTD.</td> <td>-</td> <td>329B</td> <td>3\"/> <tr> <td>340</td> <td>A</td> <td>3\"/> <tr> <td>341A</td> <td>ETR</td> <td>-</td> <td>WD.</td> <td>J2</td> <td>PTD.</td> <td>-</td> <td>331</td> <td>3\"/> <tr> <td>341B</td> <td>ETR</td> <td>-</td> <td>WD.</td> <td>J2</td> <td>PTD.</td> <td>-</td> <td>333</td> <td>3\"/> <tr> <td>342</td> <td>ETR</td> <td>-</td> <td>WD.</td> <td>J2</td> <td>PTD.</td> <td>-</td> <td>334A</td> <td>3\"/> <tr> <td>344</td> <td>ETR</td> <td>-</td> <td>WD.</td> <td>J2</td> <td>PTD.</td> <td>-</td> <td>334B</td> <td>3\"/> <tr> <td>345</td> <td>ETR</td> <td>-</td> <td>WD.</td> <td>J2</td> <td>PTD.</td> <td>-</td> <td>335A</td> <td>3\"/> <tr> <td>346</td> <td>ETR</td> <td>-</td> <td>WD.</td> <td>J2</td> <td>PTD.</td> <td>-</td> <td>335B</td> <td>3\"/> <tr> <td>347</td> <td>ETR</td> <td>-</td> <td>WD.</td> <td>J2</td> <td>PTD.</td> <td>-</td> <td>336</td> <td>3\"/> <tr> <td>348</td> <td>ETR</td> <td>-</td> <td>WD.</td> <td>J2</td> <td>PTD.</td> <td>-</td> <td>337</td> <td>3\"/> <tr> <td>349</td> <td>ETR</td> <td>-</td> <td>WD.</td> <td>J2</td> <td>PTD.</td> <td>-</td> <td>339</td> <td>3\"/> <tr> <td>350</td> <td>ETR</td> <td>-</td> <td>WD.</td> <td>J2</td> <td>PTD.</td> <td>-</td> <td>340</td> <td>3\"/> </td></tr></td></tr></td></tr></td></tr></td></tr></td></tr></td></tr></td></tr></td></tr></td></tr></td></tr></td></tr></td></tr></td></tr></td></tr></td></tr></td></tr></td></tr></td></tr></td></tr></td></tr></td></tr> | 329A | ETR | - | WD. | J2 | PTD.
 | - | 321 | 3\"/> <tr> <td>329B</td> <td>ETR</td> <td>-</td> <td>WD.</td> <td>J2</td> <td>PTD.</td> <td>-</td> <td>322</td> <td>3\"/> <tr> <td>331</td> <td>ETR</td> <td>-</td> <td>WD.</td> <td>J2</td> <td>PTD.</td> <td>-</td> <td>323</td> <td>3\"/> <tr> <td>333</td> <td>ETR</td> <td>-</td> <td>WD.</td> <td>J2</td> <td>PTD.</td> <td>-</td> <td>324</td> <td>3\"/> <tr> <td>334A</td> <td>ETR</td> <td>-</td> <td>WD.</td> <td>J2</td> <td>PTD.</td> <td>-</td> <td>325</td> <td>3\"/> <tr> <td>334B</td> <td>ETR</td> <td>-</td> <td>WD.</td> <td>J2</td> <td>PTD.</td> <td>-</td> <td>327</td> <td>3\"/> <tr> <td>335A</td> <td>ETR</td> <td>-</td> <td>WD.</td> <td>J2</td> <td>PTD.</td> <td>-</td> <td>328</td> <td>3\"/> <tr> <td>335B</td> <td>B</td> <td>3\"/> <tr> <td>336</td> <td>B</td> <td>3\"/> <tr> <td>337</td> <td>ETR</td> <td>-</td> <td>WD.</td> <td>J2</td> <td>PTD.</td> <td>-</td> <td>329A</td> <td>3\"/> <tr> <td>339</td> <td>ETR</td> <td>-</td> <td>WD.</td> <td>J2</td> <td>PTD.</td> <td>-</td> <td>329B</td> <td>3\"/> <tr> <td>340</td> <td>A</td> <td>3\"/> <tr> <td>341A</td> <td>ETR</td> <td>-</td> <td>WD.</td> <td>J2</td> <td>PTD.</td> <td>-</td> <td>331</td> <td>3\"/> <tr> <td>341B</td> <td>ETR</td> <td>-</td> <td>WD.</td> <td>J2</td> <td>PTD.</td> <td>-</td> <td>333</td> <td>3\"/> <tr> <td>342</td> <td>ETR</td> <td>-</td> <td>WD.</td> <td>J2</td> <td>PTD.</td> <td>-</td> <td>334A</td> <td>3\"/> <tr> <td>344</td> <td>ETR</td> <td>-</td> <td>WD.</td> <td>J2</td> <td>PTD.</td> <td>-</td> <td>334B</td> <td>3\"/> <tr> <td>345</td> <td>ETR</td> <td>-</td> <td>WD.</td> <td>J2</td> <td>PTD.</td> <td>-</td> <td>335A</td> <td>3\"/> <tr> <td>346</td> <td>ETR</td> <td>-</td> <td>WD.</td> <td>J2</td> <td>PTD.</td> <td>-</td> <td>335B</td> <td>3\"/> <tr> <td>347</td> <td>ETR</td> <td>-</td> <td>WD.</td> <td>J2</td> <td>PTD.</td> <td>-</td> <td>336</td> <td>3\"/> <tr> <td>348</td> <td>ETR</td> <td>-</td> <td>WD.</td> <td>J2</td> <td>PTD.</td> <td>-</td> <td>337</td> <td>3\"/> <tr> <td>349</td> <td>ETR</td> <td>-</td> <td>WD.</td> <td>J2</td> <td>PTD.</td> <td>-</td> <td>339</td> <td>3\"/> <tr> <td>350</td> <td>ETR</td> <td>-</td> <td>WD.</td> <td>J2</td> <td>PTD.</td> <td>-</td> <td>340</td> <td>3\"/> </td></tr></td></tr></td></tr></td></tr></td></tr></td></tr></td></tr></td></tr></td></tr></td></tr></td></tr></td></tr></td></tr></td></tr></td></tr></td></tr></td></tr></td></tr></td></tr></td></tr></td></tr> | 329B | ETR | - | WD. | J2 | PTD.
 | - | 322 | 3\"/> <tr> <td>331</td> <td>ETR</td> <td>-</td> <td>WD.</td> <td>J2</td> <td>PTD.</td> <td>-</td> <td>323</td> <td>3\"/> <tr> <td>333</td> <td>ETR</td> <td>-</td> <td>WD.</td> <td>J2</td> <td>PTD.</td> <td>-</td> <td>324</td> <td>3\"/> <tr> <td>334A</td> <td>ETR</td> <td>-</td> <td>WD.</td> <td>J2</td> <td>PTD.</td> <td>-</td> <td>325</td> <td>3\"/> <tr> <td>334B</td> <td>ETR</td> <td>-</td> <td>WD.</td> <td>J2</td> <td>PTD.</td> <td>-</td> <td>327</td> <td>3\"/> <tr> <td>335A</td> <td>ETR</td> <td>-</td> <td>WD.</td> <td>J2</td> <td>PTD.</td> <td>-</td> <td>328</td> <td>3\"/> <tr> <td>335B</td> <td>B</td> <td>3\"/> <tr> <td>336</td> <td>B</td> <td>3\"/> <tr> <td>337</td> <td>ETR</td> <td>-</td> <td>WD.</td> <td>J2</td> <td>PTD.</td> <td>-</td> <td>329A</td> <td>3\"/> <tr> <td>339</td> <td>ETR</td> <td>-</td> <td>WD.</td> <td>J2</td> <td>PTD.</td> <td>-</td> <td>329B</td> <td>3\"/> <tr> <td>340</td> <td>A</td> <td>3\"/> <tr> <td>341A</td> <td>ETR</td> <td>-</td> <td>WD.</td> <td>J2</td> <td>PTD.</td> <td>-</td> <td>331</td> <td>3\"/> <tr> <td>341B</td> <td>ETR</td> <td>-</td> <td>WD.</td> <td>J2</td> <td>PTD.</td> <td>-</td> <td>333</td> <td>3\"/> <tr> <td>342</td> <td>ETR</td> <td>-</td> <td>WD.</td> <td>J2</td> <td>PTD.</td> <td>-</td> <td>334A</td> <td>3\"/> <tr> <td>344</td> <td>ETR</td> <td>-</td> <td>WD.</td> <td>J2</td> <td>PTD.</td> <td>-</td> <td>334B</td> <td>3\"/> <tr> <td>345</td> <td>ETR</td> <td>-</td> <td>WD.</td> <td>J2</td> <td>PTD.</td> <td>-</td> <td>335A</td> <td>3\"/> <tr> <td>346</td> <td>ETR</td> <td>-</td> <td>WD.</td> <td>J2</td> <td>PTD.</td> <td>-</td> <td>335B</td> <td>3\"/> <tr> <td>347</td> <td>ETR</td> <td>-</td> <td>WD.</td> <td>J2</td> <td>PTD.</td> <td>-</td> <td>336</td> <td>3\"/> <tr> <td>348</td> <td>ETR</td> <td>-</td> <td>WD.</td> <td>J2</td> <td>PTD.</td> <td>-</td> <td>337</td> <td>3\"/> <tr> <td>349</td> <td>ETR</td> <td>-</td> <td>WD.</td> <td>J2</td> <td>PTD.</td> <td>-</td> <td>339</td> <td>3\"/> <tr> <td>350</td> <td>ETR</td> <td>-</td> <td>WD.</td> <td>J2</td> <td>PTD.</td> <td>-</td> <td>340</td> <td>3\"/> </td></tr></td></tr></td></tr></td></tr></td></tr></td></tr></td></tr></td></tr></td></tr></td></tr></td></tr></td></tr></td></tr></td></tr></td></tr></td></tr></td></tr></td></tr></td></tr></td></tr> | 331 | ETR | - | WD. | J2 | PTD. | - | 323 | 3\"/> <tr> <td>333</td> <td>ETR</td> <td>-</td> <td>WD.</td> <td>J2</td> <td>PTD.</td> <td>-</td> <td>324</td> <td>3\"/> <tr> <td>334A</td> <td>ETR</td> <td>-</td> <td>WD.</td> <td>J2</td>
<td>PTD.</td> <td>-</td> <td>325</td> <td>3\"/> <tr> <td>334B</td> <td>ETR</td> <td>-</td> <td>WD.</td> <td>J2</td> <td>PTD.</td> <td>-</td> <td>327</td> <td>3\"/> <tr> <td>335A</td> <td>ETR</td> <td>-</td> <td>WD.</td> <td>J2</td> <td>PTD.</td> <td>-</td> <td>328</td> <td>3\"/> <tr> <td>335B</td> <td>B</td> <td>3\"/> <tr> <td>336</td> <td>B</td> <td>3\"/> <tr> <td>337</td> <td>ETR</td> <td>-</td> <td>WD.</td> <td>J2</td> <td>PTD.</td> <td>-</td> <td>329A</td> <td>3\"/> <tr> <td>339</td> <td>ETR</td> <td>-</td> <td>WD.</td> <td>J2</td> <td>PTD.</td> <td>-</td> <td>329B</td> <td>3\"/> <tr> <td>340</td> <td>A</td> <td>3\"/> <tr> <td>341A</td> <td>ETR</td> <td>-</td> <td>WD.</td> <td>J2</td> <td>PTD.</td> <td>-</td> <td>331</td> <td>3\"/> <tr> <td>341B</td> <td>ETR</td> <td>-</td> <td>WD.</td> <td>J2</td> <td>PTD.</td> <td>-</td> <td>333</td> <td>3\"/> <tr> <td>342</td> <td>ETR</td> <td>-</td> <td>WD.</td> <td>J2</td> <td>PTD.</td> <td>-</td> <td>334A</td> <td>3\"/> <tr> <td>344</td> <td>ETR</td> <td>-</td> <td>WD.</td> <td>J2</td> <td>PTD.</td> <td>-</td> <td>334B</td> <td>3\"/> <tr> <td>345</td> <td>ETR</td> <td>-</td> <td>WD.</td> <td>J2</td> <td>PTD.</td> <td>-</td> <td>335A</td> <td>3\"/> <tr> <td>346</td> <td>ETR</td> <td>-</td> <td>WD.</td> <td>J2</td> <td>PTD.</td> <td>-</td> <td>335B</td> <td>3\"/> <tr> <td>347</td> <td>ETR</td> <td>-</td> <td>WD.</td> <td>J2</td> <td>PTD.</td> <td>-</td> <td>336</td> <td>3\"/> <tr> <td>348</td> <td>ETR</td> <td>-</td> <td>WD.</td> <td>J2</td> <td>PTD.</td> <td>-</td> <td>337</td> <td>3\"/> <tr> <td>349</td> <td>ETR</td> <td>-</td> <td>WD.</td> <td>J2</td> <td>PTD.</td> <td>-</td> <td>339</td> <td>3\"/> <tr> <td>350</td> <td>ETR</td> <td>-</td> <td>WD.</td> <td>J2</td> <td>PTD.</td> <td>-</td> <td>340</td> <td>3\"/> </td></tr></td></tr></td></tr></td></tr></td></tr></td></tr></td></tr></td></tr></td></tr></td></tr></td></tr></td></tr></td></tr></td></tr></td></tr></td></tr></td></tr></td></tr></td></tr> | 333 | ETR | - | WD. | J2 | PTD. | - | 324 | 3\"/> <tr> <td>334A</td> <td>ETR</td> <td>-</td> <td>WD.</td> <td>J2</td> <td>PTD.</td> <td>-</td> <td>325</td> <td>3\"/> <tr> <td>334B</td> <td>ETR</td> <td>-</td> <td>WD.</td> <td>J2</td> <td>PTD.</td> <td>-</td> <td>327</td> <td>3\"/> <tr> <td>335A</td> <td>ETR</td> <td>-</td> <td>WD.</td> <td>J2</td> <td>PTD.</td> <td>-</td> <td>328</td> <td>3\"/> <tr> <td>335B</td> <td>B</td> <td>3\"/> <tr> <td>336</td> <td>B</td> <td>3\"/> <tr> <td>337</td> <td>ETR</td> <td>-</td> <td>WD.</td> <td>J2</td> <td>PTD.</td> <td>-</td> <td>329A</td> <td>3\"/> <tr> <td>339</td> <td>ETR</td> <td>-</td> <td>WD.</td> <td>J2</td> <td>PTD.</td> <td>-</td> <td>329B</td> <td>3\"/> <tr> <td>340</td> <td>A</td> <td>3\"/> <tr> <td>341A</td> <td>ETR</td> <td>-</td> <td>WD.</td> <td>J2</td> <td>PTD.</td> <td>-</td> <td>331</td> <td>3\"/> <tr> <td>341B</td> <td>ETR</td> <td>-</td> <td>WD.</td> <td>J2</td> <td>PTD.</td> <td>-</td> <td>333</td> <td>3\"/> <tr> <td>342</td> <td>ETR</td> <td>-</td> <td>WD.</td> <td>J2</td> <td>PTD.</td> <td>-</td> <td>334A</td> <td>3\"/> <tr> <td>344</td> <td>ETR</td> <td>-</td> <td>WD.</td> <td>J2</td> <td>PTD.</td> <td>-</td> <td>334B</td> <td>3\"/> <tr> <td>345</td> <td>ETR</td> <td>-</td> <td>WD.</td> <td>J2</td> <td>PTD.</td> <td>-</td> <td>335A</td> <td>3\"/> <tr> <td>346</td> <td>ETR</td> <td>-</td> <td>WD.</td> <td>J2</td> <td>PTD.</td> <td>-</td> <td>335B</td> <td>3\"/> <tr> <td>347</td> <td>ETR</td> <td>-</td> <td>WD.</td> <td>J2</td> <td>PTD.</td> <td>-</td> <td>336</td> <td>3\"/> <tr> <td>348</td> <td>ETR</td> <td>-</td> <td>WD.</td> <td>J2</td> <td>PTD.</td> <td>-</td> <td>337</td> <td>3\"/> <tr> <td>349</td> <td>ETR</td> <td>-</td> <td>WD.</td> <td>J2</td> <td>PTD.</td> <td>-</td> <td>339</td> <td>3\"/> <tr> <td>350</td> <td>ETR</td> <td>-</td> <td>WD.</td> <td>J2</td> <td>PTD.</td> <td>-</td> <td>340</td> <td>3\"/>
</td></tr></td></tr></td></tr></td></tr></td></tr></td></tr></td></tr></td></tr></td></tr></td></tr></td></tr></td></tr></td></tr></td></tr></td></tr></td></tr></td></tr></td></tr> | 334A | ETR | - | WD. | J2 | PTD. | - | 325 | 3\"/> <tr> <td>334B</td> <td>ETR</td> <td>-</td> <td>WD.</td> <td>J2</td> <td>PTD.</td> <td>-</td> <td>327</td> <td>3\"/> <tr> <td>335A</td> <td>ETR</td> <td>-</td> <td>WD.</td> <td>J2</td> <td>PTD.</td> <td>-</td> <td>328</td> <td>3\"/> <tr> <td>335B</td> <td>B</td> <td>3\"/> <tr> <td>336</td> <td>B</td> <td>3\"/> <tr> <td>337</td> <td>ETR</td> <td>-</td> <td>WD.</td> <td>J2</td> <td>PTD.</td> <td>-</td> <td>329A</td> <td>3\"/> <tr> <td>339</td> <td>ETR</td> <td>-</td> <td>WD.</td> <td>J2</td> <td>PTD.</td> <td>-</td> <td>329B</td> <td>3\"/> <tr> <td>340</td> <td>A</td> <td>3\"/> <tr> <td>341A</td> <td>ETR</td> <td>-</td> <td>WD.</td> <td>J2</td> <td>PTD.</td> <td>-</td> <td>331</td> <td>3\"/> <tr> <td>341B</td> <td>ETR</td> <td>-</td> <td>WD.</td> <td>J2</td> <td>PTD.</td> <td>-</td> <td>333</td> <td>3\"/> <tr> <td>342</td> <td>ETR</td> <td>-</td> <td>WD.</td> <td>J2</td> <td>PTD.</td> <td>-</td> <td>334A</td> <td>3\"/> <tr> <td>344</td> <td>ETR</td> <td>-</td> <td>WD.</td> <td>J2</td> <td>PTD.</td> <td>-</td> <td>334B</td> <td>3\"/> <tr> <td>345</td> <td>ETR</td> <td>-</td> <td>WD.</td> <td>J2</td> <td>PTD.</td> <td>-</td> <td>335A</td> <td>3\"/> <tr> <td>346</td> <td>ETR</td> <td>-</td> <td>WD.</td> <td>J2</td> <td>PTD.</td> <td>-</td> <td>335B</td> <td>3\"/> <tr> <td>347</td> <td>ETR</td> <td>-</td> <td>WD.</td> <td>J2</td> <td>PTD.</td> <td>-</td> <td>336</td> <td>3\"/> <tr> <td>348</td> <td>ETR</td> <td>-</td> <td>WD.</td> <td>J2</td> <td>PTD.</td> <td>-</td> <td>337</td> <td>3\"/> <tr> <td>349</td> <td>ETR</td> <td>-</td> <td>WD.</td> <td>J2</td> <td>PTD.</td> <td>-</td> <td>339</td> <td>3\"/> <tr> <td>350</td> <td>ETR</td> <td>-</td> <td>WD.</td> <td>J2</td> <td>PTD.</td> <td>-</td> <td>340</td> <td>3\"/> </td></tr></td></tr></td></tr></td></tr></td></tr></td></tr></td></tr></td></tr></td></tr></td></tr></td></tr></td></tr></td></tr></td></tr></td></tr></td></tr></td></tr> | 334B | ETR | -
 | WD. | J2 | PTD. | - | 327 | 3\"/> <tr> <td>335A</td> <td>ETR</td> <td>-</td> <td>WD.</td> <td>J2</td> <td>PTD.</td> <td>-</td> <td>328</td> <td>3\"/> <tr> <td>335B</td> <td>B</td> <td>3\"/> <tr> <td>336</td> <td>B</td> <td>3\"/> <tr> <td>337</td> <td>ETR</td> <td>-</td> <td>WD.</td> <td>J2</td> <td>PTD.</td> <td>-</td> <td>329A</td> <td>3\"/> <tr> <td>339</td> <td>ETR</td> <td>-</td> <td>WD.</td> <td>J2</td> <td>PTD.</td> <td>-</td> <td>329B</td> <td>3\"/> <tr> <td>340</td> <td>A</td> <td>3\"/> <tr> <td>341A</td> <td>ETR</td> <td>-</td> <td>WD.</td> <td>J2</td> <td>PTD.</td> <td>-</td> <td>331</td> <td>3\"/> <tr> <td>341B</td> <td>ETR</td> <td>-</td> <td>WD.</td> <td>J2</td> <td>PTD.</td> <td>-</td> <td>333</td> <td>3\"/> <tr> <td>342</td> <td>ETR</td> <td>-</td> <td>WD.</td> <td>J2</td> <td>PTD.</td> <td>-</td> <td>334A</td> <td>3\"/> <tr> <td>344</td> <td>ETR</td> <td>-</td> <td>WD.</td> <td>J2</td> <td>PTD.</td> <td>-</td> <td>334B</td> <td>3\"/> <tr> <td>345</td> <td>ETR</td> <td>-</td> <td>WD.</td> <td>J2</td> <td>PTD.</td> <td>-</td> <td>335A</td> <td>3\"/> <tr> <td>346</td> <td>ETR</td> <td>-</td> <td>WD.</td> <td>J2</td> <td>PTD.</td> <td>-</td> <td>335B</td> <td>3\"/> <tr> <td>347</td> <td>ETR</td> <td>-</td> <td>WD.</td> <td>J2</td> <td>PTD.</td> <td>-</td> <td>336</td> <td>3\"/> <tr> <td>348</td> <td>ETR</td> <td>-</td> <td>WD.</td> <td>J2</td> <td>PTD.</td> <td>-</td> <td>337</td> <td>3\"/> <tr> <td>349</td> <td>ETR</td> <td>-</td> <td>WD.</td> <td>J2</td> <td>PTD.</td> <td>-</td> <td>339</td> <td>3\"/> <tr> <td>350</td> <td>ETR</td> <td>-</td> <td>WD.</td> <td>J2</td> <td>PTD.</td> <td>-</td> <td>340</td> <td>3\"/> </td></tr></td></tr></td></tr></td></tr></td></tr></td></tr></td></tr></td></tr></td></tr></td></tr></td></tr></td></tr></td></tr></td></tr></td></tr></td></tr> | 335A | ETR | - | WD. | J2 | PTD.
 | - | 328 | 3\"/> <tr> <td>335B</td> <td>B</td> <td>3\"/> <tr> <td>336</td> <td>B</td> <td>3\"/> <tr> <td>337</td> <td>ETR</td> <td>-</td> <td>WD.</td> <td>J2</td> <td>PTD.</td> <td>-</td> <td>329A</td> <td>3\"/> <tr> <td>339</td> <td>ETR</td> <td>-</td> <td>WD.</td> <td>J2</td> <td>PTD.</td> <td>-</td> <td>329B</td> <td>3\"/> <tr> <td>340</td> <td>A</td> <td>3\"/> <tr> <td>341A</td> <td>ETR</td> <td>-</td> <td>WD.</td> <td>J2</td> <td>PTD.</td> <td>-</td> <td>331</td> <td>3\"/> <tr> <td>341B</td> <td>ETR</td> <td>-</td> <td>WD.</td> <td>J2</td> <td>PTD.</td> <td>-</td> <td>333</td> <td>3\"/> <tr> <td>342</td> <td>ETR</td> <td>-</td> <td>WD.</td> <td>J2</td> <td>PTD.</td> <td>-</td> <td>334A</td> <td>3\"/> <tr> <td>344</td> <td>ETR</td> <td>-</td> <td>WD.</td> <td>J2</td> <td>PTD.</td> <td>-</td> <td>334B</td> <td>3\"/> <tr> <td>345</td> <td>ETR</td> <td>-</td> <td>WD.</td> <td>J2</td> <td>PTD.</td> <td>-</td> <td>335A</td> <td>3\"/> <tr> <td>346</td> <td>ETR</td> <td>-</td> <td>WD.</td> <td>J2</td> <td>PTD.</td> <td>-</td> <td>335B</td> <td>3\"/> <tr> <td>347</td> <td>ETR</td> <td>-</td> <td>WD.</td> <td>J2</td> <td>PTD.</td> <td>-</td> <td>336</td> <td>3\"/> <tr> <td>348</td> <td>ETR</td> <td>-</td> <td>WD.</td> <td>J2</td> <td>PTD.</td> <td>-</td> <td>337</td> <td>3\"/> <tr> <td>349</td> <td>ETR</td> <td>-</td> <td>WD.</td> <td>J2</td> <td>PTD.</td> <td>-</td> <td>339</td> <td>3\"/> <tr> <td>350</td> <td>ETR</td> <td>-</td> <td>WD.</td> <td>J2</td> <td>PTD.</td> <td>-</td> <td>340</td> <td>3\"/> </td></tr></td></tr></td></tr></td></tr></td></tr></td></tr></td></tr></td></tr></td></tr></td></tr></td></tr></td></tr></td></tr></td></tr></td></tr> | 335B | B | 3\"/> <tr> <td>336</td> <td>B</td> <td>3\"/> <tr> <td>337</td> <td>ETR</td> <td>-</td> <td>WD.</td> <td>J2</td> <td>PTD.</td> <td>-</td> <td>329A</td> <td>3\"/> <tr> <td>339</td> <td>ETR</td> <td>-</td> <td>WD.</td> <td>J2</td> <td>PTD.</td> <td>-</td> <td>329B</td> <td>3\"/> <tr> <td>340</td> <td>A</td> <td>3\"/> <tr> <td>341A</td> <td>ETR</td> <td>-</td> <td>WD.</td> <td>J2</td> <td>PTD.</td> <td>-</td> <td>331</td> <td>3\"/> <tr> <td>341B</td> <td>ETR</td> <td>-</td> <td>WD.</td> <td>J2</td> <td>PTD.</td> <td>-</td> <td>333</td> <td>3\"/> <tr> <td>342</td> <td>ETR</td> <td>-</td> <td>WD.</td> <td>J2</td> <td>PTD.</td> <td>-</td> <td>334A</td> <td>3\"/> <tr> <td>344</td> <td>ETR</td> <td>-</td> <td>WD.</td> <td>J2</td> <td>PTD.</td> <td>-</td> <td>334B</td> <td>3\"/> <tr> <td>345</td> <td>ETR</td> <td>-</td> <td>WD.</td> <td>J2</td> <td>PTD.</td> <td>-</td> <td>335A</td> <td>3\"/> <tr> <td>346</td> <td>ETR</td> <td>-</td> <td>WD.</td> <td>J2</td> <td>PTD.</td> <td>-</td> <td>335B</td> <td>3\"/> <tr> <td>347</td> <td>ETR</td> <td>-</td> <td>WD.</td> <td>J2</td> <td>PTD.</td> <td>-</td> <td>336</td> <td>3\"/> <tr> <td>348</td> <td>ETR</td> <td>-</td> <td>WD.</td> <td>J2</td> <td>PTD.</td> <td>-</td> <td>337</td> <td>3\"/> <tr> <td>349</td> <td>ETR</td> <td>-</td> <td>WD.</td> <td>J2</td> <td>PTD.</td> <td>-</td> <td>339</td> <td>3\"/> <tr> <td>350</td> <td>ETR</td> <td>-</td> <td>WD.</td> <td>J2</td> <td>PTD.</td> <td>-</td> <td>340</td> <td>3\"/> </td></tr></td></tr></td></tr></td></tr></td></tr></td></tr></td></tr></td></tr></td></tr></td></tr></td></tr></td></tr></td></tr></td></tr> | 336 | B | 3\"/> <tr> <td>337</td> <td>ETR</td> <td>-</td> <td>WD.</td> <td>J2</td> <td>PTD.</td> <td>-</td> <td>329A</td> <td>3\"/> <tr> <td>339</td> <td>ETR</td> <td>-</td> <td>WD.</td> <td>J2</td> <td>PTD.</td> <td>-</td> <td>329B</td> <td>3\"/> <tr> <td>340</td> <td>A</td> <td>3\"/> <tr> <td>341A</td> <td>ETR</td> <td>-</td> <td>WD.</td> <td>J2</td> <td>PTD.</td> <td>-</td> <td>331</td> <td>3\"/> <tr> <td>341B</td> <td>ETR</td> <td>-</td> <td>WD.</td> <td>J2</td> <td>PTD.</td> <td>-</td> <td>333</td> <td>3\"/> <tr> <td>342</td> <td>ETR</td> <td>-</td> <td>WD.</td> <td>J2</td> <td>PTD.</td> <td>-</td> <td>334A</td> <td>3\"/> <tr> <td>344</td> <td>ETR</td> <td>-</td> <td>WD.</td> <td>J2</td> <td>PTD.</td> <td>-</td> <td>334B</td> <td>3\"/> <tr> <td>345</td> <td>ETR</td> <td>-</td> <td>WD.</td> <td>J2</td> <td>PTD.</td> <td>-</td> <td>335A</td> <td>3\"/> <tr> <td>346</td> <td>ETR</td> <td>-</td> <td>WD.</td> <td>J2</td> <td>PTD.</td> <td>-</td> <td>335B</td> <td>3\"/> <tr> <td>347</td> <td>ETR</td> <td>-</td> <td>WD.</td> <td>J2</td> <td>PTD.</td> <td>-</td> <td>336</td> <td>3\"/> <tr> <td>348</td> <td>ETR</td> <td>-</td> <td>WD.</td> <td>J2</td> <td>PTD.</td> <td>-</td> <td>337</td> <td>3\"/> <tr> <td>349</td> <td>ETR</td> <td>-</td> <td>WD.</td> <td>J2</td> <td>PTD.</td> <td>-</td> <td>339</td> <td>3\"/> <tr> <td>350</td> <td>ETR</td> <td>-</td> <td>WD.</td> <td>J2</td> <td>PTD.</td> <td>-</td> <td>340</td> <td>3\"/> </td></tr></td></tr></td></tr></td></tr></td></tr></td></tr></td></tr></td></tr></td></tr></td></tr></td></tr></td></tr></td></tr> | 337 | ETR | - | WD. | J2 | PTD.
 | - | 329A | 3\"/> <tr> <td>339</td> <td>ETR</td> <td>-</td> <td>WD.</td> <td>J2</td> <td>PTD.</td> <td>-</td> <td>329B</td> <td>3\"/> <tr> <td>340</td> <td>A</td> <td>3\"/> <tr> <td>341A</td> <td>ETR</td> <td>-</td> <td>WD.</td> <td>J2</td> <td>PTD.</td> <td>-</td> <td>331</td> <td>3\"/> <tr> <td>341B</td> <td>ETR</td> <td>-</td> <td>WD.</td> <td>J2</td> <td>PTD.</td> <td>-</td> <td>333</td> <td>3\"/> <tr> <td>342</td> <td>ETR</td> <td>-</td> <td>WD.</td> <td>J2</td> <td>PTD.</td> <td>-</td> <td>334A</td> <td>3\"/> <tr> <td>344</td> <td>ETR</td> <td>-</td> <td>WD.</td> <td>J2</td> <td>PTD.</td> <td>-</td> <td>334B</td> <td>3\"/> <tr> <td>345</td> <td>ETR</td> <td>-</td> <td>WD.</td> <td>J2</td> <td>PTD.</td> <td>-</td> <td>335A</td> <td>3\"/> <tr> <td>346</td> <td>ETR</td> <td>-</td> <td>WD.</td> <td>J2</td> <td>PTD.</td> <td>-</td> <td>335B</td> <td>3\"/> <tr> <td>347</td> <td>ETR</td> <td>-</td> <td>WD.</td> <td>J2</td> <td>PTD.</td> <td>-</td> <td>336</td> <td>3\"/> <tr> <td>348</td> <td>ETR</td> <td>-</td> <td>WD.</td> <td>J2</td> <td>PTD.</td> <td>-</td> <td>337</td> <td>3\"/> <tr> <td>349</td> <td>ETR</td> <td>-</td> <td>WD.</td> <td>J2</td> <td>PTD.</td> <td>-</td> <td>339</td> <td>3\"/> <tr> <td>350</td> <td>ETR</td> <td>-</td> <td>WD.</td> <td>J2</td> <td>PTD.</td> <td>-</td> <td>340</td> <td>3\"/> </td></tr></td></tr></td></tr></td></tr></td></tr></td></tr></td></tr></td></tr></td></tr></td></tr></td></tr></td></tr> | 339 | ETR | - | WD. | J2 | PTD. | - | 329B | 3\"/> <tr> <td>340</td> <td>A</td> <td>3\"/> <tr> <td>341A</td> <td>ETR</td> <td>-</td> <td>WD.</td> <td>J2</td> <td>PTD.</td> <td>-</td> <td>331</td> <td>3\"/> <tr> <td>341B</td> <td>ETR</td> <td>-</td> <td>WD.</td> <td>J2</td> <td>PTD.</td> <td>-</td> <td>333</td> <td>3\"/> <tr> <td>342</td> <td>ETR</td> <td>-</td> <td>WD.</td> <td>J2</td> <td>PTD.</td> <td>-</td> <td>334A</td> <td>3\"/> <tr> <td>344</td> <td>ETR</td> <td>-</td> <td>WD.</td> <td>J2</td> <td>PTD.</td> <td>-</td> <td>334B</td> <td>3\"/> <tr> <td>345</td> <td>ETR</td> <td>-</td> <td>WD.</td> <td>J2</td> <td>PTD.</td> <td>-</td> <td>335A</td> <td>3\"/> <tr> <td>346</td> <td>ETR</td> <td>-</td> <td>WD.</td> <td>J2</td> <td>PTD.</td> <td>-</td> <td>335B</td> <td>3\"/> <tr> <td>347</td> <td>ETR</td> <td>-</td> <td>WD.</td> <td>J2</td> <td>PTD.</td> <td>-</td> <td>336</td> <td>3\"/> <tr> <td>348</td> <td>ETR</td> <td>-</td> <td>WD.</td> <td>J2</td> <td>PTD.</td> <td>-</td> <td>337</td> <td>3\"/> <tr> <td>349</td> <td>ETR</td> <td>-</td> <td>WD.</td> <td>J2</td> <td>PTD.</td> <td>-</td> <td>339</td> <td>3\"/> <tr> <td>350</td> <td>ETR</td> <td>-</td> <td>WD.</td> <td>J2</td> <td>PTD.</td> <td>-</td> <td>340</td> <td>3\"/> </td></tr></td></tr></td></tr></td></tr></td></tr></td></tr></td></tr></td></tr></td></tr></td></tr></td></tr> | 340 | A | 3\"/> <tr> <td>341A</td> <td>ETR</td> <td>-</td> <td>WD.</td> <td>J2</td> <td>PTD.</td> <td>-</td> <td>331</td> <td>3\"/> <tr> <td>341B</td> <td>ETR</td> <td>-</td> <td>WD.</td> <td>J2</td> <td>PTD.</td> <td>-</td> <td>333</td> <td>3\"/> <tr> <td>342</td> <td>ETR</td> <td>-</td> <td>WD.</td> <td>J2</td> <td>PTD.</td> <td>-</td> <td>334A</td> <td>3\"/> <tr> <td>344</td> <td>ETR</td> <td>-</td> <td>WD.</td> <td>J2</td> <td>PTD.</td> <td>-</td> <td>334B</td> <td>3\"/> <tr> <td>345</td> <td>ETR</td> <td>-</td> <td>WD.</td> <td>J2</td> <td>PTD.</td> <td>-</td> <td>335A</td> <td>3\"/> <tr> <td>346</td> <td>ETR</td> <td>-</td> <td>WD.</td> <td>J2</td> <td>PTD.</td> <td>-</td> <td>335B</td> <td>3\"/> <tr> <td>347</td> <td>ETR</td> <td>-</td> <td>WD.</td> <td>J2</td> <td>PTD.</td> <td>-</td> <td>336</td> <td>3\"/> <tr> <td>348</td> <td>ETR</td> <td>-</td>
<td>WD.</td> <td>J2</td> <td>PTD.</td> <td>-</td> <td>337</td> <td>3\"/> <tr> <td>349</td> <td>ETR</td> <td>-</td> <td>WD.</td> <td>J2</td> <td>PTD.</td> <td>-</td> <td>339</td> <td>3\"/> <tr> <td>350</td> <td>ETR</td> <td>-</td> <td>WD.</td> <td>J2</td> <td>PTD.</td> <td>-</td> <td>340</td> <td>3\"/> </td></tr></td></tr></td></tr></td></tr></td></tr></td></tr></td></tr></td></tr></td></tr></td></tr> | 341A | ETR | - | WD. | J2 | PTD. | - | 331 | 3\"/> <tr> <td>341B</td> <td>ETR</td> <td>-</td> <td>WD.</td> <td>J2</td> <td>PTD.</td> <td>-</td> <td>333</td> <td>3\"/> <tr> <td>342</td> <td>ETR</td> <td>-</td> <td>WD.</td> <td>J2</td> <td>PTD.</td> <td>-</td> <td>334A</td> <td>3\"/> <tr> <td>344</td> <td>ETR</td> <td>-</td> <td>WD.</td> <td>J2</td> <td>PTD.</td> <td>-</td> <td>334B</td> <td>3\"/> <tr> <td>345</td> <td>ETR</td> <td>-</td> <td>WD.</td> <td>J2</td> <td>PTD.</td> <td>-</td> <td>335A</td> <td>3\"/> <tr> <td>346</td> <td>ETR</td> <td>-</td> <td>WD.</td> <td>J2</td> <td>PTD.</td> <td>-</td> <td>335B</td> <td>3\"/> <tr> <td>347</td> <td>ETR</td> <td>-</td> <td>WD.</td> <td>J2</td> <td>PTD.</td> <td>-</td> <td>336</td> <td>3\"/> <tr> <td>348</td> <td>ETR</td> <td>-</td> <td>WD.</td> <td>J2</td> <td>PTD.</td> <td>-</td> <td>337</td> <td>3\"/> <tr> <td>349</td> <td>ETR</td> <td>-</td> <td>WD.</td> <td>J2</td> <td>PTD.</td> <td>-</td> <td>339</td> <td>3\"/> <tr> <td>350</td> <td>ETR</td> <td>-</td> <td>WD.</td> <td>J2</td> <td>PTD.</td> <td>-</td> <td>340</td> <td>3\"/> </td></tr></td></tr></td></tr></td></tr></td></tr></td></tr></td></tr></td></tr></td></tr> | 341B | ETR | - | WD. | J2 | PTD. | - | 333 | 3\"/> <tr> <td>342</td> <td>ETR</td> <td>-</td> <td>WD.</td> <td>J2</td> <td>PTD.</td> <td>-</td> <td>334A</td> <td>3\"/> <tr> <td>344</td> <td>ETR</td> <td>-</td> <td>WD.</td> <td>J2</td> <td>PTD.</td> <td>-</td> <td>334B</td> <td>3\"/> <tr> <td>345</td> <td>ETR</td> <td>-</td>
<td>WD.</td> <td>J2</td> <td>PTD.</td> <td>-</td> <td>335A</td> <td>3\"/> <tr> <td>346</td> <td>ETR</td> <td>-</td> <td>WD.</td> <td>J2</td> <td>PTD.</td> <td>-</td> <td>335B</td> <td>3\"/> <tr> <td>347</td> <td>ETR</td> <td>-</td> <td>WD.</td> <td>J2</td> <td>PTD.</td> <td>-</td> <td>336</td> <td>3\"/> <tr> <td>348</td> <td>ETR</td> <td>-</td> <td>WD.</td> <td>J2</td> <td>PTD.</td> <td>-</td> <td>337</td> <td>3\"/> <tr> <td>349</td> <td>ETR</td> <td>-</td> <td>WD.</td> <td>J2</td> <td>PTD.</td> <td>-</td> <td>339</td> <td>3\"/> <tr> <td>350</td> <td>ETR</td> <td>-</td> <td>WD.</td> <td>J2</td> <td>PTD.</td> <td>-</td> <td>340</td> <td>3\"/> </td></tr></td></tr></td></tr></td></tr></td></tr></td></tr></td></tr></td></tr> | 342 | ETR | - | WD. | J2 | PTD. | - | 334A | 3\"/> <tr> <td>344</td> <td>ETR</td> <td>-</td> <td>WD.</td> <td>J2</td> <td>PTD.</td> <td>-</td> <td>334B</td> <td>3\"/> <tr> <td>345</td> <td>ETR</td> <td>-</td> <td>WD.</td> <td>J2</td> <td>PTD.</td> <td>-</td> <td>335A</td> <td>3\"/> <tr> <td>346</td> <td>ETR</td> <td>-</td> <td>WD.</td> <td>J2</td> <td>PTD.</td> <td>-</td> <td>335B</td> <td>3\"/> <tr> <td>347</td> <td>ETR</td> <td>-</td> <td>WD.</td> <td>J2</td> <td>PTD.</td> <td>-</td> <td>336</td> <td>3\"/> <tr> <td>348</td> <td>ETR</td> <td>-</td> <td>WD.</td> <td>J2</td> <td>PTD.</td> <td>-</td> <td>337</td> <td>3\"/> <tr> <td>349</td> <td>ETR</td> <td>-</td> <td>WD.</td> <td>J2</td> <td>PTD.</td> <td>-</td> <td>339</td> <td>3\"/> <tr> <td>350</td> <td>ETR</td> <td>-</td> <td>WD.</td> <td>J2</td> <td>PTD.</td> <td>-</td> <td>340</td> <td>3\"/> </td></tr></td></tr></td></tr></td></tr></td></tr></td></tr></td></tr> | 344 | ETR | - | WD. | J2 | PTD. | - | 334B | 3\"/> <tr> <td>345</td> <td>ETR</td> <td>-</td> <td>WD.</td> <td>J2</td> <td>PTD.</td> <td>-</td> <td>335A</td> <td>3\"/> <tr> <td>346</td> <td>ETR</td> <td>-</td> <td>WD.</td> <td>J2</td> <td>PTD.</td> <td>-</td> <td>335B</td> <td>3\"/> <tr> <td>347</td> <td>ETR</td> <td>-</td> <td>WD.</td> <td>J2</td> <td>PTD.</td> <td>-</td> <td>336</td> <td>3\"/> <tr> <td>348</td> <td>ETR</td> <td>-</td> <td>WD.</td> <td>J2</td> <td>PTD.</td> <td>-</td> <td>337</td> <td>3\"/> <tr> <td>349</td> <td>ETR</td> <td>-</td> <td>WD.</td> <td>J2</td> <td>PTD.</td> <td>-</td> <td>339</td> <td>3\"/> <tr> <td>350</td> <td>ETR</td> <td>-</td> <td>WD.</td> <td>J2</td> <td>PTD.</td> <td>-</td> <td>340</td> <td>3\"/> </td></tr></td></tr></td></tr></td></tr></td></tr></td></tr> | 345 | ETR | -
 | WD. | J2 | PTD. | - | 335A | 3\"/> <tr> <td>346</td> <td>ETR</td> <td>-</td> <td>WD.</td> <td>J2</td> <td>PTD.</td> <td>-</td> <td>335B</td> <td>3\"/> <tr> <td>347</td> <td>ETR</td> <td>-</td> <td>WD.</td> <td>J2</td> <td>PTD.</td> <td>-</td> <td>336</td> <td>3\"/> <tr> <td>348</td> <td>ETR</td> <td>-</td> <td>WD.</td> <td>J2</td> <td>PTD.</td> <td>-</td> <td>337</td> <td>3\"/> <tr> <td>349</td> <td>ETR</td> <td>-</td> <td>WD.</td> <td>J2</td> <td>PTD.</td> <td>-</td> <td>339</td> <td>3\"/> <tr> <td>350</td> <td>ETR</td> <td>-</td> <td>WD.</td> <td>J2</td> <td>PTD.</td> <td>-</td> <td>340</td> <td>3\"/> </td></tr></td></tr></td></tr></td></tr></td></tr> | 346 | ETR | - | WD. | J2 | PTD. | - | 335B | 3\"/> <tr> <td>347</td> <td>ETR</td> <td>-</td> <td>WD.</td> <td>J2</td> <td>PTD.</td> <td>-</td> <td>336</td> <td>3\"/> <tr> <td>348</td> <td>ETR</td> <td>-</td> <td>WD.</td> <td>J2</td> <td>PTD.</td> <td>-</td> <td>337</td> <td>3\"/> <tr> <td>349</td> <td>ETR</td> <td>-</td> <td>WD.</td> <td>J2</td> <td>PTD.</td> <td>-</td> <td>339</td> <td>3\"/> <tr> <td>350</td> <td>ETR</td> <td>-</td> <td>WD.</td> <td>J2</td> <td>PTD.</td> <td>-</td> <td>340</td> <td>3\"/> </td></tr></td></tr></td></tr></td></tr> | 347 | ETR | - | WD. | J2 | PTD. | - | 336 | 3\"/> <tr> <td>348</td> <td>ETR</td> <td>-</td> <td>WD.</td> <td>J2</td> <td>PTD.</td> <td>-</td> <td>337</td> <td>3\"/> <tr> <td>349</td> <td>ETR</td> <td>-</td> <td>WD.</td> <td>J2</td> <td>PTD.</td> <td>-</td> <td>339</td> <td>3\"/> <tr> <td>350</td> <td>ETR</td> <td>-</td> <td>WD.</td> <td>J2</td> <td>PTD.</td> <td>-</td> <td>340</td> <td>3\"/> </td></tr></td></tr></td></tr> | 348 | ETR | -
 | WD. | J2 | PTD. | - | 337 | 3\"/> <tr> <td>349</td> <td>ETR</td> <td>-</td> <td>WD.</td> <td>J2</td> <td>PTD.</td> <td>-</td> <td>339</td> <td>3\"/> <tr> <td>350</td> <td>ETR</td> <td>-</td> <td>WD.</td> <td>J2</td> <td>PTD.</td> <td>-</td> <td>340</td> <td>3\"/> </td></tr></td></tr> | 349 | ETR | - | WD. | J2 | PTD. | - | 339 | 3\"/> <tr> <td>350</td> <td>ETR</td> <td>-</td> <td>WD.</td> <td>J2</td> <td>PTD.</td> <td>-</td> <td>340</td> <td>3\"/> </td></tr> | 350 | ETR | - | WD. | J2 | PTD. | - | 340 | 3\"/> | | | | | | | | | | | | | | | | | | | | | | | | | | | | | | | | | | | | | | | | | | |
| 310 | ETR | - | WD. | J2 | PTD. | - | 306 | 3\"/> <tr> <td>311</td> <td>A</td> <td>3\"/> <tr> <td>312A</td> <td>ETR</td> <td>-</td> <td>WD.</td> <td>J2</td> <td>PTD.</td> <td>-</td> <td>307</td> <td>3\"/> <tr> <td>313</td> <td>ETR</td> <td>-</td> <td>WD.</td> <td>J2</td> <td>PTD.</td> <td>-</td> <td>308</td> <td>3\"/> <tr> <td>314</td> <td>ETR</td> <td>-</td> <td>WD.</td> <td>J2</td> <td>PTD.</td> <td>-</td> <td>309</td> <td>3\"/> <tr> <td>315</td> <td>ETR</td> <td>-</td> <td>WD.</td> <td>J2</td> <td>PTD.</td> <td>-</td> <td>310</td> <td>3\"/> <tr> <td>316A</td> <td>A</td> <td>3\"/> <tr> <td>318</td> <td>ETR</td> <td>-</td> <td>WD.</td> <td>J2</td> <td>PTD.</td> <td>-</td> <td>311</td> <td>3\"/> <tr> <td>319</td> <td>ETR</td> <td>-</td> <td>WD.</td> <td>J2</td> <td>PTD.</td> <td>-</td> <td>312A</td> <td>3\"/> <tr> <td>320</td> <td>ETR</td> <td>-</td> <td>WD.</td> <td>J2</td> <td>PTD.</td> <td>-</td> <td>313</td> <td>3\"/> <tr> <td>321</td> <td>ETR</td> <td>-</td> <td>WD.</td> <td>J2</td> <td>PTD.</td> <td>-</td> <td>314</td> <td>3\"/> <tr> <td>322</td> <td>ETR</td> <td>-</td> <td>WD.</td> <td>J2</td> <td>PTD.</td> <td>-</td> <td>315</td> <td>3\"/> <tr> <td>323</td> <td>ETR</td> <td>-</td> <td>WD.</td> <td>J2</td> <td>PTD.</td> <td>-</td> <td>316A</td> <td>3\"/> <tr> <td>324</td> <td>ETR</td> <td>-</td> <td>WD.</td> <td>J2</td> <td>PTD.</td> <td>-</td> <td>318</td> <td>3\"/> <tr> <td>325</td> <td>A</td> <td>3\"/> <tr> <td>327</td> <td>ETR</td> <td>-</td> <td>WD.</td> <td>J2</td> <td>PTD.</td> <td>-</td> <td>319</td> <td>3\"/> <tr> <td>328</td> <td>ETR</td> <td>-</td> <td>WD.</td> <td>J2</td> <td>PTD.</td> <td>-</td> <td>320</td> <td>3\"/> <tr> <td>329A</td> <td>ETR</td> <td>-</td> <td>WD.</td> <td>J2</td> <td>PTD.</td> <td>-</td> <td>321</td> <td>3\"/> <tr> <td>329B</td> <td>ETR</td> <td>-</td> <td>WD.</td> <td>J2</td> <td>PTD.</td> <td>-</td> <td>322</td> <td>3\"/> <tr> <td>331</td> <td>ETR</td> <td>-</td> <td>WD.</td> <td>J2</td> <td>PTD.</td> <td>-</td> <td>323</td> <td>3\"/> <tr> <td>333</td> <td>ETR</td> <td>-</td> <td>WD.</td> <td>J2</td> <td>PTD.</td> <td>-</td> <td>324</td> <td>3\"/> <tr> <td>334A</td> <td>ETR</td> <td>-</td> <td>WD.</td> <td>J2</td> <td>PTD.</td> <td>-</td> <td>325</td> <td>3\"/> <tr> <td>334B</td> <td>ETR</td> <td>-</td> <td>WD.</td> <td>J2</td> <td>PTD.</td> <td>-</td> <td>327</td> <td>3\"/> <tr> <td>335A</td> <td>ETR</td> <td>-</td> <td>WD.</td> <td>J2</td> <td>PTD.</td> <td>-</td> <td>328</td> <td>3\"/> <tr> <td>335B</td> <td>B</td> <td>3\"/> <tr> <td>336</td> <td>B</td> <td>3\"/> <tr> <td>337</td> <td>ETR</td> <td>-</td> <td>WD.</td> <td>J2</td> <td>PTD.</td> <td>-</td> <td>329A</td> <td>3\"/> <tr> <td>339</td> <td>ETR</td> <td>-</td> <td>WD.</td> <td>J2</td> <td>PTD.</td> <td>-</td> <td>329B</td> <td>3\"/> <tr> <td>340</td> <td>A</td> <td>3\"/> <tr> <td>341A</td> <td>ETR</td> <td>-</td> <td>WD.</td> <td>J2</td> <td>PTD.</td> <td>-</td> <td>331</td> <td>3\"/> <tr>
<td>341B</td> <td>ETR</td> <td>-</td> <td>WD.</td> <td>J2</td> <td>PTD.</td> <td>-</td> <td>333</td> <td>3\"/> <tr> <td>342</td> <td>ETR</td> <td>-</td> <td>WD.</td> <td>J2</td> <td>PTD.</td> <td>-</td> <td>334A</td> <td>3\"/> <tr> <td>344</td> <td>ETR</td> <td>-</td> <td>WD.</td> <td>J2</td> <td>PTD.</td> <td>-</td> <td>334B</td> <td>3\"/> <tr> <td>345</td> <td>ETR</td> <td>-</td> <td>WD.</td> <td>J2</td> <td>PTD.</td> <td>-</td> <td>335A</td> <td>3\"/> <tr> <td>346</td> <td>ETR</td> <td>-</td> <td>WD.</td> <td>J2</td> <td>PTD.</td> <td>-</td> <td>335B</td> <td>3\"/> <tr> <td>347</td> <td>ETR</td> <td>-</td> <td>WD.</td> <td>J2</td> <td>PTD.</td> <td>-</td> <td>336</td> <td>3\"/> <tr> <td>348</td> <td>ETR</td> <td>-</td> <td>WD.</td> <td>J2</td> <td>PTD.</td> <td>-</td> <td>337</td> <td>3\"/> <tr> <td>349</td> <td>ETR</td> <td>-</td> <td>WD.</td> <td>J2</td> <td>PTD.</td> <td>-</td> <td>339</td> <td>3\"/> <tr> <td>350</td> <td>ETR</td> <td>-</td> <td>WD.</td> <td>J2</td> <td>PTD.</td> <td>-</td> <td>340</td> <td>3\"/> </td></tr></td></tr></td></tr></td></tr></td></tr></td></tr></td></tr></td></tr></td></tr></td></tr></td></tr></td></tr></td></tr></td></tr></td></tr></td></tr></td></tr></td></tr></td></tr></td></tr></td></tr></td></tr></td></tr></td></tr></td></tr></td></tr></td></tr></td></tr></td></tr></td></tr></td></tr></td></tr></td></tr></td></tr></td></tr></td></tr></td></tr></td></tr> | 311 | A | 3\"/> <tr> <td>312A</td> <td>ETR</td> <td>-</td> <td>WD.</td> <td>J2</td> <td>PTD.</td> <td>-</td> <td>307</td> <td>3\"/> <tr> <td>313</td> <td>ETR</td> <td>-</td> <td>WD.</td> <td>J2</td> <td>PTD.</td> <td>-</td> <td>308</td> <td>3\"/> <tr> <td>314</td> <td>ETR</td> <td>-</td> <td>WD.</td> <td>J2</td> <td>PTD.</td> <td>-</td> <td>309</td> <td>3\"/> <tr> <td>315</td> <td>ETR</td> <td>-</td> <td>WD.</td> <td>J2</td> <td>PTD.</td> <td>-</td> <td>310</td> <td>3\"/> <tr> <td>316A</td> <td>A</td> <td>3\"/> <tr> <td>318</td> <td>ETR</td> <td>-</td> <td>WD.</td> <td>J2</td> <td>PTD.</td> <td>-</td> <td>311</td> <td>3\"/> <tr> <td>319</td> <td>ETR</td> <td>-</td> <td>WD.</td> <td>J2</td> <td>PTD.</td> <td>-</td> <td>312A</td> <td>3\"/> <tr> <td>320</td> <td>ETR</td> <td>-</td> <td>WD.</td> <td>J2</td> <td>PTD.</td> <td>-</td> <td>313</td> <td>3\"/> <tr> <td>321</td> <td>ETR</td> <td>-</td> <td>WD.</td> <td>J2</td> <td>PTD.</td> <td>-</td> <td>314</td> <td>3\"/> <tr> <td>322</td> <td>ETR</td> <td>-</td> <td>WD.</td> <td>J2</td> <td>PTD.</td> <td>-</td> <td>315</td> <td>3\"/> <tr> <td>323</td> <td>ETR</td> <td>-</td> <td>WD.</td> <td>J2</td> <td>PTD.</td> <td>-</td> <td>316A</td> <td>3\"/> <tr> <td>324</td> <td>ETR</td> <td>-</td> <td>WD.</td> <td>J2</td> <td>PTD.</td> <td>-</td> <td>318</td> <td>3\"/> <tr> <td>325</td> <td>A</td> <td>3\"/> <tr> <td>327</td> <td>ETR</td> <td>-</td> <td>WD.</td> <td>J2</td> <td>PTD.</td> <td>-</td> <td>319</td> <td>3\"/> <tr> <td>328</td> <td>ETR</td> <td>-</td> <td>WD.</td> <td>J2</td> <td>PTD.</td> <td>-</td> <td>320</td> <td>3\"/> <tr> <td>329A</td> <td>ETR</td> <td>-</td> <td>WD.</td> <td>J2</td> <td>PTD.</td> <td>-</td> <td>321</td> <td>3\"/> <tr> <td>329B</td> <td>ETR</td> <td>-</td> <td>WD.</td> <td>J2</td> <td>PTD.</td> <td>-</td> <td>322</td> <td>3\"/> <tr> <td>331</td> <td>ETR</td> <td>-</td> <td>WD.</td> <td>J2</td> <td>PTD.</td> <td>-</td> <td>323</td> <td>3\"/> <tr> <td>333</td> <td>ETR</td> <td>-</td> <td>WD.</td> <td>J2</td> <td>PTD.</td> <td>-</td> <td>324</td> <td>3\"/> <tr> <td>334A</td> <td>ETR</td> <td>-</td> <td>WD.</td> <td>J2</td> <td>PTD.</td> <td>-</td> <td>325</td> <td>3\"/> <tr> <td>334B</td> <td>ETR</td> <td>-</td> <td>WD.</td> <td>J2</td> <td>PTD.</td> <td>-</td> <td>327</td> <td>3\"/> <tr> <td>335A</td> <td>ETR</td> <td>-</td> <td>WD.</td> <td>J2</td> <td>PTD.</td> <td>-</td> <td>328</td> <td>3\"/> <tr> <td>335B</td> <td>B</td> <td>3\"/> <tr> <td>336</td> <td>B</td> <td>3\"/> <tr> <td>337</td> <td>ETR</td> <td>-</td> <td>WD.</td> <td>J2</td> <td>PTD.</td> <td>-</td> <td>329A</td> <td>3\"/> <tr> <td>339</td> <td>ETR</td> <td>-</td> <td>WD.</td> <td>J2</td> <td>PTD.</td> <td>-</td> <td>329B</td> <td>3\"/> <tr> <td>340</td> <td>A</td> <td>3\"/> <tr> <td>341A</td> <td>ETR</td> <td>-</td> <td>WD.</td> <td>J2</td> <td>PTD.</td> <td>-</td> <td>331</td> <td>3\"/> <tr> <td>341B</td> <td>ETR</td> <td>-</td> <td>WD.</td> <td>J2</td> <td>PTD.</td> <td>-</td> <td>333</td> <td>3\"/> <tr> <td>342</td> <td>ETR</td> <td>-</td> <td>WD.</td> <td>J2</td> <td>PTD.</td> <td>-</td> <td>334A</td> <td>3\"/> <tr> <td>344</td> <td>ETR</td> <td>-</td> <td>WD.</td> <td>J2</td> <td>PTD.</td> <td>-</td> <td>334B</td> <td>3\"/> <tr> <td>345</td> <td>ETR</td> <td>-</td> <td>WD.</td> <td>J2</td> <td>PTD.</td> <td>-</td> <td>335A</td> <td>3\"/> <tr> <td>346</td> <td>ETR</td> <td>-</td> <td>WD.</td> <td>J2</td> <td>PTD.</td> <td>-</td> <td>335B</td> <td>3\"/> <tr> <td>347</td> <td>ETR</td> <td>-</td> <td>WD.</td> <td>J2</td> <td>PTD.</td> <td>-</td> <td>336</td> <td>3\"/> <tr> <td>348</td> <td>ETR</td> <td>-</td> <td>WD.</td> <td>J2</td> <td>PTD.</td> <td>-</td> <td>337</td> <td>3\"/> <tr> <td>349</td> <td>ETR</td> <td>-</td> <td>WD.</td> <td>J2</td> <td>PTD.</td> <td>-</td> <td>339</td> <td>3\"/> <tr> <td>350</td> <td>ETR</td> <td>-</td> <td>WD.</td> <td>J2</td> <td>PTD.</td> <td>-</td> <td>340</td> <td>3\"/> </td></tr></td></tr></td></tr></td></tr></td></tr></td></tr></td></tr></td></tr></td></tr></td></tr></td></tr></td></tr></td></tr></td></tr></td></tr></td></tr></td></tr></td></tr></td></tr></td></tr></td></tr></td></tr></td></tr></td></tr></td></tr></td></tr></td></tr></td></tr></td></tr></td></tr></td></tr></td></tr></td></tr></td></tr></td></tr></td></tr></td></tr> | 312A | ETR | -
 | WD. | J2 | PTD. | - | 307 | 3\"/> <tr> <td>313</td> <td>ETR</td> <td>-</td> <td>WD.</td> <td>J2</td> <td>PTD.</td> <td>-</td> <td>308</td> <td>3\"/> <tr> <td>314</td> <td>ETR</td> <td>-</td> <td>WD.</td> <td>J2</td> <td>PTD.</td> <td>-</td> <td>309</td> <td>3\"/> <tr> <td>315</td> <td>ETR</td> <td>-</td> <td>WD.</td> <td>J2</td> <td>PTD.</td> <td>-</td> <td>310</td> <td>3\"/> <tr> <td>316A</td> <td>A</td> <td>3\"/> <tr> <td>318</td> <td>ETR</td> <td>-</td> <td>WD.</td> <td>J2</td> <td>PTD.</td> <td>-</td> <td>311</td> <td>3\"/> <tr> <td>319</td> <td>ETR</td> <td>-</td> <td>WD.</td> <td>J2</td> <td>PTD.</td> <td>-</td> <td>312A</td> <td>3\"/> <tr> <td>320</td> <td>ETR</td> <td>-</td> <td>WD.</td> <td>J2</td> <td>PTD.</td> <td>-</td> <td>313</td> <td>3\"/> <tr> <td>321</td> <td>ETR</td> <td>-</td> <td>WD.</td> <td>J2</td> <td>PTD.</td> <td>-</td> <td>314</td> <td>3\"/> <tr> <td>322</td> <td>ETR</td> <td>-</td> <td>WD.</td> <td>J2</td> <td>PTD.</td> <td>-</td> <td>315</td> <td>3\"/> <tr> <td>323</td> <td>ETR</td> <td>-</td> <td>WD.</td> <td>J2</td> <td>PTD.</td> <td>-</td> <td>316A</td> <td>3\"/> <tr> <td>324</td> <td>ETR</td> <td>-</td> <td>WD.</td> <td>J2</td> <td>PTD.</td> <td>-</td> <td>318</td> <td>3\"/> <tr> <td>325</td> <td>A</td> <td>3\"/> <tr> <td>327</td> <td>ETR</td> <td>-</td> <td>WD.</td> <td>J2</td> <td>PTD.</td> <td>-</td> <td>319</td> <td>3\"/> <tr> <td>328</td> <td>ETR</td> <td>-</td> <td>WD.</td> <td>J2</td> <td>PTD.</td> <td>-</td> <td>320</td> <td>3\"/> <tr> <td>329A</td> <td>ETR</td> <td>-</td> <td>WD.</td> <td>J2</td> <td>PTD.</td> <td>-</td> <td>321</td> <td>3\"/> <tr> <td>329B</td> <td>ETR</td> <td>-</td> <td>WD.</td> <td>J2</td> <td>PTD.</td> <td>-</td> <td>322</td> <td>3\"/> <tr> <td>331</td> <td>ETR</td> <td>-</td> <td>WD.</td> <td>J2</td> <td>PTD.</td> <td>-</td> <td>323</td> <td>3\"/> <tr> <td>333</td> <td>ETR</td> <td>-</td> <td>WD.</td> <td>J2</td> <td>PTD.</td> <td>-</td> <td>324</td> <td>3\"/> <tr> <td>334A</td> <td>ETR</td> <td>-</td> <td>WD.</td> <td>J2</td> <td>PTD.</td> <td>-</td> <td>325</td> <td>3\"/> <tr> <td>334B</td> <td>ETR</td> <td>-</td> <td>WD.</td> <td>J2</td> <td>PTD.</td> <td>-</td> <td>327</td> <td>3\"/> <tr> <td>335A</td> <td>ETR</td> <td>-</td> <td>WD.</td> <td>J2</td> <td>PTD.</td> <td>-</td> <td>328</td> <td>3\"/> <tr> <td>335B</td> <td>B</td> <td>3\"/> <tr> <td>336</td> <td>B</td> <td>3\"/> <tr> <td>337</td> <td>ETR</td> <td>-</td> <td>WD.</td> <td>J2</td> <td>PTD.</td> <td>-</td> <td>329A</td> <td>3\"/> <tr> <td>339</td> <td>ETR</td> <td>-</td> <td>WD.</td>
<td>J2</td> <td>PTD.</td> <td>-</td> <td>329B</td> <td>3\"/> <tr> <td>340</td> <td>A</td> <td>3\"/> <tr> <td>341A</td> <td>ETR</td> <td>-</td> <td>WD.</td> <td>J2</td> <td>PTD.</td> <td>-</td> <td>331</td> <td>3\"/> <tr> <td>341B</td> <td>ETR</td> <td>-</td> <td>WD.</td> <td>J2</td> <td>PTD.</td> <td>-</td> <td>333</td> <td>3\"/> <tr> <td>342</td> <td>ETR</td> <td>-</td> <td>WD.</td> <td>J2</td> <td>PTD.</td> <td>-</td> <td>334A</td> <td>3\"/> <tr> <td>344</td> <td>ETR</td> <td>-</td> <td>WD.</td> <td>J2</td> <td>PTD.</td> <td>-</td> <td>334B</td> <td>3\"/> <tr> <td>345</td> <td>ETR</td> <td>-</td> <td>WD.</td> <td>J2</td> <td>PTD.</td> <td>-</td> <td>335A</td> <td>3\"/> <tr> <td>346</td> <td>ETR</td> <td>-</td> <td>WD.</td> <td>J2</td> <td>PTD.</td> <td>-</td> <td>335B</td> <td>3\"/> <tr> <td>347</td> <td>ETR</td> <td>-</td> <td>WD.</td> <td>J2</td> <td>PTD.</td> <td>-</td> <td>336</td> <td>3\"/> <tr> <td>348</td> <td>ETR</td> <td>-</td> <td>WD.</td> <td>J2</td> <td>PTD.</td> <td>-</td> <td>337</td> <td>3\"/> <tr> <td>349</td> <td>ETR</td> <td>-</td> <td>WD.</td> <td>J2</td> <td>PTD.</td> <td>-</td> <td>339</td> <td>3\"/> <tr> <td>350</td> <td>ETR</td> <td>-</td> <td>WD.</td> <td>J2</td> <td>PTD.</td> <td>-</td> <td>340</td> <td>3\"/> </td></tr></td></tr></td></tr></td></tr></td></tr></td></tr></td></tr></td></tr></td></tr></td></tr></td></tr></td></tr></td></tr></td></tr></td></tr></td></tr></td></tr></td></tr></td></tr></td></tr></td></tr></td></tr></td></tr></td></tr></td></tr></td></tr></td></tr></td></tr></td></tr></td></tr></td></tr></td></tr></td></tr></td></tr></td></tr></td></tr> | 313 | ETR | - | WD. | J2 | PTD.
 | - | 308 | 3\"/> <tr> <td>314</td> <td>ETR</td> <td>-</td> <td>WD.</td> <td>J2</td> <td>PTD.</td> <td>-</td> <td>309</td> <td>3\"/> <tr> <td>315</td> <td>ETR</td> <td>-</td> <td>WD.</td> <td>J2</td> <td>PTD.</td> <td>-</td> <td>310</td> <td>3\"/> <tr> <td>316A</td> <td>A</td> <td>3\"/> <tr> <td>318</td> <td>ETR</td> <td>-</td> <td>WD.</td> <td>J2</td> <td>PTD.</td> <td>-</td> <td>311</td> <td>3\"/> <tr> <td>319</td> <td>ETR</td> <td>-</td> <td>WD.</td> <td>J2</td> <td>PTD.</td> <td>-</td> <td>312A</td> <td>3\"/> <tr> <td>320</td> <td>ETR</td> <td>-</td> <td>WD.</td> <td>J2</td> <td>PTD.</td> <td>-</td> <td>313</td> <td>3\"/> <tr> <td>321</td> <td>ETR</td> <td>-</td> <td>WD.</td> <td>J2</td> <td>PTD.</td> <td>-</td> <td>314</td> <td>3\"/> <tr> <td>322</td> <td>ETR</td> <td>-</td> <td>WD.</td> <td>J2</td> <td>PTD.</td> <td>-</td> <td>315</td> <td>3\"/> <tr> <td>323</td> <td>ETR</td> <td>-</td> <td>WD.</td> <td>J2</td> <td>PTD.</td> <td>-</td> <td>316A</td> <td>3\"/> <tr> <td>324</td> <td>ETR</td> <td>-</td> <td>WD.</td> <td>J2</td> <td>PTD.</td> <td>-</td> <td>318</td> <td>3\"/> <tr> <td>325</td> <td>A</td> <td>3\"/> <tr> <td>327</td> <td>ETR</td> <td>-</td> <td>WD.</td> <td>J2</td> <td>PTD.</td> <td>-</td> <td>319</td> <td>3\"/> <tr> <td>328</td> <td>ETR</td> <td>-</td> <td>WD.</td> <td>J2</td> <td>PTD.</td> <td>-</td> <td>320</td> <td>3\"/> <tr> <td>329A</td> <td>ETR</td> <td>-</td> <td>WD.</td> <td>J2</td> <td>PTD.</td> <td>-</td> <td>321</td> <td>3\"/> <tr> <td>329B</td> <td>ETR</td> <td>-</td> <td>WD.</td> <td>J2</td> <td>PTD.</td> <td>-</td> <td>322</td> <td>3\"/> <tr> <td>331</td> <td>ETR</td> <td>-</td> <td>WD.</td> <td>J2</td> <td>PTD.</td> <td>-</td> <td>323</td> <td>3\"/> <tr> <td>333</td> <td>ETR</td> <td>-</td> <td>WD.</td> <td>J2</td> <td>PTD.</td> <td>-</td> <td>324</td> <td>3\"/> <tr> <td>334A</td> <td>ETR</td> <td>-</td> <td>WD.</td> <td>J2</td> <td>PTD.</td> <td>-</td> <td>325</td> <td>3\"/> <tr> <td>334B</td> <td>ETR</td> <td>-</td> <td>WD.</td> <td>J2</td> <td>PTD.</td> <td>-</td> <td>327</td> <td>3\"/> <tr> <td>335A</td> <td>ETR</td> <td>-</td> <td>WD.</td> <td>J2</td> <td>PTD.</td> <td>-</td> <td>328</td> <td>3\"/> <tr> <td>335B</td> <td>B</td> <td>3\"/> <tr> <td>336</td> <td>B</td> <td>3\"/> <tr> <td>337</td> <td>ETR</td> <td>-</td> <td>WD.</td> <td>J2</td> <td>PTD.</td> <td>-</td> <td>329A</td> <td>3\"/> <tr> <td>339</td> <td>ETR</td> <td>-</td> <td>WD.</td> <td>J2</td> <td>PTD.</td> <td>-</td> <td>329B</td> <td>3\"/> <tr> <td>340</td> <td>A</td> <td>3\"/> <tr> <td>341A</td> <td>ETR</td> <td>-</td> <td>WD.</td> <td>J2</td> <td>PTD.</td> <td>-</td> <td>331</td> <td>3\"/> <tr> <td>341B</td> <td>ETR</td> <td>-</td> <td>WD.</td> <td>J2</td> <td>PTD.</td> <td>-</td> <td>333</td> <td>3\"/> <tr> <td>342</td> <td>ETR</td> <td>-</td> <td>WD.</td> <td>J2</td> <td>PTD.</td> <td>-</td> <td>334A</td> <td>3\"/> <tr> <td>344</td> <td>ETR</td> <td>-</td> <td>WD.</td> <td>J2</td> <td>PTD.</td> <td>-</td> <td>334B</td> <td>3\"/> <tr> <td>345</td> <td>ETR</td> <td>-</td> <td>WD.</td> <td>J2</td> <td>PTD.</td> <td>-</td> <td>335A</td> <td>3\"/> <tr> <td>346</td> <td>ETR</td> <td>-</td> <td>WD.</td> <td>J2</td> <td>PTD.</td> <td>-</td> <td>335B</td> <td>3\"/> <tr> <td>347</td> <td>ETR</td> <td>-</td> <td>WD.</td> <td>J2</td> <td>PTD.</td> <td>-</td> <td>336</td> <td>3\"/> <tr> <td>348</td> <td>ETR</td> <td>-</td> <td>WD.</td> <td>J2</td> <td>PTD.</td> <td>-</td> <td>337</td> <td>3\"/> <tr> <td>349</td> <td>ETR</td> <td>-</td> <td>WD.</td> <td>J2</td> <td>PTD.</td> <td>-</td> <td>339</td> <td>3\"/> <tr> <td>350</td> <td>ETR</td> <td>-</td> <td>WD.</td> <td>J2</td> <td>PTD.</td> <td>-</td> <td>340</td> <td>3\"/> </td></tr></td></tr></td></tr></td></tr></td></tr></td></tr></td></tr></td></tr></td></tr></td></tr></td></tr></td></tr></td></tr></td></tr></td></tr></td></tr></td></tr></td></tr></td></tr></td></tr></td></tr></td></tr></td></tr></td></tr></td></tr></td></tr></td></tr></td></tr></td></tr></td></tr></td></tr></td></tr></td></tr></td></tr></td></tr> | 314 | ETR | -
 | WD. | J2 | PTD. | - | 309 | 3\"/> <tr> <td>315</td> <td>ETR</td> <td>-</td> <td>WD.</td> <td>J2</td> <td>PTD.</td> <td>-</td> <td>310</td> <td>3\"/> <tr> <td>316A</td> <td>A</td> <td>3\"/> <tr> <td>318</td> <td>ETR</td> <td>-</td> <td>WD.</td> <td>J2</td> <td>PTD.</td> <td>-</td> <td>311</td> <td>3\"/> <tr> <td>319</td> <td>ETR</td> <td>-</td> <td>WD.</td> <td>J2</td> <td>PTD.</td> <td>-</td> <td>312A</td> <td>3\"/> <tr> <td>320</td> <td>ETR</td> <td>-</td> <td>WD.</td> <td>J2</td> <td>PTD.</td> <td>-</td> <td>313</td> <td>3\"/> <tr> <td>321</td> <td>ETR</td> <td>-</td> <td>WD.</td> <td>J2</td> <td>PTD.</td> <td>-</td> <td>314</td> <td>3\"/> <tr> <td>322</td> <td>ETR</td> <td>-</td> <td>WD.</td> <td>J2</td> <td>PTD.</td> <td>-</td> <td>315</td> <td>3\"/> <tr> <td>323</td> <td>ETR</td> <td>-</td> <td>WD.</td> <td>J2</td> <td>PTD.</td> <td>-</td> <td>316A</td> <td>3\"/> <tr> <td>324</td> <td>ETR</td> <td>-</td> <td>WD.</td> <td>J2</td> <td>PTD.</td> <td>-</td> <td>318</td> <td>3\"/> <tr> <td>325</td> <td>A</td> <td>3\"/> <tr> <td>327</td> <td>ETR</td> <td>-</td> <td>WD.</td> <td>J2</td> <td>PTD.</td> <td>-</td> <td>319</td> <td>3\"/> <tr> <td>328</td> <td>ETR</td> <td>-</td> <td>WD.</td> <td>J2</td> <td>PTD.</td> <td>-</td> <td>320</td> <td>3\"/> <tr> <td>329A</td> <td>ETR</td> <td>-</td> <td>WD.</td> <td>J2</td> <td>PTD.</td> <td>-</td> <td>321</td> <td>3\"/> <tr> <td>329B</td> <td>ETR</td> <td>-</td> <td>WD.</td> <td>J2</td> <td>PTD.</td> <td>-</td> <td>322</td> <td>3\"/> <tr> <td>331</td> <td>ETR</td> <td>-</td> <td>WD.</td> <td>J2</td> <td>PTD.</td> <td>-</td> <td>323</td> <td>3\"/> <tr> <td>333</td> <td>ETR</td> <td>-</td> <td>WD.</td> <td>J2</td> <td>PTD.</td> <td>-</td> <td>324</td> <td>3\"/> <tr> <td>334A</td> <td>ETR</td> <td>-</td> <td>WD.</td> <td>J2</td> <td>PTD.</td> <td>-</td> <td>325</td> <td>3\"/> <tr> <td>334B</td> <td>ETR</td> <td>-</td> <td>WD.</td> <td>J2</td> <td>PTD.</td> <td>-</td> <td>327</td> <td>3\"/> <tr> <td>335A</td> <td>ETR</td> <td>-</td> <td>WD.</td> <td>J2</td> <td>PTD.</td> <td>-</td> <td>328</td> <td>3\"/> <tr> <td>335B</td> <td>B</td> <td>3\"/> <tr> <td>336</td> <td>B</td> <td>3\"/> <tr> <td>337</td> <td>ETR</td> <td>-</td> <td>WD.</td> <td>J2</td> <td>PTD.</td> <td>-</td> <td>329A</td> <td>3\"/> <tr> <td>339</td> <td>ETR</td> <td>-</td> <td>WD.</td> <td>J2</td> <td>PTD.</td> <td>-</td> <td>329B</td> <td>3\"/> <tr> <td>340</td> <td>A</td> <td>3\"/> <tr> <td>341A</td> <td>ETR</td> <td>-</td> <td>WD.</td> <td>J2</td> <td>PTD.</td> <td>-</td> <td>331</td> <td>3\"/> <tr> <td>341B</td> <td>ETR</td> <td>-</td> <td>WD.</td> <td>J2</td> <td>PTD.</td> <td>-</td> <td>333</td> <td>3\"/> <tr> <td>342</td> <td>ETR</td> <td>-</td> <td>WD.</td> <td>J2</td> <td>PTD.</td> <td>-</td> <td>334A</td> <td>3\"/> <tr> <td>344</td> <td>ETR</td> <td>-</td> <td>WD.</td> <td>J2</td> <td>PTD.</td> <td>-</td> <td>334B</td> <td>3\"/> <tr> <td>345</td> <td>ETR</td> <td>-</td> <td>WD.</td> <td>J2</td> <td>PTD.</td> <td>-</td> <td>335A</td> <td>3\"/> <tr> <td>346</td> <td>ETR</td> <td>-</td> <td>WD.</td> <td>J2</td> <td>PTD.</td> <td>-</td> <td>335B</td> <td>3\"/> <tr> <td>347</td> <td>ETR</td> <td>-</td> <td>WD.</td> <td>J2</td> <td>PTD.</td> <td>-</td> <td>336</td> <td>3\"/> <tr> <td>348</td> <td>ETR</td> <td>-</td> <td>WD.</td> <td>J2</td> <td>PTD.</td> <td>-</td> <td>337</td> <td>3\"/> <tr> <td>349</td> <td>ETR</td> <td>-</td>
<td>WD.</td> <td>J2</td> <td>PTD.</td> <td>-</td> <td>339</td> <td>3\"/> <tr> <td>350</td> <td>ETR</td> <td>-</td> <td>WD.</td> <td>J2</td> <td>PTD.</td> <td>-</td> <td>340</td> <td>3\"/> </td></tr></td></tr></td></tr></td></tr></td></tr></td></tr></td></tr></td></tr></td></tr></td></tr></td></tr></td></tr></td></tr></td></tr></td></tr></td></tr></td></tr></td></tr></td></tr></td></tr></td></tr></td></tr></td></tr></td></tr></td></tr></td></tr></td></tr></td></tr></td></tr></td></tr></td></tr></td></tr></td></tr></td></tr> | 315 | ETR | - | WD. | J2 | PTD.
 | - | 310 | 3\"/> <tr> <td>316A</td> <td>A</td> <td>3\"/> <tr> <td>318</td> <td>ETR</td> <td>-</td> <td>WD.</td> <td>J2</td> <td>PTD.</td> <td>-</td> <td>311</td> <td>3\"/> <tr> <td>319</td> <td>ETR</td> <td>-</td> <td>WD.</td> <td>J2</td> <td>PTD.</td> <td>-</td> <td>312A</td> <td>3\"/> <tr> <td>320</td> <td>ETR</td> <td>-</td> <td>WD.</td> <td>J2</td> <td>PTD.</td> <td>-</td> <td>313</td> <td>3\"/> <tr> <td>321</td> <td>ETR</td> <td>-</td> <td>WD.</td> <td>J2</td> <td>PTD.</td> <td>-</td> <td>314</td> <td>3\"/> <tr> <td>322</td> <td>ETR</td> <td>-</td> <td>WD.</td> <td>J2</td> <td>PTD.</td> <td>-</td> <td>315</td> <td>3\"/> <tr> <td>323</td> <td>ETR</td> <td>-</td> <td>WD.</td> <td>J2</td> <td>PTD.</td> <td>-</td> <td>316A</td> <td>3\"/> <tr> <td>324</td> <td>ETR</td> <td>-</td> <td>WD.</td> <td>J2</td> <td>PTD.</td> <td>-</td> <td>318</td> <td>3\"/> <tr> <td>325</td> <td>A</td> <td>3\"/> <tr> <td>327</td> <td>ETR</td> <td>-</td> <td>WD.</td> <td>J2</td> <td>PTD.</td> <td>-</td> <td>319</td> <td>3\"/> <tr> <td>328</td> <td>ETR</td> <td>-</td> <td>WD.</td> <td>J2</td> <td>PTD.</td> <td>-</td> <td>320</td> <td>3\"/> <tr> <td>329A</td> <td>ETR</td> <td>-</td> <td>WD.</td> <td>J2</td> <td>PTD.</td> <td>-</td> <td>321</td> <td>3\"/> <tr> <td>329B</td> <td>ETR</td> <td>-</td> <td>WD.</td> <td>J2</td> <td>PTD.</td> <td>-</td> <td>322</td> <td>3\"/> <tr> <td>331</td> <td>ETR</td> <td>-</td> <td>WD.</td> <td>J2</td> <td>PTD.</td> <td>-</td> <td>323</td> <td>3\"/> <tr> <td>333</td> <td>ETR</td> <td>-</td> <td>WD.</td> <td>J2</td> <td>PTD.</td> <td>-</td> <td>324</td> <td>3\"/> <tr> <td>334A</td> <td>ETR</td> <td>-</td> <td>WD.</td> <td>J2</td> <td>PTD.</td> <td>-</td> <td>325</td> <td>3\"/> <tr> <td>334B</td> <td>ETR</td> <td>-</td> <td>WD.</td> <td>J2</td> <td>PTD.</td> <td>-</td> <td>327</td> <td>3\"/> <tr> <td>335A</td> <td>ETR</td> <td>-</td> <td>WD.</td> <td>J2</td> <td>PTD.</td> <td>-</td> <td>328</td> <td>3\"/> <tr> <td>335B</td> <td>B</td> <td>3\"/> <tr> <td>336</td> <td>B</td> <td>3\"/> <tr> <td>337</td> <td>ETR</td> <td>-</td> <td>WD.</td> <td>J2</td> <td>PTD.</td> <td>-</td> <td>329A</td> <td>3\"/> <tr> <td>339</td> <td>ETR</td> <td>-</td> <td>WD.</td> <td>J2</td> <td>PTD.</td> <td>-</td> <td>329B</td> <td>3\"/> <tr> <td>340</td> <td>A</td> <td>3\"/> <tr> <td>341A</td> <td>ETR</td> <td>-</td> <td>WD.</td> <td>J2</td> <td>PTD.</td> <td>-</td> <td>331</td> <td>3\"/> <tr> <td>341B</td> <td>ETR</td> <td>-</td> <td>WD.</td> <td>J2</td> <td>PTD.</td> <td>-</td> <td>333</td> <td>3\"/> <tr> <td>342</td> <td>ETR</td> <td>-</td> <td>WD.</td> <td>J2</td> <td>PTD.</td> <td>-</td> <td>334A</td> <td>3\"/> <tr> <td>344</td> <td>ETR</td> <td>-</td> <td>WD.</td> <td>J2</td> <td>PTD.</td> <td>-</td> <td>334B</td> <td>3\"/> <tr> <td>345</td> <td>ETR</td> <td>-</td> <td>WD.</td> <td>J2</td> <td>PTD.</td> <td>-</td> <td>335A</td> <td>3\"/> <tr> <td>346</td> <td>ETR</td> <td>-</td> <td>WD.</td> <td>J2</td> <td>PTD.</td> <td>-</td> <td>335B</td> <td>3\"/> <tr> <td>347</td> <td>ETR</td> <td>-</td> <td>WD.</td> <td>J2</td> <td>PTD.</td> <td>-</td> <td>336</td> <td>3\"/> <tr> <td>348</td> <td>ETR</td> <td>-</td> <td>WD.</td> <td>J2</td> <td>PTD.</td> <td>-</td> <td>337</td> <td>3\"/> <tr> <td>349</td> <td>ETR</td> <td>-</td> <td>WD.</td> <td>J2</td> <td>PTD.</td> <td>-</td> <td>339</td> <td>3\"/> <tr> <td>350</td> <td>ETR</td> <td>-</td> <td>WD.</td> <td>J2</td> <td>PTD.</td> <td>-</td> <td>340</td> <td>3\"/> </td></tr></td></tr></td></tr></td></tr></td></tr></td></tr></td></tr></td></tr></td></tr></td></tr></td></tr></td></tr></td></tr></td></tr></td></tr></td></tr></td></tr></td></tr></td></tr></td></tr></td></tr></td></tr></td></tr></td></tr></td></tr></td></tr></td></tr></td></tr></td></tr></td></tr></td></tr></td></tr></td></tr> | 316A | A | 3\"/> <tr> <td>318</td> <td>ETR</td> <td>-</td> <td>WD.</td> <td>J2</td> <td>PTD.</td> <td>-</td> <td>311</td> <td>3\"/> <tr> <td>319</td> <td>ETR</td> <td>-</td> <td>WD.</td> <td>J2</td> <td>PTD.</td> <td>-</td> <td>312A</td> <td>3\"/> <tr> <td>320</td> <td>ETR</td> <td>-</td> <td>WD.</td> <td>J2</td> <td>PTD.</td> <td>-</td> <td>313</td> <td>3\"/> <tr> <td>321</td> <td>ETR</td> <td>-</td> <td>WD.</td> <td>J2</td> <td>PTD.</td> <td>-</td> <td>314</td> <td>3\"/> <tr> <td>322</td> <td>ETR</td> <td>-</td> <td>WD.</td> <td>J2</td> <td>PTD.</td> <td>-</td> <td>315</td> <td>3\"/> <tr> <td>323</td> <td>ETR</td> <td>-</td> <td>WD.</td> <td>J2</td> <td>PTD.</td> <td>-</td> <td>316A</td> <td>3\"/> <tr> <td>324</td> <td>ETR</td> <td>-</td> <td>WD.</td> <td>J2</td> <td>PTD.</td> <td>-</td> <td>318</td> <td>3\"/> <tr> <td>325</td> <td>A</td> <td>3\"/> <tr> <td>327</td> <td>ETR</td> <td>-</td> <td>WD.</td> <td>J2</td> <td>PTD.</td> <td>-</td> <td>319</td> <td>3\"/> <tr> <td>328</td> <td>ETR</td> <td>-</td> <td>WD.</td> <td>J2</td> <td>PTD.</td> <td>-</td> <td>320</td> <td>3\"/> <tr> <td>329A</td> <td>ETR</td> <td>-</td> <td>WD.</td> <td>J2</td> <td>PTD.</td> <td>-</td> <td>321</td> <td>3\"/> <tr> <td>329B</td> <td>ETR</td> <td>-</td> <td>WD.</td> <td>J2</td> <td>PTD.</td> <td>-</td> <td>322</td> <td>3\"/> <tr> <td>331</td> <td>ETR</td> <td>-</td> <td>WD.</td> <td>J2</td> <td>PTD.</td> <td>-</td> <td>323</td> <td>3\"/> <tr> <td>333</td> <td>ETR</td> <td>-</td> <td>WD.</td> <td>J2</td> <td>PTD.</td> <td>-</td> <td>324</td> <td>3\"/> <tr> <td>334A</td> <td>ETR</td> <td>-</td> <td>WD.</td> <td>J2</td> <td>PTD.</td> <td>-</td> <td>325</td> <td>3\"/> <tr> <td>334B</td> <td>ETR</td> <td>-</td> <td>WD.</td> <td>J2</td> <td>PTD.</td> <td>-</td> <td>327</td> <td>3\"/> <tr> <td>335A</td> <td>ETR</td> <td>-</td> <td>WD.</td> <td>J2</td> <td>PTD.</td> <td>-</td> <td>328</td> <td>3\"/> <tr> <td>335B</td> <td>B</td> <td>3\"/> <tr> <td>336</td> <td>B</td> <td>3\"/> <tr> <td>337</td> <td>ETR</td> <td>-</td> <td>WD.</td> <td>J2</td> <td>PTD.</td> <td>-</td> <td>329A</td> <td>3\"/> <tr> <td>339</td> <td>ETR</td> <td>-</td> <td>WD.</td> <td>J2</td> <td>PTD.</td> <td>-</td> <td>329B</td> <td>3\"/> <tr> <td>340</td> <td>A</td> <td>3\"/> <tr> <td>341A</td> <td>ETR</td> <td>-</td> <td>WD.</td> <td>J2</td> <td>PTD.</td> <td>-</td> <td>331</td> <td>3\"/> <tr> <td>341B</td> <td>ETR</td> <td>-</td> <td>WD.</td> <td>J2</td> <td>PTD.</td> <td>-</td> <td>333</td> <td>3\"/> <tr> <td>342</td> <td>ETR</td> <td>-</td> <td>WD.</td> <td>J2</td> <td>PTD.</td> <td>-</td> <td>334A</td> <td>3\"/> <tr> <td>344</td> <td>ETR</td> <td>-</td> <td>WD.</td> <td>J2</td> <td>PTD.</td> <td>-</td> <td>334B</td> <td>3\"/> <tr> <td>345</td> <td>ETR</td> <td>-</td> <td>WD.</td> <td>J2</td> <td>PTD.</td> <td>-</td> <td>335A</td> <td>3\"/> <tr> <td>346</td> <td>ETR</td> <td>-</td> <td>WD.</td> <td>J2</td> <td>PTD.</td> <td>-</td> <td>335B</td> <td>3\"/> <tr> <td>347</td> <td>ETR</td> <td>-</td> <td>WD.</td> <td>J2</td> <td>PTD.</td> <td>-</td> <td>336</td> <td>3\"/> <tr> <td>348</td> <td>ETR</td> <td>-</td> <td>WD.</td> <td>J2</td> <td>PTD.</td> <td>-</td> <td>337</td> <td>3\"/> <tr> <td>349</td> <td>ETR</td> <td>-</td> <td>WD.</td> <td>J2</td> <td>PTD.</td> <td>-</td> <td>339</td> <td>3\"/> <tr> <td>350</td> <td>ETR</td> <td>-</td> <td>WD.</td> <td>J2</td> <td>PTD.</td> <td>-</td> <td>340</td> <td>3\"/> </td></tr></td></tr></td></tr></td></tr></td></tr></td></tr></td></tr></td></tr></td></tr></td></tr></td></tr></td></tr></td></tr></td></tr></td></tr></td></tr></td></tr></td></tr></td></tr></td></tr></td></tr></td></tr></td></tr></td></tr></td></tr></td></tr></td></tr></td></tr></td></tr></td></tr></td></tr></td></tr> | 318 | ETR | -
 | WD. | J2 | PTD. | - | 311 | 3\"/> <tr> <td>319</td> <td>ETR</td> <td>-</td> <td>WD.</td> <td>J2</td> <td>PTD.</td> <td>-</td> <td>312A</td> <td>3\"/> <tr> <td>320</td> <td>ETR</td> <td>-</td> <td>WD.</td> <td>J2</td> <td>PTD.</td> <td>-</td> <td>313</td> <td>3\"/> <tr> <td>321</td> <td>ETR</td> <td>-</td> <td>WD.</td> <td>J2</td> <td>PTD.</td> <td>-</td> <td>314</td> <td>3\"/> <tr> <td>322</td> <td>ETR</td> <td>-</td> <td>WD.</td> <td>J2</td> <td>PTD.</td> <td>-</td> <td>315</td> <td>3\"/> <tr> <td>323</td> <td>ETR</td> <td>-</td> <td>WD.</td> <td>J2</td> <td>PTD.</td> <td>-</td> <td>316A</td> <td>3\"/> <tr> <td>324</td> <td>ETR</td> <td>-</td> <td>WD.</td> <td>J2</td> <td>PTD.</td> <td>-</td> <td>318</td> <td>3\"/> <tr> <td>325</td> <td>A</td> <td>3\"/> <tr> <td>327</td> <td>ETR</td> <td>-</td> <td>WD.</td> <td>J2</td> <td>PTD.</td> <td>-</td> <td>319</td> <td>3\"/> <tr> <td>328</td> <td>ETR</td> <td>-</td> <td>WD.</td> <td>J2</td> <td>PTD.</td> <td>-</td> <td>320</td> <td>3\"/> <tr> <td>329A</td> <td>ETR</td> <td>-</td> <td>WD.</td> <td>J2</td> <td>PTD.</td> <td>-</td> <td>321</td> <td>3\"/> <tr> <td>329B</td> <td>ETR</td> <td>-</td> <td>WD.</td> <td>J2</td> <td>PTD.</td> <td>-</td> <td>322</td> <td>3\"/> <tr> <td>331</td> <td>ETR</td> <td>-</td> <td>WD.</td> <td>J2</td> <td>PTD.</td> <td>-</td> <td>323</td> <td>3\"/> <tr> <td>333</td> <td>ETR</td> <td>-</td> <td>WD.</td> <td>J2</td> <td>PTD.</td> <td>-</td> <td>324</td> <td>3\"/> <tr> <td>334A</td> <td>ETR</td> <td>-</td> <td>WD.</td> <td>J2</td> <td>PTD.</td> <td>-</td> <td>325</td> <td>3\"/> <tr> <td>334B</td> <td>ETR</td> <td>-</td> <td>WD.</td> <td>J2</td> <td>PTD.</td> <td>-</td> <td>327</td> <td>3\"/> <tr> <td>335A</td> <td>ETR</td> <td>-</td> <td>WD.</td> <td>J2</td> <td>PTD.</td> <td>-</td> <td>328</td> <td>3\"/> <tr> <td>335B</td> <td>B</td> <td>3\"/> <tr> <td>336</td> <td>B</td> <td>3\"/> <tr> <td>337</td> <td>ETR</td> <td>-</td> <td>WD.</td> <td>J2</td> <td>PTD.</td> <td>-</td> <td>329A</td> <td>3\"/> <tr> <td>339</td> <td>ETR</td> <td>-</td> <td>WD.</td> <td>J2</td> <td>PTD.</td> <td>-</td> <td>329B</td> <td>3\"/> <tr> <td>340</td> <td>A</td> <td>3\"/> <tr> <td>341A</td> <td>ETR</td> <td>-</td> <td>WD.</td> <td>J2</td> <td>PTD.</td> <td>-</td> <td>331</td> <td>3\"/> <tr> <td>341B</td> <td>ETR</td> <td>-</td> <td>WD.</td> <td>J2</td> <td>PTD.</td> <td>-</td> <td>333</td> <td>3\"/> <tr> <td>342</td> <td>ETR</td> <td>-</td> <td>WD.</td> <td>J2</td> <td>PTD.</td> <td>-</td> <td>334A</td> <td>3\"/> <tr> <td>344</td> <td>ETR</td> <td>-</td> <td>WD.</td> <td>J2</td> <td>PTD.</td> <td>-</td> <td>334B</td> <td>3\"/> <tr>
<td>345</td> <td>ETR</td> <td>-</td> <td>WD.</td> <td>J2</td> <td>PTD.</td> <td>-</td> <td>335A</td> <td>3\"/> <tr> <td>346</td> <td>ETR</td> <td>-</td> <td>WD.</td> <td>J2</td> <td>PTD.</td> <td>-</td> <td>335B</td> <td>3\"/> <tr> <td>347</td> <td>ETR</td> <td>-</td> <td>WD.</td> <td>J2</td> <td>PTD.</td> <td>-</td> <td>336</td> <td>3\"/> <tr> <td>348</td> <td>ETR</td> <td>-</td> <td>WD.</td> <td>J2</td> <td>PTD.</td> <td>-</td> <td>337</td> <td>3\"/> <tr> <td>349</td> <td>ETR</td> <td>-</td> <td>WD.</td> <td>J2</td> <td>PTD.</td> <td>-</td> <td>339</td> <td>3\"/> <tr> <td>350</td> <td>ETR</td> <td>-</td> <td>WD.</td> <td>J2</td> <td>PTD.</td> <td>-</td> <td>340</td> <td>3\"/> </td></tr></td></tr></td></tr></td></tr></td></tr></td></tr></td></tr></td></tr></td></tr></td></tr></td></tr></td></tr></td></tr></td></tr></td></tr></td></tr></td></tr></td></tr></td></tr></td></tr></td></tr></td></tr></td></tr></td></tr></td></tr></td></tr></td></tr></td></tr></td></tr></td></tr></td></tr> | 319 | ETR | - | WD. | J2 | PTD.
 | - | 312A | 3\"/> <tr> <td>320</td> <td>ETR</td> <td>-</td> <td>WD.</td> <td>J2</td> <td>PTD.</td> <td>-</td> <td>313</td> <td>3\"/> <tr> <td>321</td> <td>ETR</td> <td>-</td> <td>WD.</td> <td>J2</td> <td>PTD.</td> <td>-</td> <td>314</td> <td>3\"/> <tr> <td>322</td> <td>ETR</td> <td>-</td> <td>WD.</td> <td>J2</td> <td>PTD.</td> <td>-</td> <td>315</td> <td>3\"/> <tr> <td>323</td> <td>ETR</td> <td>-</td> <td>WD.</td> <td>J2</td> <td>PTD.</td> <td>-</td> <td>316A</td> <td>3\"/> <tr> <td>324</td> <td>ETR</td> <td>-</td> <td>WD.</td> <td>J2</td> <td>PTD.</td> <td>-</td> <td>318</td> <td>3\"/> <tr> <td>325</td> <td>A</td> <td>3\"/> <tr> <td>327</td> <td>ETR</td> <td>-</td> <td>WD.</td> <td>J2</td> <td>PTD.</td> <td>-</td> <td>319</td> <td>3\"/> <tr> <td>328</td> <td>ETR</td> <td>-</td> <td>WD.</td> <td>J2</td> <td>PTD.</td> <td>-</td> <td>320</td> <td>3\"/> <tr> <td>329A</td> <td>ETR</td> <td>-</td> <td>WD.</td> <td>J2</td> <td>PTD.</td> <td>-</td> <td>321</td> <td>3\"/> <tr> <td>329B</td> <td>ETR</td> <td>-</td> <td>WD.</td> <td>J2</td> <td>PTD.</td> <td>-</td> <td>322</td> <td>3\"/> <tr> <td>331</td> <td>ETR</td> <td>-</td> <td>WD.</td> <td>J2</td> <td>PTD.</td> <td>-</td> <td>323</td> <td>3\"/> <tr> <td>333</td> <td>ETR</td> <td>-</td> <td>WD.</td> <td>J2</td> <td>PTD.</td> <td>-</td> <td>324</td> <td>3\"/> <tr> <td>334A</td> <td>ETR</td> <td>-</td> <td>WD.</td> <td>J2</td> <td>PTD.</td> <td>-</td> <td>325</td> <td>3\"/> <tr> <td>334B</td> <td>ETR</td> <td>-</td> <td>WD.</td> <td>J2</td> <td>PTD.</td> <td>-</td> <td>327</td> <td>3\"/> <tr> <td>335A</td> <td>ETR</td> <td>-</td> <td>WD.</td> <td>J2</td> <td>PTD.</td> <td>-</td> <td>328</td> <td>3\"/> <tr> <td>335B</td> <td>B</td> <td>3\"/> <tr> <td>336</td> <td>B</td> <td>3\"/> <tr> <td>337</td> <td>ETR</td> <td>-</td> <td>WD.</td> <td>J2</td> <td>PTD.</td> <td>-</td> <td>329A</td> <td>3\"/> <tr> <td>339</td> <td>ETR</td> <td>-</td> <td>WD.</td> <td>J2</td> <td>PTD.</td> <td>-</td> <td>329B</td> <td>3\"/> <tr> <td>340</td> <td>A</td> <td>3\"/> <tr> <td>341A</td> <td>ETR</td> <td>-</td> <td>WD.</td> <td>J2</td> <td>PTD.</td> <td>-</td> <td>331</td> <td>3\"/> <tr> <td>341B</td> <td>ETR</td> <td>-</td> <td>WD.</td> <td>J2</td> <td>PTD.</td> <td>-</td> <td>333</td> <td>3\"/> <tr> <td>342</td> <td>ETR</td> <td>-</td> <td>WD.</td> <td>J2</td> <td>PTD.</td> <td>-</td> <td>334A</td> <td>3\"/> <tr> <td>344</td> <td>ETR</td> <td>-</td> <td>WD.</td> <td>J2</td> <td>PTD.</td> <td>-</td> <td>334B</td> <td>3\"/> <tr> <td>345</td> <td>ETR</td> <td>-</td> <td>WD.</td> <td>J2</td> <td>PTD.</td> <td>-</td> <td>335A</td> <td>3\"/> <tr> <td>346</td> <td>ETR</td> <td>-</td> <td>WD.</td> <td>J2</td> <td>PTD.</td> <td>-</td> <td>335B</td> <td>3\"/> <tr> <td>347</td> <td>ETR</td> <td>-</td> <td>WD.</td> <td>J2</td> <td>PTD.</td> <td>-</td> <td>336</td> <td>3\"/> <tr> <td>348</td> <td>ETR</td> <td>-</td> <td>WD.</td> <td>J2</td> <td>PTD.</td> <td>-</td> <td>337</td> <td>3\"/> <tr> <td>349</td> <td>ETR</td> <td>-</td> <td>WD.</td> <td>J2</td> <td>PTD.</td> <td>-</td> <td>339</td> <td>3\"/> <tr> <td>350</td> <td>ETR</td> <td>-</td> <td>WD.</td> <td>J2</td> <td>PTD.</td> <td>-</td> <td>340</td> <td>3\"/> </td></tr></td></tr></td></tr></td></tr></td></tr></td></tr></td></tr></td></tr></td></tr></td></tr></td></tr></td></tr></td></tr></td></tr></td></tr></td></tr></td></tr></td></tr></td></tr></td></tr></td></tr></td></tr></td></tr></td></tr></td></tr></td></tr></td></tr></td></tr></td></tr></td></tr> | 320 | ETR | - | WD. | J2 | PTD.
 | - | 313 | 3\"/> <tr> <td>321</td> <td>ETR</td> <td>-</td> <td>WD.</td> <td>J2</td> <td>PTD.</td> <td>-</td> <td>314</td> <td>3\"/> <tr> <td>322</td> <td>ETR</td> <td>-</td> <td>WD.</td> <td>J2</td> <td>PTD.</td> <td>-</td> <td>315</td> <td>3\"/> <tr> <td>323</td> <td>ETR</td> <td>-</td> <td>WD.</td> <td>J2</td> <td>PTD.</td> <td>-</td> <td>316A</td> <td>3\"/> <tr> <td>324</td> <td>ETR</td> <td>-</td> <td>WD.</td> <td>J2</td> <td>PTD.</td> <td>-</td> <td>318</td> <td>3\"/> <tr> <td>325</td> <td>A</td> <td>3\"/> <tr> <td>327</td> <td>ETR</td> <td>-</td> <td>WD.</td> <td>J2</td> <td>PTD.</td> <td>-</td> <td>319</td> <td>3\"/> <tr> <td>328</td> <td>ETR</td> <td>-</td> <td>WD.</td> <td>J2</td> <td>PTD.</td> <td>-</td> <td>320</td> <td>3\"/> <tr> <td>329A</td> <td>ETR</td> <td>-</td> <td>WD.</td> <td>J2</td> <td>PTD.</td> <td>-</td> <td>321</td> <td>3\"/> <tr> <td>329B</td> <td>ETR</td> <td>-</td> <td>WD.</td> <td>J2</td> <td>PTD.</td> <td>-</td> <td>322</td> <td>3\"/> <tr> <td>331</td> <td>ETR</td> <td>-</td> <td>WD.</td> <td>J2</td> <td>PTD.</td> <td>-</td> <td>323</td> <td>3\"/> <tr> <td>333</td> <td>ETR</td> <td>-</td> <td>WD.</td> <td>J2</td> <td>PTD.</td> <td>-</td> <td>324</td> <td>3\"/> <tr> <td>334A</td> <td>ETR</td> <td>-</td> <td>WD.</td> <td>J2</td> <td>PTD.</td> <td>-</td> <td>325</td> <td>3\"/> <tr> <td>334B</td> <td>ETR</td> <td>-</td> <td>WD.</td> <td>J2</td> <td>PTD.</td> <td>-</td> <td>327</td> <td>3\"/> <tr> <td>335A</td> <td>ETR</td> <td>-</td> <td>WD.</td> <td>J2</td> <td>PTD.</td> <td>-</td> <td>328</td> <td>3\"/> <tr> <td>335B</td> <td>B</td> <td>3\"/> <tr> <td>336</td> <td>B</td> <td>3\"/> <tr> <td>337</td> <td>ETR</td> <td>-</td> <td>WD.</td> <td>J2</td> <td>PTD.</td> <td>-</td> <td>329A</td> <td>3\"/> <tr> <td>339</td> <td>ETR</td> <td>-</td> <td>WD.</td> <td>J2</td> <td>PTD.</td> <td>-</td> <td>329B</td> <td>3\"/> <tr> <td>340</td> <td>A</td> <td>3\"/> <tr> <td>341A</td> <td>ETR</td> <td>-</td> <td>WD.</td> <td>J2</td> <td>PTD.</td> <td>-</td> <td>331</td> <td>3\"/> <tr> <td>341B</td> <td>ETR</td> <td>-</td> <td>WD.</td> <td>J2</td> <td>PTD.</td> <td>-</td> <td>333</td> <td>3\"/> <tr> <td>342</td> <td>ETR</td> <td>-</td> <td>WD.</td> <td>J2</td> <td>PTD.</td> <td>-</td> <td>334A</td> <td>3\"/> <tr> <td>344</td> <td>ETR</td> <td>-</td> <td>WD.</td> <td>J2</td> <td>PTD.</td> <td>-</td> <td>334B</td> <td>3\"/> <tr> <td>345</td> <td>ETR</td> <td>-</td> <td>WD.</td> <td>J2</td> <td>PTD.</td> <td>-</td> <td>335A</td> <td>3\"/> <tr> <td>346</td> <td>ETR</td> <td>-</td> <td>WD.</td> <td>J2</td> <td>PTD.</td> <td>-</td> <td>335B</td> <td>3\"/> <tr> <td>347</td> <td>ETR</td> <td>-</td> <td>WD.</td> <td>J2</td> <td>PTD.</td> <td>-</td> <td>336</td> <td>3\"/> <tr> <td>348</td> <td>ETR</td> <td>-</td> <td>WD.</td> <td>J2</td> <td>PTD.</td> <td>-</td> <td>337</td> <td>3\"/> <tr> <td>349</td> <td>ETR</td> <td>-</td> <td>WD.</td> <td>J2</td> <td>PTD.</td> <td>-</td> <td>339</td> <td>3\"/> <tr> <td>350</td> <td>ETR</td> <td>-</td> <td>WD.</td> <td>J2</td> <td>PTD.</td> <td>-</td> <td>340</td> <td>3\"/> </td></tr></td></tr></td></tr></td></tr></td></tr></td></tr></td></tr></td></tr></td></tr></td></tr></td></tr></td></tr></td></tr></td></tr></td></tr></td></tr></td></tr></td></tr></td></tr></td></tr></td></tr></td></tr></td></tr></td></tr></td></tr></td></tr></td></tr></td></tr></td></tr> | 321 | ETR | -
 | WD. | J2 | PTD. | - | 314 | 3\"/> <tr> <td>322</td> <td>ETR</td> <td>-</td> <td>WD.</td> <td>J2</td> <td>PTD.</td> <td>-</td> <td>315</td> <td>3\"/> <tr> <td>323</td> <td>ETR</td> <td>-</td> <td>WD.</td> <td>J2</td> <td>PTD.</td> <td>-</td> <td>316A</td> <td>3\"/> <tr> <td>324</td> <td>ETR</td> <td>-</td> <td>WD.</td> <td>J2</td> <td>PTD.</td> <td>-</td> <td>318</td> <td>3\"/> <tr> <td>325</td> <td>A</td> <td>3\"/> <tr> <td>327</td> <td>ETR</td> <td>-</td> <td>WD.</td> <td>J2</td> <td>PTD.</td> <td>-</td> <td>319</td> <td>3\"/> <tr> <td>328</td> <td>ETR</td> <td>-</td> <td>WD.</td> <td>J2</td> <td>PTD.</td> <td>-</td> <td>320</td> <td>3\"/> <tr> <td>329A</td> <td>ETR</td> <td>-</td> <td>WD.</td> <td>J2</td> <td>PTD.</td> <td>-</td> <td>321</td> <td>3\"/> <tr> <td>329B</td> <td>ETR</td> <td>-</td> <td>WD.</td> <td>J2</td> <td>PTD.</td> <td>-</td> <td>322</td> <td>3\"/> <tr> <td>331</td> <td>ETR</td> <td>-</td> <td>WD.</td> <td>J2</td> <td>PTD.</td> <td>-</td> <td>323</td> <td>3\"/> <tr> <td>333</td> <td>ETR</td> <td>-</td> <td>WD.</td> <td>J2</td> <td>PTD.</td> <td>-</td> <td>324</td> <td>3\"/> <tr> <td>334A</td> <td>ETR</td> <td>-</td> <td>WD.</td> <td>J2</td> <td>PTD.</td> <td>-</td> <td>325</td> <td>3\"/> <tr> <td>334B</td> <td>ETR</td> <td>-</td> <td>WD.</td> <td>J2</td> <td>PTD.</td> <td>-</td> <td>327</td> <td>3\"/> <tr> <td>335A</td> <td>ETR</td> <td>-</td> <td>WD.</td> <td>J2</td> <td>PTD.</td> <td>-</td> <td>328</td> <td>3\"/> <tr> <td>335B</td> <td>B</td> <td>3\"/> <tr> <td>336</td> <td>B</td> <td>3\"/> <tr> <td>337</td> <td>ETR</td> <td>-</td> <td>WD.</td> <td>J2</td> <td>PTD.</td> <td>-</td> <td>329A</td> <td>3\"/> <tr> <td>339</td> <td>ETR</td> <td>-</td> <td>WD.</td> <td>J2</td> <td>PTD.</td> <td>-</td> <td>329B</td> <td>3\"/> <tr> <td>340</td> <td>A</td> <td>3\"/> <tr> <td>341A</td> <td>ETR</td> <td>-</td> <td>WD.</td> <td>J2</td> <td>PTD.</td> <td>-</td> <td>331</td> <td>3\"/> <tr> <td>341B</td> <td>ETR</td> <td>-</td> <td>WD.</td> <td>J2</td> <td>PTD.</td> <td>-</td> <td>333</td> <td>3\"/> <tr> <td>342</td> <td>ETR</td> <td>-</td> <td>WD.</td> <td>J2</td> <td>PTD.</td> <td>-</td> <td>334A</td> <td>3\"/> <tr> <td>344</td> <td>ETR</td> <td>-</td> <td>WD.</td> <td>J2</td> <td>PTD.</td> <td>-</td> <td>334B</td> <td>3\"/> <tr> <td>345</td> <td>ETR</td> <td>-</td> <td>WD.</td> <td>J2</td> <td>PTD.</td> <td>-</td> <td>335A</td> <td>3\"/> <tr> <td>346</td> <td>ETR</td> <td>-</td> <td>WD.</td> <td>J2</td> <td>PTD.</td> <td>-</td> <td>335B</td> <td>3\"/> <tr> <td>347</td> <td>ETR</td> <td>-</td> <td>WD.</td> <td>J2</td> <td>PTD.</td> <td>-</td> <td>336</td> <td>3\"/> <tr> <td>348</td> <td>ETR</td> <td>-</td> <td>WD.</td> <td>J2</td> <td>PTD.</td> <td>-</td> <td>337</td> <td>3\"/> <tr> <td>349</td> <td>ETR</td> <td>-</td> <td>WD.</td> <td>J2</td> <td>PTD.</td> <td>-</td> <td>339</td> <td>3\"/> <tr> <td>350</td> <td>ETR</td> <td>-</td> <td>WD.</td> <td>J2</td> <td>PTD.</td> <td>-</td> <td>340</td> <td>3\"/> </td></tr></td></tr></td></tr></td></tr></td></tr></td></tr></td></tr></td></tr></td></tr></td></tr></td></tr></td></tr></td></tr></td></tr></td></tr></td></tr></td></tr></td></tr></td></tr></td></tr></td></tr></td></tr></td></tr></td></tr></td></tr></td></tr></td></tr></td></tr> | 322 | ETR | -
 | WD. | J2 | PTD. | - | 315 | 3\"/> <tr> <td>323</td> <td>ETR</td> <td>-</td> <td>WD.</td> <td>J2</td> <td>PTD.</td> <td>-</td> <td>316A</td> <td>3\"/> <tr> <td>324</td> <td>ETR</td> <td>-</td> <td>WD.</td> <td>J2</td> <td>PTD.</td> <td>-</td> <td>318</td> <td>3\"/> <tr> <td>325</td> <td>A</td> <td>3\"/> <tr> <td>327</td> <td>ETR</td> <td>-</td> <td>WD.</td> <td>J2</td> <td>PTD.</td> <td>-</td> <td>319</td> <td>3\"/> <tr> <td>328</td> <td>ETR</td> <td>-</td> <td>WD.</td> <td>J2</td> <td>PTD.</td> <td>-</td> <td>320</td> <td>3\"/> <tr> <td>329A</td> <td>ETR</td> <td>-</td> <td>WD.</td> <td>J2</td> <td>PTD.</td> <td>-</td> <td>321</td> <td>3\"/> <tr> <td>329B</td> <td>ETR</td> <td>-</td> <td>WD.</td> <td>J2</td> <td>PTD.</td> <td>-</td> <td>322</td> <td>3\"/> <tr> <td>331</td> <td>ETR</td> <td>-</td> <td>WD.</td> <td>J2</td> <td>PTD.</td> <td>-</td> <td>323</td> <td>3\"/> <tr> <td>333</td> <td>ETR</td> <td>-</td> <td>WD.</td> <td>J2</td> <td>PTD.</td> <td>-</td> <td>324</td> <td>3\"/> <tr> <td>334A</td> <td>ETR</td> <td>-</td> <td>WD.</td> <td>J2</td> <td>PTD.</td> <td>-</td> <td>325</td> <td>3\"/> <tr> <td>334B</td> <td>ETR</td> <td>-</td> <td>WD.</td> <td>J2</td> <td>PTD.</td> <td>-</td> <td>327</td> <td>3\"/> <tr> <td>335A</td> <td>ETR</td> <td>-</td> <td>WD.</td> <td>J2</td> <td>PTD.</td> <td>-</td> <td>328</td> <td>3\"/> <tr> <td>335B</td> <td>B</td> <td>3\"/> <tr> <td>336</td> <td>B</td> <td>3\"/> <tr> <td>337</td> <td>ETR</td> <td>-</td> <td>WD.</td> <td>J2</td> <td>PTD.</td> <td>-</td> <td>329A</td> <td>3\"/> <tr> <td>339</td> <td>ETR</td> <td>-</td> <td>WD.</td> <td>J2</td> <td>PTD.</td> <td>-</td> <td>329B</td> <td>3\"/> <tr> <td>340</td> <td>A</td> <td>3\"/> <tr> <td>341A</td> <td>ETR</td> <td>-</td> <td>WD.</td> <td>J2</td> <td>PTD.</td> <td>-</td> <td>331</td> <td>3\"/> <tr> <td>341B</td> <td>ETR</td> <td>-</td> <td>WD.</td> <td>J2</td> <td>PTD.</td> <td>-</td> <td>333</td> <td>3\"/> <tr> <td>342</td> <td>ETR</td> <td>-</td> <td>WD.</td> <td>J2</td> <td>PTD.</td> <td>-</td> <td>334A</td> <td>3\"/> <tr> <td>344</td> <td>ETR</td> <td>-</td> <td>WD.</td> <td>J2</td> <td>PTD.</td> <td>-</td> <td>334B</td> <td>3\"/> <tr> <td>345</td> <td>ETR</td> <td>-</td> <td>WD.</td> <td>J2</td> <td>PTD.</td> <td>-</td> <td>335A</td> <td>3\"/> <tr> <td>346</td> <td>ETR</td> <td>-</td> <td>WD.</td> <td>J2</td> <td>PTD.</td> <td>-</td> <td>335B</td> <td>3\"/> <tr> <td>347</td> <td>ETR</td> <td>-</td> <td>WD.</td> <td>J2</td> <td>PTD.</td> <td>-</td> <td>336</td> <td>3\"/> <tr> <td>348</td> <td>ETR</td> <td>-</td> <td>WD.</td> <td>J2</td> <td>PTD.</td> <td>-</td> <td>337</td> <td>3\"/> <tr> <td>349</td> <td>ETR</td> <td>-</td> <td>WD.</td> <td>J2</td> <td>PTD.</td> <td>-</td> <td>339</td> <td>3\"/> <tr> <td>350</td> <td>ETR</td> <td>-</td> <td>WD.</td> <td>J2</td> <td>PTD.</td> <td>-</td> <td>340</td> <td>3\"/> </td></tr></td></tr></td></tr></td></tr></td></tr></td></tr></td></tr></td></tr></td></tr></td></tr></td></tr></td></tr></td></tr></td></tr></td></tr></td></tr></td></tr></td></tr></td></tr></td></tr></td></tr></td></tr></td></tr></td></tr></td></tr></td></tr></td></tr>
 | 323 | ETR | - | WD. | J2 | PTD. | - | 316A | 3\"/> <tr> <td>324</td> <td>ETR</td> <td>-</td> <td>WD.</td> <td>J2</td> <td>PTD.</td> <td>-</td> <td>318</td> <td>3\"/> <tr> <td>325</td> <td>A</td> <td>3\"/> <tr> <td>327</td> <td>ETR</td> <td>-</td> <td>WD.</td> <td>J2</td> <td>PTD.</td> <td>-</td> <td>319</td> <td>3\"/> <tr> <td>328</td> <td>ETR</td> <td>-</td> <td>WD.</td> <td>J2</td> <td>PTD.</td> <td>-</td> <td>320</td> <td>3\"/> <tr> <td>329A</td> <td>ETR</td> <td>-</td> <td>WD.</td> <td>J2</td> <td>PTD.</td> <td>-</td> <td>321</td> <td>3\"/> <tr> <td>329B</td> <td>ETR</td> <td>-</td> <td>WD.</td> <td>J2</td> <td>PTD.</td> <td>-</td> <td>322</td> <td>3\"/> <tr> <td>331</td> <td>ETR</td> <td>-</td> <td>WD.</td> <td>J2</td> <td>PTD.</td> <td>-</td> <td>323</td> <td>3\"/> <tr> <td>333</td> <td>ETR</td> <td>-</td> <td>WD.</td> <td>J2</td> <td>PTD.</td> <td>-</td> <td>324</td> <td>3\"/> <tr> <td>334A</td> <td>ETR</td> <td>-</td> <td>WD.</td> <td>J2</td> <td>PTD.</td> <td>-</td> <td>325</td> <td>3\"/> <tr> <td>334B</td> <td>ETR</td> <td>-</td> <td>WD.</td> <td>J2</td> <td>PTD.</td> <td>-</td> <td>327</td> <td>3\"/> <tr> <td>335A</td> <td>ETR</td> <td>-</td> <td>WD.</td> <td>J2</td> <td>PTD.</td> <td>-</td> <td>328</td> <td>3\"/> <tr> <td>335B</td> <td>B</td> <td>3\"/> <tr> <td>336</td> <td>B</td> <td>3\"/> <tr> <td>337</td> <td>ETR</td> <td>-</td> <td>WD.</td> <td>J2</td> <td>PTD.</td> <td>-</td> <td>329A</td> <td>3\"/> <tr> <td>339</td> <td>ETR</td> <td>-</td> <td>WD.</td> <td>J2</td> <td>PTD.</td> <td>-</td> <td>329B</td> <td>3\"/> <tr> <td>340</td> <td>A</td> <td>3\"/> <tr> <td>341A</td> <td>ETR</td> <td>-</td> <td>WD.</td> <td>J2</td> <td>PTD.</td> <td>-</td> <td>331</td> <td>3\"/> <tr> <td>341B</td> <td>ETR</td> <td>-</td> <td>WD.</td>
<td>J2</td> <td>PTD.</td> <td>-</td> <td>333</td> <td>3\"/> <tr> <td>342</td> <td>ETR</td> <td>-</td> <td>WD.</td> <td>J2</td> <td>PTD.</td> <td>-</td> <td>334A</td> <td>3\"/> <tr> <td>344</td> <td>ETR</td> <td>-</td> <td>WD.</td> <td>J2</td> <td>PTD.</td> <td>-</td> <td>334B</td> <td>3\"/> <tr> <td>345</td> <td>ETR</td> <td>-</td> <td>WD.</td> <td>J2</td> <td>PTD.</td> <td>-</td> <td>335A</td> <td>3\"/> <tr> <td>346</td> <td>ETR</td> <td>-</td> <td>WD.</td> <td>J2</td> <td>PTD.</td> <td>-</td> <td>335B</td> <td>3\"/> <tr> <td>347</td> <td>ETR</td> <td>-</td> <td>WD.</td> <td>J2</td> <td>PTD.</td> <td>-</td> <td>336</td> <td>3\"/> <tr> <td>348</td> <td>ETR</td> <td>-</td> <td>WD.</td> <td>J2</td> <td>PTD.</td> <td>-</td> <td>337</td> <td>3\"/> <tr> <td>349</td> <td>ETR</td> <td>-</td> <td>WD.</td> <td>J2</td> <td>PTD.</td> <td>-</td> <td>339</td> <td>3\"/> <tr> <td>350</td> <td>ETR</td> <td>-</td> <td>WD.</td> <td>J2</td> <td>PTD.</td> <td>-</td> <td>340</td> <td>3\"/> </td></tr></td></tr></td></tr></td></tr></td></tr></td></tr></td></tr></td></tr></td></tr></td></tr></td></tr></td></tr></td></tr></td></tr></td></tr></td></tr></td></tr></td></tr></td></tr></td></tr></td></tr></td></tr></td></tr></td></tr></td></tr></td></tr> | 324 | ETR | - | WD. | J2 | PTD. | - | 318 | 3\"/> <tr> <td>325</td> <td>A</td> <td>3\"/> <tr> <td>327</td> <td>ETR</td> <td>-</td> <td>WD.</td> <td>J2</td> <td>PTD.</td> <td>-</td> <td>319</td> <td>3\"/> <tr> <td>328</td> <td>ETR</td> <td>-</td> <td>WD.</td> <td>J2</td> <td>PTD.</td> <td>-</td> <td>320</td> <td>3\"/> <tr> <td>329A</td> <td>ETR</td> <td>-</td> <td>WD.</td> <td>J2</td> <td>PTD.</td> <td>-</td> <td>321</td> <td>3\"/> <tr> <td>329B</td> <td>ETR</td> <td>-</td> <td>WD.</td> <td>J2</td> <td>PTD.</td> <td>-</td> <td>322</td> <td>3\"/> <tr> <td>331</td> <td>ETR</td> <td>-</td> <td>WD.</td> <td>J2</td> <td>PTD.</td> <td>-</td> <td>323</td> <td>3\"/> <tr> <td>333</td> <td>ETR</td> <td>-</td> <td>WD.</td> <td>J2</td>
<td>PTD.</td> <td>-</td> <td>324</td> <td>3\"/> <tr> <td>334A</td> <td>ETR</td> <td>-</td> <td>WD.</td> <td>J2</td> <td>PTD.</td> <td>-</td> <td>325</td> <td>3\"/> <tr> <td>334B</td> <td>ETR</td> <td>-</td> <td>WD.</td> <td>J2</td> <td>PTD.</td> <td>-</td> <td>327</td> <td>3\"/> <tr> <td>335A</td> <td>ETR</td> <td>-</td> <td>WD.</td> <td>J2</td> <td>PTD.</td> <td>-</td> <td>328</td> <td>3\"/> <tr> <td>335B</td> <td>B</td> <td>3\"/> <tr> <td>336</td> <td>B</td> <td>3\"/> <tr> <td>337</td> <td>ETR</td> <td>-</td> <td>WD.</td> <td>J2</td> <td>PTD.</td> <td>-</td> <td>329A</td> <td>3\"/> <tr> <td>339</td> <td>ETR</td> <td>-</td> <td>WD.</td> <td>J2</td> <td>PTD.</td> <td>-</td> <td>329B</td> <td>3\"/> <tr> <td>340</td> <td>A</td> <td>3\"/> <tr> <td>341A</td> <td>ETR</td> <td>-</td> <td>WD.</td> <td>J2</td> <td>PTD.</td> <td>-</td> <td>331</td> <td>3\"/> <tr> <td>341B</td> <td>ETR</td> <td>-</td> <td>WD.</td> <td>J2</td> <td>PTD.</td> <td>-</td> <td>333</td> <td>3\"/> <tr> <td>342</td> <td>ETR</td> <td>-</td> <td>WD.</td> <td>J2</td> <td>PTD.</td> <td>-</td> <td>334A</td> <td>3\"/> <tr> <td>344</td> <td>ETR</td> <td>-</td> <td>WD.</td> <td>J2</td> <td>PTD.</td> <td>-</td> <td>334B</td> <td>3\"/> <tr> <td>345</td> <td>ETR</td> <td>-</td> <td>WD.</td> <td>J2</td> <td>PTD.</td> <td>-</td> <td>335A</td> <td>3\"/> <tr> <td>346</td> <td>ETR</td> <td>-</td> <td>WD.</td> <td>J2</td> <td>PTD.</td> <td>-</td> <td>335B</td> <td>3\"/> <tr> <td>347</td> <td>ETR</td> <td>-</td> <td>WD.</td> <td>J2</td> <td>PTD.</td> <td>-</td> <td>336</td> <td>3\"/> <tr> <td>348</td> <td>ETR</td> <td>-</td> <td>WD.</td> <td>J2</td> <td>PTD.</td> <td>-</td> <td>337</td> <td>3\"/> <tr> <td>349</td> <td>ETR</td> <td>-</td> <td>WD.</td> <td>J2</td> <td>PTD.</td> <td>-</td> <td>339</td> <td>3\"/> <tr> <td>350</td> <td>ETR</td> <td>-</td> <td>WD.</td> <td>J2</td> <td>PTD.</td> <td>-</td> <td>340</td> <td>3\"/> </td></tr></td></tr></td></tr></td></tr></td></tr></td></tr></td></tr></td></tr></td></tr></td></tr></td></tr></td></tr></td></tr></td></tr></td></tr></td></tr></td></tr></td></tr></td></tr></td></tr></td></tr></td></tr></td></tr></td></tr></td></tr> | 325 | A | 3\"/> <tr> <td>327</td> <td>ETR</td> <td>-</td> <td>WD.</td> <td>J2</td> <td>PTD.</td> <td>-</td> <td>319</td> <td>3\"/> <tr> <td>328</td> <td>ETR</td> <td>-</td> <td>WD.</td> <td>J2</td> <td>PTD.</td> <td>-</td> <td>320</td> <td>3\"/> <tr> <td>329A</td> <td>ETR</td> <td>-</td> <td>WD.</td> <td>J2</td> <td>PTD.</td> <td>-</td> <td>321</td> <td>3\"/> <tr> <td>329B</td> <td>ETR</td> <td>-</td> <td>WD.</td> <td>J2</td> <td>PTD.</td> <td>-</td> <td>322</td> <td>3\"/> <tr> <td>331</td> <td>ETR</td> <td>-</td> <td>WD.</td> <td>J2</td> <td>PTD.</td> <td>-</td> <td>323</td> <td>3\"/> <tr> <td>333</td> <td>ETR</td> <td>-</td> <td>WD.</td> <td>J2</td> <td>PTD.</td> <td>-</td> <td>324</td> <td>3\"/> <tr> <td>334A</td> <td>ETR</td> <td>-</td> <td>WD.</td> <td>J2</td> <td>PTD.</td> <td>-</td> <td>325</td> <td>3\"/> <tr> <td>334B</td> <td>ETR</td> <td>-</td> <td>WD.</td> <td>J2</td> <td>PTD.</td> <td>-</td> <td>327</td> <td>3\"/> <tr> <td>335A</td> <td>ETR</td> <td>-</td> <td>WD.</td> <td>J2</td> <td>PTD.</td> <td>-</td> <td>328</td> <td>3\"/> <tr> <td>335B</td> <td>B</td> <td>3\"/> <tr> <td>336</td> <td>B</td> <td>3\"/> <tr> <td>337</td> <td>ETR</td> <td>-</td> <td>WD.</td> <td>J2</td> <td>PTD.</td> <td>-</td> <td>329A</td> <td>3\"/> <tr> <td>339</td> <td>ETR</td> <td>-</td> <td>WD.</td> <td>J2</td> <td>PTD.</td> <td>-</td> <td>329B</td> <td>3\"/> <tr> <td>340</td> <td>A</td> <td>3\"/> <tr> <td>341A</td> <td>ETR</td> <td>-</td> <td>WD.</td> <td>J2</td> <td>PTD.</td> <td>-</td> <td>331</td> <td>3\"/> <tr> <td>341B</td> <td>ETR</td> <td>-</td> <td>WD.</td> <td>J2</td> <td>PTD.</td> <td>-</td> <td>333</td> <td>3\"/> <tr> <td>342</td> <td>ETR</td> <td>-</td> <td>WD.</td> <td>J2</td> <td>PTD.</td> <td>-</td> <td>334A</td> <td>3\"/> <tr> <td>344</td> <td>ETR</td> <td>-</td> <td>WD.</td> <td>J2</td> <td>PTD.</td> <td>-</td> <td>334B</td> <td>3\"/> <tr> <td>345</td> <td>ETR</td> <td>-</td> <td>WD.</td> <td>J2</td> <td>PTD.</td> <td>-</td> <td>335A</td> <td>3\"/> <tr> <td>346</td> <td>ETR</td> <td>-</td> <td>WD.</td> <td>J2</td> <td>PTD.</td> <td>-</td> <td>335B</td> <td>3\"/> <tr> <td>347</td> <td>ETR</td> <td>-</td> <td>WD.</td> <td>J2</td> <td>PTD.</td> <td>-</td> <td>336</td> <td>3\"/> <tr> <td>348</td> <td>ETR</td> <td>-</td> <td>WD.</td> <td>J2</td> <td>PTD.</td> <td>-</td> <td>337</td> <td>3\"/> <tr> <td>349</td> <td>ETR</td> <td>-</td> <td>WD.</td> <td>J2</td> <td>PTD.</td> <td>-</td> <td>339</td> <td>3\"/> <tr> <td>350</td> <td>ETR</td> <td>-</td> <td>WD.</td> <td>J2</td> <td>PTD.</td> <td>-</td> <td>340</td> <td>3\"/> </td></tr></td></tr></td></tr></td></tr></td></tr></td></tr></td></tr></td></tr></td></tr></td></tr></td></tr></td></tr></td></tr></td></tr></td></tr></td></tr></td></tr></td></tr></td></tr></td></tr></td></tr></td></tr></td></tr></td></tr> | 327 | ETR | - | WD. | J2 | PTD.
 | - | 319 | 3\"/> <tr> <td>328</td> <td>ETR</td> <td>-</td> <td>WD.</td> <td>J2</td> <td>PTD.</td> <td>-</td> <td>320</td> <td>3\"/> <tr> <td>329A</td> <td>ETR</td> <td>-</td> <td>WD.</td> <td>J2</td> <td>PTD.</td> <td>-</td> <td>321</td> <td>3\"/> <tr> <td>329B</td> <td>ETR</td> <td>-</td> <td>WD.</td> <td>J2</td> <td>PTD.</td> <td>-</td> <td>322</td> <td>3\"/> <tr> <td>331</td> <td>ETR</td> <td>-</td> <td>WD.</td> <td>J2</td> <td>PTD.</td> <td>-</td> <td>323</td> <td>3\"/> <tr> <td>333</td> <td>ETR</td> <td>-</td> <td>WD.</td> <td>J2</td> <td>PTD.</td> <td>-</td> <td>324</td> <td>3\"/> <tr> <td>334A</td> <td>ETR</td> <td>-</td> <td>WD.</td> <td>J2</td> <td>PTD.</td> <td>-</td> <td>325</td> <td>3\"/> <tr> <td>334B</td> <td>ETR</td> <td>-</td> <td>WD.</td> <td>J2</td> <td>PTD.</td> <td>-</td> <td>327</td> <td>3\"/> <tr> <td>335A</td> <td>ETR</td> <td>-</td> <td>WD.</td> <td>J2</td> <td>PTD.</td> <td>-</td> <td>328</td> <td>3\"/> <tr> <td>335B</td> <td>B</td> <td>3\"/> <tr> <td>336</td> <td>B</td> <td>3\"/> <tr> <td>337</td> <td>ETR</td> <td>-</td> <td>WD.</td> <td>J2</td> <td>PTD.</td> <td>-</td> <td>329A</td> <td>3\"/> <tr> <td>339</td> <td>ETR</td> <td>-</td> <td>WD.</td> <td>J2</td> <td>PTD.</td> <td>-</td> <td>329B</td> <td>3\"/> <tr> <td>340</td> <td>A</td> <td>3\"/> <tr> <td>341A</td> <td>ETR</td> <td>-</td> <td>WD.</td> <td>J2</td> <td>PTD.</td> <td>-</td> <td>331</td> <td>3\"/> <tr> <td>341B</td> <td>ETR</td> <td>-</td> <td>WD.</td> <td>J2</td> <td>PTD.</td> <td>-</td> <td>333</td> <td>3\"/> <tr> <td>342</td> <td>ETR</td> <td>-</td> <td>WD.</td> <td>J2</td> <td>PTD.</td> <td>-</td> <td>334A</td> <td>3\"/> <tr> <td>344</td> <td>ETR</td> <td>-</td> <td>WD.</td> <td>J2</td> <td>PTD.</td> <td>-</td> <td>334B</td> <td>3\"/> <tr> <td>345</td> <td>ETR</td> <td>-</td> <td>WD.</td> <td>J2</td> <td>PTD.</td> <td>-</td> <td>335A</td> <td>3\"/> <tr> <td>346</td> <td>ETR</td> <td>-</td> <td>WD.</td> <td>J2</td> <td>PTD.</td> <td>-</td> <td>335B</td> <td>3\"/> <tr> <td>347</td> <td>ETR</td> <td>-</td> <td>WD.</td> <td>J2</td> <td>PTD.</td> <td>-</td> <td>336</td> <td>3\"/> <tr> <td>348</td> <td>ETR</td> <td>-</td> <td>WD.</td> <td>J2</td> <td>PTD.</td> <td>-</td> <td>337</td> <td>3\"/> <tr> <td>349</td> <td>ETR</td> <td>-</td> <td>WD.</td> <td>J2</td> <td>PTD.</td> <td>-</td> <td>339</td> <td>3\"/> <tr> <td>350</td> <td>ETR</td> <td>-</td> <td>WD.</td> <td>J2</td> <td>PTD.</td> <td>-</td> <td>340</td> <td>3\"/> </td></tr></td></tr></td></tr></td></tr></td></tr></td></tr></td></tr></td></tr></td></tr></td></tr></td></tr></td></tr></td></tr></td></tr></td></tr></td></tr></td></tr></td></tr></td></tr></td></tr></td></tr></td></tr></td></tr> | 328 | ETR | -
 | WD. | J2 | PTD. | - | 320 | 3\"/> <tr> <td>329A</td> <td>ETR</td> <td>-</td> <td>WD.</td> <td>J2</td> <td>PTD.</td> <td>-</td> <td>321</td> <td>3\"/> <tr> <td>329B</td> <td>ETR</td> <td>-</td> <td>WD.</td> <td>J2</td> <td>PTD.</td> <td>-</td> <td>322</td> <td>3\"/> <tr> <td>331</td> <td>ETR</td> <td>-</td> <td>WD.</td> <td>J2</td> <td>PTD.</td> <td>-</td> <td>323</td> <td>3\"/> <tr> <td>333</td> <td>ETR</td> <td>-</td> <td>WD.</td> <td>J2</td> <td>PTD.</td> <td>-</td> <td>324</td> <td>3\"/> <tr> <td>334A</td> <td>ETR</td> <td>-</td> <td>WD.</td> <td>J2</td> <td>PTD.</td> <td>-</td> <td>325</td> <td>3\"/> <tr> <td>334B</td> <td>ETR</td> <td>-</td> <td>WD.</td> <td>J2</td> <td>PTD.</td> <td>-</td> <td>327</td> <td>3\"/> <tr> <td>335A</td> <td>ETR</td> <td>-</td> <td>WD.</td> <td>J2</td> <td>PTD.</td> <td>-</td> <td>328</td> <td>3\"/> <tr> <td>335B</td> <td>B</td> <td>3\"/> <tr> <td>336</td> <td>B</td> <td>3\"/> <tr> <td>337</td> <td>ETR</td> <td>-</td> <td>WD.</td> <td>J2</td> <td>PTD.</td> <td>-</td> <td>329A</td> <td>3\"/> <tr> <td>339</td> <td>ETR</td> <td>-</td> <td>WD.</td> <td>J2</td> <td>PTD.</td> <td>-</td> <td>329B</td> <td>3\"/> <tr> <td>340</td> <td>A</td> <td>3\"/> <tr> <td>341A</td> <td>ETR</td> <td>-</td> <td>WD.</td> <td>J2</td> <td>PTD.</td> <td>-</td> <td>331</td> <td>3\"/> <tr> <td>341B</td> <td>ETR</td> <td>-</td> <td>WD.</td> <td>J2</td> <td>PTD.</td> <td>-</td> <td>333</td> <td>3\"/> <tr> <td>342</td> <td>ETR</td> <td>-</td> <td>WD.</td> <td>J2</td> <td>PTD.</td> <td>-</td> <td>334A</td> <td>3\"/> <tr> <td>344</td> <td>ETR</td> <td>-</td> <td>WD.</td> <td>J2</td> <td>PTD.</td> <td>-</td> <td>334B</td> <td>3\"/> <tr> <td>345</td> <td>ETR</td> <td>-</td> <td>WD.</td> <td>J2</td> <td>PTD.</td> <td>-</td> <td>335A</td> <td>3\"/> <tr> <td>346</td> <td>ETR</td> <td>-</td> <td>WD.</td> <td>J2</td> <td>PTD.</td> <td>-</td> <td>335B</td> <td>3\"/> <tr> <td>347</td> <td>ETR</td> <td>-</td> <td>WD.</td> <td>J2</td> <td>PTD.</td> <td>-</td> <td>336</td> <td>3\"/> <tr> <td>348</td> <td>ETR</td> <td>-</td> <td>WD.</td> <td>J2</td> <td>PTD.</td> <td>-</td> <td>337</td> <td>3\"/> <tr> <td>349</td> <td>ETR</td> <td>-</td> <td>WD.</td> <td>J2</td> <td>PTD.</td> <td>-</td> <td>339</td> <td>3\"/> <tr> <td>350</td> <td>ETR</td> <td>-</td> <td>WD.</td> <td>J2</td> <td>PTD.</td> <td>-</td> <td>340</td> <td>3\"/> </td></tr></td></tr></td></tr></td></tr></td></tr></td></tr></td></tr></td></tr></td></tr></td></tr></td></tr></td></tr></td></tr></td></tr></td></tr></td></tr></td></tr></td></tr></td></tr></td></tr></td></tr></td></tr> | 329A | ETR | -
 | WD. | J2 | PTD. | - | 321 | 3\"/> <tr> <td>329B</td> <td>ETR</td> <td>-</td> <td>WD.</td> <td>J2</td> <td>PTD.</td> <td>-</td> <td>322</td> <td>3\"/> <tr> <td>331</td> <td>ETR</td> <td>-</td> <td>WD.</td> <td>J2</td> <td>PTD.</td> <td>-</td> <td>323</td> <td>3\"/> <tr> <td>333</td> <td>ETR</td> <td>-</td> <td>WD.</td> <td>J2</td> <td>PTD.</td> <td>-</td> <td>324</td> <td>3\"/> <tr> <td>334A</td> <td>ETR</td> <td>-</td> <td>WD.</td> <td>J2</td> <td>PTD.</td> <td>-</td> <td>325</td> <td>3\"/> <tr> <td>334B</td> <td>ETR</td> <td>-</td> <td>WD.</td> <td>J2</td> <td>PTD.</td> <td>-</td> <td>327</td> <td>3\"/> <tr> <td>335A</td> <td>ETR</td> <td>-</td> <td>WD.</td> <td>J2</td> <td>PTD.</td> <td>-</td> <td>328</td> <td>3\"/> <tr> <td>335B</td> <td>B</td> <td>3\"/> <tr> <td>336</td> <td>B</td> <td>3\"/> <tr> <td>337</td> <td>ETR</td> <td>-</td> <td>WD.</td> <td>J2</td> <td>PTD.</td> <td>-</td> <td>329A</td> <td>3\"/> <tr> <td>339</td> <td>ETR</td> <td>-</td> <td>WD.</td> <td>J2</td> <td>PTD.</td> <td>-</td> <td>329B</td> <td>3\"/> <tr> <td>340</td> <td>A</td> <td>3\"/> <tr> <td>341A</td> <td>ETR</td> <td>-</td> <td>WD.</td> <td>J2</td> <td>PTD.</td> <td>-</td> <td>331</td> <td>3\"/> <tr> <td>341B</td> <td>ETR</td> <td>-</td> <td>WD.</td> <td>J2</td> <td>PTD.</td> <td>-</td> <td>333</td> <td>3\"/> <tr> <td>342</td> <td>ETR</td> <td>-</td> <td>WD.</td> <td>J2</td> <td>PTD.</td> <td>-</td> <td>334A</td> <td>3\"/> <tr> <td>344</td> <td>ETR</td> <td>-</td> <td>WD.</td> <td>J2</td> <td>PTD.</td> <td>-</td> <td>334B</td> <td>3\"/> <tr> <td>345</td> <td>ETR</td> <td>-</td> <td>WD.</td> <td>J2</td> <td>PTD.</td> <td>-</td> <td>335A</td> <td>3\"/> <tr> <td>346</td> <td>ETR</td> <td>-</td> <td>WD.</td> <td>J2</td> <td>PTD.</td> <td>-</td> <td>335B</td> <td>3\"/> <tr> <td>347</td> <td>ETR</td> <td>-</td> <td>WD.</td> <td>J2</td> <td>PTD.</td> <td>-</td> <td>336</td> <td>3\"/> <tr> <td>348</td> <td>ETR</td> <td>-</td> <td>WD.</td> <td>J2</td> <td>PTD.</td> <td>-</td> <td>337</td> <td>3\"/> <tr> <td>349</td> <td>ETR</td> <td>-</td> <td>WD.</td> <td>J2</td> <td>PTD.</td> <td>-</td> <td>339</td> <td>3\"/> <tr> <td>350</td> <td>ETR</td> <td>-</td> <td>WD.</td> <td>J2</td> <td>PTD.</td> <td>-</td> <td>340</td> <td>3\"/> </td></tr></td></tr></td></tr></td></tr></td></tr></td></tr></td></tr></td></tr></td></tr></td></tr></td></tr></td></tr></td></tr></td></tr></td></tr></td></tr></td></tr></td></tr></td></tr></td></tr></td></tr> | 329B | ETR | - | WD. | J2 | PTD.
 | - | 322 | 3\"/> <tr> <td>331</td> <td>ETR</td> <td>-</td> <td>WD.</td> <td>J2</td> <td>PTD.</td> <td>-</td> <td>323</td> <td>3\"/> <tr> <td>333</td> <td>ETR</td> <td>-</td> <td>WD.</td> <td>J2</td> <td>PTD.</td> <td>-</td> <td>324</td> <td>3\"/> <tr> <td>334A</td> <td>ETR</td> <td>-</td> <td>WD.</td> <td>J2</td> <td>PTD.</td> <td>-</td> <td>325</td> <td>3\"/> <tr> <td>334B</td> <td>ETR</td> <td>-</td> <td>WD.</td> <td>J2</td> <td>PTD.</td> <td>-</td> <td>327</td> <td>3\"/> <tr> <td>335A</td> <td>ETR</td> <td>-</td> <td>WD.</td> <td>J2</td> <td>PTD.</td> <td>-</td> <td>328</td> <td>3\"/> <tr> <td>335B</td> <td>B</td> <td>3\"/> <tr> <td>336</td> <td>B</td> <td>3\"/> <tr> <td>337</td> <td>ETR</td> <td>-</td> <td>WD.</td> <td>J2</td> <td>PTD.</td> <td>-</td> <td>329A</td> <td>3\"/> <tr> <td>339</td> <td>ETR</td> <td>-</td> <td>WD.</td> <td>J2</td> <td>PTD.</td> <td>-</td> <td>329B</td> <td>3\"/> <tr> <td>340</td> <td>A</td> <td>3\"/> <tr> <td>341A</td> <td>ETR</td> <td>-</td> <td>WD.</td> <td>J2</td> <td>PTD.</td> <td>-</td> <td>331</td> <td>3\"/> <tr> <td>341B</td> <td>ETR</td> <td>-</td> <td>WD.</td> <td>J2</td> <td>PTD.</td> <td>-</td> <td>333</td> <td>3\"/> <tr> <td>342</td> <td>ETR</td> <td>-</td> <td>WD.</td> <td>J2</td> <td>PTD.</td> <td>-</td> <td>334A</td> <td>3\"/> <tr> <td>344</td> <td>ETR</td> <td>-</td> <td>WD.</td> <td>J2</td> <td>PTD.</td> <td>-</td> <td>334B</td> <td>3\"/> <tr> <td>345</td> <td>ETR</td> <td>-</td> <td>WD.</td> <td>J2</td> <td>PTD.</td> <td>-</td> <td>335A</td> <td>3\"/> <tr> <td>346</td> <td>ETR</td> <td>-</td> <td>WD.</td> <td>J2</td> <td>PTD.</td> <td>-</td> <td>335B</td> <td>3\"/> <tr> <td>347</td> <td>ETR</td> <td>-</td> <td>WD.</td> <td>J2</td> <td>PTD.</td> <td>-</td> <td>336</td> <td>3\"/> <tr> <td>348</td> <td>ETR</td> <td>-</td> <td>WD.</td> <td>J2</td> <td>PTD.</td> <td>-</td> <td>337</td> <td>3\"/> <tr> <td>349</td> <td>ETR</td> <td>-</td> <td>WD.</td> <td>J2</td> <td>PTD.</td> <td>-</td> <td>339</td> <td>3\"/> <tr> <td>350</td> <td>ETR</td> <td>-</td> <td>WD.</td> <td>J2</td> <td>PTD.</td> <td>-</td> <td>340</td> <td>3\"/> </td></tr></td></tr></td></tr></td></tr></td></tr></td></tr></td></tr></td></tr></td></tr></td></tr></td></tr></td></tr></td></tr></td></tr></td></tr></td></tr></td></tr></td></tr></td></tr></td></tr> | 331 | ETR | - | WD. | J2 | PTD.
 | - | 323 | 3\"/> <tr> <td>333</td> <td>ETR</td> <td>-</td> <td>WD.</td> <td>J2</td> <td>PTD.</td> <td>-</td> <td>324</td> <td>3\"/> <tr> <td>334A</td> <td>ETR</td> <td>-</td> <td>WD.</td> <td>J2</td> <td>PTD.</td> <td>-</td> <td>325</td> <td>3\"/> <tr> <td>334B</td> <td>ETR</td> <td>-</td> <td>WD.</td> <td>J2</td> <td>PTD.</td> <td>-</td> <td>327</td> <td>3\"/> <tr> <td>335A</td> <td>ETR</td> <td>-</td> <td>WD.</td> <td>J2</td> <td>PTD.</td> <td>-</td> <td>328</td> <td>3\"/> <tr> <td>335B</td> <td>B</td> <td>3\"/> <tr> <td>336</td> <td>B</td> <td>3\"/> <tr> <td>337</td> <td>ETR</td> <td>-</td> <td>WD.</td> <td>J2</td> <td>PTD.</td> <td>-</td> <td>329A</td> <td>3\"/> <tr> <td>339</td> <td>ETR</td> <td>-</td> <td>WD.</td> <td>J2</td> <td>PTD.</td> <td>-</td> <td>329B</td> <td>3\"/> <tr> <td>340</td> <td>A</td> <td>3\"/> <tr> <td>341A</td> <td>ETR</td> <td>-</td> <td>WD.</td> <td>J2</td> <td>PTD.</td> <td>-</td> <td>331</td> <td>3\"/> <tr> <td>341B</td> <td>ETR</td> <td>-</td> <td>WD.</td> <td>J2</td> <td>PTD.</td> <td>-</td> <td>333</td> <td>3\"/> <tr> <td>342</td> <td>ETR</td> <td>-</td> <td>WD.</td> <td>J2</td> <td>PTD.</td> <td>-</td> <td>334A</td> <td>3\"/> <tr> <td>344</td> <td>ETR</td> <td>-</td> <td>WD.</td> <td>J2</td> <td>PTD.</td> <td>-</td> <td>334B</td> <td>3\"/> <tr> <td>345</td> <td>ETR</td> <td>-</td> <td>WD.</td> <td>J2</td> <td>PTD.</td> <td>-</td> <td>335A</td> <td>3\"/> <tr> <td>346</td> <td>ETR</td> <td>-</td> <td>WD.</td> <td>J2</td> <td>PTD.</td> <td>-</td> <td>335B</td> <td>3\"/> <tr> <td>347</td> <td>ETR</td> <td>-</td> <td>WD.</td> <td>J2</td> <td>PTD.</td> <td>-</td> <td>336</td> <td>3\"/> <tr> <td>348</td> <td>ETR</td> <td>-</td> <td>WD.</td> <td>J2</td> <td>PTD.</td> <td>-</td> <td>337</td> <td>3\"/> <tr> <td>349</td> <td>ETR</td> <td>-</td> <td>WD.</td> <td>J2</td> <td>PTD.</td> <td>-</td> <td>339</td> <td>3\"/> <tr> <td>350</td> <td>ETR</td> <td>-</td> <td>WD.</td> <td>J2</td> <td>PTD.</td> <td>-</td> <td>340</td> <td>3\"/> </td></tr></td></tr></td></tr></td></tr></td></tr></td></tr></td></tr></td></tr></td></tr></td></tr></td></tr></td></tr></td></tr></td></tr></td></tr></td></tr></td></tr></td></tr></td></tr> | 333 | ETR | - | WD. | J2 | PTD. | - | 324 | 3\"/> <tr> <td>334A</td> <td>ETR</td> <td>-</td> <td>WD.</td> <td>J2</td> <td>PTD.</td> <td>-</td> <td>325</td> <td>3\"/> <tr> <td>334B</td> <td>ETR</td> <td>-</td> <td>WD.</td> <td>J2</td>
<td>PTD.</td> <td>-</td> <td>327</td> <td>3\"/> <tr> <td>335A</td> <td>ETR</td> <td>-</td> <td>WD.</td> <td>J2</td> <td>PTD.</td> <td>-</td> <td>328</td> <td>3\"/> <tr> <td>335B</td> <td>B</td> <td>3\"/> <tr> <td>336</td> <td>B</td> <td>3\"/> <tr> <td>337</td> <td>ETR</td> <td>-</td> <td>WD.</td> <td>J2</td> <td>PTD.</td> <td>-</td> <td>329A</td> <td>3\"/> <tr> <td>339</td> <td>ETR</td> <td>-</td> <td>WD.</td> <td>J2</td> <td>PTD.</td> <td>-</td> <td>329B</td> <td>3\"/> <tr> <td>340</td> <td>A</td> <td>3\"/> <tr> <td>341A</td> <td>ETR</td> <td>-</td> <td>WD.</td> <td>J2</td> <td>PTD.</td> <td>-</td> <td>331</td> <td>3\"/> <tr> <td>341B</td> <td>ETR</td> <td>-</td> <td>WD.</td> <td>J2</td> <td>PTD.</td> <td>-</td> <td>333</td> <td>3\"/> <tr> <td>342</td> <td>ETR</td> <td>-</td> <td>WD.</td> <td>J2</td> <td>PTD.</td> <td>-</td> <td>334A</td> <td>3\"/> <tr> <td>344</td> <td>ETR</td> <td>-</td> <td>WD.</td> <td>J2</td> <td>PTD.</td> <td>-</td> <td>334B</td> <td>3\"/> <tr> <td>345</td> <td>ETR</td> <td>-</td> <td>WD.</td> <td>J2</td> <td>PTD.</td> <td>-</td> <td>335A</td> <td>3\"/> <tr> <td>346</td> <td>ETR</td> <td>-</td> <td>WD.</td> <td>J2</td> <td>PTD.</td> <td>-</td> <td>335B</td> <td>3\"/> <tr> <td>347</td> <td>ETR</td> <td>-</td> <td>WD.</td> <td>J2</td> <td>PTD.</td> <td>-</td> <td>336</td> <td>3\"/> <tr> <td>348</td> <td>ETR</td> <td>-</td> <td>WD.</td> <td>J2</td> <td>PTD.</td> <td>-</td> <td>337</td> <td>3\"/> <tr> <td>349</td> <td>ETR</td> <td>-</td> <td>WD.</td> <td>J2</td> <td>PTD.</td> <td>-</td> <td>339</td> <td>3\"/> <tr> <td>350</td> <td>ETR</td> <td>-</td> <td>WD.</td> <td>J2</td> <td>PTD.</td> <td>-</td> <td>340</td> <td>3\"/> </td></tr></td></tr></td></tr></td></tr></td></tr></td></tr></td></tr></td></tr></td></tr></td></tr></td></tr></td></tr></td></tr></td></tr></td></tr></td></tr></td></tr></td></tr> | 334A | ETR | - | WD. | J2 | PTD. | - | 325 | 3\"/> <tr> <td>334B</td> <td>ETR</td> <td>-</td> <td>WD.</td> <td>J2</td> <td>PTD.</td> <td>-</td> <td>327</td> <td>3\"/> <tr> <td>335A</td> <td>ETR</td> <td>-</td> <td>WD.</td> <td>J2</td> <td>PTD.</td> <td>-</td> <td>328</td> <td>3\"/> <tr> <td>335B</td> <td>B</td> <td>3\"/> <tr> <td>336</td> <td>B</td> <td>3\"/> <tr> <td>337</td> <td>ETR</td> <td>-</td> <td>WD.</td> <td>J2</td> <td>PTD.</td> <td>-</td> <td>329A</td> <td>3\"/> <tr> <td>339</td> <td>ETR</td> <td>-</td> <td>WD.</td> <td>J2</td> <td>PTD.</td> <td>-</td> <td>329B</td> <td>3\"/> <tr> <td>340</td> <td>A</td> <td>3\"/> <tr> <td>341A</td> <td>ETR</td> <td>-</td> <td>WD.</td> <td>J2</td> <td>PTD.</td> <td>-</td> <td>331</td> <td>3\"/> <tr> <td>341B</td> <td>ETR</td> <td>-</td> <td>WD.</td> <td>J2</td> <td>PTD.</td> <td>-</td> <td>333</td> <td>3\"/> <tr> <td>342</td> <td>ETR</td> <td>-</td> <td>WD.</td> <td>J2</td> <td>PTD.</td> <td>-</td> <td>334A</td> <td>3\"/> <tr> <td>344</td> <td>ETR</td> <td>-</td> <td>WD.</td> <td>J2</td> <td>PTD.</td> <td>-</td> <td>334B</td> <td>3\"/> <tr> <td>345</td> <td>ETR</td> <td>-</td> <td>WD.</td> <td>J2</td> <td>PTD.</td> <td>-</td> <td>335A</td> <td>3\"/> <tr> <td>346</td> <td>ETR</td> <td>-</td> <td>WD.</td> <td>J2</td> <td>PTD.</td> <td>-</td> <td>335B</td> <td>3\"/> <tr> <td>347</td> <td>ETR</td> <td>-</td> <td>WD.</td> <td>J2</td> <td>PTD.</td> <td>-</td> <td>336</td> <td>3\"/> <tr> <td>348</td> <td>ETR</td> <td>-</td> <td>WD.</td> <td>J2</td> <td>PTD.</td> <td>-</td> <td>337</td> <td>3\"/> <tr> <td>349</td> <td>ETR</td> <td>-</td> <td>WD.</td> <td>J2</td> <td>PTD.</td> <td>-</td> <td>339</td> <td>3\"/> <tr> <td>350</td> <td>ETR</td> <td>-</td> <td>WD.</td> <td>J2</td> <td>PTD.</td> <td>-</td> <td>340</td> <td>3\"/> </td></tr></td></tr></td></tr></td></tr></td></tr></td></tr></td></tr></td></tr></td></tr></td></tr></td></tr></td></tr></td></tr></td></tr></td></tr></td></tr></td></tr>
 | 334B | ETR | - | WD. | J2 | PTD. | - | 327 | 3\"/> <tr> <td>335A</td> <td>ETR</td> <td>-</td> <td>WD.</td> <td>J2</td> <td>PTD.</td> <td>-</td> <td>328</td> <td>3\"/> <tr> <td>335B</td> <td>B</td> <td>3\"/> <tr> <td>336</td> <td>B</td> <td>3\"/> <tr> <td>337</td> <td>ETR</td> <td>-</td> <td>WD.</td> <td>J2</td> <td>PTD.</td> <td>-</td> <td>329A</td> <td>3\"/> <tr> <td>339</td> <td>ETR</td> <td>-</td> <td>WD.</td> <td>J2</td> <td>PTD.</td> <td>-</td> <td>329B</td> <td>3\"/> <tr> <td>340</td> <td>A</td> <td>3\"/> <tr> <td>341A</td> <td>ETR</td> <td>-</td> <td>WD.</td> <td>J2</td> <td>PTD.</td> <td>-</td> <td>331</td> <td>3\"/> <tr> <td>341B</td> <td>ETR</td> <td>-</td> <td>WD.</td> <td>J2</td> <td>PTD.</td> <td>-</td> <td>333</td> <td>3\"/> <tr> <td>342</td> <td>ETR</td> <td>-</td> <td>WD.</td> <td>J2</td> <td>PTD.</td> <td>-</td> <td>334A</td> <td>3\"/> <tr> <td>344</td> <td>ETR</td> <td>-</td> <td>WD.</td> <td>J2</td> <td>PTD.</td> <td>-</td> <td>334B</td> <td>3\"/> <tr> <td>345</td> <td>ETR</td> <td>-</td> <td>WD.</td> <td>J2</td> <td>PTD.</td> <td>-</td> <td>335A</td> <td>3\"/> <tr> <td>346</td> <td>ETR</td> <td>-</td> <td>WD.</td> <td>J2</td> <td>PTD.</td> <td>-</td> <td>335B</td> <td>3\"/> <tr> <td>347</td> <td>ETR</td> <td>-</td> <td>WD.</td> <td>J2</td> <td>PTD.</td> <td>-</td> <td>336</td> <td>3\"/> <tr> <td>348</td> <td>ETR</td> <td>-</td> <td>WD.</td> <td>J2</td> <td>PTD.</td> <td>-</td> <td>337</td> <td>3\"/> <tr> <td>349</td> <td>ETR</td> <td>-</td> <td>WD.</td> <td>J2</td> <td>PTD.</td> <td>-</td> <td>339</td> <td>3\"/> <tr> <td>350</td> <td>ETR</td> <td>-</td> <td>WD.</td> <td>J2</td> <td>PTD.</td> <td>-</td> <td>340</td> <td>3\"/> </td></tr></td></tr></td></tr></td></tr></td></tr></td></tr></td></tr></td></tr></td></tr></td></tr></td></tr></td></tr></td></tr></td></tr></td></tr></td></tr> | 335A | ETR | -
 | WD. | J2 | PTD. | - | 328 | 3\"/> <tr> <td>335B</td> <td>B</td> <td>3\"/> <tr> <td>336</td> <td>B</td> <td>3\"/> <tr> <td>337</td> <td>ETR</td> <td>-</td> <td>WD.</td> <td>J2</td> <td>PTD.</td> <td>-</td> <td>329A</td> <td>3\"/> <tr> <td>339</td> <td>ETR</td> <td>-</td> <td>WD.</td> <td>J2</td> <td>PTD.</td> <td>-</td> <td>329B</td> <td>3\"/> <tr> <td>340</td> <td>A</td> <td>3\"/> <tr> <td>341A</td> <td>ETR</td> <td>-</td> <td>WD.</td> <td>J2</td> <td>PTD.</td> <td>-</td> <td>331</td> <td>3\"/> <tr> <td>341B</td> <td>ETR</td> <td>-</td> <td>WD.</td> <td>J2</td> <td>PTD.</td> <td>-</td> <td>333</td> <td>3\"/> <tr> <td>342</td> <td>ETR</td> <td>-</td> <td>WD.</td> <td>J2</td> <td>PTD.</td> <td>-</td> <td>334A</td> <td>3\"/> <tr> <td>344</td> <td>ETR</td> <td>-</td> <td>WD.</td> <td>J2</td> <td>PTD.</td> <td>-</td> <td>334B</td> <td>3\"/> <tr> <td>345</td> <td>ETR</td> <td>-</td> <td>WD.</td> <td>J2</td> <td>PTD.</td> <td>-</td> <td>335A</td> <td>3\"/> <tr> <td>346</td> <td>ETR</td> <td>-</td> <td>WD.</td> <td>J2</td> <td>PTD.</td> <td>-</td> <td>335B</td> <td>3\"/> <tr> <td>347</td> <td>ETR</td> <td>-</td> <td>WD.</td> <td>J2</td> <td>PTD.</td> <td>-</td> <td>336</td> <td>3\"/> <tr> <td>348</td> <td>ETR</td> <td>-</td> <td>WD.</td> <td>J2</td> <td>PTD.</td> <td>-</td> <td>337</td> <td>3\"/> <tr> <td>349</td> <td>ETR</td> <td>-</td> <td>WD.</td> <td>J2</td> <td>PTD.</td> <td>-</td> <td>339</td> <td>3\"/> <tr> <td>350</td> <td>ETR</td> <td>-</td> <td>WD.</td> <td>J2</td> <td>PTD.</td> <td>-</td> <td>340</td> <td>3\"/> </td></tr></td></tr></td></tr></td></tr></td></tr></td></tr></td></tr></td></tr></td></tr></td></tr></td></tr></td></tr></td></tr></td></tr></td></tr> | 335B | B | 3\"/> <tr> <td>336</td> <td>B</td> <td>3\"/> <tr> <td>337</td> <td>ETR</td> <td>-</td> <td>WD.</td> <td>J2</td> <td>PTD.</td> <td>-</td> <td>329A</td> <td>3\"/> <tr> <td>339</td> <td>ETR</td> <td>-</td> <td>WD.</td> <td>J2</td> <td>PTD.</td> <td>-</td> <td>329B</td> <td>3\"/> <tr> <td>340</td> <td>A</td> <td>3\"/> <tr> <td>341A</td> <td>ETR</td> <td>-</td> <td>WD.</td> <td>J2</td> <td>PTD.</td> <td>-</td> <td>331</td> <td>3\"/> <tr> <td>341B</td> <td>ETR</td> <td>-</td> <td>WD.</td> <td>J2</td> <td>PTD.</td> <td>-</td> <td>333</td> <td>3\"/> <tr> <td>342</td> <td>ETR</td> <td>-</td> <td>WD.</td> <td>J2</td> <td>PTD.</td> <td>-</td> <td>334A</td> <td>3\"/> <tr> <td>344</td> <td>ETR</td> <td>-</td> <td>WD.</td> <td>J2</td> <td>PTD.</td> <td>-</td> <td>334B</td> <td>3\"/> <tr> <td>345</td> <td>ETR</td> <td>-</td> <td>WD.</td> <td>J2</td> <td>PTD.</td> <td>-</td> <td>335A</td> <td>3\"/> <tr> <td>346</td> <td>ETR</td> <td>-</td> <td>WD.</td> <td>J2</td> <td>PTD.</td> <td>-</td> <td>335B</td> <td>3\"/> <tr> <td>347</td> <td>ETR</td> <td>-</td> <td>WD.</td> <td>J2</td> <td>PTD.</td> <td>-</td> <td>336</td> <td>3\"/> <tr> <td>348</td> <td>ETR</td> <td>-</td> <td>WD.</td> <td>J2</td> <td>PTD.</td> <td>-</td> <td>337</td> <td>3\"/> <tr> <td>349</td> <td>ETR</td> <td>-</td> <td>WD.</td> <td>J2</td> <td>PTD.</td> <td>-</td> <td>339</td> <td>3\"/> <tr> <td>350</td> <td>ETR</td> <td>-</td> <td>WD.</td> <td>J2</td> <td>PTD.</td> <td>-</td> <td>340</td> <td>3\"/> </td></tr></td></tr></td></tr></td></tr></td></tr></td></tr></td></tr></td></tr></td></tr></td></tr></td></tr></td></tr></td></tr></td></tr> | 336 | B | 3\"/> <tr> <td>337</td> <td>ETR</td> <td>-</td> <td>WD.</td> <td>J2</td> <td>PTD.</td> <td>-</td> <td>329A</td> <td>3\"/> <tr> <td>339</td> <td>ETR</td> <td>-</td> <td>WD.</td> <td>J2</td> <td>PTD.</td> <td>-</td> <td>329B</td> <td>3\"/> <tr> <td>340</td> <td>A</td> <td>3\"/> <tr> <td>341A</td> <td>ETR</td> <td>-</td> <td>WD.</td> <td>J2</td> <td>PTD.</td> <td>-</td> <td>331</td> <td>3\"/> <tr> <td>341B</td> <td>ETR</td> <td>-</td> <td>WD.</td> <td>J2</td> <td>PTD.</td> <td>-</td> <td>333</td> <td>3\"/> <tr> <td>342</td> <td>ETR</td> <td>-</td> <td>WD.</td> <td>J2</td> <td>PTD.</td> <td>-</td> <td>334A</td> <td>3\"/> <tr> <td>344</td> <td>ETR</td> <td>-</td> <td>WD.</td> <td>J2</td> <td>PTD.</td> <td>-</td> <td>334B</td> <td>3\"/> <tr> <td>345</td> <td>ETR</td> <td>-</td> <td>WD.</td> <td>J2</td> <td>PTD.</td> <td>-</td> <td>335A</td> <td>3\"/> <tr> <td>346</td> <td>ETR</td> <td>-</td> <td>WD.</td> <td>J2</td> <td>PTD.</td> <td>-</td> <td>335B</td> <td>3\"/> <tr> <td>347</td> <td>ETR</td> <td>-</td> <td>WD.</td> <td>J2</td> <td>PTD.</td> <td>-</td> <td>336</td> <td>3\"/> <tr> <td>348</td> <td>ETR</td> <td>-</td> <td>WD.</td> <td>J2</td> <td>PTD.</td> <td>-</td> <td>337</td> <td>3\"/> <tr> <td>349</td> <td>ETR</td> <td>-</td> <td>WD.</td> <td>J2</td> <td>PTD.</td> <td>-</td> <td>339</td> <td>3\"/> <tr> <td>350</td> <td>ETR</td> <td>-</td> <td>WD.</td> <td>J2</td> <td>PTD.</td> <td>-</td> <td>340</td> <td>3\"/> </td></tr></td></tr></td></tr></td></tr></td></tr></td></tr></td></tr></td></tr></td></tr></td></tr></td></tr></td></tr></td></tr>
 | 337 | ETR | - | WD. | J2 | PTD. | - | 329A | 3\"/> <tr> <td>339</td> <td>ETR</td> <td>-</td> <td>WD.</td> <td>J2</td> <td>PTD.</td> <td>-</td> <td>329B</td> <td>3\"/> <tr> <td>340</td> <td>A</td> <td>3\"/> <tr> <td>341A</td> <td>ETR</td> <td>-</td> <td>WD.</td> <td>J2</td> <td>PTD.</td> <td>-</td> <td>331</td> <td>3\"/> <tr> <td>341B</td> <td>ETR</td> <td>-</td> <td>WD.</td> <td>J2</td> <td>PTD.</td> <td>-</td> <td>333</td> <td>3\"/> <tr> <td>342</td> <td>ETR</td> <td>-</td> <td>WD.</td> <td>J2</td> <td>PTD.</td> <td>-</td> <td>334A</td> <td>3\"/> <tr> <td>344</td> <td>ETR</td> <td>-</td> <td>WD.</td> <td>J2</td> <td>PTD.</td> <td>-</td> <td>334B</td> <td>3\"/> <tr> <td>345</td> <td>ETR</td> <td>-</td> <td>WD.</td> <td>J2</td> <td>PTD.</td> <td>-</td> <td>335A</td> <td>3\"/> <tr> <td>346</td> <td>ETR</td> <td>-</td> <td>WD.</td> <td>J2</td> <td>PTD.</td> <td>-</td> <td>335B</td> <td>3\"/> <tr> <td>347</td> <td>ETR</td> <td>-</td> <td>WD.</td> <td>J2</td> <td>PTD.</td> <td>-</td> <td>336</td> <td>3\"/> <tr> <td>348</td> <td>ETR</td> <td>-</td> <td>WD.</td> <td>J2</td> <td>PTD.</td> <td>-</td> <td>337</td> <td>3\"/> <tr> <td>349</td> <td>ETR</td> <td>-</td> <td>WD.</td> <td>J2</td> <td>PTD.</td> <td>-</td> <td>339</td> <td>3\"/> <tr> <td>350</td> <td>ETR</td> <td>-</td> <td>WD.</td> <td>J2</td> <td>PTD.</td> <td>-</td> <td>340</td> <td>3\"/> </td></tr></td></tr></td></tr></td></tr></td></tr></td></tr></td></tr></td></tr></td></tr></td></tr></td></tr></td></tr> | 339 | ETR | - | WD. | J2 | PTD.
 | - | 329B | 3\"/> <tr> <td>340</td> <td>A</td> <td>3\"/> <tr> <td>341A</td> <td>ETR</td> <td>-</td> <td>WD.</td> <td>J2</td> <td>PTD.</td> <td>-</td> <td>331</td> <td>3\"/> <tr> <td>341B</td> <td>ETR</td> <td>-</td> <td>WD.</td> <td>J2</td> <td>PTD.</td> <td>-</td> <td>333</td> <td>3\"/> <tr> <td>342</td> <td>ETR</td> <td>-</td> <td>WD.</td> <td>J2</td> <td>PTD.</td> <td>-</td> <td>334A</td> <td>3\"/> <tr> <td>344</td> <td>ETR</td> <td>-</td> <td>WD.</td> <td>J2</td> <td>PTD.</td> <td>-</td> <td>334B</td> <td>3\"/> <tr> <td>345</td> <td>ETR</td> <td>-</td> <td>WD.</td> <td>J2</td> <td>PTD.</td> <td>-</td> <td>335A</td> <td>3\"/> <tr> <td>346</td> <td>ETR</td> <td>-</td> <td>WD.</td> <td>J2</td> <td>PTD.</td> <td>-</td> <td>335B</td> <td>3\"/> <tr> <td>347</td> <td>ETR</td> <td>-</td> <td>WD.</td> <td>J2</td> <td>PTD.</td> <td>-</td> <td>336</td> <td>3\"/> <tr> <td>348</td> <td>ETR</td> <td>-</td> <td>WD.</td> <td>J2</td> <td>PTD.</td> <td>-</td> <td>337</td> <td>3\"/> <tr> <td>349</td> <td>ETR</td> <td>-</td> <td>WD.</td> <td>J2</td> <td>PTD.</td> <td>-</td> <td>339</td> <td>3\"/> <tr> <td>350</td> <td>ETR</td> <td>-</td> <td>WD.</td> <td>J2</td> <td>PTD.</td> <td>-</td> <td>340</td> <td>3\"/> </td></tr></td></tr></td></tr></td></tr></td></tr></td></tr></td></tr></td></tr></td></tr></td></tr></td></tr> | 340 | A | 3\"/> <tr> <td>341A</td> <td>ETR</td> <td>-</td> <td>WD.</td> <td>J2</td> <td>PTD.</td> <td>-</td> <td>331</td> <td>3\"/> <tr> <td>341B</td> <td>ETR</td> <td>-</td> <td>WD.</td> <td>J2</td> <td>PTD.</td> <td>-</td> <td>333</td> <td>3\"/> <tr> <td>342</td> <td>ETR</td> <td>-</td> <td>WD.</td> <td>J2</td> <td>PTD.</td> <td>-</td> <td>334A</td> <td>3\"/> <tr> <td>344</td> <td>ETR</td> <td>-</td> <td>WD.</td> <td>J2</td> <td>PTD.</td> <td>-</td> <td>334B</td> <td>3\"/> <tr> <td>345</td> <td>ETR</td> <td>-</td> <td>WD.</td> <td>J2</td> <td>PTD.</td> <td>-</td> <td>335A</td> <td>3\"/> <tr> <td>346</td> <td>ETR</td> <td>-</td> <td>WD.</td> <td>J2</td> <td>PTD.</td> <td>-</td> <td>335B</td> <td>3\"/> <tr> <td>347</td> <td>ETR</td> <td>-</td> <td>WD.</td> <td>J2</td> <td>PTD.</td> <td>-</td> <td>336</td> <td>3\"/> <tr> <td>348</td> <td>ETR</td> <td>-</td> <td>WD.</td> <td>J2</td> <td>PTD.</td> <td>-</td> <td>337</td> <td>3\"/> <tr> <td>349</td> <td>ETR</td> <td>-</td> <td>WD.</td> <td>J2</td> <td>PTD.</td> <td>-</td> <td>339</td> <td>3\"/> <tr> <td>350</td> <td>ETR</td> <td>-</td> <td>WD.</td> <td>J2</td> <td>PTD.</td> <td>-</td> <td>340</td> <td>3\"/> </td></tr></td></tr></td></tr></td></tr></td></tr></td></tr></td></tr></td></tr></td></tr></td></tr> | 341A | ETR | - | WD. | J2 | PTD. | - | 331 | 3\"/> <tr> <td>341B</td> <td>ETR</td> <td>-</td> <td>WD.</td> <td>J2</td> <td>PTD.</td> <td>-</td> <td>333</td> <td>3\"/> <tr> <td>342</td> <td>ETR</td> <td>-</td> <td>WD.</td> <td>J2</td> <td>PTD.</td> <td>-</td> <td>334A</td> <td>3\"/> <tr> <td>344</td> <td>ETR</td> <td>-</td> <td>WD.</td> <td>J2</td> <td>PTD.</td> <td>-</td> <td>334B</td> <td>3\"/> <tr> <td>345</td> <td>ETR</td> <td>-</td> <td>WD.</td> <td>J2</td> <td>PTD.</td> <td>-</td> <td>335A</td> <td>3\"/> <tr> <td>346</td> <td>ETR</td> <td>-</td> <td>WD.</td> <td>J2</td> <td>PTD.</td> <td>-</td> <td>335B</td> <td>3\"/> <tr> <td>347</td> <td>ETR</td> <td>-</td> <td>WD.</td> <td>J2</td> <td>PTD.</td> <td>-</td> <td>336</td> <td>3\"/> <tr> <td>348</td> <td>ETR</td> <td>-</td> <td>WD.</td> <td>J2</td> <td>PTD.</td> <td>-</td> <td>337</td> <td>3\"/> <tr> <td>349</td> <td>ETR</td> <td>-</td> <td>WD.</td> <td>J2</td> <td>PTD.</td> <td>-</td> <td>339</td>
<td>3\"/> <tr> <td>350</td> <td>ETR</td> <td>-</td> <td>WD.</td> <td>J2</td> <td>PTD.</td> <td>-</td> <td>340</td> <td>3\"/> </td></tr></td></tr></td></tr></td></tr></td></tr></td></tr></td></tr></td></tr></td></tr> | 341B | ETR | - | WD. | J2 | PTD. | - | 333 | 3\"/> <tr> <td>342</td> <td>ETR</td> <td>-</td> <td>WD.</td> <td>J2</td> <td>PTD.</td> <td>-</td> <td>334A</td> <td>3\"/> <tr> <td>344</td> <td>ETR</td> <td>-</td> <td>WD.</td> <td>J2</td> <td>PTD.</td> <td>-</td> <td>334B</td> <td>3\"/> <tr> <td>345</td> <td>ETR</td> <td>-</td> <td>WD.</td> <td>J2</td> <td>PTD.</td> <td>-</td> <td>335A</td> <td>3\"/> <tr> <td>346</td> <td>ETR</td> <td>-</td> <td>WD.</td> <td>J2</td> <td>PTD.</td> <td>-</td> <td>335B</td> <td>3\"/> <tr> <td>347</td> <td>ETR</td> <td>-</td> <td>WD.</td> <td>J2</td> <td>PTD.</td> <td>-</td> <td>336</td> <td>3\"/> <tr> <td>348</td> <td>ETR</td> <td>-</td> <td>WD.</td> <td>J2</td> <td>PTD.</td> <td>-</td> <td>337</td> <td>3\"/> <tr> <td>349</td> <td>ETR</td> <td>-</td> <td>WD.</td> <td>J2</td> <td>PTD.</td> <td>-</td> <td>339</td> <td>3\"/> <tr> <td>350</td> <td>ETR</td> <td>-</td> <td>WD.</td> <td>J2</td> <td>PTD.</td> <td>-</td> <td>340</td> <td>3\"/> </td></tr></td></tr></td></tr></td></tr></td></tr></td></tr></td></tr></td></tr> | 342 | ETR | - | WD. | J2 | PTD. | - | 334A | 3\"/> <tr> <td>344</td> <td>ETR</td> <td>-</td> <td>WD.</td> <td>J2</td> <td>PTD.</td> <td>-</td> <td>334B</td> <td>3\"/> <tr> <td>345</td> <td>ETR</td> <td>-</td> <td>WD.</td> <td>J2</td> <td>PTD.</td> <td>-</td> <td>335A</td> <td>3\"/> <tr> <td>346</td> <td>ETR</td> <td>-</td> <td>WD.</td> <td>J2</td> <td>PTD.</td> <td>-</td> <td>335B</td>
<td>3\"/> <tr> <td>347</td> <td>ETR</td> <td>-</td> <td>WD.</td> <td>J2</td> <td>PTD.</td> <td>-</td> <td>336</td> <td>3\"/> <tr> <td>348</td> <td>ETR</td> <td>-</td> <td>WD.</td> <td>J2</td> <td>PTD.</td> <td>-</td> <td>337</td> <td>3\"/> <tr> <td>349</td> <td>ETR</td> <td>-</td> <td>WD.</td> <td>J2</td> <td>PTD.</td> <td>-</td> <td>339</td> <td>3\"/> <tr> <td>350</td> <td>ETR</td> <td>-</td> <td>WD.</td> <td>J2</td> <td>PTD.</td> <td>-</td> <td>340</td> <td>3\"/> </td></tr></td></tr></td></tr></td></tr></td></tr></td></tr></td></tr> | 344 | ETR | - | WD. | J2 | PTD. | - | 334B | 3\"/> <tr> <td>345</td> <td>ETR</td> <td>-</td> <td>WD.</td> <td>J2</td> <td>PTD.</td> <td>-</td> <td>335A</td> <td>3\"/> <tr> <td>346</td> <td>ETR</td> <td>-</td> <td>WD.</td> <td>J2</td> <td>PTD.</td> <td>-</td> <td>335B</td> <td>3\"/> <tr> <td>347</td> <td>ETR</td> <td>-</td> <td>WD.</td> <td>J2</td> <td>PTD.</td> <td>-</td> <td>336</td> <td>3\"/> <tr> <td>348</td> <td>ETR</td> <td>-</td> <td>WD.</td> <td>J2</td> <td>PTD.</td> <td>-</td> <td>337</td> <td>3\"/> <tr> <td>349</td> <td>ETR</td> <td>-</td> <td>WD.</td> <td>J2</td> <td>PTD.</td> <td>-</td> <td>339</td> <td>3\"/> <tr> <td>350</td> <td>ETR</td> <td>-</td> <td>WD.</td> <td>J2</td> <td>PTD.</td> <td>-</td> <td>340</td> <td>3\"/> </td></tr></td></tr></td></tr></td></tr></td></tr></td></tr> | 345 | ETR | - | WD. | J2 | PTD. | - | 335A | 3\"/> <tr> <td>346</td> <td>ETR</td> <td>-</td> <td>WD.</td> <td>J2</td> <td>PTD.</td> <td>-</td> <td>335B</td> <td>3\"/> <tr> <td>347</td> <td>ETR</td> <td>-</td> <td>WD.</td> <td>J2</td> <td>PTD.</td> <td>-</td> <td>336</td> <td>3\"/> <tr> <td>348</td> <td>ETR</td> <td>-</td> <td>WD.</td> <td>J2</td> <td>PTD.</td> <td>-</td> <td>337</td> <td>3\"/> <tr> <td>349</td> <td>ETR</td> <td>-</td> <td>WD.</td> <td>J2</td> <td>PTD.</td> <td>-</td> <td>339</td> <td>3\"/> <tr> <td>350</td> <td>ETR</td> <td>-</td> <td>WD.</td> <td>J2</td> <td>PTD.</td> <td>-</td> <td>340</td> <td>3\"/> </td></tr></td></tr></td></tr></td></tr></td></tr> | 346 | ETR | -
 | WD. | J2 | PTD. | - | 335B | 3\"/> <tr> <td>347</td> <td>ETR</td> <td>-</td> <td>WD.</td> <td>J2</td> <td>PTD.</td> <td>-</td> <td>336</td> <td>3\"/> <tr> <td>348</td> <td>ETR</td> <td>-</td> <td>WD.</td> <td>J2</td> <td>PTD.</td> <td>-</td> <td>337</td> <td>3\"/> <tr> <td>349</td> <td>ETR</td> <td>-</td> <td>WD.</td> <td>J2</td> <td>PTD.</td> <td>-</td> <td>339</td> <td>3\"/> <tr> <td>350</td> <td>ETR</td> <td>-</td> <td>WD.</td> <td>J2</td> <td>PTD.</td> <td>-</td> <td>340</td> <td>3\"/> </td></tr></td></tr></td></tr></td></tr> | 347 | ETR | - | WD. | J2 | PTD. | - | 336 | 3\"/> <tr> <td>348</td> <td>ETR</td> <td>-</td> <td>WD.</td> <td>J2</td> <td>PTD.</td> <td>-</td> <td>337</td> <td>3\"/> <tr> <td>349</td> <td>ETR</td> <td>-</td> <td>WD.</td> <td>J2</td> <td>PTD.</td> <td>-</td> <td>339</td> <td>3\"/> <tr> <td>350</td> <td>ETR</td> <td>-</td> <td>WD.</td> <td>J2</td> <td>PTD.</td> <td>-</td> <td>340</td> <td>3\"/> </td></tr></td></tr></td></tr> | 348 | ETR | - | WD. | J2 | PTD. | - | 337 | 3\"/> <tr> <td>349</td> <td>ETR</td> <td>-</td> <td>WD.</td> <td>J2</td> <td>PTD.</td> <td>-</td> <td>339</td> <td>3\"/> <tr> <td>350</td> <td>ETR</td> <td>-</td> <td>WD.</td> <td>J2</td> <td>PTD.</td> <td>-</td> <td>340</td> <td>3\"/> </td></tr></td></tr> | 349 | ETR | -
 | WD. | J2 | PTD. | - | 339 | 3\"/> <tr> <td>350</td> <td>ETR</td> <td>-</td> <td>WD.</td> <td>J2</td> <td>PTD.</td> <td>-</td> <td>340</td> <td>3\"/> </td></tr> | 350 | ETR | - | WD. | J2 | PTD. | - | 340 | 3\"/> | | | | | | | | | | | | | | | | | | | | | | | | | | | | | | | | | | | | | | | | | | | | | | | | | | | |
| 311 | A | 3\"/> <tr> <td>312A</td> <td>ETR</td> <td>-</td> <td>WD.</td> <td>J2</td> <td>PTD.</td> <td>-</td> <td>307</td> <td>3\"/> <tr> <td>313</td> <td>ETR</td> <td>-</td> <td>WD.</td> <td>J2</td> <td>PTD.</td> <td>-</td> <td>308</td> <td>3\"/> <tr> <td>314</td> <td>ETR</td> <td>-</td> <td>WD.</td> <td>J2</td> <td>PTD.</td> <td>-</td> <td>309</td> <td>3\"/> <tr> <td>315</td> <td>ETR</td> <td>-</td> <td>WD.</td> <td>J2</td> <td>PTD.</td> <td>-</td> <td>310</td> <td>3\"/> <tr> <td>316A</td> <td>A</td> <td>3\"/> <tr> <td>318</td> <td>ETR</td> <td>-</td> <td>WD.</td> <td>J2</td> <td>PTD.</td> <td>-</td> <td>311</td> <td>3\"/> <tr> <td>319</td> <td>ETR</td> <td>-</td> <td>WD.</td> <td>J2</td> <td>PTD.</td> <td>-</td> <td>312A</td> <td>3\"/> <tr> <td>320</td> <td>ETR</td> <td>-</td> <td>WD.</td> <td>J2</td> <td>PTD.</td> <td>-</td> <td>313</td> <td>3\"/> <tr> <td>321</td> <td>ETR</td> <td>-</td> <td>WD.</td> <td>J2</td> <td>PTD.</td> <td>-</td> <td>314</td> <td>3\"/> <tr> <td>322</td> <td>ETR</td> <td>-</td> <td>WD.</td> <td>J2</td> <td>PTD.</td> <td>-</td> <td>315</td> <td>3\"/> <tr> <td>323</td> <td>ETR</td> <td>-</td> <td>WD.</td> <td>J2</td> <td>PTD.</td> <td>-</td> <td>316A</td> <td>3\"/> <tr> <td>324</td> <td>ETR</td> <td>-</td> <td>WD.</td> <td>J2</td> <td>PTD.</td> <td>-</td> <td>318</td> <td>3\"/> <tr> <td>325</td> <td>A</td> <td>3\"/> <tr> <td>327</td> <td>ETR</td> <td>-</td> <td>WD.</td> <td>J2</td> <td>PTD.</td> <td>-</td> <td>319</td> <td>3\"/> <tr> <td>328</td> <td>ETR</td> <td>-</td> <td>WD.</td> <td>J2</td> <td>PTD.</td> <td>-</td> <td>320</td> <td>3\"/> <tr> <td>329A</td> <td>ETR</td> <td>-</td> <td>WD.</td> <td>J2</td> <td>PTD.</td> <td>-</td> <td>321</td> <td>3\"/> <tr> <td>329B</td> <td>ETR</td> <td>-</td> <td>WD.</td> <td>J2</td> <td>PTD.</td> <td>-</td> <td>322</td> <td>3\"/> <tr> <td>331</td> <td>ETR</td> <td>-</td> <td>WD.</td> <td>J2</td> <td>PTD.</td> <td>-</td> <td>323</td> <td>3\"/> <tr> <td>333</td> <td>ETR</td> <td>-</td> <td>WD.</td> <td>J2</td> <td>PTD.</td> <td>-</td> <td>324</td> <td>3\"/> <tr> <td>334A</td> <td>ETR</td> <td>-</td> <td>WD.</td> <td>J2</td> <td>PTD.</td> <td>-</td> <td>325</td> <td>3\"/> <tr> <td>334B</td> <td>ETR</td> <td>-</td> <td>WD.</td> <td>J2</td> <td>PTD.</td> <td>-</td> <td>327</td> <td>3\"/> <tr> <td>335A</td> <td>ETR</td> <td>-</td> <td>WD.</td> <td>J2</td> <td>PTD.</td> <td>-</td> <td>328</td> <td>3\"/> <tr> <td>335B</td> <td>B</td> <td>3\"/> <tr> <td>336</td> <td>B</td> <td>3\"/> <tr> <td>337</td> <td>ETR</td> <td>-</td> <td>WD.</td> <td>J2</td> <td>PTD.</td> <td>-</td> <td>329A</td> <td>3\"/> <tr> <td>339</td> <td>ETR</td> <td>-</td> <td>WD.</td> <td>J2</td> <td>PTD.</td> <td>-</td> <td>329B</td> <td>3\"/> <tr> <td>340</td> <td>A</td> <td>3\"/> <tr> <td>341A</td> <td>ETR</td> <td>-</td> <td>WD.</td> <td>J2</td> <td>PTD.</td> <td>-</td> <td>331</td> <td>3\"/> <tr> <td>341B</td> <td>ETR</td> <td>-</td> <td>WD.</td> <td>J2</td> <td>PTD.</td> <td>-</td> <td>333</td> <td>3\"/> <tr> <td>342</td> <td>ETR</td> <td>-</td> <td>WD.</td> <td>J2</td> <td>PTD.</td> <td>-</td> <td>334A</td> <td>3\"/> <tr> <td>344</td> <td>ETR</td> <td>-</td> <td>WD.</td> <td>J2</td> <td>PTD.</td> <td>-</td> <td>334B</td> <td>3\"/> <tr> <td>345</td> <td>ETR</td> <td>-</td> <td>WD.</td> <td>J2</td> <td>PTD.</td> <td>-</td> <td>335A</td> <td>3\"/> <tr> <td>346</td> <td>ETR</td> <td>-</td> <td>WD.</td> <td>J2</td> <td>PTD.</td> <td>-</td> <td>335B</td> <td>3\"/> <tr> <td>347</td> <td>ETR</td> <td>-</td> <td>WD.</td> <td>J2</td> <td>PTD.</td> <td>-</td> <td>336</td> <td>3\"/> <tr> <td>348</td> <td>ETR</td> <td>-</td> <td>WD.</td> <td>J2</td> <td>PTD.</td> <td>-</td> <td>337</td> <td>3\"/> <tr> <td>349</td> <td>ETR</td> <td>-</td> <td>WD.</td> <td>J2</td> <td>PTD.</td> <td>-</td> <td>339</td> <td>3\"/> <tr> <td>350</td> <td>ETR</td> <td>-</td> <td>WD.</td> <td>J2</td> <td>PTD.</td> <td>-</td> <td>340</td> <td>3\"/> </td></tr></td></tr></td></tr></td></tr></td></tr></td></tr></td></tr></td></tr></td></tr></td></tr></td></tr></td></tr></td></tr></td></tr></td></tr></td></tr></td></tr></td></tr></td></tr></td></tr></td></tr></td></tr></td></tr></td></tr></td></tr></td></tr></td></tr></td></tr></td></tr></td></tr></td></tr></td></tr></td></tr></td></tr></td></tr></td></tr></td></tr> | 312A | ETR | - | WD. | J2 | PTD.
 | - | 307 | 3\"/> <tr> <td>313</td> <td>ETR</td> <td>-</td> <td>WD.</td> <td>J2</td> <td>PTD.</td> <td>-</td> <td>308</td> <td>3\"/> <tr> <td>314</td> <td>ETR</td> <td>-</td> <td>WD.</td> <td>J2</td> <td>PTD.</td> <td>-</td> <td>309</td> <td>3\"/> <tr> <td>315</td> <td>ETR</td> <td>-</td> <td>WD.</td> <td>J2</td> <td>PTD.</td> <td>-</td> <td>310</td> <td>3\"/> <tr> <td>316A</td> <td>A</td> <td>3\"/> <tr> <td>318</td> <td>ETR</td> <td>-</td> <td>WD.</td> <td>J2</td> <td>PTD.</td> <td>-</td> <td>311</td> <td>3\"/> <tr> <td>319</td> <td>ETR</td> <td>-</td> <td>WD.</td> <td>J2</td> <td>PTD.</td> <td>-</td> <td>312A</td> <td>3\"/> <tr> <td>320</td> <td>ETR</td> <td>-</td> <td>WD.</td> <td>J2</td> <td>PTD.</td> <td>-</td> <td>313</td> <td>3\"/> <tr> <td>321</td> <td>ETR</td> <td>-</td> <td>WD.</td> <td>J2</td> <td>PTD.</td> <td>-</td> <td>314</td> <td>3\"/> <tr> <td>322</td> <td>ETR</td> <td>-</td> <td>WD.</td> <td>J2</td> <td>PTD.</td> <td>-</td> <td>315</td> <td>3\"/> <tr> <td>323</td> <td>ETR</td> <td>-</td> <td>WD.</td> <td>J2</td> <td>PTD.</td> <td>-</td> <td>316A</td> <td>3\"/> <tr> <td>324</td> <td>ETR</td> <td>-</td> <td>WD.</td> <td>J2</td> <td>PTD.</td> <td>-</td> <td>318</td> <td>3\"/> <tr> <td>325</td> <td>A</td> <td>3\"/> <tr> <td>327</td> <td>ETR</td> <td>-</td> <td>WD.</td> <td>J2</td> <td>PTD.</td> <td>-</td> <td>319</td> <td>3\"/> <tr> <td>328</td> <td>ETR</td> <td>-</td> <td>WD.</td> <td>J2</td> <td>PTD.</td> <td>-</td> <td>320</td> <td>3\"/> <tr> <td>329A</td> <td>ETR</td> <td>-</td> <td>WD.</td> <td>J2</td> <td>PTD.</td> <td>-</td> <td>321</td> <td>3\"/> <tr> <td>329B</td> <td>ETR</td> <td>-</td> <td>WD.</td> <td>J2</td> <td>PTD.</td> <td>-</td> <td>322</td> <td>3\"/> <tr> <td>331</td> <td>ETR</td> <td>-</td> <td>WD.</td> <td>J2</td> <td>PTD.</td> <td>-</td> <td>323</td> <td>3\"/> <tr> <td>333</td> <td>ETR</td> <td>-</td> <td>WD.</td> <td>J2</td> <td>PTD.</td> <td>-</td> <td>324</td> <td>3\"/> <tr> <td>334A</td> <td>ETR</td> <td>-</td> <td>WD.</td> <td>J2</td> <td>PTD.</td> <td>-</td> <td>325</td> <td>3\"/> <tr> <td>334B</td> <td>ETR</td> <td>-</td> <td>WD.</td> <td>J2</td> <td>PTD.</td> <td>-</td> <td>327</td> <td>3\"/> <tr> <td>335A</td> <td>ETR</td> <td>-</td> <td>WD.</td> <td>J2</td> <td>PTD.</td> <td>-</td> <td>328</td> <td>3\"/> <tr> <td>335B</td> <td>B</td> <td>3\"/> <tr> <td>336</td> <td>B</td> <td>3\"/> <tr> <td>337</td> <td>ETR</td> <td>-</td> <td>WD.</td> <td>J2</td> <td>PTD.</td> <td>-</td> <td>329A</td> <td>3\"/> <tr> <td>339</td> <td>ETR</td> <td>-</td> <td>WD.</td> <td>J2</td> <td>PTD.</td> <td>-</td> <td>329B</td> <td>3\"/> <tr> <td>340</td> <td>A</td> <td>3\"/> <tr> <td>341A</td> <td>ETR</td> <td>-</td> <td>WD.</td> <td>J2</td> <td>PTD.</td> <td>-</td> <td>331</td> <td>3\"/> <tr> <td>341B</td> <td>ETR</td> <td>-</td> <td>WD.</td> <td>J2</td> <td>PTD.</td> <td>-</td> <td>333</td> <td>3\"/> <tr> <td>342</td> <td>ETR</td> <td>-</td> <td>WD.</td> <td>J2</td> <td>PTD.</td> <td>-</td> <td>334A</td> <td>3\"/> <tr> <td>344</td> <td>ETR</td> <td>-</td> <td>WD.</td> <td>J2</td> <td>PTD.</td> <td>-</td> <td>334B</td> <td>3\"/> <tr> <td>345</td> <td>ETR</td> <td>-</td> <td>WD.</td> <td>J2</td> <td>PTD.</td> <td>-</td> <td>335A</td> <td>3\"/> <tr> <td>346</td> <td>ETR</td> <td>-</td> <td>WD.</td> <td>J2</td> <td>PTD.</td> <td>-</td> <td>335B</td> <td>3\"/> <tr> <td>347</td> <td>ETR</td> <td>-</td> <td>WD.</td> <td>J2</td> <td>PTD.</td> <td>-</td> <td>336</td> <td>3\"/> <tr> <td>348</td> <td>ETR</td> <td>-</td> <td>WD.</td> <td>J2</td> <td>PTD.</td> <td>-</td> <td>337</td> <td>3\"/> <tr> <td>349</td> <td>ETR</td> <td>-</td> <td>WD.</td> <td>J2</td> <td>PTD.</td> <td>-</td> <td>339</td> <td>3\"/> <tr> <td>350</td> <td>ETR</td> <td>-</td> <td>WD.</td> <td>J2</td> <td>PTD.</td> <td>-</td> <td>340</td> <td>3\"/> </td></tr></td></tr></td></tr></td></tr></td></tr></td></tr></td></tr></td></tr></td></tr></td></tr></td></tr></td></tr></td></tr></td></tr></td></tr></td></tr></td></tr></td></tr></td></tr></td></tr></td></tr></td></tr></td></tr></td></tr></td></tr></td></tr></td></tr></td></tr></td></tr></td></tr></td></tr></td></tr></td></tr></td></tr></td></tr></td></tr> | 313 | ETR | -
 | WD. | J2 | PTD. | - | 308 | 3\"/> <tr> <td>314</td> <td>ETR</td> <td>-</td> <td>WD.</td> <td>J2</td> <td>PTD.</td> <td>-</td> <td>309</td> <td>3\"/> <tr> <td>315</td> <td>ETR</td> <td>-</td> <td>WD.</td> <td>J2</td> <td>PTD.</td> <td>-</td> <td>310</td> <td>3\"/> <tr> <td>316A</td> <td>A</td> <td>3\"/> <tr> <td>318</td> <td>ETR</td> <td>-</td> <td>WD.</td> <td>J2</td> <td>PTD.</td> <td>-</td> <td>311</td> <td>3\"/> <tr> <td>319</td> <td>ETR</td> <td>-</td> <td>WD.</td> <td>J2</td> <td>PTD.</td> <td>-</td> <td>312A</td> <td>3\"/> <tr> <td>320</td> <td>ETR</td> <td>-</td> <td>WD.</td> <td>J2</td> <td>PTD.</td> <td>-</td> <td>313</td> <td>3\"/> <tr> <td>321</td> <td>ETR</td> <td>-</td> <td>WD.</td> <td>J2</td> <td>PTD.</td> <td>-</td> <td>314</td> <td>3\"/> <tr> <td>322</td> <td>ETR</td> <td>-</td> <td>WD.</td> <td>J2</td> <td>PTD.</td> <td>-</td> <td>315</td> <td>3\"/> <tr> <td>323</td> <td>ETR</td> <td>-</td> <td>WD.</td> <td>J2</td> <td>PTD.</td> <td>-</td> <td>316A</td> <td>3\"/> <tr> <td>324</td> <td>ETR</td> <td>-</td> <td>WD.</td> <td>J2</td> <td>PTD.</td> <td>-</td> <td>318</td> <td>3\"/> <tr> <td>325</td> <td>A</td> <td>3\"/> <tr> <td>327</td> <td>ETR</td> <td>-</td> <td>WD.</td> <td>J2</td> <td>PTD.</td> <td>-</td> <td>319</td> <td>3\"/> <tr> <td>328</td> <td>ETR</td> <td>-</td> <td>WD.</td> <td>J2</td> <td>PTD.</td> <td>-</td> <td>320</td> <td>3\"/> <tr> <td>329A</td> <td>ETR</td> <td>-</td> <td>WD.</td> <td>J2</td> <td>PTD.</td> <td>-</td> <td>321</td> <td>3\"/> <tr> <td>329B</td> <td>ETR</td> <td>-</td> <td>WD.</td> <td>J2</td> <td>PTD.</td> <td>-</td> <td>322</td> <td>3\"/> <tr> <td>331</td> <td>ETR</td> <td>-</td> <td>WD.</td> <td>J2</td> <td>PTD.</td> <td>-</td> <td>323</td> <td>3\"/> <tr> <td>333</td> <td>ETR</td> <td>-</td> <td>WD.</td> <td>J2</td> <td>PTD.</td> <td>-</td> <td>324</td> <td>3\"/> <tr> <td>334A</td> <td>ETR</td> <td>-</td> <td>WD.</td> <td>J2</td> <td>PTD.</td> <td>-</td> <td>325</td> <td>3\"/> <tr> <td>334B</td> <td>ETR</td> <td>-</td> <td>WD.</td> <td>J2</td> <td>PTD.</td> <td>-</td> <td>327</td> <td>3\"/> <tr> <td>335A</td> <td>ETR</td> <td>-</td> <td>WD.</td> <td>J2</td> <td>PTD.</td> <td>-</td> <td>328</td> <td>3\"/> <tr> <td>335B</td> <td>B</td> <td>3\"/> <tr> <td>336</td> <td>B</td> <td>3\"/> <tr> <td>337</td> <td>ETR</td> <td>-</td> <td>WD.</td> <td>J2</td> <td>PTD.</td> <td>-</td> <td>329A</td> <td>3\"/> <tr> <td>339</td> <td>ETR</td> <td>-</td> <td>WD.</td> <td>J2</td> <td>PTD.</td> <td>-</td> <td>329B</td> <td>3\"/> <tr> <td>340</td> <td>A</td> <td>3\"/> <tr> <td>341A</td>
<td>ETR</td> <td>-</td> <td>WD.</td> <td>J2</td> <td>PTD.</td> <td>-</td> <td>331</td> <td>3\"/> <tr> <td>341B</td> <td>ETR</td> <td>-</td> <td>WD.</td> <td>J2</td> <td>PTD.</td> <td>-</td> <td>333</td> <td>3\"/> <tr> <td>342</td> <td>ETR</td> <td>-</td> <td>WD.</td> <td>J2</td> <td>PTD.</td> <td>-</td> <td>334A</td> <td>3\"/> <tr> <td>344</td> <td>ETR</td> <td>-</td> <td>WD.</td> <td>J2</td> <td>PTD.</td> <td>-</td> <td>334B</td> <td>3\"/> <tr> <td>345</td> <td>ETR</td> <td>-</td> <td>WD.</td> <td>J2</td> <td>PTD.</td> <td>-</td> <td>335A</td> <td>3\"/> <tr> <td>346</td> <td>ETR</td> <td>-</td> <td>WD.</td> <td>J2</td> <td>PTD.</td> <td>-</td> <td>335B</td> <td>3\"/> <tr> <td>347</td> <td>ETR</td> <td>-</td> <td>WD.</td> <td>J2</td> <td>PTD.</td> <td>-</td> <td>336</td> <td>3\"/> <tr> <td>348</td> <td>ETR</td> <td>-</td> <td>WD.</td> <td>J2</td> <td>PTD.</td> <td>-</td> <td>337</td> <td>3\"/> <tr> <td>349</td> <td>ETR</td> <td>-</td> <td>WD.</td> <td>J2</td> <td>PTD.</td> <td>-</td> <td>339</td> <td>3\"/> <tr> <td>350</td> <td>ETR</td> <td>-</td> <td>WD.</td> <td>J2</td> <td>PTD.</td> <td>-</td> <td>340</td> <td>3\"/> </td></tr></td></tr></td></tr></td></tr></td></tr></td></tr></td></tr></td></tr></td></tr></td></tr></td></tr></td></tr></td></tr></td></tr></td></tr></td></tr></td></tr></td></tr></td></tr></td></tr></td></tr></td></tr></td></tr></td></tr></td></tr></td></tr></td></tr></td></tr></td></tr></td></tr></td></tr></td></tr></td></tr></td></tr></td></tr> | 314 | ETR | - | WD. | J2 | PTD.
 | - | 309 | 3\"/> <tr> <td>315</td> <td>ETR</td> <td>-</td> <td>WD.</td> <td>J2</td> <td>PTD.</td> <td>-</td> <td>310</td> <td>3\"/> <tr> <td>316A</td> <td>A</td> <td>3\"/> <tr> <td>318</td> <td>ETR</td> <td>-</td> <td>WD.</td> <td>J2</td> <td>PTD.</td> <td>-</td> <td>311</td> <td>3\"/> <tr> <td>319</td> <td>ETR</td> <td>-</td> <td>WD.</td> <td>J2</td> <td>PTD.</td> <td>-</td> <td>312A</td> <td>3\"/> <tr> <td>320</td> <td>ETR</td> <td>-</td> <td>WD.</td> <td>J2</td> <td>PTD.</td> <td>-</td> <td>313</td> <td>3\"/> <tr> <td>321</td> <td>ETR</td> <td>-</td> <td>WD.</td> <td>J2</td> <td>PTD.</td> <td>-</td> <td>314</td> <td>3\"/> <tr> <td>322</td> <td>ETR</td> <td>-</td> <td>WD.</td> <td>J2</td> <td>PTD.</td> <td>-</td> <td>315</td> <td>3\"/> <tr> <td>323</td> <td>ETR</td> <td>-</td> <td>WD.</td> <td>J2</td> <td>PTD.</td> <td>-</td> <td>316A</td> <td>3\"/> <tr> <td>324</td> <td>ETR</td> <td>-</td> <td>WD.</td> <td>J2</td> <td>PTD.</td> <td>-</td> <td>318</td> <td>3\"/> <tr> <td>325</td> <td>A</td> <td>3\"/> <tr> <td>327</td> <td>ETR</td> <td>-</td> <td>WD.</td> <td>J2</td> <td>PTD.</td> <td>-</td> <td>319</td> <td>3\"/> <tr> <td>328</td> <td>ETR</td> <td>-</td> <td>WD.</td> <td>J2</td> <td>PTD.</td> <td>-</td> <td>320</td> <td>3\"/> <tr> <td>329A</td> <td>ETR</td> <td>-</td> <td>WD.</td> <td>J2</td> <td>PTD.</td> <td>-</td> <td>321</td> <td>3\"/> <tr> <td>329B</td> <td>ETR</td> <td>-</td> <td>WD.</td> <td>J2</td> <td>PTD.</td> <td>-</td> <td>322</td> <td>3\"/> <tr> <td>331</td> <td>ETR</td> <td>-</td> <td>WD.</td> <td>J2</td> <td>PTD.</td> <td>-</td> <td>323</td> <td>3\"/> <tr> <td>333</td> <td>ETR</td> <td>-</td> <td>WD.</td> <td>J2</td> <td>PTD.</td> <td>-</td> <td>324</td> <td>3\"/> <tr> <td>334A</td> <td>ETR</td> <td>-</td> <td>WD.</td> <td>J2</td> <td>PTD.</td> <td>-</td> <td>325</td> <td>3\"/> <tr> <td>334B</td> <td>ETR</td> <td>-</td> <td>WD.</td> <td>J2</td> <td>PTD.</td> <td>-</td> <td>327</td> <td>3\"/> <tr> <td>335A</td> <td>ETR</td> <td>-</td> <td>WD.</td> <td>J2</td> <td>PTD.</td> <td>-</td> <td>328</td> <td>3\"/> <tr> <td>335B</td> <td>B</td> <td>3\"/> <tr> <td>336</td> <td>B</td> <td>3\"/> <tr> <td>337</td> <td>ETR</td> <td>-</td> <td>WD.</td> <td>J2</td> <td>PTD.</td> <td>-</td> <td>329A</td> <td>3\"/> <tr> <td>339</td> <td>ETR</td> <td>-</td> <td>WD.</td> <td>J2</td> <td>PTD.</td> <td>-</td> <td>329B</td> <td>3\"/> <tr> <td>340</td> <td>A</td> <td>3\"/> <tr> <td>341A</td> <td>ETR</td> <td>-</td> <td>WD.</td> <td>J2</td> <td>PTD.</td> <td>-</td> <td>331</td> <td>3\"/> <tr> <td>341B</td> <td>ETR</td> <td>-</td> <td>WD.</td> <td>J2</td> <td>PTD.</td> <td>-</td> <td>333</td> <td>3\"/> <tr> <td>342</td> <td>ETR</td> <td>-</td> <td>WD.</td> <td>J2</td> <td>PTD.</td> <td>-</td> <td>334A</td> <td>3\"/> <tr> <td>344</td> <td>ETR</td> <td>-</td> <td>WD.</td> <td>J2</td> <td>PTD.</td> <td>-</td> <td>334B</td> <td>3\"/> <tr> <td>345</td> <td>ETR</td> <td>-</td> <td>WD.</td> <td>J2</td> <td>PTD.</td> <td>-</td> <td>335A</td> <td>3\"/> <tr> <td>346</td> <td>ETR</td> <td>-</td> <td>WD.</td> <td>J2</td> <td>PTD.</td> <td>-</td> <td>335B</td> <td>3\"/> <tr> <td>347</td> <td>ETR</td> <td>-</td> <td>WD.</td> <td>J2</td> <td>PTD.</td> <td>-</td> <td>336</td> <td>3\"/> <tr> <td>348</td> <td>ETR</td> <td>-</td> <td>WD.</td> <td>J2</td> <td>PTD.</td> <td>-</td> <td>337</td> <td>3\"/> <tr> <td>349</td> <td>ETR</td> <td>-</td> <td>WD.</td> <td>J2</td> <td>PTD.</td> <td>-</td> <td>339</td> <td>3\"/> <tr> <td>350</td> <td>ETR</td> <td>-</td> <td>WD.</td> <td>J2</td> <td>PTD.</td> <td>-</td> <td>340</td> <td>3\"/> </td></tr></td></tr></td></tr></td></tr></td></tr></td></tr></td></tr></td></tr></td></tr></td></tr></td></tr></td></tr></td></tr></td></tr></td></tr></td></tr></td></tr></td></tr></td></tr></td></tr></td></tr></td></tr></td></tr></td></tr></td></tr></td></tr></td></tr></td></tr></td></tr></td></tr></td></tr></td></tr></td></tr></td></tr> | 315 | ETR | -
 | WD. | J2 | PTD. | - | 310 | 3\"/> <tr> <td>316A</td> <td>A</td> <td>3\"/> <tr> <td>318</td> <td>ETR</td> <td>-</td> <td>WD.</td> <td>J2</td> <td>PTD.</td> <td>-</td> <td>311</td> <td>3\"/> <tr> <td>319</td> <td>ETR</td> <td>-</td> <td>WD.</td> <td>J2</td> <td>PTD.</td> <td>-</td> <td>312A</td> <td>3\"/> <tr> <td>320</td> <td>ETR</td> <td>-</td> <td>WD.</td> <td>J2</td> <td>PTD.</td> <td>-</td> <td>313</td> <td>3\"/> <tr> <td>321</td> <td>ETR</td> <td>-</td> <td>WD.</td> <td>J2</td> <td>PTD.</td> <td>-</td> <td>314</td> <td>3\"/> <tr> <td>322</td> <td>ETR</td> <td>-</td> <td>WD.</td> <td>J2</td> <td>PTD.</td> <td>-</td> <td>315</td> <td>3\"/> <tr> <td>323</td> <td>ETR</td> <td>-</td> <td>WD.</td> <td>J2</td> <td>PTD.</td> <td>-</td> <td>316A</td> <td>3\"/> <tr> <td>324</td> <td>ETR</td> <td>-</td> <td>WD.</td> <td>J2</td> <td>PTD.</td> <td>-</td> <td>318</td> <td>3\"/> <tr> <td>325</td> <td>A</td> <td>3\"/> <tr> <td>327</td> <td>ETR</td> <td>-</td> <td>WD.</td> <td>J2</td> <td>PTD.</td> <td>-</td> <td>319</td> <td>3\"/> <tr> <td>328</td> <td>ETR</td> <td>-</td> <td>WD.</td> <td>J2</td> <td>PTD.</td> <td>-</td> <td>320</td> <td>3\"/> <tr> <td>329A</td> <td>ETR</td> <td>-</td> <td>WD.</td> <td>J2</td> <td>PTD.</td> <td>-</td> <td>321</td> <td>3\"/> <tr> <td>329B</td> <td>ETR</td> <td>-</td> <td>WD.</td> <td>J2</td> <td>PTD.</td> <td>-</td> <td>322</td> <td>3\"/> <tr> <td>331</td> <td>ETR</td> <td>-</td> <td>WD.</td> <td>J2</td> <td>PTD.</td> <td>-</td> <td>323</td> <td>3\"/> <tr> <td>333</td> <td>ETR</td> <td>-</td> <td>WD.</td> <td>J2</td> <td>PTD.</td> <td>-</td> <td>324</td> <td>3\"/> <tr> <td>334A</td> <td>ETR</td> <td>-</td> <td>WD.</td> <td>J2</td> <td>PTD.</td> <td>-</td> <td>325</td> <td>3\"/> <tr> <td>334B</td> <td>ETR</td> <td>-</td> <td>WD.</td> <td>J2</td> <td>PTD.</td> <td>-</td> <td>327</td> <td>3\"/> <tr> <td>335A</td> <td>ETR</td> <td>-</td> <td>WD.</td> <td>J2</td> <td>PTD.</td> <td>-</td> <td>328</td> <td>3\"/> <tr> <td>335B</td> <td>B</td> <td>3\"/> <tr> <td>336</td> <td>B</td> <td>3\"/> <tr> <td>337</td> <td>ETR</td> <td>-</td> <td>WD.</td> <td>J2</td> <td>PTD.</td> <td>-</td> <td>329A</td> <td>3\"/> <tr> <td>339</td> <td>ETR</td> <td>-</td> <td>WD.</td> <td>J2</td> <td>PTD.</td> <td>-</td> <td>329B</td> <td>3\"/> <tr> <td>340</td> <td>A</td> <td>3\"/> <tr> <td>341A</td> <td>ETR</td> <td>-</td> <td>WD.</td> <td>J2</td> <td>PTD.</td> <td>-</td> <td>331</td> <td>3\"/> <tr> <td>341B</td> <td>ETR</td> <td>-</td> <td>WD.</td> <td>J2</td> <td>PTD.</td> <td>-</td> <td>333</td> <td>3\"/> <tr> <td>342</td> <td>ETR</td> <td>-</td> <td>WD.</td> <td>J2</td> <td>PTD.</td> <td>-</td> <td>334A</td> <td>3\"/> <tr> <td>344</td> <td>ETR</td> <td>-</td> <td>WD.</td> <td>J2</td> <td>PTD.</td> <td>-</td> <td>334B</td> <td>3\"/> <tr> <td>345</td> <td>ETR</td> <td>-</td> <td>WD.</td> <td>J2</td> <td>PTD.</td> <td>-</td> <td>335A</td> <td>3\"/> <tr> <td>346</td> <td>ETR</td> <td>-</td> <td>WD.</td> <td>J2</td> <td>PTD.</td> <td>-</td> <td>335B</td> <td>3\"/> <tr> <td>347</td> <td>ETR</td> <td>-</td> <td>WD.</td> <td>J2</td> <td>PTD.</td> <td>-</td> <td>336</td> <td>3\"/> <tr> <td>348</td> <td>ETR</td> <td>-</td> <td>WD.</td> <td>J2</td> <td>PTD.</td> <td>-</td> <td>337</td> <td>3\"/> <tr> <td>349</td> <td>ETR</td> <td>-</td> <td>WD.</td> <td>J2</td> <td>PTD.</td> <td>-</td> <td>339</td> <td>3\"/> <tr> <td>350</td> <td>ETR</td> <td>-</td> <td>WD.</td>
<td>J2</td> <td>PTD.</td> <td>-</td> <td>340</td> <td>3\"/> </td></tr></td></tr></td></tr></td></tr></td></tr></td></tr></td></tr></td></tr></td></tr></td></tr></td></tr></td></tr></td></tr></td></tr></td></tr></td></tr></td></tr></td></tr></td></tr></td></tr></td></tr></td></tr></td></tr></td></tr></td></tr></td></tr></td></tr></td></tr></td></tr></td></tr></td></tr></td></tr></td></tr> | 316A | A | 3\"/> <tr> <td>318</td> <td>ETR</td> <td>-</td> <td>WD.</td> <td>J2</td> <td>PTD.</td> <td>-</td> <td>311</td> <td>3\"/> <tr> <td>319</td> <td>ETR</td> <td>-</td> <td>WD.</td> <td>J2</td> <td>PTD.</td> <td>-</td> <td>312A</td> <td>3\"/> <tr> <td>320</td> <td>ETR</td> <td>-</td> <td>WD.</td> <td>J2</td> <td>PTD.</td> <td>-</td> <td>313</td> <td>3\"/> <tr> <td>321</td> <td>ETR</td> <td>-</td> <td>WD.</td> <td>J2</td> <td>PTD.</td> <td>-</td> <td>314</td> <td>3\"/> <tr> <td>322</td> <td>ETR</td> <td>-</td> <td>WD.</td> <td>J2</td> <td>PTD.</td> <td>-</td> <td>315</td> <td>3\"/> <tr> <td>323</td> <td>ETR</td> <td>-</td> <td>WD.</td> <td>J2</td> <td>PTD.</td> <td>-</td> <td>316A</td> <td>3\"/> <tr> <td>324</td> <td>ETR</td> <td>-</td> <td>WD.</td> <td>J2</td> <td>PTD.</td> <td>-</td> <td>318</td> <td>3\"/> <tr> <td>325</td> <td>A</td> <td>3\"/> <tr> <td>327</td> <td>ETR</td> <td>-</td> <td>WD.</td> <td>J2</td> <td>PTD.</td> <td>-</td> <td>319</td> <td>3\"/> <tr> <td>328</td> <td>ETR</td> <td>-</td> <td>WD.</td> <td>J2</td> <td>PTD.</td> <td>-</td> <td>320</td> <td>3\"/> <tr> <td>329A</td> <td>ETR</td> <td>-</td> <td>WD.</td> <td>J2</td> <td>PTD.</td> <td>-</td> <td>321</td> <td>3\"/> <tr> <td>329B</td> <td>ETR</td> <td>-</td> <td>WD.</td> <td>J2</td> <td>PTD.</td> <td>-</td> <td>322</td> <td>3\"/> <tr> <td>331</td> <td>ETR</td> <td>-</td> <td>WD.</td> <td>J2</td> <td>PTD.</td> <td>-</td> <td>323</td> <td>3\"/> <tr> <td>333</td> <td>ETR</td> <td>-</td> <td>WD.</td> <td>J2</td> <td>PTD.</td> <td>-</td> <td>324</td> <td>3\"/> <tr> <td>334A</td> <td>ETR</td> <td>-</td> <td>WD.</td> <td>J2</td> <td>PTD.</td> <td>-</td> <td>325</td> <td>3\"/> <tr> <td>334B</td> <td>ETR</td> <td>-</td> <td>WD.</td> <td>J2</td> <td>PTD.</td> <td>-</td> <td>327</td> <td>3\"/> <tr> <td>335A</td> <td>ETR</td> <td>-</td> <td>WD.</td> <td>J2</td> <td>PTD.</td> <td>-</td> <td>328</td> <td>3\"/> <tr> <td>335B</td> <td>B</td> <td>3\"/> <tr> <td>336</td> <td>B</td> <td>3\"/> <tr> <td>337</td> <td>ETR</td> <td>-</td> <td>WD.</td> <td>J2</td> <td>PTD.</td> <td>-</td> <td>329A</td> <td>3\"/> <tr> <td>339</td> <td>ETR</td> <td>-</td> <td>WD.</td> <td>J2</td> <td>PTD.</td> <td>-</td> <td>329B</td> <td>3\"/> <tr> <td>340</td> <td>A</td> <td>3\"/> <tr> <td>341A</td> <td>ETR</td> <td>-</td> <td>WD.</td> <td>J2</td> <td>PTD.</td> <td>-</td> <td>331</td> <td>3\"/> <tr> <td>341B</td> <td>ETR</td> <td>-</td> <td>WD.</td> <td>J2</td> <td>PTD.</td> <td>-</td> <td>333</td> <td>3\"/> <tr> <td>342</td> <td>ETR</td> <td>-</td> <td>WD.</td> <td>J2</td> <td>PTD.</td> <td>-</td> <td>334A</td> <td>3\"/> <tr> <td>344</td> <td>ETR</td> <td>-</td> <td>WD.</td> <td>J2</td> <td>PTD.</td> <td>-</td> <td>334B</td> <td>3\"/> <tr> <td>345</td> <td>ETR</td> <td>-</td> <td>WD.</td> <td>J2</td> <td>PTD.</td> <td>-</td> <td>335A</td> <td>3\"/> <tr> <td>346</td> <td>ETR</td> <td>-</td> <td>WD.</td> <td>J2</td> <td>PTD.</td> <td>-</td> <td>335B</td> <td>3\"/> <tr> <td>347</td> <td>ETR</td> <td>-</td> <td>WD.</td> <td>J2</td> <td>PTD.</td> <td>-</td> <td>336</td> <td>3\"/> <tr> <td>348</td> <td>ETR</td> <td>-</td> <td>WD.</td> <td>J2</td> <td>PTD.</td> <td>-</td> <td>337</td> <td>3\"/> <tr> <td>349</td> <td>ETR</td> <td>-</td> <td>WD.</td> <td>J2</td> <td>PTD.</td> <td>-</td> <td>339</td> <td>3\"/> <tr> <td>350</td> <td>ETR</td> <td>-</td> <td>WD.</td> <td>J2</td> <td>PTD.</td> <td>-</td> <td>340</td> <td>3\"/> </td></tr></td></tr></td></tr></td></tr></td></tr></td></tr></td></tr></td></tr></td></tr></td></tr></td></tr></td></tr></td></tr></td></tr></td></tr></td></tr></td></tr></td></tr></td></tr></td></tr></td></tr></td></tr></td></tr></td></tr></td></tr></td></tr></td></tr></td></tr></td></tr></td></tr></td></tr></td></tr> | 318 | ETR | -
 | WD. | J2 | PTD. | - | 311 | 3\"/> <tr> <td>319</td> <td>ETR</td> <td>-</td> <td>WD.</td> <td>J2</td> <td>PTD.</td> <td>-</td> <td>312A</td> <td>3\"/> <tr> <td>320</td> <td>ETR</td> <td>-</td> <td>WD.</td> <td>J2</td> <td>PTD.</td> <td>-</td> <td>313</td> <td>3\"/> <tr> <td>321</td> <td>ETR</td> <td>-</td> <td>WD.</td> <td>J2</td> <td>PTD.</td> <td>-</td> <td>314</td> <td>3\"/> <tr> <td>322</td> <td>ETR</td> <td>-</td> <td>WD.</td> <td>J2</td> <td>PTD.</td> <td>-</td> <td>315</td> <td>3\"/> <tr> <td>323</td> <td>ETR</td> <td>-</td> <td>WD.</td> <td>J2</td> <td>PTD.</td> <td>-</td> <td>316A</td> <td>3\"/> <tr> <td>324</td> <td>ETR</td> <td>-</td> <td>WD.</td> <td>J2</td> <td>PTD.</td> <td>-</td> <td>318</td> <td>3\"/> <tr> <td>325</td> <td>A</td> <td>3\"/> <tr> <td>327</td> <td>ETR</td> <td>-</td> <td>WD.</td> <td>J2</td> <td>PTD.</td> <td>-</td> <td>319</td> <td>3\"/> <tr> <td>328</td> <td>ETR</td> <td>-</td> <td>WD.</td> <td>J2</td> <td>PTD.</td> <td>-</td> <td>320</td> <td>3\"/> <tr> <td>329A</td> <td>ETR</td> <td>-</td> <td>WD.</td> <td>J2</td> <td>PTD.</td> <td>-</td> <td>321</td> <td>3\"/> <tr> <td>329B</td> <td>ETR</td> <td>-</td> <td>WD.</td> <td>J2</td> <td>PTD.</td> <td>-</td> <td>322</td> <td>3\"/> <tr> <td>331</td> <td>ETR</td> <td>-</td> <td>WD.</td> <td>J2</td> <td>PTD.</td> <td>-</td> <td>323</td> <td>3\"/> <tr> <td>333</td> <td>ETR</td> <td>-</td> <td>WD.</td> <td>J2</td> <td>PTD.</td> <td>-</td> <td>324</td> <td>3\"/> <tr> <td>334A</td> <td>ETR</td> <td>-</td> <td>WD.</td> <td>J2</td> <td>PTD.</td> <td>-</td> <td>325</td> <td>3\"/> <tr> <td>334B</td> <td>ETR</td> <td>-</td> <td>WD.</td> <td>J2</td> <td>PTD.</td> <td>-</td> <td>327</td> <td>3\"/> <tr> <td>335A</td> <td>ETR</td> <td>-</td> <td>WD.</td> <td>J2</td> <td>PTD.</td> <td>-</td> <td>328</td> <td>3\"/> <tr> <td>335B</td> <td>B</td> <td>3\"/> <tr> <td>336</td> <td>B</td> <td>3\"/> <tr> <td>337</td> <td>ETR</td> <td>-</td> <td>WD.</td> <td>J2</td> <td>PTD.</td> <td>-</td> <td>329A</td> <td>3\"/> <tr> <td>339</td> <td>ETR</td> <td>-</td> <td>WD.</td> <td>J2</td> <td>PTD.</td> <td>-</td> <td>329B</td> <td>3\"/> <tr> <td>340</td> <td>A</td> <td>3\"/> <tr> <td>341A</td> <td>ETR</td> <td>-</td> <td>WD.</td> <td>J2</td> <td>PTD.</td> <td>-</td> <td>331</td> <td>3\"/> <tr> <td>341B</td> <td>ETR</td> <td>-</td> <td>WD.</td> <td>J2</td> <td>PTD.</td> <td>-</td> <td>333</td> <td>3\"/> <tr> <td>342</td> <td>ETR</td> <td>-</td> <td>WD.</td> <td>J2</td> <td>PTD.</td> <td>-</td> <td>334A</td> <td>3\"/> <tr> <td>344</td> <td>ETR</td> <td>-</td> <td>WD.</td> <td>J2</td> <td>PTD.</td> <td>-</td> <td>334B</td> <td>3\"/> <tr> <td>345</td> <td>ETR</td> <td>-</td> <td>WD.</td> <td>J2</td> <td>PTD.</td> <td>-</td> <td>335A</td> <td>3\"/> <tr> <td>346</td> <td>ETR</td> <td>-</td> <td>WD.</td> <td>J2</td> <td>PTD.</td> <td>-</td> <td>335B</td> <td>3\"/> <tr> <td>347</td> <td>ETR</td> <td>-</td> <td>WD.</td> <td>J2</td> <td>PTD.</td> <td>-</td> <td>336</td> <td>3\"/> <tr> <td>348</td> <td>ETR</td> <td>-</td> <td>WD.</td> <td>J2</td> <td>PTD.</td> <td>-</td> <td>337</td> <td>3\"/> <tr> <td>349</td> <td>ETR</td> <td>-</td> <td>WD.</td> <td>J2</td> <td>PTD.</td> <td>-</td> <td>339</td> <td>3\"/> <tr> <td>350</td> <td>ETR</td> <td>-</td> <td>WD.</td> <td>J2</td> <td>PTD.</td> <td>-</td> <td>340</td> <td>3\"/> </td></tr></td></tr></td></tr></td></tr></td></tr></td></tr></td></tr></td></tr></td></tr></td></tr></td></tr></td></tr></td></tr></td></tr></td></tr></td></tr></td></tr></td></tr></td></tr></td></tr></td></tr></td></tr></td></tr></td></tr></td></tr></td></tr></td></tr></td></tr></td></tr></td></tr></td></tr> | 319 | ETR | -
 | WD. | J2 | PTD. | - | 312A | 3\"/> <tr> <td>320</td> <td>ETR</td> <td>-</td> <td>WD.</td> <td>J2</td> <td>PTD.</td> <td>-</td> <td>313</td> <td>3\"/> <tr> <td>321</td> <td>ETR</td> <td>-</td> <td>WD.</td> <td>J2</td> <td>PTD.</td> <td>-</td> <td>314</td> <td>3\"/> <tr> <td>322</td> <td>ETR</td> <td>-</td> <td>WD.</td> <td>J2</td> <td>PTD.</td> <td>-</td> <td>315</td> <td>3\"/> <tr> <td>323</td> <td>ETR</td> <td>-</td> <td>WD.</td> <td>J2</td> <td>PTD.</td> <td>-</td> <td>316A</td> <td>3\"/> <tr> <td>324</td> <td>ETR</td> <td>-</td> <td>WD.</td> <td>J2</td> <td>PTD.</td> <td>-</td> <td>318</td> <td>3\"/> <tr> <td>325</td> <td>A</td> <td>3\"/> <tr> <td>327</td> <td>ETR</td> <td>-</td> <td>WD.</td> <td>J2</td> <td>PTD.</td> <td>-</td> <td>319</td> <td>3\"/> <tr> <td>328</td> <td>ETR</td> <td>-</td> <td>WD.</td> <td>J2</td> <td>PTD.</td> <td>-</td> <td>320</td> <td>3\"/> <tr> <td>329A</td> <td>ETR</td> <td>-</td> <td>WD.</td> <td>J2</td> <td>PTD.</td> <td>-</td> <td>321</td> <td>3\"/> <tr> <td>329B</td> <td>ETR</td> <td>-</td> <td>WD.</td> <td>J2</td> <td>PTD.</td> <td>-</td> <td>322</td> <td>3\"/> <tr> <td>331</td> <td>ETR</td> <td>-</td> <td>WD.</td> <td>J2</td> <td>PTD.</td> <td>-</td> <td>323</td> <td>3\"/> <tr> <td>333</td> <td>ETR</td> <td>-</td> <td>WD.</td> <td>J2</td> <td>PTD.</td> <td>-</td> <td>324</td> <td>3\"/> <tr> <td>334A</td> <td>ETR</td> <td>-</td> <td>WD.</td> <td>J2</td> <td>PTD.</td> <td>-</td> <td>325</td> <td>3\"/> <tr> <td>334B</td> <td>ETR</td> <td>-</td> <td>WD.</td> <td>J2</td> <td>PTD.</td> <td>-</td> <td>327</td> <td>3\"/> <tr> <td>335A</td> <td>ETR</td> <td>-</td> <td>WD.</td> <td>J2</td> <td>PTD.</td> <td>-</td> <td>328</td> <td>3\"/> <tr> <td>335B</td> <td>B</td> <td>3\"/> <tr> <td>336</td> <td>B</td> <td>3\"/> <tr> <td>337</td> <td>ETR</td> <td>-</td> <td>WD.</td> <td>J2</td> <td>PTD.</td> <td>-</td> <td>329A</td> <td>3\"/> <tr> <td>339</td> <td>ETR</td> <td>-</td> <td>WD.</td> <td>J2</td> <td>PTD.</td> <td>-</td> <td>329B</td> <td>3\"/> <tr> <td>340</td> <td>A</td> <td>3\"/> <tr> <td>341A</td> <td>ETR</td> <td>-</td> <td>WD.</td> <td>J2</td> <td>PTD.</td> <td>-</td> <td>331</td> <td>3\"/> <tr> <td>341B</td> <td>ETR</td> <td>-</td> <td>WD.</td> <td>J2</td> <td>PTD.</td> <td>-</td> <td>333</td> <td>3\"/> <tr> <td>342</td> <td>ETR</td> <td>-</td> <td>WD.</td> <td>J2</td> <td>PTD.</td> <td>-</td> <td>334A</td> <td>3\"/> <tr> <td>344</td> <td>ETR</td> <td>-</td> <td>WD.</td> <td>J2</td> <td>PTD.</td> <td>-</td> <td>334B</td> <td>3\"/> <tr> <td>345</td> <td>ETR</td> <td>-</td> <td>WD.</td> <td>J2</td> <td>PTD.</td> <td>-</td> <td>335A</td> <td>3\"/> <tr> <td>346</td>
<td>ETR</td> <td>-</td> <td>WD.</td> <td>J2</td> <td>PTD.</td> <td>-</td> <td>335B</td> <td>3\"/> <tr> <td>347</td> <td>ETR</td> <td>-</td> <td>WD.</td> <td>J2</td> <td>PTD.</td> <td>-</td> <td>336</td> <td>3\"/> <tr> <td>348</td> <td>ETR</td> <td>-</td> <td>WD.</td> <td>J2</td> <td>PTD.</td> <td>-</td> <td>337</td> <td>3\"/> <tr> <td>349</td> <td>ETR</td> <td>-</td> <td>WD.</td> <td>J2</td> <td>PTD.</td> <td>-</td> <td>339</td> <td>3\"/> <tr> <td>350</td> <td>ETR</td> <td>-</td> <td>WD.</td> <td>J2</td> <td>PTD.</td> <td>-</td> <td>340</td> <td>3\"/> </td></tr></td></tr></td></tr></td></tr></td></tr></td></tr></td></tr></td></tr></td></tr></td></tr></td></tr></td></tr></td></tr></td></tr></td></tr></td></tr></td></tr></td></tr></td></tr></td></tr></td></tr></td></tr></td></tr></td></tr></td></tr></td></tr></td></tr></td></tr></td></tr></td></tr> | 320 | ETR | - | WD. | J2 | PTD.
 | - | 313 | 3\"/> <tr> <td>321</td> <td>ETR</td> <td>-</td> <td>WD.</td> <td>J2</td> <td>PTD.</td> <td>-</td> <td>314</td> <td>3\"/> <tr> <td>322</td> <td>ETR</td> <td>-</td> <td>WD.</td> <td>J2</td> <td>PTD.</td> <td>-</td> <td>315</td> <td>3\"/> <tr> <td>323</td> <td>ETR</td> <td>-</td> <td>WD.</td> <td>J2</td> <td>PTD.</td> <td>-</td> <td>316A</td> <td>3\"/> <tr> <td>324</td> <td>ETR</td> <td>-</td> <td>WD.</td> <td>J2</td> <td>PTD.</td> <td>-</td> <td>318</td> <td>3\"/> <tr> <td>325</td> <td>A</td> <td>3\"/> <tr> <td>327</td> <td>ETR</td> <td>-</td> <td>WD.</td> <td>J2</td> <td>PTD.</td> <td>-</td> <td>319</td> <td>3\"/> <tr> <td>328</td> <td>ETR</td> <td>-</td> <td>WD.</td> <td>J2</td> <td>PTD.</td> <td>-</td> <td>320</td> <td>3\"/> <tr> <td>329A</td> <td>ETR</td> <td>-</td> <td>WD.</td> <td>J2</td> <td>PTD.</td> <td>-</td> <td>321</td> <td>3\"/> <tr> <td>329B</td> <td>ETR</td> <td>-</td> <td>WD.</td> <td>J2</td> <td>PTD.</td> <td>-</td> <td>322</td> <td>3\"/> <tr> <td>331</td> <td>ETR</td> <td>-</td> <td>WD.</td> <td>J2</td> <td>PTD.</td> <td>-</td> <td>323</td> <td>3\"/> <tr> <td>333</td> <td>ETR</td> <td>-</td> <td>WD.</td> <td>J2</td> <td>PTD.</td> <td>-</td> <td>324</td> <td>3\"/> <tr> <td>334A</td> <td>ETR</td> <td>-</td> <td>WD.</td> <td>J2</td> <td>PTD.</td> <td>-</td> <td>325</td> <td>3\"/> <tr> <td>334B</td> <td>ETR</td> <td>-</td> <td>WD.</td> <td>J2</td> <td>PTD.</td> <td>-</td> <td>327</td> <td>3\"/> <tr> <td>335A</td> <td>ETR</td> <td>-</td> <td>WD.</td> <td>J2</td> <td>PTD.</td> <td>-</td> <td>328</td> <td>3\"/> <tr> <td>335B</td> <td>B</td> <td>3\"/> <tr> <td>336</td> <td>B</td> <td>3\"/> <tr> <td>337</td> <td>ETR</td> <td>-</td> <td>WD.</td> <td>J2</td> <td>PTD.</td> <td>-</td> <td>329A</td> <td>3\"/> <tr> <td>339</td> <td>ETR</td> <td>-</td> <td>WD.</td> <td>J2</td> <td>PTD.</td> <td>-</td> <td>329B</td> <td>3\"/> <tr> <td>340</td> <td>A</td> <td>3\"/> <tr> <td>341A</td> <td>ETR</td> <td>-</td> <td>WD.</td> <td>J2</td> <td>PTD.</td> <td>-</td> <td>331</td> <td>3\"/> <tr> <td>341B</td> <td>ETR</td> <td>-</td> <td>WD.</td> <td>J2</td> <td>PTD.</td> <td>-</td> <td>333</td> <td>3\"/> <tr> <td>342</td> <td>ETR</td> <td>-</td> <td>WD.</td> <td>J2</td> <td>PTD.</td> <td>-</td> <td>334A</td> <td>3\"/> <tr> <td>344</td> <td>ETR</td> <td>-</td> <td>WD.</td> <td>J2</td> <td>PTD.</td> <td>-</td> <td>334B</td> <td>3\"/> <tr> <td>345</td> <td>ETR</td> <td>-</td> <td>WD.</td> <td>J2</td> <td>PTD.</td> <td>-</td> <td>335A</td> <td>3\"/> <tr> <td>346</td> <td>ETR</td> <td>-</td> <td>WD.</td> <td>J2</td> <td>PTD.</td> <td>-</td> <td>335B</td> <td>3\"/> <tr> <td>347</td> <td>ETR</td> <td>-</td> <td>WD.</td> <td>J2</td> <td>PTD.</td> <td>-</td> <td>336</td> <td>3\"/> <tr> <td>348</td> <td>ETR</td> <td>-</td> <td>WD.</td> <td>J2</td> <td>PTD.</td> <td>-</td> <td>337</td> <td>3\"/> <tr> <td>349</td> <td>ETR</td> <td>-</td> <td>WD.</td> <td>J2</td> <td>PTD.</td> <td>-</td> <td>339</td> <td>3\"/> <tr> <td>350</td> <td>ETR</td> <td>-</td> <td>WD.</td> <td>J2</td> <td>PTD.</td> <td>-</td> <td>340</td> <td>3\"/> </td></tr></td></tr></td></tr></td></tr></td></tr></td></tr></td></tr></td></tr></td></tr></td></tr></td></tr></td></tr></td></tr></td></tr></td></tr></td></tr></td></tr></td></tr></td></tr></td></tr></td></tr></td></tr></td></tr></td></tr></td></tr></td></tr></td></tr></td></tr></td></tr> | 321 | ETR | - | WD. | J2 | PTD.
 | - | 314 | 3\"/> <tr> <td>322</td> <td>ETR</td> <td>-</td> <td>WD.</td> <td>J2</td> <td>PTD.</td> <td>-</td> <td>315</td> <td>3\"/> <tr> <td>323</td> <td>ETR</td> <td>-</td> <td>WD.</td> <td>J2</td> <td>PTD.</td> <td>-</td> <td>316A</td> <td>3\"/> <tr> <td>324</td> <td>ETR</td> <td>-</td> <td>WD.</td> <td>J2</td> <td>PTD.</td> <td>-</td> <td>318</td> <td>3\"/> <tr> <td>325</td> <td>A</td> <td>3\"/> <tr> <td>327</td> <td>ETR</td> <td>-</td> <td>WD.</td> <td>J2</td> <td>PTD.</td> <td>-</td> <td>319</td> <td>3\"/> <tr> <td>328</td> <td>ETR</td> <td>-</td> <td>WD.</td> <td>J2</td> <td>PTD.</td> <td>-</td> <td>320</td> <td>3\"/> <tr> <td>329A</td> <td>ETR</td> <td>-</td> <td>WD.</td> <td>J2</td> <td>PTD.</td> <td>-</td> <td>321</td> <td>3\"/> <tr> <td>329B</td> <td>ETR</td> <td>-</td> <td>WD.</td> <td>J2</td> <td>PTD.</td> <td>-</td> <td>322</td> <td>3\"/> <tr> <td>331</td> <td>ETR</td> <td>-</td> <td>WD.</td> <td>J2</td> <td>PTD.</td> <td>-</td> <td>323</td> <td>3\"/> <tr> <td>333</td> <td>ETR</td> <td>-</td> <td>WD.</td> <td>J2</td> <td>PTD.</td> <td>-</td> <td>324</td> <td>3\"/> <tr> <td>334A</td> <td>ETR</td> <td>-</td> <td>WD.</td> <td>J2</td> <td>PTD.</td> <td>-</td> <td>325</td> <td>3\"/> <tr> <td>334B</td> <td>ETR</td> <td>-</td> <td>WD.</td> <td>J2</td> <td>PTD.</td> <td>-</td> <td>327</td> <td>3\"/> <tr> <td>335A</td> <td>ETR</td> <td>-</td> <td>WD.</td> <td>J2</td> <td>PTD.</td> <td>-</td> <td>328</td> <td>3\"/> <tr> <td>335B</td> <td>B</td> <td>3\"/> <tr> <td>336</td> <td>B</td> <td>3\"/> <tr> <td>337</td> <td>ETR</td> <td>-</td> <td>WD.</td> <td>J2</td> <td>PTD.</td> <td>-</td> <td>329A</td> <td>3\"/> <tr> <td>339</td> <td>ETR</td> <td>-</td> <td>WD.</td> <td>J2</td> <td>PTD.</td> <td>-</td> <td>329B</td> <td>3\"/> <tr> <td>340</td> <td>A</td> <td>3\"/> <tr> <td>341A</td> <td>ETR</td> <td>-</td> <td>WD.</td> <td>J2</td> <td>PTD.</td> <td>-</td> <td>331</td> <td>3\"/> <tr> <td>341B</td> <td>ETR</td> <td>-</td> <td>WD.</td> <td>J2</td> <td>PTD.</td> <td>-</td> <td>333</td> <td>3\"/> <tr> <td>342</td> <td>ETR</td> <td>-</td> <td>WD.</td> <td>J2</td> <td>PTD.</td> <td>-</td> <td>334A</td> <td>3\"/> <tr> <td>344</td> <td>ETR</td> <td>-</td> <td>WD.</td> <td>J2</td> <td>PTD.</td> <td>-</td> <td>334B</td> <td>3\"/> <tr> <td>345</td> <td>ETR</td> <td>-</td> <td>WD.</td> <td>J2</td> <td>PTD.</td> <td>-</td> <td>335A</td> <td>3\"/> <tr> <td>346</td> <td>ETR</td> <td>-</td> <td>WD.</td> <td>J2</td> <td>PTD.</td> <td>-</td> <td>335B</td> <td>3\"/> <tr> <td>347</td> <td>ETR</td> <td>-</td> <td>WD.</td> <td>J2</td> <td>PTD.</td> <td>-</td> <td>336</td> <td>3\"/> <tr> <td>348</td> <td>ETR</td> <td>-</td> <td>WD.</td> <td>J2</td> <td>PTD.</td> <td>-</td> <td>337</td> <td>3\"/> <tr> <td>349</td> <td>ETR</td> <td>-</td> <td>WD.</td> <td>J2</td> <td>PTD.</td> <td>-</td> <td>339</td> <td>3\"/> <tr> <td>350</td> <td>ETR</td> <td>-</td> <td>WD.</td> <td>J2</td> <td>PTD.</td> <td>-</td> <td>340</td> <td>3\"/> </td></tr></td></tr></td></tr></td></tr></td></tr></td></tr></td></tr></td></tr></td></tr></td></tr></td></tr></td></tr></td></tr></td></tr></td></tr></td></tr></td></tr></td></tr></td></tr></td></tr></td></tr></td></tr></td></tr></td></tr></td></tr></td></tr></td></tr></td></tr> | 322 | ETR | -
 | WD. | J2 | PTD. | - | 315 | 3\"/> <tr> <td>323</td> <td>ETR</td> <td>-</td> <td>WD.</td> <td>J2</td> <td>PTD.</td> <td>-</td> <td>316A</td> <td>3\"/> <tr> <td>324</td> <td>ETR</td> <td>-</td> <td>WD.</td> <td>J2</td> <td>PTD.</td> <td>-</td> <td>318</td> <td>3\"/> <tr> <td>325</td> <td>A</td> <td>3\"/> <tr> <td>327</td> <td>ETR</td> <td>-</td> <td>WD.</td> <td>J2</td> <td>PTD.</td> <td>-</td> <td>319</td> <td>3\"/> <tr> <td>328</td> <td>ETR</td> <td>-</td> <td>WD.</td> <td>J2</td> <td>PTD.</td> <td>-</td> <td>320</td> <td>3\"/> <tr> <td>329A</td> <td>ETR</td> <td>-</td> <td>WD.</td> <td>J2</td> <td>PTD.</td> <td>-</td> <td>321</td> <td>3\"/> <tr> <td>329B</td> <td>ETR</td> <td>-</td> <td>WD.</td> <td>J2</td> <td>PTD.</td> <td>-</td> <td>322</td> <td>3\"/> <tr> <td>331</td> <td>ETR</td> <td>-</td> <td>WD.</td> <td>J2</td> <td>PTD.</td> <td>-</td> <td>323</td> <td>3\"/> <tr> <td>333</td> <td>ETR</td> <td>-</td> <td>WD.</td> <td>J2</td> <td>PTD.</td> <td>-</td> <td>324</td> <td>3\"/> <tr> <td>334A</td> <td>ETR</td> <td>-</td> <td>WD.</td> <td>J2</td> <td>PTD.</td> <td>-</td> <td>325</td> <td>3\"/> <tr> <td>334B</td> <td>ETR</td> <td>-</td> <td>WD.</td> <td>J2</td> <td>PTD.</td> <td>-</td> <td>327</td> <td>3\"/> <tr> <td>335A</td> <td>ETR</td> <td>-</td> <td>WD.</td> <td>J2</td> <td>PTD.</td> <td>-</td> <td>328</td> <td>3\"/> <tr> <td>335B</td> <td>B</td> <td>3\"/> <tr> <td>336</td> <td>B</td> <td>3\"/> <tr> <td>337</td> <td>ETR</td> <td>-</td> <td>WD.</td> <td>J2</td> <td>PTD.</td> <td>-</td> <td>329A</td> <td>3\"/> <tr> <td>339</td> <td>ETR</td> <td>-</td> <td>WD.</td> <td>J2</td> <td>PTD.</td> <td>-</td> <td>329B</td> <td>3\"/> <tr> <td>340</td> <td>A</td> <td>3\"/> <tr> <td>341A</td> <td>ETR</td> <td>-</td> <td>WD.</td> <td>J2</td> <td>PTD.</td> <td>-</td> <td>331</td> <td>3\"/> <tr> <td>341B</td> <td>ETR</td> <td>-</td> <td>WD.</td> <td>J2</td> <td>PTD.</td> <td>-</td> <td>333</td> <td>3\"/> <tr> <td>342</td> <td>ETR</td> <td>-</td> <td>WD.</td> <td>J2</td> <td>PTD.</td> <td>-</td> <td>334A</td> <td>3\"/> <tr> <td>344</td> <td>ETR</td> <td>-</td> <td>WD.</td> <td>J2</td> <td>PTD.</td> <td>-</td> <td>334B</td> <td>3\"/> <tr> <td>345</td> <td>ETR</td> <td>-</td> <td>WD.</td> <td>J2</td> <td>PTD.</td> <td>-</td> <td>335A</td> <td>3\"/> <tr> <td>346</td> <td>ETR</td> <td>-</td> <td>WD.</td> <td>J2</td> <td>PTD.</td> <td>-</td> <td>335B</td> <td>3\"/> <tr> <td>347</td> <td>ETR</td> <td>-</td> <td>WD.</td> <td>J2</td> <td>PTD.</td> <td>-</td> <td>336</td> <td>3\"/> <tr> <td>348</td> <td>ETR</td> <td>-</td> <td>WD.</td> <td>J2</td> <td>PTD.</td> <td>-</td> <td>337</td> <td>3\"/> <tr> <td>349</td> <td>ETR</td> <td>-</td> <td>WD.</td> <td>J2</td> <td>PTD.</td> <td>-</td> <td>339</td> <td>3\"/> <tr> <td>350</td> <td>ETR</td> <td>-</td> <td>WD.</td> <td>J2</td> <td>PTD.</td> <td>-</td> <td>340</td> <td>3\"/> </td></tr></td></tr></td></tr></td></tr></td></tr></td></tr></td></tr></td></tr></td></tr></td></tr></td></tr></td></tr></td></tr></td></tr></td></tr></td></tr></td></tr></td></tr></td></tr></td></tr></td></tr></td></tr></td></tr></td></tr></td></tr></td></tr></td></tr> | 323 | ETR | -
 | WD. | J2 | PTD. | - | 316A | 3\"/> <tr> <td>324</td> <td>ETR</td> <td>-</td> <td>WD.</td> <td>J2</td> <td>PTD.</td> <td>-</td> <td>318</td> <td>3\"/> <tr> <td>325</td> <td>A</td> <td>3\"/> <tr> <td>327</td> <td>ETR</td> <td>-</td> <td>WD.</td> <td>J2</td> <td>PTD.</td> <td>-</td> <td>319</td> <td>3\"/> <tr> <td>328</td> <td>ETR</td> <td>-</td> <td>WD.</td> <td>J2</td> <td>PTD.</td> <td>-</td> <td>320</td> <td>3\"/> <tr> <td>329A</td> <td>ETR</td> <td>-</td> <td>WD.</td> <td>J2</td> <td>PTD.</td> <td>-</td> <td>321</td> <td>3\"/> <tr> <td>329B</td> <td>ETR</td> <td>-</td> <td>WD.</td> <td>J2</td> <td>PTD.</td> <td>-</td> <td>322</td> <td>3\"/> <tr> <td>331</td> <td>ETR</td> <td>-</td> <td>WD.</td> <td>J2</td> <td>PTD.</td> <td>-</td> <td>323</td> <td>3\"/> <tr> <td>333</td> <td>ETR</td> <td>-</td> <td>WD.</td> <td>J2</td> <td>PTD.</td> <td>-</td> <td>324</td> <td>3\"/> <tr> <td>334A</td> <td>ETR</td> <td>-</td> <td>WD.</td> <td>J2</td> <td>PTD.</td> <td>-</td> <td>325</td> <td>3\"/> <tr> <td>334B</td> <td>ETR</td> <td>-</td> <td>WD.</td> <td>J2</td> <td>PTD.</td> <td>-</td> <td>327</td> <td>3\"/> <tr> <td>335A</td> <td>ETR</td> <td>-</td> <td>WD.</td> <td>J2</td> <td>PTD.</td> <td>-</td> <td>328</td> <td>3\"/> <tr> <td>335B</td> <td>B</td> <td>3\"/> <tr> <td>336</td> <td>B</td> <td>3\"/> <tr> <td>337</td> <td>ETR</td> <td>-</td> <td>WD.</td> <td>J2</td> <td>PTD.</td> <td>-</td> <td>329A</td> <td>3\"/> <tr> <td>339</td> <td>ETR</td> <td>-</td> <td>WD.</td> <td>J2</td> <td>PTD.</td> <td>-</td> <td>329B</td> <td>3\"/> <tr> <td>340</td> <td>A</td> <td>3\"/> <tr> <td>341A</td> <td>ETR</td> <td>-</td> <td>WD.</td> <td>J2</td> <td>PTD.</td> <td>-</td> <td>331</td> <td>3\"/> <tr> <td>341B</td> <td>ETR</td> <td>-</td> <td>WD.</td> <td>J2</td> <td>PTD.</td> <td>-</td> <td>333</td> <td>3\"/> <tr> <td>342</td> <td>ETR</td> <td>-</td> <td>WD.</td> <td>J2</td> <td>PTD.</td> <td>-</td> <td>334A</td> <td>3\"/> <tr> <td>344</td> <td>ETR</td> <td>-</td> <td>WD.</td> <td>J2</td> <td>PTD.</td> <td>-</td> <td>334B</td> <td>3\"/> <tr> <td>345</td> <td>ETR</td> <td>-</td> <td>WD.</td> <td>J2</td> <td>PTD.</td> <td>-</td> <td>335A</td> <td>3\"/> <tr> <td>346</td> <td>ETR</td> <td>-</td> <td>WD.</td> <td>J2</td> <td>PTD.</td> <td>-</td> <td>335B</td> <td>3\"/> <tr> <td>347</td> <td>ETR</td> <td>-</td> <td>WD.</td> <td>J2</td> <td>PTD.</td> <td>-</td> <td>336</td> <td>3\"/> <tr> <td>348</td> <td>ETR</td> <td>-</td> <td>WD.</td> <td>J2</td> <td>PTD.</td> <td>-</td> <td>337</td> <td>3\"/> <tr> <td>349</td> <td>ETR</td> <td>-</td> <td>WD.</td> <td>J2</td> <td>PTD.</td> <td>-</td> <td>339</td> <td>3\"/> <tr> <td>350</td> <td>ETR</td> <td>-</td> <td>WD.</td> <td>J2</td> <td>PTD.</td> <td>-</td> <td>340</td> <td>3\"/> </td></tr></td></tr></td></tr></td></tr></td></tr></td></tr></td></tr></td></tr></td></tr></td></tr></td></tr></td></tr></td></tr></td></tr></td></tr></td></tr></td></tr></td></tr></td></tr></td></tr></td></tr></td></tr></td></tr></td></tr></td></tr></td></tr>
 | 324 | ETR | - | WD. | J2 | PTD. | - | 318 | 3\"/> <tr> <td>325</td> <td>A</td> <td>3\"/> <tr> <td>327</td> <td>ETR</td> <td>-</td> <td>WD.</td> <td>J2</td> <td>PTD.</td> <td>-</td> <td>319</td> <td>3\"/> <tr> <td>328</td> <td>ETR</td> <td>-</td> <td>WD.</td> <td>J2</td> <td>PTD.</td> <td>-</td> <td>320</td> <td>3\"/> <tr> <td>329A</td> <td>ETR</td> <td>-</td> <td>WD.</td> <td>J2</td> <td>PTD.</td> <td>-</td> <td>321</td> <td>3\"/> <tr> <td>329B</td> <td>ETR</td> <td>-</td> <td>WD.</td> <td>J2</td> <td>PTD.</td> <td>-</td> <td>322</td> <td>3\"/> <tr> <td>331</td> <td>ETR</td> <td>-</td> <td>WD.</td> <td>J2</td> <td>PTD.</td> <td>-</td> <td>323</td> <td>3\"/> <tr> <td>333</td> <td>ETR</td> <td>-</td> <td>WD.</td> <td>J2</td> <td>PTD.</td> <td>-</td> <td>324</td> <td>3\"/> <tr> <td>334A</td> <td>ETR</td> <td>-</td> <td>WD.</td> <td>J2</td> <td>PTD.</td> <td>-</td> <td>325</td> <td>3\"/> <tr> <td>334B</td> <td>ETR</td> <td>-</td> <td>WD.</td> <td>J2</td> <td>PTD.</td> <td>-</td> <td>327</td> <td>3\"/> <tr> <td>335A</td> <td>ETR</td> <td>-</td> <td>WD.</td> <td>J2</td> <td>PTD.</td> <td>-</td> <td>328</td> <td>3\"/> <tr> <td>335B</td> <td>B</td> <td>3\"/> <tr> <td>336</td> <td>B</td> <td>3\"/> <tr> <td>337</td> <td>ETR</td> <td>-</td> <td>WD.</td> <td>J2</td> <td>PTD.</td> <td>-</td> <td>329A</td> <td>3\"/> <tr> <td>339</td> <td>ETR</td> <td>-</td> <td>WD.</td> <td>J2</td> <td>PTD.</td> <td>-</td> <td>329B</td> <td>3\"/> <tr> <td>340</td> <td>A</td> <td>3\"/> <tr> <td>341A</td> <td>ETR</td> <td>-</td> <td>WD.</td> <td>J2</td> <td>PTD.</td> <td>-</td> <td>331</td> <td>3\"/> <tr> <td>341B</td> <td>ETR</td> <td>-</td> <td>WD.</td> <td>J2</td> <td>PTD.</td> <td>-</td> <td>333</td> <td>3\"/> <tr> <td>342</td> <td>ETR</td> <td>-</td> <td>WD.</td> <td>J2</td>
<td>PTD.</td> <td>-</td> <td>334A</td> <td>3\"/> <tr> <td>344</td> <td>ETR</td> <td>-</td> <td>WD.</td> <td>J2</td> <td>PTD.</td> <td>-</td> <td>334B</td> <td>3\"/> <tr> <td>345</td> <td>ETR</td> <td>-</td> <td>WD.</td> <td>J2</td> <td>PTD.</td> <td>-</td> <td>335A</td> <td>3\"/> <tr> <td>346</td> <td>ETR</td> <td>-</td> <td>WD.</td> <td>J2</td> <td>PTD.</td> <td>-</td> <td>335B</td> <td>3\"/> <tr> <td>347</td> <td>ETR</td> <td>-</td> <td>WD.</td> <td>J2</td> <td>PTD.</td> <td>-</td> <td>336</td> <td>3\"/> <tr> <td>348</td> <td>ETR</td> <td>-</td> <td>WD.</td> <td>J2</td> <td>PTD.</td> <td>-</td> <td>337</td> <td>3\"/> <tr> <td>349</td> <td>ETR</td> <td>-</td> <td>WD.</td> <td>J2</td> <td>PTD.</td> <td>-</td> <td>339</td> <td>3\"/> <tr> <td>350</td> <td>ETR</td> <td>-</td> <td>WD.</td> <td>J2</td> <td>PTD.</td> <td>-</td> <td>340</td> <td>3\"/> </td></tr></td></tr></td></tr></td></tr></td></tr></td></tr></td></tr></td></tr></td></tr></td></tr></td></tr></td></tr></td></tr></td></tr></td></tr></td></tr></td></tr></td></tr></td></tr></td></tr></td></tr></td></tr></td></tr></td></tr></td></tr> | 325 | A | 3\"/> <tr> <td>327</td> <td>ETR</td> <td>-</td> <td>WD.</td> <td>J2</td> <td>PTD.</td> <td>-</td> <td>319</td> <td>3\"/> <tr> <td>328</td> <td>ETR</td> <td>-</td> <td>WD.</td> <td>J2</td> <td>PTD.</td> <td>-</td> <td>320</td> <td>3\"/> <tr> <td>329A</td> <td>ETR</td> <td>-</td> <td>WD.</td> <td>J2</td> <td>PTD.</td> <td>-</td> <td>321</td> <td>3\"/> <tr> <td>329B</td> <td>ETR</td> <td>-</td> <td>WD.</td> <td>J2</td> <td>PTD.</td> <td>-</td> <td>322</td> <td>3\"/> <tr> <td>331</td> <td>ETR</td> <td>-</td> <td>WD.</td> <td>J2</td> <td>PTD.</td> <td>-</td> <td>323</td> <td>3\"/> <tr> <td>333</td> <td>ETR</td> <td>-</td> <td>WD.</td> <td>J2</td> <td>PTD.</td> <td>-</td> <td>324</td> <td>3\"/> <tr> <td>334A</td> <td>ETR</td> <td>-</td> <td>WD.</td> <td>J2</td> <td>PTD.</td> <td>-</td> <td>325</td> <td>3\"/> <tr> <td>334B</td> <td>ETR</td> <td>-</td> <td>WD.</td> <td>J2</td> <td>PTD.</td> <td>-</td> <td>327</td> <td>3\"/> <tr> <td>335A</td> <td>ETR</td> <td>-</td> <td>WD.</td> <td>J2</td> <td>PTD.</td> <td>-</td> <td>328</td> <td>3\"/> <tr> <td>335B</td> <td>B</td> <td>3\"/> <tr> <td>336</td> <td>B</td> <td>3\"/> <tr> <td>337</td> <td>ETR</td> <td>-</td> <td>WD.</td> <td>J2</td> <td>PTD.</td> <td>-</td> <td>329A</td> <td>3\"/> <tr> <td>339</td> <td>ETR</td> <td>-</td> <td>WD.</td> <td>J2</td> <td>PTD.</td> <td>-</td> <td>329B</td> <td>3\"/> <tr> <td>340</td> <td>A</td> <td>3\"/> <tr> <td>341A</td> <td>ETR</td> <td>-</td> <td>WD.</td> <td>J2</td> <td>PTD.</td> <td>-</td> <td>331</td> <td>3\"/> <tr> <td>341B</td> <td>ETR</td> <td>-</td> <td>WD.</td> <td>J2</td> <td>PTD.</td> <td>-</td> <td>333</td> <td>3\"/> <tr> <td>342</td> <td>ETR</td> <td>-</td> <td>WD.</td> <td>J2</td> <td>PTD.</td> <td>-</td> <td>334A</td> <td>3\"/> <tr> <td>344</td> <td>ETR</td> <td>-</td> <td>WD.</td> <td>J2</td> <td>PTD.</td> <td>-</td> <td>334B</td> <td>3\"/> <tr> <td>345</td> <td>ETR</td> <td>-</td> <td>WD.</td> <td>J2</td> <td>PTD.</td> <td>-</td> <td>335A</td> <td>3\"/> <tr> <td>346</td> <td>ETR</td> <td>-</td> <td>WD.</td> <td>J2</td> <td>PTD.</td> <td>-</td> <td>335B</td> <td>3\"/> <tr> <td>347</td> <td>ETR</td> <td>-</td> <td>WD.</td> <td>J2</td> <td>PTD.</td> <td>-</td> <td>336</td> <td>3\"/> <tr> <td>348</td> <td>ETR</td> <td>-</td> <td>WD.</td> <td>J2</td> <td>PTD.</td> <td>-</td> <td>337</td> <td>3\"/> <tr> <td>349</td> <td>ETR</td> <td>-</td> <td>WD.</td> <td>J2</td> <td>PTD.</td> <td>-</td> <td>339</td> <td>3\"/> <tr> <td>350</td> <td>ETR</td> <td>-</td> <td>WD.</td> <td>J2</td> <td>PTD.</td> <td>-</td> <td>340</td> <td>3\"/> </td></tr></td></tr></td></tr></td></tr></td></tr></td></tr></td></tr></td></tr></td></tr></td></tr></td></tr></td></tr></td></tr></td></tr></td></tr></td></tr></td></tr></td></tr></td></tr></td></tr></td></tr></td></tr></td></tr></td></tr> | 327 | ETR | - | WD. | J2 | PTD.
 | - | 319 | 3\"/> <tr> <td>328</td> <td>ETR</td> <td>-</td> <td>WD.</td> <td>J2</td> <td>PTD.</td> <td>-</td> <td>320</td> <td>3\"/> <tr> <td>329A</td> <td>ETR</td> <td>-</td> <td>WD.</td> <td>J2</td> <td>PTD.</td> <td>-</td> <td>321</td> <td>3\"/> <tr> <td>329B</td> <td>ETR</td> <td>-</td> <td>WD.</td> <td>J2</td> <td>PTD.</td> <td>-</td> <td>322</td> <td>3\"/> <tr> <td>331</td> <td>ETR</td> <td>-</td> <td>WD.</td> <td>J2</td> <td>PTD.</td> <td>-</td> <td>323</td> <td>3\"/> <tr> <td>333</td> <td>ETR</td> <td>-</td> <td>WD.</td> <td>J2</td> <td>PTD.</td> <td>-</td> <td>324</td> <td>3\"/> <tr> <td>334A</td> <td>ETR</td> <td>-</td> <td>WD.</td> <td>J2</td> <td>PTD.</td> <td>-</td> <td>325</td> <td>3\"/> <tr> <td>334B</td> <td>ETR</td> <td>-</td> <td>WD.</td> <td>J2</td> <td>PTD.</td> <td>-</td> <td>327</td> <td>3\"/> <tr> <td>335A</td> <td>ETR</td> <td>-</td> <td>WD.</td> <td>J2</td> <td>PTD.</td> <td>-</td> <td>328</td> <td>3\"/> <tr> <td>335B</td> <td>B</td> <td>3\"/> <tr> <td>336</td> <td>B</td> <td>3\"/> <tr> <td>337</td> <td>ETR</td> <td>-</td> <td>WD.</td> <td>J2</td> <td>PTD.</td> <td>-</td> <td>329A</td> <td>3\"/> <tr> <td>339</td> <td>ETR</td> <td>-</td> <td>WD.</td> <td>J2</td> <td>PTD.</td> <td>-</td> <td>329B</td> <td>3\"/> <tr> <td>340</td> <td>A</td> <td>3\"/> <tr> <td>341A</td> <td>ETR</td> <td>-</td> <td>WD.</td> <td>J2</td> <td>PTD.</td> <td>-</td> <td>331</td> <td>3\"/> <tr> <td>341B</td> <td>ETR</td> <td>-</td> <td>WD.</td> <td>J2</td> <td>PTD.</td> <td>-</td> <td>333</td> <td>3\"/> <tr> <td>342</td> <td>ETR</td> <td>-</td> <td>WD.</td> <td>J2</td> <td>PTD.</td> <td>-</td> <td>334A</td> <td>3\"/> <tr> <td>344</td> <td>ETR</td> <td>-</td> <td>WD.</td> <td>J2</td> <td>PTD.</td> <td>-</td> <td>334B</td> <td>3\"/> <tr> <td>345</td> <td>ETR</td> <td>-</td> <td>WD.</td> <td>J2</td> <td>PTD.</td> <td>-</td> <td>335A</td> <td>3\"/> <tr> <td>346</td> <td>ETR</td> <td>-</td> <td>WD.</td> <td>J2</td> <td>PTD.</td> <td>-</td> <td>335B</td> <td>3\"/> <tr> <td>347</td> <td>ETR</td> <td>-</td> <td>WD.</td> <td>J2</td> <td>PTD.</td> <td>-</td> <td>336</td> <td>3\"/> <tr> <td>348</td> <td>ETR</td> <td>-</td> <td>WD.</td> <td>J2</td> <td>PTD.</td> <td>-</td> <td>337</td> <td>3\"/> <tr> <td>349</td> <td>ETR</td> <td>-</td> <td>WD.</td> <td>J2</td> <td>PTD.</td> <td>-</td> <td>339</td> <td>3\"/> <tr> <td>350</td> <td>ETR</td> <td>-</td> <td>WD.</td> <td>J2</td> <td>PTD.</td> <td>-</td> <td>340</td> <td>3\"/> </td></tr></td></tr></td></tr></td></tr></td></tr></td></tr></td></tr></td></tr></td></tr></td></tr></td></tr></td></tr></td></tr></td></tr></td></tr></td></tr></td></tr></td></tr></td></tr></td></tr></td></tr></td></tr></td></tr> | 328 | ETR | - | WD. | J2 | PTD.
 | - | 320 | 3\"/> <tr> <td>329A</td> <td>ETR</td> <td>-</td> <td>WD.</td> <td>J2</td> <td>PTD.</td> <td>-</td> <td>321</td> <td>3\"/> <tr> <td>329B</td> <td>ETR</td> <td>-</td> <td>WD.</td> <td>J2</td> <td>PTD.</td> <td>-</td> <td>322</td> <td>3\"/> <tr> <td>331</td> <td>ETR</td> <td>-</td> <td>WD.</td> <td>J2</td> <td>PTD.</td> <td>-</td> <td>323</td> <td>3\"/> <tr> <td>333</td> <td>ETR</td> <td>-</td> <td>WD.</td> <td>J2</td> <td>PTD.</td> <td>-</td> <td>324</td> <td>3\"/> <tr> <td>334A</td> <td>ETR</td> <td>-</td> <td>WD.</td> <td>J2</td> <td>PTD.</td> <td>-</td> <td>325</td> <td>3\"/> <tr> <td>334B</td> <td>ETR</td> <td>-</td> <td>WD.</td> <td>J2</td> <td>PTD.</td> <td>-</td> <td>327</td> <td>3\"/> <tr> <td>335A</td> <td>ETR</td> <td>-</td> <td>WD.</td> <td>J2</td> <td>PTD.</td> <td>-</td> <td>328</td> <td>3\"/> <tr> <td>335B</td> <td>B</td> <td>3\"/> <tr> <td>336</td> <td>B</td> <td>3\"/> <tr> <td>337</td> <td>ETR</td> <td>-</td> <td>WD.</td> <td>J2</td> <td>PTD.</td> <td>-</td> <td>329A</td> <td>3\"/> <tr> <td>339</td> <td>ETR</td> <td>-</td> <td>WD.</td> <td>J2</td> <td>PTD.</td> <td>-</td> <td>329B</td> <td>3\"/> <tr> <td>340</td> <td>A</td> <td>3\"/> <tr> <td>341A</td> <td>ETR</td> <td>-</td> <td>WD.</td> <td>J2</td> <td>PTD.</td> <td>-</td> <td>331</td> <td>3\"/> <tr> <td>341B</td> <td>ETR</td> <td>-</td> <td>WD.</td> <td>J2</td> <td>PTD.</td> <td>-</td> <td>333</td> <td>3\"/> <tr> <td>342</td> <td>ETR</td> <td>-</td> <td>WD.</td> <td>J2</td> <td>PTD.</td> <td>-</td> <td>334A</td> <td>3\"/> <tr> <td>344</td> <td>ETR</td> <td>-</td> <td>WD.</td> <td>J2</td> <td>PTD.</td> <td>-</td> <td>334B</td> <td>3\"/> <tr> <td>345</td> <td>ETR</td> <td>-</td> <td>WD.</td> <td>J2</td> <td>PTD.</td> <td>-</td> <td>335A</td> <td>3\"/> <tr> <td>346</td> <td>ETR</td> <td>-</td> <td>WD.</td> <td>J2</td> <td>PTD.</td> <td>-</td> <td>335B</td> <td>3\"/> <tr> <td>347</td> <td>ETR</td> <td>-</td> <td>WD.</td> <td>J2</td> <td>PTD.</td> <td>-</td> <td>336</td> <td>3\"/> <tr> <td>348</td> <td>ETR</td> <td>-</td> <td>WD.</td> <td>J2</td> <td>PTD.</td> <td>-</td> <td>337</td> <td>3\"/> <tr> <td>349</td> <td>ETR</td> <td>-</td> <td>WD.</td> <td>J2</td> <td>PTD.</td> <td>-</td> <td>339</td> <td>3\"/> <tr> <td>350</td> <td>ETR</td> <td>-</td> <td>WD.</td> <td>J2</td> <td>PTD.</td> <td>-</td> <td>340</td> <td>3\"/> </td></tr></td></tr></td></tr></td></tr></td></tr></td></tr></td></tr></td></tr></td></tr></td></tr></td></tr></td></tr></td></tr></td></tr></td></tr></td></tr></td></tr></td></tr></td></tr></td></tr></td></tr></td></tr> | 329A | ETR | -
 | WD. | J2 | PTD. | - | 321 | 3\"/> <tr> <td>329B</td> <td>ETR</td> <td>-</td> <td>WD.</td> <td>J2</td> <td>PTD.</td> <td>-</td> <td>322</td> <td>3\"/> <tr> <td>331</td> <td>ETR</td> <td>-</td> <td>WD.</td> <td>J2</td> <td>PTD.</td> <td>-</td> <td>323</td> <td>3\"/> <tr> <td>333</td> <td>ETR</td> <td>-</td> <td>WD.</td> <td>J2</td> <td>PTD.</td> <td>-</td> <td>324</td> <td>3\"/> <tr> <td>334A</td> <td>ETR</td> <td>-</td> <td>WD.</td> <td>J2</td> <td>PTD.</td> <td>-</td> <td>325</td> <td>3\"/> <tr> <td>334B</td> <td>ETR</td> <td>-</td> <td>WD.</td> <td>J2</td> <td>PTD.</td> <td>-</td> <td>327</td> <td>3\"/> <tr> <td>335A</td> <td>ETR</td> <td>-</td> <td>WD.</td> <td>J2</td> <td>PTD.</td> <td>-</td> <td>328</td> <td>3\"/> <tr> <td>335B</td> <td>B</td> <td>3\"/> <tr> <td>336</td> <td>B</td> <td>3\"/> <tr> <td>337</td> <td>ETR</td> <td>-</td> <td>WD.</td> <td>J2</td> <td>PTD.</td> <td>-</td> <td>329A</td> <td>3\"/> <tr> <td>339</td> <td>ETR</td> <td>-</td> <td>WD.</td> <td>J2</td> <td>PTD.</td> <td>-</td> <td>329B</td> <td>3\"/> <tr> <td>340</td> <td>A</td> <td>3\"/> <tr> <td>341A</td> <td>ETR</td> <td>-</td> <td>WD.</td> <td>J2</td> <td>PTD.</td> <td>-</td> <td>331</td> <td>3\"/> <tr> <td>341B</td> <td>ETR</td> <td>-</td> <td>WD.</td> <td>J2</td> <td>PTD.</td> <td>-</td> <td>333</td> <td>3\"/> <tr> <td>342</td> <td>ETR</td> <td>-</td> <td>WD.</td> <td>J2</td> <td>PTD.</td> <td>-</td> <td>334A</td> <td>3\"/> <tr> <td>344</td> <td>ETR</td> <td>-</td> <td>WD.</td> <td>J2</td> <td>PTD.</td> <td>-</td> <td>334B</td> <td>3\"/> <tr> <td>345</td> <td>ETR</td> <td>-</td> <td>WD.</td> <td>J2</td> <td>PTD.</td> <td>-</td> <td>335A</td> <td>3\"/> <tr> <td>346</td> <td>ETR</td> <td>-</td> <td>WD.</td> <td>J2</td> <td>PTD.</td> <td>-</td> <td>335B</td> <td>3\"/> <tr> <td>347</td> <td>ETR</td> <td>-</td> <td>WD.</td> <td>J2</td> <td>PTD.</td> <td>-</td> <td>336</td> <td>3\"/> <tr> <td>348</td> <td>ETR</td> <td>-</td> <td>WD.</td> <td>J2</td> <td>PTD.</td> <td>-</td> <td>337</td> <td>3\"/> <tr> <td>349</td> <td>ETR</td> <td>-</td> <td>WD.</td> <td>J2</td> <td>PTD.</td> <td>-</td> <td>339</td> <td>3\"/> <tr> <td>350</td> <td>ETR</td> <td>-</td> <td>WD.</td> <td>J2</td> <td>PTD.</td> <td>-</td> <td>340</td> <td>3\"/> </td></tr></td></tr></td></tr></td></tr></td></tr></td></tr></td></tr></td></tr></td></tr></td></tr></td></tr></td></tr></td></tr></td></tr></td></tr></td></tr></td></tr></td></tr></td></tr></td></tr></td></tr> | 329B | ETR | -
 | WD. | J2 | PTD. | - | 322 | 3\"/> <tr> <td>331</td> <td>ETR</td> <td>-</td> <td>WD.</td> <td>J2</td> <td>PTD.</td> <td>-</td> <td>323</td> <td>3\"/> <tr> <td>333</td> <td>ETR</td> <td>-</td> <td>WD.</td> <td>J2</td> <td>PTD.</td> <td>-</td> <td>324</td> <td>3\"/> <tr> <td>334A</td> <td>ETR</td> <td>-</td> <td>WD.</td> <td>J2</td> <td>PTD.</td> <td>-</td> <td>325</td> <td>3\"/> <tr> <td>334B</td> <td>ETR</td> <td>-</td> <td>WD.</td> <td>J2</td> <td>PTD.</td> <td>-</td> <td>327</td> <td>3\"/> <tr> <td>335A</td> <td>ETR</td> <td>-</td> <td>WD.</td> <td>J2</td> <td>PTD.</td> <td>-</td> <td>328</td> <td>3\"/> <tr> <td>335B</td> <td>B</td> <td>3\"/> <tr> <td>336</td> <td>B</td> <td>3\"/> <tr> <td>337</td> <td>ETR</td> <td>-</td> <td>WD.</td> <td>J2</td> <td>PTD.</td> <td>-</td> <td>329A</td> <td>3\"/> <tr> <td>339</td> <td>ETR</td> <td>-</td> <td>WD.</td> <td>J2</td> <td>PTD.</td> <td>-</td> <td>329B</td> <td>3\"/> <tr> <td>340</td> <td>A</td> <td>3\"/> <tr> <td>341A</td> <td>ETR</td> <td>-</td> <td>WD.</td> <td>J2</td> <td>PTD.</td> <td>-</td> <td>331</td> <td>3\"/> <tr> <td>341B</td> <td>ETR</td> <td>-</td> <td>WD.</td> <td>J2</td> <td>PTD.</td> <td>-</td> <td>333</td> <td>3\"/> <tr> <td>342</td> <td>ETR</td> <td>-</td> <td>WD.</td> <td>J2</td> <td>PTD.</td> <td>-</td> <td>334A</td> <td>3\"/> <tr> <td>344</td> <td>ETR</td> <td>-</td> <td>WD.</td> <td>J2</td> <td>PTD.</td> <td>-</td> <td>334B</td> <td>3\"/> <tr> <td>345</td> <td>ETR</td> <td>-</td> <td>WD.</td> <td>J2</td> <td>PTD.</td> <td>-</td> <td>335A</td> <td>3\"/> <tr> <td>346</td> <td>ETR</td> <td>-</td> <td>WD.</td> <td>J2</td> <td>PTD.</td> <td>-</td> <td>335B</td> <td>3\"/> <tr> <td>347</td> <td>ETR</td> <td>-</td> <td>WD.</td> <td>J2</td> <td>PTD.</td> <td>-</td> <td>336</td> <td>3\"/> <tr> <td>348</td> <td>ETR</td> <td>-</td> <td>WD.</td> <td>J2</td> <td>PTD.</td> <td>-</td> <td>337</td> <td>3\"/> <tr> <td>349</td> <td>ETR</td> <td>-</td> <td>WD.</td> <td>J2</td> <td>PTD.</td> <td>-</td> <td>339</td> <td>3\"/> <tr> <td>350</td> <td>ETR</td> <td>-</td> <td>WD.</td> <td>J2</td> <td>PTD.</td> <td>-</td> <td>340</td> <td>3\"/> </td></tr></td></tr></td></tr></td></tr></td></tr></td></tr></td></tr></td></tr></td></tr></td></tr></td></tr></td></tr></td></tr></td></tr></td></tr></td></tr></td></tr></td></tr></td></tr></td></tr> | 331 | ETR | - | WD. | J2 | PTD.
 | - | 323 | 3\"/> <tr> <td>333</td> <td>ETR</td> <td>-</td> <td>WD.</td> <td>J2</td> <td>PTD.</td> <td>-</td> <td>324</td> <td>3\"/> <tr> <td>334A</td> <td>ETR</td> <td>-</td> <td>WD.</td> <td>J2</td> <td>PTD.</td> <td>-</td> <td>325</td> <td>3\"/> <tr> <td>334B</td> <td>ETR</td> <td>-</td> <td>WD.</td> <td>J2</td> <td>PTD.</td> <td>-</td> <td>327</td> <td>3\"/> <tr> <td>335A</td> <td>ETR</td> <td>-</td> <td>WD.</td> <td>J2</td> <td>PTD.</td> <td>-</td> <td>328</td> <td>3\"/> <tr> <td>335B</td> <td>B</td> <td>3\"/> <tr> <td>336</td> <td>B</td> <td>3\"/> <tr> <td>337</td> <td>ETR</td> <td>-</td> <td>WD.</td> <td>J2</td> <td>PTD.</td> <td>-</td> <td>329A</td> <td>3\"/> <tr> <td>339</td> <td>ETR</td> <td>-</td> <td>WD.</td> <td>J2</td> <td>PTD.</td> <td>-</td> <td>329B</td> <td>3\"/> <tr> <td>340</td> <td>A</td> <td>3\"/> <tr> <td>341A</td> <td>ETR</td> <td>-</td> <td>WD.</td> <td>J2</td> <td>PTD.</td> <td>-</td> <td>331</td> <td>3\"/> <tr> <td>341B</td> <td>ETR</td> <td>-</td> <td>WD.</td> <td>J2</td> <td>PTD.</td> <td>-</td> <td>333</td> <td>3\"/> <tr> <td>342</td> <td>ETR</td> <td>-</td> <td>WD.</td> <td>J2</td> <td>PTD.</td> <td>-</td> <td>334A</td> <td>3\"/> <tr> <td>344</td> <td>ETR</td> <td>-</td> <td>WD.</td> <td>J2</td> <td>PTD.</td> <td>-</td> <td>334B</td> <td>3\"/> <tr> <td>345</td> <td>ETR</td> <td>-</td> <td>WD.</td> <td>J2</td> <td>PTD.</td> <td>-</td> <td>335A</td> <td>3\"/> <tr> <td>346</td> <td>ETR</td> <td>-</td> <td>WD.</td> <td>J2</td> <td>PTD.</td> <td>-</td> <td>335B</td> <td>3\"/> <tr> <td>347</td> <td>ETR</td> <td>-</td> <td>WD.</td> <td>J2</td> <td>PTD.</td> <td>-</td> <td>336</td> <td>3\"/> <tr> <td>348</td> <td>ETR</td> <td>-</td> <td>WD.</td> <td>J2</td> <td>PTD.</td> <td>-</td> <td>337</td> <td>3\"/> <tr> <td>349</td> <td>ETR</td> <td>-</td> <td>WD.</td> <td>J2</td> <td>PTD.</td> <td>-</td> <td>339</td> <td>3\"/> <tr> <td>350</td> <td>ETR</td> <td>-</td> <td>WD.</td> <td>J2</td> <td>PTD.</td> <td>-</td> <td>340</td> <td>3\"/> </td></tr></td></tr></td></tr></td></tr></td></tr></td></tr></td></tr></td></tr></td></tr></td></tr></td></tr></td></tr></td></tr></td></tr></td></tr></td></tr></td></tr></td></tr></td></tr> | 333 | ETR | - | WD. | J2 | PTD.
 | - | 324 | 3\"/> <tr> <td>334A</td> <td>ETR</td> <td>-</td> <td>WD.</td> <td>J2</td> <td>PTD.</td> <td>-</td> <td>325</td> <td>3\"/> <tr> <td>334B</td> <td>ETR</td> <td>-</td> <td>WD.</td> <td>J2</td> <td>PTD.</td> <td>-</td> <td>327</td> <td>3\"/> <tr> <td>335A</td> <td>ETR</td> <td>-</td> <td>WD.</td> <td>J2</td> <td>PTD.</td> <td>-</td> <td>328</td> <td>3\"/> <tr> <td>335B</td> <td>B</td> <td>3\"/> <tr> <td>336</td> <td>B</td> <td>3\"/> <tr> <td>337</td> <td>ETR</td> <td>-</td> <td>WD.</td> <td>J2</td> <td>PTD.</td> <td>-</td> <td>329A</td> <td>3\"/> <tr> <td>339</td> <td>ETR</td> <td>-</td> <td>WD.</td> <td>J2</td> <td>PTD.</td> <td>-</td> <td>329B</td> <td>3\"/> <tr> <td>340</td> <td>A</td> <td>3\"/> <tr> <td>341A</td> <td>ETR</td> <td>-</td> <td>WD.</td> <td>J2</td> <td>PTD.</td> <td>-</td> <td>331</td> <td>3\"/> <tr> <td>341B</td> <td>ETR</td> <td>-</td> <td>WD.</td> <td>J2</td> <td>PTD.</td> <td>-</td> <td>333</td> <td>3\"/> <tr> <td>342</td> <td>ETR</td> <td>-</td> <td>WD.</td> <td>J2</td> <td>PTD.</td> <td>-</td> <td>334A</td> <td>3\"/> <tr> <td>344</td> <td>ETR</td> <td>-</td> <td>WD.</td> <td>J2</td> <td>PTD.</td> <td>-</td> <td>334B</td> <td>3\"/> <tr> <td>345</td> <td>ETR</td> <td>-</td> <td>WD.</td> <td>J2</td> <td>PTD.</td> <td>-</td> <td>335A</td> <td>3\"/> <tr> <td>346</td> <td>ETR</td> <td>-</td> <td>WD.</td> <td>J2</td> <td>PTD.</td> <td>-</td> <td>335B</td> <td>3\"/> <tr> <td>347</td> <td>ETR</td> <td>-</td> <td>WD.</td> <td>J2</td> <td>PTD.</td> <td>-</td> <td>336</td> <td>3\"/> <tr> <td>348</td> <td>ETR</td> <td>-</td> <td>WD.</td> <td>J2</td> <td>PTD.</td> <td>-</td> <td>337</td> <td>3\"/> <tr> <td>349</td> <td>ETR</td> <td>-</td> <td>WD.</td> <td>J2</td> <td>PTD.</td> <td>-</td> <td>339</td> <td>3\"/> <tr> <td>350</td> <td>ETR</td> <td>-</td> <td>WD.</td> <td>J2</td> <td>PTD.</td> <td>-</td> <td>340</td> <td>3\"/> </td></tr></td></tr></td></tr></td></tr></td></tr></td></tr></td></tr></td></tr></td></tr></td></tr></td></tr></td></tr></td></tr></td></tr></td></tr></td></tr></td></tr></td></tr> | 334A | ETR | - | WD. | J2 | PTD. | - | 325 | 3\"/> <tr> <td>334B</td> <td>ETR</td> <td>-</td> <td>WD.</td> <td>J2</td> <td>PTD.</td> <td>-</td> <td>327</td> <td>3\"/> <tr> <td>335A</td> <td>ETR</td> <td>-</td> <td>WD.</td> <td>J2</td> <td>PTD.</td> <td>-</td>
<td>328</td> <td>3\"/> <tr> <td>335B</td> <td>B</td> <td>3\"/> <tr> <td>336</td> <td>B</td> <td>3\"/> <tr> <td>337</td> <td>ETR</td> <td>-</td> <td>WD.</td> <td>J2</td> <td>PTD.</td> <td>-</td> <td>329A</td> <td>3\"/> <tr> <td>339</td> <td>ETR</td> <td>-</td> <td>WD.</td> <td>J2</td> <td>PTD.</td> <td>-</td> <td>329B</td> <td>3\"/> <tr> <td>340</td> <td>A</td> <td>3\"/> <tr> <td>341A</td> <td>ETR</td> <td>-</td> <td>WD.</td> <td>J2</td> <td>PTD.</td> <td>-</td> <td>331</td> <td>3\"/> <tr> <td>341B</td> <td>ETR</td> <td>-</td> <td>WD.</td> <td>J2</td> <td>PTD.</td> <td>-</td> <td>333</td> <td>3\"/> <tr> <td>342</td> <td>ETR</td> <td>-</td> <td>WD.</td> <td>J2</td> <td>PTD.</td> <td>-</td> <td>334A</td> <td>3\"/> <tr> <td>344</td> <td>ETR</td> <td>-</td> <td>WD.</td> <td>J2</td> <td>PTD.</td> <td>-</td> <td>334B</td> <td>3\"/> <tr> <td>345</td> <td>ETR</td> <td>-</td> <td>WD.</td> <td>J2</td> <td>PTD.</td> <td>-</td> <td>335A</td> <td>3\"/> <tr> <td>346</td> <td>ETR</td> <td>-</td> <td>WD.</td> <td>J2</td> <td>PTD.</td> <td>-</td> <td>335B</td> <td>3\"/> <tr> <td>347</td> <td>ETR</td> <td>-</td> <td>WD.</td> <td>J2</td> <td>PTD.</td> <td>-</td> <td>336</td> <td>3\"/> <tr> <td>348</td> <td>ETR</td> <td>-</td> <td>WD.</td> <td>J2</td> <td>PTD.</td> <td>-</td> <td>337</td> <td>3\"/> <tr> <td>349</td> <td>ETR</td> <td>-</td> <td>WD.</td> <td>J2</td> <td>PTD.</td> <td>-</td> <td>339</td> <td>3\"/> <tr> <td>350</td> <td>ETR</td> <td>-</td> <td>WD.</td> <td>J2</td> <td>PTD.</td> <td>-</td> <td>340</td> <td>3\"/> </td></tr></td></tr></td></tr></td></tr></td></tr></td></tr></td></tr></td></tr></td></tr></td></tr></td></tr></td></tr></td></tr></td></tr></td></tr></td></tr></td></tr> | 334B | ETR | - | WD. | J2 | PTD. | - | 327 | 3\"/> <tr> <td>335A</td> <td>ETR</td> <td>-</td> <td>WD.</td> <td>J2</td> <td>PTD.</td> <td>-</td> <td>328</td> <td>3\"/> <tr> <td>335B</td> <td>B</td> <td>3\"/> <tr> <td>336</td> <td>B</td> <td>3\"/> <tr> <td>337</td> <td>ETR</td> <td>-</td> <td>WD.</td> <td>J2</td> <td>PTD.</td> <td>-</td> <td>329A</td> <td>3\"/> <tr> <td>339</td> <td>ETR</td> <td>-</td> <td>WD.</td> <td>J2</td> <td>PTD.</td> <td>-</td> <td>329B</td> <td>3\"/> <tr> <td>340</td> <td>A</td> <td>3\"/> <tr> <td>341A</td> <td>ETR</td> <td>-</td> <td>WD.</td> <td>J2</td> <td>PTD.</td> <td>-</td> <td>331</td> <td>3\"/> <tr> <td>341B</td> <td>ETR</td> <td>-</td> <td>WD.</td> <td>J2</td> <td>PTD.</td> <td>-</td> <td>333</td> <td>3\"/> <tr> <td>342</td> <td>ETR</td> <td>-</td> <td>WD.</td> <td>J2</td> <td>PTD.</td> <td>-</td> <td>334A</td> <td>3\"/> <tr> <td>344</td> <td>ETR</td> <td>-</td> <td>WD.</td> <td>J2</td> <td>PTD.</td> <td>-</td> <td>334B</td> <td>3\"/> <tr> <td>345</td> <td>ETR</td> <td>-</td> <td>WD.</td> <td>J2</td> <td>PTD.</td> <td>-</td> <td>335A</td> <td>3\"/> <tr> <td>346</td> <td>ETR</td> <td>-</td> <td>WD.</td> <td>J2</td> <td>PTD.</td> <td>-</td> <td>335B</td> <td>3\"/> <tr> <td>347</td> <td>ETR</td> <td>-</td> <td>WD.</td> <td>J2</td> <td>PTD.</td> <td>-</td> <td>336</td> <td>3\"/> <tr> <td>348</td> <td>ETR</td> <td>-</td> <td>WD.</td> <td>J2</td> <td>PTD.</td> <td>-</td> <td>337</td> <td>3\"/> <tr> <td>349</td> <td>ETR</td> <td>-</td> <td>WD.</td> <td>J2</td> <td>PTD.</td> <td>-</td> <td>339</td> <td>3\"/> <tr> <td>350</td> <td>ETR</td> <td>-</td> <td>WD.</td> <td>J2</td> <td>PTD.</td> <td>-</td> <td>340</td> <td>3\"/> </td></tr></td></tr></td></tr></td></tr></td></tr></td></tr></td></tr></td></tr></td></tr></td></tr></td></tr></td></tr></td></tr></td></tr></td></tr></td></tr>
 | 335A | ETR | - | WD. | J2 | PTD. | - | 328 | 3\"/> <tr> <td>335B</td> <td>B</td> <td>3\"/> <tr> <td>336</td> <td>B</td> <td>3\"/> <tr> <td>337</td> <td>ETR</td> <td>-</td> <td>WD.</td> <td>J2</td> <td>PTD.</td> <td>-</td> <td>329A</td> <td>3\"/> <tr> <td>339</td> <td>ETR</td> <td>-</td> <td>WD.</td> <td>J2</td> <td>PTD.</td> <td>-</td> <td>329B</td> <td>3\"/> <tr> <td>340</td> <td>A</td> <td>3\"/> <tr> <td>341A</td> <td>ETR</td> <td>-</td> <td>WD.</td> <td>J2</td> <td>PTD.</td> <td>-</td> <td>331</td> <td>3\"/> <tr> <td>341B</td> <td>ETR</td> <td>-</td> <td>WD.</td> <td>J2</td> <td>PTD.</td> <td>-</td> <td>333</td> <td>3\"/> <tr> <td>342</td> <td>ETR</td> <td>-</td> <td>WD.</td> <td>J2</td> <td>PTD.</td> <td>-</td> <td>334A</td> <td>3\"/> <tr> <td>344</td> <td>ETR</td> <td>-</td> <td>WD.</td> <td>J2</td> <td>PTD.</td> <td>-</td> <td>334B</td> <td>3\"/> <tr> <td>345</td> <td>ETR</td> <td>-</td> <td>WD.</td> <td>J2</td> <td>PTD.</td> <td>-</td> <td>335A</td> <td>3\"/> <tr> <td>346</td> <td>ETR</td> <td>-</td> <td>WD.</td> <td>J2</td> <td>PTD.</td> <td>-</td> <td>335B</td> <td>3\"/> <tr> <td>347</td> <td>ETR</td> <td>-</td> <td>WD.</td> <td>J2</td> <td>PTD.</td> <td>-</td> <td>336</td> <td>3\"/> <tr> <td>348</td> <td>ETR</td> <td>-</td> <td>WD.</td> <td>J2</td> <td>PTD.</td> <td>-</td> <td>337</td> <td>3\"/> <tr> <td>349</td> <td>ETR</td> <td>-</td> <td>WD.</td> <td>J2</td> <td>PTD.</td> <td>-</td> <td>339</td> <td>3\"/> <tr> <td>350</td> <td>ETR</td> <td>-</td> <td>WD.</td> <td>J2</td> <td>PTD.</td> <td>-</td> <td>340</td> <td>3\"/> </td></tr></td></tr></td></tr></td></tr></td></tr></td></tr></td></tr></td></tr></td></tr></td></tr></td></tr></td></tr></td></tr></td></tr></td></tr> | 335B | B | 3\"/> <tr> <td>336</td> <td>B</td> <td>3\"/> <tr> <td>337</td> <td>ETR</td> <td>-</td> <td>WD.</td> <td>J2</td> <td>PTD.</td> <td>-</td> <td>329A</td> <td>3\"/> <tr> <td>339</td> <td>ETR</td> <td>-</td> <td>WD.</td> <td>J2</td> <td>PTD.</td> <td>-</td> <td>329B</td> <td>3\"/> <tr> <td>340</td> <td>A</td> <td>3\"/> <tr> <td>341A</td> <td>ETR</td> <td>-</td> <td>WD.</td> <td>J2</td> <td>PTD.</td> <td>-</td> <td>331</td> <td>3\"/> <tr> <td>341B</td> <td>ETR</td> <td>-</td> <td>WD.</td> <td>J2</td> <td>PTD.</td> <td>-</td> <td>333</td> <td>3\"/> <tr> <td>342</td> <td>ETR</td> <td>-</td> <td>WD.</td> <td>J2</td> <td>PTD.</td> <td>-</td> <td>334A</td> <td>3\"/> <tr> <td>344</td> <td>ETR</td> <td>-</td> <td>WD.</td> <td>J2</td> <td>PTD.</td> <td>-</td> <td>334B</td> <td>3\"/> <tr> <td>345</td> <td>ETR</td> <td>-</td> <td>WD.</td> <td>J2</td> <td>PTD.</td> <td>-</td> <td>335A</td> <td>3\"/> <tr> <td>346</td> <td>ETR</td> <td>-</td> <td>WD.</td> <td>J2</td> <td>PTD.</td> <td>-</td> <td>335B</td> <td>3\"/> <tr> <td>347</td> <td>ETR</td> <td>-</td> <td>WD.</td> <td>J2</td> <td>PTD.</td> <td>-</td> <td>336</td> <td>3\"/> <tr> <td>348</td> <td>ETR</td> <td>-</td> <td>WD.</td> <td>J2</td> <td>PTD.</td> <td>-</td> <td>337</td> <td>3\"/> <tr> <td>349</td> <td>ETR</td> <td>-</td> <td>WD.</td> <td>J2</td> <td>PTD.</td> <td>-</td> <td>339</td> <td>3\"/> <tr> <td>350</td> <td>ETR</td> <td>-</td> <td>WD.</td> <td>J2</td> <td>PTD.</td> <td>-</td> <td>340</td> <td>3\"/> </td></tr></td></tr></td></tr></td></tr></td></tr></td></tr></td></tr></td></tr></td></tr></td></tr></td></tr></td></tr></td></tr></td></tr>
 | 336 | B | 3\"/> <tr> <td>337</td> <td>ETR</td> <td>-</td> <td>WD.</td> <td>J2</td> <td>PTD.</td> <td>-</td> <td>329A</td> <td>3\"/> <tr> <td>339</td> <td>ETR</td> <td>-</td> <td>WD.</td> <td>J2</td> <td>PTD.</td> <td>-</td> <td>329B</td> <td>3\"/> <tr> <td>340</td> <td>A</td> <td>3\"/> <tr> <td>341A</td> <td>ETR</td> <td>-</td> <td>WD.</td> <td>J2</td> <td>PTD.</td> <td>-</td> <td>331</td> <td>3\"/> <tr> <td>341B</td> <td>ETR</td> <td>-</td> <td>WD.</td> <td>J2</td> <td>PTD.</td> <td>-</td> <td>333</td> <td>3\"/> <tr> <td>342</td> <td>ETR</td> <td>-</td> <td>WD.</td> <td>J2</td> <td>PTD.</td> <td>-</td> <td>334A</td> <td>3\"/> <tr> <td>344</td> <td>ETR</td> <td>-</td> <td>WD.</td> <td>J2</td> <td>PTD.</td> <td>-</td> <td>334B</td> <td>3\"/> <tr> <td>345</td> <td>ETR</td> <td>-</td> <td>WD.</td> <td>J2</td> <td>PTD.</td> <td>-</td> <td>335A</td> <td>3\"/> <tr> <td>346</td> <td>ETR</td> <td>-</td> <td>WD.</td> <td>J2</td> <td>PTD.</td> <td>-</td> <td>335B</td> <td>3\"/> <tr> <td>347</td> <td>ETR</td> <td>-</td> <td>WD.</td> <td>J2</td> <td>PTD.</td> <td>-</td> <td>336</td> <td>3\"/> <tr> <td>348</td> <td>ETR</td> <td>-</td> <td>WD.</td> <td>J2</td> <td>PTD.</td> <td>-</td> <td>337</td> <td>3\"/> <tr> <td>349</td> <td>ETR</td> <td>-</td> <td>WD.</td> <td>J2</td> <td>PTD.</td> <td>-</td> <td>339</td> <td>3\"/> <tr> <td>350</td> <td>ETR</td> <td>-</td> <td>WD.</td> <td>J2</td> <td>PTD.</td> <td>-</td> <td>340</td> <td>3\"/> </td></tr></td></tr></td></tr></td></tr></td></tr></td></tr></td></tr></td></tr></td></tr></td></tr></td></tr></td></tr></td></tr> | 337 | ETR | - | WD. | J2 | PTD. | - | 329A | 3\"/> <tr> <td>339</td> <td>ETR</td> <td>-</td> <td>WD.</td> <td>J2</td> <td>PTD.</td> <td>-</td> <td>329B</td> <td>3\"/> <tr> <td>340</td> <td>A</td> <td>3\"/> <tr> <td>341A</td> <td>ETR</td> <td>-</td> <td>WD.</td> <td>J2</td> <td>PTD.</td> <td>-</td> <td>331</td> <td>3\"/> <tr> <td>341B</td> <td>ETR</td> <td>-</td> <td>WD.</td> <td>J2</td> <td>PTD.</td> <td>-</td> <td>333</td> <td>3\"/> <tr> <td>342</td> <td>ETR</td> <td>-</td> <td>WD.</td> <td>J2</td> <td>PTD.</td> <td>-</td> <td>334A</td> <td>3\"/> <tr> <td>344</td> <td>ETR</td> <td>-</td> <td>WD.</td> <td>J2</td> <td>PTD.</td> <td>-</td> <td>334B</td> <td>3\"/> <tr> <td>345</td> <td>ETR</td> <td>-</td> <td>WD.</td> <td>J2</td> <td>PTD.</td> <td>-</td> <td>335A</td> <td>3\"/> <tr> <td>346</td> <td>ETR</td> <td>-</td> <td>WD.</td> <td>J2</td> <td>PTD.</td> <td>-</td> <td>335B</td> <td>3\"/> <tr> <td>347</td> <td>ETR</td> <td>-</td> <td>WD.</td> <td>J2</td> <td>PTD.</td> <td>-</td> <td>336</td> <td>3\"/> <tr> <td>348</td> <td>ETR</td> <td>-</td> <td>WD.</td> <td>J2</td> <td>PTD.</td> <td>-</td> <td>337</td> <td>3\"/> <tr> <td>349</td> <td>ETR</td> <td>-</td> <td>WD.</td> <td>J2</td> <td>PTD.</td> <td>-</td> <td>339</td> <td>3\"/> <tr> <td>350</td> <td>ETR</td> <td>-</td> <td>WD.</td> <td>J2</td> <td>PTD.</td> <td>-</td> <td>340</td> <td>3\"/> </td></tr></td></tr></td></tr></td></tr></td></tr></td></tr></td></tr></td></tr></td></tr></td></tr></td></tr></td></tr>
 | 339 | ETR | - | WD. | J2 | PTD. | - | 329B | 3\"/> <tr> <td>340</td> <td>A</td> <td>3\"/> <tr> <td>341A</td> <td>ETR</td> <td>-</td> <td>WD.</td> <td>J2</td> <td>PTD.</td> <td>-</td> <td>331</td> <td>3\"/> <tr> <td>341B</td> <td>ETR</td> <td>-</td> <td>WD.</td> <td>J2</td> <td>PTD.</td> <td>-</td> <td>333</td> <td>3\"/> <tr> <td>342</td> <td>ETR</td> <td>-</td> <td>WD.</td> <td>J2</td> <td>PTD.</td> <td>-</td> <td>334A</td> <td>3\"/> <tr> <td>344</td> <td>ETR</td> <td>-</td> <td>WD.</td> <td>J2</td> <td>PTD.</td> <td>-</td> <td>334B</td> <td>3\"/> <tr> <td>345</td> <td>ETR</td> <td>-</td> <td>WD.</td> <td>J2</td> <td>PTD.</td> <td>-</td> <td>335A</td> <td>3\"/> <tr> <td>346</td> <td>ETR</td> <td>-</td> <td>WD.</td> <td>J2</td> <td>PTD.</td> <td>-</td> <td>335B</td> <td>3\"/> <tr> <td>347</td> <td>ETR</td> <td>-</td> <td>WD.</td> <td>J2</td> <td>PTD.</td> <td>-</td> <td>336</td> <td>3\"/> <tr> <td>348</td> <td>ETR</td> <td>-</td> <td>WD.</td> <td>J2</td> <td>PTD.</td> <td>-</td> <td>337</td> <td>3\"/> <tr> <td>349</td> <td>ETR</td> <td>-</td> <td>WD.</td> <td>J2</td> <td>PTD.</td> <td>-</td> <td>339</td> <td>3\"/> <tr> <td>350</td> <td>ETR</td> <td>-</td> <td>WD.</td> <td>J2</td> <td>PTD.</td> <td>-</td> <td>340</td> <td>3\"/> </td></tr></td></tr></td></tr></td></tr></td></tr></td></tr></td></tr></td></tr></td></tr></td></tr></td></tr> | 340 | A | 3\"/> <tr> <td>341A</td> <td>ETR</td> <td>-</td> <td>WD.</td> <td>J2</td> <td>PTD.</td> <td>-</td> <td>331</td> <td>3\"/> <tr> <td>341B</td> <td>ETR</td> <td>-</td> <td>WD.</td> <td>J2</td> <td>PTD.</td> <td>-</td> <td>333</td> <td>3\"/> <tr> <td>342</td> <td>ETR</td> <td>-</td> <td>WD.</td> <td>J2</td> <td>PTD.</td> <td>-</td> <td>334A</td> <td>3\"/> <tr> <td>344</td> <td>ETR</td> <td>-</td> <td>WD.</td> <td>J2</td> <td>PTD.</td> <td>-</td> <td>334B</td> <td>3\"/> <tr> <td>345</td> <td>ETR</td> <td>-</td> <td>WD.</td> <td>J2</td> <td>PTD.</td> <td>-</td> <td>335A</td> <td>3\"/> <tr> <td>346</td> <td>ETR</td> <td>-</td> <td>WD.</td> <td>J2</td> <td>PTD.</td> <td>-</td> <td>335B</td> <td>3\"/> <tr> <td>347</td> <td>ETR</td> <td>-</td> <td>WD.</td> <td>J2</td> <td>PTD.</td> <td>-</td> <td>336</td> <td>3\"/> <tr> <td>348</td> <td>ETR</td> <td>-</td> <td>WD.</td> <td>J2</td> <td>PTD.</td> <td>-</td> <td>337</td> <td>3\"/> <tr> <td>349</td> <td>ETR</td> <td>-</td> <td>WD.</td> <td>J2</td> <td>PTD.</td> <td>-</td> <td>339</td> <td>3\"/> <tr> <td>350</td> <td>ETR</td> <td>-</td> <td>WD.</td> <td>J2</td> <td>PTD.</td> <td>-</td> <td>340</td> <td>3\"/> </td></tr></td></tr></td></tr></td></tr></td></tr></td></tr></td></tr></td></tr></td></tr></td></tr> | 341A | ETR | -
 | WD. | J2 | PTD. | - | 331 | 3\"/> <tr> <td>341B</td> <td>ETR</td> <td>-</td> <td>WD.</td> <td>J2</td> <td>PTD.</td> <td>-</td> <td>333</td> <td>3\"/> <tr> <td>342</td> <td>ETR</td> <td>-</td> <td>WD.</td> <td>J2</td> <td>PTD.</td> <td>-</td> <td>334A</td> <td>3\"/> <tr> <td>344</td> <td>ETR</td> <td>-</td> <td>WD.</td> <td>J2</td> <td>PTD.</td> <td>-</td> <td>334B</td> <td>3\"/> <tr> <td>345</td> <td>ETR</td> <td>-</td> <td>WD.</td> <td>J2</td> <td>PTD.</td> <td>-</td> <td>335A</td> <td>3\"/> <tr> <td>346</td> <td>ETR</td> <td>-</td> <td>WD.</td> <td>J2</td> <td>PTD.</td> <td>-</td> <td>335B</td> <td>3\"/> <tr> <td>347</td> <td>ETR</td> <td>-</td> <td>WD.</td> <td>J2</td> <td>PTD.</td> <td>-</td> <td>336</td> <td>3\"/> <tr> <td>348</td> <td>ETR</td> <td>-</td> <td>WD.</td> <td>J2</td> <td>PTD.</td> <td>-</td> <td>337</td> <td>3\"/> <tr> <td>349</td> <td>ETR</td> <td>-</td> <td>WD.</td> <td>J2</td> <td>PTD.</td> <td>-</td> <td>339</td> <td>3\"/> <tr> <td>350</td> <td>ETR</td> <td>-</td> <td>WD.</td> <td>J2</td> <td>PTD.</td> <td>-</td> <td>340</td> <td>3\"/> </td></tr></td></tr></td></tr></td></tr></td></tr></td></tr></td></tr></td></tr></td></tr> | 341B | ETR | - | WD. | J2 | PTD. | - | 333 | 3\"/> <tr> <td>342</td> <td>ETR</td> <td>-</td> <td>WD.</td> <td>J2</td> <td>PTD.</td> <td>-</td> <td>334A</td> <td>3\"/> <tr> <td>344</td> <td>ETR</td> <td>-</td> <td>WD.</td> <td>J2</td> <td>PTD.</td> <td>-</td> <td>334B</td> <td>3\"/> <tr> <td>345</td> <td>ETR</td> <td>-</td> <td>WD.</td> <td>J2</td> <td>PTD.</td> <td>-</td> <td>335A</td> <td>3\"/> <tr> <td>346</td> <td>ETR</td> <td>-</td> <td>WD.</td> <td>J2</td> <td>PTD.</td> <td>-</td> <td>335B</td> <td>3\"/> <tr> <td>347</td> <td>ETR</td> <td>-</td> <td>WD.</td> <td>J2</td> <td>PTD.</td> <td>-</td> <td>336</td> <td>3\"/> <tr> <td>348</td> <td>ETR</td> <td>-</td> <td>WD.</td> <td>J2</td> <td>PTD.</td> <td>-</td> <td>337</td> <td>3\"/> <tr> <td>349</td> <td>ETR</td> <td>-</td> <td>WD.</td> <td>J2</td> <td>PTD.</td> <td>-</td> <td>339</td> <td>3\"/> <tr> <td>350</td> <td>ETR</td> <td>-</td> <td>WD.</td> <td>J2</td> <td>PTD.</td> <td>-</td> <td>340</td> <td>3\"/>
</td></tr></td></tr></td></tr></td></tr></td></tr></td></tr></td></tr></td></tr> | 342 | ETR | - | WD. | J2 | PTD. | - | 334A | 3\"/> <tr> <td>344</td> <td>ETR</td> <td>-</td> <td>WD.</td> <td>J2</td> <td>PTD.</td> <td>-</td> <td>334B</td> <td>3\"/> <tr> <td>345</td> <td>ETR</td> <td>-</td> <td>WD.</td> <td>J2</td> <td>PTD.</td> <td>-</td> <td>335A</td> <td>3\"/> <tr> <td>346</td> <td>ETR</td> <td>-</td> <td>WD.</td> <td>J2</td> <td>PTD.</td> <td>-</td> <td>335B</td> <td>3\"/> <tr> <td>347</td> <td>ETR</td> <td>-</td> <td>WD.</td> <td>J2</td> <td>PTD.</td> <td>-</td> <td>336</td> <td>3\"/> <tr> <td>348</td> <td>ETR</td> <td>-</td> <td>WD.</td> <td>J2</td> <td>PTD.</td> <td>-</td> <td>337</td> <td>3\"/> <tr> <td>349</td> <td>ETR</td> <td>-</td> <td>WD.</td> <td>J2</td> <td>PTD.</td> <td>-</td> <td>339</td> <td>3\"/> <tr> <td>350</td> <td>ETR</td> <td>-</td> <td>WD.</td> <td>J2</td> <td>PTD.</td> <td>-</td> <td>340</td> <td>3\"/> </td></tr></td></tr></td></tr></td></tr></td></tr></td></tr></td></tr> | 344 | ETR | - | WD. | J2 | PTD. | - | 334B | 3\"/> <tr> <td>345</td> <td>ETR</td> <td>-</td> <td>WD.</td> <td>J2</td> <td>PTD.</td> <td>-</td> <td>335A</td> <td>3\"/> <tr> <td>346</td> <td>ETR</td> <td>-</td> <td>WD.</td> <td>J2</td> <td>PTD.</td> <td>-</td> <td>335B</td> <td>3\"/> <tr> <td>347</td> <td>ETR</td> <td>-</td> <td>WD.</td> <td>J2</td> <td>PTD.</td> <td>-</td> <td>336</td> <td>3\"/> <tr>
<td>348</td> <td>ETR</td> <td>-</td> <td>WD.</td> <td>J2</td> <td>PTD.</td> <td>-</td> <td>337</td> <td>3\"/> <tr> <td>349</td> <td>ETR</td> <td>-</td> <td>WD.</td> <td>J2</td> <td>PTD.</td> <td>-</td> <td>339</td> <td>3\"/> <tr> <td>350</td> <td>ETR</td> <td>-</td> <td>WD.</td> <td>J2</td> <td>PTD.</td> <td>-</td> <td>340</td> <td>3\"/> </td></tr></td></tr></td></tr></td></tr></td></tr></td></tr> | 345 | ETR | - | WD. | J2 | PTD. | - | 335A | 3\"/> <tr> <td>346</td> <td>ETR</td> <td>-</td> <td>WD.</td> <td>J2</td> <td>PTD.</td> <td>-</td> <td>335B</td> <td>3\"/> <tr> <td>347</td> <td>ETR</td> <td>-</td> <td>WD.</td> <td>J2</td> <td>PTD.</td> <td>-</td> <td>336</td> <td>3\"/> <tr> <td>348</td> <td>ETR</td> <td>-</td> <td>WD.</td> <td>J2</td> <td>PTD.</td> <td>-</td> <td>337</td> <td>3\"/> <tr> <td>349</td> <td>ETR</td> <td>-</td> <td>WD.</td> <td>J2</td> <td>PTD.</td> <td>-</td> <td>339</td> <td>3\"/> <tr> <td>350</td> <td>ETR</td> <td>-</td> <td>WD.</td> <td>J2</td> <td>PTD.</td> <td>-</td> <td>340</td> <td>3\"/> </td></tr></td></tr></td></tr></td></tr></td></tr> | 346 | ETR | - | WD. | J2 | PTD. | - | 335B | 3\"/> <tr> <td>347</td> <td>ETR</td> <td>-</td> <td>WD.</td> <td>J2</td> <td>PTD.</td> <td>-</td> <td>336</td> <td>3\"/> <tr> <td>348</td> <td>ETR</td> <td>-</td> <td>WD.</td> <td>J2</td> <td>PTD.</td> <td>-</td> <td>337</td> <td>3\"/> <tr> <td>349</td> <td>ETR</td> <td>-</td> <td>WD.</td> <td>J2</td> <td>PTD.</td> <td>-</td> <td>339</td> <td>3\"/> <tr> <td>350</td> <td>ETR</td> <td>-</td> <td>WD.</td> <td>J2</td> <td>PTD.</td> <td>-</td> <td>340</td> <td>3\"/> </td></tr></td></tr></td></tr></td></tr> | 347 | ETR | -
 | WD. | J2 | PTD. | - | 336 | 3\"/> <tr> <td>348</td> <td>ETR</td> <td>-</td> <td>WD.</td> <td>J2</td> <td>PTD.</td> <td>-</td> <td>337</td> <td>3\"/> <tr> <td>349</td> <td>ETR</td> <td>-</td> <td>WD.</td> <td>J2</td> <td>PTD.</td> <td>-</td> <td>339</td> <td>3\"/> <tr> <td>350</td> <td>ETR</td> <td>-</td> <td>WD.</td> <td>J2</td> <td>PTD.</td> <td>-</td> <td>340</td> <td>3\"/> </td></tr></td></tr></td></tr> | 348 | ETR | - | WD. | J2 | PTD. | - | 337 | 3\"/> <tr> <td>349</td> <td>ETR</td> <td>-</td> <td>WD.</td> <td>J2</td> <td>PTD.</td> <td>-</td> <td>339</td> <td>3\"/> <tr> <td>350</td> <td>ETR</td> <td>-</td> <td>WD.</td> <td>J2</td> <td>PTD.</td> <td>-</td> <td>340</td> <td>3\"/> </td></tr></td></tr> | 349 | ETR | - | WD. | J2 | PTD. | - | 339 | 3\"/> <tr> <td>350</td> <td>ETR</td> <td>-</td> <td>WD.</td> <td>J2</td> <td>PTD.</td> <td>-</td> <td>340</td> <td>3\"/> </td></tr> | 350 | ETR | -
 | WD. | J2 | PTD. | - | 340 | 3\"/> | | | | | | | | | | | | | | | | | | | | | | | | | | | | | | | | | | | | | | | | | | | | | | | | | | | | | | | | | | | | |
| 312A | ETR | - | WD. | J2 | PTD. | - | 307 | 3\"/> <tr> <td>313</td> <td>ETR</td> <td>-</td> <td>WD.</td> <td>J2</td> <td>PTD.</td> <td>-</td> <td>308</td> <td>3\"/> <tr> <td>314</td> <td>ETR</td> <td>-</td> <td>WD.</td> <td>J2</td> <td>PTD.</td> <td>-</td> <td>309</td> <td>3\"/> <tr> <td>315</td> <td>ETR</td> <td>-</td> <td>WD.</td> <td>J2</td> <td>PTD.</td> <td>-</td> <td>310</td> <td>3\"/> <tr> <td>316A</td> <td>A</td> <td>3\"/> <tr> <td>318</td> <td>ETR</td> <td>-</td> <td>WD.</td> <td>J2</td> <td>PTD.</td> <td>-</td> <td>311</td> <td>3\"/> <tr> <td>319</td> <td>ETR</td> <td>-</td> <td>WD.</td> <td>J2</td> <td>PTD.</td> <td>-</td> <td>312A</td> <td>3\"/> <tr> <td>320</td> <td>ETR</td> <td>-</td> <td>WD.</td> <td>J2</td> <td>PTD.</td> <td>-</td> <td>313</td> <td>3\"/> <tr> <td>321</td> <td>ETR</td> <td>-</td> <td>WD.</td> <td>J2</td> <td>PTD.</td> <td>-</td> <td>314</td> <td>3\"/> <tr> <td>322</td> <td>ETR</td> <td>-</td> <td>WD.</td> <td>J2</td> <td>PTD.</td> <td>-</td> <td>315</td> <td>3\"/> <tr> <td>323</td> <td>ETR</td> <td>-</td> <td>WD.</td> <td>J2</td> <td>PTD.</td> <td>-</td> <td>316A</td> <td>3\"/> <tr> <td>324</td> <td>ETR</td> <td>-</td> <td>WD.</td> <td>J2</td> <td>PTD.</td> <td>-</td> <td>318</td> <td>3\"/> <tr> <td>325</td> <td>A</td> <td>3\"/> <tr> <td>327</td> <td>ETR</td> <td>-</td> <td>WD.</td> <td>J2</td> <td>PTD.</td> <td>-</td> <td>319</td> <td>3\"/> <tr> <td>328</td> <td>ETR</td> <td>-</td> <td>WD.</td> <td>J2</td> <td>PTD.</td> <td>-</td> <td>320</td> <td>3\"/> <tr> <td>329A</td> <td>ETR</td> <td>-</td> <td>WD.</td> <td>J2</td> <td>PTD.</td> <td>-</td> <td>321</td> <td>3\"/> <tr> <td>329B</td> <td>ETR</td> <td>-</td> <td>WD.</td> <td>J2</td> <td>PTD.</td> <td>-</td> <td>322</td> <td>3\"/> <tr> <td>331</td> <td>ETR</td> <td>-</td> <td>WD.</td> <td>J2</td> <td>PTD.</td> <td>-</td> <td>323</td> <td>3\"/> <tr> <td>333</td> <td>ETR</td> <td>-</td> <td>WD.</td> <td>J2</td> <td>PTD.</td> <td>-</td> <td>324</td> <td>3\"/> <tr> <td>334A</td> <td>ETR</td> <td>-</td> <td>WD.</td> <td>J2</td> <td>PTD.</td> <td>-</td> <td>325</td> <td>3\"/> <tr> <td>334B</td> <td>ETR</td> <td>-</td> <td>WD.</td> <td>J2</td> <td>PTD.</td> <td>-</td> <td>327</td> <td>3\"/> <tr> <td>335A</td> <td>ETR</td> <td>-</td> <td>WD.</td> <td>J2</td> <td>PTD.</td> <td>-</td> <td>328</td> <td>3\"/> <tr> <td>335B</td> <td>B</td> <td>3\"/> <tr> <td>336</td> <td>B</td> <td>3\"/> <tr> <td>337</td> <td>ETR</td> <td>-</td> <td>WD.</td> <td>J2</td> <td>PTD.</td> <td>-</td> <td>329A</td> <td>3\"/> <tr> <td>339</td> <td>ETR</td> <td>-</td> <td>WD.</td> <td>J2</td> <td>PTD.</td> <td>-</td> <td>329B</td> <td>3\"/> <tr> <td>340</td> <td>A</td> <td>3\"/> <tr> <td>341A</td> <td>ETR</td> <td>-</td> <td>WD.</td> <td>J2</td> <td>PTD.</td> <td>-</td> <td>331</td> <td>3\"/> <tr> <td>341B</td> <td>ETR</td> <td>-</td> <td>WD.</td> <td>J2</td> <td>PTD.</td> <td>-</td> <td>333</td> <td>3\"/> <tr> <td>342</td> <td>ETR</td> <td>-</td>
<td>WD.</td> <td>J2</td> <td>PTD.</td> <td>-</td> <td>334A</td> <td>3\"/> <tr> <td>344</td> <td>ETR</td> <td>-</td> <td>WD.</td> <td>J2</td> <td>PTD.</td> <td>-</td> <td>334B</td> <td>3\"/> <tr> <td>345</td> <td>ETR</td> <td>-</td> <td>WD.</td> <td>J2</td> <td>PTD.</td> <td>-</td> <td>335A</td> <td>3\"/> <tr> <td>346</td> <td>ETR</td> <td>-</td> <td>WD.</td> <td>J2</td> <td>PTD.</td> <td>-</td> <td>335B</td> <td>3\"/> <tr> <td>347</td> <td>ETR</td> <td>-</td> <td>WD.</td> <td>J2</td> <td>PTD.</td> <td>-</td> <td>336</td> <td>3\"/> <tr> <td>348</td> <td>ETR</td> <td>-</td> <td>WD.</td> <td>J2</td> <td>PTD.</td> <td>-</td> <td>337</td> <td>3\"/> <tr> <td>349</td> <td>ETR</td> <td>-</td> <td>WD.</td> <td>J2</td> <td>PTD.</td> <td>-</td> <td>339</td> <td>3\"/> <tr> <td>350</td> <td>ETR</td> <td>-</td> <td>WD.</td> <td>J2</td> <td>PTD.</td> <td>-</td> <td>340</td> <td>3\"/> </td></tr></td></tr></td></tr></td></tr></td></tr></td></tr></td></tr></td></tr></td></tr></td></tr></td></tr></td></tr></td></tr></td></tr></td></tr></td></tr></td></tr></td></tr></td></tr></td></tr></td></tr></td></tr></td></tr></td></tr></td></tr></td></tr></td></tr></td></tr></td></tr></td></tr></td></tr></td></tr></td></tr></td></tr></td></tr></td></tr> | 313 | ETR | - | WD. | J2 | PTD.
 | - | 308 | 3\"/> <tr> <td>314</td> <td>ETR</td> <td>-</td> <td>WD.</td> <td>J2</td> <td>PTD.</td> <td>-</td> <td>309</td> <td>3\"/> <tr> <td>315</td> <td>ETR</td> <td>-</td> <td>WD.</td> <td>J2</td> <td>PTD.</td> <td>-</td> <td>310</td> <td>3\"/> <tr> <td>316A</td> <td>A</td> <td>3\"/> <tr> <td>318</td> <td>ETR</td> <td>-</td> <td>WD.</td> <td>J2</td> <td>PTD.</td> <td>-</td> <td>311</td> <td>3\"/> <tr> <td>319</td> <td>ETR</td> <td>-</td> <td>WD.</td> <td>J2</td> <td>PTD.</td> <td>-</td> <td>312A</td> <td>3\"/> <tr> <td>320</td> <td>ETR</td> <td>-</td> <td>WD.</td> <td>J2</td> <td>PTD.</td> <td>-</td> <td>313</td> <td>3\"/> <tr> <td>321</td> <td>ETR</td> <td>-</td> <td>WD.</td> <td>J2</td> <td>PTD.</td> <td>-</td> <td>314</td> <td>3\"/> <tr> <td>322</td> <td>ETR</td> <td>-</td> <td>WD.</td> <td>J2</td> <td>PTD.</td> <td>-</td> <td>315</td> <td>3\"/> <tr> <td>323</td> <td>ETR</td> <td>-</td> <td>WD.</td> <td>J2</td> <td>PTD.</td> <td>-</td> <td>316A</td> <td>3\"/> <tr> <td>324</td> <td>ETR</td> <td>-</td> <td>WD.</td> <td>J2</td> <td>PTD.</td> <td>-</td> <td>318</td> <td>3\"/> <tr> <td>325</td> <td>A</td> <td>3\"/> <tr> <td>327</td> <td>ETR</td> <td>-</td> <td>WD.</td> <td>J2</td> <td>PTD.</td> <td>-</td> <td>319</td> <td>3\"/> <tr> <td>328</td> <td>ETR</td> <td>-</td> <td>WD.</td> <td>J2</td> <td>PTD.</td> <td>-</td> <td>320</td> <td>3\"/> <tr> <td>329A</td> <td>ETR</td> <td>-</td> <td>WD.</td> <td>J2</td> <td>PTD.</td> <td>-</td> <td>321</td> <td>3\"/> <tr> <td>329B</td> <td>ETR</td> <td>-</td> <td>WD.</td> <td>J2</td> <td>PTD.</td> <td>-</td> <td>322</td> <td>3\"/> <tr> <td>331</td> <td>ETR</td> <td>-</td> <td>WD.</td> <td>J2</td> <td>PTD.</td> <td>-</td> <td>323</td> <td>3\"/> <tr> <td>333</td> <td>ETR</td> <td>-</td> <td>WD.</td> <td>J2</td> <td>PTD.</td> <td>-</td> <td>324</td> <td>3\"/> <tr> <td>334A</td> <td>ETR</td> <td>-</td> <td>WD.</td> <td>J2</td> <td>PTD.</td> <td>-</td> <td>325</td> <td>3\"/> <tr> <td>334B</td> <td>ETR</td> <td>-</td> <td>WD.</td> <td>J2</td> <td>PTD.</td> <td>-</td> <td>327</td> <td>3\"/> <tr> <td>335A</td> <td>ETR</td> <td>-</td> <td>WD.</td> <td>J2</td> <td>PTD.</td> <td>-</td> <td>328</td> <td>3\"/> <tr> <td>335B</td> <td>B</td> <td>3\"/> <tr> <td>336</td> <td>B</td> <td>3\"/> <tr> <td>337</td> <td>ETR</td> <td>-</td> <td>WD.</td> <td>J2</td> <td>PTD.</td> <td>-</td> <td>329A</td> <td>3\"/> <tr> <td>339</td> <td>ETR</td> <td>-</td> <td>WD.</td> <td>J2</td> <td>PTD.</td> <td>-</td> <td>329B</td> <td>3\"/> <tr> <td>340</td> <td>A</td> <td>3\"/> <tr> <td>341A</td> <td>ETR</td> <td>-</td> <td>WD.</td> <td>J2</td> <td>PTD.</td> <td>-</td> <td>331</td> <td>3\"/> <tr> <td>341B</td> <td>ETR</td> <td>-</td> <td>WD.</td> <td>J2</td> <td>PTD.</td> <td>-</td> <td>333</td> <td>3\"/> <tr> <td>342</td> <td>ETR</td> <td>-</td> <td>WD.</td> <td>J2</td> <td>PTD.</td> <td>-</td> <td>334A</td> <td>3\"/> <tr> <td>344</td> <td>ETR</td> <td>-</td> <td>WD.</td> <td>J2</td> <td>PTD.</td> <td>-</td> <td>334B</td> <td>3\"/> <tr> <td>345</td> <td>ETR</td> <td>-</td> <td>WD.</td> <td>J2</td> <td>PTD.</td> <td>-</td> <td>335A</td> <td>3\"/> <tr> <td>346</td> <td>ETR</td> <td>-</td> <td>WD.</td> <td>J2</td> <td>PTD.</td> <td>-</td> <td>335B</td> <td>3\"/> <tr> <td>347</td> <td>ETR</td> <td>-</td> <td>WD.</td> <td>J2</td> <td>PTD.</td> <td>-</td> <td>336</td> <td>3\"/> <tr> <td>348</td> <td>ETR</td> <td>-</td> <td>WD.</td> <td>J2</td> <td>PTD.</td> <td>-</td> <td>337</td> <td>3\"/> <tr> <td>349</td> <td>ETR</td> <td>-</td> <td>WD.</td> <td>J2</td> <td>PTD.</td> <td>-</td> <td>339</td> <td>3\"/> <tr> <td>350</td> <td>ETR</td> <td>-</td> <td>WD.</td> <td>J2</td> <td>PTD.</td> <td>-</td> <td>340</td> <td>3\"/> </td></tr></td></tr></td></tr></td></tr></td></tr></td></tr></td></tr></td></tr></td></tr></td></tr></td></tr></td></tr></td></tr></td></tr></td></tr></td></tr></td></tr></td></tr></td></tr></td></tr></td></tr></td></tr></td></tr></td></tr></td></tr></td></tr></td></tr></td></tr></td></tr></td></tr></td></tr></td></tr></td></tr></td></tr></td></tr> | 314 | ETR | -
 | WD. | J2 | PTD. | - | 309 | 3\"/> <tr> <td>315</td> <td>ETR</td> <td>-</td> <td>WD.</td> <td>J2</td> <td>PTD.</td> <td>-</td> <td>310</td> <td>3\"/> <tr> <td>316A</td> <td>A</td> <td>3\"/> <tr> <td>318</td> <td>ETR</td> <td>-</td> <td>WD.</td> <td>J2</td> <td>PTD.</td> <td>-</td> <td>311</td> <td>3\"/> <tr> <td>319</td> <td>ETR</td> <td>-</td> <td>WD.</td> <td>J2</td> <td>PTD.</td> <td>-</td> <td>312A</td> <td>3\"/> <tr> <td>320</td> <td>ETR</td> <td>-</td> <td>WD.</td> <td>J2</td> <td>PTD.</td> <td>-</td> <td>313</td> <td>3\"/> <tr> <td>321</td> <td>ETR</td> <td>-</td> <td>WD.</td> <td>J2</td> <td>PTD.</td> <td>-</td> <td>314</td> <td>3\"/> <tr> <td>322</td> <td>ETR</td> <td>-</td> <td>WD.</td> <td>J2</td> <td>PTD.</td> <td>-</td> <td>315</td> <td>3\"/> <tr> <td>323</td> <td>ETR</td> <td>-</td> <td>WD.</td> <td>J2</td> <td>PTD.</td> <td>-</td> <td>316A</td> <td>3\"/> <tr> <td>324</td> <td>ETR</td> <td>-</td> <td>WD.</td> <td>J2</td> <td>PTD.</td> <td>-</td> <td>318</td> <td>3\"/> <tr> <td>325</td> <td>A</td> <td>3\"/> <tr> <td>327</td> <td>ETR</td> <td>-</td> <td>WD.</td> <td>J2</td> <td>PTD.</td> <td>-</td> <td>319</td> <td>3\"/> <tr> <td>328</td> <td>ETR</td> <td>-</td> <td>WD.</td> <td>J2</td> <td>PTD.</td> <td>-</td> <td>320</td> <td>3\"/> <tr> <td>329A</td> <td>ETR</td> <td>-</td> <td>WD.</td> <td>J2</td> <td>PTD.</td> <td>-</td> <td>321</td> <td>3\"/> <tr> <td>329B</td> <td>ETR</td> <td>-</td> <td>WD.</td> <td>J2</td> <td>PTD.</td> <td>-</td> <td>322</td> <td>3\"/> <tr> <td>331</td> <td>ETR</td> <td>-</td> <td>WD.</td> <td>J2</td> <td>PTD.</td> <td>-</td> <td>323</td> <td>3\"/> <tr> <td>333</td> <td>ETR</td> <td>-</td> <td>WD.</td> <td>J2</td> <td>PTD.</td> <td>-</td> <td>324</td> <td>3\"/> <tr> <td>334A</td> <td>ETR</td> <td>-</td> <td>WD.</td> <td>J2</td> <td>PTD.</td> <td>-</td> <td>325</td> <td>3\"/> <tr> <td>334B</td> <td>ETR</td> <td>-</td> <td>WD.</td> <td>J2</td> <td>PTD.</td> <td>-</td> <td>327</td> <td>3\"/> <tr> <td>335A</td> <td>ETR</td> <td>-</td> <td>WD.</td> <td>J2</td> <td>PTD.</td> <td>-</td> <td>328</td> <td>3\"/> <tr> <td>335B</td> <td>B</td> <td>3\"/> <tr> <td>336</td> <td>B</td> <td>3\"/> <tr> <td>337</td> <td>ETR</td> <td>-</td> <td>WD.</td> <td>J2</td> <td>PTD.</td> <td>-</td> <td>329A</td> <td>3\"/> <tr> <td>339</td> <td>ETR</td> <td>-</td> <td>WD.</td> <td>J2</td> <td>PTD.</td> <td>-</td> <td>329B</td> <td>3\"/> <tr> <td>340</td> <td>A</td> <td>3\"/> <tr> <td>341A</td> <td>ETR</td> <td>-</td> <td>WD.</td> <td>J2</td> <td>PTD.</td> <td>-</td> <td>331</td> <td>3\"/> <tr>
<td>341B</td> <td>ETR</td> <td>-</td> <td>WD.</td> <td>J2</td> <td>PTD.</td> <td>-</td> <td>333</td> <td>3\"/> <tr> <td>342</td> <td>ETR</td> <td>-</td> <td>WD.</td> <td>J2</td> <td>PTD.</td> <td>-</td> <td>334A</td> <td>3\"/> <tr> <td>344</td> <td>ETR</td> <td>-</td> <td>WD.</td> <td>J2</td> <td>PTD.</td> <td>-</td> <td>334B</td> <td>3\"/> <tr> <td>345</td> <td>ETR</td> <td>-</td> <td>WD.</td> <td>J2</td> <td>PTD.</td> <td>-</td> <td>335A</td> <td>3\"/> <tr> <td>346</td> <td>ETR</td> <td>-</td> <td>WD.</td> <td>J2</td> <td>PTD.</td> <td>-</td> <td>335B</td> <td>3\"/> <tr> <td>347</td> <td>ETR</td> <td>-</td> <td>WD.</td> <td>J2</td> <td>PTD.</td> <td>-</td> <td>336</td> <td>3\"/> <tr> <td>348</td> <td>ETR</td> <td>-</td> <td>WD.</td> <td>J2</td> <td>PTD.</td> <td>-</td> <td>337</td> <td>3\"/> <tr> <td>349</td> <td>ETR</td> <td>-</td> <td>WD.</td> <td>J2</td> <td>PTD.</td> <td>-</td> <td>339</td> <td>3\"/> <tr> <td>350</td> <td>ETR</td> <td>-</td> <td>WD.</td> <td>J2</td> <td>PTD.</td> <td>-</td> <td>340</td> <td>3\"/> </td></tr></td></tr></td></tr></td></tr></td></tr></td></tr></td></tr></td></tr></td></tr></td></tr></td></tr></td></tr></td></tr></td></tr></td></tr></td></tr></td></tr></td></tr></td></tr></td></tr></td></tr></td></tr></td></tr></td></tr></td></tr></td></tr></td></tr></td></tr></td></tr></td></tr></td></tr></td></tr></td></tr></td></tr> | 315 | ETR | - | WD. | J2 | PTD.
 | - | 310 | 3\"/> <tr> <td>316A</td> <td>A</td> <td>3\"/> <tr> <td>318</td> <td>ETR</td> <td>-</td> <td>WD.</td> <td>J2</td> <td>PTD.</td> <td>-</td> <td>311</td> <td>3\"/> <tr> <td>319</td> <td>ETR</td> <td>-</td> <td>WD.</td> <td>J2</td> <td>PTD.</td> <td>-</td> <td>312A</td> <td>3\"/> <tr> <td>320</td> <td>ETR</td> <td>-</td> <td>WD.</td> <td>J2</td> <td>PTD.</td> <td>-</td> <td>313</td> <td>3\"/> <tr> <td>321</td> <td>ETR</td> <td>-</td> <td>WD.</td> <td>J2</td> <td>PTD.</td> <td>-</td> <td>314</td> <td>3\"/> <tr> <td>322</td> <td>ETR</td> <td>-</td> <td>WD.</td> <td>J2</td> <td>PTD.</td> <td>-</td> <td>315</td> <td>3\"/> <tr> <td>323</td> <td>ETR</td> <td>-</td> <td>WD.</td> <td>J2</td> <td>PTD.</td> <td>-</td> <td>316A</td> <td>3\"/> <tr> <td>324</td> <td>ETR</td> <td>-</td> <td>WD.</td> <td>J2</td> <td>PTD.</td> <td>-</td> <td>318</td> <td>3\"/> <tr> <td>325</td> <td>A</td> <td>3\"/> <tr> <td>327</td> <td>ETR</td> <td>-</td> <td>WD.</td> <td>J2</td> <td>PTD.</td> <td>-</td> <td>319</td> <td>3\"/> <tr> <td>328</td> <td>ETR</td> <td>-</td> <td>WD.</td> <td>J2</td> <td>PTD.</td> <td>-</td> <td>320</td> <td>3\"/> <tr> <td>329A</td> <td>ETR</td> <td>-</td> <td>WD.</td> <td>J2</td> <td>PTD.</td> <td>-</td> <td>321</td> <td>3\"/> <tr> <td>329B</td> <td>ETR</td> <td>-</td> <td>WD.</td> <td>J2</td> <td>PTD.</td> <td>-</td> <td>322</td> <td>3\"/> <tr> <td>331</td> <td>ETR</td> <td>-</td> <td>WD.</td> <td>J2</td> <td>PTD.</td> <td>-</td> <td>323</td> <td>3\"/> <tr> <td>333</td> <td>ETR</td> <td>-</td> <td>WD.</td> <td>J2</td> <td>PTD.</td> <td>-</td> <td>324</td> <td>3\"/> <tr> <td>334A</td> <td>ETR</td> <td>-</td> <td>WD.</td> <td>J2</td> <td>PTD.</td> <td>-</td> <td>325</td> <td>3\"/> <tr> <td>334B</td> <td>ETR</td> <td>-</td> <td>WD.</td> <td>J2</td> <td>PTD.</td> <td>-</td> <td>327</td> <td>3\"/> <tr> <td>335A</td> <td>ETR</td> <td>-</td> <td>WD.</td> <td>J2</td> <td>PTD.</td> <td>-</td> <td>328</td> <td>3\"/> <tr> <td>335B</td> <td>B</td> <td>3\"/> <tr> <td>336</td> <td>B</td> <td>3\"/> <tr> <td>337</td> <td>ETR</td> <td>-</td> <td>WD.</td> <td>J2</td> <td>PTD.</td> <td>-</td> <td>329A</td> <td>3\"/> <tr> <td>339</td> <td>ETR</td> <td>-</td> <td>WD.</td> <td>J2</td> <td>PTD.</td> <td>-</td> <td>329B</td> <td>3\"/> <tr> <td>340</td> <td>A</td> <td>3\"/> <tr> <td>341A</td> <td>ETR</td> <td>-</td> <td>WD.</td> <td>J2</td> <td>PTD.</td> <td>-</td> <td>331</td> <td>3\"/> <tr> <td>341B</td> <td>ETR</td> <td>-</td> <td>WD.</td> <td>J2</td> <td>PTD.</td> <td>-</td> <td>333</td> <td>3\"/> <tr> <td>342</td> <td>ETR</td> <td>-</td> <td>WD.</td> <td>J2</td> <td>PTD.</td> <td>-</td> <td>334A</td> <td>3\"/> <tr> <td>344</td> <td>ETR</td> <td>-</td> <td>WD.</td> <td>J2</td> <td>PTD.</td> <td>-</td> <td>334B</td> <td>3\"/> <tr> <td>345</td> <td>ETR</td> <td>-</td> <td>WD.</td> <td>J2</td> <td>PTD.</td> <td>-</td> <td>335A</td> <td>3\"/> <tr> <td>346</td> <td>ETR</td> <td>-</td> <td>WD.</td> <td>J2</td> <td>PTD.</td> <td>-</td> <td>335B</td> <td>3\"/> <tr> <td>347</td> <td>ETR</td> <td>-</td> <td>WD.</td> <td>J2</td> <td>PTD.</td> <td>-</td> <td>336</td> <td>3\"/> <tr> <td>348</td> <td>ETR</td> <td>-</td> <td>WD.</td> <td>J2</td> <td>PTD.</td> <td>-</td> <td>337</td> <td>3\"/> <tr> <td>349</td> <td>ETR</td> <td>-</td> <td>WD.</td> <td>J2</td> <td>PTD.</td> <td>-</td> <td>339</td> <td>3\"/> <tr> <td>350</td> <td>ETR</td> <td>-</td> <td>WD.</td> <td>J2</td> <td>PTD.</td> <td>-</td> <td>340</td> <td>3\"/> </td></tr></td></tr></td></tr></td></tr></td></tr></td></tr></td></tr></td></tr></td></tr></td></tr></td></tr></td></tr></td></tr></td></tr></td></tr></td></tr></td></tr></td></tr></td></tr></td></tr></td></tr></td></tr></td></tr></td></tr></td></tr></td></tr></td></tr></td></tr></td></tr></td></tr></td></tr></td></tr></td></tr> | 316A | A | 3\"/> <tr> <td>318</td> <td>ETR</td> <td>-</td> <td>WD.</td> <td>J2</td> <td>PTD.</td> <td>-</td> <td>311</td> <td>3\"/> <tr> <td>319</td> <td>ETR</td> <td>-</td> <td>WD.</td> <td>J2</td> <td>PTD.</td> <td>-</td> <td>312A</td> <td>3\"/> <tr> <td>320</td> <td>ETR</td> <td>-</td> <td>WD.</td> <td>J2</td> <td>PTD.</td> <td>-</td> <td>313</td> <td>3\"/> <tr> <td>321</td> <td>ETR</td> <td>-</td> <td>WD.</td> <td>J2</td> <td>PTD.</td> <td>-</td> <td>314</td> <td>3\"/> <tr> <td>322</td> <td>ETR</td> <td>-</td> <td>WD.</td> <td>J2</td> <td>PTD.</td> <td>-</td> <td>315</td> <td>3\"/> <tr> <td>323</td> <td>ETR</td> <td>-</td> <td>WD.</td> <td>J2</td> <td>PTD.</td> <td>-</td> <td>316A</td> <td>3\"/> <tr> <td>324</td> <td>ETR</td> <td>-</td> <td>WD.</td> <td>J2</td> <td>PTD.</td> <td>-</td> <td>318</td> <td>3\"/> <tr> <td>325</td> <td>A</td> <td>3\"/> <tr> <td>327</td> <td>ETR</td> <td>-</td> <td>WD.</td> <td>J2</td> <td>PTD.</td> <td>-</td> <td>319</td> <td>3\"/> <tr> <td>328</td> <td>ETR</td> <td>-</td> <td>WD.</td> <td>J2</td> <td>PTD.</td> <td>-</td> <td>320</td> <td>3\"/> <tr> <td>329A</td> <td>ETR</td> <td>-</td> <td>WD.</td> <td>J2</td> <td>PTD.</td> <td>-</td> <td>321</td> <td>3\"/> <tr> <td>329B</td> <td>ETR</td> <td>-</td> <td>WD.</td> <td>J2</td> <td>PTD.</td> <td>-</td> <td>322</td> <td>3\"/> <tr> <td>331</td> <td>ETR</td> <td>-</td> <td>WD.</td> <td>J2</td> <td>PTD.</td> <td>-</td> <td>323</td> <td>3\"/> <tr> <td>333</td> <td>ETR</td> <td>-</td> <td>WD.</td> <td>J2</td> <td>PTD.</td> <td>-</td> <td>324</td> <td>3\"/> <tr> <td>334A</td> <td>ETR</td> <td>-</td> <td>WD.</td> <td>J2</td> <td>PTD.</td> <td>-</td> <td>325</td> <td>3\"/> <tr> <td>334B</td> <td>ETR</td> <td>-</td> <td>WD.</td> <td>J2</td> <td>PTD.</td> <td>-</td> <td>327</td> <td>3\"/> <tr> <td>335A</td> <td>ETR</td> <td>-</td> <td>WD.</td> <td>J2</td> <td>PTD.</td> <td>-</td> <td>328</td> <td>3\"/> <tr> <td>335B</td> <td>B</td> <td>3\"/> <tr> <td>336</td> <td>B</td> <td>3\"/> <tr> <td>337</td> <td>ETR</td> <td>-</td> <td>WD.</td> <td>J2</td> <td>PTD.</td> <td>-</td> <td>329A</td> <td>3\"/> <tr> <td>339</td> <td>ETR</td> <td>-</td> <td>WD.</td> <td>J2</td> <td>PTD.</td> <td>-</td> <td>329B</td> <td>3\"/> <tr> <td>340</td> <td>A</td> <td>3\"/> <tr> <td>341A</td> <td>ETR</td> <td>-</td> <td>WD.</td> <td>J2</td> <td>PTD.</td> <td>-</td> <td>331</td> <td>3\"/> <tr> <td>341B</td> <td>ETR</td> <td>-</td> <td>WD.</td> <td>J2</td> <td>PTD.</td> <td>-</td> <td>333</td> <td>3\"/> <tr> <td>342</td> <td>ETR</td> <td>-</td> <td>WD.</td> <td>J2</td> <td>PTD.</td> <td>-</td> <td>334A</td> <td>3\"/> <tr> <td>344</td> <td>ETR</td> <td>-</td> <td>WD.</td> <td>J2</td> <td>PTD.</td> <td>-</td> <td>334B</td> <td>3\"/> <tr> <td>345</td> <td>ETR</td> <td>-</td> <td>WD.</td> <td>J2</td> <td>PTD.</td> <td>-</td> <td>335A</td> <td>3\"/> <tr> <td>346</td> <td>ETR</td> <td>-</td> <td>WD.</td> <td>J2</td> <td>PTD.</td> <td>-</td> <td>335B</td> <td>3\"/> <tr> <td>347</td> <td>ETR</td> <td>-</td> <td>WD.</td> <td>J2</td> <td>PTD.</td> <td>-</td> <td>336</td> <td>3\"/> <tr> <td>348</td> <td>ETR</td> <td>-</td> <td>WD.</td> <td>J2</td> <td>PTD.</td> <td>-</td> <td>337</td> <td>3\"/> <tr> <td>349</td> <td>ETR</td> <td>-</td> <td>WD.</td> <td>J2</td> <td>PTD.</td> <td>-</td> <td>339</td> <td>3\"/> <tr> <td>350</td> <td>ETR</td> <td>-</td> <td>WD.</td> <td>J2</td> <td>PTD.</td> <td>-</td>
<td>340</td> <td>3\"/> </td></tr></td></tr></td></tr></td></tr></td></tr></td></tr></td></tr></td></tr></td></tr></td></tr></td></tr></td></tr></td></tr></td></tr></td></tr></td></tr></td></tr></td></tr></td></tr></td></tr></td></tr></td></tr></td></tr></td></tr></td></tr></td></tr></td></tr></td></tr></td></tr></td></tr></td></tr></td></tr> | 318 | ETR | - | WD. | J2 | PTD.
 | - | 311 | 3\"/> <tr> <td>319</td> <td>ETR</td> <td>-</td> <td>WD.</td> <td>J2</td> <td>PTD.</td> <td>-</td> <td>312A</td> <td>3\"/> <tr> <td>320</td> <td>ETR</td> <td>-</td> <td>WD.</td> <td>J2</td> <td>PTD.</td> <td>-</td> <td>313</td> <td>3\"/> <tr> <td>321</td> <td>ETR</td> <td>-</td> <td>WD.</td> <td>J2</td> <td>PTD.</td> <td>-</td> <td>314</td> <td>3\"/> <tr> <td>322</td> <td>ETR</td> <td>-</td> <td>WD.</td> <td>J2</td> <td>PTD.</td> <td>-</td> <td>315</td> <td>3\"/> <tr> <td>323</td> <td>ETR</td> <td>-</td> <td>WD.</td> <td>J2</td> <td>PTD.</td> <td>-</td> <td>316A</td> <td>3\"/> <tr> <td>324</td> <td>ETR</td> <td>-</td> <td>WD.</td> <td>J2</td> <td>PTD.</td> <td>-</td> <td>318</td> <td>3\"/> <tr> <td>325</td> <td>A</td> <td>3\"/> <tr> <td>327</td> <td>ETR</td> <td>-</td> <td>WD.</td> <td>J2</td> <td>PTD.</td> <td>-</td> <td>319</td> <td>3\"/> <tr> <td>328</td> <td>ETR</td> <td>-</td> <td>WD.</td> <td>J2</td> <td>PTD.</td> <td>-</td> <td>320</td> <td>3\"/> <tr> <td>329A</td> <td>ETR</td> <td>-</td> <td>WD.</td> <td>J2</td> <td>PTD.</td> <td>-</td> <td>321</td> <td>3\"/> <tr> <td>329B</td> <td>ETR</td> <td>-</td> <td>WD.</td> <td>J2</td> <td>PTD.</td> <td>-</td> <td>322</td> <td>3\"/> <tr> <td>331</td> <td>ETR</td> <td>-</td> <td>WD.</td> <td>J2</td> <td>PTD.</td> <td>-</td> <td>323</td> <td>3\"/> <tr> <td>333</td> <td>ETR</td> <td>-</td> <td>WD.</td> <td>J2</td> <td>PTD.</td> <td>-</td> <td>324</td> <td>3\"/> <tr> <td>334A</td> <td>ETR</td> <td>-</td> <td>WD.</td> <td>J2</td> <td>PTD.</td> <td>-</td> <td>325</td> <td>3\"/> <tr> <td>334B</td> <td>ETR</td> <td>-</td> <td>WD.</td> <td>J2</td> <td>PTD.</td> <td>-</td> <td>327</td> <td>3\"/> <tr> <td>335A</td> <td>ETR</td> <td>-</td> <td>WD.</td> <td>J2</td> <td>PTD.</td> <td>-</td> <td>328</td> <td>3\"/> <tr> <td>335B</td> <td>B</td> <td>3\"/> <tr> <td>336</td> <td>B</td> <td>3\"/> <tr> <td>337</td> <td>ETR</td> <td>-</td> <td>WD.</td> <td>J2</td> <td>PTD.</td> <td>-</td> <td>329A</td> <td>3\"/> <tr> <td>339</td> <td>ETR</td> <td>-</td> <td>WD.</td> <td>J2</td> <td>PTD.</td> <td>-</td> <td>329B</td> <td>3\"/> <tr> <td>340</td> <td>A</td> <td>3\"/> <tr> <td>341A</td> <td>ETR</td> <td>-</td> <td>WD.</td> <td>J2</td> <td>PTD.</td> <td>-</td> <td>331</td> <td>3\"/> <tr> <td>341B</td> <td>ETR</td> <td>-</td> <td>WD.</td> <td>J2</td> <td>PTD.</td> <td>-</td> <td>333</td> <td>3\"/> <tr> <td>342</td> <td>ETR</td> <td>-</td> <td>WD.</td> <td>J2</td> <td>PTD.</td> <td>-</td> <td>334A</td> <td>3\"/> <tr> <td>344</td> <td>ETR</td> <td>-</td> <td>WD.</td> <td>J2</td> <td>PTD.</td> <td>-</td> <td>334B</td> <td>3\"/> <tr> <td>345</td> <td>ETR</td> <td>-</td> <td>WD.</td> <td>J2</td> <td>PTD.</td> <td>-</td> <td>335A</td> <td>3\"/> <tr> <td>346</td> <td>ETR</td> <td>-</td> <td>WD.</td> <td>J2</td> <td>PTD.</td> <td>-</td> <td>335B</td> <td>3\"/> <tr> <td>347</td> <td>ETR</td> <td>-</td> <td>WD.</td> <td>J2</td> <td>PTD.</td> <td>-</td> <td>336</td> <td>3\"/> <tr> <td>348</td> <td>ETR</td> <td>-</td> <td>WD.</td> <td>J2</td> <td>PTD.</td> <td>-</td> <td>337</td> <td>3\"/> <tr> <td>349</td> <td>ETR</td> <td>-</td> <td>WD.</td> <td>J2</td> <td>PTD.</td> <td>-</td> <td>339</td> <td>3\"/> <tr> <td>350</td> <td>ETR</td> <td>-</td> <td>WD.</td> <td>J2</td> <td>PTD.</td> <td>-</td> <td>340</td> <td>3\"/> </td></tr></td></tr></td></tr></td></tr></td></tr></td></tr></td></tr></td></tr></td></tr></td></tr></td></tr></td></tr></td></tr></td></tr></td></tr></td></tr></td></tr></td></tr></td></tr></td></tr></td></tr></td></tr></td></tr></td></tr></td></tr></td></tr></td></tr></td></tr></td></tr></td></tr></td></tr> | 319 | ETR | - | WD. | J2 | PTD.
 | - | 312A | 3\"/> <tr> <td>320</td> <td>ETR</td> <td>-</td> <td>WD.</td> <td>J2</td> <td>PTD.</td> <td>-</td> <td>313</td> <td>3\"/> <tr> <td>321</td> <td>ETR</td> <td>-</td> <td>WD.</td> <td>J2</td> <td>PTD.</td> <td>-</td> <td>314</td> <td>3\"/> <tr> <td>322</td> <td>ETR</td> <td>-</td> <td>WD.</td> <td>J2</td> <td>PTD.</td> <td>-</td> <td>315</td> <td>3\"/> <tr> <td>323</td> <td>ETR</td> <td>-</td> <td>WD.</td> <td>J2</td> <td>PTD.</td> <td>-</td> <td>316A</td> <td>3\"/> <tr> <td>324</td> <td>ETR</td> <td>-</td> <td>WD.</td> <td>J2</td> <td>PTD.</td> <td>-</td> <td>318</td> <td>3\"/> <tr> <td>325</td> <td>A</td> <td>3\"/> <tr> <td>327</td> <td>ETR</td> <td>-</td> <td>WD.</td> <td>J2</td> <td>PTD.</td> <td>-</td> <td>319</td> <td>3\"/> <tr> <td>328</td> <td>ETR</td> <td>-</td> <td>WD.</td> <td>J2</td> <td>PTD.</td> <td>-</td> <td>320</td> <td>3\"/> <tr> <td>329A</td> <td>ETR</td> <td>-</td> <td>WD.</td> <td>J2</td> <td>PTD.</td> <td>-</td> <td>321</td> <td>3\"/> <tr> <td>329B</td> <td>ETR</td> <td>-</td> <td>WD.</td> <td>J2</td> <td>PTD.</td> <td>-</td> <td>322</td> <td>3\"/> <tr> <td>331</td> <td>ETR</td> <td>-</td> <td>WD.</td> <td>J2</td> <td>PTD.</td> <td>-</td> <td>323</td> <td>3\"/> <tr> <td>333</td> <td>ETR</td> <td>-</td> <td>WD.</td> <td>J2</td> <td>PTD.</td> <td>-</td> <td>324</td> <td>3\"/> <tr> <td>334A</td> <td>ETR</td> <td>-</td> <td>WD.</td> <td>J2</td> <td>PTD.</td> <td>-</td> <td>325</td> <td>3\"/> <tr> <td>334B</td> <td>ETR</td> <td>-</td> <td>WD.</td> <td>J2</td> <td>PTD.</td> <td>-</td> <td>327</td> <td>3\"/> <tr> <td>335A</td> <td>ETR</td> <td>-</td> <td>WD.</td> <td>J2</td> <td>PTD.</td> <td>-</td> <td>328</td> <td>3\"/> <tr> <td>335B</td> <td>B</td> <td>3\"/> <tr> <td>336</td> <td>B</td> <td>3\"/> <tr> <td>337</td> <td>ETR</td> <td>-</td> <td>WD.</td> <td>J2</td> <td>PTD.</td> <td>-</td> <td>329A</td> <td>3\"/> <tr> <td>339</td> <td>ETR</td> <td>-</td> <td>WD.</td> <td>J2</td> <td>PTD.</td> <td>-</td> <td>329B</td> <td>3\"/> <tr> <td>340</td> <td>A</td> <td>3\"/> <tr> <td>341A</td> <td>ETR</td> <td>-</td> <td>WD.</td> <td>J2</td> <td>PTD.</td> <td>-</td> <td>331</td> <td>3\"/> <tr> <td>341B</td> <td>ETR</td> <td>-</td> <td>WD.</td> <td>J2</td> <td>PTD.</td> <td>-</td> <td>333</td> <td>3\"/> <tr> <td>342</td> <td>ETR</td> <td>-</td> <td>WD.</td> <td>J2</td> <td>PTD.</td> <td>-</td> <td>334A</td> <td>3\"/> <tr> <td>344</td> <td>ETR</td> <td>-</td> <td>WD.</td> <td>J2</td> <td>PTD.</td> <td>-</td> <td>334B</td> <td>3\"/> <tr> <td>345</td> <td>ETR</td> <td>-</td> <td>WD.</td> <td>J2</td> <td>PTD.</td> <td>-</td> <td>335A</td> <td>3\"/> <tr> <td>346</td> <td>ETR</td> <td>-</td> <td>WD.</td> <td>J2</td> <td>PTD.</td> <td>-</td> <td>335B</td> <td>3\"/> <tr> <td>347</td> <td>ETR</td> <td>-</td> <td>WD.</td> <td>J2</td> <td>PTD.</td> <td>-</td> <td>336</td> <td>3\"/> <tr> <td>348</td> <td>ETR</td> <td>-</td> <td>WD.</td> <td>J2</td> <td>PTD.</td> <td>-</td> <td>337</td> <td>3\"/> <tr> <td>349</td> <td>ETR</td> <td>-</td> <td>WD.</td> <td>J2</td> <td>PTD.</td> <td>-</td> <td>339</td> <td>3\"/> <tr> <td>350</td> <td>ETR</td> <td>-</td> <td>WD.</td> <td>J2</td> <td>PTD.</td> <td>-</td> <td>340</td> <td>3\"/> </td></tr></td></tr></td></tr></td></tr></td></tr></td></tr></td></tr></td></tr></td></tr></td></tr></td></tr></td></tr></td></tr></td></tr></td></tr></td></tr></td></tr></td></tr></td></tr></td></tr></td></tr></td></tr></td></tr></td></tr></td></tr></td></tr></td></tr></td></tr></td></tr></td></tr> | 320 | ETR | -
 | WD. | J2 | PTD. | - | 313 | 3\"/> <tr> <td>321</td> <td>ETR</td> <td>-</td> <td>WD.</td> <td>J2</td> <td>PTD.</td> <td>-</td> <td>314</td> <td>3\"/> <tr> <td>322</td> <td>ETR</td> <td>-</td> <td>WD.</td> <td>J2</td> <td>PTD.</td> <td>-</td> <td>315</td> <td>3\"/> <tr> <td>323</td> <td>ETR</td> <td>-</td> <td>WD.</td> <td>J2</td> <td>PTD.</td> <td>-</td> <td>316A</td> <td>3\"/> <tr> <td>324</td> <td>ETR</td> <td>-</td> <td>WD.</td> <td>J2</td> <td>PTD.</td> <td>-</td> <td>318</td> <td>3\"/> <tr> <td>325</td> <td>A</td> <td>3\"/> <tr> <td>327</td> <td>ETR</td> <td>-</td> <td>WD.</td> <td>J2</td> <td>PTD.</td> <td>-</td> <td>319</td> <td>3\"/> <tr> <td>328</td> <td>ETR</td> <td>-</td> <td>WD.</td> <td>J2</td> <td>PTD.</td> <td>-</td> <td>320</td> <td>3\"/> <tr> <td>329A</td> <td>ETR</td> <td>-</td> <td>WD.</td> <td>J2</td> <td>PTD.</td> <td>-</td> <td>321</td> <td>3\"/> <tr> <td>329B</td> <td>ETR</td> <td>-</td> <td>WD.</td> <td>J2</td> <td>PTD.</td> <td>-</td> <td>322</td> <td>3\"/> <tr> <td>331</td> <td>ETR</td> <td>-</td> <td>WD.</td> <td>J2</td> <td>PTD.</td> <td>-</td> <td>323</td> <td>3\"/> <tr> <td>333</td> <td>ETR</td> <td>-</td> <td>WD.</td> <td>J2</td> <td>PTD.</td> <td>-</td> <td>324</td> <td>3\"/> <tr> <td>334A</td> <td>ETR</td> <td>-</td> <td>WD.</td> <td>J2</td> <td>PTD.</td> <td>-</td> <td>325</td> <td>3\"/> <tr> <td>334B</td> <td>ETR</td> <td>-</td> <td>WD.</td> <td>J2</td> <td>PTD.</td> <td>-</td> <td>327</td> <td>3\"/> <tr> <td>335A</td> <td>ETR</td> <td>-</td> <td>WD.</td> <td>J2</td> <td>PTD.</td> <td>-</td> <td>328</td> <td>3\"/> <tr> <td>335B</td> <td>B</td> <td>3\"/> <tr> <td>336</td> <td>B</td> <td>3\"/> <tr> <td>337</td> <td>ETR</td> <td>-</td> <td>WD.</td> <td>J2</td> <td>PTD.</td> <td>-</td> <td>329A</td> <td>3\"/> <tr> <td>339</td> <td>ETR</td> <td>-</td> <td>WD.</td> <td>J2</td> <td>PTD.</td> <td>-</td> <td>329B</td> <td>3\"/> <tr> <td>340</td> <td>A</td> <td>3\"/> <tr> <td>341A</td> <td>ETR</td> <td>-</td> <td>WD.</td> <td>J2</td> <td>PTD.</td> <td>-</td> <td>331</td> <td>3\"/> <tr> <td>341B</td> <td>ETR</td> <td>-</td> <td>WD.</td> <td>J2</td> <td>PTD.</td> <td>-</td> <td>333</td> <td>3\"/> <tr> <td>342</td> <td>ETR</td> <td>-</td> <td>WD.</td> <td>J2</td> <td>PTD.</td> <td>-</td> <td>334A</td> <td>3\"/> <tr> <td>344</td> <td>ETR</td> <td>-</td> <td>WD.</td> <td>J2</td> <td>PTD.</td> <td>-</td> <td>334B</td> <td>3\"/> <tr> <td>345</td> <td>ETR</td> <td>-</td> <td>WD.</td> <td>J2</td> <td>PTD.</td> <td>-</td> <td>335A</td> <td>3\"/> <tr> <td>346</td> <td>ETR</td> <td>-</td> <td>WD.</td> <td>J2</td> <td>PTD.</td> <td>-</td> <td>335B</td> <td>3\"/> <tr> <td>347</td> <td>ETR</td> <td>-</td> <td>WD.</td> <td>J2</td> <td>PTD.</td> <td>-</td> <td>336</td> <td>3\"/> <tr> <td>348</td> <td>ETR</td> <td>-</td> <td>WD.</td> <td>J2</td> <td>PTD.</td> <td>-</td> <td>337</td> <td>3\"/> <tr> <td>349</td> <td>ETR</td> <td>-</td> <td>WD.</td> <td>J2</td> <td>PTD.</td> <td>-</td> <td>339</td> <td>3\"/> <tr> <td>350</td> <td>ETR</td> <td>-</td> <td>WD.</td> <td>J2</td> <td>PTD.</td> <td>-</td> <td>340</td> <td>3\"/> </td></tr></td></tr></td></tr></td></tr></td></tr></td></tr></td></tr></td></tr></td></tr></td></tr></td></tr></td></tr></td></tr></td></tr></td></tr></td></tr></td></tr></td></tr></td></tr></td></tr></td></tr></td></tr></td></tr></td></tr></td></tr></td></tr></td></tr></td></tr></td></tr>
 | 321 | ETR | - | WD. | J2 | PTD. | - | 314 | 3\"/> <tr> <td>322</td> <td>ETR</td> <td>-</td> <td>WD.</td> <td>J2</td> <td>PTD.</td> <td>-</td> <td>315</td> <td>3\"/> <tr> <td>323</td> <td>ETR</td> <td>-</td> <td>WD.</td> <td>J2</td> <td>PTD.</td> <td>-</td> <td>316A</td> <td>3\"/> <tr> <td>324</td> <td>ETR</td> <td>-</td> <td>WD.</td> <td>J2</td> <td>PTD.</td> <td>-</td> <td>318</td> <td>3\"/> <tr> <td>325</td> <td>A</td> <td>3\"/> <tr> <td>327</td> <td>ETR</td> <td>-</td> <td>WD.</td> <td>J2</td> <td>PTD.</td> <td>-</td> <td>319</td> <td>3\"/> <tr> <td>328</td> <td>ETR</td> <td>-</td> <td>WD.</td> <td>J2</td> <td>PTD.</td> <td>-</td> <td>320</td> <td>3\"/> <tr> <td>329A</td> <td>ETR</td> <td>-</td> <td>WD.</td> <td>J2</td> <td>PTD.</td> <td>-</td> <td>321</td> <td>3\"/> <tr> <td>329B</td> <td>ETR</td> <td>-</td> <td>WD.</td> <td>J2</td> <td>PTD.</td> <td>-</td> <td>322</td> <td>3\"/> <tr> <td>331</td> <td>ETR</td> <td>-</td> <td>WD.</td> <td>J2</td> <td>PTD.</td> <td>-</td> <td>323</td>
<td>3\"/> <tr> <td>333</td> <td>ETR</td> <td>-</td> <td>WD.</td> <td>J2</td> <td>PTD.</td> <td>-</td> <td>324</td> <td>3\"/> <tr> <td>334A</td> <td>ETR</td> <td>-</td> <td>WD.</td> <td>J2</td> <td>PTD.</td> <td>-</td> <td>325</td> <td>3\"/> <tr> <td>334B</td> <td>ETR</td> <td>-</td> <td>WD.</td> <td>J2</td> <td>PTD.</td> <td>-</td> <td>327</td> <td>3\"/> <tr> <td>335A</td> <td>ETR</td> <td>-</td> <td>WD.</td> <td>J2</td> <td>PTD.</td> <td>-</td> <td>328</td> <td>3\"/> <tr> <td>335B</td> <td>B</td> <td>3\"/> <tr> <td>336</td> <td>B</td> <td>3\"/> <tr> <td>337</td> <td>ETR</td> <td>-</td> <td>WD.</td> <td>J2</td> <td>PTD.</td> <td>-</td> <td>329A</td> <td>3\"/> <tr> <td>339</td> <td>ETR</td> <td>-</td> <td>WD.</td> <td>J2</td> <td>PTD.</td> <td>-</td> <td>329B</td> <td>3\"/> <tr> <td>340</td> <td>A</td> <td>3\"/> <tr> <td>341A</td> <td>ETR</td> <td>-</td> <td>WD.</td> <td>J2</td> <td>PTD.</td> <td>-</td> <td>331</td> <td>3\"/> <tr> <td>341B</td> <td>ETR</td> <td>-</td> <td>WD.</td> <td>J2</td> <td>PTD.</td> <td>-</td> <td>333</td> <td>3\"/> <tr> <td>342</td> <td>ETR</td> <td>-</td> <td>WD.</td> <td>J2</td> <td>PTD.</td> <td>-</td> <td>334A</td> <td>3\"/> <tr> <td>344</td> <td>ETR</td> <td>-</td> <td>WD.</td> <td>J2</td> <td>PTD.</td> <td>-</td> <td>334B</td> <td>3\"/> <tr> <td>345</td> <td>ETR</td> <td>-</td> <td>WD.</td> <td>J2</td> <td>PTD.</td> <td>-</td> <td>335A</td> <td>3\"/> <tr> <td>346</td> <td>ETR</td> <td>-</td> <td>WD.</td> <td>J2</td> <td>PTD.</td> <td>-</td> <td>335B</td> <td>3\"/> <tr> <td>347</td> <td>ETR</td> <td>-</td> <td>WD.</td> <td>J2</td> <td>PTD.</td> <td>-</td> <td>336</td> <td>3\"/> <tr> <td>348</td> <td>ETR</td> <td>-</td> <td>WD.</td> <td>J2</td> <td>PTD.</td> <td>-</td> <td>337</td> <td>3\"/> <tr> <td>349</td> <td>ETR</td> <td>-</td> <td>WD.</td> <td>J2</td> <td>PTD.</td> <td>-</td> <td>339</td> <td>3\"/> <tr> <td>350</td> <td>ETR</td> <td>-</td> <td>WD.</td> <td>J2</td> <td>PTD.</td> <td>-</td> <td>340</td> <td>3\"/> </td></tr></td></tr></td></tr></td></tr></td></tr></td></tr></td></tr></td></tr></td></tr></td></tr></td></tr></td></tr></td></tr></td></tr></td></tr></td></tr></td></tr></td></tr></td></tr></td></tr></td></tr></td></tr></td></tr></td></tr></td></tr></td></tr></td></tr></td></tr> | 322 | ETR | - | WD. | J2 | PTD.
 | - | 315 | 3\"/> <tr> <td>323</td> <td>ETR</td> <td>-</td> <td>WD.</td> <td>J2</td> <td>PTD.</td> <td>-</td> <td>316A</td> <td>3\"/> <tr> <td>324</td> <td>ETR</td> <td>-</td> <td>WD.</td> <td>J2</td> <td>PTD.</td> <td>-</td> <td>318</td> <td>3\"/> <tr> <td>325</td> <td>A</td> <td>3\"/> <tr> <td>327</td> <td>ETR</td> <td>-</td> <td>WD.</td> <td>J2</td> <td>PTD.</td> <td>-</td> <td>319</td> <td>3\"/> <tr> <td>328</td> <td>ETR</td> <td>-</td> <td>WD.</td> <td>J2</td> <td>PTD.</td> <td>-</td> <td>320</td> <td>3\"/> <tr> <td>329A</td> <td>ETR</td> <td>-</td> <td>WD.</td> <td>J2</td> <td>PTD.</td> <td>-</td> <td>321</td> <td>3\"/> <tr> <td>329B</td> <td>ETR</td> <td>-</td> <td>WD.</td> <td>J2</td> <td>PTD.</td> <td>-</td> <td>322</td> <td>3\"/> <tr> <td>331</td> <td>ETR</td> <td>-</td> <td>WD.</td> <td>J2</td> <td>PTD.</td> <td>-</td> <td>323</td> <td>3\"/> <tr> <td>333</td> <td>ETR</td> <td>-</td> <td>WD.</td> <td>J2</td> <td>PTD.</td> <td>-</td> <td>324</td> <td>3\"/> <tr> <td>334A</td> <td>ETR</td> <td>-</td> <td>WD.</td> <td>J2</td> <td>PTD.</td> <td>-</td> <td>325</td> <td>3\"/> <tr> <td>334B</td> <td>ETR</td> <td>-</td> <td>WD.</td> <td>J2</td> <td>PTD.</td> <td>-</td> <td>327</td> <td>3\"/> <tr> <td>335A</td> <td>ETR</td> <td>-</td> <td>WD.</td> <td>J2</td> <td>PTD.</td> <td>-</td> <td>328</td> <td>3\"/> <tr> <td>335B</td> <td>B</td> <td>3\"/> <tr> <td>336</td> <td>B</td> <td>3\"/> <tr> <td>337</td> <td>ETR</td> <td>-</td> <td>WD.</td> <td>J2</td> <td>PTD.</td> <td>-</td> <td>329A</td> <td>3\"/> <tr> <td>339</td> <td>ETR</td> <td>-</td> <td>WD.</td> <td>J2</td> <td>PTD.</td> <td>-</td> <td>329B</td> <td>3\"/> <tr> <td>340</td> <td>A</td> <td>3\"/> <tr> <td>341A</td> <td>ETR</td> <td>-</td> <td>WD.</td> <td>J2</td> <td>PTD.</td> <td>-</td> <td>331</td> <td>3\"/> <tr> <td>341B</td> <td>ETR</td> <td>-</td> <td>WD.</td> <td>J2</td> <td>PTD.</td> <td>-</td> <td>333</td> <td>3\"/> <tr> <td>342</td> <td>ETR</td> <td>-</td> <td>WD.</td> <td>J2</td> <td>PTD.</td> <td>-</td> <td>334A</td> <td>3\"/> <tr> <td>344</td> <td>ETR</td> <td>-</td> <td>WD.</td> <td>J2</td> <td>PTD.</td> <td>-</td> <td>334B</td> <td>3\"/> <tr> <td>345</td> <td>ETR</td> <td>-</td> <td>WD.</td> <td>J2</td> <td>PTD.</td> <td>-</td> <td>335A</td> <td>3\"/> <tr> <td>346</td> <td>ETR</td> <td>-</td> <td>WD.</td> <td>J2</td> <td>PTD.</td> <td>-</td> <td>335B</td> <td>3\"/> <tr> <td>347</td> <td>ETR</td> <td>-</td> <td>WD.</td> <td>J2</td> <td>PTD.</td> <td>-</td> <td>336</td> <td>3\"/> <tr> <td>348</td> <td>ETR</td> <td>-</td> <td>WD.</td> <td>J2</td> <td>PTD.</td> <td>-</td> <td>337</td> <td>3\"/> <tr> <td>349</td> <td>ETR</td> <td>-</td> <td>WD.</td> <td>J2</td> <td>PTD.</td> <td>-</td> <td>339</td> <td>3\"/> <tr> <td>350</td> <td>ETR</td> <td>-</td> <td>WD.</td> <td>J2</td> <td>PTD.</td> <td>-</td> <td>340</td> <td>3\"/> </td></tr></td></tr></td></tr></td></tr></td></tr></td></tr></td></tr></td></tr></td></tr></td></tr></td></tr></td></tr></td></tr></td></tr></td></tr></td></tr></td></tr></td></tr></td></tr></td></tr></td></tr></td></tr></td></tr></td></tr></td></tr></td></tr></td></tr> | 323 | ETR | - | WD. | J2 | PTD.
 | - | 316A | 3\"/> <tr> <td>324</td> <td>ETR</td> <td>-</td> <td>WD.</td> <td>J2</td> <td>PTD.</td> <td>-</td> <td>318</td> <td>3\"/> <tr> <td>325</td> <td>A</td> <td>3\"/> <tr> <td>327</td> <td>ETR</td> <td>-</td> <td>WD.</td> <td>J2</td> <td>PTD.</td> <td>-</td> <td>319</td> <td>3\"/> <tr> <td>328</td> <td>ETR</td> <td>-</td> <td>WD.</td> <td>J2</td> <td>PTD.</td> <td>-</td> <td>320</td> <td>3\"/> <tr> <td>329A</td> <td>ETR</td> <td>-</td> <td>WD.</td> <td>J2</td> <td>PTD.</td> <td>-</td> <td>321</td> <td>3\"/> <tr> <td>329B</td> <td>ETR</td> <td>-</td> <td>WD.</td> <td>J2</td> <td>PTD.</td> <td>-</td> <td>322</td> <td>3\"/> <tr> <td>331</td> <td>ETR</td> <td>-</td> <td>WD.</td> <td>J2</td> <td>PTD.</td> <td>-</td> <td>323</td> <td>3\"/> <tr> <td>333</td> <td>ETR</td> <td>-</td> <td>WD.</td> <td>J2</td> <td>PTD.</td> <td>-</td> <td>324</td> <td>3\"/> <tr> <td>334A</td> <td>ETR</td> <td>-</td> <td>WD.</td> <td>J2</td> <td>PTD.</td> <td>-</td> <td>325</td> <td>3\"/> <tr> <td>334B</td> <td>ETR</td> <td>-</td> <td>WD.</td> <td>J2</td> <td>PTD.</td> <td>-</td> <td>327</td> <td>3\"/> <tr> <td>335A</td> <td>ETR</td> <td>-</td> <td>WD.</td> <td>J2</td> <td>PTD.</td> <td>-</td> <td>328</td> <td>3\"/> <tr> <td>335B</td> <td>B</td> <td>3\"/> <tr> <td>336</td> <td>B</td> <td>3\"/> <tr> <td>337</td> <td>ETR</td> <td>-</td> <td>WD.</td> <td>J2</td> <td>PTD.</td> <td>-</td> <td>329A</td> <td>3\"/> <tr> <td>339</td> <td>ETR</td> <td>-</td> <td>WD.</td> <td>J2</td> <td>PTD.</td> <td>-</td> <td>329B</td> <td>3\"/> <tr> <td>340</td> <td>A</td> <td>3\"/> <tr> <td>341A</td> <td>ETR</td> <td>-</td> <td>WD.</td> <td>J2</td> <td>PTD.</td> <td>-</td> <td>331</td> <td>3\"/> <tr> <td>341B</td> <td>ETR</td> <td>-</td> <td>WD.</td> <td>J2</td> <td>PTD.</td> <td>-</td> <td>333</td> <td>3\"/> <tr> <td>342</td> <td>ETR</td> <td>-</td> <td>WD.</td> <td>J2</td> <td>PTD.</td> <td>-</td> <td>334A</td> <td>3\"/> <tr> <td>344</td> <td>ETR</td> <td>-</td> <td>WD.</td> <td>J2</td> <td>PTD.</td> <td>-</td> <td>334B</td> <td>3\"/> <tr> <td>345</td> <td>ETR</td> <td>-</td> <td>WD.</td> <td>J2</td> <td>PTD.</td> <td>-</td> <td>335A</td> <td>3\"/> <tr> <td>346</td> <td>ETR</td> <td>-</td> <td>WD.</td> <td>J2</td> <td>PTD.</td> <td>-</td> <td>335B</td> <td>3\"/> <tr> <td>347</td> <td>ETR</td> <td>-</td> <td>WD.</td> <td>J2</td> <td>PTD.</td> <td>-</td> <td>336</td> <td>3\"/> <tr> <td>348</td> <td>ETR</td> <td>-</td> <td>WD.</td> <td>J2</td> <td>PTD.</td> <td>-</td> <td>337</td> <td>3\"/> <tr> <td>349</td> <td>ETR</td> <td>-</td> <td>WD.</td> <td>J2</td> <td>PTD.</td> <td>-</td> <td>339</td> <td>3\"/> <tr> <td>350</td> <td>ETR</td> <td>-</td> <td>WD.</td> <td>J2</td> <td>PTD.</td> <td>-</td> <td>340</td> <td>3\"/> </td></tr></td></tr></td></tr></td></tr></td></tr></td></tr></td></tr></td></tr></td></tr></td></tr></td></tr></td></tr></td></tr></td></tr></td></tr></td></tr></td></tr></td></tr></td></tr></td></tr></td></tr></td></tr></td></tr></td></tr></td></tr></td></tr> | 324 | ETR | -
 | WD. | J2 | PTD. | - | 318 | 3\"/> <tr> <td>325</td> <td>A</td> <td>3\"/> <tr> <td>327</td> <td>ETR</td> <td>-</td> <td>WD.</td> <td>J2</td> <td>PTD.</td> <td>-</td> <td>319</td> <td>3\"/> <tr> <td>328</td> <td>ETR</td> <td>-</td> <td>WD.</td> <td>J2</td> <td>PTD.</td> <td>-</td> <td>320</td> <td>3\"/> <tr> <td>329A</td> <td>ETR</td> <td>-</td> <td>WD.</td> <td>J2</td> <td>PTD.</td> <td>-</td> <td>321</td> <td>3\"/> <tr> <td>329B</td> <td>ETR</td> <td>-</td> <td>WD.</td> <td>J2</td> <td>PTD.</td> <td>-</td> <td>322</td> <td>3\"/> <tr> <td>331</td> <td>ETR</td> <td>-</td> <td>WD.</td> <td>J2</td> <td>PTD.</td> <td>-</td> <td>323</td> <td>3\"/> <tr> <td>333</td> <td>ETR</td> <td>-</td> <td>WD.</td> <td>J2</td> <td>PTD.</td> <td>-</td> <td>324</td> <td>3\"/> <tr> <td>334A</td> <td>ETR</td> <td>-</td> <td>WD.</td> <td>J2</td> <td>PTD.</td> <td>-</td> <td>325</td> <td>3\"/> <tr> <td>334B</td> <td>ETR</td> <td>-</td> <td>WD.</td> <td>J2</td> <td>PTD.</td> <td>-</td> <td>327</td> <td>3\"/> <tr> <td>335A</td> <td>ETR</td> <td>-</td> <td>WD.</td> <td>J2</td> <td>PTD.</td> <td>-</td> <td>328</td> <td>3\"/> <tr> <td>335B</td> <td>B</td> <td>3\"/> <tr> <td>336</td> <td>B</td> <td>3\"/> <tr> <td>337</td> <td>ETR</td> <td>-</td> <td>WD.</td> <td>J2</td> <td>PTD.</td> <td>-</td> <td>329A</td> <td>3\"/> <tr> <td>339</td> <td>ETR</td> <td>-</td> <td>WD.</td> <td>J2</td> <td>PTD.</td> <td>-</td> <td>329B</td> <td>3\"/> <tr> <td>340</td> <td>A</td> <td>3\"/> <tr> <td>341A</td> <td>ETR</td> <td>-</td> <td>WD.</td> <td>J2</td> <td>PTD.</td> <td>-</td> <td>331</td> <td>3\"/> <tr> <td>341B</td> <td>ETR</td> <td>-</td> <td>WD.</td> <td>J2</td> <td>PTD.</td> <td>-</td> <td>333</td> <td>3\"/> <tr> <td>342</td> <td>ETR</td> <td>-</td> <td>WD.</td> <td>J2</td> <td>PTD.</td> <td>-</td> <td>334A</td> <td>3\"/> <tr> <td>344</td> <td>ETR</td> <td>-</td> <td>WD.</td> <td>J2</td> <td>PTD.</td> <td>-</td> <td>334B</td> <td>3\"/> <tr> <td>345</td> <td>ETR</td> <td>-</td> <td>WD.</td> <td>J2</td> <td>PTD.</td> <td>-</td> <td>335A</td> <td>3\"/> <tr> <td>346</td> <td>ETR</td> <td>-</td> <td>WD.</td> <td>J2</td> <td>PTD.</td> <td>-</td> <td>335B</td> <td>3\"/> <tr> <td>347</td> <td>ETR</td> <td>-</td> <td>WD.</td> <td>J2</td> <td>PTD.</td> <td>-</td> <td>336</td> <td>3\"/> <tr> <td>348</td> <td>ETR</td> <td>-</td> <td>WD.</td> <td>J2</td> <td>PTD.</td> <td>-</td> <td>337</td> <td>3\"/> <tr> <td>349</td> <td>ETR</td> <td>-</td> <td>WD.</td> <td>J2</td> <td>PTD.</td> <td>-</td> <td>339</td> <td>3\"/> <tr> <td>350</td> <td>ETR</td> <td>-</td> <td>WD.</td> <td>J2</td> <td>PTD.</td> <td>-</td> <td>340</td> <td>3\"/> </td></tr></td></tr></td></tr></td></tr></td></tr></td></tr></td></tr></td></tr></td></tr></td></tr></td></tr></td></tr></td></tr></td></tr></td></tr></td></tr></td></tr></td></tr></td></tr></td></tr></td></tr></td></tr></td></tr></td></tr></td></tr> | 325 | A | 3\"/> <tr> <td>327</td> <td>ETR</td> <td>-</td> <td>WD.</td> <td>J2</td> <td>PTD.</td> <td>-</td> <td>319</td> <td>3\"/> <tr> <td>328</td> <td>ETR</td> <td>-</td> <td>WD.</td> <td>J2</td> <td>PTD.</td> <td>-</td> <td>320</td> <td>3\"/> <tr> <td>329A</td> <td>ETR</td> <td>-</td> <td>WD.</td> <td>J2</td> <td>PTD.</td> <td>-</td> <td>321</td> <td>3\"/> <tr> <td>329B</td> <td>ETR</td> <td>-</td> <td>WD.</td> <td>J2</td> <td>PTD.</td> <td>-</td> <td>322</td> <td>3\"/> <tr> <td>331</td> <td>ETR</td> <td>-</td> <td>WD.</td> <td>J2</td> <td>PTD.</td> <td>-</td> <td>323</td> <td>3\"/> <tr> <td>333</td> <td>ETR</td> <td>-</td> <td>WD.</td> <td>J2</td> <td>PTD.</td> <td>-</td> <td>324</td> <td>3\"/> <tr> <td>334A</td> <td>ETR</td> <td>-</td> <td>WD.</td> <td>J2</td> <td>PTD.</td> <td>-</td> <td>325</td> <td>3\"/> <tr> <td>334B</td> <td>ETR</td> <td>-</td> <td>WD.</td> <td>J2</td> <td>PTD.</td> <td>-</td> <td>327</td> <td>3\"/> <tr> <td>335A</td> <td>ETR</td> <td>-</td> <td>WD.</td> <td>J2</td> <td>PTD.</td> <td>-</td> <td>328</td> <td>3\"/> <tr> <td>335B</td> <td>B</td> <td>3\"/> <tr> <td>336</td> <td>B</td> <td>3\"/> <tr> <td>337</td> <td>ETR</td> <td>-</td> <td>WD.</td> <td>J2</td> <td>PTD.</td> <td>-</td> <td>329A</td> <td>3\"/> <tr> <td>339</td> <td>ETR</td> <td>-</td> <td>WD.</td> <td>J2</td> <td>PTD.</td> <td>-</td> <td>329B</td> <td>3\"/> <tr> <td>340</td> <td>A</td> <td>3\"/> <tr> <td>341A</td> <td>ETR</td> <td>-</td> <td>WD.</td> <td>J2</td> <td>PTD.</td> <td>-</td> <td>331</td> <td>3\"/> <tr> <td>341B</td> <td>ETR</td> <td>-</td> <td>WD.</td> <td>J2</td> <td>PTD.</td> <td>-</td> <td>333</td> <td>3\"/> <tr> <td>342</td> <td>ETR</td> <td>-</td> <td>WD.</td> <td>J2</td> <td>PTD.</td> <td>-</td>
<td>334A</td> <td>3\"/> <tr> <td>344</td> <td>ETR</td> <td>-</td> <td>WD.</td> <td>J2</td> <td>PTD.</td> <td>-</td> <td>334B</td> <td>3\"/> <tr> <td>345</td> <td>ETR</td> <td>-</td> <td>WD.</td> <td>J2</td> <td>PTD.</td> <td>-</td> <td>335A</td> <td>3\"/> <tr> <td>346</td> <td>ETR</td> <td>-</td> <td>WD.</td> <td>J2</td> <td>PTD.</td> <td>-</td> <td>335B</td> <td>3\"/> <tr> <td>347</td> <td>ETR</td> <td>-</td> <td>WD.</td> <td>J2</td> <td>PTD.</td> <td>-</td> <td>336</td> <td>3\"/> <tr> <td>348</td> <td>ETR</td> <td>-</td> <td>WD.</td> <td>J2</td> <td>PTD.</td> <td>-</td> <td>337</td> <td>3\"/> <tr> <td>349</td> <td>ETR</td> <td>-</td> <td>WD.</td> <td>J2</td> <td>PTD.</td> <td>-</td> <td>339</td> <td>3\"/> <tr> <td>350</td> <td>ETR</td> <td>-</td> <td>WD.</td> <td>J2</td> <td>PTD.</td> <td>-</td> <td>340</td> <td>3\"/> </td></tr></td></tr></td></tr></td></tr></td></tr></td></tr></td></tr></td></tr></td></tr></td></tr></td></tr></td></tr></td></tr></td></tr></td></tr></td></tr></td></tr></td></tr></td></tr></td></tr></td></tr></td></tr></td></tr></td></tr> | 327 | ETR | - | WD. | J2 | PTD. | - | 319 | 3\"/> <tr> <td>328</td> <td>ETR</td> <td>-</td> <td>WD.</td> <td>J2</td> <td>PTD.</td> <td>-</td> <td>320</td> <td>3\"/> <tr> <td>329A</td> <td>ETR</td> <td>-</td> <td>WD.</td> <td>J2</td> <td>PTD.</td> <td>-</td> <td>321</td> <td>3\"/> <tr> <td>329B</td> <td>ETR</td> <td>-</td> <td>WD.</td> <td>J2</td> <td>PTD.</td> <td>-</td> <td>322</td> <td>3\"/> <tr> <td>331</td> <td>ETR</td> <td>-</td> <td>WD.</td> <td>J2</td> <td>PTD.</td> <td>-</td> <td>323</td> <td>3\"/> <tr> <td>333</td> <td>ETR</td> <td>-</td> <td>WD.</td> <td>J2</td> <td>PTD.</td> <td>-</td> <td>324</td> <td>3\"/> <tr> <td>334A</td> <td>ETR</td> <td>-</td> <td>WD.</td> <td>J2</td> <td>PTD.</td> <td>-</td> <td>325</td>
<td>3\"/> <tr> <td>334B</td> <td>ETR</td> <td>-</td> <td>WD.</td> <td>J2</td> <td>PTD.</td> <td>-</td> <td>327</td> <td>3\"/> <tr> <td>335A</td> <td>ETR</td> <td>-</td> <td>WD.</td> <td>J2</td> <td>PTD.</td> <td>-</td> <td>328</td> <td>3\"/> <tr> <td>335B</td> <td>B</td> <td>3\"/> <tr> <td>336</td> <td>B</td> <td>3\"/> <tr> <td>337</td> <td>ETR</td> <td>-</td> <td>WD.</td> <td>J2</td> <td>PTD.</td> <td>-</td> <td>329A</td> <td>3\"/> <tr> <td>339</td> <td>ETR</td> <td>-</td> <td>WD.</td> <td>J2</td> <td>PTD.</td> <td>-</td> <td>329B</td> <td>3\"/> <tr> <td>340</td> <td>A</td> <td>3\"/> <tr> <td>341A</td> <td>ETR</td> <td>-</td> <td>WD.</td> <td>J2</td> <td>PTD.</td> <td>-</td> <td>331</td> <td>3\"/> <tr> <td>341B</td> <td>ETR</td> <td>-</td> <td>WD.</td> <td>J2</td> <td>PTD.</td> <td>-</td> <td>333</td> <td>3\"/> <tr> <td>342</td> <td>ETR</td> <td>-</td> <td>WD.</td> <td>J2</td> <td>PTD.</td> <td>-</td> <td>334A</td> <td>3\"/> <tr> <td>344</td> <td>ETR</td> <td>-</td> <td>WD.</td> <td>J2</td> <td>PTD.</td> <td>-</td> <td>334B</td> <td>3\"/> <tr> <td>345</td> <td>ETR</td> <td>-</td> <td>WD.</td> <td>J2</td> <td>PTD.</td> <td>-</td> <td>335A</td> <td>3\"/> <tr> <td>346</td> <td>ETR</td> <td>-</td> <td>WD.</td> <td>J2</td> <td>PTD.</td> <td>-</td> <td>335B</td> <td>3\"/> <tr> <td>347</td> <td>ETR</td> <td>-</td> <td>WD.</td> <td>J2</td> <td>PTD.</td> <td>-</td> <td>336</td> <td>3\"/> <tr> <td>348</td> <td>ETR</td> <td>-</td> <td>WD.</td> <td>J2</td> <td>PTD.</td> <td>-</td> <td>337</td> <td>3\"/> <tr> <td>349</td> <td>ETR</td> <td>-</td> <td>WD.</td> <td>J2</td> <td>PTD.</td> <td>-</td> <td>339</td> <td>3\"/> <tr> <td>350</td> <td>ETR</td> <td>-</td> <td>WD.</td> <td>J2</td> <td>PTD.</td> <td>-</td> <td>340</td> <td>3\"/> </td></tr></td></tr></td></tr></td></tr></td></tr></td></tr></td></tr></td></tr></td></tr></td></tr></td></tr></td></tr></td></tr></td></tr></td></tr></td></tr></td></tr></td></tr></td></tr></td></tr></td></tr></td></tr></td></tr> | 328 | ETR | - | WD. | J2 | PTD. | - | 320 | 3\"/> <tr>
<td>329A</td> <td>ETR</td> <td>-</td> <td>WD.</td> <td>J2</td> <td>PTD.</td> <td>-</td> <td>321</td> <td>3\"/> <tr> <td>329B</td> <td>ETR</td> <td>-</td> <td>WD.</td> <td>J2</td> <td>PTD.</td> <td>-</td> <td>322</td> <td>3\"/> <tr> <td>331</td> <td>ETR</td> <td>-</td> <td>WD.</td> <td>J2</td> <td>PTD.</td> <td>-</td> <td>323</td> <td>3\"/> <tr> <td>333</td> <td>ETR</td> <td>-</td> <td>WD.</td> <td>J2</td> <td>PTD.</td> <td>-</td> <td>324</td> <td>3\"/> <tr> <td>334A</td> <td>ETR</td> <td>-</td> <td>WD.</td> <td>J2</td> <td>PTD.</td> <td>-</td> <td>325</td> <td>3\"/> <tr> <td>334B</td> <td>ETR</td> <td>-</td> <td>WD.</td> <td>J2</td> <td>PTD.</td> <td>-</td> <td>327</td> <td>3\"/> <tr> <td>335A</td> <td>ETR</td> <td>-</td> <td>WD.</td> <td>J2</td> <td>PTD.</td> <td>-</td> <td>328</td> <td>3\"/> <tr> <td>335B</td> <td>B</td> <td>3\"/> <tr> <td>336</td> <td>B</td> <td>3\"/> <tr> <td>337</td> <td>ETR</td> <td>-</td> <td>WD.</td> <td>J2</td> <td>PTD.</td> <td>-</td> <td>329A</td> <td>3\"/> <tr> <td>339</td> <td>ETR</td> <td>-</td> <td>WD.</td> <td>J2</td> <td>PTD.</td> <td>-</td> <td>329B</td> <td>3\"/> <tr> <td>340</td> <td>A</td> <td>3\"/> <tr> <td>341A</td> <td>ETR</td> <td>-</td> <td>WD.</td> <td>J2</td> <td>PTD.</td> <td>-</td> <td>331</td> <td>3\"/> <tr> <td>341B</td> <td>ETR</td> <td>-</td> <td>WD.</td> <td>J2</td> <td>PTD.</td> <td>-</td> <td>333</td> <td>3\"/> <tr> <td>342</td> <td>ETR</td> <td>-</td> <td>WD.</td> <td>J2</td> <td>PTD.</td> <td>-</td> <td>334A</td> <td>3\"/> <tr> <td>344</td> <td>ETR</td> <td>-</td> <td>WD.</td> <td>J2</td> <td>PTD.</td> <td>-</td> <td>334B</td> <td>3\"/> <tr> <td>345</td> <td>ETR</td> <td>-</td> <td>WD.</td> <td>J2</td> <td>PTD.</td> <td>-</td> <td>335A</td> <td>3\"/> <tr> <td>346</td> <td>ETR</td> <td>-</td> <td>WD.</td> <td>J2</td> <td>PTD.</td> <td>-</td> <td>335B</td> <td>3\"/> <tr> <td>347</td> <td>ETR</td> <td>-</td> <td>WD.</td> <td>J2</td> <td>PTD.</td> <td>-</td> <td>336</td> <td>3\"/> <tr> <td>348</td> <td>ETR</td> <td>-</td> <td>WD.</td> <td>J2</td> <td>PTD.</td> <td>-</td> <td>337</td> <td>3\"/> <tr> <td>349</td> <td>ETR</td> <td>-</td> <td>WD.</td> <td>J2</td> <td>PTD.</td> <td>-</td> <td>339</td> <td>3\"/> <tr> <td>350</td> <td>ETR</td> <td>-</td> <td>WD.</td> <td>J2</td> <td>PTD.</td> <td>-</td> <td>340</td> <td>3\"/> </td></tr></td></tr></td></tr></td></tr></td></tr></td></tr></td></tr></td></tr></td></tr></td></tr></td></tr></td></tr></td></tr></td></tr></td></tr></td></tr></td></tr></td></tr></td></tr></td></tr></td></tr></td></tr> | 329A | ETR | - | WD. | J2 | PTD.
 | - | 321 | 3\"/> <tr> <td>329B</td> <td>ETR</td> <td>-</td> <td>WD.</td> <td>J2</td> <td>PTD.</td> <td>-</td> <td>322</td> <td>3\"/> <tr> <td>331</td> <td>ETR</td> <td>-</td> <td>WD.</td> <td>J2</td> <td>PTD.</td> <td>-</td> <td>323</td> <td>3\"/> <tr> <td>333</td> <td>ETR</td> <td>-</td> <td>WD.</td> <td>J2</td> <td>PTD.</td> <td>-</td> <td>324</td> <td>3\"/> <tr> <td>334A</td> <td>ETR</td> <td>-</td> <td>WD.</td> <td>J2</td> <td>PTD.</td> <td>-</td> <td>325</td> <td>3\"/> <tr> <td>334B</td> <td>ETR</td> <td>-</td> <td>WD.</td> <td>J2</td> <td>PTD.</td> <td>-</td> <td>327</td> <td>3\"/> <tr> <td>335A</td> <td>ETR</td> <td>-</td> <td>WD.</td> <td>J2</td> <td>PTD.</td> <td>-</td> <td>328</td> <td>3\"/> <tr> <td>335B</td> <td>B</td> <td>3\"/> <tr> <td>336</td> <td>B</td> <td>3\"/> <tr> <td>337</td> <td>ETR</td> <td>-</td> <td>WD.</td> <td>J2</td> <td>PTD.</td> <td>-</td> <td>329A</td> <td>3\"/> <tr> <td>339</td> <td>ETR</td> <td>-</td> <td>WD.</td> <td>J2</td> <td>PTD.</td> <td>-</td> <td>329B</td> <td>3\"/> <tr> <td>340</td> <td>A</td> <td>3\"/> <tr> <td>341A</td> <td>ETR</td> <td>-</td> <td>WD.</td> <td>J2</td> <td>PTD.</td> <td>-</td> <td>331</td> <td>3\"/> <tr> <td>341B</td> <td>ETR</td> <td>-</td> <td>WD.</td> <td>J2</td> <td>PTD.</td> <td>-</td> <td>333</td> <td>3\"/> <tr> <td>342</td> <td>ETR</td> <td>-</td> <td>WD.</td> <td>J2</td> <td>PTD.</td> <td>-</td> <td>334A</td> <td>3\"/> <tr> <td>344</td> <td>ETR</td> <td>-</td> <td>WD.</td> <td>J2</td> <td>PTD.</td> <td>-</td> <td>334B</td> <td>3\"/> <tr> <td>345</td> <td>ETR</td> <td>-</td> <td>WD.</td> <td>J2</td> <td>PTD.</td> <td>-</td> <td>335A</td> <td>3\"/> <tr> <td>346</td> <td>ETR</td> <td>-</td> <td>WD.</td> <td>J2</td> <td>PTD.</td> <td>-</td> <td>335B</td> <td>3\"/> <tr> <td>347</td> <td>ETR</td> <td>-</td> <td>WD.</td> <td>J2</td> <td>PTD.</td> <td>-</td> <td>336</td> <td>3\"/> <tr> <td>348</td> <td>ETR</td> <td>-</td> <td>WD.</td> <td>J2</td> <td>PTD.</td> <td>-</td> <td>337</td> <td>3\"/> <tr> <td>349</td> <td>ETR</td> <td>-</td> <td>WD.</td> <td>J2</td> <td>PTD.</td> <td>-</td> <td>339</td> <td>3\"/> <tr> <td>350</td> <td>ETR</td> <td>-</td> <td>WD.</td> <td>J2</td> <td>PTD.</td> <td>-</td> <td>340</td> <td>3\"/> </td></tr></td></tr></td></tr></td></tr></td></tr></td></tr></td></tr></td></tr></td></tr></td></tr></td></tr></td></tr></td></tr></td></tr></td></tr></td></tr></td></tr></td></tr></td></tr></td></tr></td></tr> | 329B | ETR | - | WD. | J2 | PTD.
 | - | 322 | 3\"/> <tr> <td>331</td> <td>ETR</td> <td>-</td> <td>WD.</td> <td>J2</td> <td>PTD.</td> <td>-</td> <td>323</td> <td>3\"/> <tr> <td>333</td> <td>ETR</td> <td>-</td> <td>WD.</td> <td>J2</td> <td>PTD.</td> <td>-</td> <td>324</td> <td>3\"/> <tr> <td>334A</td> <td>ETR</td> <td>-</td> <td>WD.</td> <td>J2</td> <td>PTD.</td> <td>-</td> <td>325</td> <td>3\"/> <tr> <td>334B</td> <td>ETR</td> <td>-</td> <td>WD.</td> <td>J2</td> <td>PTD.</td> <td>-</td> <td>327</td> <td>3\"/> <tr> <td>335A</td> <td>ETR</td> <td>-</td> <td>WD.</td> <td>J2</td> <td>PTD.</td> <td>-</td> <td>328</td> <td>3\"/> <tr> <td>335B</td> <td>B</td> <td>3\"/> <tr> <td>336</td> <td>B</td> <td>3\"/> <tr> <td>337</td> <td>ETR</td> <td>-</td> <td>WD.</td> <td>J2</td> <td>PTD.</td> <td>-</td> <td>329A</td> <td>3\"/> <tr> <td>339</td> <td>ETR</td> <td>-</td> <td>WD.</td> <td>J2</td> <td>PTD.</td> <td>-</td> <td>329B</td> <td>3\"/> <tr> <td>340</td> <td>A</td> <td>3\"/> <tr> <td>341A</td> <td>ETR</td> <td>-</td> <td>WD.</td> <td>J2</td> <td>PTD.</td> <td>-</td> <td>331</td> <td>3\"/> <tr> <td>341B</td> <td>ETR</td> <td>-</td> <td>WD.</td> <td>J2</td> <td>PTD.</td> <td>-</td> <td>333</td> <td>3\"/> <tr> <td>342</td> <td>ETR</td> <td>-</td> <td>WD.</td> <td>J2</td> <td>PTD.</td> <td>-</td> <td>334A</td> <td>3\"/> <tr> <td>344</td> <td>ETR</td> <td>-</td> <td>WD.</td> <td>J2</td> <td>PTD.</td> <td>-</td> <td>334B</td> <td>3\"/> <tr> <td>345</td> <td>ETR</td> <td>-</td> <td>WD.</td> <td>J2</td> <td>PTD.</td> <td>-</td> <td>335A</td> <td>3\"/> <tr> <td>346</td> <td>ETR</td> <td>-</td> <td>WD.</td> <td>J2</td> <td>PTD.</td> <td>-</td> <td>335B</td> <td>3\"/> <tr> <td>347</td> <td>ETR</td> <td>-</td> <td>WD.</td> <td>J2</td> <td>PTD.</td> <td>-</td> <td>336</td> <td>3\"/> <tr> <td>348</td> <td>ETR</td> <td>-</td> <td>WD.</td> <td>J2</td> <td>PTD.</td> <td>-</td> <td>337</td> <td>3\"/> <tr> <td>349</td> <td>ETR</td> <td>-</td> <td>WD.</td> <td>J2</td> <td>PTD.</td> <td>-</td> <td>339</td> <td>3\"/> <tr> <td>350</td> <td>ETR</td> <td>-</td> <td>WD.</td> <td>J2</td> <td>PTD.</td> <td>-</td> <td>340</td> <td>3\"/> </td></tr></td></tr></td></tr></td></tr></td></tr></td></tr></td></tr></td></tr></td></tr></td></tr></td></tr></td></tr></td></tr></td></tr></td></tr></td></tr></td></tr></td></tr></td></tr></td></tr> | 331 | ETR | - | WD. | J2 | PTD. | - | 323 | 3\"/> <tr> <td>333</td> <td>ETR</td> <td>-</td> <td>WD.</td> <td>J2</td> <td>PTD.</td> <td>-</td> <td>324</td> <td>3\"/> <tr> <td>334A</td> <td>ETR</td> <td>-</td> <td>WD.</td> <td>J2</td> <td>PTD.</td> <td>-</td> <td>325</td> <td>3\"/> <tr> <td>334B</td> <td>ETR</td>
<td>-</td> <td>WD.</td> <td>J2</td> <td>PTD.</td> <td>-</td> <td>327</td> <td>3\"/> <tr> <td>335A</td> <td>ETR</td> <td>-</td> <td>WD.</td> <td>J2</td> <td>PTD.</td> <td>-</td> <td>328</td> <td>3\"/> <tr> <td>335B</td> <td>B</td> <td>3\"/> <tr> <td>336</td> <td>B</td> <td>3\"/> <tr> <td>337</td> <td>ETR</td> <td>-</td> <td>WD.</td> <td>J2</td> <td>PTD.</td> <td>-</td> <td>329A</td> <td>3\"/> <tr> <td>339</td> <td>ETR</td> <td>-</td> <td>WD.</td> <td>J2</td> <td>PTD.</td> <td>-</td> <td>329B</td> <td>3\"/> <tr> <td>340</td> <td>A</td> <td>3\"/> <tr> <td>341A</td> <td>ETR</td> <td>-</td> <td>WD.</td> <td>J2</td> <td>PTD.</td> <td>-</td> <td>331</td> <td>3\"/> <tr> <td>341B</td> <td>ETR</td> <td>-</td> <td>WD.</td> <td>J2</td> <td>PTD.</td> <td>-</td> <td>333</td> <td>3\"/> <tr> <td>342</td> <td>ETR</td> <td>-</td> <td>WD.</td> <td>J2</td> <td>PTD.</td> <td>-</td> <td>334A</td> <td>3\"/> <tr> <td>344</td> <td>ETR</td> <td>-</td> <td>WD.</td> <td>J2</td> <td>PTD.</td> <td>-</td> <td>334B</td> <td>3\"/> <tr> <td>345</td> <td>ETR</td> <td>-</td> <td>WD.</td> <td>J2</td> <td>PTD.</td> <td>-</td> <td>335A</td> <td>3\"/> <tr> <td>346</td> <td>ETR</td> <td>-</td> <td>WD.</td> <td>J2</td> <td>PTD.</td> <td>-</td> <td>335B</td> <td>3\"/> <tr> <td>347</td> <td>ETR</td> <td>-</td> <td>WD.</td> <td>J2</td> <td>PTD.</td> <td>-</td> <td>336</td> <td>3\"/> <tr> <td>348</td> <td>ETR</td> <td>-</td> <td>WD.</td> <td>J2</td> <td>PTD.</td> <td>-</td> <td>337</td> <td>3\"/> <tr> <td>349</td> <td>ETR</td> <td>-</td> <td>WD.</td> <td>J2</td> <td>PTD.</td> <td>-</td> <td>339</td> <td>3\"/> <tr> <td>350</td> <td>ETR</td> <td>-</td> <td>WD.</td> <td>J2</td> <td>PTD.</td> <td>-</td> <td>340</td> <td>3\"/> </td></tr></td></tr></td></tr></td></tr></td></tr></td></tr></td></tr></td></tr></td></tr></td></tr></td></tr></td></tr></td></tr></td></tr></td></tr></td></tr></td></tr></td></tr></td></tr> | 333 | ETR | - | WD. | J2 | PTD. | - | 324 | 3\"/> <tr> <td>334A</td> <td>ETR</td> <td>-</td> <td>WD.</td> <td>J2</td> <td>PTD.</td> <td>-</td> <td>325</td> <td>3\"/> <tr> <td>334B</td> <td>ETR</td> <td>-</td> <td>WD.</td> <td>J2</td> <td>PTD.</td> <td>-</td> <td>327</td> <td>3\"/> <tr> <td>335A</td> <td>ETR</td> <td>-</td> <td>WD.</td> <td>J2</td> <td>PTD.</td> <td>-</td> <td>328</td> <td>3\"/> <tr> <td>335B</td> <td>B</td> <td>3\"/> <tr> <td>336</td> <td>B</td> <td>3\"/> <tr> <td>337</td> <td>ETR</td> <td>-</td> <td>WD.</td> <td>J2</td> <td>PTD.</td> <td>-</td> <td>329A</td> <td>3\"/> <tr> <td>339</td> <td>ETR</td> <td>-</td> <td>WD.</td> <td>J2</td> <td>PTD.</td> <td>-</td> <td>329B</td> <td>3\"/> <tr> <td>340</td> <td>A</td> <td>3\"/> <tr> <td>341A</td> <td>ETR</td> <td>-</td> <td>WD.</td> <td>J2</td> <td>PTD.</td> <td>-</td> <td>331</td> <td>3\"/> <tr> <td>341B</td> <td>ETR</td> <td>-</td> <td>WD.</td> <td>J2</td> <td>PTD.</td> <td>-</td> <td>333</td> <td>3\"/> <tr> <td>342</td> <td>ETR</td> <td>-</td> <td>WD.</td> <td>J2</td> <td>PTD.</td> <td>-</td> <td>334A</td> <td>3\"/> <tr> <td>344</td> <td>ETR</td> <td>-</td>
<td>WD.</td> <td>J2</td> <td>PTD.</td> <td>-</td> <td>334B</td> <td>3\"/> <tr> <td>345</td> <td>ETR</td> <td>-</td> <td>WD.</td> <td>J2</td> <td>PTD.</td> <td>-</td> <td>335A</td> <td>3\"/> <tr> <td>346</td> <td>ETR</td> <td>-</td> <td>WD.</td> <td>J2</td> <td>PTD.</td> <td>-</td> <td>335B</td> <td>3\"/> <tr> <td>347</td> <td>ETR</td> <td>-</td> <td>WD.</td> <td>J2</td> <td>PTD.</td> <td>-</td> <td>336</td> <td>3\"/> <tr> <td>348</td> <td>ETR</td> <td>-</td> <td>WD.</td> <td>J2</td> <td>PTD.</td> <td>-</td> <td>337</td> <td>3\"/> <tr> <td>349</td> <td>ETR</td> <td>-</td> <td>WD.</td> <td>J2</td> <td>PTD.</td> <td>-</td> <td>339</td> <td>3\"/> <tr> <td>350</td> <td>ETR</td> <td>-</td> <td>WD.</td> <td>J2</td> <td>PTD.</td> <td>-</td> <td>340</td> <td>3\"/> </td></tr></td></tr></td></tr></td></tr></td></tr></td></tr></td></tr></td></tr></td></tr></td></tr></td></tr></td></tr></td></tr></td></tr></td></tr></td></tr></td></tr></td></tr> | 334A | ETR | - | WD. | J2 | PTD. | - | 325 | 3\"/> <tr> <td>334B</td> <td>ETR</td> <td>-</td> <td>WD.</td> <td>J2</td> <td>PTD.</td> <td>-</td> <td>327</td> <td>3\"/> <tr> <td>335A</td> <td>ETR</td> <td>-</td> <td>WD.</td> <td>J2</td> <td>PTD.</td> <td>-</td> <td>328</td> <td>3\"/> <tr> <td>335B</td> <td>B</td> <td>3\"/> <tr> <td>336</td> <td>B</td> <td>3\"/> <tr> <td>337</td> <td>ETR</td> <td>-</td> <td>WD.</td> <td>J2</td> <td>PTD.</td> <td>-</td> <td>329A</td> <td>3\"/> <tr> <td>339</td> <td>ETR</td> <td>-</td> <td>WD.</td> <td>J2</td> <td>PTD.</td> <td>-</td> <td>329B</td> <td>3\"/> <tr> <td>340</td> <td>A</td> <td>3\"/> <tr> <td>341A</td> <td>ETR</td> <td>-</td> <td>WD.</td> <td>J2</td> <td>PTD.</td> <td>-</td> <td>331</td> <td>3\"/> <tr> <td>341B</td> <td>ETR</td> <td>-</td> <td>WD.</td> <td>J2</td> <td>PTD.</td> <td>-</td> <td>333</td> <td>3\"/> <tr> <td>342</td> <td>ETR</td> <td>-</td> <td>WD.</td> <td>J2</td> <td>PTD.</td> <td>-</td> <td>334A</td> <td>3\"/> <tr> <td>344</td> <td>ETR</td> <td>-</td> <td>WD.</td> <td>J2</td> <td>PTD.</td> <td>-</td> <td>334B</td> <td>3\"/> <tr> <td>345</td> <td>ETR</td> <td>-</td> <td>WD.</td> <td>J2</td> <td>PTD.</td> <td>-</td> <td>335A</td> <td>3\"/> <tr> <td>346</td> <td>ETR</td> <td>-</td> <td>WD.</td> <td>J2</td> <td>PTD.</td> <td>-</td> <td>335B</td> <td>3\"/> <tr> <td>347</td> <td>ETR</td> <td>-</td> <td>WD.</td> <td>J2</td> <td>PTD.</td> <td>-</td> <td>336</td> <td>3\"/> <tr> <td>348</td> <td>ETR</td> <td>-</td> <td>WD.</td> <td>J2</td> <td>PTD.</td> <td>-</td> <td>337</td> <td>3\"/> <tr> <td>349</td> <td>ETR</td> <td>-</td> <td>WD.</td> <td>J2</td> <td>PTD.</td> <td>-</td> <td>339</td> <td>3\"/> <tr> <td>350</td> <td>ETR</td> <td>-</td> <td>WD.</td> <td>J2</td> <td>PTD.</td> <td>-</td> <td>340</td> <td>3\"/> </td></tr></td></tr></td></tr></td></tr></td></tr></td></tr></td></tr></td></tr></td></tr></td></tr></td></tr></td></tr></td></tr></td></tr></td></tr></td></tr></td></tr> | 334B | ETR | -
 | WD. | J2 | PTD. | - | 327 | 3\"/> <tr> <td>335A</td> <td>ETR</td> <td>-</td> <td>WD.</td> <td>J2</td> <td>PTD.</td> <td>-</td> <td>328</td> <td>3\"/> <tr> <td>335B</td> <td>B</td> <td>3\"/> <tr> <td>336</td> <td>B</td> <td>3\"/> <tr> <td>337</td> <td>ETR</td> <td>-</td> <td>WD.</td> <td>J2</td> <td>PTD.</td> <td>-</td> <td>329A</td> <td>3\"/> <tr> <td>339</td> <td>ETR</td> <td>-</td> <td>WD.</td> <td>J2</td> <td>PTD.</td> <td>-</td> <td>329B</td> <td>3\"/> <tr> <td>340</td> <td>A</td> <td>3\"/> <tr> <td>341A</td> <td>ETR</td> <td>-</td> <td>WD.</td> <td>J2</td> <td>PTD.</td> <td>-</td> <td>331</td> <td>3\"/> <tr> <td>341B</td> <td>ETR</td> <td>-</td> <td>WD.</td> <td>J2</td> <td>PTD.</td> <td>-</td> <td>333</td> <td>3\"/> <tr> <td>342</td> <td>ETR</td> <td>-</td> <td>WD.</td> <td>J2</td> <td>PTD.</td> <td>-</td> <td>334A</td> <td>3\"/> <tr> <td>344</td> <td>ETR</td> <td>-</td> <td>WD.</td> <td>J2</td> <td>PTD.</td> <td>-</td> <td>334B</td> <td>3\"/> <tr> <td>345</td> <td>ETR</td> <td>-</td> <td>WD.</td> <td>J2</td> <td>PTD.</td> <td>-</td> <td>335A</td> <td>3\"/> <tr> <td>346</td> <td>ETR</td> <td>-</td> <td>WD.</td> <td>J2</td> <td>PTD.</td> <td>-</td> <td>335B</td> <td>3\"/> <tr> <td>347</td> <td>ETR</td> <td>-</td> <td>WD.</td> <td>J2</td> <td>PTD.</td> <td>-</td> <td>336</td> <td>3\"/> <tr> <td>348</td> <td>ETR</td> <td>-</td> <td>WD.</td> <td>J2</td> <td>PTD.</td> <td>-</td> <td>337</td> <td>3\"/> <tr> <td>349</td> <td>ETR</td> <td>-</td> <td>WD.</td> <td>J2</td> <td>PTD.</td> <td>-</td> <td>339</td> <td>3\"/> <tr> <td>350</td> <td>ETR</td> <td>-</td> <td>WD.</td> <td>J2</td> <td>PTD.</td> <td>-</td> <td>340</td> <td>3\"/> </td></tr></td></tr></td></tr></td></tr></td></tr></td></tr></td></tr></td></tr></td></tr></td></tr></td></tr></td></tr></td></tr></td></tr></td></tr></td></tr> | 335A | ETR | -
 | WD. | J2 | PTD. | - | 328 | 3\"/> <tr> <td>335B</td> <td>B</td> <td>3\"/> <tr> <td>336</td> <td>B</td> <td>3\"/> <tr> <td>337</td> <td>ETR</td> <td>-</td> <td>WD.</td> <td>J2</td> <td>PTD.</td> <td>-</td> <td>329A</td> <td>3\"/> <tr> <td>339</td> <td>ETR</td> <td>-</td> <td>WD.</td> <td>J2</td> <td>PTD.</td> <td>-</td> <td>329B</td> <td>3\"/> <tr> <td>340</td> <td>A</td> <td>3\"/> <tr> <td>341A</td> <td>ETR</td> <td>-</td> <td>WD.</td> <td>J2</td> <td>PTD.</td> <td>-</td> <td>331</td> <td>3\"/> <tr> <td>341B</td> <td>ETR</td> <td>-</td> <td>WD.</td> <td>J2</td> <td>PTD.</td> <td>-</td> <td>333</td> <td>3\"/> <tr> <td>342</td> <td>ETR</td> <td>-</td> <td>WD.</td> <td>J2</td> <td>PTD.</td> <td>-</td> <td>334A</td> <td>3\"/> <tr> <td>344</td> <td>ETR</td> <td>-</td> <td>WD.</td> <td>J2</td> <td>PTD.</td> <td>-</td> <td>334B</td> <td>3\"/> <tr> <td>345</td> <td>ETR</td> <td>-</td> <td>WD.</td> <td>J2</td> <td>PTD.</td> <td>-</td> <td>335A</td> <td>3\"/> <tr> <td>346</td> <td>ETR</td> <td>-</td> <td>WD.</td> <td>J2</td> <td>PTD.</td> <td>-</td> <td>335B</td> <td>3\"/> <tr> <td>347</td> <td>ETR</td> <td>-</td> <td>WD.</td> <td>J2</td> <td>PTD.</td> <td>-</td> <td>336</td> <td>3\"/> <tr> <td>348</td> <td>ETR</td> <td>-</td> <td>WD.</td> <td>J2</td> <td>PTD.</td> <td>-</td> <td>337</td> <td>3\"/> <tr> <td>349</td> <td>ETR</td> <td>-</td> <td>WD.</td> <td>J2</td> <td>PTD.</td> <td>-</td> <td>339</td> <td>3\"/> <tr> <td>350</td> <td>ETR</td> <td>-</td> <td>WD.</td> <td>J2</td> <td>PTD.</td> <td>-</td> <td>340</td> <td>3\"/> </td></tr></td></tr></td></tr></td></tr></td></tr></td></tr></td></tr></td></tr></td></tr></td></tr></td></tr></td></tr></td></tr></td></tr></td></tr> | 335B | B | 3\"/> <tr> <td>336</td> <td>B</td> <td>3\"/> <tr> <td>337</td> <td>ETR</td> <td>-</td> <td>WD.</td> <td>J2</td> <td>PTD.</td> <td>-</td> <td>329A</td> <td>3\"/> <tr> <td>339</td> <td>ETR</td> <td>-</td> <td>WD.</td> <td>J2</td> <td>PTD.</td> <td>-</td> <td>329B</td> <td>3\"/> <tr> <td>340</td> <td>A</td> <td>3\"/> <tr> <td>341A</td> <td>ETR</td> <td>-</td> <td>WD.</td> <td>J2</td> <td>PTD.</td> <td>-</td> <td>331</td> <td>3\"/> <tr> <td>341B</td> <td>ETR</td> <td>-</td> <td>WD.</td> <td>J2</td> <td>PTD.</td> <td>-</td> <td>333</td> <td>3\"/> <tr> <td>342</td> <td>ETR</td> <td>-</td> <td>WD.</td> <td>J2</td> <td>PTD.</td> <td>-</td> <td>334A</td> <td>3\"/> <tr> <td>344</td> <td>ETR</td> <td>-</td> <td>WD.</td> <td>J2</td> <td>PTD.</td> <td>-</td> <td>334B</td> <td>3\"/> <tr> <td>345</td> <td>ETR</td> <td>-</td> <td>WD.</td> <td>J2</td> <td>PTD.</td> <td>-</td> <td>335A</td> <td>3\"/> <tr> <td>346</td> <td>ETR</td> <td>-</td> <td>WD.</td> <td>J2</td> <td>PTD.</td> <td>-</td> <td>335B</td> <td>3\"/> <tr> <td>347</td> <td>ETR</td> <td>-</td> <td>WD.</td> <td>J2</td> <td>PTD.</td> <td>-</td> <td>336</td> <td>3\"/> <tr> <td>348</td> <td>ETR</td> <td>-</td> <td>WD.</td> <td>J2</td> <td>PTD.</td> <td>-</td> <td>337</td> <td>3\"/> <tr> <td>349</td> <td>ETR</td> <td>-</td> <td>WD.</td> <td>J2</td> <td>PTD.</td> <td>-</td> <td>339</td> <td>3\"/> <tr> <td>350</td> <td>ETR</td> <td>-</td> <td>WD.</td> <td>J2</td> <td>PTD.</td> <td>-</td> <td>340</td> <td>3\"/> </td></tr></td></tr></td></tr></td></tr></td></tr></td></tr></td></tr></td></tr></td></tr></td></tr></td></tr></td></tr></td></tr></td></tr> | 336 | B | 3\"/> <tr> <td>337</td> <td>ETR</td> <td>-</td> <td>WD.</td> <td>J2</td> <td>PTD.</td> <td>-</td> <td>329A</td> <td>3\"/> <tr> <td>339</td> <td>ETR</td> <td>-</td> <td>WD.</td> <td>J2</td> <td>PTD.</td> <td>-</td> <td>329B</td> <td>3\"/> <tr> <td>340</td> <td>A</td> <td>3\"/> <tr> <td>341A</td> <td>ETR</td> <td>-</td> <td>WD.</td> <td>J2</td> <td>PTD.</td> <td>-</td> <td>331</td> <td>3\"/> <tr> <td>341B</td> <td>ETR</td> <td>-</td> <td>WD.</td> <td>J2</td> <td>PTD.</td> <td>-</td> <td>333</td> <td>3\"/> <tr> <td>342</td> <td>ETR</td> <td>-</td> <td>WD.</td> <td>J2</td> <td>PTD.</td> <td>-</td> <td>334A</td> <td>3\"/> <tr> <td>344</td> <td>ETR</td> <td>-</td> <td>WD.</td> <td>J2</td> <td>PTD.</td> <td>-</td> <td>334B</td> <td>3\"/> <tr> <td>345</td> <td>ETR</td> <td>-</td> <td>WD.</td> <td>J2</td> <td>PTD.</td> <td>-</td> <td>335A</td> <td>3\"/> <tr> <td>346</td> <td>ETR</td> <td>-</td> <td>WD.</td> <td>J2</td> <td>PTD.</td> <td>-</td> <td>335B</td> <td>3\"/> <tr> <td>347</td> <td>ETR</td> <td>-</td> <td>WD.</td> <td>J2</td> <td>PTD.</td> <td>-</td> <td>336</td> <td>3\"/> <tr> <td>348</td> <td>ETR</td> <td>-</td> <td>WD.</td> <td>J2</td> <td>PTD.</td> <td>-</td> <td>337</td> <td>3\"/> <tr> <td>349</td> <td>ETR</td> <td>-</td> <td>WD.</td> <td>J2</td> <td>PTD.</td> <td>-</td> <td>339</td> <td>3\"/> <tr> <td>350</td> <td>ETR</td> <td>-</td> <td>WD.</td> <td>J2</td> <td>PTD.</td> <td>-</td> <td>340</td> <td>3\"/> </td></tr></td></tr></td></tr></td></tr></td></tr></td></tr></td></tr></td></tr></td></tr></td></tr></td></tr></td></tr></td></tr>
 | 337 | ETR | - | WD. | J2 | PTD. | - | 329A | 3\"/> <tr> <td>339</td> <td>ETR</td> <td>-</td> <td>WD.</td> <td>J2</td> <td>PTD.</td> <td>-</td> <td>329B</td> <td>3\"/> <tr> <td>340</td> <td>A</td> <td>3\"/> <tr> <td>341A</td> <td>ETR</td> <td>-</td> <td>WD.</td> <td>J2</td> <td>PTD.</td> <td>-</td> <td>331</td> <td>3\"/> <tr> <td>341B</td> <td>ETR</td> <td>-</td> <td>WD.</td> <td>J2</td> <td>PTD.</td> <td>-</td> <td>333</td> <td>3\"/> <tr> <td>342</td> <td>ETR</td> <td>-</td> <td>WD.</td> <td>J2</td> <td>PTD.</td> <td>-</td> <td>334A</td> <td>3\"/> <tr> <td>344</td> <td>ETR</td> <td>-</td> <td>WD.</td> <td>J2</td> <td>PTD.</td> <td>-</td> <td>334B</td> <td>3\"/> <tr> <td>345</td> <td>ETR</td> <td>-</td> <td>WD.</td> <td>J2</td> <td>PTD.</td> <td>-</td> <td>335A</td> <td>3\"/> <tr> <td>346</td> <td>ETR</td> <td>-</td> <td>WD.</td> <td>J2</td> <td>PTD.</td> <td>-</td> <td>335B</td> <td>3\"/> <tr> <td>347</td> <td>ETR</td> <td>-</td> <td>WD.</td> <td>J2</td> <td>PTD.</td> <td>-</td> <td>336</td> <td>3\"/> <tr> <td>348</td> <td>ETR</td> <td>-</td> <td>WD.</td> <td>J2</td> <td>PTD.</td> <td>-</td> <td>337</td> <td>3\"/> <tr> <td>349</td> <td>ETR</td> <td>-</td> <td>WD.</td> <td>J2</td> <td>PTD.</td> <td>-</td> <td>339</td> <td>3\"/> <tr> <td>350</td> <td>ETR</td> <td>-</td> <td>WD.</td> <td>J2</td> <td>PTD.</td> <td>-</td> <td>340</td> <td>3\"/> </td></tr></td></tr></td></tr></td></tr></td></tr></td></tr></td></tr></td></tr></td></tr></td></tr></td></tr></td></tr> | 339 | ETR | -
 | WD. | J2 | PTD. | - | 329B | 3\"/> <tr> <td>340</td> <td>A</td> <td>3\"/> <tr> <td>341A</td> <td>ETR</td> <td>-</td> <td>WD.</td> <td>J2</td> <td>PTD.</td> <td>-</td> <td>331</td> <td>3\"/> <tr> <td>341B</td> <td>ETR</td> <td>-</td> <td>WD.</td> <td>J2</td> <td>PTD.</td> <td>-</td> <td>333</td> <td>3\"/> <tr> <td>342</td> <td>ETR</td> <td>-</td> <td>WD.</td> <td>J2</td> <td>PTD.</td> <td>-</td> <td>334A</td> <td>3\"/> <tr> <td>344</td> <td>ETR</td> <td>-</td> <td>WD.</td> <td>J2</td> <td>PTD.</td> <td>-</td> <td>334B</td> <td>3\"/> <tr> <td>345</td> <td>ETR</td> <td>-</td> <td>WD.</td> <td>J2</td> <td>PTD.</td> <td>-</td> <td>335A</td> <td>3\"/> <tr> <td>346</td> <td>ETR</td> <td>-</td> <td>WD.</td> <td>J2</td> <td>PTD.</td> <td>-</td> <td>335B</td> <td>3\"/> <tr> <td>347</td> <td>ETR</td> <td>-</td> <td>WD.</td> <td>J2</td> <td>PTD.</td> <td>-</td> <td>336</td> <td>3\"/> <tr> <td>348</td> <td>ETR</td> <td>-</td> <td>WD.</td> <td>J2</td> <td>PTD.</td> <td>-</td> <td>337</td> <td>3\"/> <tr> <td>349</td> <td>ETR</td> <td>-</td> <td>WD.</td> <td>J2</td> <td>PTD.</td> <td>-</td> <td>339</td> <td>3\"/> <tr> <td>350</td> <td>ETR</td> <td>-</td> <td>WD.</td> <td>J2</td> <td>PTD.</td> <td>-</td> <td>340</td> <td>3\"/> </td></tr></td></tr></td></tr></td></tr></td></tr></td></tr></td></tr></td></tr></td></tr></td></tr></td></tr> | 340 | A | 3\"/> <tr> <td>341A</td> <td>ETR</td> <td>-</td> <td>WD.</td> <td>J2</td> <td>PTD.</td> <td>-</td> <td>331</td> <td>3\"/> <tr> <td>341B</td> <td>ETR</td> <td>-</td> <td>WD.</td> <td>J2</td> <td>PTD.</td> <td>-</td> <td>333</td> <td>3\"/> <tr> <td>342</td> <td>ETR</td> <td>-</td> <td>WD.</td> <td>J2</td> <td>PTD.</td> <td>-</td> <td>334A</td> <td>3\"/> <tr> <td>344</td> <td>ETR</td> <td>-</td> <td>WD.</td> <td>J2</td> <td>PTD.</td> <td>-</td> <td>334B</td> <td>3\"/> <tr> <td>345</td> <td>ETR</td> <td>-</td> <td>WD.</td> <td>J2</td> <td>PTD.</td> <td>-</td> <td>335A</td> <td>3\"/> <tr> <td>346</td> <td>ETR</td> <td>-</td> <td>WD.</td> <td>J2</td> <td>PTD.</td> <td>-</td> <td>335B</td> <td>3\"/> <tr> <td>347</td> <td>ETR</td> <td>-</td> <td>WD.</td> <td>J2</td> <td>PTD.</td> <td>-</td> <td>336</td> <td>3\"/> <tr> <td>348</td> <td>ETR</td> <td>-</td> <td>WD.</td> <td>J2</td> <td>PTD.</td> <td>-</td> <td>337</td> <td>3\"/> <tr> <td>349</td> <td>ETR</td> <td>-</td> <td>WD.</td> <td>J2</td> <td>PTD.</td> <td>-</td> <td>339</td> <td>3\"/> <tr> <td>350</td> <td>ETR</td> <td>-</td> <td>WD.</td> <td>J2</td> <td>PTD.</td> <td>-</td> <td>340</td> <td>3\"/> </td></tr></td></tr></td></tr></td></tr></td></tr></td></tr></td></tr></td></tr></td></tr></td></tr> | 341A | ETR | - | WD. | J2 | PTD.
 | - | 331 | 3\"/> <tr> <td>341B</td> <td>ETR</td> <td>-</td> <td>WD.</td> <td>J2</td> <td>PTD.</td> <td>-</td> <td>333</td> <td>3\"/> <tr> <td>342</td> <td>ETR</td> <td>-</td> <td>WD.</td> <td>J2</td> <td>PTD.</td> <td>-</td> <td>334A</td> <td>3\"/> <tr> <td>344</td> <td>ETR</td> <td>-</td> <td>WD.</td> <td>J2</td> <td>PTD.</td> <td>-</td> <td>334B</td> <td>3\"/> <tr> <td>345</td> <td>ETR</td> <td>-</td> <td>WD.</td> <td>J2</td> <td>PTD.</td> <td>-</td> <td>335A</td> <td>3\"/> <tr> <td>346</td> <td>ETR</td> <td>-</td> <td>WD.</td> <td>J2</td> <td>PTD.</td> <td>-</td> <td>335B</td> <td>3\"/> <tr> <td>347</td> <td>ETR</td> <td>-</td> <td>WD.</td> <td>J2</td> <td>PTD.</td> <td>-</td> <td>336</td> <td>3\"/> <tr> <td>348</td> <td>ETR</td> <td>-</td> <td>WD.</td> <td>J2</td> <td>PTD.</td> <td>-</td> <td>337</td> <td>3\"/> <tr> <td>349</td> <td>ETR</td> <td>-</td> <td>WD.</td> <td>J2</td> <td>PTD.</td> <td>-</td> <td>339</td> <td>3\"/> <tr> <td>350</td> <td>ETR</td> <td>-</td> <td>WD.</td> <td>J2</td> <td>PTD.</td> <td>-</td> <td>340</td> <td>3\"/> </td></tr></td></tr></td></tr></td></tr></td></tr></td></tr></td></tr></td></tr></td></tr> | 341B | ETR | - | WD. | J2 | PTD. | - | 333 | 3\"/> <tr> <td>342</td> <td>ETR</td> <td>-</td> <td>WD.</td> <td>J2</td> <td>PTD.</td> <td>-</td> <td>334A</td> <td>3\"/> <tr> <td>344</td> <td>ETR</td> <td>-</td> <td>WD.</td> <td>J2</td> <td>PTD.</td> <td>-</td> <td>334B</td> <td>3\"/> <tr> <td>345</td> <td>ETR</td> <td>-</td> <td>WD.</td> <td>J2</td> <td>PTD.</td> <td>-</td> <td>335A</td> <td>3\"/> <tr> <td>346</td> <td>ETR</td> <td>-</td> <td>WD.</td> <td>J2</td> <td>PTD.</td> <td>-</td> <td>335B</td> <td>3\"/> <tr> <td>347</td> <td>ETR</td> <td>-</td> <td>WD.</td> <td>J2</td> <td>PTD.</td> <td>-</td> <td>336</td> <td>3\"/> <tr> <td>348</td> <td>ETR</td> <td>-</td> <td>WD.</td> <td>J2</td> <td>PTD.</td> <td>-</td> <td>337</td> <td>3\"/> <tr> <td>349</td> <td>ETR</td> <td>-</td> <td>WD.</td> <td>J2</td> <td>PTD.</td> <td>-</td> <td>339</td> <td>3\"/> <tr> <td>350</td> <td>ETR</td> <td>-</td> <td>WD.</td> <td>J2</td> <td>PTD.</td> <td>-</td> <td>340</td> <td>3\"/> </td></tr></td></tr></td></tr></td></tr></td></tr></td></tr></td></tr></td></tr> | 342 | ETR | -
 | WD. | J2 | PTD. | - | 334A | 3\"/> <tr> <td>344</td> <td>ETR</td> <td>-</td> <td>WD.</td> <td>J2</td> <td>PTD.</td> <td>-</td> <td>334B</td> <td>3\"/> <tr> <td>345</td> <td>ETR</td> <td>-</td> <td>WD.</td> <td>J2</td> <td>PTD.</td> <td>-</td> <td>335A</td> <td>3\"/> <tr> <td>346</td> <td>ETR</td> <td>-</td> <td>WD.</td> <td>J2</td> <td>PTD.</td> <td>-</td> <td>335B</td> <td>3\"/> <tr> <td>347</td> <td>ETR</td> <td>-</td> <td>WD.</td> <td>J2</td> <td>PTD.</td> <td>-</td> <td>336</td> <td>3\"/> <tr> <td>348</td> <td>ETR</td> <td>-</td> <td>WD.</td> <td>J2</td> <td>PTD.</td> <td>-</td> <td>337</td> <td>3\"/> <tr> <td>349</td> <td>ETR</td> <td>-</td> <td>WD.</td> <td>J2</td> <td>PTD.</td> <td>-</td> <td>339</td> <td>3\"/> <tr> <td>350</td> <td>ETR</td> <td>-</td> <td>WD.</td> <td>J2</td> <td>PTD.</td> <td>-</td> <td>340</td> <td>3\"/> </td></tr></td></tr></td></tr></td></tr></td></tr></td></tr></td></tr> | 344 | ETR | - | WD. | J2 | PTD. | - | 334B | 3\"/> <tr> <td>345</td> <td>ETR</td> <td>-</td> <td>WD.</td> <td>J2</td> <td>PTD.</td> <td>-</td> <td>335A</td> <td>3\"/> <tr> <td>346</td> <td>ETR</td> <td>-</td> <td>WD.</td> <td>J2</td> <td>PTD.</td> <td>-</td> <td>335B</td> <td>3\"/> <tr> <td>347</td> <td>ETR</td> <td>-</td> <td>WD.</td> <td>J2</td> <td>PTD.</td> <td>-</td> <td>336</td> <td>3\"/> <tr> <td>348</td> <td>ETR</td> <td>-</td> <td>WD.</td> <td>J2</td> <td>PTD.</td> <td>-</td> <td>337</td> <td>3\"/> <tr> <td>349</td> <td>ETR</td> <td>-</td> <td>WD.</td> <td>J2</td> <td>PTD.</td> <td>-</td> <td>339</td> <td>3\"/> <tr> <td>350</td> <td>ETR</td> <td>-</td> <td>WD.</td> <td>J2</td> <td>PTD.</td> <td>-</td> <td>340</td> <td>3\"/> </td></tr></td></tr></td></tr></td></tr></td></tr></td></tr> | 345 | ETR | -
 | WD. | J2 | PTD. | - | 335A | 3\"/> <tr> <td>346</td> <td>ETR</td> <td>-</td> <td>WD.</td> <td>J2</td> <td>PTD.</td> <td>-</td> <td>335B</td> <td>3\"/> <tr> <td>347</td> <td>ETR</td> <td>-</td> <td>WD.</td> <td>J2</td> <td>PTD.</td> <td>-</td> <td>336</td> <td>3\"/> <tr> <td>348</td> <td>ETR</td> <td>-</td> <td>WD.</td> <td>J2</td> <td>PTD.</td> <td>-</td> <td>337</td> <td>3\"/> <tr> <td>349</td> <td>ETR</td> <td>-</td> <td>WD.</td> <td>J2</td> <td>PTD.</td> <td>-</td> <td>339</td> <td>3\"/> <tr> <td>350</td> <td>ETR</td> <td>-</td> <td>WD.</td> <td>J2</td> <td>PTD.</td> <td>-</td> <td>340</td> <td>3\"/> </td></tr></td></tr></td></tr></td></tr></td></tr> | 346 | ETR | - | WD. | J2 | PTD. | - | 335B | 3\"/> <tr> <td>347</td> <td>ETR</td> <td>-</td> <td>WD.</td> <td>J2</td> <td>PTD.</td> <td>-</td> <td>336</td> <td>3\"/> <tr> <td>348</td> <td>ETR</td> <td>-</td> <td>WD.</td> <td>J2</td> <td>PTD.</td> <td>-</td> <td>337</td> <td>3\"/> <tr> <td>349</td> <td>ETR</td> <td>-</td> <td>WD.</td> <td>J2</td> <td>PTD.</td> <td>-</td> <td>339</td> <td>3\"/> <tr> <td>350</td> <td>ETR</td> <td>-</td> <td>WD.</td> <td>J2</td> <td>PTD.</td> <td>-</td> <td>340</td> <td>3\"/> </td></tr></td></tr></td></tr></td></tr> | 347 | ETR | - | WD. | J2 | PTD.
 | - | 336 | 3\"/> <tr> <td>348</td> <td>ETR</td> <td>-</td> <td>WD.</td> <td>J2</td> <td>PTD.</td> <td>-</td> <td>337</td> <td>3\"/> <tr> <td>349</td> <td>ETR</td> <td>-</td> <td>WD.</td> <td>J2</td> <td>PTD.</td> <td>-</td> <td>339</td> <td>3\"/> <tr> <td>350</td> <td>ETR</td> <td>-</td> <td>WD.</td> <td>J2</td> <td>PTD.</td> <td>-</td> <td>340</td> <td>3\"/> </td></tr></td></tr></td></tr> | 348 | ETR | - | WD. | J2 | PTD. | - | 337 | 3\"/> <tr> <td>349</td> <td>ETR</td> <td>-</td> <td>WD.</td> <td>J2</td> <td>PTD.</td> <td>-</td> <td>339</td> <td>3\"/> <tr> <td>350</td> <td>ETR</td> <td>-</td> <td>WD.</td> <td>J2</td> <td>PTD.</td> <td>-</td> <td>340</td> <td>3\"/> </td></tr></td></tr> | 349 | ETR | - | WD. | J2 | PTD. | - | 339 | 3\"/> <tr> <td>350</td> <td>ETR</td> <td>-</td> <td>WD.</td> <td>J2</td> <td>PTD.</td> <td>-</td> <td>340</td> <td>3\"/> </td></tr> | 350 | ETR | - | WD. | J2 | PTD.
 | - | 340 | 3\"/> | | | | | | | | | | | | | | | | | | | | | | | | | | | | | | | | | | | | | | | | | | | | | | | | | | | | | | | | | | | | | | | |
| 313 | ETR | - | WD. | J2 | PTD. | - | 308 | 3\"/> <tr> <td>314</td> <td>ETR</td> <td>-</td> <td>WD.</td> <td>J2</td> <td>PTD.</td> <td>-</td> <td>309</td> <td>3\"/> <tr> <td>315</td> <td>ETR</td> <td>-</td> <td>WD.</td> <td>J2</td> <td>PTD.</td> <td>-</td> <td>310</td> <td>3\"/> <tr> <td>316A</td> <td>A</td> <td>3\"/> <tr> <td>318</td> <td>ETR</td> <td>-</td> <td>WD.</td> <td>J2</td> <td>PTD.</td> <td>-</td> <td>311</td> <td>3\"/> <tr> <td>319</td> <td>ETR</td> <td>-</td> <td>WD.</td> <td>J2</td> <td>PTD.</td> <td>-</td> <td>312A</td> <td>3\"/> <tr> <td>320</td> <td>ETR</td> <td>-</td> <td>WD.</td> <td>J2</td> <td>PTD.</td> <td>-</td> <td>313</td> <td>3\"/> <tr> <td>321</td> <td>ETR</td> <td>-</td> <td>WD.</td> <td>J2</td> <td>PTD.</td> <td>-</td> <td>314</td> <td>3\"/> <tr> <td>322</td> <td>ETR</td> <td>-</td> <td>WD.</td> <td>J2</td> <td>PTD.</td> <td>-</td> <td>315</td> <td>3\"/> <tr> <td>323</td> <td>ETR</td> <td>-</td> <td>WD.</td> <td>J2</td> <td>PTD.</td> <td>-</td> <td>316A</td> <td>3\"/> <tr> <td>324</td> <td>ETR</td> <td>-</td> <td>WD.</td> <td>J2</td> <td>PTD.</td> <td>-</td> <td>318</td> <td>3\"/> <tr> <td>325</td> <td>A</td> <td>3\"/> <tr> <td>327</td> <td>ETR</td> <td>-</td> <td>WD.</td> <td>J2</td> <td>PTD.</td> <td>-</td> <td>319</td> <td>3\"/> <tr> <td>328</td> <td>ETR</td> <td>-</td> <td>WD.</td> <td>J2</td> <td>PTD.</td> <td>-</td> <td>320</td> <td>3\"/> <tr> <td>329A</td> <td>ETR</td> <td>-</td> <td>WD.</td> <td>J2</td> <td>PTD.</td> <td>-</td> <td>321</td> <td>3\"/> <tr> <td>329B</td> <td>ETR</td> <td>-</td> <td>WD.</td> <td>J2</td> <td>PTD.</td> <td>-</td> <td>322</td> <td>3\"/> <tr> <td>331</td> <td>ETR</td> <td>-</td> <td>WD.</td> <td>J2</td> <td>PTD.</td> <td>-</td> <td>323</td> <td>3\"/> <tr> <td>333</td> <td>ETR</td> <td>-</td> <td>WD.</td> <td>J2</td> <td>PTD.</td> <td>-</td> <td>324</td> <td>3\"/> <tr> <td>334A</td> <td>ETR</td> <td>-</td> <td>WD.</td> <td>J2</td> <td>PTD.</td> <td>-</td> <td>325</td> <td>3\"/> <tr> <td>334B</td> <td>ETR</td> <td>-</td> <td>WD.</td> <td>J2</td> <td>PTD.</td> <td>-</td> <td>327</td> <td>3\"/> <tr> <td>335A</td> <td>ETR</td> <td>-</td> <td>WD.</td> <td>J2</td> <td>PTD.</td> <td>-</td> <td>328</td> <td>3\"/> <tr> <td>335B</td> <td>B</td> <td>3\"/> <tr> <td>336</td> <td>B</td> <td>3\"/> <tr> <td>337</td> <td>ETR</td> <td>-</td> <td>WD.</td> <td>J2</td> <td>PTD.</td> <td>-</td> <td>329A</td> <td>3\"/> <tr> <td>339</td> <td>ETR</td> <td>-</td> <td>WD.</td> <td>J2</td> <td>PTD.</td> <td>-</td> <td>329B</td> <td>3\"/> <tr> <td>340</td> <td>A</td> <td>3\"/> <tr> <td>341A</td> <td>ETR</td> <td>-</td> <td>WD.</td> <td>J2</td> <td>PTD.</td> <td>-</td> <td>331</td> <td>3\"/> <tr> <td>341B</td> <td>ETR</td> <td>-</td> <td>WD.</td> <td>J2</td> <td>PTD.</td> <td>-</td> <td>333</td> <td>3\"/> <tr> <td>342</td> <td>ETR</td> <td>-</td> <td>WD.</td> <td>J2</td> <td>PTD.</td> <td>-</td> <td>334A</td> <td>3\"/> <tr> <td>344</td> <td>ETR</td> <td>-</td>
<td>WD.</td> <td>J2</td> <td>PTD.</td> <td>-</td> <td>334B</td> <td>3\"/> <tr> <td>345</td> <td>ETR</td> <td>-</td> <td>WD.</td> <td>J2</td> <td>PTD.</td> <td>-</td> <td>335A</td> <td>3\"/> <tr> <td>346</td> <td>ETR</td> <td>-</td> <td>WD.</td> <td>J2</td> <td>PTD.</td> <td>-</td> <td>335B</td> <td>3\"/> <tr> <td>347</td> <td>ETR</td> <td>-</td> <td>WD.</td> <td>J2</td> <td>PTD.</td> <td>-</td> <td>336</td> <td>3\"/> <tr> <td>348</td> <td>ETR</td> <td>-</td> <td>WD.</td> <td>J2</td> <td>PTD.</td> <td>-</td> <td>337</td> <td>3\"/> <tr> <td>349</td> <td>ETR</td> <td>-</td> <td>WD.</td> <td>J2</td> <td>PTD.</td> <td>-</td> <td>339</td> <td>3\"/> <tr> <td>350</td> <td>ETR</td> <td>-</td> <td>WD.</td> <td>J2</td> <td>PTD.</td> <td>-</td> <td>340</td> <td>3\"/> </td></tr></td></tr></td></tr></td></tr></td></tr></td></tr></td></tr></td></tr></td></tr></td></tr></td></tr></td></tr></td></tr></td></tr></td></tr></td></tr></td></tr></td></tr></td></tr></td></tr></td></tr></td></tr></td></tr></td></tr></td></tr></td></tr></td></tr></td></tr></td></tr></td></tr></td></tr></td></tr></td></tr></td></tr></td></tr> | 314 | ETR | - | WD. | J2 | PTD.
 | - | 309 | 3\"/> <tr> <td>315</td> <td>ETR</td> <td>-</td> <td>WD.</td> <td>J2</td> <td>PTD.</td> <td>-</td> <td>310</td> <td>3\"/> <tr> <td>316A</td> <td>A</td> <td>3\"/> <tr> <td>318</td> <td>ETR</td> <td>-</td> <td>WD.</td> <td>J2</td> <td>PTD.</td> <td>-</td> <td>311</td> <td>3\"/> <tr> <td>319</td> <td>ETR</td> <td>-</td> <td>WD.</td> <td>J2</td> <td>PTD.</td> <td>-</td> <td>312A</td> <td>3\"/> <tr> <td>320</td> <td>ETR</td> <td>-</td> <td>WD.</td> <td>J2</td> <td>PTD.</td> <td>-</td> <td>313</td> <td>3\"/> <tr> <td>321</td> <td>ETR</td> <td>-</td> <td>WD.</td> <td>J2</td> <td>PTD.</td> <td>-</td> <td>314</td> <td>3\"/> <tr> <td>322</td> <td>ETR</td> <td>-</td> <td>WD.</td> <td>J2</td> <td>PTD.</td> <td>-</td> <td>315</td> <td>3\"/> <tr> <td>323</td> <td>ETR</td> <td>-</td> <td>WD.</td> <td>J2</td> <td>PTD.</td> <td>-</td> <td>316A</td> <td>3\"/> <tr> <td>324</td> <td>ETR</td> <td>-</td> <td>WD.</td> <td>J2</td> <td>PTD.</td> <td>-</td> <td>318</td> <td>3\"/> <tr> <td>325</td> <td>A</td> <td>3\"/> <tr> <td>327</td> <td>ETR</td> <td>-</td> <td>WD.</td> <td>J2</td> <td>PTD.</td> <td>-</td> <td>319</td> <td>3\"/> <tr> <td>328</td> <td>ETR</td> <td>-</td> <td>WD.</td> <td>J2</td> <td>PTD.</td> <td>-</td> <td>320</td> <td>3\"/> <tr> <td>329A</td> <td>ETR</td> <td>-</td> <td>WD.</td> <td>J2</td> <td>PTD.</td> <td>-</td> <td>321</td> <td>3\"/> <tr> <td>329B</td> <td>ETR</td> <td>-</td> <td>WD.</td> <td>J2</td> <td>PTD.</td> <td>-</td> <td>322</td> <td>3\"/> <tr> <td>331</td> <td>ETR</td> <td>-</td> <td>WD.</td> <td>J2</td> <td>PTD.</td> <td>-</td> <td>323</td> <td>3\"/> <tr> <td>333</td> <td>ETR</td> <td>-</td> <td>WD.</td> <td>J2</td> <td>PTD.</td> <td>-</td> <td>324</td> <td>3\"/> <tr> <td>334A</td> <td>ETR</td> <td>-</td> <td>WD.</td> <td>J2</td> <td>PTD.</td> <td>-</td> <td>325</td> <td>3\"/> <tr> <td>334B</td> <td>ETR</td> <td>-</td> <td>WD.</td> <td>J2</td> <td>PTD.</td> <td>-</td> <td>327</td> <td>3\"/> <tr> <td>335A</td> <td>ETR</td> <td>-</td> <td>WD.</td> <td>J2</td> <td>PTD.</td> <td>-</td> <td>328</td> <td>3\"/> <tr> <td>335B</td> <td>B</td> <td>3\"/> <tr> <td>336</td> <td>B</td> <td>3\"/> <tr> <td>337</td> <td>ETR</td> <td>-</td> <td>WD.</td> <td>J2</td> <td>PTD.</td> <td>-</td> <td>329A</td> <td>3\"/> <tr> <td>339</td> <td>ETR</td> <td>-</td> <td>WD.</td> <td>J2</td> <td>PTD.</td> <td>-</td> <td>329B</td> <td>3\"/> <tr> <td>340</td> <td>A</td> <td>3\"/> <tr> <td>341A</td> <td>ETR</td> <td>-</td> <td>WD.</td> <td>J2</td> <td>PTD.</td> <td>-</td> <td>331</td> <td>3\"/> <tr> <td>341B</td> <td>ETR</td> <td>-</td> <td>WD.</td> <td>J2</td> <td>PTD.</td> <td>-</td> <td>333</td> <td>3\"/> <tr> <td>342</td> <td>ETR</td> <td>-</td> <td>WD.</td> <td>J2</td> <td>PTD.</td> <td>-</td> <td>334A</td> <td>3\"/> <tr> <td>344</td> <td>ETR</td> <td>-</td> <td>WD.</td> <td>J2</td> <td>PTD.</td> <td>-</td> <td>334B</td> <td>3\"/> <tr> <td>345</td> <td>ETR</td> <td>-</td> <td>WD.</td> <td>J2</td> <td>PTD.</td> <td>-</td> <td>335A</td> <td>3\"/> <tr> <td>346</td> <td>ETR</td> <td>-</td> <td>WD.</td> <td>J2</td> <td>PTD.</td> <td>-</td> <td>335B</td> <td>3\"/> <tr> <td>347</td> <td>ETR</td> <td>-</td> <td>WD.</td> <td>J2</td> <td>PTD.</td> <td>-</td> <td>336</td> <td>3\"/> <tr> <td>348</td> <td>ETR</td> <td>-</td> <td>WD.</td> <td>J2</td> <td>PTD.</td> <td>-</td> <td>337</td> <td>3\"/> <tr> <td>349</td> <td>ETR</td> <td>-</td> <td>WD.</td> <td>J2</td> <td>PTD.</td> <td>-</td> <td>339</td> <td>3\"/> <tr> <td>350</td> <td>ETR</td> <td>-</td> <td>WD.</td> <td>J2</td> <td>PTD.</td> <td>-</td> <td>340</td> <td>3\"/> </td></tr></td></tr></td></tr></td></tr></td></tr></td></tr></td></tr></td></tr></td></tr></td></tr></td></tr></td></tr></td></tr></td></tr></td></tr></td></tr></td></tr></td></tr></td></tr></td></tr></td></tr></td></tr></td></tr></td></tr></td></tr></td></tr></td></tr></td></tr></td></tr></td></tr></td></tr></td></tr></td></tr></td></tr> | 315 | ETR | -
 | WD. | J2 | PTD. | - | 310 | 3\"/> <tr> <td>316A</td> <td>A</td> <td>3\"/> <tr> <td>318</td> <td>ETR</td> <td>-</td> <td>WD.</td> <td>J2</td> <td>PTD.</td> <td>-</td> <td>311</td> <td>3\"/> <tr> <td>319</td> <td>ETR</td> <td>-</td> <td>WD.</td> <td>J2</td> <td>PTD.</td> <td>-</td> <td>312A</td> <td>3\"/> <tr> <td>320</td> <td>ETR</td> <td>-</td> <td>WD.</td> <td>J2</td> <td>PTD.</td> <td>-</td> <td>313</td> <td>3\"/> <tr> <td>321</td> <td>ETR</td> <td>-</td> <td>WD.</td> <td>J2</td> <td>PTD.</td> <td>-</td> <td>314</td> <td>3\"/> <tr> <td>322</td> <td>ETR</td> <td>-</td> <td>WD.</td> <td>J2</td> <td>PTD.</td> <td>-</td> <td>315</td> <td>3\"/> <tr> <td>323</td> <td>ETR</td> <td>-</td> <td>WD.</td> <td>J2</td> <td>PTD.</td> <td>-</td> <td>316A</td> <td>3\"/> <tr> <td>324</td> <td>ETR</td> <td>-</td> <td>WD.</td> <td>J2</td> <td>PTD.</td> <td>-</td> <td>318</td> <td>3\"/> <tr> <td>325</td> <td>A</td> <td>3\"/> <tr> <td>327</td> <td>ETR</td> <td>-</td> <td>WD.</td> <td>J2</td> <td>PTD.</td> <td>-</td> <td>319</td> <td>3\"/> <tr> <td>328</td> <td>ETR</td> <td>-</td> <td>WD.</td> <td>J2</td> <td>PTD.</td> <td>-</td> <td>320</td> <td>3\"/> <tr> <td>329A</td> <td>ETR</td> <td>-</td> <td>WD.</td> <td>J2</td> <td>PTD.</td> <td>-</td> <td>321</td> <td>3\"/> <tr> <td>329B</td> <td>ETR</td> <td>-</td> <td>WD.</td> <td>J2</td> <td>PTD.</td> <td>-</td> <td>322</td> <td>3\"/> <tr> <td>331</td> <td>ETR</td> <td>-</td> <td>WD.</td> <td>J2</td> <td>PTD.</td> <td>-</td> <td>323</td> <td>3\"/> <tr> <td>333</td> <td>ETR</td> <td>-</td> <td>WD.</td> <td>J2</td> <td>PTD.</td> <td>-</td> <td>324</td> <td>3\"/> <tr> <td>334A</td> <td>ETR</td> <td>-</td> <td>WD.</td> <td>J2</td> <td>PTD.</td> <td>-</td> <td>325</td> <td>3\"/> <tr> <td>334B</td> <td>ETR</td> <td>-</td> <td>WD.</td> <td>J2</td> <td>PTD.</td> <td>-</td> <td>327</td> <td>3\"/> <tr> <td>335A</td> <td>ETR</td> <td>-</td> <td>WD.</td> <td>J2</td> <td>PTD.</td> <td>-</td> <td>328</td> <td>3\"/> <tr> <td>335B</td> <td>B</td> <td>3\"/> <tr> <td>336</td> <td>B</td> <td>3\"/> <tr> <td>337</td> <td>ETR</td> <td>-</td> <td>WD.</td> <td>J2</td> <td>PTD.</td> <td>-</td> <td>329A</td> <td>3\"/> <tr> <td>339</td> <td>ETR</td> <td>-</td> <td>WD.</td> <td>J2</td> <td>PTD.</td> <td>-</td> <td>329B</td> <td>3\"/> <tr> <td>340</td> <td>A</td> <td>3\"/> <tr> <td>341A</td> <td>ETR</td> <td>-</td> <td>WD.</td> <td>J2</td> <td>PTD.</td> <td>-</td> <td>331</td> <td>3\"/> <tr> <td>341B</td> <td>ETR</td> <td>-</td> <td>WD.</td> <td>J2</td> <td>PTD.</td> <td>-</td> <td>333</td> <td>3\"/> <tr>
<td>342</td> <td>ETR</td> <td>-</td> <td>WD.</td> <td>J2</td> <td>PTD.</td> <td>-</td> <td>334A</td> <td>3\"/> <tr> <td>344</td> <td>ETR</td> <td>-</td> <td>WD.</td> <td>J2</td> <td>PTD.</td> <td>-</td> <td>334B</td> <td>3\"/> <tr> <td>345</td> <td>ETR</td> <td>-</td> <td>WD.</td> <td>J2</td> <td>PTD.</td> <td>-</td> <td>335A</td> <td>3\"/> <tr> <td>346</td> <td>ETR</td> <td>-</td> <td>WD.</td> <td>J2</td> <td>PTD.</td> <td>-</td> <td>335B</td> <td>3\"/> <tr> <td>347</td> <td>ETR</td> <td>-</td> <td>WD.</td> <td>J2</td> <td>PTD.</td> <td>-</td> <td>336</td> <td>3\"/> <tr> <td>348</td> <td>ETR</td> <td>-</td> <td>WD.</td> <td>J2</td> <td>PTD.</td> <td>-</td> <td>337</td> <td>3\"/> <tr> <td>349</td> <td>ETR</td> <td>-</td> <td>WD.</td> <td>J2</td> <td>PTD.</td> <td>-</td> <td>339</td> <td>3\"/> <tr> <td>350</td> <td>ETR</td> <td>-</td> <td>WD.</td> <td>J2</td> <td>PTD.</td> <td>-</td> <td>340</td> <td>3\"/> </td></tr></td></tr></td></tr></td></tr></td></tr></td></tr></td></tr></td></tr></td></tr></td></tr></td></tr></td></tr></td></tr></td></tr></td></tr></td></tr></td></tr></td></tr></td></tr></td></tr></td></tr></td></tr></td></tr></td></tr></td></tr></td></tr></td></tr></td></tr></td></tr></td></tr></td></tr></td></tr></td></tr> | 316A | A | 3\"/> <tr> <td>318</td> <td>ETR</td> <td>-</td> <td>WD.</td> <td>J2</td> <td>PTD.</td> <td>-</td> <td>311</td> <td>3\"/> <tr> <td>319</td> <td>ETR</td> <td>-</td> <td>WD.</td> <td>J2</td> <td>PTD.</td> <td>-</td> <td>312A</td> <td>3\"/> <tr> <td>320</td> <td>ETR</td> <td>-</td> <td>WD.</td> <td>J2</td> <td>PTD.</td> <td>-</td> <td>313</td> <td>3\"/> <tr> <td>321</td> <td>ETR</td> <td>-</td> <td>WD.</td> <td>J2</td> <td>PTD.</td> <td>-</td> <td>314</td> <td>3\"/> <tr> <td>322</td> <td>ETR</td> <td>-</td> <td>WD.</td> <td>J2</td> <td>PTD.</td> <td>-</td> <td>315</td> <td>3\"/> <tr> <td>323</td> <td>ETR</td> <td>-</td> <td>WD.</td> <td>J2</td> <td>PTD.</td> <td>-</td> <td>316A</td> <td>3\"/> <tr> <td>324</td> <td>ETR</td> <td>-</td> <td>WD.</td> <td>J2</td> <td>PTD.</td> <td>-</td> <td>318</td> <td>3\"/> <tr> <td>325</td> <td>A</td> <td>3\"/> <tr> <td>327</td> <td>ETR</td> <td>-</td> <td>WD.</td> <td>J2</td> <td>PTD.</td> <td>-</td> <td>319</td> <td>3\"/> <tr> <td>328</td> <td>ETR</td> <td>-</td> <td>WD.</td> <td>J2</td> <td>PTD.</td> <td>-</td> <td>320</td> <td>3\"/> <tr> <td>329A</td> <td>ETR</td> <td>-</td> <td>WD.</td> <td>J2</td> <td>PTD.</td> <td>-</td> <td>321</td> <td>3\"/> <tr> <td>329B</td> <td>ETR</td> <td>-</td> <td>WD.</td> <td>J2</td> <td>PTD.</td> <td>-</td> <td>322</td> <td>3\"/> <tr> <td>331</td> <td>ETR</td> <td>-</td> <td>WD.</td> <td>J2</td> <td>PTD.</td> <td>-</td> <td>323</td> <td>3\"/> <tr> <td>333</td> <td>ETR</td> <td>-</td> <td>WD.</td> <td>J2</td> <td>PTD.</td> <td>-</td> <td>324</td> <td>3\"/> <tr> <td>334A</td> <td>ETR</td> <td>-</td> <td>WD.</td> <td>J2</td> <td>PTD.</td> <td>-</td> <td>325</td> <td>3\"/> <tr> <td>334B</td> <td>ETR</td> <td>-</td> <td>WD.</td> <td>J2</td> <td>PTD.</td> <td>-</td> <td>327</td> <td>3\"/> <tr> <td>335A</td> <td>ETR</td> <td>-</td> <td>WD.</td> <td>J2</td> <td>PTD.</td> <td>-</td> <td>328</td> <td>3\"/> <tr> <td>335B</td> <td>B</td> <td>3\"/> <tr> <td>336</td> <td>B</td> <td>3\"/> <tr> <td>337</td> <td>ETR</td> <td>-</td> <td>WD.</td> <td>J2</td> <td>PTD.</td> <td>-</td> <td>329A</td> <td>3\"/> <tr> <td>339</td> <td>ETR</td> <td>-</td> <td>WD.</td> <td>J2</td> <td>PTD.</td> <td>-</td> <td>329B</td> <td>3\"/> <tr> <td>340</td> <td>A</td> <td>3\"/> <tr> <td>341A</td> <td>ETR</td> <td>-</td> <td>WD.</td> <td>J2</td> <td>PTD.</td> <td>-</td> <td>331</td> <td>3\"/> <tr> <td>341B</td> <td>ETR</td> <td>-</td> <td>WD.</td> <td>J2</td> <td>PTD.</td> <td>-</td> <td>333</td> <td>3\"/> <tr> <td>342</td> <td>ETR</td> <td>-</td> <td>WD.</td> <td>J2</td> <td>PTD.</td> <td>-</td> <td>334A</td> <td>3\"/> <tr> <td>344</td> <td>ETR</td> <td>-</td> <td>WD.</td> <td>J2</td> <td>PTD.</td> <td>-</td> <td>334B</td> <td>3\"/> <tr> <td>345</td> <td>ETR</td> <td>-</td> <td>WD.</td> <td>J2</td> <td>PTD.</td> <td>-</td> <td>335A</td> <td>3\"/> <tr> <td>346</td> <td>ETR</td> <td>-</td> <td>WD.</td> <td>J2</td> <td>PTD.</td> <td>-</td> <td>335B</td> <td>3\"/> <tr> <td>347</td> <td>ETR</td> <td>-</td> <td>WD.</td> <td>J2</td> <td>PTD.</td> <td>-</td> <td>336</td> <td>3\"/> <tr> <td>348</td> <td>ETR</td> <td>-</td> <td>WD.</td> <td>J2</td> <td>PTD.</td> <td>-</td> <td>337</td> <td>3\"/> <tr> <td>349</td> <td>ETR</td> <td>-</td> <td>WD.</td> <td>J2</td> <td>PTD.</td> <td>-</td> <td>339</td> <td>3\"/> <tr> <td>350</td> <td>ETR</td> <td>-</td> <td>WD.</td> <td>J2</td> <td>PTD.</td> <td>-</td> <td>340</td> <td>3\"/> </td></tr></td></tr></td></tr></td></tr></td></tr></td></tr></td></tr></td></tr></td></tr></td></tr></td></tr></td></tr></td></tr></td></tr></td></tr></td></tr></td></tr></td></tr></td></tr></td></tr></td></tr></td></tr></td></tr></td></tr></td></tr></td></tr></td></tr></td></tr></td></tr></td></tr></td></tr></td></tr> | 318 | ETR | -
 | WD. | J2 | PTD. | - | 311 | 3\"/> <tr> <td>319</td> <td>ETR</td> <td>-</td> <td>WD.</td> <td>J2</td> <td>PTD.</td> <td>-</td> <td>312A</td> <td>3\"/> <tr> <td>320</td> <td>ETR</td> <td>-</td> <td>WD.</td> <td>J2</td> <td>PTD.</td> <td>-</td> <td>313</td> <td>3\"/> <tr> <td>321</td> <td>ETR</td> <td>-</td> <td>WD.</td> <td>J2</td> <td>PTD.</td> <td>-</td> <td>314</td> <td>3\"/> <tr> <td>322</td> <td>ETR</td> <td>-</td> <td>WD.</td> <td>J2</td> <td>PTD.</td> <td>-</td> <td>315</td> <td>3\"/> <tr> <td>323</td> <td>ETR</td> <td>-</td> <td>WD.</td> <td>J2</td> <td>PTD.</td> <td>-</td> <td>316A</td> <td>3\"/> <tr> <td>324</td> <td>ETR</td> <td>-</td> <td>WD.</td> <td>J2</td> <td>PTD.</td> <td>-</td> <td>318</td> <td>3\"/> <tr> <td>325</td> <td>A</td> <td>3\"/> <tr> <td>327</td> <td>ETR</td> <td>-</td> <td>WD.</td> <td>J2</td> <td>PTD.</td> <td>-</td> <td>319</td> <td>3\"/> <tr> <td>328</td> <td>ETR</td> <td>-</td> <td>WD.</td> <td>J2</td> <td>PTD.</td> <td>-</td> <td>320</td> <td>3\"/> <tr> <td>329A</td> <td>ETR</td> <td>-</td> <td>WD.</td> <td>J2</td> <td>PTD.</td> <td>-</td> <td>321</td> <td>3\"/> <tr> <td>329B</td> <td>ETR</td> <td>-</td> <td>WD.</td> <td>J2</td> <td>PTD.</td> <td>-</td> <td>322</td> <td>3\"/> <tr> <td>331</td> <td>ETR</td> <td>-</td> <td>WD.</td> <td>J2</td> <td>PTD.</td> <td>-</td> <td>323</td> <td>3\"/> <tr> <td>333</td> <td>ETR</td> <td>-</td> <td>WD.</td> <td>J2</td> <td>PTD.</td> <td>-</td> <td>324</td> <td>3\"/> <tr> <td>334A</td> <td>ETR</td> <td>-</td> <td>WD.</td> <td>J2</td> <td>PTD.</td> <td>-</td> <td>325</td> <td>3\"/> <tr> <td>334B</td> <td>ETR</td> <td>-</td> <td>WD.</td> <td>J2</td> <td>PTD.</td> <td>-</td> <td>327</td> <td>3\"/> <tr> <td>335A</td> <td>ETR</td> <td>-</td> <td>WD.</td> <td>J2</td> <td>PTD.</td> <td>-</td> <td>328</td> <td>3\"/> <tr> <td>335B</td> <td>B</td> <td>3\"/> <tr> <td>336</td> <td>B</td> <td>3\"/> <tr> <td>337</td> <td>ETR</td> <td>-</td> <td>WD.</td> <td>J2</td> <td>PTD.</td> <td>-</td> <td>329A</td> <td>3\"/> <tr> <td>339</td> <td>ETR</td> <td>-</td> <td>WD.</td> <td>J2</td> <td>PTD.</td> <td>-</td> <td>329B</td> <td>3\"/> <tr> <td>340</td> <td>A</td> <td>3\"/> <tr> <td>341A</td> <td>ETR</td> <td>-</td> <td>WD.</td> <td>J2</td> <td>PTD.</td> <td>-</td> <td>331</td> <td>3\"/> <tr> <td>341B</td> <td>ETR</td> <td>-</td> <td>WD.</td> <td>J2</td> <td>PTD.</td> <td>-</td> <td>333</td> <td>3\"/> <tr> <td>342</td> <td>ETR</td> <td>-</td> <td>WD.</td> <td>J2</td> <td>PTD.</td> <td>-</td> <td>334A</td> <td>3\"/> <tr> <td>344</td> <td>ETR</td> <td>-</td> <td>WD.</td> <td>J2</td> <td>PTD.</td> <td>-</td> <td>334B</td> <td>3\"/> <tr> <td>345</td> <td>ETR</td> <td>-</td> <td>WD.</td> <td>J2</td> <td>PTD.</td> <td>-</td> <td>335A</td> <td>3\"/> <tr> <td>346</td> <td>ETR</td> <td>-</td> <td>WD.</td> <td>J2</td> <td>PTD.</td> <td>-</td> <td>335B</td> <td>3\"/> <tr> <td>347</td> <td>ETR</td> <td>-</td> <td>WD.</td> <td>J2</td> <td>PTD.</td> <td>-</td> <td>336</td> <td>3\"/> <tr> <td>348</td> <td>ETR</td> <td>-</td> <td>WD.</td> <td>J2</td> <td>PTD.</td> <td>-</td> <td>337</td> <td>3\"/> <tr> <td>349</td> <td>ETR</td> <td>-</td> <td>WD.</td> <td>J2</td> <td>PTD.</td> <td>-</td> <td>339</td> <td>3\"/> <tr> <td>350</td> <td>ETR</td> <td>-</td> <td>WD.</td> <td>J2</td> <td>PTD.</td> <td>-</td> <td>340</td> <td>3\"/>
</td></tr></td></tr></td></tr></td></tr></td></tr></td></tr></td></tr></td></tr></td></tr></td></tr></td></tr></td></tr></td></tr></td></tr></td></tr></td></tr></td></tr></td></tr></td></tr></td></tr></td></tr></td></tr></td></tr></td></tr></td></tr></td></tr></td></tr></td></tr></td></tr></td></tr></td></tr> | 319 | ETR | - | WD. | J2 | PTD.
 | - | 312A | 3\"/> <tr> <td>320</td> <td>ETR</td> <td>-</td> <td>WD.</td> <td>J2</td> <td>PTD.</td> <td>-</td> <td>313</td> <td>3\"/> <tr> <td>321</td> <td>ETR</td> <td>-</td> <td>WD.</td> <td>J2</td> <td>PTD.</td> <td>-</td> <td>314</td> <td>3\"/> <tr> <td>322</td> <td>ETR</td> <td>-</td> <td>WD.</td> <td>J2</td> <td>PTD.</td> <td>-</td> <td>315</td> <td>3\"/> <tr> <td>323</td> <td>ETR</td> <td>-</td> <td>WD.</td> <td>J2</td> <td>PTD.</td> <td>-</td> <td>316A</td> <td>3\"/> <tr> <td>324</td> <td>ETR</td> <td>-</td> <td>WD.</td> <td>J2</td> <td>PTD.</td> <td>-</td> <td>318</td> <td>3\"/> <tr> <td>325</td> <td>A</td> <td>3\"/> <tr> <td>327</td> <td>ETR</td> <td>-</td> <td>WD.</td> <td>J2</td> <td>PTD.</td> <td>-</td> <td>319</td> <td>3\"/> <tr> <td>328</td> <td>ETR</td> <td>-</td> <td>WD.</td> <td>J2</td> <td>PTD.</td> <td>-</td> <td>320</td> <td>3\"/> <tr> <td>329A</td> <td>ETR</td> <td>-</td> <td>WD.</td> <td>J2</td> <td>PTD.</td> <td>-</td> <td>321</td> <td>3\"/> <tr> <td>329B</td> <td>ETR</td> <td>-</td> <td>WD.</td> <td>J2</td> <td>PTD.</td> <td>-</td> <td>322</td> <td>3\"/> <tr> <td>331</td> <td>ETR</td> <td>-</td> <td>WD.</td> <td>J2</td> <td>PTD.</td> <td>-</td> <td>323</td> <td>3\"/> <tr> <td>333</td> <td>ETR</td> <td>-</td> <td>WD.</td> <td>J2</td> <td>PTD.</td> <td>-</td> <td>324</td> <td>3\"/> <tr> <td>334A</td> <td>ETR</td> <td>-</td> <td>WD.</td> <td>J2</td> <td>PTD.</td> <td>-</td> <td>325</td> <td>3\"/> <tr> <td>334B</td> <td>ETR</td> <td>-</td> <td>WD.</td> <td>J2</td> <td>PTD.</td> <td>-</td> <td>327</td> <td>3\"/> <tr> <td>335A</td> <td>ETR</td> <td>-</td> <td>WD.</td> <td>J2</td> <td>PTD.</td> <td>-</td> <td>328</td> <td>3\"/> <tr> <td>335B</td> <td>B</td> <td>3\"/> <tr> <td>336</td> <td>B</td> <td>3\"/> <tr> <td>337</td> <td>ETR</td> <td>-</td> <td>WD.</td> <td>J2</td> <td>PTD.</td> <td>-</td> <td>329A</td> <td>3\"/> <tr> <td>339</td> <td>ETR</td> <td>-</td> <td>WD.</td> <td>J2</td> <td>PTD.</td> <td>-</td> <td>329B</td> <td>3\"/> <tr> <td>340</td> <td>A</td> <td>3\"/> <tr> <td>341A</td> <td>ETR</td> <td>-</td> <td>WD.</td> <td>J2</td> <td>PTD.</td> <td>-</td> <td>331</td> <td>3\"/> <tr> <td>341B</td> <td>ETR</td> <td>-</td> <td>WD.</td> <td>J2</td> <td>PTD.</td> <td>-</td> <td>333</td> <td>3\"/> <tr> <td>342</td> <td>ETR</td> <td>-</td> <td>WD.</td> <td>J2</td> <td>PTD.</td> <td>-</td> <td>334A</td> <td>3\"/> <tr> <td>344</td> <td>ETR</td> <td>-</td> <td>WD.</td> <td>J2</td> <td>PTD.</td> <td>-</td> <td>334B</td> <td>3\"/> <tr> <td>345</td> <td>ETR</td> <td>-</td> <td>WD.</td> <td>J2</td> <td>PTD.</td> <td>-</td> <td>335A</td> <td>3\"/> <tr> <td>346</td> <td>ETR</td> <td>-</td> <td>WD.</td> <td>J2</td> <td>PTD.</td> <td>-</td> <td>335B</td> <td>3\"/> <tr> <td>347</td> <td>ETR</td> <td>-</td> <td>WD.</td> <td>J2</td> <td>PTD.</td> <td>-</td> <td>336</td> <td>3\"/> <tr> <td>348</td> <td>ETR</td> <td>-</td> <td>WD.</td> <td>J2</td> <td>PTD.</td> <td>-</td> <td>337</td> <td>3\"/> <tr> <td>349</td> <td>ETR</td> <td>-</td> <td>WD.</td> <td>J2</td> <td>PTD.</td> <td>-</td> <td>339</td> <td>3\"/> <tr> <td>350</td> <td>ETR</td> <td>-</td> <td>WD.</td> <td>J2</td> <td>PTD.</td> <td>-</td> <td>340</td> <td>3\"/> </td></tr></td></tr></td></tr></td></tr></td></tr></td></tr></td></tr></td></tr></td></tr></td></tr></td></tr></td></tr></td></tr></td></tr></td></tr></td></tr></td></tr></td></tr></td></tr></td></tr></td></tr></td></tr></td></tr></td></tr></td></tr></td></tr></td></tr></td></tr></td></tr></td></tr> | 320 | ETR | - | WD. | J2 | PTD.
 | - | 313 | 3\"/> <tr> <td>321</td> <td>ETR</td> <td>-</td> <td>WD.</td> <td>J2</td> <td>PTD.</td> <td>-</td> <td>314</td> <td>3\"/> <tr> <td>322</td> <td>ETR</td> <td>-</td> <td>WD.</td> <td>J2</td> <td>PTD.</td> <td>-</td> <td>315</td> <td>3\"/> <tr> <td>323</td> <td>ETR</td> <td>-</td> <td>WD.</td> <td>J2</td> <td>PTD.</td> <td>-</td> <td>316A</td> <td>3\"/> <tr> <td>324</td> <td>ETR</td> <td>-</td> <td>WD.</td> <td>J2</td> <td>PTD.</td> <td>-</td> <td>318</td> <td>3\"/> <tr> <td>325</td> <td>A</td> <td>3\"/> <tr> <td>327</td> <td>ETR</td> <td>-</td> <td>WD.</td> <td>J2</td> <td>PTD.</td> <td>-</td> <td>319</td> <td>3\"/> <tr> <td>328</td> <td>ETR</td> <td>-</td> <td>WD.</td> <td>J2</td> <td>PTD.</td> <td>-</td> <td>320</td> <td>3\"/> <tr> <td>329A</td> <td>ETR</td> <td>-</td> <td>WD.</td> <td>J2</td> <td>PTD.</td> <td>-</td> <td>321</td> <td>3\"/> <tr> <td>329B</td> <td>ETR</td> <td>-</td> <td>WD.</td> <td>J2</td> <td>PTD.</td> <td>-</td> <td>322</td> <td>3\"/> <tr> <td>331</td> <td>ETR</td> <td>-</td> <td>WD.</td> <td>J2</td> <td>PTD.</td> <td>-</td> <td>323</td> <td>3\"/> <tr> <td>333</td> <td>ETR</td> <td>-</td> <td>WD.</td> <td>J2</td> <td>PTD.</td> <td>-</td> <td>324</td> <td>3\"/> <tr> <td>334A</td> <td>ETR</td> <td>-</td> <td>WD.</td> <td>J2</td> <td>PTD.</td> <td>-</td> <td>325</td> <td>3\"/> <tr> <td>334B</td> <td>ETR</td> <td>-</td> <td>WD.</td> <td>J2</td> <td>PTD.</td> <td>-</td> <td>327</td> <td>3\"/> <tr> <td>335A</td> <td>ETR</td> <td>-</td> <td>WD.</td> <td>J2</td> <td>PTD.</td> <td>-</td> <td>328</td> <td>3\"/> <tr> <td>335B</td> <td>B</td> <td>3\"/> <tr> <td>336</td> <td>B</td> <td>3\"/> <tr> <td>337</td> <td>ETR</td> <td>-</td> <td>WD.</td> <td>J2</td> <td>PTD.</td> <td>-</td> <td>329A</td> <td>3\"/> <tr> <td>339</td> <td>ETR</td> <td>-</td> <td>WD.</td> <td>J2</td> <td>PTD.</td> <td>-</td> <td>329B</td> <td>3\"/> <tr> <td>340</td> <td>A</td> <td>3\"/> <tr> <td>341A</td> <td>ETR</td> <td>-</td> <td>WD.</td> <td>J2</td> <td>PTD.</td> <td>-</td> <td>331</td> <td>3\"/> <tr> <td>341B</td> <td>ETR</td> <td>-</td> <td>WD.</td> <td>J2</td> <td>PTD.</td> <td>-</td> <td>333</td> <td>3\"/> <tr> <td>342</td> <td>ETR</td> <td>-</td> <td>WD.</td> <td>J2</td> <td>PTD.</td> <td>-</td> <td>334A</td> <td>3\"/> <tr> <td>344</td> <td>ETR</td> <td>-</td> <td>WD.</td> <td>J2</td> <td>PTD.</td> <td>-</td> <td>334B</td> <td>3\"/> <tr> <td>345</td> <td>ETR</td> <td>-</td> <td>WD.</td> <td>J2</td> <td>PTD.</td> <td>-</td> <td>335A</td> <td>3\"/> <tr> <td>346</td> <td>ETR</td> <td>-</td> <td>WD.</td> <td>J2</td> <td>PTD.</td> <td>-</td> <td>335B</td> <td>3\"/> <tr> <td>347</td> <td>ETR</td> <td>-</td> <td>WD.</td> <td>J2</td> <td>PTD.</td> <td>-</td> <td>336</td> <td>3\"/> <tr> <td>348</td> <td>ETR</td> <td>-</td> <td>WD.</td> <td>J2</td> <td>PTD.</td> <td>-</td> <td>337</td> <td>3\"/> <tr> <td>349</td> <td>ETR</td> <td>-</td> <td>WD.</td> <td>J2</td> <td>PTD.</td> <td>-</td> <td>339</td> <td>3\"/> <tr> <td>350</td> <td>ETR</td> <td>-</td> <td>WD.</td> <td>J2</td> <td>PTD.</td> <td>-</td> <td>340</td> <td>3\"/> </td></tr></td></tr></td></tr></td></tr></td></tr></td></tr></td></tr></td></tr></td></tr></td></tr></td></tr></td></tr></td></tr></td></tr></td></tr></td></tr></td></tr></td></tr></td></tr></td></tr></td></tr></td></tr></td></tr></td></tr></td></tr></td></tr></td></tr></td></tr></td></tr> | 321 | ETR | -
 | WD. | J2 | PTD. | - | 314 | 3\"/> <tr> <td>322</td> <td>ETR</td> <td>-</td> <td>WD.</td> <td>J2</td> <td>PTD.</td> <td>-</td> <td>315</td> <td>3\"/> <tr> <td>323</td> <td>ETR</td> <td>-</td> <td>WD.</td> <td>J2</td> <td>PTD.</td> <td>-</td> <td>316A</td> <td>3\"/> <tr> <td>324</td> <td>ETR</td> <td>-</td> <td>WD.</td> <td>J2</td> <td>PTD.</td> <td>-</td> <td>318</td> <td>3\"/> <tr> <td>325</td> <td>A</td> <td>3\"/> <tr> <td>327</td> <td>ETR</td> <td>-</td> <td>WD.</td> <td>J2</td> <td>PTD.</td> <td>-</td> <td>319</td> <td>3\"/> <tr> <td>328</td> <td>ETR</td> <td>-</td> <td>WD.</td> <td>J2</td> <td>PTD.</td> <td>-</td> <td>320</td> <td>3\"/> <tr> <td>329A</td> <td>ETR</td> <td>-</td> <td>WD.</td> <td>J2</td> <td>PTD.</td> <td>-</td> <td>321</td> <td>3\"/> <tr> <td>329B</td> <td>ETR</td> <td>-</td> <td>WD.</td> <td>J2</td> <td>PTD.</td> <td>-</td> <td>322</td> <td>3\"/> <tr> <td>331</td> <td>ETR</td> <td>-</td> <td>WD.</td> <td>J2</td> <td>PTD.</td> <td>-</td> <td>323</td> <td>3\"/> <tr> <td>333</td> <td>ETR</td> <td>-</td> <td>WD.</td> <td>J2</td> <td>PTD.</td> <td>-</td> <td>324</td> <td>3\"/> <tr> <td>334A</td> <td>ETR</td> <td>-</td> <td>WD.</td> <td>J2</td> <td>PTD.</td> <td>-</td> <td>325</td> <td>3\"/> <tr> <td>334B</td> <td>ETR</td> <td>-</td> <td>WD.</td> <td>J2</td> <td>PTD.</td> <td>-</td> <td>327</td> <td>3\"/> <tr> <td>335A</td> <td>ETR</td> <td>-</td> <td>WD.</td> <td>J2</td> <td>PTD.</td> <td>-</td> <td>328</td> <td>3\"/> <tr> <td>335B</td> <td>B</td> <td>3\"/> <tr> <td>336</td> <td>B</td> <td>3\"/> <tr> <td>337</td> <td>ETR</td> <td>-</td> <td>WD.</td> <td>J2</td> <td>PTD.</td> <td>-</td> <td>329A</td> <td>3\"/> <tr> <td>339</td> <td>ETR</td> <td>-</td> <td>WD.</td> <td>J2</td> <td>PTD.</td> <td>-</td> <td>329B</td> <td>3\"/> <tr> <td>340</td> <td>A</td> <td>3\"/> <tr> <td>341A</td> <td>ETR</td> <td>-</td> <td>WD.</td> <td>J2</td> <td>PTD.</td> <td>-</td> <td>331</td> <td>3\"/> <tr> <td>341B</td> <td>ETR</td> <td>-</td> <td>WD.</td> <td>J2</td> <td>PTD.</td> <td>-</td> <td>333</td> <td>3\"/> <tr> <td>342</td> <td>ETR</td> <td>-</td> <td>WD.</td> <td>J2</td> <td>PTD.</td> <td>-</td> <td>334A</td> <td>3\"/> <tr> <td>344</td> <td>ETR</td> <td>-</td> <td>WD.</td> <td>J2</td> <td>PTD.</td> <td>-</td> <td>334B</td> <td>3\"/> <tr> <td>345</td> <td>ETR</td> <td>-</td> <td>WD.</td> <td>J2</td> <td>PTD.</td> <td>-</td> <td>335A</td> <td>3\"/> <tr> <td>346</td> <td>ETR</td> <td>-</td> <td>WD.</td> <td>J2</td> <td>PTD.</td> <td>-</td> <td>335B</td> <td>3\"/> <tr> <td>347</td> <td>ETR</td> <td>-</td> <td>WD.</td> <td>J2</td> <td>PTD.</td> <td>-</td> <td>336</td> <td>3\"/> <tr> <td>348</td> <td>ETR</td> <td>-</td> <td>WD.</td> <td>J2</td> <td>PTD.</td> <td>-</td> <td>337</td> <td>3\"/> <tr> <td>349</td> <td>ETR</td> <td>-</td> <td>WD.</td> <td>J2</td> <td>PTD.</td> <td>-</td> <td>339</td> <td>3\"/> <tr> <td>350</td> <td>ETR</td> <td>-</td> <td>WD.</td> <td>J2</td> <td>PTD.</td> <td>-</td> <td>340</td> <td>3\"/> </td></tr></td></tr></td></tr></td></tr></td></tr></td></tr></td></tr></td></tr></td></tr></td></tr></td></tr></td></tr></td></tr></td></tr></td></tr></td></tr></td></tr></td></tr></td></tr></td></tr></td></tr></td></tr></td></tr></td></tr></td></tr></td></tr></td></tr></td></tr>
 | 322 | ETR | - | WD. | J2 | PTD. | - | 315 | 3\"/> <tr> <td>323</td> <td>ETR</td> <td>-</td> <td>WD.</td> <td>J2</td> <td>PTD.</td> <td>-</td> <td>316A</td> <td>3\"/> <tr> <td>324</td> <td>ETR</td> <td>-</td> <td>WD.</td> <td>J2</td> <td>PTD.</td> <td>-</td> <td>318</td> <td>3\"/> <tr> <td>325</td> <td>A</td> <td>3\"/> <tr> <td>327</td> <td>ETR</td> <td>-</td> <td>WD.</td> <td>J2</td> <td>PTD.</td> <td>-</td> <td>319</td> <td>3\"/> <tr> <td>328</td> <td>ETR</td> <td>-</td> <td>WD.</td> <td>J2</td> <td>PTD.</td> <td>-</td> <td>320</td> <td>3\"/> <tr> <td>329A</td> <td>ETR</td> <td>-</td> <td>WD.</td> <td>J2</td> <td>PTD.</td> <td>-</td> <td>321</td> <td>3\"/> <tr> <td>329B</td> <td>ETR</td> <td>-</td> <td>WD.</td> <td>J2</td> <td>PTD.</td> <td>-</td> <td>322</td> <td>3\"/> <tr> <td>331</td> <td>ETR</td> <td>-</td> <td>WD.</td> <td>J2</td> <td>PTD.</td> <td>-</td> <td>323</td> <td>3\"/> <tr> <td>333</td>
<td>ETR</td> <td>-</td> <td>WD.</td> <td>J2</td> <td>PTD.</td> <td>-</td> <td>324</td> <td>3\"/> <tr> <td>334A</td> <td>ETR</td> <td>-</td> <td>WD.</td> <td>J2</td> <td>PTD.</td> <td>-</td> <td>325</td> <td>3\"/> <tr> <td>334B</td> <td>ETR</td> <td>-</td> <td>WD.</td> <td>J2</td> <td>PTD.</td> <td>-</td> <td>327</td> <td>3\"/> <tr> <td>335A</td> <td>ETR</td> <td>-</td> <td>WD.</td> <td>J2</td> <td>PTD.</td> <td>-</td> <td>328</td> <td>3\"/> <tr> <td>335B</td> <td>B</td> <td>3\"/> <tr> <td>336</td> <td>B</td> <td>3\"/> <tr> <td>337</td> <td>ETR</td> <td>-</td> <td>WD.</td> <td>J2</td> <td>PTD.</td> <td>-</td> <td>329A</td> <td>3\"/> <tr> <td>339</td> <td>ETR</td> <td>-</td> <td>WD.</td> <td>J2</td> <td>PTD.</td> <td>-</td> <td>329B</td> <td>3\"/> <tr> <td>340</td> <td>A</td> <td>3\"/> <tr> <td>341A</td> <td>ETR</td> <td>-</td> <td>WD.</td> <td>J2</td> <td>PTD.</td> <td>-</td> <td>331</td> <td>3\"/> <tr> <td>341B</td> <td>ETR</td> <td>-</td> <td>WD.</td> <td>J2</td> <td>PTD.</td> <td>-</td> <td>333</td> <td>3\"/> <tr> <td>342</td> <td>ETR</td> <td>-</td> <td>WD.</td> <td>J2</td> <td>PTD.</td> <td>-</td> <td>334A</td> <td>3\"/> <tr> <td>344</td> <td>ETR</td> <td>-</td> <td>WD.</td> <td>J2</td> <td>PTD.</td> <td>-</td> <td>334B</td> <td>3\"/> <tr> <td>345</td> <td>ETR</td> <td>-</td> <td>WD.</td> <td>J2</td> <td>PTD.</td> <td>-</td> <td>335A</td> <td>3\"/> <tr> <td>346</td> <td>ETR</td> <td>-</td> <td>WD.</td> <td>J2</td> <td>PTD.</td> <td>-</td> <td>335B</td> <td>3\"/> <tr> <td>347</td> <td>ETR</td> <td>-</td> <td>WD.</td> <td>J2</td> <td>PTD.</td> <td>-</td> <td>336</td> <td>3\"/> <tr> <td>348</td> <td>ETR</td> <td>-</td> <td>WD.</td> <td>J2</td> <td>PTD.</td> <td>-</td> <td>337</td> <td>3\"/> <tr> <td>349</td> <td>ETR</td> <td>-</td> <td>WD.</td> <td>J2</td> <td>PTD.</td> <td>-</td> <td>339</td> <td>3\"/> <tr> <td>350</td> <td>ETR</td> <td>-</td> <td>WD.</td> <td>J2</td> <td>PTD.</td> <td>-</td> <td>340</td> <td>3\"/> </td></tr></td></tr></td></tr></td></tr></td></tr></td></tr></td></tr></td></tr></td></tr></td></tr></td></tr></td></tr></td></tr></td></tr></td></tr></td></tr></td></tr></td></tr></td></tr></td></tr></td></tr></td></tr></td></tr></td></tr></td></tr></td></tr></td></tr> | 323 | ETR | - | WD. | J2 | PTD.
 | - | 316A | 3\"/> <tr> <td>324</td> <td>ETR</td> <td>-</td> <td>WD.</td> <td>J2</td> <td>PTD.</td> <td>-</td> <td>318</td> <td>3\"/> <tr> <td>325</td> <td>A</td> <td>3\"/> <tr> <td>327</td> <td>ETR</td> <td>-</td> <td>WD.</td> <td>J2</td> <td>PTD.</td> <td>-</td> <td>319</td> <td>3\"/> <tr> <td>328</td> <td>ETR</td> <td>-</td> <td>WD.</td> <td>J2</td> <td>PTD.</td> <td>-</td> <td>320</td> <td>3\"/> <tr> <td>329A</td> <td>ETR</td> <td>-</td> <td>WD.</td> <td>J2</td> <td>PTD.</td> <td>-</td> <td>321</td> <td>3\"/> <tr> <td>329B</td> <td>ETR</td> <td>-</td> <td>WD.</td> <td>J2</td> <td>PTD.</td> <td>-</td> <td>322</td> <td>3\"/> <tr> <td>331</td> <td>ETR</td> <td>-</td> <td>WD.</td> <td>J2</td> <td>PTD.</td> <td>-</td> <td>323</td> <td>3\"/> <tr> <td>333</td> <td>ETR</td> <td>-</td> <td>WD.</td> <td>J2</td> <td>PTD.</td> <td>-</td> <td>324</td> <td>3\"/> <tr> <td>334A</td> <td>ETR</td> <td>-</td> <td>WD.</td> <td>J2</td> <td>PTD.</td> <td>-</td> <td>325</td> <td>3\"/> <tr> <td>334B</td> <td>ETR</td> <td>-</td> <td>WD.</td> <td>J2</td> <td>PTD.</td> <td>-</td> <td>327</td> <td>3\"/> <tr> <td>335A</td> <td>ETR</td> <td>-</td> <td>WD.</td> <td>J2</td> <td>PTD.</td> <td>-</td> <td>328</td> <td>3\"/> <tr> <td>335B</td> <td>B</td> <td>3\"/> <tr> <td>336</td> <td>B</td> <td>3\"/> <tr> <td>337</td> <td>ETR</td> <td>-</td> <td>WD.</td> <td>J2</td> <td>PTD.</td> <td>-</td> <td>329A</td> <td>3\"/> <tr> <td>339</td> <td>ETR</td> <td>-</td> <td>WD.</td> <td>J2</td> <td>PTD.</td> <td>-</td> <td>329B</td> <td>3\"/> <tr> <td>340</td> <td>A</td> <td>3\"/> <tr> <td>341A</td> <td>ETR</td> <td>-</td> <td>WD.</td> <td>J2</td> <td>PTD.</td> <td>-</td> <td>331</td> <td>3\"/> <tr> <td>341B</td> <td>ETR</td> <td>-</td> <td>WD.</td> <td>J2</td> <td>PTD.</td> <td>-</td> <td>333</td> <td>3\"/> <tr> <td>342</td> <td>ETR</td> <td>-</td> <td>WD.</td> <td>J2</td> <td>PTD.</td> <td>-</td> <td>334A</td> <td>3\"/> <tr> <td>344</td> <td>ETR</td> <td>-</td> <td>WD.</td> <td>J2</td> <td>PTD.</td> <td>-</td> <td>334B</td> <td>3\"/> <tr> <td>345</td> <td>ETR</td> <td>-</td> <td>WD.</td> <td>J2</td> <td>PTD.</td> <td>-</td> <td>335A</td> <td>3\"/> <tr> <td>346</td> <td>ETR</td> <td>-</td> <td>WD.</td> <td>J2</td> <td>PTD.</td> <td>-</td> <td>335B</td> <td>3\"/> <tr> <td>347</td> <td>ETR</td> <td>-</td> <td>WD.</td> <td>J2</td> <td>PTD.</td> <td>-</td> <td>336</td> <td>3\"/> <tr> <td>348</td> <td>ETR</td> <td>-</td> <td>WD.</td> <td>J2</td> <td>PTD.</td> <td>-</td> <td>337</td> <td>3\"/> <tr> <td>349</td> <td>ETR</td> <td>-</td> <td>WD.</td> <td>J2</td> <td>PTD.</td> <td>-</td> <td>339</td> <td>3\"/> <tr> <td>350</td> <td>ETR</td> <td>-</td> <td>WD.</td> <td>J2</td> <td>PTD.</td> <td>-</td> <td>340</td> <td>3\"/> </td></tr></td></tr></td></tr></td></tr></td></tr></td></tr></td></tr></td></tr></td></tr></td></tr></td></tr></td></tr></td></tr></td></tr></td></tr></td></tr></td></tr></td></tr></td></tr></td></tr></td></tr></td></tr></td></tr></td></tr></td></tr></td></tr> | 324 | ETR | - | WD. | J2 | PTD.
 | - | 318 | 3\"/> <tr> <td>325</td> <td>A</td> <td>3\"/> <tr> <td>327</td> <td>ETR</td> <td>-</td> <td>WD.</td> <td>J2</td> <td>PTD.</td> <td>-</td> <td>319</td> <td>3\"/> <tr> <td>328</td> <td>ETR</td> <td>-</td> <td>WD.</td> <td>J2</td> <td>PTD.</td> <td>-</td> <td>320</td> <td>3\"/> <tr> <td>329A</td> <td>ETR</td> <td>-</td> <td>WD.</td> <td>J2</td> <td>PTD.</td> <td>-</td> <td>321</td> <td>3\"/> <tr> <td>329B</td> <td>ETR</td> <td>-</td> <td>WD.</td> <td>J2</td> <td>PTD.</td> <td>-</td> <td>322</td> <td>3\"/> <tr> <td>331</td> <td>ETR</td> <td>-</td> <td>WD.</td> <td>J2</td> <td>PTD.</td> <td>-</td> <td>323</td> <td>3\"/> <tr> <td>333</td> <td>ETR</td> <td>-</td> <td>WD.</td> <td>J2</td> <td>PTD.</td> <td>-</td> <td>324</td> <td>3\"/> <tr> <td>334A</td> <td>ETR</td> <td>-</td> <td>WD.</td> <td>J2</td> <td>PTD.</td> <td>-</td> <td>325</td> <td>3\"/> <tr> <td>334B</td> <td>ETR</td> <td>-</td> <td>WD.</td> <td>J2</td> <td>PTD.</td> <td>-</td> <td>327</td> <td>3\"/> <tr> <td>335A</td> <td>ETR</td> <td>-</td> <td>WD.</td> <td>J2</td> <td>PTD.</td> <td>-</td> <td>328</td> <td>3\"/> <tr> <td>335B</td> <td>B</td> <td>3\"/> <tr> <td>336</td> <td>B</td> <td>3\"/> <tr> <td>337</td> <td>ETR</td> <td>-</td> <td>WD.</td> <td>J2</td> <td>PTD.</td> <td>-</td> <td>329A</td> <td>3\"/> <tr> <td>339</td> <td>ETR</td> <td>-</td> <td>WD.</td> <td>J2</td> <td>PTD.</td> <td>-</td> <td>329B</td> <td>3\"/> <tr> <td>340</td> <td>A</td> <td>3\"/> <tr> <td>341A</td> <td>ETR</td> <td>-</td> <td>WD.</td> <td>J2</td> <td>PTD.</td> <td>-</td> <td>331</td> <td>3\"/> <tr> <td>341B</td> <td>ETR</td> <td>-</td> <td>WD.</td> <td>J2</td> <td>PTD.</td> <td>-</td> <td>333</td> <td>3\"/> <tr> <td>342</td> <td>ETR</td> <td>-</td> <td>WD.</td> <td>J2</td> <td>PTD.</td> <td>-</td> <td>334A</td> <td>3\"/> <tr> <td>344</td> <td>ETR</td> <td>-</td> <td>WD.</td> <td>J2</td> <td>PTD.</td> <td>-</td> <td>334B</td> <td>3\"/> <tr> <td>345</td> <td>ETR</td> <td>-</td> <td>WD.</td> <td>J2</td> <td>PTD.</td> <td>-</td> <td>335A</td> <td>3\"/> <tr> <td>346</td> <td>ETR</td> <td>-</td> <td>WD.</td> <td>J2</td> <td>PTD.</td> <td>-</td> <td>335B</td> <td>3\"/> <tr> <td>347</td> <td>ETR</td> <td>-</td> <td>WD.</td> <td>J2</td> <td>PTD.</td> <td>-</td> <td>336</td> <td>3\"/> <tr> <td>348</td> <td>ETR</td> <td>-</td> <td>WD.</td> <td>J2</td> <td>PTD.</td> <td>-</td> <td>337</td> <td>3\"/> <tr> <td>349</td> <td>ETR</td> <td>-</td> <td>WD.</td> <td>J2</td> <td>PTD.</td> <td>-</td> <td>339</td> <td>3\"/> <tr> <td>350</td> <td>ETR</td> <td>-</td> <td>WD.</td> <td>J2</td> <td>PTD.</td> <td>-</td> <td>340</td> <td>3\"/> </td></tr></td></tr></td></tr></td></tr></td></tr></td></tr></td></tr></td></tr></td></tr></td></tr></td></tr></td></tr></td></tr></td></tr></td></tr></td></tr></td></tr></td></tr></td></tr></td></tr></td></tr></td></tr></td></tr></td></tr></td></tr> | 325 | A | 3\"/> <tr> <td>327</td> <td>ETR</td> <td>-</td> <td>WD.</td> <td>J2</td> <td>PTD.</td> <td>-</td> <td>319</td> <td>3\"/> <tr> <td>328</td> <td>ETR</td> <td>-</td> <td>WD.</td> <td>J2</td> <td>PTD.</td> <td>-</td> <td>320</td> <td>3\"/> <tr> <td>329A</td> <td>ETR</td> <td>-</td> <td>WD.</td> <td>J2</td> <td>PTD.</td> <td>-</td> <td>321</td> <td>3\"/> <tr> <td>329B</td> <td>ETR</td> <td>-</td> <td>WD.</td> <td>J2</td> <td>PTD.</td> <td>-</td> <td>322</td> <td>3\"/> <tr> <td>331</td> <td>ETR</td> <td>-</td> <td>WD.</td> <td>J2</td> <td>PTD.</td> <td>-</td> <td>323</td> <td>3\"/> <tr> <td>333</td> <td>ETR</td> <td>-</td> <td>WD.</td> <td>J2</td> <td>PTD.</td> <td>-</td> <td>324</td> <td>3\"/> <tr> <td>334A</td> <td>ETR</td> <td>-</td> <td>WD.</td> <td>J2</td> <td>PTD.</td> <td>-</td> <td>325</td> <td>3\"/> <tr> <td>334B</td> <td>ETR</td> <td>-</td> <td>WD.</td> <td>J2</td> <td>PTD.</td> <td>-</td> <td>327</td> <td>3\"/> <tr> <td>335A</td> <td>ETR</td> <td>-</td> <td>WD.</td> <td>J2</td> <td>PTD.</td> <td>-</td> <td>328</td> <td>3\"/> <tr> <td>335B</td> <td>B</td> <td>3\"/> <tr> <td>336</td> <td>B</td> <td>3\"/> <tr> <td>337</td> <td>ETR</td> <td>-</td> <td>WD.</td> <td>J2</td> <td>PTD.</td> <td>-</td> <td>329A</td> <td>3\"/> <tr> <td>339</td> <td>ETR</td> <td>-</td> <td>WD.</td> <td>J2</td> <td>PTD.</td> <td>-</td> <td>329B</td> <td>3\"/> <tr> <td>340</td> <td>A</td> <td>3\"/> <tr> <td>341A</td> <td>ETR</td> <td>-</td> <td>WD.</td> <td>J2</td> <td>PTD.</td> <td>-</td> <td>331</td> <td>3\"/> <tr> <td>341B</td> <td>ETR</td> <td>-</td> <td>WD.</td> <td>J2</td> <td>PTD.</td> <td>-</td> <td>333</td> <td>3\"/> <tr> <td>342</td> <td>ETR</td> <td>-</td> <td>WD.</td> <td>J2</td> <td>PTD.</td> <td>-</td> <td>334A</td> <td>3\"/> <tr> <td>344</td> <td>ETR</td> <td>-</td> <td>WD.</td> <td>J2</td> <td>PTD.</td> <td>-</td> <td>334B</td> <td>3\"/> <tr> <td>345</td> <td>ETR</td> <td>-</td> <td>WD.</td> <td>J2</td> <td>PTD.</td> <td>-</td> <td>335A</td> <td>3\"/> <tr> <td>346</td> <td>ETR</td> <td>-</td> <td>WD.</td> <td>J2</td> <td>PTD.</td> <td>-</td> <td>335B</td> <td>3\"/> <tr> <td>347</td> <td>ETR</td> <td>-</td> <td>WD.</td> <td>J2</td> <td>PTD.</td> <td>-</td> <td>336</td> <td>3\"/> <tr> <td>348</td> <td>ETR</td> <td>-</td> <td>WD.</td> <td>J2</td> <td>PTD.</td> <td>-</td> <td>337</td> <td>3\"/> <tr> <td>349</td> <td>ETR</td> <td>-</td> <td>WD.</td> <td>J2</td> <td>PTD.</td> <td>-</td> <td>339</td> <td>3\"/> <tr> <td>350</td> <td>ETR</td> <td>-</td> <td>WD.</td> <td>J2</td> <td>PTD.</td> <td>-</td> <td>340</td> <td>3\"/> </td></tr></td></tr></td></tr></td></tr></td></tr></td></tr></td></tr></td></tr></td></tr></td></tr></td></tr></td></tr></td></tr></td></tr></td></tr></td></tr></td></tr></td></tr></td></tr></td></tr></td></tr></td></tr></td></tr></td></tr>
 | 327 | ETR | - | WD. | J2 | PTD. | - | 319 | 3\"/> <tr> <td>328</td> <td>ETR</td> <td>-</td> <td>WD.</td> <td>J2</td> <td>PTD.</td> <td>-</td> <td>320</td> <td>3\"/> <tr> <td>329A</td> <td>ETR</td> <td>-</td> <td>WD.</td> <td>J2</td> <td>PTD.</td> <td>-</td> <td>321</td> <td>3\"/> <tr> <td>329B</td> <td>ETR</td> <td>-</td> <td>WD.</td> <td>J2</td> <td>PTD.</td> <td>-</td> <td>322</td> <td>3\"/> <tr> <td>331</td> <td>ETR</td> <td>-</td> <td>WD.</td> <td>J2</td> <td>PTD.</td> <td>-</td> <td>323</td> <td>3\"/> <tr> <td>333</td> <td>ETR</td> <td>-</td> <td>WD.</td> <td>J2</td> <td>PTD.</td> <td>-</td> <td>324</td> <td>3\"/> <tr> <td>334A</td> <td>ETR</td> <td>-</td> <td>WD.</td> <td>J2</td> <td>PTD.</td> <td>-</td> <td>325</td> <td>3\"/> <tr> <td>334B</td> <td>ETR</td> <td>-</td> <td>WD.</td> <td>J2</td> <td>PTD.</td> <td>-</td> <td>327</td> <td>3\"/> <tr> <td>335A</td> <td>ETR</td> <td>-</td> <td>WD.</td> <td>J2</td> <td>PTD.</td> <td>-</td> <td>328</td> <td>3\"/> <tr> <td>335B</td> <td>B</td> <td>3\"/> <tr> <td>336</td> <td>B</td> <td>3\"/> <tr> <td>337</td> <td>ETR</td> <td>-</td> <td>WD.</td> <td>J2</td> <td>PTD.</td> <td>-</td> <td>329A</td> <td>3\"/> <tr> <td>339</td> <td>ETR</td> <td>-</td> <td>WD.</td> <td>J2</td> <td>PTD.</td> <td>-</td> <td>329B</td> <td>3\"/> <tr> <td>340</td> <td>A</td> <td>3\"/> <tr> <td>341A</td> <td>ETR</td> <td>-</td> <td>WD.</td> <td>J2</td> <td>PTD.</td> <td>-</td> <td>331</td> <td>3\"/> <tr> <td>341B</td> <td>ETR</td> <td>-</td> <td>WD.</td> <td>J2</td> <td>PTD.</td> <td>-</td> <td>333</td> <td>3\"/> <tr> <td>342</td> <td>ETR</td> <td>-</td> <td>WD.</td> <td>J2</td> <td>PTD.</td> <td>-</td> <td>334A</td> <td>3\"/> <tr>
<td>344</td> <td>ETR</td> <td>-</td> <td>WD.</td> <td>J2</td> <td>PTD.</td> <td>-</td> <td>334B</td> <td>3\"/> <tr> <td>345</td> <td>ETR</td> <td>-</td> <td>WD.</td> <td>J2</td> <td>PTD.</td> <td>-</td> <td>335A</td> <td>3\"/> <tr> <td>346</td> <td>ETR</td> <td>-</td> <td>WD.</td> <td>J2</td> <td>PTD.</td> <td>-</td> <td>335B</td> <td>3\"/> <tr> <td>347</td> <td>ETR</td> <td>-</td> <td>WD.</td> <td>J2</td> <td>PTD.</td> <td>-</td> <td>336</td> <td>3\"/> <tr> <td>348</td> <td>ETR</td> <td>-</td> <td>WD.</td> <td>J2</td> <td>PTD.</td> <td>-</td> <td>337</td> <td>3\"/> <tr> <td>349</td> <td>ETR</td> <td>-</td> <td>WD.</td> <td>J2</td> <td>PTD.</td> <td>-</td> <td>339</td> <td>3\"/> <tr> <td>350</td> <td>ETR</td> <td>-</td> <td>WD.</td> <td>J2</td> <td>PTD.</td> <td>-</td> <td>340</td> <td>3\"/> </td></tr></td></tr></td></tr></td></tr></td></tr></td></tr></td></tr></td></tr></td></tr></td></tr></td></tr></td></tr></td></tr></td></tr></td></tr></td></tr></td></tr></td></tr></td></tr></td></tr></td></tr></td></tr></td></tr> | 328 | ETR | - | WD. | J2 | PTD. | - | 320 | 3\"/> <tr> <td>329A</td> <td>ETR</td> <td>-</td> <td>WD.</td> <td>J2</td> <td>PTD.</td> <td>-</td> <td>321</td> <td>3\"/> <tr> <td>329B</td> <td>ETR</td> <td>-</td> <td>WD.</td> <td>J2</td> <td>PTD.</td> <td>-</td> <td>322</td> <td>3\"/> <tr> <td>331</td> <td>ETR</td> <td>-</td> <td>WD.</td> <td>J2</td> <td>PTD.</td> <td>-</td> <td>323</td> <td>3\"/> <tr> <td>333</td> <td>ETR</td> <td>-</td> <td>WD.</td> <td>J2</td> <td>PTD.</td> <td>-</td> <td>324</td> <td>3\"/> <tr> <td>334A</td> <td>ETR</td> <td>-</td> <td>WD.</td> <td>J2</td> <td>PTD.</td> <td>-</td> <td>325</td> <td>3\"/> <tr> <td>334B</td>
<td>ETR</td> <td>-</td> <td>WD.</td> <td>J2</td> <td>PTD.</td> <td>-</td> <td>327</td> <td>3\"/> <tr> <td>335A</td> <td>ETR</td> <td>-</td> <td>WD.</td> <td>J2</td> <td>PTD.</td> <td>-</td> <td>328</td> <td>3\"/> <tr> <td>335B</td> <td>B</td> <td>3\"/> <tr> <td>336</td> <td>B</td> <td>3\"/> <tr> <td>337</td> <td>ETR</td> <td>-</td> <td>WD.</td> <td>J2</td> <td>PTD.</td> <td>-</td> <td>329A</td> <td>3\"/> <tr> <td>339</td> <td>ETR</td> <td>-</td> <td>WD.</td> <td>J2</td> <td>PTD.</td> <td>-</td> <td>329B</td> <td>3\"/> <tr> <td>340</td> <td>A</td> <td>3\"/> <tr> <td>341A</td> <td>ETR</td> <td>-</td> <td>WD.</td> <td>J2</td> <td>PTD.</td> <td>-</td> <td>331</td> <td>3\"/> <tr> <td>341B</td> <td>ETR</td> <td>-</td> <td>WD.</td> <td>J2</td> <td>PTD.</td> <td>-</td> <td>333</td> <td>3\"/> <tr> <td>342</td> <td>ETR</td> <td>-</td> <td>WD.</td> <td>J2</td> <td>PTD.</td> <td>-</td> <td>334A</td> <td>3\"/> <tr> <td>344</td> <td>ETR</td> <td>-</td> <td>WD.</td> <td>J2</td> <td>PTD.</td> <td>-</td> <td>334B</td> <td>3\"/> <tr> <td>345</td> <td>ETR</td> <td>-</td> <td>WD.</td> <td>J2</td> <td>PTD.</td> <td>-</td> <td>335A</td> <td>3\"/> <tr> <td>346</td> <td>ETR</td> <td>-</td> <td>WD.</td> <td>J2</td> <td>PTD.</td> <td>-</td> <td>335B</td> <td>3\"/> <tr> <td>347</td> <td>ETR</td> <td>-</td> <td>WD.</td> <td>J2</td> <td>PTD.</td> <td>-</td> <td>336</td> <td>3\"/> <tr> <td>348</td> <td>ETR</td> <td>-</td> <td>WD.</td> <td>J2</td> <td>PTD.</td> <td>-</td> <td>337</td> <td>3\"/> <tr> <td>349</td> <td>ETR</td> <td>-</td> <td>WD.</td> <td>J2</td> <td>PTD.</td> <td>-</td> <td>339</td> <td>3\"/> <tr> <td>350</td> <td>ETR</td> <td>-</td> <td>WD.</td> <td>J2</td> <td>PTD.</td> <td>-</td> <td>340</td> <td>3\"/> </td></tr></td></tr></td></tr></td></tr></td></tr></td></tr></td></tr></td></tr></td></tr></td></tr></td></tr></td></tr></td></tr></td></tr></td></tr></td></tr></td></tr></td></tr></td></tr></td></tr></td></tr></td></tr> | 329A | ETR | - | WD. | J2 | PTD.
 | - | 321 | 3\"/> <tr> <td>329B</td> <td>ETR</td> <td>-</td> <td>WD.</td> <td>J2</td> <td>PTD.</td> <td>-</td> <td>322</td> <td>3\"/> <tr> <td>331</td> <td>ETR</td> <td>-</td> <td>WD.</td> <td>J2</td> <td>PTD.</td> <td>-</td> <td>323</td> <td>3\"/> <tr> <td>333</td> <td>ETR</td> <td>-</td> <td>WD.</td> <td>J2</td> <td>PTD.</td> <td>-</td> <td>324</td> <td>3\"/> <tr> <td>334A</td> <td>ETR</td> <td>-</td> <td>WD.</td> <td>J2</td> <td>PTD.</td> <td>-</td> <td>325</td> <td>3\"/> <tr> <td>334B</td> <td>ETR</td> <td>-</td> <td>WD.</td> <td>J2</td> <td>PTD.</td> <td>-</td> <td>327</td> <td>3\"/> <tr> <td>335A</td> <td>ETR</td> <td>-</td> <td>WD.</td> <td>J2</td> <td>PTD.</td> <td>-</td> <td>328</td> <td>3\"/> <tr> <td>335B</td> <td>B</td> <td>3\"/> <tr> <td>336</td> <td>B</td> <td>3\"/> <tr> <td>337</td> <td>ETR</td> <td>-</td> <td>WD.</td> <td>J2</td> <td>PTD.</td> <td>-</td> <td>329A</td> <td>3\"/> <tr> <td>339</td> <td>ETR</td> <td>-</td> <td>WD.</td> <td>J2</td> <td>PTD.</td> <td>-</td> <td>329B</td> <td>3\"/> <tr> <td>340</td> <td>A</td> <td>3\"/> <tr> <td>341A</td> <td>ETR</td> <td>-</td> <td>WD.</td> <td>J2</td> <td>PTD.</td> <td>-</td> <td>331</td> <td>3\"/> <tr> <td>341B</td> <td>ETR</td> <td>-</td> <td>WD.</td> <td>J2</td> <td>PTD.</td> <td>-</td> <td>333</td> <td>3\"/> <tr> <td>342</td> <td>ETR</td> <td>-</td> <td>WD.</td> <td>J2</td> <td>PTD.</td> <td>-</td> <td>334A</td> <td>3\"/> <tr> <td>344</td> <td>ETR</td> <td>-</td> <td>WD.</td> <td>J2</td> <td>PTD.</td> <td>-</td> <td>334B</td> <td>3\"/> <tr> <td>345</td> <td>ETR</td> <td>-</td> <td>WD.</td> <td>J2</td> <td>PTD.</td> <td>-</td> <td>335A</td> <td>3\"/> <tr> <td>346</td> <td>ETR</td> <td>-</td> <td>WD.</td> <td>J2</td> <td>PTD.</td> <td>-</td> <td>335B</td> <td>3\"/> <tr> <td>347</td> <td>ETR</td> <td>-</td> <td>WD.</td> <td>J2</td> <td>PTD.</td> <td>-</td> <td>336</td> <td>3\"/> <tr> <td>348</td> <td>ETR</td> <td>-</td> <td>WD.</td> <td>J2</td> <td>PTD.</td> <td>-</td> <td>337</td> <td>3\"/> <tr> <td>349</td> <td>ETR</td> <td>-</td> <td>WD.</td> <td>J2</td> <td>PTD.</td> <td>-</td> <td>339</td> <td>3\"/> <tr> <td>350</td> <td>ETR</td> <td>-</td> <td>WD.</td> <td>J2</td> <td>PTD.</td> <td>-</td> <td>340</td> <td>3\"/> </td></tr></td></tr></td></tr></td></tr></td></tr></td></tr></td></tr></td></tr></td></tr></td></tr></td></tr></td></tr></td></tr></td></tr></td></tr></td></tr></td></tr></td></tr></td></tr></td></tr></td></tr> | 329B | ETR | - | WD. | J2 | PTD.
 | - | 322 | 3\"/> <tr> <td>331</td> <td>ETR</td> <td>-</td> <td>WD.</td> <td>J2</td> <td>PTD.</td> <td>-</td> <td>323</td> <td>3\"/> <tr> <td>333</td> <td>ETR</td> <td>-</td> <td>WD.</td> <td>J2</td> <td>PTD.</td> <td>-</td> <td>324</td> <td>3\"/> <tr> <td>334A</td> <td>ETR</td> <td>-</td> <td>WD.</td> <td>J2</td> <td>PTD.</td> <td>-</td> <td>325</td> <td>3\"/> <tr> <td>334B</td> <td>ETR</td> <td>-</td> <td>WD.</td> <td>J2</td> <td>PTD.</td> <td>-</td> <td>327</td> <td>3\"/> <tr> <td>335A</td> <td>ETR</td> <td>-</td> <td>WD.</td> <td>J2</td> <td>PTD.</td> <td>-</td> <td>328</td> <td>3\"/> <tr> <td>335B</td> <td>B</td> <td>3\"/> <tr> <td>336</td> <td>B</td> <td>3\"/> <tr> <td>337</td> <td>ETR</td> <td>-</td> <td>WD.</td> <td>J2</td> <td>PTD.</td> <td>-</td> <td>329A</td> <td>3\"/> <tr> <td>339</td> <td>ETR</td> <td>-</td> <td>WD.</td> <td>J2</td> <td>PTD.</td> <td>-</td> <td>329B</td> <td>3\"/> <tr> <td>340</td> <td>A</td> <td>3\"/> <tr> <td>341A</td> <td>ETR</td> <td>-</td> <td>WD.</td> <td>J2</td> <td>PTD.</td> <td>-</td> <td>331</td> <td>3\"/> <tr> <td>341B</td> <td>ETR</td> <td>-</td> <td>WD.</td> <td>J2</td> <td>PTD.</td> <td>-</td> <td>333</td> <td>3\"/> <tr> <td>342</td> <td>ETR</td> <td>-</td> <td>WD.</td> <td>J2</td> <td>PTD.</td> <td>-</td> <td>334A</td> <td>3\"/> <tr> <td>344</td> <td>ETR</td> <td>-</td> <td>WD.</td> <td>J2</td> <td>PTD.</td> <td>-</td> <td>334B</td> <td>3\"/> <tr> <td>345</td> <td>ETR</td> <td>-</td> <td>WD.</td> <td>J2</td> <td>PTD.</td> <td>-</td> <td>335A</td> <td>3\"/> <tr> <td>346</td> <td>ETR</td> <td>-</td> <td>WD.</td> <td>J2</td> <td>PTD.</td> <td>-</td> <td>335B</td> <td>3\"/> <tr> <td>347</td> <td>ETR</td> <td>-</td> <td>WD.</td> <td>J2</td> <td>PTD.</td> <td>-</td> <td>336</td> <td>3\"/> <tr> <td>348</td> <td>ETR</td> <td>-</td> <td>WD.</td> <td>J2</td> <td>PTD.</td> <td>-</td> <td>337</td> <td>3\"/> <tr> <td>349</td> <td>ETR</td> <td>-</td> <td>WD.</td> <td>J2</td> <td>PTD.</td> <td>-</td> <td>339</td> <td>3\"/> <tr> <td>350</td> <td>ETR</td> <td>-</td> <td>WD.</td> <td>J2</td> <td>PTD.</td> <td>-</td> <td>340</td> <td>3\"/> </td></tr></td></tr></td></tr></td></tr></td></tr></td></tr></td></tr></td></tr></td></tr></td></tr></td></tr></td></tr></td></tr></td></tr></td></tr></td></tr></td></tr></td></tr></td></tr></td></tr> | 331 | ETR | - | WD. | J2 | PTD.
 | - | 323 | 3\"/> <tr> <td>333</td> <td>ETR</td> <td>-</td> <td>WD.</td> <td>J2</td> <td>PTD.</td> <td>-</td> <td>324</td> <td>3\"/> <tr> <td>334A</td> <td>ETR</td> <td>-</td> <td>WD.</td> <td>J2</td> <td>PTD.</td> <td>-</td> <td>325</td> <td>3\"/> <tr> <td>334B</td> <td>ETR</td> <td>-</td> <td>WD.</td> <td>J2</td> <td>PTD.</td> <td>-</td> <td>327</td> <td>3\"/> <tr> <td>335A</td> <td>ETR</td> <td>-</td> <td>WD.</td> <td>J2</td> <td>PTD.</td> <td>-</td> <td>328</td> <td>3\"/> <tr> <td>335B</td> <td>B</td> <td>3\"/> <tr> <td>336</td> <td>B</td> <td>3\"/> <tr> <td>337</td> <td>ETR</td> <td>-</td> <td>WD.</td> <td>J2</td> <td>PTD.</td> <td>-</td> <td>329A</td> <td>3\"/> <tr> <td>339</td> <td>ETR</td> <td>-</td> <td>WD.</td> <td>J2</td> <td>PTD.</td> <td>-</td> <td>329B</td> <td>3\"/> <tr> <td>340</td> <td>A</td> <td>3\"/> <tr> <td>341A</td> <td>ETR</td> <td>-</td> <td>WD.</td> <td>J2</td> <td>PTD.</td> <td>-</td> <td>331</td> <td>3\"/> <tr> <td>341B</td> <td>ETR</td> <td>-</td> <td>WD.</td> <td>J2</td> <td>PTD.</td> <td>-</td> <td>333</td> <td>3\"/> <tr> <td>342</td> <td>ETR</td> <td>-</td> <td>WD.</td> <td>J2</td> <td>PTD.</td> <td>-</td> <td>334A</td> <td>3\"/> <tr> <td>344</td> <td>ETR</td> <td>-</td> <td>WD.</td> <td>J2</td> <td>PTD.</td> <td>-</td> <td>334B</td> <td>3\"/> <tr> <td>345</td> <td>ETR</td> <td>-</td> <td>WD.</td> <td>J2</td> <td>PTD.</td> <td>-</td> <td>335A</td> <td>3\"/> <tr> <td>346</td> <td>ETR</td> <td>-</td> <td>WD.</td> <td>J2</td> <td>PTD.</td> <td>-</td> <td>335B</td> <td>3\"/> <tr> <td>347</td> <td>ETR</td> <td>-</td> <td>WD.</td> <td>J2</td> <td>PTD.</td> <td>-</td> <td>336</td> <td>3\"/> <tr> <td>348</td> <td>ETR</td> <td>-</td> <td>WD.</td> <td>J2</td> <td>PTD.</td> <td>-</td> <td>337</td> <td>3\"/> <tr> <td>349</td> <td>ETR</td> <td>-</td> <td>WD.</td> <td>J2</td> <td>PTD.</td> <td>-</td> <td>339</td> <td>3\"/> <tr> <td>350</td> <td>ETR</td> <td>-</td> <td>WD.</td> <td>J2</td> <td>PTD.</td> <td>-</td> <td>340</td> <td>3\"/> </td></tr></td></tr></td></tr></td></tr></td></tr></td></tr></td></tr></td></tr></td></tr></td></tr></td></tr></td></tr></td></tr></td></tr></td></tr></td></tr></td></tr></td></tr></td></tr> | 333 | ETR | - | WD. | J2 | PTD. | - | 324 | 3\"/> <tr> <td>334A</td> <td>ETR</td> <td>-</td> <td>WD.</td> <td>J2</td> <td>PTD.</td> <td>-</td> <td>325</td> <td>3\"/> <tr> <td>334B</td> <td>ETR</td> <td>-</td> <td>WD.</td> <td>J2</td>
<td>PTD.</td> <td>-</td> <td>327</td> <td>3\"/> <tr> <td>335A</td> <td>ETR</td> <td>-</td> <td>WD.</td> <td>J2</td> <td>PTD.</td> <td>-</td> <td>328</td> <td>3\"/> <tr> <td>335B</td> <td>B</td> <td>3\"/> <tr> <td>336</td> <td>B</td> <td>3\"/> <tr> <td>337</td> <td>ETR</td> <td>-</td> <td>WD.</td> <td>J2</td> <td>PTD.</td> <td>-</td> <td>329A</td> <td>3\"/> <tr> <td>339</td> <td>ETR</td> <td>-</td> <td>WD.</td> <td>J2</td> <td>PTD.</td> <td>-</td> <td>329B</td> <td>3\"/> <tr> <td>340</td> <td>A</td> <td>3\"/> <tr> <td>341A</td> <td>ETR</td> <td>-</td> <td>WD.</td> <td>J2</td> <td>PTD.</td> <td>-</td> <td>331</td> <td>3\"/> <tr> <td>341B</td> <td>ETR</td> <td>-</td> <td>WD.</td> <td>J2</td> <td>PTD.</td> <td>-</td> <td>333</td> <td>3\"/> <tr> <td>342</td> <td>ETR</td> <td>-</td> <td>WD.</td> <td>J2</td> <td>PTD.</td> <td>-</td> <td>334A</td> <td>3\"/> <tr> <td>344</td> <td>ETR</td> <td>-</td> <td>WD.</td> <td>J2</td> <td>PTD.</td> <td>-</td> <td>334B</td> <td>3\"/> <tr> <td>345</td> <td>ETR</td> <td>-</td> <td>WD.</td> <td>J2</td> <td>PTD.</td> <td>-</td> <td>335A</td> <td>3\"/> <tr> <td>346</td> <td>ETR</td> <td>-</td> <td>WD.</td> <td>J2</td> <td>PTD.</td> <td>-</td> <td>335B</td> <td>3\"/> <tr> <td>347</td> <td>ETR</td> <td>-</td> <td>WD.</td> <td>J2</td> <td>PTD.</td> <td>-</td> <td>336</td> <td>3\"/> <tr> <td>348</td> <td>ETR</td> <td>-</td> <td>WD.</td> <td>J2</td> <td>PTD.</td> <td>-</td> <td>337</td> <td>3\"/> <tr> <td>349</td> <td>ETR</td> <td>-</td> <td>WD.</td> <td>J2</td> <td>PTD.</td> <td>-</td> <td>339</td> <td>3\"/> <tr> <td>350</td> <td>ETR</td> <td>-</td> <td>WD.</td> <td>J2</td> <td>PTD.</td> <td>-</td> <td>340</td> <td>3\"/> </td></tr></td></tr></td></tr></td></tr></td></tr></td></tr></td></tr></td></tr></td></tr></td></tr></td></tr></td></tr></td></tr></td></tr></td></tr></td></tr></td></tr></td></tr> | 334A | ETR | - | WD. | J2 | PTD. | - | 325 | 3\"/> <tr> <td>334B</td> <td>ETR</td> <td>-</td> <td>WD.</td> <td>J2</td> <td>PTD.</td> <td>-</td> <td>327</td> <td>3\"/> <tr> <td>335A</td> <td>ETR</td> <td>-</td> <td>WD.</td> <td>J2</td> <td>PTD.</td> <td>-</td> <td>328</td> <td>3\"/> <tr> <td>335B</td> <td>B</td> <td>3\"/> <tr> <td>336</td> <td>B</td> <td>3\"/> <tr> <td>337</td> <td>ETR</td> <td>-</td> <td>WD.</td> <td>J2</td> <td>PTD.</td> <td>-</td> <td>329A</td> <td>3\"/> <tr> <td>339</td> <td>ETR</td> <td>-</td> <td>WD.</td> <td>J2</td> <td>PTD.</td> <td>-</td> <td>329B</td> <td>3\"/> <tr> <td>340</td> <td>A</td> <td>3\"/> <tr> <td>341A</td> <td>ETR</td> <td>-</td> <td>WD.</td> <td>J2</td> <td>PTD.</td> <td>-</td> <td>331</td> <td>3\"/> <tr> <td>341B</td> <td>ETR</td> <td>-</td> <td>WD.</td> <td>J2</td> <td>PTD.</td> <td>-</td> <td>333</td> <td>3\"/> <tr> <td>342</td> <td>ETR</td> <td>-</td> <td>WD.</td> <td>J2</td> <td>PTD.</td> <td>-</td> <td>334A</td> <td>3\"/> <tr> <td>344</td> <td>ETR</td> <td>-</td> <td>WD.</td> <td>J2</td> <td>PTD.</td>
<td>-</td> <td>334B</td> <td>3\"/> <tr> <td>345</td> <td>ETR</td> <td>-</td> <td>WD.</td> <td>J2</td> <td>PTD.</td> <td>-</td> <td>335A</td> <td>3\"/> <tr> <td>346</td> <td>ETR</td> <td>-</td> <td>WD.</td> <td>J2</td> <td>PTD.</td> <td>-</td> <td>335B</td> <td>3\"/> <tr> <td>347</td> <td>ETR</td> <td>-</td> <td>WD.</td> <td>J2</td> <td>PTD.</td> <td>-</td> <td>336</td> <td>3\"/> <tr> <td>348</td> <td>ETR</td> <td>-</td> <td>WD.</td> <td>J2</td> <td>PTD.</td> <td>-</td> <td>337</td> <td>3\"/> <tr> <td>349</td> <td>ETR</td> <td>-</td> <td>WD.</td> <td>J2</td> <td>PTD.</td> <td>-</td> <td>339</td> <td>3\"/> <tr> <td>350</td> <td>ETR</td> <td>-</td> <td>WD.</td> <td>J2</td> <td>PTD.</td> <td>-</td> <td>340</td> <td>3\"/> </td></tr></td></tr></td></tr></td></tr></td></tr></td></tr></td></tr></td></tr></td></tr></td></tr></td></tr></td></tr></td></tr></td></tr></td></tr></td></tr></td></tr> | 334B | ETR | - | WD. | J2 | PTD. | - | 327 | 3\"/> <tr> <td>335A</td> <td>ETR</td> <td>-</td> <td>WD.</td> <td>J2</td> <td>PTD.</td> <td>-</td> <td>328</td> <td>3\"/> <tr> <td>335B</td> <td>B</td> <td>3\"/> <tr> <td>336</td> <td>B</td> <td>3\"/> <tr> <td>337</td> <td>ETR</td> <td>-</td> <td>WD.</td> <td>J2</td> <td>PTD.</td> <td>-</td> <td>329A</td> <td>3\"/> <tr> <td>339</td> <td>ETR</td> <td>-</td> <td>WD.</td> <td>J2</td> <td>PTD.</td> <td>-</td> <td>329B</td> <td>3\"/> <tr> <td>340</td> <td>A</td> <td>3\"/> <tr> <td>341A</td> <td>ETR</td> <td>-</td> <td>WD.</td> <td>J2</td> <td>PTD.</td> <td>-</td> <td>331</td> <td>3\"/> <tr> <td>341B</td> <td>ETR</td> <td>-</td> <td>WD.</td> <td>J2</td> <td>PTD.</td> <td>-</td> <td>333</td> <td>3\"/> <tr> <td>342</td> <td>ETR</td> <td>-</td> <td>WD.</td> <td>J2</td> <td>PTD.</td> <td>-</td> <td>334A</td> <td>3\"/> <tr> <td>344</td> <td>ETR</td> <td>-</td> <td>WD.</td> <td>J2</td> <td>PTD.</td> <td>-</td> <td>334B</td> <td>3\"/> <tr> <td>345</td> <td>ETR</td> <td>-</td> <td>WD.</td> <td>J2</td> <td>PTD.</td> <td>-</td> <td>335A</td> <td>3\"/> <tr> <td>346</td> <td>ETR</td> <td>-</td> <td>WD.</td> <td>J2</td> <td>PTD.</td> <td>-</td> <td>335B</td> <td>3\"/> <tr> <td>347</td> <td>ETR</td> <td>-</td> <td>WD.</td> <td>J2</td> <td>PTD.</td> <td>-</td> <td>336</td> <td>3\"/> <tr> <td>348</td> <td>ETR</td> <td>-</td> <td>WD.</td> <td>J2</td> <td>PTD.</td> <td>-</td> <td>337</td> <td>3\"/> <tr> <td>349</td> <td>ETR</td> <td>-</td> <td>WD.</td> <td>J2</td> <td>PTD.</td> <td>-</td> <td>339</td> <td>3\"/> <tr> <td>350</td> <td>ETR</td> <td>-</td> <td>WD.</td> <td>J2</td> <td>PTD.</td> <td>-</td> <td>340</td> <td>3\"/> </td></tr></td></tr></td></tr></td></tr></td></tr></td></tr></td></tr></td></tr></td></tr></td></tr></td></tr></td></tr></td></tr></td></tr></td></tr></td></tr> | 335A | ETR | -
 | WD. | J2 | PTD. | - | 328 | 3\"/> <tr> <td>335B</td> <td>B</td> <td>3\"/> <tr> <td>336</td> <td>B</td> <td>3\"/> <tr> <td>337</td> <td>ETR</td> <td>-</td> <td>WD.</td> <td>J2</td> <td>PTD.</td> <td>-</td> <td>329A</td> <td>3\"/> <tr> <td>339</td> <td>ETR</td> <td>-</td> <td>WD.</td> <td>J2</td> <td>PTD.</td> <td>-</td> <td>329B</td> <td>3\"/> <tr> <td>340</td> <td>A</td> <td>3\"/> <tr> <td>341A</td> <td>ETR</td> <td>-</td> <td>WD.</td> <td>J2</td> <td>PTD.</td> <td>-</td> <td>331</td> <td>3\"/> <tr> <td>341B</td> <td>ETR</td> <td>-</td> <td>WD.</td> <td>J2</td> <td>PTD.</td> <td>-</td> <td>333</td> <td>3\"/> <tr> <td>342</td> <td>ETR</td> <td>-</td> <td>WD.</td> <td>J2</td> <td>PTD.</td> <td>-</td> <td>334A</td> <td>3\"/> <tr> <td>344</td> <td>ETR</td> <td>-</td> <td>WD.</td> <td>J2</td> <td>PTD.</td> <td>-</td> <td>334B</td> <td>3\"/> <tr> <td>345</td> <td>ETR</td> <td>-</td> <td>WD.</td> <td>J2</td> <td>PTD.</td> <td>-</td> <td>335A</td> <td>3\"/> <tr> <td>346</td> <td>ETR</td> <td>-</td> <td>WD.</td> <td>J2</td> <td>PTD.</td> <td>-</td> <td>335B</td> <td>3\"/> <tr> <td>347</td> <td>ETR</td> <td>-</td> <td>WD.</td> <td>J2</td> <td>PTD.</td> <td>-</td> <td>336</td> <td>3\"/> <tr> <td>348</td> <td>ETR</td> <td>-</td> <td>WD.</td> <td>J2</td> <td>PTD.</td> <td>-</td> <td>337</td> <td>3\"/> <tr> <td>349</td> <td>ETR</td> <td>-</td> <td>WD.</td> <td>J2</td> <td>PTD.</td> <td>-</td> <td>339</td> <td>3\"/> <tr> <td>350</td> <td>ETR</td> <td>-</td> <td>WD.</td> <td>J2</td> <td>PTD.</td> <td>-</td> <td>340</td> <td>3\"/> </td></tr></td></tr></td></tr></td></tr></td></tr></td></tr></td></tr></td></tr></td></tr></td></tr></td></tr></td></tr></td></tr></td></tr></td></tr> | 335B | B | 3\"/> <tr> <td>336</td> <td>B</td> <td>3\"/> <tr> <td>337</td> <td>ETR</td> <td>-</td> <td>WD.</td> <td>J2</td> <td>PTD.</td> <td>-</td> <td>329A</td> <td>3\"/> <tr> <td>339</td> <td>ETR</td> <td>-</td> <td>WD.</td> <td>J2</td> <td>PTD.</td> <td>-</td> <td>329B</td> <td>3\"/> <tr> <td>340</td> <td>A</td> <td>3\"/> <tr> <td>341A</td> <td>ETR</td> <td>-</td> <td>WD.</td> <td>J2</td> <td>PTD.</td> <td>-</td> <td>331</td> <td>3\"/> <tr> <td>341B</td> <td>ETR</td> <td>-</td> <td>WD.</td> <td>J2</td> <td>PTD.</td> <td>-</td> <td>333</td> <td>3\"/> <tr> <td>342</td> <td>ETR</td> <td>-</td> <td>WD.</td> <td>J2</td> <td>PTD.</td> <td>-</td> <td>334A</td> <td>3\"/> <tr> <td>344</td> <td>ETR</td> <td>-</td> <td>WD.</td> <td>J2</td> <td>PTD.</td> <td>-</td> <td>334B</td> <td>3\"/> <tr> <td>345</td> <td>ETR</td> <td>-</td> <td>WD.</td> <td>J2</td> <td>PTD.</td> <td>-</td> <td>335A</td> <td>3\"/> <tr> <td>346</td> <td>ETR</td> <td>-</td> <td>WD.</td> <td>J2</td> <td>PTD.</td> <td>-</td> <td>335B</td> <td>3\"/> <tr> <td>347</td> <td>ETR</td> <td>-</td> <td>WD.</td> <td>J2</td> <td>PTD.</td> <td>-</td> <td>336</td> <td>3\"/> <tr> <td>348</td> <td>ETR</td> <td>-</td> <td>WD.</td> <td>J2</td> <td>PTD.</td> <td>-</td> <td>337</td> <td>3\"/> <tr> <td>349</td> <td>ETR</td> <td>-</td> <td>WD.</td> <td>J2</td> <td>PTD.</td> <td>-</td> <td>339</td> <td>3\"/> <tr> <td>350</td> <td>ETR</td> <td>-</td> <td>WD.</td> <td>J2</td> <td>PTD.</td> <td>-</td> <td>340</td> <td>3\"/> </td></tr></td></tr></td></tr></td></tr></td></tr></td></tr></td></tr></td></tr></td></tr></td></tr></td></tr></td></tr></td></tr></td></tr>
 | 336 | B | 3\"/> <tr> <td>337</td> <td>ETR</td> <td>-</td> <td>WD.</td> <td>J2</td> <td>PTD.</td> <td>-</td> <td>329A</td> <td>3\"/> <tr> <td>339</td> <td>ETR</td> <td>-</td> <td>WD.</td> <td>J2</td> <td>PTD.</td> <td>-</td> <td>329B</td> <td>3\"/> <tr> <td>340</td> <td>A</td> <td>3\"/> <tr> <td>341A</td> <td>ETR</td> <td>-</td> <td>WD.</td> <td>J2</td> <td>PTD.</td> <td>-</td> <td>331</td> <td>3\"/> <tr> <td>341B</td> <td>ETR</td> <td>-</td> <td>WD.</td> <td>J2</td> <td>PTD.</td> <td>-</td> <td>333</td> <td>3\"/> <tr> <td>342</td> <td>ETR</td> <td>-</td> <td>WD.</td> <td>J2</td> <td>PTD.</td> <td>-</td> <td>334A</td> <td>3\"/> <tr> <td>344</td> <td>ETR</td> <td>-</td> <td>WD.</td> <td>J2</td> <td>PTD.</td> <td>-</td> <td>334B</td> <td>3\"/> <tr> <td>345</td> <td>ETR</td> <td>-</td> <td>WD.</td> <td>J2</td> <td>PTD.</td> <td>-</td> <td>335A</td> <td>3\"/> <tr> <td>346</td> <td>ETR</td> <td>-</td> <td>WD.</td> <td>J2</td> <td>PTD.</td> <td>-</td> <td>335B</td> <td>3\"/> <tr> <td>347</td> <td>ETR</td> <td>-</td> <td>WD.</td> <td>J2</td> <td>PTD.</td> <td>-</td> <td>336</td> <td>3\"/> <tr> <td>348</td> <td>ETR</td> <td>-</td> <td>WD.</td> <td>J2</td> <td>PTD.</td> <td>-</td> <td>337</td> <td>3\"/> <tr> <td>349</td> <td>ETR</td> <td>-</td> <td>WD.</td> <td>J2</td> <td>PTD.</td> <td>-</td> <td>339</td> <td>3\"/> <tr> <td>350</td> <td>ETR</td> <td>-</td> <td>WD.</td> <td>J2</td> <td>PTD.</td> <td>-</td> <td>340</td> <td>3\"/> </td></tr></td></tr></td></tr></td></tr></td></tr></td></tr></td></tr></td></tr></td></tr></td></tr></td></tr></td></tr></td></tr> | 337 | ETR | - | WD. | J2 | PTD. | - | 329A | 3\"/> <tr> <td>339</td> <td>ETR</td> <td>-</td> <td>WD.</td> <td>J2</td> <td>PTD.</td> <td>-</td> <td>329B</td> <td>3\"/> <tr> <td>340</td> <td>A</td> <td>3\"/> <tr> <td>341A</td> <td>ETR</td> <td>-</td> <td>WD.</td> <td>J2</td> <td>PTD.</td> <td>-</td> <td>331</td> <td>3\"/> <tr> <td>341B</td> <td>ETR</td> <td>-</td> <td>WD.</td> <td>J2</td> <td>PTD.</td> <td>-</td> <td>333</td> <td>3\"/> <tr> <td>342</td> <td>ETR</td> <td>-</td> <td>WD.</td> <td>J2</td> <td>PTD.</td> <td>-</td> <td>334A</td> <td>3\"/> <tr> <td>344</td> <td>ETR</td> <td>-</td> <td>WD.</td> <td>J2</td> <td>PTD.</td> <td>-</td> <td>334B</td> <td>3\"/> <tr> <td>345</td> <td>ETR</td> <td>-</td> <td>WD.</td> <td>J2</td> <td>PTD.</td> <td>-</td> <td>335A</td> <td>3\"/> <tr> <td>346</td> <td>ETR</td> <td>-</td> <td>WD.</td> <td>J2</td> <td>PTD.</td> <td>-</td> <td>335B</td> <td>3\"/> <tr> <td>347</td> <td>ETR</td> <td>-</td> <td>WD.</td> <td>J2</td> <td>PTD.</td> <td>-</td> <td>336</td> <td>3\"/> <tr> <td>348</td> <td>ETR</td> <td>-</td> <td>WD.</td> <td>J2</td> <td>PTD.</td> <td>-</td> <td>337</td> <td>3\"/> <tr> <td>349</td> <td>ETR</td> <td>-</td> <td>WD.</td> <td>J2</td> <td>PTD.</td> <td>-</td> <td>339</td> <td>3\"/> <tr> <td>350</td> <td>ETR</td> <td>-</td> <td>WD.</td> <td>J2</td> <td>PTD.</td> <td>-</td> <td>340</td> <td>3\"/> </td></tr></td></tr></td></tr></td></tr></td></tr></td></tr></td></tr></td></tr></td></tr></td></tr></td></tr></td></tr>
 | 339 | ETR | - | WD. | J2 | PTD. | - | 329B | 3\"/> <tr> <td>340</td> <td>A</td> <td>3\"/> <tr> <td>341A</td> <td>ETR</td> <td>-</td> <td>WD.</td> <td>J2</td> <td>PTD.</td> <td>-</td> <td>331</td> <td>3\"/> <tr> <td>341B</td> <td>ETR</td> <td>-</td> <td>WD.</td> <td>J2</td> <td>PTD.</td> <td>-</td> <td>333</td> <td>3\"/> <tr> <td>342</td> <td>ETR</td> <td>-</td> <td>WD.</td> <td>J2</td> <td>PTD.</td> <td>-</td> <td>334A</td> <td>3\"/> <tr> <td>344</td> <td>ETR</td> <td>-</td> <td>WD.</td> <td>J2</td> <td>PTD.</td> <td>-</td> <td>334B</td> <td>3\"/> <tr> <td>345</td> <td>ETR</td> <td>-</td> <td>WD.</td> <td>J2</td> <td>PTD.</td> <td>-</td> <td>335A</td> <td>3\"/> <tr> <td>346</td> <td>ETR</td> <td>-</td> <td>WD.</td> <td>J2</td> <td>PTD.</td> <td>-</td> <td>335B</td> <td>3\"/> <tr> <td>347</td> <td>ETR</td> <td>-</td> <td>WD.</td> <td>J2</td> <td>PTD.</td> <td>-</td> <td>336</td> <td>3\"/> <tr> <td>348</td> <td>ETR</td> <td>-</td> <td>WD.</td> <td>J2</td> <td>PTD.</td> <td>-</td> <td>337</td> <td>3\"/> <tr> <td>349</td> <td>ETR</td> <td>-</td> <td>WD.</td> <td>J2</td> <td>PTD.</td> <td>-</td> <td>339</td> <td>3\"/> <tr> <td>350</td> <td>ETR</td> <td>-</td> <td>WD.</td> <td>J2</td> <td>PTD.</td> <td>-</td> <td>340</td> <td>3\"/> </td></tr></td></tr></td></tr></td></tr></td></tr></td></tr></td></tr></td></tr></td></tr></td></tr></td></tr> | 340 | A | 3\"/> <tr> <td>341A</td> <td>ETR</td> <td>-</td> <td>WD.</td> <td>J2</td> <td>PTD.</td> <td>-</td> <td>331</td> <td>3\"/> <tr> <td>341B</td> <td>ETR</td> <td>-</td> <td>WD.</td> <td>J2</td> <td>PTD.</td> <td>-</td> <td>333</td> <td>3\"/> <tr> <td>342</td> <td>ETR</td> <td>-</td> <td>WD.</td> <td>J2</td> <td>PTD.</td> <td>-</td> <td>334A</td> <td>3\"/> <tr> <td>344</td> <td>ETR</td> <td>-</td> <td>WD.</td> <td>J2</td> <td>PTD.</td> <td>-</td> <td>334B</td> <td>3\"/> <tr> <td>345</td> <td>ETR</td> <td>-</td> <td>WD.</td> <td>J2</td> <td>PTD.</td> <td>-</td> <td>335A</td> <td>3\"/> <tr> <td>346</td> <td>ETR</td> <td>-</td> <td>WD.</td> <td>J2</td> <td>PTD.</td> <td>-</td> <td>335B</td> <td>3\"/> <tr> <td>347</td> <td>ETR</td> <td>-</td> <td>WD.</td> <td>J2</td> <td>PTD.</td> <td>-</td> <td>336</td> <td>3\"/> <tr> <td>348</td> <td>ETR</td> <td>-</td> <td>WD.</td> <td>J2</td> <td>PTD.</td> <td>-</td> <td>337</td> <td>3\"/> <tr> <td>349</td> <td>ETR</td> <td>-</td> <td>WD.</td> <td>J2</td> <td>PTD.</td> <td>-</td> <td>339</td> <td>3\"/> <tr> <td>350</td> <td>ETR</td> <td>-</td> <td>WD.</td> <td>J2</td> <td>PTD.</td> <td>-</td> <td>340</td> <td>3\"/> </td></tr></td></tr></td></tr></td></tr></td></tr></td></tr></td></tr></td></tr></td></tr></td></tr>
 | 341A | ETR | - | WD. | J2 | PTD. | - | 331 | 3\"/> <tr> <td>341B</td> <td>ETR</td> <td>-</td> <td>WD.</td> <td>J2</td> <td>PTD.</td> <td>-</td> <td>333</td> <td>3\"/> <tr> <td>342</td> <td>ETR</td> <td>-</td> <td>WD.</td> <td>J2</td> <td>PTD.</td> <td>-</td> <td>334A</td> <td>3\"/> <tr> <td>344</td> <td>ETR</td> <td>-</td> <td>WD.</td> <td>J2</td> <td>PTD.</td> <td>-</td> <td>334B</td> <td>3\"/> <tr> <td>345</td> <td>ETR</td> <td>-</td> <td>WD.</td> <td>J2</td> <td>PTD.</td> <td>-</td> <td>335A</td> <td>3\"/> <tr> <td>346</td> <td>ETR</td> <td>-</td> <td>WD.</td> <td>J2</td> <td>PTD.</td> <td>-</td> <td>335B</td> <td>3\"/> <tr> <td>347</td> <td>ETR</td> <td>-</td> <td>WD.</td> <td>J2</td> <td>PTD.</td> <td>-</td> <td>336</td> <td>3\"/> <tr> <td>348</td> <td>ETR</td> <td>-</td> <td>WD.</td> <td>J2</td> <td>PTD.</td> <td>-</td> <td>337</td> <td>3\"/> <tr> <td>349</td> <td>ETR</td> <td>-</td> <td>WD.</td> <td>J2</td> <td>PTD.</td> <td>-</td> <td>339</td> <td>3\"/> <tr> <td>350</td> <td>ETR</td> <td>-</td> <td>WD.</td> <td>J2</td> <td>PTD.</td> <td>-</td> <td>340</td> <td>3\"/> </td></tr></td></tr></td></tr></td></tr></td></tr></td></tr></td></tr></td></tr></td></tr> | 341B | ETR | - | WD. | J2 | PTD.
 | - | 333 | 3\"/> <tr> <td>342</td> <td>ETR</td> <td>-</td> <td>WD.</td> <td>J2</td> <td>PTD.</td> <td>-</td> <td>334A</td> <td>3\"/> <tr> <td>344</td> <td>ETR</td> <td>-</td> <td>WD.</td> <td>J2</td> <td>PTD.</td> <td>-</td> <td>334B</td> <td>3\"/> <tr> <td>345</td> <td>ETR</td> <td>-</td> <td>WD.</td> <td>J2</td> <td>PTD.</td> <td>-</td> <td>335A</td> <td>3\"/> <tr> <td>346</td> <td>ETR</td> <td>-</td> <td>WD.</td> <td>J2</td> <td>PTD.</td> <td>-</td> <td>335B</td> <td>3\"/> <tr> <td>347</td> <td>ETR</td> <td>-</td> <td>WD.</td> <td>J2</td> <td>PTD.</td> <td>-</td> <td>336</td> <td>3\"/> <tr> <td>348</td> <td>ETR</td> <td>-</td> <td>WD.</td> <td>J2</td> <td>PTD.</td> <td>-</td> <td>337</td> <td>3\"/> <tr> <td>349</td> <td>ETR</td> <td>-</td> <td>WD.</td> <td>J2</td> <td>PTD.</td> <td>-</td> <td>339</td> <td>3\"/> <tr> <td>350</td> <td>ETR</td> <td>-</td> <td>WD.</td> <td>J2</td> <td>PTD.</td> <td>-</td> <td>340</td> <td>3\"/> </td></tr></td></tr></td></tr></td></tr></td></tr></td></tr></td></tr></td></tr> | 342 | ETR | - | WD. | J2 | PTD. | - | 334A | 3\"/> <tr> <td>344</td> <td>ETR</td> <td>-</td> <td>WD.</td> <td>J2</td> <td>PTD.</td> <td>-</td> <td>334B</td> <td>3\"/> <tr> <td>345</td> <td>ETR</td> <td>-</td> <td>WD.</td> <td>J2</td> <td>PTD.</td> <td>-</td> <td>335A</td> <td>3\"/> <tr> <td>346</td> <td>ETR</td> <td>-</td> <td>WD.</td> <td>J2</td> <td>PTD.</td> <td>-</td> <td>335B</td> <td>3\"/> <tr> <td>347</td> <td>ETR</td> <td>-</td> <td>WD.</td> <td>J2</td> <td>PTD.</td> <td>-</td> <td>336</td> <td>3\"/> <tr> <td>348</td> <td>ETR</td> <td>-</td> <td>WD.</td> <td>J2</td> <td>PTD.</td> <td>-</td> <td>337</td> <td>3\"/> <tr> <td>349</td> <td>ETR</td> <td>-</td> <td>WD.</td> <td>J2</td> <td>PTD.</td> <td>-</td> <td>339</td> <td>3\"/> <tr> <td>350</td> <td>ETR</td> <td>-</td> <td>WD.</td> <td>J2</td> <td>PTD.</td> <td>-</td> <td>340</td> <td>3\"/> </td></tr></td></tr></td></tr></td></tr></td></tr></td></tr></td></tr> | 344 | ETR | -
 | WD. | J2 | PTD. | - | 334B | 3\"/> <tr> <td>345</td> <td>ETR</td> <td>-</td> <td>WD.</td> <td>J2</td> <td>PTD.</td> <td>-</td> <td>335A</td> <td>3\"/> <tr> <td>346</td> <td>ETR</td> <td>-</td> <td>WD.</td> <td>J2</td> <td>PTD.</td> <td>-</td> <td>335B</td> <td>3\"/> <tr> <td>347</td> <td>ETR</td> <td>-</td> <td>WD.</td> <td>J2</td> <td>PTD.</td> <td>-</td> <td>336</td> <td>3\"/> <tr> <td>348</td> <td>ETR</td> <td>-</td> <td>WD.</td> <td>J2</td> <td>PTD.</td> <td>-</td> <td>337</td> <td>3\"/> <tr> <td>349</td> <td>ETR</td> <td>-</td> <td>WD.</td> <td>J2</td> <td>PTD.</td> <td>-</td> <td>339</td> <td>3\"/> <tr> <td>350</td> <td>ETR</td> <td>-</td> <td>WD.</td> <td>J2</td> <td>PTD.</td> <td>-</td> <td>340</td> <td>3\"/> </td></tr></td></tr></td></tr></td></tr></td></tr></td></tr> | 345 | ETR | - | WD. | J2 | PTD. | - | 335A | 3\"/> <tr> <td>346</td> <td>ETR</td> <td>-</td> <td>WD.</td> <td>J2</td> <td>PTD.</td> <td>-</td> <td>335B</td> <td>3\"/> <tr> <td>347</td> <td>ETR</td> <td>-</td> <td>WD.</td> <td>J2</td> <td>PTD.</td> <td>-</td> <td>336</td> <td>3\"/> <tr> <td>348</td> <td>ETR</td> <td>-</td> <td>WD.</td> <td>J2</td> <td>PTD.</td> <td>-</td> <td>337</td> <td>3\"/> <tr> <td>349</td> <td>ETR</td> <td>-</td> <td>WD.</td> <td>J2</td> <td>PTD.</td> <td>-</td> <td>339</td> <td>3\"/> <tr> <td>350</td> <td>ETR</td> <td>-</td> <td>WD.</td> <td>J2</td> <td>PTD.</td> <td>-</td> <td>340</td> <td>3\"/> </td></tr></td></tr></td></tr></td></tr></td></tr> | 346 | ETR | -
 | WD. | J2 | PTD. | - | 335B | 3\"/> <tr> <td>347</td> <td>ETR</td> <td>-</td> <td>WD.</td> <td>J2</td> <td>PTD.</td> <td>-</td> <td>336</td> <td>3\"/> <tr> <td>348</td> <td>ETR</td> <td>-</td> <td>WD.</td> <td>J2</td> <td>PTD.</td> <td>-</td> <td>337</td> <td>3\"/> <tr> <td>349</td> <td>ETR</td> <td>-</td> <td>WD.</td> <td>J2</td> <td>PTD.</td> <td>-</td> <td>339</td> <td>3\"/> <tr> <td>350</td> <td>ETR</td> <td>-</td> <td>WD.</td> <td>J2</td> <td>PTD.</td> <td>-</td> <td>340</td> <td>3\"/> </td></tr></td></tr></td></tr></td></tr> | 347 | ETR | - | WD. | J2 | PTD. | - | 336 | 3\"/> <tr> <td>348</td> <td>ETR</td> <td>-</td> <td>WD.</td> <td>J2</td> <td>PTD.</td> <td>-</td> <td>337</td> <td>3\"/> <tr> <td>349</td> <td>ETR</td> <td>-</td> <td>WD.</td> <td>J2</td> <td>PTD.</td> <td>-</td> <td>339</td> <td>3\"/> <tr> <td>350</td> <td>ETR</td> <td>-</td> <td>WD.</td> <td>J2</td> <td>PTD.</td> <td>-</td> <td>340</td> <td>3\"/> </td></tr></td></tr></td></tr> | 348 | ETR | - | WD. | J2 | PTD.
 | - | 337 | 3\"/> <tr> <td>349</td> <td>ETR</td> <td>-</td> <td>WD.</td> <td>J2</td> <td>PTD.</td> <td>-</td> <td>339</td> <td>3\"/> <tr> <td>350</td> <td>ETR</td> <td>-</td> <td>WD.</td> <td>J2</td> <td>PTD.</td> <td>-</td> <td>340</td> <td>3\"/> </td></tr></td></tr> | 349 | ETR | - | WD. | J2 | PTD. | - | 339 | 3\"/> <tr> <td>350</td> <td>ETR</td> <td>-</td> <td>WD.</td> <td>J2</td> <td>PTD.</td> <td>-</td> <td>340</td> <td>3\"/> </td></tr> | 350 | ETR | - | WD. | J2 | PTD. | - | 340 | 3\"/> | | | | | |
 | | | | | | | | | | | | | | | | | | | | | | | | | | | | | | | | | | | | | | | | | | | | | | | | | | | | | | | | | | | | | | | | | | |
| 314 | ETR | - | WD. | J2 | PTD. | - | 309 | 3\"/> <tr> <td>315</td> <td>ETR</td> <td>-</td> <td>WD.</td> <td>J2</td> <td>PTD.</td> <td>-</td> <td>310</td> <td>3\"/> <tr> <td>316A</td> <td>A</td> <td>3\"/> <tr> <td>318</td> <td>ETR</td> <td>-</td> <td>WD.</td> <td>J2</td> <td>PTD.</td> <td>-</td> <td>311</td> <td>3\"/> <tr> <td>319</td> <td>ETR</td> <td>-</td> <td>WD.</td> <td>J2</td> <td>PTD.</td> <td>-</td> <td>312A</td> <td>3\"/> <tr> <td>320</td> <td>ETR</td> <td>-</td> <td>WD.</td> <td>J2</td> <td>PTD.</td> <td>-</td> <td>313</td> <td>3\"/> <tr> <td>321</td> <td>ETR</td> <td>-</td> <td>WD.</td> <td>J2</td> <td>PTD.</td> <td>-</td> <td>314</td> <td>3\"/> <tr> <td>322</td> <td>ETR</td> <td>-</td> <td>WD.</td> <td>J2</td> <td>PTD.</td> <td>-</td> <td>315</td> <td>3\"/> <tr> <td>323</td> <td>ETR</td> <td>-</td> <td>WD.</td> <td>J2</td> <td>PTD.</td> <td>-</td> <td>316A</td> <td>3\"/> <tr> <td>324</td> <td>ETR</td> <td>-</td> <td>WD.</td> <td>J2</td> <td>PTD.</td> <td>-</td> <td>318</td> <td>3\"/> <tr> <td>325</td> <td>A</td> <td>3\"/> <tr> <td>327</td> <td>ETR</td> <td>-</td> <td>WD.</td> <td>J2</td> <td>PTD.</td> <td>-</td> <td>319</td> <td>3\"/> <tr> <td>328</td> <td>ETR</td> <td>-</td> <td>WD.</td> <td>J2</td> <td>PTD.</td> <td>-</td> <td>320</td> <td>3\"/> <tr> <td>329A</td> <td>ETR</td> <td>-</td> <td>WD.</td> <td>J2</td> <td>PTD.</td> <td>-</td> <td>321</td> <td>3\"/> <tr> <td>329B</td> <td>ETR</td> <td>-</td> <td>WD.</td> <td>J2</td> <td>PTD.</td> <td>-</td> <td>322</td> <td>3\"/> <tr> <td>331</td> <td>ETR</td> <td>-</td> <td>WD.</td> <td>J2</td> <td>PTD.</td> <td>-</td> <td>323</td> <td>3\"/> <tr> <td>333</td> <td>ETR</td> <td>-</td> <td>WD.</td> <td>J2</td> <td>PTD.</td> <td>-</td> <td>324</td> <td>3\"/> <tr> <td>334A</td> <td>ETR</td> <td>-</td> <td>WD.</td> <td>J2</td> <td>PTD.</td> <td>-</td> <td>325</td> <td>3\"/> <tr> <td>334B</td> <td>ETR</td> <td>-</td> <td>WD.</td> <td>J2</td> <td>PTD.</td> <td>-</td> <td>327</td> <td>3\"/> <tr> <td>335A</td> <td>ETR</td> <td>-</td> <td>WD.</td> <td>J2</td> <td>PTD.</td> <td>-</td> <td>328</td> <td>3\"/> <tr> <td>335B</td> <td>B</td> <td>3\"/> <tr> <td>336</td> <td>B</td> <td>3\"/> <tr> <td>337</td> <td>ETR</td> <td>-</td> <td>WD.</td> <td>J2</td> <td>PTD.</td> <td>-</td> <td>329A</td> <td>3\"/> <tr> <td>339</td> <td>ETR</td> <td>-</td> <td>WD.</td> <td>J2</td> <td>PTD.</td> <td>-</td> <td>329B</td> <td>3\"/> <tr> <td>340</td> <td>A</td> <td>3\"/> <tr> <td>341A</td> <td>ETR</td> <td>-</td> <td>WD.</td> <td>J2</td> <td>PTD.</td> <td>-</td> <td>331</td> <td>3\"/> <tr> <td>341B</td> <td>ETR</td> <td>-</td> <td>WD.</td> <td>J2</td> <td>PTD.</td> <td>-</td> <td>333</td> <td>3\"/> <tr> <td>342</td> <td>ETR</td> <td>-</td> <td>WD.</td> <td>J2</td> <td>PTD.</td> <td>-</td> <td>334A</td> <td>3\"/> <tr> <td>344</td> <td>ETR</td> <td>-</td> <td>WD.</td> <td>J2</td> <td>PTD.</td> <td>-</td> <td>334B</td> <td>3\"/> <tr> <td>345</td> <td>ETR</td> <td>-</td>
<td>WD.</td> <td>J2</td> <td>PTD.</td> <td>-</td> <td>335A</td> <td>3\"/> <tr> <td>346</td> <td>ETR</td> <td>-</td> <td>WD.</td> <td>J2</td> <td>PTD.</td> <td>-</td> <td>335B</td> <td>3\"/> <tr> <td>347</td> <td>ETR</td> <td>-</td> <td>WD.</td> <td>J2</td> <td>PTD.</td> <td>-</td> <td>336</td> <td>3\"/> <tr> <td>348</td> <td>ETR</td> <td>-</td> <td>WD.</td> <td>J2</td> <td>PTD.</td> <td>-</td> <td>337</td> <td>3\"/> <tr> <td>349</td> <td>ETR</td> <td>-</td> <td>WD.</td> <td>J2</td> <td>PTD.</td> <td>-</td> <td>339</td> <td>3\"/> <tr> <td>350</td> <td>ETR</td> <td>-</td> <td>WD.</td> <td>J2</td> <td>PTD.</td> <td>-</td> <td>340</td> <td>3\"/> </td></tr></td></tr></td></tr></td></tr></td></tr></td></tr></td></tr></td></tr></td></tr></td></tr></td></tr></td></tr></td></tr></td></tr></td></tr></td></tr></td></tr></td></tr></td></tr></td></tr></td></tr></td></tr></td></tr></td></tr></td></tr></td></tr></td></tr></td></tr></td></tr></td></tr></td></tr></td></tr></td></tr></td></tr> | 315 | ETR | - | WD. | J2 | PTD.
 | - | 310 | 3\"/> <tr> <td>316A</td> <td>A</td> <td>3\"/> <tr> <td>318</td> <td>ETR</td> <td>-</td> <td>WD.</td> <td>J2</td> <td>PTD.</td> <td>-</td> <td>311</td> <td>3\"/> <tr> <td>319</td> <td>ETR</td> <td>-</td> <td>WD.</td> <td>J2</td> <td>PTD.</td> <td>-</td> <td>312A</td> <td>3\"/> <tr> <td>320</td> <td>ETR</td> <td>-</td> <td>WD.</td> <td>J2</td> <td>PTD.</td> <td>-</td> <td>313</td> <td>3\"/> <tr> <td>321</td> <td>ETR</td> <td>-</td> <td>WD.</td> <td>J2</td> <td>PTD.</td> <td>-</td> <td>314</td> <td>3\"/> <tr> <td>322</td> <td>ETR</td> <td>-</td> <td>WD.</td> <td>J2</td> <td>PTD.</td> <td>-</td> <td>315</td> <td>3\"/> <tr> <td>323</td> <td>ETR</td> <td>-</td> <td>WD.</td> <td>J2</td> <td>PTD.</td> <td>-</td> <td>316A</td> <td>3\"/> <tr> <td>324</td> <td>ETR</td> <td>-</td> <td>WD.</td> <td>J2</td> <td>PTD.</td> <td>-</td> <td>318</td> <td>3\"/> <tr> <td>325</td> <td>A</td> <td>3\"/> <tr> <td>327</td> <td>ETR</td> <td>-</td> <td>WD.</td> <td>J2</td> <td>PTD.</td> <td>-</td> <td>319</td> <td>3\"/> <tr> <td>328</td> <td>ETR</td> <td>-</td> <td>WD.</td> <td>J2</td> <td>PTD.</td> <td>-</td> <td>320</td> <td>3\"/> <tr> <td>329A</td> <td>ETR</td> <td>-</td> <td>WD.</td> <td>J2</td> <td>PTD.</td> <td>-</td> <td>321</td> <td>3\"/> <tr> <td>329B</td> <td>ETR</td> <td>-</td> <td>WD.</td> <td>J2</td> <td>PTD.</td> <td>-</td> <td>322</td> <td>3\"/> <tr> <td>331</td> <td>ETR</td> <td>-</td> <td>WD.</td> <td>J2</td> <td>PTD.</td> <td>-</td> <td>323</td> <td>3\"/> <tr> <td>333</td> <td>ETR</td> <td>-</td> <td>WD.</td> <td>J2</td> <td>PTD.</td> <td>-</td> <td>324</td> <td>3\"/> <tr> <td>334A</td> <td>ETR</td> <td>-</td> <td>WD.</td> <td>J2</td> <td>PTD.</td> <td>-</td> <td>325</td> <td>3\"/> <tr> <td>334B</td> <td>ETR</td> <td>-</td> <td>WD.</td> <td>J2</td> <td>PTD.</td> <td>-</td> <td>327</td> <td>3\"/> <tr> <td>335A</td> <td>ETR</td> <td>-</td> <td>WD.</td> <td>J2</td> <td>PTD.</td> <td>-</td> <td>328</td> <td>3\"/> <tr> <td>335B</td> <td>B</td> <td>3\"/> <tr> <td>336</td> <td>B</td> <td>3\"/> <tr> <td>337</td> <td>ETR</td> <td>-</td> <td>WD.</td> <td>J2</td> <td>PTD.</td> <td>-</td> <td>329A</td> <td>3\"/> <tr> <td>339</td> <td>ETR</td> <td>-</td> <td>WD.</td> <td>J2</td> <td>PTD.</td> <td>-</td> <td>329B</td> <td>3\"/> <tr> <td>340</td> <td>A</td> <td>3\"/> <tr> <td>341A</td> <td>ETR</td> <td>-</td> <td>WD.</td> <td>J2</td> <td>PTD.</td> <td>-</td> <td>331</td> <td>3\"/> <tr> <td>341B</td> <td>ETR</td> <td>-</td> <td>WD.</td> <td>J2</td> <td>PTD.</td> <td>-</td> <td>333</td> <td>3\"/> <tr> <td>342</td> <td>ETR</td> <td>-</td> <td>WD.</td> <td>J2</td> <td>PTD.</td> <td>-</td> <td>334A</td> <td>3\"/> <tr> <td>344</td> <td>ETR</td> <td>-</td> <td>WD.</td> <td>J2</td> <td>PTD.</td> <td>-</td> <td>334B</td> <td>3\"/> <tr> <td>345</td> <td>ETR</td> <td>-</td> <td>WD.</td> <td>J2</td> <td>PTD.</td> <td>-</td> <td>335A</td> <td>3\"/> <tr> <td>346</td> <td>ETR</td> <td>-</td> <td>WD.</td> <td>J2</td> <td>PTD.</td> <td>-</td> <td>335B</td> <td>3\"/> <tr> <td>347</td> <td>ETR</td> <td>-</td> <td>WD.</td> <td>J2</td> <td>PTD.</td> <td>-</td> <td>336</td> <td>3\"/> <tr> <td>348</td> <td>ETR</td> <td>-</td> <td>WD.</td> <td>J2</td> <td>PTD.</td> <td>-</td> <td>337</td> <td>3\"/> <tr> <td>349</td> <td>ETR</td> <td>-</td> <td>WD.</td> <td>J2</td> <td>PTD.</td> <td>-</td> <td>339</td> <td>3\"/> <tr> <td>350</td> <td>ETR</td> <td>-</td> <td>WD.</td> <td>J2</td> <td>PTD.</td> <td>-</td> <td>340</td> <td>3\"/> </td></tr></td></tr></td></tr></td></tr></td></tr></td></tr></td></tr></td></tr></td></tr></td></tr></td></tr></td></tr></td></tr></td></tr></td></tr></td></tr></td></tr></td></tr></td></tr></td></tr></td></tr></td></tr></td></tr></td></tr></td></tr></td></tr></td></tr></td></tr></td></tr></td></tr></td></tr></td></tr></td></tr> | 316A | A | 3\"/> <tr> <td>318</td> <td>ETR</td> <td>-</td> <td>WD.</td> <td>J2</td> <td>PTD.</td> <td>-</td> <td>311</td> <td>3\"/> <tr> <td>319</td> <td>ETR</td> <td>-</td> <td>WD.</td> <td>J2</td> <td>PTD.</td> <td>-</td> <td>312A</td> <td>3\"/> <tr> <td>320</td> <td>ETR</td> <td>-</td> <td>WD.</td> <td>J2</td> <td>PTD.</td> <td>-</td> <td>313</td> <td>3\"/> <tr> <td>321</td> <td>ETR</td> <td>-</td> <td>WD.</td> <td>J2</td> <td>PTD.</td> <td>-</td> <td>314</td> <td>3\"/> <tr> <td>322</td> <td>ETR</td> <td>-</td> <td>WD.</td> <td>J2</td> <td>PTD.</td> <td>-</td> <td>315</td> <td>3\"/> <tr> <td>323</td> <td>ETR</td> <td>-</td> <td>WD.</td> <td>J2</td> <td>PTD.</td> <td>-</td> <td>316A</td> <td>3\"/> <tr> <td>324</td> <td>ETR</td> <td>-</td> <td>WD.</td> <td>J2</td> <td>PTD.</td> <td>-</td> <td>318</td> <td>3\"/> <tr> <td>325</td> <td>A</td> <td>3\"/> <tr> <td>327</td> <td>ETR</td> <td>-</td> <td>WD.</td> <td>J2</td> <td>PTD.</td> <td>-</td> <td>319</td> <td>3\"/> <tr> <td>328</td> <td>ETR</td> <td>-</td> <td>WD.</td> <td>J2</td> <td>PTD.</td> <td>-</td> <td>320</td> <td>3\"/> <tr> <td>329A</td> <td>ETR</td> <td>-</td> <td>WD.</td> <td>J2</td> <td>PTD.</td> <td>-</td> <td>321</td> <td>3\"/> <tr> <td>329B</td> <td>ETR</td> <td>-</td> <td>WD.</td> <td>J2</td> <td>PTD.</td> <td>-</td> <td>322</td> <td>3\"/> <tr> <td>331</td> <td>ETR</td> <td>-</td> <td>WD.</td> <td>J2</td> <td>PTD.</td> <td>-</td> <td>323</td> <td>3\"/> <tr> <td>333</td> <td>ETR</td> <td>-</td> <td>WD.</td> <td>J2</td> <td>PTD.</td> <td>-</td> <td>324</td> <td>3\"/> <tr> <td>334A</td> <td>ETR</td> <td>-</td> <td>WD.</td> <td>J2</td> <td>PTD.</td> <td>-</td> <td>325</td> <td>3\"/> <tr> <td>334B</td> <td>ETR</td> <td>-</td> <td>WD.</td> <td>J2</td> <td>PTD.</td> <td>-</td> <td>327</td> <td>3\"/> <tr> <td>335A</td> <td>ETR</td> <td>-</td> <td>WD.</td> <td>J2</td> <td>PTD.</td> <td>-</td> <td>328</td> <td>3\"/> <tr> <td>335B</td> <td>B</td> <td>3\"/> <tr> <td>336</td> <td>B</td> <td>3\"/> <tr> <td>337</td> <td>ETR</td> <td>-</td> <td>WD.</td> <td>J2</td> <td>PTD.</td> <td>-</td> <td>329A</td> <td>3\"/> <tr> <td>339</td> <td>ETR</td> <td>-</td> <td>WD.</td> <td>J2</td> <td>PTD.</td> <td>-</td> <td>329B</td> <td>3\"/> <tr> <td>340</td> <td>A</td> <td>3\"/> <tr> <td>341A</td> <td>ETR</td> <td>-</td> <td>WD.</td> <td>J2</td> <td>PTD.</td> <td>-</td> <td>331</td> <td>3\"/> <tr> <td>341B</td> <td>ETR</td> <td>-</td> <td>WD.</td> <td>J2</td> <td>PTD.</td> <td>-</td> <td>333</td> <td>3\"/> <tr> <td>342</td> <td>ETR</td> <td>-</td> <td>WD.</td>
<td>J2</td> <td>PTD.</td> <td>-</td> <td>334A</td> <td>3\"/> <tr> <td>344</td> <td>ETR</td> <td>-</td> <td>WD.</td> <td>J2</td> <td>PTD.</td> <td>-</td> <td>334B</td> <td>3\"/> <tr> <td>345</td> <td>ETR</td> <td>-</td> <td>WD.</td> <td>J2</td> <td>PTD.</td> <td>-</td> <td>335A</td> <td>3\"/> <tr> <td>346</td> <td>ETR</td> <td>-</td> <td>WD.</td> <td>J2</td> <td>PTD.</td> <td>-</td> <td>335B</td> <td>3\"/> <tr> <td>347</td> <td>ETR</td> <td>-</td> <td>WD.</td> <td>J2</td> <td>PTD.</td> <td>-</td> <td>336</td> <td>3\"/> <tr> <td>348</td> <td>ETR</td> <td>-</td> <td>WD.</td> <td>J2</td> <td>PTD.</td> <td>-</td> <td>337</td> <td>3\"/> <tr> <td>349</td> <td>ETR</td> <td>-</td> <td>WD.</td> <td>J2</td> <td>PTD.</td> <td>-</td> <td>339</td> <td>3\"/> <tr> <td>350</td> <td>ETR</td> <td>-</td> <td>WD.</td> <td>J2</td> <td>PTD.</td> <td>-</td> <td>340</td> <td>3\"/> </td></tr></td></tr></td></tr></td></tr></td></tr></td></tr></td></tr></td></tr></td></tr></td></tr></td></tr></td></tr></td></tr></td></tr></td></tr></td></tr></td></tr></td></tr></td></tr></td></tr></td></tr></td></tr></td></tr></td></tr></td></tr></td></tr></td></tr></td></tr></td></tr></td></tr></td></tr></td></tr> | 318 | ETR | - | WD. | J2 | PTD.
 | - | 311 | 3\"/> <tr> <td>319</td> <td>ETR</td> <td>-</td> <td>WD.</td> <td>J2</td> <td>PTD.</td> <td>-</td> <td>312A</td> <td>3\"/> <tr> <td>320</td> <td>ETR</td> <td>-</td> <td>WD.</td> <td>J2</td> <td>PTD.</td> <td>-</td> <td>313</td> <td>3\"/> <tr> <td>321</td> <td>ETR</td> <td>-</td> <td>WD.</td> <td>J2</td> <td>PTD.</td> <td>-</td> <td>314</td> <td>3\"/> <tr> <td>322</td> <td>ETR</td> <td>-</td> <td>WD.</td> <td>J2</td> <td>PTD.</td> <td>-</td> <td>315</td> <td>3\"/> <tr> <td>323</td> <td>ETR</td> <td>-</td> <td>WD.</td> <td>J2</td> <td>PTD.</td> <td>-</td> <td>316A</td> <td>3\"/> <tr> <td>324</td> <td>ETR</td> <td>-</td> <td>WD.</td> <td>J2</td> <td>PTD.</td> <td>-</td> <td>318</td> <td>3\"/> <tr> <td>325</td> <td>A</td> <td>3\"/> <tr> <td>327</td> <td>ETR</td> <td>-</td> <td>WD.</td> <td>J2</td> <td>PTD.</td> <td>-</td> <td>319</td> <td>3\"/> <tr> <td>328</td> <td>ETR</td> <td>-</td> <td>WD.</td> <td>J2</td> <td>PTD.</td> <td>-</td> <td>320</td> <td>3\"/> <tr> <td>329A</td> <td>ETR</td> <td>-</td> <td>WD.</td> <td>J2</td> <td>PTD.</td> <td>-</td> <td>321</td> <td>3\"/> <tr> <td>329B</td> <td>ETR</td> <td>-</td> <td>WD.</td> <td>J2</td> <td>PTD.</td> <td>-</td> <td>322</td> <td>3\"/> <tr> <td>331</td> <td>ETR</td> <td>-</td> <td>WD.</td> <td>J2</td> <td>PTD.</td> <td>-</td> <td>323</td> <td>3\"/> <tr> <td>333</td> <td>ETR</td> <td>-</td> <td>WD.</td> <td>J2</td> <td>PTD.</td> <td>-</td> <td>324</td> <td>3\"/> <tr> <td>334A</td> <td>ETR</td> <td>-</td> <td>WD.</td> <td>J2</td> <td>PTD.</td> <td>-</td> <td>325</td> <td>3\"/> <tr> <td>334B</td> <td>ETR</td> <td>-</td> <td>WD.</td> <td>J2</td> <td>PTD.</td> <td>-</td> <td>327</td> <td>3\"/> <tr> <td>335A</td> <td>ETR</td> <td>-</td> <td>WD.</td> <td>J2</td> <td>PTD.</td> <td>-</td> <td>328</td> <td>3\"/> <tr> <td>335B</td> <td>B</td> <td>3\"/> <tr> <td>336</td> <td>B</td> <td>3\"/> <tr> <td>337</td> <td>ETR</td> <td>-</td> <td>WD.</td> <td>J2</td> <td>PTD.</td> <td>-</td> <td>329A</td> <td>3\"/> <tr> <td>339</td> <td>ETR</td> <td>-</td> <td>WD.</td> <td>J2</td> <td>PTD.</td> <td>-</td> <td>329B</td> <td>3\"/> <tr> <td>340</td> <td>A</td> <td>3\"/> <tr> <td>341A</td> <td>ETR</td> <td>-</td> <td>WD.</td> <td>J2</td> <td>PTD.</td> <td>-</td> <td>331</td> <td>3\"/> <tr> <td>341B</td> <td>ETR</td> <td>-</td> <td>WD.</td> <td>J2</td> <td>PTD.</td> <td>-</td> <td>333</td> <td>3\"/> <tr> <td>342</td> <td>ETR</td> <td>-</td> <td>WD.</td> <td>J2</td> <td>PTD.</td> <td>-</td> <td>334A</td> <td>3\"/> <tr> <td>344</td> <td>ETR</td> <td>-</td> <td>WD.</td> <td>J2</td> <td>PTD.</td> <td>-</td> <td>334B</td> <td>3\"/> <tr> <td>345</td> <td>ETR</td> <td>-</td> <td>WD.</td> <td>J2</td> <td>PTD.</td> <td>-</td> <td>335A</td> <td>3\"/> <tr> <td>346</td> <td>ETR</td> <td>-</td> <td>WD.</td> <td>J2</td> <td>PTD.</td> <td>-</td> <td>335B</td> <td>3\"/> <tr> <td>347</td> <td>ETR</td> <td>-</td> <td>WD.</td> <td>J2</td> <td>PTD.</td> <td>-</td> <td>336</td> <td>3\"/> <tr> <td>348</td> <td>ETR</td> <td>-</td> <td>WD.</td> <td>J2</td> <td>PTD.</td> <td>-</td> <td>337</td> <td>3\"/> <tr> <td>349</td> <td>ETR</td> <td>-</td> <td>WD.</td> <td>J2</td> <td>PTD.</td> <td>-</td> <td>339</td> <td>3\"/> <tr> <td>350</td> <td>ETR</td> <td>-</td> <td>WD.</td> <td>J2</td> <td>PTD.</td> <td>-</td> <td>340</td> <td>3\"/> </td></tr></td></tr></td></tr></td></tr></td></tr></td></tr></td></tr></td></tr></td></tr></td></tr></td></tr></td></tr></td></tr></td></tr></td></tr></td></tr></td></tr></td></tr></td></tr></td></tr></td></tr></td></tr></td></tr></td></tr></td></tr></td></tr></td></tr></td></tr></td></tr></td></tr></td></tr> | 319 | ETR | -
 | WD. | J2 | PTD. | - | 312A | 3\"/> <tr> <td>320</td> <td>ETR</td> <td>-</td> <td>WD.</td> <td>J2</td> <td>PTD.</td> <td>-</td> <td>313</td> <td>3\"/> <tr> <td>321</td> <td>ETR</td> <td>-</td> <td>WD.</td> <td>J2</td> <td>PTD.</td> <td>-</td> <td>314</td> <td>3\"/> <tr> <td>322</td> <td>ETR</td> <td>-</td> <td>WD.</td> <td>J2</td> <td>PTD.</td> <td>-</td> <td>315</td> <td>3\"/> <tr> <td>323</td> <td>ETR</td> <td>-</td> <td>WD.</td> <td>J2</td> <td>PTD.</td> <td>-</td> <td>316A</td> <td>3\"/> <tr> <td>324</td> <td>ETR</td> <td>-</td> <td>WD.</td> <td>J2</td> <td>PTD.</td> <td>-</td> <td>318</td> <td>3\"/> <tr> <td>325</td> <td>A</td> <td>3\"/> <tr> <td>327</td> <td>ETR</td> <td>-</td> <td>WD.</td> <td>J2</td> <td>PTD.</td> <td>-</td> <td>319</td> <td>3\"/> <tr> <td>328</td> <td>ETR</td> <td>-</td> <td>WD.</td> <td>J2</td> <td>PTD.</td> <td>-</td> <td>320</td> <td>3\"/> <tr> <td>329A</td> <td>ETR</td> <td>-</td> <td>WD.</td> <td>J2</td> <td>PTD.</td> <td>-</td> <td>321</td> <td>3\"/> <tr> <td>329B</td> <td>ETR</td> <td>-</td> <td>WD.</td> <td>J2</td> <td>PTD.</td> <td>-</td> <td>322</td> <td>3\"/> <tr> <td>331</td> <td>ETR</td> <td>-</td> <td>WD.</td> <td>J2</td> <td>PTD.</td> <td>-</td> <td>323</td> <td>3\"/> <tr> <td>333</td> <td>ETR</td> <td>-</td> <td>WD.</td> <td>J2</td> <td>PTD.</td> <td>-</td> <td>324</td> <td>3\"/> <tr> <td>334A</td> <td>ETR</td> <td>-</td> <td>WD.</td> <td>J2</td> <td>PTD.</td> <td>-</td> <td>325</td> <td>3\"/> <tr> <td>334B</td> <td>ETR</td> <td>-</td> <td>WD.</td> <td>J2</td> <td>PTD.</td> <td>-</td> <td>327</td> <td>3\"/> <tr> <td>335A</td> <td>ETR</td> <td>-</td> <td>WD.</td> <td>J2</td> <td>PTD.</td> <td>-</td> <td>328</td> <td>3\"/> <tr> <td>335B</td> <td>B</td> <td>3\"/> <tr> <td>336</td> <td>B</td> <td>3\"/> <tr> <td>337</td> <td>ETR</td> <td>-</td> <td>WD.</td> <td>J2</td> <td>PTD.</td> <td>-</td> <td>329A</td> <td>3\"/> <tr> <td>339</td> <td>ETR</td> <td>-</td> <td>WD.</td> <td>J2</td> <td>PTD.</td> <td>-</td> <td>329B</td> <td>3\"/> <tr> <td>340</td> <td>A</td> <td>3\"/> <tr> <td>341A</td> <td>ETR</td> <td>-</td> <td>WD.</td> <td>J2</td> <td>PTD.</td> <td>-</td> <td>331</td> <td>3\"/> <tr> <td>341B</td> <td>ETR</td> <td>-</td> <td>WD.</td> <td>J2</td> <td>PTD.</td> <td>-</td> <td>333</td> <td>3\"/> <tr> <td>342</td> <td>ETR</td> <td>-</td> <td>WD.</td> <td>J2</td> <td>PTD.</td> <td>-</td> <td>334A</td> <td>3\"/> <tr> <td>344</td> <td>ETR</td> <td>-</td> <td>WD.</td> <td>J2</td> <td>PTD.</td> <td>-</td> <td>334B</td> <td>3\"/> <tr> <td>345</td> <td>ETR</td> <td>-</td> <td>WD.</td> <td>J2</td> <td>PTD.</td> <td>-</td> <td>335A</td> <td>3\"/> <tr> <td>346</td> <td>ETR</td> <td>-</td> <td>WD.</td> <td>J2</td> <td>PTD.</td> <td>-</td> <td>335B</td> <td>3\"/> <tr> <td>347</td> <td>ETR</td> <td>-</td> <td>WD.</td> <td>J2</td> <td>PTD.</td> <td>-</td> <td>336</td> <td>3\"/> <tr> <td>348</td> <td>ETR</td> <td>-</td> <td>WD.</td> <td>J2</td> <td>PTD.</td> <td>-</td> <td>337</td> <td>3\"/> <tr> <td>349</td> <td>ETR</td> <td>-</td> <td>WD.</td> <td>J2</td> <td>PTD.</td> <td>-</td> <td>339</td> <td>3\"/> <tr> <td>350</td> <td>ETR</td> <td>-</td> <td>WD.</td> <td>J2</td> <td>PTD.</td> <td>-</td> <td>340</td> <td>3\"/>
</td></tr></td></tr></td></tr></td></tr></td></tr></td></tr></td></tr></td></tr></td></tr></td></tr></td></tr></td></tr></td></tr></td></tr></td></tr></td></tr></td></tr></td></tr></td></tr></td></tr></td></tr></td></tr></td></tr></td></tr></td></tr></td></tr></td></tr></td></tr></td></tr></td></tr> | 320 | ETR | - | WD. | J2 | PTD.
 | - | 313 | 3\"/> <tr> <td>321</td> <td>ETR</td> <td>-</td> <td>WD.</td> <td>J2</td> <td>PTD.</td> <td>-</td> <td>314</td> <td>3\"/> <tr> <td>322</td> <td>ETR</td> <td>-</td> <td>WD.</td> <td>J2</td> <td>PTD.</td> <td>-</td> <td>315</td> <td>3\"/> <tr> <td>323</td> <td>ETR</td> <td>-</td> <td>WD.</td> <td>J2</td> <td>PTD.</td> <td>-</td> <td>316A</td> <td>3\"/> <tr> <td>324</td> <td>ETR</td> <td>-</td> <td>WD.</td> <td>J2</td> <td>PTD.</td> <td>-</td> <td>318</td> <td>3\"/> <tr> <td>325</td> <td>A</td> <td>3\"/> <tr> <td>327</td> <td>ETR</td> <td>-</td> <td>WD.</td> <td>J2</td> <td>PTD.</td> <td>-</td> <td>319</td> <td>3\"/> <tr> <td>328</td> <td>ETR</td> <td>-</td> <td>WD.</td> <td>J2</td> <td>PTD.</td> <td>-</td> <td>320</td> <td>3\"/> <tr> <td>329A</td> <td>ETR</td> <td>-</td> <td>WD.</td> <td>J2</td> <td>PTD.</td> <td>-</td> <td>321</td> <td>3\"/> <tr> <td>329B</td> <td>ETR</td> <td>-</td> <td>WD.</td> <td>J2</td> <td>PTD.</td> <td>-</td> <td>322</td> <td>3\"/> <tr> <td>331</td> <td>ETR</td> <td>-</td> <td>WD.</td> <td>J2</td> <td>PTD.</td> <td>-</td> <td>323</td> <td>3\"/> <tr> <td>333</td> <td>ETR</td> <td>-</td> <td>WD.</td> <td>J2</td> <td>PTD.</td> <td>-</td> <td>324</td> <td>3\"/> <tr> <td>334A</td> <td>ETR</td> <td>-</td> <td>WD.</td> <td>J2</td> <td>PTD.</td> <td>-</td> <td>325</td> <td>3\"/> <tr> <td>334B</td> <td>ETR</td> <td>-</td> <td>WD.</td> <td>J2</td> <td>PTD.</td> <td>-</td> <td>327</td> <td>3\"/> <tr> <td>335A</td> <td>ETR</td> <td>-</td> <td>WD.</td> <td>J2</td> <td>PTD.</td> <td>-</td> <td>328</td> <td>3\"/> <tr> <td>335B</td> <td>B</td> <td>3\"/> <tr> <td>336</td> <td>B</td> <td>3\"/> <tr> <td>337</td> <td>ETR</td> <td>-</td> <td>WD.</td> <td>J2</td> <td>PTD.</td> <td>-</td> <td>329A</td> <td>3\"/> <tr> <td>339</td> <td>ETR</td> <td>-</td> <td>WD.</td> <td>J2</td> <td>PTD.</td> <td>-</td> <td>329B</td> <td>3\"/> <tr> <td>340</td> <td>A</td> <td>3\"/> <tr> <td>341A</td> <td>ETR</td> <td>-</td> <td>WD.</td> <td>J2</td> <td>PTD.</td> <td>-</td> <td>331</td> <td>3\"/> <tr> <td>341B</td> <td>ETR</td> <td>-</td> <td>WD.</td> <td>J2</td> <td>PTD.</td> <td>-</td> <td>333</td> <td>3\"/> <tr> <td>342</td> <td>ETR</td> <td>-</td> <td>WD.</td> <td>J2</td> <td>PTD.</td> <td>-</td> <td>334A</td> <td>3\"/> <tr> <td>344</td> <td>ETR</td> <td>-</td> <td>WD.</td> <td>J2</td> <td>PTD.</td> <td>-</td> <td>334B</td> <td>3\"/> <tr> <td>345</td> <td>ETR</td> <td>-</td> <td>WD.</td> <td>J2</td> <td>PTD.</td> <td>-</td> <td>335A</td> <td>3\"/> <tr> <td>346</td> <td>ETR</td> <td>-</td> <td>WD.</td> <td>J2</td> <td>PTD.</td> <td>-</td> <td>335B</td> <td>3\"/> <tr> <td>347</td> <td>ETR</td> <td>-</td> <td>WD.</td> <td>J2</td> <td>PTD.</td> <td>-</td> <td>336</td> <td>3\"/> <tr> <td>348</td> <td>ETR</td> <td>-</td> <td>WD.</td> <td>J2</td> <td>PTD.</td> <td>-</td> <td>337</td> <td>3\"/> <tr> <td>349</td> <td>ETR</td> <td>-</td> <td>WD.</td> <td>J2</td> <td>PTD.</td> <td>-</td> <td>339</td> <td>3\"/> <tr> <td>350</td> <td>ETR</td> <td>-</td> <td>WD.</td> <td>J2</td> <td>PTD.</td> <td>-</td> <td>340</td> <td>3\"/> </td></tr></td></tr></td></tr></td></tr></td></tr></td></tr></td></tr></td></tr></td></tr></td></tr></td></tr></td></tr></td></tr></td></tr></td></tr></td></tr></td></tr></td></tr></td></tr></td></tr></td></tr></td></tr></td></tr></td></tr></td></tr></td></tr></td></tr></td></tr></td></tr> | 321 | ETR | - | WD. | J2 | PTD.
 | - | 314 | 3\"/> <tr> <td>322</td> <td>ETR</td> <td>-</td> <td>WD.</td> <td>J2</td> <td>PTD.</td> <td>-</td> <td>315</td> <td>3\"/> <tr> <td>323</td> <td>ETR</td> <td>-</td> <td>WD.</td> <td>J2</td> <td>PTD.</td> <td>-</td> <td>316A</td> <td>3\"/> <tr> <td>324</td> <td>ETR</td> <td>-</td> <td>WD.</td> <td>J2</td> <td>PTD.</td> <td>-</td> <td>318</td> <td>3\"/> <tr> <td>325</td> <td>A</td> <td>3\"/> <tr> <td>327</td> <td>ETR</td> <td>-</td> <td>WD.</td> <td>J2</td> <td>PTD.</td> <td>-</td> <td>319</td> <td>3\"/> <tr> <td>328</td> <td>ETR</td> <td>-</td> <td>WD.</td> <td>J2</td> <td>PTD.</td> <td>-</td> <td>320</td> <td>3\"/> <tr> <td>329A</td> <td>ETR</td> <td>-</td> <td>WD.</td> <td>J2</td> <td>PTD.</td> <td>-</td> <td>321</td> <td>3\"/> <tr> <td>329B</td> <td>ETR</td> <td>-</td> <td>WD.</td> <td>J2</td> <td>PTD.</td> <td>-</td> <td>322</td> <td>3\"/> <tr> <td>331</td> <td>ETR</td> <td>-</td> <td>WD.</td> <td>J2</td> <td>PTD.</td> <td>-</td> <td>323</td> <td>3\"/> <tr> <td>333</td> <td>ETR</td> <td>-</td> <td>WD.</td> <td>J2</td> <td>PTD.</td> <td>-</td> <td>324</td> <td>3\"/> <tr> <td>334A</td> <td>ETR</td> <td>-</td> <td>WD.</td> <td>J2</td> <td>PTD.</td> <td>-</td> <td>325</td> <td>3\"/> <tr> <td>334B</td> <td>ETR</td> <td>-</td> <td>WD.</td> <td>J2</td> <td>PTD.</td> <td>-</td> <td>327</td> <td>3\"/> <tr> <td>335A</td> <td>ETR</td> <td>-</td> <td>WD.</td> <td>J2</td> <td>PTD.</td> <td>-</td> <td>328</td> <td>3\"/> <tr> <td>335B</td> <td>B</td> <td>3\"/> <tr> <td>336</td> <td>B</td> <td>3\"/> <tr> <td>337</td> <td>ETR</td> <td>-</td> <td>WD.</td> <td>J2</td> <td>PTD.</td> <td>-</td> <td>329A</td> <td>3\"/> <tr> <td>339</td> <td>ETR</td> <td>-</td> <td>WD.</td> <td>J2</td> <td>PTD.</td> <td>-</td> <td>329B</td> <td>3\"/> <tr> <td>340</td> <td>A</td> <td>3\"/> <tr> <td>341A</td> <td>ETR</td> <td>-</td> <td>WD.</td> <td>J2</td> <td>PTD.</td> <td>-</td> <td>331</td> <td>3\"/> <tr> <td>341B</td> <td>ETR</td> <td>-</td> <td>WD.</td> <td>J2</td> <td>PTD.</td> <td>-</td> <td>333</td> <td>3\"/> <tr> <td>342</td> <td>ETR</td> <td>-</td> <td>WD.</td> <td>J2</td> <td>PTD.</td> <td>-</td> <td>334A</td> <td>3\"/> <tr> <td>344</td> <td>ETR</td> <td>-</td> <td>WD.</td> <td>J2</td> <td>PTD.</td> <td>-</td> <td>334B</td> <td>3\"/> <tr> <td>345</td> <td>ETR</td> <td>-</td> <td>WD.</td> <td>J2</td> <td>PTD.</td> <td>-</td> <td>335A</td> <td>3\"/> <tr> <td>346</td> <td>ETR</td> <td>-</td> <td>WD.</td> <td>J2</td> <td>PTD.</td> <td>-</td> <td>335B</td> <td>3\"/> <tr> <td>347</td> <td>ETR</td> <td>-</td> <td>WD.</td> <td>J2</td> <td>PTD.</td> <td>-</td> <td>336</td> <td>3\"/> <tr> <td>348</td> <td>ETR</td> <td>-</td> <td>WD.</td> <td>J2</td> <td>PTD.</td> <td>-</td> <td>337</td> <td>3\"/> <tr> <td>349</td> <td>ETR</td> <td>-</td> <td>WD.</td> <td>J2</td> <td>PTD.</td> <td>-</td> <td>339</td> <td>3\"/> <tr> <td>350</td> <td>ETR</td> <td>-</td> <td>WD.</td> <td>J2</td> <td>PTD.</td> <td>-</td> <td>340</td> <td>3\"/> </td></tr></td></tr></td></tr></td></tr></td></tr></td></tr></td></tr></td></tr></td></tr></td></tr></td></tr></td></tr></td></tr></td></tr></td></tr></td></tr></td></tr></td></tr></td></tr></td></tr></td></tr></td></tr></td></tr></td></tr></td></tr></td></tr></td></tr></td></tr> | 322 | ETR | -
 | WD. | J2 | PTD. | - | 315 | 3\"/> <tr> <td>323</td> <td>ETR</td> <td>-</td> <td>WD.</td> <td>J2</td> <td>PTD.</td> <td>-</td> <td>316A</td> <td>3\"/> <tr> <td>324</td> <td>ETR</td> <td>-</td> <td>WD.</td> <td>J2</td> <td>PTD.</td> <td>-</td> <td>318</td> <td>3\"/> <tr> <td>325</td> <td>A</td> <td>3\"/> <tr> <td>327</td> <td>ETR</td> <td>-</td> <td>WD.</td> <td>J2</td> <td>PTD.</td> <td>-</td> <td>319</td> <td>3\"/> <tr> <td>328</td> <td>ETR</td> <td>-</td> <td>WD.</td> <td>J2</td> <td>PTD.</td> <td>-</td> <td>320</td> <td>3\"/> <tr> <td>329A</td> <td>ETR</td> <td>-</td> <td>WD.</td> <td>J2</td> <td>PTD.</td> <td>-</td> <td>321</td> <td>3\"/> <tr> <td>329B</td> <td>ETR</td> <td>-</td> <td>WD.</td> <td>J2</td> <td>PTD.</td> <td>-</td> <td>322</td> <td>3\"/> <tr> <td>331</td> <td>ETR</td> <td>-</td> <td>WD.</td> <td>J2</td> <td>PTD.</td> <td>-</td> <td>323</td> <td>3\"/> <tr> <td>333</td> <td>ETR</td> <td>-</td> <td>WD.</td> <td>J2</td> <td>PTD.</td> <td>-</td> <td>324</td> <td>3\"/> <tr> <td>334A</td> <td>ETR</td> <td>-</td> <td>WD.</td> <td>J2</td> <td>PTD.</td> <td>-</td> <td>325</td> <td>3\"/> <tr> <td>334B</td> <td>ETR</td> <td>-</td> <td>WD.</td> <td>J2</td> <td>PTD.</td> <td>-</td> <td>327</td> <td>3\"/> <tr> <td>335A</td> <td>ETR</td> <td>-</td> <td>WD.</td> <td>J2</td> <td>PTD.</td> <td>-</td> <td>328</td> <td>3\"/> <tr> <td>335B</td> <td>B</td> <td>3\"/> <tr> <td>336</td> <td>B</td> <td>3\"/> <tr> <td>337</td> <td>ETR</td> <td>-</td> <td>WD.</td> <td>J2</td> <td>PTD.</td> <td>-</td> <td>329A</td> <td>3\"/> <tr> <td>339</td> <td>ETR</td> <td>-</td> <td>WD.</td> <td>J2</td> <td>PTD.</td> <td>-</td> <td>329B</td> <td>3\"/> <tr> <td>340</td> <td>A</td> <td>3\"/> <tr> <td>341A</td> <td>ETR</td> <td>-</td> <td>WD.</td> <td>J2</td> <td>PTD.</td> <td>-</td> <td>331</td> <td>3\"/> <tr> <td>341B</td> <td>ETR</td> <td>-</td> <td>WD.</td> <td>J2</td> <td>PTD.</td> <td>-</td> <td>333</td> <td>3\"/> <tr> <td>342</td> <td>ETR</td> <td>-</td> <td>WD.</td> <td>J2</td> <td>PTD.</td> <td>-</td> <td>334A</td> <td>3\"/> <tr> <td>344</td> <td>ETR</td> <td>-</td> <td>WD.</td> <td>J2</td> <td>PTD.</td> <td>-</td> <td>334B</td> <td>3\"/> <tr> <td>345</td> <td>ETR</td> <td>-</td> <td>WD.</td> <td>J2</td> <td>PTD.</td> <td>-</td> <td>335A</td> <td>3\"/> <tr> <td>346</td> <td>ETR</td> <td>-</td> <td>WD.</td> <td>J2</td> <td>PTD.</td> <td>-</td> <td>335B</td> <td>3\"/> <tr> <td>347</td> <td>ETR</td> <td>-</td> <td>WD.</td> <td>J2</td> <td>PTD.</td> <td>-</td> <td>336</td> <td>3\"/> <tr> <td>348</td> <td>ETR</td> <td>-</td> <td>WD.</td> <td>J2</td> <td>PTD.</td> <td>-</td> <td>337</td> <td>3\"/> <tr> <td>349</td> <td>ETR</td> <td>-</td> <td>WD.</td> <td>J2</td> <td>PTD.</td> <td>-</td> <td>339</td> <td>3\"/> <tr> <td>350</td> <td>ETR</td> <td>-</td> <td>WD.</td> <td>J2</td> <td>PTD.</td> <td>-</td> <td>340</td> <td>3\"/> </td></tr></td></tr></td></tr></td></tr></td></tr></td></tr></td></tr></td></tr></td></tr></td></tr></td></tr></td></tr></td></tr></td></tr></td></tr></td></tr></td></tr></td></tr></td></tr></td></tr></td></tr></td></tr></td></tr></td></tr></td></tr></td></tr></td></tr>
 | 323 | ETR | - | WD. | J2 | PTD. | - | 316A | 3\"/> <tr> <td>324</td> <td>ETR</td> <td>-</td> <td>WD.</td> <td>J2</td> <td>PTD.</td> <td>-</td> <td>318</td> <td>3\"/> <tr> <td>325</td> <td>A</td> <td>3\"/> <tr> <td>327</td> <td>ETR</td> <td>-</td> <td>WD.</td> <td>J2</td> <td>PTD.</td> <td>-</td> <td>319</td> <td>3\"/> <tr> <td>328</td> <td>ETR</td> <td>-</td> <td>WD.</td> <td>J2</td> <td>PTD.</td> <td>-</td> <td>320</td> <td>3\"/> <tr> <td>329A</td> <td>ETR</td> <td>-</td> <td>WD.</td> <td>J2</td> <td>PTD.</td> <td>-</td> <td>321</td> <td>3\"/> <tr> <td>329B</td> <td>ETR</td> <td>-</td> <td>WD.</td> <td>J2</td> <td>PTD.</td> <td>-</td> <td>322</td> <td>3\"/> <tr> <td>331</td> <td>ETR</td> <td>-</td> <td>WD.</td> <td>J2</td> <td>PTD.</td> <td>-</td> <td>323</td> <td>3\"/> <tr> <td>333</td>
<td>ETR</td> <td>-</td> <td>WD.</td> <td>J2</td> <td>PTD.</td> <td>-</td> <td>324</td> <td>3\"/> <tr> <td>334A</td> <td>ETR</td> <td>-</td> <td>WD.</td> <td>J2</td> <td>PTD.</td> <td>-</td> <td>325</td> <td>3\"/> <tr> <td>334B</td> <td>ETR</td> <td>-</td> <td>WD.</td> <td>J2</td> <td>PTD.</td> <td>-</td> <td>327</td> <td>3\"/> <tr> <td>335A</td> <td>ETR</td> <td>-</td> <td>WD.</td> <td>J2</td> <td>PTD.</td> <td>-</td> <td>328</td> <td>3\"/> <tr> <td>335B</td> <td>B</td> <td>3\"/> <tr> <td>336</td> <td>B</td> <td>3\"/> <tr> <td>337</td> <td>ETR</td> <td>-</td> <td>WD.</td> <td>J2</td> <td>PTD.</td> <td>-</td> <td>329A</td> <td>3\"/> <tr> <td>339</td> <td>ETR</td> <td>-</td> <td>WD.</td> <td>J2</td> <td>PTD.</td> <td>-</td> <td>329B</td> <td>3\"/> <tr> <td>340</td> <td>A</td> <td>3\"/> <tr> <td>341A</td> <td>ETR</td> <td>-</td> <td>WD.</td> <td>J2</td> <td>PTD.</td> <td>-</td> <td>331</td> <td>3\"/> <tr> <td>341B</td> <td>ETR</td> <td>-</td> <td>WD.</td> <td>J2</td> <td>PTD.</td> <td>-</td> <td>333</td> <td>3\"/> <tr> <td>342</td> <td>ETR</td> <td>-</td> <td>WD.</td> <td>J2</td> <td>PTD.</td> <td>-</td> <td>334A</td> <td>3\"/> <tr> <td>344</td> <td>ETR</td> <td>-</td> <td>WD.</td> <td>J2</td> <td>PTD.</td> <td>-</td> <td>334B</td> <td>3\"/> <tr> <td>345</td> <td>ETR</td> <td>-</td> <td>WD.</td> <td>J2</td> <td>PTD.</td> <td>-</td> <td>335A</td> <td>3\"/> <tr> <td>346</td> <td>ETR</td> <td>-</td> <td>WD.</td> <td>J2</td> <td>PTD.</td> <td>-</td> <td>335B</td> <td>3\"/> <tr> <td>347</td> <td>ETR</td> <td>-</td> <td>WD.</td> <td>J2</td> <td>PTD.</td> <td>-</td> <td>336</td> <td>3\"/> <tr> <td>348</td> <td>ETR</td> <td>-</td> <td>WD.</td> <td>J2</td> <td>PTD.</td> <td>-</td> <td>337</td> <td>3\"/> <tr> <td>349</td> <td>ETR</td> <td>-</td> <td>WD.</td> <td>J2</td> <td>PTD.</td> <td>-</td> <td>339</td> <td>3\"/> <tr> <td>350</td> <td>ETR</td> <td>-</td> <td>WD.</td> <td>J2</td> <td>PTD.</td> <td>-</td> <td>340</td> <td>3\"/> </td></tr></td></tr></td></tr></td></tr></td></tr></td></tr></td></tr></td></tr></td></tr></td></tr></td></tr></td></tr></td></tr></td></tr></td></tr></td></tr></td></tr></td></tr></td></tr></td></tr></td></tr></td></tr></td></tr></td></tr></td></tr></td></tr> | 324 | ETR | - | WD. | J2 | PTD.
 | - | 318 | 3\"/> <tr> <td>325</td> <td>A</td> <td>3\"/> <tr> <td>327</td> <td>ETR</td> <td>-</td> <td>WD.</td> <td>J2</td> <td>PTD.</td> <td>-</td> <td>319</td> <td>3\"/> <tr> <td>328</td> <td>ETR</td> <td>-</td> <td>WD.</td> <td>J2</td> <td>PTD.</td> <td>-</td> <td>320</td> <td>3\"/> <tr> <td>329A</td> <td>ETR</td> <td>-</td> <td>WD.</td> <td>J2</td> <td>PTD.</td> <td>-</td> <td>321</td> <td>3\"/> <tr> <td>329B</td> <td>ETR</td> <td>-</td> <td>WD.</td> <td>J2</td> <td>PTD.</td> <td>-</td> <td>322</td> <td>3\"/> <tr> <td>331</td> <td>ETR</td> <td>-</td> <td>WD.</td> <td>J2</td> <td>PTD.</td> <td>-</td> <td>323</td> <td>3\"/> <tr> <td>333</td> <td>ETR</td> <td>-</td> <td>WD.</td> <td>J2</td> <td>PTD.</td> <td>-</td> <td>324</td> <td>3\"/> <tr> <td>334A</td> <td>ETR</td> <td>-</td> <td>WD.</td> <td>J2</td> <td>PTD.</td> <td>-</td> <td>325</td> <td>3\"/> <tr> <td>334B</td> <td>ETR</td> <td>-</td> <td>WD.</td> <td>J2</td> <td>PTD.</td> <td>-</td> <td>327</td> <td>3\"/> <tr> <td>335A</td> <td>ETR</td> <td>-</td> <td>WD.</td> <td>J2</td> <td>PTD.</td> <td>-</td> <td>328</td> <td>3\"/> <tr> <td>335B</td> <td>B</td> <td>3\"/> <tr> <td>336</td> <td>B</td> <td>3\"/> <tr> <td>337</td> <td>ETR</td> <td>-</td> <td>WD.</td> <td>J2</td> <td>PTD.</td> <td>-</td> <td>329A</td> <td>3\"/> <tr> <td>339</td> <td>ETR</td> <td>-</td> <td>WD.</td> <td>J2</td> <td>PTD.</td> <td>-</td> <td>329B</td> <td>3\"/> <tr> <td>340</td> <td>A</td> <td>3\"/> <tr> <td>341A</td> <td>ETR</td> <td>-</td> <td>WD.</td> <td>J2</td> <td>PTD.</td> <td>-</td> <td>331</td> <td>3\"/> <tr> <td>341B</td> <td>ETR</td> <td>-</td> <td>WD.</td> <td>J2</td> <td>PTD.</td> <td>-</td> <td>333</td> <td>3\"/> <tr> <td>342</td> <td>ETR</td> <td>-</td> <td>WD.</td> <td>J2</td> <td>PTD.</td> <td>-</td> <td>334A</td> <td>3\"/> <tr> <td>344</td> <td>ETR</td> <td>-</td> <td>WD.</td> <td>J2</td> <td>PTD.</td> <td>-</td> <td>334B</td> <td>3\"/> <tr> <td>345</td> <td>ETR</td> <td>-</td> <td>WD.</td> <td>J2</td> <td>PTD.</td> <td>-</td> <td>335A</td> <td>3\"/> <tr> <td>346</td> <td>ETR</td> <td>-</td> <td>WD.</td> <td>J2</td> <td>PTD.</td> <td>-</td> <td>335B</td> <td>3\"/> <tr> <td>347</td> <td>ETR</td> <td>-</td> <td>WD.</td> <td>J2</td> <td>PTD.</td> <td>-</td> <td>336</td> <td>3\"/> <tr> <td>348</td> <td>ETR</td> <td>-</td> <td>WD.</td> <td>J2</td> <td>PTD.</td> <td>-</td> <td>337</td> <td>3\"/> <tr> <td>349</td> <td>ETR</td> <td>-</td> <td>WD.</td> <td>J2</td> <td>PTD.</td> <td>-</td> <td>339</td> <td>3\"/> <tr> <td>350</td> <td>ETR</td> <td>-</td> <td>WD.</td> <td>J2</td> <td>PTD.</td> <td>-</td> <td>340</td> <td>3\"/> </td></tr></td></tr></td></tr></td></tr></td></tr></td></tr></td></tr></td></tr></td></tr></td></tr></td></tr></td></tr></td></tr></td></tr></td></tr></td></tr></td></tr></td></tr></td></tr></td></tr></td></tr></td></tr></td></tr></td></tr></td></tr> | 325 | A | 3\"/> <tr> <td>327</td> <td>ETR</td> <td>-</td> <td>WD.</td> <td>J2</td> <td>PTD.</td> <td>-</td> <td>319</td> <td>3\"/> <tr> <td>328</td> <td>ETR</td> <td>-</td> <td>WD.</td> <td>J2</td> <td>PTD.</td> <td>-</td> <td>320</td> <td>3\"/> <tr> <td>329A</td> <td>ETR</td> <td>-</td> <td>WD.</td> <td>J2</td> <td>PTD.</td> <td>-</td> <td>321</td> <td>3\"/> <tr> <td>329B</td> <td>ETR</td> <td>-</td> <td>WD.</td> <td>J2</td> <td>PTD.</td> <td>-</td> <td>322</td> <td>3\"/> <tr> <td>331</td> <td>ETR</td> <td>-</td> <td>WD.</td> <td>J2</td> <td>PTD.</td> <td>-</td> <td>323</td> <td>3\"/> <tr> <td>333</td> <td>ETR</td> <td>-</td> <td>WD.</td> <td>J2</td> <td>PTD.</td> <td>-</td> <td>324</td> <td>3\"/> <tr> <td>334A</td> <td>ETR</td> <td>-</td> <td>WD.</td> <td>J2</td> <td>PTD.</td> <td>-</td> <td>325</td> <td>3\"/> <tr> <td>334B</td> <td>ETR</td> <td>-</td> <td>WD.</td> <td>J2</td> <td>PTD.</td> <td>-</td> <td>327</td> <td>3\"/> <tr> <td>335A</td> <td>ETR</td> <td>-</td> <td>WD.</td> <td>J2</td> <td>PTD.</td> <td>-</td> <td>328</td> <td>3\"/> <tr> <td>335B</td> <td>B</td> <td>3\"/> <tr> <td>336</td> <td>B</td> <td>3\"/> <tr> <td>337</td> <td>ETR</td> <td>-</td> <td>WD.</td> <td>J2</td> <td>PTD.</td> <td>-</td> <td>329A</td> <td>3\"/> <tr> <td>339</td> <td>ETR</td> <td>-</td> <td>WD.</td> <td>J2</td> <td>PTD.</td> <td>-</td> <td>329B</td> <td>3\"/> <tr> <td>340</td> <td>A</td> <td>3\"/> <tr> <td>341A</td> <td>ETR</td> <td>-</td> <td>WD.</td> <td>J2</td> <td>PTD.</td> <td>-</td> <td>331</td> <td>3\"/> <tr> <td>341B</td> <td>ETR</td> <td>-</td> <td>WD.</td> <td>J2</td> <td>PTD.</td> <td>-</td> <td>333</td> <td>3\"/> <tr> <td>342</td> <td>ETR</td> <td>-</td> <td>WD.</td> <td>J2</td> <td>PTD.</td> <td>-</td> <td>334A</td> <td>3\"/> <tr> <td>344</td> <td>ETR</td> <td>-</td> <td>WD.</td> <td>J2</td> <td>PTD.</td> <td>-</td> <td>334B</td> <td>3\"/> <tr> <td>345</td> <td>ETR</td> <td>-</td> <td>WD.</td> <td>J2</td> <td>PTD.</td> <td>-</td> <td>335A</td> <td>3\"/> <tr> <td>346</td> <td>ETR</td> <td>-</td> <td>WD.</td> <td>J2</td> <td>PTD.</td> <td>-</td> <td>335B</td> <td>3\"/> <tr> <td>347</td> <td>ETR</td> <td>-</td> <td>WD.</td> <td>J2</td> <td>PTD.</td> <td>-</td> <td>336</td> <td>3\"/> <tr> <td>348</td> <td>ETR</td> <td>-</td> <td>WD.</td> <td>J2</td> <td>PTD.</td> <td>-</td> <td>337</td> <td>3\"/> <tr> <td>349</td> <td>ETR</td> <td>-</td> <td>WD.</td> <td>J2</td> <td>PTD.</td> <td>-</td> <td>339</td> <td>3\"/> <tr> <td>350</td> <td>ETR</td> <td>-</td> <td>WD.</td> <td>J2</td> <td>PTD.</td> <td>-</td> <td>340</td> <td>3\"/> </td></tr></td></tr></td></tr></td></tr></td></tr></td></tr></td></tr></td></tr></td></tr></td></tr></td></tr></td></tr></td></tr></td></tr></td></tr></td></tr></td></tr></td></tr></td></tr></td></tr></td></tr></td></tr></td></tr></td></tr> | 327 | ETR | -
 | WD. | J2 | PTD. | - | 319 | 3\"/> <tr> <td>328</td> <td>ETR</td> <td>-</td> <td>WD.</td> <td>J2</td> <td>PTD.</td> <td>-</td> <td>320</td> <td>3\"/> <tr> <td>329A</td> <td>ETR</td> <td>-</td> <td>WD.</td> <td>J2</td> <td>PTD.</td> <td>-</td> <td>321</td> <td>3\"/> <tr> <td>329B</td> <td>ETR</td> <td>-</td> <td>WD.</td> <td>J2</td> <td>PTD.</td> <td>-</td> <td>322</td> <td>3\"/> <tr> <td>331</td> <td>ETR</td> <td>-</td> <td>WD.</td> <td>J2</td> <td>PTD.</td> <td>-</td> <td>323</td> <td>3\"/> <tr> <td>333</td> <td>ETR</td> <td>-</td> <td>WD.</td> <td>J2</td> <td>PTD.</td> <td>-</td> <td>324</td> <td>3\"/> <tr> <td>334A</td> <td>ETR</td> <td>-</td> <td>WD.</td> <td>J2</td> <td>PTD.</td> <td>-</td> <td>325</td> <td>3\"/> <tr> <td>334B</td> <td>ETR</td> <td>-</td> <td>WD.</td> <td>J2</td> <td>PTD.</td> <td>-</td> <td>327</td> <td>3\"/> <tr> <td>335A</td> <td>ETR</td> <td>-</td> <td>WD.</td> <td>J2</td> <td>PTD.</td> <td>-</td> <td>328</td> <td>3\"/> <tr> <td>335B</td> <td>B</td> <td>3\"/> <tr> <td>336</td> <td>B</td> <td>3\"/> <tr> <td>337</td> <td>ETR</td> <td>-</td> <td>WD.</td> <td>J2</td> <td>PTD.</td> <td>-</td> <td>329A</td> <td>3\"/> <tr> <td>339</td> <td>ETR</td> <td>-</td> <td>WD.</td> <td>J2</td> <td>PTD.</td> <td>-</td> <td>329B</td> <td>3\"/> <tr> <td>340</td> <td>A</td> <td>3\"/> <tr> <td>341A</td> <td>ETR</td> <td>-</td> <td>WD.</td> <td>J2</td> <td>PTD.</td> <td>-</td> <td>331</td> <td>3\"/> <tr> <td>341B</td> <td>ETR</td> <td>-</td> <td>WD.</td> <td>J2</td> <td>PTD.</td> <td>-</td> <td>333</td> <td>3\"/> <tr> <td>342</td> <td>ETR</td> <td>-</td> <td>WD.</td> <td>J2</td> <td>PTD.</td> <td>-</td> <td>334A</td> <td>3\"/> <tr> <td>344</td> <td>ETR</td> <td>-</td> <td>WD.</td> <td>J2</td> <td>PTD.</td> <td>-</td> <td>334B</td> <td>3\"/> <tr> <td>345</td> <td>ETR</td> <td>-</td> <td>WD.</td> <td>J2</td> <td>PTD.</td> <td>-</td> <td>335A</td> <td>3\"/> <tr> <td>346</td> <td>ETR</td> <td>-</td> <td>WD.</td> <td>J2</td> <td>PTD.</td> <td>-</td> <td>335B</td> <td>3\"/> <tr> <td>347</td> <td>ETR</td> <td>-</td> <td>WD.</td> <td>J2</td> <td>PTD.</td> <td>-</td> <td>336</td> <td>3\"/> <tr> <td>348</td> <td>ETR</td> <td>-</td> <td>WD.</td> <td>J2</td> <td>PTD.</td> <td>-</td> <td>337</td> <td>3\"/> <tr> <td>349</td> <td>ETR</td> <td>-</td> <td>WD.</td> <td>J2</td> <td>PTD.</td> <td>-</td> <td>339</td> <td>3\"/> <tr> <td>350</td> <td>ETR</td> <td>-</td> <td>WD.</td> <td>J2</td> <td>PTD.</td> <td>-</td> <td>340</td> <td>3\"/> </td></tr></td></tr></td></tr></td></tr></td></tr></td></tr></td></tr></td></tr></td></tr></td></tr></td></tr></td></tr></td></tr></td></tr></td></tr></td></tr></td></tr></td></tr></td></tr></td></tr></td></tr></td></tr></td></tr>
 | 328 | ETR | - | WD. | J2 | PTD. | - | 320 | 3\"/> <tr> <td>329A</td> <td>ETR</td> <td>-</td> <td>WD.</td> <td>J2</td> <td>PTD.</td> <td>-</td> <td>321</td> <td>3\"/> <tr> <td>329B</td> <td>ETR</td> <td>-</td> <td>WD.</td> <td>J2</td> <td>PTD.</td> <td>-</td> <td>322</td> <td>3\"/> <tr> <td>331</td> <td>ETR</td> <td>-</td> <td>WD.</td> <td>J2</td> <td>PTD.</td> <td>-</td> <td>323</td> <td>3\"/> <tr> <td>333</td> <td>ETR</td> <td>-</td> <td>WD.</td> <td>J2</td> <td>PTD.</td> <td>-</td> <td>324</td> <td>3\"/> <tr> <td>334A</td> <td>ETR</td> <td>-</td> <td>WD.</td> <td>J2</td> <td>PTD.</td> <td>-</td> <td>325</td> <td>3\"/> <tr> <td>334B</td> <td>ETR</td> <td>-</td> <td>WD.</td> <td>J2</td> <td>PTD.</td> <td>-</td> <td>327</td> <td>3\"/> <tr> <td>335A</td> <td>ETR</td> <td>-</td> <td>WD.</td> <td>J2</td> <td>PTD.</td> <td>-</td> <td>328</td> <td>3\"/> <tr> <td>335B</td> <td>B</td> <td>3\"/> <tr> <td>336</td> <td>B</td> <td>3\"/> <tr> <td>337</td> <td>ETR</td> <td>-</td> <td>WD.</td> <td>J2</td> <td>PTD.</td> <td>-</td> <td>329A</td> <td>3\"/> <tr> <td>339</td> <td>ETR</td> <td>-</td> <td>WD.</td> <td>J2</td> <td>PTD.</td> <td>-</td> <td>329B</td> <td>3\"/> <tr> <td>340</td> <td>A</td> <td>3\"/> <tr> <td>341A</td> <td>ETR</td> <td>-</td> <td>WD.</td> <td>J2</td> <td>PTD.</td> <td>-</td> <td>331</td> <td>3\"/> <tr> <td>341B</td> <td>ETR</td> <td>-</td> <td>WD.</td> <td>J2</td> <td>PTD.</td> <td>-</td> <td>333</td> <td>3\"/> <tr> <td>342</td> <td>ETR</td> <td>-</td> <td>WD.</td> <td>J2</td> <td>PTD.</td> <td>-</td> <td>334A</td> <td>3\"/> <tr>
<td>344</td> <td>ETR</td> <td>-</td> <td>WD.</td> <td>J2</td> <td>PTD.</td> <td>-</td> <td>334B</td> <td>3\"/> <tr> <td>345</td> <td>ETR</td> <td>-</td> <td>WD.</td> <td>J2</td> <td>PTD.</td> <td>-</td> <td>335A</td> <td>3\"/> <tr> <td>346</td> <td>ETR</td> <td>-</td> <td>WD.</td> <td>J2</td> <td>PTD.</td> <td>-</td> <td>335B</td> <td>3\"/> <tr> <td>347</td> <td>ETR</td> <td>-</td> <td>WD.</td> <td>J2</td> <td>PTD.</td> <td>-</td> <td>336</td> <td>3\"/> <tr> <td>348</td> <td>ETR</td> <td>-</td> <td>WD.</td> <td>J2</td> <td>PTD.</td> <td>-</td> <td>337</td> <td>3\"/> <tr> <td>349</td> <td>ETR</td> <td>-</td> <td>WD.</td> <td>J2</td> <td>PTD.</td> <td>-</td> <td>339</td> <td>3\"/> <tr> <td>350</td> <td>ETR</td> <td>-</td> <td>WD.</td> <td>J2</td> <td>PTD.</td> <td>-</td> <td>340</td> <td>3\"/> </td></tr></td></tr></td></tr></td></tr></td></tr></td></tr></td></tr></td></tr></td></tr></td></tr></td></tr></td></tr></td></tr></td></tr></td></tr></td></tr></td></tr></td></tr></td></tr></td></tr></td></tr></td></tr> | 329A | ETR | - | WD. | J2 | PTD. | - | 321 | 3\"/> <tr> <td>329B</td> <td>ETR</td> <td>-</td> <td>WD.</td> <td>J2</td> <td>PTD.</td> <td>-</td> <td>322</td> <td>3\"/> <tr> <td>331</td> <td>ETR</td> <td>-</td> <td>WD.</td> <td>J2</td> <td>PTD.</td> <td>-</td> <td>323</td> <td>3\"/> <tr> <td>333</td> <td>ETR</td> <td>-</td> <td>WD.</td> <td>J2</td> <td>PTD.</td> <td>-</td> <td>324</td> <td>3\"/> <tr> <td>334A</td> <td>ETR</td> <td>-</td> <td>WD.</td> <td>J2</td> <td>PTD.</td> <td>-</td> <td>325</td> <td>3\"/> <tr> <td>334B</td>
<td>ETR</td> <td>-</td> <td>WD.</td> <td>J2</td> <td>PTD.</td> <td>-</td> <td>327</td> <td>3\"/> <tr> <td>335A</td> <td>ETR</td> <td>-</td> <td>WD.</td> <td>J2</td> <td>PTD.</td> <td>-</td> <td>328</td> <td>3\"/> <tr> <td>335B</td> <td>B</td> <td>3\"/> <tr> <td>336</td> <td>B</td> <td>3\"/> <tr> <td>337</td> <td>ETR</td> <td>-</td> <td>WD.</td> <td>J2</td> <td>PTD.</td> <td>-</td> <td>329A</td> <td>3\"/> <tr> <td>339</td> <td>ETR</td> <td>-</td> <td>WD.</td> <td>J2</td> <td>PTD.</td> <td>-</td> <td>329B</td> <td>3\"/> <tr> <td>340</td> <td>A</td> <td>3\"/> <tr> <td>341A</td> <td>ETR</td> <td>-</td> <td>WD.</td> <td>J2</td> <td>PTD.</td> <td>-</td> <td>331</td> <td>3\"/> <tr> <td>341B</td> <td>ETR</td> <td>-</td> <td>WD.</td> <td>J2</td> <td>PTD.</td> <td>-</td> <td>333</td> <td>3\"/> <tr> <td>342</td> <td>ETR</td> <td>-</td> <td>WD.</td> <td>J2</td> <td>PTD.</td> <td>-</td> <td>334A</td> <td>3\"/> <tr> <td>344</td> <td>ETR</td> <td>-</td> <td>WD.</td> <td>J2</td> <td>PTD.</td> <td>-</td> <td>334B</td> <td>3\"/> <tr> <td>345</td> <td>ETR</td> <td>-</td> <td>WD.</td> <td>J2</td> <td>PTD.</td> <td>-</td> <td>335A</td> <td>3\"/> <tr> <td>346</td> <td>ETR</td> <td>-</td> <td>WD.</td> <td>J2</td> <td>PTD.</td> <td>-</td> <td>335B</td> <td>3\"/> <tr> <td>347</td> <td>ETR</td> <td>-</td> <td>WD.</td> <td>J2</td> <td>PTD.</td> <td>-</td> <td>336</td> <td>3\"/> <tr> <td>348</td> <td>ETR</td> <td>-</td> <td>WD.</td> <td>J2</td> <td>PTD.</td> <td>-</td> <td>337</td> <td>3\"/> <tr> <td>349</td> <td>ETR</td> <td>-</td> <td>WD.</td> <td>J2</td> <td>PTD.</td> <td>-</td> <td>339</td> <td>3\"/> <tr> <td>350</td> <td>ETR</td> <td>-</td> <td>WD.</td> <td>J2</td> <td>PTD.</td> <td>-</td> <td>340</td> <td>3\"/> </td></tr></td></tr></td></tr></td></tr></td></tr></td></tr></td></tr></td></tr></td></tr></td></tr></td></tr></td></tr></td></tr></td></tr></td></tr></td></tr></td></tr></td></tr></td></tr></td></tr></td></tr> | 329B | ETR | - | WD. | J2 | PTD.
 | - | 322 | 3\"/> <tr> <td>331</td> <td>ETR</td> <td>-</td> <td>WD.</td> <td>J2</td> <td>PTD.</td> <td>-</td> <td>323</td> <td>3\"/> <tr> <td>333</td> <td>ETR</td> <td>-</td> <td>WD.</td> <td>J2</td> <td>PTD.</td> <td>-</td> <td>324</td> <td>3\"/> <tr> <td>334A</td> <td>ETR</td> <td>-</td> <td>WD.</td> <td>J2</td> <td>PTD.</td> <td>-</td> <td>325</td> <td>3\"/> <tr> <td>334B</td> <td>ETR</td> <td>-</td> <td>WD.</td> <td>J2</td> <td>PTD.</td> <td>-</td> <td>327</td> <td>3\"/> <tr> <td>335A</td> <td>ETR</td> <td>-</td> <td>WD.</td> <td>J2</td> <td>PTD.</td> <td>-</td> <td>328</td> <td>3\"/> <tr> <td>335B</td> <td>B</td> <td>3\"/> <tr> <td>336</td> <td>B</td> <td>3\"/> <tr> <td>337</td> <td>ETR</td> <td>-</td> <td>WD.</td> <td>J2</td> <td>PTD.</td> <td>-</td> <td>329A</td> <td>3\"/> <tr> <td>339</td> <td>ETR</td> <td>-</td> <td>WD.</td> <td>J2</td> <td>PTD.</td> <td>-</td> <td>329B</td> <td>3\"/> <tr> <td>340</td> <td>A</td> <td>3\"/> <tr> <td>341A</td> <td>ETR</td> <td>-</td> <td>WD.</td> <td>J2</td> <td>PTD.</td> <td>-</td> <td>331</td> <td>3\"/> <tr> <td>341B</td> <td>ETR</td> <td>-</td> <td>WD.</td> <td>J2</td> <td>PTD.</td> <td>-</td> <td>333</td> <td>3\"/> <tr> <td>342</td> <td>ETR</td> <td>-</td> <td>WD.</td> <td>J2</td> <td>PTD.</td> <td>-</td> <td>334A</td> <td>3\"/> <tr> <td>344</td> <td>ETR</td> <td>-</td> <td>WD.</td> <td>J2</td> <td>PTD.</td> <td>-</td> <td>334B</td> <td>3\"/> <tr> <td>345</td> <td>ETR</td> <td>-</td> <td>WD.</td> <td>J2</td> <td>PTD.</td> <td>-</td> <td>335A</td> <td>3\"/> <tr> <td>346</td> <td>ETR</td> <td>-</td> <td>WD.</td> <td>J2</td> <td>PTD.</td> <td>-</td> <td>335B</td> <td>3\"/> <tr> <td>347</td> <td>ETR</td> <td>-</td> <td>WD.</td> <td>J2</td> <td>PTD.</td> <td>-</td> <td>336</td> <td>3\"/> <tr> <td>348</td> <td>ETR</td> <td>-</td> <td>WD.</td> <td>J2</td> <td>PTD.</td> <td>-</td> <td>337</td> <td>3\"/> <tr> <td>349</td> <td>ETR</td> <td>-</td> <td>WD.</td> <td>J2</td> <td>PTD.</td> <td>-</td> <td>339</td> <td>3\"/> <tr> <td>350</td> <td>ETR</td> <td>-</td> <td>WD.</td> <td>J2</td> <td>PTD.</td> <td>-</td> <td>340</td> <td>3\"/> </td></tr></td></tr></td></tr></td></tr></td></tr></td></tr></td></tr></td></tr></td></tr></td></tr></td></tr></td></tr></td></tr></td></tr></td></tr></td></tr></td></tr></td></tr></td></tr></td></tr> | 331 | ETR | - | WD. | J2 | PTD.
 | - | 323 | 3\"/> <tr> <td>333</td> <td>ETR</td> <td>-</td> <td>WD.</td> <td>J2</td> <td>PTD.</td> <td>-</td> <td>324</td> <td>3\"/> <tr> <td>334A</td> <td>ETR</td> <td>-</td> <td>WD.</td> <td>J2</td> <td>PTD.</td> <td>-</td> <td>325</td> <td>3\"/> <tr> <td>334B</td> <td>ETR</td> <td>-</td> <td>WD.</td> <td>J2</td> <td>PTD.</td> <td>-</td> <td>327</td> <td>3\"/> <tr> <td>335A</td> <td>ETR</td> <td>-</td> <td>WD.</td> <td>J2</td> <td>PTD.</td> <td>-</td> <td>328</td> <td>3\"/> <tr> <td>335B</td> <td>B</td> <td>3\"/> <tr> <td>336</td> <td>B</td> <td>3\"/> <tr> <td>337</td> <td>ETR</td> <td>-</td> <td>WD.</td> <td>J2</td> <td>PTD.</td> <td>-</td> <td>329A</td> <td>3\"/> <tr> <td>339</td> <td>ETR</td> <td>-</td> <td>WD.</td> <td>J2</td> <td>PTD.</td> <td>-</td> <td>329B</td> <td>3\"/> <tr> <td>340</td> <td>A</td> <td>3\"/> <tr> <td>341A</td> <td>ETR</td> <td>-</td> <td>WD.</td> <td>J2</td> <td>PTD.</td> <td>-</td> <td>331</td> <td>3\"/> <tr> <td>341B</td> <td>ETR</td> <td>-</td> <td>WD.</td> <td>J2</td> <td>PTD.</td> <td>-</td> <td>333</td> <td>3\"/> <tr> <td>342</td> <td>ETR</td> <td>-</td> <td>WD.</td> <td>J2</td> <td>PTD.</td> <td>-</td> <td>334A</td> <td>3\"/> <tr> <td>344</td> <td>ETR</td> <td>-</td> <td>WD.</td> <td>J2</td> <td>PTD.</td> <td>-</td> <td>334B</td> <td>3\"/> <tr> <td>345</td> <td>ETR</td> <td>-</td> <td>WD.</td> <td>J2</td> <td>PTD.</td> <td>-</td> <td>335A</td> <td>3\"/> <tr> <td>346</td> <td>ETR</td> <td>-</td> <td>WD.</td> <td>J2</td> <td>PTD.</td> <td>-</td> <td>335B</td> <td>3\"/> <tr> <td>347</td> <td>ETR</td> <td>-</td> <td>WD.</td> <td>J2</td> <td>PTD.</td> <td>-</td> <td>336</td> <td>3\"/> <tr> <td>348</td> <td>ETR</td> <td>-</td> <td>WD.</td> <td>J2</td> <td>PTD.</td> <td>-</td> <td>337</td> <td>3\"/> <tr> <td>349</td> <td>ETR</td> <td>-</td> <td>WD.</td> <td>J2</td> <td>PTD.</td> <td>-</td> <td>339</td> <td>3\"/> <tr> <td>350</td> <td>ETR</td> <td>-</td> <td>WD.</td> <td>J2</td> <td>PTD.</td> <td>-</td> <td>340</td> <td>3\"/> </td></tr></td></tr></td></tr></td></tr></td></tr></td></tr></td></tr></td></tr></td></tr></td></tr></td></tr></td></tr></td></tr></td></tr></td></tr></td></tr></td></tr></td></tr></td></tr> | 333 | ETR | - | WD. | J2 | PTD.
 | - | 324 | 3\"/> <tr> <td>334A</td> <td>ETR</td> <td>-</td> <td>WD.</td> <td>J2</td> <td>PTD.</td> <td>-</td> <td>325</td> <td>3\"/> <tr> <td>334B</td> <td>ETR</td> <td>-</td> <td>WD.</td> <td>J2</td> <td>PTD.</td> <td>-</td> <td>327</td> <td>3\"/> <tr> <td>335A</td> <td>ETR</td> <td>-</td> <td>WD.</td> <td>J2</td> <td>PTD.</td> <td>-</td> <td>328</td> <td>3\"/> <tr> <td>335B</td> <td>B</td> <td>3\"/> <tr> <td>336</td> <td>B</td> <td>3\"/> <tr> <td>337</td> <td>ETR</td> <td>-</td> <td>WD.</td> <td>J2</td> <td>PTD.</td> <td>-</td> <td>329A</td> <td>3\"/> <tr> <td>339</td> <td>ETR</td> <td>-</td> <td>WD.</td> <td>J2</td> <td>PTD.</td> <td>-</td> <td>329B</td> <td>3\"/> <tr> <td>340</td> <td>A</td> <td>3\"/> <tr> <td>341A</td> <td>ETR</td> <td>-</td> <td>WD.</td> <td>J2</td> <td>PTD.</td> <td>-</td> <td>331</td> <td>3\"/> <tr> <td>341B</td> <td>ETR</td> <td>-</td> <td>WD.</td> <td>J2</td> <td>PTD.</td> <td>-</td> <td>333</td> <td>3\"/> <tr> <td>342</td> <td>ETR</td> <td>-</td> <td>WD.</td> <td>J2</td> <td>PTD.</td> <td>-</td> <td>334A</td> <td>3\"/> <tr> <td>344</td> <td>ETR</td> <td>-</td> <td>WD.</td> <td>J2</td> <td>PTD.</td> <td>-</td> <td>334B</td> <td>3\"/> <tr> <td>345</td> <td>ETR</td> <td>-</td> <td>WD.</td> <td>J2</td> <td>PTD.</td> <td>-</td> <td>335A</td> <td>3\"/> <tr> <td>346</td> <td>ETR</td> <td>-</td> <td>WD.</td> <td>J2</td> <td>PTD.</td> <td>-</td> <td>335B</td> <td>3\"/> <tr> <td>347</td> <td>ETR</td> <td>-</td> <td>WD.</td> <td>J2</td> <td>PTD.</td> <td>-</td> <td>336</td> <td>3\"/> <tr> <td>348</td> <td>ETR</td> <td>-</td> <td>WD.</td> <td>J2</td> <td>PTD.</td> <td>-</td> <td>337</td> <td>3\"/> <tr> <td>349</td> <td>ETR</td> <td>-</td> <td>WD.</td> <td>J2</td> <td>PTD.</td> <td>-</td> <td>339</td> <td>3\"/> <tr> <td>350</td> <td>ETR</td> <td>-</td> <td>WD.</td> <td>J2</td> <td>PTD.</td> <td>-</td> <td>340</td> <td>3\"/> </td></tr></td></tr></td></tr></td></tr></td></tr></td></tr></td></tr></td></tr></td></tr></td></tr></td></tr></td></tr></td></tr></td></tr></td></tr></td></tr></td></tr></td></tr> | 334A | ETR | - | WD. | J2 | PTD. | - | 325 | 3\"/> <tr> <td>334B</td> <td>ETR</td> <td>-</td> <td>WD.</td> <td>J2</td>
<td>PTD.</td> <td>-</td> <td>327</td> <td>3\"/> <tr> <td>335A</td> <td>ETR</td> <td>-</td> <td>WD.</td> <td>J2</td> <td>PTD.</td> <td>-</td> <td>328</td> <td>3\"/> <tr> <td>335B</td> <td>B</td> <td>3\"/> <tr> <td>336</td> <td>B</td> <td>3\"/> <tr> <td>337</td> <td>ETR</td> <td>-</td> <td>WD.</td> <td>J2</td> <td>PTD.</td> <td>-</td> <td>329A</td> <td>3\"/> <tr> <td>339</td> <td>ETR</td> <td>-</td> <td>WD.</td> <td>J2</td> <td>PTD.</td> <td>-</td> <td>329B</td> <td>3\"/> <tr> <td>340</td> <td>A</td> <td>3\"/> <tr> <td>341A</td> <td>ETR</td> <td>-</td> <td>WD.</td> <td>J2</td> <td>PTD.</td> <td>-</td> <td>331</td> <td>3\"/> <tr> <td>341B</td> <td>ETR</td> <td>-</td> <td>WD.</td> <td>J2</td> <td>PTD.</td> <td>-</td> <td>333</td> <td>3\"/> <tr> <td>342</td> <td>ETR</td> <td>-</td> <td>WD.</td> <td>J2</td> <td>PTD.</td> <td>-</td> <td>334A</td> <td>3\"/> <tr> <td>344</td> <td>ETR</td> <td>-</td> <td>WD.</td> <td>J2</td> <td>PTD.</td> <td>-</td> <td>334B</td> <td>3\"/> <tr> <td>345</td> <td>ETR</td> <td>-</td> <td>WD.</td> <td>J2</td> <td>PTD.</td> <td>-</td> <td>335A</td> <td>3\"/> <tr> <td>346</td> <td>ETR</td> <td>-</td> <td>WD.</td> <td>J2</td> <td>PTD.</td> <td>-</td> <td>335B</td> <td>3\"/> <tr> <td>347</td> <td>ETR</td> <td>-</td> <td>WD.</td> <td>J2</td> <td>PTD.</td> <td>-</td> <td>336</td> <td>3\"/> <tr> <td>348</td> <td>ETR</td> <td>-</td> <td>WD.</td> <td>J2</td> <td>PTD.</td> <td>-</td> <td>337</td> <td>3\"/> <tr> <td>349</td> <td>ETR</td> <td>-</td> <td>WD.</td> <td>J2</td> <td>PTD.</td> <td>-</td> <td>339</td> <td>3\"/> <tr> <td>350</td> <td>ETR</td> <td>-</td> <td>WD.</td> <td>J2</td> <td>PTD.</td> <td>-</td> <td>340</td> <td>3\"/> </td></tr></td></tr></td></tr></td></tr></td></tr></td></tr></td></tr></td></tr></td></tr></td></tr></td></tr></td></tr></td></tr></td></tr></td></tr></td></tr></td></tr> | 334B | ETR | - | WD. | J2 | PTD. | - | 327 | 3\"/> <tr> <td>335A</td> <td>ETR</td> <td>-</td> <td>WD.</td> <td>J2</td> <td>PTD.</td> <td>-</td> <td>328</td> <td>3\"/> <tr> <td>335B</td> <td>B</td> <td>3\"/> <tr> <td>336</td> <td>B</td> <td>3\"/> <tr> <td>337</td> <td>ETR</td> <td>-</td> <td>WD.</td> <td>J2</td> <td>PTD.</td> <td>-</td> <td>329A</td> <td>3\"/> <tr> <td>339</td> <td>ETR</td> <td>-</td> <td>WD.</td> <td>J2</td> <td>PTD.</td> <td>-</td> <td>329B</td> <td>3\"/> <tr> <td>340</td> <td>A</td> <td>3\"/> <tr> <td>341A</td> <td>ETR</td> <td>-</td> <td>WD.</td> <td>J2</td> <td>PTD.</td> <td>-</td> <td>331</td> <td>3\"/> <tr> <td>341B</td> <td>ETR</td> <td>-</td> <td>WD.</td> <td>J2</td> <td>PTD.</td> <td>-</td> <td>333</td> <td>3\"/> <tr> <td>342</td> <td>ETR</td> <td>-</td> <td>WD.</td> <td>J2</td> <td>PTD.</td> <td>-</td> <td>334A</td> <td>3\"/> <tr> <td>344</td> <td>ETR</td> <td>-</td> <td>WD.</td> <td>J2</td> <td>PTD.</td>
<td>-</td> <td>334B</td> <td>3\"/> <tr> <td>345</td> <td>ETR</td> <td>-</td> <td>WD.</td> <td>J2</td> <td>PTD.</td> <td>-</td> <td>335A</td> <td>3\"/> <tr> <td>346</td> <td>ETR</td> <td>-</td> <td>WD.</td> <td>J2</td> <td>PTD.</td> <td>-</td> <td>335B</td> <td>3\"/> <tr> <td>347</td> <td>ETR</td> <td>-</td> <td>WD.</td> <td>J2</td> <td>PTD.</td> <td>-</td> <td>336</td> <td>3\"/> <tr> <td>348</td> <td>ETR</td> <td>-</td> <td>WD.</td> <td>J2</td> <td>PTD.</td> <td>-</td> <td>337</td> <td>3\"/> <tr> <td>349</td> <td>ETR</td> <td>-</td> <td>WD.</td> <td>J2</td> <td>PTD.</td> <td>-</td> <td>339</td> <td>3\"/> <tr> <td>350</td> <td>ETR</td> <td>-</td> <td>WD.</td> <td>J2</td> <td>PTD.</td> <td>-</td> <td>340</td> <td>3\"/> </td></tr></td></tr></td></tr></td></tr></td></tr></td></tr></td></tr></td></tr></td></tr></td></tr></td></tr></td></tr></td></tr></td></tr></td></tr></td></tr> | 335A | ETR | - | WD. | J2 | PTD. | - | 328 | 3\"/> <tr> <td>335B</td> <td>B</td> <td>3\"/> <tr> <td>336</td> <td>B</td> <td>3\"/> <tr> <td>337</td> <td>ETR</td> <td>-</td> <td>WD.</td> <td>J2</td> <td>PTD.</td> <td>-</td> <td>329A</td> <td>3\"/> <tr> <td>339</td> <td>ETR</td> <td>-</td> <td>WD.</td> <td>J2</td> <td>PTD.</td> <td>-</td> <td>329B</td> <td>3\"/> <tr> <td>340</td> <td>A</td> <td>3\"/> <tr> <td>341A</td> <td>ETR</td> <td>-</td> <td>WD.</td> <td>J2</td> <td>PTD.</td> <td>-</td> <td>331</td> <td>3\"/> <tr> <td>341B</td> <td>ETR</td> <td>-</td> <td>WD.</td> <td>J2</td> <td>PTD.</td> <td>-</td> <td>333</td> <td>3\"/> <tr> <td>342</td> <td>ETR</td> <td>-</td> <td>WD.</td> <td>J2</td> <td>PTD.</td> <td>-</td> <td>334A</td> <td>3\"/> <tr> <td>344</td> <td>ETR</td> <td>-</td> <td>WD.</td> <td>J2</td> <td>PTD.</td> <td>-</td> <td>334B</td> <td>3\"/> <tr> <td>345</td> <td>ETR</td> <td>-</td> <td>WD.</td> <td>J2</td> <td>PTD.</td> <td>-</td> <td>335A</td> <td>3\"/> <tr> <td>346</td> <td>ETR</td> <td>-</td> <td>WD.</td> <td>J2</td> <td>PTD.</td> <td>-</td> <td>335B</td> <td>3\"/> <tr> <td>347</td> <td>ETR</td> <td>-</td> <td>WD.</td> <td>J2</td> <td>PTD.</td> <td>-</td> <td>336</td> <td>3\"/> <tr> <td>348</td> <td>ETR</td> <td>-</td> <td>WD.</td> <td>J2</td> <td>PTD.</td> <td>-</td> <td>337</td> <td>3\"/> <tr> <td>349</td> <td>ETR</td> <td>-</td> <td>WD.</td> <td>J2</td> <td>PTD.</td> <td>-</td> <td>339</td> <td>3\"/> <tr> <td>350</td> <td>ETR</td> <td>-</td> <td>WD.</td> <td>J2</td> <td>PTD.</td> <td>-</td> <td>340</td> <td>3\"/> </td></tr></td></tr></td></tr></td></tr></td></tr></td></tr></td></tr></td></tr></td></tr></td></tr></td></tr></td></tr></td></tr></td></tr></td></tr>
| 335B | B | 3\"/> <tr> <td>336</td> <td>B</td> <td>3\"/> <tr> <td>337</td> <td>ETR</td> <td>-</td> <td>WD.</td> <td>J2</td> <td>PTD.</td> <td>-</td> <td>329A</td> <td>3\"/> <tr> <td>339</td> <td>ETR</td> <td>-</td> <td>WD.</td> <td>J2</td> <td>PTD.</td> <td>-</td> <td>329B</td> <td>3\"/> <tr> <td>340</td> <td>A</td> <td>3\"/> <tr> <td>341A</td> <td>ETR</td> <td>-</td> <td>WD.</td> <td>J2</td> <td>PTD.</td> <td>-</td> <td>331</td> <td>3\"/> <tr> <td>341B</td> <td>ETR</td> <td>-</td> <td>WD.</td> <td>J2</td> <td>PTD.</td> <td>-</td> <td>333</td> <td>3\"/> <tr> <td>342</td> <td>ETR</td> <td>-</td> <td>WD.</td> <td>J2</td> <td>PTD.</td> <td>-</td> <td>334A</td> <td>3\"/> <tr> <td>344</td> <td>ETR</td> <td>-</td> <td>WD.</td> <td>J2</td> <td>PTD.</td> <td>-</td> <td>334B</td> <td>3\"/> <tr> <td>345</td> <td>ETR</td> <td>-</td> <td>WD.</td> <td>J2</td> <td>PTD.</td> <td>-</td> <td>335A</td> <td>3\"/> <tr> <td>346</td> <td>ETR</td> <td>-</td> <td>WD.</td> <td>J2</td> <td>PTD.</td> <td>-</td> <td>335B</td> <td>3\"/> <tr> <td>347</td> <td>ETR</td> <td>-</td> <td>WD.</td> <td>J2</td> <td>PTD.</td> <td>-</td> <td>336</td> <td>3\"/> <tr> <td>348</td> <td>ETR</td> <td>-</td> <td>WD.</td> <td>J2</td> <td>PTD.</td> <td>-</td> <td>337</td> <td>3\"/> <tr> <td>349</td> <td>ETR</td> <td>-</td> <td>WD.</td> <td>J2</td> <td>PTD.</td> <td>-</td> <td>339</td> <td>3\"/> <tr> <td>350</td> <td>ETR</td> <td>-</td> <td>WD.</td> <td>J2</td> <td>PTD.</td> <td>-</td> <td>340</td> <td>3\"/> </td></tr></td></tr></td></tr></td></tr></td></tr></td></tr></td></tr></td></tr></td></tr></td></tr></td></tr></td></tr></td></tr></td></tr> | 336 | B | 3\"/> <tr> <td>337</td> <td>ETR</td> <td>-</td> <td>WD.</td> <td>J2</td> <td>PTD.</td> <td>-</td> <td>329A</td> <td>3\"/> <tr> <td>339</td> <td>ETR</td> <td>-</td> <td>WD.</td> <td>J2</td> <td>PTD.</td> <td>-</td> <td>329B</td> <td>3\"/> <tr> <td>340</td> <td>A</td> <td>3\"/> <tr> <td>341A</td> <td>ETR</td> <td>-</td> <td>WD.</td> <td>J2</td> <td>PTD.</td> <td>-</td> <td>331</td> <td>3\"/> <tr> <td>341B</td> <td>ETR</td> <td>-</td> <td>WD.</td> <td>J2</td> <td>PTD.</td> <td>-</td> <td>333</td> <td>3\"/> <tr> <td>342</td> <td>ETR</td> <td>-</td> <td>WD.</td> <td>J2</td> <td>PTD.</td> <td>-</td> <td>334A</td> <td>3\"/> <tr> <td>344</td> <td>ETR</td> <td>-</td> <td>WD.</td> <td>J2</td> <td>PTD.</td> <td>-</td> <td>334B</td> <td>3\"/> <tr> <td>345</td> <td>ETR</td> <td>-</td> <td>WD.</td> <td>J2</td> <td>PTD.</td> <td>-</td> <td>335A</td> <td>3\"/> <tr> <td>346</td> <td>ETR</td> <td>-</td> <td>WD.</td> <td>J2</td> <td>PTD.</td> <td>-</td> <td>335B</td> <td>3\"/> <tr> <td>347</td> <td>ETR</td> <td>-</td> <td>WD.</td> <td>J2</td> <td>PTD.</td> <td>-</td> <td>336</td> <td>3\"/> <tr> <td>348</td> <td>ETR</td> <td>-</td> <td>WD.</td> <td>J2</td> <td>PTD.</td> <td>-</td> <td>337</td> <td>3\"/> <tr> <td>349</td> <td>ETR</td> <td>-</td> <td>WD.</td> <td>J2</td> <td>PTD.</td> <td>-</td> <td>339</td> <td>3\"/> <tr> <td>350</td> <td>ETR</td> <td>-</td> <td>WD.</td> <td>J2</td> <td>PTD.</td> <td>-</td> <td>340</td> <td>3\"/> </td></tr></td></tr></td></tr></td></tr></td></tr></td></tr></td></tr></td></tr></td></tr></td></tr></td></tr></td></tr></td></tr> | 337 | ETR | - | WD. | J2 | PTD.
 | - | 329A | 3\"/> <tr> <td>339</td> <td>ETR</td> <td>-</td> <td>WD.</td> <td>J2</td> <td>PTD.</td> <td>-</td> <td>329B</td> <td>3\"/> <tr> <td>340</td> <td>A</td> <td>3\"/> <tr> <td>341A</td> <td>ETR</td> <td>-</td> <td>WD.</td> <td>J2</td> <td>PTD.</td> <td>-</td> <td>331</td> <td>3\"/> <tr> <td>341B</td> <td>ETR</td> <td>-</td> <td>WD.</td> <td>J2</td> <td>PTD.</td> <td>-</td> <td>333</td> <td>3\"/> <tr> <td>342</td> <td>ETR</td> <td>-</td> <td>WD.</td> <td>J2</td> <td>PTD.</td> <td>-</td> <td>334A</td> <td>3\"/> <tr> <td>344</td> <td>ETR</td> <td>-</td> <td>WD.</td> <td>J2</td> <td>PTD.</td> <td>-</td> <td>334B</td> <td>3\"/> <tr> <td>345</td> <td>ETR</td> <td>-</td> <td>WD.</td> <td>J2</td> <td>PTD.</td> <td>-</td> <td>335A</td> <td>3\"/> <tr> <td>346</td> <td>ETR</td> <td>-</td> <td>WD.</td> <td>J2</td> <td>PTD.</td> <td>-</td> <td>335B</td> <td>3\"/> <tr> <td>347</td> <td>ETR</td> <td>-</td> <td>WD.</td> <td>J2</td> <td>PTD.</td> <td>-</td> <td>336</td> <td>3\"/> <tr> <td>348</td> <td>ETR</td> <td>-</td> <td>WD.</td> <td>J2</td> <td>PTD.</td> <td>-</td> <td>337</td> <td>3\"/> <tr> <td>349</td> <td>ETR</td> <td>-</td> <td>WD.</td> <td>J2</td> <td>PTD.</td> <td>-</td> <td>339</td> <td>3\"/> <tr> <td>350</td> <td>ETR</td> <td>-</td> <td>WD.</td> <td>J2</td> <td>PTD.</td> <td>-</td> <td>340</td> <td>3\"/> </td></tr></td></tr></td></tr></td></tr></td></tr></td></tr></td></tr></td></tr></td></tr></td></tr></td></tr></td></tr> | 339 | ETR | - | WD. | J2 | PTD. | - | 329B | 3\"/> <tr> <td>340</td> <td>A</td> <td>3\"/> <tr> <td>341A</td> <td>ETR</td> <td>-</td> <td>WD.</td> <td>J2</td> <td>PTD.</td> <td>-</td> <td>331</td> <td>3\"/> <tr> <td>341B</td> <td>ETR</td> <td>-</td> <td>WD.</td> <td>J2</td> <td>PTD.</td> <td>-</td> <td>333</td> <td>3\"/> <tr> <td>342</td> <td>ETR</td> <td>-</td> <td>WD.</td> <td>J2</td> <td>PTD.</td> <td>-</td> <td>334A</td> <td>3\"/> <tr> <td>344</td> <td>ETR</td> <td>-</td> <td>WD.</td> <td>J2</td> <td>PTD.</td> <td>-</td> <td>334B</td> <td>3\"/> <tr> <td>345</td> <td>ETR</td> <td>-</td> <td>WD.</td> <td>J2</td> <td>PTD.</td> <td>-</td> <td>335A</td> <td>3\"/> <tr> <td>346</td> <td>ETR</td> <td>-</td> <td>WD.</td> <td>J2</td> <td>PTD.</td> <td>-</td> <td>335B</td> <td>3\"/> <tr> <td>347</td> <td>ETR</td> <td>-</td> <td>WD.</td> <td>J2</td> <td>PTD.</td> <td>-</td> <td>336</td> <td>3\"/> <tr> <td>348</td> <td>ETR</td> <td>-</td> <td>WD.</td> <td>J2</td> <td>PTD.</td> <td>-</td> <td>337</td> <td>3\"/> <tr> <td>349</td> <td>ETR</td> <td>-</td> <td>WD.</td> <td>J2</td> <td>PTD.</td> <td>-</td> <td>339</td> <td>3\"/> <tr> <td>350</td> <td>ETR</td> <td>-</td> <td>WD.</td> <td>J2</td> <td>PTD.</td> <td>-</td> <td>340</td> <td>3\"/> </td></tr></td></tr></td></tr></td></tr></td></tr></td></tr></td></tr></td></tr></td></tr></td></tr></td></tr>
 | 340 | A | 3\"/> <tr> <td>341A</td> <td>ETR</td> <td>-</td> <td>WD.</td> <td>J2</td> <td>PTD.</td> <td>-</td> <td>331</td> <td>3\"/> <tr> <td>341B</td> <td>ETR</td> <td>-</td> <td>WD.</td> <td>J2</td> <td>PTD.</td> <td>-</td> <td>333</td> <td>3\"/> <tr> <td>342</td> <td>ETR</td> <td>-</td> <td>WD.</td> <td>J2</td> <td>PTD.</td> <td>-</td> <td>334A</td> <td>3\"/> <tr> <td>344</td> <td>ETR</td> <td>-</td> <td>WD.</td> <td>J2</td> <td>PTD.</td> <td>-</td> <td>334B</td> <td>3\"/> <tr> <td>345</td> <td>ETR</td> <td>-</td> <td>WD.</td> <td>J2</td> <td>PTD.</td> <td>-</td> <td>335A</td> <td>3\"/> <tr> <td>346</td> <td>ETR</td> <td>-</td> <td>WD.</td> <td>J2</td> <td>PTD.</td> <td>-</td> <td>335B</td> <td>3\"/> <tr> <td>347</td> <td>ETR</td> <td>-</td> <td>WD.</td> <td>J2</td> <td>PTD.</td> <td>-</td> <td>336</td> <td>3\"/> <tr> <td>348</td> <td>ETR</td> <td>-</td> <td>WD.</td> <td>J2</td> <td>PTD.</td> <td>-</td> <td>337</td> <td>3\"/> <tr> <td>349</td> <td>ETR</td> <td>-</td> <td>WD.</td> <td>J2</td> <td>PTD.</td> <td>-</td> <td>339</td> <td>3\"/> <tr> <td>350</td> <td>ETR</td> <td>-</td> <td>WD.</td> <td>J2</td> <td>PTD.</td> <td>-</td> <td>340</td> <td>3\"/> </td></tr></td></tr></td></tr></td></tr></td></tr></td></tr></td></tr></td></tr></td></tr></td></tr> | 341A | ETR | - | WD. | J2 | PTD. | - | 331 | 3\"/> <tr> <td>341B</td> <td>ETR</td> <td>-</td> <td>WD.</td> <td>J2</td> <td>PTD.</td> <td>-</td> <td>333</td> <td>3\"/> <tr> <td>342</td> <td>ETR</td> <td>-</td> <td>WD.</td> <td>J2</td> <td>PTD.</td> <td>-</td> <td>334A</td> <td>3\"/> <tr> <td>344</td> <td>ETR</td> <td>-</td> <td>WD.</td> <td>J2</td> <td>PTD.</td> <td>-</td> <td>334B</td> <td>3\"/> <tr> <td>345</td> <td>ETR</td> <td>-</td> <td>WD.</td> <td>J2</td> <td>PTD.</td> <td>-</td> <td>335A</td> <td>3\"/> <tr> <td>346</td> <td>ETR</td> <td>-</td> <td>WD.</td> <td>J2</td> <td>PTD.</td> <td>-</td> <td>335B</td> <td>3\"/> <tr> <td>347</td> <td>ETR</td> <td>-</td> <td>WD.</td> <td>J2</td> <td>PTD.</td> <td>-</td> <td>336</td> <td>3\"/> <tr> <td>348</td> <td>ETR</td> <td>-</td> <td>WD.</td> <td>J2</td> <td>PTD.</td> <td>-</td> <td>337</td> <td>3\"/> <tr> <td>349</td> <td>ETR</td> <td>-</td> <td>WD.</td> <td>J2</td> <td>PTD.</td> <td>-</td> <td>339</td> <td>3\"/> <tr> <td>350</td> <td>ETR</td> <td>-</td> <td>WD.</td> <td>J2</td> <td>PTD.</td> <td>-</td> <td>340</td> <td>3\"/> </td></tr></td></tr></td></tr></td></tr></td></tr></td></tr></td></tr></td></tr></td></tr>
 | 341B | ETR | - | WD. | J2 | PTD. | - | 333 | 3\"/> <tr> <td>342</td> <td>ETR</td> <td>-</td> <td>WD.</td> <td>J2</td> <td>PTD.</td> <td>-</td> <td>334A</td> <td>3\"/> <tr> <td>344</td> <td>ETR</td> <td>-</td> <td>WD.</td> <td>J2</td> <td>PTD.</td> <td>-</td> <td>334B</td> <td>3\"/> <tr> <td>345</td> <td>ETR</td> <td>-</td> <td>WD.</td> <td>J2</td> <td>PTD.</td> <td>-</td> <td>335A</td> <td>3\"/> <tr> <td>346</td> <td>ETR</td> <td>-</td> <td>WD.</td> <td>J2</td> <td>PTD.</td> <td>-</td> <td>335B</td> <td>3\"/> <tr> <td>347</td> <td>ETR</td> <td>-</td> <td>WD.</td> <td>J2</td> <td>PTD.</td> <td>-</td> <td>336</td> <td>3\"/> <tr> <td>348</td> <td>ETR</td> <td>-</td> <td>WD.</td> <td>J2</td> <td>PTD.</td> <td>-</td> <td>337</td> <td>3\"/> <tr> <td>349</td> <td>ETR</td> <td>-</td> <td>WD.</td> <td>J2</td> <td>PTD.</td> <td>-</td> <td>339</td> <td>3\"/> <tr> <td>350</td> <td>ETR</td> <td>-</td> <td>WD.</td> <td>J2</td> <td>PTD.</td> <td>-</td> <td>340</td> <td>3\"/> </td></tr></td></tr></td></tr></td></tr></td></tr></td></tr></td></tr></td></tr> | 342 | ETR | - | WD. | J2 | PTD.
 | - | 334A | 3\"/> <tr> <td>344</td> <td>ETR</td> <td>-</td> <td>WD.</td> <td>J2</td> <td>PTD.</td> <td>-</td> <td>334B</td> <td>3\"/> <tr> <td>345</td> <td>ETR</td> <td>-</td> <td>WD.</td> <td>J2</td> <td>PTD.</td> <td>-</td> <td>335A</td> <td>3\"/> <tr> <td>346</td> <td>ETR</td> <td>-</td> <td>WD.</td> <td>J2</td> <td>PTD.</td> <td>-</td> <td>335B</td> <td>3\"/> <tr> <td>347</td> <td>ETR</td> <td>-</td> <td>WD.</td> <td>J2</td> <td>PTD.</td> <td>-</td> <td>336</td> <td>3\"/> <tr> <td>348</td> <td>ETR</td> <td>-</td> <td>WD.</td> <td>J2</td> <td>PTD.</td> <td>-</td> <td>337</td> <td>3\"/> <tr> <td>349</td> <td>ETR</td> <td>-</td> <td>WD.</td> <td>J2</td> <td>PTD.</td> <td>-</td> <td>339</td> <td>3\"/> <tr> <td>350</td> <td>ETR</td> <td>-</td> <td>WD.</td> <td>J2</td> <td>PTD.</td> <td>-</td> <td>340</td> <td>3\"/> </td></tr></td></tr></td></tr></td></tr></td></tr></td></tr></td></tr> | 344 | ETR | - | WD. | J2 | PTD. | - | 334B | 3\"/> <tr> <td>345</td> <td>ETR</td> <td>-</td> <td>WD.</td> <td>J2</td> <td>PTD.</td> <td>-</td> <td>335A</td> <td>3\"/> <tr> <td>346</td> <td>ETR</td> <td>-</td> <td>WD.</td> <td>J2</td> <td>PTD.</td> <td>-</td> <td>335B</td> <td>3\"/> <tr> <td>347</td> <td>ETR</td> <td>-</td> <td>WD.</td> <td>J2</td> <td>PTD.</td> <td>-</td> <td>336</td> <td>3\"/> <tr> <td>348</td> <td>ETR</td> <td>-</td> <td>WD.</td> <td>J2</td> <td>PTD.</td> <td>-</td> <td>337</td> <td>3\"/> <tr> <td>349</td> <td>ETR</td> <td>-</td> <td>WD.</td> <td>J2</td> <td>PTD.</td> <td>-</td> <td>339</td> <td>3\"/> <tr> <td>350</td> <td>ETR</td> <td>-</td> <td>WD.</td> <td>J2</td> <td>PTD.</td> <td>-</td> <td>340</td> <td>3\"/> </td></tr></td></tr></td></tr></td></tr></td></tr></td></tr> | 345 | ETR | -
 | WD. | J2 | PTD. | - | 335A | 3\"/> <tr> <td>346</td> <td>ETR</td> <td>-</td> <td>WD.</td> <td>J2</td> <td>PTD.</td> <td>-</td> <td>335B</td> <td>3\"/> <tr> <td>347</td> <td>ETR</td> <td>-</td> <td>WD.</td> <td>J2</td> <td>PTD.</td> <td>-</td> <td>336</td> <td>3\"/> <tr> <td>348</td> <td>ETR</td> <td>-</td> <td>WD.</td> <td>J2</td> <td>PTD.</td> <td>-</td> <td>337</td> <td>3\"/> <tr> <td>349</td> <td>ETR</td> <td>-</td> <td>WD.</td> <td>J2</td> <td>PTD.</td> <td>-</td> <td>339</td> <td>3\"/> <tr> <td>350</td> <td>ETR</td> <td>-</td> <td>WD.</td> <td>J2</td> <td>PTD.</td> <td>-</td> <td>340</td> <td>3\"/> </td></tr></td></tr></td></tr></td></tr></td></tr> | 346 | ETR | - | WD. | J2 | PTD. | - | 335B | 3\"/> <tr> <td>347</td> <td>ETR</td> <td>-</td> <td>WD.</td> <td>J2</td> <td>PTD.</td> <td>-</td> <td>336</td> <td>3\"/> <tr> <td>348</td> <td>ETR</td> <td>-</td> <td>WD.</td> <td>J2</td> <td>PTD.</td> <td>-</td> <td>337</td> <td>3\"/> <tr> <td>349</td> <td>ETR</td> <td>-</td> <td>WD.</td> <td>J2</td> <td>PTD.</td> <td>-</td> <td>339</td> <td>3\"/> <tr> <td>350</td> <td>ETR</td> <td>-</td> <td>WD.</td> <td>J2</td> <td>PTD.</td> <td>-</td> <td>340</td> <td>3\"/> </td></tr></td></tr></td></tr></td></tr> | 347 | ETR | -
 | WD. | J2 | PTD. | - | 336 | 3\"/> <tr> <td>348</td> <td>ETR</td> <td>-</td> <td>WD.</td> <td>J2</td> <td>PTD.</td> <td>-</td> <td>337</td> <td>3\"/> <tr> <td>349</td> <td>ETR</td> <td>-</td> <td>WD.</td> <td>J2</td> <td>PTD.</td> <td>-</td> <td>339</td> <td>3\"/> <tr> <td>350</td> <td>ETR</td> <td>-</td> <td>WD.</td> <td>J2</td> <td>PTD.</td> <td>-</td> <td>340</td> <td>3\"/> </td></tr></td></tr></td></tr> | 348 | ETR | - | WD. | J2 | PTD. | - | 337 | 3\"/> <tr> <td>349</td> <td>ETR</td> <td>-</td> <td>WD.</td> <td>J2</td> <td>PTD.</td> <td>-</td> <td>339</td> <td>3\"/> <tr> <td>350</td> <td>ETR</td> <td>-</td> <td>WD.</td> <td>J2</td> <td>PTD.</td> <td>-</td> <td>340</td> <td>3\"/> </td></tr></td></tr> | 349 | ETR | - | WD. | J2 | PTD.
 | - | 339 | 3\"/> <tr> <td>350</td> <td>ETR</td> <td>-</td> <td>WD.</td> <td>J2</td> <td>PTD.</td> <td>-</td> <td>340</td> <td>3\"/> </td></tr> | 350 | ETR | - | WD. | J2 | PTD. | - | 340 | 3\"/> | | | | | | | | | | | | | | |
 | | | | | | | | | | | | | | | | | | | | | | | | | | | | | | | | | | | | | | | | | | | | | | | | | | | | | | | | | | | | | | | | | | |
| 315 | ETR | - | WD. | J2 | PTD. | - | 310 | 3\"/> <tr> <td>316A</td> <td>A</td> <td>3\"/> <tr> <td>318</td> <td>ETR</td> <td>-</td> <td>WD.</td> <td>J2</td> <td>PTD.</td> <td>-</td> <td>311</td> <td>3\"/> <tr> <td>319</td> <td>ETR</td> <td>-</td> <td>WD.</td> <td>J2</td> <td>PTD.</td> <td>-</td> <td>312A</td> <td>3\"/> <tr> <td>320</td> <td>ETR</td> <td>-</td> <td>WD.</td> <td>J2</td> <td>PTD.</td> <td>-</td> <td>313</td> <td>3\"/> <tr> <td>321</td> <td>ETR</td> <td>-</td> <td>WD.</td> <td>J2</td> <td>PTD.</td> <td>-</td> <td>314</td> <td>3\"/> <tr> <td>322</td> <td>ETR</td> <td>-</td> <td>WD.</td> <td>J2</td> <td>PTD.</td> <td>-</td> <td>315</td> <td>3\"/> <tr> <td>323</td> <td>ETR</td> <td>-</td> <td>WD.</td> <td>J2</td> <td>PTD.</td> <td>-</td> <td>316A</td> <td>3\"/> <tr> <td>324</td> <td>ETR</td> <td>-</td> <td>WD.</td> <td>J2</td> <td>PTD.</td> <td>-</td> <td>318</td> <td>3\"/> <tr> <td>325</td> <td>A</td> <td>3\"/> <tr> <td>327</td> <td>ETR</td> <td>-</td> <td>WD.</td> <td>J2</td> <td>PTD.</td> <td>-</td> <td>319</td> <td>3\"/> <tr> <td>328</td> <td>ETR</td> <td>-</td> <td>WD.</td> <td>J2</td> <td>PTD.</td> <td>-</td> <td>320</td> <td>3\"/> <tr> <td>329A</td> <td>ETR</td> <td>-</td> <td>WD.</td> <td>J2</td> <td>PTD.</td> <td>-</td> <td>321</td> <td>3\"/> <tr> <td>329B</td> <td>ETR</td> <td>-</td> <td>WD.</td> <td>J2</td> <td>PTD.</td> <td>-</td> <td>322</td> <td>3\"/> <tr> <td>331</td> <td>ETR</td> <td>-</td> <td>WD.</td> <td>J2</td> <td>PTD.</td> <td>-</td> <td>323</td> <td>3\"/> <tr> <td>333</td> <td>ETR</td> <td>-</td> <td>WD.</td> <td>J2</td> <td>PTD.</td> <td>-</td> <td>324</td> <td>3\"/> <tr> <td>334A</td> <td>ETR</td> <td>-</td> <td>WD.</td> <td>J2</td> <td>PTD.</td> <td>-</td> <td>325</td> <td>3\"/> <tr> <td>334B</td> <td>ETR</td> <td>-</td> <td>WD.</td> <td>J2</td> <td>PTD.</td> <td>-</td> <td>327</td> <td>3\"/> <tr> <td>335A</td> <td>ETR</td> <td>-</td> <td>WD.</td> <td>J2</td> <td>PTD.</td> <td>-</td> <td>328</td> <td>3\"/> <tr> <td>335B</td> <td>B</td> <td>3\"/> <tr> <td>336</td> <td>B</td> <td>3\"/> <tr> <td>337</td> <td>ETR</td> <td>-</td> <td>WD.</td> <td>J2</td> <td>PTD.</td> <td>-</td> <td>329A</td> <td>3\"/> <tr> <td>339</td> <td>ETR</td> <td>-</td> <td>WD.</td> <td>J2</td> <td>PTD.</td> <td>-</td> <td>329B</td> <td>3\"/> <tr> <td>340</td> <td>A</td> <td>3\"/> <tr> <td>341A</td> <td>ETR</td> <td>-</td> <td>WD.</td> <td>J2</td> <td>PTD.</td> <td>-</td> <td>331</td> <td>3\"/> <tr> <td>341B</td> <td>ETR</td> <td>-</td> <td>WD.</td> <td>J2</td> <td>PTD.</td> <td>-</td> <td>333</td> <td>3\"/> <tr> <td>342</td> <td>ETR</td> <td>-</td> <td>WD.</td> <td>J2</td> <td>PTD.</td> <td>-</td> <td>334A</td> <td>3\"/> <tr> <td>344</td> <td>ETR</td> <td>-</td> <td>WD.</td> <td>J2</td> <td>PTD.</td> <td>-</td> <td>334B</td> <td>3\"/> <tr> <td>345</td> <td>ETR</td> <td>-</td> <td>WD.</td> <td>J2</td> <td>PTD.</td> <td>-</td> <td>335A</td> <td>3\"/> <tr> <td>346</td> <td>ETR</td> <td>-</td>
<td>WD.</td> <td>J2</td> <td>PTD.</td> <td>-</td> <td>335B</td> <td>3\"/> <tr> <td>347</td> <td>ETR</td> <td>-</td> <td>WD.</td> <td>J2</td> <td>PTD.</td> <td>-</td> <td>336</td> <td>3\"/> <tr> <td>348</td> <td>ETR</td> <td>-</td> <td>WD.</td> <td>J2</td> <td>PTD.</td> <td>-</td> <td>337</td> <td>3\"/> <tr> <td>349</td> <td>ETR</td> <td>-</td> <td>WD.</td> <td>J2</td> <td>PTD.</td> <td>-</td> <td>339</td> <td>3\"/> <tr> <td>350</td> <td>ETR</td> <td>-</td> <td>WD.</td> <td>J2</td> <td>PTD.</td> <td>-</td> <td>340</td> <td>3\"/> </td></tr></td></tr></td></tr></td></tr></td></tr></td></tr></td></tr></td></tr></td></tr></td></tr></td></tr></td></tr></td></tr></td></tr></td></tr></td></tr></td></tr></td></tr></td></tr></td></tr></td></tr></td></tr></td></tr></td></tr></td></tr></td></tr></td></tr></td></tr></td></tr></td></tr></td></tr></td></tr></td></tr> | 316A | A | 3\"/> <tr> <td>318</td> <td>ETR</td> <td>-</td> <td>WD.</td> <td>J2</td> <td>PTD.</td> <td>-</td> <td>311</td> <td>3\"/> <tr> <td>319</td> <td>ETR</td> <td>-</td> <td>WD.</td> <td>J2</td> <td>PTD.</td> <td>-</td> <td>312A</td> <td>3\"/> <tr> <td>320</td> <td>ETR</td> <td>-</td> <td>WD.</td> <td>J2</td> <td>PTD.</td> <td>-</td> <td>313</td> <td>3\"/> <tr> <td>321</td> <td>ETR</td> <td>-</td> <td>WD.</td> <td>J2</td> <td>PTD.</td> <td>-</td> <td>314</td> <td>3\"/> <tr> <td>322</td> <td>ETR</td> <td>-</td> <td>WD.</td> <td>J2</td> <td>PTD.</td> <td>-</td> <td>315</td> <td>3\"/> <tr> <td>323</td> <td>ETR</td> <td>-</td> <td>WD.</td> <td>J2</td> <td>PTD.</td> <td>-</td> <td>316A</td> <td>3\"/> <tr> <td>324</td> <td>ETR</td> <td>-</td> <td>WD.</td> <td>J2</td> <td>PTD.</td> <td>-</td> <td>318</td> <td>3\"/> <tr> <td>325</td> <td>A</td> <td>3\"/> <tr> <td>327</td> <td>ETR</td> <td>-</td> <td>WD.</td> <td>J2</td> <td>PTD.</td> <td>-</td> <td>319</td> <td>3\"/> <tr> <td>328</td> <td>ETR</td> <td>-</td> <td>WD.</td> <td>J2</td> <td>PTD.</td> <td>-</td> <td>320</td> <td>3\"/> <tr> <td>329A</td> <td>ETR</td> <td>-</td> <td>WD.</td> <td>J2</td> <td>PTD.</td> <td>-</td> <td>321</td> <td>3\"/> <tr> <td>329B</td> <td>ETR</td> <td>-</td> <td>WD.</td> <td>J2</td> <td>PTD.</td> <td>-</td> <td>322</td> <td>3\"/> <tr> <td>331</td> <td>ETR</td> <td>-</td> <td>WD.</td> <td>J2</td> <td>PTD.</td> <td>-</td> <td>323</td> <td>3\"/> <tr> <td>333</td> <td>ETR</td> <td>-</td> <td>WD.</td> <td>J2</td> <td>PTD.</td> <td>-</td> <td>324</td> <td>3\"/> <tr> <td>334A</td> <td>ETR</td> <td>-</td> <td>WD.</td> <td>J2</td> <td>PTD.</td> <td>-</td> <td>325</td> <td>3\"/> <tr> <td>334B</td> <td>ETR</td> <td>-</td> <td>WD.</td> <td>J2</td> <td>PTD.</td> <td>-</td> <td>327</td> <td>3\"/> <tr> <td>335A</td> <td>ETR</td> <td>-</td> <td>WD.</td> <td>J2</td> <td>PTD.</td> <td>-</td> <td>328</td> <td>3\"/> <tr> <td>335B</td> <td>B</td> <td>3\"/> <tr> <td>336</td> <td>B</td> <td>3\"/> <tr> <td>337</td> <td>ETR</td> <td>-</td> <td>WD.</td> <td>J2</td> <td>PTD.</td> <td>-</td> <td>329A</td> <td>3\"/> <tr> <td>339</td> <td>ETR</td> <td>-</td> <td>WD.</td> <td>J2</td> <td>PTD.</td> <td>-</td> <td>329B</td> <td>3\"/> <tr> <td>340</td> <td>A</td> <td>3\"/> <tr> <td>341A</td> <td>ETR</td> <td>-</td> <td>WD.</td> <td>J2</td> <td>PTD.</td> <td>-</td> <td>331</td> <td>3\"/> <tr> <td>341B</td> <td>ETR</td> <td>-</td> <td>WD.</td> <td>J2</td> <td>PTD.</td> <td>-</td> <td>333</td> <td>3\"/> <tr> <td>342</td> <td>ETR</td> <td>-</td> <td>WD.</td> <td>J2</td> <td>PTD.</td> <td>-</td> <td>334A</td> <td>3\"/> <tr> <td>344</td> <td>ETR</td> <td>-</td> <td>WD.</td> <td>J2</td> <td>PTD.</td> <td>-</td> <td>334B</td> <td>3\"/> <tr> <td>345</td> <td>ETR</td> <td>-</td> <td>WD.</td> <td>J2</td> <td>PTD.</td> <td>-</td> <td>335A</td> <td>3\"/> <tr> <td>346</td> <td>ETR</td> <td>-</td> <td>WD.</td> <td>J2</td> <td>PTD.</td> <td>-</td> <td>335B</td> <td>3\"/> <tr> <td>347</td> <td>ETR</td> <td>-</td> <td>WD.</td> <td>J2</td> <td>PTD.</td> <td>-</td> <td>336</td> <td>3\"/> <tr> <td>348</td> <td>ETR</td> <td>-</td> <td>WD.</td> <td>J2</td> <td>PTD.</td> <td>-</td> <td>337</td> <td>3\"/> <tr> <td>349</td> <td>ETR</td> <td>-</td> <td>WD.</td> <td>J2</td> <td>PTD.</td> <td>-</td> <td>339</td> <td>3\"/> <tr> <td>350</td> <td>ETR</td> <td>-</td> <td>WD.</td> <td>J2</td> <td>PTD.</td> <td>-</td> <td>340</td> <td>3\"/> </td></tr></td></tr></td></tr></td></tr></td></tr></td></tr></td></tr></td></tr></td></tr></td></tr></td></tr></td></tr></td></tr></td></tr></td></tr></td></tr></td></tr></td></tr></td></tr></td></tr></td></tr></td></tr></td></tr></td></tr></td></tr></td></tr></td></tr></td></tr></td></tr></td></tr></td></tr></td></tr> | 318 | ETR | -
 | WD. | J2 | PTD. | - | 311 | 3\"/> <tr> <td>319</td> <td>ETR</td> <td>-</td> <td>WD.</td> <td>J2</td> <td>PTD.</td> <td>-</td> <td>312A</td> <td>3\"/> <tr> <td>320</td> <td>ETR</td> <td>-</td> <td>WD.</td> <td>J2</td> <td>PTD.</td> <td>-</td> <td>313</td> <td>3\"/> <tr> <td>321</td> <td>ETR</td> <td>-</td> <td>WD.</td> <td>J2</td> <td>PTD.</td> <td>-</td> <td>314</td> <td>3\"/> <tr> <td>322</td> <td>ETR</td> <td>-</td> <td>WD.</td> <td>J2</td> <td>PTD.</td> <td>-</td> <td>315</td> <td>3\"/> <tr> <td>323</td> <td>ETR</td> <td>-</td> <td>WD.</td> <td>J2</td> <td>PTD.</td> <td>-</td> <td>316A</td> <td>3\"/> <tr> <td>324</td> <td>ETR</td> <td>-</td> <td>WD.</td> <td>J2</td> <td>PTD.</td> <td>-</td> <td>318</td> <td>3\"/> <tr> <td>325</td> <td>A</td> <td>3\"/> <tr> <td>327</td> <td>ETR</td> <td>-</td> <td>WD.</td> <td>J2</td> <td>PTD.</td> <td>-</td> <td>319</td> <td>3\"/> <tr> <td>328</td> <td>ETR</td> <td>-</td> <td>WD.</td> <td>J2</td> <td>PTD.</td> <td>-</td> <td>320</td> <td>3\"/> <tr> <td>329A</td> <td>ETR</td> <td>-</td> <td>WD.</td> <td>J2</td> <td>PTD.</td> <td>-</td> <td>321</td> <td>3\"/> <tr> <td>329B</td> <td>ETR</td> <td>-</td> <td>WD.</td> <td>J2</td> <td>PTD.</td> <td>-</td> <td>322</td> <td>3\"/> <tr> <td>331</td> <td>ETR</td> <td>-</td> <td>WD.</td> <td>J2</td> <td>PTD.</td> <td>-</td> <td>323</td> <td>3\"/> <tr> <td>333</td> <td>ETR</td> <td>-</td> <td>WD.</td> <td>J2</td> <td>PTD.</td> <td>-</td> <td>324</td> <td>3\"/> <tr> <td>334A</td> <td>ETR</td> <td>-</td> <td>WD.</td> <td>J2</td> <td>PTD.</td> <td>-</td> <td>325</td> <td>3\"/> <tr> <td>334B</td> <td>ETR</td> <td>-</td> <td>WD.</td> <td>J2</td> <td>PTD.</td> <td>-</td> <td>327</td> <td>3\"/> <tr> <td>335A</td> <td>ETR</td> <td>-</td> <td>WD.</td> <td>J2</td> <td>PTD.</td> <td>-</td> <td>328</td> <td>3\"/> <tr> <td>335B</td> <td>B</td> <td>3\"/> <tr> <td>336</td> <td>B</td> <td>3\"/> <tr> <td>337</td> <td>ETR</td> <td>-</td> <td>WD.</td> <td>J2</td> <td>PTD.</td> <td>-</td> <td>329A</td> <td>3\"/> <tr> <td>339</td> <td>ETR</td> <td>-</td> <td>WD.</td> <td>J2</td> <td>PTD.</td> <td>-</td> <td>329B</td> <td>3\"/> <tr> <td>340</td> <td>A</td> <td>3\"/> <tr> <td>341A</td> <td>ETR</td> <td>-</td> <td>WD.</td> <td>J2</td> <td>PTD.</td> <td>-</td> <td>331</td> <td>3\"/> <tr> <td>341B</td> <td>ETR</td> <td>-</td> <td>WD.</td> <td>J2</td> <td>PTD.</td> <td>-</td> <td>333</td> <td>3\"/> <tr> <td>342</td> <td>ETR</td> <td>-</td> <td>WD.</td> <td>J2</td> <td>PTD.</td> <td>-</td> <td>334A</td> <td>3\"/> <tr> <td>344</td> <td>ETR</td> <td>-</td> <td>WD.</td>
<td>J2</td> <td>PTD.</td> <td>-</td> <td>334B</td> <td>3\"/> <tr> <td>345</td> <td>ETR</td> <td>-</td> <td>WD.</td> <td>J2</td> <td>PTD.</td> <td>-</td> <td>335A</td> <td>3\"/> <tr> <td>346</td> <td>ETR</td> <td>-</td> <td>WD.</td> <td>J2</td> <td>PTD.</td> <td>-</td> <td>335B</td> <td>3\"/> <tr> <td>347</td> <td>ETR</td> <td>-</td> <td>WD.</td> <td>J2</td> <td>PTD.</td> <td>-</td> <td>336</td> <td>3\"/> <tr> <td>348</td> <td>ETR</td> <td>-</td> <td>WD.</td> <td>J2</td> <td>PTD.</td> <td>-</td> <td>337</td> <td>3\"/> <tr> <td>349</td> <td>ETR</td> <td>-</td> <td>WD.</td> <td>J2</td> <td>PTD.</td> <td>-</td> <td>339</td> <td>3\"/> <tr> <td>350</td> <td>ETR</td> <td>-</td> <td>WD.</td> <td>J2</td> <td>PTD.</td> <td>-</td> <td>340</td> <td>3\"/> </td></tr></td></tr></td></tr></td></tr></td></tr></td></tr></td></tr></td></tr></td></tr></td></tr></td></tr></td></tr></td></tr></td></tr></td></tr></td></tr></td></tr></td></tr></td></tr></td></tr></td></tr></td></tr></td></tr></td></tr></td></tr></td></tr></td></tr></td></tr></td></tr></td></tr></td></tr> | 319 | ETR | - | WD. | J2 | PTD.
 | - | 312A | 3\"/> <tr> <td>320</td> <td>ETR</td> <td>-</td> <td>WD.</td> <td>J2</td> <td>PTD.</td> <td>-</td> <td>313</td> <td>3\"/> <tr> <td>321</td> <td>ETR</td> <td>-</td> <td>WD.</td> <td>J2</td> <td>PTD.</td> <td>-</td> <td>314</td> <td>3\"/> <tr> <td>322</td> <td>ETR</td> <td>-</td> <td>WD.</td> <td>J2</td> <td>PTD.</td> <td>-</td> <td>315</td> <td>3\"/> <tr> <td>323</td> <td>ETR</td> <td>-</td> <td>WD.</td> <td>J2</td> <td>PTD.</td> <td>-</td> <td>316A</td> <td>3\"/> <tr> <td>324</td> <td>ETR</td> <td>-</td> <td>WD.</td> <td>J2</td> <td>PTD.</td> <td>-</td> <td>318</td> <td>3\"/> <tr> <td>325</td> <td>A</td> <td>3\"/> <tr> <td>327</td> <td>ETR</td> <td>-</td> <td>WD.</td> <td>J2</td> <td>PTD.</td> <td>-</td> <td>319</td> <td>3\"/> <tr> <td>328</td> <td>ETR</td> <td>-</td> <td>WD.</td> <td>J2</td> <td>PTD.</td> <td>-</td> <td>320</td> <td>3\"/> <tr> <td>329A</td> <td>ETR</td> <td>-</td> <td>WD.</td> <td>J2</td> <td>PTD.</td> <td>-</td> <td>321</td> <td>3\"/> <tr> <td>329B</td> <td>ETR</td> <td>-</td> <td>WD.</td> <td>J2</td> <td>PTD.</td> <td>-</td> <td>322</td> <td>3\"/> <tr> <td>331</td> <td>ETR</td> <td>-</td> <td>WD.</td> <td>J2</td> <td>PTD.</td> <td>-</td> <td>323</td> <td>3\"/> <tr> <td>333</td> <td>ETR</td> <td>-</td> <td>WD.</td> <td>J2</td> <td>PTD.</td> <td>-</td> <td>324</td> <td>3\"/> <tr> <td>334A</td> <td>ETR</td> <td>-</td> <td>WD.</td> <td>J2</td> <td>PTD.</td> <td>-</td> <td>325</td> <td>3\"/> <tr> <td>334B</td> <td>ETR</td> <td>-</td> <td>WD.</td> <td>J2</td> <td>PTD.</td> <td>-</td> <td>327</td> <td>3\"/> <tr> <td>335A</td> <td>ETR</td> <td>-</td> <td>WD.</td> <td>J2</td> <td>PTD.</td> <td>-</td> <td>328</td> <td>3\"/> <tr> <td>335B</td> <td>B</td> <td>3\"/> <tr> <td>336</td> <td>B</td> <td>3\"/> <tr> <td>337</td> <td>ETR</td> <td>-</td> <td>WD.</td> <td>J2</td> <td>PTD.</td> <td>-</td> <td>329A</td> <td>3\"/> <tr> <td>339</td> <td>ETR</td> <td>-</td> <td>WD.</td> <td>J2</td> <td>PTD.</td> <td>-</td> <td>329B</td> <td>3\"/> <tr> <td>340</td> <td>A</td> <td>3\"/> <tr> <td>341A</td> <td>ETR</td> <td>-</td> <td>WD.</td> <td>J2</td> <td>PTD.</td> <td>-</td> <td>331</td> <td>3\"/> <tr> <td>341B</td> <td>ETR</td> <td>-</td> <td>WD.</td> <td>J2</td> <td>PTD.</td> <td>-</td> <td>333</td> <td>3\"/> <tr> <td>342</td> <td>ETR</td> <td>-</td> <td>WD.</td> <td>J2</td> <td>PTD.</td> <td>-</td> <td>334A</td> <td>3\"/> <tr> <td>344</td> <td>ETR</td> <td>-</td> <td>WD.</td> <td>J2</td> <td>PTD.</td> <td>-</td> <td>334B</td> <td>3\"/> <tr> <td>345</td> <td>ETR</td> <td>-</td> <td>WD.</td> <td>J2</td> <td>PTD.</td> <td>-</td> <td>335A</td> <td>3\"/> <tr> <td>346</td> <td>ETR</td> <td>-</td> <td>WD.</td> <td>J2</td> <td>PTD.</td> <td>-</td> <td>335B</td> <td>3\"/> <tr> <td>347</td> <td>ETR</td> <td>-</td> <td>WD.</td> <td>J2</td> <td>PTD.</td> <td>-</td> <td>336</td> <td>3\"/> <tr> <td>348</td> <td>ETR</td> <td>-</td> <td>WD.</td> <td>J2</td> <td>PTD.</td> <td>-</td> <td>337</td> <td>3\"/> <tr> <td>349</td> <td>ETR</td> <td>-</td> <td>WD.</td> <td>J2</td> <td>PTD.</td> <td>-</td> <td>339</td> <td>3\"/> <tr> <td>350</td> <td>ETR</td> <td>-</td> <td>WD.</td> <td>J2</td> <td>PTD.</td> <td>-</td> <td>340</td> <td>3\"/> </td></tr></td></tr></td></tr></td></tr></td></tr></td></tr></td></tr></td></tr></td></tr></td></tr></td></tr></td></tr></td></tr></td></tr></td></tr></td></tr></td></tr></td></tr></td></tr></td></tr></td></tr></td></tr></td></tr></td></tr></td></tr></td></tr></td></tr></td></tr></td></tr></td></tr> | 320 | ETR | -
 | WD. | J2 | PTD. | - | 313 | 3\"/> <tr> <td>321</td> <td>ETR</td> <td>-</td> <td>WD.</td> <td>J2</td> <td>PTD.</td> <td>-</td> <td>314</td> <td>3\"/> <tr> <td>322</td> <td>ETR</td> <td>-</td> <td>WD.</td> <td>J2</td> <td>PTD.</td> <td>-</td> <td>315</td> <td>3\"/> <tr> <td>323</td> <td>ETR</td> <td>-</td> <td>WD.</td> <td>J2</td> <td>PTD.</td> <td>-</td> <td>316A</td> <td>3\"/> <tr> <td>324</td> <td>ETR</td> <td>-</td> <td>WD.</td> <td>J2</td> <td>PTD.</td> <td>-</td> <td>318</td> <td>3\"/> <tr> <td>325</td> <td>A</td> <td>3\"/> <tr> <td>327</td> <td>ETR</td> <td>-</td> <td>WD.</td> <td>J2</td> <td>PTD.</td> <td>-</td> <td>319</td> <td>3\"/> <tr> <td>328</td> <td>ETR</td> <td>-</td> <td>WD.</td> <td>J2</td> <td>PTD.</td> <td>-</td> <td>320</td> <td>3\"/> <tr> <td>329A</td> <td>ETR</td> <td>-</td> <td>WD.</td> <td>J2</td> <td>PTD.</td> <td>-</td> <td>321</td> <td>3\"/> <tr> <td>329B</td> <td>ETR</td> <td>-</td> <td>WD.</td> <td>J2</td> <td>PTD.</td> <td>-</td> <td>322</td> <td>3\"/> <tr> <td>331</td> <td>ETR</td> <td>-</td> <td>WD.</td> <td>J2</td> <td>PTD.</td> <td>-</td> <td>323</td> <td>3\"/> <tr> <td>333</td> <td>ETR</td> <td>-</td> <td>WD.</td> <td>J2</td> <td>PTD.</td> <td>-</td> <td>324</td> <td>3\"/> <tr> <td>334A</td> <td>ETR</td> <td>-</td> <td>WD.</td> <td>J2</td> <td>PTD.</td> <td>-</td> <td>325</td> <td>3\"/> <tr> <td>334B</td> <td>ETR</td> <td>-</td> <td>WD.</td> <td>J2</td> <td>PTD.</td> <td>-</td> <td>327</td> <td>3\"/> <tr> <td>335A</td> <td>ETR</td> <td>-</td> <td>WD.</td> <td>J2</td> <td>PTD.</td> <td>-</td> <td>328</td> <td>3\"/> <tr> <td>335B</td> <td>B</td> <td>3\"/> <tr> <td>336</td> <td>B</td> <td>3\"/> <tr> <td>337</td> <td>ETR</td> <td>-</td> <td>WD.</td> <td>J2</td> <td>PTD.</td> <td>-</td> <td>329A</td> <td>3\"/> <tr> <td>339</td> <td>ETR</td> <td>-</td> <td>WD.</td> <td>J2</td> <td>PTD.</td> <td>-</td> <td>329B</td> <td>3\"/> <tr> <td>340</td> <td>A</td> <td>3\"/> <tr> <td>341A</td> <td>ETR</td> <td>-</td> <td>WD.</td> <td>J2</td> <td>PTD.</td> <td>-</td> <td>331</td> <td>3\"/> <tr> <td>341B</td> <td>ETR</td> <td>-</td> <td>WD.</td> <td>J2</td> <td>PTD.</td> <td>-</td> <td>333</td> <td>3\"/> <tr> <td>342</td> <td>ETR</td> <td>-</td> <td>WD.</td> <td>J2</td> <td>PTD.</td> <td>-</td> <td>334A</td> <td>3\"/> <tr> <td>344</td> <td>ETR</td> <td>-</td> <td>WD.</td> <td>J2</td> <td>PTD.</td> <td>-</td> <td>334B</td> <td>3\"/> <tr> <td>345</td> <td>ETR</td> <td>-</td> <td>WD.</td> <td>J2</td> <td>PTD.</td> <td>-</td> <td>335A</td> <td>3\"/> <tr> <td>346</td> <td>ETR</td> <td>-</td> <td>WD.</td> <td>J2</td> <td>PTD.</td> <td>-</td> <td>335B</td> <td>3\"/> <tr> <td>347</td> <td>ETR</td> <td>-</td> <td>WD.</td> <td>J2</td> <td>PTD.</td> <td>-</td> <td>336</td> <td>3\"/> <tr> <td>348</td> <td>ETR</td> <td>-</td> <td>WD.</td> <td>J2</td> <td>PTD.</td> <td>-</td> <td>337</td> <td>3\"/> <tr> <td>349</td> <td>ETR</td> <td>-</td> <td>WD.</td> <td>J2</td> <td>PTD.</td> <td>-</td> <td>339</td> <td>3\"/> <tr> <td>350</td> <td>ETR</td> <td>-</td> <td>WD.</td> <td>J2</td> <td>PTD.</td> <td>-</td> <td>340</td> <td>3\"/> </td></tr></td></tr></td></tr></td></tr></td></tr></td></tr></td></tr></td></tr></td></tr></td></tr></td></tr></td></tr></td></tr></td></tr></td></tr></td></tr></td></tr></td></tr></td></tr></td></tr></td></tr></td></tr></td></tr></td></tr></td></tr></td></tr></td></tr></td></tr></td></tr>
 | 321 | ETR | - | WD. | J2 | PTD.
 | - | 314 | 3\"/> <tr> <td>322</td> <td>ETR</td> <td>-</td> <td>WD.</td> <td>J2</td> <td>PTD.</td> <td>-</td> <td>315</td> <td>3\"/> <tr> <td>323</td> <td>ETR</td> <td>-</td> <td>WD.</td> <td>J2</td> <td>PTD.</td> <td>-</td> <td>316A</td> <td>3\"/> <tr> <td>324</td> <td>ETR</td> <td>-</td> <td>WD.</td> <td>J2</td> <td>PTD.</td> <td>-</td> <td>318</td> <td>3\"/> <tr> <td>325</td> <td>A</td> <td>3\"/> <tr> <td>327</td> <td>ETR</td> <td>-</td> <td>WD.</td> <td>J2</td> <td>PTD.</td> <td>-</td> <td>319</td> <td>3\"/> <tr> <td>328</td> <td>ETR</td> <td>-</td> <td>WD.</td> <td>J2</td> <td>PTD.</td> <td>-</td> <td>320</td> <td>3\"/> <tr> <td>329A</td> <td>ETR</td> <td>-</td> <td>WD.</td> <td>J2</td> <td>PTD.</td> <td>-</td> <td>321</td> <td>3\"/> <tr> <td>329B</td> <td>ETR</td> <td>-</td> <td>WD.</td> <td>J2</td> <td>PTD.</td> <td>-</td> <td>322</td> <td>3\"/> <tr> <td>331</td> <td>ETR</td> <td>-</td> <td>WD.</td> <td>J2</td> <td>PTD.</td> <td>-</td> <td>323</td> <td>3\"/> <tr> <td>333</td> <td>ETR</td> <td>-</td> <td>WD.</td> <td>J2</td> <td>PTD.</td> <td>-</td> <td>324</td> <td>3\"/> <tr> <td>334A</td> <td>ETR</td> <td>-</td> <td>WD.</td> <td>J2</td> <td>PTD.</td> <td>-</td> <td>325</td> <td>3\"/> <tr> <td>334B</td> <td>ETR</td> <td>-</td> <td>WD.</td> <td>J2</td> <td>PTD.</td> <td>-</td> <td>327</td> <td>3\"/> <tr> <td>335A</td> <td>ETR</td> <td>-</td> <td>WD.</td> <td>J2</td> <td>PTD.</td> <td>-</td> <td>328</td> <td>3\"/> <tr> <td>335B</td> <td>B</td> <td>3\"/> <tr> <td>336</td> <td>B</td> <td>3\"/> <tr> <td>337</td> <td>ETR</td> <td>-</td> <td>WD.</td> <td>J2</td> <td>PTD.</td> <td>-</td> <td>329A</td> <td>3\"/> <tr> <td>339</td> <td>ETR</td> <td>-</td> <td>WD.</td> <td>J2</td> <td>PTD.</td> <td>-</td> <td>329B</td> <td>3\"/> <tr> <td>340</td> <td>A</td> <td>3\"/> <tr> <td>341A</td> <td>ETR</td> <td>-</td> <td>WD.</td> <td>J2</td> <td>PTD.</td> <td>-</td> <td>331</td> <td>3\"/> <tr> <td>341B</td> <td>ETR</td> <td>-</td> <td>WD.</td> <td>J2</td> <td>PTD.</td> <td>-</td> <td>333</td> <td>3\"/> <tr> <td>342</td> <td>ETR</td> <td>-</td> <td>WD.</td> <td>J2</td> <td>PTD.</td> <td>-</td> <td>334A</td> <td>3\"/> <tr> <td>344</td> <td>ETR</td> <td>-</td> <td>WD.</td> <td>J2</td> <td>PTD.</td> <td>-</td> <td>334B</td> <td>3\"/> <tr> <td>345</td> <td>ETR</td> <td>-</td> <td>WD.</td> <td>J2</td> <td>PTD.</td> <td>-</td> <td>335A</td> <td>3\"/> <tr> <td>346</td> <td>ETR</td> <td>-</td> <td>WD.</td> <td>J2</td> <td>PTD.</td> <td>-</td> <td>335B</td> <td>3\"/> <tr> <td>347</td> <td>ETR</td> <td>-</td> <td>WD.</td> <td>J2</td> <td>PTD.</td> <td>-</td> <td>336</td> <td>3\"/> <tr> <td>348</td> <td>ETR</td> <td>-</td> <td>WD.</td> <td>J2</td> <td>PTD.</td> <td>-</td> <td>337</td> <td>3\"/> <tr> <td>349</td> <td>ETR</td> <td>-</td> <td>WD.</td> <td>J2</td> <td>PTD.</td> <td>-</td> <td>339</td> <td>3\"/> <tr> <td>350</td> <td>ETR</td> <td>-</td> <td>WD.</td> <td>J2</td> <td>PTD.</td> <td>-</td> <td>340</td> <td>3\"/> </td></tr></td></tr></td></tr></td></tr></td></tr></td></tr></td></tr></td></tr></td></tr></td></tr></td></tr></td></tr></td></tr></td></tr></td></tr></td></tr></td></tr></td></tr></td></tr></td></tr></td></tr></td></tr></td></tr></td></tr></td></tr></td></tr></td></tr></td></tr> | 322 | ETR | - | WD. | J2 | PTD.
 | - | 315 | 3\"/> <tr> <td>323</td> <td>ETR</td> <td>-</td> <td>WD.</td> <td>J2</td> <td>PTD.</td> <td>-</td> <td>316A</td> <td>3\"/> <tr> <td>324</td> <td>ETR</td> <td>-</td> <td>WD.</td> <td>J2</td> <td>PTD.</td> <td>-</td> <td>318</td> <td>3\"/> <tr> <td>325</td> <td>A</td> <td>3\"/> <tr> <td>327</td> <td>ETR</td> <td>-</td> <td>WD.</td> <td>J2</td> <td>PTD.</td> <td>-</td> <td>319</td> <td>3\"/> <tr> <td>328</td> <td>ETR</td> <td>-</td> <td>WD.</td> <td>J2</td> <td>PTD.</td> <td>-</td> <td>320</td> <td>3\"/> <tr> <td>329A</td> <td>ETR</td> <td>-</td> <td>WD.</td> <td>J2</td> <td>PTD.</td> <td>-</td> <td>321</td> <td>3\"/> <tr> <td>329B</td> <td>ETR</td> <td>-</td> <td>WD.</td> <td>J2</td> <td>PTD.</td> <td>-</td> <td>322</td> <td>3\"/> <tr> <td>331</td> <td>ETR</td> <td>-</td> <td>WD.</td> <td>J2</td> <td>PTD.</td> <td>-</td> <td>323</td> <td>3\"/> <tr> <td>333</td> <td>ETR</td> <td>-</td> <td>WD.</td> <td>J2</td> <td>PTD.</td> <td>-</td> <td>324</td> <td>3\"/> <tr> <td>334A</td> <td>ETR</td> <td>-</td> <td>WD.</td> <td>J2</td> <td>PTD.</td> <td>-</td> <td>325</td> <td>3\"/> <tr> <td>334B</td> <td>ETR</td> <td>-</td> <td>WD.</td> <td>J2</td> <td>PTD.</td> <td>-</td> <td>327</td> <td>3\"/> <tr> <td>335A</td> <td>ETR</td> <td>-</td> <td>WD.</td> <td>J2</td> <td>PTD.</td> <td>-</td> <td>328</td> <td>3\"/> <tr> <td>335B</td> <td>B</td> <td>3\"/> <tr> <td>336</td> <td>B</td> <td>3\"/> <tr> <td>337</td> <td>ETR</td> <td>-</td> <td>WD.</td> <td>J2</td> <td>PTD.</td> <td>-</td> <td>329A</td> <td>3\"/> <tr> <td>339</td> <td>ETR</td> <td>-</td> <td>WD.</td> <td>J2</td> <td>PTD.</td> <td>-</td> <td>329B</td> <td>3\"/> <tr> <td>340</td> <td>A</td> <td>3\"/> <tr> <td>341A</td> <td>ETR</td> <td>-</td> <td>WD.</td> <td>J2</td> <td>PTD.</td> <td>-</td> <td>331</td> <td>3\"/> <tr> <td>341B</td> <td>ETR</td> <td>-</td> <td>WD.</td> <td>J2</td> <td>PTD.</td> <td>-</td> <td>333</td> <td>3\"/> <tr> <td>342</td> <td>ETR</td> <td>-</td> <td>WD.</td> <td>J2</td> <td>PTD.</td> <td>-</td> <td>334A</td> <td>3\"/> <tr> <td>344</td> <td>ETR</td> <td>-</td> <td>WD.</td> <td>J2</td> <td>PTD.</td> <td>-</td> <td>334B</td> <td>3\"/> <tr> <td>345</td> <td>ETR</td> <td>-</td> <td>WD.</td> <td>J2</td> <td>PTD.</td> <td>-</td> <td>335A</td> <td>3\"/> <tr> <td>346</td> <td>ETR</td> <td>-</td> <td>WD.</td> <td>J2</td> <td>PTD.</td> <td>-</td> <td>335B</td> <td>3\"/> <tr> <td>347</td> <td>ETR</td> <td>-</td> <td>WD.</td> <td>J2</td> <td>PTD.</td> <td>-</td> <td>336</td> <td>3\"/> <tr> <td>348</td> <td>ETR</td> <td>-</td> <td>WD.</td> <td>J2</td> <td>PTD.</td> <td>-</td> <td>337</td> <td>3\"/> <tr> <td>349</td> <td>ETR</td> <td>-</td> <td>WD.</td> <td>J2</td> <td>PTD.</td> <td>-</td> <td>339</td> <td>3\"/> <tr> <td>350</td> <td>ETR</td> <td>-</td> <td>WD.</td> <td>J2</td> <td>PTD.</td> <td>-</td> <td>340</td> <td>3\"/> </td></tr></td></tr></td></tr></td></tr></td></tr></td></tr></td></tr></td></tr></td></tr></td></tr></td></tr></td></tr></td></tr></td></tr></td></tr></td></tr></td></tr></td></tr></td></tr></td></tr></td></tr></td></tr></td></tr></td></tr></td></tr></td></tr></td></tr> | 323 | ETR | -
 | WD. | J2 | PTD. | - | 316A | 3\"/> <tr> <td>324</td> <td>ETR</td> <td>-</td> <td>WD.</td> <td>J2</td> <td>PTD.</td> <td>-</td> <td>318</td> <td>3\"/> <tr> <td>325</td> <td>A</td> <td>3\"/> <tr> <td>327</td> <td>ETR</td> <td>-</td> <td>WD.</td> <td>J2</td> <td>PTD.</td> <td>-</td> <td>319</td> <td>3\"/> <tr> <td>328</td> <td>ETR</td> <td>-</td> <td>WD.</td> <td>J2</td> <td>PTD.</td> <td>-</td> <td>320</td> <td>3\"/> <tr> <td>329A</td> <td>ETR</td> <td>-</td> <td>WD.</td> <td>J2</td> <td>PTD.</td> <td>-</td> <td>321</td> <td>3\"/> <tr> <td>329B</td> <td>ETR</td> <td>-</td> <td>WD.</td> <td>J2</td> <td>PTD.</td> <td>-</td> <td>322</td> <td>3\"/> <tr> <td>331</td> <td>ETR</td> <td>-</td> <td>WD.</td> <td>J2</td> <td>PTD.</td> <td>-</td> <td>323</td> <td>3\"/> <tr> <td>333</td> <td>ETR</td> <td>-</td> <td>WD.</td> <td>J2</td> <td>PTD.</td> <td>-</td> <td>324</td> <td>3\"/> <tr> <td>334A</td> <td>ETR</td> <td>-</td> <td>WD.</td> <td>J2</td> <td>PTD.</td> <td>-</td> <td>325</td> <td>3\"/> <tr> <td>334B</td> <td>ETR</td> <td>-</td> <td>WD.</td> <td>J2</td> <td>PTD.</td> <td>-</td> <td>327</td> <td>3\"/> <tr> <td>335A</td> <td>ETR</td> <td>-</td> <td>WD.</td> <td>J2</td> <td>PTD.</td> <td>-</td> <td>328</td> <td>3\"/> <tr> <td>335B</td> <td>B</td> <td>3\"/> <tr> <td>336</td> <td>B</td> <td>3\"/> <tr> <td>337</td> <td>ETR</td> <td>-</td> <td>WD.</td> <td>J2</td> <td>PTD.</td> <td>-</td> <td>329A</td> <td>3\"/> <tr> <td>339</td> <td>ETR</td> <td>-</td> <td>WD.</td> <td>J2</td> <td>PTD.</td> <td>-</td> <td>329B</td> <td>3\"/> <tr> <td>340</td> <td>A</td> <td>3\"/> <tr> <td>341A</td> <td>ETR</td> <td>-</td> <td>WD.</td> <td>J2</td> <td>PTD.</td> <td>-</td> <td>331</td> <td>3\"/> <tr> <td>341B</td> <td>ETR</td> <td>-</td> <td>WD.</td> <td>J2</td> <td>PTD.</td> <td>-</td> <td>333</td> <td>3\"/> <tr> <td>342</td> <td>ETR</td> <td>-</td> <td>WD.</td> <td>J2</td> <td>PTD.</td> <td>-</td> <td>334A</td> <td>3\"/> <tr> <td>344</td> <td>ETR</td> <td>-</td> <td>WD.</td> <td>J2</td> <td>PTD.</td> <td>-</td> <td>334B</td> <td>3\"/> <tr> <td>345</td> <td>ETR</td> <td>-</td> <td>WD.</td> <td>J2</td> <td>PTD.</td> <td>-</td> <td>335A</td> <td>3\"/> <tr> <td>346</td> <td>ETR</td> <td>-</td> <td>WD.</td> <td>J2</td> <td>PTD.</td> <td>-</td> <td>335B</td> <td>3\"/> <tr> <td>347</td> <td>ETR</td> <td>-</td> <td>WD.</td> <td>J2</td> <td>PTD.</td> <td>-</td> <td>336</td> <td>3\"/> <tr> <td>348</td> <td>ETR</td> <td>-</td> <td>WD.</td> <td>J2</td> <td>PTD.</td> <td>-</td> <td>337</td> <td>3\"/> <tr> <td>349</td> <td>ETR</td> <td>-</td> <td>WD.</td> <td>J2</td> <td>PTD.</td> <td>-</td> <td>339</td> <td>3\"/> <tr> <td>350</td> <td>ETR</td> <td>-</td> <td>WD.</td> <td>J2</td> <td>PTD.</td> <td>-</td> <td>340</td> <td>3\"/> </td></tr></td></tr></td></tr></td></tr></td></tr></td></tr></td></tr></td></tr></td></tr></td></tr></td></tr></td></tr></td></tr></td></tr></td></tr></td></tr></td></tr></td></tr></td></tr></td></tr></td></tr></td></tr></td></tr></td></tr></td></tr></td></tr>
 | 324 | ETR | - | WD. | J2 | PTD. | - | 318 | 3\"/> <tr> <td>325</td> <td>A</td> <td>3\"/> <tr> <td>327</td> <td>ETR</td> <td>-</td> <td>WD.</td> <td>J2</td> <td>PTD.</td> <td>-</td> <td>319</td> <td>3\"/> <tr> <td>328</td> <td>ETR</td> <td>-</td> <td>WD.</td> <td>J2</td> <td>PTD.</td> <td>-</td> <td>320</td> <td>3\"/> <tr> <td>329A</td> <td>ETR</td> <td>-</td> <td>WD.</td> <td>J2</td> <td>PTD.</td> <td>-</td> <td>321</td> <td>3\"/> <tr> <td>329B</td> <td>ETR</td> <td>-</td> <td>WD.</td> <td>J2</td> <td>PTD.</td> <td>-</td> <td>322</td> <td>3\"/> <tr> <td>331</td> <td>ETR</td> <td>-</td> <td>WD.</td> <td>J2</td> <td>PTD.</td> <td>-</td> <td>323</td> <td>3\"/> <tr> <td>333</td> <td>ETR</td> <td>-</td> <td>WD.</td> <td>J2</td> <td>PTD.</td> <td>-</td> <td>324</td> <td>3\"/> <tr> <td>334A</td> <td>ETR</td> <td>-</td> <td>WD.</td> <td>J2</td> <td>PTD.</td> <td>-</td> <td>325</td> <td>3\"/> <tr> <td>334B</td> <td>ETR</td> <td>-</td> <td>WD.</td> <td>J2</td> <td>PTD.</td> <td>-</td> <td>327</td> <td>3\"/>
<tr> <td>335A</td> <td>ETR</td> <td>-</td> <td>WD.</td> <td>J2</td> <td>PTD.</td> <td>-</td> <td>328</td> <td>3\"/> <tr> <td>335B</td> <td>B</td> <td>3\"/> <tr> <td>336</td> <td>B</td> <td>3\"/> <tr> <td>337</td> <td>ETR</td> <td>-</td> <td>WD.</td> <td>J2</td> <td>PTD.</td> <td>-</td> <td>329A</td> <td>3\"/> <tr> <td>339</td> <td>ETR</td> <td>-</td> <td>WD.</td> <td>J2</td> <td>PTD.</td> <td>-</td> <td>329B</td> <td>3\"/> <tr> <td>340</td> <td>A</td> <td>3\"/> <tr> <td>341A</td> <td>ETR</td> <td>-</td> <td>WD.</td> <td>J2</td> <td>PTD.</td> <td>-</td> <td>331</td> <td>3\"/> <tr> <td>341B</td> <td>ETR</td> <td>-</td> <td>WD.</td> <td>J2</td> <td>PTD.</td> <td>-</td> <td>333</td> <td>3\"/> <tr> <td>342</td> <td>ETR</td> <td>-</td> <td>WD.</td> <td>J2</td> <td>PTD.</td> <td>-</td> <td>334A</td> <td>3\"/> <tr> <td>344</td> <td>ETR</td> <td>-</td> <td>WD.</td> <td>J2</td> <td>PTD.</td> <td>-</td> <td>334B</td> <td>3\"/> <tr> <td>345</td> <td>ETR</td> <td>-</td> <td>WD.</td> <td>J2</td> <td>PTD.</td> <td>-</td> <td>335A</td> <td>3\"/> <tr> <td>346</td> <td>ETR</td> <td>-</td> <td>WD.</td> <td>J2</td> <td>PTD.</td> <td>-</td> <td>335B</td> <td>3\"/> <tr> <td>347</td> <td>ETR</td> <td>-</td> <td>WD.</td> <td>J2</td> <td>PTD.</td> <td>-</td> <td>336</td> <td>3\"/> <tr> <td>348</td> <td>ETR</td> <td>-</td> <td>WD.</td> <td>J2</td> <td>PTD.</td> <td>-</td> <td>337</td> <td>3\"/> <tr> <td>349</td> <td>ETR</td> <td>-</td> <td>WD.</td> <td>J2</td> <td>PTD.</td> <td>-</td> <td>339</td> <td>3\"/> <tr> <td>350</td> <td>ETR</td> <td>-</td> <td>WD.</td> <td>J2</td> <td>PTD.</td> <td>-</td> <td>340</td> <td>3\"/> </td></tr></td></tr></td></tr></td></tr></td></tr></td></tr></td></tr></td></tr></td></tr></td></tr></td></tr></td></tr></td></tr></td></tr></td></tr></td></tr></td></tr></td></tr></td></tr></td></tr></td></tr></td></tr></td></tr></td></tr></td></tr> | 325 | A | 3\"/> <tr> <td>327</td> <td>ETR</td> <td>-</td> <td>WD.</td> <td>J2</td> <td>PTD.</td> <td>-</td> <td>319</td> <td>3\"/> <tr> <td>328</td> <td>ETR</td> <td>-</td> <td>WD.</td> <td>J2</td> <td>PTD.</td> <td>-</td> <td>320</td> <td>3\"/> <tr> <td>329A</td> <td>ETR</td> <td>-</td> <td>WD.</td> <td>J2</td> <td>PTD.</td> <td>-</td> <td>321</td> <td>3\"/> <tr> <td>329B</td> <td>ETR</td> <td>-</td> <td>WD.</td> <td>J2</td> <td>PTD.</td> <td>-</td> <td>322</td> <td>3\"/> <tr> <td>331</td> <td>ETR</td> <td>-</td> <td>WD.</td> <td>J2</td> <td>PTD.</td> <td>-</td> <td>323</td> <td>3\"/> <tr> <td>333</td> <td>ETR</td> <td>-</td> <td>WD.</td> <td>J2</td> <td>PTD.</td> <td>-</td> <td>324</td> <td>3\"/> <tr> <td>334A</td> <td>ETR</td> <td>-</td> <td>WD.</td> <td>J2</td> <td>PTD.</td> <td>-</td> <td>325</td> <td>3\"/> <tr> <td>334B</td> <td>ETR</td> <td>-</td> <td>WD.</td> <td>J2</td> <td>PTD.</td> <td>-</td> <td>327</td> <td>3\"/> <tr> <td>335A</td> <td>ETR</td> <td>-</td> <td>WD.</td> <td>J2</td> <td>PTD.</td> <td>-</td> <td>328</td> <td>3\"/> <tr> <td>335B</td> <td>B</td> <td>3\"/> <tr> <td>336</td> <td>B</td> <td>3\"/> <tr> <td>337</td> <td>ETR</td> <td>-</td> <td>WD.</td> <td>J2</td> <td>PTD.</td> <td>-</td> <td>329A</td> <td>3\"/> <tr> <td>339</td> <td>ETR</td> <td>-</td> <td>WD.</td> <td>J2</td> <td>PTD.</td> <td>-</td> <td>329B</td> <td>3\"/> <tr> <td>340</td> <td>A</td> <td>3\"/> <tr> <td>341A</td> <td>ETR</td> <td>-</td> <td>WD.</td> <td>J2</td> <td>PTD.</td> <td>-</td> <td>331</td> <td>3\"/> <tr> <td>341B</td> <td>ETR</td> <td>-</td> <td>WD.</td> <td>J2</td> <td>PTD.</td> <td>-</td> <td>333</td> <td>3\"/> <tr> <td>342</td> <td>ETR</td> <td>-</td> <td>WD.</td> <td>J2</td> <td>PTD.</td> <td>-</td> <td>334A</td> <td>3\"/> <tr> <td>344</td> <td>ETR</td> <td>-</td> <td>WD.</td> <td>J2</td> <td>PTD.</td> <td>-</td> <td>334B</td> <td>3\"/> <tr> <td>345</td> <td>ETR</td> <td>-</td> <td>WD.</td> <td>J2</td> <td>PTD.</td> <td>-</td> <td>335A</td> <td>3\"/> <tr> <td>346</td> <td>ETR</td> <td>-</td> <td>WD.</td> <td>J2</td> <td>PTD.</td> <td>-</td> <td>335B</td> <td>3\"/> <tr> <td>347</td> <td>ETR</td> <td>-</td> <td>WD.</td> <td>J2</td> <td>PTD.</td> <td>-</td> <td>336</td> <td>3\"/> <tr> <td>348</td> <td>ETR</td> <td>-</td> <td>WD.</td> <td>J2</td> <td>PTD.</td> <td>-</td> <td>337</td> <td>3\"/> <tr> <td>349</td> <td>ETR</td> <td>-</td> <td>WD.</td> <td>J2</td> <td>PTD.</td> <td>-</td> <td>339</td> <td>3\"/> <tr> <td>350</td> <td>ETR</td> <td>-</td> <td>WD.</td> <td>J2</td> <td>PTD.</td> <td>-</td> <td>340</td> <td>3\"/> </td></tr></td></tr></td></tr></td></tr></td></tr></td></tr></td></tr></td></tr></td></tr></td></tr></td></tr></td></tr></td></tr></td></tr></td></tr></td></tr></td></tr></td></tr></td></tr></td></tr></td></tr></td></tr></td></tr></td></tr> | 327 | ETR | -
 | WD. | J2 | PTD. | - | 319 | 3\"/> <tr> <td>328</td> <td>ETR</td> <td>-</td> <td>WD.</td> <td>J2</td> <td>PTD.</td> <td>-</td> <td>320</td> <td>3\"/> <tr> <td>329A</td> <td>ETR</td> <td>-</td> <td>WD.</td> <td>J2</td> <td>PTD.</td> <td>-</td> <td>321</td> <td>3\"/> <tr> <td>329B</td> <td>ETR</td> <td>-</td> <td>WD.</td> <td>J2</td> <td>PTD.</td> <td>-</td> <td>322</td> <td>3\"/> <tr> <td>331</td> <td>ETR</td> <td>-</td> <td>WD.</td> <td>J2</td> <td>PTD.</td> <td>-</td> <td>323</td> <td>3\"/> <tr> <td>333</td> <td>ETR</td> <td>-</td> <td>WD.</td> <td>J2</td> <td>PTD.</td> <td>-</td> <td>324</td> <td>3\"/> <tr> <td>334A</td> <td>ETR</td> <td>-</td> <td>WD.</td> <td>J2</td> <td>PTD.</td> <td>-</td> <td>325</td> <td>3\"/> <tr> <td>334B</td> <td>ETR</td> <td>-</td> <td>WD.</td> <td>J2</td> <td>PTD.</td> <td>-</td> <td>327</td> <td>3\"/> <tr> <td>335A</td> <td>ETR</td> <td>-</td> <td>WD.</td> <td>J2</td> <td>PTD.</td> <td>-</td> <td>328</td> <td>3\"/> <tr> <td>335B</td> <td>B</td> <td>3\"/> <tr> <td>336</td> <td>B</td> <td>3\"/> <tr> <td>337</td> <td>ETR</td> <td>-</td> <td>WD.</td> <td>J2</td> <td>PTD.</td> <td>-</td> <td>329A</td> <td>3\"/> <tr> <td>339</td> <td>ETR</td> <td>-</td> <td>WD.</td> <td>J2</td> <td>PTD.</td> <td>-</td> <td>329B</td> <td>3\"/> <tr> <td>340</td> <td>A</td> <td>3\"/> <tr> <td>341A</td> <td>ETR</td> <td>-</td> <td>WD.</td> <td>J2</td> <td>PTD.</td> <td>-</td> <td>331</td> <td>3\"/> <tr> <td>341B</td> <td>ETR</td> <td>-</td> <td>WD.</td> <td>J2</td> <td>PTD.</td> <td>-</td> <td>333</td> <td>3\"/> <tr> <td>342</td> <td>ETR</td> <td>-</td> <td>WD.</td> <td>J2</td> <td>PTD.</td> <td>-</td> <td>334A</td> <td>3\"/> <tr> <td>344</td> <td>ETR</td> <td>-</td> <td>WD.</td> <td>J2</td> <td>PTD.</td> <td>-</td> <td>334B</td> <td>3\"/> <tr> <td>345</td> <td>ETR</td> <td>-</td> <td>WD.</td> <td>J2</td> <td>PTD.</td> <td>-</td> <td>335A</td> <td>3\"/> <tr> <td>346</td> <td>ETR</td> <td>-</td> <td>WD.</td> <td>J2</td> <td>PTD.</td> <td>-</td> <td>335B</td> <td>3\"/> <tr> <td>347</td> <td>ETR</td> <td>-</td> <td>WD.</td> <td>J2</td> <td>PTD.</td> <td>-</td> <td>336</td> <td>3\"/> <tr> <td>348</td> <td>ETR</td> <td>-</td> <td>WD.</td> <td>J2</td> <td>PTD.</td> <td>-</td> <td>337</td> <td>3\"/> <tr> <td>349</td> <td>ETR</td> <td>-</td> <td>WD.</td> <td>J2</td> <td>PTD.</td> <td>-</td> <td>339</td> <td>3\"/> <tr> <td>350</td> <td>ETR</td> <td>-</td> <td>WD.</td> <td>J2</td> <td>PTD.</td> <td>-</td> <td>340</td> <td>3\"/> </td></tr></td></tr></td></tr></td></tr></td></tr></td></tr></td></tr></td></tr></td></tr></td></tr></td></tr></td></tr></td></tr></td></tr></td></tr></td></tr></td></tr></td></tr></td></tr></td></tr></td></tr></td></tr></td></tr> | 328 | ETR | -
 | WD. | J2 | PTD. | - | 320 | 3\"/> <tr> <td>329A</td> <td>ETR</td> <td>-</td> <td>WD.</td> <td>J2</td> <td>PTD.</td> <td>-</td> <td>321</td> <td>3\"/> <tr> <td>329B</td> <td>ETR</td> <td>-</td> <td>WD.</td> <td>J2</td> <td>PTD.</td> <td>-</td> <td>322</td> <td>3\"/> <tr> <td>331</td> <td>ETR</td> <td>-</td> <td>WD.</td> <td>J2</td> <td>PTD.</td> <td>-</td> <td>323</td> <td>3\"/> <tr> <td>333</td> <td>ETR</td> <td>-</td> <td>WD.</td> <td>J2</td> <td>PTD.</td> <td>-</td> <td>324</td> <td>3\"/> <tr> <td>334A</td> <td>ETR</td> <td>-</td> <td>WD.</td> <td>J2</td> <td>PTD.</td> <td>-</td> <td>325</td> <td>3\"/> <tr> <td>334B</td> <td>ETR</td> <td>-</td> <td>WD.</td> <td>J2</td> <td>PTD.</td> <td>-</td> <td>327</td> <td>3\"/> <tr> <td>335A</td> <td>ETR</td> <td>-</td> <td>WD.</td> <td>J2</td> <td>PTD.</td> <td>-</td> <td>328</td> <td>3\"/> <tr> <td>335B</td> <td>B</td> <td>3\"/> <tr> <td>336</td> <td>B</td> <td>3\"/> <tr> <td>337</td> <td>ETR</td> <td>-</td> <td>WD.</td> <td>J2</td> <td>PTD.</td> <td>-</td> <td>329A</td> <td>3\"/> <tr> <td>339</td> <td>ETR</td> <td>-</td> <td>WD.</td> <td>J2</td> <td>PTD.</td> <td>-</td> <td>329B</td> <td>3\"/> <tr> <td>340</td> <td>A</td> <td>3\"/> <tr> <td>341A</td> <td>ETR</td> <td>-</td> <td>WD.</td> <td>J2</td> <td>PTD.</td> <td>-</td> <td>331</td> <td>3\"/> <tr> <td>341B</td> <td>ETR</td> <td>-</td> <td>WD.</td> <td>J2</td> <td>PTD.</td> <td>-</td> <td>333</td> <td>3\"/> <tr> <td>342</td> <td>ETR</td> <td>-</td> <td>WD.</td> <td>J2</td> <td>PTD.</td> <td>-</td> <td>334A</td> <td>3\"/> <tr> <td>344</td> <td>ETR</td> <td>-</td> <td>WD.</td> <td>J2</td> <td>PTD.</td> <td>-</td> <td>334B</td> <td>3\"/> <tr> <td>345</td> <td>ETR</td> <td>-</td> <td>WD.</td> <td>J2</td> <td>PTD.</td> <td>-</td> <td>335A</td> <td>3\"/> <tr> <td>346</td> <td>ETR</td> <td>-</td> <td>WD.</td> <td>J2</td> <td>PTD.</td> <td>-</td> <td>335B</td> <td>3\"/> <tr> <td>347</td> <td>ETR</td> <td>-</td> <td>WD.</td> <td>J2</td> <td>PTD.</td> <td>-</td> <td>336</td> <td>3\"/> <tr> <td>348</td> <td>ETR</td> <td>-</td> <td>WD.</td> <td>J2</td> <td>PTD.</td> <td>-</td> <td>337</td> <td>3\"/> <tr> <td>349</td> <td>ETR</td> <td>-</td> <td>WD.</td> <td>J2</td> <td>PTD.</td> <td>-</td> <td>339</td> <td>3\"/> <tr> <td>350</td> <td>ETR</td> <td>-</td> <td>WD.</td> <td>J2</td> <td>PTD.</td> <td>-</td> <td>340</td> <td>3\"/> </td></tr></td></tr></td></tr></td></tr></td></tr></td></tr></td></tr></td></tr></td></tr></td></tr></td></tr></td></tr></td></tr></td></tr></td></tr></td></tr></td></tr></td></tr></td></tr></td></tr></td></tr></td></tr>
 | 329A | ETR | - | WD. | J2 | PTD. | - | 321 | 3\"/> <tr> <td>329B</td> <td>ETR</td> <td>-</td> <td>WD.</td> <td>J2</td> <td>PTD.</td> <td>-</td> <td>322</td> <td>3\"/> <tr> <td>331</td> <td>ETR</td> <td>-</td> <td>WD.</td> <td>J2</td> <td>PTD.</td> <td>-</td> <td>323</td> <td>3\"/> <tr> <td>333</td> <td>ETR</td> <td>-</td> <td>WD.</td> <td>J2</td> <td>PTD.</td> <td>-</td> <td>324</td> <td>3\"/> <tr> <td>334A</td> <td>ETR</td> <td>-</td> <td>WD.</td> <td>J2</td> <td>PTD.</td> <td>-</td> <td>325</td> <td>3\"/> <tr> <td>334B</td> <td>ETR</td> <td>-</td> <td>WD.</td> <td>J2</td> <td>PTD.</td> <td>-</td> <td>327</td> <td>3\"/> <tr> <td>335A</td> <td>ETR</td> <td>-</td> <td>WD.</td> <td>J2</td> <td>PTD.</td> <td>-</td> <td>328</td> <td>3\"/> <tr> <td>335B</td> <td>B</td> <td>3\"/> <tr> <td>336</td> <td>B</td> <td>3\"/> <tr> <td>337</td> <td>ETR</td> <td>-</td> <td>WD.</td> <td>J2</td> <td>PTD.</td> <td>-</td> <td>329A</td> <td>3\"/> <tr> <td>339</td> <td>ETR</td> <td>-</td> <td>WD.</td> <td>J2</td> <td>PTD.</td> <td>-</td> <td>329B</td> <td>3\"/> <tr> <td>340</td> <td>A</td> <td>3\"/> <tr> <td>341A</td> <td>ETR</td> <td>-</td> <td>WD.</td> <td>J2</td> <td>PTD.</td> <td>-</td> <td>331</td> <td>3\"/> <tr> <td>341B</td> <td>ETR</td> <td>-</td> <td>WD.</td> <td>J2</td> <td>PTD.</td> <td>-</td> <td>333</td> <td>3\"/> <tr> <td>342</td> <td>ETR</td> <td>-</td> <td>WD.</td> <td>J2</td> <td>PTD.</td> <td>-</td> <td>334A</td> <td>3\"/> <tr> <td>344</td> <td>ETR</td> <td>-</td> <td>WD.</td> <td>J2</td> <td>PTD.</td> <td>-</td> <td>334B</td> <td>3\"/> <tr> <td>345</td> <td>ETR</td> <td>-</td> <td>WD.</td> <td>J2</td> <td>PTD.</td> <td>-</td> <td>335A</td> <td>3\"/> <tr> <td>346</td> <td>ETR</td> <td>-</td> <td>WD.</td> <td>J2</td> <td>PTD.</td> <td>-</td> <td>335B</td>
<td>3\"/> <tr> <td>347</td> <td>ETR</td> <td>-</td> <td>WD.</td> <td>J2</td> <td>PTD.</td> <td>-</td> <td>336</td> <td>3\"/> <tr> <td>348</td> <td>ETR</td> <td>-</td> <td>WD.</td> <td>J2</td> <td>PTD.</td> <td>-</td> <td>337</td> <td>3\"/> <tr> <td>349</td> <td>ETR</td> <td>-</td> <td>WD.</td> <td>J2</td> <td>PTD.</td> <td>-</td> <td>339</td> <td>3\"/> <tr> <td>350</td> <td>ETR</td> <td>-</td> <td>WD.</td> <td>J2</td> <td>PTD.</td> <td>-</td> <td>340</td> <td>3\"/> </td></tr></td></tr></td></tr></td></tr></td></tr></td></tr></td></tr></td></tr></td></tr></td></tr></td></tr></td></tr></td></tr></td></tr></td></tr></td></tr></td></tr></td></tr></td></tr></td></tr></td></tr> | 329B | ETR | - | WD. | J2 | PTD. | - | 322 | 3\"/> <tr> <td>331</td> <td>ETR</td> <td>-</td> <td>WD.</td> <td>J2</td> <td>PTD.</td> <td>-</td> <td>323</td> <td>3\"/> <tr> <td>333</td> <td>ETR</td> <td>-</td> <td>WD.</td> <td>J2</td> <td>PTD.</td> <td>-</td> <td>324</td> <td>3\"/> <tr> <td>334A</td> <td>ETR</td> <td>-</td> <td>WD.</td> <td>J2</td> <td>PTD.</td> <td>-</td> <td>325</td> <td>3\"/> <tr> <td>334B</td> <td>ETR</td> <td>-</td> <td>WD.</td> <td>J2</td> <td>PTD.</td> <td>-</td> <td>327</td> <td>3\"/> <tr> <td>335A</td> <td>ETR</td> <td>-</td> <td>WD.</td> <td>J2</td> <td>PTD.</td> <td>-</td> <td>328</td> <td>3\"/> <tr> <td>335B</td> <td>B</td> <td>3\"/> <tr> <td>336</td> <td>B</td> <td>3\"/> <tr> <td>337</td> <td>ETR</td>
<td>-</td> <td>WD.</td> <td>J2</td> <td>PTD.</td> <td>-</td> <td>329A</td> <td>3\"/> <tr> <td>339</td> <td>ETR</td> <td>-</td> <td>WD.</td> <td>J2</td> <td>PTD.</td> <td>-</td> <td>329B</td> <td>3\"/> <tr> <td>340</td> <td>A</td> <td>3\"/> <tr> <td>341A</td> <td>ETR</td> <td>-</td> <td>WD.</td> <td>J2</td> <td>PTD.</td> <td>-</td> <td>331</td> <td>3\"/> <tr> <td>341B</td> <td>ETR</td> <td>-</td> <td>WD.</td> <td>J2</td> <td>PTD.</td> <td>-</td> <td>333</td> <td>3\"/> <tr> <td>342</td> <td>ETR</td> <td>-</td> <td>WD.</td> <td>J2</td> <td>PTD.</td> <td>-</td> <td>334A</td> <td>3\"/> <tr> <td>344</td> <td>ETR</td> <td>-</td> <td>WD.</td> <td>J2</td> <td>PTD.</td> <td>-</td> <td>334B</td> <td>3\"/> <tr> <td>345</td> <td>ETR</td> <td>-</td> <td>WD.</td> <td>J2</td> <td>PTD.</td> <td>-</td> <td>335A</td> <td>3\"/> <tr> <td>346</td> <td>ETR</td> <td>-</td> <td>WD.</td> <td>J2</td> <td>PTD.</td> <td>-</td> <td>335B</td> <td>3\"/> <tr> <td>347</td> <td>ETR</td> <td>-</td> <td>WD.</td> <td>J2</td> <td>PTD.</td> <td>-</td> <td>336</td> <td>3\"/> <tr> <td>348</td> <td>ETR</td> <td>-</td> <td>WD.</td> <td>J2</td> <td>PTD.</td> <td>-</td> <td>337</td> <td>3\"/> <tr> <td>349</td> <td>ETR</td> <td>-</td> <td>WD.</td> <td>J2</td> <td>PTD.</td> <td>-</td> <td>339</td> <td>3\"/> <tr> <td>350</td> <td>ETR</td> <td>-</td> <td>WD.</td> <td>J2</td> <td>PTD.</td> <td>-</td> <td>340</td> <td>3\"/> </td></tr></td></tr></td></tr></td></tr></td></tr></td></tr></td></tr></td></tr></td></tr></td></tr></td></tr></td></tr></td></tr></td></tr></td></tr></td></tr></td></tr></td></tr></td></tr></td></tr> | 331 | ETR | - | WD. | J2 | PTD. | - | 323 | 3\"/> <tr> <td>333</td>
<td>ETR</td> <td>-</td> <td>WD.</td> <td>J2</td> <td>PTD.</td> <td>-</td> <td>324</td> <td>3\"/> <tr> <td>334A</td> <td>ETR</td> <td>-</td> <td>WD.</td> <td>J2</td> <td>PTD.</td> <td>-</td> <td>325</td> <td>3\"/> <tr> <td>334B</td> <td>ETR</td> <td>-</td> <td>WD.</td> <td>J2</td> <td>PTD.</td> <td>-</td> <td>327</td> <td>3\"/> <tr> <td>335A</td> <td>ETR</td> <td>-</td> <td>WD.</td> <td>J2</td> <td>PTD.</td> <td>-</td> <td>328</td> <td>3\"/> <tr> <td>335B</td> <td>B</td> <td>3\"/> <tr> <td>336</td> <td>B</td> <td>3\"/> <tr> <td>337</td> <td>ETR</td> <td>-</td> <td>WD.</td> <td>J2</td> <td>PTD.</td> <td>-</td> <td>329A</td> <td>3\"/> <tr> <td>339</td> <td>ETR</td> <td>-</td> <td>WD.</td> <td>J2</td> <td>PTD.</td> <td>-</td> <td>329B</td> <td>3\"/> <tr> <td>340</td> <td>A</td> <td>3\"/> <tr> <td>341A</td> <td>ETR</td> <td>-</td> <td>WD.</td> <td>J2</td> <td>PTD.</td> <td>-</td> <td>331</td> <td>3\"/> <tr> <td>341B</td> <td>ETR</td> <td>-</td> <td>WD.</td> <td>J2</td> <td>PTD.</td> <td>-</td> <td>333</td> <td>3\"/> <tr> <td>342</td> <td>ETR</td> <td>-</td> <td>WD.</td> <td>J2</td> <td>PTD.</td> <td>-</td> <td>334A</td> <td>3\"/> <tr> <td>344</td> <td>ETR</td> <td>-</td> <td>WD.</td> <td>J2</td> <td>PTD.</td> <td>-</td> <td>334B</td> <td>3\"/> <tr> <td>345</td> <td>ETR</td> <td>-</td> <td>WD.</td> <td>J2</td> <td>PTD.</td> <td>-</td> <td>335A</td> <td>3\"/> <tr> <td>346</td> <td>ETR</td> <td>-</td> <td>WD.</td> <td>J2</td> <td>PTD.</td> <td>-</td> <td>335B</td> <td>3\"/> <tr> <td>347</td> <td>ETR</td> <td>-</td> <td>WD.</td> <td>J2</td> <td>PTD.</td> <td>-</td> <td>336</td> <td>3\"/> <tr> <td>348</td> <td>ETR</td> <td>-</td> <td>WD.</td> <td>J2</td> <td>PTD.</td> <td>-</td> <td>337</td> <td>3\"/> <tr> <td>349</td> <td>ETR</td> <td>-</td> <td>WD.</td> <td>J2</td> <td>PTD.</td> <td>-</td> <td>339</td> <td>3\"/> <tr> <td>350</td> <td>ETR</td> <td>-</td> <td>WD.</td> <td>J2</td> <td>PTD.</td> <td>-</td> <td>340</td> <td>3\"/> </td></tr></td></tr></td></tr></td></tr></td></tr></td></tr></td></tr></td></tr></td></tr></td></tr></td></tr></td></tr></td></tr></td></tr></td></tr></td></tr></td></tr></td></tr></td></tr> | 333 | ETR | - | WD. | J2 | PTD.
 | - | 324 | 3\"/> <tr> <td>334A</td> <td>ETR</td> <td>-</td> <td>WD.</td> <td>J2</td> <td>PTD.</td> <td>-</td> <td>325</td> <td>3\"/> <tr> <td>334B</td> <td>ETR</td> <td>-</td> <td>WD.</td> <td>J2</td> <td>PTD.</td> <td>-</td> <td>327</td> <td>3\"/> <tr> <td>335A</td> <td>ETR</td> <td>-</td> <td>WD.</td> <td>J2</td> <td>PTD.</td> <td>-</td> <td>328</td> <td>3\"/> <tr> <td>335B</td> <td>B</td> <td>3\"/> <tr> <td>336</td> <td>B</td> <td>3\"/> <tr> <td>337</td> <td>ETR</td> <td>-</td> <td>WD.</td> <td>J2</td> <td>PTD.</td> <td>-</td> <td>329A</td> <td>3\"/> <tr> <td>339</td> <td>ETR</td> <td>-</td> <td>WD.</td> <td>J2</td> <td>PTD.</td> <td>-</td> <td>329B</td> <td>3\"/> <tr> <td>340</td> <td>A</td> <td>3\"/> <tr> <td>341A</td> <td>ETR</td> <td>-</td> <td>WD.</td> <td>J2</td> <td>PTD.</td> <td>-</td> <td>331</td> <td>3\"/> <tr> <td>341B</td> <td>ETR</td> <td>-</td> <td>WD.</td> <td>J2</td> <td>PTD.</td> <td>-</td> <td>333</td> <td>3\"/> <tr> <td>342</td> <td>ETR</td> <td>-</td> <td>WD.</td> <td>J2</td> <td>PTD.</td> <td>-</td> <td>334A</td> <td>3\"/> <tr> <td>344</td> <td>ETR</td> <td>-</td> <td>WD.</td> <td>J2</td> <td>PTD.</td> <td>-</td> <td>334B</td> <td>3\"/> <tr> <td>345</td> <td>ETR</td> <td>-</td> <td>WD.</td> <td>J2</td> <td>PTD.</td> <td>-</td> <td>335A</td> <td>3\"/> <tr> <td>346</td> <td>ETR</td> <td>-</td> <td>WD.</td> <td>J2</td> <td>PTD.</td> <td>-</td> <td>335B</td> <td>3\"/> <tr> <td>347</td> <td>ETR</td> <td>-</td> <td>WD.</td> <td>J2</td> <td>PTD.</td> <td>-</td> <td>336</td> <td>3\"/> <tr> <td>348</td> <td>ETR</td> <td>-</td> <td>WD.</td> <td>J2</td> <td>PTD.</td> <td>-</td> <td>337</td> <td>3\"/> <tr> <td>349</td> <td>ETR</td> <td>-</td> <td>WD.</td> <td>J2</td> <td>PTD.</td> <td>-</td> <td>339</td> <td>3\"/> <tr> <td>350</td> <td>ETR</td> <td>-</td> <td>WD.</td> <td>J2</td> <td>PTD.</td> <td>-</td> <td>340</td> <td>3\"/> </td></tr></td></tr></td></tr></td></tr></td></tr></td></tr></td></tr></td></tr></td></tr></td></tr></td></tr></td></tr></td></tr></td></tr></td></tr></td></tr></td></tr></td></tr> | 334A | ETR | - | WD. | J2 | PTD.
 | - | 325 | 3\"/> <tr> <td>334B</td> <td>ETR</td> <td>-</td> <td>WD.</td> <td>J2</td> <td>PTD.</td> <td>-</td> <td>327</td> <td>3\"/> <tr> <td>335A</td> <td>ETR</td> <td>-</td> <td>WD.</td> <td>J2</td> <td>PTD.</td> <td>-</td> <td>328</td> <td>3\"/> <tr> <td>335B</td> <td>B</td> <td>3\"/> <tr> <td>336</td> <td>B</td> <td>3\"/> <tr> <td>337</td> <td>ETR</td> <td>-</td> <td>WD.</td> <td>J2</td> <td>PTD.</td> <td>-</td> <td>329A</td> <td>3\"/> <tr> <td>339</td> <td>ETR</td> <td>-</td> <td>WD.</td> <td>J2</td> <td>PTD.</td> <td>-</td> <td>329B</td> <td>3\"/> <tr> <td>340</td> <td>A</td> <td>3\"/> <tr> <td>341A</td> <td>ETR</td> <td>-</td> <td>WD.</td> <td>J2</td> <td>PTD.</td> <td>-</td> <td>331</td> <td>3\"/> <tr> <td>341B</td> <td>ETR</td> <td>-</td> <td>WD.</td> <td>J2</td> <td>PTD.</td> <td>-</td> <td>333</td> <td>3\"/> <tr> <td>342</td> <td>ETR</td> <td>-</td> <td>WD.</td> <td>J2</td> <td>PTD.</td> <td>-</td> <td>334A</td> <td>3\"/> <tr> <td>344</td> <td>ETR</td> <td>-</td> <td>WD.</td> <td>J2</td> <td>PTD.</td> <td>-</td> <td>334B</td> <td>3\"/> <tr> <td>345</td> <td>ETR</td> <td>-</td> <td>WD.</td> <td>J2</td> <td>PTD.</td> <td>-</td> <td>335A</td> <td>3\"/> <tr> <td>346</td> <td>ETR</td> <td>-</td> <td>WD.</td> <td>J2</td> <td>PTD.</td> <td>-</td> <td>335B</td> <td>3\"/> <tr> <td>347</td> <td>ETR</td> <td>-</td> <td>WD.</td> <td>J2</td> <td>PTD.</td> <td>-</td> <td>336</td> <td>3\"/> <tr> <td>348</td> <td>ETR</td> <td>-</td> <td>WD.</td> <td>J2</td> <td>PTD.</td> <td>-</td> <td>337</td> <td>3\"/> <tr> <td>349</td> <td>ETR</td> <td>-</td> <td>WD.</td> <td>J2</td> <td>PTD.</td> <td>-</td> <td>339</td> <td>3\"/> <tr> <td>350</td> <td>ETR</td> <td>-</td> <td>WD.</td> <td>J2</td> <td>PTD.</td> <td>-</td> <td>340</td> <td>3\"/> </td></tr></td></tr></td></tr></td></tr></td></tr></td></tr></td></tr></td></tr></td></tr></td></tr></td></tr></td></tr></td></tr></td></tr></td></tr></td></tr></td></tr> | 334B | ETR | - | WD. | J2 | PTD. | - | 327 | 3\"/> <tr> <td>335A</td> <td>ETR</td> <td>-</td> <td>WD.</td> <td>J2</td> <td>PTD.</td> <td>-</td> <td>328</td> <td>3\"/> <tr> <td>335B</td> <td>B</td> <td>3\"/> <tr> <td>336</td> <td>B</td> <td>3\"/> <tr> <td>337</td> <td>ETR</td> <td>-</td> <td>WD.</td> <td>J2</td>
<td>PTD.</td> <td>-</td> <td>329A</td> <td>3\"/> <tr> <td>339</td> <td>ETR</td> <td>-</td> <td>WD.</td> <td>J2</td> <td>PTD.</td> <td>-</td> <td>329B</td> <td>3\"/> <tr> <td>340</td> <td>A</td> <td>3\"/> <tr> <td>341A</td> <td>ETR</td> <td>-</td> <td>WD.</td> <td>J2</td> <td>PTD.</td> <td>-</td> <td>331</td> <td>3\"/> <tr> <td>341B</td> <td>ETR</td> <td>-</td> <td>WD.</td> <td>J2</td> <td>PTD.</td> <td>-</td> <td>333</td> <td>3\"/> <tr> <td>342</td> <td>ETR</td> <td>-</td> <td>WD.</td> <td>J2</td> <td>PTD.</td> <td>-</td> <td>334A</td> <td>3\"/> <tr> <td>344</td> <td>ETR</td> <td>-</td> <td>WD.</td> <td>J2</td> <td>PTD.</td> <td>-</td> <td>334B</td> <td>3\"/> <tr> <td>345</td> <td>ETR</td> <td>-</td> <td>WD.</td> <td>J2</td> <td>PTD.</td> <td>-</td> <td>335A</td> <td>3\"/> <tr> <td>346</td> <td>ETR</td> <td>-</td> <td>WD.</td> <td>J2</td> <td>PTD.</td> <td>-</td> <td>335B</td> <td>3\"/> <tr> <td>347</td> <td>ETR</td> <td>-</td> <td>WD.</td> <td>J2</td> <td>PTD.</td> <td>-</td> <td>336</td> <td>3\"/> <tr> <td>348</td> <td>ETR</td> <td>-</td> <td>WD.</td> <td>J2</td> <td>PTD.</td> <td>-</td> <td>337</td> <td>3\"/> <tr> <td>349</td> <td>ETR</td> <td>-</td> <td>WD.</td> <td>J2</td> <td>PTD.</td> <td>-</td> <td>339</td> <td>3\"/> <tr> <td>350</td> <td>ETR</td> <td>-</td> <td>WD.</td> <td>J2</td> <td>PTD.</td> <td>-</td> <td>340</td> <td>3\"/> </td></tr></td></tr></td></tr></td></tr></td></tr></td></tr></td></tr></td></tr></td></tr></td></tr></td></tr></td></tr></td></tr></td></tr></td></tr></td></tr> | 335A | ETR | - | WD. | J2 | PTD. | - | 328 | 3\"/> <tr> <td>335B</td> <td>B</td> <td>3\"/> <tr> <td>336</td> <td>B</td> <td>3\"/> <tr> <td>337</td> <td>ETR</td> <td>-</td> <td>WD.</td> <td>J2</td> <td>PTD.</td> <td>-</td> <td>329A</td> <td>3\"/> <tr> <td>339</td> <td>ETR</td> <td>-</td> <td>WD.</td> <td>J2</td> <td>PTD.</td> <td>-</td> <td>329B</td> <td>3\"/> <tr> <td>340</td> <td>A</td> <td>3\"/> <tr> <td>341A</td> <td>ETR</td> <td>-</td> <td>WD.</td> <td>J2</td> <td>PTD.</td> <td>-</td> <td>331</td> <td>3\"/> <tr> <td>341B</td> <td>ETR</td> <td>-</td> <td>WD.</td> <td>J2</td> <td>PTD.</td> <td>-</td> <td>333</td> <td>3\"/> <tr> <td>342</td> <td>ETR</td> <td>-</td> <td>WD.</td> <td>J2</td> <td>PTD.</td> <td>-</td> <td>334A</td> <td>3\"/> <tr> <td>344</td> <td>ETR</td> <td>-</td> <td>WD.</td> <td>J2</td> <td>PTD.</td> <td>-</td> <td>334B</td> <td>3\"/> <tr> <td>345</td> <td>ETR</td> <td>-</td> <td>WD.</td> <td>J2</td> <td>PTD.</td> <td>-</td> <td>335A</td> <td>3\"/> <tr> <td>346</td> <td>ETR</td> <td>-</td> <td>WD.</td> <td>J2</td> <td>PTD.</td> <td>-</td> <td>335B</td> <td>3\"/> <tr> <td>347</td> <td>ETR</td> <td>-</td>
<td>WD.</td> <td>J2</td> <td>PTD.</td> <td>-</td> <td>336</td> <td>3\"/> <tr> <td>348</td> <td>ETR</td> <td>-</td> <td>WD.</td> <td>J2</td> <td>PTD.</td> <td>-</td> <td>337</td> <td>3\"/> <tr> <td>349</td> <td>ETR</td> <td>-</td> <td>WD.</td> <td>J2</td> <td>PTD.</td> <td>-</td> <td>339</td> <td>3\"/> <tr> <td>350</td> <td>ETR</td> <td>-</td> <td>WD.</td> <td>J2</td> <td>PTD.</td> <td>-</td> <td>340</td> <td>3\"/> </td></tr></td></tr></td></tr></td></tr></td></tr></td></tr></td></tr></td></tr></td></tr></td></tr></td></tr></td></tr></td></tr></td></tr></td></tr> | 335B | B | 3\"/> <tr> <td>336</td> <td>B</td> <td>3\"/> <tr> <td>337</td> <td>ETR</td> <td>-</td> <td>WD.</td> <td>J2</td> <td>PTD.</td> <td>-</td> <td>329A</td> <td>3\"/> <tr> <td>339</td> <td>ETR</td> <td>-</td> <td>WD.</td> <td>J2</td> <td>PTD.</td> <td>-</td> <td>329B</td> <td>3\"/> <tr> <td>340</td> <td>A</td> <td>3\"/> <tr> <td>341A</td> <td>ETR</td> <td>-</td> <td>WD.</td> <td>J2</td> <td>PTD.</td> <td>-</td> <td>331</td> <td>3\"/> <tr> <td>341B</td> <td>ETR</td> <td>-</td> <td>WD.</td> <td>J2</td> <td>PTD.</td> <td>-</td> <td>333</td> <td>3\"/> <tr> <td>342</td> <td>ETR</td> <td>-</td> <td>WD.</td> <td>J2</td> <td>PTD.</td> <td>-</td> <td>334A</td> <td>3\"/> <tr> <td>344</td> <td>ETR</td> <td>-</td> <td>WD.</td> <td>J2</td> <td>PTD.</td> <td>-</td> <td>334B</td> <td>3\"/> <tr> <td>345</td> <td>ETR</td> <td>-</td> <td>WD.</td> <td>J2</td> <td>PTD.</td> <td>-</td> <td>335A</td> <td>3\"/> <tr> <td>346</td> <td>ETR</td> <td>-</td> <td>WD.</td> <td>J2</td> <td>PTD.</td> <td>-</td> <td>335B</td> <td>3\"/> <tr> <td>347</td> <td>ETR</td> <td>-</td> <td>WD.</td> <td>J2</td> <td>PTD.</td> <td>-</td> <td>336</td> <td>3\"/> <tr> <td>348</td> <td>ETR</td> <td>-</td> <td>WD.</td> <td>J2</td> <td>PTD.</td> <td>-</td> <td>337</td> <td>3\"/> <tr> <td>349</td> <td>ETR</td> <td>-</td> <td>WD.</td> <td>J2</td> <td>PTD.</td> <td>-</td> <td>339</td> <td>3\"/> <tr> <td>350</td> <td>ETR</td> <td>-</td> <td>WD.</td> <td>J2</td> <td>PTD.</td> <td>-</td> <td>340</td> <td>3\"/> </td></tr></td></tr></td></tr></td></tr></td></tr></td></tr></td></tr></td></tr></td></tr></td></tr></td></tr></td></tr></td></tr></td></tr> | 336 | B | 3\"/> <tr> <td>337</td> <td>ETR</td> <td>-</td> <td>WD.</td> <td>J2</td> <td>PTD.</td> <td>-</td> <td>329A</td> <td>3\"/> <tr> <td>339</td> <td>ETR</td> <td>-</td> <td>WD.</td> <td>J2</td> <td>PTD.</td> <td>-</td> <td>329B</td> <td>3\"/> <tr> <td>340</td> <td>A</td> <td>3\"/> <tr> <td>341A</td> <td>ETR</td> <td>-</td> <td>WD.</td> <td>J2</td> <td>PTD.</td> <td>-</td> <td>331</td> <td>3\"/> <tr> <td>341B</td> <td>ETR</td> <td>-</td> <td>WD.</td> <td>J2</td> <td>PTD.</td> <td>-</td> <td>333</td> <td>3\"/> <tr> <td>342</td> <td>ETR</td> <td>-</td> <td>WD.</td> <td>J2</td> <td>PTD.</td> <td>-</td> <td>334A</td> <td>3\"/> <tr> <td>344</td> <td>ETR</td> <td>-</td> <td>WD.</td> <td>J2</td> <td>PTD.</td> <td>-</td> <td>334B</td> <td>3\"/> <tr> <td>345</td> <td>ETR</td> <td>-</td> <td>WD.</td> <td>J2</td> <td>PTD.</td> <td>-</td> <td>335A</td> <td>3\"/> <tr> <td>346</td> <td>ETR</td> <td>-</td> <td>WD.</td> <td>J2</td> <td>PTD.</td> <td>-</td> <td>335B</td> <td>3\"/> <tr> <td>347</td> <td>ETR</td> <td>-</td> <td>WD.</td> <td>J2</td> <td>PTD.</td> <td>-</td> <td>336</td> <td>3\"/> <tr> <td>348</td> <td>ETR</td> <td>-</td> <td>WD.</td> <td>J2</td> <td>PTD.</td> <td>-</td> <td>337</td> <td>3\"/> <tr> <td>349</td> <td>ETR</td> <td>-</td> <td>WD.</td> <td>J2</td> <td>PTD.</td> <td>-</td> <td>339</td> <td>3\"/> <tr> <td>350</td> <td>ETR</td> <td>-</td> <td>WD.</td> <td>J2</td> <td>PTD.</td> <td>-</td> <td>340</td> <td>3\"/> </td></tr></td></tr></td></tr></td></tr></td></tr></td></tr></td></tr></td></tr></td></tr></td></tr></td></tr></td></tr></td></tr> | 337 | ETR | - | WD. | J2 | PTD.
 | - | 329A | 3\"/> <tr> <td>339</td> <td>ETR</td> <td>-</td> <td>WD.</td> <td>J2</td> <td>PTD.</td> <td>-</td> <td>329B</td> <td>3\"/> <tr> <td>340</td> <td>A</td> <td>3\"/> <tr> <td>341A</td> <td>ETR</td> <td>-</td> <td>WD.</td> <td>J2</td> <td>PTD.</td> <td>-</td> <td>331</td> <td>3\"/> <tr> <td>341B</td> <td>ETR</td> <td>-</td> <td>WD.</td> <td>J2</td> <td>PTD.</td> <td>-</td> <td>333</td> <td>3\"/> <tr> <td>342</td> <td>ETR</td> <td>-</td> <td>WD.</td> <td>J2</td> <td>PTD.</td> <td>-</td> <td>334A</td> <td>3\"/> <tr> <td>344</td> <td>ETR</td> <td>-</td> <td>WD.</td> <td>J2</td> <td>PTD.</td> <td>-</td> <td>334B</td> <td>3\"/> <tr> <td>345</td> <td>ETR</td> <td>-</td> <td>WD.</td> <td>J2</td> <td>PTD.</td> <td>-</td> <td>335A</td> <td>3\"/> <tr> <td>346</td> <td>ETR</td> <td>-</td> <td>WD.</td> <td>J2</td> <td>PTD.</td> <td>-</td> <td>335B</td> <td>3\"/> <tr> <td>347</td> <td>ETR</td> <td>-</td> <td>WD.</td> <td>J2</td> <td>PTD.</td> <td>-</td> <td>336</td> <td>3\"/> <tr> <td>348</td> <td>ETR</td> <td>-</td> <td>WD.</td> <td>J2</td> <td>PTD.</td> <td>-</td> <td>337</td> <td>3\"/> <tr> <td>349</td> <td>ETR</td> <td>-</td> <td>WD.</td> <td>J2</td> <td>PTD.</td> <td>-</td> <td>339</td> <td>3\"/> <tr> <td>350</td> <td>ETR</td> <td>-</td> <td>WD.</td> <td>J2</td> <td>PTD.</td> <td>-</td> <td>340</td> <td>3\"/> </td></tr></td></tr></td></tr></td></tr></td></tr></td></tr></td></tr></td></tr></td></tr></td></tr></td></tr></td></tr> | 339 | ETR | - | WD. | J2 | PTD.
 | - | 329B | 3\"/> <tr> <td>340</td> <td>A</td> <td>3\"/> <tr> <td>341A</td> <td>ETR</td> <td>-</td> <td>WD.</td> <td>J2</td> <td>PTD.</td> <td>-</td> <td>331</td> <td>3\"/> <tr> <td>341B</td> <td>ETR</td> <td>-</td> <td>WD.</td> <td>J2</td> <td>PTD.</td> <td>-</td> <td>333</td> <td>3\"/> <tr> <td>342</td> <td>ETR</td> <td>-</td> <td>WD.</td> <td>J2</td> <td>PTD.</td> <td>-</td> <td>334A</td> <td>3\"/> <tr> <td>344</td> <td>ETR</td> <td>-</td> <td>WD.</td> <td>J2</td> <td>PTD.</td> <td>-</td> <td>334B</td> <td>3\"/> <tr> <td>345</td> <td>ETR</td> <td>-</td> <td>WD.</td> <td>J2</td> <td>PTD.</td> <td>-</td> <td>335A</td> <td>3\"/> <tr> <td>346</td> <td>ETR</td> <td>-</td> <td>WD.</td> <td>J2</td> <td>PTD.</td> <td>-</td> <td>335B</td> <td>3\"/> <tr> <td>347</td> <td>ETR</td> <td>-</td> <td>WD.</td> <td>J2</td> <td>PTD.</td> <td>-</td> <td>336</td> <td>3\"/> <tr> <td>348</td> <td>ETR</td> <td>-</td> <td>WD.</td> <td>J2</td> <td>PTD.</td> <td>-</td> <td>337</td> <td>3\"/> <tr> <td>349</td> <td>ETR</td> <td>-</td> <td>WD.</td> <td>J2</td> <td>PTD.</td> <td>-</td> <td>339</td> <td>3\"/> <tr> <td>350</td> <td>ETR</td> <td>-</td> <td>WD.</td> <td>J2</td> <td>PTD.</td> <td>-</td> <td>340</td> <td>3\"/> </td></tr></td></tr></td></tr></td></tr></td></tr></td></tr></td></tr></td></tr></td></tr></td></tr></td></tr> | 340 | A | 3\"/> <tr> <td>341A</td> <td>ETR</td> <td>-</td> <td>WD.</td> <td>J2</td> <td>PTD.</td> <td>-</td> <td>331</td> <td>3\"/> <tr> <td>341B</td> <td>ETR</td> <td>-</td> <td>WD.</td> <td>J2</td> <td>PTD.</td> <td>-</td> <td>333</td> <td>3\"/> <tr> <td>342</td> <td>ETR</td> <td>-</td> <td>WD.</td> <td>J2</td> <td>PTD.</td> <td>-</td> <td>334A</td> <td>3\"/> <tr> <td>344</td> <td>ETR</td> <td>-</td> <td>WD.</td> <td>J2</td> <td>PTD.</td> <td>-</td> <td>334B</td> <td>3\"/> <tr> <td>345</td> <td>ETR</td> <td>-</td> <td>WD.</td> <td>J2</td> <td>PTD.</td> <td>-</td> <td>335A</td> <td>3\"/> <tr> <td>346</td> <td>ETR</td> <td>-</td> <td>WD.</td> <td>J2</td> <td>PTD.</td> <td>-</td> <td>335B</td> <td>3\"/> <tr> <td>347</td> <td>ETR</td> <td>-</td> <td>WD.</td> <td>J2</td> <td>PTD.</td> <td>-</td> <td>336</td> <td>3\"/> <tr> <td>348</td> <td>ETR</td> <td>-</td> <td>WD.</td> <td>J2</td> <td>PTD.</td> <td>-</td> <td>337</td> <td>3\"/> <tr> <td>349</td> <td>ETR</td> <td>-</td> <td>WD.</td> <td>J2</td> <td>PTD.</td> <td>-</td> <td>339</td> <td>3\"/> <tr> <td>350</td> <td>ETR</td> <td>-</td> <td>WD.</td> <td>J2</td> <td>PTD.</td> <td>-</td> <td>340</td> <td>3\"/> </td></tr></td></tr></td></tr></td></tr></td></tr></td></tr></td></tr></td></tr></td></tr></td></tr> | 341A | ETR | - | WD. | J2 | PTD.
 | - | 331 | 3\"/> <tr> <td>341B</td> <td>ETR</td> <td>-</td> <td>WD.</td> <td>J2</td> <td>PTD.</td> <td>-</td> <td>333</td> <td>3\"/> <tr> <td>342</td> <td>ETR</td> <td>-</td> <td>WD.</td> <td>J2</td> <td>PTD.</td> <td>-</td> <td>334A</td> <td>3\"/> <tr> <td>344</td> <td>ETR</td> <td>-</td> <td>WD.</td> <td>J2</td> <td>PTD.</td> <td>-</td> <td>334B</td> <td>3\"/> <tr> <td>345</td> <td>ETR</td> <td>-</td> <td>WD.</td> <td>J2</td> <td>PTD.</td> <td>-</td> <td>335A</td> <td>3\"/> <tr> <td>346</td> <td>ETR</td> <td>-</td> <td>WD.</td> <td>J2</td> <td>PTD.</td> <td>-</td> <td>335B</td> <td>3\"/> <tr> <td>347</td> <td>ETR</td> <td>-</td> <td>WD.</td> <td>J2</td> <td>PTD.</td> <td>-</td> <td>336</td> <td>3\"/> <tr> <td>348</td> <td>ETR</td> <td>-</td> <td>WD.</td> <td>J2</td> <td>PTD.</td> <td>-</td> <td>337</td> <td>3\"/> <tr> <td>349</td> <td>ETR</td> <td>-</td> <td>WD.</td> <td>J2</td> <td>PTD.</td> <td>-</td> <td>339</td> <td>3\"/> <tr> <td>350</td> <td>ETR</td> <td>-</td> <td>WD.</td> <td>J2</td> <td>PTD.</td> <td>-</td> <td>340</td> <td>3\"/> </td></tr></td></tr></td></tr></td></tr></td></tr></td></tr></td></tr></td></tr></td></tr> | 341B | ETR | - | WD. | J2 | PTD. | - | 333 | 3\"/> <tr> <td>342</td> <td>ETR</td> <td>-</td> <td>WD.</td> <td>J2</td> <td>PTD.</td> <td>-</td> <td>334A</td> <td>3\"/> <tr> <td>344</td> <td>ETR</td> <td>-</td> <td>WD.</td> <td>J2</td> <td>PTD.</td> <td>-</td> <td>334B</td> <td>3\"/> <tr> <td>345</td> <td>ETR</td> <td>-</td> <td>WD.</td> <td>J2</td> <td>PTD.</td> <td>-</td> <td>335A</td> <td>3\"/> <tr> <td>346</td> <td>ETR</td> <td>-</td> <td>WD.</td> <td>J2</td> <td>PTD.</td> <td>-</td> <td>335B</td> <td>3\"/> <tr> <td>347</td> <td>ETR</td> <td>-</td> <td>WD.</td> <td>J2</td> <td>PTD.</td> <td>-</td> <td>336</td> <td>3\"/> <tr> <td>348</td> <td>ETR</td> <td>-</td> <td>WD.</td> <td>J2</td> <td>PTD.</td> <td>-</td> <td>337</td> <td>3\"/> <tr> <td>349</td> <td>ETR</td> <td>-</td> <td>WD.</td> <td>J2</td> <td>PTD.</td> <td>-</td> <td>339</td> <td>3\"/> <tr> <td>350</td> <td>ETR</td> <td>-</td> <td>WD.</td> <td>J2</td> <td>PTD.</td> <td>-</td> <td>340</td> <td>3\"/> </td></tr></td></tr></td></tr></td></tr></td></tr></td></tr></td></tr></td></tr>
 | 342 | ETR | - | WD. | J2 | PTD. | - | 334A | 3\"/> <tr> <td>344</td> <td>ETR</td> <td>-</td> <td>WD.</td> <td>J2</td> <td>PTD.</td> <td>-</td> <td>334B</td> <td>3\"/> <tr> <td>345</td> <td>ETR</td> <td>-</td> <td>WD.</td> <td>J2</td> <td>PTD.</td> <td>-</td> <td>335A</td> <td>3\"/> <tr> <td>346</td> <td>ETR</td> <td>-</td> <td>WD.</td> <td>J2</td> <td>PTD.</td> <td>-</td> <td>335B</td> <td>3\"/> <tr> <td>347</td> <td>ETR</td> <td>-</td> <td>WD.</td> <td>J2</td> <td>PTD.</td> <td>-</td> <td>336</td> <td>3\"/> <tr> <td>348</td> <td>ETR</td> <td>-</td> <td>WD.</td> <td>J2</td> <td>PTD.</td> <td>-</td> <td>337</td> <td>3\"/> <tr> <td>349</td> <td>ETR</td> <td>-</td> <td>WD.</td> <td>J2</td> <td>PTD.</td> <td>-</td> <td>339</td> <td>3\"/> <tr> <td>350</td> <td>ETR</td> <td>-</td> <td>WD.</td> <td>J2</td> <td>PTD.</td> <td>-</td> <td>340</td> <td>3\"/> </td></tr></td></tr></td></tr></td></tr></td></tr></td></tr></td></tr> | 344 | ETR | - | WD. | J2 | PTD.
 | - | 334B | 3\"/> <tr> <td>345</td> <td>ETR</td> <td>-</td> <td>WD.</td> <td>J2</td> <td>PTD.</td> <td>-</td> <td>335A</td> <td>3\"/> <tr> <td>346</td> <td>ETR</td> <td>-</td> <td>WD.</td> <td>J2</td> <td>PTD.</td> <td>-</td> <td>335B</td> <td>3\"/> <tr> <td>347</td> <td>ETR</td> <td>-</td> <td>WD.</td> <td>J2</td> <td>PTD.</td> <td>-</td> <td>336</td> <td>3\"/> <tr> <td>348</td> <td>ETR</td> <td>-</td> <td>WD.</td> <td>J2</td> <td>PTD.</td> <td>-</td> <td>337</td> <td>3\"/> <tr> <td>349</td> <td>ETR</td> <td>-</td> <td>WD.</td> <td>J2</td> <td>PTD.</td> <td>-</td> <td>339</td> <td>3\"/> <tr> <td>350</td> <td>ETR</td> <td>-</td> <td>WD.</td> <td>J2</td> <td>PTD.</td> <td>-</td> <td>340</td> <td>3\"/> </td></tr></td></tr></td></tr></td></tr></td></tr></td></tr> | 345 | ETR | - | WD. | J2 | PTD. | - | 335A | 3\"/> <tr> <td>346</td> <td>ETR</td> <td>-</td> <td>WD.</td> <td>J2</td> <td>PTD.</td> <td>-</td> <td>335B</td> <td>3\"/> <tr> <td>347</td> <td>ETR</td> <td>-</td> <td>WD.</td> <td>J2</td> <td>PTD.</td> <td>-</td> <td>336</td> <td>3\"/> <tr> <td>348</td> <td>ETR</td> <td>-</td> <td>WD.</td> <td>J2</td> <td>PTD.</td> <td>-</td> <td>337</td> <td>3\"/> <tr> <td>349</td> <td>ETR</td> <td>-</td> <td>WD.</td> <td>J2</td> <td>PTD.</td> <td>-</td> <td>339</td> <td>3\"/> <tr> <td>350</td> <td>ETR</td> <td>-</td> <td>WD.</td> <td>J2</td> <td>PTD.</td> <td>-</td> <td>340</td> <td>3\"/> </td></tr></td></tr></td></tr></td></tr></td></tr> | 346 | ETR | -
 | WD. | J2 | PTD. | - | 335B | 3\"/> <tr> <td>347</td> <td>ETR</td> <td>-</td> <td>WD.</td> <td>J2</td> <td>PTD.</td> <td>-</td> <td>336</td> <td>3\"/> <tr> <td>348</td> <td>ETR</td> <td>-</td> <td>WD.</td> <td>J2</td> <td>PTD.</td> <td>-</td> <td>337</td> <td>3\"/> <tr> <td>349</td> <td>ETR</td> <td>-</td> <td>WD.</td> <td>J2</td> <td>PTD.</td> <td>-</td> <td>339</td> <td>3\"/> <tr> <td>350</td> <td>ETR</td> <td>-</td> <td>WD.</td> <td>J2</td> <td>PTD.</td> <td>-</td> <td>340</td> <td>3\"/> </td></tr></td></tr></td></tr></td></tr> | 347 | ETR | - | WD. | J2 | PTD. | - | 336 | 3\"/> <tr> <td>348</td> <td>ETR</td> <td>-</td> <td>WD.</td> <td>J2</td> <td>PTD.</td> <td>-</td> <td>337</td> <td>3\"/> <tr> <td>349</td> <td>ETR</td> <td>-</td> <td>WD.</td> <td>J2</td> <td>PTD.</td> <td>-</td> <td>339</td> <td>3\"/> <tr> <td>350</td> <td>ETR</td> <td>-</td> <td>WD.</td> <td>J2</td> <td>PTD.</td> <td>-</td> <td>340</td> <td>3\"/> </td></tr></td></tr></td></tr> | 348 | ETR | -
 | WD. | J2 | PTD. | - | 337 | 3\"/> <tr> <td>349</td> <td>ETR</td> <td>-</td> <td>WD.</td> <td>J2</td> <td>PTD.</td> <td>-</td> <td>339</td> <td>3\"/> <tr> <td>350</td> <td>ETR</td> <td>-</td> <td>WD.</td> <td>J2</td> <td>PTD.</td> <td>-</td> <td>340</td> <td>3\"/> </td></tr></td></tr> | 349 | ETR | - | WD. | J2 | PTD. | - | 339 | 3\"/> <tr> <td>350</td> <td>ETR</td> <td>-</td> <td>WD.</td> <td>J2</td> <td>PTD.</td> <td>-</td> <td>340</td> <td>3\"/> </td></tr> | 350 | ETR | - | WD. | J2 | PTD.
 | - | 340 | 3\"/> | | | | | | | | | | | | | | | | | | | | | | | |
 | | | | | | | | | | | | | | | | | | | | | | | | | | | | | | | | | | | | | | | | | | | | | | | | | | | | | | | | | | | | | | | | | | |
| 316A | A | 3\"/> <tr> <td>318</td> <td>ETR</td> <td>-</td> <td>WD.</td> <td>J2</td> <td>PTD.</td> <td>-</td> <td>311</td> <td>3\"/> <tr> <td>319</td> <td>ETR</td> <td>-</td> <td>WD.</td> <td>J2</td> <td>PTD.</td> <td>-</td> <td>312A</td> <td>3\"/> <tr> <td>320</td> <td>ETR</td> <td>-</td> <td>WD.</td> <td>J2</td> <td>PTD.</td> <td>-</td> <td>313</td> <td>3\"/> <tr> <td>321</td> <td>ETR</td> <td>-</td> <td>WD.</td> <td>J2</td> <td>PTD.</td> <td>-</td> <td>314</td> <td>3\"/> <tr> <td>322</td> <td>ETR</td> <td>-</td> <td>WD.</td> <td>J2</td> <td>PTD.</td> <td>-</td> <td>315</td> <td>3\"/> <tr> <td>323</td> <td>ETR</td> <td>-</td> <td>WD.</td> <td>J2</td> <td>PTD.</td> <td>-</td> <td>316A</td> <td>3\"/> <tr> <td>324</td> <td>ETR</td> <td>-</td> <td>WD.</td> <td>J2</td> <td>PTD.</td> <td>-</td> <td>318</td> <td>3\"/> <tr> <td>325</td> <td>A</td> <td>3\"/> <tr> <td>327</td> <td>ETR</td> <td>-</td> <td>WD.</td> <td>J2</td> <td>PTD.</td> <td>-</td> <td>319</td> <td>3\"/> <tr> <td>328</td> <td>ETR</td> <td>-</td> <td>WD.</td> <td>J2</td> <td>PTD.</td> <td>-</td> <td>320</td> <td>3\"/> <tr> <td>329A</td> <td>ETR</td> <td>-</td> <td>WD.</td> <td>J2</td> <td>PTD.</td> <td>-</td> <td>321</td> <td>3\"/> <tr> <td>329B</td> <td>ETR</td> <td>-</td> <td>WD.</td> <td>J2</td> <td>PTD.</td> <td>-</td> <td>322</td> <td>3\"/> <tr> <td>331</td> <td>ETR</td> <td>-</td> <td>WD.</td> <td>J2</td> <td>PTD.</td> <td>-</td> <td>323</td> <td>3\"/> <tr> <td>333</td> <td>ETR</td> <td>-</td> <td>WD.</td> <td>J2</td> <td>PTD.</td> <td>-</td> <td>324</td> <td>3\"/> <tr> <td>334A</td> <td>ETR</td> <td>-</td> <td>WD.</td> <td>J2</td> <td>PTD.</td> <td>-</td> <td>325</td> <td>3\"/> <tr> <td>334B</td> <td>ETR</td> <td>-</td> <td>WD.</td> <td>J2</td> <td>PTD.</td> <td>-</td> <td>327</td> <td>3\"/> <tr> <td>335A</td> <td>ETR</td> <td>-</td> <td>WD.</td> <td>J2</td> <td>PTD.</td> <td>-</td> <td>328</td> <td>3\"/> <tr> <td>335B</td> <td>B</td> <td>3\"/> <tr> <td>336</td> <td>B</td> <td>3\"/> <tr> <td>337</td> <td>ETR</td> <td>-</td> <td>WD.</td> <td>J2</td> <td>PTD.</td> <td>-</td> <td>329A</td> <td>3\"/> <tr> <td>339</td> <td>ETR</td> <td>-</td> <td>WD.</td> <td>J2</td> <td>PTD.</td> <td>-</td> <td>329B</td> <td>3\"/> <tr> <td>340</td> <td>A</td> <td>3\"/> <tr> <td>341A</td> <td>ETR</td> <td>-</td> <td>WD.</td> <td>J2</td> <td>PTD.</td> <td>-</td> <td>331</td> <td>3\"/> <tr> <td>341B</td> <td>ETR</td> <td>-</td> <td>WD.</td> <td>J2</td> <td>PTD.</td> <td>-</td> <td>333</td> <td>3\"/> <tr> <td>342</td> <td>ETR</td> <td>-</td> <td>WD.</td> <td>J2</td> <td>PTD.</td> <td>-</td> <td>334A</td> <td>3\"/> <tr> <td>344</td> <td>ETR</td> <td>-</td> <td>WD.</td> <td>J2</td> <td>PTD.</td> <td>-</td> <td>334B</td> <td>3\"/> <tr> <td>345</td> <td>ETR</td> <td>-</td> <td>WD.</td> <td>J2</td> <td>PTD.</td> <td>-</td> <td>335A</td> <td>3\"/> <tr> <td>346</td> <td>ETR</td> <td>-</td> <td>WD.</td> <td>J2</td> <td>PTD.</td> <td>-</td> <td>335B</td> <td>3\"/> <tr> <td>347</td> <td>ETR</td> <td>-</td> <td>WD.</td> <td>J2</td> <td>PTD.</td> <td>-</td> <td>336</td> <td>3\"/> <tr> <td>348</td> <td>ETR</td> <td>-</td> <td>WD.</td> <td>J2</td> <td>PTD.</td> <td>-</td> <td>337</td> <td>3\"/> <tr> <td>349</td> <td>ETR</td> <td>-</td> <td>WD.</td> <td>J2</td> <td>PTD.</td> <td>-</td> <td>339</td> <td>3\"/> <tr> <td>350</td> <td>ETR</td> <td>-</td> <td>WD.</td> <td>J2</td> <td>PTD.</td> <td>-</td> <td>340</td> <td>3\"/> </td></tr></td></tr></td></tr></td></tr></td></tr></td></tr></td></tr></td></tr></td></tr></td></tr></td></tr></td></tr></td></tr></td></tr></td></tr></td></tr></td></tr></td></tr></td></tr></td></tr></td></tr></td></tr></td></tr></td></tr></td></tr></td></tr></td></tr></td></tr></td></tr></td></tr></td></tr></td></tr> | 318 | ETR | - | WD. | J2 | PTD.
 | - | 311 | 3\"/> <tr> <td>319</td> <td>ETR</td> <td>-</td> <td>WD.</td> <td>J2</td> <td>PTD.</td> <td>-</td> <td>312A</td> <td>3\"/> <tr> <td>320</td> <td>ETR</td> <td>-</td> <td>WD.</td> <td>J2</td> <td>PTD.</td> <td>-</td> <td>313</td> <td>3\"/> <tr> <td>321</td> <td>ETR</td> <td>-</td> <td>WD.</td> <td>J2</td> <td>PTD.</td> <td>-</td> <td>314</td> <td>3\"/> <tr> <td>322</td> <td>ETR</td> <td>-</td> <td>WD.</td> <td>J2</td> <td>PTD.</td> <td>-</td> <td>315</td> <td>3\"/> <tr> <td>323</td> <td>ETR</td> <td>-</td> <td>WD.</td> <td>J2</td> <td>PTD.</td> <td>-</td> <td>316A</td> <td>3\"/> <tr> <td>324</td> <td>ETR</td> <td>-</td> <td>WD.</td> <td>J2</td> <td>PTD.</td> <td>-</td> <td>318</td> <td>3\"/> <tr> <td>325</td> <td>A</td> <td>3\"/> <tr> <td>327</td> <td>ETR</td> <td>-</td> <td>WD.</td> <td>J2</td> <td>PTD.</td> <td>-</td> <td>319</td> <td>3\"/> <tr> <td>328</td> <td>ETR</td> <td>-</td> <td>WD.</td> <td>J2</td> <td>PTD.</td> <td>-</td> <td>320</td> <td>3\"/> <tr> <td>329A</td> <td>ETR</td> <td>-</td> <td>WD.</td> <td>J2</td> <td>PTD.</td> <td>-</td> <td>321</td> <td>3\"/> <tr> <td>329B</td> <td>ETR</td> <td>-</td> <td>WD.</td> <td>J2</td> <td>PTD.</td> <td>-</td> <td>322</td> <td>3\"/> <tr> <td>331</td> <td>ETR</td> <td>-</td> <td>WD.</td> <td>J2</td> <td>PTD.</td> <td>-</td> <td>323</td> <td>3\"/> <tr> <td>333</td> <td>ETR</td> <td>-</td> <td>WD.</td> <td>J2</td> <td>PTD.</td> <td>-</td> <td>324</td> <td>3\"/> <tr> <td>334A</td> <td>ETR</td> <td>-</td> <td>WD.</td> <td>J2</td> <td>PTD.</td> <td>-</td> <td>325</td> <td>3\"/> <tr> <td>334B</td> <td>ETR</td> <td>-</td> <td>WD.</td> <td>J2</td> <td>PTD.</td> <td>-</td> <td>327</td> <td>3\"/> <tr> <td>335A</td> <td>ETR</td> <td>-</td> <td>WD.</td> <td>J2</td> <td>PTD.</td> <td>-</td> <td>328</td> <td>3\"/> <tr> <td>335B</td> <td>B</td> <td>3\"/> <tr> <td>336</td> <td>B</td> <td>3\"/> <tr> <td>337</td> <td>ETR</td> <td>-</td> <td>WD.</td> <td>J2</td> <td>PTD.</td> <td>-</td> <td>329A</td> <td>3\"/> <tr> <td>339</td> <td>ETR</td> <td>-</td> <td>WD.</td> <td>J2</td> <td>PTD.</td> <td>-</td> <td>329B</td> <td>3\"/> <tr> <td>340</td> <td>A</td> <td>3\"/> <tr> <td>341A</td> <td>ETR</td> <td>-</td> <td>WD.</td> <td>J2</td> <td>PTD.</td> <td>-</td> <td>331</td> <td>3\"/> <tr> <td>341B</td> <td>ETR</td> <td>-</td> <td>WD.</td> <td>J2</td> <td>PTD.</td> <td>-</td> <td>333</td> <td>3\"/> <tr> <td>342</td> <td>ETR</td> <td>-</td> <td>WD.</td> <td>J2</td> <td>PTD.</td> <td>-</td> <td>334A</td> <td>3\"/> <tr> <td>344</td> <td>ETR</td> <td>-</td> <td>WD.</td> <td>J2</td> <td>PTD.</td> <td>-</td> <td>334B</td> <td>3\"/> <tr> <td>345</td> <td>ETR</td> <td>-</td> <td>WD.</td> <td>J2</td> <td>PTD.</td> <td>-</td> <td>335A</td> <td>3\"/> <tr> <td>346</td> <td>ETR</td> <td>-</td> <td>WD.</td> <td>J2</td> <td>PTD.</td> <td>-</td> <td>335B</td> <td>3\"/> <tr> <td>347</td> <td>ETR</td> <td>-</td> <td>WD.</td> <td>J2</td> <td>PTD.</td> <td>-</td> <td>336</td> <td>3\"/> <tr> <td>348</td> <td>ETR</td> <td>-</td> <td>WD.</td> <td>J2</td> <td>PTD.</td> <td>-</td> <td>337</td> <td>3\"/> <tr> <td>349</td> <td>ETR</td> <td>-</td> <td>WD.</td> <td>J2</td> <td>PTD.</td> <td>-</td> <td>339</td> <td>3\"/> <tr> <td>350</td> <td>ETR</td> <td>-</td> <td>WD.</td> <td>J2</td> <td>PTD.</td> <td>-</td> <td>340</td> <td>3\"/> </td></tr></td></tr></td></tr></td></tr></td></tr></td></tr></td></tr></td></tr></td></tr></td></tr></td></tr></td></tr></td></tr></td></tr></td></tr></td></tr></td></tr></td></tr></td></tr></td></tr></td></tr></td></tr></td></tr></td></tr></td></tr></td></tr></td></tr></td></tr></td></tr></td></tr></td></tr> | 319 | ETR | -
 | WD. | J2 | PTD. | - | 312A | 3\"/> <tr> <td>320</td> <td>ETR</td> <td>-</td> <td>WD.</td> <td>J2</td> <td>PTD.</td> <td>-</td> <td>313</td> <td>3\"/> <tr> <td>321</td> <td>ETR</td> <td>-</td> <td>WD.</td> <td>J2</td> <td>PTD.</td> <td>-</td> <td>314</td> <td>3\"/> <tr> <td>322</td> <td>ETR</td> <td>-</td> <td>WD.</td> <td>J2</td> <td>PTD.</td> <td>-</td> <td>315</td> <td>3\"/> <tr> <td>323</td> <td>ETR</td> <td>-</td> <td>WD.</td> <td>J2</td> <td>PTD.</td> <td>-</td> <td>316A</td> <td>3\"/> <tr> <td>324</td> <td>ETR</td> <td>-</td> <td>WD.</td> <td>J2</td> <td>PTD.</td> <td>-</td> <td>318</td> <td>3\"/> <tr> <td>325</td> <td>A</td> <td>3\"/> <tr> <td>327</td> <td>ETR</td> <td>-</td> <td>WD.</td> <td>J2</td> <td>PTD.</td> <td>-</td> <td>319</td> <td>3\"/> <tr> <td>328</td> <td>ETR</td> <td>-</td> <td>WD.</td> <td>J2</td> <td>PTD.</td> <td>-</td> <td>320</td> <td>3\"/> <tr> <td>329A</td> <td>ETR</td> <td>-</td> <td>WD.</td> <td>J2</td> <td>PTD.</td> <td>-</td> <td>321</td> <td>3\"/> <tr> <td>329B</td> <td>ETR</td> <td>-</td> <td>WD.</td> <td>J2</td> <td>PTD.</td> <td>-</td> <td>322</td> <td>3\"/> <tr> <td>331</td> <td>ETR</td> <td>-</td> <td>WD.</td> <td>J2</td> <td>PTD.</td> <td>-</td> <td>323</td> <td>3\"/> <tr> <td>333</td> <td>ETR</td> <td>-</td> <td>WD.</td> <td>J2</td> <td>PTD.</td> <td>-</td> <td>324</td> <td>3\"/> <tr> <td>334A</td> <td>ETR</td> <td>-</td> <td>WD.</td> <td>J2</td> <td>PTD.</td> <td>-</td> <td>325</td> <td>3\"/> <tr> <td>334B</td> <td>ETR</td> <td>-</td> <td>WD.</td> <td>J2</td> <td>PTD.</td> <td>-</td> <td>327</td> <td>3\"/> <tr> <td>335A</td> <td>ETR</td> <td>-</td> <td>WD.</td> <td>J2</td> <td>PTD.</td> <td>-</td> <td>328</td> <td>3\"/> <tr> <td>335B</td> <td>B</td> <td>3\"/> <tr> <td>336</td> <td>B</td> <td>3\"/> <tr> <td>337</td> <td>ETR</td> <td>-</td> <td>WD.</td> <td>J2</td> <td>PTD.</td> <td>-</td> <td>329A</td> <td>3\"/> <tr> <td>339</td> <td>ETR</td> <td>-</td> <td>WD.</td> <td>J2</td> <td>PTD.</td> <td>-</td> <td>329B</td> <td>3\"/> <tr> <td>340</td> <td>A</td> <td>3\"/> <tr> <td>341A</td> <td>ETR</td> <td>-</td> <td>WD.</td> <td>J2</td> <td>PTD.</td> <td>-</td> <td>331</td> <td>3\"/> <tr> <td>341B</td> <td>ETR</td> <td>-</td> <td>WD.</td> <td>J2</td> <td>PTD.</td> <td>-</td> <td>333</td> <td>3\"/> <tr> <td>342</td> <td>ETR</td> <td>-</td> <td>WD.</td> <td>J2</td> <td>PTD.</td> <td>-</td> <td>334A</td> <td>3\"/> <tr> <td>344</td> <td>ETR</td> <td>-</td> <td>WD.</td> <td>J2</td> <td>PTD.</td> <td>-</td> <td>334B</td> <td>3\"/> <tr> <td>345</td> <td>ETR</td> <td>-</td> <td>WD.</td>
<td>J2</td> <td>PTD.</td> <td>-</td> <td>335A</td> <td>3\"/> <tr> <td>346</td> <td>ETR</td> <td>-</td> <td>WD.</td> <td>J2</td> <td>PTD.</td> <td>-</td> <td>335B</td> <td>3\"/> <tr> <td>347</td> <td>ETR</td> <td>-</td> <td>WD.</td> <td>J2</td> <td>PTD.</td> <td>-</td> <td>336</td> <td>3\"/> <tr> <td>348</td> <td>ETR</td> <td>-</td> <td>WD.</td> <td>J2</td> <td>PTD.</td> <td>-</td> <td>337</td> <td>3\"/> <tr> <td>349</td> <td>ETR</td> <td>-</td> <td>WD.</td> <td>J2</td> <td>PTD.</td> <td>-</td> <td>339</td> <td>3\"/> <tr> <td>350</td> <td>ETR</td> <td>-</td> <td>WD.</td> <td>J2</td> <td>PTD.</td> <td>-</td> <td>340</td> <td>3\"/> </td></tr></td></tr></td></tr></td></tr></td></tr></td></tr></td></tr></td></tr></td></tr></td></tr></td></tr></td></tr></td></tr></td></tr></td></tr></td></tr></td></tr></td></tr></td></tr></td></tr></td></tr></td></tr></td></tr></td></tr></td></tr></td></tr></td></tr></td></tr></td></tr></td></tr> | 320 | ETR | - | WD. | J2 | PTD.
 | - | 313 | 3\"/> <tr> <td>321</td> <td>ETR</td> <td>-</td> <td>WD.</td> <td>J2</td> <td>PTD.</td> <td>-</td> <td>314</td> <td>3\"/> <tr> <td>322</td> <td>ETR</td> <td>-</td> <td>WD.</td> <td>J2</td> <td>PTD.</td> <td>-</td> <td>315</td> <td>3\"/> <tr> <td>323</td> <td>ETR</td> <td>-</td> <td>WD.</td> <td>J2</td> <td>PTD.</td> <td>-</td> <td>316A</td> <td>3\"/> <tr> <td>324</td> <td>ETR</td> <td>-</td> <td>WD.</td> <td>J2</td> <td>PTD.</td> <td>-</td> <td>318</td> <td>3\"/> <tr> <td>325</td> <td>A</td> <td>3\"/> <tr> <td>327</td> <td>ETR</td> <td>-</td> <td>WD.</td> <td>J2</td> <td>PTD.</td> <td>-</td> <td>319</td> <td>3\"/> <tr> <td>328</td> <td>ETR</td> <td>-</td> <td>WD.</td> <td>J2</td> <td>PTD.</td> <td>-</td> <td>320</td> <td>3\"/> <tr> <td>329A</td> <td>ETR</td> <td>-</td> <td>WD.</td> <td>J2</td> <td>PTD.</td> <td>-</td> <td>321</td> <td>3\"/> <tr> <td>329B</td> <td>ETR</td> <td>-</td> <td>WD.</td> <td>J2</td> <td>PTD.</td> <td>-</td> <td>322</td> <td>3\"/> <tr> <td>331</td> <td>ETR</td> <td>-</td> <td>WD.</td> <td>J2</td> <td>PTD.</td> <td>-</td> <td>323</td> <td>3\"/> <tr> <td>333</td> <td>ETR</td> <td>-</td> <td>WD.</td> <td>J2</td> <td>PTD.</td> <td>-</td> <td>324</td> <td>3\"/> <tr> <td>334A</td> <td>ETR</td> <td>-</td> <td>WD.</td> <td>J2</td> <td>PTD.</td> <td>-</td> <td>325</td> <td>3\"/> <tr> <td>334B</td> <td>ETR</td> <td>-</td> <td>WD.</td> <td>J2</td> <td>PTD.</td> <td>-</td> <td>327</td> <td>3\"/> <tr> <td>335A</td> <td>ETR</td> <td>-</td> <td>WD.</td> <td>J2</td> <td>PTD.</td> <td>-</td> <td>328</td> <td>3\"/> <tr> <td>335B</td> <td>B</td> <td>3\"/> <tr> <td>336</td> <td>B</td> <td>3\"/> <tr> <td>337</td> <td>ETR</td> <td>-</td> <td>WD.</td> <td>J2</td> <td>PTD.</td> <td>-</td> <td>329A</td> <td>3\"/> <tr> <td>339</td> <td>ETR</td> <td>-</td> <td>WD.</td> <td>J2</td> <td>PTD.</td> <td>-</td> <td>329B</td> <td>3\"/> <tr> <td>340</td> <td>A</td> <td>3\"/> <tr> <td>341A</td> <td>ETR</td> <td>-</td> <td>WD.</td> <td>J2</td> <td>PTD.</td> <td>-</td> <td>331</td> <td>3\"/> <tr> <td>341B</td> <td>ETR</td> <td>-</td> <td>WD.</td> <td>J2</td> <td>PTD.</td> <td>-</td> <td>333</td> <td>3\"/> <tr> <td>342</td> <td>ETR</td> <td>-</td> <td>WD.</td> <td>J2</td> <td>PTD.</td> <td>-</td> <td>334A</td> <td>3\"/> <tr> <td>344</td> <td>ETR</td> <td>-</td> <td>WD.</td> <td>J2</td> <td>PTD.</td> <td>-</td> <td>334B</td> <td>3\"/> <tr> <td>345</td> <td>ETR</td> <td>-</td> <td>WD.</td> <td>J2</td> <td>PTD.</td> <td>-</td> <td>335A</td> <td>3\"/> <tr> <td>346</td> <td>ETR</td> <td>-</td> <td>WD.</td> <td>J2</td> <td>PTD.</td> <td>-</td> <td>335B</td> <td>3\"/> <tr> <td>347</td> <td>ETR</td> <td>-</td> <td>WD.</td> <td>J2</td> <td>PTD.</td> <td>-</td> <td>336</td> <td>3\"/> <tr> <td>348</td> <td>ETR</td> <td>-</td> <td>WD.</td> <td>J2</td> <td>PTD.</td> <td>-</td> <td>337</td> <td>3\"/> <tr> <td>349</td> <td>ETR</td> <td>-</td> <td>WD.</td> <td>J2</td> <td>PTD.</td> <td>-</td> <td>339</td> <td>3\"/> <tr> <td>350</td> <td>ETR</td> <td>-</td> <td>WD.</td> <td>J2</td> <td>PTD.</td> <td>-</td> <td>340</td> <td>3\"/> </td></tr></td></tr></td></tr></td></tr></td></tr></td></tr></td></tr></td></tr></td></tr></td></tr></td></tr></td></tr></td></tr></td></tr></td></tr></td></tr></td></tr></td></tr></td></tr></td></tr></td></tr></td></tr></td></tr></td></tr></td></tr></td></tr></td></tr></td></tr></td></tr> | 321 | ETR | -
 | WD. | J2 | PTD. | - | 314 | 3\"/> <tr> <td>322</td> <td>ETR</td> <td>-</td> <td>WD.</td> <td>J2</td> <td>PTD.</td> <td>-</td> <td>315</td> <td>3\"/> <tr> <td>323</td> <td>ETR</td> <td>-</td> <td>WD.</td> <td>J2</td> <td>PTD.</td> <td>-</td> <td>316A</td> <td>3\"/> <tr> <td>324</td> <td>ETR</td> <td>-</td> <td>WD.</td> <td>J2</td> <td>PTD.</td> <td>-</td> <td>318</td> <td>3\"/> <tr> <td>325</td> <td>A</td> <td>3\"/> <tr> <td>327</td> <td>ETR</td> <td>-</td> <td>WD.</td> <td>J2</td> <td>PTD.</td> <td>-</td> <td>319</td> <td>3\"/> <tr> <td>328</td> <td>ETR</td> <td>-</td> <td>WD.</td> <td>J2</td> <td>PTD.</td> <td>-</td> <td>320</td> <td>3\"/> <tr> <td>329A</td> <td>ETR</td> <td>-</td> <td>WD.</td> <td>J2</td> <td>PTD.</td> <td>-</td> <td>321</td> <td>3\"/> <tr> <td>329B</td> <td>ETR</td> <td>-</td> <td>WD.</td> <td>J2</td> <td>PTD.</td> <td>-</td> <td>322</td> <td>3\"/> <tr> <td>331</td> <td>ETR</td> <td>-</td> <td>WD.</td> <td>J2</td> <td>PTD.</td> <td>-</td> <td>323</td> <td>3\"/> <tr> <td>333</td> <td>ETR</td> <td>-</td> <td>WD.</td> <td>J2</td> <td>PTD.</td> <td>-</td> <td>324</td> <td>3\"/> <tr> <td>334A</td> <td>ETR</td> <td>-</td> <td>WD.</td> <td>J2</td> <td>PTD.</td> <td>-</td> <td>325</td> <td>3\"/> <tr> <td>334B</td> <td>ETR</td> <td>-</td> <td>WD.</td> <td>J2</td> <td>PTD.</td> <td>-</td> <td>327</td> <td>3\"/> <tr> <td>335A</td> <td>ETR</td> <td>-</td> <td>WD.</td> <td>J2</td> <td>PTD.</td> <td>-</td> <td>328</td> <td>3\"/> <tr> <td>335B</td> <td>B</td> <td>3\"/> <tr> <td>336</td> <td>B</td> <td>3\"/> <tr> <td>337</td> <td>ETR</td> <td>-</td> <td>WD.</td> <td>J2</td> <td>PTD.</td> <td>-</td> <td>329A</td> <td>3\"/> <tr> <td>339</td> <td>ETR</td> <td>-</td> <td>WD.</td> <td>J2</td> <td>PTD.</td> <td>-</td> <td>329B</td> <td>3\"/> <tr> <td>340</td> <td>A</td> <td>3\"/> <tr> <td>341A</td> <td>ETR</td> <td>-</td> <td>WD.</td> <td>J2</td> <td>PTD.</td> <td>-</td> <td>331</td> <td>3\"/> <tr> <td>341B</td> <td>ETR</td> <td>-</td> <td>WD.</td> <td>J2</td> <td>PTD.</td> <td>-</td> <td>333</td> <td>3\"/> <tr> <td>342</td> <td>ETR</td> <td>-</td> <td>WD.</td> <td>J2</td> <td>PTD.</td> <td>-</td> <td>334A</td> <td>3\"/> <tr> <td>344</td> <td>ETR</td> <td>-</td> <td>WD.</td> <td>J2</td> <td>PTD.</td> <td>-</td> <td>334B</td> <td>3\"/> <tr> <td>345</td> <td>ETR</td> <td>-</td> <td>WD.</td> <td>J2</td> <td>PTD.</td> <td>-</td> <td>335A</td> <td>3\"/> <tr> <td>346</td> <td>ETR</td> <td>-</td> <td>WD.</td> <td>J2</td> <td>PTD.</td> <td>-</td> <td>335B</td> <td>3\"/> <tr> <td>347</td> <td>ETR</td> <td>-</td> <td>WD.</td> <td>J2</td> <td>PTD.</td> <td>-</td> <td>336</td> <td>3\"/> <tr> <td>348</td> <td>ETR</td> <td>-</td> <td>WD.</td> <td>J2</td> <td>PTD.</td> <td>-</td> <td>337</td> <td>3\"/> <tr> <td>349</td> <td>ETR</td> <td>-</td> <td>WD.</td> <td>J2</td> <td>PTD.</td> <td>-</td> <td>339</td> <td>3\"/> <tr> <td>350</td> <td>ETR</td> <td>-</td> <td>WD.</td> <td>J2</td> <td>PTD.</td> <td>-</td> <td>340</td> <td>3\"/> </td></tr></td></tr></td></tr></td></tr></td></tr></td></tr></td></tr></td></tr></td></tr></td></tr></td></tr></td></tr></td></tr></td></tr></td></tr></td></tr></td></tr></td></tr></td></tr></td></tr></td></tr></td></tr></td></tr></td></tr></td></tr></td></tr></td></tr></td></tr>
 | 322 | ETR | - | WD. | J2 | PTD.
 | - | 315 | 3\"/> <tr> <td>323</td> <td>ETR</td> <td>-</td> <td>WD.</td> <td>J2</td> <td>PTD.</td> <td>-</td> <td>316A</td> <td>3\"/> <tr> <td>324</td> <td>ETR</td> <td>-</td> <td>WD.</td> <td>J2</td> <td>PTD.</td> <td>-</td> <td>318</td> <td>3\"/> <tr> <td>325</td> <td>A</td> <td>3\"/> <tr> <td>327</td> <td>ETR</td> <td>-</td> <td>WD.</td> <td>J2</td> <td>PTD.</td> <td>-</td> <td>319</td> <td>3\"/> <tr> <td>328</td> <td>ETR</td> <td>-</td> <td>WD.</td> <td>J2</td> <td>PTD.</td> <td>-</td> <td>320</td> <td>3\"/> <tr> <td>329A</td> <td>ETR</td> <td>-</td> <td>WD.</td> <td>J2</td> <td>PTD.</td> <td>-</td> <td>321</td> <td>3\"/> <tr> <td>329B</td> <td>ETR</td> <td>-</td> <td>WD.</td> <td>J2</td> <td>PTD.</td> <td>-</td> <td>322</td> <td>3\"/> <tr> <td>331</td> <td>ETR</td> <td>-</td> <td>WD.</td> <td>J2</td> <td>PTD.</td> <td>-</td> <td>323</td> <td>3\"/> <tr> <td>333</td> <td>ETR</td> <td>-</td> <td>WD.</td> <td>J2</td> <td>PTD.</td> <td>-</td> <td>324</td> <td>3\"/> <tr> <td>334A</td> <td>ETR</td> <td>-</td> <td>WD.</td> <td>J2</td> <td>PTD.</td> <td>-</td> <td>325</td> <td>3\"/> <tr> <td>334B</td> <td>ETR</td> <td>-</td> <td>WD.</td> <td>J2</td> <td>PTD.</td> <td>-</td> <td>327</td> <td>3\"/> <tr> <td>335A</td> <td>ETR</td> <td>-</td> <td>WD.</td> <td>J2</td> <td>PTD.</td> <td>-</td> <td>328</td> <td>3\"/> <tr> <td>335B</td> <td>B</td> <td>3\"/> <tr> <td>336</td> <td>B</td> <td>3\"/> <tr> <td>337</td> <td>ETR</td> <td>-</td> <td>WD.</td> <td>J2</td> <td>PTD.</td> <td>-</td> <td>329A</td> <td>3\"/> <tr> <td>339</td> <td>ETR</td> <td>-</td> <td>WD.</td> <td>J2</td> <td>PTD.</td> <td>-</td> <td>329B</td> <td>3\"/> <tr> <td>340</td> <td>A</td> <td>3\"/> <tr> <td>341A</td> <td>ETR</td> <td>-</td> <td>WD.</td> <td>J2</td> <td>PTD.</td> <td>-</td> <td>331</td> <td>3\"/> <tr> <td>341B</td> <td>ETR</td> <td>-</td> <td>WD.</td> <td>J2</td> <td>PTD.</td> <td>-</td> <td>333</td> <td>3\"/> <tr> <td>342</td> <td>ETR</td> <td>-</td> <td>WD.</td> <td>J2</td> <td>PTD.</td> <td>-</td> <td>334A</td> <td>3\"/> <tr> <td>344</td> <td>ETR</td> <td>-</td> <td>WD.</td> <td>J2</td> <td>PTD.</td> <td>-</td> <td>334B</td> <td>3\"/> <tr> <td>345</td> <td>ETR</td> <td>-</td> <td>WD.</td> <td>J2</td> <td>PTD.</td> <td>-</td> <td>335A</td> <td>3\"/> <tr> <td>346</td> <td>ETR</td> <td>-</td> <td>WD.</td> <td>J2</td> <td>PTD.</td> <td>-</td> <td>335B</td> <td>3\"/> <tr> <td>347</td> <td>ETR</td> <td>-</td> <td>WD.</td> <td>J2</td> <td>PTD.</td> <td>-</td> <td>336</td> <td>3\"/> <tr> <td>348</td> <td>ETR</td> <td>-</td> <td>WD.</td> <td>J2</td> <td>PTD.</td> <td>-</td> <td>337</td> <td>3\"/> <tr> <td>349</td> <td>ETR</td> <td>-</td> <td>WD.</td> <td>J2</td> <td>PTD.</td> <td>-</td> <td>339</td> <td>3\"/> <tr> <td>350</td> <td>ETR</td> <td>-</td> <td>WD.</td> <td>J2</td> <td>PTD.</td> <td>-</td> <td>340</td> <td>3\"/> </td></tr></td></tr></td></tr></td></tr></td></tr></td></tr></td></tr></td></tr></td></tr></td></tr></td></tr></td></tr></td></tr></td></tr></td></tr></td></tr></td></tr></td></tr></td></tr></td></tr></td></tr></td></tr></td></tr></td></tr></td></tr></td></tr></td></tr> | 323 | ETR | - | WD. | J2 | PTD.
 | - | 316A | 3\"/> <tr> <td>324</td> <td>ETR</td> <td>-</td> <td>WD.</td> <td>J2</td> <td>PTD.</td> <td>-</td> <td>318</td> <td>3\"/> <tr> <td>325</td> <td>A</td> <td>3\"/> <tr> <td>327</td> <td>ETR</td> <td>-</td> <td>WD.</td> <td>J2</td> <td>PTD.</td> <td>-</td> <td>319</td> <td>3\"/> <tr> <td>328</td> <td>ETR</td> <td>-</td> <td>WD.</td> <td>J2</td> <td>PTD.</td> <td>-</td> <td>320</td> <td>3\"/> <tr> <td>329A</td> <td>ETR</td> <td>-</td> <td>WD.</td> <td>J2</td> <td>PTD.</td> <td>-</td> <td>321</td> <td>3\"/> <tr> <td>329B</td> <td>ETR</td> <td>-</td> <td>WD.</td> <td>J2</td> <td>PTD.</td> <td>-</td> <td>322</td> <td>3\"/> <tr> <td>331</td> <td>ETR</td> <td>-</td> <td>WD.</td> <td>J2</td> <td>PTD.</td> <td>-</td> <td>323</td> <td>3\"/> <tr> <td>333</td> <td>ETR</td> <td>-</td> <td>WD.</td> <td>J2</td> <td>PTD.</td> <td>-</td> <td>324</td> <td>3\"/> <tr> <td>334A</td> <td>ETR</td> <td>-</td> <td>WD.</td> <td>J2</td> <td>PTD.</td> <td>-</td> <td>325</td> <td>3\"/> <tr> <td>334B</td> <td>ETR</td> <td>-</td> <td>WD.</td> <td>J2</td> <td>PTD.</td> <td>-</td> <td>327</td> <td>3\"/> <tr> <td>335A</td> <td>ETR</td> <td>-</td> <td>WD.</td> <td>J2</td> <td>PTD.</td> <td>-</td> <td>328</td> <td>3\"/> <tr> <td>335B</td> <td>B</td> <td>3\"/> <tr> <td>336</td> <td>B</td> <td>3\"/> <tr> <td>337</td> <td>ETR</td> <td>-</td> <td>WD.</td> <td>J2</td> <td>PTD.</td> <td>-</td> <td>329A</td> <td>3\"/> <tr> <td>339</td> <td>ETR</td> <td>-</td> <td>WD.</td> <td>J2</td> <td>PTD.</td> <td>-</td> <td>329B</td> <td>3\"/> <tr> <td>340</td> <td>A</td> <td>3\"/> <tr> <td>341A</td> <td>ETR</td> <td>-</td> <td>WD.</td> <td>J2</td> <td>PTD.</td> <td>-</td> <td>331</td> <td>3\"/> <tr> <td>341B</td> <td>ETR</td> <td>-</td> <td>WD.</td> <td>J2</td> <td>PTD.</td> <td>-</td> <td>333</td> <td>3\"/> <tr> <td>342</td> <td>ETR</td> <td>-</td> <td>WD.</td> <td>J2</td> <td>PTD.</td> <td>-</td> <td>334A</td> <td>3\"/> <tr> <td>344</td> <td>ETR</td> <td>-</td> <td>WD.</td> <td>J2</td> <td>PTD.</td> <td>-</td> <td>334B</td> <td>3\"/> <tr> <td>345</td> <td>ETR</td> <td>-</td> <td>WD.</td> <td>J2</td> <td>PTD.</td> <td>-</td> <td>335A</td> <td>3\"/> <tr> <td>346</td> <td>ETR</td> <td>-</td> <td>WD.</td> <td>J2</td> <td>PTD.</td> <td>-</td> <td>335B</td> <td>3\"/> <tr> <td>347</td> <td>ETR</td> <td>-</td> <td>WD.</td> <td>J2</td> <td>PTD.</td> <td>-</td> <td>336</td> <td>3\"/> <tr> <td>348</td> <td>ETR</td> <td>-</td> <td>WD.</td> <td>J2</td> <td>PTD.</td> <td>-</td> <td>337</td> <td>3\"/> <tr> <td>349</td> <td>ETR</td> <td>-</td> <td>WD.</td> <td>J2</td> <td>PTD.</td> <td>-</td> <td>339</td> <td>3\"/> <tr> <td>350</td> <td>ETR</td> <td>-</td> <td>WD.</td> <td>J2</td> <td>PTD.</td> <td>-</td> <td>340</td> <td>3\"/> </td></tr></td></tr></td></tr></td></tr></td></tr></td></tr></td></tr></td></tr></td></tr></td></tr></td></tr></td></tr></td></tr></td></tr></td></tr></td></tr></td></tr></td></tr></td></tr></td></tr></td></tr></td></tr></td></tr></td></tr></td></tr></td></tr> | 324 | ETR | -
 | WD. | J2 | PTD. | - | 318 | 3\"/> <tr> <td>325</td> <td>A</td> <td>3\"/> <tr> <td>327</td> <td>ETR</td> <td>-</td> <td>WD.</td> <td>J2</td> <td>PTD.</td> <td>-</td> <td>319</td> <td>3\"/> <tr> <td>328</td> <td>ETR</td> <td>-</td> <td>WD.</td> <td>J2</td> <td>PTD.</td> <td>-</td> <td>320</td> <td>3\"/> <tr> <td>329A</td> <td>ETR</td> <td>-</td> <td>WD.</td> <td>J2</td> <td>PTD.</td> <td>-</td> <td>321</td> <td>3\"/> <tr> <td>329B</td> <td>ETR</td> <td>-</td> <td>WD.</td> <td>J2</td> <td>PTD.</td> <td>-</td> <td>322</td> <td>3\"/> <tr> <td>331</td> <td>ETR</td> <td>-</td> <td>WD.</td> <td>J2</td> <td>PTD.</td> <td>-</td> <td>323</td> <td>3\"/> <tr> <td>333</td> <td>ETR</td> <td>-</td> <td>WD.</td> <td>J2</td> <td>PTD.</td> <td>-</td> <td>324</td> <td>3\"/> <tr> <td>334A</td> <td>ETR</td> <td>-</td> <td>WD.</td> <td>J2</td> <td>PTD.</td> <td>-</td> <td>325</td> <td>3\"/> <tr> <td>334B</td> <td>ETR</td> <td>-</td> <td>WD.</td> <td>J2</td> <td>PTD.</td> <td>-</td> <td>327</td> <td>3\"/> <tr> <td>335A</td> <td>ETR</td> <td>-</td> <td>WD.</td> <td>J2</td> <td>PTD.</td> <td>-</td> <td>328</td> <td>3\"/> <tr> <td>335B</td> <td>B</td> <td>3\"/> <tr> <td>336</td> <td>B</td> <td>3\"/> <tr> <td>337</td> <td>ETR</td> <td>-</td> <td>WD.</td> <td>J2</td> <td>PTD.</td> <td>-</td> <td>329A</td> <td>3\"/> <tr> <td>339</td> <td>ETR</td> <td>-</td> <td>WD.</td> <td>J2</td> <td>PTD.</td> <td>-</td> <td>329B</td> <td>3\"/> <tr> <td>340</td> <td>A</td> <td>3\"/> <tr> <td>341A</td> <td>ETR</td> <td>-</td> <td>WD.</td> <td>J2</td> <td>PTD.</td> <td>-</td> <td>331</td> <td>3\"/> <tr> <td>341B</td> <td>ETR</td> <td>-</td> <td>WD.</td> <td>J2</td> <td>PTD.</td> <td>-</td> <td>333</td> <td>3\"/> <tr> <td>342</td> <td>ETR</td> <td>-</td> <td>WD.</td> <td>J2</td> <td>PTD.</td> <td>-</td> <td>334A</td> <td>3\"/> <tr> <td>344</td> <td>ETR</td> <td>-</td> <td>WD.</td> <td>J2</td> <td>PTD.</td> <td>-</td> <td>334B</td> <td>3\"/> <tr> <td>345</td> <td>ETR</td> <td>-</td> <td>WD.</td> <td>J2</td> <td>PTD.</td> <td>-</td> <td>335A</td> <td>3\"/> <tr> <td>346</td> <td>ETR</td> <td>-</td> <td>WD.</td> <td>J2</td> <td>PTD.</td> <td>-</td> <td>335B</td> <td>3\"/> <tr> <td>347</td> <td>ETR</td> <td>-</td> <td>WD.</td> <td>J2</td> <td>PTD.</td> <td>-</td> <td>336</td> <td>3\"/> <tr> <td>348</td> <td>ETR</td> <td>-</td> <td>WD.</td> <td>J2</td> <td>PTD.</td> <td>-</td> <td>337</td> <td>3\"/> <tr> <td>349</td> <td>ETR</td> <td>-</td> <td>WD.</td> <td>J2</td> <td>PTD.</td> <td>-</td> <td>339</td> <td>3\"/> <tr> <td>350</td> <td>ETR</td> <td>-</td> <td>WD.</td> <td>J2</td> <td>PTD.</td> <td>-</td> <td>340</td> <td>3\"/> </td></tr></td></tr></td></tr></td></tr></td></tr></td></tr></td></tr></td></tr></td></tr></td></tr></td></tr></td></tr></td></tr></td></tr></td></tr></td></tr></td></tr></td></tr></td></tr></td></tr></td></tr></td></tr></td></tr></td></tr></td></tr>
 | 325 | A | 3\"/> <tr> <td>327</td> <td>ETR</td> <td>-</td> <td>WD.</td> <td>J2</td> <td>PTD.</td> <td>-</td> <td>319</td> <td>3\"/> <tr> <td>328</td> <td>ETR</td> <td>-</td> <td>WD.</td> <td>J2</td> <td>PTD.</td> <td>-</td> <td>320</td> <td>3\"/> <tr> <td>329A</td> <td>ETR</td> <td>-</td> <td>WD.</td> <td>J2</td> <td>PTD.</td> <td>-</td> <td>321</td> <td>3\"/> <tr> <td>329B</td> <td>ETR</td> <td>-</td> <td>WD.</td> <td>J2</td> <td>PTD.</td> <td>-</td> <td>322</td> <td>3\"/> <tr> <td>331</td> <td>ETR</td> <td>-</td> <td>WD.</td> <td>J2</td> <td>PTD.</td> <td>-</td> <td>323</td> <td>3\"/> <tr> <td>333</td> <td>ETR</td> <td>-</td> <td>WD.</td> <td>J2</td> <td>PTD.</td> <td>-</td> <td>324</td> <td>3\"/> <tr> <td>334A</td> <td>ETR</td> <td>-</td> <td>WD.</td> <td>J2</td> <td>PTD.</td> <td>-</td> <td>325</td> <td>3\"/> <tr> <td>334B</td> <td>ETR</td> <td>-</td> <td>WD.</td> <td>J2</td> <td>PTD.</td> <td>-</td> <td>327</td> <td>3\"/> <tr> <td>335A</td> <td>ETR</td> <td>-</td> <td>WD.</td> <td>J2</td> <td>PTD.</td> <td>-</td> <td>328</td> <td>3\"/> <tr> <td>335B</td> <td>B</td> <td>3\"/> <tr> <td>336</td> <td>B</td> <td>3\"/> <tr> <td>337</td> <td>ETR</td> <td>-</td> <td>WD.</td> <td>J2</td> <td>PTD.</td> <td>-</td> <td>329A</td> <td>3\"/> <tr> <td>339</td> <td>ETR</td> <td>-</td> <td>WD.</td> <td>J2</td> <td>PTD.</td> <td>-</td> <td>329B</td> <td>3\"/> <tr> <td>340</td> <td>A</td> <td>3\"/> <tr> <td>341A</td> <td>ETR</td> <td>-</td> <td>WD.</td> <td>J2</td> <td>PTD.</td> <td>-</td> <td>331</td> <td>3\"/> <tr> <td>341B</td> <td>ETR</td> <td>-</td> <td>WD.</td> <td>J2</td> <td>PTD.</td> <td>-</td> <td>333</td> <td>3\"/> <tr> <td>342</td> <td>ETR</td> <td>-</td> <td>WD.</td> <td>J2</td> <td>PTD.</td> <td>-</td> <td>334A</td> <td>3\"/> <tr> <td>344</td> <td>ETR</td> <td>-</td> <td>WD.</td> <td>J2</td> <td>PTD.</td> <td>-</td> <td>334B</td> <td>3\"/> <tr> <td>345</td> <td>ETR</td> <td>-</td> <td>WD.</td> <td>J2</td> <td>PTD.</td> <td>-</td> <td>335A</td> <td>3\"/> <tr> <td>346</td> <td>ETR</td> <td>-</td> <td>WD.</td> <td>J2</td> <td>PTD.</td> <td>-</td> <td>335B</td> <td>3\"/> <tr> <td>347</td> <td>ETR</td> <td>-</td> <td>WD.</td> <td>J2</td> <td>PTD.</td> <td>-</td> <td>336</td> <td>3\"/> <tr> <td>348</td> <td>ETR</td> <td>-</td> <td>WD.</td> <td>J2</td> <td>PTD.</td> <td>-</td> <td>337</td> <td>3\"/> <tr> <td>349</td> <td>ETR</td> <td>-</td> <td>WD.</td> <td>J2</td> <td>PTD.</td> <td>-</td> <td>339</td> <td>3\"/> <tr> <td>350</td> <td>ETR</td> <td>-</td> <td>WD.</td> <td>J2</td> <td>PTD.</td> <td>-</td> <td>340</td> <td>3\"/> </td></tr></td></tr></td></tr></td></tr></td></tr></td></tr></td></tr></td></tr></td></tr></td></tr></td></tr></td></tr></td></tr></td></tr></td></tr></td></tr></td></tr></td></tr></td></tr></td></tr></td></tr></td></tr></td></tr></td></tr> | 327 | ETR | - | WD. | J2 | PTD.
 | - | 319 | 3\"/> <tr> <td>328</td> <td>ETR</td> <td>-</td> <td>WD.</td> <td>J2</td> <td>PTD.</td> <td>-</td> <td>320</td> <td>3\"/> <tr> <td>329A</td> <td>ETR</td> <td>-</td> <td>WD.</td> <td>J2</td> <td>PTD.</td> <td>-</td> <td>321</td> <td>3\"/> <tr> <td>329B</td> <td>ETR</td> <td>-</td> <td>WD.</td> <td>J2</td> <td>PTD.</td> <td>-</td> <td>322</td> <td>3\"/> <tr> <td>331</td> <td>ETR</td> <td>-</td> <td>WD.</td> <td>J2</td> <td>PTD.</td> <td>-</td> <td>323</td> <td>3\"/> <tr> <td>333</td> <td>ETR</td> <td>-</td> <td>WD.</td> <td>J2</td> <td>PTD.</td> <td>-</td> <td>324</td> <td>3\"/> <tr> <td>334A</td> <td>ETR</td> <td>-</td> <td>WD.</td> <td>J2</td> <td>PTD.</td> <td>-</td> <td>325</td> <td>3\"/> <tr> <td>334B</td> <td>ETR</td> <td>-</td> <td>WD.</td> <td>J2</td> <td>PTD.</td> <td>-</td> <td>327</td> <td>3\"/> <tr> <td>335A</td> <td>ETR</td> <td>-</td> <td>WD.</td> <td>J2</td> <td>PTD.</td> <td>-</td> <td>328</td> <td>3\"/> <tr> <td>335B</td> <td>B</td> <td>3\"/> <tr> <td>336</td> <td>B</td> <td>3\"/> <tr> <td>337</td> <td>ETR</td> <td>-</td> <td>WD.</td> <td>J2</td> <td>PTD.</td> <td>-</td> <td>329A</td> <td>3\"/> <tr> <td>339</td> <td>ETR</td> <td>-</td> <td>WD.</td> <td>J2</td> <td>PTD.</td> <td>-</td> <td>329B</td> <td>3\"/> <tr> <td>340</td> <td>A</td> <td>3\"/> <tr> <td>341A</td> <td>ETR</td> <td>-</td> <td>WD.</td> <td>J2</td> <td>PTD.</td> <td>-</td> <td>331</td> <td>3\"/> <tr> <td>341B</td> <td>ETR</td> <td>-</td> <td>WD.</td> <td>J2</td> <td>PTD.</td> <td>-</td> <td>333</td> <td>3\"/> <tr> <td>342</td> <td>ETR</td> <td>-</td> <td>WD.</td> <td>J2</td> <td>PTD.</td> <td>-</td> <td>334A</td> <td>3\"/> <tr> <td>344</td> <td>ETR</td> <td>-</td> <td>WD.</td> <td>J2</td> <td>PTD.</td> <td>-</td> <td>334B</td> <td>3\"/> <tr> <td>345</td> <td>ETR</td> <td>-</td> <td>WD.</td> <td>J2</td> <td>PTD.</td> <td>-</td> <td>335A</td> <td>3\"/> <tr> <td>346</td> <td>ETR</td> <td>-</td> <td>WD.</td> <td>J2</td> <td>PTD.</td> <td>-</td> <td>335B</td> <td>3\"/> <tr> <td>347</td> <td>ETR</td> <td>-</td> <td>WD.</td> <td>J2</td> <td>PTD.</td> <td>-</td> <td>336</td> <td>3\"/> <tr> <td>348</td> <td>ETR</td> <td>-</td> <td>WD.</td> <td>J2</td> <td>PTD.</td> <td>-</td> <td>337</td> <td>3\"/> <tr> <td>349</td> <td>ETR</td> <td>-</td> <td>WD.</td> <td>J2</td> <td>PTD.</td> <td>-</td> <td>339</td> <td>3\"/> <tr> <td>350</td> <td>ETR</td> <td>-</td> <td>WD.</td> <td>J2</td> <td>PTD.</td> <td>-</td> <td>340</td> <td>3\"/> </td></tr></td></tr></td></tr></td></tr></td></tr></td></tr></td></tr></td></tr></td></tr></td></tr></td></tr></td></tr></td></tr></td></tr></td></tr></td></tr></td></tr></td></tr></td></tr></td></tr></td></tr></td></tr></td></tr> | 328 | ETR | -
 | WD. | J2 | PTD. | - | 320 | 3\"/> <tr> <td>329A</td> <td>ETR</td> <td>-</td> <td>WD.</td> <td>J2</td> <td>PTD.</td> <td>-</td> <td>321</td> <td>3\"/> <tr> <td>329B</td> <td>ETR</td> <td>-</td> <td>WD.</td> <td>J2</td> <td>PTD.</td> <td>-</td> <td>322</td> <td>3\"/> <tr> <td>331</td> <td>ETR</td> <td>-</td> <td>WD.</td> <td>J2</td> <td>PTD.</td> <td>-</td> <td>323</td> <td>3\"/> <tr> <td>333</td> <td>ETR</td> <td>-</td> <td>WD.</td> <td>J2</td> <td>PTD.</td> <td>-</td> <td>324</td> <td>3\"/> <tr> <td>334A</td> <td>ETR</td> <td>-</td> <td>WD.</td> <td>J2</td> <td>PTD.</td> <td>-</td> <td>325</td> <td>3\"/> <tr> <td>334B</td> <td>ETR</td> <td>-</td> <td>WD.</td> <td>J2</td> <td>PTD.</td> <td>-</td> <td>327</td> <td>3\"/> <tr> <td>335A</td> <td>ETR</td> <td>-</td> <td>WD.</td> <td>J2</td> <td>PTD.</td> <td>-</td> <td>328</td> <td>3\"/> <tr> <td>335B</td> <td>B</td> <td>3\"/> <tr> <td>336</td> <td>B</td> <td>3\"/> <tr> <td>337</td> <td>ETR</td> <td>-</td> <td>WD.</td> <td>J2</td> <td>PTD.</td> <td>-</td> <td>329A</td> <td>3\"/> <tr> <td>339</td> <td>ETR</td> <td>-</td> <td>WD.</td> <td>J2</td> <td>PTD.</td> <td>-</td> <td>329B</td> <td>3\"/> <tr> <td>340</td> <td>A</td> <td>3\"/> <tr> <td>341A</td> <td>ETR</td> <td>-</td> <td>WD.</td> <td>J2</td> <td>PTD.</td> <td>-</td> <td>331</td> <td>3\"/> <tr> <td>341B</td> <td>ETR</td> <td>-</td> <td>WD.</td> <td>J2</td> <td>PTD.</td> <td>-</td> <td>333</td> <td>3\"/> <tr> <td>342</td> <td>ETR</td> <td>-</td> <td>WD.</td> <td>J2</td> <td>PTD.</td> <td>-</td> <td>334A</td> <td>3\"/> <tr> <td>344</td> <td>ETR</td> <td>-</td> <td>WD.</td> <td>J2</td> <td>PTD.</td> <td>-</td> <td>334B</td> <td>3\"/> <tr> <td>345</td> <td>ETR</td> <td>-</td> <td>WD.</td> <td>J2</td> <td>PTD.</td> <td>-</td> <td>335A</td> <td>3\"/> <tr> <td>346</td> <td>ETR</td> <td>-</td> <td>WD.</td> <td>J2</td> <td>PTD.</td> <td>-</td> <td>335B</td> <td>3\"/> <tr> <td>347</td> <td>ETR</td> <td>-</td> <td>WD.</td> <td>J2</td> <td>PTD.</td> <td>-</td> <td>336</td> <td>3\"/> <tr> <td>348</td> <td>ETR</td> <td>-</td> <td>WD.</td> <td>J2</td> <td>PTD.</td> <td>-</td> <td>337</td> <td>3\"/> <tr> <td>349</td> <td>ETR</td> <td>-</td> <td>WD.</td> <td>J2</td> <td>PTD.</td> <td>-</td> <td>339</td> <td>3\"/> <tr> <td>350</td> <td>ETR</td> <td>-</td> <td>WD.</td> <td>J2</td> <td>PTD.</td> <td>-</td> <td>340</td> <td>3\"/> </td></tr></td></tr></td></tr></td></tr></td></tr></td></tr></td></tr></td></tr></td></tr></td></tr></td></tr></td></tr></td></tr></td></tr></td></tr></td></tr></td></tr></td></tr></td></tr></td></tr></td></tr></td></tr> | 329A | ETR | -
 | WD. | J2 | PTD. | - | 321 | 3\"/> <tr> <td>329B</td> <td>ETR</td> <td>-</td> <td>WD.</td> <td>J2</td> <td>PTD.</td> <td>-</td> <td>322</td> <td>3\"/> <tr> <td>331</td> <td>ETR</td> <td>-</td> <td>WD.</td> <td>J2</td> <td>PTD.</td> <td>-</td> <td>323</td> <td>3\"/> <tr> <td>333</td> <td>ETR</td> <td>-</td> <td>WD.</td> <td>J2</td> <td>PTD.</td> <td>-</td> <td>324</td> <td>3\"/> <tr> <td>334A</td> <td>ETR</td> <td>-</td> <td>WD.</td> <td>J2</td> <td>PTD.</td> <td>-</td> <td>325</td> <td>3\"/> <tr> <td>334B</td> <td>ETR</td> <td>-</td> <td>WD.</td> <td>J2</td> <td>PTD.</td> <td>-</td> <td>327</td> <td>3\"/> <tr> <td>335A</td> <td>ETR</td> <td>-</td> <td>WD.</td> <td>J2</td> <td>PTD.</td> <td>-</td> <td>328</td> <td>3\"/> <tr> <td>335B</td> <td>B</td> <td>3\"/> <tr> <td>336</td> <td>B</td> <td>3\"/> <tr> <td>337</td> <td>ETR</td> <td>-</td> <td>WD.</td> <td>J2</td> <td>PTD.</td> <td>-</td> <td>329A</td> <td>3\"/> <tr> <td>339</td> <td>ETR</td> <td>-</td> <td>WD.</td> <td>J2</td> <td>PTD.</td> <td>-</td> <td>329B</td> <td>3\"/> <tr> <td>340</td> <td>A</td> <td>3\"/> <tr> <td>341A</td> <td>ETR</td> <td>-</td> <td>WD.</td> <td>J2</td> <td>PTD.</td> <td>-</td> <td>331</td> <td>3\"/> <tr> <td>341B</td> <td>ETR</td> <td>-</td> <td>WD.</td> <td>J2</td> <td>PTD.</td> <td>-</td> <td>333</td> <td>3\"/> <tr> <td>342</td> <td>ETR</td> <td>-</td> <td>WD.</td> <td>J2</td> <td>PTD.</td> <td>-</td> <td>334A</td> <td>3\"/> <tr> <td>344</td> <td>ETR</td> <td>-</td> <td>WD.</td> <td>J2</td> <td>PTD.</td> <td>-</td> <td>334B</td> <td>3\"/> <tr> <td>345</td> <td>ETR</td> <td>-</td> <td>WD.</td> <td>J2</td> <td>PTD.</td> <td>-</td> <td>335A</td> <td>3\"/> <tr> <td>346</td> <td>ETR</td> <td>-</td> <td>WD.</td> <td>J2</td> <td>PTD.</td> <td>-</td> <td>335B</td> <td>3\"/> <tr> <td>347</td> <td>ETR</td> <td>-</td> <td>WD.</td> <td>J2</td> <td>PTD.</td> <td>-</td> <td>336</td> <td>3\"/> <tr> <td>348</td> <td>ETR</td> <td>-</td> <td>WD.</td> <td>J2</td> <td>PTD.</td> <td>-</td> <td>337</td> <td>3\"/> <tr> <td>349</td> <td>ETR</td> <td>-</td> <td>WD.</td> <td>J2</td> <td>PTD.</td> <td>-</td> <td>339</td> <td>3\"/> <tr> <td>350</td> <td>ETR</td> <td>-</td> <td>WD.</td> <td>J2</td> <td>PTD.</td> <td>-</td> <td>340</td> <td>3\"/> </td></tr></td></tr></td></tr></td></tr></td></tr></td></tr></td></tr></td></tr></td></tr></td></tr></td></tr></td></tr></td></tr></td></tr></td></tr></td></tr></td></tr></td></tr></td></tr></td></tr></td></tr>
 | 329B | ETR | - | WD. | J2 | PTD. | - | 322 | 3\"/> <tr> <td>331</td> <td>ETR</td> <td>-</td> <td>WD.</td> <td>J2</td> <td>PTD.</td> <td>-</td> <td>323</td> <td>3\"/> <tr> <td>333</td> <td>ETR</td> <td>-</td> <td>WD.</td> <td>J2</td> <td>PTD.</td> <td>-</td> <td>324</td> <td>3\"/> <tr> <td>334A</td> <td>ETR</td> <td>-</td> <td>WD.</td> <td>J2</td> <td>PTD.</td> <td>-</td> <td>325</td> <td>3\"/> <tr> <td>334B</td> <td>ETR</td> <td>-</td> <td>WD.</td> <td>J2</td> <td>PTD.</td> <td>-</td> <td>327</td> <td>3\"/> <tr> <td>335A</td> <td>ETR</td> <td>-</td> <td>WD.</td> <td>J2</td> <td>PTD.</td> <td>-</td> <td>328</td> <td>3\"/> <tr> <td>335B</td> <td>B</td> <td>3\"/> <tr> <td>336</td> <td>B</td> <td>3\"/> <tr> <td>337</td> <td>ETR</td> <td>-</td> <td>WD.</td> <td>J2</td> <td>PTD.</td> <td>-</td> <td>329A</td> <td>3\"/> <tr> <td>339</td> <td>ETR</td> <td>-</td> <td>WD.</td> <td>J2</td> <td>PTD.</td> <td>-</td> <td>329B</td> <td>3\"/> <tr> <td>340</td> <td>A</td> <td>3\"/> <tr> <td>341A</td> <td>ETR</td> <td>-</td> <td>WD.</td> <td>J2</td> <td>PTD.</td> <td>-</td> <td>331</td> <td>3\"/> <tr> <td>341B</td> <td>ETR</td> <td>-</td> <td>WD.</td> <td>J2</td> <td>PTD.</td> <td>-</td> <td>333</td> <td>3\"/> <tr> <td>342</td> <td>ETR</td> <td>-</td> <td>WD.</td> <td>J2</td> <td>PTD.</td> <td>-</td> <td>334A</td> <td>3\"/> <tr> <td>344</td> <td>ETR</td> <td>-</td> <td>WD.</td> <td>J2</td> <td>PTD.</td> <td>-</td> <td>334B</td> <td>3\"/> <tr> <td>345</td> <td>ETR</td> <td>-</td> <td>WD.</td> <td>J2</td> <td>PTD.</td> <td>-</td> <td>335A</td> <td>3\"/> <tr> <td>346</td> <td>ETR</td> <td>-</td> <td>WD.</td> <td>J2</td> <td>PTD.</td> <td>-</td> <td>335B</td> <td>3\"/> <tr> <td>347</td> <td>ETR</td> <td>-</td> <td>WD.</td> <td>J2</td> <td>PTD.</td> <td>-</td> <td>336</td>
<td>3\"/> <tr> <td>348</td> <td>ETR</td> <td>-</td> <td>WD.</td> <td>J2</td> <td>PTD.</td> <td>-</td> <td>337</td> <td>3\"/> <tr> <td>349</td> <td>ETR</td> <td>-</td> <td>WD.</td> <td>J2</td> <td>PTD.</td> <td>-</td> <td>339</td> <td>3\"/> <tr> <td>350</td> <td>ETR</td> <td>-</td> <td>WD.</td> <td>J2</td> <td>PTD.</td> <td>-</td> <td>340</td> <td>3\"/> </td></tr></td></tr></td></tr></td></tr></td></tr></td></tr></td></tr></td></tr></td></tr></td></tr></td></tr></td></tr></td></tr></td></tr></td></tr></td></tr></td></tr></td></tr></td></tr></td></tr> | 331 | ETR | - | WD. | J2 | PTD. | - | 323 | 3\"/> <tr> <td>333</td> <td>ETR</td> <td>-</td> <td>WD.</td> <td>J2</td> <td>PTD.</td> <td>-</td> <td>324</td> <td>3\"/> <tr> <td>334A</td> <td>ETR</td> <td>-</td> <td>WD.</td> <td>J2</td> <td>PTD.</td> <td>-</td> <td>325</td> <td>3\"/> <tr> <td>334B</td> <td>ETR</td> <td>-</td> <td>WD.</td> <td>J2</td> <td>PTD.</td> <td>-</td> <td>327</td> <td>3\"/> <tr> <td>335A</td> <td>ETR</td> <td>-</td> <td>WD.</td> <td>J2</td> <td>PTD.</td> <td>-</td> <td>328</td> <td>3\"/> <tr> <td>335B</td> <td>B</td> <td>3\"/> <tr> <td>336</td> <td>B</td> <td>3\"/> <tr> <td>337</td> <td>ETR</td> <td>-</td> <td>WD.</td> <td>J2</td> <td>PTD.</td> <td>-</td> <td>329A</td> <td>3\"/> <tr> <td>339</td> <td>ETR</td>
<td>-</td> <td>WD.</td> <td>J2</td> <td>PTD.</td> <td>-</td> <td>329B</td> <td>3\"/> <tr> <td>340</td> <td>A</td> <td>3\"/> <tr> <td>341A</td> <td>ETR</td> <td>-</td> <td>WD.</td> <td>J2</td> <td>PTD.</td> <td>-</td> <td>331</td> <td>3\"/> <tr> <td>341B</td> <td>ETR</td> <td>-</td> <td>WD.</td> <td>J2</td> <td>PTD.</td> <td>-</td> <td>333</td> <td>3\"/> <tr> <td>342</td> <td>ETR</td> <td>-</td> <td>WD.</td> <td>J2</td> <td>PTD.</td> <td>-</td> <td>334A</td> <td>3\"/> <tr> <td>344</td> <td>ETR</td> <td>-</td> <td>WD.</td> <td>J2</td> <td>PTD.</td> <td>-</td> <td>334B</td> <td>3\"/> <tr> <td>345</td> <td>ETR</td> <td>-</td> <td>WD.</td> <td>J2</td> <td>PTD.</td> <td>-</td> <td>335A</td> <td>3\"/> <tr> <td>346</td> <td>ETR</td> <td>-</td> <td>WD.</td> <td>J2</td> <td>PTD.</td> <td>-</td> <td>335B</td> <td>3\"/> <tr> <td>347</td> <td>ETR</td> <td>-</td> <td>WD.</td> <td>J2</td> <td>PTD.</td> <td>-</td> <td>336</td> <td>3\"/> <tr> <td>348</td> <td>ETR</td> <td>-</td> <td>WD.</td> <td>J2</td> <td>PTD.</td> <td>-</td> <td>337</td> <td>3\"/> <tr> <td>349</td> <td>ETR</td> <td>-</td> <td>WD.</td> <td>J2</td> <td>PTD.</td> <td>-</td> <td>339</td> <td>3\"/> <tr> <td>350</td> <td>ETR</td> <td>-</td> <td>WD.</td> <td>J2</td> <td>PTD.</td> <td>-</td> <td>340</td> <td>3\"/> </td></tr></td></tr></td></tr></td></tr></td></tr></td></tr></td></tr></td></tr></td></tr></td></tr></td></tr></td></tr></td></tr></td></tr></td></tr></td></tr></td></tr></td></tr></td></tr> | 333 | ETR | - | WD. | J2 | PTD. | - | 324 | 3\"/> <tr> <td>334A</td>
<td>ETR</td> <td>-</td> <td>WD.</td> <td>J2</td> <td>PTD.</td> <td>-</td> <td>325</td> <td>3\"/> <tr> <td>334B</td> <td>ETR</td> <td>-</td> <td>WD.</td> <td>J2</td> <td>PTD.</td> <td>-</td> <td>327</td> <td>3\"/> <tr> <td>335A</td> <td>ETR</td> <td>-</td> <td>WD.</td> <td>J2</td> <td>PTD.</td> <td>-</td> <td>328</td> <td>3\"/> <tr> <td>335B</td> <td>B</td> <td>3\"/> <tr> <td>336</td> <td>B</td> <td>3\"/> <tr> <td>337</td> <td>ETR</td> <td>-</td> <td>WD.</td> <td>J2</td> <td>PTD.</td> <td>-</td> <td>329A</td> <td>3\"/> <tr> <td>339</td> <td>ETR</td> <td>-</td> <td>WD.</td> <td>J2</td> <td>PTD.</td> <td>-</td> <td>329B</td> <td>3\"/> <tr> <td>340</td> <td>A</td> <td>3\"/> <tr> <td>341A</td> <td>ETR</td> <td>-</td> <td>WD.</td> <td>J2</td> <td>PTD.</td> <td>-</td> <td>331</td> <td>3\"/> <tr> <td>341B</td> <td>ETR</td> <td>-</td> <td>WD.</td> <td>J2</td> <td>PTD.</td> <td>-</td> <td>333</td> <td>3\"/> <tr> <td>342</td> <td>ETR</td> <td>-</td> <td>WD.</td> <td>J2</td> <td>PTD.</td> <td>-</td> <td>334A</td> <td>3\"/> <tr> <td>344</td> <td>ETR</td> <td>-</td> <td>WD.</td> <td>J2</td> <td>PTD.</td> <td>-</td> <td>334B</td> <td>3\"/> <tr> <td>345</td> <td>ETR</td> <td>-</td> <td>WD.</td> <td>J2</td> <td>PTD.</td> <td>-</td> <td>335A</td> <td>3\"/> <tr> <td>346</td> <td>ETR</td> <td>-</td> <td>WD.</td> <td>J2</td> <td>PTD.</td> <td>-</td> <td>335B</td> <td>3\"/> <tr> <td>347</td> <td>ETR</td> <td>-</td> <td>WD.</td> <td>J2</td> <td>PTD.</td> <td>-</td> <td>336</td> <td>3\"/> <tr> <td>348</td> <td>ETR</td> <td>-</td> <td>WD.</td> <td>J2</td> <td>PTD.</td> <td>-</td> <td>337</td> <td>3\"/> <tr> <td>349</td> <td>ETR</td> <td>-</td> <td>WD.</td> <td>J2</td> <td>PTD.</td> <td>-</td> <td>339</td> <td>3\"/> <tr> <td>350</td> <td>ETR</td> <td>-</td> <td>WD.</td> <td>J2</td> <td>PTD.</td> <td>-</td> <td>340</td> <td>3\"/> </td></tr></td></tr></td></tr></td></tr></td></tr></td></tr></td></tr></td></tr></td></tr></td></tr></td></tr></td></tr></td></tr></td></tr></td></tr></td></tr></td></tr></td></tr> | 334A | ETR | - | WD. | J2 | PTD.
 | - | 325 | 3\"/> <tr> <td>334B</td> <td>ETR</td> <td>-</td> <td>WD.</td> <td>J2</td> <td>PTD.</td> <td>-</td> <td>327</td> <td>3\"/> <tr> <td>335A</td> <td>ETR</td> <td>-</td> <td>WD.</td> <td>J2</td> <td>PTD.</td> <td>-</td> <td>328</td> <td>3\"/> <tr> <td>335B</td> <td>B</td> <td>3\"/> <tr> <td>336</td> <td>B</td> <td>3\"/> <tr> <td>337</td> <td>ETR</td> <td>-</td> <td>WD.</td> <td>J2</td> <td>PTD.</td> <td>-</td> <td>329A</td> <td>3\"/> <tr> <td>339</td> <td>ETR</td> <td>-</td> <td>WD.</td> <td>J2</td> <td>PTD.</td> <td>-</td> <td>329B</td> <td>3\"/> <tr> <td>340</td> <td>A</td> <td>3\"/> <tr> <td>341A</td> <td>ETR</td> <td>-</td> <td>WD.</td> <td>J2</td> <td>PTD.</td> <td>-</td> <td>331</td> <td>3\"/> <tr> <td>341B</td> <td>ETR</td> <td>-</td> <td>WD.</td> <td>J2</td> <td>PTD.</td> <td>-</td> <td>333</td> <td>3\"/> <tr> <td>342</td> <td>ETR</td> <td>-</td> <td>WD.</td> <td>J2</td> <td>PTD.</td> <td>-</td> <td>334A</td> <td>3\"/> <tr> <td>344</td> <td>ETR</td> <td>-</td> <td>WD.</td> <td>J2</td> <td>PTD.</td> <td>-</td> <td>334B</td> <td>3\"/> <tr> <td>345</td> <td>ETR</td> <td>-</td> <td>WD.</td> <td>J2</td> <td>PTD.</td> <td>-</td> <td>335A</td> <td>3\"/> <tr> <td>346</td> <td>ETR</td> <td>-</td> <td>WD.</td> <td>J2</td> <td>PTD.</td> <td>-</td> <td>335B</td> <td>3\"/> <tr> <td>347</td> <td>ETR</td> <td>-</td> <td>WD.</td> <td>J2</td> <td>PTD.</td> <td>-</td> <td>336</td> <td>3\"/> <tr> <td>348</td> <td>ETR</td> <td>-</td> <td>WD.</td> <td>J2</td> <td>PTD.</td> <td>-</td> <td>337</td> <td>3\"/> <tr> <td>349</td> <td>ETR</td> <td>-</td> <td>WD.</td> <td>J2</td> <td>PTD.</td> <td>-</td> <td>339</td> <td>3\"/> <tr> <td>350</td> <td>ETR</td> <td>-</td> <td>WD.</td> <td>J2</td> <td>PTD.</td> <td>-</td> <td>340</td> <td>3\"/> </td></tr></td></tr></td></tr></td></tr></td></tr></td></tr></td></tr></td></tr></td></tr></td></tr></td></tr></td></tr></td></tr></td></tr></td></tr></td></tr></td></tr> | 334B | ETR | - | WD. | J2 | PTD.
 | - | 327 | 3\"/> <tr> <td>335A</td> <td>ETR</td> <td>-</td> <td>WD.</td> <td>J2</td> <td>PTD.</td> <td>-</td> <td>328</td> <td>3\"/> <tr> <td>335B</td> <td>B</td> <td>3\"/> <tr> <td>336</td> <td>B</td> <td>3\"/> <tr> <td>337</td> <td>ETR</td> <td>-</td> <td>WD.</td> <td>J2</td> <td>PTD.</td> <td>-</td> <td>329A</td> <td>3\"/> <tr> <td>339</td> <td>ETR</td> <td>-</td> <td>WD.</td> <td>J2</td> <td>PTD.</td> <td>-</td> <td>329B</td> <td>3\"/> <tr> <td>340</td> <td>A</td> <td>3\"/> <tr> <td>341A</td> <td>ETR</td> <td>-</td> <td>WD.</td> <td>J2</td> <td>PTD.</td> <td>-</td> <td>331</td> <td>3\"/> <tr> <td>341B</td> <td>ETR</td> <td>-</td> <td>WD.</td> <td>J2</td> <td>PTD.</td> <td>-</td> <td>333</td> <td>3\"/> <tr> <td>342</td> <td>ETR</td> <td>-</td> <td>WD.</td> <td>J2</td> <td>PTD.</td> <td>-</td> <td>334A</td> <td>3\"/> <tr> <td>344</td> <td>ETR</td> <td>-</td> <td>WD.</td> <td>J2</td> <td>PTD.</td> <td>-</td> <td>334B</td> <td>3\"/> <tr> <td>345</td> <td>ETR</td> <td>-</td> <td>WD.</td> <td>J2</td> <td>PTD.</td> <td>-</td> <td>335A</td> <td>3\"/> <tr> <td>346</td> <td>ETR</td> <td>-</td> <td>WD.</td> <td>J2</td> <td>PTD.</td> <td>-</td> <td>335B</td> <td>3\"/> <tr> <td>347</td> <td>ETR</td> <td>-</td> <td>WD.</td> <td>J2</td> <td>PTD.</td> <td>-</td> <td>336</td> <td>3\"/> <tr> <td>348</td> <td>ETR</td> <td>-</td> <td>WD.</td> <td>J2</td> <td>PTD.</td> <td>-</td> <td>337</td> <td>3\"/> <tr> <td>349</td> <td>ETR</td> <td>-</td> <td>WD.</td> <td>J2</td> <td>PTD.</td> <td>-</td> <td>339</td> <td>3\"/> <tr> <td>350</td> <td>ETR</td> <td>-</td> <td>WD.</td> <td>J2</td> <td>PTD.</td> <td>-</td> <td>340</td> <td>3\"/> </td></tr></td></tr></td></tr></td></tr></td></tr></td></tr></td></tr></td></tr></td></tr></td></tr></td></tr></td></tr></td></tr></td></tr></td></tr></td></tr> | 335A | ETR | - | WD. | J2 | PTD. | - | 328 | 3\"/> <tr> <td>335B</td> <td>B</td> <td>3\"/> <tr> <td>336</td> <td>B</td> <td>3\"/> <tr> <td>337</td> <td>ETR</td> <td>-</td> <td>WD.</td> <td>J2</td> <td>PTD.</td> <td>-</td> <td>329A</td> <td>3\"/> <tr> <td>339</td> <td>ETR</td> <td>-</td> <td>WD.</td> <td>J2</td>
<td>PTD.</td> <td>-</td> <td>329B</td> <td>3\"/> <tr> <td>340</td> <td>A</td> <td>3\"/> <tr> <td>341A</td> <td>ETR</td> <td>-</td> <td>WD.</td> <td>J2</td> <td>PTD.</td> <td>-</td> <td>331</td> <td>3\"/> <tr> <td>341B</td> <td>ETR</td> <td>-</td> <td>WD.</td> <td>J2</td> <td>PTD.</td> <td>-</td> <td>333</td> <td>3\"/> <tr> <td>342</td> <td>ETR</td> <td>-</td> <td>WD.</td> <td>J2</td> <td>PTD.</td> <td>-</td> <td>334A</td> <td>3\"/> <tr> <td>344</td> <td>ETR</td> <td>-</td> <td>WD.</td> <td>J2</td> <td>PTD.</td> <td>-</td> <td>334B</td> <td>3\"/> <tr> <td>345</td> <td>ETR</td> <td>-</td> <td>WD.</td> <td>J2</td> <td>PTD.</td> <td>-</td> <td>335A</td> <td>3\"/> <tr> <td>346</td> <td>ETR</td> <td>-</td> <td>WD.</td> <td>J2</td> <td>PTD.</td> <td>-</td> <td>335B</td> <td>3\"/> <tr> <td>347</td> <td>ETR</td> <td>-</td> <td>WD.</td> <td>J2</td> <td>PTD.</td> <td>-</td> <td>336</td> <td>3\"/> <tr> <td>348</td> <td>ETR</td> <td>-</td> <td>WD.</td> <td>J2</td> <td>PTD.</td> <td>-</td> <td>337</td> <td>3\"/> <tr> <td>349</td> <td>ETR</td> <td>-</td> <td>WD.</td> <td>J2</td> <td>PTD.</td> <td>-</td> <td>339</td> <td>3\"/> <tr> <td>350</td> <td>ETR</td> <td>-</td> <td>WD.</td> <td>J2</td> <td>PTD.</td> <td>-</td> <td>340</td> <td>3\"/> </td></tr></td></tr></td></tr></td></tr></td></tr></td></tr></td></tr></td></tr></td></tr></td></tr></td></tr></td></tr></td></tr></td></tr></td></tr> | 335B | B | 3\"/> <tr> <td>336</td> <td>B</td> <td>3\"/> <tr> <td>337</td> <td>ETR</td> <td>-</td> <td>WD.</td> <td>J2</td> <td>PTD.</td> <td>-</td> <td>329A</td> <td>3\"/> <tr> <td>339</td> <td>ETR</td> <td>-</td> <td>WD.</td> <td>J2</td> <td>PTD.</td> <td>-</td> <td>329B</td> <td>3\"/> <tr> <td>340</td> <td>A</td> <td>3\"/> <tr> <td>341A</td> <td>ETR</td> <td>-</td> <td>WD.</td> <td>J2</td> <td>PTD.</td> <td>-</td> <td>331</td> <td>3\"/> <tr> <td>341B</td> <td>ETR</td> <td>-</td> <td>WD.</td> <td>J2</td> <td>PTD.</td> <td>-</td> <td>333</td> <td>3\"/> <tr> <td>342</td> <td>ETR</td> <td>-</td> <td>WD.</td> <td>J2</td> <td>PTD.</td> <td>-</td> <td>334A</td> <td>3\"/> <tr> <td>344</td> <td>ETR</td> <td>-</td> <td>WD.</td> <td>J2</td> <td>PTD.</td> <td>-</td> <td>334B</td> <td>3\"/> <tr> <td>345</td> <td>ETR</td> <td>-</td> <td>WD.</td> <td>J2</td> <td>PTD.</td> <td>-</td> <td>335A</td> <td>3\"/> <tr> <td>346</td> <td>ETR</td> <td>-</td> <td>WD.</td> <td>J2</td> <td>PTD.</td> <td>-</td> <td>335B</td> <td>3\"/> <tr> <td>347</td> <td>ETR</td> <td>-</td> <td>WD.</td> <td>J2</td> <td>PTD.</td> <td>-</td> <td>336</td> <td>3\"/> <tr> <td>348</td> <td>ETR</td> <td>-</td> <td>WD.</td> <td>J2</td> <td>PTD.</td> <td>-</td> <td>337</td> <td>3\"/> <tr> <td>349</td> <td>ETR</td> <td>-</td> <td>WD.</td> <td>J2</td> <td>PTD.</td> <td>-</td> <td>339</td> <td>3\"/> <tr> <td>350</td> <td>ETR</td> <td>-</td> <td>WD.</td> <td>J2</td> <td>PTD.</td> <td>-</td> <td>340</td> <td>3\"/> </td></tr></td></tr></td></tr></td></tr></td></tr></td></tr></td></tr></td></tr></td></tr></td></tr></td></tr></td></tr></td></tr></td></tr> | 336 | B | 3\"/> <tr> <td>337</td> <td>ETR</td> <td>-</td> <td>WD.</td> <td>J2</td> <td>PTD.</td> <td>-</td> <td>329A</td> <td>3\"/> <tr> <td>339</td> <td>ETR</td> <td>-</td> <td>WD.</td> <td>J2</td> <td>PTD.</td> <td>-</td> <td>329B</td> <td>3\"/> <tr> <td>340</td> <td>A</td> <td>3\"/> <tr> <td>341A</td> <td>ETR</td> <td>-</td> <td>WD.</td> <td>J2</td> <td>PTD.</td> <td>-</td> <td>331</td> <td>3\"/> <tr> <td>341B</td> <td>ETR</td> <td>-</td> <td>WD.</td> <td>J2</td> <td>PTD.</td> <td>-</td> <td>333</td> <td>3\"/> <tr> <td>342</td> <td>ETR</td> <td>-</td> <td>WD.</td> <td>J2</td> <td>PTD.</td> <td>-</td> <td>334A</td> <td>3\"/> <tr> <td>344</td> <td>ETR</td> <td>-</td> <td>WD.</td> <td>J2</td> <td>PTD.</td> <td>-</td> <td>334B</td> <td>3\"/> <tr> <td>345</td> <td>ETR</td> <td>-</td> <td>WD.</td> <td>J2</td> <td>PTD.</td> <td>-</td> <td>335A</td> <td>3\"/> <tr> <td>346</td> <td>ETR</td> <td>-</td> <td>WD.</td> <td>J2</td> <td>PTD.</td> <td>-</td> <td>335B</td> <td>3\"/> <tr> <td>347</td> <td>ETR</td> <td>-</td> <td>WD.</td> <td>J2</td> <td>PTD.</td> <td>-</td> <td>336</td> <td>3\"/> <tr> <td>348</td> <td>ETR</td> <td>-</td> <td>WD.</td> <td>J2</td> <td>PTD.</td> <td>-</td> <td>337</td> <td>3\"/> <tr> <td>349</td> <td>ETR</td> <td>-</td> <td>WD.</td> <td>J2</td> <td>PTD.</td> <td>-</td> <td>339</td> <td>3\"/> <tr> <td>350</td> <td>ETR</td> <td>-</td> <td>WD.</td> <td>J2</td> <td>PTD.</td> <td>-</td> <td>340</td> <td>3\"/> </td></tr></td></tr></td></tr></td></tr></td></tr></td></tr></td></tr></td></tr></td></tr></td></tr></td></tr></td></tr></td></tr> | 337 | ETR | -
 | WD. | J2 | PTD. | - | 329A | 3\"/> <tr> <td>339</td> <td>ETR</td> <td>-</td> <td>WD.</td> <td>J2</td> <td>PTD.</td> <td>-</td> <td>329B</td> <td>3\"/> <tr> <td>340</td> <td>A</td> <td>3\"/> <tr> <td>341A</td> <td>ETR</td> <td>-</td> <td>WD.</td> <td>J2</td> <td>PTD.</td> <td>-</td> <td>331</td> <td>3\"/> <tr> <td>341B</td> <td>ETR</td> <td>-</td> <td>WD.</td> <td>J2</td> <td>PTD.</td> <td>-</td> <td>333</td> <td>3\"/> <tr> <td>342</td> <td>ETR</td> <td>-</td> <td>WD.</td> <td>J2</td> <td>PTD.</td> <td>-</td> <td>334A</td> <td>3\"/> <tr> <td>344</td> <td>ETR</td> <td>-</td> <td>WD.</td> <td>J2</td> <td>PTD.</td> <td>-</td> <td>334B</td> <td>3\"/> <tr> <td>345</td> <td>ETR</td> <td>-</td> <td>WD.</td> <td>J2</td> <td>PTD.</td> <td>-</td> <td>335A</td> <td>3\"/> <tr> <td>346</td> <td>ETR</td> <td>-</td> <td>WD.</td> <td>J2</td> <td>PTD.</td> <td>-</td> <td>335B</td> <td>3\"/> <tr> <td>347</td> <td>ETR</td> <td>-</td> <td>WD.</td> <td>J2</td> <td>PTD.</td> <td>-</td> <td>336</td> <td>3\"/> <tr> <td>348</td> <td>ETR</td> <td>-</td> <td>WD.</td> <td>J2</td> <td>PTD.</td> <td>-</td> <td>337</td> <td>3\"/> <tr> <td>349</td> <td>ETR</td> <td>-</td> <td>WD.</td> <td>J2</td> <td>PTD.</td> <td>-</td> <td>339</td> <td>3\"/> <tr> <td>350</td> <td>ETR</td> <td>-</td> <td>WD.</td> <td>J2</td> <td>PTD.</td> <td>-</td> <td>340</td> <td>3\"/> </td></tr></td></tr></td></tr></td></tr></td></tr></td></tr></td></tr></td></tr></td></tr></td></tr></td></tr></td></tr> | 339 | ETR | - | WD. | J2 | PTD.
 | - | 329B | 3\"/> <tr> <td>340</td> <td>A</td> <td>3\"/> <tr> <td>341A</td> <td>ETR</td> <td>-</td> <td>WD.</td> <td>J2</td> <td>PTD.</td> <td>-</td> <td>331</td> <td>3\"/> <tr> <td>341B</td> <td>ETR</td> <td>-</td> <td>WD.</td> <td>J2</td> <td>PTD.</td> <td>-</td> <td>333</td> <td>3\"/> <tr> <td>342</td> <td>ETR</td> <td>-</td> <td>WD.</td> <td>J2</td> <td>PTD.</td> <td>-</td> <td>334A</td> <td>3\"/> <tr> <td>344</td> <td>ETR</td> <td>-</td> <td>WD.</td> <td>J2</td> <td>PTD.</td> <td>-</td> <td>334B</td> <td>3\"/> <tr> <td>345</td> <td>ETR</td> <td>-</td> <td>WD.</td> <td>J2</td> <td>PTD.</td> <td>-</td> <td>335A</td> <td>3\"/> <tr> <td>346</td> <td>ETR</td> <td>-</td> <td>WD.</td> <td>J2</td> <td>PTD.</td> <td>-</td> <td>335B</td> <td>3\"/> <tr> <td>347</td> <td>ETR</td> <td>-</td> <td>WD.</td> <td>J2</td> <td>PTD.</td> <td>-</td> <td>336</td> <td>3\"/> <tr> <td>348</td> <td>ETR</td> <td>-</td> <td>WD.</td> <td>J2</td> <td>PTD.</td> <td>-</td> <td>337</td> <td>3\"/> <tr> <td>349</td> <td>ETR</td> <td>-</td> <td>WD.</td> <td>J2</td> <td>PTD.</td> <td>-</td> <td>339</td> <td>3\"/> <tr> <td>350</td> <td>ETR</td> <td>-</td> <td>WD.</td> <td>J2</td> <td>PTD.</td> <td>-</td> <td>340</td> <td>3\"/> </td></tr></td></tr></td></tr></td></tr></td></tr></td></tr></td></tr></td></tr></td></tr></td></tr></td></tr> | 340 | A | 3\"/> <tr> <td>341A</td> <td>ETR</td> <td>-</td> <td>WD.</td> <td>J2</td> <td>PTD.</td> <td>-</td> <td>331</td> <td>3\"/> <tr> <td>341B</td> <td>ETR</td> <td>-</td> <td>WD.</td> <td>J2</td> <td>PTD.</td> <td>-</td> <td>333</td> <td>3\"/> <tr> <td>342</td> <td>ETR</td> <td>-</td> <td>WD.</td> <td>J2</td> <td>PTD.</td> <td>-</td> <td>334A</td> <td>3\"/> <tr> <td>344</td> <td>ETR</td> <td>-</td> <td>WD.</td> <td>J2</td> <td>PTD.</td> <td>-</td> <td>334B</td> <td>3\"/> <tr> <td>345</td> <td>ETR</td> <td>-</td> <td>WD.</td> <td>J2</td> <td>PTD.</td> <td>-</td> <td>335A</td> <td>3\"/> <tr> <td>346</td> <td>ETR</td> <td>-</td> <td>WD.</td> <td>J2</td> <td>PTD.</td> <td>-</td> <td>335B</td> <td>3\"/> <tr> <td>347</td> <td>ETR</td> <td>-</td> <td>WD.</td> <td>J2</td> <td>PTD.</td> <td>-</td> <td>336</td> <td>3\"/> <tr> <td>348</td> <td>ETR</td> <td>-</td> <td>WD.</td> <td>J2</td> <td>PTD.</td> <td>-</td> <td>337</td> <td>3\"/> <tr> <td>349</td> <td>ETR</td> <td>-</td> <td>WD.</td> <td>J2</td> <td>PTD.</td> <td>-</td> <td>339</td> <td>3\"/> <tr> <td>350</td> <td>ETR</td> <td>-</td> <td>WD.</td> <td>J2</td> <td>PTD.</td> <td>-</td> <td>340</td> <td>3\"/> </td></tr></td></tr></td></tr></td></tr></td></tr></td></tr></td></tr></td></tr></td></tr></td></tr> | 341A | ETR | -
 | WD. | J2 | PTD. | - | 331 | 3\"/> <tr> <td>341B</td> <td>ETR</td> <td>-</td> <td>WD.</td> <td>J2</td> <td>PTD.</td> <td>-</td> <td>333</td> <td>3\"/> <tr> <td>342</td> <td>ETR</td> <td>-</td> <td>WD.</td> <td>J2</td> <td>PTD.</td> <td>-</td> <td>334A</td> <td>3\"/> <tr> <td>344</td> <td>ETR</td> <td>-</td> <td>WD.</td> <td>J2</td> <td>PTD.</td> <td>-</td> <td>334B</td> <td>3\"/> <tr> <td>345</td> <td>ETR</td> <td>-</td> <td>WD.</td> <td>J2</td> <td>PTD.</td> <td>-</td> <td>335A</td> <td>3\"/> <tr> <td>346</td> <td>ETR</td> <td>-</td> <td>WD.</td> <td>J2</td> <td>PTD.</td> <td>-</td> <td>335B</td> <td>3\"/> <tr> <td>347</td> <td>ETR</td> <td>-</td> <td>WD.</td> <td>J2</td> <td>PTD.</td> <td>-</td> <td>336</td> <td>3\"/> <tr> <td>348</td> <td>ETR</td> <td>-</td> <td>WD.</td> <td>J2</td> <td>PTD.</td> <td>-</td> <td>337</td> <td>3\"/> <tr> <td>349</td> <td>ETR</td> <td>-</td> <td>WD.</td> <td>J2</td> <td>PTD.</td> <td>-</td> <td>339</td> <td>3\"/> <tr> <td>350</td> <td>ETR</td> <td>-</td> <td>WD.</td> <td>J2</td> <td>PTD.</td> <td>-</td> <td>340</td> <td>3\"/> </td></tr></td></tr></td></tr></td></tr></td></tr></td></tr></td></tr></td></tr></td></tr> | 341B | ETR | - | WD. | J2 | PTD.
 | - | 333 | 3\"/> <tr> <td>342</td> <td>ETR</td> <td>-</td> <td>WD.</td> <td>J2</td> <td>PTD.</td> <td>-</td> <td>334A</td> <td>3\"/> <tr> <td>344</td> <td>ETR</td> <td>-</td> <td>WD.</td> <td>J2</td> <td>PTD.</td> <td>-</td> <td>334B</td> <td>3\"/> <tr> <td>345</td> <td>ETR</td> <td>-</td> <td>WD.</td> <td>J2</td> <td>PTD.</td> <td>-</td> <td>335A</td> <td>3\"/> <tr> <td>346</td> <td>ETR</td> <td>-</td> <td>WD.</td> <td>J2</td> <td>PTD.</td> <td>-</td> <td>335B</td> <td>3\"/> <tr> <td>347</td> <td>ETR</td> <td>-</td> <td>WD.</td> <td>J2</td> <td>PTD.</td> <td>-</td> <td>336</td> <td>3\"/> <tr> <td>348</td> <td>ETR</td> <td>-</td> <td>WD.</td> <td>J2</td> <td>PTD.</td> <td>-</td> <td>337</td> <td>3\"/> <tr> <td>349</td> <td>ETR</td> <td>-</td> <td>WD.</td> <td>J2</td> <td>PTD.</td> <td>-</td> <td>339</td> <td>3\"/> <tr> <td>350</td> <td>ETR</td> <td>-</td> <td>WD.</td> <td>J2</td> <td>PTD.</td> <td>-</td> <td>340</td> <td>3\"/> </td></tr></td></tr></td></tr></td></tr></td></tr></td></tr></td></tr></td></tr> | 342 | ETR | - | WD. | J2 | PTD. | - | 334A | 3\"/> <tr> <td>344</td> <td>ETR</td> <td>-</td> <td>WD.</td> <td>J2</td> <td>PTD.</td> <td>-</td> <td>334B</td> <td>3\"/> <tr> <td>345</td> <td>ETR</td> <td>-</td> <td>WD.</td> <td>J2</td> <td>PTD.</td> <td>-</td> <td>335A</td> <td>3\"/> <tr> <td>346</td> <td>ETR</td> <td>-</td> <td>WD.</td> <td>J2</td> <td>PTD.</td> <td>-</td> <td>335B</td> <td>3\"/> <tr> <td>347</td> <td>ETR</td> <td>-</td> <td>WD.</td> <td>J2</td> <td>PTD.</td> <td>-</td> <td>336</td> <td>3\"/> <tr> <td>348</td> <td>ETR</td> <td>-</td> <td>WD.</td> <td>J2</td> <td>PTD.</td> <td>-</td> <td>337</td> <td>3\"/> <tr> <td>349</td> <td>ETR</td> <td>-</td> <td>WD.</td> <td>J2</td> <td>PTD.</td> <td>-</td> <td>339</td> <td>3\"/> <tr> <td>350</td> <td>ETR</td> <td>-</td> <td>WD.</td> <td>J2</td> <td>PTD.</td> <td>-</td> <td>340</td> <td>3\"/> </td></tr></td></tr></td></tr></td></tr></td></tr></td></tr></td></tr>
 | 344 | ETR | - | WD. | J2 | PTD. | - | 334B | 3\"/> <tr> <td>345</td> <td>ETR</td> <td>-</td> <td>WD.</td> <td>J2</td> <td>PTD.</td> <td>-</td> <td>335A</td> <td>3\"/> <tr> <td>346</td> <td>ETR</td> <td>-</td> <td>WD.</td> <td>J2</td> <td>PTD.</td> <td>-</td> <td>335B</td> <td>3\"/> <tr> <td>347</td> <td>ETR</td> <td>-</td> <td>WD.</td> <td>J2</td> <td>PTD.</td> <td>-</td> <td>336</td> <td>3\"/> <tr> <td>348</td> <td>ETR</td> <td>-</td> <td>WD.</td> <td>J2</td> <td>PTD.</td> <td>-</td> <td>337</td> <td>3\"/> <tr> <td>349</td> <td>ETR</td> <td>-</td> <td>WD.</td> <td>J2</td> <td>PTD.</td> <td>-</td> <td>339</td> <td>3\"/> <tr> <td>350</td> <td>ETR</td> <td>-</td> <td>WD.</td> <td>J2</td> <td>PTD.</td> <td>-</td> <td>340</td> <td>3\"/> </td></tr></td></tr></td></tr></td></tr></td></tr></td></tr> | 345 | ETR | - | WD. | J2 | PTD.
 | - | 335A | 3\"/> <tr> <td>346</td> <td>ETR</td> <td>-</td> <td>WD.</td> <td>J2</td> <td>PTD.</td> <td>-</td> <td>335B</td> <td>3\"/> <tr> <td>347</td> <td>ETR</td> <td>-</td> <td>WD.</td> <td>J2</td> <td>PTD.</td> <td>-</td> <td>336</td> <td>3\"/> <tr> <td>348</td> <td>ETR</td> <td>-</td> <td>WD.</td> <td>J2</td> <td>PTD.</td> <td>-</td> <td>337</td> <td>3\"/> <tr> <td>349</td> <td>ETR</td> <td>-</td> <td>WD.</td> <td>J2</td> <td>PTD.</td> <td>-</td> <td>339</td> <td>3\"/> <tr> <td>350</td> <td>ETR</td> <td>-</td> <td>WD.</td> <td>J2</td> <td>PTD.</td> <td>-</td> <td>340</td> <td>3\"/> </td></tr></td></tr></td></tr></td></tr></td></tr> | 346 | ETR | - | WD. | J2 | PTD. | - | 335B | 3\"/> <tr> <td>347</td> <td>ETR</td> <td>-</td> <td>WD.</td> <td>J2</td> <td>PTD.</td> <td>-</td> <td>336</td> <td>3\"/> <tr> <td>348</td> <td>ETR</td> <td>-</td> <td>WD.</td> <td>J2</td> <td>PTD.</td> <td>-</td> <td>337</td> <td>3\"/> <tr> <td>349</td> <td>ETR</td> <td>-</td> <td>WD.</td> <td>J2</td> <td>PTD.</td> <td>-</td> <td>339</td> <td>3\"/> <tr> <td>350</td> <td>ETR</td> <td>-</td> <td>WD.</td> <td>J2</td> <td>PTD.</td> <td>-</td> <td>340</td> <td>3\"/> </td></tr></td></tr></td></tr></td></tr> | 347 | ETR | -
 | WD. | J2 | PTD. | - | 336 | 3\"/> <tr> <td>348</td> <td>ETR</td> <td>-</td> <td>WD.</td> <td>J2</td> <td>PTD.</td> <td>-</td> <td>337</td> <td>3\"/> <tr> <td>349</td> <td>ETR</td> <td>-</td> <td>WD.</td> <td>J2</td> <td>PTD.</td> <td>-</td> <td>339</td> <td>3\"/> <tr> <td>350</td> <td>ETR</td> <td>-</td> <td>WD.</td> <td>J2</td> <td>PTD.</td> <td>-</td> <td>340</td> <td>3\"/> </td></tr></td></tr></td></tr> | 348 | ETR | - | WD. | J2 | PTD. | - | 337 | 3\"/> <tr> <td>349</td> <td>ETR</td> <td>-</td> <td>WD.</td> <td>J2</td> <td>PTD.</td> <td>-</td> <td>339</td> <td>3\"/> <tr> <td>350</td> <td>ETR</td> <td>-</td> <td>WD.</td> <td>J2</td> <td>PTD.</td> <td>-</td> <td>340</td> <td>3\"/> </td></tr></td></tr> | 349 | ETR | -
 | WD. | J2 | PTD. | - | 339 | 3\"/> <tr> <td>350</td> <td>ETR</td> <td>-</td> <td>WD.</td> <td>J2</td> <td>PTD.</td> <td>-</td> <td>340</td> <td>3\"/> </td></tr> | 350 | ETR | - | WD. | J2 | PTD. | - | 340 | 3\"/> | | | | | | | | | | | | | | | | | | | | | | | | | | | | | | | | | | | | | | | | | | | | | | | | | | | |
 | | | | | | | | | | | | | | | | | | | | | | | | | | |
 | | | | | | | | | | | | | | | | | | | | | | | | | | | | | | | | | | | | | | | | | | | | | | | | | | | | | | | | | | | | | | | | | | |
| 318 | ETR | - | WD. | J2 | PTD. | - | 311 | 3\"/> <tr> <td>319</td> <td>ETR</td> <td>-</td> <td>WD.</td> <td>J2</td> <td>PTD.</td> <td>-</td> <td>312A</td> <td>3\"/> <tr> <td>320</td> <td>ETR</td> <td>-</td> <td>WD.</td> <td>J2</td> <td>PTD.</td> <td>-</td> <td>313</td> <td>3\"/> <tr> <td>321</td> <td>ETR</td> <td>-</td> <td>WD.</td> <td>J2</td> <td>PTD.</td> <td>-</td> <td>314</td> <td>3\"/> <tr> <td>322</td> <td>ETR</td> <td>-</td> <td>WD.</td> <td>J2</td> <td>PTD.</td> <td>-</td> <td>315</td> <td>3\"/> <tr> <td>323</td> <td>ETR</td> <td>-</td> <td>WD.</td> <td>J2</td> <td>PTD.</td> <td>-</td> <td>316A</td> <td>3\"/> <tr> <td>324</td> <td>ETR</td> <td>-</td> <td>WD.</td> <td>J2</td> <td>PTD.</td> <td>-</td> <td>318</td> <td>3\"/> <tr> <td>325</td> <td>A</td> <td>3\"/> <tr> <td>327</td> <td>ETR</td> <td>-</td> <td>WD.</td> <td>J2</td> <td>PTD.</td> <td>-</td> <td>319</td> <td>3\"/> <tr> <td>328</td> <td>ETR</td> <td>-</td> <td>WD.</td> <td>J2</td> <td>PTD.</td> <td>-</td> <td>320</td> <td>3\"/> <tr> <td>329A</td> <td>ETR</td> <td>-</td> <td>WD.</td> <td>J2</td> <td>PTD.</td> <td>-</td> <td>321</td> <td>3\"/> <tr> <td>329B</td> <td>ETR</td> <td>-</td> <td>WD.</td> <td>J2</td> <td>PTD.</td> <td>-</td> <td>322</td> <td>3\"/> <tr> <td>331</td> <td>ETR</td> <td>-</td> <td>WD.</td> <td>J2</td> <td>PTD.</td> <td>-</td> <td>323</td> <td>3\"/> <tr> <td>333</td> <td>ETR</td> <td>-</td> <td>WD.</td> <td>J2</td> <td>PTD.</td> <td>-</td> <td>324</td> <td>3\"/> <tr> <td>334A</td> <td>ETR</td> <td>-</td> <td>WD.</td> <td>J2</td> <td>PTD.</td> <td>-</td> <td>325</td> <td>3\"/> <tr> <td>334B</td> <td>ETR</td> <td>-</td> <td>WD.</td> <td>J2</td> <td>PTD.</td> <td>-</td> <td>327</td> <td>3\"/> <tr> <td>335A</td> <td>ETR</td> <td>-</td> <td>WD.</td> <td>J2</td> <td>PTD.</td> <td>-</td> <td>328</td> <td>3\"/> <tr> <td>335B</td> <td>B</td> <td>3\"/> <tr> <td>336</td> <td>B</td> <td>3\"/> <tr> <td>337</td> <td>ETR</td> <td>-</td> <td>WD.</td> <td>J2</td> <td>PTD.</td> <td>-</td> <td>329A</td> <td>3\"/> <tr> <td>339</td> <td>ETR</td> <td>-</td> <td>WD.</td> <td>J2</td> <td>PTD.</td> <td>-</td> <td>329B</td> <td>3\"/> <tr> <td>340</td> <td>A</td> <td>3\"/> <tr> <td>341A</td> <td>ETR</td> <td>-</td> <td>WD.</td> <td>J2</td> <td>PTD.</td> <td>-</td> <td>331</td> <td>3\"/> <tr> <td>341B</td> <td>ETR</td> <td>-</td> <td>WD.</td> <td>J2</td> <td>PTD.</td> <td>-</td> <td>333</td> <td>3\"/> <tr> <td>342</td> <td>ETR</td> <td>-</td> <td>WD.</td> <td>J2</td> <td>PTD.</td> <td>-</td> <td>334A</td> <td>3\"/> <tr> <td>344</td> <td>ETR</td> <td>-</td> <td>WD.</td> <td>J2</td> <td>PTD.</td> <td>-</td> <td>334B</td> <td>3\"/> <tr> <td>345</td> <td>ETR</td> <td>-</td> <td>WD.</td> <td>J2</td> <td>PTD.</td> <td>-</td> <td>335A</td> <td>3\"/> <tr> <td>346</td> <td>ETR</td> <td>-</td> <td>WD.</td> <td>J2</td> <td>PTD.</td> <td>-</td> <td>335B</td> <td>3\"/> <tr> <td>347</td> <td>ETR</td> <td>-</td> <td>WD.</td> <td>J2</td> <td>PTD.</td>
<td>-</td> <td>336</td> <td>3\"/> <tr> <td>348</td> <td>ETR</td> <td>-</td> <td>WD.</td> <td>J2</td> <td>PTD.</td> <td>-</td> <td>337</td> <td>3\"/> <tr> <td>349</td> <td>ETR</td> <td>-</td> <td>WD.</td> <td>J2</td> <td>PTD.</td> <td>-</td> <td>339</td> <td>3\"/> <tr> <td>350</td> <td>ETR</td> <td>-</td> <td>WD.</td> <td>J2</td> <td>PTD.</td> <td>-</td> <td>340</td> <td>3\"/> </td></tr></td></tr></td></tr></td></tr></td></tr></td></tr></td></tr></td></tr></td></tr></td></tr></td></tr></td></tr></td></tr></td></tr></td></tr></td></tr></td></tr></td></tr></td></tr></td></tr></td></tr></td></tr></td></tr></td></tr></td></tr></td></tr></td></tr></td></tr></td></tr></td></tr></td></tr> | 319 | ETR | - | WD. | J2 | PTD.
 | - | 312A | 3\"/> <tr> <td>320</td> <td>ETR</td> <td>-</td> <td>WD.</td> <td>J2</td> <td>PTD.</td> <td>-</td> <td>313</td> <td>3\"/> <tr> <td>321</td> <td>ETR</td> <td>-</td> <td>WD.</td> <td>J2</td> <td>PTD.</td> <td>-</td> <td>314</td> <td>3\"/> <tr> <td>322</td> <td>ETR</td> <td>-</td> <td>WD.</td> <td>J2</td> <td>PTD.</td> <td>-</td> <td>315</td> <td>3\"/> <tr> <td>323</td> <td>ETR</td> <td>-</td> <td>WD.</td> <td>J2</td> <td>PTD.</td> <td>-</td> <td>316A</td> <td>3\"/> <tr> <td>324</td> <td>ETR</td> <td>-</td> <td>WD.</td> <td>J2</td> <td>PTD.</td> <td>-</td> <td>318</td> <td>3\"/> <tr> <td>325</td> <td>A</td> <td>3\"/> <tr> <td>327</td> <td>ETR</td> <td>-</td> <td>WD.</td> <td>J2</td> <td>PTD.</td> <td>-</td> <td>319</td> <td>3\"/> <tr> <td>328</td> <td>ETR</td> <td>-</td> <td>WD.</td> <td>J2</td> <td>PTD.</td> <td>-</td> <td>320</td> <td>3\"/> <tr> <td>329A</td> <td>ETR</td> <td>-</td> <td>WD.</td> <td>J2</td> <td>PTD.</td> <td>-</td> <td>321</td> <td>3\"/> <tr> <td>329B</td> <td>ETR</td> <td>-</td> <td>WD.</td> <td>J2</td> <td>PTD.</td> <td>-</td> <td>322</td> <td>3\"/> <tr> <td>331</td> <td>ETR</td> <td>-</td> <td>WD.</td> <td>J2</td> <td>PTD.</td> <td>-</td> <td>323</td> <td>3\"/> <tr> <td>333</td> <td>ETR</td> <td>-</td> <td>WD.</td> <td>J2</td> <td>PTD.</td> <td>-</td> <td>324</td> <td>3\"/> <tr> <td>334A</td> <td>ETR</td> <td>-</td> <td>WD.</td> <td>J2</td> <td>PTD.</td> <td>-</td> <td>325</td> <td>3\"/> <tr> <td>334B</td> <td>ETR</td> <td>-</td> <td>WD.</td> <td>J2</td> <td>PTD.</td> <td>-</td> <td>327</td> <td>3\"/> <tr> <td>335A</td> <td>ETR</td> <td>-</td> <td>WD.</td> <td>J2</td> <td>PTD.</td> <td>-</td> <td>328</td> <td>3\"/> <tr> <td>335B</td> <td>B</td> <td>3\"/> <tr> <td>336</td> <td>B</td> <td>3\"/> <tr> <td>337</td> <td>ETR</td> <td>-</td> <td>WD.</td> <td>J2</td> <td>PTD.</td> <td>-</td> <td>329A</td> <td>3\"/> <tr> <td>339</td> <td>ETR</td> <td>-</td> <td>WD.</td> <td>J2</td> <td>PTD.</td> <td>-</td> <td>329B</td> <td>3\"/> <tr> <td>340</td> <td>A</td> <td>3\"/> <tr> <td>341A</td> <td>ETR</td> <td>-</td> <td>WD.</td> <td>J2</td> <td>PTD.</td> <td>-</td> <td>331</td> <td>3\"/> <tr> <td>341B</td> <td>ETR</td> <td>-</td> <td>WD.</td> <td>J2</td> <td>PTD.</td> <td>-</td> <td>333</td> <td>3\"/> <tr> <td>342</td> <td>ETR</td> <td>-</td> <td>WD.</td> <td>J2</td> <td>PTD.</td> <td>-</td> <td>334A</td> <td>3\"/> <tr> <td>344</td> <td>ETR</td> <td>-</td> <td>WD.</td> <td>J2</td> <td>PTD.</td> <td>-</td> <td>334B</td> <td>3\"/> <tr> <td>345</td> <td>ETR</td> <td>-</td> <td>WD.</td> <td>J2</td> <td>PTD.</td> <td>-</td> <td>335A</td> <td>3\"/> <tr> <td>346</td> <td>ETR</td> <td>-</td> <td>WD.</td> <td>J2</td> <td>PTD.</td> <td>-</td> <td>335B</td> <td>3\"/> <tr> <td>347</td> <td>ETR</td> <td>-</td> <td>WD.</td> <td>J2</td> <td>PTD.</td> <td>-</td> <td>336</td> <td>3\"/> <tr> <td>348</td> <td>ETR</td> <td>-</td> <td>WD.</td> <td>J2</td> <td>PTD.</td> <td>-</td> <td>337</td> <td>3\"/> <tr> <td>349</td> <td>ETR</td> <td>-</td> <td>WD.</td> <td>J2</td> <td>PTD.</td> <td>-</td> <td>339</td> <td>3\"/> <tr> <td>350</td> <td>ETR</td> <td>-</td> <td>WD.</td> <td>J2</td> <td>PTD.</td> <td>-</td> <td>340</td> <td>3\"/> </td></tr></td></tr></td></tr></td></tr></td></tr></td></tr></td></tr></td></tr></td></tr></td></tr></td></tr></td></tr></td></tr></td></tr></td></tr></td></tr></td></tr></td></tr></td></tr></td></tr></td></tr></td></tr></td></tr></td></tr></td></tr></td></tr></td></tr></td></tr></td></tr></td></tr> | 320 | ETR | -
 | WD. | J2 | PTD. | - | 313 | 3\"/> <tr> <td>321</td> <td>ETR</td> <td>-</td> <td>WD.</td> <td>J2</td> <td>PTD.</td> <td>-</td> <td>314</td> <td>3\"/> <tr> <td>322</td> <td>ETR</td> <td>-</td> <td>WD.</td> <td>J2</td> <td>PTD.</td> <td>-</td> <td>315</td> <td>3\"/> <tr> <td>323</td> <td>ETR</td> <td>-</td> <td>WD.</td> <td>J2</td> <td>PTD.</td> <td>-</td> <td>316A</td> <td>3\"/> <tr> <td>324</td> <td>ETR</td> <td>-</td> <td>WD.</td> <td>J2</td> <td>PTD.</td> <td>-</td> <td>318</td> <td>3\"/> <tr> <td>325</td> <td>A</td> <td>3\"/> <tr> <td>327</td> <td>ETR</td> <td>-</td> <td>WD.</td> <td>J2</td> <td>PTD.</td> <td>-</td> <td>319</td> <td>3\"/> <tr> <td>328</td> <td>ETR</td> <td>-</td> <td>WD.</td> <td>J2</td> <td>PTD.</td> <td>-</td> <td>320</td> <td>3\"/> <tr> <td>329A</td> <td>ETR</td> <td>-</td> <td>WD.</td> <td>J2</td> <td>PTD.</td> <td>-</td> <td>321</td> <td>3\"/> <tr> <td>329B</td> <td>ETR</td> <td>-</td> <td>WD.</td> <td>J2</td> <td>PTD.</td> <td>-</td> <td>322</td> <td>3\"/> <tr> <td>331</td> <td>ETR</td> <td>-</td> <td>WD.</td> <td>J2</td> <td>PTD.</td> <td>-</td> <td>323</td> <td>3\"/> <tr> <td>333</td> <td>ETR</td> <td>-</td> <td>WD.</td> <td>J2</td> <td>PTD.</td> <td>-</td> <td>324</td> <td>3\"/> <tr> <td>334A</td> <td>ETR</td> <td>-</td> <td>WD.</td> <td>J2</td> <td>PTD.</td> <td>-</td> <td>325</td> <td>3\"/> <tr> <td>334B</td> <td>ETR</td> <td>-</td> <td>WD.</td> <td>J2</td> <td>PTD.</td> <td>-</td> <td>327</td> <td>3\"/> <tr> <td>335A</td> <td>ETR</td> <td>-</td> <td>WD.</td> <td>J2</td> <td>PTD.</td> <td>-</td> <td>328</td> <td>3\"/> <tr> <td>335B</td> <td>B</td> <td>3\"/> <tr> <td>336</td> <td>B</td> <td>3\"/> <tr> <td>337</td> <td>ETR</td> <td>-</td> <td>WD.</td> <td>J2</td> <td>PTD.</td> <td>-</td> <td>329A</td> <td>3\"/> <tr> <td>339</td> <td>ETR</td> <td>-</td> <td>WD.</td> <td>J2</td> <td>PTD.</td> <td>-</td> <td>329B</td> <td>3\"/> <tr> <td>340</td> <td>A</td> <td>3\"/> <tr> <td>341A</td> <td>ETR</td> <td>-</td> <td>WD.</td> <td>J2</td> <td>PTD.</td> <td>-</td> <td>331</td> <td>3\"/> <tr> <td>341B</td> <td>ETR</td> <td>-</td> <td>WD.</td> <td>J2</td> <td>PTD.</td> <td>-</td> <td>333</td> <td>3\"/> <tr> <td>342</td> <td>ETR</td> <td>-</td> <td>WD.</td> <td>J2</td> <td>PTD.</td> <td>-</td> <td>334A</td> <td>3\"/> <tr> <td>344</td> <td>ETR</td> <td>-</td> <td>WD.</td> <td>J2</td> <td>PTD.</td> <td>-</td> <td>334B</td> <td>3\"/> <tr> <td>345</td> <td>ETR</td> <td>-</td> <td>WD.</td> <td>J2</td> <td>PTD.</td> <td>-</td> <td>335A</td> <td>3\"/> <tr> <td>346</td> <td>ETR</td> <td>-</td>
<td>WD.</td> <td>J2</td> <td>PTD.</td> <td>-</td> <td>335B</td> <td>3\"/> <tr> <td>347</td> <td>ETR</td> <td>-</td> <td>WD.</td> <td>J2</td> <td>PTD.</td> <td>-</td> <td>336</td> <td>3\"/> <tr> <td>348</td> <td>ETR</td> <td>-</td> <td>WD.</td> <td>J2</td> <td>PTD.</td> <td>-</td> <td>337</td> <td>3\"/> <tr> <td>349</td> <td>ETR</td> <td>-</td> <td>WD.</td> <td>J2</td> <td>PTD.</td> <td>-</td> <td>339</td> <td>3\"/> <tr> <td>350</td> <td>ETR</td> <td>-</td> <td>WD.</td> <td>J2</td> <td>PTD.</td> <td>-</td> <td>340</td> <td>3\"/> </td></tr></td></tr></td></tr></td></tr></td></tr></td></tr></td></tr></td></tr></td></tr></td></tr></td></tr></td></tr></td></tr></td></tr></td></tr></td></tr></td></tr></td></tr></td></tr></td></tr></td></tr></td></tr></td></tr></td></tr></td></tr></td></tr></td></tr></td></tr></td></tr> | 321 | ETR | - | WD. | J2 | PTD.
 | - | 314 | 3\"/> <tr> <td>322</td> <td>ETR</td> <td>-</td> <td>WD.</td> <td>J2</td> <td>PTD.</td> <td>-</td> <td>315</td> <td>3\"/> <tr> <td>323</td> <td>ETR</td> <td>-</td> <td>WD.</td> <td>J2</td> <td>PTD.</td> <td>-</td> <td>316A</td> <td>3\"/> <tr> <td>324</td> <td>ETR</td> <td>-</td> <td>WD.</td> <td>J2</td> <td>PTD.</td> <td>-</td> <td>318</td> <td>3\"/> <tr> <td>325</td> <td>A</td> <td>3\"/> <tr> <td>327</td> <td>ETR</td> <td>-</td> <td>WD.</td> <td>J2</td> <td>PTD.</td> <td>-</td> <td>319</td> <td>3\"/> <tr> <td>328</td> <td>ETR</td> <td>-</td> <td>WD.</td> <td>J2</td> <td>PTD.</td> <td>-</td> <td>320</td> <td>3\"/> <tr> <td>329A</td> <td>ETR</td> <td>-</td> <td>WD.</td> <td>J2</td> <td>PTD.</td> <td>-</td> <td>321</td> <td>3\"/> <tr> <td>329B</td> <td>ETR</td> <td>-</td> <td>WD.</td> <td>J2</td> <td>PTD.</td> <td>-</td> <td>322</td> <td>3\"/> <tr> <td>331</td> <td>ETR</td> <td>-</td> <td>WD.</td> <td>J2</td> <td>PTD.</td> <td>-</td> <td>323</td> <td>3\"/> <tr> <td>333</td> <td>ETR</td> <td>-</td> <td>WD.</td> <td>J2</td> <td>PTD.</td> <td>-</td> <td>324</td> <td>3\"/> <tr> <td>334A</td> <td>ETR</td> <td>-</td> <td>WD.</td> <td>J2</td> <td>PTD.</td> <td>-</td> <td>325</td> <td>3\"/> <tr> <td>334B</td> <td>ETR</td> <td>-</td> <td>WD.</td> <td>J2</td> <td>PTD.</td> <td>-</td> <td>327</td> <td>3\"/> <tr> <td>335A</td> <td>ETR</td> <td>-</td> <td>WD.</td> <td>J2</td> <td>PTD.</td> <td>-</td> <td>328</td> <td>3\"/> <tr> <td>335B</td> <td>B</td> <td>3\"/> <tr> <td>336</td> <td>B</td> <td>3\"/> <tr> <td>337</td> <td>ETR</td> <td>-</td> <td>WD.</td> <td>J2</td> <td>PTD.</td> <td>-</td> <td>329A</td> <td>3\"/> <tr> <td>339</td> <td>ETR</td> <td>-</td> <td>WD.</td> <td>J2</td> <td>PTD.</td> <td>-</td> <td>329B</td> <td>3\"/> <tr> <td>340</td> <td>A</td> <td>3\"/> <tr> <td>341A</td> <td>ETR</td> <td>-</td> <td>WD.</td> <td>J2</td> <td>PTD.</td> <td>-</td> <td>331</td> <td>3\"/> <tr> <td>341B</td> <td>ETR</td> <td>-</td> <td>WD.</td> <td>J2</td> <td>PTD.</td> <td>-</td> <td>333</td> <td>3\"/> <tr> <td>342</td> <td>ETR</td> <td>-</td> <td>WD.</td> <td>J2</td> <td>PTD.</td> <td>-</td> <td>334A</td> <td>3\"/> <tr> <td>344</td> <td>ETR</td> <td>-</td> <td>WD.</td> <td>J2</td> <td>PTD.</td> <td>-</td> <td>334B</td> <td>3\"/> <tr> <td>345</td> <td>ETR</td> <td>-</td> <td>WD.</td> <td>J2</td> <td>PTD.</td> <td>-</td> <td>335A</td> <td>3\"/> <tr> <td>346</td> <td>ETR</td> <td>-</td> <td>WD.</td> <td>J2</td> <td>PTD.</td> <td>-</td> <td>335B</td> <td>3\"/> <tr> <td>347</td> <td>ETR</td> <td>-</td> <td>WD.</td> <td>J2</td> <td>PTD.</td> <td>-</td> <td>336</td> <td>3\"/> <tr> <td>348</td> <td>ETR</td> <td>-</td> <td>WD.</td> <td>J2</td> <td>PTD.</td> <td>-</td> <td>337</td> <td>3\"/> <tr> <td>349</td> <td>ETR</td> <td>-</td> <td>WD.</td> <td>J2</td> <td>PTD.</td> <td>-</td> <td>339</td> <td>3\"/> <tr> <td>350</td> <td>ETR</td> <td>-</td> <td>WD.</td> <td>J2</td> <td>PTD.</td> <td>-</td> <td>340</td> <td>3\"/> </td></tr></td></tr></td></tr></td></tr></td></tr></td></tr></td></tr></td></tr></td></tr></td></tr></td></tr></td></tr></td></tr></td></tr></td></tr></td></tr></td></tr></td></tr></td></tr></td></tr></td></tr></td></tr></td></tr></td></tr></td></tr></td></tr></td></tr></td></tr> | 322 | ETR | -
 | WD. | J2 | PTD. | - | 315 | 3\"/> <tr> <td>323</td> <td>ETR</td> <td>-</td> <td>WD.</td> <td>J2</td> <td>PTD.</td> <td>-</td> <td>316A</td> <td>3\"/> <tr> <td>324</td> <td>ETR</td> <td>-</td> <td>WD.</td> <td>J2</td> <td>PTD.</td> <td>-</td> <td>318</td> <td>3\"/> <tr> <td>325</td> <td>A</td> <td>3\"/> <tr> <td>327</td> <td>ETR</td> <td>-</td> <td>WD.</td> <td>J2</td> <td>PTD.</td> <td>-</td> <td>319</td> <td>3\"/> <tr> <td>328</td> <td>ETR</td> <td>-</td> <td>WD.</td> <td>J2</td> <td>PTD.</td> <td>-</td> <td>320</td> <td>3\"/> <tr> <td>329A</td> <td>ETR</td> <td>-</td> <td>WD.</td> <td>J2</td> <td>PTD.</td> <td>-</td> <td>321</td> <td>3\"/> <tr> <td>329B</td> <td>ETR</td> <td>-</td> <td>WD.</td> <td>J2</td> <td>PTD.</td> <td>-</td> <td>322</td> <td>3\"/> <tr> <td>331</td> <td>ETR</td> <td>-</td> <td>WD.</td> <td>J2</td> <td>PTD.</td> <td>-</td> <td>323</td> <td>3\"/> <tr> <td>333</td> <td>ETR</td> <td>-</td> <td>WD.</td> <td>J2</td> <td>PTD.</td> <td>-</td> <td>324</td> <td>3\"/> <tr> <td>334A</td> <td>ETR</td> <td>-</td> <td>WD.</td> <td>J2</td> <td>PTD.</td> <td>-</td> <td>325</td> <td>3\"/> <tr> <td>334B</td> <td>ETR</td> <td>-</td> <td>WD.</td> <td>J2</td> <td>PTD.</td> <td>-</td> <td>327</td> <td>3\"/> <tr> <td>335A</td> <td>ETR</td> <td>-</td> <td>WD.</td> <td>J2</td> <td>PTD.</td> <td>-</td> <td>328</td> <td>3\"/> <tr> <td>335B</td> <td>B</td> <td>3\"/> <tr> <td>336</td> <td>B</td> <td>3\"/> <tr> <td>337</td> <td>ETR</td> <td>-</td> <td>WD.</td> <td>J2</td> <td>PTD.</td> <td>-</td> <td>329A</td> <td>3\"/> <tr> <td>339</td> <td>ETR</td> <td>-</td> <td>WD.</td> <td>J2</td> <td>PTD.</td> <td>-</td> <td>329B</td> <td>3\"/> <tr> <td>340</td> <td>A</td> <td>3\"/> <tr> <td>341A</td> <td>ETR</td> <td>-</td> <td>WD.</td> <td>J2</td> <td>PTD.</td> <td>-</td> <td>331</td> <td>3\"/> <tr> <td>341B</td> <td>ETR</td> <td>-</td> <td>WD.</td> <td>J2</td> <td>PTD.</td> <td>-</td> <td>333</td> <td>3\"/> <tr> <td>342</td> <td>ETR</td> <td>-</td> <td>WD.</td> <td>J2</td> <td>PTD.</td> <td>-</td> <td>334A</td> <td>3\"/> <tr> <td>344</td> <td>ETR</td> <td>-</td> <td>WD.</td> <td>J2</td> <td>PTD.</td> <td>-</td> <td>334B</td> <td>3\"/> <tr> <td>345</td> <td>ETR</td> <td>-</td> <td>WD.</td> <td>J2</td> <td>PTD.</td> <td>-</td> <td>335A</td> <td>3\"/> <tr> <td>346</td> <td>ETR</td> <td>-</td> <td>WD.</td> <td>J2</td> <td>PTD.</td> <td>-</td> <td>335B</td> <td>3\"/> <tr> <td>347</td> <td>ETR</td> <td>-</td> <td>WD.</td> <td>J2</td> <td>PTD.</td> <td>-</td> <td>336</td> <td>3\"/> <tr> <td>348</td> <td>ETR</td> <td>-</td> <td>WD.</td> <td>J2</td> <td>PTD.</td> <td>-</td> <td>337</td> <td>3\"/> <tr> <td>349</td> <td>ETR</td> <td>-</td> <td>WD.</td> <td>J2</td> <td>PTD.</td> <td>-</td> <td>339</td> <td>3\"/> <tr> <td>350</td> <td>ETR</td> <td>-</td> <td>WD.</td> <td>J2</td> <td>PTD.</td> <td>-</td> <td>340</td> <td>3\"/> </td></tr></td></tr></td></tr></td></tr></td></tr></td></tr></td></tr></td></tr></td></tr></td></tr></td></tr></td></tr></td></tr></td></tr></td></tr></td></tr></td></tr></td></tr></td></tr></td></tr></td></tr></td></tr></td></tr></td></tr></td></tr></td></tr></td></tr>
 | 323 | ETR | - | WD. | J2 | PTD. | - | 316A | 3\"/> <tr> <td>324</td> <td>ETR</td> <td>-</td> <td>WD.</td> <td>J2</td> <td>PTD.</td> <td>-</td> <td>318</td> <td>3\"/> <tr> <td>325</td> <td>A</td> <td>3\"/> <tr> <td>327</td> <td>ETR</td> <td>-</td> <td>WD.</td> <td>J2</td> <td>PTD.</td> <td>-</td> <td>319</td> <td>3\"/>
<tr> <td>328</td> <td>ETR</td> <td>-</td> <td>WD.</td> <td>J2</td> <td>PTD.</td> <td>-</td> <td>320</td> <td>3\"/> <tr> <td>329A</td> <td>ETR</td> <td>-</td> <td>WD.</td> <td>J2</td> <td>PTD.</td> <td>-</td> <td>321</td> <td>3\"/> <tr> <td>329B</td> <td>ETR</td> <td>-</td> <td>WD.</td> <td>J2</td> <td>PTD.</td> <td>-</td> <td>322</td> <td>3\"/> <tr> <td>331</td> <td>ETR</td> <td>-</td> <td>WD.</td> <td>J2</td> <td>PTD.</td> <td>-</td> <td>323</td> <td>3\"/> <tr> <td>333</td> <td>ETR</td> <td>-</td> <td>WD.</td> <td>J2</td> <td>PTD.</td> <td>-</td> <td>324</td> <td>3\"/> <tr> <td>334A</td> <td>ETR</td> <td>-</td> <td>WD.</td> <td>J2</td> <td>PTD.</td> <td>-</td> <td>325</td> <td>3\"/> <tr> <td>334B</td> <td>ETR</td> <td>-</td> <td>WD.</td> <td>J2</td> <td>PTD.</td> <td>-</td> <td>327</td> <td>3\"/> <tr> <td>335A</td> <td>ETR</td> <td>-</td> <td>WD.</td> <td>J2</td> <td>PTD.</td> <td>-</td> <td>328</td> <td>3\"/> <tr> <td>335B</td> <td>B</td> <td>3\"/> <tr> <td>336</td> <td>B</td> <td>3\"/> <tr> <td>337</td> <td>ETR</td> <td>-</td> <td>WD.</td> <td>J2</td> <td>PTD.</td> <td>-</td> <td>329A</td> <td>3\"/> <tr> <td>339</td> <td>ETR</td> <td>-</td> <td>WD.</td> <td>J2</td> <td>PTD.</td> <td>-</td> <td>329B</td> <td>3\"/> <tr> <td>340</td> <td>A</td> <td>3\"/> <tr> <td>341A</td> <td>ETR</td> <td>-</td> <td>WD.</td> <td>J2</td> <td>PTD.</td> <td>-</td> <td>331</td> <td>3\"/> <tr> <td>341B</td> <td>ETR</td> <td>-</td> <td>WD.</td> <td>J2</td> <td>PTD.</td> <td>-</td> <td>333</td> <td>3\"/> <tr> <td>342</td> <td>ETR</td> <td>-</td> <td>WD.</td> <td>J2</td> <td>PTD.</td> <td>-</td> <td>334A</td> <td>3\"/> <tr> <td>344</td> <td>ETR</td> <td>-</td> <td>WD.</td> <td>J2</td> <td>PTD.</td> <td>-</td> <td>334B</td> <td>3\"/> <tr> <td>345</td> <td>ETR</td> <td>-</td> <td>WD.</td> <td>J2</td> <td>PTD.</td> <td>-</td> <td>335A</td> <td>3\"/> <tr> <td>346</td> <td>ETR</td> <td>-</td> <td>WD.</td> <td>J2</td> <td>PTD.</td> <td>-</td> <td>335B</td> <td>3\"/> <tr> <td>347</td> <td>ETR</td> <td>-</td> <td>WD.</td> <td>J2</td> <td>PTD.</td> <td>-</td> <td>336</td> <td>3\"/> <tr> <td>348</td> <td>ETR</td> <td>-</td> <td>WD.</td> <td>J2</td> <td>PTD.</td> <td>-</td> <td>337</td> <td>3\"/> <tr> <td>349</td> <td>ETR</td> <td>-</td> <td>WD.</td> <td>J2</td> <td>PTD.</td> <td>-</td> <td>339</td> <td>3\"/> <tr> <td>350</td> <td>ETR</td> <td>-</td> <td>WD.</td> <td>J2</td> <td>PTD.</td> <td>-</td> <td>340</td> <td>3\"/> </td></tr></td></tr></td></tr></td></tr></td></tr></td></tr></td></tr></td></tr></td></tr></td></tr></td></tr></td></tr></td></tr></td></tr></td></tr></td></tr></td></tr></td></tr></td></tr></td></tr></td></tr></td></tr></td></tr></td></tr></td></tr></td></tr> | 324 | ETR | - | WD. | J2 | PTD.
 | - | 318 | 3\"/> <tr> <td>325</td> <td>A</td> <td>3\"/> <tr> <td>327</td> <td>ETR</td> <td>-</td> <td>WD.</td> <td>J2</td> <td>PTD.</td> <td>-</td> <td>319</td> <td>3\"/> <tr> <td>328</td> <td>ETR</td> <td>-</td> <td>WD.</td> <td>J2</td> <td>PTD.</td> <td>-</td> <td>320</td> <td>3\"/> <tr> <td>329A</td> <td>ETR</td> <td>-</td> <td>WD.</td> <td>J2</td> <td>PTD.</td> <td>-</td> <td>321</td> <td>3\"/> <tr> <td>329B</td> <td>ETR</td> <td>-</td> <td>WD.</td> <td>J2</td> <td>PTD.</td> <td>-</td> <td>322</td> <td>3\"/> <tr> <td>331</td> <td>ETR</td> <td>-</td> <td>WD.</td> <td>J2</td> <td>PTD.</td> <td>-</td> <td>323</td> <td>3\"/> <tr> <td>333</td> <td>ETR</td> <td>-</td> <td>WD.</td> <td>J2</td> <td>PTD.</td> <td>-</td> <td>324</td> <td>3\"/> <tr> <td>334A</td> <td>ETR</td> <td>-</td> <td>WD.</td> <td>J2</td> <td>PTD.</td> <td>-</td> <td>325</td> <td>3\"/> <tr> <td>334B</td> <td>ETR</td> <td>-</td> <td>WD.</td> <td>J2</td> <td>PTD.</td> <td>-</td> <td>327</td> <td>3\"/> <tr> <td>335A</td> <td>ETR</td> <td>-</td> <td>WD.</td> <td>J2</td> <td>PTD.</td> <td>-</td> <td>328</td> <td>3\"/> <tr> <td>335B</td> <td>B</td> <td>3\"/> <tr> <td>336</td> <td>B</td> <td>3\"/> <tr> <td>337</td> <td>ETR</td> <td>-</td> <td>WD.</td> <td>J2</td> <td>PTD.</td> <td>-</td> <td>329A</td> <td>3\"/> <tr> <td>339</td> <td>ETR</td> <td>-</td> <td>WD.</td> <td>J2</td> <td>PTD.</td> <td>-</td> <td>329B</td> <td>3\"/> <tr> <td>340</td> <td>A</td> <td>3\"/> <tr> <td>341A</td> <td>ETR</td> <td>-</td> <td>WD.</td> <td>J2</td> <td>PTD.</td> <td>-</td> <td>331</td> <td>3\"/> <tr> <td>341B</td> <td>ETR</td> <td>-</td> <td>WD.</td> <td>J2</td> <td>PTD.</td> <td>-</td> <td>333</td> <td>3\"/> <tr> <td>342</td> <td>ETR</td> <td>-</td> <td>WD.</td> <td>J2</td> <td>PTD.</td> <td>-</td> <td>334A</td> <td>3\"/> <tr> <td>344</td> <td>ETR</td> <td>-</td> <td>WD.</td> <td>J2</td> <td>PTD.</td> <td>-</td> <td>334B</td> <td>3\"/> <tr> <td>345</td> <td>ETR</td> <td>-</td> <td>WD.</td> <td>J2</td> <td>PTD.</td> <td>-</td> <td>335A</td> <td>3\"/> <tr> <td>346</td> <td>ETR</td> <td>-</td> <td>WD.</td> <td>J2</td> <td>PTD.</td> <td>-</td> <td>335B</td> <td>3\"/> <tr> <td>347</td> <td>ETR</td> <td>-</td> <td>WD.</td> <td>J2</td> <td>PTD.</td> <td>-</td> <td>336</td> <td>3\"/> <tr> <td>348</td> <td>ETR</td> <td>-</td> <td>WD.</td> <td>J2</td> <td>PTD.</td> <td>-</td> <td>337</td> <td>3\"/> <tr> <td>349</td> <td>ETR</td> <td>-</td> <td>WD.</td> <td>J2</td> <td>PTD.</td> <td>-</td> <td>339</td> <td>3\"/> <tr> <td>350</td> <td>ETR</td> <td>-</td> <td>WD.</td> <td>J2</td> <td>PTD.</td> <td>-</td> <td>340</td> <td>3\"/> </td></tr></td></tr></td></tr></td></tr></td></tr></td></tr></td></tr></td></tr></td></tr></td></tr></td></tr></td></tr></td></tr></td></tr></td></tr></td></tr></td></tr></td></tr></td></tr></td></tr></td></tr></td></tr></td></tr></td></tr></td></tr> | 325 | A | 3\"/> <tr> <td>327</td> <td>ETR</td> <td>-</td> <td>WD.</td> <td>J2</td> <td>PTD.</td> <td>-</td> <td>319</td> <td>3\"/> <tr> <td>328</td> <td>ETR</td> <td>-</td> <td>WD.</td> <td>J2</td> <td>PTD.</td> <td>-</td> <td>320</td> <td>3\"/> <tr> <td>329A</td> <td>ETR</td> <td>-</td> <td>WD.</td> <td>J2</td> <td>PTD.</td> <td>-</td> <td>321</td> <td>3\"/> <tr> <td>329B</td> <td>ETR</td> <td>-</td> <td>WD.</td> <td>J2</td> <td>PTD.</td> <td>-</td> <td>322</td> <td>3\"/> <tr> <td>331</td> <td>ETR</td> <td>-</td> <td>WD.</td> <td>J2</td> <td>PTD.</td> <td>-</td> <td>323</td> <td>3\"/> <tr> <td>333</td> <td>ETR</td> <td>-</td> <td>WD.</td> <td>J2</td> <td>PTD.</td> <td>-</td> <td>324</td> <td>3\"/> <tr> <td>334A</td> <td>ETR</td> <td>-</td> <td>WD.</td> <td>J2</td> <td>PTD.</td> <td>-</td> <td>325</td> <td>3\"/> <tr> <td>334B</td> <td>ETR</td> <td>-</td> <td>WD.</td> <td>J2</td> <td>PTD.</td> <td>-</td> <td>327</td> <td>3\"/> <tr> <td>335A</td> <td>ETR</td> <td>-</td> <td>WD.</td> <td>J2</td> <td>PTD.</td> <td>-</td> <td>328</td> <td>3\"/> <tr> <td>335B</td> <td>B</td> <td>3\"/> <tr> <td>336</td> <td>B</td> <td>3\"/> <tr> <td>337</td> <td>ETR</td> <td>-</td> <td>WD.</td> <td>J2</td> <td>PTD.</td> <td>-</td> <td>329A</td> <td>3\"/> <tr> <td>339</td> <td>ETR</td> <td>-</td> <td>WD.</td> <td>J2</td> <td>PTD.</td> <td>-</td> <td>329B</td> <td>3\"/> <tr> <td>340</td> <td>A</td> <td>3\"/> <tr> <td>341A</td> <td>ETR</td> <td>-</td> <td>WD.</td> <td>J2</td> <td>PTD.</td> <td>-</td> <td>331</td> <td>3\"/> <tr> <td>341B</td> <td>ETR</td> <td>-</td> <td>WD.</td> <td>J2</td> <td>PTD.</td> <td>-</td> <td>333</td> <td>3\"/> <tr> <td>342</td> <td>ETR</td> <td>-</td> <td>WD.</td> <td>J2</td> <td>PTD.</td> <td>-</td> <td>334A</td> <td>3\"/> <tr> <td>344</td> <td>ETR</td> <td>-</td> <td>WD.</td> <td>J2</td> <td>PTD.</td> <td>-</td> <td>334B</td> <td>3\"/> <tr> <td>345</td> <td>ETR</td> <td>-</td> <td>WD.</td> <td>J2</td> <td>PTD.</td> <td>-</td> <td>335A</td> <td>3\"/> <tr> <td>346</td> <td>ETR</td> <td>-</td> <td>WD.</td> <td>J2</td> <td>PTD.</td> <td>-</td> <td>335B</td> <td>3\"/> <tr> <td>347</td> <td>ETR</td> <td>-</td> <td>WD.</td> <td>J2</td> <td>PTD.</td> <td>-</td> <td>336</td> <td>3\"/> <tr> <td>348</td> <td>ETR</td> <td>-</td> <td>WD.</td> <td>J2</td> <td>PTD.</td> <td>-</td> <td>337</td> <td>3\"/> <tr> <td>349</td> <td>ETR</td> <td>-</td> <td>WD.</td> <td>J2</td> <td>PTD.</td> <td>-</td> <td>339</td> <td>3\"/> <tr> <td>350</td> <td>ETR</td> <td>-</td> <td>WD.</td> <td>J2</td> <td>PTD.</td> <td>-</td> <td>340</td> <td>3\"/> </td></tr></td></tr></td></tr></td></tr></td></tr></td></tr></td></tr></td></tr></td></tr></td></tr></td></tr></td></tr></td></tr></td></tr></td></tr></td></tr></td></tr></td></tr></td></tr></td></tr></td></tr></td></tr></td></tr></td></tr>
 | 327 | ETR | - | WD. | J2 | PTD. | - | 319 | 3\"/> <tr> <td>328</td> <td>ETR</td> <td>-</td> <td>WD.</td> <td>J2</td> <td>PTD.</td> <td>-</td> <td>320</td> <td>3\"/> <tr> <td>329A</td> <td>ETR</td> <td>-</td> <td>WD.</td> <td>J2</td> <td>PTD.</td> <td>-</td> <td>321</td> <td>3\"/> <tr> <td>329B</td> <td>ETR</td> <td>-</td> <td>WD.</td> <td>J2</td> <td>PTD.</td> <td>-</td> <td>322</td> <td>3\"/> <tr> <td>331</td> <td>ETR</td> <td>-</td> <td>WD.</td> <td>J2</td> <td>PTD.</td> <td>-</td> <td>323</td> <td>3\"/> <tr> <td>333</td> <td>ETR</td> <td>-</td> <td>WD.</td> <td>J2</td> <td>PTD.</td> <td>-</td> <td>324</td> <td>3\"/> <tr> <td>334A</td> <td>ETR</td> <td>-</td> <td>WD.</td> <td>J2</td> <td>PTD.</td> <td>-</td> <td>325</td> <td>3\"/> <tr> <td>334B</td> <td>ETR</td> <td>-</td> <td>WD.</td> <td>J2</td> <td>PTD.</td> <td>-</td> <td>327</td> <td>3\"/> <tr> <td>335A</td> <td>ETR</td> <td>-</td> <td>WD.</td> <td>J2</td> <td>PTD.</td> <td>-</td> <td>328</td> <td>3\"/> <tr> <td>335B</td> <td>B</td>
<td>3\"/> <tr> <td>336</td> <td>B</td> <td>3\"/> <tr> <td>337</td> <td>ETR</td> <td>-</td> <td>WD.</td> <td>J2</td> <td>PTD.</td> <td>-</td> <td>329A</td> <td>3\"/> <tr> <td>339</td> <td>ETR</td> <td>-</td> <td>WD.</td> <td>J2</td> <td>PTD.</td> <td>-</td> <td>329B</td> <td>3\"/> <tr> <td>340</td> <td>A</td> <td>3\"/> <tr> <td>341A</td> <td>ETR</td> <td>-</td> <td>WD.</td> <td>J2</td> <td>PTD.</td> <td>-</td> <td>331</td> <td>3\"/> <tr> <td>341B</td> <td>ETR</td> <td>-</td> <td>WD.</td> <td>J2</td> <td>PTD.</td> <td>-</td> <td>333</td> <td>3\"/> <tr> <td>342</td> <td>ETR</td> <td>-</td> <td>WD.</td> <td>J2</td> <td>PTD.</td> <td>-</td> <td>334A</td> <td>3\"/> <tr> <td>344</td> <td>ETR</td> <td>-</td> <td>WD.</td> <td>J2</td> <td>PTD.</td> <td>-</td> <td>334B</td> <td>3\"/> <tr> <td>345</td> <td>ETR</td> <td>-</td> <td>WD.</td> <td>J2</td> <td>PTD.</td> <td>-</td> <td>335A</td> <td>3\"/> <tr> <td>346</td> <td>ETR</td> <td>-</td> <td>WD.</td> <td>J2</td> <td>PTD.</td> <td>-</td> <td>335B</td> <td>3\"/> <tr> <td>347</td> <td>ETR</td> <td>-</td> <td>WD.</td> <td>J2</td> <td>PTD.</td> <td>-</td> <td>336</td> <td>3\"/> <tr> <td>348</td> <td>ETR</td> <td>-</td> <td>WD.</td> <td>J2</td> <td>PTD.</td> <td>-</td> <td>337</td> <td>3\"/> <tr> <td>349</td> <td>ETR</td> <td>-</td> <td>WD.</td> <td>J2</td> <td>PTD.</td> <td>-</td> <td>339</td> <td>3\"/> <tr> <td>350</td> <td>ETR</td> <td>-</td> <td>WD.</td> <td>J2</td> <td>PTD.</td> <td>-</td> <td>340</td> <td>3\"/> </td></tr></td></tr></td></tr></td></tr></td></tr></td></tr></td></tr></td></tr></td></tr></td></tr></td></tr></td></tr></td></tr></td></tr></td></tr></td></tr></td></tr></td></tr></td></tr></td></tr></td></tr></td></tr></td></tr> | 328 | ETR | - | WD. | J2 | PTD.
 | - | 320 | 3\"/> <tr> <td>329A</td> <td>ETR</td> <td>-</td> <td>WD.</td> <td>J2</td> <td>PTD.</td> <td>-</td> <td>321</td> <td>3\"/> <tr> <td>329B</td> <td>ETR</td> <td>-</td> <td>WD.</td> <td>J2</td> <td>PTD.</td> <td>-</td> <td>322</td> <td>3\"/> <tr> <td>331</td> <td>ETR</td> <td>-</td> <td>WD.</td> <td>J2</td> <td>PTD.</td> <td>-</td> <td>323</td> <td>3\"/> <tr> <td>333</td> <td>ETR</td> <td>-</td> <td>WD.</td> <td>J2</td> <td>PTD.</td> <td>-</td> <td>324</td> <td>3\"/> <tr> <td>334A</td> <td>ETR</td> <td>-</td> <td>WD.</td> <td>J2</td> <td>PTD.</td> <td>-</td> <td>325</td> <td>3\"/> <tr> <td>334B</td> <td>ETR</td> <td>-</td> <td>WD.</td> <td>J2</td> <td>PTD.</td> <td>-</td> <td>327</td> <td>3\"/> <tr> <td>335A</td> <td>ETR</td> <td>-</td> <td>WD.</td> <td>J2</td> <td>PTD.</td> <td>-</td> <td>328</td> <td>3\"/> <tr> <td>335B</td> <td>B</td> <td>3\"/> <tr> <td>336</td> <td>B</td> <td>3\"/> <tr> <td>337</td> <td>ETR</td> <td>-</td> <td>WD.</td> <td>J2</td> <td>PTD.</td> <td>-</td> <td>329A</td> <td>3\"/> <tr> <td>339</td> <td>ETR</td> <td>-</td> <td>WD.</td> <td>J2</td> <td>PTD.</td> <td>-</td> <td>329B</td> <td>3\"/> <tr> <td>340</td> <td>A</td> <td>3\"/> <tr> <td>341A</td> <td>ETR</td> <td>-</td> <td>WD.</td> <td>J2</td> <td>PTD.</td> <td>-</td> <td>331</td> <td>3\"/> <tr> <td>341B</td> <td>ETR</td> <td>-</td> <td>WD.</td> <td>J2</td> <td>PTD.</td> <td>-</td> <td>333</td> <td>3\"/> <tr> <td>342</td> <td>ETR</td> <td>-</td> <td>WD.</td> <td>J2</td> <td>PTD.</td> <td>-</td> <td>334A</td> <td>3\"/> <tr> <td>344</td> <td>ETR</td> <td>-</td> <td>WD.</td> <td>J2</td> <td>PTD.</td> <td>-</td> <td>334B</td> <td>3\"/> <tr> <td>345</td> <td>ETR</td> <td>-</td> <td>WD.</td> <td>J2</td> <td>PTD.</td> <td>-</td> <td>335A</td> <td>3\"/> <tr> <td>346</td> <td>ETR</td> <td>-</td> <td>WD.</td> <td>J2</td> <td>PTD.</td> <td>-</td> <td>335B</td> <td>3\"/> <tr> <td>347</td> <td>ETR</td> <td>-</td> <td>WD.</td> <td>J2</td> <td>PTD.</td> <td>-</td> <td>336</td> <td>3\"/> <tr> <td>348</td> <td>ETR</td> <td>-</td> <td>WD.</td> <td>J2</td> <td>PTD.</td> <td>-</td> <td>337</td> <td>3\"/> <tr> <td>349</td> <td>ETR</td> <td>-</td> <td>WD.</td> <td>J2</td> <td>PTD.</td> <td>-</td> <td>339</td> <td>3\"/> <tr> <td>350</td> <td>ETR</td> <td>-</td> <td>WD.</td> <td>J2</td> <td>PTD.</td> <td>-</td> <td>340</td> <td>3\"/> </td></tr></td></tr></td></tr></td></tr></td></tr></td></tr></td></tr></td></tr></td></tr></td></tr></td></tr></td></tr></td></tr></td></tr></td></tr></td></tr></td></tr></td></tr></td></tr></td></tr></td></tr></td></tr> | 329A | ETR | - | WD. | J2 | PTD.
 | - | 321 | 3\"/> <tr> <td>329B</td> <td>ETR</td> <td>-</td> <td>WD.</td> <td>J2</td> <td>PTD.</td> <td>-</td> <td>322</td> <td>3\"/> <tr> <td>331</td> <td>ETR</td> <td>-</td> <td>WD.</td> <td>J2</td> <td>PTD.</td> <td>-</td> <td>323</td> <td>3\"/> <tr> <td>333</td> <td>ETR</td> <td>-</td> <td>WD.</td> <td>J2</td> <td>PTD.</td> <td>-</td> <td>324</td> <td>3\"/> <tr> <td>334A</td> <td>ETR</td> <td>-</td> <td>WD.</td> <td>J2</td> <td>PTD.</td> <td>-</td> <td>325</td> <td>3\"/> <tr> <td>334B</td> <td>ETR</td> <td>-</td> <td>WD.</td> <td>J2</td> <td>PTD.</td> <td>-</td> <td>327</td> <td>3\"/> <tr> <td>335A</td> <td>ETR</td> <td>-</td> <td>WD.</td> <td>J2</td> <td>PTD.</td> <td>-</td> <td>328</td> <td>3\"/> <tr> <td>335B</td> <td>B</td> <td>3\"/> <tr> <td>336</td> <td>B</td> <td>3\"/> <tr> <td>337</td> <td>ETR</td> <td>-</td> <td>WD.</td> <td>J2</td> <td>PTD.</td> <td>-</td> <td>329A</td> <td>3\"/> <tr> <td>339</td> <td>ETR</td> <td>-</td> <td>WD.</td> <td>J2</td> <td>PTD.</td> <td>-</td> <td>329B</td> <td>3\"/> <tr> <td>340</td> <td>A</td> <td>3\"/> <tr> <td>341A</td> <td>ETR</td> <td>-</td> <td>WD.</td> <td>J2</td> <td>PTD.</td> <td>-</td> <td>331</td> <td>3\"/> <tr> <td>341B</td> <td>ETR</td> <td>-</td> <td>WD.</td> <td>J2</td> <td>PTD.</td> <td>-</td> <td>333</td> <td>3\"/> <tr> <td>342</td> <td>ETR</td> <td>-</td> <td>WD.</td> <td>J2</td> <td>PTD.</td> <td>-</td> <td>334A</td> <td>3\"/> <tr> <td>344</td> <td>ETR</td> <td>-</td> <td>WD.</td> <td>J2</td> <td>PTD.</td> <td>-</td> <td>334B</td> <td>3\"/> <tr> <td>345</td> <td>ETR</td> <td>-</td> <td>WD.</td> <td>J2</td> <td>PTD.</td> <td>-</td> <td>335A</td> <td>3\"/> <tr> <td>346</td> <td>ETR</td> <td>-</td> <td>WD.</td> <td>J2</td> <td>PTD.</td> <td>-</td> <td>335B</td> <td>3\"/> <tr> <td>347</td> <td>ETR</td> <td>-</td> <td>WD.</td> <td>J2</td> <td>PTD.</td> <td>-</td> <td>336</td> <td>3\"/> <tr> <td>348</td> <td>ETR</td> <td>-</td> <td>WD.</td> <td>J2</td> <td>PTD.</td> <td>-</td> <td>337</td> <td>3\"/> <tr> <td>349</td> <td>ETR</td> <td>-</td> <td>WD.</td> <td>J2</td> <td>PTD.</td> <td>-</td> <td>339</td> <td>3\"/> <tr> <td>350</td> <td>ETR</td> <td>-</td> <td>WD.</td> <td>J2</td> <td>PTD.</td> <td>-</td> <td>340</td> <td>3\"/> </td></tr></td></tr></td></tr></td></tr></td></tr></td></tr></td></tr></td></tr></td></tr></td></tr></td></tr></td></tr></td></tr></td></tr></td></tr></td></tr></td></tr></td></tr></td></tr></td></tr></td></tr> | 329B | ETR | -
 | WD. | J2 | PTD. | - | 322 | 3\"/> <tr> <td>331</td> <td>ETR</td> <td>-</td> <td>WD.</td> <td>J2</td> <td>PTD.</td> <td>-</td> <td>323</td> <td>3\"/> <tr> <td>333</td> <td>ETR</td> <td>-</td> <td>WD.</td> <td>J2</td> <td>PTD.</td> <td>-</td> <td>324</td> <td>3\"/> <tr> <td>334A</td> <td>ETR</td> <td>-</td> <td>WD.</td> <td>J2</td> <td>PTD.</td> <td>-</td> <td>325</td> <td>3\"/> <tr> <td>334B</td> <td>ETR</td> <td>-</td> <td>WD.</td> <td>J2</td> <td>PTD.</td> <td>-</td> <td>327</td> <td>3\"/> <tr> <td>335A</td> <td>ETR</td> <td>-</td> <td>WD.</td> <td>J2</td> <td>PTD.</td> <td>-</td> <td>328</td> <td>3\"/> <tr> <td>335B</td> <td>B</td> <td>3\"/> <tr> <td>336</td> <td>B</td> <td>3\"/> <tr> <td>337</td> <td>ETR</td> <td>-</td> <td>WD.</td> <td>J2</td> <td>PTD.</td> <td>-</td> <td>329A</td> <td>3\"/> <tr> <td>339</td> <td>ETR</td> <td>-</td> <td>WD.</td> <td>J2</td> <td>PTD.</td> <td>-</td> <td>329B</td> <td>3\"/> <tr> <td>340</td> <td>A</td> <td>3\"/> <tr> <td>341A</td> <td>ETR</td> <td>-</td> <td>WD.</td> <td>J2</td> <td>PTD.</td> <td>-</td> <td>331</td> <td>3\"/> <tr> <td>341B</td> <td>ETR</td> <td>-</td> <td>WD.</td> <td>J2</td> <td>PTD.</td> <td>-</td> <td>333</td> <td>3\"/> <tr> <td>342</td> <td>ETR</td> <td>-</td> <td>WD.</td> <td>J2</td> <td>PTD.</td> <td>-</td> <td>334A</td> <td>3\"/> <tr> <td>344</td> <td>ETR</td> <td>-</td> <td>WD.</td> <td>J2</td> <td>PTD.</td> <td>-</td> <td>334B</td> <td>3\"/> <tr> <td>345</td> <td>ETR</td> <td>-</td> <td>WD.</td> <td>J2</td> <td>PTD.</td> <td>-</td> <td>335A</td> <td>3\"/> <tr> <td>346</td> <td>ETR</td> <td>-</td> <td>WD.</td> <td>J2</td> <td>PTD.</td> <td>-</td> <td>335B</td> <td>3\"/> <tr> <td>347</td> <td>ETR</td> <td>-</td> <td>WD.</td> <td>J2</td> <td>PTD.</td> <td>-</td> <td>336</td> <td>3\"/> <tr> <td>348</td> <td>ETR</td> <td>-</td> <td>WD.</td> <td>J2</td> <td>PTD.</td> <td>-</td> <td>337</td> <td>3\"/> <tr> <td>349</td> <td>ETR</td> <td>-</td> <td>WD.</td> <td>J2</td> <td>PTD.</td> <td>-</td> <td>339</td> <td>3\"/> <tr> <td>350</td> <td>ETR</td> <td>-</td> <td>WD.</td> <td>J2</td> <td>PTD.</td> <td>-</td> <td>340</td> <td>3\"/> </td></tr></td></tr></td></tr></td></tr></td></tr></td></tr></td></tr></td></tr></td></tr></td></tr></td></tr></td></tr></td></tr></td></tr></td></tr></td></tr></td></tr></td></tr></td></tr></td></tr> | 331 | ETR | -
 | WD. | J2 | PTD. | - | 323 | 3\"/> <tr> <td>333</td> <td>ETR</td> <td>-</td> <td>WD.</td> <td>J2</td> <td>PTD.</td> <td>-</td> <td>324</td> <td>3\"/> <tr> <td>334A</td> <td>ETR</td> <td>-</td> <td>WD.</td> <td>J2</td> <td>PTD.</td> <td>-</td> <td>325</td> <td>3\"/> <tr> <td>334B</td> <td>ETR</td> <td>-</td> <td>WD.</td> <td>J2</td> <td>PTD.</td> <td>-</td> <td>327</td> <td>3\"/> <tr> <td>335A</td> <td>ETR</td> <td>-</td> <td>WD.</td> <td>J2</td> <td>PTD.</td> <td>-</td> <td>328</td> <td>3\"/> <tr> <td>335B</td> <td>B</td> <td>3\"/> <tr> <td>336</td> <td>B</td> <td>3\"/> <tr> <td>337</td> <td>ETR</td> <td>-</td> <td>WD.</td> <td>J2</td> <td>PTD.</td> <td>-</td> <td>329A</td> <td>3\"/> <tr> <td>339</td> <td>ETR</td> <td>-</td> <td>WD.</td> <td>J2</td> <td>PTD.</td> <td>-</td> <td>329B</td> <td>3\"/> <tr> <td>340</td> <td>A</td> <td>3\"/> <tr> <td>341A</td> <td>ETR</td> <td>-</td> <td>WD.</td> <td>J2</td> <td>PTD.</td> <td>-</td> <td>331</td> <td>3\"/> <tr> <td>341B</td> <td>ETR</td> <td>-</td> <td>WD.</td> <td>J2</td> <td>PTD.</td> <td>-</td> <td>333</td> <td>3\"/> <tr> <td>342</td> <td>ETR</td> <td>-</td> <td>WD.</td> <td>J2</td> <td>PTD.</td> <td>-</td> <td>334A</td> <td>3\"/> <tr> <td>344</td> <td>ETR</td> <td>-</td> <td>WD.</td> <td>J2</td> <td>PTD.</td> <td>-</td> <td>334B</td> <td>3\"/> <tr> <td>345</td> <td>ETR</td> <td>-</td> <td>WD.</td> <td>J2</td> <td>PTD.</td> <td>-</td> <td>335A</td> <td>3\"/> <tr> <td>346</td> <td>ETR</td> <td>-</td> <td>WD.</td> <td>J2</td> <td>PTD.</td> <td>-</td> <td>335B</td> <td>3\"/> <tr> <td>347</td> <td>ETR</td> <td>-</td> <td>WD.</td> <td>J2</td> <td>PTD.</td> <td>-</td> <td>336</td> <td>3\"/> <tr> <td>348</td> <td>ETR</td> <td>-</td> <td>WD.</td> <td>J2</td> <td>PTD.</td> <td>-</td> <td>337</td> <td>3\"/> <tr> <td>349</td> <td>ETR</td> <td>-</td> <td>WD.</td> <td>J2</td> <td>PTD.</td> <td>-</td> <td>339</td> <td>3\"/> <tr> <td>350</td> <td>ETR</td> <td>-</td> <td>WD.</td> <td>J2</td> <td>PTD.</td> <td>-</td> <td>340</td> <td>3\"/> </td></tr></td></tr></td></tr></td></tr></td></tr></td></tr></td></tr></td></tr></td></tr></td></tr></td></tr></td></tr></td></tr></td></tr></td></tr></td></tr></td></tr></td></tr></td></tr> | 333 | ETR | -
 | WD. | J2 | PTD. | - | 324 | 3\"/> <tr> <td>334A</td> <td>ETR</td> <td>-</td> <td>WD.</td> <td>J2</td> <td>PTD.</td> <td>-</td> <td>325</td> <td>3\"/> <tr> <td>334B</td> <td>ETR</td> <td>-</td> <td>WD.</td> <td>J2</td> <td>PTD.</td> <td>-</td> <td>327</td> <td>3\"/> <tr> <td>335A</td> <td>ETR</td> <td>-</td> <td>WD.</td> <td>J2</td> <td>PTD.</td> <td>-</td> <td>328</td> <td>3\"/> <tr> <td>335B</td> <td>B</td> <td>3\"/> <tr> <td>336</td> <td>B</td> <td>3\"/> <tr> <td>337</td> <td>ETR</td> <td>-</td> <td>WD.</td> <td>J2</td> <td>PTD.</td> <td>-</td> <td>329A</td> <td>3\"/> <tr> <td>339</td> <td>ETR</td> <td>-</td> <td>WD.</td> <td>J2</td> <td>PTD.</td> <td>-</td> <td>329B</td> <td>3\"/> <tr> <td>340</td> <td>A</td> <td>3\"/> <tr> <td>341A</td> <td>ETR</td> <td>-</td> <td>WD.</td> <td>J2</td> <td>PTD.</td> <td>-</td> <td>331</td> <td>3\"/> <tr> <td>341B</td> <td>ETR</td> <td>-</td> <td>WD.</td> <td>J2</td> <td>PTD.</td> <td>-</td> <td>333</td> <td>3\"/> <tr> <td>342</td> <td>ETR</td> <td>-</td> <td>WD.</td> <td>J2</td> <td>PTD.</td> <td>-</td> <td>334A</td> <td>3\"/> <tr> <td>344</td> <td>ETR</td> <td>-</td> <td>WD.</td> <td>J2</td> <td>PTD.</td> <td>-</td> <td>334B</td> <td>3\"/> <tr> <td>345</td> <td>ETR</td> <td>-</td> <td>WD.</td> <td>J2</td> <td>PTD.</td> <td>-</td> <td>335A</td> <td>3\"/> <tr> <td>346</td> <td>ETR</td> <td>-</td> <td>WD.</td> <td>J2</td> <td>PTD.</td> <td>-</td> <td>335B</td> <td>3\"/> <tr> <td>347</td> <td>ETR</td> <td>-</td> <td>WD.</td> <td>J2</td> <td>PTD.</td> <td>-</td> <td>336</td> <td>3\"/> <tr> <td>348</td> <td>ETR</td> <td>-</td> <td>WD.</td> <td>J2</td> <td>PTD.</td> <td>-</td> <td>337</td> <td>3\"/> <tr> <td>349</td> <td>ETR</td> <td>-</td> <td>WD.</td> <td>J2</td> <td>PTD.</td> <td>-</td> <td>339</td> <td>3\"/> <tr> <td>350</td> <td>ETR</td> <td>-</td> <td>WD.</td> <td>J2</td> <td>PTD.</td> <td>-</td> <td>340</td> <td>3\"/> </td></tr></td></tr></td></tr></td></tr></td></tr></td></tr></td></tr></td></tr></td></tr></td></tr></td></tr></td></tr></td></tr></td></tr></td></tr></td></tr></td></tr></td></tr> | 334A | ETR | -
 | WD. | J2 | PTD. | - | 325 | 3\"/> <tr> <td>334B</td> <td>ETR</td> <td>-</td> <td>WD.</td> <td>J2</td> <td>PTD.</td> <td>-</td> <td>327</td> <td>3\"/> <tr> <td>335A</td> <td>ETR</td> <td>-</td> <td>WD.</td> <td>J2</td> <td>PTD.</td> <td>-</td> <td>328</td> <td>3\"/> <tr> <td>335B</td> <td>B</td> <td>3\"/> <tr> <td>336</td> <td>B</td> <td>3\"/> <tr> <td>337</td> <td>ETR</td> <td>-</td> <td>WD.</td> <td>J2</td> <td>PTD.</td> <td>-</td> <td>329A</td> <td>3\"/> <tr> <td>339</td> <td>ETR</td> <td>-</td> <td>WD.</td> <td>J2</td> <td>PTD.</td> <td>-</td> <td>329B</td> <td>3\"/> <tr> <td>340</td> <td>A</td> <td>3\"/> <tr> <td>341A</td> <td>ETR</td> <td>-</td> <td>WD.</td> <td>J2</td> <td>PTD.</td> <td>-</td> <td>331</td> <td>3\"/> <tr> <td>341B</td> <td>ETR</td> <td>-</td> <td>WD.</td> <td>J2</td> <td>PTD.</td> <td>-</td> <td>333</td> <td>3\"/> <tr> <td>342</td> <td>ETR</td> <td>-</td> <td>WD.</td> <td>J2</td> <td>PTD.</td> <td>-</td> <td>334A</td> <td>3\"/> <tr> <td>344</td> <td>ETR</td> <td>-</td> <td>WD.</td> <td>J2</td> <td>PTD.</td> <td>-</td> <td>334B</td> <td>3\"/> <tr> <td>345</td> <td>ETR</td> <td>-</td> <td>WD.</td> <td>J2</td> <td>PTD.</td> <td>-</td> <td>335A</td> <td>3\"/> <tr> <td>346</td> <td>ETR</td> <td>-</td> <td>WD.</td> <td>J2</td> <td>PTD.</td> <td>-</td> <td>335B</td> <td>3\"/> <tr> <td>347</td> <td>ETR</td> <td>-</td> <td>WD.</td> <td>J2</td> <td>PTD.</td> <td>-</td> <td>336</td> <td>3\"/> <tr> <td>348</td> <td>ETR</td> <td>-</td> <td>WD.</td> <td>J2</td> <td>PTD.</td> <td>-</td> <td>337</td> <td>3\"/> <tr> <td>349</td> <td>ETR</td> <td>-</td> <td>WD.</td> <td>J2</td> <td>PTD.</td> <td>-</td> <td>339</td> <td>3\"/> <tr> <td>350</td> <td>ETR</td> <td>-</td> <td>WD.</td> <td>J2</td> <td>PTD.</td> <td>-</td> <td>340</td> <td>3\"/> </td></tr></td></tr></td></tr></td></tr></td></tr></td></tr></td></tr></td></tr></td></tr></td></tr></td></tr></td></tr></td></tr></td></tr></td></tr></td></tr></td></tr>
 | 334B | ETR | - | WD. | J2 | PTD. | - | 327 | 3\"/> <tr> <td>335A</td> <td>ETR</td> <td>-</td> <td>WD.</td> <td>J2</td> <td>PTD.</td> <td>-</td> <td>328</td> <td>3\"/> <tr> <td>335B</td> <td>B</td> <td>3\"/> <tr> <td>336</td> <td>B</td> <td>3\"/> <tr> <td>337</td> <td>ETR</td> <td>-</td> <td>WD.</td> <td>J2</td> <td>PTD.</td> <td>-</td> <td>329A</td> <td>3\"/> <tr> <td>339</td> <td>ETR</td> <td>-</td> <td>WD.</td> <td>J2</td> <td>PTD.</td> <td>-</td> <td>329B</td> <td>3\"/> <tr> <td>340</td> <td>A</td> <td>3\"/> <tr> <td>341A</td> <td>ETR</td> <td>-</td> <td>WD.</td> <td>J2</td> <td>PTD.</td> <td>-</td> <td>331</td> <td>3\"/> <tr> <td>341B</td> <td>ETR</td> <td>-</td> <td>WD.</td> <td>J2</td> <td>PTD.</td> <td>-</td> <td>333</td> <td>3\"/> <tr> <td>342</td> <td>ETR</td> <td>-</td> <td>WD.</td> <td>J2</td> <td>PTD.</td> <td>-</td> <td>334A</td> <td>3\"/> <tr> <td>344</td> <td>ETR</td> <td>-</td> <td>WD.</td> <td>J2</td> <td>PTD.</td> <td>-</td> <td>334B</td> <td>3\"/> <tr> <td>345</td> <td>ETR</td> <td>-</td> <td>WD.</td> <td>J2</td> <td>PTD.</td> <td>-</td> <td>335A</td> <td>3\"/> <tr> <td>346</td> <td>ETR</td> <td>-</td> <td>WD.</td> <td>J2</td> <td>PTD.</td> <td>-</td> <td>335B</td> <td>3\"/> <tr> <td>347</td> <td>ETR</td> <td>-</td> <td>WD.</td> <td>J2</td> <td>PTD.</td> <td>-</td> <td>336</td> <td>3\"/> <tr> <td>348</td> <td>ETR</td> <td>-</td> <td>WD.</td> <td>J2</td> <td>PTD.</td> <td>-</td> <td>337</td> <td>3\"/> <tr> <td>349</td> <td>ETR</td> <td>-</td> <td>WD.</td> <td>J2</td> <td>PTD.</td> <td>-</td> <td>339</td> <td>3\"/> <tr> <td>350</td> <td>ETR</td> <td>-</td> <td>WD.</td> <td>J2</td> <td>PTD.</td> <td>-</td> <td>340</td> <td>3\"/> </td></tr></td></tr></td></tr></td></tr></td></tr></td></tr></td></tr></td></tr></td></tr></td></tr></td></tr></td></tr></td></tr></td></tr></td></tr></td></tr>
 | 335A | ETR | - | WD. | J2 | PTD. | - | 328 | 3\"/> <tr> <td>335B</td> <td>B</td> <td>3\"/> <tr> <td>336</td> <td>B</td> <td>3\"/> <tr> <td>337</td> <td>ETR</td> <td>-</td> <td>WD.</td> <td>J2</td> <td>PTD.</td> <td>-</td> <td>329A</td> <td>3\"/> <tr> <td>339</td> <td>ETR</td> <td>-</td> <td>WD.</td> <td>J2</td> <td>PTD.</td> <td>-</td> <td>329B</td> <td>3\"/> <tr> <td>340</td> <td>A</td> <td>3\"/> <tr> <td>341A</td> <td>ETR</td> <td>-</td> <td>WD.</td> <td>J2</td> <td>PTD.</td> <td>-</td> <td>331</td> <td>3\"/> <tr> <td>341B</td> <td>ETR</td> <td>-</td> <td>WD.</td> <td>J2</td> <td>PTD.</td> <td>-</td> <td>333</td> <td>3\"/> <tr> <td>342</td> <td>ETR</td> <td>-</td> <td>WD.</td> <td>J2</td> <td>PTD.</td> <td>-</td> <td>334A</td> <td>3\"/> <tr> <td>344</td> <td>ETR</td> <td>-</td> <td>WD.</td> <td>J2</td> <td>PTD.</td> <td>-</td> <td>334B</td> <td>3\"/> <tr> <td>345</td> <td>ETR</td> <td>-</td> <td>WD.</td> <td>J2</td> <td>PTD.</td> <td>-</td> <td>335A</td> <td>3\"/> <tr> <td>346</td> <td>ETR</td> <td>-</td> <td>WD.</td> <td>J2</td> <td>PTD.</td> <td>-</td> <td>335B</td> <td>3\"/> <tr> <td>347</td> <td>ETR</td> <td>-</td> <td>WD.</td> <td>J2</td> <td>PTD.</td> <td>-</td> <td>336</td> <td>3\"/> <tr> <td>348</td> <td>ETR</td> <td>-</td> <td>WD.</td> <td>J2</td> <td>PTD.</td> <td>-</td> <td>337</td> <td>3\"/> <tr> <td>349</td> <td>ETR</td> <td>-</td> <td>WD.</td> <td>J2</td> <td>PTD.</td> <td>-</td> <td>339</td> <td>3\"/> <tr> <td>350</td> <td>ETR</td> <td>-</td> <td>WD.</td> <td>J2</td> <td>PTD.</td> <td>-</td> <td>340</td> <td>3\"/> </td></tr></td></tr></td></tr></td></tr></td></tr></td></tr></td></tr></td></tr></td></tr></td></tr></td></tr></td></tr></td></tr></td></tr></td></tr> | 335B | B | 3\"/> <tr> <td>336</td> <td>B</td> <td>3\"/> <tr> <td>337</td> <td>ETR</td> <td>-</td> <td>WD.</td> <td>J2</td> <td>PTD.</td> <td>-</td> <td>329A</td> <td>3\"/> <tr> <td>339</td> <td>ETR</td> <td>-</td> <td>WD.</td> <td>J2</td> <td>PTD.</td> <td>-</td> <td>329B</td> <td>3\"/> <tr>
<td>340</td> <td>A</td> <td>3\"/> <tr> <td>341A</td> <td>ETR</td> <td>-</td> <td>WD.</td> <td>J2</td> <td>PTD.</td> <td>-</td> <td>331</td> <td>3\"/> <tr> <td>341B</td> <td>ETR</td> <td>-</td> <td>WD.</td> <td>J2</td> <td>PTD.</td> <td>-</td> <td>333</td> <td>3\"/> <tr> <td>342</td> <td>ETR</td> <td>-</td> <td>WD.</td> <td>J2</td> <td>PTD.</td> <td>-</td> <td>334A</td> <td>3\"/> <tr> <td>344</td> <td>ETR</td> <td>-</td> <td>WD.</td> <td>J2</td> <td>PTD.</td> <td>-</td> <td>334B</td> <td>3\"/> <tr> <td>345</td> <td>ETR</td> <td>-</td> <td>WD.</td> <td>J2</td> <td>PTD.</td> <td>-</td> <td>335A</td> <td>3\"/> <tr> <td>346</td> <td>ETR</td> <td>-</td> <td>WD.</td> <td>J2</td> <td>PTD.</td> <td>-</td> <td>335B</td> <td>3\"/> <tr> <td>347</td> <td>ETR</td> <td>-</td> <td>WD.</td> <td>J2</td> <td>PTD.</td> <td>-</td> <td>336</td> <td>3\"/> <tr> <td>348</td> <td>ETR</td> <td>-</td> <td>WD.</td> <td>J2</td> <td>PTD.</td> <td>-</td> <td>337</td> <td>3\"/> <tr> <td>349</td> <td>ETR</td> <td>-</td> <td>WD.</td> <td>J2</td> <td>PTD.</td> <td>-</td> <td>339</td> <td>3\"/> <tr> <td>350</td> <td>ETR</td> <td>-</td> <td>WD.</td> <td>J2</td> <td>PTD.</td> <td>-</td> <td>340</td> <td>3\"/> </td></tr></td></tr></td></tr></td></tr></td></tr></td></tr></td></tr></td></tr></td></tr></td></tr></td></tr></td></tr></td></tr></td></tr> | 336 | B | 3\"/> <tr> <td>337</td> <td>ETR</td> <td>-</td> <td>WD.</td> <td>J2</td> <td>PTD.</td> <td>-</td> <td>329A</td> <td>3\"/> <tr> <td>339</td> <td>ETR</td> <td>-</td> <td>WD.</td> <td>J2</td> <td>PTD.</td> <td>-</td> <td>329B</td> <td>3\"/> <tr> <td>340</td> <td>A</td> <td>3\"/> <tr> <td>341A</td> <td>ETR</td> <td>-</td> <td>WD.</td> <td>J2</td> <td>PTD.</td> <td>-</td> <td>331</td> <td>3\"/> <tr> <td>341B</td> <td>ETR</td> <td>-</td> <td>WD.</td> <td>J2</td> <td>PTD.</td> <td>-</td> <td>333</td> <td>3\"/> <tr> <td>342</td> <td>ETR</td> <td>-</td> <td>WD.</td> <td>J2</td> <td>PTD.</td> <td>-</td> <td>334A</td> <td>3\"/> <tr> <td>344</td> <td>ETR</td> <td>-</td> <td>WD.</td> <td>J2</td> <td>PTD.</td> <td>-</td> <td>334B</td> <td>3\"/> <tr> <td>345</td> <td>ETR</td> <td>-</td> <td>WD.</td> <td>J2</td> <td>PTD.</td> <td>-</td> <td>335A</td> <td>3\"/> <tr> <td>346</td> <td>ETR</td> <td>-</td> <td>WD.</td> <td>J2</td> <td>PTD.</td> <td>-</td> <td>335B</td> <td>3\"/> <tr> <td>347</td> <td>ETR</td> <td>-</td> <td>WD.</td> <td>J2</td> <td>PTD.</td> <td>-</td> <td>336</td> <td>3\"/> <tr> <td>348</td> <td>ETR</td> <td>-</td> <td>WD.</td> <td>J2</td> <td>PTD.</td> <td>-</td> <td>337</td> <td>3\"/> <tr> <td>349</td> <td>ETR</td> <td>-</td> <td>WD.</td> <td>J2</td> <td>PTD.</td> <td>-</td> <td>339</td> <td>3\"/> <tr> <td>350</td> <td>ETR</td> <td>-</td> <td>WD.</td> <td>J2</td> <td>PTD.</td> <td>-</td> <td>340</td> <td>3\"/> </td></tr></td></tr></td></tr></td></tr></td></tr></td></tr></td></tr></td></tr></td></tr></td></tr></td></tr></td></tr></td></tr> | 337 | ETR | - | WD. | J2 | PTD.
 | - | 329A | 3\"/> <tr> <td>339</td> <td>ETR</td> <td>-</td> <td>WD.</td> <td>J2</td> <td>PTD.</td> <td>-</td> <td>329B</td> <td>3\"/> <tr> <td>340</td> <td>A</td> <td>3\"/> <tr> <td>341A</td> <td>ETR</td> <td>-</td> <td>WD.</td> <td>J2</td> <td>PTD.</td> <td>-</td> <td>331</td> <td>3\"/> <tr> <td>341B</td> <td>ETR</td> <td>-</td> <td>WD.</td> <td>J2</td> <td>PTD.</td> <td>-</td> <td>333</td> <td>3\"/> <tr> <td>342</td> <td>ETR</td> <td>-</td> <td>WD.</td> <td>J2</td> <td>PTD.</td> <td>-</td> <td>334A</td> <td>3\"/> <tr> <td>344</td> <td>ETR</td> <td>-</td> <td>WD.</td> <td>J2</td> <td>PTD.</td> <td>-</td> <td>334B</td> <td>3\"/> <tr> <td>345</td> <td>ETR</td> <td>-</td> <td>WD.</td> <td>J2</td> <td>PTD.</td> <td>-</td> <td>335A</td> <td>3\"/> <tr> <td>346</td> <td>ETR</td> <td>-</td> <td>WD.</td> <td>J2</td> <td>PTD.</td> <td>-</td> <td>335B</td> <td>3\"/> <tr> <td>347</td> <td>ETR</td> <td>-</td> <td>WD.</td> <td>J2</td> <td>PTD.</td> <td>-</td> <td>336</td> <td>3\"/> <tr> <td>348</td> <td>ETR</td> <td>-</td> <td>WD.</td> <td>J2</td> <td>PTD.</td> <td>-</td> <td>337</td> <td>3\"/> <tr> <td>349</td> <td>ETR</td> <td>-</td> <td>WD.</td> <td>J2</td> <td>PTD.</td> <td>-</td> <td>339</td> <td>3\"/> <tr> <td>350</td> <td>ETR</td> <td>-</td> <td>WD.</td> <td>J2</td> <td>PTD.</td> <td>-</td> <td>340</td> <td>3\"/> </td></tr></td></tr></td></tr></td></tr></td></tr></td></tr></td></tr></td></tr></td></tr></td></tr></td></tr></td></tr> | 339 | ETR | - | WD. | J2 | PTD. | - | 329B | 3\"/> <tr> <td>340</td> <td>A</td> <td>3\"/> <tr> <td>341A</td> <td>ETR</td> <td>-</td> <td>WD.</td> <td>J2</td> <td>PTD.</td> <td>-</td> <td>331</td> <td>3\"/> <tr> <td>341B</td> <td>ETR</td>
<td>-</td> <td>WD.</td> <td>J2</td> <td>PTD.</td> <td>-</td> <td>333</td> <td>3\"/> <tr> <td>342</td> <td>ETR</td> <td>-</td> <td>WD.</td> <td>J2</td> <td>PTD.</td> <td>-</td> <td>334A</td> <td>3\"/> <tr> <td>344</td> <td>ETR</td> <td>-</td> <td>WD.</td> <td>J2</td> <td>PTD.</td> <td>-</td> <td>334B</td> <td>3\"/> <tr> <td>345</td> <td>ETR</td> <td>-</td> <td>WD.</td> <td>J2</td> <td>PTD.</td> <td>-</td> <td>335A</td> <td>3\"/> <tr> <td>346</td> <td>ETR</td> <td>-</td> <td>WD.</td> <td>J2</td> <td>PTD.</td> <td>-</td> <td>335B</td> <td>3\"/> <tr> <td>347</td> <td>ETR</td> <td>-</td> <td>WD.</td> <td>J2</td> <td>PTD.</td> <td>-</td> <td>336</td> <td>3\"/> <tr> <td>348</td> <td>ETR</td> <td>-</td> <td>WD.</td> <td>J2</td> <td>PTD.</td> <td>-</td> <td>337</td> <td>3\"/> <tr> <td>349</td> <td>ETR</td> <td>-</td> <td>WD.</td> <td>J2</td> <td>PTD.</td> <td>-</td> <td>339</td> <td>3\"/> <tr> <td>350</td> <td>ETR</td> <td>-</td> <td>WD.</td> <td>J2</td> <td>PTD.</td> <td>-</td> <td>340</td> <td>3\"/> </td></tr></td></tr></td></tr></td></tr></td></tr></td></tr></td></tr></td></tr></td></tr></td></tr></td></tr> | 340 | A | 3\"/> <tr> <td>341A</td> <td>ETR</td> <td>-</td> <td>WD.</td> <td>J2</td> <td>PTD.</td> <td>-</td> <td>331</td> <td>3\"/> <tr> <td>341B</td> <td>ETR</td> <td>-</td> <td>WD.</td> <td>J2</td> <td>PTD.</td> <td>-</td> <td>333</td> <td>3\"/> <tr> <td>342</td> <td>ETR</td> <td>-</td> <td>WD.</td> <td>J2</td> <td>PTD.</td> <td>-</td> <td>334A</td> <td>3\"/> <tr> <td>344</td> <td>ETR</td> <td>-</td> <td>WD.</td> <td>J2</td> <td>PTD.</td> <td>-</td> <td>334B</td> <td>3\"/> <tr> <td>345</td> <td>ETR</td> <td>-</td> <td>WD.</td> <td>J2</td> <td>PTD.</td> <td>-</td> <td>335A</td> <td>3\"/> <tr> <td>346</td> <td>ETR</td> <td>-</td> <td>WD.</td> <td>J2</td> <td>PTD.</td> <td>-</td> <td>335B</td> <td>3\"/> <tr> <td>347</td> <td>ETR</td> <td>-</td> <td>WD.</td> <td>J2</td> <td>PTD.</td> <td>-</td> <td>336</td> <td>3\"/> <tr> <td>348</td> <td>ETR</td> <td>-</td> <td>WD.</td> <td>J2</td> <td>PTD.</td> <td>-</td> <td>337</td> <td>3\"/> <tr> <td>349</td> <td>ETR</td> <td>-</td> <td>WD.</td> <td>J2</td> <td>PTD.</td> <td>-</td> <td>339</td> <td>3\"/> <tr> <td>350</td> <td>ETR</td> <td>-</td> <td>WD.</td> <td>J2</td> <td>PTD.</td> <td>-</td> <td>340</td> <td>3\"/> </td></tr></td></tr></td></tr></td></tr></td></tr></td></tr></td></tr></td></tr></td></tr></td></tr> | 341A | ETR | - | WD. | J2 | PTD.
 | - | 331 | 3\"/> <tr> <td>341B</td> <td>ETR</td> <td>-</td> <td>WD.</td> <td>J2</td> <td>PTD.</td> <td>-</td> <td>333</td> <td>3\"/> <tr> <td>342</td> <td>ETR</td> <td>-</td> <td>WD.</td> <td>J2</td> <td>PTD.</td> <td>-</td> <td>334A</td> <td>3\"/> <tr> <td>344</td> <td>ETR</td> <td>-</td> <td>WD.</td> <td>J2</td> <td>PTD.</td> <td>-</td> <td>334B</td> <td>3\"/> <tr> <td>345</td> <td>ETR</td> <td>-</td> <td>WD.</td> <td>J2</td> <td>PTD.</td> <td>-</td> <td>335A</td> <td>3\"/> <tr> <td>346</td> <td>ETR</td> <td>-</td> <td>WD.</td> <td>J2</td> <td>PTD.</td> <td>-</td> <td>335B</td> <td>3\"/> <tr> <td>347</td> <td>ETR</td> <td>-</td> <td>WD.</td> <td>J2</td> <td>PTD.</td> <td>-</td> <td>336</td> <td>3\"/> <tr> <td>348</td> <td>ETR</td> <td>-</td> <td>WD.</td> <td>J2</td> <td>PTD.</td> <td>-</td> <td>337</td> <td>3\"/> <tr> <td>349</td> <td>ETR</td> <td>-</td> <td>WD.</td> <td>J2</td> <td>PTD.</td> <td>-</td> <td>339</td> <td>3\"/> <tr> <td>350</td> <td>ETR</td> <td>-</td> <td>WD.</td> <td>J2</td> <td>PTD.</td> <td>-</td> <td>340</td> <td>3\"/> </td></tr></td></tr></td></tr></td></tr></td></tr></td></tr></td></tr></td></tr></td></tr> | 341B | ETR | - | WD. | J2 | PTD. | - | 333 | 3\"/> <tr> <td>342</td> <td>ETR</td> <td>-</td> <td>WD.</td> <td>J2</td> <td>PTD.</td> <td>-</td> <td>334A</td> <td>3\"/> <tr> <td>344</td> <td>ETR</td> <td>-</td> <td>WD.</td> <td>J2</td> <td>PTD.</td> <td>-</td> <td>334B</td> <td>3\"/> <tr> <td>345</td> <td>ETR</td> <td>-</td> <td>WD.</td> <td>J2</td> <td>PTD.</td> <td>-</td> <td>335A</td> <td>3\"/> <tr> <td>346</td> <td>ETR</td> <td>-</td> <td>WD.</td> <td>J2</td> <td>PTD.</td> <td>-</td> <td>335B</td> <td>3\"/> <tr> <td>347</td> <td>ETR</td> <td>-</td> <td>WD.</td> <td>J2</td> <td>PTD.</td> <td>-</td> <td>336</td> <td>3\"/> <tr> <td>348</td> <td>ETR</td> <td>-</td> <td>WD.</td> <td>J2</td> <td>PTD.</td> <td>-</td> <td>337</td> <td>3\"/> <tr> <td>349</td> <td>ETR</td> <td>-</td> <td>WD.</td> <td>J2</td> <td>PTD.</td> <td>-</td> <td>339</td> <td>3\"/> <tr> <td>350</td> <td>ETR</td> <td>-</td> <td>WD.</td> <td>J2</td> <td>PTD.</td> <td>-</td> <td>340</td> <td>3\"/> </td></tr></td></tr></td></tr></td></tr></td></tr></td></tr></td></tr></td></tr>
 | 342 | ETR | - | WD. | J2 | PTD. | - | 334A | 3\"/> <tr> <td>344</td> <td>ETR</td> <td>-</td> <td>WD.</td> <td>J2</td> <td>PTD.</td> <td>-</td> <td>334B</td> <td>3\"/> <tr> <td>345</td> <td>ETR</td> <td>-</td> <td>WD.</td> <td>J2</td> <td>PTD.</td> <td>-</td> <td>335A</td> <td>3\"/> <tr> <td>346</td> <td>ETR</td> <td>-</td> <td>WD.</td> <td>J2</td> <td>PTD.</td> <td>-</td> <td>335B</td> <td>3\"/> <tr> <td>347</td> <td>ETR</td> <td>-</td> <td>WD.</td> <td>J2</td> <td>PTD.</td> <td>-</td> <td>336</td> <td>3\"/> <tr> <td>348</td> <td>ETR</td> <td>-</td> <td>WD.</td> <td>J2</td> <td>PTD.</td> <td>-</td> <td>337</td> <td>3\"/> <tr> <td>349</td> <td>ETR</td> <td>-</td> <td>WD.</td> <td>J2</td> <td>PTD.</td> <td>-</td> <td>339</td> <td>3\"/> <tr> <td>350</td> <td>ETR</td> <td>-</td> <td>WD.</td> <td>J2</td> <td>PTD.</td> <td>-</td> <td>340</td> <td>3\"/> </td></tr></td></tr></td></tr></td></tr></td></tr></td></tr></td></tr> | 344 | ETR | -
 | WD. | J2 | PTD. | - | 334B | 3\"/> <tr> <td>345</td> <td>ETR</td> <td>-</td> <td>WD.</td> <td>J2</td> <td>PTD.</td> <td>-</td> <td>335A</td> <td>3\"/> <tr> <td>346</td> <td>ETR</td> <td>-</td> <td>WD.</td> <td>J2</td> <td>PTD.</td> <td>-</td> <td>335B</td> <td>3\"/> <tr> <td>347</td> <td>ETR</td> <td>-</td> <td>WD.</td> <td>J2</td> <td>PTD.</td> <td>-</td> <td>336</td> <td>3\"/> <tr> <td>348</td> <td>ETR</td> <td>-</td> <td>WD.</td> <td>J2</td> <td>PTD.</td> <td>-</td> <td>337</td> <td>3\"/> <tr> <td>349</td> <td>ETR</td> <td>-</td> <td>WD.</td> <td>J2</td> <td>PTD.</td> <td>-</td> <td>339</td> <td>3\"/> <tr> <td>350</td> <td>ETR</td> <td>-</td> <td>WD.</td> <td>J2</td> <td>PTD.</td> <td>-</td> <td>340</td> <td>3\"/> </td></tr></td></tr></td></tr></td></tr></td></tr></td></tr> | 345 | ETR | - | WD. | J2 | PTD. | - | 335A | 3\"/> <tr> <td>346</td> <td>ETR</td> <td>-</td> <td>WD.</td> <td>J2</td> <td>PTD.</td> <td>-</td> <td>335B</td> <td>3\"/> <tr> <td>347</td> <td>ETR</td> <td>-</td> <td>WD.</td> <td>J2</td> <td>PTD.</td> <td>-</td> <td>336</td> <td>3\"/> <tr> <td>348</td> <td>ETR</td> <td>-</td> <td>WD.</td> <td>J2</td> <td>PTD.</td> <td>-</td> <td>337</td> <td>3\"/> <tr> <td>349</td> <td>ETR</td> <td>-</td> <td>WD.</td> <td>J2</td> <td>PTD.</td> <td>-</td> <td>339</td> <td>3\"/> <tr> <td>350</td> <td>ETR</td> <td>-</td> <td>WD.</td> <td>J2</td> <td>PTD.</td> <td>-</td> <td>340</td> <td>3\"/> </td></tr></td></tr></td></tr></td></tr></td></tr>
 | 346 | ETR | - | WD. | J2 | PTD. | - | 335B | 3\"/> <tr> <td>347</td> <td>ETR</td> <td>-</td> <td>WD.</td> <td>J2</td> <td>PTD.</td> <td>-</td> <td>336</td> <td>3\"/> <tr> <td>348</td> <td>ETR</td> <td>-</td> <td>WD.</td> <td>J2</td> <td>PTD.</td> <td>-</td> <td>337</td> <td>3\"/> <tr> <td>349</td> <td>ETR</td> <td>-</td> <td>WD.</td> <td>J2</td> <td>PTD.</td> <td>-</td> <td>339</td> <td>3\"/> <tr> <td>350</td> <td>ETR</td> <td>-</td> <td>WD.</td> <td>J2</td> <td>PTD.</td> <td>-</td> <td>340</td> <td>3\"/> </td></tr></td></tr></td></tr></td></tr> | 347 | ETR | - | WD. | J2 | PTD.
 | - | 336 | 3\"/> <tr> <td>348</td> <td>ETR</td> <td>-</td> <td>WD.</td> <td>J2</td> <td>PTD.</td> <td>-</td> <td>337</td> <td>3\"/> <tr> <td>349</td> <td>ETR</td> <td>-</td> <td>WD.</td> <td>J2</td> <td>PTD.</td> <td>-</td> <td>339</td> <td>3\"/> <tr> <td>350</td> <td>ETR</td> <td>-</td> <td>WD.</td> <td>J2</td> <td>PTD.</td> <td>-</td> <td>340</td> <td>3\"/> </td></tr></td></tr></td></tr> | 348 | ETR | - | WD. | J2 | PTD. | - | 337 | 3\"/> <tr> <td>349</td> <td>ETR</td> <td>-</td> <td>WD.</td> <td>J2</td> <td>PTD.</td> <td>-</td> <td>339</td> <td>3\"/> <tr> <td>350</td> <td>ETR</td> <td>-</td> <td>WD.</td> <td>J2</td> <td>PTD.</td> <td>-</td> <td>340</td> <td>3\"/> </td></tr></td></tr> | 349 | ETR | - | WD. | J2 | PTD.
 | - | 339 | 3\"/> <tr> <td>350</td> <td>ETR</td> <td>-</td> <td>WD.</td> <td>J2</td> <td>PTD.</td> <td>-</td> <td>340</td> <td>3\"/> </td></tr> | 350 | ETR | - | WD. | J2 | PTD. | - | 340 | 3\"/> | | | | | | | | | | | | | | | | | | | | | | | | | | | | | | | | | | | | | | | | | | | | | | | | | | | | | | |
 | | | | | | | | | | | | | | | | | | | | | | | | | | |
 | | | | | | | | | | | | | | | | | | | | | | | | | | | | | | | | | | | | | | | | | | | | | | | | | | | | | | | | | | | | | | | | | | |
| 319 | ETR | - | WD. | J2 | PTD. | - | 312A | 3\"/> <tr> <td>320</td> <td>ETR</td> <td>-</td> <td>WD.</td> <td>J2</td> <td>PTD.</td> <td>-</td> <td>313</td> <td>3\"/> <tr> <td>321</td> <td>ETR</td> <td>-</td> <td>WD.</td> <td>J2</td> <td>PTD.</td> <td>-</td> <td>314</td> <td>3\"/> <tr> <td>322</td> <td>ETR</td> <td>-</td> <td>WD.</td> <td>J2</td> <td>PTD.</td> <td>-</td> <td>315</td> <td>3\"/> <tr> <td>323</td> <td>ETR</td> <td>-</td> <td>WD.</td> <td>J2</td> <td>PTD.</td> <td>-</td> <td>316A</td> <td>3\"/> <tr> <td>324</td> <td>ETR</td> <td>-</td> <td>WD.</td> <td>J2</td> <td>PTD.</td> <td>-</td> <td>318</td> <td>3\"/> <tr> <td>325</td> <td>A</td> <td>3\"/> <tr> <td>327</td> <td>ETR</td> <td>-</td> <td>WD.</td> <td>J2</td> <td>PTD.</td> <td>-</td> <td>319</td> <td>3\"/> <tr> <td>328</td> <td>ETR</td> <td>-</td> <td>WD.</td> <td>J2</td> <td>PTD.</td> <td>-</td> <td>320</td> <td>3\"/> <tr> <td>329A</td> <td>ETR</td> <td>-</td> <td>WD.</td> <td>J2</td> <td>PTD.</td> <td>-</td> <td>321</td> <td>3\"/> <tr> <td>329B</td> <td>ETR</td> <td>-</td> <td>WD.</td> <td>J2</td> <td>PTD.</td> <td>-</td> <td>322</td> <td>3\"/> <tr> <td>331</td> <td>ETR</td> <td>-</td> <td>WD.</td> <td>J2</td> <td>PTD.</td> <td>-</td> <td>323</td> <td>3\"/> <tr> <td>333</td> <td>ETR</td> <td>-</td> <td>WD.</td> <td>J2</td> <td>PTD.</td> <td>-</td> <td>324</td> <td>3\"/> <tr> <td>334A</td> <td>ETR</td> <td>-</td> <td>WD.</td> <td>J2</td> <td>PTD.</td> <td>-</td> <td>325</td> <td>3\"/> <tr> <td>334B</td> <td>ETR</td> <td>-</td> <td>WD.</td> <td>J2</td> <td>PTD.</td> <td>-</td> <td>327</td> <td>3\"/> <tr> <td>335A</td> <td>ETR</td> <td>-</td> <td>WD.</td> <td>J2</td> <td>PTD.</td> <td>-</td> <td>328</td> <td>3\"/> <tr> <td>335B</td> <td>B</td> <td>3\"/> <tr> <td>336</td> <td>B</td> <td>3\"/> <tr> <td>337</td> <td>ETR</td> <td>-</td> <td>WD.</td> <td>J2</td> <td>PTD.</td> <td>-</td> <td>329A</td> <td>3\"/> <tr> <td>339</td> <td>ETR</td> <td>-</td> <td>WD.</td> <td>J2</td> <td>PTD.</td> <td>-</td> <td>329B</td> <td>3\"/> <tr> <td>340</td> <td>A</td> <td>3\"/> <tr> <td>341A</td> <td>ETR</td> <td>-</td> <td>WD.</td> <td>J2</td> <td>PTD.</td> <td>-</td> <td>331</td> <td>3\"/> <tr> <td>341B</td> <td>ETR</td> <td>-</td> <td>WD.</td> <td>J2</td> <td>PTD.</td> <td>-</td> <td>333</td> <td>3\"/> <tr> <td>342</td> <td>ETR</td> <td>-</td> <td>WD.</td> <td>J2</td> <td>PTD.</td> <td>-</td> <td>334A</td> <td>3\"/> <tr> <td>344</td> <td>ETR</td> <td>-</td> <td>WD.</td> <td>J2</td> <td>PTD.</td> <td>-</td> <td>334B</td> <td>3\"/> <tr> <td>345</td> <td>ETR</td> <td>-</td> <td>WD.</td> <td>J2</td> <td>PTD.</td> <td>-</td> <td>335A</td> <td>3\"/> <tr> <td>346</td> <td>ETR</td> <td>-</td> <td>WD.</td> <td>J2</td> <td>PTD.</td> <td>-</td> <td>335B</td> <td>3\"/> <tr> <td>347</td> <td>ETR</td> <td>-</td> <td>WD.</td> <td>J2</td> <td>PTD.</td> <td>-</td> <td>336</td> <td>3\"/> <tr> <td>348</td> <td>ETR</td> <td>-</td> <td>WD.</td> <td>J2</td> <td>PTD.</td>
<td>-</td> <td>337</td> <td>3\"/> <tr> <td>349</td> <td>ETR</td> <td>-</td> <td>WD.</td> <td>J2</td> <td>PTD.</td> <td>-</td> <td>339</td> <td>3\"/> <tr> <td>350</td> <td>ETR</td> <td>-</td> <td>WD.</td> <td>J2</td> <td>PTD.</td> <td>-</td> <td>340</td> <td>3\"/> </td></tr></td></tr></td></tr></td></tr></td></tr></td></tr></td></tr></td></tr></td></tr></td></tr></td></tr></td></tr></td></tr></td></tr></td></tr></td></tr></td></tr></td></tr></td></tr></td></tr></td></tr></td></tr></td></tr></td></tr></td></tr></td></tr></td></tr></td></tr></td></tr></td></tr> | 320 | ETR | - | WD. | J2 | PTD.
 | - | 313 | 3\"/> <tr> <td>321</td> <td>ETR</td> <td>-</td> <td>WD.</td> <td>J2</td> <td>PTD.</td> <td>-</td> <td>314</td> <td>3\"/> <tr> <td>322</td> <td>ETR</td> <td>-</td> <td>WD.</td> <td>J2</td> <td>PTD.</td> <td>-</td> <td>315</td> <td>3\"/> <tr> <td>323</td> <td>ETR</td> <td>-</td> <td>WD.</td> <td>J2</td> <td>PTD.</td> <td>-</td> <td>316A</td> <td>3\"/> <tr> <td>324</td> <td>ETR</td> <td>-</td> <td>WD.</td> <td>J2</td> <td>PTD.</td> <td>-</td> <td>318</td> <td>3\"/> <tr> <td>325</td> <td>A</td> <td>3\"/> <tr> <td>327</td> <td>ETR</td> <td>-</td> <td>WD.</td> <td>J2</td> <td>PTD.</td> <td>-</td> <td>319</td> <td>3\"/> <tr> <td>328</td> <td>ETR</td> <td>-</td> <td>WD.</td> <td>J2</td> <td>PTD.</td> <td>-</td> <td>320</td> <td>3\"/> <tr> <td>329A</td> <td>ETR</td> <td>-</td> <td>WD.</td> <td>J2</td> <td>PTD.</td> <td>-</td> <td>321</td> <td>3\"/> <tr> <td>329B</td> <td>ETR</td> <td>-</td> <td>WD.</td> <td>J2</td> <td>PTD.</td> <td>-</td> <td>322</td> <td>3\"/> <tr> <td>331</td> <td>ETR</td> <td>-</td> <td>WD.</td> <td>J2</td> <td>PTD.</td> <td>-</td> <td>323</td> <td>3\"/> <tr> <td>333</td> <td>ETR</td> <td>-</td> <td>WD.</td> <td>J2</td> <td>PTD.</td> <td>-</td> <td>324</td> <td>3\"/> <tr> <td>334A</td> <td>ETR</td> <td>-</td> <td>WD.</td> <td>J2</td> <td>PTD.</td> <td>-</td> <td>325</td> <td>3\"/> <tr> <td>334B</td> <td>ETR</td> <td>-</td> <td>WD.</td> <td>J2</td> <td>PTD.</td> <td>-</td> <td>327</td> <td>3\"/> <tr> <td>335A</td> <td>ETR</td> <td>-</td> <td>WD.</td> <td>J2</td> <td>PTD.</td> <td>-</td> <td>328</td> <td>3\"/> <tr> <td>335B</td> <td>B</td> <td>3\"/> <tr> <td>336</td> <td>B</td> <td>3\"/> <tr> <td>337</td> <td>ETR</td> <td>-</td> <td>WD.</td> <td>J2</td> <td>PTD.</td> <td>-</td> <td>329A</td> <td>3\"/> <tr> <td>339</td> <td>ETR</td> <td>-</td> <td>WD.</td> <td>J2</td> <td>PTD.</td> <td>-</td> <td>329B</td> <td>3\"/> <tr> <td>340</td> <td>A</td> <td>3\"/> <tr> <td>341A</td> <td>ETR</td> <td>-</td> <td>WD.</td> <td>J2</td> <td>PTD.</td> <td>-</td> <td>331</td> <td>3\"/> <tr> <td>341B</td> <td>ETR</td> <td>-</td> <td>WD.</td> <td>J2</td> <td>PTD.</td> <td>-</td> <td>333</td> <td>3\"/> <tr> <td>342</td> <td>ETR</td> <td>-</td> <td>WD.</td> <td>J2</td> <td>PTD.</td> <td>-</td> <td>334A</td> <td>3\"/> <tr> <td>344</td> <td>ETR</td> <td>-</td> <td>WD.</td> <td>J2</td> <td>PTD.</td> <td>-</td> <td>334B</td> <td>3\"/> <tr> <td>345</td> <td>ETR</td> <td>-</td> <td>WD.</td> <td>J2</td> <td>PTD.</td> <td>-</td> <td>335A</td> <td>3\"/> <tr> <td>346</td> <td>ETR</td> <td>-</td> <td>WD.</td> <td>J2</td> <td>PTD.</td> <td>-</td> <td>335B</td> <td>3\"/> <tr> <td>347</td> <td>ETR</td> <td>-</td> <td>WD.</td> <td>J2</td> <td>PTD.</td> <td>-</td> <td>336</td> <td>3\"/> <tr> <td>348</td> <td>ETR</td> <td>-</td> <td>WD.</td> <td>J2</td> <td>PTD.</td> <td>-</td> <td>337</td> <td>3\"/> <tr> <td>349</td> <td>ETR</td> <td>-</td> <td>WD.</td> <td>J2</td> <td>PTD.</td> <td>-</td> <td>339</td> <td>3\"/> <tr> <td>350</td> <td>ETR</td> <td>-</td> <td>WD.</td> <td>J2</td> <td>PTD.</td> <td>-</td> <td>340</td> <td>3\"/> </td></tr></td></tr></td></tr></td></tr></td></tr></td></tr></td></tr></td></tr></td></tr></td></tr></td></tr></td></tr></td></tr></td></tr></td></tr></td></tr></td></tr></td></tr></td></tr></td></tr></td></tr></td></tr></td></tr></td></tr></td></tr></td></tr></td></tr></td></tr></td></tr> | 321 | ETR | -
 | WD. | J2 | PTD. | - | 314 | 3\"/> <tr> <td>322</td> <td>ETR</td> <td>-</td> <td>WD.</td> <td>J2</td> <td>PTD.</td> <td>-</td> <td>315</td> <td>3\"/> <tr> <td>323</td> <td>ETR</td> <td>-</td> <td>WD.</td> <td>J2</td> <td>PTD.</td> <td>-</td> <td>316A</td> <td>3\"/> <tr> <td>324</td> <td>ETR</td> <td>-</td> <td>WD.</td> <td>J2</td> <td>PTD.</td> <td>-</td> <td>318</td> <td>3\"/> <tr> <td>325</td> <td>A</td> <td>3\"/> <tr> <td>327</td> <td>ETR</td> <td>-</td> <td>WD.</td> <td>J2</td> <td>PTD.</td> <td>-</td> <td>319</td> <td>3\"/> <tr> <td>328</td> <td>ETR</td> <td>-</td> <td>WD.</td> <td>J2</td> <td>PTD.</td> <td>-</td> <td>320</td> <td>3\"/> <tr> <td>329A</td> <td>ETR</td> <td>-</td> <td>WD.</td> <td>J2</td> <td>PTD.</td> <td>-</td> <td>321</td> <td>3\"/> <tr> <td>329B</td> <td>ETR</td> <td>-</td> <td>WD.</td> <td>J2</td> <td>PTD.</td> <td>-</td> <td>322</td> <td>3\"/> <tr> <td>331</td> <td>ETR</td> <td>-</td> <td>WD.</td> <td>J2</td> <td>PTD.</td> <td>-</td> <td>323</td> <td>3\"/> <tr> <td>333</td> <td>ETR</td> <td>-</td> <td>WD.</td> <td>J2</td> <td>PTD.</td> <td>-</td> <td>324</td> <td>3\"/> <tr> <td>334A</td> <td>ETR</td> <td>-</td> <td>WD.</td> <td>J2</td> <td>PTD.</td> <td>-</td> <td>325</td> <td>3\"/> <tr> <td>334B</td> <td>ETR</td> <td>-</td> <td>WD.</td> <td>J2</td> <td>PTD.</td> <td>-</td> <td>327</td> <td>3\"/> <tr> <td>335A</td> <td>ETR</td> <td>-</td> <td>WD.</td> <td>J2</td> <td>PTD.</td> <td>-</td> <td>328</td> <td>3\"/> <tr> <td>335B</td> <td>B</td> <td>3\"/> <tr> <td>336</td> <td>B</td> <td>3\"/> <tr> <td>337</td> <td>ETR</td> <td>-</td> <td>WD.</td> <td>J2</td> <td>PTD.</td> <td>-</td> <td>329A</td> <td>3\"/> <tr> <td>339</td> <td>ETR</td> <td>-</td> <td>WD.</td> <td>J2</td> <td>PTD.</td> <td>-</td> <td>329B</td> <td>3\"/> <tr> <td>340</td> <td>A</td> <td>3\"/> <tr> <td>341A</td> <td>ETR</td> <td>-</td> <td>WD.</td> <td>J2</td> <td>PTD.</td> <td>-</td> <td>331</td> <td>3\"/> <tr> <td>341B</td> <td>ETR</td> <td>-</td> <td>WD.</td> <td>J2</td> <td>PTD.</td> <td>-</td> <td>333</td> <td>3\"/> <tr> <td>342</td> <td>ETR</td> <td>-</td> <td>WD.</td> <td>J2</td> <td>PTD.</td> <td>-</td> <td>334A</td> <td>3\"/> <tr> <td>344</td> <td>ETR</td> <td>-</td> <td>WD.</td> <td>J2</td> <td>PTD.</td> <td>-</td> <td>334B</td> <td>3\"/> <tr> <td>345</td> <td>ETR</td> <td>-</td> <td>WD.</td> <td>J2</td> <td>PTD.</td> <td>-</td> <td>335A</td> <td>3\"/> <tr> <td>346</td> <td>ETR</td> <td>-</td> <td>WD.</td> <td>J2</td> <td>PTD.</td> <td>-</td> <td>335B</td> <td>3\"/> <tr> <td>347</td> <td>ETR</td> <td>-</td>
<td>WD.</td> <td>J2</td> <td>PTD.</td> <td>-</td> <td>336</td> <td>3\"/> <tr> <td>348</td> <td>ETR</td> <td>-</td> <td>WD.</td> <td>J2</td> <td>PTD.</td> <td>-</td> <td>337</td> <td>3\"/> <tr> <td>349</td> <td>ETR</td> <td>-</td> <td>WD.</td> <td>J2</td> <td>PTD.</td> <td>-</td> <td>339</td> <td>3\"/> <tr> <td>350</td> <td>ETR</td> <td>-</td> <td>WD.</td> <td>J2</td> <td>PTD.</td> <td>-</td> <td>340</td> <td>3\"/> </td></tr></td></tr></td></tr></td></tr></td></tr></td></tr></td></tr></td></tr></td></tr></td></tr></td></tr></td></tr></td></tr></td></tr></td></tr></td></tr></td></tr></td></tr></td></tr></td></tr></td></tr></td></tr></td></tr></td></tr></td></tr></td></tr></td></tr></td></tr> | 322 | ETR | - | WD. | J2 | PTD.
 | - | 315 | 3\"/> <tr> <td>323</td> <td>ETR</td> <td>-</td> <td>WD.</td> <td>J2</td> <td>PTD.</td> <td>-</td> <td>316A</td> <td>3\"/> <tr> <td>324</td> <td>ETR</td> <td>-</td> <td>WD.</td> <td>J2</td> <td>PTD.</td> <td>-</td> <td>318</td> <td>3\"/> <tr> <td>325</td> <td>A</td> <td>3\"/> <tr> <td>327</td> <td>ETR</td> <td>-</td> <td>WD.</td> <td>J2</td> <td>PTD.</td> <td>-</td> <td>319</td> <td>3\"/> <tr> <td>328</td> <td>ETR</td> <td>-</td> <td>WD.</td> <td>J2</td> <td>PTD.</td> <td>-</td> <td>320</td> <td>3\"/> <tr> <td>329A</td> <td>ETR</td> <td>-</td> <td>WD.</td> <td>J2</td> <td>PTD.</td> <td>-</td> <td>321</td> <td>3\"/> <tr> <td>329B</td> <td>ETR</td> <td>-</td> <td>WD.</td> <td>J2</td> <td>PTD.</td> <td>-</td> <td>322</td> <td>3\"/> <tr> <td>331</td> <td>ETR</td> <td>-</td> <td>WD.</td> <td>J2</td> <td>PTD.</td> <td>-</td> <td>323</td> <td>3\"/> <tr> <td>333</td> <td>ETR</td> <td>-</td> <td>WD.</td> <td>J2</td> <td>PTD.</td> <td>-</td> <td>324</td> <td>3\"/> <tr> <td>334A</td> <td>ETR</td> <td>-</td> <td>WD.</td> <td>J2</td> <td>PTD.</td> <td>-</td> <td>325</td> <td>3\"/> <tr> <td>334B</td> <td>ETR</td> <td>-</td> <td>WD.</td> <td>J2</td> <td>PTD.</td> <td>-</td> <td>327</td> <td>3\"/> <tr> <td>335A</td> <td>ETR</td> <td>-</td> <td>WD.</td> <td>J2</td> <td>PTD.</td> <td>-</td> <td>328</td> <td>3\"/> <tr> <td>335B</td> <td>B</td> <td>3\"/> <tr> <td>336</td> <td>B</td> <td>3\"/> <tr> <td>337</td> <td>ETR</td> <td>-</td> <td>WD.</td> <td>J2</td> <td>PTD.</td> <td>-</td> <td>329A</td> <td>3\"/> <tr> <td>339</td> <td>ETR</td> <td>-</td> <td>WD.</td> <td>J2</td> <td>PTD.</td> <td>-</td> <td>329B</td> <td>3\"/> <tr> <td>340</td> <td>A</td> <td>3\"/> <tr> <td>341A</td> <td>ETR</td> <td>-</td> <td>WD.</td> <td>J2</td> <td>PTD.</td> <td>-</td> <td>331</td> <td>3\"/> <tr> <td>341B</td> <td>ETR</td> <td>-</td> <td>WD.</td> <td>J2</td> <td>PTD.</td> <td>-</td> <td>333</td> <td>3\"/> <tr> <td>342</td> <td>ETR</td> <td>-</td> <td>WD.</td> <td>J2</td> <td>PTD.</td> <td>-</td> <td>334A</td> <td>3\"/> <tr> <td>344</td> <td>ETR</td> <td>-</td> <td>WD.</td> <td>J2</td> <td>PTD.</td> <td>-</td> <td>334B</td> <td>3\"/> <tr> <td>345</td> <td>ETR</td> <td>-</td> <td>WD.</td> <td>J2</td> <td>PTD.</td> <td>-</td> <td>335A</td> <td>3\"/> <tr> <td>346</td> <td>ETR</td> <td>-</td> <td>WD.</td> <td>J2</td> <td>PTD.</td> <td>-</td> <td>335B</td> <td>3\"/> <tr> <td>347</td> <td>ETR</td> <td>-</td> <td>WD.</td> <td>J2</td> <td>PTD.</td> <td>-</td> <td>336</td> <td>3\"/> <tr> <td>348</td> <td>ETR</td> <td>-</td> <td>WD.</td> <td>J2</td> <td>PTD.</td> <td>-</td> <td>337</td> <td>3\"/> <tr> <td>349</td> <td>ETR</td> <td>-</td> <td>WD.</td> <td>J2</td> <td>PTD.</td> <td>-</td> <td>339</td> <td>3\"/> <tr> <td>350</td> <td>ETR</td> <td>-</td> <td>WD.</td> <td>J2</td> <td>PTD.</td> <td>-</td> <td>340</td> <td>3\"/> </td></tr></td></tr></td></tr></td></tr></td></tr></td></tr></td></tr></td></tr></td></tr></td></tr></td></tr></td></tr></td></tr></td></tr></td></tr></td></tr></td></tr></td></tr></td></tr></td></tr></td></tr></td></tr></td></tr></td></tr></td></tr></td></tr></td></tr> | 323 | ETR | -
 | WD. | J2 | PTD. | - | 316A | 3\"/> <tr> <td>324</td> <td>ETR</td> <td>-</td> <td>WD.</td> <td>J2</td> <td>PTD.</td> <td>-</td> <td>318</td> <td>3\"/> <tr> <td>325</td> <td>A</td> <td>3\"/> <tr> <td>327</td> <td>ETR</td> <td>-</td> <td>WD.</td> <td>J2</td> <td>PTD.</td> <td>-</td> <td>319</td> <td>3\"/> <tr> <td>328</td> <td>ETR</td> <td>-</td> <td>WD.</td> <td>J2</td> <td>PTD.</td> <td>-</td> <td>320</td> <td>3\"/> <tr> <td>329A</td> <td>ETR</td> <td>-</td> <td>WD.</td> <td>J2</td> <td>PTD.</td> <td>-</td> <td>321</td> <td>3\"/> <tr> <td>329B</td> <td>ETR</td> <td>-</td> <td>WD.</td> <td>J2</td> <td>PTD.</td> <td>-</td> <td>322</td> <td>3\"/> <tr> <td>331</td> <td>ETR</td> <td>-</td> <td>WD.</td> <td>J2</td> <td>PTD.</td> <td>-</td> <td>323</td> <td>3\"/> <tr> <td>333</td> <td>ETR</td> <td>-</td> <td>WD.</td> <td>J2</td> <td>PTD.</td> <td>-</td> <td>324</td> <td>3\"/> <tr> <td>334A</td> <td>ETR</td> <td>-</td> <td>WD.</td> <td>J2</td> <td>PTD.</td> <td>-</td> <td>325</td> <td>3\"/> <tr> <td>334B</td> <td>ETR</td> <td>-</td> <td>WD.</td> <td>J2</td> <td>PTD.</td> <td>-</td> <td>327</td> <td>3\"/> <tr> <td>335A</td> <td>ETR</td> <td>-</td> <td>WD.</td> <td>J2</td> <td>PTD.</td> <td>-</td> <td>328</td> <td>3\"/> <tr> <td>335B</td> <td>B</td> <td>3\"/> <tr> <td>336</td> <td>B</td> <td>3\"/> <tr> <td>337</td> <td>ETR</td> <td>-</td> <td>WD.</td> <td>J2</td> <td>PTD.</td> <td>-</td> <td>329A</td> <td>3\"/> <tr> <td>339</td> <td>ETR</td> <td>-</td> <td>WD.</td> <td>J2</td> <td>PTD.</td> <td>-</td> <td>329B</td> <td>3\"/> <tr> <td>340</td> <td>A</td> <td>3\"/> <tr> <td>341A</td> <td>ETR</td> <td>-</td> <td>WD.</td> <td>J2</td> <td>PTD.</td> <td>-</td> <td>331</td> <td>3\"/> <tr> <td>341B</td> <td>ETR</td> <td>-</td> <td>WD.</td> <td>J2</td> <td>PTD.</td> <td>-</td> <td>333</td> <td>3\"/> <tr> <td>342</td> <td>ETR</td> <td>-</td> <td>WD.</td> <td>J2</td> <td>PTD.</td> <td>-</td> <td>334A</td> <td>3\"/> <tr> <td>344</td> <td>ETR</td> <td>-</td> <td>WD.</td> <td>J2</td> <td>PTD.</td> <td>-</td> <td>334B</td> <td>3\"/> <tr> <td>345</td> <td>ETR</td> <td>-</td> <td>WD.</td> <td>J2</td> <td>PTD.</td> <td>-</td> <td>335A</td> <td>3\"/> <tr> <td>346</td> <td>ETR</td> <td>-</td> <td>WD.</td> <td>J2</td> <td>PTD.</td> <td>-</td> <td>335B</td> <td>3\"/> <tr> <td>347</td> <td>ETR</td> <td>-</td> <td>WD.</td> <td>J2</td> <td>PTD.</td> <td>-</td> <td>336</td> <td>3\"/> <tr> <td>348</td> <td>ETR</td> <td>-</td> <td>WD.</td> <td>J2</td> <td>PTD.</td> <td>-</td> <td>337</td> <td>3\"/> <tr> <td>349</td> <td>ETR</td> <td>-</td> <td>WD.</td> <td>J2</td> <td>PTD.</td> <td>-</td> <td>339</td> <td>3\"/> <tr> <td>350</td> <td>ETR</td> <td>-</td> <td>WD.</td> <td>J2</td> <td>PTD.</td> <td>-</td> <td>340</td> <td>3\"/> </td></tr></td></tr></td></tr></td></tr></td></tr></td></tr></td></tr></td></tr></td></tr></td></tr></td></tr></td></tr></td></tr></td></tr></td></tr></td></tr></td></tr></td></tr></td></tr></td></tr></td></tr></td></tr></td></tr></td></tr></td></tr></td></tr>
 | 324 | ETR | - | WD. | J2 | PTD. | - | 318 | 3\"/> <tr> <td>325</td> <td>A</td> <td>3\"/> <tr> <td>327</td> <td>ETR</td> <td>-</td> <td>WD.</td> <td>J2</td> <td>PTD.</td> <td>-</td> <td>319</td> <td>3\"/> <tr> <td>328</td> <td>ETR</td> <td>-</td> <td>WD.</td> <td>J2</td> <td>PTD.</td> <td>-</td> <td>320</td> <td>3\"/>
<tr> <td>329A</td> <td>ETR</td> <td>-</td> <td>WD.</td> <td>J2</td> <td>PTD.</td> <td>-</td> <td>321</td> <td>3\"/> <tr> <td>329B</td> <td>ETR</td> <td>-</td> <td>WD.</td> <td>J2</td> <td>PTD.</td> <td>-</td> <td>322</td> <td>3\"/> <tr> <td>331</td> <td>ETR</td> <td>-</td> <td>WD.</td> <td>J2</td> <td>PTD.</td> <td>-</td> <td>323</td> <td>3\"/> <tr> <td>333</td> <td>ETR</td> <td>-</td> <td>WD.</td> <td>J2</td> <td>PTD.</td> <td>-</td> <td>324</td> <td>3\"/> <tr> <td>334A</td> <td>ETR</td> <td>-</td> <td>WD.</td> <td>J2</td> <td>PTD.</td> <td>-</td> <td>325</td> <td>3\"/> <tr> <td>334B</td> <td>ETR</td> <td>-</td> <td>WD.</td> <td>J2</td> <td>PTD.</td> <td>-</td> <td>327</td> <td>3\"/> <tr> <td>335A</td> <td>ETR</td> <td>-</td> <td>WD.</td> <td>J2</td> <td>PTD.</td> <td>-</td> <td>328</td> <td>3\"/> <tr> <td>335B</td> <td>B</td> <td>3\"/> <tr> <td>336</td> <td>B</td> <td>3\"/> <tr> <td>337</td> <td>ETR</td> <td>-</td> <td>WD.</td> <td>J2</td> <td>PTD.</td> <td>-</td> <td>329A</td> <td>3\"/> <tr> <td>339</td> <td>ETR</td> <td>-</td> <td>WD.</td> <td>J2</td> <td>PTD.</td> <td>-</td> <td>329B</td> <td>3\"/> <tr> <td>340</td> <td>A</td> <td>3\"/> <tr> <td>341A</td> <td>ETR</td> <td>-</td> <td>WD.</td> <td>J2</td> <td>PTD.</td> <td>-</td> <td>331</td> <td>3\"/> <tr> <td>341B</td> <td>ETR</td> <td>-</td> <td>WD.</td> <td>J2</td> <td>PTD.</td> <td>-</td> <td>333</td> <td>3\"/> <tr> <td>342</td> <td>ETR</td> <td>-</td> <td>WD.</td> <td>J2</td> <td>PTD.</td> <td>-</td> <td>334A</td> <td>3\"/> <tr> <td>344</td> <td>ETR</td> <td>-</td> <td>WD.</td> <td>J2</td> <td>PTD.</td> <td>-</td> <td>334B</td> <td>3\"/> <tr> <td>345</td> <td>ETR</td> <td>-</td> <td>WD.</td> <td>J2</td> <td>PTD.</td> <td>-</td> <td>335A</td> <td>3\"/> <tr> <td>346</td> <td>ETR</td> <td>-</td> <td>WD.</td> <td>J2</td> <td>PTD.</td> <td>-</td> <td>335B</td> <td>3\"/> <tr> <td>347</td> <td>ETR</td> <td>-</td> <td>WD.</td> <td>J2</td> <td>PTD.</td> <td>-</td> <td>336</td> <td>3\"/> <tr> <td>348</td> <td>ETR</td> <td>-</td> <td>WD.</td> <td>J2</td> <td>PTD.</td> <td>-</td> <td>337</td> <td>3\"/> <tr> <td>349</td> <td>ETR</td> <td>-</td> <td>WD.</td> <td>J2</td> <td>PTD.</td> <td>-</td> <td>339</td> <td>3\"/> <tr> <td>350</td> <td>ETR</td> <td>-</td> <td>WD.</td> <td>J2</td> <td>PTD.</td> <td>-</td> <td>340</td> <td>3\"/> </td></tr></td></tr></td></tr></td></tr></td></tr></td></tr></td></tr></td></tr></td></tr></td></tr></td></tr></td></tr></td></tr></td></tr></td></tr></td></tr></td></tr></td></tr></td></tr></td></tr></td></tr></td></tr></td></tr></td></tr></td></tr> | 325 | A | 3\"/> <tr> <td>327</td> <td>ETR</td> <td>-</td> <td>WD.</td> <td>J2</td> <td>PTD.</td> <td>-</td> <td>319</td> <td>3\"/> <tr> <td>328</td> <td>ETR</td> <td>-</td> <td>WD.</td> <td>J2</td> <td>PTD.</td> <td>-</td> <td>320</td> <td>3\"/> <tr> <td>329A</td> <td>ETR</td> <td>-</td> <td>WD.</td> <td>J2</td> <td>PTD.</td> <td>-</td> <td>321</td> <td>3\"/> <tr> <td>329B</td> <td>ETR</td> <td>-</td> <td>WD.</td> <td>J2</td> <td>PTD.</td> <td>-</td> <td>322</td> <td>3\"/> <tr> <td>331</td> <td>ETR</td> <td>-</td> <td>WD.</td> <td>J2</td> <td>PTD.</td> <td>-</td> <td>323</td> <td>3\"/> <tr> <td>333</td> <td>ETR</td> <td>-</td> <td>WD.</td> <td>J2</td> <td>PTD.</td> <td>-</td> <td>324</td> <td>3\"/> <tr> <td>334A</td> <td>ETR</td> <td>-</td> <td>WD.</td> <td>J2</td> <td>PTD.</td> <td>-</td> <td>325</td> <td>3\"/> <tr> <td>334B</td> <td>ETR</td> <td>-</td> <td>WD.</td> <td>J2</td> <td>PTD.</td> <td>-</td> <td>327</td> <td>3\"/> <tr> <td>335A</td> <td>ETR</td> <td>-</td> <td>WD.</td> <td>J2</td> <td>PTD.</td> <td>-</td> <td>328</td> <td>3\"/> <tr> <td>335B</td> <td>B</td> <td>3\"/> <tr> <td>336</td> <td>B</td> <td>3\"/> <tr> <td>337</td> <td>ETR</td> <td>-</td> <td>WD.</td> <td>J2</td> <td>PTD.</td> <td>-</td> <td>329A</td> <td>3\"/> <tr> <td>339</td> <td>ETR</td> <td>-</td> <td>WD.</td> <td>J2</td> <td>PTD.</td> <td>-</td> <td>329B</td> <td>3\"/> <tr> <td>340</td> <td>A</td> <td>3\"/> <tr> <td>341A</td> <td>ETR</td> <td>-</td> <td>WD.</td> <td>J2</td> <td>PTD.</td> <td>-</td> <td>331</td> <td>3\"/> <tr> <td>341B</td> <td>ETR</td> <td>-</td> <td>WD.</td> <td>J2</td> <td>PTD.</td> <td>-</td> <td>333</td> <td>3\"/> <tr> <td>342</td> <td>ETR</td> <td>-</td> <td>WD.</td> <td>J2</td> <td>PTD.</td> <td>-</td> <td>334A</td> <td>3\"/> <tr> <td>344</td> <td>ETR</td> <td>-</td> <td>WD.</td> <td>J2</td> <td>PTD.</td> <td>-</td> <td>334B</td> <td>3\"/> <tr> <td>345</td> <td>ETR</td> <td>-</td> <td>WD.</td> <td>J2</td> <td>PTD.</td> <td>-</td> <td>335A</td> <td>3\"/> <tr> <td>346</td> <td>ETR</td> <td>-</td> <td>WD.</td> <td>J2</td> <td>PTD.</td> <td>-</td> <td>335B</td> <td>3\"/> <tr> <td>347</td> <td>ETR</td> <td>-</td> <td>WD.</td> <td>J2</td> <td>PTD.</td> <td>-</td> <td>336</td> <td>3\"/> <tr> <td>348</td> <td>ETR</td> <td>-</td> <td>WD.</td> <td>J2</td> <td>PTD.</td> <td>-</td> <td>337</td> <td>3\"/> <tr> <td>349</td> <td>ETR</td> <td>-</td> <td>WD.</td> <td>J2</td> <td>PTD.</td> <td>-</td> <td>339</td> <td>3\"/> <tr> <td>350</td> <td>ETR</td> <td>-</td> <td>WD.</td> <td>J2</td> <td>PTD.</td> <td>-</td> <td>340</td> <td>3\"/> </td></tr></td></tr></td></tr></td></tr></td></tr></td></tr></td></tr></td></tr></td></tr></td></tr></td></tr></td></tr></td></tr></td></tr></td></tr></td></tr></td></tr></td></tr></td></tr></td></tr></td></tr></td></tr></td></tr></td></tr> | 327 | ETR | -
 | WD. | J2 | PTD. | - | 319 | 3\"/> <tr> <td>328</td> <td>ETR</td> <td>-</td> <td>WD.</td> <td>J2</td> <td>PTD.</td> <td>-</td> <td>320</td> <td>3\"/> <tr> <td>329A</td> <td>ETR</td> <td>-</td> <td>WD.</td> <td>J2</td> <td>PTD.</td> <td>-</td> <td>321</td> <td>3\"/> <tr> <td>329B</td> <td>ETR</td> <td>-</td> <td>WD.</td> <td>J2</td> <td>PTD.</td> <td>-</td> <td>322</td> <td>3\"/> <tr> <td>331</td> <td>ETR</td> <td>-</td> <td>WD.</td> <td>J2</td> <td>PTD.</td> <td>-</td> <td>323</td> <td>3\"/> <tr> <td>333</td> <td>ETR</td> <td>-</td> <td>WD.</td> <td>J2</td> <td>PTD.</td> <td>-</td> <td>324</td> <td>3\"/> <tr> <td>334A</td> <td>ETR</td> <td>-</td> <td>WD.</td> <td>J2</td> <td>PTD.</td> <td>-</td> <td>325</td> <td>3\"/> <tr> <td>334B</td> <td>ETR</td> <td>-</td> <td>WD.</td> <td>J2</td> <td>PTD.</td> <td>-</td> <td>327</td> <td>3\"/> <tr> <td>335A</td> <td>ETR</td> <td>-</td> <td>WD.</td> <td>J2</td> <td>PTD.</td> <td>-</td> <td>328</td> <td>3\"/> <tr> <td>335B</td> <td>B</td> <td>3\"/> <tr> <td>336</td> <td>B</td> <td>3\"/> <tr> <td>337</td> <td>ETR</td> <td>-</td> <td>WD.</td> <td>J2</td> <td>PTD.</td> <td>-</td> <td>329A</td> <td>3\"/> <tr> <td>339</td> <td>ETR</td> <td>-</td> <td>WD.</td> <td>J2</td> <td>PTD.</td> <td>-</td> <td>329B</td> <td>3\"/> <tr> <td>340</td> <td>A</td> <td>3\"/> <tr> <td>341A</td> <td>ETR</td> <td>-</td> <td>WD.</td> <td>J2</td> <td>PTD.</td> <td>-</td> <td>331</td> <td>3\"/> <tr> <td>341B</td> <td>ETR</td> <td>-</td> <td>WD.</td> <td>J2</td> <td>PTD.</td> <td>-</td> <td>333</td> <td>3\"/> <tr> <td>342</td> <td>ETR</td> <td>-</td> <td>WD.</td> <td>J2</td> <td>PTD.</td> <td>-</td> <td>334A</td> <td>3\"/> <tr> <td>344</td> <td>ETR</td> <td>-</td> <td>WD.</td> <td>J2</td> <td>PTD.</td> <td>-</td> <td>334B</td> <td>3\"/> <tr> <td>345</td> <td>ETR</td> <td>-</td> <td>WD.</td> <td>J2</td> <td>PTD.</td> <td>-</td> <td>335A</td> <td>3\"/> <tr> <td>346</td> <td>ETR</td> <td>-</td> <td>WD.</td> <td>J2</td> <td>PTD.</td> <td>-</td> <td>335B</td> <td>3\"/> <tr> <td>347</td> <td>ETR</td> <td>-</td> <td>WD.</td> <td>J2</td> <td>PTD.</td> <td>-</td> <td>336</td> <td>3\"/> <tr> <td>348</td> <td>ETR</td> <td>-</td> <td>WD.</td> <td>J2</td> <td>PTD.</td> <td>-</td> <td>337</td> <td>3\"/> <tr> <td>349</td> <td>ETR</td> <td>-</td> <td>WD.</td> <td>J2</td> <td>PTD.</td> <td>-</td> <td>339</td> <td>3\"/> <tr> <td>350</td> <td>ETR</td> <td>-</td> <td>WD.</td> <td>J2</td> <td>PTD.</td> <td>-</td> <td>340</td> <td>3\"/> </td></tr></td></tr></td></tr></td></tr></td></tr></td></tr></td></tr></td></tr></td></tr></td></tr></td></tr></td></tr></td></tr></td></tr></td></tr></td></tr></td></tr></td></tr></td></tr></td></tr></td></tr></td></tr></td></tr>
 | 328 | ETR | - | WD. | J2 | PTD. | - | 320 | 3\"/> <tr> <td>329A</td> <td>ETR</td> <td>-</td> <td>WD.</td> <td>J2</td> <td>PTD.</td> <td>-</td> <td>321</td> <td>3\"/> <tr> <td>329B</td> <td>ETR</td> <td>-</td> <td>WD.</td> <td>J2</td> <td>PTD.</td> <td>-</td> <td>322</td> <td>3\"/> <tr> <td>331</td> <td>ETR</td> <td>-</td> <td>WD.</td> <td>J2</td> <td>PTD.</td> <td>-</td> <td>323</td> <td>3\"/> <tr> <td>333</td> <td>ETR</td> <td>-</td> <td>WD.</td> <td>J2</td> <td>PTD.</td> <td>-</td> <td>324</td> <td>3\"/> <tr> <td>334A</td> <td>ETR</td> <td>-</td> <td>WD.</td> <td>J2</td> <td>PTD.</td> <td>-</td> <td>325</td> <td>3\"/> <tr> <td>334B</td> <td>ETR</td> <td>-</td> <td>WD.</td> <td>J2</td> <td>PTD.</td> <td>-</td> <td>327</td> <td>3\"/> <tr> <td>335A</td> <td>ETR</td> <td>-</td> <td>WD.</td> <td>J2</td> <td>PTD.</td> <td>-</td> <td>328</td> <td>3\"/> <tr> <td>335B</td> <td>B</td> <td>3\"/> <tr> <td>336</td> <td>B</td> <td>3\"/> <tr> <td>337</td> <td>ETR</td> <td>-</td> <td>WD.</td> <td>J2</td>
<td>PTD.</td> <td>-</td> <td>329A</td> <td>3\"/> <tr> <td>339</td> <td>ETR</td> <td>-</td> <td>WD.</td> <td>J2</td> <td>PTD.</td> <td>-</td> <td>329B</td> <td>3\"/> <tr> <td>340</td> <td>A</td> <td>3\"/> <tr> <td>341A</td> <td>ETR</td> <td>-</td> <td>WD.</td> <td>J2</td> <td>PTD.</td> <td>-</td> <td>331</td> <td>3\"/> <tr> <td>341B</td> <td>ETR</td> <td>-</td> <td>WD.</td> <td>J2</td> <td>PTD.</td> <td>-</td> <td>333</td> <td>3\"/> <tr> <td>342</td> <td>ETR</td> <td>-</td> <td>WD.</td> <td>J2</td> <td>PTD.</td> <td>-</td> <td>334A</td> <td>3\"/> <tr> <td>344</td> <td>ETR</td> <td>-</td> <td>WD.</td> <td>J2</td> <td>PTD.</td> <td>-</td> <td>334B</td> <td>3\"/> <tr> <td>345</td> <td>ETR</td> <td>-</td> <td>WD.</td> <td>J2</td> <td>PTD.</td> <td>-</td> <td>335A</td> <td>3\"/> <tr> <td>346</td> <td>ETR</td> <td>-</td> <td>WD.</td> <td>J2</td> <td>PTD.</td> <td>-</td> <td>335B</td> <td>3\"/> <tr> <td>347</td> <td>ETR</td> <td>-</td> <td>WD.</td> <td>J2</td> <td>PTD.</td> <td>-</td> <td>336</td> <td>3\"/> <tr> <td>348</td> <td>ETR</td> <td>-</td> <td>WD.</td> <td>J2</td> <td>PTD.</td> <td>-</td> <td>337</td> <td>3\"/> <tr> <td>349</td> <td>ETR</td> <td>-</td> <td>WD.</td> <td>J2</td> <td>PTD.</td> <td>-</td> <td>339</td> <td>3\"/> <tr> <td>350</td> <td>ETR</td> <td>-</td> <td>WD.</td> <td>J2</td> <td>PTD.</td> <td>-</td> <td>340</td> <td>3\"/> </td></tr></td></tr></td></tr></td></tr></td></tr></td></tr></td></tr></td></tr></td></tr></td></tr></td></tr></td></tr></td></tr></td></tr></td></tr></td></tr></td></tr></td></tr></td></tr></td></tr></td></tr></td></tr> | 329A | ETR | - | WD. | J2 | PTD.
 | - | 321 | 3\"/> <tr> <td>329B</td> <td>ETR</td> <td>-</td> <td>WD.</td> <td>J2</td> <td>PTD.</td> <td>-</td> <td>322</td> <td>3\"/> <tr> <td>331</td> <td>ETR</td> <td>-</td> <td>WD.</td> <td>J2</td> <td>PTD.</td> <td>-</td> <td>323</td> <td>3\"/> <tr> <td>333</td> <td>ETR</td> <td>-</td> <td>WD.</td> <td>J2</td> <td>PTD.</td> <td>-</td> <td>324</td> <td>3\"/> <tr> <td>334A</td> <td>ETR</td> <td>-</td> <td>WD.</td> <td>J2</td> <td>PTD.</td> <td>-</td> <td>325</td> <td>3\"/> <tr> <td>334B</td> <td>ETR</td> <td>-</td> <td>WD.</td> <td>J2</td> <td>PTD.</td> <td>-</td> <td>327</td> <td>3\"/> <tr> <td>335A</td> <td>ETR</td> <td>-</td> <td>WD.</td> <td>J2</td> <td>PTD.</td> <td>-</td> <td>328</td> <td>3\"/> <tr> <td>335B</td> <td>B</td> <td>3\"/> <tr> <td>336</td> <td>B</td> <td>3\"/> <tr> <td>337</td> <td>ETR</td> <td>-</td> <td>WD.</td> <td>J2</td> <td>PTD.</td> <td>-</td> <td>329A</td> <td>3\"/> <tr> <td>339</td> <td>ETR</td> <td>-</td> <td>WD.</td> <td>J2</td> <td>PTD.</td> <td>-</td> <td>329B</td> <td>3\"/> <tr> <td>340</td> <td>A</td> <td>3\"/> <tr> <td>341A</td> <td>ETR</td> <td>-</td> <td>WD.</td> <td>J2</td> <td>PTD.</td> <td>-</td> <td>331</td> <td>3\"/> <tr> <td>341B</td> <td>ETR</td> <td>-</td> <td>WD.</td> <td>J2</td> <td>PTD.</td> <td>-</td> <td>333</td> <td>3\"/> <tr> <td>342</td> <td>ETR</td> <td>-</td> <td>WD.</td> <td>J2</td> <td>PTD.</td> <td>-</td> <td>334A</td> <td>3\"/> <tr> <td>344</td> <td>ETR</td> <td>-</td> <td>WD.</td> <td>J2</td> <td>PTD.</td> <td>-</td> <td>334B</td> <td>3\"/> <tr> <td>345</td> <td>ETR</td> <td>-</td> <td>WD.</td> <td>J2</td> <td>PTD.</td> <td>-</td> <td>335A</td> <td>3\"/> <tr> <td>346</td> <td>ETR</td> <td>-</td> <td>WD.</td> <td>J2</td> <td>PTD.</td> <td>-</td> <td>335B</td> <td>3\"/> <tr> <td>347</td> <td>ETR</td> <td>-</td> <td>WD.</td> <td>J2</td> <td>PTD.</td> <td>-</td> <td>336</td> <td>3\"/> <tr> <td>348</td> <td>ETR</td> <td>-</td> <td>WD.</td> <td>J2</td> <td>PTD.</td> <td>-</td> <td>337</td> <td>3\"/> <tr> <td>349</td> <td>ETR</td> <td>-</td> <td>WD.</td> <td>J2</td> <td>PTD.</td> <td>-</td> <td>339</td> <td>3\"/> <tr> <td>350</td> <td>ETR</td> <td>-</td> <td>WD.</td> <td>J2</td> <td>PTD.</td> <td>-</td> <td>340</td> <td>3\"/> </td></tr></td></tr></td></tr></td></tr></td></tr></td></tr></td></tr></td></tr></td></tr></td></tr></td></tr></td></tr></td></tr></td></tr></td></tr></td></tr></td></tr></td></tr></td></tr></td></tr></td></tr> | 329B | ETR | - | WD. | J2 | PTD.
 | - | 322 | 3\"/> <tr> <td>331</td> <td>ETR</td> <td>-</td> <td>WD.</td> <td>J2</td> <td>PTD.</td> <td>-</td> <td>323</td> <td>3\"/> <tr> <td>333</td> <td>ETR</td> <td>-</td> <td>WD.</td> <td>J2</td> <td>PTD.</td> <td>-</td> <td>324</td> <td>3\"/> <tr> <td>334A</td> <td>ETR</td> <td>-</td> <td>WD.</td> <td>J2</td> <td>PTD.</td> <td>-</td> <td>325</td> <td>3\"/> <tr> <td>334B</td> <td>ETR</td> <td>-</td> <td>WD.</td> <td>J2</td> <td>PTD.</td> <td>-</td> <td>327</td> <td>3\"/> <tr> <td>335A</td> <td>ETR</td> <td>-</td> <td>WD.</td> <td>J2</td> <td>PTD.</td> <td>-</td> <td>328</td> <td>3\"/> <tr> <td>335B</td> <td>B</td> <td>3\"/> <tr> <td>336</td> <td>B</td> <td>3\"/> <tr> <td>337</td> <td>ETR</td> <td>-</td> <td>WD.</td> <td>J2</td> <td>PTD.</td> <td>-</td> <td>329A</td> <td>3\"/> <tr> <td>339</td> <td>ETR</td> <td>-</td> <td>WD.</td> <td>J2</td> <td>PTD.</td> <td>-</td> <td>329B</td> <td>3\"/> <tr> <td>340</td> <td>A</td> <td>3\"/> <tr> <td>341A</td> <td>ETR</td> <td>-</td> <td>WD.</td> <td>J2</td> <td>PTD.</td> <td>-</td> <td>331</td> <td>3\"/> <tr> <td>341B</td> <td>ETR</td> <td>-</td> <td>WD.</td> <td>J2</td> <td>PTD.</td> <td>-</td> <td>333</td> <td>3\"/> <tr> <td>342</td> <td>ETR</td> <td>-</td> <td>WD.</td> <td>J2</td> <td>PTD.</td> <td>-</td> <td>334A</td> <td>3\"/> <tr> <td>344</td> <td>ETR</td> <td>-</td> <td>WD.</td> <td>J2</td> <td>PTD.</td> <td>-</td> <td>334B</td> <td>3\"/> <tr> <td>345</td> <td>ETR</td> <td>-</td> <td>WD.</td> <td>J2</td> <td>PTD.</td> <td>-</td> <td>335A</td> <td>3\"/> <tr> <td>346</td> <td>ETR</td> <td>-</td> <td>WD.</td> <td>J2</td> <td>PTD.</td> <td>-</td> <td>335B</td> <td>3\"/> <tr> <td>347</td> <td>ETR</td> <td>-</td> <td>WD.</td> <td>J2</td> <td>PTD.</td> <td>-</td> <td>336</td> <td>3\"/> <tr> <td>348</td> <td>ETR</td> <td>-</td> <td>WD.</td> <td>J2</td> <td>PTD.</td> <td>-</td> <td>337</td> <td>3\"/> <tr> <td>349</td> <td>ETR</td> <td>-</td> <td>WD.</td> <td>J2</td> <td>PTD.</td> <td>-</td> <td>339</td> <td>3\"/> <tr> <td>350</td> <td>ETR</td> <td>-</td> <td>WD.</td> <td>J2</td> <td>PTD.</td> <td>-</td> <td>340</td> <td>3\"/> </td></tr></td></tr></td></tr></td></tr></td></tr></td></tr></td></tr></td></tr></td></tr></td></tr></td></tr></td></tr></td></tr></td></tr></td></tr></td></tr></td></tr></td></tr></td></tr></td></tr> | 331 | ETR | -
 | WD. | J2 | PTD. | - | 323 | 3\"/> <tr> <td>333</td> <td>ETR</td> <td>-</td> <td>WD.</td> <td>J2</td> <td>PTD.</td> <td>-</td> <td>324</td> <td>3\"/> <tr> <td>334A</td> <td>ETR</td> <td>-</td> <td>WD.</td> <td>J2</td> <td>PTD.</td> <td>-</td> <td>325</td> <td>3\"/> <tr> <td>334B</td> <td>ETR</td> <td>-</td> <td>WD.</td> <td>J2</td> <td>PTD.</td> <td>-</td> <td>327</td> <td>3\"/> <tr> <td>335A</td> <td>ETR</td> <td>-</td> <td>WD.</td> <td>J2</td> <td>PTD.</td> <td>-</td> <td>328</td> <td>3\"/> <tr> <td>335B</td> <td>B</td> <td>3\"/> <tr> <td>336</td> <td>B</td> <td>3\"/> <tr> <td>337</td> <td>ETR</td> <td>-</td> <td>WD.</td> <td>J2</td> <td>PTD.</td> <td>-</td> <td>329A</td> <td>3\"/> <tr> <td>339</td> <td>ETR</td> <td>-</td> <td>WD.</td> <td>J2</td> <td>PTD.</td> <td>-</td> <td>329B</td> <td>3\"/> <tr> <td>340</td> <td>A</td> <td>3\"/> <tr> <td>341A</td> <td>ETR</td> <td>-</td> <td>WD.</td> <td>J2</td> <td>PTD.</td> <td>-</td> <td>331</td> <td>3\"/> <tr> <td>341B</td> <td>ETR</td> <td>-</td> <td>WD.</td> <td>J2</td> <td>PTD.</td> <td>-</td> <td>333</td> <td>3\"/> <tr> <td>342</td> <td>ETR</td> <td>-</td> <td>WD.</td> <td>J2</td> <td>PTD.</td> <td>-</td> <td>334A</td> <td>3\"/> <tr> <td>344</td> <td>ETR</td> <td>-</td> <td>WD.</td> <td>J2</td> <td>PTD.</td> <td>-</td> <td>334B</td> <td>3\"/> <tr> <td>345</td> <td>ETR</td> <td>-</td> <td>WD.</td> <td>J2</td> <td>PTD.</td> <td>-</td> <td>335A</td> <td>3\"/> <tr> <td>346</td> <td>ETR</td> <td>-</td> <td>WD.</td> <td>J2</td> <td>PTD.</td> <td>-</td> <td>335B</td> <td>3\"/> <tr> <td>347</td> <td>ETR</td> <td>-</td> <td>WD.</td> <td>J2</td> <td>PTD.</td> <td>-</td> <td>336</td> <td>3\"/> <tr> <td>348</td> <td>ETR</td> <td>-</td> <td>WD.</td> <td>J2</td> <td>PTD.</td> <td>-</td> <td>337</td> <td>3\"/> <tr> <td>349</td> <td>ETR</td> <td>-</td> <td>WD.</td> <td>J2</td> <td>PTD.</td> <td>-</td> <td>339</td> <td>3\"/> <tr> <td>350</td> <td>ETR</td> <td>-</td> <td>WD.</td> <td>J2</td> <td>PTD.</td> <td>-</td> <td>340</td> <td>3\"/> </td></tr></td></tr></td></tr></td></tr></td></tr></td></tr></td></tr></td></tr></td></tr></td></tr></td></tr></td></tr></td></tr></td></tr></td></tr></td></tr></td></tr></td></tr></td></tr> | 333 | ETR | -
 | WD. | J2 | PTD. | - | 324 | 3\"/> <tr> <td>334A</td> <td>ETR</td> <td>-</td> <td>WD.</td> <td>J2</td> <td>PTD.</td> <td>-</td> <td>325</td> <td>3\"/> <tr> <td>334B</td> <td>ETR</td> <td>-</td> <td>WD.</td> <td>J2</td> <td>PTD.</td> <td>-</td> <td>327</td> <td>3\"/> <tr> <td>335A</td> <td>ETR</td> <td>-</td> <td>WD.</td> <td>J2</td> <td>PTD.</td> <td>-</td> <td>328</td> <td>3\"/> <tr> <td>335B</td> <td>B</td> <td>3\"/> <tr> <td>336</td> <td>B</td> <td>3\"/> <tr> <td>337</td> <td>ETR</td> <td>-</td> <td>WD.</td> <td>J2</td> <td>PTD.</td> <td>-</td> <td>329A</td> <td>3\"/> <tr> <td>339</td> <td>ETR</td> <td>-</td> <td>WD.</td> <td>J2</td> <td>PTD.</td> <td>-</td> <td>329B</td> <td>3\"/> <tr> <td>340</td> <td>A</td> <td>3\"/> <tr> <td>341A</td> <td>ETR</td> <td>-</td> <td>WD.</td> <td>J2</td> <td>PTD.</td> <td>-</td> <td>331</td> <td>3\"/> <tr> <td>341B</td> <td>ETR</td> <td>-</td> <td>WD.</td> <td>J2</td> <td>PTD.</td> <td>-</td> <td>333</td> <td>3\"/> <tr> <td>342</td> <td>ETR</td> <td>-</td> <td>WD.</td> <td>J2</td> <td>PTD.</td> <td>-</td> <td>334A</td> <td>3\"/> <tr> <td>344</td> <td>ETR</td> <td>-</td> <td>WD.</td> <td>J2</td> <td>PTD.</td> <td>-</td> <td>334B</td> <td>3\"/> <tr> <td>345</td> <td>ETR</td> <td>-</td> <td>WD.</td> <td>J2</td> <td>PTD.</td> <td>-</td> <td>335A</td> <td>3\"/> <tr> <td>346</td> <td>ETR</td> <td>-</td> <td>WD.</td> <td>J2</td> <td>PTD.</td> <td>-</td> <td>335B</td> <td>3\"/> <tr> <td>347</td> <td>ETR</td> <td>-</td> <td>WD.</td> <td>J2</td> <td>PTD.</td> <td>-</td> <td>336</td> <td>3\"/> <tr> <td>348</td> <td>ETR</td> <td>-</td> <td>WD.</td> <td>J2</td> <td>PTD.</td> <td>-</td> <td>337</td> <td>3\"/> <tr> <td>349</td> <td>ETR</td> <td>-</td> <td>WD.</td> <td>J2</td> <td>PTD.</td> <td>-</td> <td>339</td> <td>3\"/> <tr> <td>350</td> <td>ETR</td> <td>-</td> <td>WD.</td> <td>J2</td> <td>PTD.</td> <td>-</td> <td>340</td> <td>3\"/> </td></tr></td></tr></td></tr></td></tr></td></tr></td></tr></td></tr></td></tr></td></tr></td></tr></td></tr></td></tr></td></tr></td></tr></td></tr></td></tr></td></tr></td></tr> | 334A | ETR | -
 | WD. | J2 | PTD. | - | 325 | 3\"/> <tr> <td>334B</td> <td>ETR</td> <td>-</td> <td>WD.</td> <td>J2</td> <td>PTD.</td> <td>-</td> <td>327</td> <td>3\"/> <tr> <td>335A</td> <td>ETR</td> <td>-</td> <td>WD.</td> <td>J2</td> <td>PTD.</td> <td>-</td> <td>328</td> <td>3\"/> <tr> <td>335B</td> <td>B</td> <td>3\"/> <tr> <td>336</td> <td>B</td> <td>3\"/> <tr> <td>337</td> <td>ETR</td> <td>-</td> <td>WD.</td> <td>J2</td> <td>PTD.</td> <td>-</td> <td>329A</td> <td>3\"/> <tr> <td>339</td> <td>ETR</td> <td>-</td> <td>WD.</td> <td>J2</td> <td>PTD.</td> <td>-</td> <td>329B</td> <td>3\"/> <tr> <td>340</td> <td>A</td> <td>3\"/> <tr> <td>341A</td> <td>ETR</td> <td>-</td> <td>WD.</td> <td>J2</td> <td>PTD.</td> <td>-</td> <td>331</td> <td>3\"/> <tr> <td>341B</td> <td>ETR</td> <td>-</td> <td>WD.</td> <td>J2</td> <td>PTD.</td> <td>-</td> <td>333</td> <td>3\"/> <tr> <td>342</td> <td>ETR</td> <td>-</td> <td>WD.</td> <td>J2</td> <td>PTD.</td> <td>-</td> <td>334A</td> <td>3\"/> <tr> <td>344</td> <td>ETR</td> <td>-</td> <td>WD.</td> <td>J2</td> <td>PTD.</td> <td>-</td> <td>334B</td> <td>3\"/> <tr> <td>345</td> <td>ETR</td> <td>-</td> <td>WD.</td> <td>J2</td> <td>PTD.</td> <td>-</td> <td>335A</td> <td>3\"/> <tr> <td>346</td> <td>ETR</td> <td>-</td> <td>WD.</td> <td>J2</td> <td>PTD.</td> <td>-</td> <td>335B</td> <td>3\"/> <tr> <td>347</td> <td>ETR</td> <td>-</td> <td>WD.</td> <td>J2</td> <td>PTD.</td> <td>-</td> <td>336</td> <td>3\"/> <tr> <td>348</td> <td>ETR</td> <td>-</td> <td>WD.</td> <td>J2</td> <td>PTD.</td> <td>-</td> <td>337</td> <td>3\"/> <tr> <td>349</td> <td>ETR</td> <td>-</td> <td>WD.</td> <td>J2</td> <td>PTD.</td> <td>-</td> <td>339</td> <td>3\"/> <tr> <td>350</td> <td>ETR</td> <td>-</td> <td>WD.</td> <td>J2</td> <td>PTD.</td> <td>-</td> <td>340</td> <td>3\"/> </td></tr></td></tr></td></tr></td></tr></td></tr></td></tr></td></tr></td></tr></td></tr></td></tr></td></tr></td></tr></td></tr></td></tr></td></tr></td></tr></td></tr> | 334B | ETR | -
 | WD. | J2 | PTD. | - | 327 | 3\"/> <tr> <td>335A</td> <td>ETR</td> <td>-</td> <td>WD.</td> <td>J2</td> <td>PTD.</td> <td>-</td> <td>328</td> <td>3\"/> <tr> <td>335B</td> <td>B</td> <td>3\"/> <tr> <td>336</td> <td>B</td> <td>3\"/> <tr> <td>337</td> <td>ETR</td> <td>-</td> <td>WD.</td> <td>J2</td> <td>PTD.</td> <td>-</td> <td>329A</td> <td>3\"/> <tr> <td>339</td> <td>ETR</td> <td>-</td> <td>WD.</td> <td>J2</td> <td>PTD.</td> <td>-</td> <td>329B</td> <td>3\"/> <tr> <td>340</td> <td>A</td> <td>3\"/> <tr> <td>341A</td> <td>ETR</td> <td>-</td> <td>WD.</td> <td>J2</td> <td>PTD.</td> <td>-</td> <td>331</td> <td>3\"/> <tr> <td>341B</td> <td>ETR</td> <td>-</td> <td>WD.</td> <td>J2</td> <td>PTD.</td> <td>-</td> <td>333</td> <td>3\"/> <tr> <td>342</td> <td>ETR</td> <td>-</td> <td>WD.</td> <td>J2</td> <td>PTD.</td> <td>-</td> <td>334A</td> <td>3\"/> <tr> <td>344</td> <td>ETR</td> <td>-</td> <td>WD.</td> <td>J2</td> <td>PTD.</td> <td>-</td> <td>334B</td> <td>3\"/> <tr> <td>345</td> <td>ETR</td> <td>-</td> <td>WD.</td> <td>J2</td> <td>PTD.</td> <td>-</td> <td>335A</td> <td>3\"/> <tr> <td>346</td> <td>ETR</td> <td>-</td> <td>WD.</td> <td>J2</td> <td>PTD.</td> <td>-</td> <td>335B</td> <td>3\"/> <tr> <td>347</td> <td>ETR</td> <td>-</td> <td>WD.</td> <td>J2</td> <td>PTD.</td> <td>-</td> <td>336</td> <td>3\"/> <tr> <td>348</td> <td>ETR</td> <td>-</td> <td>WD.</td> <td>J2</td> <td>PTD.</td> <td>-</td> <td>337</td> <td>3\"/> <tr> <td>349</td> <td>ETR</td> <td>-</td> <td>WD.</td> <td>J2</td> <td>PTD.</td> <td>-</td> <td>339</td> <td>3\"/> <tr> <td>350</td> <td>ETR</td> <td>-</td> <td>WD.</td> <td>J2</td> <td>PTD.</td> <td>-</td> <td>340</td> <td>3\"/> </td></tr></td></tr></td></tr></td></tr></td></tr></td></tr></td></tr></td></tr></td></tr></td></tr></td></tr></td></tr></td></tr></td></tr></td></tr></td></tr>
 | 335A | ETR | - | WD. | J2 | PTD. | - | 328 | 3\"/> <tr> <td>335B</td> <td>B</td> <td>3\"/> <tr> <td>336</td> <td>B</td> <td>3\"/> <tr> <td>337</td> <td>ETR</td> <td>-</td> <td>WD.</td> <td>J2</td> <td>PTD.</td> <td>-</td> <td>329A</td> <td>3\"/> <tr> <td>339</td> <td>ETR</td> <td>-</td> <td>WD.</td> <td>J2</td> <td>PTD.</td> <td>-</td> <td>329B</td> <td>3\"/> <tr> <td>340</td> <td>A</td> <td>3\"/> <tr> <td>341A</td> <td>ETR</td> <td>-</td> <td>WD.</td> <td>J2</td> <td>PTD.</td> <td>-</td> <td>331</td> <td>3\"/> <tr> <td>341B</td> <td>ETR</td> <td>-</td> <td>WD.</td> <td>J2</td> <td>PTD.</td> <td>-</td> <td>333</td> <td>3\"/> <tr> <td>342</td> <td>ETR</td> <td>-</td> <td>WD.</td> <td>J2</td> <td>PTD.</td> <td>-</td> <td>334A</td> <td>3\"/> <tr> <td>344</td> <td>ETR</td> <td>-</td> <td>WD.</td> <td>J2</td> <td>PTD.</td> <td>-</td> <td>334B</td> <td>3\"/> <tr> <td>345</td> <td>ETR</td> <td>-</td> <td>WD.</td> <td>J2</td> <td>PTD.</td> <td>-</td> <td>335A</td> <td>3\"/> <tr> <td>346</td> <td>ETR</td> <td>-</td> <td>WD.</td> <td>J2</td> <td>PTD.</td> <td>-</td> <td>335B</td> <td>3\"/> <tr> <td>347</td> <td>ETR</td> <td>-</td> <td>WD.</td> <td>J2</td> <td>PTD.</td> <td>-</td> <td>336</td> <td>3\"/> <tr> <td>348</td> <td>ETR</td> <td>-</td> <td>WD.</td> <td>J2</td> <td>PTD.</td> <td>-</td> <td>337</td> <td>3\"/> <tr> <td>349</td> <td>ETR</td> <td>-</td> <td>WD.</td> <td>J2</td> <td>PTD.</td> <td>-</td> <td>339</td> <td>3\"/> <tr> <td>350</td> <td>ETR</td> <td>-</td> <td>WD.</td> <td>J2</td> <td>PTD.</td> <td>-</td> <td>340</td> <td>3\"/> </td></tr></td></tr></td></tr></td></tr></td></tr></td></tr></td></tr></td></tr></td></tr></td></tr></td></tr></td></tr></td></tr></td></tr></td></tr>
 | 335B | B | 3\"/> <tr> <td>336</td> <td>B</td> <td>3\"/> <tr> <td>337</td> <td>ETR</td> <td>-</td> <td>WD.</td> <td>J2</td> <td>PTD.</td> <td>-</td> <td>329A</td> <td>3\"/> <tr> <td>339</td> <td>ETR</td> <td>-</td> <td>WD.</td> <td>J2</td> <td>PTD.</td> <td>-</td> <td>329B</td> <td>3\"/> <tr> <td>340</td> <td>A</td> <td>3\"/> <tr> <td>341A</td> <td>ETR</td> <td>-</td> <td>WD.</td> <td>J2</td> <td>PTD.</td> <td>-</td> <td>331</td> <td>3\"/> <tr> <td>341B</td> <td>ETR</td> <td>-</td> <td>WD.</td> <td>J2</td> <td>PTD.</td> <td>-</td> <td>333</td> <td>3\"/> <tr> <td>342</td> <td>ETR</td> <td>-</td> <td>WD.</td> <td>J2</td> <td>PTD.</td> <td>-</td> <td>334A</td> <td>3\"/> <tr> <td>344</td> <td>ETR</td> <td>-</td> <td>WD.</td> <td>J2</td> <td>PTD.</td> <td>-</td> <td>334B</td> <td>3\"/> <tr> <td>345</td> <td>ETR</td> <td>-</td> <td>WD.</td> <td>J2</td> <td>PTD.</td> <td>-</td> <td>335A</td> <td>3\"/> <tr> <td>346</td> <td>ETR</td> <td>-</td> <td>WD.</td> <td>J2</td> <td>PTD.</td> <td>-</td> <td>335B</td> <td>3\"/> <tr> <td>347</td> <td>ETR</td> <td>-</td> <td>WD.</td> <td>J2</td> <td>PTD.</td> <td>-</td> <td>336</td> <td>3\"/> <tr> <td>348</td> <td>ETR</td> <td>-</td> <td>WD.</td> <td>J2</td> <td>PTD.</td> <td>-</td> <td>337</td> <td>3\"/> <tr> <td>349</td> <td>ETR</td> <td>-</td> <td>WD.</td> <td>J2</td> <td>PTD.</td> <td>-</td> <td>339</td> <td>3\"/> <tr> <td>350</td> <td>ETR</td> <td>-</td> <td>WD.</td> <td>J2</td> <td>PTD.</td> <td>-</td> <td>340</td> <td>3\"/> </td></tr></td></tr></td></tr></td></tr></td></tr></td></tr></td></tr></td></tr></td></tr></td></tr></td></tr></td></tr></td></tr></td></tr> | 336 | B | 3\"/> <tr> <td>337</td> <td>ETR</td> <td>-</td> <td>WD.</td> <td>J2</td> <td>PTD.</td> <td>-</td> <td>329A</td> <td>3\"/> <tr> <td>339</td> <td>ETR</td> <td>-</td> <td>WD.</td> <td>J2</td> <td>PTD.</td> <td>-</td> <td>329B</td> <td>3\"/> <tr> <td>340</td> <td>A</td> <td>3\"/> <tr> <td>341A</td> <td>ETR</td> <td>-</td> <td>WD.</td> <td>J2</td> <td>PTD.</td> <td>-</td> <td>331</td> <td>3\"/> <tr> <td>341B</td> <td>ETR</td> <td>-</td> <td>WD.</td> <td>J2</td> <td>PTD.</td> <td>-</td> <td>333</td> <td>3\"/> <tr> <td>342</td> <td>ETR</td> <td>-</td> <td>WD.</td> <td>J2</td> <td>PTD.</td> <td>-</td> <td>334A</td> <td>3\"/> <tr> <td>344</td> <td>ETR</td> <td>-</td> <td>WD.</td> <td>J2</td> <td>PTD.</td> <td>-</td> <td>334B</td> <td>3\"/> <tr> <td>345</td> <td>ETR</td> <td>-</td> <td>WD.</td> <td>J2</td> <td>PTD.</td> <td>-</td> <td>335A</td> <td>3\"/> <tr> <td>346</td> <td>ETR</td> <td>-</td> <td>WD.</td> <td>J2</td> <td>PTD.</td> <td>-</td> <td>335B</td> <td>3\"/> <tr> <td>347</td> <td>ETR</td> <td>-</td> <td>WD.</td> <td>J2</td> <td>PTD.</td> <td>-</td> <td>336</td> <td>3\"/> <tr> <td>348</td> <td>ETR</td> <td>-</td> <td>WD.</td> <td>J2</td> <td>PTD.</td> <td>-</td> <td>337</td> <td>3\"/> <tr> <td>349</td> <td>ETR</td> <td>-</td> <td>WD.</td> <td>J2</td> <td>PTD.</td> <td>-</td> <td>339</td> <td>3\"/> <tr> <td>350</td> <td>ETR</td> <td>-</td> <td>WD.</td> <td>J2</td> <td>PTD.</td> <td>-</td> <td>340</td> <td>3\"/> </td></tr></td></tr></td></tr></td></tr></td></tr></td></tr></td></tr></td></tr></td></tr></td></tr></td></tr></td></tr></td></tr> | 337 | ETR | - | WD. | J2 | PTD.
 | - | 329A | 3\"/> <tr> <td>339</td> <td>ETR</td> <td>-</td> <td>WD.</td> <td>J2</td> <td>PTD.</td> <td>-</td> <td>329B</td> <td>3\"/> <tr> <td>340</td> <td>A</td> <td>3\"/> <tr> <td>341A</td> <td>ETR</td> <td>-</td> <td>WD.</td> <td>J2</td> <td>PTD.</td> <td>-</td> <td>331</td> <td>3\"/> <tr> <td>341B</td> <td>ETR</td> <td>-</td> <td>WD.</td> <td>J2</td> <td>PTD.</td> <td>-</td> <td>333</td> <td>3\"/> <tr> <td>342</td> <td>ETR</td> <td>-</td> <td>WD.</td> <td>J2</td> <td>PTD.</td> <td>-</td> <td>334A</td> <td>3\"/> <tr> <td>344</td> <td>ETR</td> <td>-</td> <td>WD.</td> <td>J2</td> <td>PTD.</td> <td>-</td> <td>334B</td> <td>3\"/> <tr> <td>345</td> <td>ETR</td> <td>-</td> <td>WD.</td> <td>J2</td> <td>PTD.</td> <td>-</td> <td>335A</td> <td>3\"/> <tr> <td>346</td> <td>ETR</td> <td>-</td> <td>WD.</td> <td>J2</td> <td>PTD.</td> <td>-</td> <td>335B</td> <td>3\"/> <tr> <td>347</td> <td>ETR</td> <td>-</td> <td>WD.</td> <td>J2</td> <td>PTD.</td> <td>-</td> <td>336</td> <td>3\"/> <tr> <td>348</td> <td>ETR</td> <td>-</td> <td>WD.</td> <td>J2</td> <td>PTD.</td> <td>-</td> <td>337</td> <td>3\"/> <tr> <td>349</td> <td>ETR</td> <td>-</td> <td>WD.</td> <td>J2</td> <td>PTD.</td> <td>-</td> <td>339</td> <td>3\"/> <tr> <td>350</td> <td>ETR</td> <td>-</td> <td>WD.</td> <td>J2</td> <td>PTD.</td> <td>-</td> <td>340</td> <td>3\"/> </td></tr></td></tr></td></tr></td></tr></td></tr></td></tr></td></tr></td></tr></td></tr></td></tr></td></tr></td></tr> | 339 | ETR | - | WD. | J2 | PTD.
 | - | 329B | 3\"/> <tr> <td>340</td> <td>A</td> <td>3\"/> <tr> <td>341A</td> <td>ETR</td> <td>-</td> <td>WD.</td> <td>J2</td> <td>PTD.</td> <td>-</td> <td>331</td> <td>3\"/> <tr> <td>341B</td> <td>ETR</td> <td>-</td> <td>WD.</td> <td>J2</td> <td>PTD.</td> <td>-</td> <td>333</td> <td>3\"/> <tr> <td>342</td> <td>ETR</td> <td>-</td> <td>WD.</td> <td>J2</td> <td>PTD.</td> <td>-</td> <td>334A</td> <td>3\"/> <tr> <td>344</td> <td>ETR</td> <td>-</td> <td>WD.</td> <td>J2</td> <td>PTD.</td> <td>-</td> <td>334B</td> <td>3\"/> <tr> <td>345</td> <td>ETR</td> <td>-</td> <td>WD.</td> <td>J2</td> <td>PTD.</td> <td>-</td> <td>335A</td> <td>3\"/> <tr> <td>346</td> <td>ETR</td> <td>-</td> <td>WD.</td> <td>J2</td> <td>PTD.</td> <td>-</td> <td>335B</td> <td>3\"/> <tr> <td>347</td> <td>ETR</td> <td>-</td> <td>WD.</td> <td>J2</td> <td>PTD.</td> <td>-</td> <td>336</td> <td>3\"/> <tr> <td>348</td> <td>ETR</td> <td>-</td> <td>WD.</td> <td>J2</td> <td>PTD.</td> <td>-</td> <td>337</td> <td>3\"/> <tr> <td>349</td> <td>ETR</td> <td>-</td> <td>WD.</td> <td>J2</td> <td>PTD.</td> <td>-</td> <td>339</td> <td>3\"/> <tr> <td>350</td> <td>ETR</td> <td>-</td> <td>WD.</td> <td>J2</td> <td>PTD.</td> <td>-</td> <td>340</td> <td>3\"/> </td></tr></td></tr></td></tr></td></tr></td></tr></td></tr></td></tr></td></tr></td></tr></td></tr></td></tr> | 340 | A | 3\"/> <tr> <td>341A</td> <td>ETR</td> <td>-</td> <td>WD.</td> <td>J2</td> <td>PTD.</td> <td>-</td> <td>331</td> <td>3\"/> <tr> <td>341B</td> <td>ETR</td> <td>-</td> <td>WD.</td> <td>J2</td> <td>PTD.</td> <td>-</td> <td>333</td> <td>3\"/> <tr> <td>342</td> <td>ETR</td> <td>-</td> <td>WD.</td> <td>J2</td> <td>PTD.</td> <td>-</td> <td>334A</td> <td>3\"/> <tr> <td>344</td> <td>ETR</td> <td>-</td> <td>WD.</td> <td>J2</td> <td>PTD.</td> <td>-</td> <td>334B</td> <td>3\"/> <tr> <td>345</td> <td>ETR</td> <td>-</td> <td>WD.</td> <td>J2</td> <td>PTD.</td> <td>-</td> <td>335A</td> <td>3\"/> <tr> <td>346</td> <td>ETR</td> <td>-</td> <td>WD.</td> <td>J2</td> <td>PTD.</td> <td>-</td> <td>335B</td> <td>3\"/> <tr> <td>347</td> <td>ETR</td> <td>-</td> <td>WD.</td> <td>J2</td> <td>PTD.</td> <td>-</td> <td>336</td> <td>3\"/> <tr> <td>348</td> <td>ETR</td> <td>-</td> <td>WD.</td> <td>J2</td> <td>PTD.</td> <td>-</td> <td>337</td> <td>3\"/> <tr> <td>349</td> <td>ETR</td> <td>-</td> <td>WD.</td> <td>J2</td> <td>PTD.</td> <td>-</td> <td>339</td> <td>3\"/> <tr> <td>350</td> <td>ETR</td> <td>-</td> <td>WD.</td> <td>J2</td> <td>PTD.</td> <td>-</td> <td>340</td> <td>3\"/> </td></tr></td></tr></td></tr></td></tr></td></tr></td></tr></td></tr></td></tr></td></tr></td></tr> | 341A | ETR | - | WD. | J2 | PTD.
 | - | 331 | 3\"/> <tr> <td>341B</td> <td>ETR</td> <td>-</td> <td>WD.</td> <td>J2</td> <td>PTD.</td> <td>-</td> <td>333</td> <td>3\"/> <tr> <td>342</td> <td>ETR</td> <td>-</td> <td>WD.</td> <td>J2</td> <td>PTD.</td> <td>-</td> <td>334A</td> <td>3\"/> <tr> <td>344</td> <td>ETR</td> <td>-</td> <td>WD.</td> <td>J2</td> <td>PTD.</td> <td>-</td> <td>334B</td> <td>3\"/> <tr> <td>345</td> <td>ETR</td> <td>-</td> <td>WD.</td> <td>J2</td> <td>PTD.</td> <td>-</td> <td>335A</td> <td>3\"/> <tr> <td>346</td> <td>ETR</td> <td>-</td> <td>WD.</td> <td>J2</td> <td>PTD.</td> <td>-</td> <td>335B</td> <td>3\"/> <tr> <td>347</td> <td>ETR</td> <td>-</td> <td>WD.</td> <td>J2</td> <td>PTD.</td> <td>-</td> <td>336</td> <td>3\"/> <tr> <td>348</td> <td>ETR</td> <td>-</td> <td>WD.</td> <td>J2</td> <td>PTD.</td> <td>-</td> <td>337</td> <td>3\"/> <tr> <td>349</td> <td>ETR</td> <td>-</td> <td>WD.</td> <td>J2</td> <td>PTD.</td> <td>-</td> <td>339</td> <td>3\"/> <tr> <td>350</td> <td>ETR</td> <td>-</td> <td>WD.</td> <td>J2</td> <td>PTD.</td> <td>-</td> <td>340</td> <td>3\"/> </td></tr></td></tr></td></tr></td></tr></td></tr></td></tr></td></tr></td></tr></td></tr> | 341B | ETR | - | WD. | J2 | PTD.
 | - | 333 | 3\"/> <tr> <td>342</td> <td>ETR</td> <td>-</td> <td>WD.</td> <td>J2</td> <td>PTD.</td> <td>-</td> <td>334A</td> <td>3\"/> <tr> <td>344</td> <td>ETR</td> <td>-</td> <td>WD.</td> <td>J2</td> <td>PTD.</td> <td>-</td> <td>334B</td> <td>3\"/> <tr> <td>345</td> <td>ETR</td> <td>-</td> <td>WD.</td> <td>J2</td> <td>PTD.</td> <td>-</td> <td>335A</td> <td>3\"/> <tr> <td>346</td> <td>ETR</td> <td>-</td> <td>WD.</td> <td>J2</td> <td>PTD.</td> <td>-</td> <td>335B</td> <td>3\"/> <tr> <td>347</td> <td>ETR</td> <td>-</td> <td>WD.</td> <td>J2</td> <td>PTD.</td> <td>-</td> <td>336</td> <td>3\"/> <tr> <td>348</td> <td>ETR</td> <td>-</td> <td>WD.</td> <td>J2</td> <td>PTD.</td> <td>-</td> <td>337</td> <td>3\"/> <tr> <td>349</td> <td>ETR</td> <td>-</td> <td>WD.</td> <td>J2</td> <td>PTD.</td> <td>-</td> <td>339</td> <td>3\"/> <tr> <td>350</td> <td>ETR</td> <td>-</td> <td>WD.</td> <td>J2</td> <td>PTD.</td> <td>-</td> <td>340</td> <td>3\"/> </td></tr></td></tr></td></tr></td></tr></td></tr></td></tr></td></tr></td></tr> | 342 | ETR | - | WD. | J2 | PTD. | - | 334A | 3\"/> <tr> <td>344</td> <td>ETR</td> <td>-</td> <td>WD.</td> <td>J2</td> <td>PTD.</td> <td>-</td> <td>334B</td> <td>3\"/> <tr> <td>345</td> <td>ETR</td> <td>-</td> <td>WD.</td> <td>J2</td> <td>PTD.</td> <td>-</td> <td>335A</td> <td>3\"/> <tr> <td>346</td> <td>ETR</td> <td>-</td> <td>WD.</td> <td>J2</td> <td>PTD.</td> <td>-</td> <td>335B</td> <td>3\"/> <tr> <td>347</td> <td>ETR</td> <td>-</td> <td>WD.</td> <td>J2</td> <td>PTD.</td> <td>-</td> <td>336</td> <td>3\"/> <tr> <td>348</td> <td>ETR</td> <td>-</td> <td>WD.</td> <td>J2</td> <td>PTD.</td> <td>-</td> <td>337</td> <td>3\"/> <tr> <td>349</td> <td>ETR</td> <td>-</td> <td>WD.</td> <td>J2</td> <td>PTD.</td> <td>-</td> <td>339</td> <td>3\"/> <tr> <td>350</td> <td>ETR</td> <td>-</td> <td>WD.</td> <td>J2</td> <td>PTD.</td> <td>-</td> <td>340</td> <td>3\"/> </td></tr></td></tr></td></tr></td></tr></td></tr></td></tr></td></tr>
 | 344 | ETR | - | WD. | J2 | PTD. | - | 334B | 3\"/> <tr> <td>345</td> <td>ETR</td> <td>-</td> <td>WD.</td> <td>J2</td> <td>PTD.</td> <td>-</td> <td>335A</td> <td>3\"/> <tr> <td>346</td> <td>ETR</td> <td>-</td> <td>WD.</td> <td>J2</td> <td>PTD.</td> <td>-</td> <td>335B</td> <td>3\"/> <tr> <td>347</td> <td>ETR</td> <td>-</td> <td>WD.</td> <td>J2</td> <td>PTD.</td> <td>-</td> <td>336</td> <td>3\"/> <tr> <td>348</td> <td>ETR</td> <td>-</td> <td>WD.</td> <td>J2</td> <td>PTD.</td> <td>-</td> <td>337</td> <td>3\"/> <tr> <td>349</td> <td>ETR</td> <td>-</td> <td>WD.</td> <td>J2</td> <td>PTD.</td> <td>-</td> <td>339</td> <td>3\"/> <tr> <td>350</td> <td>ETR</td> <td>-</td> <td>WD.</td> <td>J2</td> <td>PTD.</td> <td>-</td> <td>340</td> <td>3\"/> </td></tr></td></tr></td></tr></td></tr></td></tr></td></tr> | 345 | ETR | -
 | WD. | J2 | PTD. | - | 335A | 3\"/> <tr> <td>346</td> <td>ETR</td> <td>-</td> <td>WD.</td> <td>J2</td> <td>PTD.</td> <td>-</td> <td>335B</td> <td>3\"/> <tr> <td>347</td> <td>ETR</td> <td>-</td> <td>WD.</td> <td>J2</td> <td>PTD.</td> <td>-</td> <td>336</td> <td>3\"/> <tr> <td>348</td> <td>ETR</td> <td>-</td> <td>WD.</td> <td>J2</td> <td>PTD.</td> <td>-</td> <td>337</td> <td>3\"/> <tr> <td>349</td> <td>ETR</td> <td>-</td> <td>WD.</td> <td>J2</td> <td>PTD.</td> <td>-</td> <td>339</td> <td>3\"/> <tr> <td>350</td> <td>ETR</td> <td>-</td> <td>WD.</td> <td>J2</td> <td>PTD.</td> <td>-</td> <td>340</td> <td>3\"/> </td></tr></td></tr></td></tr></td></tr></td></tr> | 346 | ETR | - | WD. | J2 | PTD. | - | 335B | 3\"/> <tr> <td>347</td> <td>ETR</td> <td>-</td> <td>WD.</td> <td>J2</td> <td>PTD.</td> <td>-</td> <td>336</td> <td>3\"/> <tr> <td>348</td> <td>ETR</td> <td>-</td> <td>WD.</td> <td>J2</td> <td>PTD.</td> <td>-</td> <td>337</td> <td>3\"/> <tr> <td>349</td> <td>ETR</td> <td>-</td> <td>WD.</td> <td>J2</td> <td>PTD.</td> <td>-</td> <td>339</td> <td>3\"/> <tr> <td>350</td> <td>ETR</td> <td>-</td> <td>WD.</td> <td>J2</td> <td>PTD.</td> <td>-</td> <td>340</td> <td>3\"/> </td></tr></td></tr></td></tr></td></tr>
 | 347 | ETR | - | WD. | J2 | PTD. | - | 336 | 3\"/> <tr> <td>348</td> <td>ETR</td> <td>-</td> <td>WD.</td> <td>J2</td> <td>PTD.</td> <td>-</td> <td>337</td> <td>3\"/> <tr> <td>349</td> <td>ETR</td> <td>-</td> <td>WD.</td> <td>J2</td> <td>PTD.</td> <td>-</td> <td>339</td> <td>3\"/> <tr> <td>350</td> <td>ETR</td> <td>-</td> <td>WD.</td> <td>J2</td> <td>PTD.</td> <td>-</td> <td>340</td> <td>3\"/> </td></tr></td></tr></td></tr> | 348 | ETR | - | WD. | J2 | PTD.
 | - | 337 | 3\"/> <tr> <td>349</td> <td>ETR</td> <td>-</td> <td>WD.</td> <td>J2</td> <td>PTD.</td> <td>-</td> <td>339</td> <td>3\"/> <tr> <td>350</td> <td>ETR</td> <td>-</td> <td>WD.</td> <td>J2</td> <td>PTD.</td> <td>-</td> <td>340</td> <td>3\"/> </td></tr></td></tr> | 349 | ETR | - | WD. | J2 | PTD. | - | 339 | 3\"/> <tr> <td>350</td> <td>ETR</td> <td>-</td> <td>WD.</td> <td>J2</td> <td>PTD.</td> <td>-</td> <td>340</td> <td>3\"/> </td></tr> | 350 | ETR | - | WD. | J2 | PTD.
 | - | 340 | 3\"/> | | | | | | | | | | | | | | | | | | | | | | | | | | | | | | | | | | | | | | | | | | | | | | | | | | | | | | | | | | | | | | | |
 | | | | | | | | | | | | | | | | | | | | | | | | | | |
 | | | | | | | | | | | | | | | | | | | | | | | | | | | | | | | | | | | | | | | | | | | | | | | | | | | | | | | | | | | | | | | | | | |
| 320 | ETR | - | WD. | J2 | PTD. | - | 313 | 3\"/> <tr> <td>321</td> <td>ETR</td> <td>-</td> <td>WD.</td> <td>J2</td> <td>PTD.</td> <td>-</td> <td>314</td> <td>3\"/> <tr> <td>322</td> <td>ETR</td> <td>-</td> <td>WD.</td> <td>J2</td> <td>PTD.</td> <td>-</td> <td>315</td> <td>3\"/> <tr> <td>323</td> <td>ETR</td> <td>-</td> <td>WD.</td> <td>J2</td> <td>PTD.</td> <td>-</td> <td>316A</td> <td>3\"/> <tr> <td>324</td> <td>ETR</td> <td>-</td> <td>WD.</td> <td>J2</td> <td>PTD.</td> <td>-</td> <td>318</td> <td>3\"/> <tr> <td>325</td> <td>A</td> <td>3\"/> <tr> <td>327</td> <td>ETR</td> <td>-</td> <td>WD.</td> <td>J2</td> <td>PTD.</td> <td>-</td> <td>319</td> <td>3\"/> <tr> <td>328</td> <td>ETR</td> <td>-</td> <td>WD.</td> <td>J2</td> <td>PTD.</td> <td>-</td> <td>320</td> <td>3\"/> <tr> <td>329A</td> <td>ETR</td> <td>-</td> <td>WD.</td> <td>J2</td> <td>PTD.</td> <td>-</td> <td>321</td> <td>3\"/> <tr> <td>329B</td> <td>ETR</td> <td>-</td> <td>WD.</td> <td>J2</td> <td>PTD.</td> <td>-</td> <td>322</td> <td>3\"/> <tr> <td>331</td> <td>ETR</td> <td>-</td> <td>WD.</td> <td>J2</td> <td>PTD.</td> <td>-</td> <td>323</td> <td>3\"/> <tr> <td>333</td> <td>ETR</td> <td>-</td> <td>WD.</td> <td>J2</td> <td>PTD.</td> <td>-</td> <td>324</td> <td>3\"/> <tr> <td>334A</td> <td>ETR</td> <td>-</td> <td>WD.</td> <td>J2</td> <td>PTD.</td> <td>-</td> <td>325</td> <td>3\"/> <tr> <td>334B</td> <td>ETR</td> <td>-</td> <td>WD.</td> <td>J2</td> <td>PTD.</td> <td>-</td> <td>327</td> <td>3\"/> <tr> <td>335A</td> <td>ETR</td> <td>-</td> <td>WD.</td> <td>J2</td> <td>PTD.</td> <td>-</td> <td>328</td> <td>3\"/> <tr> <td>335B</td> <td>B</td> <td>3\"/> <tr> <td>336</td> <td>B</td> <td>3\"/> <tr> <td>337</td> <td>ETR</td> <td>-</td> <td>WD.</td> <td>J2</td> <td>PTD.</td> <td>-</td> <td>329A</td> <td>3\"/> <tr> <td>339</td> <td>ETR</td> <td>-</td> <td>WD.</td> <td>J2</td> <td>PTD.</td> <td>-</td> <td>329B</td> <td>3\"/> <tr> <td>340</td> <td>A</td> <td>3\"/> <tr> <td>341A</td> <td>ETR</td> <td>-</td> <td>WD.</td> <td>J2</td> <td>PTD.</td> <td>-</td> <td>331</td> <td>3\"/> <tr> <td>341B</td> <td>ETR</td> <td>-</td> <td>WD.</td> <td>J2</td> <td>PTD.</td> <td>-</td> <td>333</td> <td>3\"/> <tr> <td>342</td> <td>ETR</td> <td>-</td> <td>WD.</td> <td>J2</td> <td>PTD.</td> <td>-</td> <td>334A</td> <td>3\"/> <tr> <td>344</td> <td>ETR</td> <td>-</td> <td>WD.</td> <td>J2</td> <td>PTD.</td> <td>-</td> <td>334B</td> <td>3\"/> <tr> <td>345</td> <td>ETR</td> <td>-</td> <td>WD.</td> <td>J2</td> <td>PTD.</td> <td>-</td> <td>335A</td> <td>3\"/> <tr> <td>346</td> <td>ETR</td> <td>-</td> <td>WD.</td> <td>J2</td> <td>PTD.</td> <td>-</td> <td>335B</td> <td>3\"/> <tr> <td>347</td> <td>ETR</td> <td>-</td> <td>WD.</td> <td>J2</td> <td>PTD.</td> <td>-</td> <td>336</td> <td>3\"/> <tr> <td>348</td> <td>ETR</td> <td>-</td> <td>WD.</td> <td>J2</td> <td>PTD.</td> <td>-</td> <td>337</td> <td>3\"/> <tr> <td>349</td> <td>ETR</td> <td>-</td> <td>WD.</td> <td>J2</td> <td>PTD.</td>
<td>-</td> <td>339</td> <td>3\"/> <tr> <td>350</td> <td>ETR</td> <td>-</td> <td>WD.</td> <td>J2</td> <td>PTD.</td> <td>-</td> <td>340</td> <td>3\"/> </td></tr></td></tr></td></tr></td></tr></td></tr></td></tr></td></tr></td></tr></td></tr></td></tr></td></tr></td></tr></td></tr></td></tr></td></tr></td></tr></td></tr></td></tr></td></tr></td></tr></td></tr></td></tr></td></tr></td></tr></td></tr></td></tr></td></tr></td></tr></td></tr> | 321 | ETR | - | WD. | J2 | PTD.
 | - | 314 | 3\"/> <tr> <td>322</td> <td>ETR</td> <td>-</td> <td>WD.</td> <td>J2</td> <td>PTD.</td> <td>-</td> <td>315</td> <td>3\"/> <tr> <td>323</td> <td>ETR</td> <td>-</td> <td>WD.</td> <td>J2</td> <td>PTD.</td> <td>-</td> <td>316A</td> <td>3\"/> <tr> <td>324</td> <td>ETR</td> <td>-</td> <td>WD.</td> <td>J2</td> <td>PTD.</td> <td>-</td> <td>318</td> <td>3\"/> <tr> <td>325</td> <td>A</td> <td>3\"/> <tr> <td>327</td> <td>ETR</td> <td>-</td> <td>WD.</td> <td>J2</td> <td>PTD.</td> <td>-</td> <td>319</td> <td>3\"/> <tr> <td>328</td> <td>ETR</td> <td>-</td> <td>WD.</td> <td>J2</td> <td>PTD.</td> <td>-</td> <td>320</td> <td>3\"/> <tr> <td>329A</td> <td>ETR</td> <td>-</td> <td>WD.</td> <td>J2</td> <td>PTD.</td> <td>-</td> <td>321</td> <td>3\"/> <tr> <td>329B</td> <td>ETR</td> <td>-</td> <td>WD.</td> <td>J2</td> <td>PTD.</td> <td>-</td> <td>322</td> <td>3\"/> <tr> <td>331</td> <td>ETR</td> <td>-</td> <td>WD.</td> <td>J2</td> <td>PTD.</td> <td>-</td> <td>323</td> <td>3\"/> <tr> <td>333</td> <td>ETR</td> <td>-</td> <td>WD.</td> <td>J2</td> <td>PTD.</td> <td>-</td> <td>324</td> <td>3\"/> <tr> <td>334A</td> <td>ETR</td> <td>-</td> <td>WD.</td> <td>J2</td> <td>PTD.</td> <td>-</td> <td>325</td> <td>3\"/> <tr> <td>334B</td> <td>ETR</td> <td>-</td> <td>WD.</td> <td>J2</td> <td>PTD.</td> <td>-</td> <td>327</td> <td>3\"/> <tr> <td>335A</td> <td>ETR</td> <td>-</td> <td>WD.</td> <td>J2</td> <td>PTD.</td> <td>-</td> <td>328</td> <td>3\"/> <tr> <td>335B</td> <td>B</td> <td>3\"/> <tr> <td>336</td> <td>B</td> <td>3\"/> <tr> <td>337</td> <td>ETR</td> <td>-</td> <td>WD.</td> <td>J2</td> <td>PTD.</td> <td>-</td> <td>329A</td> <td>3\"/> <tr> <td>339</td> <td>ETR</td> <td>-</td> <td>WD.</td> <td>J2</td> <td>PTD.</td> <td>-</td> <td>329B</td> <td>3\"/> <tr> <td>340</td> <td>A</td> <td>3\"/> <tr> <td>341A</td> <td>ETR</td> <td>-</td> <td>WD.</td> <td>J2</td> <td>PTD.</td> <td>-</td> <td>331</td> <td>3\"/> <tr> <td>341B</td> <td>ETR</td> <td>-</td> <td>WD.</td> <td>J2</td> <td>PTD.</td> <td>-</td> <td>333</td> <td>3\"/> <tr> <td>342</td> <td>ETR</td> <td>-</td> <td>WD.</td> <td>J2</td> <td>PTD.</td> <td>-</td> <td>334A</td> <td>3\"/> <tr> <td>344</td> <td>ETR</td> <td>-</td> <td>WD.</td> <td>J2</td> <td>PTD.</td> <td>-</td> <td>334B</td> <td>3\"/> <tr> <td>345</td> <td>ETR</td> <td>-</td> <td>WD.</td> <td>J2</td> <td>PTD.</td> <td>-</td> <td>335A</td> <td>3\"/> <tr> <td>346</td> <td>ETR</td> <td>-</td> <td>WD.</td> <td>J2</td> <td>PTD.</td> <td>-</td> <td>335B</td> <td>3\"/> <tr> <td>347</td> <td>ETR</td> <td>-</td> <td>WD.</td> <td>J2</td> <td>PTD.</td> <td>-</td> <td>336</td> <td>3\"/> <tr> <td>348</td> <td>ETR</td> <td>-</td> <td>WD.</td> <td>J2</td> <td>PTD.</td> <td>-</td> <td>337</td> <td>3\"/> <tr> <td>349</td> <td>ETR</td> <td>-</td> <td>WD.</td> <td>J2</td> <td>PTD.</td> <td>-</td> <td>339</td> <td>3\"/> <tr> <td>350</td> <td>ETR</td> <td>-</td> <td>WD.</td> <td>J2</td> <td>PTD.</td> <td>-</td> <td>340</td> <td>3\"/> </td></tr></td></tr></td></tr></td></tr></td></tr></td></tr></td></tr></td></tr></td></tr></td></tr></td></tr></td></tr></td></tr></td></tr></td></tr></td></tr></td></tr></td></tr></td></tr></td></tr></td></tr></td></tr></td></tr></td></tr></td></tr></td></tr></td></tr></td></tr> | 322 | ETR | -
 | WD. | J2 | PTD. | - | 315 | 3\"/> <tr> <td>323</td> <td>ETR</td> <td>-</td> <td>WD.</td> <td>J2</td> <td>PTD.</td> <td>-</td> <td>316A</td> <td>3\"/> <tr> <td>324</td> <td>ETR</td> <td>-</td> <td>WD.</td> <td>J2</td> <td>PTD.</td> <td>-</td> <td>318</td> <td>3\"/> <tr> <td>325</td> <td>A</td> <td>3\"/> <tr> <td>327</td> <td>ETR</td> <td>-</td> <td>WD.</td> <td>J2</td> <td>PTD.</td> <td>-</td> <td>319</td> <td>3\"/> <tr> <td>328</td> <td>ETR</td> <td>-</td> <td>WD.</td> <td>J2</td> <td>PTD.</td> <td>-</td> <td>320</td> <td>3\"/> <tr> <td>329A</td> <td>ETR</td> <td>-</td> <td>WD.</td> <td>J2</td> <td>PTD.</td> <td>-</td> <td>321</td> <td>3\"/> <tr> <td>329B</td> <td>ETR</td> <td>-</td> <td>WD.</td> <td>J2</td> <td>PTD.</td> <td>-</td> <td>322</td> <td>3\"/> <tr> <td>331</td> <td>ETR</td> <td>-</td> <td>WD.</td> <td>J2</td> <td>PTD.</td> <td>-</td> <td>323</td> <td>3\"/> <tr> <td>333</td> <td>ETR</td> <td>-</td> <td>WD.</td> <td>J2</td> <td>PTD.</td> <td>-</td> <td>324</td> <td>3\"/> <tr> <td>334A</td> <td>ETR</td> <td>-</td> <td>WD.</td> <td>J2</td> <td>PTD.</td> <td>-</td> <td>325</td> <td>3\"/> <tr> <td>334B</td> <td>ETR</td> <td>-</td> <td>WD.</td> <td>J2</td> <td>PTD.</td> <td>-</td> <td>327</td> <td>3\"/> <tr> <td>335A</td> <td>ETR</td> <td>-</td> <td>WD.</td> <td>J2</td> <td>PTD.</td> <td>-</td> <td>328</td> <td>3\"/> <tr> <td>335B</td> <td>B</td> <td>3\"/> <tr> <td>336</td> <td>B</td> <td>3\"/> <tr> <td>337</td> <td>ETR</td> <td>-</td> <td>WD.</td> <td>J2</td> <td>PTD.</td> <td>-</td> <td>329A</td> <td>3\"/> <tr> <td>339</td> <td>ETR</td> <td>-</td> <td>WD.</td> <td>J2</td> <td>PTD.</td> <td>-</td> <td>329B</td> <td>3\"/> <tr> <td>340</td> <td>A</td> <td>3\"/> <tr> <td>341A</td> <td>ETR</td> <td>-</td> <td>WD.</td> <td>J2</td> <td>PTD.</td> <td>-</td> <td>331</td> <td>3\"/> <tr> <td>341B</td> <td>ETR</td> <td>-</td> <td>WD.</td> <td>J2</td> <td>PTD.</td> <td>-</td> <td>333</td> <td>3\"/> <tr> <td>342</td> <td>ETR</td> <td>-</td> <td>WD.</td> <td>J2</td> <td>PTD.</td> <td>-</td> <td>334A</td> <td>3\"/> <tr> <td>344</td> <td>ETR</td> <td>-</td> <td>WD.</td> <td>J2</td> <td>PTD.</td> <td>-</td> <td>334B</td> <td>3\"/> <tr> <td>345</td> <td>ETR</td> <td>-</td> <td>WD.</td> <td>J2</td> <td>PTD.</td> <td>-</td> <td>335A</td> <td>3\"/> <tr> <td>346</td> <td>ETR</td> <td>-</td> <td>WD.</td> <td>J2</td> <td>PTD.</td> <td>-</td> <td>335B</td> <td>3\"/> <tr> <td>347</td> <td>ETR</td> <td>-</td> <td>WD.</td> <td>J2</td> <td>PTD.</td> <td>-</td> <td>336</td> <td>3\"/> <tr> <td>348</td> <td>ETR</td> <td>-</td>
<td>WD.</td> <td>J2</td> <td>PTD.</td> <td>-</td> <td>337</td> <td>3\"/> <tr> <td>349</td> <td>ETR</td> <td>-</td> <td>WD.</td> <td>J2</td> <td>PTD.</td> <td>-</td> <td>339</td> <td>3\"/> <tr> <td>350</td> <td>ETR</td> <td>-</td> <td>WD.</td> <td>J2</td> <td>PTD.</td> <td>-</td> <td>340</td> <td>3\"/> </td></tr></td></tr></td></tr></td></tr></td></tr></td></tr></td></tr></td></tr></td></tr></td></tr></td></tr></td></tr></td></tr></td></tr></td></tr></td></tr></td></tr></td></tr></td></tr></td></tr></td></tr></td></tr></td></tr></td></tr></td></tr></td></tr></td></tr> | 323 | ETR | - | WD. | J2 | PTD.
 | - | 316A | 3\"/> <tr> <td>324</td> <td>ETR</td> <td>-</td> <td>WD.</td> <td>J2</td> <td>PTD.</td> <td>-</td> <td>318</td> <td>3\"/> <tr> <td>325</td> <td>A</td> <td>3\"/> <tr> <td>327</td> <td>ETR</td> <td>-</td> <td>WD.</td> <td>J2</td> <td>PTD.</td> <td>-</td> <td>319</td> <td>3\"/> <tr> <td>328</td> <td>ETR</td> <td>-</td> <td>WD.</td> <td>J2</td> <td>PTD.</td> <td>-</td> <td>320</td> <td>3\"/> <tr> <td>329A</td> <td>ETR</td> <td>-</td> <td>WD.</td> <td>J2</td> <td>PTD.</td> <td>-</td> <td>321</td> <td>3\"/> <tr> <td>329B</td> <td>ETR</td> <td>-</td> <td>WD.</td> <td>J2</td> <td>PTD.</td> <td>-</td> <td>322</td> <td>3\"/> <tr> <td>331</td> <td>ETR</td> <td>-</td> <td>WD.</td> <td>J2</td> <td>PTD.</td> <td>-</td> <td>323</td> <td>3\"/> <tr> <td>333</td> <td>ETR</td> <td>-</td> <td>WD.</td> <td>J2</td> <td>PTD.</td> <td>-</td> <td>324</td> <td>3\"/> <tr> <td>334A</td> <td>ETR</td> <td>-</td> <td>WD.</td> <td>J2</td> <td>PTD.</td> <td>-</td> <td>325</td> <td>3\"/> <tr> <td>334B</td> <td>ETR</td> <td>-</td> <td>WD.</td> <td>J2</td> <td>PTD.</td> <td>-</td> <td>327</td> <td>3\"/> <tr> <td>335A</td> <td>ETR</td> <td>-</td> <td>WD.</td> <td>J2</td> <td>PTD.</td> <td>-</td> <td>328</td> <td>3\"/> <tr> <td>335B</td> <td>B</td> <td>3\"/> <tr> <td>336</td> <td>B</td> <td>3\"/> <tr> <td>337</td> <td>ETR</td> <td>-</td> <td>WD.</td> <td>J2</td> <td>PTD.</td> <td>-</td> <td>329A</td> <td>3\"/> <tr> <td>339</td> <td>ETR</td> <td>-</td> <td>WD.</td> <td>J2</td> <td>PTD.</td> <td>-</td> <td>329B</td> <td>3\"/> <tr> <td>340</td> <td>A</td> <td>3\"/> <tr> <td>341A</td> <td>ETR</td> <td>-</td> <td>WD.</td> <td>J2</td> <td>PTD.</td> <td>-</td> <td>331</td> <td>3\"/> <tr> <td>341B</td> <td>ETR</td> <td>-</td> <td>WD.</td> <td>J2</td> <td>PTD.</td> <td>-</td> <td>333</td> <td>3\"/> <tr> <td>342</td> <td>ETR</td> <td>-</td> <td>WD.</td> <td>J2</td> <td>PTD.</td> <td>-</td> <td>334A</td> <td>3\"/> <tr> <td>344</td> <td>ETR</td> <td>-</td> <td>WD.</td> <td>J2</td> <td>PTD.</td> <td>-</td> <td>334B</td> <td>3\"/> <tr> <td>345</td> <td>ETR</td> <td>-</td> <td>WD.</td> <td>J2</td> <td>PTD.</td> <td>-</td> <td>335A</td> <td>3\"/> <tr> <td>346</td> <td>ETR</td> <td>-</td> <td>WD.</td> <td>J2</td> <td>PTD.</td> <td>-</td> <td>335B</td> <td>3\"/> <tr> <td>347</td> <td>ETR</td> <td>-</td> <td>WD.</td> <td>J2</td> <td>PTD.</td> <td>-</td> <td>336</td> <td>3\"/> <tr> <td>348</td> <td>ETR</td> <td>-</td> <td>WD.</td> <td>J2</td> <td>PTD.</td> <td>-</td> <td>337</td> <td>3\"/> <tr> <td>349</td> <td>ETR</td> <td>-</td> <td>WD.</td> <td>J2</td> <td>PTD.</td> <td>-</td> <td>339</td> <td>3\"/> <tr> <td>350</td> <td>ETR</td> <td>-</td> <td>WD.</td> <td>J2</td> <td>PTD.</td> <td>-</td> <td>340</td> <td>3\"/> </td></tr></td></tr></td></tr></td></tr></td></tr></td></tr></td></tr></td></tr></td></tr></td></tr></td></tr></td></tr></td></tr></td></tr></td></tr></td></tr></td></tr></td></tr></td></tr></td></tr></td></tr></td></tr></td></tr></td></tr></td></tr></td></tr> | 324 | ETR | -
 | WD. | J2 | PTD. | - | 318 | 3\"/> <tr> <td>325</td> <td>A</td> <td>3\"/> <tr> <td>327</td> <td>ETR</td> <td>-</td> <td>WD.</td> <td>J2</td> <td>PTD.</td> <td>-</td> <td>319</td> <td>3\"/> <tr> <td>328</td> <td>ETR</td> <td>-</td> <td>WD.</td> <td>J2</td> <td>PTD.</td> <td>-</td> <td>320</td> <td>3\"/> <tr> <td>329A</td> <td>ETR</td> <td>-</td> <td>WD.</td> <td>J2</td> <td>PTD.</td> <td>-</td> <td>321</td> <td>3\"/> <tr> <td>329B</td> <td>ETR</td> <td>-</td> <td>WD.</td> <td>J2</td> <td>PTD.</td> <td>-</td> <td>322</td> <td>3\"/> <tr> <td>331</td> <td>ETR</td> <td>-</td> <td>WD.</td> <td>J2</td> <td>PTD.</td> <td>-</td> <td>323</td> <td>3\"/> <tr> <td>333</td> <td>ETR</td> <td>-</td> <td>WD.</td> <td>J2</td> <td>PTD.</td> <td>-</td> <td>324</td> <td>3\"/> <tr> <td>334A</td> <td>ETR</td> <td>-</td> <td>WD.</td> <td>J2</td> <td>PTD.</td> <td>-</td> <td>325</td> <td>3\"/> <tr> <td>334B</td> <td>ETR</td> <td>-</td> <td>WD.</td> <td>J2</td> <td>PTD.</td> <td>-</td> <td>327</td> <td>3\"/> <tr> <td>335A</td> <td>ETR</td> <td>-</td> <td>WD.</td> <td>J2</td> <td>PTD.</td> <td>-</td> <td>328</td> <td>3\"/> <tr> <td>335B</td> <td>B</td> <td>3\"/> <tr> <td>336</td> <td>B</td> <td>3\"/> <tr> <td>337</td> <td>ETR</td> <td>-</td> <td>WD.</td> <td>J2</td> <td>PTD.</td> <td>-</td> <td>329A</td> <td>3\"/> <tr> <td>339</td> <td>ETR</td> <td>-</td> <td>WD.</td> <td>J2</td> <td>PTD.</td> <td>-</td> <td>329B</td> <td>3\"/> <tr> <td>340</td> <td>A</td> <td>3\"/> <tr> <td>341A</td> <td>ETR</td> <td>-</td> <td>WD.</td> <td>J2</td> <td>PTD.</td> <td>-</td> <td>331</td> <td>3\"/> <tr> <td>341B</td> <td>ETR</td> <td>-</td> <td>WD.</td> <td>J2</td> <td>PTD.</td> <td>-</td> <td>333</td> <td>3\"/> <tr> <td>342</td> <td>ETR</td> <td>-</td> <td>WD.</td> <td>J2</td> <td>PTD.</td> <td>-</td> <td>334A</td> <td>3\"/> <tr> <td>344</td> <td>ETR</td> <td>-</td> <td>WD.</td> <td>J2</td> <td>PTD.</td> <td>-</td> <td>334B</td> <td>3\"/> <tr> <td>345</td> <td>ETR</td> <td>-</td> <td>WD.</td> <td>J2</td> <td>PTD.</td> <td>-</td> <td>335A</td> <td>3\"/> <tr> <td>346</td> <td>ETR</td> <td>-</td> <td>WD.</td> <td>J2</td> <td>PTD.</td> <td>-</td> <td>335B</td> <td>3\"/> <tr> <td>347</td> <td>ETR</td> <td>-</td> <td>WD.</td> <td>J2</td> <td>PTD.</td> <td>-</td> <td>336</td> <td>3\"/> <tr> <td>348</td> <td>ETR</td> <td>-</td> <td>WD.</td> <td>J2</td> <td>PTD.</td> <td>-</td> <td>337</td> <td>3\"/> <tr> <td>349</td> <td>ETR</td> <td>-</td> <td>WD.</td> <td>J2</td> <td>PTD.</td> <td>-</td> <td>339</td> <td>3\"/> <tr> <td>350</td> <td>ETR</td> <td>-</td> <td>WD.</td> <td>J2</td> <td>PTD.</td> <td>-</td> <td>340</td> <td>3\"/> </td></tr></td></tr></td></tr></td></tr></td></tr></td></tr></td></tr></td></tr></td></tr></td></tr></td></tr></td></tr></td></tr></td></tr></td></tr></td></tr></td></tr></td></tr></td></tr></td></tr></td></tr></td></tr></td></tr></td></tr></td></tr>
 | 325 | A | 3\"/> <tr> <td>327</td> <td>ETR</td> <td>-</td> <td>WD.</td> <td>J2</td> <td>PTD.</td> <td>-</td> <td>319</td> <td>3\"/> <tr> <td>328</td> <td>ETR</td> <td>-</td> <td>WD.</td> <td>J2</td> <td>PTD.</td> <td>-</td> <td>320</td> <td>3\"/> <tr> <td>329A</td> <td>ETR</td> <td>-</td> <td>WD.</td> <td>J2</td> <td>PTD.</td> <td>-</td> <td>321</td> <td>3\"/> <tr> <td>329B</td> <td>ETR</td> <td>-</td> <td>WD.</td> <td>J2</td> <td>PTD.</td> <td>-</td> <td>322</td> <td>3\"/> <tr> <td>331</td> <td>ETR</td> <td>-</td> <td>WD.</td> <td>J2</td> <td>PTD.</td> <td>-</td> <td>323</td> <td>3\"/> <tr> <td>333</td> <td>ETR</td> <td>-</td> <td>WD.</td> <td>J2</td> <td>PTD.</td> <td>-</td> <td>324</td> <td>3\"/> <tr> <td>334A</td> <td>ETR</td> <td>-</td> <td>WD.</td> <td>J2</td> <td>PTD.</td> <td>-</td> <td>325</td> <td>3\"/> <tr> <td>334B</td> <td>ETR</td> <td>-</td> <td>WD.</td> <td>J2</td> <td>PTD.</td> <td>-</td> <td>327</td> <td>3\"/> <tr> <td>335A</td> <td>ETR</td> <td>-</td> <td>WD.</td> <td>J2</td> <td>PTD.</td> <td>-</td> <td>328</td> <td>3\"/> <tr> <td>335B</td> <td>B</td> <td>3\"/> <tr> <td>336</td> <td>B</td> <td>3\"/> <tr> <td>337</td> <td>ETR</td> <td>-</td> <td>WD.</td> <td>J2</td> <td>PTD.</td> <td>-</td> <td>329A</td> <td>3\"/> <tr> <td>339</td> <td>ETR</td> <td>-</td> <td>WD.</td> <td>J2</td> <td>PTD.</td> <td>-</td> <td>329B</td> <td>3\"/> <tr> <td>340</td> <td>A</td> <td>3\"/> <tr> <td>341A</td> <td>ETR</td> <td>-</td> <td>WD.</td> <td>J2</td> <td>PTD.</td> <td>-</td> <td>331</td> <td>3\"/> <tr> <td>341B</td> <td>ETR</td> <td>-</td> <td>WD.</td> <td>J2</td> <td>PTD.</td> <td>-</td> <td>333</td> <td>3\"/> <tr> <td>342</td> <td>ETR</td> <td>-</td> <td>WD.</td> <td>J2</td> <td>PTD.</td> <td>-</td> <td>334A</td> <td>3\"/> <tr> <td>344</td> <td>ETR</td> <td>-</td> <td>WD.</td> <td>J2</td> <td>PTD.</td> <td>-</td> <td>334B</td> <td>3\"/> <tr> <td>345</td> <td>ETR</td> <td>-</td> <td>WD.</td> <td>J2</td> <td>PTD.</td> <td>-</td> <td>335A</td> <td>3\"/> <tr> <td>346</td> <td>ETR</td> <td>-</td> <td>WD.</td> <td>J2</td> <td>PTD.</td> <td>-</td> <td>335B</td> <td>3\"/> <tr> <td>347</td> <td>ETR</td> <td>-</td> <td>WD.</td> <td>J2</td> <td>PTD.</td> <td>-</td> <td>336</td> <td>3\"/> <tr> <td>348</td> <td>ETR</td> <td>-</td> <td>WD.</td> <td>J2</td> <td>PTD.</td> <td>-</td> <td>337</td> <td>3\"/> <tr> <td>349</td> <td>ETR</td> <td>-</td> <td>WD.</td> <td>J2</td> <td>PTD.</td> <td>-</td> <td>339</td> <td>3\"/> <tr> <td>350</td> <td>ETR</td> <td>-</td> <td>WD.</td> <td>J2</td> <td>PTD.</td> <td>-</td> <td>340</td> <td>3\"/> </td></tr></td></tr></td></tr></td></tr></td></tr></td></tr></td></tr></td></tr></td></tr></td></tr></td></tr></td></tr></td></tr></td></tr></td></tr></td></tr></td></tr></td></tr></td></tr></td></tr></td></tr></td></tr></td></tr></td></tr> | 327 | ETR | - | WD. | J2 | PTD.
 | - | 319 | 3\"/> <tr> <td>328</td> <td>ETR</td> <td>-</td> <td>WD.</td> <td>J2</td> <td>PTD.</td> <td>-</td> <td>320</td> <td>3\"/> <tr> <td>329A</td> <td>ETR</td> <td>-</td> <td>WD.</td> <td>J2</td> <td>PTD.</td> <td>-</td> <td>321</td> <td>3\"/> <tr> <td>329B</td> <td>ETR</td> <td>-</td> <td>WD.</td> <td>J2</td> <td>PTD.</td> <td>-</td> <td>322</td> <td>3\"/> <tr> <td>331</td> <td>ETR</td> <td>-</td> <td>WD.</td> <td>J2</td> <td>PTD.</td> <td>-</td> <td>323</td> <td>3\"/> <tr> <td>333</td> <td>ETR</td> <td>-</td> <td>WD.</td> <td>J2</td> <td>PTD.</td> <td>-</td> <td>324</td> <td>3\"/> <tr> <td>334A</td> <td>ETR</td> <td>-</td> <td>WD.</td> <td>J2</td> <td>PTD.</td> <td>-</td> <td>325</td> <td>3\"/> <tr> <td>334B</td> <td>ETR</td> <td>-</td> <td>WD.</td> <td>J2</td> <td>PTD.</td> <td>-</td> <td>327</td> <td>3\"/> <tr> <td>335A</td> <td>ETR</td> <td>-</td> <td>WD.</td> <td>J2</td> <td>PTD.</td> <td>-</td> <td>328</td> <td>3\"/> <tr> <td>335B</td> <td>B</td> <td>3\"/> <tr> <td>336</td> <td>B</td> <td>3\"/> <tr> <td>337</td> <td>ETR</td> <td>-</td> <td>WD.</td> <td>J2</td> <td>PTD.</td> <td>-</td> <td>329A</td> <td>3\"/> <tr> <td>339</td> <td>ETR</td> <td>-</td> <td>WD.</td> <td>J2</td> <td>PTD.</td> <td>-</td> <td>329B</td> <td>3\"/> <tr> <td>340</td> <td>A</td> <td>3\"/> <tr> <td>341A</td> <td>ETR</td> <td>-</td> <td>WD.</td> <td>J2</td> <td>PTD.</td> <td>-</td> <td>331</td> <td>3\"/> <tr> <td>341B</td> <td>ETR</td> <td>-</td> <td>WD.</td> <td>J2</td> <td>PTD.</td> <td>-</td> <td>333</td> <td>3\"/> <tr> <td>342</td> <td>ETR</td> <td>-</td> <td>WD.</td> <td>J2</td> <td>PTD.</td> <td>-</td> <td>334A</td> <td>3\"/> <tr> <td>344</td> <td>ETR</td> <td>-</td> <td>WD.</td> <td>J2</td> <td>PTD.</td> <td>-</td> <td>334B</td> <td>3\"/> <tr> <td>345</td> <td>ETR</td> <td>-</td> <td>WD.</td> <td>J2</td> <td>PTD.</td> <td>-</td> <td>335A</td> <td>3\"/> <tr> <td>346</td> <td>ETR</td> <td>-</td> <td>WD.</td> <td>J2</td> <td>PTD.</td> <td>-</td> <td>335B</td> <td>3\"/> <tr> <td>347</td> <td>ETR</td> <td>-</td> <td>WD.</td> <td>J2</td> <td>PTD.</td> <td>-</td> <td>336</td> <td>3\"/> <tr> <td>348</td> <td>ETR</td> <td>-</td> <td>WD.</td> <td>J2</td> <td>PTD.</td> <td>-</td> <td>337</td> <td>3\"/> <tr> <td>349</td> <td>ETR</td> <td>-</td> <td>WD.</td> <td>J2</td> <td>PTD.</td> <td>-</td> <td>339</td> <td>3\"/> <tr> <td>350</td> <td>ETR</td> <td>-</td> <td>WD.</td> <td>J2</td> <td>PTD.</td> <td>-</td> <td>340</td> <td>3\"/> </td></tr></td></tr></td></tr></td></tr></td></tr></td></tr></td></tr></td></tr></td></tr></td></tr></td></tr></td></tr></td></tr></td></tr></td></tr></td></tr></td></tr></td></tr></td></tr></td></tr></td></tr></td></tr></td></tr> | 328 | ETR | -
 | WD. | J2 | PTD. | - | 320 | 3\"/> <tr> <td>329A</td> <td>ETR</td> <td>-</td> <td>WD.</td> <td>J2</td> <td>PTD.</td> <td>-</td> <td>321</td> <td>3\"/> <tr> <td>329B</td> <td>ETR</td> <td>-</td> <td>WD.</td> <td>J2</td> <td>PTD.</td> <td>-</td> <td>322</td> <td>3\"/> <tr> <td>331</td> <td>ETR</td> <td>-</td> <td>WD.</td> <td>J2</td> <td>PTD.</td> <td>-</td> <td>323</td> <td>3\"/> <tr> <td>333</td> <td>ETR</td> <td>-</td> <td>WD.</td> <td>J2</td> <td>PTD.</td> <td>-</td> <td>324</td> <td>3\"/> <tr> <td>334A</td> <td>ETR</td> <td>-</td> <td>WD.</td> <td>J2</td> <td>PTD.</td> <td>-</td> <td>325</td> <td>3\"/> <tr> <td>334B</td> <td>ETR</td> <td>-</td> <td>WD.</td> <td>J2</td> <td>PTD.</td> <td>-</td> <td>327</td> <td>3\"/> <tr> <td>335A</td> <td>ETR</td> <td>-</td> <td>WD.</td> <td>J2</td> <td>PTD.</td> <td>-</td> <td>328</td> <td>3\"/> <tr> <td>335B</td> <td>B</td> <td>3\"/> <tr> <td>336</td> <td>B</td> <td>3\"/> <tr> <td>337</td> <td>ETR</td> <td>-</td> <td>WD.</td> <td>J2</td> <td>PTD.</td> <td>-</td> <td>329A</td> <td>3\"/> <tr> <td>339</td> <td>ETR</td> <td>-</td> <td>WD.</td> <td>J2</td> <td>PTD.</td> <td>-</td> <td>329B</td> <td>3\"/> <tr> <td>340</td> <td>A</td> <td>3\"/> <tr> <td>341A</td> <td>ETR</td> <td>-</td> <td>WD.</td> <td>J2</td> <td>PTD.</td> <td>-</td> <td>331</td> <td>3\"/> <tr> <td>341B</td> <td>ETR</td> <td>-</td> <td>WD.</td> <td>J2</td> <td>PTD.</td> <td>-</td> <td>333</td> <td>3\"/> <tr> <td>342</td> <td>ETR</td> <td>-</td> <td>WD.</td> <td>J2</td> <td>PTD.</td> <td>-</td> <td>334A</td> <td>3\"/> <tr> <td>344</td> <td>ETR</td> <td>-</td> <td>WD.</td> <td>J2</td> <td>PTD.</td> <td>-</td> <td>334B</td> <td>3\"/> <tr> <td>345</td> <td>ETR</td> <td>-</td> <td>WD.</td> <td>J2</td> <td>PTD.</td> <td>-</td> <td>335A</td> <td>3\"/> <tr> <td>346</td> <td>ETR</td> <td>-</td> <td>WD.</td> <td>J2</td> <td>PTD.</td> <td>-</td> <td>335B</td> <td>3\"/> <tr> <td>347</td> <td>ETR</td> <td>-</td> <td>WD.</td> <td>J2</td> <td>PTD.</td> <td>-</td> <td>336</td> <td>3\"/> <tr> <td>348</td> <td>ETR</td> <td>-</td> <td>WD.</td> <td>J2</td> <td>PTD.</td> <td>-</td> <td>337</td> <td>3\"/> <tr> <td>349</td> <td>ETR</td> <td>-</td> <td>WD.</td> <td>J2</td> <td>PTD.</td> <td>-</td> <td>339</td> <td>3\"/> <tr> <td>350</td> <td>ETR</td> <td>-</td> <td>WD.</td> <td>J2</td> <td>PTD.</td> <td>-</td> <td>340</td> <td>3\"/> </td></tr></td></tr></td></tr></td></tr></td></tr></td></tr></td></tr></td></tr></td></tr></td></tr></td></tr></td></tr></td></tr></td></tr></td></tr></td></tr></td></tr></td></tr></td></tr></td></tr></td></tr></td></tr>
 | 329A | ETR | - | WD. | J2 | PTD. | - | 321 | 3\"/> <tr> <td>329B</td> <td>ETR</td> <td>-</td> <td>WD.</td> <td>J2</td> <td>PTD.</td> <td>-</td> <td>322</td> <td>3\"/> <tr> <td>331</td> <td>ETR</td> <td>-</td> <td>WD.</td> <td>J2</td> <td>PTD.</td> <td>-</td> <td>323</td> <td>3\"/> <tr> <td>333</td> <td>ETR</td> <td>-</td> <td>WD.</td> <td>J2</td> <td>PTD.</td> <td>-</td> <td>324</td> <td>3\"/> <tr> <td>334A</td> <td>ETR</td> <td>-</td> <td>WD.</td> <td>J2</td> <td>PTD.</td> <td>-</td> <td>325</td> <td>3\"/> <tr> <td>334B</td> <td>ETR</td> <td>-</td> <td>WD.</td> <td>J2</td> <td>PTD.</td> <td>-</td> <td>327</td> <td>3\"/> <tr> <td>335A</td> <td>ETR</td> <td>-</td> <td>WD.</td> <td>J2</td> <td>PTD.</td> <td>-</td> <td>328</td> <td>3\"/> <tr> <td>335B</td> <td>B</td> <td>3\"/> <tr> <td>336</td> <td>B</td> <td>3\"/> <tr> <td>337</td> <td>ETR</td> <td>-</td> <td>WD.</td> <td>J2</td> <td>PTD.</td> <td>-</td> <td>329A</td> <td>3\"/> <tr> <td>339</td> <td>ETR</td> <td>-</td> <td>WD.</td> <td>J2</td>
<td>PTD.</td> <td>-</td> <td>329B</td> <td>3\"/> <tr> <td>340</td> <td>A</td> <td>3\"/> <tr> <td>341A</td> <td>ETR</td> <td>-</td> <td>WD.</td> <td>J2</td> <td>PTD.</td> <td>-</td> <td>331</td> <td>3\"/> <tr> <td>341B</td> <td>ETR</td> <td>-</td> <td>WD.</td> <td>J2</td> <td>PTD.</td> <td>-</td> <td>333</td> <td>3\"/> <tr> <td>342</td> <td>ETR</td> <td>-</td> <td>WD.</td> <td>J2</td> <td>PTD.</td> <td>-</td> <td>334A</td> <td>3\"/> <tr> <td>344</td> <td>ETR</td> <td>-</td> <td>WD.</td> <td>J2</td> <td>PTD.</td> <td>-</td> <td>334B</td> <td>3\"/> <tr> <td>345</td> <td>ETR</td> <td>-</td> <td>WD.</td> <td>J2</td> <td>PTD.</td> <td>-</td> <td>335A</td> <td>3\"/> <tr> <td>346</td> <td>ETR</td> <td>-</td> <td>WD.</td> <td>J2</td> <td>PTD.</td> <td>-</td> <td>335B</td> <td>3\"/> <tr> <td>347</td> <td>ETR</td> <td>-</td> <td>WD.</td> <td>J2</td> <td>PTD.</td> <td>-</td> <td>336</td> <td>3\"/> <tr> <td>348</td> <td>ETR</td> <td>-</td> <td>WD.</td> <td>J2</td> <td>PTD.</td> <td>-</td> <td>337</td> <td>3\"/> <tr> <td>349</td> <td>ETR</td> <td>-</td> <td>WD.</td> <td>J2</td> <td>PTD.</td> <td>-</td> <td>339</td> <td>3\"/> <tr> <td>350</td> <td>ETR</td> <td>-</td> <td>WD.</td> <td>J2</td> <td>PTD.</td> <td>-</td> <td>340</td> <td>3\"/> </td></tr></td></tr></td></tr></td></tr></td></tr></td></tr></td></tr></td></tr></td></tr></td></tr></td></tr></td></tr></td></tr></td></tr></td></tr></td></tr></td></tr></td></tr></td></tr></td></tr></td></tr> | 329B | ETR | - | WD. | J2 | PTD.
 | - | 322 | 3\"/> <tr> <td>331</td> <td>ETR</td> <td>-</td> <td>WD.</td> <td>J2</td> <td>PTD.</td> <td>-</td> <td>323</td> <td>3\"/> <tr> <td>333</td> <td>ETR</td> <td>-</td> <td>WD.</td> <td>J2</td> <td>PTD.</td> <td>-</td> <td>324</td> <td>3\"/> <tr> <td>334A</td> <td>ETR</td> <td>-</td> <td>WD.</td> <td>J2</td> <td>PTD.</td> <td>-</td> <td>325</td> <td>3\"/> <tr> <td>334B</td> <td>ETR</td> <td>-</td> <td>WD.</td> <td>J2</td> <td>PTD.</td> <td>-</td> <td>327</td> <td>3\"/> <tr> <td>335A</td> <td>ETR</td> <td>-</td> <td>WD.</td> <td>J2</td> <td>PTD.</td> <td>-</td> <td>328</td> <td>3\"/> <tr> <td>335B</td> <td>B</td> <td>3\"/> <tr> <td>336</td> <td>B</td> <td>3\"/> <tr> <td>337</td> <td>ETR</td> <td>-</td> <td>WD.</td> <td>J2</td> <td>PTD.</td> <td>-</td> <td>329A</td> <td>3\"/> <tr> <td>339</td> <td>ETR</td> <td>-</td> <td>WD.</td> <td>J2</td> <td>PTD.</td> <td>-</td> <td>329B</td> <td>3\"/> <tr> <td>340</td> <td>A</td> <td>3\"/> <tr> <td>341A</td> <td>ETR</td> <td>-</td> <td>WD.</td> <td>J2</td> <td>PTD.</td> <td>-</td> <td>331</td> <td>3\"/> <tr> <td>341B</td> <td>ETR</td> <td>-</td> <td>WD.</td> <td>J2</td> <td>PTD.</td> <td>-</td> <td>333</td> <td>3\"/> <tr> <td>342</td> <td>ETR</td> <td>-</td> <td>WD.</td> <td>J2</td> <td>PTD.</td> <td>-</td> <td>334A</td> <td>3\"/> <tr> <td>344</td> <td>ETR</td> <td>-</td> <td>WD.</td> <td>J2</td> <td>PTD.</td> <td>-</td> <td>334B</td> <td>3\"/> <tr> <td>345</td> <td>ETR</td> <td>-</td> <td>WD.</td> <td>J2</td> <td>PTD.</td> <td>-</td> <td>335A</td> <td>3\"/> <tr> <td>346</td> <td>ETR</td> <td>-</td> <td>WD.</td> <td>J2</td> <td>PTD.</td> <td>-</td> <td>335B</td> <td>3\"/> <tr> <td>347</td> <td>ETR</td> <td>-</td> <td>WD.</td> <td>J2</td> <td>PTD.</td> <td>-</td> <td>336</td> <td>3\"/> <tr> <td>348</td> <td>ETR</td> <td>-</td> <td>WD.</td> <td>J2</td> <td>PTD.</td> <td>-</td> <td>337</td> <td>3\"/> <tr> <td>349</td> <td>ETR</td> <td>-</td> <td>WD.</td> <td>J2</td> <td>PTD.</td> <td>-</td> <td>339</td> <td>3\"/> <tr> <td>350</td> <td>ETR</td> <td>-</td> <td>WD.</td> <td>J2</td> <td>PTD.</td> <td>-</td> <td>340</td> <td>3\"/> </td></tr></td></tr></td></tr></td></tr></td></tr></td></tr></td></tr></td></tr></td></tr></td></tr></td></tr></td></tr></td></tr></td></tr></td></tr></td></tr></td></tr></td></tr></td></tr></td></tr> | 331 | ETR | - | WD. | J2 | PTD.
 | - | 323 | 3\"/> <tr> <td>333</td> <td>ETR</td> <td>-</td> <td>WD.</td> <td>J2</td> <td>PTD.</td> <td>-</td> <td>324</td> <td>3\"/> <tr> <td>334A</td> <td>ETR</td> <td>-</td> <td>WD.</td> <td>J2</td> <td>PTD.</td> <td>-</td> <td>325</td> <td>3\"/> <tr> <td>334B</td> <td>ETR</td> <td>-</td> <td>WD.</td> <td>J2</td> <td>PTD.</td> <td>-</td> <td>327</td> <td>3\"/> <tr> <td>335A</td> <td>ETR</td> <td>-</td> <td>WD.</td> <td>J2</td> <td>PTD.</td> <td>-</td> <td>328</td> <td>3\"/> <tr> <td>335B</td> <td>B</td> <td>3\"/> <tr> <td>336</td> <td>B</td> <td>3\"/> <tr> <td>337</td> <td>ETR</td> <td>-</td> <td>WD.</td> <td>J2</td> <td>PTD.</td> <td>-</td> <td>329A</td> <td>3\"/> <tr> <td>339</td> <td>ETR</td> <td>-</td> <td>WD.</td> <td>J2</td> <td>PTD.</td> <td>-</td> <td>329B</td> <td>3\"/> <tr> <td>340</td> <td>A</td> <td>3\"/> <tr> <td>341A</td> <td>ETR</td> <td>-</td> <td>WD.</td> <td>J2</td> <td>PTD.</td> <td>-</td> <td>331</td> <td>3\"/> <tr> <td>341B</td> <td>ETR</td> <td>-</td> <td>WD.</td> <td>J2</td> <td>PTD.</td> <td>-</td> <td>333</td> <td>3\"/> <tr> <td>342</td> <td>ETR</td> <td>-</td> <td>WD.</td> <td>J2</td> <td>PTD.</td> <td>-</td> <td>334A</td> <td>3\"/> <tr> <td>344</td> <td>ETR</td> <td>-</td> <td>WD.</td> <td>J2</td> <td>PTD.</td> <td>-</td> <td>334B</td> <td>3\"/> <tr> <td>345</td> <td>ETR</td> <td>-</td> <td>WD.</td> <td>J2</td> <td>PTD.</td> <td>-</td> <td>335A</td> <td>3\"/> <tr> <td>346</td> <td>ETR</td> <td>-</td> <td>WD.</td> <td>J2</td> <td>PTD.</td> <td>-</td> <td>335B</td> <td>3\"/> <tr> <td>347</td> <td>ETR</td> <td>-</td> <td>WD.</td> <td>J2</td> <td>PTD.</td> <td>-</td> <td>336</td> <td>3\"/> <tr> <td>348</td> <td>ETR</td> <td>-</td> <td>WD.</td> <td>J2</td> <td>PTD.</td> <td>-</td> <td>337</td> <td>3\"/> <tr> <td>349</td> <td>ETR</td> <td>-</td> <td>WD.</td> <td>J2</td> <td>PTD.</td> <td>-</td> <td>339</td> <td>3\"/> <tr> <td>350</td> <td>ETR</td> <td>-</td> <td>WD.</td> <td>J2</td> <td>PTD.</td> <td>-</td> <td>340</td> <td>3\"/> </td></tr></td></tr></td></tr></td></tr></td></tr></td></tr></td></tr></td></tr></td></tr></td></tr></td></tr></td></tr></td></tr></td></tr></td></tr></td></tr></td></tr></td></tr></td></tr> | 333 | ETR | -
 | WD. | J2 | PTD. | - | 324 | 3\"/> <tr> <td>334A</td> <td>ETR</td> <td>-</td> <td>WD.</td> <td>J2</td> <td>PTD.</td> <td>-</td> <td>325</td> <td>3\"/> <tr> <td>334B</td> <td>ETR</td> <td>-</td> <td>WD.</td> <td>J2</td> <td>PTD.</td> <td>-</td> <td>327</td> <td>3\"/> <tr> <td>335A</td> <td>ETR</td> <td>-</td> <td>WD.</td> <td>J2</td> <td>PTD.</td> <td>-</td> <td>328</td> <td>3\"/> <tr> <td>335B</td> <td>B</td> <td>3\"/> <tr> <td>336</td> <td>B</td> <td>3\"/> <tr> <td>337</td> <td>ETR</td> <td>-</td> <td>WD.</td> <td>J2</td> <td>PTD.</td> <td>-</td> <td>329A</td> <td>3\"/> <tr> <td>339</td> <td>ETR</td> <td>-</td> <td>WD.</td> <td>J2</td> <td>PTD.</td> <td>-</td> <td>329B</td> <td>3\"/> <tr> <td>340</td> <td>A</td> <td>3\"/> <tr> <td>341A</td> <td>ETR</td> <td>-</td> <td>WD.</td> <td>J2</td> <td>PTD.</td> <td>-</td> <td>331</td> <td>3\"/> <tr> <td>341B</td> <td>ETR</td> <td>-</td> <td>WD.</td> <td>J2</td> <td>PTD.</td> <td>-</td> <td>333</td> <td>3\"/> <tr> <td>342</td> <td>ETR</td> <td>-</td> <td>WD.</td> <td>J2</td> <td>PTD.</td> <td>-</td> <td>334A</td> <td>3\"/> <tr> <td>344</td> <td>ETR</td> <td>-</td> <td>WD.</td> <td>J2</td> <td>PTD.</td> <td>-</td> <td>334B</td> <td>3\"/> <tr> <td>345</td> <td>ETR</td> <td>-</td> <td>WD.</td> <td>J2</td> <td>PTD.</td> <td>-</td> <td>335A</td> <td>3\"/> <tr> <td>346</td> <td>ETR</td> <td>-</td> <td>WD.</td> <td>J2</td> <td>PTD.</td> <td>-</td> <td>335B</td> <td>3\"/> <tr> <td>347</td> <td>ETR</td> <td>-</td> <td>WD.</td> <td>J2</td> <td>PTD.</td> <td>-</td> <td>336</td> <td>3\"/> <tr> <td>348</td> <td>ETR</td> <td>-</td> <td>WD.</td> <td>J2</td> <td>PTD.</td> <td>-</td> <td>337</td> <td>3\"/> <tr> <td>349</td> <td>ETR</td> <td>-</td> <td>WD.</td> <td>J2</td> <td>PTD.</td> <td>-</td> <td>339</td> <td>3\"/> <tr> <td>350</td> <td>ETR</td> <td>-</td> <td>WD.</td> <td>J2</td> <td>PTD.</td> <td>-</td> <td>340</td> <td>3\"/> </td></tr></td></tr></td></tr></td></tr></td></tr></td></tr></td></tr></td></tr></td></tr></td></tr></td></tr></td></tr></td></tr></td></tr></td></tr></td></tr></td></tr></td></tr> | 334A | ETR | -
 | WD. | J2 | PTD. | - | 325 | 3\"/> <tr> <td>334B</td> <td>ETR</td> <td>-</td> <td>WD.</td> <td>J2</td> <td>PTD.</td> <td>-</td> <td>327</td> <td>3\"/> <tr> <td>335A</td> <td>ETR</td> <td>-</td> <td>WD.</td> <td>J2</td> <td>PTD.</td> <td>-</td> <td>328</td> <td>3\"/> <tr> <td>335B</td> <td>B</td> <td>3\"/> <tr> <td>336</td> <td>B</td> <td>3\"/> <tr> <td>337</td> <td>ETR</td> <td>-</td> <td>WD.</td> <td>J2</td> <td>PTD.</td> <td>-</td> <td>329A</td> <td>3\"/> <tr> <td>339</td> <td>ETR</td> <td>-</td> <td>WD.</td> <td>J2</td> <td>PTD.</td> <td>-</td> <td>329B</td> <td>3\"/> <tr> <td>340</td> <td>A</td> <td>3\"/> <tr> <td>341A</td> <td>ETR</td> <td>-</td> <td>WD.</td> <td>J2</td> <td>PTD.</td> <td>-</td> <td>331</td> <td>3\"/> <tr> <td>341B</td> <td>ETR</td> <td>-</td> <td>WD.</td> <td>J2</td> <td>PTD.</td> <td>-</td> <td>333</td> <td>3\"/> <tr> <td>342</td> <td>ETR</td> <td>-</td> <td>WD.</td> <td>J2</td> <td>PTD.</td> <td>-</td> <td>334A</td> <td>3\"/> <tr> <td>344</td> <td>ETR</td> <td>-</td> <td>WD.</td> <td>J2</td> <td>PTD.</td> <td>-</td> <td>334B</td> <td>3\"/> <tr> <td>345</td> <td>ETR</td> <td>-</td> <td>WD.</td> <td>J2</td> <td>PTD.</td> <td>-</td> <td>335A</td> <td>3\"/> <tr> <td>346</td> <td>ETR</td> <td>-</td> <td>WD.</td> <td>J2</td> <td>PTD.</td> <td>-</td> <td>335B</td> <td>3\"/> <tr> <td>347</td> <td>ETR</td> <td>-</td> <td>WD.</td> <td>J2</td> <td>PTD.</td> <td>-</td> <td>336</td> <td>3\"/> <tr> <td>348</td> <td>ETR</td> <td>-</td> <td>WD.</td> <td>J2</td> <td>PTD.</td> <td>-</td> <td>337</td> <td>3\"/> <tr> <td>349</td> <td>ETR</td> <td>-</td> <td>WD.</td> <td>J2</td> <td>PTD.</td> <td>-</td> <td>339</td> <td>3\"/> <tr> <td>350</td> <td>ETR</td> <td>-</td> <td>WD.</td> <td>J2</td> <td>PTD.</td> <td>-</td> <td>340</td> <td>3\"/> </td></tr></td></tr></td></tr></td></tr></td></tr></td></tr></td></tr></td></tr></td></tr></td></tr></td></tr></td></tr></td></tr></td></tr></td></tr></td></tr></td></tr> | 334B | ETR | -
 | WD. | J2 | PTD. | - | 327 | 3\"/> <tr> <td>335A</td> <td>ETR</td> <td>-</td> <td>WD.</td> <td>J2</td> <td>PTD.</td> <td>-</td> <td>328</td> <td>3\"/> <tr> <td>335B</td> <td>B</td> <td>3\"/> <tr> <td>336</td> <td>B</td> <td>3\"/> <tr> <td>337</td> <td>ETR</td> <td>-</td> <td>WD.</td> <td>J2</td> <td>PTD.</td> <td>-</td> <td>329A</td> <td>3\"/> <tr> <td>339</td> <td>ETR</td> <td>-</td> <td>WD.</td> <td>J2</td> <td>PTD.</td> <td>-</td> <td>329B</td> <td>3\"/> <tr> <td>340</td> <td>A</td> <td>3\"/> <tr> <td>341A</td> <td>ETR</td> <td>-</td> <td>WD.</td> <td>J2</td> <td>PTD.</td> <td>-</td> <td>331</td> <td>3\"/> <tr> <td>341B</td> <td>ETR</td> <td>-</td> <td>WD.</td> <td>J2</td> <td>PTD.</td> <td>-</td> <td>333</td> <td>3\"/> <tr> <td>342</td> <td>ETR</td> <td>-</td> <td>WD.</td> <td>J2</td> <td>PTD.</td> <td>-</td> <td>334A</td> <td>3\"/> <tr> <td>344</td> <td>ETR</td> <td>-</td> <td>WD.</td> <td>J2</td> <td>PTD.</td> <td>-</td> <td>334B</td> <td>3\"/> <tr> <td>345</td> <td>ETR</td> <td>-</td> <td>WD.</td> <td>J2</td> <td>PTD.</td> <td>-</td> <td>335A</td> <td>3\"/> <tr> <td>346</td> <td>ETR</td> <td>-</td> <td>WD.</td> <td>J2</td> <td>PTD.</td> <td>-</td> <td>335B</td> <td>3\"/> <tr> <td>347</td> <td>ETR</td> <td>-</td> <td>WD.</td> <td>J2</td> <td>PTD.</td> <td>-</td> <td>336</td> <td>3\"/> <tr> <td>348</td> <td>ETR</td> <td>-</td> <td>WD.</td> <td>J2</td> <td>PTD.</td> <td>-</td> <td>337</td> <td>3\"/> <tr> <td>349</td> <td>ETR</td> <td>-</td> <td>WD.</td> <td>J2</td> <td>PTD.</td> <td>-</td> <td>339</td> <td>3\"/> <tr> <td>350</td> <td>ETR</td> <td>-</td> <td>WD.</td> <td>J2</td> <td>PTD.</td> <td>-</td> <td>340</td> <td>3\"/> </td></tr></td></tr></td></tr></td></tr></td></tr></td></tr></td></tr></td></tr></td></tr></td></tr></td></tr></td></tr></td></tr></td></tr></td></tr></td></tr> | 335A | ETR | -
 | WD. | J2 | PTD. | - | 328 | 3\"/> <tr> <td>335B</td> <td>B</td> <td>3\"/> <tr> <td>336</td> <td>B</td> <td>3\"/> <tr> <td>337</td> <td>ETR</td> <td>-</td> <td>WD.</td> <td>J2</td> <td>PTD.</td> <td>-</td> <td>329A</td> <td>3\"/> <tr> <td>339</td> <td>ETR</td> <td>-</td> <td>WD.</td> <td>J2</td> <td>PTD.</td> <td>-</td> <td>329B</td> <td>3\"/> <tr> <td>340</td> <td>A</td> <td>3\"/> <tr> <td>341A</td> <td>ETR</td> <td>-</td> <td>WD.</td> <td>J2</td> <td>PTD.</td> <td>-</td> <td>331</td> <td>3\"/> <tr> <td>341B</td> <td>ETR</td> <td>-</td> <td>WD.</td> <td>J2</td> <td>PTD.</td> <td>-</td> <td>333</td> <td>3\"/> <tr> <td>342</td> <td>ETR</td> <td>-</td> <td>WD.</td> <td>J2</td> <td>PTD.</td> <td>-</td> <td>334A</td> <td>3\"/> <tr> <td>344</td> <td>ETR</td> <td>-</td> <td>WD.</td> <td>J2</td> <td>PTD.</td> <td>-</td> <td>334B</td> <td>3\"/> <tr> <td>345</td> <td>ETR</td> <td>-</td> <td>WD.</td> <td>J2</td> <td>PTD.</td> <td>-</td> <td>335A</td> <td>3\"/> <tr> <td>346</td> <td>ETR</td> <td>-</td> <td>WD.</td> <td>J2</td> <td>PTD.</td> <td>-</td> <td>335B</td> <td>3\"/> <tr> <td>347</td> <td>ETR</td> <td>-</td> <td>WD.</td> <td>J2</td> <td>PTD.</td> <td>-</td> <td>336</td> <td>3\"/> <tr> <td>348</td> <td>ETR</td> <td>-</td> <td>WD.</td> <td>J2</td> <td>PTD.</td> <td>-</td> <td>337</td> <td>3\"/> <tr> <td>349</td> <td>ETR</td> <td>-</td> <td>WD.</td> <td>J2</td> <td>PTD.</td> <td>-</td> <td>339</td> <td>3\"/> <tr> <td>350</td> <td>ETR</td> <td>-</td> <td>WD.</td> <td>J2</td> <td>PTD.</td> <td>-</td> <td>340</td> <td>3\"/> </td></tr></td></tr></td></tr></td></tr></td></tr></td></tr></td></tr></td></tr></td></tr></td></tr></td></tr></td></tr></td></tr></td></tr></td></tr>
 | 335B | B | 3\"/> <tr> <td>336</td> <td>B</td> <td>3\"/> <tr> <td>337</td> <td>ETR</td> <td>-</td> <td>WD.</td> <td>J2</td> <td>PTD.</td> <td>-</td> <td>329A</td> <td>3\"/> <tr> <td>339</td> <td>ETR</td> <td>-</td> <td>WD.</td> <td>J2</td> <td>PTD.</td> <td>-</td> <td>329B</td> <td>3\"/> <tr> <td>340</td> <td>A</td> <td>3\"/> <tr> <td>341A</td> <td>ETR</td> <td>-</td> <td>WD.</td> <td>J2</td> <td>PTD.</td> <td>-</td> <td>331</td> <td>3\"/> <tr> <td>341B</td> <td>ETR</td> <td>-</td> <td>WD.</td> <td>J2</td> <td>PTD.</td> <td>-</td> <td>333</td> <td>3\"/> <tr> <td>342</td> <td>ETR</td> <td>-</td> <td>WD.</td> <td>J2</td> <td>PTD.</td> <td>-</td> <td>334A</td> <td>3\"/> <tr> <td>344</td> <td>ETR</td> <td>-</td> <td>WD.</td> <td>J2</td> <td>PTD.</td> <td>-</td> <td>334B</td> <td>3\"/> <tr> <td>345</td> <td>ETR</td> <td>-</td> <td>WD.</td> <td>J2</td> <td>PTD.</td> <td>-</td> <td>335A</td> <td>3\"/> <tr> <td>346</td> <td>ETR</td> <td>-</td> <td>WD.</td> <td>J2</td> <td>PTD.</td> <td>-</td> <td>335B</td> <td>3\"/> <tr> <td>347</td> <td>ETR</td> <td>-</td> <td>WD.</td> <td>J2</td> <td>PTD.</td> <td>-</td> <td>336</td> <td>3\"/> <tr> <td>348</td> <td>ETR</td> <td>-</td> <td>WD.</td> <td>J2</td> <td>PTD.</td> <td>-</td> <td>337</td> <td>3\"/> <tr> <td>349</td> <td>ETR</td> <td>-</td> <td>WD.</td> <td>J2</td> <td>PTD.</td> <td>-</td> <td>339</td> <td>3\"/> <tr> <td>350</td> <td>ETR</td> <td>-</td> <td>WD.</td> <td>J2</td> <td>PTD.</td> <td>-</td> <td>340</td> <td>3\"/> </td></tr></td></tr></td></tr></td></tr></td></tr></td></tr></td></tr></td></tr></td></tr></td></tr></td></tr></td></tr></td></tr></td></tr> | 336 | B | 3\"/> <tr> <td>337</td> <td>ETR</td> <td>-</td> <td>WD.</td> <td>J2</td> <td>PTD.</td> <td>-</td> <td>329A</td> <td>3\"/> <tr> <td>339</td> <td>ETR</td> <td>-</td> <td>WD.</td> <td>J2</td> <td>PTD.</td> <td>-</td> <td>329B</td> <td>3\"/> <tr> <td>340</td> <td>A</td> <td>3\"/> <tr> <td>341A</td> <td>ETR</td> <td>-</td> <td>WD.</td> <td>J2</td> <td>PTD.</td> <td>-</td> <td>331</td> <td>3\"/> <tr> <td>341B</td> <td>ETR</td> <td>-</td> <td>WD.</td> <td>J2</td> <td>PTD.</td> <td>-</td> <td>333</td> <td>3\"/> <tr> <td>342</td> <td>ETR</td> <td>-</td> <td>WD.</td> <td>J2</td> <td>PTD.</td> <td>-</td> <td>334A</td> <td>3\"/> <tr> <td>344</td> <td>ETR</td> <td>-</td> <td>WD.</td> <td>J2</td> <td>PTD.</td> <td>-</td> <td>334B</td> <td>3\"/> <tr> <td>345</td> <td>ETR</td> <td>-</td> <td>WD.</td> <td>J2</td> <td>PTD.</td> <td>-</td> <td>335A</td> <td>3\"/> <tr> <td>346</td> <td>ETR</td> <td>-</td> <td>WD.</td> <td>J2</td> <td>PTD.</td> <td>-</td> <td>335B</td> <td>3\"/> <tr> <td>347</td> <td>ETR</td> <td>-</td> <td>WD.</td> <td>J2</td> <td>PTD.</td> <td>-</td> <td>336</td> <td>3\"/> <tr> <td>348</td> <td>ETR</td> <td>-</td> <td>WD.</td> <td>J2</td> <td>PTD.</td> <td>-</td> <td>337</td> <td>3\"/> <tr> <td>349</td> <td>ETR</td> <td>-</td> <td>WD.</td> <td>J2</td> <td>PTD.</td> <td>-</td> <td>339</td> <td>3\"/> <tr> <td>350</td> <td>ETR</td> <td>-</td> <td>WD.</td> <td>J2</td> <td>PTD.</td> <td>-</td> <td>340</td> <td>3\"/> </td></tr></td></tr></td></tr></td></tr></td></tr></td></tr></td></tr></td></tr></td></tr></td></tr></td></tr></td></tr></td></tr> | 337 | ETR | -
 | WD. | J2 | PTD. | - | 329A | 3\"/> <tr> <td>339</td> <td>ETR</td> <td>-</td> <td>WD.</td> <td>J2</td> <td>PTD.</td> <td>-</td> <td>329B</td> <td>3\"/> <tr> <td>340</td> <td>A</td> <td>3\"/> <tr> <td>341A</td> <td>ETR</td> <td>-</td> <td>WD.</td> <td>J2</td> <td>PTD.</td> <td>-</td> <td>331</td> <td>3\"/> <tr> <td>341B</td> <td>ETR</td> <td>-</td> <td>WD.</td> <td>J2</td> <td>PTD.</td> <td>-</td> <td>333</td> <td>3\"/> <tr> <td>342</td> <td>ETR</td> <td>-</td> <td>WD.</td> <td>J2</td> <td>PTD.</td> <td>-</td> <td>334A</td> <td>3\"/> <tr> <td>344</td> <td>ETR</td> <td>-</td> <td>WD.</td> <td>J2</td> <td>PTD.</td> <td>-</td> <td>334B</td> <td>3\"/> <tr> <td>345</td> <td>ETR</td> <td>-</td> <td>WD.</td> <td>J2</td> <td>PTD.</td> <td>-</td> <td>335A</td> <td>3\"/> <tr> <td>346</td> <td>ETR</td> <td>-</td> <td>WD.</td> <td>J2</td> <td>PTD.</td> <td>-</td> <td>335B</td> <td>3\"/> <tr> <td>347</td> <td>ETR</td> <td>-</td> <td>WD.</td> <td>J2</td> <td>PTD.</td> <td>-</td> <td>336</td> <td>3\"/> <tr> <td>348</td> <td>ETR</td> <td>-</td> <td>WD.</td> <td>J2</td> <td>PTD.</td> <td>-</td> <td>337</td> <td>3\"/> <tr> <td>349</td> <td>ETR</td> <td>-</td> <td>WD.</td> <td>J2</td> <td>PTD.</td> <td>-</td> <td>339</td> <td>3\"/> <tr> <td>350</td> <td>ETR</td> <td>-</td> <td>WD.</td> <td>J2</td> <td>PTD.</td> <td>-</td> <td>340</td> <td>3\"/> </td></tr></td></tr></td></tr></td></tr></td></tr></td></tr></td></tr></td></tr></td></tr></td></tr></td></tr></td></tr> | 339 | ETR | - | WD. | J2 | PTD.
 | - | 329B | 3\"/> <tr> <td>340</td> <td>A</td> <td>3\"/> <tr> <td>341A</td> <td>ETR</td> <td>-</td> <td>WD.</td> <td>J2</td> <td>PTD.</td> <td>-</td> <td>331</td> <td>3\"/> <tr> <td>341B</td> <td>ETR</td> <td>-</td> <td>WD.</td> <td>J2</td> <td>PTD.</td> <td>-</td> <td>333</td> <td>3\"/> <tr> <td>342</td> <td>ETR</td> <td>-</td> <td>WD.</td> <td>J2</td> <td>PTD.</td> <td>-</td> <td>334A</td> <td>3\"/> <tr> <td>344</td> <td>ETR</td> <td>-</td> <td>WD.</td> <td>J2</td> <td>PTD.</td> <td>-</td> <td>334B</td> <td>3\"/> <tr> <td>345</td> <td>ETR</td> <td>-</td> <td>WD.</td> <td>J2</td> <td>PTD.</td> <td>-</td> <td>335A</td> <td>3\"/> <tr> <td>346</td> <td>ETR</td> <td>-</td> <td>WD.</td> <td>J2</td> <td>PTD.</td> <td>-</td> <td>335B</td> <td>3\"/> <tr> <td>347</td> <td>ETR</td> <td>-</td> <td>WD.</td> <td>J2</td> <td>PTD.</td> <td>-</td> <td>336</td> <td>3\"/> <tr> <td>348</td> <td>ETR</td> <td>-</td> <td>WD.</td> <td>J2</td> <td>PTD.</td> <td>-</td> <td>337</td> <td>3\"/> <tr> <td>349</td> <td>ETR</td> <td>-</td> <td>WD.</td> <td>J2</td> <td>PTD.</td> <td>-</td> <td>339</td> <td>3\"/> <tr> <td>350</td> <td>ETR</td> <td>-</td> <td>WD.</td> <td>J2</td> <td>PTD.</td> <td>-</td> <td>340</td> <td>3\"/> </td></tr></td></tr></td></tr></td></tr></td></tr></td></tr></td></tr></td></tr></td></tr></td></tr></td></tr> | 340 | A | 3\"/> <tr> <td>341A</td> <td>ETR</td> <td>-</td> <td>WD.</td> <td>J2</td> <td>PTD.</td> <td>-</td> <td>331</td> <td>3\"/> <tr> <td>341B</td> <td>ETR</td> <td>-</td> <td>WD.</td> <td>J2</td> <td>PTD.</td> <td>-</td> <td>333</td> <td>3\"/> <tr> <td>342</td> <td>ETR</td> <td>-</td> <td>WD.</td> <td>J2</td> <td>PTD.</td> <td>-</td> <td>334A</td> <td>3\"/> <tr> <td>344</td> <td>ETR</td> <td>-</td> <td>WD.</td> <td>J2</td> <td>PTD.</td> <td>-</td> <td>334B</td> <td>3\"/> <tr> <td>345</td> <td>ETR</td> <td>-</td> <td>WD.</td> <td>J2</td> <td>PTD.</td> <td>-</td> <td>335A</td> <td>3\"/> <tr> <td>346</td> <td>ETR</td> <td>-</td> <td>WD.</td> <td>J2</td> <td>PTD.</td> <td>-</td> <td>335B</td> <td>3\"/> <tr> <td>347</td> <td>ETR</td> <td>-</td> <td>WD.</td> <td>J2</td> <td>PTD.</td> <td>-</td> <td>336</td> <td>3\"/> <tr> <td>348</td> <td>ETR</td> <td>-</td> <td>WD.</td> <td>J2</td> <td>PTD.</td> <td>-</td> <td>337</td> <td>3\"/> <tr> <td>349</td> <td>ETR</td> <td>-</td> <td>WD.</td> <td>J2</td> <td>PTD.</td> <td>-</td> <td>339</td> <td>3\"/> <tr> <td>350</td> <td>ETR</td> <td>-</td> <td>WD.</td> <td>J2</td> <td>PTD.</td> <td>-</td> <td>340</td> <td>3\"/> </td></tr></td></tr></td></tr></td></tr></td></tr></td></tr></td></tr></td></tr></td></tr></td></tr> | 341A | ETR | -
 | WD. | J2 | PTD. | - | 331 | 3\"/> <tr> <td>341B</td> <td>ETR</td> <td>-</td> <td>WD.</td> <td>J2</td> <td>PTD.</td> <td>-</td> <td>333</td> <td>3\"/> <tr> <td>342</td> <td>ETR</td> <td>-</td> <td>WD.</td> <td>J2</td> <td>PTD.</td> <td>-</td> <td>334A</td> <td>3\"/> <tr> <td>344</td> <td>ETR</td> <td>-</td> <td>WD.</td> <td>J2</td> <td>PTD.</td> <td>-</td> <td>334B</td> <td>3\"/> <tr> <td>345</td> <td>ETR</td> <td>-</td> <td>WD.</td> <td>J2</td> <td>PTD.</td> <td>-</td> <td>335A</td> <td>3\"/> <tr> <td>346</td> <td>ETR</td> <td>-</td> <td>WD.</td> <td>J2</td> <td>PTD.</td> <td>-</td> <td>335B</td> <td>3\"/> <tr> <td>347</td> <td>ETR</td> <td>-</td> <td>WD.</td> <td>J2</td> <td>PTD.</td> <td>-</td> <td>336</td> <td>3\"/> <tr> <td>348</td> <td>ETR</td> <td>-</td> <td>WD.</td> <td>J2</td> <td>PTD.</td> <td>-</td> <td>337</td> <td>3\"/> <tr> <td>349</td> <td>ETR</td> <td>-</td> <td>WD.</td> <td>J2</td> <td>PTD.</td> <td>-</td> <td>339</td> <td>3\"/> <tr> <td>350</td> <td>ETR</td> <td>-</td> <td>WD.</td> <td>J2</td> <td>PTD.</td> <td>-</td> <td>340</td> <td>3\"/> </td></tr></td></tr></td></tr></td></tr></td></tr></td></tr></td></tr></td></tr></td></tr> | 341B | ETR | - | WD. | J2 | PTD.
 | - | 333 | 3\"/> <tr> <td>342</td> <td>ETR</td> <td>-</td> <td>WD.</td> <td>J2</td> <td>PTD.</td> <td>-</td> <td>334A</td> <td>3\"/> <tr> <td>344</td> <td>ETR</td> <td>-</td> <td>WD.</td> <td>J2</td> <td>PTD.</td> <td>-</td> <td>334B</td> <td>3\"/> <tr> <td>345</td> <td>ETR</td> <td>-</td> <td>WD.</td> <td>J2</td> <td>PTD.</td> <td>-</td> <td>335A</td> <td>3\"/> <tr> <td>346</td> <td>ETR</td> <td>-</td> <td>WD.</td> <td>J2</td> <td>PTD.</td> <td>-</td> <td>335B</td> <td>3\"/> <tr> <td>347</td> <td>ETR</td> <td>-</td> <td>WD.</td> <td>J2</td> <td>PTD.</td> <td>-</td> <td>336</td> <td>3\"/> <tr> <td>348</td> <td>ETR</td> <td>-</td> <td>WD.</td> <td>J2</td> <td>PTD.</td> <td>-</td> <td>337</td> <td>3\"/> <tr> <td>349</td> <td>ETR</td> <td>-</td> <td>WD.</td> <td>J2</td> <td>PTD.</td> <td>-</td> <td>339</td> <td>3\"/> <tr> <td>350</td> <td>ETR</td> <td>-</td> <td>WD.</td> <td>J2</td> <td>PTD.</td> <td>-</td> <td>340</td> <td>3\"/> </td></tr></td></tr></td></tr></td></tr></td></tr></td></tr></td></tr></td></tr> | 342 | ETR | - | WD. | J2 | PTD.
 | - | 334A | 3\"/> <tr> <td>344</td> <td>ETR</td> <td>-</td> <td>WD.</td> <td>J2</td> <td>PTD.</td> <td>-</td> <td>334B</td> <td>3\"/> <tr> <td>345</td> <td>ETR</td> <td>-</td> <td>WD.</td> <td>J2</td> <td>PTD.</td> <td>-</td> <td>335A</td> <td>3\"/> <tr> <td>346</td> <td>ETR</td> <td>-</td> <td>WD.</td> <td>J2</td> <td>PTD.</td> <td>-</td> <td>335B</td> <td>3\"/> <tr> <td>347</td> <td>ETR</td> <td>-</td> <td>WD.</td> <td>J2</td> <td>PTD.</td> <td>-</td> <td>336</td> <td>3\"/> <tr> <td>348</td> <td>ETR</td> <td>-</td> <td>WD.</td> <td>J2</td> <td>PTD.</td> <td>-</td> <td>337</td> <td>3\"/> <tr> <td>349</td> <td>ETR</td> <td>-</td> <td>WD.</td> <td>J2</td> <td>PTD.</td> <td>-</td> <td>339</td> <td>3\"/> <tr> <td>350</td> <td>ETR</td> <td>-</td> <td>WD.</td> <td>J2</td> <td>PTD.</td> <td>-</td> <td>340</td> <td>3\"/> </td></tr></td></tr></td></tr></td></tr></td></tr></td></tr></td></tr> | 344 | ETR | - | WD. | J2 | PTD. | - | 334B | 3\"/> <tr> <td>345</td> <td>ETR</td> <td>-</td> <td>WD.</td> <td>J2</td> <td>PTD.</td> <td>-</td> <td>335A</td> <td>3\"/> <tr> <td>346</td> <td>ETR</td> <td>-</td> <td>WD.</td> <td>J2</td> <td>PTD.</td> <td>-</td> <td>335B</td> <td>3\"/> <tr> <td>347</td> <td>ETR</td> <td>-</td> <td>WD.</td> <td>J2</td> <td>PTD.</td> <td>-</td> <td>336</td> <td>3\"/> <tr> <td>348</td> <td>ETR</td> <td>-</td> <td>WD.</td> <td>J2</td> <td>PTD.</td> <td>-</td> <td>337</td> <td>3\"/> <tr> <td>349</td> <td>ETR</td> <td>-</td> <td>WD.</td> <td>J2</td> <td>PTD.</td> <td>-</td> <td>339</td> <td>3\"/> <tr> <td>350</td> <td>ETR</td> <td>-</td> <td>WD.</td> <td>J2</td> <td>PTD.</td> <td>-</td> <td>340</td> <td>3\"/> </td></tr></td></tr></td></tr></td></tr></td></tr></td></tr>
 | 345 | ETR | - | WD. | J2 | PTD. | - | 335A | 3\"/> <tr> <td>346</td> <td>ETR</td> <td>-</td> <td>WD.</td> <td>J2</td> <td>PTD.</td> <td>-</td> <td>335B</td> <td>3\"/> <tr> <td>347</td> <td>ETR</td> <td>-</td> <td>WD.</td> <td>J2</td> <td>PTD.</td> <td>-</td> <td>336</td> <td>3\"/> <tr> <td>348</td> <td>ETR</td> <td>-</td> <td>WD.</td> <td>J2</td> <td>PTD.</td> <td>-</td> <td>337</td> <td>3\"/> <tr> <td>349</td> <td>ETR</td> <td>-</td> <td>WD.</td> <td>J2</td> <td>PTD.</td> <td>-</td> <td>339</td> <td>3\"/> <tr> <td>350</td> <td>ETR</td> <td>-</td> <td>WD.</td> <td>J2</td> <td>PTD.</td> <td>-</td> <td>340</td> <td>3\"/> </td></tr></td></tr></td></tr></td></tr></td></tr> | 346 | ETR | -
 | WD. | J2 | PTD. | - | 335B | 3\"/> <tr> <td>347</td> <td>ETR</td> <td>-</td> <td>WD.</td> <td>J2</td> <td>PTD.</td> <td>-</td> <td>336</td> <td>3\"/> <tr> <td>348</td> <td>ETR</td> <td>-</td> <td>WD.</td> <td>J2</td> <td>PTD.</td> <td>-</td> <td>337</td> <td>3\"/> <tr> <td>349</td> <td>ETR</td> <td>-</td> <td>WD.</td> <td>J2</td> <td>PTD.</td> <td>-</td> <td>339</td> <td>3\"/> <tr> <td>350</td> <td>ETR</td> <td>-</td> <td>WD.</td> <td>J2</td> <td>PTD.</td> <td>-</td> <td>340</td> <td>3\"/> </td></tr></td></tr></td></tr></td></tr> | 347 | ETR | - | WD. | J2 | PTD. | - | 336 | 3\"/> <tr> <td>348</td> <td>ETR</td> <td>-</td> <td>WD.</td> <td>J2</td> <td>PTD.</td> <td>-</td> <td>337</td> <td>3\"/> <tr> <td>349</td> <td>ETR</td> <td>-</td> <td>WD.</td> <td>J2</td> <td>PTD.</td> <td>-</td> <td>339</td> <td>3\"/> <tr> <td>350</td> <td>ETR</td> <td>-</td> <td>WD.</td> <td>J2</td> <td>PTD.</td> <td>-</td> <td>340</td> <td>3\"/> </td></tr></td></tr></td></tr>
 | 348 | ETR | - | WD. | J2 | PTD. | - | 337 | 3\"/> <tr> <td>349</td> <td>ETR</td> <td>-</td> <td>WD.</td> <td>J2</td> <td>PTD.</td> <td>-</td> <td>339</td> <td>3\"/> <tr> <td>350</td> <td>ETR</td> <td>-</td> <td>WD.</td> <td>J2</td> <td>PTD.</td> <td>-</td> <td>340</td> <td>3\"/> </td></tr></td></tr> | 349 | ETR | - | WD. | J2 | PTD.
 | - | 339 | 3\"/> <tr> <td>350</td> <td>ETR</td> <td>-</td> <td>WD.</td> <td>J2</td> <td>PTD.</td> <td>-</td> <td>340</td> <td>3\"/> </td></tr> | 350 | ETR | - | WD. | J2 | PTD. | - | 340 | 3\"/> | | | | | | | | | | | | | | | | | | | | | | | | | | | | | | | | | | | | | | | | | | | | | | | | | | | | | | |
 | | | | | | | | | | | | | | | | | | | | |
 | | | | | | | | | | | | | | | | | | | | | | | | | | |
 | | | | | | | | | | | | | | | | | | | | | | | | | | | | | | | | | | | | | | | | | | | | | | | | | | | | | | | | | | | | | | | | | | |
| 321 | ETR | - | WD. | J2 | PTD. | - | 314 | 3\"/> <tr> <td>322</td> <td>ETR</td> <td>-</td> <td>WD.</td> <td>J2</td> <td>PTD.</td> <td>-</td> <td>315</td> <td>3\"/> <tr> <td>323</td> <td>ETR</td> <td>-</td> <td>WD.</td> <td>J2</td> <td>PTD.</td> <td>-</td> <td>316A</td> <td>3\"/> <tr> <td>324</td> <td>ETR</td> <td>-</td> <td>WD.</td> <td>J2</td> <td>PTD.</td> <td>-</td> <td>318</td> <td>3\"/> <tr> <td>325</td> <td>A</td> <td>3\"/> <tr> <td>327</td> <td>ETR</td> <td>-</td> <td>WD.</td> <td>J2</td> <td>PTD.</td> <td>-</td> <td>319</td> <td>3\"/> <tr> <td>328</td> <td>ETR</td> <td>-</td> <td>WD.</td> <td>J2</td> <td>PTD.</td> <td>-</td> <td>320</td> <td>3\"/> <tr> <td>329A</td> <td>ETR</td> <td>-</td> <td>WD.</td> <td>J2</td> <td>PTD.</td> <td>-</td> <td>321</td> <td>3\"/> <tr> <td>329B</td> <td>ETR</td> <td>-</td> <td>WD.</td> <td>J2</td> <td>PTD.</td> <td>-</td> <td>322</td> <td>3\"/> <tr> <td>331</td> <td>ETR</td> <td>-</td> <td>WD.</td> <td>J2</td> <td>PTD.</td> <td>-</td> <td>323</td> <td>3\"/> <tr> <td>333</td> <td>ETR</td> <td>-</td> <td>WD.</td> <td>J2</td> <td>PTD.</td> <td>-</td> <td>324</td> <td>3\"/> <tr> <td>334A</td> <td>ETR</td> <td>-</td> <td>WD.</td> <td>J2</td> <td>PTD.</td> <td>-</td> <td>325</td> <td>3\"/> <tr> <td>334B</td> <td>ETR</td> <td>-</td> <td>WD.</td> <td>J2</td> <td>PTD.</td> <td>-</td> <td>327</td> <td>3\"/> <tr> <td>335A</td> <td>ETR</td> <td>-</td> <td>WD.</td> <td>J2</td> <td>PTD.</td> <td>-</td> <td>328</td> <td>3\"/> <tr> <td>335B</td> <td>B</td> <td>3\"/> <tr> <td>336</td> <td>B</td> <td>3\"/> <tr> <td>337</td> <td>ETR</td> <td>-</td> <td>WD.</td> <td>J2</td> <td>PTD.</td> <td>-</td> <td>329A</td> <td>3\"/> <tr> <td>339</td> <td>ETR</td> <td>-</td> <td>WD.</td> <td>J2</td> <td>PTD.</td> <td>-</td> <td>329B</td> <td>3\"/> <tr> <td>340</td> <td>A</td> <td>3\"/> <tr> <td>341A</td> <td>ETR</td> <td>-</td> <td>WD.</td> <td>J2</td> <td>PTD.</td> <td>-</td> <td>331</td> <td>3\"/> <tr> <td>341B</td> <td>ETR</td> <td>-</td> <td>WD.</td> <td>J2</td> <td>PTD.</td> <td>-</td> <td>333</td> <td>3\"/> <tr> <td>342</td> <td>ETR</td> <td>-</td> <td>WD.</td> <td>J2</td> <td>PTD.</td> <td>-</td> <td>334A</td> <td>3\"/> <tr> <td>344</td> <td>ETR</td> <td>-</td> <td>WD.</td> <td>J2</td> <td>PTD.</td> <td>-</td> <td>334B</td> <td>3\"/> <tr> <td>345</td> <td>ETR</td> <td>-</td> <td>WD.</td> <td>J2</td> <td>PTD.</td> <td>-</td> <td>335A</td> <td>3\"/> <tr> <td>346</td> <td>ETR</td> <td>-</td> <td>WD.</td> <td>J2</td> <td>PTD.</td> <td>-</td> <td>335B</td> <td>3\"/> <tr> <td>347</td> <td>ETR</td> <td>-</td> <td>WD.</td> <td>J2</td> <td>PTD.</td> <td>-</td> <td>336</td> <td>3\"/> <tr> <td>348</td> <td>ETR</td> <td>-</td> <td>WD.</td> <td>J2</td> <td>PTD.</td> <td>-</td> <td>337</td> <td>3\"/> <tr> <td>349</td> <td>ETR</td> <td>-</td> <td>WD.</td> <td>J2</td> <td>PTD.</td> <td>-</td> <td>339</td> <td>3\"/> <tr> <td>350</td> <td>ETR</td> <td>-</td> <td>WD.</td> <td>J2</td> <td>PTD.</td>
<td>-</td> <td>340</td> <td>3\"/> </td></tr></td></tr></td></tr></td></tr></td></tr></td></tr></td></tr></td></tr></td></tr></td></tr></td></tr></td></tr></td></tr></td></tr></td></tr></td></tr></td></tr></td></tr></td></tr></td></tr></td></tr></td></tr></td></tr></td></tr></td></tr></td></tr></td></tr></td></tr> | 322 | ETR | - | WD. | J2 | PTD.
 | - | 315 | 3\"/> <tr> <td>323</td> <td>ETR</td> <td>-</td> <td>WD.</td> <td>J2</td> <td>PTD.</td> <td>-</td> <td>316A</td> <td>3\"/> <tr> <td>324</td> <td>ETR</td> <td>-</td> <td>WD.</td> <td>J2</td> <td>PTD.</td> <td>-</td> <td>318</td> <td>3\"/> <tr> <td>325</td> <td>A</td> <td>3\"/> <tr> <td>327</td> <td>ETR</td> <td>-</td> <td>WD.</td> <td>J2</td> <td>PTD.</td> <td>-</td> <td>319</td> <td>3\"/> <tr> <td>328</td> <td>ETR</td> <td>-</td> <td>WD.</td> <td>J2</td> <td>PTD.</td> <td>-</td> <td>320</td> <td>3\"/> <tr> <td>329A</td> <td>ETR</td> <td>-</td> <td>WD.</td> <td>J2</td> <td>PTD.</td> <td>-</td> <td>321</td> <td>3\"/> <tr> <td>329B</td> <td>ETR</td> <td>-</td> <td>WD.</td> <td>J2</td> <td>PTD.</td> <td>-</td> <td>322</td> <td>3\"/> <tr> <td>331</td> <td>ETR</td> <td>-</td> <td>WD.</td> <td>J2</td> <td>PTD.</td> <td>-</td> <td>323</td> <td>3\"/> <tr> <td>333</td> <td>ETR</td> <td>-</td> <td>WD.</td> <td>J2</td> <td>PTD.</td> <td>-</td> <td>324</td> <td>3\"/> <tr> <td>334A</td> <td>ETR</td> <td>-</td> <td>WD.</td> <td>J2</td> <td>PTD.</td> <td>-</td> <td>325</td> <td>3\"/> <tr> <td>334B</td> <td>ETR</td> <td>-</td> <td>WD.</td> <td>J2</td> <td>PTD.</td> <td>-</td> <td>327</td> <td>3\"/> <tr> <td>335A</td> <td>ETR</td> <td>-</td> <td>WD.</td> <td>J2</td> <td>PTD.</td> <td>-</td> <td>328</td> <td>3\"/> <tr> <td>335B</td> <td>B</td> <td>3\"/> <tr> <td>336</td> <td>B</td> <td>3\"/> <tr> <td>337</td> <td>ETR</td> <td>-</td> <td>WD.</td> <td>J2</td> <td>PTD.</td> <td>-</td> <td>329A</td> <td>3\"/> <tr> <td>339</td> <td>ETR</td> <td>-</td> <td>WD.</td> <td>J2</td> <td>PTD.</td> <td>-</td> <td>329B</td> <td>3\"/> <tr> <td>340</td> <td>A</td> <td>3\"/> <tr> <td>341A</td> <td>ETR</td> <td>-</td> <td>WD.</td> <td>J2</td> <td>PTD.</td> <td>-</td> <td>331</td> <td>3\"/> <tr> <td>341B</td> <td>ETR</td> <td>-</td> <td>WD.</td> <td>J2</td> <td>PTD.</td> <td>-</td> <td>333</td> <td>3\"/> <tr> <td>342</td> <td>ETR</td> <td>-</td> <td>WD.</td> <td>J2</td> <td>PTD.</td> <td>-</td> <td>334A</td> <td>3\"/> <tr> <td>344</td> <td>ETR</td> <td>-</td> <td>WD.</td> <td>J2</td> <td>PTD.</td> <td>-</td> <td>334B</td> <td>3\"/> <tr> <td>345</td> <td>ETR</td> <td>-</td> <td>WD.</td> <td>J2</td> <td>PTD.</td> <td>-</td> <td>335A</td> <td>3\"/> <tr> <td>346</td> <td>ETR</td> <td>-</td> <td>WD.</td> <td>J2</td> <td>PTD.</td> <td>-</td> <td>335B</td> <td>3\"/> <tr> <td>347</td> <td>ETR</td> <td>-</td> <td>WD.</td> <td>J2</td> <td>PTD.</td> <td>-</td> <td>336</td> <td>3\"/> <tr> <td>348</td> <td>ETR</td> <td>-</td> <td>WD.</td> <td>J2</td> <td>PTD.</td> <td>-</td> <td>337</td> <td>3\"/> <tr> <td>349</td> <td>ETR</td> <td>-</td> <td>WD.</td> <td>J2</td> <td>PTD.</td> <td>-</td> <td>339</td> <td>3\"/> <tr> <td>350</td> <td>ETR</td> <td>-</td> <td>WD.</td> <td>J2</td> <td>PTD.</td> <td>-</td> <td>340</td> <td>3\"/> </td></tr></td></tr></td></tr></td></tr></td></tr></td></tr></td></tr></td></tr></td></tr></td></tr></td></tr></td></tr></td></tr></td></tr></td></tr></td></tr></td></tr></td></tr></td></tr></td></tr></td></tr></td></tr></td></tr></td></tr></td></tr></td></tr></td></tr> | 323 | ETR | -
 | WD. | J2 | PTD. | - | 316A | 3\"/> <tr> <td>324</td> <td>ETR</td> <td>-</td> <td>WD.</td> <td>J2</td> <td>PTD.</td> <td>-</td> <td>318</td> <td>3\"/> <tr> <td>325</td> <td>A</td> <td>3\"/> <tr> <td>327</td> <td>ETR</td> <td>-</td> <td>WD.</td> <td>J2</td> <td>PTD.</td> <td>-</td> <td>319</td> <td>3\"/> <tr> <td>328</td> <td>ETR</td> <td>-</td> <td>WD.</td> <td>J2</td> <td>PTD.</td> <td>-</td> <td>320</td> <td>3\"/> <tr> <td>329A</td> <td>ETR</td> <td>-</td> <td>WD.</td> <td>J2</td> <td>PTD.</td> <td>-</td> <td>321</td> <td>3\"/> <tr> <td>329B</td> <td>ETR</td> <td>-</td> <td>WD.</td> <td>J2</td> <td>PTD.</td> <td>-</td> <td>322</td> <td>3\"/> <tr> <td>331</td> <td>ETR</td> <td>-</td> <td>WD.</td> <td>J2</td> <td>PTD.</td> <td>-</td> <td>323</td> <td>3\"/> <tr> <td>333</td> <td>ETR</td> <td>-</td> <td>WD.</td> <td>J2</td> <td>PTD.</td> <td>-</td> <td>324</td> <td>3\"/> <tr> <td>334A</td> <td>ETR</td> <td>-</td> <td>WD.</td> <td>J2</td> <td>PTD.</td> <td>-</td> <td>325</td> <td>3\"/> <tr> <td>334B</td> <td>ETR</td> <td>-</td> <td>WD.</td> <td>J2</td> <td>PTD.</td> <td>-</td> <td>327</td> <td>3\"/> <tr> <td>335A</td> <td>ETR</td> <td>-</td> <td>WD.</td> <td>J2</td> <td>PTD.</td> <td>-</td> <td>328</td> <td>3\"/> <tr> <td>335B</td> <td>B</td> <td>3\"/> <tr> <td>336</td> <td>B</td> <td>3\"/> <tr> <td>337</td> <td>ETR</td> <td>-</td> <td>WD.</td> <td>J2</td> <td>PTD.</td> <td>-</td> <td>329A</td> <td>3\"/> <tr> <td>339</td> <td>ETR</td> <td>-</td> <td>WD.</td> <td>J2</td> <td>PTD.</td> <td>-</td> <td>329B</td> <td>3\"/> <tr> <td>340</td> <td>A</td> <td>3\"/> <tr> <td>341A</td> <td>ETR</td> <td>-</td> <td>WD.</td> <td>J2</td> <td>PTD.</td> <td>-</td> <td>331</td> <td>3\"/> <tr> <td>341B</td> <td>ETR</td> <td>-</td> <td>WD.</td> <td>J2</td> <td>PTD.</td> <td>-</td> <td>333</td> <td>3\"/> <tr> <td>342</td> <td>ETR</td> <td>-</td> <td>WD.</td> <td>J2</td> <td>PTD.</td> <td>-</td> <td>334A</td> <td>3\"/> <tr> <td>344</td> <td>ETR</td> <td>-</td> <td>WD.</td> <td>J2</td> <td>PTD.</td> <td>-</td> <td>334B</td> <td>3\"/> <tr> <td>345</td> <td>ETR</td> <td>-</td> <td>WD.</td> <td>J2</td> <td>PTD.</td> <td>-</td> <td>335A</td> <td>3\"/> <tr> <td>346</td> <td>ETR</td> <td>-</td> <td>WD.</td> <td>J2</td> <td>PTD.</td> <td>-</td> <td>335B</td> <td>3\"/> <tr> <td>347</td> <td>ETR</td> <td>-</td> <td>WD.</td> <td>J2</td> <td>PTD.</td> <td>-</td> <td>336</td> <td>3\"/> <tr> <td>348</td> <td>ETR</td> <td>-</td> <td>WD.</td> <td>J2</td> <td>PTD.</td> <td>-</td> <td>337</td> <td>3\"/> <tr> <td>349</td> <td>ETR</td> <td>-</td>
<td>WD.</td> <td>J2</td> <td>PTD.</td> <td>-</td> <td>339</td> <td>3\"/> <tr> <td>350</td> <td>ETR</td> <td>-</td> <td>WD.</td> <td>J2</td> <td>PTD.</td> <td>-</td> <td>340</td> <td>3\"/> </td></tr></td></tr></td></tr></td></tr></td></tr></td></tr></td></tr></td></tr></td></tr></td></tr></td></tr></td></tr></td></tr></td></tr></td></tr></td></tr></td></tr></td></tr></td></tr></td></tr></td></tr></td></tr></td></tr></td></tr></td></tr></td></tr> | 324 | ETR | - | WD. | J2 | PTD.
 | - | 318 | 3\"/> <tr> <td>325</td> <td>A</td> <td>3\"/> <tr> <td>327</td> <td>ETR</td> <td>-</td> <td>WD.</td> <td>J2</td> <td>PTD.</td> <td>-</td> <td>319</td> <td>3\"/> <tr> <td>328</td> <td>ETR</td> <td>-</td> <td>WD.</td> <td>J2</td> <td>PTD.</td> <td>-</td> <td>320</td> <td>3\"/> <tr> <td>329A</td> <td>ETR</td> <td>-</td> <td>WD.</td> <td>J2</td> <td>PTD.</td> <td>-</td> <td>321</td> <td>3\"/> <tr> <td>329B</td> <td>ETR</td> <td>-</td> <td>WD.</td> <td>J2</td> <td>PTD.</td> <td>-</td> <td>322</td> <td>3\"/> <tr> <td>331</td> <td>ETR</td> <td>-</td> <td>WD.</td> <td>J2</td> <td>PTD.</td> <td>-</td> <td>323</td> <td>3\"/> <tr> <td>333</td> <td>ETR</td> <td>-</td> <td>WD.</td> <td>J2</td> <td>PTD.</td> <td>-</td> <td>324</td> <td>3\"/> <tr> <td>334A</td> <td>ETR</td> <td>-</td> <td>WD.</td> <td>J2</td> <td>PTD.</td> <td>-</td> <td>325</td> <td>3\"/> <tr> <td>334B</td> <td>ETR</td> <td>-</td> <td>WD.</td> <td>J2</td> <td>PTD.</td> <td>-</td> <td>327</td> <td>3\"/> <tr> <td>335A</td> <td>ETR</td> <td>-</td> <td>WD.</td> <td>J2</td> <td>PTD.</td> <td>-</td> <td>328</td> <td>3\"/> <tr> <td>335B</td> <td>B</td> <td>3\"/> <tr> <td>336</td> <td>B</td> <td>3\"/> <tr> <td>337</td> <td>ETR</td> <td>-</td> <td>WD.</td> <td>J2</td> <td>PTD.</td> <td>-</td> <td>329A</td> <td>3\"/> <tr> <td>339</td> <td>ETR</td> <td>-</td> <td>WD.</td> <td>J2</td> <td>PTD.</td> <td>-</td> <td>329B</td> <td>3\"/> <tr> <td>340</td> <td>A</td> <td>3\"/> <tr> <td>341A</td> <td>ETR</td> <td>-</td> <td>WD.</td> <td>J2</td> <td>PTD.</td> <td>-</td> <td>331</td> <td>3\"/> <tr> <td>341B</td> <td>ETR</td> <td>-</td> <td>WD.</td> <td>J2</td> <td>PTD.</td> <td>-</td> <td>333</td> <td>3\"/> <tr> <td>342</td> <td>ETR</td> <td>-</td> <td>WD.</td> <td>J2</td> <td>PTD.</td> <td>-</td> <td>334A</td> <td>3\"/> <tr> <td>344</td> <td>ETR</td> <td>-</td> <td>WD.</td> <td>J2</td> <td>PTD.</td> <td>-</td> <td>334B</td> <td>3\"/> <tr> <td>345</td> <td>ETR</td> <td>-</td> <td>WD.</td> <td>J2</td> <td>PTD.</td> <td>-</td> <td>335A</td> <td>3\"/> <tr> <td>346</td> <td>ETR</td> <td>-</td> <td>WD.</td> <td>J2</td> <td>PTD.</td> <td>-</td> <td>335B</td> <td>3\"/> <tr> <td>347</td> <td>ETR</td> <td>-</td> <td>WD.</td> <td>J2</td> <td>PTD.</td> <td>-</td> <td>336</td> <td>3\"/> <tr> <td>348</td> <td>ETR</td> <td>-</td> <td>WD.</td> <td>J2</td> <td>PTD.</td> <td>-</td> <td>337</td> <td>3\"/> <tr> <td>349</td> <td>ETR</td> <td>-</td> <td>WD.</td> <td>J2</td> <td>PTD.</td> <td>-</td> <td>339</td> <td>3\"/> <tr> <td>350</td> <td>ETR</td> <td>-</td> <td>WD.</td> <td>J2</td> <td>PTD.</td> <td>-</td> <td>340</td> <td>3\"/> </td></tr></td></tr></td></tr></td></tr></td></tr></td></tr></td></tr></td></tr></td></tr></td></tr></td></tr></td></tr></td></tr></td></tr></td></tr></td></tr></td></tr></td></tr></td></tr></td></tr></td></tr></td></tr></td></tr></td></tr></td></tr> | 325 | A | 3\"/> <tr> <td>327</td> <td>ETR</td> <td>-</td> <td>WD.</td> <td>J2</td> <td>PTD.</td> <td>-</td> <td>319</td> <td>3\"/> <tr> <td>328</td> <td>ETR</td> <td>-</td> <td>WD.</td> <td>J2</td> <td>PTD.</td> <td>-</td> <td>320</td> <td>3\"/> <tr> <td>329A</td> <td>ETR</td> <td>-</td> <td>WD.</td> <td>J2</td> <td>PTD.</td> <td>-</td> <td>321</td> <td>3\"/> <tr> <td>329B</td> <td>ETR</td> <td>-</td> <td>WD.</td> <td>J2</td> <td>PTD.</td> <td>-</td> <td>322</td> <td>3\"/> <tr> <td>331</td> <td>ETR</td> <td>-</td> <td>WD.</td> <td>J2</td> <td>PTD.</td> <td>-</td> <td>323</td> <td>3\"/> <tr> <td>333</td> <td>ETR</td> <td>-</td> <td>WD.</td> <td>J2</td> <td>PTD.</td> <td>-</td> <td>324</td> <td>3\"/> <tr> <td>334A</td> <td>ETR</td> <td>-</td> <td>WD.</td> <td>J2</td> <td>PTD.</td> <td>-</td> <td>325</td> <td>3\"/> <tr> <td>334B</td> <td>ETR</td> <td>-</td> <td>WD.</td> <td>J2</td> <td>PTD.</td> <td>-</td> <td>327</td> <td>3\"/> <tr> <td>335A</td> <td>ETR</td> <td>-</td> <td>WD.</td> <td>J2</td> <td>PTD.</td> <td>-</td> <td>328</td> <td>3\"/> <tr> <td>335B</td> <td>B</td> <td>3\"/> <tr> <td>336</td> <td>B</td> <td>3\"/> <tr> <td>337</td> <td>ETR</td> <td>-</td> <td>WD.</td> <td>J2</td> <td>PTD.</td> <td>-</td> <td>329A</td> <td>3\"/> <tr> <td>339</td> <td>ETR</td> <td>-</td> <td>WD.</td> <td>J2</td> <td>PTD.</td> <td>-</td> <td>329B</td> <td>3\"/> <tr> <td>340</td> <td>A</td> <td>3\"/> <tr> <td>341A</td> <td>ETR</td> <td>-</td> <td>WD.</td> <td>J2</td> <td>PTD.</td> <td>-</td> <td>331</td> <td>3\"/> <tr> <td>341B</td> <td>ETR</td> <td>-</td> <td>WD.</td> <td>J2</td> <td>PTD.</td> <td>-</td> <td>333</td> <td>3\"/> <tr> <td>342</td> <td>ETR</td> <td>-</td> <td>WD.</td> <td>J2</td> <td>PTD.</td> <td>-</td> <td>334A</td> <td>3\"/> <tr> <td>344</td> <td>ETR</td> <td>-</td> <td>WD.</td> <td>J2</td> <td>PTD.</td> <td>-</td> <td>334B</td> <td>3\"/> <tr> <td>345</td> <td>ETR</td> <td>-</td> <td>WD.</td> <td>J2</td> <td>PTD.</td> <td>-</td> <td>335A</td> <td>3\"/> <tr> <td>346</td> <td>ETR</td> <td>-</td> <td>WD.</td> <td>J2</td> <td>PTD.</td> <td>-</td> <td>335B</td> <td>3\"/> <tr> <td>347</td> <td>ETR</td> <td>-</td> <td>WD.</td> <td>J2</td> <td>PTD.</td> <td>-</td> <td>336</td> <td>3\"/> <tr> <td>348</td> <td>ETR</td> <td>-</td> <td>WD.</td> <td>J2</td> <td>PTD.</td> <td>-</td> <td>337</td> <td>3\"/> <tr> <td>349</td> <td>ETR</td> <td>-</td> <td>WD.</td> <td>J2</td> <td>PTD.</td> <td>-</td> <td>339</td> <td>3\"/> <tr> <td>350</td> <td>ETR</td> <td>-</td> <td>WD.</td> <td>J2</td> <td>PTD.</td> <td>-</td> <td>340</td> <td>3\"/> </td></tr></td></tr></td></tr></td></tr></td></tr></td></tr></td></tr></td></tr></td></tr></td></tr></td></tr></td></tr></td></tr></td></tr></td></tr></td></tr></td></tr></td></tr></td></tr></td></tr></td></tr></td></tr></td></tr></td></tr>
 | 327 | ETR | - | WD. | J2 | PTD.
 | - | 319 | 3\"/> <tr> <td>328</td> <td>ETR</td> <td>-</td> <td>WD.</td> <td>J2</td> <td>PTD.</td> <td>-</td> <td>320</td> <td>3\"/> <tr> <td>329A</td> <td>ETR</td> <td>-</td> <td>WD.</td> <td>J2</td> <td>PTD.</td> <td>-</td> <td>321</td> <td>3\"/> <tr> <td>329B</td> <td>ETR</td> <td>-</td> <td>WD.</td> <td>J2</td> <td>PTD.</td> <td>-</td> <td>322</td> <td>3\"/> <tr> <td>331</td> <td>ETR</td> <td>-</td> <td>WD.</td> <td>J2</td> <td>PTD.</td> <td>-</td> <td>323</td> <td>3\"/> <tr> <td>333</td> <td>ETR</td> <td>-</td> <td>WD.</td> <td>J2</td> <td>PTD.</td> <td>-</td> <td>324</td> <td>3\"/> <tr> <td>334A</td> <td>ETR</td> <td>-</td> <td>WD.</td> <td>J2</td> <td>PTD.</td> <td>-</td> <td>325</td> <td>3\"/> <tr> <td>334B</td> <td>ETR</td> <td>-</td> <td>WD.</td> <td>J2</td> <td>PTD.</td> <td>-</td> <td>327</td> <td>3\"/> <tr> <td>335A</td> <td>ETR</td> <td>-</td> <td>WD.</td> <td>J2</td> <td>PTD.</td> <td>-</td> <td>328</td> <td>3\"/> <tr> <td>335B</td> <td>B</td> <td>3\"/> <tr> <td>336</td> <td>B</td> <td>3\"/> <tr> <td>337</td> <td>ETR</td> <td>-</td> <td>WD.</td> <td>J2</td> <td>PTD.</td> <td>-</td> <td>329A</td> <td>3\"/> <tr> <td>339</td> <td>ETR</td> <td>-</td> <td>WD.</td> <td>J2</td> <td>PTD.</td> <td>-</td> <td>329B</td> <td>3\"/> <tr> <td>340</td> <td>A</td> <td>3\"/> <tr> <td>341A</td> <td>ETR</td> <td>-</td> <td>WD.</td> <td>J2</td> <td>PTD.</td> <td>-</td> <td>331</td> <td>3\"/> <tr> <td>341B</td> <td>ETR</td> <td>-</td> <td>WD.</td> <td>J2</td> <td>PTD.</td> <td>-</td> <td>333</td> <td>3\"/> <tr> <td>342</td> <td>ETR</td> <td>-</td> <td>WD.</td> <td>J2</td> <td>PTD.</td> <td>-</td> <td>334A</td> <td>3\"/> <tr> <td>344</td> <td>ETR</td> <td>-</td> <td>WD.</td> <td>J2</td> <td>PTD.</td> <td>-</td> <td>334B</td> <td>3\"/> <tr> <td>345</td> <td>ETR</td> <td>-</td> <td>WD.</td> <td>J2</td> <td>PTD.</td> <td>-</td> <td>335A</td> <td>3\"/> <tr> <td>346</td> <td>ETR</td> <td>-</td> <td>WD.</td> <td>J2</td> <td>PTD.</td> <td>-</td> <td>335B</td> <td>3\"/> <tr> <td>347</td> <td>ETR</td> <td>-</td> <td>WD.</td> <td>J2</td> <td>PTD.</td> <td>-</td> <td>336</td> <td>3\"/> <tr> <td>348</td> <td>ETR</td> <td>-</td> <td>WD.</td> <td>J2</td> <td>PTD.</td> <td>-</td> <td>337</td> <td>3\"/> <tr> <td>349</td> <td>ETR</td> <td>-</td> <td>WD.</td> <td>J2</td> <td>PTD.</td> <td>-</td> <td>339</td> <td>3\"/> <tr> <td>350</td> <td>ETR</td> <td>-</td> <td>WD.</td> <td>J2</td> <td>PTD.</td> <td>-</td> <td>340</td> <td>3\"/> </td></tr></td></tr></td></tr></td></tr></td></tr></td></tr></td></tr></td></tr></td></tr></td></tr></td></tr></td></tr></td></tr></td></tr></td></tr></td></tr></td></tr></td></tr></td></tr></td></tr></td></tr></td></tr></td></tr> | 328 | ETR | - | WD. | J2 | PTD.
 | - | 320 | 3\"/> <tr> <td>329A</td> <td>ETR</td> <td>-</td> <td>WD.</td> <td>J2</td> <td>PTD.</td> <td>-</td> <td>321</td> <td>3\"/> <tr> <td>329B</td> <td>ETR</td> <td>-</td> <td>WD.</td> <td>J2</td> <td>PTD.</td> <td>-</td> <td>322</td> <td>3\"/> <tr> <td>331</td> <td>ETR</td> <td>-</td> <td>WD.</td> <td>J2</td> <td>PTD.</td> <td>-</td> <td>323</td> <td>3\"/> <tr> <td>333</td> <td>ETR</td> <td>-</td> <td>WD.</td> <td>J2</td> <td>PTD.</td> <td>-</td> <td>324</td> <td>3\"/> <tr> <td>334A</td> <td>ETR</td> <td>-</td> <td>WD.</td> <td>J2</td> <td>PTD.</td> <td>-</td> <td>325</td> <td>3\"/> <tr> <td>334B</td> <td>ETR</td> <td>-</td> <td>WD.</td> <td>J2</td> <td>PTD.</td> <td>-</td> <td>327</td> <td>3\"/> <tr> <td>335A</td> <td>ETR</td> <td>-</td> <td>WD.</td> <td>J2</td> <td>PTD.</td> <td>-</td> <td>328</td> <td>3\"/> <tr> <td>335B</td> <td>B</td> <td>3\"/> <tr> <td>336</td> <td>B</td> <td>3\"/> <tr> <td>337</td> <td>ETR</td> <td>-</td> <td>WD.</td> <td>J2</td> <td>PTD.</td> <td>-</td> <td>329A</td> <td>3\"/> <tr> <td>339</td> <td>ETR</td> <td>-</td> <td>WD.</td> <td>J2</td> <td>PTD.</td> <td>-</td> <td>329B</td> <td>3\"/> <tr> <td>340</td> <td>A</td> <td>3\"/> <tr> <td>341A</td> <td>ETR</td> <td>-</td> <td>WD.</td> <td>J2</td> <td>PTD.</td> <td>-</td> <td>331</td> <td>3\"/> <tr> <td>341B</td> <td>ETR</td> <td>-</td> <td>WD.</td> <td>J2</td> <td>PTD.</td> <td>-</td> <td>333</td> <td>3\"/> <tr> <td>342</td> <td>ETR</td> <td>-</td> <td>WD.</td> <td>J2</td> <td>PTD.</td> <td>-</td> <td>334A</td> <td>3\"/> <tr> <td>344</td> <td>ETR</td> <td>-</td> <td>WD.</td> <td>J2</td> <td>PTD.</td> <td>-</td> <td>334B</td> <td>3\"/> <tr> <td>345</td> <td>ETR</td> <td>-</td> <td>WD.</td> <td>J2</td> <td>PTD.</td> <td>-</td> <td>335A</td> <td>3\"/> <tr> <td>346</td> <td>ETR</td> <td>-</td> <td>WD.</td> <td>J2</td> <td>PTD.</td> <td>-</td> <td>335B</td> <td>3\"/> <tr> <td>347</td> <td>ETR</td> <td>-</td> <td>WD.</td> <td>J2</td> <td>PTD.</td> <td>-</td> <td>336</td> <td>3\"/> <tr> <td>348</td> <td>ETR</td> <td>-</td> <td>WD.</td> <td>J2</td> <td>PTD.</td> <td>-</td> <td>337</td> <td>3\"/> <tr> <td>349</td> <td>ETR</td> <td>-</td> <td>WD.</td> <td>J2</td> <td>PTD.</td> <td>-</td> <td>339</td> <td>3\"/> <tr> <td>350</td> <td>ETR</td> <td>-</td> <td>WD.</td> <td>J2</td> <td>PTD.</td> <td>-</td> <td>340</td> <td>3\"/> </td></tr></td></tr></td></tr></td></tr></td></tr></td></tr></td></tr></td></tr></td></tr></td></tr></td></tr></td></tr></td></tr></td></tr></td></tr></td></tr></td></tr></td></tr></td></tr></td></tr></td></tr></td></tr> | 329A | ETR | -
 | WD. | J2 | PTD. | - | 321 | 3\"/> <tr> <td>329B</td> <td>ETR</td> <td>-</td> <td>WD.</td> <td>J2</td> <td>PTD.</td> <td>-</td> <td>322</td> <td>3\"/> <tr> <td>331</td> <td>ETR</td> <td>-</td> <td>WD.</td> <td>J2</td> <td>PTD.</td> <td>-</td> <td>323</td> <td>3\"/> <tr> <td>333</td> <td>ETR</td> <td>-</td> <td>WD.</td> <td>J2</td> <td>PTD.</td> <td>-</td> <td>324</td> <td>3\"/> <tr> <td>334A</td> <td>ETR</td> <td>-</td> <td>WD.</td> <td>J2</td> <td>PTD.</td> <td>-</td> <td>325</td> <td>3\"/> <tr> <td>334B</td> <td>ETR</td> <td>-</td> <td>WD.</td> <td>J2</td> <td>PTD.</td> <td>-</td> <td>327</td> <td>3\"/> <tr> <td>335A</td> <td>ETR</td> <td>-</td> <td>WD.</td> <td>J2</td> <td>PTD.</td> <td>-</td> <td>328</td> <td>3\"/> <tr> <td>335B</td> <td>B</td> <td>3\"/> <tr> <td>336</td> <td>B</td> <td>3\"/> <tr> <td>337</td> <td>ETR</td> <td>-</td> <td>WD.</td> <td>J2</td> <td>PTD.</td> <td>-</td> <td>329A</td> <td>3\"/> <tr> <td>339</td> <td>ETR</td> <td>-</td> <td>WD.</td> <td>J2</td> <td>PTD.</td> <td>-</td> <td>329B</td> <td>3\"/> <tr> <td>340</td> <td>A</td> <td>3\"/> <tr> <td>341A</td> <td>ETR</td> <td>-</td> <td>WD.</td> <td>J2</td> <td>PTD.</td> <td>-</td> <td>331</td> <td>3\"/> <tr> <td>341B</td> <td>ETR</td> <td>-</td> <td>WD.</td> <td>J2</td> <td>PTD.</td> <td>-</td> <td>333</td> <td>3\"/> <tr> <td>342</td> <td>ETR</td> <td>-</td> <td>WD.</td> <td>J2</td> <td>PTD.</td> <td>-</td> <td>334A</td> <td>3\"/> <tr> <td>344</td> <td>ETR</td> <td>-</td> <td>WD.</td> <td>J2</td> <td>PTD.</td> <td>-</td> <td>334B</td> <td>3\"/> <tr> <td>345</td> <td>ETR</td> <td>-</td> <td>WD.</td> <td>J2</td> <td>PTD.</td> <td>-</td> <td>335A</td> <td>3\"/> <tr> <td>346</td> <td>ETR</td> <td>-</td> <td>WD.</td> <td>J2</td> <td>PTD.</td> <td>-</td> <td>335B</td> <td>3\"/> <tr> <td>347</td> <td>ETR</td> <td>-</td> <td>WD.</td> <td>J2</td> <td>PTD.</td> <td>-</td> <td>336</td> <td>3\"/> <tr> <td>348</td> <td>ETR</td> <td>-</td> <td>WD.</td> <td>J2</td> <td>PTD.</td> <td>-</td> <td>337</td> <td>3\"/> <tr> <td>349</td> <td>ETR</td> <td>-</td> <td>WD.</td> <td>J2</td> <td>PTD.</td> <td>-</td> <td>339</td> <td>3\"/> <tr> <td>350</td> <td>ETR</td> <td>-</td> <td>WD.</td> <td>J2</td> <td>PTD.</td> <td>-</td> <td>340</td> <td>3\"/> </td></tr></td></tr></td></tr></td></tr></td></tr></td></tr></td></tr></td></tr></td></tr></td></tr></td></tr></td></tr></td></tr></td></tr></td></tr></td></tr></td></tr></td></tr></td></tr></td></tr></td></tr>
 | 329B | ETR | - | WD. | J2 | PTD. | - | 322 | 3\"/> <tr> <td>331</td> <td>ETR</td> <td>-</td> <td>WD.</td> <td>J2</td> <td>PTD.</td> <td>-</td> <td>323</td> <td>3\"/> <tr> <td>333</td> <td>ETR</td> <td>-</td> <td>WD.</td> <td>J2</td> <td>PTD.</td> <td>-</td> <td>324</td> <td>3\"/> <tr> <td>334A</td> <td>ETR</td> <td>-</td> <td>WD.</td> <td>J2</td> <td>PTD.</td> <td>-</td> <td>325</td> <td>3\"/> <tr> <td>334B</td> <td>ETR</td> <td>-</td> <td>WD.</td> <td>J2</td> <td>PTD.</td> <td>-</td> <td>327</td> <td>3\"/> <tr> <td>335A</td> <td>ETR</td> <td>-</td> <td>WD.</td> <td>J2</td> <td>PTD.</td> <td>-</td> <td>328</td> <td>3\"/> <tr> <td>335B</td> <td>B</td> <td>3\"/> <tr> <td>336</td> <td>B</td> <td>3\"/> <tr> <td>337</td> <td>ETR</td> <td>-</td> <td>WD.</td> <td>J2</td> <td>PTD.</td> <td>-</td> <td>329A</td> <td>3\"/> <tr> <td>339</td> <td>ETR</td> <td>-</td> <td>WD.</td> <td>J2</td> <td>PTD.</td> <td>-</td> <td>329B</td> <td>3\"/> <tr> <td>340</td> <td>A</td> <td>3\"/> <tr> <td>341A</td>
<td>ETR</td> <td>-</td> <td>WD.</td> <td>J2</td> <td>PTD.</td> <td>-</td> <td>331</td> <td>3\"/> <tr> <td>341B</td> <td>ETR</td> <td>-</td> <td>WD.</td> <td>J2</td> <td>PTD.</td> <td>-</td> <td>333</td> <td>3\"/> <tr> <td>342</td> <td>ETR</td> <td>-</td> <td>WD.</td> <td>J2</td> <td>PTD.</td> <td>-</td> <td>334A</td> <td>3\"/> <tr> <td>344</td> <td>ETR</td> <td>-</td> <td>WD.</td> <td>J2</td> <td>PTD.</td> <td>-</td> <td>334B</td> <td>3\"/> <tr> <td>345</td> <td>ETR</td> <td>-</td> <td>WD.</td> <td>J2</td> <td>PTD.</td> <td>-</td> <td>335A</td> <td>3\"/> <tr> <td>346</td> <td>ETR</td> <td>-</td> <td>WD.</td> <td>J2</td> <td>PTD.</td> <td>-</td> <td>335B</td> <td>3\"/> <tr> <td>347</td> <td>ETR</td> <td>-</td> <td>WD.</td> <td>J2</td> <td>PTD.</td> <td>-</td> <td>336</td> <td>3\"/> <tr> <td>348</td> <td>ETR</td> <td>-</td> <td>WD.</td> <td>J2</td> <td>PTD.</td> <td>-</td> <td>337</td> <td>3\"/> <tr> <td>349</td> <td>ETR</td> <td>-</td> <td>WD.</td> <td>J2</td> <td>PTD.</td> <td>-</td> <td>339</td> <td>3\"/> <tr> <td>350</td> <td>ETR</td> <td>-</td> <td>WD.</td> <td>J2</td> <td>PTD.</td> <td>-</td> <td>340</td> <td>3\"/> </td></tr></td></tr></td></tr></td></tr></td></tr></td></tr></td></tr></td></tr></td></tr></td></tr></td></tr></td></tr></td></tr></td></tr></td></tr></td></tr></td></tr></td></tr></td></tr></td></tr> | 331 | ETR | - | WD. | J2 | PTD.
 | - | 323 | 3\"/> <tr> <td>333</td> <td>ETR</td> <td>-</td> <td>WD.</td> <td>J2</td> <td>PTD.</td> <td>-</td> <td>324</td> <td>3\"/> <tr> <td>334A</td> <td>ETR</td> <td>-</td> <td>WD.</td> <td>J2</td> <td>PTD.</td> <td>-</td> <td>325</td> <td>3\"/> <tr> <td>334B</td> <td>ETR</td> <td>-</td> <td>WD.</td> <td>J2</td> <td>PTD.</td> <td>-</td> <td>327</td> <td>3\"/> <tr> <td>335A</td> <td>ETR</td> <td>-</td> <td>WD.</td> <td>J2</td> <td>PTD.</td> <td>-</td> <td>328</td> <td>3\"/> <tr> <td>335B</td> <td>B</td> <td>3\"/> <tr> <td>336</td> <td>B</td> <td>3\"/> <tr> <td>337</td> <td>ETR</td> <td>-</td> <td>WD.</td> <td>J2</td> <td>PTD.</td> <td>-</td> <td>329A</td> <td>3\"/> <tr> <td>339</td> <td>ETR</td> <td>-</td> <td>WD.</td> <td>J2</td> <td>PTD.</td> <td>-</td> <td>329B</td> <td>3\"/> <tr> <td>340</td> <td>A</td> <td>3\"/> <tr> <td>341A</td> <td>ETR</td> <td>-</td> <td>WD.</td> <td>J2</td> <td>PTD.</td> <td>-</td> <td>331</td> <td>3\"/> <tr> <td>341B</td> <td>ETR</td> <td>-</td> <td>WD.</td> <td>J2</td> <td>PTD.</td> <td>-</td> <td>333</td> <td>3\"/> <tr> <td>342</td> <td>ETR</td> <td>-</td> <td>WD.</td> <td>J2</td> <td>PTD.</td> <td>-</td> <td>334A</td> <td>3\"/> <tr> <td>344</td> <td>ETR</td> <td>-</td> <td>WD.</td> <td>J2</td> <td>PTD.</td> <td>-</td> <td>334B</td> <td>3\"/> <tr> <td>345</td> <td>ETR</td> <td>-</td> <td>WD.</td> <td>J2</td> <td>PTD.</td> <td>-</td> <td>335A</td> <td>3\"/> <tr> <td>346</td> <td>ETR</td> <td>-</td> <td>WD.</td> <td>J2</td> <td>PTD.</td> <td>-</td> <td>335B</td> <td>3\"/> <tr> <td>347</td> <td>ETR</td> <td>-</td> <td>WD.</td> <td>J2</td> <td>PTD.</td> <td>-</td> <td>336</td> <td>3\"/> <tr> <td>348</td> <td>ETR</td> <td>-</td> <td>WD.</td> <td>J2</td> <td>PTD.</td> <td>-</td> <td>337</td> <td>3\"/> <tr> <td>349</td> <td>ETR</td> <td>-</td> <td>WD.</td> <td>J2</td> <td>PTD.</td> <td>-</td> <td>339</td> <td>3\"/> <tr> <td>350</td> <td>ETR</td> <td>-</td> <td>WD.</td> <td>J2</td> <td>PTD.</td> <td>-</td> <td>340</td> <td>3\"/> </td></tr></td></tr></td></tr></td></tr></td></tr></td></tr></td></tr></td></tr></td></tr></td></tr></td></tr></td></tr></td></tr></td></tr></td></tr></td></tr></td></tr></td></tr></td></tr> | 333 | ETR | - | WD. | J2 | PTD.
 | - | 324 | 3\"/> <tr> <td>334A</td> <td>ETR</td> <td>-</td> <td>WD.</td> <td>J2</td> <td>PTD.</td> <td>-</td> <td>325</td> <td>3\"/> <tr> <td>334B</td> <td>ETR</td> <td>-</td> <td>WD.</td> <td>J2</td> <td>PTD.</td> <td>-</td> <td>327</td> <td>3\"/> <tr> <td>335A</td> <td>ETR</td> <td>-</td> <td>WD.</td> <td>J2</td> <td>PTD.</td> <td>-</td> <td>328</td> <td>3\"/> <tr> <td>335B</td> <td>B</td> <td>3\"/> <tr> <td>336</td> <td>B</td> <td>3\"/> <tr> <td>337</td> <td>ETR</td> <td>-</td> <td>WD.</td> <td>J2</td> <td>PTD.</td> <td>-</td> <td>329A</td> <td>3\"/> <tr> <td>339</td> <td>ETR</td> <td>-</td> <td>WD.</td> <td>J2</td> <td>PTD.</td> <td>-</td> <td>329B</td> <td>3\"/> <tr> <td>340</td> <td>A</td> <td>3\"/> <tr> <td>341A</td> <td>ETR</td> <td>-</td> <td>WD.</td> <td>J2</td> <td>PTD.</td> <td>-</td> <td>331</td> <td>3\"/> <tr> <td>341B</td> <td>ETR</td> <td>-</td> <td>WD.</td> <td>J2</td> <td>PTD.</td> <td>-</td> <td>333</td> <td>3\"/> <tr> <td>342</td> <td>ETR</td> <td>-</td> <td>WD.</td> <td>J2</td> <td>PTD.</td> <td>-</td> <td>334A</td> <td>3\"/> <tr> <td>344</td> <td>ETR</td> <td>-</td> <td>WD.</td> <td>J2</td> <td>PTD.</td> <td>-</td> <td>334B</td> <td>3\"/> <tr> <td>345</td> <td>ETR</td> <td>-</td> <td>WD.</td> <td>J2</td> <td>PTD.</td> <td>-</td> <td>335A</td> <td>3\"/> <tr> <td>346</td> <td>ETR</td> <td>-</td> <td>WD.</td> <td>J2</td> <td>PTD.</td> <td>-</td> <td>335B</td> <td>3\"/> <tr> <td>347</td> <td>ETR</td> <td>-</td> <td>WD.</td> <td>J2</td> <td>PTD.</td> <td>-</td> <td>336</td> <td>3\"/> <tr> <td>348</td> <td>ETR</td> <td>-</td> <td>WD.</td> <td>J2</td> <td>PTD.</td> <td>-</td> <td>337</td> <td>3\"/> <tr> <td>349</td> <td>ETR</td> <td>-</td> <td>WD.</td> <td>J2</td> <td>PTD.</td> <td>-</td> <td>339</td> <td>3\"/> <tr> <td>350</td> <td>ETR</td> <td>-</td> <td>WD.</td> <td>J2</td> <td>PTD.</td> <td>-</td> <td>340</td> <td>3\"/> </td></tr></td></tr></td></tr></td></tr></td></tr></td></tr></td></tr></td></tr></td></tr></td></tr></td></tr></td></tr></td></tr></td></tr></td></tr></td></tr></td></tr></td></tr> | 334A | ETR | -
 | WD. | J2 | PTD. | - | 325 | 3\"/> <tr> <td>334B</td> <td>ETR</td> <td>-</td> <td>WD.</td> <td>J2</td> <td>PTD.</td> <td>-</td> <td>327</td> <td>3\"/> <tr> <td>335A</td> <td>ETR</td> <td>-</td> <td>WD.</td> <td>J2</td> <td>PTD.</td> <td>-</td> <td>328</td> <td>3\"/> <tr> <td>335B</td> <td>B</td> <td>3\"/> <tr> <td>336</td> <td>B</td> <td>3\"/> <tr> <td>337</td> <td>ETR</td> <td>-</td> <td>WD.</td> <td>J2</td> <td>PTD.</td> <td>-</td> <td>329A</td> <td>3\"/> <tr> <td>339</td> <td>ETR</td> <td>-</td> <td>WD.</td> <td>J2</td> <td>PTD.</td> <td>-</td> <td>329B</td> <td>3\"/> <tr> <td>340</td> <td>A</td> <td>3\"/> <tr> <td>341A</td> <td>ETR</td> <td>-</td> <td>WD.</td> <td>J2</td> <td>PTD.</td> <td>-</td> <td>331</td> <td>3\"/> <tr> <td>341B</td> <td>ETR</td> <td>-</td> <td>WD.</td> <td>J2</td> <td>PTD.</td> <td>-</td> <td>333</td> <td>3\"/> <tr> <td>342</td> <td>ETR</td> <td>-</td> <td>WD.</td> <td>J2</td> <td>PTD.</td> <td>-</td> <td>334A</td> <td>3\"/> <tr> <td>344</td> <td>ETR</td> <td>-</td> <td>WD.</td> <td>J2</td> <td>PTD.</td> <td>-</td> <td>334B</td> <td>3\"/> <tr> <td>345</td> <td>ETR</td> <td>-</td> <td>WD.</td> <td>J2</td> <td>PTD.</td> <td>-</td> <td>335A</td> <td>3\"/> <tr> <td>346</td> <td>ETR</td> <td>-</td> <td>WD.</td> <td>J2</td> <td>PTD.</td> <td>-</td> <td>335B</td> <td>3\"/> <tr> <td>347</td> <td>ETR</td> <td>-</td> <td>WD.</td> <td>J2</td> <td>PTD.</td> <td>-</td> <td>336</td> <td>3\"/> <tr> <td>348</td> <td>ETR</td> <td>-</td> <td>WD.</td> <td>J2</td> <td>PTD.</td> <td>-</td> <td>337</td> <td>3\"/> <tr> <td>349</td> <td>ETR</td> <td>-</td> <td>WD.</td> <td>J2</td> <td>PTD.</td> <td>-</td> <td>339</td> <td>3\"/> <tr> <td>350</td> <td>ETR</td> <td>-</td> <td>WD.</td> <td>J2</td> <td>PTD.</td> <td>-</td> <td>340</td> <td>3\"/> </td></tr></td></tr></td></tr></td></tr></td></tr></td></tr></td></tr></td></tr></td></tr></td></tr></td></tr></td></tr></td></tr></td></tr></td></tr></td></tr></td></tr> | 334B | ETR | -
 | WD. | J2 | PTD. | - | 327 | 3\"/> <tr> <td>335A</td> <td>ETR</td> <td>-</td> <td>WD.</td> <td>J2</td> <td>PTD.</td> <td>-</td> <td>328</td> <td>3\"/> <tr> <td>335B</td> <td>B</td> <td>3\"/> <tr> <td>336</td> <td>B</td> <td>3\"/> <tr> <td>337</td> <td>ETR</td> <td>-</td> <td>WD.</td> <td>J2</td> <td>PTD.</td> <td>-</td> <td>329A</td> <td>3\"/> <tr> <td>339</td> <td>ETR</td> <td>-</td> <td>WD.</td> <td>J2</td> <td>PTD.</td> <td>-</td> <td>329B</td> <td>3\"/> <tr> <td>340</td> <td>A</td> <td>3\"/> <tr> <td>341A</td> <td>ETR</td> <td>-</td> <td>WD.</td> <td>J2</td> <td>PTD.</td> <td>-</td> <td>331</td> <td>3\"/> <tr> <td>341B</td> <td>ETR</td> <td>-</td> <td>WD.</td> <td>J2</td> <td>PTD.</td> <td>-</td> <td>333</td> <td>3\"/> <tr> <td>342</td> <td>ETR</td> <td>-</td> <td>WD.</td> <td>J2</td> <td>PTD.</td> <td>-</td> <td>334A</td> <td>3\"/> <tr> <td>344</td> <td>ETR</td> <td>-</td> <td>WD.</td> <td>J2</td> <td>PTD.</td> <td>-</td> <td>334B</td> <td>3\"/> <tr> <td>345</td> <td>ETR</td> <td>-</td> <td>WD.</td> <td>J2</td> <td>PTD.</td> <td>-</td> <td>335A</td> <td>3\"/> <tr> <td>346</td> <td>ETR</td> <td>-</td> <td>WD.</td> <td>J2</td> <td>PTD.</td> <td>-</td> <td>335B</td> <td>3\"/> <tr> <td>347</td> <td>ETR</td> <td>-</td> <td>WD.</td> <td>J2</td> <td>PTD.</td> <td>-</td> <td>336</td> <td>3\"/> <tr> <td>348</td> <td>ETR</td> <td>-</td> <td>WD.</td> <td>J2</td> <td>PTD.</td> <td>-</td> <td>337</td> <td>3\"/> <tr> <td>349</td> <td>ETR</td> <td>-</td> <td>WD.</td> <td>J2</td> <td>PTD.</td> <td>-</td> <td>339</td> <td>3\"/> <tr> <td>350</td> <td>ETR</td> <td>-</td> <td>WD.</td> <td>J2</td> <td>PTD.</td> <td>-</td> <td>340</td> <td>3\"/> </td></tr></td></tr></td></tr></td></tr></td></tr></td></tr></td></tr></td></tr></td></tr></td></tr></td></tr></td></tr></td></tr></td></tr></td></tr></td></tr> | 335A | ETR | -
 | WD. | J2 | PTD. | - | 328 | 3\"/> <tr> <td>335B</td> <td>B</td> <td>3\"/> <tr> <td>336</td> <td>B</td> <td>3\"/> <tr> <td>337</td> <td>ETR</td> <td>-</td> <td>WD.</td> <td>J2</td> <td>PTD.</td> <td>-</td> <td>329A</td> <td>3\"/> <tr> <td>339</td> <td>ETR</td> <td>-</td> <td>WD.</td> <td>J2</td> <td>PTD.</td> <td>-</td> <td>329B</td> <td>3\"/> <tr> <td>340</td> <td>A</td> <td>3\"/> <tr> <td>341A</td> <td>ETR</td> <td>-</td> <td>WD.</td> <td>J2</td> <td>PTD.</td> <td>-</td> <td>331</td> <td>3\"/> <tr> <td>341B</td> <td>ETR</td> <td>-</td> <td>WD.</td> <td>J2</td> <td>PTD.</td> <td>-</td> <td>333</td> <td>3\"/> <tr> <td>342</td> <td>ETR</td> <td>-</td> <td>WD.</td> <td>J2</td> <td>PTD.</td> <td>-</td> <td>334A</td> <td>3\"/> <tr> <td>344</td> <td>ETR</td> <td>-</td> <td>WD.</td> <td>J2</td> <td>PTD.</td> <td>-</td> <td>334B</td> <td>3\"/> <tr> <td>345</td> <td>ETR</td> <td>-</td> <td>WD.</td> <td>J2</td> <td>PTD.</td> <td>-</td> <td>335A</td> <td>3\"/> <tr> <td>346</td> <td>ETR</td> <td>-</td> <td>WD.</td> <td>J2</td> <td>PTD.</td> <td>-</td> <td>335B</td> <td>3\"/> <tr> <td>347</td> <td>ETR</td> <td>-</td> <td>WD.</td> <td>J2</td> <td>PTD.</td> <td>-</td> <td>336</td> <td>3\"/> <tr> <td>348</td> <td>ETR</td> <td>-</td> <td>WD.</td> <td>J2</td> <td>PTD.</td> <td>-</td> <td>337</td> <td>3\"/> <tr> <td>349</td> <td>ETR</td> <td>-</td> <td>WD.</td> <td>J2</td> <td>PTD.</td> <td>-</td> <td>339</td> <td>3\"/> <tr> <td>350</td> <td>ETR</td> <td>-</td> <td>WD.</td> <td>J2</td> <td>PTD.</td> <td>-</td> <td>340</td> <td>3\"/> </td></tr></td></tr></td></tr></td></tr></td></tr></td></tr></td></tr></td></tr></td></tr></td></tr></td></tr></td></tr></td></tr></td></tr></td></tr> | 335B | B | 3\"/> <tr> <td>336</td> <td>B</td>
<td>3\"/> <tr> <td>337</td> <td>ETR</td> <td>-</td> <td>WD.</td> <td>J2</td> <td>PTD.</td> <td>-</td> <td>329A</td> <td>3\"/> <tr> <td>339</td> <td>ETR</td> <td>-</td> <td>WD.</td> <td>J2</td> <td>PTD.</td> <td>-</td> <td>329B</td> <td>3\"/> <tr> <td>340</td> <td>A</td> <td>3\"/> <tr> <td>341A</td> <td>ETR</td> <td>-</td> <td>WD.</td> <td>J2</td> <td>PTD.</td> <td>-</td> <td>331</td> <td>3\"/> <tr> <td>341B</td> <td>ETR</td> <td>-</td> <td>WD.</td> <td>J2</td> <td>PTD.</td> <td>-</td> <td>333</td> <td>3\"/> <tr> <td>342</td> <td>ETR</td> <td>-</td> <td>WD.</td> <td>J2</td> <td>PTD.</td> <td>-</td> <td>334A</td> <td>3\"/> <tr> <td>344</td> <td>ETR</td> <td>-</td> <td>WD.</td> <td>J2</td> <td>PTD.</td> <td>-</td> <td>334B</td> <td>3\"/> <tr> <td>345</td> <td>ETR</td> <td>-</td> <td>WD.</td> <td>J2</td> <td>PTD.</td> <td>-</td> <td>335A</td> <td>3\"/> <tr> <td>346</td> <td>ETR</td> <td>-</td> <td>WD.</td> <td>J2</td> <td>PTD.</td> <td>-</td> <td>335B</td> <td>3\"/> <tr> <td>347</td> <td>ETR</td> <td>-</td> <td>WD.</td> <td>J2</td> <td>PTD.</td> <td>-</td> <td>336</td> <td>3\"/> <tr> <td>348</td> <td>ETR</td> <td>-</td> <td>WD.</td> <td>J2</td> <td>PTD.</td> <td>-</td> <td>337</td> <td>3\"/> <tr> <td>349</td> <td>ETR</td> <td>-</td> <td>WD.</td> <td>J2</td> <td>PTD.</td> <td>-</td> <td>339</td> <td>3\"/> <tr> <td>350</td> <td>ETR</td> <td>-</td> <td>WD.</td> <td>J2</td> <td>PTD.</td> <td>-</td> <td>340</td> <td>3\"/> </td></tr></td></tr></td></tr></td></tr></td></tr></td></tr></td></tr></td></tr></td></tr></td></tr></td></tr></td></tr></td></tr></td></tr> | 336 | B | 3\"/> <tr> <td>337</td> <td>ETR</td> <td>-</td> <td>WD.</td> <td>J2</td> <td>PTD.</td> <td>-</td> <td>329A</td> <td>3\"/> <tr> <td>339</td> <td>ETR</td> <td>-</td> <td>WD.</td> <td>J2</td> <td>PTD.</td> <td>-</td> <td>329B</td> <td>3\"/> <tr> <td>340</td> <td>A</td> <td>3\"/> <tr> <td>341A</td> <td>ETR</td> <td>-</td> <td>WD.</td> <td>J2</td> <td>PTD.</td> <td>-</td> <td>331</td> <td>3\"/> <tr> <td>341B</td> <td>ETR</td> <td>-</td> <td>WD.</td> <td>J2</td> <td>PTD.</td> <td>-</td> <td>333</td> <td>3\"/> <tr> <td>342</td> <td>ETR</td> <td>-</td> <td>WD.</td> <td>J2</td> <td>PTD.</td> <td>-</td> <td>334A</td> <td>3\"/> <tr> <td>344</td> <td>ETR</td> <td>-</td> <td>WD.</td> <td>J2</td> <td>PTD.</td> <td>-</td> <td>334B</td> <td>3\"/> <tr> <td>345</td> <td>ETR</td> <td>-</td> <td>WD.</td> <td>J2</td> <td>PTD.</td> <td>-</td> <td>335A</td> <td>3\"/> <tr> <td>346</td> <td>ETR</td> <td>-</td> <td>WD.</td> <td>J2</td> <td>PTD.</td> <td>-</td> <td>335B</td> <td>3\"/> <tr> <td>347</td> <td>ETR</td> <td>-</td> <td>WD.</td> <td>J2</td> <td>PTD.</td> <td>-</td> <td>336</td> <td>3\"/> <tr> <td>348</td> <td>ETR</td> <td>-</td> <td>WD.</td> <td>J2</td> <td>PTD.</td> <td>-</td> <td>337</td> <td>3\"/> <tr> <td>349</td> <td>ETR</td> <td>-</td> <td>WD.</td> <td>J2</td> <td>PTD.</td> <td>-</td> <td>339</td> <td>3\"/> <tr> <td>350</td> <td>ETR</td> <td>-</td> <td>WD.</td> <td>J2</td> <td>PTD.</td> <td>-</td> <td>340</td> <td>3\"/> </td></tr></td></tr></td></tr></td></tr></td></tr></td></tr></td></tr></td></tr></td></tr></td></tr></td></tr></td></tr></td></tr> | 337 | ETR | -
 | WD. | J2 | PTD. | - | 329A | 3\"/> <tr> <td>339</td> <td>ETR</td> <td>-</td> <td>WD.</td> <td>J2</td> <td>PTD.</td> <td>-</td> <td>329B</td> <td>3\"/> <tr> <td>340</td> <td>A</td> <td>3\"/> <tr> <td>341A</td> <td>ETR</td> <td>-</td> <td>WD.</td> <td>J2</td> <td>PTD.</td> <td>-</td> <td>331</td> <td>3\"/> <tr> <td>341B</td> <td>ETR</td> <td>-</td> <td>WD.</td> <td>J2</td> <td>PTD.</td> <td>-</td> <td>333</td> <td>3\"/> <tr> <td>342</td> <td>ETR</td> <td>-</td> <td>WD.</td> <td>J2</td> <td>PTD.</td> <td>-</td> <td>334A</td> <td>3\"/> <tr> <td>344</td> <td>ETR</td> <td>-</td> <td>WD.</td> <td>J2</td> <td>PTD.</td> <td>-</td> <td>334B</td> <td>3\"/> <tr> <td>345</td> <td>ETR</td> <td>-</td> <td>WD.</td> <td>J2</td> <td>PTD.</td> <td>-</td> <td>335A</td> <td>3\"/> <tr> <td>346</td> <td>ETR</td> <td>-</td> <td>WD.</td> <td>J2</td> <td>PTD.</td> <td>-</td> <td>335B</td> <td>3\"/> <tr> <td>347</td> <td>ETR</td> <td>-</td> <td>WD.</td> <td>J2</td> <td>PTD.</td> <td>-</td> <td>336</td> <td>3\"/> <tr> <td>348</td> <td>ETR</td> <td>-</td> <td>WD.</td> <td>J2</td> <td>PTD.</td> <td>-</td> <td>337</td> <td>3\"/> <tr> <td>349</td> <td>ETR</td> <td>-</td> <td>WD.</td> <td>J2</td> <td>PTD.</td> <td>-</td> <td>339</td> <td>3\"/> <tr> <td>350</td> <td>ETR</td> <td>-</td> <td>WD.</td> <td>J2</td> <td>PTD.</td> <td>-</td> <td>340</td> <td>3\"/> </td></tr></td></tr></td></tr></td></tr></td></tr></td></tr></td></tr></td></tr></td></tr></td></tr></td></tr></td></tr> | 339 | ETR | -
 | WD. | J2 | PTD. | - | 329B | 3\"/> <tr> <td>340</td> <td>A</td> <td>3\"/> <tr> <td>341A</td> <td>ETR</td> <td>-</td> <td>WD.</td> <td>J2</td> <td>PTD.</td> <td>-</td> <td>331</td> <td>3\"/> <tr> <td>341B</td> <td>ETR</td> <td>-</td> <td>WD.</td> <td>J2</td> <td>PTD.</td> <td>-</td> <td>333</td> <td>3\"/> <tr> <td>342</td> <td>ETR</td> <td>-</td> <td>WD.</td> <td>J2</td> <td>PTD.</td> <td>-</td> <td>334A</td> <td>3\"/> <tr> <td>344</td> <td>ETR</td> <td>-</td> <td>WD.</td> <td>J2</td> <td>PTD.</td> <td>-</td> <td>334B</td> <td>3\"/> <tr> <td>345</td> <td>ETR</td> <td>-</td> <td>WD.</td> <td>J2</td> <td>PTD.</td> <td>-</td> <td>335A</td> <td>3\"/> <tr> <td>346</td> <td>ETR</td> <td>-</td> <td>WD.</td> <td>J2</td> <td>PTD.</td> <td>-</td> <td>335B</td> <td>3\"/> <tr> <td>347</td> <td>ETR</td> <td>-</td> <td>WD.</td> <td>J2</td> <td>PTD.</td> <td>-</td> <td>336</td> <td>3\"/> <tr> <td>348</td> <td>ETR</td> <td>-</td> <td>WD.</td> <td>J2</td> <td>PTD.</td> <td>-</td> <td>337</td> <td>3\"/> <tr> <td>349</td> <td>ETR</td> <td>-</td> <td>WD.</td> <td>J2</td> <td>PTD.</td> <td>-</td> <td>339</td> <td>3\"/> <tr> <td>350</td> <td>ETR</td> <td>-</td> <td>WD.</td> <td>J2</td> <td>PTD.</td> <td>-</td> <td>340</td> <td>3\"/> </td></tr></td></tr></td></tr></td></tr></td></tr></td></tr></td></tr></td></tr></td></tr></td></tr></td></tr> | 340 | A | 3\"/> <tr> <td>341A</td> <td>ETR</td> <td>-</td> <td>WD.</td> <td>J2</td> <td>PTD.</td> <td>-</td> <td>331</td> <td>3\"/> <tr> <td>341B</td> <td>ETR</td> <td>-</td> <td>WD.</td> <td>J2</td> <td>PTD.</td> <td>-</td> <td>333</td> <td>3\"/> <tr> <td>342</td> <td>ETR</td> <td>-</td> <td>WD.</td> <td>J2</td> <td>PTD.</td> <td>-</td> <td>334A</td> <td>3\"/> <tr> <td>344</td> <td>ETR</td> <td>-</td> <td>WD.</td> <td>J2</td> <td>PTD.</td> <td>-</td> <td>334B</td> <td>3\"/> <tr> <td>345</td> <td>ETR</td> <td>-</td> <td>WD.</td> <td>J2</td> <td>PTD.</td> <td>-</td> <td>335A</td> <td>3\"/> <tr> <td>346</td> <td>ETR</td> <td>-</td> <td>WD.</td> <td>J2</td> <td>PTD.</td> <td>-</td> <td>335B</td> <td>3\"/> <tr> <td>347</td> <td>ETR</td> <td>-</td> <td>WD.</td> <td>J2</td> <td>PTD.</td> <td>-</td> <td>336</td> <td>3\"/> <tr> <td>348</td> <td>ETR</td> <td>-</td> <td>WD.</td> <td>J2</td> <td>PTD.</td> <td>-</td> <td>337</td> <td>3\"/> <tr> <td>349</td> <td>ETR</td> <td>-</td> <td>WD.</td> <td>J2</td> <td>PTD.</td> <td>-</td> <td>339</td> <td>3\"/> <tr> <td>350</td> <td>ETR</td> <td>-</td> <td>WD.</td> <td>J2</td> <td>PTD.</td> <td>-</td> <td>340</td> <td>3\"/> </td></tr></td></tr></td></tr></td></tr></td></tr></td></tr></td></tr></td></tr></td></tr></td></tr> | 341A | ETR | -
 | WD. | J2 | PTD. | - | 331 | 3\"/> <tr> <td>341B</td> <td>ETR</td> <td>-</td> <td>WD.</td> <td>J2</td> <td>PTD.</td> <td>-</td> <td>333</td> <td>3\"/> <tr> <td>342</td> <td>ETR</td> <td>-</td> <td>WD.</td> <td>J2</td> <td>PTD.</td> <td>-</td> <td>334A</td> <td>3\"/> <tr> <td>344</td> <td>ETR</td> <td>-</td> <td>WD.</td> <td>J2</td> <td>PTD.</td> <td>-</td> <td>334B</td> <td>3\"/> <tr> <td>345</td> <td>ETR</td> <td>-</td> <td>WD.</td> <td>J2</td> <td>PTD.</td> <td>-</td> <td>335A</td> <td>3\"/> <tr> <td>346</td> <td>ETR</td> <td>-</td> <td>WD.</td> <td>J2</td> <td>PTD.</td> <td>-</td> <td>335B</td> <td>3\"/> <tr> <td>347</td> <td>ETR</td> <td>-</td> <td>WD.</td> <td>J2</td> <td>PTD.</td> <td>-</td> <td>336</td> <td>3\"/> <tr> <td>348</td> <td>ETR</td> <td>-</td> <td>WD.</td> <td>J2</td> <td>PTD.</td> <td>-</td> <td>337</td> <td>3\"/> <tr> <td>349</td> <td>ETR</td> <td>-</td> <td>WD.</td> <td>J2</td> <td>PTD.</td> <td>-</td> <td>339</td> <td>3\"/> <tr> <td>350</td> <td>ETR</td> <td>-</td> <td>WD.</td> <td>J2</td> <td>PTD.</td> <td>-</td> <td>340</td> <td>3\"/> </td></tr></td></tr></td></tr></td></tr></td></tr></td></tr></td></tr></td></tr></td></tr> | 341B | ETR | -
 | WD. | J2 | PTD. | - | 333 | 3\"/> <tr> <td>342</td> <td>ETR</td> <td>-</td> <td>WD.</td> <td>J2</td> <td>PTD.</td> <td>-</td> <td>334A</td> <td>3\"/> <tr> <td>344</td> <td>ETR</td> <td>-</td> <td>WD.</td> <td>J2</td> <td>PTD.</td> <td>-</td> <td>334B</td> <td>3\"/> <tr> <td>345</td> <td>ETR</td> <td>-</td> <td>WD.</td> <td>J2</td> <td>PTD.</td> <td>-</td> <td>335A</td> <td>3\"/> <tr> <td>346</td> <td>ETR</td> <td>-</td> <td>WD.</td> <td>J2</td> <td>PTD.</td> <td>-</td> <td>335B</td> <td>3\"/> <tr> <td>347</td> <td>ETR</td> <td>-</td> <td>WD.</td> <td>J2</td> <td>PTD.</td> <td>-</td> <td>336</td> <td>3\"/> <tr> <td>348</td> <td>ETR</td> <td>-</td> <td>WD.</td> <td>J2</td> <td>PTD.</td> <td>-</td> <td>337</td> <td>3\"/> <tr> <td>349</td> <td>ETR</td> <td>-</td> <td>WD.</td> <td>J2</td> <td>PTD.</td> <td>-</td> <td>339</td> <td>3\"/> <tr> <td>350</td> <td>ETR</td> <td>-</td> <td>WD.</td> <td>J2</td> <td>PTD.</td> <td>-</td> <td>340</td> <td>3\"/> </td></tr></td></tr></td></tr></td></tr></td></tr></td></tr></td></tr></td></tr> | 342 | ETR | - | WD. | J2 | PTD.
 | - | 334A | 3\"/> <tr> <td>344</td> <td>ETR</td> <td>-</td> <td>WD.</td> <td>J2</td> <td>PTD.</td> <td>-</td> <td>334B</td> <td>3\"/> <tr> <td>345</td> <td>ETR</td> <td>-</td> <td>WD.</td> <td>J2</td> <td>PTD.</td> <td>-</td> <td>335A</td> <td>3\"/> <tr> <td>346</td> <td>ETR</td> <td>-</td> <td>WD.</td> <td>J2</td> <td>PTD.</td> <td>-</td> <td>335B</td> <td>3\"/> <tr> <td>347</td> <td>ETR</td> <td>-</td> <td>WD.</td> <td>J2</td> <td>PTD.</td> <td>-</td> <td>336</td> <td>3\"/> <tr> <td>348</td> <td>ETR</td> <td>-</td> <td>WD.</td> <td>J2</td> <td>PTD.</td> <td>-</td> <td>337</td> <td>3\"/> <tr> <td>349</td> <td>ETR</td> <td>-</td> <td>WD.</td> <td>J2</td> <td>PTD.</td> <td>-</td> <td>339</td> <td>3\"/> <tr> <td>350</td> <td>ETR</td> <td>-</td> <td>WD.</td> <td>J2</td> <td>PTD.</td> <td>-</td> <td>340</td> <td>3\"/> </td></tr></td></tr></td></tr></td></tr></td></tr></td></tr></td></tr> | 344 | ETR | - | WD. | J2 | PTD.
 | - | 334B | 3\"/> <tr> <td>345</td> <td>ETR</td> <td>-</td> <td>WD.</td> <td>J2</td> <td>PTD.</td> <td>-</td> <td>335A</td> <td>3\"/> <tr> <td>346</td> <td>ETR</td> <td>-</td> <td>WD.</td> <td>J2</td> <td>PTD.</td> <td>-</td> <td>335B</td> <td>3\"/> <tr> <td>347</td> <td>ETR</td> <td>-</td> <td>WD.</td> <td>J2</td> <td>PTD.</td> <td>-</td> <td>336</td> <td>3\"/> <tr> <td>348</td> <td>ETR</td> <td>-</td> <td>WD.</td> <td>J2</td> <td>PTD.</td> <td>-</td> <td>337</td> <td>3\"/> <tr> <td>349</td> <td>ETR</td> <td>-</td> <td>WD.</td> <td>J2</td> <td>PTD.</td> <td>-</td> <td>339</td> <td>3\"/> <tr> <td>350</td> <td>ETR</td> <td>-</td> <td>WD.</td> <td>J2</td> <td>PTD.</td> <td>-</td> <td>340</td> <td>3\"/> </td></tr></td></tr></td></tr></td></tr></td></tr></td></tr> | 345 | ETR | - | WD. | J2 | PTD. | - | 335A | 3\"/> <tr> <td>346</td> <td>ETR</td> <td>-</td> <td>WD.</td> <td>J2</td> <td>PTD.</td> <td>-</td> <td>335B</td> <td>3\"/> <tr> <td>347</td> <td>ETR</td> <td>-</td> <td>WD.</td> <td>J2</td> <td>PTD.</td> <td>-</td> <td>336</td> <td>3\"/> <tr> <td>348</td> <td>ETR</td> <td>-</td> <td>WD.</td> <td>J2</td> <td>PTD.</td> <td>-</td> <td>337</td> <td>3\"/> <tr> <td>349</td> <td>ETR</td> <td>-</td> <td>WD.</td> <td>J2</td> <td>PTD.</td> <td>-</td> <td>339</td> <td>3\"/> <tr> <td>350</td> <td>ETR</td> <td>-</td> <td>WD.</td> <td>J2</td> <td>PTD.</td> <td>-</td> <td>340</td> <td>3\"/> </td></tr></td></tr></td></tr></td></tr></td></tr>
 | 346 | ETR | - | WD. | J2 | PTD. | - | 335B | 3\"/> <tr> <td>347</td> <td>ETR</td> <td>-</td> <td>WD.</td> <td>J2</td> <td>PTD.</td> <td>-</td> <td>336</td> <td>3\"/> <tr> <td>348</td> <td>ETR</td> <td>-</td> <td>WD.</td> <td>J2</td> <td>PTD.</td> <td>-</td> <td>337</td> <td>3\"/> <tr> <td>349</td> <td>ETR</td> <td>-</td> <td>WD.</td> <td>J2</td> <td>PTD.</td> <td>-</td> <td>339</td> <td>3\"/> <tr> <td>350</td> <td>ETR</td> <td>-</td> <td>WD.</td> <td>J2</td> <td>PTD.</td> <td>-</td> <td>340</td> <td>3\"/> </td></tr></td></tr></td></tr></td></tr> | 347 | ETR | -
 | WD. | J2 | PTD. | - | 336 | 3\"/> <tr> <td>348</td> <td>ETR</td> <td>-</td> <td>WD.</td> <td>J2</td> <td>PTD.</td> <td>-</td> <td>337</td> <td>3\"/> <tr> <td>349</td> <td>ETR</td> <td>-</td> <td>WD.</td> <td>J2</td> <td>PTD.</td> <td>-</td> <td>339</td> <td>3\"/> <tr> <td>350</td> <td>ETR</td> <td>-</td> <td>WD.</td> <td>J2</td> <td>PTD.</td> <td>-</td> <td>340</td> <td>3\"/> </td></tr></td></tr></td></tr> | 348 | ETR | - | WD. | J2 | PTD. | - | 337 | 3\"/> <tr> <td>349</td> <td>ETR</td> <td>-</td> <td>WD.</td> <td>J2</td> <td>PTD.</td> <td>-</td> <td>339</td> <td>3\"/> <tr> <td>350</td> <td>ETR</td> <td>-</td> <td>WD.</td> <td>J2</td> <td>PTD.</td> <td>-</td> <td>340</td> <td>3\"/> </td></tr></td></tr>
 | 349 | ETR | - | WD. | J2 | PTD. | - | 339 | 3\"/> <tr> <td>350</td> <td>ETR</td> <td>-</td> <td>WD.</td> <td>J2</td> <td>PTD.</td> <td>-</td> <td>340</td> <td>3\"/> </td></tr> | 350 | ETR | - | WD. | J2 | PTD.
 | - | 340 | 3\"/> | | | | | | | | | | | | | | | | | | | | | | | | | | | | | | | | | | | | | | | | | | | | | | | | | | | | | | | | | | | | | | | |
 | | | | | | | | | | | | | | | | | | | | |
 | | | | | | | | | | | | | | | | | | | | | | | | | | |
 | | | | | | | | | | | | | | | | | | | | | | | | | | | | | | | | | | | | | | | | | | | | | | | | | | | | | | | | | | | | | | | | | | |
| 322 | ETR | - | WD. | J2 | PTD. | - | 315 | 3\"/> <tr> <td>323</td> <td>ETR</td> <td>-</td> <td>WD.</td> <td>J2</td> <td>PTD.</td> <td>-</td> <td>316A</td> <td>3\"/> <tr> <td>324</td> <td>ETR</td> <td>-</td> <td>WD.</td> <td>J2</td> <td>PTD.</td> <td>-</td> <td>318</td> <td>3\"/> <tr> <td>325</td> <td>A</td> <td>3\"/> <tr> <td>327</td> <td>ETR</td> <td>-</td> <td>WD.</td> <td>J2</td> <td>PTD.</td> <td>-</td> <td>319</td> <td>3\"/> <tr> <td>328</td> <td>ETR</td> <td>-</td> <td>WD.</td> <td>J2</td> <td>PTD.</td> <td>-</td> <td>320</td> <td>3\"/> <tr> <td>329A</td> <td>ETR</td> <td>-</td> <td>WD.</td> <td>J2</td> <td>PTD.</td> <td>-</td> <td>321</td> <td>3\"/> <tr> <td>329B</td> <td>ETR</td> <td>-</td> <td>WD.</td> <td>J2</td> <td>PTD.</td> <td>-</td> <td>322</td> <td>3\"/> <tr> <td>331</td> <td>ETR</td> <td>-</td> <td>WD.</td> <td>J2</td> <td>PTD.</td> <td>-</td> <td>323</td> <td>3\"/> <tr> <td>333</td> <td>ETR</td> <td>-</td> <td>WD.</td> <td>J2</td> <td>PTD.</td> <td>-</td> <td>324</td> <td>3\"/> <tr> <td>334A</td> <td>ETR</td> <td>-</td> <td>WD.</td> <td>J2</td> <td>PTD.</td> <td>-</td> <td>325</td> <td>3\"/> <tr> <td>334B</td> <td>ETR</td> <td>-</td> <td>WD.</td> <td>J2</td> <td>PTD.</td> <td>-</td> <td>327</td> <td>3\"/> <tr> <td>335A</td> <td>ETR</td> <td>-</td> <td>WD.</td> <td>J2</td> <td>PTD.</td> <td>-</td> <td>328</td> <td>3\"/> <tr> <td>335B</td> <td>B</td> <td>3\"/> <tr> <td>336</td> <td>B</td> <td>3\"/> <tr> <td>337</td> <td>ETR</td> <td>-</td> <td>WD.</td> <td>J2</td> <td>PTD.</td> <td>-</td> <td>329A</td> <td>3\"/> <tr> <td>339</td> <td>ETR</td> <td>-</td> <td>WD.</td> <td>J2</td> <td>PTD.</td> <td>-</td> <td>329B</td> <td>3\"/> <tr> <td>340</td> <td>A</td> <td>3\"/> <tr> <td>341A</td> <td>ETR</td> <td>-</td> <td>WD.</td> <td>J2</td> <td>PTD.</td> <td>-</td> <td>331</td> <td>3\"/> <tr> <td>341B</td> <td>ETR</td> <td>-</td> <td>WD.</td> <td>J2</td> <td>PTD.</td> <td>-</td> <td>333</td> <td>3\"/> <tr> <td>342</td> <td>ETR</td> <td>-</td> <td>WD.</td> <td>J2</td> <td>PTD.</td> <td>-</td> <td>334A</td> <td>3\"/> <tr> <td>344</td> <td>ETR</td> <td>-</td> <td>WD.</td> <td>J2</td> <td>PTD.</td> <td>-</td> <td>334B</td> <td>3\"/> <tr> <td>345</td> <td>ETR</td> <td>-</td> <td>WD.</td> <td>J2</td> <td>PTD.</td> <td>-</td> <td>335A</td> <td>3\"/> <tr> <td>346</td> <td>ETR</td> <td>-</td> <td>WD.</td> <td>J2</td> <td>PTD.</td> <td>-</td> <td>335B</td> <td>3\"/> <tr> <td>347</td> <td>ETR</td> <td>-</td> <td>WD.</td> <td>J2</td> <td>PTD.</td> <td>-</td> <td>336</td> <td>3\"/> <tr> <td>348</td> <td>ETR</td> <td>-</td> <td>WD.</td> <td>J2</td> <td>PTD.</td> <td>-</td> <td>337</td> <td>3\"/> <tr> <td>349</td> <td>ETR</td> <td>-</td> <td>WD.</td> <td>J2</td> <td>PTD.</td> <td>-</td> <td>339</td> <td>3\"/> <tr> <td>350</td> <td>ETR</td> <td>-</td> <td>WD.</td> <td>J2</td> <td>PTD.</td> <td>-</td> <td>340</td> <td>3\"/>
</td></tr></td></tr></td></tr></td></tr></td></tr></td></tr></td></tr></td></tr></td></tr></td></tr></td></tr></td></tr></td></tr></td></tr></td></tr></td></tr></td></tr></td></tr></td></tr></td></tr></td></tr></td></tr></td></tr></td></tr></td></tr></td></tr></td></tr> | 323 | ETR | - | WD. | J2 | PTD.
 | - | 316A | 3\"/> <tr> <td>324</td> <td>ETR</td> <td>-</td> <td>WD.</td> <td>J2</td> <td>PTD.</td> <td>-</td> <td>318</td> <td>3\"/> <tr> <td>325</td> <td>A</td> <td>3\"/> <tr> <td>327</td> <td>ETR</td> <td>-</td> <td>WD.</td> <td>J2</td> <td>PTD.</td> <td>-</td> <td>319</td> <td>3\"/> <tr> <td>328</td> <td>ETR</td> <td>-</td> <td>WD.</td> <td>J2</td> <td>PTD.</td> <td>-</td> <td>320</td> <td>3\"/> <tr> <td>329A</td> <td>ETR</td> <td>-</td> <td>WD.</td> <td>J2</td> <td>PTD.</td> <td>-</td> <td>321</td> <td>3\"/> <tr> <td>329B</td> <td>ETR</td> <td>-</td> <td>WD.</td> <td>J2</td> <td>PTD.</td> <td>-</td> <td>322</td> <td>3\"/> <tr> <td>331</td> <td>ETR</td> <td>-</td> <td>WD.</td> <td>J2</td> <td>PTD.</td> <td>-</td> <td>323</td> <td>3\"/> <tr> <td>333</td> <td>ETR</td> <td>-</td> <td>WD.</td> <td>J2</td> <td>PTD.</td> <td>-</td> <td>324</td> <td>3\"/> <tr> <td>334A</td> <td>ETR</td> <td>-</td> <td>WD.</td> <td>J2</td> <td>PTD.</td> <td>-</td> <td>325</td> <td>3\"/> <tr> <td>334B</td> <td>ETR</td> <td>-</td> <td>WD.</td> <td>J2</td> <td>PTD.</td> <td>-</td> <td>327</td> <td>3\"/> <tr> <td>335A</td> <td>ETR</td> <td>-</td> <td>WD.</td> <td>J2</td> <td>PTD.</td> <td>-</td> <td>328</td> <td>3\"/> <tr> <td>335B</td> <td>B</td> <td>3\"/> <tr> <td>336</td> <td>B</td> <td>3\"/> <tr> <td>337</td> <td>ETR</td> <td>-</td> <td>WD.</td> <td>J2</td> <td>PTD.</td> <td>-</td> <td>329A</td> <td>3\"/> <tr> <td>339</td> <td>ETR</td> <td>-</td> <td>WD.</td> <td>J2</td> <td>PTD.</td> <td>-</td> <td>329B</td> <td>3\"/> <tr> <td>340</td> <td>A</td> <td>3\"/> <tr> <td>341A</td> <td>ETR</td> <td>-</td> <td>WD.</td> <td>J2</td> <td>PTD.</td> <td>-</td> <td>331</td> <td>3\"/> <tr> <td>341B</td> <td>ETR</td> <td>-</td> <td>WD.</td> <td>J2</td> <td>PTD.</td> <td>-</td> <td>333</td> <td>3\"/> <tr> <td>342</td> <td>ETR</td> <td>-</td> <td>WD.</td> <td>J2</td> <td>PTD.</td> <td>-</td> <td>334A</td> <td>3\"/> <tr> <td>344</td> <td>ETR</td> <td>-</td> <td>WD.</td> <td>J2</td> <td>PTD.</td> <td>-</td> <td>334B</td> <td>3\"/> <tr> <td>345</td> <td>ETR</td> <td>-</td> <td>WD.</td> <td>J2</td> <td>PTD.</td> <td>-</td> <td>335A</td> <td>3\"/> <tr> <td>346</td> <td>ETR</td> <td>-</td> <td>WD.</td> <td>J2</td> <td>PTD.</td> <td>-</td> <td>335B</td> <td>3\"/> <tr> <td>347</td> <td>ETR</td> <td>-</td> <td>WD.</td> <td>J2</td> <td>PTD.</td> <td>-</td> <td>336</td> <td>3\"/> <tr> <td>348</td> <td>ETR</td> <td>-</td> <td>WD.</td> <td>J2</td> <td>PTD.</td> <td>-</td> <td>337</td> <td>3\"/> <tr> <td>349</td> <td>ETR</td> <td>-</td> <td>WD.</td> <td>J2</td> <td>PTD.</td> <td>-</td> <td>339</td> <td>3\"/> <tr> <td>350</td> <td>ETR</td> <td>-</td> <td>WD.</td> <td>J2</td> <td>PTD.</td> <td>-</td> <td>340</td> <td>3\"/> </td></tr></td></tr></td></tr></td></tr></td></tr></td></tr></td></tr></td></tr></td></tr></td></tr></td></tr></td></tr></td></tr></td></tr></td></tr></td></tr></td></tr></td></tr></td></tr></td></tr></td></tr></td></tr></td></tr></td></tr></td></tr></td></tr> | 324 | ETR | -
 | WD. | J2 | PTD. | - | 318 | 3\"/> <tr> <td>325</td> <td>A</td> <td>3\"/> <tr> <td>327</td> <td>ETR</td> <td>-</td> <td>WD.</td> <td>J2</td> <td>PTD.</td> <td>-</td> <td>319</td> <td>3\"/> <tr> <td>328</td> <td>ETR</td> <td>-</td> <td>WD.</td> <td>J2</td> <td>PTD.</td> <td>-</td> <td>320</td> <td>3\"/> <tr> <td>329A</td> <td>ETR</td> <td>-</td> <td>WD.</td> <td>J2</td> <td>PTD.</td> <td>-</td> <td>321</td> <td>3\"/> <tr> <td>329B</td> <td>ETR</td> <td>-</td> <td>WD.</td> <td>J2</td> <td>PTD.</td> <td>-</td> <td>322</td> <td>3\"/> <tr> <td>331</td> <td>ETR</td> <td>-</td> <td>WD.</td> <td>J2</td> <td>PTD.</td> <td>-</td> <td>323</td> <td>3\"/> <tr> <td>333</td> <td>ETR</td> <td>-</td> <td>WD.</td> <td>J2</td> <td>PTD.</td> <td>-</td> <td>324</td> <td>3\"/> <tr> <td>334A</td> <td>ETR</td> <td>-</td> <td>WD.</td> <td>J2</td> <td>PTD.</td> <td>-</td> <td>325</td> <td>3\"/> <tr> <td>334B</td> <td>ETR</td> <td>-</td> <td>WD.</td> <td>J2</td> <td>PTD.</td> <td>-</td> <td>327</td> <td>3\"/> <tr> <td>335A</td> <td>ETR</td> <td>-</td> <td>WD.</td> <td>J2</td> <td>PTD.</td> <td>-</td> <td>328</td> <td>3\"/> <tr> <td>335B</td> <td>B</td> <td>3\"/> <tr> <td>336</td> <td>B</td> <td>3\"/> <tr> <td>337</td> <td>ETR</td> <td>-</td> <td>WD.</td> <td>J2</td> <td>PTD.</td> <td>-</td> <td>329A</td> <td>3\"/> <tr> <td>339</td> <td>ETR</td> <td>-</td> <td>WD.</td> <td>J2</td> <td>PTD.</td> <td>-</td> <td>329B</td> <td>3\"/> <tr> <td>340</td> <td>A</td> <td>3\"/> <tr> <td>341A</td> <td>ETR</td> <td>-</td> <td>WD.</td> <td>J2</td> <td>PTD.</td> <td>-</td> <td>331</td> <td>3\"/> <tr> <td>341B</td> <td>ETR</td> <td>-</td> <td>WD.</td> <td>J2</td> <td>PTD.</td> <td>-</td> <td>333</td> <td>3\"/> <tr> <td>342</td> <td>ETR</td> <td>-</td> <td>WD.</td> <td>J2</td> <td>PTD.</td> <td>-</td> <td>334A</td> <td>3\"/> <tr> <td>344</td> <td>ETR</td> <td>-</td> <td>WD.</td> <td>J2</td> <td>PTD.</td> <td>-</td> <td>334B</td> <td>3\"/> <tr> <td>345</td> <td>ETR</td> <td>-</td> <td>WD.</td> <td>J2</td> <td>PTD.</td> <td>-</td> <td>335A</td> <td>3\"/> <tr> <td>346</td> <td>ETR</td> <td>-</td> <td>WD.</td> <td>J2</td> <td>PTD.</td> <td>-</td> <td>335B</td> <td>3\"/> <tr> <td>347</td> <td>ETR</td> <td>-</td> <td>WD.</td> <td>J2</td> <td>PTD.</td> <td>-</td> <td>336</td> <td>3\"/> <tr> <td>348</td> <td>ETR</td> <td>-</td> <td>WD.</td> <td>J2</td> <td>PTD.</td> <td>-</td> <td>337</td> <td>3\"/> <tr> <td>349</td> <td>ETR</td> <td>-</td> <td>WD.</td> <td>J2</td> <td>PTD.</td>
<td>-</td> <td>339</td> <td>3\"/> <tr> <td>350</td> <td>ETR</td> <td>-</td> <td>WD.</td> <td>J2</td> <td>PTD.</td> <td>-</td> <td>340</td> <td>3\"/> </td></tr></td></tr></td></tr></td></tr></td></tr></td></tr></td></tr></td></tr></td></tr></td></tr></td></tr></td></tr></td></tr></td></tr></td></tr></td></tr></td></tr></td></tr></td></tr></td></tr></td></tr></td></tr></td></tr></td></tr></td></tr> | 325 | A | 3\"/> <tr> <td>327</td> <td>ETR</td> <td>-</td> <td>WD.</td> <td>J2</td> <td>PTD.</td> <td>-</td> <td>319</td> <td>3\"/> <tr> <td>328</td> <td>ETR</td> <td>-</td> <td>WD.</td> <td>J2</td> <td>PTD.</td> <td>-</td> <td>320</td> <td>3\"/> <tr> <td>329A</td> <td>ETR</td> <td>-</td> <td>WD.</td> <td>J2</td> <td>PTD.</td> <td>-</td> <td>321</td> <td>3\"/> <tr> <td>329B</td> <td>ETR</td> <td>-</td> <td>WD.</td> <td>J2</td> <td>PTD.</td> <td>-</td> <td>322</td> <td>3\"/> <tr> <td>331</td> <td>ETR</td> <td>-</td> <td>WD.</td> <td>J2</td> <td>PTD.</td> <td>-</td> <td>323</td> <td>3\"/> <tr> <td>333</td> <td>ETR</td> <td>-</td> <td>WD.</td> <td>J2</td> <td>PTD.</td> <td>-</td> <td>324</td> <td>3\"/> <tr> <td>334A</td> <td>ETR</td> <td>-</td> <td>WD.</td> <td>J2</td> <td>PTD.</td> <td>-</td> <td>325</td> <td>3\"/> <tr> <td>334B</td> <td>ETR</td> <td>-</td> <td>WD.</td> <td>J2</td> <td>PTD.</td> <td>-</td> <td>327</td> <td>3\"/> <tr> <td>335A</td> <td>ETR</td> <td>-</td> <td>WD.</td> <td>J2</td> <td>PTD.</td> <td>-</td> <td>328</td> <td>3\"/> <tr> <td>335B</td> <td>B</td> <td>3\"/> <tr> <td>336</td> <td>B</td> <td>3\"/> <tr> <td>337</td> <td>ETR</td> <td>-</td> <td>WD.</td> <td>J2</td> <td>PTD.</td> <td>-</td> <td>329A</td> <td>3\"/> <tr> <td>339</td> <td>ETR</td> <td>-</td> <td>WD.</td> <td>J2</td> <td>PTD.</td> <td>-</td> <td>329B</td> <td>3\"/> <tr> <td>340</td> <td>A</td> <td>3\"/> <tr> <td>341A</td> <td>ETR</td> <td>-</td> <td>WD.</td> <td>J2</td> <td>PTD.</td> <td>-</td> <td>331</td> <td>3\"/> <tr> <td>341B</td> <td>ETR</td> <td>-</td> <td>WD.</td> <td>J2</td> <td>PTD.</td> <td>-</td> <td>333</td> <td>3\"/> <tr> <td>342</td> <td>ETR</td> <td>-</td> <td>WD.</td> <td>J2</td> <td>PTD.</td> <td>-</td> <td>334A</td> <td>3\"/> <tr> <td>344</td> <td>ETR</td> <td>-</td> <td>WD.</td> <td>J2</td> <td>PTD.</td> <td>-</td> <td>334B</td> <td>3\"/> <tr> <td>345</td> <td>ETR</td> <td>-</td> <td>WD.</td> <td>J2</td> <td>PTD.</td> <td>-</td> <td>335A</td> <td>3\"/> <tr> <td>346</td> <td>ETR</td> <td>-</td> <td>WD.</td> <td>J2</td> <td>PTD.</td> <td>-</td> <td>335B</td> <td>3\"/> <tr> <td>347</td> <td>ETR</td> <td>-</td> <td>WD.</td> <td>J2</td> <td>PTD.</td> <td>-</td> <td>336</td> <td>3\"/> <tr> <td>348</td> <td>ETR</td> <td>-</td> <td>WD.</td> <td>J2</td> <td>PTD.</td> <td>-</td> <td>337</td> <td>3\"/> <tr> <td>349</td> <td>ETR</td> <td>-</td> <td>WD.</td> <td>J2</td> <td>PTD.</td> <td>-</td> <td>339</td> <td>3\"/> <tr> <td>350</td> <td>ETR</td> <td>-</td> <td>WD.</td> <td>J2</td> <td>PTD.</td> <td>-</td> <td>340</td> <td>3\"/> </td></tr></td></tr></td></tr></td></tr></td></tr></td></tr></td></tr></td></tr></td></tr></td></tr></td></tr></td></tr></td></tr></td></tr></td></tr></td></tr></td></tr></td></tr></td></tr></td></tr></td></tr></td></tr></td></tr></td></tr> | 327 | ETR | -
 | WD. | J2 | PTD. | - | 319 | 3\"/> <tr> <td>328</td> <td>ETR</td> <td>-</td> <td>WD.</td> <td>J2</td> <td>PTD.</td> <td>-</td> <td>320</td> <td>3\"/> <tr> <td>329A</td> <td>ETR</td> <td>-</td> <td>WD.</td> <td>J2</td> <td>PTD.</td> <td>-</td> <td>321</td> <td>3\"/> <tr> <td>329B</td> <td>ETR</td> <td>-</td> <td>WD.</td> <td>J2</td> <td>PTD.</td> <td>-</td> <td>322</td> <td>3\"/> <tr> <td>331</td> <td>ETR</td> <td>-</td> <td>WD.</td> <td>J2</td> <td>PTD.</td> <td>-</td> <td>323</td> <td>3\"/> <tr> <td>333</td> <td>ETR</td> <td>-</td> <td>WD.</td> <td>J2</td> <td>PTD.</td> <td>-</td> <td>324</td> <td>3\"/> <tr> <td>334A</td> <td>ETR</td> <td>-</td> <td>WD.</td> <td>J2</td> <td>PTD.</td> <td>-</td> <td>325</td> <td>3\"/> <tr> <td>334B</td> <td>ETR</td> <td>-</td> <td>WD.</td> <td>J2</td> <td>PTD.</td> <td>-</td> <td>327</td> <td>3\"/> <tr> <td>335A</td> <td>ETR</td> <td>-</td> <td>WD.</td> <td>J2</td> <td>PTD.</td> <td>-</td> <td>328</td> <td>3\"/> <tr> <td>335B</td> <td>B</td> <td>3\"/> <tr> <td>336</td> <td>B</td> <td>3\"/> <tr> <td>337</td> <td>ETR</td> <td>-</td> <td>WD.</td> <td>J2</td> <td>PTD.</td> <td>-</td> <td>329A</td> <td>3\"/> <tr> <td>339</td> <td>ETR</td> <td>-</td> <td>WD.</td> <td>J2</td> <td>PTD.</td> <td>-</td> <td>329B</td> <td>3\"/> <tr> <td>340</td> <td>A</td> <td>3\"/> <tr> <td>341A</td> <td>ETR</td> <td>-</td> <td>WD.</td> <td>J2</td> <td>PTD.</td> <td>-</td> <td>331</td> <td>3\"/> <tr> <td>341B</td> <td>ETR</td> <td>-</td> <td>WD.</td> <td>J2</td> <td>PTD.</td> <td>-</td> <td>333</td> <td>3\"/> <tr> <td>342</td> <td>ETR</td> <td>-</td> <td>WD.</td> <td>J2</td> <td>PTD.</td> <td>-</td> <td>334A</td> <td>3\"/> <tr> <td>344</td> <td>ETR</td> <td>-</td> <td>WD.</td> <td>J2</td> <td>PTD.</td> <td>-</td> <td>334B</td> <td>3\"/> <tr> <td>345</td> <td>ETR</td> <td>-</td> <td>WD.</td> <td>J2</td> <td>PTD.</td> <td>-</td> <td>335A</td> <td>3\"/> <tr> <td>346</td> <td>ETR</td> <td>-</td> <td>WD.</td> <td>J2</td> <td>PTD.</td> <td>-</td> <td>335B</td> <td>3\"/> <tr> <td>347</td> <td>ETR</td> <td>-</td> <td>WD.</td> <td>J2</td> <td>PTD.</td> <td>-</td> <td>336</td> <td>3\"/> <tr> <td>348</td> <td>ETR</td> <td>-</td> <td>WD.</td> <td>J2</td> <td>PTD.</td> <td>-</td> <td>337</td> <td>3\"/> <tr> <td>349</td> <td>ETR</td> <td>-</td> <td>WD.</td> <td>J2</td> <td>PTD.</td> <td>-</td> <td>339</td> <td>3\"/> <tr> <td>350</td> <td>ETR</td> <td>-</td> <td>WD.</td> <td>J2</td> <td>PTD.</td> <td>-</td> <td>340</td> <td>3\"/> </td></tr></td></tr></td></tr></td></tr></td></tr></td></tr></td></tr></td></tr></td></tr></td></tr></td></tr></td></tr></td></tr></td></tr></td></tr></td></tr></td></tr></td></tr></td></tr></td></tr></td></tr></td></tr></td></tr>
 | 328 | ETR | - | WD. | J2 | PTD.
 | - | 320 | 3\"/> <tr> <td>329A</td> <td>ETR</td> <td>-</td> <td>WD.</td> <td>J2</td> <td>PTD.</td> <td>-</td> <td>321</td> <td>3\"/> <tr> <td>329B</td> <td>ETR</td> <td>-</td> <td>WD.</td> <td>J2</td> <td>PTD.</td> <td>-</td> <td>322</td> <td>3\"/> <tr> <td>331</td> <td>ETR</td> <td>-</td> <td>WD.</td> <td>J2</td> <td>PTD.</td> <td>-</td> <td>323</td> <td>3\"/> <tr> <td>333</td> <td>ETR</td> <td>-</td> <td>WD.</td> <td>J2</td> <td>PTD.</td> <td>-</td> <td>324</td> <td>3\"/> <tr> <td>334A</td> <td>ETR</td> <td>-</td> <td>WD.</td> <td>J2</td> <td>PTD.</td> <td>-</td> <td>325</td> <td>3\"/> <tr> <td>334B</td> <td>ETR</td> <td>-</td> <td>WD.</td> <td>J2</td> <td>PTD.</td> <td>-</td> <td>327</td> <td>3\"/> <tr> <td>335A</td> <td>ETR</td> <td>-</td> <td>WD.</td> <td>J2</td> <td>PTD.</td> <td>-</td> <td>328</td> <td>3\"/> <tr> <td>335B</td> <td>B</td> <td>3\"/> <tr> <td>336</td> <td>B</td> <td>3\"/> <tr> <td>337</td> <td>ETR</td> <td>-</td> <td>WD.</td> <td>J2</td> <td>PTD.</td> <td>-</td> <td>329A</td> <td>3\"/> <tr> <td>339</td> <td>ETR</td> <td>-</td> <td>WD.</td> <td>J2</td> <td>PTD.</td> <td>-</td> <td>329B</td> <td>3\"/> <tr> <td>340</td> <td>A</td> <td>3\"/> <tr> <td>341A</td> <td>ETR</td> <td>-</td> <td>WD.</td> <td>J2</td> <td>PTD.</td> <td>-</td> <td>331</td> <td>3\"/> <tr> <td>341B</td> <td>ETR</td> <td>-</td> <td>WD.</td> <td>J2</td> <td>PTD.</td> <td>-</td> <td>333</td> <td>3\"/> <tr> <td>342</td> <td>ETR</td> <td>-</td> <td>WD.</td> <td>J2</td> <td>PTD.</td> <td>-</td> <td>334A</td> <td>3\"/> <tr> <td>344</td> <td>ETR</td> <td>-</td> <td>WD.</td> <td>J2</td> <td>PTD.</td> <td>-</td> <td>334B</td> <td>3\"/> <tr> <td>345</td> <td>ETR</td> <td>-</td> <td>WD.</td> <td>J2</td> <td>PTD.</td> <td>-</td> <td>335A</td> <td>3\"/> <tr> <td>346</td> <td>ETR</td> <td>-</td> <td>WD.</td> <td>J2</td> <td>PTD.</td> <td>-</td> <td>335B</td> <td>3\"/> <tr> <td>347</td> <td>ETR</td> <td>-</td> <td>WD.</td> <td>J2</td> <td>PTD.</td> <td>-</td> <td>336</td> <td>3\"/> <tr> <td>348</td> <td>ETR</td> <td>-</td> <td>WD.</td> <td>J2</td> <td>PTD.</td> <td>-</td> <td>337</td> <td>3\"/> <tr> <td>349</td> <td>ETR</td> <td>-</td> <td>WD.</td> <td>J2</td> <td>PTD.</td> <td>-</td> <td>339</td> <td>3\"/> <tr> <td>350</td> <td>ETR</td> <td>-</td> <td>WD.</td> <td>J2</td> <td>PTD.</td> <td>-</td> <td>340</td> <td>3\"/> </td></tr></td></tr></td></tr></td></tr></td></tr></td></tr></td></tr></td></tr></td></tr></td></tr></td></tr></td></tr></td></tr></td></tr></td></tr></td></tr></td></tr></td></tr></td></tr></td></tr></td></tr></td></tr> | 329A | ETR | - | WD. | J2 | PTD.
 | - | 321 | 3\"/> <tr> <td>329B</td> <td>ETR</td> <td>-</td> <td>WD.</td> <td>J2</td> <td>PTD.</td> <td>-</td> <td>322</td> <td>3\"/> <tr> <td>331</td> <td>ETR</td> <td>-</td> <td>WD.</td> <td>J2</td> <td>PTD.</td> <td>-</td> <td>323</td> <td>3\"/> <tr> <td>333</td> <td>ETR</td> <td>-</td> <td>WD.</td> <td>J2</td> <td>PTD.</td> <td>-</td> <td>324</td> <td>3\"/> <tr> <td>334A</td> <td>ETR</td> <td>-</td> <td>WD.</td> <td>J2</td> <td>PTD.</td> <td>-</td> <td>325</td> <td>3\"/> <tr> <td>334B</td> <td>ETR</td> <td>-</td> <td>WD.</td> <td>J2</td> <td>PTD.</td> <td>-</td> <td>327</td> <td>3\"/> <tr> <td>335A</td> <td>ETR</td> <td>-</td> <td>WD.</td> <td>J2</td> <td>PTD.</td> <td>-</td> <td>328</td> <td>3\"/> <tr> <td>335B</td> <td>B</td> <td>3\"/> <tr> <td>336</td> <td>B</td> <td>3\"/> <tr> <td>337</td> <td>ETR</td> <td>-</td> <td>WD.</td> <td>J2</td> <td>PTD.</td> <td>-</td> <td>329A</td> <td>3\"/> <tr> <td>339</td> <td>ETR</td> <td>-</td> <td>WD.</td> <td>J2</td> <td>PTD.</td> <td>-</td> <td>329B</td> <td>3\"/> <tr> <td>340</td> <td>A</td> <td>3\"/> <tr> <td>341A</td> <td>ETR</td> <td>-</td> <td>WD.</td> <td>J2</td> <td>PTD.</td> <td>-</td> <td>331</td> <td>3\"/> <tr> <td>341B</td> <td>ETR</td> <td>-</td> <td>WD.</td> <td>J2</td> <td>PTD.</td> <td>-</td> <td>333</td> <td>3\"/> <tr> <td>342</td> <td>ETR</td> <td>-</td> <td>WD.</td> <td>J2</td> <td>PTD.</td> <td>-</td> <td>334A</td> <td>3\"/> <tr> <td>344</td> <td>ETR</td> <td>-</td> <td>WD.</td> <td>J2</td> <td>PTD.</td> <td>-</td> <td>334B</td> <td>3\"/> <tr> <td>345</td> <td>ETR</td> <td>-</td> <td>WD.</td> <td>J2</td> <td>PTD.</td> <td>-</td> <td>335A</td> <td>3\"/> <tr> <td>346</td> <td>ETR</td> <td>-</td> <td>WD.</td> <td>J2</td> <td>PTD.</td> <td>-</td> <td>335B</td> <td>3\"/> <tr> <td>347</td> <td>ETR</td> <td>-</td> <td>WD.</td> <td>J2</td> <td>PTD.</td> <td>-</td> <td>336</td> <td>3\"/> <tr> <td>348</td> <td>ETR</td> <td>-</td> <td>WD.</td> <td>J2</td> <td>PTD.</td> <td>-</td> <td>337</td> <td>3\"/> <tr> <td>349</td> <td>ETR</td> <td>-</td> <td>WD.</td> <td>J2</td> <td>PTD.</td> <td>-</td> <td>339</td> <td>3\"/> <tr> <td>350</td> <td>ETR</td> <td>-</td> <td>WD.</td> <td>J2</td> <td>PTD.</td> <td>-</td> <td>340</td> <td>3\"/> </td></tr></td></tr></td></tr></td></tr></td></tr></td></tr></td></tr></td></tr></td></tr></td></tr></td></tr></td></tr></td></tr></td></tr></td></tr></td></tr></td></tr></td></tr></td></tr></td></tr></td></tr> | 329B | ETR | -
 | WD. | J2 | PTD. | - | 322 | 3\"/> <tr> <td>331</td> <td>ETR</td> <td>-</td> <td>WD.</td> <td>J2</td> <td>PTD.</td> <td>-</td> <td>323</td> <td>3\"/> <tr> <td>333</td> <td>ETR</td> <td>-</td> <td>WD.</td> <td>J2</td> <td>PTD.</td> <td>-</td> <td>324</td> <td>3\"/> <tr> <td>334A</td> <td>ETR</td> <td>-</td> <td>WD.</td> <td>J2</td> <td>PTD.</td> <td>-</td> <td>325</td> <td>3\"/> <tr> <td>334B</td> <td>ETR</td> <td>-</td> <td>WD.</td> <td>J2</td> <td>PTD.</td> <td>-</td> <td>327</td> <td>3\"/> <tr> <td>335A</td> <td>ETR</td> <td>-</td> <td>WD.</td> <td>J2</td> <td>PTD.</td> <td>-</td> <td>328</td> <td>3\"/> <tr> <td>335B</td> <td>B</td> <td>3\"/> <tr> <td>336</td> <td>B</td> <td>3\"/> <tr> <td>337</td> <td>ETR</td> <td>-</td> <td>WD.</td> <td>J2</td> <td>PTD.</td> <td>-</td> <td>329A</td> <td>3\"/> <tr> <td>339</td> <td>ETR</td> <td>-</td> <td>WD.</td> <td>J2</td> <td>PTD.</td> <td>-</td> <td>329B</td> <td>3\"/> <tr> <td>340</td> <td>A</td> <td>3\"/> <tr> <td>341A</td> <td>ETR</td> <td>-</td> <td>WD.</td> <td>J2</td> <td>PTD.</td> <td>-</td> <td>331</td> <td>3\"/> <tr> <td>341B</td> <td>ETR</td> <td>-</td> <td>WD.</td> <td>J2</td> <td>PTD.</td> <td>-</td> <td>333</td> <td>3\"/> <tr> <td>342</td> <td>ETR</td> <td>-</td> <td>WD.</td> <td>J2</td> <td>PTD.</td> <td>-</td> <td>334A</td> <td>3\"/> <tr> <td>344</td> <td>ETR</td> <td>-</td> <td>WD.</td> <td>J2</td> <td>PTD.</td> <td>-</td> <td>334B</td> <td>3\"/> <tr> <td>345</td> <td>ETR</td> <td>-</td> <td>WD.</td> <td>J2</td> <td>PTD.</td> <td>-</td> <td>335A</td> <td>3\"/> <tr> <td>346</td> <td>ETR</td> <td>-</td> <td>WD.</td> <td>J2</td> <td>PTD.</td> <td>-</td> <td>335B</td> <td>3\"/> <tr> <td>347</td> <td>ETR</td> <td>-</td> <td>WD.</td> <td>J2</td> <td>PTD.</td> <td>-</td> <td>336</td> <td>3\"/> <tr> <td>348</td> <td>ETR</td> <td>-</td> <td>WD.</td> <td>J2</td> <td>PTD.</td> <td>-</td> <td>337</td> <td>3\"/> <tr> <td>349</td> <td>ETR</td> <td>-</td> <td>WD.</td> <td>J2</td> <td>PTD.</td> <td>-</td> <td>339</td> <td>3\"/> <tr> <td>350</td> <td>ETR</td> <td>-</td> <td>WD.</td> <td>J2</td> <td>PTD.</td> <td>-</td> <td>340</td> <td>3\"/> </td></tr></td></tr></td></tr></td></tr></td></tr></td></tr></td></tr></td></tr></td></tr></td></tr></td></tr></td></tr></td></tr></td></tr></td></tr></td></tr></td></tr></td></tr></td></tr></td></tr>
 | 331 | ETR | - | WD. | J2 | PTD. | - | 323 | 3\"/> <tr> <td>333</td> <td>ETR</td> <td>-</td> <td>WD.</td> <td>J2</td> <td>PTD.</td> <td>-</td> <td>324</td> <td>3\"/> <tr> <td>334A</td> <td>ETR</td> <td>-</td> <td>WD.</td> <td>J2</td> <td>PTD.</td> <td>-</td> <td>325</td> <td>3\"/> <tr> <td>334B</td> <td>ETR</td> <td>-</td> <td>WD.</td> <td>J2</td> <td>PTD.</td> <td>-</td> <td>327</td> <td>3\"/> <tr> <td>335A</td> <td>ETR</td> <td>-</td> <td>WD.</td> <td>J2</td> <td>PTD.</td> <td>-</td> <td>328</td> <td>3\"/> <tr> <td>335B</td> <td>B</td> <td>3\"/> <tr> <td>336</td> <td>B</td> <td>3\"/> <tr> <td>337</td> <td>ETR</td> <td>-</td> <td>WD.</td> <td>J2</td> <td>PTD.</td> <td>-</td> <td>329A</td> <td>3\"/> <tr> <td>339</td> <td>ETR</td> <td>-</td> <td>WD.</td> <td>J2</td> <td>PTD.</td> <td>-</td> <td>329B</td> <td>3\"/> <tr> <td>340</td> <td>A</td> <td>3\"/> <tr> <td>341A</td> <td>ETR</td> <td>-</td> <td>WD.</td> <td>J2</td>
<td>PTD.</td> <td>-</td> <td>331</td> <td>3\"/> <tr> <td>341B</td> <td>ETR</td> <td>-</td> <td>WD.</td> <td>J2</td> <td>PTD.</td> <td>-</td> <td>333</td> <td>3\"/> <tr> <td>342</td> <td>ETR</td> <td>-</td> <td>WD.</td> <td>J2</td> <td>PTD.</td> <td>-</td> <td>334A</td> <td>3\"/> <tr> <td>344</td> <td>ETR</td> <td>-</td> <td>WD.</td> <td>J2</td> <td>PTD.</td> <td>-</td> <td>334B</td> <td>3\"/> <tr> <td>345</td> <td>ETR</td> <td>-</td> <td>WD.</td> <td>J2</td> <td>PTD.</td> <td>-</td> <td>335A</td> <td>3\"/> <tr> <td>346</td> <td>ETR</td> <td>-</td> <td>WD.</td> <td>J2</td> <td>PTD.</td> <td>-</td> <td>335B</td> <td>3\"/> <tr> <td>347</td> <td>ETR</td> <td>-</td> <td>WD.</td> <td>J2</td> <td>PTD.</td> <td>-</td> <td>336</td> <td>3\"/> <tr> <td>348</td> <td>ETR</td> <td>-</td> <td>WD.</td> <td>J2</td> <td>PTD.</td> <td>-</td> <td>337</td> <td>3\"/> <tr> <td>349</td> <td>ETR</td> <td>-</td> <td>WD.</td> <td>J2</td> <td>PTD.</td> <td>-</td> <td>339</td> <td>3\"/> <tr> <td>350</td> <td>ETR</td> <td>-</td> <td>WD.</td> <td>J2</td> <td>PTD.</td> <td>-</td> <td>340</td> <td>3\"/> </td></tr></td></tr></td></tr></td></tr></td></tr></td></tr></td></tr></td></tr></td></tr></td></tr></td></tr></td></tr></td></tr></td></tr></td></tr></td></tr></td></tr></td></tr></td></tr> | 333 | ETR | - | WD. | J2 | PTD.
 | - | 324 | 3\"/> <tr> <td>334A</td> <td>ETR</td> <td>-</td> <td>WD.</td> <td>J2</td> <td>PTD.</td> <td>-</td> <td>325</td> <td>3\"/> <tr> <td>334B</td> <td>ETR</td> <td>-</td> <td>WD.</td> <td>J2</td> <td>PTD.</td> <td>-</td> <td>327</td> <td>3\"/> <tr> <td>335A</td> <td>ETR</td> <td>-</td> <td>WD.</td> <td>J2</td> <td>PTD.</td> <td>-</td> <td>328</td> <td>3\"/> <tr> <td>335B</td> <td>B</td> <td>3\"/> <tr> <td>336</td> <td>B</td> <td>3\"/> <tr> <td>337</td> <td>ETR</td> <td>-</td> <td>WD.</td> <td>J2</td> <td>PTD.</td> <td>-</td> <td>329A</td> <td>3\"/> <tr> <td>339</td> <td>ETR</td> <td>-</td> <td>WD.</td> <td>J2</td> <td>PTD.</td> <td>-</td> <td>329B</td> <td>3\"/> <tr> <td>340</td> <td>A</td> <td>3\"/> <tr> <td>341A</td> <td>ETR</td> <td>-</td> <td>WD.</td> <td>J2</td> <td>PTD.</td> <td>-</td> <td>331</td> <td>3\"/> <tr> <td>341B</td> <td>ETR</td> <td>-</td> <td>WD.</td> <td>J2</td> <td>PTD.</td> <td>-</td> <td>333</td> <td>3\"/> <tr> <td>342</td> <td>ETR</td> <td>-</td> <td>WD.</td> <td>J2</td> <td>PTD.</td> <td>-</td> <td>334A</td> <td>3\"/> <tr> <td>344</td> <td>ETR</td> <td>-</td> <td>WD.</td> <td>J2</td> <td>PTD.</td> <td>-</td> <td>334B</td> <td>3\"/> <tr> <td>345</td> <td>ETR</td> <td>-</td> <td>WD.</td> <td>J2</td> <td>PTD.</td> <td>-</td> <td>335A</td> <td>3\"/> <tr> <td>346</td> <td>ETR</td> <td>-</td> <td>WD.</td> <td>J2</td> <td>PTD.</td> <td>-</td> <td>335B</td> <td>3\"/> <tr> <td>347</td> <td>ETR</td> <td>-</td> <td>WD.</td> <td>J2</td> <td>PTD.</td> <td>-</td> <td>336</td> <td>3\"/> <tr> <td>348</td> <td>ETR</td> <td>-</td> <td>WD.</td> <td>J2</td> <td>PTD.</td> <td>-</td> <td>337</td> <td>3\"/> <tr> <td>349</td> <td>ETR</td> <td>-</td> <td>WD.</td> <td>J2</td> <td>PTD.</td> <td>-</td> <td>339</td> <td>3\"/> <tr> <td>350</td> <td>ETR</td> <td>-</td> <td>WD.</td> <td>J2</td> <td>PTD.</td> <td>-</td> <td>340</td> <td>3\"/> </td></tr></td></tr></td></tr></td></tr></td></tr></td></tr></td></tr></td></tr></td></tr></td></tr></td></tr></td></tr></td></tr></td></tr></td></tr></td></tr></td></tr></td></tr> | 334A | ETR | - | WD. | J2 | PTD.
 | - | 325 | 3\"/> <tr> <td>334B</td> <td>ETR</td> <td>-</td> <td>WD.</td> <td>J2</td> <td>PTD.</td> <td>-</td> <td>327</td> <td>3\"/> <tr> <td>335A</td> <td>ETR</td> <td>-</td> <td>WD.</td> <td>J2</td> <td>PTD.</td> <td>-</td> <td>328</td> <td>3\"/> <tr> <td>335B</td> <td>B</td> <td>3\"/> <tr> <td>336</td> <td>B</td> <td>3\"/> <tr> <td>337</td> <td>ETR</td> <td>-</td> <td>WD.</td> <td>J2</td> <td>PTD.</td> <td>-</td> <td>329A</td> <td>3\"/> <tr> <td>339</td> <td>ETR</td> <td>-</td> <td>WD.</td> <td>J2</td> <td>PTD.</td> <td>-</td> <td>329B</td> <td>3\"/> <tr> <td>340</td> <td>A</td> <td>3\"/> <tr> <td>341A</td> <td>ETR</td> <td>-</td> <td>WD.</td> <td>J2</td> <td>PTD.</td> <td>-</td> <td>331</td> <td>3\"/> <tr> <td>341B</td> <td>ETR</td> <td>-</td> <td>WD.</td> <td>J2</td> <td>PTD.</td> <td>-</td> <td>333</td> <td>3\"/> <tr> <td>342</td> <td>ETR</td> <td>-</td> <td>WD.</td> <td>J2</td> <td>PTD.</td> <td>-</td> <td>334A</td> <td>3\"/> <tr> <td>344</td> <td>ETR</td> <td>-</td> <td>WD.</td> <td>J2</td> <td>PTD.</td> <td>-</td> <td>334B</td> <td>3\"/> <tr> <td>345</td> <td>ETR</td> <td>-</td> <td>WD.</td> <td>J2</td> <td>PTD.</td> <td>-</td> <td>335A</td> <td>3\"/> <tr> <td>346</td> <td>ETR</td> <td>-</td> <td>WD.</td> <td>J2</td> <td>PTD.</td> <td>-</td> <td>335B</td> <td>3\"/> <tr> <td>347</td> <td>ETR</td> <td>-</td> <td>WD.</td> <td>J2</td> <td>PTD.</td> <td>-</td> <td>336</td> <td>3\"/> <tr> <td>348</td> <td>ETR</td> <td>-</td> <td>WD.</td> <td>J2</td> <td>PTD.</td> <td>-</td> <td>337</td> <td>3\"/> <tr> <td>349</td> <td>ETR</td> <td>-</td> <td>WD.</td> <td>J2</td> <td>PTD.</td> <td>-</td> <td>339</td> <td>3\"/> <tr> <td>350</td> <td>ETR</td> <td>-</td> <td>WD.</td> <td>J2</td> <td>PTD.</td> <td>-</td> <td>340</td> <td>3\"/> </td></tr></td></tr></td></tr></td></tr></td></tr></td></tr></td></tr></td></tr></td></tr></td></tr></td></tr></td></tr></td></tr></td></tr></td></tr></td></tr></td></tr> | 334B | ETR | -
 | WD. | J2 | PTD. | - | 327 | 3\"/> <tr> <td>335A</td> <td>ETR</td> <td>-</td> <td>WD.</td> <td>J2</td> <td>PTD.</td> <td>-</td> <td>328</td> <td>3\"/> <tr> <td>335B</td> <td>B</td> <td>3\"/> <tr> <td>336</td> <td>B</td> <td>3\"/> <tr> <td>337</td> <td>ETR</td> <td>-</td> <td>WD.</td> <td>J2</td> <td>PTD.</td> <td>-</td> <td>329A</td> <td>3\"/> <tr> <td>339</td> <td>ETR</td> <td>-</td> <td>WD.</td> <td>J2</td> <td>PTD.</td> <td>-</td> <td>329B</td> <td>3\"/> <tr> <td>340</td> <td>A</td> <td>3\"/> <tr> <td>341A</td> <td>ETR</td> <td>-</td> <td>WD.</td> <td>J2</td> <td>PTD.</td> <td>-</td> <td>331</td> <td>3\"/> <tr> <td>341B</td> <td>ETR</td> <td>-</td> <td>WD.</td> <td>J2</td> <td>PTD.</td> <td>-</td> <td>333</td> <td>3\"/> <tr> <td>342</td> <td>ETR</td> <td>-</td> <td>WD.</td> <td>J2</td> <td>PTD.</td> <td>-</td> <td>334A</td> <td>3\"/> <tr> <td>344</td> <td>ETR</td> <td>-</td> <td>WD.</td> <td>J2</td> <td>PTD.</td> <td>-</td> <td>334B</td> <td>3\"/> <tr> <td>345</td> <td>ETR</td> <td>-</td> <td>WD.</td> <td>J2</td> <td>PTD.</td> <td>-</td> <td>335A</td> <td>3\"/> <tr> <td>346</td> <td>ETR</td> <td>-</td> <td>WD.</td> <td>J2</td> <td>PTD.</td> <td>-</td> <td>335B</td> <td>3\"/> <tr> <td>347</td> <td>ETR</td> <td>-</td> <td>WD.</td> <td>J2</td> <td>PTD.</td> <td>-</td> <td>336</td> <td>3\"/> <tr> <td>348</td> <td>ETR</td> <td>-</td> <td>WD.</td> <td>J2</td> <td>PTD.</td> <td>-</td> <td>337</td> <td>3\"/> <tr> <td>349</td> <td>ETR</td> <td>-</td> <td>WD.</td> <td>J2</td> <td>PTD.</td> <td>-</td> <td>339</td> <td>3\"/> <tr> <td>350</td> <td>ETR</td> <td>-</td> <td>WD.</td> <td>J2</td> <td>PTD.</td> <td>-</td> <td>340</td> <td>3\"/> </td></tr></td></tr></td></tr></td></tr></td></tr></td></tr></td></tr></td></tr></td></tr></td></tr></td></tr></td></tr></td></tr></td></tr></td></tr></td></tr> | 335A | ETR | -
 | WD. | J2 | PTD. | - | 328 | 3\"/> <tr> <td>335B</td> <td>B</td> <td>3\"/> <tr> <td>336</td> <td>B</td> <td>3\"/> <tr> <td>337</td> <td>ETR</td> <td>-</td> <td>WD.</td> <td>J2</td> <td>PTD.</td> <td>-</td> <td>329A</td> <td>3\"/> <tr> <td>339</td> <td>ETR</td> <td>-</td> <td>WD.</td> <td>J2</td> <td>PTD.</td> <td>-</td> <td>329B</td> <td>3\"/> <tr> <td>340</td> <td>A</td> <td>3\"/> <tr> <td>341A</td> <td>ETR</td> <td>-</td> <td>WD.</td> <td>J2</td> <td>PTD.</td> <td>-</td> <td>331</td> <td>3\"/> <tr> <td>341B</td> <td>ETR</td> <td>-</td> <td>WD.</td> <td>J2</td> <td>PTD.</td> <td>-</td> <td>333</td> <td>3\"/> <tr> <td>342</td> <td>ETR</td> <td>-</td> <td>WD.</td> <td>J2</td> <td>PTD.</td> <td>-</td> <td>334A</td> <td>3\"/> <tr> <td>344</td> <td>ETR</td> <td>-</td> <td>WD.</td> <td>J2</td> <td>PTD.</td> <td>-</td> <td>334B</td> <td>3\"/> <tr> <td>345</td> <td>ETR</td> <td>-</td> <td>WD.</td> <td>J2</td> <td>PTD.</td> <td>-</td> <td>335A</td> <td>3\"/> <tr> <td>346</td> <td>ETR</td> <td>-</td> <td>WD.</td> <td>J2</td> <td>PTD.</td> <td>-</td> <td>335B</td> <td>3\"/> <tr> <td>347</td> <td>ETR</td> <td>-</td> <td>WD.</td> <td>J2</td> <td>PTD.</td> <td>-</td> <td>336</td> <td>3\"/> <tr> <td>348</td> <td>ETR</td> <td>-</td> <td>WD.</td> <td>J2</td> <td>PTD.</td> <td>-</td> <td>337</td> <td>3\"/> <tr> <td>349</td> <td>ETR</td> <td>-</td> <td>WD.</td> <td>J2</td> <td>PTD.</td> <td>-</td> <td>339</td> <td>3\"/> <tr> <td>350</td> <td>ETR</td> <td>-</td> <td>WD.</td> <td>J2</td> <td>PTD.</td> <td>-</td> <td>340</td> <td>3\"/> </td></tr></td></tr></td></tr></td></tr></td></tr></td></tr></td></tr></td></tr></td></tr></td></tr></td></tr></td></tr></td></tr></td></tr></td></tr> | 335B | B | 3\"/> <tr> <td>336</td> <td>B</td> <td>3\"/> <tr> <td>337</td> <td>ETR</td> <td>-</td> <td>WD.</td> <td>J2</td> <td>PTD.</td> <td>-</td> <td>329A</td> <td>3\"/> <tr> <td>339</td> <td>ETR</td> <td>-</td> <td>WD.</td> <td>J2</td> <td>PTD.</td> <td>-</td> <td>329B</td> <td>3\"/> <tr> <td>340</td> <td>A</td> <td>3\"/> <tr> <td>341A</td> <td>ETR</td> <td>-</td> <td>WD.</td> <td>J2</td> <td>PTD.</td> <td>-</td> <td>331</td> <td>3\"/> <tr> <td>341B</td> <td>ETR</td> <td>-</td> <td>WD.</td> <td>J2</td> <td>PTD.</td> <td>-</td> <td>333</td> <td>3\"/> <tr> <td>342</td> <td>ETR</td> <td>-</td> <td>WD.</td> <td>J2</td>
<td>PTD.</td> <td>-</td> <td>334A</td> <td>3\"/> <tr> <td>344</td> <td>ETR</td> <td>-</td> <td>WD.</td> <td>J2</td> <td>PTD.</td> <td>-</td> <td>334B</td> <td>3\"/> <tr> <td>345</td> <td>ETR</td> <td>-</td> <td>WD.</td> <td>J2</td> <td>PTD.</td> <td>-</td> <td>335A</td> <td>3\"/> <tr> <td>346</td> <td>ETR</td> <td>-</td> <td>WD.</td> <td>J2</td> <td>PTD.</td> <td>-</td> <td>335B</td> <td>3\"/> <tr> <td>347</td> <td>ETR</td> <td>-</td> <td>WD.</td> <td>J2</td> <td>PTD.</td> <td>-</td> <td>336</td> <td>3\"/> <tr> <td>348</td> <td>ETR</td> <td>-</td> <td>WD.</td> <td>J2</td> <td>PTD.</td> <td>-</td> <td>337</td> <td>3\"/> <tr> <td>349</td> <td>ETR</td> <td>-</td> <td>WD.</td> <td>J2</td> <td>PTD.</td> <td>-</td> <td>339</td> <td>3\"/> <tr> <td>350</td> <td>ETR</td> <td>-</td> <td>WD.</td> <td>J2</td> <td>PTD.</td> <td>-</td> <td>340</td> <td>3\"/> </td></tr></td></tr></td></tr></td></tr></td></tr></td></tr></td></tr></td></tr></td></tr></td></tr></td></tr></td></tr></td></tr></td></tr> | 336 | B | 3\"/> <tr> <td>337</td> <td>ETR</td> <td>-</td> <td>WD.</td> <td>J2</td> <td>PTD.</td> <td>-</td> <td>329A</td> <td>3\"/> <tr> <td>339</td> <td>ETR</td> <td>-</td> <td>WD.</td> <td>J2</td> <td>PTD.</td> <td>-</td> <td>329B</td> <td>3\"/> <tr> <td>340</td> <td>A</td> <td>3\"/> <tr> <td>341A</td> <td>ETR</td> <td>-</td> <td>WD.</td> <td>J2</td> <td>PTD.</td> <td>-</td> <td>331</td> <td>3\"/> <tr> <td>341B</td> <td>ETR</td> <td>-</td> <td>WD.</td> <td>J2</td> <td>PTD.</td> <td>-</td> <td>333</td> <td>3\"/> <tr> <td>342</td> <td>ETR</td> <td>-</td> <td>WD.</td> <td>J2</td> <td>PTD.</td> <td>-</td> <td>334A</td> <td>3\"/> <tr> <td>344</td> <td>ETR</td> <td>-</td> <td>WD.</td> <td>J2</td> <td>PTD.</td> <td>-</td> <td>334B</td> <td>3\"/> <tr> <td>345</td> <td>ETR</td> <td>-</td> <td>WD.</td> <td>J2</td> <td>PTD.</td> <td>-</td> <td>335A</td> <td>3\"/> <tr> <td>346</td> <td>ETR</td> <td>-</td> <td>WD.</td> <td>J2</td> <td>PTD.</td> <td>-</td> <td>335B</td> <td>3\"/> <tr> <td>347</td> <td>ETR</td> <td>-</td> <td>WD.</td> <td>J2</td> <td>PTD.</td> <td>-</td> <td>336</td> <td>3\"/> <tr> <td>348</td> <td>ETR</td> <td>-</td> <td>WD.</td> <td>J2</td> <td>PTD.</td> <td>-</td> <td>337</td> <td>3\"/> <tr> <td>349</td> <td>ETR</td> <td>-</td> <td>WD.</td> <td>J2</td> <td>PTD.</td> <td>-</td> <td>339</td> <td>3\"/> <tr> <td>350</td> <td>ETR</td> <td>-</td> <td>WD.</td> <td>J2</td> <td>PTD.</td> <td>-</td> <td>340</td> <td>3\"/> </td></tr></td></tr></td></tr></td></tr></td></tr></td></tr></td></tr></td></tr></td></tr></td></tr></td></tr></td></tr></td></tr> | 337 | ETR | -
 | WD. | J2 | PTD. | - | 329A | 3\"/> <tr> <td>339</td> <td>ETR</td> <td>-</td> <td>WD.</td> <td>J2</td> <td>PTD.</td> <td>-</td> <td>329B</td> <td>3\"/> <tr> <td>340</td> <td>A</td> <td>3\"/> <tr> <td>341A</td> <td>ETR</td> <td>-</td> <td>WD.</td> <td>J2</td> <td>PTD.</td> <td>-</td> <td>331</td> <td>3\"/> <tr> <td>341B</td> <td>ETR</td> <td>-</td> <td>WD.</td> <td>J2</td> <td>PTD.</td> <td>-</td> <td>333</td> <td>3\"/> <tr> <td>342</td> <td>ETR</td> <td>-</td> <td>WD.</td> <td>J2</td> <td>PTD.</td> <td>-</td> <td>334A</td> <td>3\"/> <tr> <td>344</td> <td>ETR</td> <td>-</td> <td>WD.</td> <td>J2</td> <td>PTD.</td> <td>-</td> <td>334B</td> <td>3\"/> <tr> <td>345</td> <td>ETR</td> <td>-</td> <td>WD.</td> <td>J2</td> <td>PTD.</td> <td>-</td> <td>335A</td> <td>3\"/> <tr> <td>346</td> <td>ETR</td> <td>-</td> <td>WD.</td> <td>J2</td> <td>PTD.</td> <td>-</td> <td>335B</td> <td>3\"/> <tr> <td>347</td> <td>ETR</td> <td>-</td> <td>WD.</td> <td>J2</td> <td>PTD.</td> <td>-</td> <td>336</td> <td>3\"/> <tr> <td>348</td> <td>ETR</td> <td>-</td> <td>WD.</td> <td>J2</td> <td>PTD.</td> <td>-</td> <td>337</td> <td>3\"/> <tr> <td>349</td> <td>ETR</td> <td>-</td> <td>WD.</td> <td>J2</td> <td>PTD.</td> <td>-</td> <td>339</td> <td>3\"/> <tr> <td>350</td> <td>ETR</td> <td>-</td> <td>WD.</td> <td>J2</td> <td>PTD.</td> <td>-</td> <td>340</td> <td>3\"/> </td></tr></td></tr></td></tr></td></tr></td></tr></td></tr></td></tr></td></tr></td></tr></td></tr></td></tr></td></tr> | 339 | ETR | -
 | WD. | J2 | PTD. | - | 329B | 3\"/> <tr> <td>340</td> <td>A</td> <td>3\"/> <tr> <td>341A</td> <td>ETR</td> <td>-</td> <td>WD.</td> <td>J2</td> <td>PTD.</td> <td>-</td> <td>331</td> <td>3\"/> <tr> <td>341B</td> <td>ETR</td> <td>-</td> <td>WD.</td> <td>J2</td> <td>PTD.</td> <td>-</td> <td>333</td> <td>3\"/> <tr> <td>342</td> <td>ETR</td> <td>-</td> <td>WD.</td> <td>J2</td> <td>PTD.</td> <td>-</td> <td>334A</td> <td>3\"/> <tr> <td>344</td> <td>ETR</td> <td>-</td> <td>WD.</td> <td>J2</td> <td>PTD.</td> <td>-</td> <td>334B</td> <td>3\"/> <tr> <td>345</td> <td>ETR</td> <td>-</td> <td>WD.</td> <td>J2</td> <td>PTD.</td> <td>-</td> <td>335A</td> <td>3\"/> <tr> <td>346</td> <td>ETR</td> <td>-</td> <td>WD.</td> <td>J2</td> <td>PTD.</td> <td>-</td> <td>335B</td> <td>3\"/> <tr> <td>347</td> <td>ETR</td> <td>-</td> <td>WD.</td> <td>J2</td> <td>PTD.</td> <td>-</td> <td>336</td> <td>3\"/> <tr> <td>348</td> <td>ETR</td> <td>-</td> <td>WD.</td> <td>J2</td> <td>PTD.</td> <td>-</td> <td>337</td> <td>3\"/> <tr> <td>349</td> <td>ETR</td> <td>-</td> <td>WD.</td> <td>J2</td> <td>PTD.</td> <td>-</td> <td>339</td> <td>3\"/> <tr> <td>350</td> <td>ETR</td> <td>-</td> <td>WD.</td> <td>J2</td> <td>PTD.</td> <td>-</td> <td>340</td> <td>3\"/> </td></tr></td></tr></td></tr></td></tr></td></tr></td></tr></td></tr></td></tr></td></tr></td></tr></td></tr> | 340 | A | 3\"/> <tr> <td>341A</td> <td>ETR</td> <td>-</td> <td>WD.</td> <td>J2</td> <td>PTD.</td> <td>-</td> <td>331</td> <td>3\"/> <tr> <td>341B</td> <td>ETR</td> <td>-</td> <td>WD.</td> <td>J2</td> <td>PTD.</td> <td>-</td> <td>333</td> <td>3\"/> <tr> <td>342</td> <td>ETR</td> <td>-</td> <td>WD.</td> <td>J2</td> <td>PTD.</td> <td>-</td> <td>334A</td> <td>3\"/> <tr> <td>344</td> <td>ETR</td> <td>-</td> <td>WD.</td> <td>J2</td> <td>PTD.</td> <td>-</td> <td>334B</td> <td>3\"/> <tr> <td>345</td> <td>ETR</td> <td>-</td> <td>WD.</td> <td>J2</td> <td>PTD.</td> <td>-</td> <td>335A</td> <td>3\"/> <tr> <td>346</td> <td>ETR</td> <td>-</td> <td>WD.</td> <td>J2</td> <td>PTD.</td> <td>-</td> <td>335B</td> <td>3\"/> <tr> <td>347</td> <td>ETR</td> <td>-</td> <td>WD.</td> <td>J2</td> <td>PTD.</td> <td>-</td> <td>336</td> <td>3\"/> <tr> <td>348</td> <td>ETR</td> <td>-</td> <td>WD.</td> <td>J2</td> <td>PTD.</td> <td>-</td> <td>337</td> <td>3\"/> <tr> <td>349</td> <td>ETR</td> <td>-</td> <td>WD.</td> <td>J2</td> <td>PTD.</td> <td>-</td> <td>339</td> <td>3\"/> <tr> <td>350</td> <td>ETR</td> <td>-</td> <td>WD.</td> <td>J2</td> <td>PTD.</td> <td>-</td> <td>340</td> <td>3\"/> </td></tr></td></tr></td></tr></td></tr></td></tr></td></tr></td></tr></td></tr></td></tr></td></tr>
 | 341A | ETR | - | WD. | J2 | PTD. | - | 331 | 3\"/> <tr> <td>341B</td> <td>ETR</td> <td>-</td> <td>WD.</td> <td>J2</td> <td>PTD.</td> <td>-</td> <td>333</td> <td>3\"/> <tr> <td>342</td> <td>ETR</td> <td>-</td> <td>WD.</td> <td>J2</td> <td>PTD.</td> <td>-</td> <td>334A</td> <td>3\"/> <tr> <td>344</td> <td>ETR</td> <td>-</td> <td>WD.</td> <td>J2</td> <td>PTD.</td> <td>-</td> <td>334B</td> <td>3\"/> <tr> <td>345</td> <td>ETR</td> <td>-</td> <td>WD.</td> <td>J2</td> <td>PTD.</td> <td>-</td> <td>335A</td> <td>3\"/> <tr> <td>346</td> <td>ETR</td> <td>-</td> <td>WD.</td> <td>J2</td> <td>PTD.</td> <td>-</td> <td>335B</td> <td>3\"/> <tr> <td>347</td> <td>ETR</td> <td>-</td> <td>WD.</td> <td>J2</td> <td>PTD.</td> <td>-</td> <td>336</td> <td>3\"/> <tr> <td>348</td> <td>ETR</td> <td>-</td> <td>WD.</td> <td>J2</td> <td>PTD.</td> <td>-</td> <td>337</td> <td>3\"/> <tr> <td>349</td> <td>ETR</td> <td>-</td> <td>WD.</td> <td>J2</td> <td>PTD.</td> <td>-</td> <td>339</td> <td>3\"/> <tr> <td>350</td> <td>ETR</td> <td>-</td> <td>WD.</td> <td>J2</td> <td>PTD.</td> <td>-</td> <td>340</td> <td>3\"/> </td></tr></td></tr></td></tr></td></tr></td></tr></td></tr></td></tr></td></tr></td></tr> | 341B | ETR | -
 | WD. | J2 | PTD. | - | 333 | 3\"/> <tr> <td>342</td> <td>ETR</td> <td>-</td> <td>WD.</td> <td>J2</td> <td>PTD.</td> <td>-</td> <td>334A</td> <td>3\"/> <tr> <td>344</td> <td>ETR</td> <td>-</td> <td>WD.</td> <td>J2</td> <td>PTD.</td> <td>-</td> <td>334B</td> <td>3\"/> <tr> <td>345</td> <td>ETR</td> <td>-</td> <td>WD.</td> <td>J2</td> <td>PTD.</td> <td>-</td> <td>335A</td> <td>3\"/> <tr> <td>346</td> <td>ETR</td> <td>-</td> <td>WD.</td> <td>J2</td> <td>PTD.</td> <td>-</td> <td>335B</td> <td>3\"/> <tr> <td>347</td> <td>ETR</td> <td>-</td> <td>WD.</td> <td>J2</td> <td>PTD.</td> <td>-</td> <td>336</td> <td>3\"/> <tr> <td>348</td> <td>ETR</td> <td>-</td> <td>WD.</td> <td>J2</td> <td>PTD.</td> <td>-</td> <td>337</td> <td>3\"/> <tr> <td>349</td> <td>ETR</td> <td>-</td> <td>WD.</td> <td>J2</td> <td>PTD.</td> <td>-</td> <td>339</td> <td>3\"/> <tr> <td>350</td> <td>ETR</td> <td>-</td> <td>WD.</td> <td>J2</td> <td>PTD.</td> <td>-</td> <td>340</td> <td>3\"/> </td></tr></td></tr></td></tr></td></tr></td></tr></td></tr></td></tr></td></tr> | 342 | ETR | -
 | WD. | J2 | PTD. | - | 334A | 3\"/> <tr> <td>344</td> <td>ETR</td> <td>-</td> <td>WD.</td> <td>J2</td> <td>PTD.</td> <td>-</td> <td>334B</td> <td>3\"/> <tr> <td>345</td> <td>ETR</td> <td>-</td> <td>WD.</td> <td>J2</td> <td>PTD.</td> <td>-</td> <td>335A</td> <td>3\"/> <tr> <td>346</td> <td>ETR</td> <td>-</td> <td>WD.</td> <td>J2</td> <td>PTD.</td> <td>-</td> <td>335B</td> <td>3\"/> <tr> <td>347</td> <td>ETR</td> <td>-</td> <td>WD.</td> <td>J2</td> <td>PTD.</td> <td>-</td> <td>336</td> <td>3\"/> <tr> <td>348</td> <td>ETR</td> <td>-</td> <td>WD.</td> <td>J2</td> <td>PTD.</td> <td>-</td> <td>337</td> <td>3\"/> <tr> <td>349</td> <td>ETR</td> <td>-</td> <td>WD.</td> <td>J2</td> <td>PTD.</td> <td>-</td> <td>339</td> <td>3\"/> <tr> <td>350</td> <td>ETR</td> <td>-</td> <td>WD.</td> <td>J2</td> <td>PTD.</td> <td>-</td> <td>340</td> <td>3\"/> </td></tr></td></tr></td></tr></td></tr></td></tr></td></tr></td></tr> | 344 | ETR | - | WD. | J2 | PTD.
 | - | 334B | 3\"/> <tr> <td>345</td> <td>ETR</td> <td>-</td> <td>WD.</td> <td>J2</td> <td>PTD.</td> <td>-</td> <td>335A</td> <td>3\"/> <tr> <td>346</td> <td>ETR</td> <td>-</td> <td>WD.</td> <td>J2</td> <td>PTD.</td> <td>-</td> <td>335B</td> <td>3\"/> <tr> <td>347</td> <td>ETR</td> <td>-</td> <td>WD.</td> <td>J2</td> <td>PTD.</td> <td>-</td> <td>336</td> <td>3\"/> <tr> <td>348</td> <td>ETR</td> <td>-</td> <td>WD.</td> <td>J2</td> <td>PTD.</td> <td>-</td> <td>337</td> <td>3\"/> <tr> <td>349</td> <td>ETR</td> <td>-</td> <td>WD.</td> <td>J2</td> <td>PTD.</td> <td>-</td> <td>339</td> <td>3\"/> <tr> <td>350</td> <td>ETR</td> <td>-</td> <td>WD.</td> <td>J2</td> <td>PTD.</td> <td>-</td> <td>340</td> <td>3\"/> </td></tr></td></tr></td></tr></td></tr></td></tr></td></tr> | 345 | ETR | - | WD. | J2 | PTD.
 | - | 335A | 3\"/> <tr> <td>346</td> <td>ETR</td> <td>-</td> <td>WD.</td> <td>J2</td> <td>PTD.</td> <td>-</td> <td>335B</td> <td>3\"/> <tr> <td>347</td> <td>ETR</td> <td>-</td> <td>WD.</td> <td>J2</td> <td>PTD.</td> <td>-</td> <td>336</td> <td>3\"/> <tr> <td>348</td> <td>ETR</td> <td>-</td> <td>WD.</td> <td>J2</td> <td>PTD.</td> <td>-</td> <td>337</td> <td>3\"/> <tr> <td>349</td> <td>ETR</td> <td>-</td> <td>WD.</td> <td>J2</td> <td>PTD.</td> <td>-</td> <td>339</td> <td>3\"/> <tr> <td>350</td> <td>ETR</td> <td>-</td> <td>WD.</td> <td>J2</td> <td>PTD.</td> <td>-</td> <td>340</td> <td>3\"/> </td></tr></td></tr></td></tr></td></tr></td></tr> | 346 | ETR | - | WD. | J2 | PTD. | - | 335B | 3\"/> <tr> <td>347</td> <td>ETR</td> <td>-</td> <td>WD.</td> <td>J2</td> <td>PTD.</td> <td>-</td> <td>336</td> <td>3\"/> <tr> <td>348</td> <td>ETR</td> <td>-</td> <td>WD.</td> <td>J2</td> <td>PTD.</td> <td>-</td> <td>337</td> <td>3\"/> <tr> <td>349</td> <td>ETR</td> <td>-</td> <td>WD.</td> <td>J2</td> <td>PTD.</td> <td>-</td> <td>339</td> <td>3\"/> <tr> <td>350</td> <td>ETR</td> <td>-</td> <td>WD.</td> <td>J2</td> <td>PTD.</td> <td>-</td> <td>340</td> <td>3\"/> </td></tr></td></tr></td></tr></td></tr>
 | 347 | ETR | - | WD. | J2 | PTD. | - | 336 | 3\"/> <tr> <td>348</td> <td>ETR</td> <td>-</td> <td>WD.</td> <td>J2</td> <td>PTD.</td> <td>-</td> <td>337</td> <td>3\"/> <tr> <td>349</td> <td>ETR</td> <td>-</td> <td>WD.</td> <td>J2</td> <td>PTD.</td> <td>-</td> <td>339</td> <td>3\"/> <tr> <td>350</td> <td>ETR</td> <td>-</td> <td>WD.</td> <td>J2</td> <td>PTD.</td> <td>-</td> <td>340</td> <td>3\"/> </td></tr></td></tr></td></tr> | 348 | ETR | -
 | WD. | J2 | PTD. | - | 337 | 3\"/> <tr> <td>349</td> <td>ETR</td> <td>-</td> <td>WD.</td> <td>J2</td> <td>PTD.</td> <td>-</td> <td>339</td> <td>3\"/> <tr> <td>350</td> <td>ETR</td> <td>-</td> <td>WD.</td> <td>J2</td> <td>PTD.</td> <td>-</td> <td>340</td> <td>3\"/> </td></tr></td></tr> | 349 | ETR | - | WD. | J2 | PTD. | - | 339 | 3\"/> <tr> <td>350</td> <td>ETR</td> <td>-</td> <td>WD.</td> <td>J2</td> <td>PTD.</td> <td>-</td> <td>340</td> <td>3\"/> </td></tr>
 | 350 | ETR | - | WD. | J2 | PTD. | - | 340 | 3\"/> | | | | | | | | | | | | | | | | | | | | | | | | | | | | | | | | | | | | | | | | | | | | | | | | | | | | | | | | | |
 | | | | | | | | | | | | | | | | | |
 | | | | | | | | | | | | | | | | | | | | |
 | | | | | | | | | | | | | | | | | | | | | | | | | | |
 | | | | | | | | | | | | | | | | | | | | | | | | | | | | | | | | | | | | | | | | | | | | | | | | | | | | | | | | | | | | | | | | | | |
| 323 | ETR | - | WD. | J2 | PTD. | - | 316A | 3\"/> <tr> <td>324</td> <td>ETR</td> <td>-</td> <td>WD.</td> <td>J2</td> <td>PTD.</td> <td>-</td> <td>318</td> <td>3\"/> <tr> <td>325</td> <td>A</td> <td>3\"/> <tr> <td>327</td> <td>ETR</td> <td>-</td> <td>WD.</td> <td>J2</td> <td>PTD.</td> <td>-</td> <td>319</td> <td>3\"/> <tr> <td>328</td> <td>ETR</td> <td>-</td> <td>WD.</td> <td>J2</td> <td>PTD.</td> <td>-</td> <td>320</td> <td>3\"/> <tr> <td>329A</td> <td>ETR</td> <td>-</td> <td>WD.</td> <td>J2</td> <td>PTD.</td> <td>-</td> <td>321</td> <td>3\"/> <tr> <td>329B</td> <td>ETR</td> <td>-</td> <td>WD.</td> <td>J2</td> <td>PTD.</td> <td>-</td> <td>322</td> <td>3\"/> <tr> <td>331</td> <td>ETR</td> <td>-</td> <td>WD.</td> <td>J2</td> <td>PTD.</td> <td>-</td> <td>323</td> <td>3\"/> <tr> <td>333</td> <td>ETR</td> <td>-</td> <td>WD.</td> <td>J2</td> <td>PTD.</td> <td>-</td> <td>324</td> <td>3\"/> <tr> <td>334A</td> <td>ETR</td> <td>-</td> <td>WD.</td> <td>J2</td> <td>PTD.</td> <td>-</td> <td>325</td> <td>3\"/> <tr> <td>334B</td> <td>ETR</td> <td>-</td> <td>WD.</td> <td>J2</td> <td>PTD.</td> <td>-</td> <td>327</td> <td>3\"/> <tr> <td>335A</td> <td>ETR</td> <td>-</td> <td>WD.</td> <td>J2</td> <td>PTD.</td> <td>-</td> <td>328</td> <td>3\"/> <tr> <td>335B</td> <td>B</td> <td>3\"/> <tr> <td>336</td> <td>B</td> <td>3\"/> <tr> <td>337</td> <td>ETR</td> <td>-</td> <td>WD.</td> <td>J2</td> <td>PTD.</td> <td>-</td> <td>329A</td> <td>3\"/> <tr> <td>339</td> <td>ETR</td> <td>-</td> <td>WD.</td> <td>J2</td> <td>PTD.</td> <td>-</td> <td>329B</td> <td>3\"/> <tr> <td>340</td> <td>A</td> <td>3\"/> <tr> <td>341A</td> <td>ETR</td> <td>-</td> <td>WD.</td> <td>J2</td> <td>PTD.</td> <td>-</td> <td>331</td> <td>3\"/> <tr> <td>341B</td> <td>ETR</td> <td>-</td> <td>WD.</td> <td>J2</td> <td>PTD.</td> <td>-</td> <td>333</td> <td>3\"/> <tr> <td>342</td> <td>ETR</td> <td>-</td> <td>WD.</td> <td>J2</td> <td>PTD.</td> <td>-</td> <td>334A</td> <td>3\"/> <tr> <td>344</td> <td>ETR</td> <td>-</td> <td>WD.</td> <td>J2</td> <td>PTD.</td> <td>-</td> <td>334B</td> <td>3\"/> <tr> <td>345</td> <td>ETR</td> <td>-</td> <td>WD.</td> <td>J2</td> <td>PTD.</td> <td>-</td> <td>335A</td> <td>3\"/> <tr> <td>346</td> <td>ETR</td> <td>-</td> <td>WD.</td> <td>J2</td> <td>PTD.</td> <td>-</td> <td>335B</td> <td>3\"/> <tr> <td>347</td> <td>ETR</td> <td>-</td> <td>WD.</td> <td>J2</td> <td>PTD.</td> <td>-</td> <td>336</td> <td>3\"/> <tr> <td>348</td> <td>ETR</td> <td>-</td> <td>WD.</td> <td>J2</td> <td>PTD.</td> <td>-</td> <td>337</td> <td>3\"/> <tr> <td>349</td> <td>ETR</td> <td>-</td> <td>WD.</td> <td>J2</td> <td>PTD.</td> <td>-</td> <td>339</td> <td>3\"/> <tr> <td>350</td> <td>ETR</td> <td>-</td> <td>WD.</td> <td>J2</td> <td>PTD.</td> <td>-</td> <td>340</td> <td>3\"/>
</td></tr></td></tr></td></tr></td></tr></td></tr></td></tr></td></tr></td></tr></td></tr></td></tr></td></tr></td></tr></td></tr></td></tr></td></tr></td></tr></td></tr></td></tr></td></tr></td></tr></td></tr></td></tr></td></tr></td></tr></td></tr></td></tr> | 324 | ETR | - | WD. | J2 | PTD.
 | - | 318 | 3\"/> <tr> <td>325</td> <td>A</td> <td>3\"/> <tr> <td>327</td> <td>ETR</td> <td>-</td> <td>WD.</td> <td>J2</td> <td>PTD.</td> <td>-</td> <td>319</td> <td>3\"/> <tr> <td>328</td> <td>ETR</td> <td>-</td> <td>WD.</td> <td>J2</td> <td>PTD.</td> <td>-</td> <td>320</td> <td>3\"/> <tr> <td>329A</td> <td>ETR</td> <td>-</td> <td>WD.</td> <td>J2</td> <td>PTD.</td> <td>-</td> <td>321</td> <td>3\"/> <tr> <td>329B</td> <td>ETR</td> <td>-</td> <td>WD.</td> <td>J2</td> <td>PTD.</td> <td>-</td> <td>322</td> <td>3\"/> <tr> <td>331</td> <td>ETR</td> <td>-</td> <td>WD.</td> <td>J2</td> <td>PTD.</td> <td>-</td> <td>323</td> <td>3\"/> <tr> <td>333</td> <td>ETR</td> <td>-</td> <td>WD.</td> <td>J2</td> <td>PTD.</td> <td>-</td> <td>324</td> <td>3\"/> <tr> <td>334A</td> <td>ETR</td> <td>-</td> <td>WD.</td> <td>J2</td> <td>PTD.</td> <td>-</td> <td>325</td> <td>3\"/> <tr> <td>334B</td> <td>ETR</td> <td>-</td> <td>WD.</td> <td>J2</td> <td>PTD.</td> <td>-</td> <td>327</td> <td>3\"/> <tr> <td>335A</td> <td>ETR</td> <td>-</td> <td>WD.</td> <td>J2</td> <td>PTD.</td> <td>-</td> <td>328</td> <td>3\"/> <tr> <td>335B</td> <td>B</td> <td>3\"/> <tr> <td>336</td> <td>B</td> <td>3\"/> <tr> <td>337</td> <td>ETR</td> <td>-</td> <td>WD.</td> <td>J2</td> <td>PTD.</td> <td>-</td> <td>329A</td> <td>3\"/> <tr> <td>339</td> <td>ETR</td> <td>-</td> <td>WD.</td> <td>J2</td> <td>PTD.</td> <td>-</td> <td>329B</td> <td>3\"/> <tr> <td>340</td> <td>A</td> <td>3\"/> <tr> <td>341A</td> <td>ETR</td> <td>-</td> <td>WD.</td> <td>J2</td> <td>PTD.</td> <td>-</td> <td>331</td> <td>3\"/> <tr> <td>341B</td> <td>ETR</td> <td>-</td> <td>WD.</td> <td>J2</td> <td>PTD.</td> <td>-</td> <td>333</td> <td>3\"/> <tr> <td>342</td> <td>ETR</td> <td>-</td> <td>WD.</td> <td>J2</td> <td>PTD.</td> <td>-</td> <td>334A</td> <td>3\"/> <tr> <td>344</td> <td>ETR</td> <td>-</td> <td>WD.</td> <td>J2</td> <td>PTD.</td> <td>-</td> <td>334B</td> <td>3\"/> <tr> <td>345</td> <td>ETR</td> <td>-</td> <td>WD.</td> <td>J2</td> <td>PTD.</td> <td>-</td> <td>335A</td> <td>3\"/> <tr> <td>346</td> <td>ETR</td> <td>-</td> <td>WD.</td> <td>J2</td> <td>PTD.</td> <td>-</td> <td>335B</td> <td>3\"/> <tr> <td>347</td> <td>ETR</td> <td>-</td> <td>WD.</td> <td>J2</td> <td>PTD.</td> <td>-</td> <td>336</td> <td>3\"/> <tr> <td>348</td> <td>ETR</td> <td>-</td> <td>WD.</td> <td>J2</td> <td>PTD.</td> <td>-</td> <td>337</td> <td>3\"/> <tr> <td>349</td> <td>ETR</td> <td>-</td> <td>WD.</td> <td>J2</td> <td>PTD.</td> <td>-</td> <td>339</td> <td>3\"/> <tr> <td>350</td> <td>ETR</td> <td>-</td> <td>WD.</td> <td>J2</td> <td>PTD.</td> <td>-</td> <td>340</td> <td>3\"/> </td></tr></td></tr></td></tr></td></tr></td></tr></td></tr></td></tr></td></tr></td></tr></td></tr></td></tr></td></tr></td></tr></td></tr></td></tr></td></tr></td></tr></td></tr></td></tr></td></tr></td></tr></td></tr></td></tr></td></tr></td></tr> | 325 | A | 3\"/> <tr> <td>327</td> <td>ETR</td> <td>-</td> <td>WD.</td> <td>J2</td> <td>PTD.</td> <td>-</td> <td>319</td> <td>3\"/> <tr> <td>328</td> <td>ETR</td> <td>-</td> <td>WD.</td> <td>J2</td> <td>PTD.</td> <td>-</td> <td>320</td> <td>3\"/> <tr> <td>329A</td> <td>ETR</td> <td>-</td> <td>WD.</td> <td>J2</td> <td>PTD.</td> <td>-</td> <td>321</td> <td>3\"/> <tr> <td>329B</td> <td>ETR</td> <td>-</td> <td>WD.</td> <td>J2</td> <td>PTD.</td> <td>-</td> <td>322</td> <td>3\"/> <tr> <td>331</td> <td>ETR</td> <td>-</td> <td>WD.</td> <td>J2</td> <td>PTD.</td> <td>-</td> <td>323</td> <td>3\"/> <tr> <td>333</td> <td>ETR</td> <td>-</td> <td>WD.</td> <td>J2</td> <td>PTD.</td> <td>-</td> <td>324</td> <td>3\"/> <tr> <td>334A</td> <td>ETR</td> <td>-</td> <td>WD.</td> <td>J2</td> <td>PTD.</td> <td>-</td> <td>325</td> <td>3\"/> <tr> <td>334B</td> <td>ETR</td> <td>-</td> <td>WD.</td> <td>J2</td> <td>PTD.</td> <td>-</td> <td>327</td> <td>3\"/> <tr> <td>335A</td> <td>ETR</td> <td>-</td> <td>WD.</td> <td>J2</td> <td>PTD.</td> <td>-</td> <td>328</td> <td>3\"/> <tr> <td>335B</td> <td>B</td> <td>3\"/> <tr> <td>336</td> <td>B</td> <td>3\"/> <tr> <td>337</td> <td>ETR</td> <td>-</td> <td>WD.</td> <td>J2</td> <td>PTD.</td> <td>-</td> <td>329A</td> <td>3\"/> <tr> <td>339</td> <td>ETR</td> <td>-</td> <td>WD.</td> <td>J2</td> <td>PTD.</td> <td>-</td> <td>329B</td> <td>3\"/> <tr> <td>340</td> <td>A</td> <td>3\"/> <tr> <td>341A</td> <td>ETR</td> <td>-</td> <td>WD.</td> <td>J2</td> <td>PTD.</td> <td>-</td> <td>331</td> <td>3\"/> <tr> <td>341B</td> <td>ETR</td> <td>-</td> <td>WD.</td> <td>J2</td> <td>PTD.</td> <td>-</td> <td>333</td> <td>3\"/> <tr> <td>342</td> <td>ETR</td> <td>-</td> <td>WD.</td> <td>J2</td> <td>PTD.</td> <td>-</td> <td>334A</td> <td>3\"/> <tr> <td>344</td> <td>ETR</td> <td>-</td> <td>WD.</td> <td>J2</td> <td>PTD.</td> <td>-</td> <td>334B</td> <td>3\"/> <tr> <td>345</td> <td>ETR</td> <td>-</td> <td>WD.</td> <td>J2</td> <td>PTD.</td> <td>-</td> <td>335A</td> <td>3\"/> <tr> <td>346</td> <td>ETR</td> <td>-</td> <td>WD.</td> <td>J2</td> <td>PTD.</td> <td>-</td> <td>335B</td> <td>3\"/> <tr> <td>347</td> <td>ETR</td> <td>-</td> <td>WD.</td> <td>J2</td> <td>PTD.</td> <td>-</td> <td>336</td> <td>3\"/> <tr> <td>348</td> <td>ETR</td> <td>-</td> <td>WD.</td> <td>J2</td> <td>PTD.</td> <td>-</td> <td>337</td> <td>3\"/> <tr>
<td>349</td> <td>ETR</td> <td>-</td> <td>WD.</td> <td>J2</td> <td>PTD.</td> <td>-</td> <td>339</td> <td>3\"/> <tr> <td>350</td> <td>ETR</td> <td>-</td> <td>WD.</td> <td>J2</td> <td>PTD.</td> <td>-</td> <td>340</td> <td>3\"/> </td></tr></td></tr></td></tr></td></tr></td></tr></td></tr></td></tr></td></tr></td></tr></td></tr></td></tr></td></tr></td></tr></td></tr></td></tr></td></tr></td></tr></td></tr></td></tr></td></tr></td></tr></td></tr></td></tr></td></tr> | 327 | ETR | - | WD. | J2 | PTD.
 | - | 319 | 3\"/> <tr> <td>328</td> <td>ETR</td> <td>-</td> <td>WD.</td> <td>J2</td> <td>PTD.</td> <td>-</td> <td>320</td> <td>3\"/> <tr> <td>329A</td> <td>ETR</td> <td>-</td> <td>WD.</td> <td>J2</td> <td>PTD.</td> <td>-</td> <td>321</td> <td>3\"/> <tr> <td>329B</td> <td>ETR</td> <td>-</td> <td>WD.</td> <td>J2</td> <td>PTD.</td> <td>-</td> <td>322</td> <td>3\"/> <tr> <td>331</td> <td>ETR</td> <td>-</td> <td>WD.</td> <td>J2</td> <td>PTD.</td> <td>-</td> <td>323</td> <td>3\"/> <tr> <td>333</td> <td>ETR</td> <td>-</td> <td>WD.</td> <td>J2</td> <td>PTD.</td> <td>-</td> <td>324</td> <td>3\"/> <tr> <td>334A</td> <td>ETR</td> <td>-</td> <td>WD.</td> <td>J2</td> <td>PTD.</td> <td>-</td> <td>325</td> <td>3\"/> <tr> <td>334B</td> <td>ETR</td> <td>-</td> <td>WD.</td> <td>J2</td> <td>PTD.</td> <td>-</td> <td>327</td> <td>3\"/> <tr> <td>335A</td> <td>ETR</td> <td>-</td> <td>WD.</td> <td>J2</td> <td>PTD.</td> <td>-</td> <td>328</td> <td>3\"/> <tr> <td>335B</td> <td>B</td> <td>3\"/> <tr> <td>336</td> <td>B</td> <td>3\"/> <tr> <td>337</td> <td>ETR</td> <td>-</td> <td>WD.</td> <td>J2</td> <td>PTD.</td> <td>-</td> <td>329A</td> <td>3\"/> <tr> <td>339</td> <td>ETR</td> <td>-</td> <td>WD.</td> <td>J2</td> <td>PTD.</td> <td>-</td> <td>329B</td> <td>3\"/> <tr> <td>340</td> <td>A</td> <td>3\"/> <tr> <td>341A</td> <td>ETR</td> <td>-</td> <td>WD.</td> <td>J2</td> <td>PTD.</td> <td>-</td> <td>331</td> <td>3\"/> <tr> <td>341B</td> <td>ETR</td> <td>-</td> <td>WD.</td> <td>J2</td> <td>PTD.</td> <td>-</td> <td>333</td> <td>3\"/> <tr> <td>342</td> <td>ETR</td> <td>-</td> <td>WD.</td> <td>J2</td> <td>PTD.</td> <td>-</td> <td>334A</td> <td>3\"/> <tr> <td>344</td> <td>ETR</td> <td>-</td> <td>WD.</td> <td>J2</td> <td>PTD.</td> <td>-</td> <td>334B</td> <td>3\"/> <tr> <td>345</td> <td>ETR</td> <td>-</td> <td>WD.</td> <td>J2</td> <td>PTD.</td> <td>-</td> <td>335A</td> <td>3\"/> <tr> <td>346</td> <td>ETR</td> <td>-</td> <td>WD.</td> <td>J2</td> <td>PTD.</td> <td>-</td> <td>335B</td> <td>3\"/> <tr> <td>347</td> <td>ETR</td> <td>-</td> <td>WD.</td> <td>J2</td> <td>PTD.</td> <td>-</td> <td>336</td> <td>3\"/> <tr> <td>348</td> <td>ETR</td> <td>-</td> <td>WD.</td> <td>J2</td> <td>PTD.</td> <td>-</td> <td>337</td> <td>3\"/> <tr> <td>349</td> <td>ETR</td> <td>-</td> <td>WD.</td> <td>J2</td> <td>PTD.</td> <td>-</td> <td>339</td> <td>3\"/> <tr> <td>350</td> <td>ETR</td> <td>-</td> <td>WD.</td> <td>J2</td> <td>PTD.</td> <td>-</td> <td>340</td> <td>3\"/> </td></tr></td></tr></td></tr></td></tr></td></tr></td></tr></td></tr></td></tr></td></tr></td></tr></td></tr></td></tr></td></tr></td></tr></td></tr></td></tr></td></tr></td></tr></td></tr></td></tr></td></tr></td></tr></td></tr> | 328 | ETR | -
 | WD. | J2 | PTD. | - | 320 | 3\"/> <tr> <td>329A</td> <td>ETR</td> <td>-</td> <td>WD.</td> <td>J2</td> <td>PTD.</td> <td>-</td> <td>321</td> <td>3\"/> <tr> <td>329B</td> <td>ETR</td> <td>-</td> <td>WD.</td> <td>J2</td> <td>PTD.</td> <td>-</td> <td>322</td> <td>3\"/> <tr> <td>331</td> <td>ETR</td> <td>-</td> <td>WD.</td> <td>J2</td> <td>PTD.</td> <td>-</td> <td>323</td> <td>3\"/> <tr> <td>333</td> <td>ETR</td> <td>-</td> <td>WD.</td> <td>J2</td> <td>PTD.</td> <td>-</td> <td>324</td> <td>3\"/> <tr> <td>334A</td> <td>ETR</td> <td>-</td> <td>WD.</td> <td>J2</td> <td>PTD.</td> <td>-</td> <td>325</td> <td>3\"/> <tr> <td>334B</td> <td>ETR</td> <td>-</td> <td>WD.</td> <td>J2</td> <td>PTD.</td> <td>-</td> <td>327</td> <td>3\"/> <tr> <td>335A</td> <td>ETR</td> <td>-</td> <td>WD.</td> <td>J2</td> <td>PTD.</td> <td>-</td> <td>328</td> <td>3\"/> <tr> <td>335B</td> <td>B</td> <td>3\"/> <tr> <td>336</td> <td>B</td> <td>3\"/> <tr> <td>337</td> <td>ETR</td> <td>-</td> <td>WD.</td> <td>J2</td> <td>PTD.</td> <td>-</td> <td>329A</td> <td>3\"/> <tr> <td>339</td> <td>ETR</td> <td>-</td> <td>WD.</td> <td>J2</td> <td>PTD.</td> <td>-</td> <td>329B</td> <td>3\"/> <tr> <td>340</td> <td>A</td> <td>3\"/> <tr> <td>341A</td> <td>ETR</td> <td>-</td> <td>WD.</td> <td>J2</td> <td>PTD.</td> <td>-</td> <td>331</td> <td>3\"/> <tr> <td>341B</td> <td>ETR</td> <td>-</td> <td>WD.</td> <td>J2</td> <td>PTD.</td> <td>-</td> <td>333</td> <td>3\"/> <tr> <td>342</td> <td>ETR</td> <td>-</td> <td>WD.</td> <td>J2</td> <td>PTD.</td> <td>-</td> <td>334A</td> <td>3\"/> <tr> <td>344</td> <td>ETR</td> <td>-</td> <td>WD.</td> <td>J2</td> <td>PTD.</td> <td>-</td> <td>334B</td> <td>3\"/> <tr> <td>345</td> <td>ETR</td> <td>-</td> <td>WD.</td> <td>J2</td> <td>PTD.</td> <td>-</td> <td>335A</td> <td>3\"/> <tr> <td>346</td> <td>ETR</td> <td>-</td> <td>WD.</td> <td>J2</td> <td>PTD.</td> <td>-</td> <td>335B</td> <td>3\"/> <tr> <td>347</td> <td>ETR</td> <td>-</td> <td>WD.</td> <td>J2</td> <td>PTD.</td> <td>-</td> <td>336</td> <td>3\"/> <tr> <td>348</td> <td>ETR</td> <td>-</td> <td>WD.</td> <td>J2</td> <td>PTD.</td> <td>-</td> <td>337</td> <td>3\"/> <tr> <td>349</td> <td>ETR</td> <td>-</td> <td>WD.</td> <td>J2</td> <td>PTD.</td> <td>-</td> <td>339</td> <td>3\"/> <tr> <td>350</td> <td>ETR</td> <td>-</td> <td>WD.</td> <td>J2</td> <td>PTD.</td> <td>-</td> <td>340</td> <td>3\"/> </td></tr></td></tr></td></tr></td></tr></td></tr></td></tr></td></tr></td></tr></td></tr></td></tr></td></tr></td></tr></td></tr></td></tr></td></tr></td></tr></td></tr></td></tr></td></tr></td></tr></td></tr></td></tr>
 | 329A | ETR | - | WD. | J2 | PTD.
 | - | 321 | 3\"/> <tr> <td>329B</td> <td>ETR</td> <td>-</td> <td>WD.</td> <td>J2</td> <td>PTD.</td> <td>-</td> <td>322</td> <td>3\"/> <tr> <td>331</td> <td>ETR</td> <td>-</td> <td>WD.</td> <td>J2</td> <td>PTD.</td> <td>-</td> <td>323</td> <td>3\"/> <tr> <td>333</td> <td>ETR</td> <td>-</td> <td>WD.</td> <td>J2</td> <td>PTD.</td> <td>-</td> <td>324</td> <td>3\"/> <tr> <td>334A</td> <td>ETR</td> <td>-</td> <td>WD.</td> <td>J2</td> <td>PTD.</td> <td>-</td> <td>325</td> <td>3\"/> <tr> <td>334B</td> <td>ETR</td> <td>-</td> <td>WD.</td> <td>J2</td> <td>PTD.</td> <td>-</td> <td>327</td> <td>3\"/> <tr> <td>335A</td> <td>ETR</td> <td>-</td> <td>WD.</td> <td>J2</td> <td>PTD.</td> <td>-</td> <td>328</td> <td>3\"/> <tr> <td>335B</td> <td>B</td> <td>3\"/> <tr> <td>336</td> <td>B</td> <td>3\"/> <tr> <td>337</td> <td>ETR</td> <td>-</td> <td>WD.</td> <td>J2</td> <td>PTD.</td> <td>-</td> <td>329A</td> <td>3\"/> <tr> <td>339</td> <td>ETR</td> <td>-</td> <td>WD.</td> <td>J2</td> <td>PTD.</td> <td>-</td> <td>329B</td> <td>3\"/> <tr> <td>340</td> <td>A</td> <td>3\"/> <tr> <td>341A</td> <td>ETR</td> <td>-</td> <td>WD.</td> <td>J2</td> <td>PTD.</td> <td>-</td> <td>331</td> <td>3\"/> <tr> <td>341B</td> <td>ETR</td> <td>-</td> <td>WD.</td> <td>J2</td> <td>PTD.</td> <td>-</td> <td>333</td> <td>3\"/> <tr> <td>342</td> <td>ETR</td> <td>-</td> <td>WD.</td> <td>J2</td> <td>PTD.</td> <td>-</td> <td>334A</td> <td>3\"/> <tr> <td>344</td> <td>ETR</td> <td>-</td> <td>WD.</td> <td>J2</td> <td>PTD.</td> <td>-</td> <td>334B</td> <td>3\"/> <tr> <td>345</td> <td>ETR</td> <td>-</td> <td>WD.</td> <td>J2</td> <td>PTD.</td> <td>-</td> <td>335A</td> <td>3\"/> <tr> <td>346</td> <td>ETR</td> <td>-</td> <td>WD.</td> <td>J2</td> <td>PTD.</td> <td>-</td> <td>335B</td> <td>3\"/> <tr> <td>347</td> <td>ETR</td> <td>-</td> <td>WD.</td> <td>J2</td> <td>PTD.</td> <td>-</td> <td>336</td> <td>3\"/> <tr> <td>348</td> <td>ETR</td> <td>-</td> <td>WD.</td> <td>J2</td> <td>PTD.</td> <td>-</td> <td>337</td> <td>3\"/> <tr> <td>349</td> <td>ETR</td> <td>-</td> <td>WD.</td> <td>J2</td> <td>PTD.</td> <td>-</td> <td>339</td> <td>3\"/> <tr> <td>350</td> <td>ETR</td> <td>-</td> <td>WD.</td> <td>J2</td> <td>PTD.</td> <td>-</td> <td>340</td> <td>3\"/> </td></tr></td></tr></td></tr></td></tr></td></tr></td></tr></td></tr></td></tr></td></tr></td></tr></td></tr></td></tr></td></tr></td></tr></td></tr></td></tr></td></tr></td></tr></td></tr></td></tr></td></tr> | 329B | ETR | - | WD. | J2 | PTD.
 | - | 322 | 3\"/> <tr> <td>331</td> <td>ETR</td> <td>-</td> <td>WD.</td> <td>J2</td> <td>PTD.</td> <td>-</td> <td>323</td> <td>3\"/> <tr> <td>333</td> <td>ETR</td> <td>-</td> <td>WD.</td> <td>J2</td> <td>PTD.</td> <td>-</td> <td>324</td> <td>3\"/> <tr> <td>334A</td> <td>ETR</td> <td>-</td> <td>WD.</td> <td>J2</td> <td>PTD.</td> <td>-</td> <td>325</td> <td>3\"/> <tr> <td>334B</td> <td>ETR</td> <td>-</td> <td>WD.</td> <td>J2</td> <td>PTD.</td> <td>-</td> <td>327</td> <td>3\"/> <tr> <td>335A</td> <td>ETR</td> <td>-</td> <td>WD.</td> <td>J2</td> <td>PTD.</td> <td>-</td> <td>328</td> <td>3\"/> <tr> <td>335B</td> <td>B</td> <td>3\"/> <tr> <td>336</td> <td>B</td> <td>3\"/> <tr> <td>337</td> <td>ETR</td> <td>-</td> <td>WD.</td> <td>J2</td> <td>PTD.</td> <td>-</td> <td>329A</td> <td>3\"/> <tr> <td>339</td> <td>ETR</td> <td>-</td> <td>WD.</td> <td>J2</td> <td>PTD.</td> <td>-</td> <td>329B</td> <td>3\"/> <tr> <td>340</td> <td>A</td> <td>3\"/> <tr> <td>341A</td> <td>ETR</td> <td>-</td> <td>WD.</td> <td>J2</td> <td>PTD.</td> <td>-</td> <td>331</td> <td>3\"/> <tr> <td>341B</td> <td>ETR</td> <td>-</td> <td>WD.</td> <td>J2</td> <td>PTD.</td> <td>-</td> <td>333</td> <td>3\"/> <tr> <td>342</td> <td>ETR</td> <td>-</td> <td>WD.</td> <td>J2</td> <td>PTD.</td> <td>-</td> <td>334A</td> <td>3\"/> <tr> <td>344</td> <td>ETR</td> <td>-</td> <td>WD.</td> <td>J2</td> <td>PTD.</td> <td>-</td> <td>334B</td> <td>3\"/> <tr> <td>345</td> <td>ETR</td> <td>-</td> <td>WD.</td> <td>J2</td> <td>PTD.</td> <td>-</td> <td>335A</td> <td>3\"/> <tr> <td>346</td> <td>ETR</td> <td>-</td> <td>WD.</td> <td>J2</td> <td>PTD.</td> <td>-</td> <td>335B</td> <td>3\"/> <tr> <td>347</td> <td>ETR</td> <td>-</td> <td>WD.</td> <td>J2</td> <td>PTD.</td> <td>-</td> <td>336</td> <td>3\"/> <tr> <td>348</td> <td>ETR</td> <td>-</td> <td>WD.</td> <td>J2</td> <td>PTD.</td> <td>-</td> <td>337</td> <td>3\"/> <tr> <td>349</td> <td>ETR</td> <td>-</td> <td>WD.</td> <td>J2</td> <td>PTD.</td> <td>-</td> <td>339</td> <td>3\"/> <tr> <td>350</td> <td>ETR</td> <td>-</td> <td>WD.</td> <td>J2</td> <td>PTD.</td> <td>-</td> <td>340</td> <td>3\"/> </td></tr></td></tr></td></tr></td></tr></td></tr></td></tr></td></tr></td></tr></td></tr></td></tr></td></tr></td></tr></td></tr></td></tr></td></tr></td></tr></td></tr></td></tr></td></tr></td></tr> | 331 | ETR | -
 | WD. | J2 | PTD. | - | 323 | 3\"/> <tr> <td>333</td> <td>ETR</td> <td>-</td> <td>WD.</td> <td>J2</td> <td>PTD.</td> <td>-</td> <td>324</td> <td>3\"/> <tr> <td>334A</td> <td>ETR</td> <td>-</td> <td>WD.</td> <td>J2</td> <td>PTD.</td> <td>-</td> <td>325</td> <td>3\"/> <tr> <td>334B</td> <td>ETR</td> <td>-</td> <td>WD.</td> <td>J2</td> <td>PTD.</td> <td>-</td> <td>327</td> <td>3\"/> <tr> <td>335A</td> <td>ETR</td> <td>-</td> <td>WD.</td> <td>J2</td> <td>PTD.</td> <td>-</td> <td>328</td> <td>3\"/> <tr> <td>335B</td> <td>B</td> <td>3\"/> <tr> <td>336</td> <td>B</td> <td>3\"/> <tr> <td>337</td> <td>ETR</td> <td>-</td> <td>WD.</td> <td>J2</td> <td>PTD.</td> <td>-</td> <td>329A</td> <td>3\"/> <tr> <td>339</td> <td>ETR</td> <td>-</td> <td>WD.</td> <td>J2</td> <td>PTD.</td> <td>-</td> <td>329B</td> <td>3\"/> <tr> <td>340</td> <td>A</td> <td>3\"/> <tr> <td>341A</td> <td>ETR</td> <td>-</td> <td>WD.</td> <td>J2</td> <td>PTD.</td> <td>-</td> <td>331</td> <td>3\"/> <tr> <td>341B</td> <td>ETR</td> <td>-</td> <td>WD.</td> <td>J2</td> <td>PTD.</td> <td>-</td> <td>333</td> <td>3\"/> <tr> <td>342</td> <td>ETR</td> <td>-</td> <td>WD.</td> <td>J2</td> <td>PTD.</td> <td>-</td> <td>334A</td> <td>3\"/> <tr> <td>344</td> <td>ETR</td> <td>-</td> <td>WD.</td> <td>J2</td> <td>PTD.</td> <td>-</td> <td>334B</td> <td>3\"/> <tr> <td>345</td> <td>ETR</td> <td>-</td> <td>WD.</td> <td>J2</td> <td>PTD.</td> <td>-</td> <td>335A</td> <td>3\"/> <tr> <td>346</td> <td>ETR</td> <td>-</td> <td>WD.</td> <td>J2</td> <td>PTD.</td> <td>-</td> <td>335B</td> <td>3\"/> <tr> <td>347</td> <td>ETR</td> <td>-</td> <td>WD.</td> <td>J2</td> <td>PTD.</td> <td>-</td> <td>336</td> <td>3\"/> <tr> <td>348</td> <td>ETR</td> <td>-</td> <td>WD.</td> <td>J2</td> <td>PTD.</td> <td>-</td> <td>337</td> <td>3\"/> <tr> <td>349</td> <td>ETR</td> <td>-</td> <td>WD.</td> <td>J2</td> <td>PTD.</td> <td>-</td> <td>339</td> <td>3\"/> <tr> <td>350</td> <td>ETR</td> <td>-</td> <td>WD.</td> <td>J2</td> <td>PTD.</td> <td>-</td> <td>340</td> <td>3\"/> </td></tr></td></tr></td></tr></td></tr></td></tr></td></tr></td></tr></td></tr></td></tr></td></tr></td></tr></td></tr></td></tr></td></tr></td></tr></td></tr></td></tr></td></tr></td></tr>
 | 333 | ETR | - | WD. | J2 | PTD. | - | 324 | 3\"/> <tr> <td>334A</td> <td>ETR</td> <td>-</td> <td>WD.</td> <td>J2</td> <td>PTD.</td> <td>-</td> <td>325</td> <td>3\"/> <tr> <td>334B</td> <td>ETR</td> <td>-</td> <td>WD.</td> <td>J2</td> <td>PTD.</td> <td>-</td> <td>327</td> <td>3\"/> <tr> <td>335A</td> <td>ETR</td> <td>-</td> <td>WD.</td> <td>J2</td> <td>PTD.</td> <td>-</td> <td>328</td> <td>3\"/> <tr> <td>335B</td> <td>B</td> <td>3\"/> <tr> <td>336</td> <td>B</td> <td>3\"/> <tr> <td>337</td> <td>ETR</td> <td>-</td> <td>WD.</td> <td>J2</td> <td>PTD.</td> <td>-</td> <td>329A</td> <td>3\"/> <tr> <td>339</td> <td>ETR</td> <td>-</td> <td>WD.</td> <td>J2</td> <td>PTD.</td> <td>-</td> <td>329B</td> <td>3\"/> <tr> <td>340</td> <td>A</td> <td>3\"/> <tr> <td>341A</td> <td>ETR</td> <td>-</td> <td>WD.</td>
<td>J2</td> <td>PTD.</td> <td>-</td> <td>331</td> <td>3\"/> <tr> <td>341B</td> <td>ETR</td> <td>-</td> <td>WD.</td> <td>J2</td> <td>PTD.</td> <td>-</td> <td>333</td> <td>3\"/> <tr> <td>342</td> <td>ETR</td> <td>-</td> <td>WD.</td> <td>J2</td> <td>PTD.</td> <td>-</td> <td>334A</td> <td>3\"/> <tr> <td>344</td> <td>ETR</td> <td>-</td> <td>WD.</td> <td>J2</td> <td>PTD.</td> <td>-</td> <td>334B</td> <td>3\"/> <tr> <td>345</td> <td>ETR</td> <td>-</td> <td>WD.</td> <td>J2</td> <td>PTD.</td> <td>-</td> <td>335A</td> <td>3\"/> <tr> <td>346</td> <td>ETR</td> <td>-</td> <td>WD.</td> <td>J2</td> <td>PTD.</td> <td>-</td> <td>335B</td> <td>3\"/> <tr> <td>347</td> <td>ETR</td> <td>-</td> <td>WD.</td> <td>J2</td> <td>PTD.</td> <td>-</td> <td>336</td> <td>3\"/> <tr> <td>348</td> <td>ETR</td> <td>-</td> <td>WD.</td> <td>J2</td> <td>PTD.</td> <td>-</td> <td>337</td> <td>3\"/> <tr> <td>349</td> <td>ETR</td> <td>-</td> <td>WD.</td> <td>J2</td> <td>PTD.</td> <td>-</td> <td>339</td> <td>3\"/> <tr> <td>350</td> <td>ETR</td> <td>-</td> <td>WD.</td> <td>J2</td> <td>PTD.</td> <td>-</td> <td>340</td> <td>3\"/> </td></tr></td></tr></td></tr></td></tr></td></tr></td></tr></td></tr></td></tr></td></tr></td></tr></td></tr></td></tr></td></tr></td></tr></td></tr></td></tr></td></tr></td></tr> | 334A | ETR | - | WD. | J2 | PTD.
 | - | 325 | 3\"/> <tr> <td>334B</td> <td>ETR</td> <td>-</td> <td>WD.</td> <td>J2</td> <td>PTD.</td> <td>-</td> <td>327</td> <td>3\"/> <tr> <td>335A</td> <td>ETR</td> <td>-</td> <td>WD.</td> <td>J2</td> <td>PTD.</td> <td>-</td> <td>328</td> <td>3\"/> <tr> <td>335B</td> <td>B</td> <td>3\"/> <tr> <td>336</td> <td>B</td> <td>3\"/> <tr> <td>337</td> <td>ETR</td> <td>-</td> <td>WD.</td> <td>J2</td> <td>PTD.</td> <td>-</td> <td>329A</td> <td>3\"/> <tr> <td>339</td> <td>ETR</td> <td>-</td> <td>WD.</td> <td>J2</td> <td>PTD.</td> <td>-</td> <td>329B</td> <td>3\"/> <tr> <td>340</td> <td>A</td> <td>3\"/> <tr> <td>341A</td> <td>ETR</td> <td>-</td> <td>WD.</td> <td>J2</td> <td>PTD.</td> <td>-</td> <td>331</td> <td>3\"/> <tr> <td>341B</td> <td>ETR</td> <td>-</td> <td>WD.</td> <td>J2</td> <td>PTD.</td> <td>-</td> <td>333</td> <td>3\"/> <tr> <td>342</td> <td>ETR</td> <td>-</td> <td>WD.</td> <td>J2</td> <td>PTD.</td> <td>-</td> <td>334A</td> <td>3\"/> <tr> <td>344</td> <td>ETR</td> <td>-</td> <td>WD.</td> <td>J2</td> <td>PTD.</td> <td>-</td> <td>334B</td> <td>3\"/> <tr> <td>345</td> <td>ETR</td> <td>-</td> <td>WD.</td> <td>J2</td> <td>PTD.</td> <td>-</td> <td>335A</td> <td>3\"/> <tr> <td>346</td> <td>ETR</td> <td>-</td> <td>WD.</td> <td>J2</td> <td>PTD.</td> <td>-</td> <td>335B</td> <td>3\"/> <tr> <td>347</td> <td>ETR</td> <td>-</td> <td>WD.</td> <td>J2</td> <td>PTD.</td> <td>-</td> <td>336</td> <td>3\"/> <tr> <td>348</td> <td>ETR</td> <td>-</td> <td>WD.</td> <td>J2</td> <td>PTD.</td> <td>-</td> <td>337</td> <td>3\"/> <tr> <td>349</td> <td>ETR</td> <td>-</td> <td>WD.</td> <td>J2</td> <td>PTD.</td> <td>-</td> <td>339</td> <td>3\"/> <tr> <td>350</td> <td>ETR</td> <td>-</td> <td>WD.</td> <td>J2</td> <td>PTD.</td> <td>-</td> <td>340</td> <td>3\"/> </td></tr></td></tr></td></tr></td></tr></td></tr></td></tr></td></tr></td></tr></td></tr></td></tr></td></tr></td></tr></td></tr></td></tr></td></tr></td></tr></td></tr> | 334B | ETR | - | WD. | J2 | PTD.
 | - | 327 | 3\"/> <tr> <td>335A</td> <td>ETR</td> <td>-</td> <td>WD.</td> <td>J2</td> <td>PTD.</td> <td>-</td> <td>328</td> <td>3\"/> <tr> <td>335B</td> <td>B</td> <td>3\"/> <tr> <td>336</td> <td>B</td> <td>3\"/> <tr> <td>337</td> <td>ETR</td> <td>-</td> <td>WD.</td> <td>J2</td> <td>PTD.</td> <td>-</td> <td>329A</td> <td>3\"/> <tr> <td>339</td> <td>ETR</td> <td>-</td> <td>WD.</td> <td>J2</td> <td>PTD.</td> <td>-</td> <td>329B</td> <td>3\"/> <tr> <td>340</td> <td>A</td> <td>3\"/> <tr> <td>341A</td> <td>ETR</td> <td>-</td> <td>WD.</td> <td>J2</td> <td>PTD.</td> <td>-</td> <td>331</td> <td>3\"/> <tr> <td>341B</td> <td>ETR</td> <td>-</td> <td>WD.</td> <td>J2</td> <td>PTD.</td> <td>-</td> <td>333</td> <td>3\"/> <tr> <td>342</td> <td>ETR</td> <td>-</td> <td>WD.</td> <td>J2</td> <td>PTD.</td> <td>-</td> <td>334A</td> <td>3\"/> <tr> <td>344</td> <td>ETR</td> <td>-</td> <td>WD.</td> <td>J2</td> <td>PTD.</td> <td>-</td> <td>334B</td> <td>3\"/> <tr> <td>345</td> <td>ETR</td> <td>-</td> <td>WD.</td> <td>J2</td> <td>PTD.</td> <td>-</td> <td>335A</td> <td>3\"/> <tr> <td>346</td> <td>ETR</td> <td>-</td> <td>WD.</td> <td>J2</td> <td>PTD.</td> <td>-</td> <td>335B</td> <td>3\"/> <tr> <td>347</td> <td>ETR</td> <td>-</td> <td>WD.</td> <td>J2</td> <td>PTD.</td> <td>-</td> <td>336</td> <td>3\"/> <tr> <td>348</td> <td>ETR</td> <td>-</td> <td>WD.</td> <td>J2</td> <td>PTD.</td> <td>-</td> <td>337</td> <td>3\"/> <tr> <td>349</td> <td>ETR</td> <td>-</td> <td>WD.</td> <td>J2</td> <td>PTD.</td> <td>-</td> <td>339</td> <td>3\"/> <tr> <td>350</td> <td>ETR</td> <td>-</td> <td>WD.</td> <td>J2</td> <td>PTD.</td> <td>-</td> <td>340</td> <td>3\"/> </td></tr></td></tr></td></tr></td></tr></td></tr></td></tr></td></tr></td></tr></td></tr></td></tr></td></tr></td></tr></td></tr></td></tr></td></tr></td></tr> | 335A | ETR | -
 | WD. | J2 | PTD. | - | 328 | 3\"/> <tr> <td>335B</td> <td>B</td> <td>3\"/> <tr> <td>336</td> <td>B</td> <td>3\"/> <tr> <td>337</td> <td>ETR</td> <td>-</td> <td>WD.</td> <td>J2</td> <td>PTD.</td> <td>-</td> <td>329A</td> <td>3\"/> <tr> <td>339</td> <td>ETR</td> <td>-</td> <td>WD.</td> <td>J2</td> <td>PTD.</td> <td>-</td> <td>329B</td> <td>3\"/> <tr> <td>340</td> <td>A</td> <td>3\"/> <tr> <td>341A</td> <td>ETR</td> <td>-</td> <td>WD.</td> <td>J2</td> <td>PTD.</td> <td>-</td> <td>331</td> <td>3\"/> <tr> <td>341B</td> <td>ETR</td> <td>-</td> <td>WD.</td> <td>J2</td> <td>PTD.</td> <td>-</td> <td>333</td> <td>3\"/> <tr> <td>342</td> <td>ETR</td> <td>-</td> <td>WD.</td> <td>J2</td> <td>PTD.</td> <td>-</td> <td>334A</td> <td>3\"/> <tr> <td>344</td> <td>ETR</td> <td>-</td> <td>WD.</td> <td>J2</td> <td>PTD.</td> <td>-</td> <td>334B</td> <td>3\"/> <tr> <td>345</td> <td>ETR</td> <td>-</td> <td>WD.</td> <td>J2</td> <td>PTD.</td> <td>-</td> <td>335A</td> <td>3\"/> <tr> <td>346</td> <td>ETR</td> <td>-</td> <td>WD.</td> <td>J2</td> <td>PTD.</td> <td>-</td> <td>335B</td> <td>3\"/> <tr> <td>347</td> <td>ETR</td> <td>-</td> <td>WD.</td> <td>J2</td> <td>PTD.</td> <td>-</td> <td>336</td> <td>3\"/> <tr> <td>348</td> <td>ETR</td> <td>-</td> <td>WD.</td> <td>J2</td> <td>PTD.</td> <td>-</td> <td>337</td> <td>3\"/> <tr> <td>349</td> <td>ETR</td> <td>-</td> <td>WD.</td> <td>J2</td> <td>PTD.</td> <td>-</td> <td>339</td> <td>3\"/> <tr> <td>350</td> <td>ETR</td> <td>-</td> <td>WD.</td> <td>J2</td> <td>PTD.</td> <td>-</td> <td>340</td> <td>3\"/> </td></tr></td></tr></td></tr></td></tr></td></tr></td></tr></td></tr></td></tr></td></tr></td></tr></td></tr></td></tr></td></tr></td></tr></td></tr> | 335B | B | 3\"/> <tr> <td>336</td> <td>B</td> <td>3\"/> <tr> <td>337</td> <td>ETR</td> <td>-</td> <td>WD.</td> <td>J2</td> <td>PTD.</td> <td>-</td> <td>329A</td> <td>3\"/> <tr> <td>339</td> <td>ETR</td> <td>-</td> <td>WD.</td> <td>J2</td> <td>PTD.</td> <td>-</td> <td>329B</td> <td>3\"/> <tr> <td>340</td> <td>A</td> <td>3\"/> <tr> <td>341A</td> <td>ETR</td> <td>-</td> <td>WD.</td> <td>J2</td> <td>PTD.</td> <td>-</td> <td>331</td> <td>3\"/> <tr> <td>341B</td> <td>ETR</td> <td>-</td> <td>WD.</td> <td>J2</td> <td>PTD.</td> <td>-</td> <td>333</td> <td>3\"/> <tr> <td>342</td> <td>ETR</td> <td>-</td> <td>WD.</td> <td>J2</td> <td>PTD.</td> <td>-</td> <td>334A</td> <td>3\"/> <tr> <td>344</td> <td>ETR</td> <td>-</td> <td>WD.</td> <td>J2</td> <td>PTD.</td> <td>-</td> <td>334B</td> <td>3\"/> <tr> <td>345</td> <td>ETR</td> <td>-</td> <td>WD.</td> <td>J2</td> <td>PTD.</td> <td>-</td> <td>335A</td> <td>3\"/> <tr> <td>346</td> <td>ETR</td> <td>-</td> <td>WD.</td> <td>J2</td> <td>PTD.</td> <td>-</td> <td>335B</td> <td>3\"/> <tr> <td>347</td> <td>ETR</td> <td>-</td> <td>WD.</td> <td>J2</td> <td>PTD.</td> <td>-</td> <td>336</td> <td>3\"/> <tr> <td>348</td> <td>ETR</td> <td>-</td> <td>WD.</td> <td>J2</td> <td>PTD.</td> <td>-</td> <td>337</td> <td>3\"/> <tr> <td>349</td> <td>ETR</td> <td>-</td> <td>WD.</td> <td>J2</td> <td>PTD.</td> <td>-</td> <td>339</td> <td>3\"/> <tr> <td>350</td> <td>ETR</td> <td>-</td> <td>WD.</td> <td>J2</td> <td>PTD.</td> <td>-</td> <td>340</td> <td>3\"/>
</td></tr></td></tr></td></tr></td></tr></td></tr></td></tr></td></tr></td></tr></td></tr></td></tr></td></tr></td></tr></td></tr></td></tr> | 336 | B | 3\"/> <tr> <td>337</td> <td>ETR</td> <td>-</td> <td>WD.</td> <td>J2</td> <td>PTD.</td> <td>-</td> <td>329A</td> <td>3\"/> <tr> <td>339</td> <td>ETR</td> <td>-</td> <td>WD.</td> <td>J2</td> <td>PTD.</td> <td>-</td> <td>329B</td> <td>3\"/> <tr> <td>340</td> <td>A</td> <td>3\"/> <tr> <td>341A</td> <td>ETR</td> <td>-</td> <td>WD.</td> <td>J2</td> <td>PTD.</td> <td>-</td> <td>331</td> <td>3\"/> <tr> <td>341B</td> <td>ETR</td> <td>-</td> <td>WD.</td> <td>J2</td> <td>PTD.</td> <td>-</td> <td>333</td> <td>3\"/> <tr> <td>342</td> <td>ETR</td> <td>-</td> <td>WD.</td> <td>J2</td> <td>PTD.</td> <td>-</td> <td>334A</td> <td>3\"/> <tr> <td>344</td> <td>ETR</td> <td>-</td> <td>WD.</td> <td>J2</td> <td>PTD.</td> <td>-</td> <td>334B</td> <td>3\"/> <tr> <td>345</td> <td>ETR</td> <td>-</td> <td>WD.</td> <td>J2</td> <td>PTD.</td> <td>-</td> <td>335A</td> <td>3\"/> <tr> <td>346</td> <td>ETR</td> <td>-</td> <td>WD.</td> <td>J2</td> <td>PTD.</td> <td>-</td> <td>335B</td> <td>3\"/> <tr> <td>347</td> <td>ETR</td> <td>-</td> <td>WD.</td> <td>J2</td> <td>PTD.</td> <td>-</td> <td>336</td> <td>3\"/> <tr> <td>348</td> <td>ETR</td> <td>-</td> <td>WD.</td> <td>J2</td> <td>PTD.</td> <td>-</td> <td>337</td> <td>3\"/> <tr> <td>349</td> <td>ETR</td> <td>-</td> <td>WD.</td> <td>J2</td> <td>PTD.</td> <td>-</td> <td>339</td> <td>3\"/> <tr> <td>350</td> <td>ETR</td> <td>-</td> <td>WD.</td> <td>J2</td> <td>PTD.</td> <td>-</td> <td>340</td> <td>3\"/> </td></tr></td></tr></td></tr></td></tr></td></tr></td></tr></td></tr></td></tr></td></tr></td></tr></td></tr></td></tr></td></tr> | 337 | ETR | - | WD. | J2 | PTD.
 | - | 329A | 3\"/> <tr> <td>339</td> <td>ETR</td> <td>-</td> <td>WD.</td> <td>J2</td> <td>PTD.</td> <td>-</td> <td>329B</td> <td>3\"/> <tr> <td>340</td> <td>A</td> <td>3\"/> <tr> <td>341A</td> <td>ETR</td> <td>-</td> <td>WD.</td> <td>J2</td> <td>PTD.</td> <td>-</td> <td>331</td> <td>3\"/> <tr> <td>341B</td> <td>ETR</td> <td>-</td> <td>WD.</td> <td>J2</td> <td>PTD.</td> <td>-</td> <td>333</td> <td>3\"/> <tr> <td>342</td> <td>ETR</td> <td>-</td> <td>WD.</td> <td>J2</td> <td>PTD.</td> <td>-</td> <td>334A</td> <td>3\"/> <tr> <td>344</td> <td>ETR</td> <td>-</td> <td>WD.</td> <td>J2</td> <td>PTD.</td> <td>-</td> <td>334B</td> <td>3\"/> <tr> <td>345</td> <td>ETR</td> <td>-</td> <td>WD.</td> <td>J2</td> <td>PTD.</td> <td>-</td> <td>335A</td> <td>3\"/> <tr> <td>346</td> <td>ETR</td> <td>-</td> <td>WD.</td> <td>J2</td> <td>PTD.</td> <td>-</td> <td>335B</td> <td>3\"/> <tr> <td>347</td> <td>ETR</td> <td>-</td> <td>WD.</td> <td>J2</td> <td>PTD.</td> <td>-</td> <td>336</td> <td>3\"/> <tr> <td>348</td> <td>ETR</td> <td>-</td> <td>WD.</td> <td>J2</td> <td>PTD.</td> <td>-</td> <td>337</td> <td>3\"/> <tr> <td>349</td> <td>ETR</td> <td>-</td> <td>WD.</td> <td>J2</td> <td>PTD.</td> <td>-</td> <td>339</td> <td>3\"/> <tr> <td>350</td> <td>ETR</td> <td>-</td> <td>WD.</td> <td>J2</td> <td>PTD.</td> <td>-</td> <td>340</td> <td>3\"/> </td></tr></td></tr></td></tr></td></tr></td></tr></td></tr></td></tr></td></tr></td></tr></td></tr></td></tr></td></tr> | 339 | ETR | -
 | WD. | J2 | PTD. | - | 329B | 3\"/> <tr> <td>340</td> <td>A</td> <td>3\"/> <tr> <td>341A</td> <td>ETR</td> <td>-</td> <td>WD.</td> <td>J2</td> <td>PTD.</td> <td>-</td> <td>331</td> <td>3\"/> <tr> <td>341B</td> <td>ETR</td> <td>-</td> <td>WD.</td> <td>J2</td> <td>PTD.</td> <td>-</td> <td>333</td> <td>3\"/> <tr> <td>342</td> <td>ETR</td> <td>-</td> <td>WD.</td> <td>J2</td> <td>PTD.</td> <td>-</td> <td>334A</td> <td>3\"/> <tr> <td>344</td> <td>ETR</td> <td>-</td> <td>WD.</td> <td>J2</td> <td>PTD.</td> <td>-</td> <td>334B</td> <td>3\"/> <tr> <td>345</td> <td>ETR</td> <td>-</td> <td>WD.</td> <td>J2</td> <td>PTD.</td> <td>-</td> <td>335A</td> <td>3\"/> <tr> <td>346</td> <td>ETR</td> <td>-</td> <td>WD.</td> <td>J2</td> <td>PTD.</td> <td>-</td> <td>335B</td> <td>3\"/> <tr> <td>347</td> <td>ETR</td> <td>-</td> <td>WD.</td> <td>J2</td> <td>PTD.</td> <td>-</td> <td>336</td> <td>3\"/> <tr> <td>348</td> <td>ETR</td> <td>-</td> <td>WD.</td> <td>J2</td> <td>PTD.</td> <td>-</td> <td>337</td> <td>3\"/> <tr> <td>349</td> <td>ETR</td> <td>-</td> <td>WD.</td> <td>J2</td> <td>PTD.</td> <td>-</td> <td>339</td> <td>3\"/> <tr> <td>350</td> <td>ETR</td> <td>-</td> <td>WD.</td> <td>J2</td> <td>PTD.</td> <td>-</td> <td>340</td> <td>3\"/> </td></tr></td></tr></td></tr></td></tr></td></tr></td></tr></td></tr></td></tr></td></tr></td></tr></td></tr> | 340 | A | 3\"/> <tr> <td>341A</td> <td>ETR</td> <td>-</td> <td>WD.</td> <td>J2</td> <td>PTD.</td> <td>-</td> <td>331</td> <td>3\"/> <tr> <td>341B</td> <td>ETR</td> <td>-</td> <td>WD.</td> <td>J2</td> <td>PTD.</td> <td>-</td> <td>333</td> <td>3\"/> <tr> <td>342</td> <td>ETR</td> <td>-</td> <td>WD.</td> <td>J2</td> <td>PTD.</td> <td>-</td> <td>334A</td> <td>3\"/> <tr> <td>344</td> <td>ETR</td> <td>-</td> <td>WD.</td> <td>J2</td> <td>PTD.</td> <td>-</td> <td>334B</td> <td>3\"/> <tr> <td>345</td> <td>ETR</td> <td>-</td> <td>WD.</td> <td>J2</td> <td>PTD.</td> <td>-</td> <td>335A</td> <td>3\"/> <tr> <td>346</td> <td>ETR</td> <td>-</td> <td>WD.</td> <td>J2</td> <td>PTD.</td> <td>-</td> <td>335B</td> <td>3\"/> <tr> <td>347</td> <td>ETR</td> <td>-</td> <td>WD.</td> <td>J2</td> <td>PTD.</td> <td>-</td> <td>336</td> <td>3\"/> <tr> <td>348</td> <td>ETR</td> <td>-</td> <td>WD.</td> <td>J2</td> <td>PTD.</td> <td>-</td> <td>337</td> <td>3\"/> <tr> <td>349</td> <td>ETR</td> <td>-</td> <td>WD.</td> <td>J2</td> <td>PTD.</td> <td>-</td> <td>339</td> <td>3\"/> <tr> <td>350</td> <td>ETR</td> <td>-</td> <td>WD.</td> <td>J2</td> <td>PTD.</td> <td>-</td> <td>340</td> <td>3\"/> </td></tr></td></tr></td></tr></td></tr></td></tr></td></tr></td></tr></td></tr></td></tr></td></tr>
 | 341A | ETR | - | WD. | J2 | PTD. | - | 331 | 3\"/> <tr> <td>341B</td> <td>ETR</td> <td>-</td> <td>WD.</td> <td>J2</td> <td>PTD.</td> <td>-</td> <td>333</td> <td>3\"/> <tr> <td>342</td> <td>ETR</td> <td>-</td> <td>WD.</td> <td>J2</td> <td>PTD.</td> <td>-</td> <td>334A</td> <td>3\"/> <tr> <td>344</td> <td>ETR</td> <td>-</td> <td>WD.</td> <td>J2</td> <td>PTD.</td> <td>-</td> <td>334B</td> <td>3\"/> <tr> <td>345</td> <td>ETR</td> <td>-</td> <td>WD.</td> <td>J2</td> <td>PTD.</td> <td>-</td> <td>335A</td> <td>3\"/> <tr> <td>346</td> <td>ETR</td> <td>-</td> <td>WD.</td> <td>J2</td> <td>PTD.</td> <td>-</td> <td>335B</td> <td>3\"/> <tr> <td>347</td> <td>ETR</td> <td>-</td> <td>WD.</td> <td>J2</td> <td>PTD.</td> <td>-</td> <td>336</td> <td>3\"/> <tr> <td>348</td> <td>ETR</td> <td>-</td> <td>WD.</td> <td>J2</td> <td>PTD.</td> <td>-</td> <td>337</td> <td>3\"/> <tr> <td>349</td> <td>ETR</td> <td>-</td> <td>WD.</td> <td>J2</td> <td>PTD.</td> <td>-</td> <td>339</td> <td>3\"/> <tr> <td>350</td> <td>ETR</td> <td>-</td> <td>WD.</td> <td>J2</td> <td>PTD.</td> <td>-</td> <td>340</td> <td>3\"/> </td></tr></td></tr></td></tr></td></tr></td></tr></td></tr></td></tr></td></tr></td></tr>
 | 341B | ETR | - | WD. | J2 | PTD. | - | 333 | 3\"/> <tr> <td>342</td> <td>ETR</td> <td>-</td> <td>WD.</td> <td>J2</td> <td>PTD.</td> <td>-</td> <td>334A</td> <td>3\"/> <tr> <td>344</td> <td>ETR</td> <td>-</td> <td>WD.</td> <td>J2</td> <td>PTD.</td> <td>-</td> <td>334B</td> <td>3\"/> <tr> <td>345</td> <td>ETR</td> <td>-</td> <td>WD.</td> <td>J2</td> <td>PTD.</td> <td>-</td> <td>335A</td> <td>3\"/> <tr> <td>346</td> <td>ETR</td> <td>-</td> <td>WD.</td> <td>J2</td> <td>PTD.</td> <td>-</td> <td>335B</td> <td>3\"/> <tr> <td>347</td> <td>ETR</td> <td>-</td> <td>WD.</td> <td>J2</td> <td>PTD.</td> <td>-</td> <td>336</td> <td>3\"/> <tr> <td>348</td> <td>ETR</td> <td>-</td> <td>WD.</td> <td>J2</td> <td>PTD.</td> <td>-</td> <td>337</td> <td>3\"/> <tr> <td>349</td> <td>ETR</td> <td>-</td> <td>WD.</td> <td>J2</td> <td>PTD.</td> <td>-</td> <td>339</td> <td>3\"/> <tr> <td>350</td> <td>ETR</td> <td>-</td> <td>WD.</td> <td>J2</td> <td>PTD.</td> <td>-</td> <td>340</td> <td>3\"/> </td></tr></td></tr></td></tr></td></tr></td></tr></td></tr></td></tr></td></tr> | 342 | ETR | -
 | WD. | J2 | PTD. | - | 334A | 3\"/> <tr> <td>344</td> <td>ETR</td> <td>-</td> <td>WD.</td> <td>J2</td> <td>PTD.</td> <td>-</td> <td>334B</td> <td>3\"/> <tr> <td>345</td> <td>ETR</td> <td>-</td> <td>WD.</td> <td>J2</td> <td>PTD.</td> <td>-</td> <td>335A</td> <td>3\"/> <tr> <td>346</td> <td>ETR</td> <td>-</td> <td>WD.</td> <td>J2</td> <td>PTD.</td> <td>-</td> <td>335B</td> <td>3\"/> <tr> <td>347</td> <td>ETR</td> <td>-</td> <td>WD.</td> <td>J2</td> <td>PTD.</td> <td>-</td> <td>336</td> <td>3\"/> <tr> <td>348</td> <td>ETR</td> <td>-</td> <td>WD.</td> <td>J2</td> <td>PTD.</td> <td>-</td> <td>337</td> <td>3\"/> <tr> <td>349</td> <td>ETR</td> <td>-</td> <td>WD.</td> <td>J2</td> <td>PTD.</td> <td>-</td> <td>339</td> <td>3\"/> <tr> <td>350</td> <td>ETR</td> <td>-</td> <td>WD.</td> <td>J2</td> <td>PTD.</td> <td>-</td> <td>340</td> <td>3\"/> </td></tr></td></tr></td></tr></td></tr></td></tr></td></tr></td></tr> | 344 | ETR | -
 | WD. | J2 | PTD. | - | 334B | 3\"/> <tr> <td>345</td> <td>ETR</td> <td>-</td> <td>WD.</td> <td>J2</td> <td>PTD.</td> <td>-</td> <td>335A</td> <td>3\"/> <tr> <td>346</td> <td>ETR</td> <td>-</td> <td>WD.</td> <td>J2</td> <td>PTD.</td> <td>-</td> <td>335B</td> <td>3\"/> <tr> <td>347</td> <td>ETR</td> <td>-</td> <td>WD.</td> <td>J2</td> <td>PTD.</td> <td>-</td> <td>336</td> <td>3\"/> <tr> <td>348</td> <td>ETR</td> <td>-</td> <td>WD.</td> <td>J2</td> <td>PTD.</td> <td>-</td> <td>337</td> <td>3\"/> <tr> <td>349</td> <td>ETR</td> <td>-</td> <td>WD.</td> <td>J2</td> <td>PTD.</td> <td>-</td> <td>339</td> <td>3\"/> <tr> <td>350</td> <td>ETR</td> <td>-</td> <td>WD.</td> <td>J2</td> <td>PTD.</td> <td>-</td> <td>340</td> <td>3\"/> </td></tr></td></tr></td></tr></td></tr></td></tr></td></tr> | 345 | ETR | -
 | WD. | J2 | PTD. | - | 335A | 3\"/> <tr> <td>346</td> <td>ETR</td> <td>-</td> <td>WD.</td> <td>J2</td> <td>PTD.</td> <td>-</td> <td>335B</td> <td>3\"/> <tr> <td>347</td> <td>ETR</td> <td>-</td> <td>WD.</td> <td>J2</td> <td>PTD.</td> <td>-</td> <td>336</td> <td>3\"/> <tr> <td>348</td> <td>ETR</td> <td>-</td> <td>WD.</td> <td>J2</td> <td>PTD.</td> <td>-</td> <td>337</td> <td>3\"/> <tr> <td>349</td> <td>ETR</td> <td>-</td> <td>WD.</td> <td>J2</td> <td>PTD.</td> <td>-</td> <td>339</td> <td>3\"/> <tr> <td>350</td> <td>ETR</td> <td>-</td> <td>WD.</td> <td>J2</td> <td>PTD.</td> <td>-</td> <td>340</td> <td>3\"/> </td></tr></td></tr></td></tr></td></tr></td></tr> | 346 | ETR | - | WD. | J2 | PTD.
 | - | 335B | 3\"/> <tr> <td>347</td> <td>ETR</td> <td>-</td> <td>WD.</td> <td>J2</td> <td>PTD.</td> <td>-</td> <td>336</td> <td>3\"/> <tr> <td>348</td> <td>ETR</td> <td>-</td> <td>WD.</td> <td>J2</td> <td>PTD.</td> <td>-</td> <td>337</td> <td>3\"/> <tr> <td>349</td> <td>ETR</td> <td>-</td> <td>WD.</td> <td>J2</td> <td>PTD.</td> <td>-</td> <td>339</td> <td>3\"/> <tr> <td>350</td> <td>ETR</td> <td>-</td> <td>WD.</td> <td>J2</td> <td>PTD.</td> <td>-</td> <td>340</td> <td>3\"/> </td></tr></td></tr></td></tr></td></tr> | 347 | ETR | - | WD. | J2 | PTD. | - | 336 | 3\"/> <tr> <td>348</td> <td>ETR</td> <td>-</td> <td>WD.</td> <td>J2</td> <td>PTD.</td> <td>-</td> <td>337</td> <td>3\"/> <tr> <td>349</td> <td>ETR</td> <td>-</td> <td>WD.</td> <td>J2</td> <td>PTD.</td> <td>-</td> <td>339</td> <td>3\"/> <tr> <td>350</td> <td>ETR</td> <td>-</td> <td>WD.</td> <td>J2</td> <td>PTD.</td> <td>-</td> <td>340</td> <td>3\"/> </td></tr></td></tr></td></tr>
 | 348 | ETR | - | WD. | J2 | PTD. | - | 337 | 3\"/> <tr> <td>349</td> <td>ETR</td> <td>-</td> <td>WD.</td> <td>J2</td> <td>PTD.</td> <td>-</td> <td>339</td> <td>3\"/> <tr> <td>350</td> <td>ETR</td> <td>-</td> <td>WD.</td> <td>J2</td> <td>PTD.</td> <td>-</td> <td>340</td> <td>3\"/> </td></tr></td></tr> | 349 | ETR | -
 | WD. | J2 | PTD. | - | 339 | 3\"/> <tr> <td>350</td> <td>ETR</td> <td>-</td> <td>WD.</td> <td>J2</td> <td>PTD.</td> <td>-</td> <td>340</td> <td>3\"/> </td></tr> | 350 | ETR | - | WD. | J2 | PTD. | - | 340 | 3\"/>
 | | | | | | | | | | | | | | | | | | | | | | | | | | | | | | | | | | | | | | | | | | | | | | | | | | | | | | | | | | | | | | | | | | |
 | | | | | | | | | | | | | | | | | |
 | | | | | | | | | | | | | | | | | | | | |
 | | | | | | | | | | | | | | | | | | | | | | | | | | |
 | | | | | | | | | | | | | | | | | | | | | | | | | | | | | | | | | | | | | | | | | | | | | | | | | | | | | | | | | | | | | | | | | | |
| 324 | ETR | - | WD. | J2 | PTD. | - | 318 | 3\"/> <tr> <td>325</td> <td>A</td> <td>3\"/> <tr> <td>327</td> <td>ETR</td> <td>-</td> <td>WD.</td> <td>J2</td> <td>PTD.</td> <td>-</td> <td>319</td> <td>3\"/> <tr> <td>328</td> <td>ETR</td> <td>-</td> <td>WD.</td> <td>J2</td> <td>PTD.</td> <td>-</td> <td>320</td> <td>3\"/> <tr> <td>329A</td> <td>ETR</td> <td>-</td> <td>WD.</td> <td>J2</td> <td>PTD.</td> <td>-</td> <td>321</td> <td>3\"/> <tr> <td>329B</td> <td>ETR</td> <td>-</td> <td>WD.</td> <td>J2</td> <td>PTD.</td> <td>-</td> <td>322</td> <td>3\"/> <tr> <td>331</td> <td>ETR</td> <td>-</td> <td>WD.</td> <td>J2</td> <td>PTD.</td> <td>-</td> <td>323</td> <td>3\"/> <tr> <td>333</td> <td>ETR</td> <td>-</td> <td>WD.</td> <td>J2</td> <td>PTD.</td> <td>-</td> <td>324</td> <td>3\"/> <tr> <td>334A</td> <td>ETR</td> <td>-</td> <td>WD.</td> <td>J2</td> <td>PTD.</td> <td>-</td> <td>325</td> <td>3\"/> <tr> <td>334B</td> <td>ETR</td> <td>-</td> <td>WD.</td> <td>J2</td> <td>PTD.</td> <td>-</td> <td>327</td> <td>3\"/> <tr> <td>335A</td> <td>ETR</td> <td>-</td> <td>WD.</td> <td>J2</td> <td>PTD.</td> <td>-</td> <td>328</td> <td>3\"/> <tr> <td>335B</td> <td>B</td> <td>3\"/> <tr> <td>336</td> <td>B</td> <td>3\"/> <tr> <td>337</td> <td>ETR</td> <td>-</td> <td>WD.</td> <td>J2</td> <td>PTD.</td> <td>-</td> <td>329A</td> <td>3\"/> <tr> <td>339</td> <td>ETR</td> <td>-</td> <td>WD.</td> <td>J2</td> <td>PTD.</td> <td>-</td> <td>329B</td> <td>3\"/> <tr> <td>340</td> <td>A</td> <td>3\"/> <tr> <td>341A</td> <td>ETR</td> <td>-</td> <td>WD.</td> <td>J2</td> <td>PTD.</td> <td>-</td> <td>331</td> <td>3\"/> <tr> <td>341B</td> <td>ETR</td> <td>-</td> <td>WD.</td> <td>J2</td> <td>PTD.</td> <td>-</td> <td>333</td> <td>3\"/> <tr> <td>342</td> <td>ETR</td> <td>-</td> <td>WD.</td> <td>J2</td> <td>PTD.</td> <td>-</td> <td>334A</td> <td>3\"/> <tr> <td>344</td> <td>ETR</td> <td>-</td> <td>WD.</td> <td>J2</td> <td>PTD.</td> <td>-</td> <td>334B</td> <td>3\"/> <tr> <td>345</td> <td>ETR</td> <td>-</td> <td>WD.</td> <td>J2</td> <td>PTD.</td> <td>-</td> <td>335A</td> <td>3\"/> <tr> <td>346</td> <td>ETR</td> <td>-</td> <td>WD.</td> <td>J2</td> <td>PTD.</td> <td>-</td> <td>335B</td> <td>3\"/> <tr> <td>347</td> <td>ETR</td> <td>-</td> <td>WD.</td> <td>J2</td> <td>PTD.</td> <td>-</td> <td>336</td> <td>3\"/> <tr> <td>348</td> <td>ETR</td> <td>-</td> <td>WD.</td> <td>J2</td> <td>PTD.</td> <td>-</td> <td>337</td> <td>3\"/> <tr> <td>349</td> <td>ETR</td> <td>-</td> <td>WD.</td> <td>J2</td> <td>PTD.</td> <td>-</td> <td>339</td> <td>3\"/> <tr> <td>350</td> <td>ETR</td> <td>-</td> <td>WD.</td> <td>J2</td> <td>PTD.</td> <td>-</td> <td>340</td> <td>3\"/> </td></tr></td></tr></td></tr></td></tr></td></tr></td></tr></td></tr></td></tr></td></tr></td></tr></td></tr></td></tr></td></tr></td></tr></td></tr></td></tr></td></tr></td></tr></td></tr></td></tr></td></tr></td></tr></td></tr></td></tr></td></tr>
 | 325 | A | 3\"/> <tr> <td>327</td> <td>ETR</td> <td>-</td> <td>WD.</td> <td>J2</td> <td>PTD.</td> <td>-</td> <td>319</td> <td>3\"/> <tr> <td>328</td> <td>ETR</td> <td>-</td> <td>WD.</td> <td>J2</td> <td>PTD.</td> <td>-</td> <td>320</td> <td>3\"/> <tr> <td>329A</td> <td>ETR</td> <td>-</td> <td>WD.</td> <td>J2</td> <td>PTD.</td> <td>-</td> <td>321</td> <td>3\"/> <tr> <td>329B</td> <td>ETR</td> <td>-</td> <td>WD.</td> <td>J2</td> <td>PTD.</td> <td>-</td> <td>322</td> <td>3\"/> <tr> <td>331</td> <td>ETR</td> <td>-</td> <td>WD.</td> <td>J2</td> <td>PTD.</td> <td>-</td> <td>323</td> <td>3\"/> <tr> <td>333</td> <td>ETR</td> <td>-</td> <td>WD.</td> <td>J2</td> <td>PTD.</td> <td>-</td> <td>324</td> <td>3\"/> <tr> <td>334A</td> <td>ETR</td> <td>-</td> <td>WD.</td> <td>J2</td> <td>PTD.</td> <td>-</td> <td>325</td> <td>3\"/> <tr> <td>334B</td> <td>ETR</td> <td>-</td> <td>WD.</td> <td>J2</td> <td>PTD.</td> <td>-</td> <td>327</td> <td>3\"/> <tr> <td>335A</td> <td>ETR</td> <td>-</td> <td>WD.</td> <td>J2</td> <td>PTD.</td> <td>-</td> <td>328</td> <td>3\"/> <tr> <td>335B</td> <td>B</td> <td>3\"/> <tr> <td>336</td> <td>B</td> <td>3\"/> <tr> <td>337</td> <td>ETR</td> <td>-</td> <td>WD.</td> <td>J2</td> <td>PTD.</td> <td>-</td> <td>329A</td> <td>3\"/> <tr> <td>339</td> <td>ETR</td> <td>-</td> <td>WD.</td> <td>J2</td> <td>PTD.</td> <td>-</td> <td>329B</td> <td>3\"/> <tr> <td>340</td> <td>A</td> <td>3\"/> <tr> <td>341A</td> <td>ETR</td> <td>-</td> <td>WD.</td> <td>J2</td> <td>PTD.</td> <td>-</td> <td>331</td> <td>3\"/> <tr> <td>341B</td> <td>ETR</td> <td>-</td> <td>WD.</td> <td>J2</td> <td>PTD.</td> <td>-</td> <td>333</td> <td>3\"/> <tr> <td>342</td> <td>ETR</td> <td>-</td> <td>WD.</td> <td>J2</td> <td>PTD.</td> <td>-</td> <td>334A</td> <td>3\"/> <tr> <td>344</td> <td>ETR</td> <td>-</td> <td>WD.</td> <td>J2</td> <td>PTD.</td> <td>-</td> <td>334B</td> <td>3\"/> <tr> <td>345</td> <td>ETR</td> <td>-</td> <td>WD.</td> <td>J2</td> <td>PTD.</td> <td>-</td> <td>335A</td> <td>3\"/> <tr> <td>346</td> <td>ETR</td> <td>-</td> <td>WD.</td> <td>J2</td> <td>PTD.</td> <td>-</td> <td>335B</td> <td>3\"/> <tr> <td>347</td> <td>ETR</td> <td>-</td> <td>WD.</td> <td>J2</td> <td>PTD.</td> <td>-</td> <td>336</td> <td>3\"/> <tr> <td>348</td> <td>ETR</td> <td>-</td> <td>WD.</td> <td>J2</td> <td>PTD.</td> <td>-</td> <td>337</td> <td>3\"/> <tr> <td>349</td> <td>ETR</td> <td>-</td> <td>WD.</td> <td>J2</td> <td>PTD.</td> <td>-</td> <td>339</td> <td>3\"/> <tr> <td>350</td> <td>ETR</td> <td>-</td> <td>WD.</td> <td>J2</td> <td>PTD.</td> <td>-</td> <td>340</td> <td>3\"/> </td></tr></td></tr></td></tr></td></tr></td></tr></td></tr></td></tr></td></tr></td></tr></td></tr></td></tr></td></tr></td></tr></td></tr></td></tr></td></tr></td></tr></td></tr></td></tr></td></tr></td></tr></td></tr></td></tr></td></tr> | 327 | ETR | -
 | WD. | J2 | PTD. | - | 319 | 3\"/> <tr> <td>328</td> <td>ETR</td> <td>-</td> <td>WD.</td> <td>J2</td> <td>PTD.</td> <td>-</td> <td>320</td> <td>3\"/> <tr> <td>329A</td> <td>ETR</td> <td>-</td> <td>WD.</td> <td>J2</td> <td>PTD.</td> <td>-</td> <td>321</td> <td>3\"/> <tr> <td>329B</td> <td>ETR</td> <td>-</td> <td>WD.</td> <td>J2</td> <td>PTD.</td> <td>-</td> <td>322</td> <td>3\"/> <tr> <td>331</td> <td>ETR</td> <td>-</td> <td>WD.</td> <td>J2</td> <td>PTD.</td> <td>-</td> <td>323</td> <td>3\"/> <tr> <td>333</td> <td>ETR</td> <td>-</td> <td>WD.</td> <td>J2</td> <td>PTD.</td> <td>-</td> <td>324</td> <td>3\"/> <tr> <td>334A</td> <td>ETR</td> <td>-</td> <td>WD.</td> <td>J2</td> <td>PTD.</td> <td>-</td> <td>325</td> <td>3\"/> <tr> <td>334B</td> <td>ETR</td> <td>-</td> <td>WD.</td> <td>J2</td> <td>PTD.</td> <td>-</td> <td>327</td> <td>3\"/> <tr> <td>335A</td> <td>ETR</td> <td>-</td> <td>WD.</td> <td>J2</td> <td>PTD.</td> <td>-</td> <td>328</td> <td>3\"/> <tr> <td>335B</td> <td>B</td> <td>3\"/> <tr> <td>336</td> <td>B</td> <td>3\"/> <tr> <td>337</td> <td>ETR</td> <td>-</td> <td>WD.</td> <td>J2</td> <td>PTD.</td> <td>-</td> <td>329A</td> <td>3\"/> <tr> <td>339</td> <td>ETR</td> <td>-</td> <td>WD.</td> <td>J2</td> <td>PTD.</td> <td>-</td> <td>329B</td> <td>3\"/> <tr> <td>340</td> <td>A</td> <td>3\"/> <tr> <td>341A</td> <td>ETR</td> <td>-</td> <td>WD.</td> <td>J2</td> <td>PTD.</td> <td>-</td> <td>331</td> <td>3\"/> <tr> <td>341B</td> <td>ETR</td> <td>-</td> <td>WD.</td> <td>J2</td> <td>PTD.</td> <td>-</td> <td>333</td> <td>3\"/> <tr> <td>342</td> <td>ETR</td> <td>-</td> <td>WD.</td> <td>J2</td> <td>PTD.</td> <td>-</td> <td>334A</td> <td>3\"/> <tr> <td>344</td> <td>ETR</td> <td>-</td> <td>WD.</td> <td>J2</td> <td>PTD.</td> <td>-</td> <td>334B</td> <td>3\"/> <tr> <td>345</td> <td>ETR</td> <td>-</td> <td>WD.</td> <td>J2</td> <td>PTD.</td> <td>-</td> <td>335A</td> <td>3\"/> <tr> <td>346</td> <td>ETR</td> <td>-</td> <td>WD.</td> <td>J2</td> <td>PTD.</td> <td>-</td> <td>335B</td> <td>3\"/> <tr> <td>347</td> <td>ETR</td> <td>-</td> <td>WD.</td> <td>J2</td> <td>PTD.</td> <td>-</td> <td>336</td> <td>3\"/> <tr> <td>348</td> <td>ETR</td> <td>-</td> <td>WD.</td> <td>J2</td> <td>PTD.</td> <td>-</td> <td>337</td> <td>3\"/> <tr> <td>349</td> <td>ETR</td> <td>-</td> <td>WD.</td> <td>J2</td> <td>PTD.</td> <td>-</td> <td>339</td> <td>3\"/> <tr> <td>350</td> <td>ETR</td> <td>-</td> <td>WD.</td> <td>J2</td> <td>PTD.</td> <td>-</td> <td>340</td> <td>3\"/>
</td></tr></td></tr></td></tr></td></tr></td></tr></td></tr></td></tr></td></tr></td></tr></td></tr></td></tr></td></tr></td></tr></td></tr></td></tr></td></tr></td></tr></td></tr></td></tr></td></tr></td></tr></td></tr></td></tr> | 328 | ETR | - | WD. | J2 | PTD.
 | - | 320 | 3\"/> <tr> <td>329A</td> <td>ETR</td> <td>-</td> <td>WD.</td> <td>J2</td> <td>PTD.</td> <td>-</td> <td>321</td> <td>3\"/> <tr> <td>329B</td> <td>ETR</td> <td>-</td> <td>WD.</td> <td>J2</td> <td>PTD.</td> <td>-</td> <td>322</td> <td>3\"/> <tr> <td>331</td> <td>ETR</td> <td>-</td> <td>WD.</td> <td>J2</td> <td>PTD.</td> <td>-</td> <td>323</td> <td>3\"/> <tr> <td>333</td> <td>ETR</td> <td>-</td> <td>WD.</td> <td>J2</td> <td>PTD.</td> <td>-</td> <td>324</td> <td>3\"/> <tr> <td>334A</td> <td>ETR</td> <td>-</td> <td>WD.</td> <td>J2</td> <td>PTD.</td> <td>-</td> <td>325</td> <td>3\"/> <tr> <td>334B</td> <td>ETR</td> <td>-</td> <td>WD.</td> <td>J2</td> <td>PTD.</td> <td>-</td> <td>327</td> <td>3\"/> <tr> <td>335A</td> <td>ETR</td> <td>-</td> <td>WD.</td> <td>J2</td> <td>PTD.</td> <td>-</td> <td>328</td> <td>3\"/> <tr> <td>335B</td> <td>B</td> <td>3\"/> <tr> <td>336</td> <td>B</td> <td>3\"/> <tr> <td>337</td> <td>ETR</td> <td>-</td> <td>WD.</td> <td>J2</td> <td>PTD.</td> <td>-</td> <td>329A</td> <td>3\"/> <tr> <td>339</td> <td>ETR</td> <td>-</td> <td>WD.</td> <td>J2</td> <td>PTD.</td> <td>-</td> <td>329B</td> <td>3\"/> <tr> <td>340</td> <td>A</td> <td>3\"/> <tr> <td>341A</td> <td>ETR</td> <td>-</td> <td>WD.</td> <td>J2</td> <td>PTD.</td> <td>-</td> <td>331</td> <td>3\"/> <tr> <td>341B</td> <td>ETR</td> <td>-</td> <td>WD.</td> <td>J2</td> <td>PTD.</td> <td>-</td> <td>333</td> <td>3\"/> <tr> <td>342</td> <td>ETR</td> <td>-</td> <td>WD.</td> <td>J2</td> <td>PTD.</td> <td>-</td> <td>334A</td> <td>3\"/> <tr> <td>344</td> <td>ETR</td> <td>-</td> <td>WD.</td> <td>J2</td> <td>PTD.</td> <td>-</td> <td>334B</td> <td>3\"/> <tr> <td>345</td> <td>ETR</td> <td>-</td> <td>WD.</td> <td>J2</td> <td>PTD.</td> <td>-</td> <td>335A</td> <td>3\"/> <tr> <td>346</td> <td>ETR</td> <td>-</td> <td>WD.</td> <td>J2</td> <td>PTD.</td> <td>-</td> <td>335B</td> <td>3\"/> <tr> <td>347</td> <td>ETR</td> <td>-</td> <td>WD.</td> <td>J2</td> <td>PTD.</td> <td>-</td> <td>336</td> <td>3\"/> <tr> <td>348</td> <td>ETR</td> <td>-</td> <td>WD.</td> <td>J2</td> <td>PTD.</td> <td>-</td> <td>337</td> <td>3\"/> <tr> <td>349</td> <td>ETR</td> <td>-</td> <td>WD.</td> <td>J2</td> <td>PTD.</td> <td>-</td> <td>339</td> <td>3\"/> <tr> <td>350</td> <td>ETR</td> <td>-</td> <td>WD.</td> <td>J2</td> <td>PTD.</td> <td>-</td> <td>340</td> <td>3\"/> </td></tr></td></tr></td></tr></td></tr></td></tr></td></tr></td></tr></td></tr></td></tr></td></tr></td></tr></td></tr></td></tr></td></tr></td></tr></td></tr></td></tr></td></tr></td></tr></td></tr></td></tr></td></tr> | 329A | ETR | -
 | WD. | J2 | PTD. | - | 321 | 3\"/> <tr> <td>329B</td> <td>ETR</td> <td>-</td> <td>WD.</td> <td>J2</td> <td>PTD.</td> <td>-</td> <td>322</td> <td>3\"/> <tr> <td>331</td> <td>ETR</td> <td>-</td> <td>WD.</td> <td>J2</td> <td>PTD.</td> <td>-</td> <td>323</td> <td>3\"/> <tr> <td>333</td> <td>ETR</td> <td>-</td> <td>WD.</td> <td>J2</td> <td>PTD.</td> <td>-</td> <td>324</td> <td>3\"/> <tr> <td>334A</td> <td>ETR</td> <td>-</td> <td>WD.</td> <td>J2</td> <td>PTD.</td> <td>-</td> <td>325</td> <td>3\"/> <tr> <td>334B</td> <td>ETR</td> <td>-</td> <td>WD.</td> <td>J2</td> <td>PTD.</td> <td>-</td> <td>327</td> <td>3\"/> <tr> <td>335A</td> <td>ETR</td> <td>-</td> <td>WD.</td> <td>J2</td> <td>PTD.</td> <td>-</td> <td>328</td> <td>3\"/> <tr> <td>335B</td> <td>B</td> <td>3\"/> <tr> <td>336</td> <td>B</td> <td>3\"/> <tr> <td>337</td> <td>ETR</td> <td>-</td> <td>WD.</td> <td>J2</td> <td>PTD.</td> <td>-</td> <td>329A</td> <td>3\"/> <tr> <td>339</td> <td>ETR</td> <td>-</td> <td>WD.</td> <td>J2</td> <td>PTD.</td> <td>-</td> <td>329B</td> <td>3\"/> <tr> <td>340</td> <td>A</td> <td>3\"/> <tr> <td>341A</td> <td>ETR</td> <td>-</td> <td>WD.</td> <td>J2</td> <td>PTD.</td> <td>-</td> <td>331</td> <td>3\"/> <tr> <td>341B</td> <td>ETR</td> <td>-</td> <td>WD.</td> <td>J2</td> <td>PTD.</td> <td>-</td> <td>333</td> <td>3\"/> <tr> <td>342</td> <td>ETR</td> <td>-</td> <td>WD.</td> <td>J2</td> <td>PTD.</td> <td>-</td> <td>334A</td> <td>3\"/> <tr> <td>344</td> <td>ETR</td> <td>-</td> <td>WD.</td> <td>J2</td> <td>PTD.</td> <td>-</td> <td>334B</td> <td>3\"/> <tr> <td>345</td> <td>ETR</td> <td>-</td> <td>WD.</td> <td>J2</td> <td>PTD.</td> <td>-</td> <td>335A</td> <td>3\"/> <tr> <td>346</td> <td>ETR</td> <td>-</td> <td>WD.</td> <td>J2</td> <td>PTD.</td> <td>-</td> <td>335B</td> <td>3\"/> <tr> <td>347</td> <td>ETR</td> <td>-</td> <td>WD.</td> <td>J2</td> <td>PTD.</td> <td>-</td> <td>336</td> <td>3\"/> <tr> <td>348</td> <td>ETR</td> <td>-</td> <td>WD.</td> <td>J2</td> <td>PTD.</td> <td>-</td> <td>337</td> <td>3\"/> <tr> <td>349</td> <td>ETR</td> <td>-</td> <td>WD.</td> <td>J2</td> <td>PTD.</td> <td>-</td> <td>339</td> <td>3\"/> <tr> <td>350</td> <td>ETR</td> <td>-</td> <td>WD.</td> <td>J2</td> <td>PTD.</td> <td>-</td> <td>340</td> <td>3\"/> </td></tr></td></tr></td></tr></td></tr></td></tr></td></tr></td></tr></td></tr></td></tr></td></tr></td></tr></td></tr></td></tr></td></tr></td></tr></td></tr></td></tr></td></tr></td></tr></td></tr></td></tr>
 | 329B | ETR | - | WD. | J2 | PTD.
 | - | 322 | 3\"/> <tr> <td>331</td> <td>ETR</td> <td>-</td> <td>WD.</td> <td>J2</td> <td>PTD.</td> <td>-</td> <td>323</td> <td>3\"/> <tr> <td>333</td> <td>ETR</td> <td>-</td> <td>WD.</td> <td>J2</td> <td>PTD.</td> <td>-</td> <td>324</td> <td>3\"/> <tr> <td>334A</td> <td>ETR</td> <td>-</td> <td>WD.</td> <td>J2</td> <td>PTD.</td> <td>-</td> <td>325</td> <td>3\"/> <tr> <td>334B</td> <td>ETR</td> <td>-</td> <td>WD.</td> <td>J2</td> <td>PTD.</td> <td>-</td> <td>327</td> <td>3\"/> <tr> <td>335A</td> <td>ETR</td> <td>-</td> <td>WD.</td> <td>J2</td> <td>PTD.</td> <td>-</td> <td>328</td> <td>3\"/> <tr> <td>335B</td> <td>B</td> <td>3\"/> <tr> <td>336</td> <td>B</td> <td>3\"/> <tr> <td>337</td> <td>ETR</td> <td>-</td> <td>WD.</td> <td>J2</td> <td>PTD.</td> <td>-</td> <td>329A</td> <td>3\"/> <tr> <td>339</td> <td>ETR</td> <td>-</td> <td>WD.</td> <td>J2</td> <td>PTD.</td> <td>-</td> <td>329B</td> <td>3\"/> <tr> <td>340</td> <td>A</td> <td>3\"/> <tr> <td>341A</td> <td>ETR</td> <td>-</td> <td>WD.</td> <td>J2</td> <td>PTD.</td> <td>-</td> <td>331</td> <td>3\"/> <tr> <td>341B</td> <td>ETR</td> <td>-</td> <td>WD.</td> <td>J2</td> <td>PTD.</td> <td>-</td> <td>333</td> <td>3\"/> <tr> <td>342</td> <td>ETR</td> <td>-</td> <td>WD.</td> <td>J2</td> <td>PTD.</td> <td>-</td> <td>334A</td> <td>3\"/> <tr> <td>344</td> <td>ETR</td> <td>-</td> <td>WD.</td> <td>J2</td> <td>PTD.</td> <td>-</td> <td>334B</td> <td>3\"/> <tr> <td>345</td> <td>ETR</td> <td>-</td> <td>WD.</td> <td>J2</td> <td>PTD.</td> <td>-</td> <td>335A</td> <td>3\"/> <tr> <td>346</td> <td>ETR</td> <td>-</td> <td>WD.</td> <td>J2</td> <td>PTD.</td> <td>-</td> <td>335B</td> <td>3\"/> <tr> <td>347</td> <td>ETR</td> <td>-</td> <td>WD.</td> <td>J2</td> <td>PTD.</td> <td>-</td> <td>336</td> <td>3\"/> <tr> <td>348</td> <td>ETR</td> <td>-</td> <td>WD.</td> <td>J2</td> <td>PTD.</td> <td>-</td> <td>337</td> <td>3\"/> <tr> <td>349</td> <td>ETR</td> <td>-</td> <td>WD.</td> <td>J2</td> <td>PTD.</td> <td>-</td> <td>339</td> <td>3\"/> <tr> <td>350</td> <td>ETR</td> <td>-</td> <td>WD.</td> <td>J2</td> <td>PTD.</td> <td>-</td> <td>340</td> <td>3\"/> </td></tr></td></tr></td></tr></td></tr></td></tr></td></tr></td></tr></td></tr></td></tr></td></tr></td></tr></td></tr></td></tr></td></tr></td></tr></td></tr></td></tr></td></tr></td></tr></td></tr> | 331 | ETR | - | WD. | J2 | PTD.
 | - | 323 | 3\"/> <tr> <td>333</td> <td>ETR</td> <td>-</td> <td>WD.</td> <td>J2</td> <td>PTD.</td> <td>-</td> <td>324</td> <td>3\"/> <tr> <td>334A</td> <td>ETR</td> <td>-</td> <td>WD.</td> <td>J2</td> <td>PTD.</td> <td>-</td> <td>325</td> <td>3\"/> <tr> <td>334B</td> <td>ETR</td> <td>-</td> <td>WD.</td> <td>J2</td> <td>PTD.</td> <td>-</td> <td>327</td> <td>3\"/> <tr> <td>335A</td> <td>ETR</td> <td>-</td> <td>WD.</td> <td>J2</td> <td>PTD.</td> <td>-</td> <td>328</td> <td>3\"/> <tr> <td>335B</td> <td>B</td> <td>3\"/> <tr> <td>336</td> <td>B</td> <td>3\"/> <tr> <td>337</td> <td>ETR</td> <td>-</td> <td>WD.</td> <td>J2</td> <td>PTD.</td> <td>-</td> <td>329A</td> <td>3\"/> <tr> <td>339</td> <td>ETR</td> <td>-</td> <td>WD.</td> <td>J2</td> <td>PTD.</td> <td>-</td> <td>329B</td> <td>3\"/> <tr> <td>340</td> <td>A</td> <td>3\"/> <tr> <td>341A</td> <td>ETR</td> <td>-</td> <td>WD.</td> <td>J2</td> <td>PTD.</td> <td>-</td> <td>331</td> <td>3\"/> <tr> <td>341B</td> <td>ETR</td> <td>-</td> <td>WD.</td> <td>J2</td> <td>PTD.</td> <td>-</td> <td>333</td> <td>3\"/> <tr> <td>342</td> <td>ETR</td> <td>-</td> <td>WD.</td> <td>J2</td> <td>PTD.</td> <td>-</td> <td>334A</td> <td>3\"/> <tr> <td>344</td> <td>ETR</td> <td>-</td> <td>WD.</td> <td>J2</td> <td>PTD.</td> <td>-</td> <td>334B</td> <td>3\"/> <tr> <td>345</td> <td>ETR</td> <td>-</td> <td>WD.</td> <td>J2</td> <td>PTD.</td> <td>-</td> <td>335A</td> <td>3\"/> <tr> <td>346</td> <td>ETR</td> <td>-</td> <td>WD.</td> <td>J2</td> <td>PTD.</td> <td>-</td> <td>335B</td> <td>3\"/> <tr> <td>347</td> <td>ETR</td> <td>-</td> <td>WD.</td> <td>J2</td> <td>PTD.</td> <td>-</td> <td>336</td> <td>3\"/> <tr> <td>348</td> <td>ETR</td> <td>-</td> <td>WD.</td> <td>J2</td> <td>PTD.</td> <td>-</td> <td>337</td> <td>3\"/> <tr> <td>349</td> <td>ETR</td> <td>-</td> <td>WD.</td> <td>J2</td> <td>PTD.</td> <td>-</td> <td>339</td> <td>3\"/> <tr> <td>350</td> <td>ETR</td> <td>-</td> <td>WD.</td> <td>J2</td> <td>PTD.</td> <td>-</td> <td>340</td> <td>3\"/> </td></tr></td></tr></td></tr></td></tr></td></tr></td></tr></td></tr></td></tr></td></tr></td></tr></td></tr></td></tr></td></tr></td></tr></td></tr></td></tr></td></tr></td></tr></td></tr> | 333 | ETR | -
 | WD. | J2 | PTD. | - | 324 | 3\"/> <tr> <td>334A</td> <td>ETR</td> <td>-</td> <td>WD.</td> <td>J2</td> <td>PTD.</td> <td>-</td> <td>325</td> <td>3\"/> <tr> <td>334B</td> <td>ETR</td> <td>-</td> <td>WD.</td> <td>J2</td> <td>PTD.</td> <td>-</td> <td>327</td> <td>3\"/> <tr> <td>335A</td> <td>ETR</td> <td>-</td> <td>WD.</td> <td>J2</td> <td>PTD.</td> <td>-</td> <td>328</td> <td>3\"/> <tr> <td>335B</td> <td>B</td> <td>3\"/> <tr> <td>336</td> <td>B</td> <td>3\"/> <tr> <td>337</td> <td>ETR</td> <td>-</td> <td>WD.</td> <td>J2</td> <td>PTD.</td> <td>-</td> <td>329A</td> <td>3\"/> <tr> <td>339</td> <td>ETR</td> <td>-</td> <td>WD.</td> <td>J2</td> <td>PTD.</td> <td>-</td> <td>329B</td> <td>3\"/> <tr> <td>340</td> <td>A</td> <td>3\"/> <tr> <td>341A</td> <td>ETR</td> <td>-</td> <td>WD.</td> <td>J2</td> <td>PTD.</td> <td>-</td> <td>331</td> <td>3\"/> <tr> <td>341B</td> <td>ETR</td> <td>-</td> <td>WD.</td> <td>J2</td> <td>PTD.</td> <td>-</td> <td>333</td> <td>3\"/> <tr> <td>342</td> <td>ETR</td> <td>-</td> <td>WD.</td> <td>J2</td> <td>PTD.</td> <td>-</td> <td>334A</td> <td>3\"/> <tr> <td>344</td> <td>ETR</td> <td>-</td> <td>WD.</td> <td>J2</td> <td>PTD.</td> <td>-</td> <td>334B</td> <td>3\"/> <tr> <td>345</td> <td>ETR</td> <td>-</td> <td>WD.</td> <td>J2</td> <td>PTD.</td> <td>-</td> <td>335A</td> <td>3\"/> <tr> <td>346</td> <td>ETR</td> <td>-</td> <td>WD.</td> <td>J2</td> <td>PTD.</td> <td>-</td> <td>335B</td> <td>3\"/> <tr> <td>347</td> <td>ETR</td> <td>-</td> <td>WD.</td> <td>J2</td> <td>PTD.</td> <td>-</td> <td>336</td> <td>3\"/> <tr> <td>348</td> <td>ETR</td> <td>-</td> <td>WD.</td> <td>J2</td> <td>PTD.</td> <td>-</td> <td>337</td> <td>3\"/> <tr> <td>349</td> <td>ETR</td> <td>-</td> <td>WD.</td> <td>J2</td> <td>PTD.</td> <td>-</td> <td>339</td> <td>3\"/> <tr> <td>350</td> <td>ETR</td> <td>-</td> <td>WD.</td> <td>J2</td> <td>PTD.</td> <td>-</td> <td>340</td> <td>3\"/> </td></tr></td></tr></td></tr></td></tr></td></tr></td></tr></td></tr></td></tr></td></tr></td></tr></td></tr></td></tr></td></tr></td></tr></td></tr></td></tr></td></tr></td></tr>
 | 334A | ETR | - | WD. | J2 | PTD. | - | 325 | 3\"/> <tr> <td>334B</td> <td>ETR</td> <td>-</td> <td>WD.</td> <td>J2</td> <td>PTD.</td> <td>-</td> <td>327</td> <td>3\"/> <tr> <td>335A</td> <td>ETR</td> <td>-</td> <td>WD.</td> <td>J2</td> <td>PTD.</td> <td>-</td> <td>328</td> <td>3\"/> <tr> <td>335B</td> <td>B</td> <td>3\"/> <tr> <td>336</td> <td>B</td> <td>3\"/> <tr> <td>337</td> <td>ETR</td> <td>-</td> <td>WD.</td> <td>J2</td> <td>PTD.</td> <td>-</td> <td>329A</td> <td>3\"/> <tr> <td>339</td> <td>ETR</td> <td>-</td> <td>WD.</td> <td>J2</td> <td>PTD.</td> <td>-</td> <td>329B</td> <td>3\"/> <tr> <td>340</td> <td>A</td> <td>3\"/> <tr> <td>341A</td> <td>ETR</td> <td>-</td> <td>WD.</td> <td>J2</td> <td>PTD.</td> <td>-</td> <td>331</td> <td>3\"/> <tr> <td>341B</td> <td>ETR</td> <td>-</td> <td>WD.</td> <td>J2</td> <td>PTD.</td> <td>-</td> <td>333</td> <td>3\"/> <tr> <td>342</td> <td>ETR</td> <td>-</td> <td>WD.</td>
<td>J2</td> <td>PTD.</td> <td>-</td> <td>334A</td> <td>3\"/> <tr> <td>344</td> <td>ETR</td> <td>-</td> <td>WD.</td> <td>J2</td> <td>PTD.</td> <td>-</td> <td>334B</td> <td>3\"/> <tr> <td>345</td> <td>ETR</td> <td>-</td> <td>WD.</td> <td>J2</td> <td>PTD.</td> <td>-</td> <td>335A</td> <td>3\"/> <tr> <td>346</td> <td>ETR</td> <td>-</td> <td>WD.</td> <td>J2</td> <td>PTD.</td> <td>-</td> <td>335B</td> <td>3\"/> <tr> <td>347</td> <td>ETR</td> <td>-</td> <td>WD.</td> <td>J2</td> <td>PTD.</td> <td>-</td> <td>336</td> <td>3\"/> <tr> <td>348</td> <td>ETR</td> <td>-</td> <td>WD.</td> <td>J2</td> <td>PTD.</td> <td>-</td> <td>337</td> <td>3\"/> <tr> <td>349</td> <td>ETR</td> <td>-</td> <td>WD.</td> <td>J2</td> <td>PTD.</td> <td>-</td> <td>339</td> <td>3\"/> <tr> <td>350</td> <td>ETR</td> <td>-</td> <td>WD.</td> <td>J2</td> <td>PTD.</td> <td>-</td> <td>340</td> <td>3\"/> </td></tr></td></tr></td></tr></td></tr></td></tr></td></tr></td></tr></td></tr></td></tr></td></tr></td></tr></td></tr></td></tr></td></tr></td></tr></td></tr></td></tr> | 334B | ETR | - | WD. | J2 | PTD.
 | - | 327 | 3\"/> <tr> <td>335A</td> <td>ETR</td> <td>-</td> <td>WD.</td> <td>J2</td> <td>PTD.</td> <td>-</td> <td>328</td> <td>3\"/> <tr> <td>335B</td> <td>B</td> <td>3\"/> <tr> <td>336</td> <td>B</td> <td>3\"/> <tr> <td>337</td> <td>ETR</td> <td>-</td> <td>WD.</td> <td>J2</td> <td>PTD.</td> <td>-</td> <td>329A</td> <td>3\"/> <tr> <td>339</td> <td>ETR</td> <td>-</td> <td>WD.</td> <td>J2</td> <td>PTD.</td> <td>-</td> <td>329B</td> <td>3\"/> <tr> <td>340</td> <td>A</td> <td>3\"/> <tr> <td>341A</td> <td>ETR</td> <td>-</td> <td>WD.</td> <td>J2</td> <td>PTD.</td> <td>-</td> <td>331</td> <td>3\"/> <tr> <td>341B</td> <td>ETR</td> <td>-</td> <td>WD.</td> <td>J2</td> <td>PTD.</td> <td>-</td> <td>333</td> <td>3\"/> <tr> <td>342</td> <td>ETR</td> <td>-</td> <td>WD.</td> <td>J2</td> <td>PTD.</td> <td>-</td> <td>334A</td> <td>3\"/> <tr> <td>344</td> <td>ETR</td> <td>-</td> <td>WD.</td> <td>J2</td> <td>PTD.</td> <td>-</td> <td>334B</td> <td>3\"/> <tr> <td>345</td> <td>ETR</td> <td>-</td> <td>WD.</td> <td>J2</td> <td>PTD.</td> <td>-</td> <td>335A</td> <td>3\"/> <tr> <td>346</td> <td>ETR</td> <td>-</td> <td>WD.</td> <td>J2</td> <td>PTD.</td> <td>-</td> <td>335B</td> <td>3\"/> <tr> <td>347</td> <td>ETR</td> <td>-</td> <td>WD.</td> <td>J2</td> <td>PTD.</td> <td>-</td> <td>336</td> <td>3\"/> <tr> <td>348</td> <td>ETR</td> <td>-</td> <td>WD.</td> <td>J2</td> <td>PTD.</td> <td>-</td> <td>337</td> <td>3\"/> <tr> <td>349</td> <td>ETR</td> <td>-</td> <td>WD.</td> <td>J2</td> <td>PTD.</td> <td>-</td> <td>339</td> <td>3\"/> <tr> <td>350</td> <td>ETR</td> <td>-</td> <td>WD.</td> <td>J2</td> <td>PTD.</td> <td>-</td> <td>340</td> <td>3\"/> </td></tr></td></tr></td></tr></td></tr></td></tr></td></tr></td></tr></td></tr></td></tr></td></tr></td></tr></td></tr></td></tr></td></tr></td></tr></td></tr> | 335A | ETR | - | WD. | J2 | PTD.
 | - | 328 | 3\"/> <tr> <td>335B</td> <td>B</td> <td>3\"/> <tr> <td>336</td> <td>B</td> <td>3\"/> <tr> <td>337</td> <td>ETR</td> <td>-</td> <td>WD.</td> <td>J2</td> <td>PTD.</td> <td>-</td> <td>329A</td> <td>3\"/> <tr> <td>339</td> <td>ETR</td> <td>-</td> <td>WD.</td> <td>J2</td> <td>PTD.</td> <td>-</td> <td>329B</td> <td>3\"/> <tr> <td>340</td> <td>A</td> <td>3\"/> <tr> <td>341A</td> <td>ETR</td> <td>-</td> <td>WD.</td> <td>J2</td> <td>PTD.</td> <td>-</td> <td>331</td> <td>3\"/> <tr> <td>341B</td> <td>ETR</td> <td>-</td> <td>WD.</td> <td>J2</td> <td>PTD.</td> <td>-</td> <td>333</td> <td>3\"/> <tr> <td>342</td> <td>ETR</td> <td>-</td> <td>WD.</td> <td>J2</td> <td>PTD.</td> <td>-</td> <td>334A</td> <td>3\"/> <tr> <td>344</td> <td>ETR</td> <td>-</td> <td>WD.</td> <td>J2</td> <td>PTD.</td> <td>-</td> <td>334B</td> <td>3\"/> <tr> <td>345</td> <td>ETR</td> <td>-</td> <td>WD.</td> <td>J2</td> <td>PTD.</td> <td>-</td> <td>335A</td> <td>3\"/> <tr> <td>346</td> <td>ETR</td> <td>-</td> <td>WD.</td> <td>J2</td> <td>PTD.</td> <td>-</td> <td>335B</td> <td>3\"/> <tr> <td>347</td> <td>ETR</td> <td>-</td> <td>WD.</td> <td>J2</td> <td>PTD.</td> <td>-</td> <td>336</td> <td>3\"/> <tr> <td>348</td> <td>ETR</td> <td>-</td> <td>WD.</td> <td>J2</td> <td>PTD.</td> <td>-</td> <td>337</td> <td>3\"/> <tr> <td>349</td> <td>ETR</td> <td>-</td> <td>WD.</td> <td>J2</td> <td>PTD.</td> <td>-</td> <td>339</td> <td>3\"/> <tr> <td>350</td> <td>ETR</td> <td>-</td> <td>WD.</td> <td>J2</td> <td>PTD.</td> <td>-</td> <td>340</td> <td>3\"/> </td></tr></td></tr></td></tr></td></tr></td></tr></td></tr></td></tr></td></tr></td></tr></td></tr></td></tr></td></tr></td></tr></td></tr></td></tr> | 335B | B | 3\"/> <tr> <td>336</td> <td>B</td> <td>3\"/> <tr> <td>337</td> <td>ETR</td> <td>-</td> <td>WD.</td> <td>J2</td> <td>PTD.</td> <td>-</td> <td>329A</td> <td>3\"/> <tr> <td>339</td> <td>ETR</td> <td>-</td> <td>WD.</td> <td>J2</td> <td>PTD.</td> <td>-</td> <td>329B</td> <td>3\"/> <tr> <td>340</td> <td>A</td> <td>3\"/> <tr> <td>341A</td> <td>ETR</td> <td>-</td> <td>WD.</td> <td>J2</td> <td>PTD.</td> <td>-</td> <td>331</td> <td>3\"/> <tr> <td>341B</td> <td>ETR</td> <td>-</td> <td>WD.</td> <td>J2</td> <td>PTD.</td> <td>-</td> <td>333</td> <td>3\"/> <tr> <td>342</td> <td>ETR</td> <td>-</td> <td>WD.</td> <td>J2</td> <td>PTD.</td> <td>-</td> <td>334A</td> <td>3\"/> <tr> <td>344</td> <td>ETR</td> <td>-</td> <td>WD.</td> <td>J2</td> <td>PTD.</td> <td>-</td> <td>334B</td> <td>3\"/> <tr> <td>345</td> <td>ETR</td> <td>-</td> <td>WD.</td> <td>J2</td> <td>PTD.</td> <td>-</td> <td>335A</td> <td>3\"/> <tr> <td>346</td> <td>ETR</td> <td>-</td> <td>WD.</td> <td>J2</td> <td>PTD.</td> <td>-</td> <td>335B</td> <td>3\"/> <tr> <td>347</td> <td>ETR</td> <td>-</td> <td>WD.</td> <td>J2</td> <td>PTD.</td> <td>-</td> <td>336</td> <td>3\"/> <tr> <td>348</td> <td>ETR</td> <td>-</td> <td>WD.</td> <td>J2</td> <td>PTD.</td> <td>-</td> <td>337</td> <td>3\"/> <tr> <td>349</td> <td>ETR</td> <td>-</td> <td>WD.</td> <td>J2</td> <td>PTD.</td> <td>-</td> <td>339</td> <td>3\"/> <tr> <td>350</td> <td>ETR</td> <td>-</td> <td>WD.</td> <td>J2</td> <td>PTD.</td> <td>-</td> <td>340</td> <td>3\"/> </td></tr></td></tr></td></tr></td></tr></td></tr></td></tr></td></tr></td></tr></td></tr></td></tr></td></tr></td></tr></td></tr></td></tr>
 | 336 | B | 3\"/> <tr> <td>337</td> <td>ETR</td> <td>-</td> <td>WD.</td> <td>J2</td> <td>PTD.</td> <td>-</td> <td>329A</td> <td>3\"/> <tr> <td>339</td> <td>ETR</td> <td>-</td> <td>WD.</td> <td>J2</td> <td>PTD.</td> <td>-</td> <td>329B</td> <td>3\"/> <tr> <td>340</td> <td>A</td> <td>3\"/> <tr> <td>341A</td> <td>ETR</td> <td>-</td> <td>WD.</td> <td>J2</td> <td>PTD.</td> <td>-</td> <td>331</td> <td>3\"/> <tr> <td>341B</td> <td>ETR</td> <td>-</td> <td>WD.</td> <td>J2</td> <td>PTD.</td> <td>-</td> <td>333</td> <td>3\"/> <tr> <td>342</td> <td>ETR</td> <td>-</td> <td>WD.</td> <td>J2</td> <td>PTD.</td> <td>-</td> <td>334A</td> <td>3\"/> <tr> <td>344</td> <td>ETR</td> <td>-</td> <td>WD.</td> <td>J2</td> <td>PTD.</td> <td>-</td> <td>334B</td> <td>3\"/> <tr> <td>345</td> <td>ETR</td> <td>-</td> <td>WD.</td> <td>J2</td> <td>PTD.</td> <td>-</td> <td>335A</td> <td>3\"/> <tr> <td>346</td> <td>ETR</td> <td>-</td> <td>WD.</td> <td>J2</td> <td>PTD.</td> <td>-</td> <td>335B</td> <td>3\"/> <tr> <td>347</td> <td>ETR</td> <td>-</td> <td>WD.</td> <td>J2</td> <td>PTD.</td> <td>-</td> <td>336</td> <td>3\"/> <tr> <td>348</td> <td>ETR</td> <td>-</td> <td>WD.</td> <td>J2</td> <td>PTD.</td> <td>-</td> <td>337</td> <td>3\"/> <tr> <td>349</td> <td>ETR</td> <td>-</td> <td>WD.</td> <td>J2</td> <td>PTD.</td> <td>-</td> <td>339</td> <td>3\"/> <tr> <td>350</td> <td>ETR</td> <td>-</td> <td>WD.</td> <td>J2</td> <td>PTD.</td> <td>-</td> <td>340</td> <td>3\"/> </td></tr></td></tr></td></tr></td></tr></td></tr></td></tr></td></tr></td></tr></td></tr></td></tr></td></tr></td></tr></td></tr> | 337 | ETR | - | WD. | J2 | PTD.
 | - | 329A | 3\"/> <tr> <td>339</td> <td>ETR</td> <td>-</td> <td>WD.</td> <td>J2</td> <td>PTD.</td> <td>-</td> <td>329B</td> <td>3\"/> <tr> <td>340</td> <td>A</td> <td>3\"/> <tr> <td>341A</td> <td>ETR</td> <td>-</td> <td>WD.</td> <td>J2</td> <td>PTD.</td> <td>-</td> <td>331</td> <td>3\"/> <tr> <td>341B</td> <td>ETR</td> <td>-</td> <td>WD.</td> <td>J2</td> <td>PTD.</td> <td>-</td> <td>333</td> <td>3\"/> <tr> <td>342</td> <td>ETR</td> <td>-</td> <td>WD.</td> <td>J2</td> <td>PTD.</td> <td>-</td> <td>334A</td> <td>3\"/> <tr> <td>344</td> <td>ETR</td> <td>-</td> <td>WD.</td> <td>J2</td> <td>PTD.</td> <td>-</td> <td>334B</td> <td>3\"/> <tr> <td>345</td> <td>ETR</td> <td>-</td> <td>WD.</td> <td>J2</td> <td>PTD.</td> <td>-</td> <td>335A</td> <td>3\"/> <tr> <td>346</td> <td>ETR</td> <td>-</td> <td>WD.</td> <td>J2</td> <td>PTD.</td> <td>-</td> <td>335B</td> <td>3\"/> <tr> <td>347</td> <td>ETR</td> <td>-</td> <td>WD.</td> <td>J2</td> <td>PTD.</td> <td>-</td> <td>336</td> <td>3\"/> <tr> <td>348</td> <td>ETR</td> <td>-</td> <td>WD.</td> <td>J2</td> <td>PTD.</td> <td>-</td> <td>337</td> <td>3\"/> <tr> <td>349</td> <td>ETR</td> <td>-</td> <td>WD.</td> <td>J2</td> <td>PTD.</td> <td>-</td> <td>339</td> <td>3\"/> <tr> <td>350</td> <td>ETR</td> <td>-</td> <td>WD.</td> <td>J2</td> <td>PTD.</td> <td>-</td> <td>340</td> <td>3\"/> </td></tr></td></tr></td></tr></td></tr></td></tr></td></tr></td></tr></td></tr></td></tr></td></tr></td></tr></td></tr> | 339 | ETR | - | WD. | J2 | PTD.
 | - | 329B | 3\"/> <tr> <td>340</td> <td>A</td> <td>3\"/> <tr> <td>341A</td> <td>ETR</td> <td>-</td> <td>WD.</td> <td>J2</td> <td>PTD.</td> <td>-</td> <td>331</td> <td>3\"/> <tr> <td>341B</td> <td>ETR</td> <td>-</td> <td>WD.</td> <td>J2</td> <td>PTD.</td> <td>-</td> <td>333</td> <td>3\"/> <tr> <td>342</td> <td>ETR</td> <td>-</td> <td>WD.</td> <td>J2</td> <td>PTD.</td> <td>-</td> <td>334A</td> <td>3\"/> <tr> <td>344</td> <td>ETR</td> <td>-</td> <td>WD.</td> <td>J2</td> <td>PTD.</td> <td>-</td> <td>334B</td> <td>3\"/> <tr> <td>345</td> <td>ETR</td> <td>-</td> <td>WD.</td> <td>J2</td> <td>PTD.</td> <td>-</td> <td>335A</td> <td>3\"/> <tr> <td>346</td> <td>ETR</td> <td>-</td> <td>WD.</td> <td>J2</td> <td>PTD.</td> <td>-</td> <td>335B</td> <td>3\"/> <tr> <td>347</td> <td>ETR</td> <td>-</td> <td>WD.</td> <td>J2</td> <td>PTD.</td> <td>-</td> <td>336</td> <td>3\"/> <tr> <td>348</td> <td>ETR</td> <td>-</td> <td>WD.</td> <td>J2</td> <td>PTD.</td> <td>-</td> <td>337</td> <td>3\"/> <tr> <td>349</td> <td>ETR</td> <td>-</td> <td>WD.</td> <td>J2</td> <td>PTD.</td> <td>-</td> <td>339</td> <td>3\"/> <tr> <td>350</td> <td>ETR</td> <td>-</td> <td>WD.</td> <td>J2</td> <td>PTD.</td> <td>-</td> <td>340</td> <td>3\"/> </td></tr></td></tr></td></tr></td></tr></td></tr></td></tr></td></tr></td></tr></td></tr></td></tr></td></tr> | 340 | A | 3\"/> <tr> <td>341A</td> <td>ETR</td> <td>-</td> <td>WD.</td> <td>J2</td> <td>PTD.</td> <td>-</td> <td>331</td> <td>3\"/> <tr> <td>341B</td> <td>ETR</td> <td>-</td> <td>WD.</td> <td>J2</td> <td>PTD.</td> <td>-</td> <td>333</td> <td>3\"/> <tr> <td>342</td> <td>ETR</td> <td>-</td> <td>WD.</td> <td>J2</td> <td>PTD.</td> <td>-</td> <td>334A</td> <td>3\"/> <tr> <td>344</td> <td>ETR</td> <td>-</td> <td>WD.</td> <td>J2</td> <td>PTD.</td> <td>-</td> <td>334B</td> <td>3\"/> <tr> <td>345</td> <td>ETR</td> <td>-</td> <td>WD.</td> <td>J2</td> <td>PTD.</td> <td>-</td> <td>335A</td> <td>3\"/> <tr> <td>346</td> <td>ETR</td> <td>-</td> <td>WD.</td> <td>J2</td> <td>PTD.</td> <td>-</td> <td>335B</td> <td>3\"/> <tr> <td>347</td> <td>ETR</td> <td>-</td> <td>WD.</td> <td>J2</td> <td>PTD.</td> <td>-</td> <td>336</td> <td>3\"/> <tr> <td>348</td> <td>ETR</td> <td>-</td> <td>WD.</td> <td>J2</td> <td>PTD.</td> <td>-</td> <td>337</td> <td>3\"/> <tr> <td>349</td> <td>ETR</td> <td>-</td> <td>WD.</td> <td>J2</td> <td>PTD.</td> <td>-</td> <td>339</td> <td>3\"/> <tr> <td>350</td> <td>ETR</td> <td>-</td> <td>WD.</td> <td>J2</td> <td>PTD.</td> <td>-</td> <td>340</td> <td>3\"/> </td></tr></td></tr></td></tr></td></tr></td></tr></td></tr></td></tr></td></tr></td></tr></td></tr>
 | 341A | ETR | - | WD. | J2 | PTD. | - | 331 | 3\"/> <tr> <td>341B</td> <td>ETR</td> <td>-</td> <td>WD.</td> <td>J2</td> <td>PTD.</td> <td>-</td> <td>333</td> <td>3\"/> <tr> <td>342</td> <td>ETR</td> <td>-</td> <td>WD.</td> <td>J2</td> <td>PTD.</td> <td>-</td> <td>334A</td> <td>3\"/> <tr> <td>344</td> <td>ETR</td> <td>-</td> <td>WD.</td> <td>J2</td> <td>PTD.</td> <td>-</td> <td>334B</td> <td>3\"/> <tr> <td>345</td> <td>ETR</td> <td>-</td> <td>WD.</td> <td>J2</td> <td>PTD.</td> <td>-</td> <td>335A</td> <td>3\"/> <tr> <td>346</td> <td>ETR</td> <td>-</td> <td>WD.</td> <td>J2</td> <td>PTD.</td> <td>-</td> <td>335B</td> <td>3\"/> <tr> <td>347</td> <td>ETR</td> <td>-</td> <td>WD.</td> <td>J2</td> <td>PTD.</td> <td>-</td> <td>336</td> <td>3\"/> <tr> <td>348</td> <td>ETR</td> <td>-</td> <td>WD.</td> <td>J2</td> <td>PTD.</td> <td>-</td> <td>337</td> <td>3\"/> <tr> <td>349</td> <td>ETR</td> <td>-</td> <td>WD.</td> <td>J2</td> <td>PTD.</td> <td>-</td> <td>339</td> <td>3\"/> <tr> <td>350</td> <td>ETR</td> <td>-</td> <td>WD.</td> <td>J2</td> <td>PTD.</td> <td>-</td> <td>340</td> <td>3\"/> </td></tr></td></tr></td></tr></td></tr></td></tr></td></tr></td></tr></td></tr></td></tr>
 | 341B | ETR | - | WD. | J2 | PTD. | - | 333 | 3\"/> <tr> <td>342</td> <td>ETR</td> <td>-</td> <td>WD.</td> <td>J2</td> <td>PTD.</td> <td>-</td> <td>334A</td> <td>3\"/> <tr> <td>344</td> <td>ETR</td> <td>-</td> <td>WD.</td> <td>J2</td> <td>PTD.</td> <td>-</td> <td>334B</td> <td>3\"/> <tr> <td>345</td> <td>ETR</td> <td>-</td> <td>WD.</td> <td>J2</td> <td>PTD.</td> <td>-</td> <td>335A</td> <td>3\"/> <tr> <td>346</td> <td>ETR</td> <td>-</td> <td>WD.</td> <td>J2</td> <td>PTD.</td> <td>-</td> <td>335B</td> <td>3\"/> <tr> <td>347</td> <td>ETR</td> <td>-</td> <td>WD.</td> <td>J2</td> <td>PTD.</td> <td>-</td> <td>336</td> <td>3\"/> <tr> <td>348</td> <td>ETR</td> <td>-</td> <td>WD.</td> <td>J2</td> <td>PTD.</td> <td>-</td> <td>337</td> <td>3\"/> <tr> <td>349</td> <td>ETR</td> <td>-</td> <td>WD.</td> <td>J2</td> <td>PTD.</td> <td>-</td> <td>339</td> <td>3\"/> <tr> <td>350</td> <td>ETR</td> <td>-</td> <td>WD.</td> <td>J2</td> <td>PTD.</td> <td>-</td> <td>340</td> <td>3\"/> </td></tr></td></tr></td></tr></td></tr></td></tr></td></tr></td></tr></td></tr>
 | 342 | ETR | - | WD. | J2 | PTD. | - | 334A | 3\"/> <tr> <td>344</td> <td>ETR</td> <td>-</td> <td>WD.</td> <td>J2</td> <td>PTD.</td> <td>-</td> <td>334B</td> <td>3\"/> <tr> <td>345</td> <td>ETR</td> <td>-</td> <td>WD.</td> <td>J2</td> <td>PTD.</td> <td>-</td> <td>335A</td> <td>3\"/> <tr> <td>346</td> <td>ETR</td> <td>-</td> <td>WD.</td> <td>J2</td> <td>PTD.</td> <td>-</td> <td>335B</td> <td>3\"/> <tr> <td>347</td> <td>ETR</td> <td>-</td> <td>WD.</td> <td>J2</td> <td>PTD.</td> <td>-</td> <td>336</td> <td>3\"/> <tr> <td>348</td> <td>ETR</td> <td>-</td> <td>WD.</td> <td>J2</td> <td>PTD.</td> <td>-</td> <td>337</td> <td>3\"/> <tr> <td>349</td> <td>ETR</td> <td>-</td> <td>WD.</td> <td>J2</td> <td>PTD.</td> <td>-</td> <td>339</td> <td>3\"/> <tr> <td>350</td> <td>ETR</td> <td>-</td> <td>WD.</td> <td>J2</td> <td>PTD.</td> <td>-</td> <td>340</td> <td>3\"/> </td></tr></td></tr></td></tr></td></tr></td></tr></td></tr></td></tr> | 344 | ETR | -
 | WD. | J2 | PTD. | - | 334B | 3\"/> <tr> <td>345</td> <td>ETR</td> <td>-</td> <td>WD.</td> <td>J2</td> <td>PTD.</td> <td>-</td> <td>335A</td> <td>3\"/> <tr> <td>346</td> <td>ETR</td> <td>-</td> <td>WD.</td> <td>J2</td> <td>PTD.</td> <td>-</td> <td>335B</td> <td>3\"/> <tr> <td>347</td> <td>ETR</td> <td>-</td> <td>WD.</td> <td>J2</td> <td>PTD.</td> <td>-</td> <td>336</td> <td>3\"/> <tr> <td>348</td> <td>ETR</td> <td>-</td> <td>WD.</td> <td>J2</td> <td>PTD.</td> <td>-</td> <td>337</td> <td>3\"/> <tr> <td>349</td> <td>ETR</td> <td>-</td> <td>WD.</td> <td>J2</td> <td>PTD.</td> <td>-</td> <td>339</td> <td>3\"/> <tr> <td>350</td> <td>ETR</td> <td>-</td> <td>WD.</td> <td>J2</td> <td>PTD.</td> <td>-</td> <td>340</td> <td>3\"/> </td></tr></td></tr></td></tr></td></tr></td></tr></td></tr> | 345 | ETR | -
 | WD. | J2 | PTD. | - | 335A | 3\"/> <tr> <td>346</td> <td>ETR</td> <td>-</td> <td>WD.</td> <td>J2</td> <td>PTD.</td> <td>-</td> <td>335B</td> <td>3\"/> <tr> <td>347</td> <td>ETR</td> <td>-</td> <td>WD.</td> <td>J2</td> <td>PTD.</td> <td>-</td> <td>336</td> <td>3\"/> <tr> <td>348</td> <td>ETR</td> <td>-</td> <td>WD.</td> <td>J2</td> <td>PTD.</td> <td>-</td> <td>337</td> <td>3\"/> <tr> <td>349</td> <td>ETR</td> <td>-</td> <td>WD.</td> <td>J2</td> <td>PTD.</td> <td>-</td> <td>339</td> <td>3\"/> <tr> <td>350</td> <td>ETR</td> <td>-</td> <td>WD.</td> <td>J2</td> <td>PTD.</td> <td>-</td> <td>340</td> <td>3\"/> </td></tr></td></tr></td></tr></td></tr></td></tr> | 346 | ETR | - | WD. | J2 | PTD.
 | - | 335B | 3\"/> <tr> <td>347</td> <td>ETR</td> <td>-</td> <td>WD.</td> <td>J2</td> <td>PTD.</td> <td>-</td> <td>336</td> <td>3\"/> <tr> <td>348</td> <td>ETR</td> <td>-</td> <td>WD.</td> <td>J2</td> <td>PTD.</td> <td>-</td> <td>337</td> <td>3\"/> <tr> <td>349</td> <td>ETR</td> <td>-</td> <td>WD.</td> <td>J2</td> <td>PTD.</td> <td>-</td> <td>339</td> <td>3\"/> <tr> <td>350</td> <td>ETR</td> <td>-</td> <td>WD.</td> <td>J2</td> <td>PTD.</td> <td>-</td> <td>340</td> <td>3\"/> </td></tr></td></tr></td></tr></td></tr> | 347 | ETR | - | WD. | J2 | PTD.
 | - | 336 | 3\"/> <tr> <td>348</td> <td>ETR</td> <td>-</td> <td>WD.</td> <td>J2</td> <td>PTD.</td> <td>-</td> <td>337</td> <td>3\"/> <tr> <td>349</td> <td>ETR</td> <td>-</td> <td>WD.</td> <td>J2</td> <td>PTD.</td> <td>-</td> <td>339</td> <td>3\"/> <tr> <td>350</td> <td>ETR</td> <td>-</td> <td>WD.</td> <td>J2</td> <td>PTD.</td> <td>-</td> <td>340</td> <td>3\"/> </td></tr></td></tr></td></tr> | 348 | ETR | - | WD. | J2 | PTD. | - | 337 | 3\"/> <tr> <td>349</td> <td>ETR</td> <td>-</td> <td>WD.</td> <td>J2</td> <td>PTD.</td> <td>-</td> <td>339</td> <td>3\"/> <tr> <td>350</td> <td>ETR</td> <td>-</td> <td>WD.</td> <td>J2</td> <td>PTD.</td> <td>-</td> <td>340</td> <td>3\"/> </td></tr></td></tr>
 | 349 | ETR | - | WD. | J2 | PTD. | - | 339 | 3\"/> <tr> <td>350</td> <td>ETR</td> <td>-</td> <td>WD.</td> <td>J2</td> <td>PTD.</td> <td>-</td> <td>340</td> <td>3\"/> </td></tr> | 350 | ETR | -
 | WD. | J2 | PTD. | - | 340 | 3\"/> | | | | | | | | | | | | | | | | | | | | | | | | | | | | | | | | | | | | | | | | | | | | | | | | | | | | | | | | | | | | |
 | | | | | | | | | | | | | | |
 | | | | | | | | | | | | | | | | | |
 | | | | | | | | | | | | | | | | | | | | |
 | | | | | | | | | | | | | | | | | | | | | | | | | | |
 | | | | | | | | | | | | | | | | | | | | | | | | | | | | | | | | | | | | | | | | | | | | | | | | | | | | | | | | | | | | | | | | | | |
| 325 | A | 3\"/> <tr> <td>327</td> <td>ETR</td> <td>-</td> <td>WD.</td> <td>J2</td> <td>PTD.</td> <td>-</td> <td>319</td> <td>3\"/> <tr> <td>328</td> <td>ETR</td> <td>-</td> <td>WD.</td> <td>J2</td> <td>PTD.</td> <td>-</td> <td>320</td> <td>3\"/> <tr> <td>329A</td> <td>ETR</td> <td>-</td> <td>WD.</td> <td>J2</td> <td>PTD.</td> <td>-</td> <td>321</td> <td>3\"/> <tr> <td>329B</td> <td>ETR</td> <td>-</td> <td>WD.</td> <td>J2</td> <td>PTD.</td> <td>-</td> <td>322</td> <td>3\"/> <tr> <td>331</td> <td>ETR</td> <td>-</td> <td>WD.</td> <td>J2</td> <td>PTD.</td> <td>-</td> <td>323</td> <td>3\"/> <tr> <td>333</td> <td>ETR</td> <td>-</td> <td>WD.</td> <td>J2</td> <td>PTD.</td> <td>-</td> <td>324</td> <td>3\"/> <tr> <td>334A</td> <td>ETR</td> <td>-</td> <td>WD.</td> <td>J2</td> <td>PTD.</td> <td>-</td> <td>325</td> <td>3\"/> <tr> <td>334B</td> <td>ETR</td> <td>-</td> <td>WD.</td> <td>J2</td> <td>PTD.</td> <td>-</td> <td>327</td> <td>3\"/> <tr> <td>335A</td> <td>ETR</td> <td>-</td> <td>WD.</td> <td>J2</td> <td>PTD.</td> <td>-</td> <td>328</td> <td>3\"/> <tr> <td>335B</td> <td>B</td> <td>3\"/> <tr> <td>336</td> <td>B</td> <td>3\"/> <tr> <td>337</td> <td>ETR</td> <td>-</td> <td>WD.</td> <td>J2</td> <td>PTD.</td> <td>-</td> <td>329A</td> <td>3\"/> <tr> <td>339</td> <td>ETR</td> <td>-</td> <td>WD.</td> <td>J2</td> <td>PTD.</td> <td>-</td> <td>329B</td> <td>3\"/> <tr> <td>340</td> <td>A</td> <td>3\"/> <tr> <td>341A</td> <td>ETR</td> <td>-</td> <td>WD.</td> <td>J2</td> <td>PTD.</td> <td>-</td> <td>331</td> <td>3\"/> <tr> <td>341B</td> <td>ETR</td> <td>-</td> <td>WD.</td> <td>J2</td> <td>PTD.</td> <td>-</td> <td>333</td> <td>3\"/> <tr> <td>342</td> <td>ETR</td> <td>-</td> <td>WD.</td> <td>J2</td> <td>PTD.</td> <td>-</td> <td>334A</td> <td>3\"/> <tr> <td>344</td> <td>ETR</td> <td>-</td> <td>WD.</td> <td>J2</td> <td>PTD.</td> <td>-</td> <td>334B</td> <td>3\"/> <tr> <td>345</td> <td>ETR</td> <td>-</td> <td>WD.</td> <td>J2</td> <td>PTD.</td> <td>-</td> <td>335A</td> <td>3\"/> <tr> <td>346</td> <td>ETR</td> <td>-</td> <td>WD.</td> <td>J2</td> <td>PTD.</td> <td>-</td> <td>335B</td> <td>3\"/> <tr> <td>347</td> <td>ETR</td> <td>-</td> <td>WD.</td> <td>J2</td> <td>PTD.</td> <td>-</td> <td>336</td> <td>3\"/> <tr> <td>348</td> <td>ETR</td> <td>-</td> <td>WD.</td> <td>J2</td> <td>PTD.</td> <td>-</td> <td>337</td> <td>3\"/> <tr> <td>349</td> <td>ETR</td> <td>-</td> <td>WD.</td> <td>J2</td> <td>PTD.</td> <td>-</td> <td>339</td> <td>3\"/> <tr> <td>350</td> <td>ETR</td> <td>-</td> <td>WD.</td> <td>J2</td> <td>PTD.</td> <td>-</td> <td>340</td> <td>3\"/> </td></tr></td></tr></td></tr></td></tr></td></tr></td></tr></td></tr></td></tr></td></tr></td></tr></td></tr></td></tr></td></tr></td></tr></td></tr></td></tr></td></tr></td></tr></td></tr></td></tr></td></tr></td></tr></td></tr></td></tr> | 327 | ETR | - | WD. | J2 | PTD.
 | - | 319 | 3\"/> <tr> <td>328</td> <td>ETR</td> <td>-</td> <td>WD.</td> <td>J2</td> <td>PTD.</td> <td>-</td> <td>320</td> <td>3\"/> <tr> <td>329A</td> <td>ETR</td> <td>-</td> <td>WD.</td> <td>J2</td> <td>PTD.</td> <td>-</td> <td>321</td> <td>3\"/> <tr> <td>329B</td> <td>ETR</td> <td>-</td> <td>WD.</td> <td>J2</td> <td>PTD.</td> <td>-</td> <td>322</td> <td>3\"/> <tr> <td>331</td> <td>ETR</td> <td>-</td> <td>WD.</td> <td>J2</td> <td>PTD.</td> <td>-</td> <td>323</td> <td>3\"/> <tr> <td>333</td> <td>ETR</td> <td>-</td> <td>WD.</td> <td>J2</td> <td>PTD.</td> <td>-</td> <td>324</td> <td>3\"/> <tr> <td>334A</td> <td>ETR</td> <td>-</td> <td>WD.</td> <td>J2</td> <td>PTD.</td> <td>-</td> <td>325</td> <td>3\"/> <tr> <td>334B</td> <td>ETR</td> <td>-</td> <td>WD.</td> <td>J2</td> <td>PTD.</td> <td>-</td> <td>327</td> <td>3\"/> <tr> <td>335A</td> <td>ETR</td> <td>-</td> <td>WD.</td> <td>J2</td> <td>PTD.</td> <td>-</td> <td>328</td> <td>3\"/> <tr> <td>335B</td> <td>B</td> <td>3\"/> <tr> <td>336</td> <td>B</td> <td>3\"/> <tr> <td>337</td> <td>ETR</td> <td>-</td> <td>WD.</td> <td>J2</td> <td>PTD.</td> <td>-</td> <td>329A</td> <td>3\"/> <tr> <td>339</td> <td>ETR</td> <td>-</td> <td>WD.</td> <td>J2</td> <td>PTD.</td> <td>-</td> <td>329B</td> <td>3\"/> <tr> <td>340</td> <td>A</td> <td>3\"/> <tr> <td>341A</td> <td>ETR</td> <td>-</td> <td>WD.</td> <td>J2</td> <td>PTD.</td> <td>-</td> <td>331</td> <td>3\"/> <tr> <td>341B</td> <td>ETR</td> <td>-</td> <td>WD.</td> <td>J2</td> <td>PTD.</td> <td>-</td> <td>333</td> <td>3\"/> <tr> <td>342</td> <td>ETR</td> <td>-</td> <td>WD.</td> <td>J2</td> <td>PTD.</td> <td>-</td> <td>334A</td> <td>3\"/> <tr> <td>344</td> <td>ETR</td> <td>-</td> <td>WD.</td> <td>J2</td> <td>PTD.</td> <td>-</td> <td>334B</td> <td>3\"/> <tr> <td>345</td> <td>ETR</td> <td>-</td> <td>WD.</td> <td>J2</td> <td>PTD.</td> <td>-</td> <td>335A</td> <td>3\"/> <tr> <td>346</td> <td>ETR</td> <td>-</td> <td>WD.</td> <td>J2</td> <td>PTD.</td> <td>-</td> <td>335B</td> <td>3\"/> <tr> <td>347</td> <td>ETR</td> <td>-</td> <td>WD.</td> <td>J2</td> <td>PTD.</td> <td>-</td> <td>336</td> <td>3\"/> <tr> <td>348</td> <td>ETR</td> <td>-</td> <td>WD.</td> <td>J2</td> <td>PTD.</td> <td>-</td> <td>337</td> <td>3\"/> <tr> <td>349</td> <td>ETR</td> <td>-</td> <td>WD.</td> <td>J2</td> <td>PTD.</td> <td>-</td> <td>339</td> <td>3\"/> <tr> <td>350</td> <td>ETR</td> <td>-</td> <td>WD.</td> <td>J2</td> <td>PTD.</td> <td>-</td> <td>340</td> <td>3\"/> </td></tr></td></tr></td></tr></td></tr></td></tr></td></tr></td></tr></td></tr></td></tr></td></tr></td></tr></td></tr></td></tr></td></tr></td></tr></td></tr></td></tr></td></tr></td></tr></td></tr></td></tr></td></tr></td></tr> | 328 | ETR | -
 | WD. | J2 | PTD. | - | 320 | 3\"/> <tr> <td>329A</td> <td>ETR</td> <td>-</td> <td>WD.</td> <td>J2</td> <td>PTD.</td> <td>-</td> <td>321</td> <td>3\"/> <tr> <td>329B</td> <td>ETR</td> <td>-</td> <td>WD.</td> <td>J2</td> <td>PTD.</td> <td>-</td> <td>322</td> <td>3\"/> <tr> <td>331</td> <td>ETR</td> <td>-</td> <td>WD.</td> <td>J2</td> <td>PTD.</td> <td>-</td> <td>323</td> <td>3\"/> <tr> <td>333</td> <td>ETR</td> <td>-</td> <td>WD.</td> <td>J2</td> <td>PTD.</td> <td>-</td> <td>324</td> <td>3\"/> <tr> <td>334A</td> <td>ETR</td> <td>-</td> <td>WD.</td> <td>J2</td> <td>PTD.</td> <td>-</td> <td>325</td> <td>3\"/> <tr> <td>334B</td> <td>ETR</td> <td>-</td> <td>WD.</td> <td>J2</td> <td>PTD.</td> <td>-</td> <td>327</td> <td>3\"/> <tr> <td>335A</td> <td>ETR</td> <td>-</td> <td>WD.</td> <td>J2</td> <td>PTD.</td> <td>-</td> <td>328</td> <td>3\"/> <tr> <td>335B</td> <td>B</td> <td>3\"/> <tr> <td>336</td> <td>B</td> <td>3\"/> <tr> <td>337</td> <td>ETR</td> <td>-</td> <td>WD.</td> <td>J2</td> <td>PTD.</td> <td>-</td> <td>329A</td> <td>3\"/> <tr> <td>339</td> <td>ETR</td> <td>-</td> <td>WD.</td> <td>J2</td> <td>PTD.</td> <td>-</td> <td>329B</td> <td>3\"/> <tr> <td>340</td> <td>A</td> <td>3\"/> <tr> <td>341A</td> <td>ETR</td> <td>-</td> <td>WD.</td> <td>J2</td> <td>PTD.</td> <td>-</td> <td>331</td> <td>3\"/> <tr> <td>341B</td> <td>ETR</td> <td>-</td> <td>WD.</td> <td>J2</td> <td>PTD.</td> <td>-</td> <td>333</td> <td>3\"/> <tr> <td>342</td> <td>ETR</td> <td>-</td> <td>WD.</td> <td>J2</td> <td>PTD.</td> <td>-</td> <td>334A</td> <td>3\"/> <tr> <td>344</td> <td>ETR</td> <td>-</td> <td>WD.</td> <td>J2</td> <td>PTD.</td> <td>-</td> <td>334B</td> <td>3\"/> <tr> <td>345</td> <td>ETR</td> <td>-</td> <td>WD.</td> <td>J2</td> <td>PTD.</td> <td>-</td> <td>335A</td> <td>3\"/> <tr> <td>346</td> <td>ETR</td> <td>-</td> <td>WD.</td> <td>J2</td> <td>PTD.</td> <td>-</td> <td>335B</td> <td>3\"/> <tr> <td>347</td> <td>ETR</td> <td>-</td> <td>WD.</td> <td>J2</td> <td>PTD.</td> <td>-</td> <td>336</td> <td>3\"/> <tr> <td>348</td> <td>ETR</td> <td>-</td> <td>WD.</td> <td>J2</td> <td>PTD.</td> <td>-</td> <td>337</td> <td>3\"/> <tr> <td>349</td> <td>ETR</td> <td>-</td> <td>WD.</td> <td>J2</td> <td>PTD.</td> <td>-</td> <td>339</td> <td>3\"/> <tr> <td>350</td> <td>ETR</td> <td>-</td> <td>WD.</td> <td>J2</td> <td>PTD.</td> <td>-</td> <td>340</td> <td>3\"/> </td></tr></td></tr></td></tr></td></tr></td></tr></td></tr></td></tr></td></tr></td></tr></td></tr></td></tr></td></tr></td></tr></td></tr></td></tr></td></tr></td></tr></td></tr></td></tr></td></tr></td></tr></td></tr>
 | 329A | ETR | - | WD. | J2 | PTD.
 | - | 321 | 3\"/> <tr> <td>329B</td> <td>ETR</td> <td>-</td> <td>WD.</td> <td>J2</td> <td>PTD.</td> <td>-</td> <td>322</td> <td>3\"/> <tr> <td>331</td> <td>ETR</td> <td>-</td> <td>WD.</td> <td>J2</td> <td>PTD.</td> <td>-</td> <td>323</td> <td>3\"/> <tr> <td>333</td> <td>ETR</td> <td>-</td> <td>WD.</td> <td>J2</td> <td>PTD.</td> <td>-</td> <td>324</td> <td>3\"/> <tr> <td>334A</td> <td>ETR</td> <td>-</td> <td>WD.</td> <td>J2</td> <td>PTD.</td> <td>-</td> <td>325</td> <td>3\"/> <tr> <td>334B</td> <td>ETR</td> <td>-</td> <td>WD.</td> <td>J2</td> <td>PTD.</td> <td>-</td> <td>327</td> <td>3\"/> <tr> <td>335A</td> <td>ETR</td> <td>-</td> <td>WD.</td> <td>J2</td> <td>PTD.</td> <td>-</td> <td>328</td> <td>3\"/> <tr> <td>335B</td> <td>B</td> <td>3\"/> <tr> <td>336</td> <td>B</td> <td>3\"/> <tr> <td>337</td> <td>ETR</td> <td>-</td> <td>WD.</td> <td>J2</td> <td>PTD.</td> <td>-</td> <td>329A</td> <td>3\"/> <tr> <td>339</td> <td>ETR</td> <td>-</td> <td>WD.</td> <td>J2</td> <td>PTD.</td> <td>-</td> <td>329B</td> <td>3\"/> <tr> <td>340</td> <td>A</td> <td>3\"/> <tr> <td>341A</td> <td>ETR</td> <td>-</td> <td>WD.</td> <td>J2</td> <td>PTD.</td> <td>-</td> <td>331</td> <td>3\"/> <tr> <td>341B</td> <td>ETR</td> <td>-</td> <td>WD.</td> <td>J2</td> <td>PTD.</td> <td>-</td> <td>333</td> <td>3\"/> <tr> <td>342</td> <td>ETR</td> <td>-</td> <td>WD.</td> <td>J2</td> <td>PTD.</td> <td>-</td> <td>334A</td> <td>3\"/> <tr> <td>344</td> <td>ETR</td> <td>-</td> <td>WD.</td> <td>J2</td> <td>PTD.</td> <td>-</td> <td>334B</td> <td>3\"/> <tr> <td>345</td> <td>ETR</td> <td>-</td> <td>WD.</td> <td>J2</td> <td>PTD.</td> <td>-</td> <td>335A</td> <td>3\"/> <tr> <td>346</td> <td>ETR</td> <td>-</td> <td>WD.</td> <td>J2</td> <td>PTD.</td> <td>-</td> <td>335B</td> <td>3\"/> <tr> <td>347</td> <td>ETR</td> <td>-</td> <td>WD.</td> <td>J2</td> <td>PTD.</td> <td>-</td> <td>336</td> <td>3\"/> <tr> <td>348</td> <td>ETR</td> <td>-</td> <td>WD.</td> <td>J2</td> <td>PTD.</td> <td>-</td> <td>337</td> <td>3\"/> <tr> <td>349</td> <td>ETR</td> <td>-</td> <td>WD.</td> <td>J2</td> <td>PTD.</td> <td>-</td> <td>339</td> <td>3\"/> <tr> <td>350</td> <td>ETR</td> <td>-</td> <td>WD.</td> <td>J2</td> <td>PTD.</td> <td>-</td> <td>340</td> <td>3\"/> </td></tr></td></tr></td></tr></td></tr></td></tr></td></tr></td></tr></td></tr></td></tr></td></tr></td></tr></td></tr></td></tr></td></tr></td></tr></td></tr></td></tr></td></tr></td></tr></td></tr></td></tr> | 329B | ETR | -
 | WD. | J2 | PTD. | - | 322 | 3\"/> <tr> <td>331</td> <td>ETR</td> <td>-</td> <td>WD.</td> <td>J2</td> <td>PTD.</td> <td>-</td> <td>323</td> <td>3\"/> <tr> <td>333</td> <td>ETR</td> <td>-</td> <td>WD.</td> <td>J2</td> <td>PTD.</td> <td>-</td> <td>324</td> <td>3\"/> <tr> <td>334A</td> <td>ETR</td> <td>-</td> <td>WD.</td> <td>J2</td> <td>PTD.</td> <td>-</td> <td>325</td> <td>3\"/> <tr> <td>334B</td> <td>ETR</td> <td>-</td> <td>WD.</td> <td>J2</td> <td>PTD.</td> <td>-</td> <td>327</td> <td>3\"/> <tr> <td>335A</td> <td>ETR</td> <td>-</td> <td>WD.</td> <td>J2</td> <td>PTD.</td> <td>-</td> <td>328</td> <td>3\"/> <tr> <td>335B</td> <td>B</td> <td>3\"/> <tr> <td>336</td> <td>B</td> <td>3\"/> <tr> <td>337</td> <td>ETR</td> <td>-</td> <td>WD.</td> <td>J2</td> <td>PTD.</td> <td>-</td> <td>329A</td> <td>3\"/> <tr> <td>339</td> <td>ETR</td> <td>-</td> <td>WD.</td> <td>J2</td> <td>PTD.</td> <td>-</td> <td>329B</td> <td>3\"/> <tr> <td>340</td> <td>A</td> <td>3\"/> <tr> <td>341A</td> <td>ETR</td> <td>-</td> <td>WD.</td> <td>J2</td> <td>PTD.</td> <td>-</td> <td>331</td> <td>3\"/> <tr> <td>341B</td> <td>ETR</td> <td>-</td> <td>WD.</td> <td>J2</td> <td>PTD.</td> <td>-</td> <td>333</td> <td>3\"/> <tr> <td>342</td> <td>ETR</td> <td>-</td> <td>WD.</td> <td>J2</td> <td>PTD.</td> <td>-</td> <td>334A</td> <td>3\"/> <tr> <td>344</td> <td>ETR</td> <td>-</td> <td>WD.</td> <td>J2</td> <td>PTD.</td> <td>-</td> <td>334B</td> <td>3\"/> <tr> <td>345</td> <td>ETR</td> <td>-</td> <td>WD.</td> <td>J2</td> <td>PTD.</td> <td>-</td> <td>335A</td> <td>3\"/> <tr> <td>346</td> <td>ETR</td> <td>-</td> <td>WD.</td> <td>J2</td> <td>PTD.</td> <td>-</td> <td>335B</td> <td>3\"/> <tr> <td>347</td> <td>ETR</td> <td>-</td> <td>WD.</td> <td>J2</td> <td>PTD.</td> <td>-</td> <td>336</td> <td>3\"/> <tr> <td>348</td> <td>ETR</td> <td>-</td> <td>WD.</td> <td>J2</td> <td>PTD.</td> <td>-</td> <td>337</td> <td>3\"/> <tr> <td>349</td> <td>ETR</td> <td>-</td> <td>WD.</td> <td>J2</td> <td>PTD.</td> <td>-</td> <td>339</td> <td>3\"/> <tr> <td>350</td> <td>ETR</td> <td>-</td> <td>WD.</td> <td>J2</td> <td>PTD.</td> <td>-</td> <td>340</td> <td>3\"/> </td></tr></td></tr></td></tr></td></tr></td></tr></td></tr></td></tr></td></tr></td></tr></td></tr></td></tr></td></tr></td></tr></td></tr></td></tr></td></tr></td></tr></td></tr></td></tr></td></tr>
 | 331 | ETR | - | WD. | J2 | PTD.
 | - | 323 | 3\"/> <tr> <td>333</td> <td>ETR</td> <td>-</td> <td>WD.</td> <td>J2</td> <td>PTD.</td> <td>-</td> <td>324</td> <td>3\"/> <tr> <td>334A</td> <td>ETR</td> <td>-</td> <td>WD.</td> <td>J2</td> <td>PTD.</td> <td>-</td> <td>325</td> <td>3\"/> <tr> <td>334B</td> <td>ETR</td> <td>-</td> <td>WD.</td> <td>J2</td> <td>PTD.</td> <td>-</td> <td>327</td> <td>3\"/> <tr> <td>335A</td> <td>ETR</td> <td>-</td> <td>WD.</td> <td>J2</td> <td>PTD.</td> <td>-</td> <td>328</td> <td>3\"/> <tr> <td>335B</td> <td>B</td> <td>3\"/> <tr> <td>336</td> <td>B</td> <td>3\"/> <tr> <td>337</td> <td>ETR</td> <td>-</td> <td>WD.</td> <td>J2</td> <td>PTD.</td> <td>-</td> <td>329A</td> <td>3\"/> <tr> <td>339</td> <td>ETR</td> <td>-</td> <td>WD.</td> <td>J2</td> <td>PTD.</td> <td>-</td> <td>329B</td> <td>3\"/> <tr> <td>340</td> <td>A</td> <td>3\"/> <tr> <td>341A</td> <td>ETR</td> <td>-</td> <td>WD.</td> <td>J2</td> <td>PTD.</td> <td>-</td> <td>331</td> <td>3\"/> <tr> <td>341B</td> <td>ETR</td> <td>-</td> <td>WD.</td> <td>J2</td> <td>PTD.</td> <td>-</td> <td>333</td> <td>3\"/> <tr> <td>342</td> <td>ETR</td> <td>-</td> <td>WD.</td> <td>J2</td> <td>PTD.</td> <td>-</td> <td>334A</td> <td>3\"/> <tr> <td>344</td> <td>ETR</td> <td>-</td> <td>WD.</td> <td>J2</td> <td>PTD.</td> <td>-</td> <td>334B</td> <td>3\"/> <tr> <td>345</td> <td>ETR</td> <td>-</td> <td>WD.</td> <td>J2</td> <td>PTD.</td> <td>-</td> <td>335A</td> <td>3\"/> <tr> <td>346</td> <td>ETR</td> <td>-</td> <td>WD.</td> <td>J2</td> <td>PTD.</td> <td>-</td> <td>335B</td> <td>3\"/> <tr> <td>347</td> <td>ETR</td> <td>-</td> <td>WD.</td> <td>J2</td> <td>PTD.</td> <td>-</td> <td>336</td> <td>3\"/> <tr> <td>348</td> <td>ETR</td> <td>-</td> <td>WD.</td> <td>J2</td> <td>PTD.</td> <td>-</td> <td>337</td> <td>3\"/> <tr> <td>349</td> <td>ETR</td> <td>-</td> <td>WD.</td> <td>J2</td> <td>PTD.</td> <td>-</td> <td>339</td> <td>3\"/> <tr> <td>350</td> <td>ETR</td> <td>-</td> <td>WD.</td> <td>J2</td> <td>PTD.</td> <td>-</td> <td>340</td> <td>3\"/> </td></tr></td></tr></td></tr></td></tr></td></tr></td></tr></td></tr></td></tr></td></tr></td></tr></td></tr></td></tr></td></tr></td></tr></td></tr></td></tr></td></tr></td></tr></td></tr> | 333 | ETR | - | WD. | J2 | PTD.
 | - | 324 | 3\"/> <tr> <td>334A</td> <td>ETR</td> <td>-</td> <td>WD.</td> <td>J2</td> <td>PTD.</td> <td>-</td> <td>325</td> <td>3\"/> <tr> <td>334B</td> <td>ETR</td> <td>-</td> <td>WD.</td> <td>J2</td> <td>PTD.</td> <td>-</td> <td>327</td> <td>3\"/> <tr> <td>335A</td> <td>ETR</td> <td>-</td> <td>WD.</td> <td>J2</td> <td>PTD.</td> <td>-</td> <td>328</td> <td>3\"/> <tr> <td>335B</td> <td>B</td> <td>3\"/> <tr> <td>336</td> <td>B</td> <td>3\"/> <tr> <td>337</td> <td>ETR</td> <td>-</td> <td>WD.</td> <td>J2</td> <td>PTD.</td> <td>-</td> <td>329A</td> <td>3\"/> <tr> <td>339</td> <td>ETR</td> <td>-</td> <td>WD.</td> <td>J2</td> <td>PTD.</td> <td>-</td> <td>329B</td> <td>3\"/> <tr> <td>340</td> <td>A</td> <td>3\"/> <tr> <td>341A</td> <td>ETR</td> <td>-</td> <td>WD.</td> <td>J2</td> <td>PTD.</td> <td>-</td> <td>331</td> <td>3\"/> <tr> <td>341B</td> <td>ETR</td> <td>-</td> <td>WD.</td> <td>J2</td> <td>PTD.</td> <td>-</td> <td>333</td> <td>3\"/> <tr> <td>342</td> <td>ETR</td> <td>-</td> <td>WD.</td> <td>J2</td> <td>PTD.</td> <td>-</td> <td>334A</td> <td>3\"/> <tr> <td>344</td> <td>ETR</td> <td>-</td> <td>WD.</td> <td>J2</td> <td>PTD.</td> <td>-</td> <td>334B</td> <td>3\"/> <tr> <td>345</td> <td>ETR</td> <td>-</td> <td>WD.</td> <td>J2</td> <td>PTD.</td> <td>-</td> <td>335A</td> <td>3\"/> <tr> <td>346</td> <td>ETR</td> <td>-</td> <td>WD.</td> <td>J2</td> <td>PTD.</td> <td>-</td> <td>335B</td> <td>3\"/> <tr> <td>347</td> <td>ETR</td> <td>-</td> <td>WD.</td> <td>J2</td> <td>PTD.</td> <td>-</td> <td>336</td> <td>3\"/> <tr> <td>348</td> <td>ETR</td> <td>-</td> <td>WD.</td> <td>J2</td> <td>PTD.</td> <td>-</td> <td>337</td> <td>3\"/> <tr> <td>349</td> <td>ETR</td> <td>-</td> <td>WD.</td> <td>J2</td> <td>PTD.</td> <td>-</td> <td>339</td> <td>3\"/> <tr> <td>350</td> <td>ETR</td> <td>-</td> <td>WD.</td> <td>J2</td> <td>PTD.</td> <td>-</td> <td>340</td> <td>3\"/> </td></tr></td></tr></td></tr></td></tr></td></tr></td></tr></td></tr></td></tr></td></tr></td></tr></td></tr></td></tr></td></tr></td></tr></td></tr></td></tr></td></tr></td></tr> | 334A | ETR | -
 | WD. | J2 | PTD. | - | 325 | 3\"/> <tr> <td>334B</td> <td>ETR</td> <td>-</td> <td>WD.</td> <td>J2</td> <td>PTD.</td> <td>-</td> <td>327</td> <td>3\"/> <tr> <td>335A</td> <td>ETR</td> <td>-</td> <td>WD.</td> <td>J2</td> <td>PTD.</td> <td>-</td> <td>328</td> <td>3\"/> <tr> <td>335B</td> <td>B</td> <td>3\"/> <tr> <td>336</td> <td>B</td> <td>3\"/> <tr> <td>337</td> <td>ETR</td> <td>-</td> <td>WD.</td> <td>J2</td> <td>PTD.</td> <td>-</td> <td>329A</td> <td>3\"/> <tr> <td>339</td> <td>ETR</td> <td>-</td> <td>WD.</td> <td>J2</td> <td>PTD.</td> <td>-</td> <td>329B</td> <td>3\"/> <tr> <td>340</td> <td>A</td> <td>3\"/> <tr> <td>341A</td> <td>ETR</td> <td>-</td> <td>WD.</td> <td>J2</td> <td>PTD.</td> <td>-</td> <td>331</td> <td>3\"/> <tr> <td>341B</td> <td>ETR</td> <td>-</td> <td>WD.</td> <td>J2</td> <td>PTD.</td> <td>-</td> <td>333</td> <td>3\"/> <tr> <td>342</td> <td>ETR</td> <td>-</td> <td>WD.</td> <td>J2</td> <td>PTD.</td> <td>-</td> <td>334A</td> <td>3\"/> <tr> <td>344</td> <td>ETR</td> <td>-</td> <td>WD.</td> <td>J2</td> <td>PTD.</td> <td>-</td> <td>334B</td> <td>3\"/> <tr> <td>345</td> <td>ETR</td> <td>-</td> <td>WD.</td> <td>J2</td> <td>PTD.</td> <td>-</td> <td>335A</td> <td>3\"/> <tr> <td>346</td> <td>ETR</td> <td>-</td> <td>WD.</td> <td>J2</td> <td>PTD.</td> <td>-</td> <td>335B</td> <td>3\"/> <tr> <td>347</td> <td>ETR</td> <td>-</td> <td>WD.</td> <td>J2</td> <td>PTD.</td> <td>-</td> <td>336</td> <td>3\"/> <tr> <td>348</td> <td>ETR</td> <td>-</td> <td>WD.</td> <td>J2</td> <td>PTD.</td> <td>-</td> <td>337</td> <td>3\"/> <tr> <td>349</td> <td>ETR</td> <td>-</td> <td>WD.</td> <td>J2</td> <td>PTD.</td> <td>-</td> <td>339</td> <td>3\"/> <tr> <td>350</td> <td>ETR</td> <td>-</td> <td>WD.</td> <td>J2</td> <td>PTD.</td> <td>-</td> <td>340</td> <td>3\"/> </td></tr></td></tr></td></tr></td></tr></td></tr></td></tr></td></tr></td></tr></td></tr></td></tr></td></tr></td></tr></td></tr></td></tr></td></tr></td></tr></td></tr>
 | 334B | ETR | - | WD. | J2 | PTD. | - | 327 | 3\"/> <tr> <td>335A</td> <td>ETR</td> <td>-</td> <td>WD.</td> <td>J2</td> <td>PTD.</td> <td>-</td> <td>328</td> <td>3\"/> <tr> <td>335B</td> <td>B</td> <td>3\"/> <tr> <td>336</td> <td>B</td> <td>3\"/> <tr> <td>337</td> <td>ETR</td> <td>-</td> <td>WD.</td> <td>J2</td> <td>PTD.</td> <td>-</td> <td>329A</td> <td>3\"/> <tr> <td>339</td> <td>ETR</td> <td>-</td> <td>WD.</td> <td>J2</td> <td>PTD.</td> <td>-</td> <td>329B</td> <td>3\"/> <tr> <td>340</td> <td>A</td> <td>3\"/> <tr> <td>341A</td> <td>ETR</td> <td>-</td> <td>WD.</td> <td>J2</td> <td>PTD.</td> <td>-</td> <td>331</td> <td>3\"/> <tr> <td>341B</td> <td>ETR</td> <td>-</td> <td>WD.</td> <td>J2</td> <td>PTD.</td> <td>-</td> <td>333</td> <td>3\"/> <tr> <td>342</td> <td>ETR</td> <td>-</td> <td>WD.</td> <td>J2</td> <td>PTD.</td> <td>-</td> <td>334A</td> <td>3\"/> <tr> <td>344</td> <td>ETR</td> <td>-</td> <td>WD.</td> <td>J2</td> <td>PTD.</td> <td>-</td> <td>334B</td> <td>3\"/> <tr> <td>345</td> <td>ETR</td>
<td>-</td> <td>WD.</td> <td>J2</td> <td>PTD.</td> <td>-</td> <td>335A</td> <td>3\"/> <tr> <td>346</td> <td>ETR</td> <td>-</td> <td>WD.</td> <td>J2</td> <td>PTD.</td> <td>-</td> <td>335B</td> <td>3\"/> <tr> <td>347</td> <td>ETR</td> <td>-</td> <td>WD.</td> <td>J2</td> <td>PTD.</td> <td>-</td> <td>336</td> <td>3\"/> <tr> <td>348</td> <td>ETR</td> <td>-</td> <td>WD.</td> <td>J2</td> <td>PTD.</td> <td>-</td> <td>337</td> <td>3\"/> <tr> <td>349</td> <td>ETR</td> <td>-</td> <td>WD.</td> <td>J2</td> <td>PTD.</td> <td>-</td> <td>339</td> <td>3\"/> <tr> <td>350</td> <td>ETR</td> <td>-</td> <td>WD.</td> <td>J2</td> <td>PTD.</td> <td>-</td> <td>340</td> <td>3\"/> </td></tr></td></tr></td></tr></td></tr></td></tr></td></tr></td></tr></td></tr></td></tr></td></tr></td></tr></td></tr></td></tr></td></tr></td></tr></td></tr> | 335A | ETR | - | WD. | J2 | PTD.
 | - | 328 | 3\"/> <tr> <td>335B</td> <td>B</td> <td>3\"/> <tr> <td>336</td> <td>B</td> <td>3\"/> <tr> <td>337</td> <td>ETR</td> <td>-</td> <td>WD.</td> <td>J2</td> <td>PTD.</td> <td>-</td> <td>329A</td> <td>3\"/> <tr> <td>339</td> <td>ETR</td> <td>-</td> <td>WD.</td> <td>J2</td> <td>PTD.</td> <td>-</td> <td>329B</td> <td>3\"/> <tr> <td>340</td> <td>A</td> <td>3\"/> <tr> <td>341A</td> <td>ETR</td> <td>-</td> <td>WD.</td> <td>J2</td> <td>PTD.</td> <td>-</td> <td>331</td> <td>3\"/> <tr> <td>341B</td> <td>ETR</td> <td>-</td> <td>WD.</td> <td>J2</td> <td>PTD.</td> <td>-</td> <td>333</td> <td>3\"/> <tr> <td>342</td> <td>ETR</td> <td>-</td> <td>WD.</td> <td>J2</td> <td>PTD.</td> <td>-</td> <td>334A</td> <td>3\"/> <tr> <td>344</td> <td>ETR</td> <td>-</td> <td>WD.</td> <td>J2</td> <td>PTD.</td> <td>-</td> <td>334B</td> <td>3\"/> <tr> <td>345</td> <td>ETR</td> <td>-</td> <td>WD.</td> <td>J2</td> <td>PTD.</td> <td>-</td> <td>335A</td> <td>3\"/> <tr> <td>346</td> <td>ETR</td> <td>-</td> <td>WD.</td> <td>J2</td> <td>PTD.</td> <td>-</td> <td>335B</td> <td>3\"/> <tr> <td>347</td> <td>ETR</td> <td>-</td> <td>WD.</td> <td>J2</td> <td>PTD.</td> <td>-</td> <td>336</td> <td>3\"/> <tr> <td>348</td> <td>ETR</td> <td>-</td> <td>WD.</td> <td>J2</td> <td>PTD.</td> <td>-</td> <td>337</td> <td>3\"/> <tr> <td>349</td> <td>ETR</td> <td>-</td> <td>WD.</td> <td>J2</td> <td>PTD.</td> <td>-</td> <td>339</td> <td>3\"/> <tr> <td>350</td> <td>ETR</td> <td>-</td> <td>WD.</td> <td>J2</td> <td>PTD.</td> <td>-</td> <td>340</td> <td>3\"/> </td></tr></td></tr></td></tr></td></tr></td></tr></td></tr></td></tr></td></tr></td></tr></td></tr></td></tr></td></tr></td></tr></td></tr></td></tr> | 335B | B | 3\"/> <tr> <td>336</td> <td>B</td> <td>3\"/> <tr> <td>337</td> <td>ETR</td> <td>-</td> <td>WD.</td> <td>J2</td> <td>PTD.</td> <td>-</td> <td>329A</td> <td>3\"/> <tr> <td>339</td> <td>ETR</td> <td>-</td> <td>WD.</td> <td>J2</td> <td>PTD.</td> <td>-</td> <td>329B</td> <td>3\"/> <tr> <td>340</td> <td>A</td> <td>3\"/> <tr> <td>341A</td> <td>ETR</td> <td>-</td> <td>WD.</td> <td>J2</td> <td>PTD.</td> <td>-</td> <td>331</td> <td>3\"/> <tr> <td>341B</td> <td>ETR</td> <td>-</td> <td>WD.</td> <td>J2</td> <td>PTD.</td> <td>-</td> <td>333</td> <td>3\"/> <tr> <td>342</td> <td>ETR</td> <td>-</td> <td>WD.</td> <td>J2</td> <td>PTD.</td> <td>-</td> <td>334A</td> <td>3\"/> <tr> <td>344</td> <td>ETR</td> <td>-</td> <td>WD.</td> <td>J2</td> <td>PTD.</td> <td>-</td> <td>334B</td> <td>3\"/> <tr> <td>345</td> <td>ETR</td> <td>-</td> <td>WD.</td> <td>J2</td> <td>PTD.</td> <td>-</td> <td>335A</td> <td>3\"/> <tr> <td>346</td> <td>ETR</td> <td>-</td> <td>WD.</td> <td>J2</td> <td>PTD.</td> <td>-</td> <td>335B</td> <td>3\"/> <tr> <td>347</td> <td>ETR</td> <td>-</td> <td>WD.</td> <td>J2</td> <td>PTD.</td> <td>-</td> <td>336</td> <td>3\"/> <tr> <td>348</td> <td>ETR</td> <td>-</td> <td>WD.</td> <td>J2</td> <td>PTD.</td> <td>-</td> <td>337</td> <td>3\"/> <tr> <td>349</td> <td>ETR</td> <td>-</td> <td>WD.</td> <td>J2</td> <td>PTD.</td> <td>-</td> <td>339</td> <td>3\"/> <tr> <td>350</td> <td>ETR</td> <td>-</td> <td>WD.</td> <td>J2</td> <td>PTD.</td> <td>-</td> <td>340</td> <td>3\"/> </td></tr></td></tr></td></tr></td></tr></td></tr></td></tr></td></tr></td></tr></td></tr></td></tr></td></tr></td></tr></td></tr></td></tr> | 336 | B | 3\"/> <tr> <td>337</td> <td>ETR</td> <td>-</td> <td>WD.</td> <td>J2</td> <td>PTD.</td> <td>-</td> <td>329A</td> <td>3\"/> <tr> <td>339</td> <td>ETR</td> <td>-</td> <td>WD.</td> <td>J2</td> <td>PTD.</td> <td>-</td> <td>329B</td> <td>3\"/> <tr> <td>340</td> <td>A</td> <td>3\"/> <tr> <td>341A</td> <td>ETR</td> <td>-</td> <td>WD.</td> <td>J2</td> <td>PTD.</td> <td>-</td> <td>331</td> <td>3\"/> <tr> <td>341B</td> <td>ETR</td> <td>-</td> <td>WD.</td> <td>J2</td> <td>PTD.</td> <td>-</td> <td>333</td> <td>3\"/> <tr> <td>342</td> <td>ETR</td> <td>-</td> <td>WD.</td> <td>J2</td> <td>PTD.</td> <td>-</td> <td>334A</td>
<td>3\"/> <tr> <td>344</td> <td>ETR</td> <td>-</td> <td>WD.</td> <td>J2</td> <td>PTD.</td> <td>-</td> <td>334B</td> <td>3\"/> <tr> <td>345</td> <td>ETR</td> <td>-</td> <td>WD.</td> <td>J2</td> <td>PTD.</td> <td>-</td> <td>335A</td> <td>3\"/> <tr> <td>346</td> <td>ETR</td> <td>-</td> <td>WD.</td> <td>J2</td> <td>PTD.</td> <td>-</td> <td>335B</td> <td>3\"/> <tr> <td>347</td> <td>ETR</td> <td>-</td> <td>WD.</td> <td>J2</td> <td>PTD.</td> <td>-</td> <td>336</td> <td>3\"/> <tr> <td>348</td> <td>ETR</td> <td>-</td> <td>WD.</td> <td>J2</td> <td>PTD.</td> <td>-</td> <td>337</td> <td>3\"/> <tr> <td>349</td> <td>ETR</td> <td>-</td> <td>WD.</td> <td>J2</td> <td>PTD.</td> <td>-</td> <td>339</td> <td>3\"/> <tr> <td>350</td> <td>ETR</td> <td>-</td> <td>WD.</td> <td>J2</td> <td>PTD.</td> <td>-</td> <td>340</td> <td>3\"/> </td></tr></td></tr></td></tr></td></tr></td></tr></td></tr></td></tr></td></tr></td></tr></td></tr></td></tr></td></tr></td></tr> | 337 | ETR | - | WD. | J2 | PTD.
 | - | 329A | 3\"/> <tr> <td>339</td> <td>ETR</td> <td>-</td> <td>WD.</td> <td>J2</td> <td>PTD.</td> <td>-</td> <td>329B</td> <td>3\"/> <tr> <td>340</td> <td>A</td> <td>3\"/> <tr> <td>341A</td> <td>ETR</td> <td>-</td> <td>WD.</td> <td>J2</td> <td>PTD.</td> <td>-</td> <td>331</td> <td>3\"/> <tr> <td>341B</td> <td>ETR</td> <td>-</td> <td>WD.</td> <td>J2</td> <td>PTD.</td> <td>-</td> <td>333</td> <td>3\"/> <tr> <td>342</td> <td>ETR</td> <td>-</td> <td>WD.</td> <td>J2</td> <td>PTD.</td> <td>-</td> <td>334A</td> <td>3\"/> <tr> <td>344</td> <td>ETR</td> <td>-</td> <td>WD.</td> <td>J2</td> <td>PTD.</td> <td>-</td> <td>334B</td> <td>3\"/> <tr> <td>345</td> <td>ETR</td> <td>-</td> <td>WD.</td> <td>J2</td> <td>PTD.</td> <td>-</td> <td>335A</td> <td>3\"/> <tr> <td>346</td> <td>ETR</td> <td>-</td> <td>WD.</td> <td>J2</td> <td>PTD.</td> <td>-</td> <td>335B</td> <td>3\"/> <tr> <td>347</td> <td>ETR</td> <td>-</td> <td>WD.</td> <td>J2</td> <td>PTD.</td> <td>-</td> <td>336</td> <td>3\"/> <tr> <td>348</td> <td>ETR</td> <td>-</td> <td>WD.</td> <td>J2</td> <td>PTD.</td> <td>-</td> <td>337</td> <td>3\"/> <tr> <td>349</td> <td>ETR</td> <td>-</td> <td>WD.</td> <td>J2</td> <td>PTD.</td> <td>-</td> <td>339</td> <td>3\"/> <tr> <td>350</td> <td>ETR</td> <td>-</td> <td>WD.</td> <td>J2</td> <td>PTD.</td> <td>-</td> <td>340</td> <td>3\"/> </td></tr></td></tr></td></tr></td></tr></td></tr></td></tr></td></tr></td></tr></td></tr></td></tr></td></tr></td></tr> | 339 | ETR | - | WD. | J2 | PTD.
 | - | 329B | 3\"/> <tr> <td>340</td> <td>A</td> <td>3\"/> <tr> <td>341A</td> <td>ETR</td> <td>-</td> <td>WD.</td> <td>J2</td> <td>PTD.</td> <td>-</td> <td>331</td> <td>3\"/> <tr> <td>341B</td> <td>ETR</td> <td>-</td> <td>WD.</td> <td>J2</td> <td>PTD.</td> <td>-</td> <td>333</td> <td>3\"/> <tr> <td>342</td> <td>ETR</td> <td>-</td> <td>WD.</td> <td>J2</td> <td>PTD.</td> <td>-</td> <td>334A</td> <td>3\"/> <tr> <td>344</td> <td>ETR</td> <td>-</td> <td>WD.</td> <td>J2</td> <td>PTD.</td> <td>-</td> <td>334B</td> <td>3\"/> <tr> <td>345</td> <td>ETR</td> <td>-</td> <td>WD.</td> <td>J2</td> <td>PTD.</td> <td>-</td> <td>335A</td> <td>3\"/> <tr> <td>346</td> <td>ETR</td> <td>-</td> <td>WD.</td> <td>J2</td> <td>PTD.</td> <td>-</td> <td>335B</td> <td>3\"/> <tr> <td>347</td> <td>ETR</td> <td>-</td> <td>WD.</td> <td>J2</td> <td>PTD.</td> <td>-</td> <td>336</td> <td>3\"/> <tr> <td>348</td> <td>ETR</td> <td>-</td> <td>WD.</td> <td>J2</td> <td>PTD.</td> <td>-</td> <td>337</td> <td>3\"/> <tr> <td>349</td> <td>ETR</td> <td>-</td> <td>WD.</td> <td>J2</td> <td>PTD.</td> <td>-</td> <td>339</td> <td>3\"/> <tr> <td>350</td> <td>ETR</td> <td>-</td> <td>WD.</td> <td>J2</td> <td>PTD.</td> <td>-</td> <td>340</td> <td>3\"/> </td></tr></td></tr></td></tr></td></tr></td></tr></td></tr></td></tr></td></tr></td></tr></td></tr></td></tr> | 340 | A | 3\"/> <tr> <td>341A</td> <td>ETR</td> <td>-</td> <td>WD.</td> <td>J2</td> <td>PTD.</td> <td>-</td> <td>331</td> <td>3\"/> <tr> <td>341B</td> <td>ETR</td> <td>-</td> <td>WD.</td> <td>J2</td> <td>PTD.</td> <td>-</td> <td>333</td> <td>3\"/> <tr> <td>342</td> <td>ETR</td> <td>-</td> <td>WD.</td> <td>J2</td> <td>PTD.</td> <td>-</td> <td>334A</td> <td>3\"/> <tr> <td>344</td> <td>ETR</td> <td>-</td> <td>WD.</td> <td>J2</td> <td>PTD.</td> <td>-</td> <td>334B</td> <td>3\"/> <tr> <td>345</td> <td>ETR</td> <td>-</td> <td>WD.</td> <td>J2</td> <td>PTD.</td> <td>-</td> <td>335A</td> <td>3\"/> <tr> <td>346</td> <td>ETR</td> <td>-</td> <td>WD.</td> <td>J2</td> <td>PTD.</td> <td>-</td> <td>335B</td> <td>3\"/> <tr> <td>347</td> <td>ETR</td> <td>-</td> <td>WD.</td> <td>J2</td> <td>PTD.</td> <td>-</td> <td>336</td> <td>3\"/> <tr> <td>348</td> <td>ETR</td> <td>-</td> <td>WD.</td> <td>J2</td> <td>PTD.</td> <td>-</td> <td>337</td> <td>3\"/> <tr> <td>349</td> <td>ETR</td> <td>-</td> <td>WD.</td> <td>J2</td> <td>PTD.</td> <td>-</td> <td>339</td> <td>3\"/> <tr> <td>350</td> <td>ETR</td> <td>-</td> <td>WD.</td> <td>J2</td> <td>PTD.</td> <td>-</td> <td>340</td> <td>3\"/> </td></tr></td></tr></td></tr></td></tr></td></tr></td></tr></td></tr></td></tr></td></tr></td></tr> | 341A | ETR | -
 | WD. | J2 | PTD. | - | 331 | 3\"/> <tr> <td>341B</td> <td>ETR</td> <td>-</td> <td>WD.</td> <td>J2</td> <td>PTD.</td> <td>-</td> <td>333</td> <td>3\"/> <tr> <td>342</td> <td>ETR</td> <td>-</td> <td>WD.</td> <td>J2</td> <td>PTD.</td> <td>-</td> <td>334A</td> <td>3\"/> <tr> <td>344</td> <td>ETR</td> <td>-</td> <td>WD.</td> <td>J2</td> <td>PTD.</td> <td>-</td> <td>334B</td> <td>3\"/> <tr> <td>345</td> <td>ETR</td> <td>-</td> <td>WD.</td> <td>J2</td> <td>PTD.</td> <td>-</td> <td>335A</td> <td>3\"/> <tr> <td>346</td> <td>ETR</td> <td>-</td> <td>WD.</td> <td>J2</td> <td>PTD.</td> <td>-</td> <td>335B</td> <td>3\"/> <tr> <td>347</td> <td>ETR</td> <td>-</td> <td>WD.</td> <td>J2</td> <td>PTD.</td> <td>-</td> <td>336</td> <td>3\"/> <tr> <td>348</td> <td>ETR</td> <td>-</td> <td>WD.</td> <td>J2</td> <td>PTD.</td> <td>-</td> <td>337</td> <td>3\"/> <tr> <td>349</td> <td>ETR</td> <td>-</td> <td>WD.</td> <td>J2</td> <td>PTD.</td> <td>-</td> <td>339</td> <td>3\"/> <tr> <td>350</td> <td>ETR</td> <td>-</td> <td>WD.</td> <td>J2</td> <td>PTD.</td> <td>-</td> <td>340</td> <td>3\"/> </td></tr></td></tr></td></tr></td></tr></td></tr></td></tr></td></tr></td></tr></td></tr> | 341B | ETR | -
 | WD. | J2 | PTD. | - | 333 | 3\"/> <tr> <td>342</td> <td>ETR</td> <td>-</td> <td>WD.</td> <td>J2</td> <td>PTD.</td> <td>-</td> <td>334A</td> <td>3\"/> <tr> <td>344</td> <td>ETR</td> <td>-</td> <td>WD.</td> <td>J2</td> <td>PTD.</td> <td>-</td> <td>334B</td> <td>3\"/> <tr> <td>345</td> <td>ETR</td> <td>-</td> <td>WD.</td> <td>J2</td> <td>PTD.</td> <td>-</td> <td>335A</td> <td>3\"/> <tr> <td>346</td> <td>ETR</td> <td>-</td> <td>WD.</td> <td>J2</td> <td>PTD.</td> <td>-</td> <td>335B</td> <td>3\"/> <tr> <td>347</td> <td>ETR</td> <td>-</td> <td>WD.</td> <td>J2</td> <td>PTD.</td> <td>-</td> <td>336</td> <td>3\"/> <tr> <td>348</td> <td>ETR</td> <td>-</td> <td>WD.</td> <td>J2</td> <td>PTD.</td> <td>-</td> <td>337</td> <td>3\"/> <tr> <td>349</td> <td>ETR</td> <td>-</td> <td>WD.</td> <td>J2</td> <td>PTD.</td> <td>-</td> <td>339</td> <td>3\"/> <tr> <td>350</td> <td>ETR</td> <td>-</td> <td>WD.</td> <td>J2</td> <td>PTD.</td> <td>-</td> <td>340</td> <td>3\"/> </td></tr></td></tr></td></tr></td></tr></td></tr></td></tr></td></tr></td></tr>
 | 342 | ETR | - | WD. | J2 | PTD. | - | 334A | 3\"/> <tr> <td>344</td> <td>ETR</td> <td>-</td> <td>WD.</td> <td>J2</td> <td>PTD.</td> <td>-</td> <td>334B</td> <td>3\"/> <tr> <td>345</td> <td>ETR</td> <td>-</td> <td>WD.</td> <td>J2</td> <td>PTD.</td> <td>-</td> <td>335A</td> <td>3\"/> <tr> <td>346</td> <td>ETR</td> <td>-</td> <td>WD.</td> <td>J2</td> <td>PTD.</td> <td>-</td> <td>335B</td> <td>3\"/> <tr> <td>347</td> <td>ETR</td> <td>-</td> <td>WD.</td> <td>J2</td> <td>PTD.</td> <td>-</td> <td>336</td> <td>3\"/> <tr> <td>348</td> <td>ETR</td> <td>-</td> <td>WD.</td> <td>J2</td> <td>PTD.</td> <td>-</td> <td>337</td> <td>3\"/> <tr> <td>349</td> <td>ETR</td> <td>-</td> <td>WD.</td> <td>J2</td> <td>PTD.</td> <td>-</td> <td>339</td> <td>3\"/> <tr> <td>350</td> <td>ETR</td> <td>-</td> <td>WD.</td> <td>J2</td> <td>PTD.</td> <td>-</td> <td>340</td> <td>3\"/> </td></tr></td></tr></td></tr></td></tr></td></tr></td></tr></td></tr>
 | 344 | ETR | - | WD. | J2 | PTD. | - | 334B | 3\"/> <tr> <td>345</td> <td>ETR</td> <td>-</td> <td>WD.</td> <td>J2</td> <td>PTD.</td> <td>-</td> <td>335A</td> <td>3\"/> <tr> <td>346</td> <td>ETR</td> <td>-</td> <td>WD.</td> <td>J2</td> <td>PTD.</td> <td>-</td> <td>335B</td> <td>3\"/> <tr> <td>347</td> <td>ETR</td> <td>-</td> <td>WD.</td> <td>J2</td> <td>PTD.</td> <td>-</td> <td>336</td> <td>3\"/> <tr> <td>348</td> <td>ETR</td> <td>-</td> <td>WD.</td> <td>J2</td> <td>PTD.</td> <td>-</td> <td>337</td> <td>3\"/> <tr> <td>349</td> <td>ETR</td> <td>-</td> <td>WD.</td> <td>J2</td> <td>PTD.</td> <td>-</td> <td>339</td> <td>3\"/> <tr> <td>350</td> <td>ETR</td> <td>-</td> <td>WD.</td> <td>J2</td> <td>PTD.</td> <td>-</td> <td>340</td> <td>3\"/> </td></tr></td></tr></td></tr></td></tr></td></tr></td></tr> | 345 | ETR | -
 | WD. | J2 | PTD. | - | 335A | 3\"/> <tr> <td>346</td> <td>ETR</td> <td>-</td> <td>WD.</td> <td>J2</td> <td>PTD.</td> <td>-</td> <td>335B</td> <td>3\"/> <tr> <td>347</td> <td>ETR</td> <td>-</td> <td>WD.</td> <td>J2</td> <td>PTD.</td> <td>-</td> <td>336</td> <td>3\"/> <tr> <td>348</td> <td>ETR</td> <td>-</td> <td>WD.</td> <td>J2</td> <td>PTD.</td> <td>-</td> <td>337</td> <td>3\"/> <tr> <td>349</td> <td>ETR</td> <td>-</td> <td>WD.</td> <td>J2</td> <td>PTD.</td> <td>-</td> <td>339</td> <td>3\"/> <tr> <td>350</td> <td>ETR</td> <td>-</td> <td>WD.</td> <td>J2</td> <td>PTD.</td> <td>-</td> <td>340</td> <td>3\"/> </td></tr></td></tr></td></tr></td></tr></td></tr> | 346 | ETR | -
 | WD. | J2 | PTD. | - | 335B | 3\"/> <tr> <td>347</td> <td>ETR</td> <td>-</td> <td>WD.</td> <td>J2</td> <td>PTD.</td> <td>-</td> <td>336</td> <td>3\"/> <tr> <td>348</td> <td>ETR</td> <td>-</td> <td>WD.</td> <td>J2</td> <td>PTD.</td> <td>-</td> <td>337</td> <td>3\"/> <tr> <td>349</td> <td>ETR</td> <td>-</td> <td>WD.</td> <td>J2</td> <td>PTD.</td> <td>-</td> <td>339</td> <td>3\"/> <tr> <td>350</td> <td>ETR</td> <td>-</td> <td>WD.</td> <td>J2</td> <td>PTD.</td> <td>-</td> <td>340</td> <td>3\"/> </td></tr></td></tr></td></tr></td></tr> | 347 | ETR | - | WD. | J2 | PTD.
 | - | 336 | 3\"/> <tr> <td>348</td> <td>ETR</td> <td>-</td> <td>WD.</td> <td>J2</td> <td>PTD.</td> <td>-</td> <td>337</td> <td>3\"/> <tr> <td>349</td> <td>ETR</td> <td>-</td> <td>WD.</td> <td>J2</td> <td>PTD.</td> <td>-</td> <td>339</td> <td>3\"/> <tr> <td>350</td> <td>ETR</td> <td>-</td> <td>WD.</td> <td>J2</td> <td>PTD.</td> <td>-</td> <td>340</td> <td>3\"/> </td></tr></td></tr></td></tr> | 348 | ETR | - | WD. | J2 | PTD.
 | - | 337 | 3\"/> <tr> <td>349</td> <td>ETR</td> <td>-</td> <td>WD.</td> <td>J2</td> <td>PTD.</td> <td>-</td> <td>339</td> <td>3\"/> <tr> <td>350</td> <td>ETR</td> <td>-</td> <td>WD.</td> <td>J2</td> <td>PTD.</td> <td>-</td> <td>340</td> <td>3\"/> </td></tr></td></tr> | 349 | ETR | - | WD. | J2 | PTD. | - | 339 | 3\"/> <tr> <td>350</td> <td>ETR</td> <td>-</td> <td>WD.</td> <td>J2</td> <td>PTD.</td> <td>-</td> <td>340</td> <td>3\"/> </td></tr>
 | 350 | ETR | - | WD. | J2 | PTD. | - | 340 | 3\"/> | | | | | | | | | | | | | | | | | | | | | | | | | | | | | | | | | | | | | | | | | | | | | | | | | | | | | | | | | |
 | | | | | | | | | | | | | | |
 | | | | | | | | | | | | | | |
 | | | | | | | | | | | | | | | | | |
 | | | | | | | | | | | | | | | | | | | | |
 | | | | | | | | | | | | | | | | | | | | | | | | | | |
 | | | | | | | | | | | | | | | | | | | | | | | | | | | | | | | | | | | | | | | | | | | | | | | | | | | | | | | | | | | | | | | | | | |
| 327 | ETR | - | WD. | J2 | PTD. | - | 319 | 3\"/> <tr> <td>328</td> <td>ETR</td> <td>-</td> <td>WD.</td> <td>J2</td> <td>PTD.</td> <td>-</td> <td>320</td> <td>3\"/> <tr> <td>329A</td> <td>ETR</td> <td>-</td> <td>WD.</td> <td>J2</td> <td>PTD.</td> <td>-</td> <td>321</td> <td>3\"/> <tr> <td>329B</td> <td>ETR</td> <td>-</td> <td>WD.</td> <td>J2</td> <td>PTD.</td> <td>-</td> <td>322</td> <td>3\"/> <tr> <td>331</td> <td>ETR</td> <td>-</td> <td>WD.</td> <td>J2</td> <td>PTD.</td> <td>-</td> <td>323</td> <td>3\"/> <tr> <td>333</td> <td>ETR</td> <td>-</td> <td>WD.</td> <td>J2</td> <td>PTD.</td> <td>-</td> <td>324</td> <td>3\"/> <tr> <td>334A</td> <td>ETR</td> <td>-</td> <td>WD.</td> <td>J2</td> <td>PTD.</td> <td>-</td> <td>325</td> <td>3\"/> <tr> <td>334B</td> <td>ETR</td> <td>-</td> <td>WD.</td> <td>J2</td> <td>PTD.</td> <td>-</td> <td>327</td> <td>3\"/> <tr> <td>335A</td> <td>ETR</td> <td>-</td> <td>WD.</td> <td>J2</td> <td>PTD.</td> <td>-</td> <td>328</td> <td>3\"/> <tr> <td>335B</td> <td>B</td> <td>3\"/> <tr> <td>336</td> <td>B</td> <td>3\"/> <tr> <td>337</td> <td>ETR</td> <td>-</td> <td>WD.</td> <td>J2</td> <td>PTD.</td> <td>-</td> <td>329A</td> <td>3\"/> <tr> <td>339</td> <td>ETR</td> <td>-</td> <td>WD.</td> <td>J2</td> <td>PTD.</td> <td>-</td> <td>329B</td> <td>3\"/> <tr> <td>340</td> <td>A</td> <td>3\"/> <tr> <td>341A</td> <td>ETR</td> <td>-</td> <td>WD.</td> <td>J2</td> <td>PTD.</td> <td>-</td> <td>331</td> <td>3\"/> <tr> <td>341B</td> <td>ETR</td> <td>-</td> <td>WD.</td> <td>J2</td> <td>PTD.</td> <td>-</td> <td>333</td> <td>3\"/> <tr> <td>342</td> <td>ETR</td> <td>-</td> <td>WD.</td> <td>J2</td> <td>PTD.</td> <td>-</td> <td>334A</td> <td>3\"/> <tr> <td>344</td> <td>ETR</td> <td>-</td> <td>WD.</td> <td>J2</td> <td>PTD.</td> <td>-</td> <td>334B</td> <td>3\"/> <tr> <td>345</td> <td>ETR</td> <td>-</td> <td>WD.</td> <td>J2</td> <td>PTD.</td> <td>-</td> <td>335A</td> <td>3\"/> <tr> <td>346</td> <td>ETR</td> <td>-</td> <td>WD.</td> <td>J2</td> <td>PTD.</td> <td>-</td> <td>335B</td> <td>3\"/> <tr> <td>347</td> <td>ETR</td> <td>-</td> <td>WD.</td> <td>J2</td> <td>PTD.</td> <td>-</td> <td>336</td> <td>3\"/> <tr> <td>348</td> <td>ETR</td> <td>-</td> <td>WD.</td> <td>J2</td> <td>PTD.</td> <td>-</td> <td>337</td> <td>3\"/> <tr> <td>349</td> <td>ETR</td> <td>-</td> <td>WD.</td> <td>J2</td> <td>PTD.</td> <td>-</td> <td>339</td> <td>3\"/> <tr> <td>350</td> <td>ETR</td> <td>-</td> <td>WD.</td> <td>J2</td> <td>PTD.</td> <td>-</td> <td>340</td> <td>3\"/> </td></tr></td></tr></td></tr></td></tr></td></tr></td></tr></td></tr></td></tr></td></tr></td></tr></td></tr></td></tr></td></tr></td></tr></td></tr></td></tr></td></tr></td></tr></td></tr></td></tr></td></tr></td></tr></td></tr>
 | 328 | ETR | - | WD. | J2 | PTD.
 | - | 320 | 3\"/> <tr> <td>329A</td> <td>ETR</td> <td>-</td> <td>WD.</td> <td>J2</td> <td>PTD.</td> <td>-</td> <td>321</td> <td>3\"/> <tr> <td>329B</td> <td>ETR</td> <td>-</td> <td>WD.</td> <td>J2</td> <td>PTD.</td> <td>-</td> <td>322</td> <td>3\"/> <tr> <td>331</td> <td>ETR</td> <td>-</td> <td>WD.</td> <td>J2</td> <td>PTD.</td> <td>-</td> <td>323</td> <td>3\"/> <tr> <td>333</td> <td>ETR</td> <td>-</td> <td>WD.</td> <td>J2</td> <td>PTD.</td> <td>-</td> <td>324</td> <td>3\"/> <tr> <td>334A</td> <td>ETR</td> <td>-</td> <td>WD.</td> <td>J2</td> <td>PTD.</td> <td>-</td> <td>325</td> <td>3\"/> <tr> <td>334B</td> <td>ETR</td> <td>-</td> <td>WD.</td> <td>J2</td> <td>PTD.</td> <td>-</td> <td>327</td> <td>3\"/> <tr> <td>335A</td> <td>ETR</td> <td>-</td> <td>WD.</td> <td>J2</td> <td>PTD.</td> <td>-</td> <td>328</td> <td>3\"/> <tr> <td>335B</td> <td>B</td> <td>3\"/> <tr> <td>336</td> <td>B</td> <td>3\"/> <tr> <td>337</td> <td>ETR</td> <td>-</td> <td>WD.</td> <td>J2</td> <td>PTD.</td> <td>-</td> <td>329A</td> <td>3\"/> <tr> <td>339</td> <td>ETR</td> <td>-</td> <td>WD.</td> <td>J2</td> <td>PTD.</td> <td>-</td> <td>329B</td> <td>3\"/> <tr> <td>340</td> <td>A</td> <td>3\"/> <tr> <td>341A</td> <td>ETR</td> <td>-</td> <td>WD.</td> <td>J2</td> <td>PTD.</td> <td>-</td> <td>331</td> <td>3\"/> <tr> <td>341B</td> <td>ETR</td> <td>-</td> <td>WD.</td> <td>J2</td> <td>PTD.</td> <td>-</td> <td>333</td> <td>3\"/> <tr> <td>342</td> <td>ETR</td> <td>-</td> <td>WD.</td> <td>J2</td> <td>PTD.</td> <td>-</td> <td>334A</td> <td>3\"/> <tr> <td>344</td> <td>ETR</td> <td>-</td> <td>WD.</td> <td>J2</td> <td>PTD.</td> <td>-</td> <td>334B</td> <td>3\"/> <tr> <td>345</td> <td>ETR</td> <td>-</td> <td>WD.</td> <td>J2</td> <td>PTD.</td> <td>-</td> <td>335A</td> <td>3\"/> <tr> <td>346</td> <td>ETR</td> <td>-</td> <td>WD.</td> <td>J2</td> <td>PTD.</td> <td>-</td> <td>335B</td> <td>3\"/> <tr> <td>347</td> <td>ETR</td> <td>-</td> <td>WD.</td> <td>J2</td> <td>PTD.</td> <td>-</td> <td>336</td> <td>3\"/> <tr> <td>348</td> <td>ETR</td> <td>-</td> <td>WD.</td> <td>J2</td> <td>PTD.</td> <td>-</td> <td>337</td> <td>3\"/> <tr> <td>349</td> <td>ETR</td> <td>-</td> <td>WD.</td> <td>J2</td> <td>PTD.</td> <td>-</td> <td>339</td> <td>3\"/> <tr> <td>350</td> <td>ETR</td> <td>-</td> <td>WD.</td> <td>J2</td> <td>PTD.</td> <td>-</td> <td>340</td> <td>3\"/> </td></tr></td></tr></td></tr></td></tr></td></tr></td></tr></td></tr></td></tr></td></tr></td></tr></td></tr></td></tr></td></tr></td></tr></td></tr></td></tr></td></tr></td></tr></td></tr></td></tr></td></tr></td></tr> | 329A | ETR | -
 | WD. | J2 | PTD. | - | 321 | 3\"/> <tr> <td>329B</td> <td>ETR</td> <td>-</td> <td>WD.</td> <td>J2</td> <td>PTD.</td> <td>-</td> <td>322</td> <td>3\"/> <tr> <td>331</td> <td>ETR</td> <td>-</td> <td>WD.</td> <td>J2</td> <td>PTD.</td> <td>-</td> <td>323</td> <td>3\"/> <tr> <td>333</td> <td>ETR</td> <td>-</td> <td>WD.</td> <td>J2</td> <td>PTD.</td> <td>-</td> <td>324</td> <td>3\"/> <tr> <td>334A</td> <td>ETR</td> <td>-</td> <td>WD.</td> <td>J2</td> <td>PTD.</td> <td>-</td> <td>325</td> <td>3\"/> <tr> <td>334B</td> <td>ETR</td> <td>-</td> <td>WD.</td> <td>J2</td> <td>PTD.</td> <td>-</td> <td>327</td> <td>3\"/> <tr> <td>335A</td> <td>ETR</td> <td>-</td> <td>WD.</td> <td>J2</td> <td>PTD.</td> <td>-</td> <td>328</td> <td>3\"/> <tr> <td>335B</td> <td>B</td> <td>3\"/> <tr> <td>336</td> <td>B</td> <td>3\"/> <tr> <td>337</td> <td>ETR</td> <td>-</td> <td>WD.</td> <td>J2</td> <td>PTD.</td> <td>-</td> <td>329A</td> <td>3\"/> <tr> <td>339</td> <td>ETR</td> <td>-</td> <td>WD.</td> <td>J2</td> <td>PTD.</td> <td>-</td> <td>329B</td> <td>3\"/> <tr> <td>340</td> <td>A</td> <td>3\"/> <tr> <td>341A</td> <td>ETR</td> <td>-</td> <td>WD.</td> <td>J2</td> <td>PTD.</td> <td>-</td> <td>331</td> <td>3\"/> <tr> <td>341B</td> <td>ETR</td> <td>-</td> <td>WD.</td> <td>J2</td> <td>PTD.</td> <td>-</td> <td>333</td> <td>3\"/> <tr> <td>342</td> <td>ETR</td> <td>-</td> <td>WD.</td> <td>J2</td> <td>PTD.</td> <td>-</td> <td>334A</td> <td>3\"/> <tr> <td>344</td> <td>ETR</td> <td>-</td> <td>WD.</td> <td>J2</td> <td>PTD.</td> <td>-</td> <td>334B</td> <td>3\"/> <tr> <td>345</td> <td>ETR</td> <td>-</td> <td>WD.</td> <td>J2</td> <td>PTD.</td> <td>-</td> <td>335A</td> <td>3\"/> <tr> <td>346</td> <td>ETR</td> <td>-</td> <td>WD.</td> <td>J2</td> <td>PTD.</td> <td>-</td> <td>335B</td> <td>3\"/> <tr> <td>347</td> <td>ETR</td> <td>-</td> <td>WD.</td> <td>J2</td> <td>PTD.</td> <td>-</td> <td>336</td> <td>3\"/> <tr> <td>348</td> <td>ETR</td> <td>-</td> <td>WD.</td> <td>J2</td> <td>PTD.</td> <td>-</td> <td>337</td> <td>3\"/> <tr> <td>349</td> <td>ETR</td> <td>-</td> <td>WD.</td> <td>J2</td> <td>PTD.</td> <td>-</td> <td>339</td> <td>3\"/> <tr> <td>350</td> <td>ETR</td> <td>-</td> <td>WD.</td> <td>J2</td> <td>PTD.</td> <td>-</td> <td>340</td> <td>3\"/> </td></tr></td></tr></td></tr></td></tr></td></tr></td></tr></td></tr></td></tr></td></tr></td></tr></td></tr></td></tr></td></tr></td></tr></td></tr></td></tr></td></tr></td></tr></td></tr></td></tr></td></tr>
 | 329B | ETR | - | WD. | J2 | PTD.
 | - | 322 | 3\"/> <tr> <td>331</td> <td>ETR</td> <td>-</td> <td>WD.</td> <td>J2</td> <td>PTD.</td> <td>-</td> <td>323</td> <td>3\"/> <tr> <td>333</td> <td>ETR</td> <td>-</td> <td>WD.</td> <td>J2</td> <td>PTD.</td> <td>-</td> <td>324</td> <td>3\"/> <tr> <td>334A</td> <td>ETR</td> <td>-</td> <td>WD.</td> <td>J2</td> <td>PTD.</td> <td>-</td> <td>325</td> <td>3\"/> <tr> <td>334B</td> <td>ETR</td> <td>-</td> <td>WD.</td> <td>J2</td> <td>PTD.</td> <td>-</td> <td>327</td> <td>3\"/> <tr> <td>335A</td> <td>ETR</td> <td>-</td> <td>WD.</td> <td>J2</td> <td>PTD.</td> <td>-</td> <td>328</td> <td>3\"/> <tr> <td>335B</td> <td>B</td> <td>3\"/> <tr> <td>336</td> <td>B</td> <td>3\"/> <tr> <td>337</td> <td>ETR</td> <td>-</td> <td>WD.</td> <td>J2</td> <td>PTD.</td> <td>-</td> <td>329A</td> <td>3\"/> <tr> <td>339</td> <td>ETR</td> <td>-</td> <td>WD.</td> <td>J2</td> <td>PTD.</td> <td>-</td> <td>329B</td> <td>3\"/> <tr> <td>340</td> <td>A</td> <td>3\"/> <tr> <td>341A</td> <td>ETR</td> <td>-</td> <td>WD.</td> <td>J2</td> <td>PTD.</td> <td>-</td> <td>331</td> <td>3\"/> <tr> <td>341B</td> <td>ETR</td> <td>-</td> <td>WD.</td> <td>J2</td> <td>PTD.</td> <td>-</td> <td>333</td> <td>3\"/> <tr> <td>342</td> <td>ETR</td> <td>-</td> <td>WD.</td> <td>J2</td> <td>PTD.</td> <td>-</td> <td>334A</td> <td>3\"/> <tr> <td>344</td> <td>ETR</td> <td>-</td> <td>WD.</td> <td>J2</td> <td>PTD.</td> <td>-</td> <td>334B</td> <td>3\"/> <tr> <td>345</td> <td>ETR</td> <td>-</td> <td>WD.</td> <td>J2</td> <td>PTD.</td> <td>-</td> <td>335A</td> <td>3\"/> <tr> <td>346</td> <td>ETR</td> <td>-</td> <td>WD.</td> <td>J2</td> <td>PTD.</td> <td>-</td> <td>335B</td> <td>3\"/> <tr> <td>347</td> <td>ETR</td> <td>-</td> <td>WD.</td> <td>J2</td> <td>PTD.</td> <td>-</td> <td>336</td> <td>3\"/> <tr> <td>348</td> <td>ETR</td> <td>-</td> <td>WD.</td> <td>J2</td> <td>PTD.</td> <td>-</td> <td>337</td> <td>3\"/> <tr> <td>349</td> <td>ETR</td> <td>-</td> <td>WD.</td> <td>J2</td> <td>PTD.</td> <td>-</td> <td>339</td> <td>3\"/> <tr> <td>350</td> <td>ETR</td> <td>-</td> <td>WD.</td> <td>J2</td> <td>PTD.</td> <td>-</td> <td>340</td> <td>3\"/> </td></tr></td></tr></td></tr></td></tr></td></tr></td></tr></td></tr></td></tr></td></tr></td></tr></td></tr></td></tr></td></tr></td></tr></td></tr></td></tr></td></tr></td></tr></td></tr></td></tr> | 331 | ETR | -
 | WD. | J2 | PTD. | - | 323 | 3\"/> <tr> <td>333</td> <td>ETR</td> <td>-</td> <td>WD.</td> <td>J2</td> <td>PTD.</td> <td>-</td> <td>324</td> <td>3\"/> <tr> <td>334A</td> <td>ETR</td> <td>-</td> <td>WD.</td> <td>J2</td> <td>PTD.</td> <td>-</td> <td>325</td> <td>3\"/> <tr> <td>334B</td> <td>ETR</td> <td>-</td> <td>WD.</td> <td>J2</td> <td>PTD.</td> <td>-</td> <td>327</td> <td>3\"/> <tr> <td>335A</td> <td>ETR</td> <td>-</td> <td>WD.</td> <td>J2</td> <td>PTD.</td> <td>-</td> <td>328</td> <td>3\"/> <tr> <td>335B</td> <td>B</td> <td>3\"/> <tr> <td>336</td> <td>B</td> <td>3\"/> <tr> <td>337</td> <td>ETR</td> <td>-</td> <td>WD.</td> <td>J2</td> <td>PTD.</td> <td>-</td> <td>329A</td> <td>3\"/> <tr> <td>339</td> <td>ETR</td> <td>-</td> <td>WD.</td> <td>J2</td> <td>PTD.</td> <td>-</td> <td>329B</td> <td>3\"/> <tr> <td>340</td> <td>A</td> <td>3\"/> <tr> <td>341A</td> <td>ETR</td> <td>-</td> <td>WD.</td> <td>J2</td> <td>PTD.</td> <td>-</td> <td>331</td> <td>3\"/> <tr> <td>341B</td> <td>ETR</td> <td>-</td> <td>WD.</td> <td>J2</td> <td>PTD.</td> <td>-</td> <td>333</td> <td>3\"/> <tr> <td>342</td> <td>ETR</td> <td>-</td> <td>WD.</td> <td>J2</td> <td>PTD.</td> <td>-</td> <td>334A</td> <td>3\"/> <tr> <td>344</td> <td>ETR</td> <td>-</td> <td>WD.</td> <td>J2</td> <td>PTD.</td> <td>-</td> <td>334B</td> <td>3\"/> <tr> <td>345</td> <td>ETR</td> <td>-</td> <td>WD.</td> <td>J2</td> <td>PTD.</td> <td>-</td> <td>335A</td> <td>3\"/> <tr> <td>346</td> <td>ETR</td> <td>-</td> <td>WD.</td> <td>J2</td> <td>PTD.</td> <td>-</td> <td>335B</td> <td>3\"/> <tr> <td>347</td> <td>ETR</td> <td>-</td> <td>WD.</td> <td>J2</td> <td>PTD.</td> <td>-</td> <td>336</td> <td>3\"/> <tr> <td>348</td> <td>ETR</td> <td>-</td> <td>WD.</td> <td>J2</td> <td>PTD.</td> <td>-</td> <td>337</td> <td>3\"/> <tr> <td>349</td> <td>ETR</td> <td>-</td> <td>WD.</td> <td>J2</td> <td>PTD.</td> <td>-</td> <td>339</td> <td>3\"/> <tr> <td>350</td> <td>ETR</td> <td>-</td> <td>WD.</td> <td>J2</td> <td>PTD.</td> <td>-</td> <td>340</td> <td>3\"/> </td></tr></td></tr></td></tr></td></tr></td></tr></td></tr></td></tr></td></tr></td></tr></td></tr></td></tr></td></tr></td></tr></td></tr></td></tr></td></tr></td></tr></td></tr></td></tr>
 | 333 | ETR | - | WD. | J2 | PTD. | - | 324 | 3\"/> <tr> <td>334A</td> <td>ETR</td> <td>-</td> <td>WD.</td> <td>J2</td> <td>PTD.</td> <td>-</td> <td>325</td> <td>3\"/> <tr> <td>334B</td> <td>ETR</td> <td>-</td> <td>WD.</td> <td>J2</td> <td>PTD.</td> <td>-</td> <td>327</td> <td>3\"/> <tr> <td>335A</td> <td>ETR</td> <td>-</td>
<td>WD.</td> <td>J2</td> <td>PTD.</td> <td>-</td> <td>328</td> <td>3\"/> <tr> <td>335B</td> <td>B</td> <td>3\"/> <tr> <td>336</td> <td>B</td> <td>3\"/> <tr> <td>337</td> <td>ETR</td> <td>-</td> <td>WD.</td> <td>J2</td> <td>PTD.</td> <td>-</td> <td>329A</td> <td>3\"/> <tr> <td>339</td> <td>ETR</td> <td>-</td> <td>WD.</td> <td>J2</td> <td>PTD.</td> <td>-</td> <td>329B</td> <td>3\"/> <tr> <td>340</td> <td>A</td> <td>3\"/> <tr> <td>341A</td> <td>ETR</td> <td>-</td> <td>WD.</td> <td>J2</td> <td>PTD.</td> <td>-</td> <td>331</td> <td>3\"/> <tr> <td>341B</td> <td>ETR</td> <td>-</td> <td>WD.</td> <td>J2</td> <td>PTD.</td> <td>-</td> <td>333</td> <td>3\"/> <tr> <td>342</td> <td>ETR</td> <td>-</td> <td>WD.</td> <td>J2</td> <td>PTD.</td> <td>-</td> <td>334A</td> <td>3\"/> <tr> <td>344</td> <td>ETR</td> <td>-</td> <td>WD.</td> <td>J2</td> <td>PTD.</td> <td>-</td> <td>334B</td> <td>3\"/> <tr> <td>345</td> <td>ETR</td> <td>-</td> <td>WD.</td> <td>J2</td> <td>PTD.</td> <td>-</td> <td>335A</td> <td>3\"/> <tr> <td>346</td> <td>ETR</td> <td>-</td> <td>WD.</td> <td>J2</td> <td>PTD.</td> <td>-</td> <td>335B</td> <td>3\"/> <tr> <td>347</td> <td>ETR</td> <td>-</td> <td>WD.</td> <td>J2</td> <td>PTD.</td> <td>-</td> <td>336</td> <td>3\"/> <tr> <td>348</td> <td>ETR</td> <td>-</td> <td>WD.</td> <td>J2</td> <td>PTD.</td> <td>-</td> <td>337</td> <td>3\"/> <tr> <td>349</td> <td>ETR</td> <td>-</td> <td>WD.</td> <td>J2</td> <td>PTD.</td> <td>-</td> <td>339</td> <td>3\"/> <tr> <td>350</td> <td>ETR</td> <td>-</td> <td>WD.</td> <td>J2</td> <td>PTD.</td> <td>-</td> <td>340</td> <td>3\"/> </td></tr></td></tr></td></tr></td></tr></td></tr></td></tr></td></tr></td></tr></td></tr></td></tr></td></tr></td></tr></td></tr></td></tr></td></tr></td></tr></td></tr></td></tr> | 334A | ETR | - | WD. | J2 | PTD.
 | - | 325 | 3\"/> <tr> <td>334B</td> <td>ETR</td> <td>-</td> <td>WD.</td> <td>J2</td> <td>PTD.</td> <td>-</td> <td>327</td> <td>3\"/> <tr> <td>335A</td> <td>ETR</td> <td>-</td> <td>WD.</td> <td>J2</td> <td>PTD.</td> <td>-</td> <td>328</td> <td>3\"/> <tr> <td>335B</td> <td>B</td> <td>3\"/> <tr> <td>336</td> <td>B</td> <td>3\"/> <tr> <td>337</td> <td>ETR</td> <td>-</td> <td>WD.</td> <td>J2</td> <td>PTD.</td> <td>-</td> <td>329A</td> <td>3\"/> <tr> <td>339</td> <td>ETR</td> <td>-</td> <td>WD.</td> <td>J2</td> <td>PTD.</td> <td>-</td> <td>329B</td> <td>3\"/> <tr> <td>340</td> <td>A</td> <td>3\"/> <tr> <td>341A</td> <td>ETR</td> <td>-</td> <td>WD.</td> <td>J2</td> <td>PTD.</td> <td>-</td> <td>331</td> <td>3\"/> <tr> <td>341B</td> <td>ETR</td> <td>-</td> <td>WD.</td> <td>J2</td> <td>PTD.</td> <td>-</td> <td>333</td> <td>3\"/> <tr> <td>342</td> <td>ETR</td> <td>-</td> <td>WD.</td> <td>J2</td> <td>PTD.</td> <td>-</td> <td>334A</td> <td>3\"/> <tr> <td>344</td> <td>ETR</td> <td>-</td> <td>WD.</td> <td>J2</td> <td>PTD.</td> <td>-</td> <td>334B</td> <td>3\"/> <tr> <td>345</td> <td>ETR</td> <td>-</td> <td>WD.</td> <td>J2</td> <td>PTD.</td> <td>-</td> <td>335A</td> <td>3\"/> <tr> <td>346</td> <td>ETR</td> <td>-</td> <td>WD.</td> <td>J2</td> <td>PTD.</td> <td>-</td> <td>335B</td> <td>3\"/> <tr> <td>347</td> <td>ETR</td> <td>-</td> <td>WD.</td> <td>J2</td> <td>PTD.</td> <td>-</td> <td>336</td> <td>3\"/> <tr> <td>348</td> <td>ETR</td> <td>-</td> <td>WD.</td> <td>J2</td> <td>PTD.</td> <td>-</td> <td>337</td> <td>3\"/> <tr> <td>349</td> <td>ETR</td> <td>-</td> <td>WD.</td> <td>J2</td> <td>PTD.</td> <td>-</td> <td>339</td> <td>3\"/> <tr> <td>350</td> <td>ETR</td> <td>-</td> <td>WD.</td> <td>J2</td> <td>PTD.</td> <td>-</td> <td>340</td> <td>3\"/> </td></tr></td></tr></td></tr></td></tr></td></tr></td></tr></td></tr></td></tr></td></tr></td></tr></td></tr></td></tr></td></tr></td></tr></td></tr></td></tr></td></tr> | 334B | ETR | -
 | WD. | J2 | PTD. | - | 327 | 3\"/> <tr> <td>335A</td> <td>ETR</td> <td>-</td> <td>WD.</td> <td>J2</td> <td>PTD.</td> <td>-</td> <td>328</td> <td>3\"/> <tr> <td>335B</td> <td>B</td> <td>3\"/> <tr> <td>336</td> <td>B</td> <td>3\"/> <tr> <td>337</td> <td>ETR</td> <td>-</td> <td>WD.</td> <td>J2</td> <td>PTD.</td> <td>-</td> <td>329A</td> <td>3\"/> <tr> <td>339</td> <td>ETR</td> <td>-</td> <td>WD.</td> <td>J2</td> <td>PTD.</td> <td>-</td> <td>329B</td> <td>3\"/> <tr> <td>340</td> <td>A</td> <td>3\"/> <tr> <td>341A</td> <td>ETR</td> <td>-</td> <td>WD.</td> <td>J2</td> <td>PTD.</td> <td>-</td> <td>331</td> <td>3\"/> <tr> <td>341B</td> <td>ETR</td> <td>-</td> <td>WD.</td> <td>J2</td> <td>PTD.</td> <td>-</td> <td>333</td> <td>3\"/> <tr> <td>342</td> <td>ETR</td> <td>-</td> <td>WD.</td> <td>J2</td> <td>PTD.</td> <td>-</td> <td>334A</td> <td>3\"/> <tr> <td>344</td> <td>ETR</td> <td>-</td> <td>WD.</td> <td>J2</td> <td>PTD.</td> <td>-</td> <td>334B</td> <td>3\"/> <tr> <td>345</td> <td>ETR</td> <td>-</td> <td>WD.</td> <td>J2</td> <td>PTD.</td> <td>-</td> <td>335A</td> <td>3\"/> <tr> <td>346</td> <td>ETR</td> <td>-</td> <td>WD.</td> <td>J2</td> <td>PTD.</td> <td>-</td> <td>335B</td> <td>3\"/> <tr> <td>347</td> <td>ETR</td> <td>-</td> <td>WD.</td> <td>J2</td> <td>PTD.</td> <td>-</td> <td>336</td> <td>3\"/> <tr> <td>348</td> <td>ETR</td> <td>-</td> <td>WD.</td> <td>J2</td> <td>PTD.</td> <td>-</td> <td>337</td> <td>3\"/> <tr> <td>349</td> <td>ETR</td> <td>-</td> <td>WD.</td> <td>J2</td> <td>PTD.</td> <td>-</td> <td>339</td> <td>3\"/> <tr> <td>350</td> <td>ETR</td> <td>-</td> <td>WD.</td> <td>J2</td> <td>PTD.</td> <td>-</td> <td>340</td> <td>3\"/> </td></tr></td></tr></td></tr></td></tr></td></tr></td></tr></td></tr></td></tr></td></tr></td></tr></td></tr></td></tr></td></tr></td></tr></td></tr></td></tr> | 335A | ETR | -
 | WD. | J2 | PTD. | - | 328 | 3\"/> <tr> <td>335B</td> <td>B</td> <td>3\"/> <tr> <td>336</td> <td>B</td> <td>3\"/> <tr> <td>337</td> <td>ETR</td> <td>-</td> <td>WD.</td> <td>J2</td> <td>PTD.</td> <td>-</td> <td>329A</td> <td>3\"/> <tr> <td>339</td> <td>ETR</td> <td>-</td> <td>WD.</td> <td>J2</td> <td>PTD.</td> <td>-</td> <td>329B</td> <td>3\"/> <tr> <td>340</td> <td>A</td> <td>3\"/> <tr> <td>341A</td> <td>ETR</td> <td>-</td> <td>WD.</td> <td>J2</td> <td>PTD.</td> <td>-</td> <td>331</td> <td>3\"/> <tr> <td>341B</td> <td>ETR</td> <td>-</td> <td>WD.</td> <td>J2</td> <td>PTD.</td> <td>-</td> <td>333</td> <td>3\"/> <tr> <td>342</td> <td>ETR</td> <td>-</td> <td>WD.</td> <td>J2</td> <td>PTD.</td> <td>-</td> <td>334A</td> <td>3\"/> <tr> <td>344</td> <td>ETR</td> <td>-</td> <td>WD.</td> <td>J2</td> <td>PTD.</td> <td>-</td> <td>334B</td> <td>3\"/> <tr> <td>345</td> <td>ETR</td> <td>-</td> <td>WD.</td> <td>J2</td> <td>PTD.</td> <td>-</td> <td>335A</td> <td>3\"/> <tr> <td>346</td> <td>ETR</td> <td>-</td> <td>WD.</td> <td>J2</td> <td>PTD.</td> <td>-</td> <td>335B</td> <td>3\"/> <tr> <td>347</td> <td>ETR</td> <td>-</td> <td>WD.</td> <td>J2</td> <td>PTD.</td> <td>-</td> <td>336</td> <td>3\"/> <tr> <td>348</td> <td>ETR</td> <td>-</td> <td>WD.</td> <td>J2</td> <td>PTD.</td> <td>-</td> <td>337</td> <td>3\"/> <tr> <td>349</td> <td>ETR</td> <td>-</td> <td>WD.</td> <td>J2</td> <td>PTD.</td> <td>-</td> <td>339</td> <td>3\"/> <tr> <td>350</td> <td>ETR</td> <td>-</td> <td>WD.</td> <td>J2</td> <td>PTD.</td> <td>-</td> <td>340</td> <td>3\"/> </td></tr></td></tr></td></tr></td></tr></td></tr></td></tr></td></tr></td></tr></td></tr></td></tr></td></tr></td></tr></td></tr></td></tr></td></tr>
 | 335B | B | 3\"/> <tr> <td>336</td> <td>B</td> <td>3\"/> <tr> <td>337</td> <td>ETR</td> <td>-</td> <td>WD.</td> <td>J2</td> <td>PTD.</td> <td>-</td> <td>329A</td> <td>3\"/> <tr> <td>339</td> <td>ETR</td> <td>-</td> <td>WD.</td> <td>J2</td> <td>PTD.</td> <td>-</td> <td>329B</td> <td>3\"/> <tr> <td>340</td> <td>A</td> <td>3\"/> <tr> <td>341A</td> <td>ETR</td> <td>-</td> <td>WD.</td> <td>J2</td> <td>PTD.</td> <td>-</td> <td>331</td> <td>3\"/> <tr> <td>341B</td> <td>ETR</td> <td>-</td> <td>WD.</td> <td>J2</td> <td>PTD.</td> <td>-</td> <td>333</td> <td>3\"/> <tr> <td>342</td> <td>ETR</td> <td>-</td> <td>WD.</td> <td>J2</td> <td>PTD.</td> <td>-</td> <td>334A</td> <td>3\"/> <tr> <td>344</td> <td>ETR</td> <td>-</td> <td>WD.</td> <td>J2</td> <td>PTD.</td> <td>-</td> <td>334B</td> <td>3\"/> <tr> <td>345</td> <td>ETR</td> <td>-</td> <td>WD.</td> <td>J2</td> <td>PTD.</td> <td>-</td> <td>335A</td> <td>3\"/> <tr> <td>346</td> <td>ETR</td> <td>-</td> <td>WD.</td> <td>J2</td> <td>PTD.</td> <td>-</td> <td>335B</td> <td>3\"/> <tr> <td>347</td> <td>ETR</td> <td>-</td> <td>WD.</td> <td>J2</td> <td>PTD.</td> <td>-</td> <td>336</td> <td>3\"/> <tr> <td>348</td> <td>ETR</td> <td>-</td> <td>WD.</td> <td>J2</td> <td>PTD.</td> <td>-</td> <td>337</td> <td>3\"/> <tr> <td>349</td> <td>ETR</td> <td>-</td> <td>WD.</td> <td>J2</td> <td>PTD.</td> <td>-</td> <td>339</td> <td>3\"/> <tr> <td>350</td> <td>ETR</td> <td>-</td> <td>WD.</td> <td>J2</td> <td>PTD.</td> <td>-</td> <td>340</td> <td>3\"/> </td></tr></td></tr></td></tr></td></tr></td></tr></td></tr></td></tr></td></tr></td></tr></td></tr></td></tr></td></tr></td></tr></td></tr> | 336 | B | 3\"/> <tr> <td>337</td> <td>ETR</td> <td>-</td> <td>WD.</td> <td>J2</td> <td>PTD.</td> <td>-</td> <td>329A</td> <td>3\"/> <tr> <td>339</td> <td>ETR</td> <td>-</td> <td>WD.</td> <td>J2</td> <td>PTD.</td> <td>-</td> <td>329B</td> <td>3\"/> <tr> <td>340</td> <td>A</td> <td>3\"/> <tr> <td>341A</td> <td>ETR</td> <td>-</td> <td>WD.</td> <td>J2</td> <td>PTD.</td> <td>-</td> <td>331</td> <td>3\"/> <tr> <td>341B</td> <td>ETR</td> <td>-</td> <td>WD.</td> <td>J2</td> <td>PTD.</td> <td>-</td> <td>333</td> <td>3\"/> <tr> <td>342</td> <td>ETR</td> <td>-</td> <td>WD.</td> <td>J2</td> <td>PTD.</td> <td>-</td> <td>334A</td> <td>3\"/> <tr> <td>344</td> <td>ETR</td> <td>-</td> <td>WD.</td> <td>J2</td> <td>PTD.</td> <td>-</td> <td>334B</td> <td>3\"/> <tr> <td>345</td> <td>ETR</td> <td>-</td> <td>WD.</td> <td>J2</td> <td>PTD.</td> <td>-</td> <td>335A</td> <td>3\"/> <tr> <td>346</td> <td>ETR</td> <td>-</td> <td>WD.</td> <td>J2</td> <td>PTD.</td> <td>-</td> <td>335B</td> <td>3\"/> <tr> <td>347</td> <td>ETR</td> <td>-</td> <td>WD.</td> <td>J2</td> <td>PTD.</td> <td>-</td> <td>336</td> <td>3\"/> <tr> <td>348</td> <td>ETR</td> <td>-</td> <td>WD.</td> <td>J2</td> <td>PTD.</td> <td>-</td> <td>337</td> <td>3\"/> <tr> <td>349</td> <td>ETR</td> <td>-</td> <td>WD.</td> <td>J2</td> <td>PTD.</td> <td>-</td> <td>339</td> <td>3\"/> <tr> <td>350</td> <td>ETR</td> <td>-</td> <td>WD.</td> <td>J2</td> <td>PTD.</td> <td>-</td> <td>340</td> <td>3\"/> </td></tr></td></tr></td></tr></td></tr></td></tr></td></tr></td></tr></td></tr></td></tr></td></tr></td></tr></td></tr></td></tr> | 337 | ETR | -
 | WD. | J2 | PTD. | - | 329A | 3\"/> <tr> <td>339</td> <td>ETR</td> <td>-</td> <td>WD.</td> <td>J2</td> <td>PTD.</td> <td>-</td> <td>329B</td> <td>3\"/> <tr> <td>340</td> <td>A</td> <td>3\"/> <tr> <td>341A</td> <td>ETR</td> <td>-</td> <td>WD.</td> <td>J2</td> <td>PTD.</td> <td>-</td> <td>331</td> <td>3\"/> <tr> <td>341B</td> <td>ETR</td> <td>-</td> <td>WD.</td> <td>J2</td> <td>PTD.</td> <td>-</td> <td>333</td> <td>3\"/> <tr> <td>342</td> <td>ETR</td> <td>-</td> <td>WD.</td> <td>J2</td> <td>PTD.</td> <td>-</td> <td>334A</td> <td>3\"/> <tr> <td>344</td> <td>ETR</td> <td>-</td> <td>WD.</td> <td>J2</td> <td>PTD.</td> <td>-</td> <td>334B</td> <td>3\"/> <tr> <td>345</td> <td>ETR</td> <td>-</td> <td>WD.</td> <td>J2</td> <td>PTD.</td> <td>-</td> <td>335A</td> <td>3\"/> <tr> <td>346</td> <td>ETR</td> <td>-</td> <td>WD.</td> <td>J2</td> <td>PTD.</td> <td>-</td> <td>335B</td> <td>3\"/> <tr> <td>347</td> <td>ETR</td> <td>-</td> <td>WD.</td> <td>J2</td> <td>PTD.</td> <td>-</td> <td>336</td> <td>3\"/> <tr> <td>348</td> <td>ETR</td> <td>-</td> <td>WD.</td> <td>J2</td> <td>PTD.</td> <td>-</td> <td>337</td> <td>3\"/> <tr> <td>349</td> <td>ETR</td> <td>-</td> <td>WD.</td> <td>J2</td> <td>PTD.</td> <td>-</td> <td>339</td> <td>3\"/> <tr> <td>350</td> <td>ETR</td> <td>-</td> <td>WD.</td> <td>J2</td> <td>PTD.</td> <td>-</td> <td>340</td> <td>3\"/> </td></tr></td></tr></td></tr></td></tr></td></tr></td></tr></td></tr></td></tr></td></tr></td></tr></td></tr></td></tr>
 | 339 | ETR | - | WD. | J2 | PTD. | - | 329B | 3\"/> <tr> <td>340</td> <td>A</td> <td>3\"/> <tr> <td>341A</td> <td>ETR</td> <td>-</td> <td>WD.</td> <td>J2</td> <td>PTD.</td> <td>-</td> <td>331</td> <td>3\"/> <tr> <td>341B</td> <td>ETR</td> <td>-</td> <td>WD.</td> <td>J2</td> <td>PTD.</td> <td>-</td> <td>333</td> <td>3\"/> <tr> <td>342</td> <td>ETR</td> <td>-</td> <td>WD.</td> <td>J2</td> <td>PTD.</td> <td>-</td> <td>334A</td> <td>3\"/> <tr> <td>344</td> <td>ETR</td> <td>-</td> <td>WD.</td> <td>J2</td> <td>PTD.</td> <td>-</td> <td>334B</td> <td>3\"/> <tr> <td>345</td> <td>ETR</td> <td>-</td> <td>WD.</td> <td>J2</td> <td>PTD.</td> <td>-</td> <td>335A</td> <td>3\"/> <tr> <td>346</td> <td>ETR</td> <td>-</td> <td>WD.</td> <td>J2</td> <td>PTD.</td> <td>-</td> <td>335B</td> <td>3\"/> <tr> <td>347</td> <td>ETR</td> <td>-</td> <td>WD.</td> <td>J2</td> <td>PTD.</td> <td>-</td> <td>336</td> <td>3\"/> <tr> <td>348</td> <td>ETR</td> <td>-</td> <td>WD.</td> <td>J2</td> <td>PTD.</td> <td>-</td> <td>337</td> <td>3\"/> <tr> <td>349</td> <td>ETR</td> <td>-</td> <td>WD.</td> <td>J2</td> <td>PTD.</td> <td>-</td> <td>339</td> <td>3\"/> <tr> <td>350</td> <td>ETR</td> <td>-</td> <td>WD.</td> <td>J2</td> <td>PTD.</td> <td>-</td> <td>340</td> <td>3\"/> </td></tr></td></tr></td></tr></td></tr></td></tr></td></tr></td></tr></td></tr></td></tr></td></tr></td></tr>
 | 340 | A | 3\"/> <tr> <td>341A</td> <td>ETR</td> <td>-</td> <td>WD.</td> <td>J2</td> <td>PTD.</td> <td>-</td> <td>331</td> <td>3\"/> <tr> <td>341B</td> <td>ETR</td> <td>-</td> <td>WD.</td> <td>J2</td> <td>PTD.</td> <td>-</td> <td>333</td> <td>3\"/> <tr> <td>342</td> <td>ETR</td> <td>-</td> <td>WD.</td> <td>J2</td> <td>PTD.</td> <td>-</td> <td>334A</td> <td>3\"/> <tr> <td>344</td> <td>ETR</td> <td>-</td> <td>WD.</td> <td>J2</td> <td>PTD.</td> <td>-</td> <td>334B</td> <td>3\"/> <tr> <td>345</td> <td>ETR</td> <td>-</td> <td>WD.</td> <td>J2</td> <td>PTD.</td> <td>-</td> <td>335A</td> <td>3\"/> <tr> <td>346</td> <td>ETR</td> <td>-</td> <td>WD.</td> <td>J2</td> <td>PTD.</td> <td>-</td> <td>335B</td> <td>3\"/> <tr> <td>347</td> <td>ETR</td> <td>-</td> <td>WD.</td> <td>J2</td> <td>PTD.</td> <td>-</td> <td>336</td> <td>3\"/> <tr> <td>348</td> <td>ETR</td> <td>-</td> <td>WD.</td> <td>J2</td> <td>PTD.</td> <td>-</td> <td>337</td> <td>3\"/> <tr> <td>349</td> <td>ETR</td> <td>-</td> <td>WD.</td> <td>J2</td> <td>PTD.</td> <td>-</td> <td>339</td> <td>3\"/> <tr> <td>350</td> <td>ETR</td> <td>-</td> <td>WD.</td> <td>J2</td> <td>PTD.</td> <td>-</td> <td>340</td> <td>3\"/> </td></tr></td></tr></td></tr></td></tr></td></tr></td></tr></td></tr></td></tr></td></tr></td></tr> | 341A | ETR | - | WD. | J2 | PTD.
 | - | 331 | 3\"/> <tr> <td>341B</td> <td>ETR</td> <td>-</td> <td>WD.</td> <td>J2</td> <td>PTD.</td> <td>-</td> <td>333</td> <td>3\"/> <tr> <td>342</td> <td>ETR</td> <td>-</td> <td>WD.</td> <td>J2</td> <td>PTD.</td> <td>-</td> <td>334A</td> <td>3\"/> <tr> <td>344</td> <td>ETR</td> <td>-</td> <td>WD.</td> <td>J2</td> <td>PTD.</td> <td>-</td> <td>334B</td> <td>3\"/> <tr> <td>345</td> <td>ETR</td> <td>-</td> <td>WD.</td> <td>J2</td> <td>PTD.</td> <td>-</td> <td>335A</td> <td>3\"/> <tr> <td>346</td> <td>ETR</td> <td>-</td> <td>WD.</td> <td>J2</td> <td>PTD.</td> <td>-</td> <td>335B</td> <td>3\"/> <tr> <td>347</td> <td>ETR</td> <td>-</td> <td>WD.</td> <td>J2</td> <td>PTD.</td> <td>-</td> <td>336</td> <td>3\"/> <tr> <td>348</td> <td>ETR</td> <td>-</td> <td>WD.</td> <td>J2</td> <td>PTD.</td> <td>-</td> <td>337</td> <td>3\"/> <tr> <td>349</td> <td>ETR</td> <td>-</td> <td>WD.</td> <td>J2</td> <td>PTD.</td> <td>-</td> <td>339</td> <td>3\"/> <tr> <td>350</td> <td>ETR</td> <td>-</td> <td>WD.</td> <td>J2</td> <td>PTD.</td> <td>-</td> <td>340</td> <td>3\"/> </td></tr></td></tr></td></tr></td></tr></td></tr></td></tr></td></tr></td></tr></td></tr> | 341B | ETR | - | WD. | J2 | PTD.
 | - | 333 | 3\"/> <tr> <td>342</td> <td>ETR</td> <td>-</td> <td>WD.</td> <td>J2</td> <td>PTD.</td> <td>-</td> <td>334A</td> <td>3\"/> <tr> <td>344</td> <td>ETR</td> <td>-</td> <td>WD.</td> <td>J2</td> <td>PTD.</td> <td>-</td> <td>334B</td> <td>3\"/> <tr> <td>345</td> <td>ETR</td> <td>-</td> <td>WD.</td> <td>J2</td> <td>PTD.</td> <td>-</td> <td>335A</td> <td>3\"/> <tr> <td>346</td> <td>ETR</td> <td>-</td> <td>WD.</td> <td>J2</td> <td>PTD.</td> <td>-</td> <td>335B</td> <td>3\"/> <tr> <td>347</td> <td>ETR</td> <td>-</td> <td>WD.</td> <td>J2</td> <td>PTD.</td> <td>-</td> <td>336</td> <td>3\"/> <tr> <td>348</td> <td>ETR</td> <td>-</td> <td>WD.</td> <td>J2</td> <td>PTD.</td> <td>-</td> <td>337</td> <td>3\"/> <tr> <td>349</td> <td>ETR</td> <td>-</td> <td>WD.</td> <td>J2</td> <td>PTD.</td> <td>-</td> <td>339</td> <td>3\"/> <tr> <td>350</td> <td>ETR</td> <td>-</td> <td>WD.</td> <td>J2</td> <td>PTD.</td> <td>-</td> <td>340</td> <td>3\"/> </td></tr></td></tr></td></tr></td></tr></td></tr></td></tr></td></tr></td></tr> | 342 | ETR | -
 | WD. | J2 | PTD. | - | 334A | 3\"/> <tr> <td>344</td> <td>ETR</td> <td>-</td> <td>WD.</td> <td>J2</td> <td>PTD.</td> <td>-</td> <td>334B</td> <td>3\"/> <tr> <td>345</td> <td>ETR</td> <td>-</td> <td>WD.</td> <td>J2</td> <td>PTD.</td> <td>-</td> <td>335A</td> <td>3\"/> <tr> <td>346</td> <td>ETR</td> <td>-</td> <td>WD.</td> <td>J2</td> <td>PTD.</td> <td>-</td> <td>335B</td> <td>3\"/> <tr> <td>347</td> <td>ETR</td> <td>-</td> <td>WD.</td> <td>J2</td> <td>PTD.</td> <td>-</td> <td>336</td> <td>3\"/> <tr> <td>348</td> <td>ETR</td> <td>-</td> <td>WD.</td> <td>J2</td> <td>PTD.</td> <td>-</td> <td>337</td> <td>3\"/> <tr> <td>349</td> <td>ETR</td> <td>-</td> <td>WD.</td> <td>J2</td> <td>PTD.</td> <td>-</td> <td>339</td> <td>3\"/> <tr> <td>350</td> <td>ETR</td> <td>-</td> <td>WD.</td> <td>J2</td> <td>PTD.</td> <td>-</td> <td>340</td> <td>3\"/> </td></tr></td></tr></td></tr></td></tr></td></tr></td></tr></td></tr> | 344 | ETR | -
 | WD. | J2 | PTD. | - | 334B | 3\"/> <tr> <td>345</td> <td>ETR</td> <td>-</td> <td>WD.</td> <td>J2</td> <td>PTD.</td> <td>-</td> <td>335A</td> <td>3\"/> <tr> <td>346</td> <td>ETR</td> <td>-</td> <td>WD.</td> <td>J2</td> <td>PTD.</td> <td>-</td> <td>335B</td> <td>3\"/> <tr> <td>347</td> <td>ETR</td> <td>-</td> <td>WD.</td> <td>J2</td> <td>PTD.</td> <td>-</td> <td>336</td> <td>3\"/> <tr> <td>348</td> <td>ETR</td> <td>-</td> <td>WD.</td> <td>J2</td> <td>PTD.</td> <td>-</td> <td>337</td> <td>3\"/> <tr> <td>349</td> <td>ETR</td> <td>-</td> <td>WD.</td> <td>J2</td> <td>PTD.</td> <td>-</td> <td>339</td> <td>3\"/> <tr> <td>350</td> <td>ETR</td> <td>-</td> <td>WD.</td> <td>J2</td> <td>PTD.</td> <td>-</td> <td>340</td> <td>3\"/> </td></tr></td></tr></td></tr></td></tr></td></tr></td></tr> | 345 | ETR | - | WD. | J2 | PTD.
 | - | 335A | 3\"/> <tr> <td>346</td> <td>ETR</td> <td>-</td> <td>WD.</td> <td>J2</td> <td>PTD.</td> <td>-</td> <td>335B</td> <td>3\"/> <tr> <td>347</td> <td>ETR</td> <td>-</td> <td>WD.</td> <td>J2</td> <td>PTD.</td> <td>-</td> <td>336</td> <td>3\"/> <tr> <td>348</td> <td>ETR</td> <td>-</td> <td>WD.</td> <td>J2</td> <td>PTD.</td> <td>-</td> <td>337</td> <td>3\"/> <tr> <td>349</td> <td>ETR</td> <td>-</td> <td>WD.</td> <td>J2</td> <td>PTD.</td> <td>-</td> <td>339</td> <td>3\"/> <tr> <td>350</td> <td>ETR</td> <td>-</td> <td>WD.</td> <td>J2</td> <td>PTD.</td> <td>-</td> <td>340</td> <td>3\"/> </td></tr></td></tr></td></tr></td></tr></td></tr> | 346 | ETR | - | WD. | J2 | PTD.
 | - | 335B | 3\"/> <tr> <td>347</td> <td>ETR</td> <td>-</td> <td>WD.</td> <td>J2</td> <td>PTD.</td> <td>-</td> <td>336</td> <td>3\"/> <tr> <td>348</td> <td>ETR</td> <td>-</td> <td>WD.</td> <td>J2</td> <td>PTD.</td> <td>-</td> <td>337</td> <td>3\"/> <tr> <td>349</td> <td>ETR</td> <td>-</td> <td>WD.</td> <td>J2</td> <td>PTD.</td> <td>-</td> <td>339</td> <td>3\"/> <tr> <td>350</td> <td>ETR</td> <td>-</td> <td>WD.</td> <td>J2</td> <td>PTD.</td> <td>-</td> <td>340</td> <td>3\"/> </td></tr></td></tr></td></tr></td></tr> | 347 | ETR | - | WD. | J2 | PTD. | - | 336 | 3\"/> <tr> <td>348</td> <td>ETR</td> <td>-</td> <td>WD.</td> <td>J2</td> <td>PTD.</td> <td>-</td> <td>337</td> <td>3\"/> <tr> <td>349</td> <td>ETR</td> <td>-</td> <td>WD.</td> <td>J2</td> <td>PTD.</td> <td>-</td>
<td>339</td> <td>3\"/> <tr> <td>350</td> <td>ETR</td> <td>-</td> <td>WD.</td> <td>J2</td> <td>PTD.</td> <td>-</td> <td>340</td> <td>3\"/> </td></tr></td></tr></td></tr> | 348 | ETR | - | WD. | J2 | PTD. | - | 337 | 3\"/> <tr> <td>349</td> <td>ETR</td> <td>-</td> <td>WD.</td> <td>J2</td> <td>PTD.</td> <td>-</td> <td>339</td> <td>3\"/> <tr> <td>350</td> <td>ETR</td> <td>-</td> <td>WD.</td> <td>J2</td> <td>PTD.</td> <td>-</td> <td>340</td> <td>3\"/> </td></tr></td></tr>
 | 349 | ETR | - | WD. | J2 | PTD. | - | 339 | 3\"/> <tr> <td>350</td> <td>ETR</td> <td>-</td> <td>WD.</td> <td>J2</td> <td>PTD.</td> <td>-</td> <td>340</td> <td>3\"/> </td></tr> | 350 | ETR | -
 | WD. | J2 | PTD. | - | 340 | 3\"/> | | | | | | | | | | | | | | | | | | | | | | | | | | | | | | | | | | | | | | | | | | | | | | | | | | | | | | | | | | | | |
 | | | | | | | | | | | | | | |
 | | | | | | | | | | | | | | |
 | | | | | | | | | | | | | | | | | |
 | | | | | | | | | | | | | | | | | | | | |
 | | | | | | | | | | | | | | | | | | | | | | | | | | |
 | | | | | | | | | | | | | | | | | | | | | | | | | | | | | | | | | | | | | | | | | | | | | | | | | | | | | | | | | | | | | | | | | | |
| 328 | ETR | - | WD. | J2 | PTD. | - | 320 | 3\"/> <tr> <td>329A</td> <td>ETR</td> <td>-</td> <td>WD.</td> <td>J2</td> <td>PTD.</td> <td>-</td> <td>321</td> <td>3\"/> <tr> <td>329B</td> <td>ETR</td> <td>-</td> <td>WD.</td> <td>J2</td> <td>PTD.</td> <td>-</td> <td>322</td> <td>3\"/> <tr> <td>331</td> <td>ETR</td> <td>-</td> <td>WD.</td> <td>J2</td> <td>PTD.</td> <td>-</td> <td>323</td> <td>3\"/> <tr> <td>333</td> <td>ETR</td> <td>-</td> <td>WD.</td> <td>J2</td> <td>PTD.</td> <td>-</td> <td>324</td> <td>3\"/> <tr> <td>334A</td> <td>ETR</td> <td>-</td> <td>WD.</td> <td>J2</td> <td>PTD.</td> <td>-</td> <td>325</td> <td>3\"/> <tr> <td>334B</td> <td>ETR</td> <td>-</td> <td>WD.</td> <td>J2</td> <td>PTD.</td> <td>-</td> <td>327</td> <td>3\"/> <tr> <td>335A</td> <td>ETR</td> <td>-</td> <td>WD.</td> <td>J2</td> <td>PTD.</td> <td>-</td> <td>328</td> <td>3\"/> <tr> <td>335B</td> <td>B</td> <td>3\"/> <tr> <td>336</td> <td>B</td> <td>3\"/> <tr> <td>337</td> <td>ETR</td> <td>-</td> <td>WD.</td> <td>J2</td> <td>PTD.</td> <td>-</td> <td>329A</td> <td>3\"/> <tr> <td>339</td> <td>ETR</td> <td>-</td> <td>WD.</td> <td>J2</td> <td>PTD.</td> <td>-</td> <td>329B</td> <td>3\"/> <tr> <td>340</td> <td>A</td> <td>3\"/> <tr> <td>341A</td> <td>ETR</td> <td>-</td> <td>WD.</td> <td>J2</td> <td>PTD.</td> <td>-</td> <td>331</td> <td>3\"/> <tr> <td>341B</td> <td>ETR</td> <td>-</td> <td>WD.</td> <td>J2</td> <td>PTD.</td> <td>-</td> <td>333</td> <td>3\"/> <tr> <td>342</td> <td>ETR</td> <td>-</td> <td>WD.</td> <td>J2</td> <td>PTD.</td> <td>-</td> <td>334A</td> <td>3\"/> <tr> <td>344</td> <td>ETR</td> <td>-</td> <td>WD.</td> <td>J2</td> <td>PTD.</td> <td>-</td> <td>334B</td> <td>3\"/> <tr> <td>345</td> <td>ETR</td> <td>-</td> <td>WD.</td> <td>J2</td> <td>PTD.</td> <td>-</td> <td>335A</td> <td>3\"/> <tr> <td>346</td> <td>ETR</td> <td>-</td> <td>WD.</td> <td>J2</td> <td>PTD.</td> <td>-</td> <td>335B</td> <td>3\"/> <tr> <td>347</td> <td>ETR</td> <td>-</td> <td>WD.</td> <td>J2</td> <td>PTD.</td> <td>-</td> <td>336</td> <td>3\"/> <tr> <td>348</td> <td>ETR</td> <td>-</td> <td>WD.</td> <td>J2</td> <td>PTD.</td> <td>-</td> <td>337</td> <td>3\"/> <tr> <td>349</td> <td>ETR</td> <td>-</td> <td>WD.</td> <td>J2</td> <td>PTD.</td> <td>-</td> <td>339</td> <td>3\"/> <tr> <td>350</td> <td>ETR</td> <td>-</td> <td>WD.</td> <td>J2</td> <td>PTD.</td> <td>-</td> <td>340</td> <td>3\"/> </td></tr></td></tr></td></tr></td></tr></td></tr></td></tr></td></tr></td></tr></td></tr></td></tr></td></tr></td></tr></td></tr></td></tr></td></tr></td></tr></td></tr></td></tr></td></tr></td></tr></td></tr></td></tr>
 | 329A | ETR | - | WD. | J2 | PTD.
 | - | 321 | 3\"/> <tr> <td>329B</td> <td>ETR</td> <td>-</td> <td>WD.</td> <td>J2</td> <td>PTD.</td> <td>-</td> <td>322</td> <td>3\"/> <tr> <td>331</td> <td>ETR</td> <td>-</td> <td>WD.</td> <td>J2</td> <td>PTD.</td> <td>-</td> <td>323</td> <td>3\"/> <tr> <td>333</td> <td>ETR</td> <td>-</td> <td>WD.</td> <td>J2</td> <td>PTD.</td> <td>-</td> <td>324</td> <td>3\"/> <tr> <td>334A</td> <td>ETR</td> <td>-</td> <td>WD.</td> <td>J2</td> <td>PTD.</td> <td>-</td> <td>325</td> <td>3\"/> <tr> <td>334B</td> <td>ETR</td> <td>-</td> <td>WD.</td> <td>J2</td> <td>PTD.</td> <td>-</td> <td>327</td> <td>3\"/> <tr> <td>335A</td> <td>ETR</td> <td>-</td> <td>WD.</td> <td>J2</td> <td>PTD.</td> <td>-</td> <td>328</td> <td>3\"/> <tr> <td>335B</td> <td>B</td> <td>3\"/> <tr> <td>336</td> <td>B</td> <td>3\"/> <tr> <td>337</td> <td>ETR</td> <td>-</td> <td>WD.</td> <td>J2</td> <td>PTD.</td> <td>-</td> <td>329A</td> <td>3\"/> <tr> <td>339</td> <td>ETR</td> <td>-</td> <td>WD.</td> <td>J2</td> <td>PTD.</td> <td>-</td> <td>329B</td> <td>3\"/> <tr> <td>340</td> <td>A</td> <td>3\"/> <tr> <td>341A</td> <td>ETR</td> <td>-</td> <td>WD.</td> <td>J2</td> <td>PTD.</td> <td>-</td> <td>331</td> <td>3\"/> <tr> <td>341B</td> <td>ETR</td> <td>-</td> <td>WD.</td> <td>J2</td> <td>PTD.</td> <td>-</td> <td>333</td> <td>3\"/> <tr> <td>342</td> <td>ETR</td> <td>-</td> <td>WD.</td> <td>J2</td> <td>PTD.</td> <td>-</td> <td>334A</td> <td>3\"/> <tr> <td>344</td> <td>ETR</td> <td>-</td> <td>WD.</td> <td>J2</td> <td>PTD.</td> <td>-</td> <td>334B</td> <td>3\"/> <tr> <td>345</td> <td>ETR</td> <td>-</td> <td>WD.</td> <td>J2</td> <td>PTD.</td> <td>-</td> <td>335A</td> <td>3\"/> <tr> <td>346</td> <td>ETR</td> <td>-</td> <td>WD.</td> <td>J2</td> <td>PTD.</td> <td>-</td> <td>335B</td> <td>3\"/> <tr> <td>347</td> <td>ETR</td> <td>-</td> <td>WD.</td> <td>J2</td> <td>PTD.</td> <td>-</td> <td>336</td> <td>3\"/> <tr> <td>348</td> <td>ETR</td> <td>-</td> <td>WD.</td> <td>J2</td> <td>PTD.</td> <td>-</td> <td>337</td> <td>3\"/> <tr> <td>349</td> <td>ETR</td> <td>-</td> <td>WD.</td> <td>J2</td> <td>PTD.</td> <td>-</td> <td>339</td> <td>3\"/> <tr> <td>350</td> <td>ETR</td> <td>-</td> <td>WD.</td> <td>J2</td> <td>PTD.</td> <td>-</td> <td>340</td> <td>3\"/> </td></tr></td></tr></td></tr></td></tr></td></tr></td></tr></td></tr></td></tr></td></tr></td></tr></td></tr></td></tr></td></tr></td></tr></td></tr></td></tr></td></tr></td></tr></td></tr></td></tr></td></tr> | 329B | ETR | -
 | WD. | J2 | PTD. | - | 322 | 3\"/> <tr> <td>331</td> <td>ETR</td> <td>-</td> <td>WD.</td> <td>J2</td> <td>PTD.</td> <td>-</td> <td>323</td> <td>3\"/> <tr> <td>333</td> <td>ETR</td> <td>-</td> <td>WD.</td> <td>J2</td> <td>PTD.</td> <td>-</td> <td>324</td> <td>3\"/> <tr> <td>334A</td> <td>ETR</td> <td>-</td> <td>WD.</td> <td>J2</td> <td>PTD.</td> <td>-</td> <td>325</td> <td>3\"/> <tr> <td>334B</td> <td>ETR</td> <td>-</td> <td>WD.</td> <td>J2</td> <td>PTD.</td> <td>-</td> <td>327</td> <td>3\"/> <tr> <td>335A</td> <td>ETR</td> <td>-</td> <td>WD.</td> <td>J2</td> <td>PTD.</td> <td>-</td> <td>328</td> <td>3\"/> <tr> <td>335B</td> <td>B</td> <td>3\"/> <tr> <td>336</td> <td>B</td> <td>3\"/> <tr> <td>337</td> <td>ETR</td> <td>-</td> <td>WD.</td> <td>J2</td> <td>PTD.</td> <td>-</td> <td>329A</td> <td>3\"/> <tr> <td>339</td> <td>ETR</td> <td>-</td> <td>WD.</td> <td>J2</td> <td>PTD.</td> <td>-</td> <td>329B</td> <td>3\"/> <tr> <td>340</td> <td>A</td> <td>3\"/> <tr> <td>341A</td> <td>ETR</td> <td>-</td> <td>WD.</td> <td>J2</td> <td>PTD.</td> <td>-</td> <td>331</td> <td>3\"/> <tr> <td>341B</td> <td>ETR</td> <td>-</td> <td>WD.</td> <td>J2</td> <td>PTD.</td> <td>-</td> <td>333</td> <td>3\"/> <tr> <td>342</td> <td>ETR</td> <td>-</td> <td>WD.</td> <td>J2</td> <td>PTD.</td> <td>-</td> <td>334A</td> <td>3\"/> <tr> <td>344</td> <td>ETR</td> <td>-</td> <td>WD.</td> <td>J2</td> <td>PTD.</td> <td>-</td> <td>334B</td> <td>3\"/> <tr> <td>345</td> <td>ETR</td> <td>-</td> <td>WD.</td> <td>J2</td> <td>PTD.</td> <td>-</td> <td>335A</td> <td>3\"/> <tr> <td>346</td> <td>ETR</td> <td>-</td> <td>WD.</td> <td>J2</td> <td>PTD.</td> <td>-</td> <td>335B</td> <td>3\"/> <tr> <td>347</td> <td>ETR</td> <td>-</td> <td>WD.</td> <td>J2</td> <td>PTD.</td> <td>-</td> <td>336</td> <td>3\"/> <tr> <td>348</td> <td>ETR</td> <td>-</td> <td>WD.</td> <td>J2</td> <td>PTD.</td> <td>-</td> <td>337</td> <td>3\"/> <tr> <td>349</td> <td>ETR</td> <td>-</td> <td>WD.</td> <td>J2</td> <td>PTD.</td> <td>-</td> <td>339</td> <td>3\"/> <tr> <td>350</td> <td>ETR</td> <td>-</td> <td>WD.</td> <td>J2</td> <td>PTD.</td> <td>-</td> <td>340</td> <td>3\"/> </td></tr></td></tr></td></tr></td></tr></td></tr></td></tr></td></tr></td></tr></td></tr></td></tr></td></tr></td></tr></td></tr></td></tr></td></tr></td></tr></td></tr></td></tr></td></tr></td></tr>
 | 331 | ETR | - | WD. | J2 | PTD.
 | - | 323 | 3\"/> <tr> <td>333</td> <td>ETR</td> <td>-</td> <td>WD.</td> <td>J2</td> <td>PTD.</td> <td>-</td> <td>324</td> <td>3\"/> <tr> <td>334A</td> <td>ETR</td> <td>-</td> <td>WD.</td> <td>J2</td> <td>PTD.</td> <td>-</td> <td>325</td> <td>3\"/> <tr> <td>334B</td> <td>ETR</td> <td>-</td> <td>WD.</td> <td>J2</td> <td>PTD.</td> <td>-</td> <td>327</td> <td>3\"/> <tr> <td>335A</td> <td>ETR</td> <td>-</td> <td>WD.</td> <td>J2</td> <td>PTD.</td> <td>-</td> <td>328</td> <td>3\"/> <tr> <td>335B</td> <td>B</td> <td>3\"/> <tr> <td>336</td> <td>B</td> <td>3\"/> <tr> <td>337</td> <td>ETR</td> <td>-</td> <td>WD.</td> <td>J2</td> <td>PTD.</td> <td>-</td> <td>329A</td> <td>3\"/> <tr> <td>339</td> <td>ETR</td> <td>-</td> <td>WD.</td> <td>J2</td> <td>PTD.</td> <td>-</td> <td>329B</td> <td>3\"/> <tr> <td>340</td> <td>A</td> <td>3\"/> <tr> <td>341A</td> <td>ETR</td> <td>-</td> <td>WD.</td> <td>J2</td> <td>PTD.</td> <td>-</td> <td>331</td> <td>3\"/> <tr> <td>341B</td> <td>ETR</td> <td>-</td> <td>WD.</td> <td>J2</td> <td>PTD.</td> <td>-</td> <td>333</td> <td>3\"/> <tr> <td>342</td> <td>ETR</td> <td>-</td> <td>WD.</td> <td>J2</td> <td>PTD.</td> <td>-</td> <td>334A</td> <td>3\"/> <tr> <td>344</td> <td>ETR</td> <td>-</td> <td>WD.</td> <td>J2</td> <td>PTD.</td> <td>-</td> <td>334B</td> <td>3\"/> <tr> <td>345</td> <td>ETR</td> <td>-</td> <td>WD.</td> <td>J2</td> <td>PTD.</td> <td>-</td> <td>335A</td> <td>3\"/> <tr> <td>346</td> <td>ETR</td> <td>-</td> <td>WD.</td> <td>J2</td> <td>PTD.</td> <td>-</td> <td>335B</td> <td>3\"/> <tr> <td>347</td> <td>ETR</td> <td>-</td> <td>WD.</td> <td>J2</td> <td>PTD.</td> <td>-</td> <td>336</td> <td>3\"/> <tr> <td>348</td> <td>ETR</td> <td>-</td> <td>WD.</td> <td>J2</td> <td>PTD.</td> <td>-</td> <td>337</td> <td>3\"/> <tr> <td>349</td> <td>ETR</td> <td>-</td> <td>WD.</td> <td>J2</td> <td>PTD.</td> <td>-</td> <td>339</td> <td>3\"/> <tr> <td>350</td> <td>ETR</td> <td>-</td> <td>WD.</td> <td>J2</td> <td>PTD.</td> <td>-</td> <td>340</td> <td>3\"/> </td></tr></td></tr></td></tr></td></tr></td></tr></td></tr></td></tr></td></tr></td></tr></td></tr></td></tr></td></tr></td></tr></td></tr></td></tr></td></tr></td></tr></td></tr></td></tr> | 333 | ETR | -
 | WD. | J2 | PTD. | - | 324 | 3\"/> <tr> <td>334A</td> <td>ETR</td> <td>-</td> <td>WD.</td> <td>J2</td> <td>PTD.</td> <td>-</td> <td>325</td> <td>3\"/> <tr> <td>334B</td> <td>ETR</td> <td>-</td> <td>WD.</td> <td>J2</td> <td>PTD.</td> <td>-</td> <td>327</td> <td>3\"/> <tr> <td>335A</td> <td>ETR</td> <td>-</td> <td>WD.</td> <td>J2</td> <td>PTD.</td> <td>-</td> <td>328</td> <td>3\"/> <tr> <td>335B</td> <td>B</td> <td>3\"/> <tr> <td>336</td> <td>B</td> <td>3\"/> <tr> <td>337</td> <td>ETR</td> <td>-</td> <td>WD.</td> <td>J2</td> <td>PTD.</td> <td>-</td> <td>329A</td> <td>3\"/> <tr> <td>339</td> <td>ETR</td> <td>-</td> <td>WD.</td> <td>J2</td> <td>PTD.</td> <td>-</td> <td>329B</td> <td>3\"/> <tr> <td>340</td> <td>A</td> <td>3\"/> <tr> <td>341A</td> <td>ETR</td> <td>-</td> <td>WD.</td> <td>J2</td> <td>PTD.</td> <td>-</td> <td>331</td> <td>3\"/> <tr> <td>341B</td> <td>ETR</td> <td>-</td> <td>WD.</td> <td>J2</td> <td>PTD.</td> <td>-</td> <td>333</td> <td>3\"/> <tr> <td>342</td> <td>ETR</td> <td>-</td> <td>WD.</td> <td>J2</td> <td>PTD.</td> <td>-</td> <td>334A</td> <td>3\"/> <tr> <td>344</td> <td>ETR</td> <td>-</td> <td>WD.</td> <td>J2</td> <td>PTD.</td> <td>-</td> <td>334B</td> <td>3\"/> <tr> <td>345</td> <td>ETR</td> <td>-</td> <td>WD.</td> <td>J2</td> <td>PTD.</td> <td>-</td> <td>335A</td> <td>3\"/> <tr> <td>346</td> <td>ETR</td> <td>-</td> <td>WD.</td> <td>J2</td> <td>PTD.</td> <td>-</td> <td>335B</td> <td>3\"/> <tr> <td>347</td> <td>ETR</td> <td>-</td> <td>WD.</td> <td>J2</td> <td>PTD.</td> <td>-</td> <td>336</td> <td>3\"/> <tr> <td>348</td> <td>ETR</td> <td>-</td> <td>WD.</td> <td>J2</td> <td>PTD.</td> <td>-</td> <td>337</td> <td>3\"/> <tr> <td>349</td> <td>ETR</td> <td>-</td> <td>WD.</td> <td>J2</td> <td>PTD.</td> <td>-</td> <td>339</td> <td>3\"/> <tr> <td>350</td> <td>ETR</td> <td>-</td> <td>WD.</td> <td>J2</td> <td>PTD.</td> <td>-</td> <td>340</td> <td>3\"/> </td></tr></td></tr></td></tr></td></tr></td></tr></td></tr></td></tr></td></tr></td></tr></td></tr></td></tr></td></tr></td></tr></td></tr></td></tr></td></tr></td></tr></td></tr>
 | 334A | ETR | - | WD. | J2 | PTD. | - | 325 | 3\"/> <tr> <td>334B</td> <td>ETR</td> <td>-</td> <td>WD.</td> <td>J2</td> <td>PTD.</td> <td>-</td> <td>327</td> <td>3\"/> <tr> <td>335A</td> <td>ETR</td> <td>-</td> <td>WD.</td> <td>J2</td> <td>PTD.</td> <td>-</td> <td>328</td> <td>3\"/> <tr> <td>335B</td> <td>B</td> <td>3\"/> <tr>
<td>336</td> <td>B</td> <td>3\"/> <tr> <td>337</td> <td>ETR</td> <td>-</td> <td>WD.</td> <td>J2</td> <td>PTD.</td> <td>-</td> <td>329A</td> <td>3\"/> <tr> <td>339</td> <td>ETR</td> <td>-</td> <td>WD.</td> <td>J2</td> <td>PTD.</td> <td>-</td> <td>329B</td> <td>3\"/> <tr> <td>340</td> <td>A</td> <td>3\"/> <tr> <td>341A</td> <td>ETR</td> <td>-</td> <td>WD.</td> <td>J2</td> <td>PTD.</td> <td>-</td> <td>331</td> <td>3\"/> <tr> <td>341B</td> <td>ETR</td> <td>-</td> <td>WD.</td> <td>J2</td> <td>PTD.</td> <td>-</td> <td>333</td> <td>3\"/> <tr> <td>342</td> <td>ETR</td> <td>-</td> <td>WD.</td> <td>J2</td> <td>PTD.</td> <td>-</td> <td>334A</td> <td>3\"/> <tr> <td>344</td> <td>ETR</td> <td>-</td> <td>WD.</td> <td>J2</td> <td>PTD.</td> <td>-</td> <td>334B</td> <td>3\"/> <tr> <td>345</td> <td>ETR</td> <td>-</td> <td>WD.</td> <td>J2</td> <td>PTD.</td> <td>-</td> <td>335A</td> <td>3\"/> <tr> <td>346</td> <td>ETR</td> <td>-</td> <td>WD.</td> <td>J2</td> <td>PTD.</td> <td>-</td> <td>335B</td> <td>3\"/> <tr> <td>347</td> <td>ETR</td> <td>-</td> <td>WD.</td> <td>J2</td> <td>PTD.</td> <td>-</td> <td>336</td> <td>3\"/> <tr> <td>348</td> <td>ETR</td> <td>-</td> <td>WD.</td> <td>J2</td> <td>PTD.</td> <td>-</td> <td>337</td> <td>3\"/> <tr> <td>349</td> <td>ETR</td> <td>-</td> <td>WD.</td> <td>J2</td> <td>PTD.</td> <td>-</td> <td>339</td> <td>3\"/> <tr> <td>350</td> <td>ETR</td> <td>-</td> <td>WD.</td> <td>J2</td> <td>PTD.</td> <td>-</td> <td>340</td> <td>3\"/> </td></tr></td></tr></td></tr></td></tr></td></tr></td></tr></td></tr></td></tr></td></tr></td></tr></td></tr></td></tr></td></tr></td></tr></td></tr></td></tr></td></tr> | 334B | ETR | - | WD. | J2 | PTD.
 | - | 327 | 3\"/> <tr> <td>335A</td> <td>ETR</td> <td>-</td> <td>WD.</td> <td>J2</td> <td>PTD.</td> <td>-</td> <td>328</td> <td>3\"/> <tr> <td>335B</td> <td>B</td> <td>3\"/> <tr> <td>336</td> <td>B</td> <td>3\"/> <tr> <td>337</td> <td>ETR</td> <td>-</td> <td>WD.</td> <td>J2</td> <td>PTD.</td> <td>-</td> <td>329A</td> <td>3\"/> <tr> <td>339</td> <td>ETR</td> <td>-</td> <td>WD.</td> <td>J2</td> <td>PTD.</td> <td>-</td> <td>329B</td> <td>3\"/> <tr> <td>340</td> <td>A</td> <td>3\"/> <tr> <td>341A</td> <td>ETR</td> <td>-</td> <td>WD.</td> <td>J2</td> <td>PTD.</td> <td>-</td> <td>331</td> <td>3\"/> <tr> <td>341B</td> <td>ETR</td> <td>-</td> <td>WD.</td> <td>J2</td> <td>PTD.</td> <td>-</td> <td>333</td> <td>3\"/> <tr> <td>342</td> <td>ETR</td> <td>-</td> <td>WD.</td> <td>J2</td> <td>PTD.</td> <td>-</td> <td>334A</td> <td>3\"/> <tr> <td>344</td> <td>ETR</td> <td>-</td> <td>WD.</td> <td>J2</td> <td>PTD.</td> <td>-</td> <td>334B</td> <td>3\"/> <tr> <td>345</td> <td>ETR</td> <td>-</td> <td>WD.</td> <td>J2</td> <td>PTD.</td> <td>-</td> <td>335A</td> <td>3\"/> <tr> <td>346</td> <td>ETR</td> <td>-</td> <td>WD.</td> <td>J2</td> <td>PTD.</td> <td>-</td> <td>335B</td> <td>3\"/> <tr> <td>347</td> <td>ETR</td> <td>-</td> <td>WD.</td> <td>J2</td> <td>PTD.</td> <td>-</td> <td>336</td> <td>3\"/> <tr> <td>348</td> <td>ETR</td> <td>-</td> <td>WD.</td> <td>J2</td> <td>PTD.</td> <td>-</td> <td>337</td> <td>3\"/> <tr> <td>349</td> <td>ETR</td> <td>-</td> <td>WD.</td> <td>J2</td> <td>PTD.</td> <td>-</td> <td>339</td> <td>3\"/> <tr> <td>350</td> <td>ETR</td> <td>-</td> <td>WD.</td> <td>J2</td> <td>PTD.</td> <td>-</td> <td>340</td> <td>3\"/> </td></tr></td></tr></td></tr></td></tr></td></tr></td></tr></td></tr></td></tr></td></tr></td></tr></td></tr></td></tr></td></tr></td></tr></td></tr></td></tr> | 335A | ETR | -
 | WD. | J2 | PTD. | - | 328 | 3\"/> <tr> <td>335B</td> <td>B</td> <td>3\"/> <tr> <td>336</td> <td>B</td> <td>3\"/> <tr> <td>337</td> <td>ETR</td> <td>-</td> <td>WD.</td> <td>J2</td> <td>PTD.</td> <td>-</td> <td>329A</td> <td>3\"/> <tr> <td>339</td> <td>ETR</td> <td>-</td> <td>WD.</td> <td>J2</td> <td>PTD.</td> <td>-</td> <td>329B</td> <td>3\"/> <tr> <td>340</td> <td>A</td> <td>3\"/> <tr> <td>341A</td> <td>ETR</td> <td>-</td> <td>WD.</td> <td>J2</td> <td>PTD.</td> <td>-</td> <td>331</td> <td>3\"/> <tr> <td>341B</td> <td>ETR</td> <td>-</td> <td>WD.</td> <td>J2</td> <td>PTD.</td> <td>-</td> <td>333</td> <td>3\"/> <tr> <td>342</td> <td>ETR</td> <td>-</td> <td>WD.</td> <td>J2</td> <td>PTD.</td> <td>-</td> <td>334A</td> <td>3\"/> <tr> <td>344</td> <td>ETR</td> <td>-</td> <td>WD.</td> <td>J2</td> <td>PTD.</td> <td>-</td> <td>334B</td> <td>3\"/> <tr> <td>345</td> <td>ETR</td> <td>-</td> <td>WD.</td> <td>J2</td> <td>PTD.</td> <td>-</td> <td>335A</td> <td>3\"/> <tr> <td>346</td> <td>ETR</td> <td>-</td> <td>WD.</td> <td>J2</td> <td>PTD.</td> <td>-</td> <td>335B</td> <td>3\"/> <tr> <td>347</td> <td>ETR</td> <td>-</td> <td>WD.</td> <td>J2</td> <td>PTD.</td> <td>-</td> <td>336</td> <td>3\"/> <tr> <td>348</td> <td>ETR</td> <td>-</td> <td>WD.</td> <td>J2</td> <td>PTD.</td> <td>-</td> <td>337</td> <td>3\"/> <tr> <td>349</td> <td>ETR</td> <td>-</td> <td>WD.</td> <td>J2</td> <td>PTD.</td> <td>-</td> <td>339</td> <td>3\"/> <tr> <td>350</td> <td>ETR</td> <td>-</td> <td>WD.</td> <td>J2</td> <td>PTD.</td> <td>-</td> <td>340</td> <td>3\"/> </td></tr></td></tr></td></tr></td></tr></td></tr></td></tr></td></tr></td></tr></td></tr></td></tr></td></tr></td></tr></td></tr></td></tr></td></tr> | 335B | B | 3\"/> <tr> <td>336</td> <td>B</td> <td>3\"/> <tr> <td>337</td> <td>ETR</td> <td>-</td> <td>WD.</td> <td>J2</td> <td>PTD.</td> <td>-</td> <td>329A</td> <td>3\"/> <tr> <td>339</td> <td>ETR</td> <td>-</td> <td>WD.</td> <td>J2</td> <td>PTD.</td> <td>-</td> <td>329B</td> <td>3\"/> <tr> <td>340</td> <td>A</td> <td>3\"/> <tr> <td>341A</td> <td>ETR</td> <td>-</td> <td>WD.</td> <td>J2</td> <td>PTD.</td> <td>-</td> <td>331</td> <td>3\"/> <tr> <td>341B</td> <td>ETR</td> <td>-</td> <td>WD.</td> <td>J2</td> <td>PTD.</td> <td>-</td> <td>333</td> <td>3\"/> <tr> <td>342</td> <td>ETR</td> <td>-</td> <td>WD.</td> <td>J2</td> <td>PTD.</td> <td>-</td> <td>334A</td> <td>3\"/> <tr> <td>344</td> <td>ETR</td> <td>-</td> <td>WD.</td> <td>J2</td> <td>PTD.</td> <td>-</td> <td>334B</td> <td>3\"/> <tr> <td>345</td> <td>ETR</td> <td>-</td> <td>WD.</td> <td>J2</td> <td>PTD.</td> <td>-</td> <td>335A</td> <td>3\"/> <tr> <td>346</td> <td>ETR</td> <td>-</td> <td>WD.</td> <td>J2</td>
<td>PTD.</td> <td>-</td> <td>335B</td> <td>3\"/> <tr> <td>347</td> <td>ETR</td> <td>-</td> <td>WD.</td> <td>J2</td> <td>PTD.</td> <td>-</td> <td>336</td> <td>3\"/> <tr> <td>348</td> <td>ETR</td> <td>-</td> <td>WD.</td> <td>J2</td> <td>PTD.</td> <td>-</td> <td>337</td> <td>3\"/> <tr> <td>349</td> <td>ETR</td> <td>-</td> <td>WD.</td> <td>J2</td> <td>PTD.</td> <td>-</td> <td>339</td> <td>3\"/> <tr> <td>350</td> <td>ETR</td> <td>-</td> <td>WD.</td> <td>J2</td> <td>PTD.</td> <td>-</td> <td>340</td> <td>3\"/> </td></tr></td></tr></td></tr></td></tr></td></tr></td></tr></td></tr></td></tr></td></tr></td></tr></td></tr></td></tr></td></tr></td></tr> | 336 | B | 3\"/> <tr> <td>337</td> <td>ETR</td> <td>-</td> <td>WD.</td> <td>J2</td> <td>PTD.</td> <td>-</td> <td>329A</td> <td>3\"/> <tr> <td>339</td> <td>ETR</td> <td>-</td> <td>WD.</td> <td>J2</td> <td>PTD.</td> <td>-</td> <td>329B</td> <td>3\"/> <tr> <td>340</td> <td>A</td> <td>3\"/> <tr> <td>341A</td> <td>ETR</td> <td>-</td> <td>WD.</td> <td>J2</td> <td>PTD.</td> <td>-</td> <td>331</td> <td>3\"/> <tr> <td>341B</td> <td>ETR</td> <td>-</td> <td>WD.</td> <td>J2</td> <td>PTD.</td> <td>-</td> <td>333</td> <td>3\"/> <tr> <td>342</td> <td>ETR</td> <td>-</td> <td>WD.</td> <td>J2</td> <td>PTD.</td> <td>-</td> <td>334A</td> <td>3\"/> <tr> <td>344</td> <td>ETR</td> <td>-</td> <td>WD.</td> <td>J2</td> <td>PTD.</td> <td>-</td> <td>334B</td> <td>3\"/> <tr> <td>345</td> <td>ETR</td> <td>-</td> <td>WD.</td> <td>J2</td> <td>PTD.</td> <td>-</td> <td>335A</td> <td>3\"/> <tr> <td>346</td> <td>ETR</td> <td>-</td> <td>WD.</td> <td>J2</td> <td>PTD.</td> <td>-</td> <td>335B</td> <td>3\"/> <tr> <td>347</td> <td>ETR</td> <td>-</td> <td>WD.</td> <td>J2</td> <td>PTD.</td> <td>-</td> <td>336</td> <td>3\"/> <tr> <td>348</td> <td>ETR</td> <td>-</td> <td>WD.</td> <td>J2</td> <td>PTD.</td> <td>-</td> <td>337</td> <td>3\"/> <tr> <td>349</td> <td>ETR</td> <td>-</td> <td>WD.</td> <td>J2</td> <td>PTD.</td> <td>-</td> <td>339</td> <td>3\"/> <tr> <td>350</td> <td>ETR</td> <td>-</td> <td>WD.</td> <td>J2</td> <td>PTD.</td> <td>-</td> <td>340</td> <td>3\"/> </td></tr></td></tr></td></tr></td></tr></td></tr></td></tr></td></tr></td></tr></td></tr></td></tr></td></tr></td></tr></td></tr> | 337 | ETR | -
 | WD. | J2 | PTD. | - | 329A | 3\"/> <tr> <td>339</td> <td>ETR</td> <td>-</td> <td>WD.</td> <td>J2</td> <td>PTD.</td> <td>-</td> <td>329B</td> <td>3\"/> <tr> <td>340</td> <td>A</td> <td>3\"/> <tr> <td>341A</td> <td>ETR</td> <td>-</td> <td>WD.</td> <td>J2</td> <td>PTD.</td> <td>-</td> <td>331</td> <td>3\"/> <tr> <td>341B</td> <td>ETR</td> <td>-</td> <td>WD.</td> <td>J2</td> <td>PTD.</td> <td>-</td> <td>333</td> <td>3\"/> <tr> <td>342</td> <td>ETR</td> <td>-</td> <td>WD.</td> <td>J2</td> <td>PTD.</td> <td>-</td> <td>334A</td> <td>3\"/> <tr> <td>344</td> <td>ETR</td> <td>-</td> <td>WD.</td> <td>J2</td> <td>PTD.</td> <td>-</td> <td>334B</td> <td>3\"/> <tr> <td>345</td> <td>ETR</td> <td>-</td> <td>WD.</td> <td>J2</td> <td>PTD.</td> <td>-</td> <td>335A</td> <td>3\"/> <tr> <td>346</td> <td>ETR</td> <td>-</td> <td>WD.</td> <td>J2</td> <td>PTD.</td> <td>-</td> <td>335B</td> <td>3\"/> <tr> <td>347</td> <td>ETR</td> <td>-</td> <td>WD.</td> <td>J2</td> <td>PTD.</td> <td>-</td> <td>336</td> <td>3\"/> <tr> <td>348</td> <td>ETR</td> <td>-</td> <td>WD.</td> <td>J2</td> <td>PTD.</td> <td>-</td> <td>337</td> <td>3\"/> <tr> <td>349</td> <td>ETR</td> <td>-</td> <td>WD.</td> <td>J2</td> <td>PTD.</td> <td>-</td> <td>339</td> <td>3\"/> <tr> <td>350</td> <td>ETR</td> <td>-</td> <td>WD.</td> <td>J2</td> <td>PTD.</td> <td>-</td> <td>340</td> <td>3\"/> </td></tr></td></tr></td></tr></td></tr></td></tr></td></tr></td></tr></td></tr></td></tr></td></tr></td></tr></td></tr> | 339 | ETR | -
 | WD. | J2 | PTD. | - | 329B | 3\"/> <tr> <td>340</td> <td>A</td> <td>3\"/> <tr> <td>341A</td> <td>ETR</td> <td>-</td> <td>WD.</td> <td>J2</td> <td>PTD.</td> <td>-</td> <td>331</td> <td>3\"/> <tr> <td>341B</td> <td>ETR</td> <td>-</td> <td>WD.</td> <td>J2</td> <td>PTD.</td> <td>-</td> <td>333</td> <td>3\"/> <tr> <td>342</td> <td>ETR</td> <td>-</td> <td>WD.</td> <td>J2</td> <td>PTD.</td> <td>-</td> <td>334A</td> <td>3\"/> <tr> <td>344</td> <td>ETR</td> <td>-</td> <td>WD.</td> <td>J2</td> <td>PTD.</td> <td>-</td> <td>334B</td> <td>3\"/> <tr> <td>345</td> <td>ETR</td> <td>-</td> <td>WD.</td> <td>J2</td> <td>PTD.</td> <td>-</td> <td>335A</td> <td>3\"/> <tr> <td>346</td> <td>ETR</td> <td>-</td> <td>WD.</td> <td>J2</td> <td>PTD.</td> <td>-</td> <td>335B</td> <td>3\"/> <tr> <td>347</td> <td>ETR</td> <td>-</td> <td>WD.</td> <td>J2</td> <td>PTD.</td> <td>-</td> <td>336</td> <td>3\"/> <tr> <td>348</td> <td>ETR</td> <td>-</td> <td>WD.</td> <td>J2</td> <td>PTD.</td> <td>-</td> <td>337</td> <td>3\"/> <tr> <td>349</td> <td>ETR</td> <td>-</td> <td>WD.</td> <td>J2</td> <td>PTD.</td> <td>-</td> <td>339</td> <td>3\"/> <tr> <td>350</td> <td>ETR</td> <td>-</td> <td>WD.</td> <td>J2</td> <td>PTD.</td> <td>-</td> <td>340</td> <td>3\"/> </td></tr></td></tr></td></tr></td></tr></td></tr></td></tr></td></tr></td></tr></td></tr></td></tr></td></tr>
 | 340 | A | 3\"/> <tr> <td>341A</td> <td>ETR</td> <td>-</td> <td>WD.</td> <td>J2</td> <td>PTD.</td> <td>-</td> <td>331</td> <td>3\"/> <tr> <td>341B</td> <td>ETR</td> <td>-</td> <td>WD.</td> <td>J2</td> <td>PTD.</td> <td>-</td> <td>333</td> <td>3\"/> <tr> <td>342</td> <td>ETR</td> <td>-</td> <td>WD.</td> <td>J2</td> <td>PTD.</td> <td>-</td> <td>334A</td> <td>3\"/> <tr> <td>344</td> <td>ETR</td> <td>-</td> <td>WD.</td> <td>J2</td> <td>PTD.</td> <td>-</td> <td>334B</td> <td>3\"/> <tr> <td>345</td> <td>ETR</td> <td>-</td> <td>WD.</td> <td>J2</td> <td>PTD.</td> <td>-</td> <td>335A</td> <td>3\"/> <tr> <td>346</td> <td>ETR</td> <td>-</td> <td>WD.</td> <td>J2</td> <td>PTD.</td> <td>-</td> <td>335B</td> <td>3\"/> <tr> <td>347</td> <td>ETR</td> <td>-</td> <td>WD.</td> <td>J2</td> <td>PTD.</td> <td>-</td> <td>336</td> <td>3\"/> <tr> <td>348</td> <td>ETR</td> <td>-</td> <td>WD.</td> <td>J2</td> <td>PTD.</td> <td>-</td> <td>337</td> <td>3\"/> <tr> <td>349</td> <td>ETR</td> <td>-</td> <td>WD.</td> <td>J2</td> <td>PTD.</td> <td>-</td> <td>339</td> <td>3\"/> <tr> <td>350</td> <td>ETR</td> <td>-</td> <td>WD.</td> <td>J2</td> <td>PTD.</td> <td>-</td> <td>340</td> <td>3\"/> </td></tr></td></tr></td></tr></td></tr></td></tr></td></tr></td></tr></td></tr></td></tr></td></tr> | 341A | ETR | - | WD. | J2 | PTD.
 | - | 331 | 3\"/> <tr> <td>341B</td> <td>ETR</td> <td>-</td> <td>WD.</td> <td>J2</td> <td>PTD.</td> <td>-</td> <td>333</td> <td>3\"/> <tr> <td>342</td> <td>ETR</td> <td>-</td> <td>WD.</td> <td>J2</td> <td>PTD.</td> <td>-</td> <td>334A</td> <td>3\"/> <tr> <td>344</td> <td>ETR</td> <td>-</td> <td>WD.</td> <td>J2</td> <td>PTD.</td> <td>-</td> <td>334B</td> <td>3\"/> <tr> <td>345</td> <td>ETR</td> <td>-</td> <td>WD.</td> <td>J2</td> <td>PTD.</td> <td>-</td> <td>335A</td> <td>3\"/> <tr> <td>346</td> <td>ETR</td> <td>-</td> <td>WD.</td> <td>J2</td> <td>PTD.</td> <td>-</td> <td>335B</td> <td>3\"/> <tr> <td>347</td> <td>ETR</td> <td>-</td> <td>WD.</td> <td>J2</td> <td>PTD.</td> <td>-</td> <td>336</td> <td>3\"/> <tr> <td>348</td> <td>ETR</td> <td>-</td> <td>WD.</td> <td>J2</td> <td>PTD.</td> <td>-</td> <td>337</td> <td>3\"/> <tr> <td>349</td> <td>ETR</td> <td>-</td> <td>WD.</td> <td>J2</td> <td>PTD.</td> <td>-</td> <td>339</td> <td>3\"/> <tr> <td>350</td> <td>ETR</td> <td>-</td> <td>WD.</td> <td>J2</td> <td>PTD.</td> <td>-</td> <td>340</td> <td>3\"/> </td></tr></td></tr></td></tr></td></tr></td></tr></td></tr></td></tr></td></tr></td></tr> | 341B | ETR | - | WD. | J2 | PTD.
 | - | 333 | 3\"/> <tr> <td>342</td> <td>ETR</td> <td>-</td> <td>WD.</td> <td>J2</td> <td>PTD.</td> <td>-</td> <td>334A</td> <td>3\"/> <tr> <td>344</td> <td>ETR</td> <td>-</td> <td>WD.</td> <td>J2</td> <td>PTD.</td> <td>-</td> <td>334B</td> <td>3\"/> <tr> <td>345</td> <td>ETR</td> <td>-</td> <td>WD.</td> <td>J2</td> <td>PTD.</td> <td>-</td> <td>335A</td> <td>3\"/> <tr> <td>346</td> <td>ETR</td> <td>-</td> <td>WD.</td> <td>J2</td> <td>PTD.</td> <td>-</td> <td>335B</td> <td>3\"/> <tr> <td>347</td> <td>ETR</td> <td>-</td> <td>WD.</td> <td>J2</td> <td>PTD.</td> <td>-</td> <td>336</td> <td>3\"/> <tr> <td>348</td> <td>ETR</td> <td>-</td> <td>WD.</td> <td>J2</td> <td>PTD.</td> <td>-</td> <td>337</td> <td>3\"/> <tr> <td>349</td> <td>ETR</td> <td>-</td> <td>WD.</td> <td>J2</td> <td>PTD.</td> <td>-</td> <td>339</td> <td>3\"/> <tr> <td>350</td> <td>ETR</td> <td>-</td> <td>WD.</td> <td>J2</td> <td>PTD.</td> <td>-</td> <td>340</td> <td>3\"/> </td></tr></td></tr></td></tr></td></tr></td></tr></td></tr></td></tr></td></tr> | 342 | ETR | - | WD. | J2 | PTD.
 | - | 334A | 3\"/> <tr> <td>344</td> <td>ETR</td> <td>-</td> <td>WD.</td> <td>J2</td> <td>PTD.</td> <td>-</td> <td>334B</td> <td>3\"/> <tr> <td>345</td> <td>ETR</td> <td>-</td> <td>WD.</td> <td>J2</td> <td>PTD.</td> <td>-</td> <td>335A</td> <td>3\"/> <tr> <td>346</td> <td>ETR</td> <td>-</td> <td>WD.</td> <td>J2</td> <td>PTD.</td> <td>-</td> <td>335B</td> <td>3\"/> <tr> <td>347</td> <td>ETR</td> <td>-</td> <td>WD.</td> <td>J2</td> <td>PTD.</td> <td>-</td> <td>336</td> <td>3\"/> <tr> <td>348</td> <td>ETR</td> <td>-</td> <td>WD.</td> <td>J2</td> <td>PTD.</td> <td>-</td> <td>337</td> <td>3\"/> <tr> <td>349</td> <td>ETR</td> <td>-</td> <td>WD.</td> <td>J2</td> <td>PTD.</td> <td>-</td> <td>339</td> <td>3\"/> <tr> <td>350</td> <td>ETR</td> <td>-</td> <td>WD.</td> <td>J2</td> <td>PTD.</td> <td>-</td> <td>340</td> <td>3\"/> </td></tr></td></tr></td></tr></td></tr></td></tr></td></tr></td></tr> | 344 | ETR | -
 | WD. | J2 | PTD. | - | 334B | 3\"/> <tr> <td>345</td> <td>ETR</td> <td>-</td> <td>WD.</td> <td>J2</td> <td>PTD.</td> <td>-</td> <td>335A</td> <td>3\"/> <tr> <td>346</td> <td>ETR</td> <td>-</td> <td>WD.</td> <td>J2</td> <td>PTD.</td> <td>-</td> <td>335B</td> <td>3\"/> <tr> <td>347</td> <td>ETR</td> <td>-</td> <td>WD.</td> <td>J2</td> <td>PTD.</td> <td>-</td> <td>336</td> <td>3\"/> <tr> <td>348</td> <td>ETR</td> <td>-</td> <td>WD.</td> <td>J2</td> <td>PTD.</td> <td>-</td> <td>337</td> <td>3\"/> <tr> <td>349</td> <td>ETR</td> <td>-</td> <td>WD.</td> <td>J2</td> <td>PTD.</td> <td>-</td> <td>339</td> <td>3\"/> <tr> <td>350</td> <td>ETR</td> <td>-</td> <td>WD.</td> <td>J2</td> <td>PTD.</td> <td>-</td> <td>340</td> <td>3\"/> </td></tr></td></tr></td></tr></td></tr></td></tr></td></tr> | 345 | ETR | -
 | WD. | J2 | PTD. | - | 335A | 3\"/> <tr> <td>346</td> <td>ETR</td> <td>-</td> <td>WD.</td> <td>J2</td> <td>PTD.</td> <td>-</td> <td>335B</td> <td>3\"/> <tr> <td>347</td> <td>ETR</td> <td>-</td> <td>WD.</td> <td>J2</td> <td>PTD.</td> <td>-</td> <td>336</td> <td>3\"/> <tr> <td>348</td> <td>ETR</td> <td>-</td> <td>WD.</td> <td>J2</td> <td>PTD.</td> <td>-</td> <td>337</td> <td>3\"/> <tr> <td>349</td> <td>ETR</td> <td>-</td> <td>WD.</td> <td>J2</td> <td>PTD.</td> <td>-</td> <td>339</td> <td>3\"/> <tr> <td>350</td> <td>ETR</td> <td>-</td> <td>WD.</td> <td>J2</td> <td>PTD.</td> <td>-</td> <td>340</td> <td>3\"/> </td></tr></td></tr></td></tr></td></tr></td></tr> | 346 | ETR | - | WD. | J2 | PTD.
 | - | 335B | 3\"/> <tr> <td>347</td> <td>ETR</td> <td>-</td> <td>WD.</td> <td>J2</td> <td>PTD.</td> <td>-</td> <td>336</td> <td>3\"/> <tr> <td>348</td> <td>ETR</td> <td>-</td> <td>WD.</td> <td>J2</td> <td>PTD.</td> <td>-</td> <td>337</td> <td>3\"/> <tr> <td>349</td> <td>ETR</td> <td>-</td> <td>WD.</td> <td>J2</td> <td>PTD.</td> <td>-</td> <td>339</td> <td>3\"/> <tr> <td>350</td> <td>ETR</td> <td>-</td> <td>WD.</td> <td>J2</td> <td>PTD.</td> <td>-</td> <td>340</td> <td>3\"/> </td></tr></td></tr></td></tr></td></tr> | 347 | ETR | - | WD. | J2 | PTD.
 | - | 336 | 3\"/> <tr> <td>348</td> <td>ETR</td> <td>-</td> <td>WD.</td> <td>J2</td> <td>PTD.</td> <td>-</td> <td>337</td> <td>3\"/> <tr> <td>349</td> <td>ETR</td> <td>-</td> <td>WD.</td> <td>J2</td> <td>PTD.</td> <td>-</td> <td>339</td> <td>3\"/> <tr> <td>350</td> <td>ETR</td> <td>-</td> <td>WD.</td> <td>J2</td> <td>PTD.</td> <td>-</td> <td>340</td> <td>3\"/> </td></tr></td></tr></td></tr> | 348 | ETR | - | WD. | J2 | PTD. | - | 337 | 3\"/> <tr> <td>349</td> <td>ETR</td> <td>-</td> <td>WD.</td> <td>J2</td> <td>PTD.</td> <td>-</td> <td>339</td> <td>3\"/> <tr> <td>350</td> <td>ETR</td> <td>-</td> <td>WD.</td> <td>J2</td> <td>PTD.</td> <td>-</td>
<td>340</td> <td>3\"/> </td></tr></td></tr> | 349 | ETR | - | WD. | J2 | PTD. | - | 339 | 3\"/> <tr> <td>350</td> <td>ETR</td> <td>-</td> <td>WD.</td> <td>J2</td> <td>PTD.</td> <td>-</td> <td>340</td> <td>3\"/> </td></tr>
 | 350 | ETR | - | WD. | J2 | PTD. | - | 340 | 3\"/> | | | | | | | | | | | | | | | | | | | | | | | | | | | | | | | | | | | | | | | | | | | | | | | | | | | | | | | | | |
 | | | | | | | | | | | |
 | | | | | | | | | | | | | | |
 | | | | | | | | | | | | | | |
 | | | | | | | | | | | | | | | | | |
 | | | | | | | | | | | | | | | | | | | | |
 | | | | | | | | | | | | | | | | | | | | | | | | | | |
 | | | | | | | | | | | | | | | | | | | | | | | | | | | | | | | | | | | | | | | | | | | | | | | | | | | | | | | | | | | | | | | | | | |
| 329A | ETR | - | WD. | J2 | PTD. | - | 321 | 3\"/> <tr> <td>329B</td> <td>ETR</td> <td>-</td> <td>WD.</td> <td>J2</td> <td>PTD.</td> <td>-</td> <td>322</td> <td>3\"/> <tr> <td>331</td> <td>ETR</td> <td>-</td> <td>WD.</td> <td>J2</td> <td>PTD.</td> <td>-</td> <td>323</td> <td>3\"/> <tr> <td>333</td> <td>ETR</td> <td>-</td> <td>WD.</td> <td>J2</td> <td>PTD.</td> <td>-</td> <td>324</td> <td>3\"/> <tr> <td>334A</td> <td>ETR</td> <td>-</td> <td>WD.</td> <td>J2</td> <td>PTD.</td> <td>-</td> <td>325</td> <td>3\"/> <tr> <td>334B</td> <td>ETR</td> <td>-</td> <td>WD.</td> <td>J2</td> <td>PTD.</td> <td>-</td> <td>327</td> <td>3\"/> <tr> <td>335A</td> <td>ETR</td> <td>-</td> <td>WD.</td> <td>J2</td> <td>PTD.</td> <td>-</td> <td>328</td> <td>3\"/> <tr> <td>335B</td> <td>B</td> <td>3\"/> <tr> <td>336</td> <td>B</td> <td>3\"/> <tr> <td>337</td> <td>ETR</td> <td>-</td> <td>WD.</td> <td>J2</td> <td>PTD.</td> <td>-</td> <td>329A</td> <td>3\"/> <tr> <td>339</td> <td>ETR</td> <td>-</td> <td>WD.</td> <td>J2</td> <td>PTD.</td> <td>-</td> <td>329B</td> <td>3\"/> <tr> <td>340</td> <td>A</td> <td>3\"/> <tr> <td>341A</td> <td>ETR</td> <td>-</td> <td>WD.</td> <td>J2</td> <td>PTD.</td> <td>-</td> <td>331</td> <td>3\"/> <tr> <td>341B</td> <td>ETR</td> <td>-</td> <td>WD.</td> <td>J2</td> <td>PTD.</td> <td>-</td> <td>333</td> <td>3\"/> <tr> <td>342</td> <td>ETR</td> <td>-</td> <td>WD.</td> <td>J2</td> <td>PTD.</td> <td>-</td> <td>334A</td> <td>3\"/> <tr> <td>344</td> <td>ETR</td> <td>-</td> <td>WD.</td> <td>J2</td> <td>PTD.</td> <td>-</td> <td>334B</td> <td>3\"/> <tr> <td>345</td> <td>ETR</td> <td>-</td> <td>WD.</td> <td>J2</td> <td>PTD.</td> <td>-</td> <td>335A</td> <td>3\"/> <tr> <td>346</td> <td>ETR</td> <td>-</td> <td>WD.</td> <td>J2</td> <td>PTD.</td> <td>-</td> <td>335B</td> <td>3\"/> <tr> <td>347</td> <td>ETR</td> <td>-</td> <td>WD.</td> <td>J2</td> <td>PTD.</td> <td>-</td> <td>336</td> <td>3\"/> <tr> <td>348</td> <td>ETR</td> <td>-</td> <td>WD.</td> <td>J2</td> <td>PTD.</td> <td>-</td> <td>337</td> <td>3\"/> <tr> <td>349</td> <td>ETR</td> <td>-</td> <td>WD.</td> <td>J2</td> <td>PTD.</td> <td>-</td> <td>339</td> <td>3\"/> <tr> <td>350</td> <td>ETR</td> <td>-</td> <td>WD.</td> <td>J2</td> <td>PTD.</td> <td>-</td> <td>340</td> <td>3\"/> </td></tr></td></tr></td></tr></td></tr></td></tr></td></tr></td></tr></td></tr></td></tr></td></tr></td></tr></td></tr></td></tr></td></tr></td></tr></td></tr></td></tr></td></tr></td></tr></td></tr></td></tr>
 | 329B | ETR | - | WD. | J2 | PTD.
 | - | 322 | 3\"/> <tr> <td>331</td> <td>ETR</td> <td>-</td> <td>WD.</td> <td>J2</td> <td>PTD.</td> <td>-</td> <td>323</td> <td>3\"/> <tr> <td>333</td> <td>ETR</td> <td>-</td> <td>WD.</td> <td>J2</td> <td>PTD.</td> <td>-</td> <td>324</td> <td>3\"/> <tr> <td>334A</td> <td>ETR</td> <td>-</td> <td>WD.</td> <td>J2</td> <td>PTD.</td> <td>-</td> <td>325</td> <td>3\"/> <tr> <td>334B</td> <td>ETR</td> <td>-</td> <td>WD.</td> <td>J2</td> <td>PTD.</td> <td>-</td> <td>327</td> <td>3\"/> <tr> <td>335A</td> <td>ETR</td> <td>-</td> <td>WD.</td> <td>J2</td> <td>PTD.</td> <td>-</td> <td>328</td> <td>3\"/> <tr> <td>335B</td> <td>B</td> <td>3\"/> <tr> <td>336</td> <td>B</td> <td>3\"/> <tr> <td>337</td> <td>ETR</td> <td>-</td> <td>WD.</td> <td>J2</td> <td>PTD.</td> <td>-</td> <td>329A</td> <td>3\"/> <tr> <td>339</td> <td>ETR</td> <td>-</td> <td>WD.</td> <td>J2</td> <td>PTD.</td> <td>-</td> <td>329B</td> <td>3\"/> <tr> <td>340</td> <td>A</td> <td>3\"/> <tr> <td>341A</td> <td>ETR</td> <td>-</td> <td>WD.</td> <td>J2</td> <td>PTD.</td> <td>-</td> <td>331</td> <td>3\"/> <tr> <td>341B</td> <td>ETR</td> <td>-</td> <td>WD.</td> <td>J2</td> <td>PTD.</td> <td>-</td> <td>333</td> <td>3\"/> <tr> <td>342</td> <td>ETR</td> <td>-</td> <td>WD.</td> <td>J2</td> <td>PTD.</td> <td>-</td> <td>334A</td> <td>3\"/> <tr> <td>344</td> <td>ETR</td> <td>-</td> <td>WD.</td> <td>J2</td> <td>PTD.</td> <td>-</td> <td>334B</td> <td>3\"/> <tr> <td>345</td> <td>ETR</td> <td>-</td> <td>WD.</td> <td>J2</td> <td>PTD.</td> <td>-</td> <td>335A</td> <td>3\"/> <tr> <td>346</td> <td>ETR</td> <td>-</td> <td>WD.</td> <td>J2</td> <td>PTD.</td> <td>-</td> <td>335B</td> <td>3\"/> <tr> <td>347</td> <td>ETR</td> <td>-</td> <td>WD.</td> <td>J2</td> <td>PTD.</td> <td>-</td> <td>336</td> <td>3\"/> <tr> <td>348</td> <td>ETR</td> <td>-</td> <td>WD.</td> <td>J2</td> <td>PTD.</td> <td>-</td> <td>337</td> <td>3\"/> <tr> <td>349</td> <td>ETR</td> <td>-</td> <td>WD.</td> <td>J2</td> <td>PTD.</td> <td>-</td> <td>339</td> <td>3\"/> <tr> <td>350</td> <td>ETR</td> <td>-</td> <td>WD.</td> <td>J2</td> <td>PTD.</td> <td>-</td> <td>340</td> <td>3\"/> </td></tr></td></tr></td></tr></td></tr></td></tr></td></tr></td></tr></td></tr></td></tr></td></tr></td></tr></td></tr></td></tr></td></tr></td></tr></td></tr></td></tr></td></tr></td></tr></td></tr> | 331 | ETR | -
 | WD. | J2 | PTD. | - | 323 | 3\"/> <tr> <td>333</td> <td>ETR</td> <td>-</td> <td>WD.</td> <td>J2</td> <td>PTD.</td> <td>-</td> <td>324</td> <td>3\"/> <tr> <td>334A</td> <td>ETR</td> <td>-</td> <td>WD.</td> <td>J2</td> <td>PTD.</td> <td>-</td> <td>325</td> <td>3\"/> <tr> <td>334B</td> <td>ETR</td> <td>-</td> <td>WD.</td> <td>J2</td> <td>PTD.</td> <td>-</td> <td>327</td> <td>3\"/> <tr> <td>335A</td> <td>ETR</td> <td>-</td> <td>WD.</td> <td>J2</td> <td>PTD.</td> <td>-</td> <td>328</td> <td>3\"/> <tr> <td>335B</td> <td>B</td> <td>3\"/> <tr> <td>336</td> <td>B</td> <td>3\"/> <tr> <td>337</td> <td>ETR</td> <td>-</td> <td>WD.</td> <td>J2</td> <td>PTD.</td> <td>-</td> <td>329A</td> <td>3\"/> <tr> <td>339</td> <td>ETR</td> <td>-</td> <td>WD.</td> <td>J2</td> <td>PTD.</td> <td>-</td> <td>329B</td> <td>3\"/> <tr> <td>340</td> <td>A</td> <td>3\"/> <tr> <td>341A</td> <td>ETR</td> <td>-</td> <td>WD.</td> <td>J2</td> <td>PTD.</td> <td>-</td> <td>331</td> <td>3\"/> <tr> <td>341B</td> <td>ETR</td> <td>-</td> <td>WD.</td> <td>J2</td> <td>PTD.</td> <td>-</td> <td>333</td> <td>3\"/> <tr> <td>342</td> <td>ETR</td> <td>-</td> <td>WD.</td> <td>J2</td> <td>PTD.</td> <td>-</td> <td>334A</td> <td>3\"/> <tr> <td>344</td> <td>ETR</td> <td>-</td> <td>WD.</td> <td>J2</td> <td>PTD.</td> <td>-</td> <td>334B</td> <td>3\"/> <tr> <td>345</td> <td>ETR</td> <td>-</td> <td>WD.</td> <td>J2</td> <td>PTD.</td> <td>-</td> <td>335A</td> <td>3\"/> <tr> <td>346</td> <td>ETR</td> <td>-</td> <td>WD.</td> <td>J2</td> <td>PTD.</td> <td>-</td> <td>335B</td> <td>3\"/> <tr> <td>347</td> <td>ETR</td> <td>-</td> <td>WD.</td> <td>J2</td> <td>PTD.</td> <td>-</td> <td>336</td> <td>3\"/> <tr> <td>348</td> <td>ETR</td> <td>-</td> <td>WD.</td> <td>J2</td> <td>PTD.</td> <td>-</td> <td>337</td> <td>3\"/> <tr> <td>349</td> <td>ETR</td> <td>-</td> <td>WD.</td> <td>J2</td> <td>PTD.</td> <td>-</td> <td>339</td> <td>3\"/> <tr> <td>350</td> <td>ETR</td> <td>-</td> <td>WD.</td> <td>J2</td> <td>PTD.</td> <td>-</td> <td>340</td> <td>3\"/> </td></tr></td></tr></td></tr></td></tr></td></tr></td></tr></td></tr></td></tr></td></tr></td></tr></td></tr></td></tr></td></tr></td></tr></td></tr></td></tr></td></tr></td></tr></td></tr>
 | 333 | ETR | - | WD. | J2 | PTD.
 | - | 324 | 3\"/> <tr> <td>334A</td> <td>ETR</td> <td>-</td> <td>WD.</td> <td>J2</td> <td>PTD.</td> <td>-</td> <td>325</td> <td>3\"/> <tr> <td>334B</td> <td>ETR</td> <td>-</td> <td>WD.</td> <td>J2</td> <td>PTD.</td> <td>-</td> <td>327</td> <td>3\"/> <tr> <td>335A</td> <td>ETR</td> <td>-</td> <td>WD.</td> <td>J2</td> <td>PTD.</td> <td>-</td> <td>328</td> <td>3\"/> <tr> <td>335B</td> <td>B</td> <td>3\"/> <tr> <td>336</td> <td>B</td> <td>3\"/> <tr> <td>337</td> <td>ETR</td> <td>-</td> <td>WD.</td> <td>J2</td> <td>PTD.</td> <td>-</td> <td>329A</td> <td>3\"/> <tr> <td>339</td> <td>ETR</td> <td>-</td> <td>WD.</td> <td>J2</td> <td>PTD.</td> <td>-</td> <td>329B</td> <td>3\"/> <tr> <td>340</td> <td>A</td> <td>3\"/> <tr> <td>341A</td> <td>ETR</td> <td>-</td> <td>WD.</td> <td>J2</td> <td>PTD.</td> <td>-</td> <td>331</td> <td>3\"/> <tr> <td>341B</td> <td>ETR</td> <td>-</td> <td>WD.</td> <td>J2</td> <td>PTD.</td> <td>-</td> <td>333</td> <td>3\"/> <tr> <td>342</td> <td>ETR</td> <td>-</td> <td>WD.</td> <td>J2</td> <td>PTD.</td> <td>-</td> <td>334A</td> <td>3\"/> <tr> <td>344</td> <td>ETR</td> <td>-</td> <td>WD.</td> <td>J2</td> <td>PTD.</td> <td>-</td> <td>334B</td> <td>3\"/> <tr> <td>345</td> <td>ETR</td> <td>-</td> <td>WD.</td> <td>J2</td> <td>PTD.</td> <td>-</td> <td>335A</td> <td>3\"/> <tr> <td>346</td> <td>ETR</td> <td>-</td> <td>WD.</td> <td>J2</td> <td>PTD.</td> <td>-</td> <td>335B</td> <td>3\"/> <tr> <td>347</td> <td>ETR</td> <td>-</td> <td>WD.</td> <td>J2</td> <td>PTD.</td> <td>-</td> <td>336</td> <td>3\"/> <tr> <td>348</td> <td>ETR</td> <td>-</td> <td>WD.</td> <td>J2</td> <td>PTD.</td> <td>-</td> <td>337</td> <td>3\"/> <tr> <td>349</td> <td>ETR</td> <td>-</td> <td>WD.</td> <td>J2</td> <td>PTD.</td> <td>-</td> <td>339</td> <td>3\"/> <tr> <td>350</td> <td>ETR</td> <td>-</td> <td>WD.</td> <td>J2</td> <td>PTD.</td> <td>-</td> <td>340</td> <td>3\"/> </td></tr></td></tr></td></tr></td></tr></td></tr></td></tr></td></tr></td></tr></td></tr></td></tr></td></tr></td></tr></td></tr></td></tr></td></tr></td></tr></td></tr></td></tr> | 334A | ETR | -
 | WD. | J2 | PTD. | - | 325 | 3\"/> <tr> <td>334B</td> <td>ETR</td> <td>-</td> <td>WD.</td> <td>J2</td> <td>PTD.</td> <td>-</td> <td>327</td> <td>3\"/> <tr> <td>335A</td> <td>ETR</td> <td>-</td> <td>WD.</td> <td>J2</td> <td>PTD.</td> <td>-</td> <td>328</td> <td>3\"/> <tr> <td>335B</td> <td>B</td> <td>3\"/> <tr> <td>336</td> <td>B</td> <td>3\"/> <tr> <td>337</td> <td>ETR</td> <td>-</td> <td>WD.</td> <td>J2</td> <td>PTD.</td> <td>-</td> <td>329A</td> <td>3\"/> <tr> <td>339</td> <td>ETR</td> <td>-</td> <td>WD.</td> <td>J2</td> <td>PTD.</td> <td>-</td> <td>329B</td> <td>3\"/> <tr> <td>340</td> <td>A</td> <td>3\"/> <tr> <td>341A</td> <td>ETR</td> <td>-</td> <td>WD.</td> <td>J2</td> <td>PTD.</td> <td>-</td> <td>331</td> <td>3\"/> <tr> <td>341B</td> <td>ETR</td> <td>-</td> <td>WD.</td> <td>J2</td> <td>PTD.</td> <td>-</td> <td>333</td> <td>3\"/> <tr> <td>342</td> <td>ETR</td> <td>-</td> <td>WD.</td> <td>J2</td> <td>PTD.</td> <td>-</td> <td>334A</td> <td>3\"/> <tr> <td>344</td> <td>ETR</td> <td>-</td> <td>WD.</td> <td>J2</td> <td>PTD.</td> <td>-</td> <td>334B</td> <td>3\"/> <tr> <td>345</td> <td>ETR</td> <td>-</td> <td>WD.</td> <td>J2</td> <td>PTD.</td> <td>-</td> <td>335A</td> <td>3\"/> <tr> <td>346</td> <td>ETR</td> <td>-</td> <td>WD.</td> <td>J2</td> <td>PTD.</td> <td>-</td> <td>335B</td> <td>3\"/> <tr> <td>347</td> <td>ETR</td> <td>-</td> <td>WD.</td> <td>J2</td> <td>PTD.</td> <td>-</td> <td>336</td> <td>3\"/> <tr> <td>348</td> <td>ETR</td> <td>-</td> <td>WD.</td> <td>J2</td> <td>PTD.</td> <td>-</td> <td>337</td> <td>3\"/> <tr> <td>349</td> <td>ETR</td> <td>-</td> <td>WD.</td> <td>J2</td> <td>PTD.</td> <td>-</td> <td>339</td> <td>3\"/> <tr> <td>350</td> <td>ETR</td> <td>-</td> <td>WD.</td> <td>J2</td> <td>PTD.</td> <td>-</td> <td>340</td> <td>3\"/> </td></tr></td></tr></td></tr></td></tr></td></tr></td></tr></td></tr></td></tr></td></tr></td></tr></td></tr></td></tr></td></tr></td></tr></td></tr></td></tr></td></tr>
 | 334B | ETR | - | WD. | J2 | PTD. | - | 327 | 3\"/> <tr> <td>335A</td> <td>ETR</td> <td>-</td> <td>WD.</td> <td>J2</td> <td>PTD.</td> <td>-</td> <td>328</td> <td>3\"/> <tr> <td>335B</td> <td>B</td> <td>3\"/> <tr> <td>336</td> <td>B</td> <td>3\"/> <tr> <td>337</td> <td>ETR</td> <td>-</td> <td>WD.</td> <td>J2</td> <td>PTD.</td>
<td>-</td> <td>329A</td> <td>3\"/> <tr> <td>339</td> <td>ETR</td> <td>-</td> <td>WD.</td> <td>J2</td> <td>PTD.</td> <td>-</td> <td>329B</td> <td>3\"/> <tr> <td>340</td> <td>A</td> <td>3\"/> <tr> <td>341A</td> <td>ETR</td> <td>-</td> <td>WD.</td> <td>J2</td> <td>PTD.</td> <td>-</td> <td>331</td> <td>3\"/> <tr> <td>341B</td> <td>ETR</td> <td>-</td> <td>WD.</td> <td>J2</td> <td>PTD.</td> <td>-</td> <td>333</td> <td>3\"/> <tr> <td>342</td> <td>ETR</td> <td>-</td> <td>WD.</td> <td>J2</td> <td>PTD.</td> <td>-</td> <td>334A</td> <td>3\"/> <tr> <td>344</td> <td>ETR</td> <td>-</td> <td>WD.</td> <td>J2</td> <td>PTD.</td> <td>-</td> <td>334B</td> <td>3\"/> <tr> <td>345</td> <td>ETR</td> <td>-</td> <td>WD.</td> <td>J2</td> <td>PTD.</td> <td>-</td> <td>335A</td> <td>3\"/> <tr> <td>346</td> <td>ETR</td> <td>-</td> <td>WD.</td> <td>J2</td> <td>PTD.</td> <td>-</td> <td>335B</td> <td>3\"/> <tr> <td>347</td> <td>ETR</td> <td>-</td> <td>WD.</td> <td>J2</td> <td>PTD.</td> <td>-</td> <td>336</td> <td>3\"/> <tr> <td>348</td> <td>ETR</td> <td>-</td> <td>WD.</td> <td>J2</td> <td>PTD.</td> <td>-</td> <td>337</td> <td>3\"/> <tr> <td>349</td> <td>ETR</td> <td>-</td> <td>WD.</td> <td>J2</td> <td>PTD.</td> <td>-</td> <td>339</td> <td>3\"/> <tr> <td>350</td> <td>ETR</td> <td>-</td> <td>WD.</td> <td>J2</td> <td>PTD.</td> <td>-</td> <td>340</td> <td>3\"/> </td></tr></td></tr></td></tr></td></tr></td></tr></td></tr></td></tr></td></tr></td></tr></td></tr></td></tr></td></tr></td></tr></td></tr></td></tr></td></tr> | 335A | ETR | - | WD. | J2 | PTD.
 | - | 328 | 3\"/> <tr> <td>335B</td> <td>B</td> <td>3\"/> <tr> <td>336</td> <td>B</td> <td>3\"/> <tr> <td>337</td> <td>ETR</td> <td>-</td> <td>WD.</td> <td>J2</td> <td>PTD.</td> <td>-</td> <td>329A</td> <td>3\"/> <tr> <td>339</td> <td>ETR</td> <td>-</td> <td>WD.</td> <td>J2</td> <td>PTD.</td> <td>-</td> <td>329B</td> <td>3\"/> <tr> <td>340</td> <td>A</td> <td>3\"/> <tr> <td>341A</td> <td>ETR</td> <td>-</td> <td>WD.</td> <td>J2</td> <td>PTD.</td> <td>-</td> <td>331</td> <td>3\"/> <tr> <td>341B</td> <td>ETR</td> <td>-</td> <td>WD.</td> <td>J2</td> <td>PTD.</td> <td>-</td> <td>333</td> <td>3\"/> <tr> <td>342</td> <td>ETR</td> <td>-</td> <td>WD.</td> <td>J2</td> <td>PTD.</td> <td>-</td> <td>334A</td> <td>3\"/> <tr> <td>344</td> <td>ETR</td> <td>-</td> <td>WD.</td> <td>J2</td> <td>PTD.</td> <td>-</td> <td>334B</td> <td>3\"/> <tr> <td>345</td> <td>ETR</td> <td>-</td> <td>WD.</td> <td>J2</td> <td>PTD.</td> <td>-</td> <td>335A</td> <td>3\"/> <tr> <td>346</td> <td>ETR</td> <td>-</td> <td>WD.</td> <td>J2</td> <td>PTD.</td> <td>-</td> <td>335B</td> <td>3\"/> <tr> <td>347</td> <td>ETR</td> <td>-</td> <td>WD.</td> <td>J2</td> <td>PTD.</td> <td>-</td> <td>336</td> <td>3\"/> <tr> <td>348</td> <td>ETR</td> <td>-</td> <td>WD.</td> <td>J2</td> <td>PTD.</td> <td>-</td> <td>337</td> <td>3\"/> <tr> <td>349</td> <td>ETR</td> <td>-</td> <td>WD.</td> <td>J2</td> <td>PTD.</td> <td>-</td> <td>339</td> <td>3\"/> <tr> <td>350</td> <td>ETR</td> <td>-</td> <td>WD.</td> <td>J2</td> <td>PTD.</td> <td>-</td> <td>340</td> <td>3\"/> </td></tr></td></tr></td></tr></td></tr></td></tr></td></tr></td></tr></td></tr></td></tr></td></tr></td></tr></td></tr></td></tr></td></tr></td></tr> | 335B | B | 3\"/> <tr> <td>336</td> <td>B</td> <td>3\"/> <tr> <td>337</td> <td>ETR</td> <td>-</td> <td>WD.</td> <td>J2</td> <td>PTD.</td> <td>-</td> <td>329A</td> <td>3\"/> <tr> <td>339</td> <td>ETR</td> <td>-</td> <td>WD.</td> <td>J2</td> <td>PTD.</td> <td>-</td> <td>329B</td> <td>3\"/> <tr> <td>340</td> <td>A</td> <td>3\"/> <tr> <td>341A</td> <td>ETR</td> <td>-</td> <td>WD.</td> <td>J2</td> <td>PTD.</td> <td>-</td> <td>331</td> <td>3\"/> <tr> <td>341B</td> <td>ETR</td> <td>-</td> <td>WD.</td> <td>J2</td> <td>PTD.</td> <td>-</td> <td>333</td> <td>3\"/> <tr> <td>342</td> <td>ETR</td> <td>-</td> <td>WD.</td> <td>J2</td> <td>PTD.</td> <td>-</td> <td>334A</td> <td>3\"/> <tr> <td>344</td> <td>ETR</td> <td>-</td> <td>WD.</td> <td>J2</td> <td>PTD.</td> <td>-</td> <td>334B</td> <td>3\"/> <tr> <td>345</td> <td>ETR</td> <td>-</td> <td>WD.</td> <td>J2</td> <td>PTD.</td> <td>-</td> <td>335A</td> <td>3\"/> <tr> <td>346</td> <td>ETR</td> <td>-</td> <td>WD.</td> <td>J2</td> <td>PTD.</td> <td>-</td> <td>335B</td> <td>3\"/> <tr> <td>347</td> <td>ETR</td> <td>-</td> <td>WD.</td> <td>J2</td> <td>PTD.</td> <td>-</td> <td>336</td> <td>3\"/> <tr> <td>348</td> <td>ETR</td> <td>-</td> <td>WD.</td> <td>J2</td> <td>PTD.</td> <td>-</td> <td>337</td> <td>3\"/> <tr> <td>349</td> <td>ETR</td> <td>-</td> <td>WD.</td> <td>J2</td> <td>PTD.</td> <td>-</td> <td>339</td> <td>3\"/> <tr> <td>350</td> <td>ETR</td> <td>-</td> <td>WD.</td> <td>J2</td> <td>PTD.</td> <td>-</td> <td>340</td> <td>3\"/> </td></tr></td></tr></td></tr></td></tr></td></tr></td></tr></td></tr></td></tr></td></tr></td></tr></td></tr></td></tr></td></tr></td></tr>
 | 336 | B | 3\"/> <tr> <td>337</td> <td>ETR</td> <td>-</td> <td>WD.</td> <td>J2</td> <td>PTD.</td> <td>-</td> <td>329A</td> <td>3\"/> <tr> <td>339</td> <td>ETR</td> <td>-</td> <td>WD.</td> <td>J2</td> <td>PTD.</td> <td>-</td> <td>329B</td> <td>3\"/> <tr> <td>340</td> <td>A</td> <td>3\"/> <tr> <td>341A</td> <td>ETR</td> <td>-</td> <td>WD.</td> <td>J2</td> <td>PTD.</td> <td>-</td> <td>331</td> <td>3\"/> <tr> <td>341B</td> <td>ETR</td> <td>-</td> <td>WD.</td> <td>J2</td> <td>PTD.</td> <td>-</td> <td>333</td> <td>3\"/> <tr> <td>342</td> <td>ETR</td> <td>-</td> <td>WD.</td> <td>J2</td> <td>PTD.</td> <td>-</td> <td>334A</td> <td>3\"/> <tr> <td>344</td> <td>ETR</td> <td>-</td> <td>WD.</td> <td>J2</td> <td>PTD.</td> <td>-</td> <td>334B</td> <td>3\"/> <tr> <td>345</td> <td>ETR</td> <td>-</td> <td>WD.</td> <td>J2</td> <td>PTD.</td> <td>-</td> <td>335A</td> <td>3\"/> <tr> <td>346</td> <td>ETR</td> <td>-</td> <td>WD.</td> <td>J2</td> <td>PTD.</td> <td>-</td> <td>335B</td> <td>3\"/> <tr> <td>347</td> <td>ETR</td> <td>-</td> <td>WD.</td> <td>J2</td> <td>PTD.</td> <td>-</td> <td>336</td> <td>3\"/> <tr> <td>348</td> <td>ETR</td> <td>-</td> <td>WD.</td> <td>J2</td> <td>PTD.</td> <td>-</td> <td>337</td> <td>3\"/> <tr> <td>349</td> <td>ETR</td> <td>-</td> <td>WD.</td> <td>J2</td> <td>PTD.</td> <td>-</td> <td>339</td> <td>3\"/> <tr> <td>350</td> <td>ETR</td> <td>-</td> <td>WD.</td> <td>J2</td> <td>PTD.</td> <td>-</td> <td>340</td> <td>3\"/> </td></tr></td></tr></td></tr></td></tr></td></tr></td></tr></td></tr></td></tr></td></tr></td></tr></td></tr></td></tr></td></tr> | 337 | ETR | - | WD. | J2 | PTD.
 | - | 329A | 3\"/> <tr> <td>339</td> <td>ETR</td> <td>-</td> <td>WD.</td> <td>J2</td> <td>PTD.</td> <td>-</td> <td>329B</td> <td>3\"/> <tr> <td>340</td> <td>A</td> <td>3\"/> <tr> <td>341A</td> <td>ETR</td> <td>-</td> <td>WD.</td> <td>J2</td> <td>PTD.</td> <td>-</td> <td>331</td> <td>3\"/> <tr> <td>341B</td> <td>ETR</td> <td>-</td> <td>WD.</td> <td>J2</td> <td>PTD.</td> <td>-</td> <td>333</td> <td>3\"/> <tr> <td>342</td> <td>ETR</td> <td>-</td> <td>WD.</td> <td>J2</td> <td>PTD.</td> <td>-</td> <td>334A</td> <td>3\"/> <tr> <td>344</td> <td>ETR</td> <td>-</td> <td>WD.</td> <td>J2</td> <td>PTD.</td> <td>-</td> <td>334B</td> <td>3\"/> <tr> <td>345</td> <td>ETR</td> <td>-</td> <td>WD.</td> <td>J2</td> <td>PTD.</td> <td>-</td> <td>335A</td> <td>3\"/> <tr> <td>346</td> <td>ETR</td> <td>-</td> <td>WD.</td> <td>J2</td> <td>PTD.</td> <td>-</td> <td>335B</td> <td>3\"/> <tr> <td>347</td> <td>ETR</td> <td>-</td> <td>WD.</td> <td>J2</td> <td>PTD.</td> <td>-</td> <td>336</td> <td>3\"/> <tr> <td>348</td> <td>ETR</td> <td>-</td> <td>WD.</td> <td>J2</td> <td>PTD.</td> <td>-</td> <td>337</td> <td>3\"/> <tr> <td>349</td> <td>ETR</td> <td>-</td> <td>WD.</td> <td>J2</td> <td>PTD.</td> <td>-</td> <td>339</td> <td>3\"/> <tr> <td>350</td> <td>ETR</td> <td>-</td> <td>WD.</td> <td>J2</td> <td>PTD.</td> <td>-</td> <td>340</td> <td>3\"/> </td></tr></td></tr></td></tr></td></tr></td></tr></td></tr></td></tr></td></tr></td></tr></td></tr></td></tr></td></tr> | 339 | ETR | -
 | WD. | J2 | PTD. | - | 329B | 3\"/> <tr> <td>340</td> <td>A</td> <td>3\"/> <tr> <td>341A</td> <td>ETR</td> <td>-</td> <td>WD.</td> <td>J2</td> <td>PTD.</td> <td>-</td> <td>331</td> <td>3\"/> <tr> <td>341B</td> <td>ETR</td> <td>-</td> <td>WD.</td> <td>J2</td> <td>PTD.</td> <td>-</td> <td>333</td> <td>3\"/> <tr> <td>342</td> <td>ETR</td> <td>-</td> <td>WD.</td> <td>J2</td> <td>PTD.</td> <td>-</td> <td>334A</td> <td>3\"/> <tr> <td>344</td> <td>ETR</td> <td>-</td> <td>WD.</td> <td>J2</td> <td>PTD.</td> <td>-</td> <td>334B</td> <td>3\"/> <tr> <td>345</td> <td>ETR</td> <td>-</td> <td>WD.</td> <td>J2</td> <td>PTD.</td> <td>-</td> <td>335A</td> <td>3\"/> <tr> <td>346</td> <td>ETR</td> <td>-</td> <td>WD.</td> <td>J2</td> <td>PTD.</td> <td>-</td> <td>335B</td> <td>3\"/> <tr> <td>347</td> <td>ETR</td> <td>-</td> <td>WD.</td> <td>J2</td> <td>PTD.</td> <td>-</td> <td>336</td> <td>3\"/> <tr> <td>348</td> <td>ETR</td> <td>-</td> <td>WD.</td> <td>J2</td> <td>PTD.</td> <td>-</td> <td>337</td> <td>3\"/> <tr> <td>349</td> <td>ETR</td> <td>-</td> <td>WD.</td> <td>J2</td> <td>PTD.</td> <td>-</td> <td>339</td> <td>3\"/> <tr> <td>350</td> <td>ETR</td> <td>-</td> <td>WD.</td> <td>J2</td> <td>PTD.</td> <td>-</td> <td>340</td> <td>3\"/> </td></tr></td></tr></td></tr></td></tr></td></tr></td></tr></td></tr></td></tr></td></tr></td></tr></td></tr> | 340 | A | 3\"/> <tr> <td>341A</td> <td>ETR</td> <td>-</td> <td>WD.</td> <td>J2</td> <td>PTD.</td> <td>-</td> <td>331</td> <td>3\"/> <tr> <td>341B</td> <td>ETR</td> <td>-</td> <td>WD.</td> <td>J2</td> <td>PTD.</td> <td>-</td> <td>333</td> <td>3\"/> <tr> <td>342</td> <td>ETR</td> <td>-</td> <td>WD.</td> <td>J2</td> <td>PTD.</td> <td>-</td> <td>334A</td> <td>3\"/> <tr> <td>344</td> <td>ETR</td> <td>-</td> <td>WD.</td> <td>J2</td> <td>PTD.</td> <td>-</td> <td>334B</td> <td>3\"/> <tr> <td>345</td> <td>ETR</td> <td>-</td> <td>WD.</td> <td>J2</td> <td>PTD.</td> <td>-</td> <td>335A</td> <td>3\"/> <tr> <td>346</td> <td>ETR</td>
<td>-</td> <td>WD.</td> <td>J2</td> <td>PTD.</td> <td>-</td> <td>335B</td> <td>3\"/> <tr> <td>347</td> <td>ETR</td> <td>-</td> <td>WD.</td> <td>J2</td> <td>PTD.</td> <td>-</td> <td>336</td> <td>3\"/> <tr> <td>348</td> <td>ETR</td> <td>-</td> <td>WD.</td> <td>J2</td> <td>PTD.</td> <td>-</td> <td>337</td> <td>3\"/> <tr> <td>349</td> <td>ETR</td> <td>-</td> <td>WD.</td> <td>J2</td> <td>PTD.</td> <td>-</td> <td>339</td> <td>3\"/> <tr> <td>350</td> <td>ETR</td> <td>-</td> <td>WD.</td> <td>J2</td> <td>PTD.</td> <td>-</td> <td>340</td> <td>3\"/> </td></tr></td></tr></td></tr></td></tr></td></tr></td></tr></td></tr></td></tr></td></tr></td></tr> | 341A | ETR | - | WD. | J2 | PTD.
 | - | 331 | 3\"/> <tr> <td>341B</td> <td>ETR</td> <td>-</td> <td>WD.</td> <td>J2</td> <td>PTD.</td> <td>-</td> <td>333</td> <td>3\"/> <tr> <td>342</td> <td>ETR</td> <td>-</td> <td>WD.</td> <td>J2</td> <td>PTD.</td> <td>-</td> <td>334A</td> <td>3\"/> <tr> <td>344</td> <td>ETR</td> <td>-</td> <td>WD.</td> <td>J2</td> <td>PTD.</td> <td>-</td> <td>334B</td> <td>3\"/> <tr> <td>345</td> <td>ETR</td> <td>-</td> <td>WD.</td> <td>J2</td> <td>PTD.</td> <td>-</td> <td>335A</td> <td>3\"/> <tr> <td>346</td> <td>ETR</td> <td>-</td> <td>WD.</td> <td>J2</td> <td>PTD.</td> <td>-</td> <td>335B</td> <td>3\"/> <tr> <td>347</td> <td>ETR</td> <td>-</td> <td>WD.</td> <td>J2</td> <td>PTD.</td> <td>-</td> <td>336</td> <td>3\"/> <tr> <td>348</td> <td>ETR</td> <td>-</td> <td>WD.</td> <td>J2</td> <td>PTD.</td> <td>-</td> <td>337</td> <td>3\"/> <tr> <td>349</td> <td>ETR</td> <td>-</td> <td>WD.</td> <td>J2</td> <td>PTD.</td> <td>-</td> <td>339</td> <td>3\"/> <tr> <td>350</td> <td>ETR</td> <td>-</td> <td>WD.</td> <td>J2</td> <td>PTD.</td> <td>-</td> <td>340</td> <td>3\"/> </td></tr></td></tr></td></tr></td></tr></td></tr></td></tr></td></tr></td></tr></td></tr> | 341B | ETR | - | WD. | J2 | PTD.
 | - | 333 | 3\"/> <tr> <td>342</td> <td>ETR</td> <td>-</td> <td>WD.</td> <td>J2</td> <td>PTD.</td> <td>-</td> <td>334A</td> <td>3\"/> <tr> <td>344</td> <td>ETR</td> <td>-</td> <td>WD.</td> <td>J2</td> <td>PTD.</td> <td>-</td> <td>334B</td> <td>3\"/> <tr> <td>345</td> <td>ETR</td> <td>-</td> <td>WD.</td> <td>J2</td> <td>PTD.</td> <td>-</td> <td>335A</td> <td>3\"/> <tr> <td>346</td> <td>ETR</td> <td>-</td> <td>WD.</td> <td>J2</td> <td>PTD.</td> <td>-</td> <td>335B</td> <td>3\"/> <tr> <td>347</td> <td>ETR</td> <td>-</td> <td>WD.</td> <td>J2</td> <td>PTD.</td> <td>-</td> <td>336</td> <td>3\"/> <tr> <td>348</td> <td>ETR</td> <td>-</td> <td>WD.</td> <td>J2</td> <td>PTD.</td> <td>-</td> <td>337</td> <td>3\"/> <tr> <td>349</td> <td>ETR</td> <td>-</td> <td>WD.</td> <td>J2</td> <td>PTD.</td> <td>-</td> <td>339</td> <td>3\"/> <tr> <td>350</td> <td>ETR</td> <td>-</td> <td>WD.</td> <td>J2</td> <td>PTD.</td> <td>-</td> <td>340</td> <td>3\"/> </td></tr></td></tr></td></tr></td></tr></td></tr></td></tr></td></tr></td></tr> | 342 | ETR | - | WD. | J2 | PTD.
 | - | 334A | 3\"/> <tr> <td>344</td> <td>ETR</td> <td>-</td> <td>WD.</td> <td>J2</td> <td>PTD.</td> <td>-</td> <td>334B</td> <td>3\"/> <tr> <td>345</td> <td>ETR</td> <td>-</td> <td>WD.</td> <td>J2</td> <td>PTD.</td> <td>-</td> <td>335A</td> <td>3\"/> <tr> <td>346</td> <td>ETR</td> <td>-</td> <td>WD.</td> <td>J2</td> <td>PTD.</td> <td>-</td> <td>335B</td> <td>3\"/> <tr> <td>347</td> <td>ETR</td> <td>-</td> <td>WD.</td> <td>J2</td> <td>PTD.</td> <td>-</td> <td>336</td> <td>3\"/> <tr> <td>348</td> <td>ETR</td> <td>-</td> <td>WD.</td> <td>J2</td> <td>PTD.</td> <td>-</td> <td>337</td> <td>3\"/> <tr> <td>349</td> <td>ETR</td> <td>-</td> <td>WD.</td> <td>J2</td> <td>PTD.</td> <td>-</td> <td>339</td> <td>3\"/> <tr> <td>350</td> <td>ETR</td> <td>-</td> <td>WD.</td> <td>J2</td> <td>PTD.</td> <td>-</td> <td>340</td> <td>3\"/> </td></tr></td></tr></td></tr></td></tr></td></tr></td></tr></td></tr> | 344 | ETR | - | WD. | J2 | PTD.
 | - | 334B | 3\"/> <tr> <td>345</td> <td>ETR</td> <td>-</td> <td>WD.</td> <td>J2</td> <td>PTD.</td> <td>-</td> <td>335A</td> <td>3\"/> <tr> <td>346</td> <td>ETR</td> <td>-</td> <td>WD.</td> <td>J2</td> <td>PTD.</td> <td>-</td> <td>335B</td> <td>3\"/> <tr> <td>347</td> <td>ETR</td> <td>-</td> <td>WD.</td> <td>J2</td> <td>PTD.</td> <td>-</td> <td>336</td> <td>3\"/> <tr> <td>348</td> <td>ETR</td> <td>-</td> <td>WD.</td> <td>J2</td> <td>PTD.</td> <td>-</td> <td>337</td> <td>3\"/> <tr> <td>349</td> <td>ETR</td> <td>-</td> <td>WD.</td> <td>J2</td> <td>PTD.</td> <td>-</td> <td>339</td> <td>3\"/> <tr> <td>350</td> <td>ETR</td> <td>-</td> <td>WD.</td> <td>J2</td> <td>PTD.</td> <td>-</td> <td>340</td> <td>3\"/> </td></tr></td></tr></td></tr></td></tr></td></tr></td></tr> | 345 | ETR | -
 | WD. | J2 | PTD. | - | 335A | 3\"/> <tr> <td>346</td> <td>ETR</td> <td>-</td> <td>WD.</td> <td>J2</td> <td>PTD.</td> <td>-</td> <td>335B</td> <td>3\"/> <tr> <td>347</td> <td>ETR</td> <td>-</td> <td>WD.</td> <td>J2</td> <td>PTD.</td> <td>-</td> <td>336</td> <td>3\"/> <tr> <td>348</td> <td>ETR</td> <td>-</td> <td>WD.</td> <td>J2</td> <td>PTD.</td> <td>-</td> <td>337</td> <td>3\"/> <tr> <td>349</td> <td>ETR</td> <td>-</td> <td>WD.</td> <td>J2</td> <td>PTD.</td> <td>-</td> <td>339</td> <td>3\"/> <tr> <td>350</td> <td>ETR</td> <td>-</td> <td>WD.</td> <td>J2</td> <td>PTD.</td> <td>-</td> <td>340</td> <td>3\"/> </td></tr></td></tr></td></tr></td></tr></td></tr> | 346 | ETR | -
 | WD. | J2 | PTD. | - | 335B | 3\"/> <tr> <td>347</td> <td>ETR</td> <td>-</td> <td>WD.</td> <td>J2</td> <td>PTD.</td> <td>-</td> <td>336</td> <td>3\"/> <tr> <td>348</td> <td>ETR</td> <td>-</td> <td>WD.</td> <td>J2</td> <td>PTD.</td> <td>-</td> <td>337</td> <td>3\"/> <tr> <td>349</td> <td>ETR</td> <td>-</td> <td>WD.</td> <td>J2</td> <td>PTD.</td> <td>-</td> <td>339</td> <td>3\"/> <tr> <td>350</td> <td>ETR</td> <td>-</td> <td>WD.</td> <td>J2</td> <td>PTD.</td> <td>-</td> <td>340</td> <td>3\"/> </td></tr></td></tr></td></tr></td></tr> | 347 | ETR | - | WD. | J2 | PTD.
 | - | 336 | 3\"/> <tr> <td>348</td> <td>ETR</td> <td>-</td> <td>WD.</td> <td>J2</td> <td>PTD.</td> <td>-</td> <td>337</td> <td>3\"/> <tr> <td>349</td> <td>ETR</td> <td>-</td> <td>WD.</td> <td>J2</td> <td>PTD.</td> <td>-</td> <td>339</td> <td>3\"/> <tr> <td>350</td> <td>ETR</td> <td>-</td> <td>WD.</td> <td>J2</td> <td>PTD.</td> <td>-</td> <td>340</td> <td>3\"/> </td></tr></td></tr></td></tr> | 348 | ETR | - | WD. | J2 | PTD.
 | - | 337 | 3\"/> <tr> <td>349</td> <td>ETR</td> <td>-</td> <td>WD.</td> <td>J2</td> <td>PTD.</td> <td>-</td> <td>339</td> <td>3\"/> <tr> <td>350</td> <td>ETR</td> <td>-</td> <td>WD.</td> <td>J2</td> <td>PTD.</td> <td>-</td> <td>340</td> <td>3\"/> </td></tr></td></tr> | 349 | ETR | - | WD. | J2 | PTD. | - | 339 | 3\"/> <tr> <td>350</td> <td>ETR</td> <td>-</td> <td>WD.</td> <td>J2</td> <td>PTD.</td> <td>-</td> <td>340</td> <td>3\"/> </td></tr>
 | 350 | ETR | - | WD. | J2 | PTD. | - | 340 | 3\"/>
 | | | | | | | | | | | | | | | | | | | | | | | | | | | | | | | | | | | | | | | | | | | | | | | | | | | | | | | | | | | | | | | | | | |
 | | | | | | | | | | | |
 | | | | | | | | | | | | | | |
 | | | | | | | | | | | | | | |
 | | | | | | | | | | | | | | | | | |
 | | | | | | | | | | | | | | | | | | | | |
 | | | | | | | | | | | | | | | | | | | | | | | | | | |
 | | | | | | | | | | | | | | | | | | | | | | | | | | | | | | | | | | | | | | | | | | | | | | | | | | | | | | | | | | | | | | | | | | |
| 329B | ETR | - | WD. | J2 | PTD. | - | 322 | 3\"/> <tr> <td>331</td> <td>ETR</td> <td>-</td> <td>WD.</td> <td>J2</td> <td>PTD.</td> <td>-</td> <td>323</td> <td>3\"/> <tr> <td>333</td> <td>ETR</td> <td>-</td> <td>WD.</td> <td>J2</td> <td>PTD.</td> <td>-</td> <td>324</td> <td>3\"/> <tr> <td>334A</td> <td>ETR</td> <td>-</td> <td>WD.</td> <td>J2</td> <td>PTD.</td> <td>-</td> <td>325</td> <td>3\"/> <tr> <td>334B</td> <td>ETR</td> <td>-</td> <td>WD.</td> <td>J2</td> <td>PTD.</td> <td>-</td> <td>327</td> <td>3\"/> <tr> <td>335A</td> <td>ETR</td> <td>-</td> <td>WD.</td> <td>J2</td> <td>PTD.</td> <td>-</td> <td>328</td> <td>3\"/> <tr> <td>335B</td> <td>B</td> <td>3\"/> <tr> <td>336</td> <td>B</td> <td>3\"/> <tr> <td>337</td> <td>ETR</td> <td>-</td> <td>WD.</td> <td>J2</td> <td>PTD.</td> <td>-</td> <td>329A</td> <td>3\"/> <tr> <td>339</td> <td>ETR</td> <td>-</td> <td>WD.</td> <td>J2</td> <td>PTD.</td> <td>-</td> <td>329B</td> <td>3\"/> <tr> <td>340</td> <td>A</td> <td>3\"/> <tr> <td>341A</td> <td>ETR</td> <td>-</td> <td>WD.</td> <td>J2</td> <td>PTD.</td> <td>-</td> <td>331</td> <td>3\"/> <tr> <td>341B</td> <td>ETR</td> <td>-</td> <td>WD.</td> <td>J2</td> <td>PTD.</td> <td>-</td> <td>333</td> <td>3\"/> <tr> <td>342</td> <td>ETR</td> <td>-</td> <td>WD.</td> <td>J2</td> <td>PTD.</td> <td>-</td> <td>334A</td> <td>3\"/> <tr> <td>344</td> <td>ETR</td> <td>-</td> <td>WD.</td> <td>J2</td> <td>PTD.</td> <td>-</td> <td>334B</td> <td>3\"/> <tr> <td>345</td> <td>ETR</td> <td>-</td> <td>WD.</td> <td>J2</td> <td>PTD.</td> <td>-</td> <td>335A</td> <td>3\"/> <tr> <td>346</td> <td>ETR</td> <td>-</td> <td>WD.</td> <td>J2</td> <td>PTD.</td> <td>-</td> <td>335B</td> <td>3\"/> <tr> <td>347</td> <td>ETR</td> <td>-</td> <td>WD.</td> <td>J2</td> <td>PTD.</td> <td>-</td> <td>336</td> <td>3\"/> <tr> <td>348</td> <td>ETR</td> <td>-</td> <td>WD.</td> <td>J2</td> <td>PTD.</td> <td>-</td> <td>337</td> <td>3\"/> <tr> <td>349</td> <td>ETR</td> <td>-</td> <td>WD.</td> <td>J2</td> <td>PTD.</td> <td>-</td> <td>339</td> <td>3\"/> <tr> <td>350</td> <td>ETR</td> <td>-</td> <td>WD.</td> <td>J2</td> <td>PTD.</td> <td>-</td> <td>340</td> <td>3\"/> </td></tr></td></tr></td></tr></td></tr></td></tr></td></tr></td></tr></td></tr></td></tr></td></tr></td></tr></td></tr></td></tr></td></tr></td></tr></td></tr></td></tr></td></tr></td></tr></td></tr>
 | 331 | ETR | - | WD. | J2 | PTD.
 | - | 323 | 3\"/> <tr> <td>333</td> <td>ETR</td> <td>-</td> <td>WD.</td> <td>J2</td> <td>PTD.</td> <td>-</td> <td>324</td> <td>3\"/> <tr> <td>334A</td> <td>ETR</td> <td>-</td> <td>WD.</td> <td>J2</td> <td>PTD.</td> <td>-</td> <td>325</td> <td>3\"/> <tr> <td>334B</td> <td>ETR</td> <td>-</td> <td>WD.</td> <td>J2</td> <td>PTD.</td> <td>-</td> <td>327</td> <td>3\"/> <tr> <td>335A</td> <td>ETR</td> <td>-</td> <td>WD.</td> <td>J2</td> <td>PTD.</td> <td>-</td> <td>328</td> <td>3\"/> <tr> <td>335B</td> <td>B</td> <td>3\"/> <tr> <td>336</td> <td>B</td> <td>3\"/> <tr> <td>337</td> <td>ETR</td> <td>-</td> <td>WD.</td> <td>J2</td> <td>PTD.</td> <td>-</td> <td>329A</td> <td>3\"/> <tr> <td>339</td> <td>ETR</td> <td>-</td> <td>WD.</td> <td>J2</td> <td>PTD.</td> <td>-</td> <td>329B</td> <td>3\"/> <tr> <td>340</td> <td>A</td> <td>3\"/> <tr> <td>341A</td> <td>ETR</td> <td>-</td> <td>WD.</td> <td>J2</td> <td>PTD.</td> <td>-</td> <td>331</td> <td>3\"/> <tr> <td>341B</td> <td>ETR</td> <td>-</td> <td>WD.</td> <td>J2</td> <td>PTD.</td> <td>-</td> <td>333</td> <td>3\"/> <tr> <td>342</td> <td>ETR</td> <td>-</td> <td>WD.</td> <td>J2</td> <td>PTD.</td> <td>-</td> <td>334A</td> <td>3\"/> <tr> <td>344</td> <td>ETR</td> <td>-</td> <td>WD.</td> <td>J2</td> <td>PTD.</td> <td>-</td> <td>334B</td> <td>3\"/> <tr> <td>345</td> <td>ETR</td> <td>-</td> <td>WD.</td> <td>J2</td> <td>PTD.</td> <td>-</td> <td>335A</td> <td>3\"/> <tr> <td>346</td> <td>ETR</td> <td>-</td> <td>WD.</td> <td>J2</td> <td>PTD.</td> <td>-</td> <td>335B</td> <td>3\"/> <tr> <td>347</td> <td>ETR</td> <td>-</td> <td>WD.</td> <td>J2</td> <td>PTD.</td> <td>-</td> <td>336</td> <td>3\"/> <tr> <td>348</td> <td>ETR</td> <td>-</td> <td>WD.</td> <td>J2</td> <td>PTD.</td> <td>-</td> <td>337</td> <td>3\"/> <tr> <td>349</td> <td>ETR</td> <td>-</td> <td>WD.</td> <td>J2</td> <td>PTD.</td> <td>-</td> <td>339</td> <td>3\"/> <tr> <td>350</td> <td>ETR</td> <td>-</td> <td>WD.</td> <td>J2</td> <td>PTD.</td> <td>-</td> <td>340</td> <td>3\"/> </td></tr></td></tr></td></tr></td></tr></td></tr></td></tr></td></tr></td></tr></td></tr></td></tr></td></tr></td></tr></td></tr></td></tr></td></tr></td></tr></td></tr></td></tr></td></tr> | 333 | ETR | -
 | WD. | J2 | PTD. | - | 324 | 3\"/> <tr> <td>334A</td> <td>ETR</td> <td>-</td> <td>WD.</td> <td>J2</td> <td>PTD.</td> <td>-</td> <td>325</td> <td>3\"/> <tr> <td>334B</td> <td>ETR</td> <td>-</td> <td>WD.</td> <td>J2</td> <td>PTD.</td> <td>-</td> <td>327</td> <td>3\"/> <tr> <td>335A</td> <td>ETR</td> <td>-</td> <td>WD.</td> <td>J2</td> <td>PTD.</td> <td>-</td> <td>328</td> <td>3\"/> <tr> <td>335B</td> <td>B</td> <td>3\"/> <tr> <td>336</td> <td>B</td> <td>3\"/> <tr> <td>337</td> <td>ETR</td> <td>-</td> <td>WD.</td> <td>J2</td> <td>PTD.</td> <td>-</td> <td>329A</td> <td>3\"/> <tr> <td>339</td> <td>ETR</td> <td>-</td> <td>WD.</td> <td>J2</td> <td>PTD.</td> <td>-</td> <td>329B</td> <td>3\"/> <tr> <td>340</td> <td>A</td> <td>3\"/> <tr> <td>341A</td> <td>ETR</td> <td>-</td> <td>WD.</td> <td>J2</td> <td>PTD.</td> <td>-</td> <td>331</td> <td>3\"/> <tr> <td>341B</td> <td>ETR</td> <td>-</td> <td>WD.</td> <td>J2</td> <td>PTD.</td> <td>-</td> <td>333</td> <td>3\"/> <tr> <td>342</td> <td>ETR</td> <td>-</td> <td>WD.</td> <td>J2</td> <td>PTD.</td> <td>-</td> <td>334A</td> <td>3\"/> <tr> <td>344</td> <td>ETR</td> <td>-</td> <td>WD.</td> <td>J2</td> <td>PTD.</td> <td>-</td> <td>334B</td> <td>3\"/> <tr> <td>345</td> <td>ETR</td> <td>-</td> <td>WD.</td> <td>J2</td> <td>PTD.</td> <td>-</td> <td>335A</td> <td>3\"/> <tr> <td>346</td> <td>ETR</td> <td>-</td> <td>WD.</td> <td>J2</td> <td>PTD.</td> <td>-</td> <td>335B</td> <td>3\"/> <tr> <td>347</td> <td>ETR</td> <td>-</td> <td>WD.</td> <td>J2</td> <td>PTD.</td> <td>-</td> <td>336</td> <td>3\"/> <tr> <td>348</td> <td>ETR</td> <td>-</td> <td>WD.</td> <td>J2</td> <td>PTD.</td> <td>-</td> <td>337</td> <td>3\"/> <tr> <td>349</td> <td>ETR</td> <td>-</td> <td>WD.</td> <td>J2</td> <td>PTD.</td> <td>-</td> <td>339</td> <td>3\"/> <tr> <td>350</td> <td>ETR</td> <td>-</td> <td>WD.</td> <td>J2</td> <td>PTD.</td> <td>-</td> <td>340</td> <td>3\"/> </td></tr></td></tr></td></tr></td></tr></td></tr></td></tr></td></tr></td></tr></td></tr></td></tr></td></tr></td></tr></td></tr></td></tr></td></tr></td></tr></td></tr></td></tr>
 | 334A | ETR | - | WD. | J2 | PTD.
 | - | 325 | 3\"/> <tr> <td>334B</td> <td>ETR</td> <td>-</td> <td>WD.</td> <td>J2</td> <td>PTD.</td> <td>-</td> <td>327</td> <td>3\"/> <tr> <td>335A</td> <td>ETR</td> <td>-</td> <td>WD.</td> <td>J2</td> <td>PTD.</td> <td>-</td> <td>328</td> <td>3\"/> <tr> <td>335B</td> <td>B</td> <td>3\"/> <tr> <td>336</td> <td>B</td> <td>3\"/> <tr> <td>337</td> <td>ETR</td> <td>-</td> <td>WD.</td> <td>J2</td> <td>PTD.</td> <td>-</td> <td>329A</td> <td>3\"/> <tr> <td>339</td> <td>ETR</td> <td>-</td> <td>WD.</td> <td>J2</td> <td>PTD.</td> <td>-</td> <td>329B</td> <td>3\"/> <tr> <td>340</td> <td>A</td> <td>3\"/> <tr> <td>341A</td> <td>ETR</td> <td>-</td> <td>WD.</td> <td>J2</td> <td>PTD.</td> <td>-</td> <td>331</td> <td>3\"/> <tr> <td>341B</td> <td>ETR</td> <td>-</td> <td>WD.</td> <td>J2</td> <td>PTD.</td> <td>-</td> <td>333</td> <td>3\"/> <tr> <td>342</td> <td>ETR</td> <td>-</td> <td>WD.</td> <td>J2</td> <td>PTD.</td> <td>-</td> <td>334A</td> <td>3\"/> <tr> <td>344</td> <td>ETR</td> <td>-</td> <td>WD.</td> <td>J2</td> <td>PTD.</td> <td>-</td> <td>334B</td> <td>3\"/> <tr> <td>345</td> <td>ETR</td> <td>-</td> <td>WD.</td> <td>J2</td> <td>PTD.</td> <td>-</td> <td>335A</td> <td>3\"/> <tr> <td>346</td> <td>ETR</td> <td>-</td> <td>WD.</td> <td>J2</td> <td>PTD.</td> <td>-</td> <td>335B</td> <td>3\"/> <tr> <td>347</td> <td>ETR</td> <td>-</td> <td>WD.</td> <td>J2</td> <td>PTD.</td> <td>-</td> <td>336</td> <td>3\"/> <tr> <td>348</td> <td>ETR</td> <td>-</td> <td>WD.</td> <td>J2</td> <td>PTD.</td> <td>-</td> <td>337</td> <td>3\"/> <tr> <td>349</td> <td>ETR</td> <td>-</td> <td>WD.</td> <td>J2</td> <td>PTD.</td> <td>-</td> <td>339</td> <td>3\"/> <tr> <td>350</td> <td>ETR</td> <td>-</td> <td>WD.</td> <td>J2</td> <td>PTD.</td> <td>-</td> <td>340</td> <td>3\"/> </td></tr></td></tr></td></tr></td></tr></td></tr></td></tr></td></tr></td></tr></td></tr></td></tr></td></tr></td></tr></td></tr></td></tr></td></tr></td></tr></td></tr> | 334B | ETR | -
 | WD. | J2 | PTD. | - | 327 | 3\"/> <tr> <td>335A</td> <td>ETR</td> <td>-</td> <td>WD.</td> <td>J2</td> <td>PTD.</td> <td>-</td> <td>328</td> <td>3\"/> <tr> <td>335B</td> <td>B</td> <td>3\"/> <tr> <td>336</td> <td>B</td> <td>3\"/> <tr> <td>337</td> <td>ETR</td> <td>-</td> <td>WD.</td> <td>J2</td> <td>PTD.</td> <td>-</td> <td>329A</td> <td>3\"/> <tr> <td>339</td> <td>ETR</td> <td>-</td> <td>WD.</td> <td>J2</td> <td>PTD.</td> <td>-</td> <td>329B</td> <td>3\"/> <tr> <td>340</td> <td>A</td> <td>3\"/> <tr> <td>341A</td> <td>ETR</td> <td>-</td> <td>WD.</td> <td>J2</td> <td>PTD.</td> <td>-</td> <td>331</td> <td>3\"/> <tr> <td>341B</td> <td>ETR</td> <td>-</td> <td>WD.</td> <td>J2</td> <td>PTD.</td> <td>-</td> <td>333</td> <td>3\"/> <tr> <td>342</td> <td>ETR</td> <td>-</td> <td>WD.</td> <td>J2</td> <td>PTD.</td> <td>-</td> <td>334A</td> <td>3\"/> <tr> <td>344</td> <td>ETR</td> <td>-</td> <td>WD.</td> <td>J2</td> <td>PTD.</td> <td>-</td> <td>334B</td> <td>3\"/> <tr> <td>345</td> <td>ETR</td> <td>-</td> <td>WD.</td> <td>J2</td> <td>PTD.</td> <td>-</td> <td>335A</td> <td>3\"/> <tr> <td>346</td> <td>ETR</td> <td>-</td> <td>WD.</td> <td>J2</td> <td>PTD.</td> <td>-</td> <td>335B</td> <td>3\"/> <tr> <td>347</td> <td>ETR</td> <td>-</td> <td>WD.</td> <td>J2</td> <td>PTD.</td> <td>-</td> <td>336</td> <td>3\"/> <tr> <td>348</td> <td>ETR</td> <td>-</td> <td>WD.</td> <td>J2</td> <td>PTD.</td> <td>-</td> <td>337</td> <td>3\"/> <tr> <td>349</td> <td>ETR</td> <td>-</td> <td>WD.</td> <td>J2</td> <td>PTD.</td> <td>-</td> <td>339</td> <td>3\"/> <tr> <td>350</td> <td>ETR</td> <td>-</td> <td>WD.</td> <td>J2</td> <td>PTD.</td> <td>-</td> <td>340</td> <td>3\"/> </td></tr></td></tr></td></tr></td></tr></td></tr></td></tr></td></tr></td></tr></td></tr></td></tr></td></tr></td></tr></td></tr></td></tr></td></tr></td></tr>
 | 335A | ETR | - | WD. | J2 | PTD. | - | 328 | 3\"/> <tr> <td>335B</td> <td>B</td> <td>3\"/> <tr> <td>336</td> <td>B</td> <td>3\"/> <tr> <td>337</td> <td>ETR</td> <td>-</td> <td>WD.</td> <td>J2</td> <td>PTD.</td> <td>-</td> <td>329A</td> <td>3\"/> <tr> <td>339</td> <td>ETR</td> <td>-</td> <td>WD.</td> <td>J2</td> <td>PTD.</td>
<td>-</td> <td>329B</td> <td>3\"/> <tr> <td>340</td> <td>A</td> <td>3\"/> <tr> <td>341A</td> <td>ETR</td> <td>-</td> <td>WD.</td> <td>J2</td> <td>PTD.</td> <td>-</td> <td>331</td> <td>3\"/> <tr> <td>341B</td> <td>ETR</td> <td>-</td> <td>WD.</td> <td>J2</td> <td>PTD.</td> <td>-</td> <td>333</td> <td>3\"/> <tr> <td>342</td> <td>ETR</td> <td>-</td> <td>WD.</td> <td>J2</td> <td>PTD.</td> <td>-</td> <td>334A</td> <td>3\"/> <tr> <td>344</td> <td>ETR</td> <td>-</td> <td>WD.</td> <td>J2</td> <td>PTD.</td> <td>-</td> <td>334B</td> <td>3\"/> <tr> <td>345</td> <td>ETR</td> <td>-</td> <td>WD.</td> <td>J2</td> <td>PTD.</td> <td>-</td> <td>335A</td> <td>3\"/> <tr> <td>346</td> <td>ETR</td> <td>-</td> <td>WD.</td> <td>J2</td> <td>PTD.</td> <td>-</td> <td>335B</td> <td>3\"/> <tr> <td>347</td> <td>ETR</td> <td>-</td> <td>WD.</td> <td>J2</td> <td>PTD.</td> <td>-</td> <td>336</td> <td>3\"/> <tr> <td>348</td> <td>ETR</td> <td>-</td> <td>WD.</td> <td>J2</td> <td>PTD.</td> <td>-</td> <td>337</td> <td>3\"/> <tr> <td>349</td> <td>ETR</td> <td>-</td> <td>WD.</td> <td>J2</td> <td>PTD.</td> <td>-</td> <td>339</td> <td>3\"/> <tr> <td>350</td> <td>ETR</td> <td>-</td> <td>WD.</td> <td>J2</td> <td>PTD.</td> <td>-</td> <td>340</td> <td>3\"/> </td></tr></td></tr></td></tr></td></tr></td></tr></td></tr></td></tr></td></tr></td></tr></td></tr></td></tr></td></tr></td></tr></td></tr></td></tr> | 335B | B | 3\"/> <tr> <td>336</td> <td>B</td> <td>3\"/> <tr> <td>337</td> <td>ETR</td> <td>-</td> <td>WD.</td> <td>J2</td> <td>PTD.</td> <td>-</td> <td>329A</td> <td>3\"/> <tr> <td>339</td> <td>ETR</td> <td>-</td> <td>WD.</td> <td>J2</td> <td>PTD.</td> <td>-</td> <td>329B</td> <td>3\"/> <tr> <td>340</td> <td>A</td> <td>3\"/> <tr> <td>341A</td> <td>ETR</td> <td>-</td> <td>WD.</td> <td>J2</td> <td>PTD.</td> <td>-</td> <td>331</td> <td>3\"/> <tr> <td>341B</td> <td>ETR</td> <td>-</td> <td>WD.</td> <td>J2</td> <td>PTD.</td> <td>-</td> <td>333</td> <td>3\"/> <tr> <td>342</td> <td>ETR</td> <td>-</td> <td>WD.</td> <td>J2</td> <td>PTD.</td> <td>-</td> <td>334A</td> <td>3\"/> <tr> <td>344</td> <td>ETR</td> <td>-</td> <td>WD.</td> <td>J2</td> <td>PTD.</td> <td>-</td> <td>334B</td> <td>3\"/> <tr> <td>345</td> <td>ETR</td> <td>-</td> <td>WD.</td> <td>J2</td> <td>PTD.</td> <td>-</td> <td>335A</td> <td>3\"/> <tr> <td>346</td> <td>ETR</td> <td>-</td> <td>WD.</td> <td>J2</td> <td>PTD.</td> <td>-</td> <td>335B</td> <td>3\"/> <tr> <td>347</td> <td>ETR</td> <td>-</td> <td>WD.</td> <td>J2</td> <td>PTD.</td> <td>-</td> <td>336</td> <td>3\"/> <tr> <td>348</td> <td>ETR</td> <td>-</td> <td>WD.</td> <td>J2</td> <td>PTD.</td> <td>-</td> <td>337</td> <td>3\"/> <tr> <td>349</td> <td>ETR</td> <td>-</td> <td>WD.</td> <td>J2</td> <td>PTD.</td> <td>-</td> <td>339</td> <td>3\"/> <tr> <td>350</td> <td>ETR</td> <td>-</td> <td>WD.</td> <td>J2</td> <td>PTD.</td> <td>-</td> <td>340</td> <td>3\"/> </td></tr></td></tr></td></tr></td></tr></td></tr></td></tr></td></tr></td></tr></td></tr></td></tr></td></tr></td></tr></td></tr></td></tr> | 336 | B | 3\"/> <tr> <td>337</td> <td>ETR</td> <td>-</td> <td>WD.</td> <td>J2</td> <td>PTD.</td> <td>-</td> <td>329A</td> <td>3\"/> <tr> <td>339</td> <td>ETR</td> <td>-</td> <td>WD.</td> <td>J2</td> <td>PTD.</td> <td>-</td> <td>329B</td> <td>3\"/> <tr> <td>340</td> <td>A</td> <td>3\"/> <tr> <td>341A</td> <td>ETR</td> <td>-</td> <td>WD.</td> <td>J2</td> <td>PTD.</td> <td>-</td> <td>331</td> <td>3\"/> <tr> <td>341B</td> <td>ETR</td> <td>-</td> <td>WD.</td> <td>J2</td> <td>PTD.</td> <td>-</td> <td>333</td> <td>3\"/> <tr> <td>342</td> <td>ETR</td> <td>-</td> <td>WD.</td> <td>J2</td> <td>PTD.</td> <td>-</td> <td>334A</td> <td>3\"/> <tr> <td>344</td> <td>ETR</td> <td>-</td> <td>WD.</td> <td>J2</td> <td>PTD.</td> <td>-</td> <td>334B</td> <td>3\"/> <tr> <td>345</td> <td>ETR</td> <td>-</td> <td>WD.</td> <td>J2</td> <td>PTD.</td> <td>-</td> <td>335A</td> <td>3\"/> <tr> <td>346</td> <td>ETR</td> <td>-</td> <td>WD.</td> <td>J2</td> <td>PTD.</td> <td>-</td> <td>335B</td> <td>3\"/> <tr> <td>347</td> <td>ETR</td> <td>-</td> <td>WD.</td> <td>J2</td> <td>PTD.</td> <td>-</td> <td>336</td> <td>3\"/> <tr> <td>348</td> <td>ETR</td> <td>-</td> <td>WD.</td> <td>J2</td> <td>PTD.</td> <td>-</td> <td>337</td> <td>3\"/> <tr> <td>349</td> <td>ETR</td> <td>-</td> <td>WD.</td> <td>J2</td> <td>PTD.</td> <td>-</td> <td>339</td> <td>3\"/> <tr> <td>350</td> <td>ETR</td> <td>-</td> <td>WD.</td> <td>J2</td> <td>PTD.</td> <td>-</td> <td>340</td> <td>3\"/> </td></tr></td></tr></td></tr></td></tr></td></tr></td></tr></td></tr></td></tr></td></tr></td></tr></td></tr></td></tr></td></tr>
 | 337 | ETR | - | WD. | J2 | PTD.
 | - | 329A | 3\"/> <tr> <td>339</td> <td>ETR</td> <td>-</td> <td>WD.</td> <td>J2</td> <td>PTD.</td> <td>-</td> <td>329B</td> <td>3\"/> <tr> <td>340</td> <td>A</td> <td>3\"/> <tr> <td>341A</td> <td>ETR</td> <td>-</td> <td>WD.</td> <td>J2</td> <td>PTD.</td> <td>-</td> <td>331</td> <td>3\"/> <tr> <td>341B</td> <td>ETR</td> <td>-</td> <td>WD.</td> <td>J2</td> <td>PTD.</td> <td>-</td> <td>333</td> <td>3\"/> <tr> <td>342</td> <td>ETR</td> <td>-</td> <td>WD.</td> <td>J2</td> <td>PTD.</td> <td>-</td> <td>334A</td> <td>3\"/> <tr> <td>344</td> <td>ETR</td> <td>-</td> <td>WD.</td> <td>J2</td> <td>PTD.</td> <td>-</td> <td>334B</td> <td>3\"/> <tr> <td>345</td> <td>ETR</td> <td>-</td> <td>WD.</td> <td>J2</td> <td>PTD.</td> <td>-</td> <td>335A</td> <td>3\"/> <tr> <td>346</td> <td>ETR</td> <td>-</td> <td>WD.</td> <td>J2</td> <td>PTD.</td> <td>-</td> <td>335B</td> <td>3\"/> <tr> <td>347</td> <td>ETR</td> <td>-</td> <td>WD.</td> <td>J2</td> <td>PTD.</td> <td>-</td> <td>336</td> <td>3\"/> <tr> <td>348</td> <td>ETR</td> <td>-</td> <td>WD.</td> <td>J2</td> <td>PTD.</td> <td>-</td> <td>337</td> <td>3\"/> <tr> <td>349</td> <td>ETR</td> <td>-</td> <td>WD.</td> <td>J2</td> <td>PTD.</td> <td>-</td> <td>339</td> <td>3\"/> <tr> <td>350</td> <td>ETR</td> <td>-</td> <td>WD.</td> <td>J2</td> <td>PTD.</td> <td>-</td> <td>340</td> <td>3\"/> </td></tr></td></tr></td></tr></td></tr></td></tr></td></tr></td></tr></td></tr></td></tr></td></tr></td></tr></td></tr> | 339 | ETR | - | WD. | J2 | PTD.
 | - | 329B | 3\"/> <tr> <td>340</td> <td>A</td> <td>3\"/> <tr> <td>341A</td> <td>ETR</td> <td>-</td> <td>WD.</td> <td>J2</td> <td>PTD.</td> <td>-</td> <td>331</td> <td>3\"/> <tr> <td>341B</td> <td>ETR</td> <td>-</td> <td>WD.</td> <td>J2</td> <td>PTD.</td> <td>-</td> <td>333</td> <td>3\"/> <tr> <td>342</td> <td>ETR</td> <td>-</td> <td>WD.</td> <td>J2</td> <td>PTD.</td> <td>-</td> <td>334A</td> <td>3\"/> <tr> <td>344</td> <td>ETR</td> <td>-</td> <td>WD.</td> <td>J2</td> <td>PTD.</td> <td>-</td> <td>334B</td> <td>3\"/> <tr> <td>345</td> <td>ETR</td> <td>-</td> <td>WD.</td> <td>J2</td> <td>PTD.</td> <td>-</td> <td>335A</td> <td>3\"/> <tr> <td>346</td> <td>ETR</td> <td>-</td> <td>WD.</td> <td>J2</td> <td>PTD.</td> <td>-</td> <td>335B</td> <td>3\"/> <tr> <td>347</td> <td>ETR</td> <td>-</td> <td>WD.</td> <td>J2</td> <td>PTD.</td> <td>-</td> <td>336</td> <td>3\"/> <tr> <td>348</td> <td>ETR</td> <td>-</td> <td>WD.</td> <td>J2</td> <td>PTD.</td> <td>-</td> <td>337</td> <td>3\"/> <tr> <td>349</td> <td>ETR</td> <td>-</td> <td>WD.</td> <td>J2</td> <td>PTD.</td> <td>-</td> <td>339</td> <td>3\"/> <tr> <td>350</td> <td>ETR</td> <td>-</td> <td>WD.</td> <td>J2</td> <td>PTD.</td> <td>-</td> <td>340</td> <td>3\"/> </td></tr></td></tr></td></tr></td></tr></td></tr></td></tr></td></tr></td></tr></td></tr></td></tr></td></tr> | 340 | A | 3\"/> <tr> <td>341A</td> <td>ETR</td> <td>-</td> <td>WD.</td> <td>J2</td> <td>PTD.</td> <td>-</td> <td>331</td> <td>3\"/> <tr> <td>341B</td> <td>ETR</td> <td>-</td> <td>WD.</td> <td>J2</td> <td>PTD.</td> <td>-</td> <td>333</td> <td>3\"/> <tr> <td>342</td> <td>ETR</td> <td>-</td> <td>WD.</td> <td>J2</td> <td>PTD.</td> <td>-</td> <td>334A</td> <td>3\"/> <tr> <td>344</td> <td>ETR</td> <td>-</td> <td>WD.</td> <td>J2</td> <td>PTD.</td> <td>-</td> <td>334B</td> <td>3\"/> <tr> <td>345</td> <td>ETR</td> <td>-</td> <td>WD.</td> <td>J2</td> <td>PTD.</td> <td>-</td> <td>335A</td> <td>3\"/> <tr> <td>346</td> <td>ETR</td> <td>-</td> <td>WD.</td> <td>J2</td> <td>PTD.</td> <td>-</td> <td>335B</td> <td>3\"/> <tr> <td>347</td> <td>ETR</td> <td>-</td> <td>WD.</td> <td>J2</td> <td>PTD.</td> <td>-</td> <td>336</td> <td>3\"/> <tr> <td>348</td> <td>ETR</td> <td>-</td> <td>WD.</td> <td>J2</td> <td>PTD.</td> <td>-</td> <td>337</td> <td>3\"/> <tr> <td>349</td> <td>ETR</td> <td>-</td> <td>WD.</td> <td>J2</td> <td>PTD.</td> <td>-</td> <td>339</td> <td>3\"/> <tr> <td>350</td> <td>ETR</td> <td>-</td> <td>WD.</td> <td>J2</td> <td>PTD.</td> <td>-</td> <td>340</td> <td>3\"/> </td></tr></td></tr></td></tr></td></tr></td></tr></td></tr></td></tr></td></tr></td></tr></td></tr>
 | 341A | ETR | - | WD. | J2 | PTD. | - | 331 | 3\"/> <tr> <td>341B</td> <td>ETR</td> <td>-</td> <td>WD.</td> <td>J2</td> <td>PTD.</td> <td>-</td> <td>333</td> <td>3\"/> <tr> <td>342</td> <td>ETR</td> <td>-</td> <td>WD.</td> <td>J2</td> <td>PTD.</td> <td>-</td> <td>334A</td> <td>3\"/> <tr> <td>344</td> <td>ETR</td> <td>-</td> <td>WD.</td> <td>J2</td> <td>PTD.</td> <td>-</td> <td>334B</td> <td>3\"/> <tr> <td>345</td> <td>ETR</td> <td>-</td> <td>WD.</td> <td>J2</td> <td>PTD.</td> <td>-</td> <td>335A</td> <td>3\"/> <tr> <td>346</td> <td>ETR</td> <td>-</td> <td>WD.</td> <td>J2</td> <td>PTD.</td> <td>-</td> <td>335B</td> <td>3\"/> <tr> <td>347</td> <td>ETR</td>
<td>-</td> <td>WD.</td> <td>J2</td> <td>PTD.</td> <td>-</td> <td>336</td> <td>3\"/> <tr> <td>348</td> <td>ETR</td> <td>-</td> <td>WD.</td> <td>J2</td> <td>PTD.</td> <td>-</td> <td>337</td> <td>3\"/> <tr> <td>349</td> <td>ETR</td> <td>-</td> <td>WD.</td> <td>J2</td> <td>PTD.</td> <td>-</td> <td>339</td> <td>3\"/> <tr> <td>350</td> <td>ETR</td> <td>-</td> <td>WD.</td> <td>J2</td> <td>PTD.</td> <td>-</td> <td>340</td> <td>3\"/> </td></tr></td></tr></td></tr></td></tr></td></tr></td></tr></td></tr></td></tr></td></tr> | 341B | ETR | - | WD. | J2 | PTD.
 | - | 333 | 3\"/> <tr> <td>342</td> <td>ETR</td> <td>-</td> <td>WD.</td> <td>J2</td> <td>PTD.</td> <td>-</td> <td>334A</td> <td>3\"/> <tr> <td>344</td> <td>ETR</td> <td>-</td> <td>WD.</td> <td>J2</td> <td>PTD.</td> <td>-</td> <td>334B</td> <td>3\"/> <tr> <td>345</td> <td>ETR</td> <td>-</td> <td>WD.</td> <td>J2</td> <td>PTD.</td> <td>-</td> <td>335A</td> <td>3\"/> <tr> <td>346</td> <td>ETR</td> <td>-</td> <td>WD.</td> <td>J2</td> <td>PTD.</td> <td>-</td> <td>335B</td> <td>3\"/> <tr> <td>347</td> <td>ETR</td> <td>-</td> <td>WD.</td> <td>J2</td> <td>PTD.</td> <td>-</td> <td>336</td> <td>3\"/> <tr> <td>348</td> <td>ETR</td> <td>-</td> <td>WD.</td> <td>J2</td> <td>PTD.</td> <td>-</td> <td>337</td> <td>3\"/> <tr> <td>349</td> <td>ETR</td> <td>-</td> <td>WD.</td> <td>J2</td> <td>PTD.</td> <td>-</td> <td>339</td> <td>3\"/> <tr> <td>350</td> <td>ETR</td> <td>-</td> <td>WD.</td> <td>J2</td> <td>PTD.</td> <td>-</td> <td>340</td> <td>3\"/> </td></tr></td></tr></td></tr></td></tr></td></tr></td></tr></td></tr></td></tr> | 342 | ETR | - | WD. | J2 | PTD.
 | - | 334A | 3\"/> <tr> <td>344</td> <td>ETR</td> <td>-</td> <td>WD.</td> <td>J2</td> <td>PTD.</td> <td>-</td> <td>334B</td> <td>3\"/> <tr> <td>345</td> <td>ETR</td> <td>-</td> <td>WD.</td> <td>J2</td> <td>PTD.</td> <td>-</td> <td>335A</td> <td>3\"/> <tr> <td>346</td> <td>ETR</td> <td>-</td> <td>WD.</td> <td>J2</td> <td>PTD.</td> <td>-</td> <td>335B</td> <td>3\"/> <tr> <td>347</td> <td>ETR</td> <td>-</td> <td>WD.</td> <td>J2</td> <td>PTD.</td> <td>-</td> <td>336</td> <td>3\"/> <tr> <td>348</td> <td>ETR</td> <td>-</td> <td>WD.</td> <td>J2</td> <td>PTD.</td> <td>-</td> <td>337</td> <td>3\"/> <tr> <td>349</td> <td>ETR</td> <td>-</td> <td>WD.</td> <td>J2</td> <td>PTD.</td> <td>-</td> <td>339</td> <td>3\"/> <tr> <td>350</td> <td>ETR</td> <td>-</td> <td>WD.</td> <td>J2</td> <td>PTD.</td> <td>-</td> <td>340</td> <td>3\"/> </td></tr></td></tr></td></tr></td></tr></td></tr></td></tr></td></tr> | 344 | ETR | - | WD. | J2 | PTD.
 | - | 334B | 3\"/> <tr> <td>345</td> <td>ETR</td> <td>-</td> <td>WD.</td> <td>J2</td> <td>PTD.</td> <td>-</td> <td>335A</td> <td>3\"/> <tr> <td>346</td> <td>ETR</td> <td>-</td> <td>WD.</td> <td>J2</td> <td>PTD.</td> <td>-</td> <td>335B</td> <td>3\"/> <tr> <td>347</td> <td>ETR</td> <td>-</td> <td>WD.</td> <td>J2</td> <td>PTD.</td> <td>-</td> <td>336</td> <td>3\"/> <tr> <td>348</td> <td>ETR</td> <td>-</td> <td>WD.</td> <td>J2</td> <td>PTD.</td> <td>-</td> <td>337</td> <td>3\"/> <tr> <td>349</td> <td>ETR</td> <td>-</td> <td>WD.</td> <td>J2</td> <td>PTD.</td> <td>-</td> <td>339</td> <td>3\"/> <tr> <td>350</td> <td>ETR</td> <td>-</td> <td>WD.</td> <td>J2</td> <td>PTD.</td> <td>-</td> <td>340</td> <td>3\"/> </td></tr></td></tr></td></tr></td></tr></td></tr></td></tr> | 345 | ETR | - | WD. | J2 | PTD.
 | - | 335A | 3\"/> <tr> <td>346</td> <td>ETR</td> <td>-</td> <td>WD.</td> <td>J2</td> <td>PTD.</td> <td>-</td> <td>335B</td> <td>3\"/> <tr> <td>347</td> <td>ETR</td> <td>-</td> <td>WD.</td> <td>J2</td> <td>PTD.</td> <td>-</td> <td>336</td> <td>3\"/> <tr> <td>348</td> <td>ETR</td> <td>-</td> <td>WD.</td> <td>J2</td> <td>PTD.</td> <td>-</td> <td>337</td> <td>3\"/> <tr> <td>349</td> <td>ETR</td> <td>-</td> <td>WD.</td> <td>J2</td> <td>PTD.</td> <td>-</td> <td>339</td> <td>3\"/> <tr> <td>350</td> <td>ETR</td> <td>-</td> <td>WD.</td> <td>J2</td> <td>PTD.</td> <td>-</td> <td>340</td> <td>3\"/> </td></tr></td></tr></td></tr></td></tr></td></tr> | 346 | ETR | -
 | WD. | J2 | PTD. | - | 335B | 3\"/> <tr> <td>347</td> <td>ETR</td> <td>-</td> <td>WD.</td> <td>J2</td> <td>PTD.</td> <td>-</td> <td>336</td> <td>3\"/> <tr> <td>348</td> <td>ETR</td> <td>-</td> <td>WD.</td> <td>J2</td> <td>PTD.</td> <td>-</td> <td>337</td> <td>3\"/> <tr> <td>349</td> <td>ETR</td> <td>-</td> <td>WD.</td> <td>J2</td> <td>PTD.</td> <td>-</td> <td>339</td> <td>3\"/> <tr> <td>350</td> <td>ETR</td> <td>-</td> <td>WD.</td> <td>J2</td> <td>PTD.</td> <td>-</td> <td>340</td> <td>3\"/> </td></tr></td></tr></td></tr></td></tr> | 347 | ETR | -
 | WD. | J2 | PTD. | - | 336 | 3\"/> <tr> <td>348</td> <td>ETR</td> <td>-</td> <td>WD.</td> <td>J2</td> <td>PTD.</td> <td>-</td> <td>337</td> <td>3\"/> <tr> <td>349</td> <td>ETR</td> <td>-</td> <td>WD.</td> <td>J2</td> <td>PTD.</td> <td>-</td> <td>339</td> <td>3\"/> <tr> <td>350</td> <td>ETR</td> <td>-</td> <td>WD.</td> <td>J2</td> <td>PTD.</td> <td>-</td> <td>340</td> <td>3\"/> </td></tr></td></tr></td></tr> | 348 | ETR | - | WD. | J2 | PTD.
 | - | 337 | 3\"/> <tr> <td>349</td> <td>ETR</td> <td>-</td> <td>WD.</td> <td>J2</td> <td>PTD.</td> <td>-</td> <td>339</td> <td>3\"/> <tr> <td>350</td> <td>ETR</td> <td>-</td> <td>WD.</td> <td>J2</td> <td>PTD.</td> <td>-</td> <td>340</td> <td>3\"/> </td></tr></td></tr> | 349 | ETR | - | WD. | J2 | PTD.
 | - | 339 | 3\"/> <tr> <td>350</td> <td>ETR</td> <td>-</td> <td>WD.</td> <td>J2</td> <td>PTD.</td> <td>-</td> <td>340</td> <td>3\"/> </td></tr> | 350 | ETR | - | WD. | J2 | PTD. | - | 340 | 3\"/>
 | | | | | | | | | | | | | | | | | | | | | | | | | | | | | | | | | | | | | | | | | | | | | | | | | | | | | | | | | | | | | | | | | | |
 | | | | | | | | | | | |
 | | | | | | | | | | | |
 | | | | | | | | | | | | | | |
 | | | | | | | | | | | | | | |
 | | | | | | | | | | | | | | | | | |
 | | | | | | | | | | | | | | | | | | | | |
 | | | | | | | | | | | | | | | | | | | | | | | | | | |
 | | | | | | | | | | | | | | | | | | | | | | | | | | | | | | | | | | | | | | | | | | | | | | | | | | | | | | | | | | | | | | | | | | |
| 331 | ETR | - | WD. | J2 | PTD. | - | 323 | 3\"/> <tr> <td>333</td> <td>ETR</td> <td>-</td> <td>WD.</td> <td>J2</td> <td>PTD.</td> <td>-</td> <td>324</td> <td>3\"/> <tr> <td>334A</td> <td>ETR</td> <td>-</td> <td>WD.</td> <td>J2</td> <td>PTD.</td> <td>-</td> <td>325</td> <td>3\"/> <tr> <td>334B</td> <td>ETR</td> <td>-</td> <td>WD.</td> <td>J2</td> <td>PTD.</td> <td>-</td> <td>327</td> <td>3\"/> <tr> <td>335A</td> <td>ETR</td> <td>-</td> <td>WD.</td> <td>J2</td> <td>PTD.</td> <td>-</td> <td>328</td> <td>3\"/> <tr> <td>335B</td> <td>B</td> <td>3\"/> <tr> <td>336</td> <td>B</td> <td>3\"/> <tr> <td>337</td> <td>ETR</td> <td>-</td> <td>WD.</td> <td>J2</td> <td>PTD.</td> <td>-</td> <td>329A</td> <td>3\"/> <tr> <td>339</td> <td>ETR</td> <td>-</td> <td>WD.</td> <td>J2</td> <td>PTD.</td> <td>-</td> <td>329B</td> <td>3\"/> <tr> <td>340</td> <td>A</td> <td>3\"/> <tr> <td>341A</td> <td>ETR</td> <td>-</td> <td>WD.</td> <td>J2</td> <td>PTD.</td> <td>-</td> <td>331</td> <td>3\"/> <tr> <td>341B</td> <td>ETR</td> <td>-</td> <td>WD.</td> <td>J2</td> <td>PTD.</td> <td>-</td> <td>333</td> <td>3\"/> <tr> <td>342</td> <td>ETR</td> <td>-</td> <td>WD.</td> <td>J2</td> <td>PTD.</td> <td>-</td> <td>334A</td> <td>3\"/> <tr> <td>344</td> <td>ETR</td> <td>-</td> <td>WD.</td> <td>J2</td> <td>PTD.</td> <td>-</td> <td>334B</td> <td>3\"/> <tr> <td>345</td> <td>ETR</td> <td>-</td> <td>WD.</td> <td>J2</td> <td>PTD.</td> <td>-</td> <td>335A</td> <td>3\"/> <tr> <td>346</td> <td>ETR</td> <td>-</td> <td>WD.</td> <td>J2</td> <td>PTD.</td> <td>-</td> <td>335B</td> <td>3\"/> <tr> <td>347</td> <td>ETR</td> <td>-</td> <td>WD.</td> <td>J2</td> <td>PTD.</td> <td>-</td> <td>336</td> <td>3\"/> <tr> <td>348</td> <td>ETR</td> <td>-</td> <td>WD.</td> <td>J2</td> <td>PTD.</td> <td>-</td> <td>337</td> <td>3\"/> <tr> <td>349</td> <td>ETR</td> <td>-</td> <td>WD.</td> <td>J2</td> <td>PTD.</td> <td>-</td> <td>339</td> <td>3\"/> <tr> <td>350</td> <td>ETR</td> <td>-</td> <td>WD.</td> <td>J2</td> <td>PTD.</td> <td>-</td> <td>340</td> <td>3\"/> </td></tr></td></tr></td></tr></td></tr></td></tr></td></tr></td></tr></td></tr></td></tr></td></tr></td></tr></td></tr></td></tr></td></tr></td></tr></td></tr></td></tr></td></tr></td></tr>
 | 333 | ETR | - | WD. | J2 | PTD.
 | - | 324 | 3\"/> <tr> <td>334A</td> <td>ETR</td> <td>-</td> <td>WD.</td> <td>J2</td> <td>PTD.</td> <td>-</td> <td>325</td> <td>3\"/> <tr> <td>334B</td> <td>ETR</td> <td>-</td> <td>WD.</td> <td>J2</td> <td>PTD.</td> <td>-</td> <td>327</td> <td>3\"/> <tr> <td>335A</td> <td>ETR</td> <td>-</td> <td>WD.</td> <td>J2</td> <td>PTD.</td> <td>-</td> <td>328</td> <td>3\"/> <tr> <td>335B</td> <td>B</td> <td>3\"/> <tr> <td>336</td> <td>B</td> <td>3\"/> <tr> <td>337</td> <td>ETR</td> <td>-</td> <td>WD.</td> <td>J2</td> <td>PTD.</td> <td>-</td> <td>329A</td> <td>3\"/> <tr> <td>339</td> <td>ETR</td> <td>-</td> <td>WD.</td> <td>J2</td> <td>PTD.</td> <td>-</td> <td>329B</td> <td>3\"/> <tr> <td>340</td> <td>A</td> <td>3\"/> <tr> <td>341A</td> <td>ETR</td> <td>-</td> <td>WD.</td> <td>J2</td> <td>PTD.</td> <td>-</td> <td>331</td> <td>3\"/> <tr> <td>341B</td> <td>ETR</td> <td>-</td> <td>WD.</td> <td>J2</td> <td>PTD.</td> <td>-</td> <td>333</td> <td>3\"/> <tr> <td>342</td> <td>ETR</td> <td>-</td> <td>WD.</td> <td>J2</td> <td>PTD.</td> <td>-</td> <td>334A</td> <td>3\"/> <tr> <td>344</td> <td>ETR</td> <td>-</td> <td>WD.</td> <td>J2</td> <td>PTD.</td> <td>-</td> <td>334B</td> <td>3\"/> <tr> <td>345</td> <td>ETR</td> <td>-</td> <td>WD.</td> <td>J2</td> <td>PTD.</td> <td>-</td> <td>335A</td> <td>3\"/> <tr> <td>346</td> <td>ETR</td> <td>-</td> <td>WD.</td> <td>J2</td> <td>PTD.</td> <td>-</td> <td>335B</td> <td>3\"/> <tr> <td>347</td> <td>ETR</td> <td>-</td> <td>WD.</td> <td>J2</td> <td>PTD.</td> <td>-</td> <td>336</td> <td>3\"/> <tr> <td>348</td> <td>ETR</td> <td>-</td> <td>WD.</td> <td>J2</td> <td>PTD.</td> <td>-</td> <td>337</td> <td>3\"/> <tr> <td>349</td> <td>ETR</td> <td>-</td> <td>WD.</td> <td>J2</td> <td>PTD.</td> <td>-</td> <td>339</td> <td>3\"/> <tr> <td>350</td> <td>ETR</td> <td>-</td> <td>WD.</td> <td>J2</td> <td>PTD.</td> <td>-</td> <td>340</td> <td>3\"/> </td></tr></td></tr></td></tr></td></tr></td></tr></td></tr></td></tr></td></tr></td></tr></td></tr></td></tr></td></tr></td></tr></td></tr></td></tr></td></tr></td></tr></td></tr> | 334A | ETR | -
 | WD. | J2 | PTD. | - | 325 | 3\"/> <tr> <td>334B</td> <td>ETR</td> <td>-</td> <td>WD.</td> <td>J2</td> <td>PTD.</td> <td>-</td> <td>327</td> <td>3\"/> <tr> <td>335A</td> <td>ETR</td> <td>-</td> <td>WD.</td> <td>J2</td> <td>PTD.</td> <td>-</td> <td>328</td> <td>3\"/> <tr> <td>335B</td> <td>B</td> <td>3\"/> <tr> <td>336</td> <td>B</td> <td>3\"/> <tr> <td>337</td> <td>ETR</td> <td>-</td> <td>WD.</td> <td>J2</td> <td>PTD.</td> <td>-</td> <td>329A</td> <td>3\"/> <tr> <td>339</td> <td>ETR</td> <td>-</td> <td>WD.</td> <td>J2</td> <td>PTD.</td> <td>-</td> <td>329B</td> <td>3\"/> <tr> <td>340</td> <td>A</td> <td>3\"/> <tr> <td>341A</td> <td>ETR</td> <td>-</td> <td>WD.</td> <td>J2</td> <td>PTD.</td> <td>-</td> <td>331</td> <td>3\"/> <tr> <td>341B</td> <td>ETR</td> <td>-</td> <td>WD.</td> <td>J2</td> <td>PTD.</td> <td>-</td> <td>333</td> <td>3\"/> <tr> <td>342</td> <td>ETR</td> <td>-</td> <td>WD.</td> <td>J2</td> <td>PTD.</td> <td>-</td> <td>334A</td> <td>3\"/> <tr> <td>344</td> <td>ETR</td> <td>-</td> <td>WD.</td> <td>J2</td> <td>PTD.</td> <td>-</td> <td>334B</td> <td>3\"/> <tr> <td>345</td> <td>ETR</td> <td>-</td> <td>WD.</td> <td>J2</td> <td>PTD.</td> <td>-</td> <td>335A</td> <td>3\"/> <tr> <td>346</td> <td>ETR</td> <td>-</td> <td>WD.</td> <td>J2</td> <td>PTD.</td> <td>-</td> <td>335B</td> <td>3\"/> <tr> <td>347</td> <td>ETR</td> <td>-</td> <td>WD.</td> <td>J2</td> <td>PTD.</td> <td>-</td> <td>336</td> <td>3\"/> <tr> <td>348</td> <td>ETR</td> <td>-</td> <td>WD.</td> <td>J2</td> <td>PTD.</td> <td>-</td> <td>337</td> <td>3\"/> <tr> <td>349</td> <td>ETR</td> <td>-</td> <td>WD.</td> <td>J2</td> <td>PTD.</td> <td>-</td> <td>339</td> <td>3\"/> <tr> <td>350</td> <td>ETR</td> <td>-</td> <td>WD.</td> <td>J2</td> <td>PTD.</td> <td>-</td> <td>340</td> <td>3\"/> </td></tr></td></tr></td></tr></td></tr></td></tr></td></tr></td></tr></td></tr></td></tr></td></tr></td></tr></td></tr></td></tr></td></tr></td></tr></td></tr></td></tr>
 | 334B | ETR | - | WD. | J2 | PTD.
 | - | 327 | 3\"/> <tr> <td>335A</td> <td>ETR</td> <td>-</td> <td>WD.</td> <td>J2</td> <td>PTD.</td> <td>-</td> <td>328</td> <td>3\"/> <tr> <td>335B</td> <td>B</td> <td>3\"/> <tr> <td>336</td> <td>B</td> <td>3\"/> <tr> <td>337</td> <td>ETR</td> <td>-</td> <td>WD.</td> <td>J2</td> <td>PTD.</td> <td>-</td> <td>329A</td> <td>3\"/> <tr> <td>339</td> <td>ETR</td> <td>-</td> <td>WD.</td> <td>J2</td> <td>PTD.</td> <td>-</td> <td>329B</td> <td>3\"/> <tr> <td>340</td> <td>A</td> <td>3\"/> <tr> <td>341A</td> <td>ETR</td> <td>-</td> <td>WD.</td> <td>J2</td> <td>PTD.</td> <td>-</td> <td>331</td> <td>3\"/> <tr> <td>341B</td> <td>ETR</td> <td>-</td> <td>WD.</td> <td>J2</td> <td>PTD.</td> <td>-</td> <td>333</td> <td>3\"/> <tr> <td>342</td> <td>ETR</td> <td>-</td> <td>WD.</td> <td>J2</td> <td>PTD.</td> <td>-</td> <td>334A</td> <td>3\"/> <tr> <td>344</td> <td>ETR</td> <td>-</td> <td>WD.</td> <td>J2</td> <td>PTD.</td> <td>-</td> <td>334B</td> <td>3\"/> <tr> <td>345</td> <td>ETR</td> <td>-</td> <td>WD.</td> <td>J2</td> <td>PTD.</td> <td>-</td> <td>335A</td> <td>3\"/> <tr> <td>346</td> <td>ETR</td> <td>-</td> <td>WD.</td> <td>J2</td> <td>PTD.</td> <td>-</td> <td>335B</td> <td>3\"/> <tr> <td>347</td> <td>ETR</td> <td>-</td> <td>WD.</td> <td>J2</td> <td>PTD.</td> <td>-</td> <td>336</td> <td>3\"/> <tr> <td>348</td> <td>ETR</td> <td>-</td> <td>WD.</td> <td>J2</td> <td>PTD.</td> <td>-</td> <td>337</td> <td>3\"/> <tr> <td>349</td> <td>ETR</td> <td>-</td> <td>WD.</td> <td>J2</td> <td>PTD.</td> <td>-</td> <td>339</td> <td>3\"/> <tr> <td>350</td> <td>ETR</td> <td>-</td> <td>WD.</td> <td>J2</td> <td>PTD.</td> <td>-</td> <td>340</td> <td>3\"/> </td></tr></td></tr></td></tr></td></tr></td></tr></td></tr></td></tr></td></tr></td></tr></td></tr></td></tr></td></tr></td></tr></td></tr></td></tr></td></tr> | 335A | ETR | -
 | WD. | J2 | PTD. | - | 328 | 3\"/> <tr> <td>335B</td> <td>B</td> <td>3\"/> <tr> <td>336</td> <td>B</td> <td>3\"/> <tr> <td>337</td> <td>ETR</td> <td>-</td> <td>WD.</td> <td>J2</td> <td>PTD.</td> <td>-</td> <td>329A</td> <td>3\"/> <tr> <td>339</td> <td>ETR</td> <td>-</td> <td>WD.</td> <td>J2</td> <td>PTD.</td> <td>-</td> <td>329B</td> <td>3\"/> <tr> <td>340</td> <td>A</td> <td>3\"/> <tr> <td>341A</td> <td>ETR</td> <td>-</td> <td>WD.</td> <td>J2</td> <td>PTD.</td> <td>-</td> <td>331</td> <td>3\"/> <tr> <td>341B</td> <td>ETR</td> <td>-</td> <td>WD.</td> <td>J2</td> <td>PTD.</td> <td>-</td> <td>333</td> <td>3\"/> <tr> <td>342</td> <td>ETR</td> <td>-</td> <td>WD.</td> <td>J2</td> <td>PTD.</td> <td>-</td> <td>334A</td> <td>3\"/> <tr> <td>344</td> <td>ETR</td> <td>-</td> <td>WD.</td> <td>J2</td> <td>PTD.</td> <td>-</td> <td>334B</td> <td>3\"/> <tr> <td>345</td> <td>ETR</td> <td>-</td> <td>WD.</td> <td>J2</td> <td>PTD.</td> <td>-</td> <td>335A</td> <td>3\"/> <tr> <td>346</td> <td>ETR</td> <td>-</td> <td>WD.</td> <td>J2</td> <td>PTD.</td> <td>-</td> <td>335B</td> <td>3\"/> <tr> <td>347</td> <td>ETR</td> <td>-</td> <td>WD.</td> <td>J2</td> <td>PTD.</td> <td>-</td> <td>336</td> <td>3\"/> <tr> <td>348</td> <td>ETR</td> <td>-</td> <td>WD.</td> <td>J2</td> <td>PTD.</td> <td>-</td> <td>337</td> <td>3\"/> <tr> <td>349</td> <td>ETR</td> <td>-</td> <td>WD.</td> <td>J2</td> <td>PTD.</td> <td>-</td> <td>339</td> <td>3\"/> <tr> <td>350</td> <td>ETR</td> <td>-</td> <td>WD.</td> <td>J2</td> <td>PTD.</td> <td>-</td> <td>340</td> <td>3\"/> </td></tr></td></tr></td></tr></td></tr></td></tr></td></tr></td></tr></td></tr></td></tr></td></tr></td></tr></td></tr></td></tr></td></tr></td></tr>
 | 335B | B | 3\"/> <tr> <td>336</td> <td>B</td> <td>3\"/> <tr> <td>337</td> <td>ETR</td> <td>-</td> <td>WD.</td> <td>J2</td> <td>PTD.</td> <td>-</td> <td>329A</td> <td>3\"/> <tr> <td>339</td> <td>ETR</td> <td>-</td> <td>WD.</td> <td>J2</td> <td>PTD.</td> <td>-</td> <td>329B</td> <td>3\"/> <tr> <td>340</td> <td>A</td> <td>3\"/> <tr> <td>341A</td> <td>ETR</td> <td>-</td> <td>WD.</td> <td>J2</td> <td>PTD.</td> <td>-</td> <td>331</td> <td>3\"/> <tr> <td>341B</td> <td>ETR</td> <td>-</td> <td>WD.</td> <td>J2</td> <td>PTD.</td> <td>-</td> <td>333</td> <td>3\"/> <tr> <td>342</td> <td>ETR</td> <td>-</td> <td>WD.</td> <td>J2</td> <td>PTD.</td> <td>-</td> <td>334A</td> <td>3\"/> <tr> <td>344</td> <td>ETR</td> <td>-</td> <td>WD.</td> <td>J2</td> <td>PTD.</td> <td>-</td> <td>334B</td> <td>3\"/> <tr> <td>345</td> <td>ETR</td> <td>-</td> <td>WD.</td> <td>J2</td> <td>PTD.</td> <td>-</td> <td>335A</td> <td>3\"/> <tr> <td>346</td> <td>ETR</td> <td>-</td> <td>WD.</td> <td>J2</td> <td>PTD.</td> <td>-</td> <td>335B</td> <td>3\"/> <tr> <td>347</td> <td>ETR</td> <td>-</td> <td>WD.</td> <td>J2</td> <td>PTD.</td> <td>-</td> <td>336</td> <td>3\"/> <tr> <td>348</td> <td>ETR</td> <td>-</td> <td>WD.</td> <td>J2</td> <td>PTD.</td> <td>-</td> <td>337</td> <td>3\"/> <tr> <td>349</td> <td>ETR</td> <td>-</td> <td>WD.</td> <td>J2</td> <td>PTD.</td> <td>-</td> <td>339</td> <td>3\"/> <tr> <td>350</td> <td>ETR</td> <td>-</td> <td>WD.</td> <td>J2</td> <td>PTD.</td> <td>-</td> <td>340</td> <td>3\"/> </td></tr></td></tr></td></tr></td></tr></td></tr></td></tr></td></tr></td></tr></td></tr></td></tr></td></tr></td></tr></td></tr></td></tr> | 336 | B | 3\"/> <tr> <td>337</td> <td>ETR</td> <td>-</td> <td>WD.</td> <td>J2</td> <td>PTD.</td> <td>-</td> <td>329A</td> <td>3\"/> <tr> <td>339</td> <td>ETR</td> <td>-</td> <td>WD.</td> <td>J2</td> <td>PTD.</td> <td>-</td> <td>329B</td> <td>3\"/> <tr> <td>340</td> <td>A</td> <td>3\"/> <tr> <td>341A</td> <td>ETR</td> <td>-</td> <td>WD.</td> <td>J2</td> <td>PTD.</td> <td>-</td> <td>331</td> <td>3\"/> <tr> <td>341B</td> <td>ETR</td> <td>-</td> <td>WD.</td> <td>J2</td> <td>PTD.</td> <td>-</td> <td>333</td> <td>3\"/> <tr> <td>342</td> <td>ETR</td> <td>-</td> <td>WD.</td> <td>J2</td> <td>PTD.</td> <td>-</td> <td>334A</td> <td>3\"/> <tr> <td>344</td> <td>ETR</td> <td>-</td> <td>WD.</td> <td>J2</td> <td>PTD.</td> <td>-</td> <td>334B</td> <td>3\"/> <tr> <td>345</td> <td>ETR</td> <td>-</td> <td>WD.</td> <td>J2</td> <td>PTD.</td> <td>-</td> <td>335A</td> <td>3\"/> <tr> <td>346</td> <td>ETR</td> <td>-</td> <td>WD.</td> <td>J2</td> <td>PTD.</td> <td>-</td> <td>335B</td> <td>3\"/> <tr> <td>347</td> <td>ETR</td> <td>-</td> <td>WD.</td> <td>J2</td> <td>PTD.</td> <td>-</td> <td>336</td> <td>3\"/> <tr> <td>348</td> <td>ETR</td> <td>-</td> <td>WD.</td> <td>J2</td> <td>PTD.</td> <td>-</td> <td>337</td> <td>3\"/> <tr> <td>349</td> <td>ETR</td> <td>-</td> <td>WD.</td> <td>J2</td> <td>PTD.</td> <td>-</td> <td>339</td> <td>3\"/> <tr> <td>350</td> <td>ETR</td> <td>-</td> <td>WD.</td> <td>J2</td> <td>PTD.</td> <td>-</td> <td>340</td> <td>3\"/> </td></tr></td></tr></td></tr></td></tr></td></tr></td></tr></td></tr></td></tr></td></tr></td></tr></td></tr></td></tr></td></tr> | 337 | ETR | -
 | WD. | J2 | PTD. | - | 329A | 3\"/> <tr> <td>339</td> <td>ETR</td> <td>-</td> <td>WD.</td> <td>J2</td> <td>PTD.</td> <td>-</td> <td>329B</td> <td>3\"/> <tr> <td>340</td> <td>A</td> <td>3\"/> <tr> <td>341A</td> <td>ETR</td> <td>-</td> <td>WD.</td> <td>J2</td> <td>PTD.</td> <td>-</td> <td>331</td> <td>3\"/> <tr> <td>341B</td> <td>ETR</td> <td>-</td> <td>WD.</td> <td>J2</td> <td>PTD.</td> <td>-</td> <td>333</td> <td>3\"/> <tr> <td>342</td> <td>ETR</td> <td>-</td> <td>WD.</td> <td>J2</td> <td>PTD.</td> <td>-</td> <td>334A</td> <td>3\"/> <tr> <td>344</td> <td>ETR</td> <td>-</td> <td>WD.</td> <td>J2</td> <td>PTD.</td> <td>-</td> <td>334B</td> <td>3\"/> <tr> <td>345</td> <td>ETR</td> <td>-</td> <td>WD.</td> <td>J2</td> <td>PTD.</td> <td>-</td> <td>335A</td> <td>3\"/> <tr> <td>346</td> <td>ETR</td> <td>-</td> <td>WD.</td> <td>J2</td> <td>PTD.</td> <td>-</td> <td>335B</td> <td>3\"/> <tr> <td>347</td> <td>ETR</td> <td>-</td> <td>WD.</td> <td>J2</td> <td>PTD.</td> <td>-</td> <td>336</td> <td>3\"/> <tr> <td>348</td> <td>ETR</td> <td>-</td> <td>WD.</td> <td>J2</td> <td>PTD.</td> <td>-</td> <td>337</td> <td>3\"/> <tr> <td>349</td> <td>ETR</td> <td>-</td> <td>WD.</td> <td>J2</td> <td>PTD.</td> <td>-</td> <td>339</td> <td>3\"/> <tr> <td>350</td> <td>ETR</td> <td>-</td> <td>WD.</td> <td>J2</td> <td>PTD.</td> <td>-</td> <td>340</td> <td>3\"/> </td></tr></td></tr></td></tr></td></tr></td></tr></td></tr></td></tr></td></tr></td></tr></td></tr></td></tr></td></tr>
 | 339 | ETR | - | WD. | J2 | PTD.
 | - | 329B | 3\"/> <tr> <td>340</td> <td>A</td> <td>3\"/> <tr> <td>341A</td> <td>ETR</td> <td>-</td> <td>WD.</td> <td>J2</td> <td>PTD.</td> <td>-</td> <td>331</td> <td>3\"/> <tr> <td>341B</td> <td>ETR</td> <td>-</td> <td>WD.</td> <td>J2</td> <td>PTD.</td> <td>-</td> <td>333</td> <td>3\"/> <tr> <td>342</td> <td>ETR</td> <td>-</td> <td>WD.</td> <td>J2</td> <td>PTD.</td> <td>-</td> <td>334A</td> <td>3\"/> <tr> <td>344</td> <td>ETR</td> <td>-</td> <td>WD.</td> <td>J2</td> <td>PTD.</td> <td>-</td> <td>334B</td> <td>3\"/> <tr> <td>345</td> <td>ETR</td> <td>-</td> <td>WD.</td> <td>J2</td> <td>PTD.</td> <td>-</td> <td>335A</td> <td>3\"/> <tr> <td>346</td> <td>ETR</td> <td>-</td> <td>WD.</td> <td>J2</td> <td>PTD.</td> <td>-</td> <td>335B</td> <td>3\"/> <tr> <td>347</td> <td>ETR</td> <td>-</td> <td>WD.</td> <td>J2</td> <td>PTD.</td> <td>-</td> <td>336</td> <td>3\"/> <tr> <td>348</td> <td>ETR</td> <td>-</td> <td>WD.</td> <td>J2</td> <td>PTD.</td> <td>-</td> <td>337</td> <td>3\"/> <tr> <td>349</td> <td>ETR</td> <td>-</td> <td>WD.</td> <td>J2</td> <td>PTD.</td> <td>-</td> <td>339</td> <td>3\"/> <tr> <td>350</td> <td>ETR</td> <td>-</td> <td>WD.</td> <td>J2</td> <td>PTD.</td> <td>-</td> <td>340</td> <td>3\"/> </td></tr></td></tr></td></tr></td></tr></td></tr></td></tr></td></tr></td></tr></td></tr></td></tr></td></tr> | 340 | A | 3\"/> <tr> <td>341A</td> <td>ETR</td> <td>-</td> <td>WD.</td> <td>J2</td> <td>PTD.</td> <td>-</td> <td>331</td> <td>3\"/> <tr> <td>341B</td> <td>ETR</td> <td>-</td> <td>WD.</td> <td>J2</td> <td>PTD.</td> <td>-</td> <td>333</td> <td>3\"/> <tr> <td>342</td> <td>ETR</td> <td>-</td> <td>WD.</td> <td>J2</td> <td>PTD.</td> <td>-</td> <td>334A</td> <td>3\"/> <tr> <td>344</td> <td>ETR</td> <td>-</td> <td>WD.</td> <td>J2</td> <td>PTD.</td> <td>-</td> <td>334B</td> <td>3\"/> <tr> <td>345</td> <td>ETR</td> <td>-</td> <td>WD.</td> <td>J2</td> <td>PTD.</td> <td>-</td> <td>335A</td> <td>3\"/> <tr> <td>346</td> <td>ETR</td> <td>-</td> <td>WD.</td> <td>J2</td> <td>PTD.</td> <td>-</td> <td>335B</td> <td>3\"/> <tr> <td>347</td> <td>ETR</td> <td>-</td> <td>WD.</td> <td>J2</td> <td>PTD.</td> <td>-</td> <td>336</td> <td>3\"/> <tr> <td>348</td> <td>ETR</td> <td>-</td> <td>WD.</td> <td>J2</td> <td>PTD.</td> <td>-</td> <td>337</td> <td>3\"/> <tr> <td>349</td> <td>ETR</td> <td>-</td> <td>WD.</td> <td>J2</td> <td>PTD.</td> <td>-</td> <td>339</td> <td>3\"/> <tr> <td>350</td> <td>ETR</td> <td>-</td> <td>WD.</td> <td>J2</td> <td>PTD.</td> <td>-</td> <td>340</td> <td>3\"/> </td></tr></td></tr></td></tr></td></tr></td></tr></td></tr></td></tr></td></tr></td></tr></td></tr> | 341A | ETR | -
 | WD. | J2 | PTD. | - | 331 | 3\"/> <tr> <td>341B</td> <td>ETR</td> <td>-</td> <td>WD.</td> <td>J2</td> <td>PTD.</td> <td>-</td> <td>333</td> <td>3\"/> <tr> <td>342</td> <td>ETR</td> <td>-</td> <td>WD.</td> <td>J2</td> <td>PTD.</td> <td>-</td> <td>334A</td> <td>3\"/> <tr> <td>344</td> <td>ETR</td> <td>-</td> <td>WD.</td> <td>J2</td> <td>PTD.</td> <td>-</td> <td>334B</td> <td>3\"/> <tr> <td>345</td> <td>ETR</td> <td>-</td> <td>WD.</td> <td>J2</td> <td>PTD.</td> <td>-</td> <td>335A</td> <td>3\"/> <tr> <td>346</td> <td>ETR</td> <td>-</td> <td>WD.</td> <td>J2</td> <td>PTD.</td> <td>-</td> <td>335B</td> <td>3\"/> <tr> <td>347</td> <td>ETR</td> <td>-</td> <td>WD.</td> <td>J2</td> <td>PTD.</td> <td>-</td> <td>336</td> <td>3\"/> <tr> <td>348</td> <td>ETR</td> <td>-</td> <td>WD.</td> <td>J2</td> <td>PTD.</td> <td>-</td> <td>337</td> <td>3\"/> <tr> <td>349</td> <td>ETR</td> <td>-</td> <td>WD.</td> <td>J2</td> <td>PTD.</td> <td>-</td> <td>339</td> <td>3\"/> <tr> <td>350</td> <td>ETR</td> <td>-</td> <td>WD.</td> <td>J2</td> <td>PTD.</td> <td>-</td> <td>340</td> <td>3\"/> </td></tr></td></tr></td></tr></td></tr></td></tr></td></tr></td></tr></td></tr></td></tr>
 | 341B | ETR | - | WD. | J2 | PTD. | - | 333 | 3\"/> <tr> <td>342</td> <td>ETR</td> <td>-</td> <td>WD.</td> <td>J2</td> <td>PTD.</td> <td>-</td> <td>334A</td> <td>3\"/> <tr> <td>344</td> <td>ETR</td> <td>-</td> <td>WD.</td> <td>J2</td> <td>PTD.</td> <td>-</td> <td>334B</td> <td>3\"/> <tr> <td>345</td> <td>ETR</td> <td>-</td> <td>WD.</td> <td>J2</td> <td>PTD.</td> <td>-</td> <td>335A</td> <td>3\"/> <tr> <td>346</td> <td>ETR</td> <td>-</td> <td>WD.</td> <td>J2</td> <td>PTD.</td> <td>-</td> <td>335B</td> <td>3\"/> <tr> <td>347</td> <td>ETR</td> <td>-</td> <td>WD.</td> <td>J2</td> <td>PTD.</td> <td>-</td> <td>336</td> <td>3\"/> <tr> <td>348</td> <td>ETR</td> <td>-</td>
<td>WD.</td> <td>J2</td> <td>PTD.</td> <td>-</td> <td>337</td> <td>3\"/> <tr> <td>349</td> <td>ETR</td> <td>-</td> <td>WD.</td> <td>J2</td> <td>PTD.</td> <td>-</td> <td>339</td> <td>3\"/> <tr> <td>350</td> <td>ETR</td> <td>-</td> <td>WD.</td> <td>J2</td> <td>PTD.</td> <td>-</td> <td>340</td> <td>3\"/> </td></tr></td></tr></td></tr></td></tr></td></tr></td></tr></td></tr></td></tr> | 342 | ETR | - | WD. | J2 | PTD.
 | - | 334A | 3\"/> <tr> <td>344</td> <td>ETR</td> <td>-</td> <td>WD.</td> <td>J2</td> <td>PTD.</td> <td>-</td> <td>334B</td> <td>3\"/> <tr> <td>345</td> <td>ETR</td> <td>-</td> <td>WD.</td> <td>J2</td> <td>PTD.</td> <td>-</td> <td>335A</td> <td>3\"/> <tr> <td>346</td> <td>ETR</td> <td>-</td> <td>WD.</td> <td>J2</td> <td>PTD.</td> <td>-</td> <td>335B</td> <td>3\"/> <tr> <td>347</td> <td>ETR</td> <td>-</td> <td>WD.</td> <td>J2</td> <td>PTD.</td> <td>-</td> <td>336</td> <td>3\"/> <tr> <td>348</td> <td>ETR</td> <td>-</td> <td>WD.</td> <td>J2</td> <td>PTD.</td> <td>-</td> <td>337</td> <td>3\"/> <tr> <td>349</td> <td>ETR</td> <td>-</td> <td>WD.</td> <td>J2</td> <td>PTD.</td> <td>-</td> <td>339</td> <td>3\"/> <tr> <td>350</td> <td>ETR</td> <td>-</td> <td>WD.</td> <td>J2</td> <td>PTD.</td> <td>-</td> <td>340</td> <td>3\"/> </td></tr></td></tr></td></tr></td></tr></td></tr></td></tr></td></tr> | 344 | ETR | - | WD. | J2 | PTD.
 | - | 334B | 3\"/> <tr> <td>345</td> <td>ETR</td> <td>-</td> <td>WD.</td> <td>J2</td> <td>PTD.</td> <td>-</td> <td>335A</td> <td>3\"/> <tr> <td>346</td> <td>ETR</td> <td>-</td> <td>WD.</td> <td>J2</td> <td>PTD.</td> <td>-</td> <td>335B</td> <td>3\"/> <tr> <td>347</td> <td>ETR</td> <td>-</td> <td>WD.</td> <td>J2</td> <td>PTD.</td> <td>-</td> <td>336</td> <td>3\"/> <tr> <td>348</td> <td>ETR</td> <td>-</td> <td>WD.</td> <td>J2</td> <td>PTD.</td> <td>-</td> <td>337</td> <td>3\"/> <tr> <td>349</td> <td>ETR</td> <td>-</td> <td>WD.</td> <td>J2</td> <td>PTD.</td> <td>-</td> <td>339</td> <td>3\"/> <tr> <td>350</td> <td>ETR</td> <td>-</td> <td>WD.</td> <td>J2</td> <td>PTD.</td> <td>-</td> <td>340</td> <td>3\"/> </td></tr></td></tr></td></tr></td></tr></td></tr></td></tr> | 345 | ETR | - | WD. | J2 | PTD.
 | - | 335A | 3\"/> <tr> <td>346</td> <td>ETR</td> <td>-</td> <td>WD.</td> <td>J2</td> <td>PTD.</td> <td>-</td> <td>335B</td> <td>3\"/> <tr> <td>347</td> <td>ETR</td> <td>-</td> <td>WD.</td> <td>J2</td> <td>PTD.</td> <td>-</td> <td>336</td> <td>3\"/> <tr> <td>348</td> <td>ETR</td> <td>-</td> <td>WD.</td> <td>J2</td> <td>PTD.</td> <td>-</td> <td>337</td> <td>3\"/> <tr> <td>349</td> <td>ETR</td> <td>-</td> <td>WD.</td> <td>J2</td> <td>PTD.</td> <td>-</td> <td>339</td> <td>3\"/> <tr> <td>350</td> <td>ETR</td> <td>-</td> <td>WD.</td> <td>J2</td> <td>PTD.</td> <td>-</td> <td>340</td> <td>3\"/> </td></tr></td></tr></td></tr></td></tr></td></tr> | 346 | ETR | - | WD. | J2 | PTD.
 | - | 335B | 3\"/> <tr> <td>347</td> <td>ETR</td> <td>-</td> <td>WD.</td> <td>J2</td> <td>PTD.</td> <td>-</td> <td>336</td> <td>3\"/> <tr> <td>348</td> <td>ETR</td> <td>-</td> <td>WD.</td> <td>J2</td> <td>PTD.</td> <td>-</td> <td>337</td> <td>3\"/> <tr> <td>349</td> <td>ETR</td> <td>-</td> <td>WD.</td> <td>J2</td> <td>PTD.</td> <td>-</td> <td>339</td> <td>3\"/> <tr> <td>350</td> <td>ETR</td> <td>-</td> <td>WD.</td> <td>J2</td> <td>PTD.</td> <td>-</td> <td>340</td> <td>3\"/> </td></tr></td></tr></td></tr></td></tr> | 347 | ETR | -
 | WD. | J2 | PTD. | - | 336 | 3\"/> <tr> <td>348</td> <td>ETR</td> <td>-</td> <td>WD.</td> <td>J2</td> <td>PTD.</td> <td>-</td> <td>337</td> <td>3\"/> <tr> <td>349</td> <td>ETR</td> <td>-</td> <td>WD.</td> <td>J2</td> <td>PTD.</td> <td>-</td> <td>339</td> <td>3\"/> <tr> <td>350</td> <td>ETR</td> <td>-</td> <td>WD.</td> <td>J2</td> <td>PTD.</td> <td>-</td> <td>340</td> <td>3\"/> </td></tr></td></tr></td></tr> | 348 | ETR | -
 | WD. | J2 | PTD. | - | 337 | 3\"/> <tr> <td>349</td> <td>ETR</td> <td>-</td> <td>WD.</td> <td>J2</td> <td>PTD.</td> <td>-</td> <td>339</td> <td>3\"/> <tr> <td>350</td> <td>ETR</td> <td>-</td> <td>WD.</td> <td>J2</td> <td>PTD.</td> <td>-</td> <td>340</td> <td>3\"/> </td></tr></td></tr> | 349 | ETR | - | WD. | J2 | PTD.
 | - | 339 | 3\"/> <tr> <td>350</td> <td>ETR</td> <td>-</td> <td>WD.</td> <td>J2</td> <td>PTD.</td> <td>-</td> <td>340</td> <td>3\"/> </td></tr> | 350 | ETR | - | WD. | J2 | PTD.
 | - | 340 | 3\"/> | | | | | | | | | | | | | | | | | | | | | | | | | | | | | | | | | | | | | | | | | | | | | | | | | | | | | | | | | | | | | | | |
 | | | | | | | | |
 | | | | | | | | | | | |
 | | | | | | | | | | | |
 | | | | | | | | | | | | | | |
 | | | | | | | | | | | | | | |
 | | | | | | | | | | | | | | | | | |
 | | | | | | | | | | | | | | | | | | | | |
 | | | | | | | | | | | | | | | | | | | | | | | | | | |
 | | | | | | | | | | | | | | | | | | | | | | | | | | | | | | | | | | | | | | | | | | | | | | | | | | | | | | | | | | | | | | | | | | |
| 333 | ETR | - | WD. | J2 | PTD. | - | 324 | 3\"/> <tr> <td>334A</td> <td>ETR</td> <td>-</td> <td>WD.</td> <td>J2</td> <td>PTD.</td> <td>-</td> <td>325</td> <td>3\"/> <tr> <td>334B</td> <td>ETR</td> <td>-</td> <td>WD.</td> <td>J2</td> <td>PTD.</td> <td>-</td> <td>327</td> <td>3\"/> <tr> <td>335A</td> <td>ETR</td> <td>-</td> <td>WD.</td> <td>J2</td> <td>PTD.</td> <td>-</td> <td>328</td> <td>3\"/> <tr> <td>335B</td> <td>B</td> <td>3\"/> <tr> <td>336</td> <td>B</td> <td>3\"/> <tr> <td>337</td> <td>ETR</td> <td>-</td> <td>WD.</td> <td>J2</td> <td>PTD.</td> <td>-</td> <td>329A</td> <td>3\"/> <tr> <td>339</td> <td>ETR</td> <td>-</td> <td>WD.</td> <td>J2</td> <td>PTD.</td> <td>-</td> <td>329B</td> <td>3\"/> <tr> <td>340</td> <td>A</td> <td>3\"/> <tr> <td>341A</td> <td>ETR</td> <td>-</td> <td>WD.</td> <td>J2</td> <td>PTD.</td> <td>-</td> <td>331</td> <td>3\"/> <tr> <td>341B</td> <td>ETR</td> <td>-</td> <td>WD.</td> <td>J2</td> <td>PTD.</td> <td>-</td> <td>333</td> <td>3\"/> <tr> <td>342</td> <td>ETR</td> <td>-</td> <td>WD.</td> <td>J2</td> <td>PTD.</td> <td>-</td> <td>334A</td> <td>3\"/> <tr> <td>344</td> <td>ETR</td> <td>-</td> <td>WD.</td> <td>J2</td> <td>PTD.</td> <td>-</td> <td>334B</td> <td>3\"/> <tr> <td>345</td> <td>ETR</td> <td>-</td> <td>WD.</td> <td>J2</td> <td>PTD.</td> <td>-</td> <td>335A</td> <td>3\"/> <tr> <td>346</td> <td>ETR</td> <td>-</td> <td>WD.</td> <td>J2</td> <td>PTD.</td> <td>-</td> <td>335B</td> <td>3\"/> <tr> <td>347</td> <td>ETR</td> <td>-</td> <td>WD.</td> <td>J2</td> <td>PTD.</td> <td>-</td> <td>336</td> <td>3\"/> <tr> <td>348</td> <td>ETR</td> <td>-</td> <td>WD.</td> <td>J2</td> <td>PTD.</td> <td>-</td> <td>337</td> <td>3\"/> <tr> <td>349</td> <td>ETR</td> <td>-</td> <td>WD.</td> <td>J2</td> <td>PTD.</td> <td>-</td> <td>339</td> <td>3\"/> <tr> <td>350</td> <td>ETR</td> <td>-</td> <td>WD.</td> <td>J2</td> <td>PTD.</td> <td>-</td> <td>340</td> <td>3\"/> </td></tr></td></tr></td></tr></td></tr></td></tr></td></tr></td></tr></td></tr></td></tr></td></tr></td></tr></td></tr></td></tr></td></tr></td></tr></td></tr></td></tr></td></tr>
 | 334A | ETR | - | WD. | J2 | PTD.
 | - | 325 | 3\"/> <tr> <td>334B</td> <td>ETR</td> <td>-</td> <td>WD.</td> <td>J2</td> <td>PTD.</td> <td>-</td> <td>327</td> <td>3\"/> <tr> <td>335A</td> <td>ETR</td> <td>-</td> <td>WD.</td> <td>J2</td> <td>PTD.</td> <td>-</td> <td>328</td> <td>3\"/> <tr> <td>335B</td> <td>B</td> <td>3\"/> <tr> <td>336</td> <td>B</td> <td>3\"/> <tr> <td>337</td> <td>ETR</td> <td>-</td> <td>WD.</td> <td>J2</td> <td>PTD.</td> <td>-</td> <td>329A</td> <td>3\"/> <tr> <td>339</td> <td>ETR</td> <td>-</td> <td>WD.</td> <td>J2</td> <td>PTD.</td> <td>-</td> <td>329B</td> <td>3\"/> <tr> <td>340</td> <td>A</td> <td>3\"/> <tr> <td>341A</td> <td>ETR</td> <td>-</td> <td>WD.</td> <td>J2</td> <td>PTD.</td> <td>-</td> <td>331</td> <td>3\"/> <tr> <td>341B</td> <td>ETR</td> <td>-</td> <td>WD.</td> <td>J2</td> <td>PTD.</td> <td>-</td> <td>333</td> <td>3\"/> <tr> <td>342</td> <td>ETR</td> <td>-</td> <td>WD.</td> <td>J2</td> <td>PTD.</td> <td>-</td> <td>334A</td> <td>3\"/> <tr> <td>344</td> <td>ETR</td> <td>-</td> <td>WD.</td> <td>J2</td> <td>PTD.</td> <td>-</td> <td>334B</td> <td>3\"/> <tr> <td>345</td> <td>ETR</td> <td>-</td> <td>WD.</td> <td>J2</td> <td>PTD.</td> <td>-</td> <td>335A</td> <td>3\"/> <tr> <td>346</td> <td>ETR</td> <td>-</td> <td>WD.</td> <td>J2</td> <td>PTD.</td> <td>-</td> <td>335B</td> <td>3\"/> <tr> <td>347</td> <td>ETR</td> <td>-</td> <td>WD.</td> <td>J2</td> <td>PTD.</td> <td>-</td> <td>336</td> <td>3\"/> <tr> <td>348</td> <td>ETR</td> <td>-</td> <td>WD.</td> <td>J2</td> <td>PTD.</td> <td>-</td> <td>337</td> <td>3\"/> <tr> <td>349</td> <td>ETR</td> <td>-</td> <td>WD.</td> <td>J2</td> <td>PTD.</td> <td>-</td> <td>339</td> <td>3\"/> <tr> <td>350</td> <td>ETR</td> <td>-</td> <td>WD.</td> <td>J2</td> <td>PTD.</td> <td>-</td> <td>340</td> <td>3\"/> </td></tr></td></tr></td></tr></td></tr></td></tr></td></tr></td></tr></td></tr></td></tr></td></tr></td></tr></td></tr></td></tr></td></tr></td></tr></td></tr></td></tr> | 334B | ETR | -
 | WD. | J2 | PTD. | - | 327 | 3\"/> <tr> <td>335A</td> <td>ETR</td> <td>-</td> <td>WD.</td> <td>J2</td> <td>PTD.</td> <td>-</td> <td>328</td> <td>3\"/> <tr> <td>335B</td> <td>B</td> <td>3\"/> <tr> <td>336</td> <td>B</td> <td>3\"/> <tr> <td>337</td> <td>ETR</td> <td>-</td> <td>WD.</td> <td>J2</td> <td>PTD.</td> <td>-</td> <td>329A</td> <td>3\"/> <tr> <td>339</td> <td>ETR</td> <td>-</td> <td>WD.</td> <td>J2</td> <td>PTD.</td> <td>-</td> <td>329B</td> <td>3\"/> <tr> <td>340</td> <td>A</td> <td>3\"/> <tr> <td>341A</td> <td>ETR</td> <td>-</td> <td>WD.</td> <td>J2</td> <td>PTD.</td> <td>-</td> <td>331</td> <td>3\"/> <tr> <td>341B</td> <td>ETR</td> <td>-</td> <td>WD.</td> <td>J2</td> <td>PTD.</td> <td>-</td> <td>333</td> <td>3\"/> <tr> <td>342</td> <td>ETR</td> <td>-</td> <td>WD.</td> <td>J2</td> <td>PTD.</td> <td>-</td> <td>334A</td> <td>3\"/> <tr> <td>344</td> <td>ETR</td> <td>-</td> <td>WD.</td> <td>J2</td> <td>PTD.</td> <td>-</td> <td>334B</td> <td>3\"/> <tr> <td>345</td> <td>ETR</td> <td>-</td> <td>WD.</td> <td>J2</td> <td>PTD.</td> <td>-</td> <td>335A</td> <td>3\"/> <tr> <td>346</td> <td>ETR</td> <td>-</td> <td>WD.</td> <td>J2</td> <td>PTD.</td> <td>-</td> <td>335B</td> <td>3\"/> <tr> <td>347</td> <td>ETR</td> <td>-</td> <td>WD.</td> <td>J2</td> <td>PTD.</td> <td>-</td> <td>336</td> <td>3\"/> <tr> <td>348</td> <td>ETR</td> <td>-</td> <td>WD.</td> <td>J2</td> <td>PTD.</td> <td>-</td> <td>337</td> <td>3\"/> <tr> <td>349</td> <td>ETR</td> <td>-</td> <td>WD.</td> <td>J2</td> <td>PTD.</td> <td>-</td> <td>339</td> <td>3\"/> <tr> <td>350</td> <td>ETR</td> <td>-</td> <td>WD.</td> <td>J2</td> <td>PTD.</td> <td>-</td> <td>340</td> <td>3\"/> </td></tr></td></tr></td></tr></td></tr></td></tr></td></tr></td></tr></td></tr></td></tr></td></tr></td></tr></td></tr></td></tr></td></tr></td></tr></td></tr>
 | 335A | ETR | - | WD. | J2 | PTD.
 | - | 328 | 3\"/> <tr> <td>335B</td> <td>B</td> <td>3\"/> <tr> <td>336</td> <td>B</td> <td>3\"/> <tr> <td>337</td> <td>ETR</td> <td>-</td> <td>WD.</td> <td>J2</td> <td>PTD.</td> <td>-</td> <td>329A</td> <td>3\"/> <tr> <td>339</td> <td>ETR</td> <td>-</td> <td>WD.</td> <td>J2</td> <td>PTD.</td> <td>-</td> <td>329B</td> <td>3\"/> <tr> <td>340</td> <td>A</td> <td>3\"/> <tr> <td>341A</td> <td>ETR</td> <td>-</td> <td>WD.</td> <td>J2</td> <td>PTD.</td> <td>-</td> <td>331</td> <td>3\"/> <tr> <td>341B</td> <td>ETR</td> <td>-</td> <td>WD.</td> <td>J2</td> <td>PTD.</td> <td>-</td> <td>333</td> <td>3\"/> <tr> <td>342</td> <td>ETR</td> <td>-</td> <td>WD.</td> <td>J2</td> <td>PTD.</td> <td>-</td> <td>334A</td> <td>3\"/> <tr> <td>344</td> <td>ETR</td> <td>-</td> <td>WD.</td> <td>J2</td> <td>PTD.</td> <td>-</td> <td>334B</td> <td>3\"/> <tr> <td>345</td> <td>ETR</td> <td>-</td> <td>WD.</td> <td>J2</td> <td>PTD.</td> <td>-</td> <td>335A</td> <td>3\"/> <tr> <td>346</td> <td>ETR</td> <td>-</td> <td>WD.</td> <td>J2</td> <td>PTD.</td> <td>-</td> <td>335B</td> <td>3\"/> <tr> <td>347</td> <td>ETR</td> <td>-</td> <td>WD.</td> <td>J2</td> <td>PTD.</td> <td>-</td> <td>336</td> <td>3\"/> <tr> <td>348</td> <td>ETR</td> <td>-</td> <td>WD.</td> <td>J2</td> <td>PTD.</td> <td>-</td> <td>337</td> <td>3\"/> <tr> <td>349</td> <td>ETR</td> <td>-</td> <td>WD.</td> <td>J2</td> <td>PTD.</td> <td>-</td> <td>339</td> <td>3\"/> <tr> <td>350</td> <td>ETR</td> <td>-</td> <td>WD.</td> <td>J2</td> <td>PTD.</td> <td>-</td> <td>340</td> <td>3\"/> </td></tr></td></tr></td></tr></td></tr></td></tr></td></tr></td></tr></td></tr></td></tr></td></tr></td></tr></td></tr></td></tr></td></tr></td></tr> | 335B | B | 3\"/> <tr> <td>336</td> <td>B</td> <td>3\"/> <tr> <td>337</td> <td>ETR</td> <td>-</td> <td>WD.</td> <td>J2</td> <td>PTD.</td> <td>-</td> <td>329A</td> <td>3\"/> <tr> <td>339</td> <td>ETR</td> <td>-</td> <td>WD.</td> <td>J2</td> <td>PTD.</td> <td>-</td> <td>329B</td> <td>3\"/> <tr> <td>340</td> <td>A</td> <td>3\"/> <tr> <td>341A</td> <td>ETR</td> <td>-</td> <td>WD.</td> <td>J2</td> <td>PTD.</td> <td>-</td> <td>331</td> <td>3\"/> <tr> <td>341B</td> <td>ETR</td> <td>-</td> <td>WD.</td> <td>J2</td> <td>PTD.</td> <td>-</td> <td>333</td> <td>3\"/> <tr> <td>342</td> <td>ETR</td> <td>-</td> <td>WD.</td> <td>J2</td> <td>PTD.</td> <td>-</td> <td>334A</td> <td>3\"/> <tr> <td>344</td> <td>ETR</td> <td>-</td> <td>WD.</td> <td>J2</td> <td>PTD.</td> <td>-</td> <td>334B</td> <td>3\"/> <tr> <td>345</td> <td>ETR</td> <td>-</td> <td>WD.</td> <td>J2</td> <td>PTD.</td> <td>-</td> <td>335A</td> <td>3\"/> <tr> <td>346</td> <td>ETR</td> <td>-</td> <td>WD.</td> <td>J2</td> <td>PTD.</td> <td>-</td> <td>335B</td> <td>3\"/> <tr> <td>347</td> <td>ETR</td> <td>-</td> <td>WD.</td> <td>J2</td> <td>PTD.</td> <td>-</td> <td>336</td> <td>3\"/> <tr> <td>348</td> <td>ETR</td> <td>-</td> <td>WD.</td> <td>J2</td> <td>PTD.</td> <td>-</td> <td>337</td> <td>3\"/> <tr> <td>349</td> <td>ETR</td> <td>-</td> <td>WD.</td> <td>J2</td> <td>PTD.</td> <td>-</td> <td>339</td> <td>3\"/> <tr> <td>350</td> <td>ETR</td> <td>-</td> <td>WD.</td> <td>J2</td> <td>PTD.</td> <td>-</td> <td>340</td> <td>3\"/> </td></tr></td></tr></td></tr></td></tr></td></tr></td></tr></td></tr></td></tr></td></tr></td></tr></td></tr></td></tr></td></tr></td></tr>
 | 336 | B | 3\"/> <tr> <td>337</td> <td>ETR</td> <td>-</td> <td>WD.</td> <td>J2</td> <td>PTD.</td> <td>-</td> <td>329A</td> <td>3\"/> <tr> <td>339</td> <td>ETR</td> <td>-</td> <td>WD.</td> <td>J2</td> <td>PTD.</td> <td>-</td> <td>329B</td> <td>3\"/> <tr> <td>340</td> <td>A</td> <td>3\"/> <tr> <td>341A</td> <td>ETR</td> <td>-</td> <td>WD.</td> <td>J2</td> <td>PTD.</td> <td>-</td> <td>331</td> <td>3\"/> <tr> <td>341B</td> <td>ETR</td> <td>-</td> <td>WD.</td> <td>J2</td> <td>PTD.</td> <td>-</td> <td>333</td> <td>3\"/> <tr> <td>342</td> <td>ETR</td> <td>-</td> <td>WD.</td> <td>J2</td> <td>PTD.</td> <td>-</td> <td>334A</td> <td>3\"/> <tr> <td>344</td> <td>ETR</td> <td>-</td> <td>WD.</td> <td>J2</td> <td>PTD.</td> <td>-</td> <td>334B</td> <td>3\"/> <tr> <td>345</td> <td>ETR</td> <td>-</td> <td>WD.</td> <td>J2</td> <td>PTD.</td> <td>-</td> <td>335A</td> <td>3\"/> <tr> <td>346</td> <td>ETR</td> <td>-</td> <td>WD.</td> <td>J2</td> <td>PTD.</td> <td>-</td> <td>335B</td> <td>3\"/> <tr> <td>347</td> <td>ETR</td> <td>-</td> <td>WD.</td> <td>J2</td> <td>PTD.</td> <td>-</td> <td>336</td> <td>3\"/> <tr> <td>348</td> <td>ETR</td> <td>-</td> <td>WD.</td> <td>J2</td> <td>PTD.</td> <td>-</td> <td>337</td> <td>3\"/> <tr> <td>349</td> <td>ETR</td> <td>-</td> <td>WD.</td> <td>J2</td> <td>PTD.</td> <td>-</td> <td>339</td> <td>3\"/> <tr> <td>350</td> <td>ETR</td> <td>-</td> <td>WD.</td> <td>J2</td> <td>PTD.</td> <td>-</td> <td>340</td> <td>3\"/> </td></tr></td></tr></td></tr></td></tr></td></tr></td></tr></td></tr></td></tr></td></tr></td></tr></td></tr></td></tr></td></tr> | 337 | ETR | -
 | WD. | J2 | PTD. | - | 329A | 3\"/> <tr> <td>339</td> <td>ETR</td> <td>-</td> <td>WD.</td> <td>J2</td> <td>PTD.</td> <td>-</td> <td>329B</td> <td>3\"/> <tr> <td>340</td> <td>A</td> <td>3\"/> <tr> <td>341A</td> <td>ETR</td> <td>-</td> <td>WD.</td> <td>J2</td> <td>PTD.</td> <td>-</td> <td>331</td> <td>3\"/> <tr> <td>341B</td> <td>ETR</td> <td>-</td> <td>WD.</td> <td>J2</td> <td>PTD.</td> <td>-</td> <td>333</td> <td>3\"/> <tr> <td>342</td> <td>ETR</td> <td>-</td> <td>WD.</td> <td>J2</td> <td>PTD.</td> <td>-</td> <td>334A</td> <td>3\"/> <tr> <td>344</td> <td>ETR</td> <td>-</td> <td>WD.</td> <td>J2</td> <td>PTD.</td> <td>-</td> <td>334B</td> <td>3\"/> <tr> <td>345</td> <td>ETR</td> <td>-</td> <td>WD.</td> <td>J2</td> <td>PTD.</td> <td>-</td> <td>335A</td> <td>3\"/> <tr> <td>346</td> <td>ETR</td> <td>-</td> <td>WD.</td> <td>J2</td> <td>PTD.</td> <td>-</td> <td>335B</td> <td>3\"/> <tr> <td>347</td> <td>ETR</td> <td>-</td> <td>WD.</td> <td>J2</td> <td>PTD.</td> <td>-</td> <td>336</td> <td>3\"/> <tr> <td>348</td> <td>ETR</td> <td>-</td> <td>WD.</td> <td>J2</td> <td>PTD.</td> <td>-</td> <td>337</td> <td>3\"/> <tr> <td>349</td> <td>ETR</td> <td>-</td> <td>WD.</td> <td>J2</td> <td>PTD.</td> <td>-</td> <td>339</td> <td>3\"/> <tr> <td>350</td> <td>ETR</td> <td>-</td> <td>WD.</td> <td>J2</td> <td>PTD.</td> <td>-</td> <td>340</td> <td>3\"/> </td></tr></td></tr></td></tr></td></tr></td></tr></td></tr></td></tr></td></tr></td></tr></td></tr></td></tr></td></tr> | 339 | ETR | -
 | WD. | J2 | PTD. | - | 329B | 3\"/> <tr> <td>340</td> <td>A</td> <td>3\"/> <tr> <td>341A</td> <td>ETR</td> <td>-</td> <td>WD.</td> <td>J2</td> <td>PTD.</td> <td>-</td> <td>331</td> <td>3\"/> <tr> <td>341B</td> <td>ETR</td> <td>-</td> <td>WD.</td> <td>J2</td> <td>PTD.</td> <td>-</td> <td>333</td> <td>3\"/> <tr> <td>342</td> <td>ETR</td> <td>-</td> <td>WD.</td> <td>J2</td> <td>PTD.</td> <td>-</td> <td>334A</td> <td>3\"/> <tr> <td>344</td> <td>ETR</td> <td>-</td> <td>WD.</td> <td>J2</td> <td>PTD.</td> <td>-</td> <td>334B</td> <td>3\"/> <tr> <td>345</td> <td>ETR</td> <td>-</td> <td>WD.</td> <td>J2</td> <td>PTD.</td> <td>-</td> <td>335A</td> <td>3\"/> <tr> <td>346</td> <td>ETR</td> <td>-</td> <td>WD.</td> <td>J2</td> <td>PTD.</td> <td>-</td> <td>335B</td> <td>3\"/> <tr> <td>347</td> <td>ETR</td> <td>-</td> <td>WD.</td> <td>J2</td> <td>PTD.</td> <td>-</td> <td>336</td> <td>3\"/> <tr> <td>348</td> <td>ETR</td> <td>-</td> <td>WD.</td> <td>J2</td> <td>PTD.</td> <td>-</td> <td>337</td> <td>3\"/> <tr> <td>349</td> <td>ETR</td> <td>-</td> <td>WD.</td> <td>J2</td> <td>PTD.</td> <td>-</td> <td>339</td> <td>3\"/> <tr> <td>350</td> <td>ETR</td> <td>-</td> <td>WD.</td> <td>J2</td> <td>PTD.</td> <td>-</td> <td>340</td> <td>3\"/> </td></tr></td></tr></td></tr></td></tr></td></tr></td></tr></td></tr></td></tr></td></tr></td></tr></td></tr>
 | 340 | A | 3\"/> <tr> <td>341A</td> <td>ETR</td> <td>-</td> <td>WD.</td> <td>J2</td> <td>PTD.</td> <td>-</td> <td>331</td> <td>3\"/> <tr> <td>341B</td> <td>ETR</td> <td>-</td> <td>WD.</td> <td>J2</td> <td>PTD.</td> <td>-</td> <td>333</td> <td>3\"/> <tr> <td>342</td> <td>ETR</td> <td>-</td> <td>WD.</td> <td>J2</td> <td>PTD.</td> <td>-</td> <td>334A</td> <td>3\"/> <tr> <td>344</td> <td>ETR</td> <td>-</td> <td>WD.</td> <td>J2</td> <td>PTD.</td> <td>-</td> <td>334B</td> <td>3\"/> <tr> <td>345</td> <td>ETR</td> <td>-</td> <td>WD.</td> <td>J2</td> <td>PTD.</td> <td>-</td> <td>335A</td> <td>3\"/> <tr> <td>346</td> <td>ETR</td> <td>-</td> <td>WD.</td> <td>J2</td> <td>PTD.</td> <td>-</td> <td>335B</td> <td>3\"/> <tr> <td>347</td> <td>ETR</td> <td>-</td> <td>WD.</td> <td>J2</td> <td>PTD.</td> <td>-</td> <td>336</td> <td>3\"/> <tr> <td>348</td> <td>ETR</td> <td>-</td> <td>WD.</td> <td>J2</td> <td>PTD.</td> <td>-</td> <td>337</td> <td>3\"/> <tr> <td>349</td> <td>ETR</td> <td>-</td> <td>WD.</td> <td>J2</td> <td>PTD.</td> <td>-</td> <td>339</td> <td>3\"/> <tr> <td>350</td> <td>ETR</td> <td>-</td> <td>WD.</td> <td>J2</td> <td>PTD.</td> <td>-</td> <td>340</td> <td>3\"/> </td></tr></td></tr></td></tr></td></tr></td></tr></td></tr></td></tr></td></tr></td></tr></td></tr> | 341A | ETR | -
 | WD. | J2 | PTD. | - | 331 | 3\"/> <tr> <td>341B</td> <td>ETR</td> <td>-</td> <td>WD.</td> <td>J2</td> <td>PTD.</td> <td>-</td> <td>333</td> <td>3\"/> <tr> <td>342</td> <td>ETR</td> <td>-</td> <td>WD.</td> <td>J2</td> <td>PTD.</td> <td>-</td> <td>334A</td> <td>3\"/> <tr> <td>344</td> <td>ETR</td> <td>-</td> <td>WD.</td> <td>J2</td> <td>PTD.</td> <td>-</td> <td>334B</td> <td>3\"/> <tr> <td>345</td> <td>ETR</td> <td>-</td> <td>WD.</td> <td>J2</td> <td>PTD.</td> <td>-</td> <td>335A</td> <td>3\"/> <tr> <td>346</td> <td>ETR</td> <td>-</td> <td>WD.</td> <td>J2</td> <td>PTD.</td> <td>-</td> <td>335B</td> <td>3\"/> <tr> <td>347</td> <td>ETR</td> <td>-</td> <td>WD.</td> <td>J2</td> <td>PTD.</td> <td>-</td> <td>336</td> <td>3\"/> <tr> <td>348</td> <td>ETR</td> <td>-</td> <td>WD.</td> <td>J2</td> <td>PTD.</td> <td>-</td> <td>337</td> <td>3\"/> <tr> <td>349</td> <td>ETR</td> <td>-</td> <td>WD.</td> <td>J2</td> <td>PTD.</td> <td>-</td> <td>339</td> <td>3\"/> <tr> <td>350</td> <td>ETR</td> <td>-</td> <td>WD.</td> <td>J2</td> <td>PTD.</td> <td>-</td> <td>340</td> <td>3\"/> </td></tr></td></tr></td></tr></td></tr></td></tr></td></tr></td></tr></td></tr></td></tr> | 341B | ETR | -
 | WD. | J2 | PTD. | - | 333 | 3\"/> <tr> <td>342</td> <td>ETR</td> <td>-</td> <td>WD.</td> <td>J2</td> <td>PTD.</td> <td>-</td> <td>334A</td> <td>3\"/> <tr> <td>344</td> <td>ETR</td> <td>-</td> <td>WD.</td> <td>J2</td> <td>PTD.</td> <td>-</td> <td>334B</td> <td>3\"/> <tr> <td>345</td> <td>ETR</td> <td>-</td> <td>WD.</td> <td>J2</td> <td>PTD.</td> <td>-</td> <td>335A</td> <td>3\"/> <tr> <td>346</td> <td>ETR</td> <td>-</td> <td>WD.</td> <td>J2</td> <td>PTD.</td> <td>-</td> <td>335B</td> <td>3\"/> <tr> <td>347</td> <td>ETR</td> <td>-</td> <td>WD.</td> <td>J2</td> <td>PTD.</td> <td>-</td> <td>336</td> <td>3\"/> <tr> <td>348</td> <td>ETR</td> <td>-</td> <td>WD.</td> <td>J2</td> <td>PTD.</td> <td>-</td> <td>337</td> <td>3\"/> <tr> <td>349</td> <td>ETR</td> <td>-</td> <td>WD.</td> <td>J2</td> <td>PTD.</td> <td>-</td> <td>339</td> <td>3\"/> <tr> <td>350</td> <td>ETR</td> <td>-</td> <td>WD.</td> <td>J2</td> <td>PTD.</td> <td>-</td> <td>340</td> <td>3\"/> </td></tr></td></tr></td></tr></td></tr></td></tr></td></tr></td></tr></td></tr>
 | 342 | ETR | - | WD. | J2 | PTD. | - | 334A | 3\"/> <tr> <td>344</td> <td>ETR</td> <td>-</td> <td>WD.</td> <td>J2</td> <td>PTD.</td> <td>-</td> <td>334B</td> <td>3\"/> <tr> <td>345</td> <td>ETR</td> <td>-</td> <td>WD.</td> <td>J2</td> <td>PTD.</td> <td>-</td> <td>335A</td> <td>3\"/> <tr> <td>346</td> <td>ETR</td> <td>-</td> <td>WD.</td> <td>J2</td> <td>PTD.</td> <td>-</td> <td>335B</td> <td>3\"/> <tr> <td>347</td> <td>ETR</td> <td>-</td> <td>WD.</td> <td>J2</td> <td>PTD.</td> <td>-</td> <td>336</td> <td>3\"/> <tr> <td>348</td> <td>ETR</td> <td>-</td> <td>WD.</td> <td>J2</td> <td>PTD.</td> <td>-</td> <td>337</td> <td>3\"/> <tr> <td>349</td> <td>ETR</td> <td>-</td>
<td>WD.</td> <td>J2</td> <td>PTD.</td> <td>-</td> <td>339</td> <td>3\"/> <tr> <td>350</td> <td>ETR</td> <td>-</td> <td>WD.</td> <td>J2</td> <td>PTD.</td> <td>-</td> <td>340</td> <td>3\"/> </td></tr></td></tr></td></tr></td></tr></td></tr></td></tr></td></tr> | 344 | ETR | - | WD. | J2 | PTD.
 | - | 334B | 3\"/> <tr> <td>345</td> <td>ETR</td> <td>-</td> <td>WD.</td> <td>J2</td> <td>PTD.</td> <td>-</td> <td>335A</td> <td>3\"/> <tr> <td>346</td> <td>ETR</td> <td>-</td> <td>WD.</td> <td>J2</td> <td>PTD.</td> <td>-</td> <td>335B</td> <td>3\"/> <tr> <td>347</td> <td>ETR</td> <td>-</td> <td>WD.</td> <td>J2</td> <td>PTD.</td> <td>-</td> <td>336</td> <td>3\"/> <tr> <td>348</td> <td>ETR</td> <td>-</td> <td>WD.</td> <td>J2</td> <td>PTD.</td> <td>-</td> <td>337</td> <td>3\"/> <tr> <td>349</td> <td>ETR</td> <td>-</td> <td>WD.</td> <td>J2</td> <td>PTD.</td> <td>-</td> <td>339</td> <td>3\"/> <tr> <td>350</td> <td>ETR</td> <td>-</td> <td>WD.</td> <td>J2</td> <td>PTD.</td> <td>-</td> <td>340</td> <td>3\"/> </td></tr></td></tr></td></tr></td></tr></td></tr></td></tr> | 345 | ETR | - | WD. | J2 | PTD.
 | - | 335A | 3\"/> <tr> <td>346</td> <td>ETR</td> <td>-</td> <td>WD.</td> <td>J2</td> <td>PTD.</td> <td>-</td> <td>335B</td> <td>3\"/> <tr> <td>347</td> <td>ETR</td> <td>-</td> <td>WD.</td> <td>J2</td> <td>PTD.</td> <td>-</td> <td>336</td> <td>3\"/> <tr> <td>348</td> <td>ETR</td> <td>-</td> <td>WD.</td> <td>J2</td> <td>PTD.</td> <td>-</td> <td>337</td> <td>3\"/> <tr> <td>349</td> <td>ETR</td> <td>-</td> <td>WD.</td> <td>J2</td> <td>PTD.</td> <td>-</td> <td>339</td> <td>3\"/> <tr> <td>350</td> <td>ETR</td> <td>-</td> <td>WD.</td> <td>J2</td> <td>PTD.</td> <td>-</td> <td>340</td> <td>3\"/> </td></tr></td></tr></td></tr></td></tr></td></tr> | 346 | ETR | - | WD. | J2 | PTD.
 | - | 335B | 3\"/> <tr> <td>347</td> <td>ETR</td> <td>-</td> <td>WD.</td> <td>J2</td> <td>PTD.</td> <td>-</td> <td>336</td> <td>3\"/> <tr> <td>348</td> <td>ETR</td> <td>-</td> <td>WD.</td> <td>J2</td> <td>PTD.</td> <td>-</td> <td>337</td> <td>3\"/> <tr> <td>349</td> <td>ETR</td> <td>-</td> <td>WD.</td> <td>J2</td> <td>PTD.</td> <td>-</td> <td>339</td> <td>3\"/> <tr> <td>350</td> <td>ETR</td> <td>-</td> <td>WD.</td> <td>J2</td> <td>PTD.</td> <td>-</td> <td>340</td> <td>3\"/> </td></tr></td></tr></td></tr></td></tr> | 347 | ETR | - | WD. | J2 | PTD.
 | - | 336 | 3\"/> <tr> <td>348</td> <td>ETR</td> <td>-</td> <td>WD.</td> <td>J2</td> <td>PTD.</td> <td>-</td> <td>337</td> <td>3\"/> <tr> <td>349</td> <td>ETR</td> <td>-</td> <td>WD.</td> <td>J2</td> <td>PTD.</td> <td>-</td> <td>339</td> <td>3\"/> <tr> <td>350</td> <td>ETR</td> <td>-</td> <td>WD.</td> <td>J2</td> <td>PTD.</td> <td>-</td> <td>340</td> <td>3\"/> </td></tr></td></tr></td></tr> | 348 | ETR | -
 | WD. | J2 | PTD. | - | 337 | 3\"/> <tr> <td>349</td> <td>ETR</td> <td>-</td> <td>WD.</td> <td>J2</td> <td>PTD.</td> <td>-</td> <td>339</td> <td>3\"/> <tr> <td>350</td> <td>ETR</td> <td>-</td> <td>WD.</td> <td>J2</td> <td>PTD.</td> <td>-</td> <td>340</td> <td>3\"/> </td></tr></td></tr> | 349 | ETR | -
 | WD. | J2 | PTD. | - | 339 | 3\"/> <tr> <td>350</td> <td>ETR</td> <td>-</td> <td>WD.</td> <td>J2</td> <td>PTD.</td> <td>-</td> <td>340</td> <td>3\"/> </td></tr> | 350 | ETR | - | WD. | J2 | PTD.
 | - | 340 | 3\"/> | | | | | | | | | | | | | | | | | | | | | | | | | | | | | | | | | | | | | | | | | | | | | | | | | | | | | | | | | | | | | | | |
 | | | | | | | | | | | |
 | | | | | | | | |
 | | | | | | | | | | | |
 | | | | | | | | | | | |
 | | | | | | | | | | | | | | |
 | | | | | | | | | | | | | | |
 | | | | | | | | | | | | | | | | | |
 | | | | | | | | | | | | | | | | | | | | |
 | | | | | | | | | | | | | | | | | | | | | | | | | | |
 | | | | | | | | | | | | | | | | | | | | | | | | | | | | | | | | | | | | | | | | | | | | | | | | | | | | | | | | | | | | | | | | | | |
| 334A | ETR | - | WD. | J2 | PTD. | - | 325 | 3\"/> <tr> <td>334B</td> <td>ETR</td> <td>-</td> <td>WD.</td> <td>J2</td> <td>PTD.</td> <td>-</td> <td>327</td> <td>3\"/> <tr> <td>335A</td> <td>ETR</td> <td>-</td> <td>WD.</td> <td>J2</td> <td>PTD.</td> <td>-</td> <td>328</td> <td>3\"/> <tr> <td>335B</td> <td>B</td> <td>3\"/> <tr> <td>336</td> <td>B</td> <td>3\"/> <tr> <td>337</td> <td>ETR</td> <td>-</td> <td>WD.</td> <td>J2</td> <td>PTD.</td> <td>-</td> <td>329A</td> <td>3\"/> <tr> <td>339</td> <td>ETR</td> <td>-</td> <td>WD.</td> <td>J2</td> <td>PTD.</td> <td>-</td> <td>329B</td> <td>3\"/> <tr> <td>340</td> <td>A</td> <td>3\"/> <tr> <td>341A</td> <td>ETR</td> <td>-</td> <td>WD.</td> <td>J2</td> <td>PTD.</td> <td>-</td> <td>331</td> <td>3\"/> <tr> <td>341B</td> <td>ETR</td> <td>-</td> <td>WD.</td> <td>J2</td> <td>PTD.</td> <td>-</td> <td>333</td> <td>3\"/> <tr> <td>342</td> <td>ETR</td> <td>-</td> <td>WD.</td> <td>J2</td> <td>PTD.</td> <td>-</td> <td>334A</td> <td>3\"/> <tr> <td>344</td> <td>ETR</td> <td>-</td> <td>WD.</td> <td>J2</td> <td>PTD.</td> <td>-</td> <td>334B</td> <td>3\"/> <tr> <td>345</td> <td>ETR</td> <td>-</td> <td>WD.</td> <td>J2</td> <td>PTD.</td> <td>-</td> <td>335A</td> <td>3\"/> <tr> <td>346</td> <td>ETR</td> <td>-</td> <td>WD.</td> <td>J2</td> <td>PTD.</td> <td>-</td> <td>335B</td> <td>3\"/> <tr> <td>347</td> <td>ETR</td> <td>-</td> <td>WD.</td> <td>J2</td> <td>PTD.</td> <td>-</td> <td>336</td> <td>3\"/> <tr> <td>348</td> <td>ETR</td> <td>-</td> <td>WD.</td> <td>J2</td> <td>PTD.</td> <td>-</td> <td>337</td> <td>3\"/> <tr> <td>349</td> <td>ETR</td> <td>-</td> <td>WD.</td> <td>J2</td> <td>PTD.</td> <td>-</td> <td>339</td> <td>3\"/> <tr> <td>350</td> <td>ETR</td> <td>-</td> <td>WD.</td> <td>J2</td> <td>PTD.</td> <td>-</td> <td>340</td> <td>3\"/> </td></tr></td></tr></td></tr></td></tr></td></tr></td></tr></td></tr></td></tr></td></tr></td></tr></td></tr></td></tr></td></tr></td></tr></td></tr></td></tr></td></tr>
 | 334B | ETR | - | WD. | J2 | PTD.
 | - | 327 | 3\"/> <tr> <td>335A</td> <td>ETR</td> <td>-</td> <td>WD.</td> <td>J2</td> <td>PTD.</td> <td>-</td> <td>328</td> <td>3\"/> <tr> <td>335B</td> <td>B</td> <td>3\"/> <tr> <td>336</td> <td>B</td> <td>3\"/> <tr> <td>337</td> <td>ETR</td> <td>-</td> <td>WD.</td> <td>J2</td> <td>PTD.</td> <td>-</td> <td>329A</td> <td>3\"/> <tr> <td>339</td> <td>ETR</td> <td>-</td> <td>WD.</td> <td>J2</td> <td>PTD.</td> <td>-</td> <td>329B</td> <td>3\"/> <tr> <td>340</td> <td>A</td> <td>3\"/> <tr> <td>341A</td> <td>ETR</td> <td>-</td> <td>WD.</td> <td>J2</td> <td>PTD.</td> <td>-</td> <td>331</td> <td>3\"/> <tr> <td>341B</td> <td>ETR</td> <td>-</td> <td>WD.</td> <td>J2</td> <td>PTD.</td> <td>-</td> <td>333</td> <td>3\"/> <tr> <td>342</td> <td>ETR</td> <td>-</td> <td>WD.</td> <td>J2</td> <td>PTD.</td> <td>-</td> <td>334A</td> <td>3\"/> <tr> <td>344</td> <td>ETR</td> <td>-</td> <td>WD.</td> <td>J2</td> <td>PTD.</td> <td>-</td> <td>334B</td> <td>3\"/> <tr> <td>345</td> <td>ETR</td> <td>-</td> <td>WD.</td> <td>J2</td> <td>PTD.</td> <td>-</td> <td>335A</td> <td>3\"/> <tr> <td>346</td> <td>ETR</td> <td>-</td> <td>WD.</td> <td>J2</td> <td>PTD.</td> <td>-</td> <td>335B</td> <td>3\"/> <tr> <td>347</td> <td>ETR</td> <td>-</td> <td>WD.</td> <td>J2</td> <td>PTD.</td> <td>-</td> <td>336</td> <td>3\"/> <tr> <td>348</td> <td>ETR</td> <td>-</td> <td>WD.</td> <td>J2</td> <td>PTD.</td> <td>-</td> <td>337</td> <td>3\"/> <tr> <td>349</td> <td>ETR</td> <td>-</td> <td>WD.</td> <td>J2</td> <td>PTD.</td> <td>-</td> <td>339</td> <td>3\"/> <tr> <td>350</td> <td>ETR</td> <td>-</td> <td>WD.</td> <td>J2</td> <td>PTD.</td> <td>-</td> <td>340</td> <td>3\"/> </td></tr></td></tr></td></tr></td></tr></td></tr></td></tr></td></tr></td></tr></td></tr></td></tr></td></tr></td></tr></td></tr></td></tr></td></tr></td></tr> | 335A | ETR | -
 | WD. | J2 | PTD. | - | 328 | 3\"/> <tr> <td>335B</td> <td>B</td> <td>3\"/> <tr> <td>336</td> <td>B</td> <td>3\"/> <tr> <td>337</td> <td>ETR</td> <td>-</td> <td>WD.</td> <td>J2</td> <td>PTD.</td> <td>-</td> <td>329A</td> <td>3\"/> <tr> <td>339</td> <td>ETR</td> <td>-</td> <td>WD.</td> <td>J2</td> <td>PTD.</td> <td>-</td> <td>329B</td> <td>3\"/> <tr> <td>340</td> <td>A</td> <td>3\"/> <tr> <td>341A</td> <td>ETR</td> <td>-</td> <td>WD.</td> <td>J2</td> <td>PTD.</td> <td>-</td> <td>331</td> <td>3\"/> <tr> <td>341B</td> <td>ETR</td> <td>-</td> <td>WD.</td> <td>J2</td> <td>PTD.</td> <td>-</td> <td>333</td> <td>3\"/> <tr> <td>342</td> <td>ETR</td> <td>-</td> <td>WD.</td> <td>J2</td> <td>PTD.</td> <td>-</td> <td>334A</td> <td>3\"/> <tr> <td>344</td> <td>ETR</td> <td>-</td> <td>WD.</td> <td>J2</td> <td>PTD.</td> <td>-</td> <td>334B</td> <td>3\"/> <tr> <td>345</td> <td>ETR</td> <td>-</td> <td>WD.</td> <td>J2</td> <td>PTD.</td> <td>-</td> <td>335A</td> <td>3\"/> <tr> <td>346</td> <td>ETR</td> <td>-</td> <td>WD.</td> <td>J2</td> <td>PTD.</td> <td>-</td> <td>335B</td> <td>3\"/> <tr> <td>347</td> <td>ETR</td> <td>-</td> <td>WD.</td> <td>J2</td> <td>PTD.</td> <td>-</td> <td>336</td> <td>3\"/> <tr> <td>348</td> <td>ETR</td> <td>-</td> <td>WD.</td> <td>J2</td> <td>PTD.</td> <td>-</td> <td>337</td> <td>3\"/> <tr> <td>349</td> <td>ETR</td> <td>-</td> <td>WD.</td> <td>J2</td> <td>PTD.</td> <td>-</td> <td>339</td> <td>3\"/> <tr> <td>350</td> <td>ETR</td> <td>-</td> <td>WD.</td> <td>J2</td> <td>PTD.</td> <td>-</td> <td>340</td> <td>3\"/> </td></tr></td></tr></td></tr></td></tr></td></tr></td></tr></td></tr></td></tr></td></tr></td></tr></td></tr></td></tr></td></tr></td></tr></td></tr>
 | 335B | B | 3\"/> <tr> <td>336</td> <td>B</td> <td>3\"/> <tr> <td>337</td> <td>ETR</td> <td>-</td> <td>WD.</td> <td>J2</td> <td>PTD.</td> <td>-</td> <td>329A</td> <td>3\"/> <tr> <td>339</td> <td>ETR</td> <td>-</td> <td>WD.</td> <td>J2</td> <td>PTD.</td> <td>-</td> <td>329B</td> <td>3\"/> <tr> <td>340</td> <td>A</td> <td>3\"/> <tr> <td>341A</td> <td>ETR</td> <td>-</td> <td>WD.</td> <td>J2</td> <td>PTD.</td> <td>-</td> <td>331</td> <td>3\"/> <tr> <td>341B</td> <td>ETR</td> <td>-</td> <td>WD.</td> <td>J2</td> <td>PTD.</td> <td>-</td> <td>333</td> <td>3\"/> <tr> <td>342</td> <td>ETR</td> <td>-</td> <td>WD.</td> <td>J2</td> <td>PTD.</td> <td>-</td> <td>334A</td> <td>3\"/> <tr> <td>344</td> <td>ETR</td> <td>-</td> <td>WD.</td> <td>J2</td> <td>PTD.</td> <td>-</td> <td>334B</td> <td>3\"/> <tr> <td>345</td> <td>ETR</td> <td>-</td> <td>WD.</td> <td>J2</td> <td>PTD.</td> <td>-</td> <td>335A</td> <td>3\"/> <tr> <td>346</td> <td>ETR</td> <td>-</td> <td>WD.</td> <td>J2</td> <td>PTD.</td> <td>-</td> <td>335B</td> <td>3\"/> <tr> <td>347</td> <td>ETR</td> <td>-</td> <td>WD.</td> <td>J2</td> <td>PTD.</td> <td>-</td> <td>336</td> <td>3\"/> <tr> <td>348</td> <td>ETR</td> <td>-</td> <td>WD.</td> <td>J2</td> <td>PTD.</td> <td>-</td> <td>337</td> <td>3\"/> <tr> <td>349</td> <td>ETR</td> <td>-</td> <td>WD.</td> <td>J2</td> <td>PTD.</td> <td>-</td> <td>339</td> <td>3\"/> <tr> <td>350</td> <td>ETR</td> <td>-</td> <td>WD.</td> <td>J2</td> <td>PTD.</td> <td>-</td> <td>340</td> <td>3\"/> </td></tr></td></tr></td></tr></td></tr></td></tr></td></tr></td></tr></td></tr></td></tr></td></tr></td></tr></td></tr></td></tr></td></tr> | 336 | B | 3\"/> <tr> <td>337</td> <td>ETR</td> <td>-</td> <td>WD.</td> <td>J2</td> <td>PTD.</td> <td>-</td> <td>329A</td> <td>3\"/> <tr> <td>339</td> <td>ETR</td> <td>-</td> <td>WD.</td> <td>J2</td> <td>PTD.</td> <td>-</td> <td>329B</td> <td>3\"/> <tr> <td>340</td> <td>A</td> <td>3\"/> <tr> <td>341A</td> <td>ETR</td> <td>-</td> <td>WD.</td> <td>J2</td> <td>PTD.</td> <td>-</td> <td>331</td> <td>3\"/> <tr> <td>341B</td> <td>ETR</td> <td>-</td> <td>WD.</td> <td>J2</td> <td>PTD.</td> <td>-</td> <td>333</td> <td>3\"/> <tr> <td>342</td> <td>ETR</td> <td>-</td> <td>WD.</td> <td>J2</td> <td>PTD.</td> <td>-</td> <td>334A</td> <td>3\"/> <tr> <td>344</td> <td>ETR</td> <td>-</td> <td>WD.</td> <td>J2</td> <td>PTD.</td> <td>-</td> <td>334B</td> <td>3\"/> <tr> <td>345</td> <td>ETR</td> <td>-</td> <td>WD.</td> <td>J2</td> <td>PTD.</td> <td>-</td> <td>335A</td> <td>3\"/> <tr> <td>346</td> <td>ETR</td> <td>-</td> <td>WD.</td> <td>J2</td> <td>PTD.</td> <td>-</td> <td>335B</td> <td>3\"/> <tr> <td>347</td> <td>ETR</td> <td>-</td> <td>WD.</td> <td>J2</td> <td>PTD.</td> <td>-</td> <td>336</td> <td>3\"/> <tr> <td>348</td> <td>ETR</td> <td>-</td> <td>WD.</td> <td>J2</td> <td>PTD.</td> <td>-</td> <td>337</td> <td>3\"/> <tr> <td>349</td> <td>ETR</td> <td>-</td> <td>WD.</td> <td>J2</td> <td>PTD.</td> <td>-</td> <td>339</td> <td>3\"/> <tr> <td>350</td> <td>ETR</td> <td>-</td> <td>WD.</td> <td>J2</td> <td>PTD.</td> <td>-</td> <td>340</td> <td>3\"/> </td></tr></td></tr></td></tr></td></tr></td></tr></td></tr></td></tr></td></tr></td></tr></td></tr></td></tr></td></tr></td></tr>
 | 337 | ETR | - | WD. | J2 | PTD.
 | - | 329A | 3\"/> <tr> <td>339</td> <td>ETR</td> <td>-</td> <td>WD.</td> <td>J2</td> <td>PTD.</td> <td>-</td> <td>329B</td> <td>3\"/> <tr> <td>340</td> <td>A</td> <td>3\"/> <tr> <td>341A</td> <td>ETR</td> <td>-</td> <td>WD.</td> <td>J2</td> <td>PTD.</td> <td>-</td> <td>331</td> <td>3\"/> <tr> <td>341B</td> <td>ETR</td> <td>-</td> <td>WD.</td> <td>J2</td> <td>PTD.</td> <td>-</td> <td>333</td> <td>3\"/> <tr> <td>342</td> <td>ETR</td> <td>-</td> <td>WD.</td> <td>J2</td> <td>PTD.</td> <td>-</td> <td>334A</td> <td>3\"/> <tr> <td>344</td> <td>ETR</td> <td>-</td> <td>WD.</td> <td>J2</td> <td>PTD.</td> <td>-</td> <td>334B</td> <td>3\"/> <tr> <td>345</td> <td>ETR</td> <td>-</td> <td>WD.</td> <td>J2</td> <td>PTD.</td> <td>-</td> <td>335A</td> <td>3\"/> <tr> <td>346</td> <td>ETR</td> <td>-</td> <td>WD.</td> <td>J2</td> <td>PTD.</td> <td>-</td> <td>335B</td> <td>3\"/> <tr> <td>347</td> <td>ETR</td> <td>-</td> <td>WD.</td> <td>J2</td> <td>PTD.</td> <td>-</td> <td>336</td> <td>3\"/> <tr> <td>348</td> <td>ETR</td> <td>-</td> <td>WD.</td> <td>J2</td> <td>PTD.</td> <td>-</td> <td>337</td> <td>3\"/> <tr> <td>349</td> <td>ETR</td> <td>-</td> <td>WD.</td> <td>J2</td> <td>PTD.</td> <td>-</td> <td>339</td> <td>3\"/> <tr> <td>350</td> <td>ETR</td> <td>-</td> <td>WD.</td> <td>J2</td> <td>PTD.</td> <td>-</td> <td>340</td> <td>3\"/> </td></tr></td></tr></td></tr></td></tr></td></tr></td></tr></td></tr></td></tr></td></tr></td></tr></td></tr></td></tr> | 339 | ETR | -
 | WD. | J2 | PTD. | - | 329B | 3\"/> <tr> <td>340</td> <td>A</td> <td>3\"/> <tr> <td>341A</td> <td>ETR</td> <td>-</td> <td>WD.</td> <td>J2</td> <td>PTD.</td> <td>-</td> <td>331</td> <td>3\"/> <tr> <td>341B</td> <td>ETR</td> <td>-</td> <td>WD.</td> <td>J2</td> <td>PTD.</td> <td>-</td> <td>333</td> <td>3\"/> <tr> <td>342</td> <td>ETR</td> <td>-</td> <td>WD.</td> <td>J2</td> <td>PTD.</td> <td>-</td> <td>334A</td> <td>3\"/> <tr> <td>344</td> <td>ETR</td> <td>-</td> <td>WD.</td> <td>J2</td> <td>PTD.</td> <td>-</td> <td>334B</td> <td>3\"/> <tr> <td>345</td> <td>ETR</td> <td>-</td> <td>WD.</td> <td>J2</td> <td>PTD.</td> <td>-</td> <td>335A</td> <td>3\"/> <tr> <td>346</td> <td>ETR</td> <td>-</td> <td>WD.</td> <td>J2</td> <td>PTD.</td> <td>-</td> <td>335B</td> <td>3\"/> <tr> <td>347</td> <td>ETR</td> <td>-</td> <td>WD.</td> <td>J2</td> <td>PTD.</td> <td>-</td> <td>336</td> <td>3\"/> <tr> <td>348</td> <td>ETR</td> <td>-</td> <td>WD.</td> <td>J2</td> <td>PTD.</td> <td>-</td> <td>337</td> <td>3\"/> <tr> <td>349</td> <td>ETR</td> <td>-</td> <td>WD.</td> <td>J2</td> <td>PTD.</td> <td>-</td> <td>339</td> <td>3\"/> <tr> <td>350</td> <td>ETR</td> <td>-</td> <td>WD.</td> <td>J2</td> <td>PTD.</td> <td>-</td> <td>340</td> <td>3\"/> </td></tr></td></tr></td></tr></td></tr></td></tr></td></tr></td></tr></td></tr></td></tr></td></tr></td></tr> | 340 | A | 3\"/> <tr> <td>341A</td> <td>ETR</td> <td>-</td> <td>WD.</td> <td>J2</td> <td>PTD.</td> <td>-</td> <td>331</td> <td>3\"/> <tr> <td>341B</td> <td>ETR</td> <td>-</td> <td>WD.</td> <td>J2</td> <td>PTD.</td> <td>-</td> <td>333</td> <td>3\"/> <tr> <td>342</td> <td>ETR</td> <td>-</td>
<td>WD.</td> <td>J2</td> <td>PTD.</td> <td>-</td> <td>334A</td> <td>3\"/> <tr> <td>344</td> <td>ETR</td> <td>-</td> <td>WD.</td> <td>J2</td> <td>PTD.</td> <td>-</td> <td>334B</td> <td>3\"/> <tr> <td>345</td> <td>ETR</td> <td>-</td> <td>WD.</td> <td>J2</td> <td>PTD.</td> <td>-</td> <td>335A</td> <td>3\"/> <tr> <td>346</td> <td>ETR</td> <td>-</td> <td>WD.</td> <td>J2</td> <td>PTD.</td> <td>-</td> <td>335B</td> <td>3\"/> <tr> <td>347</td> <td>ETR</td> <td>-</td> <td>WD.</td> <td>J2</td> <td>PTD.</td> <td>-</td> <td>336</td> <td>3\"/> <tr> <td>348</td> <td>ETR</td> <td>-</td> <td>WD.</td> <td>J2</td> <td>PTD.</td> <td>-</td> <td>337</td> <td>3\"/> <tr> <td>349</td> <td>ETR</td> <td>-</td> <td>WD.</td> <td>J2</td> <td>PTD.</td> <td>-</td> <td>339</td> <td>3\"/> <tr> <td>350</td> <td>ETR</td> <td>-</td> <td>WD.</td> <td>J2</td> <td>PTD.</td> <td>-</td> <td>340</td> <td>3\"/> </td></tr></td></tr></td></tr></td></tr></td></tr></td></tr></td></tr></td></tr></td></tr></td></tr> | 341A | ETR | - | WD. | J2 | PTD.
 | - | 331 | 3\"/> <tr> <td>341B</td> <td>ETR</td> <td>-</td> <td>WD.</td> <td>J2</td> <td>PTD.</td> <td>-</td> <td>333</td> <td>3\"/> <tr> <td>342</td> <td>ETR</td> <td>-</td> <td>WD.</td> <td>J2</td> <td>PTD.</td> <td>-</td> <td>334A</td> <td>3\"/> <tr> <td>344</td> <td>ETR</td> <td>-</td> <td>WD.</td> <td>J2</td> <td>PTD.</td> <td>-</td> <td>334B</td> <td>3\"/> <tr> <td>345</td> <td>ETR</td> <td>-</td> <td>WD.</td> <td>J2</td> <td>PTD.</td> <td>-</td> <td>335A</td> <td>3\"/> <tr> <td>346</td> <td>ETR</td> <td>-</td> <td>WD.</td> <td>J2</td> <td>PTD.</td> <td>-</td> <td>335B</td> <td>3\"/> <tr> <td>347</td> <td>ETR</td> <td>-</td> <td>WD.</td> <td>J2</td> <td>PTD.</td> <td>-</td> <td>336</td> <td>3\"/> <tr> <td>348</td> <td>ETR</td> <td>-</td> <td>WD.</td> <td>J2</td> <td>PTD.</td> <td>-</td> <td>337</td> <td>3\"/> <tr> <td>349</td> <td>ETR</td> <td>-</td> <td>WD.</td> <td>J2</td> <td>PTD.</td> <td>-</td> <td>339</td> <td>3\"/> <tr> <td>350</td> <td>ETR</td> <td>-</td> <td>WD.</td> <td>J2</td> <td>PTD.</td> <td>-</td> <td>340</td> <td>3\"/> </td></tr></td></tr></td></tr></td></tr></td></tr></td></tr></td></tr></td></tr></td></tr> | 341B | ETR | -
 | WD. | J2 | PTD. | - | 333 | 3\"/> <tr> <td>342</td> <td>ETR</td> <td>-</td> <td>WD.</td> <td>J2</td> <td>PTD.</td> <td>-</td> <td>334A</td> <td>3\"/> <tr> <td>344</td> <td>ETR</td> <td>-</td> <td>WD.</td> <td>J2</td> <td>PTD.</td> <td>-</td> <td>334B</td> <td>3\"/> <tr> <td>345</td> <td>ETR</td> <td>-</td> <td>WD.</td> <td>J2</td> <td>PTD.</td> <td>-</td> <td>335A</td> <td>3\"/> <tr> <td>346</td> <td>ETR</td> <td>-</td> <td>WD.</td> <td>J2</td> <td>PTD.</td> <td>-</td> <td>335B</td> <td>3\"/> <tr> <td>347</td> <td>ETR</td> <td>-</td> <td>WD.</td> <td>J2</td> <td>PTD.</td> <td>-</td> <td>336</td> <td>3\"/> <tr> <td>348</td> <td>ETR</td> <td>-</td> <td>WD.</td> <td>J2</td> <td>PTD.</td> <td>-</td> <td>337</td> <td>3\"/> <tr> <td>349</td> <td>ETR</td> <td>-</td> <td>WD.</td> <td>J2</td> <td>PTD.</td> <td>-</td> <td>339</td> <td>3\"/> <tr> <td>350</td> <td>ETR</td> <td>-</td> <td>WD.</td> <td>J2</td> <td>PTD.</td> <td>-</td> <td>340</td> <td>3\"/> </td></tr></td></tr></td></tr></td></tr></td></tr></td></tr></td></tr></td></tr> | 342 | ETR | -
 | WD. | J2 | PTD. | - | 334A | 3\"/> <tr> <td>344</td> <td>ETR</td> <td>-</td> <td>WD.</td> <td>J2</td> <td>PTD.</td> <td>-</td> <td>334B</td> <td>3\"/> <tr> <td>345</td> <td>ETR</td> <td>-</td> <td>WD.</td> <td>J2</td> <td>PTD.</td> <td>-</td> <td>335A</td> <td>3\"/> <tr> <td>346</td> <td>ETR</td> <td>-</td> <td>WD.</td> <td>J2</td> <td>PTD.</td> <td>-</td> <td>335B</td> <td>3\"/> <tr> <td>347</td> <td>ETR</td> <td>-</td> <td>WD.</td> <td>J2</td> <td>PTD.</td> <td>-</td> <td>336</td> <td>3\"/> <tr> <td>348</td> <td>ETR</td> <td>-</td> <td>WD.</td> <td>J2</td> <td>PTD.</td> <td>-</td> <td>337</td> <td>3\"/> <tr> <td>349</td> <td>ETR</td> <td>-</td> <td>WD.</td> <td>J2</td> <td>PTD.</td> <td>-</td> <td>339</td> <td>3\"/> <tr> <td>350</td> <td>ETR</td> <td>-</td> <td>WD.</td> <td>J2</td> <td>PTD.</td> <td>-</td> <td>340</td> <td>3\"/> </td></tr></td></tr></td></tr></td></tr></td></tr></td></tr></td></tr>
 | 344 | ETR | - | WD. | J2 | PTD. | - | 334B | 3\"/> <tr> <td>345</td> <td>ETR</td> <td>-</td> <td>WD.</td> <td>J2</td> <td>PTD.</td> <td>-</td> <td>335A</td> <td>3\"/> <tr> <td>346</td> <td>ETR</td> <td>-</td> <td>WD.</td> <td>J2</td> <td>PTD.</td> <td>-</td> <td>335B</td> <td>3\"/> <tr> <td>347</td> <td>ETR</td> <td>-</td> <td>WD.</td> <td>J2</td> <td>PTD.</td> <td>-</td> <td>336</td> <td>3\"/> <tr> <td>348</td> <td>ETR</td> <td>-</td> <td>WD.</td> <td>J2</td> <td>PTD.</td> <td>-</td> <td>337</td> <td>3\"/> <tr> <td>349</td> <td>ETR</td> <td>-</td> <td>WD.</td> <td>J2</td> <td>PTD.</td> <td>-</td> <td>339</td> <td>3\"/> <tr> <td>350</td> <td>ETR</td>
<td>-</td> <td>WD.</td> <td>J2</td> <td>PTD.</td> <td>-</td> <td>340</td> <td>3\"/> </td></tr></td></tr></td></tr></td></tr></td></tr></td></tr> | 345 | ETR | - | WD. | J2 | PTD.
 | - | 335A | 3\"/> <tr> <td>346</td> <td>ETR</td> <td>-</td> <td>WD.</td> <td>J2</td> <td>PTD.</td> <td>-</td> <td>335B</td> <td>3\"/> <tr> <td>347</td> <td>ETR</td> <td>-</td> <td>WD.</td> <td>J2</td> <td>PTD.</td> <td>-</td> <td>336</td> <td>3\"/> <tr> <td>348</td> <td>ETR</td> <td>-</td> <td>WD.</td> <td>J2</td> <td>PTD.</td> <td>-</td> <td>337</td> <td>3\"/> <tr> <td>349</td> <td>ETR</td> <td>-</td> <td>WD.</td> <td>J2</td> <td>PTD.</td> <td>-</td> <td>339</td> <td>3\"/> <tr> <td>350</td> <td>ETR</td> <td>-</td> <td>WD.</td> <td>J2</td> <td>PTD.</td> <td>-</td> <td>340</td> <td>3\"/> </td></tr></td></tr></td></tr></td></tr></td></tr> | 346 | ETR | - | WD. | J2 | PTD.
 | - | 335B | 3\"/> <tr> <td>347</td> <td>ETR</td> <td>-</td> <td>WD.</td> <td>J2</td> <td>PTD.</td> <td>-</td> <td>336</td> <td>3\"/> <tr> <td>348</td> <td>ETR</td> <td>-</td> <td>WD.</td> <td>J2</td> <td>PTD.</td> <td>-</td> <td>337</td> <td>3\"/> <tr> <td>349</td> <td>ETR</td> <td>-</td> <td>WD.</td> <td>J2</td> <td>PTD.</td> <td>-</td> <td>339</td> <td>3\"/> <tr> <td>350</td> <td>ETR</td> <td>-</td> <td>WD.</td> <td>J2</td> <td>PTD.</td> <td>-</td> <td>340</td> <td>3\"/> </td></tr></td></tr></td></tr></td></tr> | 347 | ETR | - | WD. | J2 | PTD.
 | - | 336 | 3\"/> <tr> <td>348</td> <td>ETR</td> <td>-</td> <td>WD.</td> <td>J2</td> <td>PTD.</td> <td>-</td> <td>337</td> <td>3\"/> <tr> <td>349</td> <td>ETR</td> <td>-</td> <td>WD.</td> <td>J2</td> <td>PTD.</td> <td>-</td> <td>339</td> <td>3\"/> <tr> <td>350</td> <td>ETR</td> <td>-</td> <td>WD.</td> <td>J2</td> <td>PTD.</td> <td>-</td> <td>340</td> <td>3\"/> </td></tr></td></tr></td></tr> | 348 | ETR | - | WD. | J2 | PTD.
 | - | 337 | 3\"/> <tr> <td>349</td> <td>ETR</td> <td>-</td> <td>WD.</td> <td>J2</td> <td>PTD.</td> <td>-</td> <td>339</td> <td>3\"/> <tr> <td>350</td> <td>ETR</td> <td>-</td> <td>WD.</td> <td>J2</td> <td>PTD.</td> <td>-</td> <td>340</td> <td>3\"/> </td></tr></td></tr> | 349 | ETR | -
 | WD. | J2 | PTD. | - | 339 | 3\"/> <tr> <td>350</td> <td>ETR</td> <td>-</td> <td>WD.</td> <td>J2</td> <td>PTD.</td> <td>-</td> <td>340</td> <td>3\"/> </td></tr> | 350 | ETR | -
 | WD. | J2 | PTD. | - | 340 | 3\"/> | | | | | | | | | | | | | | | | | | | | | | | | | | | | | | | | | | | | | | | | | | | | | | | | | | | | | | | | | | | | |
 | | | | | | | | |
 | | | | | | | | | | | |
 | | | | | | | | |
 | | | | | | | | | | | |
 | | | | | | | | | | | |
 | | | | | | | | | | | | | | |
 | | | | | | | | | | | | | | |
 | | | | | | | | | | | | | | | | | |
 | | | | | | | | | | | | | | | | | | | | |
 | | | | | | | | | | | | | | | | | | | | | | | | | | |
 | | | | | | | | | | | | | | | | | | | | | | | | | | | | | | | | | | | | | | | | | | | | | | | | | | | | | | | | | | | | | | | | | | |
| 334B | ETR | - | WD. | J2 | PTD. | - | 327 | 3\"/> <tr> <td>335A</td> <td>ETR</td> <td>-</td> <td>WD.</td> <td>J2</td> <td>PTD.</td> <td>-</td> <td>328</td> <td>3\"/> <tr> <td>335B</td> <td>B</td> <td>3\"/> <tr> <td>336</td> <td>B</td> <td>3\"/> <tr> <td>337</td> <td>ETR</td> <td>-</td> <td>WD.</td> <td>J2</td> <td>PTD.</td> <td>-</td> <td>329A</td> <td>3\"/> <tr> <td>339</td> <td>ETR</td> <td>-</td> <td>WD.</td> <td>J2</td> <td>PTD.</td> <td>-</td> <td>329B</td> <td>3\"/> <tr> <td>340</td> <td>A</td> <td>3\"/> <tr> <td>341A</td> <td>ETR</td> <td>-</td> <td>WD.</td> <td>J2</td> <td>PTD.</td> <td>-</td> <td>331</td> <td>3\"/> <tr> <td>341B</td> <td>ETR</td> <td>-</td> <td>WD.</td> <td>J2</td> <td>PTD.</td> <td>-</td> <td>333</td> <td>3\"/> <tr> <td>342</td> <td>ETR</td> <td>-</td> <td>WD.</td> <td>J2</td> <td>PTD.</td> <td>-</td> <td>334A</td> <td>3\"/> <tr> <td>344</td> <td>ETR</td> <td>-</td> <td>WD.</td> <td>J2</td> <td>PTD.</td> <td>-</td> <td>334B</td> <td>3\"/> <tr> <td>345</td> <td>ETR</td> <td>-</td> <td>WD.</td> <td>J2</td> <td>PTD.</td> <td>-</td> <td>335A</td> <td>3\"/> <tr> <td>346</td> <td>ETR</td> <td>-</td> <td>WD.</td> <td>J2</td> <td>PTD.</td> <td>-</td> <td>335B</td> <td>3\"/> <tr> <td>347</td> <td>ETR</td> <td>-</td> <td>WD.</td> <td>J2</td> <td>PTD.</td> <td>-</td> <td>336</td> <td>3\"/> <tr> <td>348</td> <td>ETR</td> <td>-</td> <td>WD.</td> <td>J2</td> <td>PTD.</td> <td>-</td> <td>337</td> <td>3\"/> <tr> <td>349</td> <td>ETR</td> <td>-</td> <td>WD.</td> <td>J2</td> <td>PTD.</td> <td>-</td> <td>339</td> <td>3\"/> <tr> <td>350</td> <td>ETR</td> <td>-</td> <td>WD.</td> <td>J2</td> <td>PTD.</td> <td>-</td> <td>340</td> <td>3\"/> </td></tr></td></tr></td></tr></td></tr></td></tr></td></tr></td></tr></td></tr></td></tr></td></tr></td></tr></td></tr></td></tr></td></tr></td></tr></td></tr>
 | 335A | ETR | - | WD. | J2 | PTD.
 | - | 328 | 3\"/> <tr> <td>335B</td> <td>B</td> <td>3\"/> <tr> <td>336</td> <td>B</td> <td>3\"/> <tr> <td>337</td> <td>ETR</td> <td>-</td> <td>WD.</td> <td>J2</td> <td>PTD.</td> <td>-</td> <td>329A</td> <td>3\"/> <tr> <td>339</td> <td>ETR</td> <td>-</td> <td>WD.</td> <td>J2</td> <td>PTD.</td> <td>-</td> <td>329B</td> <td>3\"/> <tr> <td>340</td> <td>A</td> <td>3\"/> <tr> <td>341A</td> <td>ETR</td> <td>-</td> <td>WD.</td> <td>J2</td> <td>PTD.</td> <td>-</td> <td>331</td> <td>3\"/> <tr> <td>341B</td> <td>ETR</td> <td>-</td> <td>WD.</td> <td>J2</td> <td>PTD.</td> <td>-</td> <td>333</td> <td>3\"/> <tr> <td>342</td> <td>ETR</td> <td>-</td> <td>WD.</td> <td>J2</td> <td>PTD.</td> <td>-</td> <td>334A</td> <td>3\"/> <tr> <td>344</td> <td>ETR</td> <td>-</td> <td>WD.</td> <td>J2</td> <td>PTD.</td> <td>-</td> <td>334B</td> <td>3\"/> <tr> <td>345</td> <td>ETR</td> <td>-</td> <td>WD.</td> <td>J2</td> <td>PTD.</td> <td>-</td> <td>335A</td> <td>3\"/> <tr> <td>346</td> <td>ETR</td> <td>-</td> <td>WD.</td> <td>J2</td> <td>PTD.</td> <td>-</td> <td>335B</td> <td>3\"/> <tr> <td>347</td> <td>ETR</td> <td>-</td> <td>WD.</td> <td>J2</td> <td>PTD.</td> <td>-</td> <td>336</td> <td>3\"/> <tr> <td>348</td> <td>ETR</td> <td>-</td> <td>WD.</td> <td>J2</td> <td>PTD.</td> <td>-</td> <td>337</td> <td>3\"/> <tr> <td>349</td> <td>ETR</td> <td>-</td> <td>WD.</td> <td>J2</td> <td>PTD.</td> <td>-</td> <td>339</td> <td>3\"/> <tr> <td>350</td> <td>ETR</td> <td>-</td> <td>WD.</td> <td>J2</td> <td>PTD.</td> <td>-</td> <td>340</td> <td>3\"/> </td></tr></td></tr></td></tr></td></tr></td></tr></td></tr></td></tr></td></tr></td></tr></td></tr></td></tr></td></tr></td></tr></td></tr></td></tr> | 335B | B | 3\"/> <tr> <td>336</td> <td>B</td> <td>3\"/> <tr> <td>337</td> <td>ETR</td> <td>-</td> <td>WD.</td> <td>J2</td> <td>PTD.</td> <td>-</td> <td>329A</td> <td>3\"/> <tr> <td>339</td> <td>ETR</td> <td>-</td> <td>WD.</td> <td>J2</td> <td>PTD.</td> <td>-</td> <td>329B</td> <td>3\"/> <tr> <td>340</td> <td>A</td> <td>3\"/> <tr> <td>341A</td> <td>ETR</td> <td>-</td> <td>WD.</td> <td>J2</td> <td>PTD.</td> <td>-</td> <td>331</td> <td>3\"/> <tr> <td>341B</td> <td>ETR</td> <td>-</td> <td>WD.</td> <td>J2</td> <td>PTD.</td> <td>-</td> <td>333</td> <td>3\"/> <tr> <td>342</td> <td>ETR</td> <td>-</td> <td>WD.</td> <td>J2</td> <td>PTD.</td> <td>-</td> <td>334A</td> <td>3\"/> <tr> <td>344</td> <td>ETR</td> <td>-</td> <td>WD.</td> <td>J2</td> <td>PTD.</td> <td>-</td> <td>334B</td> <td>3\"/> <tr> <td>345</td> <td>ETR</td> <td>-</td> <td>WD.</td> <td>J2</td> <td>PTD.</td> <td>-</td> <td>335A</td> <td>3\"/> <tr> <td>346</td> <td>ETR</td> <td>-</td> <td>WD.</td> <td>J2</td> <td>PTD.</td> <td>-</td> <td>335B</td> <td>3\"/> <tr> <td>347</td> <td>ETR</td> <td>-</td> <td>WD.</td> <td>J2</td> <td>PTD.</td> <td>-</td> <td>336</td> <td>3\"/> <tr> <td>348</td> <td>ETR</td> <td>-</td> <td>WD.</td> <td>J2</td> <td>PTD.</td> <td>-</td> <td>337</td> <td>3\"/> <tr> <td>349</td> <td>ETR</td> <td>-</td> <td>WD.</td> <td>J2</td> <td>PTD.</td> <td>-</td> <td>339</td> <td>3\"/> <tr> <td>350</td> <td>ETR</td> <td>-</td> <td>WD.</td> <td>J2</td> <td>PTD.</td> <td>-</td> <td>340</td> <td>3\"/> </td></tr></td></tr></td></tr></td></tr></td></tr></td></tr></td></tr></td></tr></td></tr></td></tr></td></tr></td></tr></td></tr></td></tr>
 | 336 | B | 3\"/> <tr> <td>337</td> <td>ETR</td> <td>-</td> <td>WD.</td> <td>J2</td> <td>PTD.</td> <td>-</td> <td>329A</td> <td>3\"/> <tr> <td>339</td> <td>ETR</td> <td>-</td> <td>WD.</td> <td>J2</td> <td>PTD.</td> <td>-</td> <td>329B</td> <td>3\"/> <tr> <td>340</td> <td>A</td> <td>3\"/> <tr> <td>341A</td> <td>ETR</td> <td>-</td> <td>WD.</td> <td>J2</td> <td>PTD.</td> <td>-</td> <td>331</td> <td>3\"/> <tr> <td>341B</td> <td>ETR</td> <td>-</td> <td>WD.</td> <td>J2</td> <td>PTD.</td> <td>-</td> <td>333</td> <td>3\"/> <tr> <td>342</td> <td>ETR</td> <td>-</td> <td>WD.</td> <td>J2</td> <td>PTD.</td> <td>-</td> <td>334A</td> <td>3\"/> <tr> <td>344</td> <td>ETR</td> <td>-</td> <td>WD.</td> <td>J2</td> <td>PTD.</td> <td>-</td> <td>334B</td> <td>3\"/> <tr> <td>345</td> <td>ETR</td> <td>-</td> <td>WD.</td> <td>J2</td> <td>PTD.</td> <td>-</td> <td>335A</td> <td>3\"/> <tr> <td>346</td> <td>ETR</td> <td>-</td> <td>WD.</td> <td>J2</td> <td>PTD.</td> <td>-</td> <td>335B</td> <td>3\"/> <tr> <td>347</td> <td>ETR</td> <td>-</td> <td>WD.</td> <td>J2</td> <td>PTD.</td> <td>-</td> <td>336</td> <td>3\"/> <tr> <td>348</td> <td>ETR</td> <td>-</td> <td>WD.</td> <td>J2</td> <td>PTD.</td> <td>-</td> <td>337</td> <td>3\"/> <tr> <td>349</td> <td>ETR</td> <td>-</td> <td>WD.</td> <td>J2</td> <td>PTD.</td> <td>-</td> <td>339</td> <td>3\"/> <tr> <td>350</td> <td>ETR</td> <td>-</td> <td>WD.</td> <td>J2</td> <td>PTD.</td> <td>-</td> <td>340</td> <td>3\"/> </td></tr></td></tr></td></tr></td></tr></td></tr></td></tr></td></tr></td></tr></td></tr></td></tr></td></tr></td></tr></td></tr> | 337 | ETR | -
 | WD. | J2 | PTD. | - | 329A | 3\"/> <tr> <td>339</td> <td>ETR</td> <td>-</td> <td>WD.</td> <td>J2</td> <td>PTD.</td> <td>-</td> <td>329B</td> <td>3\"/> <tr> <td>340</td> <td>A</td> <td>3\"/> <tr> <td>341A</td> <td>ETR</td> <td>-</td> <td>WD.</td> <td>J2</td> <td>PTD.</td> <td>-</td> <td>331</td> <td>3\"/> <tr> <td>341B</td> <td>ETR</td> <td>-</td> <td>WD.</td> <td>J2</td> <td>PTD.</td> <td>-</td> <td>333</td> <td>3\"/> <tr> <td>342</td> <td>ETR</td> <td>-</td> <td>WD.</td> <td>J2</td> <td>PTD.</td> <td>-</td> <td>334A</td> <td>3\"/> <tr> <td>344</td> <td>ETR</td> <td>-</td> <td>WD.</td> <td>J2</td> <td>PTD.</td> <td>-</td> <td>334B</td> <td>3\"/> <tr> <td>345</td> <td>ETR</td> <td>-</td> <td>WD.</td> <td>J2</td> <td>PTD.</td> <td>-</td> <td>335A</td> <td>3\"/> <tr> <td>346</td> <td>ETR</td> <td>-</td> <td>WD.</td> <td>J2</td> <td>PTD.</td> <td>-</td> <td>335B</td> <td>3\"/> <tr> <td>347</td> <td>ETR</td> <td>-</td> <td>WD.</td> <td>J2</td> <td>PTD.</td> <td>-</td> <td>336</td> <td>3\"/> <tr> <td>348</td> <td>ETR</td> <td>-</td> <td>WD.</td> <td>J2</td> <td>PTD.</td> <td>-</td> <td>337</td> <td>3\"/> <tr> <td>349</td> <td>ETR</td> <td>-</td> <td>WD.</td> <td>J2</td> <td>PTD.</td> <td>-</td> <td>339</td> <td>3\"/> <tr> <td>350</td> <td>ETR</td> <td>-</td> <td>WD.</td> <td>J2</td> <td>PTD.</td> <td>-</td> <td>340</td> <td>3\"/> </td></tr></td></tr></td></tr></td></tr></td></tr></td></tr></td></tr></td></tr></td></tr></td></tr></td></tr></td></tr>
 | 339 | ETR | - | WD. | J2 | PTD.
 | - | 329B | 3\"/> <tr> <td>340</td> <td>A</td> <td>3\"/> <tr> <td>341A</td> <td>ETR</td> <td>-</td> <td>WD.</td> <td>J2</td> <td>PTD.</td> <td>-</td> <td>331</td> <td>3\"/> <tr> <td>341B</td> <td>ETR</td> <td>-</td> <td>WD.</td> <td>J2</td> <td>PTD.</td> <td>-</td> <td>333</td> <td>3\"/> <tr> <td>342</td> <td>ETR</td> <td>-</td> <td>WD.</td> <td>J2</td> <td>PTD.</td> <td>-</td> <td>334A</td> <td>3\"/> <tr> <td>344</td> <td>ETR</td> <td>-</td> <td>WD.</td> <td>J2</td> <td>PTD.</td> <td>-</td> <td>334B</td> <td>3\"/> <tr> <td>345</td> <td>ETR</td> <td>-</td> <td>WD.</td> <td>J2</td> <td>PTD.</td> <td>-</td> <td>335A</td> <td>3\"/> <tr> <td>346</td> <td>ETR</td> <td>-</td> <td>WD.</td> <td>J2</td> <td>PTD.</td> <td>-</td> <td>335B</td> <td>3\"/> <tr> <td>347</td> <td>ETR</td> <td>-</td> <td>WD.</td> <td>J2</td> <td>PTD.</td> <td>-</td> <td>336</td> <td>3\"/> <tr> <td>348</td> <td>ETR</td> <td>-</td> <td>WD.</td> <td>J2</td> <td>PTD.</td> <td>-</td> <td>337</td> <td>3\"/> <tr> <td>349</td> <td>ETR</td> <td>-</td> <td>WD.</td> <td>J2</td> <td>PTD.</td> <td>-</td> <td>339</td> <td>3\"/> <tr> <td>350</td> <td>ETR</td> <td>-</td> <td>WD.</td> <td>J2</td> <td>PTD.</td> <td>-</td> <td>340</td> <td>3\"/> </td></tr></td></tr></td></tr></td></tr></td></tr></td></tr></td></tr></td></tr></td></tr></td></tr></td></tr> | 340 | A | 3\"/> <tr> <td>341A</td> <td>ETR</td> <td>-</td> <td>WD.</td> <td>J2</td> <td>PTD.</td> <td>-</td> <td>331</td> <td>3\"/> <tr> <td>341B</td> <td>ETR</td> <td>-</td> <td>WD.</td> <td>J2</td> <td>PTD.</td> <td>-</td> <td>333</td> <td>3\"/> <tr> <td>342</td> <td>ETR</td> <td>-</td> <td>WD.</td> <td>J2</td> <td>PTD.</td> <td>-</td> <td>334A</td> <td>3\"/> <tr> <td>344</td> <td>ETR</td> <td>-</td> <td>WD.</td> <td>J2</td> <td>PTD.</td> <td>-</td> <td>334B</td> <td>3\"/> <tr> <td>345</td> <td>ETR</td> <td>-</td> <td>WD.</td> <td>J2</td> <td>PTD.</td> <td>-</td> <td>335A</td> <td>3\"/> <tr> <td>346</td> <td>ETR</td> <td>-</td> <td>WD.</td> <td>J2</td> <td>PTD.</td> <td>-</td> <td>335B</td> <td>3\"/> <tr> <td>347</td> <td>ETR</td> <td>-</td> <td>WD.</td> <td>J2</td> <td>PTD.</td> <td>-</td> <td>336</td> <td>3\"/> <tr> <td>348</td> <td>ETR</td> <td>-</td> <td>WD.</td> <td>J2</td> <td>PTD.</td> <td>-</td> <td>337</td> <td>3\"/> <tr> <td>349</td> <td>ETR</td> <td>-</td> <td>WD.</td> <td>J2</td> <td>PTD.</td> <td>-</td> <td>339</td> <td>3\"/> <tr> <td>350</td> <td>ETR</td> <td>-</td> <td>WD.</td> <td>J2</td> <td>PTD.</td> <td>-</td> <td>340</td> <td>3\"/> </td></tr></td></tr></td></tr></td></tr></td></tr></td></tr></td></tr></td></tr></td></tr></td></tr>
 | 341A | ETR | - | WD. | J2 | PTD. | - | 331 | 3\"/> <tr> <td>341B</td> <td>ETR</td> <td>-</td> <td>WD.</td> <td>J2</td> <td>PTD.</td> <td>-</td> <td>333</td> <td>3\"/> <tr> <td>342</td> <td>ETR</td> <td>-</td> <td>WD.</td> <td>J2</td> <td>PTD.</td> <td>-</td> <td>334A</td> <td>3\"/> <tr> <td>344</td> <td>ETR</td> <td>-</td>
<td>WD.</td> <td>J2</td> <td>PTD.</td> <td>-</td> <td>334B</td> <td>3\"/> <tr> <td>345</td> <td>ETR</td> <td>-</td> <td>WD.</td> <td>J2</td> <td>PTD.</td> <td>-</td> <td>335A</td> <td>3\"/> <tr> <td>346</td> <td>ETR</td> <td>-</td> <td>WD.</td> <td>J2</td> <td>PTD.</td> <td>-</td> <td>335B</td> <td>3\"/> <tr> <td>347</td> <td>ETR</td> <td>-</td> <td>WD.</td> <td>J2</td> <td>PTD.</td> <td>-</td> <td>336</td> <td>3\"/> <tr> <td>348</td> <td>ETR</td> <td>-</td> <td>WD.</td> <td>J2</td> <td>PTD.</td> <td>-</td> <td>337</td> <td>3\"/> <tr> <td>349</td> <td>ETR</td> <td>-</td> <td>WD.</td> <td>J2</td> <td>PTD.</td> <td>-</td> <td>339</td> <td>3\"/> <tr> <td>350</td> <td>ETR</td> <td>-</td> <td>WD.</td> <td>J2</td> <td>PTD.</td> <td>-</td> <td>340</td> <td>3\"/> </td></tr></td></tr></td></tr></td></tr></td></tr></td></tr></td></tr></td></tr></td></tr> | 341B | ETR | - | WD. | J2 | PTD.
 | - | 333 | 3\"/> <tr> <td>342</td> <td>ETR</td> <td>-</td> <td>WD.</td> <td>J2</td> <td>PTD.</td> <td>-</td> <td>334A</td> <td>3\"/> <tr> <td>344</td> <td>ETR</td> <td>-</td> <td>WD.</td> <td>J2</td> <td>PTD.</td> <td>-</td> <td>334B</td> <td>3\"/> <tr> <td>345</td> <td>ETR</td> <td>-</td> <td>WD.</td> <td>J2</td> <td>PTD.</td> <td>-</td> <td>335A</td> <td>3\"/> <tr> <td>346</td> <td>ETR</td> <td>-</td> <td>WD.</td> <td>J2</td> <td>PTD.</td> <td>-</td> <td>335B</td> <td>3\"/> <tr> <td>347</td> <td>ETR</td> <td>-</td> <td>WD.</td> <td>J2</td> <td>PTD.</td> <td>-</td> <td>336</td> <td>3\"/> <tr> <td>348</td> <td>ETR</td> <td>-</td> <td>WD.</td> <td>J2</td> <td>PTD.</td> <td>-</td> <td>337</td> <td>3\"/> <tr> <td>349</td> <td>ETR</td> <td>-</td> <td>WD.</td> <td>J2</td> <td>PTD.</td> <td>-</td> <td>339</td> <td>3\"/> <tr> <td>350</td> <td>ETR</td> <td>-</td> <td>WD.</td> <td>J2</td> <td>PTD.</td> <td>-</td> <td>340</td> <td>3\"/> </td></tr></td></tr></td></tr></td></tr></td></tr></td></tr></td></tr></td></tr> | 342 | ETR | -
 | WD. | J2 | PTD. | - | 334A | 3\"/> <tr> <td>344</td> <td>ETR</td> <td>-</td> <td>WD.</td> <td>J2</td> <td>PTD.</td> <td>-</td> <td>334B</td> <td>3\"/> <tr> <td>345</td> <td>ETR</td> <td>-</td> <td>WD.</td> <td>J2</td> <td>PTD.</td> <td>-</td> <td>335A</td> <td>3\"/> <tr> <td>346</td> <td>ETR</td> <td>-</td> <td>WD.</td> <td>J2</td> <td>PTD.</td> <td>-</td> <td>335B</td> <td>3\"/> <tr> <td>347</td> <td>ETR</td> <td>-</td> <td>WD.</td> <td>J2</td> <td>PTD.</td> <td>-</td> <td>336</td> <td>3\"/> <tr> <td>348</td> <td>ETR</td> <td>-</td> <td>WD.</td> <td>J2</td> <td>PTD.</td> <td>-</td> <td>337</td> <td>3\"/> <tr> <td>349</td> <td>ETR</td> <td>-</td> <td>WD.</td> <td>J2</td> <td>PTD.</td> <td>-</td> <td>339</td> <td>3\"/> <tr> <td>350</td> <td>ETR</td> <td>-</td> <td>WD.</td> <td>J2</td> <td>PTD.</td> <td>-</td> <td>340</td> <td>3\"/> </td></tr></td></tr></td></tr></td></tr></td></tr></td></tr></td></tr> | 344 | ETR | -
 | WD. | J2 | PTD. | - | 334B | 3\"/> <tr> <td>345</td> <td>ETR</td> <td>-</td> <td>WD.</td> <td>J2</td> <td>PTD.</td> <td>-</td> <td>335A</td> <td>3\"/> <tr> <td>346</td> <td>ETR</td> <td>-</td> <td>WD.</td> <td>J2</td> <td>PTD.</td> <td>-</td> <td>335B</td> <td>3\"/> <tr> <td>347</td> <td>ETR</td> <td>-</td> <td>WD.</td> <td>J2</td> <td>PTD.</td> <td>-</td> <td>336</td> <td>3\"/> <tr> <td>348</td> <td>ETR</td> <td>-</td> <td>WD.</td> <td>J2</td> <td>PTD.</td> <td>-</td> <td>337</td> <td>3\"/> <tr> <td>349</td> <td>ETR</td> <td>-</td> <td>WD.</td> <td>J2</td> <td>PTD.</td> <td>-</td> <td>339</td> <td>3\"/> <tr> <td>350</td> <td>ETR</td> <td>-</td> <td>WD.</td> <td>J2</td> <td>PTD.</td> <td>-</td> <td>340</td> <td>3\"/> </td></tr></td></tr></td></tr></td></tr></td></tr></td></tr>
 | 345 | ETR | - | WD. | J2 | PTD. | - | 335A | 3\"/> <tr> <td>346</td> <td>ETR</td> <td>-</td> <td>WD.</td> <td>J2</td> <td>PTD.</td> <td>-</td> <td>335B</td> <td>3\"/> <tr> <td>347</td> <td>ETR</td> <td>-</td> <td>WD.</td> <td>J2</td> <td>PTD.</td> <td>-</td> <td>336</td> <td>3\"/> <tr> <td>348</td> <td>ETR</td> <td>-</td> <td>WD.</td> <td>J2</td> <td>PTD.</td> <td>-</td> <td>337</td> <td>3\"/> <tr> <td>349</td> <td>ETR</td> <td>-</td> <td>WD.</td> <td>J2</td> <td>PTD.</td> <td>-</td> <td>339</td> <td>3\"/> <tr> <td>350</td> <td>ETR</td> <td>-</td> <td>WD.</td> <td>J2</td> <td>PTD.</td> <td>-</td> <td>340</td> <td>3\"/>
</td></tr></td></tr></td></tr></td></tr></td></tr> | 346 | ETR | - | WD. | J2 | PTD.
 | - | 335B | 3\"/> <tr> <td>347</td> <td>ETR</td> <td>-</td> <td>WD.</td> <td>J2</td> <td>PTD.</td> <td>-</td> <td>336</td> <td>3\"/> <tr> <td>348</td> <td>ETR</td> <td>-</td> <td>WD.</td> <td>J2</td> <td>PTD.</td> <td>-</td> <td>337</td> <td>3\"/> <tr> <td>349</td> <td>ETR</td> <td>-</td> <td>WD.</td> <td>J2</td> <td>PTD.</td> <td>-</td> <td>339</td> <td>3\"/> <tr> <td>350</td> <td>ETR</td> <td>-</td> <td>WD.</td> <td>J2</td> <td>PTD.</td> <td>-</td> <td>340</td> <td>3\"/> </td></tr></td></tr></td></tr></td></tr> | 347 | ETR | - | WD. | J2 | PTD.
 | - | 336 | 3\"/> <tr> <td>348</td> <td>ETR</td> <td>-</td> <td>WD.</td> <td>J2</td> <td>PTD.</td> <td>-</td> <td>337</td> <td>3\"/> <tr> <td>349</td> <td>ETR</td> <td>-</td> <td>WD.</td> <td>J2</td> <td>PTD.</td> <td>-</td> <td>339</td> <td>3\"/> <tr> <td>350</td> <td>ETR</td> <td>-</td> <td>WD.</td> <td>J2</td> <td>PTD.</td> <td>-</td> <td>340</td> <td>3\"/> </td></tr></td></tr></td></tr> | 348 | ETR | - | WD. | J2 | PTD.
 | - | 337 | 3\"/> <tr> <td>349</td> <td>ETR</td> <td>-</td> <td>WD.</td> <td>J2</td> <td>PTD.</td> <td>-</td> <td>339</td> <td>3\"/> <tr> <td>350</td> <td>ETR</td> <td>-</td> <td>WD.</td> <td>J2</td> <td>PTD.</td> <td>-</td> <td>340</td> <td>3\"/> </td></tr></td></tr> | 349 | ETR | - | WD. | J2 | PTD.
 | - | 339 | 3\"/> <tr> <td>350</td> <td>ETR</td> <td>-</td> <td>WD.</td> <td>J2</td> <td>PTD.</td> <td>-</td> <td>340</td> <td>3\"/> </td></tr> | 350 | ETR | -
 | WD. | J2 | PTD. | - | 340 | 3\"/> | | | | | | | | | | | | | | | | | | | | | | | | | | | | | | | | | | | | | | | | | | | | | | | | | | | | | | | | | | | | |
 | | | | | | | | | | | |
 | | | | | | | | |
 | | | | | | | | | | | |
 | | | | | | | | |
 | | | | | | | | | | | |
 | | | | | | | | | | | |
 | | | | | | | | | | | | | | |
 | | | | | | | | | | | | | | |
 | | | | | | | | | | | | | | | | | |
 | | | | | | | | | | | | | | | | | | | | |
 | | | | | | | | | | | | | | | | | | | | | | | | | | |
 | | | | | | | | | | | | | | | | | | | | | | | | | | | | | | | | | | | | | | | | | | | | | | | | | | | | | | | | | | | | | | | | | | |
| 335A | ETR | - | WD. | J2 | PTD. | - | 328 | 3\"/> <tr> <td>335B</td> <td>B</td> <td>3\"/> <tr> <td>336</td> <td>B</td> <td>3\"/> <tr> <td>337</td> <td>ETR</td> <td>-</td> <td>WD.</td> <td>J2</td> <td>PTD.</td> <td>-</td> <td>329A</td> <td>3\"/> <tr> <td>339</td> <td>ETR</td> <td>-</td> <td>WD.</td> <td>J2</td> <td>PTD.</td> <td>-</td> <td>329B</td> <td>3\"/> <tr> <td>340</td> <td>A</td> <td>3\"/> <tr> <td>341A</td> <td>ETR</td> <td>-</td> <td>WD.</td> <td>J2</td> <td>PTD.</td> <td>-</td> <td>331</td> <td>3\"/> <tr> <td>341B</td> <td>ETR</td> <td>-</td> <td>WD.</td> <td>J2</td> <td>PTD.</td> <td>-</td> <td>333</td> <td>3\"/> <tr> <td>342</td> <td>ETR</td> <td>-</td> <td>WD.</td> <td>J2</td> <td>PTD.</td> <td>-</td> <td>334A</td> <td>3\"/> <tr> <td>344</td> <td>ETR</td> <td>-</td> <td>WD.</td> <td>J2</td> <td>PTD.</td> <td>-</td> <td>334B</td> <td>3\"/> <tr> <td>345</td> <td>ETR</td> <td>-</td> <td>WD.</td> <td>J2</td> <td>PTD.</td> <td>-</td> <td>335A</td> <td>3\"/> <tr> <td>346</td> <td>ETR</td> <td>-</td> <td>WD.</td> <td>J2</td> <td>PTD.</td> <td>-</td> <td>335B</td> <td>3\"/> <tr> <td>347</td> <td>ETR</td> <td>-</td> <td>WD.</td> <td>J2</td> <td>PTD.</td> <td>-</td> <td>336</td> <td>3\"/> <tr> <td>348</td> <td>ETR</td> <td>-</td> <td>WD.</td> <td>J2</td> <td>PTD.</td> <td>-</td> <td>337</td> <td>3\"/> <tr> <td>349</td> <td>ETR</td> <td>-</td> <td>WD.</td> <td>J2</td> <td>PTD.</td> <td>-</td> <td>339</td> <td>3\"/> <tr> <td>350</td> <td>ETR</td> <td>-</td> <td>WD.</td> <td>J2</td> <td>PTD.</td> <td>-</td> <td>340</td> <td>3\"/> </td></tr></td></tr></td></tr></td></tr></td></tr></td></tr></td></tr></td></tr></td></tr></td></tr></td></tr></td></tr></td></tr></td></tr></td></tr>
 | 335B | B | 3\"/> <tr> <td>336</td> <td>B</td> <td>3\"/> <tr> <td>337</td> <td>ETR</td> <td>-</td> <td>WD.</td> <td>J2</td> <td>PTD.</td> <td>-</td> <td>329A</td> <td>3\"/> <tr> <td>339</td> <td>ETR</td> <td>-</td> <td>WD.</td> <td>J2</td> <td>PTD.</td> <td>-</td> <td>329B</td> <td>3\"/> <tr> <td>340</td> <td>A</td> <td>3\"/> <tr> <td>341A</td> <td>ETR</td> <td>-</td> <td>WD.</td> <td>J2</td> <td>PTD.</td> <td>-</td> <td>331</td> <td>3\"/> <tr> <td>341B</td> <td>ETR</td> <td>-</td> <td>WD.</td> <td>J2</td> <td>PTD.</td> <td>-</td> <td>333</td> <td>3\"/> <tr> <td>342</td> <td>ETR</td> <td>-</td> <td>WD.</td> <td>J2</td> <td>PTD.</td> <td>-</td> <td>334A</td> <td>3\"/> <tr> <td>344</td> <td>ETR</td> <td>-</td> <td>WD.</td> <td>J2</td> <td>PTD.</td> <td>-</td> <td>334B</td> <td>3\"/> <tr> <td>345</td> <td>ETR</td> <td>-</td> <td>WD.</td> <td>J2</td> <td>PTD.</td> <td>-</td> <td>335A</td> <td>3\"/> <tr> <td>346</td> <td>ETR</td> <td>-</td> <td>WD.</td> <td>J2</td> <td>PTD.</td> <td>-</td> <td>335B</td> <td>3\"/> <tr> <td>347</td> <td>ETR</td> <td>-</td> <td>WD.</td> <td>J2</td> <td>PTD.</td> <td>-</td> <td>336</td> <td>3\"/> <tr> <td>348</td> <td>ETR</td> <td>-</td> <td>WD.</td> <td>J2</td> <td>PTD.</td> <td>-</td> <td>337</td> <td>3\"/> <tr> <td>349</td> <td>ETR</td> <td>-</td> <td>WD.</td> <td>J2</td> <td>PTD.</td> <td>-</td> <td>339</td> <td>3\"/> <tr> <td>350</td> <td>ETR</td> <td>-</td> <td>WD.</td> <td>J2</td> <td>PTD.</td> <td>-</td> <td>340</td> <td>3\"/> </td></tr></td></tr></td></tr></td></tr></td></tr></td></tr></td></tr></td></tr></td></tr></td></tr></td></tr></td></tr></td></tr></td></tr> | 336 | B | 3\"/> <tr> <td>337</td> <td>ETR</td> <td>-</td> <td>WD.</td> <td>J2</td> <td>PTD.</td> <td>-</td> <td>329A</td> <td>3\"/> <tr> <td>339</td> <td>ETR</td> <td>-</td> <td>WD.</td> <td>J2</td> <td>PTD.</td> <td>-</td> <td>329B</td> <td>3\"/> <tr> <td>340</td> <td>A</td> <td>3\"/> <tr> <td>341A</td> <td>ETR</td> <td>-</td> <td>WD.</td> <td>J2</td> <td>PTD.</td> <td>-</td> <td>331</td> <td>3\"/> <tr> <td>341B</td> <td>ETR</td> <td>-</td> <td>WD.</td> <td>J2</td> <td>PTD.</td> <td>-</td> <td>333</td> <td>3\"/> <tr> <td>342</td> <td>ETR</td> <td>-</td> <td>WD.</td> <td>J2</td> <td>PTD.</td> <td>-</td> <td>334A</td> <td>3\"/> <tr> <td>344</td> <td>ETR</td> <td>-</td> <td>WD.</td> <td>J2</td> <td>PTD.</td> <td>-</td> <td>334B</td> <td>3\"/> <tr> <td>345</td> <td>ETR</td> <td>-</td> <td>WD.</td> <td>J2</td> <td>PTD.</td> <td>-</td> <td>335A</td> <td>3\"/> <tr> <td>346</td> <td>ETR</td> <td>-</td> <td>WD.</td> <td>J2</td> <td>PTD.</td> <td>-</td> <td>335B</td> <td>3\"/> <tr> <td>347</td> <td>ETR</td> <td>-</td> <td>WD.</td> <td>J2</td> <td>PTD.</td> <td>-</td> <td>336</td> <td>3\"/> <tr> <td>348</td> <td>ETR</td> <td>-</td> <td>WD.</td> <td>J2</td> <td>PTD.</td> <td>-</td> <td>337</td> <td>3\"/> <tr> <td>349</td> <td>ETR</td> <td>-</td> <td>WD.</td> <td>J2</td> <td>PTD.</td> <td>-</td> <td>339</td> <td>3\"/> <tr> <td>350</td> <td>ETR</td> <td>-</td> <td>WD.</td> <td>J2</td> <td>PTD.</td> <td>-</td> <td>340</td> <td>3\"/> </td></tr></td></tr></td></tr></td></tr></td></tr></td></tr></td></tr></td></tr></td></tr></td></tr></td></tr></td></tr></td></tr>
 | 337 | ETR | - | WD. | J2 | PTD.
 | - | 329A | 3\"/> <tr> <td>339</td> <td>ETR</td> <td>-</td> <td>WD.</td> <td>J2</td> <td>PTD.</td> <td>-</td> <td>329B</td> <td>3\"/> <tr> <td>340</td> <td>A</td> <td>3\"/> <tr> <td>341A</td> <td>ETR</td> <td>-</td> <td>WD.</td> <td>J2</td> <td>PTD.</td> <td>-</td> <td>331</td> <td>3\"/> <tr> <td>341B</td> <td>ETR</td> <td>-</td> <td>WD.</td> <td>J2</td> <td>PTD.</td> <td>-</td> <td>333</td> <td>3\"/> <tr> <td>342</td> <td>ETR</td> <td>-</td> <td>WD.</td> <td>J2</td> <td>PTD.</td> <td>-</td> <td>334A</td> <td>3\"/> <tr> <td>344</td> <td>ETR</td> <td>-</td> <td>WD.</td> <td>J2</td> <td>PTD.</td> <td>-</td> <td>334B</td> <td>3\"/> <tr> <td>345</td> <td>ETR</td> <td>-</td> <td>WD.</td> <td>J2</td> <td>PTD.</td> <td>-</td> <td>335A</td> <td>3\"/> <tr> <td>346</td> <td>ETR</td> <td>-</td> <td>WD.</td> <td>J2</td> <td>PTD.</td> <td>-</td> <td>335B</td> <td>3\"/> <tr> <td>347</td> <td>ETR</td> <td>-</td> <td>WD.</td> <td>J2</td> <td>PTD.</td> <td>-</td> <td>336</td> <td>3\"/> <tr> <td>348</td> <td>ETR</td> <td>-</td> <td>WD.</td> <td>J2</td> <td>PTD.</td> <td>-</td> <td>337</td> <td>3\"/> <tr> <td>349</td> <td>ETR</td> <td>-</td> <td>WD.</td> <td>J2</td> <td>PTD.</td> <td>-</td> <td>339</td> <td>3\"/> <tr> <td>350</td> <td>ETR</td> <td>-</td> <td>WD.</td> <td>J2</td> <td>PTD.</td> <td>-</td> <td>340</td> <td>3\"/> </td></tr></td></tr></td></tr></td></tr></td></tr></td></tr></td></tr></td></tr></td></tr></td></tr></td></tr></td></tr> | 339 | ETR | -
 | WD. | J2 | PTD. | - | 329B | 3\"/> <tr> <td>340</td> <td>A</td> <td>3\"/> <tr> <td>341A</td> <td>ETR</td> <td>-</td> <td>WD.</td> <td>J2</td> <td>PTD.</td> <td>-</td> <td>331</td> <td>3\"/> <tr> <td>341B</td> <td>ETR</td> <td>-</td> <td>WD.</td> <td>J2</td> <td>PTD.</td> <td>-</td> <td>333</td> <td>3\"/> <tr> <td>342</td> <td>ETR</td> <td>-</td> <td>WD.</td> <td>J2</td> <td>PTD.</td> <td>-</td> <td>334A</td> <td>3\"/> <tr> <td>344</td> <td>ETR</td> <td>-</td> <td>WD.</td> <td>J2</td> <td>PTD.</td> <td>-</td> <td>334B</td> <td>3\"/> <tr> <td>345</td> <td>ETR</td> <td>-</td> <td>WD.</td> <td>J2</td> <td>PTD.</td> <td>-</td> <td>335A</td> <td>3\"/> <tr> <td>346</td> <td>ETR</td> <td>-</td> <td>WD.</td> <td>J2</td> <td>PTD.</td> <td>-</td> <td>335B</td> <td>3\"/> <tr> <td>347</td> <td>ETR</td> <td>-</td> <td>WD.</td> <td>J2</td> <td>PTD.</td> <td>-</td> <td>336</td> <td>3\"/> <tr> <td>348</td> <td>ETR</td> <td>-</td> <td>WD.</td> <td>J2</td> <td>PTD.</td> <td>-</td> <td>337</td> <td>3\"/> <tr> <td>349</td> <td>ETR</td> <td>-</td> <td>WD.</td> <td>J2</td> <td>PTD.</td> <td>-</td> <td>339</td> <td>3\"/> <tr> <td>350</td> <td>ETR</td> <td>-</td> <td>WD.</td> <td>J2</td> <td>PTD.</td> <td>-</td> <td>340</td> <td>3\"/> </td></tr></td></tr></td></tr></td></tr></td></tr></td></tr></td></tr></td></tr></td></tr></td></tr></td></tr>
 | 340 | A | 3\"/> <tr> <td>341A</td> <td>ETR</td> <td>-</td> <td>WD.</td> <td>J2</td> <td>PTD.</td> <td>-</td> <td>331</td> <td>3\"/> <tr> <td>341B</td> <td>ETR</td> <td>-</td> <td>WD.</td> <td>J2</td> <td>PTD.</td> <td>-</td> <td>333</td> <td>3\"/> <tr> <td>342</td> <td>ETR</td> <td>-</td> <td>WD.</td> <td>J2</td> <td>PTD.</td> <td>-</td> <td>334A</td> <td>3\"/> <tr> <td>344</td> <td>ETR</td> <td>-</td> <td>WD.</td> <td>J2</td> <td>PTD.</td> <td>-</td> <td>334B</td> <td>3\"/> <tr> <td>345</td> <td>ETR</td> <td>-</td> <td>WD.</td> <td>J2</td> <td>PTD.</td> <td>-</td> <td>335A</td> <td>3\"/> <tr> <td>346</td> <td>ETR</td> <td>-</td> <td>WD.</td> <td>J2</td> <td>PTD.</td> <td>-</td> <td>335B</td> <td>3\"/> <tr> <td>347</td> <td>ETR</td> <td>-</td> <td>WD.</td> <td>J2</td> <td>PTD.</td> <td>-</td> <td>336</td> <td>3\"/> <tr> <td>348</td> <td>ETR</td> <td>-</td> <td>WD.</td> <td>J2</td> <td>PTD.</td> <td>-</td> <td>337</td> <td>3\"/> <tr> <td>349</td> <td>ETR</td> <td>-</td> <td>WD.</td> <td>J2</td> <td>PTD.</td> <td>-</td> <td>339</td> <td>3\"/> <tr> <td>350</td> <td>ETR</td> <td>-</td> <td>WD.</td> <td>J2</td> <td>PTD.</td> <td>-</td> <td>340</td> <td>3\"/> </td></tr></td></tr></td></tr></td></tr></td></tr></td></tr></td></tr></td></tr></td></tr></td></tr> | 341A | ETR | -
 | WD. | J2 | PTD. | - | 331 | 3\"/> <tr> <td>341B</td> <td>ETR</td> <td>-</td> <td>WD.</td> <td>J2</td> <td>PTD.</td> <td>-</td> <td>333</td> <td>3\"/> <tr> <td>342</td> <td>ETR</td> <td>-</td> <td>WD.</td> <td>J2</td> <td>PTD.</td> <td>-</td> <td>334A</td> <td>3\"/> <tr> <td>344</td> <td>ETR</td> <td>-</td> <td>WD.</td> <td>J2</td> <td>PTD.</td> <td>-</td> <td>334B</td> <td>3\"/> <tr> <td>345</td> <td>ETR</td> <td>-</td> <td>WD.</td> <td>J2</td> <td>PTD.</td> <td>-</td> <td>335A</td> <td>3\"/> <tr> <td>346</td> <td>ETR</td> <td>-</td> <td>WD.</td> <td>J2</td> <td>PTD.</td> <td>-</td> <td>335B</td> <td>3\"/> <tr> <td>347</td> <td>ETR</td> <td>-</td> <td>WD.</td> <td>J2</td> <td>PTD.</td> <td>-</td> <td>336</td> <td>3\"/> <tr> <td>348</td> <td>ETR</td> <td>-</td> <td>WD.</td> <td>J2</td> <td>PTD.</td> <td>-</td> <td>337</td> <td>3\"/> <tr> <td>349</td> <td>ETR</td> <td>-</td> <td>WD.</td> <td>J2</td> <td>PTD.</td> <td>-</td> <td>339</td> <td>3\"/> <tr> <td>350</td> <td>ETR</td> <td>-</td> <td>WD.</td> <td>J2</td> <td>PTD.</td> <td>-</td> <td>340</td> <td>3\"/> </td></tr></td></tr></td></tr></td></tr></td></tr></td></tr></td></tr></td></tr></td></tr>
 | 341B | ETR | - | WD. | J2 | PTD. | - | 333 | 3\"/> <tr> <td>342</td> <td>ETR</td> <td>-</td> <td>WD.</td> <td>J2</td> <td>PTD.</td> <td>-</td> <td>334A</td> <td>3\"/> <tr> <td>344</td> <td>ETR</td> <td>-</td> <td>WD.</td> <td>J2</td> <td>PTD.</td> <td>-</td> <td>334B</td> <td>3\"/> <tr> <td>345</td> <td>ETR</td> <td>-</td>
<td>WD.</td> <td>J2</td> <td>PTD.</td> <td>-</td> <td>335A</td> <td>3\"/> <tr> <td>346</td> <td>ETR</td> <td>-</td> <td>WD.</td> <td>J2</td> <td>PTD.</td> <td>-</td> <td>335B</td> <td>3\"/> <tr> <td>347</td> <td>ETR</td> <td>-</td> <td>WD.</td> <td>J2</td> <td>PTD.</td> <td>-</td> <td>336</td> <td>3\"/> <tr> <td>348</td> <td>ETR</td> <td>-</td> <td>WD.</td> <td>J2</td> <td>PTD.</td> <td>-</td> <td>337</td> <td>3\"/> <tr> <td>349</td> <td>ETR</td> <td>-</td> <td>WD.</td> <td>J2</td> <td>PTD.</td> <td>-</td> <td>339</td> <td>3\"/> <tr> <td>350</td> <td>ETR</td> <td>-</td> <td>WD.</td> <td>J2</td> <td>PTD.</td> <td>-</td> <td>340</td> <td>3\"/> </td></tr></td></tr></td></tr></td></tr></td></tr></td></tr></td></tr></td></tr> | 342 | ETR | - | WD. | J2 | PTD.
 | - | 334A | 3\"/> <tr> <td>344</td> <td>ETR</td> <td>-</td> <td>WD.</td> <td>J2</td> <td>PTD.</td> <td>-</td> <td>334B</td> <td>3\"/> <tr> <td>345</td> <td>ETR</td> <td>-</td> <td>WD.</td> <td>J2</td> <td>PTD.</td> <td>-</td> <td>335A</td> <td>3\"/> <tr> <td>346</td> <td>ETR</td> <td>-</td> <td>WD.</td> <td>J2</td> <td>PTD.</td> <td>-</td> <td>335B</td> <td>3\"/> <tr> <td>347</td> <td>ETR</td> <td>-</td> <td>WD.</td> <td>J2</td> <td>PTD.</td> <td>-</td> <td>336</td> <td>3\"/> <tr> <td>348</td> <td>ETR</td> <td>-</td> <td>WD.</td> <td>J2</td> <td>PTD.</td> <td>-</td> <td>337</td> <td>3\"/> <tr> <td>349</td> <td>ETR</td> <td>-</td> <td>WD.</td> <td>J2</td> <td>PTD.</td> <td>-</td> <td>339</td> <td>3\"/> <tr> <td>350</td> <td>ETR</td> <td>-</td> <td>WD.</td> <td>J2</td> <td>PTD.</td> <td>-</td> <td>340</td> <td>3\"/> </td></tr></td></tr></td></tr></td></tr></td></tr></td></tr></td></tr> | 344 | ETR | -
 | WD. | J2 | PTD. | - | 334B | 3\"/> <tr> <td>345</td> <td>ETR</td> <td>-</td> <td>WD.</td> <td>J2</td> <td>PTD.</td> <td>-</td> <td>335A</td> <td>3\"/> <tr> <td>346</td> <td>ETR</td> <td>-</td> <td>WD.</td> <td>J2</td> <td>PTD.</td> <td>-</td> <td>335B</td> <td>3\"/> <tr> <td>347</td> <td>ETR</td> <td>-</td> <td>WD.</td> <td>J2</td> <td>PTD.</td> <td>-</td> <td>336</td> <td>3\"/> <tr> <td>348</td> <td>ETR</td> <td>-</td> <td>WD.</td> <td>J2</td> <td>PTD.</td> <td>-</td> <td>337</td> <td>3\"/> <tr> <td>349</td> <td>ETR</td> <td>-</td> <td>WD.</td> <td>J2</td> <td>PTD.</td> <td>-</td> <td>339</td> <td>3\"/> <tr> <td>350</td> <td>ETR</td> <td>-</td> <td>WD.</td> <td>J2</td> <td>PTD.</td> <td>-</td> <td>340</td> <td>3\"/> </td></tr></td></tr></td></tr></td></tr></td></tr></td></tr> | 345 | ETR | -
 | WD. | J2 | PTD. | - | 335A | 3\"/> <tr> <td>346</td> <td>ETR</td> <td>-</td> <td>WD.</td> <td>J2</td> <td>PTD.</td> <td>-</td> <td>335B</td> <td>3\"/> <tr> <td>347</td> <td>ETR</td> <td>-</td> <td>WD.</td> <td>J2</td> <td>PTD.</td> <td>-</td> <td>336</td> <td>3\"/> <tr> <td>348</td> <td>ETR</td> <td>-</td> <td>WD.</td> <td>J2</td> <td>PTD.</td> <td>-</td> <td>337</td> <td>3\"/> <tr> <td>349</td> <td>ETR</td> <td>-</td> <td>WD.</td> <td>J2</td> <td>PTD.</td> <td>-</td> <td>339</td> <td>3\"/> <tr> <td>350</td> <td>ETR</td> <td>-</td> <td>WD.</td> <td>J2</td> <td>PTD.</td> <td>-</td> <td>340</td> <td>3\"/> </td></tr></td></tr></td></tr></td></tr></td></tr>
 | 346 | ETR | - | WD. | J2 | PTD. | - | 335B | 3\"/> <tr> <td>347</td> <td>ETR</td> <td>-</td> <td>WD.</td> <td>J2</td> <td>PTD.</td> <td>-</td> <td>336</td> <td>3\"/> <tr> <td>348</td> <td>ETR</td> <td>-</td> <td>WD.</td> <td>J2</td> <td>PTD.</td> <td>-</td> <td>337</td> <td>3\"/> <tr> <td>349</td> <td>ETR</td> <td>-</td> <td>WD.</td> <td>J2</td> <td>PTD.</td> <td>-</td> <td>339</td> <td>3\"/> <tr> <td>350</td> <td>ETR</td> <td>-</td> <td>WD.</td> <td>J2</td> <td>PTD.</td> <td>-</td> <td>340</td> <td>3\"/> </td></tr></td></tr></td></tr></td></tr>
 | 347 | ETR | - | WD. | J2 | PTD.
 | - | 336 | 3\"/> <tr> <td>348</td> <td>ETR</td> <td>-</td> <td>WD.</td> <td>J2</td> <td>PTD.</td> <td>-</td> <td>337</td> <td>3\"/> <tr> <td>349</td> <td>ETR</td> <td>-</td> <td>WD.</td> <td>J2</td> <td>PTD.</td> <td>-</td> <td>339</td> <td>3\"/> <tr> <td>350</td> <td>ETR</td> <td>-</td> <td>WD.</td> <td>J2</td> <td>PTD.</td> <td>-</td> <td>340</td> <td>3\"/> </td></tr></td></tr></td></tr> | 348 | ETR | - | WD. | J2 | PTD.
 | - | 337 | 3\"/> <tr> <td>349</td> <td>ETR</td> <td>-</td> <td>WD.</td> <td>J2</td> <td>PTD.</td> <td>-</td> <td>339</td> <td>3\"/> <tr> <td>350</td> <td>ETR</td> <td>-</td> <td>WD.</td> <td>J2</td> <td>PTD.</td> <td>-</td> <td>340</td> <td>3\"/> </td></tr></td></tr> | 349 | ETR | - | WD. | J2 | PTD.
 | - | 339 | 3\"/> <tr> <td>350</td> <td>ETR</td> <td>-</td> <td>WD.</td> <td>J2</td> <td>PTD.</td> <td>-</td> <td>340</td> <td>3\"/> </td></tr> | 350 | ETR | - | WD. | J2 | PTD.
 | - | 340 | 3\"/> | | | | | | | | | | | | | | | | | | | | | | | | | | | | | | | | | | | | | | | | | | | | | | | | | | | | | | | | | | | | | | | |
 | | | | | | | | |
 | | | | | | | | | | | |
 | | | | | | | | |
 | | | | | | | | | | | |
 | | | | | | | | |
 | | | | | | | | | | | |
 | | | | | | | | | | | |
 | | | | | | | | | | | | | | |
 | | | | | | | | | | | | | | |
 | | | | | | | | | | | | | | | | | |
 | | | | | | | | | | | | | | | | | | | | |
 | | | | | | | | | | | | | | | | | | | | | | | | | | |
 | | | | | | | | | | | | | | | | | | | | | | | | | | | | | | | | | | | | | | | | | | | | | | | | | | | | | | | | | | | | | | | | | | |
| 335B | B | 3\"/> <tr> <td>336</td> <td>B</td> <td>3\"/> <tr> <td>337</td> <td>ETR</td> <td>-</td> <td>WD.</td> <td>J2</td> <td>PTD.</td> <td>-</td> <td>329A</td> <td>3\"/> <tr> <td>339</td> <td>ETR</td> <td>-</td> <td>WD.</td> <td>J2</td> <td>PTD.</td> <td>-</td> <td>329B</td> <td>3\"/> <tr> <td>340</td> <td>A</td> <td>3\"/> <tr> <td>341A</td> <td>ETR</td> <td>-</td> <td>WD.</td> <td>J2</td> <td>PTD.</td> <td>-</td> <td>331</td> <td>3\"/> <tr> <td>341B</td> <td>ETR</td> <td>-</td> <td>WD.</td> <td>J2</td> <td>PTD.</td> <td>-</td> <td>333</td> <td>3\"/> <tr> <td>342</td> <td>ETR</td> <td>-</td> <td>WD.</td> <td>J2</td> <td>PTD.</td> <td>-</td> <td>334A</td> <td>3\"/> <tr> <td>344</td> <td>ETR</td> <td>-</td> <td>WD.</td> <td>J2</td> <td>PTD.</td> <td>-</td> <td>334B</td> <td>3\"/> <tr> <td>345</td> <td>ETR</td> <td>-</td> <td>WD.</td> <td>J2</td> <td>PTD.</td> <td>-</td> <td>335A</td> <td>3\"/> <tr> <td>346</td> <td>ETR</td> <td>-</td> <td>WD.</td> <td>J2</td> <td>PTD.</td> <td>-</td> <td>335B</td> <td>3\"/> <tr> <td>347</td> <td>ETR</td> <td>-</td> <td>WD.</td> <td>J2</td> <td>PTD.</td> <td>-</td> <td>336</td> <td>3\"/> <tr> <td>348</td> <td>ETR</td> <td>-</td> <td>WD.</td> <td>J2</td> <td>PTD.</td> <td>-</td> <td>337</td> <td>3\"/> <tr> <td>349</td> <td>ETR</td> <td>-</td> <td>WD.</td> <td>J2</td> <td>PTD.</td> <td>-</td> <td>339</td> <td>3\"/> <tr> <td>350</td> <td>ETR</td> <td>-</td> <td>WD.</td> <td>J2</td> <td>PTD.</td> <td>-</td> <td>340</td> <td>3\"/> </td></tr></td></tr></td></tr></td></tr></td></tr></td></tr></td></tr></td></tr></td></tr></td></tr></td></tr></td></tr></td></tr></td></tr> | 336 | B | 3\"/> <tr> <td>337</td> <td>ETR</td> <td>-</td> <td>WD.</td> <td>J2</td> <td>PTD.</td> <td>-</td> <td>329A</td> <td>3\"/> <tr> <td>339</td> <td>ETR</td> <td>-</td> <td>WD.</td> <td>J2</td> <td>PTD.</td> <td>-</td> <td>329B</td> <td>3\"/> <tr> <td>340</td> <td>A</td> <td>3\"/> <tr> <td>341A</td> <td>ETR</td> <td>-</td> <td>WD.</td> <td>J2</td> <td>PTD.</td> <td>-</td> <td>331</td> <td>3\"/> <tr> <td>341B</td> <td>ETR</td> <td>-</td> <td>WD.</td> <td>J2</td> <td>PTD.</td> <td>-</td> <td>333</td> <td>3\"/> <tr> <td>342</td> <td>ETR</td> <td>-</td> <td>WD.</td> <td>J2</td> <td>PTD.</td> <td>-</td> <td>334A</td> <td>3\"/> <tr> <td>344</td> <td>ETR</td> <td>-</td> <td>WD.</td> <td>J2</td> <td>PTD.</td> <td>-</td> <td>334B</td> <td>3\"/> <tr> <td>345</td> <td>ETR</td> <td>-</td> <td>WD.</td> <td>J2</td> <td>PTD.</td> <td>-</td> <td>335A</td> <td>3\"/> <tr> <td>346</td> <td>ETR</td> <td>-</td> <td>WD.</td> <td>J2</td> <td>PTD.</td> <td>-</td> <td>335B</td> <td>3\"/> <tr> <td>347</td> <td>ETR</td> <td>-</td> <td>WD.</td> <td>J2</td> <td>PTD.</td> <td>-</td> <td>336</td> <td>3\"/> <tr> <td>348</td> <td>ETR</td> <td>-</td> <td>WD.</td> <td>J2</td> <td>PTD.</td> <td>-</td> <td>337</td> <td>3\"/> <tr> <td>349</td> <td>ETR</td> <td>-</td> <td>WD.</td> <td>J2</td> <td>PTD.</td> <td>-</td> <td>339</td> <td>3\"/> <tr> <td>350</td> <td>ETR</td> <td>-</td> <td>WD.</td> <td>J2</td> <td>PTD.</td> <td>-</td> <td>340</td> <td>3\"/> </td></tr></td></tr></td></tr></td></tr></td></tr></td></tr></td></tr></td></tr></td></tr></td></tr></td></tr></td></tr></td></tr> | 337 | ETR | -
 | WD. | J2 | PTD. | - | 329A | 3\"/> <tr> <td>339</td> <td>ETR</td> <td>-</td> <td>WD.</td> <td>J2</td> <td>PTD.</td> <td>-</td> <td>329B</td> <td>3\"/> <tr> <td>340</td> <td>A</td> <td>3\"/> <tr> <td>341A</td> <td>ETR</td> <td>-</td> <td>WD.</td> <td>J2</td> <td>PTD.</td> <td>-</td> <td>331</td> <td>3\"/> <tr> <td>341B</td> <td>ETR</td> <td>-</td> <td>WD.</td> <td>J2</td> <td>PTD.</td> <td>-</td> <td>333</td> <td>3\"/> <tr> <td>342</td> <td>ETR</td> <td>-</td> <td>WD.</td> <td>J2</td> <td>PTD.</td> <td>-</td> <td>334A</td> <td>3\"/> <tr> <td>344</td> <td>ETR</td> <td>-</td> <td>WD.</td> <td>J2</td> <td>PTD.</td> <td>-</td> <td>334B</td> <td>3\"/> <tr> <td>345</td> <td>ETR</td> <td>-</td> <td>WD.</td> <td>J2</td> <td>PTD.</td> <td>-</td> <td>335A</td> <td>3\"/> <tr> <td>346</td> <td>ETR</td> <td>-</td> <td>WD.</td> <td>J2</td> <td>PTD.</td> <td>-</td> <td>335B</td> <td>3\"/> <tr> <td>347</td> <td>ETR</td> <td>-</td> <td>WD.</td> <td>J2</td> <td>PTD.</td> <td>-</td> <td>336</td> <td>3\"/> <tr> <td>348</td> <td>ETR</td> <td>-</td> <td>WD.</td> <td>J2</td> <td>PTD.</td> <td>-</td> <td>337</td> <td>3\"/> <tr> <td>349</td> <td>ETR</td> <td>-</td> <td>WD.</td> <td>J2</td> <td>PTD.</td> <td>-</td> <td>339</td> <td>3\"/> <tr> <td>350</td> <td>ETR</td> <td>-</td> <td>WD.</td> <td>J2</td> <td>PTD.</td> <td>-</td> <td>340</td> <td>3\"/> </td></tr></td></tr></td></tr></td></tr></td></tr></td></tr></td></tr></td></tr></td></tr></td></tr></td></tr></td></tr>
 | 339 | ETR | - | WD. | J2 | PTD.
 | - | 329B | 3\"/> <tr> <td>340</td> <td>A</td> <td>3\"/> <tr> <td>341A</td> <td>ETR</td> <td>-</td> <td>WD.</td> <td>J2</td> <td>PTD.</td> <td>-</td> <td>331</td> <td>3\"/> <tr> <td>341B</td> <td>ETR</td> <td>-</td> <td>WD.</td> <td>J2</td> <td>PTD.</td> <td>-</td> <td>333</td> <td>3\"/> <tr> <td>342</td> <td>ETR</td> <td>-</td> <td>WD.</td> <td>J2</td> <td>PTD.</td> <td>-</td> <td>334A</td> <td>3\"/> <tr> <td>344</td> <td>ETR</td> <td>-</td> <td>WD.</td> <td>J2</td> <td>PTD.</td> <td>-</td> <td>334B</td> <td>3\"/> <tr> <td>345</td> <td>ETR</td> <td>-</td> <td>WD.</td> <td>J2</td> <td>PTD.</td> <td>-</td> <td>335A</td> <td>3\"/> <tr> <td>346</td> <td>ETR</td> <td>-</td> <td>WD.</td> <td>J2</td> <td>PTD.</td> <td>-</td> <td>335B</td> <td>3\"/> <tr> <td>347</td> <td>ETR</td> <td>-</td> <td>WD.</td> <td>J2</td> <td>PTD.</td> <td>-</td> <td>336</td> <td>3\"/> <tr> <td>348</td> <td>ETR</td> <td>-</td> <td>WD.</td> <td>J2</td> <td>PTD.</td> <td>-</td> <td>337</td> <td>3\"/> <tr> <td>349</td> <td>ETR</td> <td>-</td> <td>WD.</td> <td>J2</td> <td>PTD.</td> <td>-</td> <td>339</td> <td>3\"/> <tr> <td>350</td> <td>ETR</td> <td>-</td> <td>WD.</td> <td>J2</td> <td>PTD.</td> <td>-</td> <td>340</td> <td>3\"/> </td></tr></td></tr></td></tr></td></tr></td></tr></td></tr></td></tr></td></tr></td></tr></td></tr></td></tr> | 340 | A | 3\"/> <tr> <td>341A</td> <td>ETR</td> <td>-</td> <td>WD.</td> <td>J2</td> <td>PTD.</td> <td>-</td> <td>331</td> <td>3\"/> <tr> <td>341B</td> <td>ETR</td> <td>-</td> <td>WD.</td> <td>J2</td> <td>PTD.</td> <td>-</td> <td>333</td> <td>3\"/> <tr> <td>342</td> <td>ETR</td> <td>-</td> <td>WD.</td> <td>J2</td> <td>PTD.</td> <td>-</td> <td>334A</td> <td>3\"/> <tr> <td>344</td> <td>ETR</td> <td>-</td> <td>WD.</td> <td>J2</td> <td>PTD.</td> <td>-</td> <td>334B</td> <td>3\"/> <tr> <td>345</td> <td>ETR</td> <td>-</td> <td>WD.</td> <td>J2</td> <td>PTD.</td> <td>-</td> <td>335A</td> <td>3\"/> <tr> <td>346</td> <td>ETR</td> <td>-</td> <td>WD.</td> <td>J2</td> <td>PTD.</td> <td>-</td> <td>335B</td> <td>3\"/> <tr> <td>347</td> <td>ETR</td> <td>-</td> <td>WD.</td> <td>J2</td> <td>PTD.</td> <td>-</td> <td>336</td> <td>3\"/> <tr> <td>348</td> <td>ETR</td> <td>-</td> <td>WD.</td> <td>J2</td> <td>PTD.</td> <td>-</td> <td>337</td> <td>3\"/> <tr> <td>349</td> <td>ETR</td> <td>-</td> <td>WD.</td> <td>J2</td> <td>PTD.</td> <td>-</td> <td>339</td> <td>3\"/> <tr> <td>350</td> <td>ETR</td> <td>-</td> <td>WD.</td> <td>J2</td> <td>PTD.</td> <td>-</td> <td>340</td> <td>3\"/> </td></tr></td></tr></td></tr></td></tr></td></tr></td></tr></td></tr></td></tr></td></tr></td></tr>
 | 341A | ETR | - | WD. | J2 | PTD.
 | - | 331 | 3\"/> <tr> <td>341B</td> <td>ETR</td> <td>-</td> <td>WD.</td> <td>J2</td> <td>PTD.</td> <td>-</td> <td>333</td> <td>3\"/> <tr> <td>342</td> <td>ETR</td> <td>-</td> <td>WD.</td> <td>J2</td> <td>PTD.</td> <td>-</td> <td>334A</td> <td>3\"/> <tr> <td>344</td> <td>ETR</td> <td>-</td> <td>WD.</td> <td>J2</td> <td>PTD.</td> <td>-</td> <td>334B</td> <td>3\"/> <tr> <td>345</td> <td>ETR</td> <td>-</td> <td>WD.</td> <td>J2</td> <td>PTD.</td> <td>-</td> <td>335A</td> <td>3\"/> <tr> <td>346</td> <td>ETR</td> <td>-</td> <td>WD.</td> <td>J2</td> <td>PTD.</td> <td>-</td> <td>335B</td> <td>3\"/> <tr> <td>347</td> <td>ETR</td> <td>-</td> <td>WD.</td> <td>J2</td> <td>PTD.</td> <td>-</td> <td>336</td> <td>3\"/> <tr> <td>348</td> <td>ETR</td> <td>-</td> <td>WD.</td> <td>J2</td> <td>PTD.</td> <td>-</td> <td>337</td> <td>3\"/> <tr> <td>349</td> <td>ETR</td> <td>-</td> <td>WD.</td> <td>J2</td> <td>PTD.</td> <td>-</td> <td>339</td> <td>3\"/> <tr> <td>350</td> <td>ETR</td> <td>-</td> <td>WD.</td> <td>J2</td> <td>PTD.</td> <td>-</td> <td>340</td> <td>3\"/> </td></tr></td></tr></td></tr></td></tr></td></tr></td></tr></td></tr></td></tr></td></tr> | 341B | ETR | -
 | WD. | J2 | PTD. | - | 333 | 3\"/> <tr> <td>342</td> <td>ETR</td> <td>-</td> <td>WD.</td> <td>J2</td> <td>PTD.</td> <td>-</td> <td>334A</td> <td>3\"/> <tr> <td>344</td> <td>ETR</td> <td>-</td> <td>WD.</td> <td>J2</td> <td>PTD.</td> <td>-</td> <td>334B</td> <td>3\"/> <tr> <td>345</td> <td>ETR</td> <td>-</td> <td>WD.</td> <td>J2</td> <td>PTD.</td> <td>-</td> <td>335A</td> <td>3\"/> <tr> <td>346</td> <td>ETR</td> <td>-</td> <td>WD.</td> <td>J2</td> <td>PTD.</td> <td>-</td> <td>335B</td> <td>3\"/> <tr> <td>347</td> <td>ETR</td> <td>-</td> <td>WD.</td> <td>J2</td> <td>PTD.</td> <td>-</td> <td>336</td> <td>3\"/> <tr> <td>348</td> <td>ETR</td> <td>-</td> <td>WD.</td> <td>J2</td> <td>PTD.</td> <td>-</td> <td>337</td> <td>3\"/> <tr> <td>349</td> <td>ETR</td> <td>-</td> <td>WD.</td> <td>J2</td> <td>PTD.</td> <td>-</td> <td>339</td> <td>3\"/> <tr> <td>350</td> <td>ETR</td> <td>-</td> <td>WD.</td> <td>J2</td> <td>PTD.</td> <td>-</td> <td>340</td> <td>3\"/> </td></tr></td></tr></td></tr></td></tr></td></tr></td></tr></td></tr></td></tr>
 | 342 | ETR | - | WD. | J2 | PTD. | - | 334A | 3\"/> <tr> <td>344</td> <td>ETR</td> <td>-</td> <td>WD.</td> <td>J2</td> <td>PTD.</td> <td>-</td> <td>334B</td> <td>3\"/> <tr> <td>345</td> <td>ETR</td> <td>-</td> <td>WD.</td> <td>J2</td> <td>PTD.</td> <td>-</td> <td>335A</td> <td>3\"/> <tr> <td>346</td> <td>ETR</td> <td>-</td>
<td>WD.</td> <td>J2</td> <td>PTD.</td> <td>-</td> <td>335B</td> <td>3\"/> <tr> <td>347</td> <td>ETR</td> <td>-</td> <td>WD.</td> <td>J2</td> <td>PTD.</td> <td>-</td> <td>336</td> <td>3\"/> <tr> <td>348</td> <td>ETR</td> <td>-</td> <td>WD.</td> <td>J2</td> <td>PTD.</td> <td>-</td> <td>337</td> <td>3\"/> <tr> <td>349</td> <td>ETR</td> <td>-</td> <td>WD.</td> <td>J2</td> <td>PTD.</td> <td>-</td> <td>339</td> <td>3\"/> <tr> <td>350</td> <td>ETR</td> <td>-</td> <td>WD.</td> <td>J2</td> <td>PTD.</td> <td>-</td> <td>340</td> <td>3\"/> </td></tr></td></tr></td></tr></td></tr></td></tr></td></tr></td></tr> | 344 | ETR | - | WD. | J2 | PTD.
 | - | 334B | 3\"/> <tr> <td>345</td> <td>ETR</td> <td>-</td> <td>WD.</td> <td>J2</td> <td>PTD.</td> <td>-</td> <td>335A</td> <td>3\"/> <tr> <td>346</td> <td>ETR</td> <td>-</td> <td>WD.</td> <td>J2</td> <td>PTD.</td> <td>-</td> <td>335B</td> <td>3\"/> <tr> <td>347</td> <td>ETR</td> <td>-</td> <td>WD.</td> <td>J2</td> <td>PTD.</td> <td>-</td> <td>336</td> <td>3\"/> <tr> <td>348</td> <td>ETR</td> <td>-</td> <td>WD.</td> <td>J2</td> <td>PTD.</td> <td>-</td> <td>337</td> <td>3\"/> <tr> <td>349</td> <td>ETR</td> <td>-</td> <td>WD.</td> <td>J2</td> <td>PTD.</td> <td>-</td> <td>339</td> <td>3\"/> <tr> <td>350</td> <td>ETR</td> <td>-</td> <td>WD.</td> <td>J2</td> <td>PTD.</td> <td>-</td> <td>340</td> <td>3\"/> </td></tr></td></tr></td></tr></td></tr></td></tr></td></tr> | 345 | ETR | -
 | WD. | J2 | PTD. | - | 335A | 3\"/> <tr> <td>346</td> <td>ETR</td> <td>-</td> <td>WD.</td> <td>J2</td> <td>PTD.</td> <td>-</td> <td>335B</td> <td>3\"/> <tr> <td>347</td> <td>ETR</td> <td>-</td> <td>WD.</td> <td>J2</td> <td>PTD.</td> <td>-</td> <td>336</td> <td>3\"/> <tr> <td>348</td> <td>ETR</td> <td>-</td> <td>WD.</td> <td>J2</td> <td>PTD.</td> <td>-</td> <td>337</td> <td>3\"/> <tr> <td>349</td> <td>ETR</td> <td>-</td> <td>WD.</td> <td>J2</td> <td>PTD.</td> <td>-</td> <td>339</td> <td>3\"/> <tr> <td>350</td> <td>ETR</td> <td>-</td> <td>WD.</td> <td>J2</td> <td>PTD.</td> <td>-</td> <td>340</td> <td>3\"/> </td></tr></td></tr></td></tr></td></tr></td></tr> | 346 | ETR | -
 | WD. | J2 | PTD. | - | 335B | 3\"/> <tr> <td>347</td> <td>ETR</td> <td>-</td> <td>WD.</td> <td>J2</td> <td>PTD.</td> <td>-</td> <td>336</td> <td>3\"/> <tr> <td>348</td> <td>ETR</td> <td>-</td> <td>WD.</td> <td>J2</td> <td>PTD.</td> <td>-</td> <td>337</td> <td>3\"/> <tr> <td>349</td> <td>ETR</td> <td>-</td> <td>WD.</td> <td>J2</td> <td>PTD.</td> <td>-</td> <td>339</td> <td>3\"/> <tr> <td>350</td> <td>ETR</td> <td>-</td> <td>WD.</td> <td>J2</td> <td>PTD.</td> <td>-</td> <td>340</td> <td>3\"/> </td></tr></td></tr></td></tr></td></tr>
 | 347 | ETR | - | WD. | J2 | PTD. | - | 336 | 3\"/> <tr> <td>348</td> <td>ETR</td> <td>-</td> <td>WD.</td> <td>J2</td> <td>PTD.</td> <td>-</td> <td>337</td> <td>3\"/> <tr> <td>349</td> <td>ETR</td> <td>-</td> <td>WD.</td> <td>J2</td> <td>PTD.</td> <td>-</td> <td>339</td> <td>3\"/> <tr> <td>350</td> <td>ETR</td> <td>-</td> <td>WD.</td> <td>J2</td> <td>PTD.</td> <td>-</td> <td>340</td> <td>3\"/> </td></tr></td></tr></td></tr>
 | 348 | ETR | - | WD. | J2 | PTD.
 | - | 337 | 3\"/> <tr> <td>349</td> <td>ETR</td> <td>-</td> <td>WD.</td> <td>J2</td> <td>PTD.</td> <td>-</td> <td>339</td> <td>3\"/> <tr> <td>350</td> <td>ETR</td> <td>-</td> <td>WD.</td> <td>J2</td> <td>PTD.</td> <td>-</td> <td>340</td> <td>3\"/> </td></tr></td></tr> | 349 | ETR | - | WD. | J2 | PTD.
 | - | 339 | 3\"/> <tr> <td>350</td> <td>ETR</td> <td>-</td> <td>WD.</td> <td>J2</td> <td>PTD.</td> <td>-</td> <td>340</td> <td>3\"/> </td></tr> | 350 | ETR | - | WD. | J2 | PTD.
 | - | 340 | 3\"/> | | | | | | | | | | | | | | | | | | | | | | | | | | | | | | | | | | | | | | | | | | | | | | | | | | | | | | | | | | | | | | | |
 | | | | | |
 | | | | | | | | |
 | | | | | | | | | | | |
 | | | | | | | | |
 | | | | | | | | | | | |
 | | | | | | | | |
 | | | | | | | | | | | |
 | | | | | | | | | | | |
 | | | | | | | | | | | | | | |
 | | | | | | | | | | | | | | |
 | | | | | | | | | | | | | | | | | |
 | | | | | | | | | | | | | | | | | | | | |
 | | | | | | | | | | | | | | | | | | | | | | | | | | |
 | | | | | | | | | | | | | | | | | | | | | | | | | | | | | | | | | | | | | | | | | | | | | | | | | | | | | | | | | | | | | | | | | | |
| 336 | B | 3\"/> <tr> <td>337</td> <td>ETR</td> <td>-</td> <td>WD.</td> <td>J2</td> <td>PTD.</td> <td>-</td> <td>329A</td> <td>3\"/> <tr> <td>339</td> <td>ETR</td> <td>-</td> <td>WD.</td> <td>J2</td> <td>PTD.</td> <td>-</td> <td>329B</td> <td>3\"/> <tr> <td>340</td> <td>A</td> <td>3\"/> <tr> <td>341A</td> <td>ETR</td> <td>-</td> <td>WD.</td> <td>J2</td> <td>PTD.</td> <td>-</td> <td>331</td> <td>3\"/> <tr> <td>341B</td> <td>ETR</td> <td>-</td> <td>WD.</td> <td>J2</td> <td>PTD.</td> <td>-</td> <td>333</td> <td>3\"/> <tr> <td>342</td> <td>ETR</td> <td>-</td> <td>WD.</td> <td>J2</td> <td>PTD.</td> <td>-</td> <td>334A</td> <td>3\"/> <tr> <td>344</td> <td>ETR</td> <td>-</td> <td>WD.</td> <td>J2</td> <td>PTD.</td> <td>-</td> <td>334B</td> <td>3\"/> <tr> <td>345</td> <td>ETR</td> <td>-</td> <td>WD.</td> <td>J2</td> <td>PTD.</td> <td>-</td> <td>335A</td> <td>3\"/> <tr> <td>346</td> <td>ETR</td> <td>-</td> <td>WD.</td> <td>J2</td> <td>PTD.</td> <td>-</td> <td>335B</td> <td>3\"/> <tr> <td>347</td> <td>ETR</td> <td>-</td> <td>WD.</td> <td>J2</td> <td>PTD.</td> <td>-</td> <td>336</td> <td>3\"/> <tr> <td>348</td> <td>ETR</td> <td>-</td> <td>WD.</td> <td>J2</td> <td>PTD.</td> <td>-</td> <td>337</td> <td>3\"/> <tr> <td>349</td> <td>ETR</td> <td>-</td> <td>WD.</td> <td>J2</td> <td>PTD.</td> <td>-</td> <td>339</td> <td>3\"/> <tr> <td>350</td> <td>ETR</td> <td>-</td> <td>WD.</td> <td>J2</td> <td>PTD.</td> <td>-</td> <td>340</td> <td>3\"/> </td></tr></td></tr></td></tr></td></tr></td></tr></td></tr></td></tr></td></tr></td></tr></td></tr></td></tr></td></tr></td></tr> | 337 | ETR | - | WD. | J2 | PTD.
 | - | 329A | 3\"/> <tr> <td>339</td> <td>ETR</td> <td>-</td> <td>WD.</td> <td>J2</td> <td>PTD.</td> <td>-</td> <td>329B</td> <td>3\"/> <tr> <td>340</td> <td>A</td> <td>3\"/> <tr> <td>341A</td> <td>ETR</td> <td>-</td> <td>WD.</td> <td>J2</td> <td>PTD.</td> <td>-</td> <td>331</td> <td>3\"/> <tr> <td>341B</td> <td>ETR</td> <td>-</td> <td>WD.</td> <td>J2</td> <td>PTD.</td> <td>-</td> <td>333</td> <td>3\"/> <tr> <td>342</td> <td>ETR</td> <td>-</td> <td>WD.</td> <td>J2</td> <td>PTD.</td> <td>-</td> <td>334A</td> <td>3\"/> <tr> <td>344</td> <td>ETR</td> <td>-</td> <td>WD.</td> <td>J2</td> <td>PTD.</td> <td>-</td> <td>334B</td> <td>3\"/> <tr> <td>345</td> <td>ETR</td> <td>-</td> <td>WD.</td> <td>J2</td> <td>PTD.</td> <td>-</td> <td>335A</td> <td>3\"/> <tr> <td>346</td> <td>ETR</td> <td>-</td> <td>WD.</td> <td>J2</td> <td>PTD.</td> <td>-</td> <td>335B</td> <td>3\"/> <tr> <td>347</td> <td>ETR</td> <td>-</td> <td>WD.</td> <td>J2</td> <td>PTD.</td> <td>-</td> <td>336</td> <td>3\"/> <tr> <td>348</td> <td>ETR</td> <td>-</td> <td>WD.</td> <td>J2</td> <td>PTD.</td> <td>-</td> <td>337</td> <td>3\"/> <tr> <td>349</td> <td>ETR</td> <td>-</td> <td>WD.</td> <td>J2</td> <td>PTD.</td> <td>-</td> <td>339</td> <td>3\"/> <tr> <td>350</td> <td>ETR</td> <td>-</td> <td>WD.</td> <td>J2</td> <td>PTD.</td> <td>-</td> <td>340</td> <td>3\"/> </td></tr></td></tr></td></tr></td></tr></td></tr></td></tr></td></tr></td></tr></td></tr></td></tr></td></tr></td></tr> | 339 | ETR | -
 | WD. | J2 | PTD. | - | 329B | 3\"/> <tr> <td>340</td> <td>A</td> <td>3\"/> <tr> <td>341A</td> <td>ETR</td> <td>-</td> <td>WD.</td> <td>J2</td> <td>PTD.</td> <td>-</td> <td>331</td> <td>3\"/> <tr> <td>341B</td> <td>ETR</td> <td>-</td> <td>WD.</td> <td>J2</td> <td>PTD.</td> <td>-</td> <td>333</td> <td>3\"/> <tr> <td>342</td> <td>ETR</td> <td>-</td> <td>WD.</td> <td>J2</td> <td>PTD.</td> <td>-</td> <td>334A</td> <td>3\"/> <tr> <td>344</td> <td>ETR</td> <td>-</td> <td>WD.</td> <td>J2</td> <td>PTD.</td> <td>-</td> <td>334B</td> <td>3\"/> <tr> <td>345</td> <td>ETR</td> <td>-</td> <td>WD.</td> <td>J2</td> <td>PTD.</td> <td>-</td> <td>335A</td> <td>3\"/> <tr> <td>346</td> <td>ETR</td> <td>-</td> <td>WD.</td> <td>J2</td> <td>PTD.</td> <td>-</td> <td>335B</td> <td>3\"/> <tr> <td>347</td> <td>ETR</td> <td>-</td> <td>WD.</td> <td>J2</td> <td>PTD.</td> <td>-</td> <td>336</td> <td>3\"/> <tr> <td>348</td> <td>ETR</td> <td>-</td> <td>WD.</td> <td>J2</td> <td>PTD.</td> <td>-</td> <td>337</td> <td>3\"/> <tr> <td>349</td> <td>ETR</td> <td>-</td> <td>WD.</td> <td>J2</td> <td>PTD.</td> <td>-</td> <td>339</td> <td>3\"/> <tr> <td>350</td> <td>ETR</td> <td>-</td> <td>WD.</td> <td>J2</td> <td>PTD.</td> <td>-</td> <td>340</td> <td>3\"/> </td></tr></td></tr></td></tr></td></tr></td></tr></td></tr></td></tr></td></tr></td></tr></td></tr></td></tr>
 | 340 | A | 3\"/> <tr> <td>341A</td> <td>ETR</td> <td>-</td> <td>WD.</td> <td>J2</td> <td>PTD.</td> <td>-</td> <td>331</td> <td>3\"/> <tr> <td>341B</td> <td>ETR</td> <td>-</td> <td>WD.</td> <td>J2</td> <td>PTD.</td> <td>-</td> <td>333</td> <td>3\"/> <tr> <td>342</td> <td>ETR</td> <td>-</td> <td>WD.</td> <td>J2</td> <td>PTD.</td> <td>-</td> <td>334A</td> <td>3\"/> <tr> <td>344</td> <td>ETR</td> <td>-</td> <td>WD.</td> <td>J2</td> <td>PTD.</td> <td>-</td> <td>334B</td> <td>3\"/> <tr> <td>345</td> <td>ETR</td> <td>-</td> <td>WD.</td> <td>J2</td> <td>PTD.</td> <td>-</td> <td>335A</td> <td>3\"/> <tr> <td>346</td> <td>ETR</td> <td>-</td> <td>WD.</td> <td>J2</td> <td>PTD.</td> <td>-</td> <td>335B</td> <td>3\"/> <tr> <td>347</td> <td>ETR</td> <td>-</td> <td>WD.</td> <td>J2</td> <td>PTD.</td> <td>-</td> <td>336</td> <td>3\"/> <tr> <td>348</td> <td>ETR</td> <td>-</td> <td>WD.</td> <td>J2</td> <td>PTD.</td> <td>-</td> <td>337</td> <td>3\"/> <tr> <td>349</td> <td>ETR</td> <td>-</td> <td>WD.</td> <td>J2</td> <td>PTD.</td> <td>-</td> <td>339</td> <td>3\"/> <tr> <td>350</td> <td>ETR</td> <td>-</td> <td>WD.</td> <td>J2</td> <td>PTD.</td> <td>-</td> <td>340</td> <td>3\"/> </td></tr></td></tr></td></tr></td></tr></td></tr></td></tr></td></tr></td></tr></td></tr></td></tr> | 341A | ETR | -
 | WD. | J2 | PTD. | - | 331 | 3\"/> <tr> <td>341B</td> <td>ETR</td> <td>-</td> <td>WD.</td> <td>J2</td> <td>PTD.</td> <td>-</td> <td>333</td> <td>3\"/> <tr> <td>342</td> <td>ETR</td> <td>-</td> <td>WD.</td> <td>J2</td> <td>PTD.</td> <td>-</td> <td>334A</td> <td>3\"/> <tr> <td>344</td> <td>ETR</td> <td>-</td> <td>WD.</td> <td>J2</td> <td>PTD.</td> <td>-</td> <td>334B</td> <td>3\"/> <tr> <td>345</td> <td>ETR</td> <td>-</td> <td>WD.</td> <td>J2</td> <td>PTD.</td> <td>-</td> <td>335A</td> <td>3\"/> <tr> <td>346</td> <td>ETR</td> <td>-</td> <td>WD.</td> <td>J2</td> <td>PTD.</td> <td>-</td> <td>335B</td> <td>3\"/> <tr> <td>347</td> <td>ETR</td> <td>-</td> <td>WD.</td> <td>J2</td> <td>PTD.</td> <td>-</td> <td>336</td> <td>3\"/> <tr> <td>348</td> <td>ETR</td> <td>-</td> <td>WD.</td> <td>J2</td> <td>PTD.</td> <td>-</td> <td>337</td> <td>3\"/> <tr> <td>349</td> <td>ETR</td> <td>-</td> <td>WD.</td> <td>J2</td> <td>PTD.</td> <td>-</td> <td>339</td> <td>3\"/> <tr> <td>350</td> <td>ETR</td> <td>-</td> <td>WD.</td> <td>J2</td> <td>PTD.</td> <td>-</td> <td>340</td> <td>3\"/> </td></tr></td></tr></td></tr></td></tr></td></tr></td></tr></td></tr></td></tr></td></tr>
 | 341B | ETR | - | WD. | J2 | PTD.
 | - | 333 | 3\"/> <tr> <td>342</td> <td>ETR</td> <td>-</td> <td>WD.</td> <td>J2</td> <td>PTD.</td> <td>-</td> <td>334A</td> <td>3\"/> <tr> <td>344</td> <td>ETR</td> <td>-</td> <td>WD.</td> <td>J2</td> <td>PTD.</td> <td>-</td> <td>334B</td> <td>3\"/> <tr> <td>345</td> <td>ETR</td> <td>-</td> <td>WD.</td> <td>J2</td> <td>PTD.</td> <td>-</td> <td>335A</td> <td>3\"/> <tr> <td>346</td> <td>ETR</td> <td>-</td> <td>WD.</td> <td>J2</td> <td>PTD.</td> <td>-</td> <td>335B</td> <td>3\"/> <tr> <td>347</td> <td>ETR</td> <td>-</td> <td>WD.</td> <td>J2</td> <td>PTD.</td> <td>-</td> <td>336</td> <td>3\"/> <tr> <td>348</td> <td>ETR</td> <td>-</td> <td>WD.</td> <td>J2</td> <td>PTD.</td> <td>-</td> <td>337</td> <td>3\"/> <tr> <td>349</td> <td>ETR</td> <td>-</td> <td>WD.</td> <td>J2</td> <td>PTD.</td> <td>-</td> <td>339</td> <td>3\"/> <tr> <td>350</td> <td>ETR</td> <td>-</td> <td>WD.</td> <td>J2</td> <td>PTD.</td> <td>-</td> <td>340</td> <td>3\"/> </td></tr></td></tr></td></tr></td></tr></td></tr></td></tr></td></tr></td></tr> | 342 | ETR | -
 | WD. | J2 | PTD. | - | 334A | 3\"/> <tr> <td>344</td> <td>ETR</td> <td>-</td> <td>WD.</td> <td>J2</td> <td>PTD.</td> <td>-</td> <td>334B</td> <td>3\"/> <tr> <td>345</td> <td>ETR</td> <td>-</td> <td>WD.</td> <td>J2</td> <td>PTD.</td> <td>-</td> <td>335A</td> <td>3\"/> <tr> <td>346</td> <td>ETR</td> <td>-</td> <td>WD.</td> <td>J2</td> <td>PTD.</td> <td>-</td> <td>335B</td> <td>3\"/> <tr> <td>347</td> <td>ETR</td> <td>-</td> <td>WD.</td> <td>J2</td> <td>PTD.</td> <td>-</td> <td>336</td> <td>3\"/> <tr> <td>348</td> <td>ETR</td> <td>-</td> <td>WD.</td> <td>J2</td> <td>PTD.</td> <td>-</td> <td>337</td> <td>3\"/> <tr> <td>349</td> <td>ETR</td> <td>-</td> <td>WD.</td> <td>J2</td> <td>PTD.</td> <td>-</td> <td>339</td> <td>3\"/> <tr> <td>350</td> <td>ETR</td> <td>-</td> <td>WD.</td> <td>J2</td> <td>PTD.</td> <td>-</td> <td>340</td> <td>3\"/> </td></tr></td></tr></td></tr></td></tr></td></tr></td></tr></td></tr> | 344 | ETR | -
 | WD. | J2 | PTD. | - | 334B | 3\"/> <tr> <td>345</td> <td>ETR</td> <td>-</td> <td>WD.</td> <td>J2</td> <td>PTD.</td> <td>-</td> <td>335A</td> <td>3\"/> <tr> <td>346</td> <td>ETR</td> <td>-</td> <td>WD.</td> <td>J2</td> <td>PTD.</td> <td>-</td> <td>335B</td> <td>3\"/> <tr> <td>347</td> <td>ETR</td> <td>-</td> <td>WD.</td> <td>J2</td> <td>PTD.</td> <td>-</td> <td>336</td> <td>3\"/> <tr> <td>348</td> <td>ETR</td> <td>-</td> <td>WD.</td> <td>J2</td> <td>PTD.</td> <td>-</td> <td>337</td> <td>3\"/> <tr> <td>349</td> <td>ETR</td> <td>-</td> <td>WD.</td> <td>J2</td> <td>PTD.</td> <td>-</td> <td>339</td> <td>3\"/> <tr> <td>350</td> <td>ETR</td> <td>-</td> <td>WD.</td> <td>J2</td> <td>PTD.</td> <td>-</td> <td>340</td> <td>3\"/> </td></tr></td></tr></td></tr></td></tr></td></tr></td></tr>
 | 345 | ETR | - | WD. | J2 | PTD.
 | - | 335A | 3\"/> <tr> <td>346</td> <td>ETR</td> <td>-</td> <td>WD.</td> <td>J2</td> <td>PTD.</td> <td>-</td> <td>335B</td> <td>3\"/> <tr> <td>347</td> <td>ETR</td> <td>-</td> <td>WD.</td> <td>J2</td> <td>PTD.</td> <td>-</td> <td>336</td> <td>3\"/> <tr> <td>348</td> <td>ETR</td> <td>-</td> <td>WD.</td> <td>J2</td> <td>PTD.</td> <td>-</td> <td>337</td> <td>3\"/> <tr> <td>349</td> <td>ETR</td> <td>-</td> <td>WD.</td> <td>J2</td> <td>PTD.</td> <td>-</td> <td>339</td> <td>3\"/> <tr> <td>350</td> <td>ETR</td> <td>-</td> <td>WD.</td> <td>J2</td> <td>PTD.</td> <td>-</td> <td>340</td> <td>3\"/> </td></tr></td></tr></td></tr></td></tr></td></tr> | 346 | ETR | - | WD. | J2 | PTD.
 | - | 335B | 3\"/> <tr> <td>347</td> <td>ETR</td> <td>-</td> <td>WD.</td> <td>J2</td> <td>PTD.</td> <td>-</td> <td>336</td> <td>3\"/> <tr> <td>348</td> <td>ETR</td> <td>-</td> <td>WD.</td> <td>J2</td> <td>PTD.</td> <td>-</td> <td>337</td> <td>3\"/> <tr> <td>349</td> <td>ETR</td> <td>-</td> <td>WD.</td> <td>J2</td> <td>PTD.</td> <td>-</td> <td>339</td> <td>3\"/> <tr> <td>350</td> <td>ETR</td> <td>-</td> <td>WD.</td> <td>J2</td> <td>PTD.</td> <td>-</td> <td>340</td> <td>3\"/> </td></tr></td></tr></td></tr></td></tr> | 347 | ETR | -
 | WD. | J2 | PTD. | - | 336 | 3\"/> <tr> <td>348</td> <td>ETR</td> <td>-</td> <td>WD.</td> <td>J2</td> <td>PTD.</td> <td>-</td> <td>337</td> <td>3\"/> <tr> <td>349</td> <td>ETR</td> <td>-</td> <td>WD.</td> <td>J2</td> <td>PTD.</td> <td>-</td> <td>339</td> <td>3\"/> <tr> <td>350</td> <td>ETR</td> <td>-</td> <td>WD.</td> <td>J2</td> <td>PTD.</td> <td>-</td> <td>340</td> <td>3\"/> </td></tr></td></tr></td></tr> | 348 | ETR | -
 | WD. | J2 | PTD. | - | 337 | 3\"/> <tr> <td>349</td> <td>ETR</td> <td>-</td> <td>WD.</td> <td>J2</td> <td>PTD.</td> <td>-</td> <td>339</td> <td>3\"/> <tr> <td>350</td> <td>ETR</td> <td>-</td> <td>WD.</td> <td>J2</td> <td>PTD.</td> <td>-</td> <td>340</td> <td>3\"/> </td></tr></td></tr>
 | 349 | ETR | - | WD. | J2 | PTD. | - | 339 | 3\"/> <tr> <td>350</td> <td>ETR</td> <td>-</td> <td>WD.</td> <td>J2</td> <td>PTD.</td> <td>-</td> <td>340</td> <td>3\"/> </td></tr>
 | 350 | ETR | - | WD. | J2 | PTD. | - | 340 | 3\"/>
 | | | | | | | | | | | | | | | | | | | | | | | | | | | | | | | | | | | | | | | | | | | | | | | | | | | | | | | | | | | | | | | | | | |
 | | | | | |
 | | | | | | | | |
 | | | | | | | | | | | |
 | | | | | | | | |
 | | | | | | | | | | | |
 | | | | | | | | |
 | | | | | | | | | | | |
 | | | | | | | | | | | |
 | | | | | | | | | | | | | | |
 | | | | | | | | | | | | | | |
 | | | | | | | | | | | | | | | | | |
 | | | | | | | | | | | | | | | | | | | | |
 | | | | | | | | | | | | | | | | | | | | | | | | | | |
 | | | | | | | | | | | | | | | | | | | | | | | | | | | | | | | | | | | | | | | | | | | | | | | | | | | | | | | | | | | | | | | | | | |
| 337 | ETR | - | WD. | J2 | PTD. | - | 329A | 3\"/> <tr> <td>339</td> <td>ETR</td> <td>-</td> <td>WD.</td> <td>J2</td> <td>PTD.</td> <td>-</td> <td>329B</td> <td>3\"/> <tr> <td>340</td> <td>A</td> <td>3\"/> <tr> <td>341A</td> <td>ETR</td> <td>-</td> <td>WD.</td> <td>J2</td> <td>PTD.</td> <td>-</td> <td>331</td> <td>3\"/> <tr> <td>341B</td> <td>ETR</td> <td>-</td> <td>WD.</td> <td>J2</td> <td>PTD.</td> <td>-</td> <td>333</td> <td>3\"/> <tr> <td>342</td> <td>ETR</td> <td>-</td> <td>WD.</td> <td>J2</td> <td>PTD.</td> <td>-</td> <td>334A</td> <td>3\"/> <tr> <td>344</td> <td>ETR</td> <td>-</td> <td>WD.</td> <td>J2</td> <td>PTD.</td> <td>-</td> <td>334B</td> <td>3\"/> <tr> <td>345</td> <td>ETR</td> <td>-</td> <td>WD.</td> <td>J2</td> <td>PTD.</td> <td>-</td> <td>335A</td> <td>3\"/> <tr> <td>346</td> <td>ETR</td> <td>-</td> <td>WD.</td> <td>J2</td> <td>PTD.</td> <td>-</td> <td>335B</td> <td>3\"/> <tr> <td>347</td> <td>ETR</td> <td>-</td> <td>WD.</td> <td>J2</td> <td>PTD.</td> <td>-</td> <td>336</td> <td>3\"/> <tr> <td>348</td> <td>ETR</td> <td>-</td> <td>WD.</td> <td>J2</td> <td>PTD.</td> <td>-</td> <td>337</td> <td>3\"/> <tr> <td>349</td> <td>ETR</td> <td>-</td> <td>WD.</td> <td>J2</td> <td>PTD.</td> <td>-</td> <td>339</td> <td>3\"/> <tr> <td>350</td> <td>ETR</td> <td>-</td> <td>WD.</td> <td>J2</td> <td>PTD.</td> <td>-</td> <td>340</td> <td>3\"/> </td></tr></td></tr></td></tr></td></tr></td></tr></td></tr></td></tr></td></tr></td></tr></td></tr></td></tr></td></tr>
 | 339 | ETR | - | WD. | J2 | PTD.
 | - | 329B | 3\"/> <tr> <td>340</td> <td>A</td> <td>3\"/> <tr> <td>341A</td> <td>ETR</td> <td>-</td> <td>WD.</td> <td>J2</td> <td>PTD.</td> <td>-</td> <td>331</td> <td>3\"/> <tr> <td>341B</td> <td>ETR</td> <td>-</td> <td>WD.</td> <td>J2</td> <td>PTD.</td> <td>-</td> <td>333</td> <td>3\"/> <tr> <td>342</td> <td>ETR</td> <td>-</td> <td>WD.</td> <td>J2</td> <td>PTD.</td> <td>-</td> <td>334A</td> <td>3\"/> <tr> <td>344</td> <td>ETR</td> <td>-</td> <td>WD.</td> <td>J2</td> <td>PTD.</td> <td>-</td> <td>334B</td> <td>3\"/> <tr> <td>345</td> <td>ETR</td> <td>-</td> <td>WD.</td> <td>J2</td> <td>PTD.</td> <td>-</td> <td>335A</td> <td>3\"/> <tr> <td>346</td> <td>ETR</td> <td>-</td> <td>WD.</td> <td>J2</td> <td>PTD.</td> <td>-</td> <td>335B</td> <td>3\"/> <tr> <td>347</td> <td>ETR</td> <td>-</td> <td>WD.</td> <td>J2</td> <td>PTD.</td> <td>-</td> <td>336</td> <td>3\"/> <tr> <td>348</td> <td>ETR</td> <td>-</td> <td>WD.</td> <td>J2</td> <td>PTD.</td> <td>-</td> <td>337</td> <td>3\"/> <tr> <td>349</td> <td>ETR</td> <td>-</td> <td>WD.</td> <td>J2</td> <td>PTD.</td> <td>-</td> <td>339</td> <td>3\"/> <tr> <td>350</td> <td>ETR</td> <td>-</td> <td>WD.</td> <td>J2</td> <td>PTD.</td> <td>-</td> <td>340</td> <td>3\"/> </td></tr></td></tr></td></tr></td></tr></td></tr></td></tr></td></tr></td></tr></td></tr></td></tr></td></tr> | 340 | A | 3\"/> <tr> <td>341A</td> <td>ETR</td> <td>-</td> <td>WD.</td> <td>J2</td> <td>PTD.</td> <td>-</td> <td>331</td> <td>3\"/> <tr> <td>341B</td> <td>ETR</td> <td>-</td> <td>WD.</td> <td>J2</td> <td>PTD.</td> <td>-</td> <td>333</td> <td>3\"/> <tr> <td>342</td> <td>ETR</td> <td>-</td> <td>WD.</td> <td>J2</td> <td>PTD.</td> <td>-</td> <td>334A</td> <td>3\"/> <tr> <td>344</td> <td>ETR</td> <td>-</td> <td>WD.</td> <td>J2</td> <td>PTD.</td> <td>-</td> <td>334B</td> <td>3\"/> <tr> <td>345</td> <td>ETR</td> <td>-</td> <td>WD.</td> <td>J2</td> <td>PTD.</td> <td>-</td> <td>335A</td> <td>3\"/> <tr> <td>346</td> <td>ETR</td> <td>-</td> <td>WD.</td> <td>J2</td> <td>PTD.</td> <td>-</td> <td>335B</td> <td>3\"/> <tr> <td>347</td> <td>ETR</td> <td>-</td> <td>WD.</td> <td>J2</td> <td>PTD.</td> <td>-</td> <td>336</td> <td>3\"/> <tr> <td>348</td> <td>ETR</td> <td>-</td> <td>WD.</td> <td>J2</td> <td>PTD.</td> <td>-</td> <td>337</td> <td>3\"/> <tr> <td>349</td> <td>ETR</td> <td>-</td> <td>WD.</td> <td>J2</td> <td>PTD.</td> <td>-</td> <td>339</td> <td>3\"/> <tr> <td>350</td> <td>ETR</td> <td>-</td> <td>WD.</td> <td>J2</td> <td>PTD.</td> <td>-</td> <td>340</td> <td>3\"/> </td></tr></td></tr></td></tr></td></tr></td></tr></td></tr></td></tr></td></tr></td></tr></td></tr>
 | 341A | ETR | - | WD. | J2 | PTD.
 | - | 331 | 3\"/> <tr> <td>341B</td> <td>ETR</td> <td>-</td> <td>WD.</td> <td>J2</td> <td>PTD.</td> <td>-</td> <td>333</td> <td>3\"/> <tr> <td>342</td> <td>ETR</td> <td>-</td> <td>WD.</td> <td>J2</td> <td>PTD.</td> <td>-</td> <td>334A</td> <td>3\"/> <tr> <td>344</td> <td>ETR</td> <td>-</td> <td>WD.</td> <td>J2</td> <td>PTD.</td> <td>-</td> <td>334B</td> <td>3\"/> <tr> <td>345</td> <td>ETR</td> <td>-</td> <td>WD.</td> <td>J2</td> <td>PTD.</td> <td>-</td> <td>335A</td> <td>3\"/> <tr> <td>346</td> <td>ETR</td> <td>-</td> <td>WD.</td> <td>J2</td> <td>PTD.</td> <td>-</td> <td>335B</td> <td>3\"/> <tr> <td>347</td> <td>ETR</td> <td>-</td> <td>WD.</td> <td>J2</td> <td>PTD.</td> <td>-</td> <td>336</td> <td>3\"/> <tr> <td>348</td> <td>ETR</td> <td>-</td> <td>WD.</td> <td>J2</td> <td>PTD.</td> <td>-</td> <td>337</td> <td>3\"/> <tr> <td>349</td> <td>ETR</td> <td>-</td> <td>WD.</td> <td>J2</td> <td>PTD.</td> <td>-</td> <td>339</td> <td>3\"/> <tr> <td>350</td> <td>ETR</td> <td>-</td> <td>WD.</td> <td>J2</td> <td>PTD.</td> <td>-</td> <td>340</td> <td>3\"/> </td></tr></td></tr></td></tr></td></tr></td></tr></td></tr></td></tr></td></tr></td></tr> | 341B | ETR | -
 | WD. | J2 | PTD. | - | 333 | 3\"/> <tr> <td>342</td> <td>ETR</td> <td>-</td> <td>WD.</td> <td>J2</td> <td>PTD.</td> <td>-</td> <td>334A</td> <td>3\"/> <tr> <td>344</td> <td>ETR</td> <td>-</td> <td>WD.</td> <td>J2</td> <td>PTD.</td> <td>-</td> <td>334B</td> <td>3\"/> <tr> <td>345</td> <td>ETR</td> <td>-</td> <td>WD.</td> <td>J2</td> <td>PTD.</td> <td>-</td> <td>335A</td> <td>3\"/> <tr> <td>346</td> <td>ETR</td> <td>-</td> <td>WD.</td> <td>J2</td> <td>PTD.</td> <td>-</td> <td>335B</td> <td>3\"/> <tr> <td>347</td> <td>ETR</td> <td>-</td> <td>WD.</td> <td>J2</td> <td>PTD.</td> <td>-</td> <td>336</td> <td>3\"/> <tr> <td>348</td> <td>ETR</td> <td>-</td> <td>WD.</td> <td>J2</td> <td>PTD.</td> <td>-</td> <td>337</td> <td>3\"/> <tr> <td>349</td> <td>ETR</td> <td>-</td> <td>WD.</td> <td>J2</td> <td>PTD.</td> <td>-</td> <td>339</td> <td>3\"/> <tr> <td>350</td> <td>ETR</td> <td>-</td> <td>WD.</td> <td>J2</td> <td>PTD.</td> <td>-</td> <td>340</td> <td>3\"/> </td></tr></td></tr></td></tr></td></tr></td></tr></td></tr></td></tr></td></tr>
 | 342 | ETR | - | WD. | J2 | PTD.
 | - | 334A | 3\"/> <tr> <td>344</td> <td>ETR</td> <td>-</td> <td>WD.</td> <td>J2</td> <td>PTD.</td> <td>-</td> <td>334B</td> <td>3\"/> <tr> <td>345</td> <td>ETR</td> <td>-</td> <td>WD.</td> <td>J2</td> <td>PTD.</td> <td>-</td> <td>335A</td> <td>3\"/> <tr> <td>346</td> <td>ETR</td> <td>-</td> <td>WD.</td> <td>J2</td> <td>PTD.</td> <td>-</td> <td>335B</td> <td>3\"/> <tr> <td>347</td> <td>ETR</td> <td>-</td> <td>WD.</td> <td>J2</td> <td>PTD.</td> <td>-</td> <td>336</td> <td>3\"/> <tr> <td>348</td> <td>ETR</td> <td>-</td> <td>WD.</td> <td>J2</td> <td>PTD.</td> <td>-</td> <td>337</td> <td>3\"/> <tr> <td>349</td> <td>ETR</td> <td>-</td> <td>WD.</td> <td>J2</td> <td>PTD.</td> <td>-</td> <td>339</td> <td>3\"/> <tr> <td>350</td> <td>ETR</td> <td>-</td> <td>WD.</td> <td>J2</td> <td>PTD.</td> <td>-</td> <td>340</td> <td>3\"/> </td></tr></td></tr></td></tr></td></tr></td></tr></td></tr></td></tr> | 344 | ETR | - | WD. | J2 | PTD.
 | - | 334B | 3\"/> <tr> <td>345</td> <td>ETR</td> <td>-</td> <td>WD.</td> <td>J2</td> <td>PTD.</td> <td>-</td> <td>335A</td> <td>3\"/> <tr> <td>346</td> <td>ETR</td> <td>-</td> <td>WD.</td> <td>J2</td> <td>PTD.</td> <td>-</td> <td>335B</td> <td>3\"/> <tr> <td>347</td> <td>ETR</td> <td>-</td> <td>WD.</td> <td>J2</td> <td>PTD.</td> <td>-</td> <td>336</td> <td>3\"/> <tr> <td>348</td> <td>ETR</td> <td>-</td> <td>WD.</td> <td>J2</td> <td>PTD.</td> <td>-</td> <td>337</td> <td>3\"/> <tr> <td>349</td> <td>ETR</td> <td>-</td> <td>WD.</td> <td>J2</td> <td>PTD.</td> <td>-</td> <td>339</td> <td>3\"/> <tr> <td>350</td> <td>ETR</td> <td>-</td> <td>WD.</td> <td>J2</td> <td>PTD.</td> <td>-</td> <td>340</td> <td>3\"/> </td></tr></td></tr></td></tr></td></tr></td></tr></td></tr> | 345 | ETR | -
 | WD. | J2 | PTD. | - | 335A | 3\"/> <tr> <td>346</td> <td>ETR</td> <td>-</td> <td>WD.</td> <td>J2</td> <td>PTD.</td> <td>-</td> <td>335B</td> <td>3\"/> <tr> <td>347</td> <td>ETR</td> <td>-</td> <td>WD.</td> <td>J2</td> <td>PTD.</td> <td>-</td> <td>336</td> <td>3\"/> <tr> <td>348</td> <td>ETR</td> <td>-</td> <td>WD.</td> <td>J2</td> <td>PTD.</td> <td>-</td> <td>337</td> <td>3\"/> <tr> <td>349</td> <td>ETR</td> <td>-</td> <td>WD.</td> <td>J2</td> <td>PTD.</td> <td>-</td> <td>339</td> <td>3\"/> <tr> <td>350</td> <td>ETR</td> <td>-</td> <td>WD.</td> <td>J2</td> <td>PTD.</td> <td>-</td> <td>340</td> <td>3\"/> </td></tr></td></tr></td></tr></td></tr></td></tr>
 | 346 | ETR | - | WD. | J2 | PTD. | - | 335B | 3\"/> <tr> <td>347</td> <td>ETR</td> <td>-</td> <td>WD.</td> <td>J2</td> <td>PTD.</td> <td>-</td> <td>336</td> <td>3\"/> <tr> <td>348</td> <td>ETR</td> <td>-</td> <td>WD.</td> <td>J2</td> <td>PTD.</td> <td>-</td> <td>337</td> <td>3\"/> <tr> <td>349</td> <td>ETR</td> <td>-</td> <td>WD.</td> <td>J2</td> <td>PTD.</td> <td>-</td> <td>339</td> <td>3\"/> <tr> <td>350</td> <td>ETR</td> <td>-</td> <td>WD.</td> <td>J2</td> <td>PTD.</td> <td>-</td> <td>340</td> <td>3\"/> </td></tr></td></tr></td></tr></td></tr>
 | 347 | ETR | - | WD. | J2 | PTD.
 | - | 336 | 3\"/> <tr> <td>348</td> <td>ETR</td> <td>-</td> <td>WD.</td> <td>J2</td> <td>PTD.</td> <td>-</td> <td>337</td> <td>3\"/> <tr> <td>349</td> <td>ETR</td> <td>-</td> <td>WD.</td> <td>J2</td> <td>PTD.</td> <td>-</td> <td>339</td> <td>3\"/> <tr> <td>350</td> <td>ETR</td> <td>-</td> <td>WD.</td> <td>J2</td> <td>PTD.</td> <td>-</td> <td>340</td> <td>3\"/> </td></tr></td></tr></td></tr> | 348 | ETR | - | WD. | J2 | PTD.
 | - | 337 | 3\"/> <tr> <td>349</td> <td>ETR</td> <td>-</td> <td>WD.</td> <td>J2</td> <td>PTD.</td> <td>-</td> <td>339</td> <td>3\"/> <tr> <td>350</td> <td>ETR</td> <td>-</td> <td>WD.</td> <td>J2</td> <td>PTD.</td> <td>-</td> <td>340</td> <td>3\"/> </td></tr></td></tr> | 349 | ETR | -
 | WD. | J2 | PTD. | - | 339 | 3\"/> <tr> <td>350</td> <td>ETR</td> <td>-</td> <td>WD.</td> <td>J2</td> <td>PTD.</td> <td>-</td> <td>340</td> <td>3\"/> </td></tr> | 350 | ETR | -
 | WD. | J2 | PTD. | - | 340 | 3\"/> | | | | | | | | | | | | | | | | | | | | | | | | | | | | | | | | | | | | | | | | | | | | | | | | | | | | | | | | | | | | |
 | | | | | | | | |
 | | | | | |
 | | | | | | | | |
 | | | | | | | | | | | |
 | | | | | | | | |
 | | | | | | | | | | | |
 | | | | | | | | |
 | | | | | | | | | | | |
 | | | | | | | | | | | |
 | | | | | | | | | | | | | | |
 | | | | | | | | | | | | | | |
 | | | | | | | | | | | | | | | | | |
 | | | | | | | | | | | | | | | | | | | | |
 | | | | | | | | | | | | | | | | | | | | | | | | | | |
 | | | | | | | | | | | | | | | | | | | | | | | | | | | | | | | | | | | | | | | | | | | | | | | | | | | | | | | | | | | | | | | | | | |
| 339 | ETR | - | WD. | J2 | PTD. | - | 329B | 3\"/> <tr> <td>340</td> <td>A</td> <td>3\"/> <tr> <td>341A</td> <td>ETR</td> <td>-</td> <td>WD.</td> <td>J2</td> <td>PTD.</td> <td>-</td> <td>331</td> <td>3\"/> <tr> <td>341B</td> <td>ETR</td> <td>-</td> <td>WD.</td> <td>J2</td> <td>PTD.</td> <td>-</td> <td>333</td> <td>3\"/> <tr> <td>342</td> <td>ETR</td> <td>-</td> <td>WD.</td> <td>J2</td> <td>PTD.</td> <td>-</td> <td>334A</td> <td>3\"/> <tr> <td>344</td> <td>ETR</td> <td>-</td> <td>WD.</td> <td>J2</td> <td>PTD.</td> <td>-</td> <td>334B</td> <td>3\"/> <tr> <td>345</td> <td>ETR</td> <td>-</td> <td>WD.</td> <td>J2</td> <td>PTD.</td> <td>-</td> <td>335A</td> <td>3\"/> <tr> <td>346</td> <td>ETR</td> <td>-</td> <td>WD.</td> <td>J2</td> <td>PTD.</td> <td>-</td> <td>335B</td> <td>3\"/> <tr> <td>347</td> <td>ETR</td> <td>-</td> <td>WD.</td> <td>J2</td> <td>PTD.</td> <td>-</td> <td>336</td> <td>3\"/> <tr> <td>348</td> <td>ETR</td> <td>-</td> <td>WD.</td> <td>J2</td> <td>PTD.</td> <td>-</td> <td>337</td> <td>3\"/> <tr> <td>349</td> <td>ETR</td> <td>-</td> <td>WD.</td> <td>J2</td> <td>PTD.</td> <td>-</td> <td>339</td> <td>3\"/> <tr> <td>350</td> <td>ETR</td> <td>-</td> <td>WD.</td> <td>J2</td> <td>PTD.</td> <td>-</td> <td>340</td> <td>3\"/> </td></tr></td></tr></td></tr></td></tr></td></tr></td></tr></td></tr></td></tr></td></tr></td></tr></td></tr>
 | 340 | A | 3\"/> <tr> <td>341A</td> <td>ETR</td> <td>-</td> <td>WD.</td> <td>J2</td> <td>PTD.</td> <td>-</td> <td>331</td> <td>3\"/> <tr> <td>341B</td> <td>ETR</td> <td>-</td> <td>WD.</td> <td>J2</td> <td>PTD.</td> <td>-</td> <td>333</td> <td>3\"/> <tr> <td>342</td> <td>ETR</td> <td>-</td> <td>WD.</td> <td>J2</td> <td>PTD.</td> <td>-</td> <td>334A</td> <td>3\"/> <tr> <td>344</td> <td>ETR</td> <td>-</td> <td>WD.</td> <td>J2</td> <td>PTD.</td> <td>-</td> <td>334B</td> <td>3\"/> <tr> <td>345</td> <td>ETR</td> <td>-</td> <td>WD.</td> <td>J2</td> <td>PTD.</td> <td>-</td> <td>335A</td> <td>3\"/> <tr> <td>346</td> <td>ETR</td> <td>-</td> <td>WD.</td> <td>J2</td> <td>PTD.</td> <td>-</td> <td>335B</td> <td>3\"/> <tr> <td>347</td> <td>ETR</td> <td>-</td> <td>WD.</td> <td>J2</td> <td>PTD.</td> <td>-</td> <td>336</td> <td>3\"/> <tr> <td>348</td> <td>ETR</td> <td>-</td> <td>WD.</td> <td>J2</td> <td>PTD.</td> <td>-</td> <td>337</td> <td>3\"/> <tr> <td>349</td> <td>ETR</td> <td>-</td> <td>WD.</td> <td>J2</td> <td>PTD.</td> <td>-</td> <td>339</td> <td>3\"/> <tr> <td>350</td> <td>ETR</td> <td>-</td> <td>WD.</td> <td>J2</td> <td>PTD.</td> <td>-</td> <td>340</td> <td>3\"/> </td></tr></td></tr></td></tr></td></tr></td></tr></td></tr></td></tr></td></tr></td></tr></td></tr> | 341A | ETR | -
 | WD. | J2 | PTD. | - | 331 | 3\"/> <tr> <td>341B</td> <td>ETR</td> <td>-</td> <td>WD.</td> <td>J2</td> <td>PTD.</td> <td>-</td> <td>333</td> <td>3\"/> <tr> <td>342</td> <td>ETR</td> <td>-</td> <td>WD.</td> <td>J2</td> <td>PTD.</td> <td>-</td> <td>334A</td> <td>3\"/> <tr> <td>344</td> <td>ETR</td> <td>-</td> <td>WD.</td> <td>J2</td> <td>PTD.</td> <td>-</td> <td>334B</td> <td>3\"/> <tr> <td>345</td> <td>ETR</td> <td>-</td> <td>WD.</td> <td>J2</td> <td>PTD.</td> <td>-</td> <td>335A</td> <td>3\"/> <tr> <td>346</td> <td>ETR</td> <td>-</td> <td>WD.</td> <td>J2</td> <td>PTD.</td> <td>-</td> <td>335B</td> <td>3\"/> <tr> <td>347</td> <td>ETR</td> <td>-</td> <td>WD.</td> <td>J2</td> <td>PTD.</td> <td>-</td> <td>336</td> <td>3\"/> <tr> <td>348</td> <td>ETR</td> <td>-</td> <td>WD.</td> <td>J2</td> <td>PTD.</td> <td>-</td> <td>337</td> <td>3\"/> <tr> <td>349</td> <td>ETR</td> <td>-</td> <td>WD.</td> <td>J2</td> <td>PTD.</td> <td>-</td> <td>339</td> <td>3\"/> <tr> <td>350</td> <td>ETR</td> <td>-</td> <td>WD.</td> <td>J2</td> <td>PTD.</td> <td>-</td> <td>340</td> <td>3\"/> </td></tr></td></tr></td></tr></td></tr></td></tr></td></tr></td></tr></td></tr></td></tr>
 | 341B | ETR | - | WD. | J2 | PTD.
 | - | 333 | 3\"/> <tr> <td>342</td> <td>ETR</td> <td>-</td> <td>WD.</td> <td>J2</td> <td>PTD.</td> <td>-</td> <td>334A</td> <td>3\"/> <tr> <td>344</td> <td>ETR</td> <td>-</td> <td>WD.</td> <td>J2</td> <td>PTD.</td> <td>-</td> <td>334B</td> <td>3\"/> <tr> <td>345</td> <td>ETR</td> <td>-</td> <td>WD.</td> <td>J2</td> <td>PTD.</td> <td>-</td> <td>335A</td> <td>3\"/> <tr> <td>346</td> <td>ETR</td> <td>-</td> <td>WD.</td> <td>J2</td> <td>PTD.</td> <td>-</td> <td>335B</td> <td>3\"/> <tr> <td>347</td> <td>ETR</td> <td>-</td> <td>WD.</td> <td>J2</td> <td>PTD.</td> <td>-</td> <td>336</td> <td>3\"/> <tr> <td>348</td> <td>ETR</td> <td>-</td> <td>WD.</td> <td>J2</td> <td>PTD.</td> <td>-</td> <td>337</td> <td>3\"/> <tr> <td>349</td> <td>ETR</td> <td>-</td> <td>WD.</td> <td>J2</td> <td>PTD.</td> <td>-</td> <td>339</td> <td>3\"/> <tr> <td>350</td> <td>ETR</td> <td>-</td> <td>WD.</td> <td>J2</td> <td>PTD.</td> <td>-</td> <td>340</td> <td>3\"/> </td></tr></td></tr></td></tr></td></tr></td></tr></td></tr></td></tr></td></tr> | 342 | ETR | -
 | WD. | J2 | PTD. | - | 334A | 3\"/> <tr> <td>344</td> <td>ETR</td> <td>-</td> <td>WD.</td> <td>J2</td> <td>PTD.</td> <td>-</td> <td>334B</td> <td>3\"/> <tr> <td>345</td> <td>ETR</td> <td>-</td> <td>WD.</td> <td>J2</td> <td>PTD.</td> <td>-</td> <td>335A</td> <td>3\"/> <tr> <td>346</td> <td>ETR</td> <td>-</td> <td>WD.</td> <td>J2</td> <td>PTD.</td> <td>-</td> <td>335B</td> <td>3\"/> <tr> <td>347</td> <td>ETR</td> <td>-</td> <td>WD.</td> <td>J2</td> <td>PTD.</td> <td>-</td> <td>336</td> <td>3\"/> <tr> <td>348</td> <td>ETR</td> <td>-</td> <td>WD.</td> <td>J2</td> <td>PTD.</td> <td>-</td> <td>337</td> <td>3\"/> <tr> <td>349</td> <td>ETR</td> <td>-</td> <td>WD.</td> <td>J2</td> <td>PTD.</td> <td>-</td> <td>339</td> <td>3\"/> <tr> <td>350</td> <td>ETR</td> <td>-</td> <td>WD.</td> <td>J2</td> <td>PTD.</td> <td>-</td> <td>340</td> <td>3\"/> </td></tr></td></tr></td></tr></td></tr></td></tr></td></tr></td></tr>
 | 344 | ETR | - | WD. | J2 | PTD.
 | - | 334B | 3\"/> <tr> <td>345</td> <td>ETR</td> <td>-</td> <td>WD.</td> <td>J2</td> <td>PTD.</td> <td>-</td> <td>335A</td> <td>3\"/> <tr> <td>346</td> <td>ETR</td> <td>-</td> <td>WD.</td> <td>J2</td> <td>PTD.</td> <td>-</td> <td>335B</td> <td>3\"/> <tr> <td>347</td> <td>ETR</td> <td>-</td> <td>WD.</td> <td>J2</td> <td>PTD.</td> <td>-</td> <td>336</td> <td>3\"/> <tr> <td>348</td> <td>ETR</td> <td>-</td> <td>WD.</td> <td>J2</td> <td>PTD.</td> <td>-</td> <td>337</td> <td>3\"/> <tr> <td>349</td> <td>ETR</td> <td>-</td> <td>WD.</td> <td>J2</td> <td>PTD.</td> <td>-</td> <td>339</td> <td>3\"/> <tr> <td>350</td> <td>ETR</td> <td>-</td> <td>WD.</td> <td>J2</td> <td>PTD.</td> <td>-</td> <td>340</td> <td>3\"/> </td></tr></td></tr></td></tr></td></tr></td></tr></td></tr> | 345 | ETR | - | WD. | J2 | PTD.
 | - | 335A | 3\"/> <tr> <td>346</td> <td>ETR</td> <td>-</td> <td>WD.</td> <td>J2</td> <td>PTD.</td> <td>-</td> <td>335B</td> <td>3\"/> <tr> <td>347</td> <td>ETR</td> <td>-</td> <td>WD.</td> <td>J2</td> <td>PTD.</td> <td>-</td> <td>336</td> <td>3\"/> <tr> <td>348</td> <td>ETR</td> <td>-</td> <td>WD.</td> <td>J2</td> <td>PTD.</td> <td>-</td> <td>337</td> <td>3\"/> <tr> <td>349</td> <td>ETR</td> <td>-</td> <td>WD.</td> <td>J2</td> <td>PTD.</td> <td>-</td> <td>339</td> <td>3\"/> <tr> <td>350</td> <td>ETR</td> <td>-</td> <td>WD.</td> <td>J2</td> <td>PTD.</td> <td>-</td> <td>340</td> <td>3\"/> </td></tr></td></tr></td></tr></td></tr></td></tr> | 346 | ETR | -
 | WD. | J2 | PTD. | - | 335B | 3\"/> <tr> <td>347</td> <td>ETR</td> <td>-</td> <td>WD.</td> <td>J2</td> <td>PTD.</td> <td>-</td> <td>336</td> <td>3\"/> <tr> <td>348</td> <td>ETR</td> <td>-</td> <td>WD.</td> <td>J2</td> <td>PTD.</td> <td>-</td> <td>337</td> <td>3\"/> <tr> <td>349</td> <td>ETR</td> <td>-</td> <td>WD.</td> <td>J2</td> <td>PTD.</td> <td>-</td> <td>339</td> <td>3\"/> <tr> <td>350</td> <td>ETR</td> <td>-</td> <td>WD.</td> <td>J2</td> <td>PTD.</td> <td>-</td> <td>340</td> <td>3\"/> </td></tr></td></tr></td></tr></td></tr>
 | 347 | ETR | - | WD. | J2 | PTD. | - | 336 | 3\"/> <tr> <td>348</td> <td>ETR</td> <td>-</td> <td>WD.</td> <td>J2</td> <td>PTD.</td> <td>-</td> <td>337</td> <td>3\"/> <tr> <td>349</td> <td>ETR</td> <td>-</td> <td>WD.</td> <td>J2</td> <td>PTD.</td> <td>-</td> <td>339</td> <td>3\"/> <tr> <td>350</td> <td>ETR</td> <td>-</td> <td>WD.</td> <td>J2</td> <td>PTD.</td> <td>-</td> <td>340</td> <td>3\"/> </td></tr></td></tr></td></tr>
 | 348 | ETR | - | WD. | J2 | PTD.
 | - | 337 | 3\"/> <tr> <td>349</td> <td>ETR</td> <td>-</td> <td>WD.</td> <td>J2</td> <td>PTD.</td> <td>-</td> <td>339</td> <td>3\"/> <tr> <td>350</td> <td>ETR</td> <td>-</td> <td>WD.</td> <td>J2</td> <td>PTD.</td> <td>-</td> <td>340</td> <td>3\"/> </td></tr></td></tr> | 349 | ETR | - | WD. | J2 | PTD.
 | - | 339 | 3\"/> <tr> <td>350</td> <td>ETR</td> <td>-</td> <td>WD.</td> <td>J2</td> <td>PTD.</td> <td>-</td> <td>340</td> <td>3\"/> </td></tr> | 350 | ETR | -
 | WD. | J2 | PTD. | - | 340 | 3\"/> | | | | | | | | | | | | | | | | | | | | | | | | | | | | | | | | | | | | | | | | | | | | | | | | | | | | | | | | | | | | |
 | | | | | | | | |
 | | | | | | | | |
 | | | | | |
 | | | | | | | | |
 | | | | | | | | | | | |
 | | | | | | | | |
 | | | | | | | | | | | |
 | | | | | | | | |
 | | | | | | | | | | | |
 | | | | | | | | | | | |
 | | | | | | | | | | | | | | |
 | | | | | | | | | | | | | | |
 | | | | | | | | | | | | | | | | | |
 | | | | | | | | | | | | | | | | | | | | |
 | | | | | | | | | | | | | | | | | | | | | | | | | | |
 | | | | | | | | | | | | | | | | | | | | | | | | | | | | | | | | | | | | | | | | | | | | | | | | | | | | | | | | | | | | | | | | | | |
| 340 | A | 3\"/> <tr> <td>341A</td> <td>ETR</td> <td>-</td> <td>WD.</td> <td>J2</td> <td>PTD.</td> <td>-</td> <td>331</td> <td>3\"/> <tr> <td>341B</td> <td>ETR</td> <td>-</td> <td>WD.</td> <td>J2</td> <td>PTD.</td> <td>-</td> <td>333</td> <td>3\"/> <tr> <td>342</td> <td>ETR</td> <td>-</td> <td>WD.</td> <td>J2</td> <td>PTD.</td> <td>-</td> <td>334A</td> <td>3\"/> <tr> <td>344</td> <td>ETR</td> <td>-</td> <td>WD.</td> <td>J2</td> <td>PTD.</td> <td>-</td> <td>334B</td> <td>3\"/> <tr> <td>345</td> <td>ETR</td> <td>-</td> <td>WD.</td> <td>J2</td> <td>PTD.</td> <td>-</td> <td>335A</td> <td>3\"/> <tr> <td>346</td> <td>ETR</td> <td>-</td> <td>WD.</td> <td>J2</td> <td>PTD.</td> <td>-</td> <td>335B</td> <td>3\"/> <tr> <td>347</td> <td>ETR</td> <td>-</td> <td>WD.</td> <td>J2</td> <td>PTD.</td> <td>-</td> <td>336</td> <td>3\"/> <tr> <td>348</td> <td>ETR</td> <td>-</td> <td>WD.</td> <td>J2</td> <td>PTD.</td> <td>-</td> <td>337</td> <td>3\"/> <tr> <td>349</td> <td>ETR</td> <td>-</td> <td>WD.</td> <td>J2</td> <td>PTD.</td> <td>-</td> <td>339</td> <td>3\"/> <tr> <td>350</td> <td>ETR</td> <td>-</td> <td>WD.</td> <td>J2</td> <td>PTD.</td> <td>-</td> <td>340</td> <td>3\"/> </td></tr></td></tr></td></tr></td></tr></td></tr></td></tr></td></tr></td></tr></td></tr></td></tr> | 341A | ETR | - | WD. | J2 | PTD.
 | - | 331 | 3\"/> <tr> <td>341B</td> <td>ETR</td> <td>-</td> <td>WD.</td> <td>J2</td> <td>PTD.</td> <td>-</td> <td>333</td> <td>3\"/> <tr> <td>342</td> <td>ETR</td> <td>-</td> <td>WD.</td> <td>J2</td> <td>PTD.</td> <td>-</td> <td>334A</td> <td>3\"/> <tr> <td>344</td> <td>ETR</td> <td>-</td> <td>WD.</td> <td>J2</td> <td>PTD.</td> <td>-</td> <td>334B</td> <td>3\"/> <tr> <td>345</td> <td>ETR</td> <td>-</td> <td>WD.</td> <td>J2</td> <td>PTD.</td> <td>-</td> <td>335A</td> <td>3\"/> <tr> <td>346</td> <td>ETR</td> <td>-</td> <td>WD.</td> <td>J2</td> <td>PTD.</td> <td>-</td> <td>335B</td> <td>3\"/> <tr> <td>347</td> <td>ETR</td> <td>-</td> <td>WD.</td> <td>J2</td> <td>PTD.</td> <td>-</td> <td>336</td> <td>3\"/> <tr> <td>348</td> <td>ETR</td> <td>-</td> <td>WD.</td> <td>J2</td> <td>PTD.</td> <td>-</td> <td>337</td> <td>3\"/> <tr> <td>349</td> <td>ETR</td> <td>-</td> <td>WD.</td> <td>J2</td> <td>PTD.</td> <td>-</td> <td>339</td> <td>3\"/> <tr> <td>350</td> <td>ETR</td> <td>-</td> <td>WD.</td> <td>J2</td> <td>PTD.</td> <td>-</td> <td>340</td> <td>3\"/> </td></tr></td></tr></td></tr></td></tr></td></tr></td></tr></td></tr></td></tr></td></tr> | 341B | ETR | -
 | WD. | J2 | PTD. | - | 333 | 3\"/> <tr> <td>342</td> <td>ETR</td> <td>-</td> <td>WD.</td> <td>J2</td> <td>PTD.</td> <td>-</td> <td>334A</td> <td>3\"/> <tr> <td>344</td> <td>ETR</td> <td>-</td> <td>WD.</td> <td>J2</td> <td>PTD.</td> <td>-</td> <td>334B</td> <td>3\"/> <tr> <td>345</td> <td>ETR</td> <td>-</td> <td>WD.</td> <td>J2</td> <td>PTD.</td> <td>-</td> <td>335A</td> <td>3\"/> <tr> <td>346</td> <td>ETR</td> <td>-</td> <td>WD.</td> <td>J2</td> <td>PTD.</td> <td>-</td> <td>335B</td> <td>3\"/> <tr> <td>347</td> <td>ETR</td> <td>-</td> <td>WD.</td> <td>J2</td> <td>PTD.</td> <td>-</td> <td>336</td> <td>3\"/> <tr> <td>348</td> <td>ETR</td> <td>-</td> <td>WD.</td> <td>J2</td> <td>PTD.</td> <td>-</td> <td>337</td> <td>3\"/> <tr> <td>349</td> <td>ETR</td> <td>-</td> <td>WD.</td> <td>J2</td> <td>PTD.</td> <td>-</td> <td>339</td> <td>3\"/> <tr> <td>350</td> <td>ETR</td> <td>-</td> <td>WD.</td> <td>J2</td> <td>PTD.</td> <td>-</td> <td>340</td> <td>3\"/> </td></tr></td></tr></td></tr></td></tr></td></tr></td></tr></td></tr></td></tr>
 | 342 | ETR | - | WD. | J2 | PTD.
 | - | 334A | 3\"/> <tr> <td>344</td> <td>ETR</td> <td>-</td> <td>WD.</td> <td>J2</td> <td>PTD.</td> <td>-</td> <td>334B</td> <td>3\"/> <tr> <td>345</td> <td>ETR</td> <td>-</td> <td>WD.</td> <td>J2</td> <td>PTD.</td> <td>-</td> <td>335A</td> <td>3\"/> <tr> <td>346</td> <td>ETR</td> <td>-</td> <td>WD.</td> <td>J2</td> <td>PTD.</td> <td>-</td> <td>335B</td> <td>3\"/> <tr> <td>347</td> <td>ETR</td> <td>-</td> <td>WD.</td> <td>J2</td> <td>PTD.</td> <td>-</td> <td>336</td> <td>3\"/> <tr> <td>348</td> <td>ETR</td> <td>-</td> <td>WD.</td> <td>J2</td> <td>PTD.</td> <td>-</td> <td>337</td> <td>3\"/> <tr> <td>349</td> <td>ETR</td> <td>-</td> <td>WD.</td> <td>J2</td> <td>PTD.</td> <td>-</td> <td>339</td> <td>3\"/> <tr> <td>350</td> <td>ETR</td> <td>-</td> <td>WD.</td> <td>J2</td> <td>PTD.</td> <td>-</td> <td>340</td> <td>3\"/> </td></tr></td></tr></td></tr></td></tr></td></tr></td></tr></td></tr> | 344 | ETR | -
 | WD. | J2 | PTD. | - | 334B | 3\"/> <tr> <td>345</td> <td>ETR</td> <td>-</td> <td>WD.</td> <td>J2</td> <td>PTD.</td> <td>-</td> <td>335A</td> <td>3\"/> <tr> <td>346</td> <td>ETR</td> <td>-</td> <td>WD.</td> <td>J2</td> <td>PTD.</td> <td>-</td> <td>335B</td> <td>3\"/> <tr> <td>347</td> <td>ETR</td> <td>-</td> <td>WD.</td> <td>J2</td> <td>PTD.</td> <td>-</td> <td>336</td> <td>3\"/> <tr> <td>348</td> <td>ETR</td> <td>-</td> <td>WD.</td> <td>J2</td> <td>PTD.</td> <td>-</td> <td>337</td> <td>3\"/> <tr> <td>349</td> <td>ETR</td> <td>-</td> <td>WD.</td> <td>J2</td> <td>PTD.</td> <td>-</td> <td>339</td> <td>3\"/> <tr> <td>350</td> <td>ETR</td> <td>-</td> <td>WD.</td> <td>J2</td> <td>PTD.</td> <td>-</td> <td>340</td> <td>3\"/> </td></tr></td></tr></td></tr></td></tr></td></tr></td></tr>
 | 345 | ETR | - | WD. | J2 | PTD.
 | - | 335A | 3\"/> <tr> <td>346</td> <td>ETR</td> <td>-</td> <td>WD.</td> <td>J2</td> <td>PTD.</td> <td>-</td> <td>335B</td> <td>3\"/> <tr> <td>347</td> <td>ETR</td> <td>-</td> <td>WD.</td> <td>J2</td> <td>PTD.</td> <td>-</td> <td>336</td> <td>3\"/> <tr> <td>348</td> <td>ETR</td> <td>-</td> <td>WD.</td> <td>J2</td> <td>PTD.</td> <td>-</td> <td>337</td> <td>3\"/> <tr> <td>349</td> <td>ETR</td> <td>-</td> <td>WD.</td> <td>J2</td> <td>PTD.</td> <td>-</td> <td>339</td> <td>3\"/> <tr> <td>350</td> <td>ETR</td> <td>-</td> <td>WD.</td> <td>J2</td> <td>PTD.</td> <td>-</td> <td>340</td> <td>3\"/> </td></tr></td></tr></td></tr></td></tr></td></tr> | 346 | ETR | - | WD. | J2 | PTD.
 | - | 335B | 3\"/> <tr> <td>347</td> <td>ETR</td> <td>-</td> <td>WD.</td> <td>J2</td> <td>PTD.</td> <td>-</td> <td>336</td> <td>3\"/> <tr> <td>348</td> <td>ETR</td> <td>-</td> <td>WD.</td> <td>J2</td> <td>PTD.</td> <td>-</td> <td>337</td> <td>3\"/> <tr> <td>349</td> <td>ETR</td> <td>-</td> <td>WD.</td> <td>J2</td> <td>PTD.</td> <td>-</td> <td>339</td> <td>3\"/> <tr> <td>350</td> <td>ETR</td> <td>-</td> <td>WD.</td> <td>J2</td> <td>PTD.</td> <td>-</td> <td>340</td> <td>3\"/> </td></tr></td></tr></td></tr></td></tr> | 347 | ETR | -
 | WD. | J2 | PTD. | - | 336 | 3\"/> <tr> <td>348</td> <td>ETR</td> <td>-</td> <td>WD.</td> <td>J2</td> <td>PTD.</td> <td>-</td> <td>337</td> <td>3\"/> <tr> <td>349</td> <td>ETR</td> <td>-</td> <td>WD.</td> <td>J2</td> <td>PTD.</td> <td>-</td> <td>339</td> <td>3\"/> <tr> <td>350</td> <td>ETR</td> <td>-</td> <td>WD.</td> <td>J2</td> <td>PTD.</td> <td>-</td> <td>340</td> <td>3\"/> </td></tr></td></tr></td></tr>
 | 348 | ETR | - | WD. | J2 | PTD. | - | 337 | 3\"/> <tr> <td>349</td> <td>ETR</td> <td>-</td> <td>WD.</td> <td>J2</td> <td>PTD.</td> <td>-</td> <td>339</td> <td>3\"/> <tr> <td>350</td> <td>ETR</td> <td>-</td> <td>WD.</td> <td>J2</td> <td>PTD.</td> <td>-</td> <td>340</td> <td>3\"/> </td></tr></td></tr>
 | 349 | ETR | - | WD. | J2 | PTD.
 | - | 339 | 3\"/> <tr> <td>350</td> <td>ETR</td> <td>-</td> <td>WD.</td> <td>J2</td> <td>PTD.</td> <td>-</td> <td>340</td> <td>3\"/> </td></tr> | 350 | ETR | - | WD. | J2 | PTD.
 | - | 340 | 3\"/> | | | | | | | | | | | | | | | | | | | | | | | | | | | | | | | | | | | | | | | | | | | | | | | | | | | | | | | | | | | | | | | |
 | | | | | | | | |
 | | | | | | | | |
 | | | | | | | | |
 | | | | | |
 | | | | | | | | |
 | | | | | | | | | | | |
 | | | | | | | | |
 | | | | | | | | | | | |
 | | | | | | | | |
 | | | | | | | | | | | |
 | | | | | | | | | | | |
 | | | | | | | | | | | | | | |
 | | | | | | | | | | | | | | |
 | | | | | | | | | | | | | | | | | |
 | | | | | | | | | | | | | | | | | | | | |
 | | | | | | | | | | | | | | | | | | | | | | | | | | |
 | | | | | | | | | | | | | | | | | | | | | | | | | | | | | | | | | | | | | | | | | | | | | | | | | | | | | | | | | | | | | | | | | | |
| 341A | ETR | - | WD. | J2 | PTD. | - | 331 | 3\"/> <tr> <td>341B</td> <td>ETR</td> <td>-</td> <td>WD.</td> <td>J2</td> <td>PTD.</td> <td>-</td> <td>333</td> <td>3\"/> <tr> <td>342</td> <td>ETR</td> <td>-</td> <td>WD.</td> <td>J2</td> <td>PTD.</td> <td>-</td> <td>334A</td> <td>3\"/> <tr> <td>344</td> <td>ETR</td> <td>-</td> <td>WD.</td> <td>J2</td> <td>PTD.</td> <td>-</td> <td>334B</td> <td>3\"/> <tr> <td>345</td> <td>ETR</td> <td>-</td> <td>WD.</td> <td>J2</td> <td>PTD.</td> <td>-</td> <td>335A</td> <td>3\"/> <tr> <td>346</td> <td>ETR</td> <td>-</td> <td>WD.</td> <td>J2</td> <td>PTD.</td> <td>-</td> <td>335B</td> <td>3\"/> <tr> <td>347</td> <td>ETR</td> <td>-</td> <td>WD.</td> <td>J2</td> <td>PTD.</td> <td>-</td> <td>336</td> <td>3\"/> <tr> <td>348</td> <td>ETR</td> <td>-</td> <td>WD.</td> <td>J2</td> <td>PTD.</td> <td>-</td> <td>337</td> <td>3\"/> <tr> <td>349</td> <td>ETR</td> <td>-</td> <td>WD.</td> <td>J2</td> <td>PTD.</td> <td>-</td> <td>339</td> <td>3\"/> <tr> <td>350</td> <td>ETR</td> <td>-</td> <td>WD.</td> <td>J2</td> <td>PTD.</td> <td>-</td> <td>340</td> <td>3\"/> </td></tr></td></tr></td></tr></td></tr></td></tr></td></tr></td></tr></td></tr></td></tr>
 | 341B | ETR | - | WD. | J2 | PTD.
 | - | 333 | 3\"/> <tr> <td>342</td> <td>ETR</td> <td>-</td> <td>WD.</td> <td>J2</td> <td>PTD.</td> <td>-</td> <td>334A</td> <td>3\"/> <tr> <td>344</td> <td>ETR</td> <td>-</td> <td>WD.</td> <td>J2</td> <td>PTD.</td> <td>-</td> <td>334B</td> <td>3\"/> <tr> <td>345</td> <td>ETR</td> <td>-</td> <td>WD.</td> <td>J2</td> <td>PTD.</td> <td>-</td> <td>335A</td> <td>3\"/> <tr> <td>346</td> <td>ETR</td> <td>-</td> <td>WD.</td> <td>J2</td> <td>PTD.</td> <td>-</td> <td>335B</td> <td>3\"/> <tr> <td>347</td> <td>ETR</td> <td>-</td> <td>WD.</td> <td>J2</td> <td>PTD.</td> <td>-</td> <td>336</td> <td>3\"/> <tr> <td>348</td> <td>ETR</td> <td>-</td> <td>WD.</td> <td>J2</td> <td>PTD.</td> <td>-</td> <td>337</td> <td>3\"/> <tr> <td>349</td> <td>ETR</td> <td>-</td> <td>WD.</td> <td>J2</td> <td>PTD.</td> <td>-</td> <td>339</td> <td>3\"/> <tr> <td>350</td> <td>ETR</td> <td>-</td> <td>WD.</td> <td>J2</td> <td>PTD.</td> <td>-</td> <td>340</td> <td>3\"/> </td></tr></td></tr></td></tr></td></tr></td></tr></td></tr></td></tr></td></tr> | 342 | ETR | -
 | WD. | J2 | PTD. | - | 334A | 3\"/> <tr> <td>344</td> <td>ETR</td> <td>-</td> <td>WD.</td> <td>J2</td> <td>PTD.</td> <td>-</td> <td>334B</td> <td>3\"/> <tr> <td>345</td> <td>ETR</td> <td>-</td> <td>WD.</td> <td>J2</td> <td>PTD.</td> <td>-</td> <td>335A</td> <td>3\"/> <tr> <td>346</td> <td>ETR</td> <td>-</td> <td>WD.</td> <td>J2</td> <td>PTD.</td> <td>-</td> <td>335B</td> <td>3\"/> <tr> <td>347</td> <td>ETR</td> <td>-</td> <td>WD.</td> <td>J2</td> <td>PTD.</td> <td>-</td> <td>336</td> <td>3\"/> <tr> <td>348</td> <td>ETR</td> <td>-</td> <td>WD.</td> <td>J2</td> <td>PTD.</td> <td>-</td> <td>337</td> <td>3\"/> <tr> <td>349</td> <td>ETR</td> <td>-</td> <td>WD.</td> <td>J2</td> <td>PTD.</td> <td>-</td> <td>339</td> <td>3\"/> <tr> <td>350</td> <td>ETR</td> <td>-</td> <td>WD.</td> <td>J2</td> <td>PTD.</td> <td>-</td> <td>340</td> <td>3\"/> </td></tr></td></tr></td></tr></td></tr></td></tr></td></tr></td></tr>
 | 344 | ETR | - | WD. | J2 | PTD.
 | - | 334B | 3\"/> <tr> <td>345</td> <td>ETR</td> <td>-</td> <td>WD.</td> <td>J2</td> <td>PTD.</td> <td>-</td> <td>335A</td> <td>3\"/> <tr> <td>346</td> <td>ETR</td> <td>-</td> <td>WD.</td> <td>J2</td> <td>PTD.</td> <td>-</td> <td>335B</td> <td>3\"/> <tr> <td>347</td> <td>ETR</td> <td>-</td> <td>WD.</td> <td>J2</td> <td>PTD.</td> <td>-</td> <td>336</td> <td>3\"/> <tr> <td>348</td> <td>ETR</td> <td>-</td> <td>WD.</td> <td>J2</td> <td>PTD.</td> <td>-</td> <td>337</td> <td>3\"/> <tr> <td>349</td> <td>ETR</td> <td>-</td> <td>WD.</td> <td>J2</td> <td>PTD.</td> <td>-</td> <td>339</td> <td>3\"/> <tr> <td>350</td> <td>ETR</td> <td>-</td> <td>WD.</td> <td>J2</td> <td>PTD.</td> <td>-</td> <td>340</td> <td>3\"/> </td></tr></td></tr></td></tr></td></tr></td></tr></td></tr> | 345 | ETR | -
 | WD. | J2 | PTD. | - | 335A | 3\"/> <tr> <td>346</td> <td>ETR</td> <td>-</td> <td>WD.</td> <td>J2</td> <td>PTD.</td> <td>-</td> <td>335B</td> <td>3\"/> <tr> <td>347</td> <td>ETR</td> <td>-</td> <td>WD.</td> <td>J2</td> <td>PTD.</td> <td>-</td> <td>336</td> <td>3\"/> <tr> <td>348</td> <td>ETR</td> <td>-</td> <td>WD.</td> <td>J2</td> <td>PTD.</td> <td>-</td> <td>337</td> <td>3\"/> <tr> <td>349</td> <td>ETR</td> <td>-</td> <td>WD.</td> <td>J2</td> <td>PTD.</td> <td>-</td> <td>339</td> <td>3\"/> <tr> <td>350</td> <td>ETR</td> <td>-</td> <td>WD.</td> <td>J2</td> <td>PTD.</td> <td>-</td> <td>340</td> <td>3\"/> </td></tr></td></tr></td></tr></td></tr></td></tr>
 | 346 | ETR | - | WD. | J2 | PTD. | - | 335B | 3\"/> <tr> <td>347</td> <td>ETR</td> <td>-</td> <td>WD.</td> <td>J2</td> <td>PTD.</td> <td>-</td> <td>336</td> <td>3\"/> <tr> <td>348</td> <td>ETR</td> <td>-</td> <td>WD.</td> <td>J2</td> <td>PTD.</td> <td>-</td> <td>337</td> <td>3\"/> <tr> <td>349</td> <td>ETR</td> <td>-</td>
<td>WD.</td> <td>J2</td> <td>PTD.</td> <td>-</td> <td>339</td> <td>3\"/> <tr> <td>350</td> <td>ETR</td> <td>-</td> <td>WD.</td> <td>J2</td> <td>PTD.</td> <td>-</td> <td>340</td> <td>3\"/> </td></tr></td></tr></td></tr></td></tr> | 347 | ETR | - | WD. | J2 | PTD.
 | - | 336 | 3\"/> <tr> <td>348</td> <td>ETR</td> <td>-</td> <td>WD.</td> <td>J2</td> <td>PTD.</td> <td>-</td> <td>337</td> <td>3\"/> <tr> <td>349</td> <td>ETR</td> <td>-</td> <td>WD.</td> <td>J2</td> <td>PTD.</td> <td>-</td> <td>339</td> <td>3\"/> <tr> <td>350</td> <td>ETR</td> <td>-</td> <td>WD.</td> <td>J2</td> <td>PTD.</td> <td>-</td> <td>340</td> <td>3\"/> </td></tr></td></tr></td></tr> | 348 | ETR | -
 | WD. | J2 | PTD. | - | 337 | 3\"/> <tr> <td>349</td> <td>ETR</td> <td>-</td> <td>WD.</td> <td>J2</td> <td>PTD.</td> <td>-</td> <td>339</td> <td>3\"/> <tr> <td>350</td> <td>ETR</td> <td>-</td> <td>WD.</td> <td>J2</td> <td>PTD.</td> <td>-</td> <td>340</td> <td>3\"/> </td></tr></td></tr> | 349 | ETR | -
 | WD. | J2 | PTD. | - | 339 | 3\"/> <tr> <td>350</td> <td>ETR</td> <td>-</td> <td>WD.</td> <td>J2</td> <td>PTD.</td> <td>-</td> <td>340</td> <td>3\"/> </td></tr>
 | 350 | ETR | - | WD. | J2 | PTD. | - | 340 | 3\"/>
 | | | | | | | | | | | | | | | | | | | | | | | | | | | | | | | | | | | | | | | | | | | | | | | | | | | | | | | | | | | | | | | | | | |
 | | | | | | | | |
 | | | | | | | | |
 | | | | | | | | |
 | | | | | |
 | | | | | | | | |
 | | | | | | | | | | | |
 | | | | | | | | |
 | | | | | | | | | | | |
 | | | | | | | | |
 | | | | | | | | | | | |
 | | | | | | | | | | | |
 | | | | | | | | | | | | | | |
 | | | | | | | | | | | | | | |
 | | | | | | | | | | | | | | | | | |
 | | | | | | | | | | | | | | | | | | | | |
 | | | | | | | | | | | | | | | | | | | | | | | | | | |
 | | | | | | | | | | | | | | | | | | | | | | | | | | | | | | | | | | | | | | | | | | | | | | | | | | | | | | | | | | | | | | | | | | |
| 341B | ETR | - | WD. | J2 | PTD. | - | 333 | 3\"/> <tr> <td>342</td> <td>ETR</td> <td>-</td> <td>WD.</td> <td>J2</td> <td>PTD.</td> <td>-</td> <td>334A</td> <td>3\"/> <tr> <td>344</td> <td>ETR</td> <td>-</td> <td>WD.</td> <td>J2</td> <td>PTD.</td> <td>-</td> <td>334B</td> <td>3\"/> <tr> <td>345</td> <td>ETR</td> <td>-</td> <td>WD.</td> <td>J2</td> <td>PTD.</td> <td>-</td> <td>335A</td> <td>3\"/> <tr> <td>346</td> <td>ETR</td> <td>-</td> <td>WD.</td> <td>J2</td> <td>PTD.</td> <td>-</td> <td>335B</td> <td>3\"/> <tr> <td>347</td> <td>ETR</td> <td>-</td> <td>WD.</td> <td>J2</td> <td>PTD.</td> <td>-</td> <td>336</td> <td>3\"/> <tr> <td>348</td> <td>ETR</td> <td>-</td> <td>WD.</td> <td>J2</td> <td>PTD.</td> <td>-</td> <td>337</td> <td>3\"/> <tr> <td>349</td> <td>ETR</td> <td>-</td> <td>WD.</td> <td>J2</td> <td>PTD.</td> <td>-</td> <td>339</td> <td>3\"/> <tr> <td>350</td> <td>ETR</td> <td>-</td> <td>WD.</td> <td>J2</td> <td>PTD.</td> <td>-</td> <td>340</td> <td>3\"/> </td></tr></td></tr></td></tr></td></tr></td></tr></td></tr></td></tr></td></tr>
 | 342 | ETR | - | WD. | J2 | PTD.
 | - | 334A | 3\"/> <tr> <td>344</td> <td>ETR</td> <td>-</td> <td>WD.</td> <td>J2</td> <td>PTD.</td> <td>-</td> <td>334B</td> <td>3\"/> <tr> <td>345</td> <td>ETR</td> <td>-</td> <td>WD.</td> <td>J2</td> <td>PTD.</td> <td>-</td> <td>335A</td> <td>3\"/> <tr> <td>346</td> <td>ETR</td> <td>-</td> <td>WD.</td> <td>J2</td> <td>PTD.</td> <td>-</td> <td>335B</td> <td>3\"/> <tr> <td>347</td> <td>ETR</td> <td>-</td> <td>WD.</td> <td>J2</td> <td>PTD.</td> <td>-</td> <td>336</td> <td>3\"/> <tr> <td>348</td> <td>ETR</td> <td>-</td> <td>WD.</td> <td>J2</td> <td>PTD.</td> <td>-</td> <td>337</td> <td>3\"/> <tr> <td>349</td> <td>ETR</td> <td>-</td> <td>WD.</td> <td>J2</td> <td>PTD.</td> <td>-</td> <td>339</td> <td>3\"/> <tr> <td>350</td> <td>ETR</td> <td>-</td> <td>WD.</td> <td>J2</td> <td>PTD.</td> <td>-</td> <td>340</td> <td>3\"/> </td></tr></td></tr></td></tr></td></tr></td></tr></td></tr></td></tr> | 344 | ETR | -
 | WD. | J2 | PTD. | - | 334B | 3\"/> <tr> <td>345</td> <td>ETR</td> <td>-</td> <td>WD.</td> <td>J2</td> <td>PTD.</td> <td>-</td> <td>335A</td> <td>3\"/> <tr> <td>346</td> <td>ETR</td> <td>-</td> <td>WD.</td> <td>J2</td> <td>PTD.</td> <td>-</td> <td>335B</td> <td>3\"/> <tr> <td>347</td> <td>ETR</td> <td>-</td> <td>WD.</td> <td>J2</td> <td>PTD.</td> <td>-</td> <td>336</td> <td>3\"/> <tr> <td>348</td> <td>ETR</td> <td>-</td> <td>WD.</td> <td>J2</td> <td>PTD.</td> <td>-</td> <td>337</td> <td>3\"/> <tr> <td>349</td> <td>ETR</td> <td>-</td> <td>WD.</td> <td>J2</td> <td>PTD.</td> <td>-</td> <td>339</td> <td>3\"/> <tr> <td>350</td> <td>ETR</td> <td>-</td> <td>WD.</td> <td>J2</td> <td>PTD.</td> <td>-</td> <td>340</td> <td>3\"/> </td></tr></td></tr></td></tr></td></tr></td></tr></td></tr>
 | 345 | ETR | - | WD. | J2 | PTD.
 | - | 335A | 3\"/> <tr> <td>346</td> <td>ETR</td> <td>-</td> <td>WD.</td> <td>J2</td> <td>PTD.</td> <td>-</td> <td>335B</td> <td>3\"/> <tr> <td>347</td> <td>ETR</td> <td>-</td> <td>WD.</td> <td>J2</td> <td>PTD.</td> <td>-</td> <td>336</td> <td>3\"/> <tr> <td>348</td> <td>ETR</td> <td>-</td> <td>WD.</td> <td>J2</td> <td>PTD.</td> <td>-</td> <td>337</td> <td>3\"/> <tr> <td>349</td> <td>ETR</td> <td>-</td> <td>WD.</td> <td>J2</td> <td>PTD.</td> <td>-</td> <td>339</td> <td>3\"/> <tr> <td>350</td> <td>ETR</td> <td>-</td> <td>WD.</td> <td>J2</td> <td>PTD.</td> <td>-</td> <td>340</td> <td>3\"/> </td></tr></td></tr></td></tr></td></tr></td></tr> | 346 | ETR | -
 | WD. | J2 | PTD. | - | 335B | 3\"/> <tr> <td>347</td> <td>ETR</td> <td>-</td> <td>WD.</td> <td>J2</td> <td>PTD.</td> <td>-</td> <td>336</td> <td>3\"/> <tr> <td>348</td> <td>ETR</td> <td>-</td> <td>WD.</td> <td>J2</td> <td>PTD.</td> <td>-</td> <td>337</td> <td>3\"/> <tr> <td>349</td> <td>ETR</td> <td>-</td> <td>WD.</td> <td>J2</td> <td>PTD.</td> <td>-</td> <td>339</td> <td>3\"/> <tr> <td>350</td> <td>ETR</td> <td>-</td> <td>WD.</td> <td>J2</td> <td>PTD.</td> <td>-</td> <td>340</td> <td>3\"/> </td></tr></td></tr></td></tr></td></tr>
 | 347 | ETR | - | WD. | J2 | PTD. | - | 336 | 3\"/> <tr> <td>348</td> <td>ETR</td> <td>-</td> <td>WD.</td> <td>J2</td> <td>PTD.</td> <td>-</td> <td>337</td> <td>3\"/> <tr> <td>349</td> <td>ETR</td> <td>-</td> <td>WD.</td> <td>J2</td> <td>PTD.</td> <td>-</td> <td>339</td> <td>3\"/> <tr> <td>350</td> <td>ETR</td> <td>-</td>
<td>WD.</td> <td>J2</td> <td>PTD.</td> <td>-</td> <td>340</td> <td>3\"/> </td></tr></td></tr></td></tr> | 348 | ETR | - | WD. | J2 | PTD.
 | - | 337 | 3\"/> <tr> <td>349</td> <td>ETR</td> <td>-</td> <td>WD.</td> <td>J2</td> <td>PTD.</td> <td>-</td> <td>339</td> <td>3\"/> <tr> <td>350</td> <td>ETR</td> <td>-</td> <td>WD.</td> <td>J2</td> <td>PTD.</td> <td>-</td> <td>340</td> <td>3\"/> </td></tr></td></tr> | 349 | ETR | -
 | WD. | J2 | PTD. | - | 339 | 3\"/> <tr> <td>350</td> <td>ETR</td> <td>-</td> <td>WD.</td> <td>J2</td> <td>PTD.</td> <td>-</td> <td>340</td> <td>3\"/> </td></tr> | 350 | ETR | -
 | WD. | J2 | PTD. | - | 340 | 3\"/>
 | | | | | | | | | | | | | | | | | | | | | | | | | | | | | | | | | | | | | | | | | | | | | | | | | | | | | | | | | | | | | | | | | | |
 | | | | | |
 | | | | | | | | |
 | | | | | | | | |
 | | | | | | | | |
 | | | | | |
 | | | | | | | | |
 | | | | | | | | | | | |
 | | | | | | | | |
 | | | | | | | | | | | |
 | | | | | | | | |
 | | | | | | | | | | | |
 | | | | | | | | | | | |
 | | | | | | | | | | | | | | |
 | | | | | | | | | | | | | | |
 | | | | | | | | | | | | | | | | | |
 | | | | | | | | | | | | | | | | | | | | |
 | | | | | | | | | | | | | | | | | | | | | | | | | | |
 | | | | | | | | | | | | | | | | | | | | | | | | | | | | | | | | | | | | | | | | | | | | | | | | | | | | | | | | | | | | | | | | | | |
| 342 | ETR | - | WD. | J2 | PTD. | - | 334A | 3\"/> <tr> <td>344</td> <td>ETR</td> <td>-</td> <td>WD.</td> <td>J2</td> <td>PTD.</td> <td>-</td> <td>334B</td> <td>3\"/> <tr> <td>345</td> <td>ETR</td> <td>-</td> <td>WD.</td> <td>J2</td> <td>PTD.</td> <td>-</td> <td>335A</td> <td>3\"/> <tr> <td>346</td> <td>ETR</td> <td>-</td> <td>WD.</td> <td>J2</td> <td>PTD.</td> <td>-</td> <td>335B</td> <td>3\"/> <tr> <td>347</td> <td>ETR</td> <td>-</td> <td>WD.</td> <td>J2</td> <td>PTD.</td> <td>-</td> <td>336</td> <td>3\"/> <tr> <td>348</td> <td>ETR</td> <td>-</td> <td>WD.</td> <td>J2</td> <td>PTD.</td> <td>-</td> <td>337</td> <td>3\"/> <tr> <td>349</td> <td>ETR</td> <td>-</td> <td>WD.</td> <td>J2</td> <td>PTD.</td> <td>-</td> <td>339</td> <td>3\"/> <tr> <td>350</td> <td>ETR</td> <td>-</td> <td>WD.</td> <td>J2</td> <td>PTD.</td> <td>-</td> <td>340</td> <td>3\"/> </td></tr></td></tr></td></tr></td></tr></td></tr></td></tr></td></tr>
 | 344 | ETR | - | WD. | J2 | PTD.
 | - | 334B | 3\"/> <tr> <td>345</td> <td>ETR</td> <td>-</td> <td>WD.</td> <td>J2</td> <td>PTD.</td> <td>-</td> <td>335A</td> <td>3\"/> <tr> <td>346</td> <td>ETR</td> <td>-</td> <td>WD.</td> <td>J2</td> <td>PTD.</td> <td>-</td> <td>335B</td> <td>3\"/> <tr> <td>347</td> <td>ETR</td> <td>-</td> <td>WD.</td> <td>J2</td> <td>PTD.</td> <td>-</td> <td>336</td> <td>3\"/> <tr> <td>348</td> <td>ETR</td> <td>-</td> <td>WD.</td> <td>J2</td> <td>PTD.</td> <td>-</td> <td>337</td> <td>3\"/> <tr> <td>349</td> <td>ETR</td> <td>-</td> <td>WD.</td> <td>J2</td> <td>PTD.</td> <td>-</td> <td>339</td> <td>3\"/> <tr> <td>350</td> <td>ETR</td> <td>-</td> <td>WD.</td> <td>J2</td> <td>PTD.</td> <td>-</td> <td>340</td> <td>3\"/> </td></tr></td></tr></td></tr></td></tr></td></tr></td></tr> | 345 | ETR | -
 | WD. | J2 | PTD. | - | 335A | 3\"/> <tr> <td>346</td> <td>ETR</td> <td>-</td> <td>WD.</td> <td>J2</td> <td>PTD.</td> <td>-</td> <td>335B</td> <td>3\"/> <tr> <td>347</td> <td>ETR</td> <td>-</td> <td>WD.</td> <td>J2</td> <td>PTD.</td> <td>-</td> <td>336</td> <td>3\"/> <tr> <td>348</td> <td>ETR</td> <td>-</td> <td>WD.</td> <td>J2</td> <td>PTD.</td> <td>-</td> <td>337</td> <td>3\"/> <tr> <td>349</td> <td>ETR</td> <td>-</td> <td>WD.</td> <td>J2</td> <td>PTD.</td> <td>-</td> <td>339</td> <td>3\"/> <tr> <td>350</td> <td>ETR</td> <td>-</td> <td>WD.</td> <td>J2</td> <td>PTD.</td> <td>-</td> <td>340</td> <td>3\"/> </td></tr></td></tr></td></tr></td></tr></td></tr>
 | 346 | ETR | - | WD. | J2 | PTD.
 | - | 335B | 3\"/> <tr> <td>347</td> <td>ETR</td> <td>-</td> <td>WD.</td> <td>J2</td> <td>PTD.</td> <td>-</td> <td>336</td> <td>3\"/> <tr> <td>348</td> <td>ETR</td> <td>-</td> <td>WD.</td> <td>J2</td> <td>PTD.</td> <td>-</td> <td>337</td> <td>3\"/> <tr> <td>349</td> <td>ETR</td> <td>-</td> <td>WD.</td> <td>J2</td> <td>PTD.</td> <td>-</td> <td>339</td> <td>3\"/> <tr> <td>350</td> <td>ETR</td> <td>-</td> <td>WD.</td> <td>J2</td> <td>PTD.</td> <td>-</td> <td>340</td> <td>3\"/> </td></tr></td></tr></td></tr></td></tr> | 347 | ETR | -
 | WD. | J2 | PTD. | - | 336 | 3\"/> <tr> <td>348</td> <td>ETR</td> <td>-</td> <td>WD.</td> <td>J2</td> <td>PTD.</td> <td>-</td> <td>337</td> <td>3\"/> <tr> <td>349</td> <td>ETR</td> <td>-</td> <td>WD.</td> <td>J2</td> <td>PTD.</td> <td>-</td> <td>339</td> <td>3\"/> <tr> <td>350</td> <td>ETR</td> <td>-</td> <td>WD.</td> <td>J2</td> <td>PTD.</td> <td>-</td> <td>340</td> <td>3\"/> </td></tr></td></tr></td></tr>
 | 348 | ETR | - | WD. | J2 | PTD. | - | 337 | 3\"/> <tr> <td>349</td> <td>ETR</td> <td>-</td> <td>WD.</td> <td>J2</td> <td>PTD.</td> <td>-</td> <td>339</td> <td>3\"/> <tr> <td>350</td> <td>ETR</td> <td>-</td> <td>WD.</td> <td>J2</td> <td>PTD.</td> <td>-</td> <td>340</td> <td>3\"/> </td></tr></td></tr>
 | 349 | ETR | - | WD. | J2 | PTD.
 | - | 339 | 3\"/> <tr> <td>350</td> <td>ETR</td> <td>-</td> <td>WD.</td> <td>J2</td> <td>PTD.</td> <td>-</td> <td>340</td> <td>3\"/> </td></tr> | 350 | ETR | -
 | WD. | J2 | PTD. | - | 340 | 3\"/> | | | | | | | | | | | | | | | | | | | | | | | | | | | | | | | | | | | | | | | | | | | | | | | | | | | | | | | | | | | | |
 | | | | | |
 | | | | | | | | |
 | | | | | |
 | | | | | | | | |
 | | | | | | | | |
 | | | | | | | | |
 | | | | | |
 | | | | | | | | |
 | | | | | | | | | | | |
 | | | | | | | | |
 | | | | | | | | | | | |
 | | | | | | | | |
 | | | | | | | | | | | |
 | | | | | | | | | | | |
 | | | | | | | | | | | | | | |
 | | | | | | | | | | | | | | |
 | | | | | | | | | | | | | | | | | |
 | | | | | | | | | | | | | | | | | | | | |
 | | | | | | | | | | | | | | | | | | | | | | | | | | |
 | | | | | | | | | | | | | | | | | | | | | | | | | | | | | | | | | | | | | | | | | | | | | | | | | | | | | | | | | | | | | | | | | | |
| 344 | ETR | - | WD. | J2 | PTD. | - | 334B | 3\"/> <tr> <td>345</td> <td>ETR</td> <td>-</td> <td>WD.</td> <td>J2</td> <td>PTD.</td> <td>-</td> <td>335A</td> <td>3\"/> <tr> <td>346</td> <td>ETR</td> <td>-</td> <td>WD.</td> <td>J2</td> <td>PTD.</td> <td>-</td> <td>335B</td> <td>3\"/> <tr> <td>347</td> <td>ETR</td> <td>-</td> <td>WD.</td> <td>J2</td> <td>PTD.</td> <td>-</td> <td>336</td> <td>3\"/> <tr> <td>348</td> <td>ETR</td> <td>-</td> <td>WD.</td> <td>J2</td> <td>PTD.</td> <td>-</td> <td>337</td> <td>3\"/> <tr> <td>349</td> <td>ETR</td> <td>-</td> <td>WD.</td> <td>J2</td> <td>PTD.</td> <td>-</td> <td>339</td> <td>3\"/> <tr> <td>350</td> <td>ETR</td> <td>-</td> <td>WD.</td> <td>J2</td> <td>PTD.</td> <td>-</td> <td>340</td> <td>3\"/> </td></tr></td></tr></td></tr></td></tr></td></tr></td></tr>
 | 345 | ETR | - | WD. | J2 | PTD.
 | - | 335A | 3\"/> <tr> <td>346</td> <td>ETR</td> <td>-</td> <td>WD.</td> <td>J2</td> <td>PTD.</td> <td>-</td> <td>335B</td> <td>3\"/> <tr> <td>347</td> <td>ETR</td> <td>-</td> <td>WD.</td> <td>J2</td> <td>PTD.</td> <td>-</td> <td>336</td> <td>3\"/> <tr> <td>348</td> <td>ETR</td> <td>-</td> <td>WD.</td> <td>J2</td> <td>PTD.</td> <td>-</td> <td>337</td> <td>3\"/> <tr> <td>349</td> <td>ETR</td> <td>-</td> <td>WD.</td> <td>J2</td> <td>PTD.</td> <td>-</td> <td>339</td> <td>3\"/> <tr> <td>350</td> <td>ETR</td> <td>-</td> <td>WD.</td> <td>J2</td> <td>PTD.</td> <td>-</td> <td>340</td> <td>3\"/> </td></tr></td></tr></td></tr></td></tr></td></tr> | 346 | ETR | -
 | WD. | J2 | PTD. | - | 335B | 3\"/> <tr> <td>347</td> <td>ETR</td> <td>-</td> <td>WD.</td> <td>J2</td> <td>PTD.</td> <td>-</td> <td>336</td> <td>3\"/> <tr> <td>348</td> <td>ETR</td> <td>-</td> <td>WD.</td> <td>J2</td> <td>PTD.</td> <td>-</td> <td>337</td> <td>3\"/> <tr> <td>349</td> <td>ETR</td> <td>-</td> <td>WD.</td> <td>J2</td> <td>PTD.</td> <td>-</td> <td>339</td> <td>3\"/> <tr> <td>350</td> <td>ETR</td> <td>-</td> <td>WD.</td> <td>J2</td> <td>PTD.</td> <td>-</td> <td>340</td> <td>3\"/> </td></tr></td></tr></td></tr></td></tr>
 | 347 | ETR | - | WD. | J2 | PTD.
 | - | 336 | 3\"/> <tr> <td>348</td> <td>ETR</td> <td>-</td> <td>WD.</td> <td>J2</td> <td>PTD.</td> <td>-</td> <td>337</td> <td>3\"/> <tr> <td>349</td> <td>ETR</td> <td>-</td> <td>WD.</td> <td>J2</td> <td>PTD.</td> <td>-</td> <td>339</td> <td>3\"/> <tr> <td>350</td> <td>ETR</td> <td>-</td> <td>WD.</td> <td>J2</td> <td>PTD.</td> <td>-</td> <td>340</td> <td>3\"/> </td></tr></td></tr></td></tr> | 348 | ETR | -
 | WD. | J2 | PTD. | - | 337 | 3\"/> <tr> <td>349</td> <td>ETR</td> <td>-</td> <td>WD.</td> <td>J2</td> <td>PTD.</td> <td>-</td> <td>339</td> <td>3\"/> <tr> <td>350</td> <td>ETR</td> <td>-</td> <td>WD.</td> <td>J2</td> <td>PTD.</td> <td>-</td> <td>340</td> <td>3\"/> </td></tr></td></tr>
 | 349 | ETR | - | WD. | J2 | PTD. | - | 339 | 3\"/> <tr> <td>350</td> <td>ETR</td> <td>-</td> <td>WD.</td> <td>J2</td> <td>PTD.</td> <td>-</td> <td>340</td> <td>3\"/> </td></tr>
 | 350 | ETR | - | WD. | J2 | PTD.
 | - | 340 | 3\"/> | | | | | | | | | | | | | | | | | | | | | | | | | | | | | | | | | | | | | | | | | | | | | | | | | | | | | | | | | | | | | | | |
 | | | | | | | | |
 | | | | | |
 | | | | | | | | |
 | | | | | |
 | | | | | | | | |
 | | | | | | | | |
 | | | | | | | | |
 | | | | | |
 | | | | | | | | |
 | | | | | | | | | | | |
 | | | | | | | | |
 | | | | | | | | | | | |
 | | | | | | | | |
 | | | | | | | | | | | |
 | | | | | | | | | | | |
 | | | | | | | | | | | | | | |
 | | | | | | | | | | | | | | |
 | | | | | | | | | | | | | | | | | |
 | | | | | | | | | | | | | | | | | | | | |
 | | | | | | | | | | | | | | | | | | | | | | | | | | |
 | | | | | | | | | | | | | | | | | | | | | | | | | | | | | | | | | | | | | | | | | | | | | | | | | | | | | | | | | | | | | | | | | | |
| 345 | ETR | - | WD. | J2 | PTD. | - | 335A | 3\"/> <tr> <td>346</td> <td>ETR</td> <td>-</td> <td>WD.</td> <td>J2</td> <td>PTD.</td> <td>-</td> <td>335B</td> <td>3\"/> <tr> <td>347</td> <td>ETR</td> <td>-</td> <td>WD.</td> <td>J2</td> <td>PTD.</td> <td>-</td> <td>336</td> <td>3\"/> <tr> <td>348</td> <td>ETR</td> <td>-</td> <td>WD.</td> <td>J2</td> <td>PTD.</td> <td>-</td> <td>337</td> <td>3\"/> <tr> <td>349</td> <td>ETR</td> <td>-</td> <td>WD.</td> <td>J2</td> <td>PTD.</td> <td>-</td> <td>339</td> <td>3\"/> <tr> <td>350</td> <td>ETR</td> <td>-</td> <td>WD.</td> <td>J2</td> <td>PTD.</td> <td>-</td> <td>340</td> <td>3\"/> </td></tr></td></tr></td></tr></td></tr></td></tr>
 | 346 | ETR | - | WD. | J2 | PTD.
 | - | 335B | 3\"/> <tr> <td>347</td> <td>ETR</td> <td>-</td> <td>WD.</td> <td>J2</td> <td>PTD.</td> <td>-</td> <td>336</td> <td>3\"/> <tr> <td>348</td> <td>ETR</td> <td>-</td> <td>WD.</td> <td>J2</td> <td>PTD.</td> <td>-</td> <td>337</td> <td>3\"/> <tr> <td>349</td> <td>ETR</td> <td>-</td> <td>WD.</td> <td>J2</td> <td>PTD.</td> <td>-</td> <td>339</td> <td>3\"/> <tr> <td>350</td> <td>ETR</td> <td>-</td> <td>WD.</td> <td>J2</td> <td>PTD.</td> <td>-</td> <td>340</td> <td>3\"/> </td></tr></td></tr></td></tr></td></tr> | 347 | ETR | -
 | WD. | J2 | PTD. | - | 336 | 3\"/> <tr> <td>348</td> <td>ETR</td> <td>-</td> <td>WD.</td> <td>J2</td> <td>PTD.</td> <td>-</td> <td>337</td> <td>3\"/> <tr> <td>349</td> <td>ETR</td> <td>-</td> <td>WD.</td> <td>J2</td> <td>PTD.</td> <td>-</td> <td>339</td> <td>3\"/> <tr> <td>350</td> <td>ETR</td> <td>-</td> <td>WD.</td> <td>J2</td> <td>PTD.</td> <td>-</td> <td>340</td> <td>3\"/> </td></tr></td></tr></td></tr>
 | 348 | ETR | - | WD. | J2 | PTD.
 | - | 337 | 3\"/> <tr> <td>349</td> <td>ETR</td> <td>-</td> <td>WD.</td> <td>J2</td> <td>PTD.</td> <td>-</td> <td>339</td> <td>3\"/> <tr> <td>350</td> <td>ETR</td> <td>-</td> <td>WD.</td> <td>J2</td> <td>PTD.</td> <td>-</td> <td>340</td> <td>3\"/> </td></tr></td></tr> | 349 | ETR | -
 | WD. | J2 | PTD. | - | 339 | 3\"/> <tr> <td>350</td> <td>ETR</td> <td>-</td> <td>WD.</td> <td>J2</td> <td>PTD.</td> <td>-</td> <td>340</td> <td>3\"/> </td></tr>
 | 350 | ETR | - | WD. | J2 | PTD. | - | 340 | 3\"/>
 | | | | | | | | | | | | | | | | | | | | | | | | | | | | | | | | | | | | | | | | | | | | | | | | | | | | | | | | | | | | | | | | | | |
 | | | | | |
 | | | | | | | | |
 | | | | | |
 | | | | | | | | |
 | | | | | |
 | | | | | | | | |
 | | | | | | | | |
 | | | | | | | | |
 | | | | | |
 | | | | | | | | |
 | | | | | | | | | | | |
 | | | | | | | | |
 | | | | | | | | | | | |
 | | | | | | | | |
 | | | | | | | | | | | |
 | | | | | | | | | | | |
 | | | | | | | | | | | | | | |
 | | | | | | | | | | | | | | |
 | | | | | | | | | | | | | | | | | |
 | | | | | | | | | | | | | | | | | | | | |
 | | | | | | | | | | | | | | | | | | | | | | | | | | |
 | | | | | | | | | | | | | | | | | | | | | | | | | | | | | | | | | | | | | | | | | | | | | | | | | | | | | | | | | | | | | | | | | | |
| 346 | ETR | - | WD. | J2 | PTD. | - | 335B | 3\"/> <tr> <td>347</td> <td>ETR</td> <td>-</td> <td>WD.</td> <td>J2</td> <td>PTD.</td> <td>-</td> <td>336</td> <td>3\"/> <tr> <td>348</td> <td>ETR</td> <td>-</td> <td>WD.</td> <td>J2</td> <td>PTD.</td> <td>-</td> <td>337</td> <td>3\"/> <tr> <td>349</td> <td>ETR</td> <td>-</td> <td>WD.</td> <td>J2</td> <td>PTD.</td> <td>-</td> <td>339</td> <td>3\"/> <tr> <td>350</td> <td>ETR</td> <td>-</td> <td>WD.</td> <td>J2</td> <td>PTD.</td> <td>-</td> <td>340</td> <td>3\"/> </td></tr></td></tr></td></tr></td></tr>
 | 347 | ETR | - | WD. | J2 | PTD.
 | - | 336 | 3\"/> <tr> <td>348</td> <td>ETR</td> <td>-</td> <td>WD.</td> <td>J2</td> <td>PTD.</td> <td>-</td> <td>337</td> <td>3\"/> <tr> <td>349</td> <td>ETR</td> <td>-</td> <td>WD.</td> <td>J2</td> <td>PTD.</td> <td>-</td> <td>339</td> <td>3\"/> <tr> <td>350</td> <td>ETR</td> <td>-</td> <td>WD.</td> <td>J2</td> <td>PTD.</td> <td>-</td> <td>340</td> <td>3\"/> </td></tr></td></tr></td></tr> | 348 | ETR | -
 | WD. | J2 | PTD. | - | 337 | 3\"/> <tr> <td>349</td> <td>ETR</td> <td>-</td> <td>WD.</td> <td>J2</td> <td>PTD.</td> <td>-</td> <td>339</td> <td>3\"/> <tr> <td>350</td> <td>ETR</td> <td>-</td> <td>WD.</td> <td>J2</td> <td>PTD.</td> <td>-</td> <td>340</td> <td>3\"/> </td></tr></td></tr>
 | 349 | ETR | - | WD. | J2 | PTD.
 | - | 339 | 3\"/> <tr> <td>350</td> <td>ETR</td> <td>-</td> <td>WD.</td> <td>J2</td> <td>PTD.</td> <td>-</td> <td>340</td> <td>3\"/> </td></tr> | 350 | ETR | -
 | WD. | J2 | PTD. | - | 340 | 3\"/>
 | | | | | | | | | | | | | | | | | | | | | | | | | | | | | | | | | | | | | | | | | | | | | | | | | | | | | | | | | | | | | | | | | | |
 | | | | | |
 | | | | | |
 | | | | | | | | |
 | | | | | |
 | | | | | | | | |
 | | | | | |
 | | | | | | | | |
 | | | | | | | | |
 | | | | | | | | |
 | | | | | |
 | | | | | | | | |
 | | | | | | | | | | | |
 | | | | | | | | |
 | | | | | | | | | | | |
 | | | | | | | | |
 | | | | | | | | | | | |
 | | | | | | | | | | | |
 | | | | | | | | | | | | | | |
 | | | | | | | | | | | | | | |
 | | | | | | | | | | | | | | | | | |
 | | | | | | | | | | | | | | | | | | | | |
 | | | | | | | | | | | | | | | | | | | | | | | | | | |
 | | | | | | | | | | | | | | | | | | | | | | | | | | | | | | | | | | | | | | | | | | | | | | | | | | | | | | | | | | | | | | | | | | |
| 347 | ETR | - | WD. | J2 | PTD. | - | 336 | 3\"/> <tr> <td>348</td> <td>ETR</td> <td>-</td> <td>WD.</td> <td>J2</td> <td>PTD.</td> <td>-</td> <td>337</td> <td>3\"/> <tr> <td>349</td> <td>ETR</td> <td>-</td> <td>WD.</td> <td>J2</td> <td>PTD.</td> <td>-</td> <td>339</td> <td>3\"/> <tr> <td>350</td> <td>ETR</td> <td>-</td> <td>WD.</td> <td>J2</td> <td>PTD.</td> <td>-</td> <td>340</td> <td>3\"/> </td></tr></td></tr></td></tr>
 | 348 | ETR | - | WD. | J2 | PTD.
 | - | 337 | 3\"/> <tr> <td>349</td> <td>ETR</td> <td>-</td> <td>WD.</td> <td>J2</td> <td>PTD.</td> <td>-</td> <td>339</td> <td>3\"/> <tr> <td>350</td> <td>ETR</td> <td>-</td> <td>WD.</td> <td>J2</td> <td>PTD.</td> <td>-</td> <td>340</td> <td>3\"/> </td></tr></td></tr> | 349 | ETR | -
 | WD. | J2 | PTD. | - | 339 | 3\"/> <tr> <td>350</td> <td>ETR</td> <td>-</td> <td>WD.</td> <td>J2</td> <td>PTD.</td> <td>-</td> <td>340</td> <td>3\"/> </td></tr>
 | 350 | ETR | - | WD. | J2 | PTD.
 | - | 340 | 3\"/> | | | | | | | | | | | | | | | | | | | | | | | | | | | | | | | | | | | | | | | | | | | | | | | | | | | | | | | | | | | | | | | |
 | | | | | |
 | | | | | | | | |
 | | | | | |
 | | | | | |
 | | | | | | | | |
 | | | | | |
 | | | | | | | | |
 | | | | | |
 | | | | | | | | |
 | | | | | | | | |
 | | | | | | | | |
 | | | | | |
 | | | | | | | | |
 | | | | | | | | | | | |
 | | | | | | | | |
 | | | | | | | | | | | |
 | | | | | | | | |
 | | | | | | | | | | | |
 | | | | | | | | | | | |
 | | | | | | | | | | | | | | |
 | | | | | | | | | | | | | | |
 | | | | | | | | | | | | | | | | | |
 | | | | | | | | | | | | | | | | | | | | |
 | | | | | | | | | | | | | | | | | | | | | | | | | | |
 | | | | | | | | | | | | | | | | | | | | | | | | | | | | | | | | | | | | | | | | | | | | | | | | | | | | | | | | | | | | | | | | | | |
| 348 | ETR | - | WD. | J2 | PTD. | - | 337 | 3\"/> <tr> <td>349</td> <td>ETR</td> <td>-</td> <td>WD.</td> <td>J2</td> <td>PTD.</td> <td>-</td> <td>339</td> <td>3\"/> <tr> <td>350</td> <td>ETR</td> <td>-</td> <td>WD.</td> <td>J2</td> <td>PTD.</td> <td>-</td> <td>340</td> <td>3\"/> </td></tr></td></tr>
 | 349 | ETR | - | WD. | J2 | PTD.
 | - | 339 | 3\"/> <tr> <td>350</td> <td>ETR</td> <td>-</td> <td>WD.</td> <td>J2</td> <td>PTD.</td> <td>-</td> <td>340</td> <td>3\"/> </td></tr> | 350 | ETR | -
 | WD. | J2 | PTD. | - | 340 | 3\"/>
 | | | | | | | | | | | | | | | | | | | | | | | | | | | | | | | | | | | | | | | | | | | | | | | | | | | | | | | | | | | | | | | | | | |
 | | | | | |
 | | | | | |
 | | | | | | | | |
 | | | | | |
 | | | | | |
 | | | | | | | | |
 | | | | | |
 | | | | | | | | |
 | | | | | |
 | | | | | | | | |
 | | | | | | | | |
 | | | | | | | | |
 | | | | | |
 | | | | | | | | |
 | | | | | | | | | | | |
 | | | | | | | | |
 | | | | | | | | | | | |
 | | | | | | | | |
 | | | | | | | | | | | |
 | | | | | | | | | | | |
 | | | | | | | | | | | | | | |
 | | | | | | | | | | | | | | |
 | | | | | | | | | | | | | | | | | |
 | | | | | | | | | | | | | | | | | | | | |
 | | | | | | | | | | | | | | | | | | | | | | | | | | |
 | | | | | | | | | | | | | | | | | | | | | | | | | | | | | | | | | | | | | | | | | | | | | | | | | | | | | | | | | | | | | | | | | | |
| 349 | ETR | - | WD. | J2 | PTD. | - | 339 | 3\"/> <tr> <td>350</td> <td>ETR</td> <td>-</td> <td>WD.</td> <td>J2</td> <td>PTD.</td> <td>-</td> <td>340</td> <td>3\"/> </td></tr>
 | 350 | ETR | - | WD. | J2 | PTD.
 | - | 340 | 3\"/> | | | | | | | | | | | | | | | | | | | | | | | | | | | | | | | | | | | | | | | | | | | | | | | | | | | | | | | | | | | | | | | |
 | | | | | |
 | | | | | |
 | | | | | |
 | | | | | |
 | | | | | | | | |
 | | | | | |
 | | | | | |
 | | | | | | | | |
 | | | | | |
 | | | | | | | | |
 | | | | | |
 | | | | | | | | |
 | | | | | | | | |
 | | | | | | | | |
 | | | | | |
 | | | | | | | | |
 | | | | | | | | | | | |
 | | | | | | | | |
 | | | | | | | | | | | |
 | | | | | | | | |
 | | | | | | | | | | | |
 | | | | | | | | | | | |
 | | | | | | | | | | | | | | |
 | | | | | | | | | | | | | | |
 | | | | | | | | | | | | | | | | | |
 | | | | | | | | | | | | | | | | | | | | |
 | | | | | | | | | | | | | | | | | | | | | | | | | | |
 | | | | | | | | | | | | | | | | | | | | | | | | | | | | | | | | | | | | | | | | | | | | | | | | | | | | | | | | | | | | | | | | | | |
| 350 | ETR | - | WD. | J2 | PTD. | - | 340 | 3\"/>
 | | | | | | | | | | | | | | | | | | | | | | | | | | | | | | | | | | | | | | | | | | | | | | | | | | | | | | | | | | | | | | | | | | |
 | | | | | |
 | | | | | |
 | | | | | |
 | | | | | |
 | | | | | |
 | | | | | | | | |
 | | | | | |
 | | | | | |
 | | | | | | | | |
 | | | | | |
 | | | | | | | | |
 | | | | | |
 | | | | | | | | |
 | | | | | | | | |
 | | | | | | | | |
 | | | | | |
 | | | | | | | | |
 | | | | | | | | | | | |
 | | | | | | | | |
 | | | | | | | | | | | |
 | | | | | | | | |
 | | | | | | | | | | | |
 | | | | | | | | | | | |
 | | | | | | | | | | | | | | |
 | | | | | | | | | | | | | | |
 | | | | | | | | | | | | | | | | | |
 | | | | | | | | | | | | | | | | | | | | |
 | | | | | | | | | | | | | | | | | | | | | | | | | | |
 | | | | | | | | | | | | | | | | | | | | | | | | | | | | | | | | | | | | | | | | | | | | | | | | | | | | | | | | | | | | | | | | | | |

A1 DOOR SCHEDULE

DOOR SCHEDULE NOTES:
1. COORDINATE LOCATIONS OF TRIM SUPPLIED CARD ACCESS READERS. PROVIDE POWER AND CLOSING INFORMATION TO TRIM MANUFACTURER.
2. KEY PAD SYSTEM AT DOORS. PROVIDE KEY PAD SYSTEM WITH TRIM.
3. COORDINATE KEYING WITH TRIM.