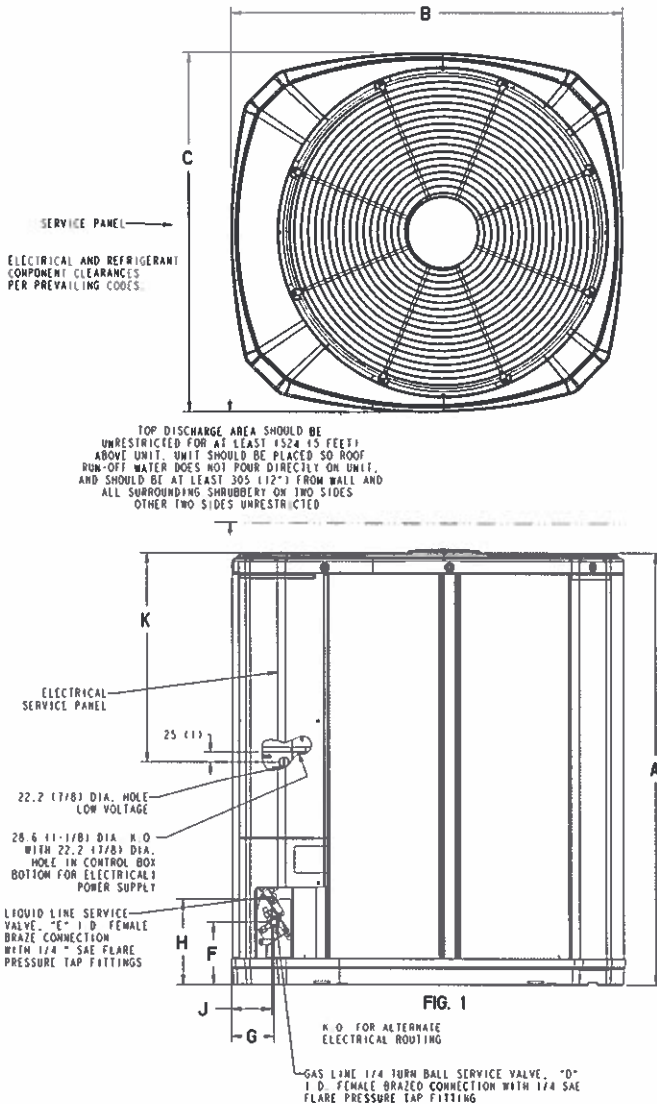


TAG: _____

SPECIFICATION

3 Ton Split System Heat Pump — 1 Ph 4A6H7036A

NOTE: All dimensions are in mm/inches.



MODELS	BASE	A	B	C	D	E	F	G	H	J	K
4A6H7036A	4	1147 (45-1/8)	946 (37-1/4)	870 (34-1/4)	3/4	3/8	152 (6)	98 (3-7/8)	219 (8-5/8)	86 (3-3/8)	831 (32)

Product Specifications

OUTDOOR UNIT ①②	4A6H7036A1000A
POWER CONNS. — V/PH/HZ ③	230/1/60
MIN. BRCH. CIR. AMPACITY	22
BR. CIR. PROT. RTG. — MAX. (AMPS)	35
COMPRESSOR	DURATION™ - SCROLL
NO. USED - NO. STAGES	1 - 2
VOLTS/PH/HZ	230/1/60
R.L. AMPS ⑦ - L.R. AMPS	16.7 - 82
FACTORY INSTALLED	
START COMPONENTS ⑧	NO
INSULATION/SOUND BLANKET	NO
COMPRESSOR HEAT	YES
OUTDOOR FAN	PROPELLER
DIA. (IN.) - NO. USED	27.6 - 1
TYPE DRIVE - NO. SPEEDS	DIRECT - 1
CFM @ 0.0 IN. W.G. ④	3700
NO. MOTORS - HP	1 - 1/8
MOTOR SPEED R.P.M.	835
VOLTS/PH/HZ	200/230/1/60
F.L. AMPS	0.74
OUTDOOR COIL — TYPE	SPINE FIN™
ROWS - F.P.I.	1 - 24
FACE AREA (SQ. FT.)	30.79
TUBE SIZE (IN.)	3/8
REFRIGERANT CONTROL	EEV
REFRIGERANT	R-410A
LBS. — R-410A (O.D. UNIT) ⑤	10 LBS. - 8 OZ.
FACTORY SUPPLIED	YES
LINE SIZE - IN. O.D. GAS ⑥	3/4
LINE SIZE - IN. O.D. LIQ. ⑥	3/8
CHARGING SPECIFICATION	
SUBCOOLING	9°F
DIMENSIONS	H X W X D
CRATED (IN.)	51.0 X 35.1 X 38.7
WEIGHT	
SHIPPING (LBS.)	274
NET (LBS.)	236

- ① Certified in accordance with the Air-Source Unitary Air-conditioner Equipment certification program, which is based on AHRI standard 210/240. In order to achieve AHRI standard rating, the indoor fan time delay on the comfort control must be enabled.
- ② Rated in accordance with AHRI standard 270.
- ③ Calculated in accordance with Natl. Elec. Codes. Use only HACR circuit breakers or fuses.
- ④ Standard Air — Dry Coil — Outdoor
- ⑤ This value approximate. For more precise value see unit nameplate.
- ⑥ Max. linear length 60 ft.; Max. lift - Suction 25 ft.; Max. lift - Liquid 25 ft. For greater length consult refrigerant piping software Pub. No. 32-3312-0* (* denotes latest revision).
- ⑦ This value shown for compressor FLA on the unit nameplate and on this specification sheet is used to compute minimum branch circuit ampacity and max. fuse size. The value shown is the branch circuit selection current.
- ⑧ No means no start components. Yes means quick start kit components. PTC means positive temperature coefficient starter.

Sound Power Level

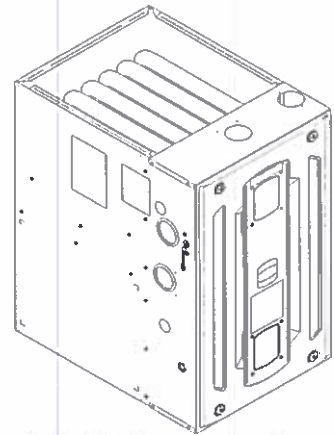
Model	A-Weighted Sound Power Level [dB(A)]	Full Octave Sound Power [dB]							
		63 Hz	125 Hz	250 Hz	500 Hz	1000 Hz	2000 Hz	4000 Hz	8000 Hz
4A6H7036A1	72	66	66	64	64	63	57	54	48

Note: Rated in accordance with AHRI Standard 270-2008

Submittal

Upflow/ Horizontal Left/Right Two Stage Condensing Gas Fired Furnace 80,000 BTUH

Upflow, Convertible to
Horizontal Right or
Horizontal Left
S9V2C080U5PSAA



Note: Graphics in this document are for representation only. Actual model may differ in appearance.

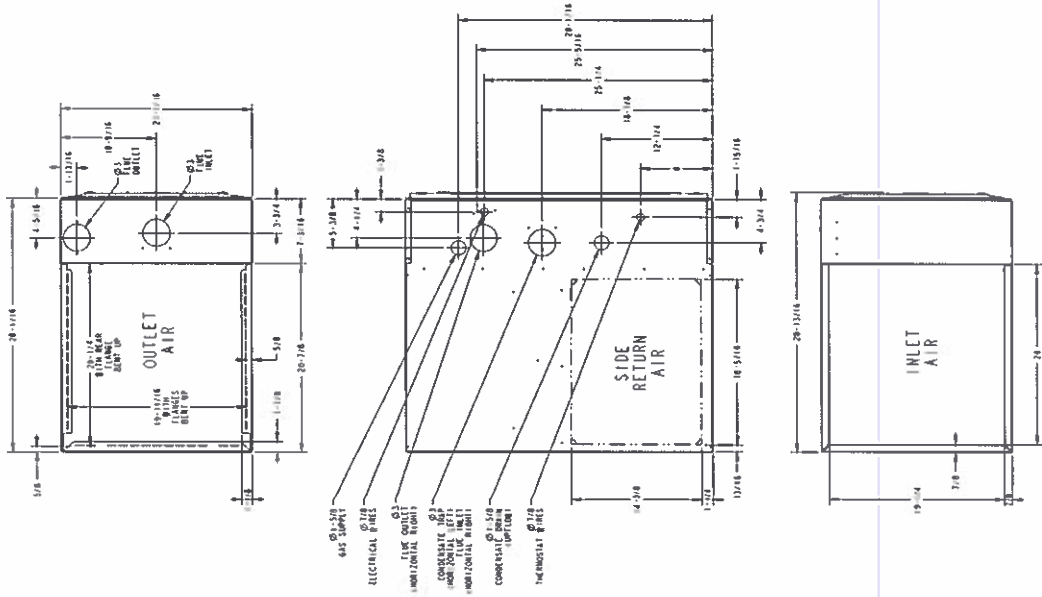
TAG: _____

⚠ SAFETY WARNING

Only qualified personnel should install and service the equipment. The installation, starting up, and servicing of heating, ventilating, and air-conditioning equipment can be hazardous and requires specific knowledge and training. Improperly installed, adjusted or altered equipment by an unqualified person could result in death or serious injury. When working on the equipment, observe all precautions in the literature and on the tags, stickers, and labels that are attached to the equipment.

Outline Drawings

Upflow Furnace C Size Cabinet



Product Specification

MODEL	S9V2C080U5PSAA
TYPE	Upflow/Horizontal
RATINGS ^(a)	
1st Stage Input BTUH (ICS)	52,000
1st Stage Capacity BTUH	50,440
2nd Stage Input BTUH	80,000
2nd Stage Capacity BTUH (ICS) ^{(b) (c)}	77,600
1st Stage Temp. Rise (Min.-Max.)	30 - 60
2nd Stage Temp. Rise (Min.-Max.)	35 - 65
AFUE (%)	96.0
BLOWER DRIVE	DIRECT
Diameter — Width (In.)	11 X 10
No. Used	1
Speeds (No.)	Variable
CFM vs. in. w.g.	See Fan Performance Table
Motor HP	1
RPM	Variable
Volts/Ph/Hz	120 / 1 / 60
FLA	10.5
COMBUSTION FAN — Type	Centrifugal
Drive — No. Speeds	Direct - 2
Motor HP — RPM	3300/2600
Volts/Ph/Hz	120 / 1 / 60
FLA	0.66
FILTER — Furnished?	No
Type recommended	High Velocity
Hi Vel. (No.-Size-Thk.)	1 — 20x25 — 1 in.
VENT PIPE DIAMETER — Min (in.) ^{(d) (e)}	2 Round
HEAT EXCHANGER	

MODEL	S9V2C080U5PSAA
Type — Fired	409 Stainless Steel
— Unfired	29-4C Stainless Steel
Gauge (Fired)	20
ORIFICES — Main	
Nat. Gas Qty. — Drill Size	4 - 45
LP Gas Qty. — Drill Size	4 - 56
GAS VALVE	Redundant - Two Stage
PILOT SAFETY DEVICE	
Type	120 V SINi Igniter
BURNERS — Type	Multiport Inshot
Number	4
POWER CONN. — V/Ph/Hz ^(f)	120 / 1 / 60
Ampacity (In Amps)	13.9
Max. Overcurrent Protection (Amps)	15
PIPE CONN. SIZE (In.)	1/2
DIMENSIONS	H x W x D
Uncrated (In.)	34 x 21 x 28-3/4
Crated (In.)	35-1/2 x 23 x 30-7/8
WEIGHT	
Shipping (Lbs.)/Net (Lbs.)	149/139

^(a) For U.S. applications, above input ratings (BTUH) are up to 2,000 feet, derate 4% per 1,000 feet for elevations above 2,000 feet above sea level. For Canadian applications, above input ratings (BTUH) are up to 4,500 feet, derate 4% per 1,000 feet for elevations above 4,500 feet above sea level.

^(b) Central Furnace heating designs are certified to ANSI Z21.47 / CSA 2.3 — latest edition.

^(c) Based on U.S. government standard tests.

^(d) Refer to the Vent Length Table in the Installer's Guide.

^(e) All S9V2 furnace models have a vent outlet diameter that equals 2 in.

^(f) The above wiring specifications are in accordance with National Electrical Code; however, installations must comply with local codes.

Heating and Cooling Airflow Tables

S9V2C080U5PSAA

Table 1. S9V2C080U5PSAA Heating Airflow

S9V2C080U5PSAA Furnace Heating Airflow (CFM) and Power (Watts) vs. External Static Pressure with Filter								
				1st Stage Capacity = 50,440 2nd Stage Capacity = 77,600				
Heating	Airflow Setting	Target Airflow		External Static Pressure				
				0.1	0.3	0.5	0.7	0.9
Heating 1st Stage	Low	857	CFM	837	870	902	934	967
			Temp. Rise	55	53	51	50	48
			Watts	65	112	160	208	256
	Medium Low (a)	1044	CFM	997	1015	1033	1050	1068
			Temp. Rise	46	45	45	44	43
			Watts	102	155	209	263	316
	Medium	1123	CFM	1067	1094	1121	1148	1175
			Temp. Rise	43	42	41	40	39
			Watts	123	180	236	293	350
	High	1498	CFM	1420	1416	1411	1407	1402
			Temp. Rise	32	33	33	33	34
			Watts	238	320	402	485	567
Heating 2nd Stage	Low	1190	CFM	1129	1148	1168	1188	1208
			Temp. Rise	63	62	61	60	59
			Watts	127	195	263	331	399
	Medium Low (a)	1450	CFM	1387	1395	1404	1412	1420
			Temp. Rise	52	51	51	51	51
			Watts	248	310	372	434	496
	Medium	1560	CFM	1484	1498	1512	1525	1539
			Temp. Rise	48	48	47	47	47
			Watts	281	358	435	512	589
	High	2080	CFM	1954	1956	1959	1961	1964
			Temp. Rise	37	37	37	37	37
			Watts	597	732	866	1001	1135

(a) Factory Setting.

S9V2C080U5PSAA

Table 2. S9V2C080U5PSAA Cooling Airflow

S9V2C080U5PSAA Furnace Cooling Airflow (CFM) and Power (Watts) vs. External Static Pressure with Filter										
Cooling	Unit Outdoor	Airflow Setting (CFM/Ton)		External Static Pressure						
				0.1	0.3	0.5	0.7	0.9		
Cooling	3.5 Ton	Cooling 450 CFM/Ton	CFM	1575	1575	1575	1575	1575		
			Watts	279	351	426	504	584		
		Cooling 420 CFM/Ton	CFM	1470	1470	1470	1470	1470		
			Watts	233	300	370	443	519		
		Cooling 400 CFM/Ton	CFM	1400	1400	1400	1400	1400		
			Watts	205	269	336	406	478		
		Cooling 370 CFM/Ton	CFM	1295	1295	1295	1295	1295		
			Watts	168	227	289	355	423		
		Cooling 350 CFM/Ton	CFM	1225	1225	1225	1225	1225		
			Watts	145	201	261	324	389		
		Cooling 330 CFM/Ton	CFM	1155	1155	1155	1155	1155		
			Watts	125	178	235	295	358		
		Cooling 310 CFM/Ton	CFM	1085	1085	1085	1085	1085		
			Watts	107	157	211	269	329		
		Cooling 290 CFM/Ton	CFM	1015	1015	1015	1015	1015		
			Watts	91	138	189	244	302		
		Cooling	4.0 Ton	Cooling 450 CFM/Ton	CFM	1800	1800	1800	1800	1800
					Watts	399	482	567	655	745
Cooling 420 CFM/Ton	CFM			1680	1680	1680	1680	1680		
	Watts			332	409	488	571	655		
Cooling 400 CFM/Ton	CFM			1600	1600	1600	1600	1600		
	Watts			291	364	441	519	600		
Cooling 370 CFM/Ton	CFM			1480	1480	1480	1480	1480		
	Watts			237	305	375	449	524		
Cooling 350 CFM/Ton	CFM			1400	1400	1400	1400	1400		
	Watts			205	269	336	406	478		
Cooling 330 CFM/Ton	CFM			1320	1320	1320	1320	1320		
	Watts			176	236	300	367	436		
Cooling 310 CFM/Ton	CFM			1240	1240	1240	1240	1240		
	Watts			150	207	267	330	396		
Cooling 290 CFM/Ton	CFM			1160	1160	1160	1160	1160		
	Watts			127	180	237	297	360		

Heating and Cooling Airflow Tables

Table 2. S9V2C080U5PSAA Cooling Airflow (continued)

S9V2C080U5PSAA Furnace Cooling Airflow (CFM) and Power (Watts) vs. External Static Pressure with Filter								
Cooling	Unit Outdoor	Airflow Setting (CFM/ton)		External Static Pressure				
				0.1	0.3	0.5	0.7	0.9
Cooling	4.5 Ton	Cooling 450 CFM/Ton	CFM	2025	2025	2025	2025	2020
			Watts	550	643	740	838	934
		Cooling 420 CFM/Ton	CFM	1890	1890	1890	1890	1890
			Watts	456	543	632	725	819
		Cooling 400 CFM/Ton	CFM	1800	1800	1800	1800	1800
			Watts	399	482	567	655	745
		Cooling 370 CFM/Ton	CFM	1665	1665	1665	1665	1665
			Watts	324	400	479	561	645
		Cooling 350 CFM/Ton	CFM	1575	1575	1575	1575	1575
			Watts	279	351	426	504	584
		Cooling 330 CFM/Ton	CFM	1485	1485	1485	1485	1485
			Watts	239	307	378	451	527
		Cooling 310 CFM/Ton	CFM	1395	1395	1395	1395	1395
			Watts	203	267	334	403	476
		Cooling 290 CFM/Ton	CFM	1305	1305	1305	1305	1305
			Watts	171	231	294	360	428
Cooling	5.0 Ton ^(*)	Cooling 450 CFM/Ton	CFM	2250	2250	2250	2150	2020
			Watts	734	839	947	955	934
		Cooling 420 CFM/Ton	CFM	2100	2100	2100	2100	2020
			Watts	607	705	805	907	934
		Cooling 400 CFM/Ton	CFM	2000	2000	2000	2000	2000
			Watts	531	624	719	816	916
		Cooling 370 CFM/Ton	CFM	1850	1850	1850	1850	1850
			Watts	430	515	603	693	785
		Cooling 350 CFM/Ton ^(*)	CFM	1750	1750	1750	1750	1750
			Watts	370	450	533	619	707
		Cooling 330 CFM/Ton	CFM	1650	1650	1650	1650	1650
			Watts	316	392	470	551	634
		Cooling 310 CFM/Ton	CFM	1550	1550	1550	1550	1550
			Watts	268	339	412	489	568
		Cooling 290 CFM/Ton	CFM	1450	1450	1450	1450	1450
			Watts	225	291	360	432	507

^(*) Factory Setting

General Features

NATURAL GAS MODELS

Central Heating furnace designs are certified by the American Gas Association for both natural and L.P. gas. Limit setting and rating data were established and approved under standard rating conditions using American National Standards Institute standards.

SAFE OPERATION

The Integrated System Control is a solid state device which continuously monitors for presence of flame when the system is in the heating mode of operation. Dual solenoid combination gas valve and regulator provide additional safety.

QUICK HEATING

Durable, cycle tested, heavy gauge **tubular stainless steel primary heat exchanger** quickly transfers heat to provide warm conditioned air to the structure. **Low energy power vent blower**, to increase efficiency and provide a positive discharge of gas fumes to the outside.

BURNERS

Multiport Inshot burners will give years of quiet and efficient service. All models can be converted to L.P. gas with LP conversion kit.

INTEGRATED SYSTEM CONTROL

Exclusively designed operational program provides total control of furnace limit sensors, blowers, gas valve, flame control and includes self diagnostics for ease of service. Also contains dry contacts for EAC and HUM.

ENERGY EFFICIENT OPERATION

Furnace is certified by the manufacturer to leak 1% or less of nominal air conditioning CFM delivered when pressurized to .5" water column with all inlets, outlets, and drains sealed.

AIR DELIVERY

The variable speed blower motor has sufficient airflow for most heating and cooling requirements and will switch from heating to cooling speeds on demand from room thermostat.

SECONDARY HEAT EXCHANGER

The S-Series furnace has a special type 29- 4C™ stainless steel secondary heat exchanger to reclaim heat from flue gases which would normally be lost.

STYLING

Heavy gauge steel and "wrap-around" cabinet construction is used in the cabinet with baked-on enamel finish for strength and beauty. Every orientation has at least two venting options. There are no knockouts on cabinet.

FEATURES AND GENERAL OPERATION

The S-Series furnace utilizes a Silicon Nitride Hot Surface Ignition system, which eliminates the waste of a constant burning pilot. The integrated system control lights the main burners upon a demand for heat from the room thermostat. Complete front service access.

- a. Low energy power venter
- b. Vent proving pressure switches.

Features and Benefits

96.0% AFUE ACROSS ALL MODELS

Meets utility rebates

Lowers utility bills

ELECTRICALLY EFFICIENT

Efficient airflow design reduces electrical energy use

34 INCH TALL

Lighter, easier to move and fit into tight spaces like short basements or tight closets

Works great with larger, high-efficiency coils

No knockouts

3-WAY MULTI-POISE / DEDICATED DOWNFLOW

9 SKU's — Upflow / Horizontal Left / Horizontal Right

7 SKU's — Downflow

Added application flexibility and reduction in specification errors

AIRFLOW

At least 400 CFM/ton at 0.5 in. H₂O external static pressure; setup airflow options down to 290 CFM/ton

REGULATORY

All models are air tight; 1% or less air leakage as per ASHRAE 193

Open vestibule design provides a full 34" high open vestibule

DIMENSIONS

Widths are industry standard: 17.5", 21", and 24.5"

Depth remains approximately 28"

Cabinet will be compatible with industry standard coils, as well as, other accessories

INTEGRATED FURNACE CONTROL

Setup / Status / Diagnostics / Digital Display

No dip switches

Last six errors stored

Dry contact EAC and HUM connections

All Molex connections; no spade terminals

Low voltage labeled above and below

Rain shield over IFC keeps condensate off the control

TUBULAR STAINLESS STEEL PRIMARY HEAT EXCHANGER

29-4C STAINLESS STEEL SECONDARY HEAT EXCHANGER

Stainless steel is a more durable, corrosive-resistant material than aluminized steel

Integrated rail system for easy access if required

Reduces or eliminates need for baffles

VORTICA II BLOWER, DESIGNED EXCLUSIVELY FOR THE S-SERIES FURNACE

Improved airflow efficiency

Durable, easy to clean, two piece housing

Single piece belly band/ motor arm assembly

Blower deck has full-length rails for easy removal and replacement, regardless of poise

THREE-WAY MULTI-POISE (UPFLOW, HORIZONTAL LEFT AND RIGHT) PLUS DEDICATED DOWNFLOW

Easier to specify

Shipped ready to install (no kits required)

Every model has at least two venting options

When in horizontal, trap extends only about 2"

Barbed fitting on trap at hose connection and on cabinet transition for hose has barbed fitting and clamps at both ends for leak resistance.

Vent table improvements including longer vent lengths; 2" pipe can be used up to 100K



The manufacturer optimizes the performance of homes and buildings around the world. A business of Ingersoll Rand, the leader in creating and sustaining safe, comfortable and energy efficient environments, the manufacturer offers a broad portfolio of advanced controls and HVAC systems, comprehensive building services, and parts. For more information, visit www.IRCO.com.

The manufacturer has a policy of continuous product and product data improvements and reserves the right to change design and specifications without notice.

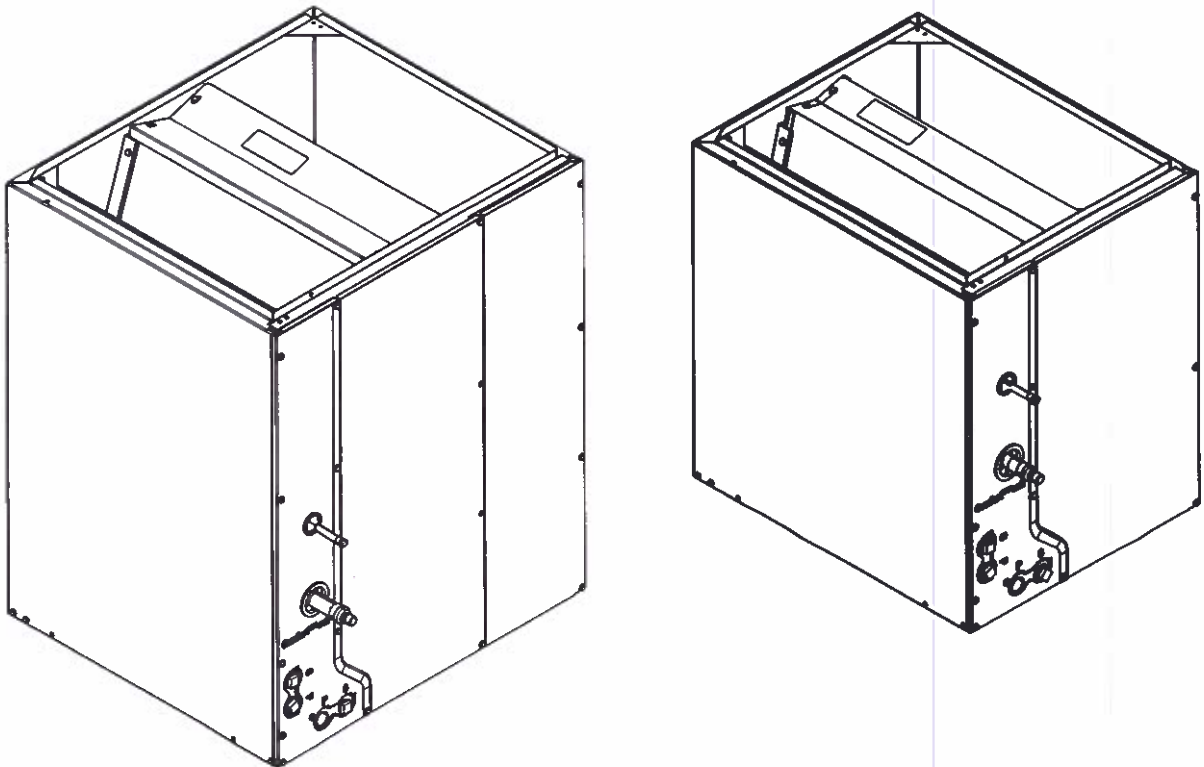
©2016 Trane
S9V2C080U5-SUB-1-EN 24 Feb 2016
Supersedes (New)

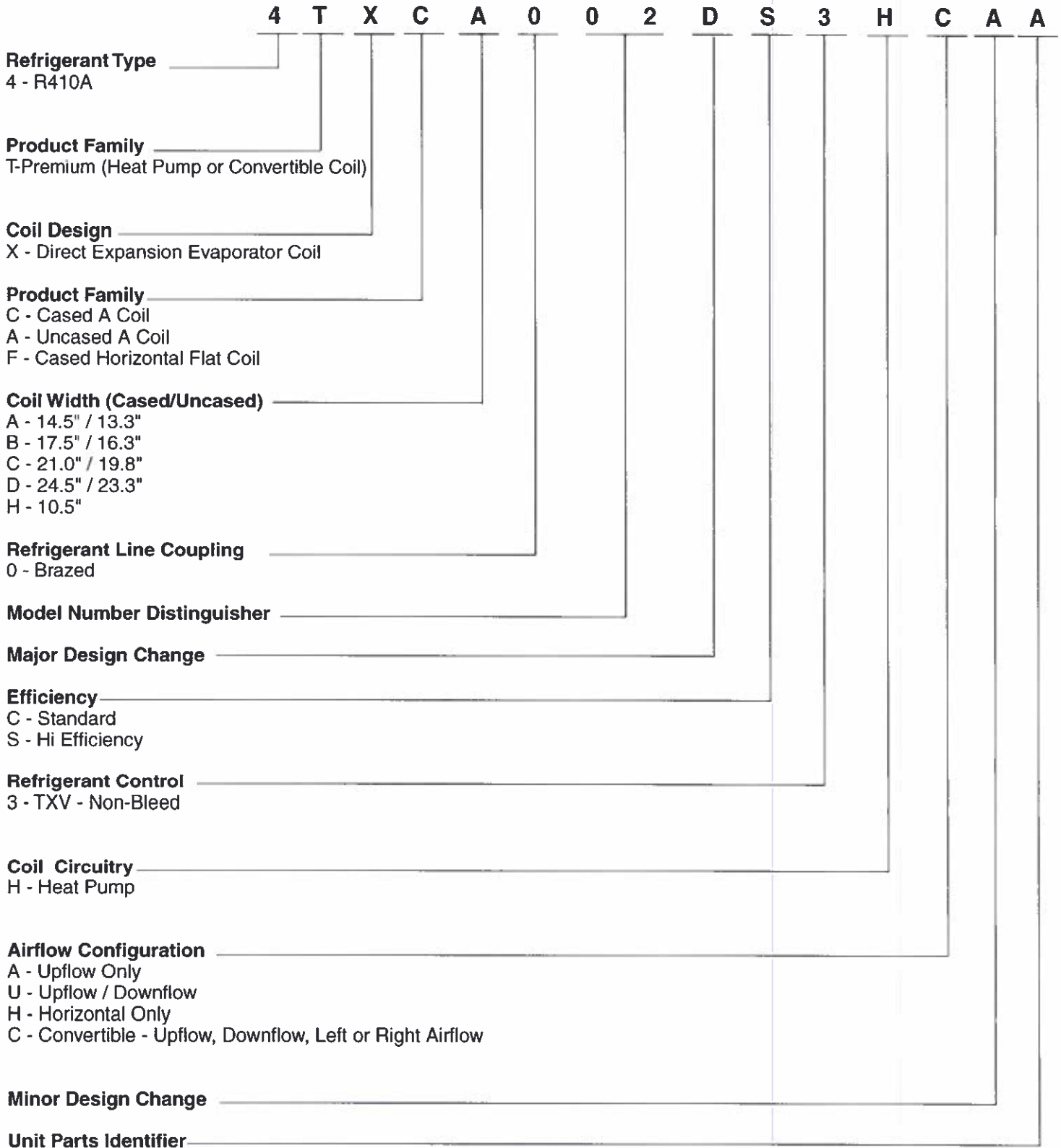


Aluminum Cased and Uncased Heat Pump / Cooling Coils 2 - 5 Ton

4TXC-DS

Heat Pump /Cooling Coils for R-410A





General Data

PRODUCT SPECIFICATIONS^[1] -- 4TXC-DS - HIGH EFFICIENCY STAGED SPLIT SYSTEM HEAT PUMP / COOLING COMFORT™ COILS CASED UPFLOW / DOWNFLOW / HORIZONTAL

	4TXCA002DS3HCA	4TXCB003DS3HCA	4TXCB004DS3HCA	4TXCB006DS3HCA	4TXCC005DS3HCA
INDOOR COIL -- Type	PLATE FIN	PLATE FIN	PLATE FIN	PLATE FIN	PLATE FIN
Rows / F.P.I.	2 / 20	3 / 14	3 / 12	3 / 14	3 / 12
Face Area (sq.ft.)	3.00	3.50	5.00	6.00	5.00
Tube Size	3/8	3/8	3/8	3/8	3/8
Refrigerant Control (No internal check valve)	Non-Bleed TXV	Non-Bleed TXV	Non-Bleed TXV	Non-Bleed TXV	Non-Bleed TXV
Drain Conn. Size (in.)	3/4 NPT	3/4 NPT	3/4 NPT	3/4 NPT	3/4 NPT
Duct Connections	See Outline Drawing	See Outline Drawing	See Outline Drawing	See Outline Drawing	See Outline Drawing
REFRIGERANT CONNECTIONS	R-410A BRAZED	R-410A BRAZED	R-410A BRAZED	R-410A BRAZED	R-410A BRAZED
Line Size -- Gas (in.)	3/4	3/4	7/8	7/8	7/8
Line Size -- Liquid (in.)	3/8	3/8	3/8	3/8	3/8
DIMENSIONS (in.)	H X W X D	H X W X D	H X W X D	H X W X D	H X W X D
Crated (H x W x D)	21-3/8 x 17-1/2 x 26-1/2	21-3/8 x 20-1/2 x 26-1/2	26-3/8 x 20-1/2 x 26-1/2	30-5/8 x 20-1/2 x 26-1/2	26-3/8 x 24 x 26-1/2
Uncrated	17-5/8 x 14-1/2 x 21-1/2	17-5/8 x 17-1/2 x 21-1/2	22-5/8 x 17-1/2 x 21-1/2	26-7/8 x 17-1/2 x 21-1/2	22-5/8 x 21 x 21-1/2
WEIGHT (lbs)					
Shipping -- Net	42 / 34	50 / 42	58 / 50	60 / 52	65 / 57
	4TXCC007DS3HCA	4TXCD008DS3HCA	4TXCC009DS3HCA	4TXCD010DS3HCA	
INDOOR COIL -- Type	PLATE FIN	PLATE FIN	PLATE FIN	PLATE FIN	
Rows / F.P.I.	3 / 14	3 / 14	3 / 16	3 / 16	
Face Area (sq.ft.)	6.00	6.00	7.00	7.00	
Tube Size	3/8	3/8	3/8	3/8	
Refrigerant Control (No internal check valve)	Non-Bleed TXV	Non-Bleed TXV	Non-Bleed TXV	Non-Bleed TXV	
Drain Conn. Size (in.)	3/4 NPT	3/4 NPT	3/4 NPT	3/4 NPT	
Duct Connections	See Outline Drawing	See Outline Drawing	See Outline Drawing	See Outline Drawing	
REFRIGERANT CONNECTIONS	R-410A BRAZED	R-410A BRAZED	R-410A BRAZED	R-410A BRAZED	
Line Size -- Gas (in.)	7/8	7/8	7/8	7/8	
Line Size -- Liquid (in.)	3/8	3/8	3/8	3/8	
DIMENSIONS (in.)	H X W X D	H X W X D	H X W X D	H X W X D	
Crated (H x W x D)	30-5/8 x 24 x 26-1/2	30-5/8 x 27-1/2 x 26-1/2	34-1/2 x 24 x 26-1/2	34-1/2 x 27-1/2 x 26-1/2	
Uncrated	26-7/8 x 21 x 21-1/2	26-7/8 x 24-1/2 x 21-1/2	30-5/8 x 21 x 21-1/2	30-3/4 x 24-1/2 x 21-1/2	
WEIGHT (lbs)					
Shipping -- Net	69 / 61	72 / 64	78 / 70	81 / 73	

[1] These indoor coils are A.H.R.I. certified with various split system air conditioners and heat pumps (A.H.R.I. Standard 210/240). Refer to the Split System Outdoor product information site or www.ahrinet.org

Performance Data

PRESSURE DROP CHARACTERISTICS FOR COOLING AND HEAT PUMP COILS AIRFLOW (CFM) VS. PRESSURE DROP ACROSS WET COIL								
PRESSURE DROP (INCHES OF WATER COLUMN)								
MODEL	.05	0.1	0.15	0.2	0.25	0.3	0.35	0.4
4TXCA002DS3HCA	225	340	430	510	585	650	715	775
4TXCB003DS3HCA	350	525	665	790	900	1000	1095	1180
4TXCB004DS3HCA	440	655	825	970	1100	1220	1330	1435
4TXCB006DS3HCA	430	640	815	965	1095	1220	1335	1445
4TXCC005DS3HCA	520	770	970	1145	1300	1440	1570	1695
4TXCC007DS3HCA	505	760	965	1140	1300	1445	1580	1710
4TXCC009DS3HCA	490	740	940	1120	1280	1425	1565	1695
4TXCD008DS3HCA	580	870	1100	1300	1485	1650	1805	1950
4TXCD010DS3HCA	555	835	1065	1265	1445	1615	1770	1915

R-22 CONVERSION NON-BLEED TXV KITS	
Coils	R-22 TXV Kit
4TXCA002DS3HCA 4TXCB003DS3HCA 4TXCB004DS3HCA 4TXCC005DS3HCA	2AYTXVH3H1836A
4TXCB006DS3HCA 4TXCC007DS3HCA 4TXCD008DS3HCA	2AYTXVH3H4248A
4TXCC009DS3HCA 4TXCD010DS3HCA	2AYTXVH3H6060A

Outline Drawing for models: 4TXCA002DS3, 4TXCB004DS3, 4TXCC005DS3, 4TXCB006DS3, 4TXCC007DS3, 4TXCC009DS3

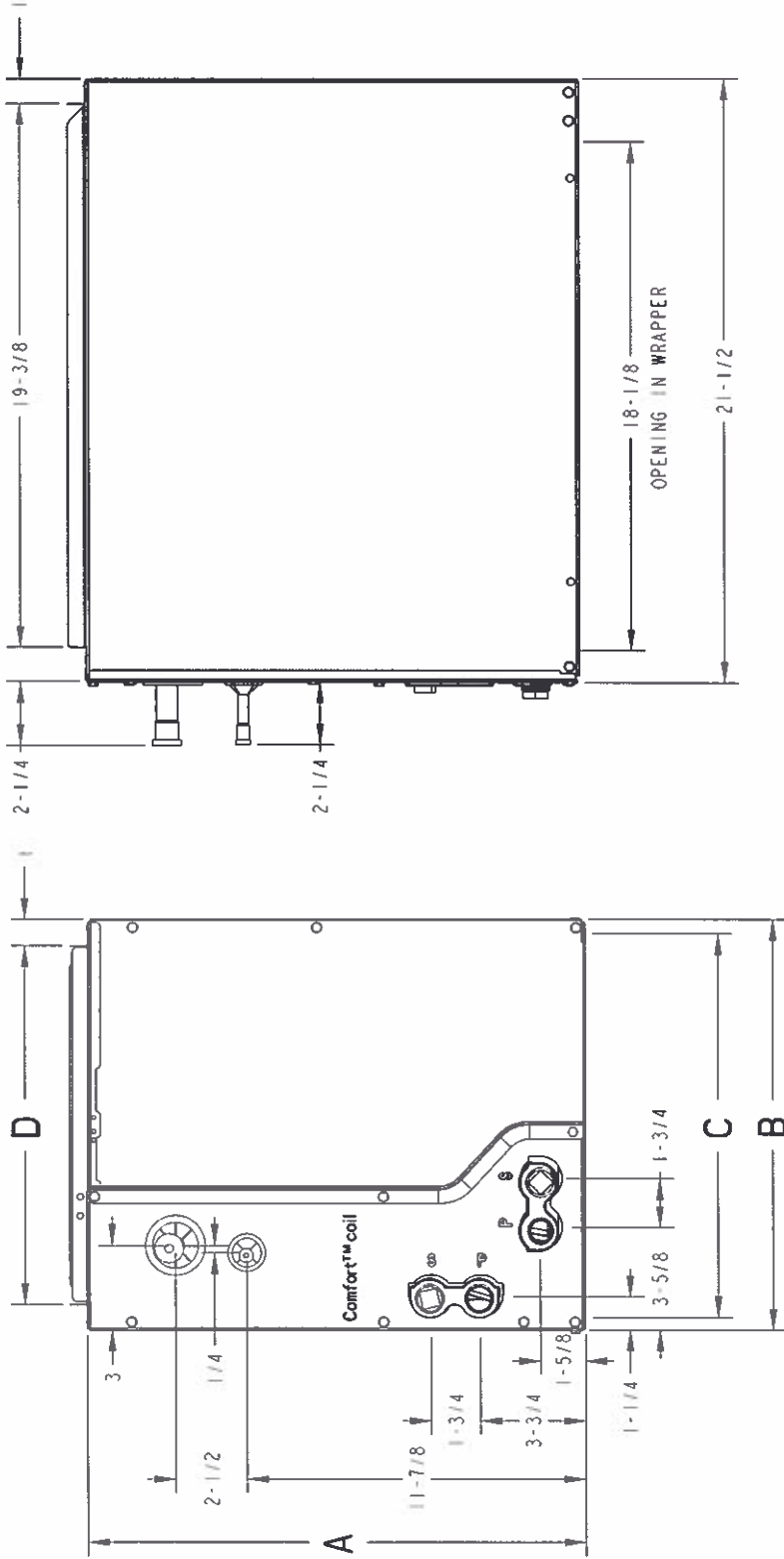


FIGURE A

MODEL	4TXCA002DS3	4TXCB004DS3	4TXCC005DS3	4TXCB006DS3	4TXCC007DS3	4TXCC009DS3
WEIGHT (LBS.)	42	58	60	65	69	78
REFRIGERANT CONTROL	TXV (NON-BLEED)					
HEIGHT "A" (IN.)	17-1/2	22-1/2	22-1/2	26-7/8	26-7/8	30-3/4
OVERALL WIDTH "B" (IN.)	14-1/2	17-1/2	21	17-1/2	21	21
OPENING WIDTH "C" (IN.)	13-5/8	16-5/8	20-1/8	16-5/8	20-1/8	20-1/8
TOP OPENING "D"	12-3/4	15-3/4	19-1/4	15-3/4	19-1/4	19-1/4
GAS CONNECTION	3/4			7/8		
LIQUID CONNECTION		3/8				
MATCHED FURNACE WIDTH (NO ADAPTER REQUIRED)	14-1/2	17-1/2	21	17-1/2	21	21
DRAIN PAN	PLASTIC					

From Dwg. D345686 RevA

Outline Drawing for models: 4TXCB003DS3

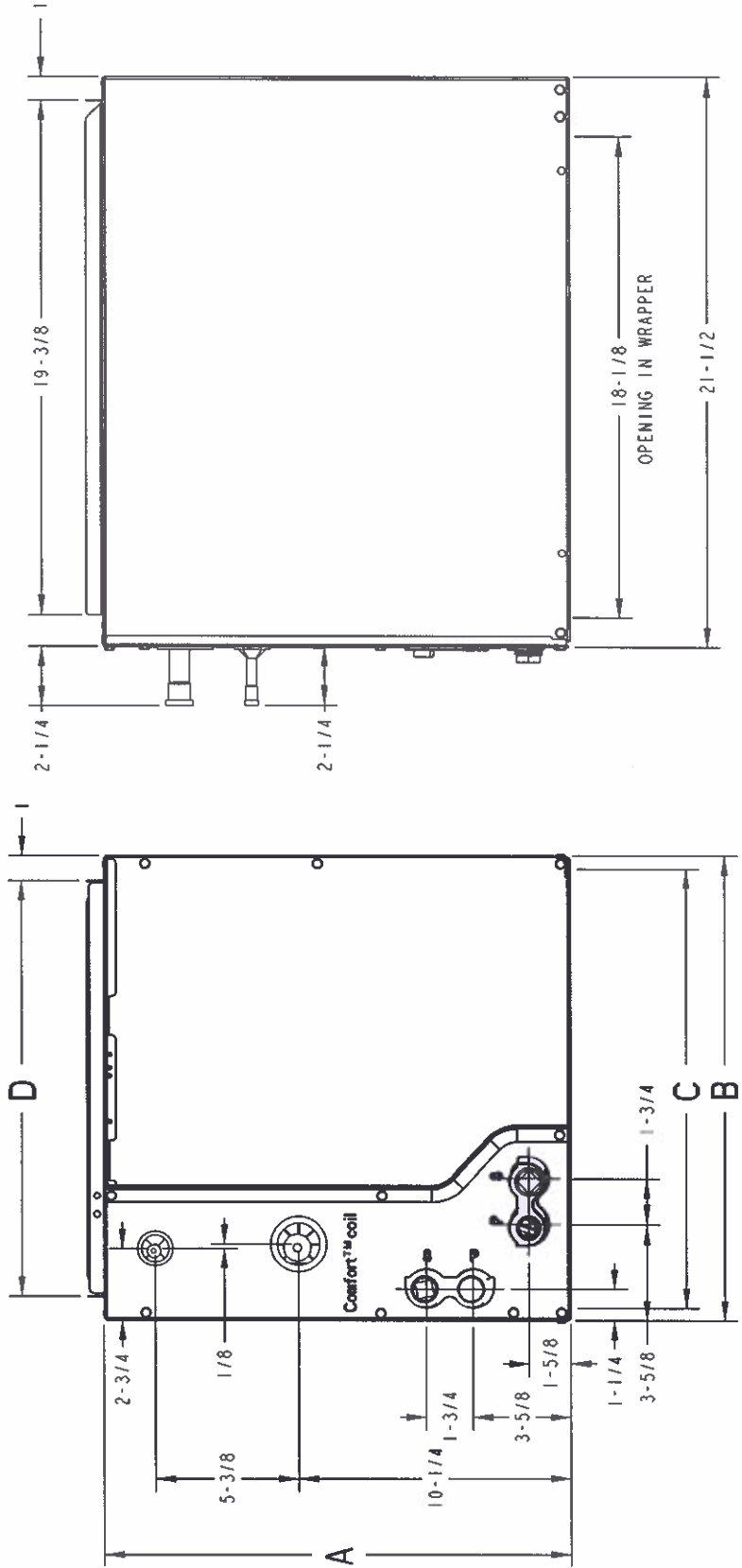


FIGURE B

MODEL	4TXCB003DS3
WEIGHT (LBS.)	50
REFRIGERANT CONTROL	TXV (NON-BLEED)
HEIGHT "A" (IN.)	17-1/2
OVERALL WIDTH "B" (IN.)	17-1/2
OPENING WIDTH "C" (IN.)	16-5/8
TOP OPENING "D"	15-3/4
GAS CONNECTION	3/4
LIQUID CONNECTION	3/8
MATCHED FURNACE WIDTH (NO ADAPTER REQUIRED)	17-1/2
DRAIN PAN	PLASTIC

From Dwg. D345686 RevA

Outline Drawing for Models: 4TXCD008DS3, 4TXCD010DS3

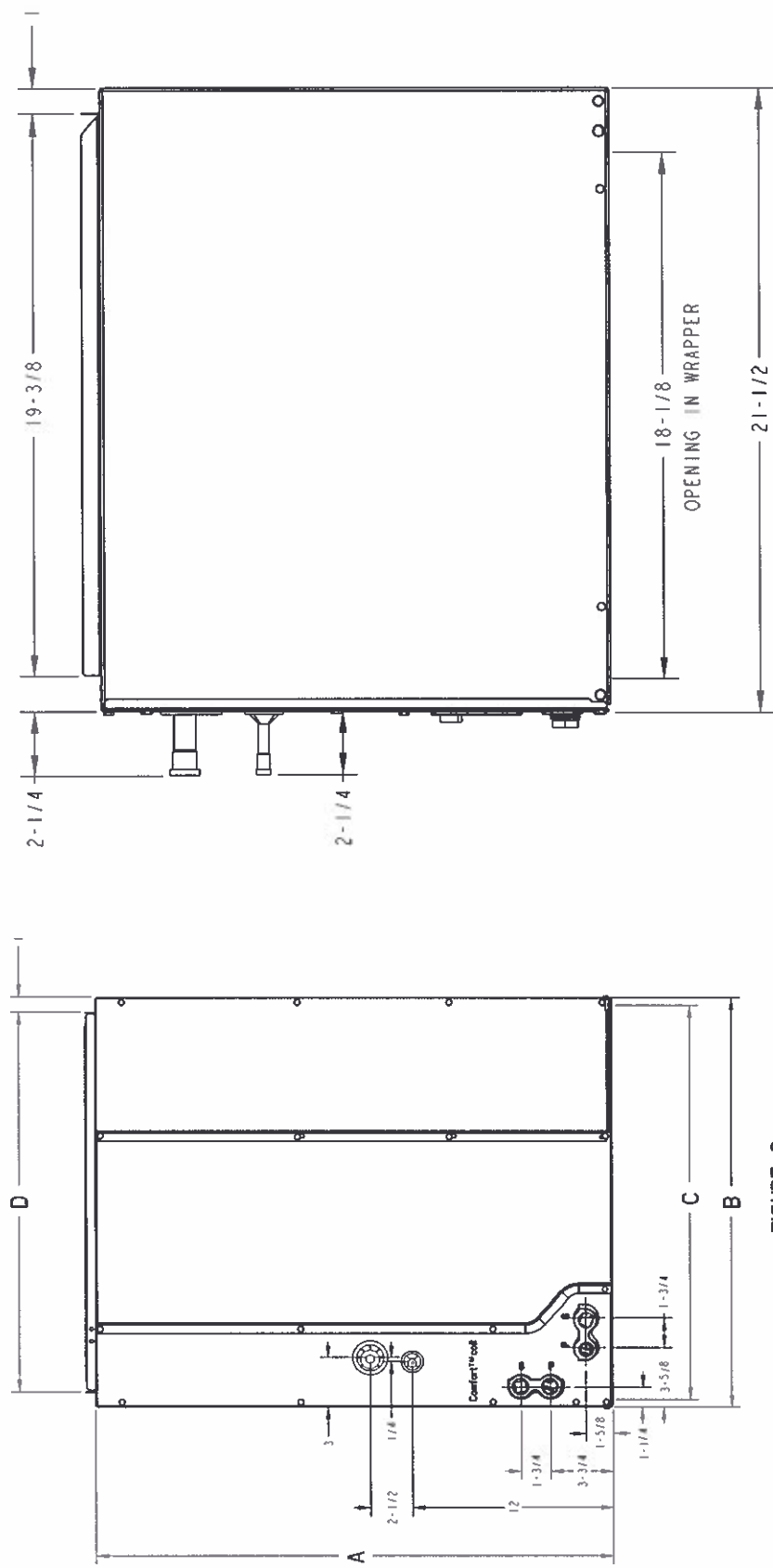


FIGURE C

MODEL	4TXCD008DS3	4TXCD010DS3
WEIGHT (LBS.)	72	81
REFRIGERANT CONTROL	TXV (NON-BLEED)	
HEIGHT "A" (IN.)	26-7/8	30-11/16
OVERALL WIDTH "B" (IN.)	24-1/2	24-1/2
OPENING WIDTH "C" (IN.)	26-7/8	30-1/16
TOP OPENING "D"	22-3/4	22-3/4
GAS CONNECTION	7/8	
LIQUID CONNECTION	3/8	
MATCHED FURNACE WIDTH (NO ADAPTER REQUIRED)	24-1/2	24-1/2
DRAIN PAN	PLASTIC	

From Dwg. D345686 RevA

American Standard

HEATING & AIR CONDITIONING

American Standard
Heating & Air Conditioning
6200 Troup Highway
Tyler, TX 75707

For more information contact
your local dealer (distributor)



Literature Order Number	12-1382-1A-EN
File Number	12-1382-1A-EN
Supersedes	New
Date	02/16

Since American Standard Heating and Air Conditioning has a policy of continuous product improvement, it reserves the right to change design and specifications without notice.

							\$378.03		
							\$160.00		
							\$315.00		
							\$38.00		

Azone950 - Communicating stat w/internet connectivity
 *** only used with AUHM series furnaces
 Azone940 - wireless zone sensor for Auhm furnaces
 Zzonepanel - Zone damper control for AUHM furnaces
 ZZsens01 - remote wired sensor for zzonepanel

