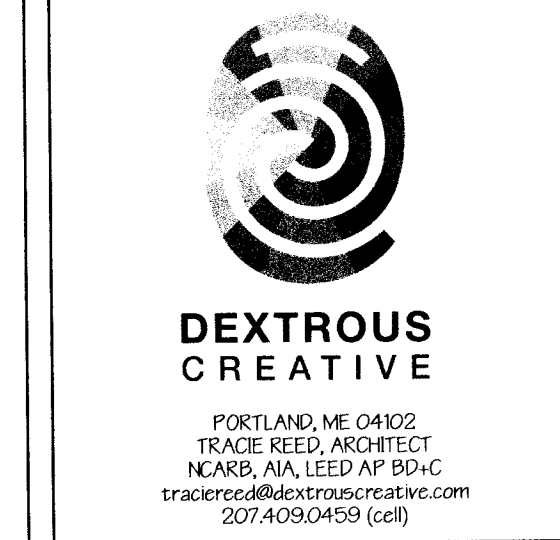
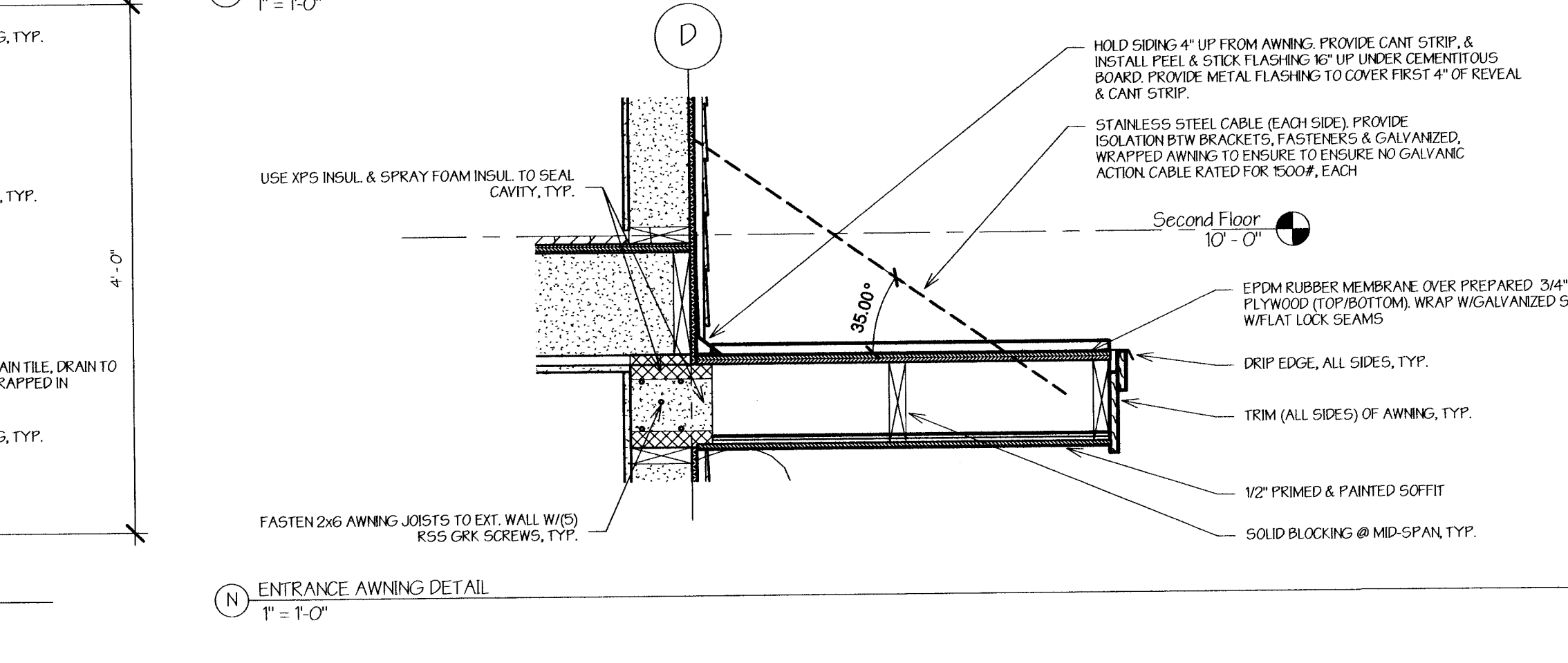
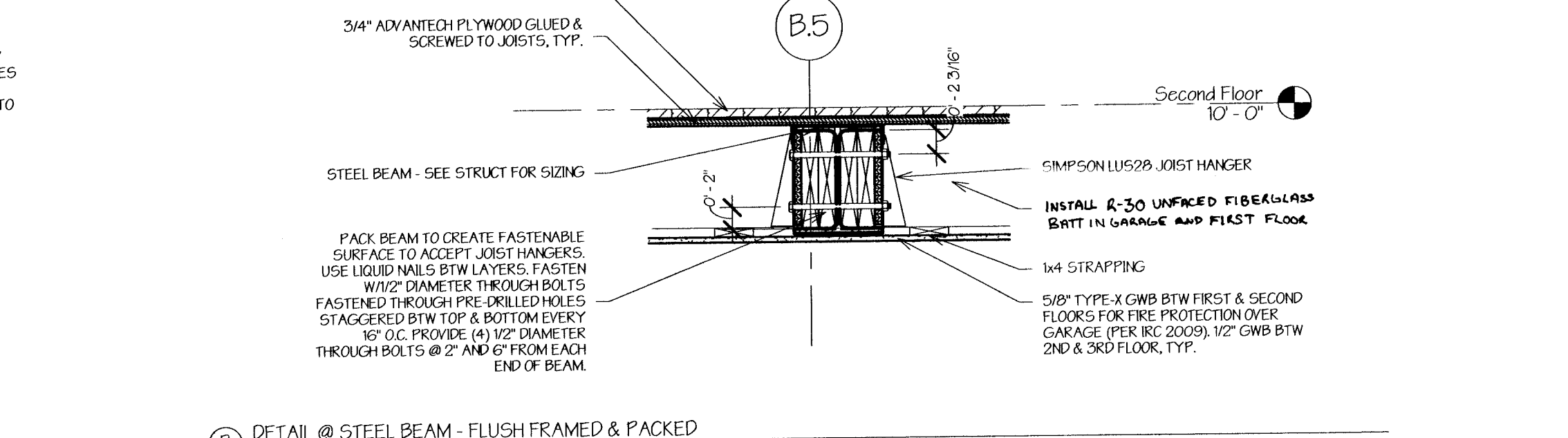
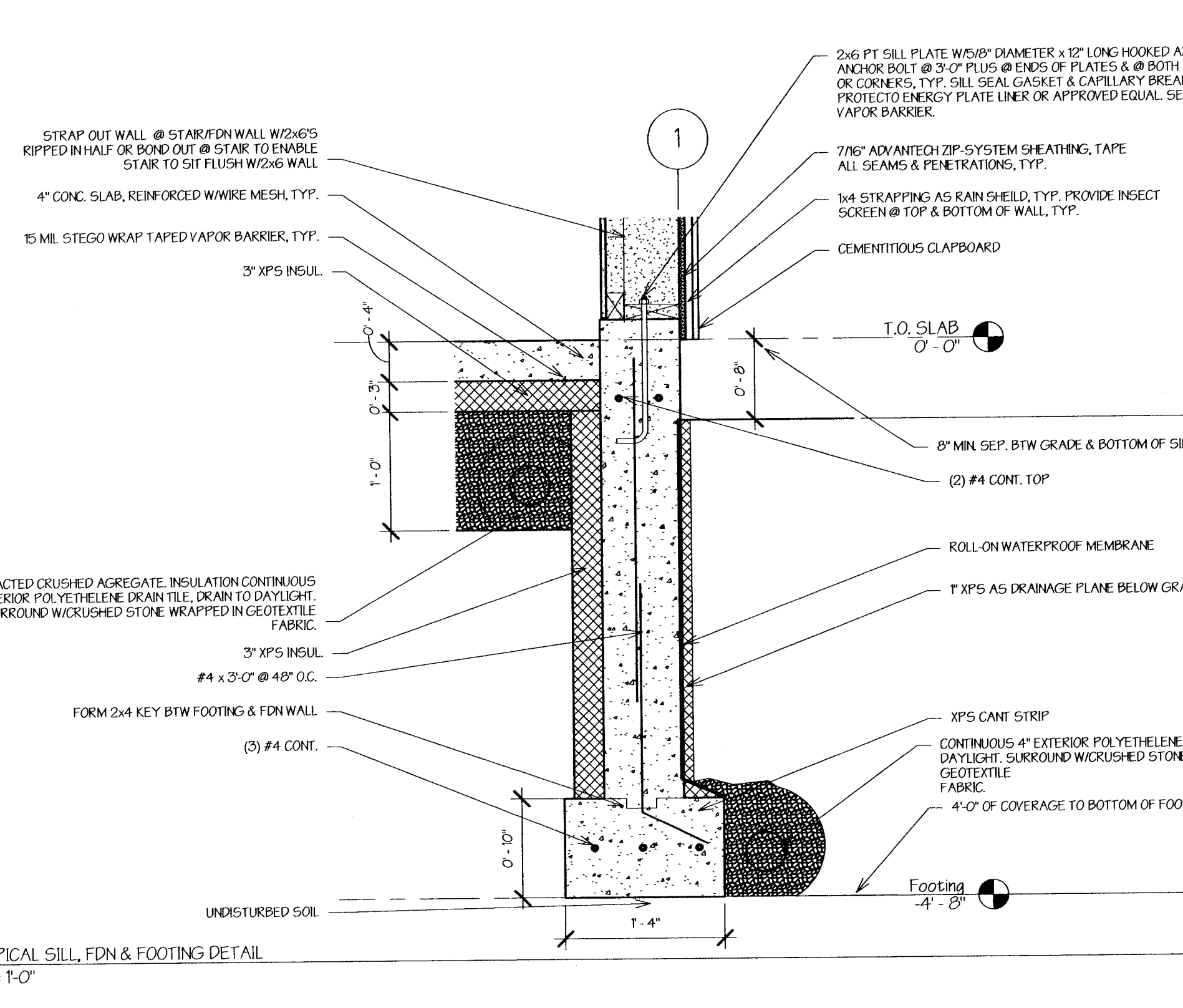
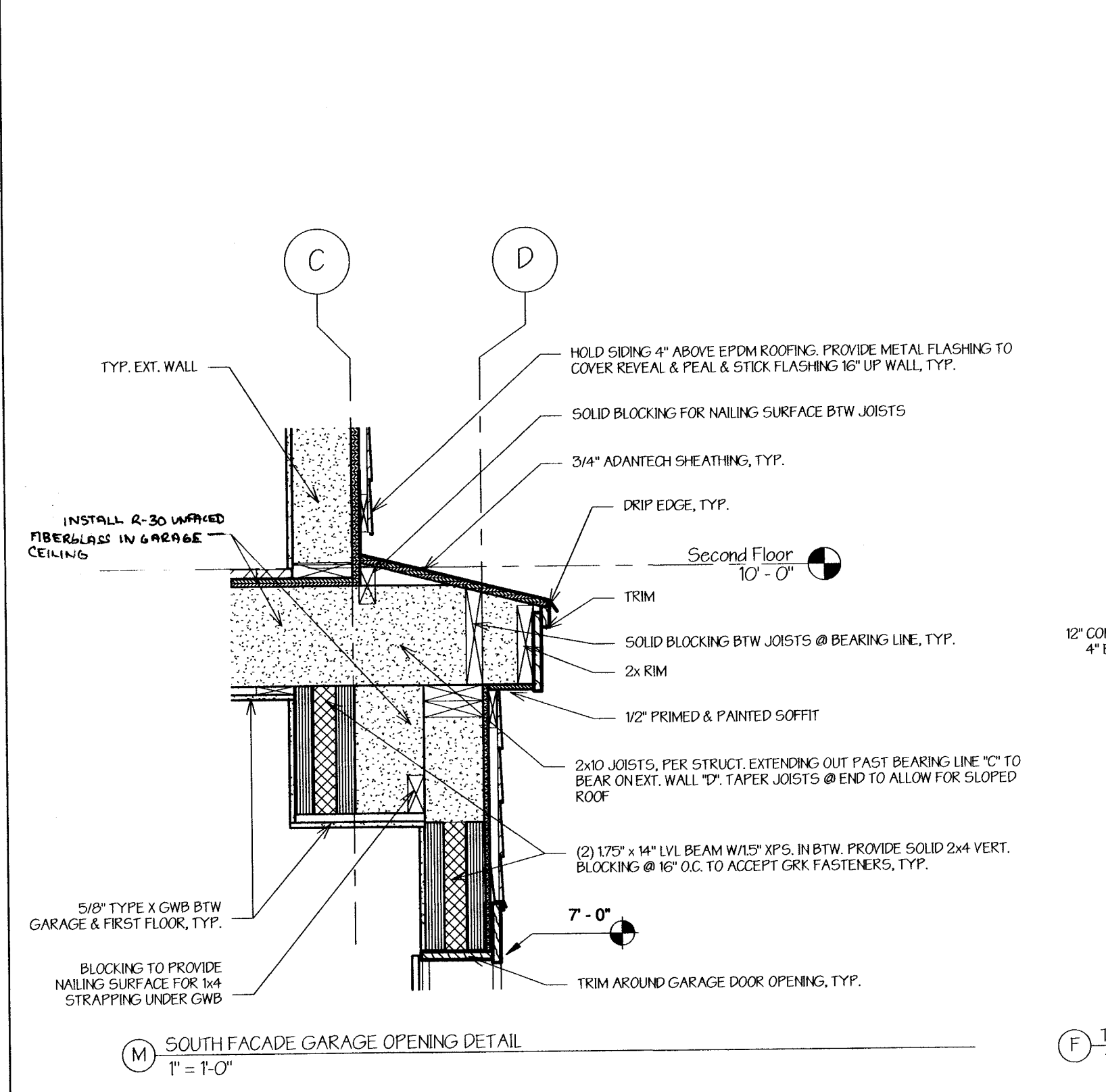
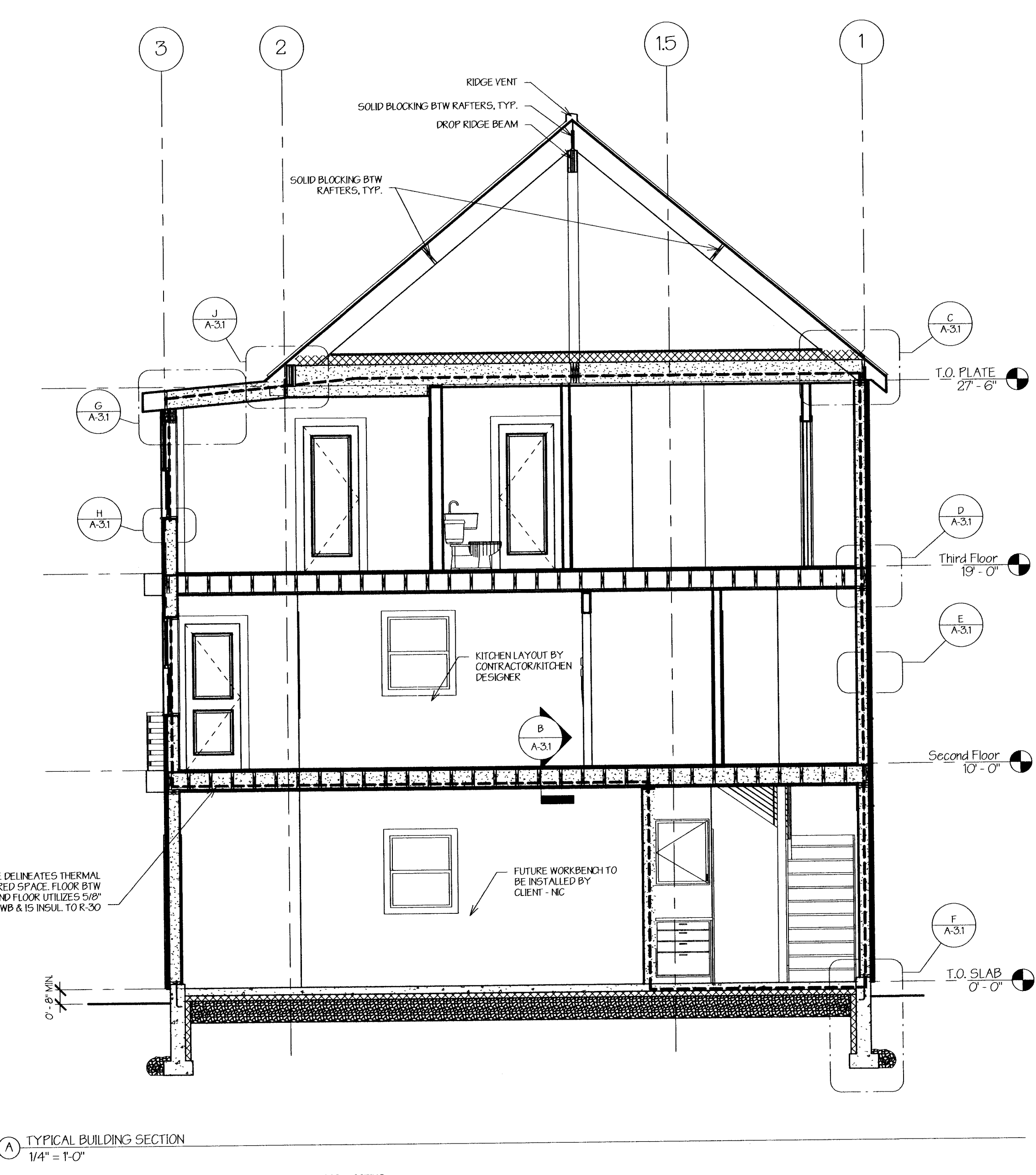
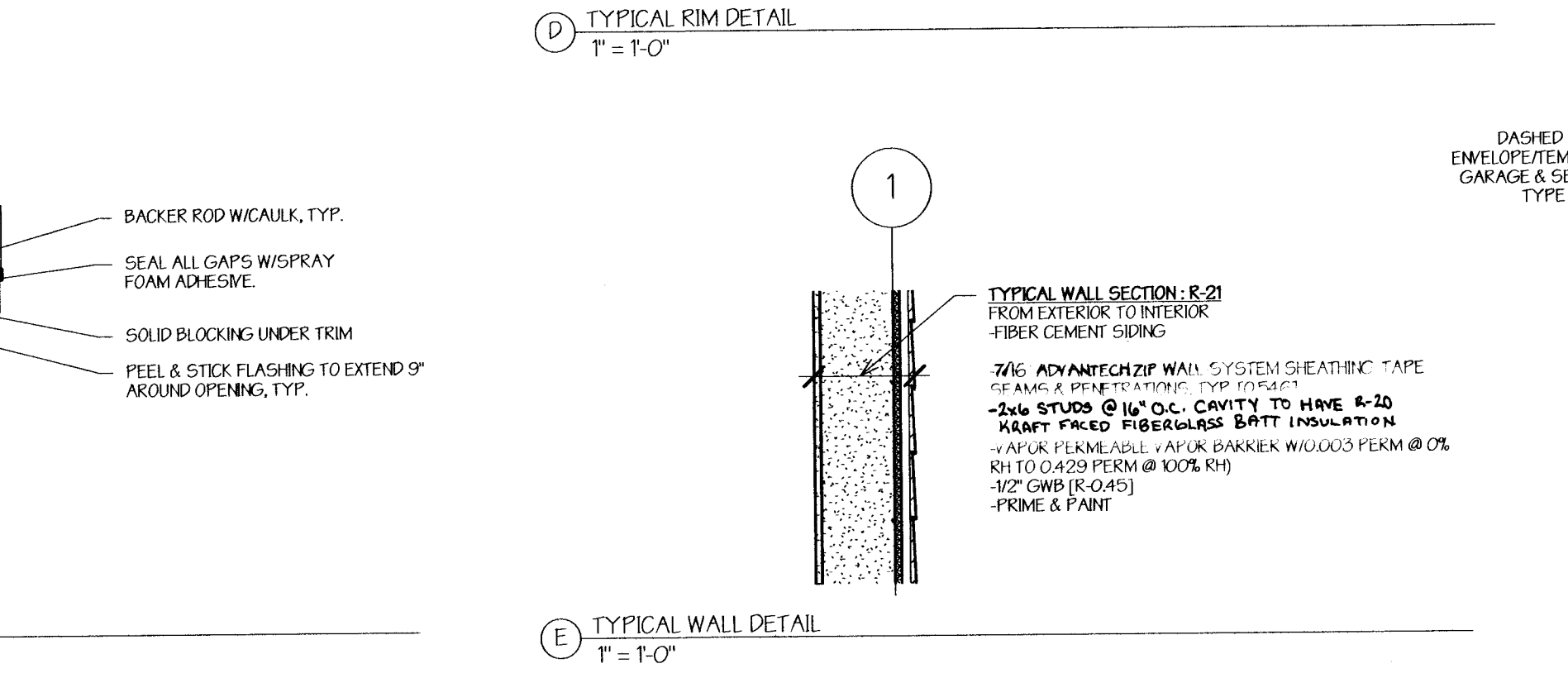
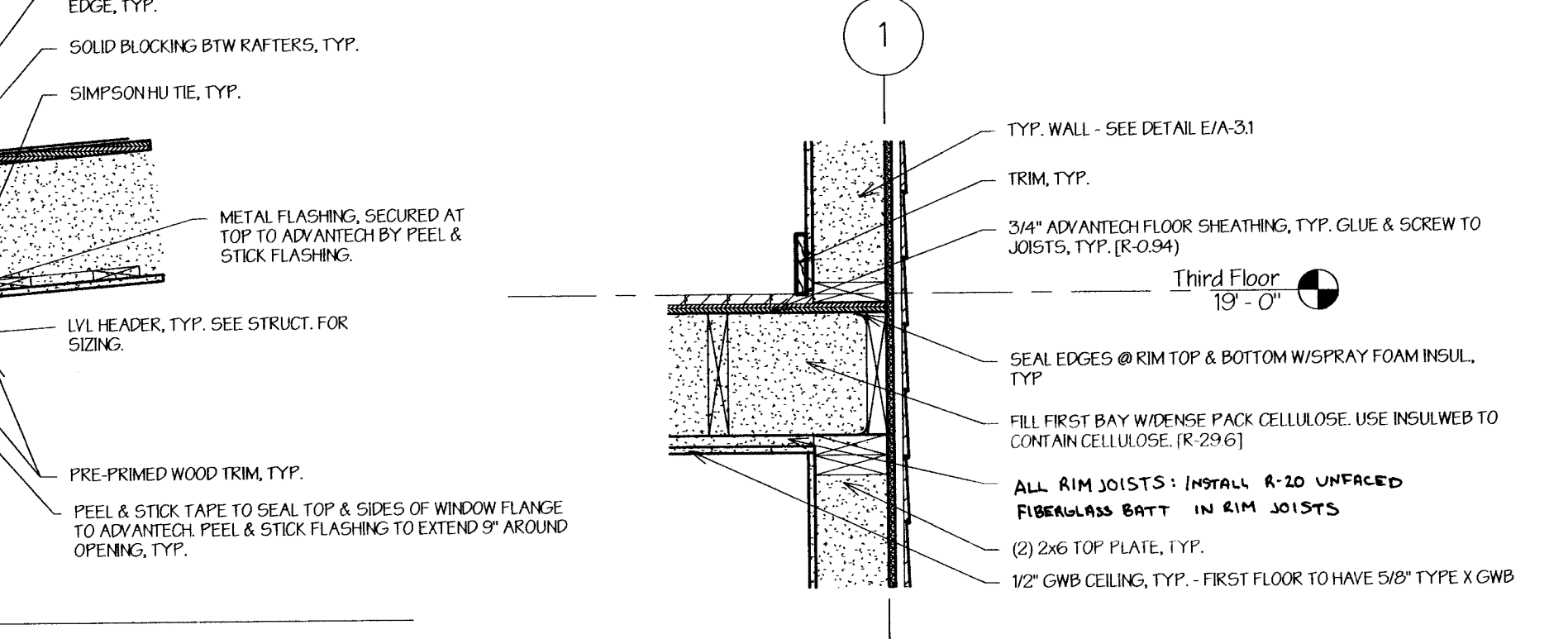
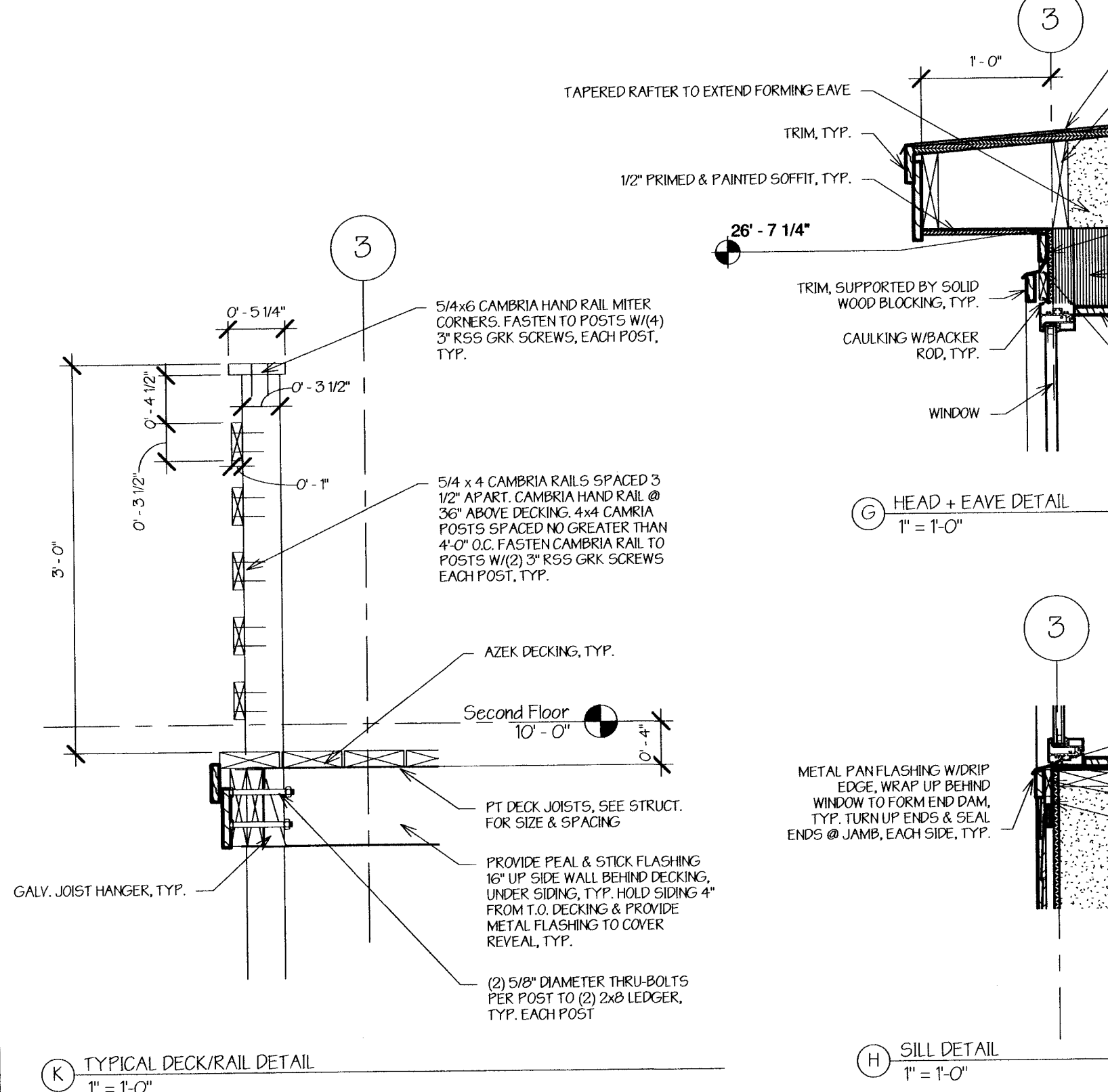
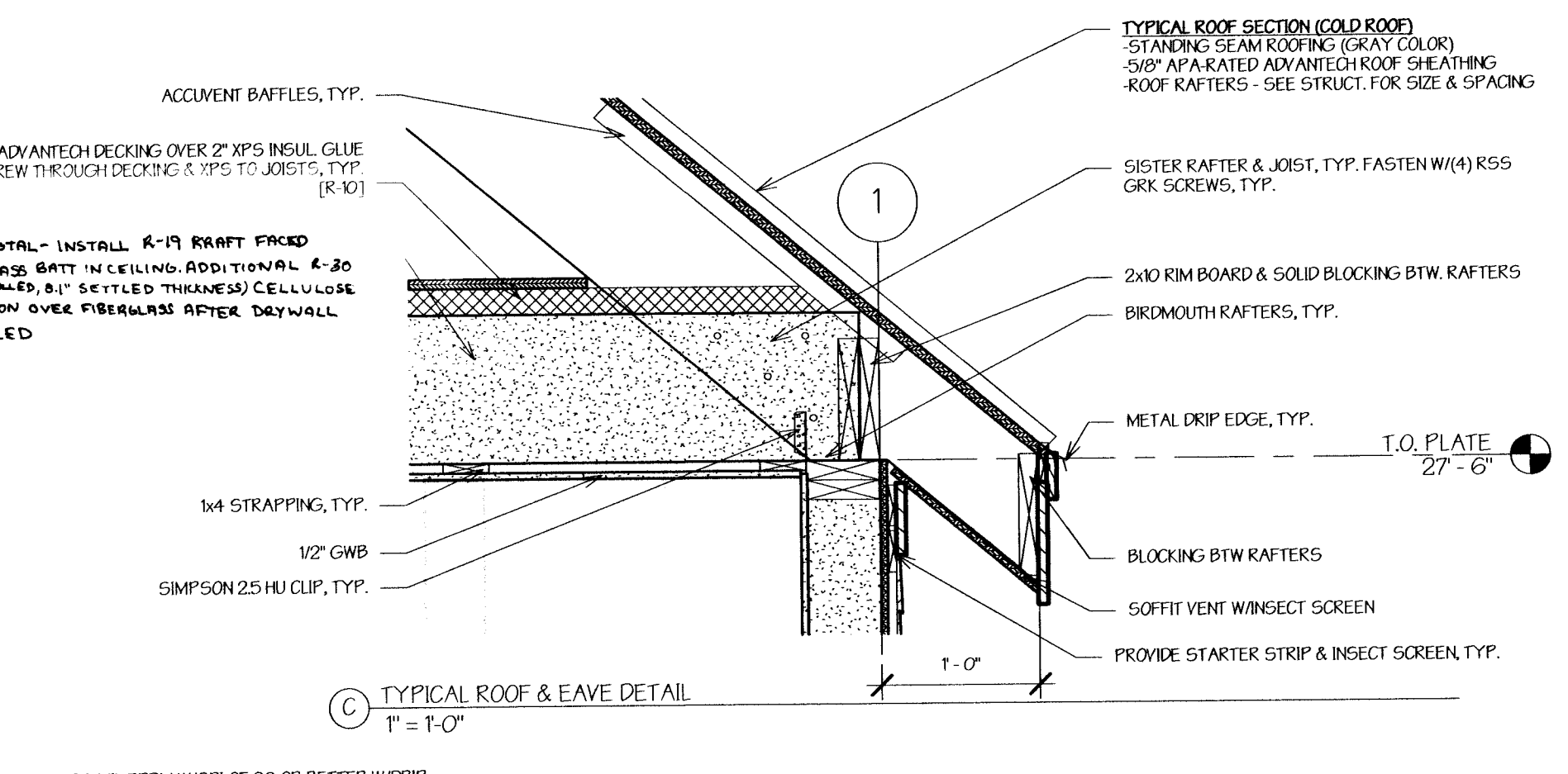
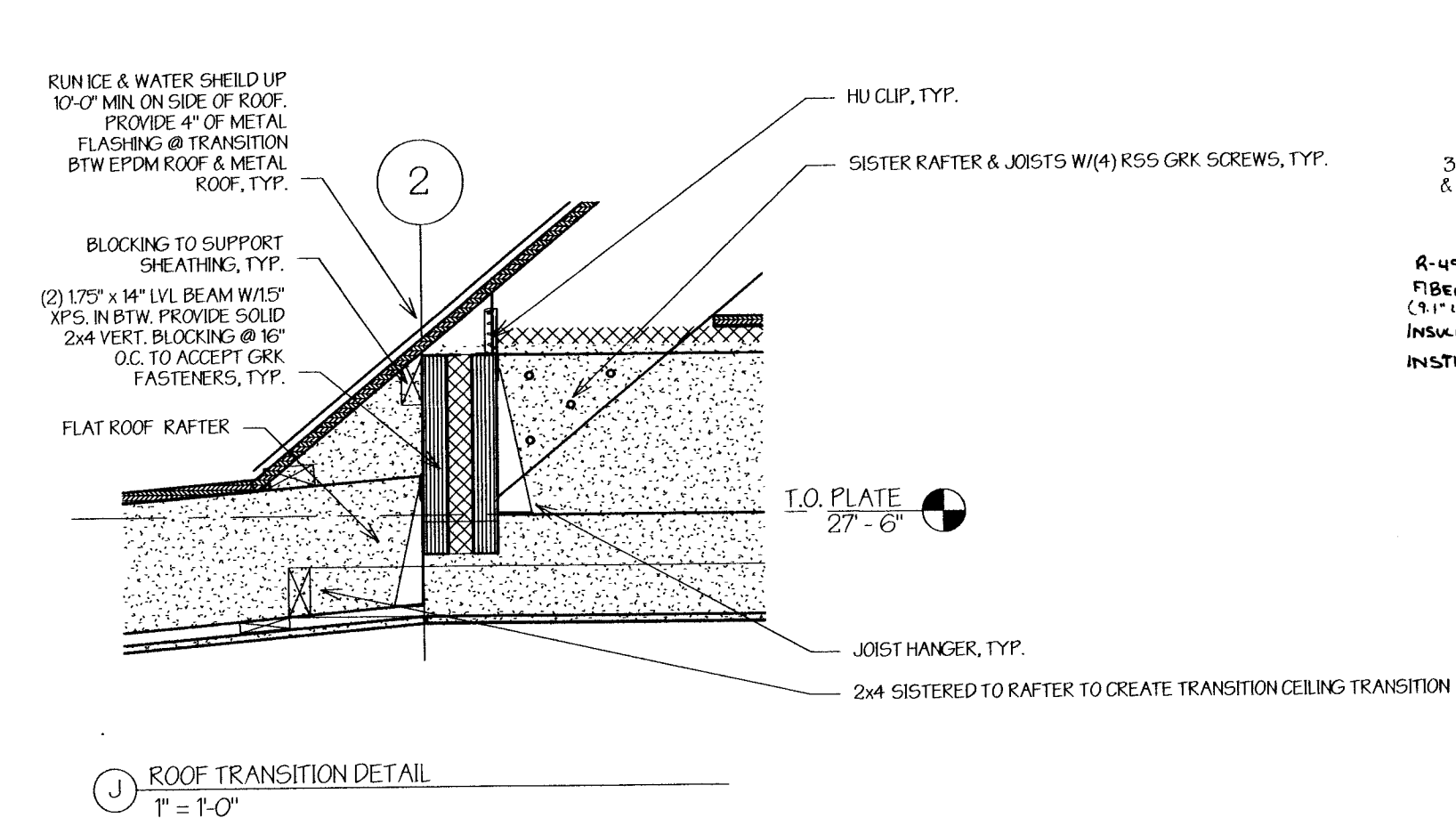


93R CUMBERLAND AVENUE
NEW SINGLE-FAMILY INFILL

OWNER
Nancy Boulanger
85 Little John Road
Yarmouth, ME 04096
(207) 653-0307 (cell)
nboulan@hotmail.com



PROJECT TEAM
GENERAL CONTRACTOR
Paul Grant
Wally J. Staples Builders
21 Greenwood Rd. Brunswick, ME 04011
(207) 725-7700 (office)
(207) 753-8603 (cell)
paul@wallyjstaplesbuilders.com
www.wallyjstaplesbuilders.com



No.	Description	Date

SECTIONS	
Project number	16-16_73 Cumberland
Date	08.10.16
Drawn by	Author
Checked by	Checker
A-3.1	
Scale	As indicated

8/10/2016 11:04 AM