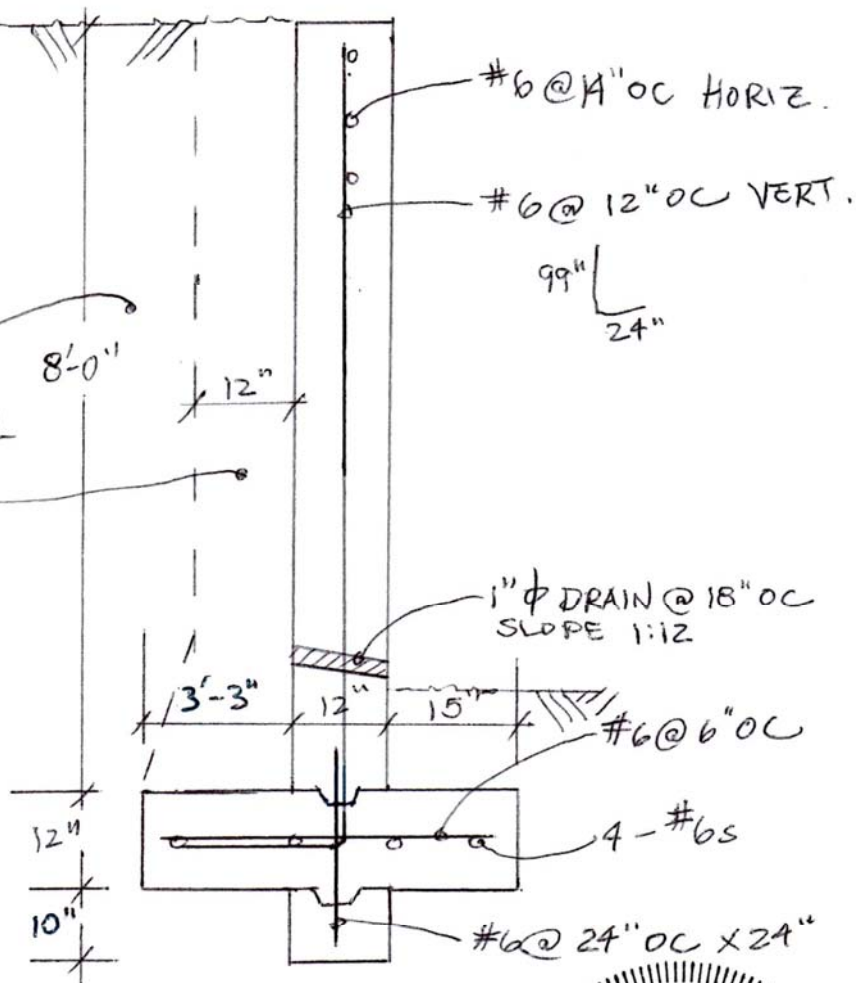


SOIL: ASSUMED SILTY SAND, SURCHARGE: VEHICULAR/DRIVEWAY, 250 PSF LL
 IBC CLASS 4 PER T. 1804.2: 2000 PSF ALLOWABLE,

$N = 0.25$

ASSUMED $\rho = 116$ PCF, $\phi = 0.36$

REBAR: 3" CLR FROM ALL FACES OF CONCRETE
 ASSUMED 12" SOIL OVER FOOTING @ TOE
 BACKFILL IN 6" LIFTS & COMPACT EACH LIFT, CLEAN GRANULAR MATERIAL CRUSHED STONE, TAMPED



Helen C. Watts, PE, SECB
HELEN WATTS ENGINEERING, PLLC
 455 Litchfield Road
 Bowdoin, ME 04287
 (207) 522-9366 · fax (207) 666-3920
 hcwatts@gwi.net
 http://helenwattsengineering07.tripod.com

NOT TO SCALE
 ALL CONSTRUCTION PER MUREC
 SEE: SITE PLAN BY LITTLE RIVER LAND SURV. 6/16/16

FOR WALLY J STAPLES BUILDERS
 Project Name R R CUMBERLAND Number 16-048
 Designed by H WATTS Date 7/6/16
 Checked by _____ Date _____
 Sheet 1 of 1