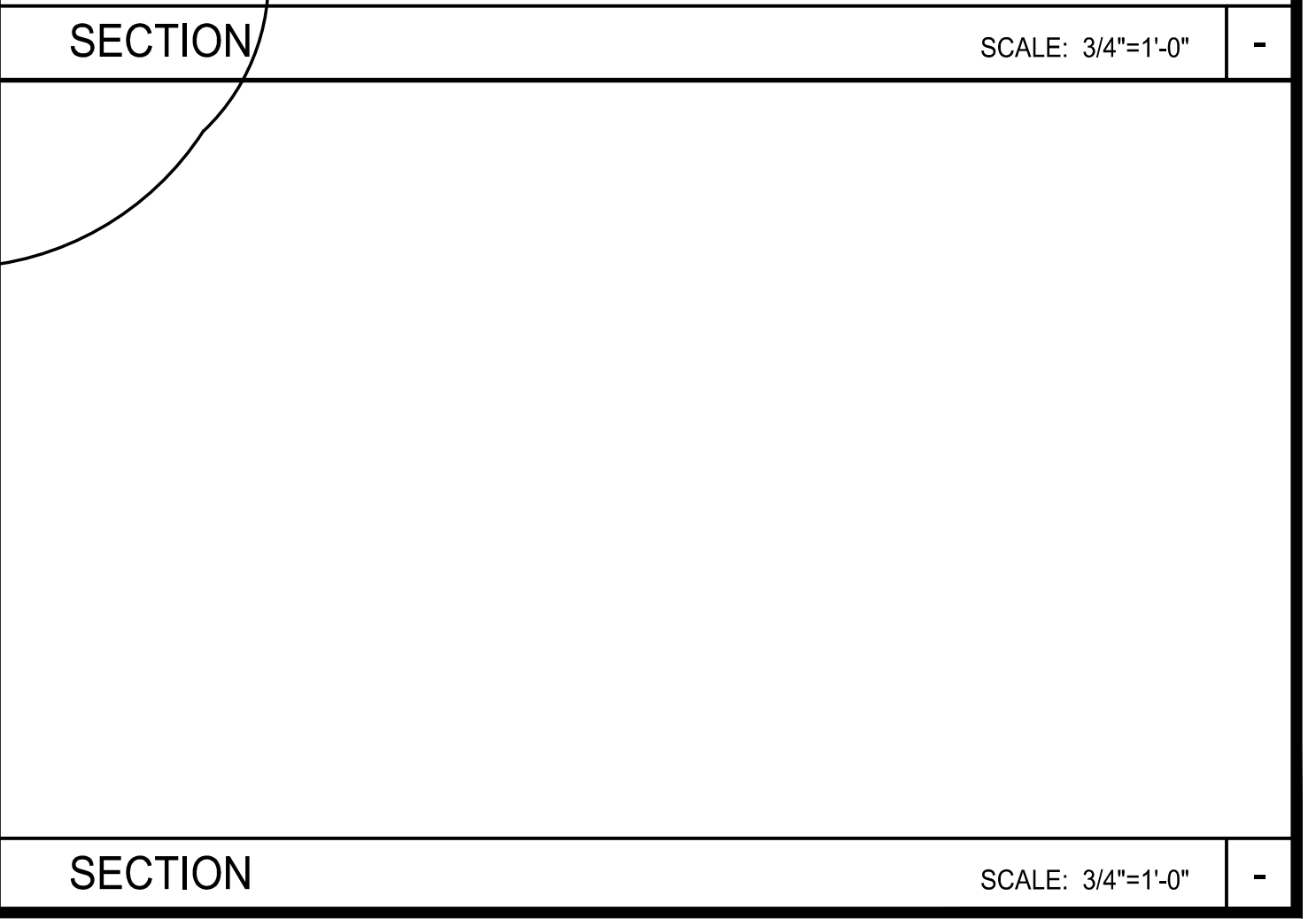
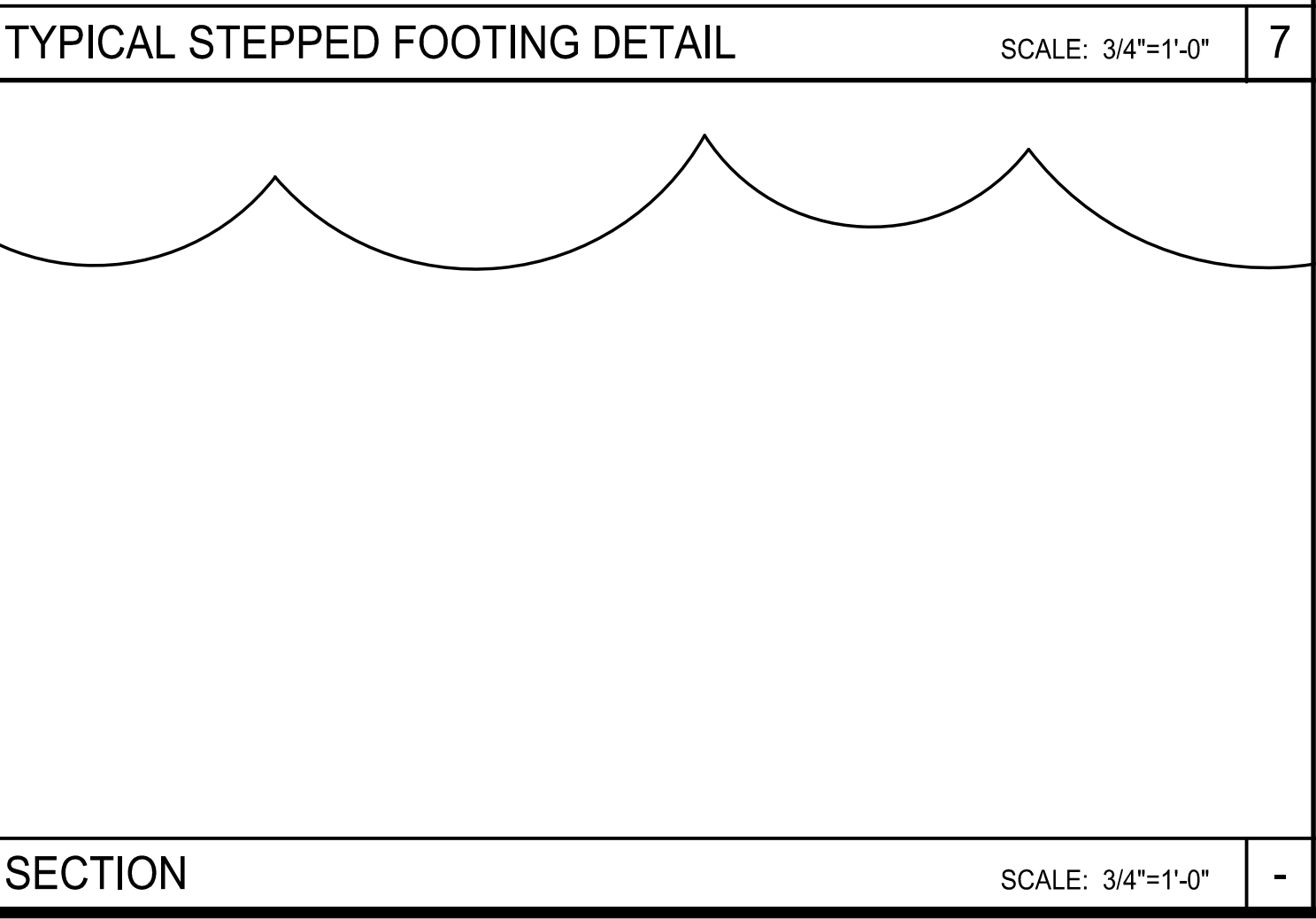
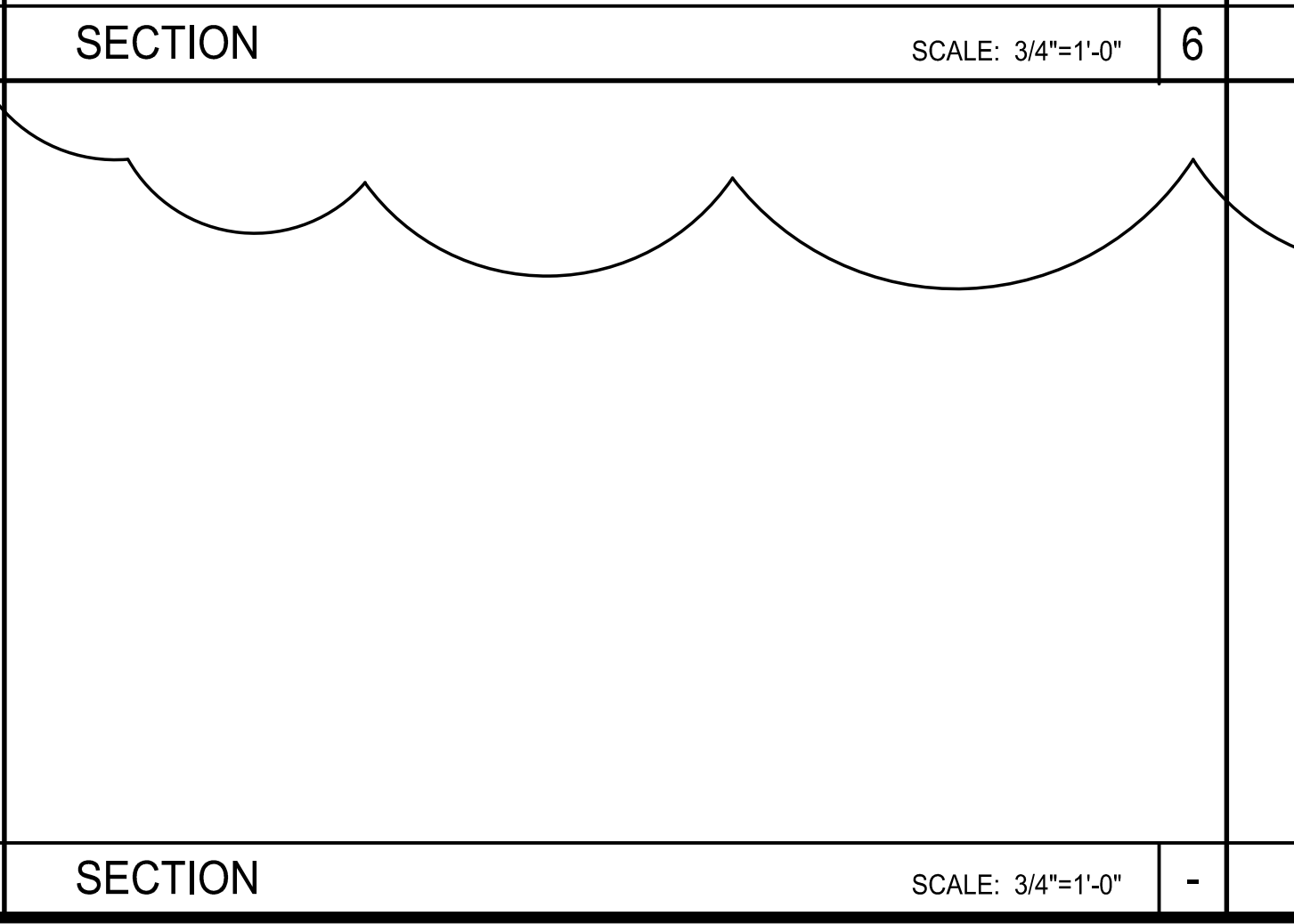
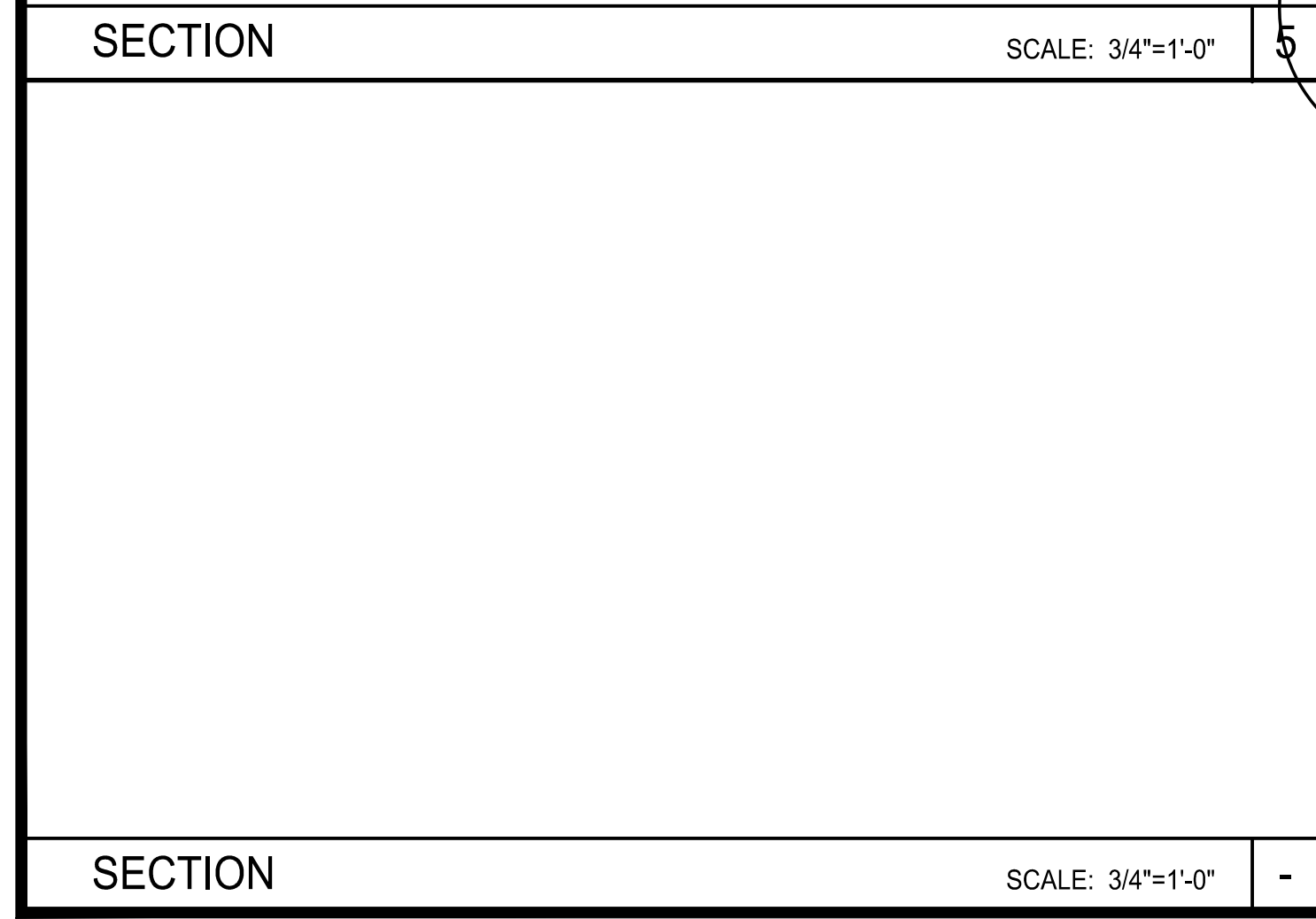
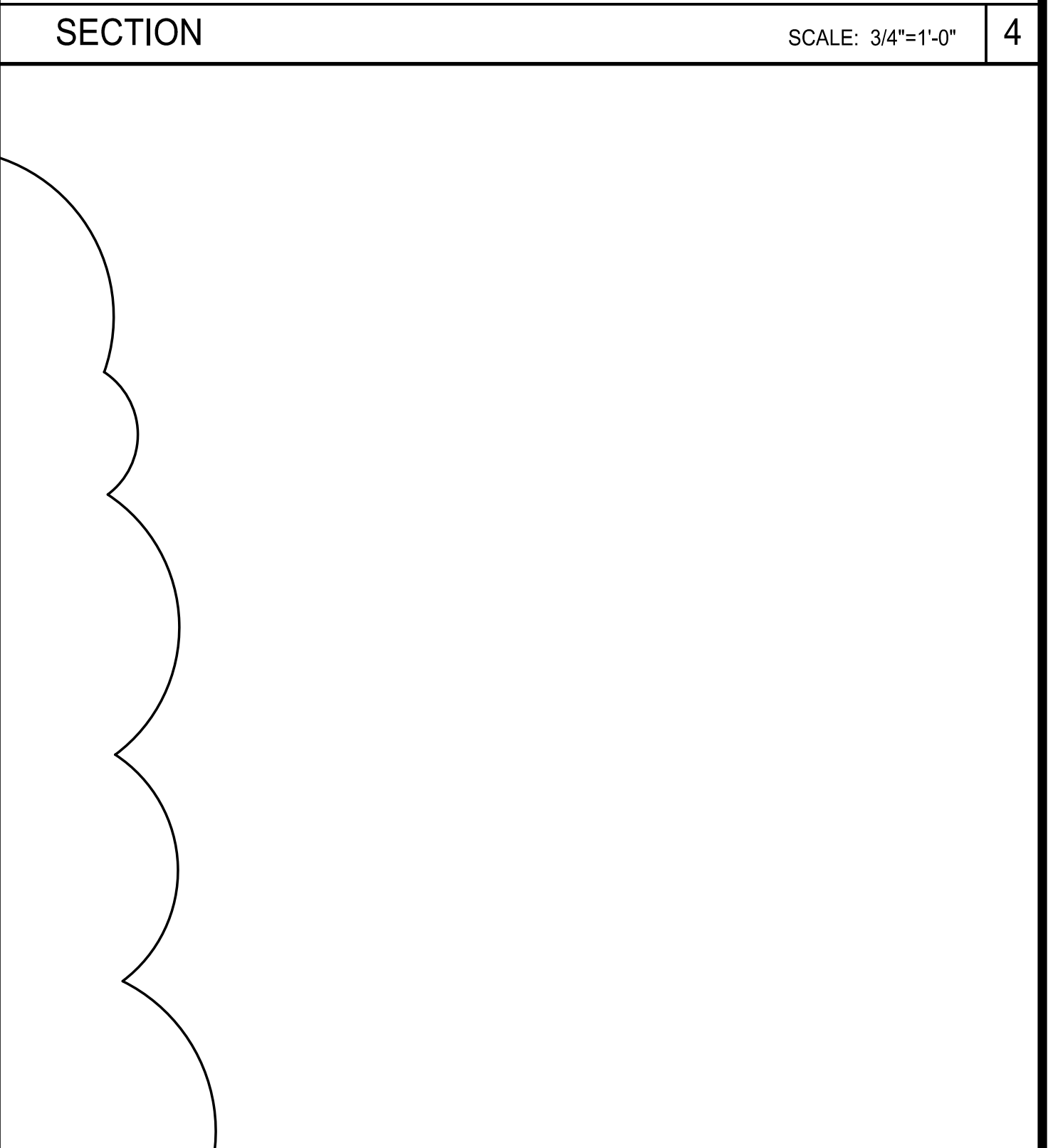
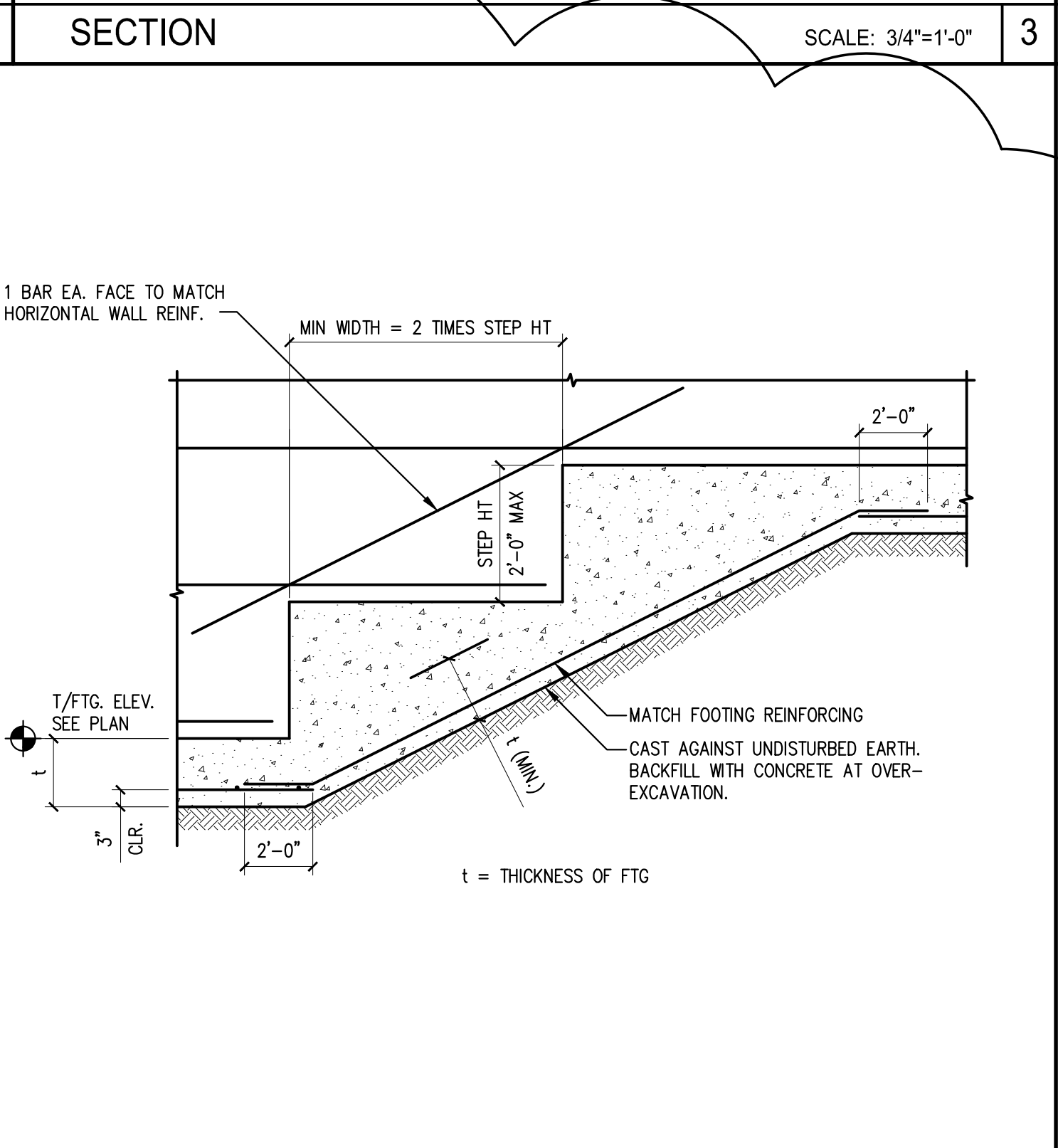
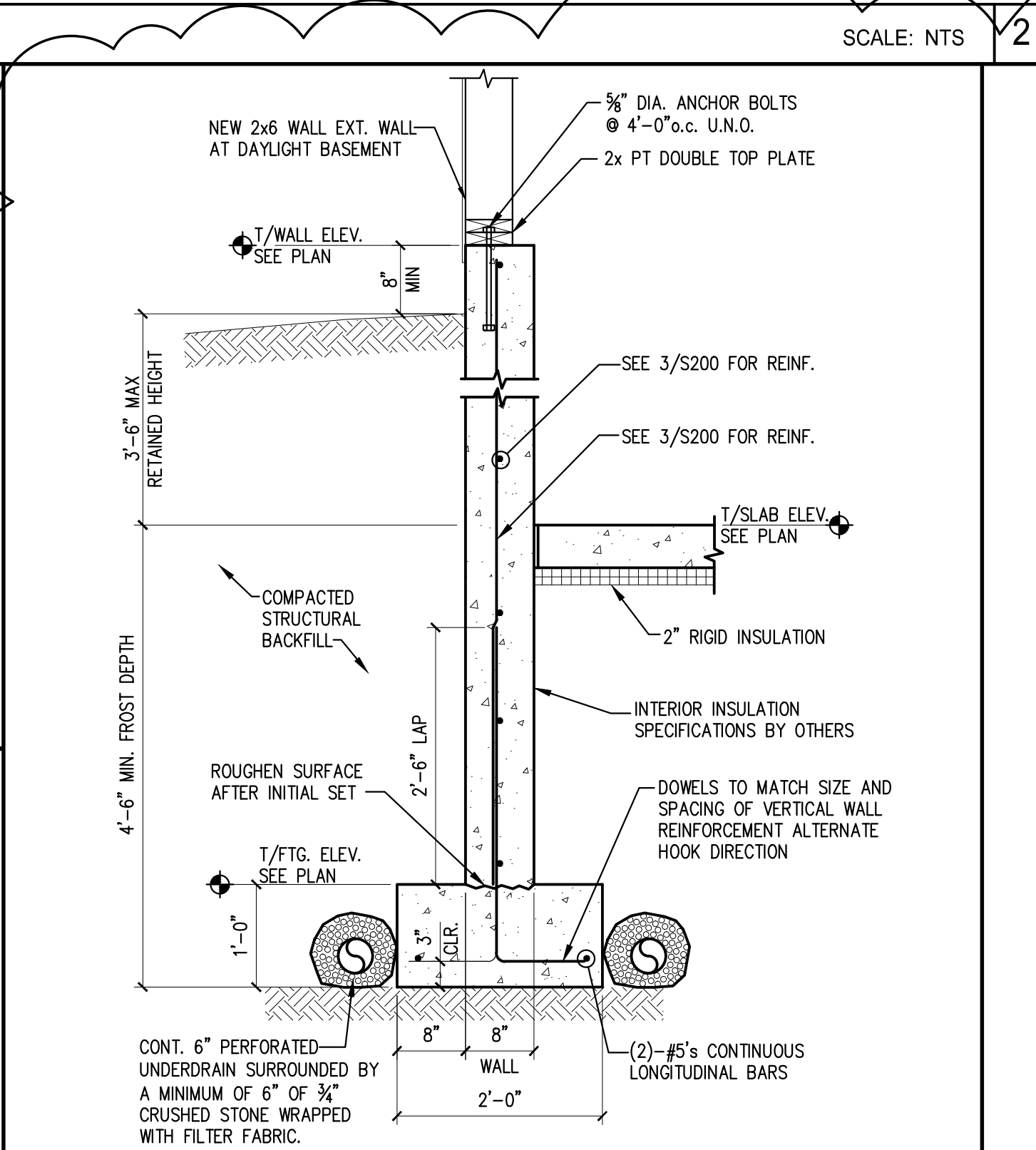
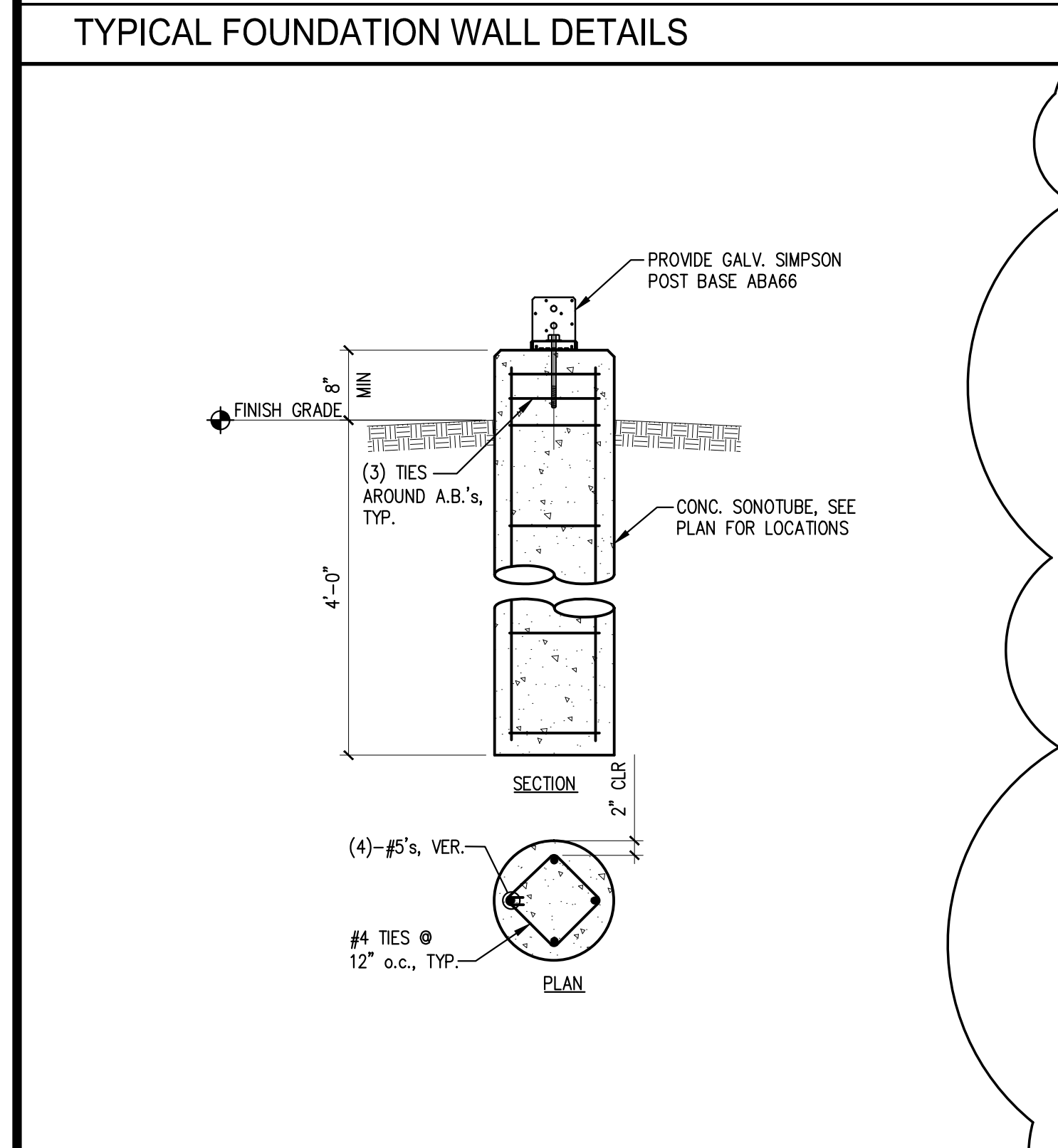
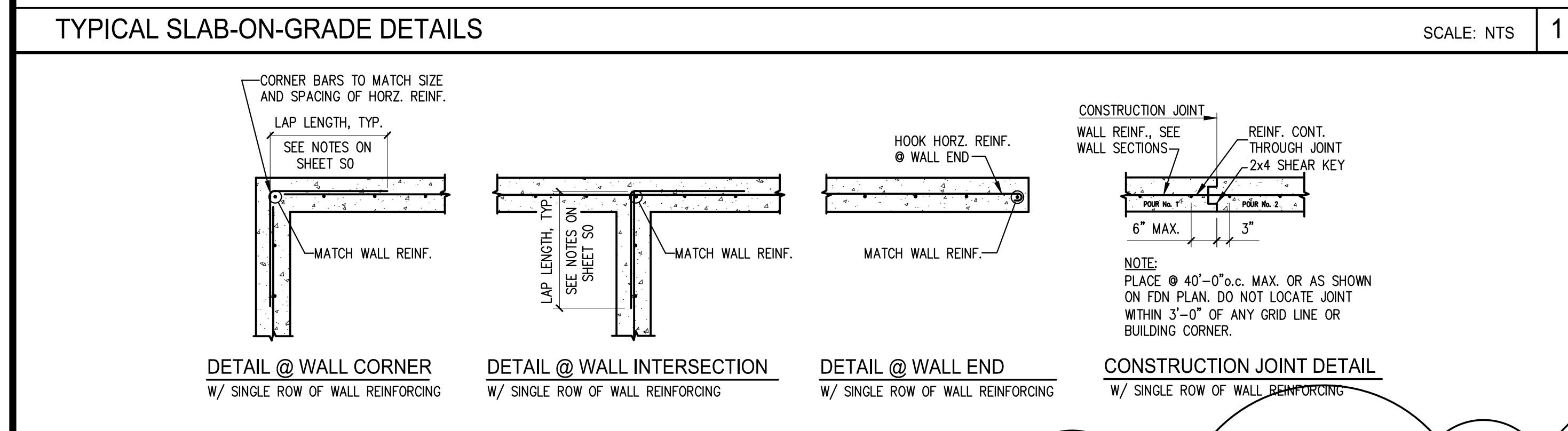
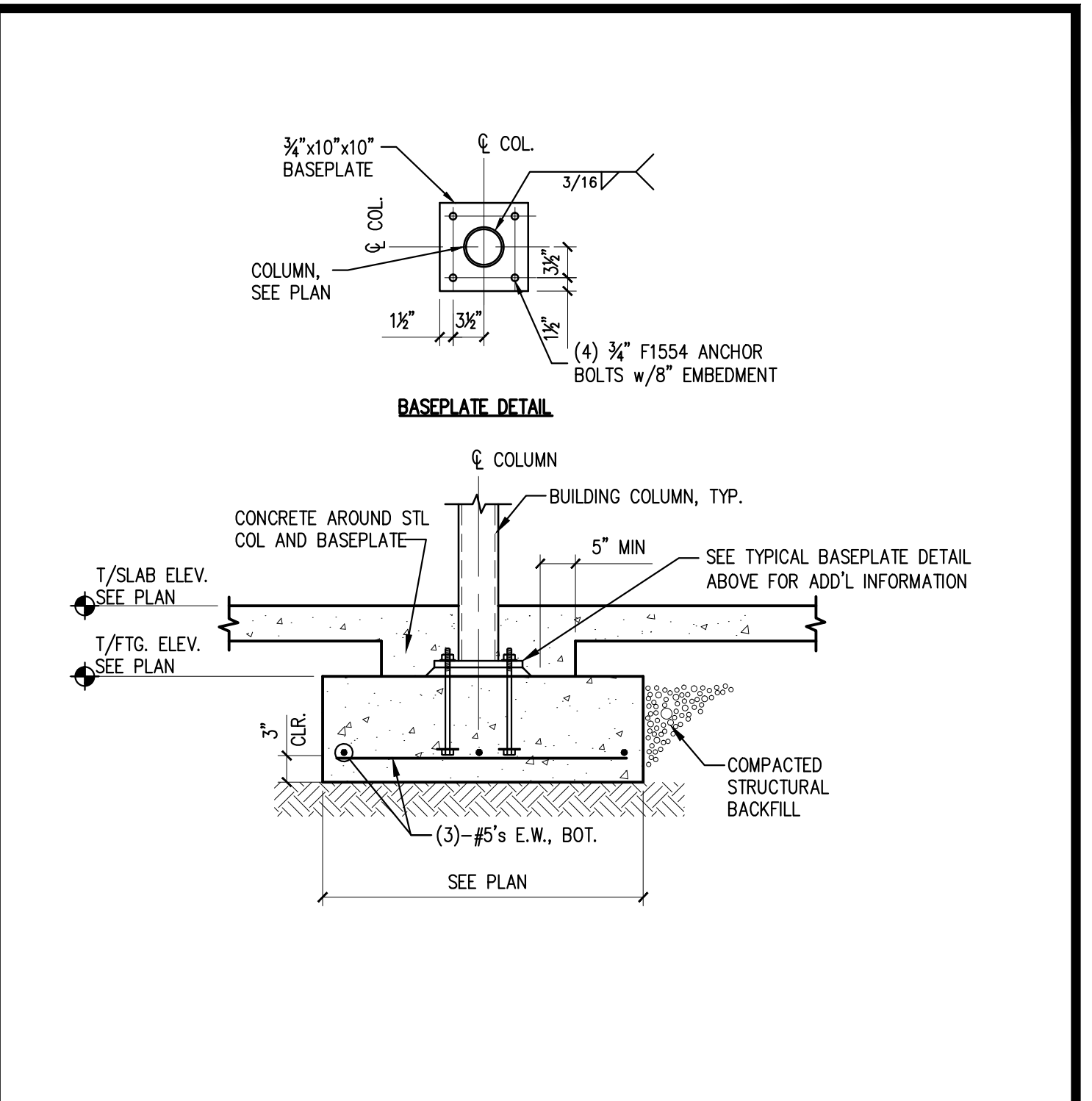
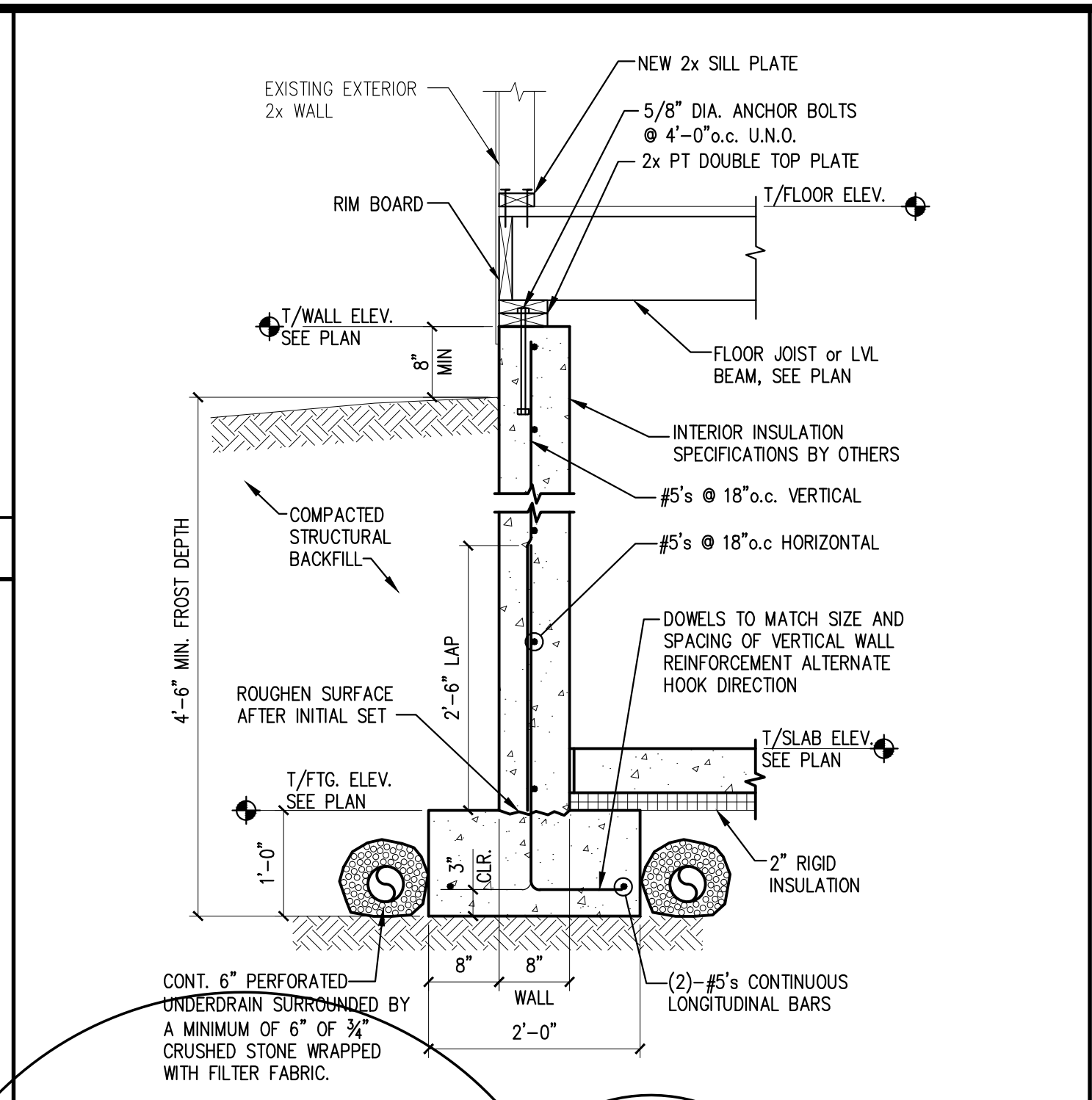
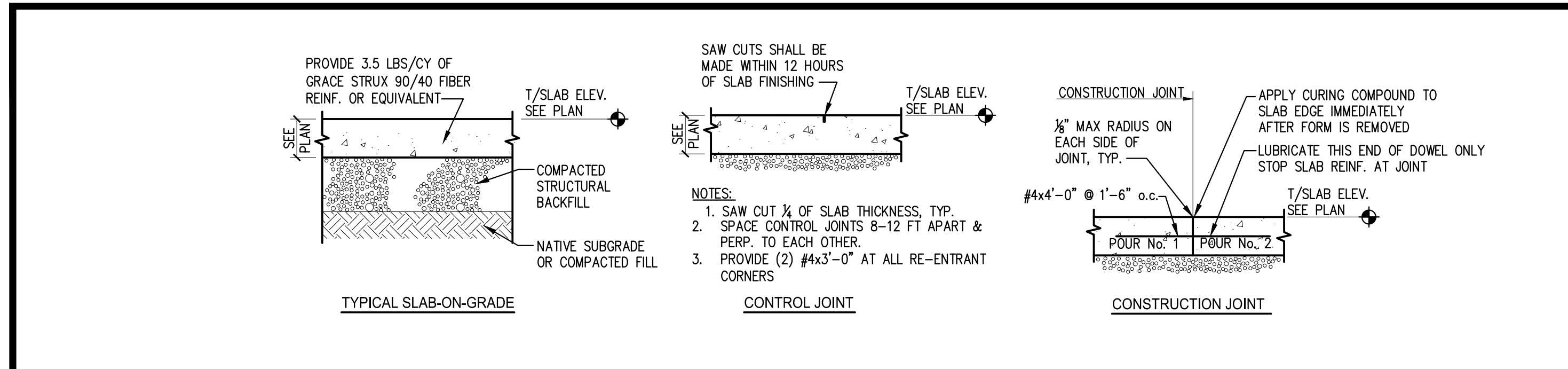


ISSUED	DESCRIPTION	DR.	BY	DATE
No.				
A				10-10-13
B				10-30-13
C				11-21-13

SHEET TITLE:
CONCRETE DETAILS

DESIGNED: SJP
DRAWN: SJP
DATE: 9-17-13
PROJECT NUMBER: 13-099



PRINTED: Nov 21, 2013