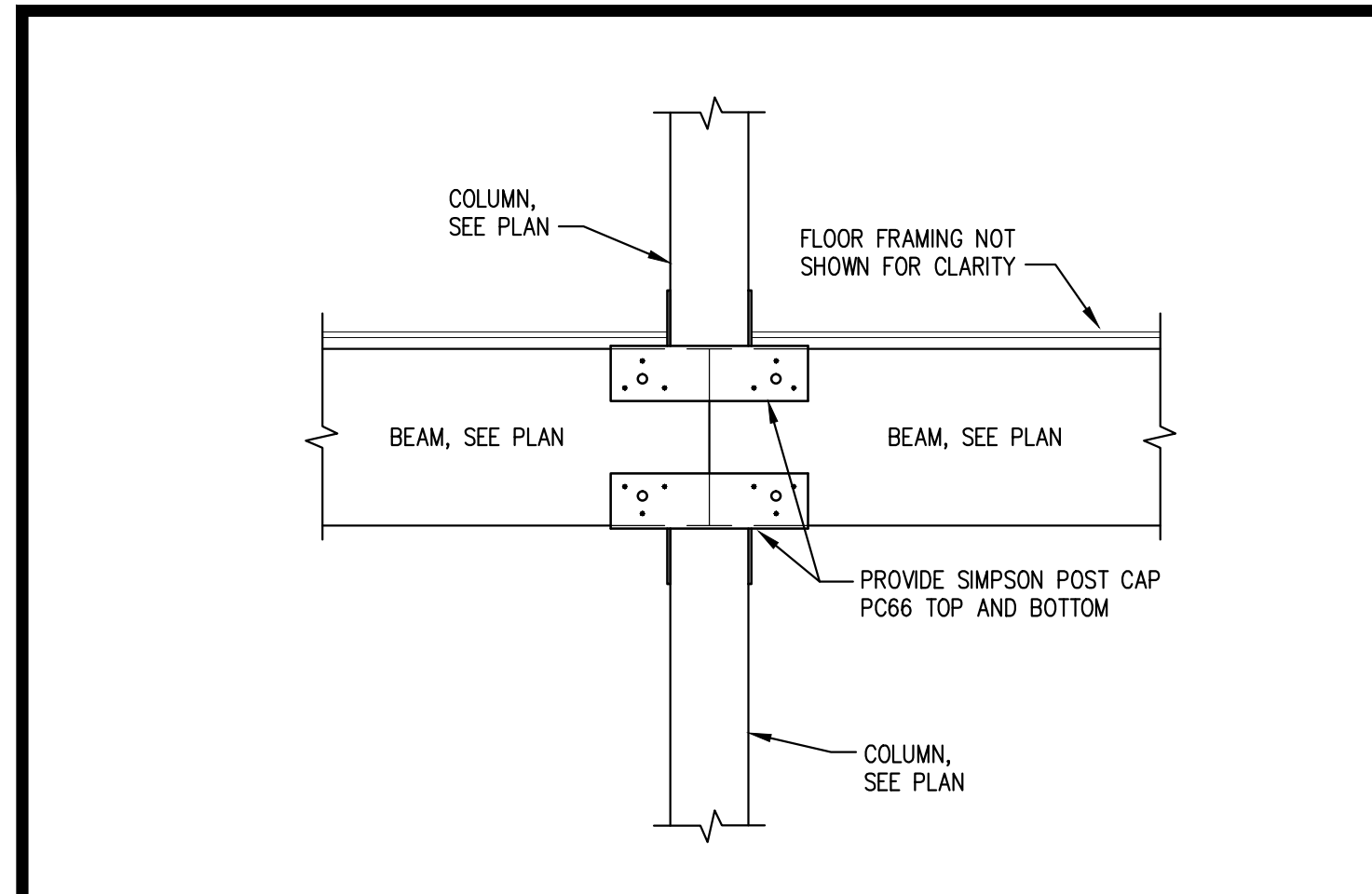
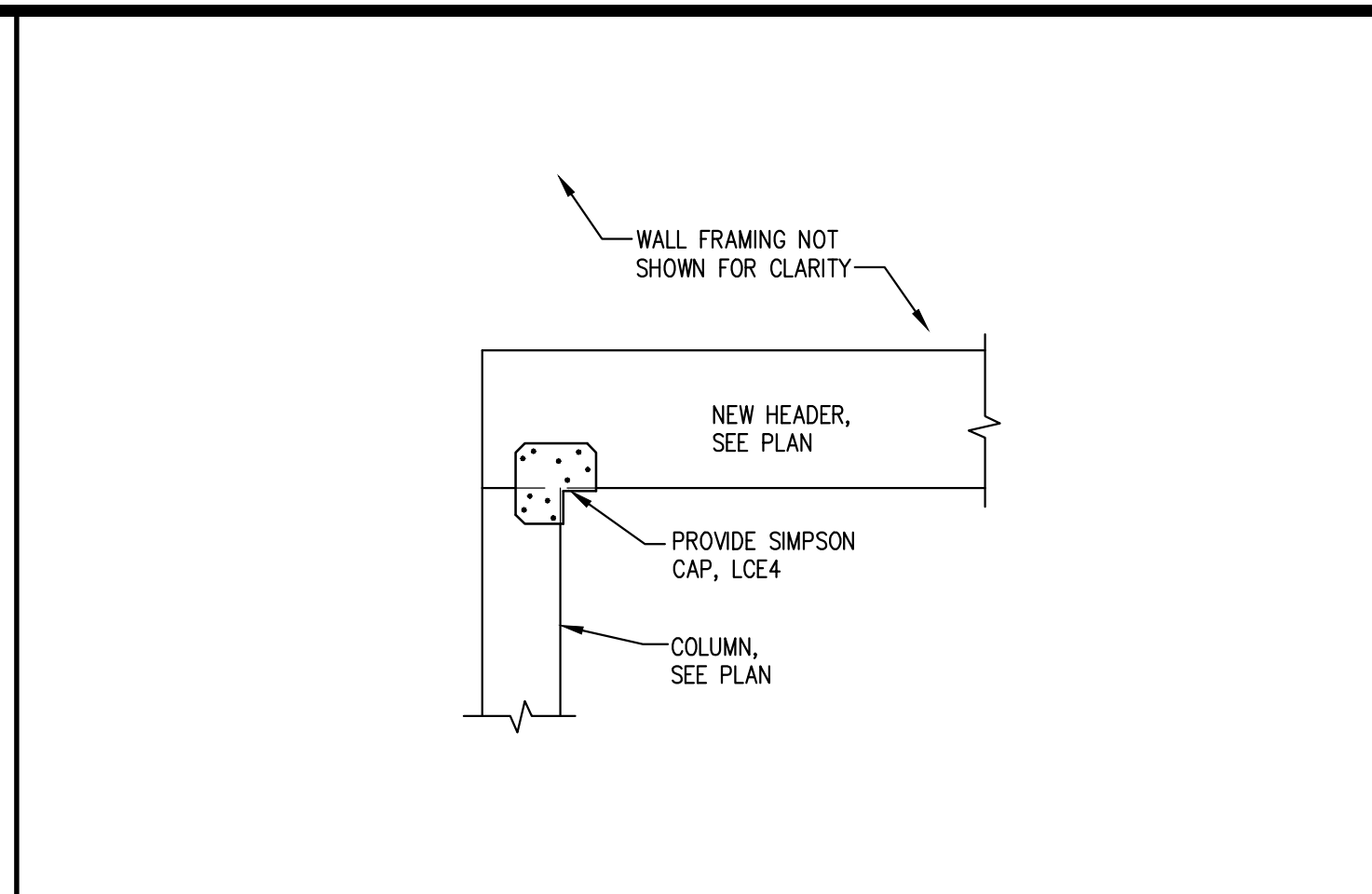


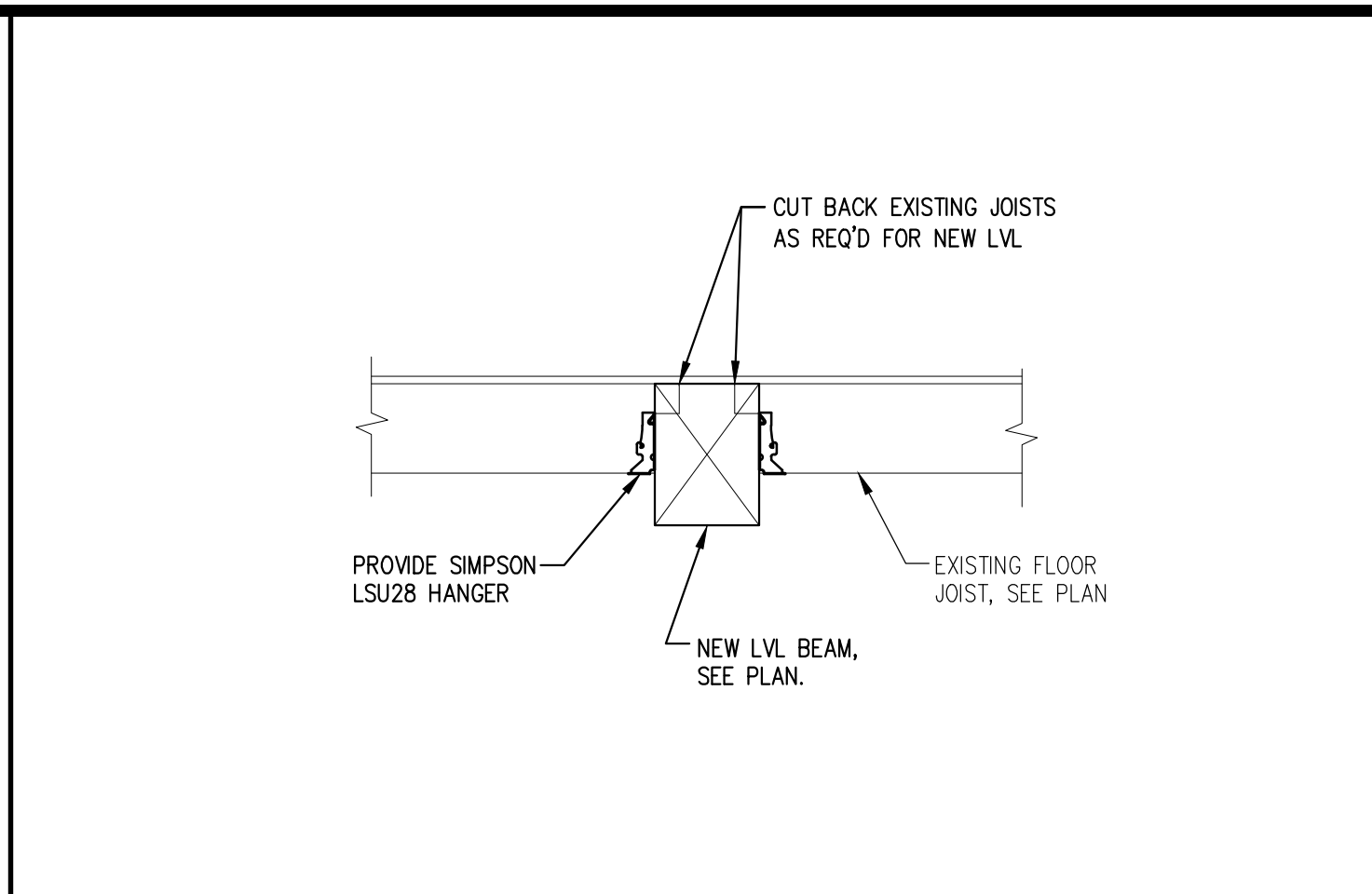
PRINTED: Nov 21, 2013



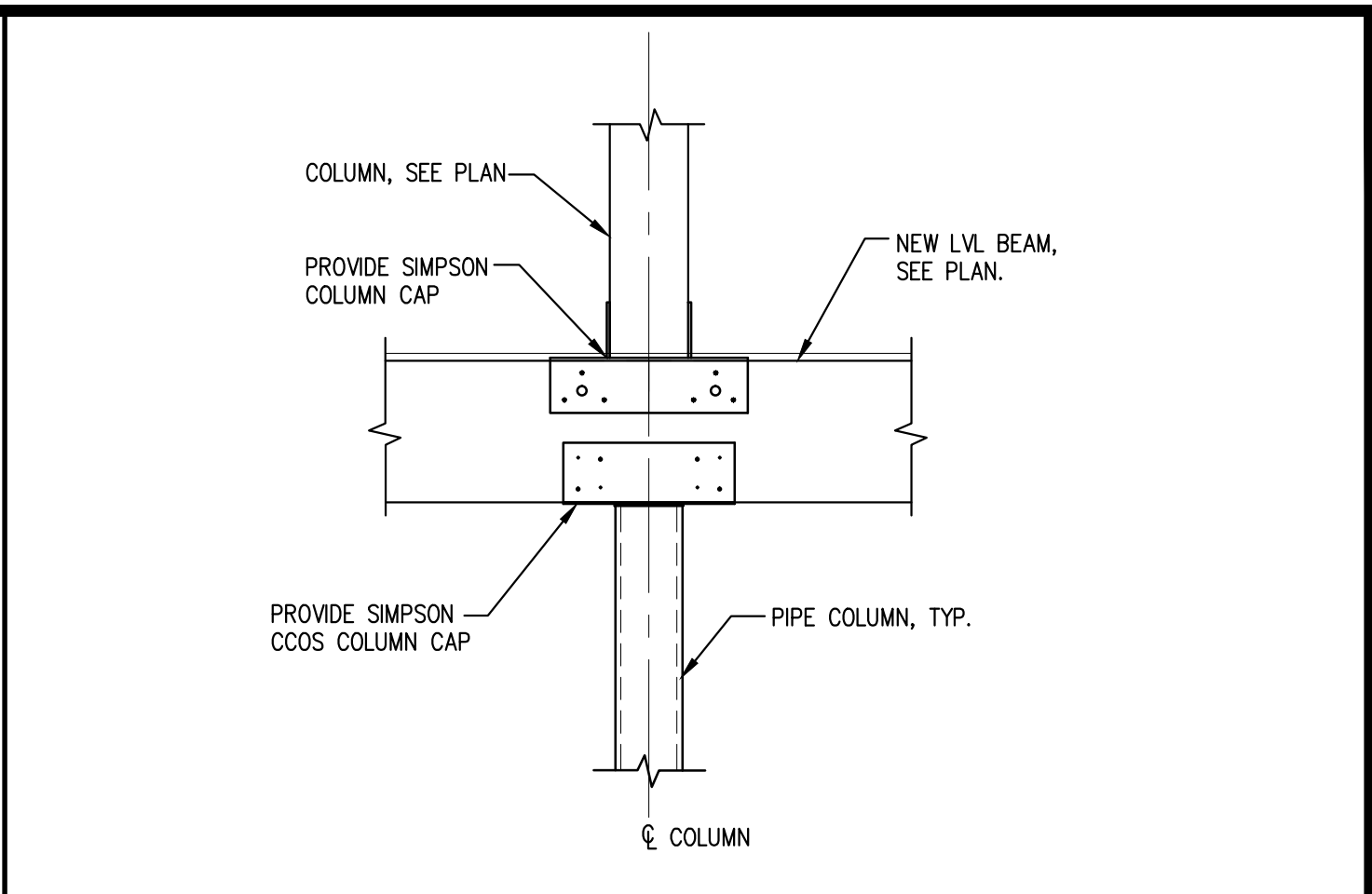
TYPICAL BEAM TO COLUMN SCALE: 1"=1'-0" 1



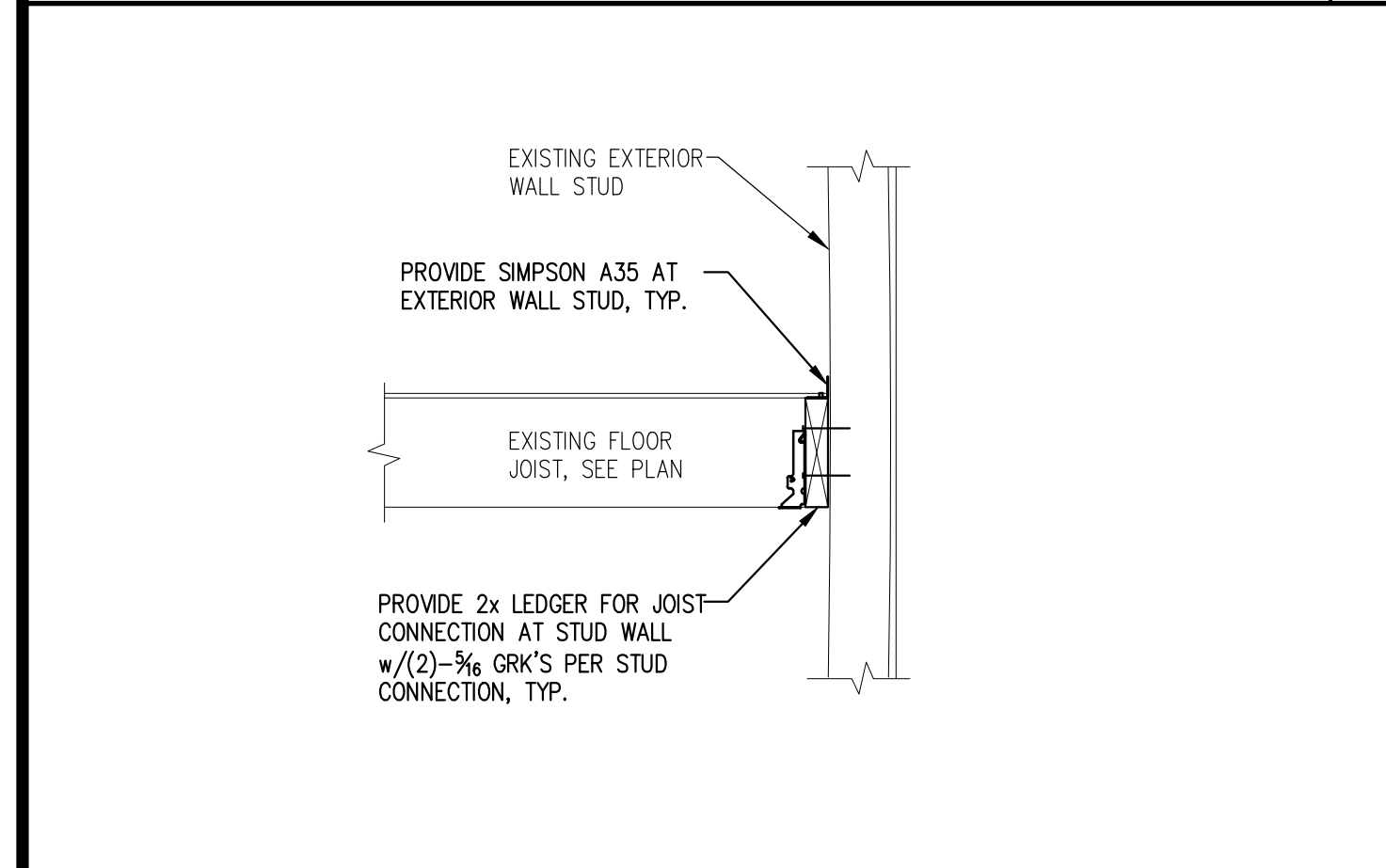
SECTION SCALE: 1"=1'-0" 2



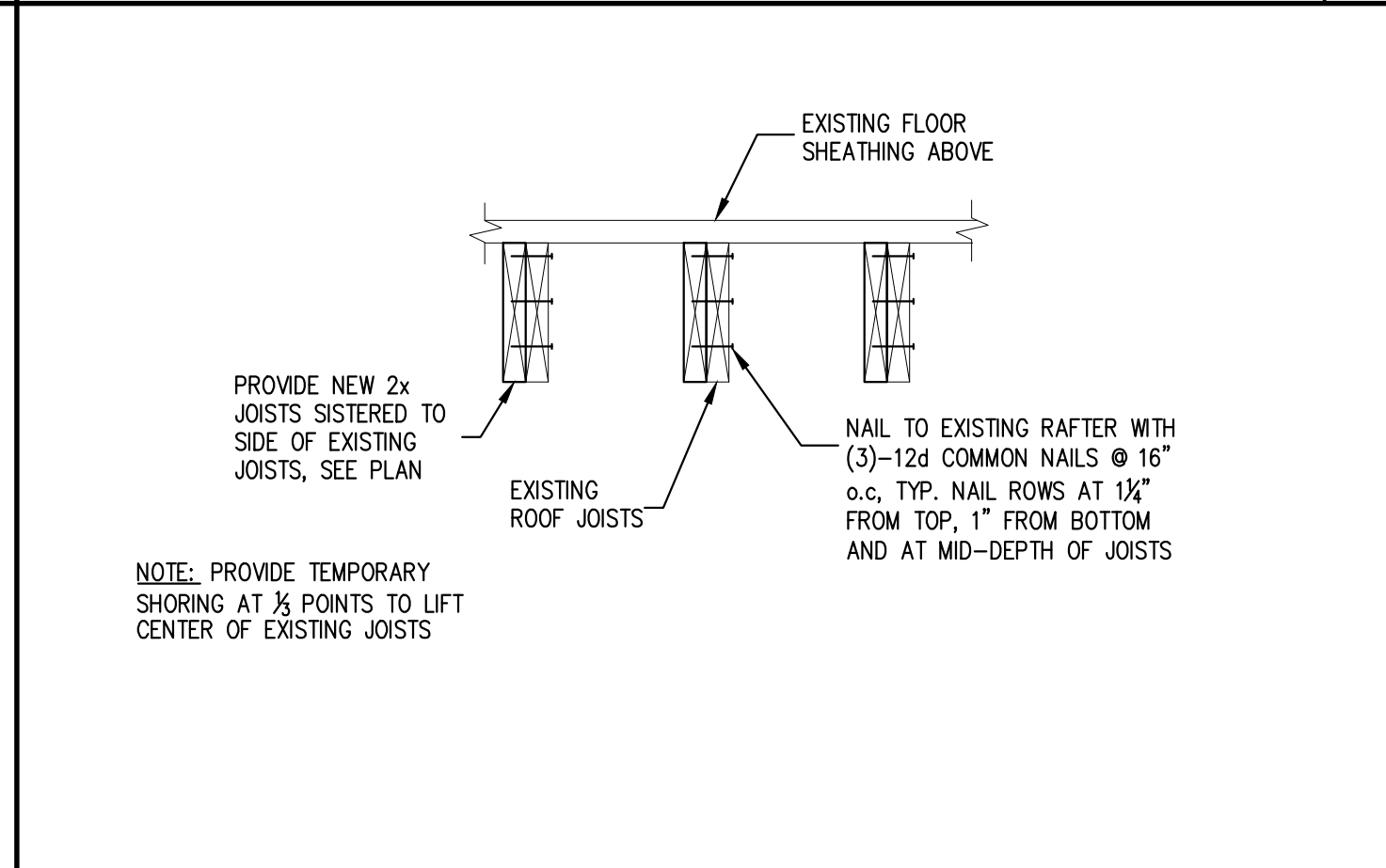
SECTION SCALE: 1"=1'-0" 3



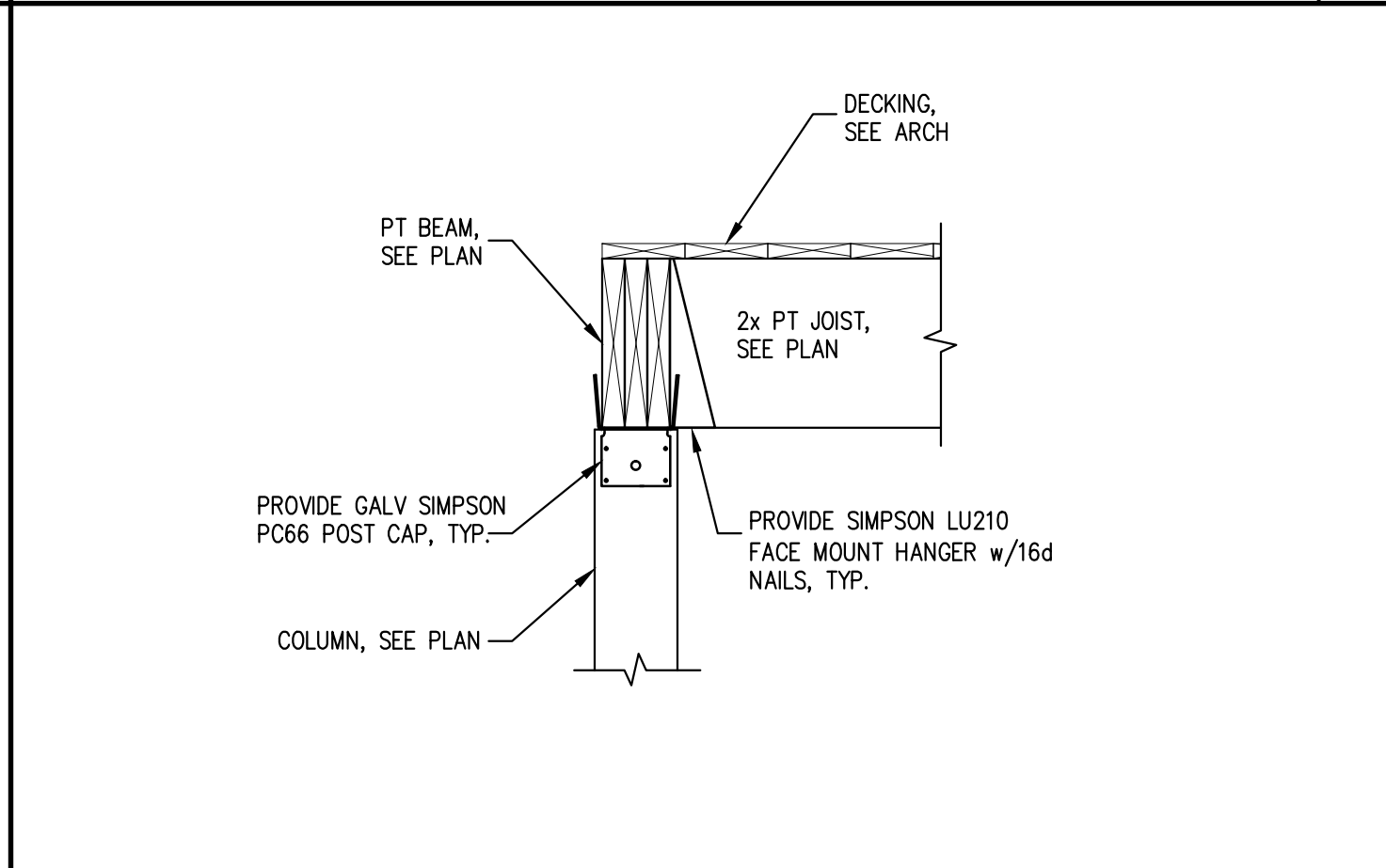
SECTION SCALE: 1"=1'-0" 4



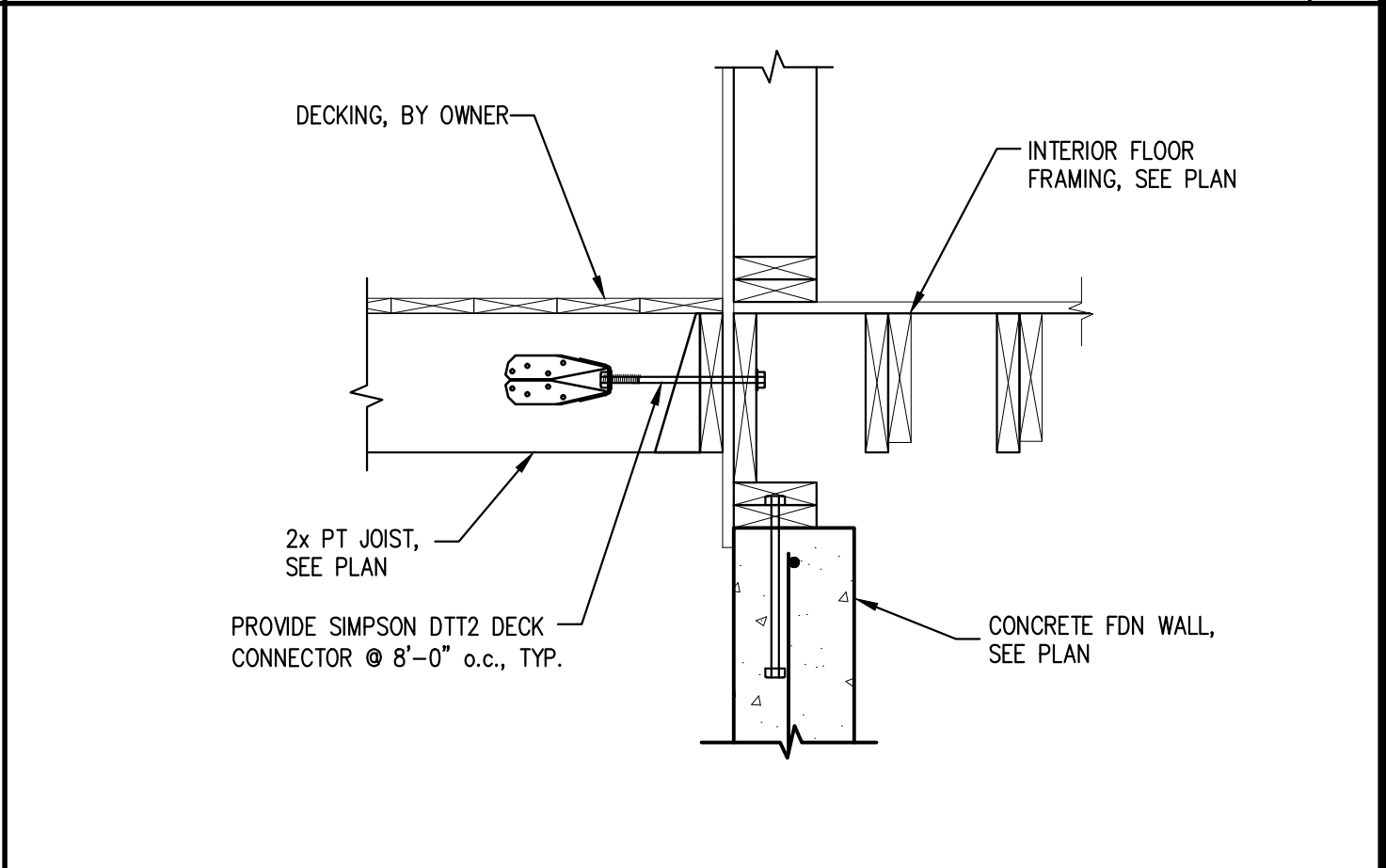
SECTION SCALE: 1"=1'-0" 5



SECTION SCALE: 1"=1'-0" 6



SECTION SCALE: 1"=1'-0" 7



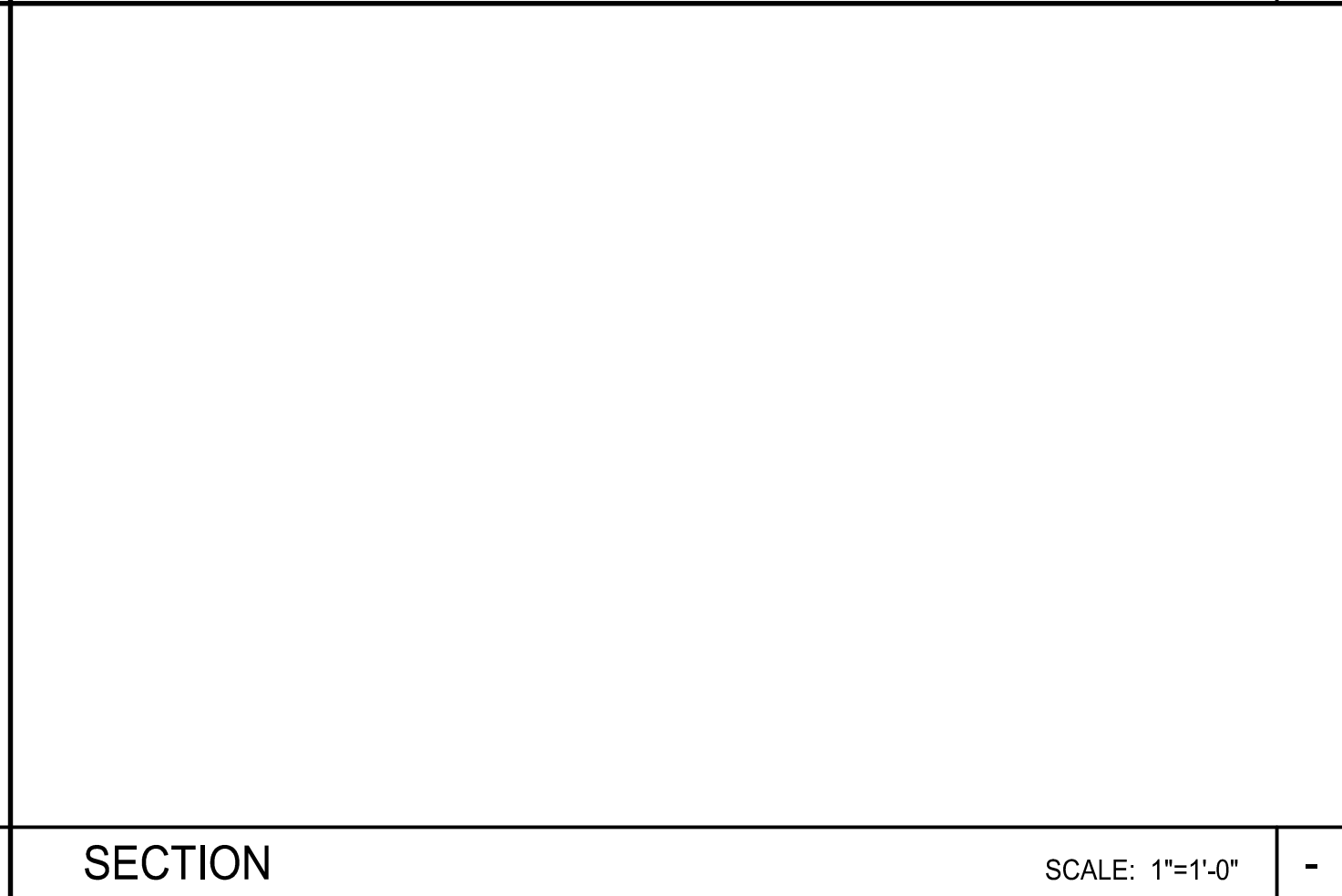
SECTION SCALE: 1"=1'-0" 8



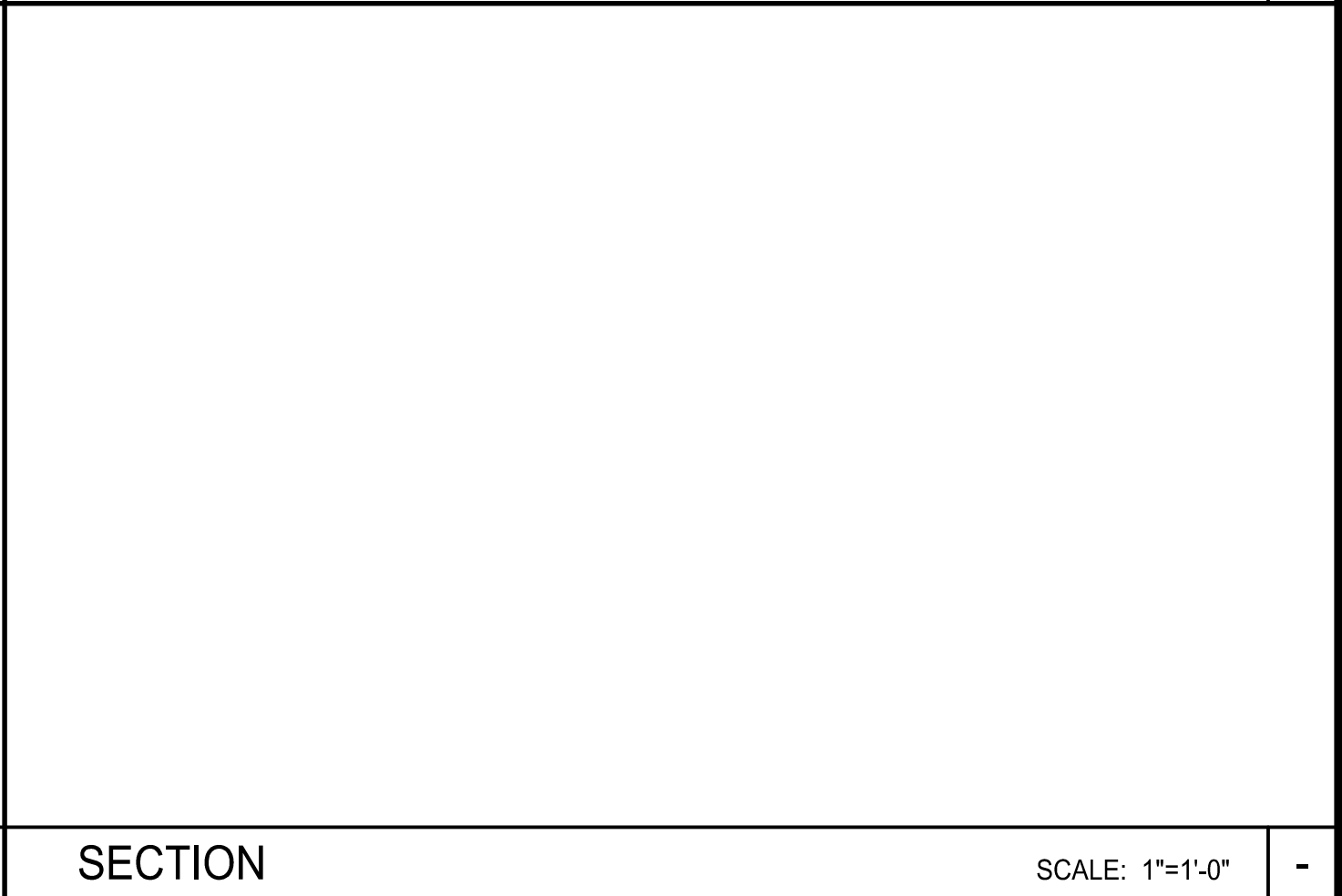
SECTION SCALE: 1"=1'-0" -



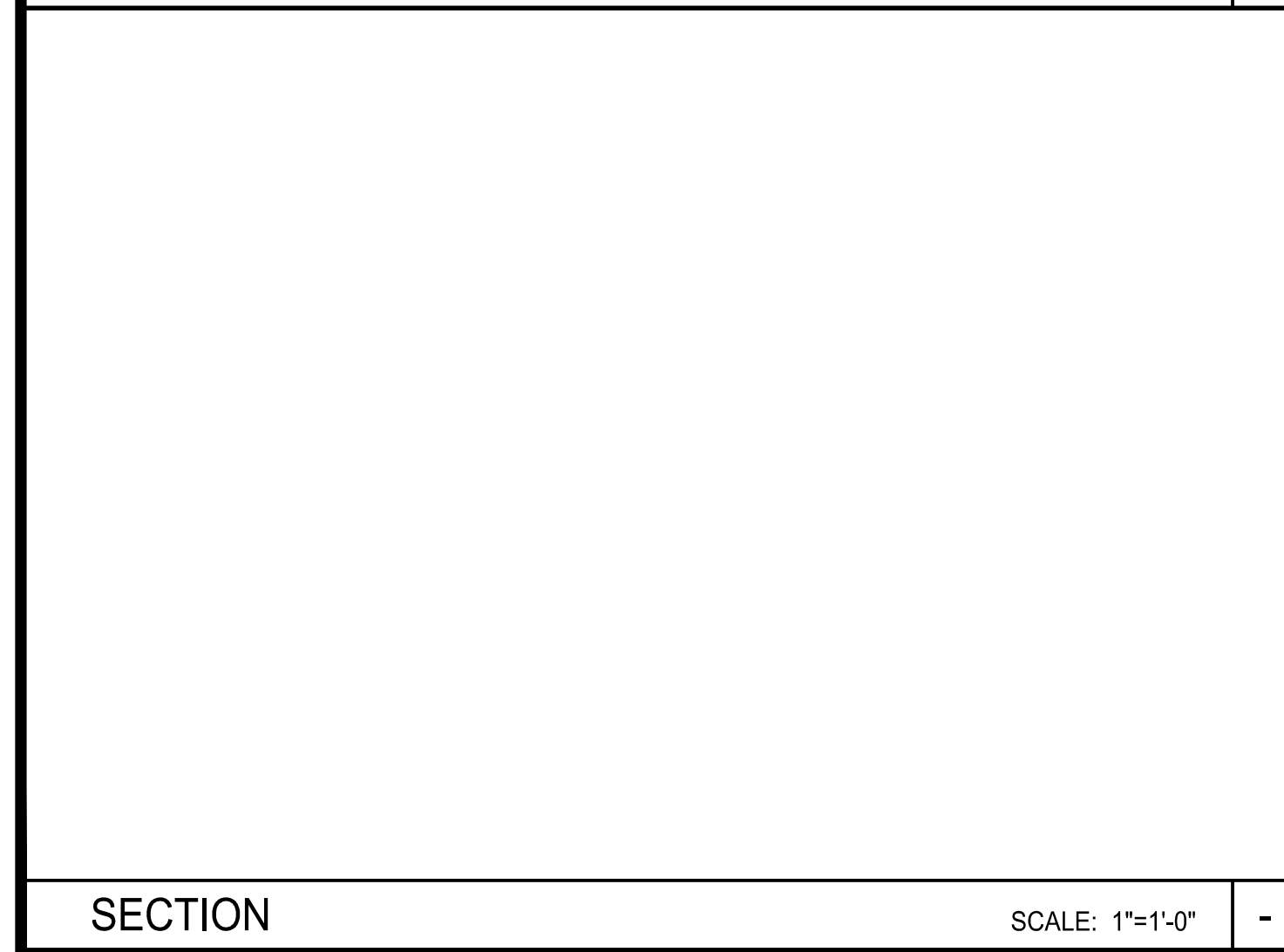
SECTION SCALE: 1"=1'-0" -



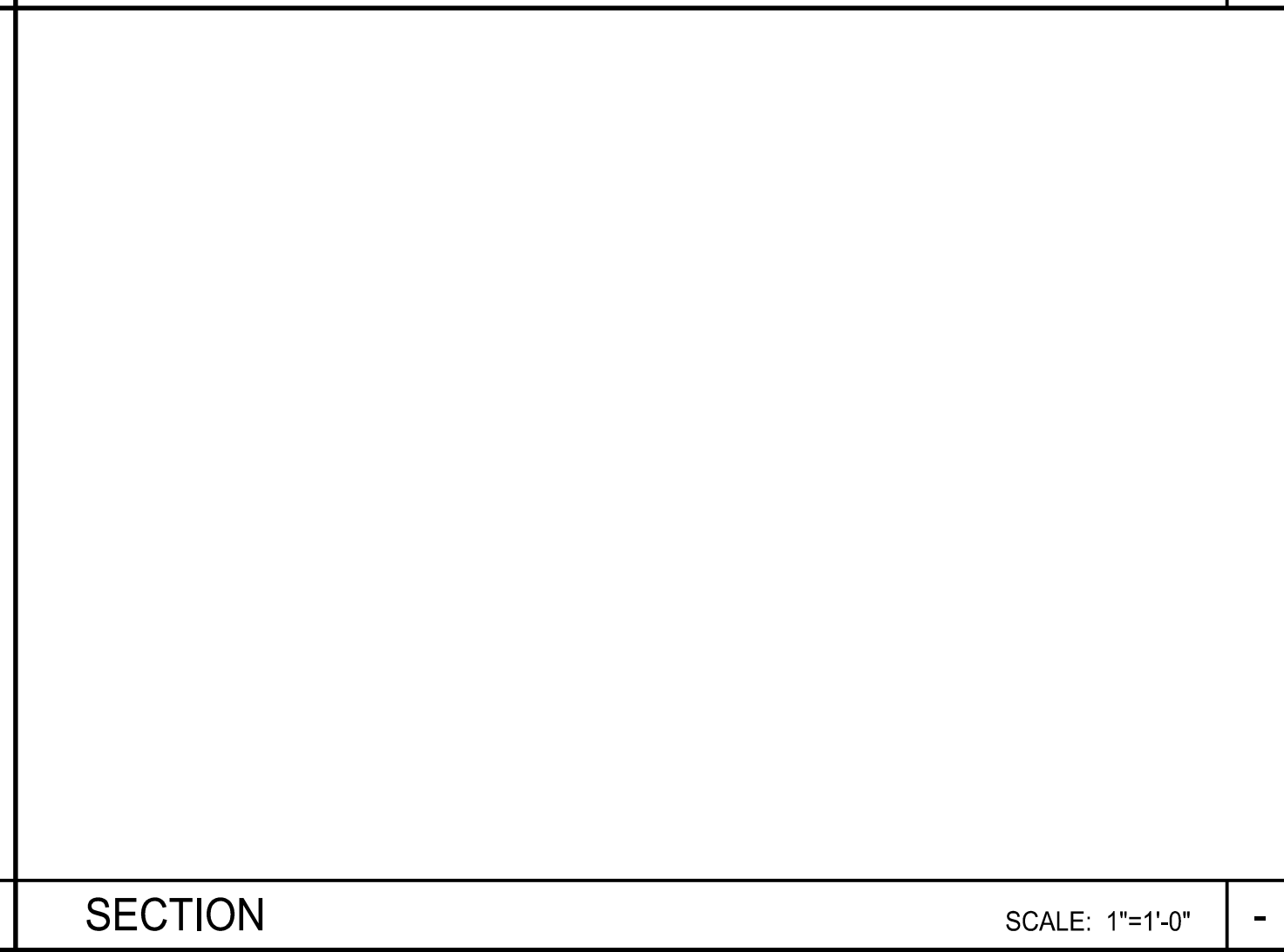
SECTION SCALE: 1"=1'-0" -



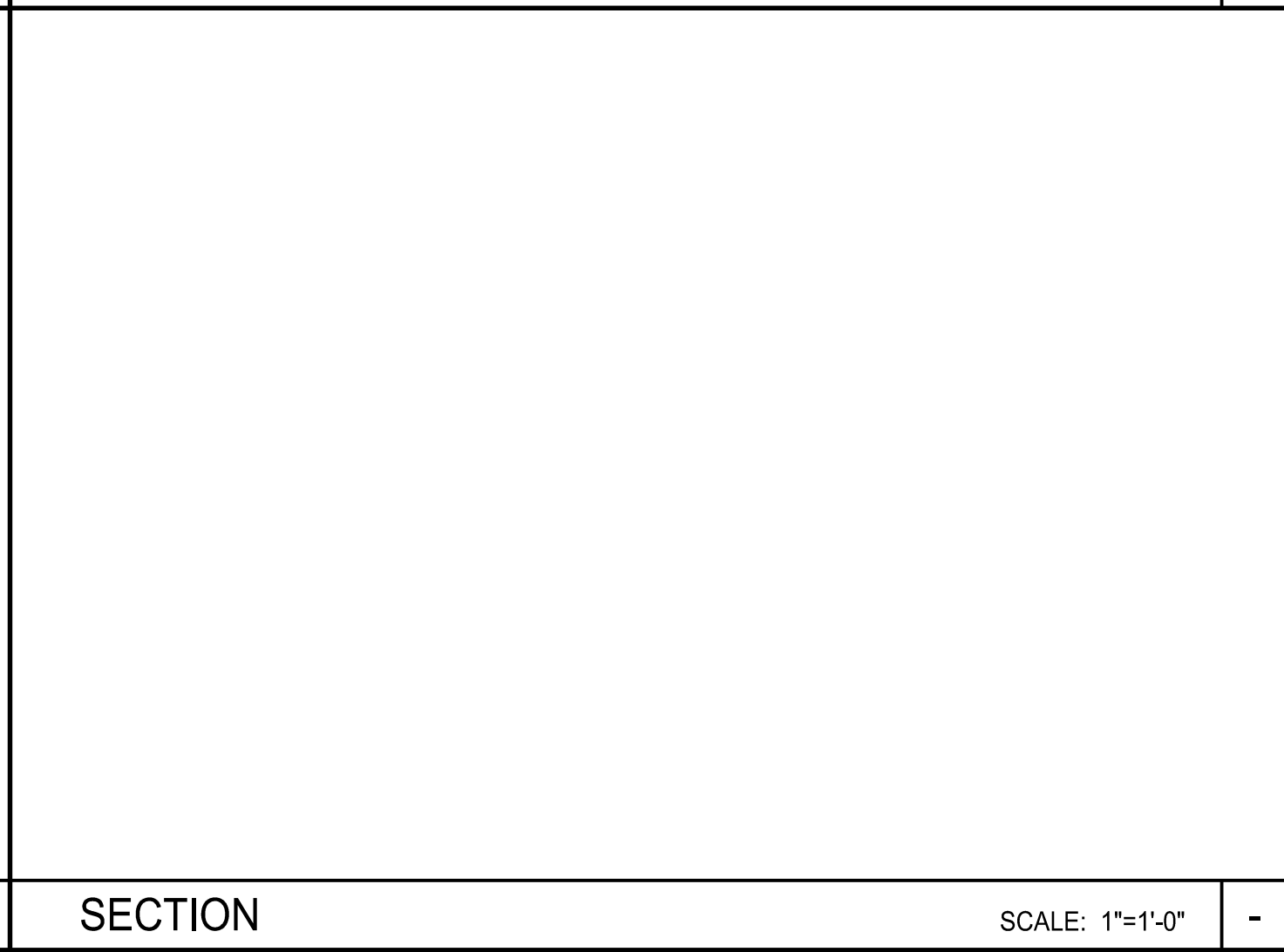
SECTION SCALE: 1"=1'-0" -



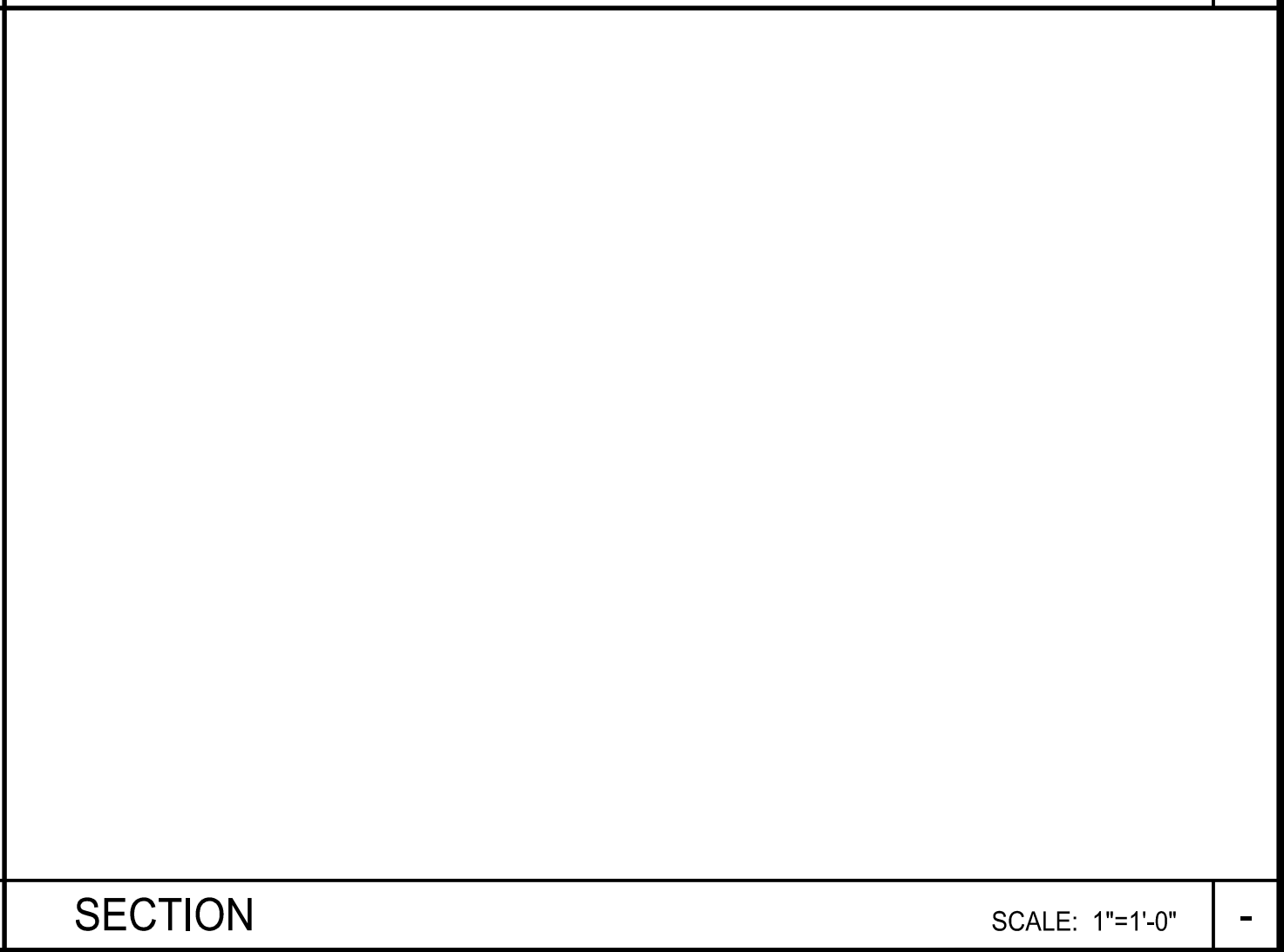
SECTION SCALE: 1"=1'-0" -



SECTION SCALE: 1"=1'-0" -



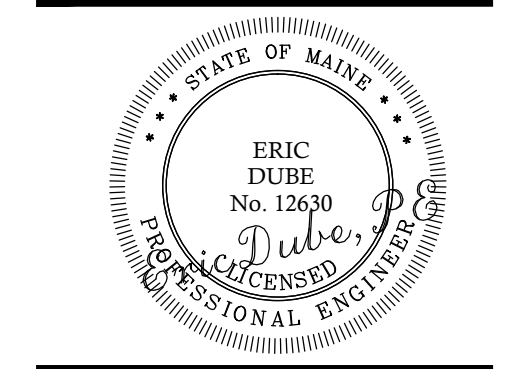
SECTION SCALE: 1"=1'-0" -



SECTION SCALE: 1"=1'-0" -

**CASCO BAY ENGINEERING**  
 424 Fore Street  
 Portland, ME 04101  
 Phone 207.842.2800  
 Fax 207.842.2828  
 www.cascobayengineering.com

CLIENT:  
**MIKE D'AMBOISE**  
 93 CUMBERLAND AVE  
 PORTLAND, ME 04101



**CUMBERLAND AVE. RENOVATION**  
 PORTLAND, ME  
 93 CUMBERLAND AVE  
**BUILDING RENOVATION**

ISSUED	DESCRIPTION	FOR PERMIT ONLY	NO.	DATE
			DR. BY	CHK. BY
			A	10-10-13

SHEET TITLE:  
**FRAMING DETAILS**

DESIGNED: SJP  
 DRAWN: SJP  
 DATE: 9-17-13  
 PROJECT NUMBER: 13-099

**S300**