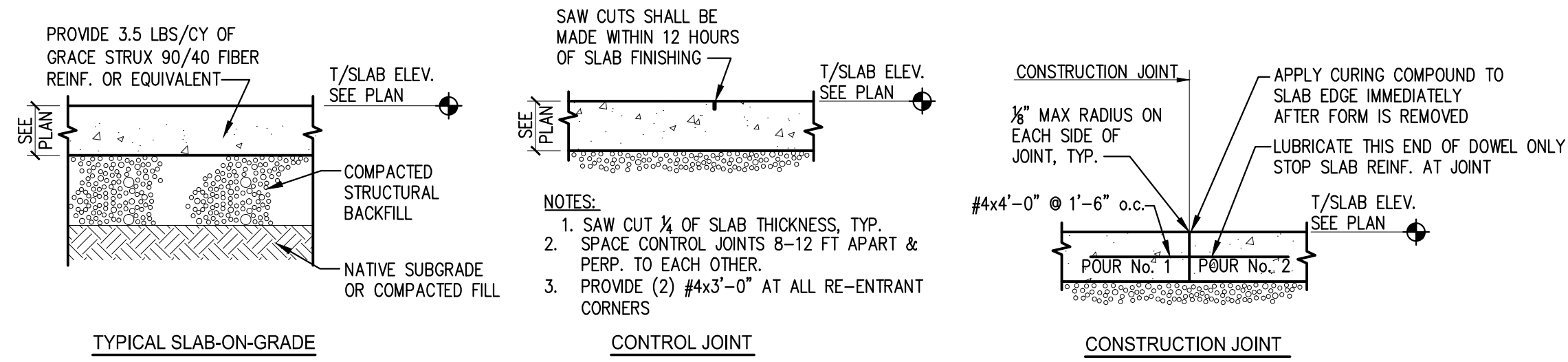
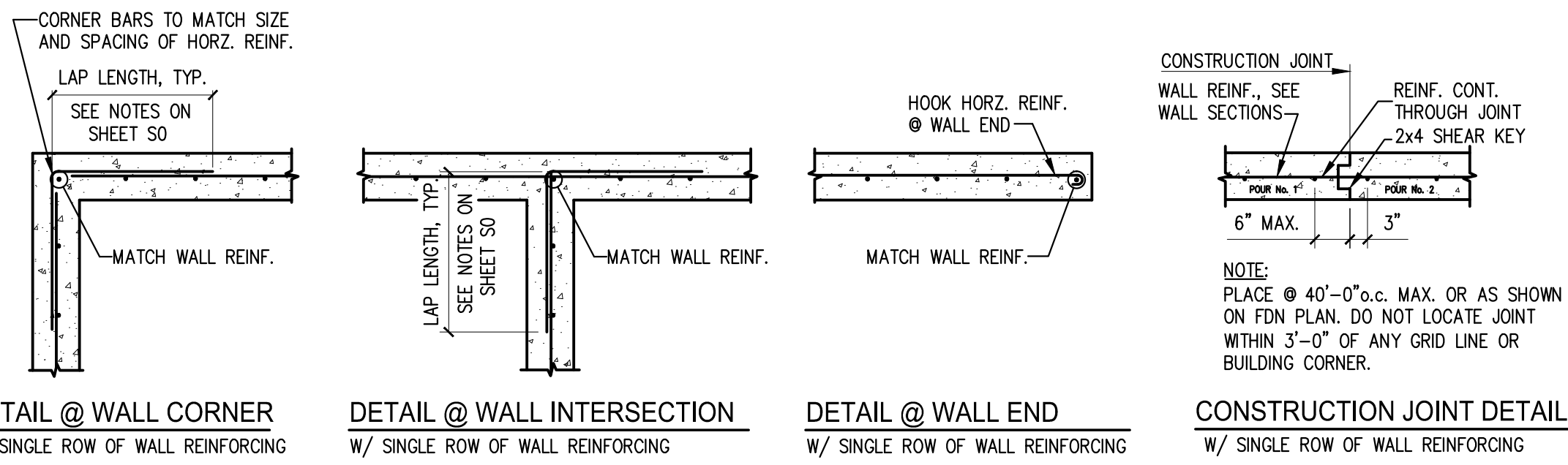


PRINTED: Oct 10, 2013



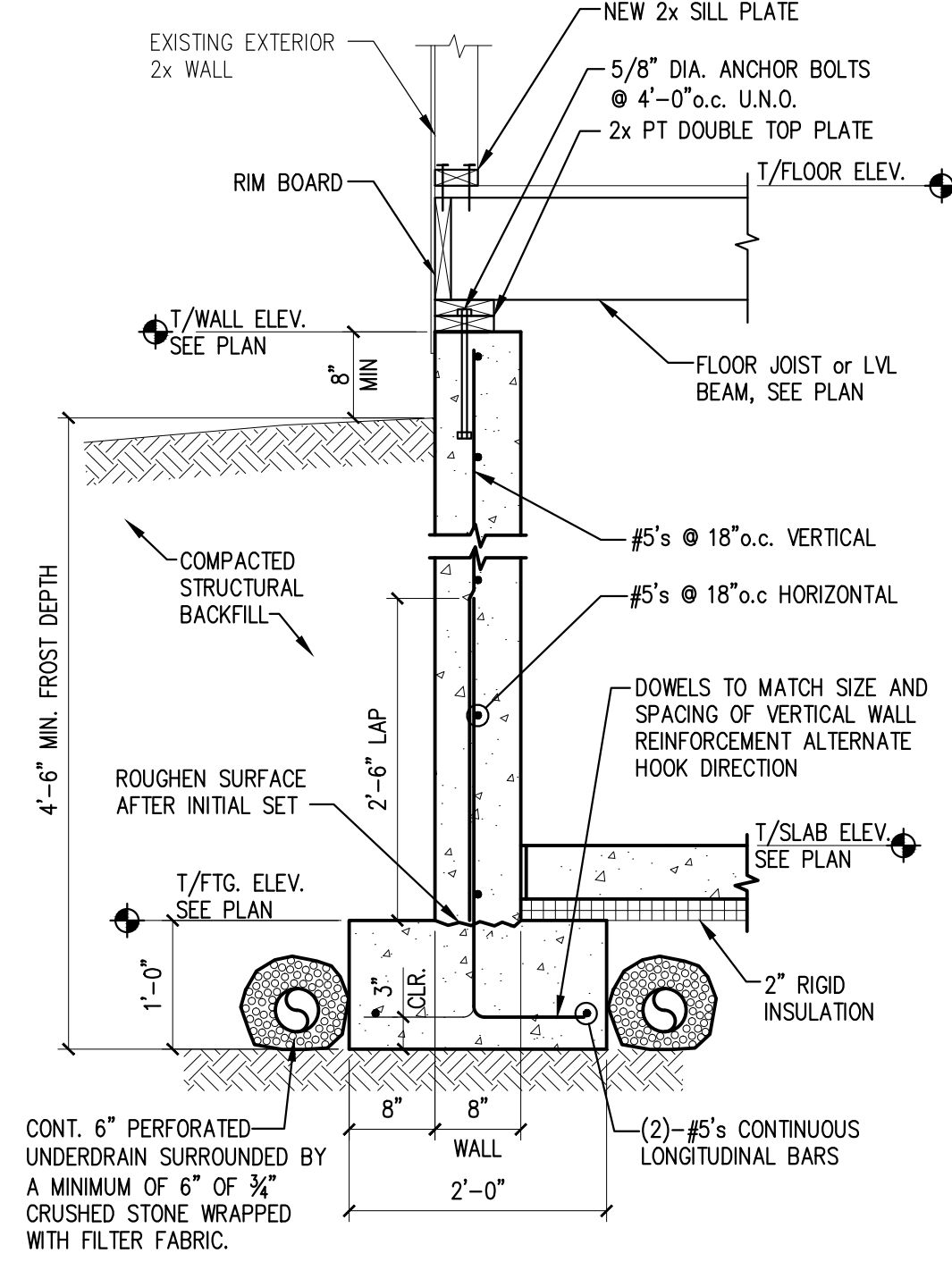
TYPICAL SLAB-ON-GRADE DETAILS

SCALE: NTS 1



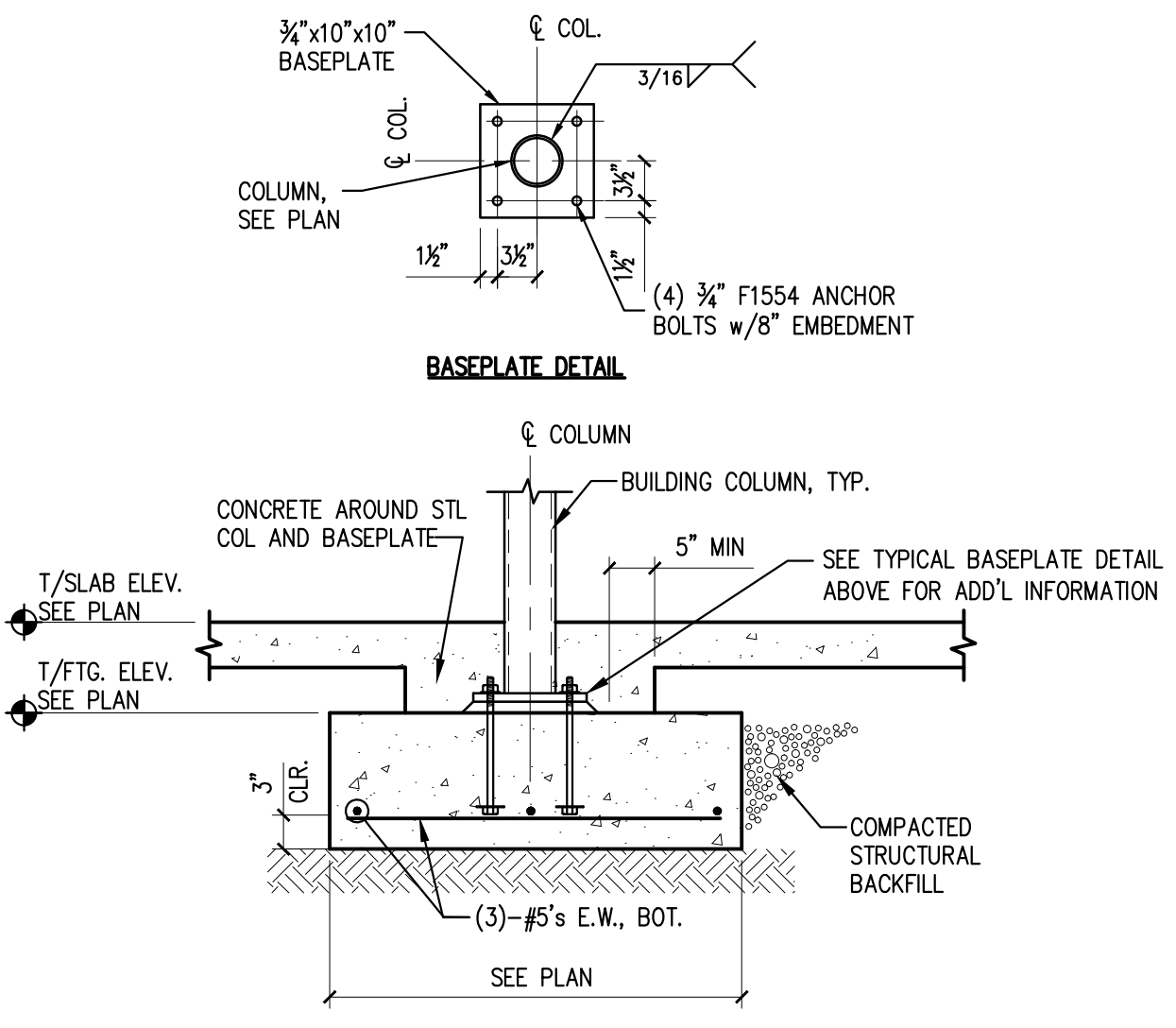
TYPICAL FOUNDATION WALL DETAILS

SCALE: NTS 2



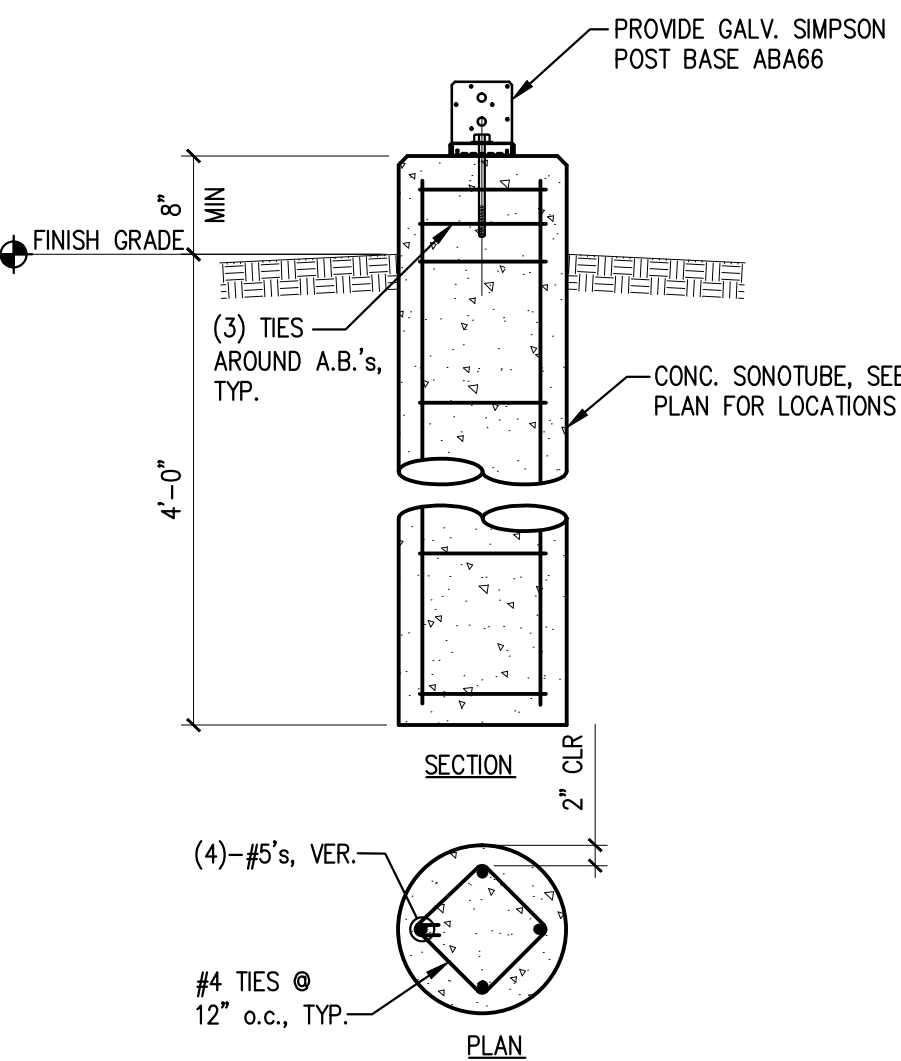
SECTION

SCALE: 3/4"=1'-0"



SECTION

SCALE: 3/4"=1'-0"



SECTION

SCALE: 3/4"=1'-0"

SECTION

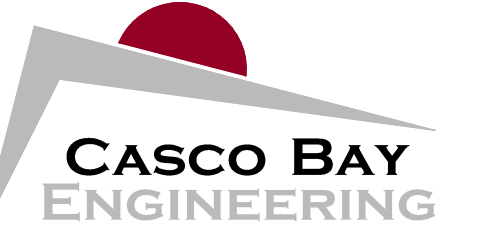
SCALE: 3/4"=1'-0"

SECTION

SCALE: 3/4"=1'-0"

SECTION

SCALE: 3/4"=1'-0"



424 Fore Street  
 Portland, ME 04101  
 Phone 207.842.2800  
 Fax 207.842.2828  
 www.cascobayengineering.com

CLIENT:  
**MIKE D'AMBOISE**  
 93 CUMBERLAND AVE  
 PORTLAND, ME 04101

**CUMBERLAND AVE. RENOVATION**  
 93 CUMBERLAND AVE  
 PORTLAND, ME

**BUILDING RENOVATION**

ISSUED	NO.	DESCRIPTION	CHKD.		DATE	
			BY	ED		
FOR PERMIT ONLY	A					10-10-13

SHEET TITLE:

**CONCRETE DETAILS**

DESIGNED: SJP  
 DRAWN: SJP  
 DATE: 9-17-13  
 PROJECT NUMBER: 13-099

**S200**