

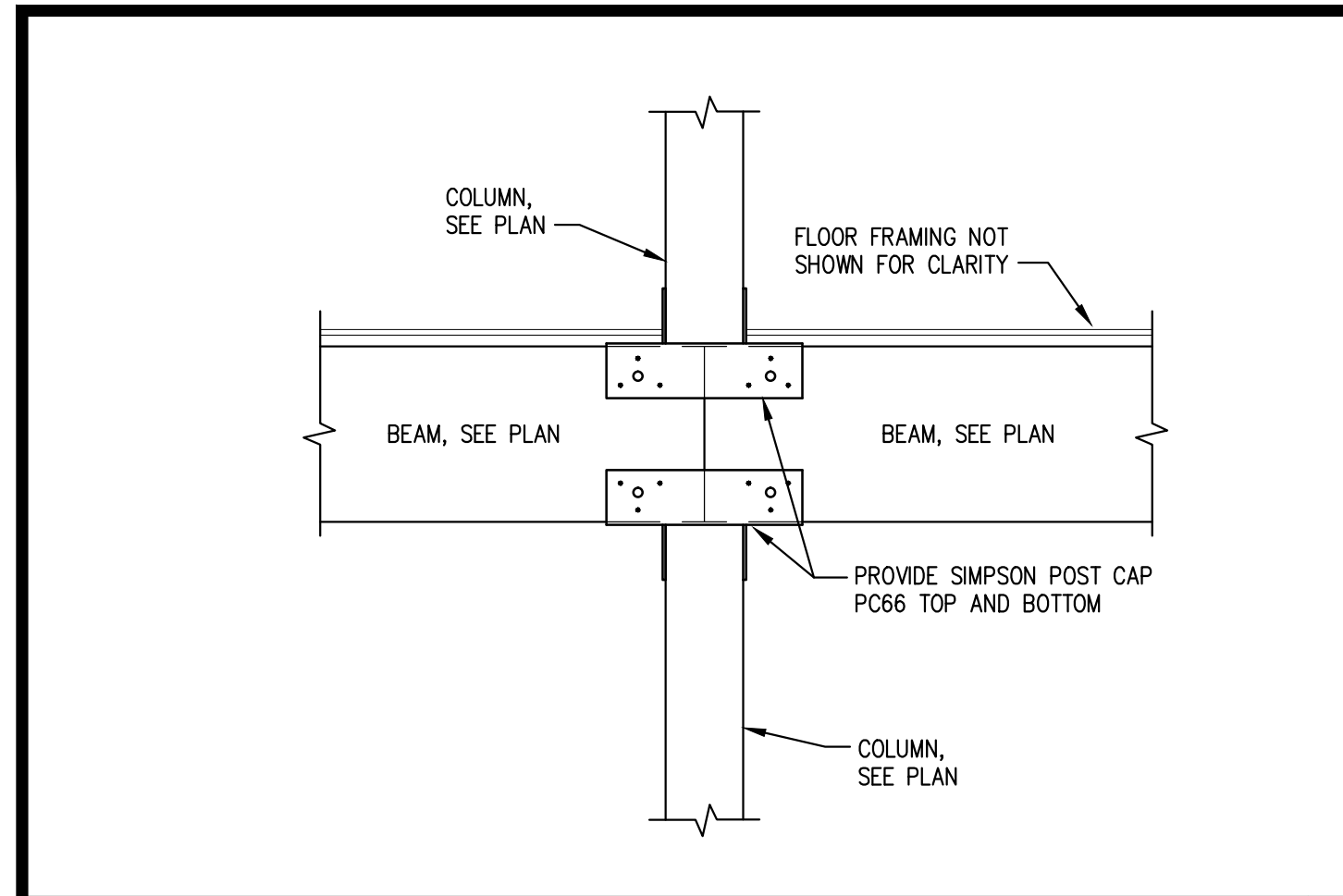
No.	DESCRIPTION	ISSUED FOR PERMIT ONLY	CHKD.	DATE
			BY	ED
A				10-10-13

SHEET TITLE:

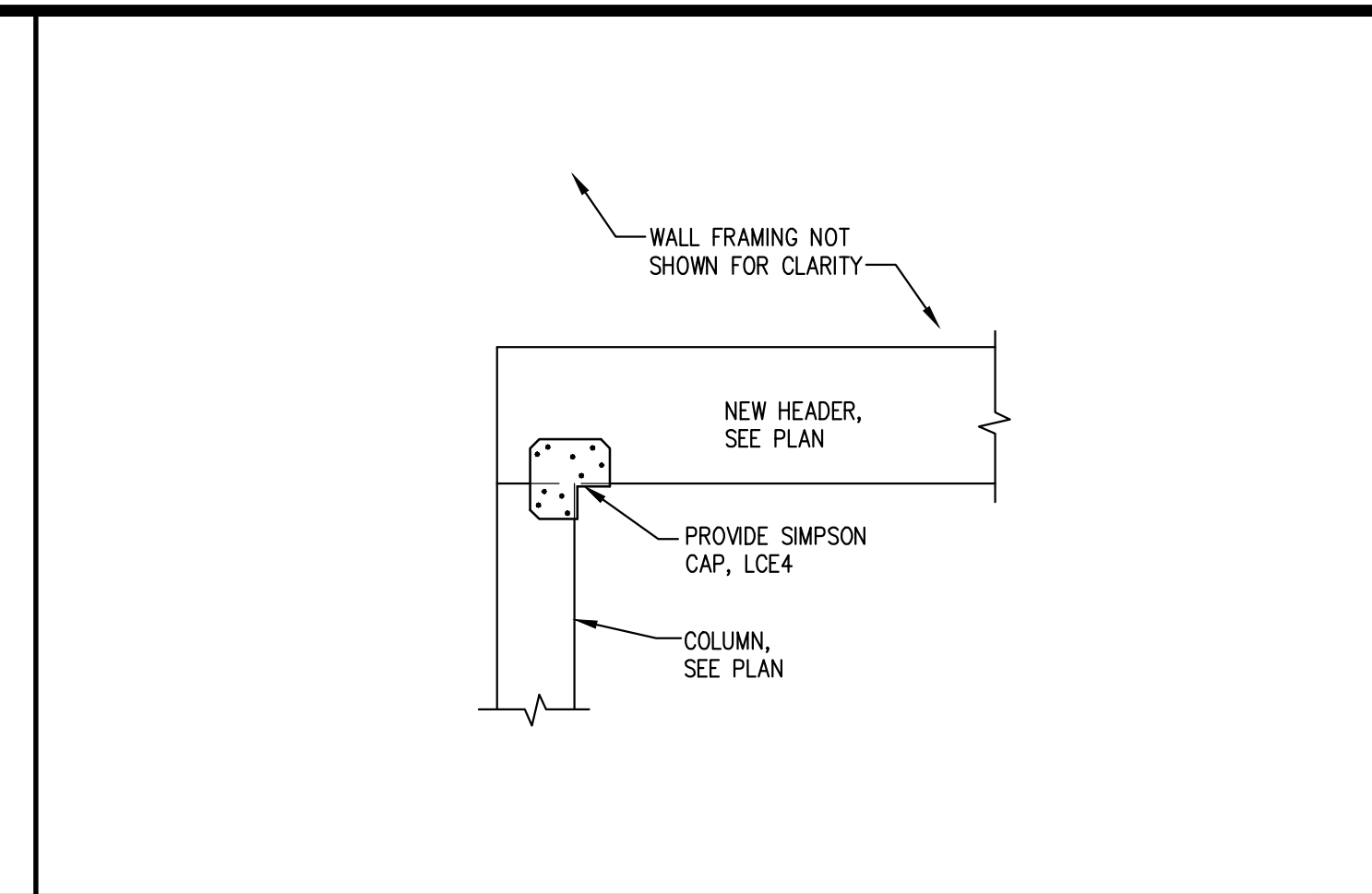
**FRAMING DETAILS**

DESIGNED: SJP  
DRAWN: SJP  
DATE: 9-17-13  
PROJECT NUMBER: 13-099

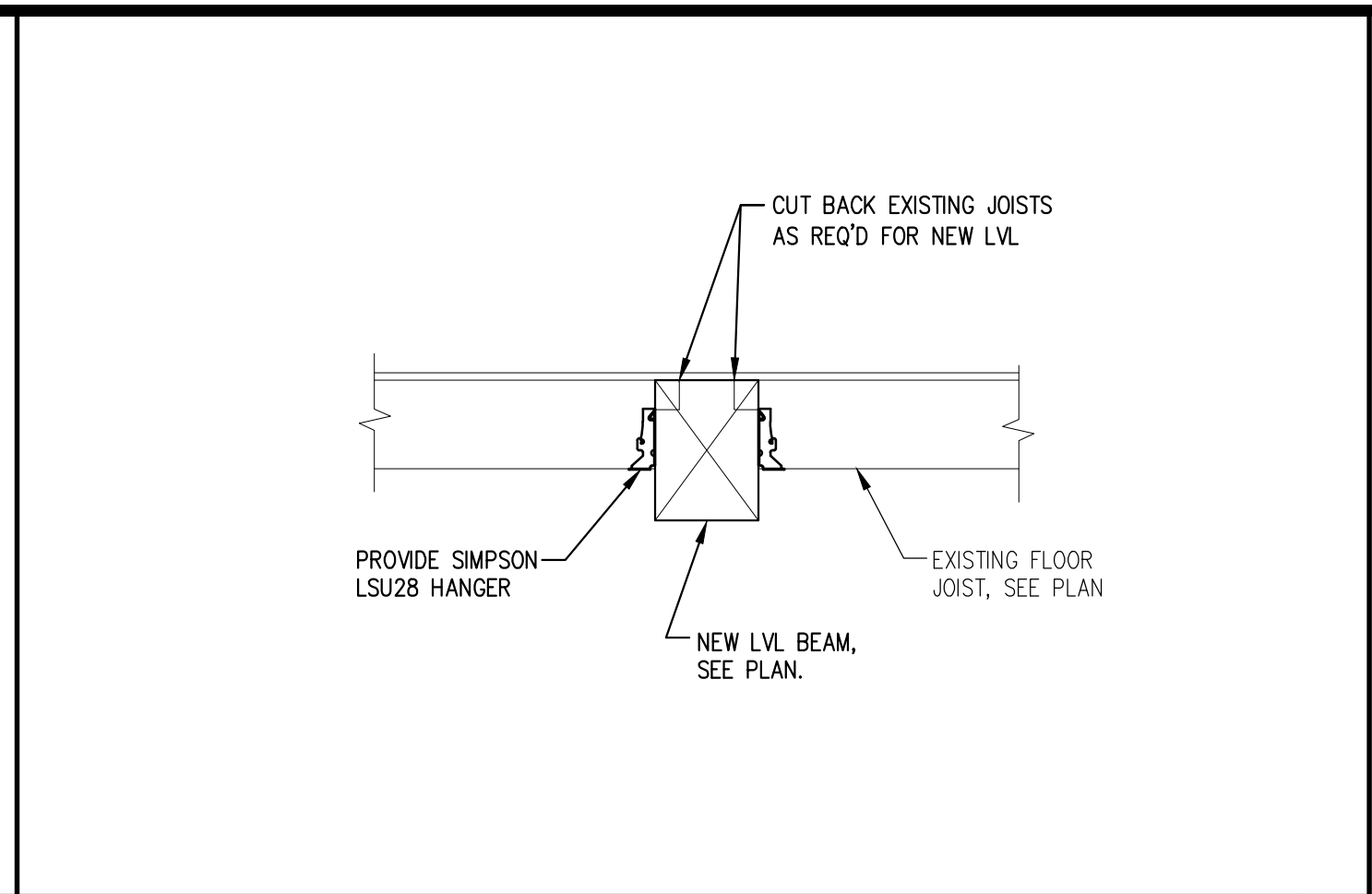
PRINTED: Oct 10, 2013



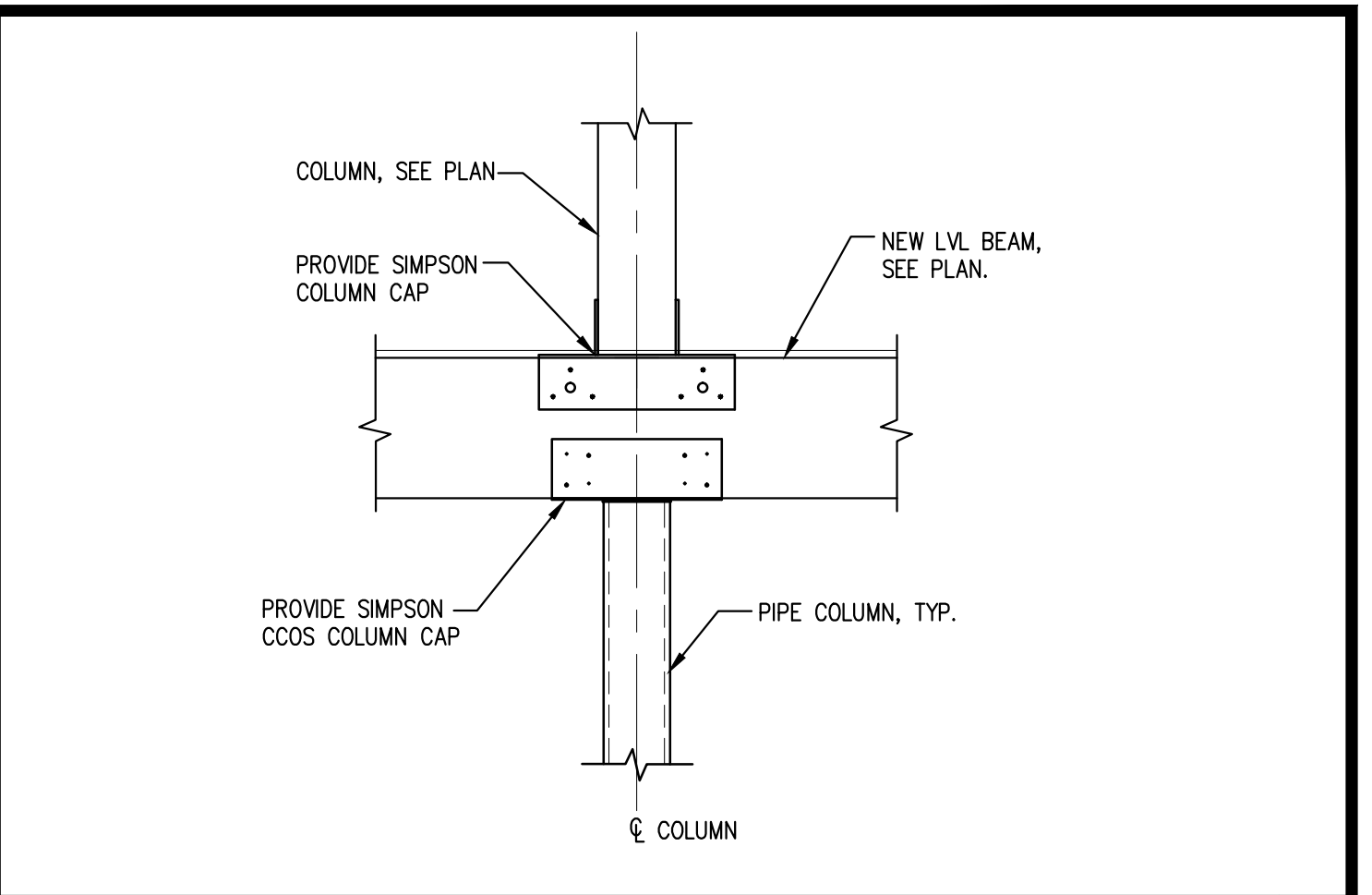
TYPICAL BEAM TO COLUMN SCALE: 1"=1'-0" 1



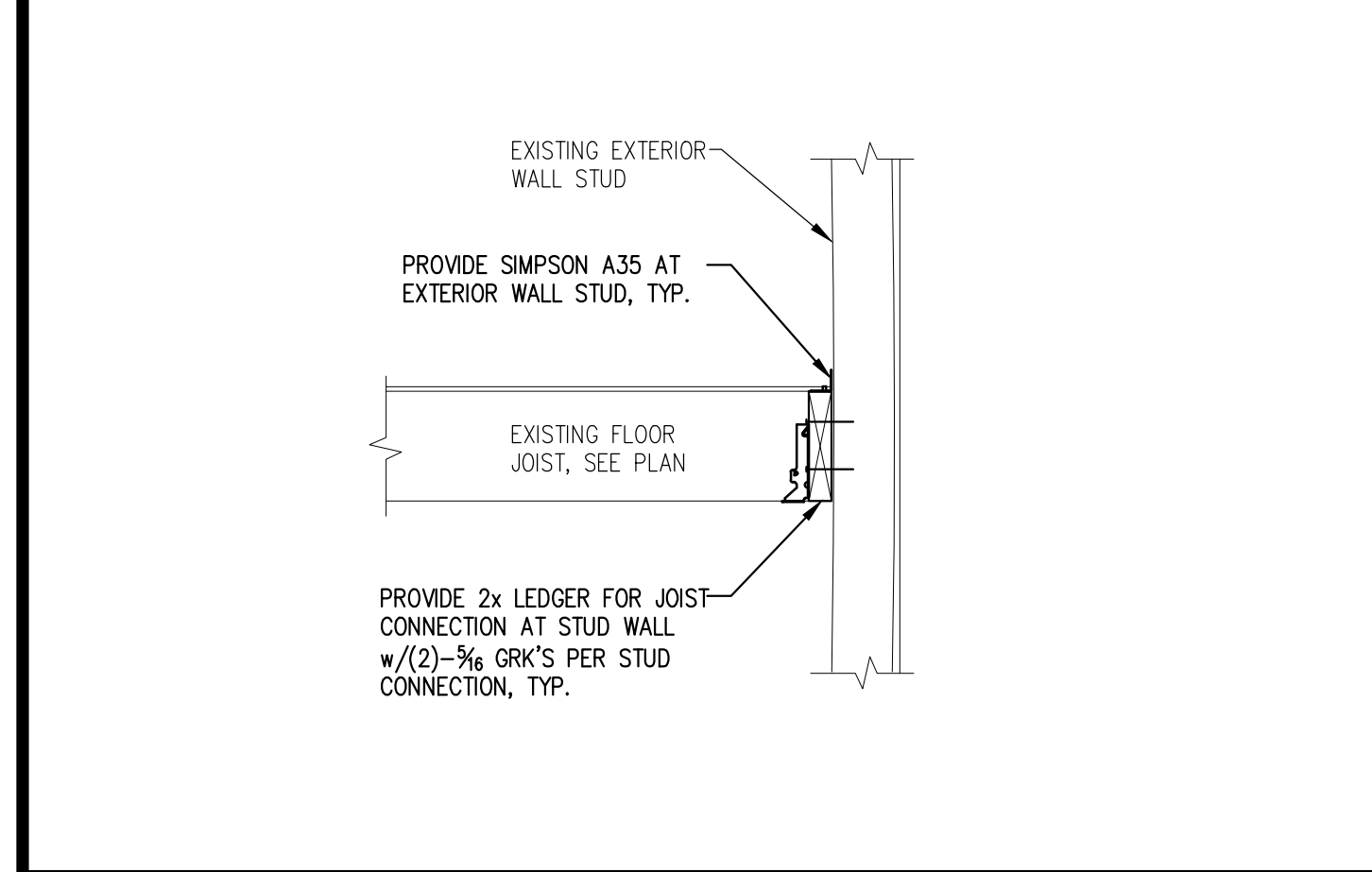
SECTION SCALE: 1"=1'-0" 2



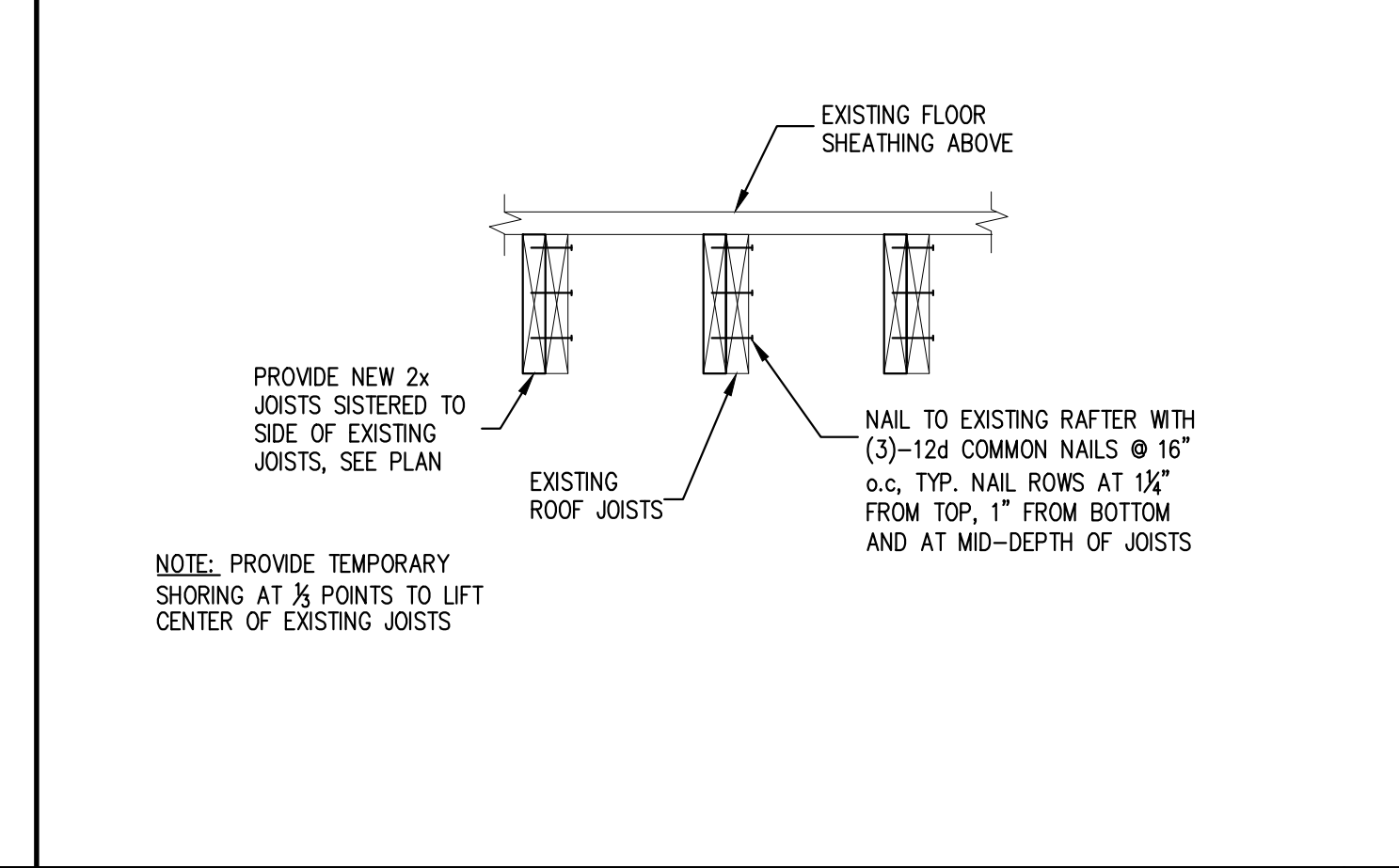
SECTION SCALE: 1"=1'-0" 3



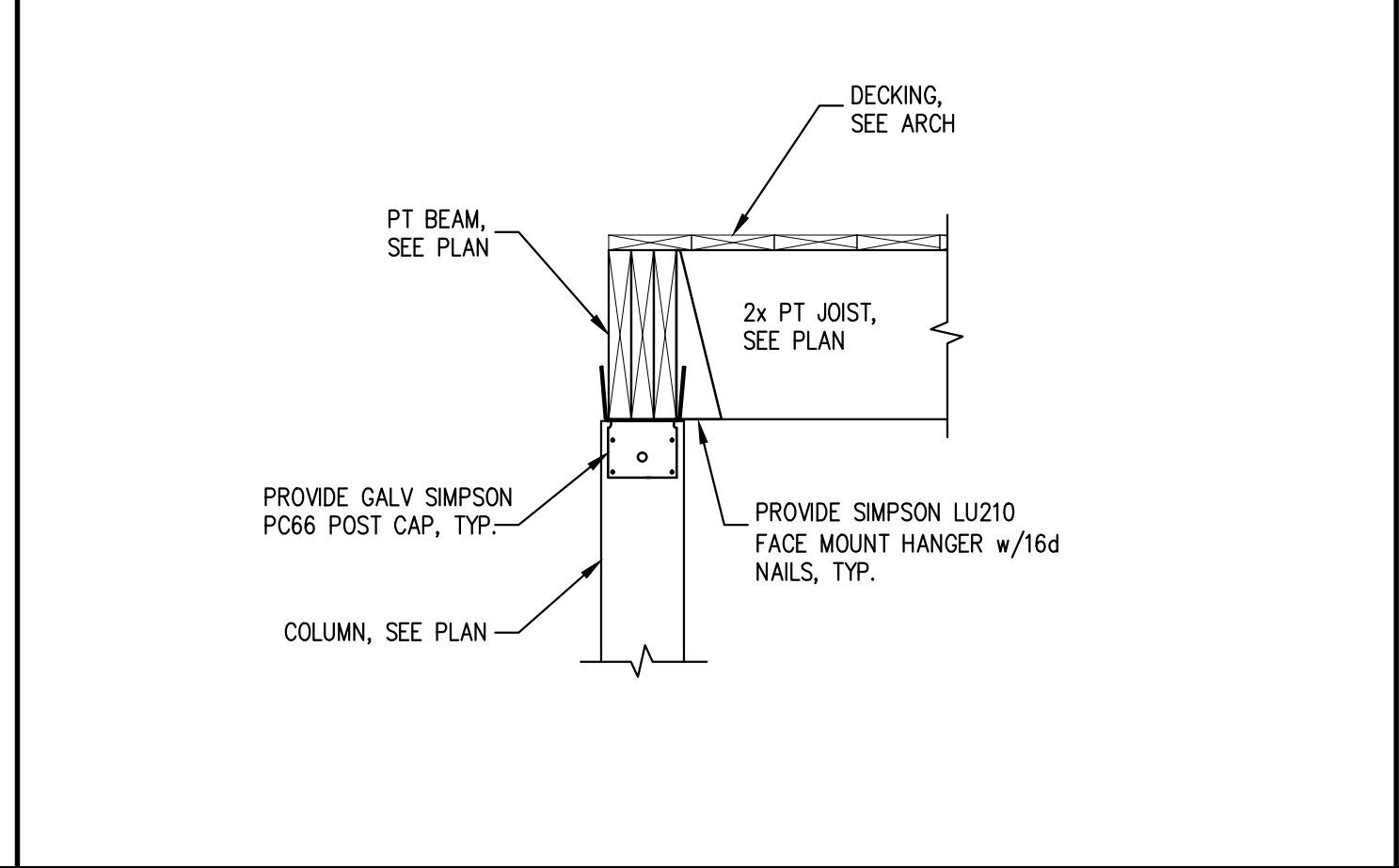
SECTION SCALE: 1"=1'-0" 4



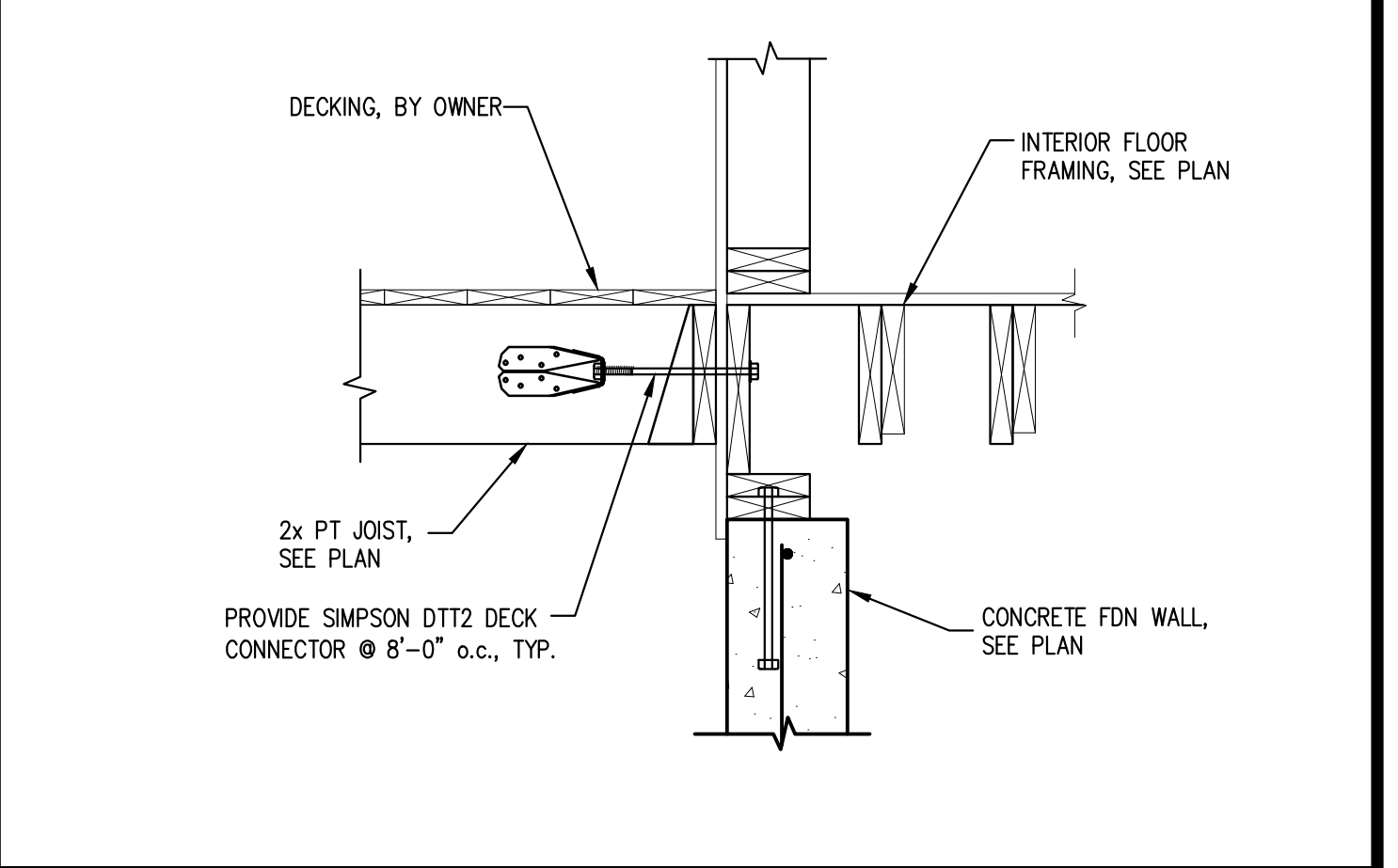
SECTION SCALE: 1"=1'-0" 5



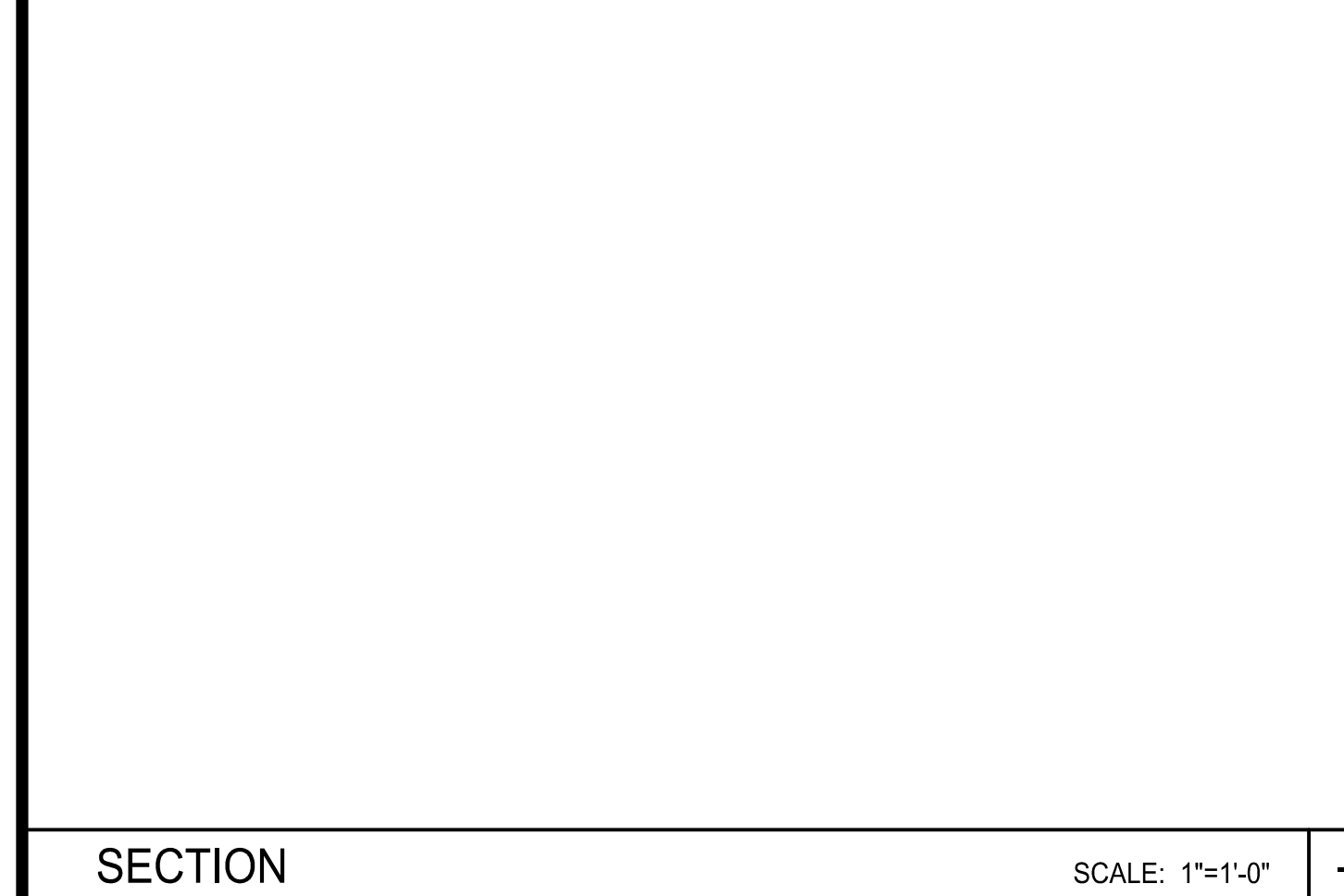
SECTION SCALE: 1"=1'-0" 6



SECTION SCALE: 1"=1'-0" 7



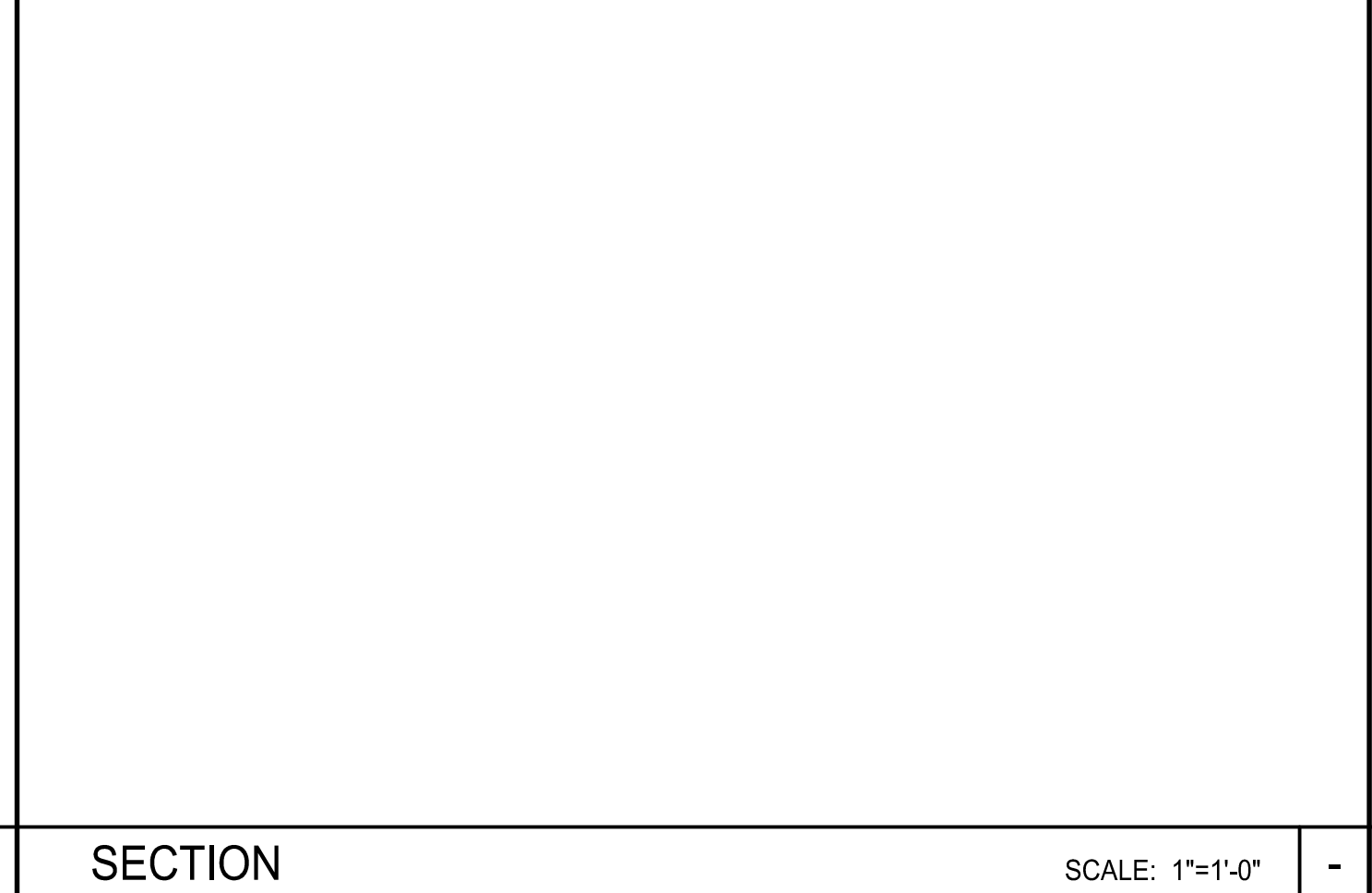
SECTION SCALE: 1"=1'-0" 8



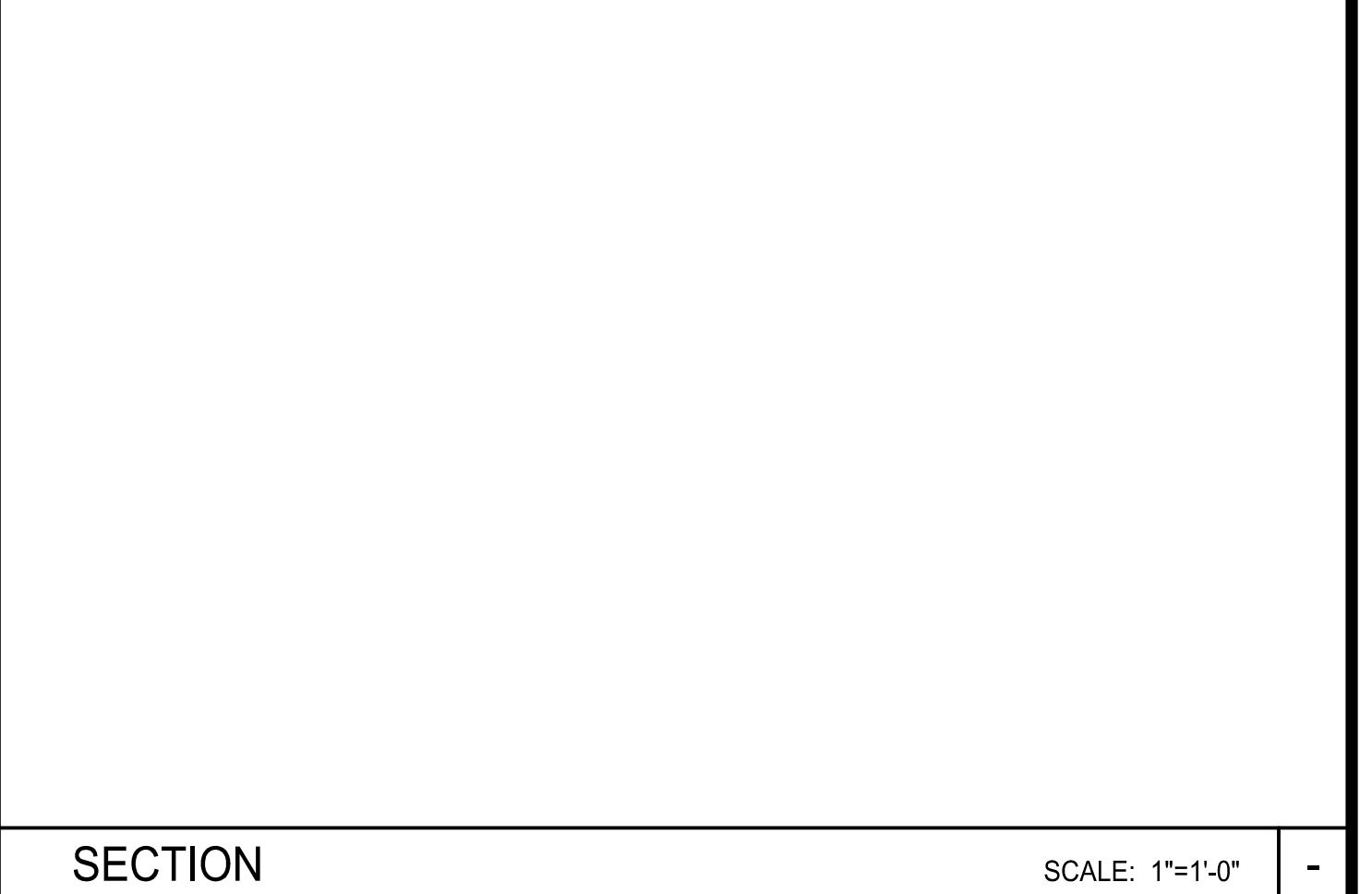
SECTION SCALE: 1"=1'-0" -



SECTION SCALE: 1"=1'-0" -



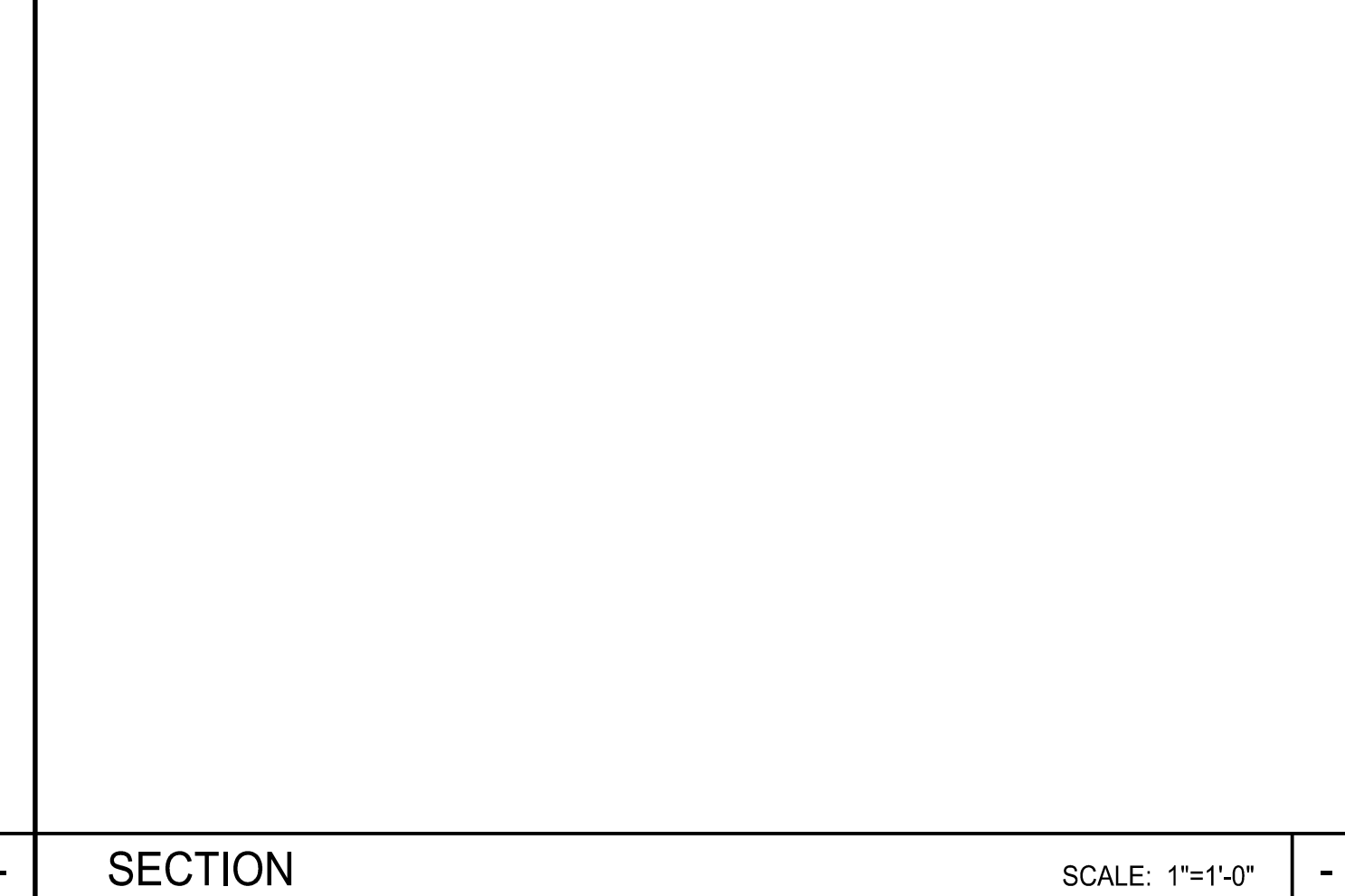
SECTION SCALE: 1"=1'-0" -



SECTION SCALE: 1"=1'-0" -



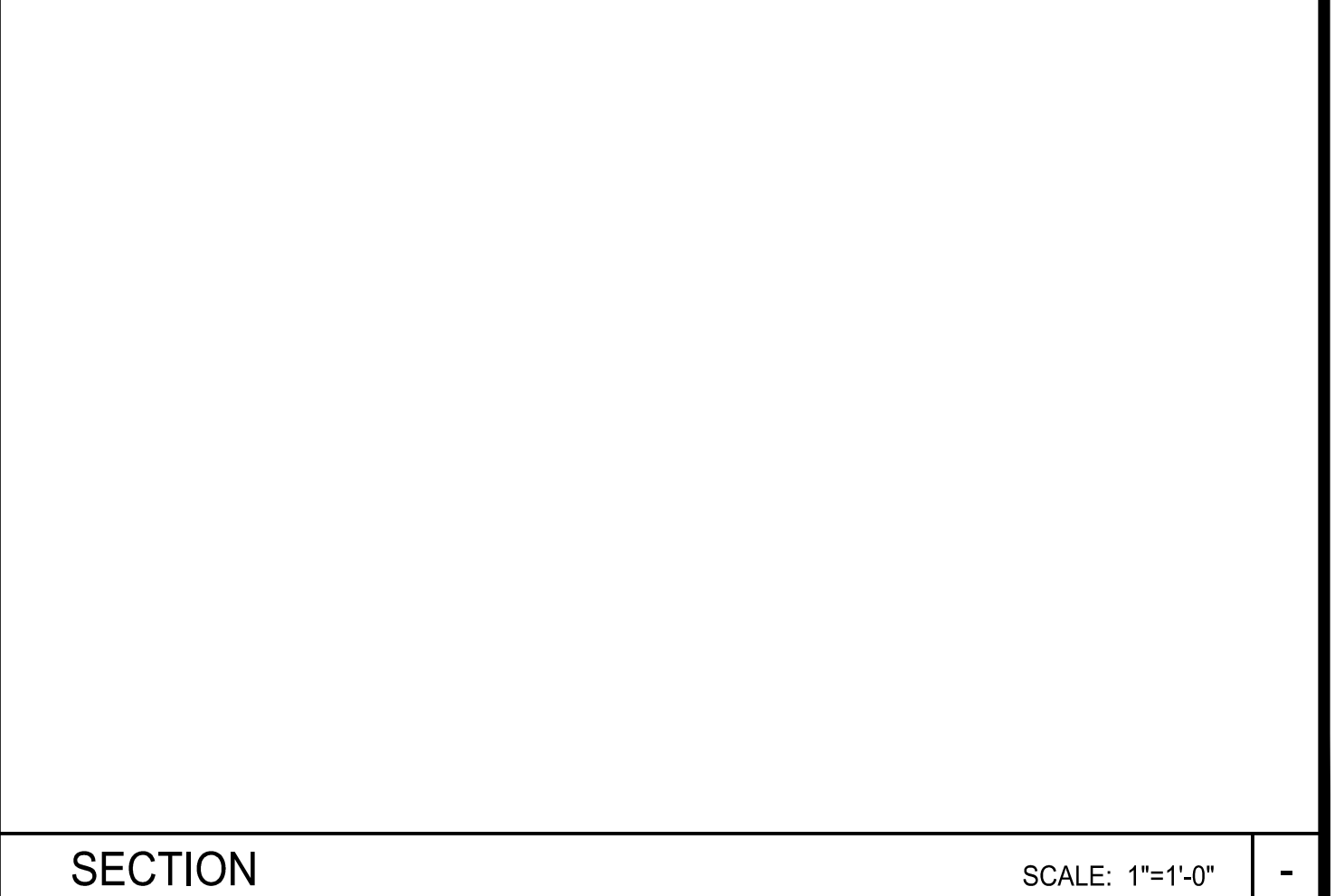
SECTION SCALE: 1"=1'-0" -



SECTION SCALE: 1"=1'-0" -



SECTION SCALE: 1"=1'-0" -



SECTION SCALE: 1"=1'-0" -