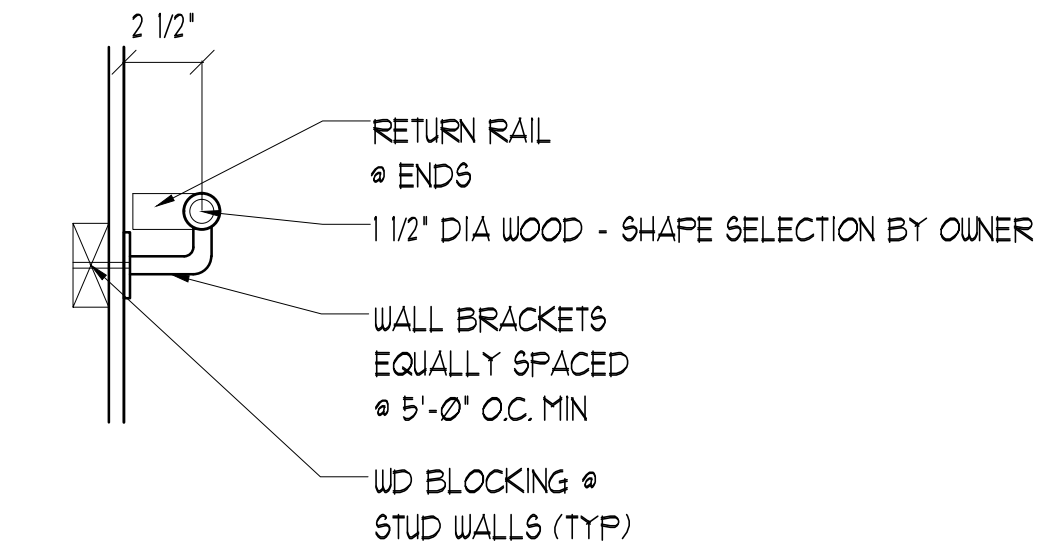


#	DATE	DESCRIPTION
1	01/08/13	DEMOLITION
REVISIONS		
Date Issued	01/08/13	
Project Number	12105	
Drawing Scale	AS NOTED	
SHEET NAME		

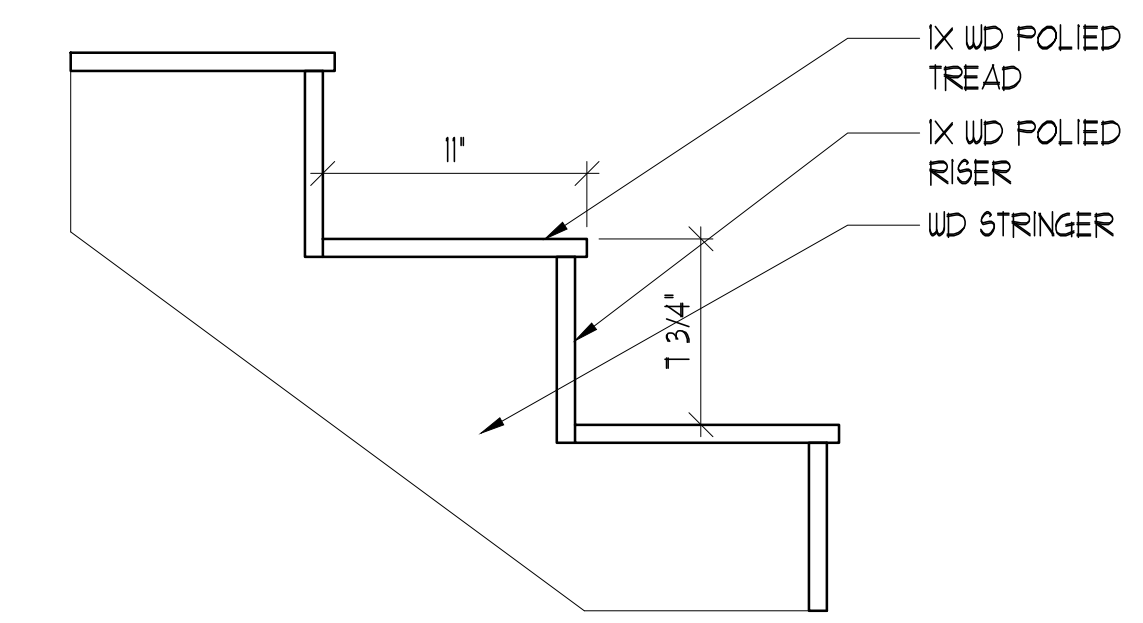
DETAILS

Drawn By	JCC
Checked By	JCC

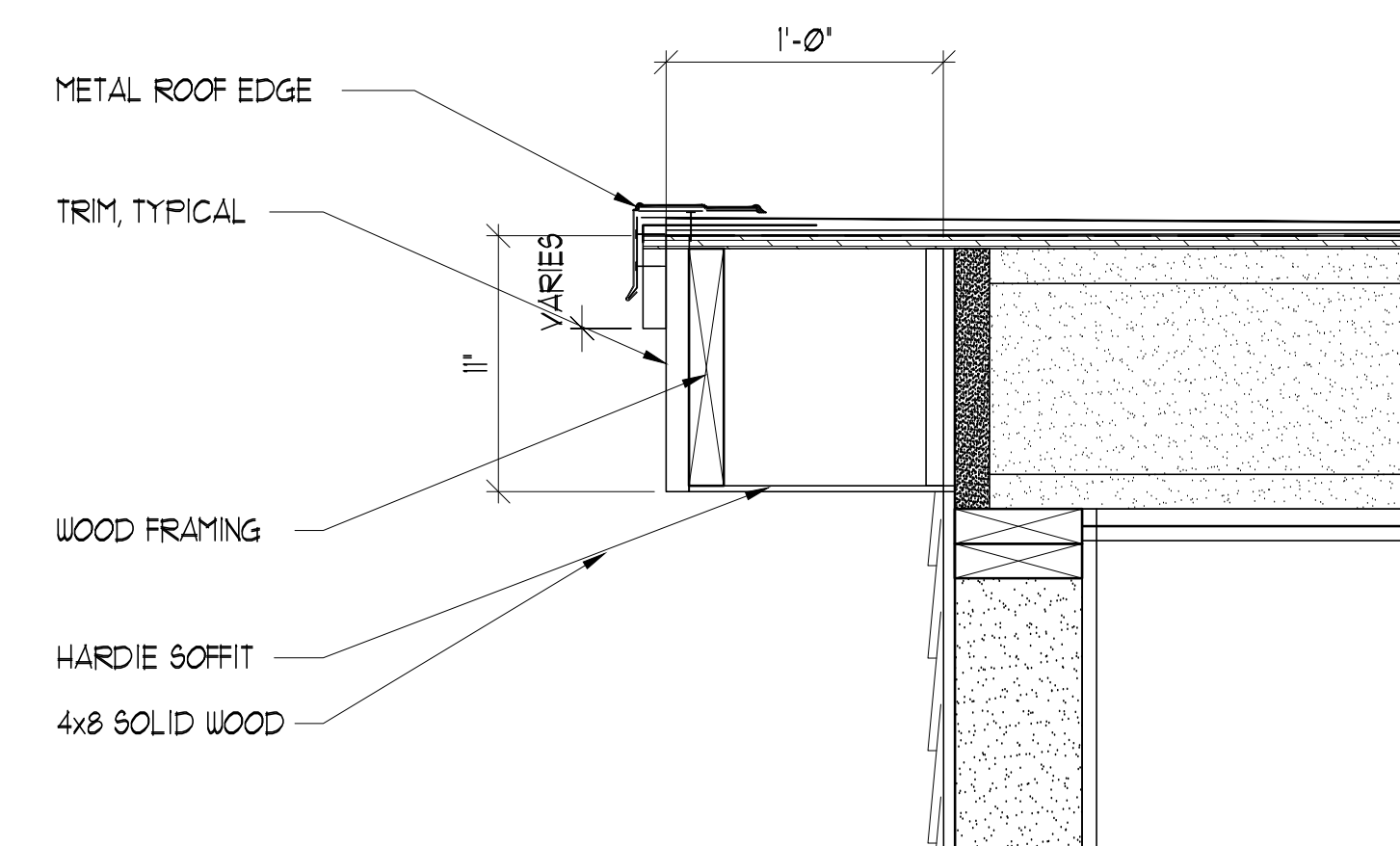
A3.1



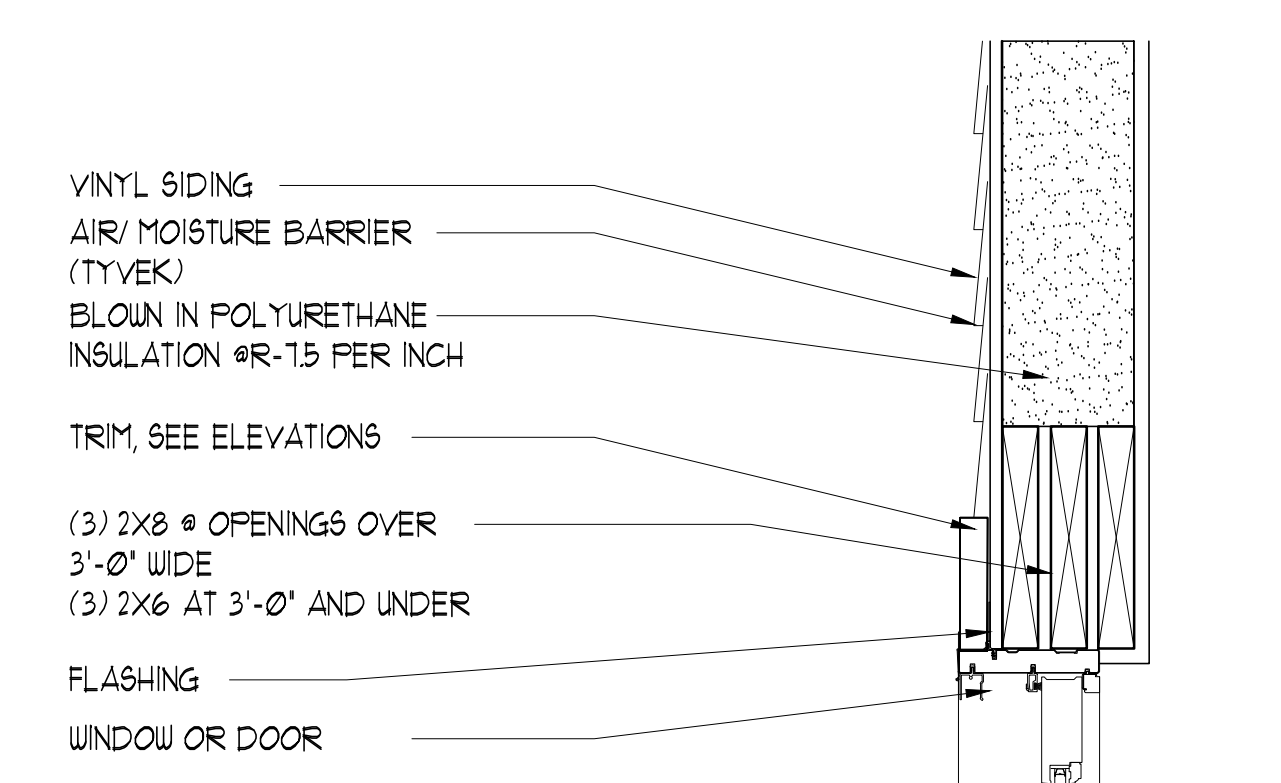
4 HANDRAIL DETAIL
SCALE: 1 1/2" = 1'-0"



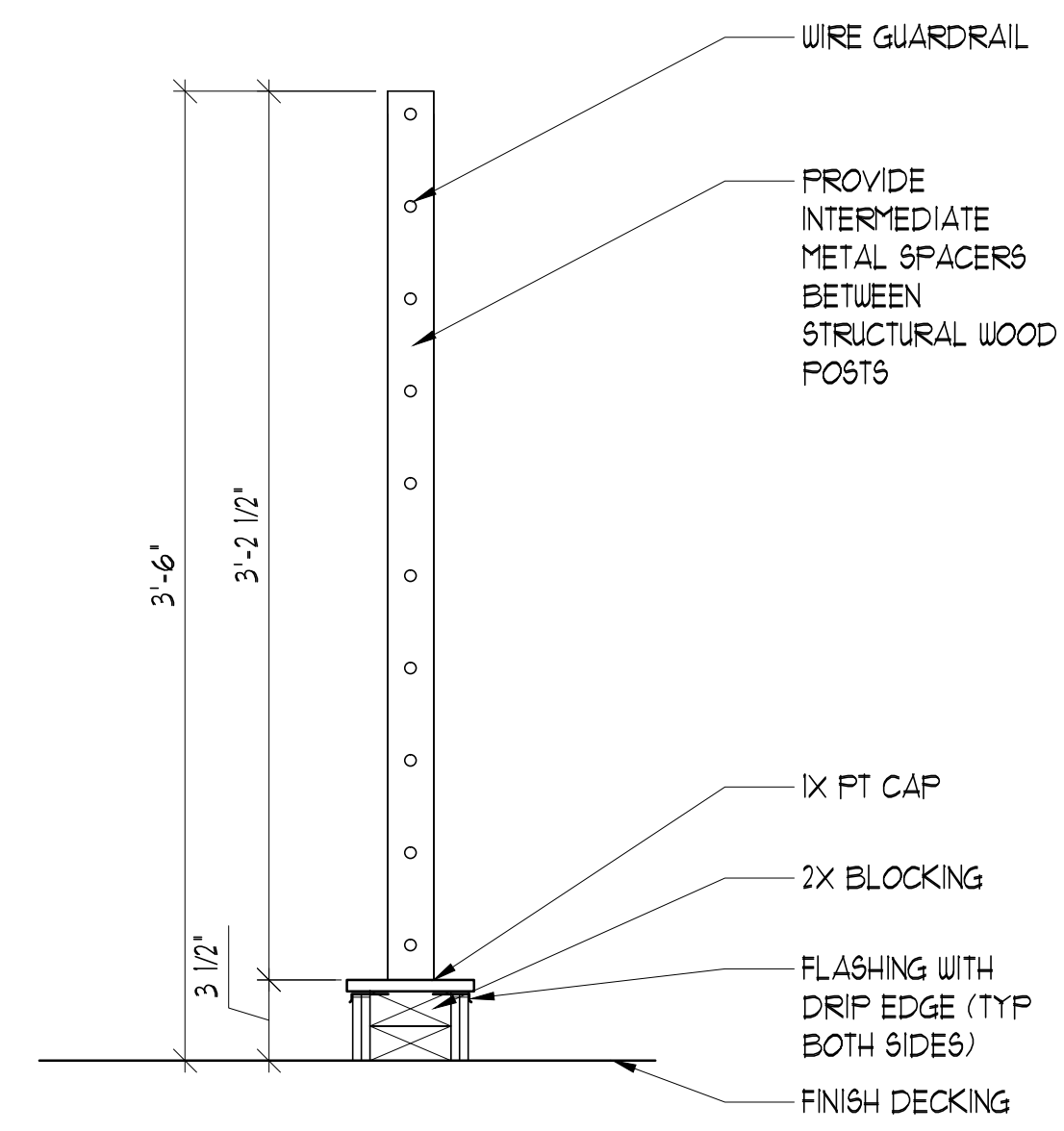
2 TYPICAL INTERIOR STAIR
SCALE: 1 1/2" = 1'-0"



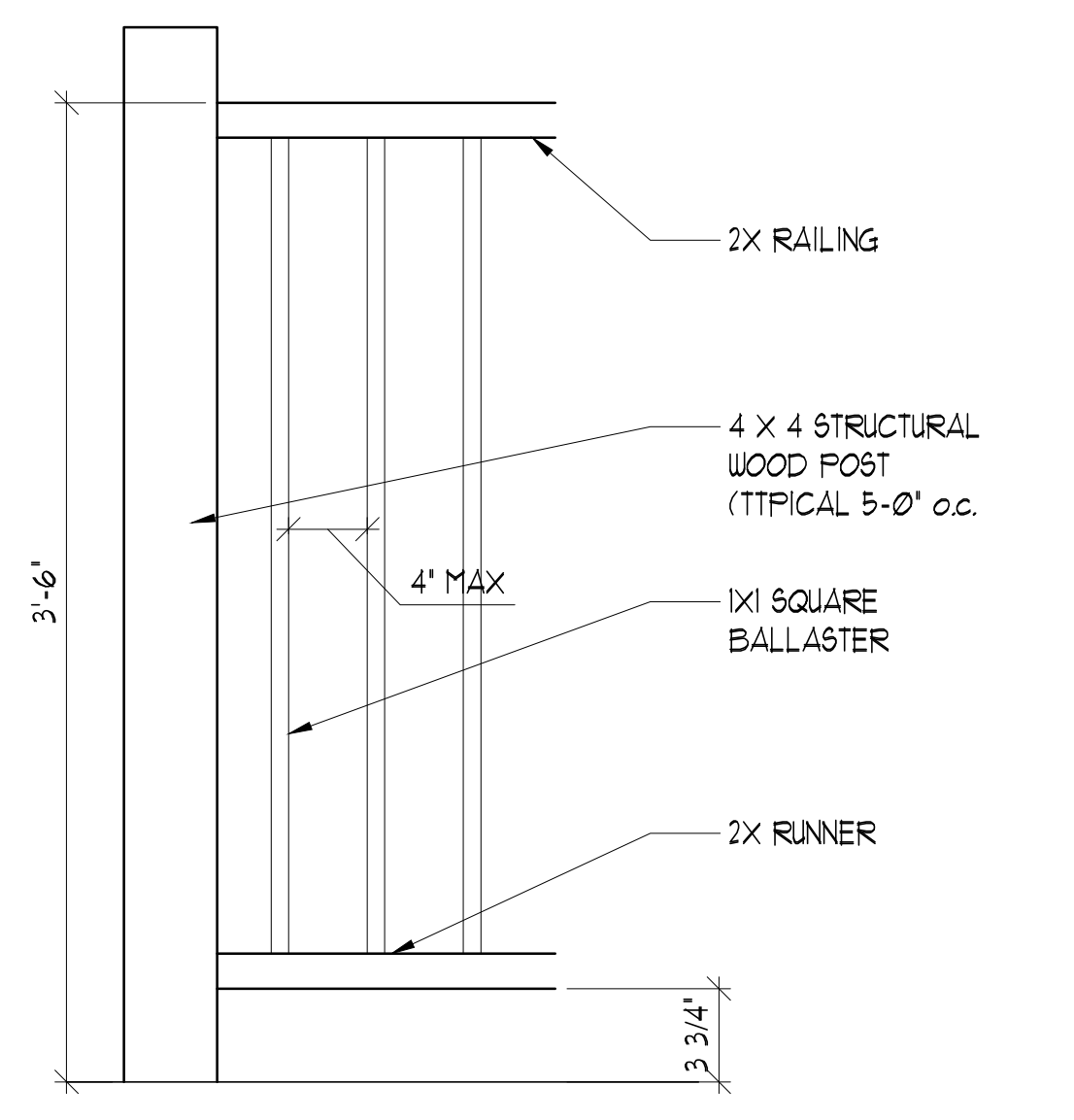
2 FLAT ROOF EDGE DETAIL
SCALE: 1 1/2" = 1'-0"



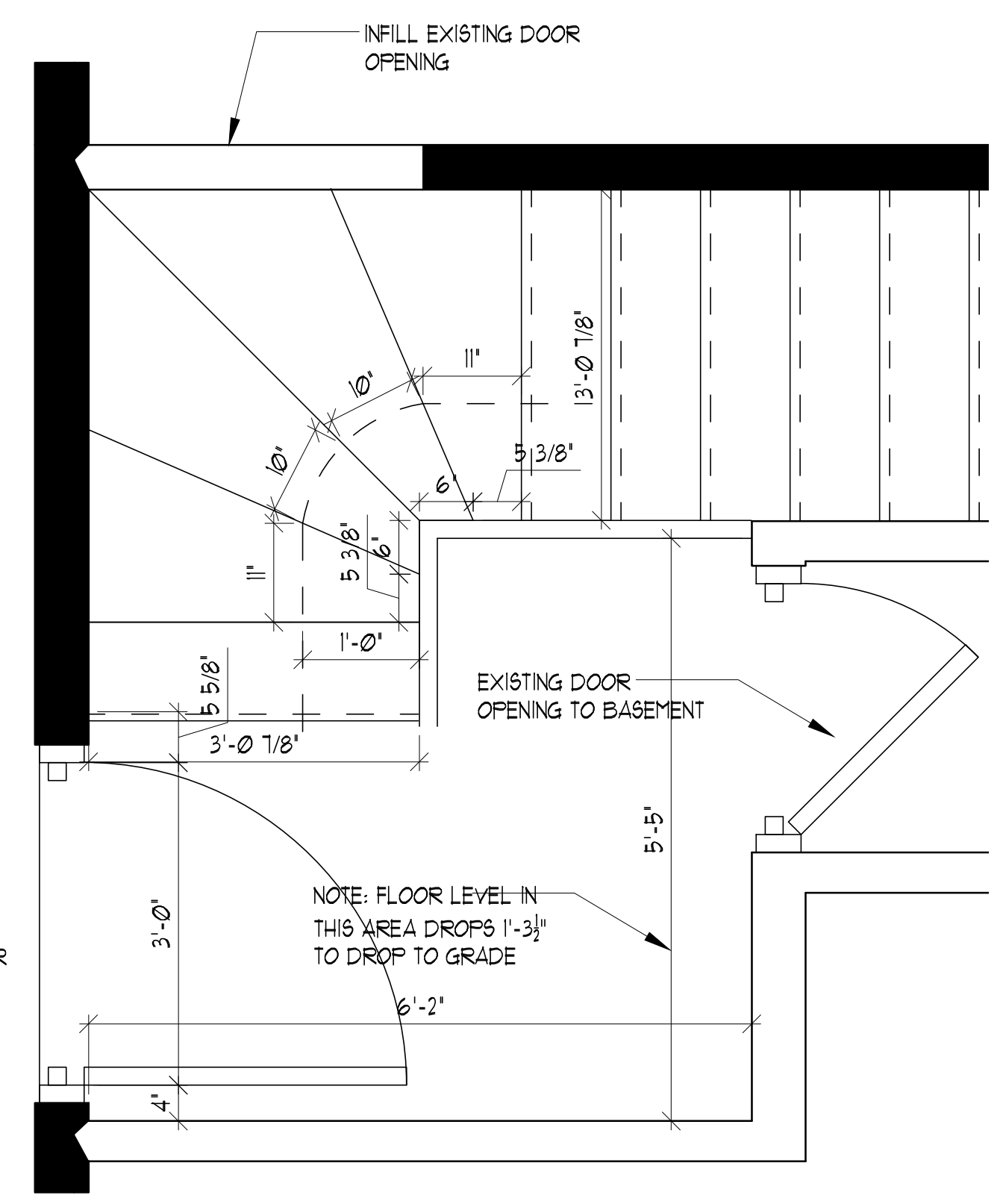
3 TYPICAL WALL & HEADER DETAIL
SCALE: 1 1/2" = 1'-0"



6 3RD FLOOR GUARD RAIL DETAIL
SCALE: 1 1/2" = 1'-0"



5 GUARDRAIL DETAIL
SCALE: 1 1/2" = 1'-0"



1 ENLARGED WINDER STAIR DETAIL
SCALE: 3/4" = 1'-0"

IF THIS SHEET IS NOT 24 X 36 IT IS A REDUCED SCALE PRINT - SCALE ACCORDINGLY