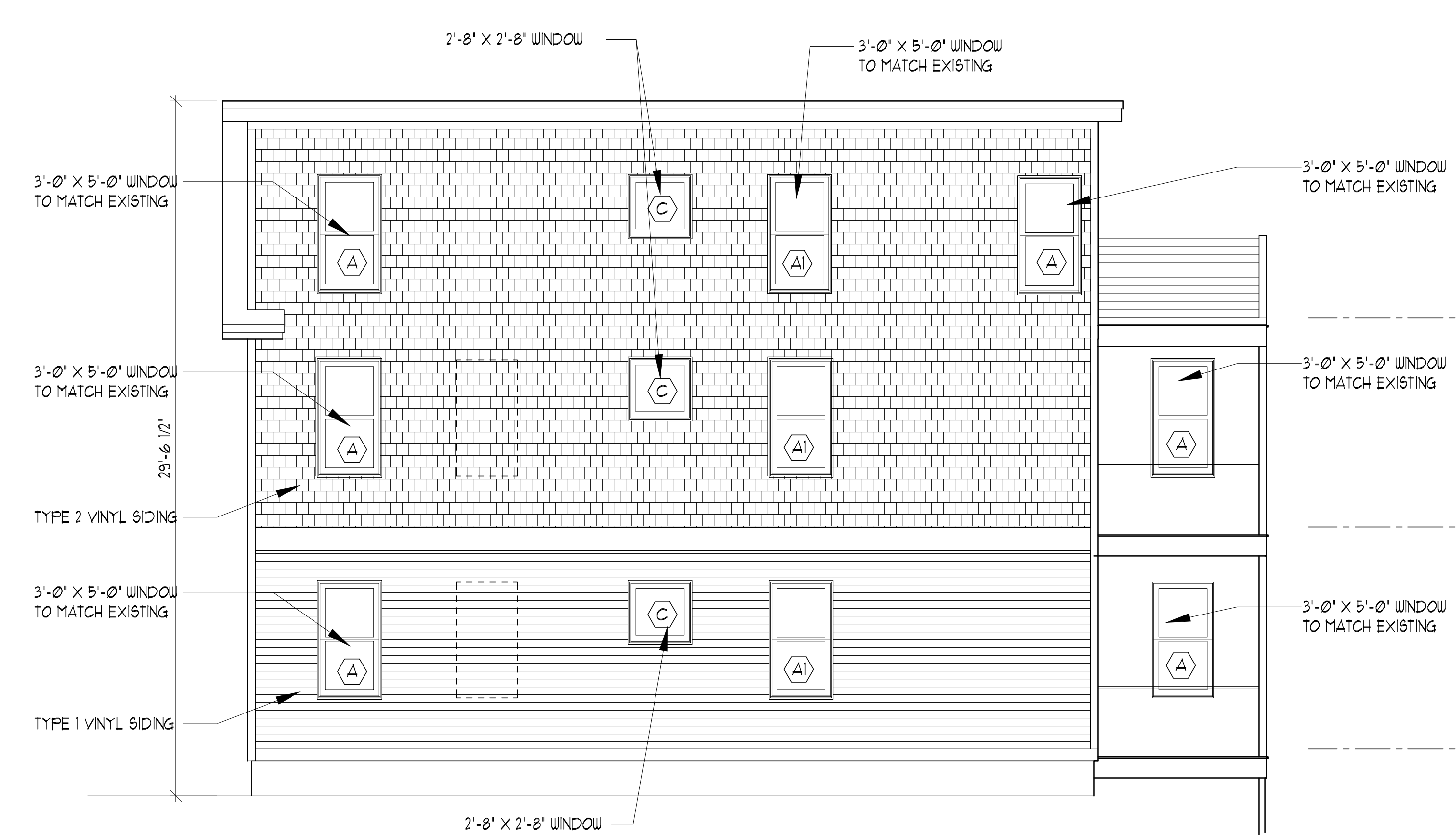
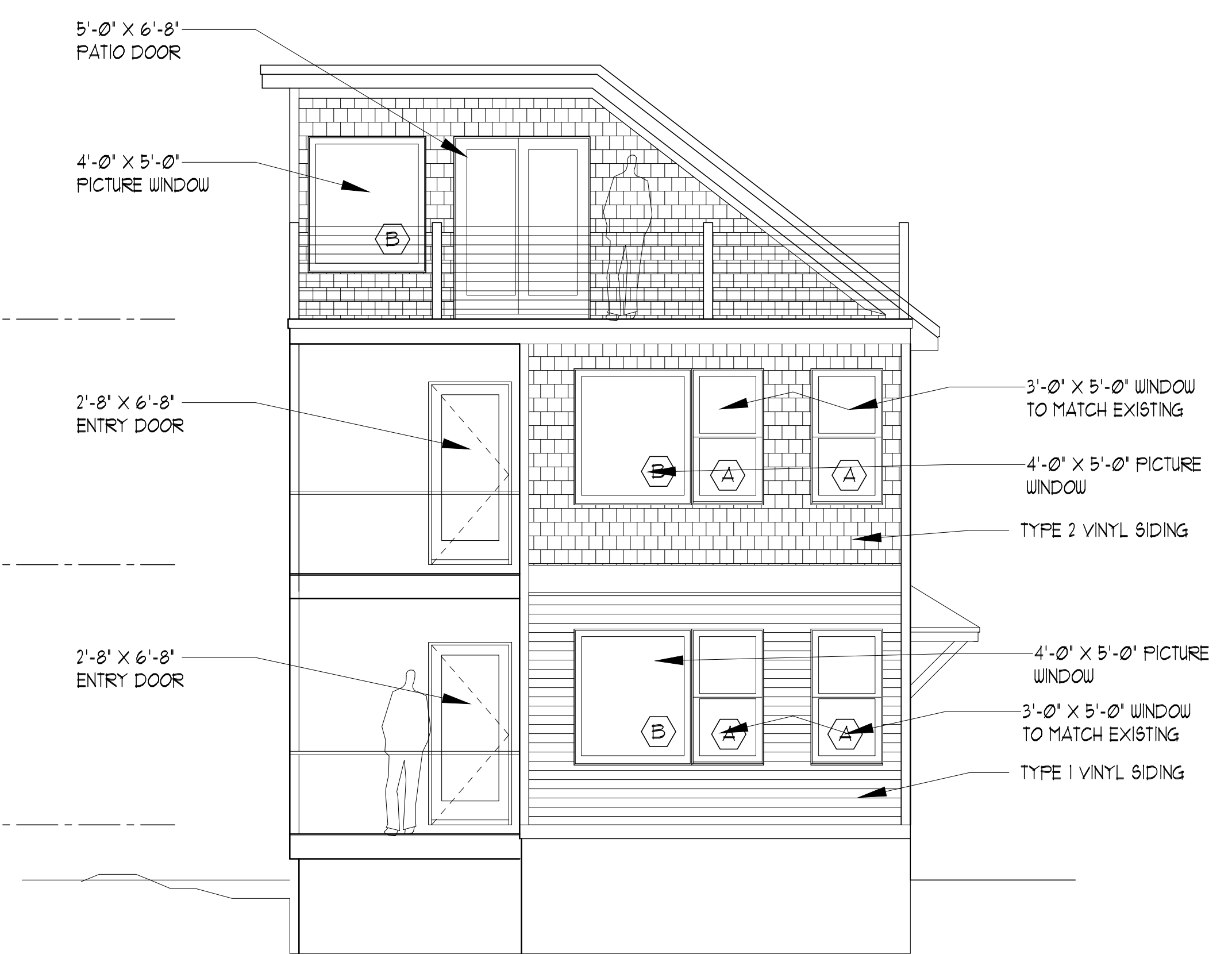


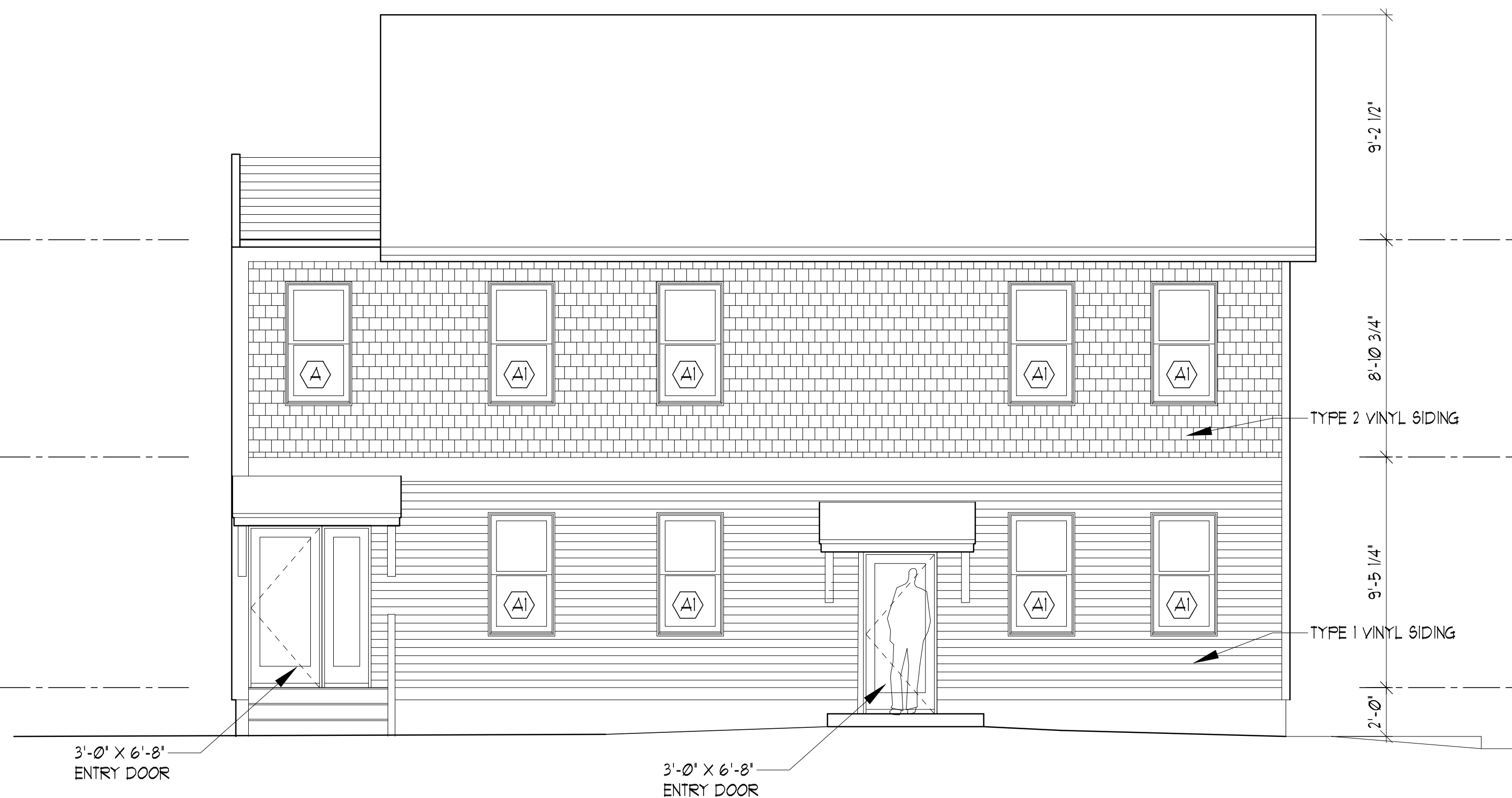
IF THIS SHEET IS NOT 24 X 36 IT IS A REDUCED SCALE PRINT - SCALE ACCORDINGLY



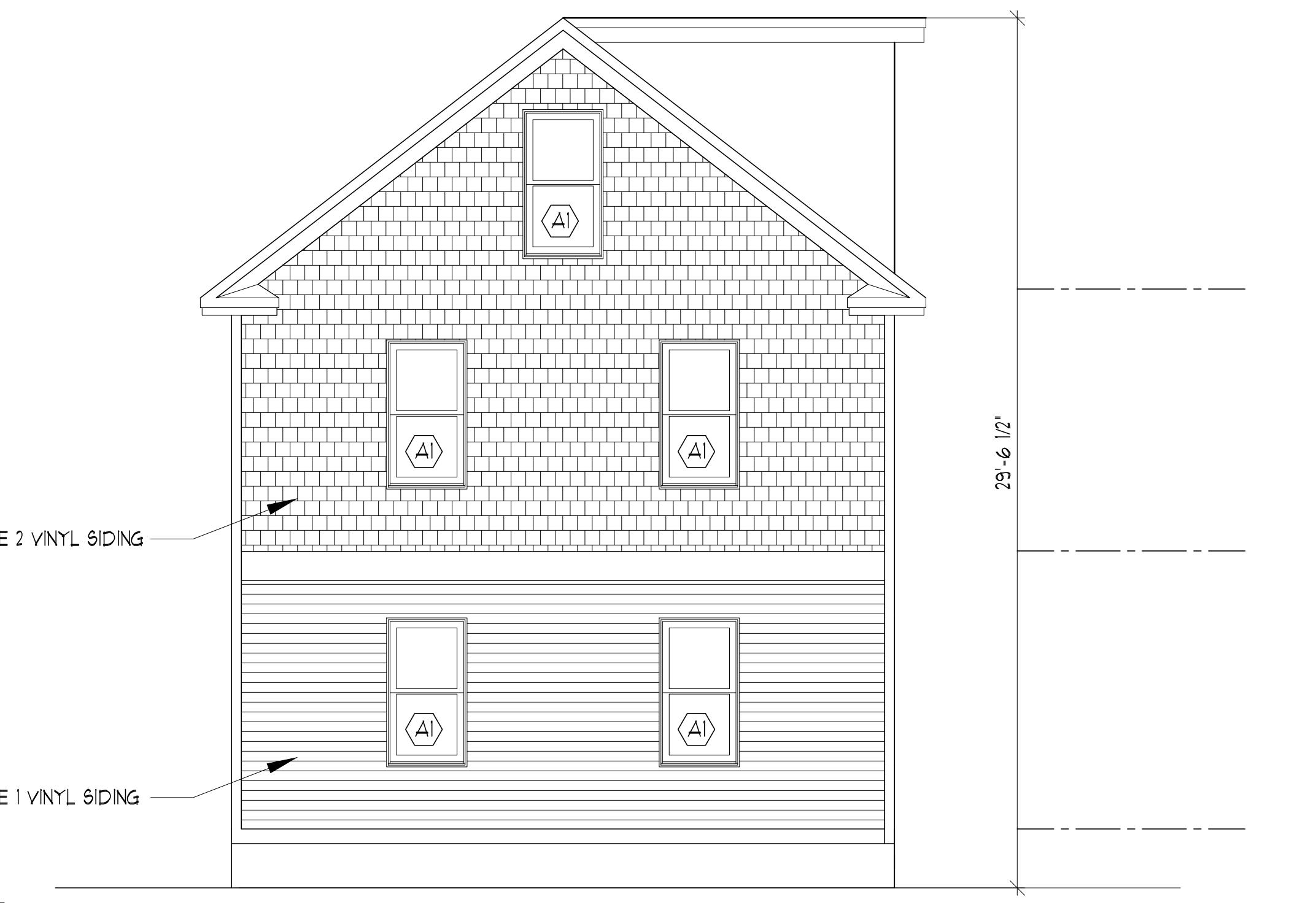
4 NORTH ELEVATION
SCALE: 1/4" = 1'-0"



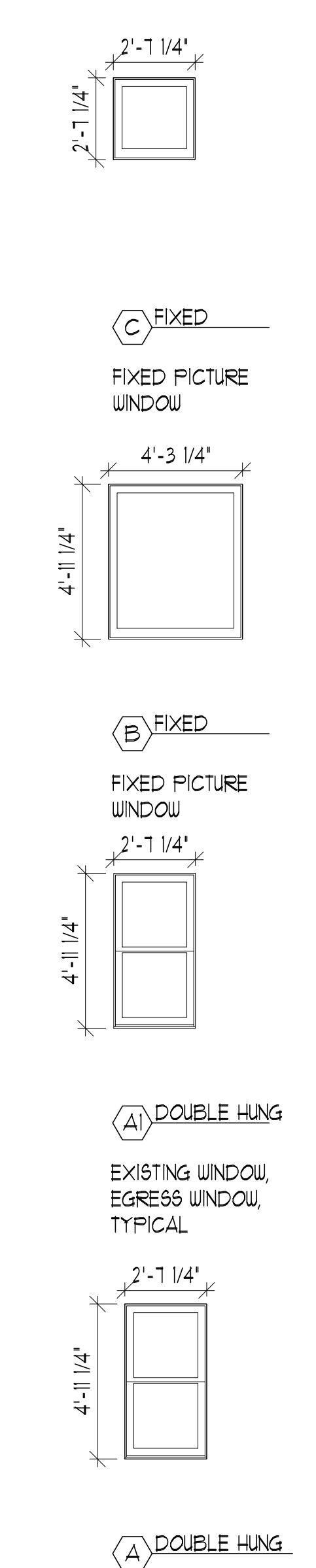
3 WEST ELEVATION
SCALE: 1/4" = 1'-0"



2 SOUTH ELEVATION (DRIVEWAY)
SCALE: 1/4" = 1'-0"



1 EAST ELEVATION (ROMASCO LANE)
SCALE: 1/4" = 1'-0"



WINDOW SCHEDULE

6 ROMASCO LANE
2 UNIT RENOVATION
PORTLAND, MAINE

#	DATE	DESCRIPTION
1	01/08/13	DEMOLITION
REVISIONS		
Date Issued: 01/08/13		
Project Number: 12105		
Drawing Scale: AS NOTED		
SHEET NAME		

ELEVATIONS

Drawn By: JCC
Checked By: JCC

A2.1