

HOOD INFORMATION - Job#2916304

HOOD NO.	TAG	MODEL	LENGTH	MAX. COOKING TEMP.	TOTAL EXH. CFM	EXHAUST PLENUM RISER(S)					HOOD CONSTRUCTION	HOOD CONFIG.		
						WIDTH	LENG.	HEIGHT	DIA.	CFM		S.P.	END TO END	ROW
1	FRONT	5424 ND-2	12' 0.00'	600 Deg.	2700	10"	12"	4'		1350	-0.599'	430 SS Where Exposed	ALONE	FRONT
						10"	12"	4'		1350	-0.599'			
2	BACK	5424 ND-2	12' 0.00'	600 Deg.	2700	10"	12"	4'		1350	-0.599'	430 SS Where Exposed	ALONE	BACK
						10"	12"	4'		1350	-0.599'			

PATENT NUMBERS

Exhaust Hoods ND-2/BD-2/SND-2 (Canada) - CA Patent 2520435 C

HOOD INFORMATION

HOOD NO.	TAG	FILTER(S)				LIGHT(S)			UTILITY CABINET(S)				FIRE SYSTEM PIPING	HOOD HANGING WGT		
		TYPE	QTY.	HEIGHT	LENGTH	EFFICIENCY @ 9 MICRONS	QTY.	TYPE	WIRE GUARD	LOCATION	SIZE	FIRE SYSTEM			ELECTRICAL	SWITCHES
1	FRONT	Captrate Solo Filter	9	20"	16'	93% See Filter Spec.	4	Screw In Compact	NO						NO	482 LBS
2	BACK	Captrate Solo Filter	9	20"	16'	93% See Filter Spec.	4	Screw In Compact	NO						NO	482 LBS

SPECIFICATION: CAPTRATE® GREASE-STOP® SOLO FILTER

THE CAPTRATE GREASE-STOP SOLO FILTER IS A SINGLE-STAGE FILTER FEATURING A UNIQUE S-BAFFLE DESIGN IN CONJUNCTION WITH A SLOTTED REAR BAFFLE DESIGN, TO DELIVER EXCEPTIONAL FILTRATION EFFICIENCY.

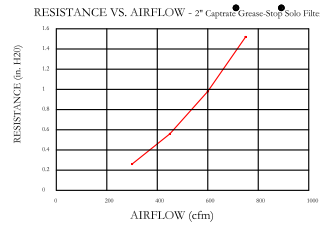
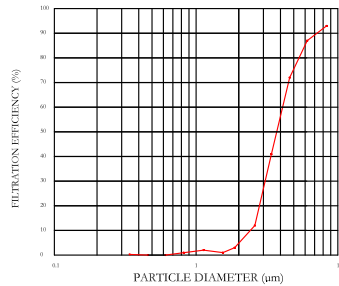
FILTER IS STAINLESS STEEL CONSTRUCTION, AND SIZED TO FIT INTO STANDARD 2-INCH DEEP HOOD CHANNEL(S).

UNITS SHALL INCLUDE STAINLESS STEEL HANDLES AND A FASTENING DEVICE TO SECURE THE TWO COMPONENTS WHEN ASSEMBLED.

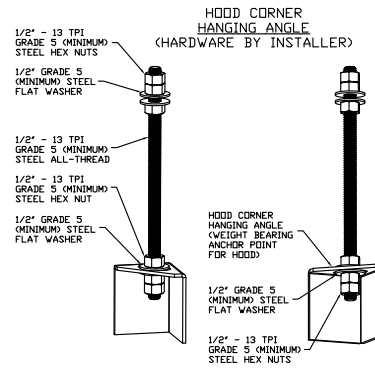
GREASE EXTRACTION EFFICIENCY PERFORMANCE SHALL REMOVE AT LEAST 75% OF GREASE PARTICLES FIVE MICRONS IN SIZE, AND 90% GREASE PARTICLES SEVEN MICRONS IN SIZE AND LARGER, WITH A CORRESPONDING PRESSURE DROP NOT TO EXCEED 1.0 INCHES OF WATER GAUGE.

THE CAPTRATE GREASE-STOP SOLO WAS TESTED TO ASTM STANDARD ASTM F2519-05.

FILTER COLLECTION EFFICIENCY* Captrate® Grease-Stop® Solo Filter

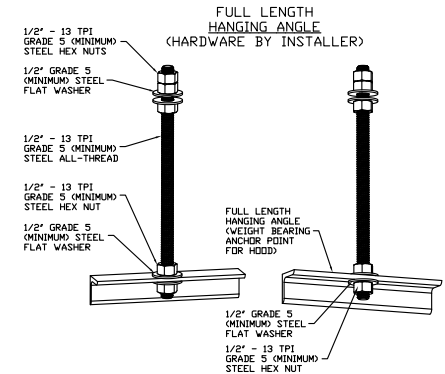


CAPTRATE FILTERS ARE BUILT IN COMPLIANCE WITH:
 NFPA #96
 NSF STANDARD #2
 UL STANDARD #1046
 INT. MECH. CODE (IMC)
 ULC-S649



ASSEMBLY INSTRUCTIONS

HANGING ANGLE MUST BE SUPPORTED WITH 1/2" - 13 TPI GRADE 5 (MINIMUM) ALL-THREAD. SANDWICH HANGING ANGLES AND CEILING ANCHOR POINTS WITH 1/2" GRADE 5 (MINIMUM) STEEL FLAT WASHERS AND 1/2" - 13 TPI GRADE 5 (MINIMUM) HEX NUTS AS SHOWN. MUST USE DOUBLED HEX NUT CONFIGURATION BENEATH HOOD HANGING ANGLES AND ABOVE CEILING ANCHORS. MAINTAIN 1/4" OF EXPOSED THREADS BENEATH BOTTOM HEX NUT. TORQUE ALL HEX NUTS TO 57 FT-LBS.



ASSEMBLY INSTRUCTIONS

HANGING ANGLE MUST BE SUPPORTED WITH 1/2" - 13 TPI GRADE 5 (MINIMUM) ALL-THREAD. SANDWICH HANGING ANGLES AND CEILING ANCHOR POINTS WITH 1/2" GRADE 5 (MINIMUM) STEEL FLAT WASHERS AND 1/2" - 13 TPI GRADE 5 (MINIMUM) HEX NUTS AS SHOWN. MUST USE DOUBLED HEX NUT CONFIGURATION ABOVE CEILING ANCHORS. SINGLE HEX NUT BENEATH HANGING ANGLE IS ACCEPTABLE FOR FULL LENGTH HANGING ANGLES. MAINTAIN 1/4" OF EXPOSED THREADS BENEATH BOTTOM HEX NUT. TORQUE ALL HEX NUTS TO 57 FT-LBS.

CUSTOMER APPROVAL TO MANUFACTURE:

Approved as Noted

Approved with NO Exception Taken

Revise and Resubmit

SIGNATURE _____

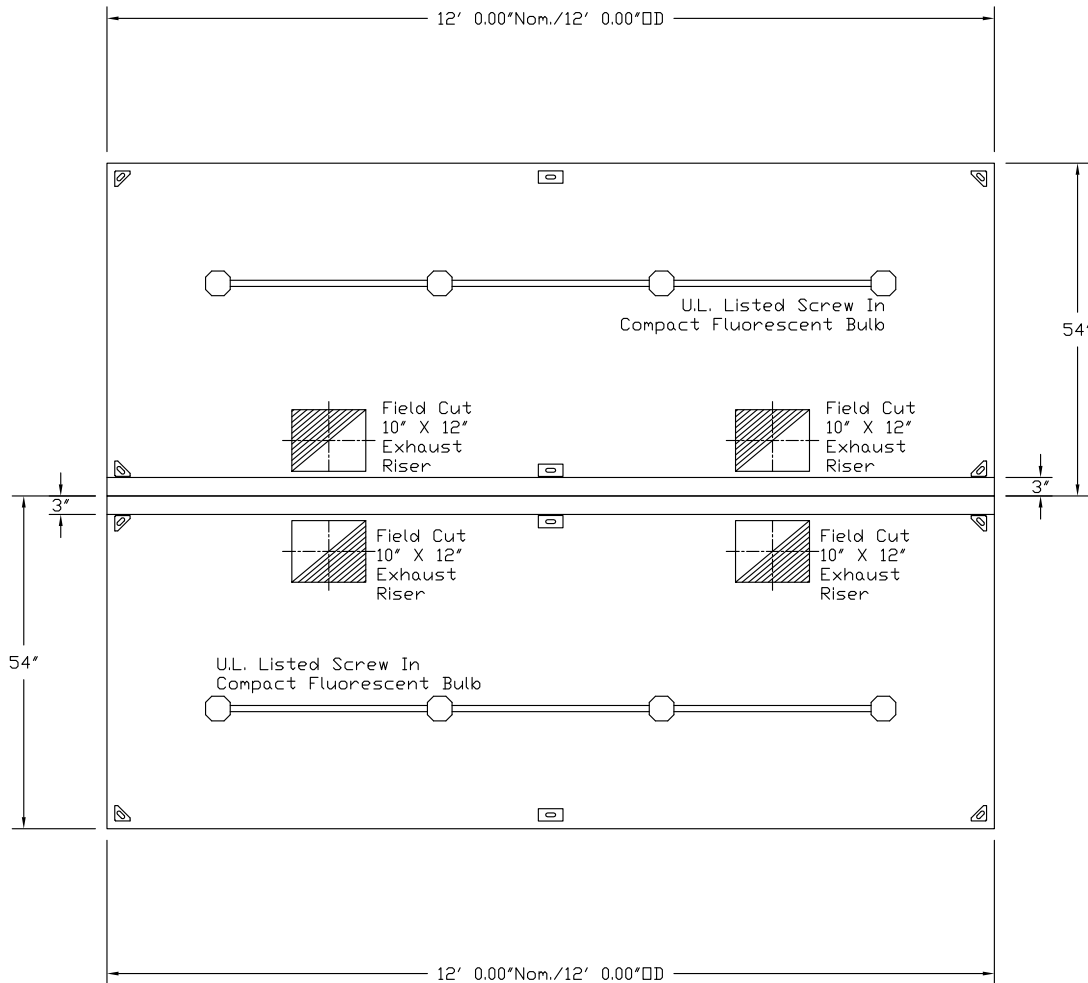
Your Title _____ Date _____



JOB Duck Fat 2 r2	
LOCATION Lewiston, ME,	
DATE 2/8/2017	JOB # 2916304
DWG # 1	DRAWN BY BFC-21
REV.	SCALE 3/8" = 1'-0"

NOTE: Additional hanging angles provided for hoods 12' and longer.

PLAN VIEW - Hood #2 (BACK)
12' 0.00" LONG 5424ND-2



PLAN VIEW - Hood #1 (FRONT)
12' 0.00" LONG 5424ND-2

NOTE: Additional hanging angles provided for hoods 12' and longer.

CUSTOMER APPROVAL TO MANUFACTURE:

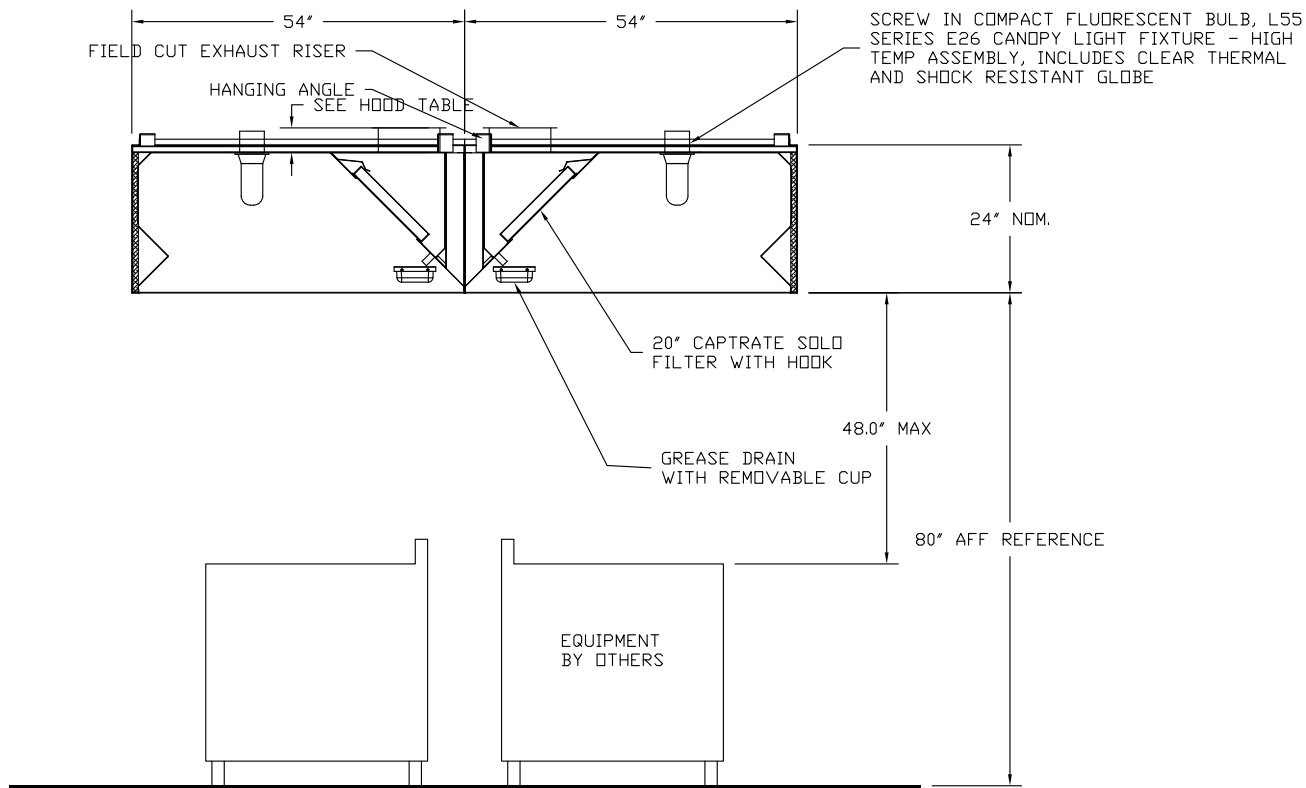
- Approved as Noted
- Approved with NO Exception Taken
- Revise and Resubmit

SIGNATURE _____
 Your Title _____ Date _____



JOB Duck Fat 2 r2	
LOCATION Lewiston, ME,	
DATE 2/8/2017	JOB # 2916304
DWG # 2	DRAWN BY BFC-21
REV.	SCALE 3/8" = 1'-0"

IT IS THE RESPONSIBILITY
OF THE ARCHITECT/OWNER TO
ENSURE THAT THE HOOD CLEARANCE
FROM LIMITED-COMBUSTIBLE
AND COMBUSTIBLE MATERIALS
IS IN COMPLIANCE WITH
LOCAL CODE REQUIREMENTS.



SECTION VIEW - MODEL 5424ND-2
HOODS - #1 (FRONT), #2 (BACK)

CUSTOMER APPROVAL TO MANUFACTURE:

- Approved as Noted
- Approved with NO Exception Taken
- Revise and Resubmit

SIGNATURE _____
Your Title _____ Date _____



CAPTIVEAIRE

JOB Duck Fat 2 r2	
LOCATION Lewiston, ME,	
DATE 2/8/2017	JOB # 2916304
DWG # 3	DRAWN BY BFC-21
REV.	SCALE 3/8" = 1'-0"

EXHAUST FAN INFORMATION - Job#2916304

FAN UNIT NO.	TAG	FAN UNIT MODEL #	CFM	ESP.	RPM	H.P.	B.H.P.	Ø	VOLT	FLA	WEIGHT (LBS.)	SONES
1		NCA16FA	2700	1.000	1042	1.500	0.8670	1	230	6.8	208	12
2		NCA16FA	2700	1.000	1042	1.500	0.8670	1	230	6.8	208	12

FAN OPTIONS

FAN UNIT NO.	TAG	OPTION (Qty. - Descr.)
1		1 - Grease Box
		1 - Full Crating For Exhaust Fans
		1 - 3 Year Extended Motor Warranty
		1 - Extra Set of Belts
		1 - Fan Base Ceramic Seal - For Grease Ducts
2		1 - Grease Box
		1 - Full Crating For Exhaust Fans
		1 - 3 Year Extended Motor Warranty
		1 - Extra Set of Belts
		1 - Fan Base Ceramic Seal - For Grease Ducts

FAN ACCESSORIES

FAN UNIT NO.	TAG	EXHAUST			SUPPLY			
		GREASE CUP	GRAVITY DAMPER	WALL MOUNT	SIDE DISCHARGE	GRAVITY DAMPER	MOTORIZED DAMPER	WALL MOUNT
1		YES						
2		YES						

FAN SOUND INFORMATION

FAN UNIT NO.	MOTOR	RPM	LWA	SONES	DBA	DISTANCE FT	OCTAVE 1	OCTAVE 2	OCTAVE 3	OCTAVE 4	OCTAVE 5	OCTAVE 6	OCTAVE 7	OCTAVE 8
1	Exhaust	1042	74.2	12	62.7	5	73.2	80.9	78.3	69.1	65.9	63.8	57.9	51.9
2	Exhaust	1042	74.2	12	62.7	5	73.2	80.9	78.3	69.1	65.9	63.8	57.9	51.9

CUSTOMER APPROVAL TO MANUFACTURE:

Approved as Noted

Approved with NO Exception Taken

Revise and Resubmit

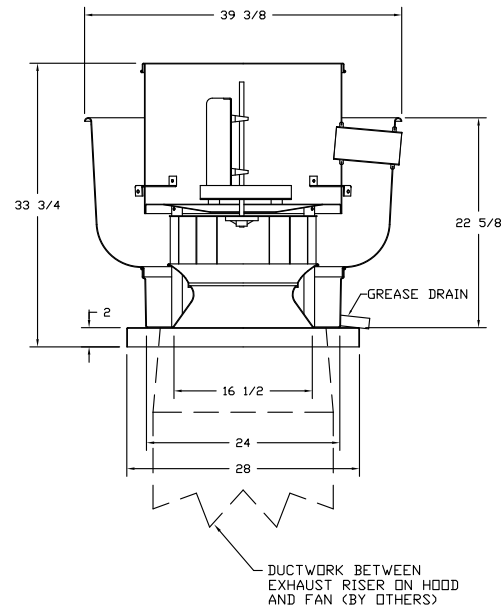
SIGNATURE _____

Your Title _____ Date _____



JOB Duck Fat 2 r2	
LOCATION Lewiston, ME,	
DATE 2/8/2017	JOB # 2916304
DWG # 4	DRAWN BY BFC-21
REV.	SCALE 3/8" = 1'-0"

FANS #1, #2 - NCA16FA EXHAUST FAN



FEATURES:

- ROOF MOUNTED FANS
- RESTAURANT MODEL
- UL705 AND UL762
- AMCA SOUND AND AIR CERTIFIED
- WIRING FROM MOTOR TO DISCONNECT SWITCH
- WEATHERPROOF DISCONNECT
- HIGH HEAT OPERATION 300°F (149°C)
- GREASE CLASSIFICATION TESTING

NORMAL TEMPERATURE TEST
EXHAUST FAN MUST OPERATE CONTINUOUSLY WHILE EXHAUSTING AIR AT 300°F (149°C) UNTIL ALL FAN PARTS HAVE REACHED THERMAL EQUILIBRIUM, AND WITHOUT ANY DETERIORATING EFFECTS TO THE FAN WHICH WOULD CAUSE UNSAFE OPERATION.

ABNORMAL FLARE-UP TEST
EXHAUST FAN MUST OPERATE CONTINUOUSLY WHILE EXHAUSTING BURNING GREASE VAPORS AT 600°F (316°C) FOR A PERIOD OF 15 MINUTES WITHOUT THE FAN BECOMING DAMAGED TO ANY EXTENT THAT COULD CAUSE AN UNSAFE CONDITION.

OPTIONS

- GREASE BOX
- FULL CRATING FOR EXHAUST FANS
- 3 YEAR EXTENDED MOTOR WARRANTY
- EXTRA SET OF BELTS
- FAN BASE CERAMIC SEAL - FOR GREASE DUCTS
- HINGE KIT - SHIPS LOOSE FOR CURB SUPPLIED BY OTHERS

CUSTOMER APPROVAL TO MANUFACTURE:

Approved as Noted

Approved with NO Exception Taken

Revise and Resubmit

SIGNATURE _____

Your Title _____ Date _____



CAPTIVEAIRE

JOB Duck Fat 2 r2

LOCATION Lewiston, ME,

DATE 2/8/2017

JOB # 2916304

DWG # 5

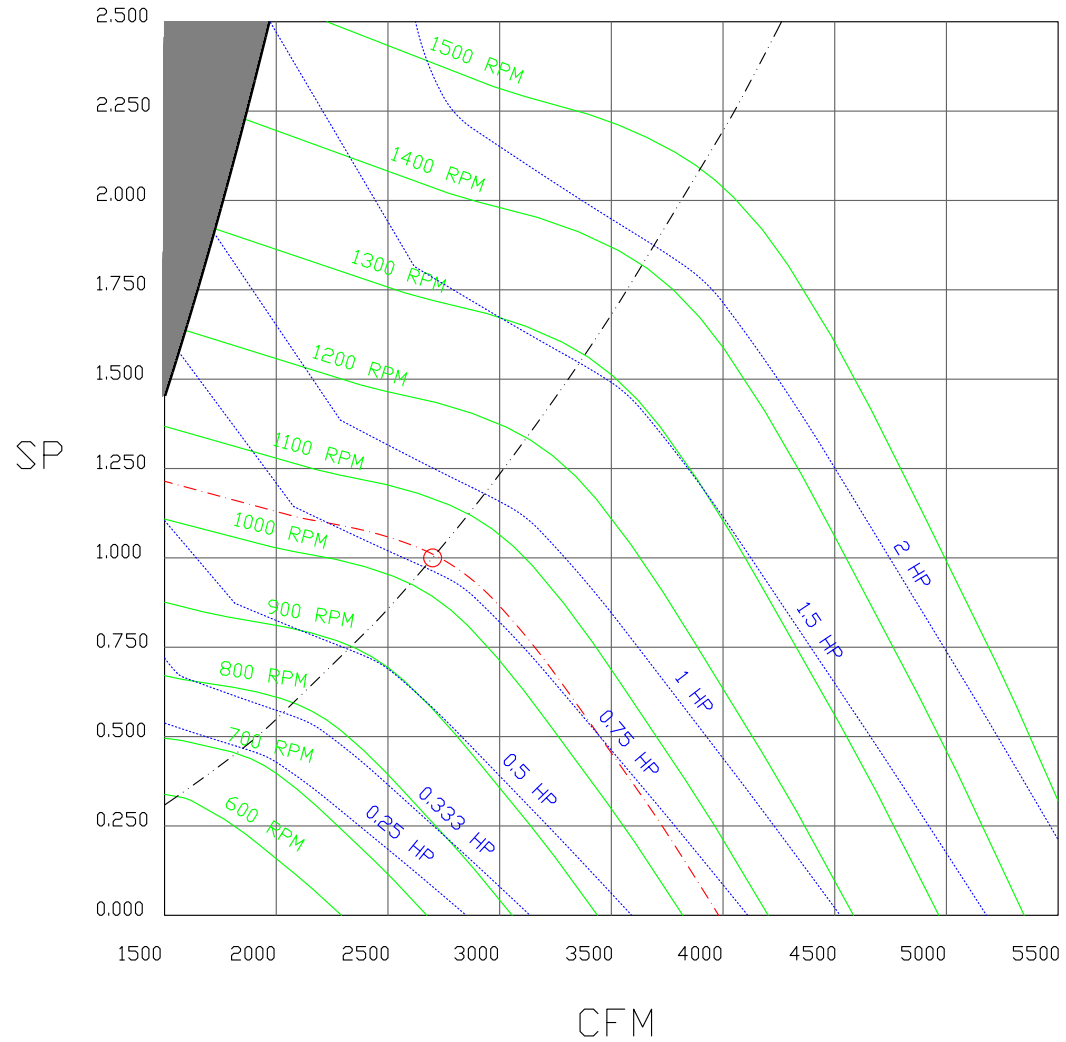
DRAWN BY BFC-21

REV.

SCALE 3/8" = 1'-0"

FANS #1 #2 - EXHAUST PERFORMANCE CURVES.

2700 CFM, 1 SP @ 1042 RPM and 0.867 BHP at 243 feet and 70 deg F
 * Please note that these curves were adjusted for job specific temperature and altitude.



CUSTOMER APPROVAL TO MANUFACTURE:

- Approved as Noted
- Approved with NO Exception Taken
- Revise and Resubmit

SIGNATURE _____
 Your Title _____ Date _____



JOB Duck Fat 2 r2	
LOCATION Lewiston, ME,	
DATE 2/8/2017	JOB # 2916304
DWG # 6	DRAWN BY BFC-21
REV.	SCALE 3/8" = 1'-0"

Exhaust Fan Wiring

JOB 2916304 - Duck Fat 2 r2

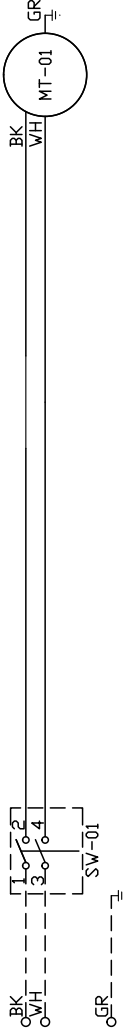
DRAWING NUMBER EXH2916304-1

SHIP DATE 2/8/2017

MODEL NCA18FA

Installed Options

1



Label	Component Description	Location
MT-01	Fan Motor	[20]
SW-01	Main disconnect switch	[20]

2

3

4

5

6

7

8

9

10

11

12

13

14

15

16

17

18

19

20

21

22

23

EXHAUST MOTOR INFO
1.5HP-230V-1P-6.8FLA

ELECTRICAL INFORMATION
MOTOR/CTRL MOP: 85A
MOTOR/CTRL MOP: 15A

NOTES
- - - DENOTES FIELD WIRING
_ _ _ DENOTES INTERNAL WIRING

WIRE COLOR
BK - BLACK YW - YELLOW
BL - BLUE GR - GREEN
BR - BROWN GY - GRAY
OR - ORANGE PR - PURPLE
RD - RED PK - PINK
WH - WHITE

Exhaust Fan Wiring

JOB 2916304 - Duck Fat 2 r2

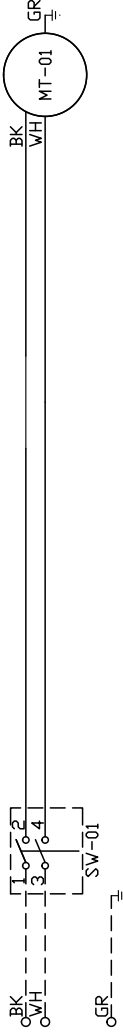
DRAWING NUMBER EXH2916304-2

SHIP DATE 2/8/2017

MODEL NCA18FA

Installed Options

1



Label	Component Description	Location
MT-01	Fan Motor	[20]
SW-01	Main disconnect switch	[20]

2

3

4

5

6

7

8

9

10

11

12

13

14

15

16

17

18

19

20

21

22

23

EXHAUST MOTOR_INFO
1.5HP-230V-1P-6.8FLA

ELECTRICAL INFORMATION
MOTOR/CTRL MOP: 85A
MOTOR/CTRL MOP: 15A

NOTES
- - - DENOTES FIELD WIRING
_ _ _ DENOTES INTERNAL WIRING

WIRE COLOR

BK - BLACK	YW - YELLOW
BL - BLUE	GR - GREEN
BR - BROWN	GY - GRAY
OR - ORANGE	PR - PURPLE
RD - RED	PK - PINK
WH - WHITE	