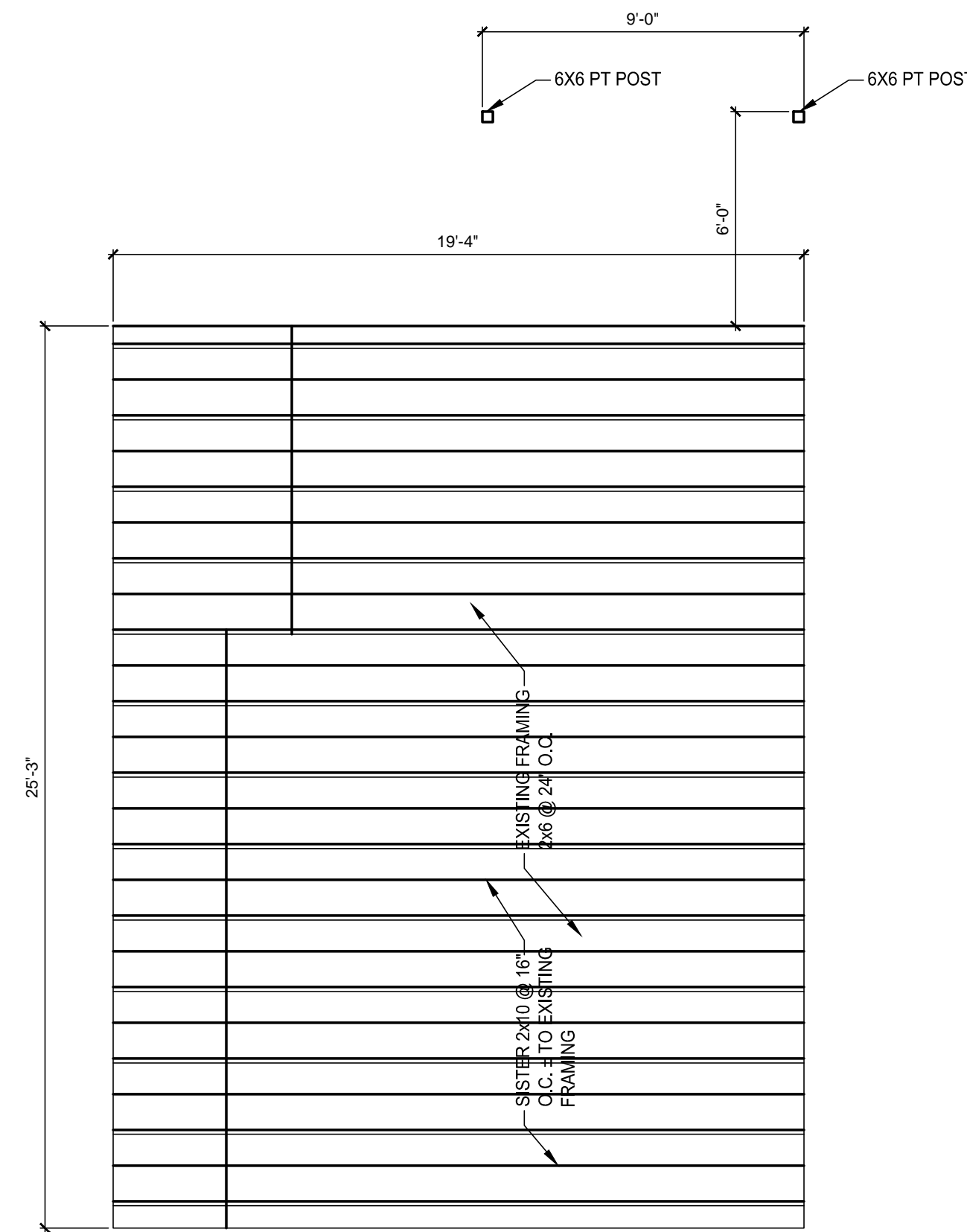
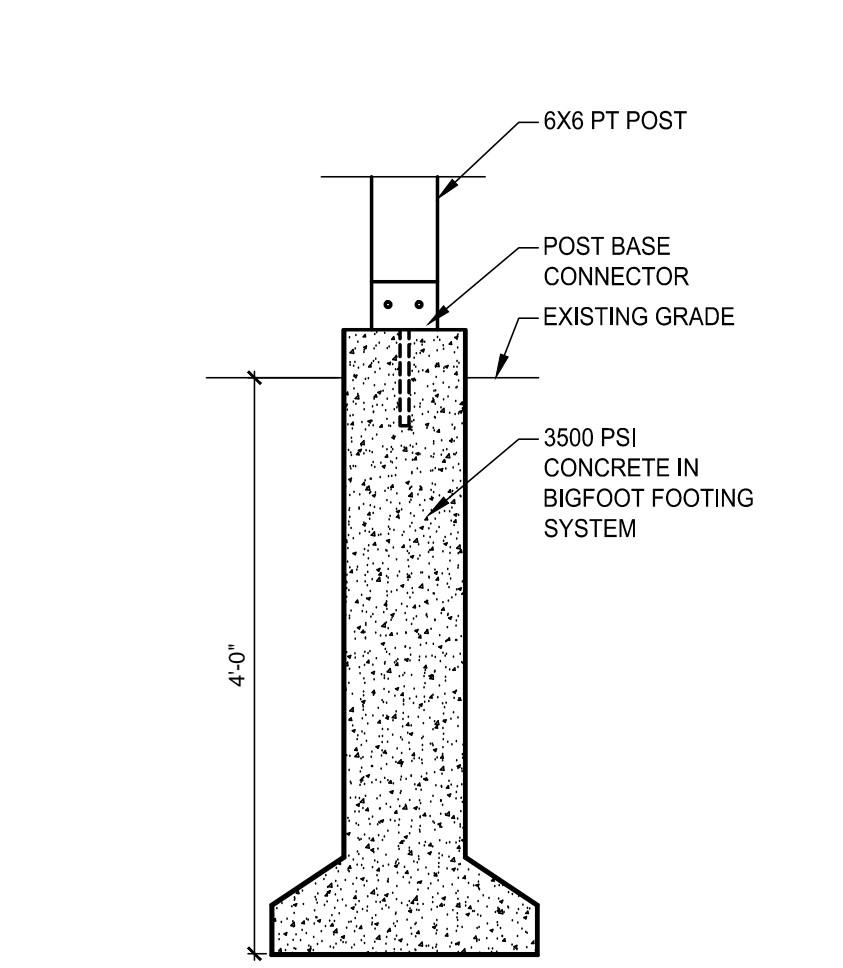


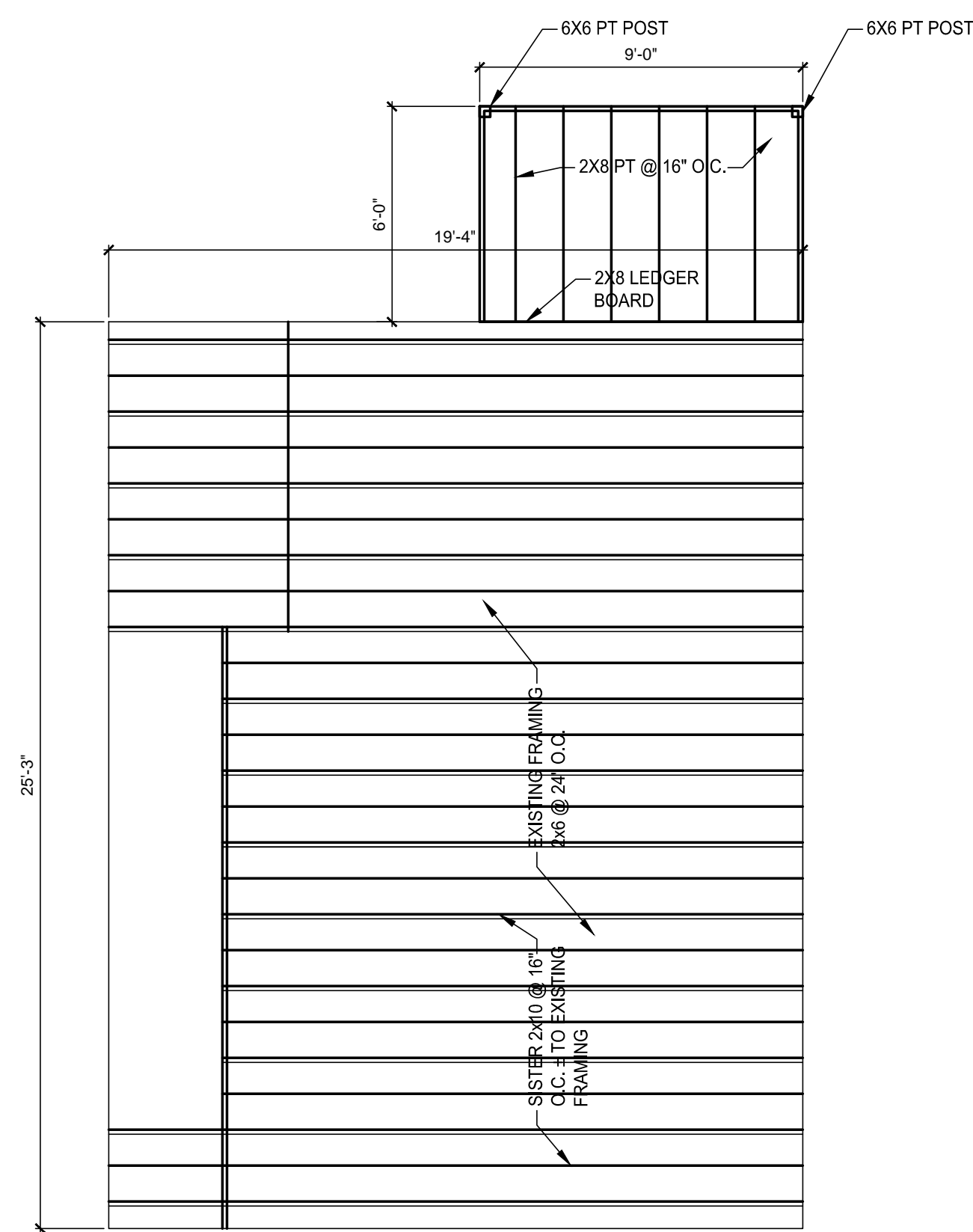
**1 FOUNDATION PLAN**  
S001 SCALE: 1/4"=1'-0"



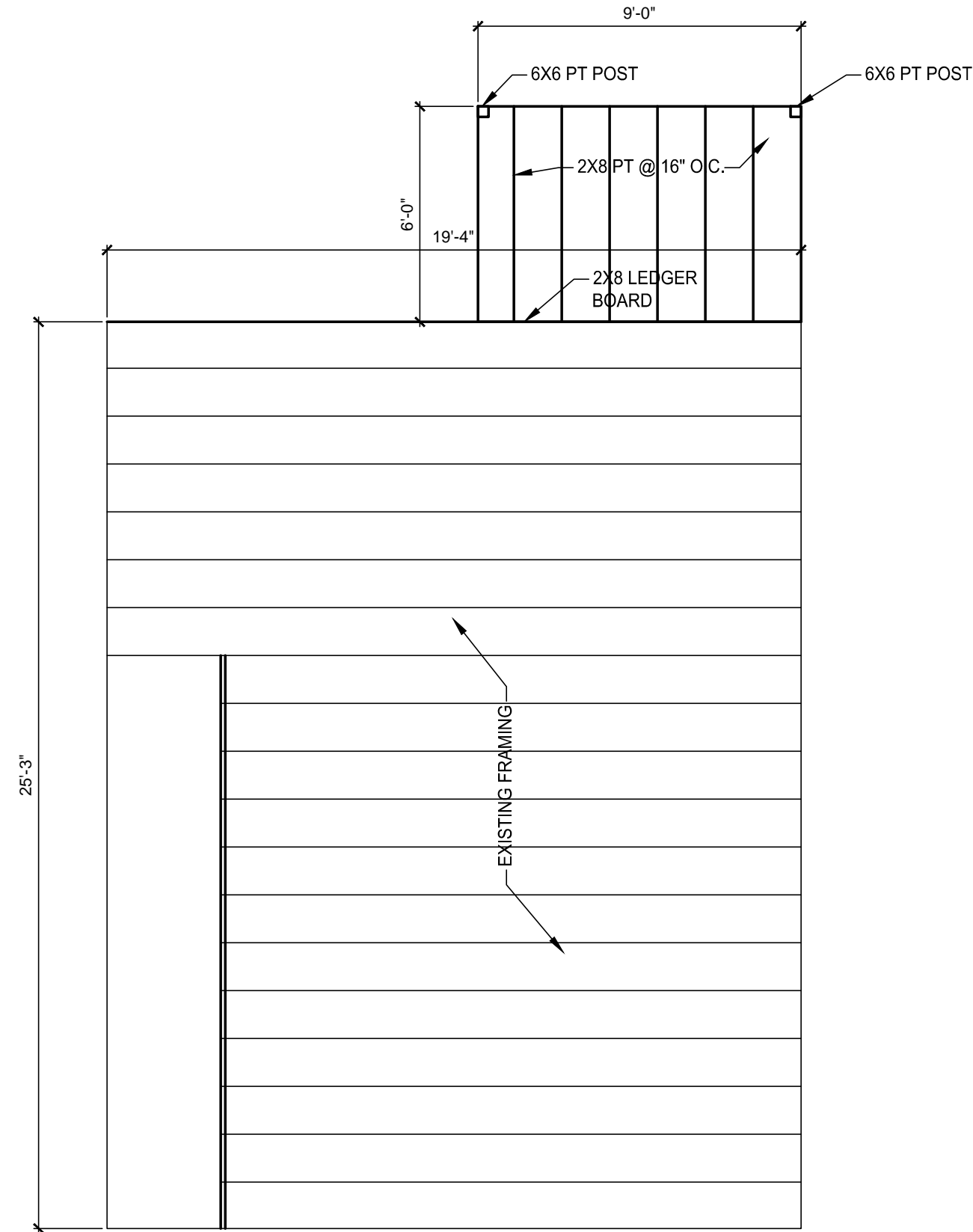
**2 GROUND FLOOR FRAMING PLAN**  
S001 SCALE: 1/4"=1'-0"



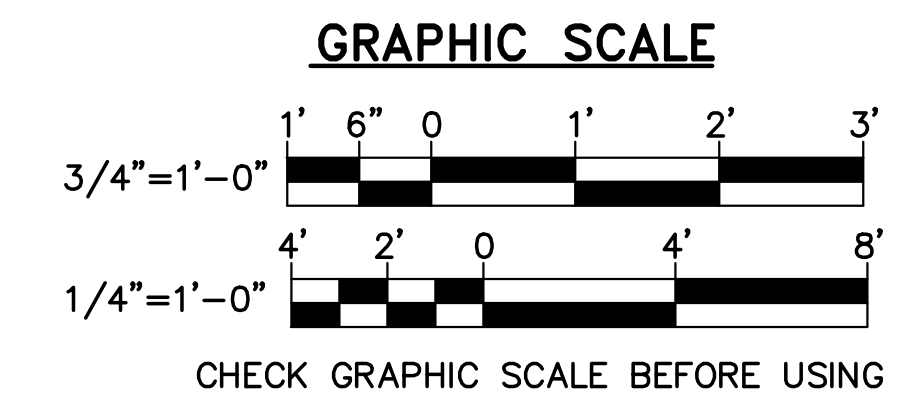
**5 DECK FOOTING DETAIL**  
S001 SCALE: 3/4"=1'-0"



**3 FIRST FLOOR FRAMING PLAN**  
S001 SCALE: 1/4"=1'-0"



**4 SECOND FLOOR FRAMING PLAN**  
S001 SCALE: 1/4"=1'-0"



DESIGNED BY: NJD  
DRAWN BY: NJD  
CHECKED BY: NJD  
PROJECT: XXXXX.XX

UNLEVEL HOUSE  
12 ROMASCO LN, PORTLAND, ME

FRAMING PLANS

SCALE: AS NOTED  
DATE: 3-29-12  
DWG.: S001  
SHEET: OF -