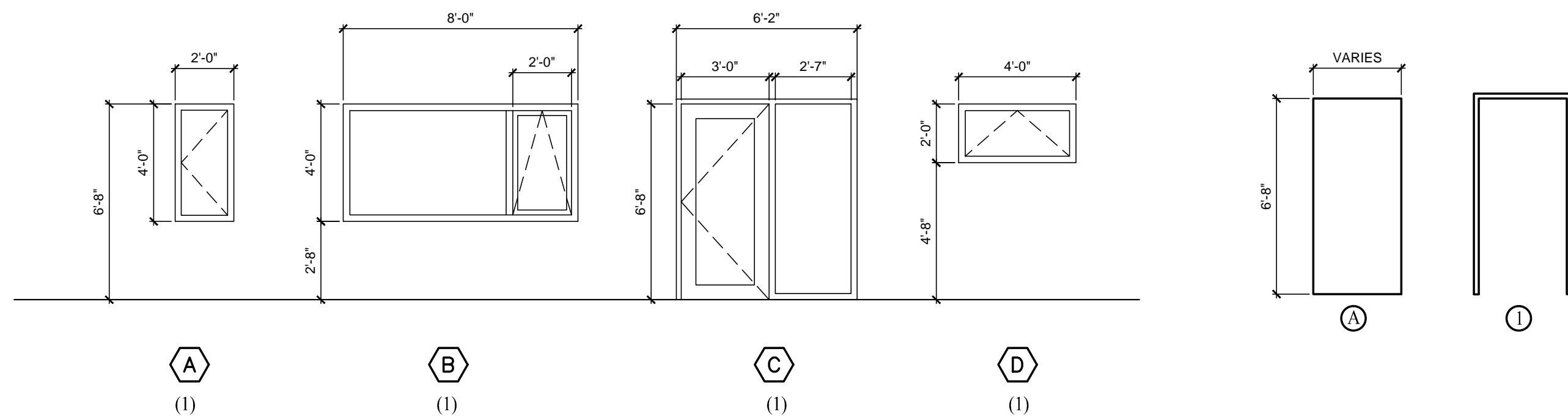


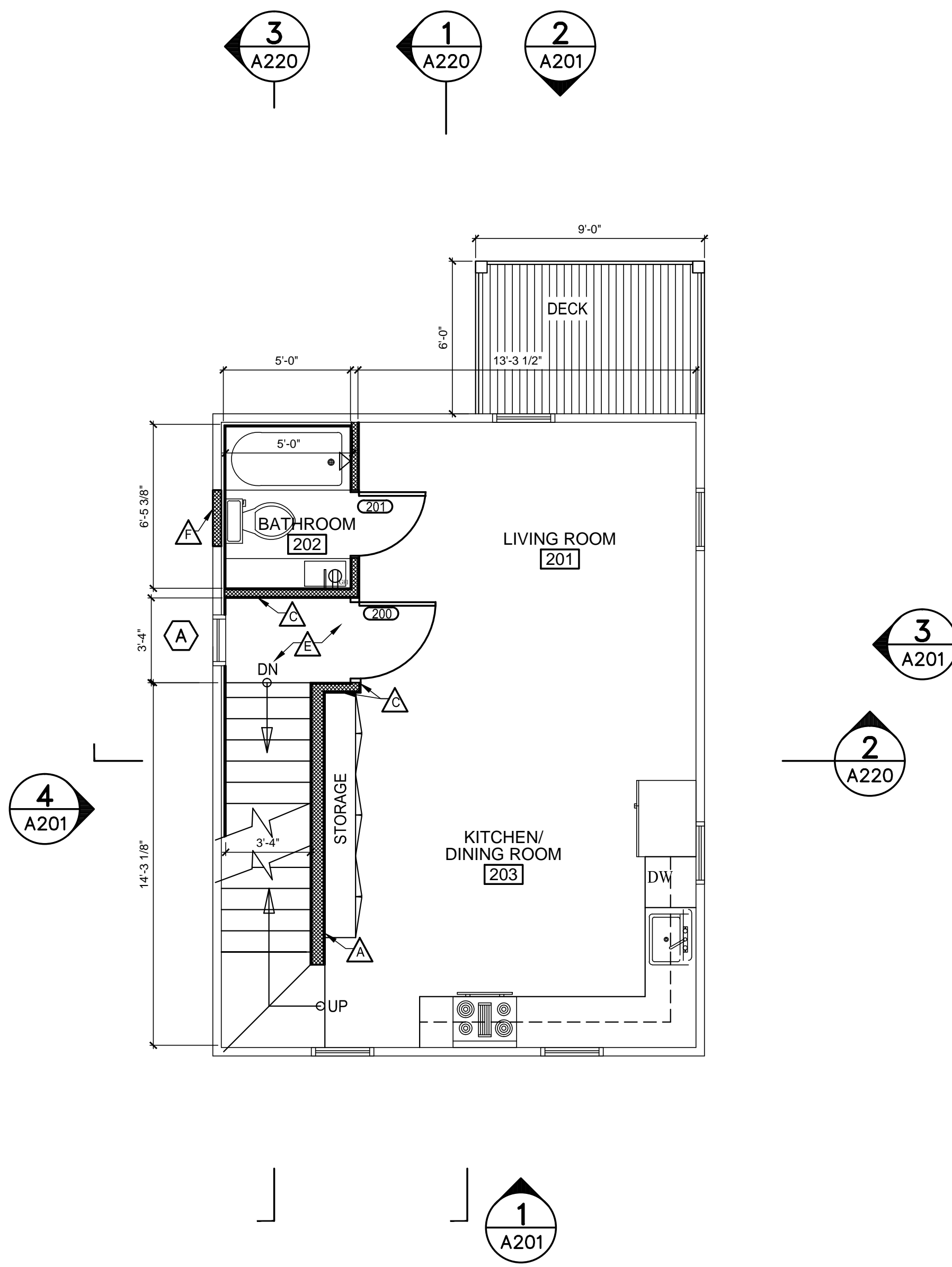
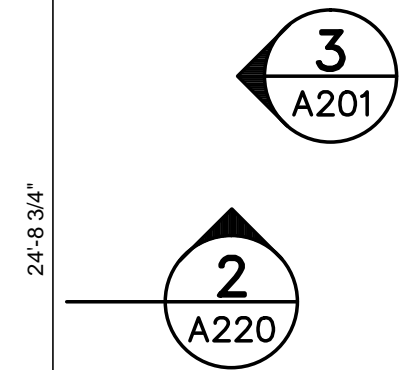
1 GROUND FLOOR
A101 / SCALE: 1/4"=1'-0"



3 WINDOW SCHEDULE
A101 / SCALE: 1/4"=1'-0"

KEYNOTES:

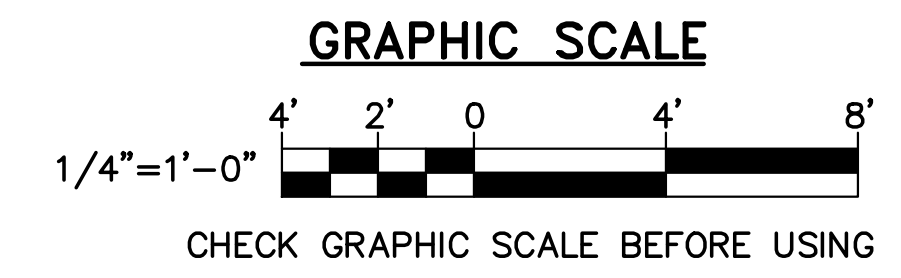
- △ 1 HOUR WALL CONSTRUCTION UL DES U379: 2X6 WALL, ONE LAYER OF 5/8" TYPE X GYPSUM BOARD EITHER SIDE, ROCKWOL SAFE AND SOUND INSULATION IN STUD CAVITY.
- △ 2X6 WOOD STUD WALL WITH 5/8" TYPE X GYPSUM BOARD ONE SIDE WITH 1/2" CEMENT BOARD ON THE BATHROOM SIDE.
- △ 1 HOUR WALL CONSTRUCTION UL DES U33: 2X4 WOOD STUD WALL WITH 5/8" TYPE X GYPSUM BOARD ONE SIDE WITH 1/2" CEMENT BOARD ON THE BATHROOM SIDE.
- △ 2X4 WOOD STUD WALL 5/8" TYPE X GYPSUM BOARD EITHER SIDE.
- △ 1 HOUR CEILING CONSTRUCTION FM-FC-181, STC 50-54: 5/8" TYPE X GYPSUM BOARD, 1/2" METAL RESISTANT CHANNELS PERPENDICULAR TO WOOD JOISTS 16" OC, 2X10 WOOD JOISTS, 7 1/2" SAFE AND SOUND ROCKWOL, 3/4" PLYWOOD, WOOD FLOORING.
- △ INFILL EXISTING WINDOW OPENING WITH 3/4" PLYWOOD, 2X6 WOOD STUDS, CELLULOSE (R-21) AND 5/8" GYPSUM BOARD.



2 FIRST FLOOR
A101 / SCALE: 1/4"=1'-0"

DOOR SCHEDULE					
NO.	SIZE	DOOR TYPE	FRAME TYPE	HARDWARE	NOTES
100	3'-0" X 6'-8"	A	1		
101	3'-0" X 6'-8"	A	1		90 MIN FIRE
102	2'-8" X 6'-8"	A	1		
103	2'-8" X 6'-8"	A	1		
104	2'-8" X 6'-8"	A	1		
200	3'-0" X 6'-8"	A	1		90 MIN FIRE
201	2'-6" X 6'-8"	A	1		

4 DOOR SCHEDULE
A101 / SCALE: 1/4"=1'-0"



DESIGNED BY: N.J.D.
DRAWN BY: N.J.D.
CHECKED BY: N.J.D.
PROJECT: XXXXX.XX

UNLEVEL HOUSE
12 ROMASCO LN., PORTLAND, ME

GROUND, FIRST FLOOR PLAN, WINDOW AND DOOR SCHEDULE

SCALE: AS NOTED
DATE: 3-12-12
DWG.: A101
SHEET: OF -