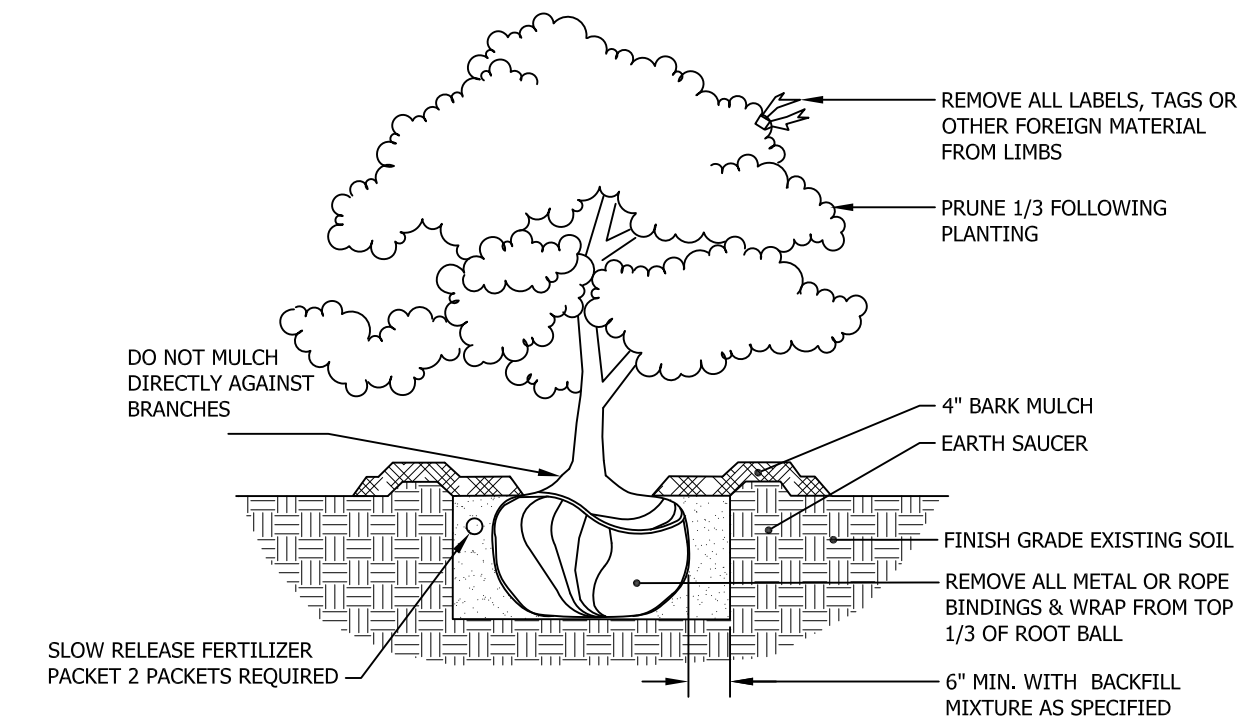
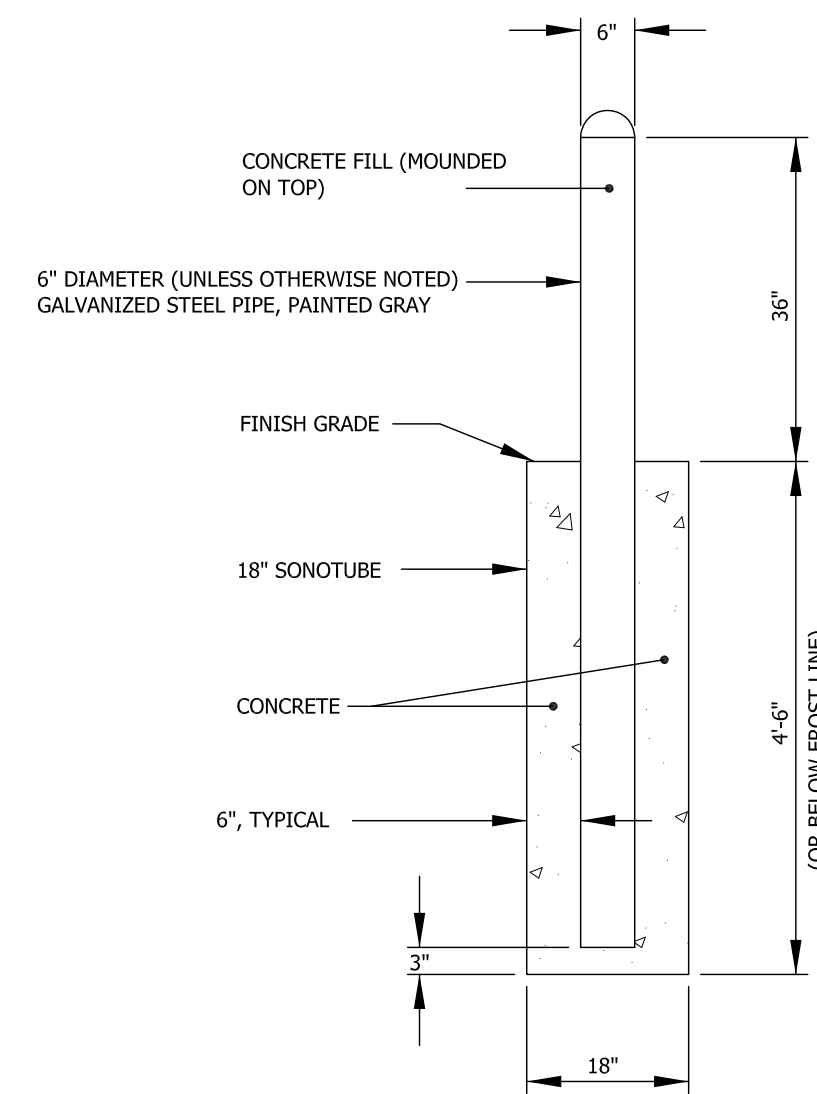


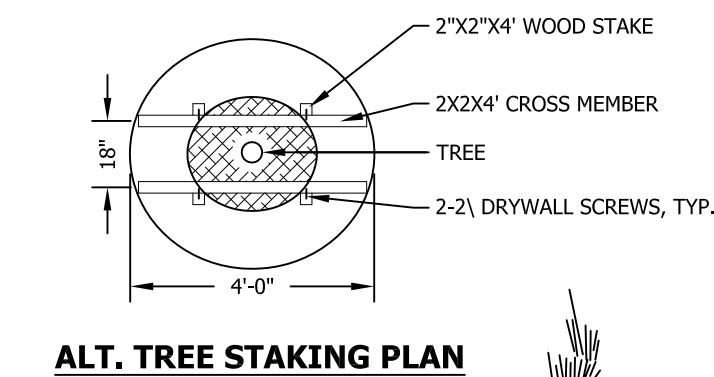
1 STRIPING DETAILS
NOT TO SCALE



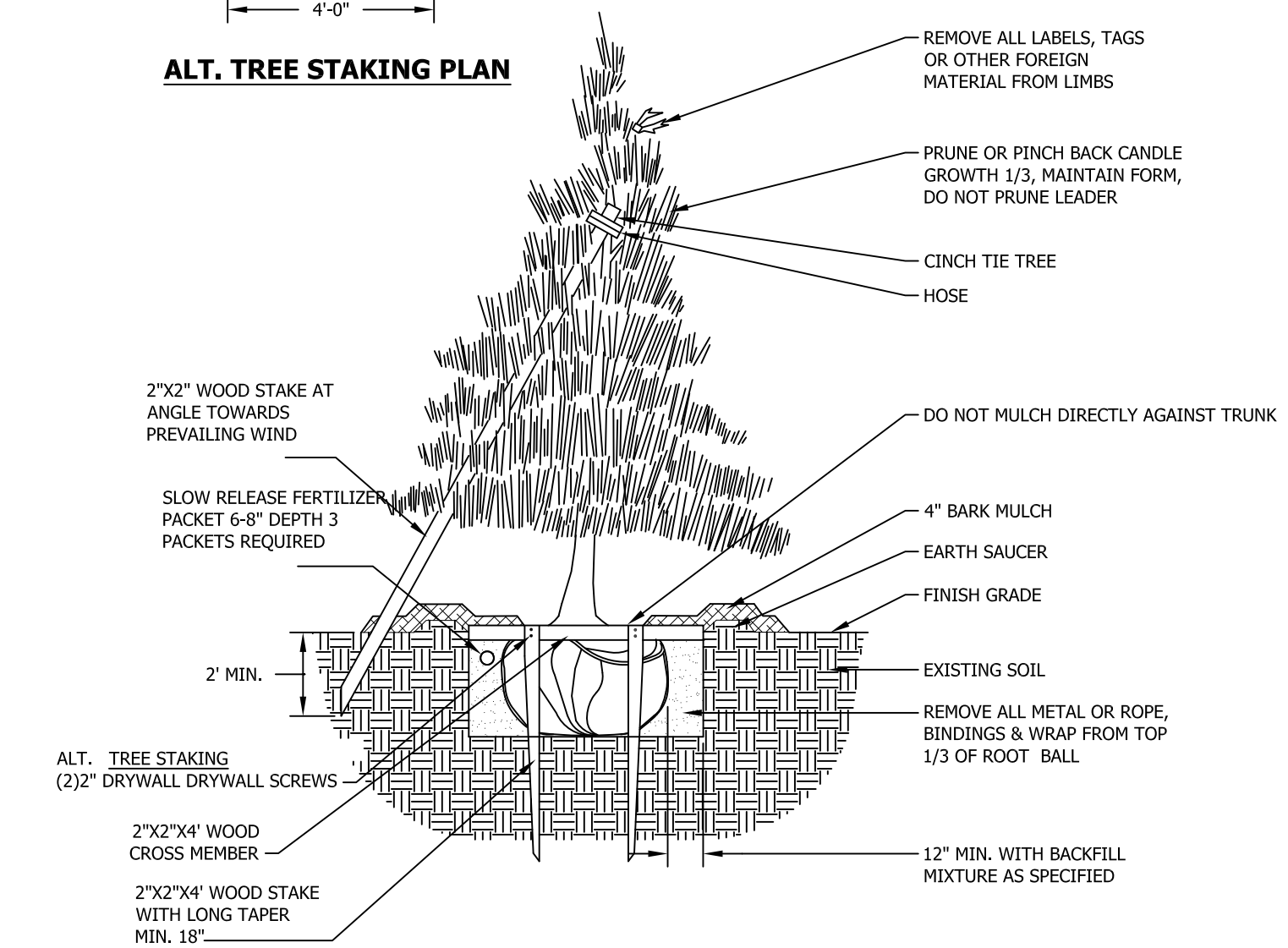
2 DECIDUOUS & EVERGREEN SHRUB DETAIL
NOT TO SCALE



3 BOLLARD DETAIL
NOT TO SCALE



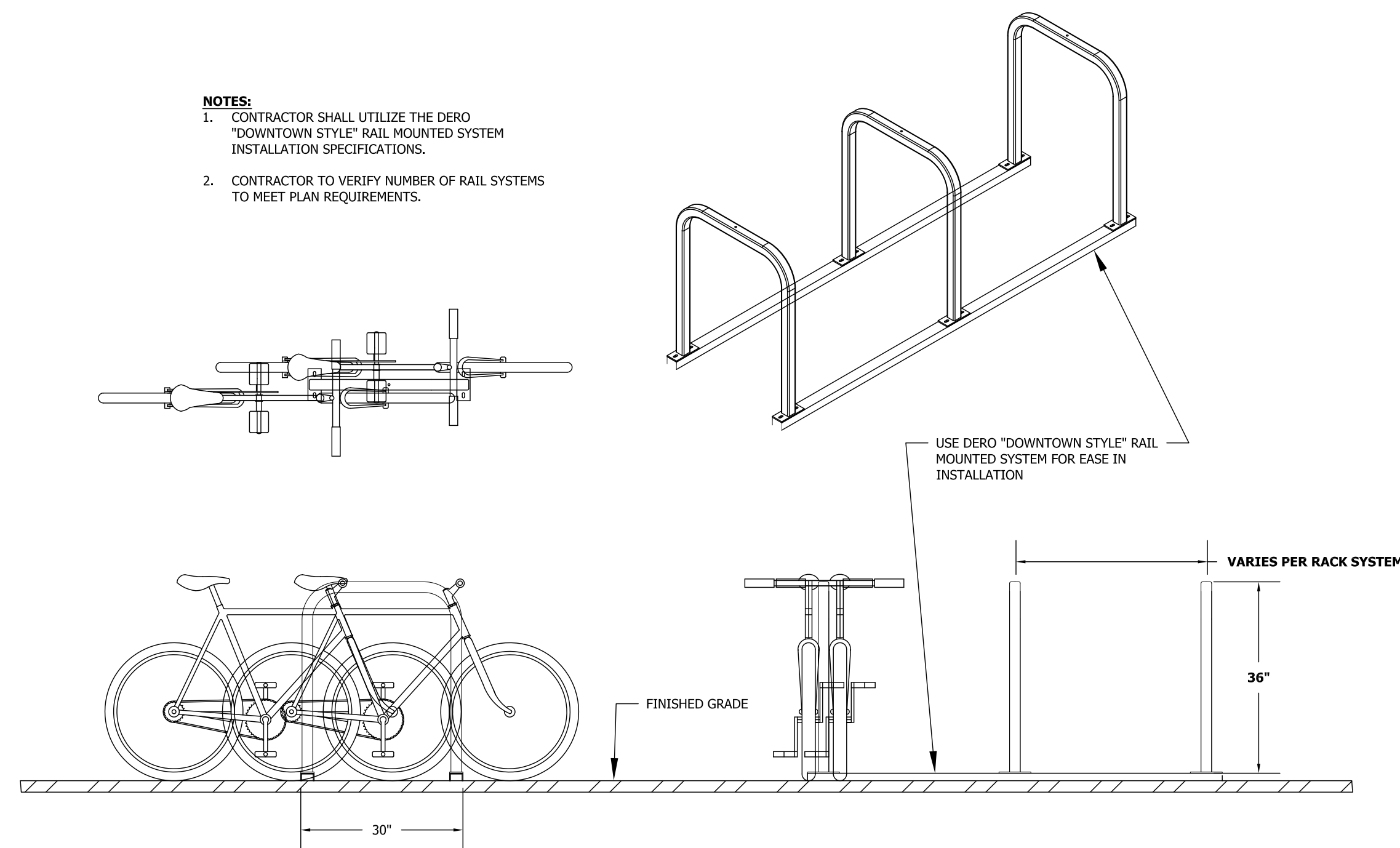
ALT. TREE STAKING PLAN



- NOTES:**
1. INSTALL STAKES AND GUYS TO TREES IF THE FOLLOWING APPLY: THE TREE IS OF SUBSTANTIAL SIZE.
 2. THE PLANTING LOCATION IS EXTREMELY WINDY, AS ON OPEN UNDEVELOPED SITES.
 3. THE PLANTING LOCATION IS COMPRISED OF SAND OR OTHER LOOSE TEXTURED SOILS.
 4. IF STAKES AND GUYS ARE REQUIRED, REMOVE AFTER ONE YEAR TIME.

5 DECIDUOUS TREES UNDER 2" CALIPER OR EVERGREEN TREES UNDER 8' IN HEIGHT 7'-0" IN HEIGHT & UNDER
NOT TO SCALE

- NOTES:**
1. CONTRACTOR SHALL UTILIZE THE DERO "DOWNTOWN STYLE" RAIL MOUNTED SYSTEM INSTALLATION SPECIFICATIONS.
 2. CONTRACTOR TO VERIFY NUMBER OF RAIL SYSTEMS TO MEET PLAN REQUIREMENTS.



4 DERO "DOWNTOWN STYLE" BIKE RACK (IN R.O.W.)
NOT TO SCALE

SITE DETAILS II
221 CONGRESS STREET
PORTLAND, MAINE 04101

DRAWING:
PROJECT:

DRAWINGS PREPARED FOR:
HAY RUNNER, LLC
265 MAIN STREET, SUITE 201
BIDDEFORD, MAINE 04005

ISSUED DATE: 11/08/16
DESIGNED BY: JDY
DRAWN BY: DRH
CHECKED BY: SGB
PROJECT NUMBER: 16123

ISSUED FOR:
PRELIMINARY REVIEW
THIS DOCUMENT IS ISSUED FOR REVIEW PURPOSES ONLY AND NOT FOR CONSTRUCTION.

C-302