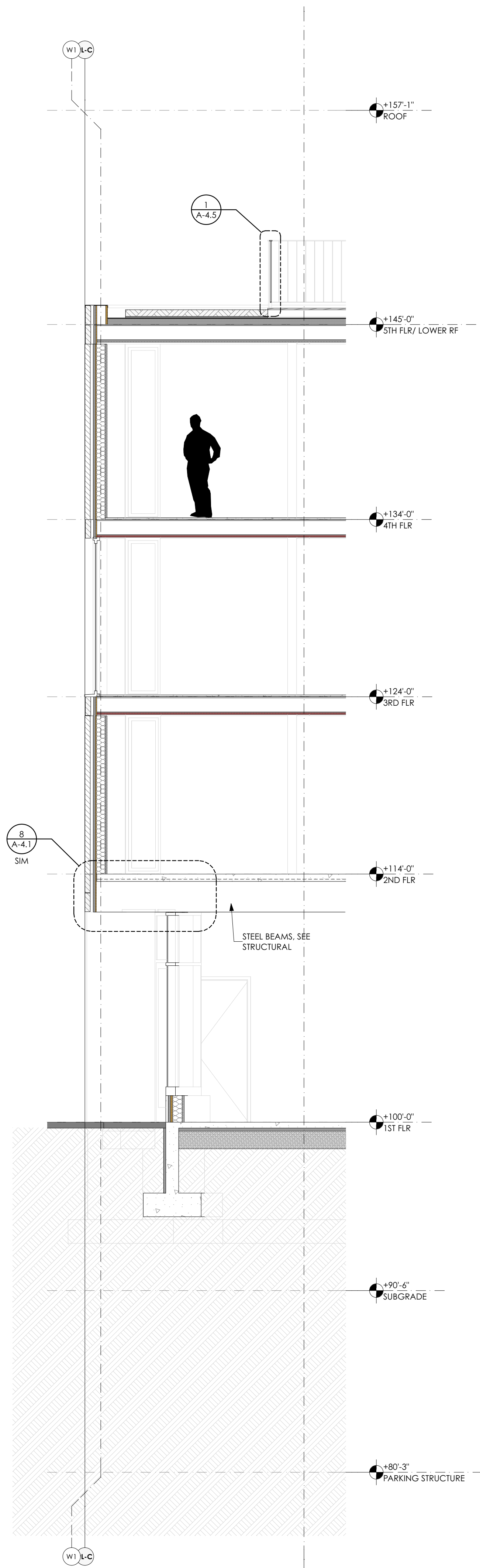
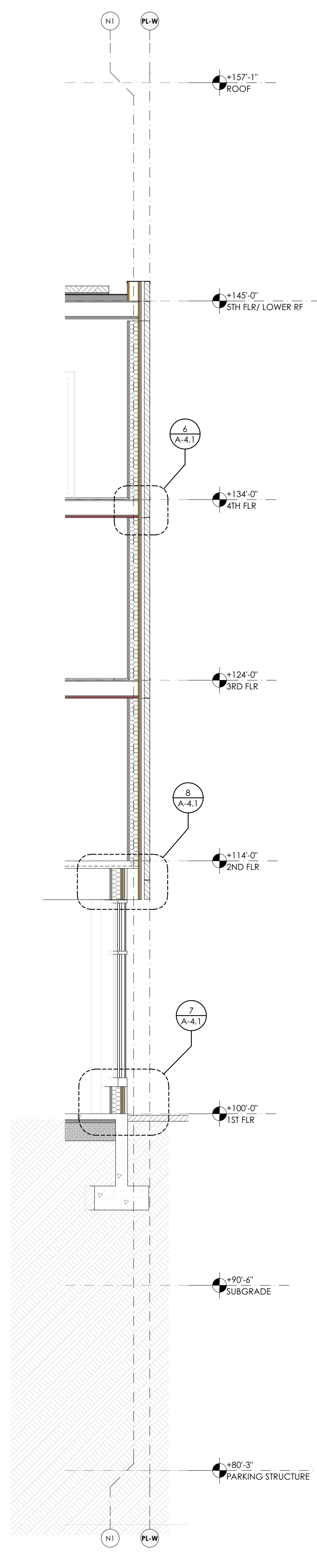


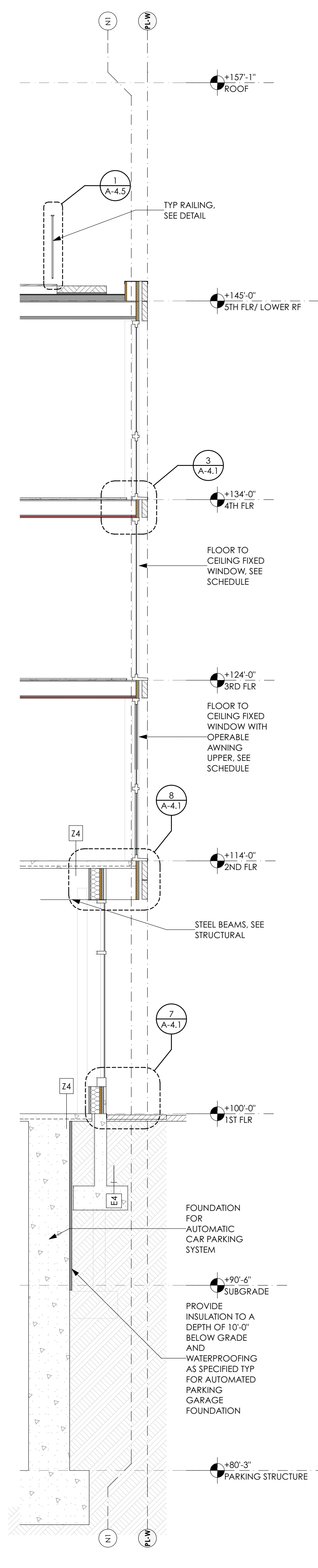
5 WALL SECTION AT S1 AT SIDE AT BRICK
SCALE: 1/4" = 1'-0"



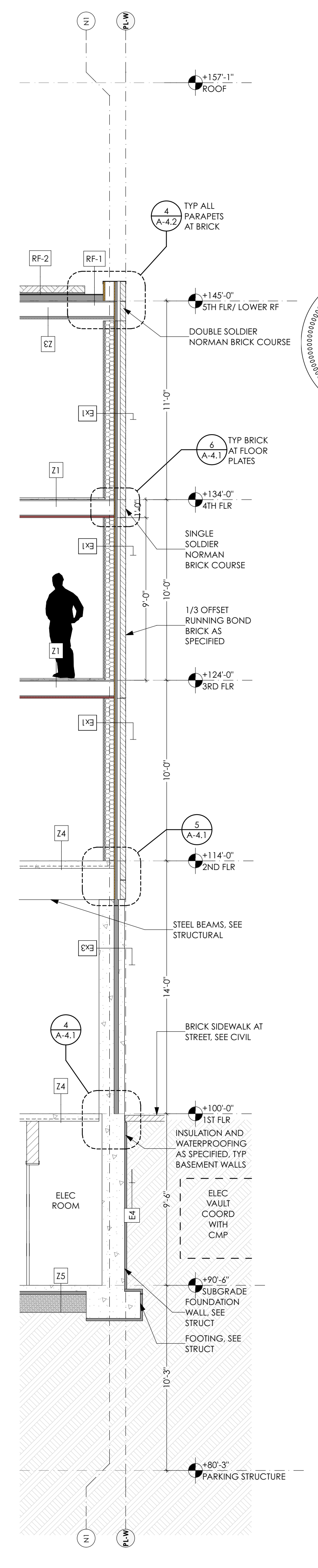
4 WALL SECTION AT W1 AT CONGRESS
SCALE: 1/4" = 1'-0"



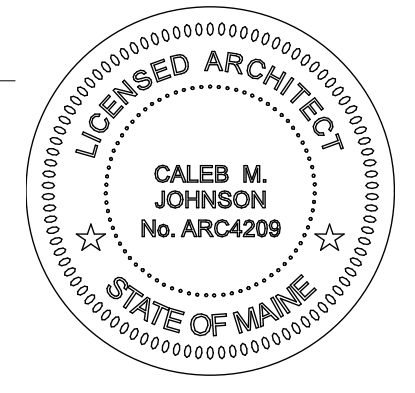
3 WALL SECTION AT N1 AT BRICK AT WASHINGTON
SCALE: 1/4" = 1'-0"



2 WALL SECTION AT N1 AT WINDOWS AT WASHINGTON
SCALE: 1/4" = 1'-0"



1 WALL SECTION AT N1 AT CONCRETE SANDWICH WALL AT WASHINGTON
SCALE: 1/4" = 1'-0"



PERMIT SET

DRAFTSPERSON:
Patrick Boehme, AIA
Josh Jacques
DATE OF ISSUE:
7/21/17
PROJECT STATUS:
Permit Set

221 Congress Street
Hay Runner Block
221 BLOCK, LLC
221 Congress Street Portland ME 04101

WALL SECTIONS 1
A-3.3