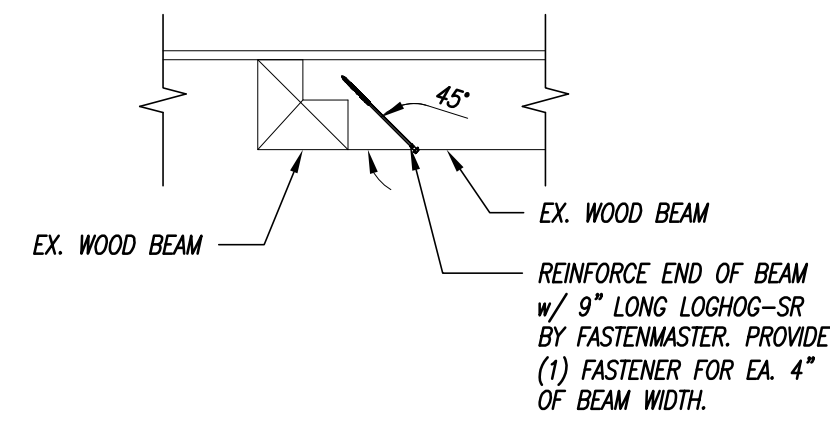
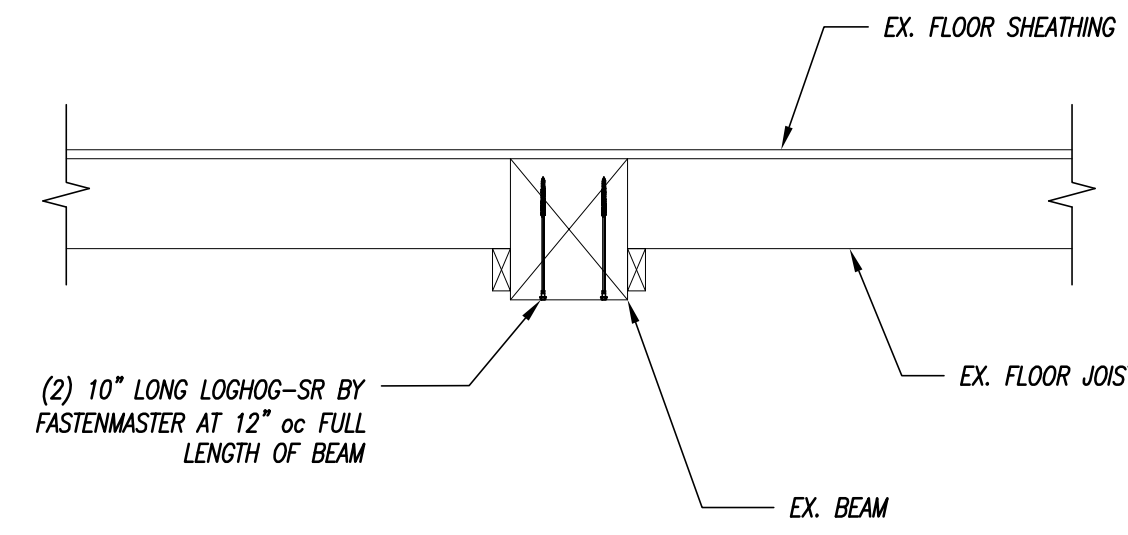


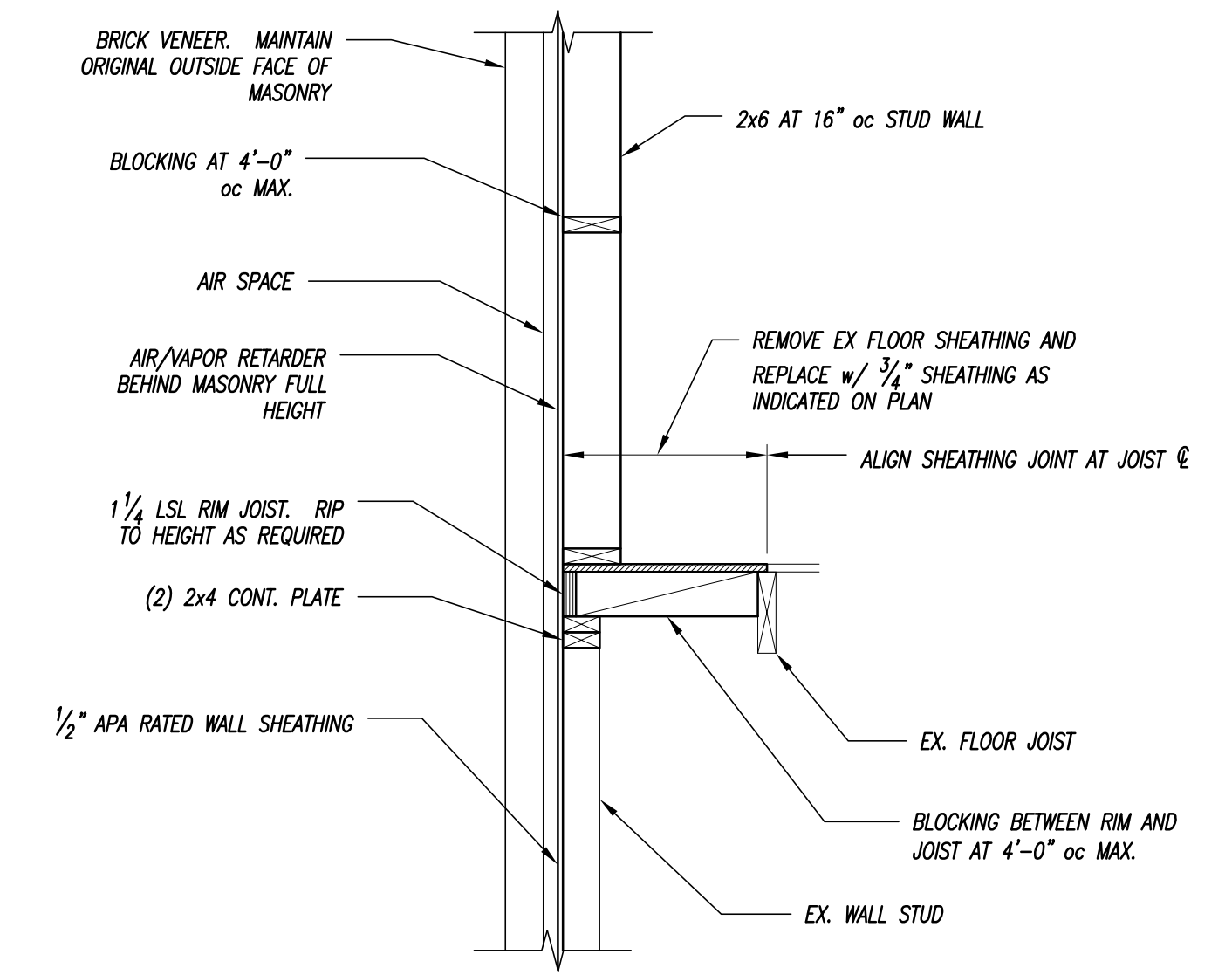
1 SECTION  
3/4" = 1'-0"



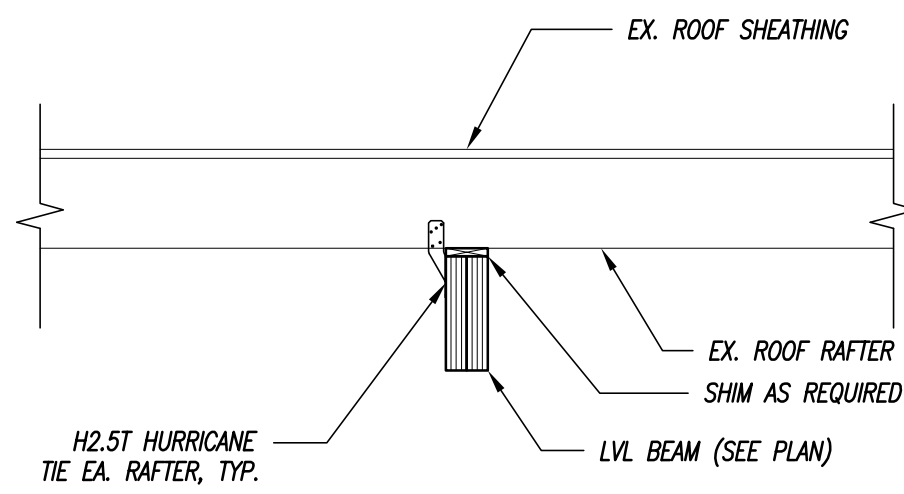
2 SECTION  
3/4" = 1'-0"



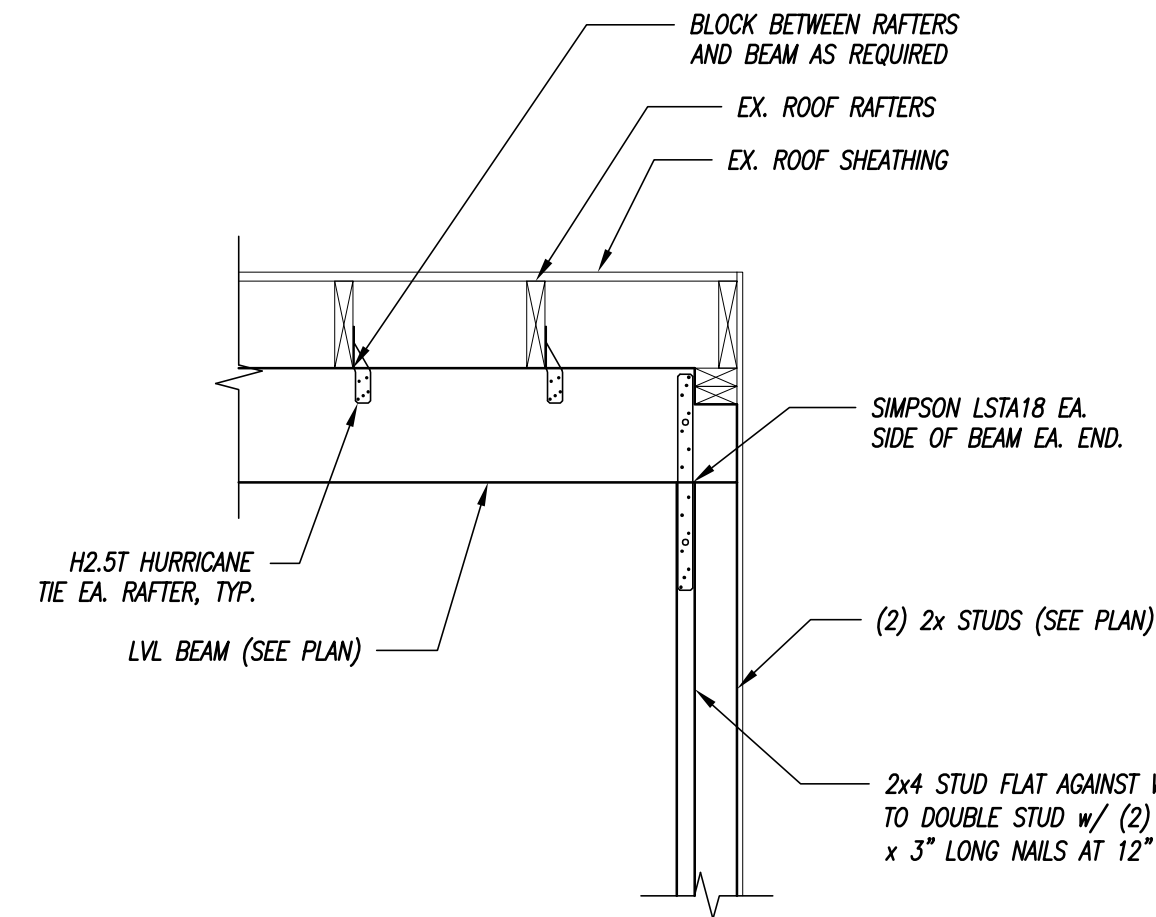
3 SECTION  
3/4" = 1'-0"



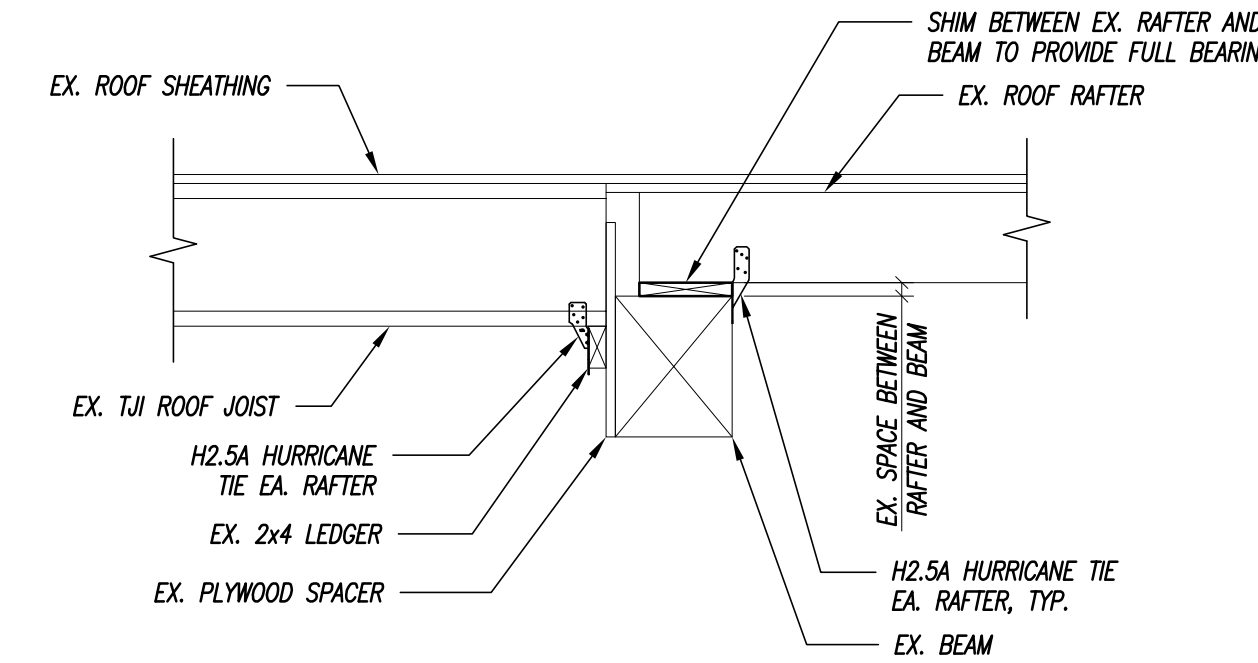
4 SECTION  
3/4" = 1'-0"



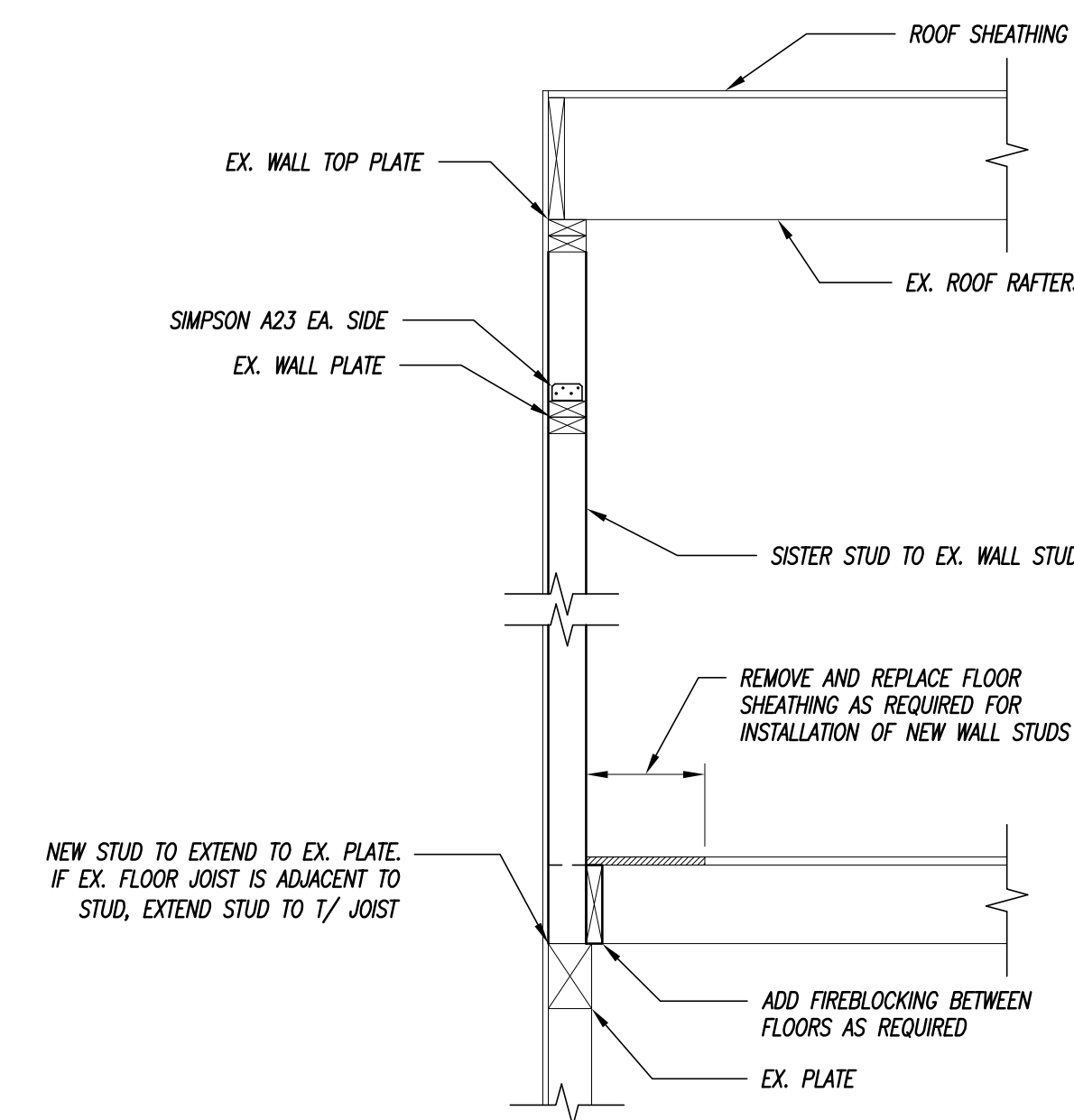
5 SECTION  
3/4" = 1'-0"



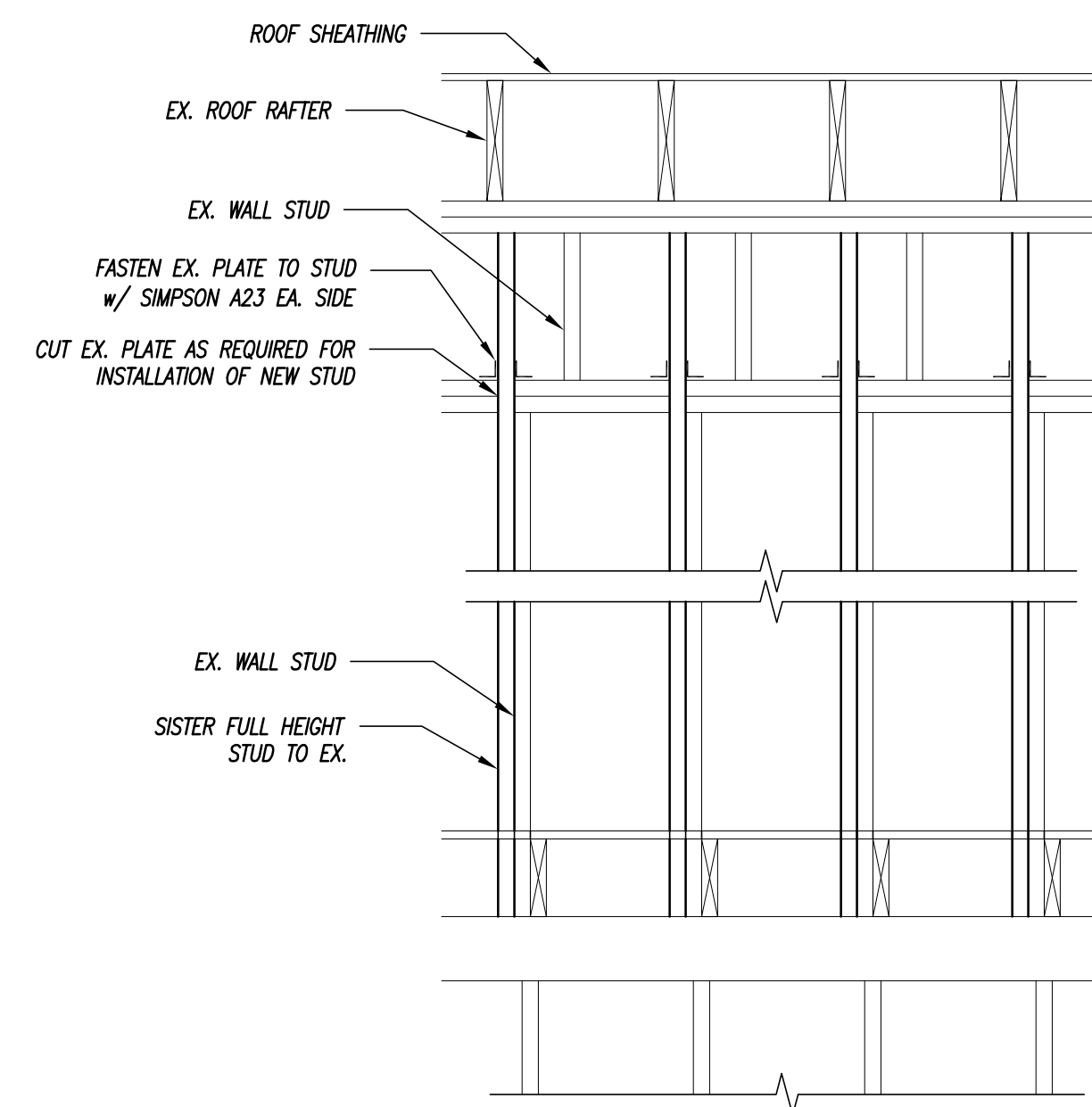
6 SECTION  
3/4" = 1'-0"



7 SECTION  
3/4" = 1'-0"



8 SECTION  
3/4" = 1'-0"



9 SECTION  
3/4" = 1'-0"



Revisions:	No:	Date:	Description:

**M<sup>2</sup> Structural Engineering**  
 23 Thornbury Way  
 Windham, ME 04062  
 (207) 892-0983  
 info@m2structuraleng.com

**NAA PROPERTIES**  
 PO BOX 3793  
 PORTLAND, ME 04104

Client: **SECTIONS AND DETAILS**  
 Project Name: **229 CONGRESS STREET PORTLAND, MAINE**  
 Sheet Title: **SECTIONS AND DETAILS**  
 Project No: 13043  
 Designed By: MJM  
 Drawn By: MJM  
 Checked By: MJM  
 Scale: AS NOTED  
 Date: 08/16/2013

**S201**

This drawing is an instrument of professional service, and shall not be used, in whole or in part, for any project other than that for which it was created without the express, written consent of M<sup>2</sup> Structural Engineering, P.C. Any unauthorized use, reuse, modification or alteration, including automated conversion of this document shall be at the user's sole risk without liability or legal exposure to M<sup>2</sup> Structural Engineering, P.C.